


# ONKYO SERVICE MANUAL

## FULLY AUTOMATIC TURNTABLE MODEL CP-1037F

### SAFETY-RELATED COMPONENT WARNING!!

COMPONENTS IDENTIFIED BY MARK  ON THE SCHEMATIC DIAGRAM AND IN THE PARTS LIST ARE CRITICAL FOR RISK OF FIRE AND ELECTRIC SHOCK. REPLACE THESE COMPONENTS WITH ONKYO PARTS WHOSE PARTS NUMBERS APPEAR AS SHOWN IN THIS MANUAL.

MAKE LEAKAGE-CURRENT OR RESISTANCE MEASUREMENTS TO DETERMINE THAT EXPOSED PARTS ARE ACCEPTABLY INSULATED FROM THE SUPPLY CIRCUIT BEFORE RETURNING THE APPLIANCE TO THE CUSTOMER.

### SPECIFICATIONS

Type:	2-speed fully automatic turntable
Turntable Platter:	30 cm (12") aluminum diecast
Motor:	Electronic servo DC motor, belt drive
Speeds:	33-1/3 rpm, 45 rpm
Wow & Flutter:	0.05% (WRMS)
Signal-to-Noise Ratio:	67 dB (DIN B)
Tonearm:	Lightweight straight-line static balanced pipe tonearm with detachable headshell (ADC type connector) and counterweight with direct tracking force read out.

Suitable Cartridge Weight:	5-9 grams
Adjustable Range:	3 grams
Maximum Length:	270 mm
Effective Arm Length:	213 mm
Overhang:	14 mm
Maximum Tracking Error:	+3 degrees, -1.0 degrees (offset angle 21 degrees)
Cartridge:	
Type:	Induced magnet OC-66I
Frequency Response:	20 Hz - 20,000 Hz
Recommended Load Impedance:	47 kohms
Recommended Tracking Force:	2 grams
Output Voltage:	2.5mV
Replacement Stylus:	DN66ST
Power Supply:	AC 120V, 60 Hz
Dimensions(W×H×D):	418mm×372mm×130mm 16-1/2"×14-1/2"×5-1/2"
Weight:	3.5 kg (7.7 lbs.)

Optional Recommended Headshell: SH-21E

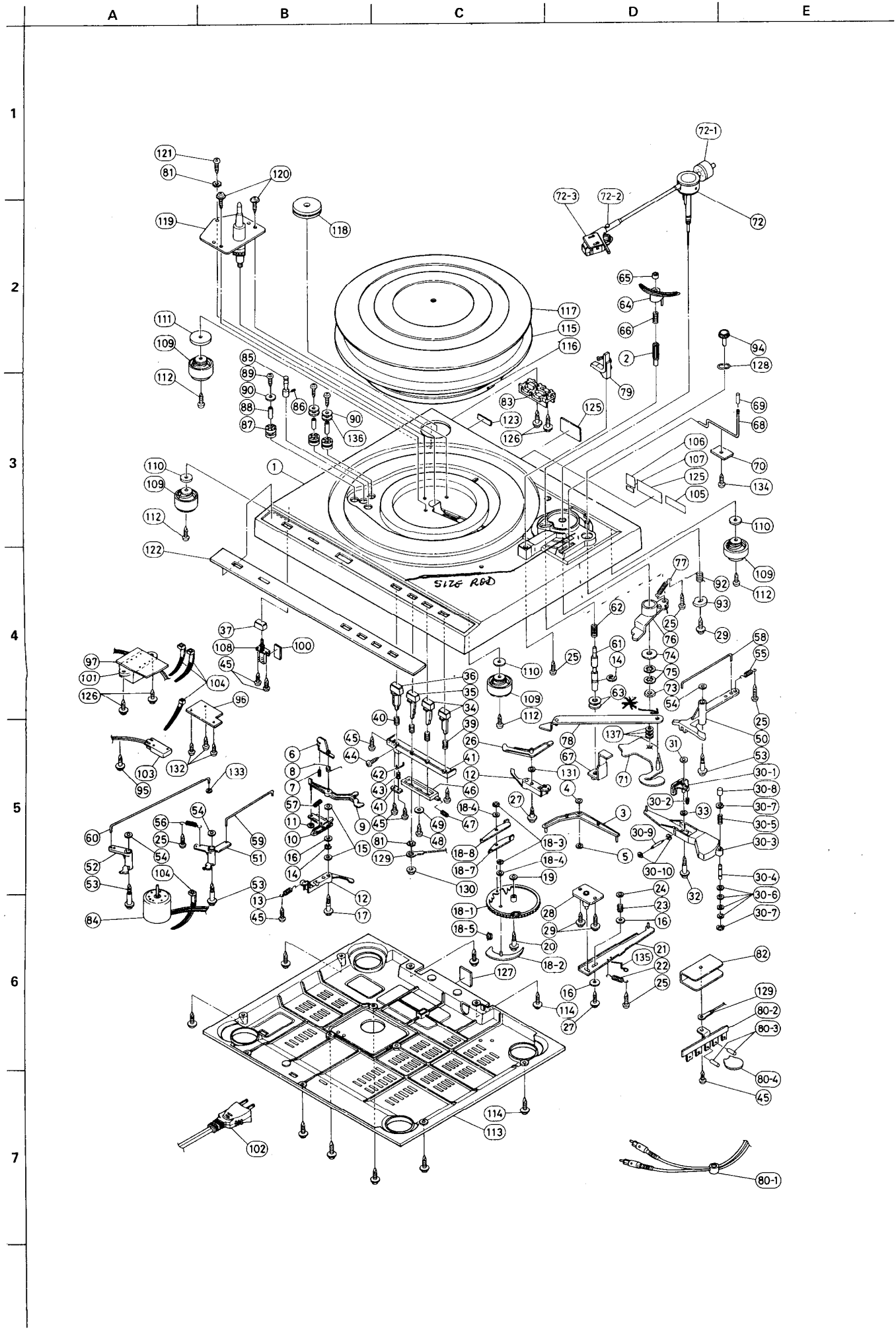
Due to further product improvements, specifications are subject to change without notice.

**ONKYO**<sup>®</sup>  
**AUDIO COMPONENTS**

## PARTS LIST

REF. NO.	PARTS NO.	DESCRIPTION	REF. NO.	PARTS NO.	DESCRIPTION	REF. NO.	PARTS NO.	DESCRIPTION
1	28110347	Cabinet	42	24503125-2	Spring (R.S.)	89	82112612	Pan-head screw FM2.6+12
2	24504325	Elevation base	43	24503124	Spring	92	27180287	Spring (I.F.C.)
3	24504334	Lever (Switch)	44	833126069	Pan-head screw	93	27185018	Cam (I.F.C.)
4	87613012	Washer W3x12F	45	833130088	Tap-tight screw 3TTP+8B	94	24504326-1	I.F.C. AS
5	24506070	CS-3, CS Ring	46	24504394	Plate (Repeat)	95	800523	Tapping screw/W washer
6	24500330	Lever (Clutch)	47	24503126	Spring	96	24505164	Speed control P.C board
7	24503027	Spring (I.F.C.)	48	833130168	Tap-tight screw 3TTP+16B		24509230	10KVR (VR101)
8	24506478	Spring (Clutch lever)	49	8761301208	FW 3x12x0.8, Washer		24509229	5kVR (VR102)
9	24503079	Lever (SW) 2	50	24506498-1	Start cam		24505165	P.C.B.
10	24506484	Lever (Start)	51	24506605	RS Cam	97	230448	Power transformer
11	24506482	Stop ring CSTW-2.4	52	24506606	RS Cam	101	24505076	AC cord
12	24506481	Lever (Repeat)	53	24506523	Special screw	102	24503023	Micro switch
13	24503053	Spring (Start lever)	54	87513008	Washer W3x8F	103		
14	893030	E-3, Circlip	55	24500771	Spring (Strat lever)	104	260208	Binder
15	24506483	Washer FW4, 7x12x0.3	56	24500771-2	Spring	105		
16	24506480	Washer FW4, 7x12x0.5	57	24506519	Spring (Actuating)	106		
17	24506607	Special screw	58	27260199	Selector rod (Start)	107		
18	24503127	Main gear AS	59	24506609	Selector rod (Start)	108	24503129	Switch, Speed selector
18-1	24503128	Main gear	60	24506610	Selector rod (Repeat)	109	24509351A	Insulator AS
18-2	24504395	Lever (Selector)	61	27260200	Elevation shaft	110	800145	Special washer T0.8
18-3	24506070	Stop ring CSTW-12	62	24500774	Spring (Elevation)	111	24509196	Plate
18-5	24501012-1	Spring	63	800519	Nylon washer 4.7x8x.3	112	801275	Special P-tight screw
18-7	24506079-1	Clutch	64	24506275	Elevation plate	113	27170086	Bottom board
18-8	24500405-1	Clutch Guide	65	24503075	Spring (Cam)	114	831130122	Tapping screw 3STW+12BQ
19	87615010	Washer FW5x10x0.5	66	24506504	EL Nut	115	24502153	Platter
20	24506612	Special screw	67	24506505	Lifter arm	116	242129B	Drive belt
21	24500301	Selector arm AS	68	24504333	Lever (Cue)	117	24509323	Platter mat
22	24503054	Spring (Select arm)	69	24506399	Knob (Lifter lever)	118	292093	45 RPM Adapter
23	24506486	Spring (Protect)	70	27141034	Plate	119	24502151	Platter shaft bearing
24	87613008	FW 3.2x8x0.5, Washer	71	27141035	Actuating arm AS 2	120	833130102	Tapping screw TPT3+10
25	833130125	Tapping screw FMT3+12	72	24501552	Tone arm ass'y	121	82113016	Pan-head screw 3P+16FN
26	27267439	Guide (Selector)	72-1	24501553	Counter weight	122	27262349	Front panel
27	24506624	Special screw W/washer	72-2	24501321	Screw, Tone arm	123	29360404	Serial number sheet
28	24506615	Plate	72-3	24501354	Head shell	125	29360798	Spec-label
29	831130082	Tapping screw 3STW+8BQ	72-4	242936	OC-661 Cartridge	126	833130162	Pan-head screw FM3+16
30-1	24506490	Turn base	72-5	242968	DN-66ST Stylus	127	24506623	Gard
30-2	24506491	Spring	74	8761102210	FW 10x22x1, Washer	128	870071	Wave washer WW-6
30-3	24506492-1	Turn plate	75	891100	CS-10, CS Crip	129	24505163	Lug
30-4	24506493	Friction shaft	76	27130410	Selector	130	800520	Nut/W washer
30-5	24506494	Spring (Friction)	77	24500771-1	Spring	133	891020	Stop ring E-2
30-6	24506495	Fiber washer 4.7x10x0.5	78	24506511-1	Actuating arm	135	27180288	Holder (Lever)
30-7	893030	E Washer 3	79	24506600	Arm rest AS	136	800521	Fiber washer 4.7x13
30-8	24500516	Friction rubber	80	24505161	Lug AS 5P	137	800522	Washer FW5.2x12x1
30-9	24501019	Turn plate shaft	80-1	24505162	Shield wire AS			
31	87614010	Washer W4x10F	80-2	24506701	Full-auto mechanism			
32	24506616	Special screw	80-3		Tube			
33	8761601203	Washer FW6.2x12x.3	80-4	345024724	4700PF 50V, Ceramic			
34	28322299	Button AS (Start)	82	24506032	Shield plate			
35	28322300	Button AS (Repeat)	83	24506517	Cord holder			
36	28322301	Button AS (R.S.)	84	24502152	Phono motor			
37	28320489-1	Button	85	24502115	Motor pulley			
39	27180285	Spring (Button) 6.5	86	801161	Screw FT-3			
40	27180286	Spring (Button) 11.5	87	24502060	Cushion rubber			
			88	24506190	Pipe			

# EXPLODED VIEW



# SERVICE PROCEDURES

## Instruction resistance measurement

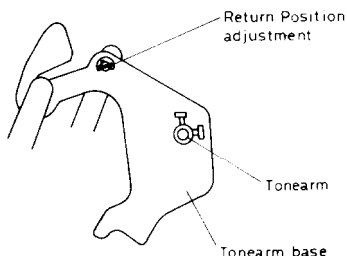
Connect the insulating-resistance tester between the plug of power supply cord and chassis.

Specifications: G/W models 500 V more than 10 MΩ

# ADJUSTMENT PROCEDURES

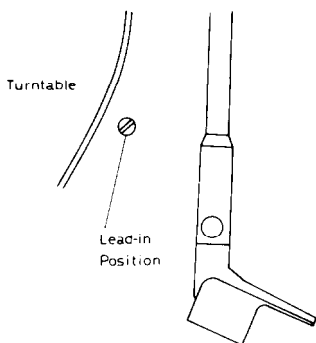
## 1. Auto-return position

Adjust the return position by the eccentric pin attached by the tonearm base. To adjust the return position for faster, turn the eccentric pin clockwise. To adjust the return position for later, turn the eccentric pin counter-clockwise.

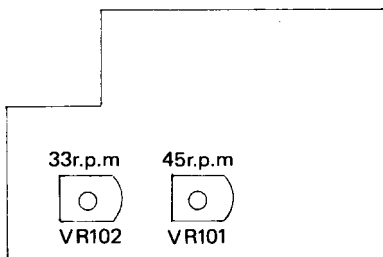


## 2. Lead-in position

Remove the rubber cap. Press the record size selector to 30cm position and the speed selector to 45 r.p.m. To adjust lead-in position for faster (outside), turn the eccentric pin clockwise. To adjust the lead-in position for later (inside), turn the eccentric pin counter-clockwise.



## 3. Speed control

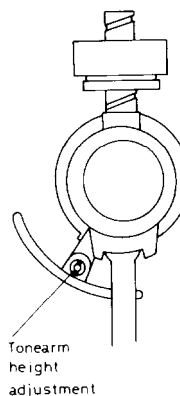


## 4. Tonearm height

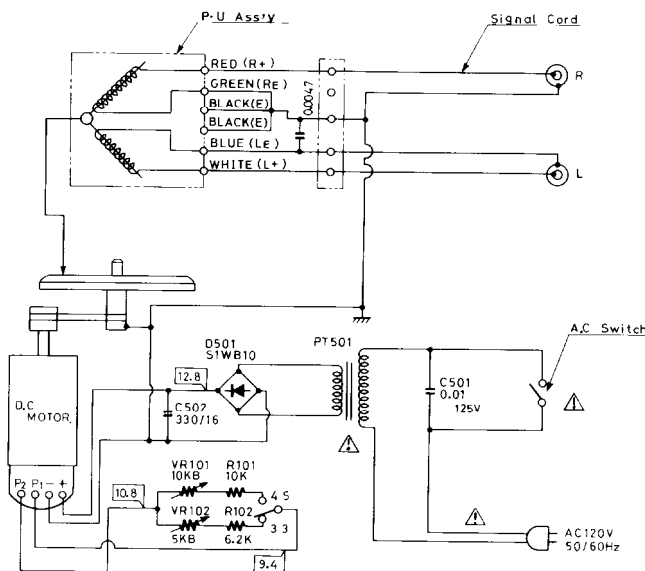
- 1) Press the record size selector to 17cm position and the power switch to the ON position.
- 2) Press the play button.
- 3) As soon as the tonearm comes over the turntable platter, press the power switch to the off position.

- 4) Adjust the screw on the lifter plate for 12±1mm height between the stylus tip and the turntable platter mat.

Note: To adjust the height for lower, turn the screw clockwise. To adjust the height for higher, turn the screw counter-clockwise.

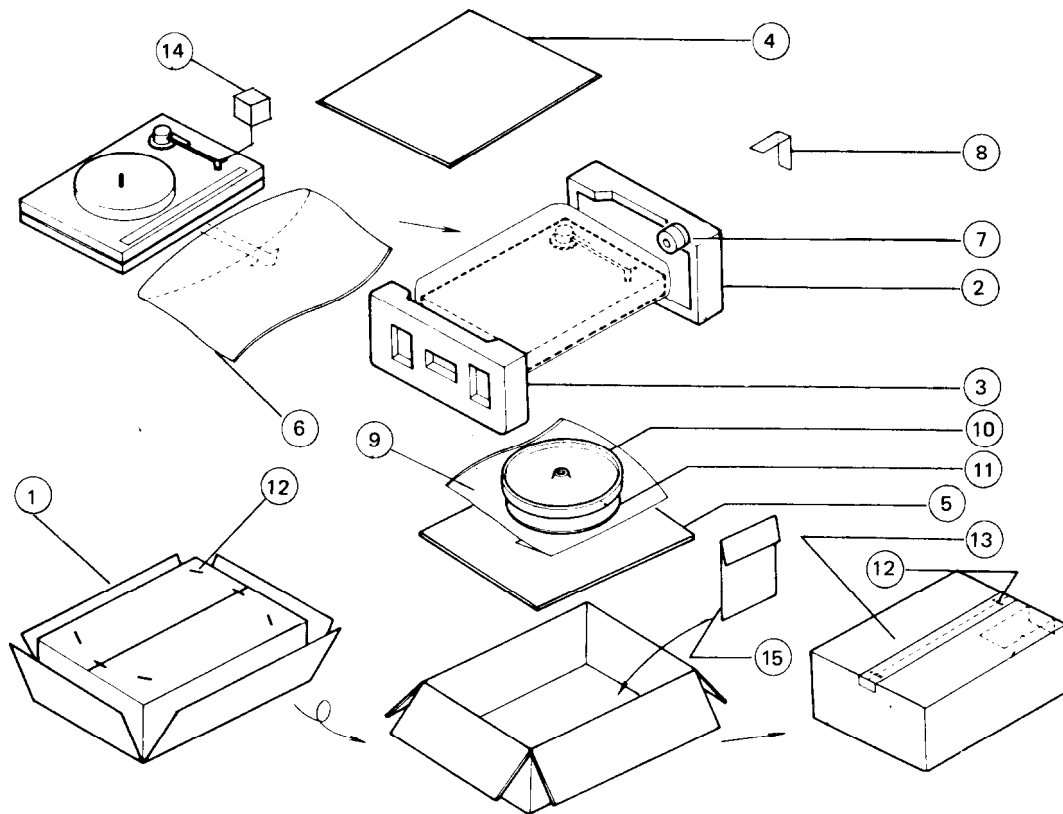


# CONNECTION DIAGRAM



NOTE  
 1. ALL RESISTORS ARE IN OHMS, 1/4 WATT UNLESS OTHERWISE NOTED.  
 2. ALL CAPACITORS ARE IN μF, 50V UNLESS OTHERWISE NOTED.  
 3. ELECTROLYTIC CAPACITORS (E) ARE IN μF/VV.  
 4. VOLTAGE IS MEASURED WITH V.T.V.M. WHEN TONEARM IS IN REST POSITION. (C □)  
 5. THE COMPONENTS IDENTIFIED BY MARK (Δ) ARE CRITICAL FOR SAFETY.  
 6. REPLACE ONLY WITH PART NUMBER SPECIFIED.  
 CIRCUIT IS SUBJECT TO CHANGE FOR IMPROVEMENT.

# PACKING VIEW



REF. NO.	PART NO.	DESCRIPTION
1	29051159	Master carton box
2	29090752	Pad(R)
3	29090753	Pad(L)
4	29095250	Pad Sheet
5	29095250	Pad Sheet
6	29095012	800 x 500, Protection sheet
7	24501553	Counter weight
8	260013	P. P Tape
9	29100046	370 x 470, Poly bag
10	24502153	Turntable platter
11	24509323	T. T Sheet
12	282301	Sealing hook
13	260012	Damplon tape
14	29091052	Pad(PU)
15	Accessory bag complete	
	29340900	Instruction manual
	29365006-7	Warranty card(Only USA model)
	29358002C	Service station list(Only USA model)
	292049A	45rpm Adaptor

## ONKYO CORPORATION

International Division: No. 24 Mori Bldg., 23-5, 3-chome, Nishi-Shinbashi, Minato-ku, Tokyo, Japan  
 Telex: 2423551 ONKYO J. Phone: 03-432-6981

## ONKYO U.S.A. CORPORATION

200 Williams Drive, Ramsey, N.J. 07446 Tel. 201-825-7950