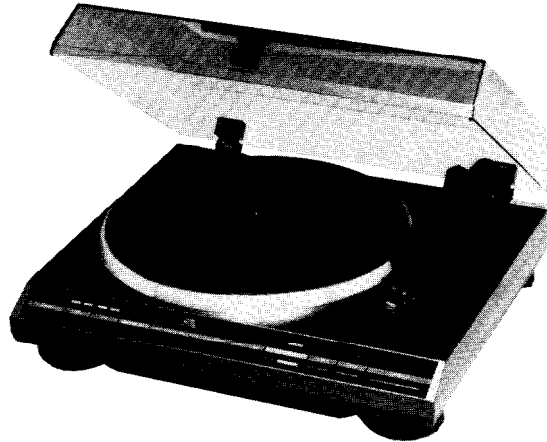


ONKYO SERVICE MANUAL

QUARTZ LOCKED DIRECT DRIVE AUTOMATIC TURNTABLE MODEL CP-1046F



Silver and black models

Note.

For model CP-1046F, read CP-1044F as CP-1046F. But the following parts are not the same on models CP-1046F and CP-1044F.

| PAGE | REF. NO. | PART NO. | DESCRIPTION |
|------|----------|-----------|-------------------------|
| 4 | | 24509320 | Dust cover |
| 4 | 34 | 24509327 | Insulator (J) |
| 4 | 31 | 24509325 | Insulator (H) |
| 4 | 32 | 24509326 | Insulator (I) |
| 4 | 44 | 28191249 | Clear plate |
| 4 | 45 | 27262267 | Plate 46 |
| 4 | 45 | 27262268 | Plate 46 (B) |
| 12 | 8 | 24509329 | T.T sheet (N) |
| 12 | 8 | 24509286 | T.T sheet (G) |
| 4 | 43 | 27267335 | Guide (L) (B) |
| 4 | 36 | 28321549 | Knob (S) (B) |
| 4 | 35 | 28321546 | Knob (R) ass'y (B) |
| | | 24505155 | PU-cable (N) |
| | | 24505158A | PU-cable (V) |
| 4 | 4 | 28110290 | Floating base ass'y (B) |
| 4 | 1 | 28110289 | Cabinet (B) |
| 4 | P304 | 242960 | OC-61VE, Cartridge (G) |
| 4 | P304 | 242959 | DN-61STE, Stylus (G) |
| | | 28180080 | Hinge (B) |

NOTE

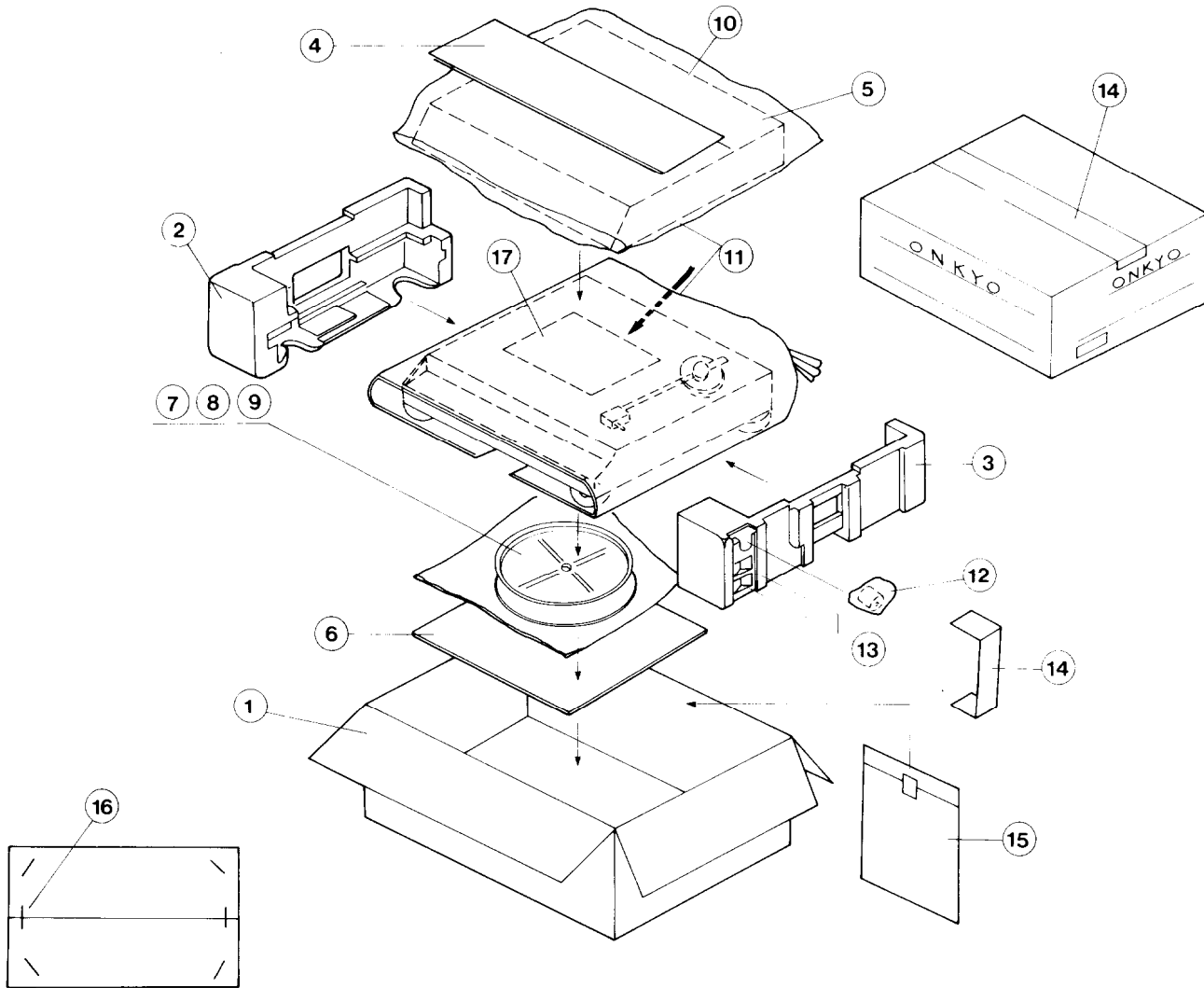
N: Only 120V Model

G: Other Models

B: Black Model

V: West Germany Model

ONKYO
AUDIO COMPONENTS



| REF. NO. | PART NO. | DESCRIPTION |
|----------|------------|--------------------------------------|
| 1 | 29050939 | Master carton box (Black Model) |
| | 29050938 | Master carton box (Silver Model) |
| 2 | 29090916A | Pad (L) |
| 3 | 29090917A | Pad (R) |
| 4 | 29090918A | Sheet |
| 5 | 29095366 | Sheet |
| 6 | 29095286 | Sheet |
| 7 | 24502159 | Turntable platter |
| 8 | 24509328 | T. T. Sheet (N) |
| | 24509286A | T. T. Sheet (G) |
| 9 | 29100046 | 370 x 470, Poly-vinyl bag |
| 10 | 24501460 | Dust cover |
| 11 | | Sheet |
| 12 | 24501460 | Counter weight |
| 13 | 28180080 | Hinge (Black Model) |
| 13 | 28180078 | Hinge (Silver Model) |
| 14 | | P. P. tape |
| 15 | | Accessory bag complete |
| | 29340775 | Instruction manual (N) |
| | 292049A | 45 rpm adaptor |
| | 24509197 | Overhang gauge |
| | 29358004 | Service station list (N) |
| | 29365006-6 | Warranty card (N) |
| | 29100005 | 220 x 330, Poly-vinyl bag |
| | 24501330 | Cartridge attachment parts ass'y (G) |
| | 25055040 | C-V-K2, Conversion plug (G) |
| | 29340776 | Instruction manual (G) |
| 16 | 282301 | Sealing hook |
| 17 | 29355101 | Caution sheet |

NOTE
 N: Only 120V Model
 G: Other Models