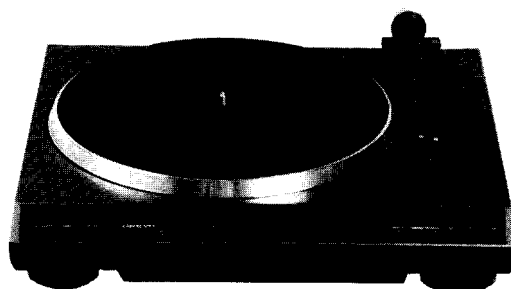


ONKYO SERVICE MANUAL

AUTOMATIC RETURN TURNTABLE Model CP-1114A



UDN

120V AC, 60Hz

SAFETY-RELATED COMPONENT WARNING!!

COMPONENTS IDENTIFIED BY MARK \triangle ON THE SCHEMATIC DIAGRAM AND IN THE PARTS LIST ARE CRITICAL FOR RISK OF FIRE AND ELECTRIC SHOCK. REPLACE THESE COMPONENTS WITH ONKYO PARTS WHOSE PARTS NUMBERS APPEAR AS SHOWN IN THIS MANUAL.

MAKE LEAKAGE-CURRENT OR RESISTANCE MEASUREMENTS TO DETERMINE THAT EXPOSED PARTS ARE ACCEPTABLY INSULATED FROM THE SUPPLY CIRCUIT BEFORE RETURNING THE APPLIANCE TO THE CUSTOMER.

SPECIFICATIONS

Type:	2-speed automatic-return turntable with cueing lever
Turntable Platter:	31 cm (12-1/4") Aluminum diecast
Motor:	DC servo
Speeds:	33-1/3 rpm, 45 rpm
Wow & Flutter:	0.045% WRMS
Signal-to-Noise Ratio:	66 dB (DIN-B)
Tonearm:	Lightweight straight-line static balanced pipe tonearm with detachable headshell (ADC type connector) and counterweight with direct tracking force read out.
Effective Arm Length:	210 mm (8-5/16")
Overhang:	13 mm (1/2")
Maximum Tracking Error:	+4.5 degrees, -1 degree
Usable Cartridge Weight:	Min. 5.0 g, Max. 9.0 g
Cartridge:	
Type:	Induced magnet OC-66I
Frequency Response:	20 Hz - 20,000 Hz
Recommended Load Impedance:	47 kohms
Recommended Tracking Force:	2 grams
Output Voltage:	2.5 mV
Replacement Stylus:	DN-66ST
Power Supply:	AC 120V, 60 Hz
Dimensions (W x H x D):	418mm x 128mm x 374mm 16-1/2" x 5" x 14-6/8"
Weight:	3.1 kg (6.8 lbs.)


Optional Recommended Headshell: SH-21F

In the interest of further product improvements, specifications are subject to change without notice.

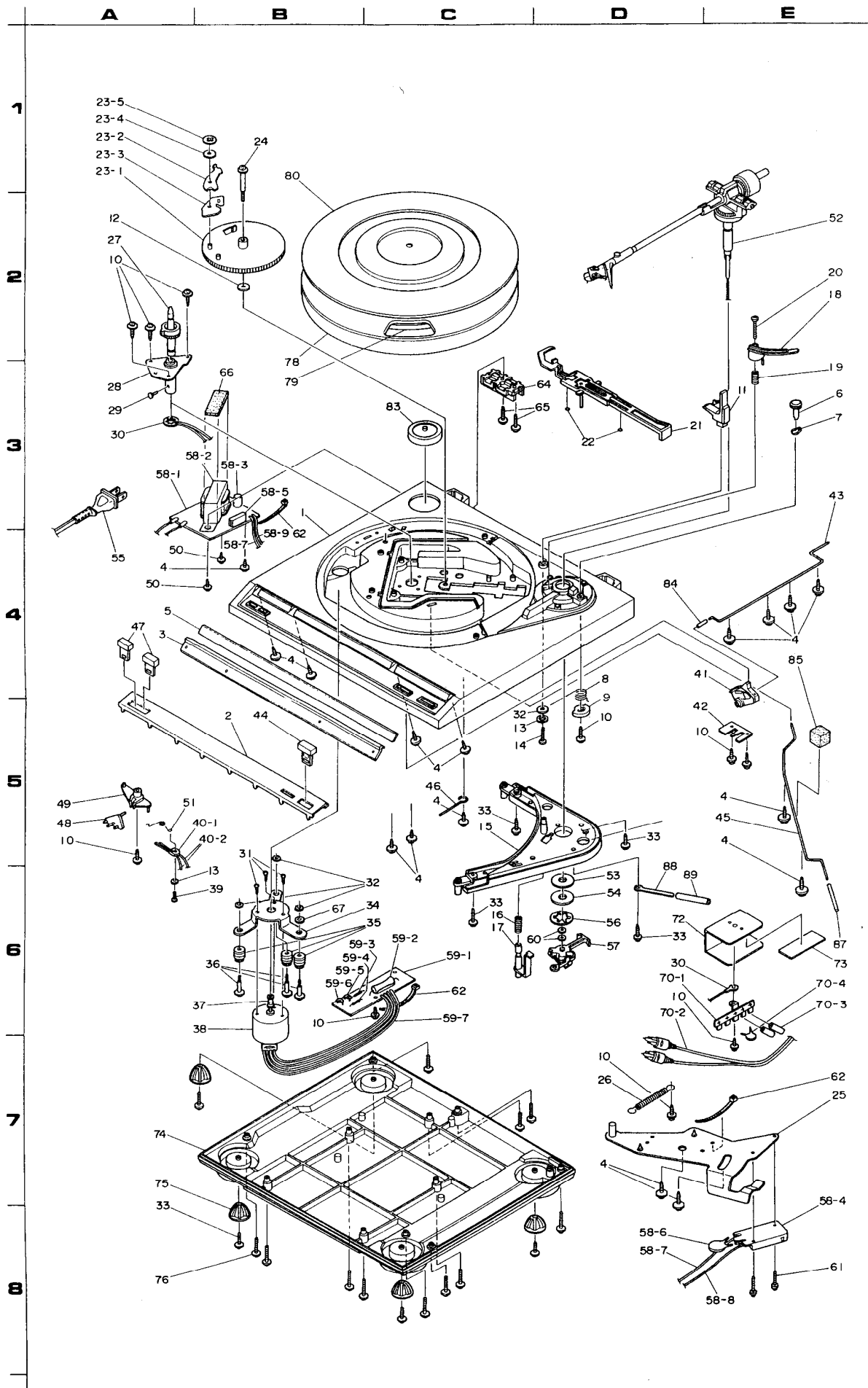
ONKYO
AUDIO COMPONENTS

PARTS LIST

REF. NO.	PART NO.	DESCRIPTION	REF. NO.	PARTS NO.	DESCRIPTION	REF. NO.	PARTS NO.	DESCRIPTION
1	28110413	CABINET	29	24502165	PIN	55	253099C	ACCORD
2	27262428	PLATE (OPE)	30	24505179	LEAD AS (GND)	56	891100	STOP RING CS-10
3	24509375	COVER (PLATE OPE)	31	82142603	PAN HEAD SCREW 2.6P+3FBC	57	24509301	ACTUATING ARM AS
4	801295	TAPPING SCREW W/WASHER	32	87613008	WASHER W3×8F	58	24502209	P.C.B AS (POWER)
5	27262429	PLATE (BLACK)	33	831130108	TAP-TIGHT SCREW 3TTW + 10B	58-2	2300176	NPT-948D
6	24501571	KNOB AS (I.F.C.)	34	27141045	BRACKET (MOTOR)	58-4	24503023	MICRO SWITCH
7	24506243	WAVE WASHER	35	24506331	CUSHION RUBBER	58-5	22380011	SI.VB. DIODE
8	24503131	SPRING (I.F.C.)	36	801358	SCREW	60	8761501010	WASHER W5×10F
9	24504271	I.F.C. CAM	38	24502206	PHONO MOTOR AS (38+37+59)	61	82142614	PAN-HEAD SCREW 2.6P+14FN
10	831430088	TAP-TIGHT SCREW 3TTW + 8BBC			CONTROL PCB	62	260208	SK BINDER
11	24509294	ARM REST AS			5000. SEMI-FIXDE	64	24506517	CORD HOLDER
12	87613008	WASHER W3×8F			1KΩ. SEMI-FIXDE	65	831430168	TAP-TIGHT SCREW 3TTW + 16B
13	871430	SPRING WASHER SW-3 BC			3W470Ω. METAL	66	24506729	CUSHION 30×10 × 3t
14	834430258	TAP-TIGHT SCREW 3TTS + 25BC	39	834430128	TAP-TIGHT SCREW 3TTS + 12BB	67	24506730	WASHER 5.2 × 12 × 1.2t
15	24509295	BASE (SUB)	40	24504415	LEAF SWITCH	70	24505180	LUG AS (5P)
16	24503145	SPRING (EV)	41	24603306	CUEING LEVER	71	87313008	WASHER TOW-3
17	24506660	SHAFT (EL)	42	24504402	HOLDER (LEVER)	72	24506208A	SHIELD PLATE
18	24504321	ELEVATION PLATE	43	24504416	QUE ROD	73	261021	UL TAPE TUL-19
19	24503144	SPRING	44	28322097	BUTTON (REJ)	74	27170161	BOTTOM BOARD
20	82143014	PAN-HEAD SCREW 3P + 14FN BC	45	24503135	SPRING (REJ)	75	27175043	LEG
21	24506661	ACTUATING ARM	46	24503136	SPRING (BUTTON)	76	834430168	TAP-TIGHT SCREW 3TTS + 16BB
22	270555	STEEL BALL	47	28322098	BUTTON (SP)	78	24502158	PLATTER
23-1	24506662	MAIN GEAR AS 2	48	24504316	SPEED SELECTOR ARM	79	242129B	DRIVE BELT
23-2	24506663	MAIN GEAR AS	49	24504417	CAM	80	24509323	PLATTER MAT
23-3	24506664	CLUTCH	50	831130128	TAP-TIGHT SCREW 3TTW + 12B	83	292093	45 RPM ADAPTER
23-4	87613008	CLUTCH GUIDE	51	24503113	SPRING (CLICK)	84	75230	UL TUBE
23-5	891030	WASHER W3×8F	52	24501528	STONE ARM	85	24509373	CUSHION
24	24506537	STOP RING CS-3	52A	24501321A	SCREW	87	79003	UL TUBE
25	24506220	SCREW	52B	24501471	COUNTER WEIGHT	88	24506031	LUG
26	24503146	ACTUATING PLATE AS	52C	24501354	HEAD SHELL	89	79007	UL TUBE
27	24502163	SPRING (OPE)	52D	242967	OC-661. CARTRIDGE			
28	24502164	PLATTER SHAFT BEARING	52E	242968	DN-66ST. STYLUS			
			52F	24501541	STYLUS PROTECTOR			
			52G	242112	CARTRIDGE SCREW 2.6×8			
			52H	24500079	CARTRIDGE WASHER			
			52I	24501555	NUT			
			53	24506546	WASHER FW10×22×.6			
			54	24509300	RUBBER WASHER			

NOTE: THE COMPONENTS IDENTIFIED BY MARK  ARE CRITICAL FOR RISK OF FIRE AND ELECTRIC SHOCK. REPLACE ONLY WITH PARTS NUMBER SPECIFIED.

EXPLODED VIEW



SERVICE PROCEDURES

Instruction resistance measurement

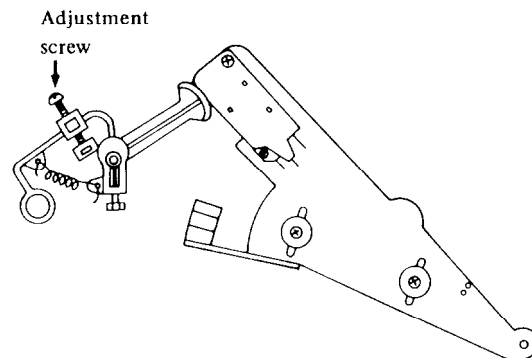
Connect the insulating-resistance tester between the plug of power supply cord and chassis.

Specifications: 500 V more than 10 MΩ

ADJUSTMENT PROCEDURES

Automatic shut-off position adjustment

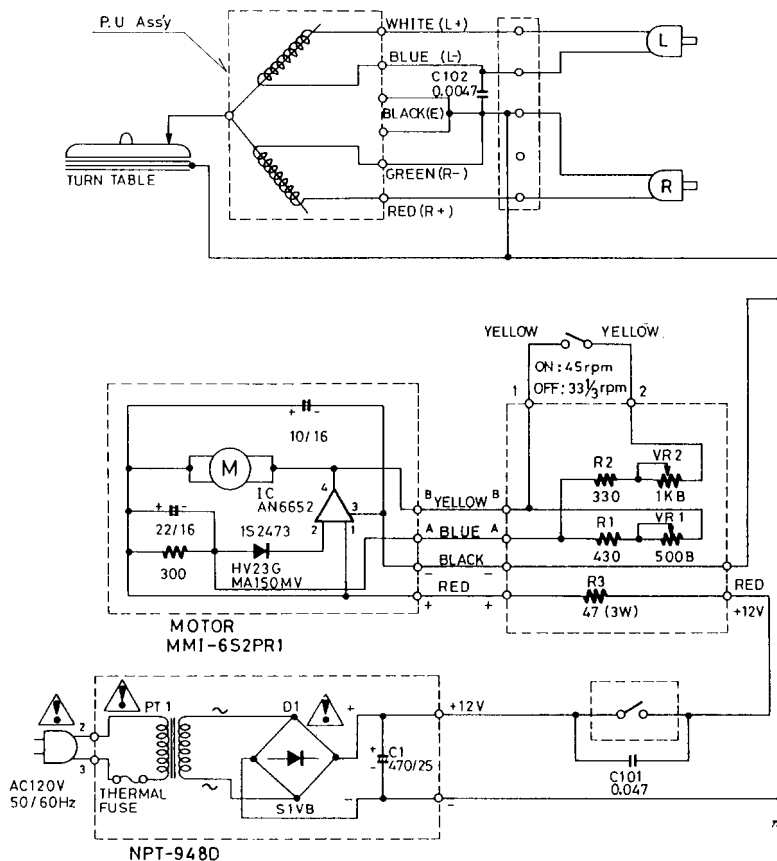
Adjust the shut-off position with the fine adjustment screw. After the adjustment, apply lock-tite to the screw. To adjust the shut-off position for earlier, turn the screw counter-clockwise. To adjust the shut-off position for later, turn the screw clockwise.



Return count

Using test record ONK-1000. 3 m/m pitch return count is 9~16 count.

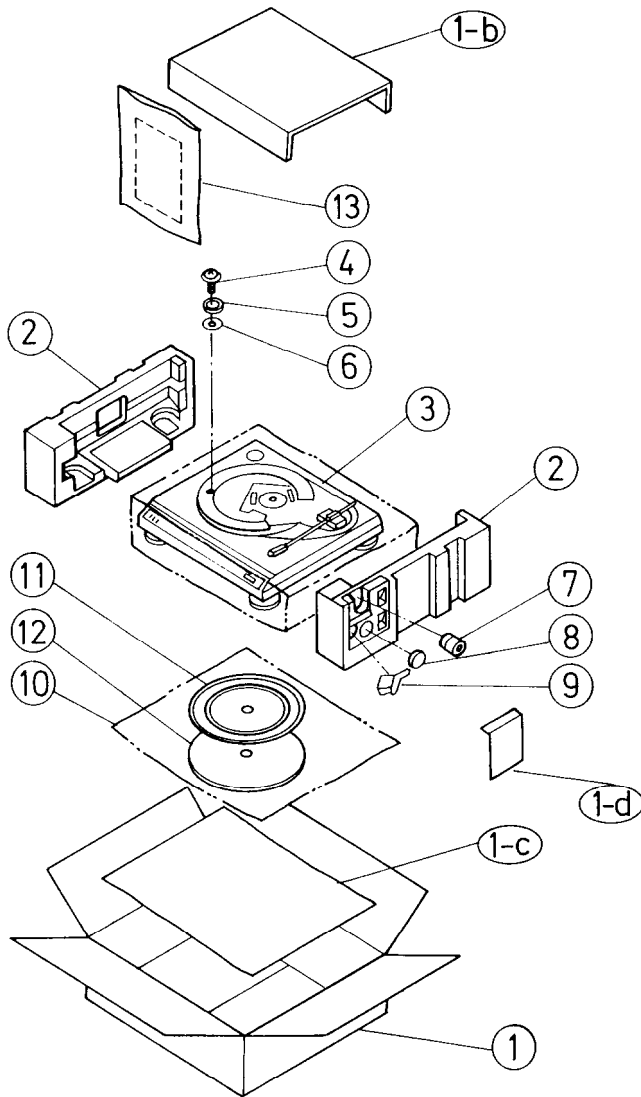
CONNECTION DIAGRAM



NOTES

- ALL RESISTORS ARE IN OHMS 1/4 WATT UNLESS OTHERWISE NOTED.
- ALL CAPASITORS ARE IN μF 50WV UNLESS OTHERWISE NOTED.
- ELECTORLYTIC CAPACITORS (=##) ARE IN μF/WV.
- VOLTAGE (MEASURED WITH V.T.V.M.) (NO INPUT SIGNAL).
- CIRCUIT IS SUBJECT TO CHANGE FOR IMPROVEMENT.

PACKING VIEW



REF.NO.	PARTS NO.	DESCRIPTION
1	29051433	MASTER CARTON BOX ASS'Y
1-b	24509371	PAD SHEET (UP)
1-c	24509370	PAD SHEET (BOTTOM)
1-d	24509372	PAD SHEET (SIDE)
2	29090822	SIDE PAD (L+R)
3	29095012-1	PROTECTION SHEET, 500×700
4	24509303	MOTOR LOCK SCREW
5	87714012	4.3×12×0.8, WASHER
6	24500464	CAUTION CARD
7	2910002	POLY-VINYL BAG
	24501471	COUNTER WEIGHT
8	2910002	POLY-VINYL BAG
	292049A	45 ADAPTOR
9	2910002	POLY-VINYL BAG
	24501354	HEADSELL ASS'Y
10	29100046	POLY-VINYL BAG, 350×500
11	24502158	PLATER
12	24509323	PLATER MAT
13		ACCESSORY BAG COMPLETE
	29341091	INSTRUCTION MANUAL
	29365019	WARRANTY CARD
	29358002E	SARVICE STATION LIST
	2910005	POLY-VINYL BAG, 220×330

ONKYO CORPORATION

International Division: No. 24 Mori Bldg., 23-5, Nishi-Shimbashi 3-chome, Minato-ku,
 TOKYO 105, JAPAN Tel: 03-432-6987 Fax: 03-436-6979 TLX: 242-3551 ONKYO J
ONKYO U.S.A. CORPORATION
 200 Williams Drive, Ramsey, N.J. 07446, U.S.A. Tel: 201-825-7950 Fax: 201-825-8150