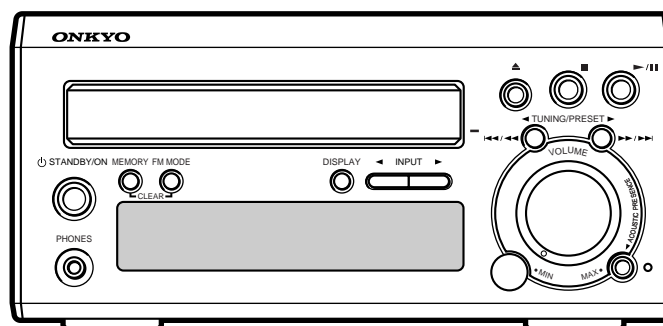
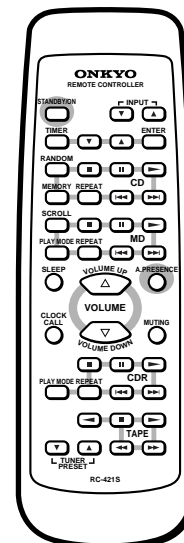


# ONKYO SERVICE MANUAL

## CD RECEIVER MODEL CR-305TX



Silver model



RC-421S

UDD,UDT	120V AC, 60Hz
UGT,UGR,	220-230V AC, 50Hz
UPP	230-240V AC, 50Hz

### SAFETY-RELATED COMPONENT WARNING!!

COMPONENTS IDENTIFIED BY MARK  $\triangle$  ON THE SCHEMATIC DIAGRAM AND IN THE PARTS LIST ARE CRITICAL FOR RISK OF FIRE AND ELECTRIC SHOCK. REPLACE THESE COMPONENTS WITH ONKYO PARTS WHOSE PART NUMBERS APPEAR AS SHOWN IN THIS MANUAL.

MAKE LEAKAGE-CURRENT OR RESISTANCE MEASUREMENTS TO DETERMINE THAT EXPOSED PARTS ARE ACCEPTABLY INSULATED FROM THE SUPPLY CIRCUIT BEFORE RETURNING THE APPLIANCE TO THE CUSTOMER.

## SERVICE PROCEDURES-1

### PROTECTION OF EYES FROM LASER BEAM DURING SERVICING

This set employs a laser. Therefore, be sure to follow carefully the instructions below when servicing.

#### WARNING!!

**SERVICE WARNING : DO NOT APPROACH THE LASER EXIT WITH THE EYE TOO CLOSELY. IN CASE IT IS NECESSARY TO CONFIRM LASER BEAM EMISSION, BE SURE TO OBSERVE FROM A DISTANCE OF MORE THAN 30cm FROM THE SURFACE OF THE OBJECTIVE LENS ON THE OPTICAL PICKUP BLOCK.**

#### Laser Diode Properties

Material: GaAS/GaAlAs

Wavelength: 780nm

Laser output: max. 0.5mW\*

Emission Duration: continuous

\*This output is the value measured at a distance about 1.8mm from the objective lens surface on the Optical Pickup Block.

### LASER WARNING LABEL

The labels shown below are affixed.

#### 1. Warning label



#### DANGER:

INVISIBLE LASER RADIATION WHEN OPEN AND INTERLOCK FAILED OR DEFEATED. AVOID DIRECT EXPOSURE TO BEAM.

#### CAUTION:

HAZARDOUS LASER AND ELECTROMAGNETIC RADIATION WHEN OPEN AND INTERLOCK DEFEATED.

#### ATTENTION:

RAYONNEMENT LASER ET ELECTROMAGNETIQUE DANGEREUX SI OUVERT AVEC L'ECLANCHMENT DE SECURITE ANNULE.

#### 2. Class 1 label



LUOKAN 1  
LASERLAITE

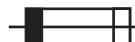
KLASS 1  
LASER APPARAT

Printed on rear panel

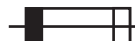
## SERVICE PROCEDURES-2

### SERVICE PROCEDURES

#### 1. Replacing the fuses



This symbol located near the fuse indicates that the fuse used is show operating type, For continued protection against fire hazard, replace with same type fuse , For fuse rating, refer to the marking adjust to the symbol.



Ce symbole indique que le fusible utilise est e lent. Pour une protection permanente, n'utiliser que des fusibles de meme type. Ce demier est indique la qu le present symbol est apposse.

REF.NO.	PART NO.	DESCRIPTION	NOTE :
F901	252157	1.25A-UL/T-237, Fuse <DD, DT>	<DD, DT> : 120 V model only
	252083	0.4A-SE-EAW, FUSE <PP,GR, GT>	<PP,GR, GT> : 230 V model only

#### 2. To initialize the unit

- Press and hold the MEMORY button and press the DISPLAY button.  
All segments light up.
- Press the STANDBY/ON button.  
When " CLEAR " appears on the display, the preset memory and each mode stored in the memory are initialized and will return to the factory setting.

#### 3. Safety-check out

(Only U.S.A. model)

After correcting the original service problem perform the follwing safety check before releasing the set to the customer  
Connect the insulating-resistance tester between the plug of power supply cord and terminal GND on the back panel.  
Specifications: More than 10Mohm at 500V

#### 4. Memory Preservation

This unit does not require memory preservation batteries. A built-in memory power back-up system preserves the contents of the memory during power failures and even when the unit is un-plugged.

The unit must be plugged in order to charge the back-up system.

The memory preservation period after the unit has been unplugged varies depending on climate and placement of the unit.

On the average, memory contents are protected over a period of a few weeks after the last time the unit has been unplugged.

This period is shorter when the unit is exposed to a highly humid cli-mate.

#### 5. Changing the AM band step

With the exception of the worldwide models, a tuning step selector switch is not provided.

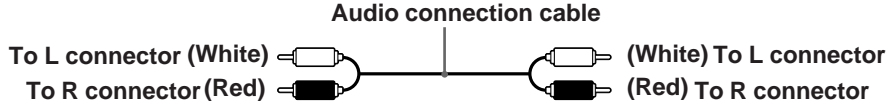
When you change the band step, change the parts as shown below.

	To 10kHz	To 9kHz
R705	3.3k	10k
R706	5.6k	open

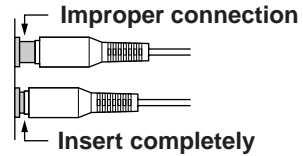
# PANEL VIEW

## REAR PANEL

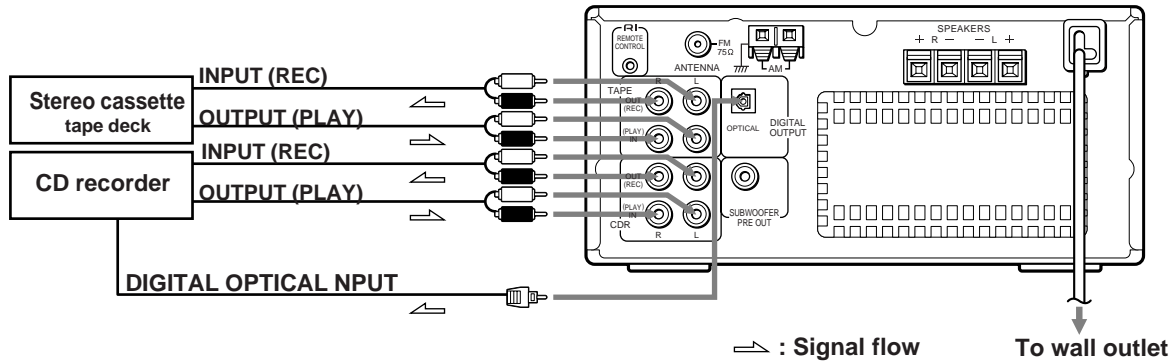
- Do not connect the AC power cord (mains lead) to the wall outlet (the mains) until you have completed all the other connections including the **RI** connections on page 7, and the speaker connections on page 8.
- On each pair of connectors, a red connector (marked R) corresponds to the right channel, and a white connector (marked L) to the left channel.  
Connect white plugs of audio connection cables to L connectors and connect red plugs of audio connection cables to R connectors .



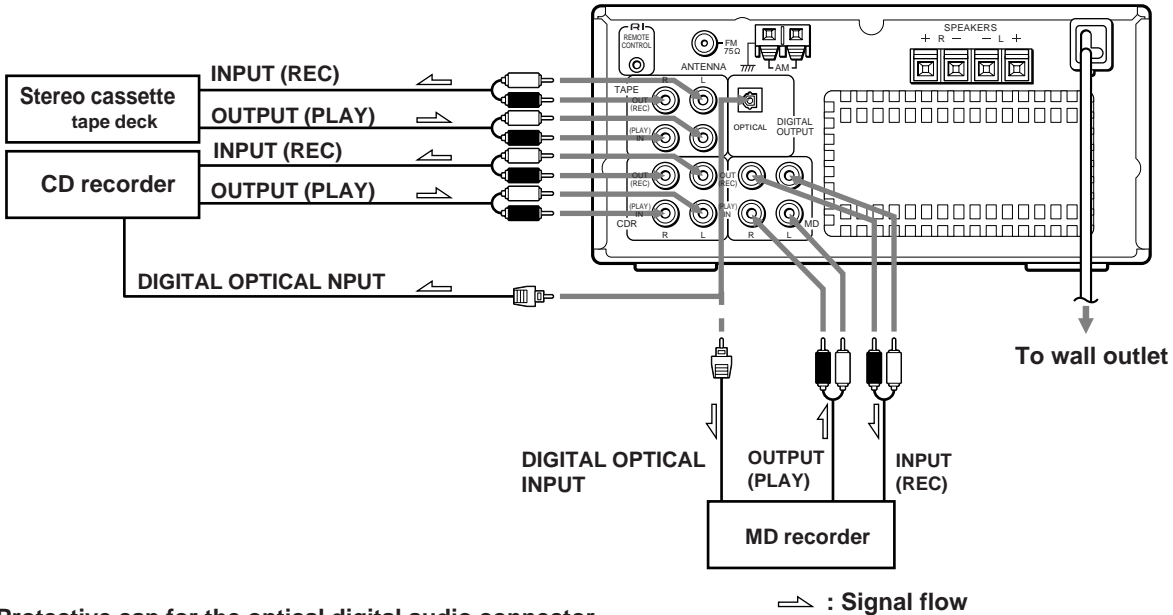
Please refer to the instruction manual for each component when you make any connections.  
Insert the plug securely. If the connection is incomplete, noise or malfunction may result.



### U.S. and Canadian models

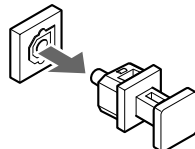


### Asian and European models

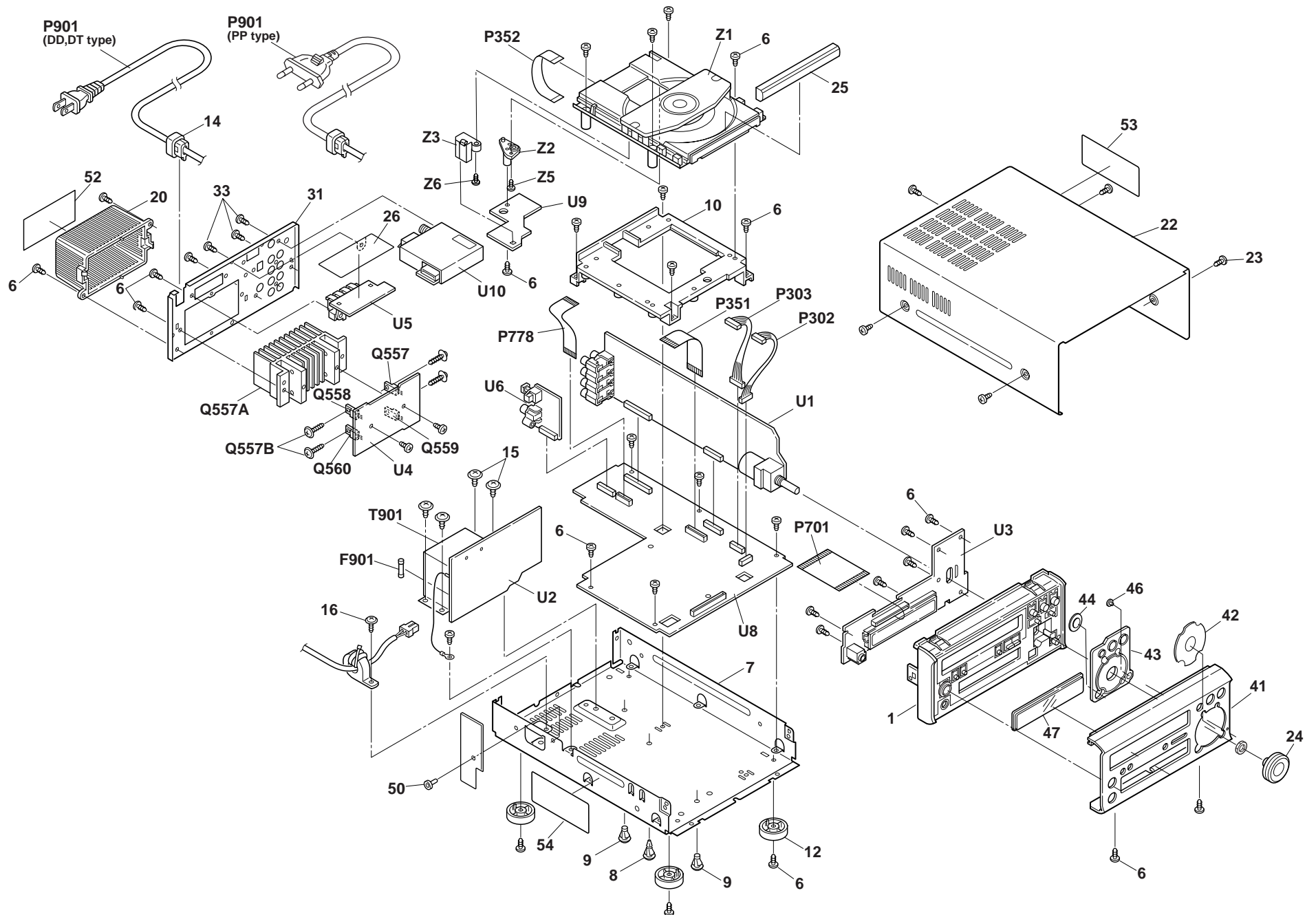


### Protective cap for the optical digital audio connector

- Remove the protective cap before you use the OPTICAL DIGITAL OUTPUT connector. Please retain it for future use. If you do not use the optical digital audio connector, make sure to replace the cap.



EXPLODED VIEW



## EXPLODED VIEW PARTS LIST-1

REF NO.	PART NO.	DESCRIPTION	REF NO.	PART NO.	DESCRIPTION	
1	3217210171000	FRAME FRONT	F901	252157	1.25A-UL/T-237, Fuse	⚠ <DD, DT>
6	838130088	3TTB+8B, Self tapping screw		252083	0.4A-SE-EAW, Fuse	⚠ <PP,GR, GT>
7	3200210996000	MAIN CHASSIS	P302	2009990500	NSAS-10P0654, Socket	
8	27190693A	KGLS-6RF, Holder	P303	20022391210	NSAS-12P0723, Socket	
9	27191112	KGPS-6RF, Holder	P351	2047161012	NCFC7-161012, Flexible flat cable	
10	4070210311000	SUPPORTER CD MECHA	P352	2042161022	NCFC2-161022, Flexible flat cable	
12	27175253-1A	Leg	P701	2047360612	NCFC7-360612, Flexible flat cable	
14	27300750	Busing, cord	P778	2047151012	NCFC7-151012, Flexible flat cable	
15	830440069	4TTC+6C(BC), Self tapping screw	P901	253294HDK	AS-UC-2#18, Power supply cord	⚠ <DD, DT>
16	831430088	3TTW+8B(BC), Self tapping screw		253287HIT	AS-CCEE, Power supply cord	⚠ <GR>
20	4310210401000	COVER HEAT SINK		253237HIT	AS-CEE, Power supply cord	⚠ <PP, GT>
22	3000210266000	CABINET COVER	Q557,Q558	2203384 or	2SC3851-Y or	*
23	838930088	3TTB+8B(UN), Self tapping screw		2203383	2SC3851-O, Transistor	*
24	5087210571000	KNOB VOLUME	Q559,Q560	2203394 or	2SA1488-Y or	*
25	4317210391000	DOOR CD		2203393	2SA1488-O, Transistor	*
26	27150456	Shield plate	Q557A	2120210418000	HEAT SINK	
31	3207211006000	BACK CHASSIS	Q557B	801433	3SMS8W.SW+14B(BC), Special screw	
	3207211006100	BACK CHASSIS	T901	2301452	NPT-1391D, Power transformer	⚠ <DD, DT>
33	838430068	3TTB+6B(BC), Self tapping screw		2301454	NPT-1391G, Power transformer	⚠ <GR, GT>
41	3067210858000	AL PANEL FRONT		2301453	NPT-1391P, Power transformer	⚠ <PP>
	3067210858011	AL PANEL FRONT	Z1	24800018A	NCD-170S, CD mechanism	
42	5127210262000	DECORATION VOLUME	Z2	24840133	Boss, PCB	
43	4357210031000	GUIDE VOLUME	Z3	24840135	Boss, PCB3	
44	5070210851000	WINDOW REMOCON	Z5	838120080	2TTB+8P, Self tapping screw	
46	3710210333000	LENS INDICATOR	Z6	838426088	2.6TTB+8B(BC), Self tapping screw	
47	5077210843000	WINDOW DISPLAY				
50	880009	Plastic rivet, NRP-345				<PP, GR, GT>
52	5507100500450	LABEL RATING				<DD>
	5507100500470	LABEL RATING				<GR>
	5507100500480	LABEL RATING				<DT>
	5507100500460	LABEL RATING				<PP>
53	5507100500510	LABEL FCC and WARNING				<DD>
	5507100500520	LABEL FCC and WARNING				<PP, GT, DT>
54	5507100500440	LABEL LASER CAUTION				<GR, GT, PP>

**NOTE:** THE COMPONENTS IDENTIFIED BY MARK ⚠ ARE CRITICAL FOR RISK OF FIRE AND ELECTRIC SHOCK. REPLACE ONLY WITH PART NUMBER SPECIFIED.

**CAUTION:**

Replacement of the transistor of mark \*, if necessary, must be made from the same beta group (HFE) as the original type.

**NOTE:**

<DD> : USA and Canadian model only

<PP> : European model only

<DT> : Taiwanese model only

<GT> : Asian model only

<GR> : Chinese model only

## EXPLODED VIEW PARTS LIST-2

REF NO.	PART NO.	DESCRIPTION	
U1	7028061541010	PCB AUDIO ASSY	
U2	7028061542010	PCB SUPPLY ASSY	<DD, DT>
	7028061542030	PCB SUPPLY ASSY	<PP>
	7028061542040	PCB SUPPLY ASSY	<GT,GR>
U3	7028061543010	FRONT PCB ASSY	
U4	7028061546010	AMP BOARD ASSY	
U5	7028061544010	SPEAKER BOARD ASSY	<DD>
	7028061544030	SPEAKER BOARD ASSY	<PP,DT, GT,GR>
U6	7028061545010	PCB DIGITAL ASSY	<DD>
	7028061545030	PCB DIGITAL ASSY	<PP,DT, GT,GR>
U8	7028061551010	CD PCB ASSY	<DD.
	7028061551030	CD PCB ASSY	<PP>
	7028061551040	CD PCB ASSY	<DT, GR, GT>
U9	7028061552010	CONNECTOR PCB ASSY	
U10	240134	TFCE1U114A, Tuner unit	<DD>
	240135	TFCE1E512A, Tuner unit	<GR, GT, PP, DT>

**NOTE:** THE COMPONENTS IDENTIFIED BY MARK  ARE CRITICAL FOR RISK OF FIRE AND ELECTRIC SHOCK. REPLACE ONLY WITH PART NUMBER SPECIFIED.

**NOTE:**

<DD> : USA and Canadian model only  
 <PP> : European model only  
 <DT> : Taiwanese model only  
 <GT> : Asian model only  
 <GR> : Chinese model only

# EXPLODED VIEWS OF MECHANISM-1

## CD MECHANISM:WSL-2130CCM

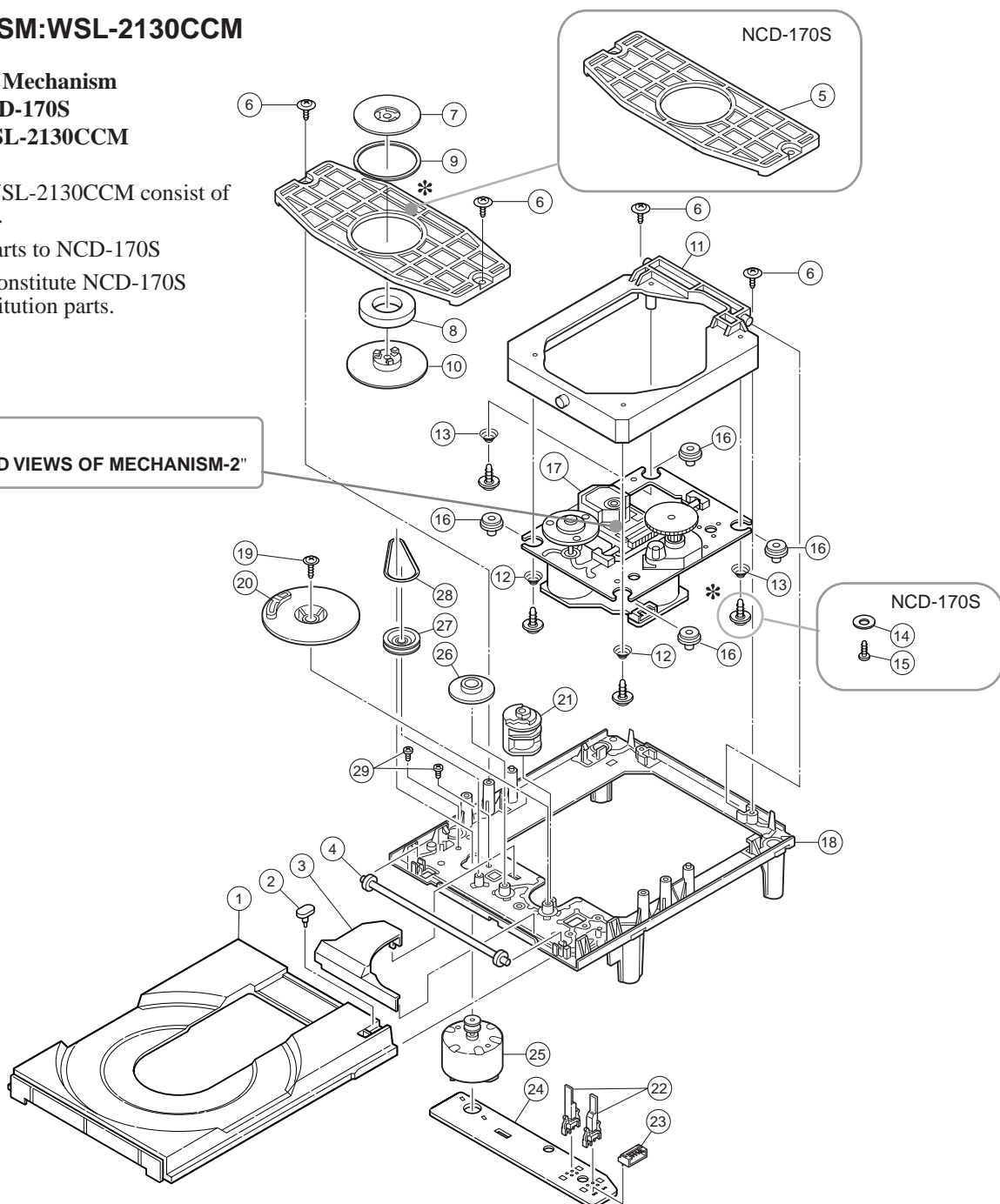
Model No. CD Mechanism  
 CR-305X NCD-170S  
 CR-305TX WSL-2130CCM

NCD-170S and WSL-2130CCM consist of almost same parts.

\* ---Different parts to NCD-170S

The parts which constitute NCD-170S can use it as substitution parts.

Refer to  
 "EXPLODED VIEWS OF MECHANISM-2"



### PARTS LIST

REF. NO.	PART NO.	DESCRIPTION
1	2646-290-01	Tray
2	---	Stopper
3	2625-544-01	Gear cover
4	2625-535-01	Tray Gear
5	2625-546-01	Chucking plate
6	---	PTPWH2.6 x 7, Screw
7	2625-537-01	Chucking yoke
8	1452-493-21	Magnet
9	2625-541-02	Damper
10	2646-291-01	Chucking pulley
11	2646-288-01	Sub chassis
12	2627-236-01	Coil spring (front)
13	2627-235-01	Coil spring (back)
14	2646-289-01	Washer
15	---	P2.6 x 10, Screw

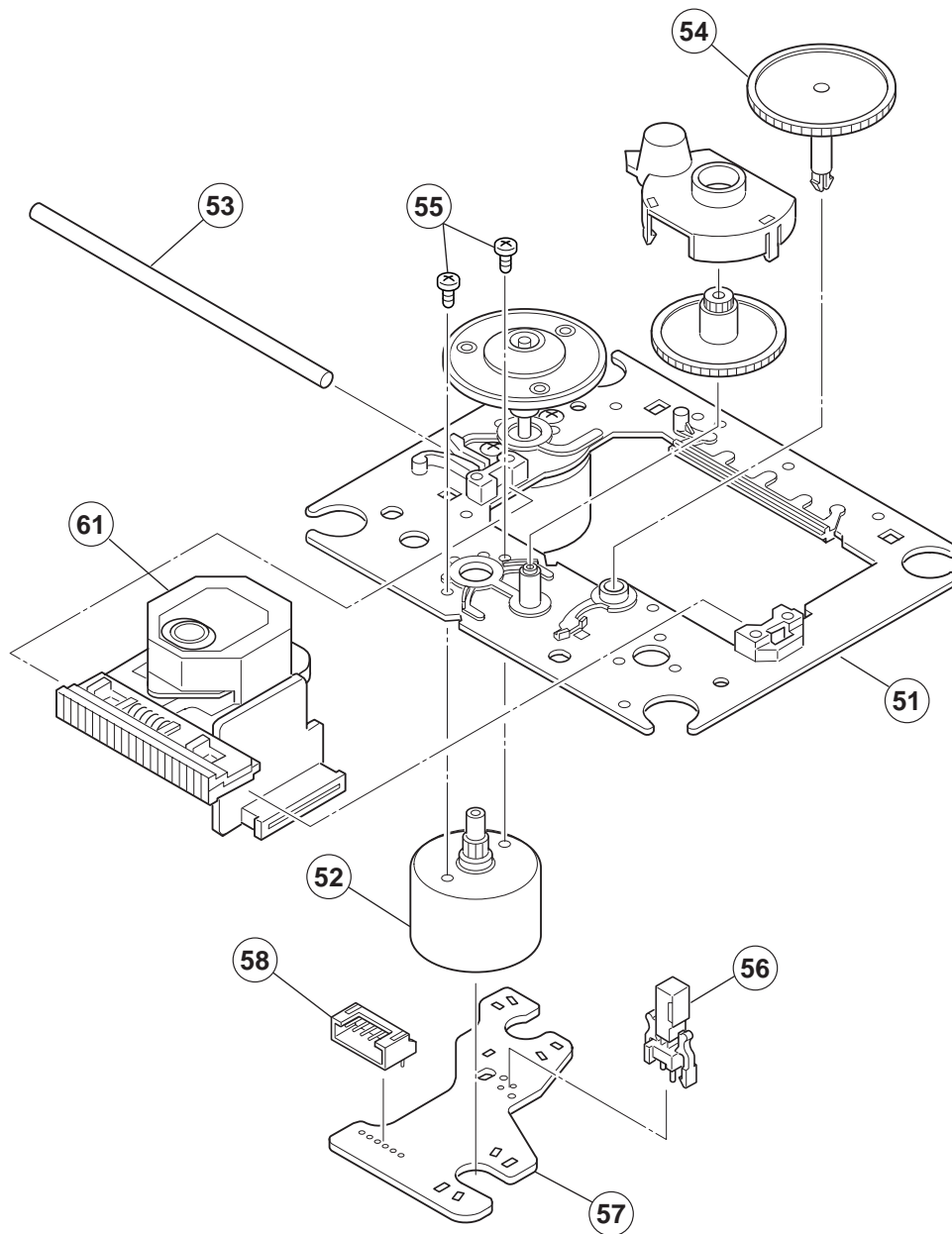
The mechanical parts with no part number in the exploded views are not supplied.

REF. NO.	PART NO.	DESCRIPTION
16	2627-234-01	Insulator
17	---	Drive unit
18	2625-552-06	Main chassis
19	3319-501-51	PTPWH2.6 x 16, Screw
20	2625-547-01	Drive Gear
21	2625-545-04	Control cam
22	1692-667-11	Leaf switch
23	1564-721-11	Socket
24	1640-523-11	Loading PC board
25	X2625-117-1	Loading motor
26	2625-274-02	Middle gear
27	2625-536-02	Loading pulley
28	3653-387-00	LM belt
29	---	B2.6 x 2.5, Screw



## EXPLODED VIEWS OF MECHANISM-2

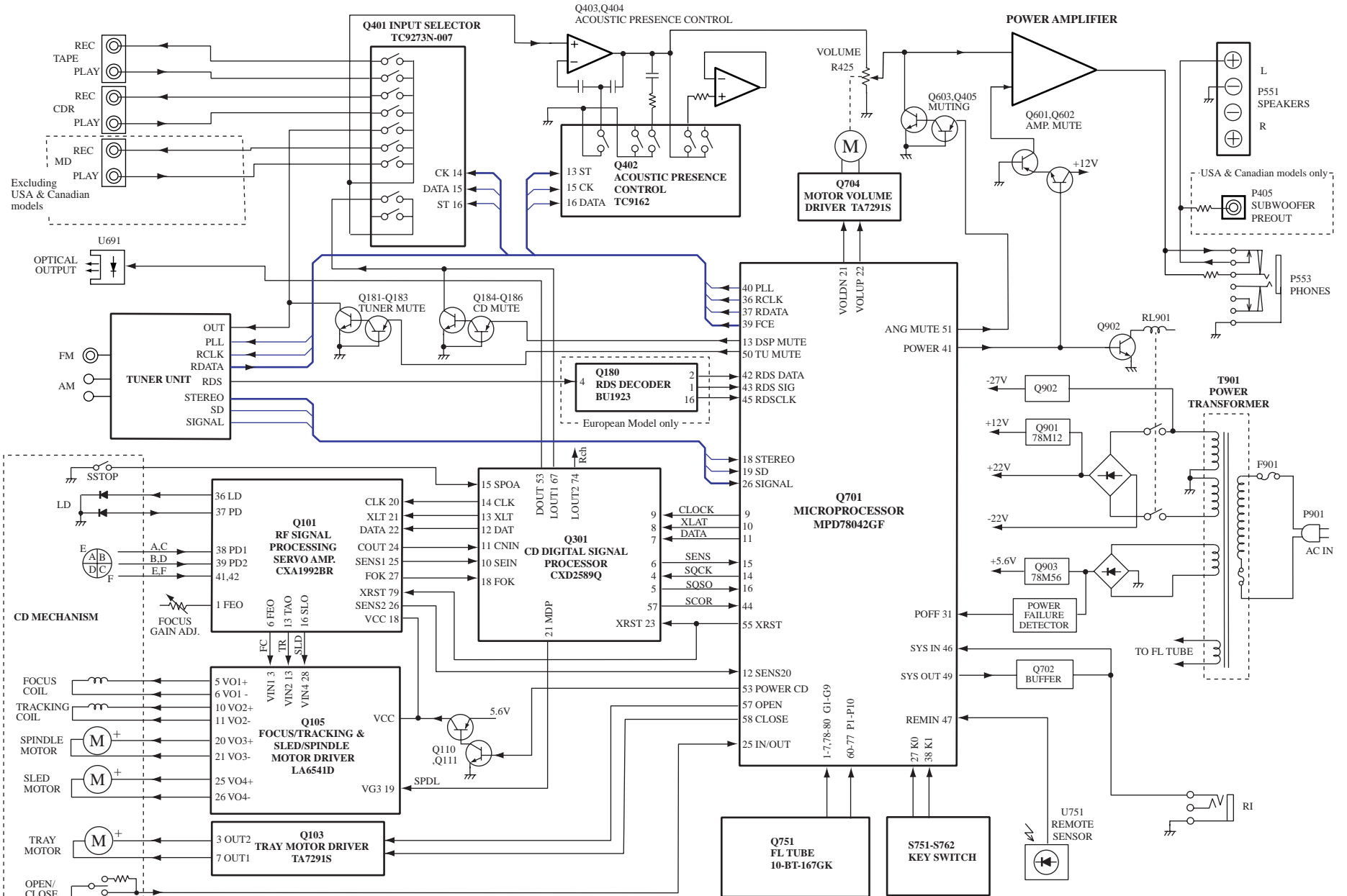
### CD MECHANISM: WSL-2130CCM (CD DRIVE UNIT)



## PARTS LIST

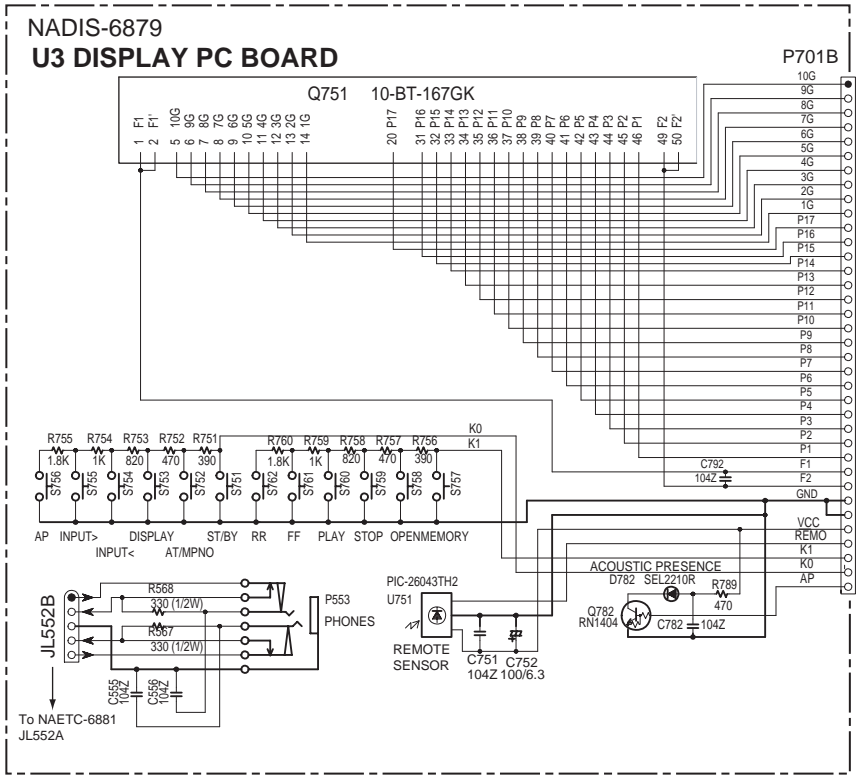
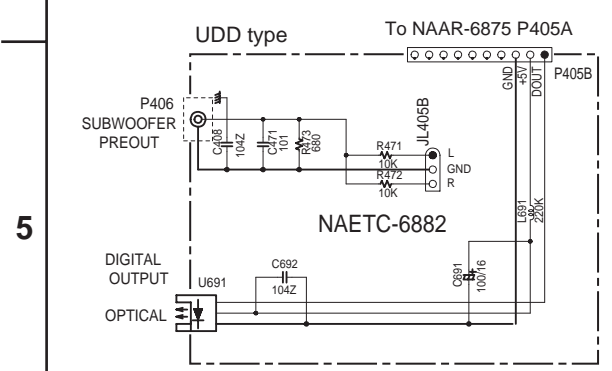
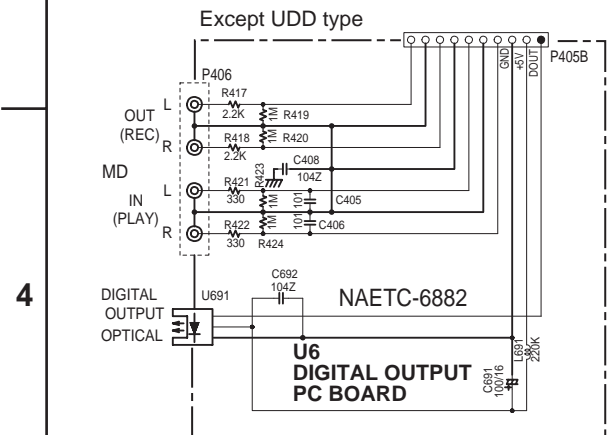
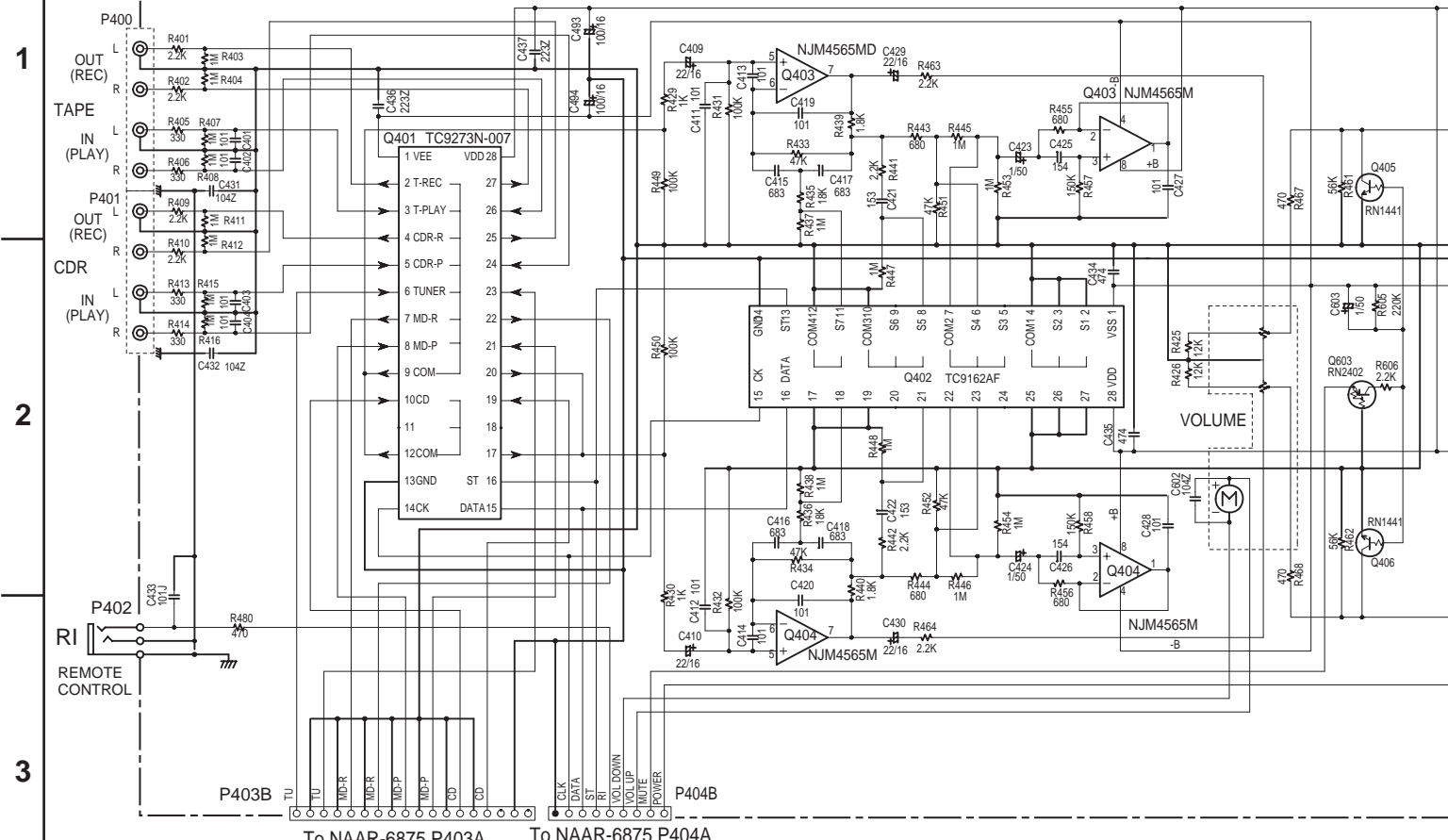
REF. NO.	PART NO.	DESCRIPTION
51	X2625-877-1	Motor chassis ass'y
52	X2625-769-1	Motor gear ass'y
53	2626-908-01	Sled shaft
54	24810023	Gear (A) (S)
55	7621-255-15	P2 x 3, Screw
56	24840008	Leaf switch
57	1639-678-12	Motor PC board
58	1564-722-11	Connector 6pin
61	8848-483-05	KSS-213C, Pickup

BLOCK DIAGRAM



A B C D

**SCHEMATIC DIAGRAMS-1**  
**AMPLIFIER AND POWER SUPPLY SECTION**

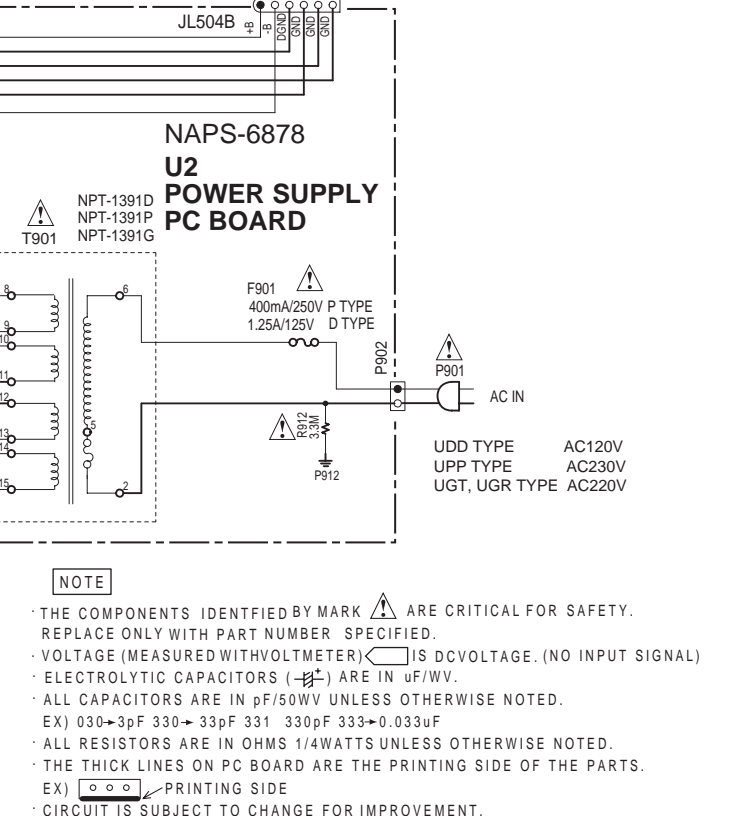
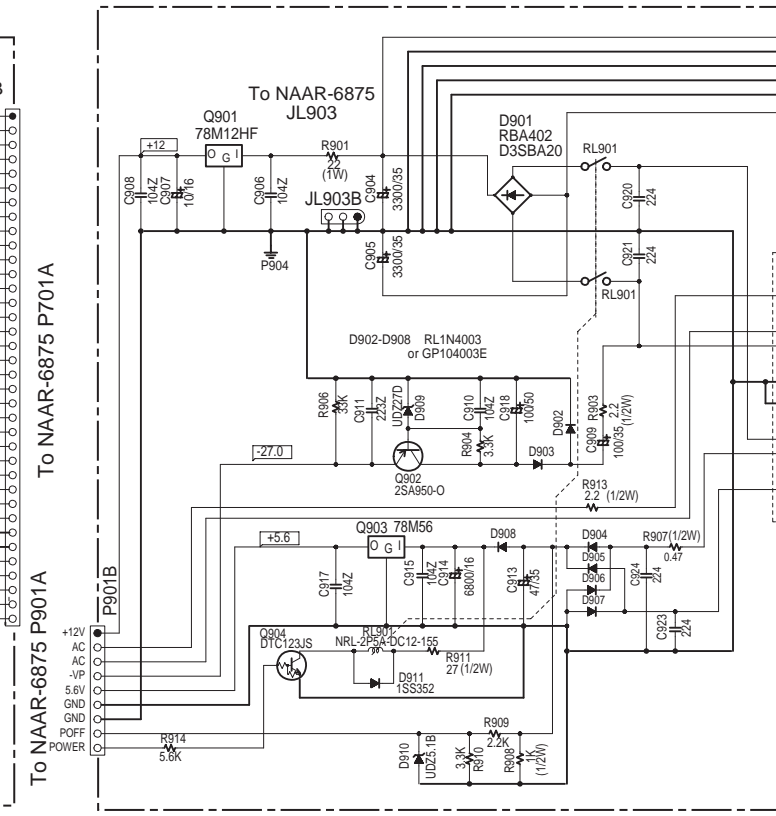
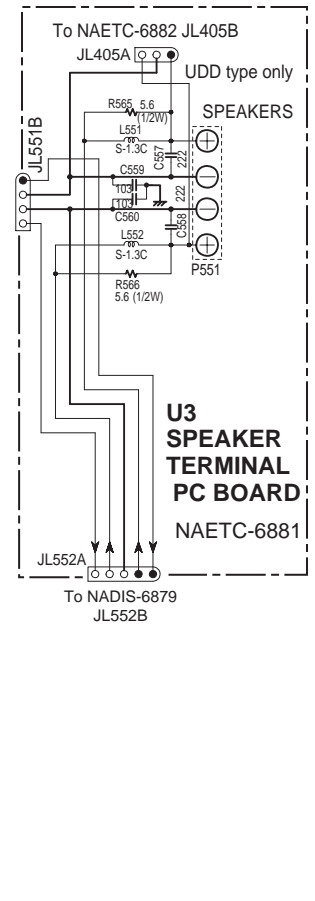
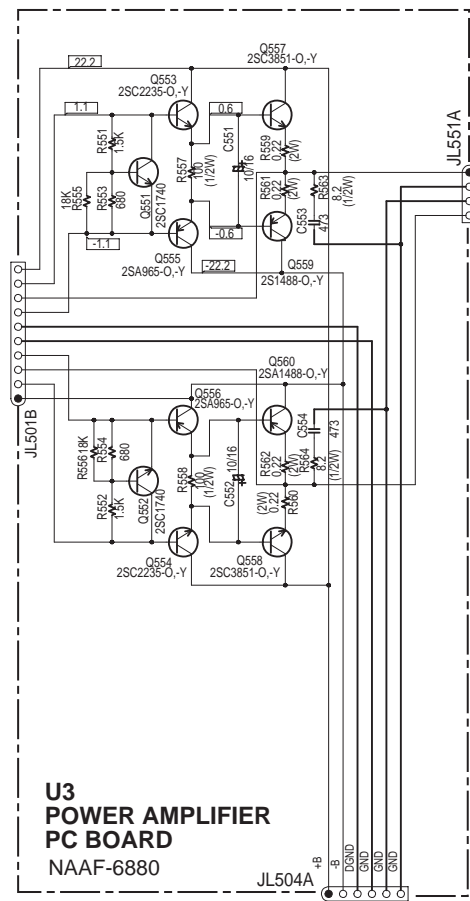
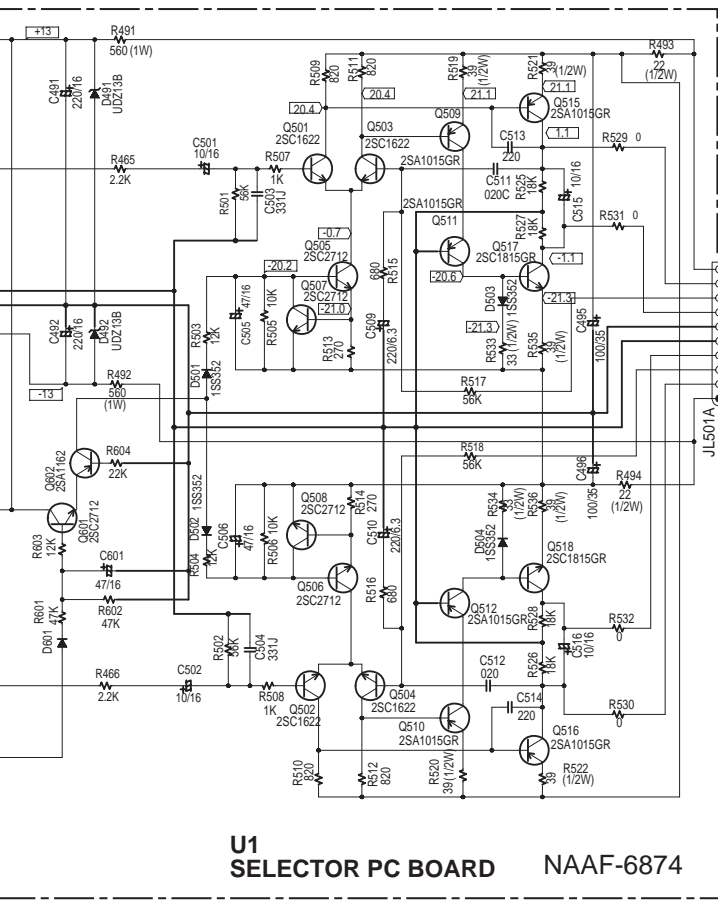


E

F

G

H



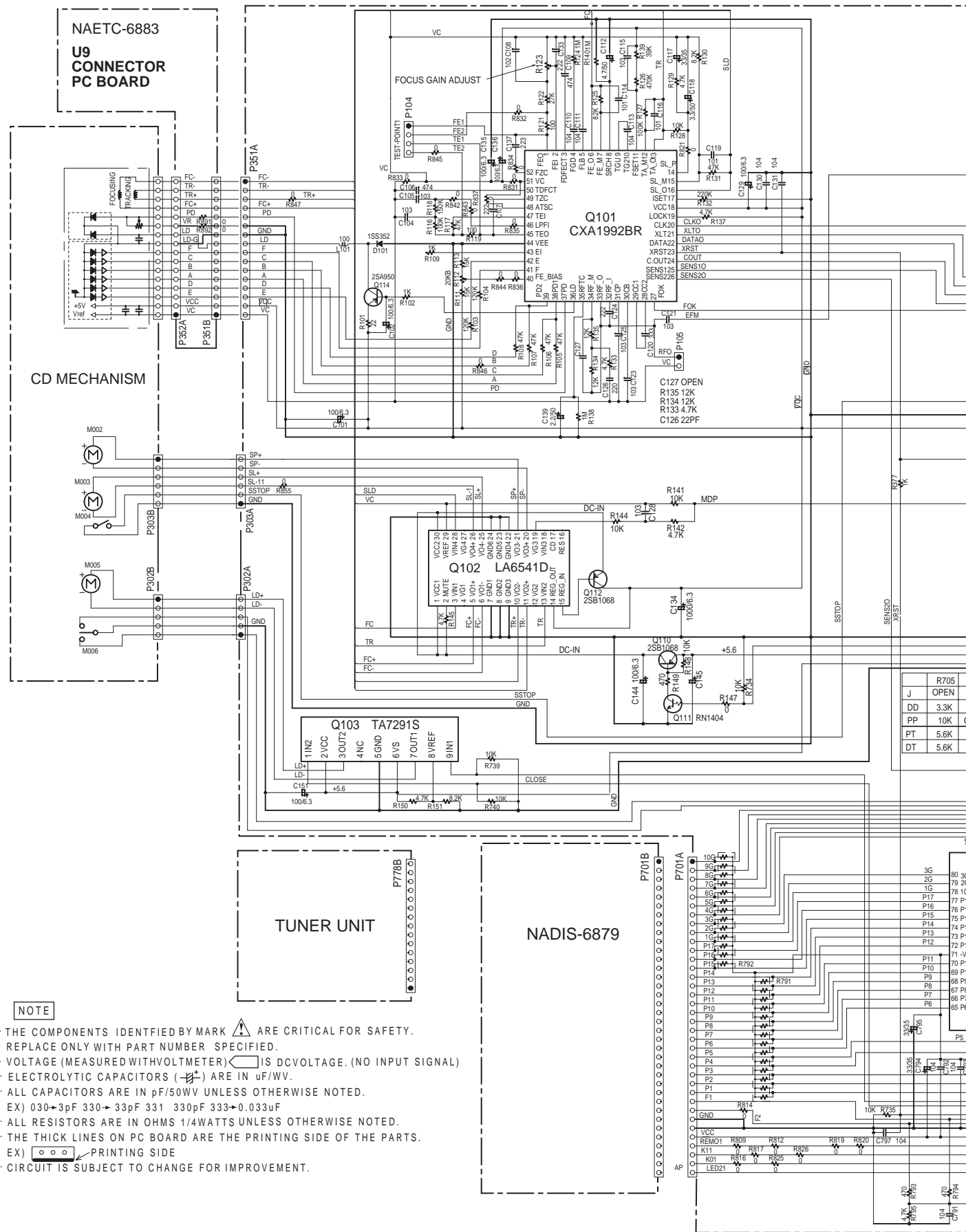
To NAAR-6875 P701A

To NAAR-6875 P901A

To NAAR-6875 P901B

To NAAR-6875 P901C

**SCHEMATIC DIAGRAMS-2**  
**(CD AND MICROPROCESSOR SECTION)**

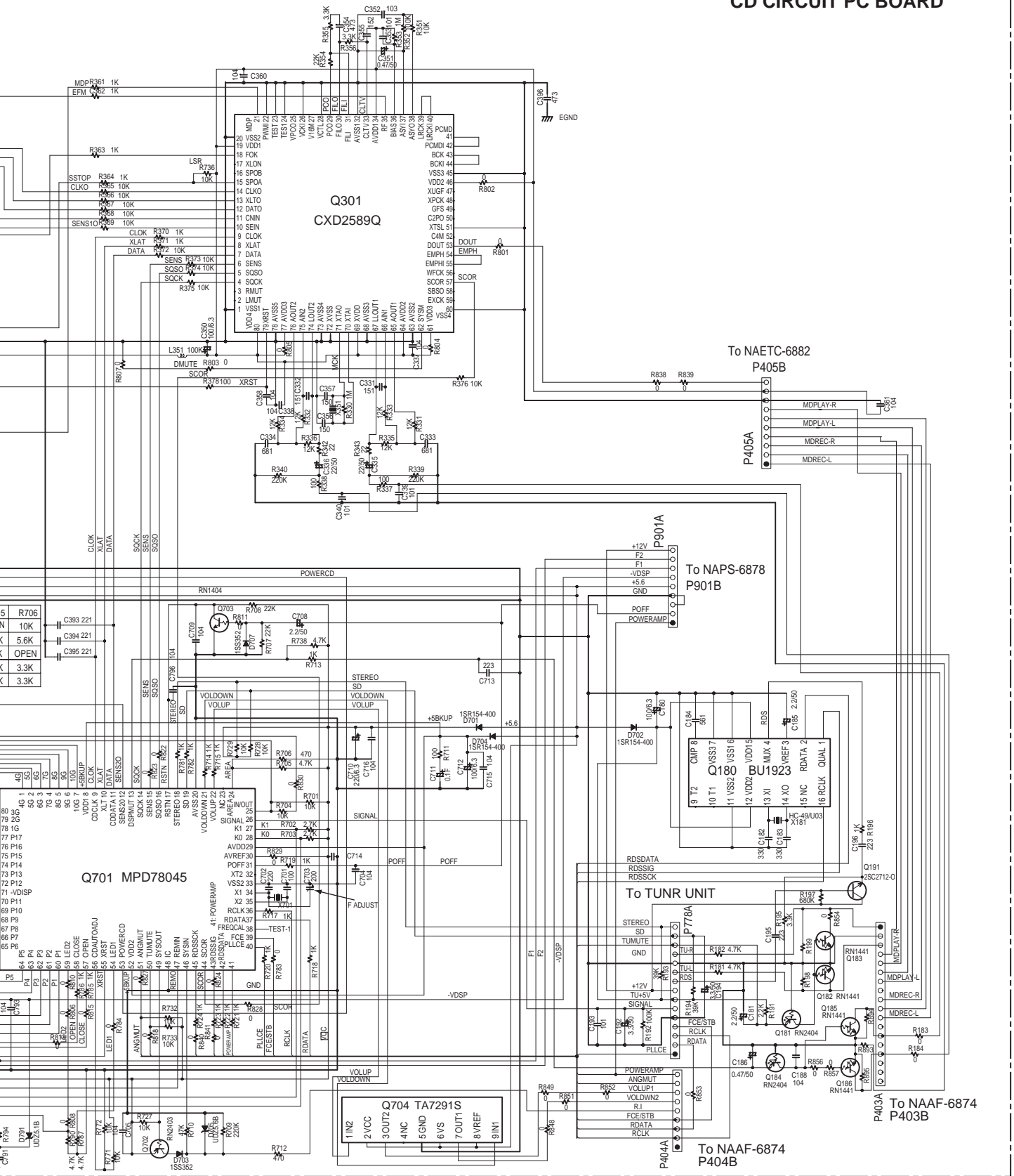


**NOTE**

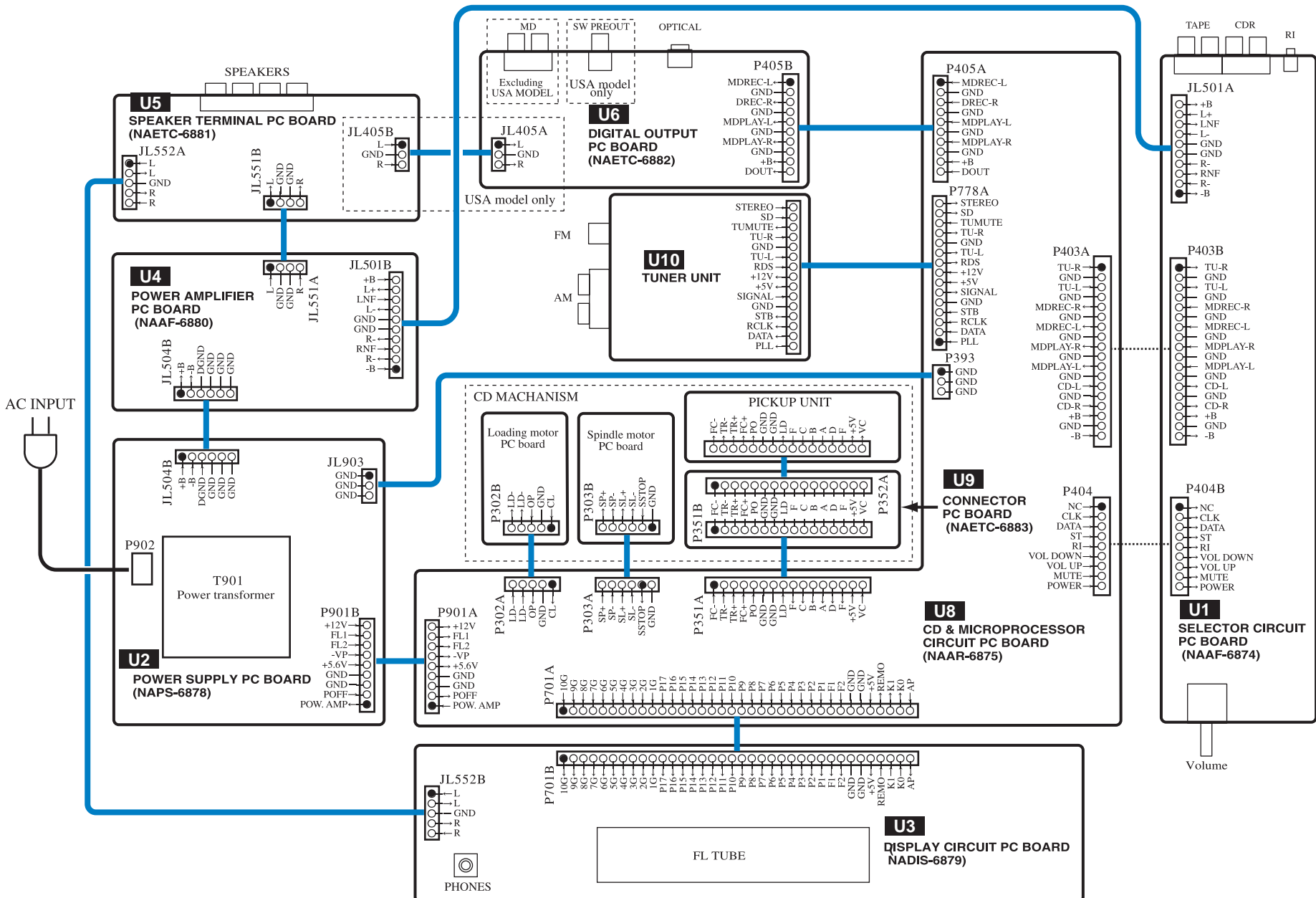
- THE COMPONENTS IDENTIFIED BY MARK ARE CRITICAL FOR SAFETY. REPLACE ONLY WITH PART NUMBER SPECIFIED.
- VOLTAGE (MEASURED WITH VOLT METER) IS DC VOLTAGE. (NO INPUT SIGNAL)
- ELECTROLYTIC CAPACITORS () ARE IN uF/WV.
- ALL CAPACITORS ARE IN pF/50V UNLESS OTHERWISE NOTED.  
EX) 030 -> 3pF 330 -> 33pF 331 -> 330pF 333 -> 0.033uF
- ALL RESISTORS ARE IN OHMS 1/4WATTS UNLESS OTHERWISE NOTED.
- THE THICK LINES ON PC BOARD ARE THE PRINTING SIDE OF THE PARTS.  
EX) PRINTING SIDE
- CIRCUIT IS SUBJECT TO CHANGE FOR IMPROVEMENT.

R705	R	1
J	OPEN	1
DD	3.3K	5
PP	10K	0
PT	5.6K	3
	5.6K	3

NAAR-6875  
U8  
CD CIRCUIT PC BOARD



# PC BOARD CONNECTION DIAGRAM



## PRINTED CIRCUIT BOARD PARTS LIST-1

## U1: AUDIO PC BOARD (NAAF-6874)

CIRCUIT NO.	PART NO.	DESCRIPTION
		<b>ICs</b>
Q401	22241072	TC9273N-007
Q402	22240981R2	TC9162AF
Q403,Q404	22241383R2	NJM4565M-D
		<b>Transistors</b>
Q405, Q406	2215410R2	RN1441
Q409, Q603	2214470R2	RN1402
Q501-Q504	2216156R2	2SC1622A-L
Q505-Q508	2213143R2	2SC2712-O
Q509-Q512	2211455 or 2215975	2SA1015-GR or KTA1266-GR
Q515-Q518	2211455 or 2215975	2SA1015-GR or KTA1266-GR
Q601	2213143R2	2SC2712-O
Q602	2214375R2	2SA1162-GR
		<b>Diodes</b>
D491,D492	224491300R2	UDZ13B
D501-D504	223234R2	1SS352
D601	223234R2	1SS352
		<b>Capacitors</b>
C409,C410	354742209	22uF, 16V, Elect.
C415-C418	371126834	0.068uF+/-5%, 50V, Plastic
C421,C422	371121534	0.015uF+/-5%, 50V, Plastic
C423,C424,C603	354780109	1uF, 50V, Elect.
C425,C426	371121544	0.15uF5+/-5%, 50V, Plastic
C429,C430	354742209	22uF, 16V, Elect.
C491,C492	354742219	220uF, 16V, Elect.
C493,C494	354741019	100uF, 16V, Elect.
C495,C496	354761019	100uF, 35V, Elect.
C501,C502	354741009	10uF, 16V, Elect.
C505,C506,C601	354744709	47uF, 16V, Elect.
C509-C510	354722219	220uF, 6.3V, Elect.
C515,C516	354741009	10uF, 16V, Elect.
		<b>Resistors</b>
R427	5104333	N16RG100KBT25F, Volume
R491,R492	443625614	560ohm+/-5%, 1W, Metal oxide
R493,R494	443522204	22ohm+/-5%, 1/2W, Metal oxide
R495	443521024	1kohm+/-5%, 1/2W, Metal oxide
R496	443528214	820ohm+/-5%, 1/2W, Metal oxide
R519-R522	443523904	39ohm+/-5%, 1/2W, Metal oxide
R533,R534	443523304	33ohm+/-5%, 1/2W, Metal oxide
R535,R536	443523904	39ohm+/-5%, 1/2W, Metal oxide
		<b>Jacks</b>
P400, P401	25045575	NPJ-4PDRW389
P402	25045581R0	HSJ1501-010010, RI Jack
		<b>Sockets</b>
P403B	25051529	NSCT-18P1316
P404B	25051234	NSCT-9P1024
		<b>Plug</b>
JL501A	25055631	NPLG-10P593

## U2: POWER SUPPLY PC BOARD (NAPS-6878)

CIRCUIT NO.	PART NO.	DESCRIPTION
		<b>ICs</b>
Q901	222780125	78M12HF
Q903	222780565	78M56
		<b>Transistors</b>
Q902	2211503 or 2211504	2SA950-O or 2SA950-Y
Q904	2213640	DTC123JS
		<b>Diodes</b>
D901	22380022F or 22380271F	RBV402 or D3SBA20
D902-D908	22380260 or 22380035	RL1N4003 or GP104003E
D909	224492700R2	UDZ27B
D910	224490510R2	UDZ5.1B
D911	223234R2	1SS352
		<b>Capacitors</b>
C904,C905	354763329S	3300uF,35 V, Elect.
C907	354741009	10uF, 16V, Elect.
C909	354761019	100uF, 35V, Elect.
C913	354764709	47uF, 35V, Elect.
C914	3500173S	6800uF, 16V, Elect.
C918	354781019	100uF, 50V, Elect.
C920-C924	374722244	0.22uF+/-5%, 50V, Plastic
		<b>Resistors</b>
R901	443622204	22ohm+/-5%, 1W, Metal oxide
R903,R913	453530224	2.2ohm+/-5%, 1/2W, Metal oxide
R907	453534794	0.47ohm+/-5%, 1/2W, Metal oxide
R908	443521024	1kohm+/-5%, 1/2W, Metal oxide
R911	443522704	27ohm+/-5%, 1/2W, Metal oxide
R912	431533355	△ 3.3Mohm+/-20%,1/2W, Solid <DD,DT>
		<b>Relay</b>
RL901	25065607	NRL-2P5A-DC12-155 <DD,DT>
	25065598 or 25065597	NRL-2P3A-DC12-148 or NRL-2P8A-DC12-147 <PP,GR,GT,PT>
		<b>Plug</b>
JL903B	25055624	NPLG-3P586
P901B	25055153	NPLG-9P137
P902	25055676	△ NPLG-2P632
		<b>Socket</b>
JL504B	25050270	NSCT-6P98
		<b>Fuse label</b>
F901A	29361919	T400MAL250V <PP,GR,GT,PT>
		<b>Clamp</b>
P901C	27190608-1	UA-0 V0
		<b>Heat sink</b>
Q903A	27160250	RAD-81
Q903B	82143010	3P+10FN(BC)

**NOTE:**

<DD> : USA and Canadian model only  
 <PP> : European model only  
 <DT> : Taiwanese model only  
 <GT> : Asian model only  
 <GR> : Chinese model only

**NOTE : THE COMPONENTS IDENTIFIED BY MARK  
 △ ARE CRITICAL FOR RISK OF FIRE AND  
 ELECTRIC SHOCK. REPLACE ONLY WITH  
 PART NUMBER SPECIFIED.**



## PRINTED CIRCUIT BOARD PARTS LIST-2

### U3:FRONT PC BOARD (NADIS-6879)

CIRCUIT NO.	PART NO.	DESCRIPTION
Q751	<b>FL Tube</b> 212141	10BT-167GK
U751	<b>Remote sensor</b> 241330	PIC-26043TE2
Q782	<b>Transistor</b> 2214490R2	RN1404
D782	<b>LED</b> 225381	SEL2210R-TP1
C752	<b>Capacitor</b> 353721019	100uF, 6.3V, Elect.
R567,R568	<b>Resistors</b> 443523314	330ohm+/-5%, 1/2W, Metal oxide
P553	<b>Jack</b> 25045396	LGT1516-0101, Head phone jack
JL552B	<b>Sockets</b> 25051089	NSCT-5P876
P701B	25052232	NSCT-36P2129
S751- S762	<b>Push switches</b> 25035699	NPS-111-S662
Q751A	<b>Holder</b> 4070210321000	FL Holder

### U4:AMPLIFIER PC BOARD (NAAF-6880)

CIRCUIT NO.	PART NO.	DESCRIPTION
Q551,Q552	<b>Transistors</b> 2213284 or 2215864	2SC1740S-R or KTC3199-GR
Q553,Q554	2211653 or 2211654	2SC2235-O or 2SC2235-Y
Q555-Q556	2211643 or 2211644	2SA965-O or 2SA965-Y
C551,C552	<b>Capacitors</b> 355741009	10uF, 16V, Elect.
C553,C554	371124734	0.047uF+/-5%, 50V, Plastic
R557,R558	<b>Resistors</b> 443521014	100ohm+/-5%, 1/2W, Metal oxide
R559-R562	452732294F	0.22ohm+/-5%, 2W, Metal oxide
R563,R564	453530824	8.2ohm+/-5%, 1/2W, Metal oxide
JL501B	<b>Sockets</b> 25051094	NSCT-10P881
JL504A	25051110	NSCT-6P897
JL551A	25051088	NSCT-4P875

### U5:SPEAKER PC BOARD (NAETC-6881)

CIRCUIT NO.	PART NO.	DESCRIPTION
L551,L552	<b>Coils</b> 231176S	S-1.3C
R565,R566	<b>Resistors</b> 453530564	5.6ohm+/-5%, 1/2W, Metal oxide
JL405A	<b>Sockets</b> 25051087	NSCT-3P874 <DD>
JL551B	25051088	NSCT-4P875
JL552A	25055626	NPLG-5P588
P551	<b>Terminal</b> 25060299	NTM-4PDML230, Speaker

### U6:DIGITAL OUTPUT PC BOARD (NAETC-6882)

CIRCUIT NO.	PART NO.	DESCRIPTION
U691	<b>Photo couplers</b> 24120082	GP1FA550TZ
L691	<b>Coil</b> 231237K220R2	NCH-1477
C691	<b>Capacitors</b> 354741019	100uF, 16V, Elect.
JL405B	<b>Plug</b> 25055624	NPLG-3P586 <DD>
P405B	<b>Socket</b> 25051235	NSCT-10P1025
P406	<b>Jack</b> 25045567 25045575	NPJ-1PDBL382 <DD> NPJ-4PDRW389 <PP,DT,GR,GT,PT>

#### NOTE:

<DD> : USA and Canadian model only  
 <PP> : European model only  
 <DT> : Taiwanese model only  
 <GT> : Asian model only  
 <GR> : Chinese model only

**NOTE** : THE COMPONENTS IDENTIFIED BY MARK  
 △ ARE CRITICAL FOR RISK OF FIRE AND  
 ELECTRIC SHOCK. REPLACE ONLY WITH  
 PART NUMBER SPECIFIED.

## PRINTED CIRCUIT BOARD PARTS LIST-3

## U8:CD PC BOARD (NAAR-6875)

CIRCUIT NO.	PART NO.	DESCRIPTION
Q101	22241499R3	CXA1992BR
Q102	22241247	LA6541D
Q103	22240239	TA7291S
Q180	22241302	BU1923 <PP>
Q301	22241500R3	CXD2589Q
Q701	22241502R3	MPD78045FGF-119-3B9
Q704	22240239	TA7291S
<b>Transistors</b>		
Q110,Q112	2212853	2SB1068-K
Q111,Q703	2214490R2	RN1404
Q114	2211504	2SA950-Y
Q181,Q184	2214550R2	RN2404
Q182,Q183	2215410R2	RN1441
Q185,Q186	2215410R2	RN1441
Q191	2213143R2	2SC2712-O <PP>
Q702	2214540R2	RN2403
<b>Diodes</b>		
D101,D703,D707	223234R2	1SS352
D701,D702,D704	22380284R2	1SR154-400
D705	224490560R2	UDZ5.6B, Zener
D791	224490510R2	UDZ5.1B, Zener
<b>Coils</b>		
L101,L351	231237K100R2	NCH-1475
<b>Crystals</b>		
X181	3010321	HC-49/U034.332MHz
X351	3010308	HC-49/U0316.9344M
X701	3010261	HC-49/U03 4.19M10P
<b>Capacitors</b>		
C102,C129,C135	355721019	100uF, 6.3V, Elect.
C104,C105,C115	374721034	0.01uF+/-5%, 50V, Plastic
C106,C109	374724744	0.47uF+/-5%, 50V, Plastic
C107,C124,C133	374722224	2200pF+/-5%, 50V, Plastic
C108	374721024	1000pF+/-5%, 50V, Plastic
C110,C111,C113	374721044	0.1uF+/-5%, 50V, Plastic
C112	355780479	4.7uF, 50V, Elect.
C117,C794,C795	355763309	33uF, 35V, Elect.
C118,C191,C192	355780339	3.3uF, 50V, Elect.
C120	374723334	0.033uF+/-5%, 50V, Plastic
C121,C123	374721034	0.01uF+/-5%, 50V, Plastic
C125,C128 ,C352	374721034	0.01uF+/-5%, 50V, Plastic
C134	354724719	470uF, 6.3V, Elect.
C136,C145,C151	355721019	100uF, 6.3V, Elect.
C137	374722234	0.022uF+/-5%, 50V, Plastic
C139,C181,C708	355780229	2.2uF, 50V, Elect.
C180,C350,C712	355721019	100uF, 6.3V, Elect.
C185	355780229	2.2uF, 50V, Elect. <PP>
C333,C334	374726814	680pF+/-5%, 50V, Plastic
C335,C336	355762209	22uF, 35V, Elect.
C351	355784799	0.47uF, 50V, Elect.
C354	374724734	0.047uF+/-5%, 50V, Plastic
C355	374721524	1500pF+/-5%, 50V, Plastic
C703	3060010	NTC-20P09, Trimming (Clock adjust)
C710	354721019	100uF, 6.3V, Elect.
C711	3000078	DX-5R5L104, Super capacitor

**NOTE:**

<DD> : USA and Canadian model only  
 <PP> : European model only  
 <DT> : Taiwanese model only  
 <GT> : Asian model only  
 <GR> : Chinese model only

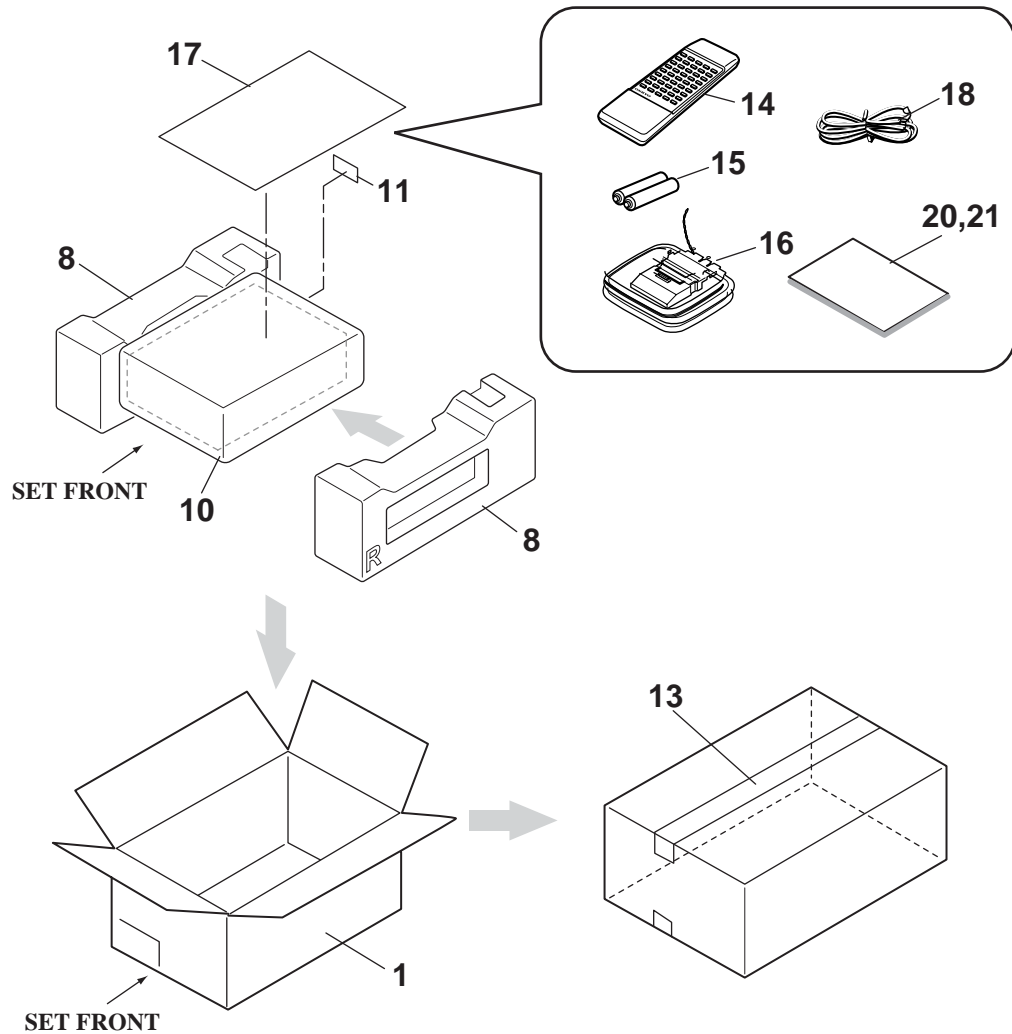
CIRCUIT NO.	PARTS NO.	DESCRIPTION
R123	5210263	N06HR20KBC, Trimming resistor
<b>Resistor</b>		
<b>Sockets</b>		
JL903A	25051087	NSCT-3P874
P351A	25052212	NSCT-16P2109
P701A	25052232	NSCT-36P2129
P778	25052211	NSCT-15P2108
P901A	2002391815	NSAS-18P0666
<b>Plugs</b>		
P104	25055045	NPLG-4P33
P105	25055038	NPLG-2P29
P302A	25055149	NPLG-5P133
P303A	25055150	NPLG-6P134
P403A	25055807	NPLG-18P763
P404A	25055705	NPLG-9P661
P405A	25055706	NPLG-10P662
<b>Terminal</b>		
TP01	25060061	Terminal PC

## U9:CONNECTOR PC BOARD (NAETC-6883)

CIRCUIT NO.	PART NO.	DESCRIPTION
<b>Sockets</b>		
P351B	25052249	NSCT-16P2146
P352A	25051796A	NSCT-16P1583

**NOTE : THE COMPONENTS IDENTIFIED BY MARK  $\Delta$  ARE CRITICAL FOR RISK OF FIRE AND ELECTRIC SHOCK. REPLACE ONLY WITH PART NUMBER SPECIFIED.**

**PACKING VIEW**



**PARTS LIST**

REF.NO.	PART NO.	DESCRIPTION	REMARKS	[NOTE]
1	6007210450000	BOX GIFT CR-305TX		<DD> : USA & Canadian model only
8	6230210504000	CUSHION SNOW EPS		<PP> : European Model only
10	29095835	Sheet 0.515 x 650 x 550		
11	29110149	Tape		
13	29110141	PP Tape		
14	24140421	RC-421S, Remote controller		
15	3010054	Battery, UM-3		
16	232140	NMA-3057, AM Loop antenna		
17	29100097-1A	Poly bag 350 x 250		
18	292142	FM antenna	<DD>	
	292116	FM antenna	<PP>	
20	5707210600000	INSTRUCTION MANUAL E		
	5707210600010	INSTRUCTION MANUAL FSI	<PP>	
	5707210600020	INSTRUCTION MANUAL GDSW	<PP>	
21	26365090	Warranty card	<DD>	

---

**ONKYO CORPORATION**

Sales & Product Planning Div. : 2-1, Nisshin-cho, Neyagawa-shi, OSAKA 572-8540, JAPAN  
Tel: 072-831-8111 Fax: 072-833-5222

**ONKYO U.S.A. CORPORATION**

18 Park Way, Upper Saddle River, N.J. 07458, U.S.A.  
Tel: 201-785-2600 Fax: 201-785-2650 E-mail: onkyo@onkyousa.com

**ONKYO EUROPE ELECTRONICS GmbH**

Industriestrasse 20, 82110 Germering, GERMANY  
Tel: 089-849-320 Fax: 089-849-3265 E-mail: info@onkyo.de

**ONKYO CHINA LIMITED**

Units 2102-2107, Metroplaza Tower I, 223 Hing Fong Road, Kwai Chung,  
N.T., HONG KONG Tel: 852-2429-3118 Fax: 852-2428-9039