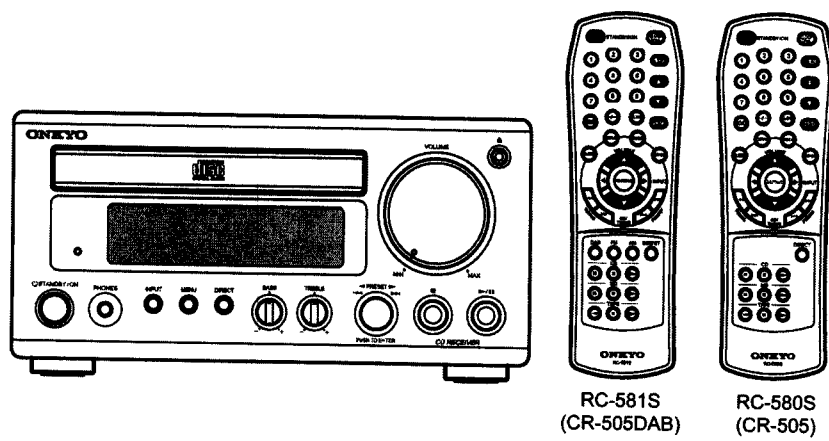


ONKYO SERVICE MANUAL

CD RECEIVER MODEL CR-505 MODEL CR-505DAB



RC-581S
(CR-505DAB)

RC-580S
(CR-505)

CR-505 Silver model

SCDT	120V AC, 60Hz
SCGT, CGR	220-230V AC, 50/60Hz
SCPP	230-240V AC, 50Hz

CR-505DAB Silver model

SCPB	230-240V AC, 50Hz
------	-------------------

SAFETY-RELATED COMPONENT WARNING!!

COMPONENTS IDENTIFIED BY MARK \triangle ON THE SCHEMATIC DIAGRAM AND IN THE PARTS LIST ARE CRITICAL FOR RISK OF FIRE AND ELECTRIC SHOCK. REPLACE THESE COMPONENTS WITH ONKYO PARTS WHOSE PART NUMBERS APPEAR AS SHOWN IN THIS MANUAL.

MAKE LEAKAGE-CURRENT OR RESISTANCE MEASUREMENTS TO DETERMINE THAT EXPOSED PARTS ARE ACCEPTABLY INSULATED FROM THE SUPPLY CIRCUIT BEFORE RETURNING THE APPLIANCE TO THE CUSTOMER.

SPECIFICATIONS-1**CR-505****Amplifier section**

Power Output:	20 W + 20 W (4 Ω , 1 kHz, DIN) 25 W + 25 W (4 Ω , 1 kHz, JEITA)
Dynamic Power:	30 W + 30 W (4 Ω , Front)
THD (Total Harmonic Distortion):	0.2% (5W Output 4 Ω)
Damping Factor:	25 (Front, 1 kHz, 8 Ω)
Input Sensitivity and Impedance:	200 mV/ 50 k Ω (LINE)
Output Level and Impedance:	200 mV/ 2.2 k Ω (REC OUT)
Frequency Response:	10 Hz - 50 kHz/+3 dB, -3 dB (line)
Tone Control:	+9 dB, -8.2 dB, 100 Hz (BASS) +11 dB, -9 dB, 10 kHz (TREBLE)
S/N Ratio	97 dB (LINE, IHF-A)
Speaker Impedance:	4 Ω -16 Ω

Tuner section**FM**

Tuning Frequency Range:	87.5 - 108 MHz
Usable Sensitivity:	
Stereo	37.2 dBf 20.0 μ V (75 Ω IHF)
Mono	17.2 dBf 2.0 μ V (75 Ω)
S/N Ratio:	
Stereo	55 dB (IHF-A)
Mono	66 dB (IHF-A)
THD (Total Harmonic Distortion):	
Stereo	0.46% (1kHz)
Mono	0.4% (1kHz)
Frequency Response:	30 Hz-15 kHz / +1.5 dB, -1.5 dB
Stereo Separation:	37 dB (1 kHz)

AM

Tuning Frequency Range:	522 -1611 kHz
Usable Sensitivity:	55 dB (30 μ V)
S/N Ratio:	35 dB
THD (Total Harmonic Distortion):	1.60%

CD

Signal Readout:	Optical non-contact
Frequency Response:	20 Hz-20 kHz
Audio Dynamic Range:	96 dB
THD (Total Harmonic Distortion):	0.01%
Wow and Flutter:	Below threshold of measurability
Audio Output (Digital/Optical):	-22.5 dBm
Audio Output/Impedance (Analog):	1.3 V (rms) /2.2 k Ω

General

Power Supply:	AC 230-240V, 50 Hz (European model) AC 220-230V, 50/60 Hz (Asian model) AC 120 V, 60 Hz (Chinese model)
Power Consumption:	75 W
Stand-by Power Consumption:	1.0 W
Dimensions (W x H x D):	205 W x 103 H x 356 D mm
Weight:	5.3 kg

Specifications and features are subject to change without notice.

SPECIFICATIONS-2

CR-505DAB

Amplifier section

Power Output:	20 W + 20 W (4 Ω , 1 kHz, DIN) 25 W + 25 W (4 Ω , 1 kHz, JEITA)
Dynamic power:	30 W + 30 W (4 Ω , Front)
THD (Total Harmonic Distortion):	0.2% (5 W Output 4 Ω)
Damping Factor:	25 (Front, 1 kHz, 8 Ω)
Input Sensitivity and Impedance:	200 mV/50 k Ω (LINE)
Output Level and Impedance:	200 mV/2.2 k Ω (REC OUT)
Frequency Response:	10 Hz - 50 kHz/+3 dB, -3 dB (line)
Tone Control:	+9 dB, -8.2 dB, 100 Hz (BASS) +11 dB, -9 dB, 10kHz (TREBLE)
S/N Ratio	97 dB (LINE, IHF-A)
Speaker Impedance:	4 Ω -16 Ω

Tuner section

FM

Tuning Frequency Range:	87.5-108 MHz
Usable Sensitivity:	
Stereo	37.2 dBf 20.0 μ V (75 Ω IHF)
Mono	17.2 dBf 2.0 μ V (75 Ω)
S/N Ratio:	
Stereo	55 dB (IHF-A)
Mono	66 dB (IHF-A)
THD (Total Harmonic Distortion):	
Stereo	0.46% (1 kHz)
Mono	0.4% (1 kHz)
Frequency Response:	30 Hz - 15 kHz / +1.5 dB, -1.5 dB
Stereo Separation	37 dB (1 kHz)

AM

Tuning Frequency Range:	522-1611 kHz
Usable Sensitivity:	55 dB (30 μ V)
S/N Ratio:	35 dB
THD (Total Harmonic Distortion):	1.60%

DAB

Tuning Frequency Range:	174.928 - 239.200 MHz
Frequency Response:	20 Hz-20 kHz
Audio Dynamic Range:	63 dB
THD (Total Harmonic Distortion):	0.20%

CD section

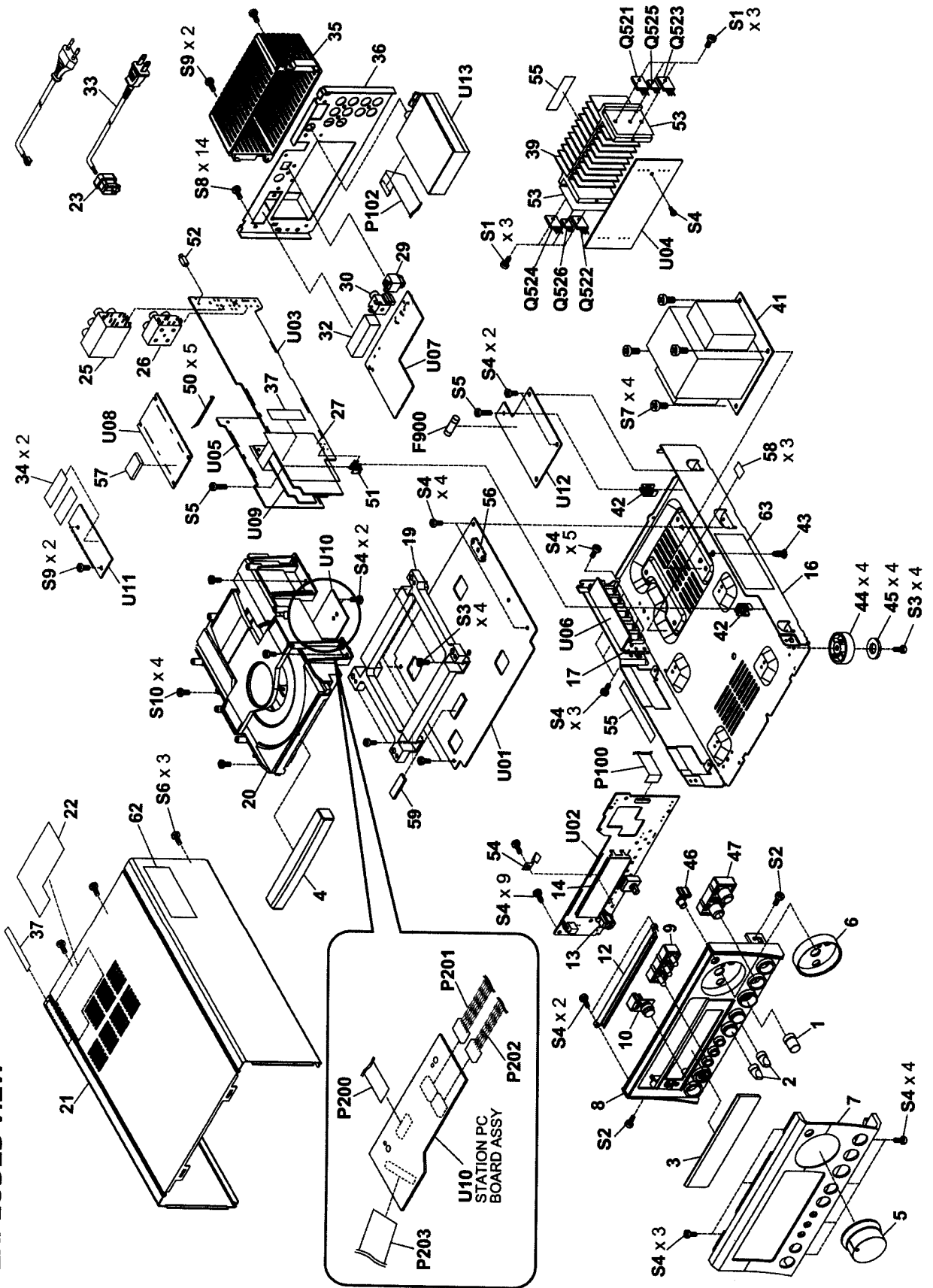
Signal Readout:	Optical non-contact
Frequency Response:	20 Hz-20 kHz
Audio Dynamic Range:	96 dB
THD (Total Harmonic Distortion):	0.01%
Wow and Flutter:	Below threshold of measurability
Audio Output (Digital/Optical):	-22.5 dBm
Audio Output/Impedance (Analog):	1.3 V (rms) /2.2 k Ω

General

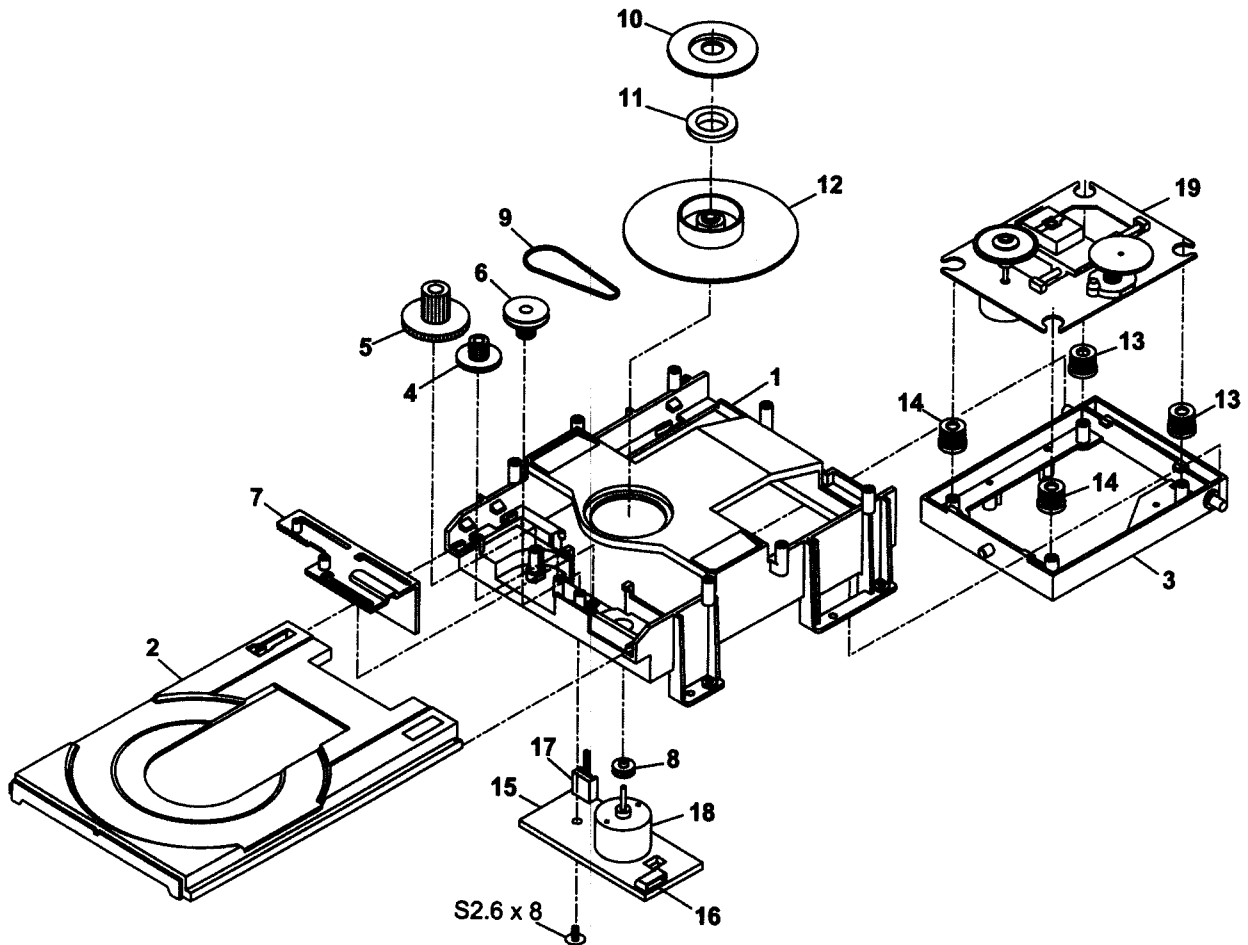
Power Supply:	AC 230-240 V, 50 Hz
Power Consumption:	75 W
Stand-by Power Consumption:	1.0 W
Dimensions (W x H x D):	205 W x 103 H x 356 D mm
Weight:	5.3 kg

Specifications and features are subject to change without notice.

EXPLODED VIEW



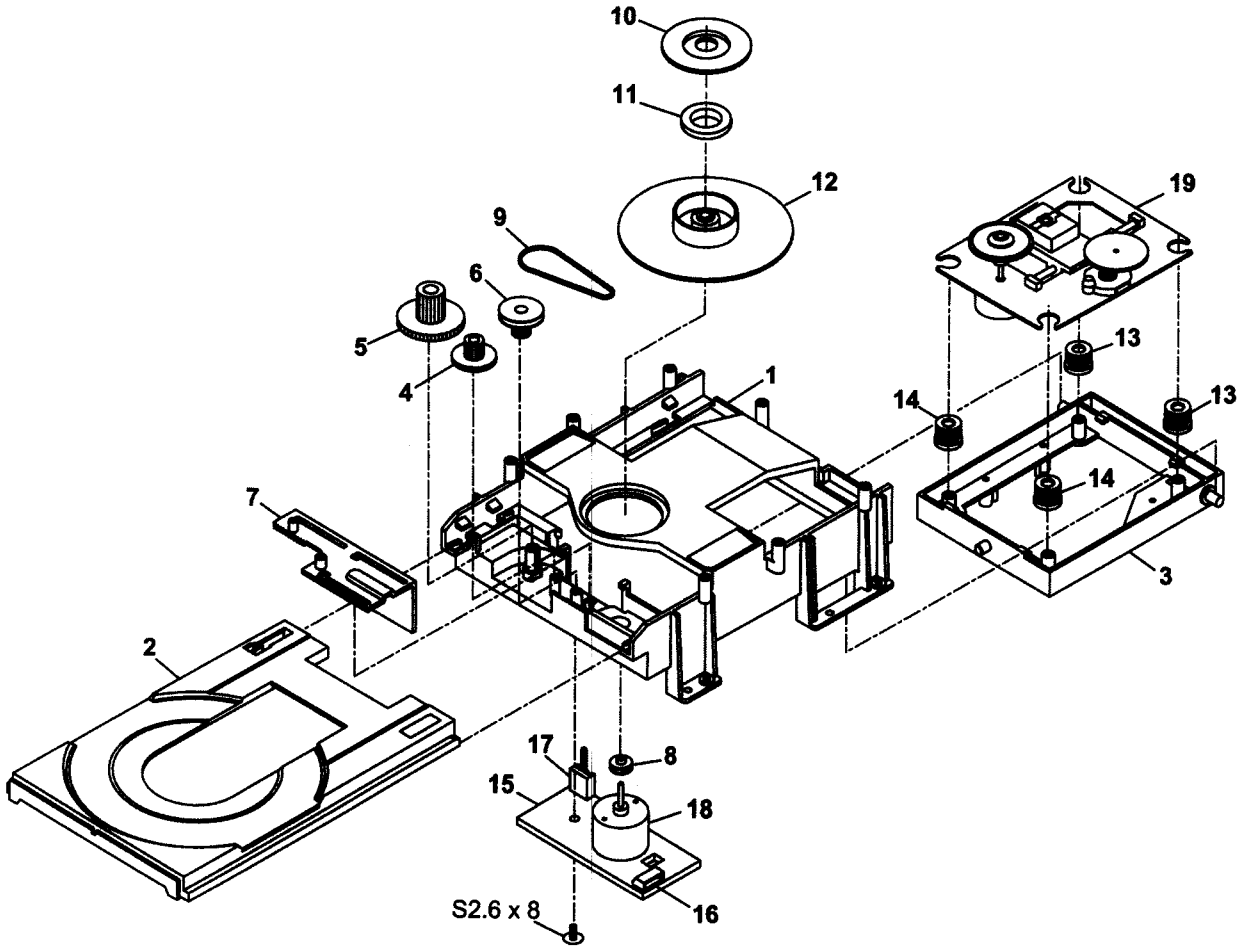
EXPLODED VIEW OF MECHANISM



PARTS LIST

NO	PART NO	PART NAME	Q'TY	REMARK
1	341021007101	BODY, MECHA-06	1	
2	460021001101	TRAY, LOADING-06	1	
3	340021005101	BASE, PU DRIVE-06	1	
4	247004021101	GEAR, CENTER	1	
5	247000058000	GEAR, LOAD	1	
6	247000046000	GEAR, PULLEY	1	
7	264021002101	SLIDER, BASE P/U	1	
8	250000008000	PULLEY, MOTOR	1	
9	249000021001	BELT, LOADING	1	
10	447000406000	PLATE CLAMPER	1	
11	7600GZ3400L1	MAGNET, CORE III	1	
12	433002004101	CLAMPER4	1	
13	124002013502	INSULATOR	2	30° RED
14	124002013501	INSULATOR	2	48° GREEN
15	702011567000	PCB, MOTOR	1	
16	L10122005001	HOUSING 5P	1	LG 5P(ANGLE)
17	G22000001000	S/W, LEAF	1	SSCF11
18	G70000010001	MOTOR, DC	1	RF-310T
19	803004141901	PICK UP UNIT	1	CMS-B31SG6
19 or	803004062201	PICK UP UNIT	(1)	KSM-213CCM
19 or	803000001002	PICK UP UNIT	(1)	KCBT1H

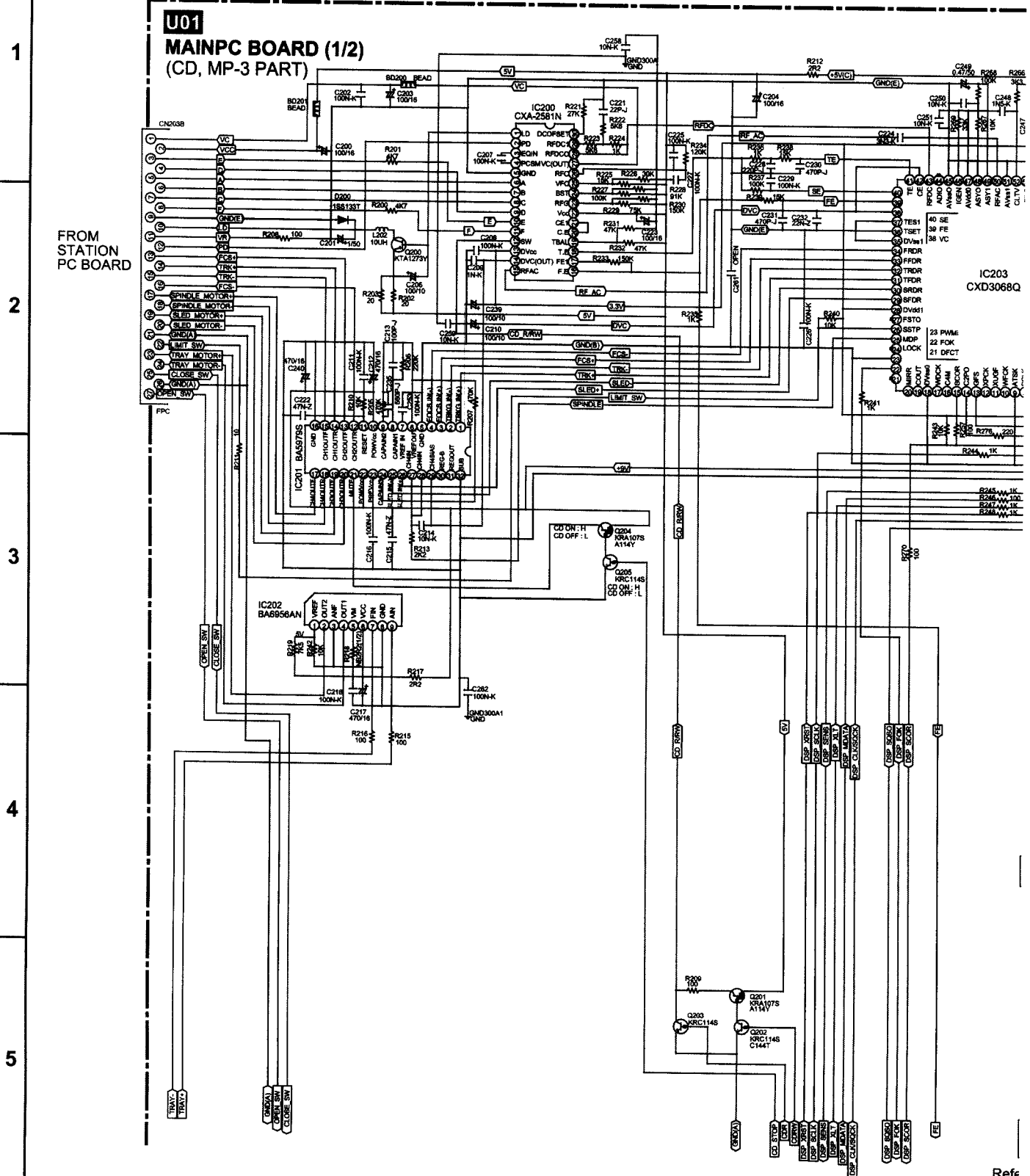
EXPLODED VIEW OF MECHANISM

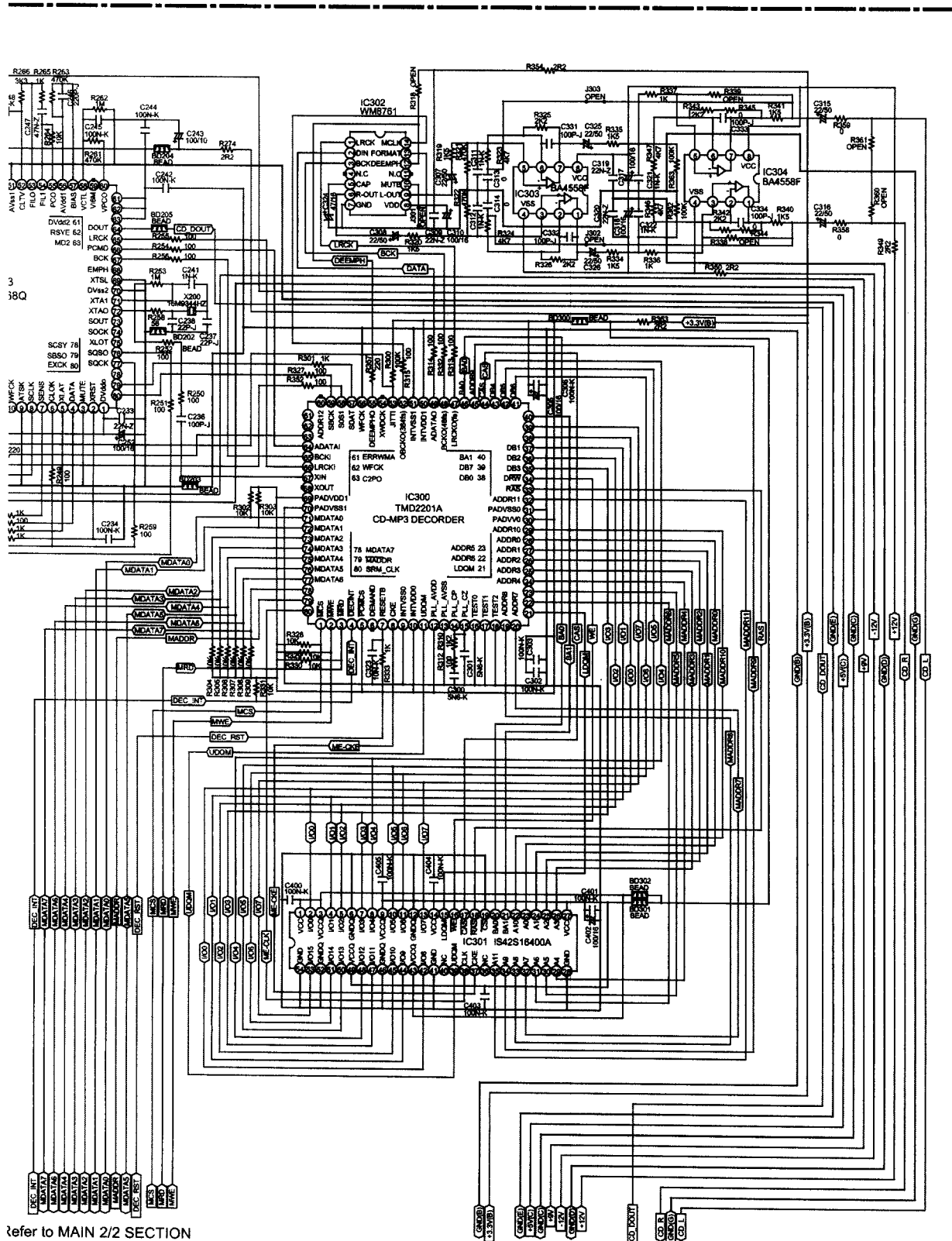


PARTS LIST

NO	PART NO	PART NAME	Q'TY	REMARK
1	341021007101	BODY, MECHA-06	1	
2	460021001101	TRAY, LOADING-06	1	
3	340021005101	BASE, PU DRIVE-06	1	
4	247004021101	GEAR, CENTER	1	
5	247000058000	GEAR, LOAD	1	
6	247000046000	GEAR, PULLEY	1	
7	264021002101	SLIDER, BASE P/U	1	
8	250000008000	PULLEY, MOTOR	1	
9	249000021001	BELT, LOADING	1	
10	447000406000	PLATE CLAMPER	1	
11	7600GZ3400L1	MAGNET, CORE III	1	
12	433002004101	CLAMPER4	1	
13	124002013502	INSULATOR	2	30° RED
14	124002013501	INSULATOR	2	48° GREEN
15	702011567000	PCB, MOTOR	1	
16	L10122005001	HOUSING 5P	1	LG 5P(ANGLE)
17	G22000001000	S/W, LEAF	1	SSCF11
18	G70000010001	MOTOR, DC	1	RF-310T
19	803004141901	PICK UP UNIT	1	CMS-B31SG6
19 or	803004062201	PICK UP UNIT	(1)	KSM-213CCM
19 or	803000001002	PICK UP UNIT	(1)	KCBT1H

A B C D
SCHEMATIC DIAGRAMS-2
CD/MP3 SECTION





Refer to MAIN 2/2 SECTION

A

B

C

D

SCHEMATIC DIAGRAMS-1

AUDIO SECTION

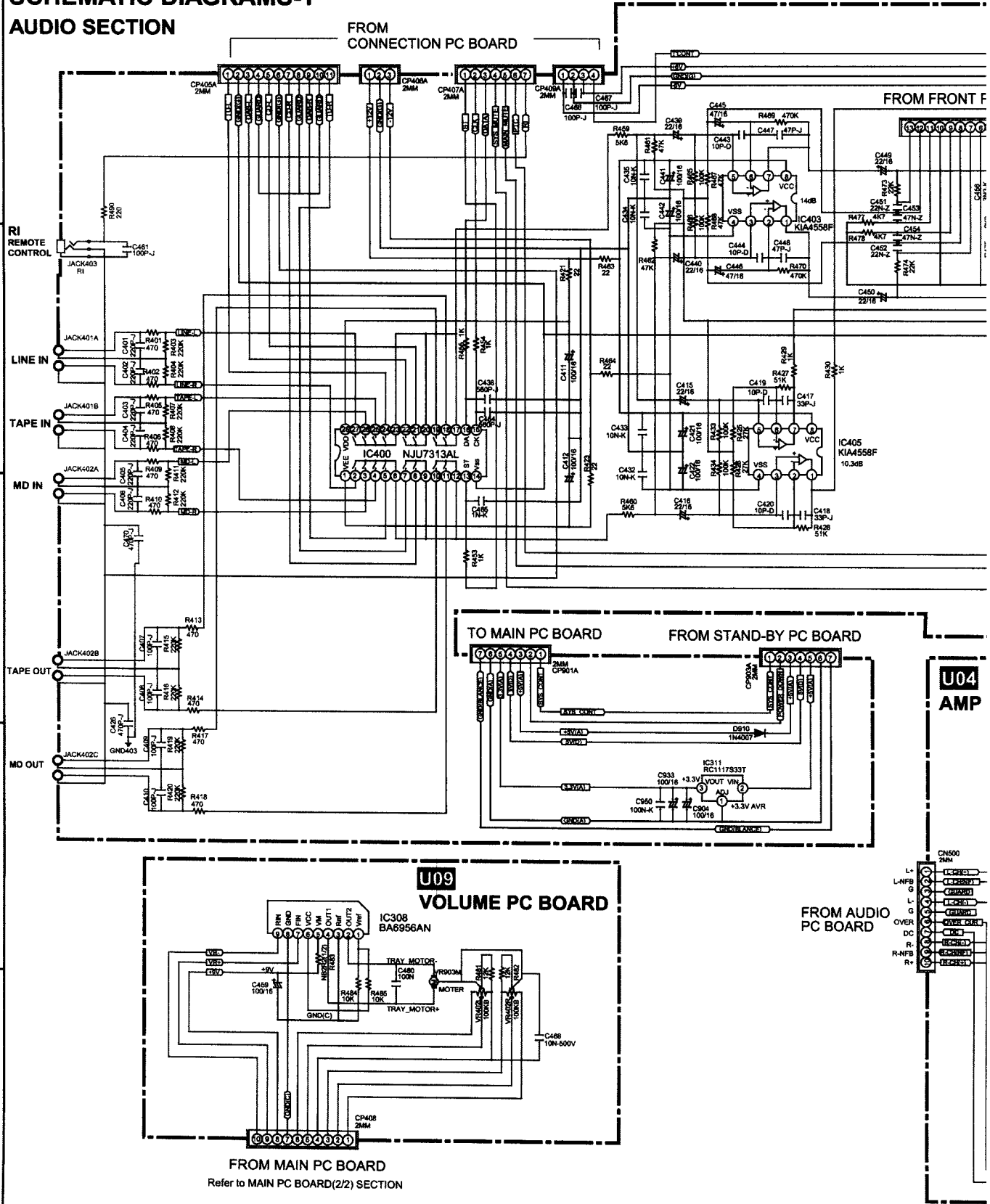
1

2

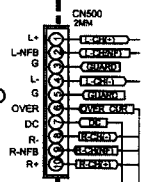
3

4

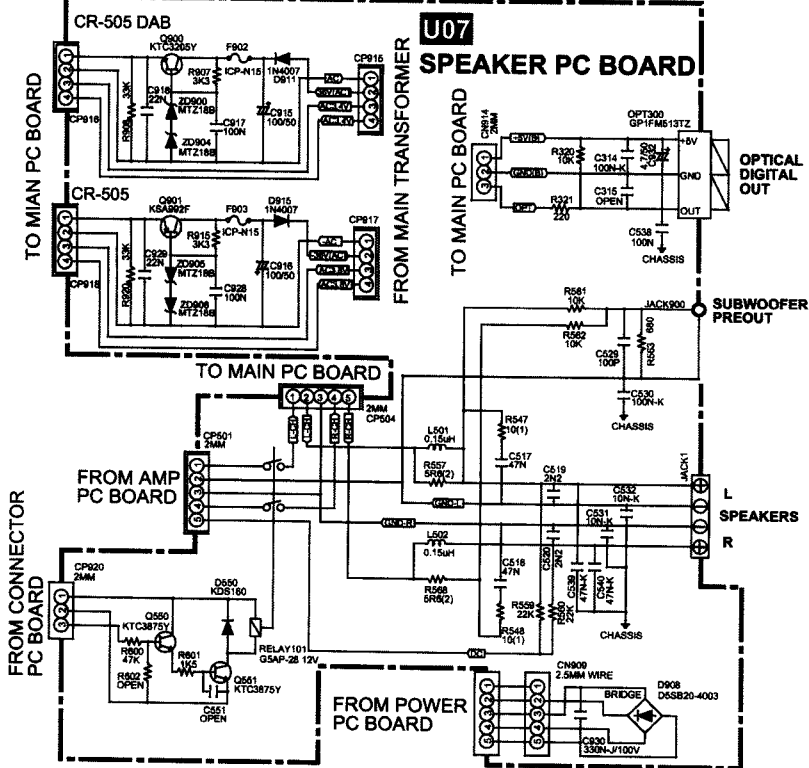
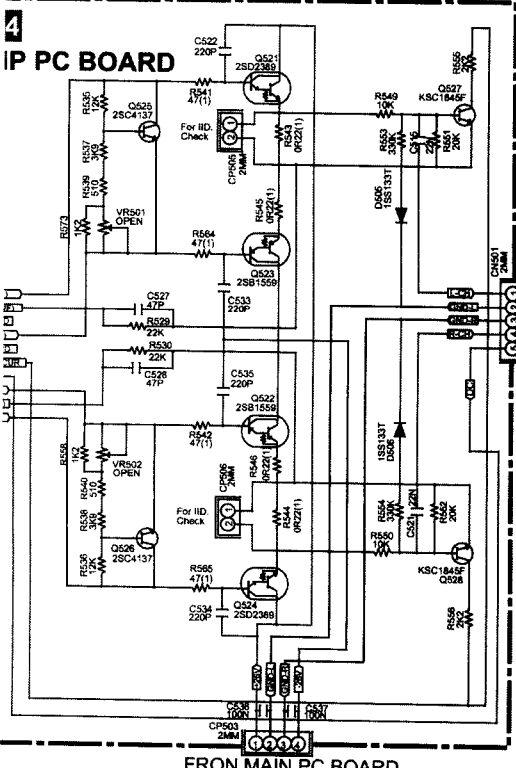
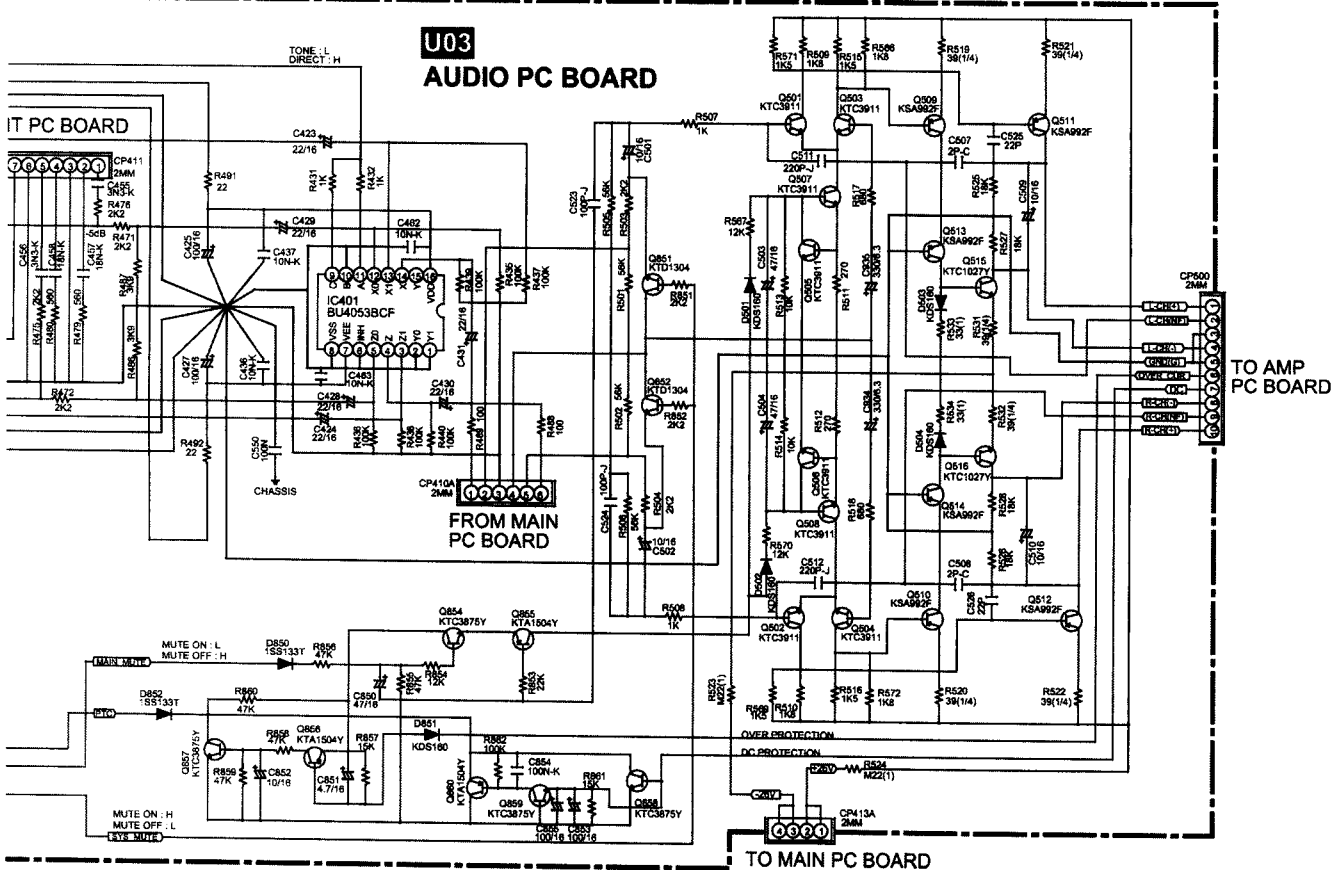
5



FROM MAIN PC BOARD
Refer to MAIN PC BOARD(2/2) SECTION



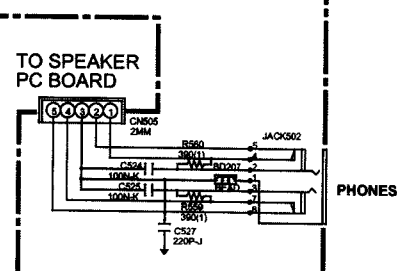
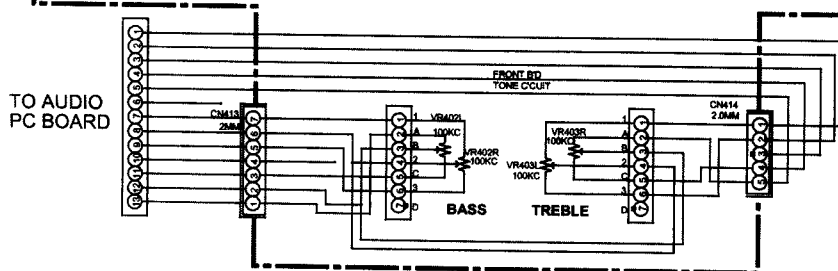
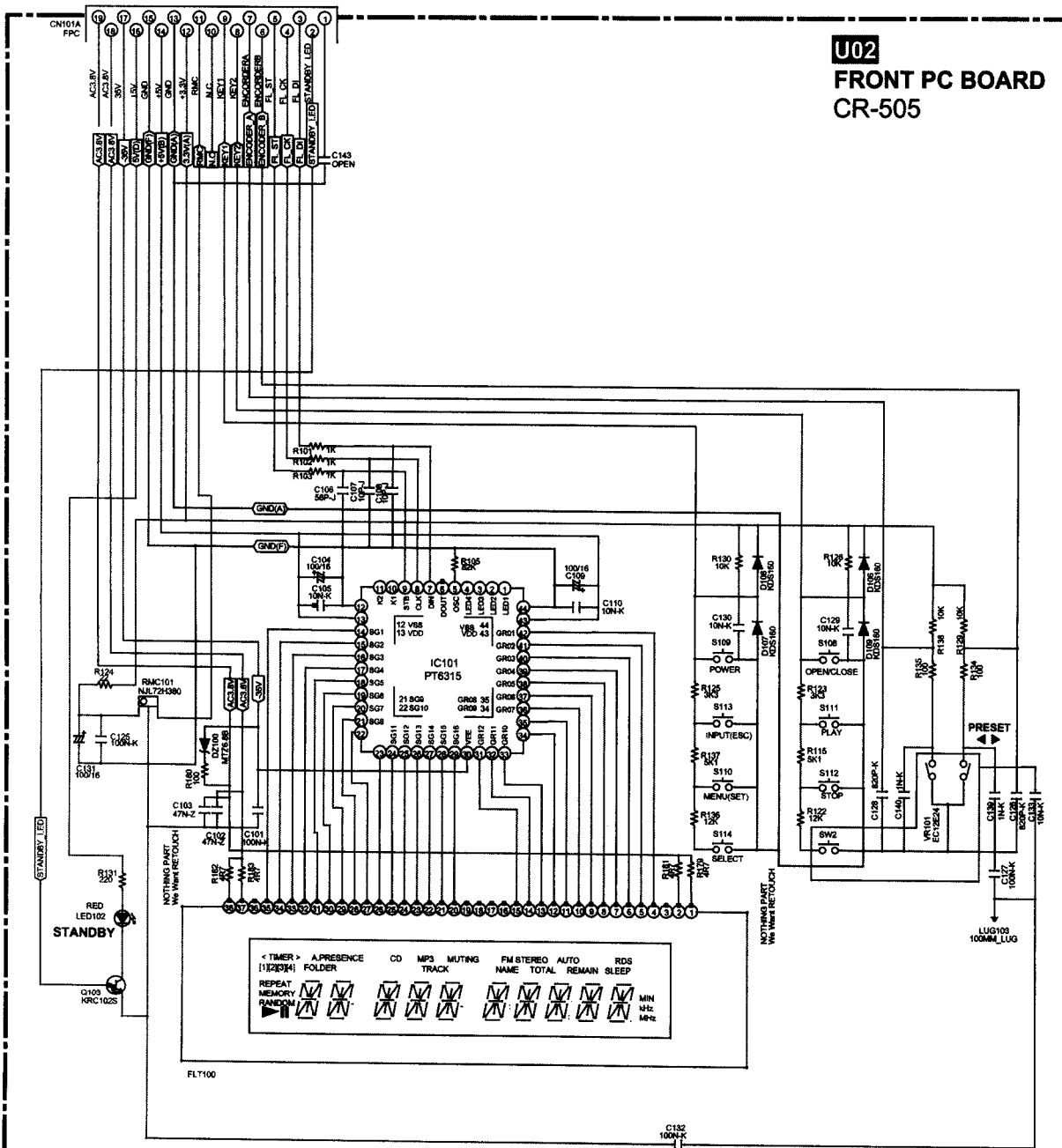
E F G H



SCHEMATIC DIAGRAMS-3
FRONT SECTION: CR-505

TO MAIN PC BOARD

U02
FRONT PC BOARD
CR-505



1
2
3
4
5

E

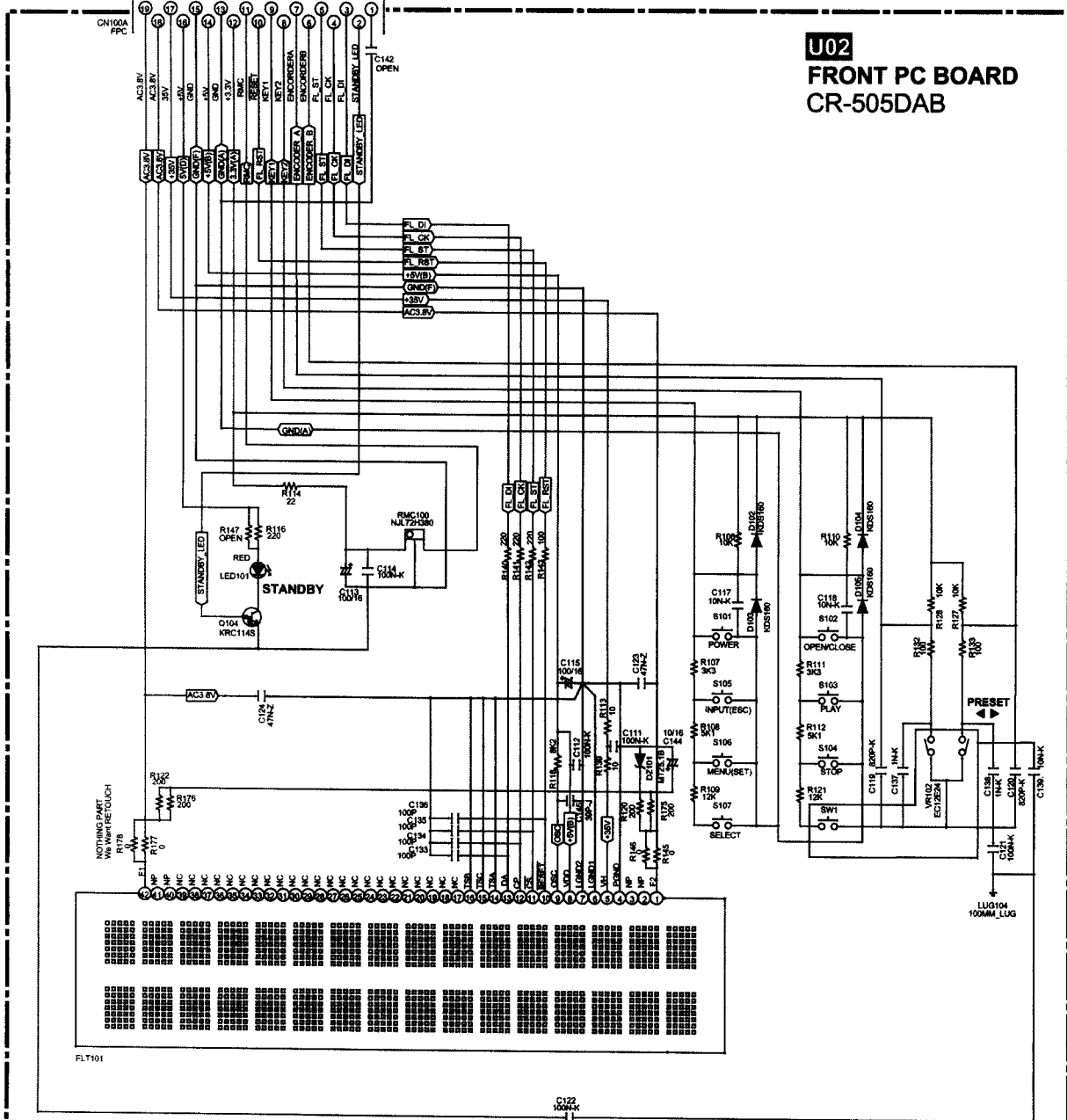
F

G

H

FRONT SECTION: CR-505DAB

TO MAIN PC BOARD



TO AUDIO PC BOARD

TO SPEAKER PC BOARD

PHONES

IES

SCHEMATIC DIAGRAMS-4
MICROPROCESSOR SECTION

1

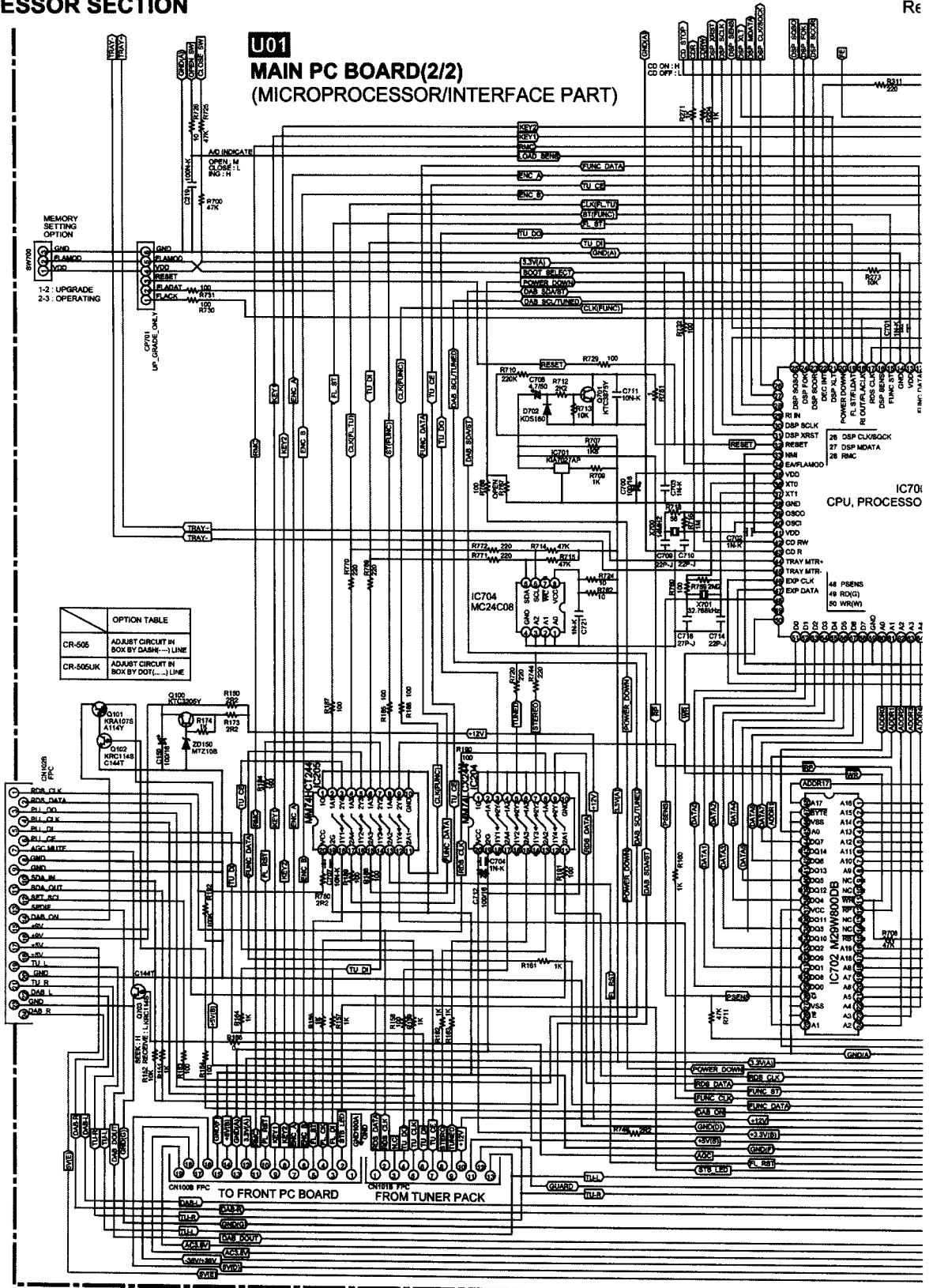
2

3

4

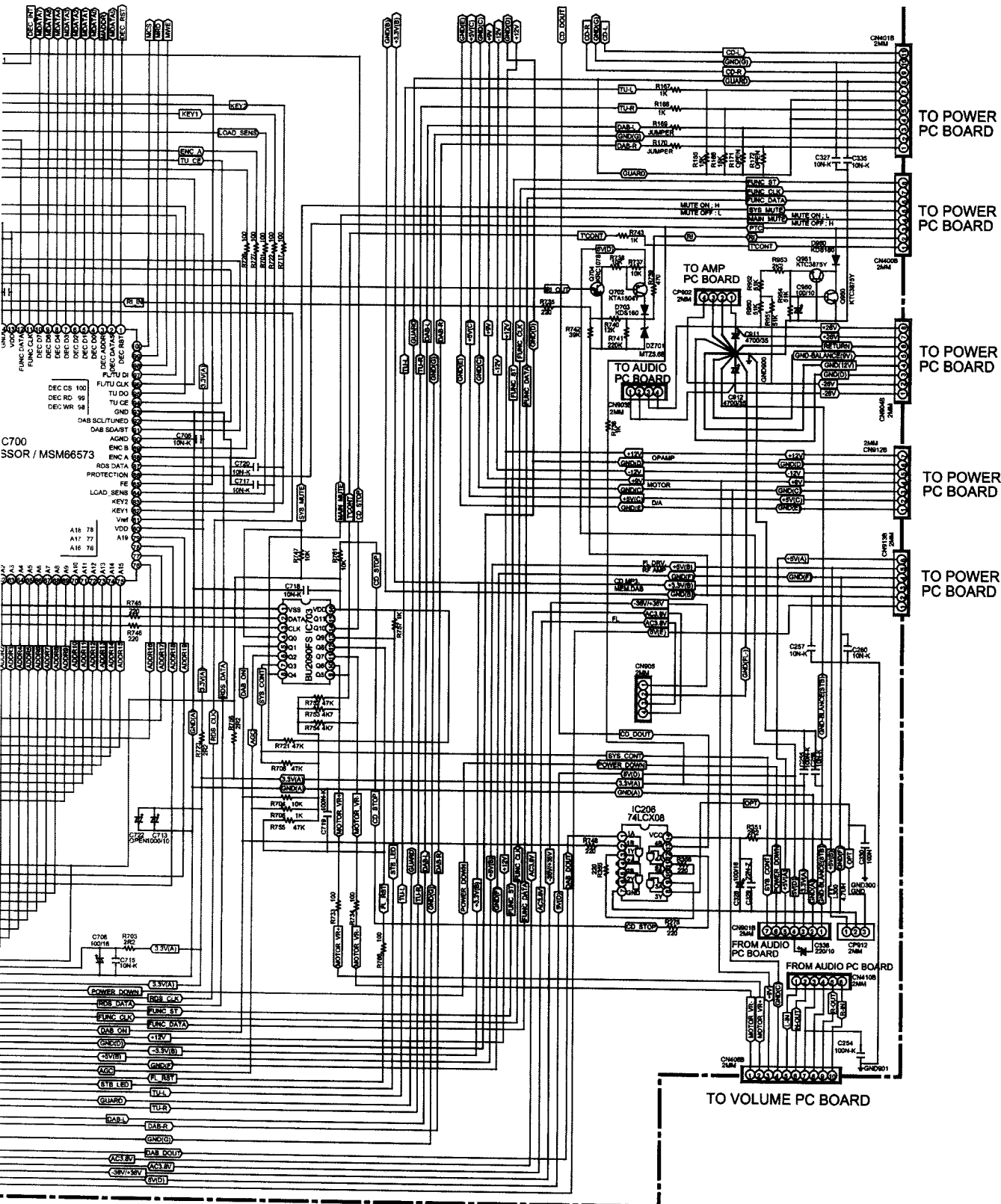
5

U01
MAIN PC BOARD(2/2)
(MICROPROCESSOR/INTERFACE PART)



OPTION TABLE	
CR-505	ADJUST CIRCUIT IN BOX BY DASH(-) LINE
CR-505UK	ADJUST CIRCUIT IN BOX BY DOT(.) LINE

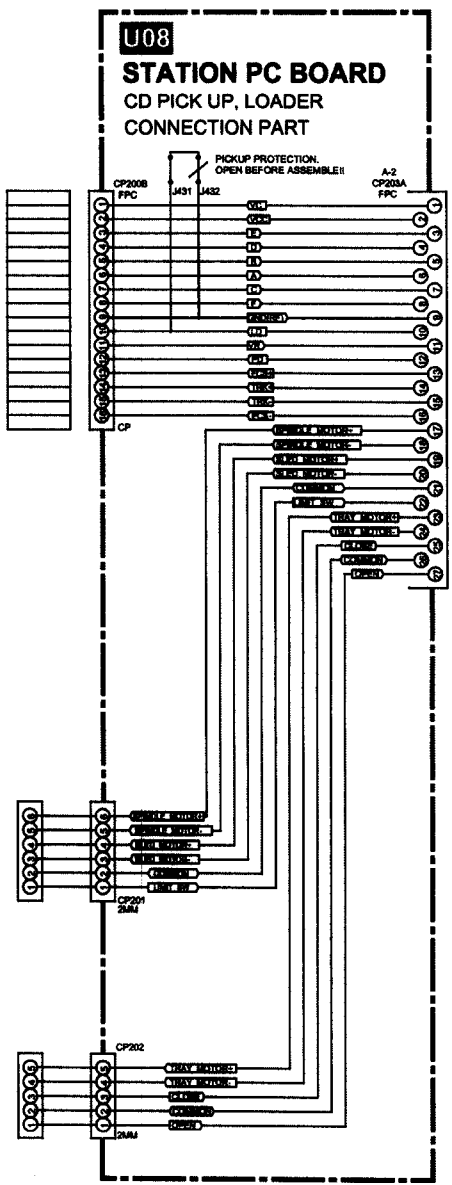
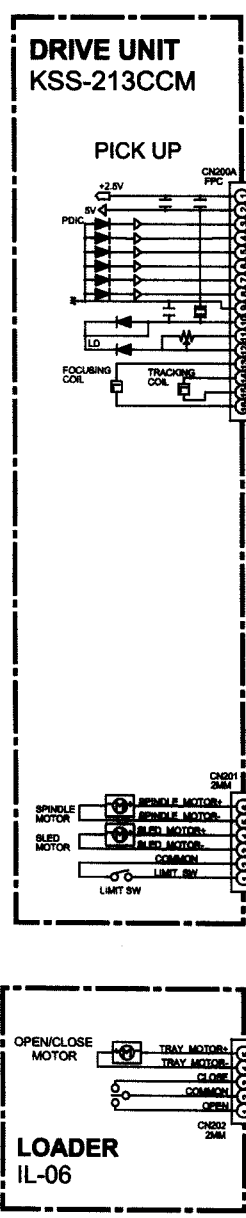
Refer to MAIN PC BOARD(1/2) SECTION



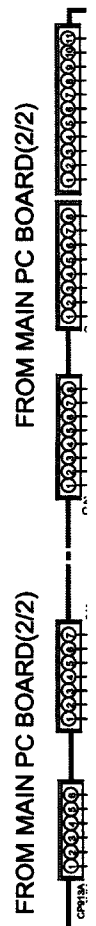
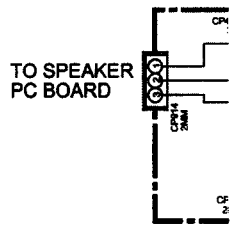
A B C D

SCHEMATIC DIAGRAMS-5
POWER SECTION

1
2
3
4
5



TO MAIN PC BOARD
Refer to MAIN PC BOARD(2/2) SECTION



- NOTES**
1. Resistor values are indicated in ohms unless otherwise specified [k = 1,000 m = 1,000,000]
 2. Capacitor values are indicated in microfarads unless otherwise specified. [p = micro-microfarads]
 3. : These resistor are to be segregated from printed wiring board or other accessible parts.
- CAUTION**
Safety precaution to be followed during servicing
- 1) Since those parts marked with are critical parts for safety, use only the one described in the parts list.
 - 2) Before returning the set to the customer make appropriate leakage current or resistance measurements to determine the exposed parts are properly insulated from the supply circuit.



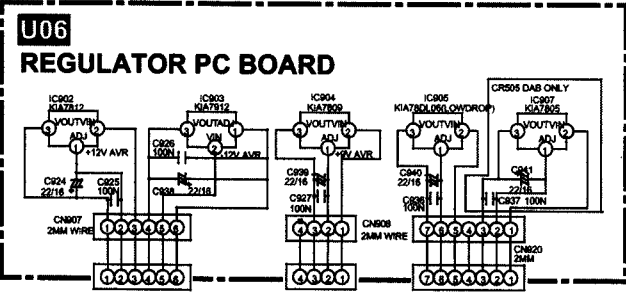
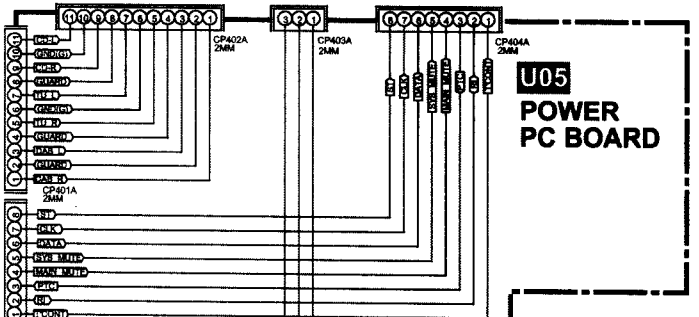
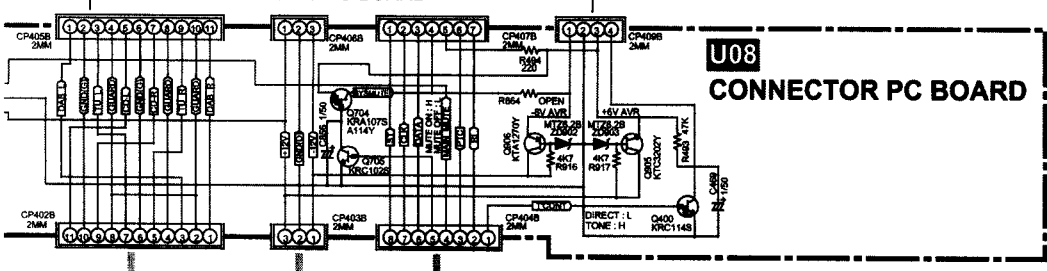
E

F

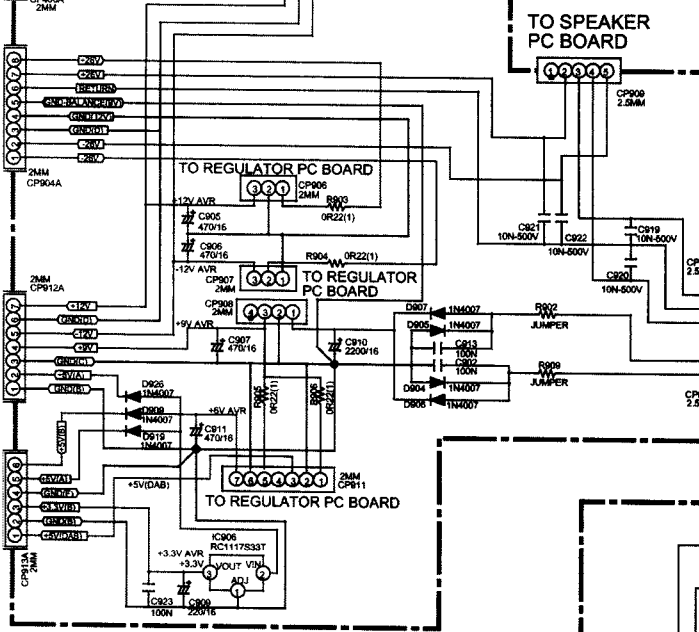
G

H

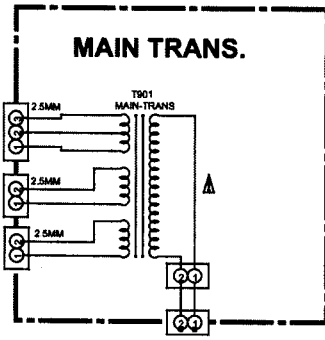
TO AUDIO PC BOARD



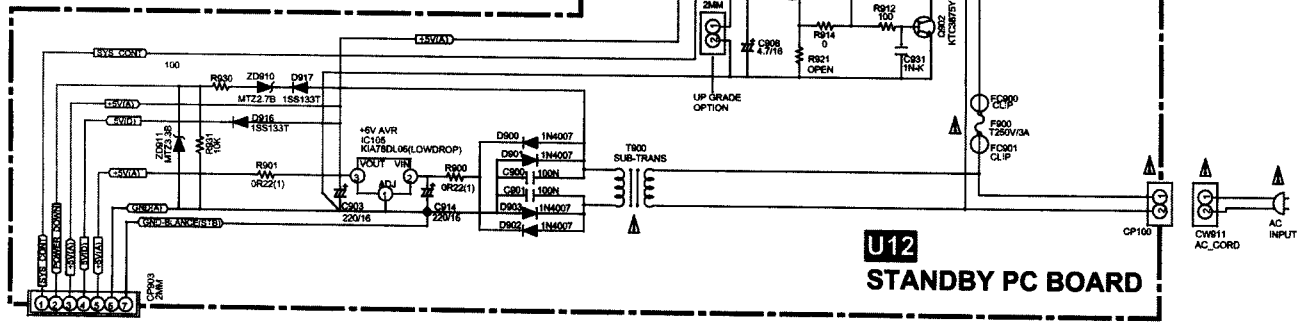
FROM POWER B'D FROM POWER B'D FROM POWER B'D



TO SPEAKER PC BOARD



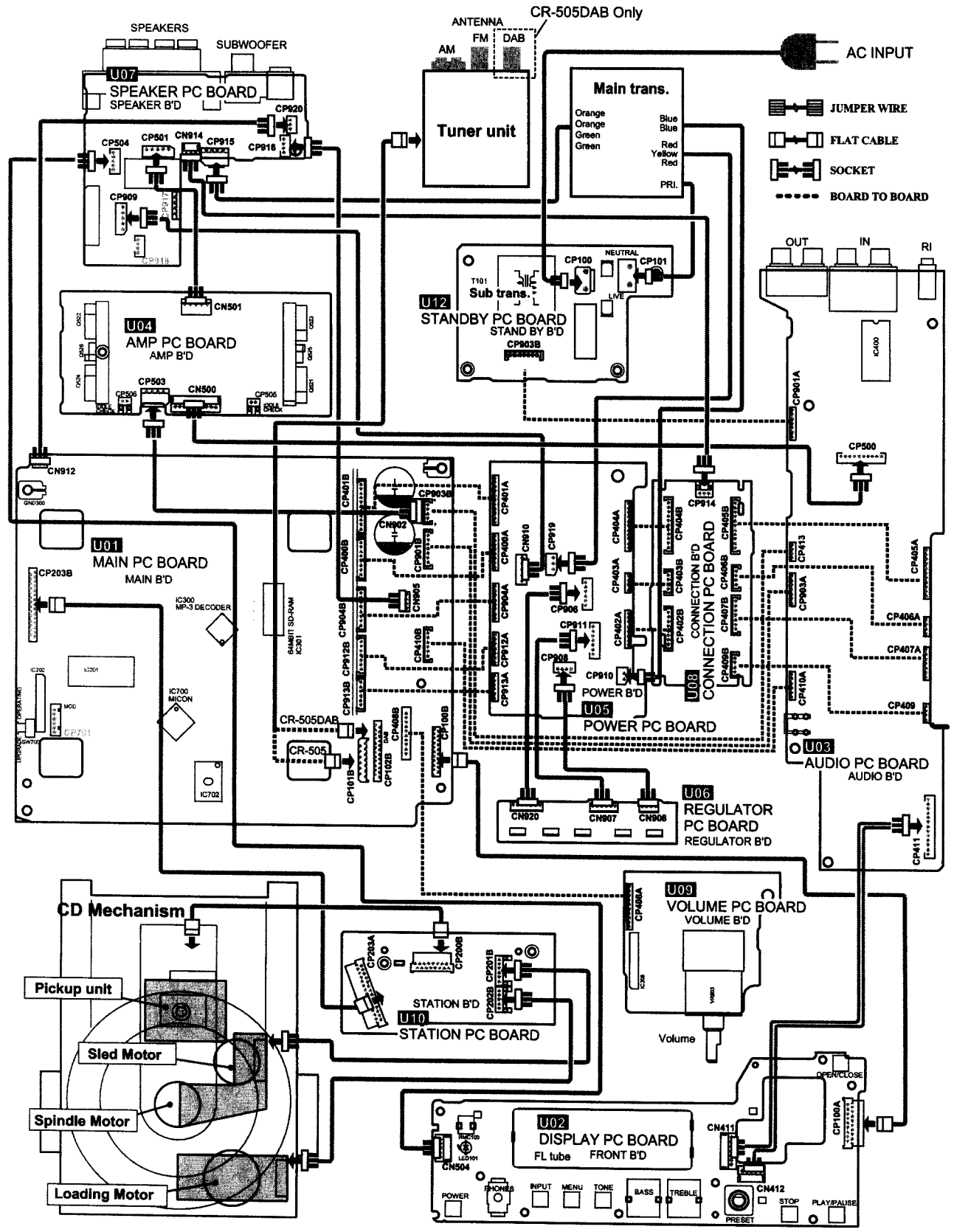
FROM MAN TRANS.



TO AUDIO PC BOARD

AC INPUT

PC BOARD CONNECTION DIAGRAM



MICROPROCESSOR TERMINAL DESCRIPTIONS-1

IC700:MSM66573

PIN	NAME	I/O	DESCRIPTION
1	DEC RST	O	MP3 Decoder(TMD2201A) RESETB(7) Decoder Reset.
2	DEC DATA5	I/O	Micom I/O Data bus 5 - MP3 Decoder(TMD2201A(76))
3	DEC ADDR	O	MP3 Decoder(TMD2201A) MADDR(79) Address And Data Bus Configuration Interface out.
4	DEC DATA0	I/O	Micom I/O Data bus 0 - MP3 Decoder(TMD2201A(71))
5	DEC DATA1	I/O	Micom I/O Data bus 1 - MP3 Decoder(TMD2201A(72))
6	DEC DATA2	I/O	Micom I/O Data bus 2 - MP3 Decoder(TMD2201A(73))
7	DEC DATA3	I/O	Micom I/O Data bus 3 - MP3 Decoder(TMD2201A(74))
8	DEC DATA4	I/O	Micom I/O Data bus 4 - MP3 Decoder(TMD2201A(75))
9	DEC DATA6	I/O	Micom I/O Data bus 6 - MP3 Decoder(TMD2201A(77))
10	DEC DATA7	I/O	Micom I/O Data bus 7 - MP3 Decoder(TMD2201A(78))
11	FUNC CLK	O	NJU7313AL(15-CK) Control Clock Output.
12	FUNC DATA	O	NJU7313AL(16-DATA) Control Data Output. ----- NJU7313AL : Function Control.
13	Vdd	I	Must be VDD.
14	GND	---	GND.
15	FUNC ST	O	NJU7313AL(13-ST) Chip Enable Output.
16	DSP SENS	I	CXD3068Q(7) SENS in.
17	RDS CLK	I	RDS Demodulator(BU1924F(16)) Clock in.
18	RI OUT	O	(RI)Other System Control Digital Link Data Out.
19	FLST	O	CR-505 : Fl Drv PTC6311(9-STB) Strobe out. ----- CR-505DAB : FL MODULE Strobe out.
20	POWER DOWN	O	System Power Down Indicated in.
21	DSP_XLT	O	CXD3068Q(5) Latch out.
22	DEC INT	I	MP3 Decoder(TMD2201A) DECINT(4) MP3/WMA Decoder Interrupt Signal in.
23	DSP_SCOR	I	CXD3068Q(15) Sub Code synv SO, S1 detect in.
24	DSP_FOK	I	CXD3068Q(22) Focus OK Signal in.
25	DSP_SQSO	I	CXD3068Q(76) Sub-Q 80bit, PCM Peak or Level data in.
26	DSP_CLK DSP_SQCK	O	CXD3068Q(6) CLOK Serial data transfer clock out, ----- CXD3068Q(77) SQCK readout clock out.
27	DSP_MDATA	O	CXD3068Q(4) Serial data out.
28	RMC	I	Remocon data in.
29	RI IN	I	(RI)Other System Control Digital Link Data In.
30	DSP SCLK	O	CXD3068Q(8) SENS readout clock out.
31	DSP XRST	O	CXD3068Q(2) System Reset out.
32	RST ----- RESET	I	Micom Reset signal in. ----- Upgrade Reset.
33	NMI	I	N.C(This input pin Requests a non-maskable interrupt.)
34	FLASH EA ----- FLAMOD	I	Low, All Program Addresses wil Access External Program Memory. High, 0H-FFFFH internal Program memory, 10000h-FFFFFFH External Program Memory. (L : NOR FLASH Data Reading Mode -> Set Operating Mode) ----- Reprogram upgrade : High Voltage input to set Serial Mode.(H : NOR FLASH Updata Mode)
35	Vdd	I	Must be VDD.

MICROPROCESSOR TERMINAL DESCRIPTIONS-2**IC700:MSM66573**

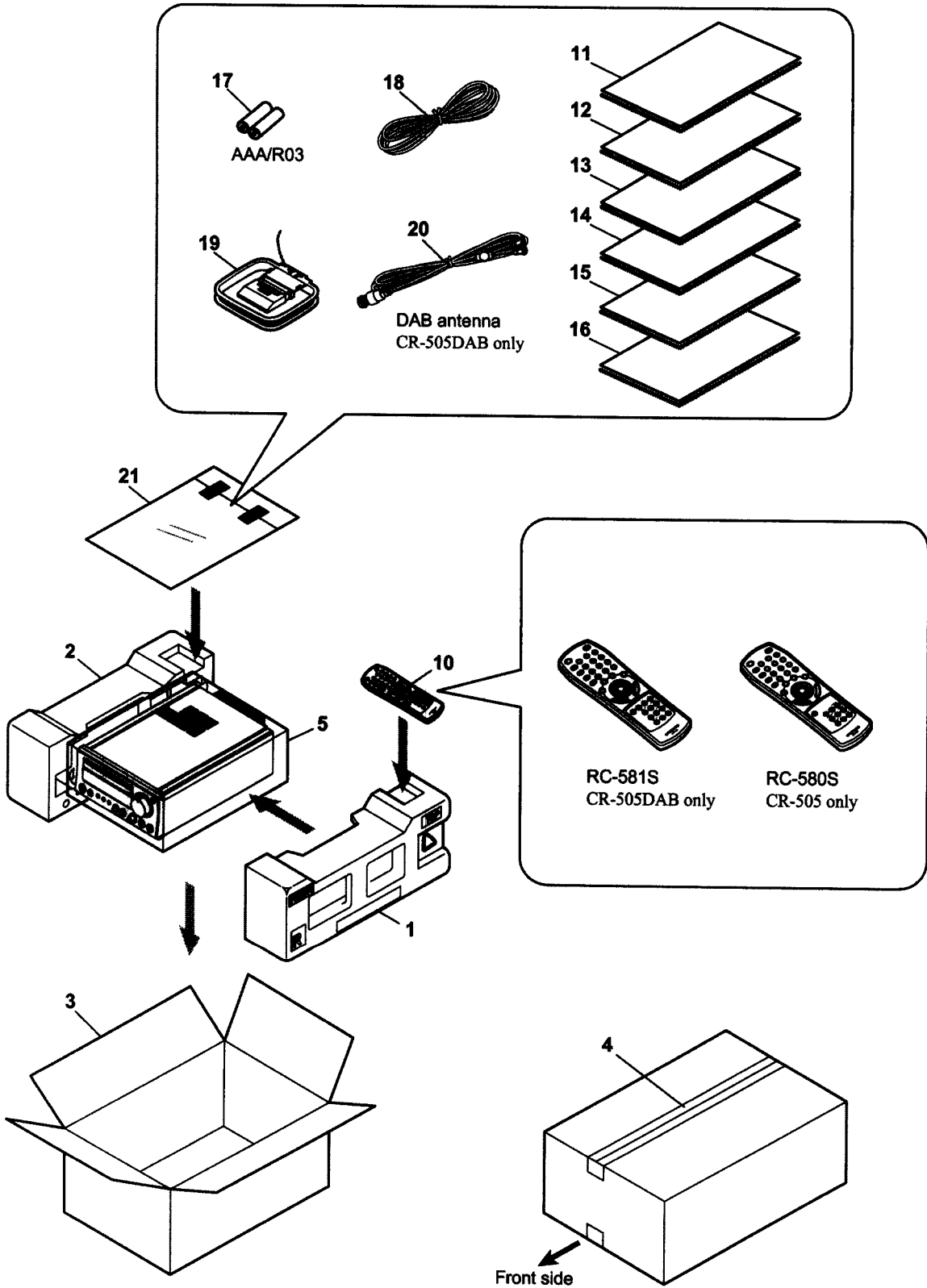
PIN	NAME	I/O	DESCRIPTION
36	XL0	I	Sub Clock Oscillation.
37	XT1	I	Sub Clock Oscillation Input.
38	GND	O	GND.
39	OSC O	I	System Clock Oscillation.(10MHz)
40	OSC I	I	System Clock Oscillation Input.(10MHz)
41	Vdd	I	Must be VDD.
42	CD_RW	I/O	CXA2581N(12) CD-ROM/RW Switching out.
43	CD_R	I/O	CXA2581N(12) CD-ROM/RW Switching out.
44	TRAY MTR+	O	Loader Control Drive BA6956AN(7) FIN Control out.
45	TRAY MTR-	O	Loader Control Drive BA6956AN(9) RIN Control out.
46	EXP CLK	O	Expend IC(BU2090FS(3)) Clock In.
47	EXP DATA	O	Expend IC(BU2090FV(2)) Data In.
48	PSENS(E)	O	External Memory(M29W800DB(28)) Strobe Signal Chip Enable In.
49	RD(G)	O	N.C
50	WR(W)	O	External Memory(M29W800DB(11)) Strobe Signal Write Enable In. External Memory(M29W800DB)BYTE(47) 8bit, 16bit Select Port.(L : 8bit, H : 16bit)
51	D0	I/O	External Memory(M29W800DB) Data0(29)
52	D1	I/O	External Memory(M29W800DB) Data1(31)
53	D2	I/O	External Memory(M29W800DB) Data2(33)
54	D3	I/O	External Memory(M29W800DB) Data3(35)
55	D4	I/O	External Memory(M29W800DB) Data4(38)
56	D5	I/O	External Memory(M29W800DB) Data5(40)
57	D6	I/O	External Memory(M29W800DB) Data6(42)
58	D7	I/O	External Memory(M29W800DB) Data7(44)
59	GND	---	GND.
60	A0	I/O	External Memory(M29W800DB) Adress0(45).
61	A1	I/O	External Memory(M29W800DB) Adress1(25).
62	A2	I/O	External Memory(M29W800DB) Adress2(24).
63	A3	I/O	External Memory(M29W800DB) Adress3(23).
64	A4	I/O	External Memory(M29W800DB) Adress4(22).
65	A5	I/O	External Memory(M29W800DB) Adress5(21).
66	A6	I/O	External Memory(M29W800DB) Adress6(20).
67	A7	I/O	External Memory(M29W800DB) Adress7(19).
68	A8	O	External Memory(M29W800DB) Adress8(18).
69	A9	O	External Memory(M29W800DB) Adress9(8).
70	A10	O	External Memory(M29W800DB) Adress10(7).

MICROPROCESSOR TERMINAL DESCRIPTIONS-3

IC700:MSM66573

PIN	NAME	I/O	DESCRIPTION
71	A11	O	External Memory(M29W800DB) Adress11(6).
72	A12	O	External Memory(M29W800DB) Adress12(5).
73	A13	O	External Memory(M29W800DB) Adress13(4).
74	A14	O	External Memory(M29W800DB) Adress14(3).
75	A15	O	External Memory(M29W800DB) Adress15(2).
76	A16	O	External Memory(M29W800DB) Adress16(1).
77	A17	O	External Memory(M29W800DB) Adress17(48).
78	A18	O	External Memory(M29W800DB) Adress18(17).
79	A19	O	External Memory(M29W800DB) Adress19(16).
80	Vdd	I	Must be VDD.
81	Vref	I	Referance Voltage input for A/D Converter.
82	KET1	I	Panel Key in.
83	KEY2	I	Panel Key in.
84	LOADER SENS	I	Loader Open/Close switch Indicate.(Close : L, Open : M, Ing : H)
85	FE	I	CXA2581N(16) Focus Error in.
86	PROTECTION	I	Temparature and DC Protection Detect in.
87	RDSDATA	I	RDS Demodulator(BU1924F(2)) Data in.
88	ENCODER A	I	Encoder Multi Control A Data Input.
89	ENCODER B	I	Encoder Multi Control B Data Input.
90	AGND	---	GND.
91	TU STEREO	I	CR-505 : AM/FM LA1844(7) Stereo Indicator Input.
	DAB SDA	I/O	CR-505DAB : DAB Tuner Seial Data Communication In/Out.
92	TU TUNED	I	CR-505 : AM/FM LA1844(6) Tuned Indicator Input.
	DAB SCL	O	CR-505DAB : DAB Tuner Seial Clock Out.
93	GND	---	GND.
94	TU CE	O	CR-505 AM/FM LC72131(2-CE) Chip Enalble out.
			CR-505DAB : AM/FM LV23002M(15-CE) Chip Enalble out.
95	TU DO	I	CR-505 : AM/FM LC72131M(5-DO) Data in.
			CR-505DAB : AM/FM LV23002M(18-DO) Data in.
96	FL CLK	O	CR-505 : Fl Drv PTC6311(8-CLK), CR-505DAB FL MODULE Control Clock Output.
	TU CLK		CR-505 : AM/FM LC72131M(4-CL) Control data out.
	E2PROM SCL		CR-505DAB : AM/FM LV23002M(17-CL) Control data out.
97	FLDI	O	CR-505 : Fl Drv PTC6311(6-D IN), CR-505DAB FL MODULE Control Data Output.
	TU DI		CR-505 : AM/FM LC72131M(3-DI) Control data out.
			CR-505DAB : AM/FM LV23002M(16-DI) Control data out.
	E2PROM		EEEPROM(MC24C08, 5-SDA) Serial Data Out.
98	DEC WR	O	MP3 Decoder(TMD2201A) MWE(Micom Write Enable(2)) Control out.
99	DEC RD	O	MP3 Decoder(TMD2201A) MRD(Micom Read Enable(3)) Control out.
100	DEC CS	O	MP3 Decoder(TMD2201A) MCS(Micom Chip Select(1)) Control out.

PACKING PROCEDURES



ONKYO CORPORATION

Sales & Product Planning Div. : 2-1, Nisshin-cho, Neyagawa-shi, OSAKA 572-8540, JAPAN
Tel: 072-831-8023 Fax: 072-831-8124

ONKYO U.S.A. CORPORATION

18 Park Way, Upper Saddle River, N.J. 07458, U.S.A.
Tel: 201-785-2600 Fax: 201-785-2650 <http://www.onkyousa.com>

ONKYO EUROPE ELECTRONICS GmbH

Liegnitzerstrasse 6, 82194 Groebenzell, GERMANY
Tel: +49-8142-4401-0 Fax: +49-8142-4401-555 <http://www.onkyo.net>

ONKYO EUROPE UK Office

Suite 1, Gregories Court, Gregories Road, Beaconsfield, Buckinghamshire, HP9 1HQ
UNITED KINGDOM Tel: +44-(0)1494-681515 Fax: +44(0)-1494-680452

ONKYO CHINA LIMITED

Units 2102-2107, Metroplaza Tower I, 223 Hing Fong Road, Kwai Chung,
N.T., HONG KONG Tel: 852-2429-3118 Fax: 852-2428-9039



CR-505/505DAB

EXPLODED VIEW PARTS LIST

NOTE : THE COMPONENTS IDENTIFIED BY THE MARK
! ARE CRITICAL FOR RISK OF FIRE AND
ELECTRIC SHOCK. REPLACE ONLY WITH PART
NUMBER SPECIFIED.

<Notes>

<DAB>: CR-505DAB British model

<505>: CR-505

<PP>: CR-505 European model

<DT>: CR-505 Taiwanese model

<GT>: CR-505 Asian model

<GR>: CR-505 Chaineese model

	REF. NO.	NAME	DESCRIPTION	Q'TY	PART NO.
EV	1	KNOB	TUNING(KD)	1	5080211028000
EV	2	KNOB	TONE	2	5087211011000
EV	3	WINDOW	DISPLAY	1	5077211963000
EV	3	WINDOW	DISPLAY	1	5077211963010
EV	4	COVER TRAY	TRAY	1	4317211721000
EV	5	KNOB	VOLUME(IL)	1	5080211038000
EV	6	DECORATION	RING VOLUME(IL)	1	5120210531000
EV	7	PANEL FRONT	FRONT	1	3067211788020
EV	7	PANEL FRONT	FRONT	1	3067211788010
EV	7	PANEL FRONT	FRONT	1	3067211788000
EV	7	PANEL FRONT	FRONT	1	3067211788000
EV	7	PANEL FRONT	FRONT	1	3067211788000
EV	8	PANEL FRAME	FRAME	1	3067211791000
EV	9	BUTTON	FUNCTION 3KEY(IL)	1	5090212411000
EV	10	BUTTON	POWER(KD)	1	5098212401000
EV	12	DECORATION	CD DOOR(IL)	1	5120210521000
EV	13	JACK	JACK,D3.5 PHONE	1	G401035180030
EV	14	HOLDER FLT	FLT	1	4320210496100
EV	16	CHASSIS MAIN	---	1	3200211476000
EV	17	HEAT SINK TR	---	1	2120210708000
EV	19	SUPPORTER MECHA	MECHA	1	4070210791000
EV	20	CD MECHA	IL-06B	1	8038041519011
EV	21	CABINET TOP	---	1	3007210486000
EV	22	INSULATION CABINET TOP	---	1	1240210032000
EV	23	STOPER AC CORD	---	1	4380210002000
EV	25	TER,RCA 6PIN	---	1	G603060056000
EV	26	TER,RCA 4PIN	---	1	G608040450000
EV	27	INSULATION PCB	---	1	1240210062000
EV	29	MODULE	OPT	1	E100151300010
EV	30	TER,RCA 1PIN	---	1	G600010003020
EV	32	TER,BOARD PUSH 4P	---	1	G594040480000
EV	33	CORD ASS'Y	---	1	L068040014050
EV	33	CORD ASS'Y	---	1	L068020140010
EV	33	CORD ASS'Y	---	1	L068020030260
EV	33	CORD ASS'Y	---	1	L068020140010
EV	33	CORD ASS'Y	---	1	L068040350010
EV	34	TAPE	(15 x 60)ACETATE	2	1220210059010
EV	35	COVER HEAT SINK	---	1	4310211711000
EV	36	CHASSIS BACK	---	1	3207211486100
EV	36	CHASSIS BACK	---	1	3207211486100
EV	36	CHASSIS BACK	---	1	3207211486100
EV	36	CHASSIS BACK	---	1	3207211486110
EV	36	CHASSIS BACK	---	1	3207211486000
EV	37	TAPE(15 x 80)ACETATE	---	1	1220210059070

EV	39	HEAT SINK MAIN	---	1	2120210698000
EV	41	TRANS	---	1	8200660550300
EV	41	TRANS	---	1	8200660550290
EV	41	TRANS	---	1	8200280150180
EV	41	TRANS	---	1	8200660550290
EV	41	TRANS	---	1	8200660550300
EV	43	FASTENER	---	1	4420010223010
EV	44	FOOT	---	4	4000210281000
EV	45	CUSHION FOOT	---	4	4050210585000
EV	46	BUTTON	OPEN-CLOSE(IL)	1	5090212421000
EV	47	BUTTON	PLAY 2KEY	1	5097212391000
EV	50	CLAMP	CABLE TIE DACT-100A	5	4330040343010
EV	51	BRACKET SCREW	SCREW	1	4010210196000
EV	52	JACK	D3.5 // HSI1501-011010	1	G401150100010
EV	53	SHEET COOLING	---	2	1210210335000
EV	54	PLATE	GROUND	1	4470210709000
EV	55	TAPE (15 x 110) ACETATE	---	2	1220210059000
EV	56	PLATE	PBS t=1.0 GROUND	1	4470210719000
EV	57	CUSHION	EVA 3t x 17.0 x 26.0	1	4050211155000
EV	58	TAPE(15 x 20) ACETATE	---	3	1220210059060
EV	59	HEAT SINK DRIVE IC	---	1	2120210788000
EV	62	LABEL CLASS-1 & WARNING	---	1	5507100500520
EV	63	LABEL LASER CAUTION	---	1	5507100500440
EV	S1	SCREW	TAPPING AS // +2S 3x14 P+S-WASHER ZNY/HH	6	B018230141H10
EV	S2	SCREW	TAP TITE // +2S 3x5 B-TYPE BK/FH	2	B020030053F10
EV	S3	SCREW	TAP TITE // +2S 3x6 B-TYPE ZNY/BH	4	B020030061B10
EV	S4	SCREW	TAP TITE // +2S 3x8 B-TYPE ZNY/BH	36	B020030081B10
EV	S5	SCREW	TAP TITE // +2S 3x17 B-TYPE ZNY/BH	2	B020030171B10
EV	S6	SCREW	TAP TITE // +2S 3x8 B-TYPE N/BH	3	B020030084B10
EV	S7	SCREW	TAP TITE AS // +3S 4x10 P+S-WASHER ZNY/BH	4	B028940101B10
EV	S8	SCREW	TAP TITE / +2S 3x10 B-TYPE(DOT) BK/BH	14	B020030103B11
EV	S9	SCREW	TAP TITE // +2S 3x10 B-TYPE BK/FH	2	B020030103F10
EV	S10	SCREW	TAP TITE // +2S 3x12 B-TYPE ZNY/BH	4	B020030121B10
EV	U01	MAIN PCB ASSY	CR505DAB CPB	1	7028063021010
EV	U01	MAIN PCB ASSY	CR505 CPP	1	7028063031010
EV	U01	MAIN PCB ASSY	CR505 CGT	1	7028063031020
EV	U01	MAIN PCB ASSY	CR505 CGR	1	7028063031020
EV	U01	MAIN PCB ASSY	CR505 CDT	1	7028063031020
EV	U02	FRONT PCB ASSY	CR505DAB CPB	1	7028063022010
EV	U02	FRONT PCB ASSY	CR505 CPP	1	7028063032010
EV	U02	FRONT PCB ASSY	CR505 CGT	1	7028063032010
EV	U02	FRONT PCB ASSY	CR505 CGR	1	7028063032010
EV	U02	FRONT PCB ASSY	CR505 CDT	1	7028063032010
EV	U03	AUDIO PCB ASSY	CR505DAB CPB	1	7028063041020
EV	U03	AUDIO PCB ASSY	CR505 CPP	1	7028063041010
EV	U03	AUDIO PCB ASSY	CR505 CGT	1	7028063041010
EV	U03	AUDIO PCB ASSY	CR505 CGR	1	7028063041010
EV	U03	AUDIO PCB ASSY	CR505 CDT	1	7028063041010
EV	U04	AMP PCB ASSY	CR505DAB CPB	1	7028063042010
EV	U04	AMP PCB ASSY	CR505 CPP	1	7028063042010
EV	U04	AMP PCB ASSY	CR505 CGT	1	7028063042010
EV	U04	AMP PCB ASSY	CR505 CGR	1	7028063042010
EV	U04	AMP PCB ASSY	CR505 CDT	1	7028063042010
EV	U05	POWER PCB ASSY	CR505DAB CPB	1	7028063043010
EV	U05	POWER PCB ASSY	CR505 CPP	1	7028063043010
EV	U05	POWER PCB ASSY	CR505 CGT	1	7028063043010

EV	U05	POWER PCB ASSY	CR505 CGR	1	7028063043010
EV	U05	POWER PCB ASSY	CR505 CDT	1	7028063043010
EV	U06	REGULATOR PCB ASSY	CR505DAB CPB	1	7028063044020
EV	U06	REGULATOR PCB ASSY	CR505 CPP	1	7028063044010
EV	U06	REGULATOR PCB ASSY	CR505 CGT	1	7028063044010
EV	U06	REGULATOR PCB ASSY	CR505 CGR	1	7028063044010
EV	U06	REGULATOR PCB ASSY	CR505 CDT	1	7028063044010
EV	U07	SPEAKER PCB ASSY	CR505DAB CPB	1	7028063045020
EV	U07	SPEAKER PCB ASSY	CR505 CPP	1	7028063045010
EV	U07	SPEAKER PCB ASSY	CR505 CGT	1	7028063045010
EV	U07	SPEAKER PCB ASSY	CR505 CGR	1	7028063045010
EV	U07	SPEAKER PCB ASSY	CR505 CDT	1	7028063045010
EV	U08	CONNECTOR PCB ASSY	CR505DAB CPB	1	7028063046010
EV	U08	CONNECTOR PCB ASSY	CR505 CPP	1	7028063046010
EV	U08	CONNECTOR PCB ASSY	CR505 CGT	1	7028063046010
EV	U08	CONNECTOR PCB ASSY	CR505 CGR	1	7028063046010
EV	U08	CONNECTOR PCB ASSY	CR505 CDT	1	7028063046010
EV	U09	VOLUME PCB ASSY	CR505DAB CPB	1	7028063047010
EV	U09	VOLUME PCB ASSY	CR505 CPP	1	7028063047010
EV	U09	VOLUME PCB ASSY	CR505 CGT	1	7028063047010
EV	U09	VOLUME PCB ASSY	CR505 CGR	1	7028063047010
EV	U09	VOLUME PCB ASSY	CR505 CDT	1	7028063047010
EV	U10	STATION PCB ASSY	CR505DAB CPB	1	7028063048010
EV	U10	STATION PCB ASSY	CR505 CPP	1	7028063048010
EV	U10	STATION PCB ASSY	CR505 CGT	1	7028063048010
EV	U10	STATION PCB ASSY	CR505 CGR	1	7028063048010
EV	U10	STATION PCB ASSY	CR505 CDT	1	7028063048010
EV	U11	GUIDE PCB ASSY	CR505DAB CPB	1	7028063049010
EV	U11	GUIDE PCB ASSY	CR505 CPP	1	7028063049010
EV	U11	GUIDE PCB ASSY	CR505 CGT	1	7028063049010
EV	U11	GUIDE PCB ASSY	CR505 CGR	1	7028063049010
EV	U11	GUIDE PCB ASSY	CR505 CDT	1	7028063049010
EV	U12	STANDBY PCB ASSY	CR505DAB CPB	1	702806304B060
EV	U12	STANDBY PCB ASSY	CR505 CPP	1	702806304B010
EV	U12	STANDBY PCB ASSY	CR505 CGT	1	702806304B020
EV	U12	STANDBY PCB ASSY	CR505 CGR	1	702806304B050
EV	U12	STANDBY PCB ASSY	CR505 CDT	1	702806304B040
EV	F900	FUSE	T1.25A /250V-SVBRTC(K) 218	1	N751221251110
EV	F900	FUSE	T1.25A /250V-SVBRTC(K) 218	1	N751221251110
EV	F900	FUSE	T1.25A /250V-SVBRTC(K) 218	1	N751221251110
EV	F900	FUSE	T1.25A /250V-SVBRTC(K) 218	1	N751221251110
EV	F900	FUSE	T1.25A /250V-SVBRTC(K) 218	1	N751221251110
EV	P100	CABLE, FLAT	1.0x19x120(TL)x(4/5/6/28)x(0.1x0.65)	1	L301111190020
EV	P102	CABLE, FLAT SHIELD 1.0MM	1.0x24x300(TL)x(5/5/10)x(0.1x0.65)	1	N71324034810
EV	P102	CABLE, FLAT SHIELD 1.25MM	1.25x13 250(TL) C(5/5/10) (0.1x0.8)	1	N714132534810
EV	P200	CABLE, FLAT 1.0MM	1.0x16x100(TL)x(5/5/10)x(0.035x0.65)	1	N711161032810
EV	P203	CABLE, FLAT 1.0MM	1.0x29x100(TL)x(5/5/10)x(0.035x0.65)	1	N711291032810
EV	P201	CN,WIRE	120MM/6P GIL-S-06=GIL-S-06 RD20080#28	1	L000121060100
EV	P202	CN,WIRE	150MM/5P GIL-S-05=GIL-S-05 RD20080#28	1	L000151050070
EV	U13	TUNER AM/FM	TDE-5001-A2 EURAKA-147 3BAND(DAB,FM,AM)	1	E903500120010
EV	U13	TUNER AM/FM	KST-MV114MA1-C10 RDS+BPF+4GANG+MW+50US	1	E903114100060
EV	U13	TUNER AM/FM	KST-MV011MA1-C10 B.P.F+3GANG+FM/MW+50US	1	E90311100020
EV	U13	TUNER AM/FM	KST-MV011MA1-C10 B.P.F+3GANG+FM/MW+50US	1	E90311100020
EV	U13	TUNER AM/FM	KST-MV011MA1-C10 B.P.F+3GANG+FM/MW+50US	1	E90311100020
EV	Q521	TR	2SD2389-Y	1	J5032389Y1170
EV	Q522	TR	2SB1559-Y	1	J5011559Y1170

EV	Q523	TR	2SB1559-Y	1	J5011559Y1170
EV	Q524	TR	2SD2389-Y	1	J5032389Y1170
EV	Q525	TR	2SC4137-V	1	J5024137V0130
EV	Q526	TR	2SC4137-V	1	J5024137V0130
EV	<Notes>				
EV					

CR-505/505DAB

EXPLODED VIEW PARTS LIST OF MECHANISM (CD)

	REF. NO.	NAME	DESCRIPTION	QTY	PART NO.
CD	1	BODY, MECHA-06	---	1	341021007101
CD	2	TRAY, LOADING-06	---	1	460021001101
CD	3	BASE, PU DRIVE-06	---	1	340021005101
CD	4	GEAR, CENTER	---	1	247004021101
CD	5	GEAR,LOAD	---	1	247000058000
CD	6	GEAR, PULLEY	---	1	247000046000
CD	7	SLIDER, BASE P/U	---	1	264021002101
CD	8	PULLEY, MOTOR	---	1	250000008000
CD	9	BELT, LOADING	---	1	249000021001
CD	10	PLATE,CLAMPER	---	1	447000406000
CD	11	MAGNET, CORE III	---	1	7600GZ3400L1
CD	12	CLAMPER4	---	1	433002004101
CD	13	INSULATOR	30 RED	2	124002013502
CD	14	INSULATOR	48 GREEN	2	124002013501
CD	15	PCB, MOTOR	PC board only	1	702011567000
CD	16	HOUSING 5P	LG 5P(Angle)	1	L10122005001
CD	17	S/W, LEAF	SSCF11	1	G22000001000
CD	18	MOTOR, DC	RF-310T	1	G70000010001
CD	19	PICK UP UNIT	CMS-B31SG6	1	803004141901
CD	19 or	PICK UP UNIT	KSM-213CCM	(1)	803004062201
CD	19 or	PICK UP UNIT	KCBT1H	(1)	803000001002

CR-505/505DAB

PC BOARD PARTS LIST

NOTE : THE COMPONENTS IDENTIFIED BY THE MARK
! ARE CRITICAL FOR RISK OF FIRE AND
ELECTRIC SHOCK. REPLACE ONLY WITH PART
NUMBER SPECIFIED.

<Notes>

<DAB>: CR-505DAB British mode

<505>: CR-505

<PP>: CR-505 European model

<DT>: CR-505 Taiwanese model

<GT>: CR-505 Asian model

<GR>: CR-505 Chainese model

101 MAIN PC BOARD

	REF. NO.	NAME	DESCRIPTION	QTY	PART NO.
U01	BD200	BEAD,COIL CHIP	HB-IT2012-121JT(CERATEC)2012	1	7611010000020
U01	BD201	BEAD,COIL CHIP	HB-IT2012-121JT(CERATEC)2012	1	7611010000020
U01	BD202	BEAD,COIL CHIP	HB-IT2012-121JT(CERATEC)2012	1	7611010000020
U01	BD203	BEAD,COIL CHIP	HB-IT2012-121JT(CERATEC)2012	1	7611010000020
U01	BD204	BEAD,COIL CHIP	HB-IT2012-121JT(CERATEC)2012	1	7611010000020
U01	BD205	BEAD,COIL CHIP	HB-IT2012-121JT(CERATEC)2012	1	7611010000020
U01	BD300	BEAD,COIL CHIP	HB-IT2012-121JT(CERATEC)2012	1	7611010000020
U01	BD301	BEAD,COIL CHIP	HB-IT2012-121JT(CERATEC)2012	1	7611010000020
U01	BD302	BEAD,COIL CHIP	HB-IT2012-121JT(CERATEC)2012	1	7611010000020

U01	C150	C,ELECT GE 85C	100UF-M/16V,6.3x7-5RE SY	1	D040101083060
U01	C200	C,ELECT GE 85C	100UF-M/16V,6.3x7-5RE SY	1	D040101083060
U01	C201	C,ELECT GE 85C	1UF-M/50V,3x5-5RE SY	1	D040010087070
U01	C202	C,CERAMIC CHIP HIK	X7R0.1UF-K/50V-1608	1	D011104577160
U01	C203	C,ELECT GE 85C	100UF-M/16V,6.3x7-5RE SY	1	D040101083060
U01	C204	C,ELECT GE 85C	100UF-M/16V,6.3x7-5RE SY	1	D040101083060
U01	C206	C,ELECT GE 85C	100UF-M/10V,6.3x5-5RE SY	1	D040101082050
U01	C207	C,CERAMIC CHIP HIK	X7R0.1UF-K/50V-1608	1	D011104577160
U01	C208	C,CERAMIC CHIP HIK	X7R0.1UF-K/50V-1608	1	D011104577160
U01	C209	C,CERAMIC CHIP HIK	X7R1000PF-K/50V-1608	1	D011102777160
U01	C210	C,ELECT GE 85C	100UF-M/10V,6.3x5-5RE SY	1	D040101082050
U01	C211	C,CERAMIC CHIP HIK	X7R0.1UF-K/50V-1608	1	D011104577160
U01	C212	C,ELECT GE 85C	470UF-M/16V,8x11.5-5RE SY	1	D040471083020
U01	C213	C,CERAMIC CHIP T.C	COG100PF-J/50V-1608	1	D010101167160
U01	C214	C,CERAMIC CHIP HIK	X7R0.01UF-K/50V-1608	1	D011103777160
U01	C216	C,CERAMIC CHIP HIK	X7R0.1UF-K/50V-1608	1	D011104577160
U01	C217	C,ELECT GE 85C	470UF-M/16V,8x11.5-5RE SY	1	D040471083020
U01	C218	C,CERAMIC CHIP HIK	X7R0.1UF-K/50V-1608	1	D011104577160
U01	C219	C,CERAMIC CHIP HIK	X7R0.1UF-K/50V-1608	1	D011104577160
U01	C221	C,CERAMIC CHIP T.C	COG22PF-J/50V-1608	1	D010220167160
U01	C222	C,CERAMIC CHIP HIK	Y5V0.047UF-Z/50V-1608	1	D011473597160
U01	C223	C,ELECT GE 85C	100UF-M/16V,6.3x7-5RE SY	1	D040101083060
U01	C224	C,CERAMIC CHIP HIK	X7R3300PF-K/50V-1608	1	D011332777160
U01	C225	C,CERAMIC CHIP HIK	X7R0.1UF-K/50V-1608	1	D011104577160
U01	C226	C,CERAMIC CHIP HIK	X7R0.1UF-K/50V-1608	1	D011104577160
U01	C227	C,CERAMIC CHIP HIK	X7R0.1UF-K/50V-1608	1	D011104577160
U01	C228	C,CERAMIC CHIP T.C	COG220PF-J/50V-1608	1	D010221167160
U01	C229	C,CERAMIC CHIP HIK	X7R0.1UF-K/50V-1608	1	D011104577160
U01	C230	C,CERAMIC CHIP T.C	COG470PF-J/50V-1608	1	D010471167160
U01	C231	C,CERAMIC CHIP T.C	COG470PF-J/50V-1608	1	D010471167160
U01	C232	C,CERAMIC CHIP HIK	Y5V0.022UF-Z/50V-1608	1	D011223597160
U01	C233	C,CERAMIC CHIP HIK	Y5V0.022UF-Z/50V-1608	1	D011223597160
U01	C234	C,CERAMIC CHIP HIK	X7R0.1UF-K/50V-1608	1	D011104577160
U01	C235	C,CERAMIC CHIP T.C	COG560pF-J/50V-1608	1	D010561167160
U01	C236	C,CERAMIC CHIP T.C	COG100PF-J/50V-1608	1	D010101167160
U01	C237	C,CERAMIC CHIP T.C	COG22PF-J/50V-1608	1	D010220167160
U01	C238	C,CERAMIC CHIP T.C	COG22PF-J/50V-1608	1	D010220167160
U01	C239	C,ELECT GE 85C	100UF-M/10V,6.3x5-5RE SY	1	D040101082050
U01	C240	C,ELECT GE 85C	470UF-M/16V,8x11.5-5RE SY	1	D040471083020
U01	C241	C,CERAMIC CHIP HIK	X7R1000PF-K/50V-1608	1	D011102777160
U01	C242	C,CERAMIC CHIP HIK	X7R0.1UF-K/50V-1608	1	D011104577160
U01	C243	C,ELECT GE 85C	100UF-M/10V,6.3x5-5RE SY	1	D040101082050
U01	C244	C,CERAMIC CHIP HIK	X7R0.1UF-K/50V-1608	1	D011104577160
U01	C245	C,CERAMIC CHIP HIK	X7R0.1UF-K/50V-1608	1	D011104577160
U01	C246	C,CERAMIC CHIP T.C	COG220PF-J/50V-1608	1	D010221167160
U01	C247	C,CERAMIC CHIP HIK	Y5V0.047UF-Z/50V-1608	1	D011473597160
U01	C248	C,CERAMIC HIK AXIAL	X0.0015UF-M/16V-52RE	1	D005152773530
U01	C249	C,ELECT GE 85C	0.47UF-M/50V,3*5-5RE SY	1	D040R47087110
U01	C250	C,CERAMIC CHIP HIK	X7R0.01UF-K/50V-1608	1	D011103777160
U01	C251	C,CERAMIC CHIP HIK	X7R0.01UF-K/50V-1608	1	D011103777160
U01	C252	C,ELECT GE 85C	100UF-M/16V,6.3x7-5RE SY	1	D040101083060
U01	C253	C,CERAMIC CHIP HIK	X7R0.1UF-K/50V-1608	1	D011104577160
U01	C254	C,CERAMIC CHIP HIK	X7R0.1UF-K/50V-1608	1	D011104577160
U01	C255	C,CERAMIC CHIP HIK	X7R0.1UF-K/50V-1608	1	D011104577160
U01	C256	C,CERAMIC CHIP HIK	X7R0.01UF-K/50V-1608	1	D011103777160
U01	C257	C,CERAMIC CHIP HIK	X7R0.01UF-K/50V-1608	1	D011103777160

U01	C258	C,CERAMIC CHIP HIK	X7R0.01UF-K/50V-1608	1	D011103777160
U01	C259	C,CERAMIC CHIP HIK	X7R0.01UF-K/50V-1608	1	D011103777160
U01	C260	C,CERAMIC CHIP HIK	X7R0.01UF-K/50V-1608	1	D011103777160
U01	C262	C,CERAMIC CHIP HIK	X7R0.1UF-K/50V-1608	1	D011104577160
U01	C300	C,CERAMIC CHIP HIK	X7R5600PF-K/50V-1608	1	D011562777160
U01	C301	C,CERAMIC CHIP HIK	X7R5600PF-K/50V-1608	1	D011562777160
U01	C302	C,CERAMIC CHIP HIK	X7R0.1UF-K/50V-1608	1	D011104577160
U01	C303	C,CERAMIC CHIP HIK	X7R0.1UF-K/50V-1608	1	D011104577160
U01	C305	C,ELECT GE 85C	100UF-M/16V,6.3x7-5RE SY	1	D040101083060
U01	C306	C,CERAMIC CHIP HIK	X7R0.1UF-K/50V-1608	1	D011104577160
U01	C307	C,ELECT GE 85C	22UF-M/50V,6.3x7-5RE SRA SY	1	D040220087050
U01	C308	C,ELECT GE 85C	22UF-M/50V,6.3x7-5RE SRA SY	1	D040220087050
U01	C309	C,CERAMIC CHIP HIK	Y5V0.022UF-Z/50V-1608	1	D011223597160
U01	C310	C,ELECT GE 85C	100UF-M/16V,6.3x7-5RE SY	1	D040101083060
U01	C311	C,CERAMIC CHIP HIK	X7R1000PF-K/50V-1608	1	D011102777160
U01	C312	C,CERAMIC CHIP HIK	X7R1000PF-K/50V-1608	1	D011102777160
U01	C313	R,CHIP THICK	0-J,1/16W-1608	1	C2000006M160
U01	C314	R,CHIP THICK	0-J,1/16W-1608	1	C2000006M160
U01	C315	C,ELECT GE 85C	22UF-M/50V,6.3x7-5RE SRA SY	1	D040220087050
U01	C316	C,ELECT GE 85C	22UF-M/50V,6.3x7-5RE SRA SY	1	D040220087050
U01	C317	C,ELECT GE 85C	100UF-M/16V,6.3x7-5RE SY	1	D040101083060
U01	C318	C,ELECT GE 85C	100UF-M/16V,6.3x7-5RE SY	1	D040101083060
U01	C319	C,CERAMIC CHIP HIK	Y5V0.022UF-Z/50V-1608	1	D011223597160
U01	C320	C,CERAMIC CHIP HIK	Y5V0.022UF-Z/50V-1608	1	D011223597160
U01	C321	C,CERAMIC CHIP HIK	X7R1000PF-K/50V-1608	1	D011102777160
U01	C322	C,CERAMIC CHIP HIK	X7R1000PF-K/50V-1608	1	D011102777160
U01	C323	C,CERAMIC CHIP HIK	X7R0.01UF-K/50V-1608	1	D011103777160
U01	C324	C,ELECT GE 85C	47UF-M/16V,6.3x5-5RE.SY	1	D040470083070
U01	C325	C,ELECT GE 85C	22UF-M/50V,6.3x7-5RE SRA SY	1	D040220087050
U01	C326	C,ELECT GE 85C	22UF-M/50V,6.3x7-5RE SRA SY	1	D040220087050
U01	C327	C,CERAMIC CHIP HIK	X7R0.01UF-K/50V-1608	1	D011103777160
U01	C328	C,ELECT GE 85C	100UF-M/16V,6.3x7-5RE SY	1	D040101083060
U01	C329	C,CERAMIC CHIP HIK	Y5V0.022UF-Z/50V-1608	1	D011223597160
U01	C330	C,CERAMIC HIK AXIAL	F0.1UF-Z/50V-52RE	1	D005104597530
U01	C331	C,CERAMIC CHIP T.C	COG100PF-J/50V-1608	1	D010101167160
U01	C332	C,CERAMIC CHIP T.C	COG100PF-J/50V-1608	1	D010101167160
U01	C333	C,CERAMIC CHIP T.C	COG100PF-J/50V-1608	1	D010101167160
U01	C334	C,CERAMIC CHIP T.C	COG100PF-J/50V-1608	1	D010101167160
U01	C335	C,CERAMIC CHIP HIK	X7R0.01UF-K/50V-1608	1	D011103777160
U01	C336	C,ELECT GE 85C	220UF-M/16V,6.3x11-5RE	1	D040221083110
U01	C400	C,CERAMIC CHIP HIK	X7R0.1UF-K/50V-1608	1	D011104577160
U01	C401	C,CERAMIC CHIP HIK	X7R0.1UF-K/50V-1608	1	D011104577160
U01	C402	C,ELECT GE 85C	100UF-M/16V,6.3x7-5RE SY	1	D040101083060
U01	C403	C,CERAMIC CHIP HIK	X7R0.1UF-K/50V-1608	1	D011104577160
U01	C404	C,CERAMIC CHIP HIK	X7R0.1UF-K/50V-1608	1	D011104577160
U01	C405	C,CERAMIC CHIP HIK	X7R0.1UF-K/50V-1608	1	D011104577160
U01	C700	C,ELECT GE 85C	100UF-M/16V,6.3 x7-5RE SY	1	D040101083060
U01	C701	C,CERAMIC CHIP HIK	X7R1000PF-K/50V-1608	1	D011102777160
U01	C702	C,CERAMIC CHIP HIK	X7R1000PF-K/50V-1608	1	D011102777160
U01	C703	C,CERAMIC CHIP HIK	X7R1000PF-K/50V-1608	1	D011102777160
U01	C704	C,CERAMIC CHIP HIK	X7R1000PF-K/50V-1608	1	D011102777160
U01	C705	C,CERAMIC CHIP HIK	X7R0.01UF-K/50V-1608	1	D011103777160
U01	C706	C,ELECT GE 85C	100UF-M/16V,6.3x7-5RE SY	1	D040101083060
U01	C707	C,CERAMIC CHIP HIK	X7R0.01UF-K/50V-1608	1	D011103777160
U01	C708	C,ELECT GE 85C	4.7UF-M/50V,5x5-5RE SY	1	D0404R7087090
U01	C709	C,CERAMIC CHIP T.C	COG22PF-J/50V-1608	1	D010220167160

U01	C710	C,CERAMIC CHIP T.C	COG22PF-J/50V-1608	1	D010220167160
U01	C711	C,CERAMIC CHIP HIK	X7R0.01UF-K/50V-1608	1	D011103777160
U01	C712	C,ELECT GE 85C	100UF-M/16V,6.3x7-5RE SY	1	D040101083060
U01	C713	C,ELECT GE 85C	1000UF-M/6.3V,8x11.5 SD S-5RE	1	D040102081060
U01	C714	C,CERAMIC CHIP T.C	COG22PF-J/50V-1608	1	D010220167160
U01	C715	C,CERAMIC CHIP HIK	X7R0.01UF-K/50V-1608	1	D011103777160
U01	C716	C,CERAMIC CHIP T.C	COG27PF-J/50V-1608	1	D010270167160
U01	C717	C,CERAMIC CHIP HIK	X7R0.01UF-K/50V-1608	1	D011103777160
U01	C718	C,CERAMIC CHIP HIK	X7R0.01UF-K/50V-1608	1	D011103777160
U01	C719	C,CERAMIC CHIP HIK	X7R0.1UF-K/50V-1608	1	D011104577160
U01	C720	C,CERAMIC CHIP HIK	X7R0.01UF-K/50V-1608	1	D011103777160
U01	C721	C,CERAMIC CHIP HIK	X7R1000PF-K/50V-1608	1	D011102777160
U01	C911	C,ELECT GE 85C	4700UF-M/35V(SHL) BLK(L=5mm) SY	1	D040472085020
U01	C912	C,ELECT GE 85C	4700UF-M/35V(SHL) BLK(L=5mm) SY	1	D040472085020
U01	C950	C,ELECT GE 85C	100UF-M/10V,6.3 x 5-5RE SY	1	D040101082050
U01	CLAMP1	CLAMP	HMX9800 DARA-2(W=2.6,L=50)/WIRE	1	4330000120000
U01	CLAMP2	CLAMP	HMX9800 DARA-2(W=2.6,L=50)/WIRE	1	4330000120000
U01	CN902	CN,WIRE	300mm/4P WH1569#22	1	L000301040100
U01	CN905	CN,WIRE	240mm/4P WH1569#26	1	L000241040030
U01	CN912	CN,WIRE	190mm/3P WH1569#26 +CORE	1	L000191030050
U01	CP100B	CN.FPC 1.0MM	6232-19P DIP ST	1	L130623201910
U01	CP101B	CN.FPC 1.25MM	8370-131 13P ST	1	L131837001300
U01	CP102B	CN.FPC 1.0MM	6232-24P DIP ST	1	L130623202410
U01	CP203B	CN.FPC 1.0MM	6232-29P DIP ST	1	L130623202910
U01	CP400B	CN.WAFER 2.0MM	TUC-P08P-B1 8P WAFER ST (35336-08)	1	L101100040810
U01	CP401B	CN.WAFER 2.0MM	TUC-P11P-B1 11P WAFER ST (35336-11)	1	L101100041110
U01	CP408B	CN.WAFER 2.0MM	TUC-P10P-B1 10P WAFER ST (35336-10)	1	L101100041010
U01	CP410B	CN.WAFER 2.0MM	TUC-P06P-B1 6P WAFER ST (35336-06)	1	L101100040610
U01	CP901B	CN.WAFER 2.0MM	TUC-P07P-B1 7P WAFER ST (35336-07)	1	L101100040710
U01	CP903B	CN.WAFER 2.0MM	TUC-P04P-B1 4P WAFER ST (35336-04)	1	L101100040410
U01	CP904B	CN.WAFER 2.0MM	TUC-P08P-B1 8P WAFER ST (35336-08)	1	L101100040810
U01	CP912B	CN.WAFER 2.0MM	TUC-P07P-B1 7P WAFER ST (35336-07)	1	L101100040710
U01	CP913B	CN.WAFER 2.0MM	TUC-P06P-B1 6P WAFER ST (35336-06)	1	L101100040610
U01	D200	D,SWITCHING	1SS133T-72-52MM	1	K000013300520
U01	D702	D,SWITCHING CHIP	1N4148W FAST SWITCHING SOD-323	1	K005041480020
U01	D703	D,SWITCHING CHIP	1N4148W FAST SWITCHING SOD-323	1	K005041480020
U01	D950	D,SWITCHING CHIP	1N4148W FAST SWITCHING SOD-323	1	K005041480020
U01	DZ701	D,ZENER	MTZJ5.6B-0.5W/5MA-52mm	1	K06005R644520
U01	GND300	TERMINAL	ALL PBST/GND PLATE	1	3790040876010
U01	GND900	TERMINAL	ALL PBST/GND PLATE	1	3790040876010
U01	GND901	TERMINAL	ALL PBST/GND PLATE	1	3790040876010
U01	IC200	IC,OPTICAL-RF AMP	CXA2581N-24P	1	J030258100020
U01	IC201	IC,LINEAR-DRIVER	BA5979S/DIP32P	1	J127597900020
U01	IC202	IC,LINEAR-DRIVER	BA6956AN SIP9 /MOTOR DRIVER	1	J127695600010
U01	IC203	IC,OPTICAL-RF SERVO	CXD3068Q QFP80	1	J032306800010
U01	IC204	IC,LOGIC	MM74LCX244 TSSOP 20P	1	J040742440180
U01	IC205	IC,LOGIC	MM74HCT244- TSSOP20	1	J040742440190
U01	IC206	IC,LOGIC	74LCX08 TSSOP14	1	J040740800170
U01	IC300	IC,LOGIC	TMD2201A TQFP 80	1	J040220100010
U01	IC301	IC,MEMORY-RAM	IC42S16400 TSOP54	1	J001421640020
U01	IC302	IC,LOGIC-D/A CONVER	WM8761 24BIT SOIC14P	1	J042876100010
U01	IC303	IC,LINEAR OP	BA4558F-E2/SOP8P	1	J121455800140
U01	IC304	IC,LINEAR OP	BA4558F-E2/SOP8P	1	J121455800140
U01	IC700	IC,CPU MICRO PROCESS	MSM66573L-142TBZ010 TQFP100P	1	J020665730010
U01	IC701	IC,LINEAR-RESET	KIA7027AP-AT/P 2.7V TO-92	1	J125702700020
U01	IC702	IC,MEMORY FLASH	M29W800DB AVR 1803	1	J005298000060

U01	IC703	IC,LOGIC-DECODER	BU2090FS-E2 12-BIT SSOP16	1	J044209000020
U01	IC704	IC,MEMORY-EEPROM	MC24C08-WMN6 SOP8P	1	J000240860010
U01	L202	COIL,FILTER-INDUCTOR	10UH-Q40/24M-R2.5-52RE 02TB	1	D330100700520
U01	L300	COIL,FILTER-INDUCTOR	4.7UH-Q40/32M-1.7-52RE 02TB	1	D3304R7001020
U01	Q100	SEMI,TR/GE NPN 2SC	KTC3205Y,1W/T092L-	1	J5023205Y0020
U01	Q101	SEMI,CHIP TR/PNP 2SA	KRA107S (PH) /SOT-23	1	J5200107S0050
U01	Q102	SEMI,CHIP TR/NPN 2SC	KRC114S (NP) 0.2W/SOT-23	1	J522011400210
U01	Q200	SEMI,TR/GE PNP 2SA	KTA1273Y,1W/T092L-	1	J5001273Y0050
U01	Q201	SEMI,CHIP TR/PNP 2SA	KRA107S (PH) /SOT-23	1	J5200107S0050
U01	Q202	SEMI,CHIP TR/NPN 2SC	KRC114S (NP) 0.2W/SOT-23	1	J522011400210
U01	Q203	SEMI,CHIP TR/NPN 2SC	KRC114S (NP) 0.2W/SOT-23	1	J522011400210
U01	Q204	SEMI,CHIP TR/PNP 2SA	KRA107S (PH) /SOT-23	1	J5200107S0050
U01	Q205	SEMI,CHIP TR/NPN 2SC	KRC114S (NP) 0.2W/SOT-23	1	J522011400210
U01	Q701	SEMI,CHIP TR/NPN 2SC	KTC3875Y(ALY) 0.15W/SMT	1	J5223875Y0210
U01	Q702	SEMI,CHIP TR/PNP 2SA	KTA1504Y(ASY) 0.15W/SMT	1	J5201504Y0210
U01	Q703	SEMI,CHIP TR/NPN 2SC	KRC114S (NP) 0.2W/SOT-23	1	J522011400210
U01	Q704	SEMI,TR/GE NPN 2SC	TR CHIP KRC107S SOT23	1	J5020107S0050
U01	Q950	SEMI,CHIP TR/NPN 2SC	KTC3875Y(ALY) 0.15W/SMT	1	J5223875Y0210
U01	Q951	SEMI,CHIP TR/NPN 2SC	KTC3875Y(ALY) 0.15W/SMT	1	J5223875Y0210
U01	R150	R,CARBON FILM	2.2-J,1/5W-52RE-AX	1	C0002R206P520
U01	R151	R,CHIP THICK	1K-J,1/16W-1608	1	C20001026M160
U01	R152	R,CHIP THICK	10K-J,1/16W-1608	1	C20001036M160
U01	R153	R,CHIP THICK	100-J,1/16W-1608	1	C20001016M160
U01	R154	R,CHIP THICK	100-J,1/16W-1608	1	C20001016M160
U01	R155	R,CHIP THICK	15K-J,1/16W-1608	1	C20001536M160
U01	R156	R,CHIP THICK	1K-J,1/16W-1608	1	C20001026M160
U01	R157	R,CHIP THICK	1K-J,1/16W-1608	1	C20001026M160
U01	R158	R,CHIP THICK	100-J,1/16W-1608	1	C20001016M160
U01	R159	R,CHIP THICK	1K-J,1/16W-1608	1	C20001026M160
U01	R160	R,CHIP THICK	1K-J,1/16W-1608	1	C20001026M160
U01	R161	R,CHIP THICK	1K-J,1/16W-1608	1	C20001026M160
U01	R162	R,CHIP THICK	1K-J,1/16W-1608	1	C20001026M160
U01	R163	R,CHIP THICK	1K-J,1/16W-1608	1	C20001026M160
U01	R164	R,CHIP THICK	1K-J,1/16W-1608	1	C20001026M160
U01	R165	R,CHIP THICK	0-J,1/16W-1608	1	C20000006M160
U01	R166	R,CHIP THICK	15K-J,1/16W-1608	1	C20001536M160
U01	R167	R,CHIP THICK	1K-J,1/16W-1608	1	C20001026M160
U01	R168	R,CHIP THICK	1K-J,1/16W-1608	1	C20001026M160
U01	R169	R,CHIP THICK	0-J,1/16W-1608	1	C20000006M160
U01	R170	R,CHIP THICK	0-J,1/16W-1608	1	C20000006M160
U01	R173	R,CARBON FILM	2.2-J,1/5W-52RE-AX	1	C0002R206P520
U01	R174	R,CHIP THICK	1K-J,1/16W-1608	1	C20001026M160
U01	R184	R,CHIP THICK	100-J,1/16W-1608	1	C20001016M160
U01	R185	R,CHIP THICK	100-J,1/16W-1608	1	C20001016M160
U01	R186	R,CHIP THICK	100-J,1/16W-1608	1	C20001016M160
U01	R187	R,CHIP THICK	100-J,1/16W-1608	1	C20001016M160
U01	R188	R,CHIP THICK	100-J,1/16W-1608	1	C20001016M160
U01	R189	R,CHIP THICK	100-J,1/16W-1608	1	C20001016M160
U01	R190	R,CHIP THICK	100-J,1/16W-1608	1	C20001016M160
U01	R191	R,CHIP THICK	100-J,1/16W-1608	1	C20001016M160
U01	R192	R,CARBON FILM	100K-J,1/5W-52RE-AX	1	C00001046P520
U01	R200	R,CHIP THICK	4.7K-J,1/16W-1608	1	C20004726M160
U01	R201	R,CHIP THICK	4.7K-J,1/16W-1608	1	C20004726M160
U01	R202	R,CHIP THICK	20-J,1/16W-1608	1	C20002006M160
U01	R203	R,CHIP THICK	20-J,1/16W-1608	1	C20002006M160
U01	R204	R,CHIP THICK	1K-J,1/16W-1608	1	C20001026M160

U01	R205	R,CHIP THICK	470K-J,1/16W-1608	1	C20004746M160
U01	R206	R,CHIP THICK	220K-J,1/10W-2012	1	C200022460200
U01	R207	R,CHIP THICK	470K-J,1/16W-1608	1	C20004746M160
U01	R208	R,CHIP THICK	100-J,1/16W-1608	1	C20001016M160
U01	R209	R,CHIP THICK	100-J,1/16W-1608	1	C20001016M160
U01	R210	R,CHIP THICK	10K-J,1/16W-1608	1	C20001036M160
U01	R211	R,CHIP THICK	10-J,1/16W-1608	1	C20001006M160
U01	R212	R,CARBON FILM	2.2-J,1/5W-52RE-AX	1	C0002R206P520
U01	R213	R,CHIP THICK	2.2K-J,1/16W-1608	1	C20002226M160
U01	R215	R,CHIP THICK	100-J,1/16W-1608	1	C20001016M160
U01	R216	R,CHIP THICK	100-J,1/16W-1608	1	C20001016M160
U01	R217	R,CARBON FILM	2.2-J,1/5W-52RE-AX	1	C0002R206P520
U01	R218	R,FUSIBLE METAL	2.2-J 1/2W R. PNFR25H	1	C1012R2064060
U01	R219	R,CHIP THICK	7.5K-J,1/16W-1608	1	C20007526M160
U01	R221	R,CHIP THICK	27K-J,1/16W-1608	1	C20002736M160
U01	R222	R,CHIP THICK	5.6K-J,1/16W-1608	1	C20005626M160
U01	R223	R,CHIP THICK	5.6K-J,1/16W-1608	1	C20005626M160
U01	R224	R,CHIP THICK	1K-J,1/16W-1608	1	C20001026M160
U01	R225	R,CHIP THICK	15K-J,1/16W-1608	1	C20001536M160
U01	R226	R,CHIP THICK	30K-J,1/16W-1608	1	C20003036M160
U01	R227	R,CHIP THICK	100K-J,1/16W-1608	1	C20001046M160
U01	R228	R,CHIP THICK	91K-J,1/16W-1608	1	C20009136M160
U01	R229	R,CHIP THICK	75K-J,1/16W-1608	1	C20007536M160
U01	R230	R,CHIP THICK	150K-J,1/16W-1608	1	C20001546M160
U01	R231	R,CHIP THICK	47K-J,1/16W-1608	1	C20004736M160
U01	R232	R,CHIP THICK	47K-J,1/16W-1608	1	C20004736M160
U01	R233	R,CHIP THICK	150K-J,1/16W-1608	1	C20001546M160
U01	R234	R,CHIP THICK	120K-J,1/16W-1608	1	C20001246M160
U01	R235	R,CHIP THICK	1K-J,1/16W-1608	1	C20001026M160
U01	R236	R,CHIP THICK	1K-J,1/16W-1608	1	C20001026M160
U01	R237	R,CHIP THICK	100K-J,1/16W-1608	1	C20001046M160
U01	R238	R,CHIP THICK	15K-J,1/16W-1608	1	C20001536M160
U01	R239	R,CHIP THICK	15K-J,1/16W-1608	1	C20001536M160
U01	R240	R,CHIP THICK	10K-J,1/16W-1608	1	C20001036M160
U01	R241	R,CHIP THICK	1K-J,1/16W-1608	1	C20001026M160
U01	R242	R,CHIP THICK	10K-J,1/16W-1608	1	C20001036M160
U01	R243	R,CHIP THICK	10K-J,1/16W-1608	1	C20001036M160
U01	R244	R,CHIP THICK	1K-J,1/16W-1608	1	C20001026M160
U01	R245	R,CHIP THICK	1K-J,1/16W-1608	1	C20001026M160
U01	R246	R,CHIP THICK	100-J,1/16W-1608	1	C20001016M160
U01	R247	R,CHIP THICK	1K-J,1/16W-1608	1	C20001026M160
U01	R248	R,CHIP THICK	1K-J,1/16W-1608	1	C20001026M160
U01	R249	R,CHIP THICK	100-J,1/16W-1608	1	C20001016M160
U01	R250	R,CHIP THICK	100-J,1/16W-1608	1	C20001016M160
U01	R251	R,CHIP THICK	100-J,1/16W-1608	1	C20001016M160
U01	R252	R,CHIP THICK	100-J,1/16W-1608	1	C20001016M160
U01	R253	R,CHIP THICK	1M-J,1/16W-1608	1	C20001056M160
U01	R254	R,CHIP THICK	100-J,1/16W-1608	1	C20001016M160
U01	R255	R,CHIP THICK	100-J,1/16W-1608	1	C20001016M160
U01	R256	R,CHIP THICK	100-J,1/16W-1608	1	C20001016M160
U01	R257	R,CHIP THICK	100-J,1/16W-1608	1	C20001016M160
U01	R258	R,CHIP THICK	56-J,1/16W-1608	1	C20005606M160
U01	R259	R,CHIP THICK	100-J,1/16W-1608	1	C20001016M160
U01	R261	R,CHIP THICK	470K-J,1/16W-1608	1	C20004746M160
U01	R262	R,CHIP THICK	1M-J,1/16W-1608	1	C20001056M160
U01	R263	R,CHIP THICK	470K-J,1/16W-1608	1	C20004746M160

U01	R264	R,CHIP THICK	10K-J,1/16W-1608	1	C20001036M160
U01	R265	R,CHIP THICK	1K-J,1/16W-1608	1	C20001026M160
U01	R266	R,CHIP THICK	3.3K-J,1/16W-1608	1	C20003326M160
U01	R267	R,CHIP THICK	10K-J,1/16W-1608	1	C20001036M160
U01	R268	R,CHIP THICK	100K-J,1/16W-1608	1	C20001046M160
U01	R269	R,CHIP THICK	33K-J,1/16W-1608	1	C20003336M160
U01	R270	R,CHIP THICK	100-J,1/16W-1608	1	C20001016M160
U01	R271	R,CHIP THICK	1K-J,1/16W-1608	1	C20001026M160
U01	R273	R,CHIP THICK	10K-J,1/16W-1608	1	C20001036M160
U01	R274	R,CARBON FILM	2.2-J,1/5W-52RE-AX	1	C0002R206P520
U01	R275	R,CHIP THICK	220-J,1/16W-1608	1	C20002216M160
U01	R276	R,CHIP THICK	220-J,1/16W-1608	1	C20002216M160
U01	R300	R,CHIP THICK	100K-J,1/16W-1608	1	C20001046M160
U01	R301	R,CHIP THICK	1K-J,1/16W-1608	1	C20001026M160
U01	R302	R,CHIP THICK	10K-J,1/16W-1608	1	C20001036M160
U01	R303	R,CHIP THICK	10K-J,1/16W-1608	1	C20001036M160
U01	R304	R,CHIP THICK	10K-J,1/16W-1608	1	C20001036M160
U01	R305	R,CHIP THICK	10K-J,1/16W-1608	1	C20001036M160
U01	R306	R,CHIP THICK	10K-J,1/16W-1608	1	C20001036M160
U01	R307	R,CHIP THICK	10K-J,1/16W-1608	1	C20001036M160
U01	R308	R,CHIP THICK	10K-J,1/16W-1608	1	C20001036M160
U01	R309	R,CHIP THICK	10K-J,1/16W-1608	1	C20001036M160
U01	R310	R,CHIP THICK	1.2K-J,1/16W-1608	1	C20001226M160
U01	R311	R,CHIP THICK	220-J,1/16W-1608	1	C20002216M160
U01	R312	R,CHIP THICK	100-J,1/16W-1608	1	C20001016M160
U01	R313	R,CHIP THICK	100-J,1/16W-1608	1	C20001016M160
U01	R314	R,CHIP THICK	100-J,1/16W-1608	1	C20001016M160
U01	R315	R,CHIP THICK	100-J,1/16W-1608	1	C20001016M160
U01	R319	R,CHIP THICK	1.5K-J,1/16W-1608	1	C20001526M160
U01	R320	R,CHIP THICK	1.5K-J,1/16W-1608	1	C20001526M160
U01	R321	R,CHIP THICK	470K-J,1/16W-1608	1	C20004746M160
U01	R322	R,CHIP THICK	470K-J,1/16W-1608	1	C20004746M160
U01	R323	R,CHIP THICK	4.7K-J,1/16W-1608	1	C20004726M160
U01	R324	R,CHIP THICK	4.7K-J,1/16W-1608	1	C20004726M160
U01	R325	R,CHIP THICK	2.2K-J,1/16W-1608	1	C20002226M160
U01	R326	R,CHIP THICK	2.2K-J,1/16W-1608	1	C20002226M160
U01	R327	R,CHIP THICK	100-J,1/16W-1608	1	C20001016M160
U01	R328	R,CHIP THICK	10K-J,1/16W-1608	1	C20001036M160
U01	R329	R,CHIP THICK	10K-J,1/16W-1608	1	C20001036M160
U01	R330	R,CHIP THICK	10K-J,1/16W-1608	1	C20001036M160
U01	R331	R,CHIP THICK	10K-J,1/16W-1608	1	C20001036M160
U01	R332	R,CHIP THICK	100-J,1/16W-1608	1	C20001016M160
U01	R334	R,CHIP THICK	1.5K-J,1/16W-1608	1	C20001526M160
U01	R335	R,CHIP THICK	1.5K-J,1/16W-1608	1	C20001526M160
U01	R336	R,CHIP THICK	1K-J,1/16W-1608	1	C20001026M160
U01	R337	R,CHIP THICK	1K-J,1/16W-1608	1	C20001026M160
U01	R340	R,CHIP THICK	1.5K-J,1/16W-1608	1	C20001526M160
U01	R341	R,CHIP THICK	1.5K-J,1/16W-1608	1	C20001526M160
U01	R342	R,CHIP THICK	2.2K-J,1/16W-1608	1	C20002226M160
U01	R343	R,CHIP THICK	2.2K-J,1/16W-1608	1	C20002226M160
U01	R344	R,CHIP THICK	0-J,1/16W-1608	1	C20000006M160
U01	R345	R,CHIP THICK	0-J,1/16W-1608	1	C20000006M160
U01	R346	R,CHIP THICK	4.7K-J,1/16W-1608	1	C20004726M160
U01	R347	R,CHIP THICK	4.7K-J,1/16W-1608	1	C20004726M160
U01	R349	R,CARBON FILM	2.2-J,1/5W-52RE-AX	1	C0002R206P520
U01	R350	R,CARBON FILM	2.2-J,1/5W-52RE-AX	1	C0002R206P520

U01	R351	R,CARBON FILM	2.2-J,1/5W-52RE-AX	1	C0002R206P520
U01	R352	R,CHIP THICK	100-J,1/16W-1608	1	C20001016M160
U01	R353	R,CARBON FILM	2.2-J,1/5W-52RE-AX	1	C0002R206P520
U01	R354	R,CARBON FILM	2.2-J,1/5W-52RE-AX	1	C0002R206P520
U01	R355	R,CHIP THICK	220-J,1/16W-1608	1	C20002216M160
U01	R356	R,CHIP THICK	220-J,1/16W-1608	1	C20002216M160
U01	R357	R,CHIP THICK	220-J,1/16W-1608	1	C20002216M160
U01	R358	R,CHIP THICK	0-J,1/16W-1608	1	C20000006M160
U01	R359	R,CHIP THICK	0-J,1/16W-1608	1	C20000006M160
U01	R362	R,CHIP THICK	100K-J,1/16W-1608	1	C20001046M160
U01	R363	R,CHIP THICK	100K-J,1/16W-1608	1	C20001046M160
U01	R700	R,CHIP THICK	47K-J,1/16W-1608	1	C20004736M160
U01	R701	R,CHIP THICK	100-J,1/16W-1608	1	C20001016M160
U01	R703	R,CARBON FILM	2.2-J,1/5W-52RE-AX	1	C0002R206P520
U01	R704	R,CHIP THICK	10K-J,1/16W-1608	1	C20001036M160
U01	R705	R,CHIP THICK	1K-J,1/16W-1608	1	C20001026M160
U01	R706	R,CHIP THICK	47K-J,1/16W-1608	1	C20004736M160
U01	R707	R,CHIP THICK	1.8K-J,1/16W-1608	1	C20001826M160
U01	R708	R,CHIP THICK	47K-J,1/16W-1608	1	C20004736M160
U01	R709	R,CHIP THICK	1K-J,1/16W-1608	1	C20001026M160
U01	R710	R,CHIP THICK	220K-J,1/10W-2012	1	C200022460200
U01	R711	R,CHIP THICK	47K-J,1/16W-1608	1	C20004736M160
U01	R712	R,CHIP THICK	2.2K-J,1/16W-1608	1	C20002226M160
U01	R713	R,CHIP THICK	10K-J,1/16W-1608	1	C20001036M160
U01	R714	R,CHIP THICK	47K-J,1/16W-1608	1	C20004736M160
U01	R715	R,CHIP THICK	47K-J,1/16W-1608	1	C20004736M160
U01	R716	R,CHIP THICK	1M-J,1/16W-1608	1	C20001056M160
U01	R717	R,CHIP THICK	100-J,1/16W-1608	1	C20001016M160
U01	R718	R,CHIP THICK	56-J,1/16W-1608	1	C20005606M160
U01	R719	R,CHIP THICK	10K-J,1/16W-1608	1	C20001036M160
U01	R720	R,CHIP THICK	220-J,1/16W-1608	1	C20002216M160
U01	R721	R,CHIP THICK	47K-J,1/16W-1608	1	C20004736M160
U01	R722	R,CHIP THICK	100-J,1/16W-1608	1	C20001016M160
U01	R723	R,CARBON FILM	2.2-J,1/5W-52RE-AX	1	C0002R206P520
U01	R724	R,CHIP THICK	10-J,1/16W-1608	1	C20001006M160
U01	R725	R,CHIP THICK	47K-J,1/16W-1608	1	C20004736M160
U01	R726	R,CHIP THICK	10-J,1/16W-1608	1	C20001006M160
U01	R727	R,CHIP THICK	100-J,1/16W-1608	1	C20001016M160
U01	R728	R,CHIP THICK	100-J,1/16W-1608	1	C20001016M160
U01	R729	R,CHIP THICK	100-J,1/16W-1608	1	C20001016M160
U01	R730	R,CHIP THICK	100-J,1/16W-1608	1	C20001016M160
U01	R731	R,CHIP THICK	100-J,1/16W-1608	1	C20001016M160
U01	R732	R,CHIP THICK	100-J,1/16W-1608	1	C20001016M160
U01	R733	R,CHIP THICK	100-J,1/16W-1608	1	C20001016M160
U01	R734	R,CHIP THICK	100-J,1/16W-1608	1	C20001016M160
U01	R735	R,CHIP THICK	220-J,1/16W-1608	1	C20002216M160
U01	R736	R,CHIP THICK	1K-J,1/16W-1608	1	C20001026M160
U01	R737	R,CHIP THICK	10K-J,1/16W-1608	1	C20001036M160
U01	R738	R,CHIP THICK	10K-J,1/16W-1608	1	C20001036M160
U01	R739	R,CHIP THICK	470-J,1/16W-1608	1	C20004716M160
U01	R740	R,CHIP THICK	12K-J,1/16W-1608	1	C20001236M160
U01	R741	R,CHIP THICK	220K-J,1/10W-2012	1	C200022460200
U01	R742	R,CHIP THICK	39K-J,1/16W-1608	1	C20003936M160
U01	R743	R,CHIP THICK	1K-J,1/16W-1608	1	C20001026M160
U01	R744	R,CHIP THICK	220-J,1/16W-1608	1	C20002216M160
U01	R745	R,CHIP THICK	220-J,1/16W-1608	1	C20002216M160

U01	R746	R,CHIP THICK	220-J,1/16W-1608	1	C20002216M160
U01	R747	R,CHIP THICK	10K-J,1/16W-1608	1	C20001036M160
U01	R748	R,CHIP THICK	220-J,1/16W-1608	1	C20002216M160
U01	R749	R,CARBON FILM	2.2-J,1/5W-52RE-AX	1	C0002R206P520
U01	R750	R,CARBON FILM	2.2-J,1/5W-52RE-AX	1	C0002R206P520
U01	R751	R,CARBON FILM	1-J,1/5W-52RE-AX	1	C00000106P520
U01	R752	R,CHIP THICK	47K-J,1/16W-1608	1	C20004736M160
U01	R753	R,CHIP THICK	4.7K-J,1/16W-1608	1	C20004726M160
U01	R754	R,CHIP THICK	4.7K-J,1/16W-1608	1	C20004726M160
U01	R755	R,CHIP THICK	47K-J,1/16W-1608	1	C20004736M160
U01	R756	R,CARBON FILM	2.2-J,1/5W-52RE-AX	1	C0002R206P520
U01	R757	R,CHIP THICK	1K-J,1/16W-1608	1	C20001026M160
U01	R759	R,CHIP THICK	2.2M-J,1/16W-1608	1	C20002256M160
U01	R760	R,CHIP THICK	100-J,1/16W-1608	1	C20001016M160
U01	R761	R,CHIP THICK	10K-J,1/16W-1608	1	C20001036M160
U01	R762	R,CHIP THICK	10-J,1/16W-1608	1	C20001006M160
U01	R766	R,CHIP THICK	100-J,1/16W-1608	1	C20001016M160
U01	R768	R,CHIP THICK	100-J,1/16W-1608	1	C20001016M160
U01	R769	R,CHIP THICK	220-J,1/16W-1608	1	C20002216M160
U01	R770	R,CHIP THICK	220-J,1/16W-1608	1	C20002216M160
U01	R771	R,CHIP THICK	220-J,1/16W-1608	1	C20002216M160
U01	R772	R,CHIP THICK	220-J,1/16W-1608	1	C20002216M160
U01	R950	R,CHIP THICK	51K-J,1/16W-1608	1	C20005136M160
U01	R951	R,CHIP THICK	51K-J,1/16W-1608	1	C20005136M160
U01	R952	R,CHIP THICK	51K-J,1/16W-1608	1	C20005136M160
U01	R953	R,CHIP THICK	2.2K-J,1/16W-1608	1	C20002226M160
U01	R954	R,CHIP THICK	51K-J,1/16W-1608	1	C20005136M160
U01	SW700	PIN JUMPER	PIN HEDER 2.0MM	1	L424000040000
U01	SW700A	PIN,TER.FEMALE	C9700-02CD-DB00 3P ANGLE	1	L151970002010
U01	X200	CRYSTAL	HC-49S 16.9344MHz	1	E800169344520
U01	X700	CRYSTAL	14.0000MHz	1	E800140000000
U01	X701	CRYSTAL	32.768KHz,CFS308-CL	1	E80032R768050
U01	ZD150	D,ZENER	MTZJ10B-0.5W	1	K06010R044520

102 FRONT PC BOARD

REF. NO.	NAME	DESCRIPTION	Q'TY	PART NO.
U02	BD206	BEAD,COIL CHIP	1	7611010000020
U02	BD207	BEAD,COIL CHIP	1	7611010000020
U02	C101	C,CERAMIC CHIP HIK	1	D011104577160
U02	C102	C,CERAMIC CHIP HIK	1	D011473597160
U02	C103	C,CERAMIC CHIP HIK	1	D011473597160
U02	C105	C,CERAMIC CHIP HIK	1	D011103777160
U02	C106	C,CERAMIC CHIP T.C	1	D010560167160
U02	C107	C,CERAMIC CHIP T.C	1	D010100117160
U02	C108	C,CERAMIC CHIP T.C	1	D010100117160
U02	C109	C,ELECT GE 85C	1	D040101083060
U02	C110	C,CERAMIC CHIP HIK	1	D011103777160
U02	C111	C,CERAMIC CHIP HIK	1	D011104577160
U02	C112	C,CERAMIC CHIP HIK	1	D011104577160
U02	C113	C,ELECT GE 85C	1	D040101083060
U02	C114	C,CERAMIC CHIP HIK	1	D011104577160
U02	C115	C,ELECT GE 85C	1	D040101083060
U02	C116	C,CERAMIC CHIP HIK	1	D011104577160
U02	C117	C,CERAMIC CHIP HIK	1	D011103777160
U02	C118	C,CERAMIC CHIP HIK	1	D011103777160
U02	C119	C,CERAMIC CHIP HIK	1	D011821777160

U02	C120	C,CERAMIC CHIP HIK	X7R820PF-K/50V-1608	1	D011821777160
U02	C121	C,CERAMIC CHIP HIK	X7R0.1UF-K/50V-1608	1	D011104577160
U02	C122	C,CERAMIC CHIP HIK	X7R0.1UF-K/50V-1608	1	D011104577160
U02	C123	C,CERAMIC CHIP HIK	Y5V0.047UF-Z/50V-1608	1	D011473597160
U02	C124	C,CERAMIC CHIP HIK	Y5V0.047UF-Z/50V-1608	1	D011473597160
U02	C125	C,CERAMIC CHIP HIK	X7R0.1UF-K/50V-1608	1	D011104577160
U02	C126	C,CERAMIC CHIP HIK	X7R820PF-K/50V-1608	1	D011821777160
U02	C127	C,CERAMIC CHIP HIK	X7R0.1UF-K/50V-1608	1	D011104577160
U02	C128	C,CERAMIC CHIP HIK	X7R820PF-K/50V-1608	1	D011821777160
U02	C129	C,CERAMIC CHIP HIK	X7R0.01UF-K/50V-1608	1	D011103777160
U02	C130	C,CERAMIC CHIP HIK	X7R0.01UF-K/50V-1608	1	D011103777160
U02	C131	C,ELECT GE 85C	100UF-M/16V,6.3*7-5RE SY	1	D040101083060
U02	C132	C,CERAMIC CHIP HIK	X7R0.1UF-K/50V-1608	1	D011104577160
U02	C133	C,CERAMIC CHIP T.C	COG100PF-J/50V-1608	1	D010101167160
U02	C134	C,CERAMIC CHIP T.C	COG100PF-J/50V-1608	1	D010101167160
U02	C135	C,CERAMIC CHIP T.C	COG100PF-J/50V-1608	1	D010101167160
U02	C136	C,CERAMIC CHIP T.C	COG100PF-J/50V-1608	1	D010101167160
U02	C137	C,CERAMIC CHIP HIK	X7R1000PF-K/50V-1608	1	D011102777160
U02	C138	C,CERAMIC CHIP HIK	X7R1000PF-K/50V-1608	1	D011102777160
U02	C139	C,CERAMIC CHIP HIK	X7R1000PF-K/50V-1608	1	D011102777160
U02	C140	C,CERAMIC CHIP HIK	X7R1000PF-K/50V-1608	1	D011102777160
U02	C144	C,ELECT GE 85C	10UF-M/16V,3.5*5	1	D040100083090
U02	C145	C,CERAMIC T.C AXIAL	SL39PF-J/50V-52RE	1	D001390067520
U02	C521	C,CERAMIC CHIP HIK	X7R0.1UF-K/50V-1608	1	D011104577160
U02	C522	C,CERAMIC CHIP HIK	X7R0.1UF-K/50V-1608	1	D011104577160
U02	C524	C,CERAMIC CHIP HIK	X7R0.1UF-K/50V-1608	1	D011104577160
U02	C525	C,CERAMIC CHIP HIK	X7R0.1UF-K/50V-1608	1	D011104577160
U02	C527	C,CERAMIC CHIP T.C	COG220PF-J/50V-1608	1	D010221167160
U02	C528	C,CERAMIC CHIP T.C	COG220PF-J/50V-1608	1	D010221167160
U02	CN411	CN,WIRE	120mm/13P BK2851#28 SHLD	1	L000121130020
U02	CN413	CN,WIRE	120mm/13P BK2851#28 SHLD	1	L000121130020
U02	CN504	CN,WIRE	290mm/5P WH1569#26	1	L000291050010
U02	CN505	CN,WIRE	290mm/5P WH1569#26	1	L000291050010
U02	CP100A	CN.FPC 1.0MM	6232-19P DIP AN	1	L130623201920
U02	CP100A1	CN.FPC 1.0MM	6232-19P DIP AN	1	L130623201920
U02	D102	D, CHIP	1N4148W FAST SWITCHING SOD-323	1	K005041480020
U02	D103	D, CHIP	1N4148W FAST SWITCHING SOD-323	1	K005041480020
U02	D104	D, CHIP	1N4148W FAST SWITCHING SOD-323	1	K005041480020
U02	D105	D, CHIP	1N4148W FAST SWITCHING SOD-323	1	K005041480020
U02	D106	D, CHIP	1N4148W FAST SWITCHING SOD-323	1	K005041480020
U02	D107	D, CHIP	1N4148W FAST SWITCHING SOD-323	1	K005041480020
U02	D108	D, CHIP	1N4148W FAST SWITCHING SOD-323	1	K005041480020
U02	D109	D, CHIP	1N4148W FAST SWITCHING SOD-323	1	K005041480020
U02	DZ100	D,ZENER	MTZJ6.8B-0.5W/5MA-52MM	1	K06006R844520
U02	DZ101	D,ZENER	MTZJ5.1B-0.5W/5MA-52MM	1	K06005R144520
U02	FLT100	DISPLAY,FLT	HNA-12SM71T 106x25 /CR505	1	K530127100010
U02	FLT101	DISPLAY,FLT	162-SD-10GINK 106x25x6.6(T) GREEN/CR-505	1	K530162100010
U02	IC101	IC,LINEAR-DRIVER	PT6315 VFD DRIVER CONT QFP44P	1	J127631500010
U02	J100	R,CHIP THICK	0-J,1/16W-1608	1	C20000006M160
U02	J102	R,CHIP THICK	0-J,1/16W-1608	1	C20000006M160
U02	J103	R,CHIP THICK	0-J,1/16W-1608	1	C20000006M160
U02	J104	R,CHIP THICK	0-J,1/16W-1608	1	C20000006M160
U02	J105	R,CHIP THICK	0-J,1/16W-1608	1	C20000006M160
U02	J106	R,CHIP THICK	0-J,1/16W-1608	1	C20000006M160
U02	J108	R,CHIP THICK	0-J,1/16W-1608	1	C20000006M160
U02	J109	R,CHIP THICK	0-J,1/16W-1608	1	C20000006M160

U02	J110	R,CHIP THICK	0-J,1/16W-1608	1	C20000006M160
U02	J111	R,CHIP THICK	0-J,1/16W-1608	1	C20000006M160
U02	JACK502	JACK,D3.5	WTJ-035-18ABT	1	G401035180030
U02	LED102	LED,ROUND	PI3-RD/SLR342VC3-BULK	1	K500032101061
U02	LUG103	CN,1P WIRE LUGPIN	100mm/1P BK1007#22	1	N602121010310
U02	Q103	SEMI,CHIP TR/NPN 2SC	KRC102S (NB) 0.2W/SOT-23	1	J522010200210
U02	R101	R,CHIP THICK	1K-J,1/16W-1608	1	C20001026M160
U02	R102	R,CHIP THICK	1K-J,1/16W-1608	1	C20001026M160
U02	R103	R,CHIP THICK	1K-J,1/16W-1608	1	C20001026M160
U02	R105	R,CHIP THICK	82K-J,1/16W-1608	1	C20008236M160
U02	R106	R,CHIP THICK	10K-J,1/16W-1608	1	C20001036M160
U02	R107	R,CHIP THICK	3.3K-J,1/16W-1608	1	C20003326M160
U02	R108	R,CHIP THICK	5.1K-J,1/16W-1608	1	C20005126M160
U02	R109	R,CHIP THICK	12K-J,1/16W-1608	1	C20001236M160
U02	R110	R,CHIP THICK	10K-J,1/16W-1608	1	C20001036M160
U02	R111	R,CHIP THICK	3.3K-J,1/16W-1608	1	C20003326M160
U02	R112	R,CHIP THICK	5.1K-J,1/16W-1608	1	C20005126M160
U02	R113	R,CARBON FILM	10-J,1/5W-52RE-AX	1	C00001006P520
U02	R114	R,CHIP THICK	22-J,1/16W-1608	1	C20002206M160
U02	R115	R,CHIP THICK	5.1K-J,1/16W-1608	1	C20005126M160
U02	R116	R,CHIP THICK	220-J,1/16W-1608	1	C20002216M160
U02	R118	R,CHIP THICK	8.2K-J,1/16W-1608	1	C20008226M160
U02	R119	R,CHIP THICK	100-J,1/16W-1608	1	C20001016M160
U02	R120	R,CHIP THICK	200-J,1/16W-1608	1	C20002016M160
U02	R121	R,CHIP THICK	12K-J,1/16W-1608	1	C20001236M160
U02	R122	R,CHIP THICK	12K-J,1/16W-1608	1	C20001236M160
U02	R123	R,CHIP THICK	3.3K-J,1/16W-1608	1	C20003326M160
U02	R124	R,CHIP THICK	22-J,1/16W-1608	1	C20002206M160
U02	R125	R,CHIP THICK	3.3K-J,1/16W-1608	1	C20003326M160
U02	R126	R,CHIP THICK	10K-J,1/16W-1608	1	C20001036M160
U02	R127	R,CHIP THICK	10K-J,1/16W-1608	1	C20001036M160
U02	R128	R,CHIP THICK	10K-J,1/16W-1608	1	C20001036M160
U02	R129	R,CHIP THICK	10K-J,1/16W-1608	1	C20001036M160
U02	R130	R,CHIP THICK	10K-J,1/16W-1608	1	C20001036M160
U02	R131	R,CHIP THICK	220-J,1/16W-1608	1	C20002216M160
U02	R132	R,CHIP THICK	100-J,1/16W-1608	1	C20001016M160
U02	R133	R,CHIP THICK	100-J,1/16W-1608	1	C20001016M160
U02	R134	R,CHIP THICK	100-J,1/16W-1608	1	C20001016M160
U02	R135	R,CHIP THICK	100-J,1/16W-1608	1	C20001016M160
U02	R136	R,CHIP THICK	12K-J,1/16W-1608	1	C20001236M160
U02	R137	R,CHIP THICK	5.1K-J,1/16W-1608	1	C20005126M160
U02	R138	R,CHIP THICK	10K-J,1/16W-1608	1	C20001036M160
U02	R139	R,CARBON FILM	10-J,1/5W-52RE-AX	1	C00001006P520
U02	R140	R,CHIP THICK	220-J,1/16W-1608	1	C20002216M160
U02	R141	R,CHIP THICK	220-J,1/16W-1608	1	C20002216M160
U02	R142	R,CHIP THICK	220-J,1/16W-1608	1	C20002216M160
U02	R143	R,CHIP THICK	100-J,1/16W-1608	1	C20001016M160
U02	R145	R,CHIP THICK	0-J,1/16W-1608	1	C20000006M160
U02	R146	R,CHIP THICK	0-J,1/16W-1608	1	C20000006M160
U02	R175	R,CHIP THICK	200-J,1/16W-1608	1	C20002016M160
U02	R176	R,CHIP THICK	200-J,1/16W-1608	1	C20002016M160
U02	R177	R,CHIP THICK	0-J,1/16W-1608	1	C20000006M160
U02	R178	R,CHIP THICK	0-J,1/16W-1608	1	C20000006M160
U02	R179	R,CHIP THICK	4.7-J,1/16W-1608	1	C2004R706M160
U02	R180	R,CHIP THICK	100-J,1/16W-1608	1	C20001016M160
U02	R181	R,CHIP THICK	4.7-J,1/16W-1608	1	C2004R706M160

U02	R182	R,CHIP THICK	4.7-J,1/16W-1608	1	C2004R706M160
U02	R183	R,CHIP THICK	4.7-J,1/16W-1608	1	C2004R706M160
U02	R559	R,METAL FILM	390-J,1W-R 100ppm	1	C060039165050
U02	R560	R,METAL FILM	390-J,1W-R 100ppm	1	C060039165050
U02	R561	R,METAL FILM	390-J,1W-R 100ppm	1	C060039165050
U02	R562	R,METAL FILM	390-J,1W-R 100ppm	1	C060039165050
U02	RMC101	MODULE,REMOCON	NJL23H380A 38KHZ 11x8x7	1	E940233800010
U02	S101	SW,TACT	SKHV10920A,5MM/260G	1	G180000270010
U02	S102	SW,TACT	SKHV10920A,5MM/260G	1	G180000270010
U02	S103	SW,TACT	SKHV10920A,5MM/260G	1	G180000270010
U02	S104	SW,TACT	SKHV10920A,5MM/260G	1	G180000270010
U02	S105	SW,TACT	SKHV10920A,5MM/260G	1	G180000270010
U02	S106	SW,TACT	SKHV10920A,5MM/260G	1	G180000270010
U02	S107	SW,TACT	SKHV10920A,5MM/260G	1	G180000270010
U02	S108	SW,TACT	SKHV10920A,5MM/260G	1	G180000270010
U02	S109	SW,TACT	SKHV10920A,5MM/260G	1	G180000270010
U02	S110	SW,TACT	SKHV10920A,5MM/260G	1	G180000270010
U02	S111	SW,TACT	SKHV10920A,5MM/260G	1	G180000270010
U02	S112	SW,TACT	SKHV10920A,5MM/260G	1	G180000270010
U02	S113	SW,TACT	SKHV10920A,5MM/260G	1	G180000270010
U02	S114	SW,TACT	SKHV10920A,5MM/260G	1	G180000270010
U02	VR101	SW,ENCODER	EC12B24S2034ZZZ	1	G121122420370
U02	VR102	SW,ENCODER	EC12B24S2034ZZZ	1	G121122420370
U02	VR400	VR,ROTARY 14MM	RK14K127030114C 100KCX2	1	C454121402910
U02	VR401	VR,ROTARY 14MM	RK14K127030114C 100KCX2	1	C454121402910
U02	VR402	VR,ROTARY 14MM	RK14K127030114C 100KCX2	1	C454121402910
U02	VR403	VR,ROTARY 14MM	RK14K127030114C 100KCX2	1	C454121402910

AUDIO PC BOARD

REF. NO.	NAME	DESCRIPTION	QTY	PART NO.
U03	C401	C,CERAMIC CHIP T.C	1	D010221167160
U03	C402	C,CERAMIC CHIP T.C	1	D010221167160
U03	C403	C,CERAMIC CHIP T.C	1	D010221167160
U03	C404	C,CERAMIC CHIP T.C	1	D010221167160
U03	C405	C,CERAMIC CHIP T.C	1	D010221167160
U03	C406	C,CERAMIC CHIP T.C	1	D010221167160
U03	C407	C,CERAMIC CHIP T.C	1	D010101167160
U03	C408	C,CERAMIC CHIP T.C	1	D010101167160
U03	C409	C,CERAMIC CHIP T.C	1	D010101167160
U03	C410	C,CERAMIC CHIP T.C	1	D010101167160
U03	C411	C,ELECT GE 85C	1	D040101083060
U03	C412	C,ELECT GE 85C	1	D040101083060
U03	C415	C,ELECT GE 85C	1	D040220083060
U03	C416	C,ELECT GE 85C	1	D040220083060
U03	C417	C,CERAMIC CHIP T.C	1	D010330167160
U03	C418	C,CERAMIC CHIP T.C	1	D010330167160
U03	C419	C,CERAMIC CHIP T.C	1	D010100117160
U03	C420	C,CERAMIC CHIP T.C	1	D010100117160
U03	C421	C,ELECT GE 85C	1	D040101083060
U03	C422	C,ELECT GE 85C	1	D040101083060
U03	C423	C,ELECT GE 85C	1	D040220083060
U03	C424	C,ELECT GE 85C	1	D040220083060
U03	C425	C,ELECT GE 85C	1	D040101083060
U03	C426	C,CERAMIC CHIP T.C	1	D010471167160
U03	C427	C,ELECT GE 85C	1	D040101083060
U03	C428	C,ELECT GE 85C	1	D040220083060

U03	C429	C,ELECT GE 85C	22UF-M/16V,5*5-5RE SY	1	D040220083060
U03	C430	C,ELECT GE 85C	22UF-M/16V,5*5-5RE SY	1	D040220083060
U03	C431	C,ELECT GE 85C	22UF-M/16V,5*5-5RE SY	1	D040220083060
U03	C432	C,CERAMIC CHIP HIK	Y5V0.01UF-Z/50V-1608	1	D011103597160
U03	C433	C,CERAMIC CHIP HIK	Y5V0.01UF-Z/50V-1608	1	D011103597160
U03	C434	C,CERAMIC CHIP HIK	Y5V0.01UF-Z/50V-1608	1	D011103597160
U03	C435	C,CERAMIC CHIP HIK	Y5V0.01UF-Z/50V-1608	1	D011103597160
U03	C436	C,CERAMIC CHIP HIK	Y5V0.01UF-Z/50V-1608	1	D011103597160
U03	C437	C,CERAMIC CHIP HIK	Y5V0.01UF-Z/50V-1608	1	D011103597160
U03	C438	C,CERAMIC CHIP T.C	COG560pF-J/50V-1608	1	D010561167160
U03	C439	C,ELECT GE 85C	0.1UF-M/50V,3*5-5RE SY	1	D040R10087060
U03	C440	C,ELECT GE 85C	0.1UF-M/50V,3*5-5RE SY	1	D040R10087060
U03	C441	C,ELECT GE 85C	100UF-M/16V,6.3*7-5RE SY	1	D040101083060
U03	C442	C,ELECT GE 85C	100UF-M/16V,6.3*7-5RE SY	1	D040101083060
U03	C443	C,CERAMIC CHIP T.C	COG10PF-D/50V-1608	1	D010100117160
U03	C444	C,CERAMIC CHIP T.C	COG10PF-D/50V-1608	1	D010100117160
U03	C445	C,ELECT GE 85C	47UF-M/16V,5*7-5RE SY	1	D040470083060
U03	C446	C,ELECT GE 85C	47UF-M/16V,5*7-5RE SY	1	D040470083060
U03	C447	C,CERAMIC CHIP T.C	COG47PF-J/50V-1608	1	D010470167160
U03	C448	C,CERAMIC CHIP T.C	COG47PF-J/50V-1608	1	D010470167160
U03	C449	C,ELECT GE 85C	22UF-M/16V,5x5-5RE SY	1	D040220083060
U03	C450	C,ELECT GE 85C	22UF-M/16V,5x5-5RE SY	1	D040220083060
U03	C451	C,CERAMIC CHIP HIK	Y5V0.022UF-Z/50V-1608	1	D011223597160
U03	C452	C,CERAMIC CHIP HIK	Y5V0.022UF-Z/50V-1608	1	D011223597160
U03	C453	C,CERAMIC CHIP HIK	X7R0.047UF-K/16V-1608	1	D011473773160
U03	C454	C,CERAMIC CHIP HIK	X7R0.047UF-K/16V-1608	1	D011473773160
U03	C455	C,CERAMIC CHIP HIK	X7R3300PF-K/50V-1608	1	D011332777160
U03	C456	C,CERAMIC CHIP HIK	X7R3300PF-K/50V-1608	1	D011332777160
U03	C457	C,CERAMIC CHIP HIK	X7R0.018UF-K/16V-1608	1	D011183777160
U03	C458	C,CERAMIC CHIP HIK	X7R0.018UF-K/16V-1608	1	D011183777160
U03	C461	C,CERAMIC CHIP T.C	COG100PF-J/50V-1608	1	D010101167160
U03	C462	C,CERAMIC CHIP HIK	Y5V0.01UF-Z/50V-1608	1	D011103597160
U03	C463	C,CERAMIC CHIP HIK	Y5V0.01UF-Z/50V-1608	1	D011103597160
U03	C464	C,CERAMIC CHIP T.C	COG560pF-J/50V-1608	1	D010561167160
U03	C465	C,CERAMIC CHIP HIK	X7R1000PF-K/50V-1608	1	D011102777160
U03	C466	C,CERAMIC CHIP T.C	COG100PF-J/50V-1608	1	D010101167160
U03	C467	C,CERAMIC CHIP T.C	COG100PF-J/50V-1608	1	D010101167160
U03	C470	C,CERAMIC CHIP T.C	COG470PF-J/50V-1608	1	D010471167160
U03	C501	C,ELECT GE 85C	10UF-M/16V,3.5x5	1	D040100083090
U03	C502	C,ELECT GE 85C	10UF-M/16V,3.5x5	1	D040100083090
U03	C503	C,ELECT GE 85C	47UF-M/16V,5x7-5RE SY	1	D040470083060
U03	C504	C,ELECT GE 85C	47UF-M/16V,5x7-5RE SY	1	D040470083060
U03	C507	C,CERAMIC CHIP T.C	COG2PF-C/50V-1608	1	D010020107160
U03	C508	C,CERAMIC CHIP T.C	COG2PF-C/50V-1608	1	D010020107160
U03	C509	C,ELECT GE 85C	10UF-M/16V,3.5x5	1	D040100083090
U03	C510	C,ELECT GE 85C	10UF-M/16V,3.5x5	1	D040100083090
U03	C511	C,CERAMIC CHIP T.C	COG220PF-J/50V-1608	1	D010221167160
U03	C512	C,CERAMIC CHIP T.C	COG220PF-J/50V-1608	1	D010221167160
U03	C523	C,CERAMIC CHIP T.C	COG100PF-J/50V-1608	1	D010101167160
U03	C524	C,CERAMIC CHIP T.C	COG100PF-J/50V-1608	1	D010101167160
U03	C525	C,CERAMIC T.C DISC	SL22PF-J/50V-5RE	1	D000220067050
U03	C526	C,CERAMIC T.C DISC	SL22PF-J/50V-5RE	1	D000220067050
U03	C550	C,CERAMIC HIK AXIAL	F0.1UF-Z/50V-52RE	1	D005104597530
U03	C850	C,ELECT GE 85C	47UF-M/16V,5*7-5RE SY	1	D040470083060
U03	C851	C,ELECT GE 85C	4.7UF-M/16V,3*5-5RE	1	D0404R7083050
U03	C852	C,ELECT GE 85C	10UF-M/16V,3.5*5	1	D040100083090

U03	C853	C,ELECT GE 85C	100UF-M/16V,6.3*7-5RE SY	1	D040101083060
U03	C854	C,CERAMIC CHIP HIK	X7R0.1UF-K/50V-1608	1	D011104577160
U03	C855	C,ELECT GE 85C	100UF-M/16V,6.3*7-5RE SY	1	D040101083060
U03	C904	C,ELECT GE 85C	100UF-M/16V,6.3*7-5RE SY	1	D040101083060
U03	C933	C,ELECT GE 85C	100UF-M/16V,6.3*7-5RE SY	1	D040101083060
U03	C934	C,ELECT GE 85C	330UF-M/6.3V,8*5-5RE SRE SY	1	D040331081060
U03	C935	C,ELECT GE 85C	330UF-M/6.3V,8*5-5RE SRE SY	1	D040331081060
U03	C950	C,CERAMIC CHIP HIK	X7R0.1UF-K/50V-1608	1	D011104577160
U03	CP405A	CN.WAFER 2.0MM	TUC-P11X-B1 11P HOUSING ST (35237-11)	1	L101100031110
U03	CP406A	CN.WAFER 2.0MM	TUC-P04X-B1 4P HOUSING ST (35237-04)	1	L101100030410
U03	CP407A	CN.WAFER 2.0MM	TUC-P07X-B1 7P HOUSING ST (35237-07)	1	L101100030710
U03	CP409	CN.WAFER 2.0MM	TUC-P04X-B1 4P HOUSING ST (35237-04)	1	L101100030410
U03	CP410A	CN.WAFER 2.0MM	TUC-P06X-B1 6P HOUSING ST (35237-06)	1	L101100030610
U03	CP411	CN.WAFER 2.0MM	GIL-S-13P-S2T2-EF	1	L101220130000
U03	CP413	CN.WAFER 2.0MM	TUC-P04X-B1 4P HOUSING ST (35237-04)	1	L101100030410
U03	CP500	CN.WAFER 2.0MM	GIL-S-10P-S2T2-EF	1	L101220100000
U03	CP901A	CN.WAFER 2.0MM	TUC-P07X-B1 7P HOUSING ST (35237-07)	1	L101100030710
U03	CP903A	CN.WAFER 2.0MM	TUC-P07X-B1 7P HOUSING ST (35237-07)	1	L101100030710
U03	D501	D,SWITCHING CHIP	1N4148W FAST SWITCHING SOD-323	1	K005041480020
U03	D502	D,SWITCHING CHIP	1N4148W FAST SWITCHING SOD-323	1	K005041480020
U03	D503	D,SWITCHING CHIP	1N4148W FAST SWITCHING SOD-323	1	K005041480020
U03	D504	D,SWITCHING CHIP	1N4148W FAST SWITCHING SOD-323	1	K005041480020
U03	D850	D,SWITCHING	1SS133T-72-52MM	1	K000013300520
U03	D851	D,SWITCHING CHIP	1N4148W FAST SWITCHING SOD-323	1	K005041480020
U03	D852	D,SWITCHING	1SS133T-72-52MM	1	K000013300520
U03	IC311	IC,LINEAR-REGULATOR	RC1117-3.3 SOT223 3.3V 1AMP(LOW DROP)	1	J126111733020
U03	IC401	IC,LOGIC	BU4053BCF/SOP16P	1	J040405300110
U03	IC403	IC,LINEAR OP	BA4558F-E2/SOP8P	1	J121455800140
U03	IC405	IC,LINEAR OP	BA4558F-E2/SOP8P	1	J121455800140
U03	IC400	IC,LOGIC	NJU7313AL-SDIP28P	1	J040731300010
U03	J428	R,CHIP THICK	0-J,1/16W-1608	1	C20000006M160
U03	J429	R,CHIP THICK	0-J,1/16W-1608	1	C20000006M160
U03	J430	R,CHIP THICK	0-J,1/16W-1608	1	C20000006M160
U03	J444	R,CHIP THICK	0-J,1/16W-1608	1	C20000006M160
U03	J446	R,CHIP THICK	0-J,1/16W-1608	1	C20000006M160
U03	J447	R,CHIP THICK	0-J,1/16W-1608	1	C20000006M160
U03	J448	R,CHIP THICK	0-J,1/16W-1608	1	C20000006M160
U03	J449	R,CHIP THICK	0-J,1/16W-1608	1	C20000006M160
U03	J451	R,CHIP THICK	0-J,1/16W-1608	1	C20000006M160
U03	J452	R,CHIP THICK	0-J,1/16W-1608	1	C20000006M160
U03	J453	R,CHIP THICK	0-J,1/16W-1608	1	C20000006M160
U03	J454	R,CHIP THICK	0-J,1/16W-1608	1	C20000006M160
U03	J458	R,CHIP THICK	0-J,1/16W-1608	1	C20000006M160
U03	J459	R,CHIP THICK	0-J,1/16W-1608	1	C20000006M160
U03	J463	R,CHIP THICK	0-J,1/16W-1608	1	C20000006M160
U03	J464	R,CHIP THICK	0-J,1/16W-1608	1	C20000006M160
U03	JACK401	TER,RCA 6PIN	RCA-610D-00-02	1	G603060056000
U03	JACK402	TER,RCA	RCA JACK 4PIN RCA-405B-03	1	G608040450000
U03	JACK403	JACK,D3.5	HSJ1501-011010	1	G4011501000010
U03	Q501	SEMI,CHIP TR/NPN 2SC	KTC3911S(BL)SOT23 RTK	1	J522391100010
U03	Q502	SEMI,CHIP TR/NPN 2SC	KTC3911S(BL)SOT23 RTK	1	J522391100010
U03	Q503	SEMI,CHIP TR/NPN 2SC	KTC3911S(BL)SOT23 RTK	1	J522391100010
U03	Q504	SEMI,CHIP TR/NPN 2SC	KTC3911S(BL)SOT23 RTK	1	J522391100010
U03	Q505	SEMI,CHIP TR/NPN 2SC	KTC3911S(BL)SOT23 RTK	1	J522391100010
U03	Q506	SEMI,CHIP TR/NPN 2SC	KTC3911S(BL)SOT23 RTK	1	J522391100010
U03	Q507	SEMI,CHIP TR/NPN 2SC	KTC3911S(BL)SOT23 RTK	1	J522391100010

U03	Q508	SEMI,CHIP TR/NPN 2SC	KTC3911S(BL)SOT23 RTK	1	J522391100010
U03	Q509	SEMI,TR/GE PNP 2SA	KSA992F,0.5W/TO92-	1	J5000992F0050
U03	Q510	SEMI,TR/GE PNP 2SA	KSA992F,0.5W/TO92-	1	J5000992F0050
U03	Q511	SEMI,TR/GE PNP 2SA	KSA992F,0.5W/TO92-	1	J5000992F0050
U03	Q512	SEMI,TR/GE PNP 2SA	KSA992F,0.5W/TO92-	1	J5000992F0050
U03	Q513	SEMI,TR/GE PNP 2SA	KSA992F,0.5W/TO92-	1	J5000992F0050
U03	Q514	SEMI,TR/GE PNP 2SA	KSA992F,0.5W/TO92-	1	J5000992F0050
U03	Q515	SEMI,TR/GE NPN 2SC	KTC1027Y,1W/TO92L-	1	J5021027Y0020
U03	Q516	SEMI,TR/GE NPN 2SC	KTC1027Y,1W/TO92L-	1	J5021027Y0020
U03	Q851	SEMI,TR/GE NPN 2SD	TR CHIP KTD1304 SOT23	1	J5031304Y0050
U03	Q852	SEMI,TR/GE NPN 2SD	TR CHIP KTD1304 SOT23	1	J5031304Y0050
U03	Q854	SEMI,CHIP TR/NPN 2SC	KTC3875Y(ALY) 0.15W/SMT	1	J5223875Y0210
U03	Q855	SEMI,CHIP TR/PNP 2SA	KTA1504Y(ASY) 0.15W/SMT	1	J5201504Y0210
U03	Q856	SEMI,CHIP TR/PNP 2SA	KTA1504Y(ASY) 0.15W/SMT	1	J5201504Y0210
U03	Q857	SEMI,CHIP TR/NPN 2SC	KTC3875Y(ALY) 0.15W/SMT	1	J5223875Y0210
U03	Q858	SEMI,CHIP TR/NPN 2SC	KTC3875Y(ALY) 0.15W/SMT	1	J5223875Y0210
U03	Q859	SEMI,CHIP TR/NPN 2SC	KTC3875Y(ALY) 0.15W/SMT	1	J5223875Y0210
U03	Q860	SEMI,CHIP TR/PNP 2SA	KTA1504Y(ASY) 0.15W/SMT	1	J5201504Y0210
U03	R401	R,CHIP THICK	470-J,1/16W-1608	1	C20004716M160
U03	R402	R,CHIP THICK	470-J,1/16W-1608	1	C20004716M160
U03	R403	R,CHIP THICK	220K-J,1/16W-1608	1	C20002246M160
U03	R404	R,CHIP THICK	220K-J,1/16W-1608	1	C20002246M160
U03	R405	R,CHIP THICK	470-J,1/16W-1608	1	C20004716M160
U03	R406	R,CHIP THICK	470-J,1/16W-1608	1	C20004716M160
U03	R407	R,CHIP THICK	220K-J,1/16W-1608	1	C20002246M160
U03	R408	R,CHIP THICK	220K-J,1/16W-1608	1	C20002246M160
U03	R409	R,CHIP THICK	470-J,1/16W-1608	1	C20004716M160
U03	R410	R,CHIP THICK	470-J,1/16W-1608	1	C20004716M160
U03	R411	R,CHIP THICK	220K-J,1/16W-1608	1	C20002246M160
U03	R412	R,CHIP THICK	220K-J,1/16W-1608	1	C20002246M160
U03	R413	R,CHIP THICK	470-J,1/16W-1608	1	C20004716M160
U03	R414	R,CHIP THICK	470-J,1/16W-1608	1	C20004716M160
U03	R415	R,CHIP THICK	220K-J,1/16W-1608	1	C20002246M160
U03	R416	R,CHIP THICK	220K-J,1/16W-1608	1	C20002246M160
U03	R417	R,CHIP THICK	470-J,1/16W-1608	1	C20004716M160
U03	R418	R,CHIP THICK	470-J,1/16W-1608	1	C20004716M160
U03	R419	R,CHIP THICK	220K-J,1/16W-1608	1	C20002246M160
U03	R420	R,CHIP THICK	220K-J,1/16W-1608	1	C20002246M160
U03	R421	R,CARBON FILM	22-J,1/5W-52RE-AX	1	C00002206P520
U03	R423	R,CARBON FILM	22-J,1/5W-52RE-AX	1	C00002206P520
U03	R425	R,CHIP THICK	27K-J,1/16W-1608	1	C20002736M160
U03	R426	R,CHIP THICK	27K-J,1/16W-1608	1	C20002736M160
U03	R427	R,CHIP THICK	51K-J,1/16W-1608	1	C20005136M160
U03	R428	R,CHIP THICK	51K-J,1/16W-1608	1	C20005136M160
U03	R431	R,CHIP THICK	1K-J,1/16W-1608	1	C20001026M160
U03	R432	R,CHIP THICK	1K-J,1/16W-1608	1	C20001026M160
U03	R433	R,CHIP THICK	100K-J,1/16W-1608	1	C20001046M160
U03	R434	R,CHIP THICK	100K-J,1/16W-1608	1	C20001046M160
U03	R435	R,CHIP THICK	100K-J,1/16W-1608	1	C20001046M160
U03	R436	R,CHIP THICK	100K-J,1/16W-1608	1	C20001046M160
U03	R437	R,CHIP THICK	100K-J,1/16W-1608	1	C20001046M160
U03	R438	R,CHIP THICK	100K-J,1/16W-1608	1	C20001046M160
U03	R439	R,CHIP THICK	100K-J,1/16W-1608	1	C20001046M160
U03	R440	R,CHIP THICK	100K-J,1/16W-1608	1	C20001046M160
U03	R453	R,CARBON FILM	1K-J,1/5W-52RE-AX	1	C00001026P520
U03	R454	R,CARBON FILM	1K-J,1/5W-52RE-AX	1	C00001026P520

U03	R455	R,CARBON FILM	1K-J,1/5W-52RE-AX	1	C00001026P520
U03	R459	R,CARBON FILM	5.6K-J,1/5W-52RE-AX	1	C00005626P520
U03	R460	R,CARBON FILM	5.6K-J,1/5W-52RE-AX	1	C00005626P520
U03	R461	R,CHIP THICK	30K-J,1/16W-1608	1	C20003036M160
U03	R462	R,CHIP THICK	30K-J,1/16W-1608	1	C20003036M160
U03	R463	R,CARBON FILM	22-J,1/5W-52RE-AX	1	C00002206P520
U03	R464	R,CARBON FILM	22-J,1/5W-52RE-AX	1	C00002206P520
U03	R465	R,CHIP THICK	100K-J,1/16W-1608	1	C20001046M160
U03	R466	R,CHIP THICK	100K-J,1/16W-1608	1	C20001046M160
U03	R467	R,CHIP THICK	47K-J,1/16W-1608	1	C20004736M160
U03	R468	R,CHIP THICK	47K-J,1/16W-1608	1	C20004736M160
U03	R469	R,CHIP THICK	100K-J,1/16W-1608	1	C20001046M160
U03	R470	R,CHIP THICK	100K-J,1/16W-1608	1	C20001046M160
U03	R471	R,CHIP THICK	2.2K-J,1/16W-1608	1	C20002226M160
U03	R472	R,CHIP THICK	2.2K-J,1/16W-1608	1	C20002226M160
U03	R473	R,CHIP THICK	22K-J,1/16W-1608	1	C20002236M160
U03	R474	R,CHIP THICK	22K-J,1/16W-1608	1	C20002236M160
U03	R475	R,CHIP THICK	2.2K-J,1/16W-1608	1	C20002226M160
U03	R476	R,CHIP THICK	2.2K-J,1/16W-1608	1	C20002226M160
U03	R477	R,CHIP THICK	4.7K-J,1/16W-1608	1	C20004726M160
U03	R478	R,CHIP THICK	4.7K-J,1/16W-1608	1	C20004726M160
U03	R479	R,CHIP THICK	560-J,1/16W-1608	1	C20005616M160
U03	R480	R,CHIP THICK	560-J,1/16W-1608	1	C20005616M160
U03	R486	R,CHIP THICK	3.9K-J,1/16W-1608	1	C20003926M160
U03	R487	R,CHIP THICK	3.9K-J,1/16W-1608	1	C20003926M160
U03	R488	R,CARBON FILM	100-J,1/5W-52RE	1	C00001016P520
U03	R489	R,CARBON FILM	100-J,1/5W-52RE	1	C00001016P520
U03	R490	R,CHIP THICK	220-J,1/16W-1608	1	C20002216M160
U03	R491	R,CARBON FILM	22-J,1/5W-52RE-AX	1	C00002206P520
U03	R492	R,CARBON FILM	22-J,1/5W-52RE-AX	1	C00002206P520
U03	R501	R,CHIP THICK	56K-J,1/16W-1608	1	C20005636M160
U03	R502	R,CHIP THICK	56K-J,1/16W-1608	1	C20005636M160
U03	R503	R,CHIP THICK	2.2K-J,1/16W-1608	1	C20002226M160
U03	R504	R,CHIP THICK	2.2K-J,1/16W-1608	1	C20002226M160
U03	R505	R,CHIP THICK	22K-J,1/16W-1608	1	C20002236M160
U03	R506	R,CHIP THICK	22K-J,1/16W-1608	1	C20002236M160
U03	R507	R,CHIP THICK	1K-J,1/16W-1608	1	C20001026M160
U03	R508	R,CHIP THICK	1K-J,1/16W-1608	1	C20001026M160
U03	R509	R,CHIP THICK	1.8K-J,1/16W-1608	1	C20001826M160
U03	R510	R,CHIP THICK	1.8K-J,1/16W-1608	1	C20001826M160
U03	R511	R,CHIP THICK	270-J,1/16W-1608	1	C20002716M160
U03	R512	R,CHIP THICK	270-J,1/16W-1608	1	C20002716M160
U03	R513	R,CHIP THICK	10K-J,1/16W-1608	1	C20001036M160
U03	R514	R,CHIP THICK	10K-J,1/16W-1608	1	C20001036M160
U03	R515	R,CHIP THICK	1.5K-J,1/16W-1608	1	C20001526M160
U03	R516	R,CHIP THICK	1.5K-J,1/16W-1608	1	C20001526M160
U03	R517	R,CHIP THICK	680-J,1/16W-1608	1	C20006816M160
U03	R518	R,CHIP THICK	680-J,1/16W-1608	1	C20006816M160
U03	R519	R,METAL FILM	39-J,1/4W-R 100ppm	1	C060039063050
U03	R520	R,METAL FILM	39-J,1/4W-R 100ppm	1	C060039063050
U03	R521	R,METAL FILM	39-J,1/4W-R 100ppm	1	C060039063050
U03	R522	R,METAL FILM	39-J,1/4W-R 100ppm	1	C060039063050
U03	R523	R,METAL FILM	RES MF 22 1W 100ppm	1	C060022065520
U03	R524	R,METAL FILM	RES MF 22 1W 100ppm	1	C060022065520
U03	R525	R,CHIP THICK	18K-J,1/16W-1608	1	C20001836M160
U03	R526	R,CHIP THICK	18K-J,1/16W-1608	1	C20001836M160

U03	R527	R,CHIP THICK	18K-J,1/16W-1608	1	C20001836M160
U03	R528	R,CHIP THICK	18K-J,1/16W-1608	1	C20001836M160
U03	R531	R,METAL FILM	39-J,1/4W-R 100ppm	1	C060039063050
U03	R532	R,METAL FILM	39-J,1/4W-R 100ppm	1	C060039063050
U03	R533	R,METAL FILM	33-J,1W-R 100ppm	1	C060033065050
U03	R534	R,METAL FILM	33-J,1W-R 100ppm	1	C060033065050
U03	R566	R,CHIP THICK	1.8K-J,1/16W-1608	1	C20001826M160
U03	R567	R,CHIP THICK	12K-J,1/16W-1608	1	C20001236M160
U03	R569	R,CHIP THICK	1.5K-J,1/16W-1608	1	C20001526M160
U03	R570	R,CHIP THICK	12K-J,1/16W-1608	1	C20001236M160
U03	R571	R,CHIP THICK	1.5K-J,1/16W-1608	1	C20001526M160
U03	R572	R,CHIP THICK	1.8K-J,1/16W-1608	1	C20001826M160
U03	R851	R,CHIP THICK	2.2K-J,1/16W-1608	1	C20002226M160
U03	R852	R,CHIP THICK	2.2K-J,1/16W-1608	1	C20002226M160
U03	R853	R,CHIP THICK	22K-J,1/16W-1608	1	C20002236M160
U03	R854	R,CHIP THICK	12K-J,1/16W-1608	1	C20001236M160
U03	R855	R,CHIP THICK	47K-J,1/16W-1608	1	C20004736M160
U03	R856	R,CHIP THICK	47K-J,1/16W-1608	1	C20004736M160
U03	R857	R,CHIP THICK	15K-J,1/16W-1608	1	C20001536M160
U03	R858	R,CHIP THICK	47K-J,1/16W-1608	1	C20004736M160
U03	R859	R,CHIP THICK	47K-J,1/16W-1608	1	C20004736M160
U03	R860	R,CHIP THICK	47K-J,1/16W-1608	1	C20004736M160
U03	R861	R,CHIP THICK	15K-J,1/16W-1608	1	C20001536M160
U03	R862	R,CHIP THICK	100K-J,1/16W-1608	1	C20001046M160
U03	R863	R,CHIP THICK	0-J,1/16W-1608	1	C20000006M160

U04 AMP PC BOARD

REF. NO.	NAME	DESCRIPTION	Q'TY	PART NO.
U04	C515	C,CERAMIC HIK DISC	F0.022UF-Z/50V-5RE	1 D004223597050
U04	C517	C,CERAMIC HIK DISC	F0.047UF-Z/50V-5RE PI10	1 D004473597050
U04	C518	C,CERAMIC HIK DISC	F0.047UF-Z/50V-5RE PI10	1 D004473597050
U04	C521	C,CERAMIC HIK DISC	F0.022UF-Z/50V-5RE	1 D004223597050
U04	C522	C,CERAMIC HIK DISC	SL220PF-J/50V-5RE	1 D004221067060
U04	C527	C,CERAMIC T.C DISC	SL47PF-J/50V-5RE	1 D000470067050
U04	C528	C,CERAMIC T.C DISC	SL47PF-J/50V-5RE	1 D000470067050
U04	C533	C,CERAMIC HIK DISC	SL220PF-J/50V-5RE	1 D004221067060
U04	C534	C,CERAMIC HIK DISC	SL220PF-J/50V-5RE	1 D004221067060
U04	C535	C,CERAMIC HIK DISC	SL220PF-J/50V-5RE	1 D004221067060
U04	C536	C,CERAMIC SEMI DISC	F0.1UF-Z/50V-5RE PI6	1 D006104597050
U04	C537	C,CERAMIC SEMI DISC	F0.1UF-Z/50V-5RE PI6	1 D006104597050
U04	CN500	CN,WIRE	290MM/10P WH1569#26	1 L000291100010
U04	CN501	CN,WIRE	140MM/5P WH1569#26	1 L000141050010
U04	CP503	CN.WAFER 2.5MM	5268-04A 4P ANGLE	1 L102526800400
U04	CP505	CN.WAFER 2.0MM	GIL-S-2P-S2L2-EF	1 L101220020010
U04	CP506	CN.WAFER 2.0MM	GIL-S-2P-S2L2-EF	1 L101220020010
U04	D505	D,SWITCHING	1SS133T-72-52MM	1 K000013300520
U04	D506	D,SWITCHING	1SS133T-72-52MM	1 K000013300520
U04	Q521	SEMI,TR/GE NPN 2SD	2SD2389Y/MICA-STRAIGHT	1 J5032389Y1170
U04	Q522	SEMI,TR/GE PNP 2SB	2SB1559Y/MICA-STRAIGHT	1 J5011559Y1170
U04	Q523	SEMI,TR/GE PNP 2SB	2SB1559Y/MICA-STRAIGHT	1 J5011559Y1170
U04	Q524	SEMI,TR/GE NPN 2SD	2SD2389Y/MICA-STRAIGHT	1 J5032389Y1170
U04	Q525	SEMI,TR/GE NPN 2SC	TR NPN 2SC4137 BIAS	1 J5024137V0130
U04	Q526	SEMI,TR/GE NPN 2SC	TR NPN 2SC4137 BIAS	1 J5024137V0130
U04	Q527	SEMI,TR/GE NPN 2SC	KSC1845F,0.5W/T092-	1 J5021845F0000
U04	Q528	SEMI,TR/GE NPN 2SC	KSC1845F,0.5W/T092-	1 J5021845F0000

U04	R529	R,CARBON FILM	22K-J,1/5W-52RE-AX	1	C00002236P520
U04	R530	R,CARBON FILM	22K-J,1/5W-52RE-AX	1	C00002236P520
U04	R535	R,CARBON FILM	12K-J,1/5W-52RE-AX	1	C00001236P520
U04	R536	R,CARBON FILM	12K-J,1/5W-52RE-AX	1	C00001236P520
U04	R537	R,CARBON FILM	3.9K-J,1/5W-52RE-AX	1	C00003926P520
U04	R538	R,CARBON FILM	3.9K-J,1/5W-52RE-AX	1	C00003926P520
U04	R539	R,CARBON FILM	510-J,1/5W-52RE-AX	1	C00005116P520
U04	R540	R,CARBON FILM	510-J,1/5W-52RE-AX	1	C00005116P520
U04	R541	R,METAL FILM	47-J,1W-R 100ppm	1	C060047065060
U04	R542	R,METAL FILM	47-J,1W-R 100ppm	1	C060047065060
U04	R543	R,METAL FILM	0.22-J,1W-R 100ppm	1	C060R22065050
U04	R544	R,METAL FILM	0.22-J,1W-R 100ppm	1	C060R22065050
U04	R545	R,METAL FILM	0.22-J,1W-R 100ppm	1	C060R22065050
U04	R546	R,METAL FILM	0.22-J,1W-R 100ppm	1	C060R22065050
U04	R549	R,CARBON FILM	10K-J,1/5W-52RE-AX	1	C00001036P520
U04	R550	R,CARBON FILM	10K-J,1/5W-52RE-AX	1	C00001036P520
U04	R551	R,CARBON FILM	20K-J,1/5W-52RE-AX	1	C00002036P520
U04	R552	R,CARBON FILM	20K-J,1/5W-52RE-AX	1	C00002036P520
U04	R553	R,CARBON FILM	330K-J,1/5W-52RE-AX	1	C00003346P520
U04	R554	R,CARBON FILM	330K-J,1/5W-52RE-AX	1	C00003346P520
U04	R555	R,CARBON FILM	2.2K-J,1/5W-52RE-AX	1	C00002226P520
U04	R556	R,CARBON FILM	2.2K-J,1/5W-52RE-AX	1	C00002226P520
U04	R558	R,CARBON FILM	1.2K-J,1/5W-52RE-AX	1	C00001226P520
U04	R564	R,METAL FILM	47-J,1W-R 100ppm	1	C060047065060
U04	R565	R,METAL FILM	47-J,1W-R 100ppm	1	C060047065060
U04	R573	R,CARBON FILM	1.2K-J,1/5W-52RE-AX	1	C00001226P520

105

POWER PC BOARD

REF. NO.	NAME	DESCRIPTION	Q'TY	PART NO.	
U05	C902	C,CERAMIC SEMI DISC	F0.1UF-Z/50V-5RE PI6	1	D006104597050
U05	C905	C,ELECT GE 85C	470UF-M/16V,8x11.5-5RE,SHL-SY	1	D040471083080
U05	C906	C,ELECT GE 85C	470UF-M/16V,8x11.5-5RE,SHL-SY	1	D040471083080
U05	C907	C,ELECT GE 85C	470UF-M/16V,8x11.5-5RE,SHL-SY	1	D040471083080
U05	C909	C,ELECT GE 85C	220UF-M/16V,6.3x11-5RE,SHL-SY	1	D040221083110
U05	C910	C,ELECT GE 85C	2200UF-M/16V,10x20-5RE SY	1	D040222083060
U05	C911	C,ELECT GE 85C	470UF-M/16V,8x11.5-5RE,SHL-SY	1	D040471083080
U05	C913	C,CERAMIC SEMI DISC	F0.1UF-Z/50V-5RE PI6	1	D006104597050
U05	C919	C,CERAMIC HIK DISC	F0.01UF-Z/500V-5RE	1	D00410359D050
U05	C920	C,CERAMIC HIK DISC	F0.01UF-Z/500V-5RE	1	D00410359D050
U05	C921	C,CERAMIC HIK DISC	F0.01UF-Z/500V-5RE	1	D00410359D050
U05	C922	C,CERAMIC HIK DISC	F0.01UF-Z/500V-5RE	1	D00410359D050
U05	C923	C,CERAMIC SEMI DISC	F0.1UF-Z/50V-5RE PI6	1	D006104597050
U05	CN910	CN,WIRE	300MM/5P 5264-05=CKM2509H-05 BK1569#22	1	L000301050040
U05	CP400A	CN.WAFER 2.0MM	TUC-P08X-B1 8P HOUSING ST (35237-08)	1	L101100030810
U05	CP401A	CN.WAFER 2.0MM	TUC-P11X-B1 11P HOUSING ST (35237-11)	1	L101100031110
U05	CP402A	CN.WAFER 2.0MM	TUC-P08X-B1 8P HOUSING ST (35237-08)	1	L101100030810
U05	CP403A	CN.WAFER 2.0MM	TUC-P04X-B1 4P HOUSING ST (35237-04)	1	L101100030410
U05	CP404A	CN.WAFER 2.0MM	TUC-P11X-B1 11P HOUSING ST (35237-11)	1	L101100031110
U05	CP904A	CN.WAFER 2.0MM	TUC-P08X-B1 8P HOUSING ST (35237-08)	1	L101100030810
U05	CP906	CN.WAFER 2.0MM	G1L-S-6P-S2T2-EF	1	L101220060000
U05	CP908	CN.WAFER 2.0MM	G1L-S-4P-S2T2-EF	1	L101220040000
U05	CP910	CN.WAFER 2.5MM	5267-02A 2P	1	L102526700200
U05	CP911	CN.WAFER 2.0MM	G1L-S-7P-S2T2-EF	1	L101220070000
U05	CP912A	CN.WAFER 2.0MM	TUC-P07X-B1 7P HOUSING ST (35237-07)	1	L101100030710

U05	CP913A	CN.WAFER 2.0MM	TUC-P06X-B1 6P HOUSING ST (35237-06)	1	L101100030610
U05	CP919	CN.WAFER 2.5MM	5267-03A 3P	1	L102526700300
U05	D904	D,SWITCHING	IN4007 52 1000V 1A	1	K000400700520
U05	D905	D,SWITCHING	IN4007 52 1000V 1A	1	K000400700520
U05	D906	D,SWITCHING	IN4007 52 1000V 1A	1	K000400700520
U05	D907	D,SWITCHING	IN4007 52 1000V 1A	1	K000400700520
U05	D909	D,SWITCHING	IN4007 52 1000V 1A	1	K000400700520
U05	D919	D,SWITCHING	IN4007 52 1000V 1A	1	K000400700520
U05	D926	D,SWITCHING	IN4007 52 1000V 1A	1	K000400700520
U05	IC906	IC,LINEAR-REGULATOR	RC1117-3.3 SOT223 3.3V 1AMP(LOW DROP)	1	J126111733020
U05	R903	R,METAL FILM	0.22-J,1W-R 100ppm	1	C060R22065050
U05	R904	R,METAL FILM	0.22-J,1W-R 100ppm	1	C060R22065050
U05	R905	R,METAL FILM	0.22-J,1W-R 100ppm	1	C060R22065050
U05	R906	R,METAL FILM	0.22-J,1W-R 100ppm	1	C060R22065050
U05	R909	CN,WIRE 1P	JUMPER (0.6/52MM)	1	L045084006040

U06 REGULATOR PC BOARD

REF. NO.	NAME	DESCRIPTION	Q'TY	PART NO.	
U06	C924	C,ELECT GE 85C	22UF-M/16V,5x5-5RE SY	1	D040220083060
U06	C925	C,CERAMIC SEMI DISC	F0.1UF-Z/50V-5RE PI6	1	D006104597050
U06	C926	C,CERAMIC SEMI DISC	F0.1UF-Z/50V-5RE PI6	1	D006104597050
U06	C927	C,CERAMIC SEMI DISC	F0.1UF-Z/50V-5RE PI6	1	D006104597050
U06	C936	C,CERAMIC SEMI DISC	F0.1UF-Z/50V-5RE PI6	1	D006104597050
U06	C937	C,CERAMIC SEMI DISC	F0.1UF-Z/50V-5RE PI6	1	D006104597050
U06	C938	C,ELECT GE 85C	22UF-M/16V,5x5-5RE SY	1	D040220083060
U06	C939	C,ELECT GE 85C	22UF-M/16V,5x5-5RE SY	1	D040220083060
U06	C940	C,ELECT GE 85C	22UF-M/16V,5x5-5RE SY	1	D040220083060
U06	C941	C,ELECT GE 85C	22UF-M/16V,5x5-5RE SY	1	D040220083060
U06	IC902	IC,LINEAR-REGULATOR	KIA7812API,20W-TO220IS	1	J126781200040
U06	IC903	IC,LINEAR-REGULATOR	KIA7912PI,20W-TO220IS	1	J126791200060
U06	IC904	IC,LINEAR-REGULATOR	KIA7809API,20W-TO220IS	1	J126780900020
U06	IC905	IC,LINEAR-REGULATOR	KIA78DL06PI,20W-TO220IS (LOW DROP)	1	J126780600140
U06	IC907	IC,LINEAR-REGULATOR	KIA7805API,20W-TO220IS	1	J126780500110

U07 SPEAKER PC BOARD

REF. NO.	NAME	DESCRIPTION	Q'TY	PART NO.	
U07	C314	C,CERAMIC CHIP HIK	X7R0.1UF-K/50V-1608	1	D011104577160
U07	C519	C,CERAMIC HIK DISC	B0.0022UF-K/50V-5RE	1	D004222277050
U07	C520	C,CERAMIC HIK DISC	B0.0022UF-K/50V-5RE	1	D004222277050
U07	C529	C,CERAMIC HIK AXIAL	B100PF-K/50V-52RE	1	D005101177520
U07	C530	C,CERAMIC CHIP HIK	X7R0.1UF-K/50V-1608	1	D011104577160
U07	C531	C,CERAMIC CHIP HIK	X7R0.01UF-K/50V-1608	1	D011103777160
U07	C532	C,CERAMIC CHIP HIK	X7R0.01UF-K/50V-1608	1	D011103777160
U07	C538	C,CERAMIC SEMI DISC	F0.1UF-Z/50V-5RE PI6	1	D006104597050
U07	C539	C,CERAMIC HIK AXIAL	F0.047UF-Z/50V-52RE	1	D005473597520
U07	C540	C,CERAMIC HIK AXIAL	F0.047UF-Z/50V-52RE	1	D005473597520
U07	C915	C,ELECT GE 85C	100UF-M/50V,8x11.5-5RE.SY	1	D040101087060
U07	C916	C,ELECT GE 85C	100UF-M/50V,8x11.5-5RE.SY	1	D040101087060
U07	C917	C,CERAMIC SEMI DISC	F0.1UF-Z/50V-5RE PI6	1	D006104597050
U07	C918	C,CERAMIC HIK DISC	F0.022UF-Z/50V-5RE	1	D004223597050
U07	C928	C,CERAMIC SEMI DISC	F0.1UF-Z/50V-5RE PI6	1	D006104597050
U07	C929	C,CERAMIC HIK DISC	F0.022UF-Z/50V-5RE	1	D004223597050
U07	C930	C,FILM METALIZER	0.33UF-J/100V 5RE PCMT365	1	D02333406C050

U07	C932	C,ELECT GE 85C	4.7UF-M/50V,5x11	1	D0404R7087100
U07	CN914	CN,WIRE	190MM/3P WH1569#26	1	L000191030040
U07	CP501	CN.WAFER 2.5MM	5267-05A 5P	1	L102526700500
U07	CP504	CN.WAFER 2.0MM	G1L-S-5P-S2T2-EF	1	L101220050000
U07	CP909	CN.WAFER 2.5MM	5267-05A 5P	1	L102526700500
U07	CP915	CN.WAFER 2.5MM	5268-04A 4P ANGLE	1	L102526800400
U07	CP916	CN.WAFER 2.0MM	G1L-S-4P-S2T2-EF	1	L101220040000
U07	CP917	CN.WAFER 2.5MM	5268-04A 4P ANGLE	1	L102526800400
U07	CP918	CN.WAFER 2.0MM	G1L-S-4P-S2T2-EF	1	L101220040000
U07	CP920	CN.WAFER 2.0MM	G1L-S-3P-S2T2-EF	1	L101220030000
U07	D550	D,SWITCHING CHIP	1N4148W FAST SWITCHING SOD-323	1	K005041480020
U07	D910	D,RECTIFIER BRIDGE	D3SB20/DBF40C 5A-4PIN	1	K047004000010
U07	D915	D,SWITCHING	IN4007 52 1000V 1A	1	K000400700520
U07	F902	IC,LINEAR	ICP-N15 T104/PROTEC	1	J120001500030
U07	F903	IC,LINEAR	ICP-N15 T104/PROTEC	1	J120001500030
U07	J515	R,CHIP THICK	0-J,1/16W-1608	1	C20000006M160
U07	JACK500	TER,BOARD PUSH 4P	P80420710P	1	G594040480000
U07	JACK900	TER,RCA 1PIN	JE010003KN(GND) BK	1	G600010003020
U07	L501	COIL,FILTER-INDUCTOR	0.15UH-BULK	1	D330R15000000
U07	L502	COIL,FILTER-INDUCTOR	0.15UH-BULK	1	D330R15000000
U07	OPT300	MODULE	GP1FA513TZ /OPT 96K SHUTTER	1	E100151300010
U07	Q550	SEMI,CHIP TR/NPN 2SC	KTC3875Y(ALY) 0.15W/SMT	1	J5223875Y0210
U07	Q551	SEMI,CHIP TR/NPN 2SC	KTC3875Y(ALY) 0.15W/SMT	1	J5223875Y0210
U07	Q900	SEMI,TR/GE NPN 2SC	KTC3205Y,1W/TO92L	1	J5023205Y0020
U07	Q901	SEMI,TR/GE PNP 2SA	KSA992F,0.5W/TO92	1	J5000992F0050
U07	R320	R,CHIP THICK	10K-J,1/16W-1608	1	C20001036M160
U07	R321	R,CHIP THICK	220-J,1/16W-1608	1	C20002216M160
U07	R547	R,METAL FILM	10-J,1W-R 100ppm	1	C060010065050
U07	R548	R,METAL FILM	10-J,1W-R 100ppm	1	C060010065050
U07	R557	R,METAL FILM	5.6-J,2W-R 100ppm	1	C0605R6066060
U07	R559	R,CHIP THICK	22K-J,1/16W-1608	1	C20002236M160
U07	R560	R,CHIP THICK	22K-J,1/16W-1608	1	C20002236M160
U07	R561	R,CARBON FILM	10K-J,1/5W-52RE-AX	1	C00001036P520
U07	R562	R,CARBON FILM	10K-J,1/5W-52RE-AX	1	C00001036P520
U07	R563	R,CARBON FILM	680-J,1/5W-52RE-AX	1	C00006816P520
U07	R568	R,METAL FILM 100PPM	5.6-J,2W-R-	1	C0605R6066060
U07	R600	R,CHIP THICK	47K-J,1/16W-1608	1	C20004736M160
U07	R601	R,CHIP THICK	1.5K-J,1/16W-1608	1	C20001526M160
U07	R907	R,CARBON FILM	3.3K-J,1/5W-52RE-AX	1	C00003326P520
U07	R908	R,CARBON FILM	33K-J,1/5W-52RE-AX	1	C00003336P520
U07	R915	R,CARBON FILM	3.3K-J,1/5W-52RE-AX	1	C00003326P520
U07	R920	R,CARBON FILM	33K-J,1/5W-52RE-AX	1	C00003336P520
U07	RELAY101	RELAY	G5PA-28 12V SPK	1	G680120528010
U07	ZD900	D,ZENER	MTZJ18B-0.5W	1	K06018R044520
U07	ZD904	D,ZENER	MTZJ18B-0.5W	1	K06018R044520
U07	ZD905	D,ZENER	MTZJ18B-0.5W	1	K06018R044520
U07	ZD908	D,ZENER	MTZJ18B-0.5W	1	K06018R044520

U08 CONNECTOR PC BOARD

REF. NO.	NAME	DESCRIPTION	Q'TY	PART NO.
U08	C469	C,ELECT GE 85C	1	D040010087070
U08	C856	C,ELECT GE 85C	1	D040010087070
U08	CP402B	CN.WAFER 2.0MM	1	L101100041110
U08	CP403B	CN.WAFER 2.0MM	1	L101100040410
U08	CP404B	CN.WAFER 2.0MM	1	L101100040810
U08	CP405B	CN.WAFER 2.0MM	1	L101100041110

U08	CP406B	CN.WAFER 2.0MM	TUC-P04P-B1 4P WAFER ST (35336-04)	1	L101100040410
U08	CP407B	CN.WAFER 2.0MM	TUC-P07P-B1 7P WAFER ST (35336-07)	1	L101100040710
U08	CP409B	CN.WAFER 2.0MM	TUC-P04P-B1 4P WAFER ST (35336-04)	1	L101100040410
U08	CP914	CN.WAFER 2.0MM	GIL-S-03P-S2L2-EF	1	L101220030010
U08	Q400	SEMI,CHIP TR/NPN 2SC	KRC114S (NP) 0.2W/SOT-23	1	J522011400210
U08	Q704	SEMI,CHIP TR/PNP 2SA	KRA107S (PH) /SOT-23	1	J5200107S0050
U08	Q705	SEMI,CHIP TR/NPN 2SC	KRC102S (NB) 0.2W/SOT-23	1	J522010200210
U08	Q905	SEMI,TR/GE NPN 2SC	KTC3202Y,0.6W/TO92	1	J5023202Y0000
U08	Q906	SEMI,TR/GE PNP 2SA	KTA1270Y,0.5W/TO92	1	J5001270Y0050
U08	R493	R,CHIP THICK	47K-J,1/16W-1608	1	C20004736M160
U08	R494	R,CARBON FILM	220-J,1/5W-52RE-AX	1	C00002216P520
U08	R916	R,CARBON FILM	4.7K-J,1/5W-52RE-AX	1	C00004726P520
U08	R917	R,CARBON FILM	4.7K-J,1/5W-52RE-AX	1	C00004726P520
U08	ZD902	D,ZENER	MTZJ6.2B-0.5W	1	K06006R244520
U08	ZD903	D,ZENER	MTZJ6.2B-0.5W	1	K06006R244520

100 VOLUME PC BOARD

REF. NO.	NAME	DESCRIPTION	QTY	PART NO.
U09	C459	C,ELECT GE 85C	1	D040101083060
U09	C460	C,CERAMIC SEMI DISC	1	D006104597050
U09	C468	C,CERAMIC HIK DISC	1	D00410359D050
U09	CP408A	CN.WAFER 2.0MM	1	L101100031010
U09	IC308	IC,LINEAR-DRIVER	1	J127695600010
U09	R481	R,CHIP THICK	1	C20001236M160
U09	R482	R,CHIP THICK	1	C20001236M160
U09	R483	R,FUSIBLE METAL	1	C1012R2064060
U09	R484	R,CARBON FILM	1	C00005626P520
U09	R485	R,CARBON FILM	1	C00004726P520
U09	VR903	VR,ROTARY MOTOR 16MM	1	C495121400350

110 STATION PC BOARD

REF. NO.	NAME	DESCRIPTION	QTY	PART NO.
U10	CP200B	CN.FPC 1.0MM	1	L130623201620
U10	CP201B	CN.WAFER 2.0MM	1	L101220060010
U10	CP202B	CN.WAFER 2.0MM	1	L101220050010
U10	CP203A	CN.FPC 1.0MM	1	L130623202920

120 STAND-BY PC BOARD

REF. NO.	NAME	DESCRIPTION	QTY	PART NO.
U12	C100	C,CERAMIC AC(SAFETY)	1	D008472089010
U12	C900	C,CERAMIC SEMI DISC	1	D006104597050
U12	C901	C,CERAMIC SEMI DISC	1	D006104597050
U12	C903	C,ELECT GE 85C	1	D040221083110
U12	C908	C,ELECT GE 85C	1	D0404R7083050
U12	C914	C,ELECT GE 85C	1	D040221083110
U12	C931	C,CERAMIC CHIP HIK	1	D011102777160
U12	CP100	CN.WAFER 7.92MM	1	L108039602010
U12	CP101	CN.WAFER 3.96MM	1	L104353280200
U12	CP903B	CN.WAFER 2.0MM	1	L101100040710
U12	D131	D,SWITCHING CHIP	1	K005041480020
U12	D900	D,SWITCHING	1	K000400700520
U12	D901	D,SWITCHING	1	K000400700520
U12	D902	D,SWITCHING	1	K000400700520
U12	D903	D,SWITCHING	1	K000400700520
U12	D916	D,SWITCHING	1	K000013300520

U12	D917	D,SWITCHING	1SS133T-72-52MM	1	K000013300520
U12	FUSECL1	HOLDER,FUSE CLIP	PI5.2-	1	G645000050010
U12	FUSECL2	HOLDER,FUSE CLIP	PI5.2-	1	G645000050010
U12	IC105	IC,LINEAR-REGULATOR	KIA78DL06PI,20W-TO220IS (LOW DROP)	1	J126780600140
U12	J904	R,METAL FILM	33-J,1W-R 100ppm	1	C060033065050
U12	Q902	SEMI,CHIP TR/NPN 2SC	KTC3875Y(ALY) 0.15W/SMT	1	J5223875Y0210
U12	Q904	SEMI,CHIP TR/NPN 2SC	KTC3875Y(ALY) 0.15W/SMT	1	J5223875Y0210
U12	R900	R,METAL FILM	0.22-J,1W-R 100ppm	1	C060R22065050
U12	R901	R,METAL FILM	0.22-J,1W-R 100ppm	1	C060R22065050
U12	R912	R,CHIP THICK	100-J,1/16W-1608	1	C20001016M160
U12	R913	R,CHIP THICK	0-J,1/16W-1608	1	C20000006M160
U12	R914	R,CHIP THICK	0-J,1/16W-1608	1	C20000006M160
U12	R918	R,CHIP THICK	47K-J,1/16W-1608	1	C20004736M160
U12	R922	R,CHIP THICK	0-J,1/16W-1608	1	C20000006M160
U12	R930	R,CHIP THICK	100-J,1/16W-1608	1	C20001016M160
U12	R931	R,CHIP THICK	10K-J,1/16W-1608	1	C20001036M160
U12	RELAY104	RELAY	G5PA-1 DC5V 5A	1	G680050502010
U12	T101	POWER TRANS	CR505 CPP STAND-BY 230V/50Hz	1	8200280150170
U12	T101	POWER TRANS	CR505 CGT STAND-BY 220V/50HZ	1	8200280150160
U12	T101	POWER TRANS	CR505 CPP STAND-BY 230V/50Hz	1	8200280150170
U12	T101	POWER TRANS	CR505 CDT STAND-BY 120V/60Hz	1	8200280150180
U12	T101	POWER TRANS	CR505 CGT STAND-BY 220V/50HZ	1	8200280150160
U12	ZD910	D,ZENER	MTZJ2.7B-0.5W	1	K06002R744520
U12	ZD911	D,ZENER	MTZJ3.3B-0.5W	1	K06003R344520

CR-505/505DAB

PACKING PROCEDURES PARTS LIST**<Notes>****<DAB>**: CR-505DAB Brit**<505>**: CR-505 All**<PP>**: CR-505 European r**<DT>**: CR-505 Taiwanese**<GT>**: CR-505 Asian mod**<GR>**: CR-505 Chaineese r

	REF. NO.	NAME	DESCRIPTION	QTY	PART NO.
PV	1	CUSHION SNOW R	---	1	6230210994000
PV	2	CUSHION SNOW L	---	1	6230211004000
PV	3	BOX GIFT	---	1	6007210450020
PV	3	BOX GIFT	---	1	6007210450040
PV	3	BOX GIFT	---	1	6007210450040
PV	3	BOX GIFT	---	1	6007210450060
PV	3	BOX GIFT	---	1	6007210450030
PV	4	PP TAPE	W48 OPP TAPE	(1)	29110148
PV	5	POLYBAG SET	---	1	6337210039000
PV	6	POLYBAG	AC CORD	1	6330210122010