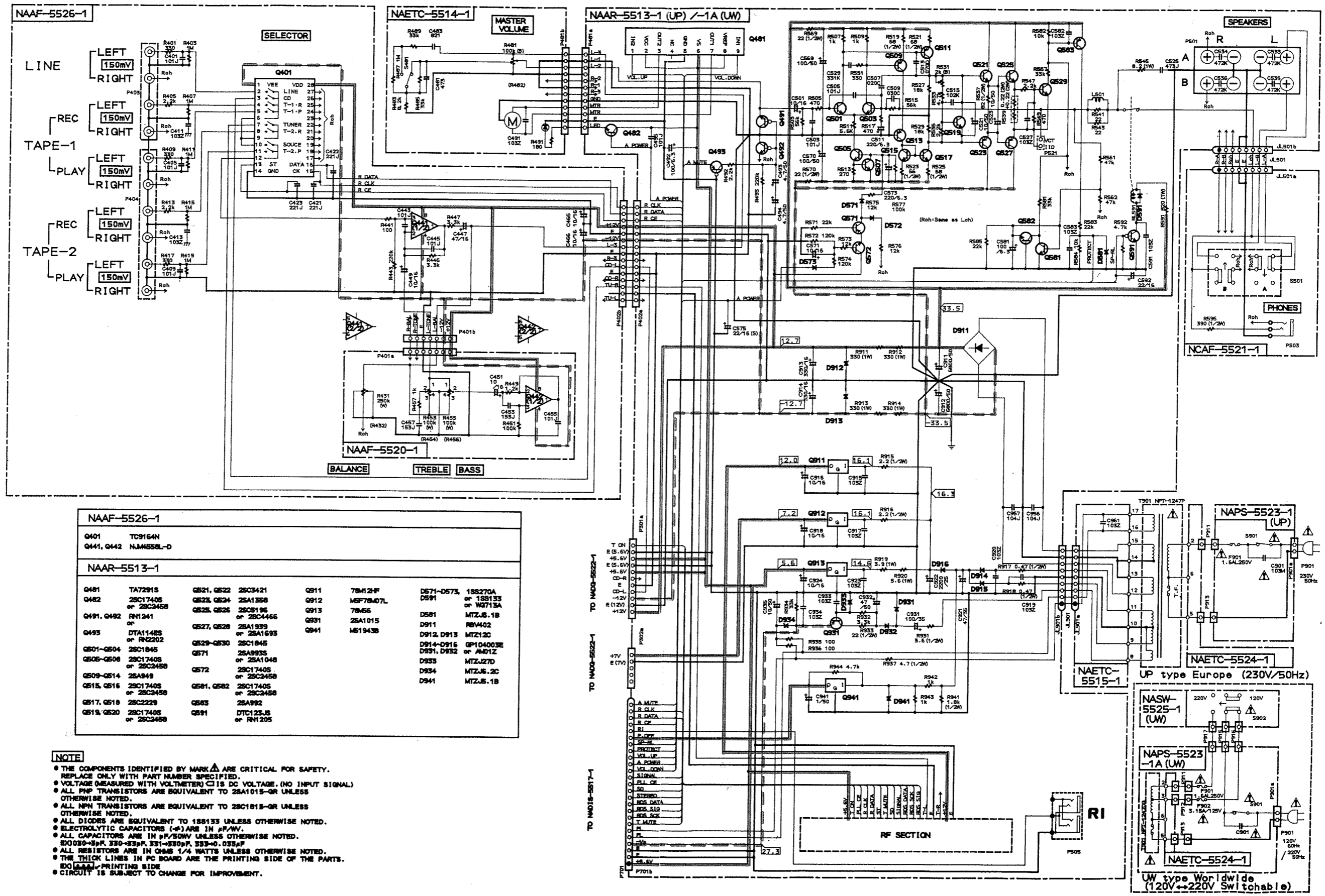


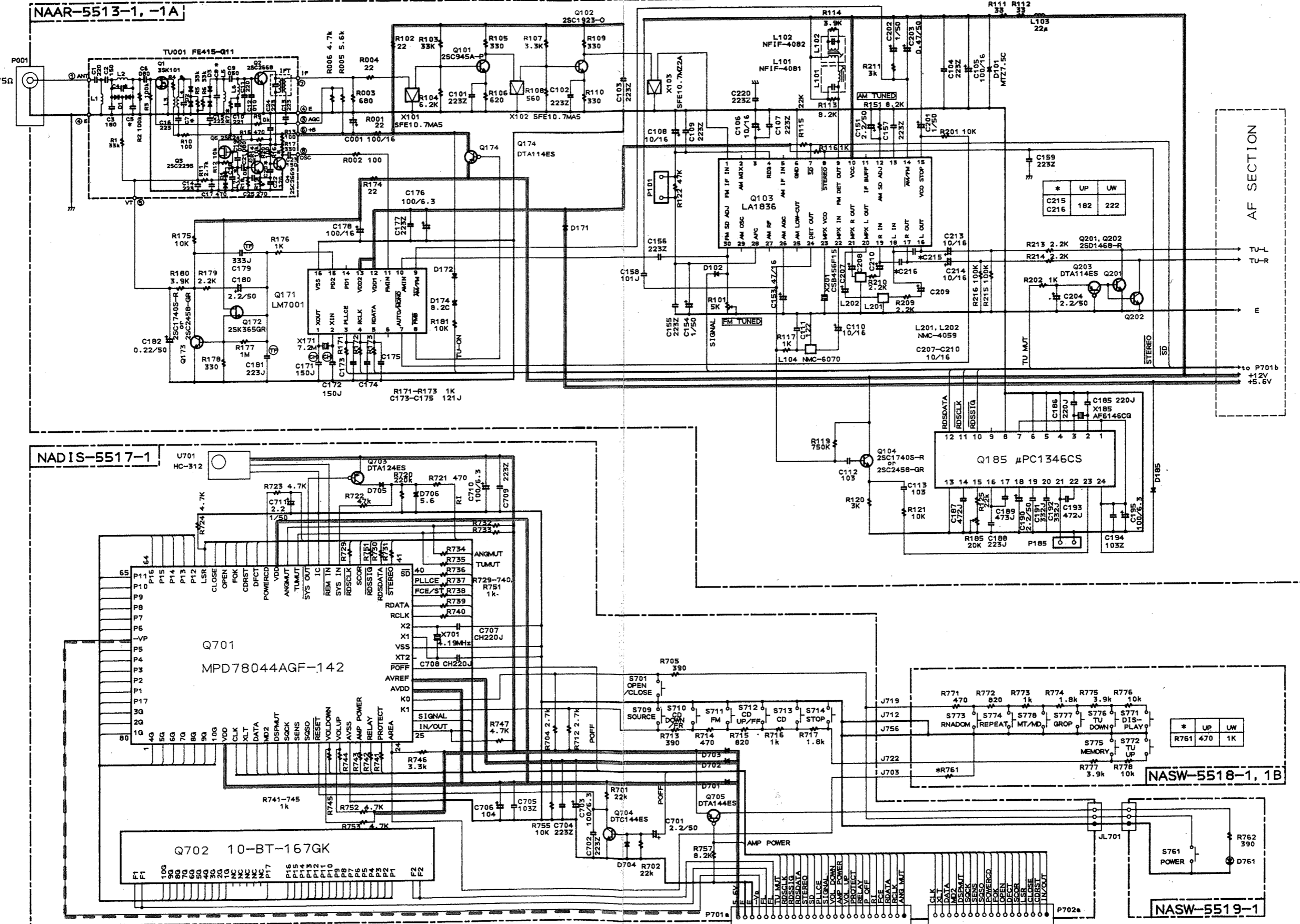
SCHEMATIC DIAGRAM

- Audio section -



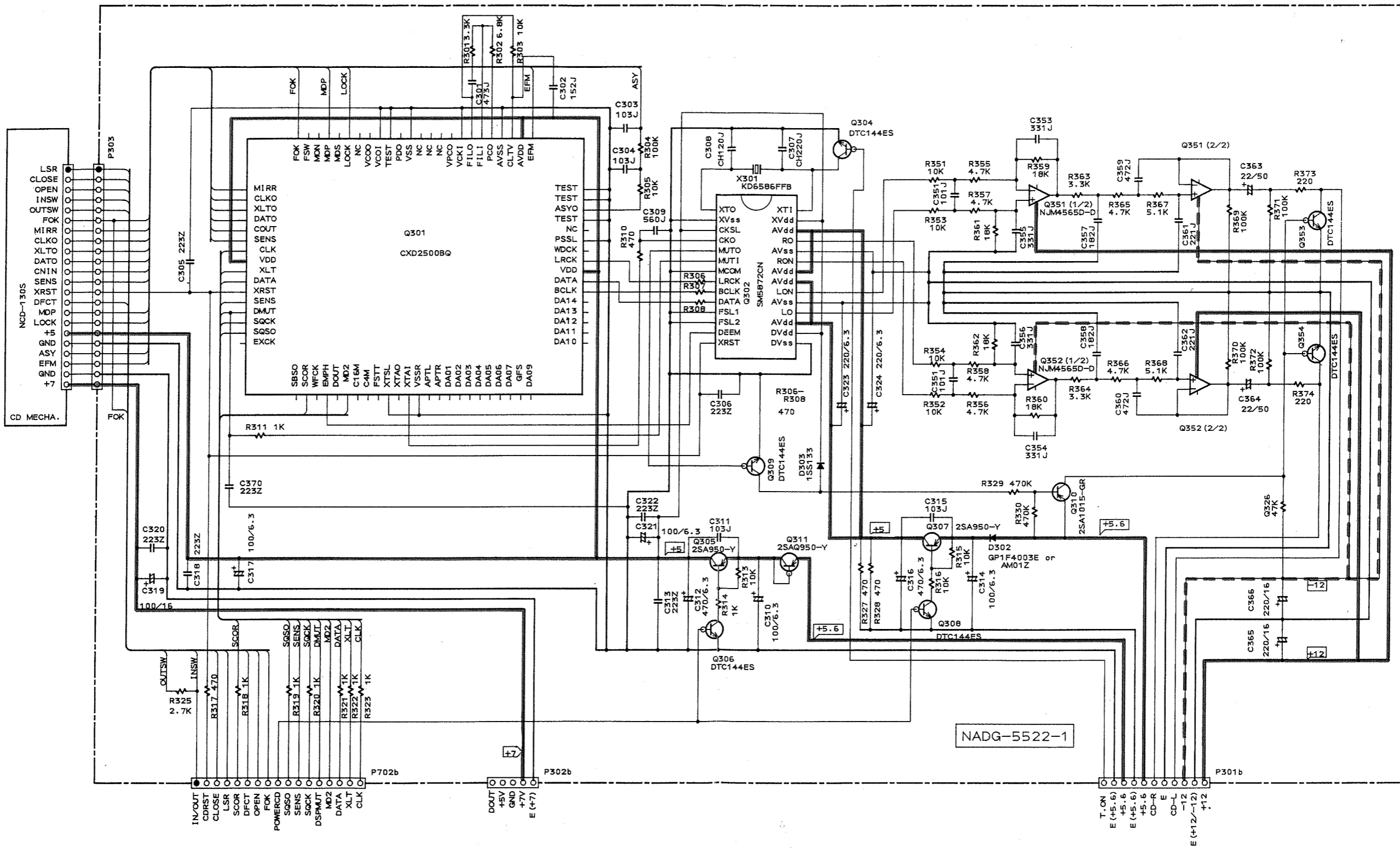
SCHEMATIC DIAGRAM

-Tuner/Microprocessor section-



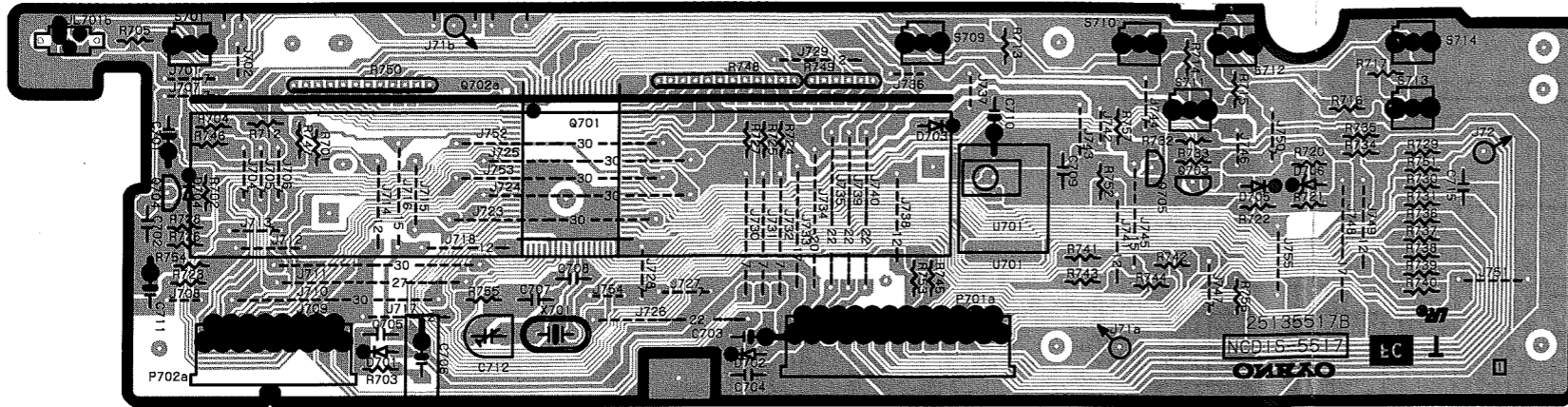
SCHEMATIC DIAGRAM
- CD section -

1
2
3
4
5

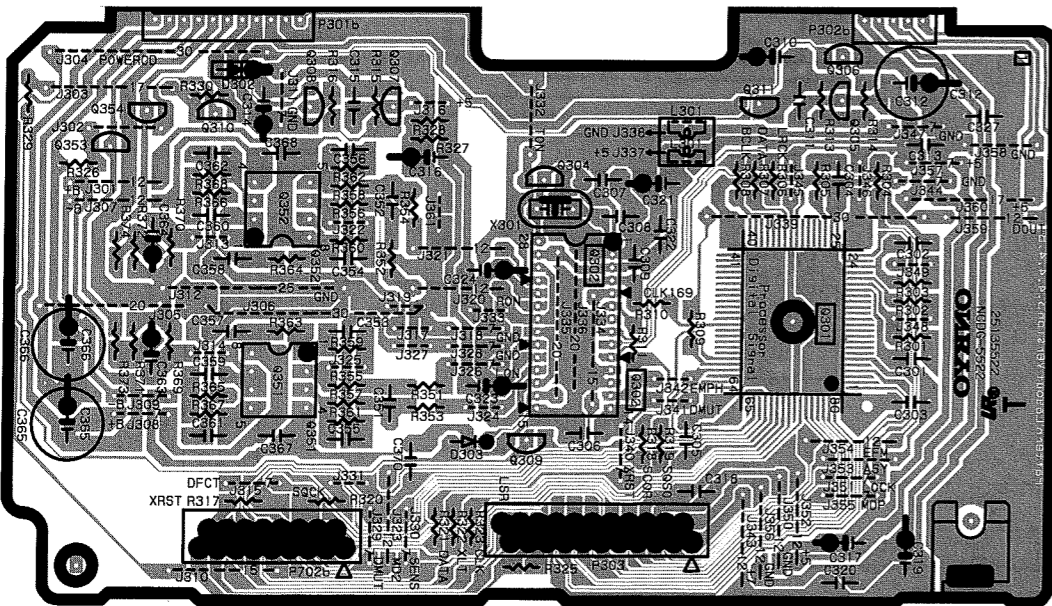


NADG-5522-1

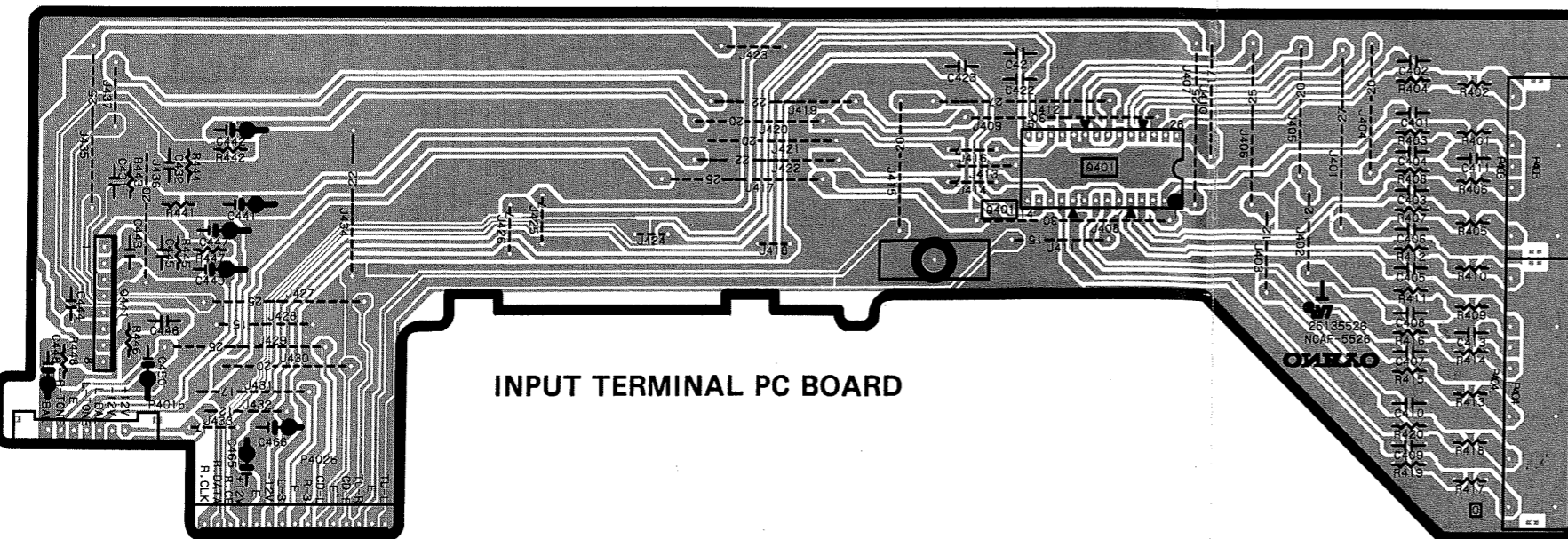
PC BOARD VIEW FROM BOTTOM SIDE



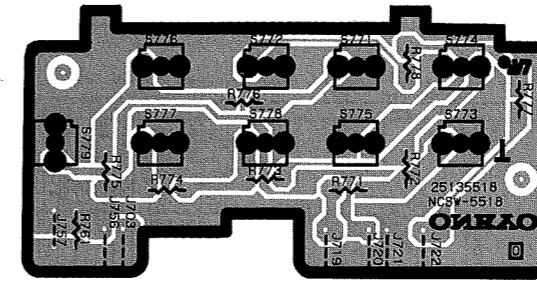
DISPLAY CIRCUIT PC BOARD



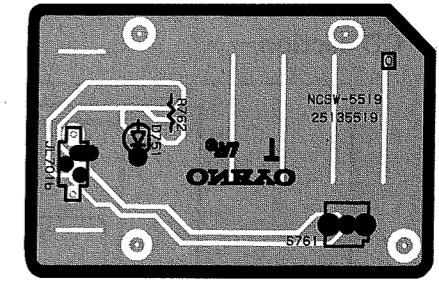
CD CIRCUIT PC BOARD



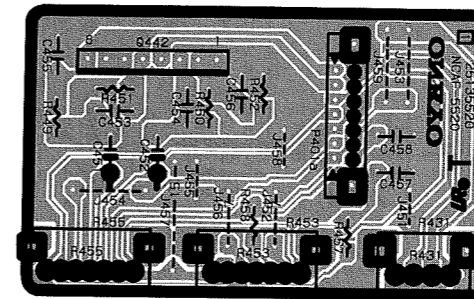
INPUT TERMINAL PC BOARD



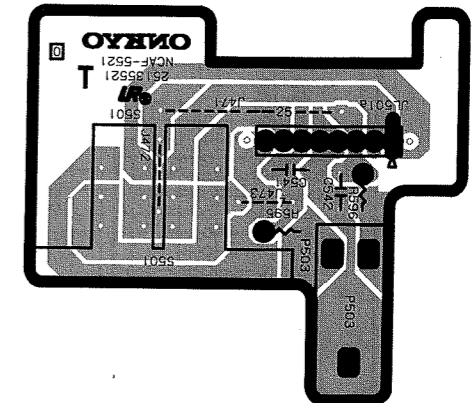
OPERATION SWITCH PC BOARD



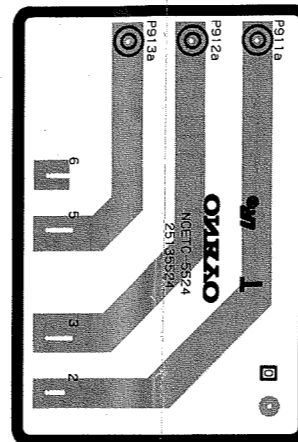
POWER SWITCH PC BOARD



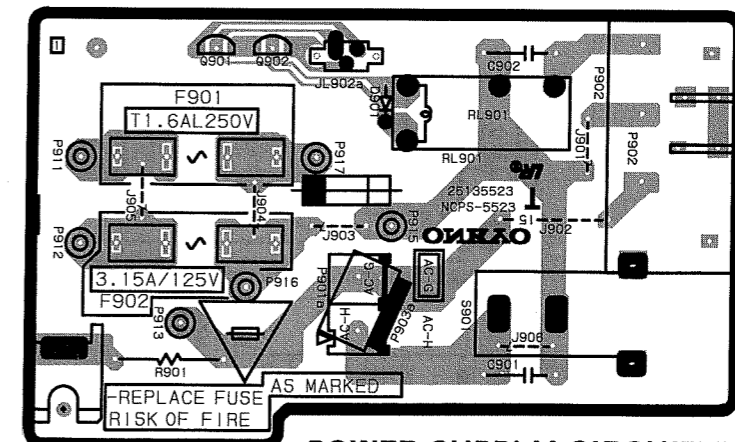
TONE CIRCUIT PC BOARD



HEADPHONE TERMINAL PC BOARD

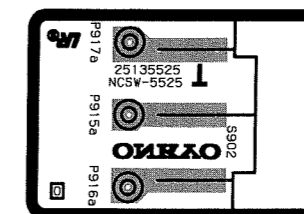


PRIMARY CIRCUIT PC BOARD



POWER SUPPLY CIRCUIT PC BOARD

REPLACE FUSE AS MARKED
RISK OF FIRE



VOLTAGE SELECTOR SWITCH PC BOARD