

Integra SERVICE MANUAL

BLU-RAY DISC PLAYER MODEL DBS-50.2(B)CDD1N




Black model

RC-794DV

B CDD1N	120V AC, 60Hz
---------	---------------

SAFETY-RELATED COMPONENT WARNING!!

COMPONENTS IDENTIFIED BY MARK  ON THE SCHEMATIC DIAGRAM AND IN THE PARTS LIST ARE CRITICAL FOR RISK OF FIRE AND ELECTRIC SHOCK. REPLACE THESE COMPONENTS WITH ONKYO PARTS WHOSE PART NUMBERS APPEAR AS SHOWN IN THIS MANUAL.

MAKE LEAKAGE-CURRENT OR RESISTANCE MEASUREMENTS TO DETERMINE THAT EXPOSED PARTS ARE ACCEPTABLY INSULATED FROM THE SUPPLY CIRCUIT BEFORE RETURNING THE APPLIANCE TO THE CUSTOMER.

TABLE OF CONTENTS

Specifications	1-1-1
Laser Beam Safety Precautions	1-2-1
Important Safety Precautions	1-3-1
Standard Notes for Servicing	1-4-1
Cabinet Disassembly Instructions	1-5-1
How to Initialize the BLU-RAY Disc Player	1-6-1
Firmware Renewal Mode	1-7-1
Home Network (DLNA) Error Code	1-8-1
Block Diagrams	1-9-1
Schematic Diagrams / CBA and Test Points	1-10-1
Exploded Views	1-11-1
Mechanical Parts List	1-12-1
Electrical Parts List	1-13-1

Manufactured under license from Dolby Laboratories.
Dolby and the double-D symbol are trademarks of Dolby Laboratories.

SPECIFICATIONS

General	
Signal system	NTSC color
Power requirements	120V AC, 60Hz
Power consumption	25W (standby: 0.6W)
Dimensions (width x height x depth)	17 ^{-1/8} x 4 ^{-1/4} x 12 ^{-3/16} inches (435 x 108 x 309mm)
Weight	10.9 lbs (4.9kg)
Operating temperature	41°F (5°C) to 104°F (40°C)
Operating humidity	Less than 80% (no condensation)

Audio	
BD Linear Audio	4 Hz–88 kHz (192 kHz)
DVD Linear Audio	4 Hz–44 kHz (96 kHz), 4 Hz–22 kHz (48 kHz)
Audio CD	4 Hz–20 kHz (44.1 kHz)
Signal to Noise Ratio	100 dB
Audio Dynamic Range	98 dB
THD (Total Harmonic Distortion)	0.005% (1 kHz)

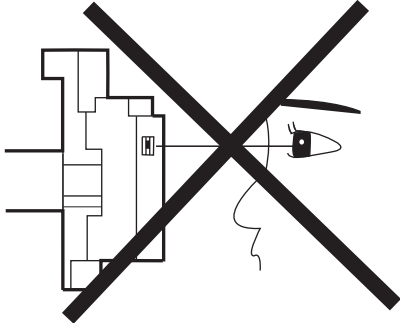
Terminals		
Rear	Audio output (Analog)	
	RCA jack x 2	L/R: 2Vrms (output impedance: more than 1kΩ)
	RCA jack x 8	FRONT L/R, CENTER, SURR L/R, SURR BACK L/R: 2Vrms (output impedance: more than 1kΩ) SUB WOOFER: 1.1Vrms (output impedance: more than 1kΩ)
	Video output	
	RCA jack x 1	1Vp-p (75Ω)
	Component video output	
	RCA jack x 3	Y: 1Vp-p (75Ω) Pb: 700mVp-p (75Ω) Pr: 700mVp-p (75Ω)
	Audio output (Digital)	
	RCA jack x 1	500mVp-p (75Ω)
	Optical jack x 1	Digital connector
HDMI output		
HDMI jack x 1	Video: 480i, 480p, 720p, 1080i, 1080p, 1080p24 / Audio	
ETHERNET terminal	10BASE-T / 100BASE-TX	

Note

- The specifications and design of this product are subject to change without notice.

LASER BEAM SAFETY PRECAUTIONS

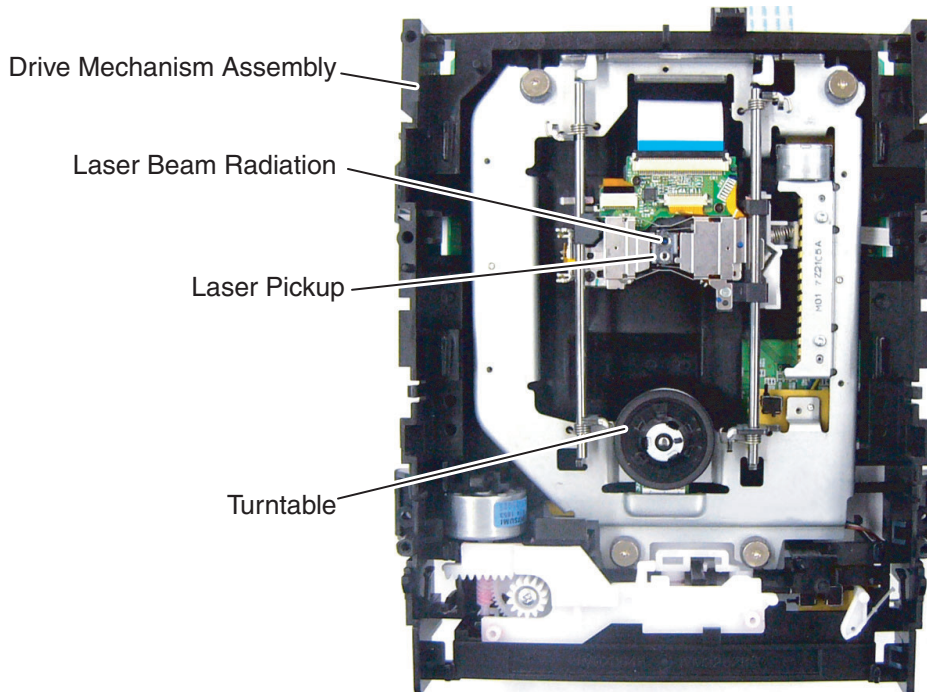
This BD player uses a pickup that emits a laser beam.



Do not look directly at the laser beam coming from the pickup or allow it to strike against your skin.

The laser beam is emitted from the location shown in the figure. When checking the laser diode, be sure to keep your eyes at least 30 cm away from the pickup lens when the diode is turned on. Do not look directly at the laser beam.

CAUTION: Use of controls and adjustments, or doing procedures other than those specified herein, may result in hazardous radiation exposure.



CAUTION - LASER RADIATION WHEN OPEN.
DO NOT STARE INTO BEAM. (FDA 21CFR/Class II)

CAUTION - CLASS 2 LASER RADIATION WHEN OPEN
DO NOT STARE INTO THE BEAM (IEC60825-1/Class 2)

ATTENTION - RAYONNEMENT LASER DE CLASSE 2 EN CAS D'OUVERTURE
NE PAS REGARDER DANS LE FAISCEAU

注意 - ここを覗くとクラス2のレーザー放射が出る
ビームをのぞき込まないこと

Location: Inside Top of BD mechanism.

IMPORTANT SAFETY PRECAUTIONS

Product Safety Notice

Some electrical and mechanical parts have special safety-related characteristics which are often not evident from visual inspection, nor can the protection they give necessarily be obtained by replacing them with components rated for higher voltage, wattage, etc. Parts that have special safety characteristics are identified by a **▲** on schematics and in parts lists. Use of a substitute replacement that does not have the same safety characteristics as the recommended replacement part might create shock, fire, and/or other hazards. The Product's Safety is under review continuously and new instructions are issued whenever appropriate. Prior to shipment from the factory, our products are carefully inspected to confirm with the recognized product safety and electrical codes of the countries in which they are to be sold. However, in order to maintain such compliance, it is equally important to implement the following precautions when a set is being serviced.

Precautions during Servicing

- A.** Parts identified by the **▲** symbol are critical for safety. Replace only with part number specified.
- B.** In addition to safety, other parts and assemblies are specified for conformance with regulations applying to spurious radiation. These must also be replaced only with specified replacements.
Examples: RF converters, RF cables, noise blocking capacitors, and noise blocking filters, etc.
- C.** Use specified internal wiring. Note especially:
 - 1) Wires covered with PVC tubing
 - 2) Double insulated wires
 - 3) High voltage leads
- D.** Use specified insulating materials for hazardous live parts. Note especially:
 - 1) Insulation tape
 - 2) PVC tubing
 - 3) Spacers
 - 4) Insulators for transistors
- E.** When replacing AC primary side components (transformers, power cord, etc.), wrap ends of wires securely about the terminals before soldering.
- F.** Observe that the wires do not contact heat producing parts (heat sinks, oxide metal film resistors, fusible resistors, etc.).
- G.** Check that replaced wires do not contact sharp edges or pointed parts.
- H.** When a power cord has been replaced, check that 5 - 6 kg of force in any direction will not loosen it.
- I.** Also check areas surrounding repaired locations.
- J.** Be careful that foreign objects (screws, solder droplets, etc.) do not remain inside the set.
- K.** When connecting or disconnecting the internal connectors, first, disconnect the AC plug from the AC outlet.
- L.** When reassembling, be sure to use the original screws or specified screws listed in the parts list.

Safety Check after Servicing

Examine the area surrounding the repaired location for damage or deterioration. Observe that screws, parts, and wires have been returned to their original positions. Afterwards, do the following tests and confirm the specified values to verify compliance with safety standards.

1. Clearance Distance

When replacing primary circuit components, confirm specified clearance distance (d) and (d') between soldered terminals, and between terminals and surrounding metallic parts. (See Fig. 1)

Table 1: Ratings for selected area

AC Line Voltage	Clearance Distance (d), (d')
120 V	$\geq 3\text{mm}(d)$ $\geq 4\text{mm}(d')$

Note: This table is unofficial and for reference only. Be sure to confirm the precise values.

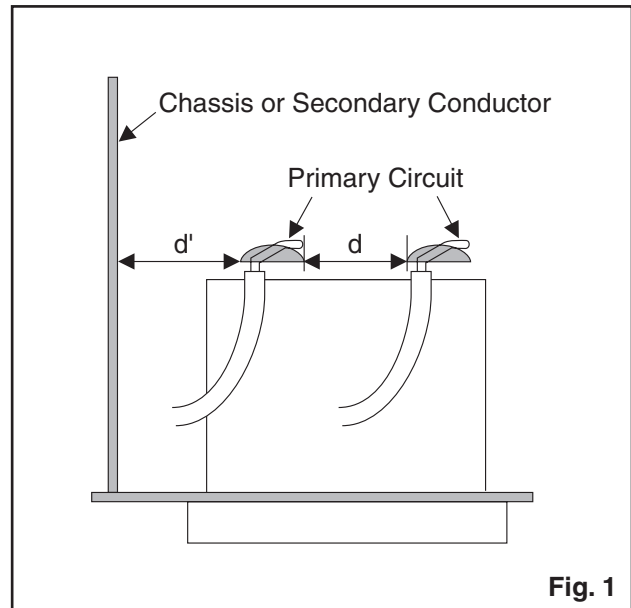


Fig. 1

2. Leakage Current Test

Confirm the specified (or lower) leakage current between B (earth ground, power cord plug prongs) and externally exposed accessible parts (RF terminals, antenna terminals, video and audio input and output terminals, microphone jacks, earphone jacks, etc.) is lower than or equal to the specified value in the table below.

Measuring Method (Power ON):

Insert load Z between B (earth ground, power cord plug prongs) and exposed accessible parts. Use an AC voltmeter to measure across the terminals of load Z. See Fig. 2 and the following table.

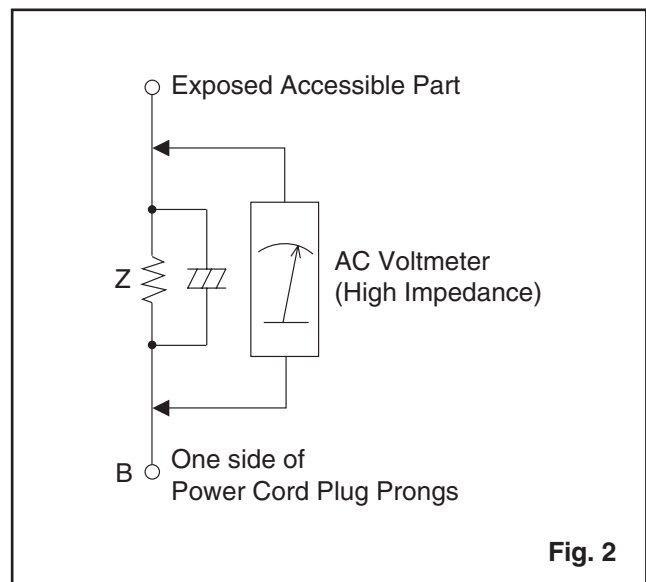


Fig. 2

Table 2: Leakage current ratings for selected areas

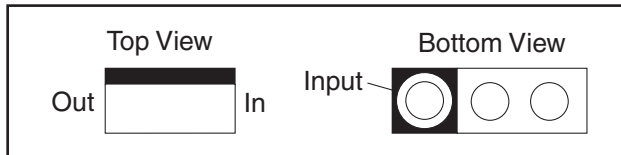
AC Line Voltage	Load Z	Leakage Current (i)	One side of power cord plug prongs (B) to:
120 V	2k Ω RES. Connected in parallel	$i \leq 0.7\text{mA AC Peak}$ $i \leq 2\text{mA DC}$	RF or Antenna terminals
	50k Ω RES. Connected in parallel	$i \leq 0.7\text{mA AC Peak}$ $i \leq 2\text{mA DC}$	A/V Input, Output

Note: This table is unofficial and for reference only. Be sure to confirm the precise values.

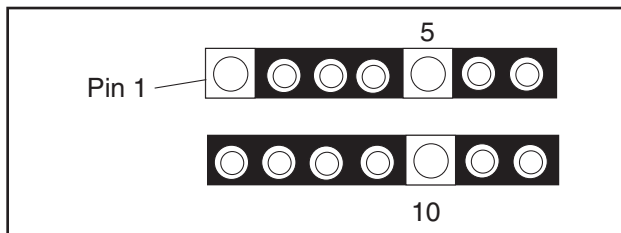
STANDARD NOTES FOR SERVICING

Circuit Board Indications

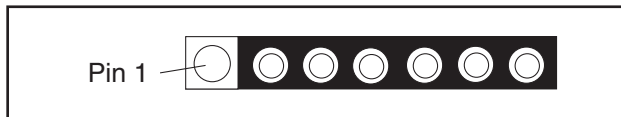
1. The output pin of the 3 pin Regulator ICs is indicated as shown.



2. For other ICs, pin 1 and every fifth pin are indicated as shown.

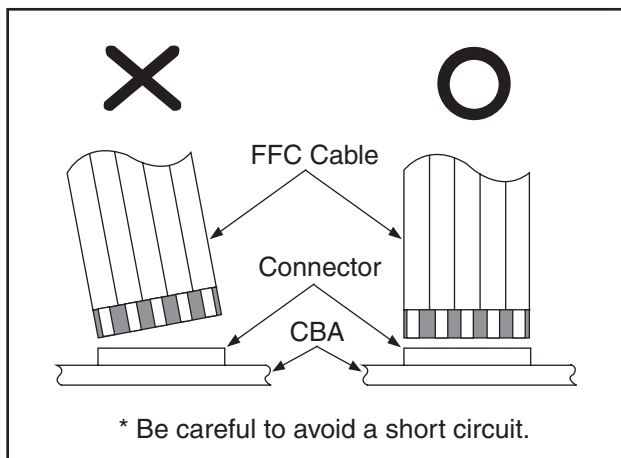


3. The 1st pin of every male connector is indicated as shown.



Instructions for Connectors

1. When you connect or disconnect the FFC (Flexible Foil Connector) cable, be sure to first disconnect the AC cord.
2. FFC (Flexible Foil Connector) cable should be inserted parallel into the connector, not at an angle.



Pb (Lead) Free Solder

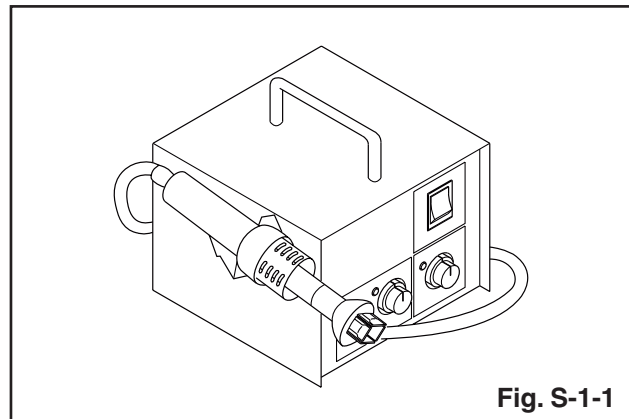
When soldering, be sure to use the Pb free solder.

How to Remove / Install Flat Pack-IC

1. Removal

With Hot-Air Flat Pack-IC Desoldering Machine:

1. Prepare the hot-air flat pack-IC desoldering machine, then apply hot air to the Flat Pack-IC (about 5 to 6 seconds). (Fig. S-1-1)

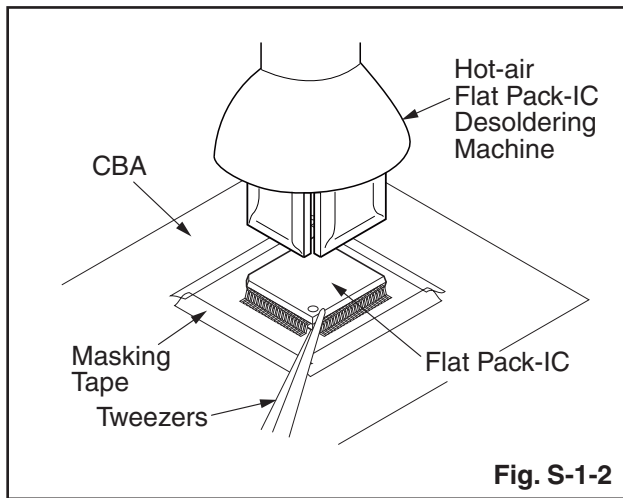


2. Remove the flat pack-IC with tweezers while applying the hot air.
3. Bottom of the flat pack-IC is fixed with glue to the CBA; when removing entire flat pack-IC, first apply soldering iron to center of the flat pack-IC and heat up. Then remove (glue will be melted). (Fig. S-1-6)
4. Release the flat pack-IC from the CBA using tweezers. (Fig. S-1-6)

CAUTION:

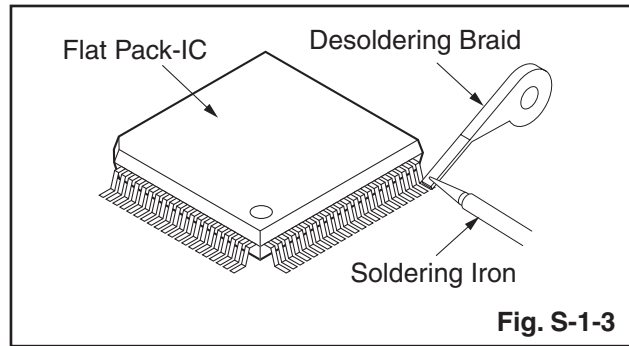
1. The Flat Pack-IC shape may differ by models. Use an appropriate hot-air flat pack-IC desoldering machine, whose shape matches that of the Flat Pack-IC.
2. Do not supply hot air to the chip parts around the flat pack-IC for over 6 seconds because damage to the chip parts may occur. Put masking tape around the flat pack-IC to protect other parts from damage. (Fig. S-1-2)

3. The flat pack-IC on the CBA is affixed with glue, so be careful not to break or damage the foil of each pin or the solder lands under the IC when removing it.

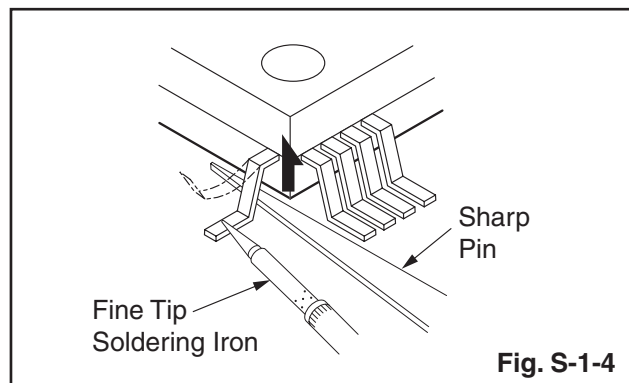


With Soldering Iron:

1. Using desoldering braid, remove the solder from all pins of the flat pack-IC. When you use solder flux which is applied to all pins of the flat pack-IC, you can remove it easily. (Fig. S-1-3)



2. Lift each lead of the flat pack-IC upward one by one, using a sharp pin or wire to which solder will not adhere (iron wire). When heating the pins, use a fine tip soldering iron or a hot air desoldering machine. (Fig. S-1-4)

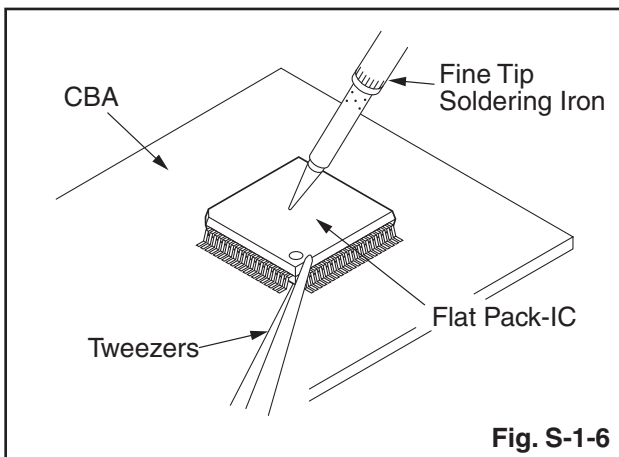
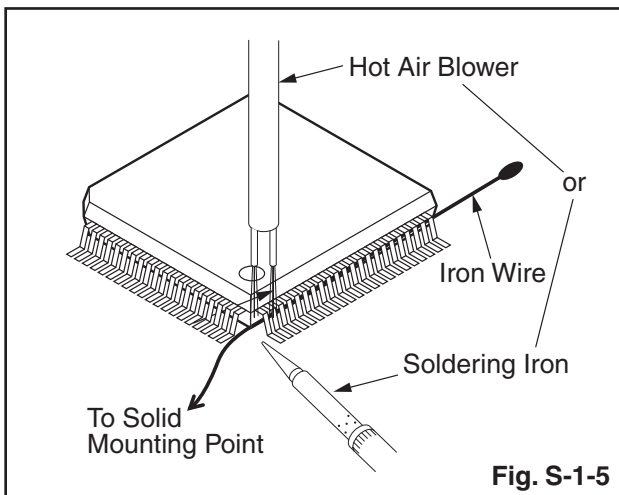


3. Bottom of the flat pack-IC is fixed with glue to the CBA; when removing entire flat pack-IC, first apply soldering iron to center of the flat pack-IC and heat up. Then remove (glue will be melted). (Fig. S-1-6)
4. Release the flat pack-IC from the CBA using tweezers. (Fig. S-1-6)

With Iron Wire:

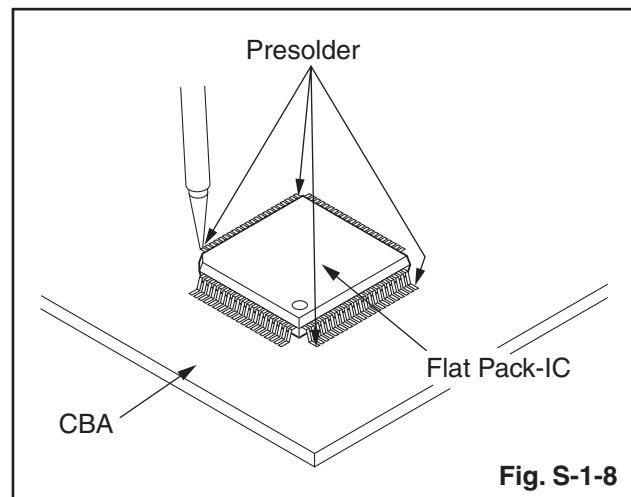
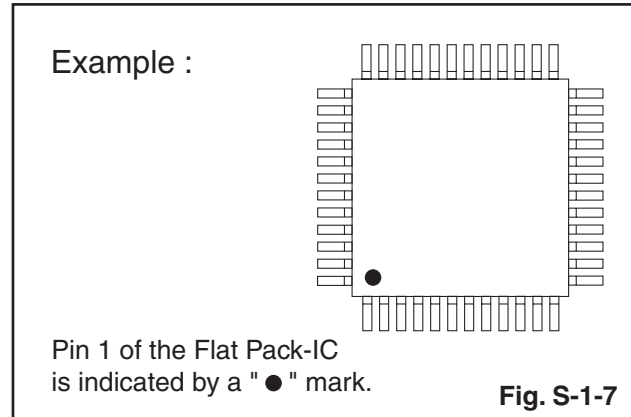
1. Using desoldering braid, remove the solder from all pins of the flat pack-IC. When you use solder flux which is applied to all pins of the flat pack-IC, you can remove it easily. (Fig. S-1-3)
2. Affix the wire to a workbench or solid mounting point, as shown in Fig. S-1-5.
3. While heating the pins using a fine tip soldering iron or hot air blower, pull up the wire as the solder melts so as to lift the IC leads from the CBA contact pads as shown in Fig. S-1-5.
4. Bottom of the flat pack-IC is fixed with glue to the CBA; when removing entire flat pack-IC, first apply soldering iron to center of the flat pack-IC and heat up. Then remove (glue will be melted). (Fig. S-1-6)
5. Release the flat pack-IC from the CBA using tweezers. (Fig. S-1-6)

Note: When using a soldering iron, care must be taken to ensure that the flat pack-IC is not being held by glue. When the flat pack-IC is removed from the CBA, handle it gently because it may be damaged if force is applied.



2. Installation

1. Using desoldering braid, remove the solder from the foil of each pin of the flat pack-IC on the CBA so you can install a replacement flat pack-IC more easily.
2. The "●" mark on the flat pack-IC indicates pin 1. (See Fig. S-1-7.) Be sure this mark matches the pin 1 on the PCB when positioning for installation. Then presolder the four corners of the flat pack-IC. (See Fig. S-1-8.)
3. Solder all pins of the flat pack-IC. Be sure that none of the pins have solder bridges.



Instructions for Handling Semi-conductors

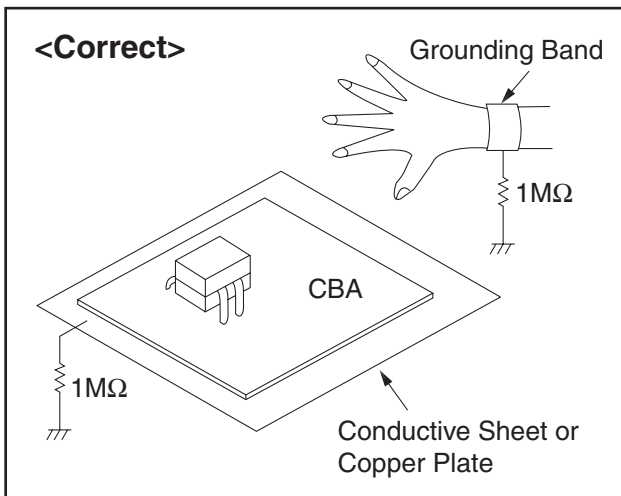
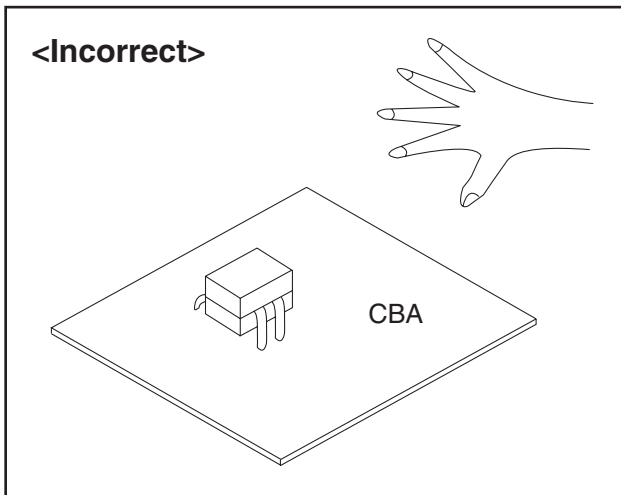
Electrostatic breakdown of the semi-conductors may occur due to a potential difference caused by electrostatic charge during unpacking or repair work.

1. Ground for Human Body

Be sure to wear a grounding band (1 MΩ) that is properly grounded to remove any static electricity that may be charged on the body.

2. Ground for Workbench

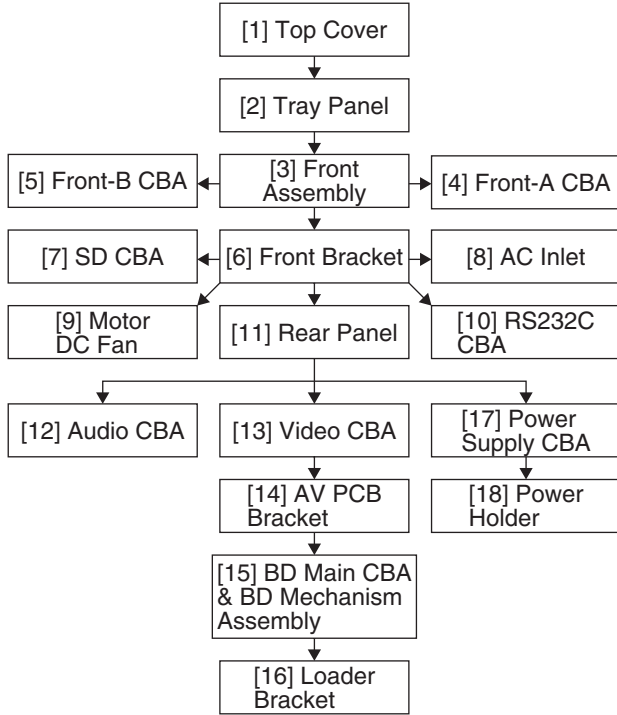
Be sure to place a conductive sheet or copper plate with proper grounding (1 MΩ) on the workbench or other surface, where the semi-conductors are to be placed. Because the static electricity charge on clothing will not escape through the body grounding band, be careful to avoid contacting semi-conductors with your clothing.



CABINET DISASSEMBLY INSTRUCTIONS

1. Disassembly Flowchart

This flowchart indicates the disassembly steps to gain access to item(s) to be serviced. When reassembling, follow the steps in reverse order. Bend, route, and dress the cables as they were originally.



2. Disassembly Method

ID/ Loc. No.	Part	Removal		
		Fig. No.	Remove/*Unhook/ Unlock/Release/ Unplug/Desolder	Note
[1]	Top Cover	D1	9(S-1)	---
[2]	Tray Panel	D2	-----	1
[3]	Front Assembly	D2	*2(L-1), *(L-2), 5(S-2), 9(S-3), *CN2002	2
[4]	Front-A CBA	D2	*CN3001	---
[5]	Front-B CBA	D2	-----	---
[6]	Front Bracket	D3	7(S-4), (S-5)	---
[7]	SD CBA	D3	2(S-6), *CN5001	---
[8]	AC Inlet	D4	2(S-7), *CN1001	---
[9]	Motor DC Fan	D4	2(S-8), *CN1005	---
[10]	RS232C CBA	D4	(S-9), 2(S-10), *CN5501	---

ID/ Loc. No.	Part	Removal		
		Fig. No.	Remove/*Unhook/ Unlock/Release/ Unplug/Desolder	Note
[11]	Rear Panel	D4	11(S-11), (S-12), 5(S-13)	4
[12]	Audio CBA	D5	6(S-14), *CN2005, *CN2007, *CN2008	---
[13]	Video CBA	D6	4(S-15), *CN7101	---
[14]	AV PCB Bracket	D6	4(S-16)	---
[15]	BD Main CBA & BD Mechanism Assembly	D6	2(S-17), 4(S-18), *CN1003, *CN1100	3
[16]	Loader Bracket	D6	6(S-19)	---
[17]	Power Supply CBA	D7	2(S-20), 2(S-21)	---
[18]	Power Holder	D7	3(S-22)	---

↓ ↓ ↓ ↓ ↓
(1) (2) (3) (4) (5)

Note:

- (1) Identification (location) No. of parts in the figures
- (2) Name of the part
- (3) Figure Number for reference
- (4) Identification of parts to be removed, unhooked, unlocked, released, unplugged, unclamped, or desoldered.
P = Spring, L = Locking Tab, S = Screw,
CN = Connector
* = Unhook, Unlock, Release, Unplug, or Desolder
e.g. 2(S-2) = two Screws (S-2),
2(L-2) = two Locking Tabs (L-2)
- (5) Refer to "Reference Notes."

Reference Notes

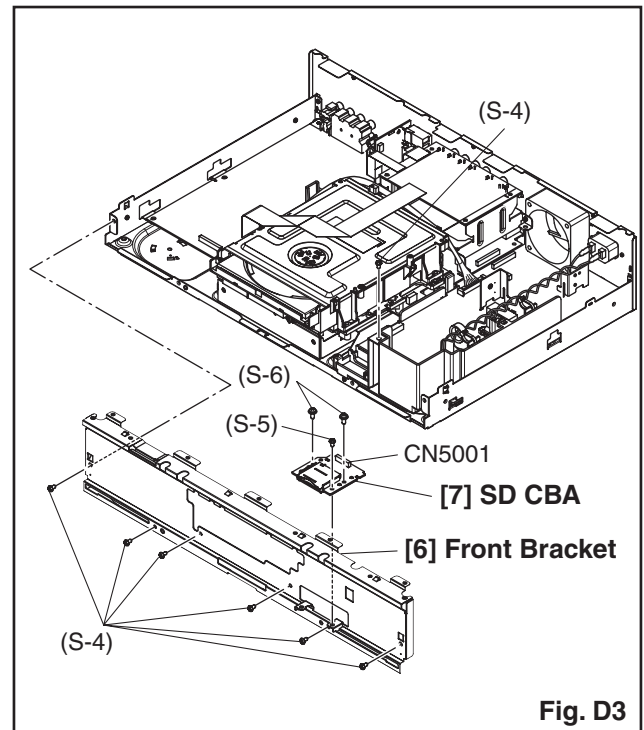
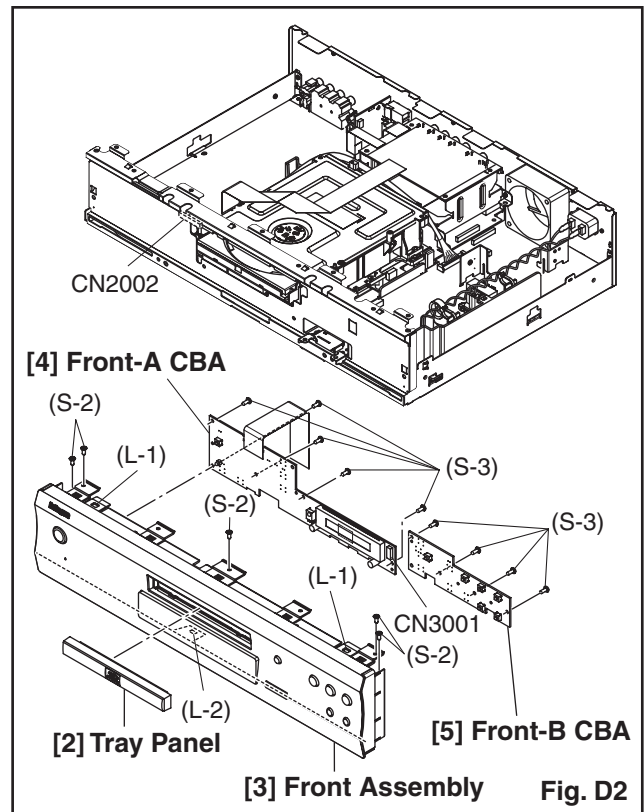
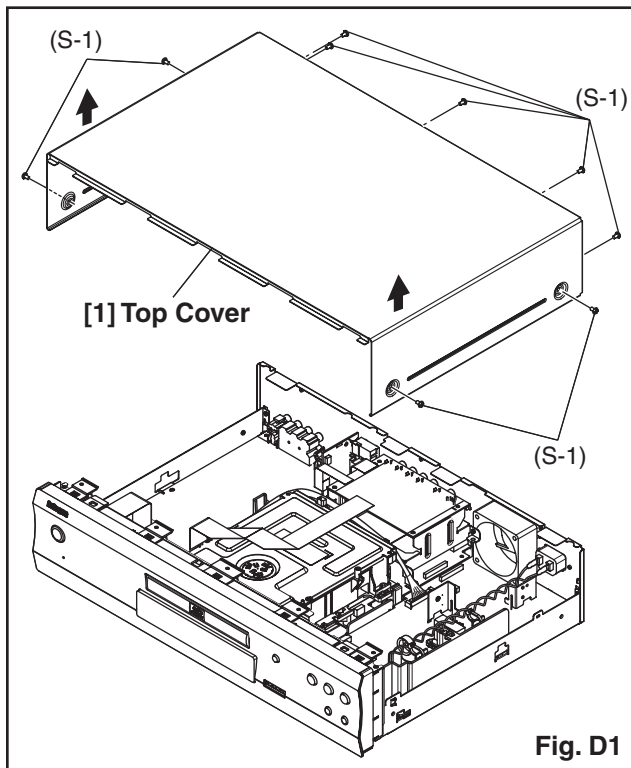
1. How to remove tray panel

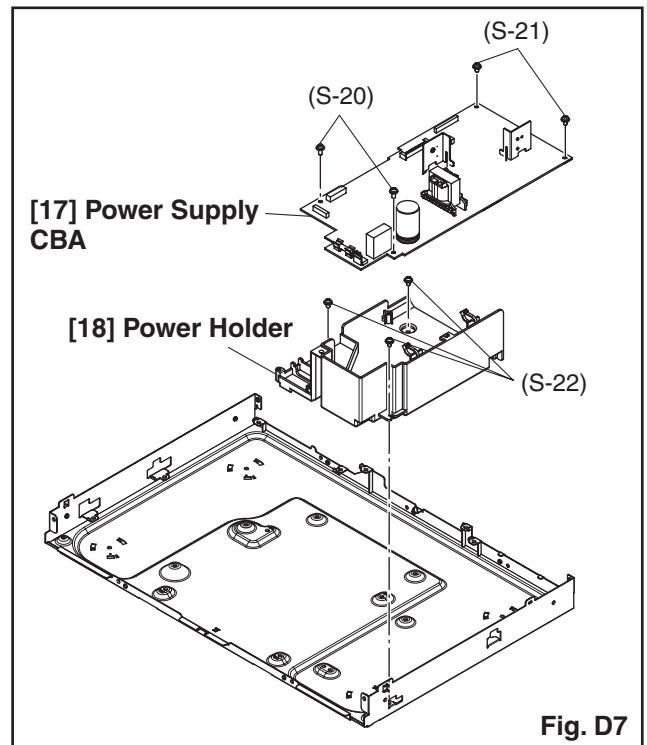
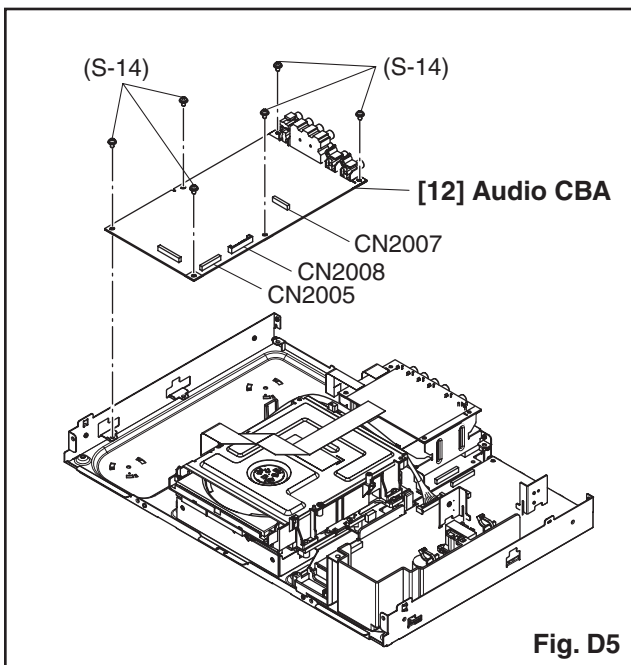
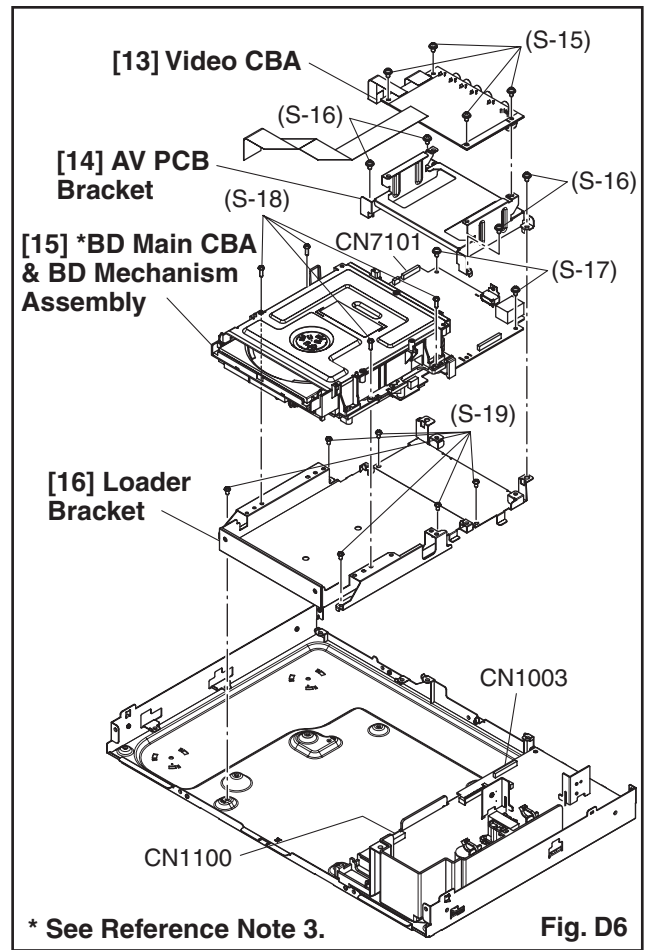
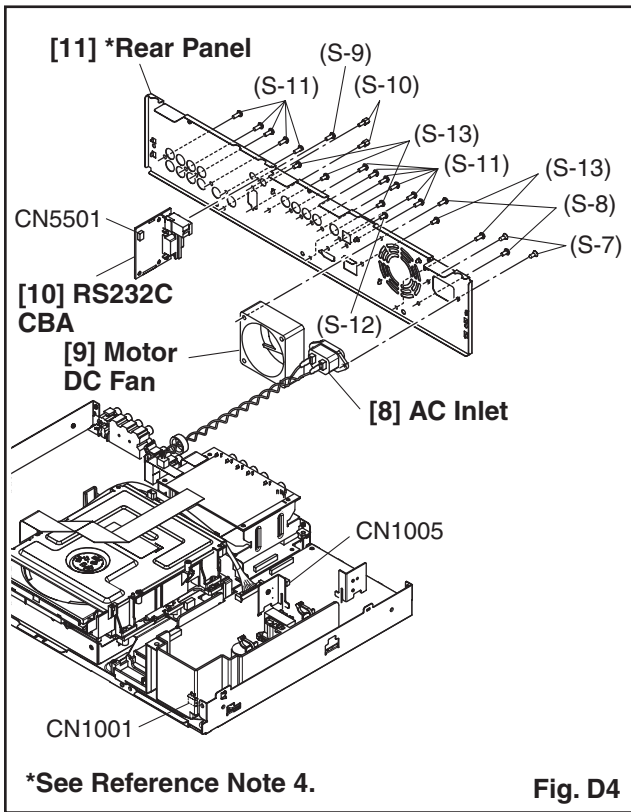
- 1) Connect the wall plug to an AC outlet and press the [Open/Close] button to open the tray.
- 2) Lift up and remove the tray panel.
- 3) Press the [Open/Close] button again to close the tray.
- 4) Press the [On/Standby] button to turn the power off.
- 5) Unplug the AC cord.

2. **CAUTION 1:** Locking Tabs (L-1) and (L-2) are fragile. Be careful not to break them.

3. The BD Main CBA & BD Mechanism Assembly is adjusted as a unit at factory. Therefore, do not disassemble it. Replace the BD Main CBA & BD Mechanism Assembly as a unit.

4. When reassembling, be sure to use the original screws or specified screws listed in the parts list.





3. How to Eject a Disc

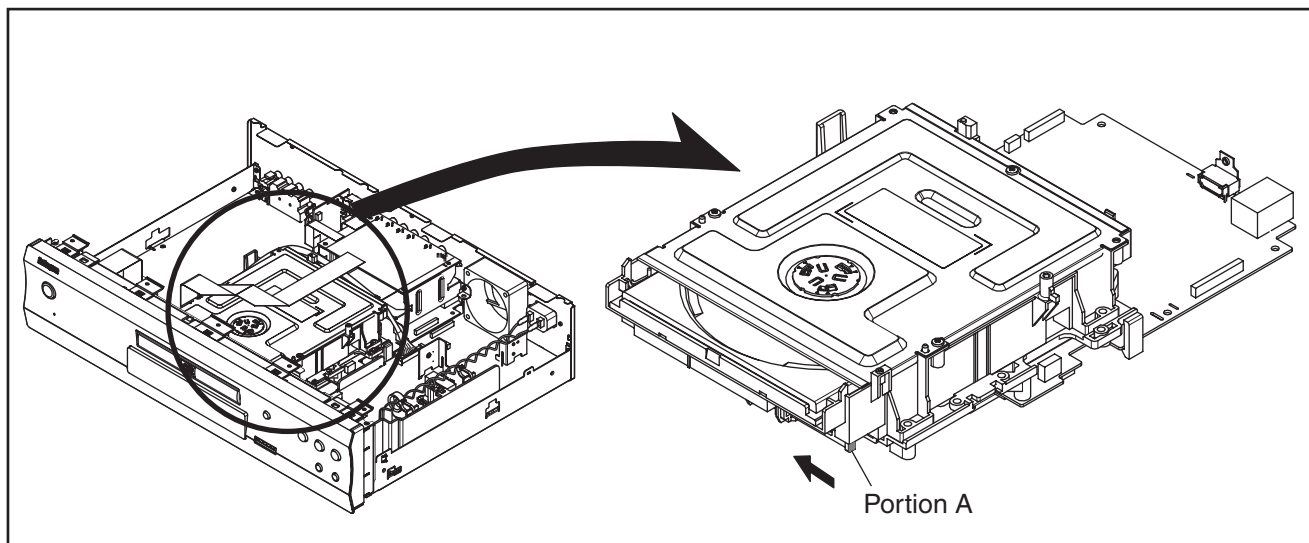
When a disc cannot be removed due to malfunction or when an unplayable disc is inserted, follow the procedure below to remove the disc.

Procedure A

1. Unplug the AC power cord and then plug it in.
2. Turn the power on by pressing the [Open/Close] button and the disc tray will open automatically.

Procedure B

1. Remove the Top Cover.
2. Slide the portion A in the direction of the arrow.
3. Pull the tray out manually and remove the disc.



HOW TO INITIALIZE THE BLU-RAY DISC PLAYER

To put the program back at the factory-default, initialize the BD player as the following procedure.

Note: By initializing, network is reset to disconnected state and “Network Service Disclaimer” appears on the screen.

1. Turn the power on.
2. Remove the disc on the tray and close the tray.
3. Press [1], [2], [3], [4], and [Display] buttons on the remote control unit in that order.

Fig. a appears on the screen.

"*****" differ depending on the models.

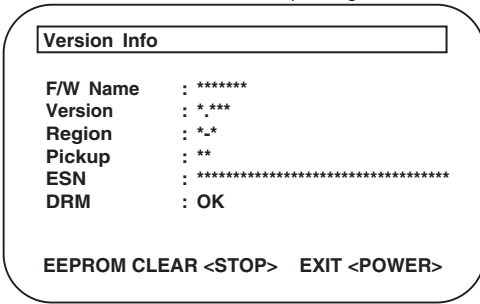


Fig. a

4. Press [■] button on the remote control unit. Fig. b appears on the screen and Fig. c appears on the VFD.

"*****" differ depending on the models.

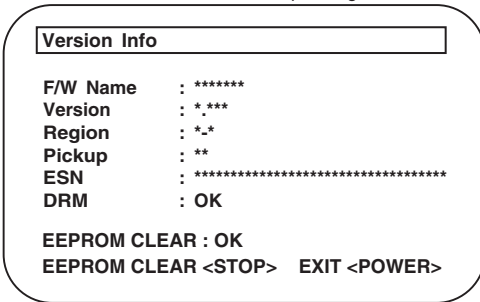


Fig. b

CLEAR

Fig. c

5. To exit this mode, press [On/Standby] button.

FIRMWARE RENEWAL MODE

Note: The file extension of the available firmware is "b35".

1. Turn the power on and remove the disc on the tray and close the tray.
2. To put the BD player into version up mode, press [9], [8], [7], [6], and [Pop-Up Menu/Menu] buttons on the remote control unit in that order. The tray will open automatically. Fig. a appears on the screen and Fig. b appears on the VFD.

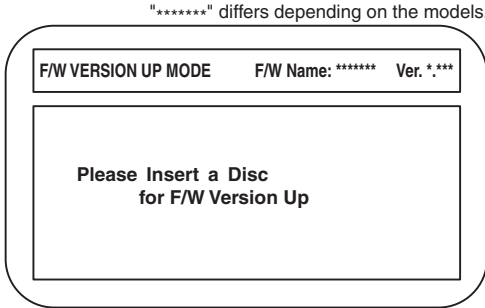


Fig. a Version Up Mode Screen

F/W-UP

Fig. b VFD in Version Up Mode

3. Load the disc for version up.
4. The BD player enters the F/W version up mode automatically. Fig. c appears on the screen and Fig. d appears on the VFD. Make sure to insert the proper F/W for the state of this model.

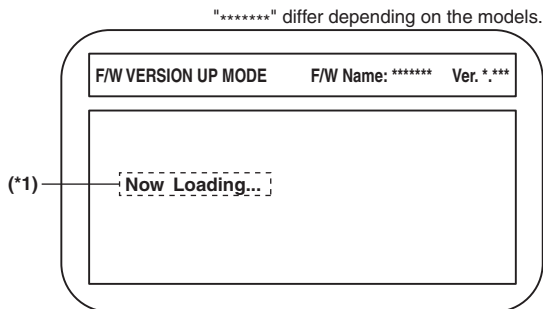


Fig. c Programming Mode Screen (Example)

Ver : 1000

Fig. d VFD in Programming Mode (Example)

The appearance shown in (*1) of Fig. c is described as follows:

No.	Appearance	State
1	Now Loading...	Loading the disc
2	Reading...	Sending files into the memory.
3	See FL Display.	Writing new version data, the progress will be displayed as shown in Fig. f.

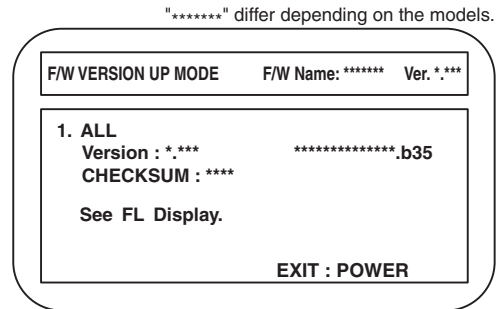


Fig. e Version Up Mode

26/100

Fig. f VFD in Version Up Mode

5. After programming is finished, the checksum on the VFD (Fig. g).

F3A8

Fig. g VFD upon Finishing the Programming Mode (Example)

Checksum appears on the VFD then the tray will open automatically. Remove the disc on the tray.

At this time, no button is available.

6. Unplug the AC cord from the AC outlet. Then plug it again.
7. Turn the power on.

Note: All the settings will be put back to factory-default.

How to Verify the Firmware Version

1. Turn the power on.
2. Remove the disc on the tray and close the tray.
3. Press [1], [2], [3], [4], and [Display] buttons on the remote control unit in that order.

Fig. h appears on the screen.

"*****" differ depending on the models.

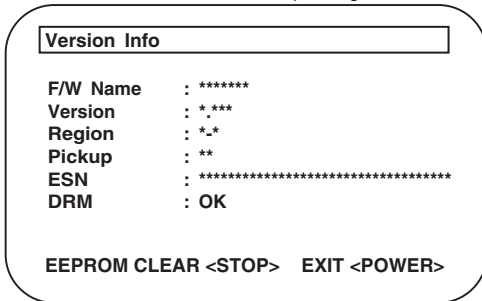


Fig. h

4. To exit this mode, press [On/Standby] button.

HOME NETWORK (DLNA) ERROR CODE

Error Code appears in the error screen when the unit detects an error, as shown below. The code is used to specifically determine the cause of error.

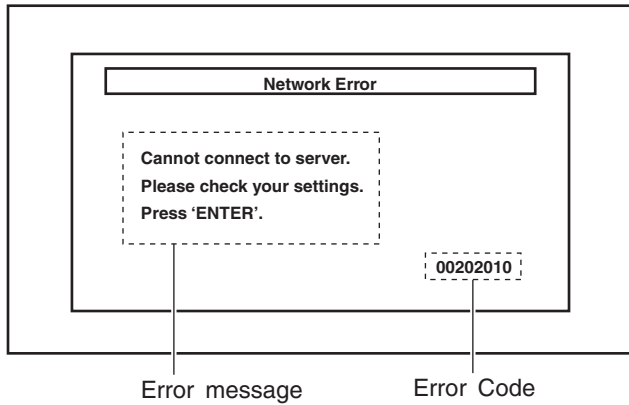


Fig. 1: Error Code (Example)

Error Code are displayed with "*****" ("*" is error code) as shown above.

Error Code Form

In the Home Network (DLNA), Error Code are used as follows.



Fig. 2

"Summary Error Code" are shown in the list below.

Summary Error Code	Error message
02	Cannot connect to server. Please check your settings.
03	Playback Error
05	No playable files found.
20	System Error
21	Unable to display files from the server. Please check server settings.
22	List Updated.
23	Connection with server lost.
24	Unable to connect to more than 10 servers. Please turn off or stop broadcasting 1 or more servers.

Detailed Error Code table (DLNA – HTTP Status Code)

Status Code	Description
201 Created	A new resource was created by this unit's request.
202 Accepted	This unit's request was accepted but its processing is not completed.
204 No Content	Though the server processed the request, there was no content.
205 Reset Content	No content.
300 Multiple Choices	<ul style="list-style-type: none"> • There are multiple choices. • The server could not determine its response. • Requested information contains multiple representations. This status is handled as Redirection by default and complies with the content of Location HEAD related to this response.
301 Moved Permanently	<ul style="list-style-type: none"> • Moved Permanently. • Requested resource has been assigned to a new permanent URI (Uniform Resource Identifier). Any future references to this source must use one of the returned URIs. • Indicates that requested information is moved to the URI specified by the Location HEAD. When this status is received, the default action is tracking the Location HEAD related to the response. When the original request method is POST, the redirected request will use GET.
302 Found	<ul style="list-style-type: none"> • Found. • Requested resource resides temporarily under a different URI.(Uniform Resource Identifier) • Indicates that requested information exists in the URI specified by the Location HEAD. When this status is received, Location HEAD related to the response will be tracked by default. When the request method is POST the redirected request will use GET.
303 See Other	<ul style="list-style-type: none"> • See other. • The response to the request can be found under a different URI (Uniform Resource Identifier) and to get this response, GET HTTP method will be used. • As a result of POST, client will be automatically redirected to the URI specified by the Location HEAD. GET will be used for requesting to a resource specified by the Location HEAD.
304 Not Modified	This unit caches the latest resource and the requested resource is not modified. (exception protocol error)
305 Use Proxy	<ul style="list-style-type: none"> • Proxy will be used. • The requested resource must be accessed through the proxy specified by the Location field. • Indicates that request must use the URI given by the Location HEAD to use the proxy server.
400 Bad Request	The server could not understand this unit's request.
401 Unauthorized	Indicates that the resource requested by this unit requires authentication.
403 Forbidden	The server received this unit's request, but refused to fulfill it.
404 Not Found	The requested URI was not found.
405 Method Not Allowed	<ul style="list-style-type: none"> • The method is not allowed. • The HTTP behavior used is not allowed. • Indicates that request method (POST or GET) is not allowed by the requested resource.
406 Not Acceptable	<ul style="list-style-type: none"> • The client could not find an acceptable response. • Indicates that the client specifies not to accept arbitrary representation for Accept header which could be used by the resource.

Status Code	Description
407 Proxy Authentication Required	<ul style="list-style-type: none"> Proxy authentication is required. Indicates that the requested proxy will request authentication. Proxy-authenticate header contains the detailed method for authentication.
408 Request Timeout	<ul style="list-style-type: none"> While waiting for request, the server timed out. Indicates that the client did not send a request within the expected time by the server.
409 Conflict	<ul style="list-style-type: none"> There is a conflict. The server timed out while waiting for a request. Indicates that the client did not send a request within the expected time by the server.
410 Gone	<ul style="list-style-type: none"> No longer available. The requested resource could not be found at the server and forwarding address is unknown. Indicates that requested resource is no longer available.
411 Length Required	<ul style="list-style-type: none"> Length required. The server refused to accept the request where Content-Length was undefined. Indicates Content-length header is not defined.
412 Precondition Failed	<ul style="list-style-type: none"> Fails to fulfill precondition. The precondition in one or more of the requested header field has been tested false by the server. The precondition given in the request could not be fulfilled and the request failed. Precondition can be set using If-Match, If-None-Match, If-Unmodified-Since request header.
413 Request Entity Too Large	<ul style="list-style-type: none"> The requested entity is too large. The server refused to process the request since the requested entity is larger than the server is willing or able to process. Indicates that the request is too large for the server to process.
414 Request-URI Too Long	<ul style="list-style-type: none"> The Request-URI is too long. The server refused to process the request because the request URI (Uniform Resource Identifier) is too long for the server to interpret. Indicates that the URI is too long.
415 Unsupported Media Type	<ul style="list-style-type: none"> The media type is not supported. The server refused to process the request because the format of request entity is not supported by the requested resource for the requested method. Indicates the requested format is not supported.
500 Internal Server Error	Internal server error occurred.
501 Not Implemented	The server does not support functionalities required to process the request from this unit.
502 Bad Gateway	The proxy server between this unit and the server received an invalid reply from another proxy or the original server.
503 Service Unavailable	<ul style="list-style-type: none"> Service is unavailable. The service is temporarily overloaded. Because of overloading or maintenance, the server is temporarily unavailable.
504 Gateway Timeout	<ul style="list-style-type: none"> Gateway timed out. While waiting for gateway, the request timed out. Indicates that the intermediate proxy server has timed out while waiting for a response from another proxy or original server.
505 Version Not Supported	<ul style="list-style-type: none"> The version is not supported. The server refuses or does not support the version of protocol given in the request message. Indicates that requested version is not supported by the server.

Detailed Error Code table (DLNA – Application Status Code)

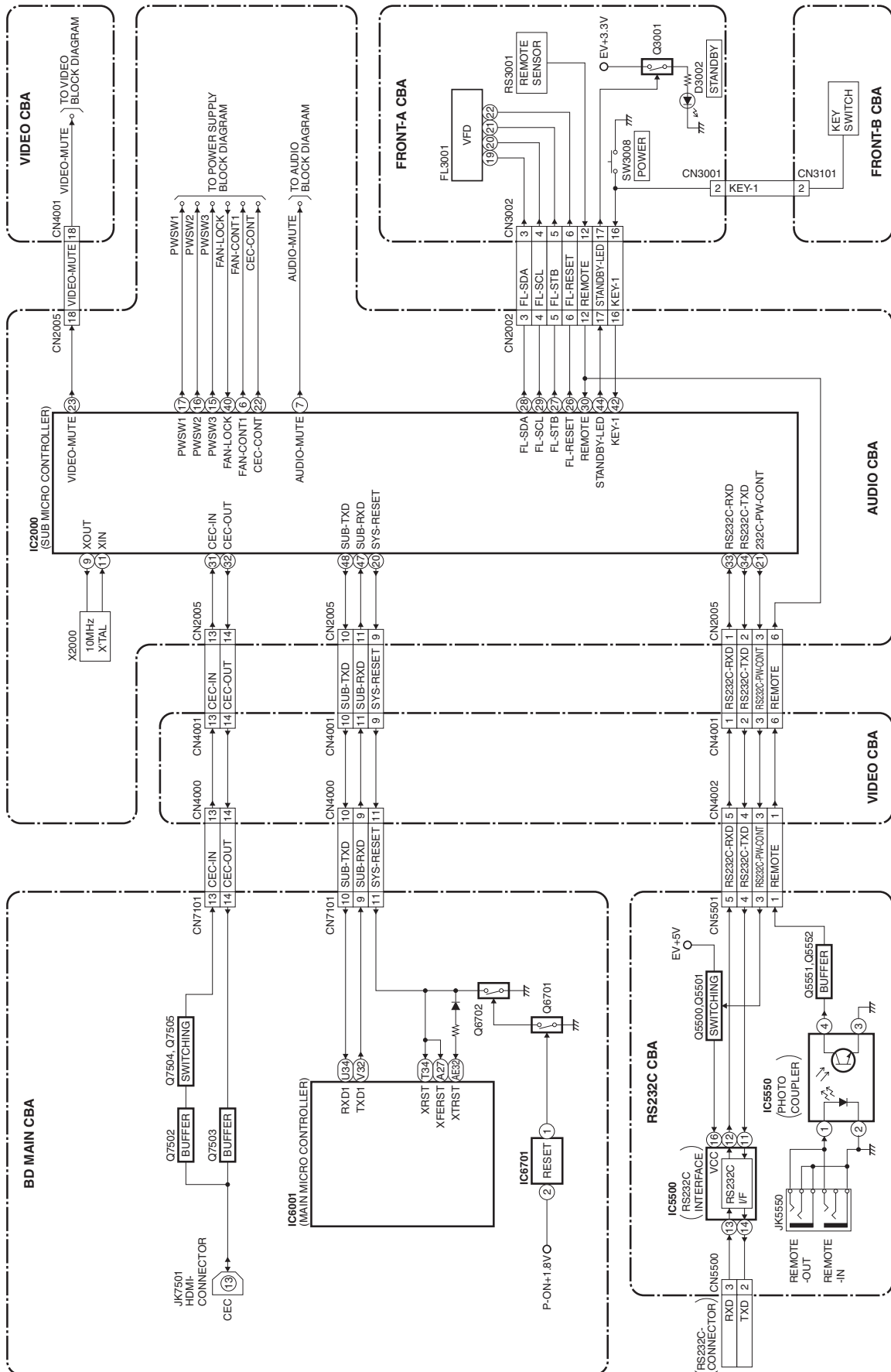
Status Code	Description
001 Nothing List	As a result of list creation process, there is no item to be displayed from the received data.
010 LAN Disconnect	This unit's LAN is disconnected.
020 Application Status Error	Error was detected in the DLNA application's internal state.
021 Application Status Error	Error was detected in the DLNA application's internal state.
022 Application System Error	Error was detected in the DLNA application system.
023 Unsupported Audio Format	An unsupported audio format was discovered.
024 Server Number Over Limit	Discovered server numbers over limit.
025 Changed List	The contents list currently displayed has been updated.
026 Disconnected Server	The original server of the displaying contents list has been disconnected.
027 Application System Error	Error was detected upon start of DLNA application.
600 Disconnected Server	The original server of the contents has been disconnected.
601 Not Exist Content	Content does not exist.
602 Critical Error	System error.
603 Changed List	The contents list has been updated at the server.
620 Not Exist Content	Image content does not exist.
621 Get failure	Image data get error. (an error other than HTTP status and under 500s)
622 File Open Error	Image data working file open error.
623 File Read Error	Image data working file read error.
624 File Close Error	Image data working file close error.
625 Decode mode Error	Image data decode mode error.
626 Header Error	Image data header error.
627 Struct Error	Image data header structural error.
628 Decode Error	Image data decode error.
629 Unsupported Format	Unsupported format.
630 Unsupported Size	Unsupported data size.
631 Attach Error	Shared memory attach error.
632 Detach Error	Shared memory detach error.
633 Server Time Out Error	Server timed out.
640 File Read Error	File read error.
641 Unsupported Format	Unsupported Format.
642 No Change Decode Frame	No updates of decode frame.
643 Stream Get Error	Stream get error.
660 File Read Error	File read error.
661 Unsupported Format	Unsupported format.
662 Video Analyze Error	Video analyze error.
663 Audio Analyze Error	Audio analyze error.

Status Code	Description
664 1sec Offset Get Error	1sec offset get error.
665 Address Search Error	Address search error.
680 RFS_EVENT_SOCKET_ERROR	Socket error.
681 RFS_EVENT_HTTP_RES_SERVER_REFUSED	Server refusal notification.
682 RFS_EVENT_HTTP_RES_NOT_FOUND	The specified contents could not be found.
683 RFS_EVENT_HTTP_RES_SERVER_ERROR	Server error.
684 RFS_EVENT_HTTP_RES_UNEXPECTED_CODE	Unexpected status code.
685 RFS_EVENT_HTTP_RES_RANGE_NOT_SATISFIABLE	The specified range is not satisfiable.
686 RFS_EVENT_RECV_TIMEOUT	Timed out while waiting for response.
687 RFS_EVENT_DTCP_ERROR	RCVC internal error. (DTCP originated)
688 RFS_EVENT_DTCP_CONNECT_ERROR	DTCP connection error.
689 RFS_EVENT_DTCP_KEY_MNG_ERROR	Kx key error.
690 RFS_EVENT_RESPONSE_DATA_ERROR	Received message is invalid.
691 RFS_EVENT_SYSTEM_ERROR	RCVC internal error.
692 RFS_EVENT_TCP_DISCONNECTED	The TCP connection has been disconnected by the server during streaming.
693 RFS_EVENT_CONNECT_TIMEOUT	Time out occurred while establishing TCP connection.
694 RFS_EVENT_RECV_ERROR	Could not receive contents.
700 Refresh Error	Failed to update server list.
701 Disconnected Server	The server has been disconnected while displaying contents list.
702 Server Not Found	The server has been disconnected while getting contents list.
703 Server Info Error	Failed to get server information while getting contents list.
704 Contents List Error	Failed to get contents list.
705 Server Config Error	Failed to configure server.
706 List Not Found	Failed to get contents list.
707 Changed List	Displayed contents list has been updated.
708 Object Not Found	Neither folders or playable contents was found.
709 Object Not Found By Filter	Playable contents was not found by filter.

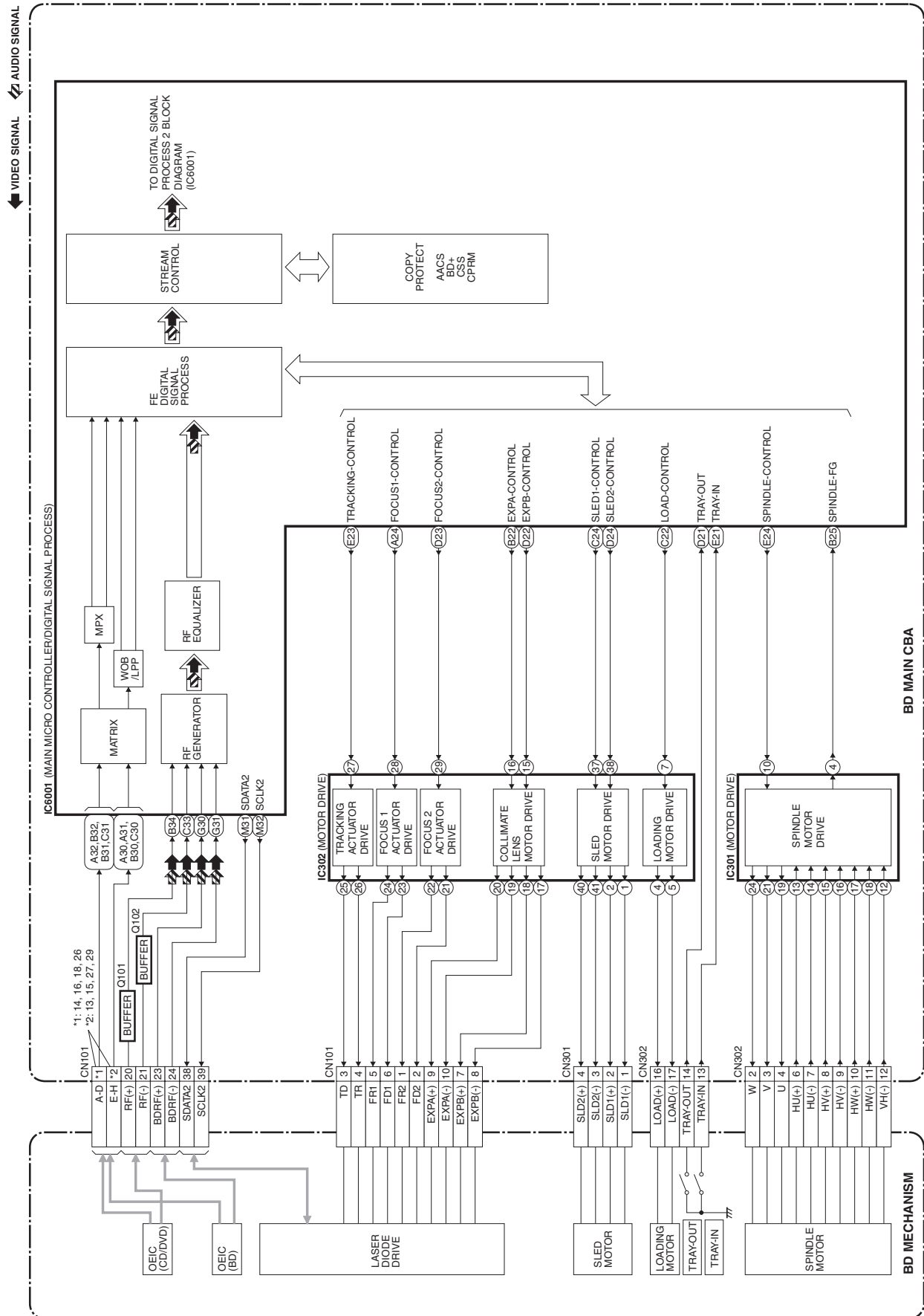
Status Code	Description
710 Object Count Zero	Nothing was found in the folder.
711 ILLEGAL Server Info	The contents information from the server is invalid.
712 ILLEGAL Total Count	The total counts of contents from the server is invalid.
713 Folder not Exist	The specified folder does not exist. (The current contents list displayed has been updated)
714 Critical Error	An error occurred on the system.

BLOCK DIAGRAMS

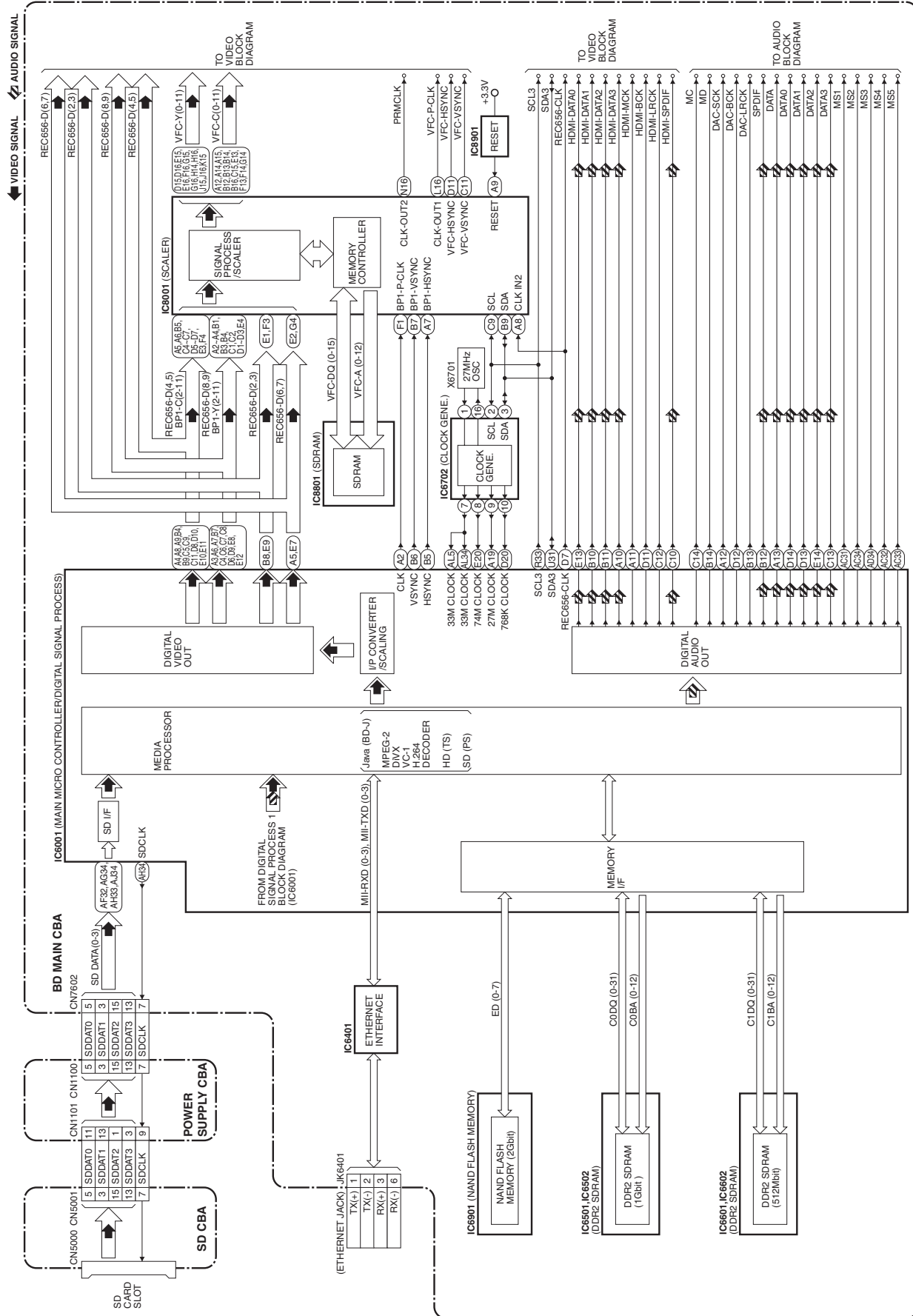
System Control Block Diagram



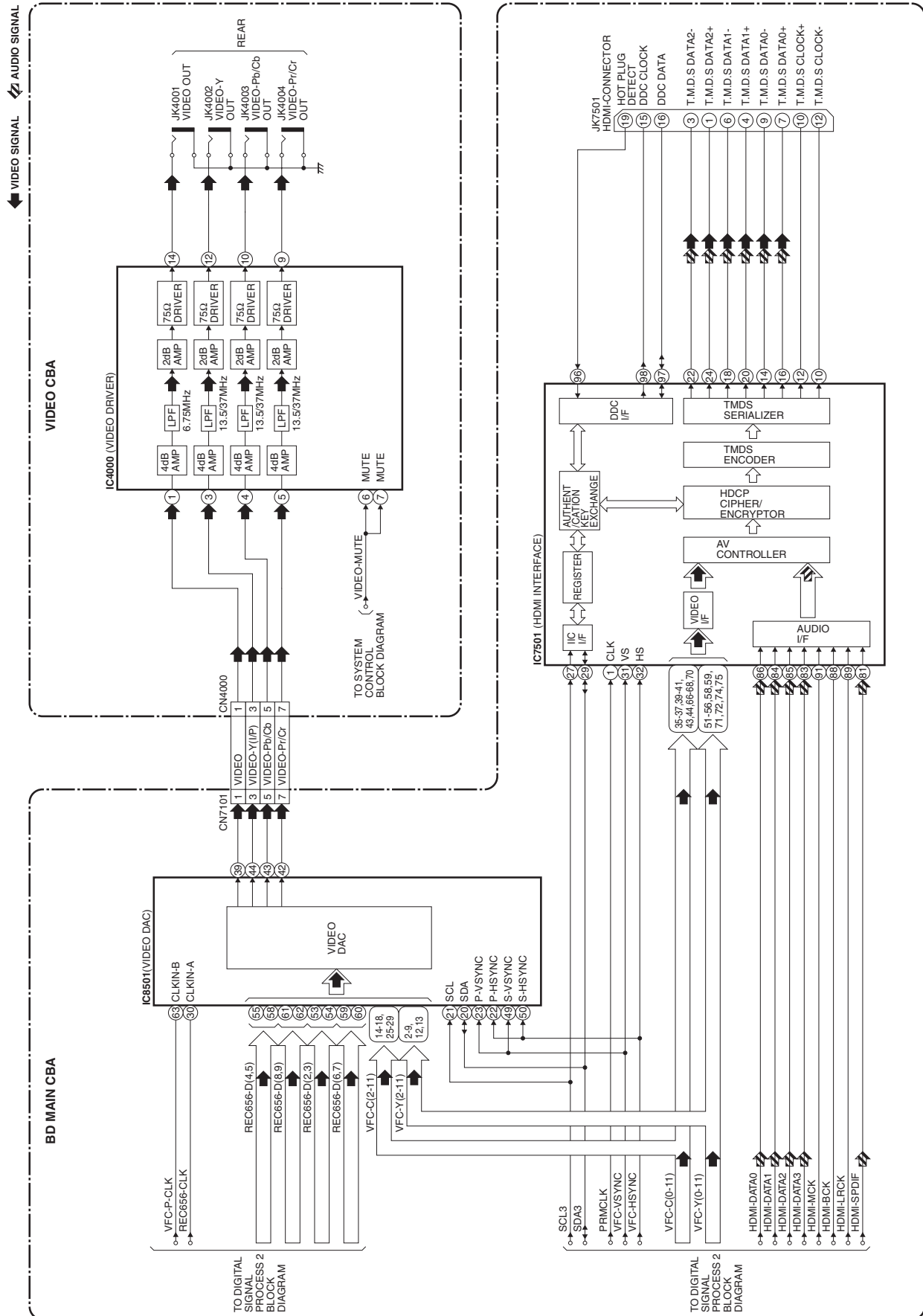
Digital Signal Process 1 Block Diagram



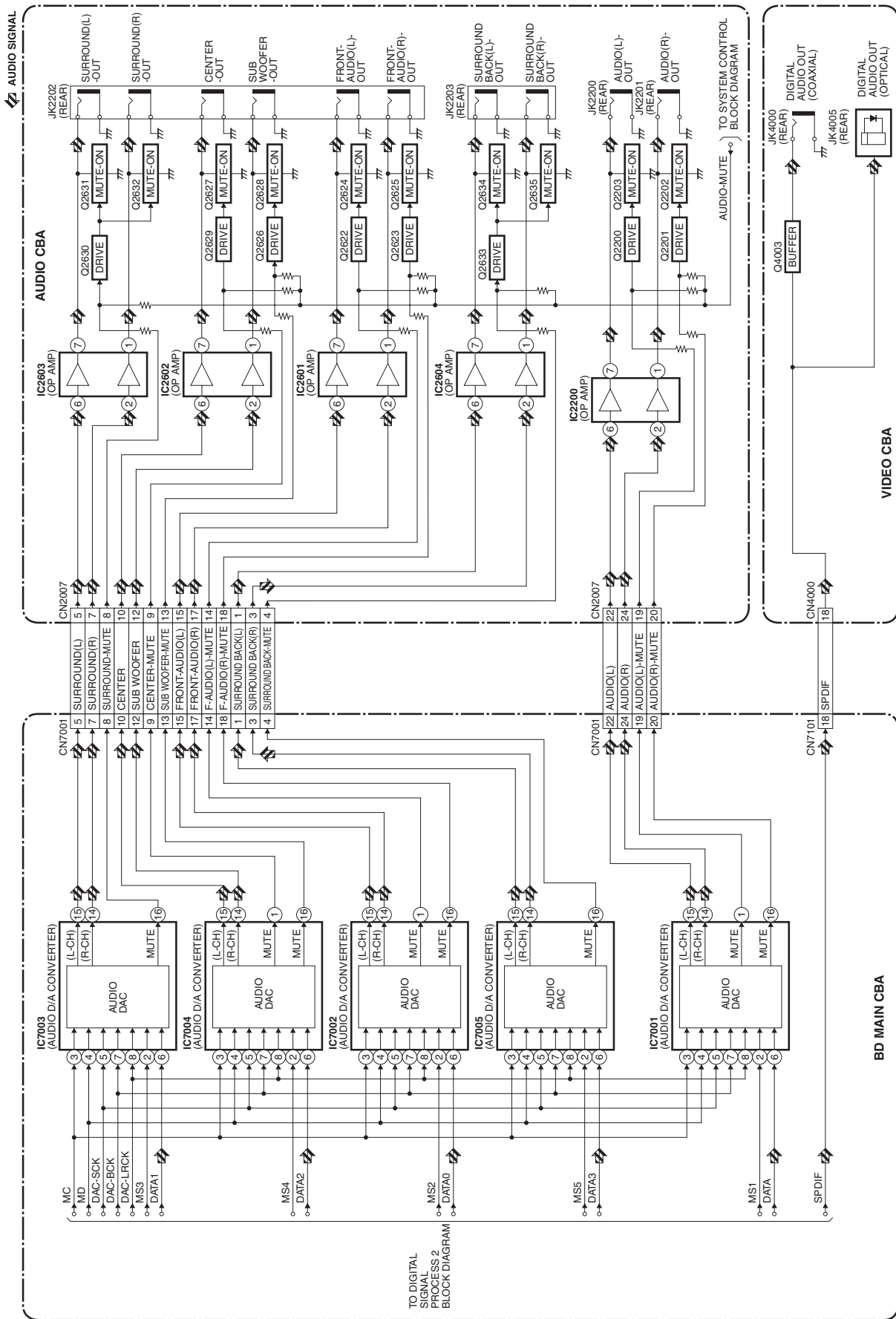
Digital Signal Process 2 Block Diagram



Video Block Diagram



Audio Block Diagram

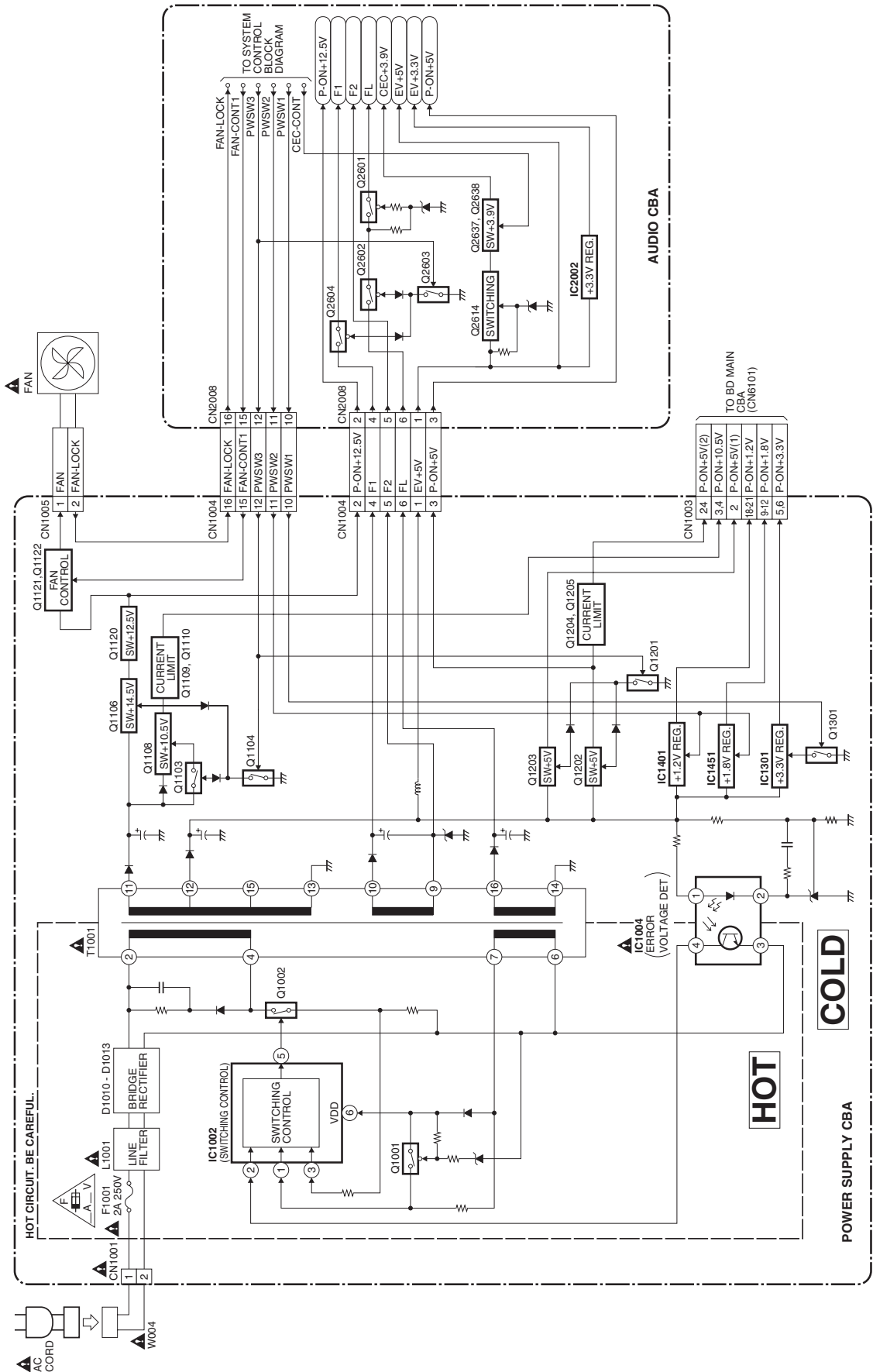


Power Supply Block Diagram

NOTE:
The voltage for parts in hot circuit is measured using hot GND as a common terminal.

CAUTION !
For continued protection against fire hazard, replace only with the same type fuse.
ATTENTION : Pour une protection continue les risques d'incendie n'utiliser que des fusibles de même type.
Risk of fire-replace fuse as marked.
This symbol means fast operating fuse.
Ce symbole représente un fusible à fusion rapide.

CAUTION !
Fixed voltage (or Auto voltage selectable) power supply circuit is used in this unit.
If Main Fuse (F1001) is blown, check to see that all components in the power supply circuit are not defective before you connect the AC plug to the AC power supply.
Otherwise it may cause some components in the power supply circuit to fail.



SCHEMATIC DIAGRAMS / CBA AND TEST POINTS

Standard Notes

WARNING

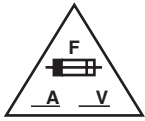
Many electrical and mechanical parts in this chassis have special characteristics. These characteristics often pass unnoticed and the protection afforded by them cannot necessarily be obtained by using replacement components rated for higher voltage, wattage, etc. Replacement parts that have these special safety characteristics are identified in this manual and its supplements; electrical components having such features are identified by the mark “▲” in the schematic diagram and the parts list. Before replacing any of these components, read the parts list in this manual carefully. The use of substitute replacement parts that do not have the same safety characteristics as specified in the parts list may create shock, fire, or other hazards.

Notes:

1. Do not use the part number shown on these drawings for ordering. The correct part number is shown in the parts list, and may be slightly different or amended since these drawings were prepared.
2. All resistance values are indicated in ohms ($K = 10^3$, $M = 10^6$).
3. Resistor wattages are 1/4W or 1/6W unless otherwise specified.
4. All capacitance values are indicated in μF ($P = 10^{-6} \mu F$).
5. All voltages are DC voltages unless otherwise specified.
6. Electrical parts such as capacitors, connectors, diodes, IC's, transistors, resistors, switches, and fuses are identified by four digits. The first two digits are not shown for each component. In each block of the diagram, there is a note such as shown below to indicate these abbreviated two digits.

LIST OF CAUTION, NOTES, AND SYMBOLS USED IN THE SCHEMATIC DIAGRAMS ON THE FOLLOWING PAGES:

1. CAUTION:



FOR CONTINUED PROTECTION AGAINST FIRE HAZARD, REPLACE ONLY WITH THE SAME TYPE FUSE.
 ATTENTION: POUR UNE PROTECTION CONTINUE LES RISQUES D'INCELE N'UTILISER QUE DES FUSIBLE DE MÊME TYPE.
 RISK OF FIRE-REPLACE FUSE AS MARKED.



This symbol means fast operating fuse.
 Ce symbole représente un fusible à fusion rapide.

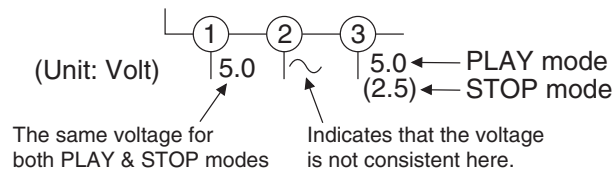
2. CAUTION:

Fixed Voltage (or Auto voltage selectable) power supply circuit is used in this unit.
 If Main Fuse (F1001) is blown, first check to see that all components in the power supply circuit are not defective before you connect the AC plug to the AC power supply. Otherwise it may cause some components in the power supply circuit to fail.

3. Note:

- Do not use the part number shown on the drawings for ordering. The correct part number is shown in the parts list, and may be slightly different or amended since the drawings were prepared.
- To maintain original function and reliability of repaired units, use only original replacement parts which are listed with their part numbers in the parts list section of the service manual.

4. Voltage indications for PLAY and STOP mode on the schematics are as shown below:

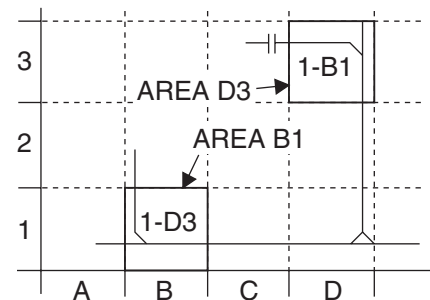


5. How to read converged lines

1-D3
 ↑ Distinction Area
 ↑ Line Number
 (1 to 3 digits)

Examples:

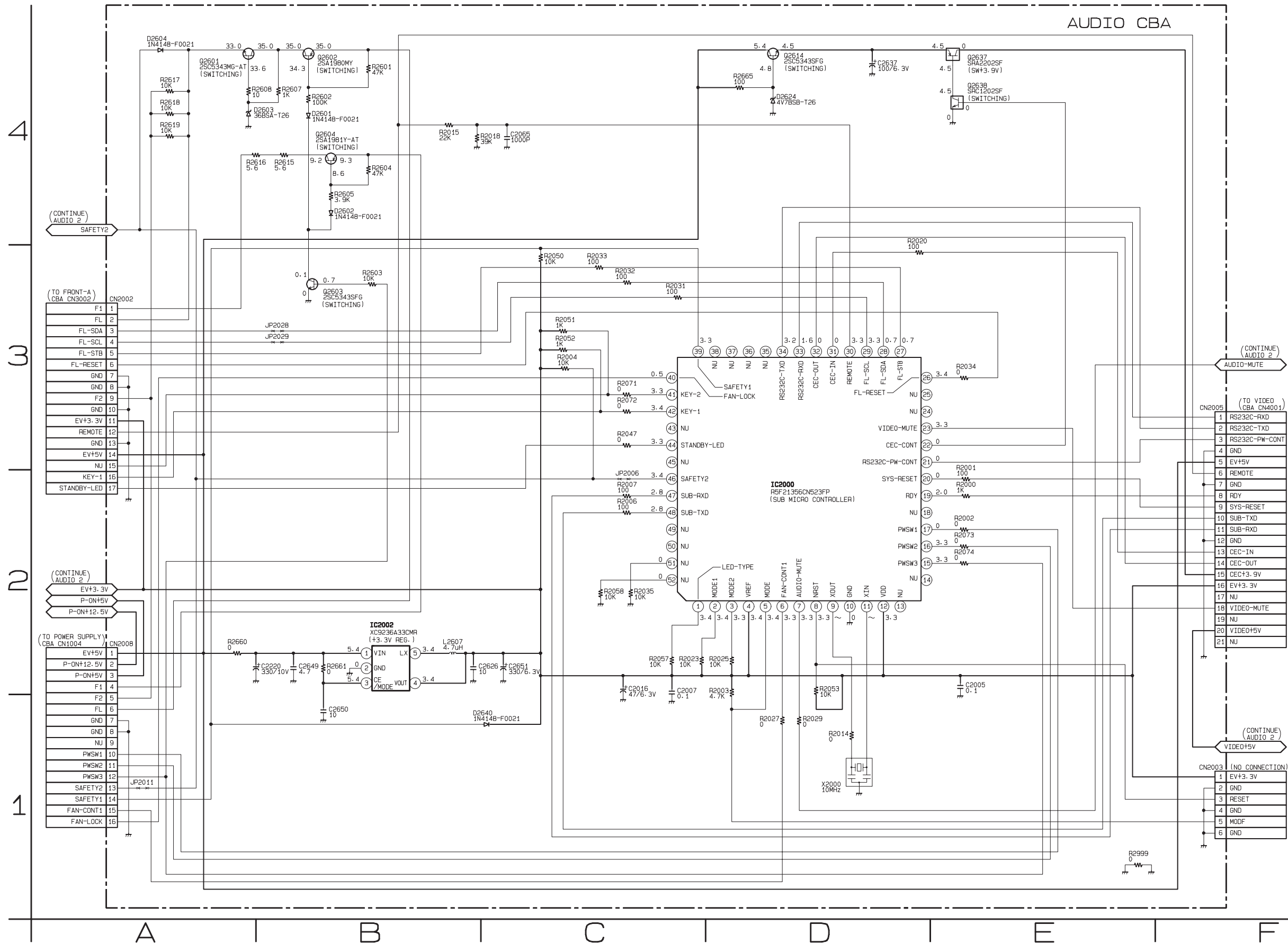
- "1-D3" means that line number "1" goes to the line number "1" of the area "D3".
- "1-B1" means that line number "1" goes to the line number "1" of the area "B1".



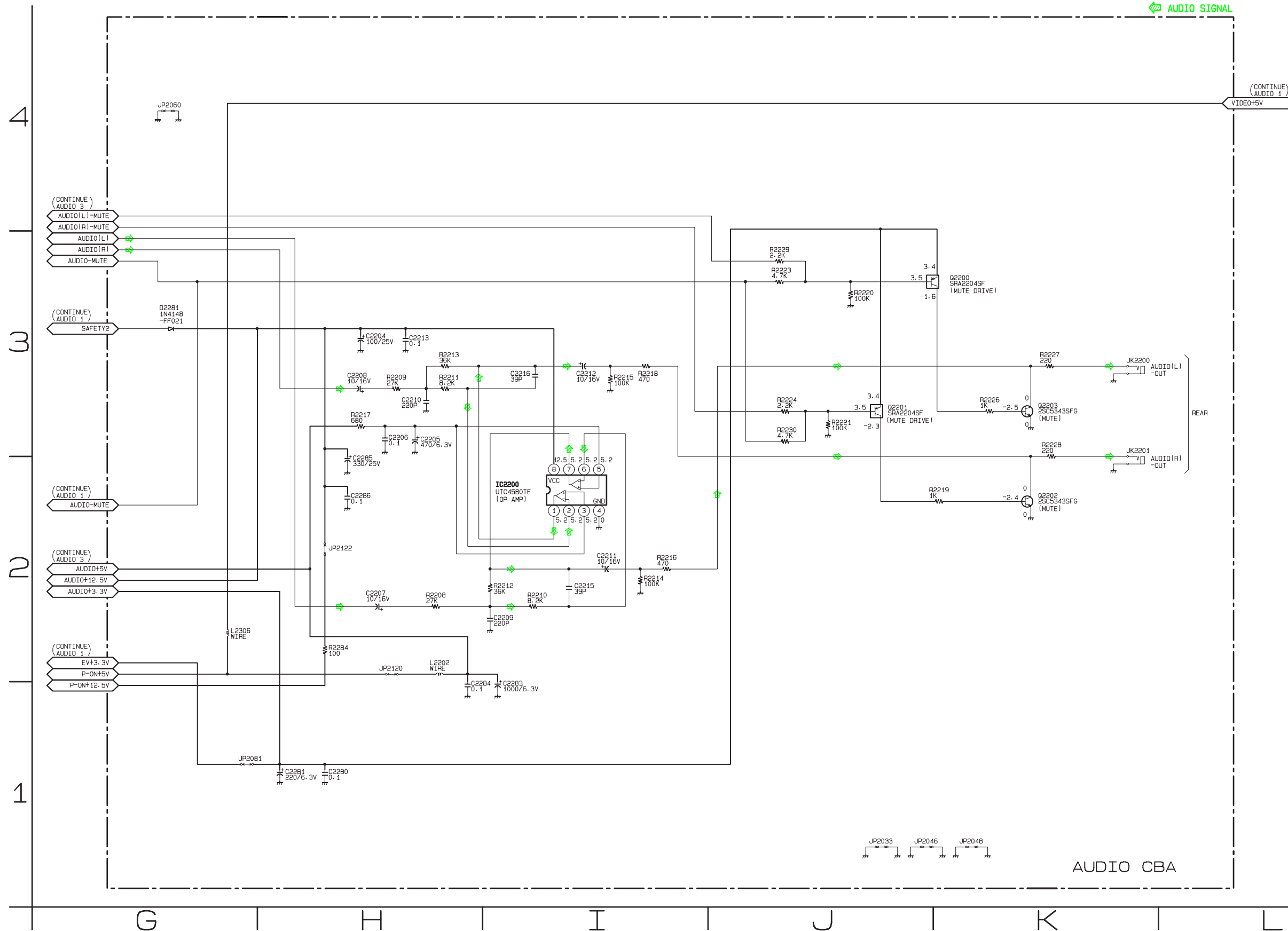
6. Test Point Information

- : Indicates a test point with a jumper wire across a hole in the PCB.
- : Used to indicate a test point with a component lead on foil side.
- : Used to indicate a test point with no test pin.
- : Used to indicate a test point with a test pin.

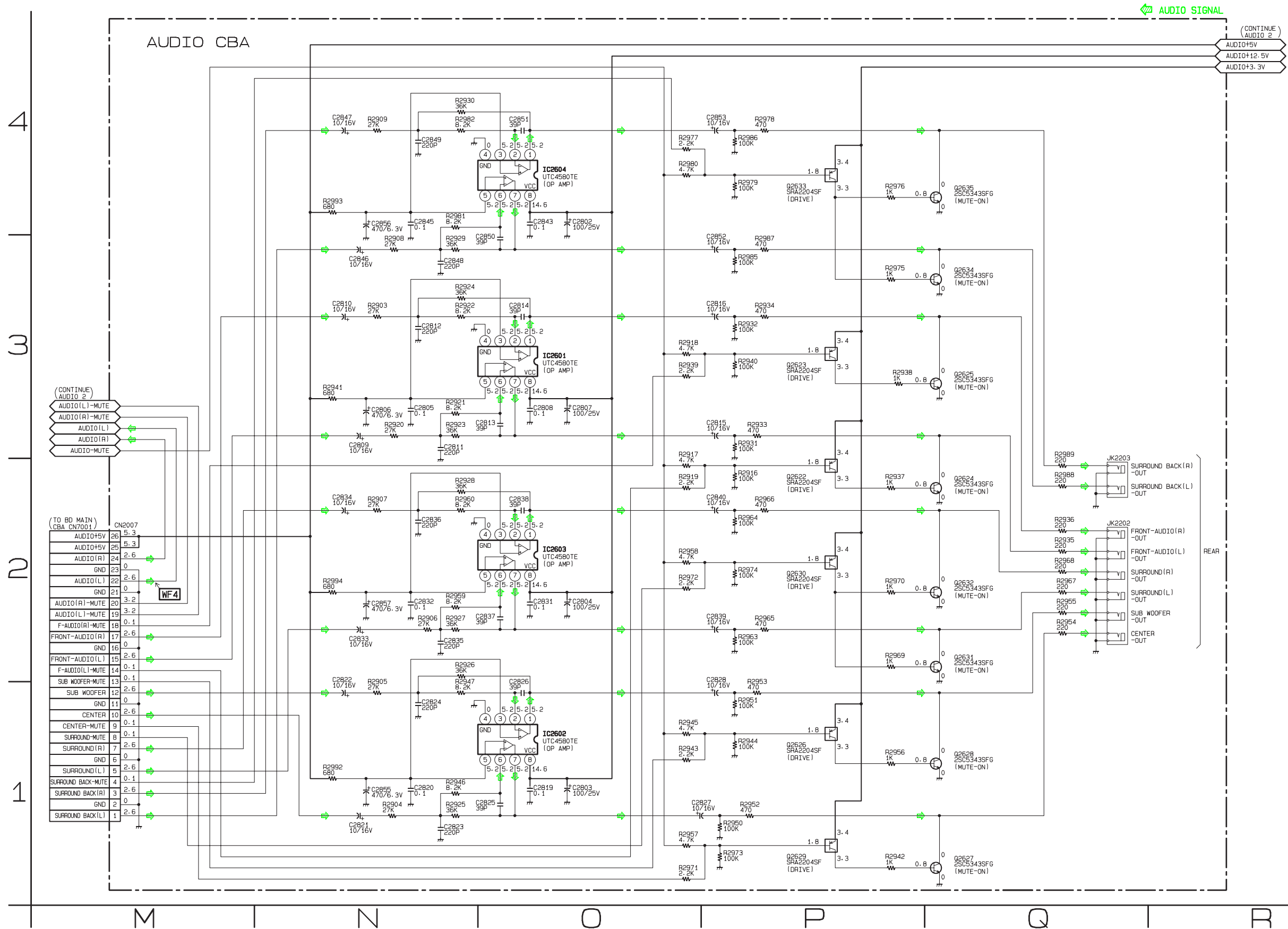
Audio 1 Schematic Diagram



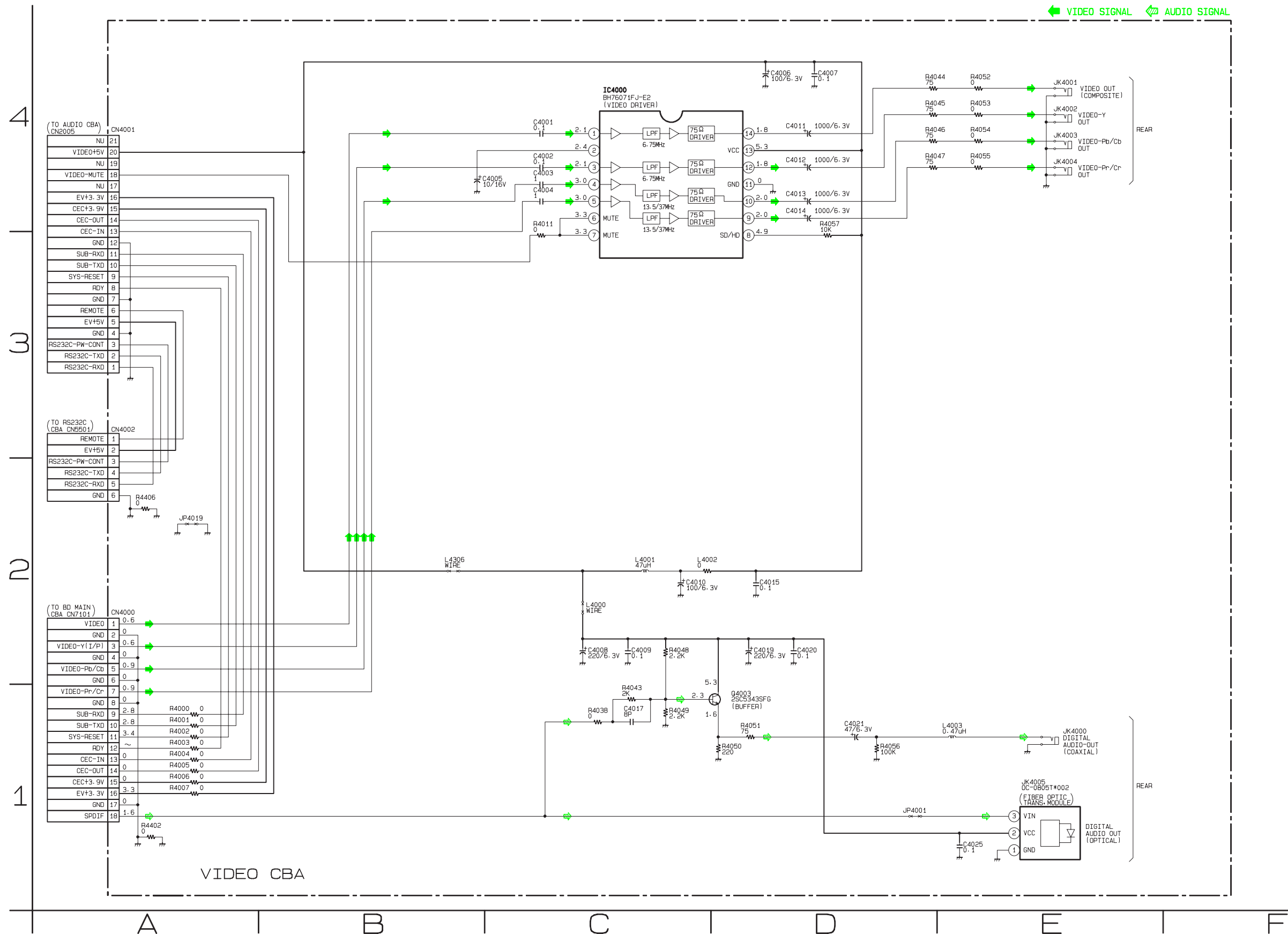
Audio 2 Schematic Diagram



Audio 3 Schematic Diagram



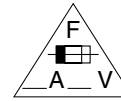
Video Schematic Diagram



Power Supply Schematic Diagram

CAUTION !

Fixed voltage (or Auto voltage selectable) power supply circuit is used in this unit.
If Main Fuse (F1001) is blown, check to see that all components in the power supply circuit are not defective before you connect the AC plug to the AC power supply.
Otherwise it may cause some components in the power supply circuit to fail.



CAUTION !

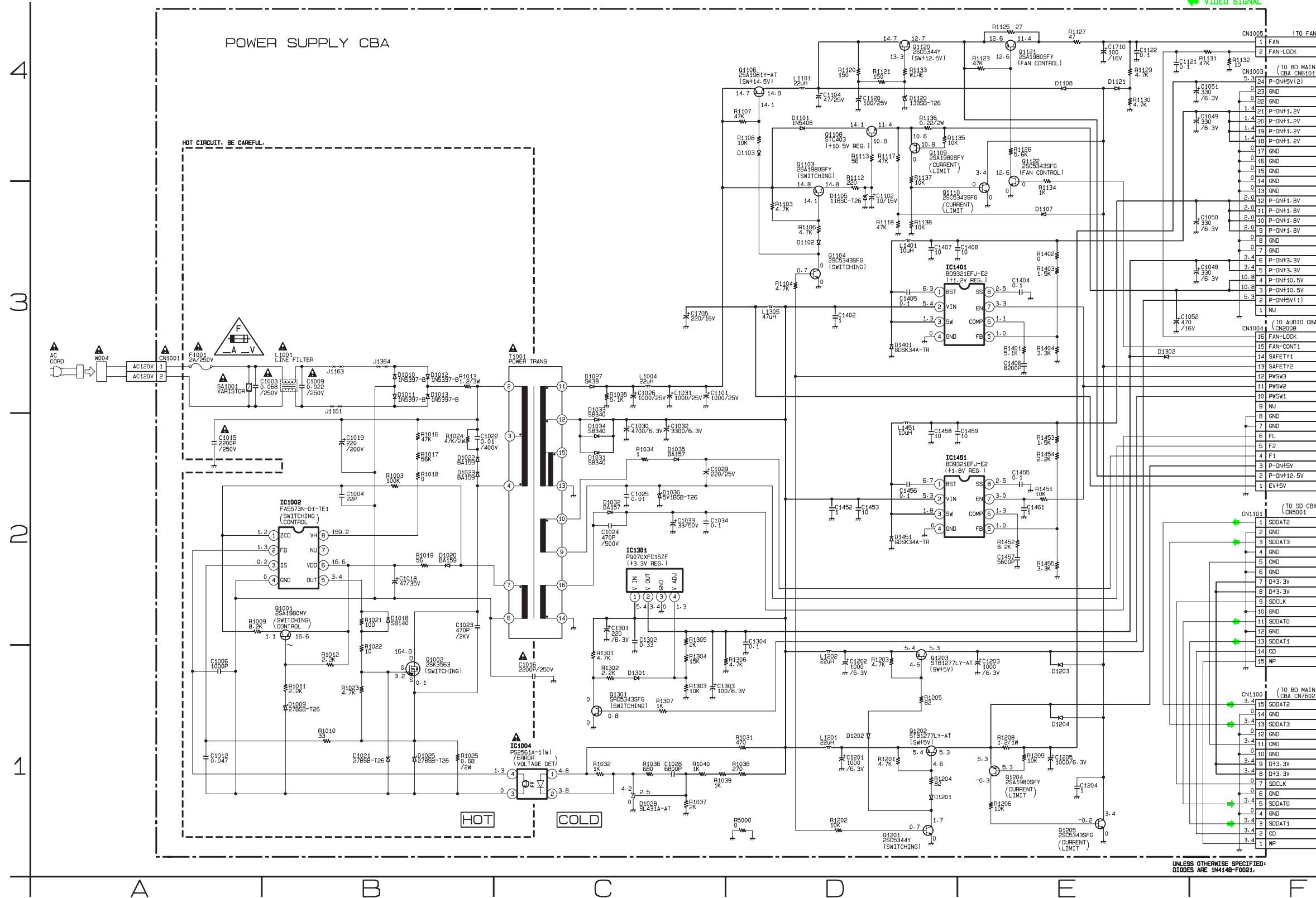
For continued protection against fire hazard, replace only with the same type fuse.
ATTENTION : Pour une protection continue les risques d'incendie n'utiliser que des fusibles de même type.

Risk of fire-replace fuse as marked.

⚡ This symbol means fast operating fuse.
"Ce symbole représente un fusible à fusion rapide."

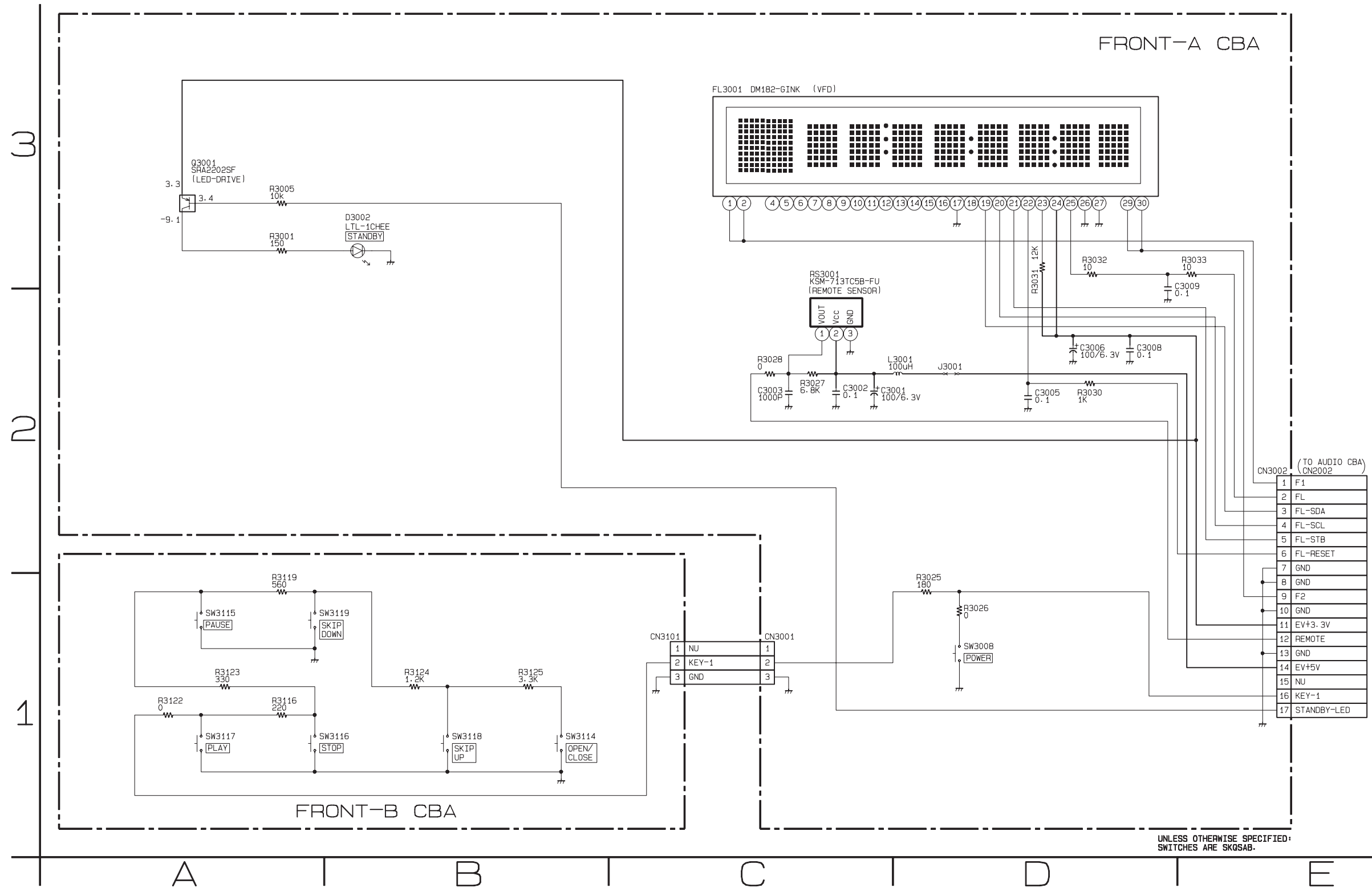
NOTE:

The voltage for parts in hot circuit is measured using hot GND as a common terminal.

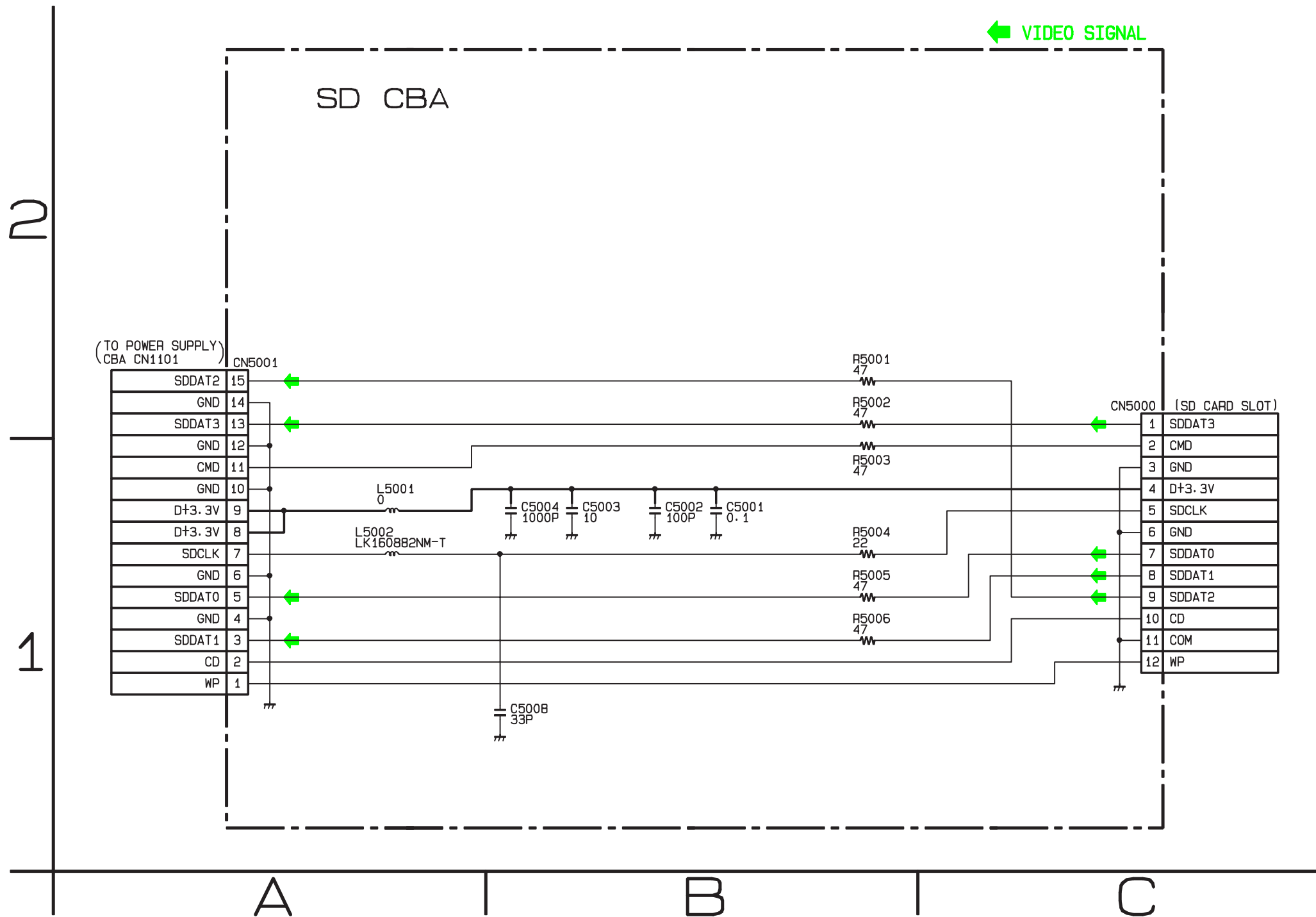


UNLESS OTHERWISE SPECIFIED:
DIODES ARE 1N4148-F0021.

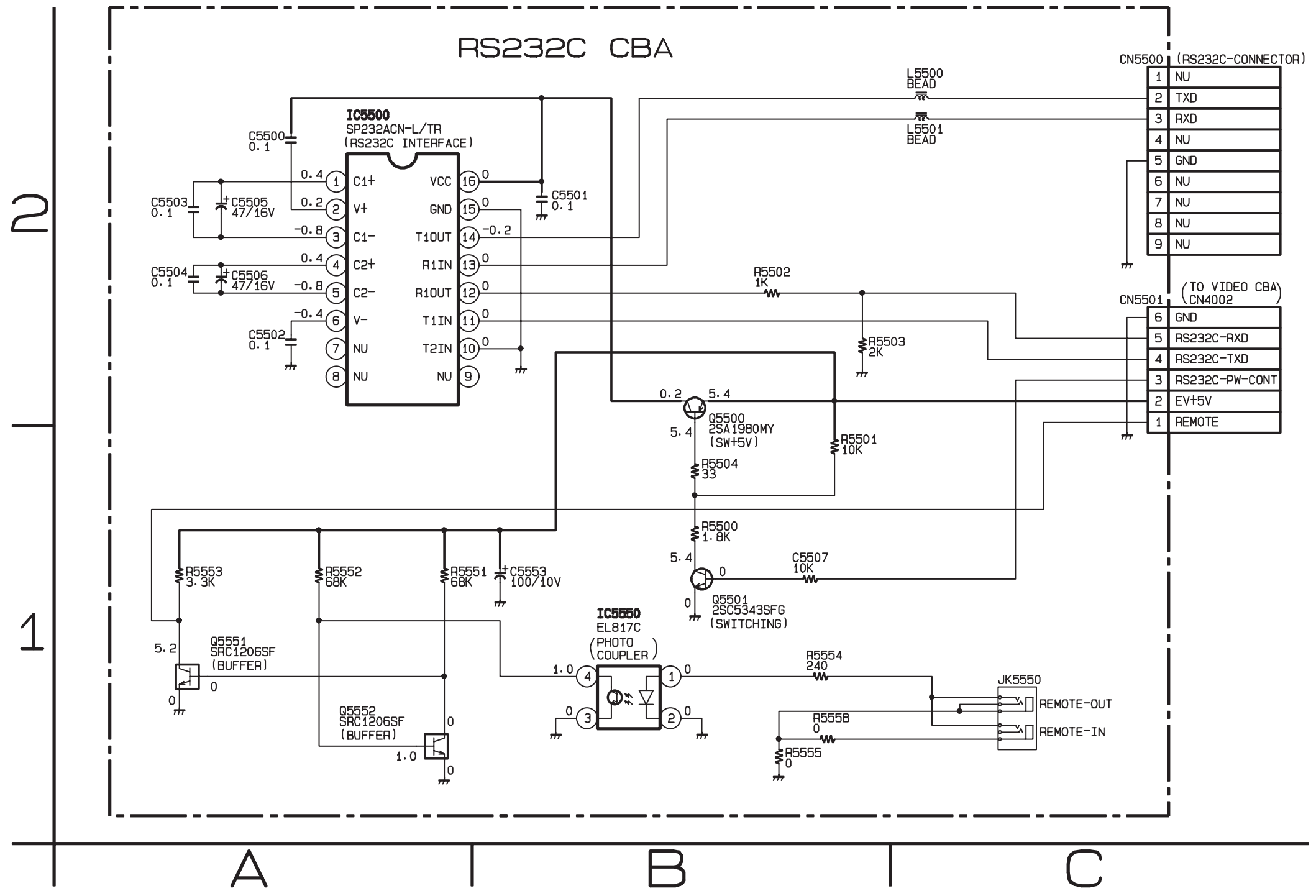
Front-A & Front-B Schematic Diagram



SD Schematic Diagram

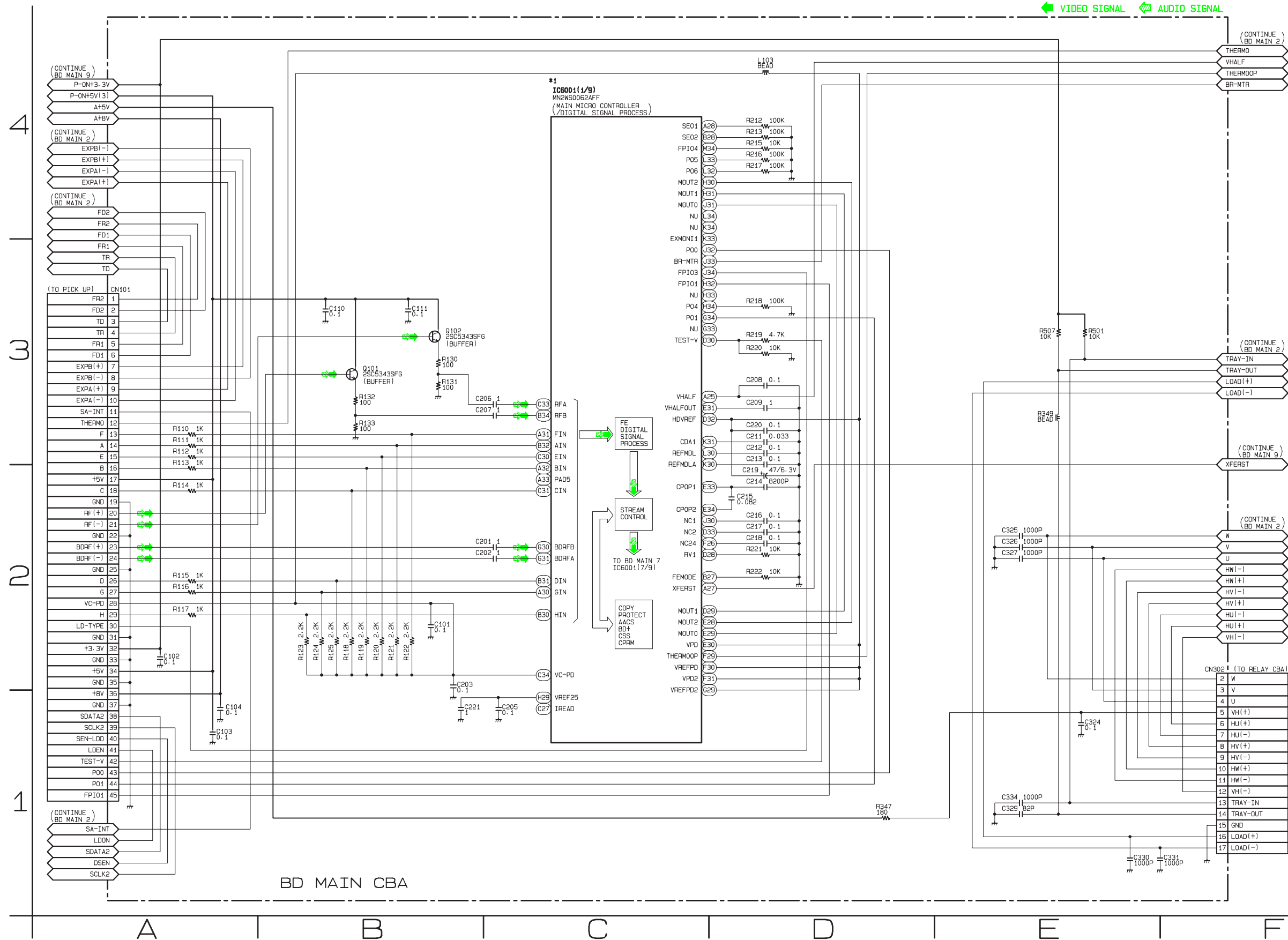


RS232C Schematic Diagram



BD Main 1 Schematic Diagram

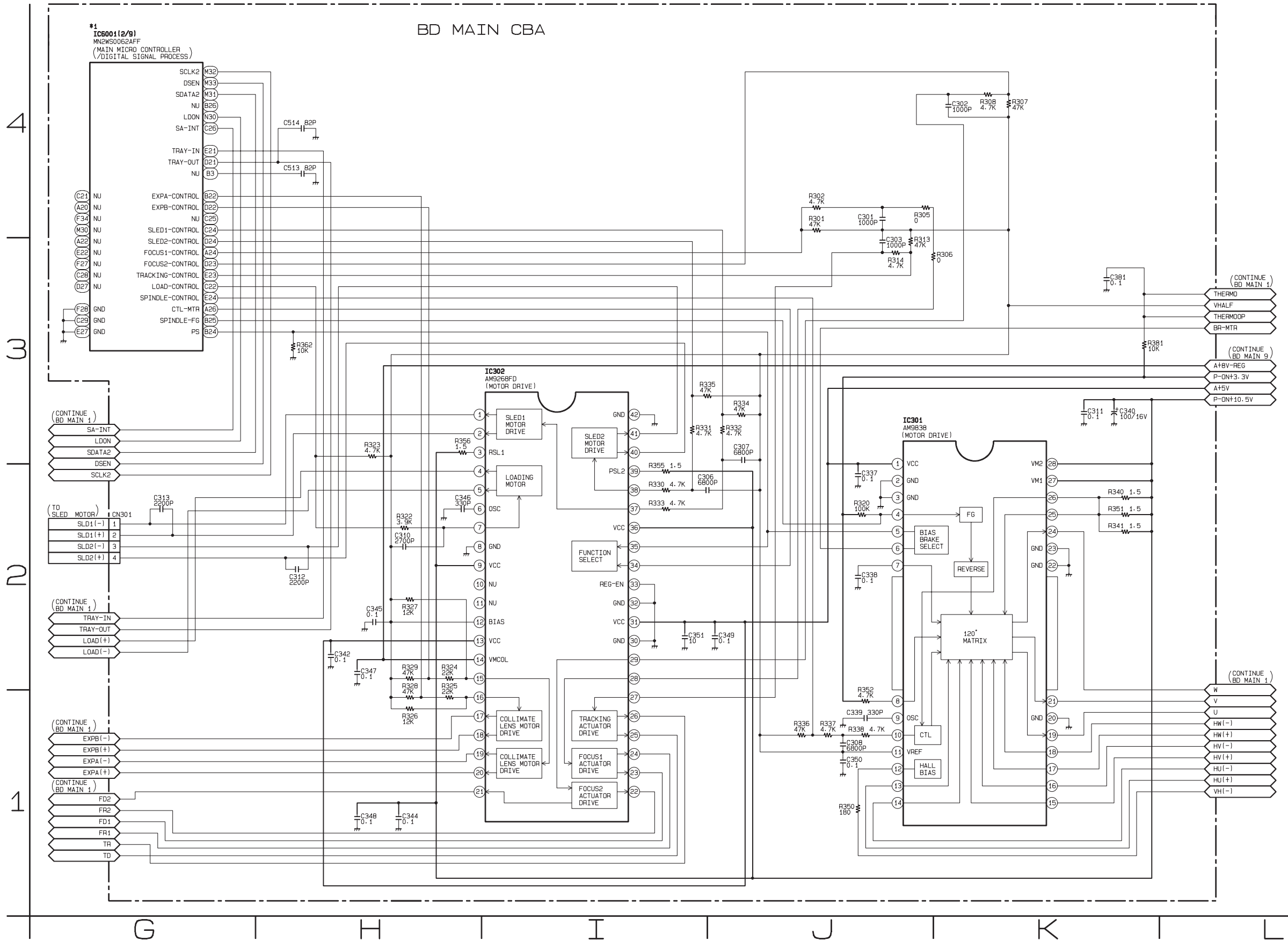
*1 NOTE:
The order of pins shown in this diagram is different from that of actual IC6001.
IC6001 is divided into nine and shown as IC6001 (1/9) ~ IC6001 (9/9) in this BD Main Schematic Diagram Section.



BD Main 2 Schematic Diagram

*1 NOTE:

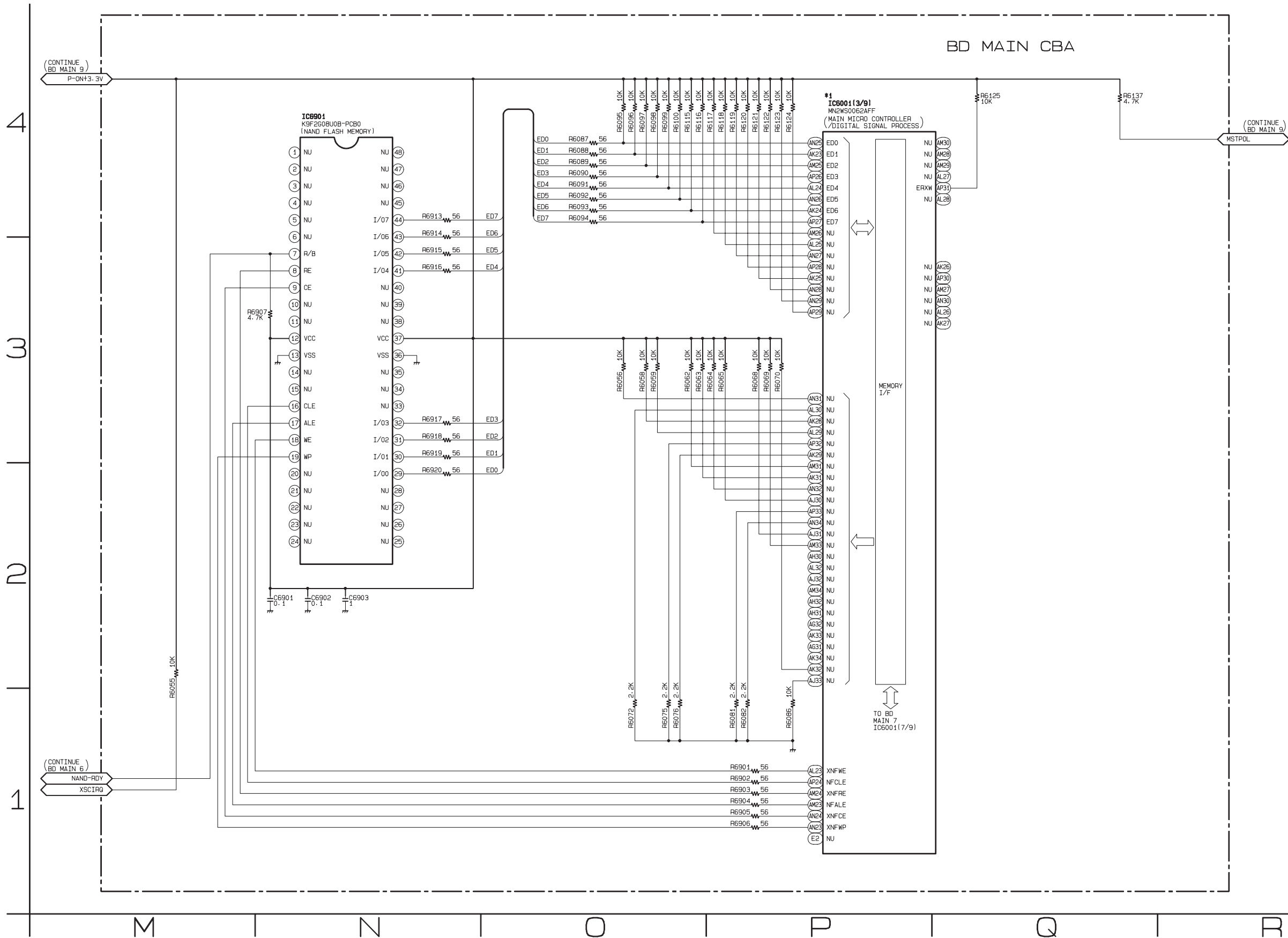
The order of pins shown in this diagram is different from that of actual IC6001.
 IC6001 is divided into nine and shown as IC6001 (1/9) ~ IC6001 (9/9) in this BD Main Schematic Diagram Section.



BD Main 3 Schematic Diagram

***1 NOTE:**

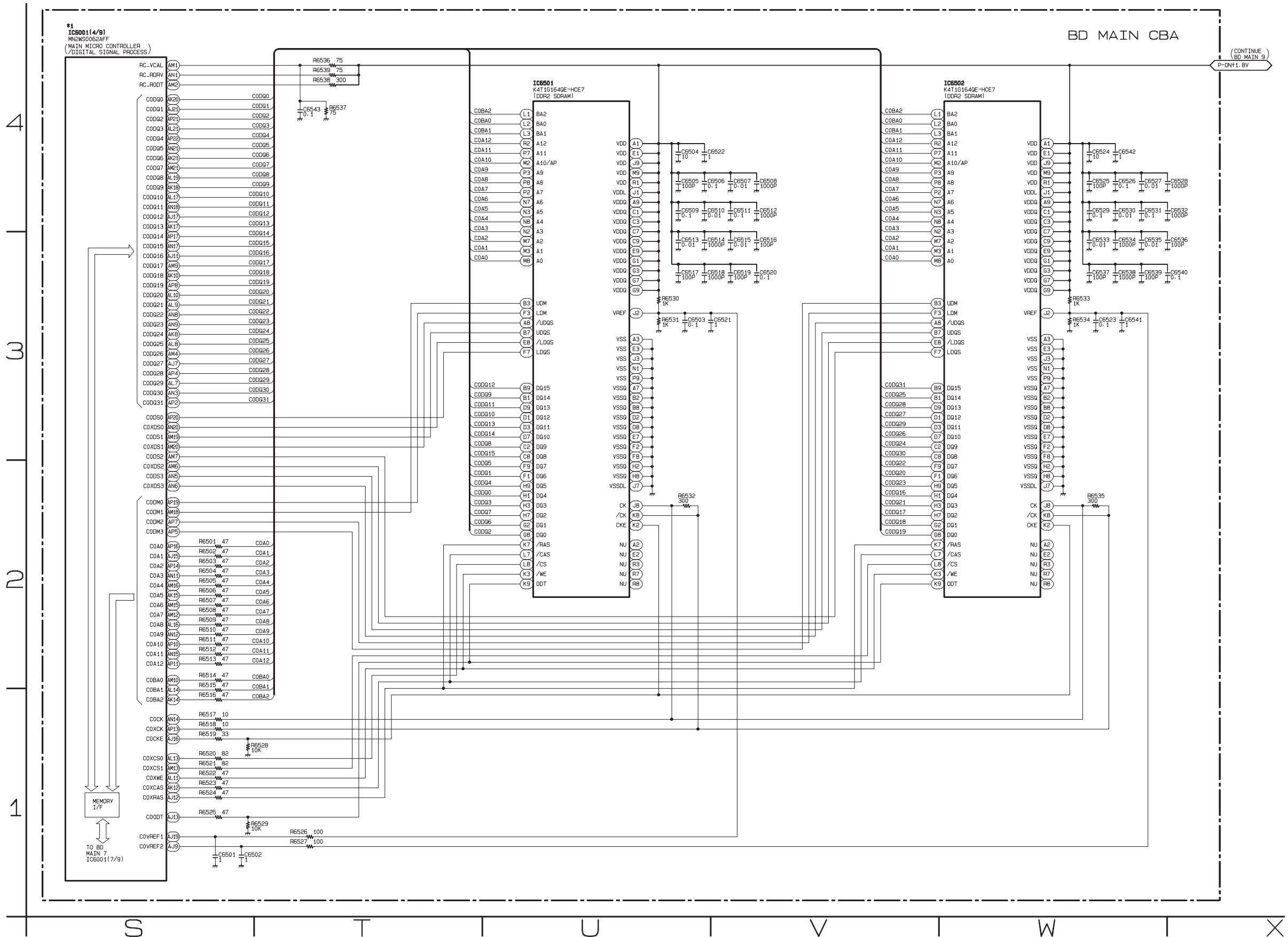
The order of pins shown in this diagram is different from that of actual IC6001.
 IC6001 is divided into nine and shown as IC6001 (1/9) - IC6001 (9/9) in this BD Main Schematic Diagram Section.



BD Main 4 Schematic Diagram

*1 NOTE:

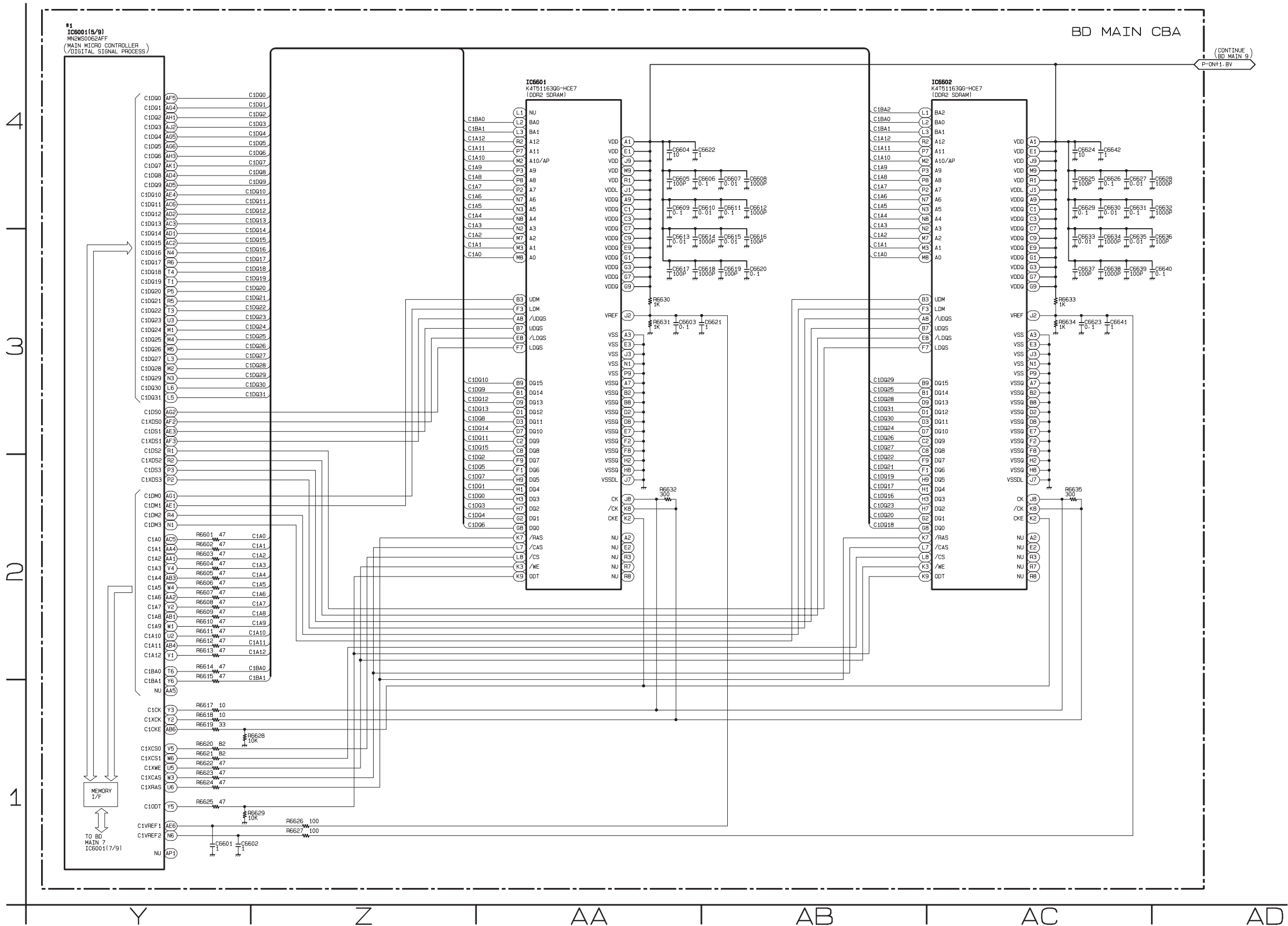
The order of pins shown in this diagram is different from that of actual IC6001.
 IC6001 is divided into nine and shown as IC6001 (1/9) ~ IC6001 (9/9) in this BD Main Schematic Diagram Section.



BD Main 5 Schematic Diagram

*1 NOTE:

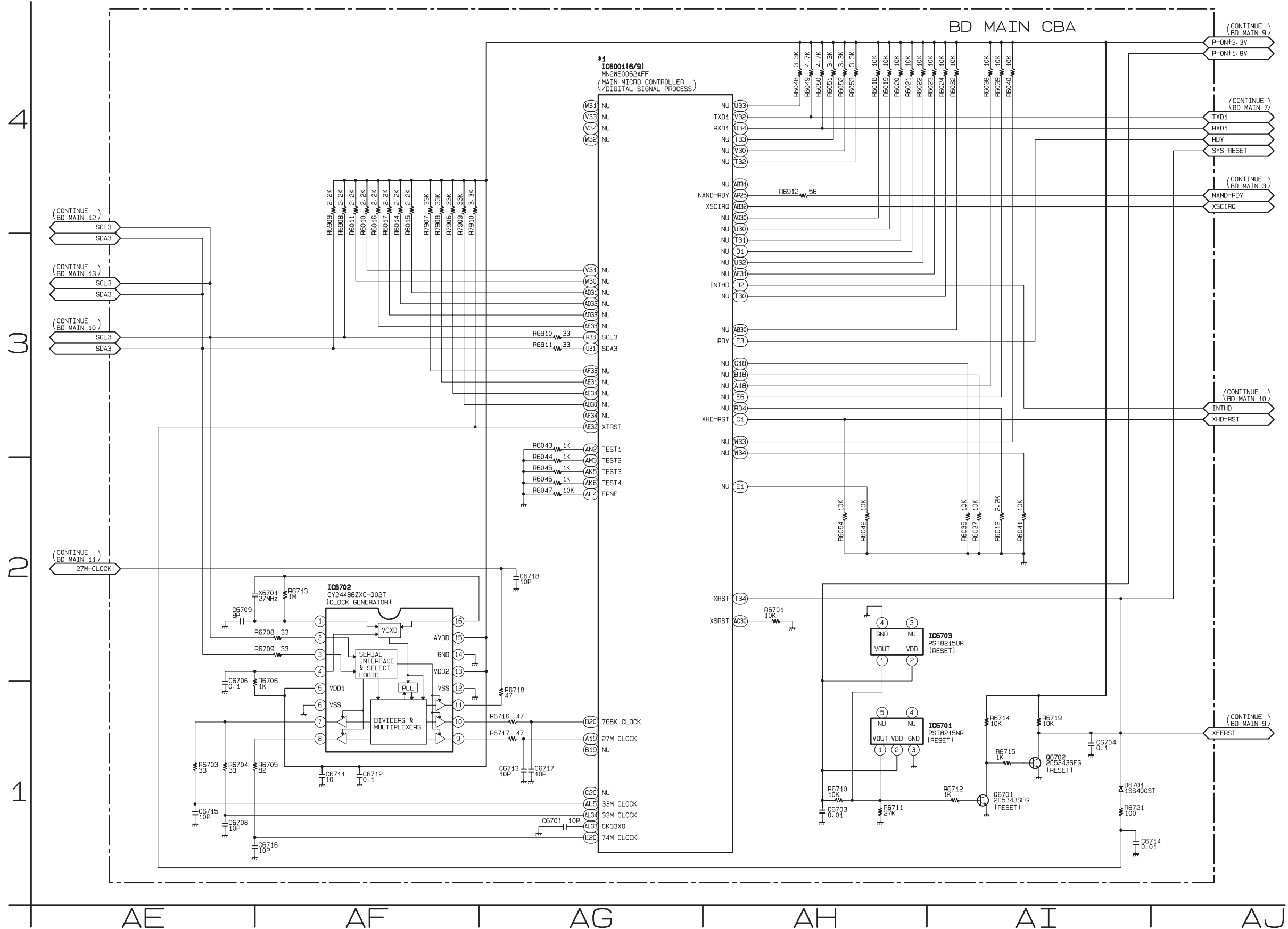
The order of pins shown in this diagram is different from that of actual IC6001.
IC6001 is divided into nine and shown as IC6001 (1/9) ~ IC6001 (9/9) in this BD Main Schematic Diagram Section.



BD Main 6 Schematic Diagram

***1 NOTE:**

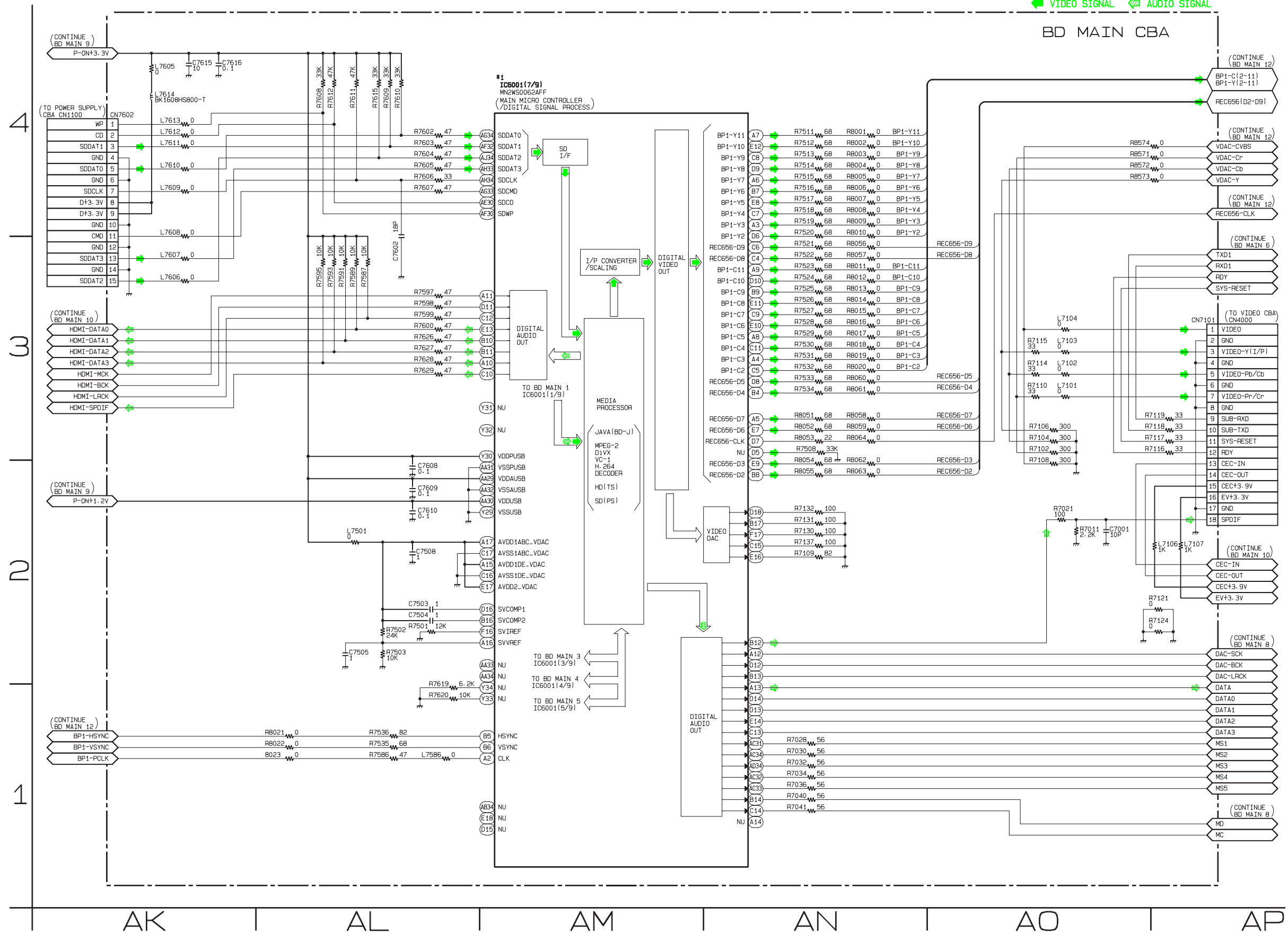
The order of pins shown in this diagram is different from that of actual IC6001.
IC6001 is divided into nine and shown as IC6001 (1/9) - IC6001 (9/9) in this BD Main Schematic Diagram Section.



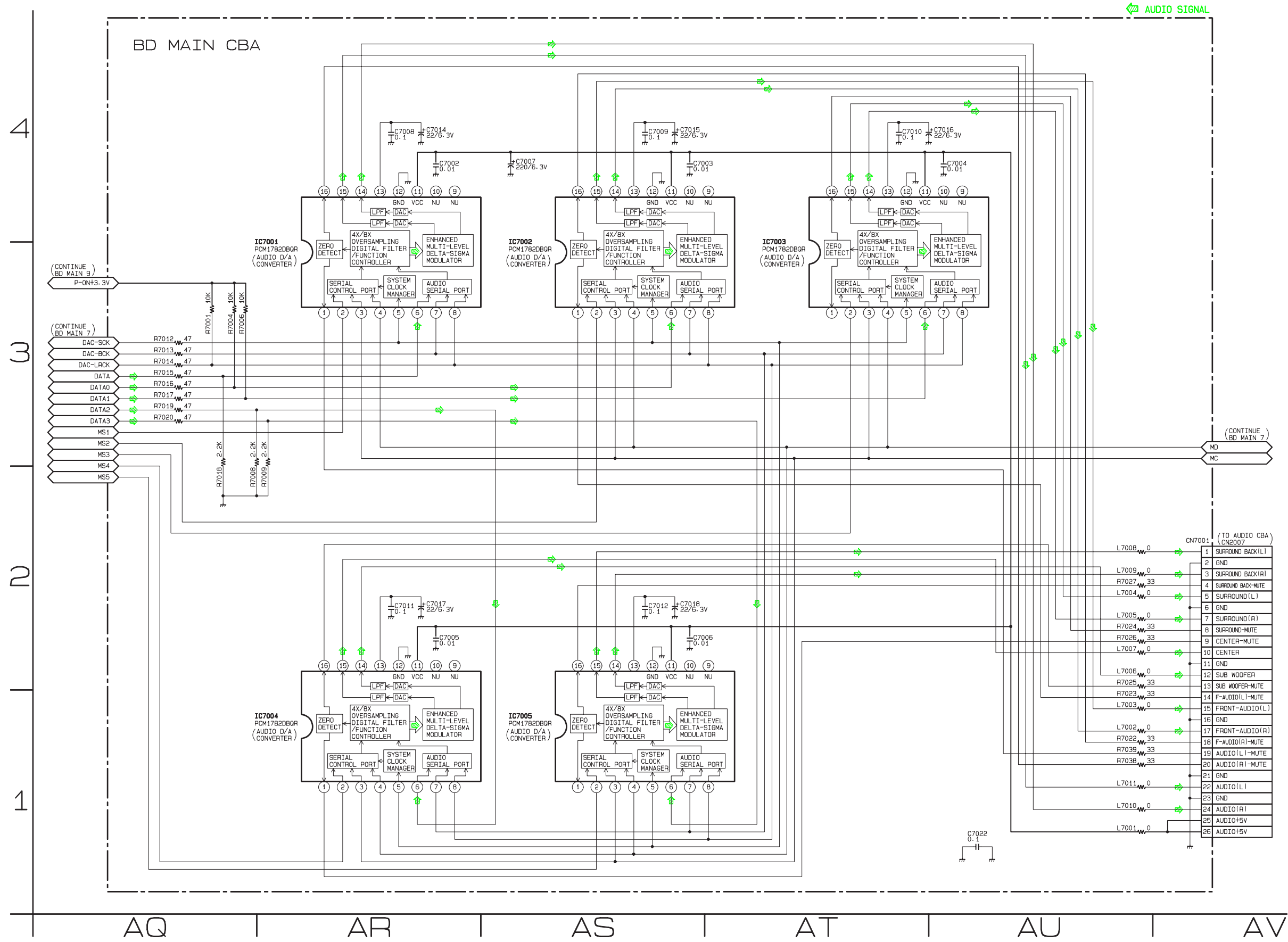
BD Main 7 Schematic Diagram

***1 NOTE:**

The order of pins shown in this diagram is different from that of actual IC6001.
IC6001 is divided into nine and shown as IC6001 (1/9) ~ IC6001 (9/9) in this BD Main Schematic Diagram Section.



BD Main 8 Schematic Diagram



AUDIO SIGNAL

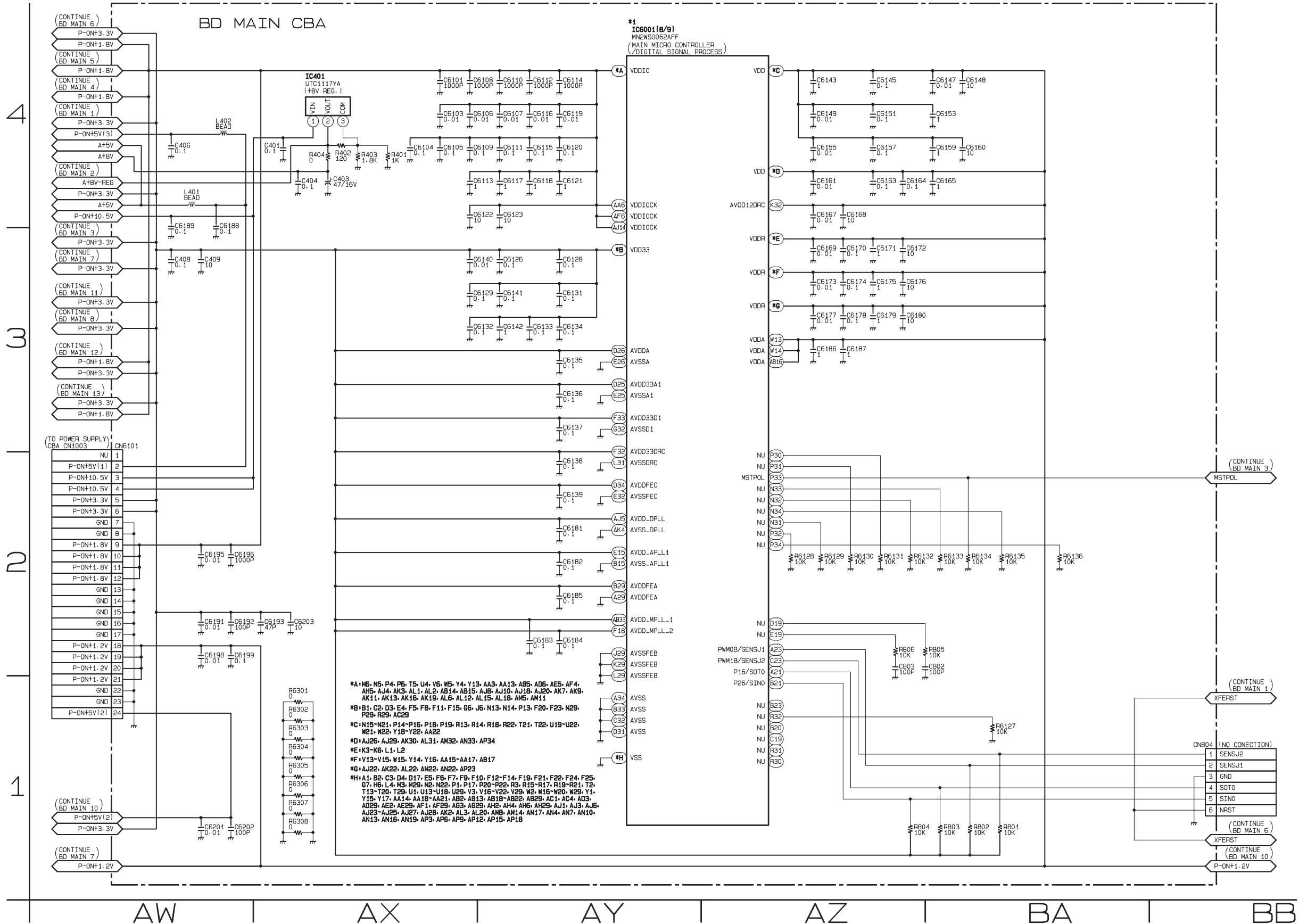
4
3
2
1

AQ | AR | AS | AT | AU | AV

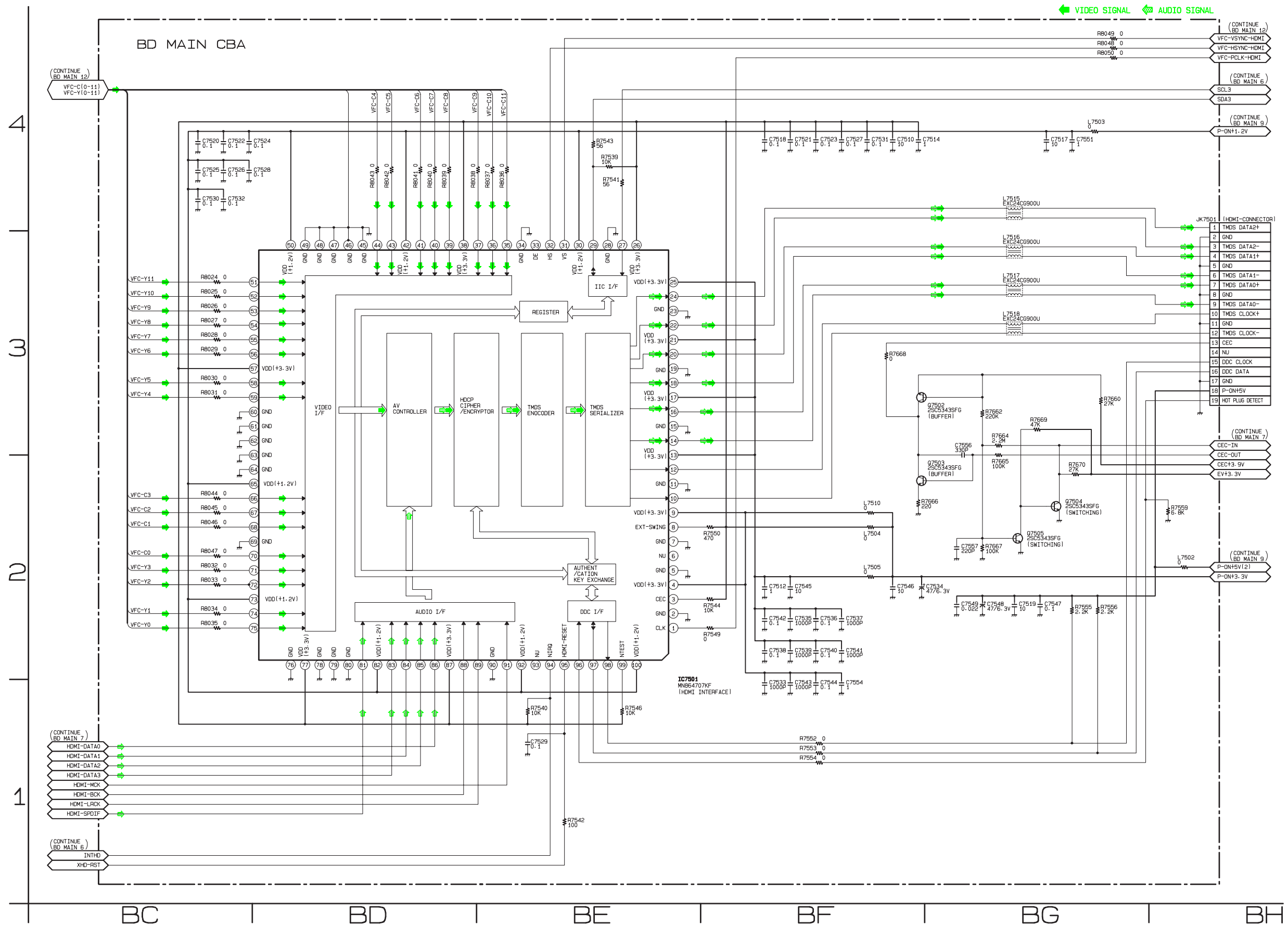
BD Main 9 Schematic Diagram

*1 NOTE:

The order of pins shown in this diagram is different from that of actual IC6001.
IC6001 is divided into nine and shown as IC6001 (1/9) - IC6001 (9/9) in this BD Main Schematic Diagram Section.



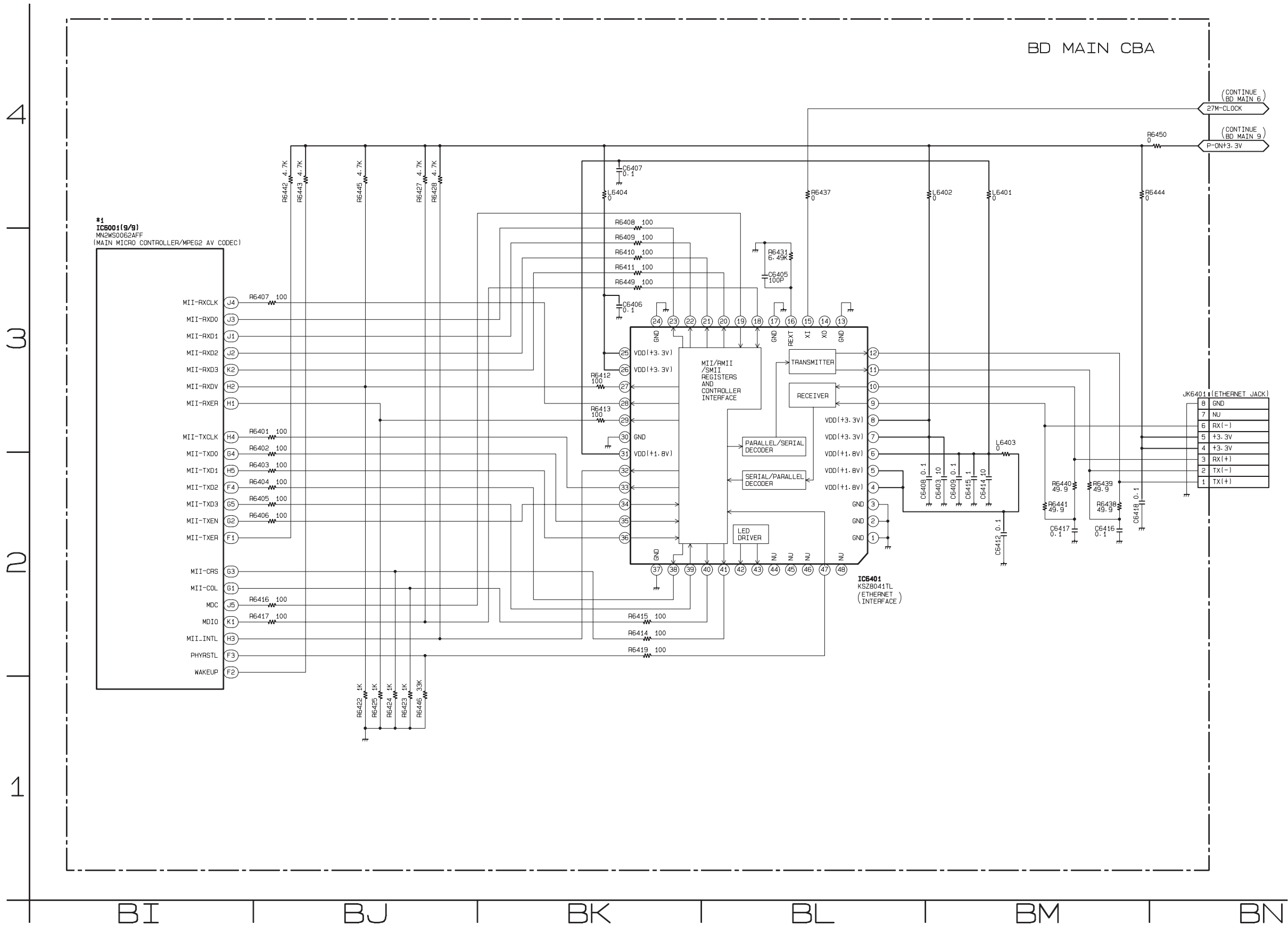
BD Main 10 Schematic Diagram



BD Main 11 Schematic Diagram

***1 NOTE:**

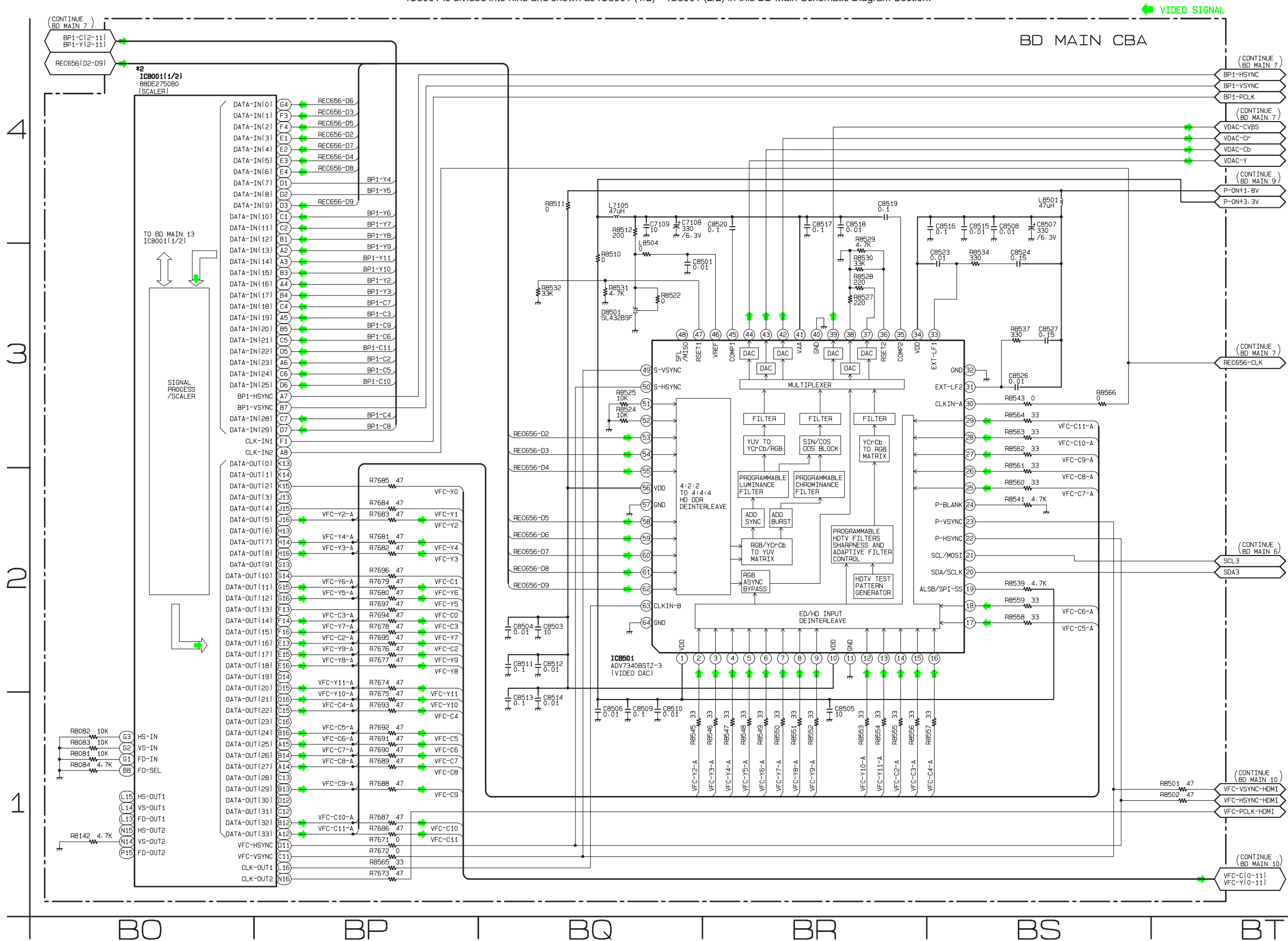
The order of pins shown in this diagram is different from that of actual IC6001.
 IC6001 is divided into nine and shown as IC6001 (1/9) - IC6001 (9/9) in this BD Main Schematic Diagram Section.



BD Main 12 Schematic Diagram

*2 NOTE:

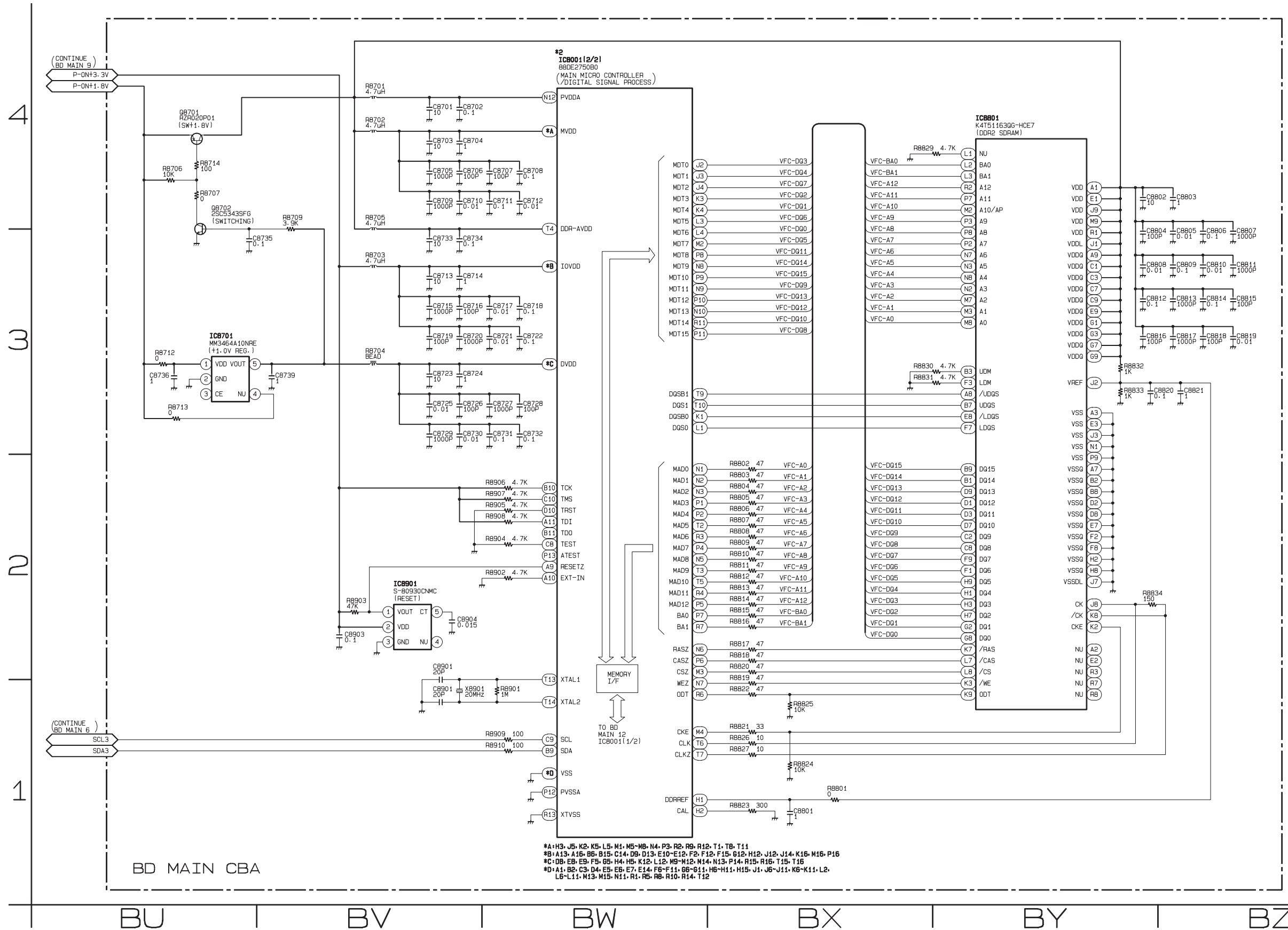
The order of pins shown in this diagram is different from that of actual IC8001.
IC8001 is divided into nine and shown as IC8001 (1/2) ~ IC8001 (2/2) in this BD Main Schematic Diagram Section.



BD Main 13 Schematic Diagram

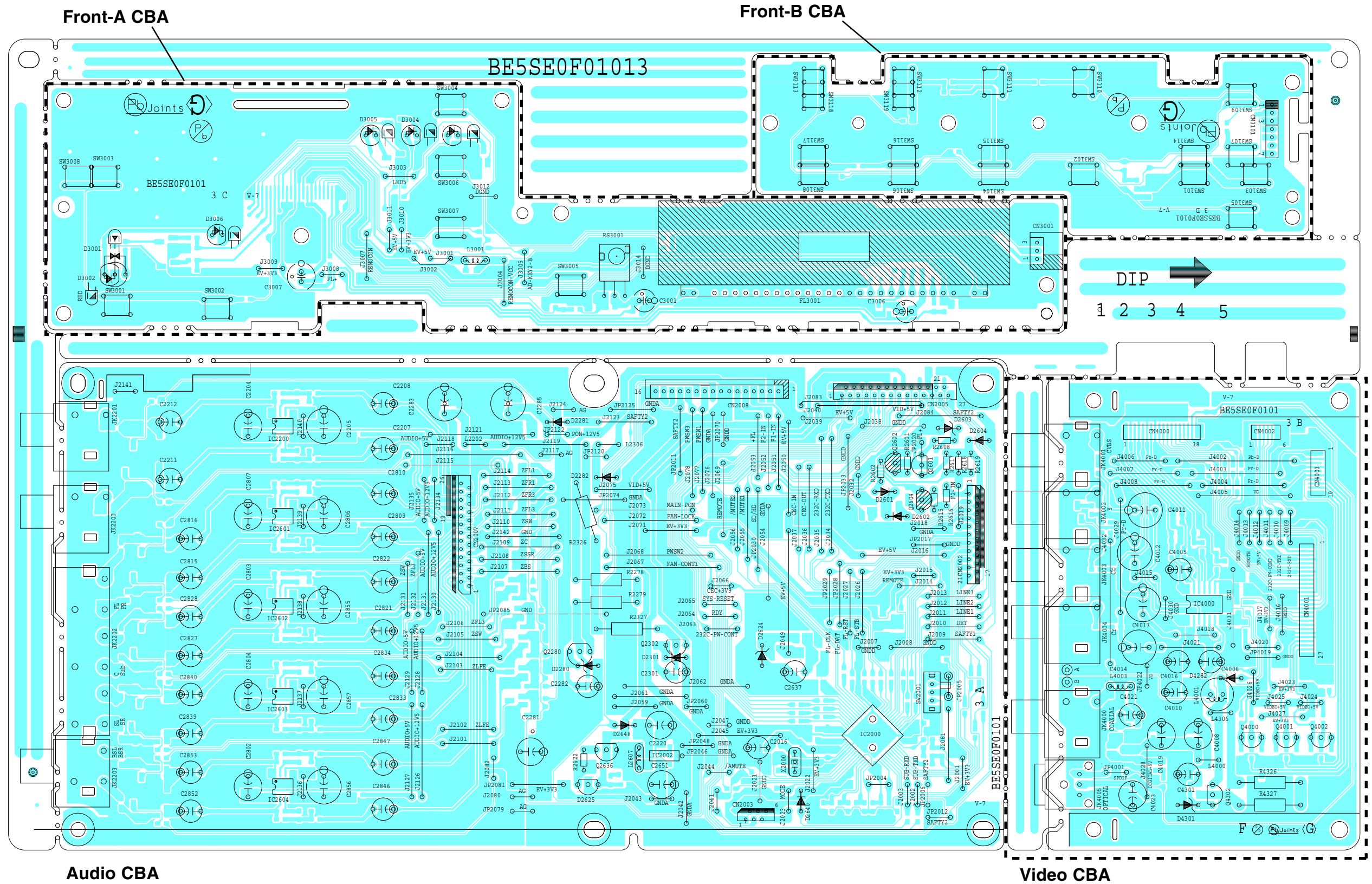
***2 NOTE:**

The order of pins shown in this diagram is different from that of actual IC8001.
IC8001 is divided into nine and shown as IC8001 (1/2) ~ IC8001 (2/2) in this BD Main Schematic Diagram Section.

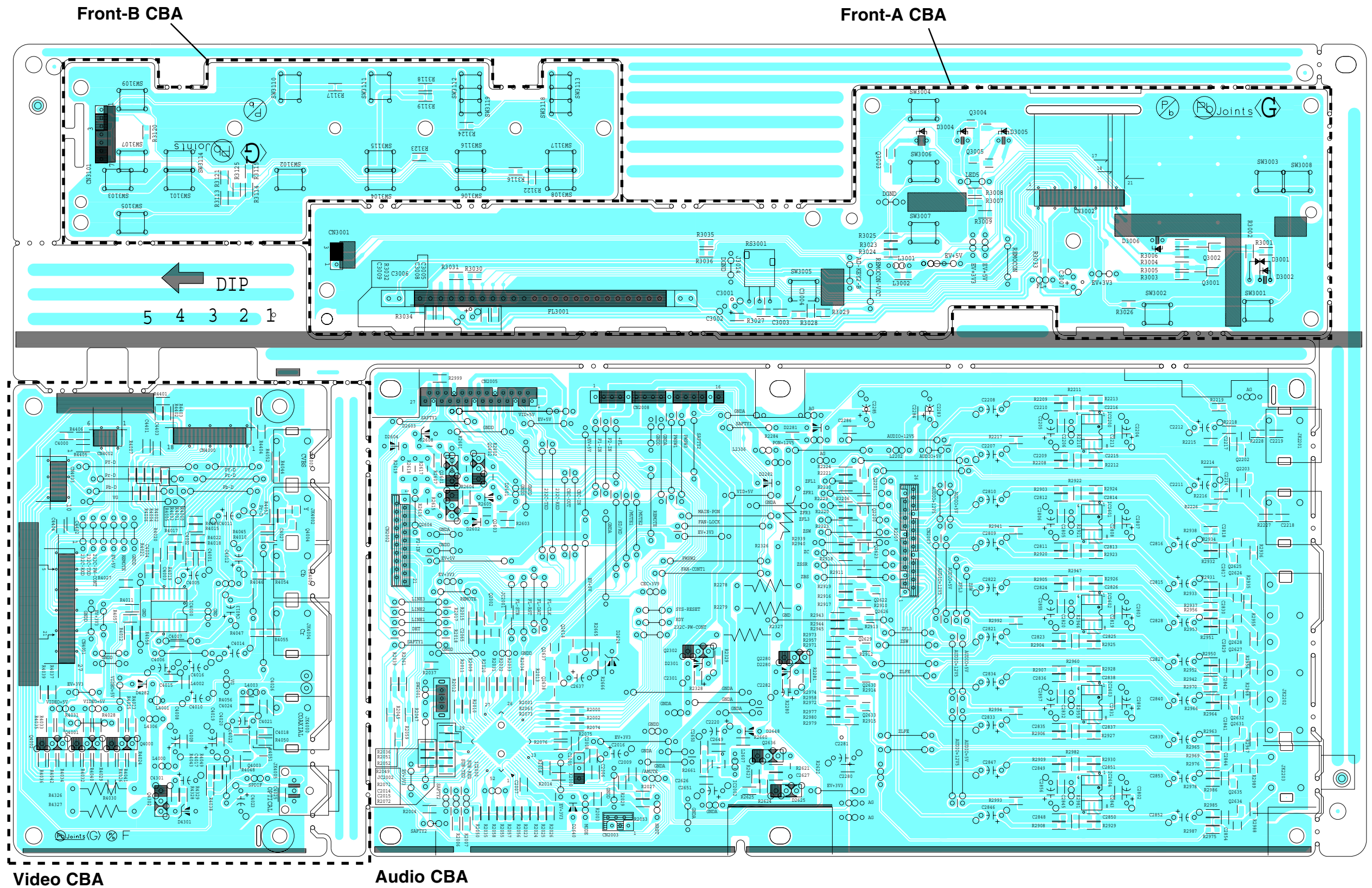


*A: H3, J5, K2, K5, L5, M1, M5, M8, N4, P3, R2, R9, R12, T1, T8, T11
 *B: A13, A16, B6, B15, C14, D9, D13, E10, E12, F2, F12, F15, G12, H12, J12, J14, K16, M16, P16
 *C: D8, E8, F5, G8, H4, H5, K12, L12, M9, M12, M14, N13, P14, R15, R15, T15, T16
 *D: A1, B2, C3, D4, E5, E6, E7, E14, F6, F11, G6, G11, H6, H11, H15, J1, J6, J11, K6, K11, L2, L6, L11, M15, N11, R1, R5, R8, R10, R14, T12

Audio CBA, Video CBA, Front-A CBA & Front-B CBA Top View



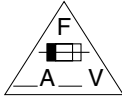
Audio CBA, Video CBA, Front-A CBA & Front-B CBA Bottom View



Power Supply CBA, SD CBA & RS232C CBA Top View

CAUTION !

Fixed voltage (or Auto voltage selectable) power supply circuit is used in this unit.
If Main Fuse (F1001) is blown, check to see that all components in the power supply circuit are not defective before you connect the AC plug to the AC power supply.
Otherwise it may cause some components in the power supply circuit to fail.



CAUTION !

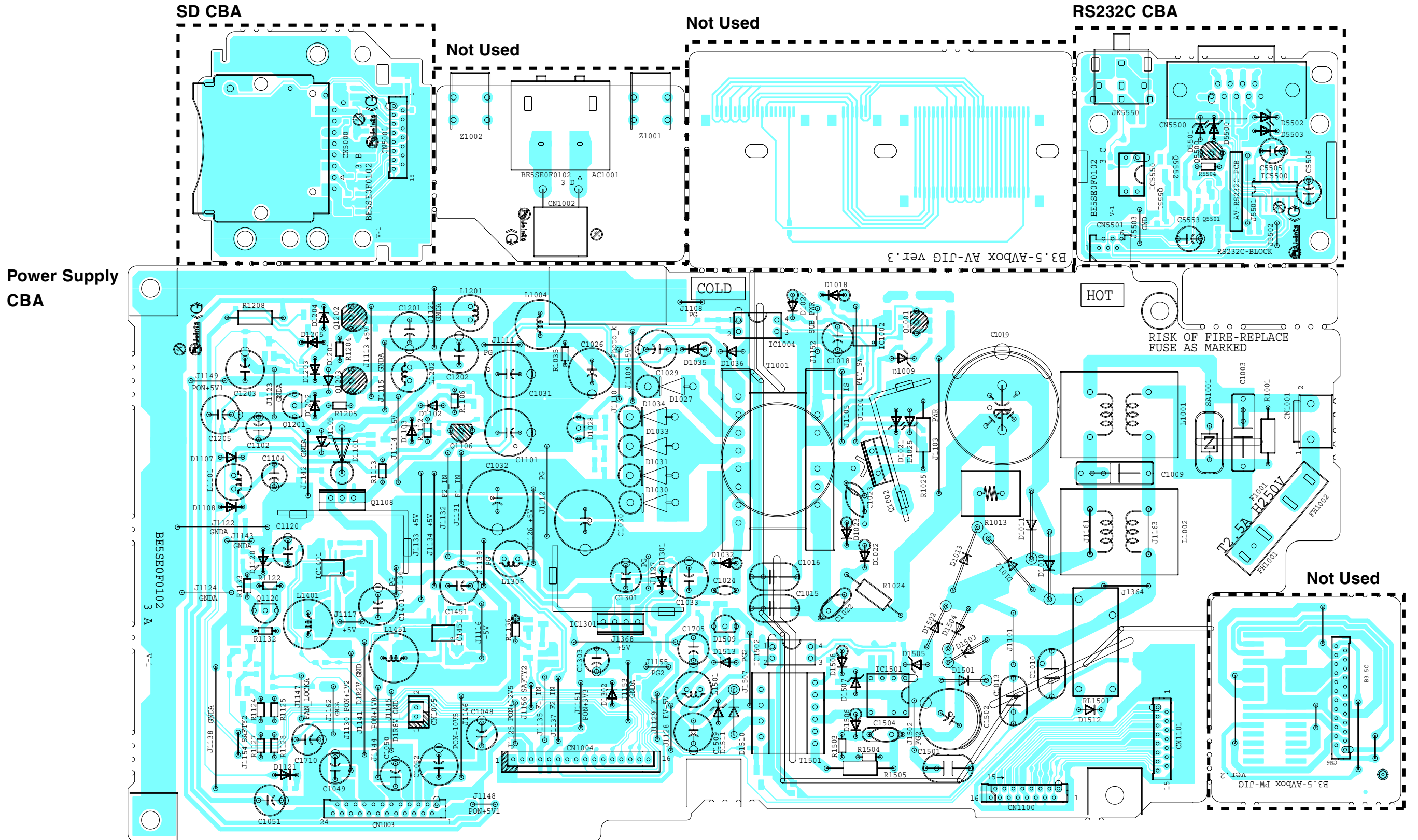
For continued protection against fire hazard, replace only with the same type fuse.
ATTENTION : Pour une protection continue les risques d'Incele n'utiliser que des fusible de même type.
Risk of fire-replace fuse as marked.

■ This symbol means fast operating fuse. "Ce symbole représente un fusible à fusion rapide."

Because a hot chassis ground is present in the power supply circuit, an isolation transformer must be used when repairing.
Also, in order to have the ability to increase the input slowly, when troubleshooting this type of power supply circuit, a variable isolation transformer is required.

NOTE:

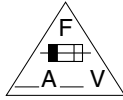
The voltage for parts in hot circuit is measured using hot GND as a common terminal.



Power Supply CBA, SD CBA & RS232C CBA Bottom View

CAUTION !

Fixed voltage (or Auto voltage selectable) power supply circuit is used in this unit.
If Main Fuse (F1001) is blown, check to see that all components in the power supply circuit are not defective before you connect the AC plug to the AC power supply.
Otherwise it may cause some components in the power supply circuit to fail.



CAUTION !

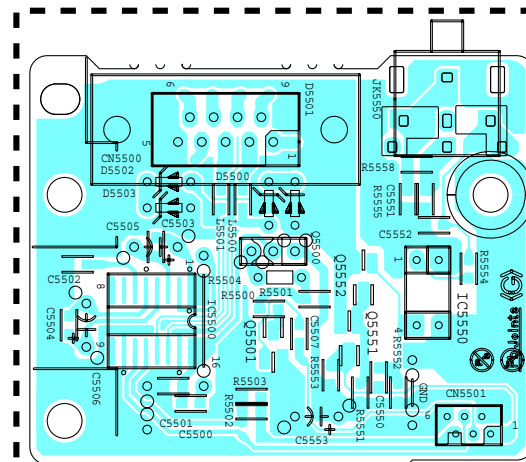
For continued protection against fire hazard, replace only with the same type fuse.
ATTENTION : Pour une protection continue les risques d'Incele n'utiliser que des fusible de même type.
Risk of fire-replace fuse as marked.
This symbol means fast operating fuse.
Ce symbole représente un fusible à fusion rapide.

Because a hot chassis ground is present in the power supply circuit, an isolation transformer must be used when repairing.
Also, in order to have the ability to increase the input slowly, when troubleshooting this type of power supply circuit, a variable isolation transformer is required.

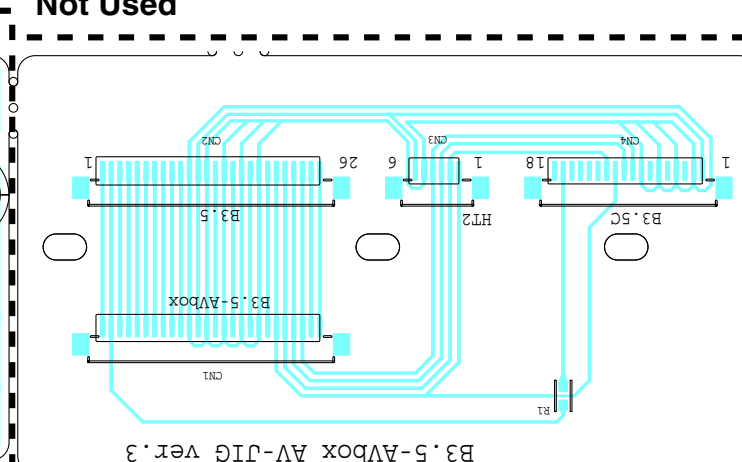
NOTE:

The voltage for parts in hot circuit is measured using hot GND as a common terminal.

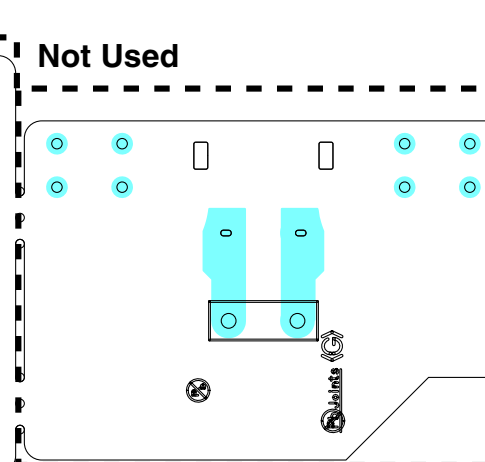
RS232C CBA



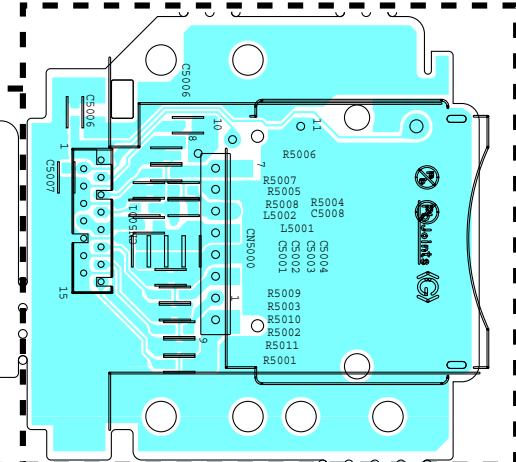
Not Used



Not Used

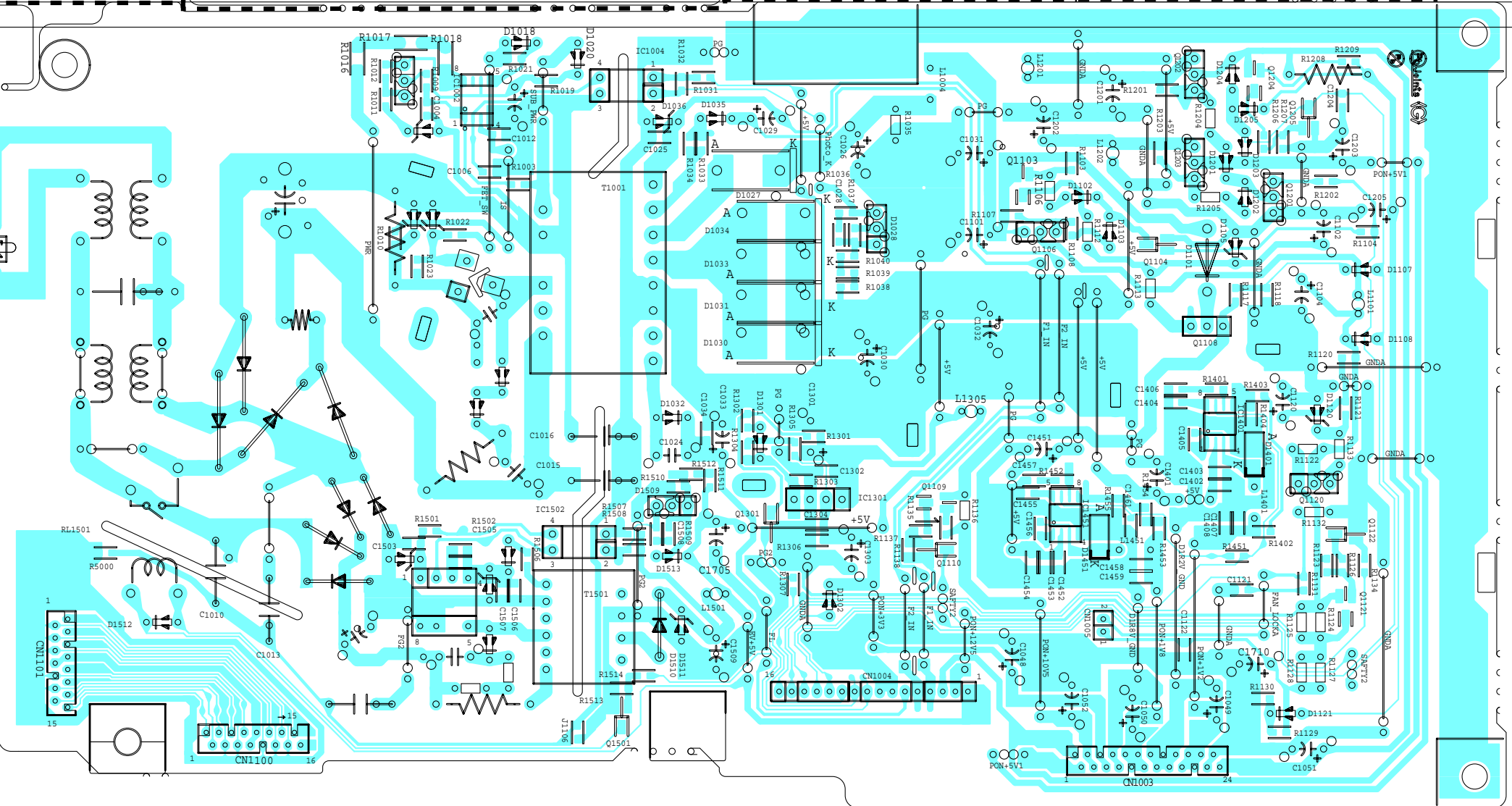
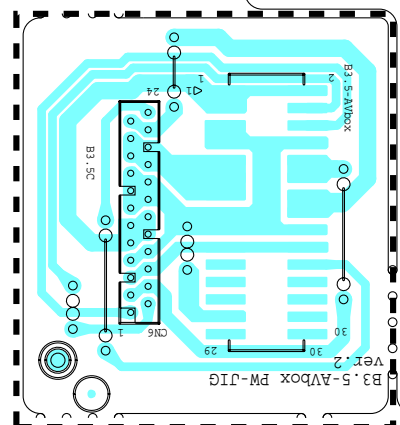


SD CBA



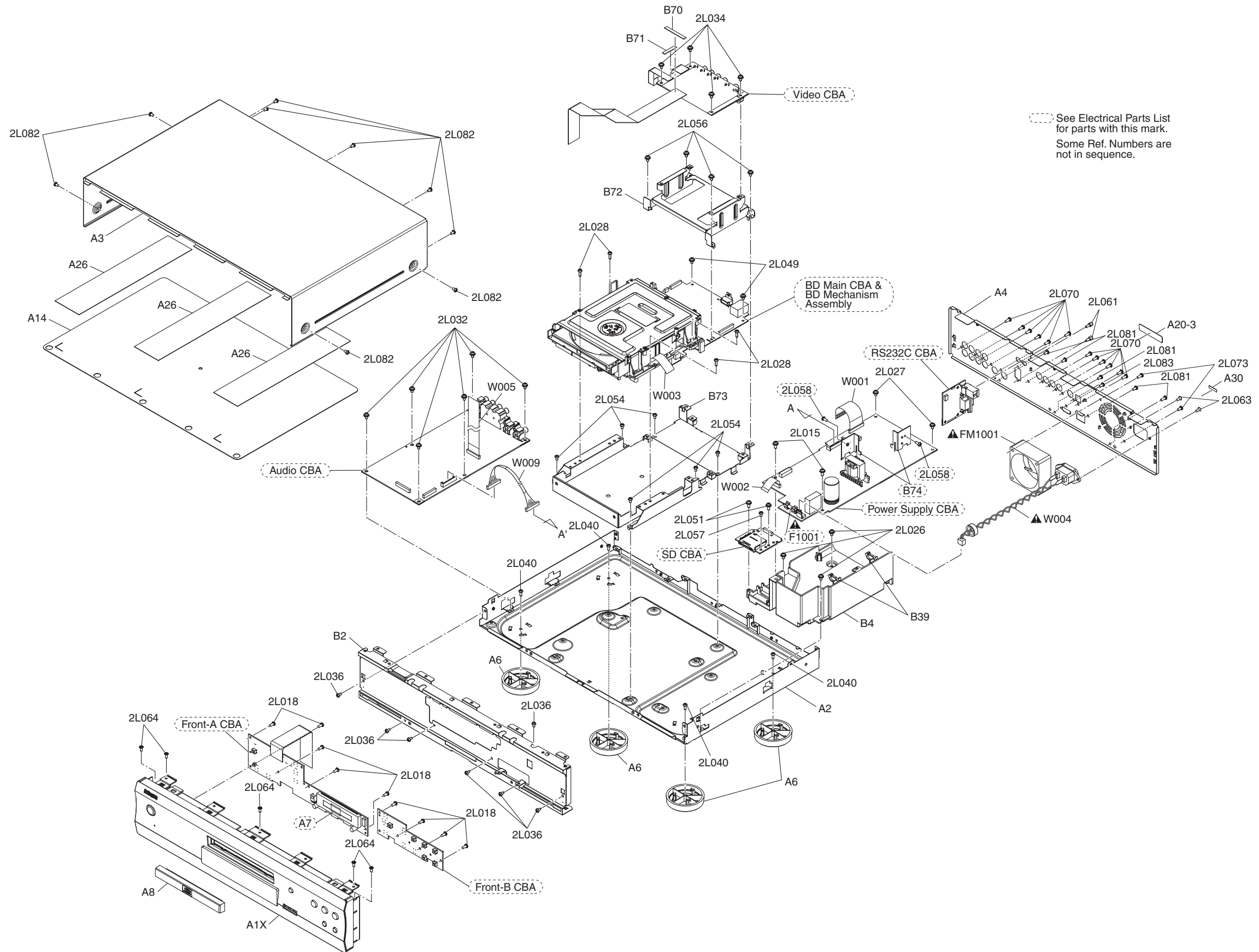
Power Supply CBA

Not Used

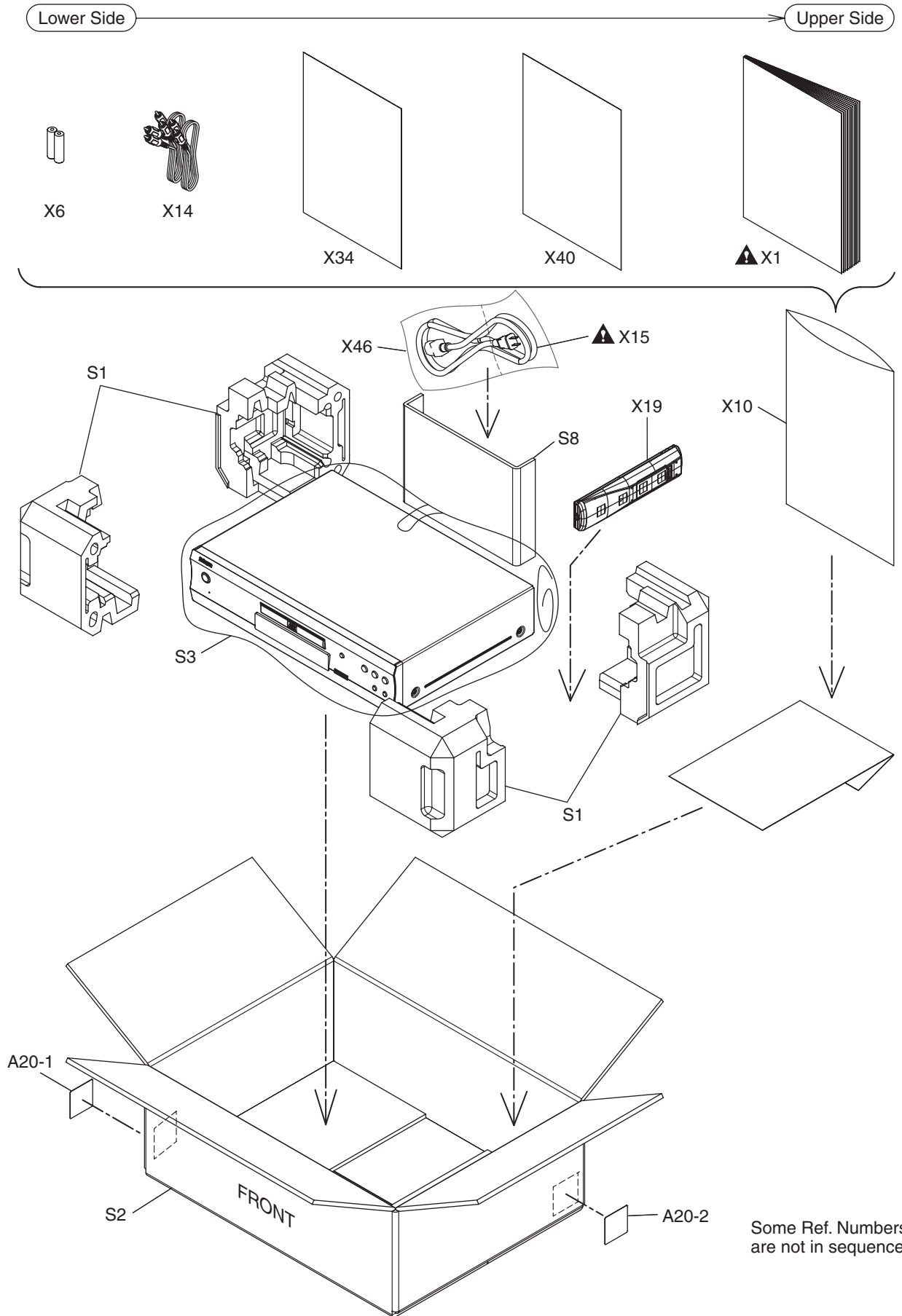


EXPLODED VIEWS


Cabinet



Packing

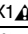
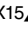


MECHANICAL PARTS LIST

PRODUCT SAFETY NOTE: Products marked with a  have special characteristics important to safety. Before replacing any of these components, read carefully the product safety notice in this service manual. Don't degrade the safety of the product through improper servicing.

NOTE: Parts that are not assigned part numbers (-----) are not available.

Ref. No.	Description	Part No.
A1X	FRONT ASSEMBLY E5SF0UD	1VM021932
A2	CHASSIS E5KA0UD	1VM021192J
A3	TOP COVER E5KA0UD	1VM021193
A4	REAR PANEL E5SF0UD	1VM229777
A6	FOOT ASSEMBLY E5KE0UD	1VM433859
A8	TRAY PANEL ASSEMBLY E5SF0UD	1VM229917
A14	TOP PLATE E5KE0UD	1VM228897
A20-1	BAR CODE LABEL E5SF0UD	-----
A20-2	BAR CODE LABEL E5SF0UD	-----
A20-3	BAR CODE LABEL E5SF0UD	-----
A26	DOUBLE SIDE TAPE E5KA0UD	1VM329678
A30	MODEL NO. LABEL E5SF1UD	-----
2L015	SCREW TAP TIGHT WASHER+ P-TIGHT	GCJP3080
2L018	SCREW P-TIGHT M3X8 BIND HEAD+	GBJP3080
2L026	SCREW S-TIGHT M3X6 E5E10UD	1VM429667
2L027	SCREW S-TIGHT M3X6 E5E10UD	1VM429667
2L028	SCREW S-TIGHT M3X10 BIND HEAD+	GBJS3100
2L032	SCREW S-TIGHT M3X6 E5E10UD	1VM429667
2L034	SCREW S-TIGHT M3X6 E5E10UD	1VM429667
2L036	SCREW S-TIGHT M3X6 BIND HEAD+	GBJS3060
2L040	SCREW P-TIGHT M3X8 BIND HEAD+	GBJP3080
2L049	SCREW S-TIGHT M3X6 E5E10UD	1VM429667
2L051	SCREW TAP TIGHT WASHER+ P-TIGHT	GCJP3080
2L054	SCREW C-TIGHT M3X6 E5610UD	0VM412937A
2L056	SCREW S-TIGHT M3X6 BIND HEAD+	GBJS3060
2L057	SCREW S-TIGHT M3X6 BIND HEAD+	GBJS3060
2L061	HEXAGON SPACER E6AE0UD	1VM424730
2L063	SCREW S-TIGHT M3X8 DISH HEAD+	GDHS3080
2L064	SCREW S-TIGHT M3X8 DISH HEAD+	GDHS3080
2L070	B-TIGHT SCREW M3X8 E5E00UD	1VM428563
2L073	B-TIGHT SCREW M3X8 E5E00UD	1VM428563
2L081	S-TIGHT SCREW M3X6 E5E00UD	1VM428564
2L082	S-TIGHT SCREW M3X6 E5E00UD	1VM428564
2L083	S-TIGHT SCREW M3X6 E5E00UD	1VM428564
B2	FRONT BRACKET E5SE0UD	1VM332919
B4	POWER HOLDER E5KA0UD	1VM122880
B39	LEAD CLAMPER 100MM	1790356
B70	HIMELON TAPE(5X40) E5KA0UD	1VM431686
B71	HIMELON TAPE(5X25) E5KA0UD	1VM431688
B72	AV PCB BRACKET E5SE0UD	1VM229337
B73	LOADER BRACKET E5SE0UD	1VM124559
FM1001 	MOTOR DC FAN 2D65BL100190	MMEZR12XNR08
W001	WIRE ASSEMBLY FFC 24/60/1.0	WX1E5SF1-002
W002	WIRE ASSEMBLY FFC 15/65/1.0	WX1E5SF1-003
W003	WIRE ASSEMBLY FFC 15/105/1.0	WX1E5SF1-004
W004 	WIRE ASSEMBLY AC INLET 2/300/AWG20	WX1E5SF1-005
W005	WIRE ASSEMBLY FFC 26/169/1.0	WX1E5KA0-006

Ref. No.	Description	Part No.
W009	WIRE ASSEMBLY PH 16/290/AWG24	WX1E5KA0-010
PACKING		
S1	SIDE PAD E5SF0UD	1VM124879
S2	GIFT BOX CARTON E5SF0UD	1VM334418
S3	SET BAG E5KB0UD	1VM433842B
S8	PARTITION PAD E5SE0UD	1VM435619
ACCESSORIES		
X1 	OWNERS MANUAL E5SF0UD	1VMN29853
X6	MANGANESE DRY BATTERY R6UWC/2STA	XB0M311MS003
X10	ACCESSORY BAG E5795ED	0VM416059
X14	AV CORD 1000/BLACK	WPZ0102TM018
X15 	AC CORD W/O A GND WIRE UL/CSA/202/NO/BLACK	WAV0202LTE01
X19	REMOTE CONTROL UNIT NC116UD	NC116UD
X34	NETFLIX GUIDE E5SF1UD	1VMN29733
X40	WARRANTY CARD E5H55UD	1VMN26326
X46	ACCESSORY BAG E5795ED	0VM416059

ELECTRICAL PARTS LIST

PRODUCT SAFETY NOTE: Products marked with a have special characteristics important to safety. Before replacing any of these components, read carefully the product safety notice in this service manual. Don't degrade the safety of the product through improper servicing.

NOTES:

1. Parts that are not assigned part numbers (-----) are not available.
2. Tolerance of Capacitors and Resistors are noted with the following symbols.

C.....±0.25% D.....±0.5% F.....±1%
 G.....±2% J.....±5% K.....±10%
 M.....±20% N.....±30% Z.....+80/-20%

BD MAIN CBA & BD MECHANISM ASSEMBLY

Ref. No.	Description	Part No.
1B1	BD MAIN CBA & BD MECHANISM ASSEMBLY	N7JR4CUN

AV ASSEMBLY

Ref. No.	Description	Part No.
	AV ASSEMBLY Consists of the following:	1VSA25206
	VIDEO CBA	-----
	AUDIO CBA	-----
	FRONT-A CBA	-----
	FRONT-B CBA	-----

VIDEO CBA

Ref. No.	Description	Part No.
	VIDEO CBA Consists of the following:	-----
CAPACITORS		
C4001	CHIP CERAMIC CAP.(1608) B K 0.1µF/50V	CHD1JK30B104
C4002	CHIP CERAMIC CAP.(1608) B K 0.1µF/50V	CHD1JK30B104
C4003	CHIP CERAMIC CAP.(1608) B K 1µF/10V	CHD1AK30B105
C4004	CHIP CERAMIC CAP.(1608) B K 1µF/10V	CHD1AK30B105
C4005	ELECTROLYTIC CAP. 10µF/16V/M	CEC10RENW016
C4006	ELECTROLYTIC CAP. 100µF/6.3V/M	CEA101ENW016
C4007	CHIP CERAMIC CAP.(1608) F Z 0.1µF/50V	CHD1JZ30F104
C4008	ELECTROLYTIC CAP. 220µF/6.3V/M	CEA221ENW016
C4009	CHIP CERAMIC CAP.(1608) F Z 0.1µF/50V	CHD1JZ30F104
C4010	ELECTROLYTIC CAP. 100µF/6.3V/M	CEA101ENW016
C4011	ELECTROLYTIC CAP. 1000µF/6.3V/M	CEA102ENW016
C4012	ELECTROLYTIC CAP. 1000µF/6.3V/M	CEA102ENW016
C4013	ELECTROLYTIC CAP. 1000µF/6.3V/M	CEA102ENW016
C4014	ELECTROLYTIC CAP. 1000µF/6.3V/M	CEA102ENW016
C4015	CHIP CERAMIC CAP.(1608) F Z 0.1µF/50V	CHD1JZ30F104
C4017	CHIP CERAMIC CAP. CH D 8pF/50V	CHD1JD3CH8R0
C4019	ELECTROLYTIC CAP. 220µF/6.3V/M	CEA221ENW016
C4020	CHIP CERAMIC CAP.(1608) B K 0.1µF/50V	CHD1JK30B104
C4021	ELECTROLYTIC CAP. 47µF/6.3V/M	CEA47RENW016
C4025	CHIP CERAMIC CAP.(1608) F Z 0.1µF/50V	CHD1JZ30F104

Ref. No.	Description	Part No.
CONNECTORS		
CN4000	WIRE ASSEMBLY FFC DIRECT 18/113/1.0	WX1E5SF1-001
CN4001	WIRE ASSEMBLY FFC DIRECT 21/303/1.0	WX1E5SF1-006
CN4002	WIRE ASSEMBLY FFC DIRECT 6/75/1.0	WX1E5KA0-003
IC		
IC4000	IC VIDEO DRIVER BH76071FJ-E2	QSCA0T0RM103
COILS		
L4000	WIRE CP STP-S-0.60	XZ40F0REN002
L4001	RADIAL TYPE CHOKE COIL CW68-470K-841040NP	LLBD00PKV023
L4002	CHIP RES.(1608) 1/10W 0 Ω	RRXAZR5Z0000
L4003	INDUCTOR(0.47µH K) LAP02TAR47K	LLAXKATTUR47
L4306	WIRE CP STP-S-0.60	XZ40F0REN002
TRANSISTOR		
Q4003	NPN TRANSISTOR SMD 2SC5343SFG	NQ1G2SC5343S
RESISTORS		
R4000	CHIP RES.(1608) 1/10W 0 Ω	RRXAZR5Z0000
R4001	CHIP RES.(1608) 1/10W 0 Ω	RRXAZR5Z0000
R4002	CHIP RES.(1608) 1/10W 0 Ω	RRXAZR5Z0000
R4003	CHIP RES.(1608) 1/10W 0 Ω	RRXAZR5Z0000
R4004	CHIP RES.(1608) 1/10W 0 Ω	RRXAZR5Z0000
R4005	CHIP RES.(1608) 1/10W 0 Ω	RRXAZR5Z0000
R4006	CHIP RES.(1608) 1/10W 0 Ω	RRXAZR5Z0000
R4007	CHIP RES.(1608) 1/10W 0 Ω	RRXAZR5Z0000
R4010	CHIP RES.(1608) 1/10W 0 Ω	RRXAZR5Z0000
R4011	CHIP RES.(1608) 1/10W 0 Ω	RRXAZR5Z0000
R4038	CHIP RES.(1608) 1/10W 0 Ω	RRXAZR5Z0000
R4043	CHIP RES. 1/10W J 2k Ω	RRXAJR5Z0202
R4044	CHIP RES. 1/10W F 75 Ω	RRXAFR5Z0750
R4045	CHIP RES. 1/10W F 75 Ω	RRXAFR5Z0750
R4046	CHIP RES. 1/10W F 75 Ω	RRXAFR5Z0750
R4047	CHIP RES. 1/10W F 75 Ω	RRXAFR5Z0750
R4048	CHIP RES. 1/10W J 2.2k Ω	RRXAJR5Z0222
R4049	CHIP RES. 1/10W J 2.2k Ω	RRXAJR5Z0222
R4050	CHIP RES. 1/10W J 220 Ω	RRXAJR5Z0221
R4051	CHIP RES. 1/10W J 75 Ω	RRXAJR5Z0750
R4052	CHIP RES.(1608) 1/10W 0 Ω	RRXAZR5Z0000
R4053	CHIP RES.(1608) 1/10W 0 Ω	RRXAZR5Z0000
R4054	CHIP RES.(1608) 1/10W 0 Ω	RRXAZR5Z0000
R4055	CHIP RES.(1608) 1/10W 0 Ω	RRXAZR5Z0000
R4056	CHIP RES. 1/10W J 100k Ω	RRXAJR5Z0104
R4057	CHIP RES. 1/10W J 10k Ω	RRXAJR5Z0103
R4402	CHIP RES.(1608) 1/10W 0 Ω	RRXAZR5Z0000
R4406	CHIP RES.(1608) 1/10W 0 Ω	RRXAZR5Z0000
MISCELLANEOUS		
JK4000	RCA JACK MSP-251V-10 GILT LF	JXRL010LY143
JK4001	RCA JACK(YELLOW) MSD-251V-11 GILT FE	JXRL010LY110
JK4002	RCA JACK 1PIN(GREEN) MSP-251V-16-GILT(B11	JXRL010LY178
JK4003	RCA JACK 1PIN(BLUE) MSP-251V-31-GILT(B11	JXRL010LY179
JK4004	RCA JACK 1PIN(RED) MSP-251V-12-GILT(B11	JXRL010LY176
JK4005	FIBER OPTIC TRANS.MODULE OC-0805T*002	JWHHA00JD002
JP4001	WIRE CP STP-S-0.60	XZ40F0REN002
JP4019	WIRE CP STP-S-0.60	XZ40F0REN002

AUDIO CBA

Ref. No.	Description	Part No.
	AUDIO CBA Consists of the following:	-----
CAPACITORS		
C2005	CHIP CERAMIC CAP.(1608) F Z 0.1μF/50V	CHD1JZ30F104
C2007	CHIP CERAMIC CAP.(1608) F Z 0.1μF/50V	CHD1JZ30F104
C2016	ELECTROLYTIC CAP. 47μF/6.3V/M	CEA47RENW016
C2065	CHIP CERAMIC CAP.(1608) B K 1000pF/50V	CHD1JK30B102
C2204	ELECTROLYTIC CAP. 100μF/25V M	CED101ENW016
C2205	ELECTROLYTIC CAP. 470μF/6.3V/M	CEA471ENW016
C2206	CHIP CERAMIC CAP.(1608) F Z 0.1μF/50V	CHD1JZ30F104
C2207	ELECTROLYTIC CAP. 10μF/16V/M	CEC10RENW016
C2208	ELECTROLYTIC CAP. 10μF/16V/M	CEC10RENW016
C2209	CHIP CERAMIC CAP. CH J 220pF/50V	CHD1JJ3CH221
C2210	CHIP CERAMIC CAP. CH J 220pF/50V	CHD1JJ3CH221
C2211	ELECTROLYTIC CAP. 10μF/16V/M	CEC10RENW016
C2212	ELECTROLYTIC CAP. 10μF/16V/M	CEC10RENW016
C2213	CHIP CERAMIC CAP.(1608) F Z 0.1μF/50V	CHD1JZ30F104
C2215	CHIP CERAMIC CAP. CH J 39pF/50V	CHD1JJ3CH390
C2216	CHIP CERAMIC CAP. CH J 39pF/50V	CHD1JJ3CH390
C2220	ELECTROLYTIC CAP. 330μF/10V/M	CEB331ENW016
C2280	CHIP CERAMIC CAP.(1608) F Z 0.1μF/50V	CHD1JZ30F104
C2281	ELECTROLYTIC CAP. 220μF/6.3V/M	CEA221ENW016
C2283	ELECTROLYTIC CAP. 1000μF/6.3V/M	CEA102ENW016
C2284	CHIP CERAMIC CAP.(1608) F Z 0.1μF/50V	CHD1JZ30F104
C2285	ELECTROLYTIC CAP. 330μF/25V/M	CED331ENW016
C2286	CHIP CERAMIC CAP.(1608) F Z 0.1μF/50V	CHD1JZ30F104
C2626	CHIP CERAMIC CAP. B K 10μF/10V	CHE1AK30B106
C2637	ELECTROLYTIC CAP. 100μF/6.3V/M	CEA101ENW016
C2649	CHIP CERAMIC CAP.(2125) B K 4.7μF/10V	CHE1AK30B475
C2650	CHIP CERAMIC CAP. B K 10μF/10V	CHE1AK30B106
C2651	ELECTROLYTIC CAP. 330μF/6.3V/M	CEA331ENW016
C2802	ELECTROLYTIC CAP. 100μF/25V M	CED101ENW016
C2803	ELECTROLYTIC CAP. 100μF/25V M	CED101ENW016
C2804	ELECTROLYTIC CAP. 100μF/25V M	CED101ENW016
C2805	CHIP CERAMIC CAP.(1608) F Z 0.1μF/50V	CHD1JZ30F104
C2806	ELECTROLYTIC CAP. 470μF/6.3V/M	CEA471ENW016
C2807	ELECTROLYTIC CAP. 100μF/25V M	CED101ENW016
C2808	CHIP CERAMIC CAP.(1608) F Z 0.1μF/50V	CHD1JZ30F104
C2809	ELECTROLYTIC CAP. 10μF/16V/M	CEC10RENW016
C2810	ELECTROLYTIC CAP. 10μF/16V/M	CEC10RENW016
C2811	CHIP CERAMIC CAP. CH J 220pF/50V	CHD1JJ3CH221
C2812	CHIP CERAMIC CAP. CH J 220pF/50V	CHD1JJ3CH221
C2813	CHIP CERAMIC CAP. CH J 39pF/50V	CHD1JJ3CH390
C2814	CHIP CERAMIC CAP. CH J 39pF/50V	CHD1JJ3CH390
C2815	ELECTROLYTIC CAP. 10μF/16V/M	CEC10RENW016
C2816	ELECTROLYTIC CAP. 10μF/16V/M	CEC10RENW016
C2819	CHIP CERAMIC CAP.(1608) F Z 0.1μF/50V	CHD1JZ30F104
C2820	CHIP CERAMIC CAP.(1608) F Z 0.1μF/50V	CHD1JZ30F104
C2821	ELECTROLYTIC CAP. 10μF/16V/M	CEC10RENW016
C2822	ELECTROLYTIC CAP. 10μF/16V/M	CEC10RENW016
C2823	CHIP CERAMIC CAP. CH J 220pF/50V	CHD1JJ3CH221
C2824	CHIP CERAMIC CAP. CH J 220pF/50V	CHD1JJ3CH221
C2825	CHIP CERAMIC CAP. CH J 39pF/50V	CHD1JJ3CH390
C2826	CHIP CERAMIC CAP. CH J 39pF/50V	CHD1JJ3CH390
C2827	ELECTROLYTIC CAP. 10μF/16V/M	CEC10RENW016
C2828	ELECTROLYTIC CAP. 10μF/16V/M	CEC10RENW016
C2831	CHIP CERAMIC CAP.(1608) F Z 0.1μF/50V	CHD1JZ30F104
C2832	CHIP CERAMIC CAP.(1608) F Z 0.1μF/50V	CHD1JZ30F104
C2833	ELECTROLYTIC CAP. 10μF/16V/M	CEC10RENW016
C2834	ELECTROLYTIC CAP. 10μF/16V/M	CEC10RENW016
C2835	CHIP CERAMIC CAP. CH J 220pF/50V	CHD1JJ3CH221

Ref. No.	Description	Part No.
C2836	CHIP CERAMIC CAP. CH J 220pF/50V	CHD1JJ3CH221
C2837	CHIP CERAMIC CAP. CH J 39pF/50V	CHD1JJ3CH390
C2838	CHIP CERAMIC CAP. CH J 39pF/50V	CHD1JJ3CH390
C2839	ELECTROLYTIC CAP. 10μF/16V/M	CEC10RENW016
C2840	ELECTROLYTIC CAP. 10μF/16V/M	CEC10RENW016
C2843	CHIP CERAMIC CAP.(1608) F Z 0.1μF/50V	CHD1JZ30F104
C2845	CHIP CERAMIC CAP.(1608) F Z 0.1μF/50V	CHD1JZ30F104
C2846	ELECTROLYTIC CAP. 10μF/16V/M	CEC10RENW016
C2847	ELECTROLYTIC CAP. 10μF/16V/M	CEC10RENW016
C2848	CHIP CERAMIC CAP. CH J 220pF/50V	CHD1JJ3CH221
C2849	CHIP CERAMIC CAP. CH J 220pF/50V	CHD1JJ3CH221
C2850	CHIP CERAMIC CAP. CH J 39pF/50V	CHD1JJ3CH390
C2851	CHIP CERAMIC CAP. CH J 39pF/50V	CHD1JJ3CH390
C2852	ELECTROLYTIC CAP. 10μF/16V/M	CEC10RENW016
C2853	ELECTROLYTIC CAP. 10μF/16V/M	CEC10RENW016
C2855	ELECTROLYTIC CAP. 470μF/6.3V/M	CEA471ENW016
C2856	ELECTROLYTIC CAP. 470μF/6.3V/M	CEA471ENW016
C2857	ELECTROLYTIC CAP. 470μF/6.3V/M	CEA471ENW016
CONNECTORS		
CN2002	FFC CONNECTOR IMSA-9615S-17A-PP-A	JC96J17ER007
CN2003	FFC CONNECTOR IMSA-9615S-06A-PP-A	JC96J06ER007
CN2005	FFC CONNECTOR 21PIN IMSA-9615S-21A-PP-A	JC96J21ER007
CN2007	FFC CONNECTOR IMSA-9615S-26A-PP-A	JC96J26ER007
CN2008	CONNECTOR PRINT OSU B16B-PH-K-S(LF)(SN)	J3PHC16JG029
DIODES		
D2281	DIODE SWITCHING 1N4148-F0021	NDTZ01N4148F
D2601	DIODE SWITCHING 1N4148-F0021	NDTZ01N4148F
D2602	DIODE SWITCHING 1N4148-F0021	NDTZ01N4148F
D2603	DIODE ZENER 36BSA-T26	NDTA036BST26
D2604	DIODE SWITCHING 1N4148-F0021	NDTZ01N4148F
D2624	DIODE ZENER 4V7BSB-T26	NDTB4R7BST26
D2640	DIODE SWITCHING 1N4148-F0021	NDTZ01N4148F
ICS		
IC2000	IC SUB MICON R5F21356CN523FP	QSCA0R0HT012
IC2002	REGULATOR XC9236A33CMR	NSCA0T0N1004
IC2200	IC OP AMP UTC4580TE	NSCA0T02H001
IC2601	IC OP AMP UTC4580TE	NSCA0T02H001
IC2602	IC OP AMP UTC4580TE	NSCA0T02H001
IC2603	IC OP AMP UTC4580TE	NSCA0T02H001
IC2604	IC OP AMP UTC4580TE	NSCA0T02H001
COILS		
L2202	WIRE CP STP-S-0.60	XZ40F0REN002
L2306	WIRE CP STP-S-0.60	XZ40F0REN002
L2607	INDUCTOR 4.7μH-K-26T	LLAXKATTU4R7
TRANSISTORS		
Q2200	PNP TRANSISTOR DIGITAL SMD SRA2204SF	NQ1ZSRA2204S
Q2201	PNP TRANSISTOR DIGITAL SMD SRA2204SF	NQ1ZSRA2204S
Q2202	NPN TRANSISTOR SMD 2SC5343SFG	NQ1G2SC5343S
Q2203	NPN TRANSISTOR SMD 2SC5343SFG	NQ1G2SC5343S
Q2601	NPN TRANSISTOR 2SC5343MG-AT	NQSG2SC5343M
Q2602	PNP TRANSISTOR 2SA1980M Y	NQSY2SA1980M
Q2603	NPN TRANSISTOR SMD 2SC5343SFG	NQ1G2SC5343S
Q2604	PNP TRANSISTOR 2SA1981Y-AT	NQSY02SA1981
Q2614	NPN TRANSISTOR SMD 2SC5343SFG	NQ1G2SC5343S
Q2622	PNP TRANSISTOR DIGITAL SMD SRA2204SF	NQ1ZSRA2204S
Q2623	PNP TRANSISTOR DIGITAL SMD SRA2204SF	NQ1ZSRA2204S
Q2624	NPN TRANSISTOR SMD 2SC5343SFG	NQ1G2SC5343S
Q2625	NPN TRANSISTOR SMD 2SC5343SFG	NQ1G2SC5343S
Q2626	PNP TRANSISTOR DIGITAL SMD SRA2204SF	NQ1ZSRA2204S
Q2627	NPN TRANSISTOR SMD 2SC5343SFG	NQ1G2SC5343S
Q2628	NPN TRANSISTOR SMD 2SC5343SFG	NQ1G2SC5343S

Ref. No.	Description	Part No.
Q2629	PNP TRANSISTOR DIGITAL SMD SRA2204SF	NQ1ZSRA2204S
Q2630	PNP TRANSISTOR DIGITAL SMD SRA2204SF	NQ1ZSRA2204S
Q2631	NPN TRANSISTOR SMD 2SC5343SFG	NQ1G2SC5343S
Q2632	NPN TRANSISTOR SMD 2SC5343SFG	NQ1G2SC5343S
Q2633	PNP TRANSISTOR DIGITAL SMD SRA2204SF	NQ1ZSRA2204S
Q2634	NPN TRANSISTOR SMD 2SC5343SFG	NQ1G2SC5343S
Q2635	NPN TRANSISTOR SMD 2SC5343SFG	NQ1G2SC5343S
Q2637	PNP TRANSISTOR DIGITAL SMD SRA2202SF	NQ1ZSRA2202S
Q2638	NPN TRANSISTOR RES-IN SRC1202SF	NQ1ZSRC1202S
RESISTORS		
R2000	CHIP RES. 1/10W J 1k Ω	RRXAJR5Z0102
R2001	CHIP RES. 1/10W J 100 Ω	RRXAJR5Z0101
R2002	CHIP RES.(1608) 1/10W 0 Ω	RRXAZR5Z0000
R2003	CHIP RES. 1/10W J 4.7k Ω	RRXAJR5Z0472
R2004	CHIP RES. 1/10W J 10k Ω	RRXAJR5Z0103
R2006	CHIP RES. 1/10W J 100 Ω	RRXAJR5Z0101
R2007	CHIP RES. 1/10W J 100 Ω	RRXAJR5Z0101
R2014	CHIP RES.(1608) 1/10W 0 Ω	RRXAZR5Z0000
R2015	CHIP RES. 1/10W J 22k Ω	RRXAJR5Z0223
R2018	CHIP RES. 1/10W J 39k Ω	RRXAJR5Z0393
R2020	CHIP RES. 1/10W J 100 Ω	RRXAJR5Z0101
R2023	CHIP RES. 1/10W J 10k Ω	RRXAJR5Z0103
R2025	CHIP RES. 1/10W J 10k Ω	RRXAJR5Z0103
R2027	CHIP RES.(1608) 1/10W 0 Ω	RRXAZR5Z0000
R2029	CHIP RES.(1608) 1/10W 0 Ω	RRXAZR5Z0000
R2031	CHIP RES. 1/10W J 100 Ω	RRXAJR5Z0101
R2032	CHIP RES. 1/10W J 100 Ω	RRXAJR5Z0101
R2033	CHIP RES. 1/10W J 100 Ω	RRXAJR5Z0101
R2034	CHIP RES.(1608) 1/10W 0 Ω	RRXAZR5Z0000
R2035	CHIP RES. 1/10W J 10k Ω	RRXAJR5Z0103
R2047	CHIP RES.(1608) 1/10W 0 Ω	RRXAZR5Z0000
R2050	CHIP RES. 1/10W J 10k Ω	RRXAJR5Z0103
R2051	CHIP RES. 1/10W J 1k Ω	RRXAJR5Z0102
R2052	CHIP RES. 1/10W J 1k Ω	RRXAJR5Z0102
R2053	CHIP RES. 1/10W J 10k Ω	RRXAJR5Z0103
R2057	CHIP RES. 1/10W J 10k Ω	RRXAJR5Z0103
R2058	CHIP RES. 1/10W J 10k Ω	RRXAJR5Z0103
R2071	CHIP RES.(1608) 1/10W 0 Ω	RRXAZR5Z0000
R2072	CHIP RES.(1608) 1/10W 0 Ω	RRXAZR5Z0000
R2073	CHIP RES.(1608) 1/10W 0 Ω	RRXAZR5Z0000
R2074	CHIP RES.(1608) 1/10W 0 Ω	RRXAZR5Z0000
R2208	CHIP RES. 1/10W F 27k Ω	RRXAFR5H2702
R2209	CHIP RES. 1/10W F 27k Ω	RRXAFR5H2702
R2210	CHIP RES. 1/10W J 8.2k Ω	RRXAJR5Z0822
R2211	CHIP RES. 1/10W J 8.2k Ω	RRXAJR5Z0822
R2212	CHIP RES. 1/10W F 36k Ω	RRXAFR5H3602
R2213	CHIP RES. 1/10W F 36k Ω	RRXAFR5H3602
R2214	CHIP RES. 1/10W J 100k Ω	RRXAJR5Z0104
R2215	CHIP RES. 1/10W J 100k Ω	RRXAJR5Z0104
R2216	CHIP RES. 1/10W J 470 Ω	RRXAJR5Z0471
R2217	CHIP RES. 1/10W J 680 Ω	RRXAJR5Z0681
R2218	CHIP RES. 1/10W J 470 Ω	RRXAJR5Z0471
R2219	CHIP RES. 1/10W J 1k Ω	RRXAJR5Z0102
R2220	CHIP RES. 1/10W J 100k Ω	RRXAJR5Z0104
R2221	CHIP RES. 1/10W J 100k Ω	RRXAJR5Z0104
R2223	CHIP RES. 1/10W J 4.7k Ω	RRXAJR5Z0472
R2224	CHIP RES. 1/10W J 2.2k Ω	RRXAJR5Z0222
R2226	CHIP RES. 1/10W J 1k Ω	RRXAJR5Z0102
R2227	CHIP RES. 1/10W J 220 Ω	RRXAJR5Z0221
R2228	CHIP RES. 1/10W J 220 Ω	RRXAJR5Z0221
R2229	CHIP RES. 1/10W J 2.2k Ω	RRXAJR5Z0222
R2230	CHIP RES. 1/10W J 4.7k Ω	RRXAJR5Z0472

Ref. No.	Description	Part No.
R2284	CHIP RES. 1/10W J 100 Ω	RRXAJR5Z0101
R2601	CARBON RES. 1/4W J 47k Ω	RCX4JATZ0473
R2602	CARBON RES. 1/4W J 100k Ω	RCX4JATZ0104
R2603	CHIP RES. 1/10W J 10k Ω	RRXAJR5Z0103
R2604	CHIP RES. 1/10W J 47k Ω	RRXAJR5Z0473
R2605	CHIP RES. 1/10W J 3.9k Ω	RRXAJR5Z0392
R2607	CHIP RES. 1/10W J 1k Ω	RRXAJR5Z0102
R2608	CARBON RES. 1/4W J 10 Ω	RCX4JATZ0100
R2615	CARBON RES. 1/4W J 5.6 Ω	RCX4JATZ05R6
R2616	CARBON RES. 1/4W J 5.6 Ω	RCX4JATZ05R6
R2617	CARBON RES. 1/4W J 10k Ω	RCX4JATZ0103
R2618	CARBON RES. 1/4W J 10k Ω	RCX4JATZ0103
R2619	CARBON RES. 1/4W J 10k Ω	RCX4JATZ0103
R2660	CHIP RES.(1608) 1/10W 0 Ω	RRXAZR5Z0000
R2661	CHIP RES.(1608) 1/10W 0 Ω	RRXAZR5Z0000
R2665	CHIP RES. 1/10W J 100 Ω	RRXAJR5Z0101
R2903	CHIP RES. 1/10W F 27k Ω	RRXAFR5H2702
R2904	CHIP RES. 1/10W F 27k Ω	RRXAFR5H2702
R2905	CHIP RES. 1/10W F 27k Ω	RRXAFR5H2702
R2906	CHIP RES. 1/10W F 27k Ω	RRXAFR5H2702
R2907	CHIP RES. 1/10W F 27k Ω	RRXAFR5H2702
R2908	CHIP RES. 1/10W F 27k Ω	RRXAFR5H2702
R2909	CHIP RES. 1/10W F 27k Ω	RRXAFR5H2702
R2916	CHIP RES. 1/10W J 100k Ω	RRXAJR5Z0104
R2917	CHIP RES. 1/10W J 4.7k Ω	RRXAJR5Z0472
R2918	CHIP RES. 1/10W J 4.7k Ω	RRXAJR5Z0472
R2919	CHIP RES. 1/10W J 2.2k Ω	RRXAJR5Z0222
R2920	CHIP RES. 1/10W F 27k Ω	RRXAFR5H2702
R2921	CHIP RES. 1/10W J 8.2k Ω	RRXAJR5Z0822
R2922	CHIP RES. 1/10W J 8.2k Ω	RRXAJR5Z0822
R2923	CHIP RES. 1/10W F 36k Ω	RRXAFR5H3602
R2924	CHIP RES. 1/10W F 36k Ω	RRXAFR5H3602
R2925	CHIP RES. 1/10W F 36k Ω	RRXAFR5H3602
R2926	CHIP RES. 1/10W F 36k Ω	RRXAFR5H3602
R2927	CHIP RES. 1/10W F 36k Ω	RRXAFR5H3602
R2928	CHIP RES. 1/10W F 36k Ω	RRXAFR5H3602
R2929	CHIP RES. 1/10W F 36k Ω	RRXAFR5H3602
R2930	CHIP RES. 1/10W F 36k Ω	RRXAFR5H3602
R2931	CHIP RES. 1/10W J 100k Ω	RRXAJR5Z0104
R2932	CHIP RES. 1/10W J 100k Ω	RRXAJR5Z0104
R2933	CHIP RES. 1/10W J 470 Ω	RRXAJR5Z0471
R2934	CHIP RES. 1/10W J 470 Ω	RRXAJR5Z0471
R2935	CHIP RES. 1/10W J 220 Ω	RRXAJR5Z0221
R2936	CHIP RES. 1/10W J 220 Ω	RRXAJR5Z0221
R2937	CHIP RES. 1/10W J 1k Ω	RRXAJR5Z0102
R2938	CHIP RES. 1/10W J 1k Ω	RRXAJR5Z0102
R2939	CHIP RES. 1/10W J 2.2k Ω	RRXAJR5Z0222
R2940	CHIP RES. 1/10W J 100k Ω	RRXAJR5Z0104
R2941	CHIP RES. 1/10W J 680 Ω	RRXAJR5Z0681
R2942	CHIP RES. 1/10W J 1k Ω	RRXAJR5Z0102
R2943	CHIP RES. 1/10W J 2.2k Ω	RRXAJR5Z0222
R2944	CHIP RES. 1/10W J 100k Ω	RRXAJR5Z0104
R2945	CHIP RES. 1/10W J 4.7k Ω	RRXAJR5Z0472
R2946	CHIP RES. 1/10W J 8.2k Ω	RRXAJR5Z0822
R2947	CHIP RES. 1/10W J 8.2k Ω	RRXAJR5Z0822
R2950	CHIP RES. 1/10W J 100k Ω	RRXAJR5Z0104
R2951	CHIP RES. 1/10W J 100k Ω	RRXAJR5Z0104
R2952	CHIP RES. 1/10W J 470 Ω	RRXAJR5Z0471
R2953	CHIP RES. 1/10W J 470 Ω	RRXAJR5Z0471
R2954	CHIP RES. 1/10W J 220 Ω	RRXAJR5Z0221
R2955	CHIP RES. 1/10W J 220 Ω	RRXAJR5Z0221
R2956	CHIP RES. 1/10W J 1k Ω	RRXAJR5Z0102
R2957	CHIP RES. 1/10W J 4.7k Ω	RRXAJR5Z0472

Ref. No.	Description	Part No.
R2958	CHIP RES. 1/10W J 4.7k Ω	RRXAJR5Z0472
R2959	CHIP RES. 1/10W J 8.2k Ω	RRXAJR5Z0822
R2960	CHIP RES. 1/10W J 8.2k Ω	RRXAJR5Z0822
R2963	CHIP RES. 1/10W J 100k Ω	RRXAJR5Z0104
R2964	CHIP RES. 1/10W J 100k Ω	RRXAJR5Z0104
R2965	CHIP RES. 1/10W J 470 Ω	RRXAJR5Z0471
R2966	CHIP RES. 1/10W J 470 Ω	RRXAJR5Z0471
R2967	CHIP RES. 1/10W J 220 Ω	RRXAJR5Z0221
R2968	CHIP RES. 1/10W J 220 Ω	RRXAJR5Z0221
R2969	CHIP RES. 1/10W J 1k Ω	RRXAJR5Z0102
R2970	CHIP RES. 1/10W J 1k Ω	RRXAJR5Z0102
R2971	CHIP RES. 1/10W J 2.2k Ω	RRXAJR5Z0222
R2972	CHIP RES. 1/10W J 2.2k Ω	RRXAJR5Z0222
R2973	CHIP RES. 1/10W J 100k Ω	RRXAJR5Z0104
R2974	CHIP RES. 1/10W J 100k Ω	RRXAJR5Z0104
R2975	CHIP RES. 1/10W J 1k Ω	RRXAJR5Z0102
R2976	CHIP RES. 1/10W J 1k Ω	RRXAJR5Z0102
R2977	CHIP RES. 1/10W J 2.2k Ω	RRXAJR5Z0222
R2978	CHIP RES. 1/10W J 470 Ω	RRXAJR5Z0471
R2979	CHIP RES. 1/10W J 100k Ω	RRXAJR5Z0104
R2980	CHIP RES. 1/10W J 4.7k Ω	RRXAJR5Z0472
R2981	CHIP RES. 1/10W J 8.2k Ω	RRXAJR5Z0822
R2982	CHIP RES. 1/10W J 8.2k Ω	RRXAJR5Z0822
R2985	CHIP RES. 1/10W J 100k Ω	RRXAJR5Z0104
R2986	CHIP RES. 1/10W J 100k Ω	RRXAJR5Z0104
R2987	CHIP RES. 1/10W J 470 Ω	RRXAJR5Z0471
R2988	CHIP RES. 1/10W J 220 Ω	RRXAJR5Z0221
R2989	CHIP RES. 1/10W J 220 Ω	RRXAJR5Z0221
R2992	CHIP RES. 1/10W J 680 Ω	RRXAJR5Z0681
R2993	CHIP RES. 1/10W J 680 Ω	RRXAJR5Z0681
R2994	CHIP RES. 1/10W J 680 Ω	RRXAJR5Z0681
R2999	CHIP RES.(1608) 1/10W 0 Ω	RRXAZR5Z0000
MISCELLANEOUS		
JK2200	RCA JACK 1PIN(WHITE) MSP-251V-13-GILT(B11)	JXRL010LY177
JK2201	RCA JACK 1PIN(RED) MSP-251V-12-GILT(B11)	JXRL010LY176
JK2202	RCA JACK 6PIN MSD-246V-184-GILT(B1)	JXRL060LY181
JK2203	RCA JACK 2PIN MSD-242V-03-GILT(B11)	JXRL020LY180
JP2006	WIRE CP STP-S-0.60	XZ40FOREN002
JP2011	WIRE CP STP-S-0.60	XZ40FOREN002
JP2012	WIRE CP STP-S-0.60	XZ40FOREN002
JP2028	WIRE CP STP-S-0.60	XZ40FOREN002
JP2029	WIRE CP STP-S-0.60	XZ40FOREN002
JP2033	WIRE CP STP-S-0.60	XZ40FOREN002
JP2046	WIRE CP STP-S-0.60	XZ40FOREN002
JP2048	WIRE CP STP-S-0.60	XZ40FOREN002
JP2060	WIRE CP STP-S-0.60	XZ40FOREN002
JP2081	WIRE CP STP-S-0.60	XZ40FOREN002
JP2120	WIRE CP STP-S-0.60	XZ40FOREN002
JP2122	WIRE CP STP-S-0.60	XZ40FOREN002
X2000	RESONATOR CERAMIC 10M CSTLS10M0G56-B0	FHY1060MR001

FRONT-A CBA

Ref. No.	Description	Part No.
	FRONT-A CBA Consists of the following:	-----
CAPACITORS		
C3001	ELECTROLYTIC CAP. 100μF/6.3V/M/H7	CEA101ENW025
C3002	CHIP CERAMIC CAP.(1608) F Z 0.1μF/50V	CHD1JZ30F104
C3003	CHIP CERAMIC CAP.(1608) B K 1000pF/50V	CHD1JK30B102
C3005	CHIP CERAMIC CAP.(1608) F Z 0.1μF/50V	CHD1JZ30F104
C3006	ELECTROLYTIC CAP. 100μF/6.3V/M/H7	CEA101ENW025

Ref. No.	Description	Part No.
C3008	CHIP CERAMIC CAP.(1608) F Z 0.1μF/50V	CHD1JZ30F104
C3009	CHIP CERAMIC CAP.(1608) F Z 0.1μF/50V	CHD1JZ30F104
CONNECTORS		
CN3001	CONNECTOR PRINT OSU S3B-PH-K-S(LF)(SN)	J3PHC03JG030
CN3002	WIRE ASSEMBLY FFC DIRECT 17/150/1.0	WX1E5SF1-007
DIODE		
D3002	LED(RED) LTL-1CHEE	NPQZLTL1CHEE
COIL		
L3001	INDUCTOR(100μH K) LAP02TA101K	LLAXKATTU101
TRANSISTOR		
Q3001	PNP TRANSISTOR DIGITAL SMD SRA2202SF	NQ1ZSRA2202S
RESISTORS		
R3001	CHIP RES. 1/10W J 150 Ω	RRXAJR5Z0151
R3005	CHIP RES.(1608) 1/10W 0 Ω	RRXAZR5Z0000
R3025	CHIP RES. 1/10W J 180 Ω	RRXAJR5Z0181
R3026	CHIP RES.(1608) 1/10W 0 Ω	RRXAZR5Z0000
R3027	CHIP RES. 1/10W J 6.8k Ω	RRXAJR5Z0682
R3028	CHIP RES.(1608) 1/10W 0 Ω	RRXAZR5Z0000
R3030	CHIP RES. 1/10W J 1k Ω	RRXAJR5Z0102
R3031	CHIP RES. 1/10W J 12k Ω	RRXAJR5Z0123
R3032	CHIP RES. 1/10W J 10 Ω	RRXAJR5Z0100
R3033	CHIP RES. 1/10W J 10 Ω	RRXAJR5Z0100
SWITCH		
SW3008	TACT SWITCH SKQSAB	SST0101AL038
MISCELLANEOUS		
A7	FOOT H5100UD	0VM406940A
FL3001	FL DM182-GINK	TVFD150FT018
RS3001	SENSOR REMOTE RECEIVER KSM-713TC5B-FU	USEJRS0KK007

FRONT-B CBA

Ref. No.	Description	Part No.
	FRONT-B CBA Consists of the following:	-----
CONNECTOR		
CN3101	WIRE ASSEMBLY PH DIRECT 3/35/AWG26	WX1E5KA0-002
RESISTORS		
R3116	CHIP RES. 1/10W J 220 Ω	RRXAJR5Z0221
R3119	CHIP RES. 1/10W J 560 Ω	RRXAJR5Z0561
R3122	CHIP RES.(1608) 1/10W 0 Ω	RRXAZR5Z0000
R3123	CHIP RES. 1/10W J 330 Ω	RRXAJR5Z0331
R3124	CHIP RES. 1/10W J 1.2k Ω	RRXAJR5Z0122
R3125	CHIP RES. 1/10W J 3.3k Ω	RRXAJR5Z0332
SWITCHES		
SW3114	TACT SWITCH SKQSAB	SST0101AL038
SW3115	TACT SWITCH SKQSAB	SST0101AL038
SW3116	TACT SWITCH SKQSAB	SST0101AL038
SW3117	TACT SWITCH SKQSAB	SST0101AL038
SW3118	TACT SWITCH SKQSAB	SST0101AL038
SW3119	TACT SWITCH SKQSAB	SST0101AL038

POWER ASSEMBLY

Ref. No.	Description	Part No.
	POWER ASSEMBLY Consists of the following:	1VSA26184
	POWER SUPPLY CBA SD CBA RS232C CBA	----- ----- -----

POWER SUPPLY CBA

Ref. No.	Description	Part No.
	POWER SUPPLY CBA Consists of the following:	-----
CAPACITORS		
C1003▲	ACROSS THE LINE CAP. 0.068μF/250V	CT2E683DC016
C1004	CHIP CERAMIC CAP.(1608) CH J 22pF/50V	CHD1J3CH220
C1006	CHIP CERAMIC CAP.(1608) B K 1000pF/50V	CHD1JK30B102
C1009▲	ACROSS THE LINE CAP. 0.022μF/250V	CT2E223DC016
C1012	CHIP CERAMIC CAP.(1608) B K 0.047μF/50V	CHD1JK30B473
C1015▲	SAFETY CAP. 2200pF/250V	CCG2EMA0F222
C1016▲	SAFETY CAP. 2200pF/250V	CCG2EMA0F222
C1018	ELECTROLYTIC CAP. 47μF/35V/M	CEE47RENW016
C1019	ELECTROLYTIC CAPACITOR ZR200TA221K18EB	CA2D221DYG04
C1022	METALIZED FILM CAP. 0.010μF/400V K	CMK103EUR002
C1023	CAP CERAMIC 470pF/2KV/K	CA3D471PAN17
C1024	CERAMIC CAP. B K 470pF/500V	CCD2JKS0B471
C1025	CHIP CERAMIC CAP.(1608) B K 0.01μF/50V	CHD1JK30B103
C1026	ELECTROLYTIC CAP. 1000μF/25V SL	CED102ENW009
C1028	CHIP CERAMIC CAP.(1608) B K 6800pF/50V	CHD1JK30B682
C1029	ELECTROLYTIC CAP. 220μF/25V/M	CED221ENW016
C1030	ELECTROLYTIC CAP. 4700μF/6.3V/M	CEA472ENW009
C1031	ELECTROLYTIC CAP. 1000μF/25V SL	CED102ENW009
C1032	ELECTROLYTIC CAP. 3300μF/6.3V/M	CEA332ENW009
C1033	ELECTROLYTIC CAP. 33μF/50V/M	CEF33RENW016
C1034	CHIP CERAMIC CAP.(1608) F Z 0.1μF/50V	CHD1JZ30F104
C1048	ELECTROLYTIC CAP. 330μF/6.3V/M	CEA331ENW016
C1049	ELECTROLYTIC CAP. 330μF/6.3V/M	CEA331ENW016
C1050	ELECTROLYTIC CAP. 330μF/6.3V/M	CEA331ENW016
C1051	ELECTROLYTIC CAP. 330μF/6.3V/M	CEA331ENW016
C1052	ELECTROLYTIC CAP. 470μF/16V/M	CEC471ENW016
C1101	ELECTROLYTIC CAP. 1000μF/25V SL	CED102ENW009
C1102	ELECTROLYTIC CAP. 10μF/16V/M	CEC10RENW016
C1104	ELECTROLYTIC CAP. 47μF/25V/M	CED47RENW016
C1120	ELECTROLYTIC CAP. 100μF/25V M	CED101ENW016
C1121	CHIP CERAMIC CAP.(1608) B K 0.1μF/25V	CHD1EK30B104
C1122	CHIP CERAMIC CAP.(1608) B K 0.1μF/25V	CHD1EK30B104
C1201	ELECTROLYTIC CAP. 1000μF/6.3V/M	CEA102ENW016
C1202	ELECTROLYTIC CAP. 1000μF/6.3V/M	CEA102ENW016
C1203	ELECTROLYTIC CAP. 1000μF/6.3V/M	CEA102ENW016
C1204	CHIP CERAMIC CAP.(1608) B K 1μF/10V	CHD1AK30B105
C1205	ELECTROLYTIC CAP. 1000μF/6.3V/M	CEA102ENW016
C1301	ELECTROLYTIC CAP. 220μF/6.3V/M	CEA221ENW016
C1302	CHIP CERAMIC CAP.(1608) B K 0.33μF/10V	CHD1AK30B334
C1303	ELECTROLYTIC CAP. 100μF/6.3V/M	CEA101ENW016
C1304	CHIP CERAMIC CAP.(1608) B K 0.1μF/25V	CHD1EK30B104
C1402	CHIP CERAMIC CAP.(1608) B K 1μF/10V	CHD1AK30B105
C1404	CHIP CERAMIC CAP.(1608) F Z 0.1μF/50V	CHD1JZ30F104
C1405	CHIP CERAMIC CAP.(1608) F Z 0.1μF/50V	CHD1JZ30F104
C1406	CHIP CERAMIC CAP. B K 8200pF/50V	CHD1JK30B822
C1407	CHIP CERAMIC CAP. B K 10μF/10V	CHE1AK30B106
C1408	CHIP CERAMIC CAP. B K 10μF/10V	CHE1AK30B106
C1452	CHIP CERAMIC CAP.(1608) B K 1μF/10V	CHD1AK30B105
C1453	CHIP CERAMIC CAP. B K 10μF/10V	CHE1AK30B106
C1455	CHIP CERAMIC CAP.(1608) F Z 0.1μF/50V	CHD1JZ30F104

Ref. No.	Description	Part No.
C1456	CHIP CERAMIC CAP.(1608) F Z 0.1μF/50V	CHD1JZ30F104
C1457	CHIP CERAMIC CAP.(1608) B K 5600pF/50V	CHD1JK30B562
C1458	CHIP CERAMIC CAP. B K 10μF/10V	CHE1AK30B106
C1459	CHIP CERAMIC CAP. B K 10μF/10V	CHE1AK30B106
C1461	CHIP CERAMIC CAP.(1608) B K 1μF/10V	CHD1AK30B105
C1705	ELECTROLYTIC CAP. 220μF/6.3V/M	CEA221ENW016
C1710	ELECTROLYTIC CAP. 100μF/16V/M	CEC101ENW016
CONNECTORS		
CN1001▲	CONNECTOR PRINT OSU B2P3-VH-B (LF)(SN)	J3VH030JG014
CN1003	FFC CONNECTOR IMSA-9615S-24A-PP-A	JC96J24ER007
CN1004	CONNECTOR PRINT OSU B16B-PH-K-S(LF)(SN)	J3PHC16JG029
CN1005	PH CONNECTOR TOP 2P B2B-PH-K-S (LF)(SN)	J3PHC02JG029
CN1100	FFC CONNECTOR 15P IMSA-9615S-15A-PP-A	JC96J15ER007
CN1101	FFC CONNECTOR 15P IMSA-9615S-15A-PP-A	JC96J15ER007
DIODES		
D1009	DIODE ZENER 27BSB-T26	NDTB027BST26
D1010	DIODE 1N5397-B	NDLZ001N5397
D1011	DIODE 1N5397-B	NDLZ001N5397
D1012	DIODE 1N5397-B	NDLZ001N5397
D1013	DIODE 1N5397-B	NDLZ001N5397
D1018	SCHOTTKY BARRIER DIODE SB140	NDQZ000SB140
D1020	RECTIFIER DIODE BA159	NDQZ000BA159
D1021	DIODE ZENER 27BSB-T26	NDTB027BST26
D1022	RECTIFIER DIODE BA159	NDQZ000BA159
D1023	RECTIFIER DIODE BA159	NDQZ000BA159
D1025	DIODE ZENER 27BSB-T26	NDTB027BST26
D1027	SCHOTTKY BARRIER DIODE SMD SK3B	ND1Z000SK3B
D1028	IC SHUNT REGULATOR SL431A-AT	NSZBA07TAUK01
D1031	SCHOTTKY BARRIER DIODE SB340	NDQZ000SB340
D1032	RECTIFIER DIODE BA157	NDQZ000BA157
D1033	SCHOTTKY BARRIER DIODE SB340	NDQZ000SB340
D1034	SCHOTTKY BARRIER DIODE SB340	NDQZ000SB340
D1035	RECTIFIER DIODE BA157	NDQZ000BA157
D1036	DIODE ZENER 5V1BSB-T26	NDTB5R1BST26
D1101	DIODE 1N5406	NDLZ001N5406
D1102	DIODE SWITCHING 1N4148-F0021	NDTZ01N4148F
D1103	DIODE SWITCHING 1N4148-F0021	NDTZ01N4148F
D1105	DIODE ZENER 11BSC-T26	NDTC011BSC26
D1107	DIODE SWITCHING 1N4148-F0021	NDTZ01N4148F
D1108	DIODE SWITCHING 1N4148-F0021	NDTZ01N4148F
D1120	DIODE ZENER 13BSB-T26	NDTB013BST26
D1121	DIODE SWITCHING 1N4148-F0021	NDTZ01N4148F
D1201	DIODE SWITCHING 1N4148-F0021	NDTZ01N4148F
D1202	DIODE SWITCHING 1N4148-F0021	NDTZ01N4148F
D1203	DIODE SWITCHING 1N4148-F0021	NDTZ01N4148F
D1204	DIODE SWITCHING 1N4148-F0021	NDTZ01N4148F
D1301	DIODE SWITCHING 1N4148-F0021	NDTZ01N4148F
D1302	DIODE SWITCHING 1N4148-F0021	NDTZ01N4148F
D1401	SCHOTTKY BARRIER DIODE GDSK34A-TR	ND1Z0GDSK34A
D1451	SCHOTTKY BARRIER DIODE GDSK34A-TR	ND1Z0GDSK34A
ICS		
IC1002	IC SWITCHING FA5573N-D1-TE1 SOP8	QSCA0T0FD002
IC1004▲	PHOTOCOUPLER PS2561A-1(W)	QPEWPS2561A1
IC1301	IC VOLTAGE REGULATOR PQ070XFC1SZF / 4PIN	QSZBA0RSH083
IC1401	IC DC-DC CONVERTER BD9321EFJ-E2	QSCA0T0RM102
IC1451	IC DC-DC CONVERTER BD9321EFJ-E2	QSCA0T0RM102
COILS		
L1001▲	COIL LINE FILTER ST0603FT20-009 0.027	LLEB0Z0Y2001
L1004	POWER INDUCTORS CWKBNP-220K	LLF2200KV002
L1101	CHOKER COIL 22μH-K	LLBD00PKV021

Ref. No.	Description	Part No.
L1201	CHOKE COIL 22μH-K	LLBD00PKV021
L1202	CHOKE COIL 22μH-K	LLBD00PKV021
L1305	RADIAL TYPE CHOKE COIL CW68-470K-841040NP	LLBD00PKV023
L1401	POWER INDUCTORS CWKBNP-100K	LLF1000KV002
L1451	POWER INDUCTORS CWKBNP-100K	LLF1000KV002
TRANSISTORS		
Q1001	PNP TRANSISTOR 2SA1980M Y	NQSY2SA1980M
Q1002	FET MOS 2SK3563(Q M)	QFQZSK3563QM
Q1103	PNP TRANSISTOR SMD 2SA1980SFY	NQ1Y2SA1980S
Q1104	NPN TRANSISTOR SMD 2SC5343SFG	NQ1G2SC5343S
Q1106	PNP TRANSISTOR 2SA1981Y-AT	NQSY02SA1981
Q1108	NPN TRANSISTOR STC403	NQEZ00STC403
Q1109	PNP TRANSISTOR SMD 2SA1980SFY	NQ1Y2SA1980S
Q1110	NPN TRANSISTOR SMD 2SC5343SFG	NQ1G2SC5343S
Q1120	NPN TRANSISTOR 2SC5344 Y	NQSY02SC5344
Q1121	PNP TRANSISTOR SMD 2SA1980SFY	NQ1Y2SA1980S
Q1122	NPN TRANSISTOR SMD 2SC5343SFG	NQ1G2SC5343S
Q1201	NPN TRANSISTOR 2SC5344 Y	NQSY02SC5344
Q1202	PNP TRANSISTOR STB1277LY-AT	NQSYSTB1277L
Q1203	PNP TRANSISTOR STB1277LY-AT	NQSYSTB1277L
Q1204	PNP TRANSISTOR SMD 2SA1980SFY	NQ1Y2SA1980S
Q1205	NPN TRANSISTOR SMD 2SC5343SFG	NQ1G2SC5343S
Q1301	NPN TRANSISTOR SMD 2SC5343SFG	NQ1G2SC5343S
RESISTORS		
R1003	CHIP RES. 1/10W J 100k Ω	RRXAJR5Z0104
R1009	CHIP RES. 1/10W J 8.2k Ω	RRXAJR5Z0822
R1010	CHIP RES. 1/10W J 33 Ω	RRXAJR5Z0330
R1011	CHIP RES. 1/10W J 2.2k Ω	RRXAJR5Z0222
R1012	CHIP RES. 1/10W J 2.2k Ω	RRXAJR5Z0222
R1013	CEMENT RESISTORS 3W J 1.2 Ω	RWJ1R2PAK005
R1016	RES CHIP 3216 1/4W J 47k Ω	RRX4473HH034
R1017	RES CHIP 3216 1/4W J 56k Ω	RRX4563HH034
R1018	RES CHIP 3216 1/4W 0 Ω	RRX4000HH044
R1019	CHIP RES. 1/10W J 56 Ω	RRXAJR5Z0560
R1021	CHIP RES. 1/10W J 100 Ω	RRXAJR5Z0101
R1022	CHIP RES. 1/10W J 10 Ω	RRXAJR5Z0100
R1023	CHIP RES. 1/10W J 4.7k Ω	RRXAJR5Z0472
R1024	METAL OXIDE FILM RES. 2W J 47k Ω	RN02473ZU001
R1025	METAL OXIDE FILM RES. 2W J 0.68 Ω	RN02R68ZU001
R1031	CHIP RES. 1/10W J 470 Ω	RRXAJR5Z0471
R1032	CHIP RES. 1/10W J 1k Ω	RRXAJR5Z0102
R1034	CHIP RES. 1/10W J 1 Ω	RRXAJR5Z01R0
R1035	CARBON RES. 1/4W J 5.1k Ω	RCX4JATZ0512
R1036	CHIP RES. 1/10W J 680 Ω	RRXAJR5Z0681
R1037	CHIP RES. 1/10W F 2k Ω	RRXAFR5H2001
R1038	CHIP RES. 1/10W F 270 Ω	RRXAFR5H2700
R1039	CHIP RES. 1/10W F 1.0k Ω	RRXAFR5H1001
R1040	CHIP RES. 1/10W F 1.0k Ω	RRXAFR5H1001
R1103	CHIP RES. 1/10W J 4.7k Ω	RRXAJR5Z0472
R1104	CHIP RES. 1/10W J 4.7k Ω	RRXAJR5Z0472
R1106	CARBON RES. 1/4W J 4.7k Ω	RCX4JATZ0472
R1107	CHIP RES. 1/10W J 47k Ω	RRXAJR5Z0473
R1108	CHIP RES. 1/10W J 10k Ω	RRXAJR5Z0103
R1112	CARBON RES. 1/4W J 220 Ω	RCX4JATZ0221
R1113	CARBON RES. 1/4W J 56 Ω	RCX4JATZ0560
R1117	CHIP RES. 1/10W J 47k Ω	RRXAJR5Z0473
R1118	CHIP RES. 1/10W J 47k Ω	RRXAJR5Z0473
R1120	CHIP RES. 1/10W J 150 Ω	RRXAJR5Z0151
R1121	CHIP RES. 1/10W J 150 Ω	RRXAJR5Z0151
R1123	CHIP RES. 1/10W J 47k Ω	RRXAJR5Z0473
R1125	CARBON RES. 1/4W J 27 Ω	RCX4JATZ0270
R1126	CHIP RES. 1/10W J 5.6k Ω	RRXAJR5Z0562

Ref. No.	Description	Part No.
R1127	CARBON RES. 1/4W J 47 Ω	RCX4JATZ0470
R1129	CHIP RES. 1/10W J 4.7k Ω	RRXAJR5Z0472
R1130	CHIP RES. 1/10W J 4.7k Ω	RRXAJR5Z0472
R1131	CHIP RES. 1/10W J 47k Ω	RRXAJR5Z0473
R1132	CARBON RES. 1/4W J 10 Ω	RCX4JATZ0100
R1133	WIRE CP STP-S-0.60	XZ40F0REN002
R1134	CHIP RES. 1/10W J 1k Ω	RRXAJR5Z0102
R1135	CHIP RES. 1/10W J 10k Ω	RRXAJR5Z0103
R1136	METAL OXIDE FILM RES. 2W J 0.22 Ω	RN02JZLZ0R22
R1137	CHIP RES. 1/10W J 10k Ω	RRXAJR5Z0103
R1138	CHIP RES. 1/10W J 10k Ω	RRXAJR5Z0103
R1201	CHIP RES. 1/10W J 4.7k Ω	RRXAJR5Z0472
R1202	CHIP RES. 1/10W J 10k Ω	RRXAJR5Z0103
R1203	CHIP RES. 1/10W J 4.7k Ω	RRXAJR5Z0472
R1204	CARBON RES. 1/4W J 82 Ω	RCX4JATZ0820
R1205	CARBON RES. 1/4W J 82 Ω	RCX4JATZ0820
R1206	CHIP RES. 1/10W J 10k Ω	RRXAJR5Z0103
R1208	METAL OXIDE FILM RES. 1W J 1.2 Ω	RN011R2ZU001
R1209	CHIP RES. 1/10W J 10k Ω	RRXAJR5Z0103
R1301	CHIP RES. 1/10W J 4.7k Ω	RRXAJR5Z0472
R1302	CHIP RES. 1/10W J 2.2k Ω	RRXAJR5Z0222
R1303	CHIP RES. 1/10W F 10k Ω	RRXAFR5H1002
R1304	CHIP RES. 1/10W F 15k Ω	RRXAFR5H1502
R1305	CHIP RES. 1/10W F 2k Ω	RRXAFR5H2001
R1306	CHIP RES. 1/10W J 4.7k Ω	RRXAJR5Z0472
R1307	CHIP RES. 1/10W J 1k Ω	RRXAJR5Z0102
R1401	CHIP RES. 1/10W J 5.1k Ω	RRXAJR5Z0512
R1402	CHIP RES.(1608) 1/10W 0 Ω	RRXAZR5Z0000
R1403	CHIP RES. 1/10W F 1.5k Ω	RRXAFR5H1501
R1404	CHIP RES. 1/10W F 3.3k Ω	RRXAFR5H3301
R1451	CHIP RES. 1/10W J 10k Ω	RRXAJR5Z0103
R1452	CHIP RES. 1/10W J 8.2k Ω	RRXAJR5Z0822
R1453	CHIP RES. 1/10W F 1.5k Ω	RRXAFR5H1501
R1454	CHIP RES. 1/10W F 2.2k Ω	RRXAFR5H2201
R1455	CHIP RES. 1/10W F 3.3k Ω	RRXAFR5H3301
R5000	CHIP RES.(1608) 1/10W 0 Ω	RRXAZR5Z0000
MISCELLANEOUS		
2L058	SCREW S-TIGHT M3X8 BIND HEAD+	GBJC3060
B74	HEAT SINK E2A00JD	1VM424636E
F1001▲	FUSE TIME RAG FIH 250V 2.5A	PDGJBB0NG252
FH1001	FUSE HOLDER MSF-015 LF (B110)	XH01Z00LY002
FH1002	FUSE HOLDER MSF-015 LF (B110)	XH01Z00LY002
SA1001▲	VARIATOR 10D 221K SVR	NVQZVR10D221
T1001▲	TRANS POWER BCK-28-9936	LTT2PC0XB040

SD CBA

Ref. No.	Description	Part No.
	SD CBA Consists of the following:	-----
CAPACITORS		
C5001	CHIP CERAMIC CAP.(1608) B K 0.1μF/16V	CHD1CK30B104
C5002	CHIP CERAMIC CAP.(1608) CH J 100pF/50V	CHD1J3CH101
C5003	CHIP CERAMIC CAP.(2125) B K 10μF/6.3V	CHE0KK30B106
C5004	CHIP CERAMIC CAP.(1608) CH J 1000pF/50V	CHD1J3CH102
C5008	CHIP CERAMIC CAP.(1608) CH J 33pF/50V	CHD1J3CH330
CONNECTORS		
CN5000	CONNECTOR IC CARD MES 9PIN 1903572	JF19090AP001
CN5001	FFC CONNECTOR 15P IMSA-9615S-15A-PP-A	JC96J15ER007
COILS		
L5001	CHIP RES.(1608) 1/10W 0 Ω	RRXAZR5Z0000
L5002	CHIP INDUCTOR LK160882NM-T	LLACMB3TU82N

Ref. No.	Description	Part No.
RESISTORS		
R5001	CHIP RES. 1/10W J 47 Ω	RRXAJR5Z0470
R5002	CHIP RES. 1/10W J 47 Ω	RRXAJR5Z0470
R5003	CHIP RES. 1/10W J 47 Ω	RRXAJR5Z0470
R5004	CHIP RES. 1/10W J 22 Ω	RRXAJR5Z0220
R5005	CHIP RES. 1/10W J 47 Ω	RRXAJR5Z0470
R5006	CHIP RES. 1/10W J 47 Ω	RRXAJR5Z0470

RS232C CBA

Ref. No.	Description	Part No.
	RS232C CBA Consists of the following:	-----
CAPACITORS		
C5500	CHIP CERAMIC CAP.(1608) B K 0.1 μ F/25V	CHD1EK30B104
C5501	CHIP CERAMIC CAP.(1608) B K 0.1 μ F/25V	CHD1EK30B104
C5502	CHIP CERAMIC CAP.(1608) B K 0.1 μ F/25V	CHD1EK30B104
C5503	CHIP CERAMIC CAP.(1608) B K 0.1 μ F/25V	CHD1EK30B104
C5504	CHIP CERAMIC CAP.(1608) B K 0.1 μ F/25V	CHD1EK30B104
C5505	ELECTROLYTIC CAP. 47 μ F/16V/M	CEC47RENW016
C5506	ELECTROLYTIC CAP. 47 μ F/16V/M	CEC47RENW016
C5507	CHIP RES. 1/10W J 10k Ω	RRXAJR5Z0103
C5553	ELECTROLYTIC CAP. 100 μ F/10V/M	CEB101ENW016
CONNECTORS		
CN5500	CONNECTOR KAKU MES J 09 R DBR40-091F200	JBDB090JD001
CN5501	FFC CONNECTOR 6P IMSA-9615S-06C-PP-A	JC96J06ER009
ICS		
IC5500	IC RS232C DRIVER SP232ACN-L/TR	NSZBA0T0D004
IC5550	PHOTOCOUPLER EL817C	NPEC000EL817
COILS		
L5500	CHIP BEAD GZ1608D121T(F)	XL06001SSN04
L5501	CHIP BEAD GZ1608D121T(F)	XL06001SSN04
TRANSISTORS		
Q5500	PNP TRANSISTOR 2SA1980M Y	NQSY2SA1980M
Q5501	NPN TRANSISTOR SMD 2SC5343SFG	NQ1G2SC5343S
Q5551	NPN TRANSISTOR RES-IN SRC1206SF	NQ1ZSRC1206S
Q5552	NPN TRANSISTOR RES-IN SRC1206SF	NQ1ZSRC1206S
RESISTORS		
R5500	CHIP RES. 1/10W J 1.8k Ω	RRXAJR5Z0182
R5501	CHIP RES. 1/10W J 10k Ω	RRXAJR5Z0103
R5502	CHIP RES. 1/10W J 1k Ω	RRXAJR5Z0102
R5503	CHIP RES. 1/10W J 2k Ω	RRXAJR5Z0202
R5504	CARBON RES. 1/4W J 33 Ω	RCX4JATZ0330
R5551	CHIP RES. 1/10W J 68k Ω	RRXAJR5Z0683
R5552	CHIP RES. 1/10W J 68k Ω	RRXAJR5Z0683
R5553	CHIP RES. 1/10W J 3.3k Ω	RRXAJR5Z0332
R5554	CHIP RES. 1/10W J 240 Ω	RRXAJR5Z0241
R5555	CHIP RES.(1608) 1/10W 0 Ω	RRXAZB5Z0000
R5558	CHIP RES.(1608) 1/10W 0 Ω	RRXAZB5Z0000
MISCELLANEOUS		
JK5550	PHONE JACK MSJ-035-39D-B-PPO	JYSL020LY011

Integra Division of

ONKYO CORPORATION

Service Dept. Technical Support : 2-1, Nisshin-cho, Neyagawa-shi, OSAKA 572-8540, JAPAN

Tel: 072-831-8023 Fax: 072-831-8163 <http://www.onkyo.com/>

Integra Division of

ONKYO U.S.A. CORPORATION

18 Park Way, Upper Saddle River, N.J. 07458, U.S.A.

Tel: 800-225-1946, 201-818-9200 Fax: 201-785-2650 <http://www.integrahometheater.com>