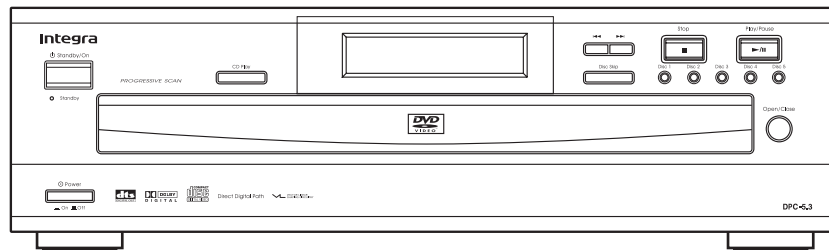


Integra SERVICE MANUAL

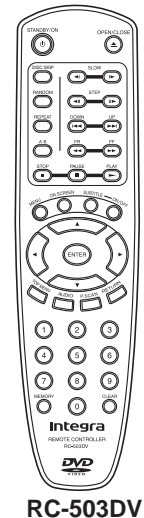
Sep, 2002

DVD CHANGER MODEL DPC-5.3




Black model

BUDD	120V AC, 60Hz
------	---------------



RC-503DV

SAFETY-RELATED COMPONENT WARNING!!

COMPONENTS IDENTIFIED BY MARK  ON THE SCHEMATIC DIAGRAM AND IN THE PARTS LIST ARE CRITICAL FOR RISK OF FIRE AND ELECTRIC SHOCK. REPLACE THESE COMPONENTS WITH ONKYO PARTS WHOSE PART NUMBERS APPEAR AS SHOWN IN THIS MANUAL.

MAKE LEAKAGE-CURRENT OR RESISTANCE MEASUREMENTS TO DETERMINE THAT EXPOSED PARTS ARE ACCEPTABLY INSULATED FROM THE SUPPLY CIRCUIT BEFORE RETURNING THE APPLIANCE TO THE CUSTOMER.

SPECIFICATIONS

DVD Changer

Power supply	AC 120 V, 60 Hz
Power consumption	20 W
Weight	15.0 lbs
External dimensions	17 ¹ / ₈ " x 5 ¹ / ₁₆ " x 16 ¹⁵ / ₁₆ " (W/H/D)
Signal system	NTSC
Frequency range (digital audio)	48 kHz sampling 4 Hz to 22 kHz 96 kHz sampling 4 Hz to 42 kHz
Signal-to-noise ratio (digital audio)	More than 98 dB
Audio dynamic range (digital audio)	More than 95 dB
Harmonic distortion (digital audio)	Less than 0.008 %
Wow and flutter	Below measurable level
Operating conditions	Temperature: 5° C to 35° C (41° F to 95° F) Operation status: Horizontal

Outputs

Video output	1.0 V (p-p), 75 ohm, negative sync., pin jack x 1
S-video output	(Y) 1.0V (p-p), 75 ohm, negative sync. (C) 0.286 V (p-p), 75 ohm Mini DIN 4-pin x 1
Component video output	(Y) 1.0 V (p-p), 75 ohm, negative sync., pin jack x 1 (P _B)/(P _R) 0.7 V (p-p), 75 ohm pin jack x 2
Audio output (digital output Optical)	Optical connector x 1
Audio output (digital output Coaxial)	0.5 V (p-p), 75 ohm, pin jack x 1
Audio output (analog output)	2.0 V (rms), 320 ohm, pin jack (L, R) x 2

Specifications and features are subject to change without notice.

SERVICE PROCEDURE

PRECAUTIONS

1. Ground for the work-desk.

Place a conductive sheet such as a sheet of copper (with impedance lower than 10M ohm) on the work-desk and place the set on the conductive sheet so that the chassis.

2. Grounding for the test equipments and tools.

Test equipments and toolings should be grounded in order that their ground level is the same the ground of the power source.

3. Grounding for the human body.

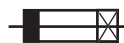
Be sure to put on a wrist-strap for grounding whose other end is grounded.

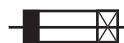
Be particularly careful when the workers wear synthetic fiber clothes, or air is dry.


4. Select a soldering iron that permits no leakage and have the tip of the iron well-grounded.

5. Do not check the laser diode terminals with the probe of a circuit tester or oscilloscope.

1. Replacing the fuses

 This symbol located near the fuse indicates that the fuse used is show operating type, For continued protection against fire hazard, replace with same type fuse , For fuse rating, refer to the marking adjust to the symbol.

 Ce symbole indique que le fusible utilise est e lent. Pour une protection permanente, n'utiliser que des fusibles de meme type. Ce demier est indique la qu le present symbol est appose.

REF.NO.	PART NO.	DESCRIPTION
F1	SR-5, T 2A 	250VCA T 2.0A

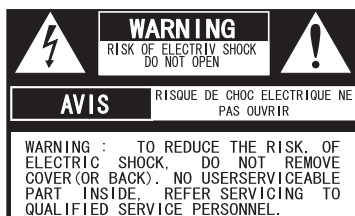
2. Safety-check out

(Only U.S.A. model)

After correcting the original service problem perform the following safety check before releasing the set to the customer
 Connect the insulating-resistance tester between the plug of power supply cord and terminal GND on the back panel.

Specifications: More than 10M ohm at 500V

LASER CAUTION



The lightning flash with arrowhead symbol, within an equilateral triangle, is intended to alert the user to the presence of uninsulated "dangerous voltage" within the product's enclosure that may be of sufficient magnitude to constitute a risk of electric shock to persons.



The exclamation point within an equilateral triangle is intended to alert the user to the presence of important operating and maintenance (servicing) instruction in the literature accompanying the appliance.

WARNING : TO REDUCE THE RISK OF FIRE OR ELECTRIC SHOCK, DO NOT EXPOSE THIS APPLIANCE TO RAIN OR MOISTURE. DANGEROUS HIGH VOLTAGES ARE PRESENT INSIDE THE ENCLOSURE. DO NOT OPEN THE CABINET. REFER SERVICING TO QUALIFIED PERSONNEL ONLY.

CAUTION : TO PREVENT ELECTRIC SHOCK, MATCH WIDE BLADE OF PLUG TO WIDE SLOT, FULLY INSERT.

ATTENTION : POUR EVITER LES CHOCES ELECTRIQUE, INTRODUIRE LA LAME LA PLUS LARGE DA LA FICHE DANS LA BORNE CORRESPONDANTE DA LA PRISE ET POUSSER JUSQU' AU FOND.

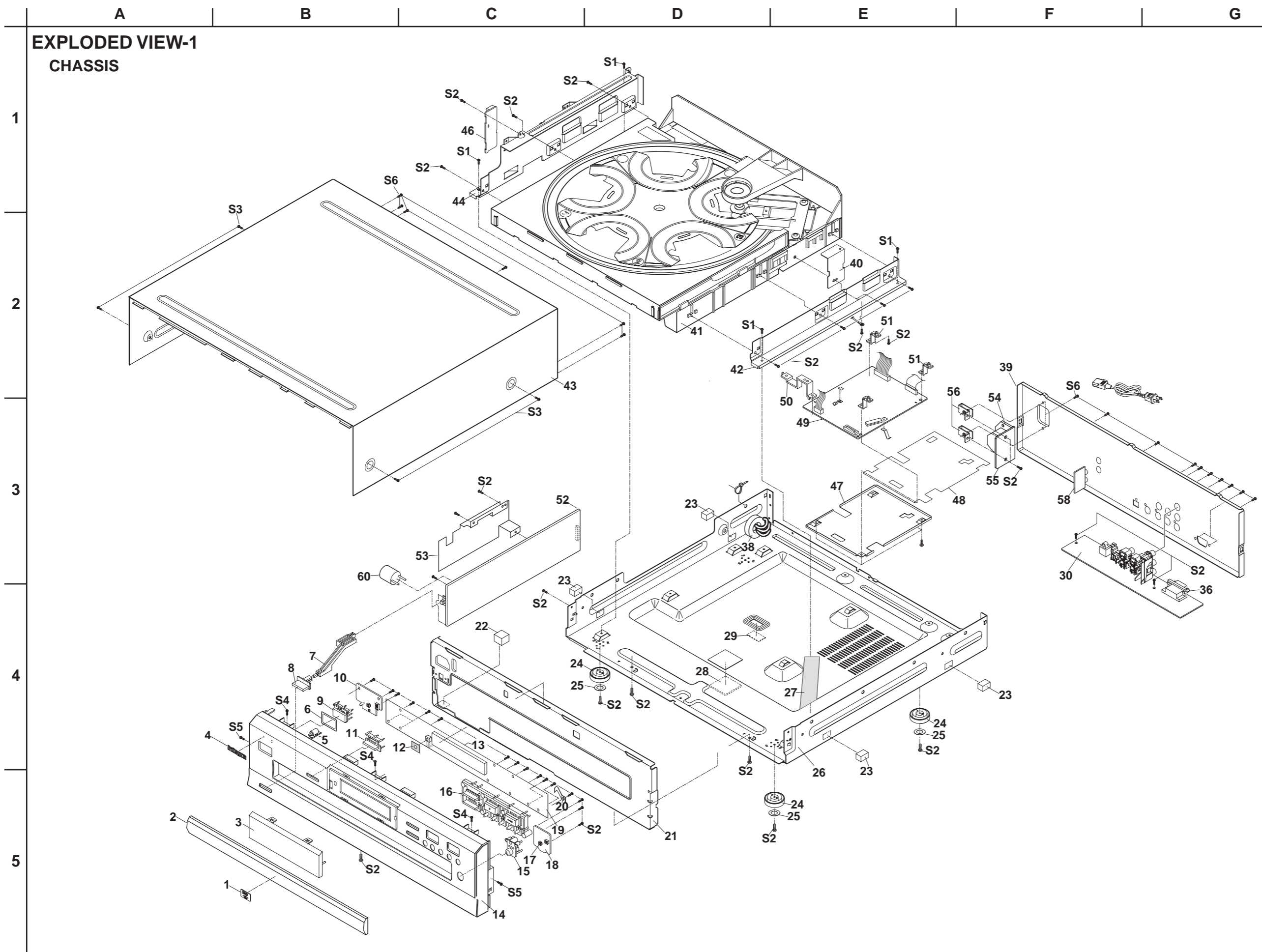
Initialization of setup

1. Press the "CD PLAY" and "DISC 3" key to the same timing on the front panel.

You will see that the program is updated by watching the version in the FL tube.

2. Push the power switch.

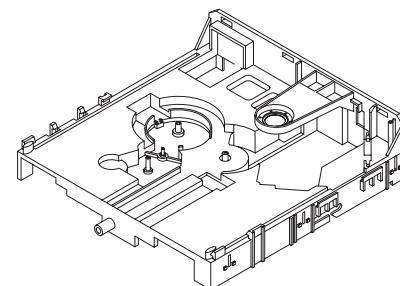
EXPLODED VIEW-1
CHASSIS



CLAMPER DVD ASS'Y
Part No. 55542660



BASE ASS'Y - CDM5G
Part No.55542650



EXPLODED VIEW-2 DVD Mechanism

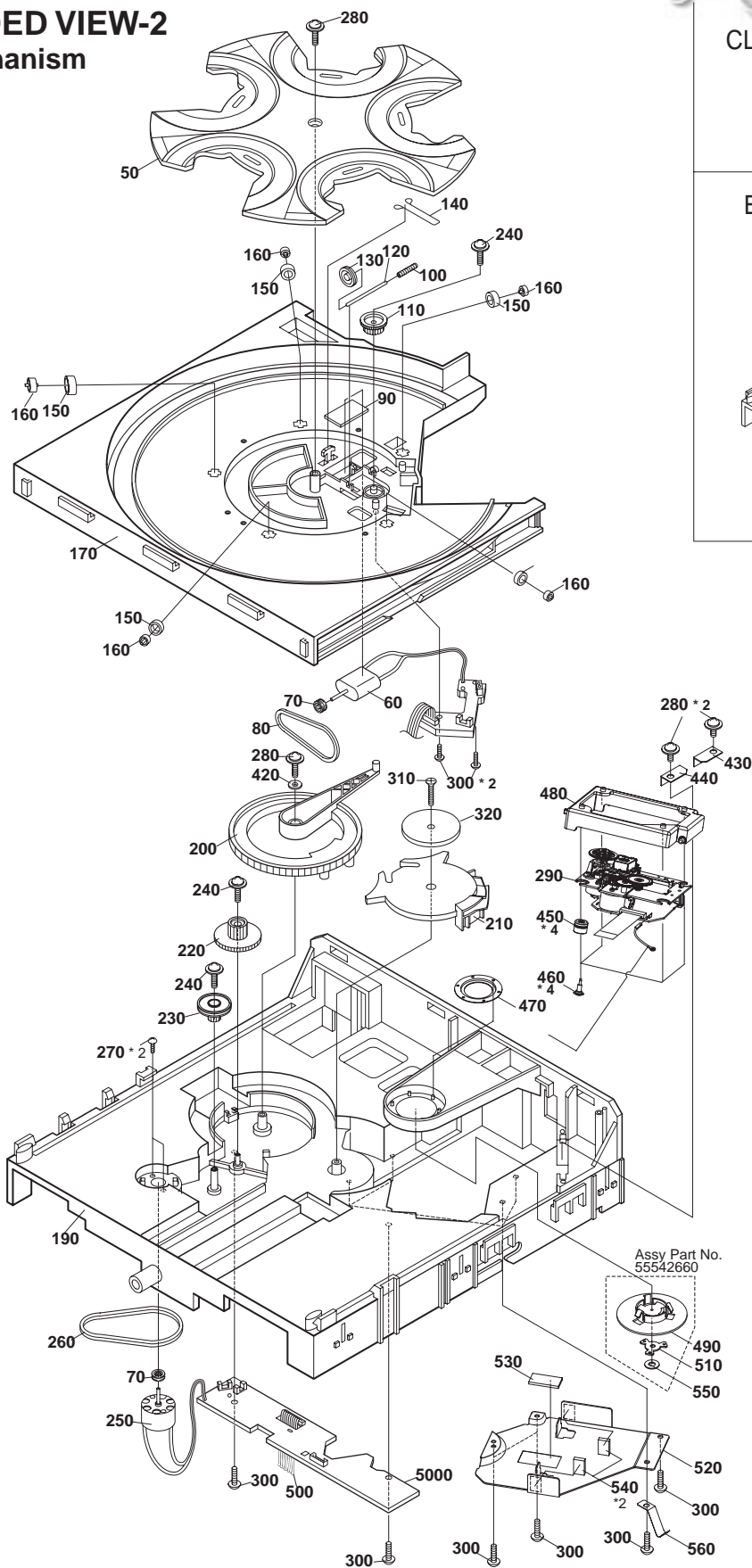
1

2

3

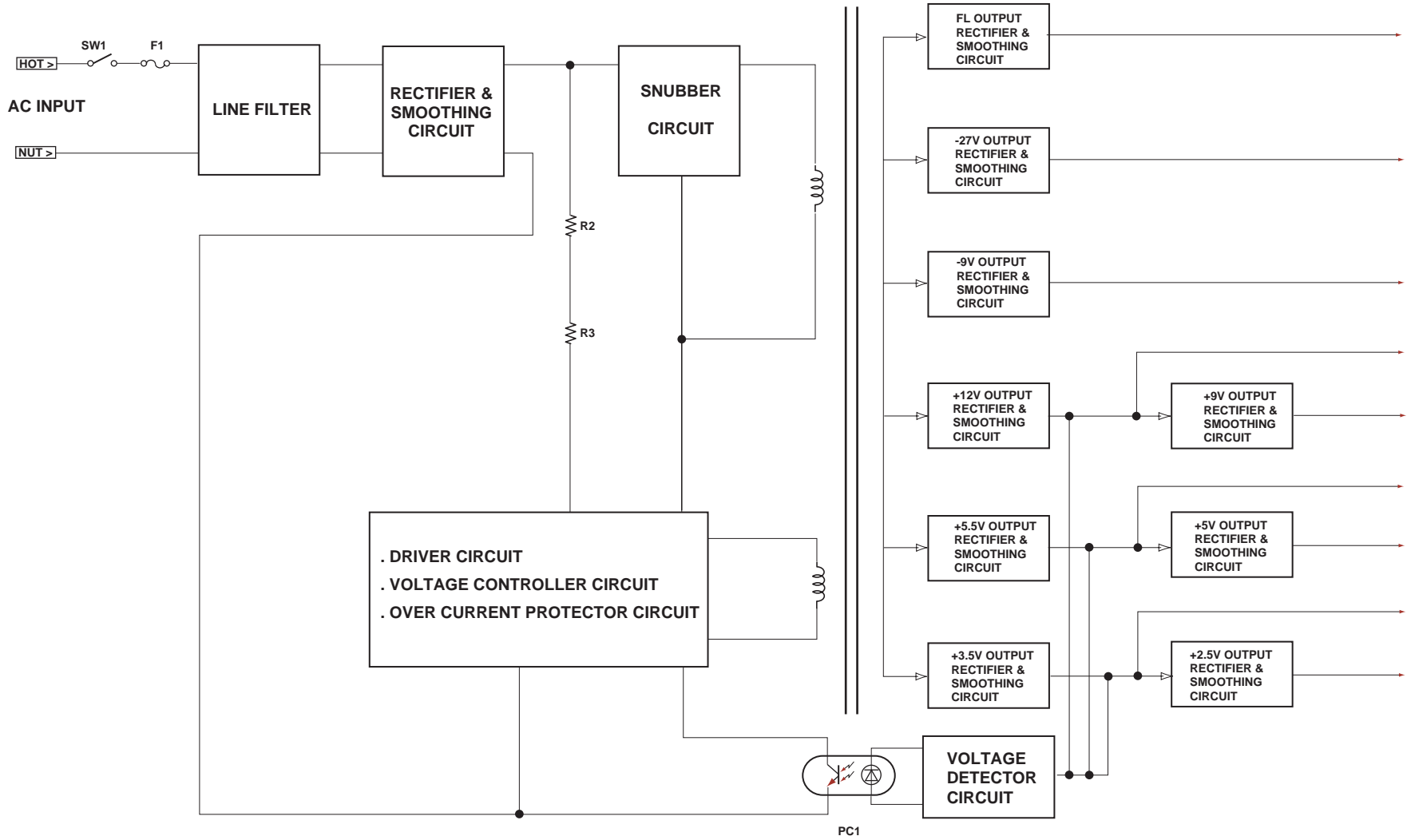
4

5



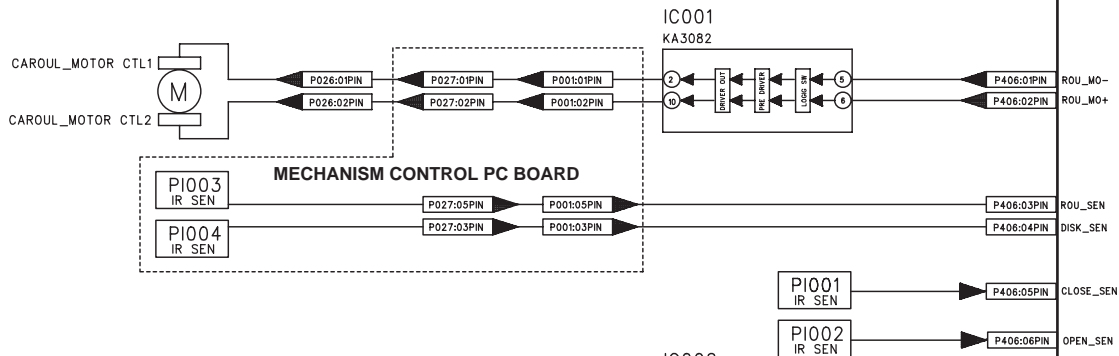
BLOCK DIAGRAM -5
POWER SUPPLY UNIT

1
2
3
4

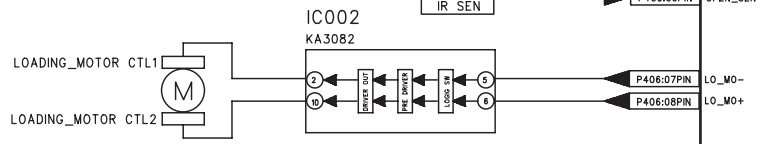


BLOCK DIAGRAM -4 DVD MECHANISM & OUTPUT CIRCUIT

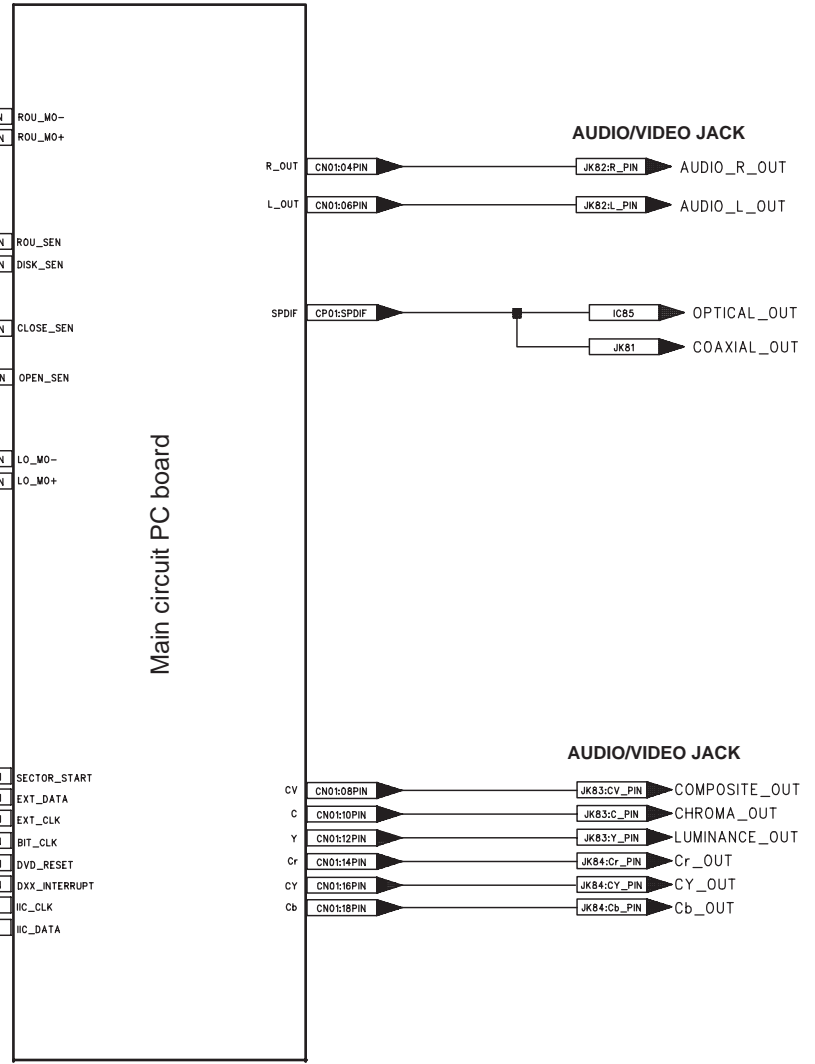
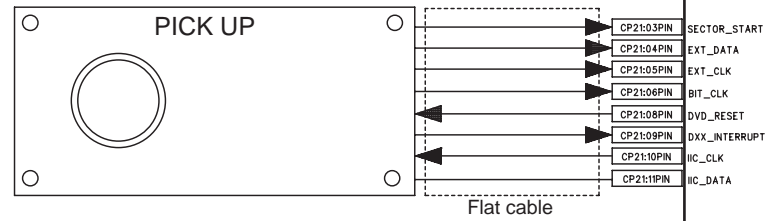
1



2



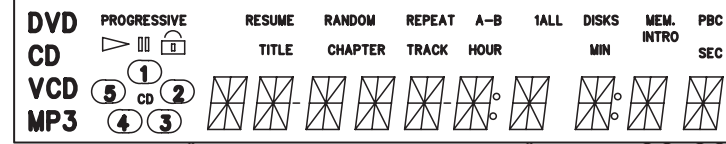
3



4

BLOCK DIAGRAM -3
DISPLAY SECTION

FL91
DISPLAY HNv-12SM24

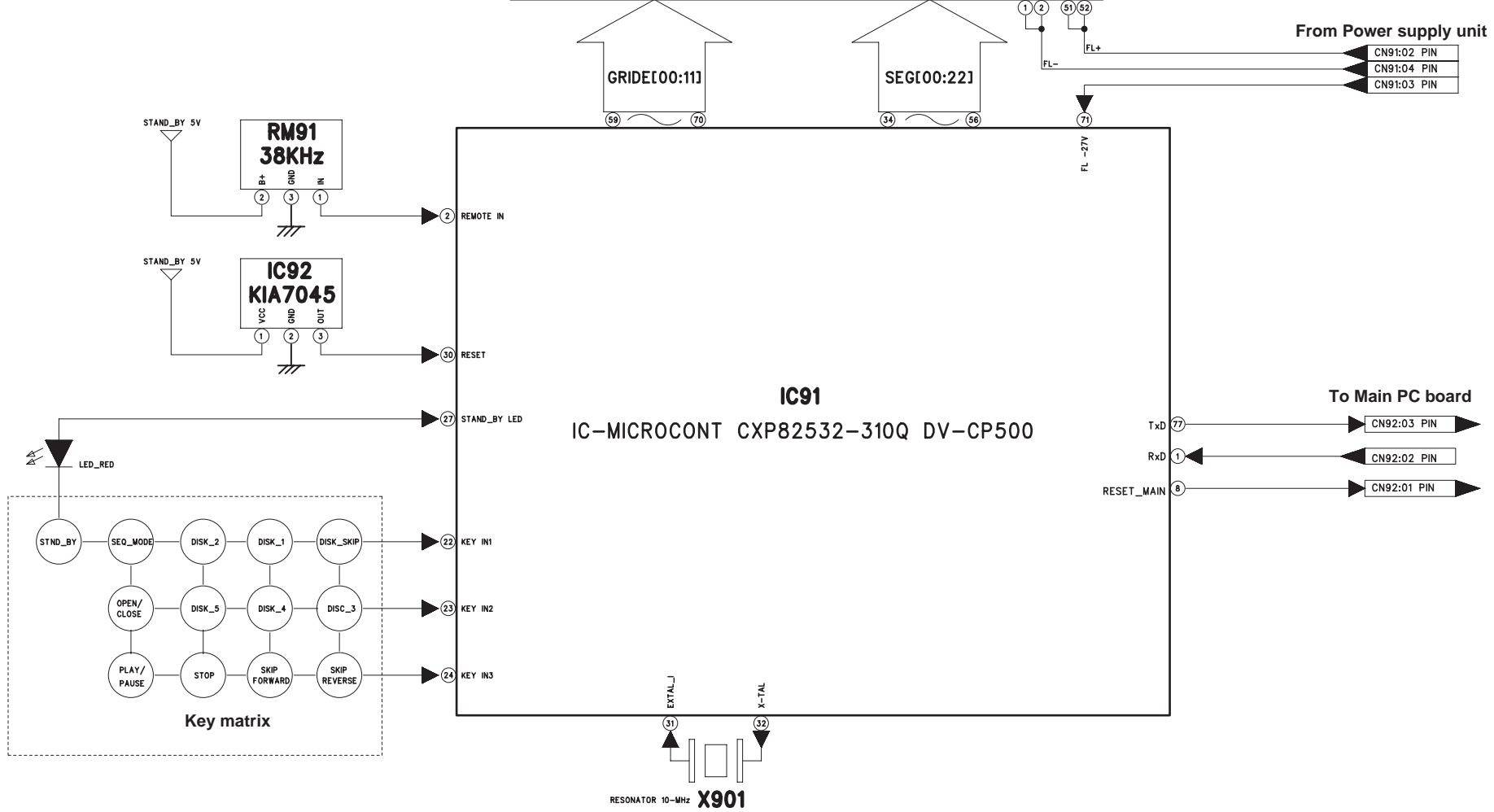


1

2

3

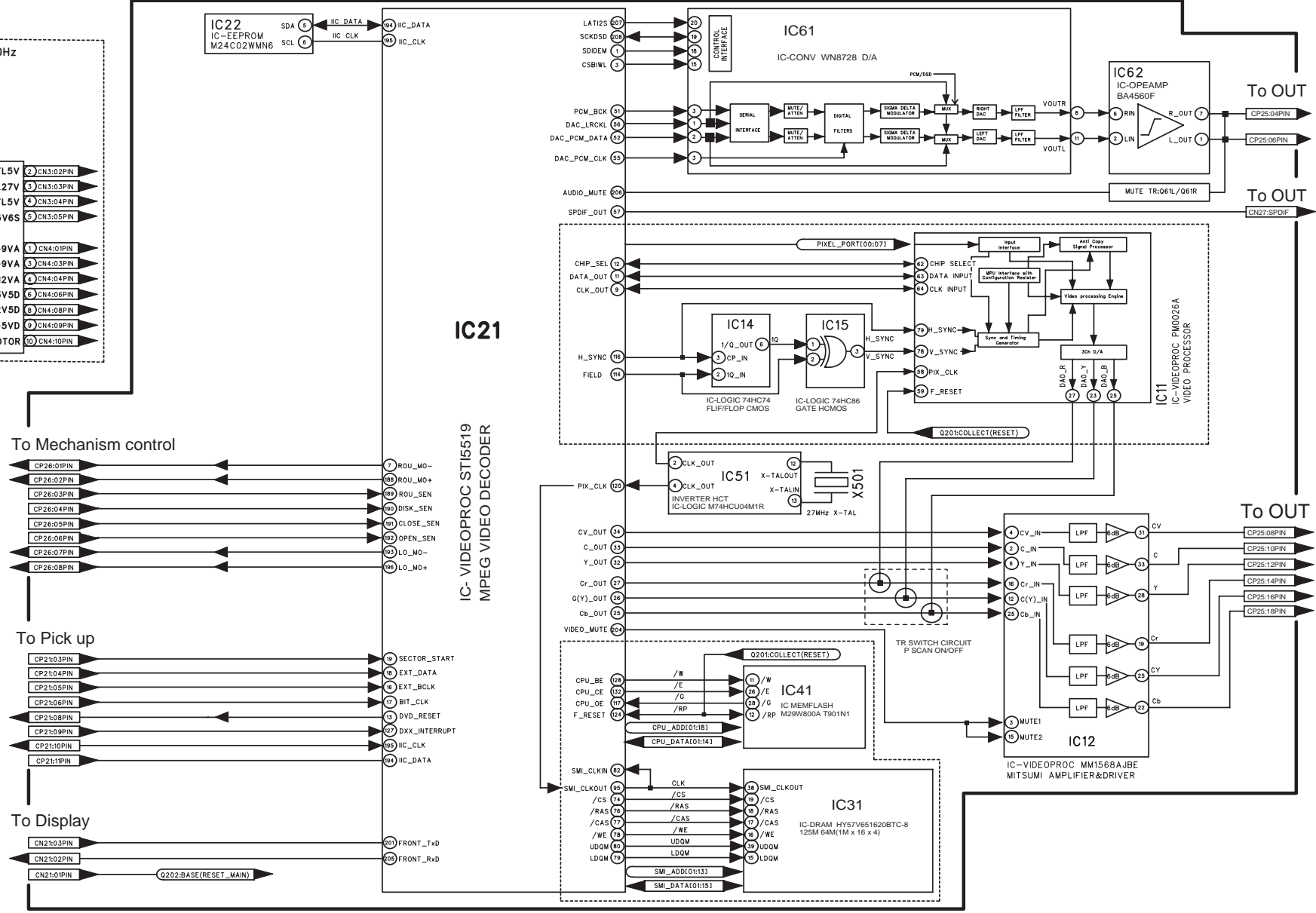
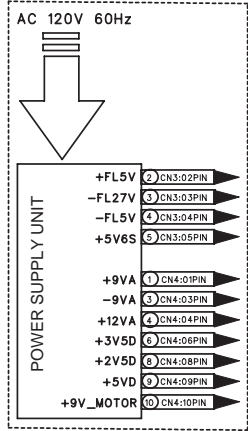
4



BLOCK DIAGRAM -2

MAIN CIRCUIT BOARD

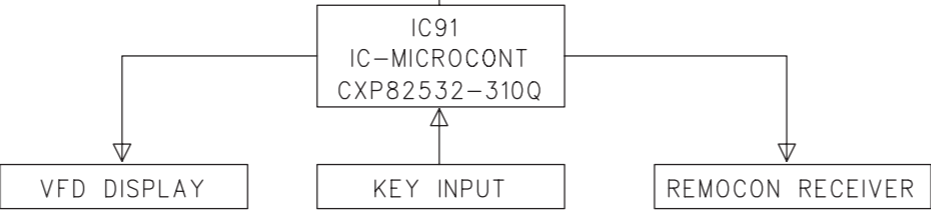
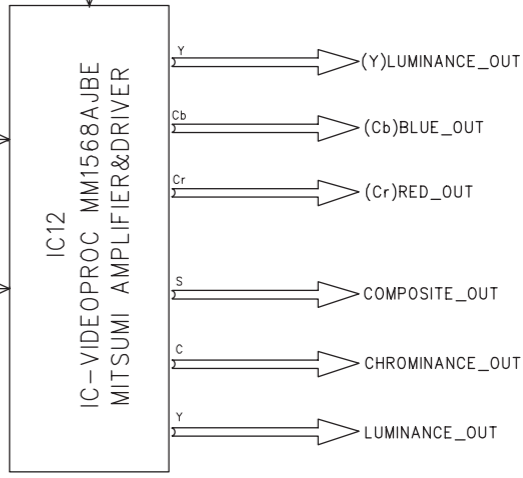
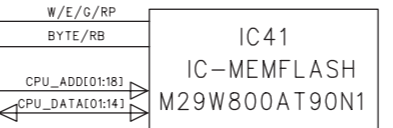
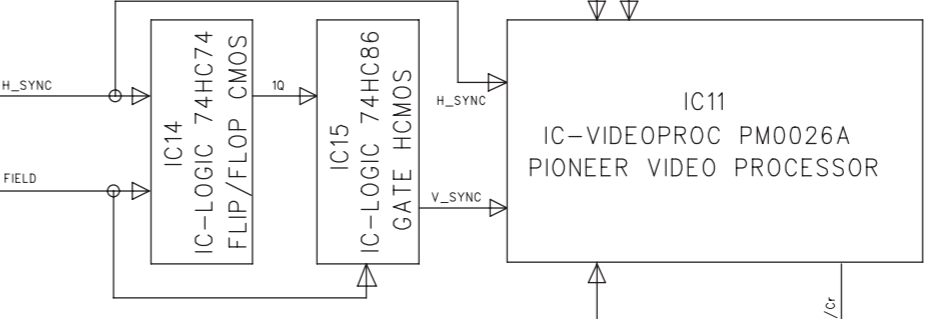
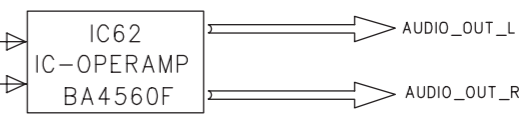
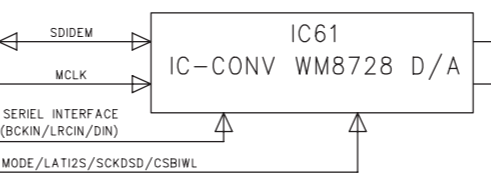
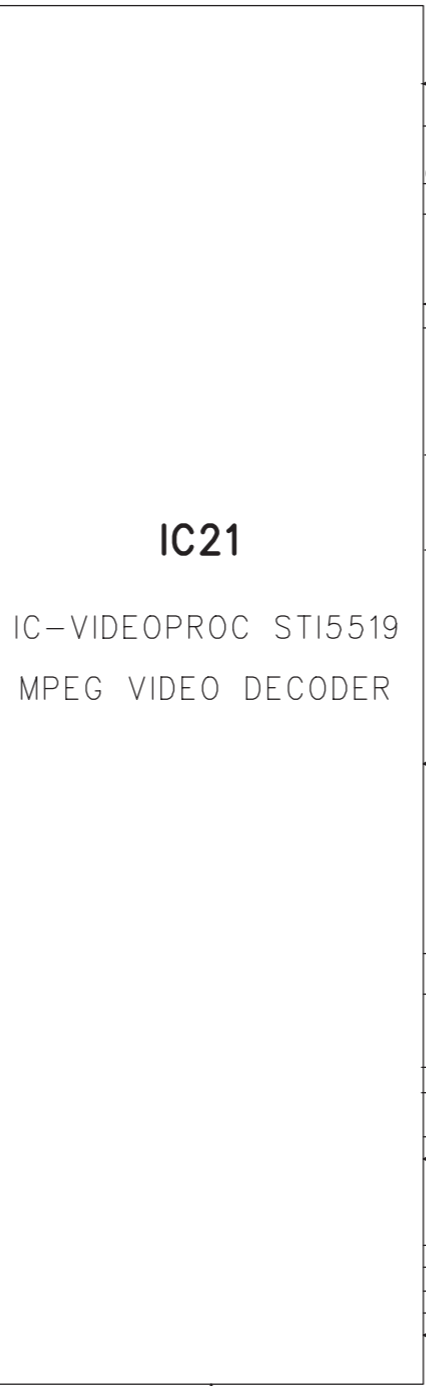
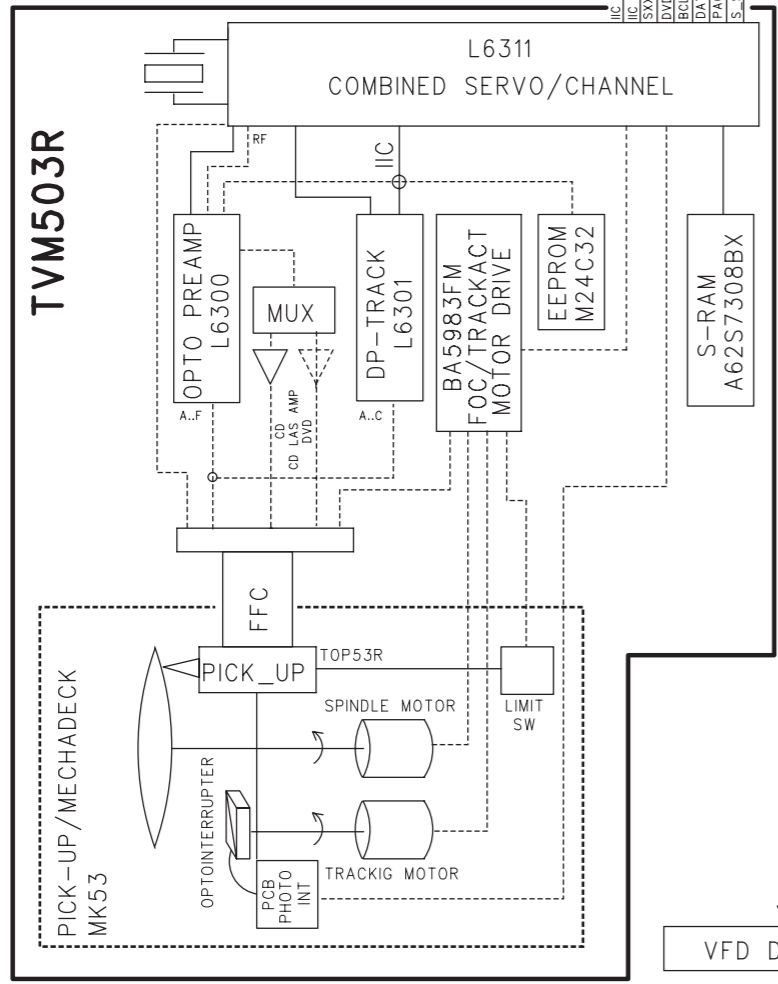
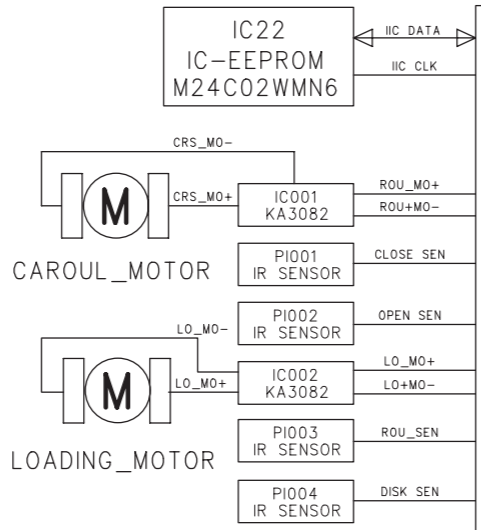
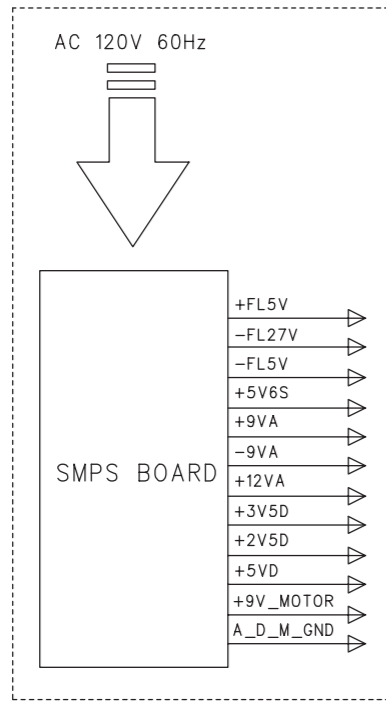
1
2
3
4



BLOCK DIAGRAM-1

OVER ALL

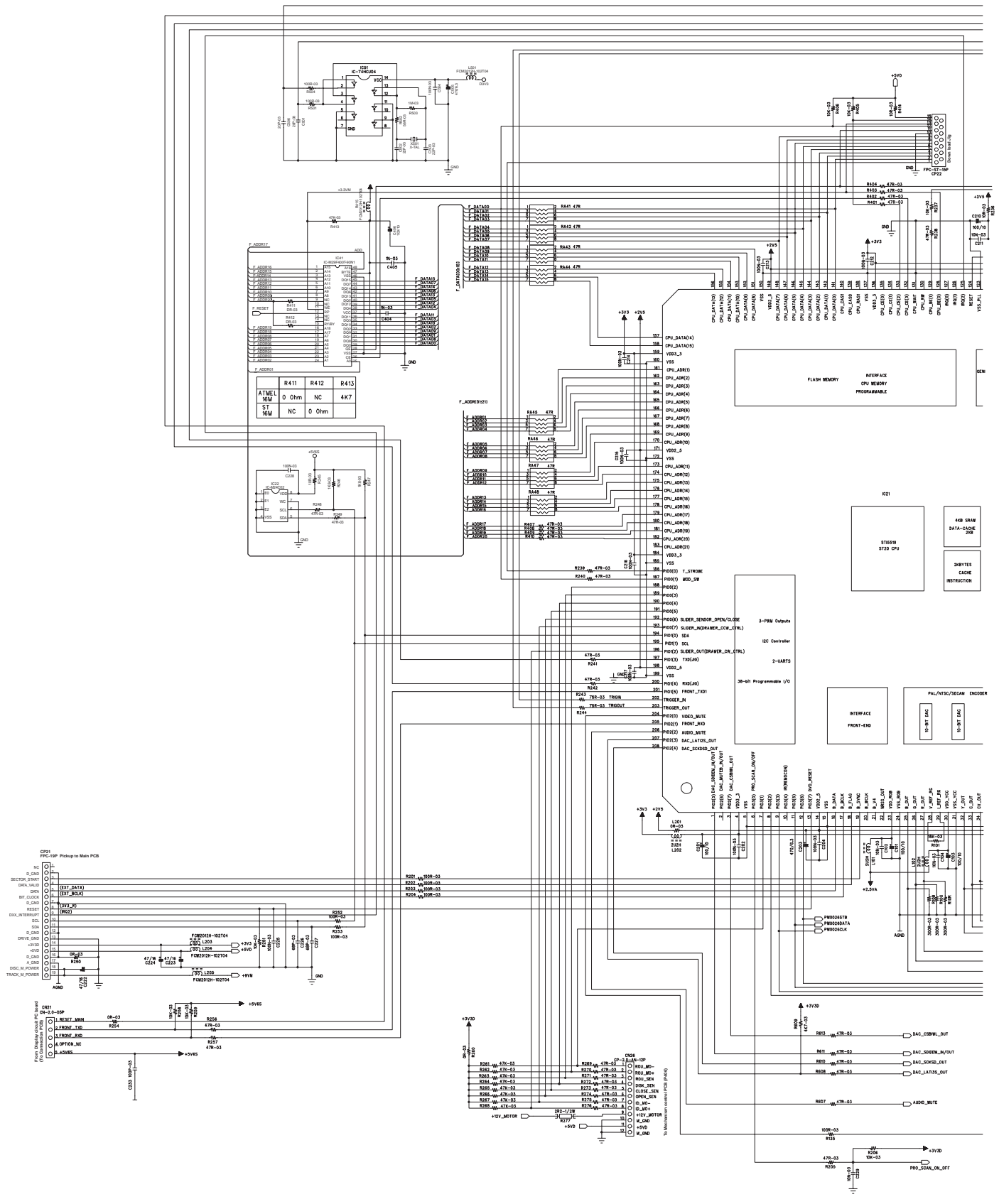
1
2
3
4
5



A B C

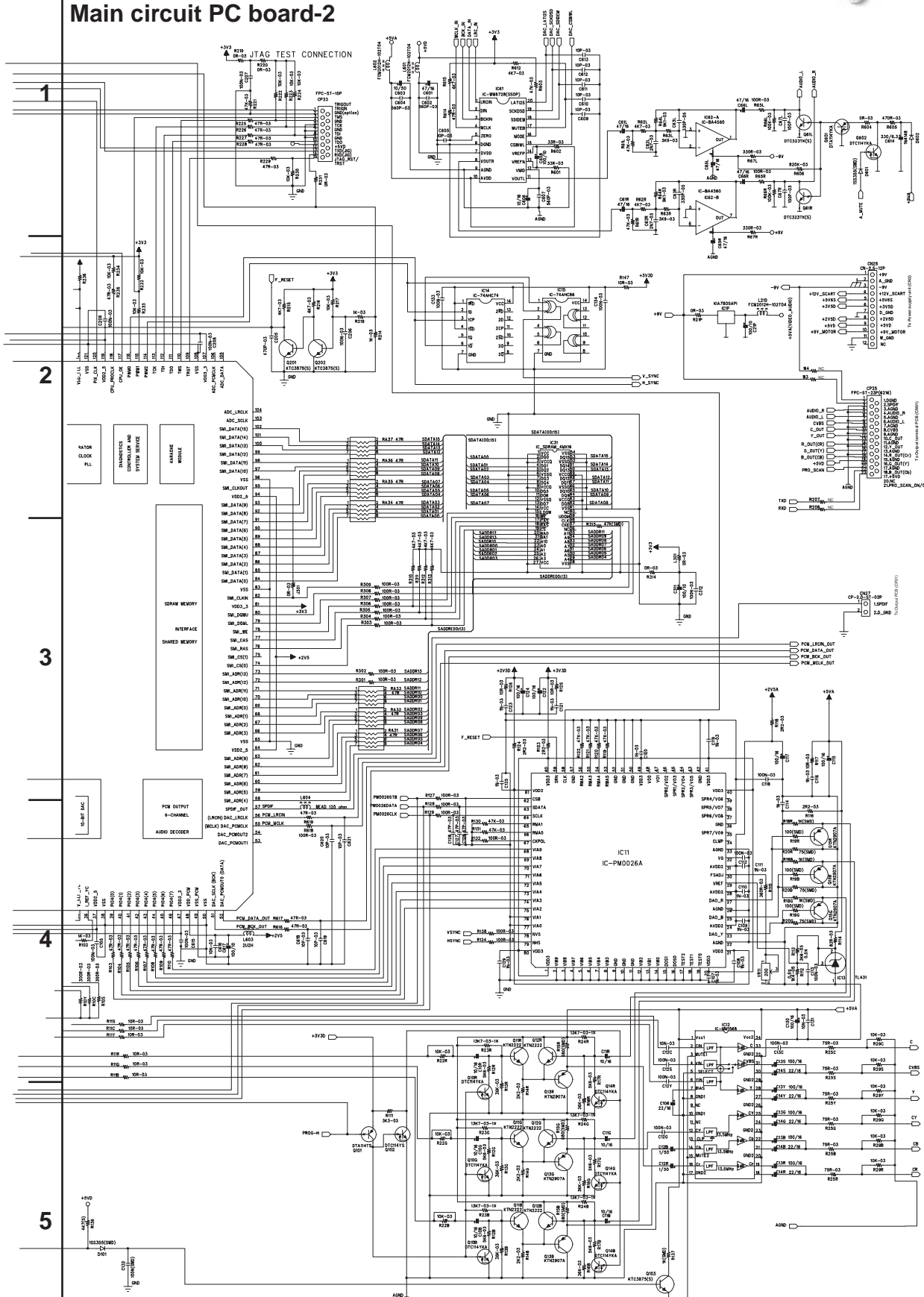
SCHEMATIC DIAGRAM
Main circuit PC board-1

1
2
3
4
5



SCHEMATIC DIAGRAM

Main circuit PC board-2



SCHEMATIC DIAGRAM-1
MAIN CIRCUIT PC BOARD

1

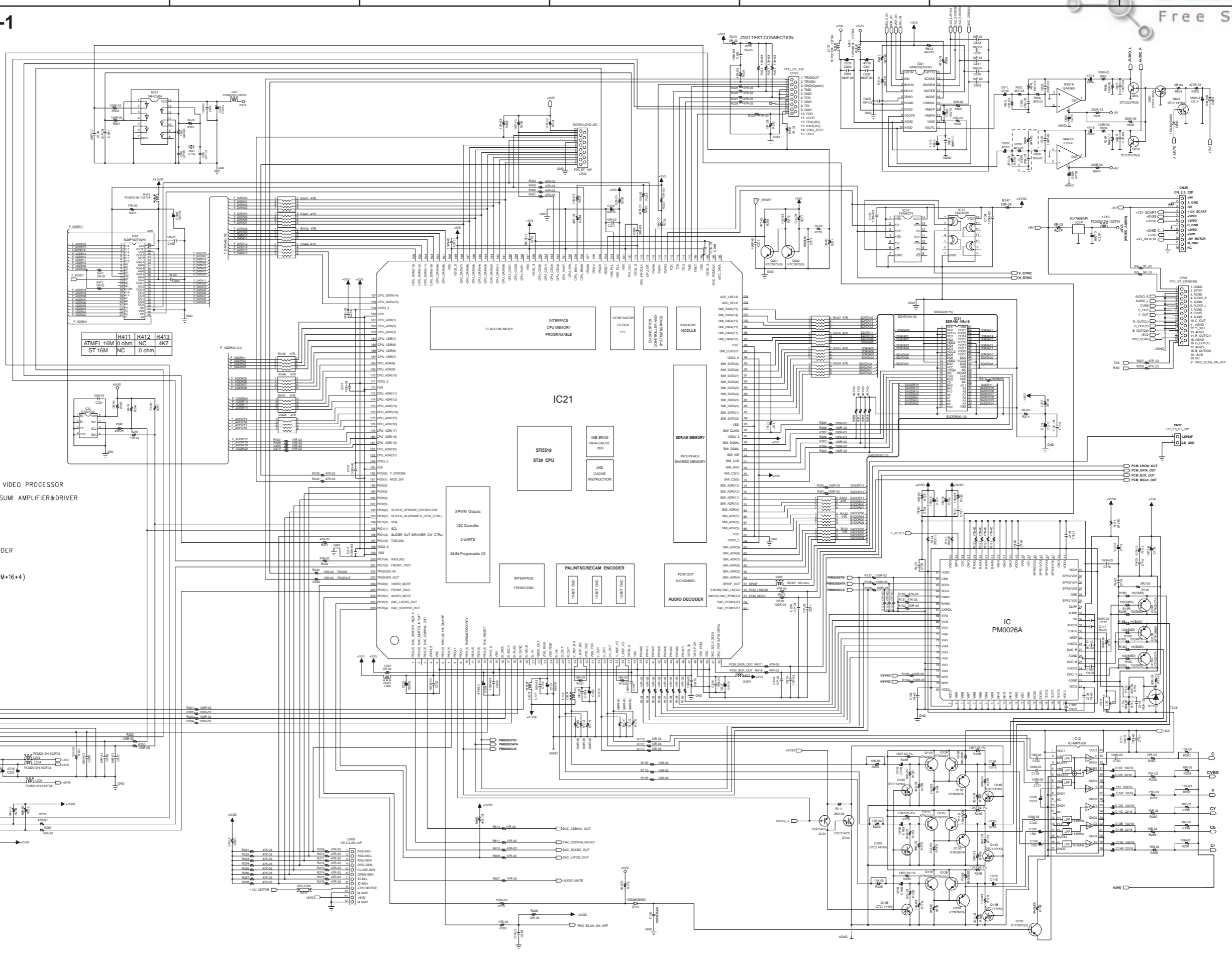
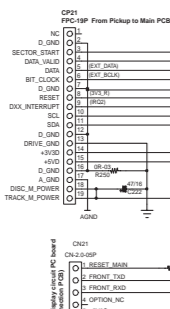
2

3

4

5

- IC11 IC-VIDEOPROC PM0026A LQFP80 PIONEER VIDEO PROCESSOR
- IC12 IC-VIDEOPROC MM1568AJBE SSOP34A MITSUMI AMPLIFIER&DRIVER
- IC13 IC-REGSPECKT TL431
- IC14 IC-LOGIC 74HC74 FLIP/FLOP CMOS
- IC15 IC-LOGIC 74HC86 GATE HCMOS
- IC21 IC-VIDEOPROC ST15519 MPEG VIDEO DECODER
- IC22 IC-EEPROM M24C02WMN6
- IC31 IC-DRAM HY57V651620BTC-8 125M 64M(1M*16*4)
- IC41 IC-MEMFLASH M29W800AT90N1
- IC51 IC-LOGIC M74HCU04MIR INVERTER HCT
- IC61 IC-CONV WM8728 D/A
- IC62 IC-OPERAMP BA4560F DUAL OP
- ICP1 IC-REGP5FXD KIA7805PI NORMAL



A **B** **C** **D**
SCHEMATIC DIAGRAM-2

OUTPUT TERMINAL PC BOARD

1

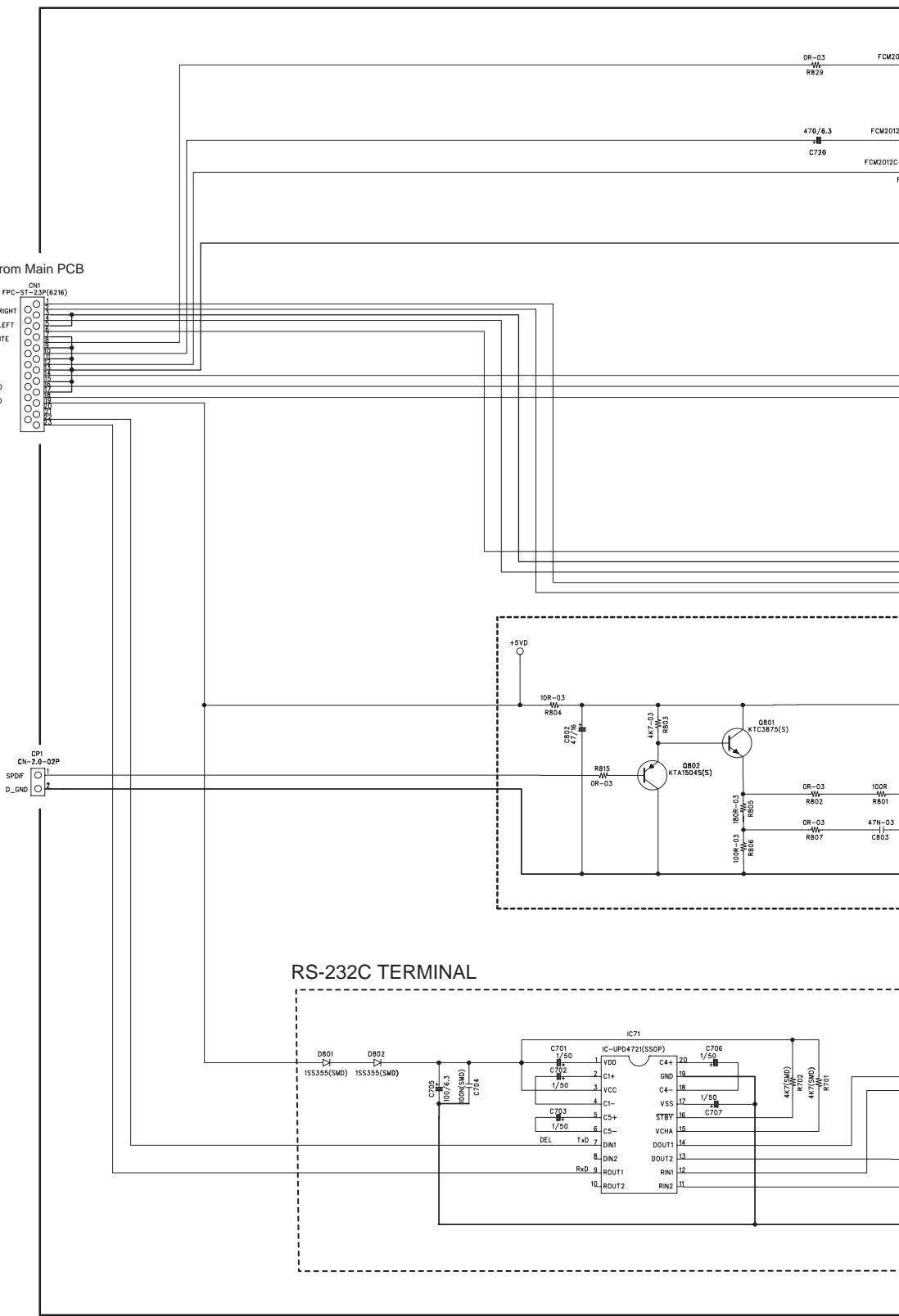
2

3

4

5

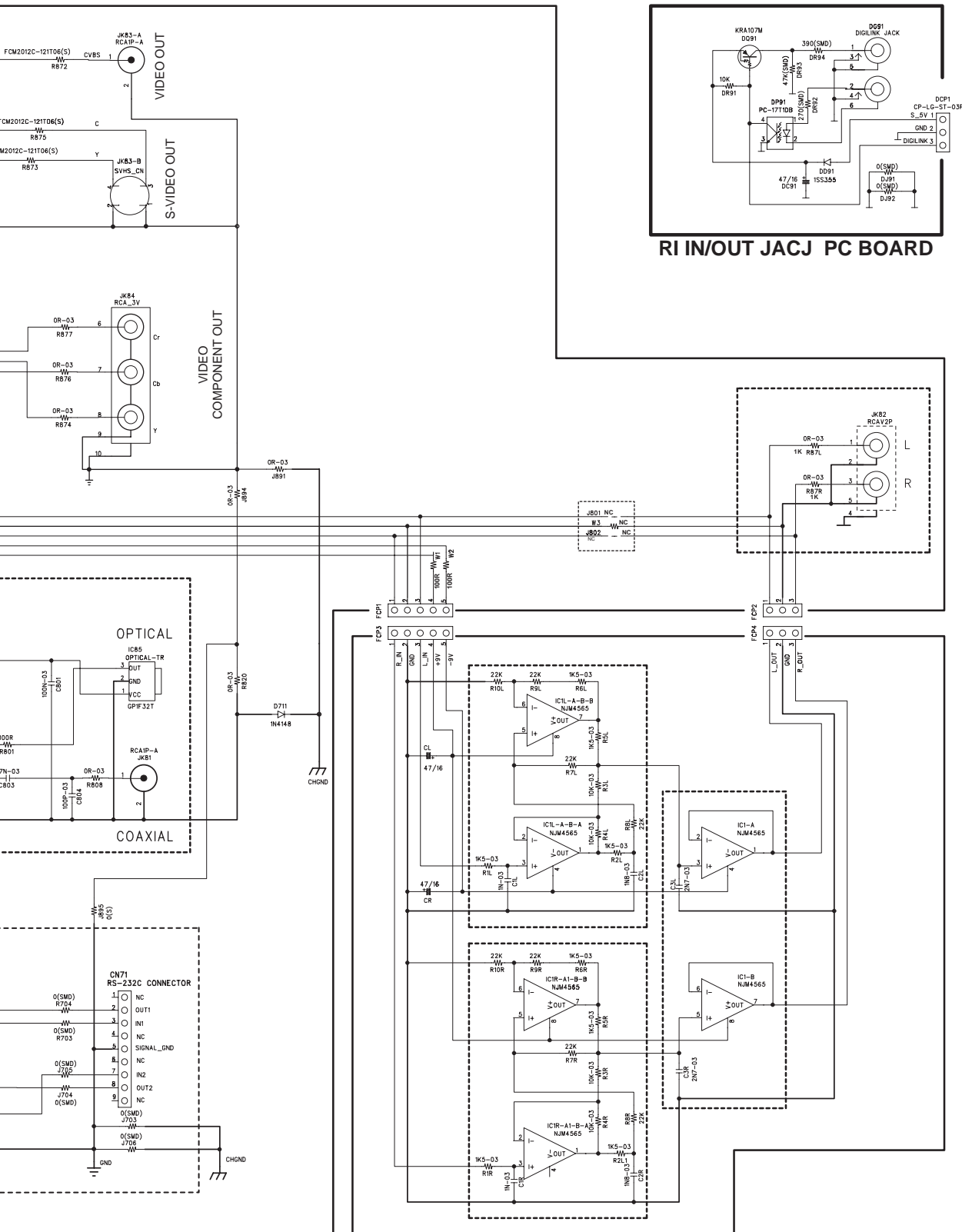
- From Main PCB
- 1.-9V
 - 2.-9V
 - 3.V-AGND
 - 4.FRONT RIGHT
 - 5.V-AGND
 - 6.FRONT LEFT
 - 7.V-AGND
 - 8.COMPOSITE
 - 9.V-AGND
 - 10.S
 - 11.AGND
 - 12.V
 - 13.AGND
 - 14.RED
 - 15.V-AGND
 - 16.GREEN
 - 17.V-AGND
 - 18.BLUE
 - 19.+5VD
 - 20.NC
 - 21.NC
 - 22.Fx0
 - 23.Fx0



E

F

G

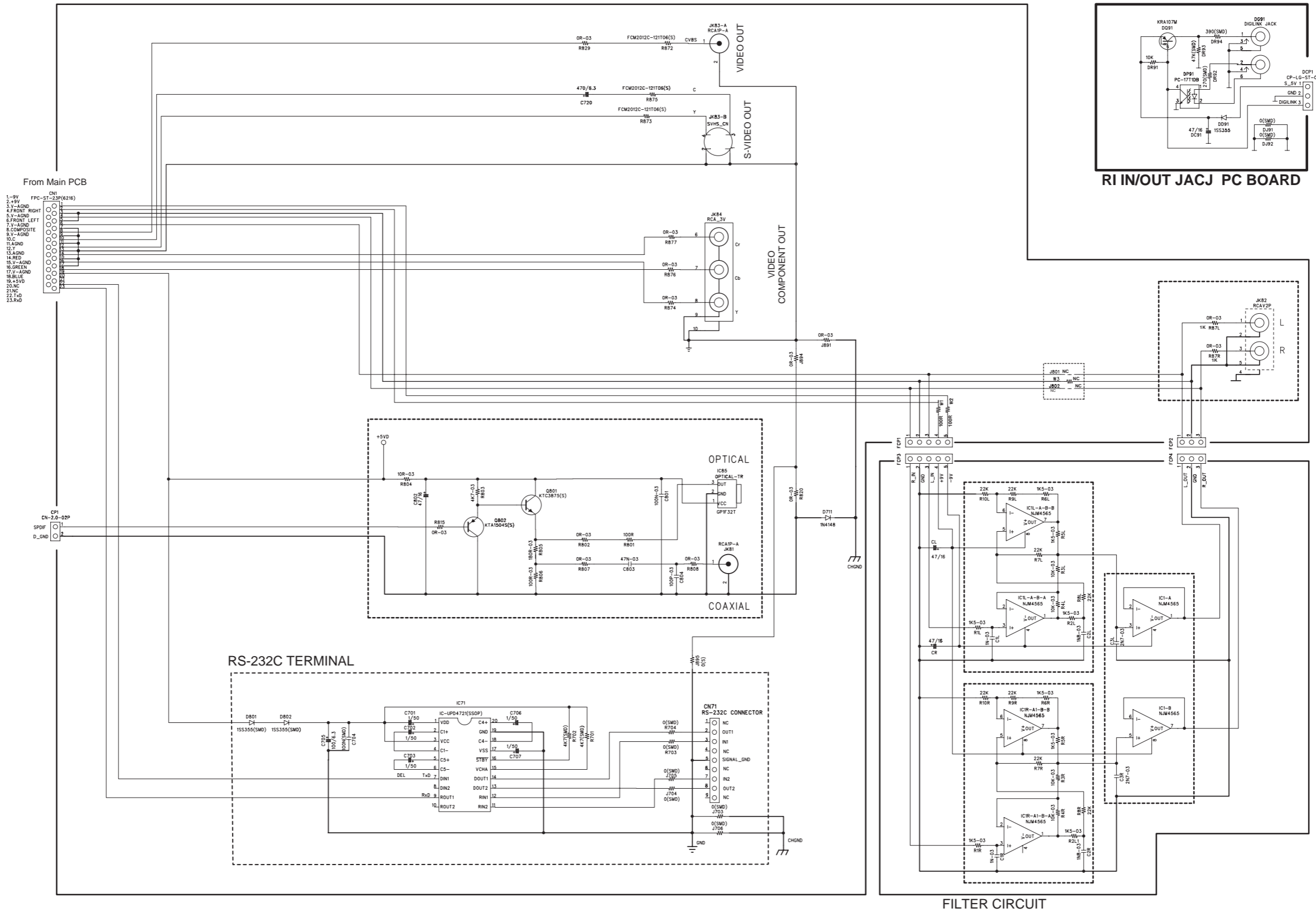


RI IN/OUT JACJ PC BOARD

FILTER CIRCUIT

A B C D E F G
SCHEMATIC DIAGRAM-2

OUTPUT TERMINAL PC BOARD

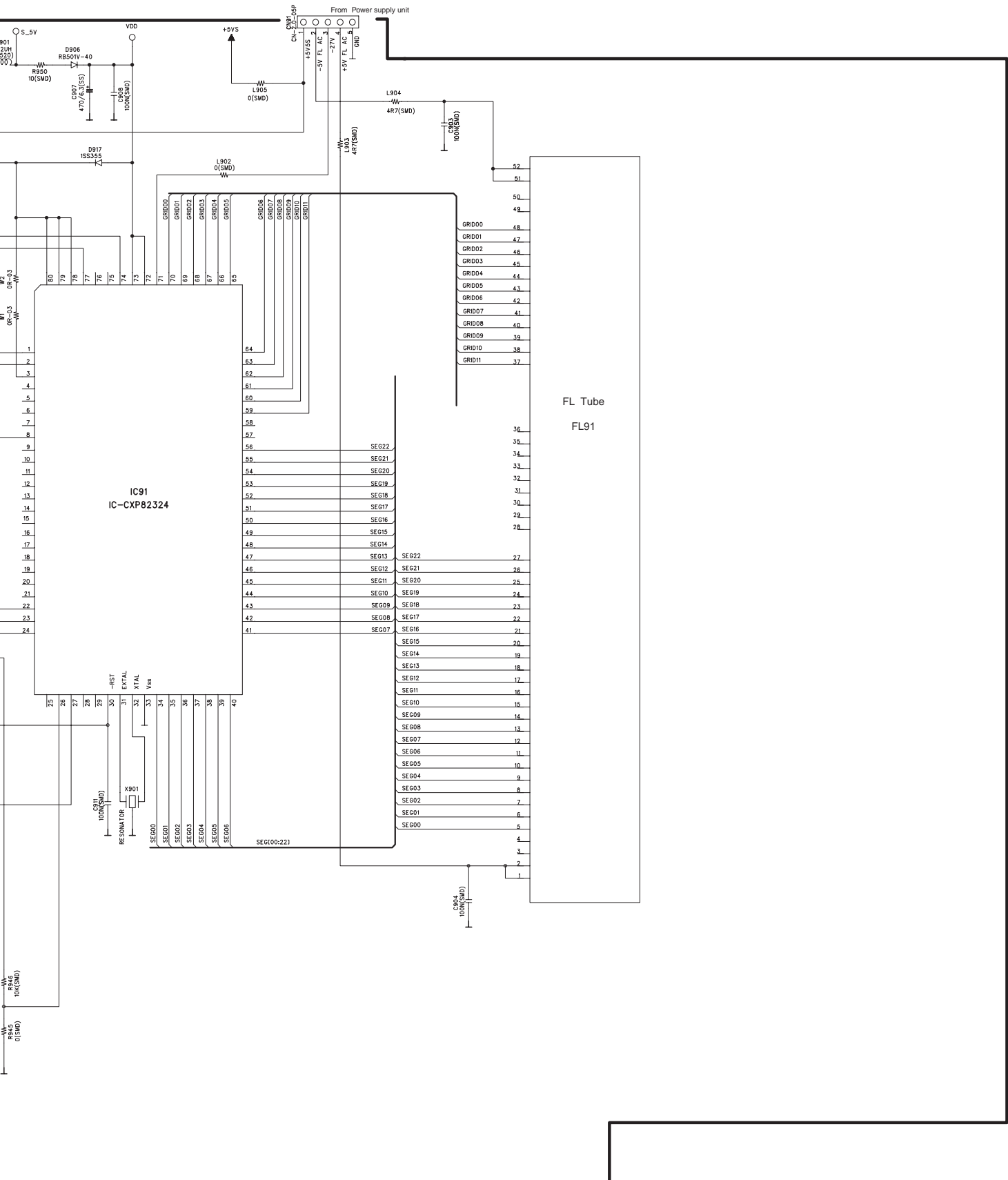


1
2
3
4
5

E

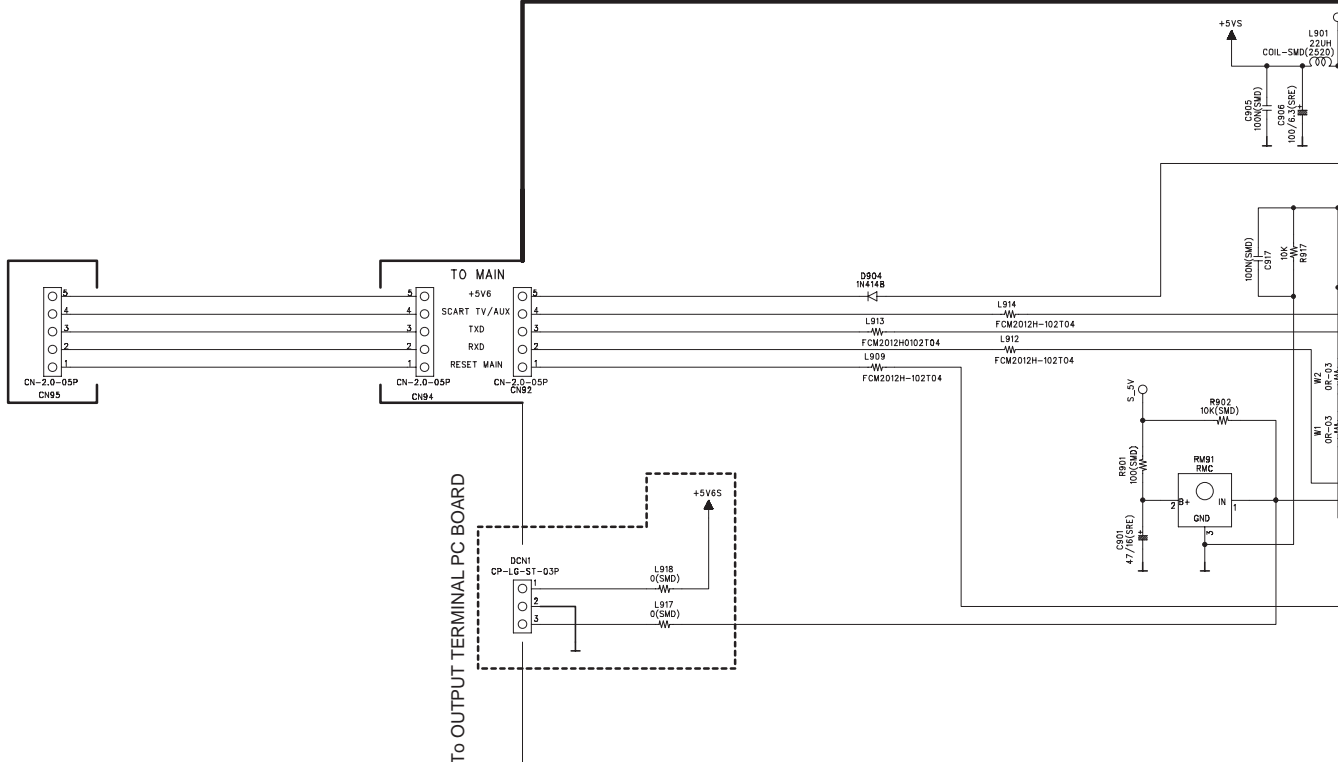
F

G

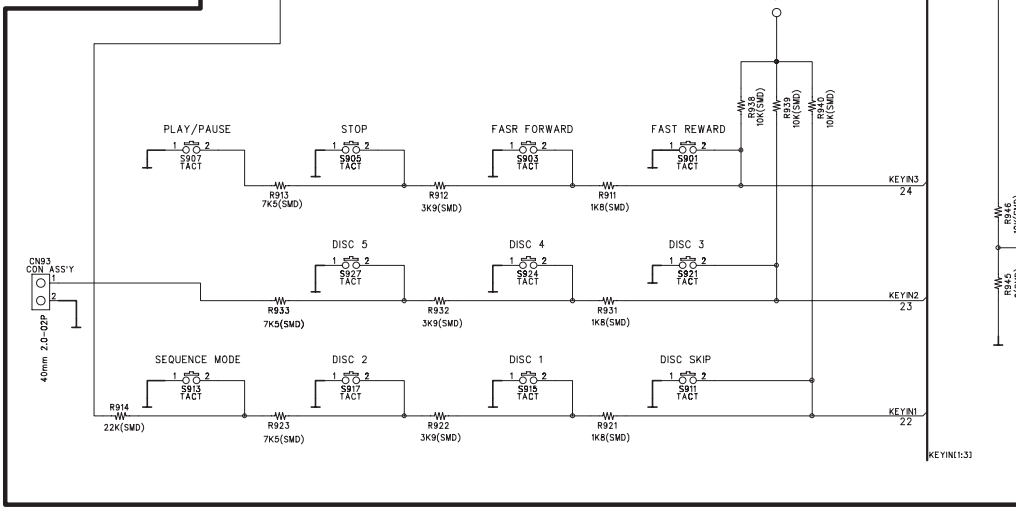
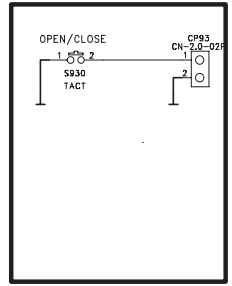
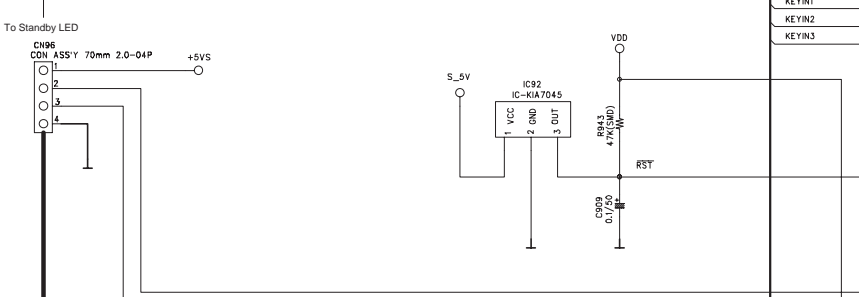
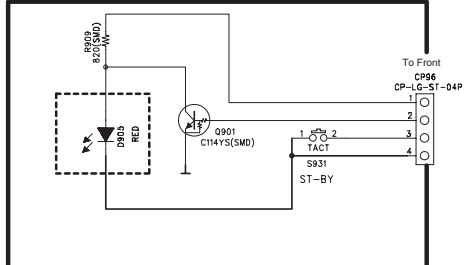


A B C D
SCHEMATIC DIAGRAM

DISPLAY CIRCUIT PC BOARD

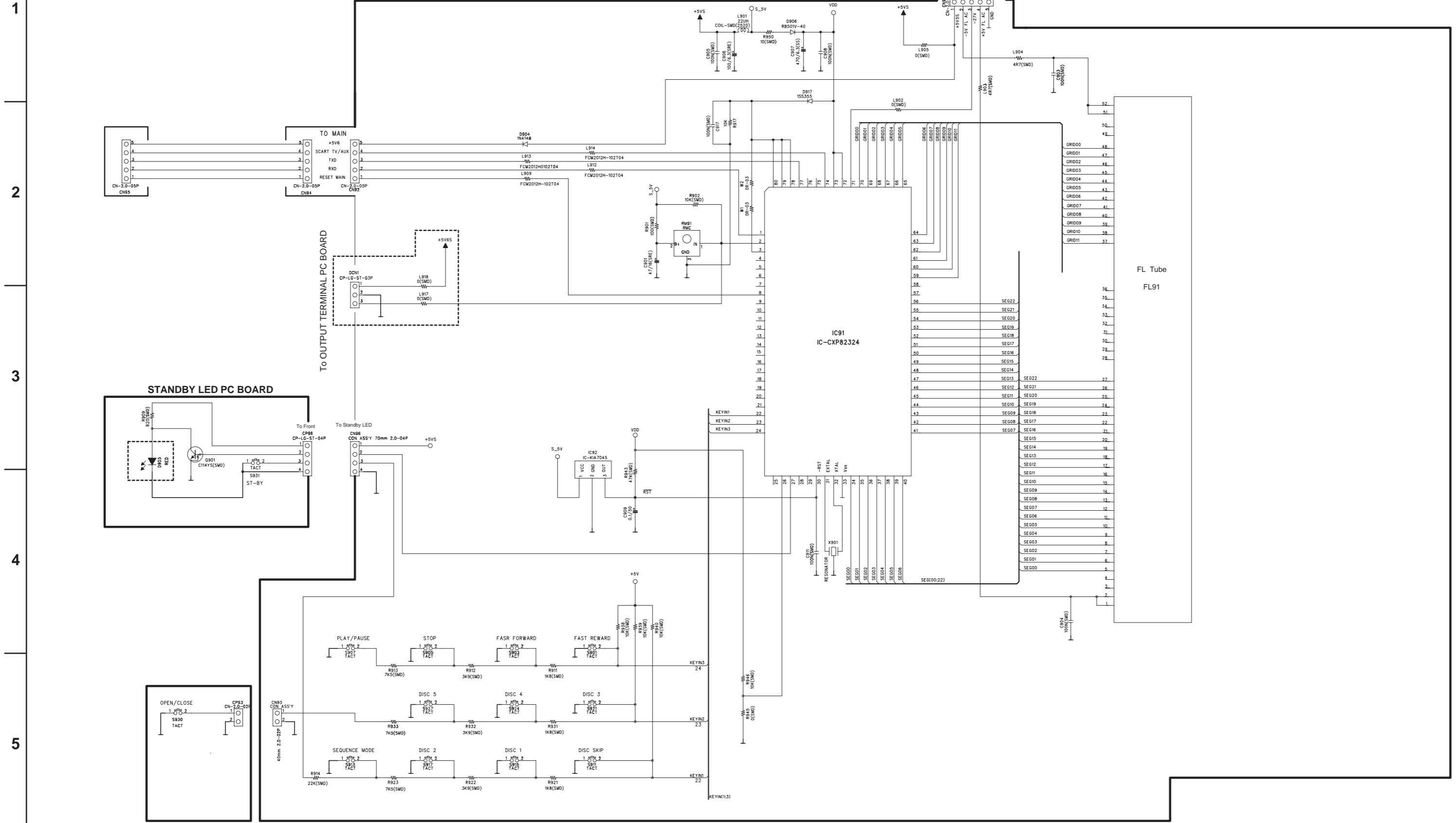


STANDBY LED PC BOARD



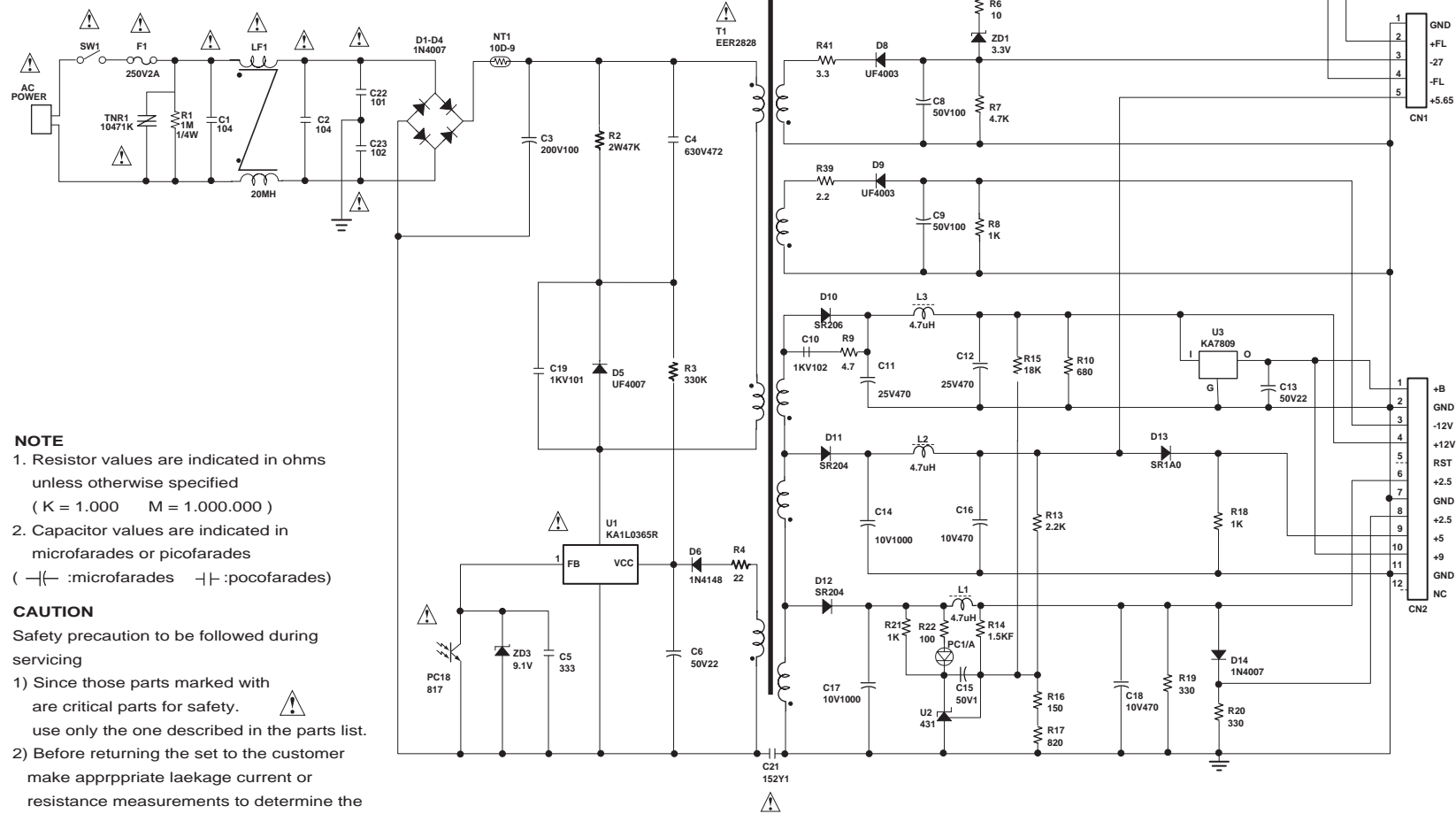
SCHEMATIC DIAGRAM

DISPLAY CIRCUIT PC BOARD



SCHEMATIC DIAGRAM 5

POWER SUPPLY UNIT


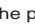


NOTE

1. Resistor values are indicated in ohms unless otherwise specified (K = 1.000 M = 1.000.000)
2. Capacitor values are indicated in microfarades or picofarades (μ :microfarades p :picofarades)

CAUTION

Safety precaution to be followed during servicing

- 1) Since those parts marked with  are critical parts for safety.  use only the one described in the parts list.
- 2) Before returning the set to the customer make appropriate leakage current or resistance measurements to determine the exposed parts are properly insulated from the supply circuit.

A

B

C

D

E

SCHEMATIC DIAGRAM 4

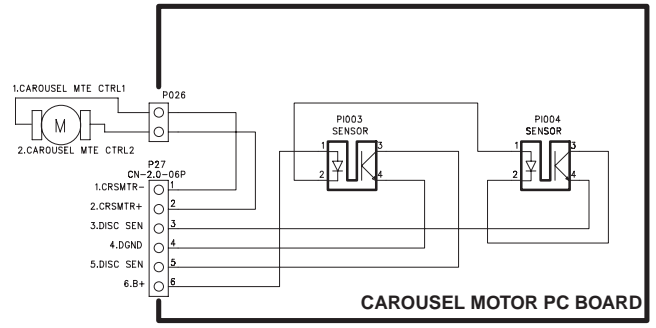
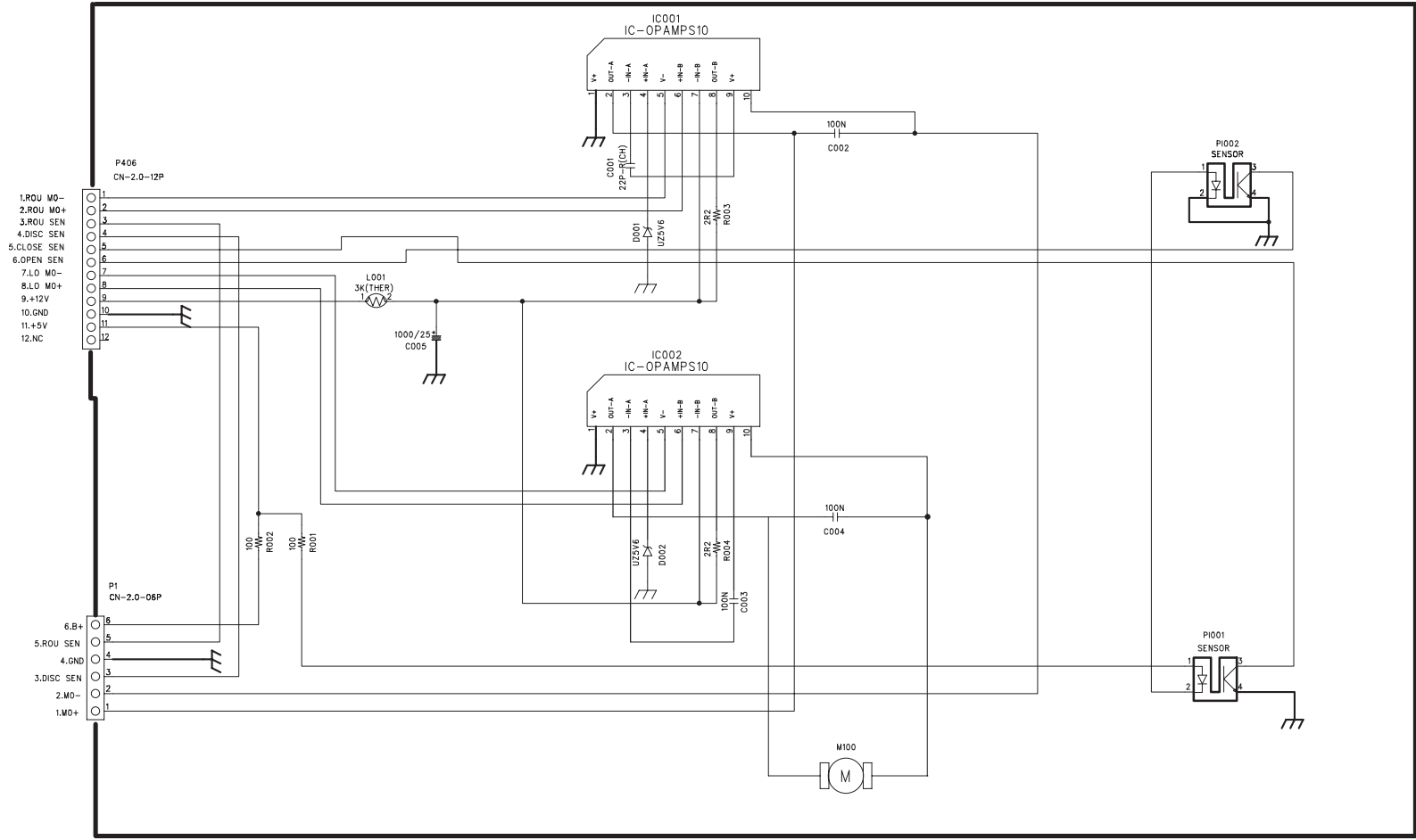
MECHANISM SECTION

1

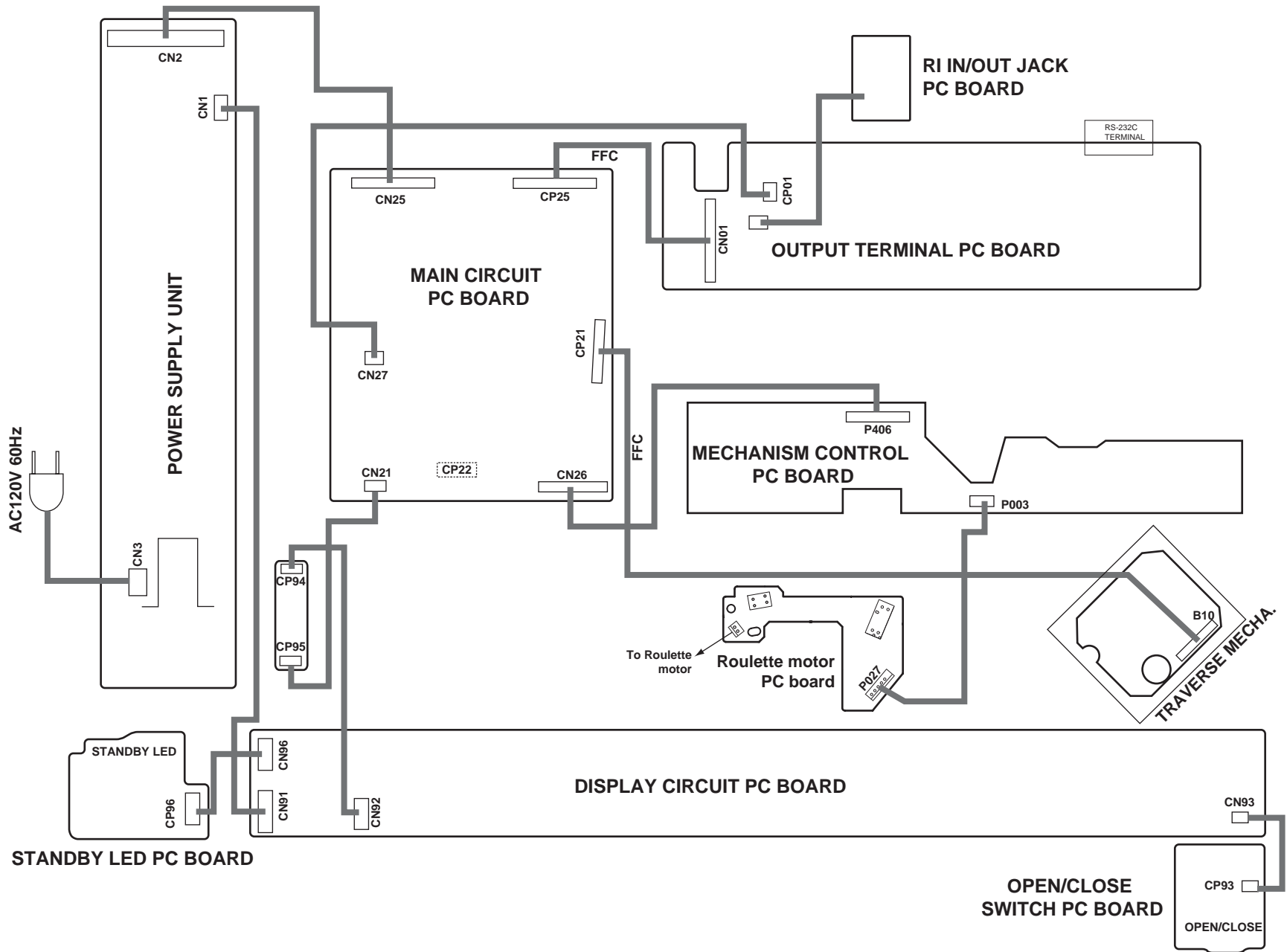
2

3

4



PC BOARD CONNECTION DIAGRAM



A B C
PRINTED CIRCUIT BOARD VIEW 1

MAIN CIRCUIT PC BOARD

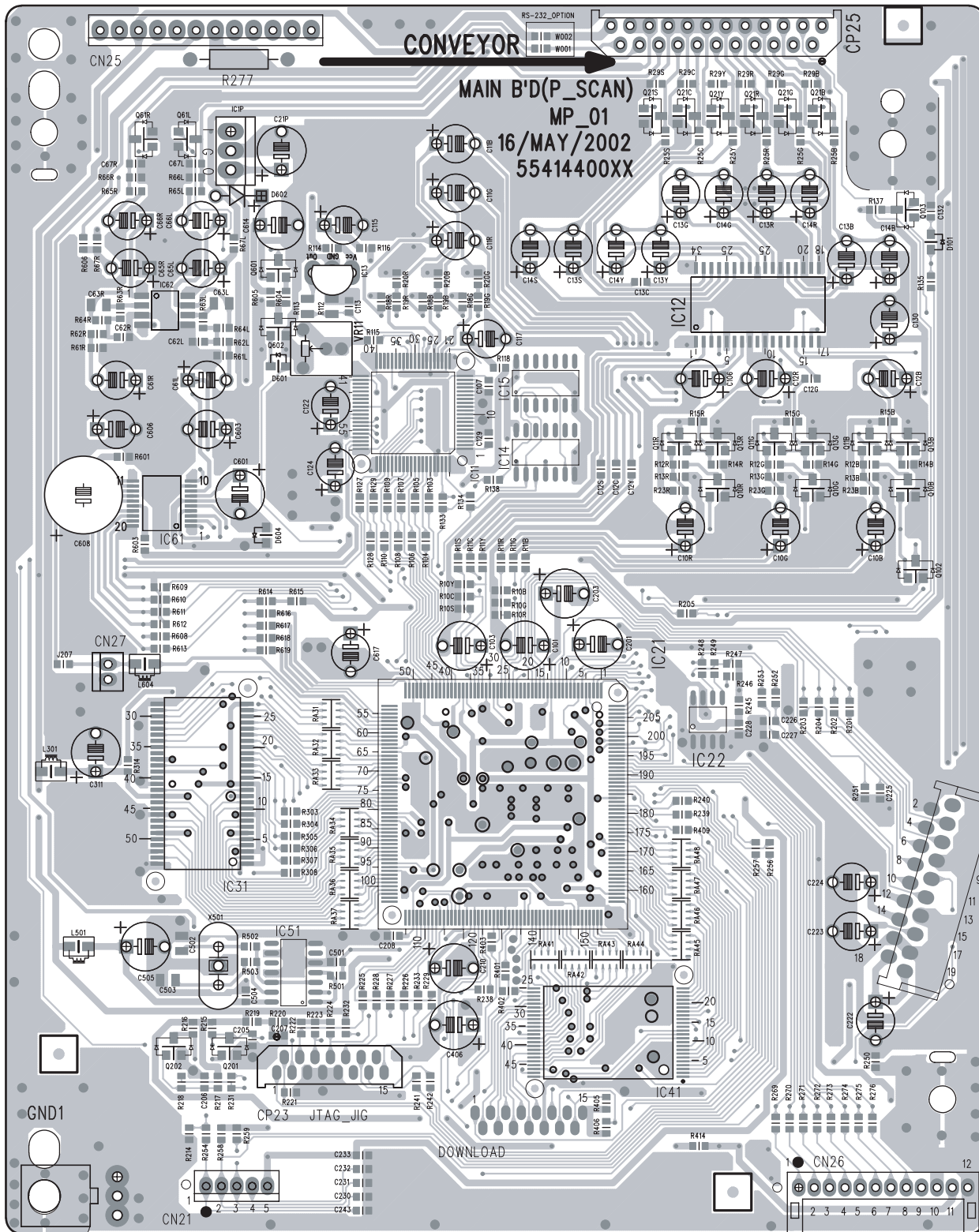
1

2

3

4

5

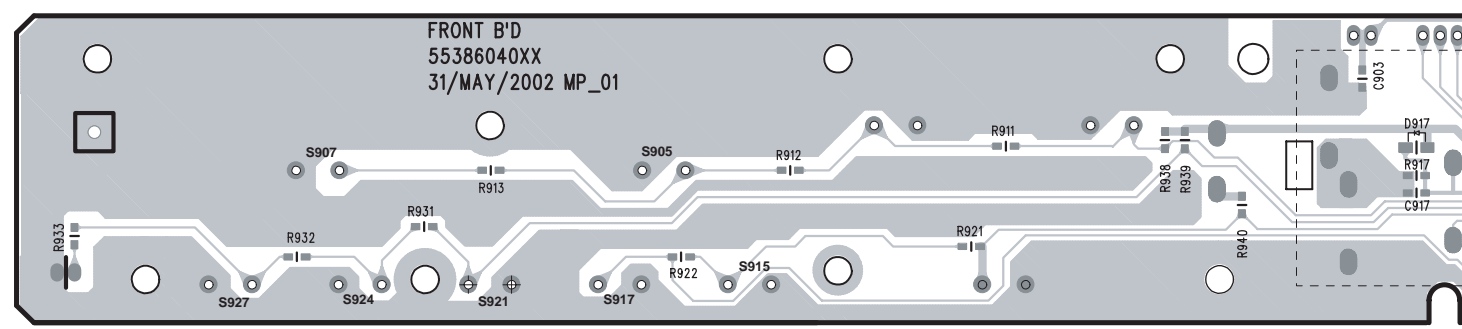
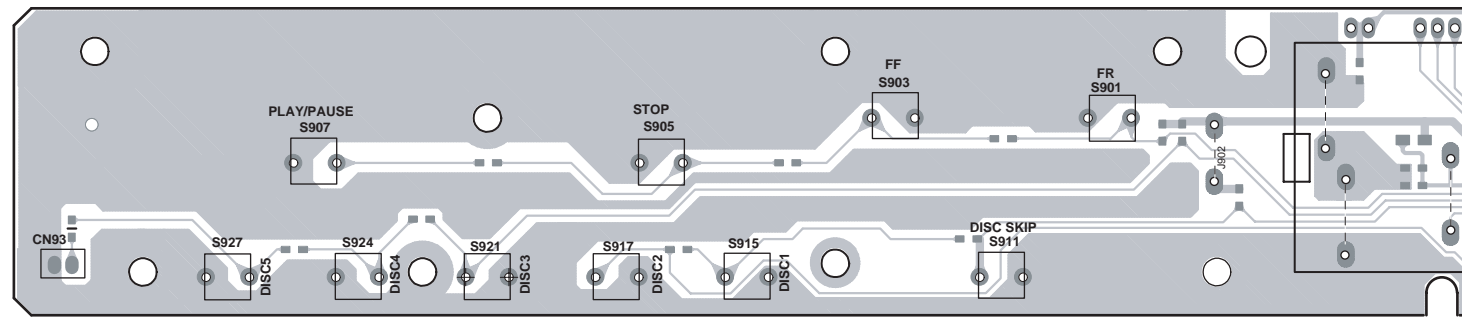


Top pattern and Top component

PRINTED CIRCUIT BOARD FROM SOLDERING SIDE VIEW 2

1
2
3
4
5

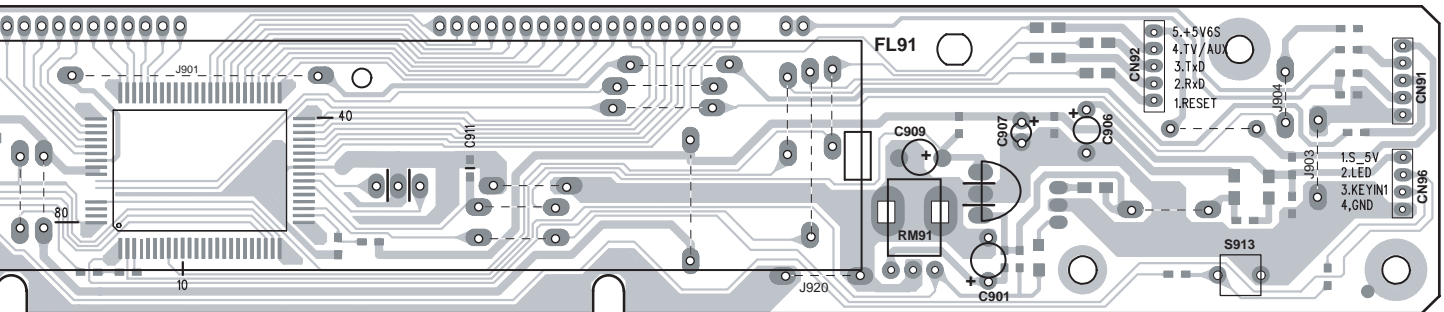
Display circuit PC board



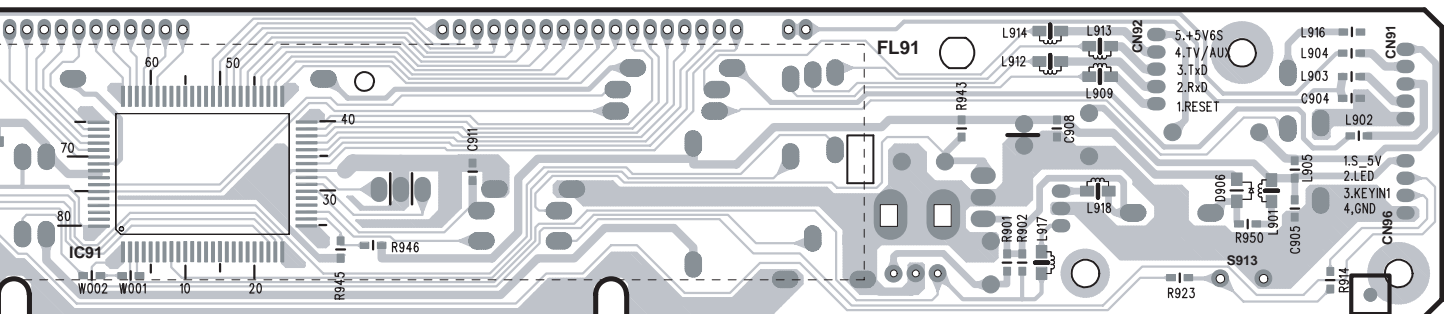
E

F

G



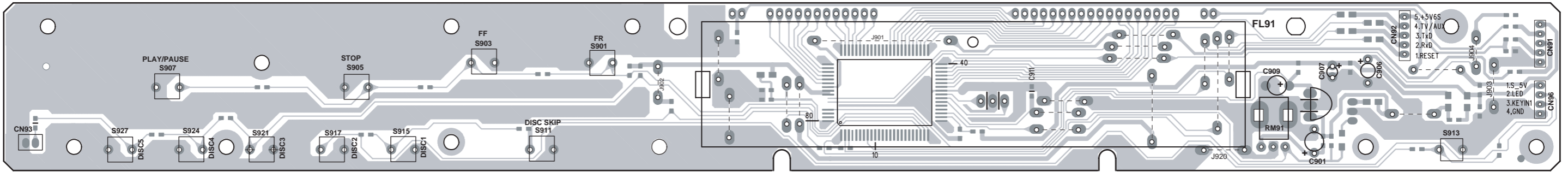
Component side



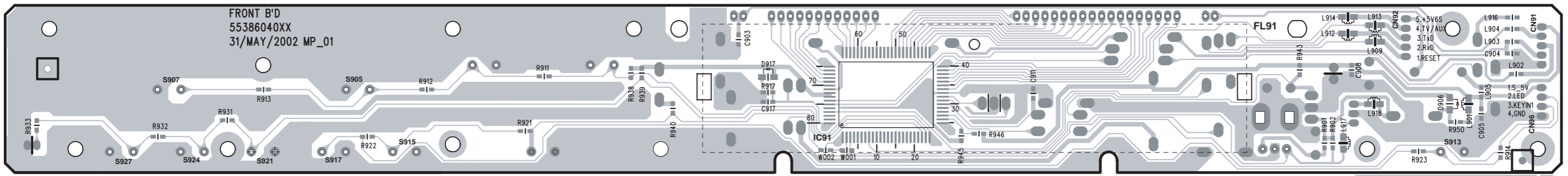
Soldering side

A B C D E F G
PRINTED CIRCUIT BOARD FROM SOLDERING SIDE VIEW 2

1
2
3
4
5
Display circuit PC board



Component side



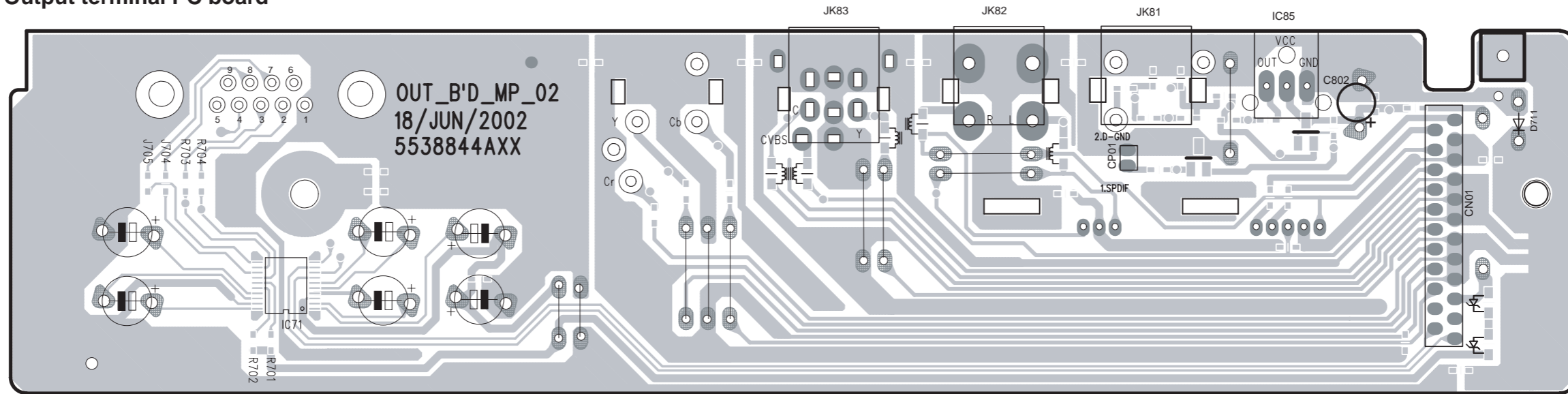
Soldering side

FRONT B'D
55386040XX
31/MAY/2002 MP_01

A B C D E F G
PRINTED CIRCUIT BOARD FROM SOLDERING SIDE VIEW 3

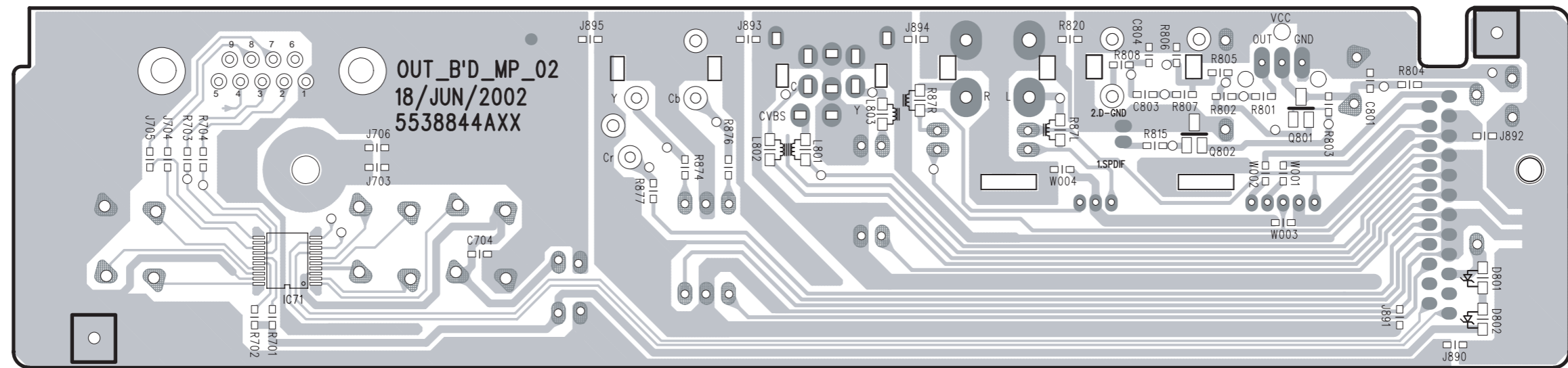
1

Output terminal PC board



Component side

3

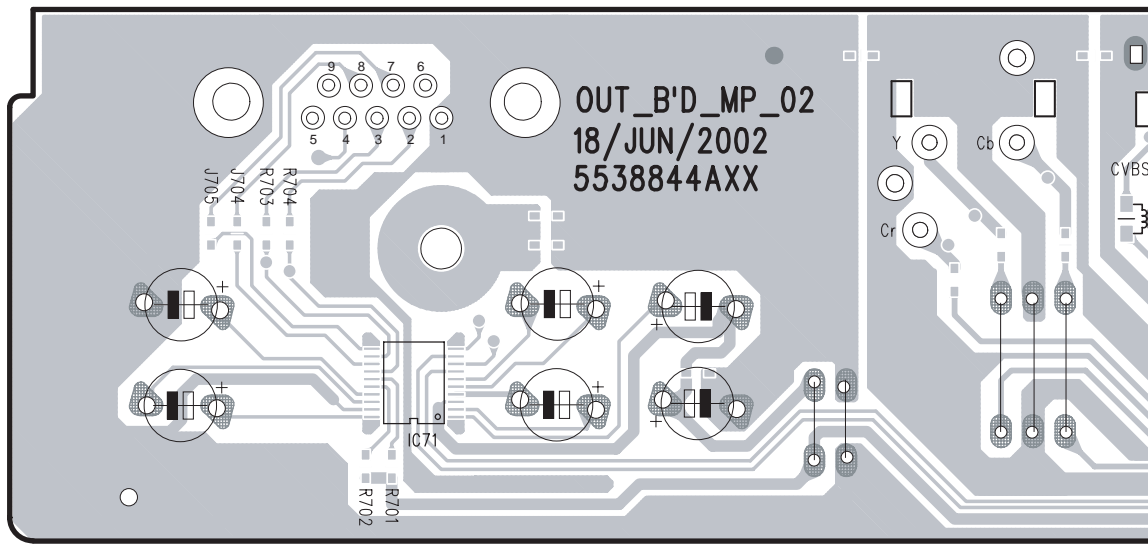


Soldering side

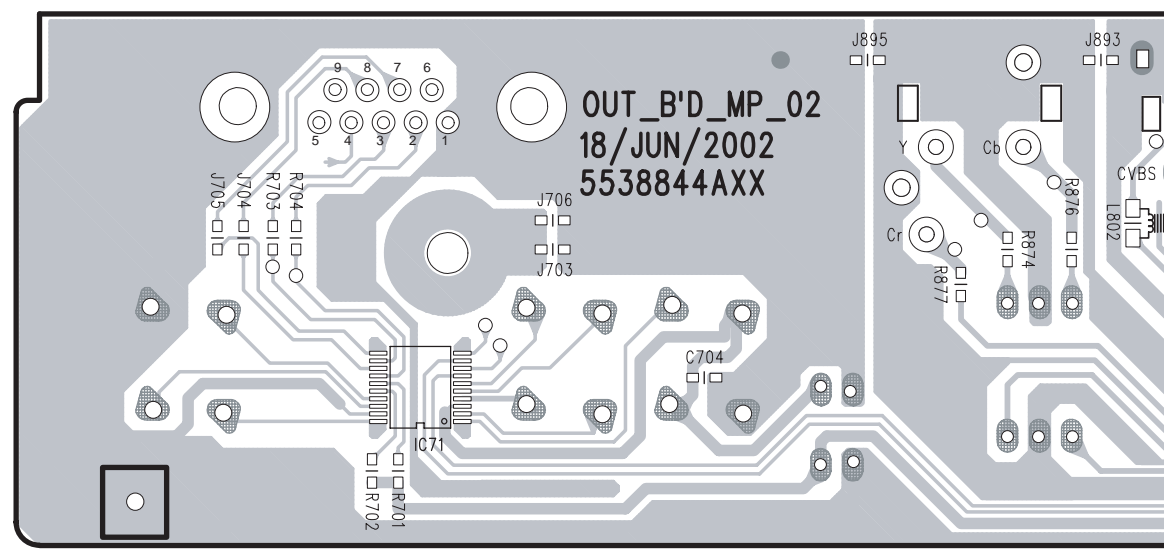
5

1
2
3
4
5

Output terminal PC board



Co

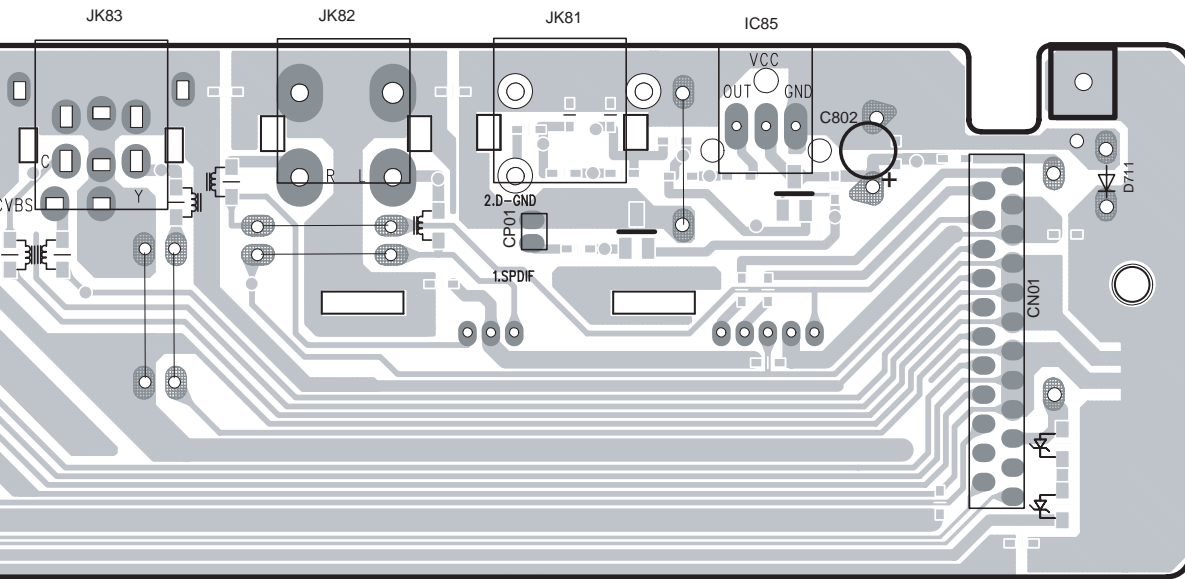


So

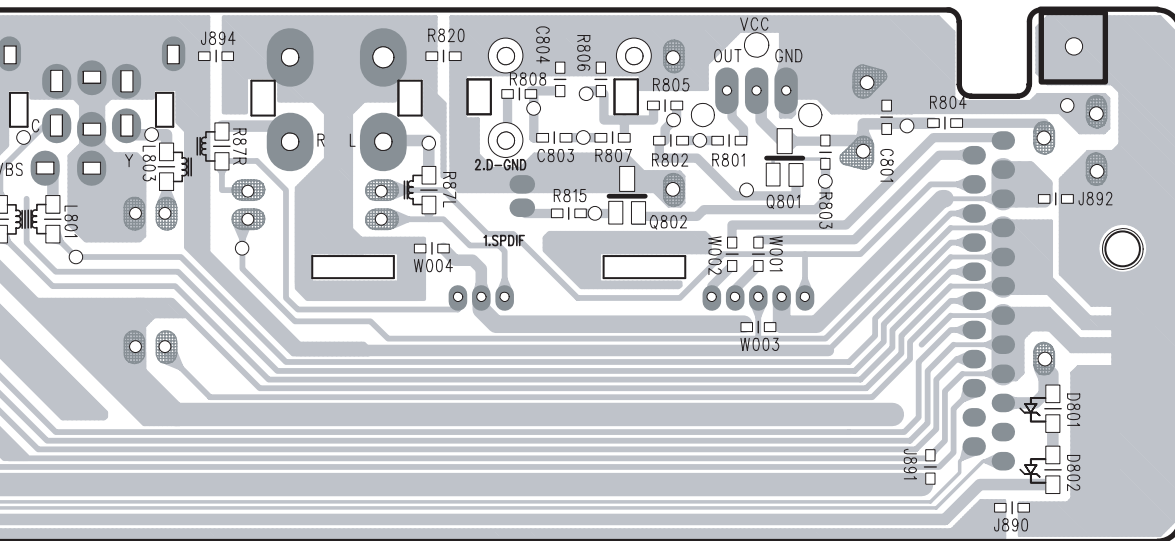
E

F

G



Component side

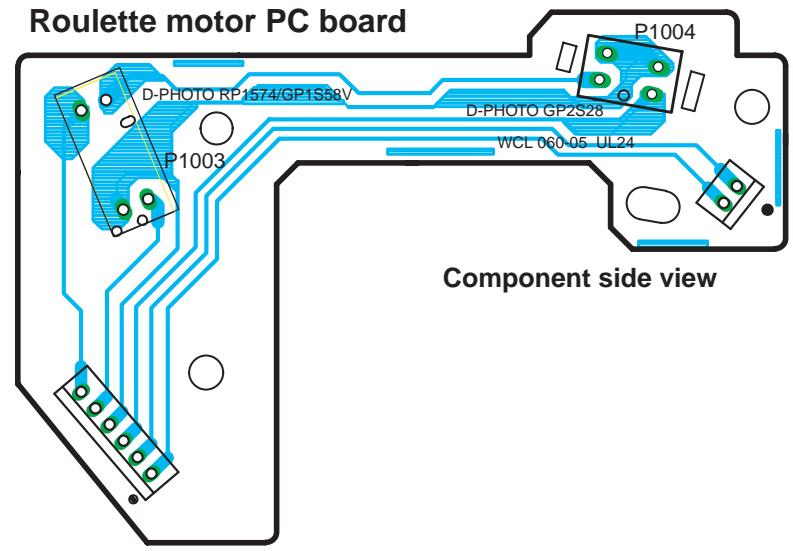


Soldering side

PRINTED CIRCUIT BOARD VIEW FROM SOLDERING SIDE 4

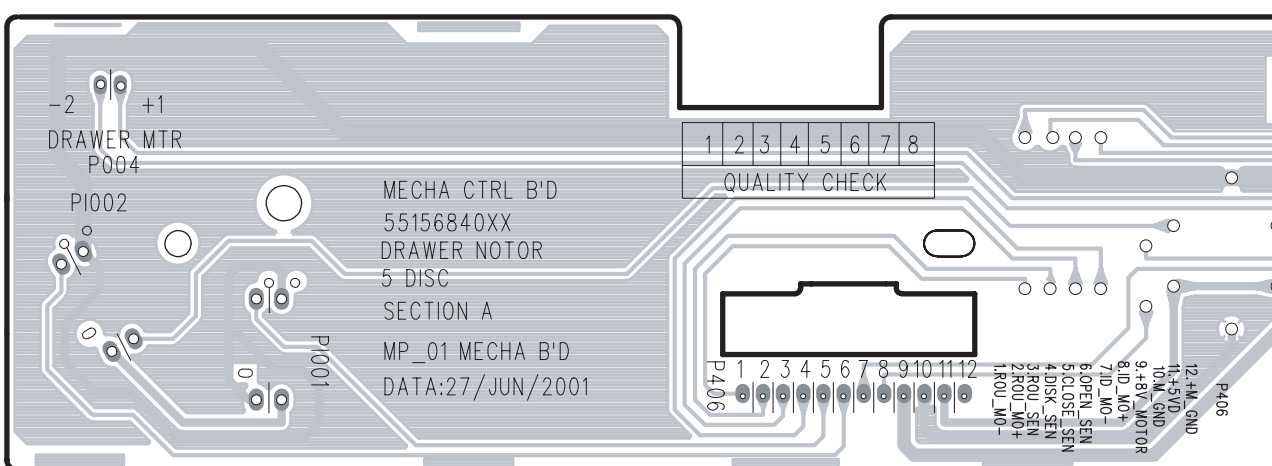
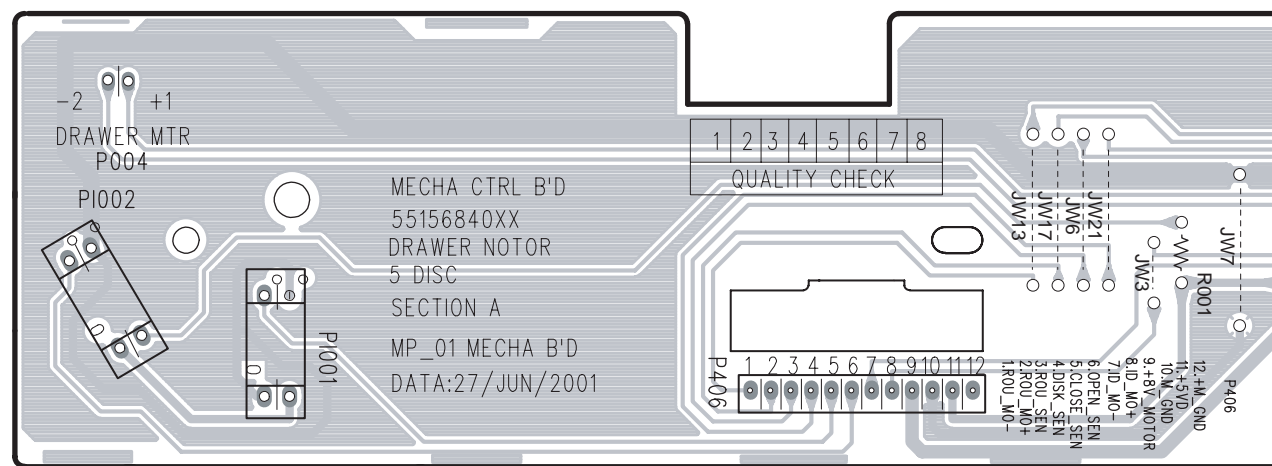
1
2
3
4
5

Roulette motor PC board



Component side view

Mechanism control PC board

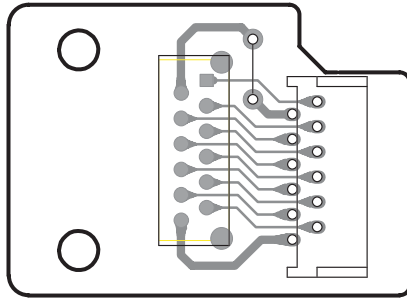


E

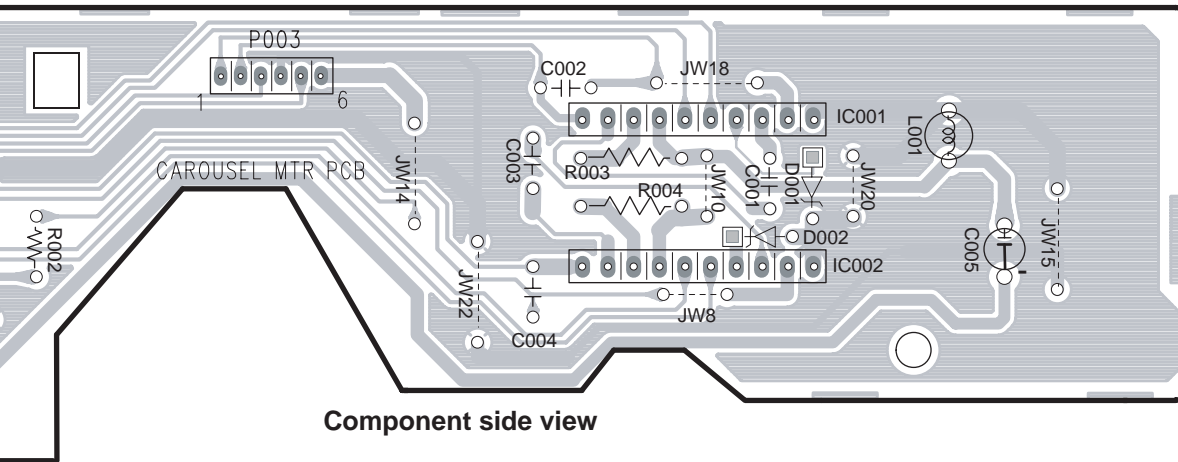
F

G

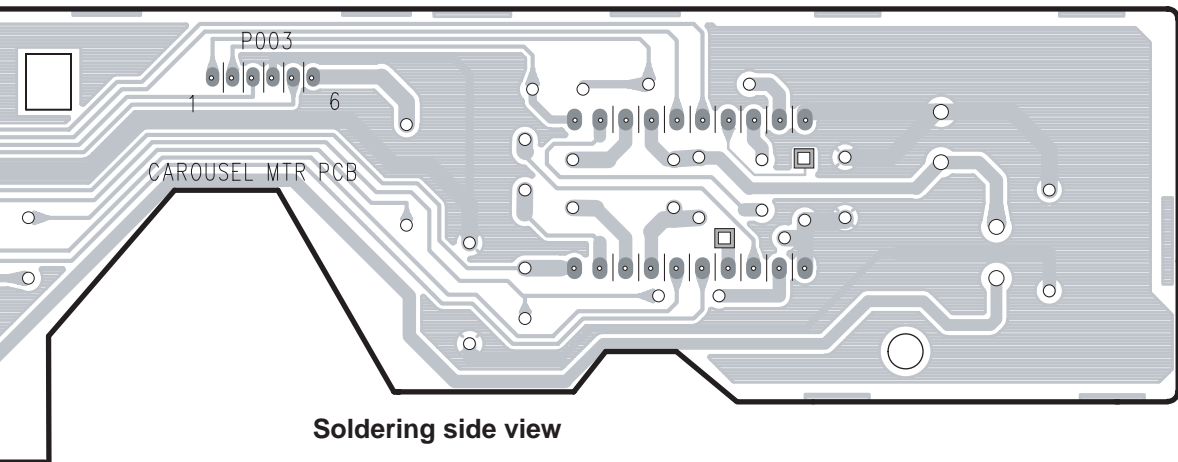
Ri IN/OUT Jack PC board



Component side view



Component side view

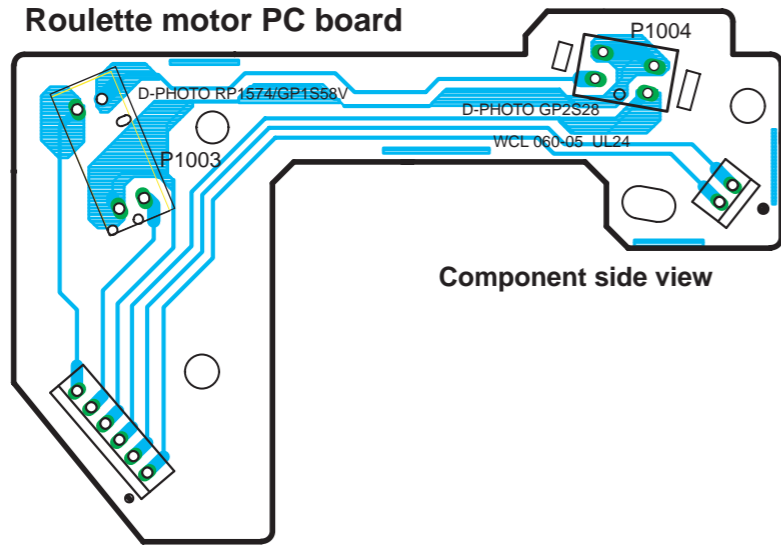


Soldering side view

PRINTED CIRCUIT BOARD VIEW FROM SOLDERING SIDE 4

1

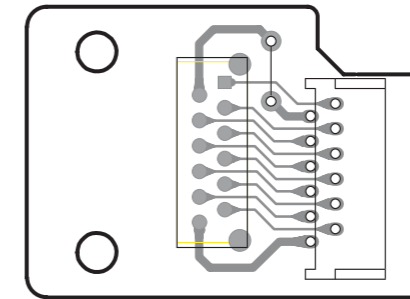
Roulette motor PC board



Component side view

2

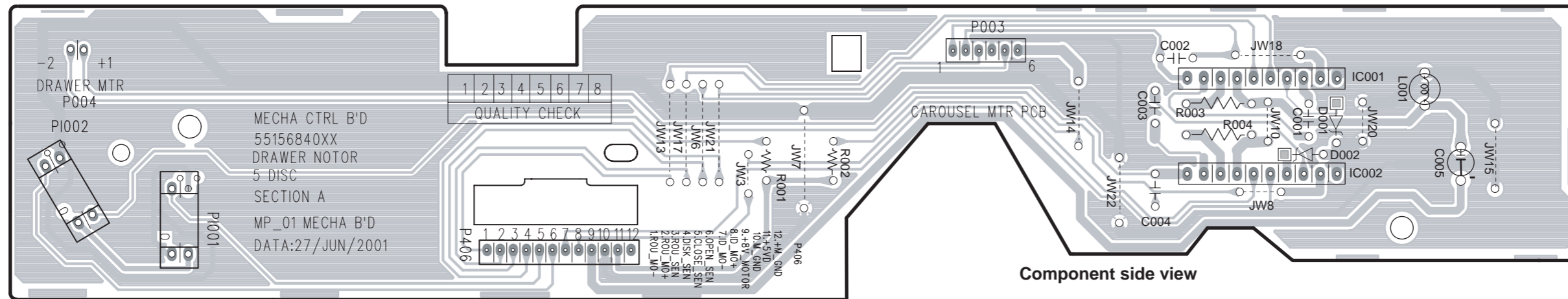
Ri IN/OUT Jack PC board



Component side view

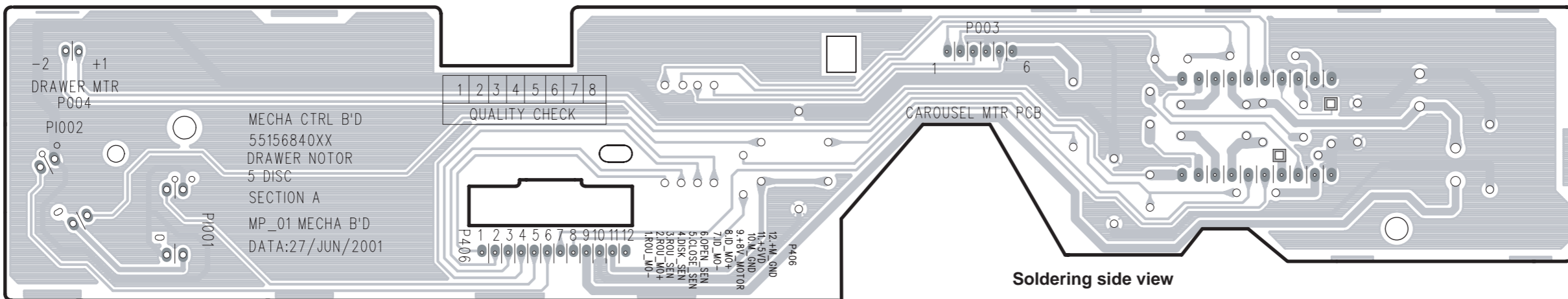
3

Mechanism control PC board



Component side view

4



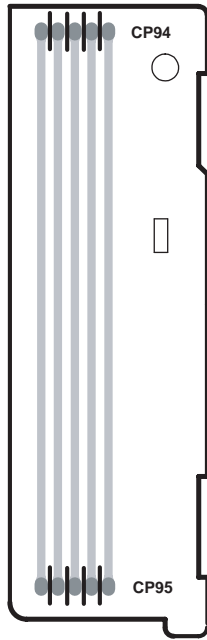
Soldering side view

5

PRINTED CIRCUIT BOARD FROM SOLDERING SIDE VIEW 5

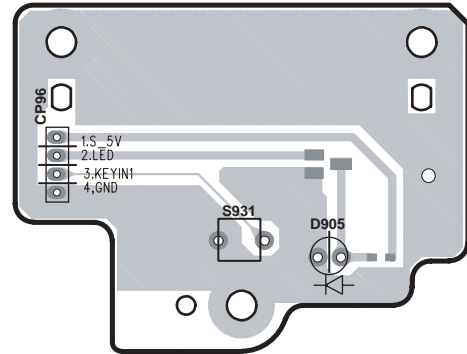
1

Connection PC board



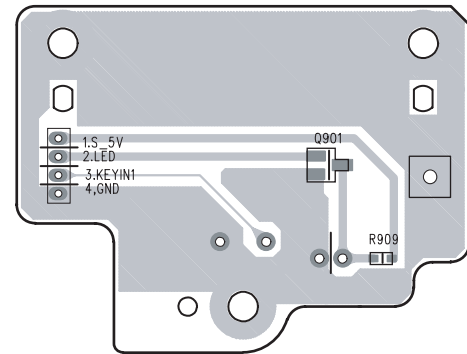
Soldering side

Standby LED PC board



Component side

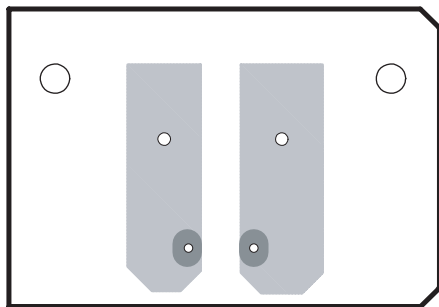
2



Soldering side

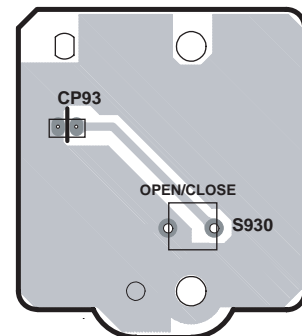
3

Inlet terminal PC board



Soldering side

OPEN/CLOSE Switch PC board



Soldering side

4

5

FW DOWNLOAD

Confirm the firmware

"CD PLAY" button and "DISC 3" button on the front panel should be pressed at the same time. ----- Factory EEPROM reset.
Watching the version of firmware in the FL tube.

When the name of the binary file you want to download is "dvcp5111.bin", you may type "ttcmake dpc5.3fw1" in the DOS prompt.

Adifferent bin file requires a new data.

1. "TTCMAKE.EXE" file is downloaded to its own personal computer. (C-Drive)
2. "dvcp5111.bin" file is downloaded to its own personal computer. **Fig. 1**
(The same drive as 1.)

TTCMAKE.EXE : application file
dvcp5111.bin : Binary file

3. Call the "ttcmake dvcp5111" in the DOS prompt.
4. Call the file name of "dpc5.3" holder, and
"ttcmake dvcp5111". **Fig. 2**

5. Created the "ENTRISE.TTC" **Fig. 3**

6. File created by 5. is copied to CD-R.

Caution: File format should be "ISO9660"

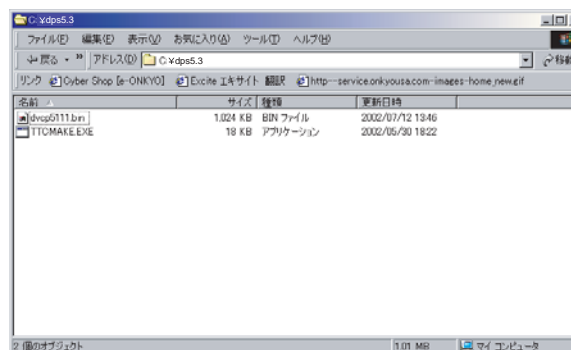


Fig. 1

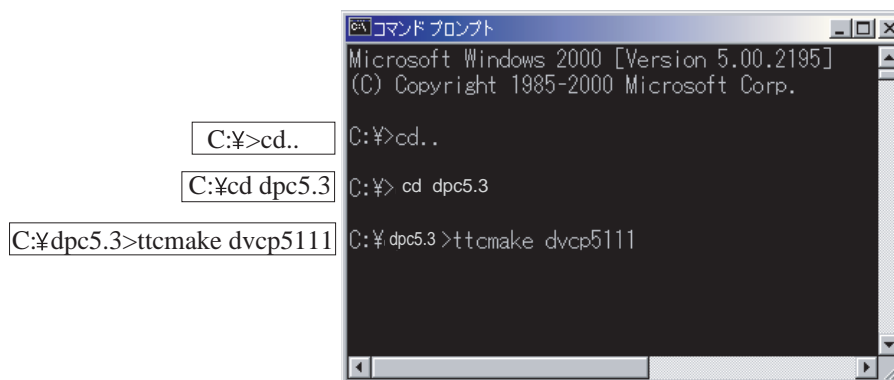


Fig. 2

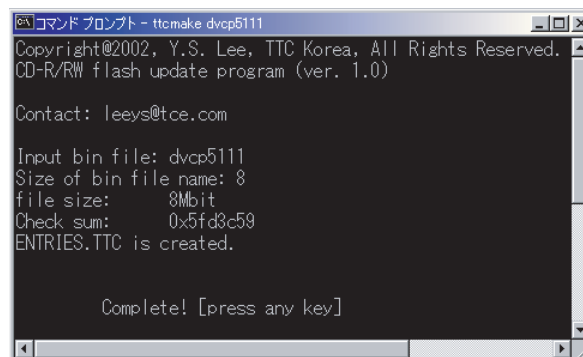


Fig. 3

DISASSEMBLY PROCEDURE

Replacement of DVD mechanism

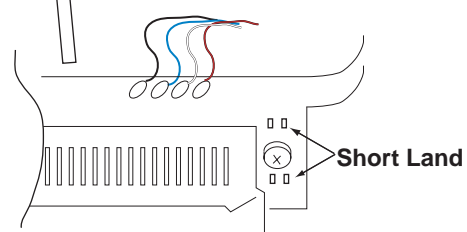
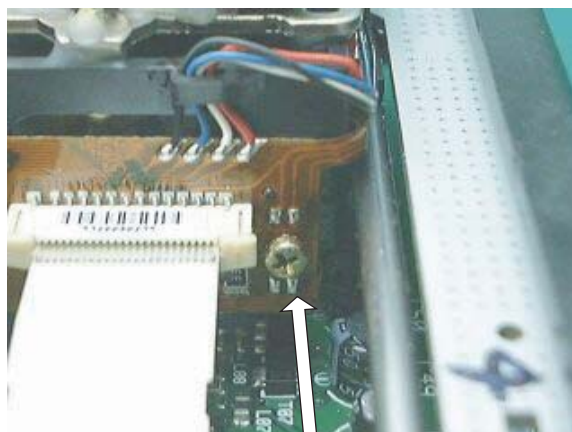
The laser diode in the optical pickup block so sensitive to static electricity, surge current and etc..

That the components are liable to be broken down or its reliability remarkable deteriorated.

During repair, carefully take the following precautions.

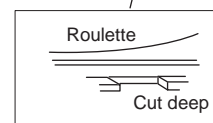
Do not touch the optical pickup object lens with the hands.

1. Remove the top cover with six screws.
2. Remove the tray.
3. Remove the roulette assembly.
4. Remove the roulette. (Roulette is removed as written below.)
5. Solder the LD output lands on the DVD optical pickup.
Please perform right photo to reference.
6. Replace the pickup mechanism assembly etc. . After unsolder the laser diodes output lands.

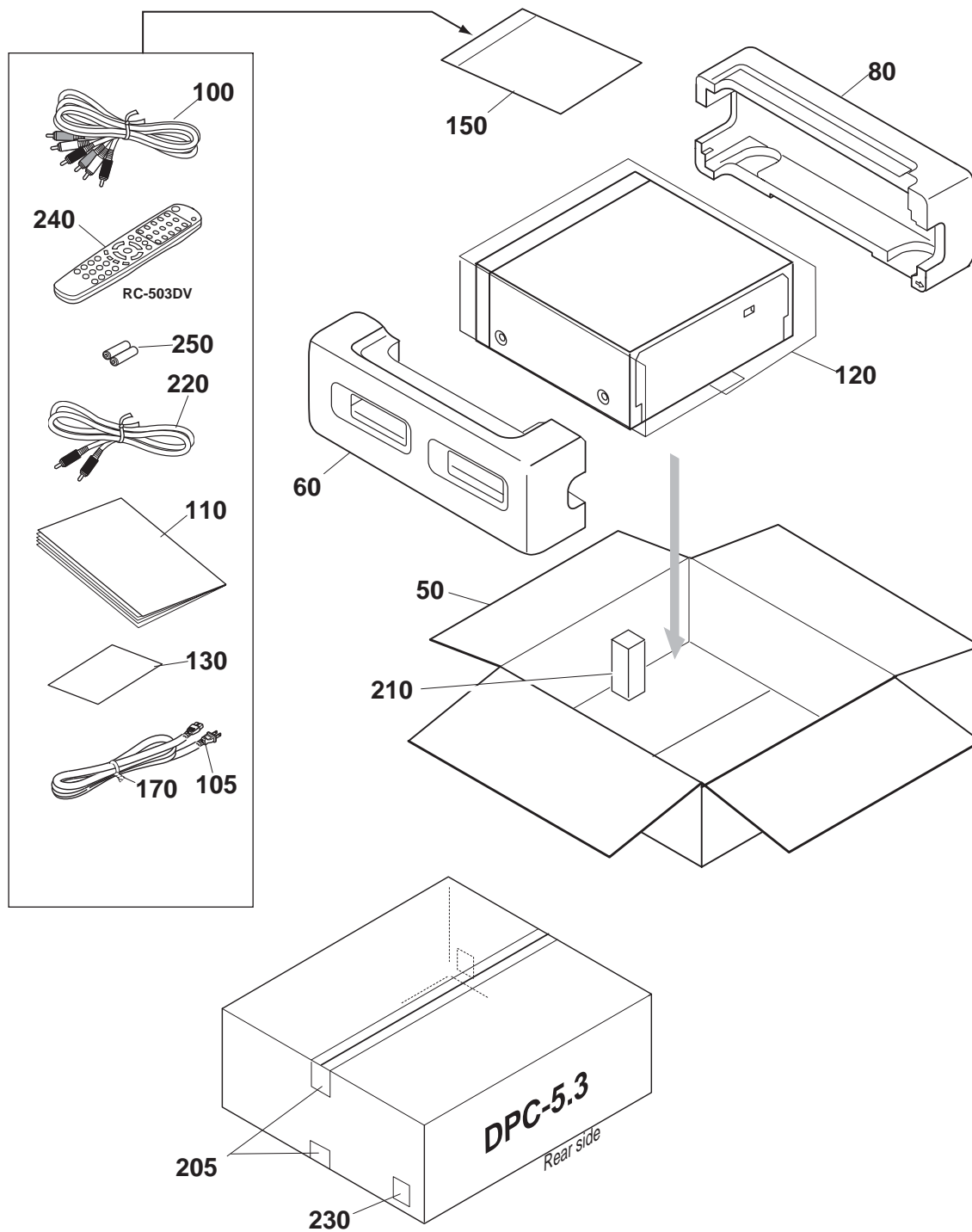


Remove the roulette

1. Pull out the tray.
2. Stops in the position (cut deeply).
3. Remove in the direction of arrow.
4. Reassembly is performed by 3 to 1.



PACKING VIEW



PRINTED CIRCUIT BOARD PARTS LIST
MAIN CIRCUIT PC BOARD

CIRCUIT NO.	PART NO.	Pkg	Unit	DESCRIPTION
C13B	20269020	30	PCE	CE 100U0F +20% 16.0V 85C
C13G	20269020	30	PCE	CE 100U0F +20% 16.0V 85C
C13R	20269020	30	PCE	CE 100U0F +20% 16.0V 85C
C13S	20269020	30	PCE	CE 100U0F +20% 16.0V 85C
C13Y	20269020	30	PCE	CE 100U0F +20% 16.0V 85C
CC21	55532610	NR	PCE	FFC-JUMPER 19X 1.25MM 220MM FOLD
CC25	55238420	NR	PCE	FFC-JUMPER 23X 1.25MM 100MM
CN21	55182960	NR	PCE	WIRECONASY UNIQUE 5P 130MM UL1007 PVC DISCRETE 26 1
CN25	55182970	NR	PCE	WIRECONASY UNIQUE 12P 150MM UL1007 PVC DISCRETE 26 1
CN26	55123450		PCE	CONNECTOR 2.0MM 12 MA R NAT LW2003P12 0 0
CN27	55541130	NR	PCE	SOCKET AS DL 2.0MM BLUE 2P 270MM UL1533 SHIELD 26 1
CP21	55124680		PCE	CONNECTOR 1.25MM 19 FE R WH GF120-19S-LS 2794 A6
CP22	55125910	NR	PCE	CONNECTOR 1.0MM 15 FE ST BK 00-6232-015-006-800 0 0
CP25	55124620		PCE	CONNECTOR 1.25MM 23 FE ST WH GF120-23S-TS 2794 A6
D602	70436540	16	PCE	D-SLP 1N4148 100.0V 150E-3A
FING	55178960		PCE	SPRING PLATE
GND1	55135980	NR	PCE	LUG TERMINAL GND
IC13	15069010	56	PCE	IC-REGSPECKT TL431
IC1P	55491690	NR	PCE	IC-REGPOSFXD KIA7805AP NORMAL
R277	55232770	NR	PCE	RMF 2R2 OHM +5% 500MI0W
VR11	55307870	NR	PCE	PR 200R0 OHM +30% 100MI0W
X501	55128980	NR	PCE	FILQZ 27M0 HZ +15 PPM 50.0 OHM FUNDAMENTAL 16P5 F
J301	10328750	91	PCE	RMGCFMIC 0 OHM +0% 62MI5W
L101	55188040	91	PCE	LF-SMD 2U2H +10%
L102	55188040	91	PCE	LF-SMD 2U2H +10%
L201	10328750	91	PCE	RMGCFMIC 0 OHM +0% 62MI5W
L202	55188040	91	PCE	LF-SMD 2U2H +10%
L203	55126670	50	PCE	FBEAD SURFACE MT 1000OHM FCM2012H-102T04
L204	55126670	50	PCE	FBEAD SURFACE MT 1000OHM FCM2012H-102T04
L205	55126670	50	PCE	FBEAD SURFACE MT 1000OHM FCM2012H-102T04
L210	55126670	50	PCE	FBEAD SURFACE MT 1000OHM FCM2012H-102T04
L601	55126670	50	PCE	FBEAD SURFACE MT 1000OHM FCM2012H-102T04
L602	55126670	50	PCE	FBEAD SURFACE MT 1000OHM FCM2012H-102T04
L603	55188040	91	PCE	LF-SMD 2U2H +10%
Q101	55133190	92	PCE	TR-SSD DTA114YKA P 10K0 OHM 47K0 OHM
Q12B	55388740	92	PCE	TR-SLPSWA KTN2222AS P 40V -600MI0A
Q12G	55388740	92	PCE	TR-SLPSWA KTN2222AS P 40V -600MI0A
Q12R	55388740	92	PCE	TR-SLPSWA KTN2222AS P 40V -600MI0A
Q14B	55133180	92	PCE	TR-SSD DTC114YKA N 10K0 OHM 47K0 OHM
Q14G	55133180	92	PCE	TR-SSD DTC114YKA N 10K0 OHM 47K0 OHM
Q14R	55133180	92	PCE	TR-SSD DTC114YKA N 10K0 OHM 47K0 OHM
Q15B	55137830	92	PCE	TR-SLPSWA KTN2907AS N 50V -600MI0A
Q15G	55137830	92	PCE	TR-SLPSWA KTN2907AS N 50V -600MI0A
Q15R	55137830	92	PCE	TR-SLPSWA KTN2907AS N 50V -600MI0A
W003	10328750	91	PCE	RMGCFMIC 0 OHM +0% 62MI5W
W004	10328750	91	PCE	RMGCFMIC 0 OHM +0% 62MI5W
C101	20268940	30	PCE	ELECT. CAPCITOR 100U0F +20% 10.0V 85C
C103	20268940	30	PCE	ELECT. CAPCITOR 100U0F +20% 10.0V 85C
C106	20251930	30	PCE	ELECT. CAPCITOR 22U0F +20% 16.0V 85C
C10B	15002130	30	PCE	ELECT. CAPCITOR 10U0F +20% 16.0V 85C
C10G	15002130	30	PCE	ELECT. CAPCITOR 10U0F +20% 16.0V 85C
C10R	15002130	30	PCE	ELECT. CAPCITOR 10U0F +20% 16.0V 85C
C115	20269020	30	PCE	ELECT. CAPCITOR 100U0F +20% 16.0V 85C
C117	20269020	30	PCE	ELECT. CAPCITOR 100U0F +20% 16.0V 85C
C11B	15002130	30	PCE	ELECT. CAPCITOR 10U0F +20% 16.0V 85C
C11G	15002130	30	PCE	ELECT. CAPCITOR 10U0F +20% 16.0V 85C
C11R	15002130	30	PCE	ELECT. CAPCITOR 10U0F +20% 16.0V 85C
C122	20269020	30	PCE	ELECT. CAPCITOR 100U0F +20% 16.0V 85C
C124	20269020	30	PCE	ELECT. CAPCITOR 100U0F +20% 16.0V 85C
C12B	20268840	30	PCE	ELECT. CAPCITOR 1U0F +20% 50.0V 85C
C12R	20268840	30	PCE	ELECT. CAPCITOR 1U0F +20% 50.0V 85C
C130	20269020	30	PCE	ELECT. CAPCITOR 100U0F +20% 16.0V 85C
C14B	20251930	30	PCE	ELECT. CAPCITOR 22U0F +20% 16.0V 85C
C14G	20251930	30	PCE	ELECT. CAPCITOR 22U0F +20% 16.0V 85C
C14R	20251930	30	PCE	ELECT. CAPCITOR 22U0F +20% 16.0V 85C
C14S	20251930	30	PCE	ELECT. CAPCITOR 22U0F +20% 16.0V 85C
C14Y	20251930	30	PCE	ELECT. CAPCITOR 22U0F +20% 16.0V 85C
C201	20268940	30	PCE	ELECT. CAPCITOR 100U0F +20% 10.0V 85C
C203	20268620	30	PCE	ELECT. CAPCITOR 470U0F +20% 6.3V 85C
C210	20268940	30	PCE	ELECT. CAPCITOR 100U0F +20% 10.0V 85C
C21P	20268940	30	PCE	ELECT. CAPCITOR 100U0F +20% 10.0V 85C
C222	20267830	30	PCE	ELECT. CAPCITOR 47U0F +20% 16.0V 85C
C223	20267830	30	PCE	ELECT. CAPCITOR 47U0F +20% 16.0V 85C
C224	20267830	30	PCE	ELECT. CAPCITOR 47U0F +20% 16.0V 85C
C311	20268940	30	PCE	ELECT. CAPCITOR 100U0F +20% 10.0V 85C
C406	20268940	30	PCE	ELECT. CAPCITOR 100U0F +20% 10.0V 85C
C505	20268620	30	PCE	ELECT. CAPCITOR 470U0F +20% 6.3V 85C
C601	20267830	30	PCE	ELECT. CAPCITOR 47U0F +20% 16.0V 85C
C603	20268880	30	PCE	ELECT. CAPCITOR 10U0F +20% 50.0V 85C

C606	15002130	30	PCE	ELECT. CAPCITOR	10U0F +20% 16.0V 85C
C608	20268940	30	PCE	ELECT. CAPCITOR	100U0F +20% 10.0V 85C
C614	20269110	30	PCE	ELECT. CAPCITOR	330U0F +20% 6.3V 85C
C617	20268940	30	PCE	ELECT. CAPCITOR	100U0F +20% 10.0V 85C
C61L	20267830	30	PCE	ELECT. CAPCITOR	47U0F +20% 16.0V 85C
C61R	20267830	30	PCE	ELECT. CAPCITOR	47U0F +20% 16.0V 85C
C65L	20267830	30	PCE	ELECT. CAPCITOR	47U0F +20% 16.0V 85C
C65R	20267830	30	PCE	ELECT. CAPCITOR	47U0F +20% 16.0V 85C
C66L	20267830	30	PCE	ELECT. CAPCITOR	47U0F +20% 16.0V 85C
C66R	20267830	30	PCE	ELECT. CAPCITOR	47U0F +20% 16.0V 85C
D101	20496510	85	PCE	D-SLP 1SS355	35.0V 225MIOA
D601	20496510	85	PCE	D-SLP 1SS355	35.0V 225MIOA
IC11	55388940	MS	PCE	IC-VIDEOPROC	PM0026A LQFP80 PIONEER VIDEO PROCESSOR
IC12	55389040	CP	PCE	IC-VIDEOPROC	MM1568AJBE SSOP34A MITSUMI AMPLIFIER&DRIVER
IC14	20997870	CQ	PCE	IC-SPECFUNC	MC74HC74AD DUAL-D FLIP FLOP
IC15	15178670	CQ	PCE	IC-LOGIC	74HC86 GATE HCMOS
IC21	55130350	IC	PCE	IC-VIDEOPROC	STI5519 MPEG VIDEO DECODER
IC22	20940740	65	PCE	IC-EEPROM	M24C02WMN6
IC31	55156290	MS	PCE	IC-DRAM	100M0 HZ 8N0 64M(1M*16*4) HY57V651620BTC-8 125M
IC41	55136720	MS	PCE	IC-MEMFLASH	M29W800AT90N1
IC51	55133310	KV	PCE	IC-LOGIC	M74HCU04M1R INVERTER HCT
IC61	55291470	IP	PCE	IC-CONV	WM8728 D/A
IC62	55128990	CQ	PCE	IC-OPERAMP	BA4560F DUAL OP
L301	10328750	91	PCE	RMGCFMIC	0 OHM +0% 62MI5W
L501	55126670	50	PCE	FBEAD SURFACE	MT 1000OHM FCM2012H-102T04
L604	55126710	50	PCE	FBEAD SURFACE	MT 120OHM FCM2012C-121T06
Q102	55133180	92	PCE	TR-SSD DTC	114YKA N 10K0 OHM 47K0 OHM
Q103	20970460	92	PCE	TR-SLPSWA	KTC3875Y N 50V 150MIOA
Q10B	55133180	92	PCE	TR-SSD DTC	114YKA N 10K0 OHM 47K0 OHM
Q10G	55133180	92	PCE	TR-SSD DTC	114YKA N 10K0 OHM 47K0 OHM
Q10R	55133180	92	PCE	TR-SSD DTC	114YKA N 10K0 OHM 47K0 OHM
Q11B	55388740	92	PCE	TR-SLPSWA	KTN2222AS P 40V -600MIOA
Q11G	55388740	92	PCE	TR-SLPSWA	KTN2222AS P 40V -600MIOA
Q11R	55388740	92	PCE	TR-SLPSWA	KTN2222AS P 40V -600MIOA
Q13B	55137830	92	PCE	TR-SLPSWA	KTN2907AS N 50V -600MIOA
Q13G	55137830	92	PCE	TR-SLPSWA	KTN2907AS N 50V -600MIOA
Q13R	55137830	92	PCE	TR-SLPSWA	KTN2907AS N 50V -600MIOA
Q201	20970460	92	PCE	TR-SLPSWA	KTC3875Y N 50V 150MIOA
Q202	20970460	92	PCE	TR-SLPSWA	KTC3875Y N 50V 150MIOA
Q601	55133190	92	PCE	TR-SSD DTA	114YKA P 10K0 OHM 47K0 OHM
Q602	55133180	92	PCE	TR-SSD DTC	114YKA N 10K0 OHM 47K0 OHM
Q61L	55039430	91	PCE	TR-SSD DTC	323TK N 2K2 OHM
Q61R	55039430	91	PCE	TR-SSD DTC	323TK N 2K2 OHM

PRINTED CIRCUIT BOARD PARTS LIST

DISPLAY CIRCUIT PC BOARD

CIRCUIT NO.	PART NO.	Pkg	Unit	DESCRIPTION
DISP	C901	30	PCE	ELECT. CAPACITOR 47U0F +20% 16.0V 85C
DISP	C903	91	PCE	CCCFMIC 100N0F +80% -20% 16.0V Y5V
DISP	C904	91	PCE	CCCFMIC 100N0F +80% -20% 16.0V Y5V
DISP	C905	91	PCE	CCCFMIC 100N0F +80% -20% 16.0V Y5V
DISP	C906	30	PCE	ELECT. CAPACITOR 100U0F +20% 6.3V 85C
DISP	C907	41	PCE	ELECT. CAPACITOR 470U0F +20% 6.3V 85C
DISP	C908	91	PCE	CCCFMIC 100N0F +80% -20% 16.0V Y5V
DISP	C909	30	PCE	ELECT. CAPACITOR 1U0F +20% 50.0V 85C
DISP	C911	91	PCE	CCCFMIC 100N0F +80% -20% 16.0V Y5V
DISP	C917	91	PCE	CCCFMIC 100N0F +80% -20% 16.0V Y5V
DISP	CN91	NR	PCE	SOCKET AS UNIQUE 5P 380MM UL2791 SHIELD 28
DISP	CN92	NR	PCE	SOCKET AS UNIQUE 5P 220MM UL1007 PVC DISCRETE 26 1
DISP	CN93	NR	PCE	SOCKET AS UNIQUE 2P 40MM UL1007 RIBBON 26 1
DISP	CN94		PCE	CONNECTOR 2.0MM 5 MA ST NAT LW2002P05 0 0
DISP	CN95		PCE	CONNECTOR 2.0MM 5 MA ST NAT LW2002P05 0 0
DISP	CN96	NR	PCE	SOCKET AS UNIQUE 4P 70MM UL1007 RIBBON 26 1
DISP	D904	16	PCE	D-SLP 1N4148 100.0V 150E-3A
DISP	D906	88	PCE	D-SR SCHOTTKY RB501V-40 40.0V 100MIOA
DISP	D917	85	PCE	D-SLP 1SS355 35.0V 225MIOA
DISP	FING		PCE	SPRING PLATE SPRING GND C5212 0.2T AVR520
DISP	FL91	NR	PCE	DISPLAY HNV-12SM24
DISP	IC91	MS	PCE	IC-MICROCONT CXP82532-310Q DV-CP500
DISP	IC92	NR	PCE	IC-REGNEGFXD KIA7045P LOW VOLTAGE DROP
DISP	L901	91	PCE	LF-SMD 22U0H +10%
DISP	L902	91	PCE	RMGCFMIC 0 OHM +0% 62MI5W
DISP	L903	91	PCE	RMGCFMIC 4R7 OHM +5% 62MI5W
DISP	L904	91	PCE	RMGCFMIC 4R7 OHM +5% 62MI5W
DISP	L905	91	PCE	RMGCFMIC 0 OHM +0% 62MI5W
DISP	L909	50	PCE	FBEAD SURFAELECT. CAPACITOR MT 1000OHM FCM2012H-102T04
DISP	L912	50	PCE	FBEAD SURFAELECT. CAPACITOR MT 1000OHM FCM2012H-102T04
DISP	L913	50	PCE	FBEAD SURFAELECT. CAPACITOR MT 1000OHM FCM2012H-102T04
DISP	L914	50	PCE	FBEAD SURFAELECT. CAPACITOR MT 1000OHM FCM2012H-102T04
DISP	L917	91	PCE	RMGCFMIN 0 OHM +0% 100MIOW
DISP	L918	91	PCE	RMGCFMIN 0 OHM +0% 100MIOW



DISP	RM91	55156010	NR	PCE	IC-REMOTE NJL63H380A REELECT. CAPACITOR IVER 38KHZ
DISP	S901	55145270	KX	PCE	SWITACT VERTICAL TACTILE F/B 50MI0A 12.0V 500MIOOHM 1T 1P
DISP	S903	55145270	KX	PCE	SWITACT VERTICAL TACTILE F/B 50MI0A 12.0V 500MIOOHM 1T 1P
DISP	S905	55145270	KX	PCE	SWITACT VERTICAL TACTILE F/B 50MI0A 12.0V 500MIOOHM 1T 1P
DISP	S907	55145270	KX	PCE	SWITACT VERTICAL TACTILE F/B 50MI0A 12.0V 500MIOOHM 1T 1P
DISP	S911	55145270	KX	PCE	SWITACT VERTICAL TACTILE F/B 50MI0A 12.0V 500MIOOHM 1T 1P
DISP	S913	55145270	KX	PCE	SWITACT VERTICAL TACTILE F/B 50MI0A 12.0V 500MIOOHM 1T 1P
DISP	S915	55145270	KX	PCE	SWITACT VERTICAL TACTILE F/B 50MI0A 12.0V 500MIOOHM 1T 1P
DISP	S917	55145270	KX	PCE	SWITACT VERTICAL TACTILE F/B 50MI0A 12.0V 500MIOOHM 1T 1P
DISP	S921	55145270	KX	PCE	SWITACT VERTICAL TACTILE F/B 50MI0A 12.0V 500MIOOHM 1T 1P
DISP	S924	55145270	KX	PCE	SWITACT VERTICAL TACTILE F/B 50MI0A 12.0V 500MIOOHM 1T 1P
DISP	S927	55145270	KX	PCE	SWITACT VERTICAL TACTILE F/B 50MI0A 12.0V 500MIOOHM 1T 1P
DISP	X901	55126140	NR	PCE	RESONATOR 10M0 HZ 25.0 OHM 0F

INLET TERMINAL PC BOARD (INCLUDED DISPLAY PCB)

CIRCUIT NO.	PART NO.	Pkg	Unit	DESCRIPTION	
INLT	DCN1	55384200	NR	PCE	SOCKET AS UNIQUE 3P 630MM UL2547 26
INLT	MCN1	55548930	NR	PCE	SOCKET AS DL 3.96MM 2P 500MM UL1617
INLT	MCN2	55222010		PCE	SOCKET MAINS INLET A/C INLET 7014-NGP

OPEN/CLOSE SWITCH PC BOARD (INCLUDED DISPLAY PCB)

CIRCUIT NO.	PART NO.	Pkg	Unit	DESCRIPTION	
OPN/CL	CP93	55090070		PCE	CONNECTOR 2.0MM 2 MA ST NAT LW2002P0200T 0 0
OPN/CL	S930	55145270	KX	PCE	SWITACT VERTICAL TACTILE F/B 50MI0A 12.0V 500MIOOHM 1T 1P

STANDBY SWITCH PC BOARD (INCLUDED DISPLAY PCB)

CIRCUIT NO.	PART NO.	Pkg	Unit	DESCRIPTION	
STBY	CP96	55123310		PCE	CONNECTOR 2.0MM 4 MA ST NAT LW2002P04 0 0
STBY	D905	55125510	NR	PCE	D-LEM LTL-1CHE RD RND 3.0 DIFU 5.6CD
STBY	Q901	55133180	92	PCE	TR-SSD DTC114YKA N 10K0 OHM 47K0 OHM
STBY	S931	55145270	KX	PCE	SWITACT VERTICAL TACTILE F/B 50MI0A 12.0V 500MIOOHM 1T 1P

PRINTED CIRCUIT BOARD PARTS LIST

OUTPUT TERMINAL PC BOARD

CIRCUIT NO.	PART NO.	Pkg	Unit	DESCRIPTION
C701	20268840	30	PCE	ELECT. CAPACITOR 1U0F +20% 50.0V 85C
C702	20268840	30	PCE	ELECT. CAPACITOR 1U0F +20% 50.0V 85C
C703	20268840	30	PCE	ELECT. CAPACITOR 1U0F +20% 50.0V 85C
C705	20252050	30	PCE	ELECT. CAPACITOR 100U0F +20% 6.3V 85C
C706	20268840	30	PCE	ELECT. CAPACITOR 1U0F +20% 50.0V 85C
C707	20268840	30	PCE	ELECT. CAPACITOR 1U0F +20% 50.0V 85C
C802	20267830	30	PCE	ELECT. CAPACITOR 47U0F +20% 16.0V 85C
CN01	55124620		PCE	CONNECTOR 1.25MM 23 FE ST WH GF120-23S-TS 2794 A6
CN71	67472300	NR	PCE	CONNECTOR -SPE 87204-6063 SUB D FE 2.77MM 9 -- 1630 A1
CP01	55090070		PCE	CONNECTOR 2.0MM 2 MA ST NAT LW2002P0200T 0 0
D711	70436540	16	PCE	D-SLP 1N4148 100.0V 150E-3A
D801	20496510	85	PCE	D-SLP 1SS355 35.0V 225MIOA
D802	20496510	85	PCE	D-SLP 1SS355 35.0V 225MIOA
FCN1	55171520		PCE	CONNECTOR 2.0MM 5 MA ST NAT MOLEX 35336-0510 0 0
FCN2	55177410		PCE	CONNECTOR 2.0MM 3 MA ST NAT MOLEX 35336-0310 0 0
GND1	55135980	NR	PCE	LUG GND
GND2	55135980	NR	PCE	LUG GND
IC71	55197900	CQ	PCE	IC-SPECFUNC UPD4721 DRIVERS/REELECT
IC85	55164740	NR	PCE	D-LEM GPIF32T RD RND CL
JK81	55270580		PCE	JACK 1P W/GND RCA-139PJ
JK82	55266550		PCE	JACK 2P WR W/GND CAP RCA-235P
JK83	55266570		PCE	JACK DIN SCKT MIX SOCKET RCA & S-VIDEO RCA-138JP1S
JK84	55266540		PCE	JACK PHONO SCKT RCA 3P RUG W/GND CAP RCA-328P
L801	55126710	50	PCE	FBEAD SURFAELECT. CAPACITOR MT 120OHM FCM2012C-121T06
L802	55126710	50	PCE	FBEAD SURFAELECT. CAPACITOR MT 120OHM FCM2012C-121T06
L803	55126710	50	PCE	FBEAD SURFAELECT. CAPACITOR MT 120OHM FCM2012C-121T06
Q801	20970460	92	PCE	TR-SLPSWA KTC3875Y N 50V 150MIOA
Q802	20970480	92	PCE	TR-SLPSWA KTA1504Y P -50V -150MIOA
Q87L	55039430	92	PCE	TR-SSD DTC323TK N 2K2 OHM
Q87R	55039430	92	PCE	TR-SSD DTC323TK N 2K2 OHM

PRINTED CIRCUIT BOARD PARTS LIST

DIGITAL FILTER PC BOARD

CIRCUIT NO.	PART NO.	Pkg	Unit	DESCRIPTION
DCP1	55090080		PCE	CONNECTOR 2.0MM 3 MA ST NAT LW2002P03 0 0
DG91	55190890		PCE	CON PHONO SCKT REMOTEI1H 2 PINS
DP91	55207930	KV	PCE	PHOTCOUP PC-17T1
FCP1	55206580		PCE	CONNECTOR 2.0MM 5 MA R NAT BD'BD SOCKET MOLEX 35237-0510 0 0
DD01	20496510	85	PCE	D-SLP 1SS355 35.0V 225MIOA
IC01	55164460	CQ	PCE	IC-OPERAMP NJM4556AM DUAL OP
IC1L	55164460	CQ	PCE	IC-OPERAMP NJM4556AM DUAL OP
IC1R	55164460	CQ	PCE	IC-OPERAMP NJM4556AM DUAL OP
C04L	20267830	30	PCE	ELECT. CAPACITOR 47U0F +20% 16.0V 85C
C04R	20267830	30	PCE	ELECT. CAPACITOR 47U0F +20% 16.0V 85C

C05L	20267830	30	PCE	ELECT. CAPACITOR 47U0F +20% 16.0V 85C
C05R	20267830	30	PCE	ELECT. CAPACITOR 47U0F +20% 16.0V 85C
DC01	20267830	30	PCE	ELECT. CAPACITOR 47U0F +20% 16.0V 85C

DPC-5.3 EX-VIEW PARTS LIST

NO.	PART'S No	PARTS NAME
1	55384980	PLATE BADGE DVD
2	55382960	DOOR TRAY
3	55223420	WINDOW DISPLAY
4	55204210	LOGO BADGE INTEGRA
5	55186710	FACET STANDBY
6	55259110	COVER POWER BUTTON
7	55184600	SHAFT POWER SWITCH
8	55204250	POWER BUTTON
9	55184650	STANDBY BUTTON
10	55448310	POWER/STANDBY SWITCH PC BOARD ASSY (INCLUDE DISP.
11	55244670	BUTTON CD PLAY
12	55221140	SHIELD COVER SENSOR
13	55164930	HOLDER FL
14	55382610	PANEL FRONT
15	55204260	BUTTON OPEN/CLOSE DPC5.2
16	55244680	BUTTON 9KEY
17	55145270	TACT SWITCH VERTICAL
18	55448310	OPEN/CLOSE SWITCH PC BOARD ASSY (INCLUDE DISP. PCB)
19	55448310	DISPLAY PC BOARD ASSY
20	55178960	SPRING GND C5212 0.2T
21	55236110	CABINET CHASSIS FRONT
22	55201610	RUBBER SPACER 14.5*14.5*22
23	55174550	SHIELD GASKET 12 X 8 X 20
24	55125120	FOOT
25	55141370	FOOT RUBBER
26	5518662A	CABINET CHASSIS MAIN
27	55190770	FELT 38X120X0.3T BK
28	55405550	SHIELD COVER
29	55190690	SHIELD COVER DOWN LOAD
30	55448320	OUTPUT TERMINAL PC BOARD ASSY
36	67472300	D SUB CONNECTOR
39	55383140	REAR PANEL
40	55174610	BRACKET MECHA RIGHT
41	55371600	MECHANISM ASSY CDM5G(TVM503R-1)
42	55186680	BRACKET FRAME MECHA R
43	55186600	COVER TOP
44	5518667A	BRACKET FRAME MECHA L
46	55190680	SHIELD COVER CONNECT BOARD
47	55516410	SHIELD PLATE MPEG
48	55514090	SHIELD COVER PROTECT
49	55448290	MAIN PC BOARD ASSY
50	55190160	BRACKET GROUND
51	55186640	BRACKET MAIN PCB
52	55332110	POWER SUPPLY UNIT
53	55202510	SHIELD COVER POWER SUPPLY UNIT
54	55222010	INLET TERMINAL
55	55448310	INLET TERMINAL PC BOARD
56	55222020	BRACKET INLET
58	55448330	RI IN/OUT JACK PC BOARD
60	SR-5, T2A	FUSE, 250VCA T 2.0A
S1	838130068	SCREW 3TTB+6B
S2	838130088	SCREW 3TTB+8B
S3	238440088	SCREW 4TTB+8BC(BC)
S4	55127120	SCREW 3MM 8MM WITH WASHER
S5	55127180	SCREW 3MM 8MM
S6	838430108	SCREW 3TTB+8B(BC)

DPC-5.3 EX-VIEW I

NO.	PARTS No
1	55384980
2	55382960
3	55223420
4	55204210
5	55186710
6	55259110
7	55184600
8	55204250
9	55184650
10	55448310
11	55244670
12	55221140
13	55164930
14	55382610
15	55204260
16	55244680
17	55145270
18	55448310
19	55448310
20	55178960
21	55236110
22	55201610
23	55174550
24	55125120
25	55141370
26	5518662A
27	55190770
28	55405550
29	55190690
30	55448320
36	67472300
39	55383140
40	55174610
41	55371600
42	55186680
43	55186600
44	5518667A
46	55190680
47	55516410
48	55514090
49	55448290
50	55190160
51	55186640
52	55332110
53	55202510
54	55222010
55	55448310
56	55222020
58	55448330

PACKING VIEW PARTS LIST

NO.	PART NO.	Unit	DESCRIPTION
50	55383370	PCE	CARTON BOX DPC5.3 INTEGRA
60	55184410	PCE	ENDCAP CUSHION RIGHT
70	55184420	PCE	ENDCAP CUSHION LEFT
100	55176530	PCE	AUDIO CONNECTION CABLE
105	55547410	PCE	POWER CORD
110	55383400	PCE	INSTRUCTION MANUAL
120	55231700	PCE	POLY BAG FOAM SHEET
130	55188250	PCE	WARRANTY CARD
150	55170650	PCE	POLY BAG 260MM X 410MM
170	20194780	PCE	CABLE-TIE THE FITMOS PLASTIC
205	29110148	M	PP TAPE
210	55208740	PCE	CUSHION -- 80.0MM X 35.0MM 0 0
220	2010389	PCE	RI CABLE
230	5544550A	PCE	AC PRI LABEL POS DPC-5.3(B)
240	55445530	PCE	REMOTE CONTROLLER RC-503DV
250	3010054	PCE	BATTERY 1.5V AAA 1.15 AH

Pos	Tocom#	SName	Step
0010	55448270	ASSY MECH BOM DPC-5.3 OEM	ENGPAAW
0020	55448280	ASSY BOM PKG DPC-5.3	ENGPAAW
0030	55448290	ASSY EMBD IMA MAIN BD DPC-5.3	ENGCAWW
0040	55448310	ASSY EMBD IMA FRONT BD DPC-5.3	ENGCAWW
0050	55448320	ASSY EMBD IMA OUT BD DPC-5.3	ENGCAWW
0060	55448330	ASSY EMBD IMA DIGI/FILTER BD DPC-5.3	ENGCAWW
0070	55371600	ASSY MSA ASY CDM5G(TVM503R-1)	ENGPAAW



Integra Division of

ONKYO CORPORATION

Sales & Product Planning Div. : 2-1, Nisshin-cho, Neyagawa-shi, OSAKA 572-8540, JAPAN
Tel: 072-831-8111 Fax: 072-833-5222 <http://www.onkyo.co.jp/>

Integra Division of

ONKYO U.S.A. CORPORATION

18 Park Way, Upper Saddle River, N.J. 07458, U.S.A.
Tel: 201-785-2600 Fax: 201-785-2650 E-mail: integra@onkyousa.com <http://www.integrahometheater.com>