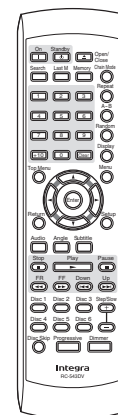
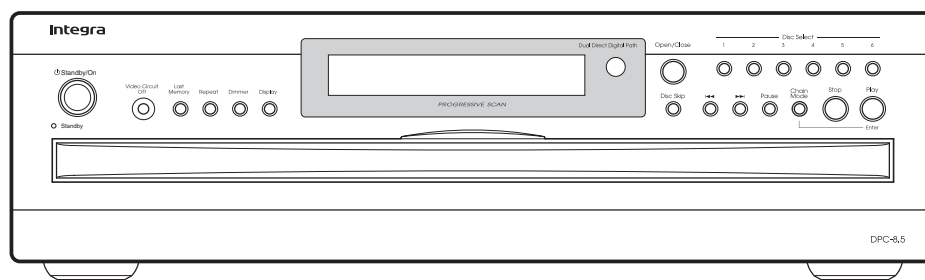


Integra SERVICE MANUAL

Jul, 2004

DVD CHANGER MODEL DPC-8.5




RC-543DV

Black model

CDD1N	120V AC, 60Hz
-------	---------------

SAFETY-RELATED COMPONENT WARNING!!

COMPONENTS IDENTIFIED BY MARK  ON THE SCHEMATIC DIAGRAM AND IN THE PARTS LIST ARE CRITICAL FOR RISK OF FIRE AND ELECTRIC SHOCK. REPLACE THESE COMPONENTS WITH ONKYO PARTS WHOSE PART NUMBERS APPEAR AS SHOWN IN THIS MANUAL.

MAKE LEAKAGE-CURRENT OR RESISTANCE MEASUREMENTS TO DETERMINE THAT EXPOSED PARTS ARE ACCEPTABLY INSULATED FROM THE SUPPLY CIRCUIT BEFORE RETURNING THE APPLIANCE TO THE CUSTOMER.

SPECIFICATIONS

DPC-8.5

Signal System		NTSC
Composite Video Output/Impedance		1.0 V (p-p)/75Ω negative sync, RCA/phono x2
S-Video Output/Impedance		Y: 0.7 V (p-p)/75Ω negative sync, 4-pin mini DIN x2 C: 0.286 V (p-p)/75Ω
Component Video Output/Impedance		Y: 1.0 V(p-p)/75Ω PB/PR: 0.7 V (p-p)/75Ω RCA/phono & BNC
Frequency Response	DVD-Audio	4 Hz-50 kHz (192 kHz)
	DVD Linear Sound	4 Hz-44 kHz (96 kHz)
		4 Hz-22 kHz (48 kHz)
	Audio CD	4 Hz-20 kHz (44.1 kHz)
S/N ratio		110 dB
Audio Dynamic Range		99 dB
THD (Total Harmonic Distortion)		0.004 % (1 kHz)
Wow and Flutter		Below threshold of measurability
Audio Output (Digital/Optical)		-22.5 dBm
Audio Output/Impedance (Digital/Coaxial)		0.5 V p-p/75Ω
Audio Output/Impedance (Analog)		2.0 V (rms)/600Ω
Power Supply		AC 120 V, 60 Hz
Power Consumption		21 W
Standby Power Consumption		0.6 W
Dimensions (W x H x D)		435 x 131 x 432 mm 17-1/8 x 5-3/16 x 17-3/16 inches
Weight		7.3 kg 16.1 lbs .
Operation Condition Temperature		5-35°C (4-95°F)
Disc Compatibility		DVD-VIDEO, DVD-AUDIO, CD, CD-R, CD-RW, SACD, MP3, DVD-R, DVD-RW, JPEG, VCD Disc that have not been property finalized may only be partially playable or not playable at all.

Specifications and features subject to change without notice.

SERVICE PROCEDURES-1

PROTECTION OF EYES FROM LASER BEAM DURING SERVICING

This set employs a laser. Therefore, be sure to follow carefully the instructions below when servicing.

WARNING!!

SERVICE WARNING : DO NOT APPROACH THE LASER EXIT WITH THE EYE TOO CLOSELY. IN CASE IT IS NECESSARY TO CONFIRM LASER BEAM EMISSION, BE SURE TO OBSERVE FROM A DISTANCE OF MORE THAN 30cm FROM THE SURFACE OF THE OBJECTIVE LENS ON THE OPTICAL PICKUP BLOCK.

Laser Diode Properties

Wavelength: 650/780nm (DVD/CD)

WARNING

WARNING:

TO REDUCE THE RISK OF FIRE OR ELECTRIC SHOCK, DO NOT EXPOSE THIS APPLIANCE TO RAIN OR MOISTURE.

CAUTION:

TO REDUCE THE RISK OF ELECTRIC SHOCK, DO NOT REMOVE COVER (OR BACK). NO USER-SERVICEABLE PARTS INSIDE. REFER SERVICING TO QUALIFIED SERVICE PERSONNEL.



WARNING
RISK OF ELECTRIC SHOCK
DO NOT OPEN

AVIS
RISQUE DE CHOC ELECTRIQUE
NE PAS OUVRIR



The lightning flash with arrowhead symbol, within an equilateral triangle, is intended to alert the user to the presence of uninsulated "dangerous voltage" within the product's enclosure that may be of sufficient magnitude to constitute a risk of electric shock to persons.



The exclamation point within an equilateral triangle is intended to alert the user to the presence of important operating and maintenance (servicing) instructions in the literature accompanying the appliance.

LASER WARNING

This unit contains a semiconductor laser system and is classified as a "CLASS 1 LASER PRODUCT". So, to use this model properly, read this Instruction Manual carefully. In case of any trouble, please contact the store where you purchased the unit. To prevent being exposed to the laser beam, do not try to open the enclosure.

CAUTION:

VISIBLE LASER RADIATION WHEN OPEN AND INTERLOCK FAILED OR DEFEATED. DO NOT STARE INTO BEAM.

CAUTION:

THIS PRODUCT UTILIZES A LASER. USE OF CONTROLS OR ADJUSTMENTS OR PERFORMANCE OF PROCEDURES OTHER THAN THOSE SPECIFIED HEREIN MAY RESULT IN HAZARDOUS RADIATION EXPOSURE.

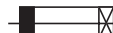
The label on the right is applied on the rear panel except for USA and Canadian models.






- 1.This unit is a CLASS 1 LASER PRODUCT and employs a laser inside the cabinet.
- 2.To prevent the laser from being exposed, do not remove the cover. Refer servicing to qualified personnel.

SERVICE PROCEDURE

1. Replacing the fuses

 This symbol located near the fuse indicates that the fuse used is show operating type, For continued protection against fire hazard, replace with same type fuse , For fuse rating, refer to the marking adjust to the symbol.

 Ce symbole indique que le fusible utilise est e lent. Pour une protection permanente, n'utiliser que des fusibles de meme type. Ce dernier est indique la qu le present symbol est appose.

REF. NO.	PART NO.	DESCRIPTION
F101	5120-0130-0 or 	1.6A-UL/T-237 <CDD1N>
	5120-1000-0 	1.6A-T/UL-ST2 <CDD1N>

<CDD1N> : North American area

LASER BEAM CAUTION LABEL



WAVE LENGTH:650nm
MAX LASER POWER:5mW
波長:650nm
最大レーザー出力:5mW



SERVICE PROCEDURES-2

2. Safety-check out

(Only U.S.A. model)

After correcting the original service problem perform the following safety check before releasing the set to the customer

Connect the insulating-resistance tester between the plug of power supply cord and terminal GND on the back panel.

Specifications: More than 10M ohm at 500V

INITIALIZING

Factory-shipped condition

Push button "ON" (Mechanical SW)

Press the [STOP] and [STANDBY] same time with NO DISC condition.

Push button "STANDBY".

After display "COMPLETE".

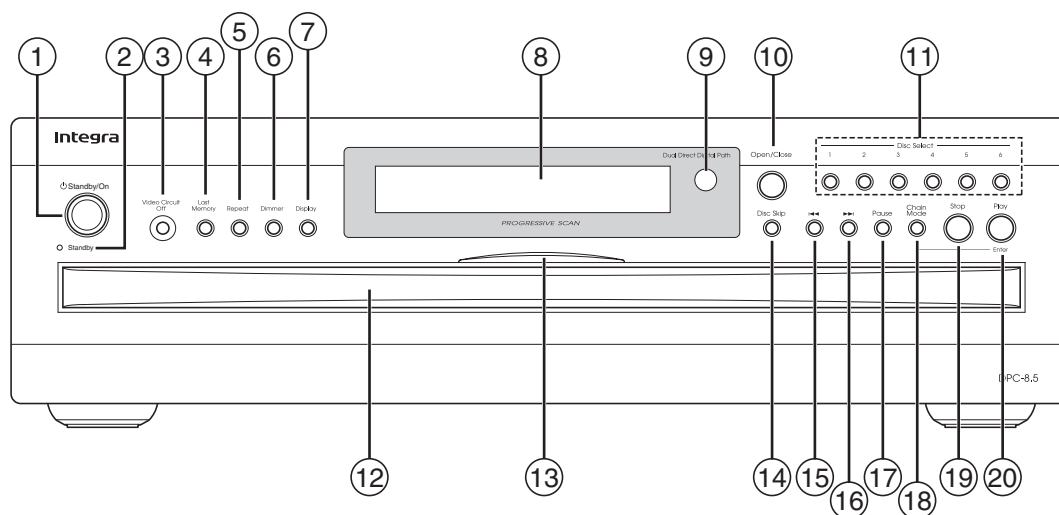
REMOVE THE SOLDER OF LASER DIODE SHORT

When replace the mechanism or DVD main PC board.

Shooting the solder of Shot-circuit land. (2 positions)

PANEL VIEWS-1

FRONT PANEL

**1 Standby/On button**

This button is used to set the DPC-8.5 to On or Standby. Don't turn on the DPC-8.5 until you've completed and double-checked all of your connections.

2 Standby indicator

This indicator lights up when the DPC-8.5 is in Standby mode.

3 Video Circuit Off button & indicator

This button is used to turn off all of the internal video circuitry, eliminating the possibility of interference when playing audio-only discs. The button lights up when the video circuitry is turned off.

4 Last Memory button

This button is used with the Last Memory function.

5 Repeat button

This button is used with the Repeat function.

6 Dimmer button

This button is used to adjust the display brightness.

7 Display button

This button is used to display information about the current disc, title, chapter, or track, including the elapsed time, remaining time, total time, and so on.

8 Display**9 Remote control sensor**

This sensor receives control signals from the remote controller.

10 Open/Close button

This button is used to open and close the disc tray.

11 Disc Select 1-6 button

These buttons are used to select discs. Playback starts automatically when discs are selected with these buttons.

12 Disc tray

The disc tray has six bays for loading up to six discs.

13 Disc tray light

This light illuminates the disc tray. It comes on when the DPC-8.5 is turned on, and is brighter while the disc tray is open.

14 Disc Skip button

This button is used to select the disc bays (i.e., rotate the disc tray) when loading or removing discs, and to select discs for playback.

15 Down [⏮] button

This button is used to select the previous chapter or track. During playback it selects the beginning of the current chapter or track.

16 Up [⏭] button

This button is used to select the next chapter or track.

17 Pause [⏸] button

This button is used to pause playback.

18 Chain Mode button

This button is used with the Chain mode function.

19 Stop button

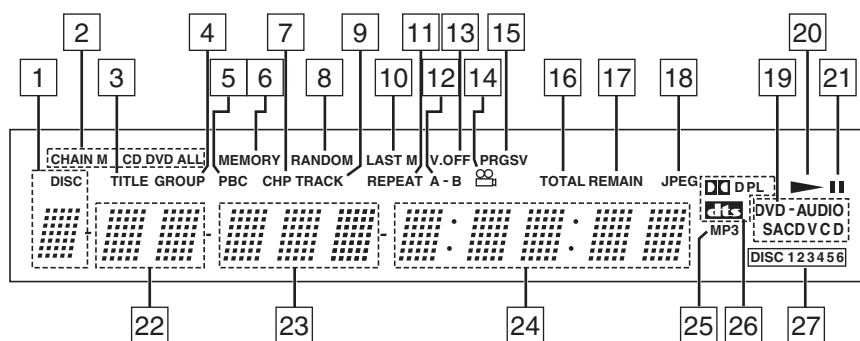
This button is used to stop playback.


20 Play/Enter button

This button is used to start playback and to cancel fast forward and fast reverse. It is also used to start Chain mode playback.

PANEL VIEWS-2

DISPLAYS-1



- 1 DISC indicator**
The number of the currently selected disc appears here.
- 2 CHAIN M, CD, DVD & ALL indicators**
Short for CHAIN MODE, the CHAIN M indicator appears when the Chain mode function is on. The CD, DVD, and ALL indicators show the type of Chain mode selected.
- 3 TITLE indicator**
This indicator appears while title numbers are being displayed. While stopped, the total number of titles on the current DVD-Video disc is displayed here. During playback, the number of the current title is displayed.
- 4 GROUP indicator**
This indicator appears while group numbers are being displayed. While stopped, the total number of groups on the current DVD-Audio disc are displayed. During playback, the number of the current group is displayed.
- 5 PBC indicator**
This indicator appears if the VCD currently playing supports PBC (Playback Control).
- 6 MEMORY indicator**
This indicator appears when using the Memory function.
- 7 CHP indicator**
This indicator appears while the number of the current chapter is being displayed.
- 8 RANDOM indicator**
This indicator appears when using the Random function.
- 9 TRACK indicator**
This indicator appears while track numbers are being displayed. While stopped, the total number of tracks on the current VCD, CD, or MP3 disc are displayed. During playback, the number of the current track is displayed.
- 10 LAST M indicator**
This indicator appears when using the Last Memory function.
- 11 REPEAT indicator**
This indicator appears when using the Repeat function.
- 12 A-B indicators**
These indicators appear when using the A-B Repeat function.
- 13 V. OFF indicator**
This indicator appears while the video circuits are turned off.
- 14 Camera angle  indicator**
This indicator appears if the DVD-Video disc being played features multiple camera angles.
- 15 PRGSV indicator**
This indicator appears when progressive scanning is on.
- 16 TOTAL indicator**
This indicator appears while the total time is being displayed.
- 17 REMAIN indicator**
This indicator appears while the remaining time is being displayed.
- 18 JPEG indicator**
This indicator appears while a JPEG picture is being displayed.
- 19 DVD-AUDIO & SACD/VCD indicators**
These indicators show the type of disc currently selected.
DVD: DVD-Video
DVD-AUDIO: DVD-Audio
SACD: Super Audio CD
VCD: Video CD
CD: Audio CD, MP3, JPEG

PANEL VIEWS-3

DISPLAYS-2

20 Play ► indicator

This indicator is shown during playback.

21 Pause ■■ indicator

This indicator appears when playback is paused.

22 Title & group number

Title and group numbers appear here.

23 Chapter & track number

Chapter and track numbers appear here.

24 Time display

Time information, such as total time, remaining time, and so on, is displayed here in hours, minutes, and seconds. Other messages are also displayed.

25 MP3 indicator

This indicator appears while an MP3 track is being played.

26 Dolby Digital (D D), Dolby Pro Logic (D PL) & DTS (DTS) indicators

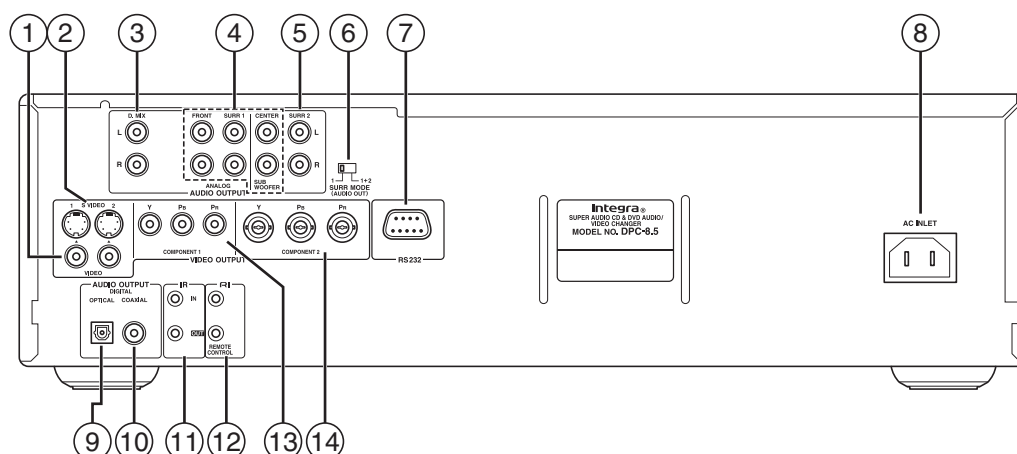
The Dolby Digital indicator (D D) appears when a Dolby Digital soundtrack is selected. The Dolby Pro Logic (D PL) indicator appears when the DPC-8.5's Dolby Pro Logic decoder is on. The DTS indicator appears when a DTS soundtrack is selected.

27 DISC indicators 1-6

These indicators show how many discs are loaded. When the disc tray is closed, all of the disc indicators appear until the DPC-8.5 has checked each bay for the presence of a disc. If a bay is found to have no disc, the corresponding indicator disappears.

PANEL VIEWS-4

REAL PANEL



① VIDEO OUTPUT 1 & 2

These sockets output composite video and can be connected to a composite video input on a TV or projector.

② S VIDEO OUTPUT 1 & 2

These sockets output S-Video and can be connected to an S-Video input on a TV or projector.

③ D.MIX AUDIO OUTPUT

These sockets output analog audio and can be connected to a stereo analog audio input on a TV, hi-fi amp, or other component. If the source audio is multichannel (Dolby Digital, DTS, DVD-Audio, SACD), they output a 2-channel downmix.

④ FRONT, SURR 1, CENTER & SUBWOOFER AUDIO OUTPUT

These sockets output 5.1-channel analog audio and can be connected to a 5.1-channel analog audio input on an AV receiver, surround sound decoder (Dolby Pro Logic), or other component. The FRONT outputs can be used as either front outputs or downmix outputs.

⑤ SURR 2 AUDIO OUTPUT

These sockets output the same analog audio as the SURR1 outputs and can be connected to the analog surround back left and right inputs on a 7.1-channel AV receiver or other component. When using these sockets, the SURR MODE switch should be set to 1+2.

⑥ SURR MODE (AUDIO OUT) switch

This switch is used to set the surround output mode of the analog multichannel audio outputs. If you connect the SURR 2 outputs to a 7.1-channel AV receiver or amp, set this switch to 1+2. This reduces the output level by 3 dB. If you're not using the SURR 2 outputs, set it to 1.

⑦ RS232 port

This bidirectional RS-232 port can be connected to an external controller.

⑧ AC INLET

The supplied power cord should be connected here.

⑨ OPTICAL DIGITAL AUDIO OUTPUT

This optical digital audio output can be connected to an optical digital audio input on a hi-fi amp, AV receiver, or surround sound decoder (Dolby Digital, DTS).

⑩ COAXIAL DIGITAL AUDIO OUTPUT

This coaxial digital audio output can be connected to a coaxial digital audio input on a hi-fi amp, AV receiver, or surround sound decoder (Dolby Digital, DTS).

⑪ IR IN/OUT

The IR IN socket can be used to connect a commercially available IR receiver, which can be used to pickup signals from the remote controller when the DPC-8.5 is located in another room, installed in a rack, or is out of range of the remote controller. The IR OUT connector can be used to connect a commercially available IR emitter, which can be used to pass remote controller signals received by the IR IN along to other components.

⑫ RI REMOTE CONTROL

These **RI** (Remote Interactive) connectors can be connected to the **RI** connectors on your other Integra/Onkyo AV components for interactive control. To use **RI** you must make an analog audio connection (RCA) between the DPC-8.5 and your Integra/Onkyo AV receiver, even if they are connected digitally.

⑬ COMPONENT VIDEO OUTPUT 1

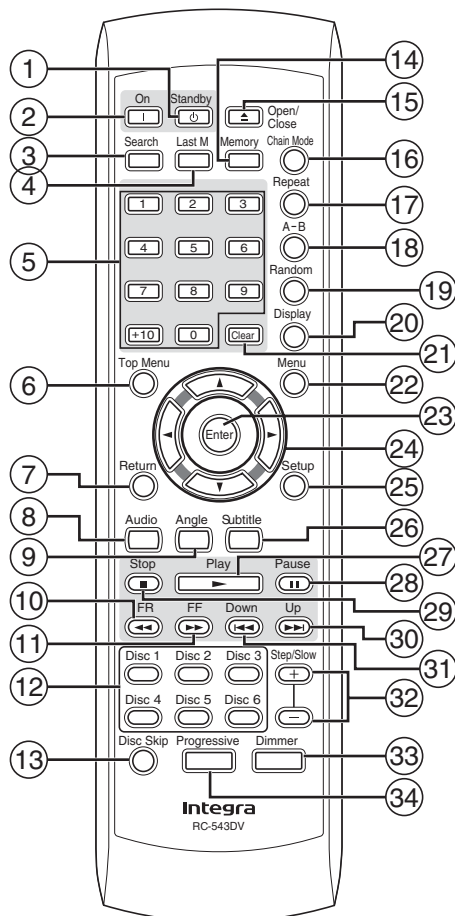
These sockets output component video and can be connected to a component video input on a TV or projector.

⑭ COMPONENT VIDEO OUTPUT 2

These sockets output component video and can be connected to a component video input on a TV or projector.

REMOTE CONTROLLERS-1

RC-543DV



① Standby button

This button is used to set the DPC-8.5 to Standby.

② On button

This button is used to turn on the DPC-8.5.
Don't turn on the DPC-8.5 until you've completed and double checked all of your connections

③ Search button

This button is used to search for titles, chapters, groups, tracks, and specific points in time.

④ Last M button

This button is used with the Last Memory function.

⑤ Number buttons

These buttons are used to enter title, chapter, group, and track numbers and to enter times for locating specific points in time. To enter a single-digit number, simply press the corresponding button. To enter a double-digit number, enter the numbers in order from left-to-right (e.g., to enter 14, press [1] then [4]). The [+10] button is used to enter multiples of ten (i.e., 10, 20, 30, and so on). For example, to enter the number 25, press the [+10] button twice followed by the [5] button.

⑥ Top Menu button

This button is used to select the top menu.

⑦ Return button

This button is used to return to the previously displayed onscreen setup menu.

⑧ Audio button

This button is used to select foreign language soundtracks and audio formats (e.g., Dolby Digital or DTS).

⑨ Angle button

This button is used to select different camera angles.

⑩ FR [◀◀] button

This button is used to start fast reverse.

⑪ FF [▶▶] button

This button is used to start fast forward.

⑫ Disc 1-6 buttons

These buttons are used to select discs. Playback starts automatically when discs are selected with these buttons.

⑬ Disc Skip button

This button is used to select the disc bays (i.e., rotate the disc tray) when loading or removing discs, and to select discs for playback.

⑭ Memory button

This button is used with the Memory function.

⑮ Open/Close [▲] button

This button is used to open and close the disc tray.

⑯ Chain Mode button

This button is used with the Chain mode function.

⑰ Repeat button

This button is used to set the Repeat functions.

⑱ A-B button

This button is used to set the A-B Repeat function.

⑲ Random button

This button is used with the Random function.

REMOTE CONTROLLERS-2

RC-543DV

⑳ Display button

This button is used to display information about the current disc, title, chapter, group, or track, including the elapsed time, remaining time, total time, and so on.

㉑ Clear button

This button is used to cancel functions and to clear entered numbers.

㉒ Menu button

This button is used to show DVD menus.

㉓ Enter button

This button is used to start playback of the selected title chapter, group, or track and to confirm settings.

㉔ Arrow [▲], [▼], [◀], [▶] buttons

These buttons are used to navigate onscreen menus.

㉕ Setup button

This button is used to open and close the onscreen setup menus.

㉖ Subtitle button

This button is used to select subtitles.

㉗ Play [▶] button

This button is used to start playback.

㉘ Pause [⏸] button

This button is used to pause playback.

㉙ Stop [■] button

This button is used to stop playback.

㉚ Up [▶▶] button

This button is used to select the next chapter or track.

㉛ Down [◀◀] button

This button is used to select the previous chapter or track. During playback it selects the beginning of the current chapter or track.

㉜ Step/Slow [+] & [-] buttons

These buttons are used for frame-by-frame playback and slow-motion playback.

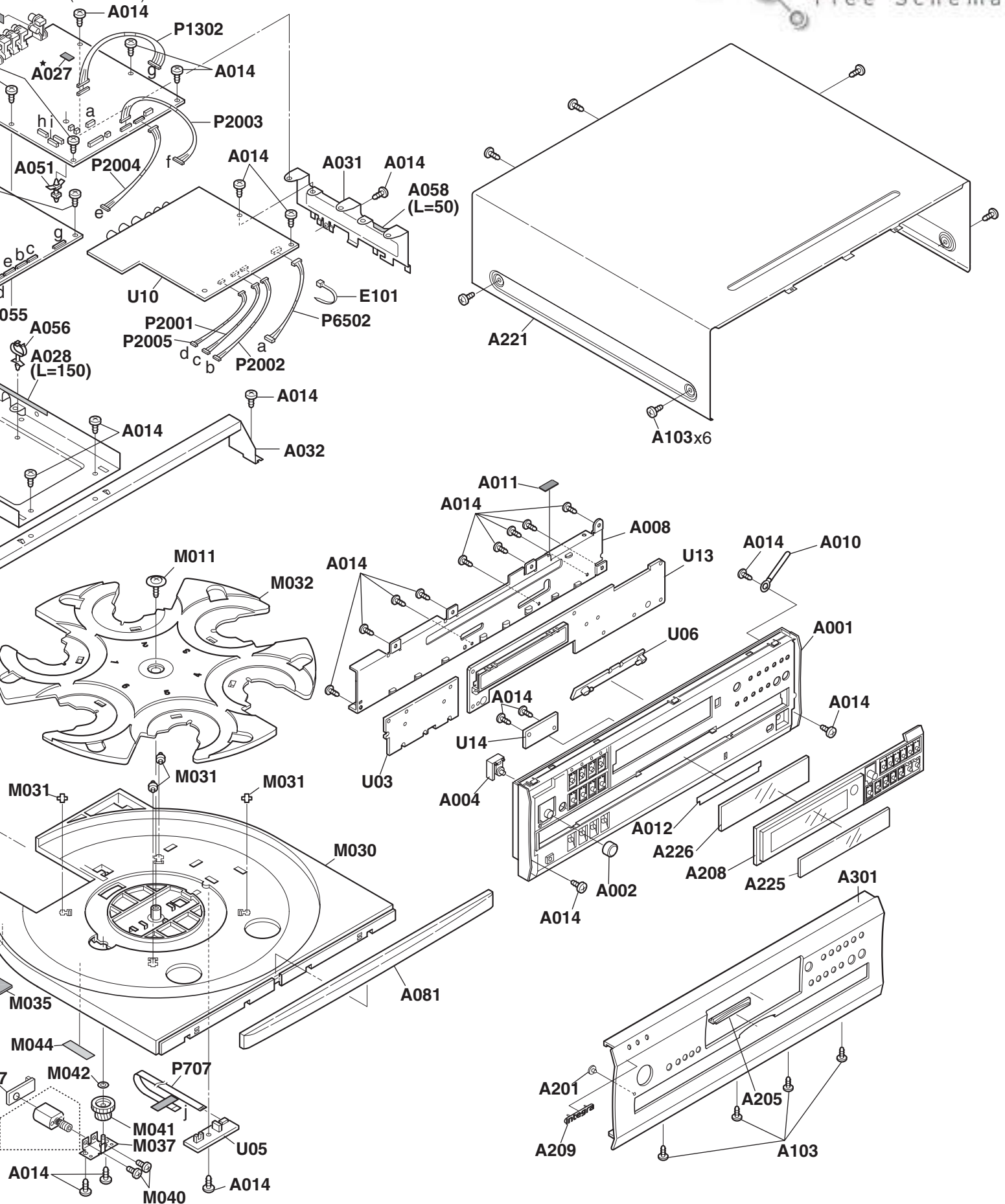
㉝ Dimmer button

This button is used to adjust the display brightness.

㉞ Progressive button

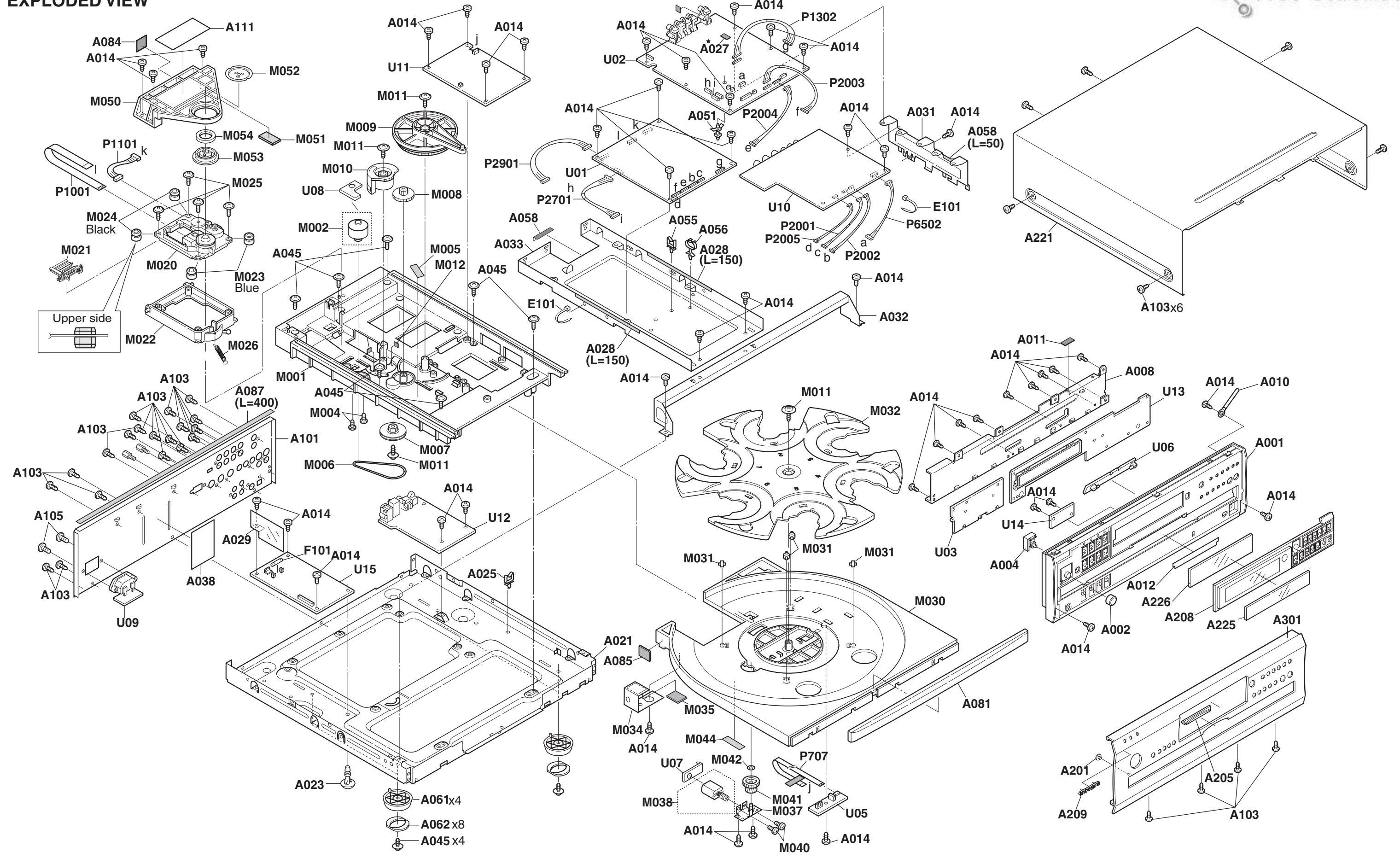
This button is used to turn on and off progressive scanning. Progressive scanning can't be turned on or off during playback.

on Q4602 (Audio DAC)

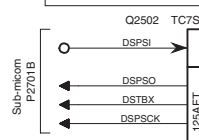
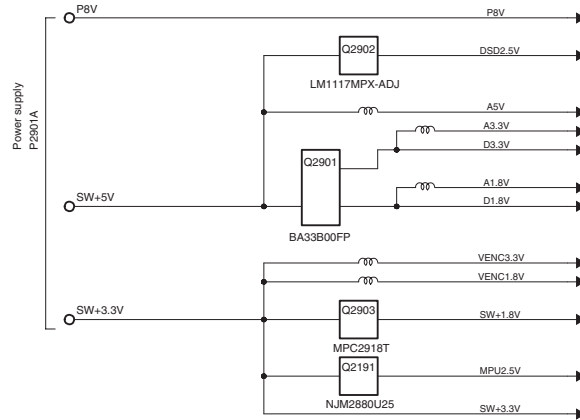
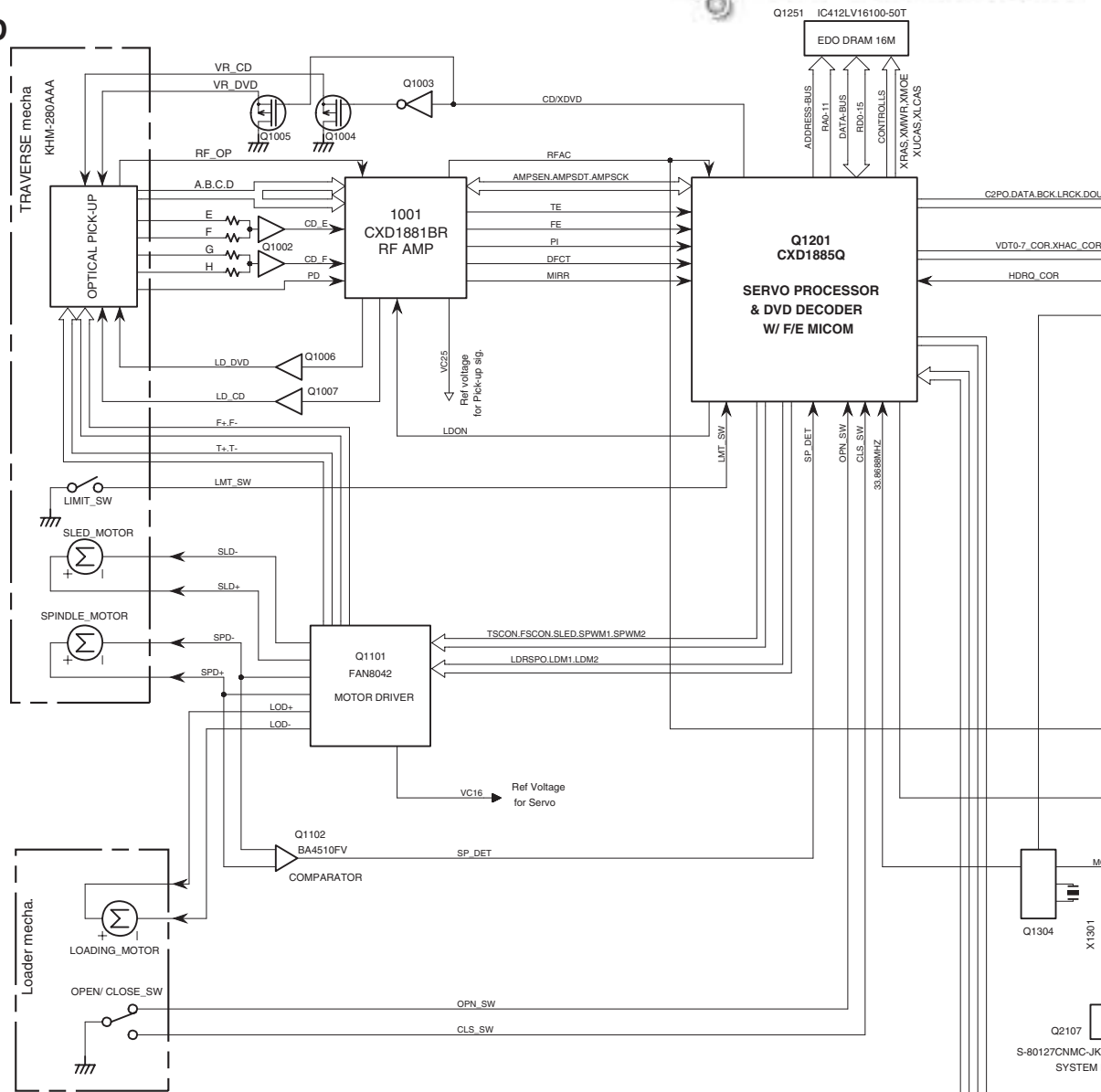


EXPLODED VIEW

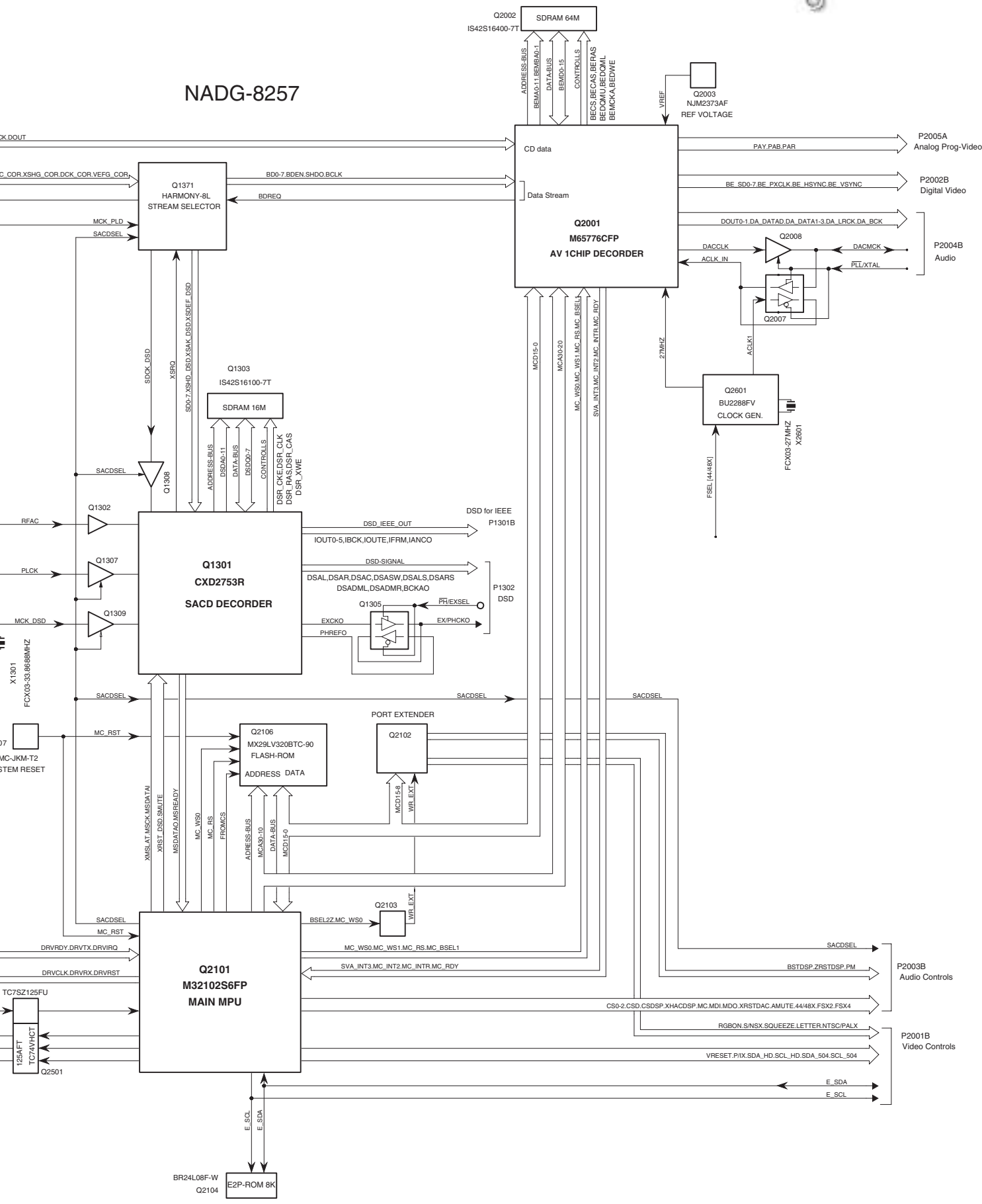
*A027: Cushion on Q4602 (Audio DAC)



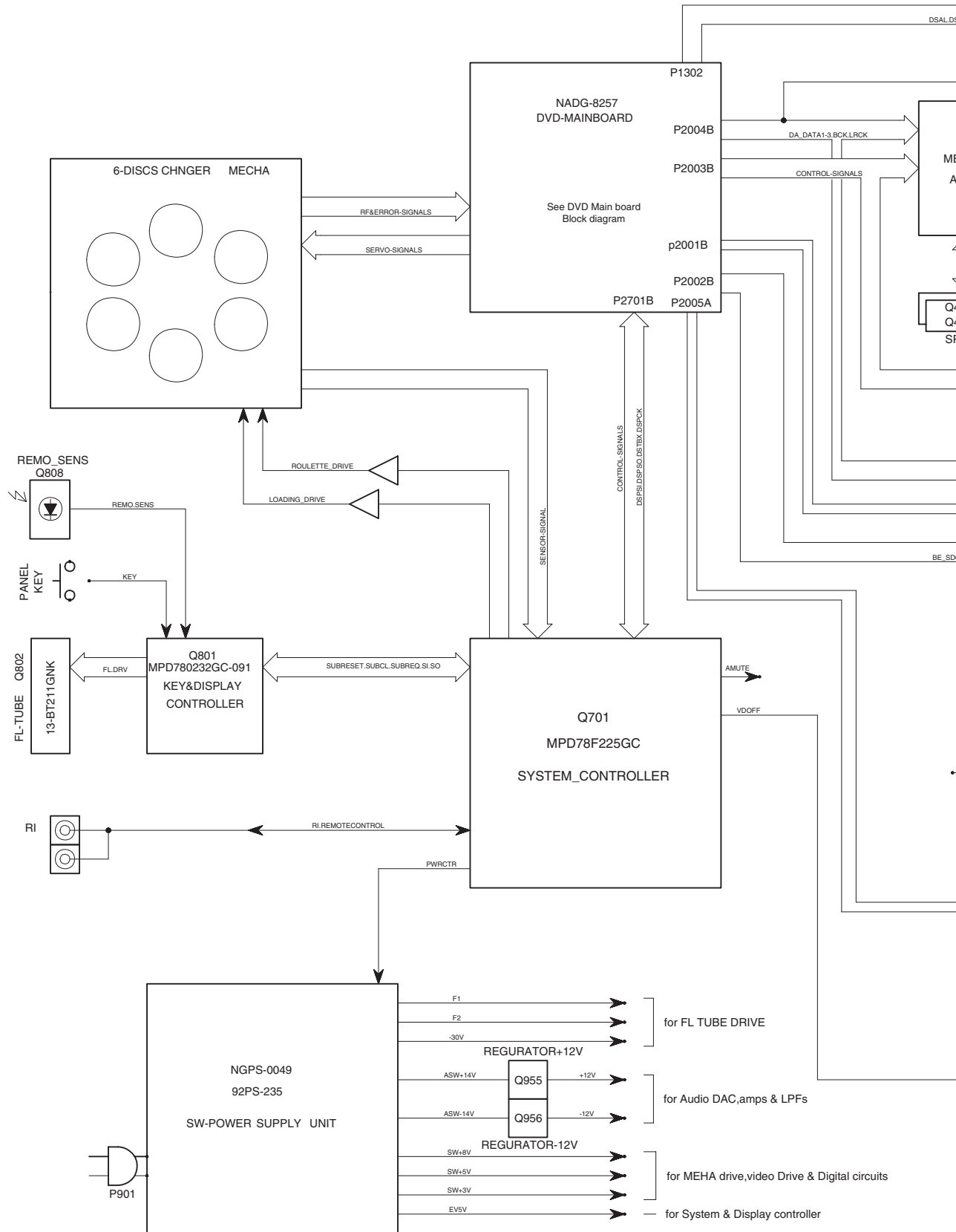
BLOCK DIAGRAM DVD MAIN BOARD



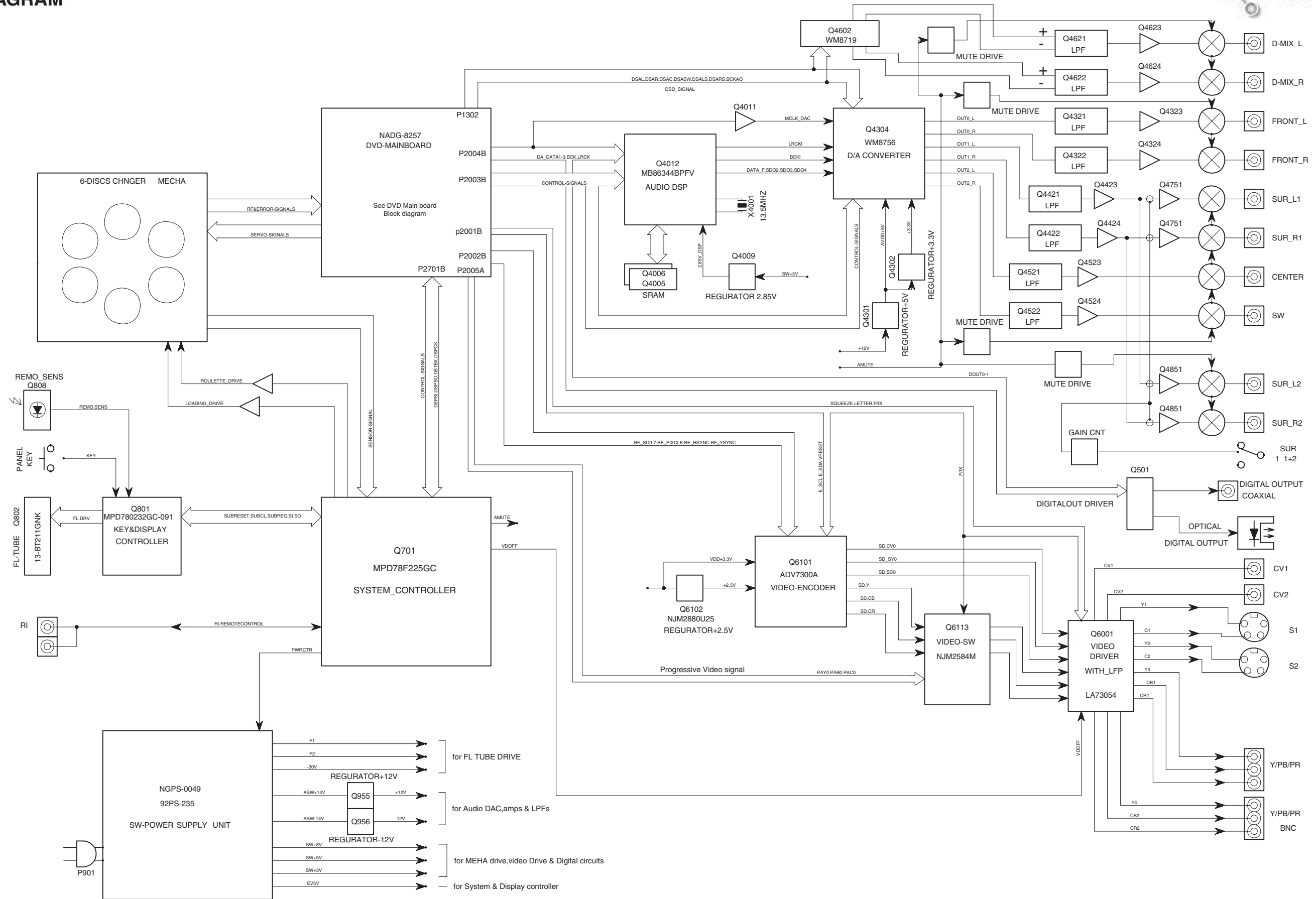
NADG-8257



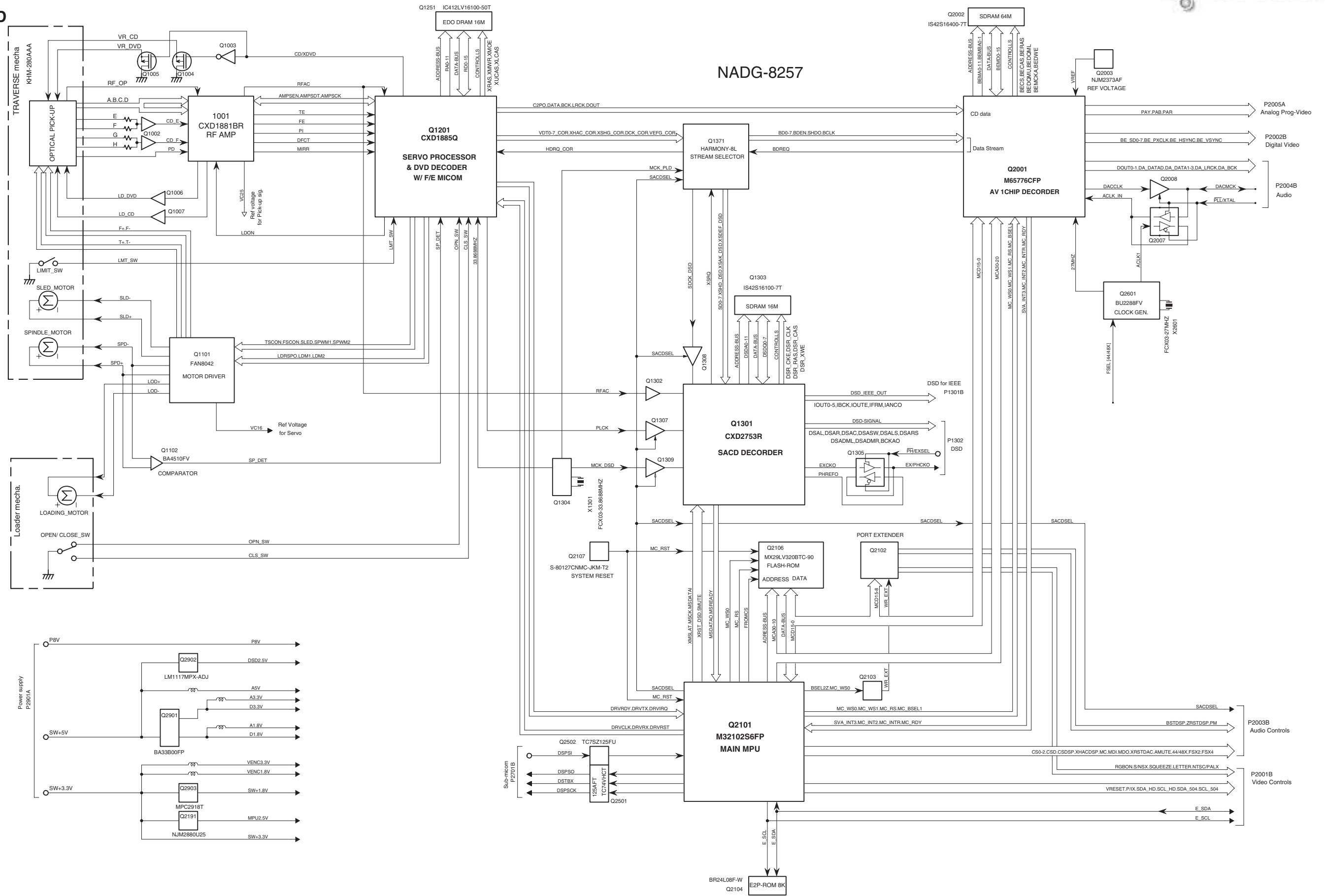
BLOCK DIAGRAM OVERALL



BLOCK DIAGRAM OVERALL

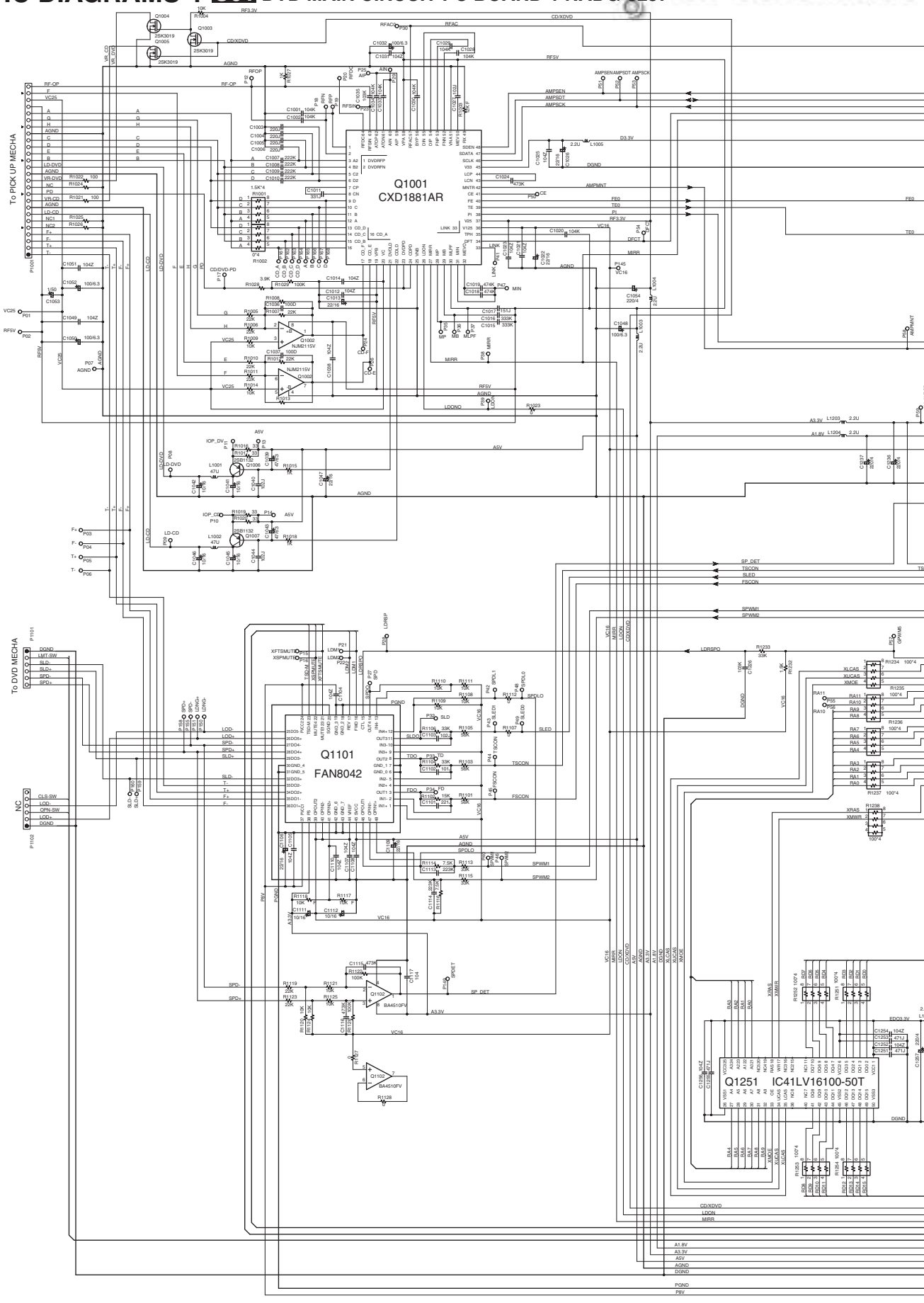


BLOCK DIAGRAM DVD MAIN BOARD



SCHEMATIC DIAGRAMS-1 U001 DVD MAIN CIRCUIT PC BOARD-1 NADG-8257

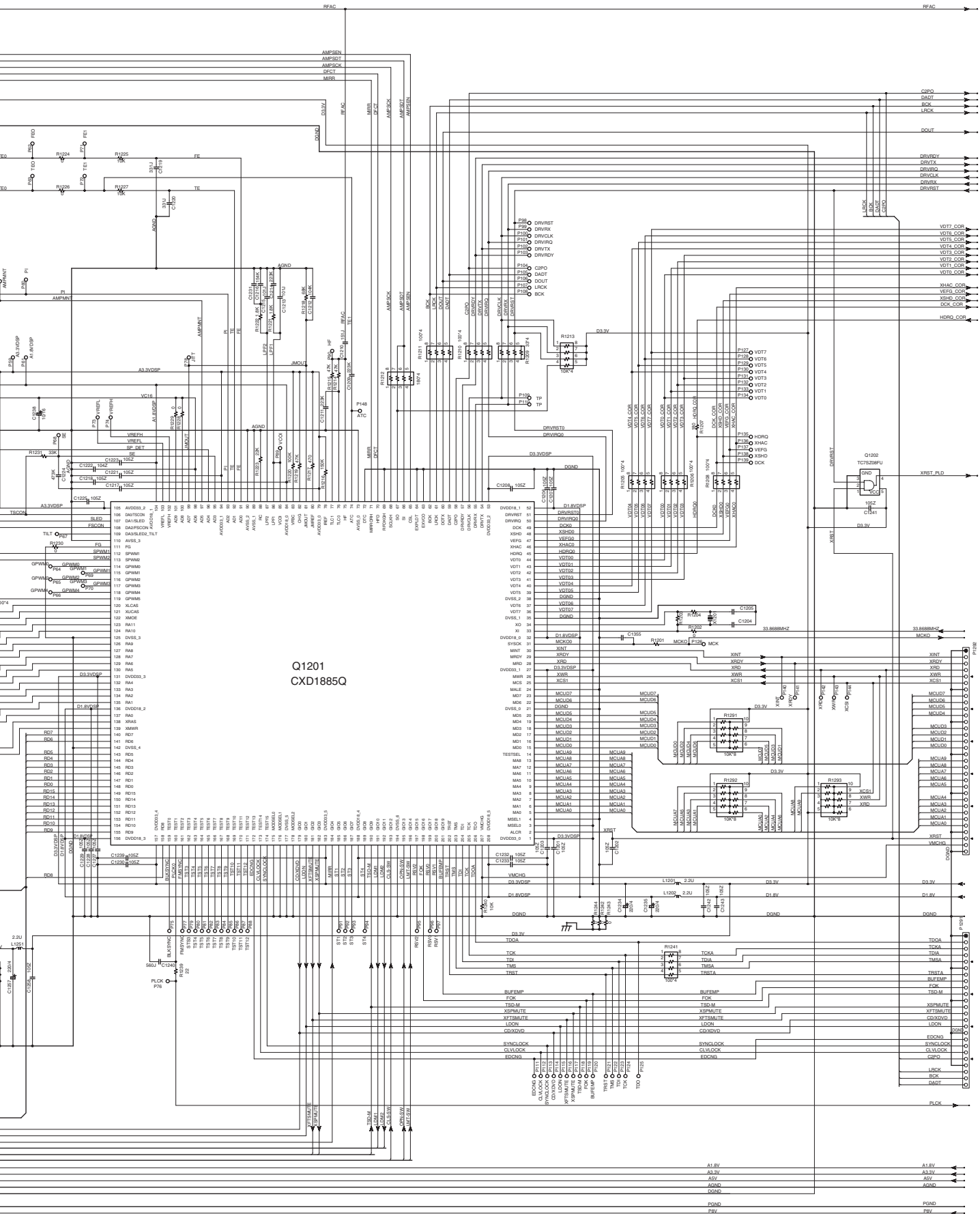
1
2
3
4
5



E

F

G

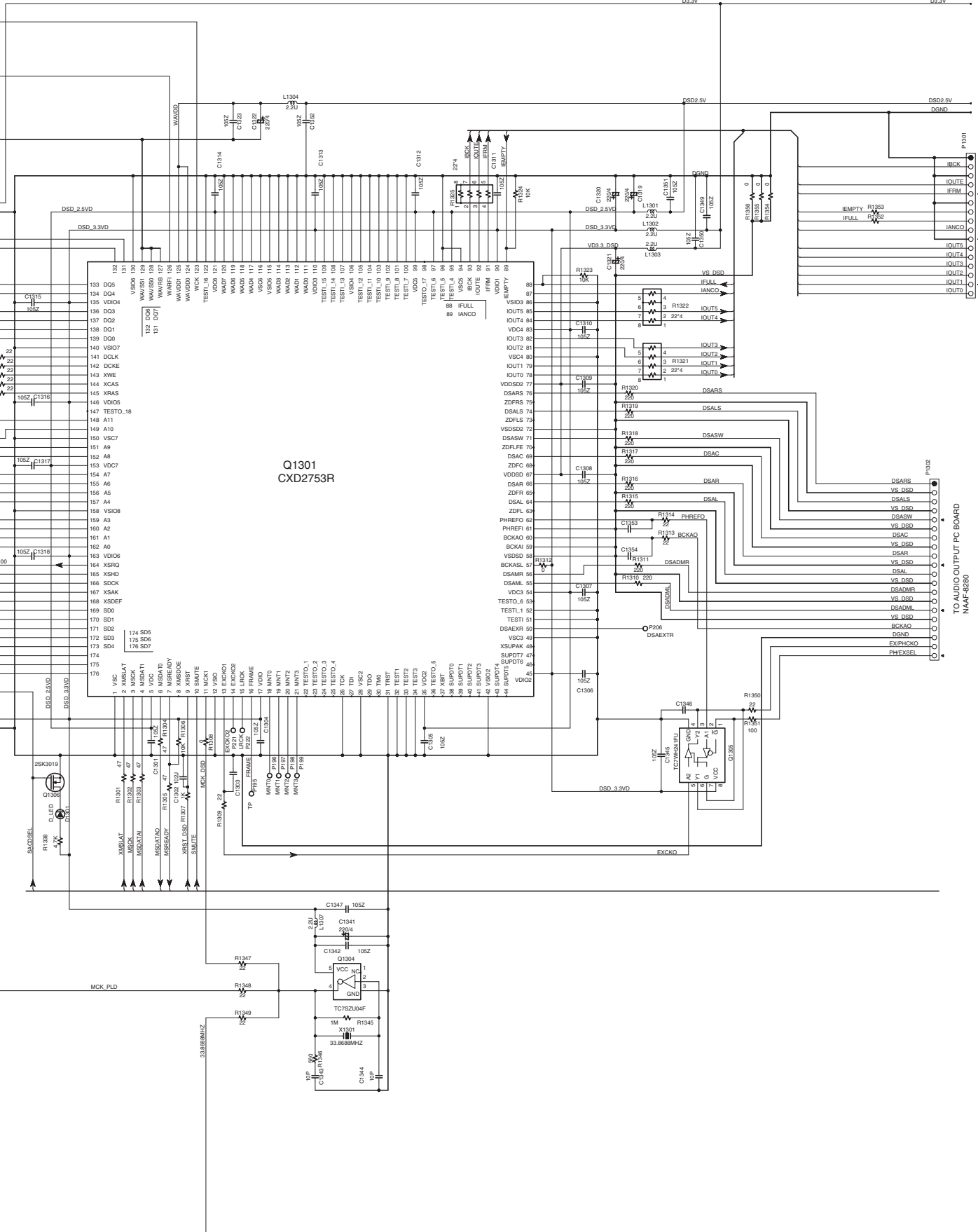


Q1201
CXD1885Q

E

F

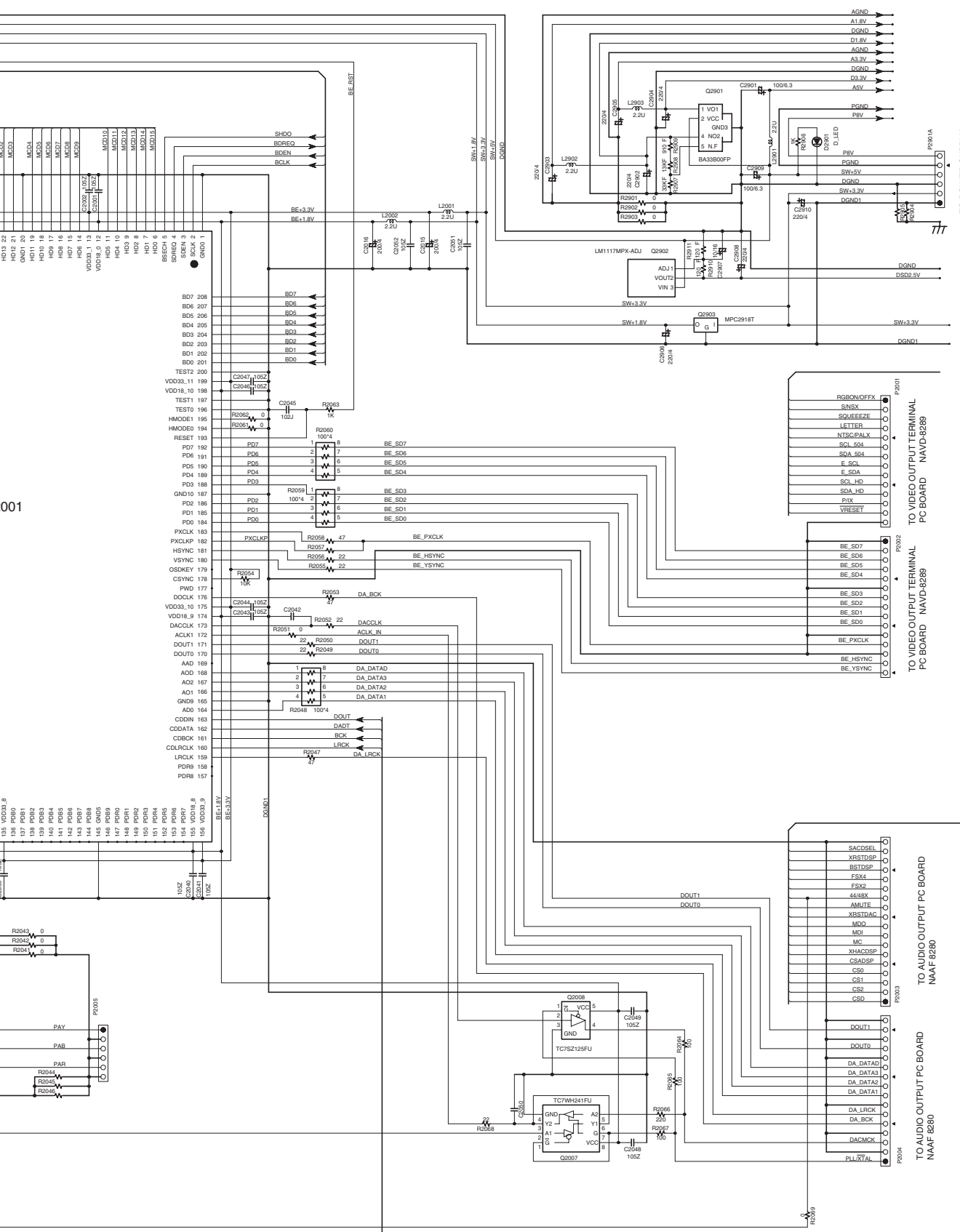
G



E

F

G



001

TO POWER SUPPLY

TO VIDEO OUTPUT TERMINAL
PC BOARD - NAMD-8289

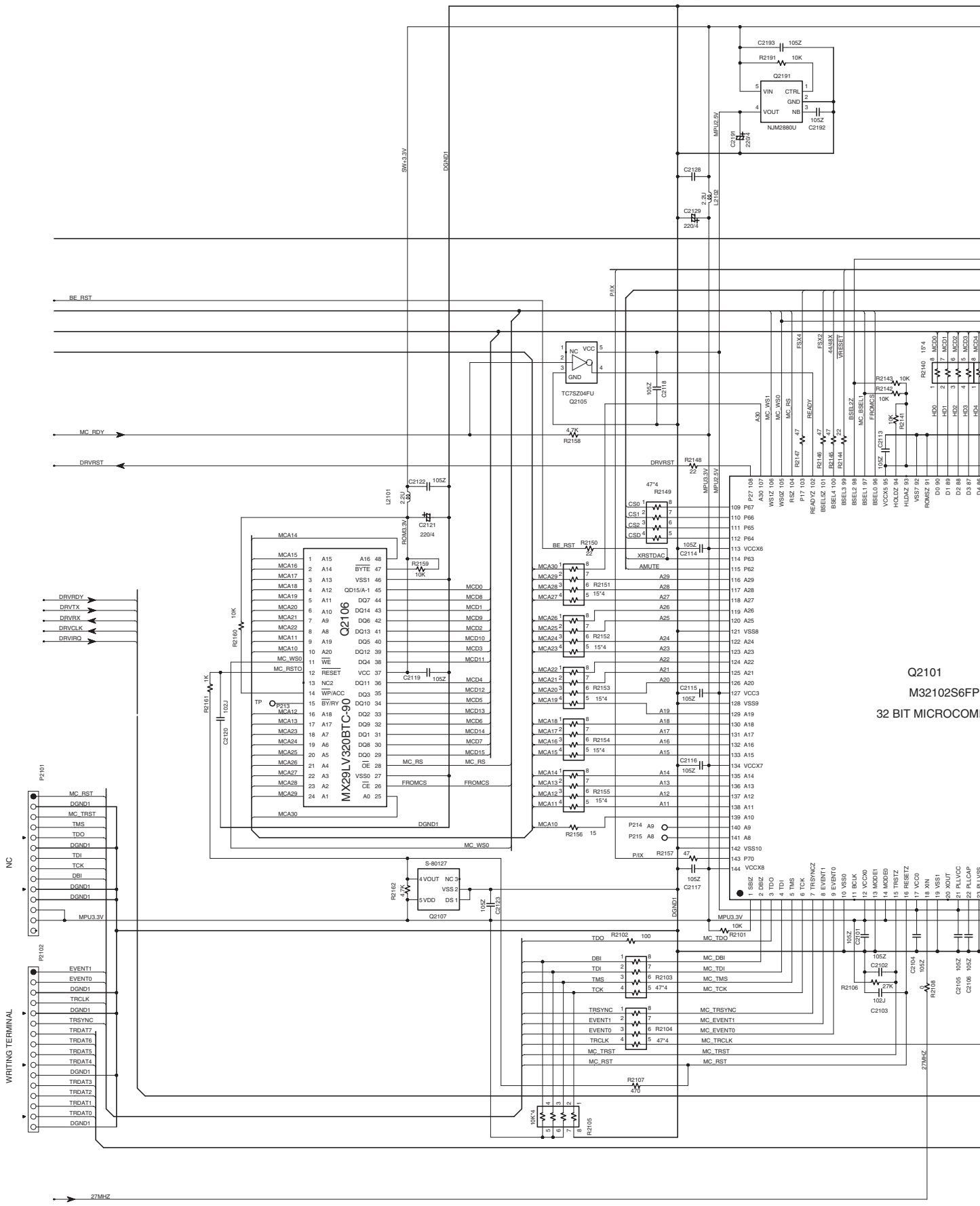
TO VIDEO OUTPUT TERMINAL
PC BOARD - NAMD-8289

TO AUDIO OUTPUT PC BOARD
NAAF-8280

TO AUDIO OUTPUT PC BOARD
NAAF-8280

A B C D
SCHEMATIC DIAGRAMS-4 **U01** DVD MAIN CIRCUIT PC BOARD-4 NADG-8257

1
2
3
4
5



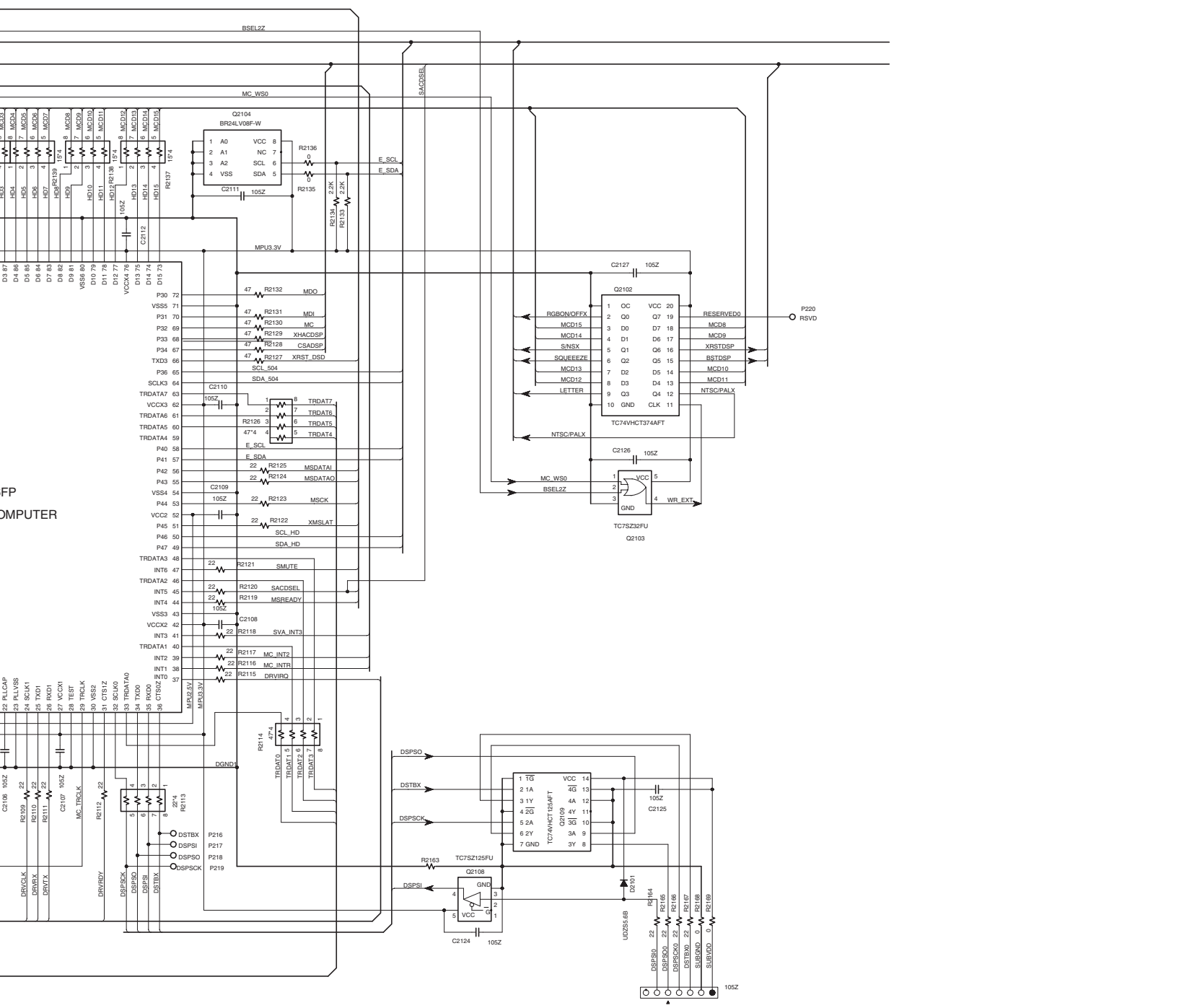
E

F

G

DGND1

SW-3.3V

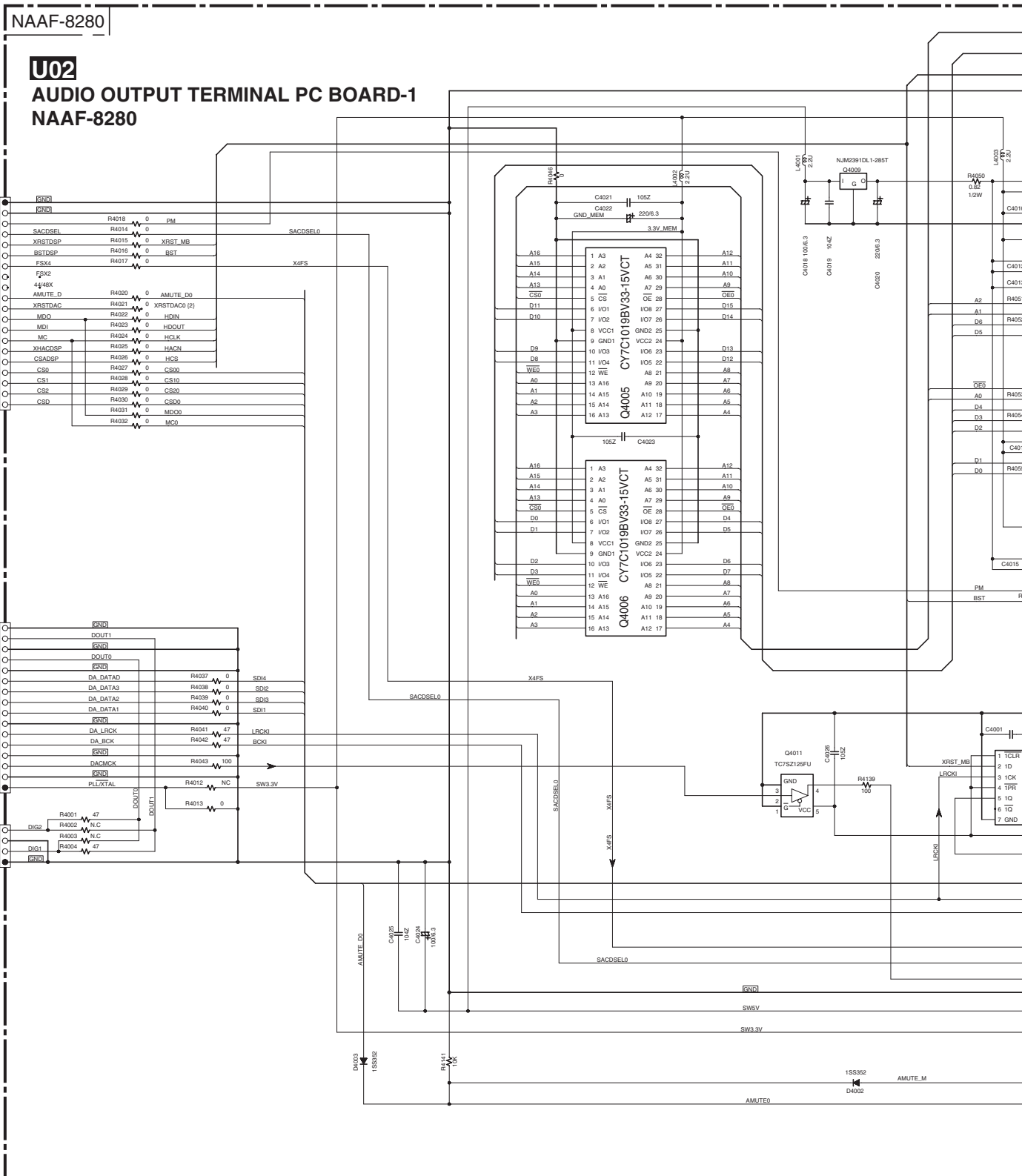


TO AUDIO OUTPUT PC BOARD
NAAF-8280

A B C D

SCHEMATIC DIAGRAMS-5

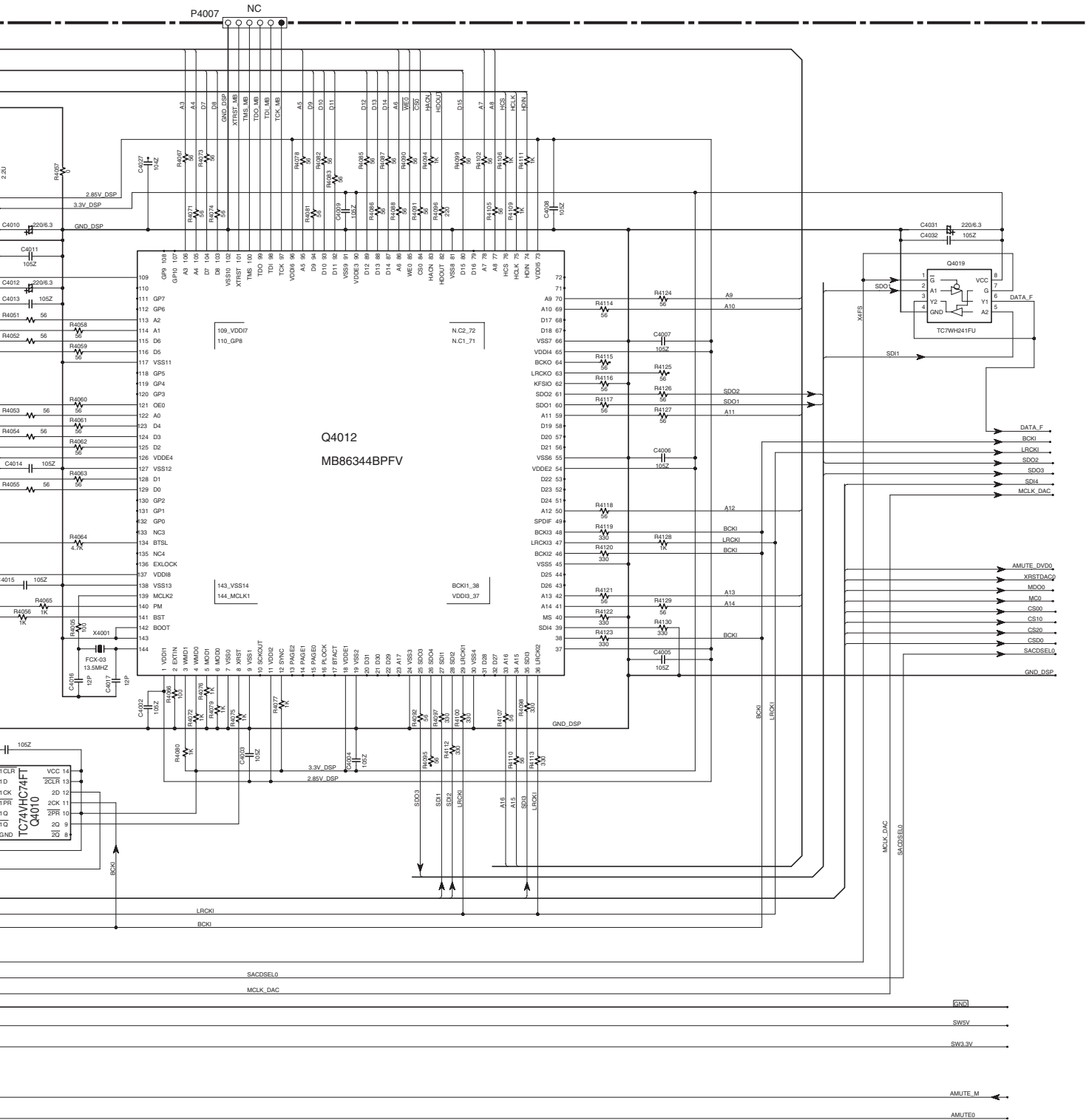
1
2
3
4
5



E

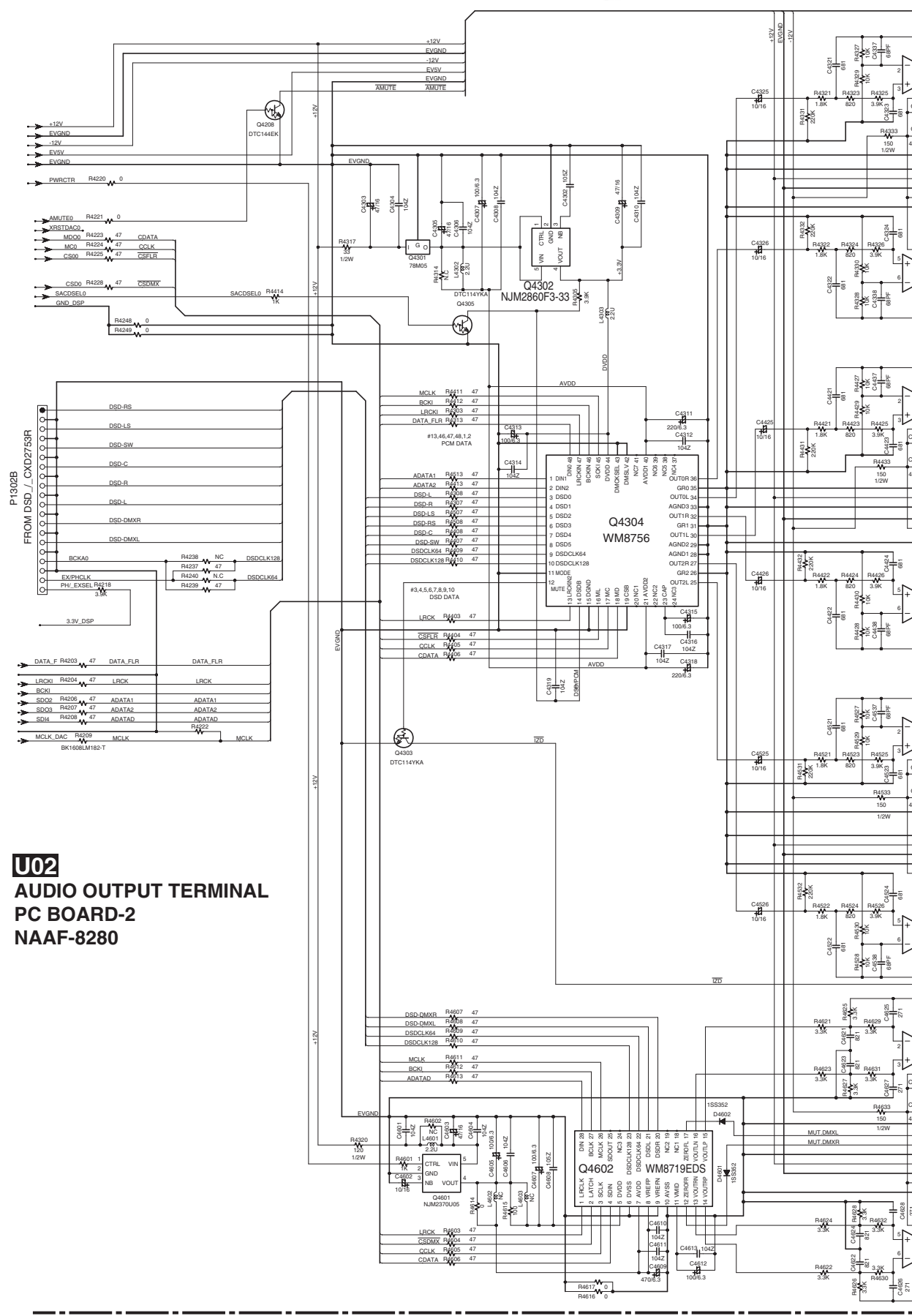
F

G



A B C D
SCHEMATIC DIAGRAMS-6

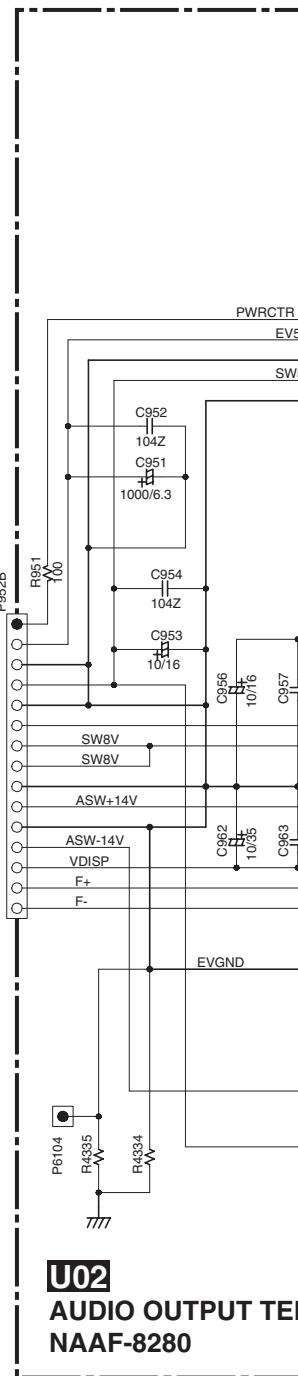
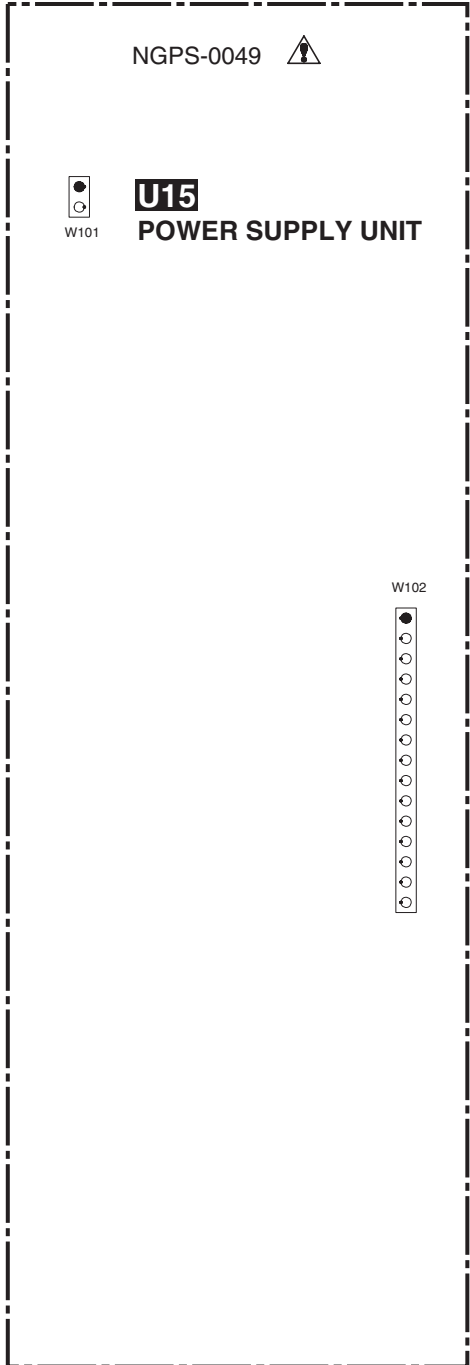
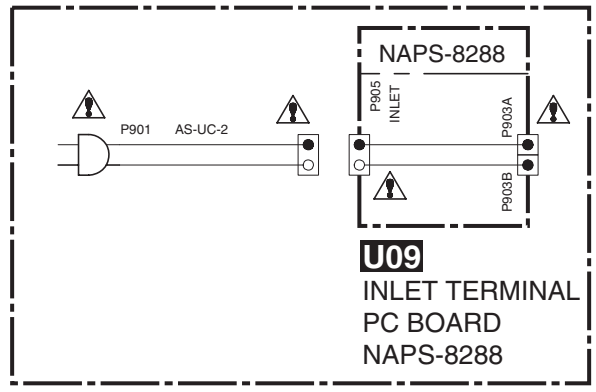
1
2
3
4
5



U02
AUDIO OUTPUT TERMINAL
PC BOARD-2
NAAF-8280

A **B** **C** **D**
SCHEMATIC DIAGRAMS-7

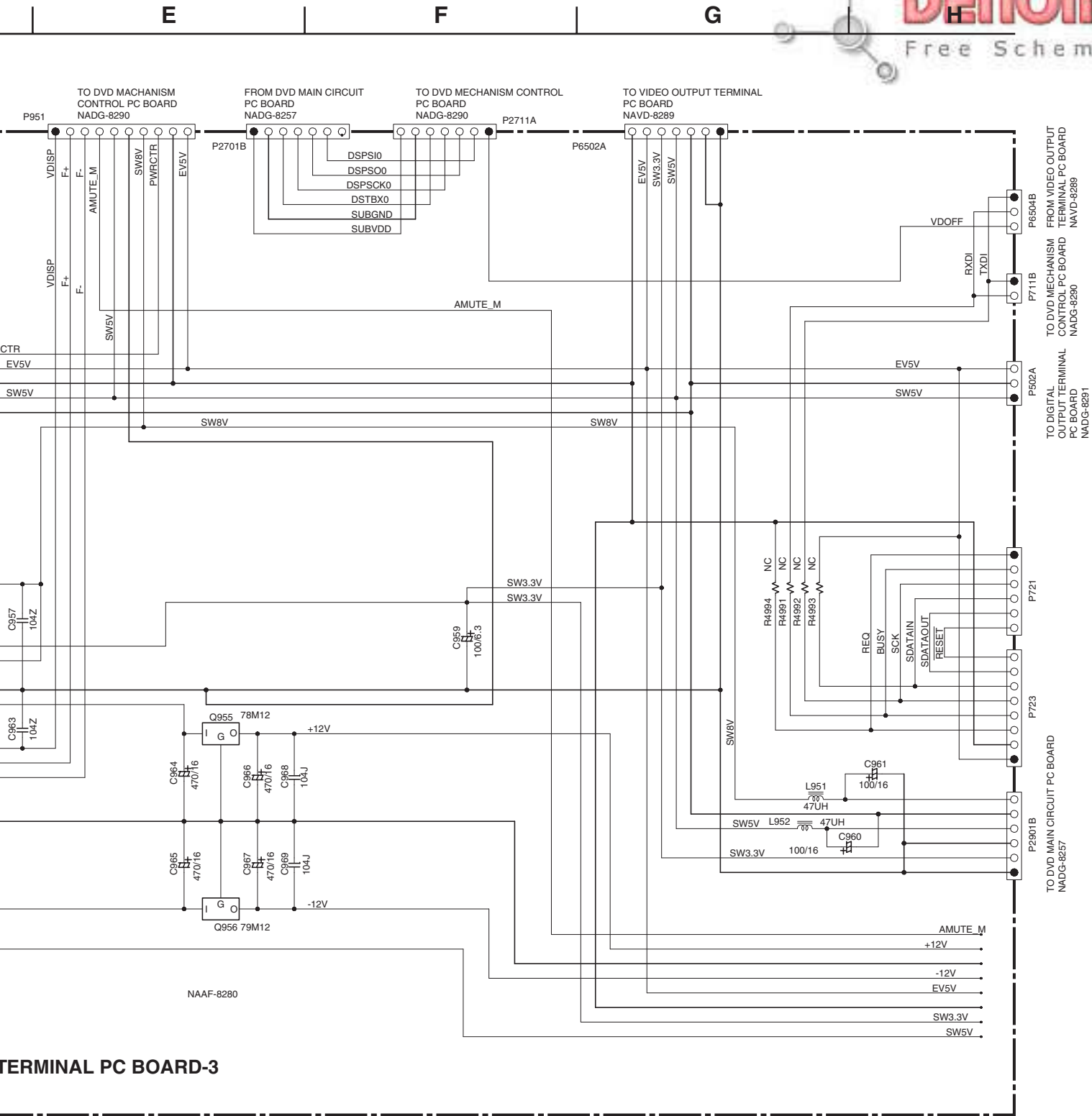
1
2
3
4
5



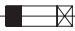
- NOTE**
- THE COMPONENTS IDENTIFIED BY MARK ARE CRITICAL FOR SAFETY. REPLACE ONLY WITH PART NUMBER SPECIFIED.
 - VOLTAGE (MEASURED WITH VOLTMETER) IS DC VOLTAGE. (NO INPUT SIGNAL)
 - ALL PNP TRANSISTORS ARE EQUIVALENT TO 2SA1015-GR UNLESS OTHERWISE NOTED.
 - ALL NPN TRANSISTORS ARE EQUIVALENT TO 2SC1815-GR UNLESS OTHERWISE NOTED.
 - ALL DIODES ARE EQUIVALENT TO 1SS133 UNLESS OTHERWISE NOTED.
 - ELECTROLYTIC CAPACITORS () ARE IN μ F/WV.
 - ALL CAPACITORS ARE IN pF/50WV UNLESS OTHERWISE NOTED.
EX) 030 \times 3pF 330 \times 33pF 331 \times 330pF 333 \times 0.033 μ F
 - ALL RESISTORS ARE IN OHMS 1/4WATTS UNLESS OTHERWISE NOTED.
 - THE THICK LINES ON PC BOARD ARE THE PRINTING SIDE OF THE PARTS.
EX) PRINTING SIDE
 - CIRCUIT IS SUBJECT TO CHANGE FOR IMPROVEMENT.

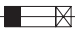
CAUTION
FOR CONTINUED PROTECTION AGAINST FIRE HAZARD, REPLACE ONLY WITH FUSE OF SAME TYPE AND RATING INDICATED.

ATTENTION
AFIN D'ASSURER UNE PROTECTION PERMANENTE CONTRE LES RISQUES D'INCENDIE, REMPLACER UNIQUEMENT PAR UN FUSIBLE DE MEME TYPE ET CALIBRATION COMME INDIQUE.



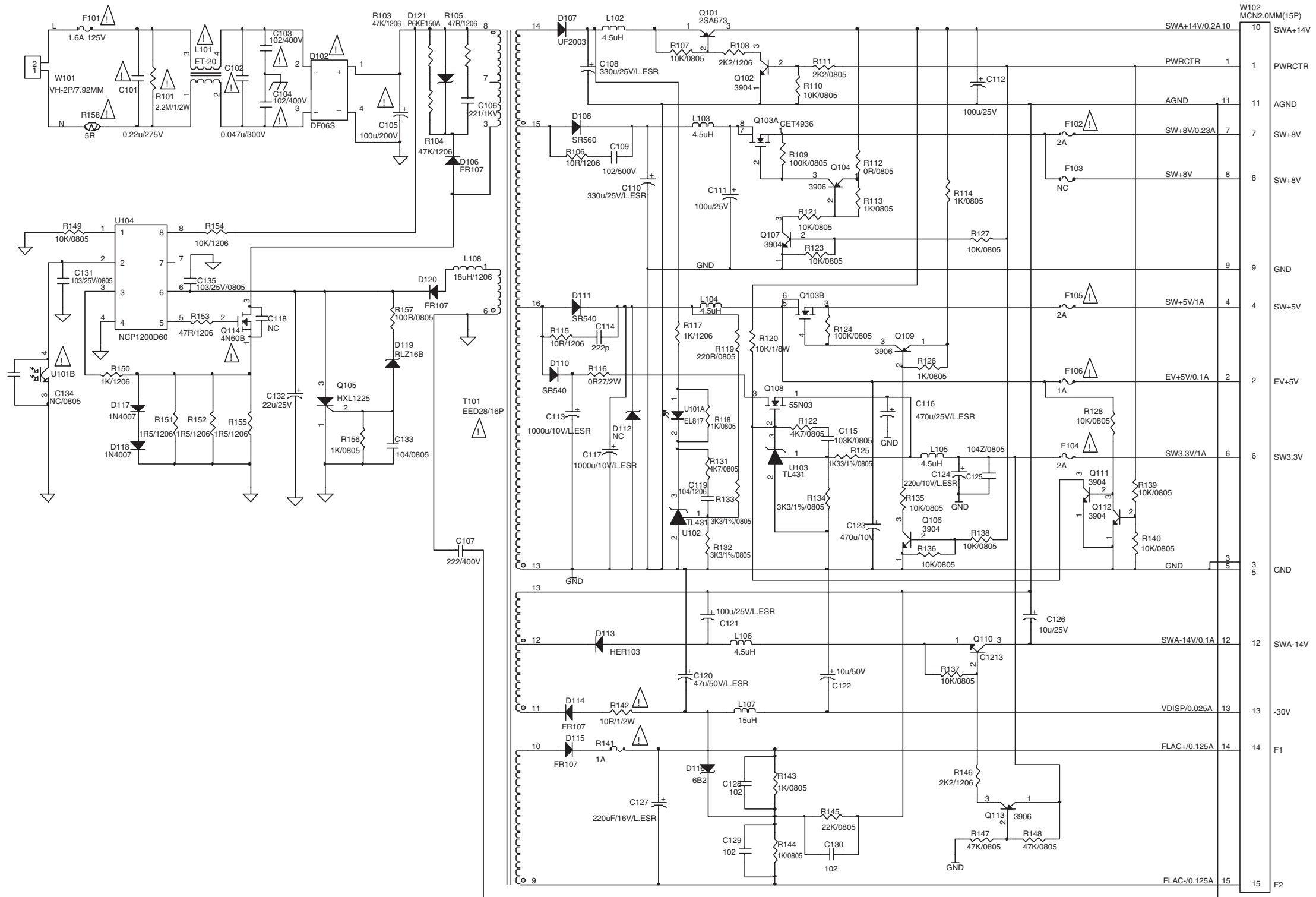
TERMINAL PC BOARD-3

 THIS SYMBOL LOCATED NEAR THE FUSE INDICATES THAT THE FUSE USED IS SLOW OPERATING TYPE FOR CONTINUED PROTECTION AGAINST FIRE HAZARD, REPLACE WITH SAME TYPE FUSE. FOR FUSE RATING REFER TO THE MARKING ADJACENT TO THE SYMBOL

 CE SYMBOLE INDIQUE QUE LE FUSIBLE UTILISE EST LENT. POUR UNE PROTECTION PERMANENTE, N'UTILISER QUE DES FUSIBLES DE MEME TYPE. CE DERNIER EST INDIQUE LA QU LE PRESENT SYMBOLE EST APPOSE.

A B C D E F G
SCHEMATIC DIAGRAMS-8

U14
POWER SUPPLY UNIT
NGPS-0049



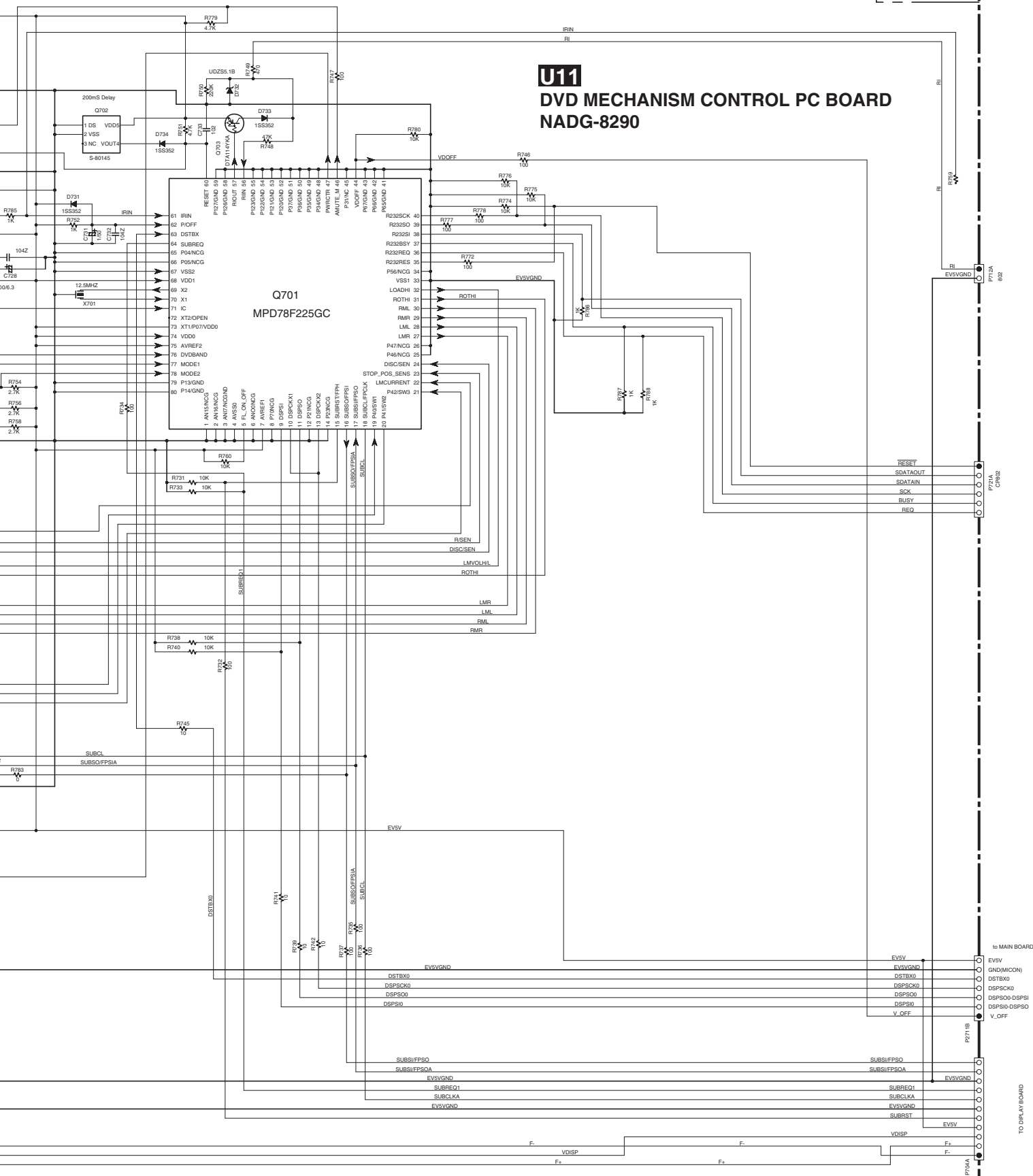
E

F

G

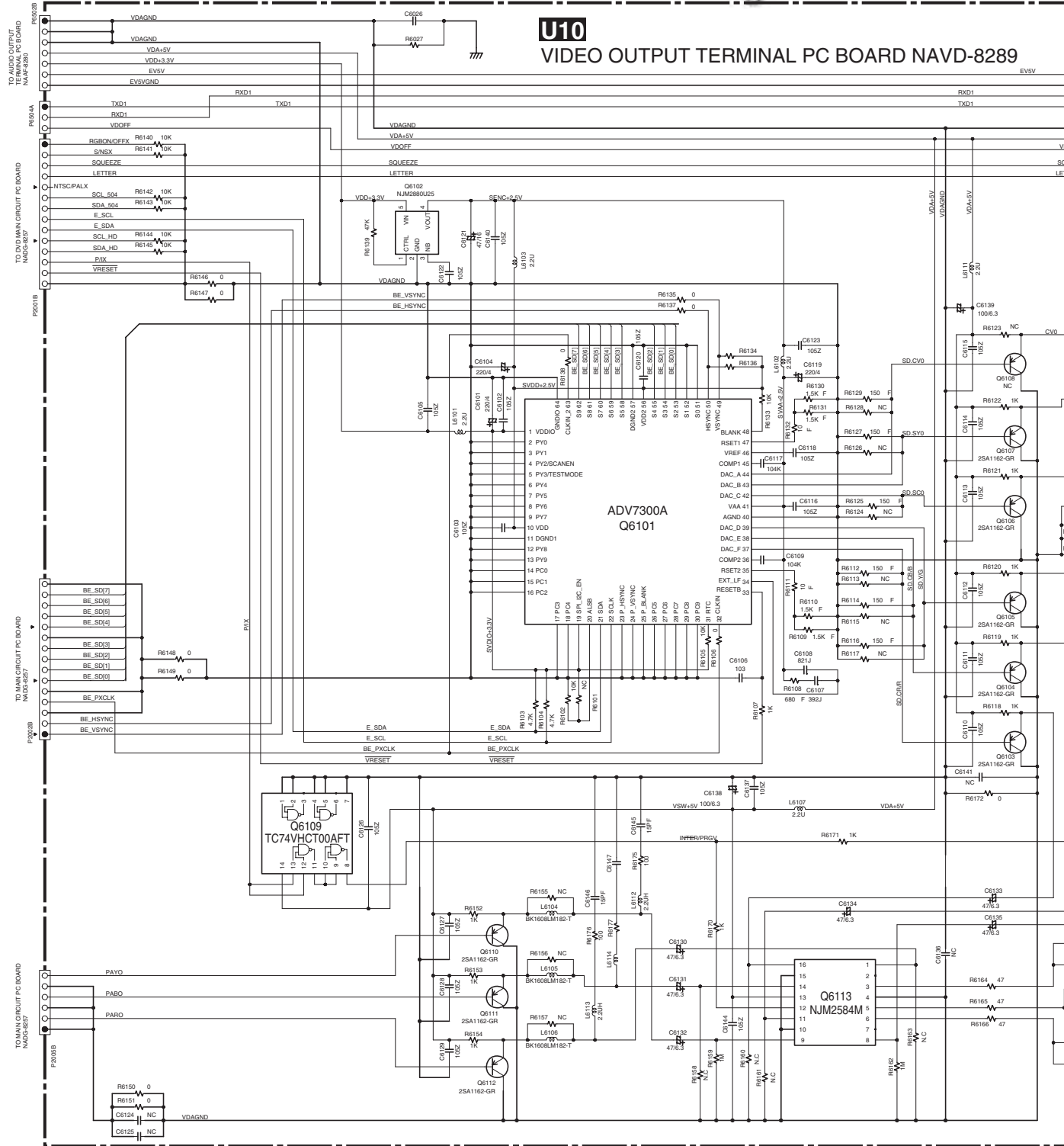
NADG-8290

U11 DVD MECHANISM CONTROL PC BOARD NADG-8290



SCHEMATIC DIAGRAMS-10

U10 VIDEO OUTPUT TERMINAL PC BOARD NAVD-8289



NOTE

- THE COMPONENTS IDENTIFIED BY MARK ARE CRITICAL FOR SAFETY. REPLACE ONLY WITH PART NUMBER SPECIFIED.
- VOLTAGE (MEASURED WITH VOLTMETER) IS DC VOLTAGE. (NO INPUT SIGNAL)
- ALL PNP TRANSISTORS ARE EQUIVALENT TO 2SA1015-GR UNLESS OTHERWISE NOTED.
- ALL NPN TRANSISTORS ARE EQUIVALENT TO 2SC1815-GR UNLESS OTHERWISE NOTED.
- ALL DIODES ARE EQUIVALENT TO 1SS133 UNLESS OTHERWISE NOTED.
- ELECTROLYTIC CAPACITORS () ARE IN u F/WV.
- ALL CAPACITORS ARE IN pF/50WV UNLESS OTHERWISE NOTED.
EX) 030 + 3pF 330 + 33pF 331 + 330pF 333 + 0.033uF
- ALL RESISTORS ARE IN OHMS 1/4WATTS UNLESS OTHERWISE NOTED.
- THE THICK LINES ON PC BOARD ARE THE PRINTING SIDE OF THE PARTS.
EX) PRINTING SIDE
- CIRCUIT IS SUBJECT TO CHANGE FOR IMPROVEMENT.

CAUTION

FOR CONTINUED PROTECTION AGAINST FIRE HAZARD, REPLACE ONLY WITH FUSE OF SAME TYPE AND RATING INDICATED.

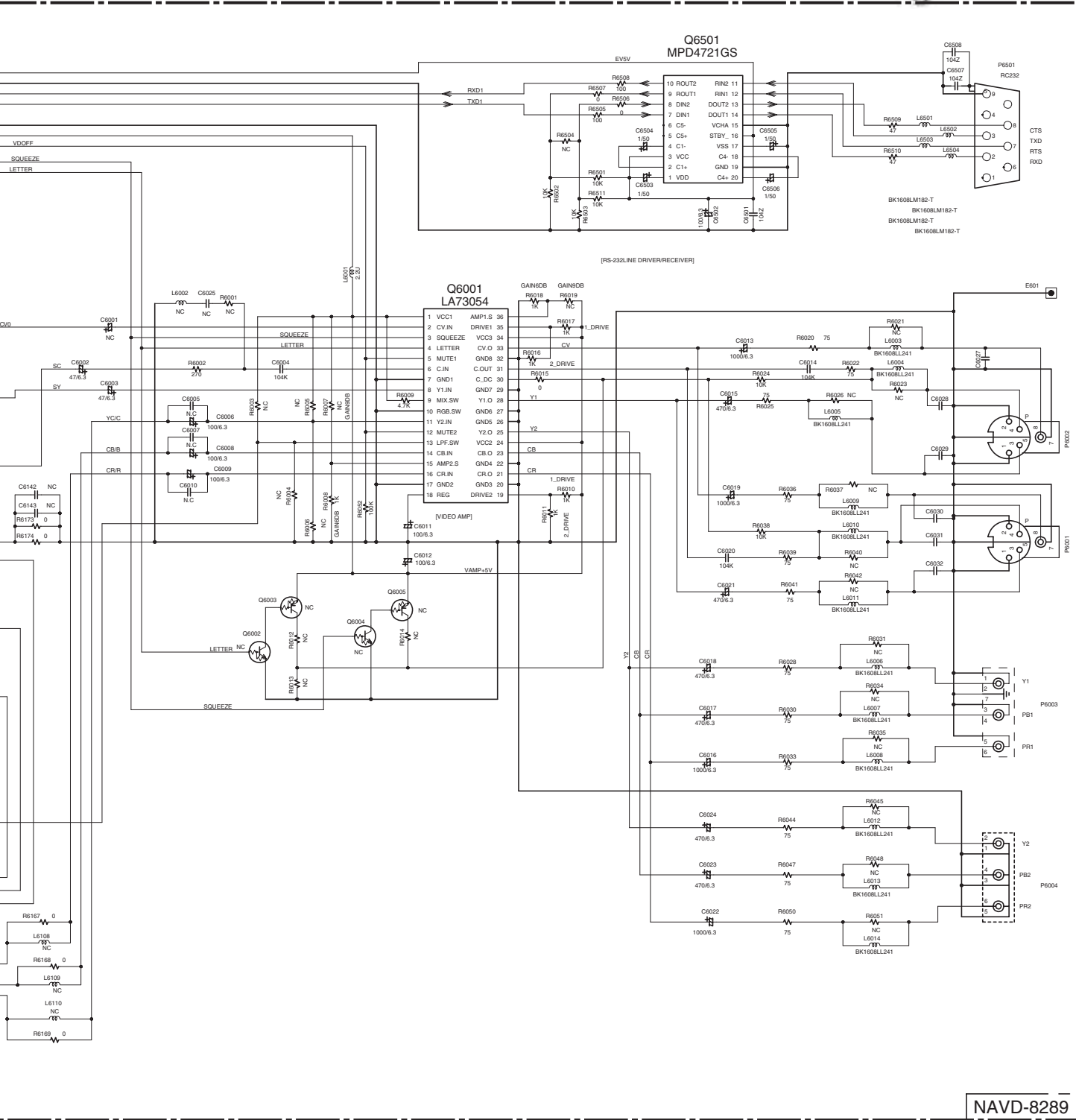
ATTENTION

AFIN D'ASSURER UNE PROTECTION PERMANENTE CONTRE LES RISQUES D'INCENDIE, REMPLACER UNIQUEMENT PAR UN FUSIBLE DE MEME TYPE ET CALIBRATION COMME INDIQUE.

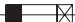
E


F

G



NAVD-8289

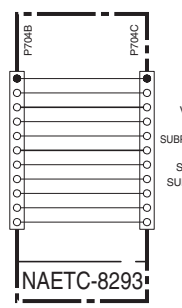
 THIS SYMBOL LOCATED NEAR THE FUSE INDICATES THAT THE FUSE USED IS SLOW OPERATING TYPE FOR CONTINUED PROTECTION AGAINST FIRE HAZARD, REPLACE WITH SAME TYPE FUSE. FOR FUSE RATING REFER TO THE MARKING ADJACENT TO THE SYMBOL

 CE SYMBOLE INDIQUE QUE LE FUSIBLE UTILISE EST E LENT. POUR UNE PROTECTION PERMANENTE, N'UTILISER QUE DES FUSIBLES DE MEME TYPE. CE DARNIER EST INDIQUE LA QU LE PRESENT SYMBOLE EST APPOSE.

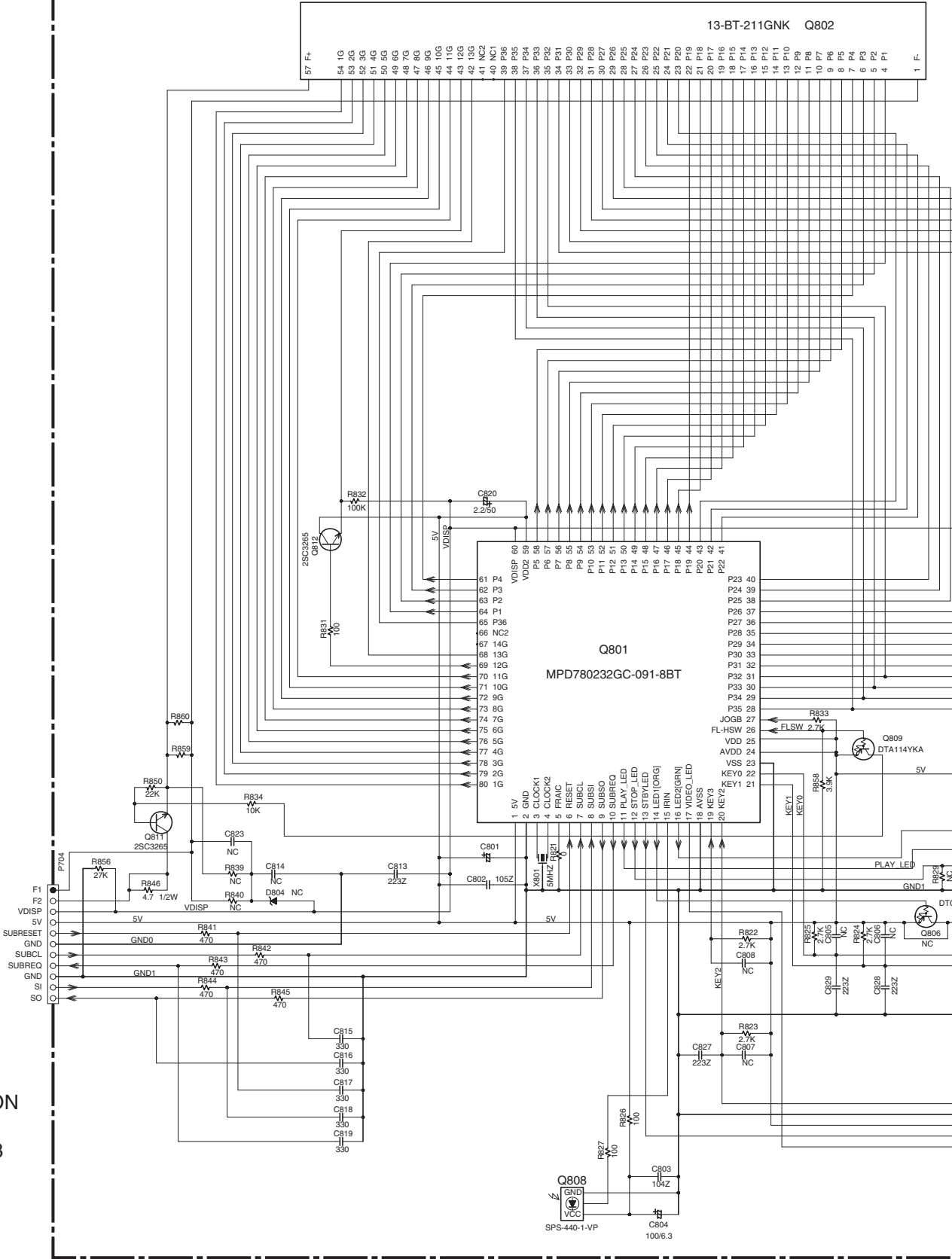
A | **B** | **C** | **D**
SCHEMATIC DIAGRAMS-11

1
2
3
4
5

U13
FRONT DISPLAY PC BOARD NADIS-8292



U14
CONNECTION
PC BOARD
NAETC-8293



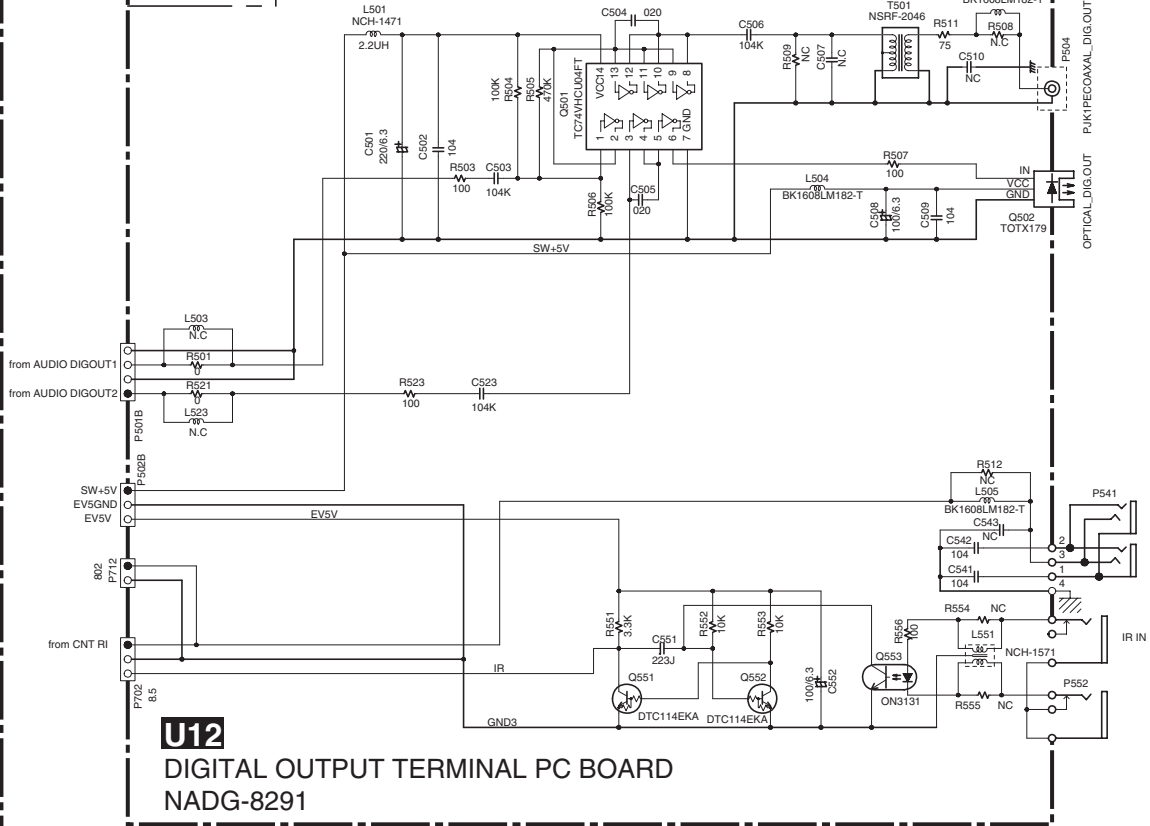
E

F

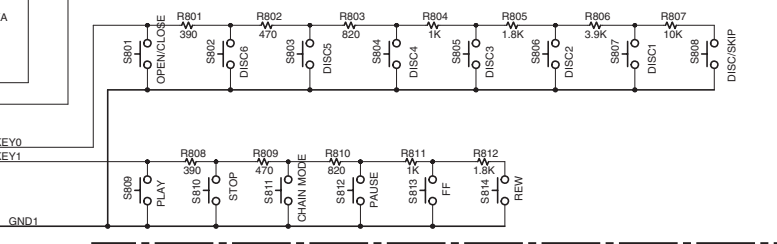
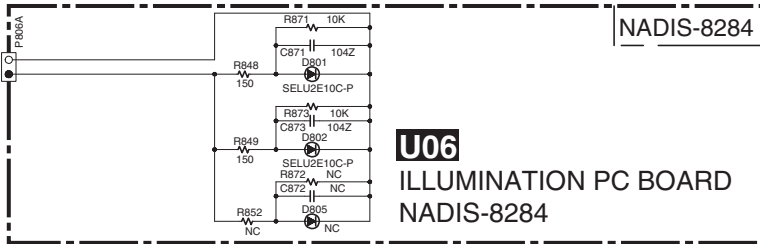
G

NADIS-8292

NADG-8291



NADIS-8284



NASW-8281

A B C D E F G
SCHEMATIC DIAGRAMS-1 U01 DVD MAIN CIRCUIT PC BOARD-1 NADG-8257

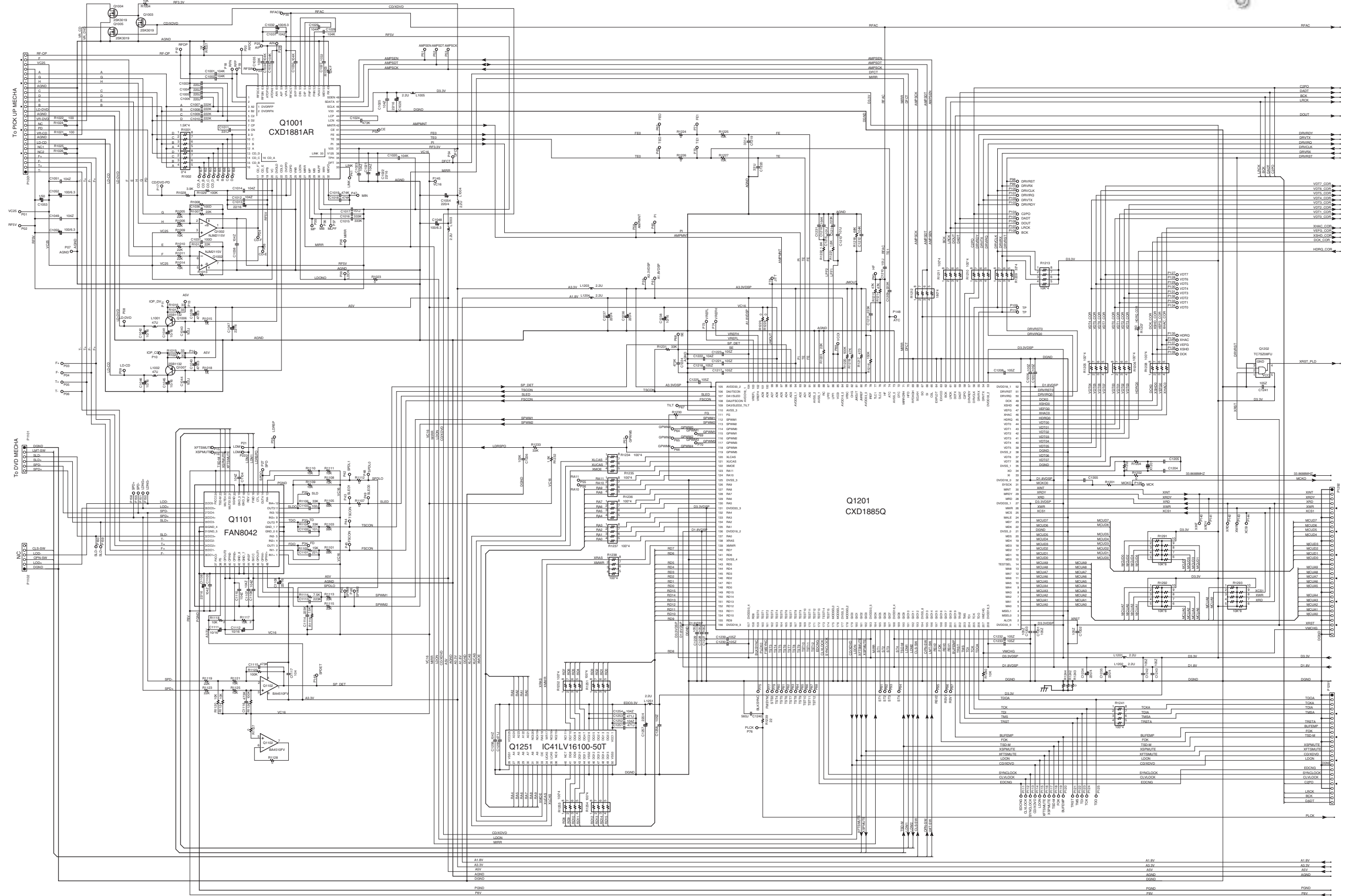
1

2

3

4

5



A B C D E F G
SCHEMATIC DIAGRAMS-2 U01 DVD MAIN CIRCUIT PC BOARD-2 NADG-8257

U01
DVD MAIN CIRCUIT
PC BOARD-2
NADG-8257

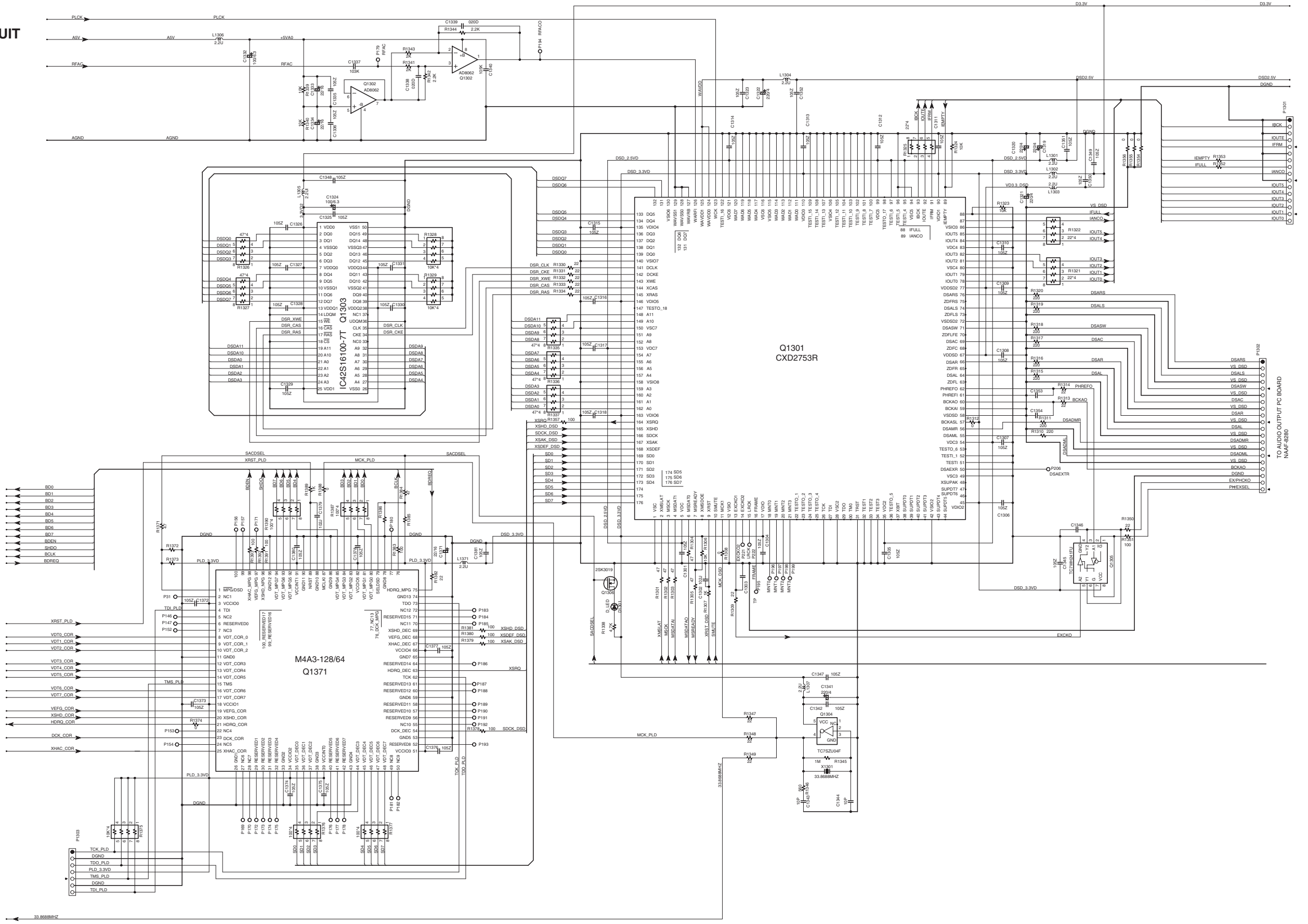
1

2

3

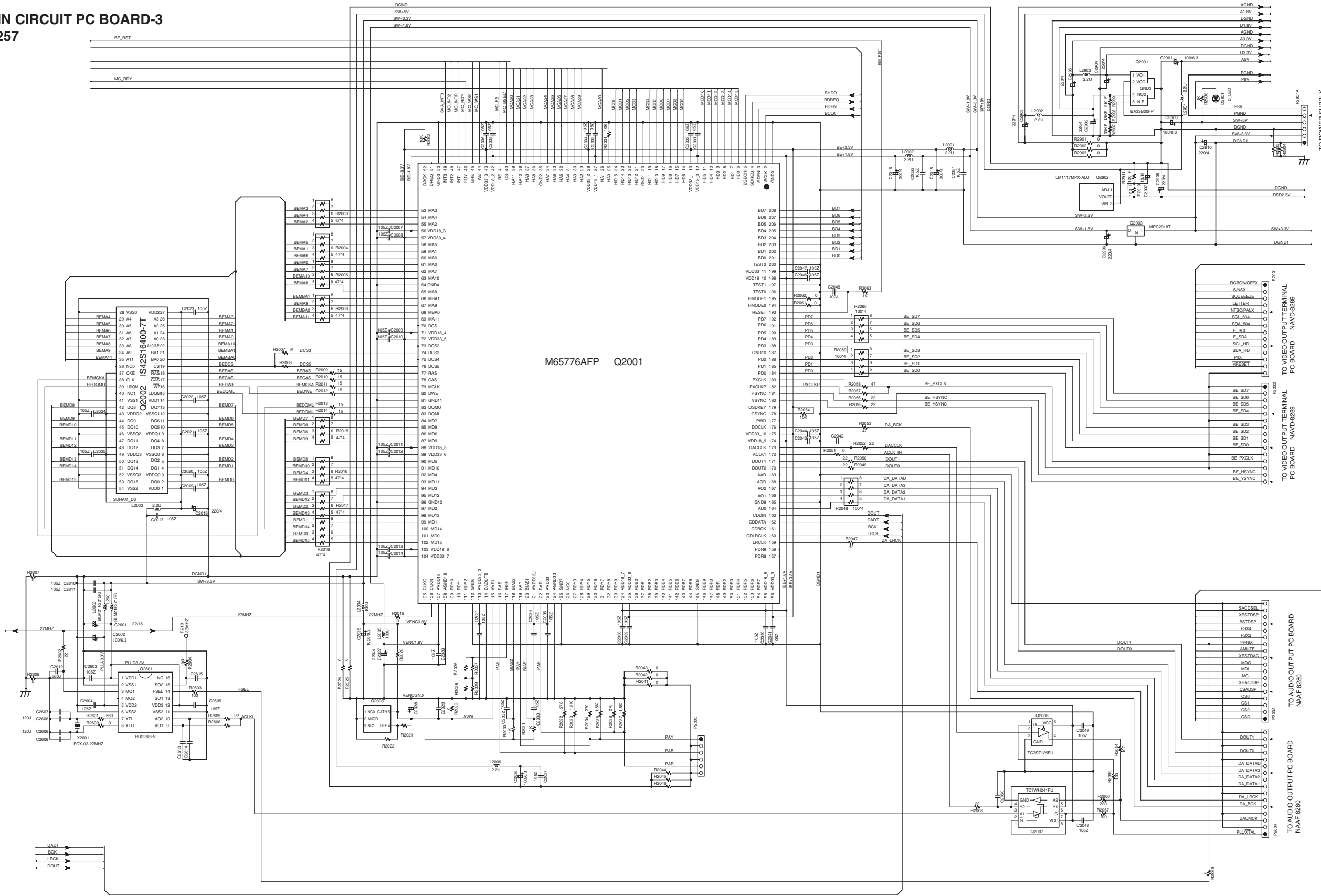
4

5



SCHEMATIC DIAGRAMS-3

U01
DVD MAIN CIRCUIT PC BOARD-3
NADG-8257



1

2

3

4

5

SCHEMATIC DIAGRAMS-4

U01 DVD MAIN CIRCUIT PC BOARD-4 NADG-8257

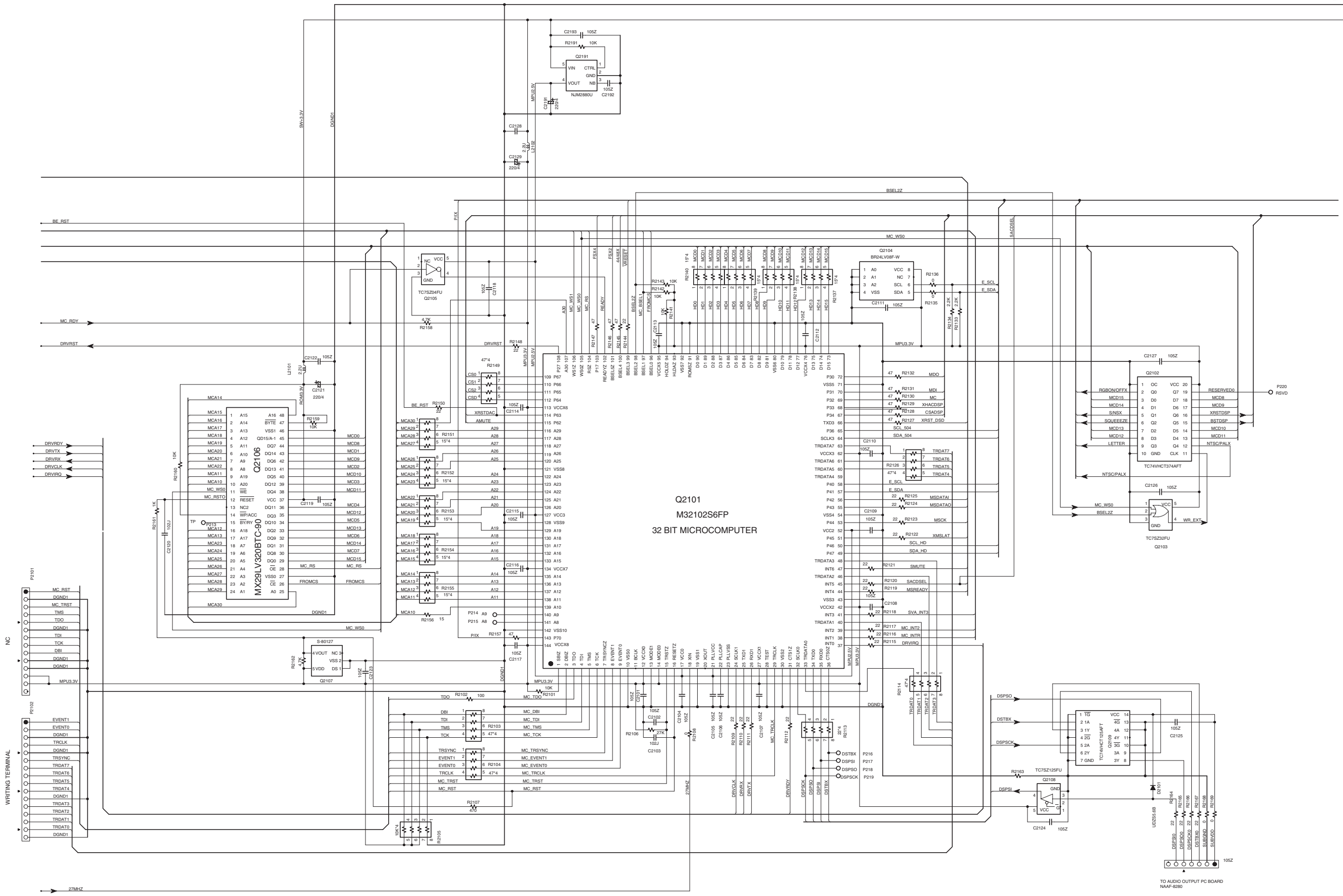
1

2

3

4

5



A B C D E F G

SCHEMATIC DIAGRAMS-5

1

2

3

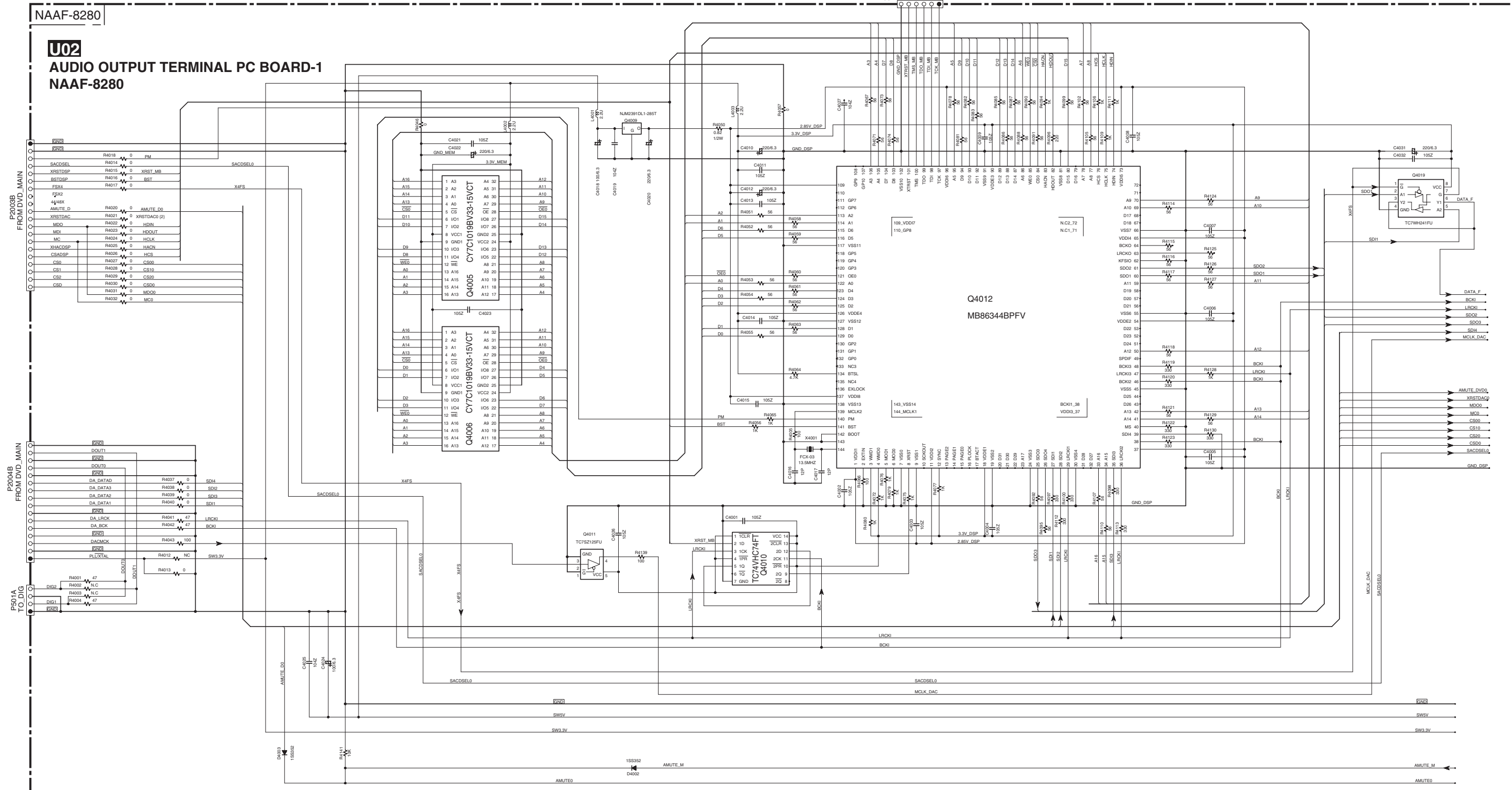
4

5

NAAF-8280

U02

AUDIO OUTPUT TERMINAL PC BOARD-1
NAAF-8280



SCHEMATIC DIAGRAMS-6

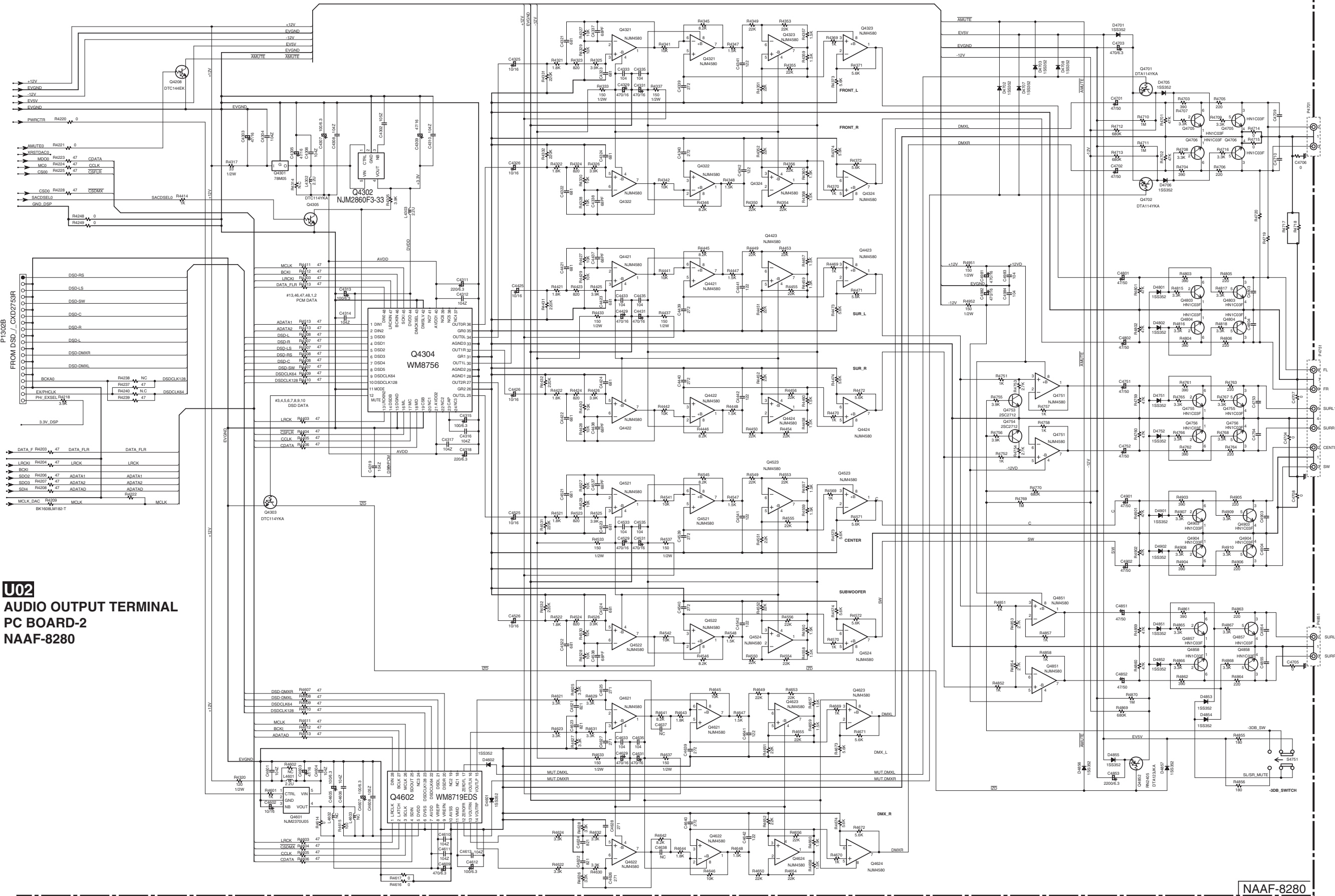
1

2

3

4

5

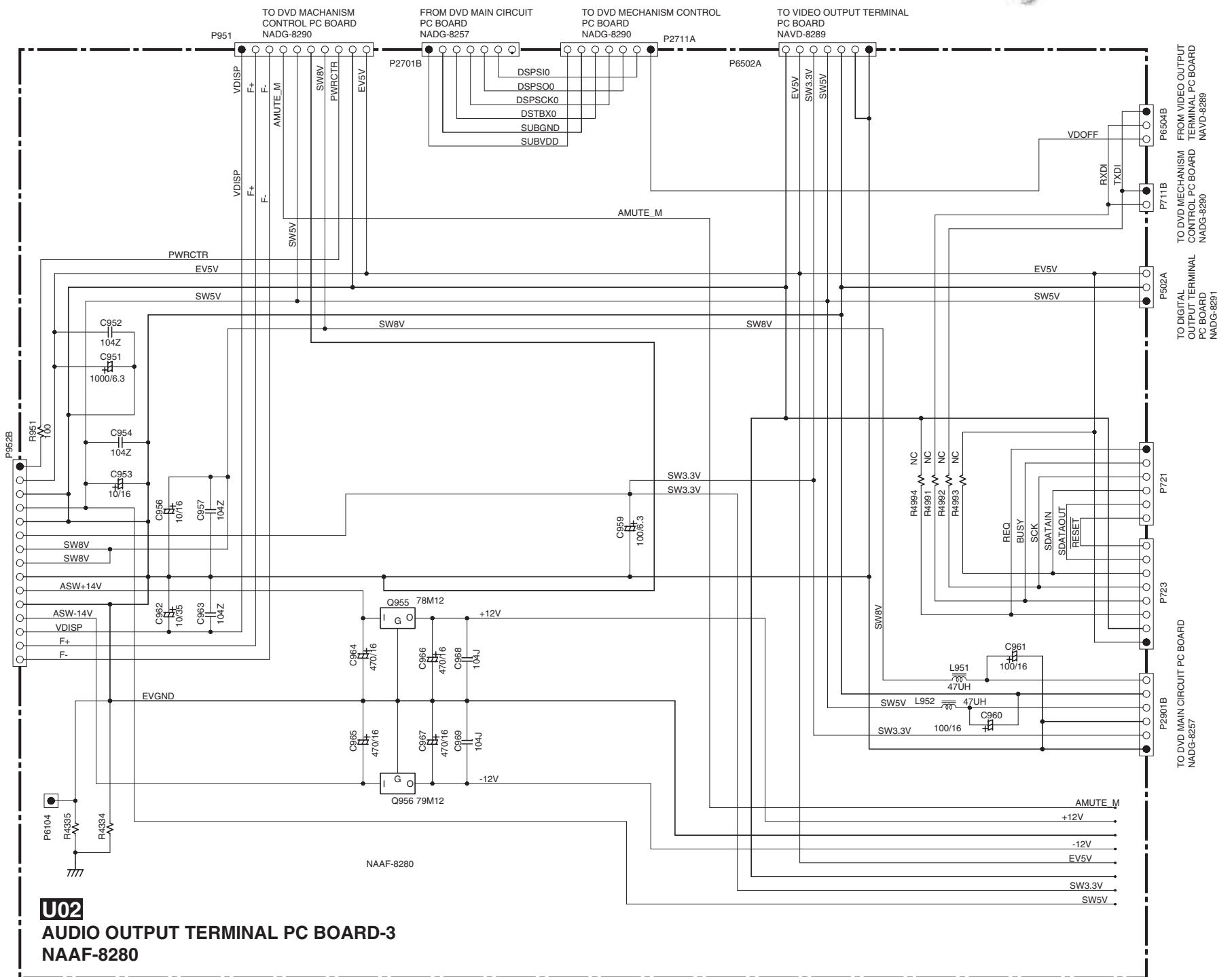
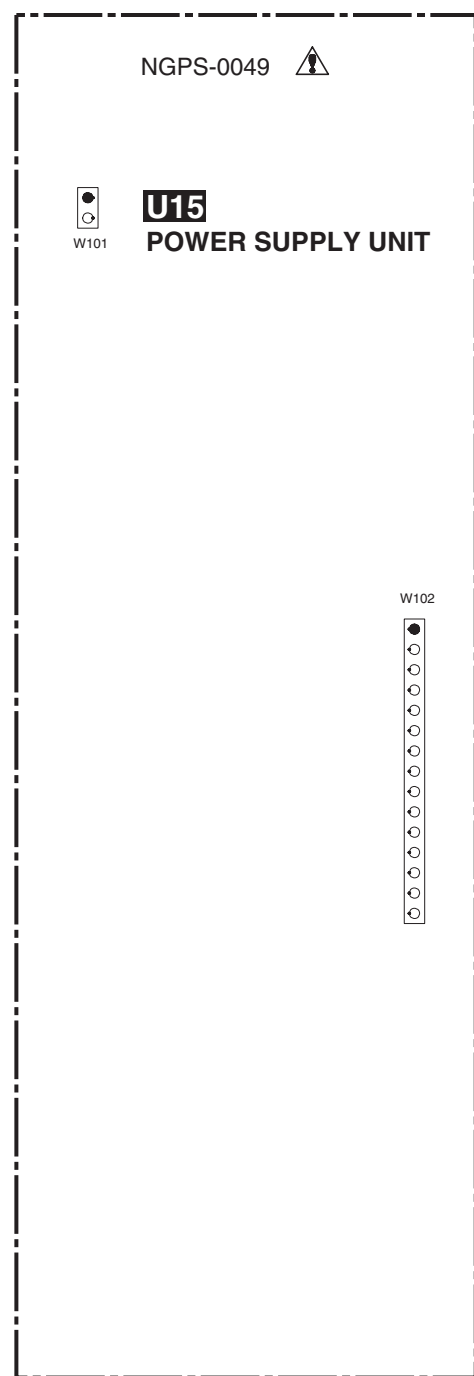
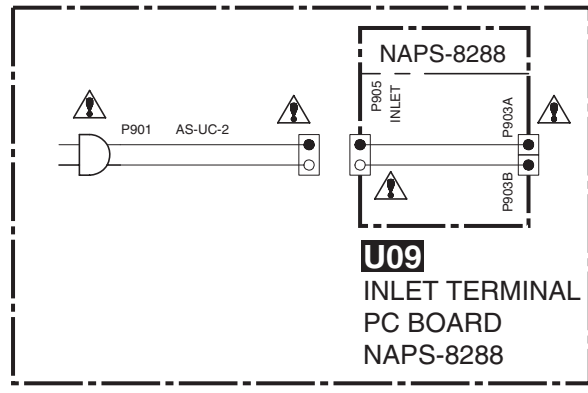


U02
AUDIO OUTPUT TERMINAL
PC BOARD-2
NAAF-8280

NAAF-8280

SCHEMATIC DIAGRAMS-7

1
2
3
4
5



NOTE

- THE COMPONENTS IDENTIFIED BY MARK ARE CRITICAL FOR SAFETY. REPLACE ONLY WITH PART NUMBER SPECIFIED.
- VOLTAGE (MEASURED WITH VOLTMETER) IS DC VOLTAGE. (NO INPUT SIGNAL)
- ALL PNP TRANSISTORS ARE EQUIVALENT TO 2SA1015-GR UNLESS OTHERWISE NOTED.
- ALL NPN TRANSISTORS ARE EQUIVALENT TO 2SC1815-GR UNLESS OTHERWISE NOTED.
- ALL DIODES ARE EQUIVALENT TO 1SS133 UNLESS OTHERWISE NOTED.
- ELECTROLYTIC CAPACITORS () ARE IN μ FWV.
- ALL CAPACITORS ARE IN pF/50WV UNLESS OTHERWISE NOTED.
EX) 030 \rightarrow 3pF 330 \rightarrow 33pF 331 \rightarrow 330pF 333 \rightarrow 0.033 μ F
- ALL RESISTORS ARE IN OHMS 1/4WATTS UNLESS OTHERWISE NOTED.
- THE THICK LINES ON PC BOARD ARE THE PRINTING SIDE OF THE PARTS.
EX) PRINTING SIDE
- CIRCUIT IS SUBJECT TO CHANGE FOR IMPROVEMENT.

CAUTION
FOR CONTINUED PROTECTION AGAINST FIRE HAZARD, REPLACE ONLY WITH FUSE OF SAME TYPE AND RATING INDICATED.

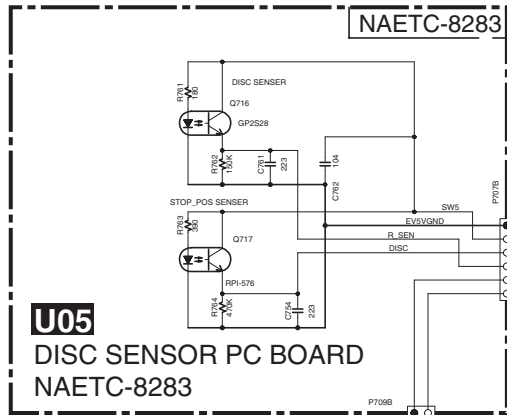
ATTENTION
AFIN D'ASSURER UNE PROTECTION PERMANENTE CONTRE LES RISQUES D'INCENDIE, REMPLACER UNIQUEMENT PAR UN FUSIBLE DE MEME TYPE ET CALIBRATION COMME INDIQUE.

THIS SYMBOL LOCATED NEAR THE FUSE INDICATES THAT THE FUSE USED IS SLOW OPERATING TYPE FOR CONTINUED PROTECTION AGAINST FIRE HAZARD. REPLACE WITH SAME TYPE FUSE. FOR FUSE RATING REFER TO THE MARKING ADJACENT TO THE SYMBOL.

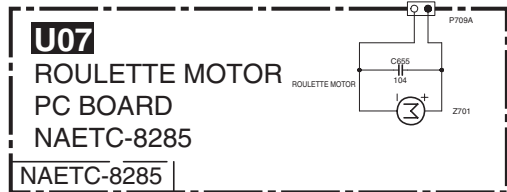
CE SYMBOLE INDIQUE QUE LE FUSIBLE UTILISE EST E LENT. POUR UNE PROTECTION PERMANENTE, UTILISER QUE DES FUSIBLES DE MEME TYPE. CE DERNIER EST INDIQUE LA QU LE PRESENT SYMBOLE EST APPOSE.

SCHEMATIC DIAGRAMS-9

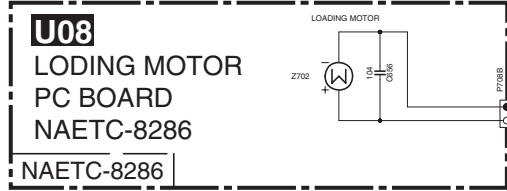
1



2

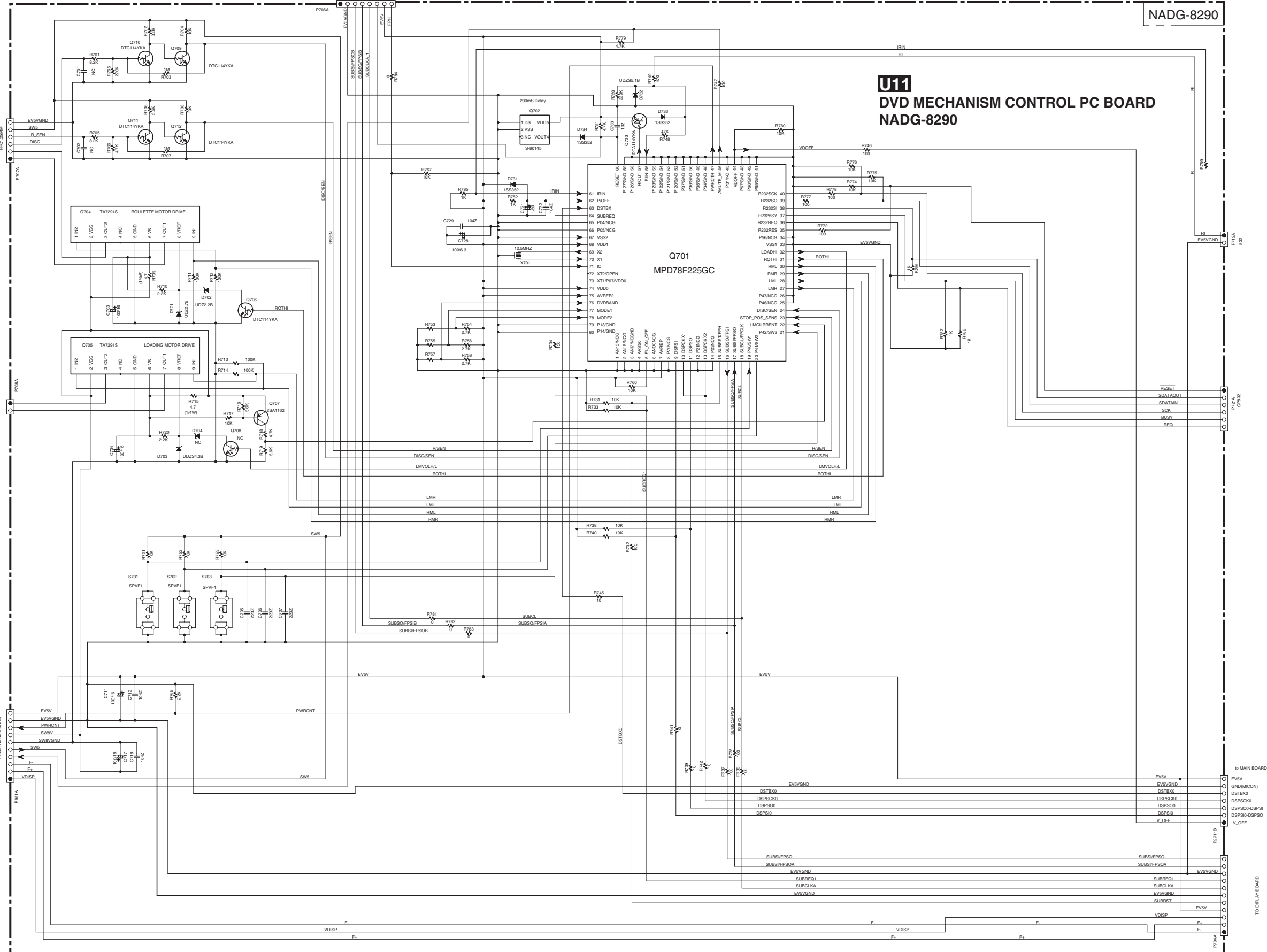


3



4

5



SCHEMATIC DIAGRAMS-10

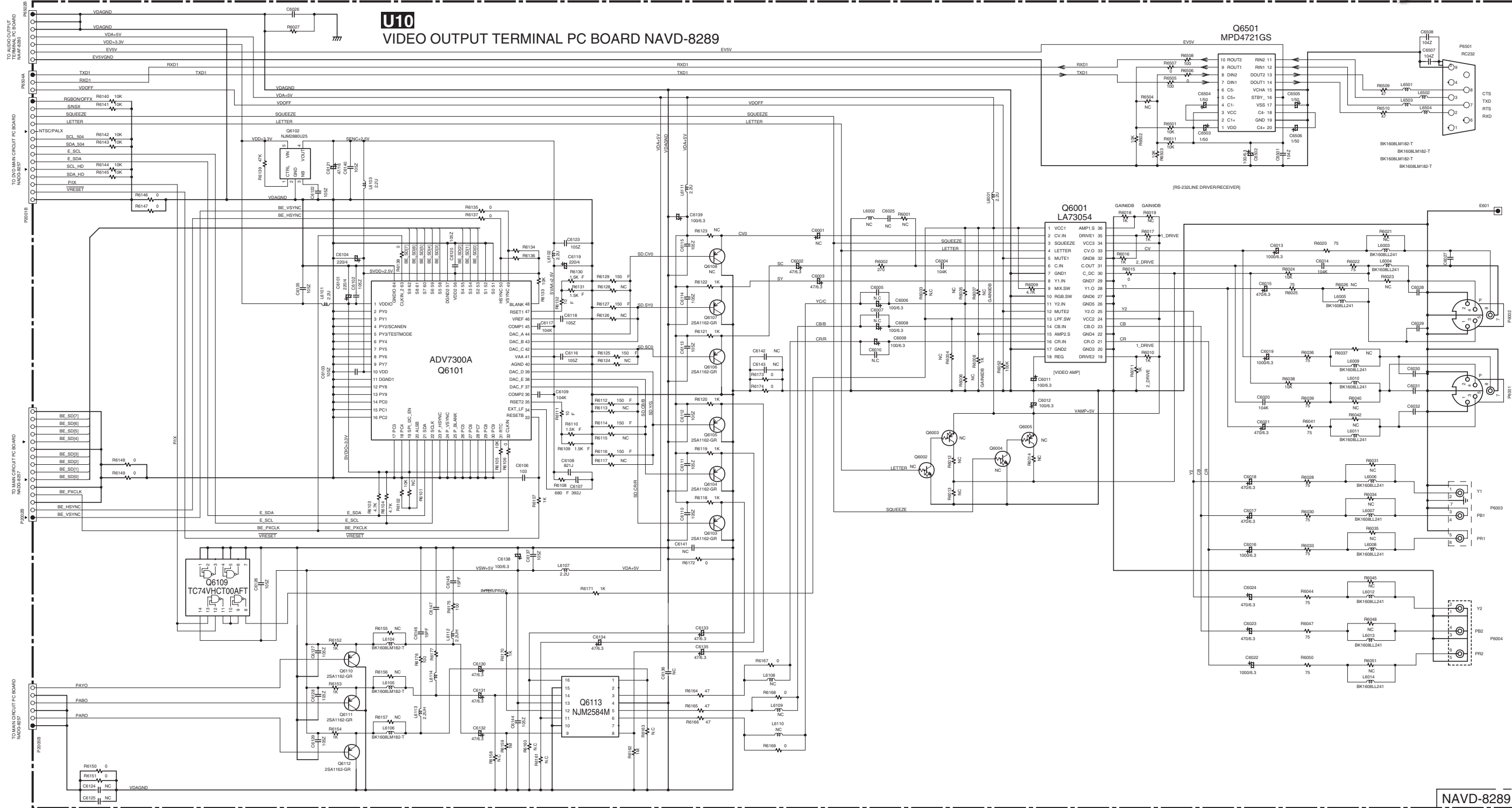
1

2

3

4

5



NAVD-8289

NOTE

- THE COMPONENTS IDENTIFIED BY MARK ARE CRITICAL FOR SAFETY. REPLACE ONLY WITH PART NUMBER SPECIFIED.
- VOLTAGE (MEASURED WITH VOLTMETER) IS DC VOLTAGE. (NO INPUT SIGNAL)
- ALL PNP TRANSISTORS ARE EQUIVALENT TO 2SA1015-GR UNLESS OTHERWISE NOTED.
- ALL NPN TRANSISTORS ARE EQUIVALENT TO 2SC1815-GR UNLESS OTHERWISE NOTED.
- ALL DIODES ARE EQUIVALENT TO 1SS133 UNLESS OTHERWISE NOTED.
- ELECTROLYTIC CAPACITORS () ARE IN μ F/WV.
- ALL CAPACITORS ARE IN pF/50V UNLESS OTHERWISE NOTED.
- EX) 030 \times 3pF 330 \times 33pF 331 \times 330pF 333 \times 0.033 μ F
- ALL RESISTORS ARE IN OHMS 1/4WATTS UNLESS OTHERWISE NOTED.
- THE THICK LINES ON PC BOARD ARE THE PRINTING SIDE OF THE PARTS.
- EX) PRINTING SIDE
- CIRCUIT IS SUBJECT TO CHANGE FOR IMPROVEMENT.

CAUTION
FOR CONTINUED PROTECTION AGAINST FIRE HAZARD, REPLACE ONLY WITH FUSE OF SAME TYPE AND RATING INDICATED.

ATTENTION
AFIN D'ASSURER UNE PROTECTION PERMANENTE CONTRE LES RISQUES D'INCENDIE, REMPLACER UNIQUEMENT PAR UN FUSIBLE DE MEME TYPE ET CALIBRATION COMME INDIQUE.

THIS SYMBOL LOCATED NEAR THE FUSE INDICATES THAT THE FUSE USED IS SLOW OPERATING TYPE FOR CONTINUED PROTECTION AGAINST FIRE HAZARD, REPLACE WITH SAME TYPE FUSE. FOR FUSE RATING REFER TO THE MARKING ADJACENT TO THE SYMBOL.

CE SYMBOLE INDIQUE QUE LE FUSIBLE UTILISE EST LENT. POUR UNE PROTECTION PERMANENTE, N'UTILISER QUE DES FUSIBLES DE MEME TYPE. CE DERNIER EST INDIQUE LA QU LE PRESENT SYMBOLE EST APPOSE.

SCHEMATIC DIAGRAMS-11

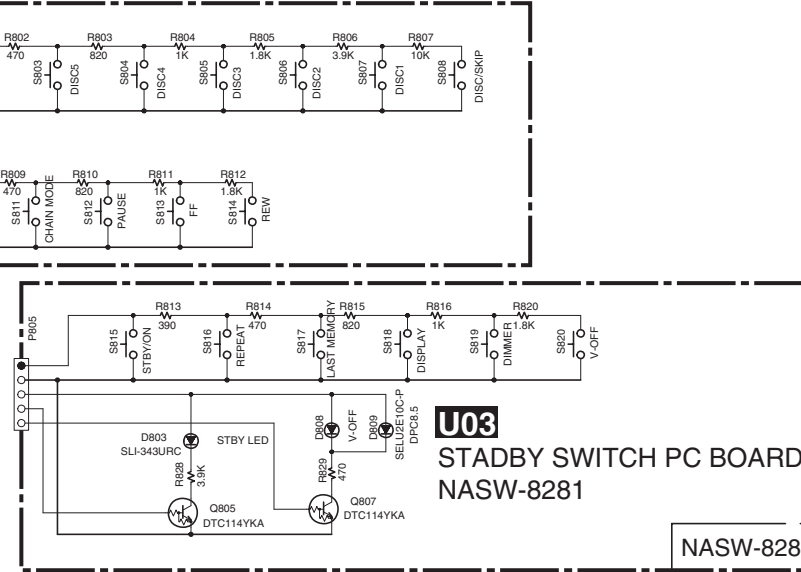
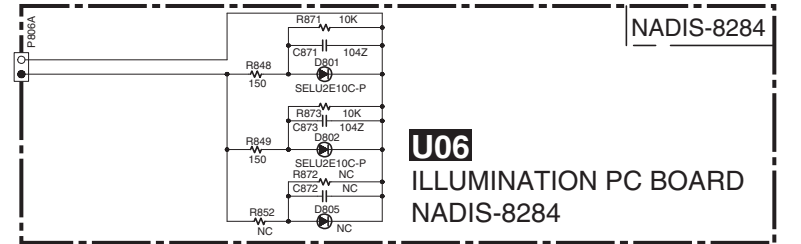
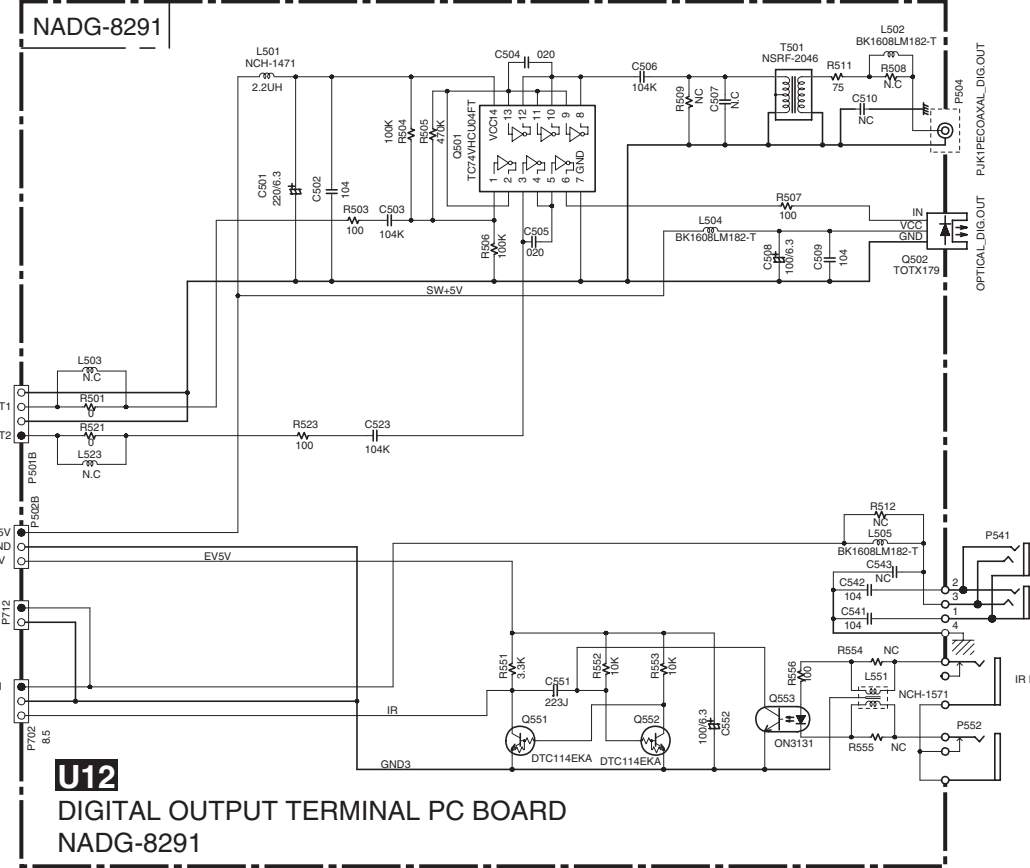
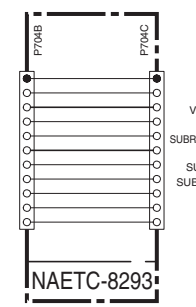
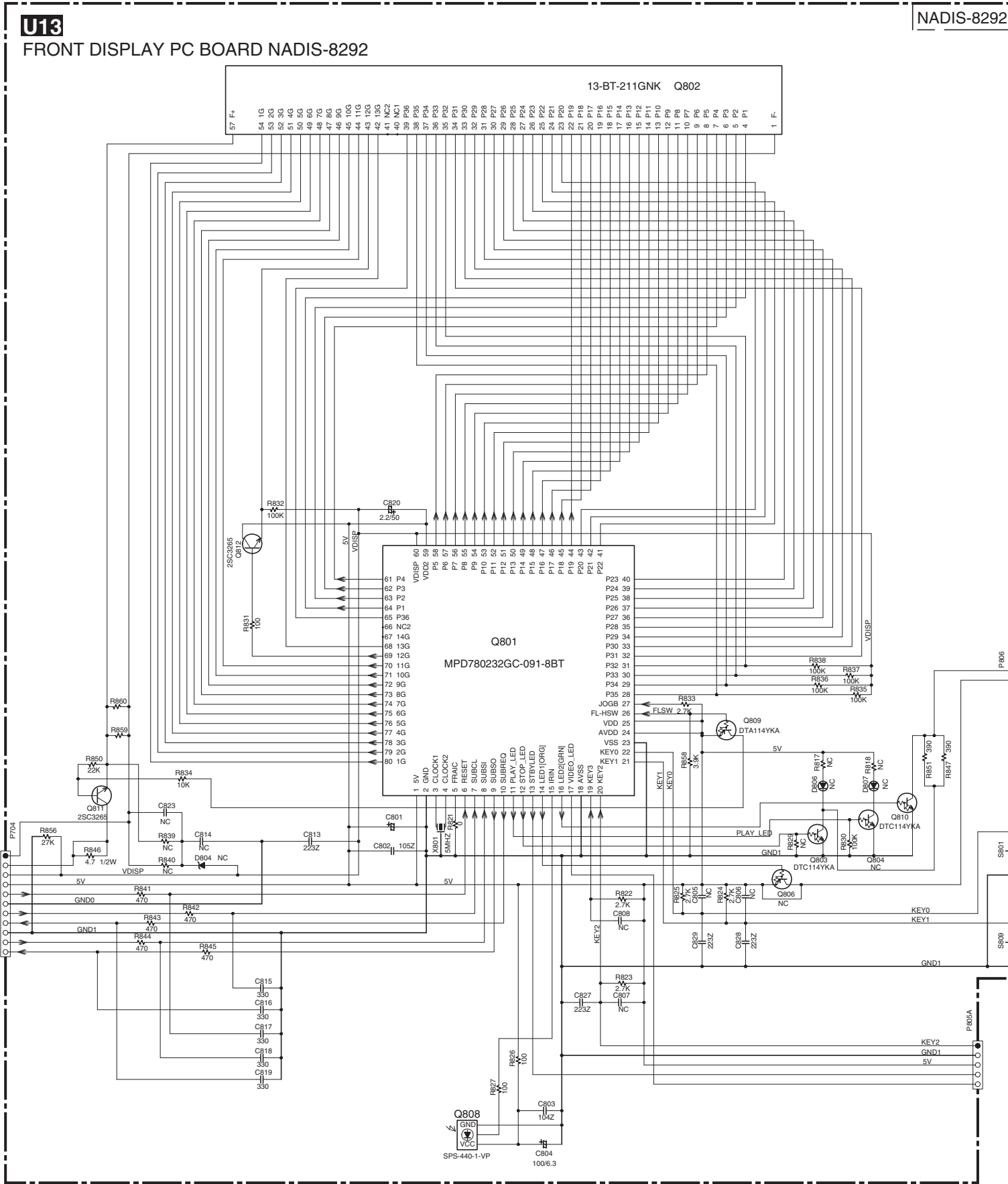
1

2

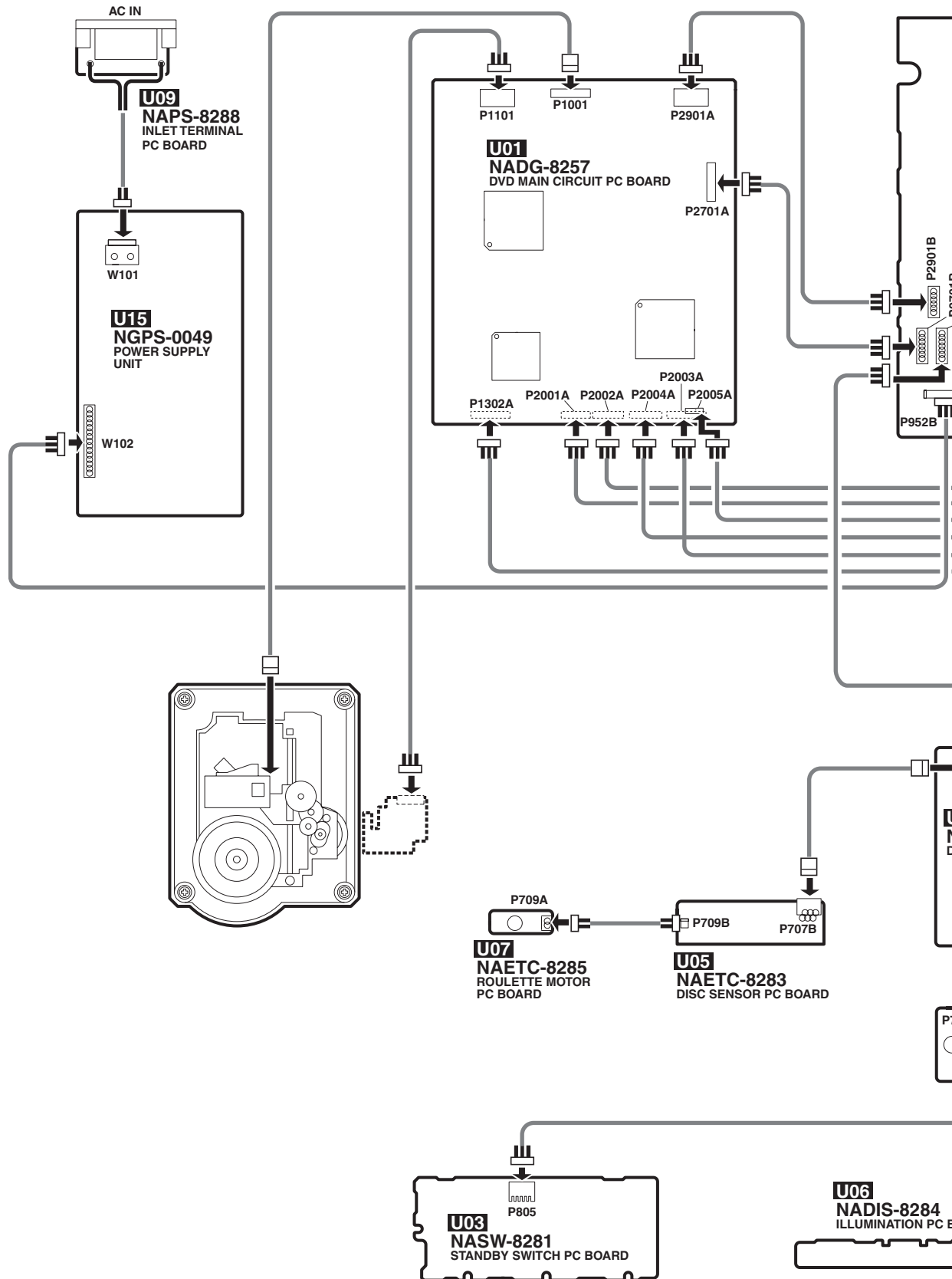
3

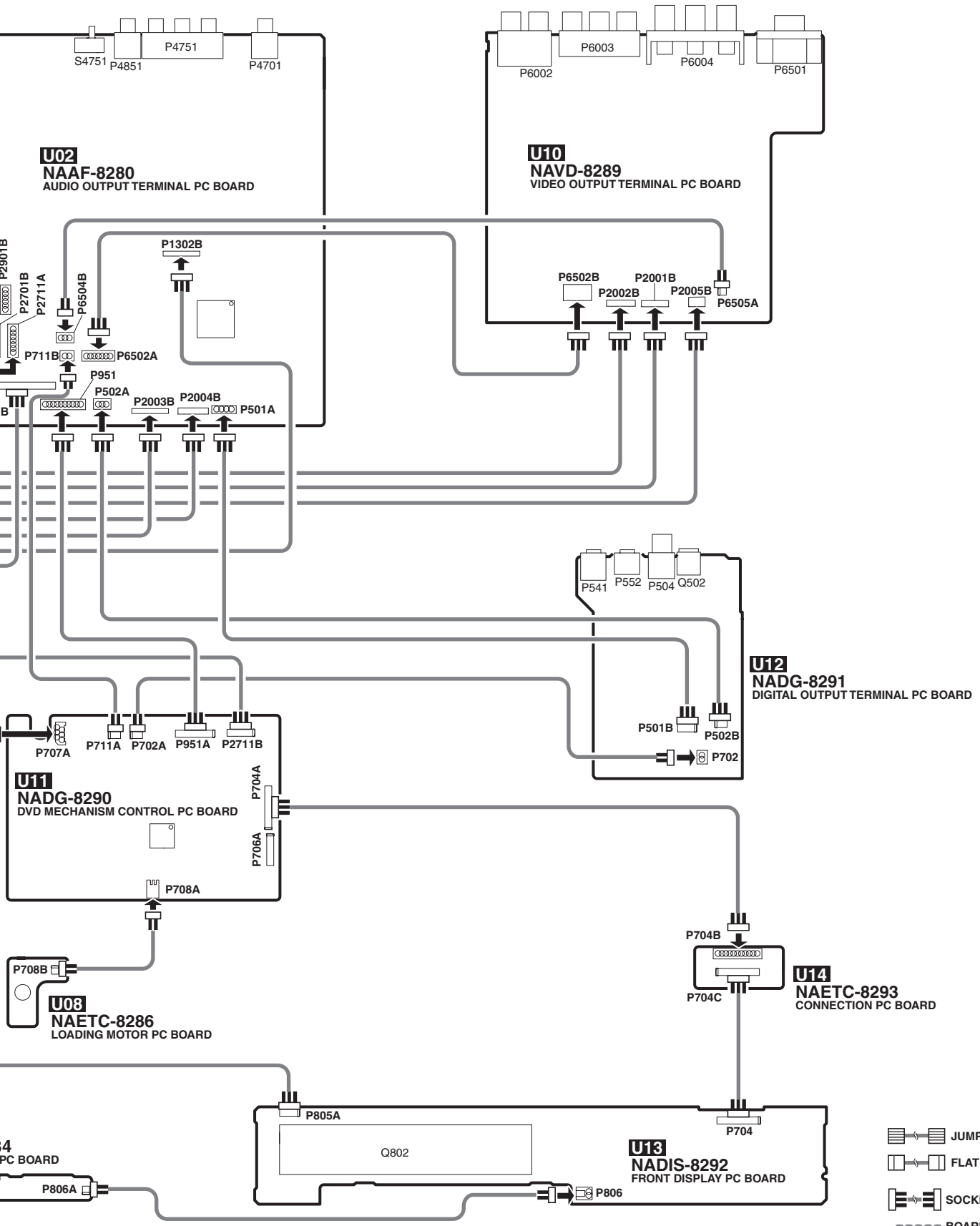
4

5



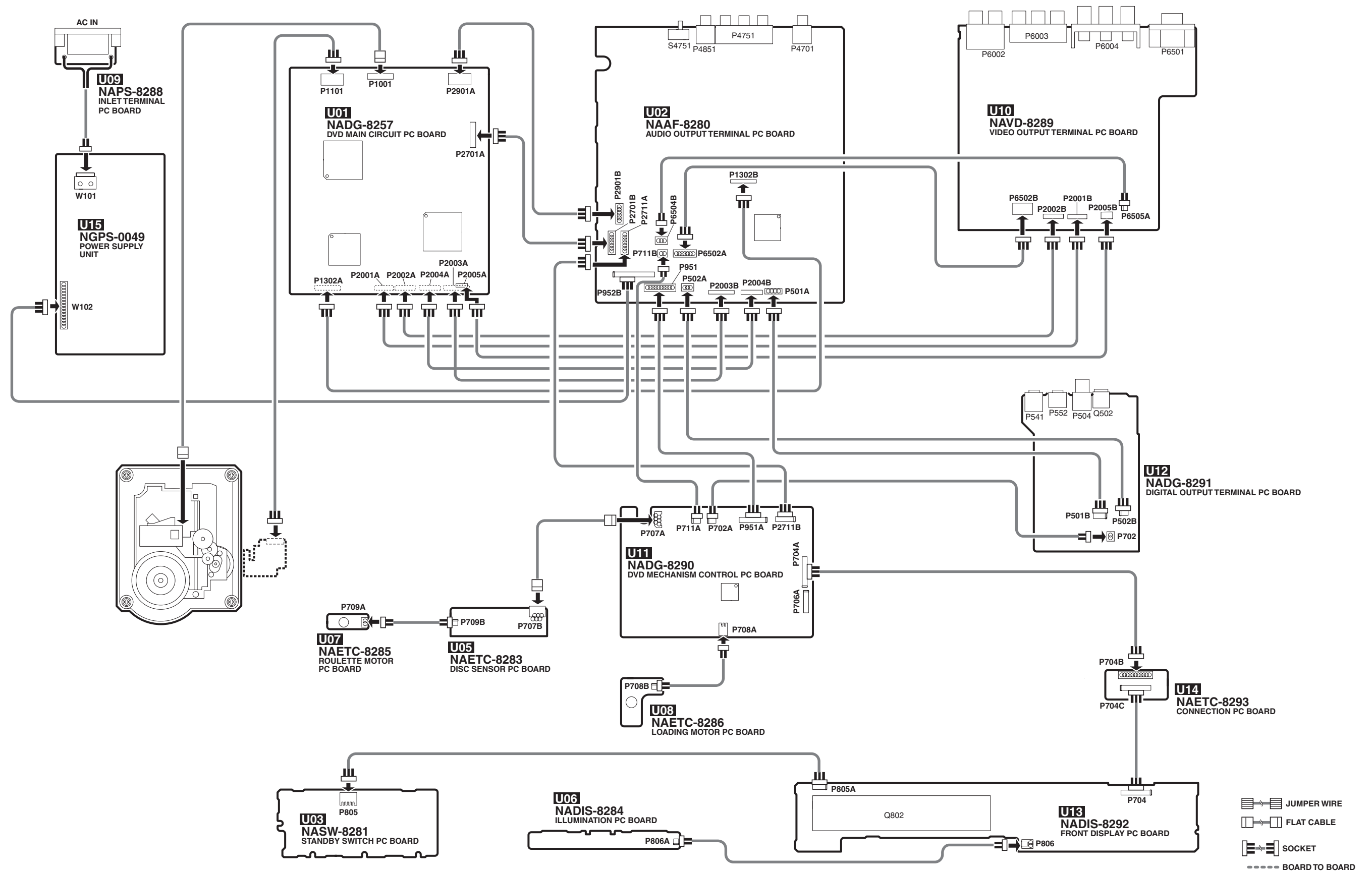
PC BOARD CONNECTION DIAGRAM





- JUMPER WIRE
- FLAT CABLE
- SOCKET
- BOARD TO BOARD

PC BOARD CONNECTION DIAGRAM



A

B

C

PRINTED CIRCUIT BOARD VIEWS-1

U01 DVD MAIN CIRCUIT PC BOARD (NADG-8257)

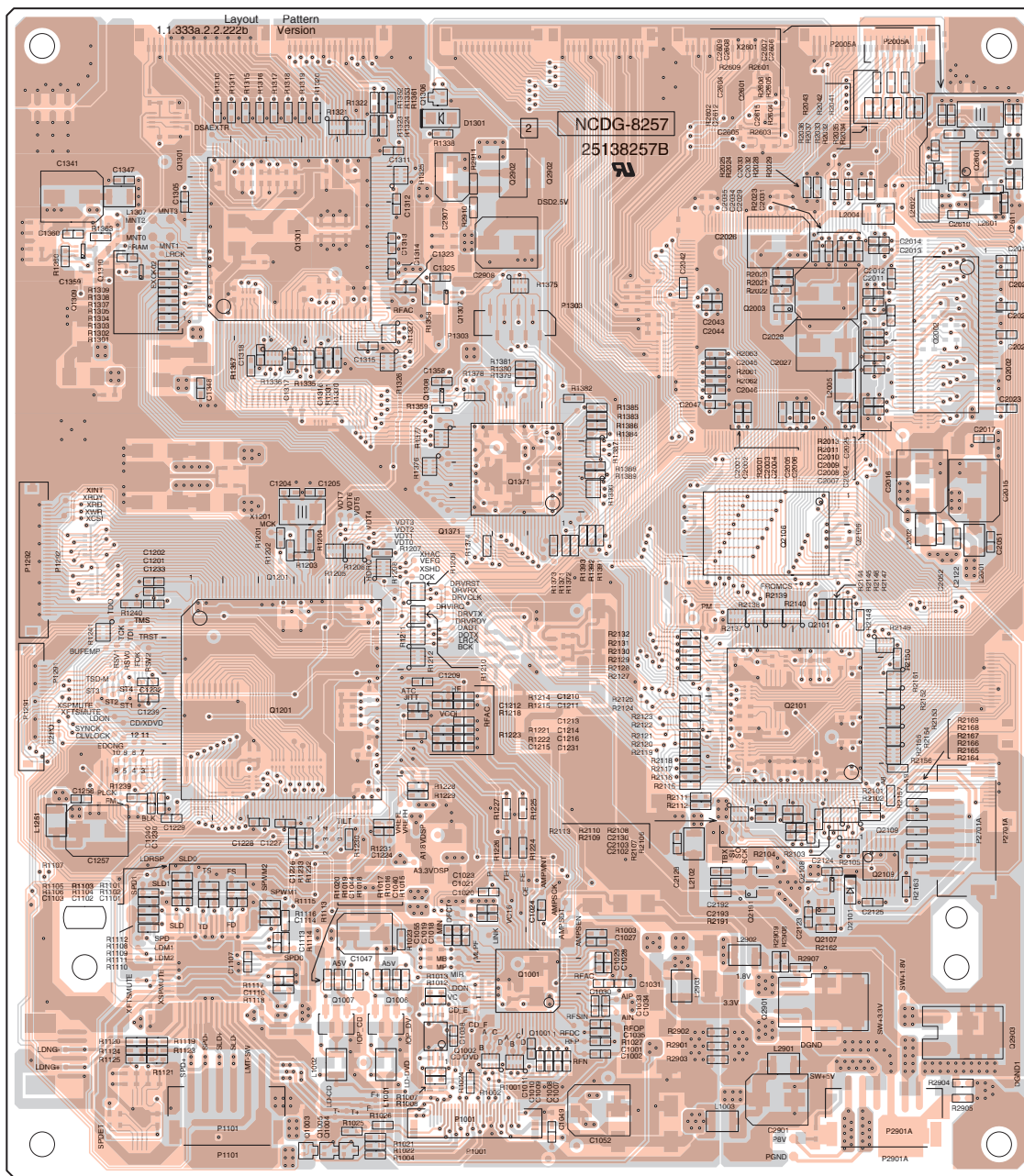
1

2

3

4

5



: side A pattern
 : side B pattern

A

B

C

PRINTED CIRCUIT BOARD VIEWS-3

U02 AUDIO OUTPUT TERMINAL PC BOARD (NAAF-8280)

1

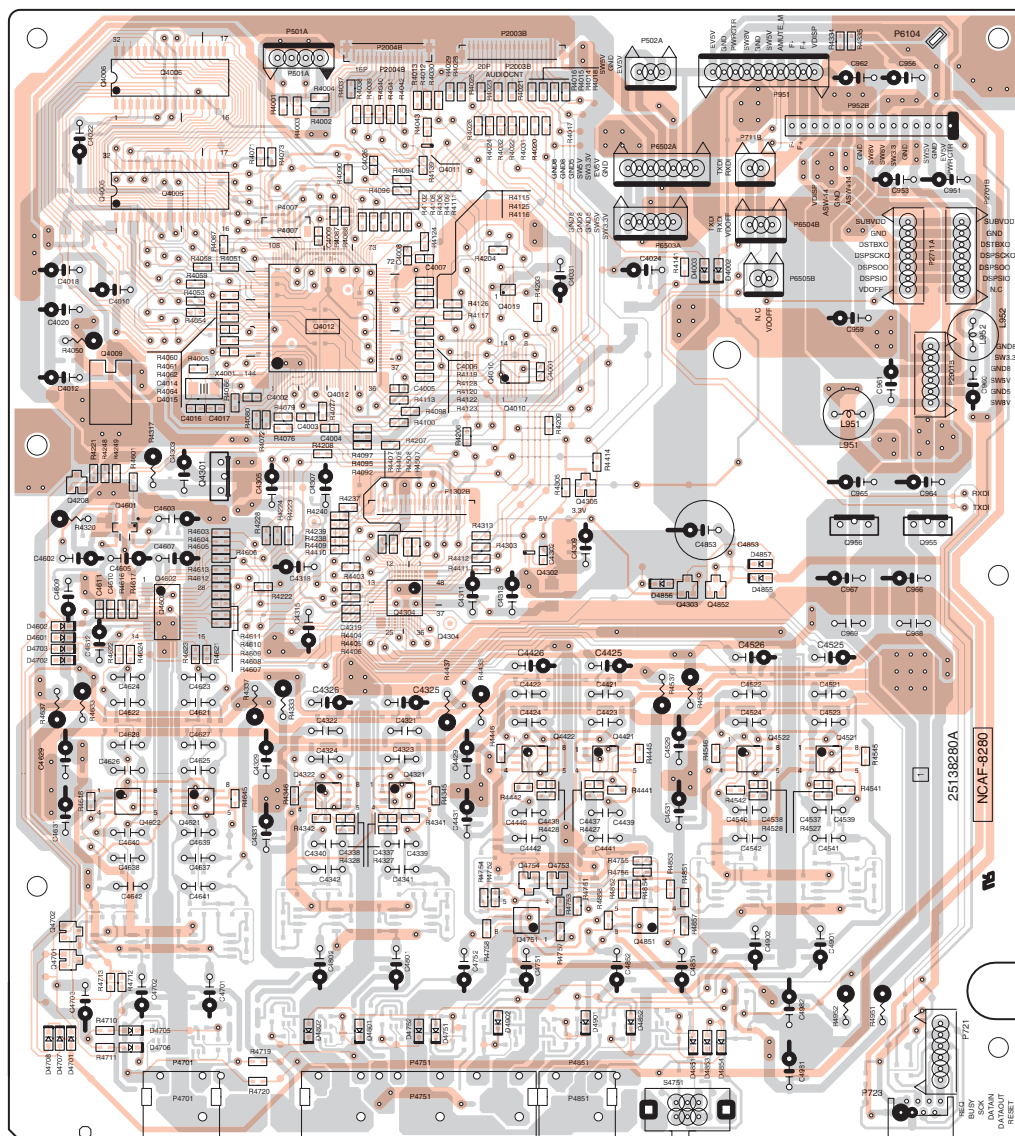
Both side seen from component side

2

3

4

5



A

B

C

PRINTED CIRCUIT BOARD VIEWS-4

U02 AUDIO OUTPUT TERMINAL PC BOARD (NAAF-8280)

1

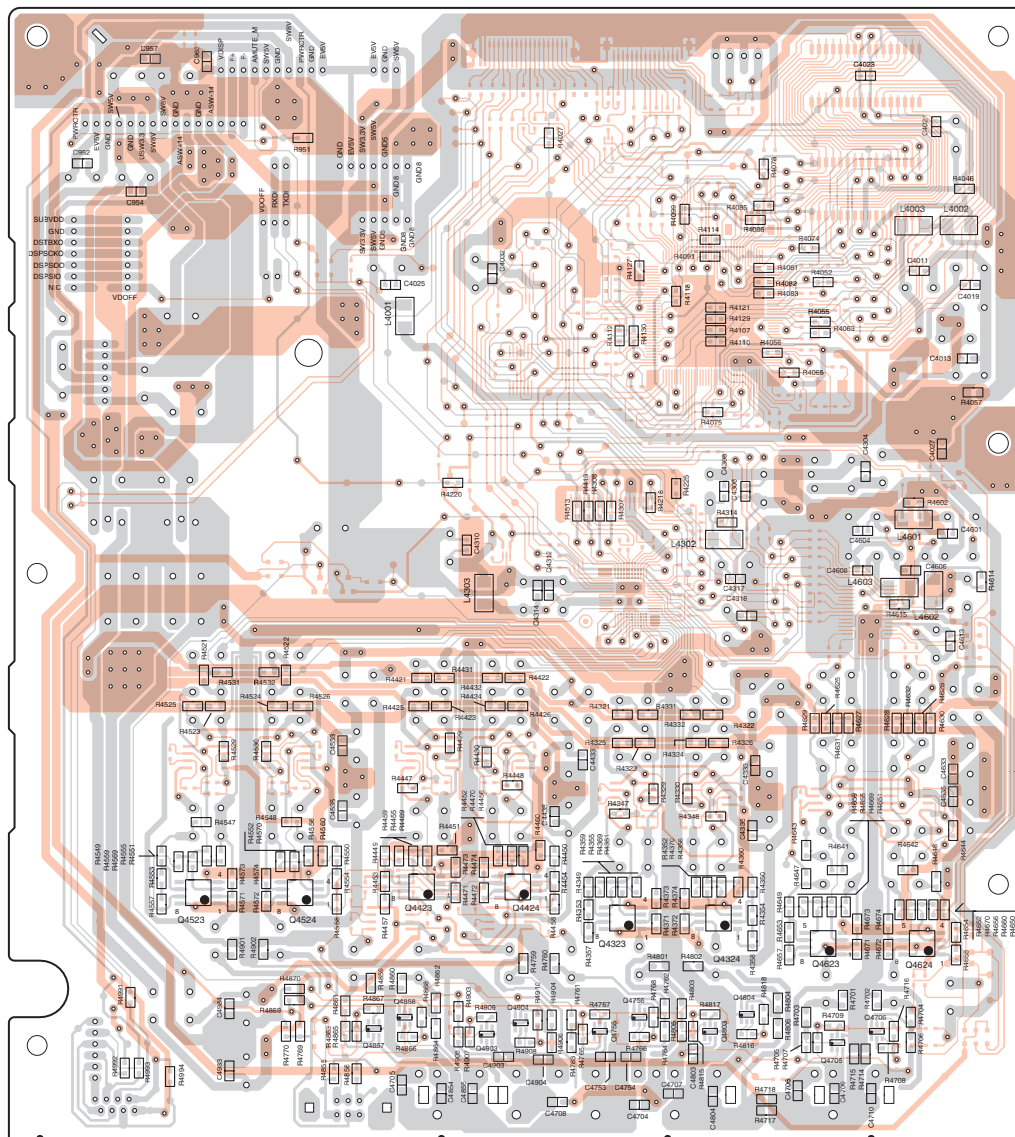
Both side seen from reverse side

2

3

4

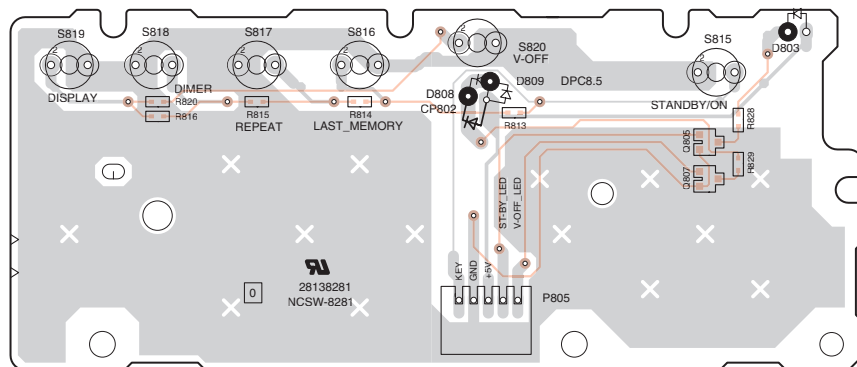
5



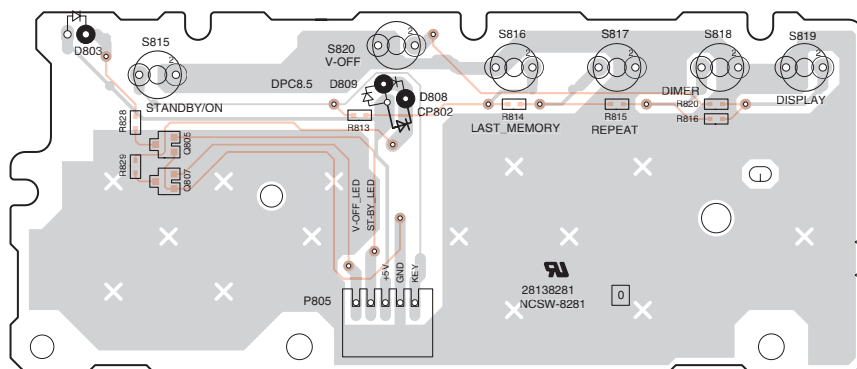
A B C
PRINTED CIRCUIT BOARD VIEWS-5

U03 STAND BY SWITCH PC BOARD (NASW-8281)

1 Both side seen from component side

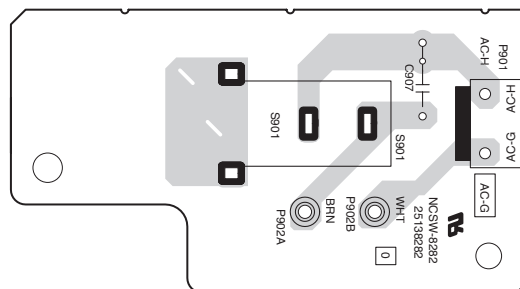


2 Both side seen from reverse side



U04 POWER SWITCH PC BOARD (NASW-8282)

4 Component side seen from soldering side



A

B

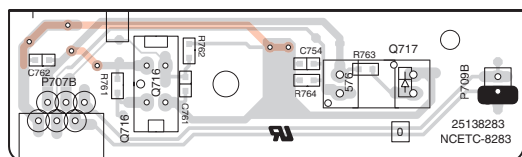
C

PRINTED CIRCUIT BOARD VIEWS-6

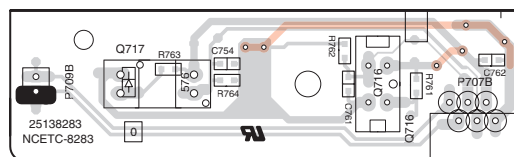
U05 DISK SENSOR PC BOARD (NAETC-8283)

1

Both side seen from component side



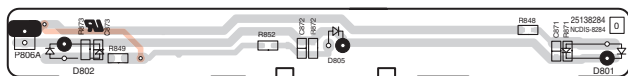
Both side seen from reverse side



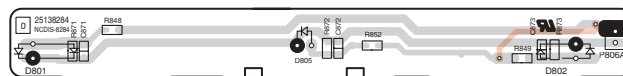
2

U06 ILLUMINATION PC BOARD (NADIS-8284)

Both side seen from component side



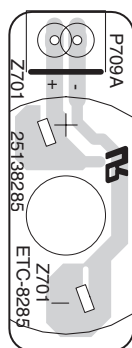
Both side seen from reverse side



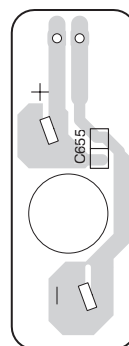
3

U07 ROULETTE MOTOR PC BOARD (NAETC-8285)

Component side seen from soldering side



soldering side



4

5

A

B

C

PRINTED CIRCUIT BOARD VIEWS-7

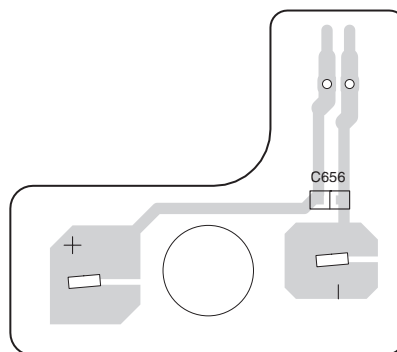
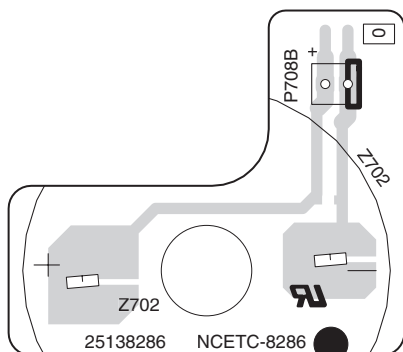
U08 LOADING MOTOR PC BOARD (NAETC-8286)

1

Component side seen from
soldering side

soldering side

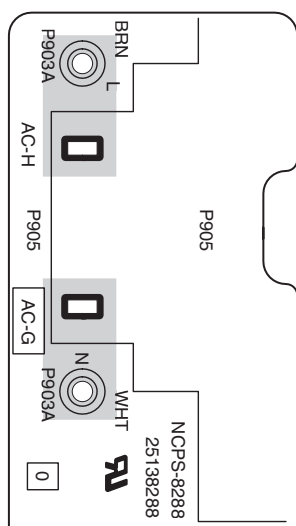
2



U09 INLET TERMINAL PC BOARD (NAPS-8288)

Component side seen from
soldering side

3



4

5

A

B

C

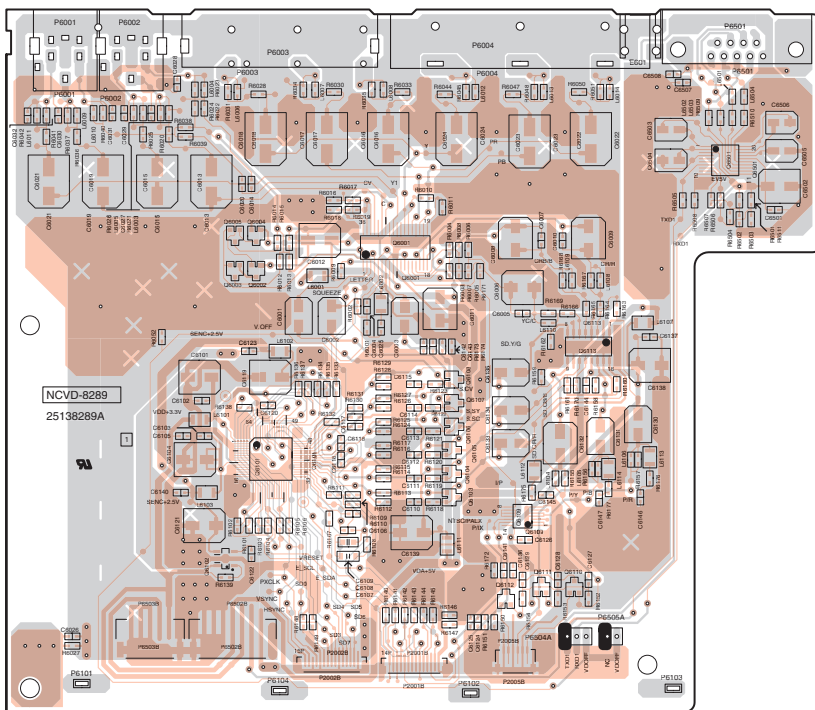
PRINTED CIRCUIT BOARD VIEWS-8

U10 VIDEO OUTPUT TERMINAL PC BOARD (NAVD-8289)

1

Both side seen from component side

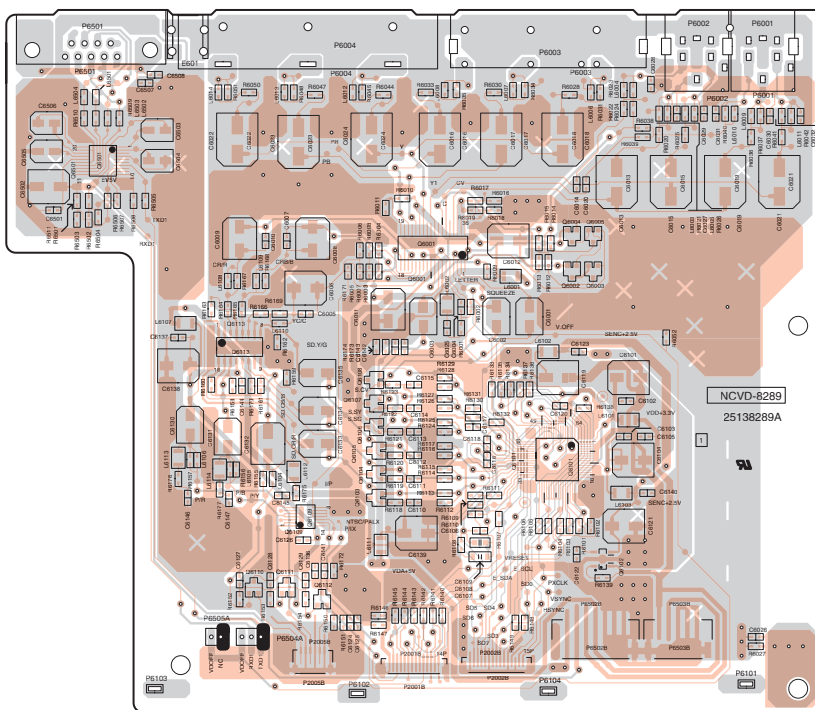
2



3

Both side seen from reverse side

4



5

A

B

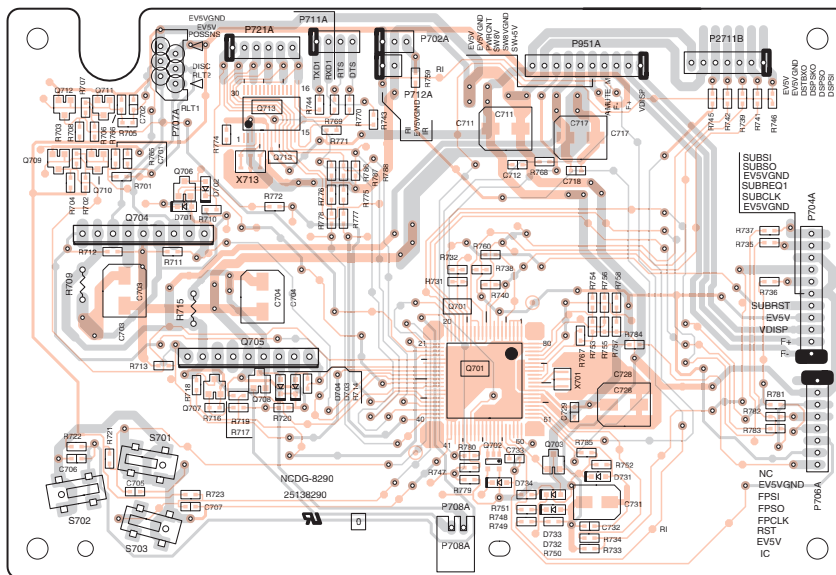
C

PRINTED CIRCUIT BOARD VIEWS-9

U11 DVD MACHANISM CONTROL PC BOARD (NADG-8290)

1

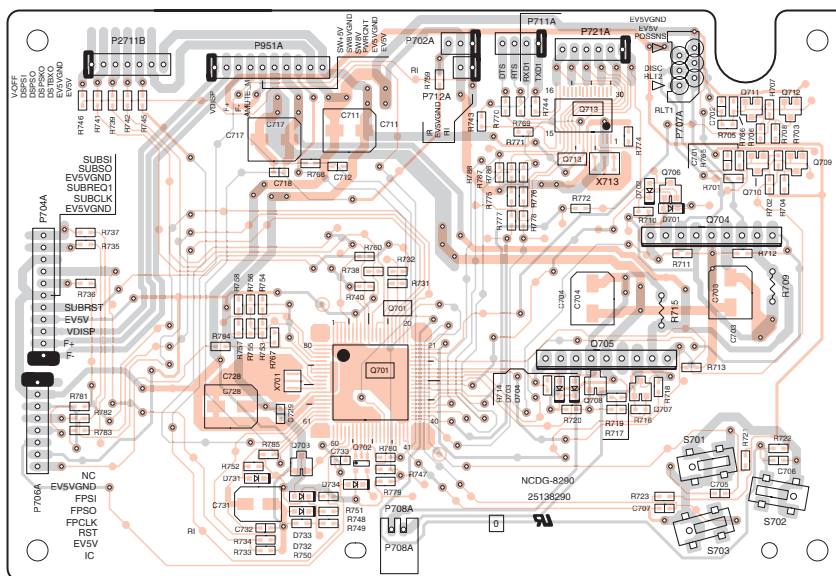
Both side seen from component side



2

3

Both side seen from reverse side



4

5

A

B

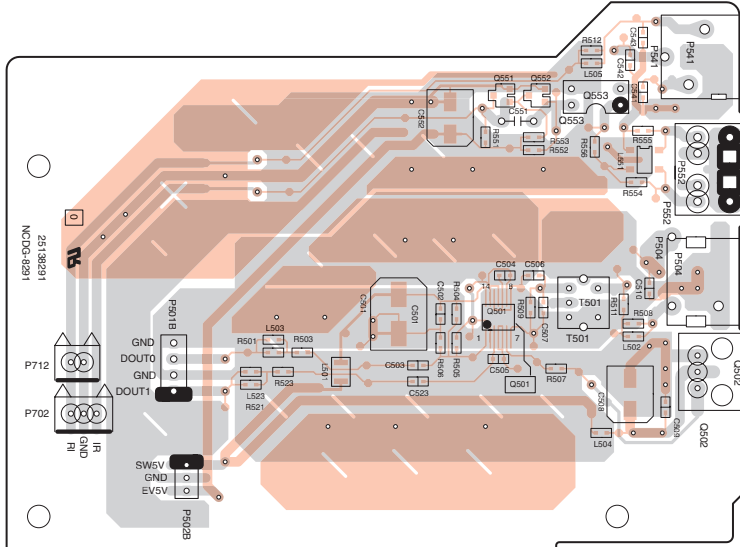
C

PRINTED CIRCUIT BOARD VIEWS-10

U12 DIGITAL OUTPUT TEMINAL PC BOARD (NADG-8291)

1

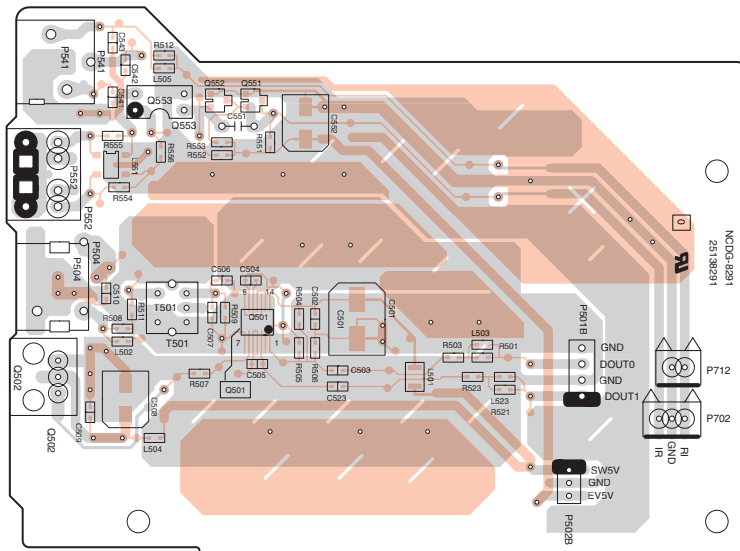
Both side seen from component side



2

3

Both side seen from reverse side



4

5

A

B

C

PRINTED CIRCUIT BOARD VIEWS-11

U13 FRONT DISPLAY PC BOARD (NADIS-8292)

1

Both side seen from component side

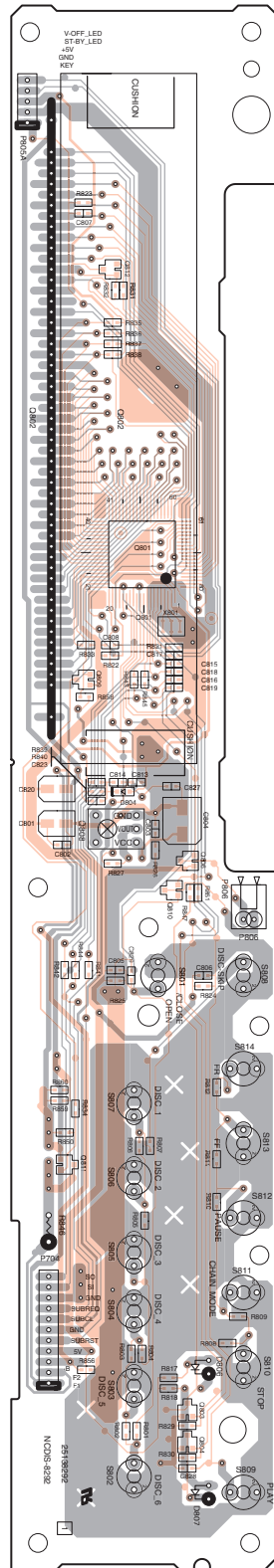
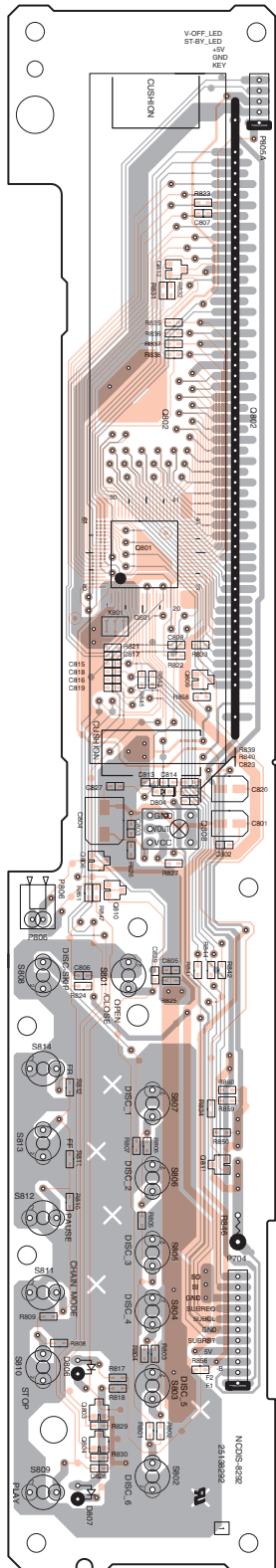
Both side seen from reverse side

2

3

4

5



A

B

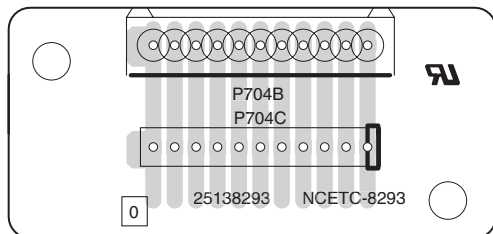
C

PRINTED CIRCUIT BOARD VIEWS-12

U15 CONNECTION PC BOARD (NAETC-8293)

1

Component side seen from soldering side



2

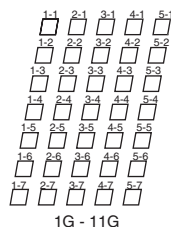
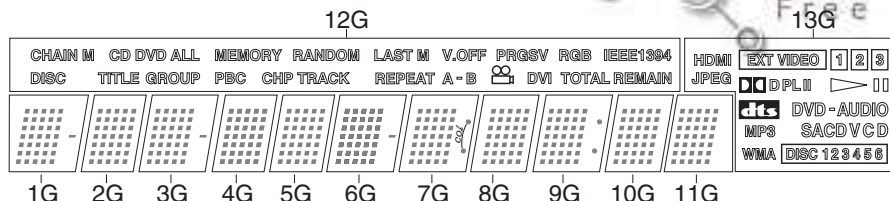
3

4

5

FL TUBE VIEW

Q802: 13-BT-211GNK

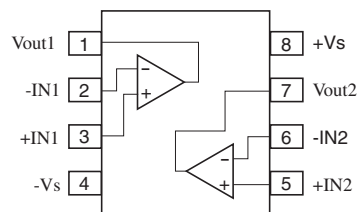


ANODE CONNECTION

	1G	2G	3G	4G	5G	6G	7G	8G	9G	10G	11G	12G	13G
P1	1-1	1-1	1-1	1-1	1-1	1-1	1-1	1-1	1-1	1-1	1-1	DISC	HDMI
P2	2-1	2-1	2-1	2-1	2-1	2-1	2-1	2-1	2-1	2-1	2-1	CHAIN M	JPEG
P3	3-1	3-1	3-1	3-1	3-1	3-1	3-1	3-1	3-1	3-1	3-1	CD	EXT VIDEO
P4	4-1	4-1	4-1	4-1	4-1	4-1	4-1	4-1	4-1	4-1	4-1	DVD	(EXT VIDEO)
P5	5-1	5-1	5-1	5-1	5-1	5-1	5-1	5-1	5-1	5-1	5-1	ALL	1
P6	1-2	1-2	1-2	1-2	1-2	1-2	1-2	1-2	1-2	1-2	1-2	TITLE	2
P7	2-2	2-2	2-2	2-2	2-2	2-2	2-2	2-2	2-2	2-2	2-2	GROUP	3
P8	3-2	3-2	3-2	3-2	3-2	3-2	3-2	3-2	3-2	3-2	3-2	MEMORY	-
P9	4-2	4-2	4-2	4-2	4-2	4-2	4-2	4-2	4-2	4-2	4-2	RANDOM	▶
P10	5-2	5-2	5-2	5-2	5-2	5-2	5-2	5-2	5-2	5-2	5-2	PBC	
P11	1-3	1-3	1-3	1-3	1-3	1-3	1-3	1-3	1-3	1-3	1-3	CHP	DVD
P12	2-3	2-3	2-3	2-3	2-3	2-3	2-3	2-3	2-3	2-3	2-3	TRACK	-AUDIO
P13	3-3	3-3	3-3	3-3	3-3	3-3	3-3	3-3	3-3	3-3	3-3	LAST M	SACD
P14	4-3	4-3	4-3	4-3	4-3	4-3	4-3	4-3	4-3	4-3	4-3	REPEAT	V
P15	5-3	5-3	5-3	5-3	5-3	5-3	5-3	5-3	5-3	5-3	5-3	A	CD
P16	1-4	1-4	1-4	1-4	1-4	1-4	1-4	1-4	1-4	1-4	1-4	- B	MP3
P17	2-4	2-4	2-4	2-4	2-4	2-4	2-4	2-4	2-4	2-4	2-4	V.OFF	dts
P18	3-4	3-4	3-4	3-4	3-4	3-4	3-4	3-4	3-4	3-4	3-4	PRGSV	DI
P19	4-4	4-4	4-4	4-4	4-4	4-4	4-4	4-4	4-4	4-4	4-4	DVI	D
P20	5-4	5-4	5-4	5-4	5-4	5-4	5-4	5-4	5-4	5-4	5-4	TOTAL	PL
P21	1-5	1-5	1-5	1-5	1-5	1-5	1-5	1-5	1-5	1-5	1-5	RGB	
P22	2-5	2-5	2-5	2-5	2-5	2-5	2-5	2-5	2-5	2-5	2-5	IEEE1394	WMA
P23	3-5	3-5	3-5	3-5	3-5	3-5	3-5	3-5	3-5	3-5	3-5	REMAIN	DISC
P24	4-5	4-5	4-5	4-5	4-5	4-5	4-5	4-5	4-5	4-5	4-5	⊞	1
P25	5-5	5-5	5-5	5-5	5-5	5-5	5-5	5-5	5-5	5-5	5-5	-	2
P26	1-6	1-6	1-6	1-6	1-6	1-6	1-6	1-6	1-6	1-6	1-6	-	3
P27	2-6	2-6	2-6	2-6	2-6	2-6	2-6	2-6	2-6	2-6	2-6	-	4
P28	3-6	3-6	3-6	3-6	3-6	3-6	3-6	3-6	3-6	3-6	3-6	-	5
P29	4-6	4-6	4-6	4-6	4-6	4-6	4-6	4-6	4-6	4-6	4-6	-	6
P30	5-6	5-6	5-6	5-6	5-6	5-6	5-6	5-6	5-6	5-6	5-6	-	(DISC)
P31	1-7	1-7	1-7	1-7	1-7	1-7	1-7	1-7	1-7	1-7	1-7	-	-
P32	2-7	2-7	2-7	2-7	2-7	2-7	2-7	2-7	2-7	2-7	2-7	-	-
P33	3-7	3-7	3-7	3-7	3-7	3-7	3-7	3-7	3-7	3-7	3-7	-	-
P34	4-7	4-7	4-7	4-7	4-7	4-7	4-7	4-7	4-7	4-7	4-7	-	-
P35	5-7	5-7	5-7	5-7	-	5-7	5-7	5-7	5-7	5-7	5-7	-	-
P36	□	-	□	-	-	□	col	-	col	-	-	-	-

IC BLOCK DIAGRAM AND TERMINAL DESCRIPTIONS-22

Q1302: AD8062 Rail to Rail Amp.

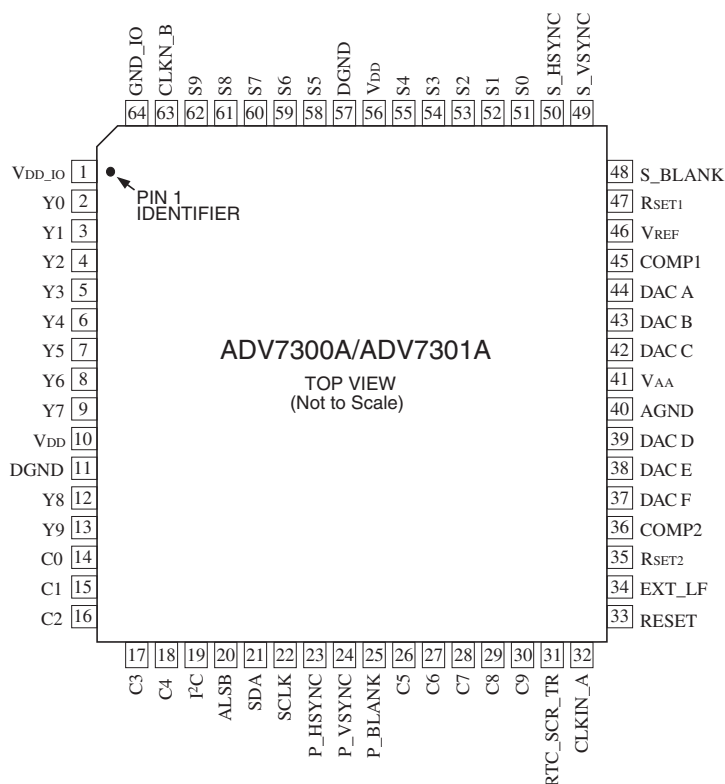


IC BLOCK DIAGRAM AND TERMINAL DESCRIPTIONS-37

Q6101: ADV7300A (-1)

Block Diagram

PIN CONFIGURATION



PIN FUNCTION DESCRIPTIONS

PIN FUNCTION

Pin No.	Mnemonic	Input/Output	Function
1	VDD_IO	P	Power Supply for digital inputs and outputs.
2-9, 12, 13	Y0-Y9	I	10-Bit Progressive Scan/HDTV Input Port for Y data. The LSBs are set up on Pins Y0 and Y1. In default mode, the input on this port is output on DAC D.
14-18, 26-30	C0-C9	I	10-Bit Progressive Scan/HDTV Input Port for CrCb color data in 4:2:2 input mode. In 4:4:4 Input Mode, this input port is used for the Cb (Blue/U) data. The LSBs are set up on Pins C0 and C1. In default mode, the input on this port is output on DAC E.

IC BLOCK DIAGRAM AND TERMINAL DESCRIPTIONS-38

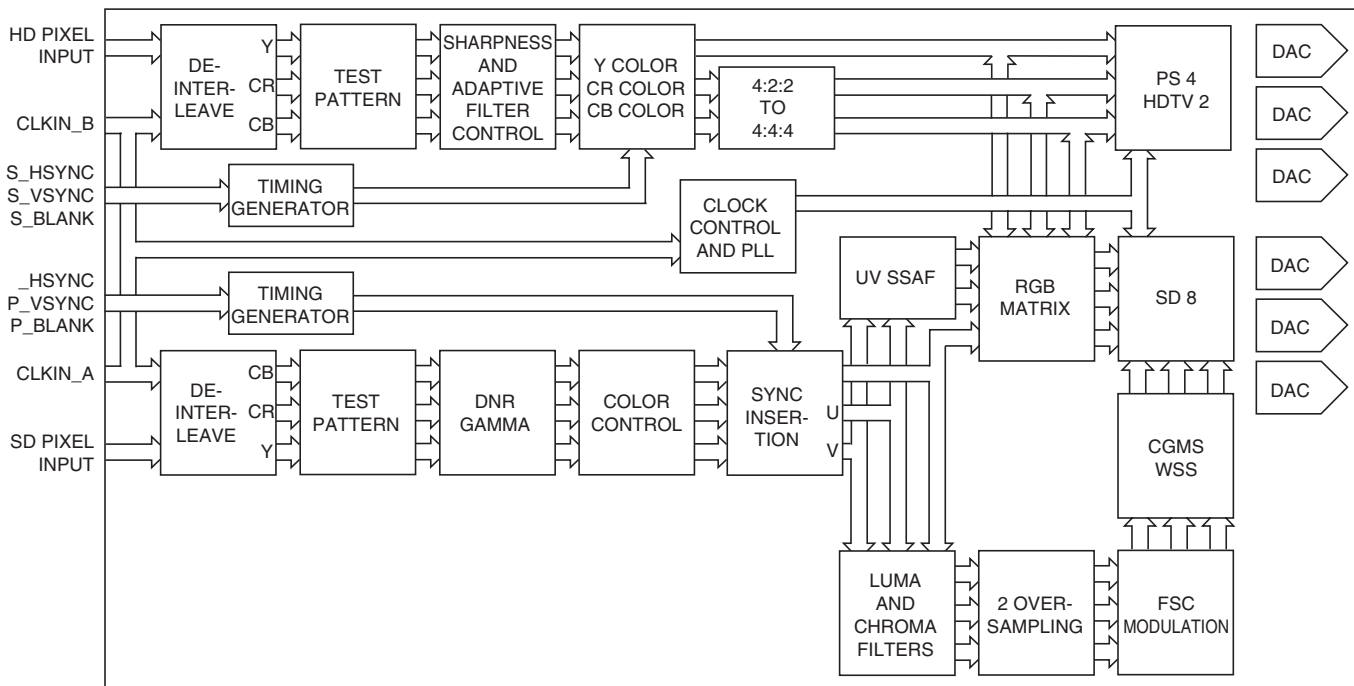
Q6101: ADV7300A (-2)

Pin No.	Mnemonic	Input/Output	Function
19	I ² C	I	This input pin must be tied high (VDD_IO) for the ADV7300A/ADV7301A to interface over the I ² C port.
20	ALSB	I/O	TTL Address Input. This signal sets up the LSB of the MPU address. When this pin is tied low, the I ² C filter is activated, which reduces noise on the I ² C interface.
21	SDA	I/O	MPU Port Serial Data Input/Output
22	SCLK	I	MPU Port Serial Interface Clock Input
23	P_HSYNC	I	Video Horizontal Sync Control Signal for HD Sync in Simultaneous SD/HD Mode and HD Only Mode
24	P_VSYNC	I	Video Vertical Sync Control Signal for HD Sync in Simultaneous SD/HD Mode and HD Only Mode
25	P_BLANK	I	Video Blanking Control Signal for HD Sync in Simultaneous SD/HD Mode and HD Only Mode
31	RTC_SCR_TR	I	Multifunctional Input: Realtime Control (RTC) Input, Timing Reset Input, and Subcarrier Reset Input
32	CLKIN_A	I	Pixel Clock Input for HD Only or SD Only Modes
33	RESET	I	This input resets the on-chip timing generator and sets the ADV7300A/ADV7301A into default register setting. Reset is an active low signal.
34	EXT_LF	I	External Loop Filter for the internal PLL
35, 47	RSET2, 1	I	A 760 resistor must be connected from this pin to AGND and is used to control the amplitudes of the DAC outputs.
36, 45	COMP2, 1	O	Compensation Pin for DACs. Connect 0.1μF Capacitor from COMP Pin to VAA.
37	DAC F	O	In SD Only Mode: Chroma/Red/V Analog Output, in HD Only Mode and Simultaneous HD/SD: Pb/Blue (HD) Analog Output
38	DAC E	O	In SD Only Mode: Luma/Blue/U Analog Output, in HD Only Mode and Simultaneous HD/SD: Pr/Red (HD) Analog Output
39	DAC D	O	In SD Only Mode: CVBS/Green/Y Analog Output, in HD Only Mode and Simultaneous HD/SD: Y/Green (HD) Analog Output
40	AGND	G	Analog Ground
41	VAA	P	Analog Power Supply
42	DAC C	O	Chroma/Red/V SD Analog Output
43	DAC B	O	Luma/Blue/U SD Analog Output
44	DAC A	O	CVBS/Green/Y SD Analog Output
46	VREF	I/O	Optional External Voltage Reference Input for DACs or Voltage Reference Output (1.235 V)
48	S_BLANK	I/O	Video Blanking Control Signal for SD
49	S_VSYNC	I/O	Video Vertical Control Signal for SD. Option to output SD VSYNC or SD HSYNC in SD Slave Mode 0 and/or any HD Mode.
50	S_HSYNC	I/O	Video Horizontal Control Signal for SD. Option to output SD HSYNC or HD HSYNC in SD Slave Mode 0 and/or any HD Mode.
51D55, 58D62	S0DS9	I	10-Bit Standard Definition Input Port or Progressive Scan/HDTV Input Port for Cr (Red/V) color data in 4:4:4 Input Mode. The LSBs are set up on Pins S0 and S1. In Default Mode, the input on this port is output on DAC F.
56	VDD	P	Digital Power Supply
57	DGND	G	Digital Ground
63	CLKIN_B	I	Pixel Clock Input. Requires a 27 MHz reference clock for Progressive Scan Mode or a 74.25MHz (74.1758MHz) reference clock in HDTV Mode. This clock input pin is only used in Simultaneous SD/HD Mode.
64	GND_IO		

IC BLOCK DIAGRAM AND TERMINAL DESCRIPTIONS-39

Q6101: ADV-7300A (-3)

Block Diagram



TERMS USED IN THIS DATA SHEET

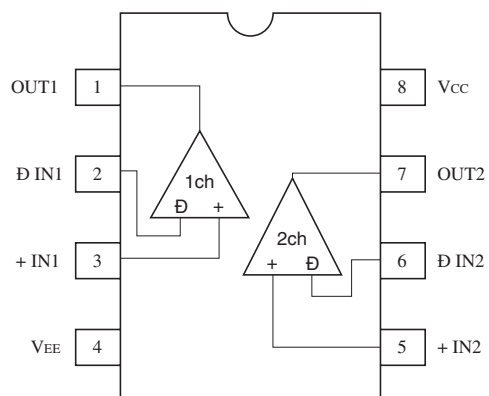
- SD Standard Definition Video, conforming to ITU-R.BT601/ITU-R.BT656.
- HD High Definition Video, i.e., Progressive Scan or HDTV.
- PS Progressive Scan Video, conforming to SMPTE293M or ITU-R.BT1358.

- HDTV High Definition Television Video, conforming to SMPTE274M or SMPTE296M.
- YCrCb SD or HD Component Digital Video
- YPrPb HD Component Analog Video
- YUV SD Component Analog Video

IC BLOCK DIAGRAM AND TERMINAL DESCRIPTIONS-8

Q1102: BA4510FV OPE. AMP

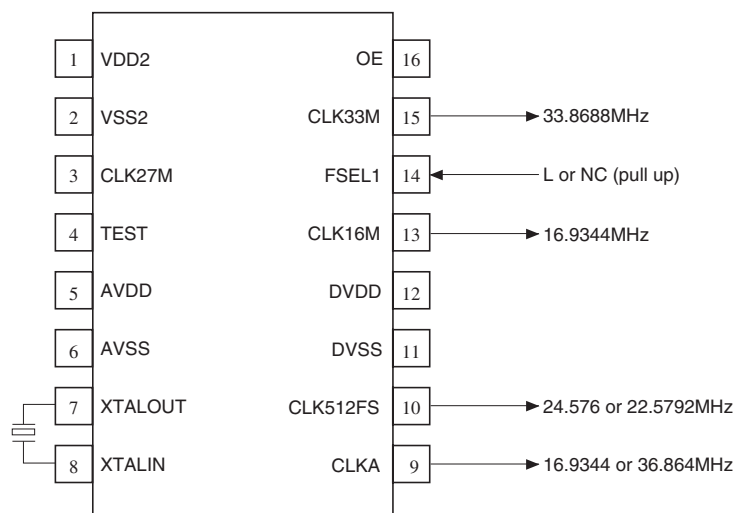
Block diagram



IC BLOCK DIAGRAM AND TERMINAL DESCRIPTIONS-33

Q2601: BU2288FV CLOCK GENERATOR

PIN CONFIGURATION



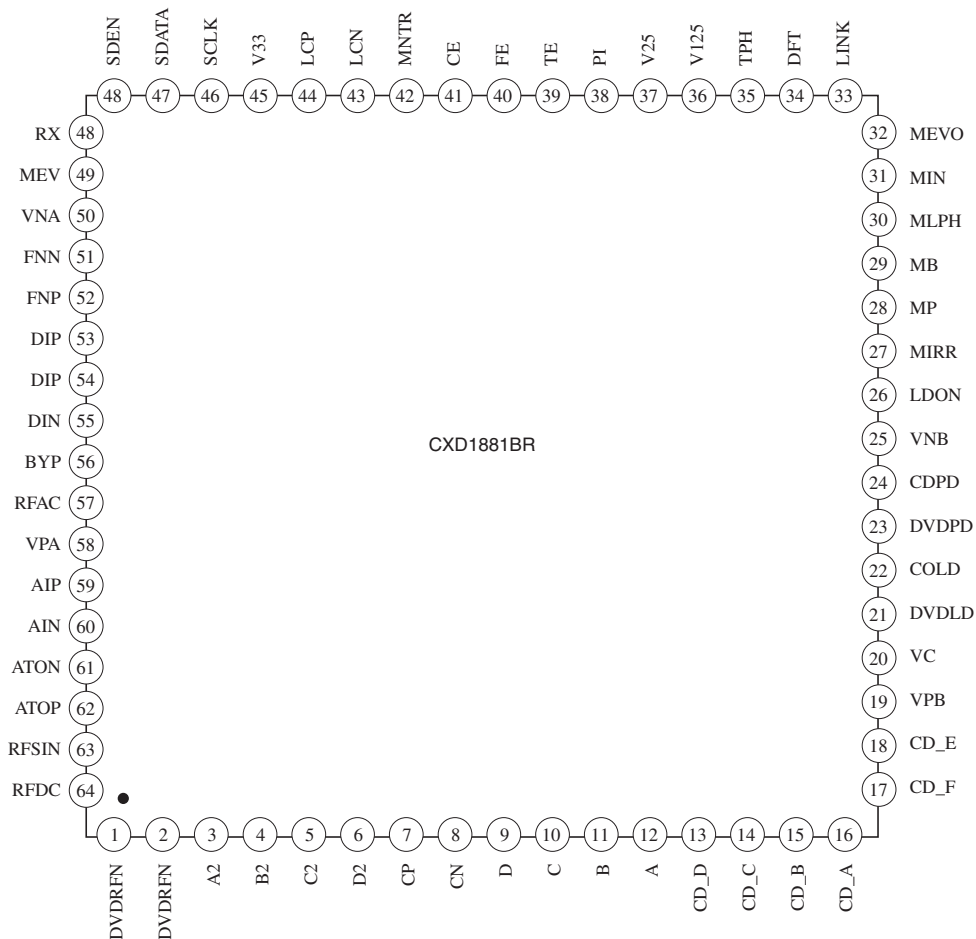
PIN FUNCTION

PIN No.	PIN NAME	FUNCTION
1	VDD2	Digital VDD for 27MHz clock output
2	VSS2	Digital GND for 27MHz clock output
3	CLK27M	27MHz clock output
4	TEST	Output for test
5	AVDD	Analog VDD
6	AVSS	Analog GND
7	XTALOUT	Standard crystal output
8	XTALIN	Standard crystal input
9	CLKA	Clock output (FSEL1=Open: 16.9344MHz, FEL1=36.864MHz)
10	CLK512FS	Clock output (FSEL1=Open: 22.5792MHz, FEL1=24.576MHz)
11	DVSS	Digital GND
12	DVDD	Digital VDD
13	CLK16M	16.9344MHz clock output
14	FSEL1	Output select: with pull up Open: 16.9344MHz (9pin), 22.5792MHz (10pin) L: 36.864MHz (9pin), 24.576Mhz (10pin)
15	CLK33M	33.8688MHz clock output
16	OE	Output enable (open: enable, L: disable): with pull up

IC BLOCK DIAGRAM AND TERMINAL DESCRIPTIONS-1

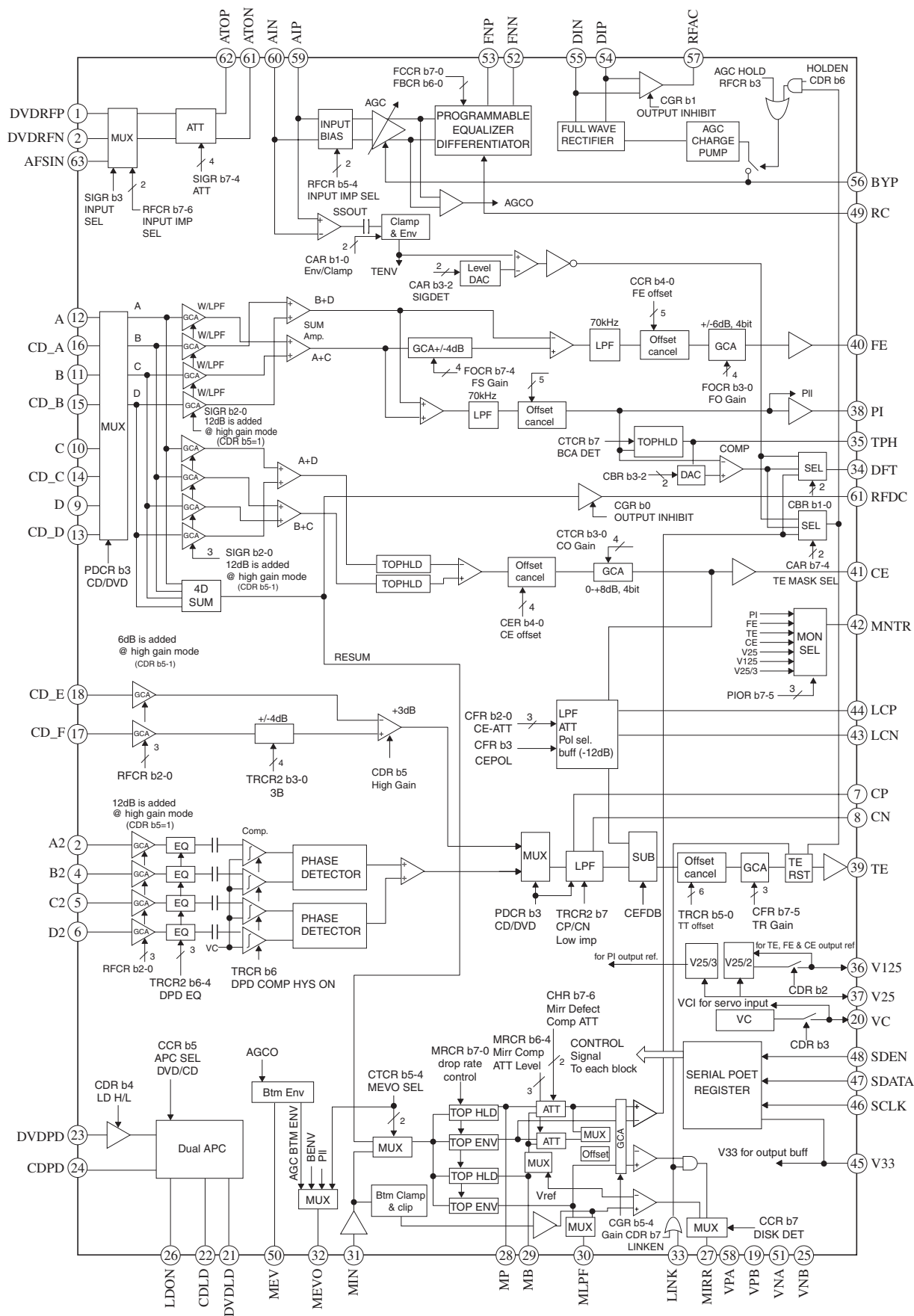
Q1001 : CXD1881BR DVD ANALOG FRONTEND-1

PIN LAYOUT



IC BLOCK DIAGRAM AND TERMINAL DESCRIPTIONS-2

Q1001 : CXD1881BR DVD ANALOG FRONTEND-2



IC BLOCK DIAGRAM AND TERMINAL DESCRIPTIONS-3

Q1001 : CXD1881BR DVD ANALOG FRONTEND-3

TERMINAL DESCRIPTION

Power supply

Pin Name	I/O	Description
VPA	-	Power supply for RF section and serial port.
VPB	-	Power supply for servo section.
VNA	-	Ground pin for RF section and serial port section.
VNB	-	Ground of servo section.
V33	-	Power supply for output buffer.
V25	-	Reference voltage pin for servo output.

Input pin

Pin name	I/O	Description
DVDRFP, DVDRFN	I	RF signal: RF attenuate deferential signal input pin.
RFSIN	I	RF signal: Single end RF signal input pin.
AIP, AIN	I	AGC Amp. input: Input pin of deferential amp.
DIP, DIN	I	Analog input pin for RF single buffer.
A, B, C, D	I	Interface input pin of photo detector.
A2, B2, C2, D2	I	Interface input pin of photo detector. AC coupling input pin for DPD from main beam photo detector.
CD_A, B, C, D	I	Interface input pin of CD photo detector.
CD_E, F	I	Interface input pin of CD photo detector.
MIN	I	RF signal input pin for mirror detection.
DVDPD	I	APC input pin. DVD APC input pin from monitor photo diode.
CDPD	I	APC input pin. CD APC input pin from monitor photo diode.
LDON	I	APC output control pin. H: LD output signal is active.
LINK	I	Link signal input pin.
	O	Mirror monitor signal output pin.

Output pin

Pin name	I/O	Description
ATOP, ATON	O	Deferential attenuation output pin.
FNP, FNN	O	Deferential normal output pin.
RFAC	O	Single end normal output pin
RFDC	O	RF signal output pin.
FE	O	Focus error signal output pin.
TE	O	Tracking error signal output pin.
CE	O	Center error signal output pin.
MEVO	O	RFDDC bottom envelope output pin.
DFT	O	Defect output pin.
MIRR	O	Mirror detection output pin.
OI	O	Puu in signal output pin.
DVDLD	O	APC output pin. For controlled laser power. (DVD APC)
CDLD	O	APC output pin. For controlled laser power. (CD APC)
MNTR	O	Monitor output pin.

IC BLOCK DIAGRAM AND TERMINAL DESCRIPTIONS-4

Q1001 : CXD1881BR DVD ANALOG FRONTEND-4

TERMINAL DESCRIPTION

Analog pins

Pin Name	I/O	Description
BYP	-	The RF AGC integration capacitor CBYP is connected between BYP and VPA.
CP	-	Deferential phase tracking LPF pin.
CN	-	Deferential phase tracking LPF pin.
LCP	-	The LPF terminal which lens shift offset cancel.
LCN	-	The LPF terminal which lens shift offset cancel.
MP	-	MIRR top hold pin.
MB	-	MIRR top hold pin.
MEV	-	RFDC bottom envelope pin.
MLPF	-	Mirror LPF pin.
TPH	-	PI top hold pin.
VC	-	Reference voltage output pin.
V125	-	Reference voltage output pin.
RX	-	Connect the reference resistor.

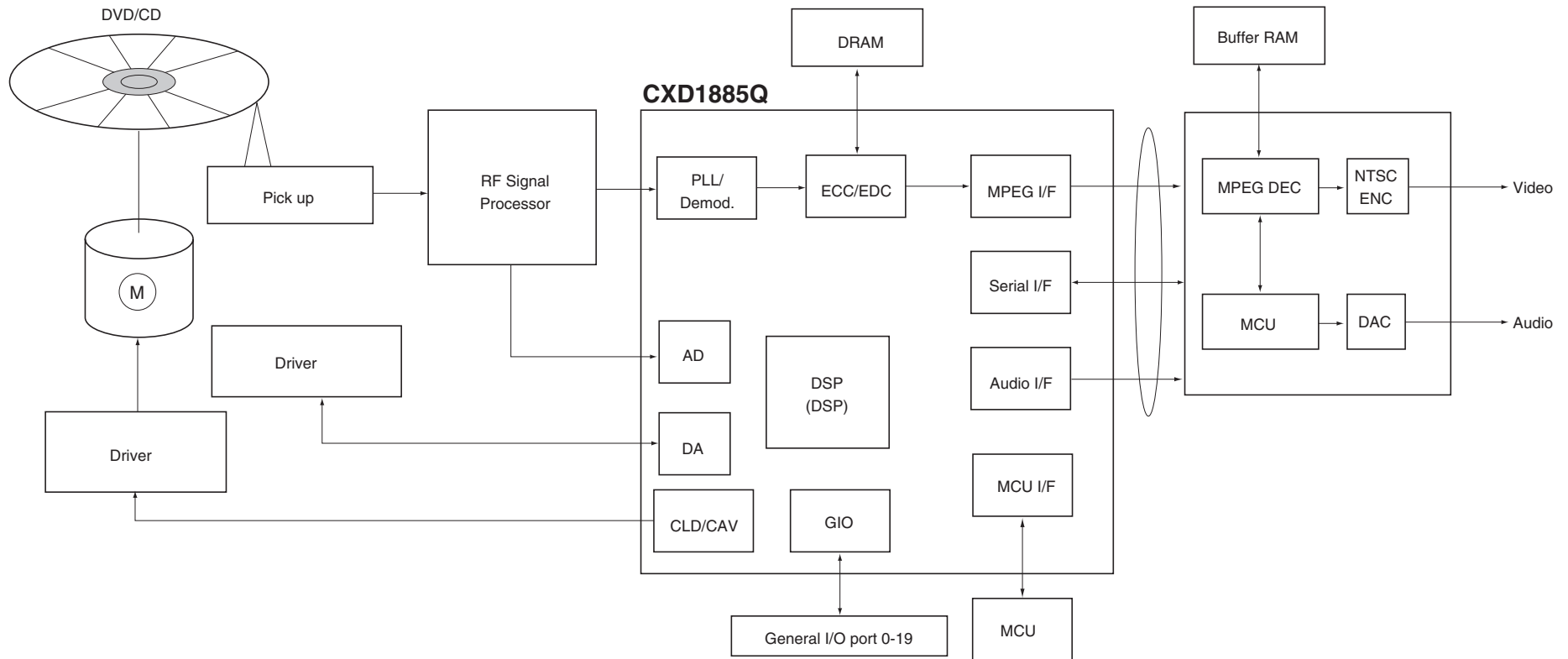
Serial port pin

Pin Name	I/O	Description
SDEN	I	Serial data enable input pin.
SDATA	I/O	Serial data input and output pin.
SCLK	I	Serial clock input pin.

IC BLOCK DIAGRAM AND TERMINAL DESCRIPTIONS-9

Q1201: CXD1885Q (DVD DSP)-1

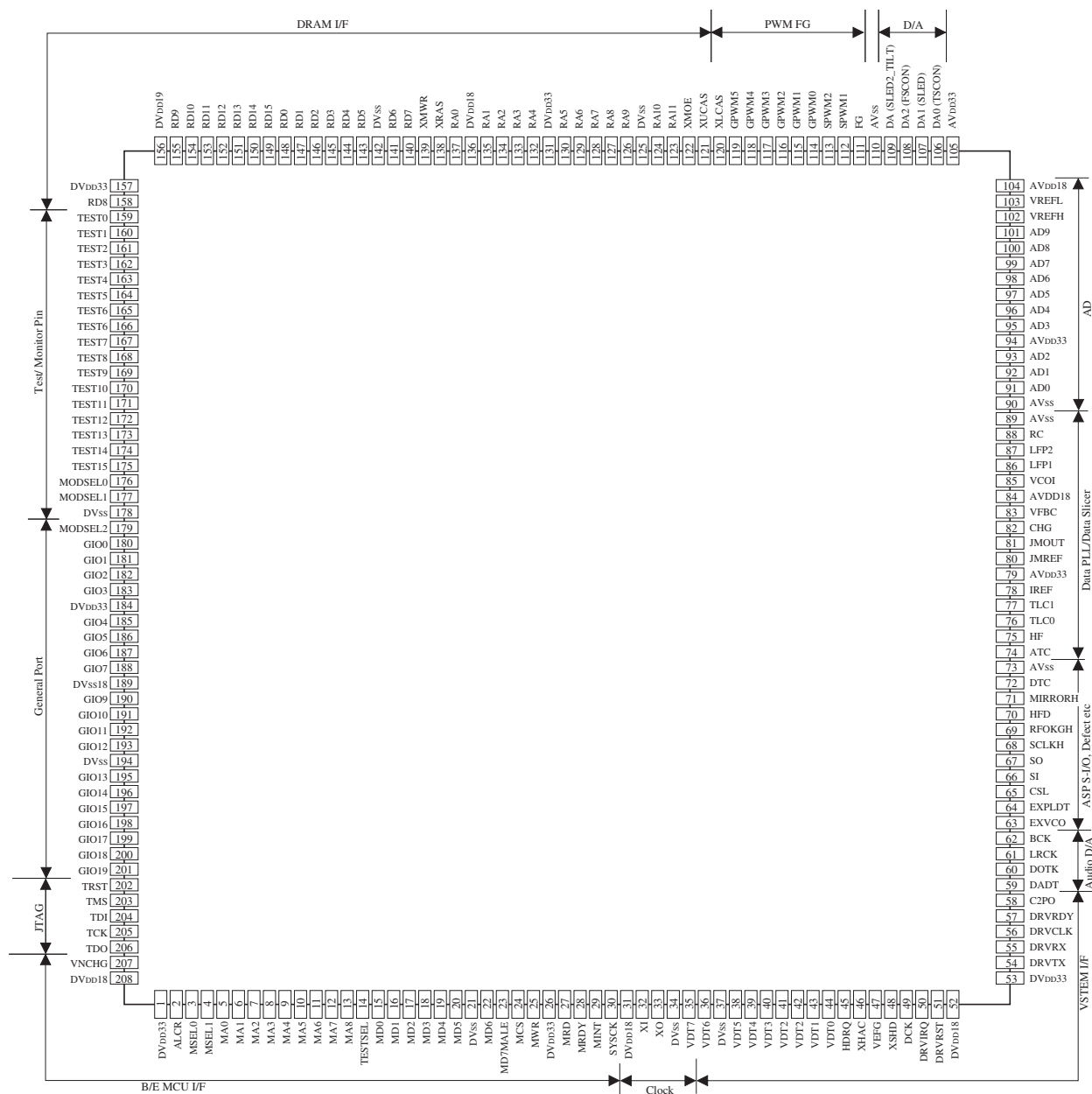
BLOCK DIAGRAM



IC BLOCK DIAGRAM AND TERMINAL DESCRIPTIONS-10

Q1201: CXD1885Q (DVD DSP)-2

PIN LAYOUT



IC BLOCK DIAGRAM AND TERMINAL DESCRIPTIONS-11

Q1201: CXD1885Q (DVD DSP)-3

No.	Sign	I/O	Classification	Description
1	DVDD33	P	VDD & GND	Digital power supply (3.3V)
2	ALCR	I	MCU I/F	Chip reset input port. L: Reset mode
3	MSEL0	I	MCU I/F	MUCH I/F mode select 0
4	MSEL1	I	MCU I/F	MUCH I/F mode select 1
5	MA0	I/O	MCU I/F	MUCH address input 0 / Data in/ out 0 port
6	MA1	I/O	MCU I/F	MUCH address input 1 / Data in/ out 1 port
7	MA2	I/O	MCU I/F	MUCH address input 2 / Data in/ out 2 port
8	MA3	I/O	MCU I/F	MUCH address input 3 / Data in/ out 3 port
9	MA4	I/O	MCU I/F	MUCH address input 4 / Data in/ out 4 port
10	MA5	I/O	MCU I/F	MUCH address input 5 / Data in/ out 5 port
11	MA6	I/O	MCU I/F	MUCH address input 6 / Data in/ out 6 port
12	MA7	I/O	MCU I/F	MUCH address input 7 / Data in/ out 7 port
13	MA8	I	MCU I/F	MUCH address input 8 / Data in/ out 8 port
14	TESTSEL	I	MCU I/F	Test select input port
15	MD0	I/O	MCU I/F	MUCH data in/ out 0 port. (LBS.)
16	MD1	I/O	MCU I/F	MUCH data in/ out 1 port
17	MD2	I/O	MCU I/F	MUCH data in/ out 2 port
18	MD3	I/O	MCU I/F	MUCH data in/ out 3 port
19	MD4	I/O	MCU I/F	MUCH data in/ out 4 port
20	MD5	I/O	MCU I/F	MUCH data in/ out 5 port
21	DVSS	P	VDD & GND	Digital GOD
22	MD6	I/O	MCU I/F	MUCH data in/ out 6 port
23	MD7	I/O	MCU I/F	MUCH data in/ out 7 port. (MOB)
24	MALE	I	MCU I/F	MUCH address latch signal input port
25	MCS	I	MCU I/F	MUCH chip select signal input port
26	MWR	I	MCU I/F	MUCH write strobe signal input port
27	DVDD33	P	VDD & GND	Digital power supply (3.3V)
28	MRD	I	MCU I/F	MUCH read strobe signal input port
29	MRDY	O	MCU I/F	MUCH reedy signal output port. L: Wait condition
30	MINT	O	MCU I/F	MUCH interruption output signal port. L: demand state of interruption
31	SYSCK	O	Clock	Clock monitor output port
32	DVDD18	P	VDD & GND	Digital power supply (1.8V), for internal logic circuit
33	XI	I	Clock	Crystal oscillator connection port
34	XO	O	Clock	Crystal oscillator connection port
35	DVSS	P	VDD & GND	Digital GOD
36	VDT7	O	VSTEM A/V	MPEG data output 7 port
37	VDT6	O	VSTEM A/V	MPEG data output 6 port
38	DVSS	P	VDD & GND	Digital GOD
39	VDT5	O	VSTEM A/V	MPEG data output 5 port
40	VDT4	O	VSTEM A/V	MPEG data output 4 port
41	VDT3	O	VSTEM A/V	MPEG data output 3 port
42	VDT2	O	VSTEM A/V	MPEG data output 2 port
43	VDT1	O	VSTEM A/V	MPEG data output 1 port
44	VDT0	O	VSTEM A/V	MPEG data output 0 port
45	HDRQ	I	VSTEM A/V	MPEG data request input port
46	XHAC	O	VSTEM A/V	Data valid output port
47	VEFG	O	VSTEM A/V	BECK error select (Flag) output port. L: Error selector
48	XSHD	O	VSTEM A/V	DVD first sector flag signal output port
49	DCK	O	VSTEM A/V	Data strobe signal output port
50	DRVIRQ	O	VSTEM Command	Interrupt request output port. (for host)
51	DRVIRST	I	VSTEM Command	Drive H/W reset input port. L: reset
52	DVSDD18	P	VDD & I/F	Digital power supply (1.8V), for internal logic circuit
53	DVSDD33	P	VDD & I/F	Digital power supply (3.3V), for I/O
54	DRVVTX	O	VSTEM Command	Serial data output port (for host)
55	DRVVRX	I	VSTEM Command	Serial data input port (from host)
56	DRVCLK	I	VSTEM Command	Clock signal input port
57	DRVRDY	O	VSTEM Command	Drive ready signal output port. L: ready condition
58	C2PO	O	Audio I/F	CD-DSL C2 pointer output port
59	DADT	O	Audio I/F	Audio serial data output port
60	DOTX	O	Audio I/F	Digital audio output port
61	LRCK	O	Audio I/F	L/R clock output port
62	BCK	O	Audio I/F	Audio-bit clock output port
63	EXVCO	I	TEST/ Monitor	External channel clock input port
64	EXPLDT	I	TEST/ Monitor	External FRO data input port
65	CSL	O	ASP I/F	FRO signal processing port. Latch signal output control

IC BLOCK DIAGRAM AND TERMINAL DESCRIPTIONS-12

Q1201: CXD1885Q (DVD DSP)-4

No.	Sign	I/O	Classification	Description
66	SI	I	ASP I/F	FRO signal processing port. Serial data input control
67	SO	O	ASP I/F	FRO signal processing port. Serial data output control
68	SCLKH	O	ASP I/F	FRO signal processing port. Serial clock output control
69	RFOKGH	I	ASP I/F	FRO signal OK output port
70	HFD	I	ASP I/F	FRO lack signal input port
71	MIRRORH	I	ASP I/F	Detect mirror signal input port. H: mirror detect
72	DTC	I	ASP I/F	Track cross signal input port
73	AVSS	P	VDD & GND	Analog GND
74	ATC	I	Data PLL	Track cross signal input port. (Analog level input)
75	HFD	I	Data PLL	RF signal input port
76	TLC0	O	Data PLL	Asymmetry charge pump output port 0
77	TLC1	O	Data PLL	Asymmetry charge pump output port 1
78	IREF	I	Data PLL	Reference current setting port for asymmetry circuit
79	AVDD33	P	VDD & GND	Analog voltage port. 3.3V
80	JMREF	I	Data PLL	Reference current setting port for jitter monitor
81	JMOUT	O	Data PLL	Jitter monitor output port
82	CHG	I	Data PLL	Reference setting pin of charge pump for PLL data
83	VFBC	I	Data PLL	Reference setting pin for off-set of PLL data (VCO)
84	AVDD18	I	VDD & GND	Analog power supply. 1.8V
85	VCOI	I	Data PLL	Reference voltage input port for PLL data (VCO)
86	LPF1	O	Data PLL	To connect the loop filter for PLL data 1
87	LPF2	O	Data PLL	To connect the loop filter for PLL data 2
88	RC	I	Data PLL	Gain control port for PLL data (VCO)
89	AVSS	P	VDD & GND	Analog GND
90	AVSS	P	VDD & GND	Analog GND
91	AD0	I	ADC	AD0 input port
92	AD1	I	ADC	AD1 input port
93	AD2	I	ADC	AD2 input port
94	AVDD33	P	VDD & GND	Analog power supply. 3.3V
95	AD3	I	ADC	AD3 input port
96	AD4	I	ADC	AD4 input port
97	AD5	I	ADC	AD5 input port
98	AD6	I	ADC	AD6 input port
99	AD7	I	ADC	AD7 input port
100	AD8	I	ADC	AD8 input port
101	AD9	I	ADC	AD9 input port
102	VREFH	I/O	ADC	Maximum reference voltage input port for ADC
103	VREFL	I/O	ADC	Minimum reference voltage input port for ADC
104	AVDD18	P	VDD & GND	Analog power supply. 1.8V
105	AVDD33	P	VDD & GND	Analog power supply. 3.3V
106	DA0 (TSCON)	O	DAC	Track servo output port
107	DA1 (SLED)	O	DAC	Sled servo output port
108	DA2 (FSCON)	O	DAC	Focus servo output port
109	DA3 (SLED2_T ILT)	O	DAC	Sled servo/ Tilt servo control output port
110	AVSS	P	VDD & GND	Analog GND
111	FG	I	SPM	FG signal input port
112	SPWM1	O	SPM	Spindle motor PWM output-1 port
113	SPWM2	O	SPM	Spindle motor PWM output-2 port
114	GPWM0	O	General PWM	General PWM output-0 port
115	GPWM1	O	General PWM	General PWM output-1 port
116	GPWM2	O	General PWM	General PWM output-2 port
117	GPWM3	O	General PWM	General PWM output-3 port
118	GPWM4	O	General PWM	General PWM output-4 port
119	GPWM5	O	General PWM	General PWM output-5 port
120	XLCAS	O	DRAM I/F	LCAS of DRAM output port
121	XUCAS	O	DRAM I/F	UCAS of DRAM output port
122	XMOE	O	DRAM I/F	Enable output port of DRAM
123	RA11	O	DRAM I/F	Address output port-11 of DRAM
124	RA10	O	DRAM I/F	Address output port-10 of DRAM
125	DVSS	P	VDD & GND	Digital GND
126	RA9	O	DRAM I/F	Address output port-9 of DRAM

IC BLOCK DIAGRAM AND TERMINAL DESCRIPTIONS-13

Q1201: CXD1885Q (DVD DSP)-5

No.	Sign	I/O	Classification	Description
127	RA8	O	DRAM I/F	Address output port-8 of DRAM
128	RA7	O	DRAM I/F	Address output port-7 of DRAM
129	RA6	O	DRAM I/F	Address output port-6 of DRAM
130	RA5	O	DRAM I/F	Address output port-5 of DRAM
131	DVDD33	P	VDD & GND	Digital power supply. 3.3V
132	RA4	O	DRAM I/F	Address output port-4 of DRAM
133	RA3	O	DRAM I/F	Address output port-3 of DRAM
134	RA2	O	DRAM I/F	Address output port-2 of DRAM
135	RA1	O	DRAM I/F	Address output port-1 of DRAM
136	DVDD18	P	VDD & GND	Digital power supply. 1.8V
137	RA0	O	DRAM I/F	Address output port-0 of DRAM
138	XRAS	O	DRAM I/F	RAS output port of DRAM
139	XMWR	O	DRAM I/F	Write enable port of DRAM
140	RD7	I/O	DRAM I/F	Data input port-7
141	RD6	I/O	DRAM I/F	Data input port-6
142	DVSS	P	VDD & GND	Digital GND
143	RD5	I/O	DRAM I/F	Data input port-5
144	RD4	I/O	DRAM I/F	Data input port-4
145	RD3	I/O	DRAM I/F	Data input port-3
146	RD2	I/O	DRAM I/F	Data input port-2
147	RD1	I/O	DRAM I/F	Data input port-1
148	RD0	I/O	DRAM I/F	Data input port-0
149	RD15	I/O	DRAM I/F	Data input port-15
150	RD14	I/O	DRAM I/F	Data input port-14
151	RD13	I/O	DRAM I/F	Data input port-13
152	RD12	I/O	DRAM I/F	Data input port-12
153	RD11	I/O	DRAM I/F	Data input port-11
154	RD10	I/O	DRAM I/F	Data input port-10
155	RD9	I/O	DRAM I/F	Data input port-9
156	DVDD18	P	VDD & GND	Digital power supply. 1.8V
157	DVDD33	P	VDD & GND	Digital power supply. 3.3V
158	RD8	I/O	DRAM I/F	Data input port-8
159	TEST0	O	Test/ Monitor	Test for I/O-0
160	TEST1	O	Test/ Monitor	Test for I/O-1
161	TEST2	O	Test/ Monitor	Test for I/O-2
162	TEST3	O	Test/ Monitor	Test for I/O-3
163	TEST4	O	Test/ Monitor	Test for I/O-4
164	TEST5	O	Test/ Monitor	Test for I/O-5
165	TEST6	O	Test/ Monitor	Test for I/O-6
166	TEST7	O	Test/ Monitor	Test for I/O-7
167	TEST8	O	Test/ Monitor	Test for I/O-8
168	TEST9	O	Test/ Monitor	Test for I/O-9
169	TEST10	O	Test/ Monitor	Test for I/O-10
170	TEST11	O	Test/ Monitor	Test for I/O-11
171	TEST12	O	Test/ Monitor	Test for I/O-12
172	TEST13	O	Test/ Monitor	Test for I/O-13
173	TEST14	O	Test/ Monitor	Test for I/O-14
174	TEST15	O	Test/ Monitor	Test for I/O-15
175	MODSEL0	I	Test/ Monitor	Test mode select-0 input port
176	MODSEL1	I	Test/ Monitor	Test mode select-1 input port
177	DVSS	P	VDD & GND	Digital GND
178	MODSEL2	I	Test/ Monitor	Test mode select-2 input port
179	GIO0	I/O	General Port	General port-0
180	GIO1	I/O	General Port	General port-1
181	GIO2	I/O	General Port	General port-2
182	GIO3	I/O	General Port	General port-3
183	DVDD33	P	VDD & GND	Digital power supply. 3.3V
184	GIO4	I/O	General Port	General port-4
185	GIO5	I/O	General Port	General port-5
186	GIO6	I/O	General Port	General port-6
187	GIO7	I/O	General Port	General port-7
188	DVDD18	I/O	VDD & GND	Digital power supply. 1.8V
189	GIO8	I/O	General Port	General port-8
190	GIO9	I/O	General Port	General port-9
191	GIO10	I/O	General Port	General port-10
192	GIO11	I/O	General Port	General port-11



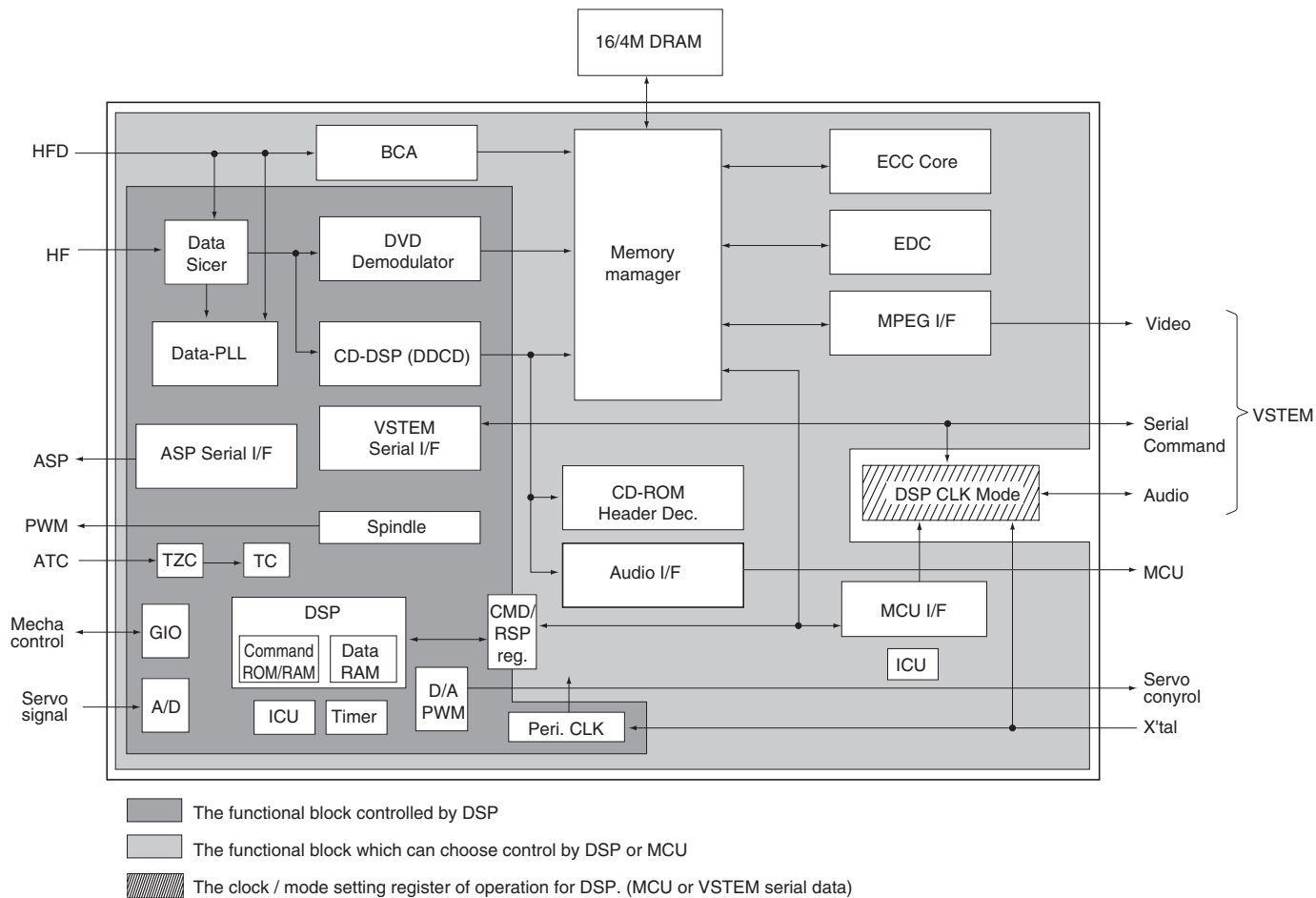
IC BLOCK DIAGRAM AND TERMINAL DESCRIPTIONS-14

Q1201: CXD1885Q (DVD DSP)-6

No.	Sign	I/O	Classification	Description
193	GIO12	I/O	General Port	General port-12
194	DVSS	P	VDD & GND	Digital GND
195	GIO13	I/O	General Port	General port-13
196	GIO14	I/O	General Port	General port-14
197	GIO15	I/O	General Port	General port-15
198	GIO16	I/O	General Port	General port-16
199	GIO17	I/O	General Port	General port-17
200	GIO18	I/O	General Port	General port-18
201	GIO19	I/O	General Port	General port-19
202	TRST	I	JTAG I/F	JYAG reset input port
203	TMS	I	JTAG I/F	JYAG mode select input port
204	TDI	I	JTAG I/F	JYAG data input port
205	TCK	I	JTAG I/F	JYAG clock input port
206	TDO	O	JTAG I/F	JYAG data output port
207	VMCHG	I	MCU I/F	System select port for DSP. (L: VSTEM, H: External MCU)
208	DVDD18	P	VDD & GND	Digital power supply. 1.8V (for internal logic)

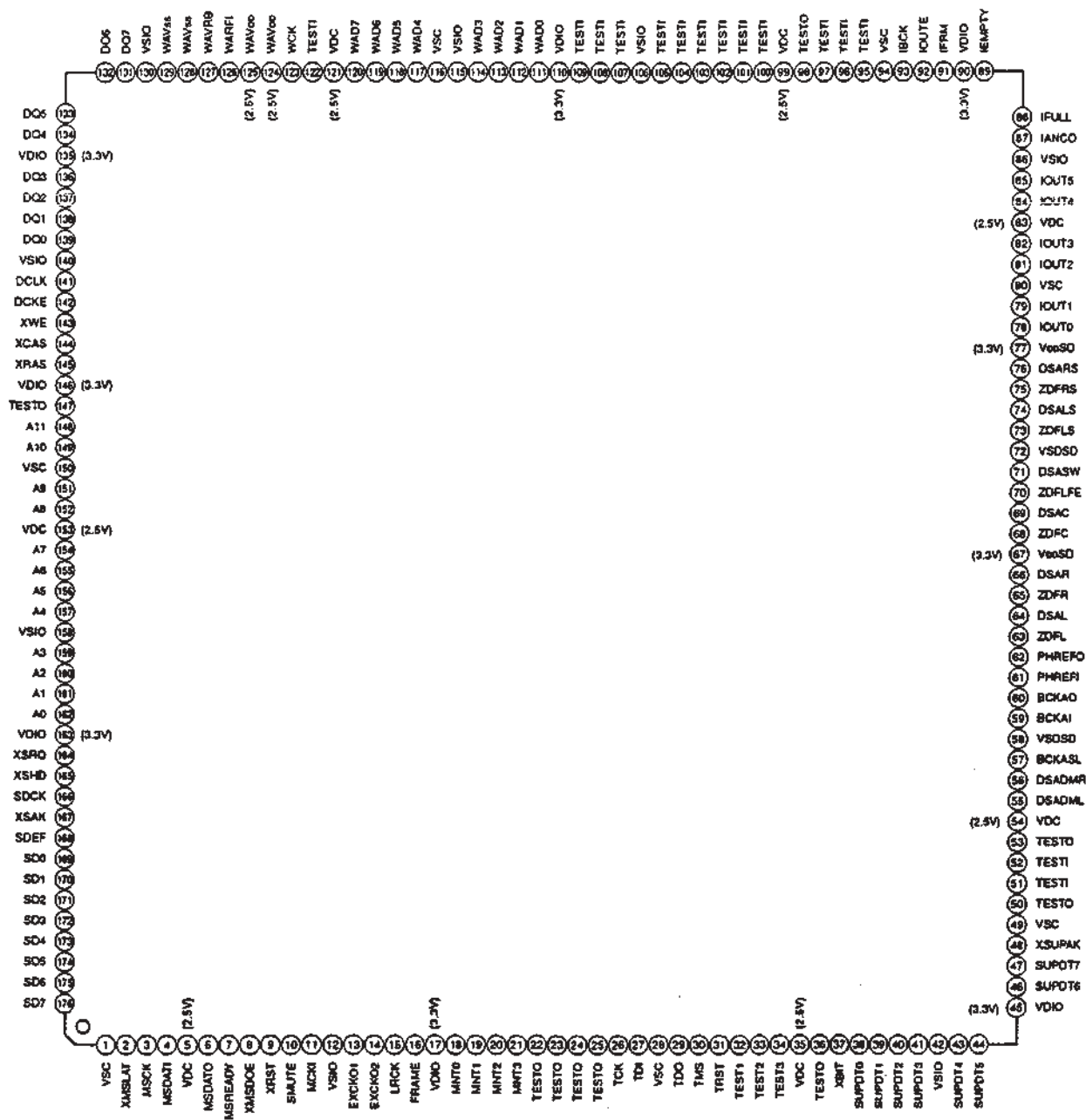
IC BLOCK DIAGRAM AND TERMINAL DESCRIPTIONS-15

Q1201: CXD1885Q (DVD DSP)-7



IC BLOCK DIAGRAM AND TERMINAL DESCRIPTIONS-17

Q1301: CXD2753R (-1)



IC BLOCK DIAGRAM AND TERMINAL DESCRIPTIONS-18

Q1301: CXD2753R (-2)

No.	Pin Name	I/O	Pin Function
1	VCS	-	Ground terminal for core
2	XMSLAT	I	Latched input terminal for microcomputer serial communication
3	MSCK		Shift clock input terminal for microcomputer serial communication
4	MSDAI		Data entry terminal for microcomputer serial communication
5	VDC	-	Power supply terminal for core
6	MSDATO	O	Data output terminal for microcomputer serial communication
7	MSREADY		Output preparation completion flag for microcomputer serial communication
8	XMSDOE		Output enable terminal for microcomputer serial communication
9	XRST	I	Reset terminal resets the whole IC with "L".
10	SMUTE	Ipd	Software mute removes audio out with "L" with "H" a soft mute terminal.
11	MCKI	I	Master clock input terminal
12	VSIO	-	Ground terminal for I/O
13	EXCKO1	O	Outside output clock terminal 1
14	EXCKO2		Outside output clock terminal 2
15	LRCK		Fs (44.1kHz) clock output terminal
16	FRAME		Frame signal output terminal
17	VDIO	-	Power supply terminal for I/O
18	MNT0	O	Monitor output terminal
19	MNT1		
20	MNT2		
21	MNT3		
22	TESTO		Output terminal for test
23			
24			
25			
26	TCK	I	It is fixation in "L" a clock input terminal for test.
27	TDI	Ipu	Input terminal for test
28	VSC	-	Ground terminal for core
29	TDO	O	Output terminal for test
30	TMS	Ipu	Input terminal for test
31	TRST		Reset terminal for test
32	TEST1	I	It is fixation in "L" a clock input terminal for test
33	TEST2		
34	TEST3		
35	VDC	-	Power supply terminal for core
36	TESTO	O	Output terminal for test
37	XBIT		DST connection monitor terminal
38	SUPDT0		Supplementary data output terminal (LSB)
39	SUPDT1		Supplementary data output terminal
40	SUPDT2		
41	SUPDT3		
42	VSIO	-	Ground terminal for I/O
43	SUPDT4	O	Supplementary data output terminal
44	SUPDT5		
45	VDIO	-	Power supply terminal for I/O
46	SUPDT6	O	Supplementary data output terminal
47	SUPDT7		Supplementary data output terminal (MSB)
48	XSUPAK		Supplementary data output terminal
49	VSC	-	Ground terminal for core
50	TESTO	O	Output terminal for test

IC BLOCK DIAGRAM AND TERMINAL DESCRIPTIONS-19

Q1301: CXD2753R (-3)

No.	Pin Name	I/O	Pin Function	
51	TESTI	I	It is fixation in "L" a test input terminal.	
52				
53	TESTO	O	Output terminal for test	
54	VDC	-	Power supply terminal for core	
55	DSADML	O	DSD data output terminal for Lch Down Mix	
56	DSADMR		DSD data output terminal for Rch Down Mix	
57	BCKASL	I	Input and output choice terminal of a 1 bit clock for DSD data output. L = input (slave), H=output (master).	
58	VSDSD	-	Ground terminal for DSD data output	
59	BCKAI	I	Bit clock input terminal for DSD data output	
60	BCKAO	O	Bit clock output terminal for DSD data output	
61	PHREFI	I	Phase reference signal input terminal for DSD output phase modulation	
62	PHREFO	O	Phase reference signal output terminal for DSD output phase modulation	
63	ZDFL		Zero Lch data search flag	
64	DSAL		DSD data output terminal for Lch loud speaker	
65	ZDFR		Zero Rch data search flag	
66	DSAR		DSD data output terminal for Rch loud speaker	
67	VDDSD		-	Power supply Mizuko for DSD data output
68	ZDFC		Zero Cch data search flag	
69	DSAC		DSD data output terminal for Cch loud speaker	
70	ZDFLFE	O	Zero LFEch data search flag	
71	DSASW		DSD data output terminal for SWch loud speaker	
72	VSDSD		-	Ground terminal for DSD data output
73	ZDFLS	O	Zero LSch data search flag	
74	DSALS		DSD data output terminal child for LSch loud speaker	
75	ZDFRS		Zero RSch data search flag	
76	DSARS		DSD data output terminal for RSch loud speaker	
77	VDDSD	-	Power supply Mizuko for DSD dataoutput	
78	IOUT0	O	Data output terminal 0 for IEEE1394 link tip I/F	
79	IOUT1		Data output terminal 1 for IEEE1394 link tip I/F	
80	VSC	-	Ground terminal for core	
81	IOUT2	O	Data output terminal 2 for IEEE1394 link tip I/F	
82	IOUT3		Data output terminal 3 for IEEE1394 link tip I/F	
83	VDC	-	Power supply terminal for co	
84	IOUT4	O	Data output terminal 4 for IEEE1394 link tip I/F	
85	IOUT5		Data output terminal 5 for IEEE1394 link tip I/F	
86	VSIO	-	Ground terminal for I/O	
87	IANCO	O	Transmission information data output terminal for IEEE1394 link tip I/F	
88	IFULL	I	Data transmission hold demand signal input terminal for IEEE1394 link tip I/F	
89	IEMPTY		High speed transmission demand signal input terminal for IEEE1394 link tip I/F	
90	VDIO	-	Power supply terminal for I/O	
91	IFRM	O	Frame reference signal output Mizuko for IEEE1394 link tip I/F	
92	IOUTE		Enable signal output terminal for IEEE1394 link tip I/F	
93	IBCK		Data transmission clock output terminal for IEEE1394 link tip I/F	
94	VSC	-	Ground terminal for core	
95	TESTI	I	It is fixation in "H" a test input terminal.	
96			It is fixation in "L" a test input terminal	
97		Ipu	It is fixation in "H" a test input terminal	
98	TESTO	O	Output terminal for test	
99	VDC	-	Power supply terminal for co	
100	TESTI	I	It is fixation in "L" a test input terminal.	



IC BLOCK DIAGRAM AND TERMINAL DESCRIPTIONS-20

Q1301: CXD2753R (-4)

No.	Pin Name	I/O	Pin Function
101	TESTI	I	It is fixation in "L" a test input terminal.
102			
103			
104			
105			
106	VSIO	-	Ground terminal for I/O
107	TESTI	I	It is fixation in "L" a test input terminal.
108			
109			
110	VDIO	-	Power supply terminal for I/O
111	WAD0	I	Outside A/D data entry terminal for PSP Physical Disc Mark search (LSB)
112	WAD1		Outside A/D data entry terminal for PSP Physical Disc Mark search
113	WAD2		
114	WAD3		
115	VSIO		
116	VSC	-	Ground terminal for core
117	WAD4	I	Outside A/D data entry terminal for PSP Physical Disc Mark search
118	WAD5		
119	WAD6		Outside A/D data entry terminal for PSP Physical Disc Mark search (MSB)
120	WAD7		
121	VDC	-	Power supply terminal for core
122	TESTI	I	It is fixation in "L" a test input terminal.
123	WCK		Movement clock for PSP Physical Disc Mark search
124	WAVDD	-	A/D power supply terminal for PSP Physical Disc Mark search
125			
126	WARFI	Ai	Analog RF signal input terminal for PSP Physical Disc Mark search
127	WAVRB		A/D bottom reference terminal for PSP Physical Disc Mark search
128	WAVSS	-	A/D ground terminal for PSP Physical Disc Mark search
129			
130	VSIO	-	Ground terminal for I/O
131	DQ7	I/O	SDRAM data input-output terminal(MSB)
132	DQ6		SDRAM data input-output terminal
133	DQ5		
134	DQ4		
135	VDIO	-	Power supply terminal for I/O
136	DQ3	I/O	SDRAM data input-output terminal
137	DQ2		
138	DQ1		
139	DQ0		SDRAM data input-output terminal (LSB)
140	VSIO	-	Ground terminal for I/O
141	DCLK	O	Clock output terminal for SDRAM
142	DCKE		Clock enable output terminal for SDRAM
143	XWE		Wright enable output terminal for SDRAM
144	XCAS		Column address strobe output terminal for SDRAM
145	XRAS		Row address strobe output terminal for SDRAM
146	VDIO	-	Power supply terminal for I/O
147	TESTO	O	Output terminal for test
148	A11		Address output terminal for SDRAM(MSB)
149	A10		Address output terminal for SDRAM
150	VSC	-	Ground terminal for core



IC BLOCK DIAGRAM AND TERMINAL DESCRIPTIONS-21

Q1301: CXD2753R (-5)

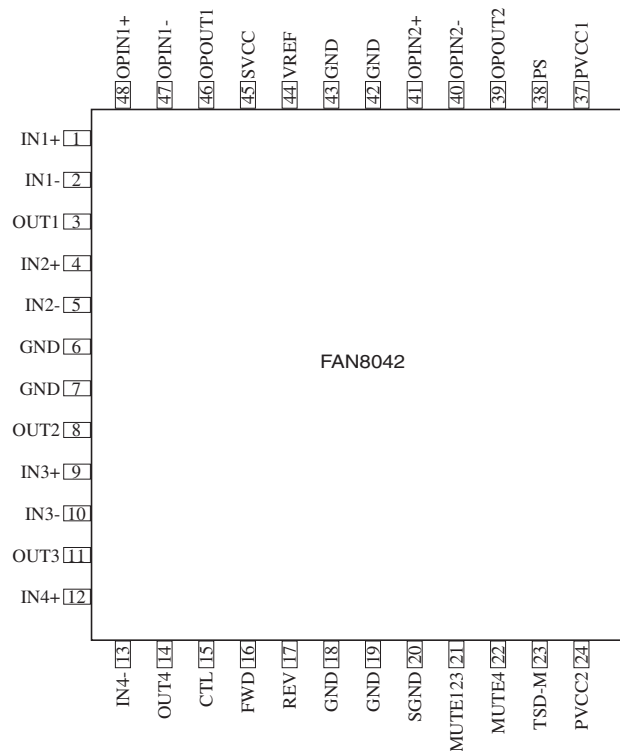
No.	Pin Name	I/O	Pin Function
151	A9	O	Address output terminal for SDRAM
152	A8		
153	VDC	-	Power supply terminal for core
154	A7	O	Address output terminal for SDRAM
155	A6		
156	A5		
157	A4		
158	VSIO	-	Ground terminal for I/O
159	A3	O	Address output terminal for SDRAM
160	A2		
161	A1		
162	A0		
163	VDIO	-	Power supply terminal for I/O
164	XSRQ	O	Data request output terminal to input into a front end processor
165	XSHD	I	Input terminal of a header flag output by a front end processor
166	SDCK		Input terminal of a data carrier clock output by a front end processor
167	XSAK		Input terminal of data partial response flag output by a front end processor
168	SDEF		Input terminal of error flag output by a front end processor
169	SD0		The stream data input terminal which is output by a front end processor (LSB)
170	SD1		The stream data input terminal which is output by a front end processor
171	SD2		
172	SD3		
173	SD4		
174	SD5	The stream data input terminal which is output by a front end processor	
175	SD6		
176	SD7		The stream data input terminal which is output by a front end processor (MSB)

Ipu:Pull-up input, Ipd:Pull-down input, Ai:Analog input

IC BLOCK DIAGRAM AND TERMINAL DESCRIPTIONS-6

Q1101: FAN8042 5-CH MOTOR DRIVER-1

PIN ASSIGNMENT

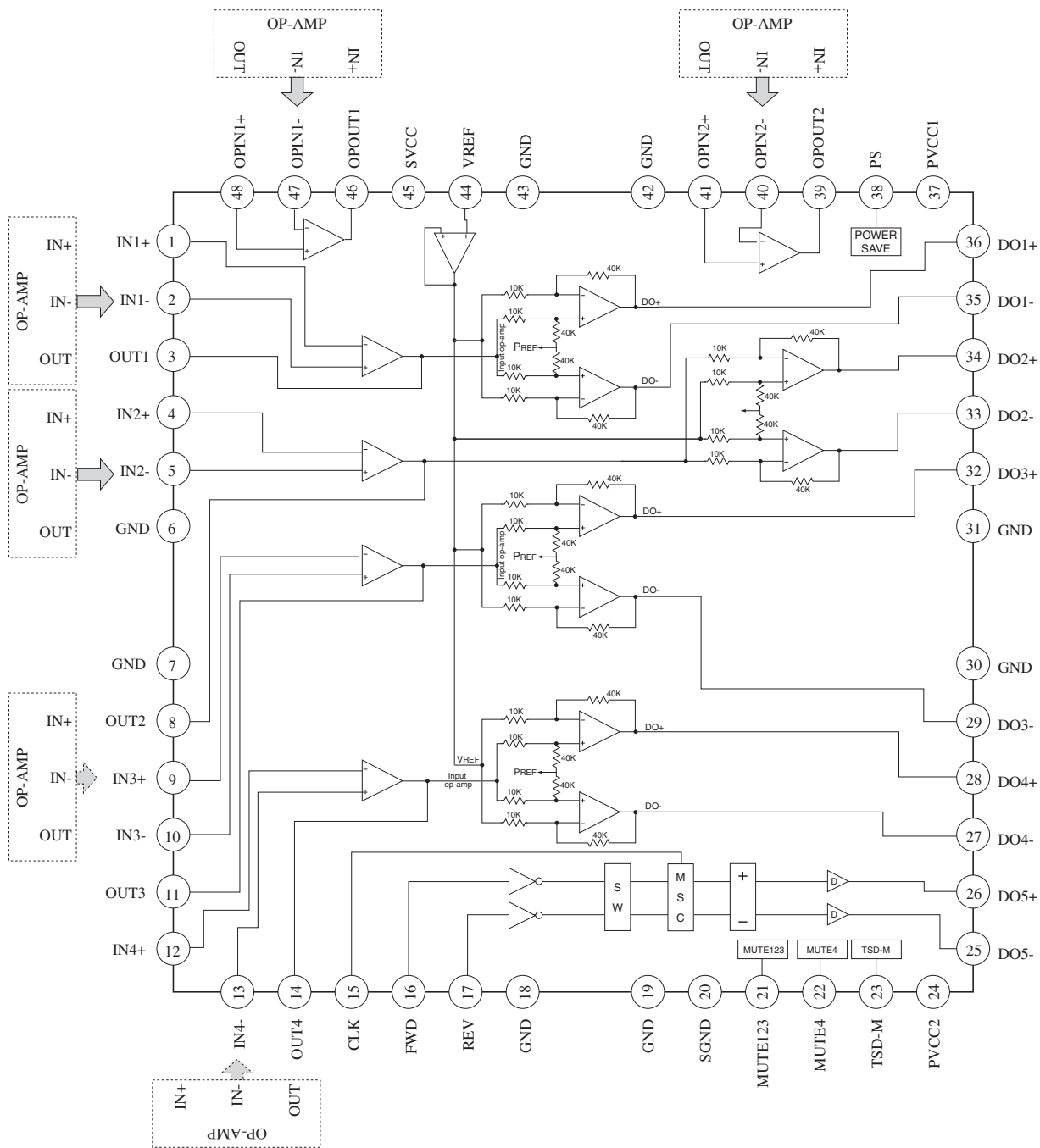


PIN DEFINITION

Pin Number	Pin Name	I/O	Pin Function description
1	IN1+	I	CH1 op-amp input (+)
2	IN1-	I	CH1 op-amp input (-)
3	OUT1	O	CH1 op-amp output
4	IN2+	I	CH2 op-amp input (+)
5	IN2-	I	CH2 op-amp input (-)
6	GND	-	Ground
7	GND	-	Ground
8	OUT2	O	CH2 op-amp output
9	IN3+	I	CH3 op-amp input (+)
10	IN3-	I	CH3 op-amp input (-)
11	OUT3	O	CH3 op-amp output
12	IN4+	I	CH4 op-amp input (+)
13	IN4-	I	CH4 op-amp input (-)
14	OUT4	O	CH4 op-amp output
15	CTL	I	CH5 motor speed control
16	FWD	I	CH5 forward input
17	REV	I	CH5 reverse input
18	GND	-	Ground
19	GND	-	Ground
20	SGND	-	Signal Ground
21	MUTE123	I	Mute for CH1,2,3
22	MUTE4	I	Mute for CH4
23	TSD-M	O	TSD monitor
24	PVCC2	-	Power supply voltage 2 (For CH4, CH5)
25	DO5-	O	CH5 driver output (-)
26	DO5+	O	CH5 driver output (+)
27	DO4-	O	CH4 driver output (-)
28	DO4+	O	CH4 driver output (+)
29	DO3-	O	CH3 driver output (-)
30	GND	-	Ground
31	GND	-	Ground
32	DO3+	O	CH3 driver output (-)
33	DO2-	O	CH2 driver output (-)
34	DO2+	O	CH2 driver output (+)
35	DO1-	O	CH1 driver output (-)
36	DO1+	O	CH1 driver output (+)
37	PVCC1	-	Power supply voltage 1 (For CH1, CH2, CH3)
38	PS	I	Power save
39	OPOUT2	O	Normal op-amp2 output
40	OPIN2-	I	Normal op-amp2 input (-)
41	OPIN2+	I	Normal op-amp2 input (+)
42	GND	-	Ground
43	GND	-	Ground
44	VREF	I	Bias voltage input
45	SVCC	-	Signal & op-amps supply voltage
46	OPOUT1	O	Normal op-amp1 output
47	OPIN1-	I	Normal op-amp1 input (-)
48	OPIN1+	I	Normal op-amp1 input (+)

IC BLOCK DIAGRAM AND TERMINAL DESCRIPTIONS-7

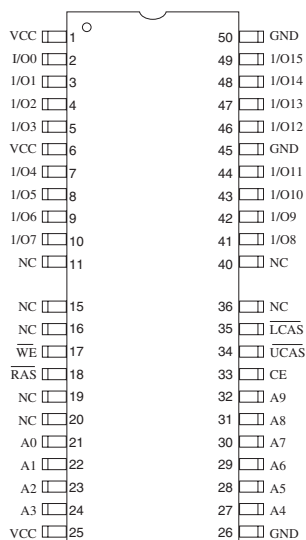
Q1101: FAN8042 5-CH MOTOR DRIVER-2



IC BLOCK DIAGRAM AND TERMINAL DESCRIPTIONS-16

Q1251: IC41LV16100-50T 16-MBIT DYNAMIC RAM

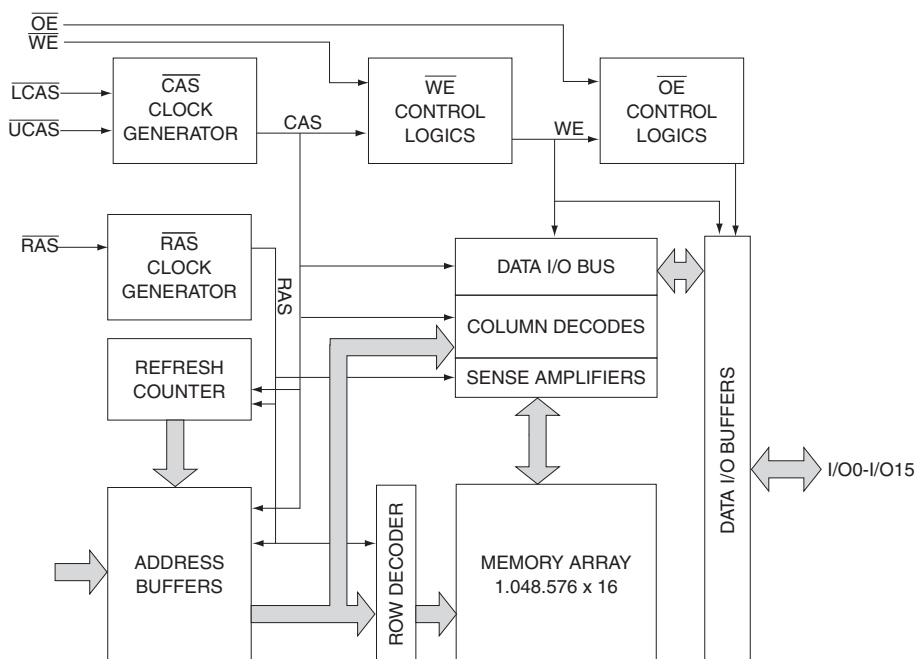
PIN CONFIGURATION



PIN DESCRIPTION

- A0-A9 Address input
- I/O0-15 Data inputs/outputs
- WE Write enable
- OE Output enable
- RAS Row address strobe
- UCAS Upper column address strobe
- LCAS Lower column address strobe
- VCC Power
- GND Ground
- NC No connection

FUNCTIONAL BLOCK DIAGRAM



TRUTH TABLE

Function	RAS	LCAS	UCAS	WE	OE	Address tR/tC	I/O	
Standby	H	H	H	X	X	X	High-Z	
Read: Word	L	L	L	H	L	ROW/COL	Dout	
Read: Lower Byte	L	L	H	H	L	ROW/COL	Lower Byte. Dout Upper Byte, High-Z	
Read: Upper Byte	L	H	L	H	L	ROW/COL	Lower Byte, High-Z Upper Byte. Dout	
Write: Word (Early Write)	L	L	L	L	X	ROW/COL	Din	
Write: Lower Byte (Early Write)	L	L	H	L	X	ROW/COL	Lower Byte. Din Upper Byte, High-Z	
Write: Upper Byte (Early Write)	L	H	L	L	X	ROW/COL	Lower Byte, High-Z Upper Byte. Din	
Read Write	L	L	L	H-L	H-L	ROW/COL	Dout, Din	
EDO Page-Mode Read	1st Cycle	L	H-L	H-L	H	L	ROW/COL	Dout
	2nd Cycle	L	H-L	H-L	H	L	NA/COL	Dout
	Any Cycle	L	L-H	L-H	H	L	NA/NA	Dout
EDO Page-Mode Read	1st Cycle	L	H-L	H-L	L	X	ROW/COL	Din
	2nd Cycle	L	H-L	H-L	L	X	NA/COL	Din
EDO Page-Mode Read-Write	1st Cycle	L	H-L	H-L	H-L	L	ROW/COL	Dout, Din
	2nd Cycle	L	H-L	H-L	H-L	L-H	NA/COL	Dout, Din
Hidden Refresh	1st Cycle	L-H-L	L	L	-H	L	ROW/COL	Dout
	2nd Cycle	L-H-L	L	L	L	X	ROW/COL	Dout
RAS-Only Refresh	L	H	H	X	X	ROW/NA	High-Z	
CBR Refresh	H-L	L	L	X	X	X	High-Z	

IC BLOCK DIAGRAM AND TERMINAL DESCRIPTIONS-27

Q2303 : IC42S16400-7T SYNCHRONOUS DYNAMIC RAM

The IC42S16400 are high-speed 67, 108, 864-bit synchronous dynamic ramdam-access memories, organized as 2,097, 152 x 8 x 4 and 1,48, 576 x 16 x 4 (word x bit x bank), respectively.

The synchronous DRAMs achieved high-speed data transfer using the pipeline architecture and clock frequency up to 133MHz for -7.

All input and outputs are synchronized with the positive edge of the clock. The synchronous DRAMs are compatible with Low Voltage TTL.

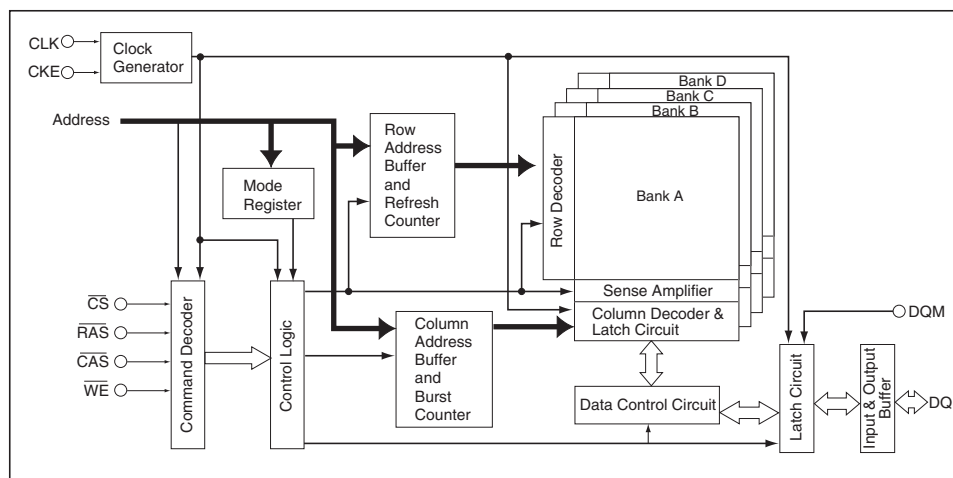
PIN CONFIGURATIONS

VDD	1	54	VSS
DQ0	2	53	DQ15
VDDQ	3	52	VSSQ
DQ1	4	51	DQ14
DQ2	5	50	DQ13
VSSQ	6	49	VDDQ
DQ3	7	48	DQ12
DQ4	8	47	DQ11
VDDQ	9	46	VSSQ
DQ5	10	45	DQ10
DQ6	11	44	DQ9
VSSQ	12	43	VDDQ
DQ7	13	42	DQ8
VDD	14	41	VSS
LDQM	15	40	NC
WE	16	39	UDQM
CAS	17	38	CLK
RAS	18	37	CKE
CS	19	36	NC
BA0	20	35	A11
BA1	21	34	A9
A10	22	33	A8
A0	23	32	A7
A1	24	31	A6
A2	25	30	A5
A3	26	29	A4
VDD	27	28	VSS

PIN DESCRIPTIONS

CLK	Master Clock	DQM	DQ Mask Enable
CKE	Clock Enable	A0 - 11	Address Input
CS	Chip Select	BA0, 1	Bank Address
RAS	Row Address Strobe	VDD	Power Supply
CAS	Column Address Strobe	VDDQ	Power Supply for DQ
WE	Write Enable	VSS	Ground
DQ0 - DQ15	Data I/O	VSSQ	Ground for DQ

BLOCK DIAGRAM



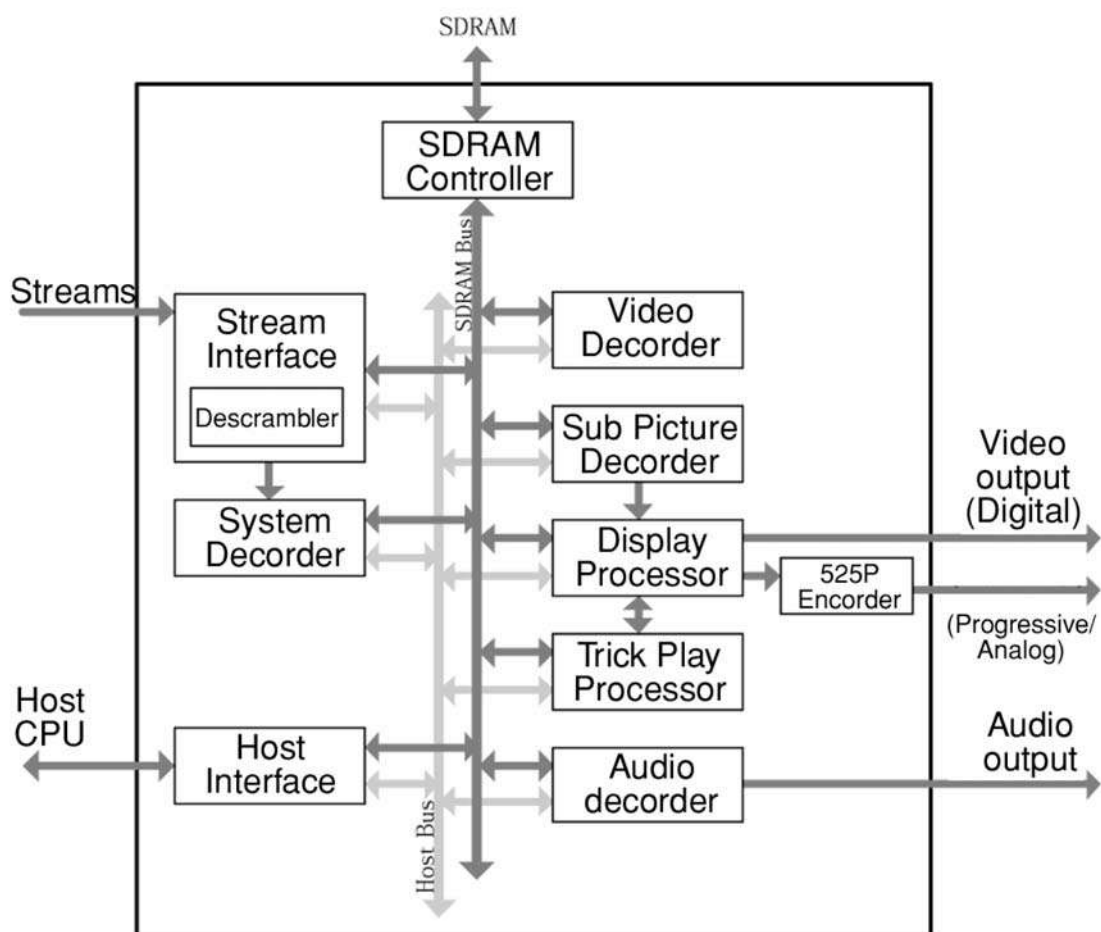


IC BLOCK DIAGRAM AND TERMINAL DESCRIPTIONS-23

IC2001: M65776AFP (DVDM ASSY : IC751)-1

MPEG2 Decoder IC

Block Diagram





IC BLOCK DIAGRAM AND TERMINAL DESCRIPTIONS-24

IC2001: M65776AFP (DVDM ASSY:IC751)-2

No.	Pin Name	Dir.	Pin Functions
201-208	BD[7:0]	IN	Bit stream data entry pin
2	BCLK	IN	Strobe signal of BD pin (clock)
3	BDEN	IN	This order effective / invalidity of data done a sample of by BD pin. It is done a sample with a start edge of BCLK.
4	BDREQ	OUT	Data demand signal
5	BSECH	IN	This order it whether data of BD pin are with top byte of a sector.
84-87 90-95 97102	MD[15:0]	I/O	Data transfer line with SDRAM
53-55 58-63 65,67,69	MA[11:0]	OUT	Address line of SDRAM
66,68	MBA[1:0]	OUT	SDRAM bank choice line
70	DCS	OUT	Chip select of SDRAM
73	DCS2		
74	DCS3		
75	DCS4		
76	DCS5		
77	RAS	OUT	RAS (Row Address Strobe) control line of SDRAM
78	CAS	OUT	CAS (Column Address Strobe) control line of SDRAM
82	DQMU	OUT	DQM control line of SDRAM
83	DQML	OUT	DQM control line of SDRAM
80	DWE	OUT	WE control line of SDRAM
79	MCLK	OUT	Movement clock of SDRAM
183	PXCLK	OUT	27MHz pixel clock
182	PXCLKP	OUT	54MHz pixel clock
157,158, 184-186 188-192	PD[7:0]	OUT	Digital pixel data. Y/Cb/Cr is done multiple of by 8 bit bus, and it is output.
178	CSYNC	IN	Composite SYNC signal input terminal
179	OSDKEY	OUT	OSD key flag output
177	PWD	OUT	The phase comparator output for external synchronization movement
181	HSYNC	OUT	Horizontal synchronizing signal output pin
180	VSYSN	OUT	Vertical synchronizing signal output pin
164	AO0	OUT	Serial PCM data for DAC It output Lf/Rf data.
166	AO1	OUT	Serial PCM data for DAC It output C/Sw data.
167	AO2	OUT	Serial PCM data for DAC It output Ls/Rs data.
168	AOD	OUT	Serial PCM data for DAC It is for the down mixture output.
169	AAD	OUT	Ancillary data output
176	DOCLK	OUT	PCM bit clock
159	LRCLK	OUT	Clock for channel distinction of pulse code modulation audio system data(L/R)
173	DACCLK	OUT	Exaggerated sample movement clock of DAC
161	CDBCK	IN	The pulse code modulation bit clock which is input by CDDSP
160	CDLRCK	IN	The L/R clock which is input by CDDSP

IC BLOCK DIAGRAM AND TERMINAL DESCRIPTIONS-25

IC2001: M65776AFP (DVDM ASSY:IC751)-3

No.	Pin Name	Dir.	Pin Functions
163	CDDIN	IN	PCM audio system data which are input by CDDSP
162	CDDATA	IN	Digital audio interface input
170	DOOUT0	OUT	Digital audio interface output
171	DOOUT1	OUT	Digital audio interface output
6-11 14-19 21-24	HD[15:0]	I/O	Data I/O pin
25,26 29-34 36-39	HA[11:0]	IN	Address input pin
45	BHE	IN	Byte High Enable signal input pin
41	RE	IN	Read Enable signal input pin
44	WE	IN	Write Enable signal input pin
40	CS	IN	Chip Select signal input pin
46	RDY	OUT	The acknowledge signal which shows that read out of data or a note was completed
47	INT1	OUT	It is an interrupt request signal for outside CPU from M65776AFP
48	INT2		
49	INT3		
51	DREQ	OUT	DMA request signal for OSD BitMap transfer
52	DACK	IN	DMA acknowledge signal for OSD BitMap transfer
194,195	HMODE[1:0]	IN	Host interface mode of operation setting pin
117	IREF	IN	Reference electric current input pin
115	AVRI	IN	Reference voltage input pin
120	BIAS1	IN	Bias voltage impression pin of current source
118	BIAS2		
119	PAY	OUT	Analog electric current output pin (for Y)
116	PAB	OUT	Analog electric current output pin (forPb)
122	PAR	OUT	Analog electric current output pin (forPr)
114	DAOUTB	OUT	Be connected to ananalog ground.
113,121, 123	AVDD33	-	3.3V analog power supply
124	AGND33	-	Analog ground
106	CLKIN	IN	System clock input terminal It input 27MHz clock.
105	CLKO	OUT	27MHz clock output
172	ACLKI	IN	Audio system clock input terminal
193	RESET	IN	Hardware reset terminal
196,197, 200	TEST[2:0]	IN	Fixitin "L" potential.
12,27,42, 56,71,88, 103,134, 155,174, 198	VDD18	-	1.8V power supply terminal
13,28,43, 57,72,89, 104,135, 156,175, 199	VDD33	-	3.3V power supply terminal

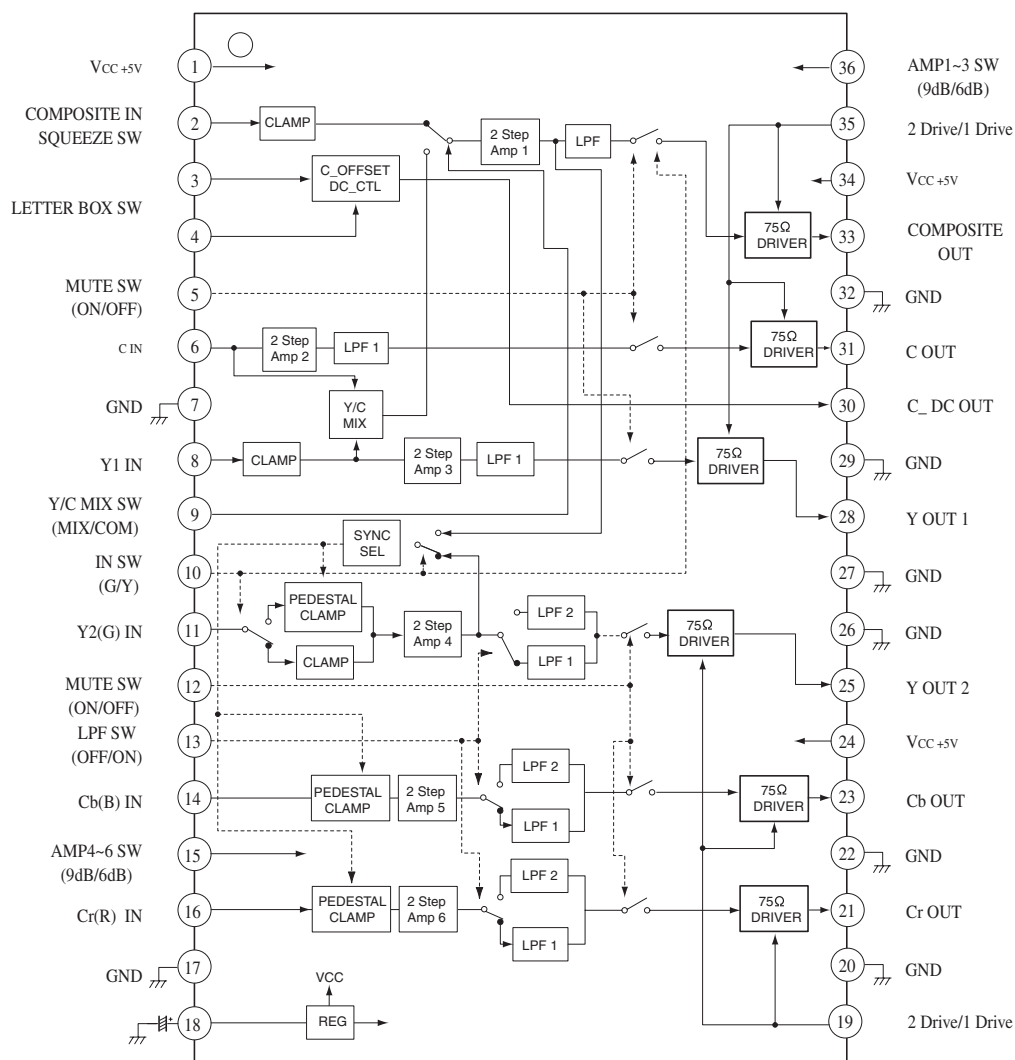
**IC BLOCK DIAGRAM AND TERMINAL DESCRIPTIONS-26****IC2001: M65776AFP (DVDM ASSY:IC751)-4**

No.	Pin Name	Dir.	Pin Functions
1,20,35, 50,64,81, 96,112, 125,145, 165,187	GDN	-	Ground terminal
107	AVDD18	-	1.8V power supply terminal for inside PLL
108	AGND18	-	Ground terminal for inside PLL
109-111 126-133 136-144 146-154	NC0	NC	

IC BLOCK DIAGRAM AND TERMINAL DESCRIPTIONS-36

Q6001: LA73054 6-CHANNEL VIDEO DRIVER

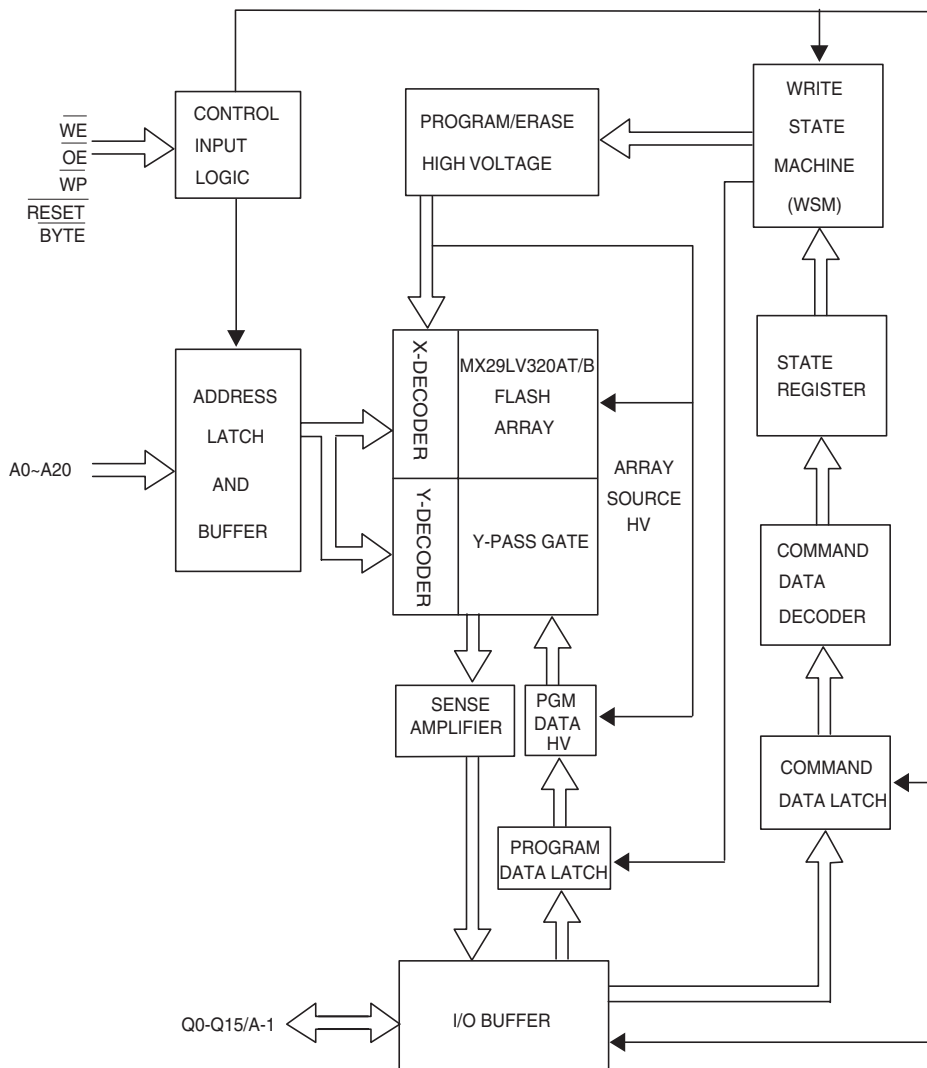
Block Diagram



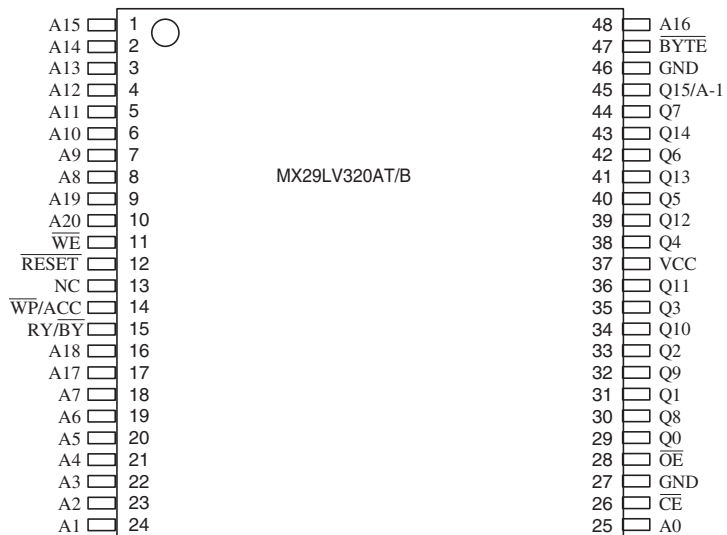
IC BLOCK DIAGRAM AND TERMINAL DESCRIPTIONS-30

Q604 MX29LV320AT/B (32Mbit CMOS Flash memory)

BLOCK DIAGRAM



BLOCK DIAGRAM

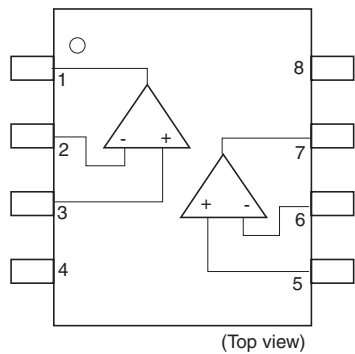


PIN DESCRIPTION

SYMBOL	PIN NAME
A0~A20	Address Input
Q0~Q14	Data Input/Output
Q15/A-1	Q15:Data Input/Output,word mode A-1:LSB Address Input,byte mode
\overline{CE}	Chip Enable Input
\overline{WE}	Write Enable Input
\overline{OE}	Output Enable Input
BYTE	Word/Byte Selection Pin
RESET	Hardware Reset Pin/Sector Protect Unlock
RY/BY	Read/Busy output
VCC	Power Supply Pin (+5V)
\overline{WP}/ACC	Hardware Write Protect/Acceleration Pin
GND	Ground Pin

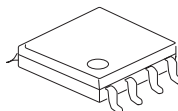
IC BLOCK DIAGRAM AND TERMINAL DESCRIPTIONS-5

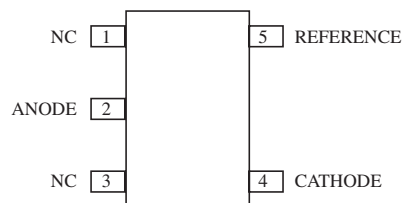
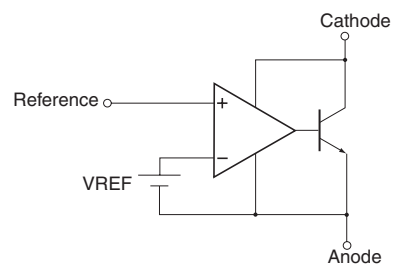
Q1002: NJM2115V (2-ch Ope. amp.)



Pin description

1. A OUTPUT
2. A -INPUT
3. A +INPUT
4. V-
5. B +INPUT
6. B -INPUT
7. B OUTPUT
8. V+






IC BLOCK DIAGRAM AND TERMINAL DESCRIPTIONS-28**Q2401: NJM2373AF (Adjustable High Precision Shunt Regulator)****Pin Configuration****Block Diagram**

IC BLOCK DIAGRAM AND TERMINAL DESCRIPTIONS-29

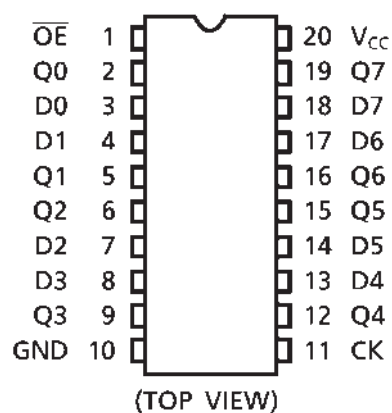
Q2102: TC74VHCT374AFT

TRUTH TABLE

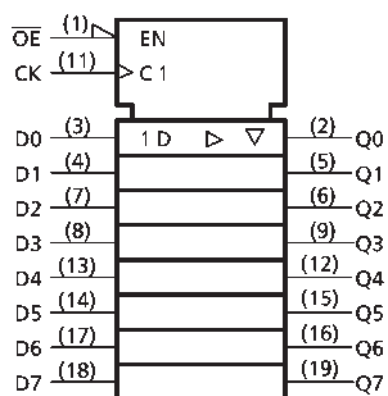
INPUTS			OUTPUT
\overline{OE}	CK	D	
H	X	X	Z
L		X	Q_n
L		L	L
L		H	H

X : Don't Care
Z : High Impedance
 Q_n : No Change

PIN ASSIGNMENT



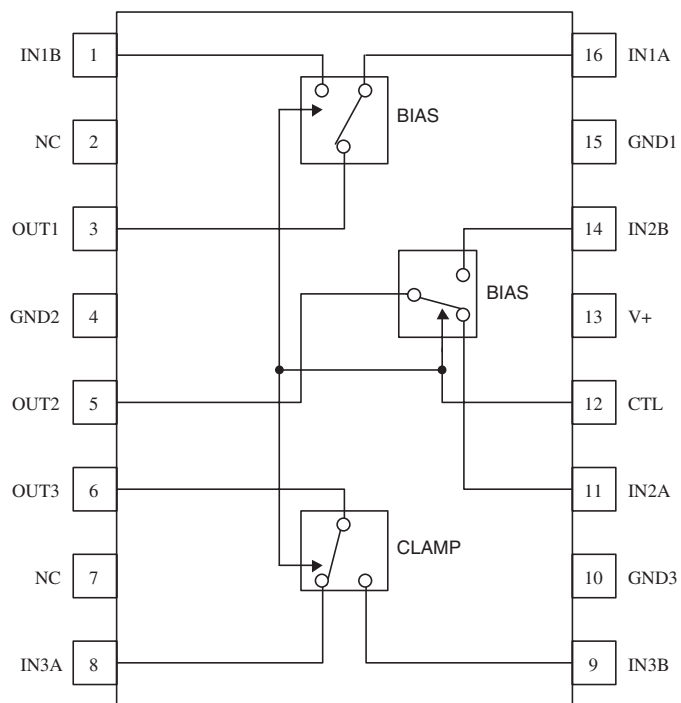
IEC LOGIC SYMBOL



IC BLOCK DIAGRAM AND TERMINAL DESCRIPTIONS-40

Q6113: NJM2584M

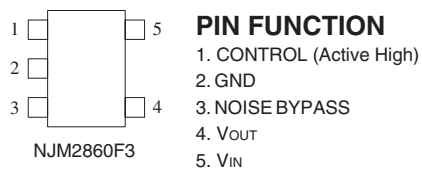
BLOCK DIAGRAM



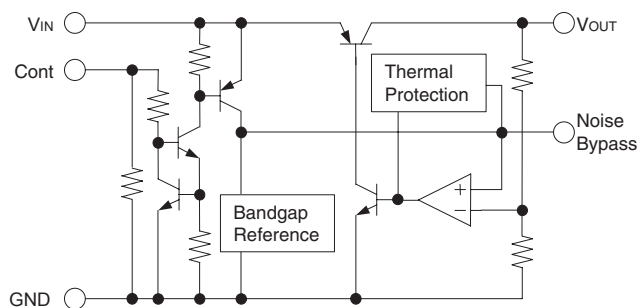
IC BLOCK DIAGRAM AND TERMINAL DESCRIPTIONS-35

Q4302: NJM2860F3-33

PIN CONFIGURATION

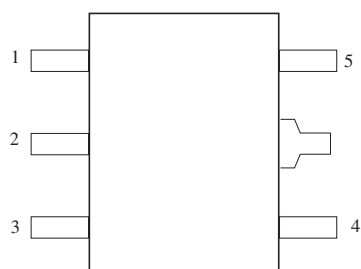


EQUIVALENT CIRCUIT



IC BLOCK DIAGRAM AND TERMINAL DESCRIPTIONS-32

Q2191: NJM2880U25

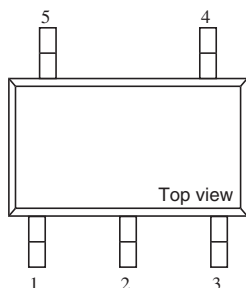


PIN FUNCTION

1. Control Active High)
2. GND
3. Noise Bypass
4. VOUT1
5. VIN

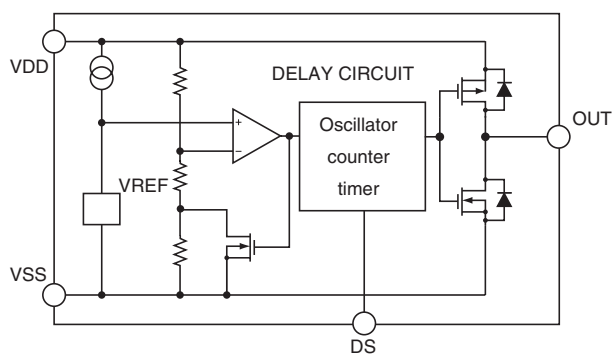
Output Voltage rank List

Device Name	Vout
NJM2880F3-21	2.1V
NJM2880F3-25	2.5V
NJM2880F3-26	2.6V
NJM2880F3-27	2.7V
NJM2880F3-28	2.8V
NJM2880F3-285	2.85V

IC BLOCK DIAGRAM AND TERMINAL DESCRIPTIONS-31**Q2002: S-80127CNMC-JKM VOLTAGE DETECTOR (12.7V N-ch open drain, Active L: out)****Q702: S-80130CLMC-JKM VOLTAGE DETECTOR (13.0V CMOS, Active L: out)****PIN CONFIGURATION****PIN DESCRIPTION**

No.	Symbol	Description
1	DS	ON/OFF switch for delay time
2	VSS	GND
3	NC ^{*1}	Non-connection
4	OUT	Voltage detection output pin
5	VDD	Voltage input pin

*1. NC pin is electrically open.

BLOCK DIAGRAM

IC BLOCK DIAGRAM AND TERMINAL DESCRIPTIONS-34

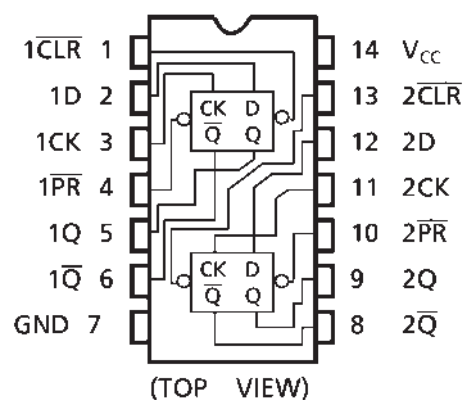
Q4010: TC74VHC74FT

TRUTH TABLE

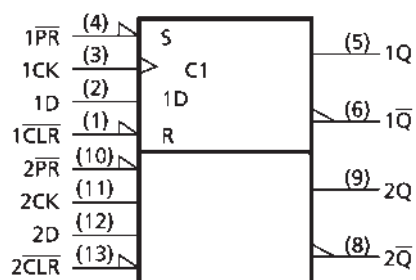
INPUTS				OUTPUTS		FUNCTION
CLR	\overline{PR}	D	CK	Q	\overline{Q}	
L	H	X	X	L	H	CLEAR
H	L	X	X	H	L	PRESET
L	L	X	X	H	H	—
H	H	L	\downarrow	L	H	—
H	H	H	\uparrow	H	L	—
H	H	X	\downarrow	Q_n	\overline{Q}_n	NO CHANGE

X : Don't Care

PIN ASSIGNMENT



IEC LOGIC SYMBOL



MICROPROCESSOR TERMINAL DESCRIPTION-1

Q801 : MPD780232GC-091-8BT

No.	PIN NAME	SIGNAL NAME	I/O	DESCRIPTION
1	P15/ANI5	NC(GND)	I	Not used. To connect to GND)
2	P16/ANI6	NC(GND)	I	Not used. To connect to GND)
3	P17/ANI7	NC(GND)	I	Not used. To connect to GND)
4	AV _{ss}	AVSS	I	To connect to VSS.
5	P130/ANO0	FL ON/OFF	O	Select the FL power On/ OFF.
6	P131/ANO1	NC(GND)	I	Not used. To connect to GND)
7	AV _{ref1}	AVREF1	I	Reference voltage input pin for D/A converter.
8	P70/SI2/RxD2	NC(GND)	I	Not used. To connect to GND)
9	P71/SO2/TxD2	DSPSI	O	Serial data (SO port) communication port. (Display microprocessor to Mechanism microprocessor)
10	P72/~SCK2/ASCK2	DSPCKX	I	Serial data (CLK port) port. (Mechanism microprocessor to Display microprocessor)
11	P20/SI1/RxD1	DSPSO	I	Serial data (SO port) communication port. (Mechanism microprocessor to Display microprocessor)
12	P21/SO1/TxD1	NC(GND)	I	Not used. To connect to GND)
13	P22/~SCK1/ASCK1	DSPCKX	I	Serial data (CLK port) port. (Mechanism microprocessor to Display microprocessor)
14	P23/PCL	NC(GND)	I	Not used. To connect to GND)
15	P24/BUZ	SUBRST/FPH	O	Sub microprocessor communication reset output port. Re-writing the FLASH ROM data.
16	P25/SI0/SDA0	SUBSO/FPPI	I	Sub microprocessor data input port. Flash ROM Serial Data input pin.
17	P26/SO0	SUBSI/FPPO	O	Sub microprocessor data output port. Flash ROM Serial Data output pin.
18	P27/~SCK0/SCL0	SUBCL/FPCLK	O	Sub microprocessor serial clock output port.
19	P40/AD0	~LADING_SW1	I	Detecting switch 1 input port of loading section.
20	P41/AD1	~LADING_SW2	I	Detecting switch 2 input port of loading section.
21	P42/AD2	~LADING_SW3	I	Detecting switch 3 input port of loading section.
22	P43/AD3	~CURRENT	I	Current detect port for loading motor.
23	P44/AD4	STOP_POS_SENS	I	Detect a position sensor input port of stop position of the roulette.
24	P45/AD5	DISC_SENS	I	Disk detection sensor input terminal.
25	P46/AD6	NC(GND)	I	Not used. To connect to GND)
26	P47/AD7	NC(GND)	I	Not used. To connect to GND)
27	P50/A8	~LOADING_R	O	Loading motor control port. "L"= Right rotation
28	P51/A9	~LOADING_L	O	Loading motor control port. "L"= Left rotation
29	P52/A10	~ROTR	O	Roulette motor control port. "L"= Clockwise
30	P53/A11	~ROTL	O	Roulette motor control port. "L"= Counter clockwise
31	P54/A12	ROTHI	O	Speed control port of loading motor.
32	P55/A13	LOADHI	O	Speed control port of loading motor.
33	V _{ss1}	VSS1	I	Power supply port without analog circuit. To connect to GND.
34	P56/A14	NC(GND)	I	Not used. To connect to GND)
35	P57/A15	R232RES	O	Reset control output signal pin for RS-232C.
36	P60/A16	R232REQ	I	Request signal input pin for RS-232C.
37	P61/A17	R232BSY	I	Busy signal input pin for RS-232C.
38	P62/A18	R232SI	I	SI input pin from RS-232C..
39	P63/A19	R232SO	O	SO signal output pin from RS-232C.
40	P64/~RD	R232SCK	O	SCK signal output pin for RS-232C.
41	P65/~WR	NC(GND)	I	Not used. To connect to GND)
42	P66/~WAIT	NC(GND)	I	Not used. To connect to GND)
43	P67/ASTB	NC(GND)	I	Not used. To connect to GND)
44	P30/TO0	~VDOFF	O	Video off signal output port.
45	P31/TO1	NC(GND)	I	Not used. To connect to GND)
46	P32/TO2	AMUT	O	Analog mute signal output port.
47	P33/TI1	PWRCTR	O	power control signal output port. "H"= power ON
48	P34/TI2	NC(GND)	I	Not used. To connect to GND)
49	P35/TIO0	NC(GND)	I	Not used. To connect to GND)
50	P36/TIO1	NC(GND)	I	Not used. To connect to GND)

MICROPROCESSOR TERMINAL DESCRIPTION-2

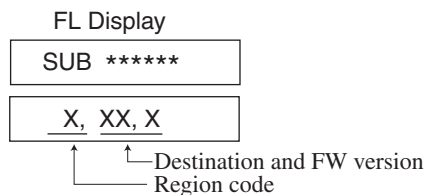
Q801 : MPD780232GC-091-8BT

No.	PIN NAME	SIGNAL NAME	I/O	DESCRIPTION
51	P37/EXA	NC(GND)	I	Not used. To connect to GND)
52	P120/RTP0	NC(GND)	I	Not used. To connect to GND)
53	P121/RTP1	NC(GND)	I	Not used. To connect to GND)
54	P122/RTP2	NC(GND)	I	Not used. To connect to GND)
55	P123/RTP3	NC(GND)	I	Not used. To connect to GND)
56	P124/RTP4	RIIN	I	RI system code input port.
57	P125/RTP5	~RIOUT	O	RI system code output port.
58	P126/RTP6	NC(GND)	I	Not used. To connect to GND)
59	P127/RTP7	NC(GND)	I	Not used. To connect to GND)
60	~RESET	~RESET		Reset pin of microprocessor.
61	P00/INTP0	~EX_IRIN	I	Input terminal of the remote control signal from multi room.
62	P01/INTP1	~POFF	I	Power failure detection terminal
63	P02/INTP2/NMI	DSTBX	I	Serial data (STB) communication signal output port.
64	P03/INTP3	SUBREQ	I	Communication between microcomputers. Sub microprocessor Data Ready detection terminal.
65	P04/INTP4	NC(GND)	I	Not used. To connect to GND)
66	P05/INTP5	NC(GND)	I	Not used. To connect to GND)
67	Vss0	VSS0	I	power supply pin. To connect to GND.
68	Vdd1	VDD1	I	power supply pin. To connect to +5V.
69	X2	X2	O	Connect the resonator (5MHz) terminal for clock oscillation of main system
70	X1	X1	I	Connect the resonator (5MHz) terminal for clock oscillation of main system
71	TEST/Vpp		I	Internal connection pin. To connect to GND.
72	XT2	XT2	O	Not used. Open connection.
73	XT1	XT1	I	Not used. To connect to VDD0 pin.
74	Vdd0	VDD0	I	power supply port. To connect to +5V.
75	AVdd	AVREF0	I	Reference voltage input port of A/D converter.
76	P10/ANI0	DVDBAND	I	Destination judgment port.
77	P11/ANI1	MODE1	I	Mode select input port 1.
78	P12/ANI2	MODE2	I	Mode select input port 2.
79	P13/ANI3	NC(GND)	I	Not used. To connect to GND)
80	P14/ANI4	NC(GND)	I	Not used. To connect to GND)

UPDATE FIRMWARE-1

1 Check the version of firmware

1. Press the "STOP" key, while the set press the "DISPLAY" key in state of No DISC condition.
2. Press the "DISPLAY" key.
Displayed on FL tube.



3. Press the "STANDBY" key and finish the FW check mode.

Region Code:	1
Software Version:	R0.09.A
Loader:	01.36 6
Panel Version:	----
Disc Address:	00000000

2 Writing the firmware in CD-R

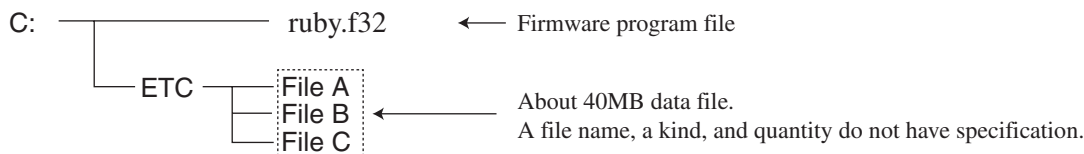
Prepare the required data file.

1. ruby.f32
"ruby.f32" is the program file for firmware.
2. Dummy data file. (About 40MB)

NOTE: Every version and destination has same file name.

Make the file holder

Make the holder on the personal computer and make the required file the following tree structures.



- NOTE: 1. Writing format is ISO9660 style.
 2. Finalize are single session.

3 Check operation of unit

Check that the compact disc can be play normally.
 If compact disc cannot be play normally, cannot do the update firmware.

4 Connect the display to the unit

To connect "VIDEO IN" terminal of TV and "VIDEO" terminal of the unit.

5 Update firmware

1. Press the "OPEN/CLOSE" button of the unit and tray is open.
2. Set the CD-R on disc-I bay.

FL Display
 LOADING

It is displayed on TV as "WRITING." → "DONE"
 After writing is completed, the tray opens automatically.

3. Disc is taken out.
 After Tray has opened, the "DISPLAY" button is pushed and push the "STOP" button.
 Press "STANDBY/ON" button.

6 Check the version of firmware

Refer to item 1

UPDATE FIRMWARE-2

Exchange of DVD main board (NADG-7807)

1 Update firmware

Check the version of present firmware.

DVD main board is not necessarily in the newest version.

2 Setting the region code

[Preparation]

Remote controller: RC-484M Part No. 24140484

❶ Press the "DVD" key and "2" key of the remote controller.

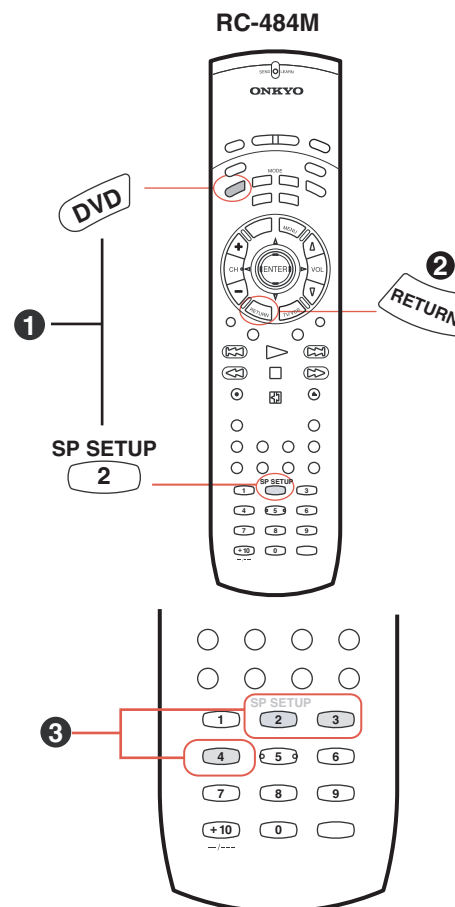
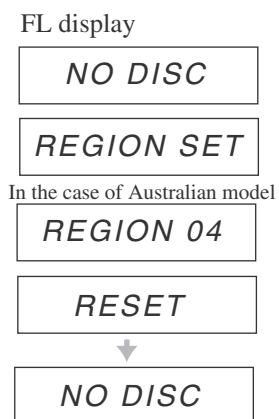
❷ Press the "RETURN" key.

❸ Press the number key of region code.

CDD1N type (U.S.A. model)

Region-1 Press the 1 key

Press the STOP button of unit.



3 Check the version of the firmware and region code

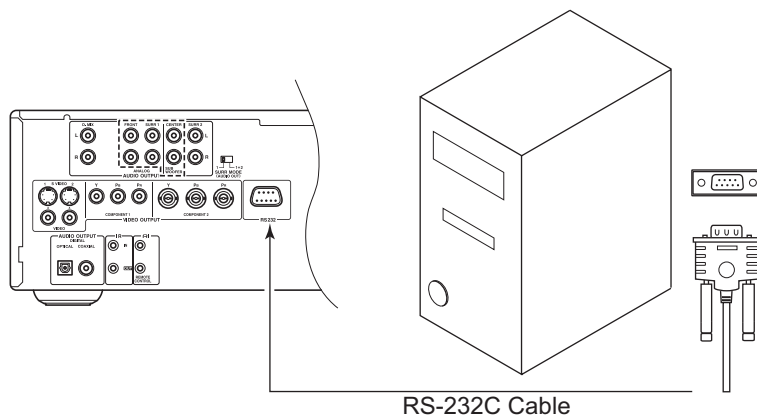
Refer to procedure **step 1**

WRITE THE ID NUMBER

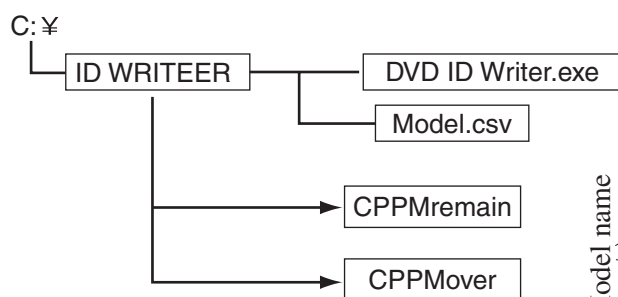
This product can play DVD Audio.
 Therefore, ID number is set as each product.

When replace a DVD main board assy as follow.

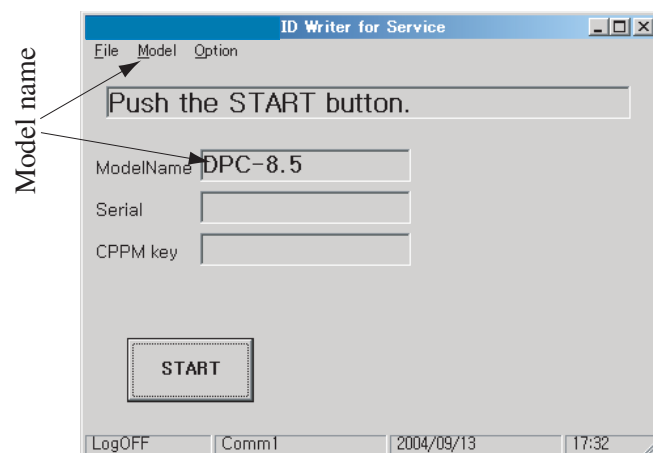
1. Connect a personal computer and the unit using the RS-232C cable.



2. Preparation of Folder and File



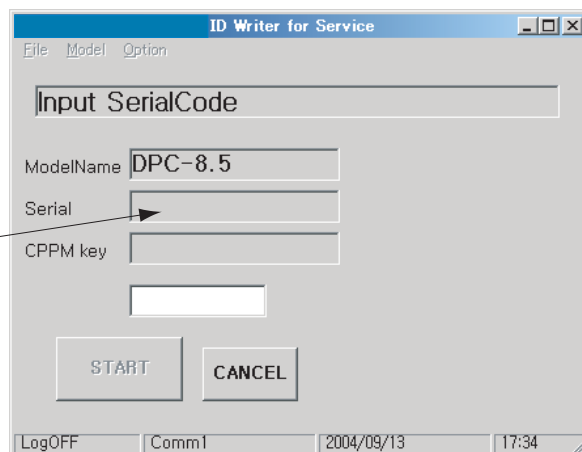
3. Start "DVD ID Writer.exe.
 Select a model name.
 Input 4 digits of ends of a serial number.
4. Push "START" key.



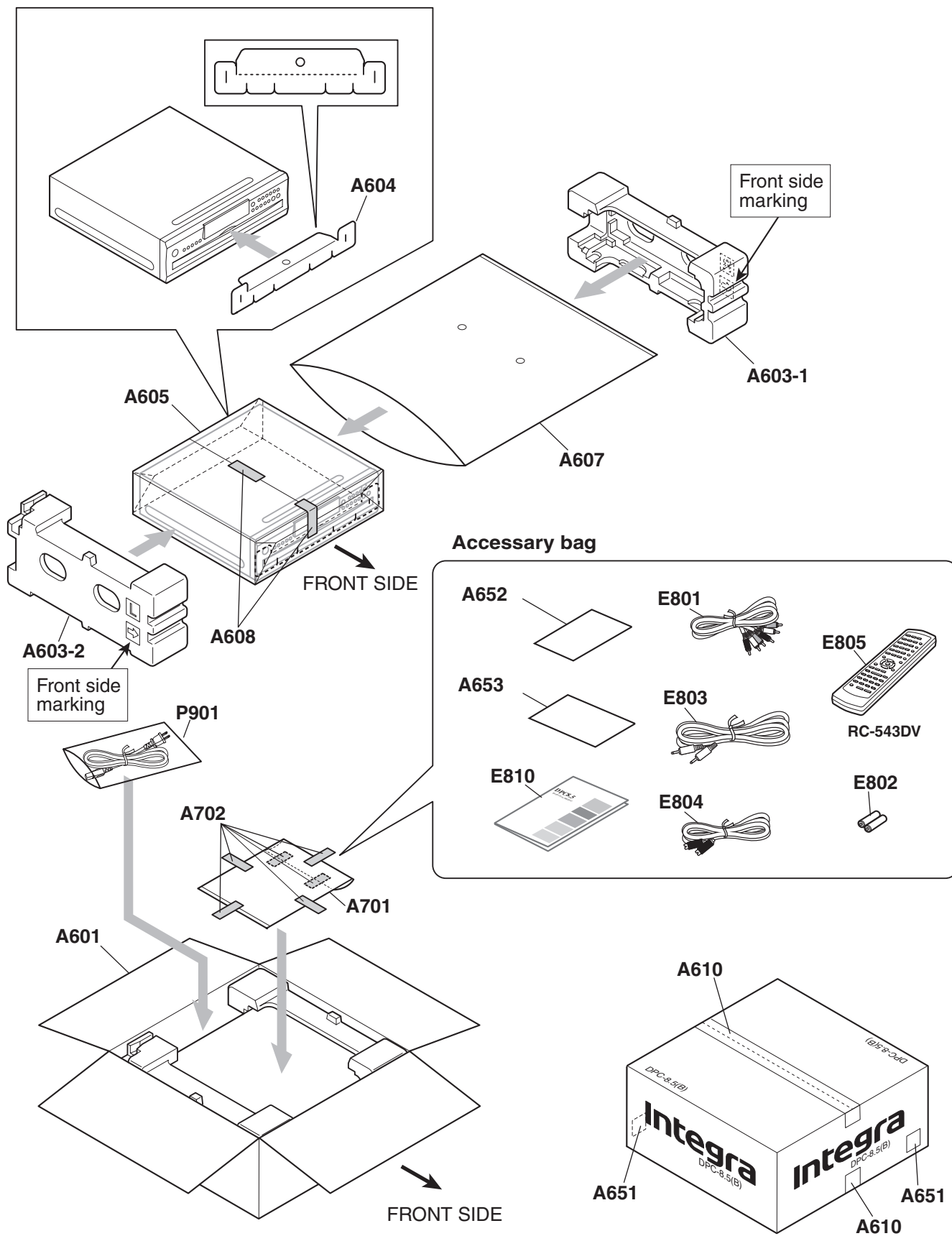
Confirm ID number.

1. Push the "STOP" button and "DISPLAY" button at same time with no disc condition.
2. Main CPU version is displayed on FL tube.
3. Push the "DISPLAY" button.
4. Displayed on the FL tube of firmware of front end CPU version.
5. Push the "DISPLAY" button.
6. Displayed on the FL tube of firmware of back end CPU version.
7. Push the "DISPLAY" button.
8. Displayed ID number on the FL tube.

Serial number



PACKING PROCEDURES



EXPLODED VIEW PARTS LIST

**NOTE : THE COMPONENTS IDENTIFIED BY THE MARK
 ! ARE CRITICAL FOR RISK OF FIRE AND
 ELECTRIC SHOCK. REPLACE ONLY WITH PART
 NUMBER SPECIFIED.**

	REF NO	NAME	DESCRIPTION	Q'TY	PART NO	REMARKS
EXP	A001	F BRACKET	---	1	1466-4401-1	
EXP	A002	KNOB	(STANDBY)	1	2446-5901-0	
EXP	A004	KNOB	(VO)AS	1	2446-8701-0	
EXP	A008	BRACKET	(F)	1	4135-4032-1	
EXP	A010	CLIP	CS-1U	1	4135-3291-0	
EXP	A011	CUSHION	---	1	4149-0551-0	
EXP	A012	SHEET	(F)	1	3000-9707-1	
EXP	A014	SCREW	3TTB+8B	42	2854-3008-0000	
EXP	A021	CHASSIS	---	1	1404-7621-2	
EXP	A023	HOLDER	KGLS-10RT	1	4154-5291-0	
EXP	A025	WS CLAMP	CLAMP WS-2W	1	6360-9640-0	
EXP	A027	TAPE	CLOTH-8U	1	1635-0110-0	
EXP	A028	TAPE	TAPE(CLOTH-16U)	1	9500-9007-0	
EXP	A029	ISO PLT	---	1	4155-0311-0	
EXP	A031	BRACKET	(R)	1	4135-4551-0	
EXP	A032	BRACKET	(FC)	1	4135-4531-0	
EXP	A033	BRACKET	(MAIN)	1	4135-4541-0	
EXP	A038	PLATE	(REAR)	1	4155-0161-0	
EXP	A045	SCREW	3TTW+8B(BC)	11	2950-3008-3010	
EXP	A051	HOLDER	KGLS-4S	1	6360-9710-0	
EXP	A055	HOLDER	(CLAMP) WS-1NS	1	6360-9720-0	
EXP	A056	HOLDER	HOLDER(VSC-10)	1	6360-9730-0	
EXP	A058	TAPE	TAPE(CLOTH-16U)	1	9500-9007-0	
EXP	A059	TAPE	TAPE(CLOTH-16U)	1	9500-9007-0	
EXP	A061	LEG	LEG	4	4154-6171-0	
EXP	A062	CUSHION	---	8	4157-0311-0	
EXP	A081	DOOR	(TRAY)	1	4154-6121-2	
EXP	A084	SHEET	(BUTYL)	1	4157-0561-0	
EXP	A085	SHEET	(BUTYL)t0.75x20x20	1	4157-0551-0	
EXP	A087	TAPE	CLOTH-8U	1	1635-0110-0	
EXP	A101	REAR PANEL	---	1	1405-3702-0	
EXP	A103	SCREW	3TTB+8B(BC)	29	2954-3008-3000	
EXP	A105	SCREW	4TTB+8C(BC)	2	2954-4008-3000	
EXP	A111	LABEL(DVD2)	---	1	3000-9443-0	
EXP	A113	LABEL	(ROM)	1	3000-9444-0	
EXP	A201	FACET	---	1	3716-9306-0	
EXP	A205	FACET	(L)	1	3716-9106-1	
EXP	A208	GUIDE	(KNOB)	1	4154-7191-0	
EXP	A209	BADGE	---	1	4154-6851-0	
EXP	A221	COVER	---	1	1404-9401-0	
EXP	A225	CLEAR PLT	---	1	3717-1511-0	
EXP	A226	B PLATE	---	1	4154-6391-0	
EXP	A301	F PANEL	---	1	1405-0713-0	
EXP	E101	WIRE TIE	BINDER(CLAMPER)UL	7	6360-9570-0	
EXP	E810	CPPM KEY	CPPM(DVCP802)	1	MCU-Q0170C-CPPM	
EXP	F101	FUSE	1.6A-UL/T-237	1	5120-0130-0	!
EXP	F101 or	FUSE	1.6A-T/UL-ST2	(1)	5120-1000-0	!
EXP	P1001	FFC	NCFCFD-26003	1	7012-6553-0	

EXP	P1101	SOCKET AS	NSAS-12P1453	1	7012-6843-0	
EXP	P1302	SOCKET AS	NSAS-40P1364	1	7012-6813-0	
EXP	P2001	SOCKET AS	NSAS-28P1362	1	7012-6814-0	
EXP	P2002	SOCKET AS	NSAS-30P1363	1	7012-6815-0	
EXP	P2003	SOCKET AS	NSAS-40P1454	1	7012-6841-0	
EXP	P2004	SOCKET AS	NSAS-32P1375	1	7012-6817-0	
EXP	P2005	SOCKET AS	NSAS-12P1444	1	7012-6818-0	
EXP	P2701	SOCKET AS	NSAS-14P1452	1	7012-6842-0	
EXP	P2901	SOCKET AS	NSAS-12P1206	1	7012-6820-0	
EXP	P6502	SOCKET AS	NSAS-14P1414	1	7012-6823-0	
EXP	P707	FFC	NCFC6-063012	1	7012-6522-0	
EXP	U01	DVD MAIN CIRCUIT PC BOA	NADG-8257-2A	1	PCB-Q0180C-MPEG	
EXP	U02	AUDIO OUTPUT TERMINAL	NAAF-8280-1C	1	1H522580-1C	
EXP	U03	STANDBY SWITCH PC BOA	NASW-8281-1C	1	1H522581-1C	
EXP	U05	DISC SENSOR PC BOARD	AS NAETC-8283-1C	1	1H522583-1C	
EXP	U06	ILLUMINATION PC BOARD	NADIS-8284-1C	1	1H522584-1C	
EXP	U07	ROULETTE MOTOR PC BOA	INAETC-8285-1C	1	1H522585-1C	
EXP	U08	LOADING MOTOR PC BOA	INAETC-8286-1C	1	1H522586-1C	
EXP	U09	INLET TERMINAL PC BOA	INAETC-8288-1C	1	1H522588-1C	
EXP	U10	VIDEO OUTPUT TERMINAL	INAVD-8289-1C	1	1H522589-1C	
EXP	U11	DVD MACHANISM CONTROL	NADG-8290-1C	1	1H522590-1C	
EXP	U12	DIGITAL OUTPUT TERMINA	NADG-8291-1C	1	1H522591-1C	
EXP	U13	FRONT DISPLAY PC BOARD	NADIS-8292-1C	1	1H522592-1C	
EXP	U14	CONNECTION PC BOARD	ASNAETC-8293-1C	1	1H522593-1C	
EXP	U15	POWER SUPPLY UNIT	NGPS-0049(100-120V)	1	8910-0910-0	!

DPC-8.5
DVD MECHANISM PARTS LIST

	REF NO	NAME	DESCRIPTION	Q'TY	PART NO	REMARKS
MECHA	M001	RAIL	---	1	4154-6031-2	
MECHA	M002	LOADING MOTOR ASSY		1	Q0090C-MOTCC	(M002)+(M003)
MECHA	(M002)	MOTOR	CCM07B-045R1-1A	1	-	NSP
MECHA	(M003)	PULLEY	---	1	-	NSP
MECHA	M004	SCREW	2.6TTP+4S	2	2900-2604-0000	
MECHA	M005	TAPE	CLOTH-8U	1	1635-0110-0	
MECHA	M006	RBR BELT	DVCP701	1	4157-0281-0	
MECHA	M007	GEAR	(PULLEY)	1	4154-6061-0	
MECHA	M008	GEAR	(A)	1	4154-6091-0	
MECHA	M009	GEAR	(MAIN)	1	4154-6071-1	
MECHA	M010	GEAR	(CAM)	1	4154-6101-0	
MECHA	M011	SCREW	SCREW	3	4135-3301-0	
MECHA	M012	CUSHION	---	2	4157-0591-0	
MECHA	M013	SCREW	3TTB+8B	4	2854-3008-0000	
MECHA	M020	DVD M	KHM-280AAA	1	4111-1091-0	
MECHA	M021	HOLDER	(PU)	1	4155-0181-0.*	
MECHA	M022	CHASSIS	(SUB)	1	4154-6041-1	
MECHA	M023	INSULATOR	(A)	2	4154-6141-0	
MECHA	M024	INSULATOR	(B)	2	4157-0261-0	
MECHA	M025	SCREW	SCREW	4	4135-3301-0	
MECHA	M026	SPRING	(DV-CP701)	1	2510-3591-0	
MECHA	M030	TRAY	---	1	4154-6011-5	
MECHA	M031	ROLLER	DVCP701	4	4154-6131-0	
MECHA	M032	ROULETTE	(HS)	1	4154-6023-1	
MECHA	M033	SCREW	SCREW	1	4135-3301-0	
MECHA	M034	RETAINER	---	1	4135-3881-0	
MECHA	M035	CUSHION	---	1	4157-0532-0	

MECHA	M036	SCREW	3TTB+8B	1	2854-3008-0000	
MECHA	M037	BRACKET AS	(M)	1	8901-4650-1	(M037a)+(M037b)
MECHA	(M037a)	BRACKET	(M)	{ 1 }	-	NSP
MECHA	(M037b)	SHAFT	(M)	{ 1 }	-	NSP
MECHA	M038	ROULETTE MOTOR ASSY		1	Q0090C-MOTPW	(M038)+(M039)+(M040)
MECHA	M038	MOTOR	PWN10EA02D	1	-	NSP
MECHA	M039	GEAR	(WORM)	1	-	NSP
MECHA	M045	WASHER	0.5t*2.1*6	1	-	NSP
MECHA	M040	SCREW	2P+3F(BC)	2	2900-2003-0000	
MECHA	M041	GEAR	(WHEEL)	1	4154-5991-0	
MECHA	M042	WASHER	(B)	1	4154-4491-0	
MECHA	M043	SCREW	3TTB+8B	3	2854-3008-0000	
MECHA	M044	TAPE	CLOTH-8U	1	1635-0110-0	
MECHA	M050	ARM	---	1	4154-6051-0	
MECHA	M051	CUSHION	---	1	4157-0532-0	
MECHA	M052	CAP	(CHC)	1	4154-6161-0	
MECHA	M053	YOKE	(CHB)	1	4135-3201-1	
MECHA	M054	MAGNET	(CHB)	1	4135-3211-0	

PC BOARD PARTS LIST

DPC-8.5

U01 DVD MAIN CIRCUIT PC BOARD

	REF NO	NAME	DESCRIPTION	Q'TY	PART NO	REMARKS
PCB	Q716	PHT INT	GP2S28	1	481P-2S28-3	
PCB	Q717	PHT CP	RPI-576	1	481P-I576-3	
PCB	Q805	TR	DTC114YKA	1	485C-1140-3	
PCB	Q805 or	TR	RN1407	(1)	4851-4070-3	
PCB	Q805 or	TR	KRC107S	(1)	4851-07S0-3	
PCB	Q807	TR	DTC114YKA	1	485C-1140-3	
PCB	Q807 or	TR	RN1407	(1)	4851-4070-3	
PCB	Q807 or	TR	KRC107S	(1)	4851-07S0-3	
PCB	Q955	IC(REGULATOR)	78M12HF	1	3131-7820-0	
PCB	Q956	IC(REGULATOR)	79M12HF	1	3132-1801-0	
PCB	Q4005	IC	CY7C1019BV33-15VCT	1	3132-1811-0	
PCB	Q4005 or	IC	CY7C1019CV33-15VCT	(1)	3132-1991-0	
PCB	Q4006	IC	CY7C1019BV33-15VCT	1	3132-1811-0	
PCB	Q4006 or	IC	CY7C1019CV33-15VCT	(1)	3132-1991-0	
PCB	Q4009	IC(REGURAT	NJM2391DL1-285	1	3132-1821-0	
PCB	Q4010	IC	TC74VHC74FT	1	3132-1831-0	
PCB	Q4011	IC	TC7SZ125FU	1	3132-0140-0	
PCB	Q4012	IC	MB86344BPFV	1	3132-1841-0	
PCB	Q4019	IC	TC7WH241FU	1	3132-1851-0	
PCB	Q4208	TR	DTC144EK	1	4860-1330-3	
PCB	Q4208 or	TR	RN1404	(1)	4851-4040-3	
PCB	Q4208 or	TR	KRC104S	(1)	4851-04S0-3	
PCB	Q4301	IC(REGULATOR)	78M05(NJM78M05FA)	1	3131-7871-0	
PCB	Q4302	IC	NJM2860F3-33	1	3132-1861-0	
PCB	Q4303	TR	DTC114YKA	1	485C-1140-3	
PCB	Q4303 or	TR	RN1407	(1)	4851-4070-3	
PCB	Q4303 or	TR	KRC107S	(1)	4851-07S0-3	
PCB	Q4304	IC	WM8756	1	3132-1901-0	
PCB	Q4305	TR	DTC114YKA	1	485C-1140-3	
PCB	Q4321	IC	NJM4580M-D	1	3131-9970-0	
PCB	Q4322	IC	NJM4580M-D	1	3131-9970-0	
PCB	Q4323	IC	NJM4580M-D	1	3131-9970-0	
PCB	Q4324	IC	NJM4580M-D	1	3131-9970-0	
PCB	Q4421	IC	NJM4580M-D	1	3131-9970-0	

PCB	Q4422	IC	NJM4580M-D	1	3131-9970-0
PCB	Q4423	IC	NJM4580M-D	1	3131-9970-0
PCB	Q4424	IC	NJM4580M-D	1	3131-9970-0
PCB	Q4521	IC	NJM4580M-D	1	3131-9970-0
PCB	Q4522	IC	NJM4580M-D	1	3131-9970-0
PCB	Q4523	IC	NJM4580M-D	1	3131-9970-0
PCB	Q4524	IC	NJM4580M-D	1	3131-9970-0
PCB	Q4601	IC	NJM2370U05	1	3132-0270-0
PCB	Q4602	IC	WM8719EDS	1	3132-1911-0
PCB	Q4621	IC	NJM4580M-D	1	3131-9970-0
PCB	Q4622	IC	NJM4580M-D	1	3131-9970-0
PCB	Q4623	IC	NJM4580M-D	1	3131-9970-0
PCB	Q4624	IC	NJM4580M-D	1	3131-9970-0
PCB	Q4701	TR	DTA114YKA	1	485A-1140-3
PCB	Q4701 or	TR	KRA107S	(1)	4860-3440-3
PCB	Q4701 or	TR	RN2407	(1)	4852-4070-3
PCB	Q4702	TR	DTA114YKA	1	485A-1140-3
PCB	Q4702 or	TR	KRA107S	(1)	4860-3440-3
PCB	Q4702 or	TR	RN2407	(1)	4852-4070-3
PCB	Q4705	TR	HN1C03F-B	1	485C-03FB-3
PCB	Q4706	TR	HN1C03F-B	1	485C-03FB-3
PCB	Q4751	IC	NJM4580M-D	1	3131-9970-0
PCB	Q4753	TR	2SC2712-GR	1	4852-712G-3
PCB	Q4754	TR	2SC2712-GR	1	4852-712G-3
PCB	Q4755	TR	HN1C03F-B	1	485C-03FB-3
PCB	Q4756	TR	HN1C03F-B	1	485C-03FB-3
PCB	Q4803	TR	HN1C03F-B	1	485C-03FB-3
PCB	Q4804	TR	HN1C03F-B	1	485C-03FB-3
PCB	Q4851	IC	NJM4580M-D	1	3131-9970-0
PCB	Q4852	TR	RN2405	1	4852-4050-3
PCB	Q4852 or	TR	DTA123JKA	(1)	485A-1230-3
PCB	Q4857	TR	HN1C03F-B	1	485C-03FB-3
PCB	Q4858	TR	HN1C03F-B	1	485C-03FB-3
PCB	Q4903	TR	HN1C03F-B	1	485C-03FB-3
PCB	Q4904	TR	HN1C03F-B	1	485C-03FB-3
PCB	D801	LED	SELU2E10C-P	1	3700-2838-B
PCB	D801A	HOLDER	(LED)LA-5-6	1	4171-0021-0
PCB	D802	LED	SELU2E10C-P	1	3700-2838-B
PCB	D802A	HOLDER	(LED)LA-5-6	1	4171-0021-0
PCB	D803	LED	SLI-343URC-T32	1	3700-2839-R
PCB	D809	LED	SELU2E10C-P	1	3700-2838-B
PCB	D4002	C-DIODE	1SS352	1	480S-3520-3
PCB	D4002 or	C-DIODE	1SS355	(1)	4840-1660-0
PCB	D4003	C-DIODE	1SS352	1	480S-3520-3
PCB	D4003 or	C-DIODE	1SS355	(1)	4840-1660-0
PCB	D4601	C-DIODE	1SS352	1	480S-3520-3
PCB	D4601 or	C-DIODE	1SS355	(1)	4840-1660-0
PCB	D4602	C-DIODE	1SS352	1	480S-3520-3
PCB	D4602 or	C-DIODE	1SS355	(1)	4840-1660-0
PCB	D4701	C-DIODE	1SS352	1	480S-3520-3
PCB	D4701 or	C-DIODE	1SS355	(1)	4840-1660-0
PCB	D4702	C-DIODE	1SS352	1	480S-3520-3
PCB	D4702 or	C-DIODE	1SS355	(1)	4840-1660-0
PCB	D4703	C-DIODE	1SS352	1	480S-3520-3
PCB	D4703 or	C-DIODE	1SS355	(1)	4840-1660-0
PCB	D4705	C-DIODE	1SS352	1	480S-3520-3

PCB	D4705 or	C-DIODE	1SS355	(1)	4840-1660-0
PCB	D4706	C-DIODE	1SS352	1	480S-3520-3
PCB	D4706 or	C-DIODE	1SS355	(1)	4840-1660-0
PCB	D4707	C-DIODE	1SS352	1	480S-3520-3
PCB	D4707 or	C-DIODE	1SS355	(1)	4840-1660-0
PCB	D4708	C-DIODE	1SS352	1	480S-3520-3
PCB	D4708 or	C-DIODE	1SS355	(1)	4840-1660-0
PCB	D4751	C-DIODE	1SS352	1	480S-3520-3
PCB	D4751 or	C-DIODE	1SS355	(1)	4840-1660-0
PCB	D4752	C-DIODE	1SS352	1	480S-3520-3
PCB	D4752 or	C-DIODE	1SS355	(1)	4840-1660-0
PCB	D4801	C-DIODE	1SS352	1	480S-3520-3
PCB	D4801 or	C-DIODE	1SS355	(1)	4840-1660-0
PCB	D4802	C-DIODE	1SS352	1	480S-3520-3
PCB	D4802 or	C-DIODE	1SS355	(1)	4840-1660-0
PCB	D4851	C-DIODE	1SS352	1	480S-3520-3
PCB	D4851 or	C-DIODE	1SS355	(1)	4840-1660-0
PCB	D4852	C-DIODE	1SS352	1	480S-3520-3
PCB	D4852 or	C-DIODE	1SS355	(1)	4840-1660-0
PCB	D4853	C-DIODE	1SS352	1	480S-3520-3
PCB	D4853 or	C-DIODE	1SS355	(1)	4840-1660-0
PCB	D4854	C-DIODE	1SS352	1	480S-3520-3
PCB	D4854 or	C-DIODE	1SS355	(1)	4840-1660-0
PCB	D4855	C-DIODE	1SS352	1	480S-3520-3
PCB	D4855 or	C-DIODE	1SS355	(1)	4840-1660-0
PCB	D4856	C-DIODE	1SS352	1	480S-3520-3
PCB	D4856 or	C-DIODE	1SS355	(1)	4840-1660-0
PCB	D4857	C-DIODE	1SS352	1	480S-3520-3
PCB	D4857 or	C-DIODE	1SS355	(1)	4840-1660-0
PCB	D4901	C-DIODE	1SS352	1	480S-3520-3
PCB	D4901 or	C-DIODE	1SS355	(1)	4840-1660-0
PCB	D4902	C-DIODE	1SS352	1	480S-3520-3
PCB	D4902 or	C-DIODE	1SS355	(1)	4840-1660-0
PCB	L951	CHOKE COIL	NCH-3608K470	1	1803-0075-0
PCB	L952	CHOKE COIL	NCH-3608K470	1	1803-0075-0
PCB	L4001	CHOKE COIL	NCH-1471	1	1803-0064-0
PCB	L4002	CHOKE COIL	NCH-1471	1	1803-0064-0
PCB	L4003	CHOKE COIL	NCH-1471	1	1803-0064-0
PCB	L4302	CHOKE COIL	NCH-1471	1	1803-0064-0
PCB	L4303	CHOKE COIL	NCH-1471	1	1803-0064-0
PCB	L4601	CHOKE COIL	NCH-1471	1	1803-0064-0
PCB	L4603	CHOKE COIL	NCH-1471	1	1803-0064-0
PCB	X4001	CRYSTAL	FCX-03-13.5MHz	1	2300-2400-0
PCB	C655	C-CERA C	CK725F1E-104Z1	1	150F-104K-P-AC
PCB	C656	C-CERA C	CK725F1E-104Z1	1	150F-104K-P-AC
PCB	C754	C-CERA C	CK725F1H-223Z1	1	150F-223M-P-AC
PCB	C761	C-CERA C	CK725F1H-223Z1	1	150F-223M-P-AC
PCB	C762	C-CERA C	CK725F1E-104Z1	1	150F-104K-P-AC
PCB	C871	C-CERA C	CK725F1E-104Z1	1	150F-104K-P-AC
PCB	C873	C-CERA C	CK725F1E-104Z1	1	150F-104K-P-AC
PCB	C951	ELECT C	CE04W6.3V1000M(SC)	1	157B-108M-5-OVI
PCB	C952	C-CERA C	CK725F1E-104Z1	1	150F-104K-P-AC
PCB	C953	ELECT C	CE04W16V10M(SC)	1	157D-106M-K-IUI
PCB	C954	C-CERA C	CK725F1E-104Z1	1	150F-104K-P-AC
PCB	C956	ELECT C	CE04W16V10M(SC)	1	157D-106M-K-IUI
PCB	C957	C-CERA C	CK725F1E-104Z1	1	150F-104K-P-AC

PCB	C959	ELECT C	CE04W6.3V100M(SC)	1	157B-107M-K-IUI
PCB	C960	ELECT C	CE04W16V100M(SC)	1	157D-107M-K-IUI
PCB	C961	ELECT C	CE04W16V100M(SC)	1	157D-107M-K-IUI
PCB	C962	ELECT C	CE04W35V10M(SC)	1	157Q-106M-K-IUI
PCB	C963	C-CERA C	CK725F1E-104Z1	1	150F-104K-P-AC
PCB	C964	ELECT C	CE04W16V470M(SC)	1	157D-477M-K-OVI
PCB	C965	ELECT C	CE04W16V470M(SC)	1	157D-477M-K-OVI
PCB	C966	ELECT C	CE04W16V470M(SC)	1	157D-477M-K-OVI
PCB	C967	ELECT C	CE04W16V470M(SC)	1	157D-477M-K-OVI
PCB	C968	TF C	ECQ-V50V-104J	1	153F-104J-K-MMN
PCB	C969	TF C	ECQ-V50V-104J	1	153F-104J-K-MMN
PCB	C4001	C-CERA C	CK725F1A-105Z1	1	150C-105Z-P-AC
PCB	C4002	C-CERA C	CK725F1A-105Z1	1	150C-105Z-P-AC
PCB	C4003	C-CERA C	CK725F1A-105Z1	1	150C-105Z-P-AC
PCB	C4004	C-CERA C	CK725F1A-105Z1	1	150C-105Z-P-AC
PCB	C4005	C-CERA C	CK725F1A-105Z1	1	150C-105Z-P-AC
PCB	C4006	C-CERA C	CK725F1A-105Z1	1	150C-105Z-P-AC
PCB	C4007	C-CERA C	CK725F1A-105Z1	1	150C-105Z-P-AC
PCB	C4008	C-CERA C	CK725F1A-105Z1	1	150C-105Z-P-AC
PCB	C4009	C-CERA C	CK725F1A-105Z1	1	150C-105Z-P-AC
PCB	C4010	ELECT C	CE04W6.3V220M(SC)	1	157B-227M-K-IUI
PCB	C4011	C-CERA C	CK725F1A-105Z1	1	150C-105Z-P-AC
PCB	C4012	ELECT C	CE04W6.3V220M(SC)	1	157B-227M-K-IUI
PCB	C4013	C-CERA C	CK725F1A-105Z1	1	150C-105Z-P-AC
PCB	C4014	C-CERA C	CK725F1A-105Z1	1	150C-105Z-P-AC
PCB	C4015	C-CERA C	CK725F1A-105Z1	1	150C-105Z-P-AC
PCB	C4016	C-CERA C	CC725CH1H-120J1	1	15CH-120J-P-AC
PCB	C4017	C-CERA C	CC725CH1H-120J1	1	15CH-120J-P-AC
PCB	C4018	ELECT C	CE04W6.3V100M(SC)	1	157B-107M-K-IUI
PCB	C4019	C-CERA C	CK725F1E-104Z1	1	150F-104K-P-AC
PCB	C4020	ELECT C	CE04W6.3V220M(SC)	1	157B-227M-K-IUI
PCB	C4021	C-CERA C	CK725F1A-105Z1	1	150C-105Z-P-AC
PCB	C4022	ELECT C	CE04W6.3V220M(SC)	1	157B-227M-K-IUI
PCB	C4023	C-CERA C	CK725F1A-105Z1	1	150C-105Z-P-AC
PCB	C4024	ELECT C	CE04W6.3V100M(SC)	1	157B-107M-K-IUI
PCB	C4025	C-CERA C	CK725F1E-104Z1	1	150F-104K-P-AC
PCB	C4026	C-CERA C	CK725F1A-105Z1	1	150C-105Z-P-AC
PCB	C4027	C-CERA C	CK725F1E-104Z1	1	150F-104K-P-AC
PCB	C4031	ELECT C	CE04W6.3V220M(SC)	1	157B-227M-K-IUI
PCB	C4032	C-CERA C	CK725F1A-105Z1	1	150C-105Z-P-AC
PCB	C4302	C-CERA C	CK725F1A-105Z1	1	150C-105Z-P-AC
PCB	C4303	ELECT C	CE04W16V47M(SC)	1	157D-476M-K-IUI
PCB	C4304	C-CERA C	CK725F1E-104Z1	1	150F-104K-P-AC
PCB	C4305	ELECT C	CE04W16V47M(SC)	1	157D-476M-K-IUI
PCB	C4306	C-CERA C	CK725F1E-104Z1	1	150F-104K-P-AC
PCB	C4307	ELECT C	CE04W6.3V100M(SC)	1	157B-107M-K-IUI
PCB	C4308	C-CERA C	CK725F1E-104Z1	1	150F-104K-P-AC
PCB	C4309	ELECT C	CE04W16V47M(SC)	1	157D-476M-K-IUI
PCB	C4310	C-CERA C	CK725F1E-104Z1	1	150F-104K-P-AC
PCB	C4311	ELECT C	CE04W6.3V220M(SC)	1	157B-227M-K-IUI
PCB	C4312	C-CERA C	CK725F1E-104Z1	1	150F-104K-P-AC
PCB	C4313	ELECT C	CE04W6.3V100M(SC)	1	157B-107M-K-IUI
PCB	C4314	C-CERA C	CK725F1E-104Z1	1	150F-104K-P-AC
PCB	C4315	ELECT C	CE04W6.3V100M(SC)	1	157B-107M-K-IUI
PCB	C4316	C-CERA C	CK725F1E-104Z1	1	150F-104K-P-AC
PCB	C4317	C-CERA C	CK725F1E-104Z1	1	150F-104K-P-AC

PCB	C4318	ELECT C	CE04W6.3V220M(SC)	1	157B-227M-K-IUI
PCB	C4319	C-CERA C	CK725F1E-104Z1	1	150F-104K-P-AC
PCB	C4321	TF C	ECQ-B50V-681J	1	153F-681J-K-NUN
PCB	C4322	TF C	ECQ-B50V-681J	1	153F-681J-K-NUN
PCB	C4323	TF C	ECQ-B50V-681J	1	153F-681J-K-NUN
PCB	C4324	TF C	ECQ-B50V-681J	1	153F-681J-K-NUN
PCB	C4325	ELECT C	CE04W16V10M(SC)	1	157D-106M-K-IUI
PCB	C4326	ELECT C	CE04W16V10M(SC)	1	157D-106M-K-IUI
PCB	C4329	ELECT C	CE04W16V470M(SC)	1	157D-477M-K-OVI
PCB	C4331	ELECT C	CE04W16V470M(SC)	1	157D-477M-K-OVI
PCB	C4333	C-CERA C	CK725F1E-104Z1	1	150F-104K-P-AC
PCB	C4335	C-CERA C	CK725F1E-104Z1	1	150F-104K-P-AC
PCB	C4337	C-CERA C	CC725CH1H-680J1	1	15CH-680J-P-ACM
PCB	C4338	C-CERA C	CC725CH1H-680J1	1	15CH-680J-P-ACM
PCB	C4339	TF C	ECQ-B50V-272J	1	153F-272J-K-MMN
PCB	C4340	TF C	ECQ-B50V-272J	1	153F-272J-K-MMN
PCB	C4341	TF C	ECQ-B50V-122J	1	153F-122J-K-MMN
PCB	C4342	TF C	ECQ-B50V-122J	1	153F-122J-K-MMN
PCB	C4421	TF C	ECQ-B50V-681J	1	153F-681J-K-NUN
PCB	C4422	TF C	ECQ-B50V-681J	1	153F-681J-K-NUN
PCB	C4423	TF C	ECQ-B50V-681J	1	153F-681J-K-NUN
PCB	C4424	TF C	ECQ-B50V-681J	1	153F-681J-K-NUN
PCB	C4425	ELECT C	CE04W16V10M(SC)	1	157D-106M-K-IUI
PCB	C4426	ELECT C	CE04W16V10M(SC)	1	157D-106M-K-IUI
PCB	C4429	ELECT C	CE04W16V470M(SC)	1	157D-477M-K-OVI
PCB	C4431	ELECT C	CE04W16V470M(SC)	1	157D-477M-K-OVI
PCB	C4433	C-CERA C	CK725F1E-104Z1	1	150F-104K-P-AC
PCB	C4435	C-CERA C	CK725F1E-104Z1	1	150F-104K-P-AC
PCB	C4437	C-CERA C	CC725CH1H-680J1	1	15CH-680J-P-ACM
PCB	C4438	C-CERA C	CC725CH1H-680J1	1	15CH-680J-P-ACM
PCB	C4439	TF C	ECQ-B50V-272J	1	153F-272J-K-MMN
PCB	C4440	TF C	ECQ-B50V-272J	1	153F-272J-K-MMN
PCB	C4441	TF C	ECQ-B50V-122J	1	153F-122J-K-MMN
PCB	C4442	TF C	ECQ-B50V-122J	1	153F-122J-K-MMN
PCB	C4521	TF C	ECQ-B50V-681J	1	153F-681J-K-NUN
PCB	C4522	TF C	ECQ-B50V-681J	1	153F-681J-K-NUN
PCB	C4523	TF C	ECQ-B50V-681J	1	153F-681J-K-NUN
PCB	C4524	TF C	ECQ-B50V-681J	1	153F-681J-K-NUN
PCB	C4525	ELECT C	CE04W16V10M(SC)	1	157D-106M-K-IUI
PCB	C4526	ELECT C	CE04W16V10M(SC)	1	157D-106M-K-IUI
PCB	C4529	ELECT C	CE04W16V470M(SC)	1	157D-477M-K-OVI
PCB	C4531	ELECT C	CE04W16V470M(SC)	1	157D-477M-K-OVI
PCB	C4533	C-CERA C	CK725F1E-104Z1	1	150F-104K-P-AC
PCB	C4535	C-CERA C	CK725F1E-104Z1	1	150F-104K-P-AC
PCB	C4537	C-CERA C	CC725CH1H-680J1	1	15CH-680J-P-ACM
PCB	C4538	C-CERA C	CC725CH1H-680J1	1	15CH-680J-P-ACM
PCB	C4539	TF C	ECQ-B50V-272J	1	153F-272J-K-MMN
PCB	C4540	TF C	ECQ-B50V-272J	1	153F-272J-K-MMN
PCB	C4541	TF C	ECQ-B50V-122J	1	153F-122J-K-MMN
PCB	C4542	TF C	ECQ-B50V-122J	1	153F-122J-K-MMN
PCB	C4601	C-CERA C	CK725F1E-104Z1	1	150F-104K-P-AC
PCB	C4602	ELECT C	CE04W16V10M(SC)	1	157D-106M-K-IUI
PCB	C4603	ELECT C	CE04W16V47M(SC)	1	157D-476M-K-IUI
PCB	C4604	C-CERA C	CK725F1E-104Z1	1	150F-104K-P-AC
PCB	C4605	ELECT C	CE04W6.3V100M(SC)	1	157B-107M-K-IUI
PCB	C4606	C-CERA C	CK725F1E-104Z1	1	150F-104K-P-AC

PCB	C4607	ELECT C	CE04W6.3V100M(SC)	1	157B-107M-K-IUI
PCB	C4608	C-CERA C	CK725F1E-104Z1	1	150F-104K-P-AC
PCB	C4609	ELECT C	CE04W6.3V470M(SC)	1	157B-477M-K-LUI
PCB	C4610	C-CERA C	CK725F1E-104Z1	1	150F-104K-P-AC
PCB	C4611	C-CERA C	CK725F1E-104Z1	1	150F-104K-P-AC
PCB	C4612	ELECT C	CE04W6.3V100M(SC)	1	157B-107M-K-IUI
PCB	C4613	C-CERA C	CK725F1E-104Z1	1	150F-104K-P-AC
PCB	C4621	TF C	ECQ-B50V-821J	1	153F-821J-K-NUN
PCB	C4622	TF C	ECQ-B50V-821J	1	153F-821J-K-NUN
PCB	C4623	TF C	ECQ-B50V-821J	1	153F-821J-K-NUN
PCB	C4624	TF C	ECQ-B50V-821J	1	153F-821J-K-NUN
PCB	C4625	TF C	ECQ-B50V-271K	1	153F-271K-K-NUN
PCB	C4626	TF C	ECQ-B50V-271K	1	153F-271K-K-NUN
PCB	C4627	TF C	ECQ-B50V-271K	1	153F-271K-K-NUN
PCB	C4628	TF C	ECQ-B50V-271K	1	153F-271K-K-NUN
PCB	C4629	ELECT C	CE04W16V470M(SC)	1	157D-477M-K-OVI
PCB	C4631	ELECT C	CE04W16V470M(SC)	1	157D-477M-K-OVI
PCB	C4633	C-CERA C	CK725F1E-104Z1	1	150F-104K-P-AC
PCB	C4635	C-CERA C	CK725F1E-104Z1	1	150F-104K-P-AC
PCB	C4639	TF C	ECQ-B50V-272J	1	153F-272J-K-MMN
PCB	C4640	TF C	ECQ-B50V-272J	1	153F-272J-K-MMN
PCB	C4641	TF C	ECQ-B50V-122J	1	153F-122J-K-MMN
PCB	C4642	TF C	ECQ-B50V-122J	1	153F-122J-K-MMN
PCB	C4701	ELECT C	CE04W50V47M(SC)	1	157F-476M-K-LUI
PCB	C4702	ELECT C	CE04W50V47M(SC)	1	157F-476M-K-LUI
PCB	C4703	ELECT C	CE04W6.3V470M(SC)	1	157B-477M-K-LUI
PCB	C4704	C-CARBON R	RN72K1J-000JE	1	4723-000J-P-R
PCB	C4705	C-CARBON R	RN72K1J-000JE	1	4723-000J-P-R
PCB	C4706	C-CARBON R	RN72K1J-000JE	1	4723-000J-P-R
PCB	C4707	C-CARBON R	RN72K1J-000JE	1	4723-000J-P-R
PCB	C4708	C-CARBON R	RN72K1J-000JE	1	4723-000J-P-R
PCB	C4751	ELECT C	CE04W50V47M(SC)	1	157F-476M-K-LUI
PCB	C4752	ELECT C	CE04W50V47M(SC)	1	157F-476M-K-LUI
PCB	C4801	ELECT C	CE04W50V47M(SC)	1	157F-476M-K-LUI
PCB	C4802	ELECT C	CE04W50V47M(SC)	1	157F-476M-K-LUI
PCB	C4851	ELECT C	CE04W50V47M(SC)	1	157F-476M-K-LUI
PCB	C4852	ELECT C	CE04W50V47M(SC)	1	157F-476M-K-LUI
PCB	C4853	ELECT C	CE04W6.3V2200M(SC)	1	157B-228M-K-S9I
PCB	C4901	ELECT C	CE04W50V47M(SC)	1	157F-476M-K-LUI
PCB	C4902	ELECT C	CE04W50V47M(SC)	1	157F-476M-K-LUI
PCB	C4981	ELECT C	CE04W16V470M(SC)	1	157D-477M-K-OVI
PCB	C4982	ELECT C	CE04W16V470M(SC)	1	157D-477M-K-OVI
PCB	C4983	C-CERA C	CK725F1E-104Z1	1	150F-104K-P-AC
PCB	C4984	C-CERA C	CK725F1E-104Z1	1	150F-104K-P-AC
PCB	R761	C-CARBON R	RN72K1J-181JE	1	4723-181J-P-R
PCB	R762	C-CARBON R	RN72K1J-154JE	1	4723-154J-P-R
PCB	R763	C-CARBON R	RN72K1J-391JE	1	4723-391J-P-R
PCB	R764	C-CARBON R	RN72K1J-474JE	1	4723-474J-P-R
PCB	R813	C-CARBON R	RN72K1J-391JE	1	4723-391J-P-R
PCB	R814	C-CARBON R	RN72K1J-471JE	1	4723-471J-P-R
PCB	R815	C-CARBON R	RN72K1J-821JE	1	4723-821J-P-R
PCB	R816	C-CARBON R	RN72K1J-102JE	1	4723-102J-P-R
PCB	R820	C-CARBON R	RN72K1J-182JE	1	4723-182J-P-R
PCB	R828	C-CARBON R	RN72K1J-392JE	1	4723-392J-P-R
PCB	R829	C-CARBON R	RN72K1J-151JE	1	4723-151J-P-R
PCB	R848	C-CARBON R	RN72K1J-151JE	1	4723-151J-P-R

PCB	R849	C-CARBON R	RN72K1J-151JE	1	4723-151J-P-R
PCB	R871	C-CARBON R	RN72K1J-103JE	1	4723-103J-P-R
PCB	R873	C-CARBON R	RN72K1J-103JE	1	4723-103J-P-R
PCB	R951	C-CARBON R	RN72K1J-101JE	1	4723-101J-P-R
PCB	R4001	C-CARBON R	RN72K1J-470JE	1	4723-470J-P-R
PCB	R4004	C-CARBON R	RN72K1J-470JE	1	4723-470J-P-R
PCB	R4005	C-CARBON R	RN72K1J-101JE	1	4723-101J-P-R
PCB	R4013	C-CARBON R	RN72K1J-000JE	1	4723-000J-P-R
PCB	R4014	C-CARBON R	RN72K1J-000JE	1	4723-000J-P-R
PCB	R4015	C-CARBON R	RN72K1J-000JE	1	4723-000J-P-R
PCB	R4016	C-CARBON R	RN72K1J-000JE	1	4723-000J-P-R
PCB	R4017	C-CARBON R	RN72K1J-000JE	1	4723-000J-P-R
PCB	R4018	C-CARBON R	RN72K1J-000JE	1	4723-000J-P-R
PCB	R4020	C-CARBON R	RN72K1J-000JE	1	4723-000J-P-R
PCB	R4021	C-CARBON R	RN72K1J-000JE	1	4723-000J-P-R
PCB	R4022	C-CARBON R	RN72K1J-000JE	1	4723-000J-P-R
PCB	R4023	C-CARBON R	RN72K1J-000JE	1	4723-000J-P-R
PCB	R4024	C-CARBON R	RN72K1J-000JE	1	4723-000J-P-R
PCB	R4025	C-CARBON R	RN72K1J-000JE	1	4723-000J-P-R
PCB	R4026	C-CARBON R	RN72K1J-000JE	1	4723-000J-P-R
PCB	R4027	C-CARBON R	RN72K1J-000JE	1	4723-000J-P-R
PCB	R4028	C-CARBON R	RN72K1J-000JE	1	4723-000J-P-R
PCB	R4029	C-CARBON R	RN72K1J-000JE	1	4723-000J-P-R
PCB	R4030	C-CARBON R	RN72K1J-000JE	1	4723-000J-P-R
PCB	R4031	C-CARBON R	RN72K1J-000JE	1	4723-000J-P-R
PCB	R4032	C-CARBON R	RN72K1J-000JE	1	4723-000J-P-R
PCB	R4037	C-CARBON R	RN72K1J-000JE	1	4723-000J-P-R
PCB	R4038	C-CARBON R	RN72K1J-000JE	1	4723-000J-P-R
PCB	R4039	C-CARBON R	RN72K1J-000JE	1	4723-000J-P-R
PCB	R4040	C-CARBON R	RN72K1J-000JE	1	4723-000J-P-R
PCB	R4041	C-CARBON R	RN72K1J-000JE	1	4723-000J-P-R
PCB	R4042	C-CARBON R	RN72K1J-000JE	1	4723-000J-P-R
PCB	R4043	C-CARBON R	RN72K1J-000JE	1	4723-000J-P-R
PCB	R4046	C-CARBON R	RN72K1J-000JE	1	4723-000J-P-R
PCB	R4050	METAL R	RNU1/2WCJ-0.82	1	4717-R82J-K-X
PCB	R4051	C-CARBON R	RN72K1J-560JE	1	4723-560J-P-R
PCB	R4052	C-CARBON R	RN72K1J-560JE	1	4723-560J-P-R
PCB	R4053	C-CARBON R	RN72K1J-560JE	1	4723-560J-P-R
PCB	R4054	C-CARBON R	RN72K1J-560JE	1	4723-560J-P-R
PCB	R4055	C-CARBON R	RN72K1J-560JE	1	4723-560J-P-R
PCB	R4056	C-CARBON R	RN72K1J-102JE	1	4723-102J-P-R
PCB	R4057	C-CARBON R	RN72K1J-000JE	1	4723-000J-P-R
PCB	R4058	C-CARBON R	RN72K1J-560JE	1	4723-560J-P-R
PCB	R4059	C-CARBON R	RN72K1J-560JE	1	4723-560J-P-R
PCB	R4060	C-CARBON R	RN72K1J-560JE	1	4723-560J-P-R
PCB	R4061	C-CARBON R	RN72K1J-560JE	1	4723-560J-P-R
PCB	R4062	C-CARBON R	RN72K1J-560JE	1	4723-560J-P-R
PCB	R4063	C-CARBON R	RN72K1J-560JE	1	4723-560J-P-R
PCB	R4064	C-CARBON R	RN72K1J-472JE	1	4723-472J-P-R
PCB	R4065	C-CARBON R	RN72K1J-102JE	1	4723-102J-P-R
PCB	R4066	C-CARBON R	RN72K1J-101JE	1	4723-101J-P-R
PCB	R4067	C-CARBON R	RN72K1J-560JE	1	4723-560J-P-R
PCB	R4071	C-CARBON R	RN72K1J-560JE	1	4723-560J-P-R
PCB	R4072	C-CARBON R	RN72K1J-102JE	1	4723-102J-P-R
PCB	R4073	C-CARBON R	RN72K1J-560JE	1	4723-560J-P-R
PCB	R4074	C-CARBON R	RN72K1J-560JE	1	4723-560J-P-R

PCB	R4075	C-CARBON R	RN72K1J-102JE	1	4723-102J-P-R
PCB	R4076	C-CARBON R	RN72K1J-102JE	1	4723-102J-P-R
PCB	R4077	C-CARBON R	RN72K1J-102JE	1	4723-102J-P-R
PCB	R4078	C-CARBON R	RN72K1J-560JE	1	4723-560J-P-R
PCB	R4079	C-CARBON R	RN72K1J-102JE	1	4723-102J-P-R
PCB	R4080	C-CARBON R	RN72K1J-102JE	1	4723-102J-P-R
PCB	R4081	C-CARBON R	RN72K1J-560JE	1	4723-560J-P-R
PCB	R4082	C-CARBON R	RN72K1J-560JE	1	4723-560J-P-R
PCB	R4083	C-CARBON R	RN72K1J-560JE	1	4723-560J-P-R
PCB	R4085	C-CARBON R	RN72K1J-560JE	1	4723-560J-P-R
PCB	R4086	C-CARBON R	RN72K1J-560JE	1	4723-560J-P-R
PCB	R4087	C-CARBON R	RN72K1J-560JE	1	4723-560J-P-R
PCB	R4088	C-CARBON R	RN72K1J-560JE	1	4723-560J-P-R
PCB	R4090	C-CARBON R	RN72K1J-560JE	1	4723-560J-P-R
PCB	R4091	C-CARBON R	RN72K1J-560JE	1	4723-560J-P-R
PCB	R4092	C-CARBON R	RN72K1J-560JE	1	4723-560J-P-R
PCB	R4094	C-CARBON R	RN72K1J-102JE	1	4723-102J-P-R
PCB	R4095	C-CARBON R	RN72K1J-560JE	1	4723-560J-P-R
PCB	R4096	C-CARBON R	RN72K1J-221JE	1	4723-221J-P-R
PCB	R4097	C-CARBON R	RN72K1J-331JE	1	4723-331J-P-R
PCB	R4098	C-CARBON R	RN72K1J-331JE	1	4723-331J-P-R
PCB	R4099	C-CARBON R	RN72K1J-560JE	1	4723-560J-P-R
PCB	R4100	C-CARBON R	RN72K1J-331JE	1	4723-331J-P-R
PCB	R4102	C-CARBON R	RN72K1J-560JE	1	4723-560J-P-R
PCB	R4105	C-CARBON R	RN72K1J-560JE	1	4723-560J-P-R
PCB	R4106	C-CARBON R	RN72K1J-102JE	1	4723-102J-P-R
PCB	R4107	C-CARBON R	RN72K1J-560JE	1	4723-560J-P-R
PCB	R4109	C-CARBON R	RN72K1J-102JE	1	4723-102J-P-R
PCB	R4110	C-CARBON R	RN72K1J-560JE	1	4723-560J-P-R
PCB	R4111	C-CARBON R	RN72K1J-102JE	1	4723-102J-P-R
PCB	R4112	C-CARBON R	RN72K1J-331JE	1	4723-331J-P-R
PCB	R4113	C-CARBON R	RN72K1J-331JE	1	4723-331J-P-R
PCB	R4114	C-CARBON R	RN72K1J-560JE	1	4723-560J-P-R
PCB	R4116	C-CARBON R	RN72K1J-560JE	1	4723-560J-P-R
PCB	R4117	C-CARBON R	RN72K1J-560JE	1	4723-560J-P-R
PCB	R4118	C-CARBON R	RN72K1J-560JE	1	4723-560J-P-R
PCB	R4119	C-CARBON R	RN72K1J-331JE	1	4723-331J-P-R
PCB	R4120	C-CARBON R	RN72K1J-331JE	1	4723-331J-P-R
PCB	R4121	C-CARBON R	RN72K1J-560JE	1	4723-560J-P-R
PCB	R4122	C-CARBON R	RN72K1J-331JE	1	4723-331J-P-R
PCB	R4123	C-CARBON R	RN72K1J-331JE	1	4723-331J-P-R
PCB	R4124	C-CARBON R	RN72K1J-560JE	1	4723-560J-P-R
PCB	R4126	C-CARBON R	RN72K1J-560JE	1	4723-560J-P-R
PCB	R4127	C-CARBON R	RN72K1J-560JE	1	4723-560J-P-R
PCB	R4128	C-CARBON R	RN72K1J-102JE	1	4723-102J-P-R
PCB	R4129	C-CARBON R	RN72K1J-560JE	1	4723-560J-P-R
PCB	R4130	C-CARBON R	RN72K1J-331JE	1	4723-331J-P-R
PCB	R4139	C-CARBON R	RN72K1J-101JE	1	4723-101J-P-R
PCB	R4141	C-CARBON R	RN72K1J-103JE	1	4723-103J-P-R
PCB	R4203	C-CARBON R	RN72K1J-470JE	1	4723-470J-P-R
PCB	R4204	C-CARBON R	RN72K1J-470JE	1	4723-470J-P-R
PCB	R4206	C-CARBON R	RN72K1J-470JE	1	4723-470J-P-R
PCB	R4207	C-CARBON R	RN72K1J-470JE	1	4723-470J-P-R
PCB	R4208	C-CARBON R	RN72K1J-470JE	1	4723-470J-P-R
PCB	R4209	C-CARBON R	RN72K1J-000JE	1	4723-000J-P-R
PCB	R4218	C-CARBON R	RN72K1J-392JE	1	4723-392J-P-R

PCB	R4220	C-CARBON R	RN72K1J-000JE	1	4723-000J-P-R
PCB	R4221	C-CARBON R	RN72K1J-000JE	1	4723-000J-P-R
PCB	R4223	C-CARBON R	RN72K1J-470JE	1	4723-470J-P-R
PCB	R4224	C-CARBON R	RN72K1J-470JE	1	4723-470J-P-R
PCB	R4225	C-CARBON R	RN72K1J-470JE	1	4723-470J-P-R
PCB	R4228	C-CARBON R	RN72K1J-470JE	1	4723-470J-P-R
PCB	R4237	C-CARBON R	RN72K1J-470JE	1	4723-470J-P-R
PCB	R4239	C-CARBON R	RN72K1J-470JE	1	4723-470J-P-R
PCB	R4248	C-CARBON R	RN72K1J-000JE	1	4723-000J-P-R
PCB	R4249	C-CARBON R	RN72K1J-000JE	1	4723-000J-P-R
PCB	R4303	C-CARBON R	RN72K1J-470JE	1	4723-470J-P-R
PCB	R4305	C-CARBON R	RN72K1J-392JE	1	4723-392J-P-R
PCB	R4307	C-CARBON R	RN72K1J-470JE	1	4723-470J-P-R
PCB	R4308	C-CARBON R	RN72K1J-470JE	1	4723-470J-P-R
PCB	R4313	C-CARBON R	RN72K1J-470JE	1	4723-470J-P-R
PCB	R4317	METAL O R	RS1/2WBJ-33	1	4717-330J-K-X
PCB	R4320	METAL O R	RS1/2WBJ-120	1	4717-121J-K-X
PCB	R4321	C-CARBON R	RN72K1J-182JE	1	4723-182J-P-R
PCB	R4322	C-CARBON R	RN72K1J-182JE	1	4723-182J-P-R
PCB	R4323	C-CARBON R	RN72K1J-821JE	1	4723-821J-P-R
PCB	R4324	C-CARBON R	RN72K1J-821JE	1	4723-821J-P-R
PCB	R4325	C-CARBON R	RN72K1J-392JE	1	4723-392J-P-R
PCB	R4326	C-CARBON R	RN72K1J-392JE	1	4723-392J-P-R
PCB	R4327	C-CARBON R	RN72K1J-103JE	1	4723-103J-P-R
PCB	R4328	C-CARBON R	RN72K1J-103JE	1	4723-103J-P-R
PCB	R4329	C-CARBON R	RN72K1J-103JE	1	4723-103J-P-R
PCB	R4330	C-CARBON R	RN72K1J-103JE	1	4723-103J-P-R
PCB	R4331	C-CARBON R	RN72K1J-224JE	1	4723-224J-P-R
PCB	R4332	C-CARBON R	RN72K1J-224JE	1	4723-224J-P-R
PCB	R4333	METAL O R	RS1/2WBJ-150	1	4717-151J-K-X
PCB	R4337	METAL O R	RS1/2WBJ-150	1	4717-151J-K-X
PCB	R4341	C-CARBON R	RN72K1J-103JE	1	4723-103J-P-R
PCB	R4342	C-CARBON R	RN72K1J-103JE	1	4723-103J-P-R
PCB	R4345	C-CARBON R	RN72K1J-822JE	1	4723-822J-P-R
PCB	R4346	C-CARBON R	RN72K1J-822JE	1	4723-822J-P-R
PCB	R4347	C-CARBON R	RN72K1J-152JE	1	4723-152J-P-R
PCB	R4348	C-CARBON R	RN72K1J-152JE	1	4723-152J-P-R
PCB	R4349	C-CARBON R	RN72K1J-223JE	1	4723-223J-P-R
PCB	R4350	C-CARBON R	RN72K1J-223JE	1	4723-223J-P-R
PCB	R4351	C-CARBON R	RN72K1J-223JE	1	4723-223J-P-R
PCB	R4352	C-CARBON R	RN72K1J-223JE	1	4723-223J-P-R
PCB	R4353	C-CARBON R	RN72K1J-223JE	1	4723-223J-P-R
PCB	R4354	C-CARBON R	RN72K1J-223JE	1	4723-223J-P-R
PCB	R4355	C-CARBON R	RN72K1J-223JE	1	4723-223J-P-R
PCB	R4356	C-CARBON R	RN72K1J-223JE	1	4723-223J-P-R
PCB	R4357	C-CARBON R	RN72K1J-152JE	1	4723-152J-P-R
PCB	R4358	C-CARBON R	RN72K1J-152JE	1	4723-152J-P-R
PCB	R4359	C-CARBON R	RN72K1J-152JE	1	4723-152J-P-R
PCB	R4360	C-CARBON R	RN72K1J-152JE	1	4723-152J-P-R
PCB	R4369	C-CARBON R	RN72K1J-102JE	1	4723-102J-P-R
PCB	R4370	C-CARBON R	RN72K1J-102JE	1	4723-102J-P-R
PCB	R4371	C-CARBON R	RN72K1J-562JE	1	4723-562J-P-R
PCB	R4372	C-CARBON R	RN72K1J-562JE	1	4723-562J-P-R
PCB	R4373	C-CARBON R	RN72K1J-562JE	1	4723-562J-P-R
PCB	R4374	C-CARBON R	RN72K1J-562JE	1	4723-562J-P-R
PCB	R4403	C-CARBON R	RN72K1J-470JE	1	4723-470J-P-R

PCB	R4404	C-CARBON R	RN72K1J-470JE	1	4723-470J-P-R
PCB	R4405	C-CARBON R	RN72K1J-470JE	1	4723-470J-P-R
PCB	R4406	C-CARBON R	RN72K1J-470JE	1	4723-470J-P-R
PCB	R4407	C-CARBON R	RN72K1J-470JE	1	4723-470J-P-R
PCB	R4408	C-CARBON R	RN72K1J-470JE	1	4723-470J-P-R
PCB	R4409	C-CARBON R	RN72K1J-470JE	1	4723-470J-P-R
PCB	R4410	C-CARBON R	RN72K1J-470JE	1	4723-470J-P-R
PCB	R4411	C-CARBON R	RN72K1J-470JE	1	4723-470J-P-R
PCB	R4412	C-CARBON R	RN72K1J-470JE	1	4723-470J-P-R
PCB	R4413	C-CARBON R	RN72K1J-470JE	1	4723-470J-P-R
PCB	R4414	C-CARBON R	RN72K1J-102JE	1	4723-102J-P-R
PCB	R4421	C-CARBON R	RN72K1J-182JE	1	4723-182J-P-R
PCB	R4422	C-CARBON R	RN72K1J-182JE	1	4723-182J-P-R
PCB	R4423	C-CARBON R	RN72K1J-821JE	1	4723-821J-P-R
PCB	R4424	C-CARBON R	RN72K1J-821JE	1	4723-821J-P-R
PCB	R4425	C-CARBON R	RN72K1J-392JE	1	4723-392J-P-R
PCB	R4426	C-CARBON R	RN72K1J-392JE	1	4723-392J-P-R
PCB	R4427	C-CARBON R	RN72K1J-103JE	1	4723-103J-P-R
PCB	R4428	C-CARBON R	RN72K1J-103JE	1	4723-103J-P-R
PCB	R4429	C-CARBON R	RN72K1J-103JE	1	4723-103J-P-R
PCB	R4430	C-CARBON R	RN72K1J-103JE	1	4723-103J-P-R
PCB	R4431	C-CARBON R	RN72K1J-224JE	1	4723-224J-P-R
PCB	R4432	C-CARBON R	RN72K1J-224JE	1	4723-224J-P-R
PCB	R4433	METAL O R	RS1/2WBJ-150	1	4717-151J-K-X
PCB	R4437	METAL O R	RS1/2WBJ-150	1	4717-151J-K-X
PCB	R4441	C-CARBON R	RN72K1J-103JE	1	4723-103J-P-R
PCB	R4442	C-CARBON R	RN72K1J-103JE	1	4723-103J-P-R
PCB	R4445	C-CARBON R	RN72K1J-822JE	1	4723-822J-P-R
PCB	R4446	C-CARBON R	RN72K1J-822JE	1	4723-822J-P-R
PCB	R4447	C-CARBON R	RN72K1J-152JE	1	4723-152J-P-R
PCB	R4448	C-CARBON R	RN72K1J-152JE	1	4723-152J-P-R
PCB	R4449	C-CARBON R	RN72K1J-223JE	1	4723-223J-P-R
PCB	R4450	C-CARBON R	RN72K1J-223JE	1	4723-223J-P-R
PCB	R4451	C-CARBON R	RN72K1J-223JE	1	4723-223J-P-R
PCB	R4452	C-CARBON R	RN72K1J-223JE	1	4723-223J-P-R
PCB	R4453	C-CARBON R	RN72K1J-223JE	1	4723-223J-P-R
PCB	R4454	C-CARBON R	RN72K1J-223JE	1	4723-223J-P-R
PCB	R4455	C-CARBON R	RN72K1J-223JE	1	4723-223J-P-R
PCB	R4456	C-CARBON R	RN72K1J-223JE	1	4723-223J-P-R
PCB	R4457	C-CARBON R	RN72K1J-152JE	1	4723-152J-P-R
PCB	R4458	C-CARBON R	RN72K1J-152JE	1	4723-152J-P-R
PCB	R4459	C-CARBON R	RN72K1J-152JE	1	4723-152J-P-R
PCB	R4460	C-CARBON R	RN72K1J-152JE	1	4723-152J-P-R
PCB	R4469	C-CARBON R	RN72K1J-102JE	1	4723-102J-P-R
PCB	R4470	C-CARBON R	RN72K1J-102JE	1	4723-102J-P-R
PCB	R4471	C-CARBON R	RN72K1J-562JE	1	4723-562J-P-R
PCB	R4472	C-CARBON R	RN72K1J-562JE	1	4723-562J-P-R
PCB	R4473	C-CARBON R	RN72K1J-562JE	1	4723-562J-P-R
PCB	R4474	C-CARBON R	RN72K1J-562JE	1	4723-562J-P-R
PCB	R4507	C-CARBON R	RN72K1J-470JE	1	4723-470J-P-R
PCB	R4508	C-CARBON R	RN72K1J-470JE	1	4723-470J-P-R
PCB	R4513	C-CARBON R	RN72K1J-470JE	1	4723-470J-P-R
PCB	R4521	C-CARBON R	RN72K1J-182JE	1	4723-182J-P-R
PCB	R4522	C-CARBON R	RN72K1J-182JE	1	4723-182J-P-R
PCB	R4523	C-CARBON R	RN72K1J-821JE	1	4723-821J-P-R
PCB	R4524	C-CARBON R	RN72K1J-821JE	1	4723-821J-P-R

PCB	R4525	C-CARBON R	RN72K1J-392JE	1	4723-392J-P-R
PCB	R4526	C-CARBON R	RN72K1J-392JE	1	4723-392J-P-R
PCB	R4527	C-CARBON R	RN72K1J-103JE	1	4723-103J-P-R
PCB	R4528	C-CARBON R	RN72K1J-103JE	1	4723-103J-P-R
PCB	R4529	C-CARBON R	RN72K1J-103JE	1	4723-103J-P-R
PCB	R4530	C-CARBON R	RN72K1J-103JE	1	4723-103J-P-R
PCB	R4531	C-CARBON R	RN72K1J-224JE	1	4723-224J-P-R
PCB	R4532	C-CARBON R	RN72K1J-224JE	1	4723-224J-P-R
PCB	R4533	METAL O R	RS1/2WBJ-150	1	4717-151J-K-X
PCB	R4537	METAL O R	RS1/2WBJ-150	1	4717-151J-K-X
PCB	R4541	C-CARBON R	RN72K1J-103JE	1	4723-103J-P-R
PCB	R4542	C-CARBON R	RN72K1J-103JE	1	4723-103J-P-R
PCB	R4545	C-CARBON R	RN72K1J-822JE	1	4723-822J-P-R
PCB	R4546	C-CARBON R	RN72K1J-822JE	1	4723-822J-P-R
PCB	R4547	C-CARBON R	RN72K1J-152JE	1	4723-152J-P-R
PCB	R4548	C-CARBON R	RN72K1J-152JE	1	4723-152J-P-R
PCB	R4549	C-CARBON R	RN72K1J-223JE	1	4723-223J-P-R
PCB	R4550	C-CARBON R	RN72K1J-223JE	1	4723-223J-P-R
PCB	R4551	C-CARBON R	RN72K1J-223JE	1	4723-223J-P-R
PCB	R4552	C-CARBON R	RN72K1J-223JE	1	4723-223J-P-R
PCB	R4553	C-CARBON R	RN72K1J-223JE	1	4723-223J-P-R
PCB	R4554	C-CARBON R	RN72K1J-223JE	1	4723-223J-P-R
PCB	R4555	C-CARBON R	RN72K1J-223JE	1	4723-223J-P-R
PCB	R4556	C-CARBON R	RN72K1J-223JE	1	4723-223J-P-R
PCB	R4557	C-CARBON R	RN72K1J-152JE	1	4723-152J-P-R
PCB	R4558	C-CARBON R	RN72K1J-152JE	1	4723-152J-P-R
PCB	R4559	C-CARBON R	RN72K1J-152JE	1	4723-152J-P-R
PCB	R4560	C-CARBON R	RN72K1J-152JE	1	4723-152J-P-R
PCB	R4569	C-CARBON R	RN72K1J-102JE	1	4723-102J-P-R
PCB	R4570	C-CARBON R	RN72K1J-102JE	1	4723-102J-P-R
PCB	R4571	C-CARBON R	RN72K1J-562JE	1	4723-562J-P-R
PCB	R4572	C-CARBON R	RN72K1J-562JE	1	4723-562J-P-R
PCB	R4573	C-CARBON R	RN72K1J-562JE	1	4723-562J-P-R
PCB	R4574	C-CARBON R	RN72K1J-562JE	1	4723-562J-P-R
PCB	R4601	C-CARBON R	RN72K1J-102JE	1	4723-102J-P-R
PCB	R4603	C-CARBON R	RN72K1J-470JE	1	4723-470J-P-R
PCB	R4604	C-CARBON R	RN72K1J-470JE	1	4723-470J-P-R
PCB	R4605	C-CARBON R	RN72K1J-470JE	1	4723-470J-P-R
PCB	R4606	C-CARBON R	RN72K1J-470JE	1	4723-470J-P-R
PCB	R4607	C-CARBON R	RN72K1J-470JE	1	4723-470J-P-R
PCB	R4608	C-CARBON R	RN72K1J-470JE	1	4723-470J-P-R
PCB	R4609	C-CARBON R	RN72K1J-470JE	1	4723-470J-P-R
PCB	R4610	C-CARBON R	RN72K1J-470JE	1	4723-470J-P-R
PCB	R4611	C-CARBON R	RN72K1J-470JE	1	4723-470J-P-R
PCB	R4612	C-CARBON R	RN72K1J-470JE	1	4723-470J-P-R
PCB	R4613	C-CARBON R	RN72K1J-470JE	1	4723-470J-P-R
PCB	R4614	C-CARBON R	RN72K1J-000JE	1	4723-000J-P-R
PCB	R4616	C-CARBON R	RN72K1J-000JE	1	4723-000J-P-R
PCB	R4617	C-CARBON R	RN72K1J-000JE	1	4723-000J-P-R
PCB	R4621	C-CARBON R	RN72K1J-332JE	1	4723-332J-P-R
PCB	R4622	C-CARBON R	RN72K1J-332JE	1	4723-332J-P-R
PCB	R4623	C-CARBON R	RN72K1J-332JE	1	4723-332J-P-R
PCB	R4624	C-CARBON R	RN72K1J-332JE	1	4723-332J-P-R
PCB	R4625	C-CARBON R	RN72K1J-332JE	1	4723-332J-P-R
PCB	R4626	C-CARBON R	RN72K1J-332JE	1	4723-332J-P-R
PCB	R4627	C-CARBON R	RN72K1J-332JE	1	4723-332J-P-R

PCB	R4628	C-CARBON R	RN72K1J-332JE	1	4723-332J-P-R
PCB	R4629	C-CARBON R	RN72K1J-332JE	1	4723-332J-P-R
PCB	R4630	C-CARBON R	RN72K1J-332JE	1	4723-332J-P-R
PCB	R4631	C-CARBON R	RN72K1J-332JE	1	4723-332J-P-R
PCB	R4632	C-CARBON R	RN72K1J-332JE	1	4723-332J-P-R
PCB	R4633	METAL O R	RS1/2WBJ-150	1	4717-151J-K-X
PCB	R4637	METAL O R	RS1/2WBJ-150	1	4717-151J-K-X
PCB	R4641	C-CARBON R	RN72K1J-822JE	1	4723-822J-P-R
PCB	R4642	C-CARBON R	RN72K1J-822JE	1	4723-822J-P-R
PCB	R4643	C-CARBON R	RN72K1J-182JE	1	4723-182J-P-R
PCB	R4644	C-CARBON R	RN72K1J-182JE	1	4723-182J-P-R
PCB	R4645	C-CARBON R	RN72K1J-103JE	1	4723-103J-P-R
PCB	R4646	C-CARBON R	RN72K1J-103JE	1	4723-103J-P-R
PCB	R4647	C-CARBON R	RN72K1J-152JE	1	4723-152J-P-R
PCB	R4648	C-CARBON R	RN72K1J-152JE	1	4723-152J-P-R
PCB	R4649	C-CARBON R	RN72K1J-223JE	1	4723-223J-P-R
PCB	R4650	C-CARBON R	RN72K1J-223JE	1	4723-223J-P-R
PCB	R4651	C-CARBON R	RN72K1J-223JE	1	4723-223J-P-R
PCB	R4652	C-CARBON R	RN72K1J-223JE	1	4723-223J-P-R
PCB	R4653	C-CARBON R	RN72K1J-223JE	1	4723-223J-P-R
PCB	R4654	C-CARBON R	RN72K1J-223JE	1	4723-223J-P-R
PCB	R4655	C-CARBON R	RN72K1J-223JE	1	4723-223J-P-R
PCB	R4656	C-CARBON R	RN72K1J-223JE	1	4723-223J-P-R
PCB	R4657	C-CARBON R	RN72K1J-152JE	1	4723-152J-P-R
PCB	R4658	C-CARBON R	RN72K1J-152JE	1	4723-152J-P-R
PCB	R4659	C-CARBON R	RN72K1J-152JE	1	4723-152J-P-R
PCB	R4660	C-CARBON R	RN72K1J-152JE	1	4723-152J-P-R
PCB	R4669	C-CARBON R	RN72K1J-102JE	1	4723-102J-P-R
PCB	R4670	C-CARBON R	RN72K1J-102JE	1	4723-102J-P-R
PCB	R4671	C-CARBON R	RN72K1J-562JE	1	4723-562J-P-R
PCB	R4672	C-CARBON R	RN72K1J-562JE	1	4723-562J-P-R
PCB	R4673	C-CARBON R	RN72K1J-562JE	1	4723-562J-P-R
PCB	R4674	C-CARBON R	RN72K1J-562JE	1	4723-562J-P-R
PCB	R4701	C-CARBON R	RN72K1J-473JE	1	4723-473J-P-R
PCB	R4702	C-CARBON R	RN72K1J-473JE	1	4723-473J-P-R
PCB	R4703	C-CARBON R	RN72K1J-391JE	1	4723-391J-P-R
PCB	R4704	C-CARBON R	RN72K1J-391JE	1	4723-391J-P-R
PCB	R4705	C-CARBON R	RN72K1J-221JE	1	4723-221J-P-R
PCB	R4706	C-CARBON R	RN72K1J-221JE	1	4723-221J-P-R
PCB	R4707	C-CARBON R	RN72K1J-332JE	1	4723-332J-P-R
PCB	R4708	C-CARBON R	RN72K1J-332JE	1	4723-332J-P-R
PCB	R4709	C-CARBON R	RN72K1J-332JE	1	4723-332J-P-R
PCB	R4710	C-CARBON R	RN72K1J-105JE	1	4723-105J-P-R
PCB	R4711	C-CARBON R	RN72K1J-105JE	1	4723-105J-P-R
PCB	R4712	C-CARBON R	RN72K1J-684JE	1	4723-684J-P-R
PCB	R4713	C-CARBON R	RN72K1J-684JE	1	4723-684J-P-R
PCB	R4714	C-CARBON R	RN72K1J-000JE	1	4723-000J-P-R
PCB	R4715	C-CARBON R	RN72K1J-000JE	1	4723-000J-P-R
PCB	R4716	C-CARBON R	RN72K1J-332JE	1	4723-332J-P-R
PCB	R4751	C-CARBON R	RN72K1J-102JE	1	4723-102J-P-R
PCB	R4752	C-CARBON R	RN72K1J-102JE	1	4723-102J-P-R
PCB	R4753	C-CARBON R	RN72K1J-272JE	1	4723-272J-P-R
PCB	R4754	C-CARBON R	RN72K1J-272JE	1	4723-272J-P-R
PCB	R4755	C-CARBON R	RN72K1J-392JE	1	4723-392J-P-R
PCB	R4756	C-CARBON R	RN72K1J-392JE	1	4723-392J-P-R
PCB	R4757	C-CARBON R	RN72K1J-102JE	1	4723-102J-P-R

PCB	R4758	C-CARBON R	RN72K1J-102JE	1	4723-102J-P-R
PCB	R4759	C-CARBON R	RN72K1J-473JE	1	4723-473J-P-R
PCB	R4760	C-CARBON R	RN72K1J-473JE	1	4723-473J-P-R
PCB	R4761	C-CARBON R	RN72K1J-391JE	1	4723-391J-P-R
PCB	R4762	C-CARBON R	RN72K1J-391JE	1	4723-391J-P-R
PCB	R4763	C-CARBON R	RN72K1J-221JE	1	4723-221J-P-R
PCB	R4764	C-CARBON R	RN72K1J-221JE	1	4723-221J-P-R
PCB	R4765	C-CARBON R	RN72K1J-332JE	1	4723-332J-P-R
PCB	R4766	C-CARBON R	RN72K1J-332JE	1	4723-332J-P-R
PCB	R4767	C-CARBON R	RN72K1J-332JE	1	4723-332J-P-R
PCB	R4768	C-CARBON R	RN72K1J-332JE	1	4723-332J-P-R
PCB	R4769	C-CARBON R	RN72K1J-105JE	1	4723-105J-P-R
PCB	R4770	C-CARBON R	RN72K1J-684JE	1	4723-684J-P-R
PCB	R4801	C-CARBON R	RN72K1J-473JE	1	4723-473J-P-R
PCB	R4802	C-CARBON R	RN72K1J-473JE	1	4723-473J-P-R
PCB	R4803	C-CARBON R	RN72K1J-391JE	1	4723-391J-P-R
PCB	R4804	C-CARBON R	RN72K1J-391JE	1	4723-391J-P-R
PCB	R4805	C-CARBON R	RN72K1J-221JE	1	4723-221J-P-R
PCB	R4806	C-CARBON R	RN72K1J-221JE	1	4723-221J-P-R
PCB	R4815	C-CARBON R	RN72K1J-332JE	1	4723-332J-P-R
PCB	R4816	C-CARBON R	RN72K1J-332JE	1	4723-332J-P-R
PCB	R4817	C-CARBON R	RN72K1J-332JE	1	4723-332J-P-R
PCB	R4818	C-CARBON R	RN72K1J-332JE	1	4723-332J-P-R
PCB	R4851	C-CARBON R	RN72K1J-102JE	1	4723-102J-P-R
PCB	R4852	C-CARBON R	RN72K1J-102JE	1	4723-102J-P-R
PCB	R4853	C-CARBON R	RN72K1J-272JE	1	4723-272J-P-R
PCB	R4854	C-CARBON R	RN72K1J-272JE	1	4723-272J-P-R
PCB	R4855	C-CARBON R	RN72K1J-181JE	1	4723-181J-P-R
PCB	R4856	C-CARBON R	RN72K1J-181JE	1	4723-181J-P-R
PCB	R4857	C-CARBON R	RN72K1J-102JE	1	4723-102J-P-R
PCB	R4858	C-CARBON R	RN72K1J-102JE	1	4723-102J-P-R
PCB	R4859	C-CARBON R	RN72K1J-473JE	1	4723-473J-P-R
PCB	R4860	C-CARBON R	RN72K1J-473JE	1	4723-473J-P-R
PCB	R4861	C-CARBON R	RN72K1J-391JE	1	4723-391J-P-R
PCB	R4862	C-CARBON R	RN72K1J-391JE	1	4723-391J-P-R
PCB	R4863	C-CARBON R	RN72K1J-221JE	1	4723-221J-P-R
PCB	R4864	C-CARBON R	RN72K1J-221JE	1	4723-221J-P-R
PCB	R4865	C-CARBON R	RN72K1J-332JE	1	4723-332J-P-R
PCB	R4866	C-CARBON R	RN72K1J-332JE	1	4723-332J-P-R
PCB	R4867	C-CARBON R	RN72K1J-332JE	1	4723-332J-P-R
PCB	R4868	C-CARBON R	RN72K1J-332JE	1	4723-332J-P-R
PCB	R4869	C-CARBON R	RN72K1J-684JE	1	4723-684J-P-R
PCB	R4870	C-CARBON R	RN72K1J-105JE	1	4723-105J-P-R
PCB	R4901	C-CARBON R	RN72K1J-473JE	1	4723-473J-P-R
PCB	R4902	C-CARBON R	RN72K1J-473JE	1	4723-473J-P-R
PCB	R4903	C-CARBON R	RN72K1J-391JE	1	4723-391J-P-R
PCB	R4904	C-CARBON R	RN72K1J-391JE	1	4723-391J-P-R
PCB	R4905	C-CARBON R	RN72K1J-221JE	1	4723-221J-P-R
PCB	R4906	C-CARBON R	RN72K1J-221JE	1	4723-221J-P-R
PCB	R4907	C-CARBON R	RN72K1J-332JE	1	4723-332J-P-R
PCB	R4908	C-CARBON R	RN72K1J-332JE	1	4723-332J-P-R
PCB	R4909	C-CARBON R	RN72K1J-332JE	1	4723-332J-P-R
PCB	R4910	C-CARBON R	RN72K1J-332JE	1	4723-332J-P-R
PCB	R4951	METAL O R	RS1/2WBJ-150	1	4717-151J-K-X
PCB	R4952	METAL O R	RS1/2WBJ-150	1	4717-151J-K-X
PCB	P501A	PLUG	NPLG-4P118	1	2101-3025-0

PCB	P502A	PLUG	2002P0300T	1	2101-3008-0	
PCB	P707B	SOCKET	NSCT-6P2136	1	2101-1422-0	
PCB	P707Bor	SOCKET	NSCT-6P1637	(1)	2101-1539-0	
PCB	P707Bor	SOCKET	NSCT-6P1839	(1)	2101-1541-0	
PCB	P708B	SOCKET AS	NSAS-4P1409	1	7012-6807-0	
PCB	P709A	PLUG	2002P0200T	1	2101-3007-0	
PCB	P709B	SOCKET AS	NSAS-4P1410	1	7012-6808-0	
PCB	P711B	PLUG	2002P0200T	1	2101-3007-0	
PCB	P805	PLUG	2003P0500T	1	2101-3013-0	
PCB	P806A	SOCKET AS	NSAS-4P1411	1	7012-6809-0	
PCB	P903	SOCKET AS	NSAS-4P1181	1	7012-6598-0	
PCB	P905	AC INLET	NPLG-2P913	1	2113-3043-0	
PCB	P951	PLUG	2002P1000T	1	2101-3010-0	
PCB	P952B	SOCKET AS	NSAS-30P1355	1	7012-6826-0	
PCB	P1302B	PLUG	BM20B-SURS-TF	1	2101-3026-0	
PCB	P2003B	PLUG	BM20B-SURS-TF	1	2101-3026-0	
PCB	P2004B	PLUG	SM16B-SURS-TF	1	2101-3020-0	
PCB	P2701B	PLUG	NPLG-7P135	1	2101-1522-0	
PCB	P2711A	PLUG	2002P0700T	1	2101-3009-0	
PCB	P2901B	PLUG	NPLG-6P134	1	2113-1837-0	
PCB	P4701	PIN JACK	NPJ-2PDWR583	(1)	2113-3080-0	
PCB	P4751	PIN JACK	NPJ-6PDWRLEGP591	(1)	2113-3077-0	
PCB	P4851	PIN JACK	NPJ-2PDLE587	(1)	2113-3078-0	
PCB	P6104	WS CLAMP	CP-1S	1	6360-9650-0	
PCB	P6502A	PLUG	NPLG-7P135	1	2101-1522-0	
PCB	P6504B	PLUG	2002P0300T	1	2101-3008-0	
PCB	S815	PUSH SW	NPS-111-S681	1	5200-4861-0-01	
PCB	S816	PUSH SW	NPS-111-S681	1	5200-4861-0-01	
PCB	S817	PUSH SW	NPS-111-S681	1	5200-4861-0-01	
PCB	S818	PUSH SW	NPS-111-S681	1	5200-4861-0-01	
PCB	S819	PUSH SW	NPS-111-S681	1	5200-4861-0-01	
PCB	S820	PUSH SW	NPS-111-S681	1	5200-4861-0-01	
PCB	S4751	SLIDE SW	NSS-22155	1	5200-4882-0	

PC BOARD PARTS LIST

DPC-8.5

- U02** AUDIO OUTPUT TERMINAL PC BOARD
- U03** STANDBY SWITCH PC BOARD
- U05** DISC SENSOR PC BOARD
- U06** ILLUMINATION PC BOARD
- U07** ROULETTE MOTOR PC BOARD
- U08** LOADING MOTOR PC BOARD
- U09** INLET TERMINAL PC BOARD

REF NO	NAME	DESCRIPTION	Q'TY	PART NO	REMARKS	
PCB	Q1001	IC	CXD1881BR	1	3131-9990-0	
PCB	Q1002	IC	NJM2115V	1	3132-0010-0	
PCB	Q1003	TR	2SK3019	1	4853-0190-3	
PCB	Q1004	TR	2SK3019	1	4853-0190-3	
PCB	Q1005	TR	2SK3019	1	4853-0190-3	
PCB	Q1006	TR	2SB1132	1	4851-132R-3	
PCB	Q1007	TR	2SB1132	1	4851-132R-3	
PCB	Q1101	IC	FAN8042	1	3132-0020-0	
PCB	Q1102	IC	BA4510FV	1	3132-0030-0	
PCB	Q1201	IC	CXD1885Q	1	3132-0040-0	
PCB	Q1202	IC	74LVC1G08GW	1	3132-1621-0	
PCB	Q1202 or	IC	TC7SZ08FU	(1)	3132-1681-0	
PCB	Q1251	IC	IC41LV16100-50T	1	3132-0050-0	

PCB	Q1251 or	IC	IC41LV16100-50T	(1)	3132-0050-0
PCB	Q1301	IC	CXD2753R	1	3132-1631-0
PCB	Q1302	IC	AD8062	1	3132-1641-0
PCB	Q1303	IC	IC42S16100-7T	1	3132-1651-0
PCB	Q1303 or	IC	IC42S16100-7T	(1)	3132-1651-0
PCB	Q1303 or	IC	K4S161622H-UC60	(1)	3132-1060-1-*
PCB	Q1304	IC	TC7SZU04F	1	3132-1661-0
PCB	Q1305	IC	74LVC2G241DP	1	3132-1671-0
PCB	Q1305 or	IC	TC7WH241FU	(1)	3132-1851-0
PCB	Q1306	TR	2SK3019	1	4853-0190-3
PCB	Q1307	IC	TC7SZ08FU	1	3132-1681-0
PCB	Q1308	IC	TC7SZ08FU	1	3132-1681-0
PCB	Q1309	IC	TC7SZ08FU	1	3132-1681-0
PCB	Q1371	IC	EPM3128A-Harmony-8LI	1	3132-1691-0
PCB	Q2001	IC	M65776CFP	1	3132-1701-0
PCB	Q2002	IC	IC42S16400-7T	1	3132-0110-0
PCB	Q2002 or	IC	IC42S16400-7T	(1)	3132-0110-0
PCB	Q2002 or	IC	K4S641632H-UC75	(1)	3132-1591-0-*
PCB	Q2003	IC	NJM2373AF	1	3132-0120-0
PCB	Q2007	IC	74LVC2G241DP	1	3132-1671-0
PCB	Q2007 or	IC	TC7WH241FU	(1)	3132-1851-0
PCB	Q2008	IC	TC7SZ125FU	1	3132-0140-0
PCB	Q2101	IC	M32102S6FP	1	3132-1711-0
PCB	Q2102	IC	TC74VHCT374AFT	1	3132-1721-0
PCB	Q2103	IC	74LVC1G32GW	1	3132-1951-0
PCB	Q2103 or	IC	TC7SZ32FU	(1)	3132-1731-0
PCB	Q2104	IC	BR24L08FV-W	1	3132-1741-0
PCB	Q2105	IC	74LVC1G04GW	1	3132-1941-0
PCB	Q2105 or	IC	TC7SZ04FU	(1)	3132-1751-0
PCB	Q2106	IC	MX29LV320ABTC-90	1	3132-1761-0
PCB	Q2107	IC	S-80127CNMC-JKM-T2	1	3132-0070-0
PCB	Q2108	IC	TC7SZ125FU	1	3132-0140-0
PCB	Q2109	IC	74AHCT125PW	1	3132-2001-0
PCB	Q2109 or	IC	TC74VHCT125AFT	(1)	3132-0130-0
PCB	Q2191	IC	NJM2880U25	1	3132-1771-0
PCB	Q2601	IC	BU2288FV	1	3132-0150-0
PCB	Q2901	IC	BA33B00FP	1	3132-1781-0
PCB	Q2902	IC	LM1117MPX-ADJ	1	3132-1791-0
PCB	Q2903	IC(REGURATOR)	MPC2918T	1	3132-0170-0
PCB	D1301	LED	SEC1801C	1	3700-7832-A
PCB	D2101	C-DIODE	1SS352	1	480S-3520-3
PCB	D2901	LED	SEC1801C	1	3700-7832-A
PCB	L1001	CHOKE COIL	NCH-1479	1	1803-0063-0
PCB	L1002	CHOKE COIL	NCH-1479	1	1803-0063-0
PCB	L1003	CHOKE COIL	NCH-1471	1	1803-0064-0
PCB	L1004	CHOKE COIL	NCH-1471	1	1803-0064-0
PCB	L1005	CHOKE COIL	NCH-1471	1	1803-0064-0
PCB	L1201	CHOKE COIL	NCH-1471	1	1803-0064-0
PCB	L1202	CHOKE COIL	NCH-1471	1	1803-0064-0
PCB	L1203	CHOKE COIL	NCH-1471	1	1803-0064-0
PCB	L1204	CHOKE COIL	NCH-1471	1	1803-0064-0
PCB	L1251	CHOKE COIL	NCH-1471	1	1803-0064-0
PCB	L1301	CHOKE COIL	NCH-1471	1	1803-0064-0
PCB	L1302	CHOKE COIL	NCH-1471	1	1803-0064-0
PCB	L1303	CHOKE COIL	NCH-1471	1	1803-0064-0
PCB	L1304	CHOKE COIL	NCH-1471	1	1803-0064-0

PCB	L1305	CHOKE COIL	NCH-1471	1	1803-0064-0
PCB	L1306	CHOKE COIL	NCH-1471	1	1803-0064-0
PCB	L1307	CHOKE COIL	NCH-1471	1	1803-0064-0
PCB	L1371	CHOKE COIL	NCH-1471	1	1803-0064-0
PCB	L2001	CHOKE COIL	NCH-1471	1	1803-0064-0
PCB	L2002	CHOKE COIL	NCH-1471	1	1803-0064-0
PCB	L2003	CHOKE COIL	NCH-1471	1	1803-0064-0
PCB	L2004	CHOKE COIL	NCH-1471	1	1803-0064-0
PCB	L2005	CHOKE COIL	NCH-1471	1	1803-0064-0
PCB	L2101	CHOKE COIL	NCH-1471	1	1803-0064-0
PCB	L2102	CHOKE COIL	NCH-1471	1	1803-0064-0
PCB	L2601	CHOKE COIL	NCH-1473	1	1803-0086-0
PCB	L2602	CHOKE COIL	NCH-1473	1	1803-0086-0
PCB	L2901	CHOKE COIL	NCH-1471	1	1803-0064-0
PCB	L2902	CHOKE COIL	NCH-1471	1	1803-0064-0
PCB	L2903	CHOKE COIL	NCH-1471	1	1803-0064-0
PCB	X1301	CRYSTAL	FCX03-33.868MHz	1	2300-2390-0
PCB	X2601	CRYSTAL	FCX-03-27MHz	1	2300-2220-0
PCB	C1001	C-CERA C	CK725B1C-104K1	1	150D-104K-P-AC
PCB	C1002	C-CERA C	CK725B1C-104K1	1	150D-104K-P-AC
PCB	C1003	C-CERA C	CC725CH1H-220J1	1	15CH-220J-P-AC
PCB	C1004	C-CERA C	CC725CH1H-220J1	1	15CH-220J-P-AC
PCB	C1005	C-CERA C	CC725CH1H-220J1	1	15CH-220J-P-AC
PCB	C1006	C-CERA C	CC725CH1H-220J1	1	15CH-220J-P-AC
PCB	C1007	C-CERA C	CK725B1H-222K1	1	150F-222K-P-AC
PCB	C1008	C-CERA C	CK725B1H-222K1	1	150F-222K-P-AC
PCB	C1009	C-CERA C	CK725B1H-222K1	1	150F-222K-P-AC
PCB	C1010	C-CERA C	CK725B1H-222K1	1	150F-222K-P-AC
PCB	C1011	C-CERA C	CC725CH1H-331J1	1	15CH-331J-P-AC
PCB	C1012	C-CERA C	CK725F1E-104Z1	1	150F-104K-P-AC
PCB	C1013	CHIP ELECT C	CEWX16V-22M	1	157D-226M-3-JJI
PCB	C1014	C-CERA C	CK725F1E-104Z1	1	150F-104K-P-AC
PCB	C1015	C-CERA C	CK725B1E-333K1	1	150E-333K-P-AC
PCB	C1016	C-CERA C	CK725B1E-333K1	1	150E-333K-P-AC
PCB	C1017	C-CERA C	CC725CH1H-151J1	1	15CH-151J-P-AC
PCB	C1018	C-CERA C	CK725B1A-474K1	1	150C-474K-P-AC
PCB	C1019	C-CERA C	CK725B1A-474K1	1	150C-474K-P-AC
PCB	C1020	C-CERA C	CK725B1C-104K1	1	150D-104K-P-AC
PCB	C1021	C-CERA C	CK725F1E-104Z1	1	150F-104K-P-AC
PCB	C1022	CHIP ELECT C	CEWX16V-22M	1	157D-226M-3-JJI
PCB	C1023	C-CERA C	CK725F1E-104Z1	1	150F-104K-P-AC
PCB	C1024	C-CERA C	CK725B1H-473K1	1	150F-473K-P-AC
PCB	C1025	C-CERA C	CK725F1E-104Z1	1	150F-104K-P-AC
PCB	C1026	CHIP ELECT C	CEWX16V-22M	1	157D-226M-3-JJI
PCB	C1027	C-CERA C	CC725CH1E-102J1	1	15CH-102J-P-AC
PCB	C1028	C-CERA C	CK725B1C-104K1	1	150D-104K-P-AC
PCB	C1029	C-CERA C	CK725B1C-104K1	1	150D-104K-P-AC
PCB	C1030	C-CERA C	CK725B1C-104K1	1	150D-104K-P-AC
PCB	C1031	C-CERA C	CK725F1E-104Z1	1	150F-104K-P-AC
PCB	C1032	CHIP ELECT C	CEWX6.3V-100M	1	157B-107M-3-MJI
PCB	C1033	C-CERA C	CK725B1C-104K1	1	150D-104K-P-AC
PCB	C1034	C-CERA C	CK725B1C-104K1	1	150D-104K-P-AC
PCB	C1035	C-CERA C	CK725B1H-103K1	1	150F-103K-P-AC
PCB	C1036	C-CERA C	CC725CH1H-100D1	1	15CH-100J-P-AC
PCB	C1037	C-CERA C	CC725CH1H-100D1	1	15CH-100J-P-AC
PCB	C1038	C-CERA C	CK725F1E-104Z1	1	150F-104K-P-AC

PCB	C1039	CHIP ELECT C	CEWX6.3V-47M	1	157B-476M-3-JJI
PCB	C1040	C-CERA C	CC725CH1E-102J1	1	15CH-102J-P-AC
PCB	C1041	CHIP ELECT C	CEWX16V-10M	1	157D-106M-3-HJI
PCB	C1042	CHIP ELECT C	CEWX16V-10M	1	157D-106M-3-HJI
PCB	C1043	CHIP ELECT C	CEWX6.3V-47M	1	157B-476M-3-JJI
PCB	C1044	C-CERA C	CC725CH1E-102J1	1	15CH-102J-P-AC
PCB	C1045	CHIP ELECT C	CEWX16V-10M	1	157D-106M-3-HJI
PCB	C1046	CHIP ELECT C	CEWX16V-10M	1	157D-106M-3-HJI
PCB	C1047	CHIP ELECT C	CEWX16V-22M	1	157D-226M-3-JJI
PCB	C1048	CHIP ELECT C	CEWX6.3V-100M	1	157B-107M-3-MJI
PCB	C1049	C-CERA C	CK725F1E-104Z1	1	150F-104K-P-AC
PCB	C1050	CHIP ELECT C	CEWX6.3V-100M	1	157B-107M-3-MJI
PCB	C1051	C-CERA C	CK725F1E-104Z1	1	150F-104K-P-AC
PCB	C1052	CHIP ELECT C	CEWX6.3V-100M	1	157B-107M-3-MJI
PCB	C1053	CHIP ELECT C	CEWX50V-1M	1	157F-105M-3-HJI
PCB	C1054	CHIP ELECT C	CEWX4V-220M	1	157A-227M-3-MJI
PCB	C1101	C-CERA C	CC725CH1H-221J1	1	15CH-221J-P-AC
PCB	C1102	C-CERA C	CC725CH1H-101J1	1	15CH-101J-P-AC
PCB	C1103	C-CERA C	CC725CH1E-102J1	1	15CH-102J-P-AC
PCB	C1104	C-CERA C	CK725F1E-104Z1	1	150F-104K-P-AC
PCB	C1105	C-CERA C	CK725F1E-104Z1	1	150F-104K-P-AC
PCB	C1106	CHIP ELECT C	CEWX16V-22M	1	157D-226M-3-JJI
PCB	C1107	C-CERA C	CK725F1E-104Z1	1	150F-104K-P-AC
PCB	C1108	C-CERA C	CK725F1E-104Z1	1	150F-104K-P-AC
PCB	C1109	CHIP ELECT C	CEWX16V-22M	1	157D-226M-3-JJI
PCB	C1110	C-CERA C	CK725F1E-104Z1	1	150F-104K-P-AC
PCB	C1111	CHIP ELECT C	CEWX16V-10M	1	157D-106M-3-HJI
PCB	C1112	CHIP ELECT C	CEWX16V-10M	1	157D-106M-3-HJI
PCB	C1113	C-CERA C	CK725B1H-223K1	1	150E-223K-P-AC
PCB	C1114	C-CERA C	CK725B1H-223K1	1	150E-223K-P-AC
PCB	C1115	C-CERA C	CK725B1E-473K1	1	150E-473K-P-AC
PCB	C1116	C-CERA C	CK725B1E-473K1	1	150E-473K-P-AC
PCB	C1117	C-CERA C	CK725F1E-104Z1	1	150F-104K-P-AC
PCB	C1201	C-CERA C	CK725F1A-105Z1	1	150C-105Z-P-AC
PCB	C1202	C-CERA C	CK725F1A-105Z1	1	150C-105Z-P-AC
PCB	C1203	C-CERA C	CK725F1A-105Z1	1	150C-105Z-P-AC
PCB	C1206	C-CERA C	CK725F1A-105Z1	1	150C-105Z-P-AC
PCB	C1207	C-CERA C	CK725F1A-105Z1	1	150C-105Z-P-AC
PCB	C1208	C-CERA C	CK725F1A-105Z1	1	150C-105Z-P-AC
PCB	C1209	C-CERA C	CK725B1E-223K1	1	150E-223K-P-AC
PCB	C1210	C-CERA C	CC725CH1H-151J1	1	15CH-151J-P-AC
PCB	C1211	C-CERA C	CK725B1E-223K1	1	150E-223K-P-AC
PCB	C1212	C-CERA C	CK725B1C-104K1	1	150D-104K-P-AC
PCB	C1213	C-CERA C	CC725CH1H-101J1	1	15CH-101J-P-AC
PCB	C1214	C-CERA C	CK725B1E-223K1	1	150E-223K-P-AC
PCB	C1215	C-CERA C	CC725CH1H-101J1	1	15CH-101J-P-AC
PCB	C1216	C-CERA C	CK725B1A-154K1	1	150D-154K-P-AC
PCB	C1217	C-CERA C	CK725F1A-105Z1	1	150C-105Z-P-AC
PCB	C1218	C-CERA C	CK725F1A-105Z1	1	150C-105Z-P-AC
PCB	C1219	C-CERA C	CC725CH1H-331J1	1	15CH-331J-P-AC
PCB	C1220	C-CERA C	CC725CH1H-331J1	1	15CH-331J-P-AC
PCB	C1221	C-CERA C	CK725F1A-105Z1	1	150C-105Z-P-AC
PCB	C1222	C-CERA C	CK725F1E-104Z1	1	150F-104K-P-AC
PCB	C1223	C-CERA C	CK725F1A-105Z1	1	150C-105Z-P-AC
PCB	C1224	C-CERA C	CK725B1H-473K1	1	150F-473K-P-AC
PCB	C1225	C-CERA C	CK725F1A-105Z1	1	150C-105Z-P-AC

PCB	C1226	C-CERA C	CK725B1H-103K1	1	150F-103K-P-AC
PCB	C1227	C-CERA C	CK725F1A-105Z1	1	150C-105Z-P-AC
PCB	C1228	C-CERA C	CK725F1A-105Z1	1	150C-105Z-P-AC
PCB	C1229	C-CERA C	CK725F1A-105Z1	1	150C-105Z-P-AC
PCB	C1230	C-CERA C	CK725F1A-105Z1	1	150C-105Z-P-AC
PCB	C1232	C-CERA C	CK725F1A-105Z1	1	150C-105Z-P-AC
PCB	C1233	C-CERA C	CK725F1A-105Z1	1	150C-105Z-P-AC
PCB	C1234	CHIP ELECT C	CEWX4V-220M	1	157A-227M-3-MJI
PCB	C1235	CHIP ELECT C	CEWX4V-220M	1	157A-227M-3-MJI
PCB	C1236	CHIP ELECT C	CEWX4V-220M	1	157A-227M-3-MJI
PCB	C1237	CHIP ELECT C	CEWX4V-220M	1	157A-227M-3-MJI
PCB	C1238	CHIP ELECT C	CEWX16V-10M	1	157D-106M-3-HJI
PCB	C1239	C-CERA C	CK725F1A-105Z1	1	150C-105Z-P-AC
PCB	C1240	C-CERA C	CC725CH1H-560J1	1	15CH-560J-P-AC
PCB	C1241	C-CERA C	CK725F1A-105Z1	1	150C-105Z-P-AC
PCB	C1242	C-CERA C	CK725F1A-105Z1	1	150C-105Z-P-AC
PCB	C1243	C-CERA C	CK725F1A-105Z1	1	150C-105Z-P-AC
PCB	C1251	C-CERA C	CC725CH1H-471J1	1	15CH-471J-P-AC
PCB	C1252	C-CERA C	CK725F1E-104Z1	1	150F-104K-P-AC
PCB	C1253	C-CERA C	CC725CH1H-471J1	1	15CH-471J-P-AC
PCB	C1254	C-CERA C	CK725F1E-104Z1	1	150F-104K-P-AC
PCB	C1255	C-CERA C	CC725CH1H-471J1	1	15CH-471J-P-AC
PCB	C1256	C-CERA C	CK725F1E-104Z1	1	150F-104K-P-AC
PCB	C1257	CHIP ELECT C	CEWX4V-220M	1	157A-227M-3-MJI
PCB	C1258	C-CERA C	CK725F1A-105Z1	1	150C-105Z-P-AC
PCB	C1301	C-CERA C	CK725F1A-105Z1	1	150C-105Z-P-AC
PCB	C1302	C-CERA C	CC725CH1E-102J1	1	15CH-102J-P-AC
PCB	C1304	C-CERA C	CK725F1A-105Z1	1	150C-105Z-P-AC
PCB	C1305	C-CERA C	CK725F1A-105Z1	1	150C-105Z-P-AC
PCB	C1306	C-CERA C	CK725F1A-105Z1	1	150C-105Z-P-AC
PCB	C1307	C-CERA C	CK725F1A-105Z1	1	150C-105Z-P-AC
PCB	C1308	C-CERA C	CK725F1A-105Z1	1	150C-105Z-P-AC
PCB	C1309	C-CERA C	CK725F1A-105Z1	1	150C-105Z-P-AC
PCB	C1310	C-CERA C	CK725F1A-105Z1	1	150C-105Z-P-AC
PCB	C1311	C-CERA C	CK725F1A-105Z1	1	150C-105Z-P-AC
PCB	C1312	C-CERA C	CK725F1A-105Z1	1	150C-105Z-P-AC
PCB	C1313	C-CERA C	CK725F1A-105Z1	1	150C-105Z-P-AC
PCB	C1314	C-CERA C	CK725F1A-105Z1	1	150C-105Z-P-AC
PCB	C1315	C-CERA C	CK725F1A-105Z1	1	150C-105Z-P-AC
PCB	C1316	C-CERA C	CK725F1A-105Z1	1	150C-105Z-P-AC
PCB	C1317	C-CERA C	CK725F1A-105Z1	1	150C-105Z-P-AC
PCB	C1318	C-CERA C	CK725F1A-105Z1	1	150C-105Z-P-AC
PCB	C1319	CHIP ELECT C	CEWX4V-220M	1	157A-227M-3-MJI
PCB	C1320	CHIP ELECT C	CEWX4V-220M	1	157A-227M-3-MJI
PCB	C1321	CHIP ELECT C	CEWX4V-220M	1	157A-227M-3-MJI
PCB	C1322	CHIP ELECT C	CEWX4V-220M	1	157A-227M-3-MJI
PCB	C1323	C-CERA C	CK725F1A-105Z1	1	150C-105Z-P-AC
PCB	C1324	CHIP ELECT C	CEWX6.3V-100M	1	157B-107M-3-MJI
PCB	C1325	C-CERA C	CK725F1A-105Z1	1	150C-105Z-P-AC
PCB	C1326	C-CERA C	CK725F1A-105Z1	1	150C-105Z-P-AC
PCB	C1327	C-CERA C	CK725F1A-105Z1	1	150C-105Z-P-AC
PCB	C1328	C-CERA C	CK725F1A-105Z1	1	150C-105Z-P-AC
PCB	C1329	C-CERA C	CK725F1A-105Z1	1	150C-105Z-P-AC
PCB	C1330	C-CERA C	CK725F1A-105Z1	1	150C-105Z-P-AC
PCB	C1331	C-CERA C	CK725F1A-105Z1	1	150C-105Z-P-AC
PCB	C1332	CHIP ELECT C	CEWX6.3V-100M	1	157B-107M-3-MJI



PCB	C1333	CHIP ELECT C	CEWX16V-22M	1	157D-226M-3-JJI
PCB	C1334	CHIP ELECT C	CEWX16V-22M	1	157D-226M-3-JJI
PCB	C1335	C-CERA C	CK725F1A-105Z1	1	150C-105Z-P-AC
PCB	C1336	C-CERA C	CK725F1A-105Z1	1	150C-105Z-P-AC
PCB	C1337	C-CERA C	CK725B1H-103K1	1	150F-103K-P-AC
PCB	C1338	C-CERA C	CC725CH1H-020C1	1	15CH-020C-P-AC
PCB	C1339	C-CERA C	CC725CH1H-020C1	1	15CH-020C-P-AC
PCB	C1340	C-CERA C	CK725F1A-105Z1	1	150C-105Z-P-AC
PCB	C1341	CHIP ELECT C	CEWX4V-220M	1	157A-227M-3-MJI
PCB	C1342	C-CERA C	CK725F1A-105Z1	1	150C-105Z-P-AC
PCB	C1343	C-CERA C	CC725CH1H-100D1	1	15CH-100J-P-AC
PCB	C1344	C-CERA C	CC725CH1H-100D1	1	15CH-100J-P-AC
PCB	C1345	C-CERA C	CK725F1A-105Z1	1	150C-105Z-P-AC
PCB	C1347	C-CERA C	CK725F1A-105Z1	1	150C-105Z-P-AC
PCB	C1348	C-CERA C	CK725F1A-105Z1	1	150C-105Z-P-AC
PCB	C1349	C-CERA C	CK725F1A-105Z1	1	150C-105Z-P-AC
PCB	C1350	C-CERA C	CK725F1A-105Z1	1	150C-105Z-P-AC
PCB	C1351	C-CERA C	CK725F1A-105Z1	1	150C-105Z-P-AC
PCB	C1352	C-CERA C	CK725F1A-105Z1	1	150C-105Z-P-AC
PCB	C1358	C-CERA C	CK725F1A-105Z1	1	150C-105Z-P-AC
PCB	C1359	C-CERA C	CK725F1A-105Z1	1	150C-105Z-P-AC
PCB	C1371	CHIP ELECT C	CEWX16V-22M	1	157D-226M-3-JJI
PCB	C1372	C-CERA C	CK725F1A-105Z1	1	150C-105Z-P-AC
PCB	C1373	C-CERA C	CK725F1A-105Z1	1	150C-105Z-P-AC
PCB	C1374	C-CERA C	CK725F1A-105Z1	1	150C-105Z-P-AC
PCB	C1375	C-CERA C	CK725F1A-105Z1	1	150C-105Z-P-AC
PCB	C1376	C-CERA C	CK725F1A-105Z1	1	150C-105Z-P-AC
PCB	C1377	C-CERA C	CK725F1A-105Z1	1	150C-105Z-P-AC
PCB	C1378	C-CERA C	CK725F1A-105Z1	1	150C-105Z-P-AC
PCB	C1379	C-CERA C	CC725CH1E-102J1	1	15CH-102J-P-AC
PCB	C1380	C-CERA C	CK725F1A-105Z1	1	150C-105Z-P-AC
PCB	C1381	C-CERA C	CK725F1A-105Z1	1	150C-105Z-P-AC
PCB	C2001	C-CERA C	CK725F1A-105Z1	1	150C-105Z-P-AC
PCB	C2002	C-CERA C	CK725F1A-105Z1	1	150C-105Z-P-AC
PCB	C2003	C-CERA C	CK725F1A-105Z1	1	150C-105Z-P-AC
PCB	C2004	C-CERA C	CK725F1A-105Z1	1	150C-105Z-P-AC
PCB	C2005	C-CERA C	CK725F1A-105Z1	1	150C-105Z-P-AC
PCB	C2006	C-CERA C	CK725F1A-105Z1	1	150C-105Z-P-AC
PCB	C2007	C-CERA C	CK725F1A-105Z1	1	150C-105Z-P-AC
PCB	C2008	C-CERA C	CK725F1A-105Z1	1	150C-105Z-P-AC
PCB	C2009	C-CERA C	CK725F1A-105Z1	1	150C-105Z-P-AC
PCB	C2010	C-CERA C	CK725F1A-105Z1	1	150C-105Z-P-AC
PCB	C2011	C-CERA C	CK725F1A-105Z1	1	150C-105Z-P-AC
PCB	C2012	C-CERA C	CK725F1A-105Z1	1	150C-105Z-P-AC
PCB	C2013	C-CERA C	CK725F1A-105Z1	1	150C-105Z-P-AC
PCB	C2014	C-CERA C	CK725F1A-105Z1	1	150C-105Z-P-AC
PCB	C2015	CHIP ELECT C	CEWX4V-220M	1	157A-227M-3-MJI
PCB	C2016	CHIP ELECT C	CEWX4V-220M	1	157A-227M-3-MJI
PCB	C2017	C-CERA C	CK725F1A-105Z1	1	150C-105Z-P-AC
PCB	C2018	CHIP ELECT C	CEWX4V-220M	1	157A-227M-3-MJI
PCB	C2019	C-CERA C	CK725F1A-105Z1	1	150C-105Z-P-AC
PCB	C2020	C-CERA C	CK725F1A-105Z1	1	150C-105Z-P-AC
PCB	C2021	C-CERA C	CK725F1A-105Z1	1	150C-105Z-P-AC
PCB	C2022	C-CERA C	CK725F1A-105Z1	1	150C-105Z-P-AC
PCB	C2023	C-CERA C	CK725F1A-105Z1	1	150C-105Z-P-AC
PCB	C2024	C-CERA C	CK725F1A-105Z1	1	150C-105Z-P-AC

PCB	C2025	C-CERA C	CK725F1A-105Z1	1	150C-105Z-P-AC
PCB	C2026	CHIP ELECT C	CEWX4V-220M	1	157A-227M-3-MJI
PCB	C2027	CHIP ELECT C	CEWX4V-220M	1	157A-227M-3-MJI
PCB	C2028	CHIP ELECT C	CEWX16V-47M	1	157D-476M-3-LJ
PCB	C2029	C-CERA C	CK725F1A-105Z1	1	150C-105Z-P-AC
PCB	C2030	C-CERA C	CK725F1A-105Z1	1	150C-105Z-P-AC
PCB	C2031	C-CERA C	CK725F1A-105Z1	1	150C-105Z-P-AC
PCB	C2032	C-CERA C	CK725F1A-105Z1	1	150C-105Z-P-AC
PCB	C2033	C-CERA C	CK725F1A-105Z1	1	150C-105Z-P-AC
PCB	C2034	C-CERA C	CK725F1A-105Z1	1	150C-105Z-P-AC
PCB	C2035	C-CERA C	CK725F1A-105Z1	1	150C-105Z-P-AC
PCB	C2038	C-CERA C	CK725F1A-105Z1	1	150C-105Z-P-AC
PCB	C2039	C-CERA C	CK725F1A-105Z1	1	150C-105Z-P-AC
PCB	C2040	C-CERA C	CK725F1A-105Z1	1	150C-105Z-P-AC
PCB	C2041	C-CERA C	CK725F1A-105Z1	1	150C-105Z-P-AC
PCB	C2043	C-CERA C	CK725F1A-105Z1	1	150C-105Z-P-AC
PCB	C2044	C-CERA C	CK725F1A-105Z1	1	150C-105Z-P-AC
PCB	C2045	C-CERA C	CC725CH1E-102J1	1	15CH-102J-P-AC
PCB	C2046	C-CERA C	CK725F1A-105Z1	1	150C-105Z-P-AC
PCB	C2047	C-CERA C	CK725F1A-105Z1	1	150C-105Z-P-AC
PCB	C2048	C-CERA C	CK725F1A-105Z1	1	150C-105Z-P-AC
PCB	C2049	C-CERA C	CK725F1A-105Z1	1	150C-105Z-P-AC
PCB	C2051	C-CERA C	CK725F1A-105Z1	1	150C-105Z-P-AC
PCB	C2052	C-CERA C	CK725F1A-105Z1	1	150C-105Z-P-AC
PCB	C2101	C-CERA C	CK725F1A-105Z1	1	150C-105Z-P-AC
PCB	C2102	C-CERA C	CK725F1A-105Z1	1	150C-105Z-P-AC
PCB	C2103	C-CERA C	CC725CH1E-102J1	1	15CH-102J-P-AC
PCB	C2104	C-CERA C	CK725F1A-105Z1	1	150C-105Z-P-AC
PCB	C2105	C-CERA C	CK725F1A-105Z1	1	150C-105Z-P-AC
PCB	C2106	C-CERA C	CK725F1A-105Z1	1	150C-105Z-P-AC
PCB	C2107	C-CERA C	CK725F1A-105Z1	1	150C-105Z-P-AC
PCB	C2108	C-CERA C	CK725F1A-105Z1	1	150C-105Z-P-AC
PCB	C2109	C-CERA C	CK725F1A-105Z1	1	150C-105Z-P-AC
PCB	C2110	C-CERA C	CK725F1A-105Z1	1	150C-105Z-P-AC
PCB	C2111	C-CERA C	CK725F1A-105Z1	1	150C-105Z-P-AC
PCB	C2112	C-CERA C	CK725F1A-105Z1	1	150C-105Z-P-AC
PCB	C2113	C-CERA C	CK725F1A-105Z1	1	150C-105Z-P-AC
PCB	C2114	C-CERA C	CK725F1A-105Z1	1	150C-105Z-P-AC
PCB	C2115	C-CERA C	CK725F1A-105Z1	1	150C-105Z-P-AC
PCB	C2116	C-CERA C	CK725F1A-105Z1	1	150C-105Z-P-AC
PCB	C2117	C-CERA C	CK725F1A-105Z1	1	150C-105Z-P-AC
PCB	C2118	C-CERA C	CK725F1A-105Z1	1	150C-105Z-P-AC
PCB	C2119	C-CERA C	CK725F1A-105Z1	1	150C-105Z-P-AC
PCB	C2120	C-CERA C	CC725CH1E-102J1	1	15CH-102J-P-AC
PCB	C2121	CHIP ELECT C	CEWX4V-220M	1	157A-227M-3-MJI
PCB	C2122	C-CERA C	CK725F1A-105Z1	1	150C-105Z-P-AC
PCB	C2123	C-CERA C	CK725F1A-105Z1	1	150C-105Z-P-AC
PCB	C2124	C-CERA C	CK725F1A-105Z1	1	150C-105Z-P-AC
PCB	C2125	C-CERA C	CK725F1A-105Z1	1	150C-105Z-P-AC
PCB	C2126	C-CERA C	CK725F1A-105Z1	1	150C-105Z-P-AC
PCB	C2127	C-CERA C	CK725F1A-105Z1	1	150C-105Z-P-AC
PCB	C2128	C-CERA C	CK725F1A-105Z1	1	150C-105Z-P-AC
PCB	C2129	CHIP ELECT C	CEWX4V-220M	1	157A-227M-3-MJI
PCB	C2130	C-CERA C	CK725B1H-103K1	1	150F-103K-P-AC
PCB	C2191	CHIP ELECT C	CEWX4V-220M	1	157A-227M-3-MJI
PCB	C2192	C-CERA C	CK725F1A-105Z1	1	150C-105Z-P-AC

PCB	C2193	C-CERA C	CK725F1A-105Z1	1	150C-105Z-P-AC
PCB	C2601	CHIP ELECT C	CEWX16V-22M	1	157D-226M-3-JJI
PCB	C2602	CHIP ELECT C	CEWX6.3V-100M	1	157B-107M-3-MJI
PCB	C2603	C-CERA C	CK725F1A-105Z1	1	150C-105Z-P-AC
PCB	C2604	C-CERA C	CK725F1A-105Z1	1	150C-105Z-P-AC
PCB	C2605	C-CERA C	CK725F1A-105Z1	1	150C-105Z-P-AC
PCB	C2606	C-CERA C	CC725CH1H-120J1	1	15CH-120J-P-AC
PCB	C2608	C-CERA C	CC725CH1H-120J1	1	15CH-120J-P-AC
PCB	C2610	C-CERA C	CK725F1A-105Z1	1	150C-105Z-P-AC
PCB	C2611	C-CERA C	CK725F1A-105Z1	1	150C-105Z-P-AC
PCB	C2612	C-CERA C	CC725CH1H-560J1	1	15CH-560J-P-AC
PCB	C2901	CHIP ELECT C	CEWX6.3V-100M	1	157B-107M-3-MJI
PCB	C2902	CHIP ELECT C	CEWX4V-220M	1	157A-227M-3-MJI
PCB	C2903	CHIP ELECT C	CEWX4V-220M	1	157A-227M-3-MJI
PCB	C2904	CHIP ELECT C	CEWX4V-220M	1	157A-227M-3-MJI
PCB	C2905	CHIP ELECT C	CEWX4V-220M	1	157A-227M-3-MJI
PCB	C2906	CHIP ELECT C	CEWX4V-220M	1	157A-227M-3-MJI
PCB	C2907	CHIP ELECT C	CEWX16V-10M	1	157D-106M-3-HJI
PCB	C2908	CHIP ELECT C	CEWX4V-220M	1	157A-227M-3-MJI
PCB	C2909	CHIP ELECT C	CEWX6.3V-100M	1	157B-107M-3-MJI
PCB	C2910	CHIP ELECT C	CEWX4V-220M	1	157A-227M-3-MJI
PCB	R1001	C-R NET	RM7LJ152X04	1	8911-0024-0
PCB	R1002	C-R NET	RM7LJ000X04	1	8911-0025-0
PCB	R1003	C-CARBON R	RN72K1J-123FE	1	4723-123A-P-R
PCB	R1004	C-CARBON R	RN72K1J-103JE	1	4723-103J-P-R
PCB	R1005	C-CARBON R	RN72K1J-223JE	1	4723-223J-P-R
PCB	R1006	C-CARBON R	RN72K1J-223JE	1	4723-223J-P-R
PCB	R1007	C-CARBON R	RN72K1J-223JE	1	4723-223J-P-R
PCB	R1009	C-CARBON R	RN72K1J-103JE	1	4723-103J-P-R
PCB	R1010	C-CARBON R	RN72K1J-223JE	1	4723-223J-P-R
PCB	R1011	C-CARBON R	RN72K1J-223JE	1	4723-223J-P-R
PCB	R1012	C-CARBON R	RN72K1J-223JE	1	4723-223J-P-R
PCB	R1014	C-CARBON R	RN72K1J-103JE	1	4723-103J-P-R
PCB	R1015	C-CARBON R	RN72K1J-102JE	1	4723-102J-P-R
PCB	R1016	C-CARBON R	RN72K1J-330JE	1	4723-330J-P-R
PCB	R1017	C-CARBON R	RN72K1J-330JE	1	4723-330J-P-R
PCB	R1018	C-CARBON R	RN72K1J-102JE	1	4723-102J-P-R
PCB	R1019	C-CARBON R	RN72K1J-330JE	1	4723-330J-P-R
PCB	R1020	C-CARBON R	RN72K1J-330JE	1	4723-330J-P-R
PCB	R1021	C-CARBON R	RN72K1J-000JE	1	4723-000J-P-R
PCB	R1022	C-CARBON R	RN72K1J-101JE	1	4723-101J-P-R
PCB	R1023	C-CARBON R	RN72K1J-000JE	1	4723-000J-P-R
PCB	R1027	C-CARBON R	RN72K1J-102JE	1	4723-102J-P-R
PCB	R1028	C-CARBON R	RN72K1J-392JE	1	4723-392J-P-R
PCB	R1029	C-CARBON R	RN72K1J-104JE	1	4723-104J-P-R
PCB	R1101	C-CARBON R	RN72K1J-563FE	1	4723-563A-P-R
PCB	R1102	C-CARBON R	RN72K1J-153JE	1	4723-153J-P-R
PCB	R1103	C-CARBON R	RN72K1J-563JE	1	4723-563J-P-R
PCB	R1104	C-CARBON R	RN72K1J-333JE	1	4723-333J-P-R
PCB	R1105	C-CARBON R	RN72K1J-563JE	1	4723-563J-P-R
PCB	R1106	C-CARBON R	RN72K1J-333JE	1	4723-333J-P-R
PCB	R1107	C-CARBON R	RN72K1J-000JE	1	4723-000J-P-R
PCB	R1108	C-CARBON R	RN72K1J-103JE	1	4723-103J-P-R
PCB	R1109	C-CARBON R	RN72K1J-103JE	1	4723-103J-P-R
PCB	R1110	C-CARBON R	RN72K1J-103JE	1	4723-103J-P-R
PCB	R1111	C-CARBON R	RN72K1J-103JE	1	4723-103J-P-R

PCB	R1112	C-CARBON R	RN72K1J-000JE	1	4723-000J-P-R
PCB	R1113	C-CARBON R	RN72K1J-333JE	1	4723-333J-P-R
PCB	R1114	C-CARBON R	RN72K1J-752JE	1	4723-752J-P-R
PCB	R1115	C-CARBON R	RN72K1J-333JE	1	4723-333J-P-R
PCB	R1116	C-CARBON R	RN72K1J-752JE	1	4723-752J-P-R
PCB	R1117	C-CARBON R	RN72K1J-103FE	1	4723-103A-P-R
PCB	R1118	C-CARBON R	RN72K1J-103FE	1	4723-103A-P-R
PCB	R1119	C-CARBON R	RN72K1J-223JE	1	4723-223J-P-R
PCB	R1120	C-CARBON R	RN72K1J-103JE	1	4723-103J-P-R
PCB	R1121	C-CARBON R	RN72K1J-103JE	1	4723-103J-P-R
PCB	R1122	C-CARBON R	RN72K1J-104JE	1	4723-104J-P-R
PCB	R1123	C-CARBON R	RN72K1J-223JE	1	4723-223J-P-R
PCB	R1124	C-CARBON R	RN72K1J-103JE	1	4723-103J-P-R
PCB	R1125	C-CARBON R	RN72K1J-103JE	1	4723-103J-P-R
PCB	R1126	C-CARBON R	RN72K1J-104JE	1	4723-104J-P-R
PCB	R1127	C-CARBON R	RN72K1J-000JE	1	4723-000J-P-R
PCB	R1128	C-CARBON R	RN72K1J-000JE	1	4723-000J-P-R
PCB	R1202	C-CARBON R	RN72K1J-000JE	1	4723-000J-P-R
PCB	R1205	C-R NET	RM7LJ101X04	1	8911-0026-0
PCB	R1206	C-R NET	RM7LJ101X04	1	8911-0026-0
PCB	R1207	C-CARBON R	RN72K1J-181JE	1	4723-181J-P-R
PCB	R1208	C-R NET	RM7LJ101X04	1	8911-0026-0
PCB	R1209	C-R NET	RM7LJ330X04	1	8911-0027-0
PCB	R1210	C-R NET	RM7LJ101X04	1	8911-0026-0
PCB	R1211	C-R NET	RM7LJ101X04	1	8911-0026-0
PCB	R1212	C-R NET	RM7LJ181X04	1	8911-0028-0
PCB	R1213	C-R NET	RM7LJ103X04	1	8911-0029-0
PCB	R1214	C-CARBON R	RN72K1J-473FE	1	4723-473A-P-R
PCB	R1215	C-CARBON R	RN72K1J-473FE	1	4723-473A-P-R
PCB	R1216	C-CARBON R	RN72K1J-154FE	1	4723-154A-P-R
PCB	R1217	C-CARBON R	RN72K1J-471FE	1	4723-471A-P-R
PCB	R1218	C-CARBON R	RN72K1J-683FE	1	4723-683A-P-R
PCB	R1219	C-CARBON R	RN72K1J-473FE	1	4723-473A-P-R
PCB	R1220	C-CARBON R	RN72K1J-104FE	1	4723-104A-P-R
PCB	R1221	C-CARBON R	RN72K1J-182FE	1	4723-182A-P-R
PCB	R1222	C-CARBON R	RN72K1J-182FE	1	4723-182A-P-R
PCB	R1223	C-CARBON R	RN72K1J-223FE	1	4723-223A-P-R
PCB	R1224	C-CARBON R	RN72K1J-000JE	1	4723-000J-P-R
PCB	R1225	C-CARBON R	RN72K1J-103JE	1	4723-103J-P-R
PCB	R1226	C-CARBON R	RN72K1J-000JE	1	4723-000J-P-R
PCB	R1227	C-CARBON R	RN72K1J-103JE	1	4723-103J-P-R
PCB	R1228	C-CARBON R	RN72K1J-000JE	1	4723-000J-P-R
PCB	R1229	C-CARBON R	RN72K1J-000JE	1	4723-000J-P-R
PCB	R1230	C-CARBON R	RN72K1J-000JE	1	4723-000J-P-R
PCB	R1231	C-CARBON R	RN72K1J-333JE	1	4723-333J-P-R
PCB	R1232	C-CARBON R	RN72K1J-152JE	1	4723-152J-P-R
PCB	R1233	C-CARBON R	RN72K1J-333JE	1	4723-333J-P-R
PCB	R1234	C-R NET	RM7LJ101X04	1	8911-0026-0
PCB	R1235	C-R NET	RM7LJ101X04	1	8911-0026-0
PCB	R1236	C-R NET	RM7LJ101X04	1	8911-0026-0
PCB	R1237	C-R NET	RM7LJ101X04	1	8911-0026-0
PCB	R1238	C-R NET	RM7LJ101X04	1	8911-0026-0
PCB	R1239	C-CARBON R	RN72K1J-220JE	1	4723-220J-P-R
PCB	R1240	C-CARBON R	RN72K1J-103JE	1	4723-103J-P-R
PCB	R1241	C-R NET	RM7LJ101X04	1	8911-0026-0
PCB	R1242	C-CARBON R	RN72K1J-000JE	1	4723-000J-P-R

PCB	R1243	C-CARBON R	RN72K1J-000JE	1	4723-000J-P-R
PCB	R1244	C-CARBON R	RN72K1J-000JE	1	4723-000J-P-R
PCB	R1251	C-R NET	RM7LJ101X04	1	8911-0026-0
PCB	R1252	C-R NET	RM7LJ101X04	1	8911-0026-0
PCB	R1253	C-R NET	RM7LJ101X04	1	8911-0026-0
PCB	R1254	C-R NET	RM7LJ101X04	1	8911-0026-0
PCB	R1291	C-R NET	RM6KJ103X08	1	8911-0020-0
PCB	R1292	C-R NET	RM6KJ103X08	1	8911-0020-0
PCB	R1293	C-R NET	RM6KJ103X08	1	8911-0020-0
PCB	R1301	C-CARBON R	RN72K1J-470JE	1	4723-470J-P-R
PCB	R1302	C-CARBON R	RN72K1J-470JE	1	4723-470J-P-R
PCB	R1303	C-CARBON R	RN72K1J-470JE	1	4723-470J-P-R
PCB	R1304	C-CARBON R	RN72K1J-470JE	1	4723-470J-P-R
PCB	R1305	C-CARBON R	RN72K1J-470JE	1	4723-470J-P-R
PCB	R1306	C-CARBON R	RN72K1J-103JE	1	4723-103J-P-R
PCB	R1307	C-CARBON R	RN72K1J-102JE	1	4723-102J-P-R
PCB	R1308	C-CARBON R	RN72K1J-000JE	1	4723-000J-P-R
PCB	R1309	C-CARBON R	RN72K1J-220JE	1	4723-220J-P-R
PCB	R1310	C-CARBON R	RN72K1J-000JE	1	4723-000J-P-R
PCB	R1311	C-CARBON R	RN72K1J-000JE	1	4723-000J-P-R
PCB	R1312	C-CARBON R	RN72K1J-000JE	1	4723-000J-P-R
PCB	R1313	C-CARBON R	RN72K1J-220JE	1	4723-220J-P-R
PCB	R1314	C-CARBON R	RN72K1J-220JE	1	4723-220J-P-R
PCB	R1315	C-CARBON R	RN72K1J-000JE	1	4723-000J-P-R
PCB	R1316	C-CARBON R	RN72K1J-000JE	1	4723-000J-P-R
PCB	R1317	C-CARBON R	RN72K1J-000JE	1	4723-000J-P-R
PCB	R1318	C-CARBON R	RN72K1J-000JE	1	4723-000J-P-R
PCB	R1319	C-CARBON R	RN72K1J-000JE	1	4723-000J-P-R
PCB	R1320	C-CARBON R	RN72K1J-000JE	1	4723-000J-P-R
PCB	R1321	C-R NET	RM7LJ220X04	1	8911-0030-0
PCB	R1322	C-R NET	RM7LJ220X04	1	8911-0030-0
PCB	R1323	C-CARBON R	RN72K1J-103JE	1	4723-103J-P-R
PCB	R1324	C-CARBON R	RN72K1J-103JE	1	4723-103J-P-R
PCB	R1325	C-R NET	RM7LJ470X04	1	8911-0031-0
PCB	R1326	C-R NET	RM7LJ470X04	1	8911-0031-0
PCB	R1327	C-R NET	RM7LJ470X04	1	8911-0031-0
PCB	R1328	C-R NET	RM7LJ103X04	1	8911-0029-0
PCB	R1329	C-R NET	RM7LJ103X04	1	8911-0029-0
PCB	R1330	C-CARBON R	RN72K1J-220JE	1	4723-220J-P-R
PCB	R1331	C-CARBON R	RN72K1J-220JE	1	4723-220J-P-R
PCB	R1332	C-CARBON R	RN72K1J-220JE	1	4723-220J-P-R
PCB	R1333	C-CARBON R	RN72K1J-220JE	1	4723-220J-P-R
PCB	R1334	C-CARBON R	RN72K1J-220JE	1	4723-220J-P-R
PCB	R1335	C-R NET	RM7LJ470X04	1	8911-0031-0
PCB	R1336	C-R NET	RM7LJ470X04	1	8911-0031-0
PCB	R1337	C-R NET	RM7LJ470X04	1	8911-0031-0
PCB	R1338	C-CARBON R	RN72K1J-102JE	1	4723-102J-P-R
PCB	R1339	C-CARBON R	RN72K1J-103FE	1	4723-103A-P-R
PCB	R1340	C-CARBON R	RN72K1J-103FE	1	4723-103A-P-R
PCB	R1341	C-CARBON R	RN72K1J-202JE	1	4723-202J-P-R
PCB	R1342	C-CARBON R	RN72K1J-222JE	1	4723-222J-P-R
PCB	R1343	C-CARBON R	RN72K1J-202JE	1	4723-202J-P-R
PCB	R1344	C-CARBON R	RN72K1J-222JE	1	4723-222J-P-R
PCB	R1345	C-CARBON R	RN72K1J-105JE	1	4723-105J-P-R
PCB	R1346	C-CARBON R	RN72K1J-821FE	1	4723-821A-P-R
PCB	R1347	C-CARBON R	RN72K1J-220JE	1	4723-220J-P-R

PCB	R1348	C-CARBON R	RN72K1J-220JE	1	4723-220J-P-R
PCB	R1349	C-CARBON R	RN72K1J-220JE	1	4723-220J-P-R
PCB	R1350	C-CARBON R	RN72K1J-220JE	1	4723-220J-P-R
PCB	R1351	C-CARBON R	RN72K1J-101JE	1	4723-101J-P-R
PCB	R1354	C-CARBON R	RN72K1J-000JE	1	4723-000J-P-R
PCB	R1355	C-CARBON R	RN72K1J-000JE	1	4723-000J-P-R
PCB	R1356	C-CARBON R	RN72K1J-000JE	1	4723-000J-P-R
PCB	R1357	C-CARBON R	RN72K1J-101JE	1	4723-101J-P-R
PCB	R1358	C-CARBON R	RN72K1J-100JE	1	4723-100J-P-R
PCB	R1359	C-CARBON R	RN72K1J-100JE	1	4723-100J-P-R
PCB	R1361	C-CARBON R	RN72K1J-000JE	1	4723-000J-P-R
PCB	R1362	C-CARBON R	RN72K1J-000JE	1	4723-000J-P-R
PCB	R1371	C-CARBON R	RN72K1J-470JE	1	4723-470J-P-R
PCB	R1374	C-CARBON R	RN72K1J-000JE	1	4723-000J-P-R
PCB	R1375	C-R NET	RM7LJ103X04	1	8911-0029-0
PCB	R1376	C-R NET	RM7LJ101X04	1	8911-0026-0
PCB	R1377	C-R NET	RM7LJ101X04	1	8911-0026-0
PCB	R1378	C-CARBON R	RN72K1J-101JE	1	4723-101J-P-R
PCB	R1379	C-CARBON R	RN72K1J-101JE	1	4723-101J-P-R
PCB	R1380	C-CARBON R	RN72K1J-101JE	1	4723-101J-P-R
PCB	R1381	C-CARBON R	RN72K1J-101JE	1	4723-101J-P-R
PCB	R1382	C-CARBON R	RN72K1J-220JE	1	4723-220J-P-R
PCB	R1383	C-CARBON R	RN72K1J-101JE	1	4723-101J-P-R
PCB	R1384	C-CARBON R	RN72K1J-470JE	1	4723-470J-P-R
PCB	R1387	C-R NET	RM7LJ101X04	1	8911-0026-0
PCB	R1388	C-CARBON R	RN72K1J-000JE	1	4723-000J-P-R
PCB	R1389	C-CARBON R	RN72K1J-102JE	1	4723-102J-P-R
PCB	R1390	C-R NET	RM7LJ101X04	1	8911-0026-0
PCB	R1391	C-CARBON R	RN72K1J-101JE	1	4723-101J-P-R
PCB	R1393	C-CARBON R	RN72K1J-101JE	1	4723-101J-P-R
PCB	R2001	C-CARBON R	RN72K1J-103JE	1	4723-103J-P-R
PCB	R2002	C-CARBON R	RN72K1J-103JE	1	4723-103J-P-R
PCB	R2003	C-R NET	RM7LJ150X04	1	8911-0032-0
PCB	R2004	C-R NET	RM7LJ150X04	1	8911-0032-0
PCB	R2005	C-R NET	RM7LJ150X04	1	8911-0032-0
PCB	R2006	C-R NET	RM7LJ150X04	1	8911-0032-0
PCB	R2007	C-CARBON R	RN72K1J-150JE	1	4723-150J-P-R
PCB	R2009	C-CARBON R	RN72K1J-150JE	1	4723-150J-P-R
PCB	R2010	C-CARBON R	RN72K1J-150JE	1	4723-150J-P-R
PCB	R2011	C-CARBON R	RN72K1J-150JE	1	4723-150J-P-R
PCB	R2012	C-CARBON R	RN72K1J-150JE	1	4723-150J-P-R
PCB	R2013	C-CARBON R	RN72K1J-150JE	1	4723-150J-P-R
PCB	R2014	C-CARBON R	RN72K1J-150JE	1	4723-150J-P-R
PCB	R2015	C-R NET	RM7LJ150X04	1	8911-0032-0
PCB	R2016	C-R NET	RM7LJ150X04	1	8911-0032-0
PCB	R2017	C-R NET	RM7LJ150X04	1	8911-0032-0
PCB	R2018	C-R NET	RM7LJ150X04	1	8911-0032-0
PCB	R2019	C-CARBON R	RN72K1J-000JE	1	4723-000J-P-R
PCB	R2020	C-CARBON R	RN72K1J-101JE	1	4723-101J-P-R
PCB	R2021	C-CARBON R	RN72K1J-000JE	1	4723-000J-P-R
PCB	R2024	C-CARBON R	RN72K1J-000JE	1	4723-000J-P-R
PCB	R2025	C-CARBON R	RN72K1J-000JE	1	4723-000J-P-R
PCB	R2026	C-CARBON R	RN72K1J-271FE	1	4723-271A-P-R
PCB	R2027	C-CARBON R	RN72K1J-271FE	1	4723-271A-P-R
PCB	R2028	C-CARBON R	RN72K1J-332FE	1	4723-332A-P-R
PCB	R2032	C-CARBON R	RN72K1J-271FE	1	4723-271A-P-R

PCB	R2033	C-CARBON R	RN72K1J-152FE	1	4723-152A-P-R
PCB	R2034	C-CARBON R	RN72K1J-271FE	1	4723-271A-P-R
PCB	R2035	C-CARBON R	RN72K1J-152FE	1	4723-152A-P-R
PCB	R2036	C-CARBON R	RN72K1J-271FE	1	4723-271A-P-R
PCB	R2037	C-CARBON R	RN72K1J-152FE	1	4723-152A-P-R
PCB	R2041	C-CARBON R	RN72K1J-000JE	1	4723-000J-P-R
PCB	R2042	C-CARBON R	RN72K1J-000JE	1	4723-000J-P-R
PCB	R2043	C-CARBON R	RN72K1J-000JE	1	4723-000J-P-R
PCB	R2047	C-CARBON R	RN72K1J-220JE	1	4723-220J-P-R
PCB	R2048	C-R NET	RM7LJ220X04	1	8911-0030-0
PCB	R2049	C-CARBON R	RN72K1J-220JE	1	4723-220J-P-R
PCB	R2050	C-CARBON R	RN72K1J-220JE	1	4723-220J-P-R
PCB	R2051	C-CARBON R	RN72K1J-000JE	1	4723-000J-P-R
PCB	R2052	C-CARBON R	RN72K1J-220JE	1	4723-220J-P-R
PCB	R2053	C-CARBON R	RN72K1J-220JE	1	4723-220J-P-R
PCB	R2054	C-CARBON R	RN72K1J-103JE	1	4723-103J-P-R
PCB	R2055	C-CARBON R	RN72K1J-220JE	1	4723-220J-P-R
PCB	R2056	C-CARBON R	RN72K1J-220JE	1	4723-220J-P-R
PCB	R2058	C-CARBON R	RN72K1J-220JE	1	4723-220J-P-R
PCB	R2059	C-R NET	RM7LJ150X04	1	8911-0032-0
PCB	R2060	C-R NET	RM7LJ150X04	1	8911-0032-0
PCB	R2061	C-CARBON R	RN72K1J-000JE	1	4723-000J-P-R
PCB	R2062	C-CARBON R	RN72K1J-000JE	1	4723-000J-P-R
PCB	R2063	C-CARBON R	RN72K1J-102JE	1	4723-102J-P-R
PCB	R2064	C-CARBON R	RN72K1J-220JE	1	4723-220J-P-R
PCB	R2065	C-CARBON R	RN72K1J-101JE	1	4723-101J-P-R
PCB	R2066	C-CARBON R	RN72K1J-000JE	1	4723-000J-P-R
PCB	R2067	C-CARBON R	RN72K1J-101JE	1	4723-101J-P-R
PCB	R2068	C-CARBON R	RN72K1J-220JE	1	4723-220J-P-R
PCB	R2069	C-CARBON R	RN72K1J-000JE	1	4723-000J-P-R
PCB	R2101	C-CARBON R	RN72K1J-103JE	1	4723-103J-P-R
PCB	R2102	C-CARBON R	RN72K1J-101JE	1	4723-101J-P-R
PCB	R2103	C-R NET	RM7LJ470X04	1	8911-0031-0
PCB	R2104	C-R NET	RM7LJ470X04	1	8911-0031-0
PCB	R2105	C-R NET	RM7LJ103X04	1	8911-0029-0
PCB	R2106	C-CARBON R	RN72K1J-273JE	1	4723-273J-P-R
PCB	R2107	C-CARBON R	RN72K1J-471JE	1	4723-471J-P-R
PCB	R2108	C-CARBON R	RN72K1J-105JE	1	4723-105J-P-R
PCB	R2109	C-CARBON R	RN72K1J-220JE	1	4723-220J-P-R
PCB	R2110	C-CARBON R	RN72K1J-220JE	1	4723-220J-P-R
PCB	R2111	C-CARBON R	RN72K1J-220JE	1	4723-220J-P-R
PCB	R2112	C-CARBON R	RN72K1J-220JE	1	4723-220J-P-R
PCB	R2113	C-R NET	RM7LJ220X04	1	8911-0030-0
PCB	R2114	C-R NET	RM7LJ470X04	1	8911-0031-0
PCB	R2115	C-CARBON R	RN72K1J-220JE	1	4723-220J-P-R
PCB	R2116	C-CARBON R	RN72K1J-220JE	1	4723-220J-P-R
PCB	R2117	C-CARBON R	RN72K1J-220JE	1	4723-220J-P-R
PCB	R2118	C-CARBON R	RN72K1J-220JE	1	4723-220J-P-R
PCB	R2119	C-CARBON R	RN72K1J-220JE	1	4723-220J-P-R
PCB	R2120	C-CARBON R	RN72K1J-220JE	1	4723-220J-P-R
PCB	R2121	C-CARBON R	RN72K1J-220JE	1	4723-220J-P-R
PCB	R2122	C-CARBON R	RN72K1J-220JE	1	4723-220J-P-R
PCB	R2123	C-CARBON R	RN72K1J-220JE	1	4723-220J-P-R
PCB	R2124	C-CARBON R	RN72K1J-220JE	1	4723-220J-P-R
PCB	R2125	C-CARBON R	RN72K1J-220JE	1	4723-220J-P-R
PCB	R2126	C-R NET	RM7LJ470X04	1	8911-0031-0

PCB	R2127	C-CARBON R	RN72K1J-470JE	1	4723-470J-P-R
PCB	R2128	C-CARBON R	RN72K1J-470JE	1	4723-470J-P-R
PCB	R2129	C-CARBON R	RN72K1J-470JE	1	4723-470J-P-R
PCB	R2130	C-CARBON R	RN72K1J-470JE	1	4723-470J-P-R
PCB	R2131	C-CARBON R	RN72K1J-470JE	1	4723-470J-P-R
PCB	R2132	C-CARBON R	RN72K1J-470JE	1	4723-470J-P-R
PCB	R2133	C-CARBON R	RN72K1J-222JE	1	4723-222J-P-R
PCB	R2134	C-CARBON R	RN72K1J-222JE	1	4723-222J-P-R
PCB	R2135	C-CARBON R	RN72K1J-000JE	1	4723-000J-P-R
PCB	R2136	C-CARBON R	RN72K1J-000JE	1	4723-000J-P-R
PCB	R2137	C-R NET	RM7LJ150X04	1	8911-0032-0
PCB	R2138	C-R NET	RM7LJ150X04	1	8911-0032-0
PCB	R2139	C-R NET	RM7LJ150X04	1	8911-0032-0
PCB	R2140	C-R NET	RM7LJ150X04	1	8911-0032-0
PCB	R2141	C-CARBON R	RN72K1J-103JE	1	4723-103J-P-R
PCB	R2142	C-CARBON R	RN72K1J-103JE	1	4723-103J-P-R
PCB	R2143	C-CARBON R	RN72K1J-103JE	1	4723-103J-P-R
PCB	R2144	C-CARBON R	RN72K1J-220JE	1	4723-220J-P-R
PCB	R2145	C-CARBON R	RN72K1J-470JE	1	4723-470J-P-R
PCB	R2146	C-CARBON R	RN72K1J-470JE	1	4723-470J-P-R
PCB	R2147	C-CARBON R	RN72K1J-470JE	1	4723-470J-P-R
PCB	R2148	C-CARBON R	RN72K1J-220JE	1	4723-220J-P-R
PCB	R2149	C-R NET	RM7LJ470X04	1	8911-0031-0
PCB	R2150	C-CARBON R	RN72K1J-220JE	1	4723-220J-P-R
PCB	R2151	C-R NET	RM7LJ150X04	1	8911-0032-0
PCB	R2152	C-R NET	RM7LJ150X04	1	8911-0032-0
PCB	R2153	C-R NET	RM7LJ150X04	1	8911-0032-0
PCB	R2154	C-R NET	RM7LJ150X04	1	8911-0032-0
PCB	R2155	C-R NET	RM7LJ150X04	1	8911-0032-0
PCB	R2156	C-CARBON R	RN72K1J-150JE	1	4723-150J-P-R
PCB	R2157	C-CARBON R	RN72K1J-470JE	1	4723-470J-P-R
PCB	R2158	C-CARBON R	RN72K1J-472JE	1	4723-472J-P-R
PCB	R2159	C-CARBON R	RN72K1J-103JE	1	4723-103J-P-R
PCB	R2160	C-CARBON R	RN72K1J-103JE	1	4723-103J-P-R
PCB	R2161	C-CARBON R	RN72K1J-102JE	1	4723-102J-P-R
PCB	R2162	C-CARBON R	RN72K1J-472JE	1	4723-472J-P-R
PCB	R2163	C-CARBON R	RN72K1J-000JE	1	4723-000J-P-R
PCB	R2164	C-CARBON R	RN72K1J-220JE	1	4723-220J-P-R
PCB	R2165	C-CARBON R	RN72K1J-220JE	1	4723-220J-P-R
PCB	R2166	C-CARBON R	RN72K1J-220JE	1	4723-220J-P-R
PCB	R2167	C-CARBON R	RN72K1J-220JE	1	4723-220J-P-R
PCB	R2168	C-CARBON R	RN72K1J-000JE	1	4723-000J-P-R
PCB	R2169	C-CARBON R	RN72K1J-000JE	1	4723-000J-P-R
PCB	R2191	C-CARBON R	RN72K1J-103JE	1	4723-103J-P-R
PCB	R2601	C-CARBON R	RN72K1J-561FE	1	4723-561A-P-AC
PCB	R2602	C-CARBON R	RN72K1J-220JE	1	4723-220J-P-R
PCB	R2603	C-CARBON R	RN72K1J-101JE	1	4723-101J-P-R
PCB	R2604	C-CARBON R	RN72K1J-101JE	1	4723-101J-P-R
PCB	R2605	C-CARBON R	RN72K1J-220JE	1	4723-220J-P-R
PCB	R2608	C-CARBON R	RN72K1J-000JE	1	4723-000J-P-R
PCB	R2609	C-CARBON R	RN72K1J-000JE	1	4723-000J-P-R
PCB	R2901	C-CARBON R	RN72K1J-000JE	1	4723-000J-P-R
PCB	R2902	C-CARBON R	RN72K1J-000JE	1	4723-000J-P-R
PCB	R2903	C-CARBON R	RN72K1J-000JE	1	4723-000J-P-R
PCB	R2906	C-CARBON R	RN72K1J-102JE	1	4723-102J-P-R
PCB	R2907	C-CARBON R	RN72K1J-333FE	1	4723-333A-P-R

PCB	R2908	C-CARBON R	RN72K1J-133FE	1	4723-133A-P-R	
PCB	R2909	C-CARBON R	RN72K1J-911FE	1	4723-911A-P-R	ee Schematics
PCB	R2910	C-CARBON R	RN72K1J-121FE	1	4723-121A-P-R	
PCB	R2911	C-CARBON R	RN72K1J-121FE	1	4723-121A-P-R	
PCB	P1001	SOCKET	NSCT-26P2671	1	2101-1414-0	
PCB	P1101	PLUG	NPLG-6P932	1	2101-1410-0	
PCB	P1302A	PLUG	SM20B-SURS-TF	1	2101-3017-0	
PCB	P2001A	PLUG	SM14B-SURS-TF	1	2101-3018-0	
PCB	P2002A	PLUG	SM15B-SURS-TF	1	2101-3019-0	
PCB	P2003A	PLUG	SM20B-SURS-TF	1	2101-3017-0	
PCB	P2004A	PLUG	SM16B-SURS-TF	1	2101-3020-0	
PCB	P2005A	PLUG	SM06B-SRSS-TB	1	2101-3027-0	
PCB	P2701A	PLUG	NPLG-7P933	1	2101-1411-0	
PCB	P2901A	PLUG	NPLG-6P932	1	2101-1410-0	

PC BOARD PARTS LIST

DPC-8.5

- U10** VIDEO OUTPUT TERMINAL PC BOARD
- U11** DVD MACHANISM CONTROL PC BOARD
- U12** DIGITAL OUTPUT TERMINAL PC BOARD
- U13** FRONT DISPLAY PC BOARD
- U14** CONNECTION PC BOARD

	REF NO	NAME	DESCRIPTION	Q'TY	PART NO	REMARKS
PCB	Q501	IC	TC74VHCU04FT	1	3131-9960-0	
PCB	Q502	PHT CP	CKT-TX12P03	1	4811-2P03-3	
PCB	Q502 or	PHT CP	TOTX179	(1)	481T-X179-3	
PCB	Q551	TR	DTC114EKA	1	4860-1350-3	
PCB	Q551 or	TR	RN1402	(1)	4851-4020-3	
PCB	Q551 or	TR	KRC102S	(1)	4851-02S0-3	
PCB	Q552	TR	DTC114EKA	1	4860-1350-3	
PCB	Q552 or	TR	RN1402	(1)	4851-4020-3	
PCB	Q552 or	TR	KRC102S	(1)	4851-02S0-3	
PCB	Q553	PHT CP	ON3131	1	481N-3131-3	
PCB	Q701	IC	MPD784225GC-251-8BT	1	3132-2121-0	
PCB	Q702	IC	S-80130CLMC-JIP-T2	1	3132-0200-0	
PCB	Q703	TR	DTA114YKA	1	485A-1140-3	
PCB	Q703 or	TR	KRA107S	(1)	4860-3440-3	
PCB	Q703 or	TR	RN2407	(1)	4852-4070-3	
PCB	Q704	IC	TA7291S	1	3131-7990-0	
PCB	Q705	IC	TA7291S	1	3131-7990-0	
PCB	Q706	TR	DTC114YKA	1	485C-1140-3	
PCB	Q706 or	TR	RN1407	(1)	4851-4070-3	
PCB	Q706 or	TR	KRC107S	(1)	4851-07S0-3	
PCB	Q707	TR	2SA1162-GR	1	4851-162G-3	
PCB	Q709	TR	DTC114YKA	1	485C-1140-3	
PCB	Q709 or	TR	RN1407	(1)	4851-4070-3	
PCB	Q709 or	TR	KRC107S	(1)	4851-07S0-3	
PCB	Q710	TR	DTC114YKA	1	485C-1140-3	
PCB	Q710 or	TR	RN1407	(1)	4851-4070-3	
PCB	Q710 or	TR	KRC107S	(1)	4851-07S0-3	
PCB	Q711	TR	DTC114YKA	1	485C-1140-3	
PCB	Q711 or	TR	RN1407	(1)	4851-4070-3	
PCB	Q711 or	TR	KRC107S	(1)	4851-07S0-3	
PCB	Q712	TR	DTC114YKA	1	485C-1140-3	
PCB	Q712 or	TR	RN1407	(1)	4851-4070-3	
PCB	Q712 or	TR	KRC107S	(1)	4851-07S0-3	
PCB	Q713	IC	MPD789071MC-011-5A4	1	3132-1921-0	

PCB	Q801	IC	MPD780232GC-091-8BT	1	3132-0940-0
PCB	Q802	FL TUBE	13-BT-211GNK	1	2460-2090-0
PCB	Q802A	CUSHION	---	2	4149-0541-0
PCB	Q806	TR	DTA114YKA	1	485A-1140-3
PCB	Q806 or	TR	KRA107S	(1)	4860-3440-3
PCB	Q806 or	TR	RN2407	(1)	4852-4070-3
PCB	Q808	REMO SENS	SPS-440-1-VP	1	4814-01VP-3
PCB	Q809	TR	DTA114YKA	1	485A-1140-3
PCB	Q809 or	TR	KRA107S	(1)	4860-3440-3
PCB	Q809 or	TR	RN2407	(1)	4852-4070-3
PCB	Q810	TR	DTC114YKA	1	485C-1140-3
PCB	Q810 or	TR	RN1407	(1)	4851-4070-3
PCB	Q810 or	TR	KRC107S	(1)	4851-07S0-3
PCB	Q811	TR	2SC3265-Y	1	4853-265Y-3
PCB	Q811 or	TR	2SC3265-O	(1)	4853-2650-3
PCB	Q812	TR	2SC2712-GR	1	4852-712G-3
PCB	Q6001	IC	LA73054	1	3131-8760-0
PCB	Q6101	IC	ADV7300A	1	3132-1881-0
PCB	Q6102	IC	NJM2880U25	1	3132-1771-0
PCB	Q6103	TR	2SA1162-GR	1	4851-162G-3
PCB	Q6104	TR	2SA1162-GR	1	4851-162G-3
PCB	Q6105	TR	2SA1162-GR	1	4851-162G-3
PCB	Q6106	TR	2SA1162-GR	1	4851-162G-3
PCB	Q6107	TR	2SA1162-GR	1	4851-162G-3
PCB	Q6108	TR	2SA1162-GR	1	4851-162G-3
PCB	Q6109	IC	TC74VHCT00AFT	1	3132-0370-0
PCB	Q6110	TR	2SA1162-GR	1	4851-162G-3
PCB	Q6111	TR	2SA1162-GR	1	4851-162G-3
PCB	Q6112	TR	2SA1162-GR	1	4851-162G-3
PCB	Q6113	IC	NJM2584M	1	3132-1891-0
PCB	Q6501	IC	MPD4721GS	1	3132-0630-0
PCB	D701	ZENER D	UDZ2.7B	1	483H-2V71-3
PCB	D702	ZENER D	UDZ2.2B	1	483H-2V21-3
PCB	D703	ZENER D	UDZS4.7B	1	483H-4V71-3
PCB	D731	C-DIODE	1SS352	1	480S-3520-3
PCB	D731 or	C-DIODE	1SS355	(1)	4840-1660-0
PCB	D732	ZENER D	UDZS5.1B	1	483H-5V11-3
PCB	D733	C-DIODE	1SS352	1	480S-3520-3
PCB	D733 or	C-DIODE	1SS355	(1)	4840-1660-0
PCB	D734	C-DIODE	1SS352	1	480S-3520-3
PCB	D734 or	C-DIODE	1SS355	(1)	4840-1660-0
PCB	T501	MPX COIL	NSRF-2046	1	5600-3456-T
PCB	L501	CHOKE COIL	NCH-1471	1	1803-0064-0
PCB	L504	EMIFIL	BK1608LM182-T	1	1806-3647-0
PCB	L505	EMIFIL	BK1608LM182-T	1	1806-3647-0
PCB	L551	CHOKE COIL	NCH-1571	1	1803-0082-0
PCB	L6001	CHOKE COIL	NCH-1471	1	1803-0064-0
PCB	L6003	EMIFIL	BK1608LL241-T	1	1806-3825-0
PCB	L6004	EMIFIL	BK1608LL241-T	1	1806-3825-0
PCB	L6005	EMIFIL	BK1608LL241-T	1	1806-3825-0
PCB	L6006	EMIFIL	BK1608LL241-T	1	1806-3825-0
PCB	L6007	EMIFIL	BK1608LL241-T	1	1806-3825-0
PCB	L6008	EMIFIL	BK1608LL241-T	1	1806-3825-0
PCB	L6009	EMIFIL	BK1608LL241-T	1	1806-3825-0
PCB	L6010	EMIFIL	BK1608LL241-T	1	1806-3825-0
PCB	L6011	EMIFIL	BK1608LL241-T	1	1806-3825-0

PCB	L6012	EMIFIL	BK1608LL241-T	1	1806-3825-0
PCB	L6013	EMIFIL	BK1608LL241-T	1	1806-3825-0
PCB	L6014	EMIFIL	BK1608LL241-T	1	1806-3825-0
PCB	L6101	CHOKE COIL	NCH-1471	1	1803-0064-0
PCB	L6102	CHOKE COIL	NCH-1471	1	1803-0064-0
PCB	L6103	CHOKE COIL	NCH-1471	1	1803-0064-0
PCB	L6104	EMIFIL	BK1608LM182-T	1	1806-3647-0
PCB	L6105	EMIFIL	BK1608LM182-T	1	1806-3647-0
PCB	L6106	EMIFIL	BK1608LM182-T	1	1806-3647-0
PCB	L6107	CHOKE COIL	NCH-1471	1	1803-0064-0
PCB	L6108	EMIFIL	BK1608LM182-T	1	1806-3647-0
PCB	L6109	EMIFIL	BK1608LM182-T	1	1806-3647-0
PCB	L6110	EMIFIL	BK1608LM182-T	1	1806-3647-0
PCB	L6111	CHOKE COIL	NCH-1471	1	1803-0064-0
PCB	L6112	CHOKE COIL	NCH-1471	1	1803-0064-0
PCB	L6113	CHOKE COIL	NCH-1471	1	1803-0064-0
PCB	L6501	EMIFIL	BK1608LM182-T	1	1806-3647-0
PCB	L6502	EMIFIL	BK1608LM182-T	1	1806-3647-0
PCB	L6503	EMIFIL	BK1608LM182-T	1	1806-3647-0
PCB	L6504	EMIFIL	BK1608LM182-T	1	1806-3647-0
PCB	X701	CERA LOCK	CSTCE12M5G52-R0	1	2703-0890-0
PCB	X713	CERA LOCK	CSTCR5M00G53-B0	1	2703-0920-0
PCB	X801	CERA LOCK	CSTCR5M00G53-B0	1	2703-0920-0
PCB	C501	CHIP ELECT C	CEWX6.3V-220M	1	157B-227M-3-OKI
PCB	C502	C-CERA C	CK725B1C-104K1	1	150D-104K-P-AC
PCB	C503	C-CERA C	CK725B1C-104K1	1	150D-104K-P-AC
PCB	C504	C-CERA C	CC725CH1H-020C1	1	15CH-020C-P-AC
PCB	C505	C-CERA C	CC725CH1H-020C1	1	15CH-020C-P-AC
PCB	C506	C-CERA C	CK725B1C-104K1	1	150D-104K-P-AC
PCB	C508	CHIP ELECT C	CEWX6.3V-100M	1	157B-107M-3-MJI
PCB	C509	C-CERA C	CK725B1C-104K1	1	150D-104K-P-AC
PCB	C510	C-CERA C	CK725F1E-104Z1	1	150F-104K-P-AC
PCB	C523	C-CERA C	CK725B1C-104K1	1	150D-104K-P-AC
PCB	C541	C-CERA C	CK725F1E-104Z1	1	150F-104K-P-AC
PCB	C542	C-CERA C	CK725F1E-104Z1	1	150F-104K-P-AC
PCB	C551	TF C	ECQ-B50V-223J	1	153F-223J-K-MMN
PCB	C552	CHIP ELECT C	CEWX6.3V-100M	1	157B-107M-3-MJI
PCB	C703	CHIP ELECT C	CEWX16V-100M	1	157D-107M-3-OLC
PCB	C704	CHIP ELECT C	CEWX16V-100M	1	157D-107M-3-OLC
PCB	C705	C-CERA C	CK725F1H-223Z1	1	150F-223M-P-AC
PCB	C706	C-CERA C	CK725F1H-223Z1	1	150F-223M-P-AC
PCB	C707	C-CERA C	CK725F1H-223Z1	1	150F-223M-P-AC
PCB	C711	CHIP ELECT C	CEWX16V-100M	1	157D-107M-3-OLC
PCB	C712	C-CERA C	CK725F1E-104Z1	1	150F-104K-P-AC
PCB	C717	CHIP ELECT C	CEWX16V-100M	1	157D-107M-3-OLC
PCB	C718	C-CERA C	CK725F1E-104Z1	1	150F-104K-P-AC
PCB	C728	CHIP ELECT C	CEWX6.3V-100M	1	157B-107M-3-MJI
PCB	C729	C-CERA C	CK725F1E-104Z1	1	150F-104K-P-AC
PCB	C731	CHIP ELECT C	CEWX50V-1M	1	157F-105M-3-HJI
PCB	C732	C-CERA C	CK725F1E-104Z1	1	150F-104K-P-AC
PCB	C733	C-CERA C	CC725CH1H-102J1	1	15CH-102J-P-AC
PCB	C802	C-CERA C	CK725F1A-105Z1	1	150C-105Z-P-AC
PCB	C803	C-CERA C	CK725F1E-104Z1	1	150F-104K-P-AC
PCB	C804	CHIP ELECT C	CEWX6.3V-100M	1	157B-107M-3-MJI
PCB	C813	C-CERA C	CK725F1H-223Z1	1	150F-223M-P-AC
PCB	C815	C-CERA C	CC725CH1H-330J1	1	15CH-330J-P-AC

PCB	C816	C-CERA C	CC725CH1H-330J1	1	15CH-330J-P-AC
PCB	C817	C-CERA C	CC725CH1H-330J1	1	15CH-330J-P-AC
PCB	C818	C-CERA C	CC725CH1H-330J1	1	15CH-330J-P-AC
PCB	C819	C-CERA C	CC725CH1H-330J1	1	15CH-330J-P-AC
PCB	C820	CHIP ELECT C	CEWX50V-2.2M	1	157F-225M-3-HJI
PCB	C827	C-CERA C	CK725F1H-223Z1	1	150F-223M-P-AC
PCB	C828	C-CERA C	CK725F1H-223Z1	1	150F-223M-P-AC
PCB	C829	C-CERA C	CK725F1H-223Z1	1	150F-223M-P-AC
PCB	C6001	CHIP ELECT C	CEWX6.3V-47M	1	157B-476M-3-JJI
PCB	C6002	CHIP ELECT C	CEWX6.3V-47M	1	157B-476M-3-JJI
PCB	C6003	CHIP ELECT C	CEWX6.3V-47M	1	157B-476M-3-JJI
PCB	C6004	C-CERA C	CK725B1C-104K1	1	150D-104K-P-AC
PCB	C6006	CHIP ELECT C	CEWX6.3V-100M	1	157B-107M-3-MJI
PCB	C6008	CHIP ELECT C	CEWX6.3V-100M	1	157B-107M-3-MJI
PCB	C6009	CHIP ELECT C	CEWX6.3V-100M	1	157B-107M-3-MJI
PCB	C6011	CHIP ELECT C	CEWX6.3V-100M	1	157B-107M-3-MJI
PCB	C6012	CHIP ELECT C	CEWX6.3V-100M	1	157B-107M-3-MJI
PCB	C6013	CHIP ELECT C	CEWX6.3V-1000M	1	157B-108M-3-OTI
PCB	C6014	C-CERA C	CK725B1C-104K1	1	150D-104K-P-AC
PCB	C6015	CHIP ELECT C	CEWX6.3V-470M	1	157B-477M-OTI
PCB	C6016	CHIP ELECT C	CEWX6.3V-1000M	1	157B-108M-3-OTI
PCB	C6017	CHIP ELECT C	CEWX6.3V-470M	1	157B-477M-OTI
PCB	C6018	CHIP ELECT C	CEWX6.3V-470M	1	157B-477M-OTI
PCB	C6019	CHIP ELECT C	CEWX6.3V-1000M	1	157B-108M-3-OTI
PCB	C6020	C-CERA C	CK725B1C-104K1	1	150D-104K-P-AC
PCB	C6021	CHIP ELECT C	CEWX6.3V-470M	1	157B-477M-OTI
PCB	C6022	CHIP ELECT C	CEWX6.3V-1000M	1	157B-108M-3-OTI
PCB	C6023	CHIP ELECT C	CEWX6.3V-470M	1	157B-477M-OTI
PCB	C6024	CHIP ELECT C	CEWX6.3V-470M	1	157B-477M-OTI
PCB	C6101	CHIP ELECT C	CEWX4V-220M	1	157A-227M-3-MJI
PCB	C6102	C-CERA C	CK725F1A-105Z1	1	150C-105Z-P-AC
PCB	C6103	C-CERA C	CK725F1A-105Z1	1	150C-105Z-P-AC
PCB	C6104	CHIP ELECT C	CEWX4V-220M	1	157A-227M-3-MJI
PCB	C6105	C-CERA C	CK725F1A-105Z1	1	150C-105Z-P-AC
PCB	C6106	C-CERA C	CK725B1H-103K1	1	150F-103K-P-AC
PCB	C6107	C-FILM C	ECHU50V-392J	1	150F-392J-6-CF
PCB	C6108	C-FILM C	ECHU50V-821J	1	150F-821J-6-CF
PCB	C6109	C-CERA C	CK725B1C-104K1	1	150D-104K-P-AC
PCB	C6110	C-CERA C	CK725F1A-105Z1	1	150C-105Z-P-AC
PCB	C6111	C-CERA C	CK725F1A-105Z1	1	150C-105Z-P-AC
PCB	C6112	C-CERA C	CK725F1A-105Z1	1	150C-105Z-P-AC
PCB	C6113	C-CERA C	CK725F1A-105Z1	1	150C-105Z-P-AC
PCB	C6114	C-CERA C	CK725F1A-105Z1	1	150C-105Z-P-AC
PCB	C6115	C-CERA C	CK725F1A-105Z1	1	150C-105Z-P-AC
PCB	C6116	C-CERA C	CK725F1A-105Z1	1	150C-105Z-P-AC
PCB	C6117	C-CERA C	CK725B1C-104K1	1	150D-104K-P-AC
PCB	C6118	C-CERA C	CK725F1A-105Z1	1	150C-105Z-P-AC
PCB	C6119	CHIP ELECT C	CEWX4V-220M	1	157A-227M-3-MJI
PCB	C6120	C-CERA C	CK725F1A-105Z1	1	150C-105Z-P-AC
PCB	C6121	CHIP ELECT C	CEWX16V-47M	1	157D-476M-3-LJ
PCB	C6122	C-CERA C	CK725F1A-105Z1	1	150C-105Z-P-AC
PCB	C6123	C-CERA C	CK725F1A-105Z1	1	150C-105Z-P-AC
PCB	C6126	C-CERA C	CK725F1A-105Z1	1	150C-105Z-P-AC
PCB	C6127	C-CERA C	CK725F1A-105Z1	1	150C-105Z-P-AC
PCB	C6128	C-CERA C	CK725F1A-105Z1	1	150C-105Z-P-AC
PCB	C6129	C-CERA C	CK725F1A-105Z1	1	150C-105Z-P-AC



PCB	C6130	CHIP ELECT C	CEWX6.3V-47M	1	157B-476M-3-JJI
PCB	C6131	CHIP ELECT C	CEWX6.3V-47M	1	157B-476M-3-JJI
PCB	C6132	CHIP ELECT C	CEWX6.3V-47M	1	157B-476M-3-JJI
PCB	C6133	CHIP ELECT C	CEWX6.3V-47M	1	157B-476M-3-JJI
PCB	C6134	CHIP ELECT C	CEWX6.3V-47M	1	157B-476M-3-JJI
PCB	C6135	CHIP ELECT C	CEWX6.3V-47M	1	157B-476M-3-JJI
PCB	C6136	C-CERA C	CK725F1A-105Z1	1	150C-105Z-P-AC
PCB	C6137	C-CERA C	CK725F1A-105Z1	1	150C-105Z-P-AC
PCB	C6138	CHIP ELECT C	CEWX6.3V-100M	1	157B-107M-3-MJI
PCB	C6139	CHIP ELECT C	CEWX6.3V-100M	1	157B-107M-3-MJI
PCB	C6140	C-CERA C	CK725F1A-105Z1	1	150C-105Z-P-AC
PCB	C6141	C-CERA C	CK725F1A-105Z1	1	150C-105Z-P-AC
PCB	C6144	C-CERA C	CK725F1A-105Z1	1	150C-105Z-P-AC
PCB	C6145	C-CERA C	CC725CH1H-150J1	1	15CH-150J-P-AC
PCB	C6146	C-CERA C	CC725CH1H-150J1	1	15CH-150J-P-AC
PCB	C6501	C-CERA C	CK725F1E-104Z1	1	150F-104K-P-AC
PCB	C6502	CHIP ELECT C	CEWX6.3V-100M	1	157B-107M-3-MJI
PCB	C6503	CHIP ELECT C	CEWX50V-1M	1	157F-105M-3-HJI
PCB	C6504	CHIP ELECT C	CEWX50V-1M	1	157F-105M-3-HJI
PCB	C6505	CHIP ELECT C	CEWX50V-1M	1	157F-105M-3-HJI
PCB	C6506	CHIP ELECT C	CEWX50V-1M	1	157F-105M-3-HJI
PCB	C6507	C-CERA C	CK725F1E-104Z1	1	150F-104K-P-AC
PCB	C6508	C-CERA C	CK725F1E-104Z1	1	150F-104K-P-AC
PCB	R501	C-CARBON R	RN72K1J-000JE	1	4723-000J-P-R
PCB	R503	C-CARBON R	RN72K1J-101JE	1	4723-101J-P-R
PCB	R504	C-CARBON R	RN72K1J-104JE	1	4723-104J-P-R
PCB	R505	C-CARBON R	RN72K1J-474JE	1	4723-474J-P-R
PCB	R506	C-CARBON R	RN72K1J-104JE	1	4723-104J-P-R
PCB	R507	C-CARBON R	RN72K1J-101JE	1	4723-101J-P-R
PCB	R508	C-CARBON R	RN72K1J-000JE	1	4723-000J-P-R
PCB	R509	C-CARBON R	RN72K1J-333JE	1	4723-333J-P-R
PCB	R511	C-CARBON R	RN72K1J-750JE	1	4723-750J-P-R
PCB	R521	C-CARBON R	RN72K1J-000JE	1	4723-000J-P-R
PCB	R523	C-CARBON R	RN72K1J-101JE	1	4723-101J-P-R
PCB	R551	C-CARBON R	RN72K1J-332JE	1	4723-332J-P-R
PCB	R552	C-CARBON R	RN72K1J-103JE	1	4723-103J-P-R
PCB	R553	C-CARBON R	RN72K1J-103JE	1	4723-103J-P-R
PCB	R556	C-CARBON R	RN72K1J-101JE	1	4723-101J-P-R
PCB	R701	C-CARBON R	RN72K1J-822JE	1	4723-822J-P-R
PCB	R702	C-CARBON R	RN72K1J-332JE	1	4723-332J-P-R
PCB	R703	C-CARBON R	RN72K1J-105JE	1	4723-105J-P-R
PCB	R704	C-CARBON R	RN72K1J-103JE	1	4723-103J-P-R
PCB	R705	C-CARBON R	RN72K1J-822JE	1	4723-822J-P-R
PCB	R706	C-CARBON R	RN72K1J-562JE	1	4723-562J-P-R
PCB	R707	C-CARBON R	RN72K1J-105JE	1	4723-105J-P-R
PCB	R708	C-CARBON R	RN72K1J-103JE	1	4723-103J-P-R
PCB	R709	NF CARBON R	R25J-4.7	1	4705-4R7J-K-P
PCB	R710	C-CARBON R	RN72K1J-222JE	1	4723-222J-P-R
PCB	R711	C-CARBON R	RN72K1J-104JE	1	4723-104J-P-R
PCB	R712	C-CARBON R	RN72K1J-104JE	1	4723-104J-P-R
PCB	R713	C-CARBON R	RN72K1J-104JE	1	4723-104J-P-R
PCB	R714	C-CARBON R	RN72K1J-104JE	1	4723-104J-P-R
PCB	R715	NF CARBON R	R25J-4.7	1	4705-4R7J-K-P
PCB	R716	C-CARBON R	RN72K1J-562JE	1	4723-562J-P-R
PCB	R717	C-CARBON R	RN72K1J-103JE	1	4723-103J-P-R
PCB	R718	C-CARBON R	RN72K1J-472JE	1	4723-472J-P-R

PCB	R719	C-CARBON R	RN72K1J-562JE	1	4723-562J-P-R
PCB	R720	C-CARBON R	RN72K1J-222JE	1	4723-222J-P-R
PCB	R721	C-CARBON R	RN72K1J-103JE	1	4723-103J-P-R
PCB	R722	C-CARBON R	RN72K1J-103JE	1	4723-103J-P-R
PCB	R723	C-CARBON R	RN72K1J-103JE	1	4723-103J-P-R
PCB	R731	C-CARBON R	RN72K1J-103JE	1	4723-103J-P-R
PCB	R732	C-CARBON R	RN72K1J-101JE	1	4723-101J-P-R
PCB	R733	C-CARBON R	RN72K1J-103JE	1	4723-103J-P-R
PCB	R734	C-CARBON R	RN72K1J-101JE	1	4723-101J-P-R
PCB	R735	C-CARBON R	RN72K1J-101JE	1	4723-101J-P-R
PCB	R736	C-CARBON R	RN72K1J-101JE	1	4723-101J-P-R
PCB	R737	C-CARBON R	RN72K1J-101JE	1	4723-101J-P-R
PCB	R738	C-CARBON R	RN72K1J-103JE	1	4723-103J-P-R
PCB	R739	C-CARBON R	RN72K1J-100JE	1	4723-100J-P-R
PCB	R740	C-CARBON R	RN72K1J-103JE	1	4723-103J-P-R
PCB	R741	C-CARBON R	RN72K1J-100JE	1	4723-100J-P-R
PCB	R742	C-CARBON R	RN72K1J-100JE	1	4723-100J-P-R
PCB	R743	C-CARBON R	RN72K1J-101JE	1	4723-101J-P-R
PCB	R744	C-CARBON R	RN72K1J-101JE	1	4723-101J-P-R
PCB	R745	C-CARBON R	RN72K1J-100JE	1	4723-100J-P-R
PCB	R746	C-CARBON R	RN72K1J-101JE	1	4723-101J-P-R
PCB	R747	C-CARBON R	RN72K1J-101JE	1	4723-101J-P-R
PCB	R748	C-CARBON R	RN72K1J-473JE	1	4723-473J-P-R
PCB	R749	C-CARBON R	RN72K1J-471JE	1	4723-471J-P-R
PCB	R750	C-CARBON R	RN72K1J-224JE	1	4723-224J-P-R
PCB	R751	C-CARBON R	RN72K1J-472JE	1	4723-472J-P-R
PCB	R752	C-CARBON R	RN72K1J-102JE	1	4723-102J-P-R
PCB	R754	C-CARBON R	RN72K1J-272JE	1	4723-272J-P-R
PCB	R755	C-CARBON R	RN72K1J-000JE	1	4723-000J-P-R
PCB	R758	C-CARBON R	RN72K1J-272JE	1	4723-272J-P-R
PCB	R759	C-CARBON R	RN72K1J-101JE	1	4723-101J-P-R
PCB	R760	C-CARBON R	RN72K1J-103JE	1	4723-103J-P-R
PCB	R765	C-CARBON R	RN72K1J-274JE	1	4723-274J-P-R
PCB	R766	C-CARBON R	RN72K1J-472JE	1	4723-472J-P-R
PCB	R767	C-CARBON R	RN72K1J-000JE	1	4723-000J-P-R
PCB	R768	C-CARBON R	RN72K1J-222JE	1	4723-222J-P-R
PCB	R771	C-CARBON R	RN72K1J-103JE	1	4723-103J-P-R
PCB	R772	C-CARBON R	RN72K1J-101JE	1	4723-101J-P-R
PCB	R774	C-CARBON R	RN72K1J-103JE	1	4723-103J-P-R
PCB	R775	C-CARBON R	RN72K1J-103JE	1	4723-103J-P-R
PCB	R776	C-CARBON R	RN72K1J-103JE	1	4723-103J-P-R
PCB	R777	C-CARBON R	RN72K1J-101JE	1	4723-101J-P-R
PCB	R778	C-CARBON R	RN72K1J-101JE	1	4723-101J-P-R
PCB	R779	C-CARBON R	RN72K1J-472JE	1	4723-472J-P-R
PCB	R780	C-CARBON R	RN72K1J-103JE	1	4723-103J-P-R
PCB	R781	C-CARBON R	RN72K1J-000JE	1	4723-000J-P-R
PCB	R782	C-CARBON R	RN72K1J-000JE	1	4723-000J-P-R
PCB	R783	C-CARBON R	RN72K1J-000JE	1	4723-000J-P-R
PCB	R784	C-CARBON R	RN72K1J-000JE	1	4723-000J-P-R
PCB	R785	C-CARBON R	RN72K1J-102JE	1	4723-102J-P-R
PCB	R786	C-CARBON R	RN72K1J-102JE	1	4723-102J-P-R
PCB	R787	C-CARBON R	RN72K1J-102JE	1	4723-102J-P-R
PCB	R788	C-CARBON R	RN72K1J-102JE	1	4723-102J-P-R
PCB	R801	C-CARBON R	RN72K1J-391JE	1	4723-391J-P-R
PCB	R802	C-CARBON R	RN72K1J-471JE	1	4723-471J-P-R
PCB	R803	C-CARBON R	RN72K1J-821JE	1	4723-821J-P-R

PCB	R804	C-CARBON R	RN72K1J-102JE	1	4723-102J-P-R
PCB	R805	C-CARBON R	RN72K1J-182JE	1	4723-182J-P-R
PCB	R806	C-CARBON R	RN72K1J-392JE	1	4723-392J-P-R
PCB	R807	C-CARBON R	RN72K1J-103JE	1	4723-103J-P-R
PCB	R808	C-CARBON R	RN72K1J-391JE	1	4723-391J-P-R
PCB	R809	C-CARBON R	RN72K1J-471JE	1	4723-471J-P-R
PCB	R810	C-CARBON R	RN72K1J-821JE	1	4723-821J-P-R
PCB	R811	C-CARBON R	RN72K1J-102JE	1	4723-102J-P-R
PCB	R812	C-CARBON R	RN72K1J-182JE	1	4723-182J-P-R
PCB	R821	C-CARBON R	RN72K1J-000JE	1	4723-000J-P-R
PCB	R822	C-CARBON R	RN72K1J-272JE	1	4723-272J-P-R
PCB	R823	C-CARBON R	RN72K1J-272JE	1	4723-272J-P-R
PCB	R824	C-CARBON R	RN72K1J-272JE	1	4723-272J-P-R
PCB	R825	C-CARBON R	RN72K1J-272JE	1	4723-272J-P-R
PCB	R826	C-CARBON R	RN72K1J-101JE	1	4723-101J-P-R
PCB	R827	C-CARBON R	RN72K1J-101JE	1	4723-101J-P-R
PCB	R829	C-CARBON R	RN72K1J-104JE	1	4723-104J-P-R
PCB	R830	C-CARBON R	RN72K1J-104JE	1	4723-104J-P-R
PCB	R831	C-CARBON R	RN72K1J-101JE	1	4723-101J-P-R
PCB	R832	C-CARBON R	RN72K1J-104JE	1	4723-104J-P-R
PCB	R833	C-CARBON R	RN72K1J-272JE	1	4723-272J-P-R
PCB	R834	C-CARBON R	RN72K1J-222JE	1	4723-222J-P-R
PCB	R835	C-CARBON R	RN72K1J-104JE	1	4723-104J-P-R
PCB	R836	C-CARBON R	RN72K1J-104JE	1	4723-104J-P-R
PCB	R837	C-CARBON R	RN72K1J-104JE	1	4723-104J-P-R
PCB	R838	C-CARBON R	RN72K1J-104JE	1	4723-104J-P-R
PCB	R841	C-CARBON R	RN72K1J-471JE	1	4723-471J-P-R
PCB	R842	C-CARBON R	RN72K1J-471JE	1	4723-471J-P-R
PCB	R843	C-CARBON R	RN72K1J-471JE	1	4723-471J-P-R
PCB	R844	C-CARBON R	RN72K1J-471JE	1	4723-471J-P-R
PCB	R845	C-CARBON R	RN72K1J-471JE	1	4723-471J-P-R
PCB	R847	C-CARBON R	RN72K1J-391JE	1	4723-391J-P-R
PCB	R850	C-CARBON R	RN72K1J-223JE	1	4723-223J-P-R
PCB	R851	C-CARBON R	RN72K1J-391JE	1	4723-391J-P-R
PCB	R856	C-CARBON R	RN72K1J-273JE	1	4723-273J-P-R
PCB	R858	C-CARBON R	RN72K1J-392JE	1	4723-392J-P-R
PCB	R6002	C-CARBON R	RN72K1J-271JE	1	4723-271J-P-R
PCB	R6008	C-CARBON R	RN72K1J-102JE	1	4723-102J-P-R
PCB	R6009	C-CARBON R	RN72K1J-472JE	1	4723-472J-P-R
PCB	R6011	C-CARBON R	RN72K1J-102JE	1	4723-102J-P-R
PCB	R6015	C-CARBON R	RN72K1J-000JE	1	4723-000J-P-R
PCB	R6016	C-CARBON R	RN72K1J-102JE	1	4723-102J-P-R
PCB	R6018	C-CARBON R	RN72K1J-102JE	1	4723-102J-P-R
PCB	R6020	C-CARBON R	RN72K1J-750JE	1	4723-750J-P-R
PCB	R6022	C-CARBON R	RN72K1J-750JE	1	4723-750J-P-R
PCB	R6024	C-CARBON R	RN72K1J-103JE	1	4723-103J-P-R
PCB	R6025	C-CARBON R	RN72K1J-750JE	1	4723-750J-P-R
PCB	R6028	C-CARBON R	RN72K1J-750JE	1	4723-750J-P-R
PCB	R6030	C-CARBON R	RN72K1J-750JE	1	4723-750J-P-R
PCB	R6033	C-CARBON R	RN72K1J-750JE	1	4723-750J-P-R
PCB	R6036	C-CARBON R	RN72K1J-750JE	1	4723-750J-P-R
PCB	R6038	C-CARBON R	RN72K1J-103JE	1	4723-103J-P-R
PCB	R6039	C-CARBON R	RN72K1J-750JE	1	4723-750J-P-R
PCB	R6041	C-CARBON R	RN72K1J-750JE	1	4723-750J-P-R
PCB	R6044	C-CARBON R	RN72K1J-750JE	1	4723-750J-P-R
PCB	R6047	C-CARBON R	RN72K1J-750JE	1	4723-750J-P-R

PCB	R6050	C-CARBON R	RN72K1J-750JE	1	4723-750J-P-R
PCB	R6052	C-CARBON R	RN72K1J-104JE	1	4723-104J-P-R
PCB	R6102	C-CARBON R	RN72K1J-103JE	1	4723-103J-P-R
PCB	R6103	C-CARBON R	RN72K1J-472JE	1	4723-472J-P-R
PCB	R6104	C-CARBON R	RN72K1J-472JE	1	4723-472J-P-R
PCB	R6105	C-CARBON R	RN72K1J-103JE	1	4723-103J-P-R
PCB	R6106	C-CARBON R	RN72K1J-000JE	1	4723-000J-P-R
PCB	R6107	C-CARBON R	RN72K1J-102JE	1	4723-102J-P-R
PCB	R6108	C-CARBON R	RN72K1J-681FE	1	4723-681A-P-R
PCB	R6109	C-CARBON R	RN72K1J-152FE	1	4723-152A-P-R
PCB	R6110	C-CARBON R	RN72K1J-152FE	1	4723-152A-P-R
PCB	R6111	C-CARBON R	RN72K1J-100FE	1	4723-100A-P-R
PCB	R6112	C-CARBON R	RN72K1J-151FE	1	4723-151A-P-R
PCB	R6114	C-CARBON R	RN72K1J-151FE	1	4723-151A-P-R
PCB	R6116	C-CARBON R	RN72K1J-151JE	1	4723-151J-P-R
PCB	R6118	C-CARBON R	RN72K1J-102JE	1	4723-102J-P-R
PCB	R6119	C-CARBON R	RN72K1J-102JE	1	4723-102J-P-R
PCB	R6120	C-CARBON R	RN72K1J-102JE	1	4723-102J-P-R
PCB	R6121	C-CARBON R	RN72K1J-102JE	1	4723-102J-P-R
PCB	R6122	C-CARBON R	RN72K1J-102JE	1	4723-102J-P-R
PCB	R6123	C-CARBON R	RN72K1J-102JE	1	4723-102J-P-R
PCB	R6125	C-CARBON R	RN72K1J-151FE	1	4723-151A-P-R
PCB	R6127	C-CARBON R	RN72K1J-151FE	1	4723-151A-P-R
PCB	R6129	C-CARBON R	RN72K1J-151FE	1	4723-151A-P-R
PCB	R6130	C-CARBON R	RN72K1J-152FE	1	4723-152A-P-R
PCB	R6131	C-CARBON R	RN72K1J-152FE	1	4723-152A-P-R
PCB	R6132	C-CARBON R	RN72K1J-100FE	1	4723-100A-P-R
PCB	R6133	C-CARBON R	RN72K1J-103JE	1	4723-103J-P-R
PCB	R6134	C-CARBON R	RN72K1J-103JE	1	4723-103J-P-R
PCB	R6135	C-CARBON R	RN72K1J-000JE	1	4723-000J-P-R
PCB	R6136	C-CARBON R	RN72K1J-103JE	1	4723-103J-P-R
PCB	R6137	C-CARBON R	RN72K1J-000JE	1	4723-000J-P-R
PCB	R6138	C-CARBON R	RN72K1J-000JE	1	4723-000J-P-R
PCB	R6139	C-CARBON R	RN72K1J-473JE	1	4723-473J-P-R
PCB	R6140	C-CARBON R	RN72K1J-103JE	1	4723-103J-P-R
PCB	R6141	C-CARBON R	RN72K1J-103JE	1	4723-103J-P-R
PCB	R6142	C-CARBON R	RN72K1J-103JE	1	4723-103J-P-R
PCB	R6143	C-CARBON R	RN72K1J-103JE	1	4723-103J-P-R
PCB	R6144	C-CARBON R	RN72K1J-103JE	1	4723-103J-P-R
PCB	R6145	C-CARBON R	RN72K1J-103JE	1	4723-103J-P-R
PCB	R6146	C-CARBON R	RN72K1J-000JE	1	4723-000J-P-R
PCB	R6147	C-CARBON R	RN72K1J-000JE	1	4723-000J-P-R
PCB	R6148	C-CARBON R	RN72K1J-000JE	1	4723-000J-P-R
PCB	R6149	C-CARBON R	RN72K1J-000JE	1	4723-000J-P-R
PCB	R6150	C-CARBON R	RN72K1J-000JE	1	4723-000J-P-R
PCB	R6151	C-CARBON R	RN72K1J-000JE	1	4723-000J-P-R
PCB	R6152	C-CARBON R	RN72K1J-102JE	1	4723-102J-P-R
PCB	R6153	C-CARBON R	RN72K1J-102JE	1	4723-102J-P-R
PCB	R6154	C-CARBON R	RN72K1J-102JE	1	4723-102J-P-R
PCB	R6159	C-CARBON R	RN72K1J-105JE	1	4723-105J-P-R
PCB	R6162	C-CARBON R	RN72K1J-105JE	1	4723-105J-P-R
PCB	R6164	C-CARBON R	RN72K1J-470JE	1	4723-470J-P-R
PCB	R6165	C-CARBON R	RN72K1J-470JE	1	4723-470J-P-R
PCB	R6166	C-CARBON R	RN72K1J-470JE	1	4723-470J-P-R
PCB	R6167	C-CARBON R	RN72K1J-000JE	1	4723-000J-P-R
PCB	R6168	C-CARBON R	RN72K1J-000JE	1	4723-000J-P-R

PCB	R6169	C-CARBON R	RN72K1J-000JE	1	4723-000J-P-R
PCB	R6170	C-CARBON R	RN72K1J-102JE	1	4723-102J-P-R
PCB	R6171	C-CARBON R	RN72K1J-102JE	1	4723-102J-P-R
PCB	R6172	C-CARBON R	RN72K1J-000JE	1	4723-000J-P-R
PCB	R6173	C-CARBON R	RN72K1J-000JE	1	4723-000J-P-R
PCB	R6174	C-CARBON R	RN72K1J-000JE	1	4723-000J-P-R
PCB	R6175	C-CARBON R	RN72K1J-101JE	1	4723-101J-P-R
PCB	R6176	C-CARBON R	RN72K1J-101JE	1	4723-101J-P-R
PCB	R6501	C-CARBON R	RN72K1J-103JE	1	4723-103J-P-R
PCB	R6502	C-CARBON R	RN72K1J-103JE	1	4723-103J-P-R
PCB	R6503	C-CARBON R	RN72K1J-103JE	1	4723-103J-P-R
PCB	R6504	C-CARBON R	RN72K1J-105JE	1	4723-105J-P-R
PCB	R6505	C-CARBON R	RN72K1J-101JE	1	4723-101J-P-R
PCB	R6506	C-CARBON R	RN72K1J-000JE	1	4723-000J-P-R
PCB	R6507	C-CARBON R	RN72K1J-000JE	1	4723-000J-P-R
PCB	R6508	C-CARBON R	RN72K1J-101JE	1	4723-101J-P-R
PCB	R6509	C-CARBON R	RN72K1J-470JE	1	4723-470J-P-R
PCB	R6510	C-CARBON R	RN72K1J-470JE	1	4723-470J-P-R
PCB	R6511	C-CARBON R	RN72K1J-103JE	1	4723-103J-P-R
PCB	P501B	SOCKET AS	NSAS-8P1347	1	7012-6822-0
PCB	P502B	SOCKET AS	NSAS-6P1397	1	7012-6796-0
PCB	P504	PIN JACK	NPJ-1PDO585	(1)	2113-3055-0
PCB	P541	PIN JACK	MSJ-035-36A	(1)	2113-2022-0
PCB	P552	ST JACK	HSJ1002-01-1020	1	2113-2038-0
PCB	P702	PLUG	2002P0300T	1	2101-3008-0
PCB	P702A	SOCKET AS	NSAS-6P1397	1	7012-6796-0
PCB	P704	SOCKET AS	NSAS-22P1398	1	7012-6797-0
PCB	P704A	SOCKET AS	NSAS-22P1399	1	7012-6798-0
PCB	P704B	PLUG	2002P1100T	1	2101-3011-0
PCB	P707A	SOCKET	NSCT-6P1600	1	2101-1538-0
PCB	P707Aor	SOCKET	NSCT-6P1802	(1)	2101-1540-0
PCB	P707Aor	SOCKET	NSCT-6P2099	(1)	2101-1421-0
PCB	P708A	PLUG	2003P0200T	1	2101-3012-0
PCB	P711A	SOCKET AS	NSAS-4P1401	1	7012-6800-0
PCB	P805A	SOCKET AS	NSAS-10P1402	1	7012-6801-0
PCB	P806	PLUG	2003P0200T	1	2101-3012-0
PCB	P951A	SOCKET AS	NSAS-20P1403	1	7012-6802-0
PCB	P2001B	PLUG	SM14B-SURS-TF	1	2101-3018-0
PCB	P2002B	PLUG	SM15B-SURS-TF	1	2101-3019-0
PCB	P2005B	PLUG	SM06B-SRSS-TB	1	2101-3027-0
PCB	P2711B	SOCKET AS	NSAS-14P1404	1	7012-6803-0
PCB	P6001	PIN JACK	NPJ-10PDBY459	1	2113-2039-0
PCB	P6003	PIN JACK	NPJ-3PDRLG589	(1)	2113-3079-0
PCB	P6004	BNC JACK	YKC31-0157	1	2113-3041-0
PCB	P6101	WS CLAMP	CP-1S	1	6360-9650-0
PCB	P6102	WS CLAMP	CP-1S	1	6360-9650-0
PCB	P6103	WS CLAMP	CP-1S	1	6360-9650-0
PCB	P6501	SOCKET	NSCT-9P2277	1	2101-1492-0
PCB	P6502B	PLUG	NPLG-7P933	1	2101-1411-0
PCB	P6504A	SOCKET AS	NSAS-6P1408	1	7012-6806-0
PCB	S701	PUSH SW	NPS-111-S679	1	5200-4862-0-01
PCB	S702	PUSH SW	NPS-111-S679	1	5200-4862-0-01
PCB	S703	PUSH SW	NPS-111-S679	1	5200-4862-0-01
PCB	S801	PUSH SW	NPS-111-S681	1	5200-4861-0-01
PCB	S802	PUSH SW	NPS-111-S681	1	5200-4861-0-01
PCB	S803	PUSH SW	NPS-111-S681	1	5200-4861-0-01

PCB	S804	PUSH SW	NPS-111-S681	1	5200-4861-0-01
PCB	S805	PUSH SW	NPS-111-S681	1	5200-4861-0-01
PCB	S806	PUSH SW	NPS-111-S681	1	5200-4861-0-01
PCB	S807	PUSH SW	NPS-111-S681	1	5200-4861-0-01
PCB	S808	PUSH SW	NPS-111-S681	1	5200-4861-0-01
PCB	S809	PUSH SW	NPS-111-S681	1	5200-4861-0-01
PCB	S810	PUSH SW	NPS-111-S681	1	5200-4861-0-01
PCB	S811	PUSH SW	NPS-111-S681	1	5200-4861-0-01
PCB	S812	PUSH SW	NPS-111-S681	1	5200-4861-0-01
PCB	S813	PUSH SW	NPS-111-S681	1	5200-4861-0-01
PCB	S814	PUSH SW	NPS-111-S681	1	5200-4861-0-01

PACKING PARTS LIST
DPC-8.5

	REF NO	NAME	DESCRIPTION	Q'TY	PART NO	REMARKS
PCK	A601	CARTON	---	1	1436-9703-0-2	
PCK	A603-1	PAD	L	1	1490-4381-0	
PCK	A603-2	PAD	R	1	1490-4391-0	
PCK	A604	SHEET	(DR)	1	4154-6221-0	
PCK	A605	SHEET	---	1	1450-6910-0	
PCK	A607	POLY BAG	700*600	1	1497-7462-0	
PCK	A608	TAPE	(SEROHAN)NITTO NO.29	1	9500-9012-0	
PCK	A610	PP TAPE	W48 OPP TAPE	1	9500-0070-0	
PCK	A651	UPC LABEL	---	1	3001-0120-0	
PCK	A652	WRNTY CARD	(INTEGRA)	1	3050-2581-1	
PCK	A653	INST SHEET	(PAC)	1	3050-2521-0	
PCK	A701	POLY BAG	350*250	1	1497-7382-0	
PCK	A702	TAPE	(SEROHAN)NITTO NO.29	1	9500-9012-0	
PCK	E801	PIN CORD AS	RCA3P(YWR)	1	7012-6531-0	
PCK	E802	BATTERY	R6/AA(UM-3)	2	4060-0930-0	
PCK	E802 or	BATTERY	R6/AA(UM-3)	(2)	4060-0930-0	
PCK	E803	CORD AS	3.5 MINI PLUG	1	7012-6787-0	
PCK	E804	CORD AS	(S CORD)	1	7012-6532-0	
PCK	E805	REMO CON	RC-543DV	1	8912-0037-0	
PCK	E810	INS MANUAL	En(DPC-8.5)	1	4301-7137-0	
EXP	P901	AC CORD	AS-UC-2	1	7012-6595-0	!
EXP	P901 or	AC CORD	AS-UC-2	(1)	7012-6780-0	!
EXP	P901 or	AC CORD	AS-UC-2	(1)	7012-6782-0	!

Integra Division of

ONKYO CORPORATION

Sales & Product Planning Div. : 2-1, Nisshin-cho, Neyagawa-shi, OSAKA 572-8540, JAPAN
Tel: 072-831-8023 Fax: 072-831-8124 <http://www.onkyo.com/jp/>

Integra Division of

ONKYO U.S.A. CORPORATION

18 Park Way, Upper Saddle River, N.J. 07458, U.S.A.
Tel: 201-785-2600 Fax: 201-785-2650 <http://www.integrahometheater.com>