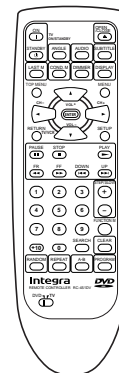
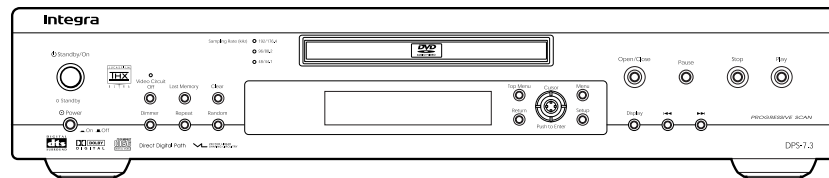


Integra SERVICE MANUAL

Sep, 2002

DVD PLAYER MODEL DPS-7.3




RC-451DV

Black model

BMDD	120V AC, 60Hz
------	---------------

SAFETY-RELATED COMPONENT WARNING!!

COMPONENTS IDENTIFIED BY MARK  ON THE SCHEMATIC DIAGRAM AND IN THE PARTS LIST ARE CRITICAL FOR RISK OF FIRE AND ELECTRIC SHOCK. REPLACE THESE COMPONENTS WITH ONKYO PARTS WHOSE PART NUMBERS APPEAR AS SHOWN IN THIS MANUAL.

MAKE LEAKAGE-CURRENT OR RESISTANCE MEASUREMENTS TO DETERMINE THAT EXPOSED PARTS ARE ACCEPTABLY INSULATED FROM THE SUPPLY CIRCUIT BEFORE RETURNING THE APPLIANCE TO THE CUSTOMER.

SPECIFICATIONS

DVD Player

Power supply	AC 120 V, 60 Hz
Power consumption	25 W
Power consumption (standby mode)	1.4 W
Weight	3.6 kg, 7.9 lbs.
External dimensions	435 x 91 x 314 mm (W/H/D), 17-1/8" x 3-9/16" x 12-3/8"
Signal system	Standard NTSC
Regional restriction code	1
Laser	Semiconductor laser, wavelength 650 nm
Frequency range (digital audio)	DVD linear sound: 48 kHz sampling 4 Hz to 22 kHz 96 kHz sampling 4 Hz to 44 kHz DVD-Audio: 192 kHz sampling 4 Hz to 96 kHz Audio CD: 4 Hz to 20 kHz
Signal-to-noise ratio (digital audio)	More than 106 dB
Audio dynamic range (digital audio)	More than 100 dB
Harmonic distortion (digital audio)	Less than 0.005 %
Wow and flutter	Below measurable level (less than ± 0.001 % (W.PEAK))
Operating conditions	Temperature: 5°C to 35°C, Operation status: Horizontal

Outputs

Video output	1.0 V (p-p), 75 ohm, negative sync., pin jack x 2
S-video output	(Y) 1.0 V (p-p), 75 ohm, negative sync., Mini DIN 4-pin x 2 (C) 0.286 V (p-p), 75 ohm
Component video output	(Y) 1.0 V (p-p), 75 ohm, negative sync., pin jack x 2 (P _B)/(P _R) 0.7 V (p-p), 75 ohm
Audio output (digital output Optical)	Optical connector x 2
Audio output (digital output Coaxial)	0.5 V (p-p), 75 ohm, pin jack x 1
Audio output (analog audio)	2.0 V (rms), 470 ohm, pin jack (L, R) x 2
Audio output (5.1 channel analog audio)	2.0 V (rms), 470 ohm, pin jack (FRONT L, FRONT R, CENTER, SURR L, SURR R, SUB WOOFER) x 1

Specifications and features are subject to change without notice.

SERVICE PROCEDURES

PROTECTION OF EYES FROM LASER BEAM DURING SERVICING

This set employs a laser. Therefore, be sure to follow carefully the instructions below when servicing.

WARNING!!

SERVICE WARNING : DO NOT APPROACH THE LASER EXIT WITH THE EYE TOO CLOSELY. IN CASE IT IS NECESSARY TO CONFIRM LASER BEAM EMISSION, BE SURE TO OBSERVE FROM A DISTANCE OF MORE THAN 30cm FROM THE SURFACE OF THE OBJECTIVE LENS ON THE OPTICAL PICKUP BLOCK.

Laser Diode Properties

CD
Wavelength: 650 nm
Laser output: 0.43 mW

DVD
Wavelength: 780 nm
Laser output: 0.14 mW

WARNING

WARNING:

TO REDUCE THE RISK OF FIRE OR ELECTRIC SHOCK, DO NOT EXPOSE THIS APPLIANCE TO RAIN OR MOISTURE.

CAUTION:

TO REDUCE THE RISK OF ELECTRIC SHOCK, DO NOT REMOVE COVER (OR BACK). NO USER-SERVICEABLE PARTS INSIDE. REFER SERVICING TO QUALIFIED SERVICE PERSONNEL.



WARNING
RISK OF ELECTRIC SHOCK
DO NOT OPEN

AVIS
RISQUE DE CHOC ELECTRIQUE
NE PAS OUVRIR



The lightning flash with arrowhead symbol, within an equilateral triangle, is intended to alert the user to the presence of uninsulated "dangerous voltage" within the product's enclosure that may be of sufficient magnitude to constitute a risk of electric shock to persons.



The exclamation point within an equilateral triangle is intended to alert the user to the presence of important operating and maintenance (servicing) instructions in the literature accompanying the appliance.

LASER WARNING

This unit contains a semiconductor laser system and is classified as a "CLASS 1 LASER PRODUCT". So, to use this model properly, read this Instruction Manual carefully. In case of any trouble, please contact the store where you purchased the unit. To prevent being exposed to the laser beam, do not try to open the enclosure.

CAUTION:

VISIBLE LASER RADIATION WHEN OPEN AND INTERLOCK FAILED OR DEFEATED. DO NOT STARE INTO BEAM.

CAUTION:

THIS PRODUCT UTILIZES A LASER. USE OF CONTROLS OR ADJUSTMENTS OR PERFORMANCE OF PROCEDURES OTHER THAN THOSE SPECIFIED HEREIN MAY RESULT IN HAZARDOUS RADIATION EXPOSURE.

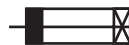
The label on the right is applied on the rear panel except for USA and Canadian models.

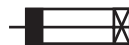




1. This unit is a CLASS 1 LASER PRODUCT and employs a laser inside the cabinet.
2. To prevent the laser from being exposed, do not remove the cover. Refer servicing to qualified personnel.

SERVICE PROCEDURE

1. Replacing the fuses

 This symbol located near the fuse indicates that the fuse used is show operating type, For continued protection against fire hazard, replace with same type fuse , For fuse rating, refer to the marking adjust to the symbol.

 Ce symbole indique que le fusible utilise est e lent. Pour une protection permanente, n'utiliser que des fusibles de meme type. Ce dernier est indique la qu le present symbol est appose.

REF. NO.	PART NO.	DESCRIPTION
F1	252252 or 	1.6A-T/UL-ST2
	252147 	1.6A-TSC

2. Safety-check out

(Only U.S.A. model)

After correcting the original service problem perform the following safety check before releasing the set to the customer Connect the insulating-resistance tester between the plug of power supply cord and terminal GND on the back panel. Specifications: More than 10M ohm at 500V

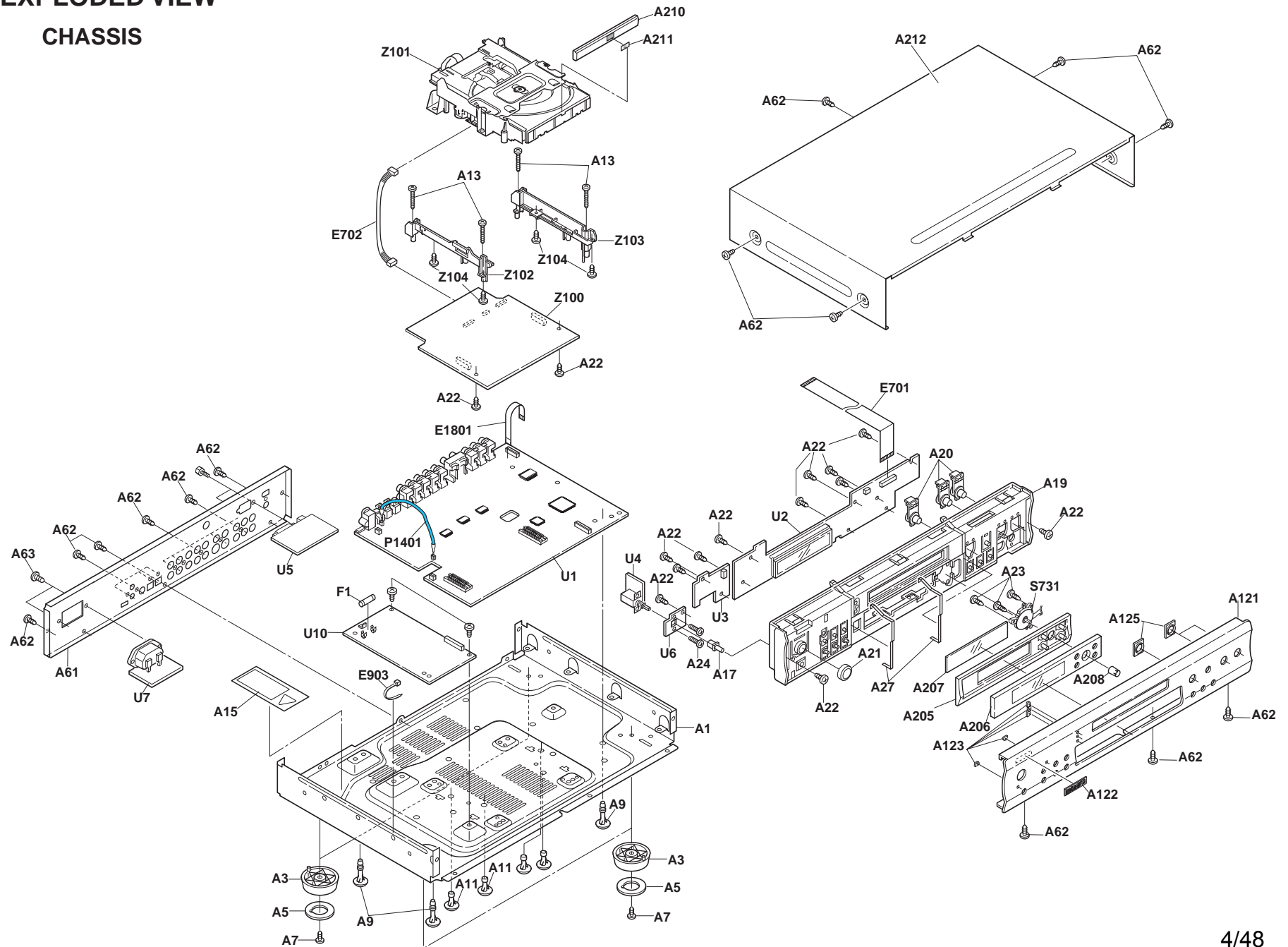
LASER BEAM CAUTION LABEL



WAVE LENGTH:650nm
MAX LASER POWER:0.5mW
波 長 : 650nm
最大レーザー出力 : 0.5mW
9076460

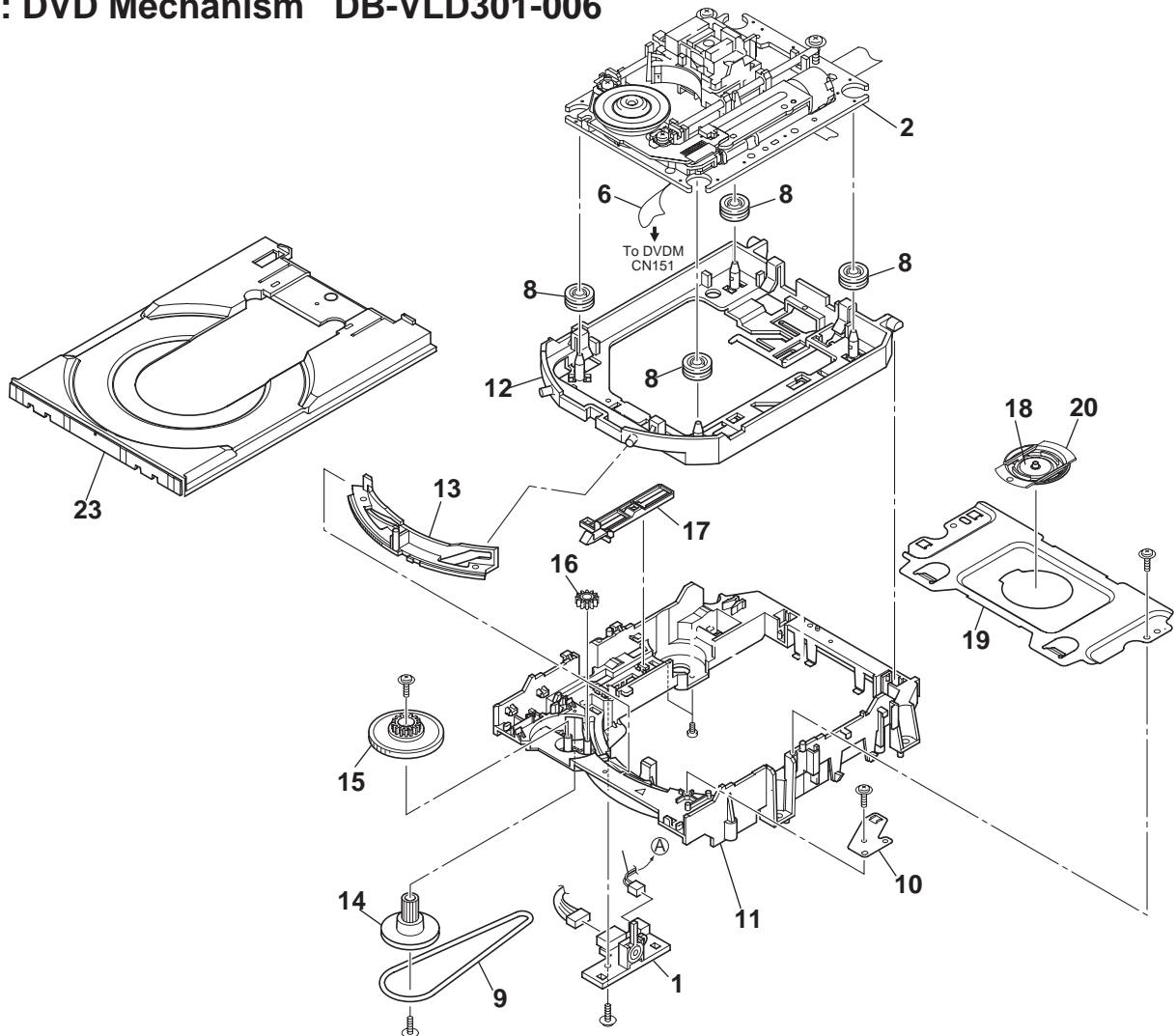


EXPLODED VIEW CHASSIS



EXPLODED VIEW (LOADING MECHANISM) / PARTS LIST

Z101 : DVD Mechanism DB-VLD301-006

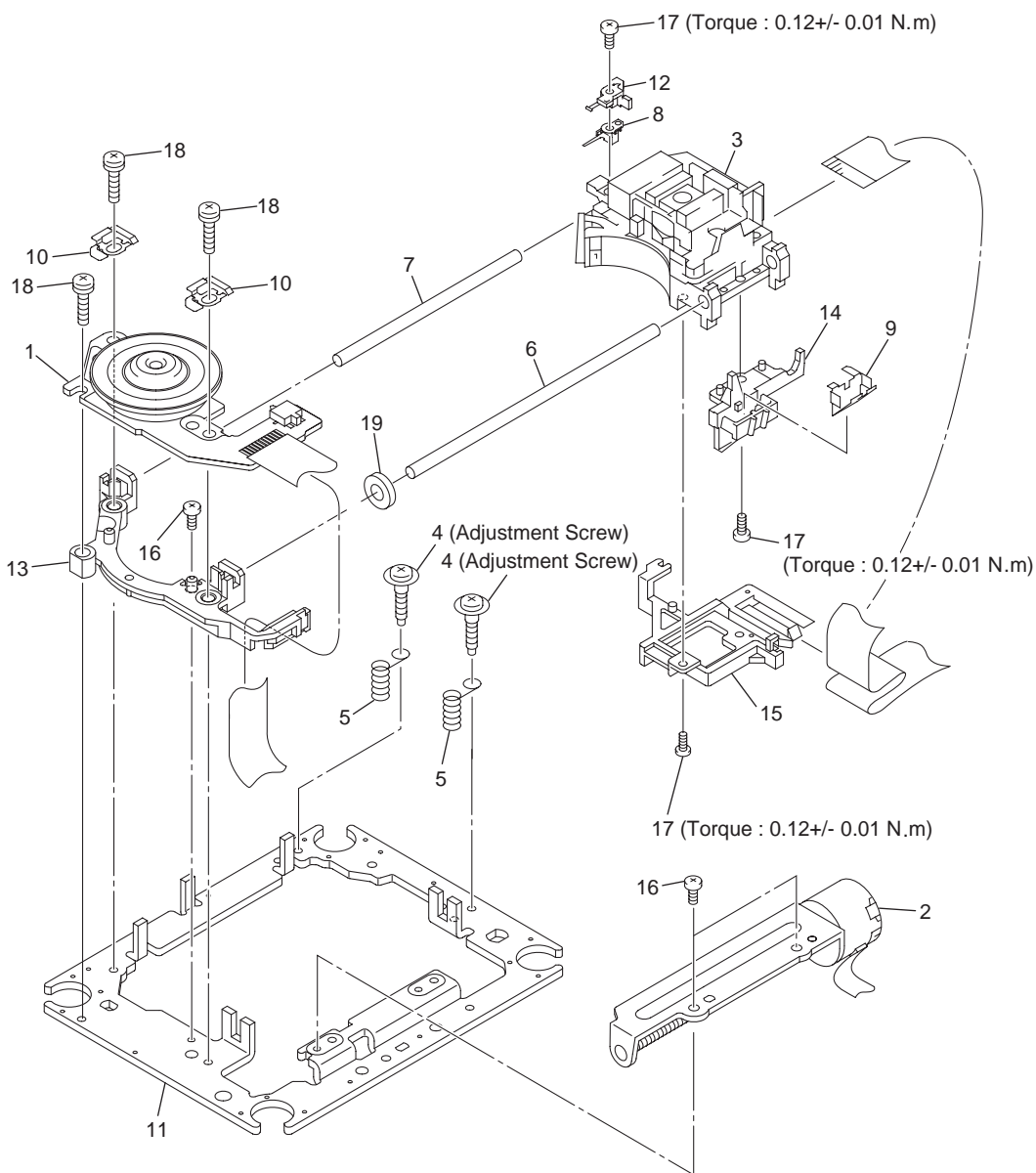


Parts list

REF.NO	PART NO.	DESCRIPTION	REF.NO.	PART NO.	DESCRIPTION
1	VKN1790	Loading PC board assy	12	VNL1918	Float base DVD
2	VXX2782	Traverse mechanism assy	13	VNL1919	Drive cam
6	VDA1864	FFC 26P	14	VNL1921	Gear pulley
8	VEB1327	Rubber	15	VNL1922	Loading gear
9	VEB1328	Belt	16	VNL1923	Drive gear
10	VNE2253	Stabilizer	17	VNL1925	Lever switch
11	VNL1917	Loading base	18	VNE2251	Clamber plate
			19	VNE2252	Bridge
			20	VNL1924	Clamber
			23	VNL1920	Tray

EXPLODED VIEW / PARTS LIST

TRAVERSE MECHANISM ASSY



PARTS LIST

Mark	No.	Description	Part No.	Mark	No.	Description	Part No.
	1	Spindle Motor	VXM1088 (or VXM1089)		9	Joint Spring	VNC1019
	2	Stepping Motor (CARRIAGE)	VXM1090 (or VXM1091)	NSP	10	Support Spring	VNC1020
	3	Pickup Assy-S	OXX8003		11	Mechanism Chassis	VNE2248
	4	Skew Screw	VBA1080		12	Slider	VNL1811
	5	Skew Spring	VBH1335		13	Spacer	VNL1913
	6	Guide Bar	VLL1514		14	Joint	VNL1914
	7	Sub Guide Bar	VLL1515		15	FFC Holder	VNL1915
	8	Hold Spring	VNC1017		16	Screw	BBZ20P050FZK
					17	Screw	OBA8009
					18	Screw	PMA26P100FMC
					19	Damper Sheet	VEB1335

NSP : Not service part



EXPLODED VIEW PARTS LIST					
	REF. NO.	PART NAME	DESCRIPTION	PART NO.	REMARK
CHASSIS	A1	Chassis		27100399D	
CHASSIS	A3	Leg		27175316C	
CHASSIS	A5	Cushion		28141494	
CHASSIS	A7	Screw	3TTB+8B	838130088	
CHASSIS	A9	Holder	KGLS-10RF	27190428A	
CHASSIS	A11	Holder	KGPS-6RF	27191112	
CHASSIS	A13	ST Screw	3TTB+20B	838130208	
CHASSIS	A15	Label (DVD)		29362648	
CHASSIS	A17	Knob	(POW)	28325753	
CHASSIS	A19	F Bracket		27111221B	
CHASSIS	A20	Knob assy	(OPEN)AS	28325958A	N
CHASSIS	A21	Knob	(STANDBY)	28325756	
CHASSIS	A22	Screw	3TTB+8B	838130088	
CHASSIS	A23	Screw	2.6TTB+8B(BC)	838426088	
CHASSIS	A24	Screw	3P+10FN(BC)	82143010	
CHASSIS	A27	Tape		29110161	
CHASSIS	A61	Rear Panel		27123018A	N
CHASSIS	A62	Screw	3TTB+8B(BC)	838430088	
CHASSIS	A63	Screw	4TTB+8C(BC)	838440089	
CHASSIS	A121	Front Panel		27212435	N
CHASSIS	A122	Badge		28135278	
CHASSIS	A123	Facet	(S)	28198906	
CHASSIS	A125	Guide	(KNOB)	27268054	
CHASSIS	A205	Holder	(PLT)	27191142A	
CHASSIS	A206	Clear Plate		28191928	
CHASSIS	A207	B Plate		28133398	
CHASSIS	A208	Knob	(CRS)	28325933	
CHASSIS	A210	Door		28148479A	
CHASSIS	A211	Badge	(DVD-AUDIO)	28135284	
CHASSIS	A212	Cover		28184808	
CHASSIS	E1801	FFC	NCFC5-091012	2045091012	
CHASSIS	E701	FFC	NCFC5-222012	2045222012	
CHASSIS	E702	Socket AS	NSAS-10P0978	2009990702UL	
CHASSIS	E903	Wire Tie	BINDER	260208	
CHASSIS	F1	Fuse	1.6A-T/UL-ST2	252252	!
CHASSIS	F1 or	Fuse	1.6A-TSC	252147	!
CHASSIS	P1401	Socket AS	NSAS-4P1031	2009990737UL	
CHASSIS	S731	Joy Stick	NPS-115-S673	25035710	
CHASSIS	U1	terminal PC bo	NAAR-7663-1B	1H494563-1B	N
CHASSIS	U2	r circuit PC bo	NADIS-7665-1B	1H494565-1B	N
CHASSIS	U3	by LED PC bo	NADIS-7666-1B	1H494566-1B	N
CHASSIS	U4	switch PC bo	NASW-7667-1B	1H494567-1B	N
CHASSIS	U5	Terminal PC b	NAETC-7670-1B	1H494570-1B	N
CHASSIS	U6	upport PC bo	NAETC-7671-1B	1H494571-1B	N
CHASSIS	U7	rminal PC bo	NAPS-7672-1B	1H494572-1B	N
CHASSIS	U10	ower supply ur	NGPS-0020-1-120V	24150020A-1	!
CHASSIS	Z100	in circuit PC bo	DB-VPB302	24150022	
CHASSIS	Z101	D mechanism a	DB-VLD301-006	24801010	
CHASSIS	Z102	Adapter (L)	DB-VAC301	24840149A	



CHASSIS	Z103	Adapter (R)	DB-VAC302	24840150A	
CHASSIS	Z104	SCREW	3TTB+8B	838130088	
					N: New parts
					!: Safety parts
PACKING VIEW PARTS LIST					
	REF. NO.	PART NAME	DESCRIPTION	PART NO.	REMARK
PACKING	P981	AC Cord	AS-UC-2	253297KAW	!
PACKING	P981 or	AC Cord	AS-UC-2	253352TES	!
PACKING	A603	Pad AS		29091986	
PACKING	A604	Polybag	650*500	29100037-1A	
PACKING	A605	Tape	NITTO NO.29	29110149	
PACKING	A606	PP Tape	W48 OPP TAPE	29110148	
PACKING	A650	Carton	MDD1N	29053940	N
PACKING	A651	UPC Label		29363205	N
PACKING	A901	Polybag	350*250	29100097-1A	
PACKING	A902	Battery	UM-3	3010054	
PACKING	A903	RI Cord	3.5-MINI PLUG (RI)	2010200	
PACKING	A906	Video Cable	(S CORD)	2010380	
PACKING	A906 or	Video Cable	TPX3000	2010360	
PACKING	A940	Warranty card		29365089	
PACKING	A942	Audio cord	RCA3P(YWR)	2010379	
PACKING	A943	remote controller	RC-451DV	24140451	
PACKING	A944	instruction manual	E	29343388	N
					N: New parts
					!: Safety parts
PRINTED CIRCUIT BOARD PARTS LIST-1					
J1: OUTPUT TERMINAL PC BOARD NAAR-7663					
PCB NAME	CIRCUIT NO.	PART NAME	DESCRIPTION	PART NO.	REMARK
AR-7663	C1110	VR C	CE04W16V-100M(VR)	394641017	
AR-7663	C1112	VR C	CE04W50V-47M(VR)	394684707	
AR-7663	C1114	VR C	CE04W50V-47M(VR)	394684707	
AR-7663	C1115	VR C	CE04W16V-470M(VR)	394644717	
AR-7663	C1117	TF C	ECQ-B50V-102J	374721024	
AR-7663	C1118	TF C	ECQ-B50V-102J	374721024	
AR-7663	C1119	TF C	ECQ-B50V-272J	374722724	
AR-7663	C1120	TF C	ECQ-B50V-272J	374722724	
AR-7663	C1121	VX C	CE04W16V-330M(VX)	393343317	
AR-7663	C1122	VX C	CE04W16V-330M(VX)	393343317	
AR-7663	C1123	VX C	CE04W16V-330M(VX)	393343317	
AR-7663	C1124	VX C	CE04W16V-330M(VX)	393343317	
AR-7663	C1125	TF C	ECQ-B50V-152J	374721524	
AR-7663	C1126	TF C	ECQ-B50V-152J	374721524	
AR-7663	C1127	TF C	ECQ-B50V-102J	374721024	
AR-7663	C1128	TF C	ECQ-B50V-102J	374721024	
AR-7663	C1129	TF C	ECQ-B50V-272J	374722724	
AR-7663	C1130	TF C	ECQ-B50V-272J	374722724	
AR-7663	C1135	TF C	ECQ-B50V-152J	374721524	
AR-7663	C1136	TF C	ECQ-B50V-152J	374721524	
AR-7663	C1141	VX C	CE04W50V-47M(VX)	393384707	
AR-7663	C1142	VX C	CE04W50V-47M(VX)	393384707	
AR-7663	C1210	VR C	CE04W16V-100M(VR)	394641017	



AR-7663	C1212	VR C	CE04W50V-47M(VR)	394684707	
AR-7663	C1214	VR C	CE04W50V-47M(VR)	394684707	
AR-7663	C1215	VR C	CE04W16V-470M(VR)	394644717	
AR-7663	C1217	ECHU C	ECHU50V-102J	373021024R2	
AR-7663	C1218	ECHU C	ECHU50V-102J	373021024R2	
AR-7663	C1219	ECHU C	ECHU50V-272J	373022724R2	
AR-7663	C1220	ECHU C	ECHU50V-272J	373022724R2	
AR-7663	C1221	VX C	CE04W16V-330M(VX)	393343317	
AR-7663	C1222	VX C	CE04W16V-330M(VX)	393343317	
AR-7663	C1225	ECHU C	ECHU50V-152J	373021524R2	
AR-7663	C1226	ECHU C	ECHU50V-152J	373021524R2	
AR-7663	C1227	ECHU C	ECHU50V-102J	373021024R2	
AR-7663	C1228	ECHU C	ECHU50V-102J	373021024R2	
AR-7663	C1229	ECHU C	ECHU50V-272J	373022724R2	
AR-7663	C1230	ECHU C	ECHU50V-272J	373022724R2	
AR-7663	C1235	ECHU C	ECHU50V-152J	373021524R2	
AR-7663	C1236	ECHU C	ECHU50V-152J	373021524R2	
AR-7663	C1241	VX C	CE04W50V-47M(VX)	393384707	
AR-7663	C1242	VX C	CE04W50V-47M(VX)	393384707	
AR-7663	C1310	VR C	CE04W16V-100M(VR)	394641017	
AR-7663	C1312	VR C	CE04W50V-47M(VR)	394684707	
AR-7663	C1314	VR C	CE04W50V-47M(VR)	394684707	
AR-7663	C1315	VR C	CE04W16V-470M(VR)	394644717	
AR-7663	C1317	ECHU C	ECHU50V-102J	373021024R2	
AR-7663	C1318	ECHU C	ECHU50V-102J	373021024R2	
AR-7663	C1319	ECHU C	ECHU50V-272J	373022724R2	
AR-7663	C1320	ECHU C	ECHU50V-272J	373022724R2	
AR-7663	C1321	VX C	CE04W16V-330M(VX)	393343317	
AR-7663	C1322	VX C	CE04W16V-330M(VX)	393343317	
AR-7663	C1325	ECHU C	ECHU50V-152J	373021524R2	
AR-7663	C1326	ECHU C	ECHU50V-152J	373021524R2	
AR-7663	C1327	ECHU C	ECHU50V-102J	373021024R2	
AR-7663	C1328	ECHU C	ECHU50V-102J	373021024R2	
AR-7663	C1329	ECHU C	ECHU50V-272J	373022724R2	
AR-7663	C1330	ECHU C	ECHU50V-272J	373022724R2	
AR-7663	C1335	ECHU C	ECHU50V-152J	373021524R2	
AR-7663	C1336	ECHU C	ECHU50V-152J	373021524R2	
AR-7663	C1341	VX C	CE04W50V-47M(VX)	393384707	
AR-7663	C1342	VX C	CE04W50V-47M(VX)	393384707	
AR-7663	C1401	VR C	CE04W6.3V-100M(VR)	394621017	
AR-7663	C1404	VR C	CE04W6.3V-100M(VR)	394621017	
AR-7663	C220	VR C	CE04W6.3V-100M(VR)	394621017	
AR-7663	C223	VR C	CE04W6.3V-220M(VR)	394622217	
AR-7663	C309	VR C	CE04W6.3V-100M(VR)	394621017	
AR-7663	C320	VR C	CE04W16V-220M(VR)	394642217	
AR-7663	C361	VR C	CE04W6.3V-100M(VR)	394621017	
AR-7663	C601	VR C	CE04W6.3V-100M(VR)	394621017	
AR-7663	C602	VR C	CE04W6.3V-100M(VR)	394621017	
AR-7663	C603	VR C	CE04W6.3V-100M(VR)	394621017	
AR-7663	C604	VR C	CE04W6.3V-100M(VR)	394621017	
AR-7663	C903	VR C	CE04W16V-100M(VR)	394641017	



AR-7663	C908	VR C	CE04W16V-470M(VR)	394644717	
AR-7663	C911	PW C	CE04W16V-1000M(PW)	393741027S	
AR-7663	C912	VR C	CE04W16V-220M(VR)	394642217	
AR-7663	C914	VR C	CE04W16V-220M(VR)	394642217	
AR-7663	C915	VR C	CE04W6.3V-1000M(VR)	394621027	
AR-7663	C917	VR C	CE04W6.3V-220M(VR)	394622217	
AR-7663	C919	VR C	CE04W6.3V-220M(VR)	394622217	
AR-7663	C921	VR C	CE04W6.3V-220M(VR)	394622217	
AR-7663	C950	VR C	CE04W16V-100M(VR)	394641017	
AR-7663	C951	VR C	CE04W16V-100M(VR)	394641017	
AR-7663	C970	VR C	CE04W50V-22M(VR)	394682207	
AR-7663	CN302	SOCKET	NSCT-40P2509	25052612	
AR-7663	CN601	SOCKET	NSCT-40P2509	25052612	
AR-7663	D903	DIODE	D2S4M	22380321F	N
AR-7663	L1101	CHOKE COIL	NCH-1471	231237M022R2	
AR-7663	L1102	CHOKE COIL	NCH-1471	231237M022R2	
AR-7663	L1201	CHOKE COIL	NCH-1471	231237M022R2	
AR-7663	L1202	CHOKE COIL	NCH-1471	231237M022R2	
AR-7663	L1301	CHOKE COIL	NCH-1471	231237M022R2	
AR-7663	L1302	CHOKE COIL	NCH-1471	231237M022R2	
AR-7663	L1401	CHOKE COIL	NCH-1471	231237M022R2	
AR-7663	L1501	EMIFIL	BK1608LM182-T	230958R1	
AR-7663	L1501 or	EMIFIL	FBM-10-160808-202T	230968R1	
AR-7663	L201	CHOKE COIL	NCH-1471	231237M022R2	
AR-7663	L401	LC BLOCK	VTF-1175A	3030047	
AR-7663	L402	LC BLOCK	VTF-1175A	3030047	
AR-7663	L403	LC BLOCK	VTF-1175A	3030047	
AR-7663	L905	CHOKE COIL	NCH-3582K471	231303K471	N
AR-7663	P101	PIN JACK	NPJ-4PDRW469	25045671	
AR-7663	P102	PIN JACK	NPJ-6PDBRW415	25045608	
AR-7663	P1401A	PLUG	NPLG-2P1098	25056159	
AR-7663	P1401B	PLUG	NPLG-2P1098	25056159	
AR-7663	P1402	PIN JACK	NPJ-1PDOR403	25045592	
AR-7663	P1501	PIN JACK	NPJ-2PDB400	25045589	
AR-7663	P1801A	SOCKET	NSCT-9P2206	25052309	
AR-7663	P1801Aor	SOCKET	NSCT-9P2400	25052503	
AR-7663	P302	SOCKET	NSCT-7P2241	25052344	
AR-7663	P601	PIN JACK	NPJ-10PDBY459	25045660	
AR-7663	P603	PIN JACK	NPJ-6PDGLR468	25045670	
AR-7663	P701A	SOCKET	NSCT-22P2219	25052322	
AR-7663	P701Aor	SOCKET	NSCT-22P1733	25051946	
AR-7663	P701Aor	SOCKET	NSCT-22P2413	25052516	
AR-7663	P901	SOCKET AS	NSAS-28P0742	2002A392815	
AR-7663	Q1001	IC	TC7SH86FU-TCB	22241753R2	
AR-7663	Q1002	IC	TC74VHCU04FT	22274004HR2O	
AR-7663	Q1003	IC	TC7WH74FU-TRB	22241754R2	
AR-7663	Q1004	IC	TC7SH32FU-TCB	22241752R2	
AR-7663	Q1005	IC	TC7SH32FU-TCB	22241752R2	
AR-7663	Q1101	IC	CS4392-KS	22241635R2	
AR-7663	Q1102	IC	NJM4565V	22241554R2	
AR-7663	Q1103	IC	NJM4565V	22241554R2	



AR-7663	Q1104	IC	NJM4565V	22241554R2	
AR-7663	Q1105	IC	NJM4565V	22241554R2	
AR-7663	Q1106	IC	NJM4565V	22241554R2	
AR-7663	Q1107	IC	NJM4565V	22241554R2	
AR-7663	Q1111	TR	KRC107S	2216340R2	
AR-7663	Q1111 or	TR	RN1407	2216260R2	
AR-7663	Q1112	TR	KRC107S	2216340R2	
AR-7663	Q1112 or	TR	RN1407	2216260R2	
AR-7663	Q1113	TR	KRC107S	2216340R2	
AR-7663	Q1113 or	TR	RN1407	2216260R2	
AR-7663	Q1114	TR	KRC107S	2216340R2	
AR-7663	Q1114 or	TR	RN1407	2216260R2	
AR-7663	Q1115	TR	2SA1162-O	2214373R2	
AR-7663	Q1115 or	TR	2SA1162-Y	2214374R2	
AR-7663	Q1115 or	TR	KTA1504-GR	2216185R2	
AR-7663	Q1116	TR	2SA1162-O	2214373R2	
AR-7663	Q1116 or	TR	2SA1162-Y	2214374R2	
AR-7663	Q1116 or	TR	KTA1504-GR	2216185R2	
AR-7663	Q1117	TR	HN1C03F-B	2216141R2	
AR-7663	Q1118	TR	HN1C03F-B	2216141R2	
AR-7663	Q1201	IC	CS4392-KS	22241635R2	
AR-7663	Q1202	IC	NJM4565V	22241554R2	
AR-7663	Q1203	IC	NJM4565V	22241554R2	
AR-7663	Q1204	IC	NJM4565V	22241554R2	
AR-7663	Q1205	IC	NJM4565V	22241554R2	
AR-7663	Q1206	IC	NJM4565V	22241554R2	
AR-7663	Q1207	IC	NJM4565V	22241554R2	
AR-7663	Q1211	TR	KRC107S	2216340R2	
AR-7663	Q1211 or	TR	RN1407	2216260R2	
AR-7663	Q1212	TR	KRC107S	2216340R2	
AR-7663	Q1212 or	TR	RN1407	2216260R2	
AR-7663	Q1213	TR	KRC107S	2216340R2	
AR-7663	Q1213 or	TR	RN1407	2216260R2	
AR-7663	Q1214	TR	KRC107S	2216340R2	
AR-7663	Q1214 or	TR	RN1407	2216260R2	
AR-7663	Q1215	TR	2SA1162-O	2214373R2	
AR-7663	Q1215 or	TR	2SA1162-Y	2214374R2	
AR-7663	Q1215 or	TR	KTA1504-GR	2216185R2	
AR-7663	Q1216	TR	2SA1162-O	2214373R2	
AR-7663	Q1216 or	TR	2SA1162-Y	2214374R2	
AR-7663	Q1216 or	TR	KTA1504-GR	2216185R2	
AR-7663	Q1217	TR	HN1C03F-B	2216141R2	
AR-7663	Q1218	TR	HN1C03F-B	2216141R2	
AR-7663	Q1301	IC	CS4392-KS	22241635R2	
AR-7663	Q1302	IC	NJM4565V	22241554R2	
AR-7663	Q1303	IC	NJM4565V	22241554R2	
AR-7663	Q1304	IC	NJM4565V	22241554R2	
AR-7663	Q1305	IC	NJM4565V	22241554R2	
AR-7663	Q1306	IC	NJM4565V	22241554R2	
AR-7663	Q1307	IC	NJM4565V	22241554R2	
AR-7663	Q1311	TR	KRC107S	2216340R2	



AR-7663	Q1311 or	TR	RN1407	2216260R2	
AR-7663	Q1312	TR	KRC107S	2216340R2	
AR-7663	Q1312 or	TR	RN1407	2216260R2	
AR-7663	Q1313	TR	KRC107S	2216340R2	
AR-7663	Q1313 or	TR	RN1407	2216260R2	
AR-7663	Q1314	TR	KRC107S	2216340R2	
AR-7663	Q1314 or	TR	RN1407	2216260R2	
AR-7663	Q1315	TR	2SA1162-O	2214373R2	
AR-7663	Q1315 or	TR	2SA1162-Y	2214374R2	
AR-7663	Q1315 or	TR	KTA1504-GR	2216185R2	
AR-7663	Q1316	TR	2SA1162-O	2214373R2	
AR-7663	Q1316 or	TR	2SA1162-Y	2214374R2	
AR-7663	Q1316 or	TR	KTA1504-GR	2216185R2	
AR-7663	Q1317	TR	HN1C03F-B	2216141R2	
AR-7663	Q1318	TR	HN1C03F-B	2216141R2	
AR-7663	Q1401	IC	TC74VHCU04FT	22274004HR2O	
AR-7663	Q1402	PHT CP	GP1FA551TZ	24120085	
AR-7663	Q1403	PHT CP	GP1FA551TZ	24120085	
AR-7663	Q201	IC	PM0033A	22241827R3	
AR-7663	Q301	IC	DB-VCP303(ADV7190K	22241636R3	
AR-7663	Q302	IC	IS42S16100-7T	22241686R2	
AR-7663	Q401	TR	2SA1162-O	2214373R2	
AR-7663	Q401 or	TR	2SA1162-Y	2214374R2	
AR-7663	Q401 or	TR	KTA1504-GR	2216185R2	
AR-7663	Q402	TR	2SA1162-O	2214373R2	
AR-7663	Q402 or	TR	2SA1162-Y	2214374R2	
AR-7663	Q402 or	TR	KTA1504-GR	2216185R2	
AR-7663	Q403	TR	2SA1162-O	2214373R2	
AR-7663	Q403 or	TR	2SA1162-Y	2214374R2	
AR-7663	Q403 or	TR	KTA1504-GR	2216185R2	
AR-7663	Q407	TR	2SA1162-O	2214373R2	
AR-7663	Q407 or	TR	2SA1162-Y	2214374R2	
AR-7663	Q407 or	TR	KTA1504-GR	2216185R2	
AR-7663	Q408	TR	2SA1162-O	2214373R2	
AR-7663	Q408 or	TR	2SA1162-Y	2214374R2	
AR-7663	Q408 or	TR	KTA1504-GR	2216185R2	
AR-7663	Q409	TR	2SA1162-O	2214373R2	
AR-7663	Q409 or	TR	2SA1162-Y	2214374R2	
AR-7663	Q409 or	TR	KTA1504-GR	2216185R2	
AR-7663	Q410	TR	2SA1162-O	2214373R2	
AR-7663	Q410 or	TR	2SA1162-Y	2214374R2	
AR-7663	Q410 or	TR	KTA1504-GR	2216185R2	
AR-7663	Q411	TR	2SA1162-O	2214373R2	
AR-7663	Q411 or	TR	2SA1162-Y	2214374R2	
AR-7663	Q411 or	TR	KTA1504-GR	2216185R2	
AR-7663	Q412	TR	2SA1162-O	2214373R2	
AR-7663	Q412 or	TR	2SA1162-Y	2214374R2	
AR-7663	Q412 or	TR	KTA1504-GR	2216185R2	
AR-7663	Q413	IC	TK15420M	22241443R2	
AR-7663	Q414	IC	MAX4016ESA	22241441R2	
AR-7663	Q415	IC	MAX4016ESA	22241441R2	

AR-7663	Q601	TR	KRC107S	2216340R2	
AR-7663	Q601 or	TR	RN1407	2216260R2	
AR-7663	Q602	TR	KRA103S	2216230R2	
AR-7663	Q602 or	TR	RN2403	2214540R2	
AR-7663	Q603	TR	KRA103S	2216230R2	
AR-7663	Q603 or	TR	RN2403	2214540R2	
AR-7663	Q605	TR	KRC107S	2216340R2	
AR-7663	Q605 or	TR	RN1407	2216260R2	
AR-7663	Q606	TR	KRA103S	2216230R2	
AR-7663	Q606 or	TR	RN2403	2214540R2	
AR-7663	Q607	TR	KRA103S	2216230R2	
AR-7663	Q607 or	TR	RN2403	2214540R2	
AR-7663	Q609	IC	LA7106MFP	22241465R2	
AR-7663	Q610	IC	MAX4018ESD	22241440R2	
AR-7663	Q901	IC	PQ025EZ5MZP	22241515R2	
AR-7663	Q904	IC	NJM2374A	22241637R2	
AR-7663	Q905	TR	2SA1358-Y	2212644	
AR-7663	Q906	C (REGULATOR)	78M05HF	222780055	
AR-7663	Q906a	RADIATOR	RAD-51	27160145	
AR-7663	Q906b	SCREW	3TTB+10S(BC)	838430107	
AR-7663	Q908	C (REGULATOR)	79M05FA	222790055	
AR-7663	R902	METAL R	RNU1/2WCJ-0.47	453534794	
AR-7663	R910	METAL R	RNU1/2WCJ-8.2	453530824	

N: New parts
!: Safety parts

PRINTED CIRCUIT BOARD PARTS LIST-2

J2: DISPLAY CIRCUIT PC BOARD (NADIS-7665)

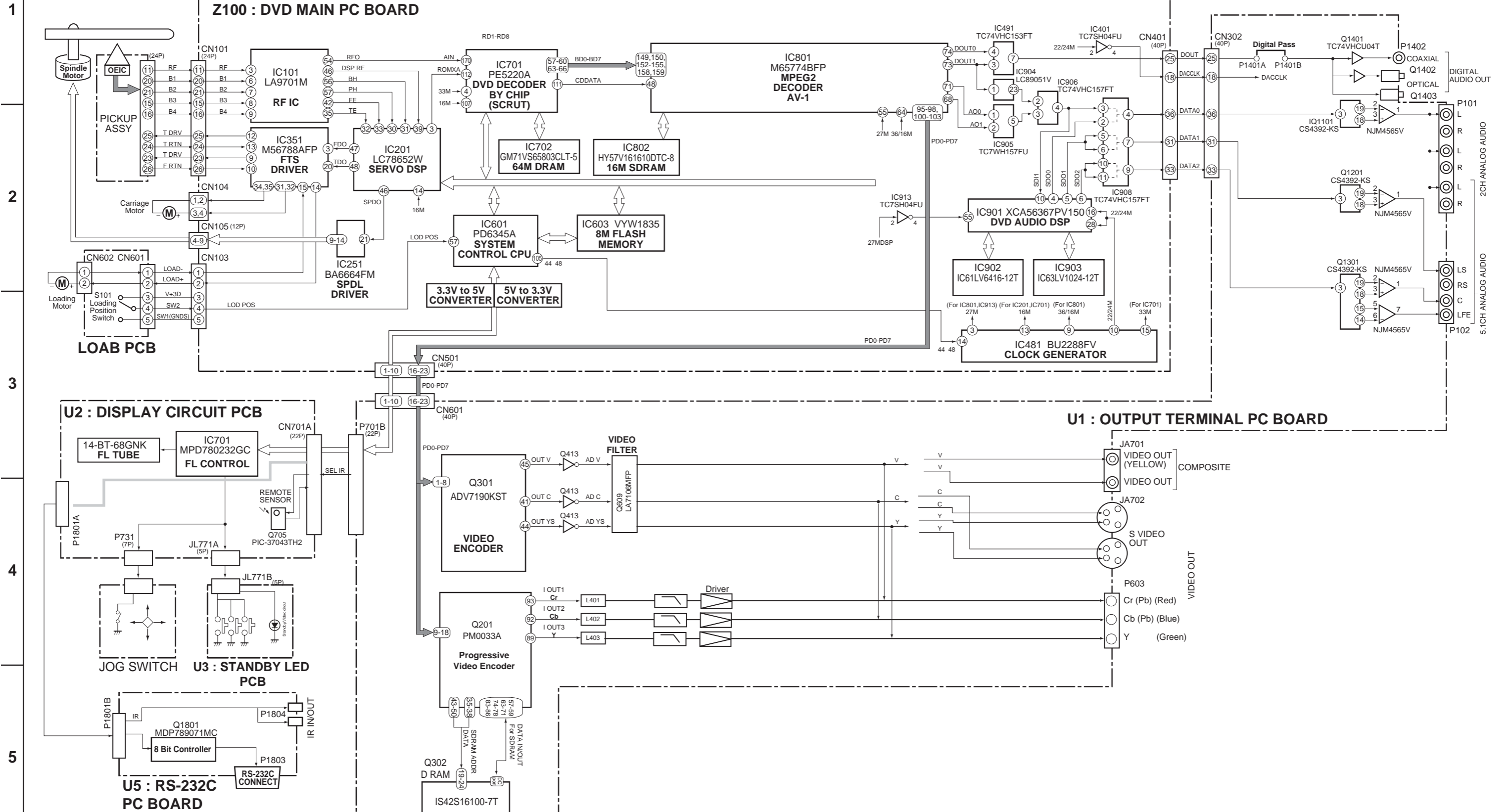
PCB NAME	CIRCUIT NO.	PART NAME	DESCRIPTION	PAR NO.	REMARK
DIS-7665	C701	ELECT C	CE04W6.3V-100M	355721019	
DIS-7665	C703	ELECT C	CE04W50V-22M	355782209	
DIS-7665	C704	ELECT C	CE04W6.3V-100M	355721019	
DIS-7665	C815	TF C	ECQ-B50V-223J	374722234	
DIS-7665	D701	C-DIODE	1SS352	223234R2	
DIS-7665	D701 or	C-DIODE	1SS355	223269R2	
DIS-7665	D702	ZENER D	UDZS5.6B	224550560R2	
DIS-7665	D703	LED	SEL2910A-TP6	225390	
DIS-7665	D706	LED	SEL4910D-D	225291D	
DIS-7665	D707	LED	SEL4910D-D	225291D	
DIS-7665	D708	LED	SEL4910D-D	225291D	
DIS-7665	D709	LED	SEL2910A-TP6	225390	
DIS-7665	D710	LED	SEL2910A-TP6	225390	
DIS-7665	JL771A	WIRE HOL	NSCT-5P876	25051089	
DIS-7665	P701B	SOCKET	NSCT-22P2256	25052359	
DIS-7665	P701B or	SOCKET	NSCT-22P1691	25051904	
DIS-7665	P701B or	SOCKET	NSCT-22P2440	25052543	
DIS-7665	P731	SOCKET	NSCT-7P2241	25052344	
DIS-7665	P731 or	SOCKET	NSCT-7P1676	25051889	
DIS-7665	P731 or	SOCKET	NSCT-7P2425	25052528	
DIS-7665	Q701	IC	MPD780232GC-077-8B	22241880R3	
DIS-7665	Q702A	FL TUBE	14-BT-100GNK	212233	



DIS-7665	Q702B	HOLDER	(FL)	27191141	
DIS-7665	Q704	TR	KRA103S	2216230R2	
DIS-7665	Q704 or	TR	RN2403	2214540R2	
DIS-7665	Q705	REMO SENS	PIC-37043TH2	241336	
DIS-7665	Q706	TR	KRC107S	2216340R2	
DIS-7665	Q706 or	TR	RN1407	2216260R2	
DIS-7665	Q707	TR	KRC107S	2216340R2	
DIS-7665	Q707 or	TR	RN1407	2216260R2	
DIS-7665	Q708	TR	KRC107S	2216340R2	
DIS-7665	Q708 or	TR	RN1407	2216260R2	
DIS-7665	Q709	TR	KRC107S	2216340R2	
DIS-7665	Q709 or	TR	RN1407	2216260R2	
DIS-7665	Q710	TR	KRC107S	2216340R2	
DIS-7665	Q710 or	TR	RN1407	2216260R2	
DIS-7665	Q711	TR	KRC107S	2216340R2	
DIS-7665	Q711 or	TR	RN1407	2216260R2	
DIS-7665	Q712	IC	BD4746G	22241841R2	
DIS-7665	Q806	TR	UMG9N	2216706R2	
DIS-7665	S701	PUSH SW	NPS-111-S662	25035699	
DIS-7665	S702	PUSH SW	NPS-111-S662	25035699	
DIS-7665	S703	PUSH SW	NPS-111-S662	25035699	
DIS-7665	S704	PUSH SW	NPS-111-S662	25035699	
DIS-7665	S705	PUSH SW	NPS-111-S662	25035699	
DIS-7665	S706	PUSH SW	NPS-111-S662	25035699	
DIS-7665	S707	PUSH SW	NPS-111-S662	25035699	
DIS-7665	S708	PUSH SW	NPS-111-S662	25035699	
DIS-7665	S709	PUSH SW	NPS-111-S662	25035699	
DIS-7665	S710	PUSH SW	NPS-111-S662	25035699	
DIS-7665	S711	PUSH SW	NPS-111-S662	25035699	
DIS-7665	S712	PUSH SW	NPS-111-S662	25035699	
DIS-7665	S713	PUSH SW	NPS-111-S662	25035699	
DIS-7665	S714	PUSH SW	NPS-111-S662	25035699	
DIS-7665	S715	PUSH SW	NPS-111-S662	25035699	
DIS-7665	X701	CERA LOCK	CST5.00MGW	3010242	
U3: STANDBY LED PC BOARD (NADIS-7666)					
PCB NAME	CIRCUIT NO.	PART NAME	DESCRIPTION	PAR NO.	REMARK
DIS-7666	D721	LED	SEL4110R	225290	
DIS-7666	D722	LED	SEL2E10C	225374	
DIS-7666	Q721	TR	KRC107S	2216340R2	
DIS-7666	Q721 or	TR	RN1407	2216260R2	
DIS-7666	Q722	TR	KRC107S	2216340R2	
DIS-7666	Q722 or	TR	RN1407	2216260R2	
DIS-7666	JL771B	WIRE TRAP	NPLG-5P588	25055626	
DIS-7666	S721	PUSH SW	NPS-111-S662	25035699	
DIS-7666	S722	PUSH SW	NPS-111-S662	25035699	
DIS-7666	S723	PUSH SW	NPS-111-S662	25035699	
U4: POWER SWITCH PC BOARD (NASW-7667)					

PCB NAME	CIRCUIT NO.	PART NAME	DESCRIPTION	PAR NO.	REMARK
SW-7667	C991	IS C	RE275V-103M	3500196S	!
SW-7667	S991	PUSH SW	NPS-111-L666P	25035703	!
SW-7667	S991 or	P SW	NPS-111-L512P	25035550	!
5: RS-232C TERMINAL PC BOARD (NAETC-7670)					
PCB NAME	CIRCUIT NO.	PART NAME	DESCRIPTION	PAR NO.	REMARK
NAETC-7670	C1802	VR C	CE04W50V-1.0M(VR)	394680107	
NAETC-7670	C1803	VR C	CE04W50V-1.0M(VR)	394680107	
NAETC-7670	C1804	VR C	CE04W50V-1.0M(VR)	394680107	
NAETC-7670	C1805	VR C	CE04W50V-1.0M(VR)	394680107	
NAETC-7670	C1806	VR C	CE04W6.3V-100M(VR)	394621017	
NAETC-7670	C1813	VR C	CE04W6.3V-100M(VR)	394621017	
NAETC-7670	C1814	VR C	CE04W6.3V-100M(VR)	394621017	
NAETC-7670	D1801	C-DIODE	1SS352	223234R2	
NAETC-7670	D1801 or	C-DIODE	1SS355	223269R2	
NAETC-7670	L1801	EMIFIL	BK1608LM182-T	230958R1	
NAETC-7670	L1801 or	EMIFIL	FBM-10-160808-202T	230968R1	
NAETC-7670	L1802	EMIFIL	BK1608LM182-T	230958R1	
NAETC-7670	L1802 or	EMIFIL	FBM-10-160808-202T	230968R1	
NAETC-7670	L1803	EMIFIL	BK1608LM182-T	230958R1	
NAETC-7670	L1803 or	EMIFIL	FBM-10-160808-202T	230968R1	
NAETC-7670	L1804	EMIFIL	BK1608LM182-T	230958R1	
NAETC-7670	L1804 or	EMIFIL	FBM-10-160808-202T	230968R1	
NAETC-7670	L1806	EMIFIL	BK1608LM182-T	230958R1	
NAETC-7670	L1806 or	EMIFIL	FBM-10-160808-202T	230968R1	
NAETC-7670	L1807	EMIFIL	BK1608LM182-T	230958R1	
NAETC-7670	L1807 or	EMIFIL	FBM-10-160808-202T	230968R1	
NAETC-7670	P1801B	SOCKET	NSCT-9P2206	25052309	
NAETC-7670	P1801B or	SOCKET	NSCT-9P2400	25052503	
NAETC-7670	P1803	SOCKET	NSCT-9P2277	25052379	
NAETC-7670	P1804	ST JACK	HSJ1002-01-1020	25045647	
NAETC-7670	Q1801	IC	MPD789071MC-011-5A	22241624R2	
NAETC-7670	Q1802	IC	MPD4721GS	22241537R2	
NAETC-7670	Q1803	PHT CP	ON3131	24120043	
NAETC-7670	X351	CERA LOCK	CST5.00MGW	3010242	
U7: INLET TERMINAL PC BOARD (NAPS-7672)					
PCB NAME	CIRCUIT NO.	PART NAME	DESCRIPTION	PAR NO.	REMARK
PS-7672	P982A	CRIMP AS	CRIMP AS	2069943301UL	
PS-7672	P982B	SOCKET AS	NSAS-2P0921	2009990661UL	!
PS-7672	P981B	AC INLET	NPLG-2P913	25055960	!
					N: New parts
					!: Safety parts

BLOCK DIAGRAM



A B C D E F G

SCHEMATIC DIAGRAM-1

U1 : OUTPUT TERMINAL PC BOARD(VIDEO SECTION) NAAR-7663

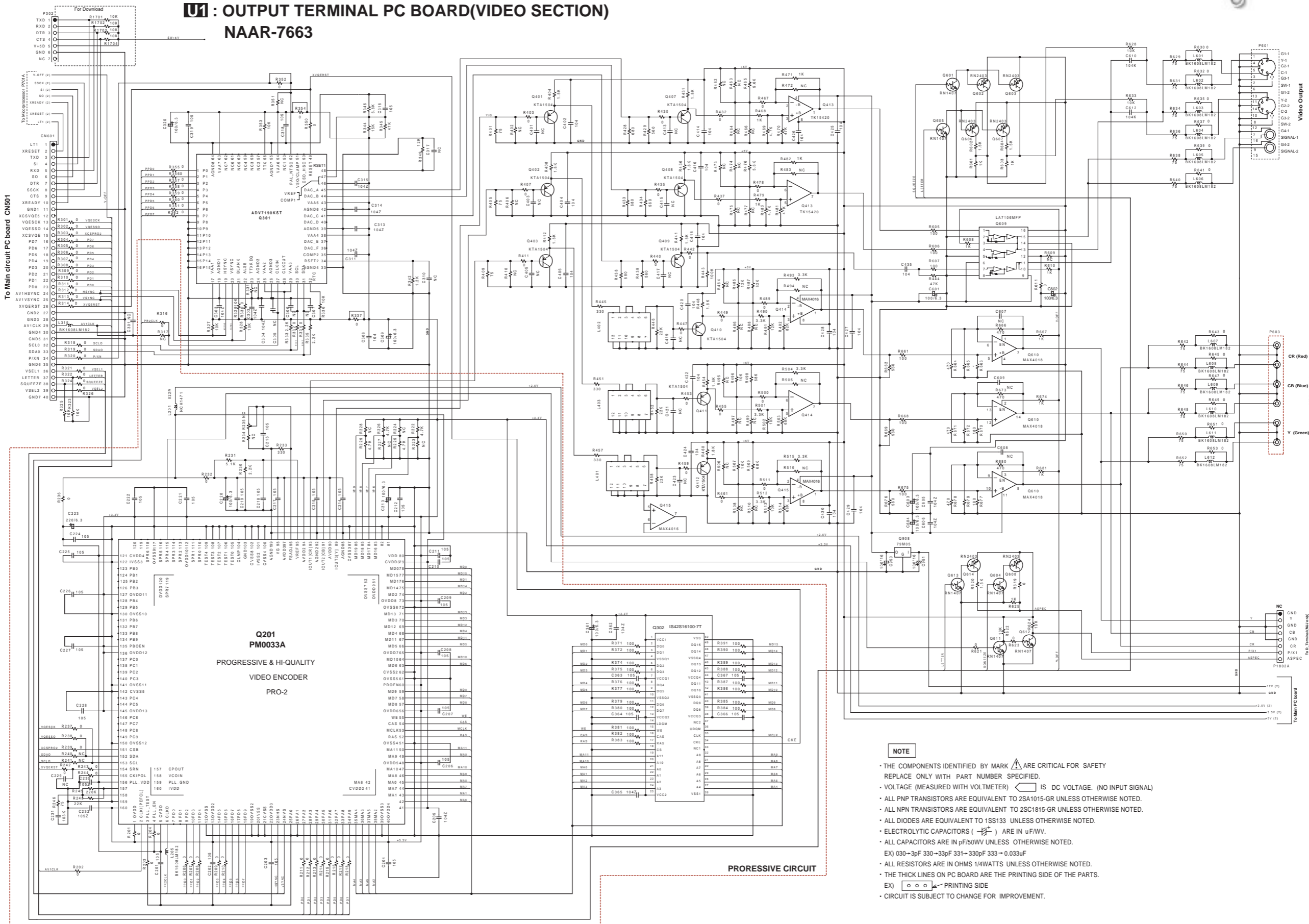
1

2

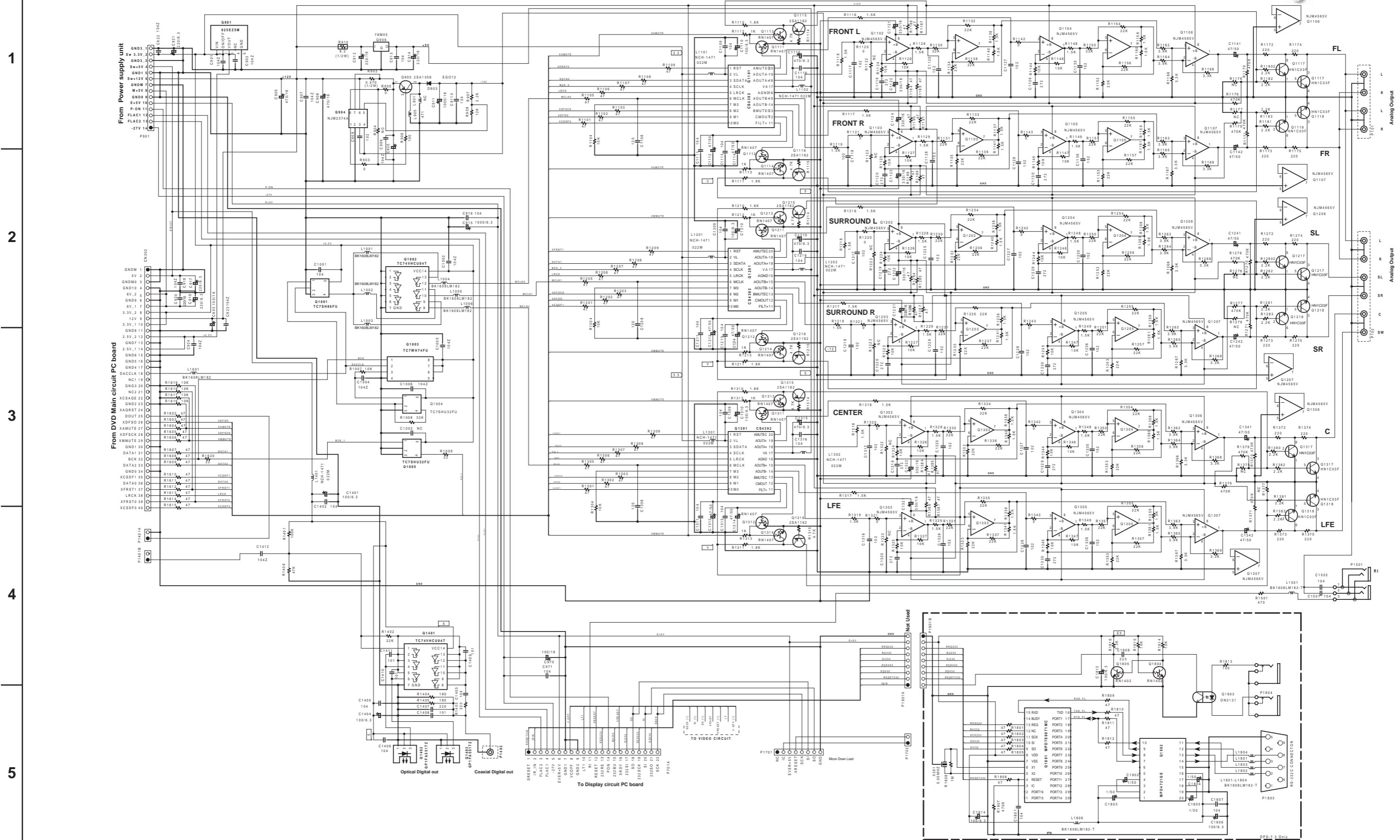
3

4

5



SCHEMATIC DIAGRAM-2 U1: OUTPUT TERMINAL PC BOARD (AUDIO SECTION) NAAR-7663

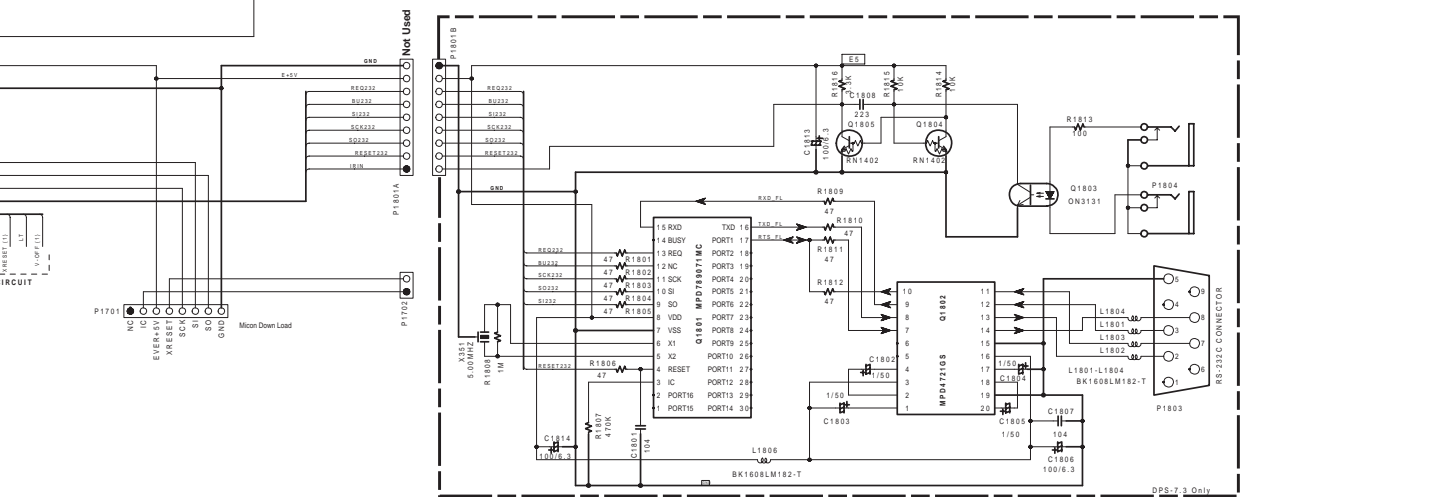
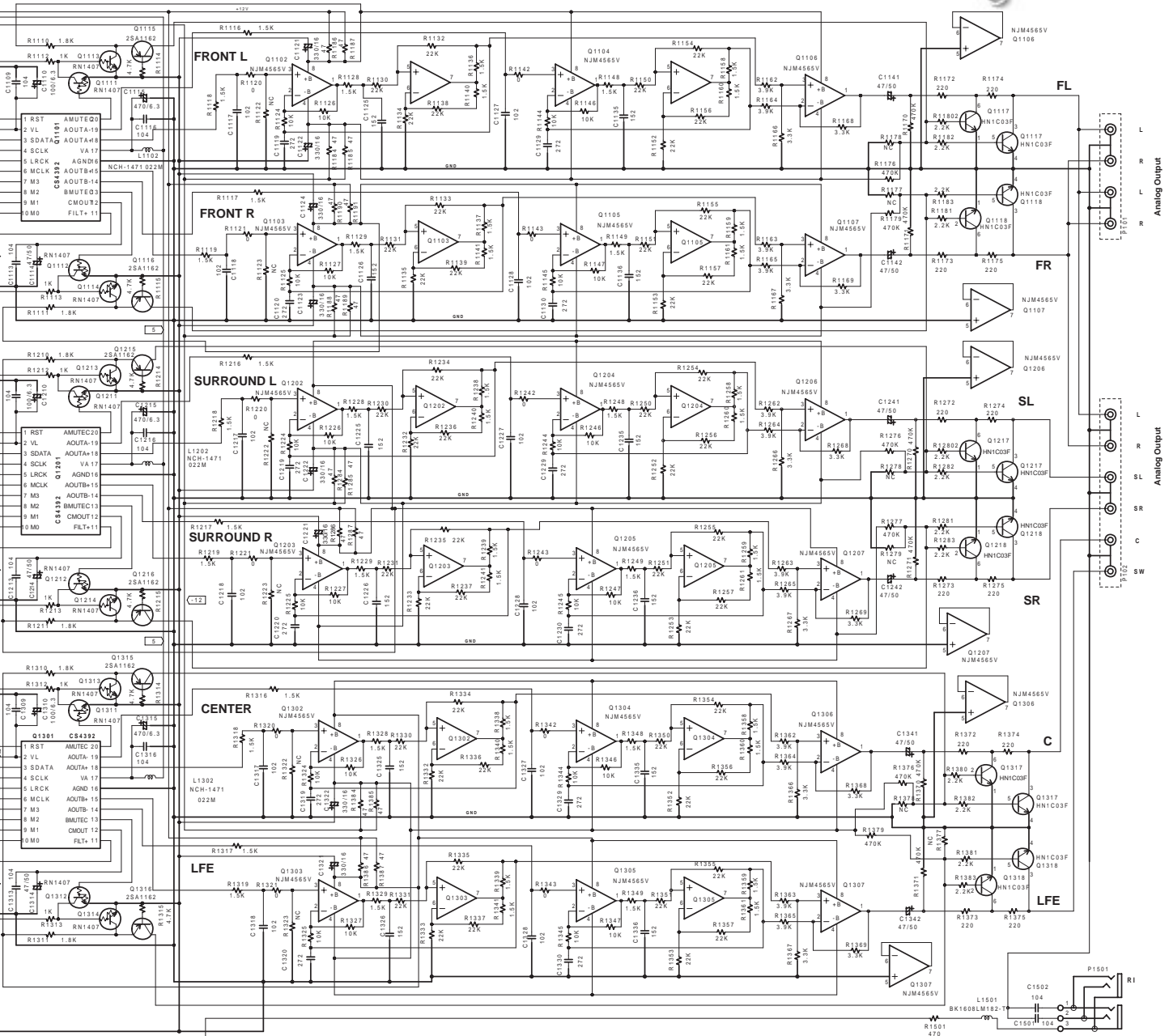


E

F

G

N) NAAR-7663

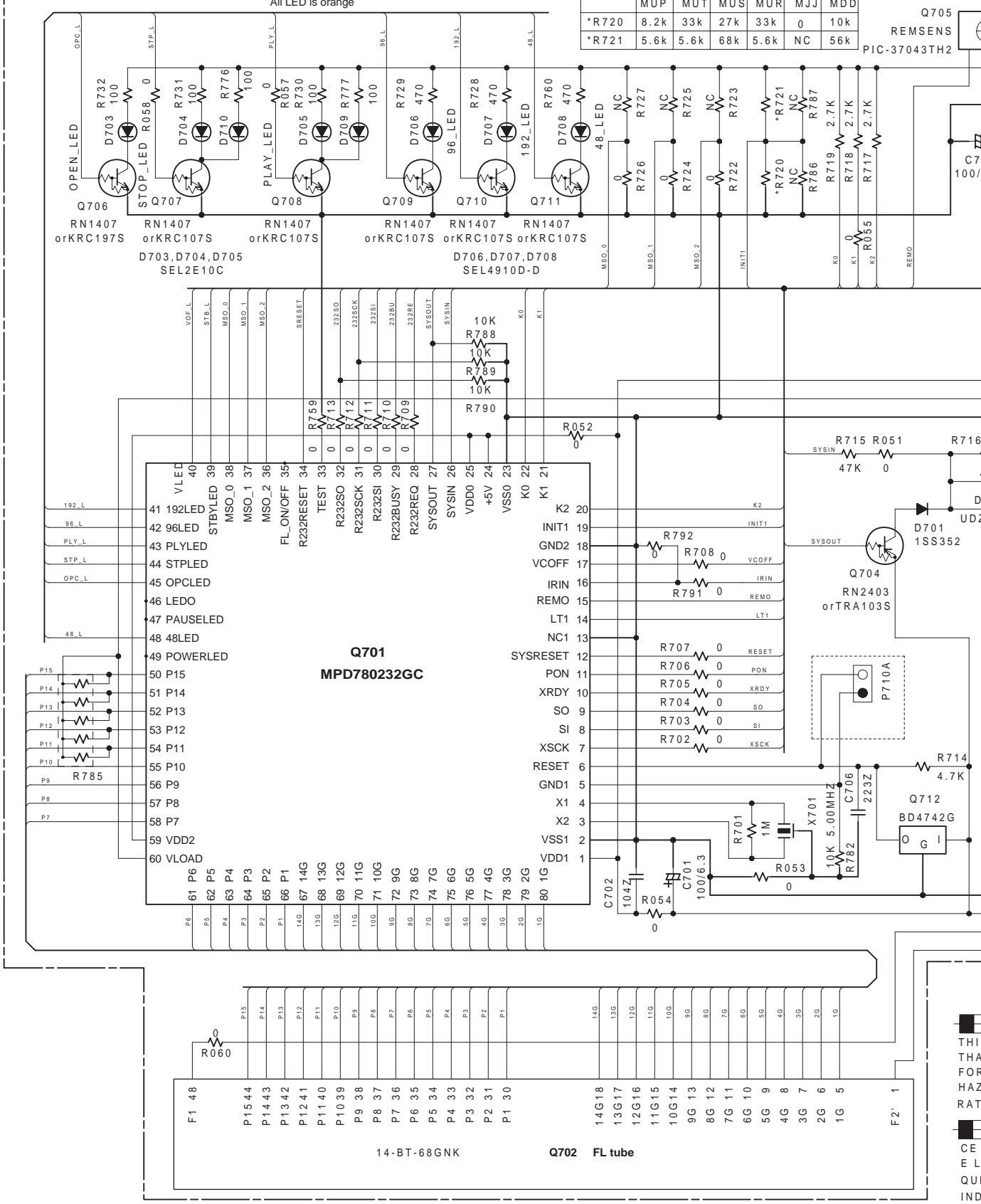


A | **B** | **C** | **D**

SCHEMATIC DIAGRAM-3

U2: DISPLAY CIRCUIT PC BOARD
NADIS-7665

	MUP	MUT	MUS	MUR	MJJ	MDD
*R720	8.2k	33k	27k	33k	0	10k
*R721	5.6k	5.6k	68k	5.6k	NC	56k



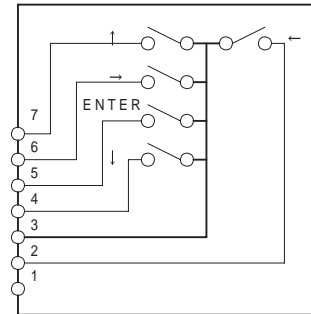
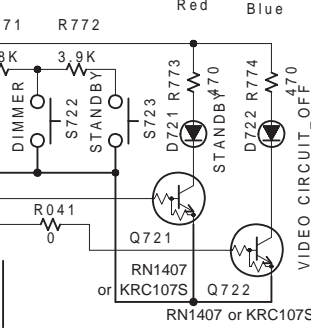
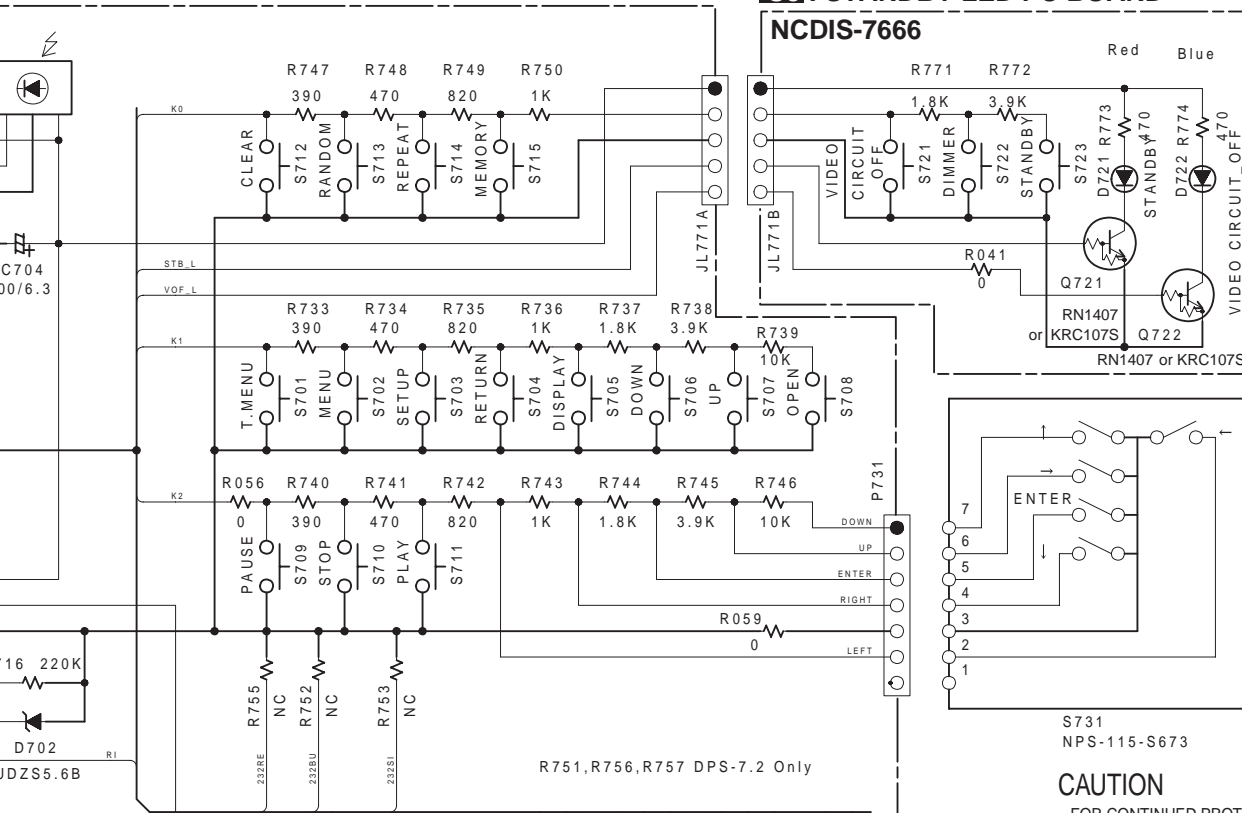
E

F

G

U3: STANDBY LED PC BOARD

NCDIS-7666



S731
NPS-115-S673

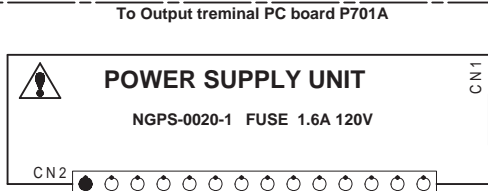
CAUTION

FOR CONTINUED PROTECTION AGAINST FIRE HAZARD, REPLACE ONLY WITH FUSE OF SAME TYPE AND RATING INDICATED.

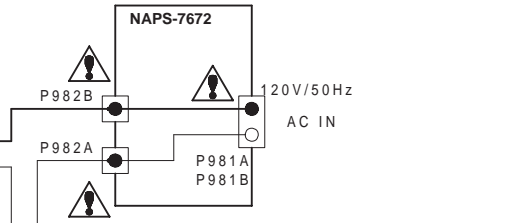


ATTENTION

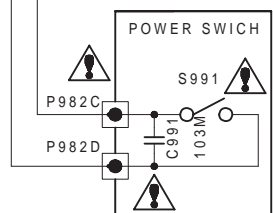
AFIN D' ASSURER UNE PROTECTION PERMANENTE CONTRE LES RISQUES D'INCENDIE, REPLACER UNIQUEMENT PAR UN FUSIBLE DE MEME TYPE ET CALIBRATION COMME INDIQUE.



to P901 (Output terminal PC board)



U7: INLET TERMINAL PC BOARD NAPS-7672



U4: POWER SWITCH PC BOARD NASW-7667

THIS SYMBOL LOCATED NEAR THE FUSE INDICATES THAT THE FUSE USED IS SLOW OPERATING TYPE OR CONTINUED PROTECTION AGAINST FIRE HAZARD, REPLACE WITH SAME TYPE FUSE. FOR FUSE RATING REFER TO THE MARKING ADJACENT TO THE SYMBOL

CE SYMBOLE INDIQUE QUE LE FUSIBLE UTILISE EST LENT. POUR UNE PROTECTION PERMANENTE, N'UTILISER QUE DES FUSIBLES DE MEME TYPE. CE DERNIER EST INDIQUE LA QU LE PRESENT SYMBOL EST APPOSE.

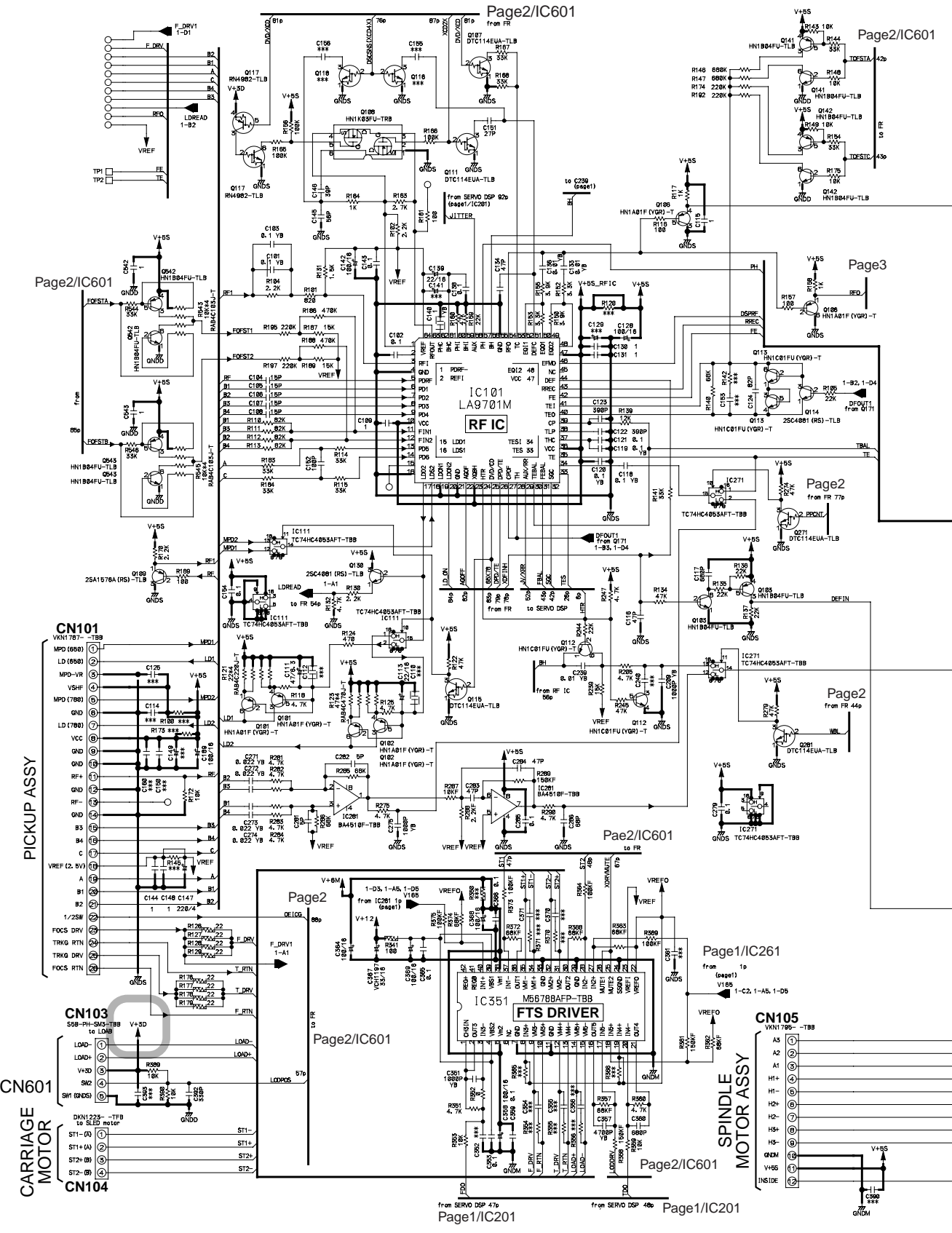
SCHEMATIC DIAGRAM-4-1

DVD MAIN CIRCUIT PC BOARD DB-VPB302 (Page1)

Free Schemat

1
2
3
4
5

10mm



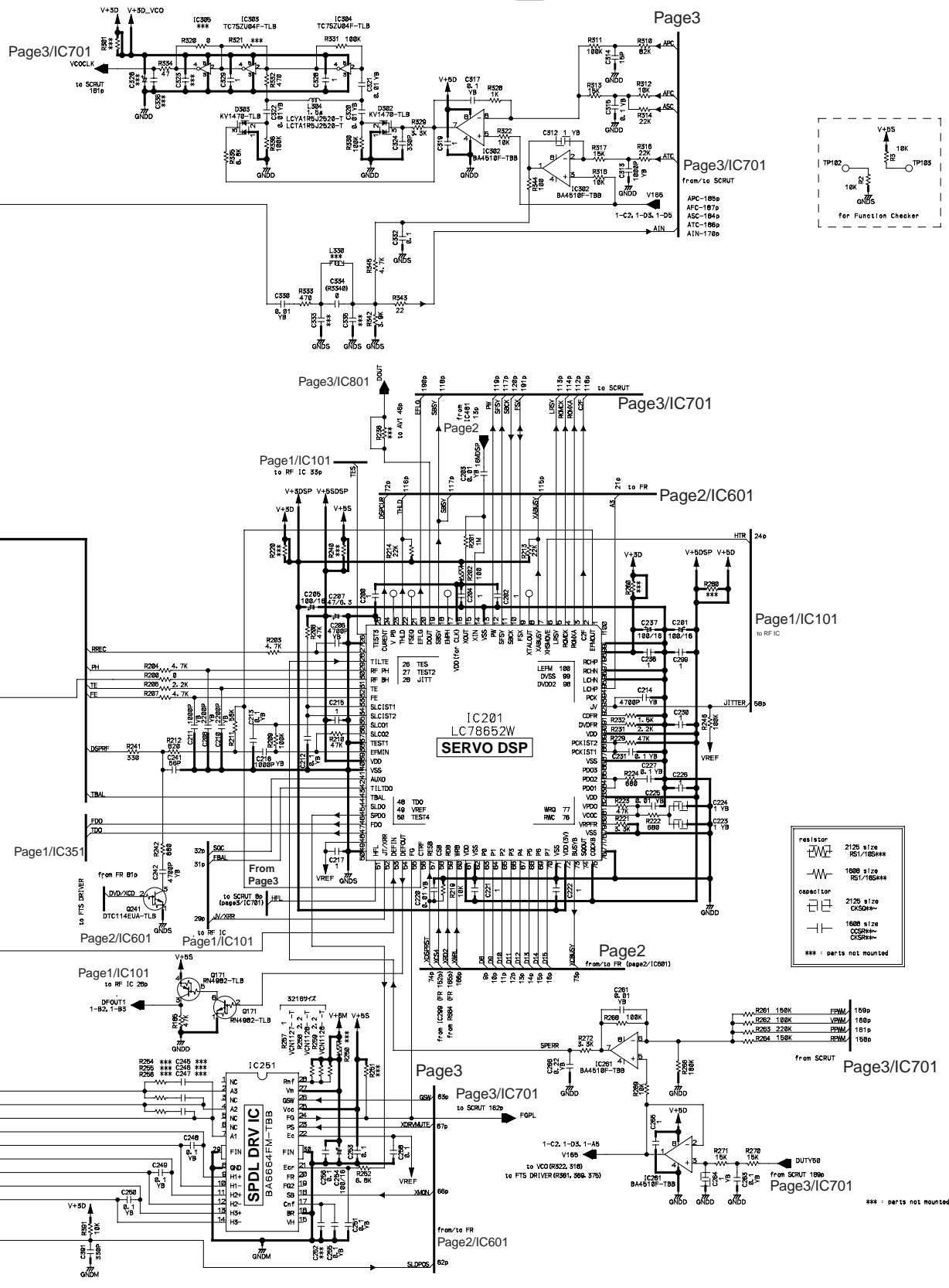
from SERVO DSP 47b Page1/IC201 from SERVO DSP 48b Page1/IC201

SCHEMATIC DIAGRAM-4-2

Free Schemat

The power supply is shown with the marked box.

1
2
3
4
5

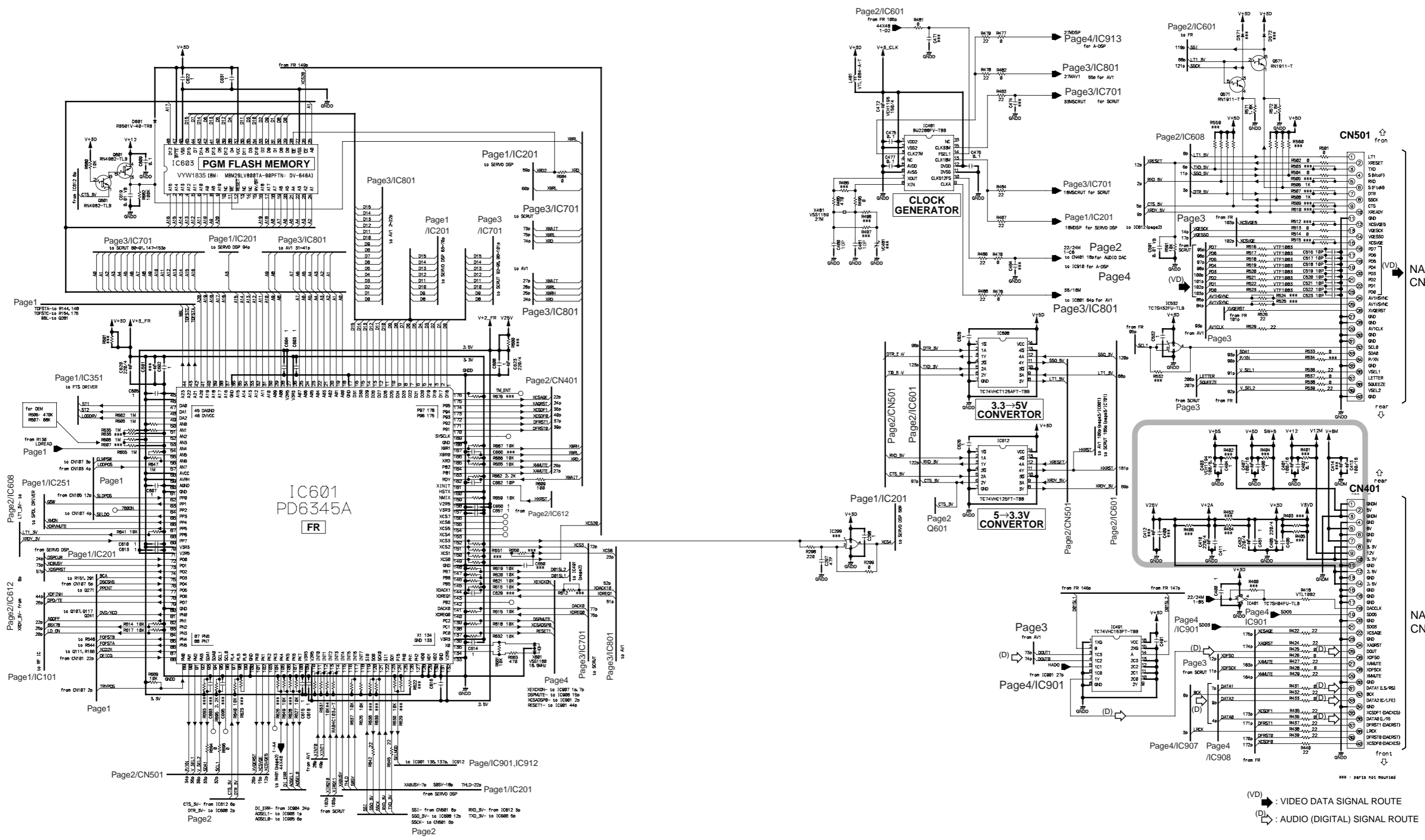


10mm

SCHEMATIC DIAGRAM-5
DVD MAIN CIRCUIT BOARD DB-VPB302 (Page2)

: The power supply is shown with the marked box.

1
2
3
4
5



NAAR-7224
CN302

NAAR-7224
CN601

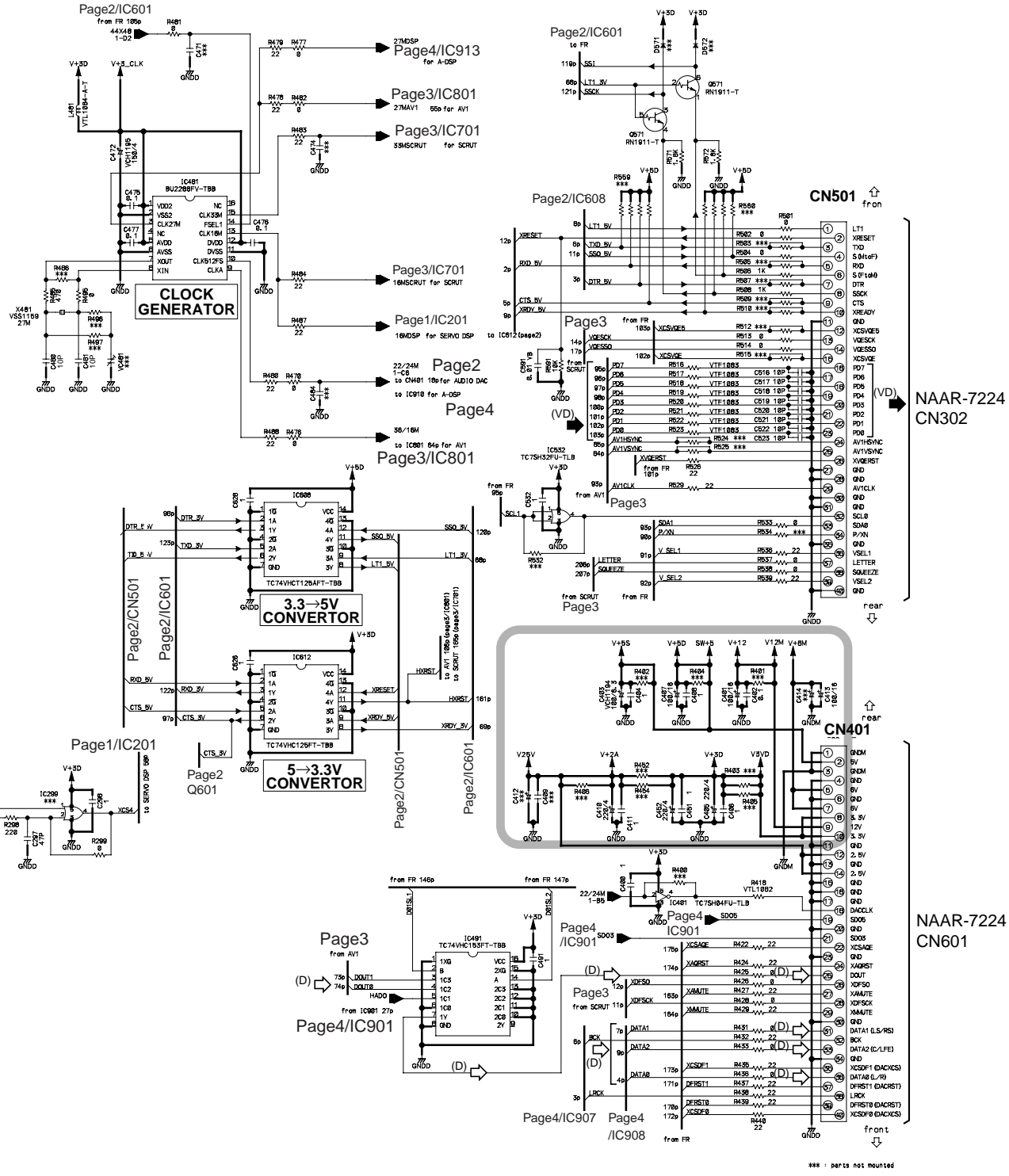
(VD) : VIDEO DATA SIGNAL ROUTE
(D) : AUDIO (DIGITAL) SIGNAL ROUTE

E

F

G

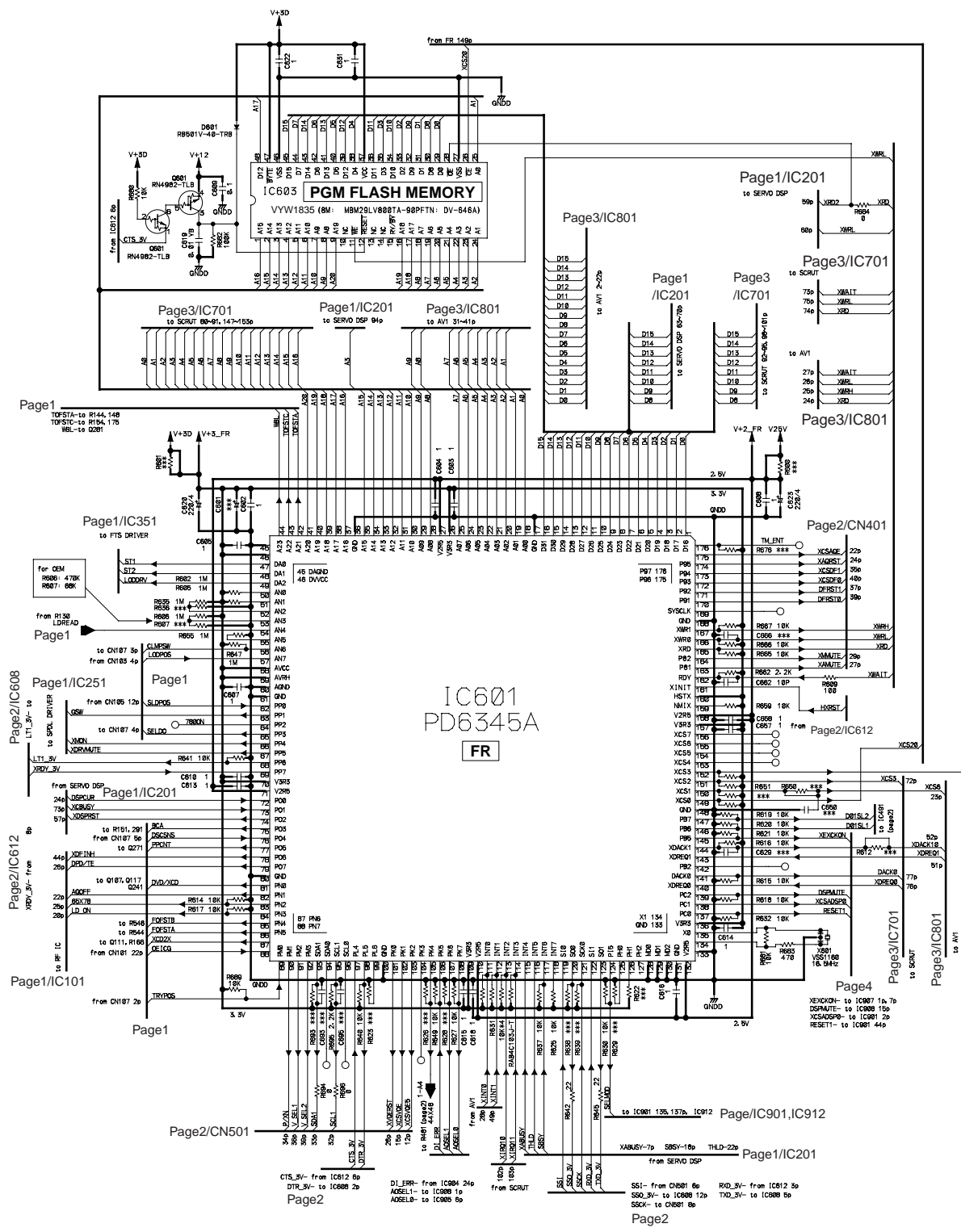
○ : The power supply is shown with the marked box.



(VD) : VIDEO DATA SIGNAL ROUTE
 (D) : AUDIO (DIGITAL) SIGNAL ROUTE

SCHEMATIC DIAGRAM-5
DVD MAIN CIRCUIT PC BOARD DB-VPB302 (Page2)

1
2
3
4
5



SCHEMATIC DIAGRAM-6 DVD MAIN CIRCUIT PC BOARD DB-VPB302 (Page3)

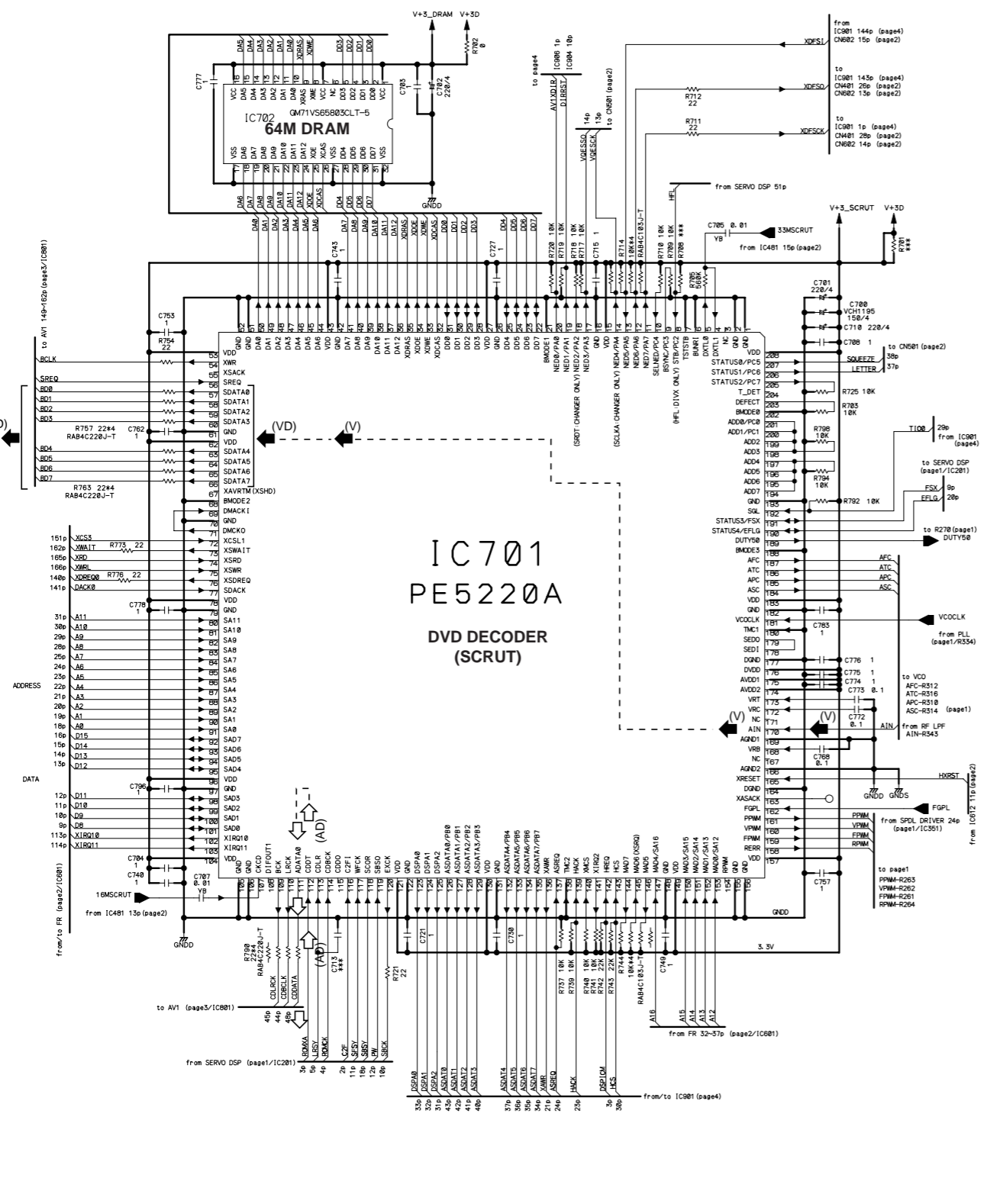
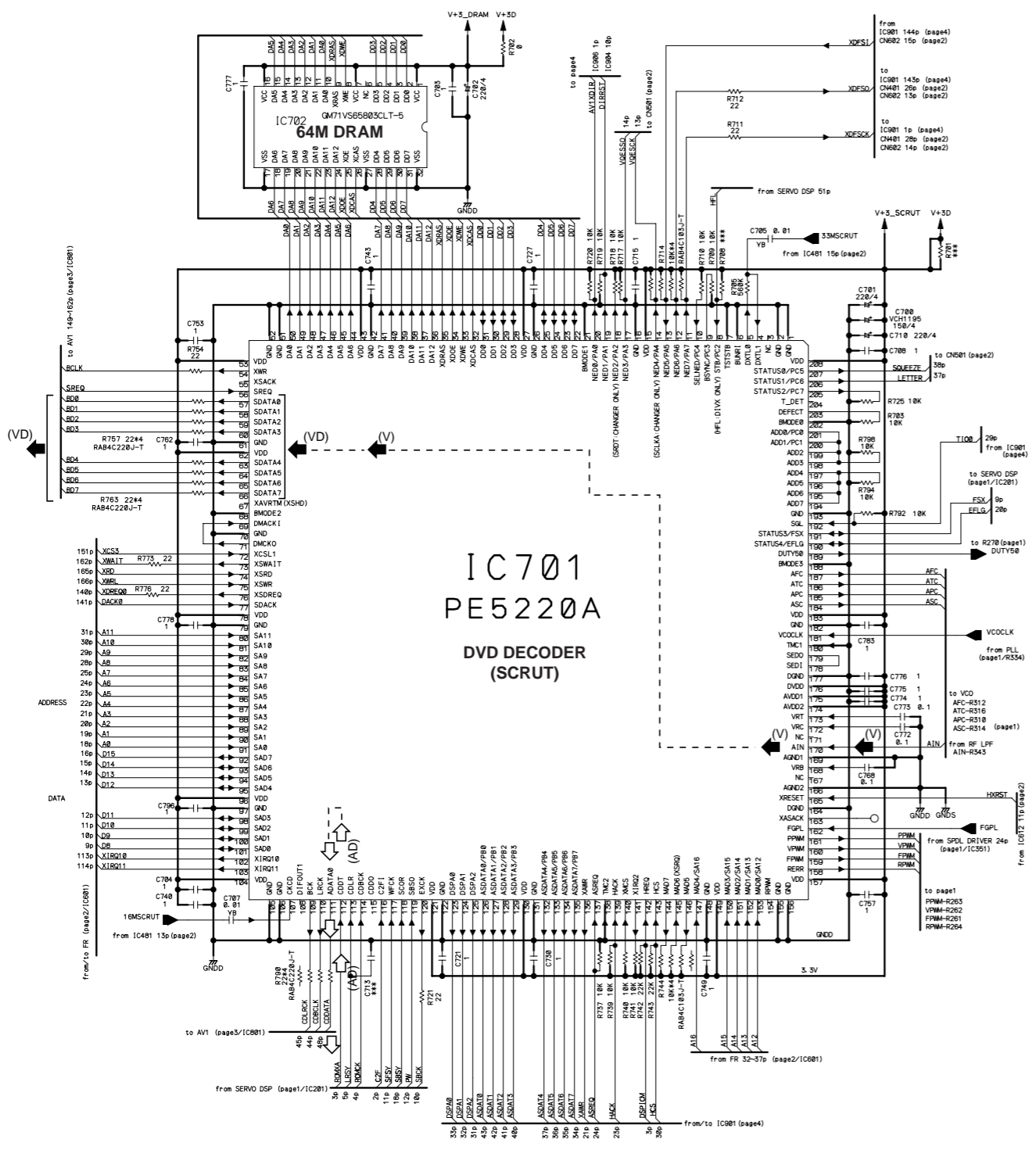
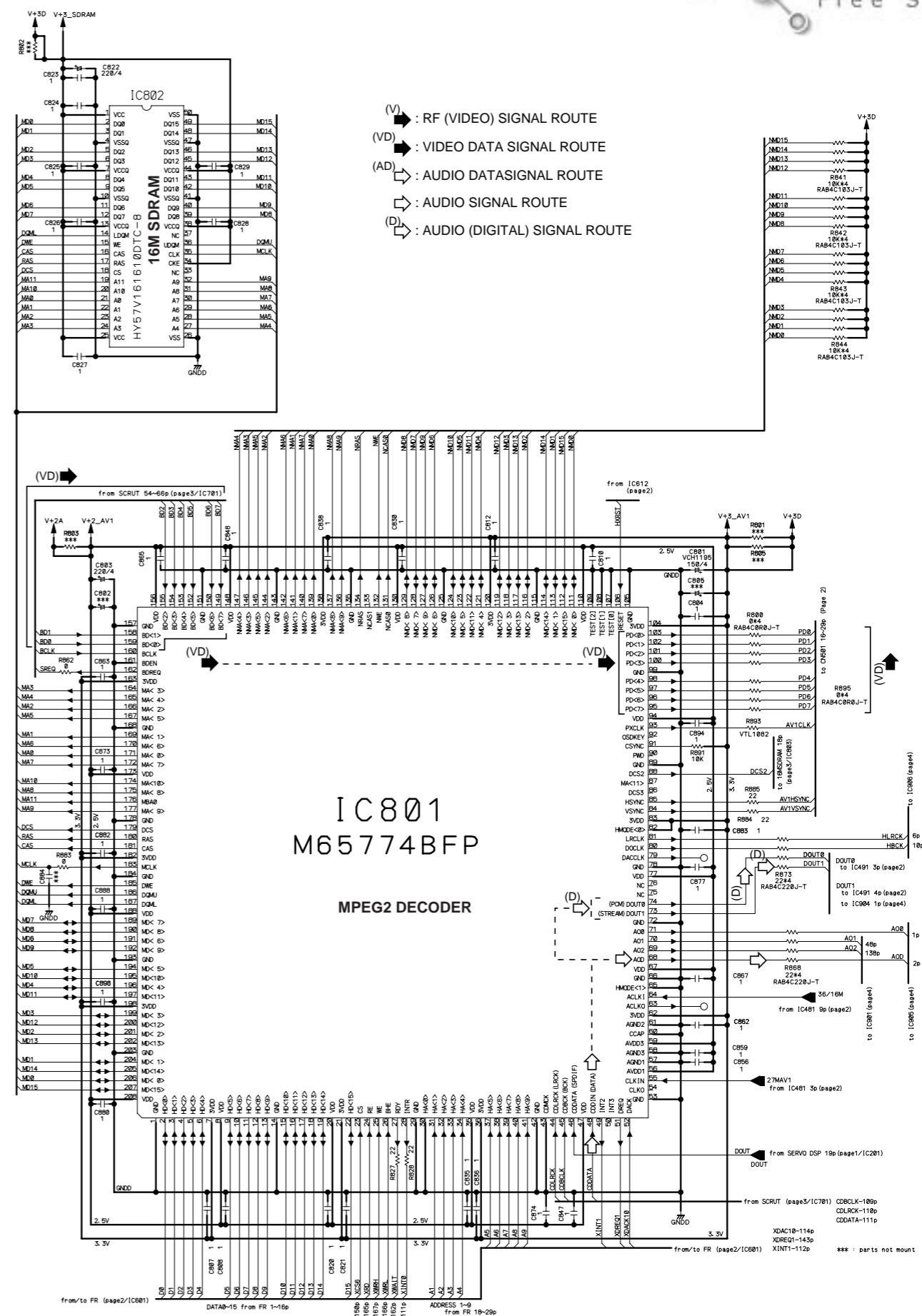
1

2

3

4

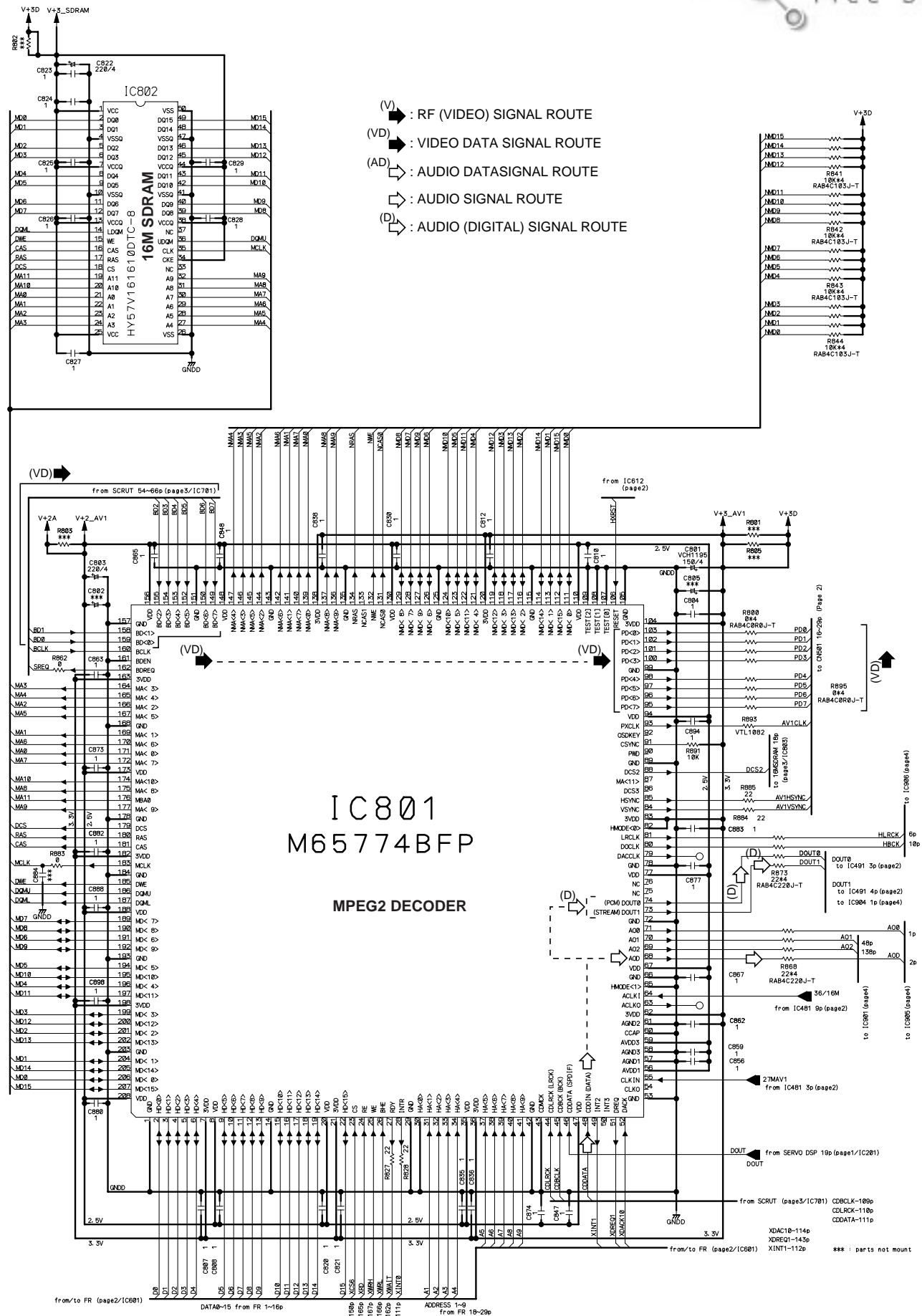
5



E

F

G

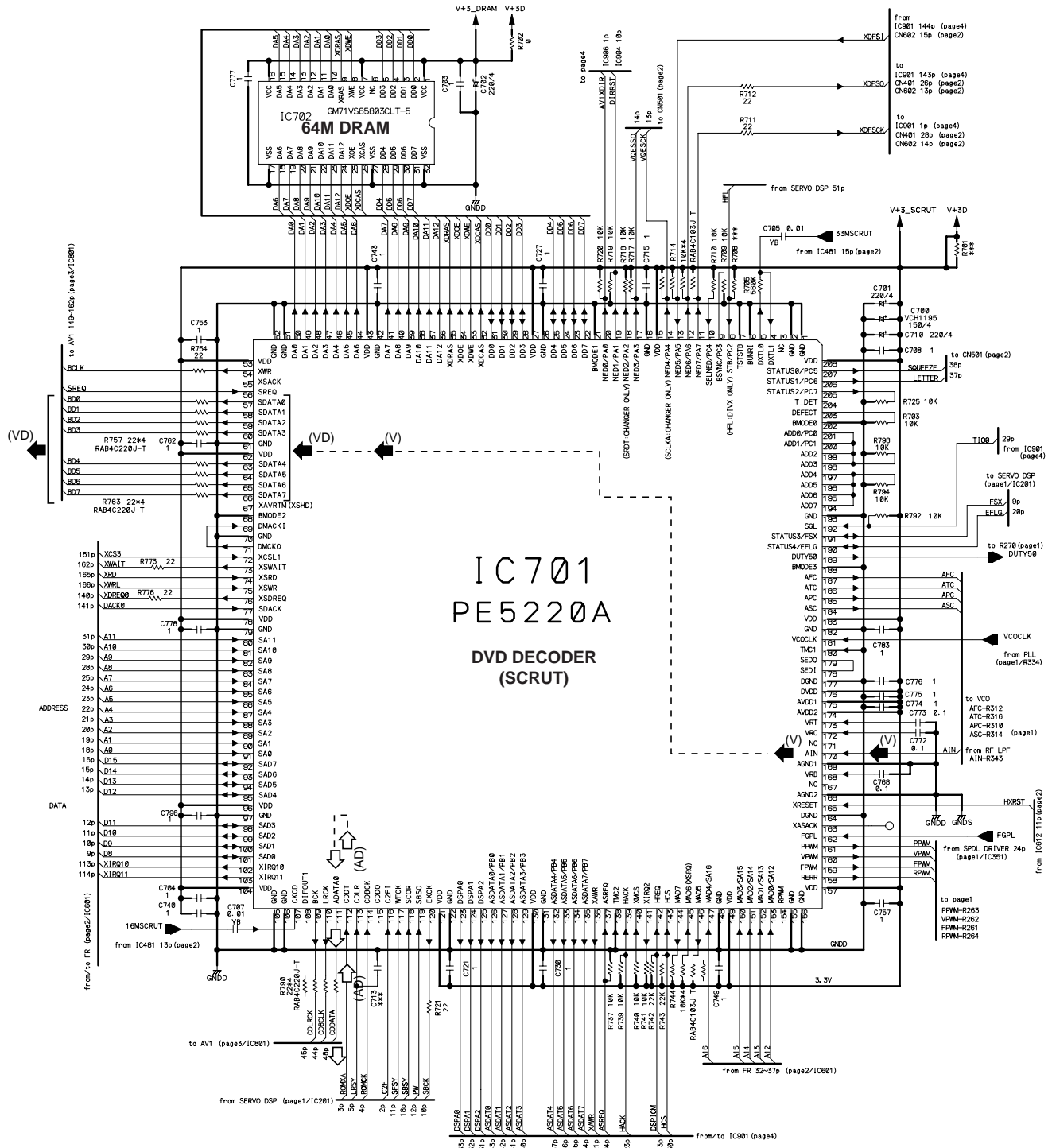


- (V) : RF (VIDEO) SIGNAL ROUTE
- (VD) : VIDEO DATA SIGNAL ROUTE
- (AD) : AUDIO DATASIGNAL ROUTE
- (D) : AUDIO (DIGITAL) SIGNAL ROUTE

IC801
M65774BFP
MPEG2 DECODER

SCHEMATIC DIAGRAM-6
DVD MAIN CIRCUIT PC BOARD DB-VPB302 (Page3)

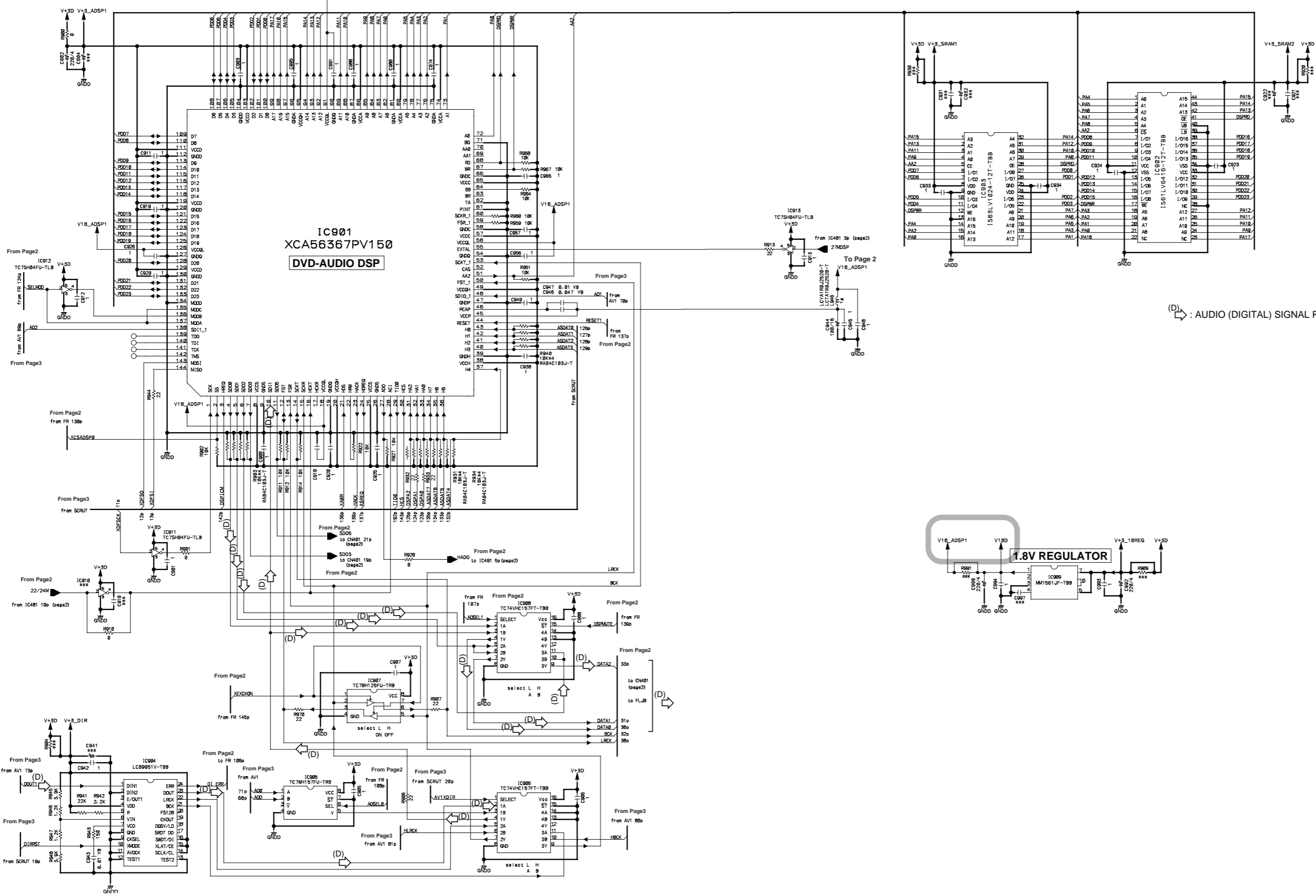
1
2
3
4
5



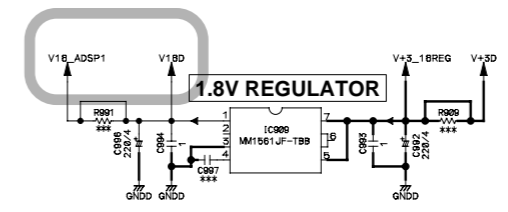
SCHEMATIC DIAGRAM-7
DVD MAIN CIRCUIT PC BOARD DB-VPB302 (Page4)

: The power supply is shown with the marked box.

1
2
3
4
5



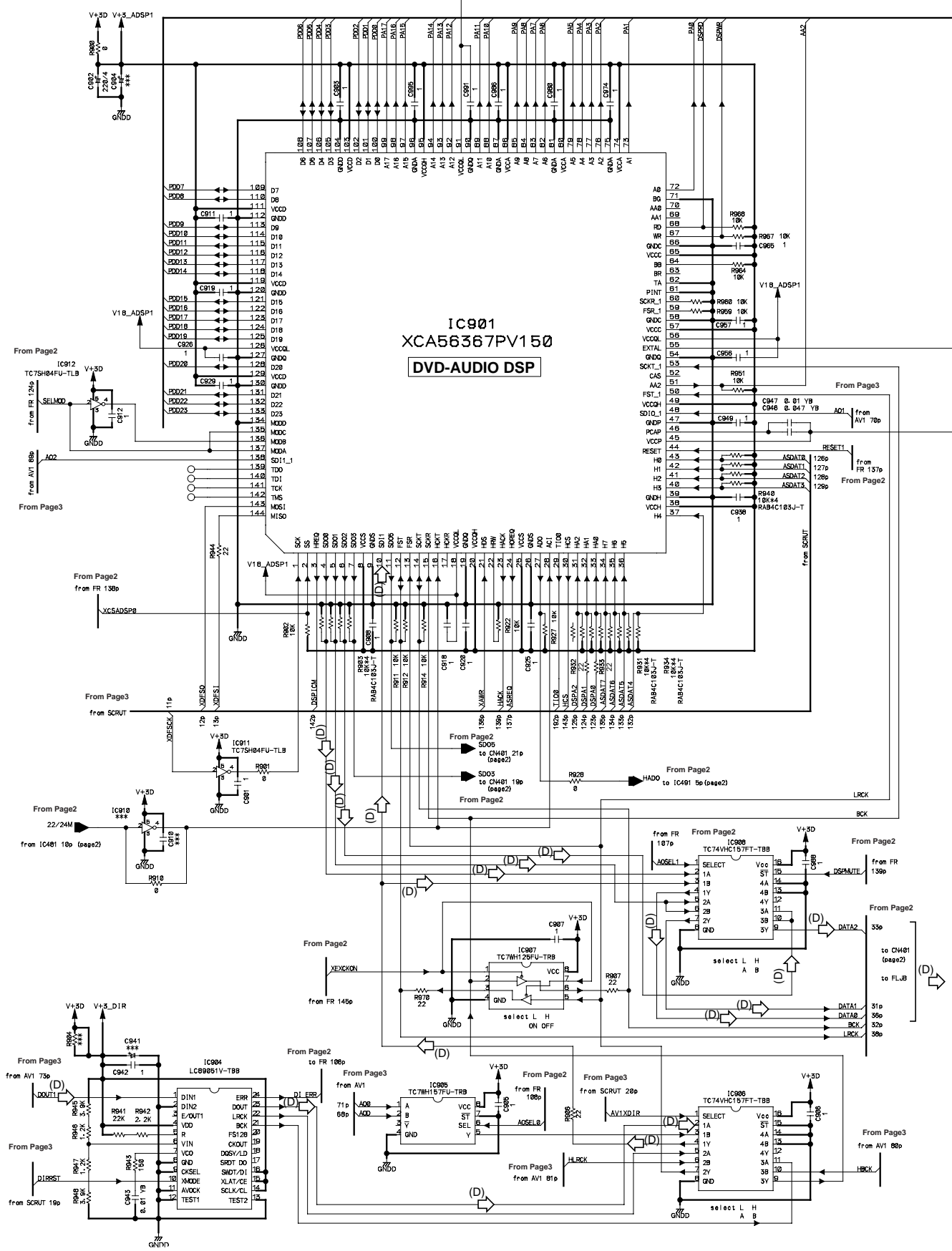
: AUDIO (DIGITAL) SIGNAL ROUTE



SCHEMATIC DIAGRAM-7

DVD MAIN CIRCUIT PC BOARD DB-VPB302 (Page4)


1
2
3
4
5

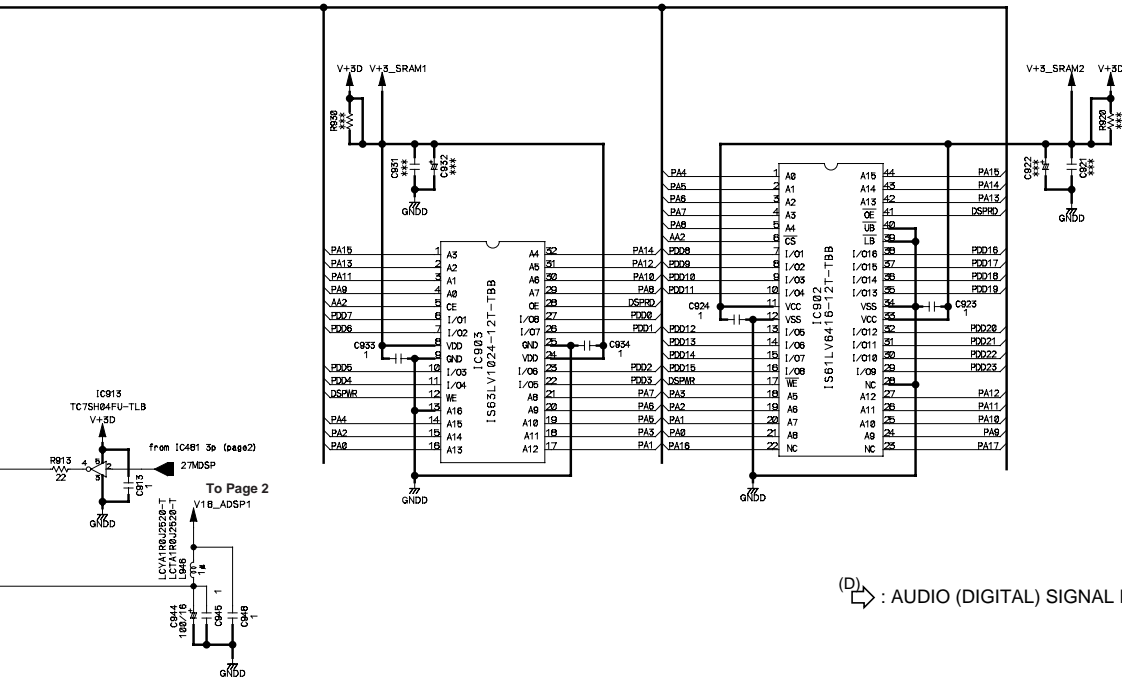


E

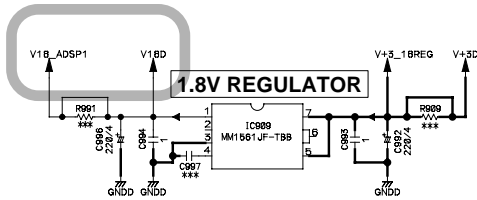
F

G

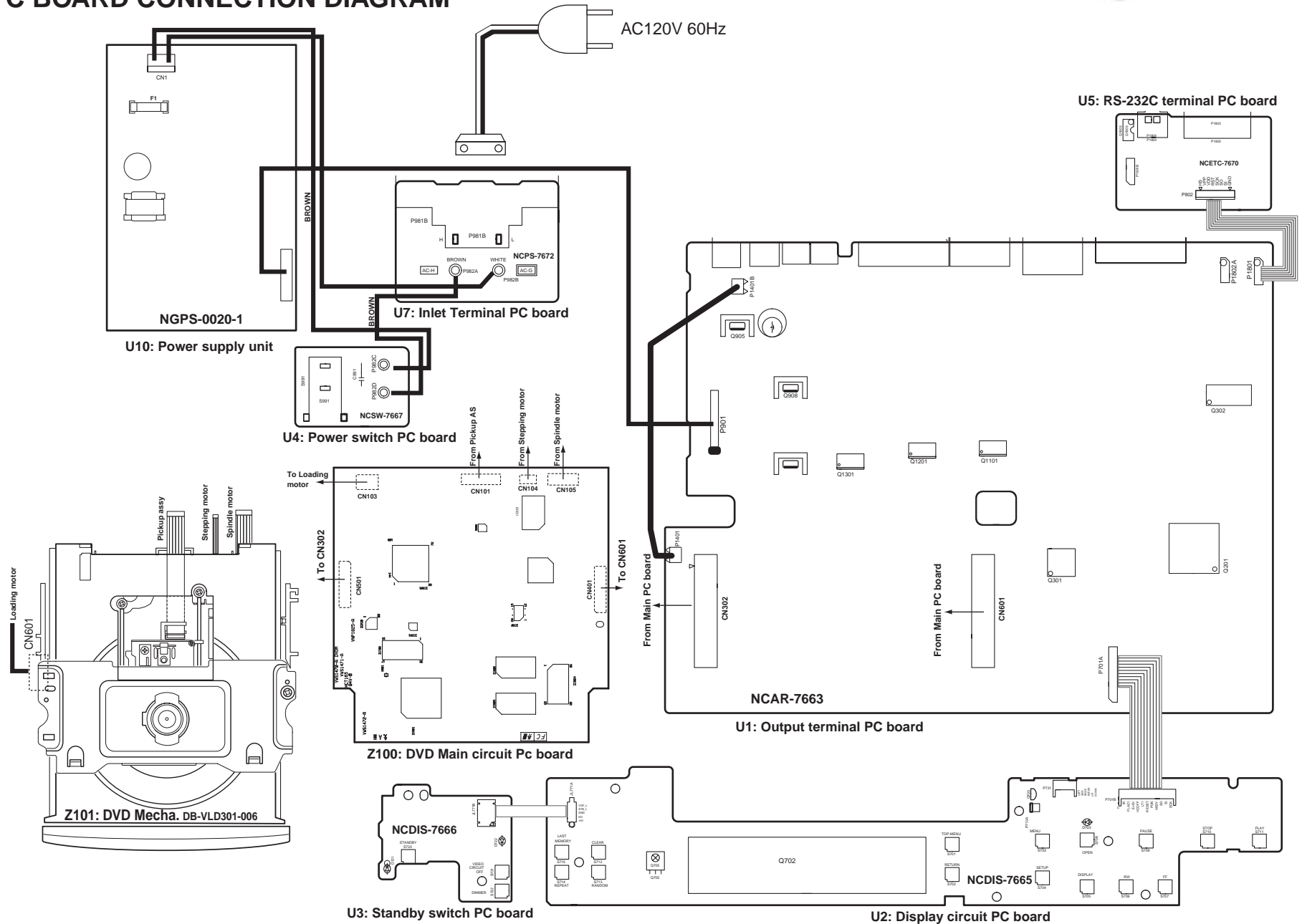
 : The power supply is shown with the marked box.



 : AUDIO (DIGITAL) SIGNAL ROUTE



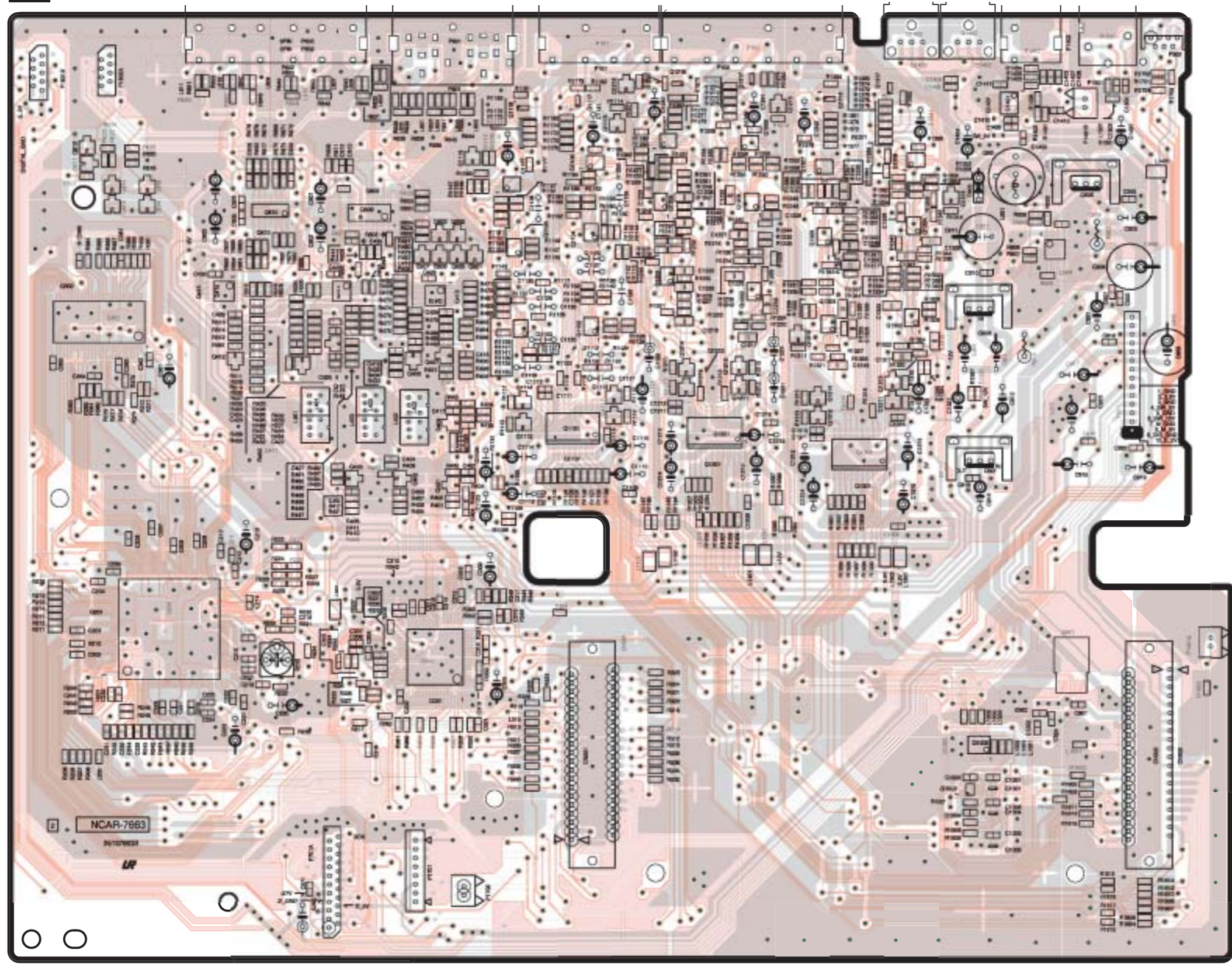
PC BOARD CONNECTION DIAGRAM



A B C D E F G
PRINTED CIRCUIT BOARD VIEW FROM SOLDERING SIDE-1

U1: OUTPUT TERMINAL PC BOARD NAAR-7663

1
2
3
4
5



A

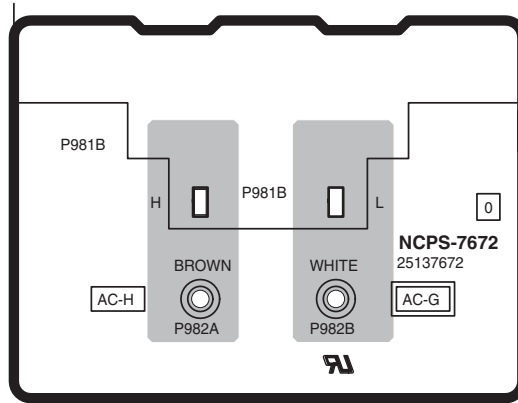
B

C

PRINTED CIRCUIT BOARD VIEW FROM SOLDERING SIDE-3

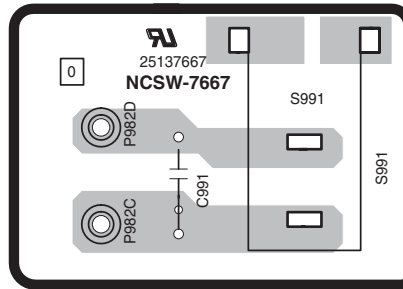
1

U7 : INLET TERMINAL PC BOARD
NAPS-7672



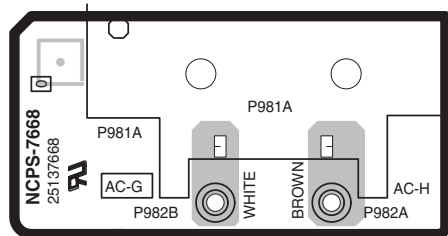
2

U4 : POWER SWITCH PC BOARD
NASW-7667



3

4



5

A B C
PRINTED CIRCUIT BOARD VIEW-4-1
Z100 : MAIN CIRCUIT PC BOARD (DB-VPB302)

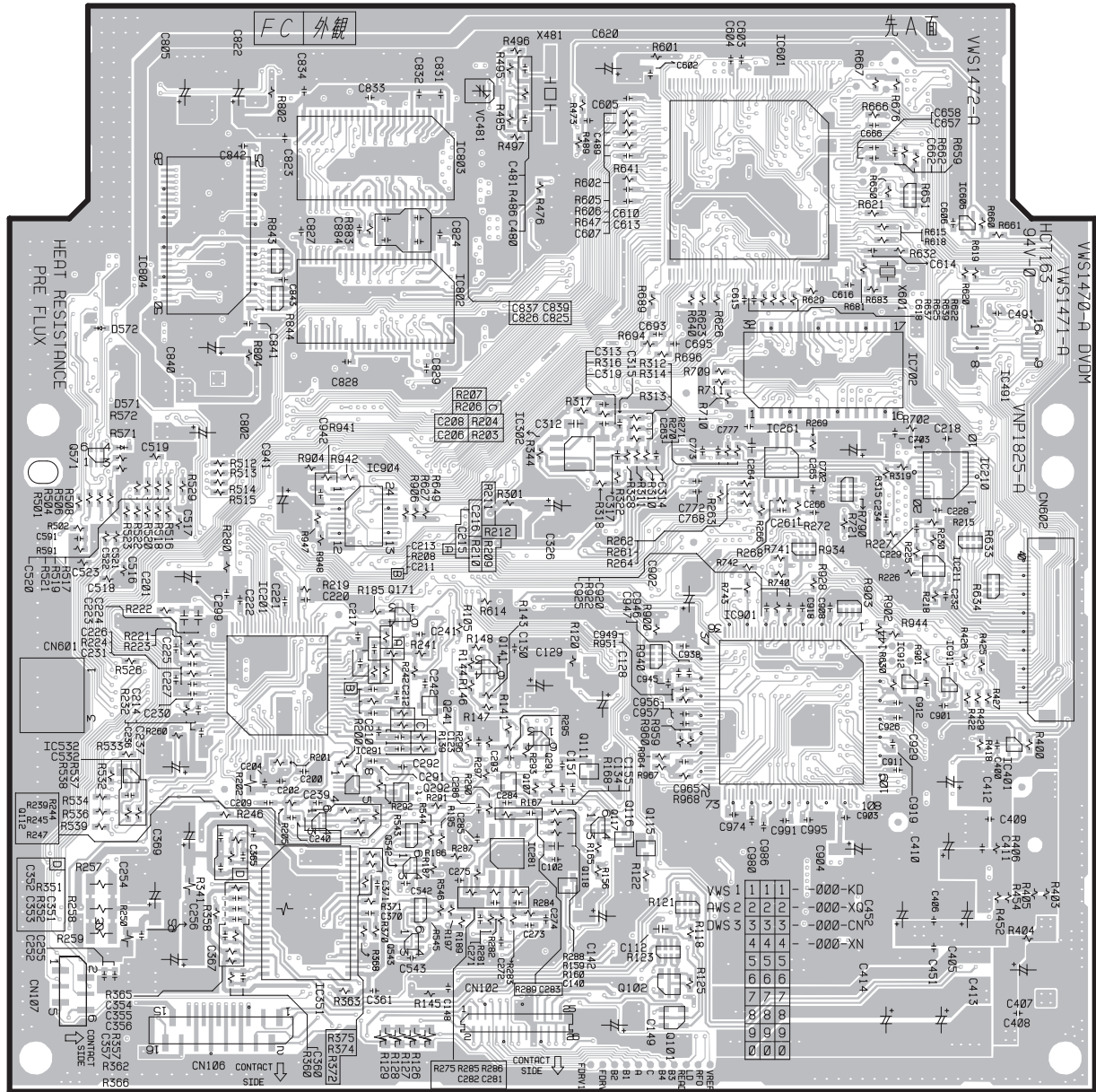
1

2

3

4

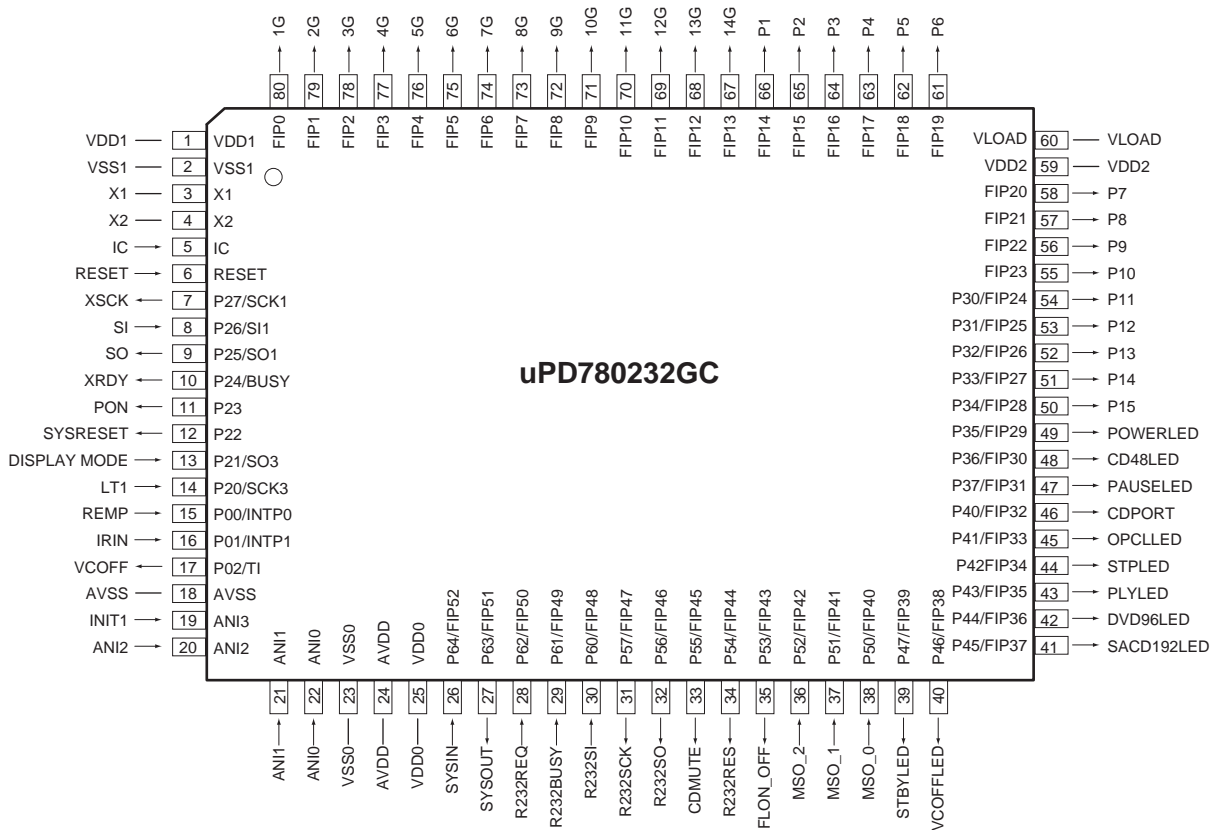
5



A side Pattern and A side parts

MICROPROCESSOR BLOCK DIAGRAM /TERMINAL DESCRIPTION

Q701 : (uPD780232GC)



MICROPROCESSOR BLOCK DIAGRAM / TERMINAL DESCRIPTION Schematics

Q701 : (uPD780232GC)

No.	PIN NAME	SIGNAL NAME	I/O	DESCRIPTION
1	VDD1	VDD1	—	Power supply pin. +5V
2	VSS1	VSS1	—	Ground pin without analog section
3	X1	X1	I	Main clock input pin (5MHz)
4	X2	X2	I	
5	IC	IC	I	Connect to ground pin
6	RESET	RESET	I	Reset pin of microprocessor
7	P27/SCK1	XSCK	O	Clock output pin for writing of flash ROM
8	P26/SI1	SI	I	Data input pin for writing flash ROM
9	P25/SO1	SO	O	Data output pin for writing flash ROM
10	P24/BUSY	XRDY	O	XRDY output pin
11	P23	PON	O	Power ON control signal output pin. (ON : "H")
12	P22	SYSRESET	O	Reset control signal pin
13	P21/SO3	DISPLAY_MODE	I	Select the display mode for exhibition. (Exhibition mode : "L")
14	P20/SCK3	LT1	I	LT1 data input pin
15	P00/INTP0	REMO	I	Remote control signal input pin.
16	P01/INTP1	IRIN	I	Not used.
17	P02/VI	VCOFF	O	Video circuit off control output pin. (L : mute)
18	AVSS	AVSS	—	Ground pin for A/D converter.
19	ANI3	INIT1	I	Initializing input pin at analog input.
20	ANI2	ANI2	I	Analog signal input pin of A/D converter.
21	ANI1	ANI1	I	Analog signal input pin of A/D converter.
22	ANI0	ANI0	I	Analog signal input pin of A/D converter.
23	VSS0	VSS0	—	Ground pin.
24	AVDD	AVDD	—	Power supply pin of A/D converter. (Same as VDD1)
25	VDD0	VDD0	—	Power supply pin. +5V
26	P64/FIP52	SYSIN	I	System buss input pin.
27	P63/FIP51	SYSOUT	O	System buss output pin.
28	P62/FIP50	R232REQ	I	REQ signal input pin from microprocessor of RS-232C driver.
29	P61/FIP49	R232BUSY	I	BUSY signal input pin from microprocessor of RS-232C driver.
30	P60/FIP48	R232SI	I	SI signal input pin from microprocessor of RS-232C driver.
31	P57/FIP47	R232SCK	O	CK signal output pin from microprocessor of RS-232C driver.
32	P56/FIP46	R232SO	O	SO signal output pin from microprocessor of RS-232C driver.
33	P55/FIP45	TEST	O	To connect to ground pin.
34	P54/FIP44	R232RES	O	Open pin.
35	P53/FIP43	FLON_OFF	O	FL filament on/off control output pin.
36	P52/FIP42	MSO_2	I	Model select input pin 2.
37	P51/FIP41	MSO_1	I	Model select input pin 1.
38	P50/FIP40	MSO_0	I	Model select input pin 0.
39	P47/FIP39	STBYLED	O	Standby LED control output pin.
40	P46/FIP38	VCOFFLED	O	Video circuit off control signal output pin.
41	P45/FIP37	SACD192LED	O	Sampling rate 192kHz signal control output pin.
42	P44/FIP36	DVD96LED	O	Sampling rate 96kHz signal control output pin.
43	P43/FIP35	PLYLED	O	Play signal control output pin.
44	P42/FIP34	STPLED	O	Stop signal control output pin.
45	P41/FIP33	OPCLED	O	Open/ close signal control output pin.
46	P40/FIP32	CDPORT	O	Not used.
47	P37/FIP31	PAUSELED	O	Pause signal control output pin.
48	P36/FIP30	CD48LED	O	Sampling rate 48kHz signal control output pin.
49	P35/FIP29	POWERLED	O	Power LED control output pin.
50	P34/FIP28	P15	O	FL segment (P15) control output pin.
51	P33/FIP27	P14	O	FL segment (P14) control output pin.
52	P32/FIP26	P13	O	FL segment (P13) control output pin.
53	P31/FIP25	P12	O	FL segment (P12) control output pin.
54	P30/FIP24	P11	O	FL segment (P11) control output pin.
55	FIP23	P10	O	FL segment (P10) control output pin.
56	FIP22	P9	O	FL segment (P9) control output pin.
57	FIP21	P8	O	FL segment (P8) control output pin.
58	FIP20	P7	O	FL segment (P7) control output pin.
59	VDD2	VDD2	—	Power supply pin. +5V
60	VLOAD	VLOAD	—	FIP control pin to connect pull down resistor.
61	FIP19	P6	O	FL segment (P6) control output pin.
62	FIP18	P5	O	FL segment (P5) control output pin.
63	FIP17	P4	O	FL segment (P4) control output pin.
64	FIP16	P3	O	FL segment (P3) control output pin.
65	FIP15	P2	O	FL segment (P2) control output pin.
66	FIP14	P1	O	FL segment (P1) control output pin.
67	FIP13	14G	O	FL grid (G14) control output pin.
68	FIP12	13G	O	FL grid (G13) control output pin.
69	FIP11	12G	O	FL grid (G12) control output pin.
70	FIP10	11G	O	FL grid (G11) control output pin.
71	FIP9	10G	O	FL grid (G10) control output pin.
72	FIP8	9G	O	FL grid (G9) control output pin.
73	FIP7	8G	O	FL grid (G8) control output pin.
74	FIP6	7G	O	FL grid (G7) control output pin.
75	FIP5	6G	O	FL grid (G6) control output pin.
76	FIP4	5G	O	FL grid (G5) control output pin.
77	FIP3	4G	O	FL grid (G4) control output pin.
78	FIP2	3G	O	FL grid (G3) control output pin.
79	FIP1	2G	O	FL grid (G2) control output pin.
80	FIP0	1G	O	FL grid (G1) control output pin.

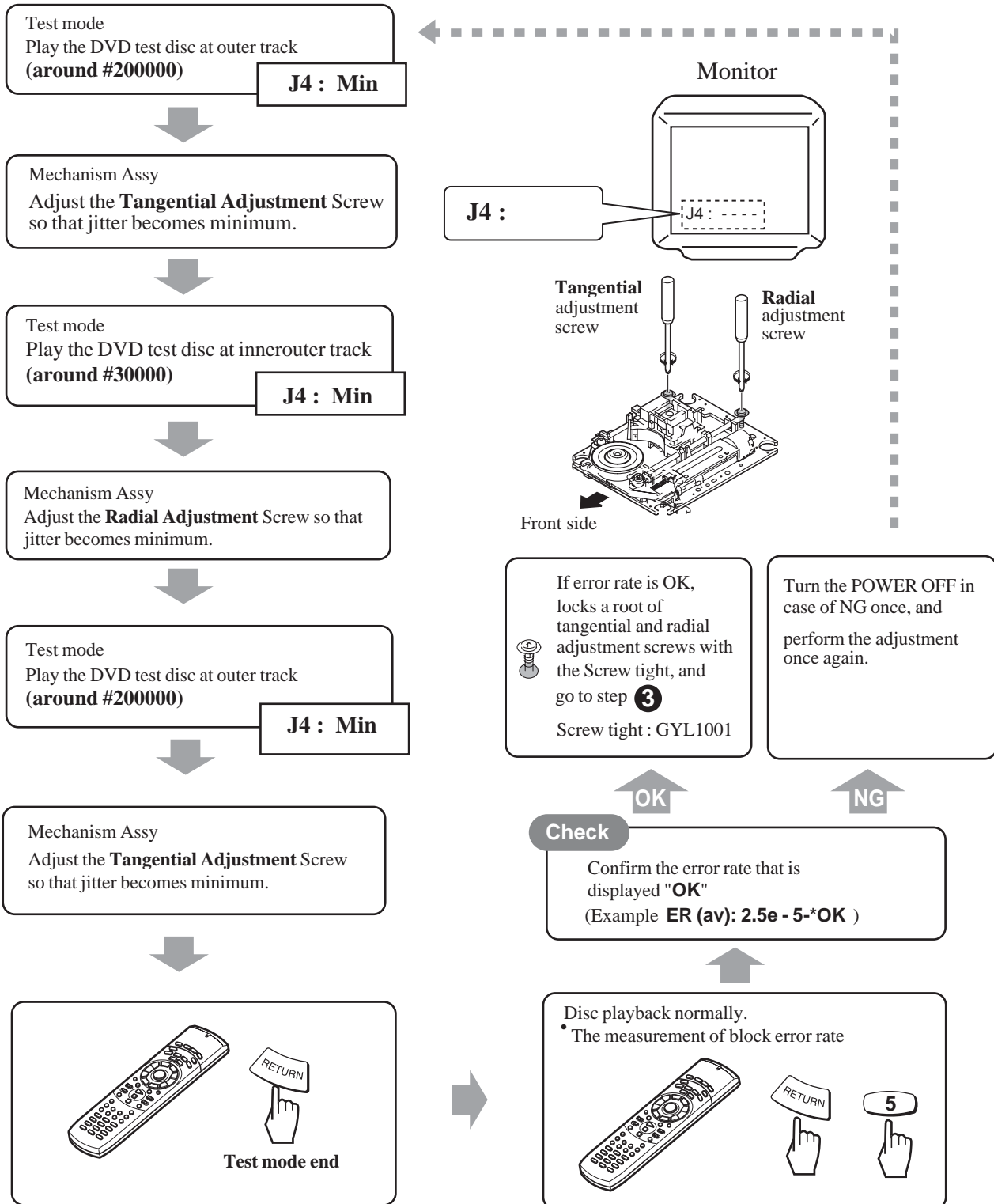
ADJUSTMENT PROCEDURES-4

ADJUSTMENT OF DVD MECHANISM-4

② DVD Jitter Adjustment

- Playback method of inner and outer address for the purpose is referred to "5. TEST MODE".

Use disc: GGV1025

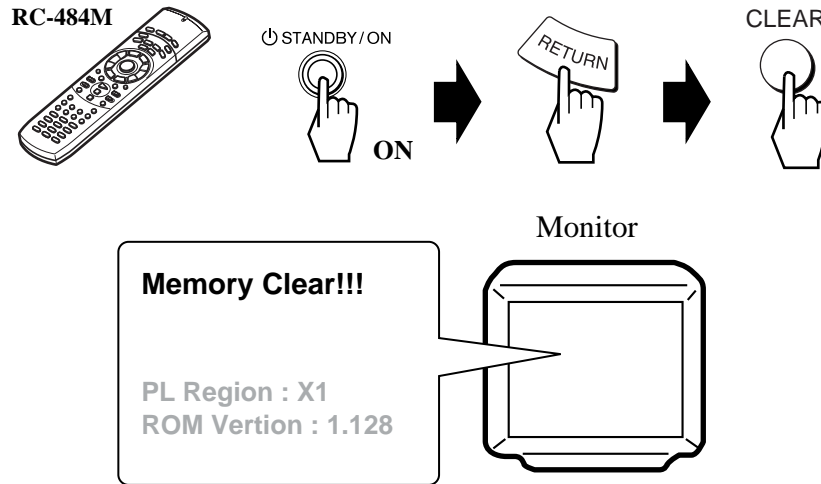


ADJUSTMENT PROCEDURES-5

ADJUSTMENT OF DVD MECHANISM-5

③ Initialize the Focus Sweep Setting

Purpose: To set the sweep which was correct with the individual Traverse mechanism.

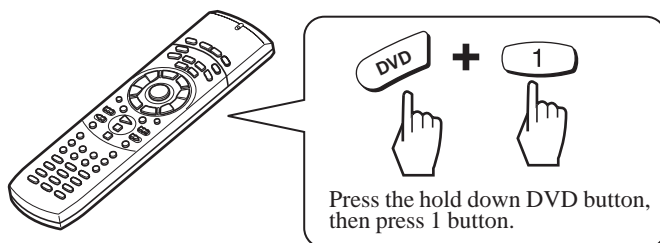


NOTE: When Change the mechanism or pickup mechanism, you must re-setting the FOCUS SWEEP at no disc condition.

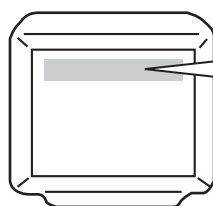
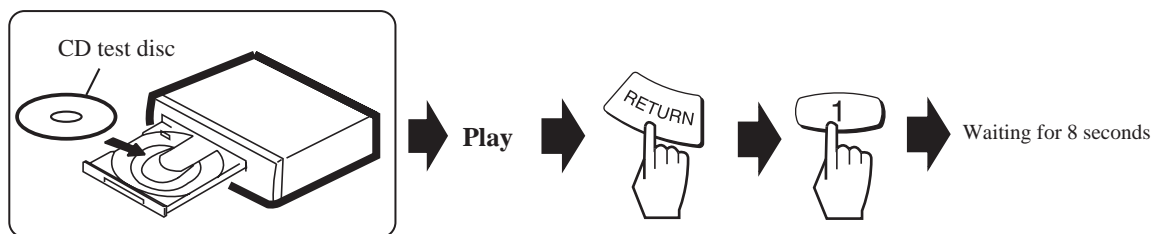
ADJUSTMENT PROCEDURES-6

CHECKING THE ERROR RATE

Setting remote controller

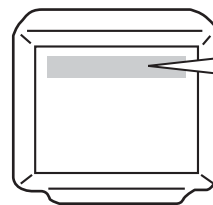
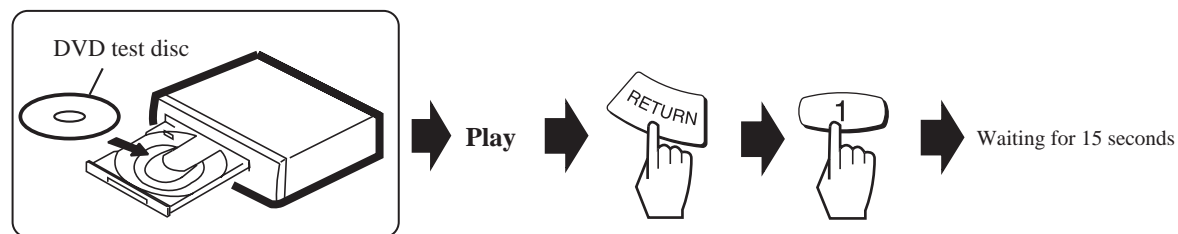


Check the CD error rate



[Example]
ER C1 33
 CD error rate = $33 / (7.35 \times 5 \times 1000) = 0.9 \times 10^{-3}$
SPEC : CD error rate $\leq 3.26 \times 10^{-6}$

Check the DVD error rate



[Example]
ER(av) : 4.7e-5 * OK
 DVD error rate = 4.7×10^{-5}
SPEC : DVD error rate $\leq 8 \times 10^{-4}$

ADJUSTMENT PROCEDURES-1

ADJUSTMENT OF DVD MECHANISM-1

1. Adjustment items and location

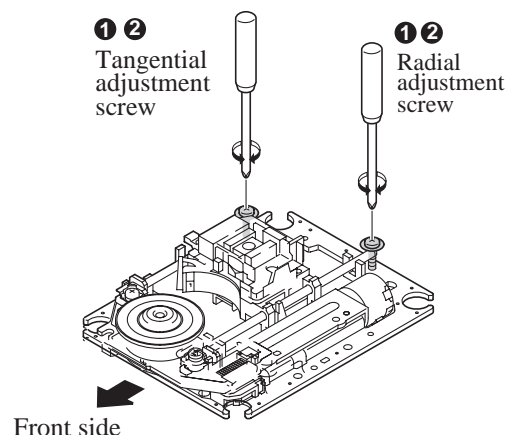
- ❶ Tangential and Radial Height Coarse Adjustment
- ❷ DVD Jitter Adjustment
- ❸ How to initialize the Focus Sweep Setting

[Electrical Part]

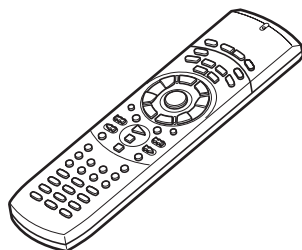
Electrical adjustments are not required.

Adjustment Points (Mechanism Part)

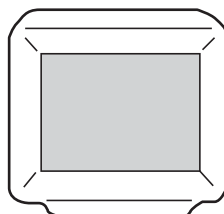
Cautions: After adjustment, lock all adjusted screws with screw tightening agent.



2. JIGs and measuring equipment



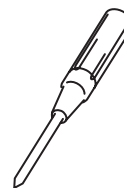
Remote controller
RC-484M
Part No. 24140484



TV monitor



DVD test disc
(GGV1025)



⊕ Screw driver (medium)



⊕ Precise screw driver

3. Necessary adjustment points

When Exchange Parts of Mechanism Assy Parts

Pickup



Mechanical point ❶ ❷* ❸ After adjustment, screw locks with the Screw tight.

Electric point _____

Traverse Mechanism



Mechanical point ❸ After adjustment, screw locks with the Screw tight.

Electric point _____

Spindle Motor



Mechanical point ❷* ❸ After adjustment, screw locks with the Screw tight.

Electric point _____

Exchange of PCB Assy

Exchange PC Board
SSIB, LOAB, DVDM ASSY



Mechanical point _____ After adjustment, screw locks with the Screw tight.

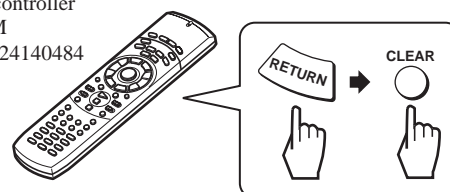
Electric point _____

* Purpose: To adjust individual Traverse Mechanism to it best sweep.

When you replace Pickup, Traverse Mechanism or Spindle Motor press RETURN and then press CLEAR at the last stage.

(It is necessary when you performed procedure ❷ adjustment.)

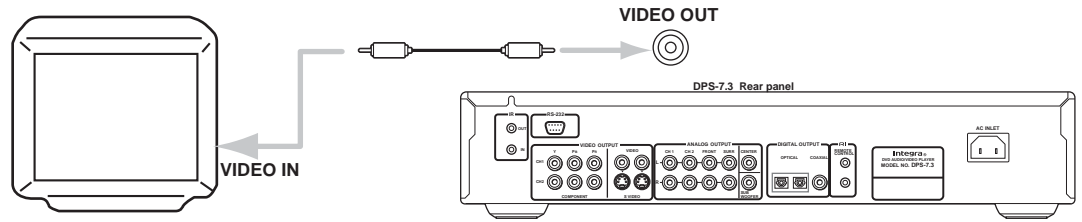
Remote controller
RC-484M
Part No. 24140484



ADJUSTMENT PROCEDURES-2

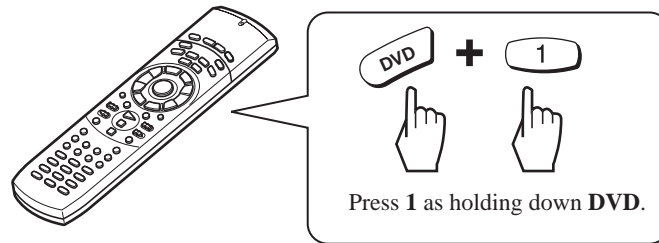
ADJUSTMENT OF DVD MECHANISM-2

A. Connection



B. Test mode

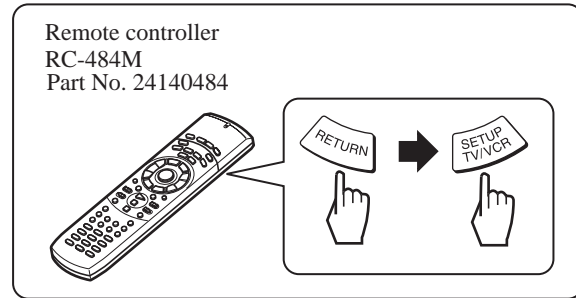
SETTING THE REMOTE CONTROLLER



C: TEST MODE: ON

STANDBY ⏻ switch is ON.

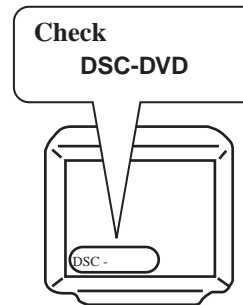
Press "RETURN" and "SETUP TV/VCR" button of the remotecontroller (RC-484M)



D: TEST MODE

Setting the test disc.

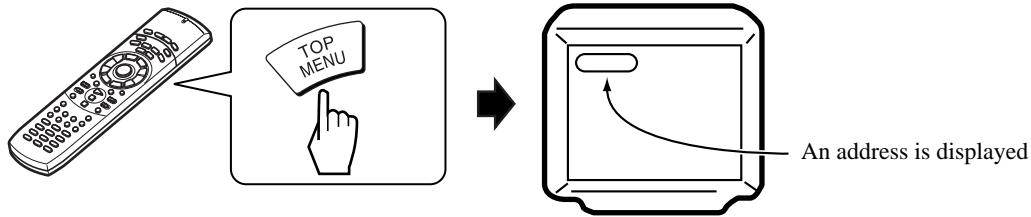
Display is "DISC-DVD" on the TV monitor.



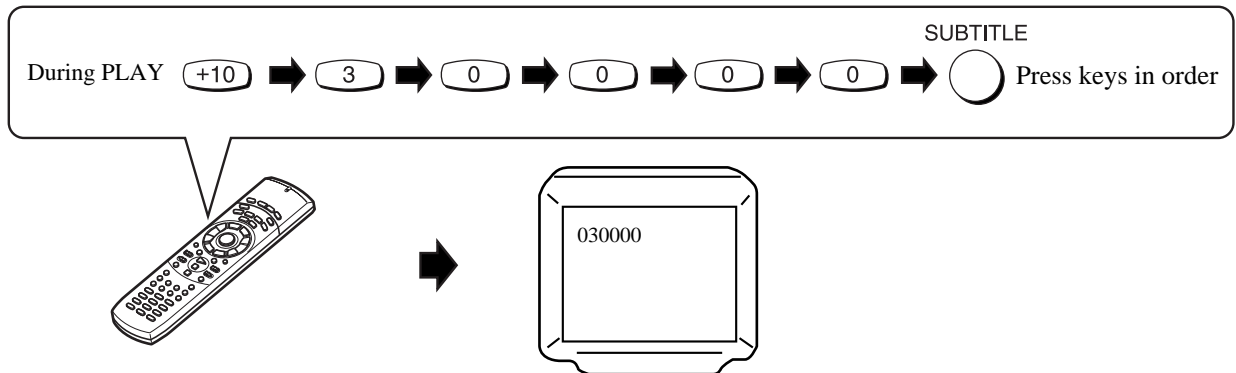
ADJUSTMENT PROCEDURES-3

ADJUSTMENT OF DVD MECHANISM-3

TEST MODE: PLAY



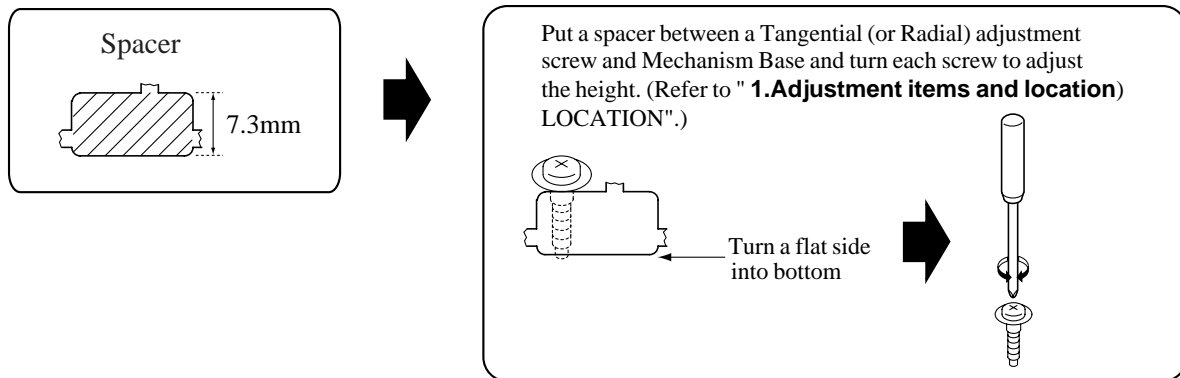
< When playback with the target address of disc (DVD)>
 For example, when playback with # 30000



TEST MODE: OFF

Press the "STANDBY" key on the unit or
 press the "RETURN" key on the remotecontroller.

① Tangential and Radial Height Coarse Adjustment



PACKING VIEW

