

SPECIFICATIONS-1

■ General

Power Supply	North American, some Asian: AC 120 V, 60 Hz Others: AC 220 - 230 V, 50 Hz
Power Consumption	US and Canada: 115 W Mexican: 105 W Others: 79 W
Stand-by Power Consumption	0.2 W
Dimensions (W x H x D)	8-1/16" x 5-13/16" x 13-7/8" 205 W x 147 H x 353 D mm
Weight	5.4 kg, 11.9 lbs
Audio Input	
Digital Inputs	Optical: 1
Analog Inputs	LINE, TAPE
Audio Output	
Analog Outputs	TAPE
Multichannel Pre Outputs	3.1 ch
Speaker Terminals	Front Speakers
Phones	1
Operation Condition Temperature/Humidity	5 °C - 35 °C (41 F - 95 F) / 5 % - 85 %
Disc Compatibility	SACD, DVD-Audio, DVD-video, DVD-R/RW(VR, VIDEO), CD, CD-R/RW, Video CD, SVCD, WMA, MP3, JPEG Disc that have not been property finalized may only be partially playable or not playable at all.

■ Amplifier section

Power Output	
North American	
2ch driven:	16 W + 16 W (8Ω, 1 kHz, FTC) 23 W + 23 W (4Ω, 1 kHz, FTC) 30 W (4Ω, 1 kHz, FTC)
1ch driven:	
Asian, Australian	
2ch driven:	17 W + 17 W (8Ω, 1 kHz, JEITA) 26 W + 26 W (4Ω, 1 kHz, JEITA)
THD (Total Harmonic Distortion)	5 % (Power Rated) 0.4 % (1 kHz, 1W)
Damping Factor	70 (Front, 1 kHz, 8 Ω)
Input Sensitivity and Impedance	150 mV/47 kΩ (LINE)
Output Level and Impedance	120 mV/2.2 kΩ (REC OUT)
Frequency Response	10 Hz - 100 kHz +/-3 dB (LINE)
Tone Control	+/-10 dB, 100 Hz (BASS) +/-10 dB, 10 kHz (TREBLE) +4.5 dB, 80 Hz (S.BASS 1) +7.5 dB, 80 Hz (S.BASS 2)
Signal to Noise Ratio	100 dB (LINE, IHF-A)
Speaker Impedance	4Ω - 16Ω

SPECIFICATIONS-2

■ Tuner Section

FM

Tuning Frequency Range	North American: 87.5 MHz - 107.9 MHz Others: 87.5 MHz - 108.0 MHz
Usable Sensitivity	Stereo: 22.2 dBf (75 Ω IHF) Mono: 15.2 dBf (75 Ω IHF)
Signal to Noise Ratio	Stereo: 67 dB (IHF-A) Mono: 73 dB (IHF-A)
THD	Stereo: 0.5 % (1 kHz) Mono: 0.3 % (1 kHz)
Frequency response	30 Hz - 15 kHz +/-1 dB
Stereo Separation	40 dB (1kHz)

AM

Tuning Frequency Range	North American: 530 kHz - 1710 kHz Others: 522 kHz - 1611 kHz
Usable Sensitivity	300 μ V
Signal to Noise Ratio	40 dB
THD	0.7 %

■ DVD

VIDEO

Signal System	North American: NTSC Others: PAL/NTSC
Composite Output / Impedance	1.0 V (p-p)/75 Ω negative sync, RCA/phono
S Video Output / Impedance	Y: 0.7 V (p-p)/75 Ω negative sync, 4-pin mini DIN C: 0.286 V (p-p) / 75 Ω
Component Video Output / Impedance	Y: 1.0 V (p-p)/75 Ω Pb/Pk: 0.7 V (p-p)/75 Ω RCA/phono
Component Video Frequency Response	5 Hz - 50 MHz

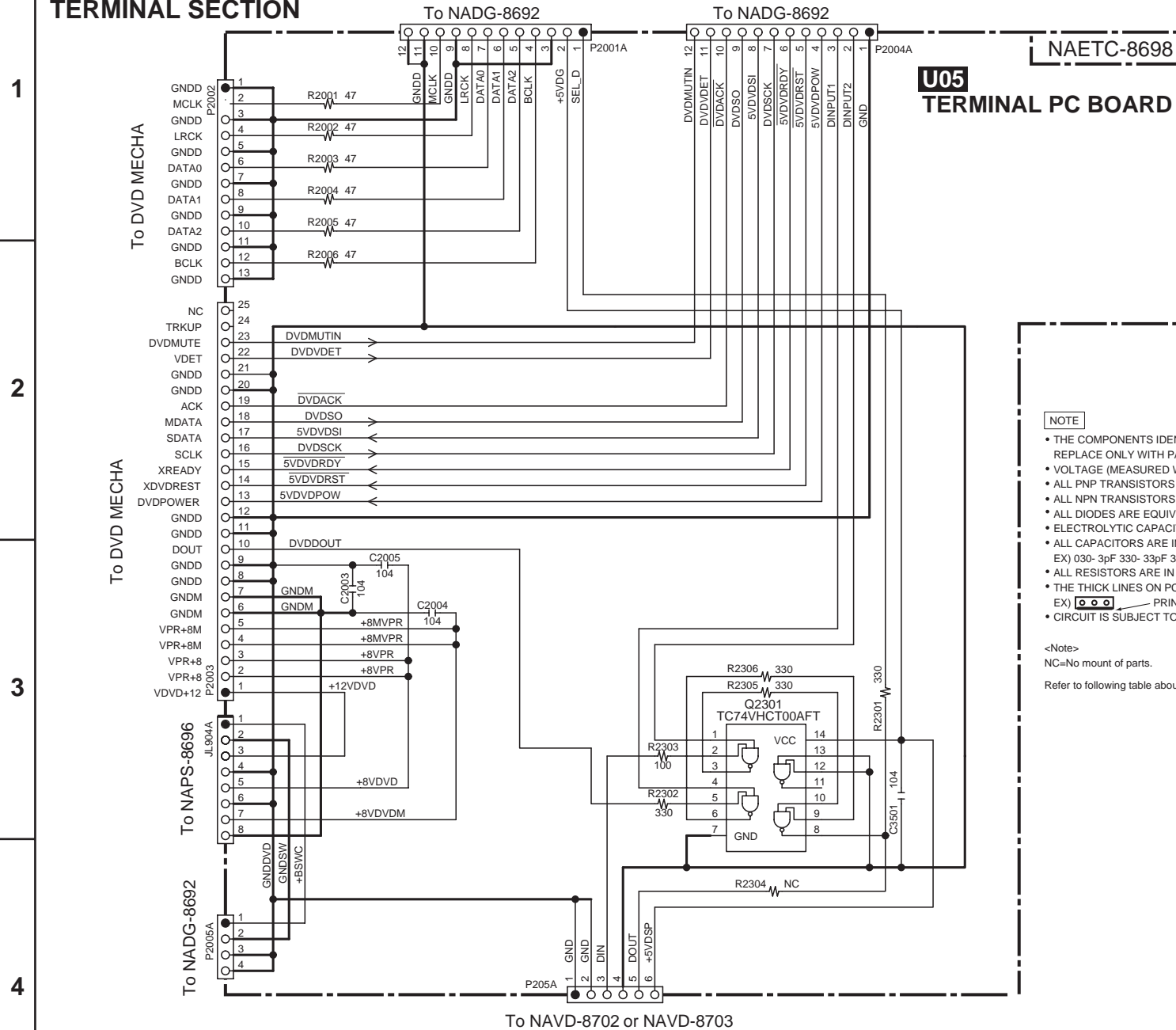
AUDIO

Frequency Response	
DVD Audio:	4 Hz - 88 kHz (192 kHz)
DVD Linear Sound:	4 Hz - 44 kHz (96 kHz) 4 Hz - 22 kHz (48 kHz)
Audio CD	4 Hz - 20 kHz (44.1 kHz)
Wow and Flutter	Below threshold of measurability

Specifications and features are subject to change without notice.

SCHEMATIC DIAGRAMS-1

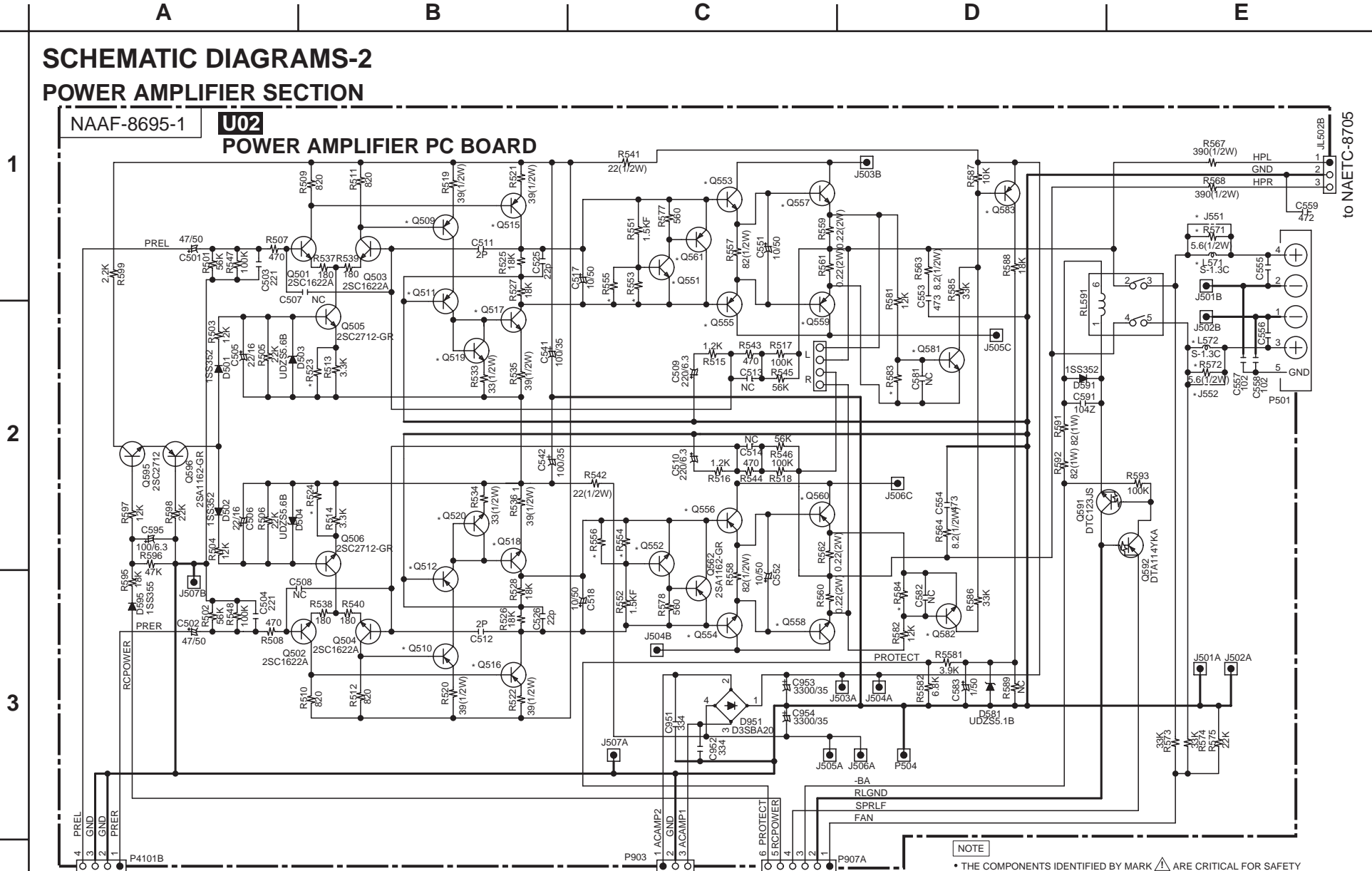
TERMINAL SECTION



- NOTE**
- THE COMPONENTS IDENTIFIED BY MARK Δ ARE CRITICAL FOR SAFETY. REPLACE ONLY WITH PART NUMBER SPECIFIED.
 - VOLTAGE (MEASURED WITH VOLTMETER) \leftarrow IS DC VOLTAGE.(NO INPUT SIGNAL).
 - ALL PNP TRANSISTORS ARE EQUIVALENT TO 2SA1015-GR UNLESS OTHERWISE NOTED.
 - ALL NPN TRANSISTORS ARE EQUIVALENT TO 2SC1815-GR UNLESS OTHERWISE NOTED.
 - ALL DIODES ARE EQUIVALENT TO 1SS133 UNLESS OTHERWISE NOTED.
 - ELECTROLYTIC CAPACITORS (---) ARE IN $\mu\text{F/WV}$.
 - ALL CAPACITORS ARE IN pF/50WV UNLESS OTHERWISE NOTED.
EX) 030- 3pF 330- 33pF 331- 330pF 333- 0.033 μF
 - ALL RESISTORS ARE IN OHMS 1/4WATTS UNLESS OTHERWISE NOTED.
 - THE THICK LINES ON PC BOARD ARE THE PRINTING SIDE OF THE PARTS.
EX) $\square \square \square$ PRINTING SIDE
 - CIRCUIT IS SUBJECT TO CHANGE FOR IMPROVEMENT.

<Note>
 NC=No mount of parts.
 Refer to following table about the parts displayed by mark "*".

SCHEMATIC DIAGRAMS-2
POWER AMPLIFIER SECTION



to NADG-8692

<Note>
NC=No mount of parts.

to T901

to NAETC-8697

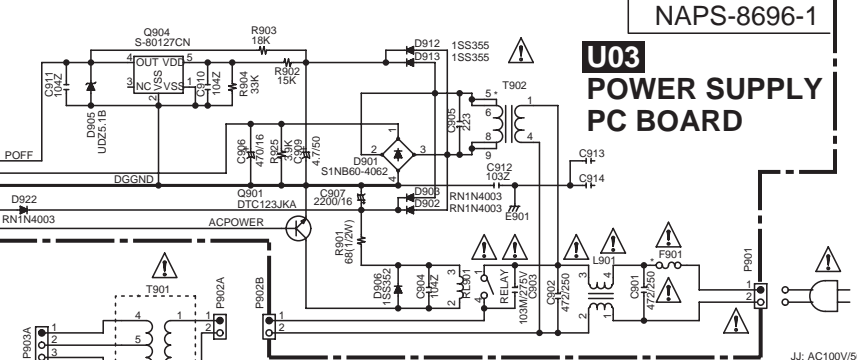
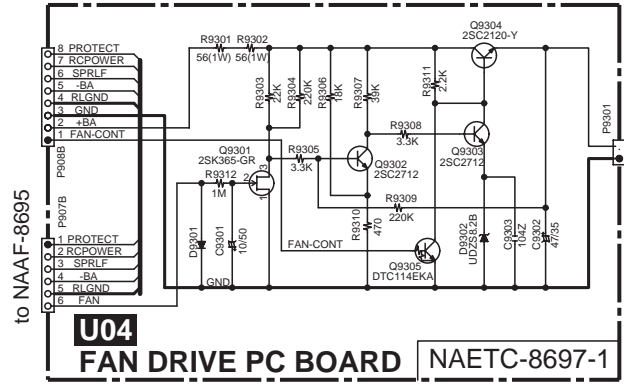
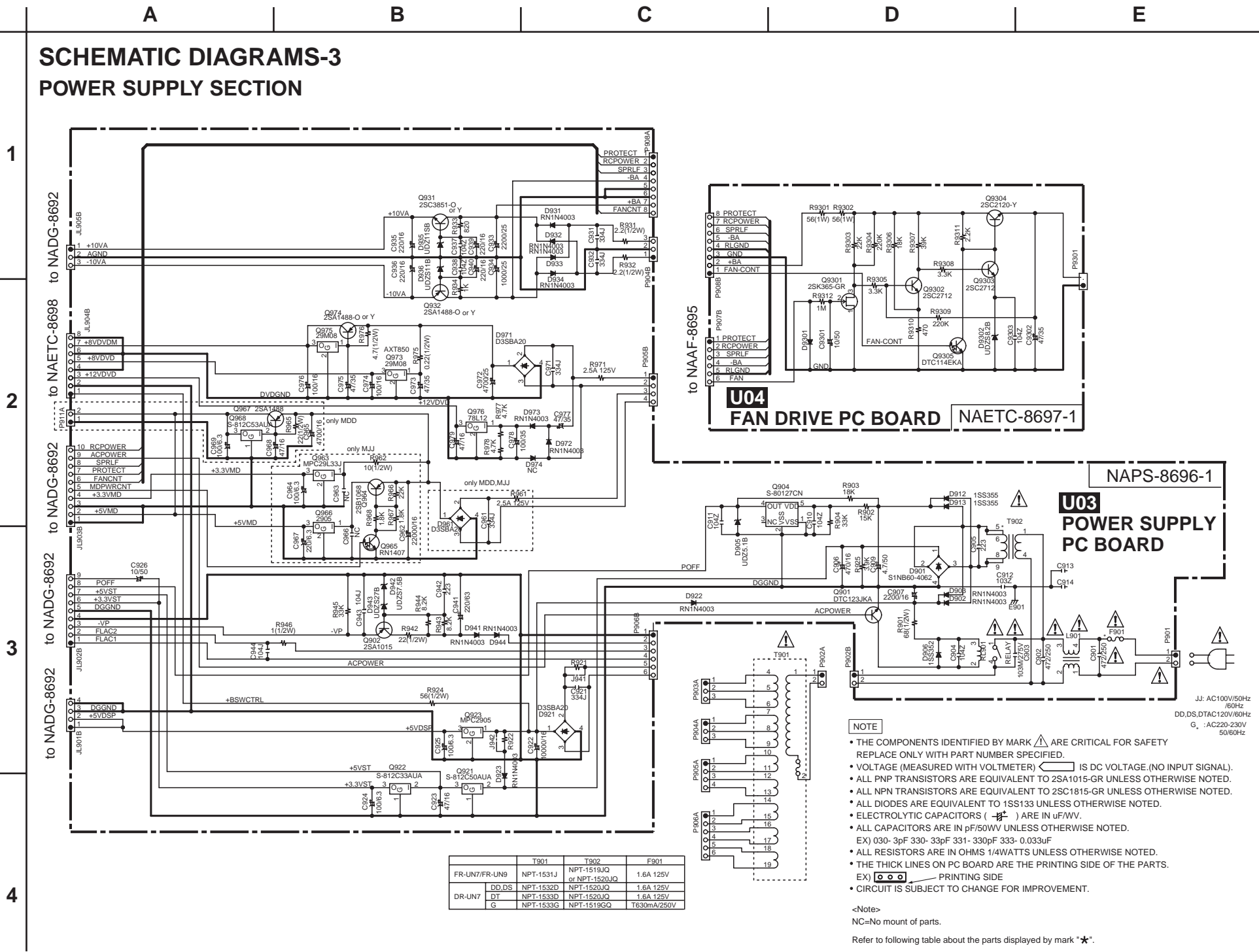
Refer to following table about the parts displayed by mark "★".

	R513 R514	R523 R524	R553 R554	R555 R556	Q509,Q510, Q511,Q512, Q515,Q516	Q517,Q518, Q519,Q520	Q551,Q552, Q581,Q582	Q553,Q554	Q555,Q556	Q557,Q558	Q559,Q560	Q561,Q562 Q583	R571,R572 L571,L572	R583, R584	J551, J552	C555, C556	
FR-UN7/UN9	3.3K	6.8K	680F	4.7KF	2SA1015-GR	2SC1815-GR	2SC2712-GR	2SC2235-O-Y	2SA965-O-Y	2SC3851-O-Y	2SA1488-O-Y	2SA1162-GR	NO	6.8K	YES	NO	
DR-UN7	DD.DS	3.9K	4.7K	560F	NO	2SA949-O-Y	2SC2229-O-Y	2SC2713-GR	2SC3421-O-Y	2SA1358-O-Y	2SC4511-O-Y	2SA1725-O-Y	2SA1163-BL	YES	5.6K	NO	102
OTHER	3.3K	6.8K	680F	4.7KF	2SA1015-GR	2SC1815-GR	2SC2712-GR	2SC2235-O-Y	2SA965-O-Y	2SC3851-O-Y	2SA1488-O-Y	2SA1162-GR	YES	6.8K	NO	102	

- NOTE**
- THE COMPONENTS IDENTIFIED BY MARK Δ ARE CRITICAL FOR SAFETY REPLACE ONLY WITH PART NUMBER SPECIFIED.
 - VOLTAGE (MEASURED WITH VOLTMETER) \leftarrow IS DC VOLTAGE.(NO INPUT SIGNAL).
 - ALL PNP TRANSISTORS ARE EQUIVALENT TO 2SA1015-GR UNLESS OTHERWISE NOTED.
 - ALL NPN TRANSISTORS ARE EQUIVALENT TO 2SC1815-GR UNLESS OTHERWISE NOTED.
 - ALL DIODES ARE EQUIVALENT TO 1SS133 UNLESS OTHERWISE NOTED.
 - ELECTROLYTIC CAPACITORS (---) ARE IN μ F/50V.
 - ALL CAPACITORS ARE IN pF/50V UNLESS OTHERWISE NOTED.
 - EX) 030-3pF 330-33pF 331-330pF 333-0.033uF
 - ALL RESISTORS ARE IN OHMS 1/4WATT'S UNLESS OTHERWISE NOTED.
 - THE THICK LINES ON PC BOARD ARE THE PRINTING SIDE OF THE PARTS.
 - EX) \square PRINTING SIDE
 - CIRCUIT IS SUBJECT TO CHANGE FOR IMPROVEMENT.

SCHEMATIC DIAGRAMS-3

POWER SUPPLY SECTION



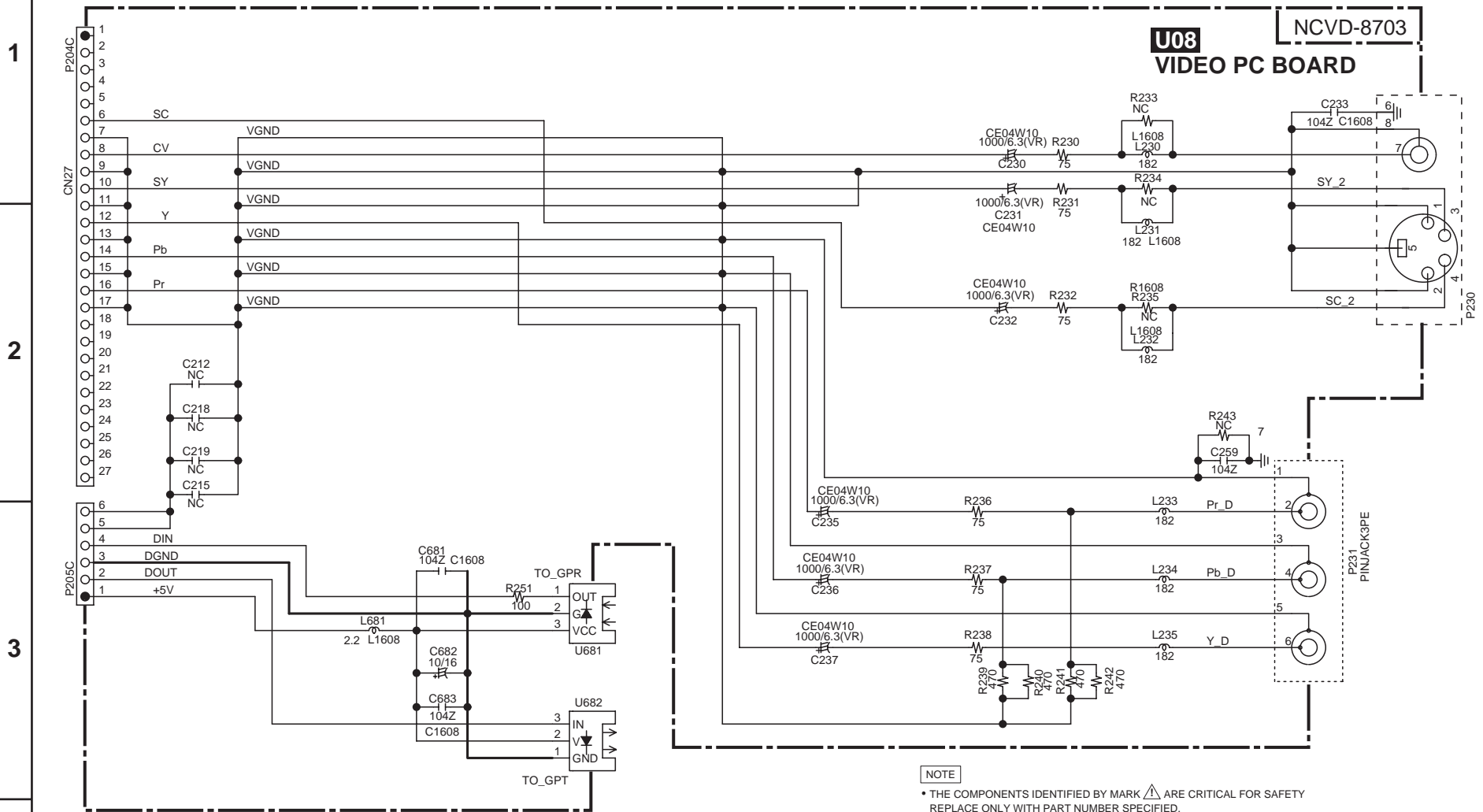
	T901	T902	F901
FR-UN7/FR-UN9	NPT-1531J	NPT-1519JQ or NPT-1520JQ	1.6A 125V
DR-UN7	DD.DS	NPT-1532D NPT-1520JQ	1.6A 125V
	DT	NPT-1533D NPT-1520JQ	1.6A 125V
	G	NPT-1533G NPT-1519GQ	1.6A 125V 7830mA/250V

- NOTE**
- THE COMPONENTS IDENTIFIED BY MARK ARE CRITICAL FOR SAFETY. REPLACE ONLY WITH PART NUMBER SPECIFIED.
 - VOLTAGE (MEASURED WITH VOLTMETER) IS DC VOLTAGE.(NO INPUT SIGNAL).
 - ALL PNP TRANSISTORS ARE EQUIVALENT TO 2SA1015-GR UNLESS OTHERWISE NOTED.
 - ALL NPN TRANSISTORS ARE EQUIVALENT TO 2SC1815-GR UNLESS OTHERWISE NOTED.
 - ALL DIODES ARE EQUIVALENT TO 1S1133 UNLESS OTHERWISE NOTED.
 - ELECTROLYTIC CAPACITORS () ARE IN uF/WV.
 - ALL CAPACITORS ARE IN pF/50WV UNLESS OTHERWISE NOTED.
 - EX) 030- 3pF 330- 33pF 331- 330pF 333- 0.033uF
 - ALL RESISTORS ARE IN OHMS 1/4WATTS UNLESS OTHERWISE NOTED.
 - THE THICK LINES ON PC BOARD ARE THE PRINTING SIDE OF THE PARTS.
 - EX) PRINTING SIDE
 - CIRCUIT IS SUBJECT TO CHANGE FOR IMPROVEMENT.

<Note>
 NC=No mount of parts.
 Refer to following table about the parts displayed by mark "★".

SCHEMATIC DIAGRAMS-4

VIDEO SECTION



<Note>
 NC=No mount of parts.
 Refer to following table about the parts displayed by mark '*'.
 * : Critical for safety

- NOTE**
- THE COMPONENTS IDENTIFIED BY MARK Δ ARE CRITICAL FOR SAFETY. REPLACE ONLY WITH PART NUMBER SPECIFIED.
 - VOLTAGE (MEASURED WITH VOLTMETER) \square IS DC VOLTAGE.(NO INPUT SIGNAL).
 - ALL PNP TRANSISTORS ARE EQUIVALENT TO 2SA1015-GR UNLESS OTHERWISE NOTED.
 - ALL NPN TRANSISTORS ARE EQUIVALENT TO 2SC1815-GR UNLESS OTHERWISE NOTED.
 - ALL DIODES ARE EQUIVALENT TO 1SS133 UNLESS OTHERWISE NOTED.
 - ELECTROLYTIC CAPACITORS ($\text{---}\frac{\text{---}}{\text{---}}\text{---}$) ARE IN uF/WV.
 - ALL CAPACITORS ARE IN pF/50WV UNLESS OTHERWISE NOTED.
 EX) 030- 3pF 330- 33pF 331- 330pF 333- 0.033uF
 - ALL RESISTORS ARE IN OHMS 1/4WATTS UNLESS OTHERWISE NOTED.
 - THE THICK LINES ON PC BOARD ARE THE PRINTING SIDE OF THE PARTS.
 EX) \square PRINTING SIDE
 - CIRCUIT IS SUBJECT TO CHANGE FOR IMPROVEMENT.

1
2
3
4

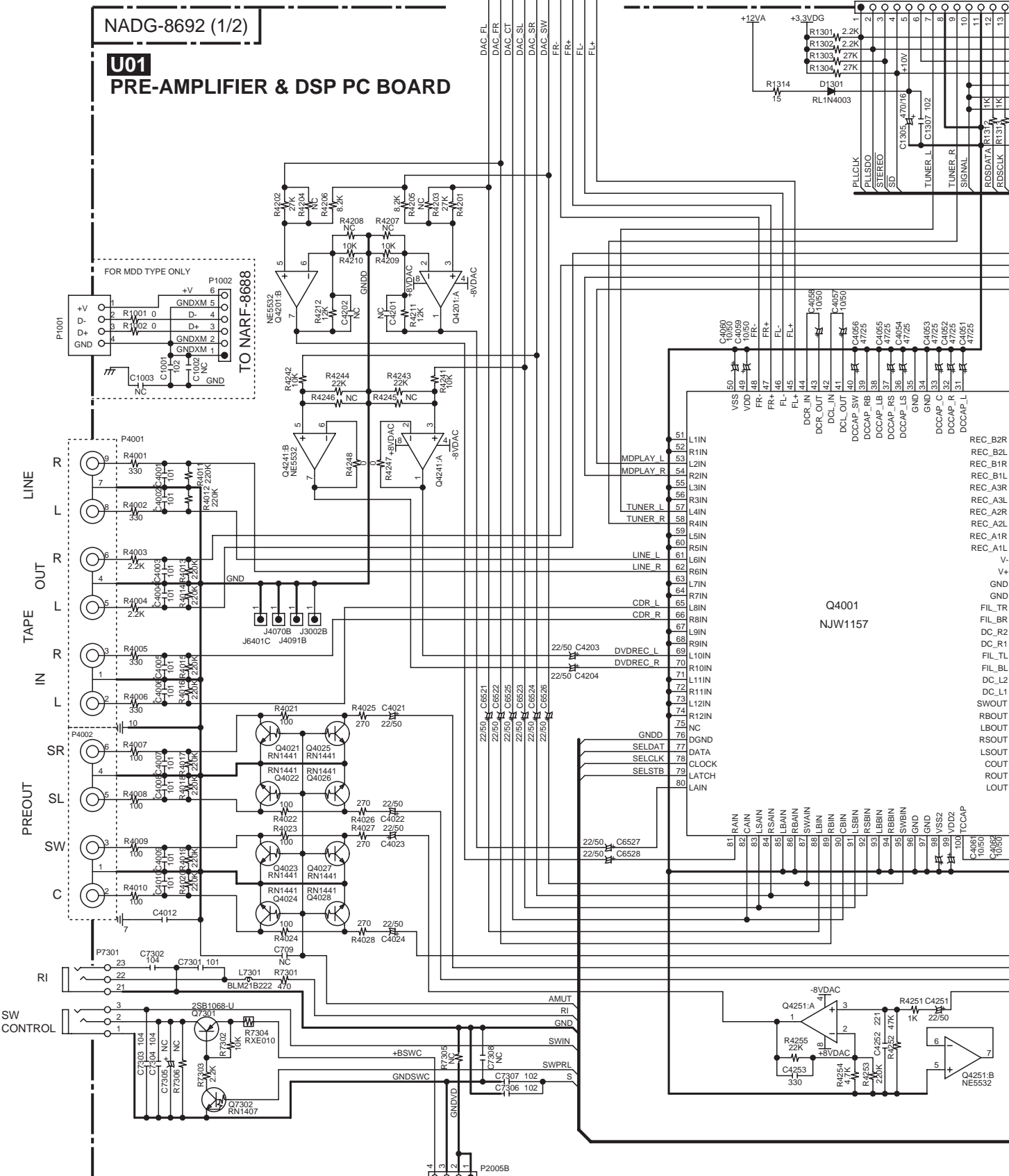
SCHEMATIC DIAGRAMS-5 PRE-AMPLIFIER SECTION

NADG-8692 (1/2)

U01
PRE-AMPLIFIER & DSP PC BOARD

NADG-8692 (2/2)

TO TUNER PACK



TO NAETC-8698

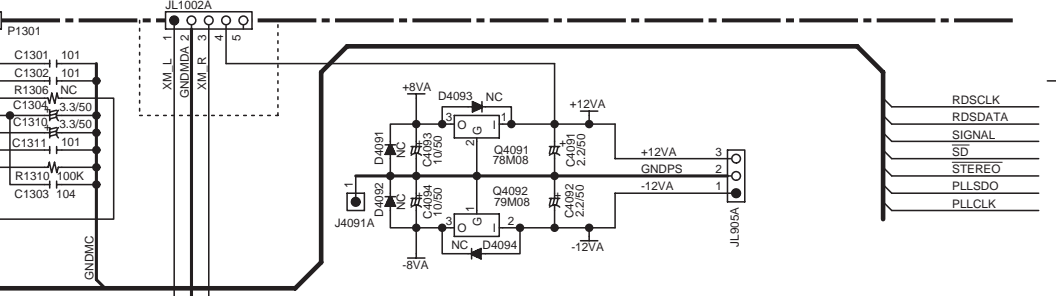
E

F

G

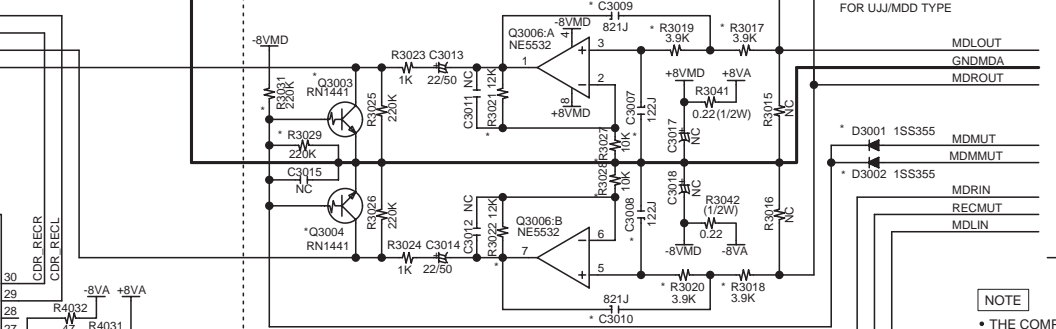
H

FOR UDD TYPE ONLY
TO NARF-8688



NADG-8692 (2/2)

FOR UJJ/MDD TYPE

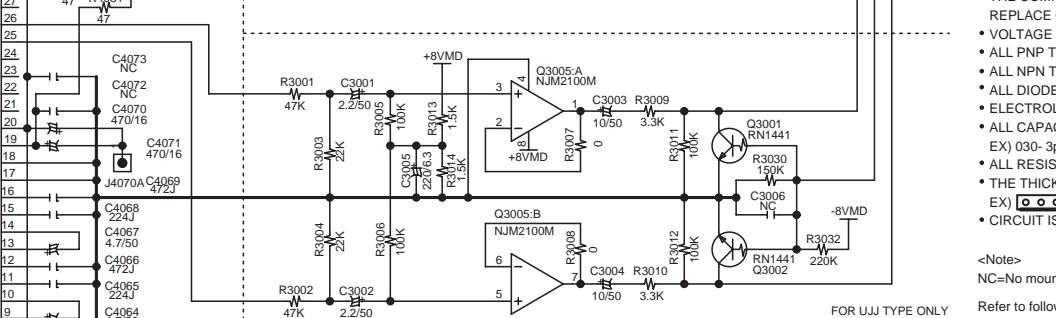


NOTE

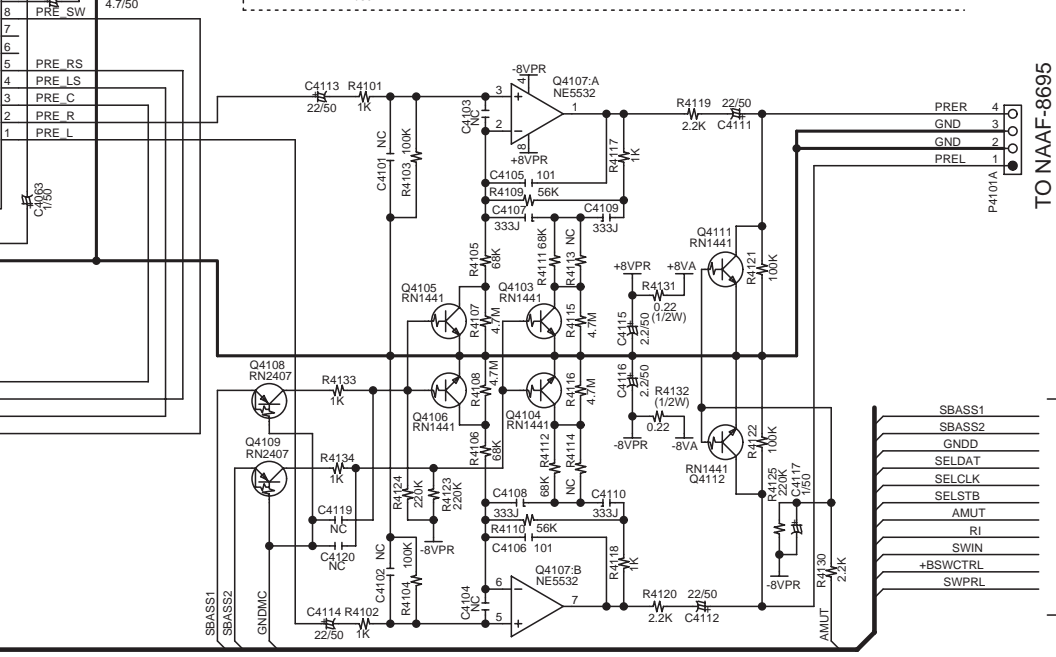
- THE COMPONENTS IDENTIFIED BY MARK Δ ARE CRITICAL FOR SAFETY REPLACE ONLY WITH PART NUMBER SPECIFIED.
- VOLTAGE (MEASURED WITH VOLTMETER) \triangleleft IS DC VOLTAGE.(NO INPUT SIGNAL).
- ALL PNP TRANSISTORS ARE EQUIVALENT TO 2SA1015-GR UNLESS OTHERWISE NOTED.
- ALL NPN TRANSISTORS ARE EQUIVALENT TO 2SC1815-GR UNLESS OTHERWISE NOTED.
- ALL DIODES ARE EQUIVALENT TO 1SS133 UNLESS OTHERWISE NOTED.
- ELECTROLYTIC CAPACITORS (---) ARE IN $\mu\text{F/VV}$.
- ALL CAPACITORS ARE IN pF/50VW UNLESS OTHERWISE NOTED.
EX) 030- 3pF 330- 33pF 331- 330pF 333- 0.033 μF
- ALL RESISTORS ARE IN OHMS 1/4WATTS UNLESS OTHERWISE NOTED.
EX) \square PRINTING SIDE
- CIRCUIT IS SUBJECT TO CHANGE FOR IMPROVEMENT.

<Note>
NC=No mount of parts.

Refer to following table about the parts displayed by mark '*★'.



TO NAAF-8695



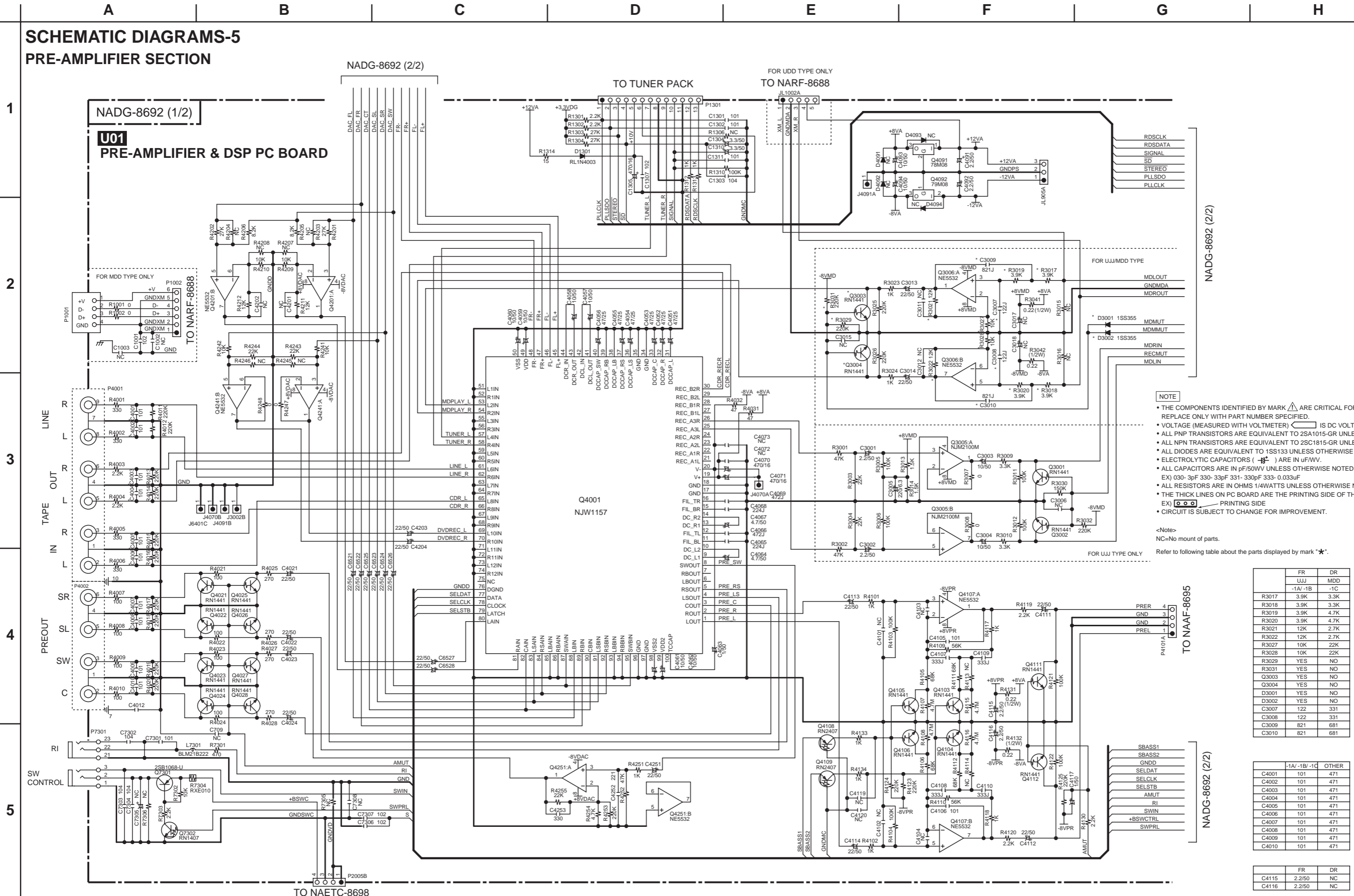
NADG-8692 (2/2)

	FR		DR	
	UJJ	-1A/ -1B	MDD	-1C
R3017	3.9K	3.3K		
R3018	3.9K	3.3K		
R3019	3.9K	4.7K		
R3020	3.9K	4.7K		
R3021	12K	2.7K		
R3022	12K	2.7K		
R3027	10K	22K		
R3028	10K	22K		
R3029	YES	NO		
R3031	YES	NO		
Q3003	YES	NO		
Q3004	YES	NO		
D3001	YES	NO		
D3002	YES	NO		
C3007	122	331		
C3008	122	331		
C3009	821	681		
C3010	821	681		

	-1A/ -1B/ -1C		OTHER
C4001	101	471	
C4002	101	471	
C4003	101	471	
C4004	101	471	
C4005	101	471	
C4006	101	471	
C4007	101	471	
C4008	101	471	
C4009	101	471	
C4010	101	471	

	FR	DR
C4115	2.2/50	NC
C4116	2.2/50	NC

SCHEMATIC DIAGRAMS-5 PRE-AMPLIFIER SECTION



- NOTE**
- THE COMPONENTS IDENTIFIED BY MARK Δ ARE CRITICAL FOR SAFETY. REPLACE ONLY WITH PART NUMBER SPECIFIED.
 - VOLTAGE (MEASURED WITH VOLTMETER) \square IS DC VOLTAGE (NO INPUT SIGNAL).
 - ALL PNP TRANSISTORS ARE EQUIVALENT TO 2SA1015-GR UNLESS OTHERWISE NOTED.
 - ALL NPN TRANSISTORS ARE EQUIVALENT TO 2SC1815-GR UNLESS OTHERWISE NOTED.
 - ALL DIODES ARE EQUIVALENT TO 1SS133 UNLESS OTHERWISE NOTED.
 - ELECTROLYTIC CAPACITORS (---) ARE IN μ F/VV.
 - ALL CAPACITORS ARE IN pF/50V UNLESS OTHERWISE NOTED. EX) 030-3pF 330-33pF 331-330pF 333-0.033uF
 - ALL RESISTORS ARE IN OHMS 1/4WATTS UNLESS OTHERWISE NOTED.
 - THE THICK LINES ON PC BOARD ARE THE PRINTING SIDE OF THE PARTS. EX) \square PRINTING SIDE
 - CIRCUIT IS SUBJECT TO CHANGE FOR IMPROVEMENT.

<Note>
NC=No mount of parts.
Refer to following table about the parts displayed by mark "*".

	FR	DR
R3017	3.9K	3.3K
R3018	3.9K	3.3K
R3019	3.9K	4.7K
R3020	3.9K	4.7K
R3021	12K	2.7K
R3022	12K	2.7K
R3027	10K	22K
R3028	10K	22K
R3029	YES	NO
R3031	YES	NO
Q3003	YES	NO
Q3004	YES	NO
D3001	YES	NO
D3002	YES	NO
C3007	122	331
C3008	122	331
C3009	821	681
C3010	821	681

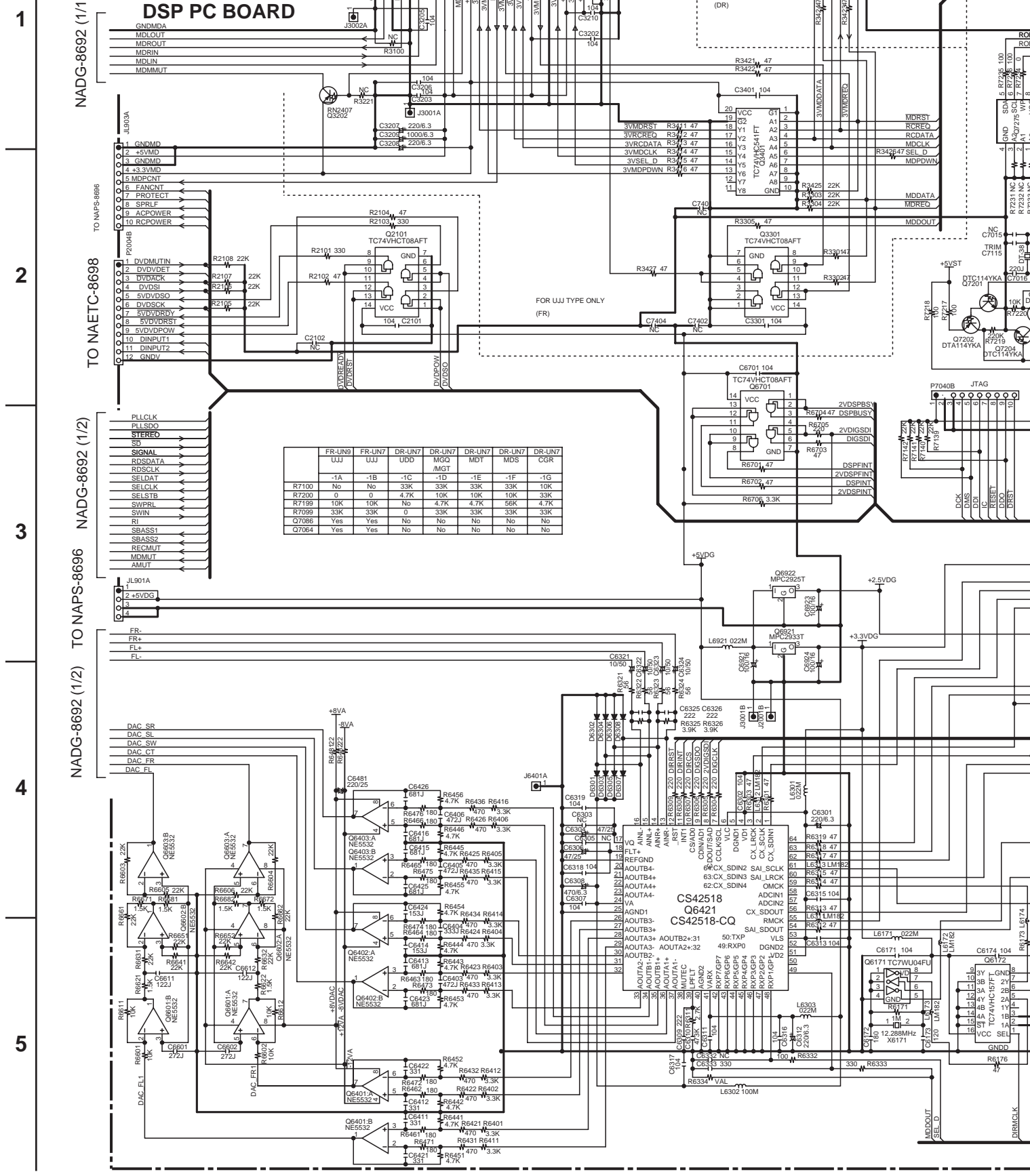
	-1A/-1B/-1C	OTHER
C4001	101	471
C4002	101	471
C4003	101	471
C4004	101	471
C4005	101	471
C4006	101	471
C4007	101	471
C4008	101	471
C4009	101	471
C4010	101	471

	FR	DR
C4115	2.2/50	NC
C4116	2.2/50	NC

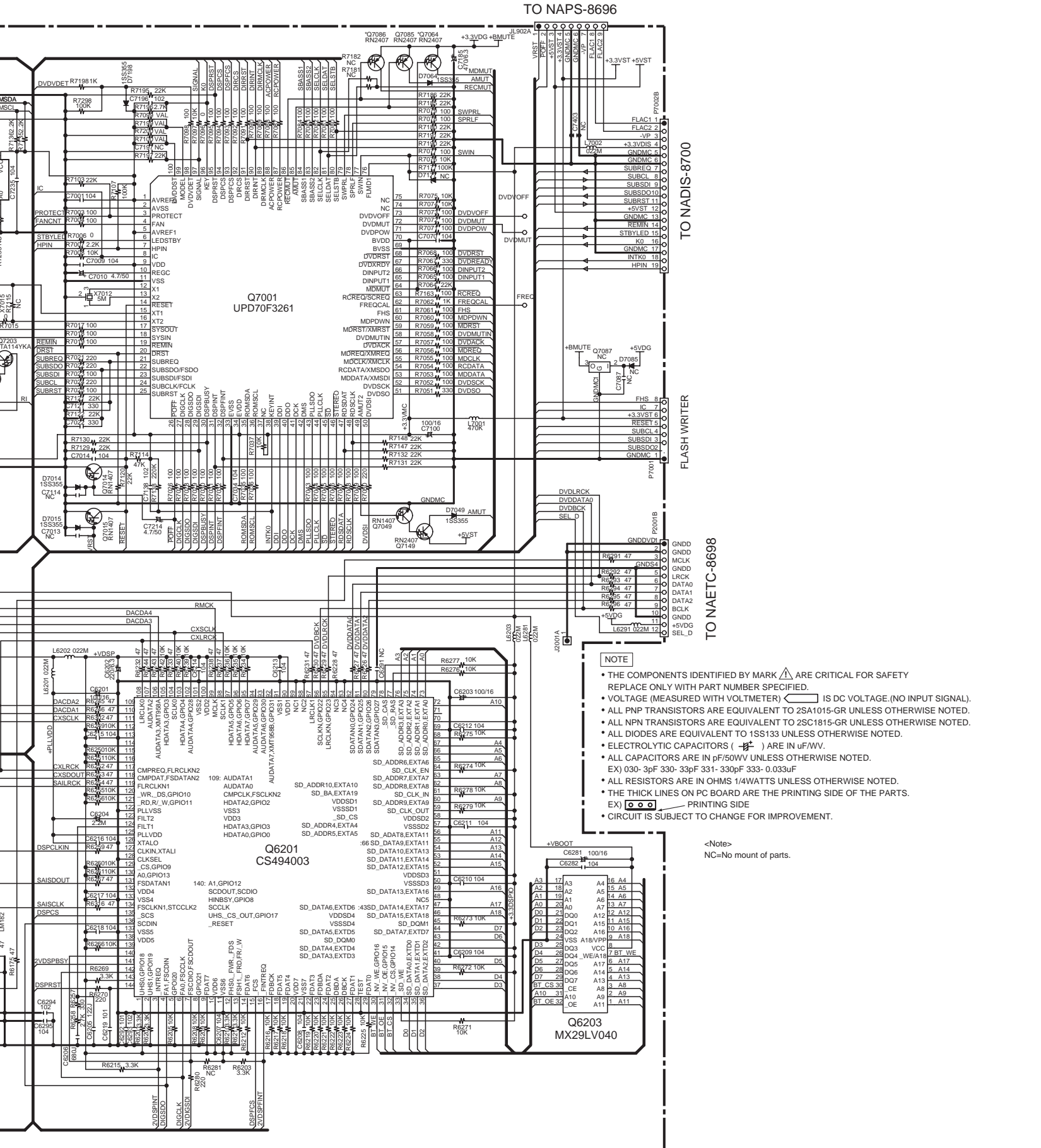
SCHEMATIC DIAGRAMS-6

DSP SECTION

U01 NADG-8692 (2/2) PRE-AMPLIFIER & DSP PC BOARD



	FR-UN9	FR-UN7	DR-UN7	DR-UN7	DR-UN7	DR-UN7	DR-UN7
	UJ	UJ	UDD	MGO	MDT	MDS	CGR
R7100	-1A	-1B	-1C	-1D	-1E	-1F	-1G
R7200	0	0	4.7K	10K	10K	10K	33K
R7199	10K	10K	10K	4.7K	4.7K	56K	4.7K
R7099	33K	33K	0	33K	33K	33K	33K
Q7086	Yes	Yes	No	No	No	No	No
Q7064	Yes	Yes	No	No	No	No	No



TO NAPS-8696

TO NADIS-8700

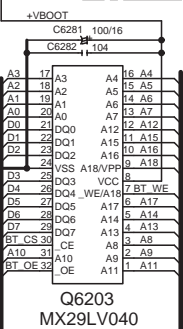
FLASH WRITER

TO NAETC-8698

NOTE

- THE COMPONENTS IDENTIFIED BY MARK Δ ARE CRITICAL FOR SAFETY REPLACE ONLY WITH PART NUMBER SPECIFIED.
- VOLTAGE (MEASURED WITH VOLTMETER) \square IS DC VOLTAGE.(NO INPUT SIGNAL).
- ALL PNP TRANSISTORS ARE EQUIVALENT TO 2SA1015-GR UNLESS OTHERWISE NOTED.
- ALL NPN TRANSISTORS ARE EQUIVALENT TO 2SC1815-GR UNLESS OTHERWISE NOTED.
- ALL DIODES ARE EQUIVALENT TO 1SS133 UNLESS OTHERWISE NOTED.
- ELECTROLYTIC CAPACITORS (---) ARE IN $\mu\text{F}/\text{VW}$.
- ALL CAPACITORS ARE IN pF/50V UNLESS OTHERWISE NOTED.
- EX) 030- 3pF 330- 33pF 331- 330pF 333- 0.033uF
- ALL RESISTORS ARE IN OHMS 1/4WATTS UNLESS OTHERWISE NOTED.
- THE THICK LINES ON PC BOARD ARE THE PRINTING SIDE OF THE PARTS.
- EX) \square \square \square PRINTING SIDE
- CIRCUIT IS SUBJECT TO CHANGE FOR IMPROVEMENT.

<Note>
NC=No mount of parts.



Q6203 MX29LV040

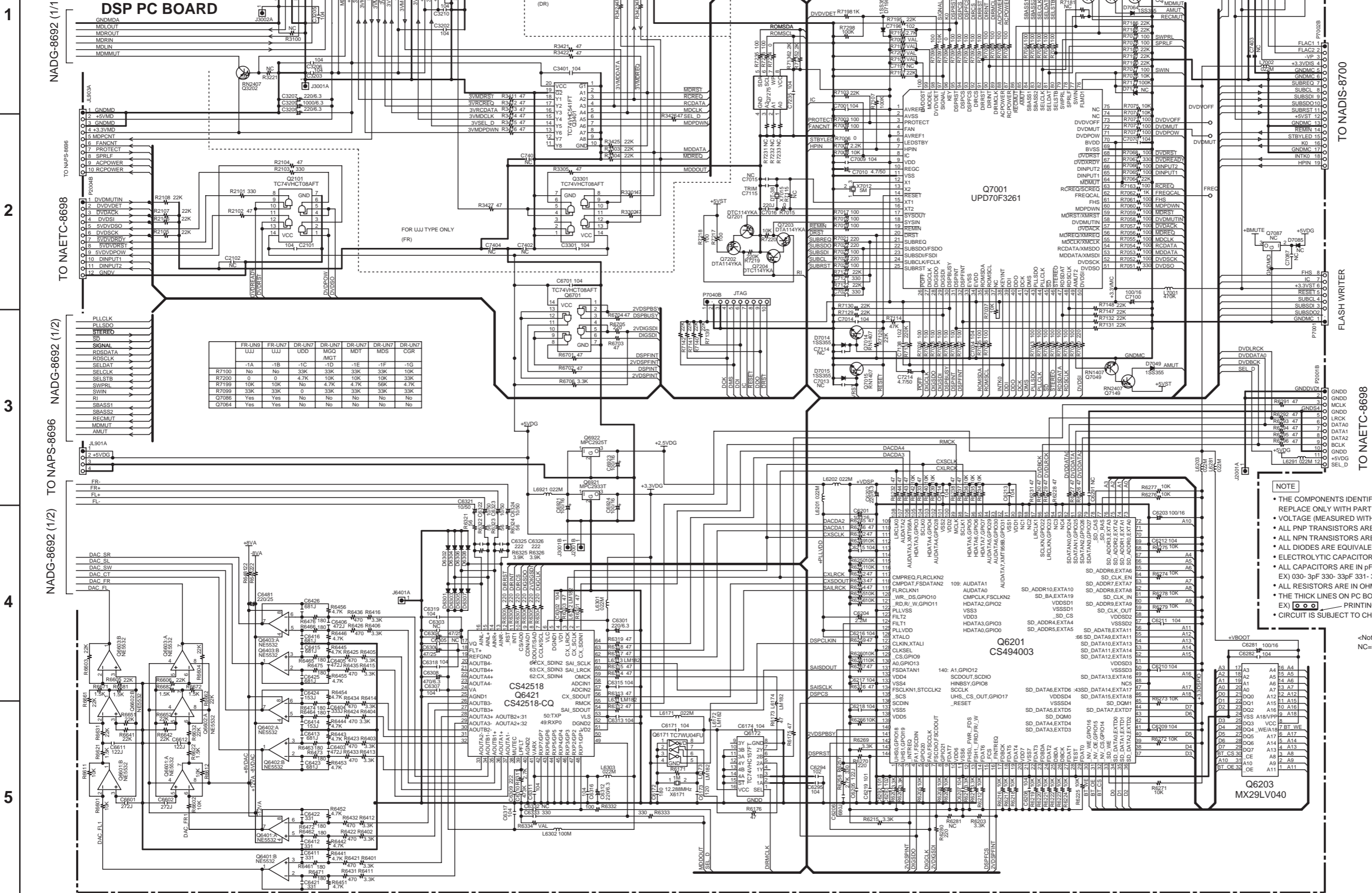
Q7001 UPD70F3261

Q6201 CS494003

SCHEMATIC DIAGRAMS-6

DSP SECTION

U01 NADG-8692 (2/2) PRE-AMPLIFIER & DSP PC BOARD



	FR-UN9	FR-UN7	DR-UN7	DR-UN7	DR-UN7	DR-UN7	DR-UN7
	LUJ	LUJ	UDD	MGT	MDT	MDS	CGR
R7100	No	No	33k	33k	33k	33k	10k
R7200	0	4.7k	10k	10k	10k	33k	10k
R7199	10k	10k	0	4.7k	4.7k	56k	4.7k
R7099	33k	33k	0	33k	33k	33k	33k
Q7086	Yes	Yes	No	No	No	No	No
Q7064	Yes	Yes	No	No	No	No	No

- NOTE**
- THE COMPONENTS IDENTIFIED BY MARK Δ ARE CRITICAL FOR SAFETY REPLACE ONLY WITH PART NUMBER SPECIFIED.
 - VOLTAGE (MEASURED WITH VOLTMETER) \square IS DC VOLTAGE. (NO INPUT SIGNAL).
 - ALL PNP TRANSISTORS ARE EQUIVALENT TO 2SA1015-GR UNLESS OTHERWISE NOTED.
 - ALL NPN TRANSISTORS ARE EQUIVALENT TO 2SC1815-GR UNLESS OTHERWISE NOTED.
 - ALL DIODES ARE EQUIVALENT TO 1SS133 UNLESS OTHERWISE NOTED.
 - ELECTROLYTIC CAPACITORS (E) ARE IN μ F/WV.
 - ALL CAPACITORS ARE IN pF/50WV UNLESS OTHERWISE NOTED.
 - ALL RESISTORS ARE IN OHMS 1/4WATTS UNLESS OTHERWISE NOTED.
 - THE THICK LINES ON PC BOARD ARE THE PRINTING SIDE OF THE PARTS.
 - EX) \square 030-3pF 330-33pF 331-330pF 333-0.033uF
 - ALL RESISTORS ARE IN OHMS 1/4WATTS UNLESS OTHERWISE NOTED.
 - EX) \square PRINTING SIDE
 - CIRCUIT IS SUBJECT TO CHANGE FOR IMPROVEMENT.

<Note>
NC=No mount of parts.



1 NADG-8692 (1/1)
2 TO NAETC-8698
3 NADG-8692 (1/2)
4 TO NAPS-8696
5 NADG-8692 (1/2) TO NAPS-8696

TO MD MECHANISM
TO NARF-8688
TO NAPS-8696
TO NADIS-8700
FLASH WRITER
TO NAETC-8698

SCHEMATIC DIAGRAMS-7 DISPLAY SECTION

1

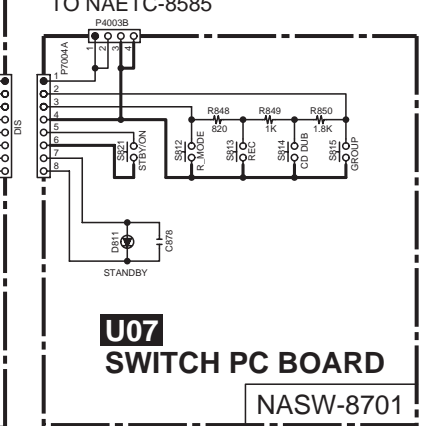
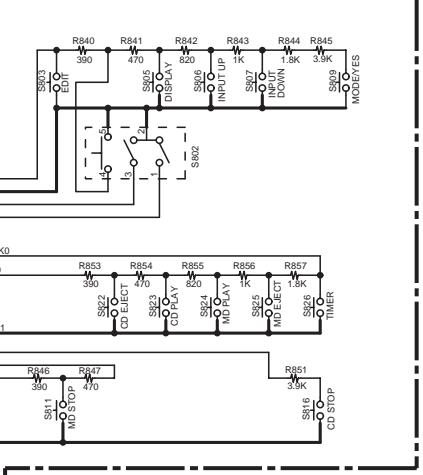
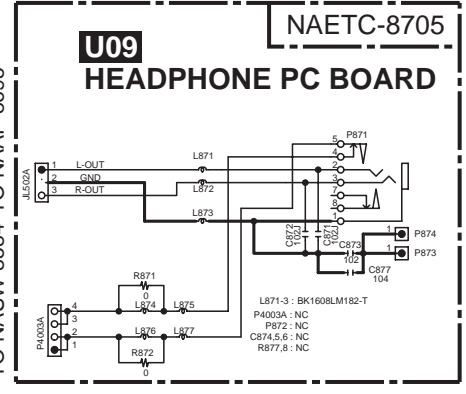
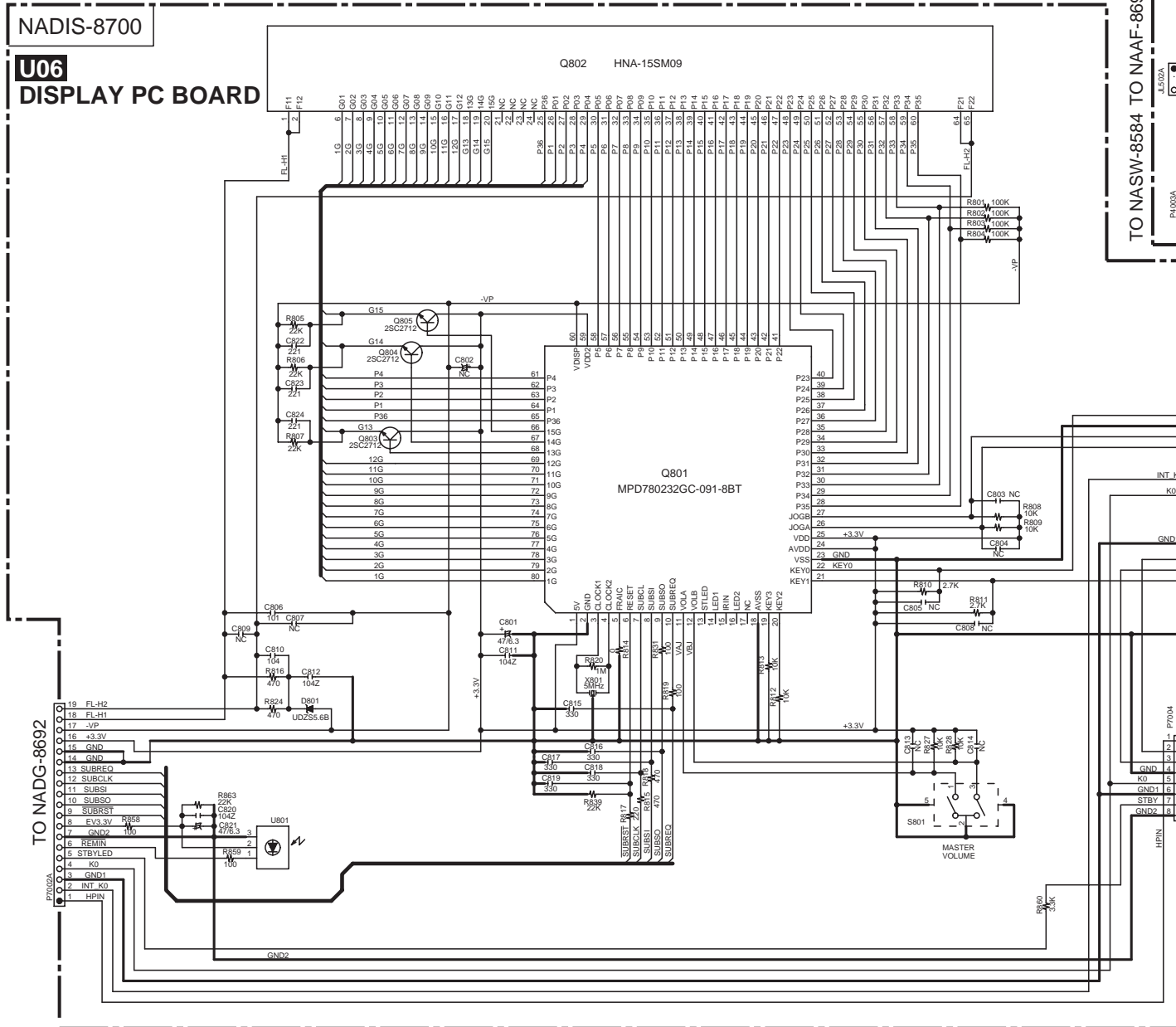
NADIS-8700

U06
DISPLAY PC BOARD

2

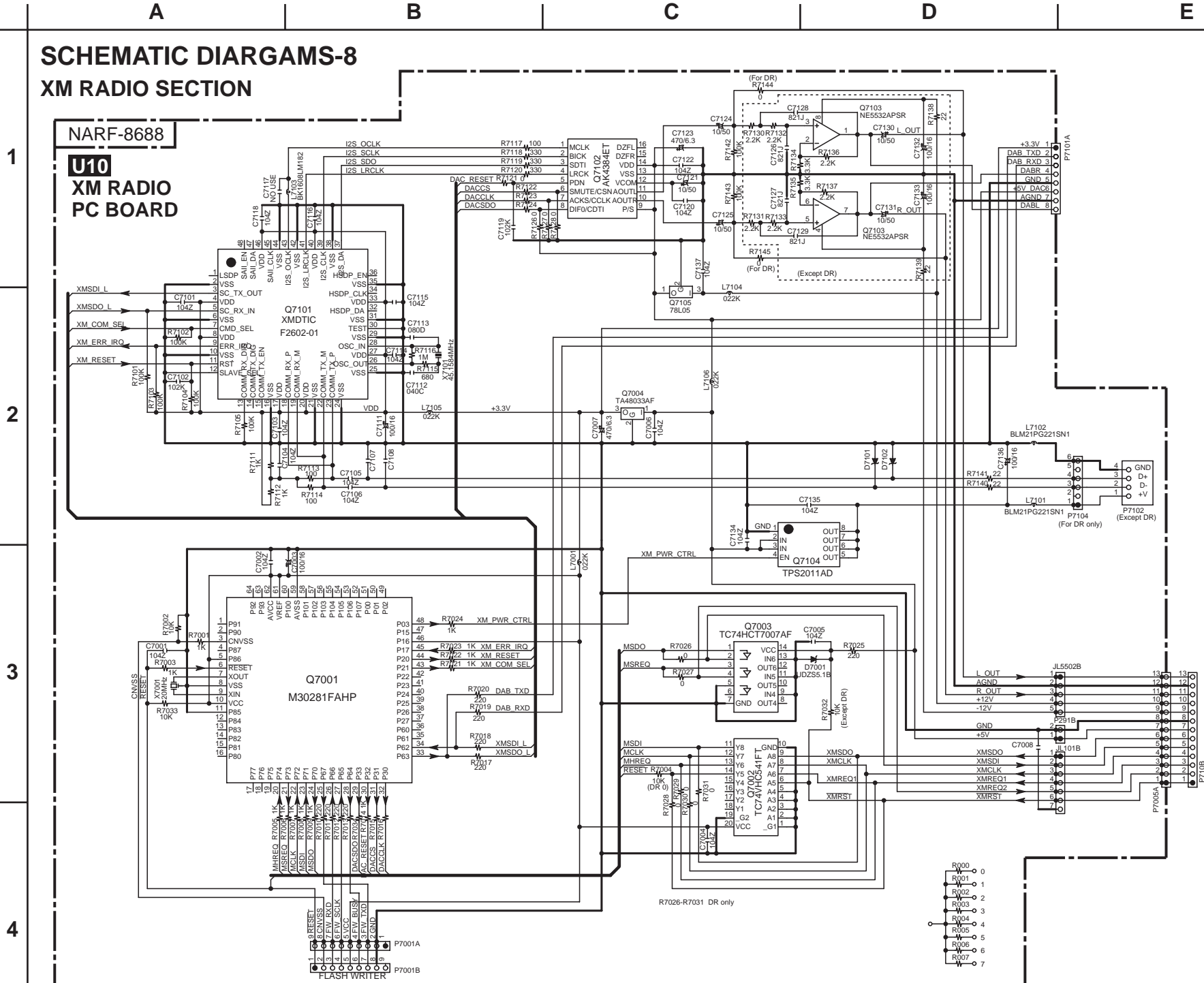
3

4



SCHEMATIC DIAGRAMS-8

XM RADIO SECTION



DR-UN7**<Note>**

Parts marked by 'NSP' are generally unavailable because they are not in our Master Spare Parts List.

NOTE : THE COMPONENTS IDENTIFIED BY THE MARK
! ARE CRITICAL FOR RISK OF FIRE AND
ELECTRIC SHOCK. REPLACE ONLY WITH PART
NUMBER SPECIFIED.

EXPLODED VIEW PARTS LIST**<Notes>**

<MDD1N> : DR-UN7 for CS-V720 USA model / DR-UN7 USA model

<MDS4N> : DR-UN7 for CS-V720 South American model

<MGQ3P> : DR-UN7 Hongkong model

<MDT3N> : DR-UN7 Taiwan model

<MGT3P> : DR-UN7 Southeast agian model

REF. NO.	NAME	DESCRIPTION	Q'TY	PART NO.	REMARKS
EV	A001	CHASSIS	---	1 27100469A	
EV	A003	SCREW	4TTC+6C(3BC)	4 830440069GR	
EV	A010	HOLDER	(ML)	1 27191264A	
EV	A013	HOLDER	(MR)	1 27191265A	
EV	A015	SCREW	3TTB+8B(3BC)	4 838430088GR	
EV	A016	SCREW	3TTB+8B(CU)SR	8 801618	
EV	A021	BRACKET	(HT)	1 27130909	
EV	A022	SCREW	5TTB+10B(3BC)	4 838450108GR	
EV	A023	HEAT SINK	223DIE RG-418576	1 27160580	
EV	A024	SCREW	3TTB+10B(3BC)	9 838430108GR	
EV	A026	SCREW	3TTB+8B(CU)SR	4 801618	
EV	A027	SCREW	3TTB+8B(CU)SR	6 801618	
EV	A028	SCREW	3TTB+10B(3BC)	1 838430108GR	
EV	A029	SCREW	3TTB+8B(CU)SR	1 801618	
EV	A031	SCREW	3TTB+8B(CU)SR	3 801618	
EV	A051	HOLDER	KGSL-6RT	6 27190693A	
EV	A052	HOLDER	KGPS-6RF	1 27191112	
EV	A053	CLAMP	HL-28-0	1 27301396	
EV	A053 or	HOLDER	HOLDER KGSL-18S	(1) 27190470	
EV	A055	BUSHING	S-RELIEF #2271	1 27300750	!
EV	A061	BRACKET	(MD)	1 27130992	
EV	A071	F BRACKET	(AS)	1 27111407C	
EV	A073	CUSHION	T4 x 10 x 7	2 28141653	
EV	A075	SCREW	3TTB+8B(CU)SR	17 801618	
EV	A076	SCREW	3TTB+8B(CU)SR	6 801618	
EV	A078	IB CUSHION	W15 x 3t TAPE	1 28141585	
EV	A079	IB CUSHION	W15 x 3t TAPE	1 28141585	
EV	A080	LABEL(DVD2)	---	1 29362648	
EV	A081	LABEL	(ID)	1 29363026	
EV	A101	REAR PANEL	---	1 27123515B	<MDD1N>
EV	A101	REAR PANEL	---	1 27123520A	<MDS4N>
EV	A101	REAR PANEL	MGQ3P	1 27123516A	<MGQ3P>
EV	A101	REAR PANEL	MDT3N	1 27123518A	<MDT3N>
EV	A101	REAR PANEL	MGQ3P	1 27123516A	<MGT3P>
EV	A103	SCREW	3TTB+8B(3BC)	14 838430088GR	
EV	A104	SCREW	3TTB+8B(CU)SR	4 801618	<MDD1N>
EV	A105	RIVET	P3535	1 880051	
EV	A201	CLEAR PLT	---	1 28192069	
EV	A203	GUIDE	(VOL)	1 27268141	

EV	A205	FACET	(S)	1	28200003	
EV	A208	SCREW	3TTB+8B(3BC)	2	838430088GR	
EV	A211	KNOB	(VOL)	1	28326328	
EV	A213	KNOB	(JOG)	1	28326329	
EV	A215	DOOR	(DVD)	1	28148615	
EV	A221	COVER	---	1	28184948A	
EV	A222	SCREW	3TTB+8B(3CM)	8	838130088GR	
EV	A223	TAPE	TAPE(CLOTH-16U)	(1)	29110083	
EV	A225	CUSHION	---	2	28141489	
EV	A231	CUSHION	---	4	28141489	
EV	A301	F PANEL	---	1	27212852	<MDD1N>
EV	A301	F PANEL	---	1	27212854	<MDS4N>
EV	A301	F PANEL	---	1	27212854	<MGQ3P>
EV	A301	F PANEL	---	1	27212854	<MDT3N>
EV	A301	F PANEL	---	1	27212854	<MGT3P>
EV	E101	CLIP	CS-1U	2	27255004	
EV	E102	WIRE TIE	BSK-1	2	260208	
EV	F901	FUSE	1.6A-T/UL-ST2	1	252252GR	!, <MDS4N>
EV	F901 or	FUSE	1.6A-UL/T-233	(1)	252319GR	!, <MDS4N>
EV	F901	FUSE	1.6A-T/UL-ST2	1	252252GR	!, <MDD1N>
EV	F901 or	FUSE	1.6A-UL/T-233	(1)	252319GR	!, <MDD1N>
EV	F901	FUSE	1.6A-T/UL-ST2	1	252252GR	!, <MDT3N>
EV	F901 or	FUSE	1.6A-UL/T-233	(1)	252319GR	!, <MDT3N>
EV	F901	FUSE	0.63A-SE-EAWK FUSE	1	252084GR	!, <MGQ3P>
EV	F901	FUSE	0.63A-SE-EAWK FUSE	1	252084GR	!, <MGT3P>
EV	P1301	FFC	NCFC7-131072	1	2047131072	
EV	P2002	FFC	NCFC4-13046	1	204413046	
EV	P2003	FFC	NCFC5-250512	1	2045250512	
EV	P204	FFC	NCFC5-272022	1	2045272022	
EV	P2501	SOCKET AS	NSAS-10P1548	1	20044191005UL	
EV	P7002	FFC	NCFC3-19019	1	204319019	
EV	P901	AC CORD	AS-UC-2	1	253368LTK	!, <MDS4N>
EV	P901 or	AC CORD	AS-UC-2	(1)	253333VOL	!, <MDS4N>
EV	P901 or	AC CORD	AS-UC-2	(1)	253368YUN	!, <MDS4N>
EV	P901	AC CORD	AS-UC-2	1	253368LTK	!, <MDD1N>
EV	P901 or	AC CORD	AS-UC-2	(1)	253333VOL	!, <MDD1N>
EV	P901 or	AC CORD	AS-UC-2	(1)	253368YUN	!, <MDD1N>
EV	P901	AC CORD	AS-UC-2	1	253368LTK	!, <MDT3N>
EV	P901 or	AC CORD	AS-UC-2	(1)	253333VOL	!, <MDT3N>
EV	P901 or	AC CORD	AS-UC-2	(1)	253368YUN	!, <MDT3N>
EV	P901	AC CORD	AS-BS	1	253345HRK	!, <MGQ3P>
EV	P901	AC CORD	AS-CEE	1	253336VOL	!, <MGT3P>
EV	Q557	TR	2SC4511-O	1	2202063	<MDD1N>
EV	Q557 or	TR	2SC4511-Y	(1)	2202064	<MDD1N>
EV	Q557	TR	2SC4511-O	1	2202063	<MDS4N>
EV	Q557 or	TR	2SC4511-Y	(1)	2202064	<MDS4N>
EV	Q557	TR	2SC3851-O	1	2203383	<MDT3N>
EV	Q557 or	TR	2SC3851-Y	(1)	2203384	<MDT3N>
EV	Q557	TR	2SC3851-O	1	2203383	<MGQ3P>
EV	Q557 or	TR	2SC3851-Y	(1)	2203384	<MGQ3P>
EV	Q557	TR	2SC3851-O	1	2203383	<MGT3P>
EV	Q557 or	TR	2SC3851-Y	(1)	2203384	<MGT3P>
EV	Q558	TR	2SC4511-O	1	2202063	<MDD1N>
EV	Q558 or	TR	2SC4511-Y	(1)	2202064	<MDD1N>
EV	Q558	TR	2SC4511-O	1	2202063	<MDS4N>
EV	Q558 or	TR	2SC4511-Y	(1)	2202064	<MDS4N>

EV	Q558	TR		2SC3851-O	1	2203383	<MDT3N>
EV	Q558 or	TR		2SC3851-Y	(1)	2203384	<MDT3N>
EV	Q558	TR		2SC3851-O	1	2203383	<MGQ3P>
EV	Q558 or	TR		2SC3851-Y	(1)	2203384	<MGQ3P>
EV	Q558	TR		2SC3851-O	1	2203383	<MGT3P>
EV	Q558 or	TR		2SC3851-Y	(1)	2203384	<MGT3P>
EV	Q559	TR		2SA1725-O	1	2202053	<MDD1N>
EV	Q559 or	TR		2SA1725-Y	(1)	2202054	<MDD1N>
EV	Q559	TR		2SA1725-O	1	2202053	<MDS4N>
EV	Q559 or	TR		2SA1725-Y	(1)	2202054	<MDS4N>
EV	Q559	TR		2SA1488-O	1	2203393	<MDT3N>
EV	Q559 or	TR		2SA1488-Y	(1)	2203394	<MDT3N>
EV	Q559	TR		2SA1488-O	1	2203393	<MGQ3P>
EV	Q559 or	TR		2SA1488-Y	(1)	2203394	<MGQ3P>
EV	Q559	TR		2SA1488-O	1	2203393	<MGT3P>
EV	Q559 or	TR		2SA1488-Y	(1)	2203394	<MGT3P>
EV	Q560	TR		2SA1725-O	1	2202053	<MDD1N>
EV	Q560 or	TR		2SA1725-Y	(1)	2202054	<MDD1N>
EV	Q560	TR		2SA1725-O	1	2202053	<MDS4N>
EV	Q560 or	TR		2SA1725-Y	(1)	2202054	<MDS4N>
EV	Q560	TR		2SA1488-O	1	2203393	<MDT3N>
EV	Q560 or	TR		2SA1488-Y	(1)	2203394	<MDT3N>
EV	Q560	TR		2SA1488-O	1	2203393	<MGQ3P>
EV	Q560 or	TR		2SA1488-Y	(1)	2203394	<MGQ3P>
EV	Q560	TR		2SA1488-O	1	2203393	<MGT3P>
EV	Q560 or	TR		2SA1488-Y	(1)	2203394	<MGT3P>
EV	<Note>						
EV	Must use the same HFE rank mutually about the following parts.						
EV	Ref. No. : Q557 - Q559, Q558 - Q560						
EV	Q923	IC		MPC2905HF	1	22278005DNE	
EV	Q923 or	IC		MPC2905BHF	(1)	22278005DBNE	
EV	Q931	TR		2SC3851-O	1	2203383	
EV	Q931 or	TR		2SC3851-Y	(1)	2203384	
EV	Q932	TR		2SA1488-O	1	2203393	
EV	Q932 or	TR		2SA1488-Y	(1)	2203394	
EV	Q967	TR		2SA1488-O	1	2203393	<MDD1N>
EV	Q967 or	TR		2SA1488-Y	(1)	2203394	<MDD1N>
EV	Q973	IC		MPC29M08HF	1	22278008ENE	
EV	Q974	TR		2SA1488-O	1	2203393	
EV	Q974 or	TR		2SA1488-Y	(1)	2203394	
EV	T901	P TRANS		NPT-1532D	1	2301855	!, <MDS4N>
EV	T901	P TRANS		NPT-1532D	1	2301855	!, <MDD1N>
EV	T901	P TRANS		NPT-1533D	1	2301856	!, <MDT3N>
EV	T901	P TRANS		NPT-1533G	1	2301857	!, <MGQ3P>
EV	T901	P TRANS		NPT-1533G	1	2301857	!, <MGT3P>
EV	U01	PRE-AMPLIFIER & DSP PC board ass'y		NADG-8692-1C	1	1B092592-1C	<MDD1N>
EV	U01	PRE-AMPLIFIER & DSP PC board ass'y		NADG-8692-1F	1	1B092592-1F	<MDS4N>
EV	U01	PRE-AMPLIFIER & DSP PC board ass'y		NADG-8692-1D	1	1B092592-1D	<MGQ3P, MGT3P>
EV	U01	PRE-AMPLIFIER & DSP PC board ass'y		NADG-8692-1E	1	1B092592-1E	<MDT3N>
EV	U02	POWER AMPLIFIER PC board ass'y		NAAF-8695-1C	1	1B092595-1C	<MDD1N>
EV	U02	POWER AMPLIFIER PC board ass'y		NAAF-8695-1F	1	1B092595-1F	<MDS4N>
EV	U02	POWER AMPLIFIER PC board ass'y		NAAF-8695-1D	1	1B092595-1D	<MGQ3P, MGT3P>
EV	U02	POWER AMPLIFIER PC board ass'y		NAAF-8695-1E	1	1B092595-1E	<MDT3N>
EV	U03	POWER SUPPLY PC board ass'y		NAPS-8696-1C	1	1B092596-1C	<MDD1N>
EV	U03	POWER SUPPLY PC board ass'y		NAPS-8696-1F	1	1B092596-1F	<MDS4N>
EV	U03	POWER SUPPLY PC board ass'y		NAPS-8696-1D	1	1B092596-1D	<MGQ3P, MGT3P>

EV	U03	POWER SUPPLY PC board ass'y	NAPS-8696-1E	1	1B092596-1E	<MDT3N>
EV	U04	FAN DRIVE PC board ass'y	NAETC-8697-1C	1	1B092597-1C	<MDD1N>
EV	U04	FAN DRIVE PC board ass'y	NAETC-8697-1F	1	1B092597-1F	<MDS4N>
EV	U04	FAN DRIVE PC board ass'y	NAETC-8697-1D	1	1B092597-1D	<MGQ3P, MGT3P>
EV	U04	FAN DRIVE PC board ass'y	NAETC-8697-1E	1	1B092597-1E	<MDT3N>
EV	U05	TERMINAL PC board ass'y	NAETC-8698-1C	1	1B092598-1C	<MDD1N>
EV	U05	TERMINAL PC board ass'y	NAETC-8698-1F	1	1B092598-1F	<MDS4N>
EV	U05	TERMINAL PC board ass'y	NAETC-8698-1D	1	1B092598-1D	<MGQ3P, MGT3P>
EV	U05	TERMINAL PC board ass'y	NAETC-8698-1E	1	1B092598-1E	<MDT3N>
EV	U06	DISPLAY PC board ass'y	NADIS-8700-1C	1	1B092500-1C	<MDD1N>
EV	U06	DISPLAY PC board ass'y	NADIS-8700-1F	1	1B092500-1F	<MDS4N>
EV	U06	DISPLAY PC board ass'y	NADIS-8700-1D	1	1B092500-1D	<MGQ3P, MGT3P>
EV	U06	DISPLAY PC board ass'y	NADIS-8700-1E	1	1B092500-1E	<MDT3N>
EV	U07	SWITCH PC board ass'y	NASW-8701-1C	1	1B092501-1C	<MDD1N>
EV	U07	SWITCH PC board ass'y	NASW-8701-1F	1	1B092501-1F	<MDS4N>
EV	U07	SWITCH PC board ass'y	NASW-8701-1D	1	1B092501-1D	<MGQ3P, MGT3P>
EV	U07	SWITCH PC board ass'y	NASW-8701-1E	1	1B092501-1E	<MDT3N>
EV	U08	VIDEO PC board ass'y	NAVD-8702-1C	1	1B092502-1C	<MDD1N>
EV	U08	VIDEO PC board ass'y	NAVD-8702-1F	1	1B092502-1F	<MDS4N>
EV	U08	VIDEO PC board ass'y	NAVD-8702-1D	1	1B092502-1D	<MGQ3P, MGT3P>
EV	U08	VIDEO PC board ass'y	NAVD-8702-1E	1	1B092502-1E	<MDT3N>
EV	U08	HEADPHONE JACK PC board ass'y	NAETC-8705-1C	1	1B092505-1C	<MDD1N>
EV	U08	HEADPHONE JACK PC board ass'y	NAETC-8705-1F	1	1B092505-1F	<MDS4N>
EV	U08	HEADPHONE JACK PC board ass'y	NAETC-8705-1D	1	1B092505-1D	<MGQ3P, MGT3P>
EV	U08	HEADPHONE JACK PC board ass'y	NAETC-8705-1E	1	1B092505-1E	<MDT3N>
EV	U10	XM DIGITAL TRANSCEIVER PC board ass'y	NARF-8688-4A	1	1B092588-4A	<MDD1N>
EV	U11	DVD MAIN PC board ass'y	DB-VPB702	1	24150072	
EV	U12	TUNER UNIT	ENG06507QFUS	1	240156	<MDD1N>
EV	U12 or	TUNER UNIT	FAE385-A11US	(1)	240152	<MDD1N>
EV	U12	TUNER UNIT	ENG06507QFUS	1	240156	<MDS4N>
EV	U12 or	TUNER UNIT	FAE385-A11US	(1)	240152	<MDS4N>
EV	U12	TUNER UNIT	FAE485-E12EX	1	240155	<MDT3N>
EV	U12	TUNER UNIT	FAE485-E12EX	1	240155	<MGQ3P>
EV	U12	TUNER UNIT	FAE485-E12EX	1	240155	<MGT3P>
EV	Z002	DVD MECHANISM ass'y	DB-VLD702-009	1	24801029	
EV	Z301	FAN	D05X-12TL	1	24502317	

DR-UN7**PC BOARD PARTS LIST****<Notes>**

<MDD1N> : DR-UN7 USA model / DR-UN7 for CS-V720 USA model

<MDS4N> : DR-UN7 for CS-V720 South American model

<MGQ3P> : DR-UN7 Hongkong model

<MDT3N> : DR-UN7 Taiwan model

<MGT3P> : DR-UN7 Southeast agian model

U01 PRE-AMPLIFIER & DSP PC BOARD (NADG-8354-1C/1D/1E/1F)

CIRCUIT NO.	NAME	DESCRIPTION	Q'TY	PART NO.	REMARKS
PCB1	Q2101	IC	1	22274008G1R2TO	
PCB1	Q2101 or	IC	(1)	22274008GR2TO	
PCB1	Q2101 or	IC	(1)	22274008KR2TI	
PCB1	Q2101 or	IC	(1)	22274008GR2TI	
PCB1	Q3006	IC	1	22242283R2	<MDD1N>
PCB1	Q4001	IC	1	22242193R3	

PCB1	Q4091	IC	78M08HF(NJM78M08FA)	1	222780085JRC
PCB1	Q4092	IC	79M08HF(NJM79M08FA)	1	222790085JRC
PCB1	Q4107	IC	NE5532APSR	1	22242283R2
PCB1	Q4201	IC	NE5532APSR	1	22242283R2
PCB1	Q4241	IC	NE5532APSR	1	22242283R2
PCB1	Q4251	IC	NE5532APSR	1	22242283R2
PCB1	Q6171	IC	TC7WU04FU(TE12L_F)	1	22240935R2
PCB1	Q6172	IC	TC74VHC157FT	1	22274157ER2TO
PCB1	Q6201	IC	CS494003CQZ	1	22242039R3
PCB1	Q6203	IC	EN29LV040A-70TCP	1	222W0043R3
PCB1	Q6203 or	IC	MX26LV040-70	(1)	222W0037R3
PCB1	Q6401	IC	NE5532APSR	1	22242283R2
PCB1	Q6402	IC	NE5532APSR	1	22242283R2
PCB1	Q6403	IC	NE5532APSR	1	22242283R2
PCB1	Q6421	IC	CS42518-CQZR-D	1	22242229R2
PCB1	Q6421 or	IC	CS42518-CQZR-D	(1)	22242229R3
PCB1	Q6601	IC	NE5532APSR	1	22242283R2
PCB1	Q6602	IC	NE5532APSR	1	22242283R2
PCB1	Q6603	IC	NE5532APSR	1	22242283R2
PCB1	Q6701	IC	TC74VHCT08AFT EKJ)	1	22274008G1R2TO
PCB1	Q6701 or	IC	TC74VHCT08AFT	(1)	22274008GR2TO
PCB1	Q6701 or	IC	SN74HCT08APW	(1)	22274008KR2TI
PCB1	Q6701 or	IC	SN74AHCT08PWR	(1)	22274008GR2TI
PCB1	Q6921	IC	MPC2933T	1	22278033DR2NE
PCB1	Q6921 or	IC	NJM2391DL1-33	(1)	22278033DR2JR
PCB1	Q6922	IC	MPC2925T	1	22278025DR2NE
PCB1	Q6922 or	IC	NJM2391DL1-25	(1)	22278025DR2JR
PCB1	Q7001	IC	MPD703261YGC-311-8EA-A	1	22242308R3
PCB1	Q7275	IC	HT24LC16	1	22242281R2
PCB1	Q4021	TR	RN1441	1	2215410R2
PCB1	Q4022	TR	RN1441	1	2215410R2
PCB1	Q4023	TR	RN1441	1	2215410R2
PCB1	Q4024	TR	RN1441	1	2215410R2
PCB1	Q4025	TR	RN1441	1	2215410R2
PCB1	Q4026	TR	RN1441	1	2215410R2
PCB1	Q4027	TR	RN1441	1	2215410R2
PCB1	Q4028	TR	RN1441	1	2215410R2
PCB1	Q4103	TR	RN1441	1	2215410R2
PCB1	Q4104	TR	RN1441	1	2215410R2
PCB1	Q4105	TR	RN1441	1	2215410R2
PCB1	Q4106	TR	RN1441	1	2215410R2
PCB1	Q4108	TR	RN2407(TE85L_F)	1	2216360R2
PCB1	Q4108 or	TR	KRA107S	(1)	2216350R2
PCB1	Q4109	TR	RN2407(TE85L_F)	1	2216360R2
PCB1	Q4109 or	TR	KRA107S	(1)	2216350R2
PCB1	Q4111	TR	RN1441	1	2215410R2
PCB1	Q4112	TR	RN1441	1	2215410R2
PCB1	Q7014	TR	RN1407	1	2216260R2
PCB1	Q7014 or	TR	KRC107S	(1)	2216340R2
PCB1	Q7015	TR	RN1407	1	2216260R2
PCB1	Q7015 or	TR	KRC107S	(1)	2216340R2
PCB1	Q7049	TR	RN1407	1	2216260R2
PCB1	Q7049 or	TR	KRC107S	(1)	2216340R2
PCB1	Q7085	TR	RN2407(TE85L_F)	1	2216360R2
PCB1	Q7085 or	TR	KRA107S	(1)	2216350R2
PCB1	Q7149	TR	RN2407(TE85L_F)	1	2216360R2

PCB1	Q7149 or	TR	KRA107S	(1)	2216350R2
PCB1	Q7201	TR	DTC114YKA	1	2216470R2
PCB1	Q7202	TR	DTA114YKA	1	2216480R2
PCB1	Q7203	TR	DTA114YKA	1	2216480R2
PCB1	Q7204	TR	DTC114YKA	1	2216470R2
PCB1	Q7301	TR	2SB1068-U	1	2212855
PCB1	Q7301 or	TR	2SB1068-K	(1)	2212853
PCB1	Q7302	TR	RN1407	1	2216260R2
PCB1	Q7302 or	TR	KRC107S	(1)	2216340R2
PCB1	D1301	DIODE	RLIN4003	1	22380260
PCB1	D1301 or	DIODE	GP104003E	(1)	22380035
PCB1	D6301	C-DIODE	ISS355	1	223269R2
PCB1	D6301 or	C-DIODE	ISS352	(1)	223234R2
PCB1	D6302	C-DIODE	ISS355	1	223269R2
PCB1	D6302 or	C-DIODE	ISS352	(1)	223234R2
PCB1	D6303	C-DIODE	ISS355	1	223269R2
PCB1	D6303 or	C-DIODE	ISS352	(1)	223234R2
PCB1	D6304	C-DIODE	ISS355	1	223269R2
PCB1	D6304 or	C-DIODE	ISS352	(1)	223234R2
PCB1	D6305	C-DIODE	ISS355	1	223269R2
PCB1	D6305 or	C-DIODE	ISS352	(1)	223234R2
PCB1	D6306	C-DIODE	ISS355	1	223269R2
PCB1	D6306 or	C-DIODE	ISS352	(1)	223234R2
PCB1	D6307	C-DIODE	ISS355	1	223269R2
PCB1	D6307 or	C-DIODE	ISS352	(1)	223234R2
PCB1	D6308	C-DIODE	ISS355	1	223269R2
PCB1	D6308 or	C-DIODE	ISS352	(1)	223234R2
PCB1	D7014	C-DIODE	ISS355	1	223269R2
PCB1	D7014 or	C-DIODE	ISS352	(1)	223234R2
PCB1	D7015	C-DIODE	ISS355	1	223269R2
PCB1	D7015 or	C-DIODE	ISS352	(1)	223234R2
PCB1	D7049	C-DIODE	ISS355	1	223269R2
PCB1	D7049 or	C-DIODE	ISS352	(1)	223234R2
PCB1	D7064	C-DIODE	ISS355	1	223269R2
PCB1	D7064 or	C-DIODE	ISS352	(1)	223234R2
PCB1	D7198	C-DIODE	ISS355	1	223269R2
PCB1	D7198 or	C-DIODE	ISS352	(1)	223234R2
PCB1	X6171	CRYSTAL	HC-49U0312.288MHZ	1	3010414
PCB1	X7012	CERA LOCK	CSTCR5M00G53-B0	1	3010356R2
PCB1	X7015	CRYSTAL	DT-38	1	3010282
PCB1	L6171	CHOKE COIL	NCH-1471	1	231237M022R2
PCB1	L6171 or	CHOKE COIL	NCH-1587-022K	(1)	233533K022R2
PCB1	L6172	EMIFIL	BK1608LM182-T	1	230958R1
PCB1	L6173	EMIFIL	BK1608LM182-T	1	230958R1
PCB1	L6174	EMIFIL	BK1608LM182-T	1	230958R1
PCB1	L6201	CHOKE COIL	NCH-1471	1	231237M022R2
PCB1	L6201 or	CHOKE COIL	NCH-1587-022K	(1)	233533K022R2
PCB1	L6202	CHOKE COIL	NCH-1471	1	231237M022R2
PCB1	L6203	CHOKE COIL	NCH-1471	1	231237M022R2
PCB1	L6203 or	CHOKE COIL	NCH-1587-022K	(1)	233533K022R2
PCB1	L6281	CHOKE COIL	NCH-1471	1	231237M022R2
PCB1	L6281 or	CHOKE COIL	NCH-1587-022K	(1)	233533K022R2
PCB1	L6291	CHOKE COIL	NCH-1471	1	231237M022R2
PCB1	L6291 or	CHOKE COIL	NCH-1587-022K	(1)	233533K022R2
PCB1	L6301	CHOKE COIL	NCH-1471	1	231237M022R2
PCB1	L6301 or	CHOKE COIL	NCH-1587-022K	(1)	233533K022R2

PCB1	L6302	CHOKE COIL	NCH-1475	1	231237K100R2	
PCB1	L6303	CHOKE COIL	NCH-1471	1	231237M022R2	
PCB1	L6303 or	CHOKE COIL	NCH-1587-022K	(1)	233533K022R2	
PCB1	L6311	EMIFIL	BK1608LM182-T	1	230958R1	
PCB1	L6312	EMIFIL	BK1608LM182-T	1	230958R1	
PCB1	L6313	EMIFIL	BK1608LM182-T	1	230958R1	
PCB1	L6921	CHOKE COIL	NCH-1471	1	231237M022R2	
PCB1	L7001	CHOKE COIL	NCH-1479	1	231237K470R2	
PCB1	L7002	CHOKE COIL	NCH-1471	1	231237M022R2	
PCB1	L7301	CHOKE COIL	BLM21B222SPT	1	230921R2	
PCB1	C1001	C-CERA C	CC725CH1E-102J1	1	342111024R1	
PCB1	C1301	C-CERA C	CC725CH1H-101J1	1	342101014R1	
PCB1	C1302	C-CERA C	CC725CH1H-101J1	1	342101014R1	
PCB1	C1303	C-CERA C	CK725F1H-104Z1	1	332151040R1	
PCB1	C1304	VR C	CE04W50V-3.3M(VR)	1	394680337	
PCB1	C1304 or	ELECT C	CE04W50V-3.3M(SC)	(1)	394780337	
PCB1	C1305	VR C	CE04W16V-470M(VR)	1	394644717	
PCB1	C1305 or	ELECT C	CE04W16V-470M(SC)	(1)	394744717	
PCB1	C1307	C-CERA C	CC725CH1E-102J1	1	342111024R1	
PCB1	C1310	VR C	CE04W50V-3.3M(VR)	1	394680337	
PCB1	C1310 or	ELECT C	CE04W50V-3.3M(SC)	(1)	394780337	
PCB1	C1311	C-CERA C	CC725CH1H-101J1	1	342101014R1	
PCB1	C2101	C-CERA C	CK725F1H-104Z1	1	332151040R1	
PCB1	C3007	TF C	ECQ-B50V-331K	1	374723315	<MDD1N>
PCB1	C3008	TF C	ECQ-B50V-331K	1	374723315	<MDD1N>
PCB1	C3009	TF C	ECQ-B50V-681J	1	374726814	<MDD1N>
PCB1	C3010	TF C	ECQ-B50V-681J	1	374726814	<MDD1N>
PCB1	C3013	VX C	CE04W50V-22M(VX)	1	393382207	<MDD1N>
PCB1	C3014	VX C	CE04W50V-22M(VX)	1	393382207	<MDD1N>
PCB1	C4001	TF C	ECQ-B50V-101K	1	374721015	<MDD1N>
PCB1	C4001	TF C	ECQ-B50V 471K	1	374724715	<MGQ3P, MGT3P>
PCB1	C4001	TF C	ECQ-B50V 471K	1	374724715	<MDT3N>
PCB1	C4001	TF C	ECQ-B50V 471K	1	374724715	<MDS4N>
PCB1	C4002	TF C	ECQ-B50V-101K	1	374721015	<MDD1N>
PCB1	C4002	TF C	ECQ-B50V 471K	1	374724715	<MGQ3P, MGT3P>
PCB1	C4002	TF C	ECQ-B50V 471K	1	374724715	<MDT3N>
PCB1	C4002	TF C	ECQ-B50V 471K	1	374724715	<MDS4N>
PCB1	C4003	TF C	ECQ-B50V-101K	1	374721015	<MDD1N>
PCB1	C4003	TF C	ECQ-B50V 471K	1	374724715	<MGQ3P, MGT3P>
PCB1	C4003	TF C	ECQ-B50V 471K	1	374724715	<MDT3N>
PCB1	C4003	TF C	ECQ-B50V 471K	1	374724715	<MDS4N>
PCB1	C4004	TF C	ECQ-B50V-101K	1	374721015	<MDD1N>
PCB1	C4004	TF C	ECQ-B50V 471K	1	374724715	<MGQ3P, MGT3P>
PCB1	C4004	TF C	ECQ-B50V 471K	1	374724715	<MDT3N>
PCB1	C4004	TF C	ECQ-B50V 471K	1	374724715	<MDS4N>
PCB1	C4005	TF C	ECQ-B50V-101K	1	374721015	<MDD1N>
PCB1	C4005	TF C	ECQ-B50V 471K	1	374724715	<MGQ3P, MGT3P>
PCB1	C4005	TF C	ECQ-B50V 471K	1	374724715	<MDT3N>
PCB1	C4005	TF C	ECQ-B50V 471K	1	374724715	<MDS4N>
PCB1	C4006	TF C	ECQ-B50V-101K	1	374721015	<MDD1N>
PCB1	C4006	TF C	ECQ-B50V 471K	1	374724715	<MGQ3P, MGT3P>
PCB1	C4006	TF C	ECQ-B50V 471K	1	374724715	<MDT3N>
PCB1	C4006	TF C	ECQ-B50V 471K	1	374724715	<MDS4N>
PCB1	C4007	TF C	ECQ-B50V-101K	1	374721015	<MDD1N>
PCB1	C4007	TF C	ECQ-B50V 471K	1	374724715	<MGQ3P, MGT3P>
PCB1	C4007	TF C	ECQ-B50V 471K	1	374724715	<MDT3N>

PCB1	C4007	TF C	ECQ-B50V 471K	1	374724715	<MDS4N>
PCB1	C4008	TF C	ECQ-B50V-101K	1	374721015	<MDD1N>
PCB1	C4008	TF C	ECQ-B50V 471K	1	374724715	<MGQ3P, MGT3P>
PCB1	C4008	TF C	ECQ-B50V 471K	1	374724715	<MDT3N>
PCB1	C4008	TF C	ECQ-B50V 471K	1	374724715	<MDS4N>
PCB1	C4009	TF C	ECQ-B50V-101K	1	374721015	<MDD1N>
PCB1	C4009	TF C	ECQ-B50V 471K	1	374724715	<MGQ3P, MGT3P>
PCB1	C4009	TF C	ECQ-B50V 471K	1	374724715	<MDT3N>
PCB1	C4009	TF C	ECQ-B50V 471K	1	374724715	<MDS4N>
PCB1	C4010	TF C	ECQ-B50V-101K	1	374721015	<MDD1N>
PCB1	C4010	TF C	ECQ-B50V 471K	1	374724715	<MGQ3P, MGT3P>
PCB1	C4010	TF C	ECQ-B50V 471K	1	374724715	<MDT3N>
PCB1	C4010	TF C	ECQ-B50V 471K	1	374724715	<MDS4N>
PCB1	C4012	C-CERA C	CK725F1H-103Z1	1	332151030R1	
PCB1	C4021	VX C	CE04W50V-22M(VX)	1	393382207	
PCB1	C4022	VX C	CE04W50V-22M(VX)	1	393382207	
PCB1	C4023	VX C	CE04W50V-22M(VX)	1	393382207	
PCB1	C4024	VX C	CE04W50V-22M(VX)	1	393382207	
PCB1	C4051	VX C	CE04W25V-47M(VX)	1	393354707	
PCB1	C4052	VX C	CE04W25V-47M(VX)	1	393354707	
PCB1	C4053	VX C	CE04W25V-47M(VX)	1	393354707	
PCB1	C4054	VX C	CE04W25V-47M(VX)	1	393354707	
PCB1	C4055	VX C	CE04W25V-47M(VX)	1	393354707	
PCB1	C4056	VX C	CE04W25V-47M(VX)	1	393354707	
PCB1	C4057	VX C	CE04W50V-10M(VX)	1	393381007	
PCB1	C4058	VX C	CE04W50V-10M(VX)	1	393381007	
PCB1	C4059	VX C	CE04W50V-10M(VX)	1	393381007	
PCB1	C4060	VX C	CE04W50V-10M(VX)	1	393381007	
PCB1	C4061	VX C	CE04W50V-10M(VX)	1	393381007	
PCB1	C4062	VX C	CE04W50V-10M(VX)	1	393381007	
PCB1	C4063	VX C	CE04W50V-1M(VX)	1	393380107	
PCB1	C4064	VX C	CE04W50V-4.7M(VX)	1	393380477	
PCB1	C4065	TF C	ECQ-V50V-224J	1	374722244	
PCB1	C4066	TF C	ECQ-B50V-472J	1	374724724	
PCB1	C4067	VX C	CE04W50V-4.7M(VX)	1	393380477	
PCB1	C4068	TF C	ECQ-V50V-224J	1	374722244	
PCB1	C4069	TF C	ECQ-B50V-472J	1	374724724	
PCB1	C4070	VX C	CE04W16V-470M(VX)	1	393344717	
PCB1	C4071	VX C	CE04W16V-470M(VX)	1	393344717	
PCB1	C4091	VX C	CE04W50V-2.2M(VX)	1	393380227	
PCB1	C4092	VX C	CE04W50V-2.2M(VX)	1	393380227	
PCB1	C4093	VX C	CE04W50V-10M(VX)	1	393381007	
PCB1	C4094	VX C	CE04W50V-10M(VX)	1	393381007	
PCB1	C4105	C-CERA C	CC725CH1H-101J1	1	342101014R1	
PCB1	C4106	C-CERA C	CC725CH1H-101J1	1	342101014R1	
PCB1	C4107	TF C	ECQ-V50V-333J	1	374723334	
PCB1	C4108	TF C	ECQ-V50V-333J	1	374723334	
PCB1	C4109	TF C	ECQ-V50V-333J	1	374723334	
PCB1	C4110	TF C	ECQ-V50V-333J	1	374723334	
PCB1	C4111	VX C	CE04W50V-22M(VX)	1	393382207	
PCB1	C4112	VX C	CE04W50V-22M(VX)	1	393382207	
PCB1	C4113	VX C	CE04W50V-22M(VX)	1	393382207	
PCB1	C4114	VX C	CE04W50V-22M(VX)	1	393382207	
PCB1	C4117	VR C	CE04W50V-1M(VR)	1	394680107	
PCB1	C4117 or	ELECT C	CE04W50V-1M(SC)	(1)	394780107	
PCB1	C4203	VX C	CE04W50V-22M(VX)	1	393382207	

PCB1	C4204	VX C	CE04W50V-22M(VX)	1	393382207
PCB1	C4251	VX C	CE04W50V-22M(VX)	1	393382207
PCB1	C4252	TF C	ECQ-B50V-221K	1	374722215
PCB1	C4253	C-CERA C	CC725CH1H-330J1	1	342103304R1
PCB1	C6171	C-CERA C	CK725F1H-104Z1	1	332151040R1
PCB1	C6172	C-CERA C	CC725CH1H-180J1	1	342101804R1
PCB1	C6173	C-CERA C	CC725CH1H-120J1	1	342101204R1
PCB1	C6174	C-CERA C	CK725F1H-104Z1	1	332151040R1
PCB1	C6201	VR C	CE04W16V-100M(VR)	1	394641017
PCB1	C6201 or	ELECT C	CE04W16V-100M(SC)	(1)	394741017
PCB1	C6202	VR C	CE04W6.3V-220M(VR)	1	394622217
PCB1	C6202 or	ELECT C	CE04W6.3V-220M(SC)	(1)	394722217
PCB1	C6203	VR C	CE04W16V-100M(VR)	1	394641017
PCB1	C6203 or	ELECT C	CE04W16V-100M(SC)	(1)	394741017
PCB1	C6204	CHIP TANTAL	CS772SB1C-2.2M	1	395640227R2
PCB1	C6205	C SERA C	CC725CH1H-122J1	1	342101224R1
PCB1	C6206	C-CERA C	CC725CH1H-680J1	1	342106804R1
PCB1	C6207	C-CERA C	CK725F1H-104Z1	1	332151040R1
PCB1	C6208	C-CERA C	CK725F1H-104Z1	1	332151040R1
PCB1	C6209	C-CERA C	CK725F1H-104Z1	1	332151040R1
PCB1	C6210	C-CERA C	CK725F1H-104Z1	1	332151040R1
PCB1	C6211	C-CERA C	CK725F1H-104Z1	1	332151040R1
PCB1	C6212	C-CERA C	CK725F1H-104Z1	1	332151040R1
PCB1	C6213	C-CERA C	CK725F1H-104Z1	1	332151040R1
PCB1	C6214	C-CERA C	CK725F1H-104Z1	1	332151040R1
PCB1	C6215	C-CERA C	CK725F1H-104Z1	1	332151040R1
PCB1	C6216	C-CERA C	CK725F1H-104Z1	1	332151040R1
PCB1	C6217	C-CERA C	CK725F1H-104Z1	1	332151040R1
PCB1	C6218	C-CERA C	CK725F1H-104Z1	1	332151040R1
PCB1	C6219	C-CERA C	CC725CH1H-101J1	1	342101014R1
PCB1	C6281	VR C	CE04W16V-100M(VR)	1	394641017
PCB1	C6281 or	ELECT C	CE04W16V-100M(SC)	(1)	394741017
PCB1	C6282	C-CERA C	CK725F1H-104Z1	1	332151040R1
PCB1	C6292	C-CERA C	CC725CH1H-101J1	1	342101014R1
PCB1	C6293	C-CERA C	CC725CH1E-102J1	1	342111024R1
PCB1	C6294	C-CERA C	CC725CH1E-102J1	1	342111024R1
PCB1	C6295	C-CERA C	CK725F1H-104Z1	1	332151040R1
PCB1	C6301	VR C	CE04W6.3V-220M(VR)	1	394622217
PCB1	C6301 or	ELECT C	CE04W6.3V-220M(SC)	(1)	394722217
PCB1	C6302	C-CERA C	CK725F1H-104Z1	1	332151040R1
PCB1	C6304	RFS C	CE04W25V-47M(RFS)	1	395954707
PCB1	C6306	VX C	CE04W25V-47M(VX)	1	393354707
PCB1	C6307	C-CERA C	CK725F1H-104Z1	1	332151040R1
PCB1	C6308	VR C	CE04W6.3V-470M(VR)	1	394624717
PCB1	C6309	C-CERA C	CK725B1H-222K1	1	332102225R1
PCB1	C6310	C-CERA C	CK725B1H-473K1	1	332104735R1
PCB1	C6311	C-CERA C	CK725F1H-104Z1	1	332151040R1
PCB1	C6312	VR C	CE04W6.3V-220M(VR)	1	394622217
PCB1	C6312 or	ELECT C	CE04W6.3V-220M(SC)	(1)	394722217
PCB1	C6313	C-CERA C	CK725F1H-104Z1	1	332151040R1
PCB1	C6315	TF C	ECQ-V50V-104J	1	374721044
PCB1	C6316	TF C	ECQ-V50V-104J	1	374721044
PCB1	C6317	TF C	ECQ-V50V-104J	1	374721044
PCB1	C6318	TF C	ECQ-V50V-104J	1	374721044
PCB1	C6319	TF C	ECQ-V50V-104J	1	374721044
PCB1	C6321	VX C	CE04W50V-10M(VX)	1	393381007

PCB1	C6322	VX C	CE04W50V-10M(VX)	1	393381007
PCB1	C6323	VX C	CE04W50V-10M(VX)	1	393381007
PCB1	C6324	VX C	CE04W50V-10M(VX)	1	393381007
PCB1	C6325	TF C	ECQ-B50V-222J	1	374722224
PCB1	C6326	TF C	ECQ-B50V-222J	1	374722224
PCB1	C6403	TF C	ECQ-B50V-472J	1	374724724
PCB1	C6404	TF C	ECQ-V50V-333J	1	374723334
PCB1	C6405	TF C	ECQ-B50V-472J	1	374724724
PCB1	C6406	TF C	ECQ-B50V-472J	1	374724724
PCB1	C6411	TF C	ECQ-B50V-331K	1	374723315
PCB1	C6412	TF C	ECQ-B50V-331K	1	374723315
PCB1	C6413	TF C	ECQ-B50V-681J	1	374726814
PCB1	C6414	TF C	ECQ-B50V-153J	1	374721534
PCB1	C6415	TF C	ECQ-B50V-681J	1	374726814
PCB1	C6416	TF C	ECQ-B50V-681J	1	374726814
PCB1	C6421	TF C	ECQ-B50V-331K	1	374723315
PCB1	C6422	TF C	ECQ-B50V-331K	1	374723315
PCB1	C6423	TF C	ECQ-B50V-681J	1	374726814
PCB1	C6424	TF C	ECQ-B50V-153J	1	374721534
PCB1	C6425	TF C	ECQ-B50V-681J	1	374726814
PCB1	C6426	TF C	ECQ-B50V-681J	1	374726814
PCB1	C6481	VX C	CE04W25V-220M(VX)	1	393352217
PCB1	C6521	VX C	CE04W50V-22M(VX)	1	393382207
PCB1	C6522	VX C	CE04W50V-22M(VX)	1	393382207
PCB1	C6523	VX C	CE04W50V-22M(VX)	1	393382207
PCB1	C6524	VX C	CE04W50V-22M(VX)	1	393382207
PCB1	C6525	VX C	CE04W50V-22M(VX)	1	393382207
PCB1	C6526	VX C	CE04W50V-22M(VX)	1	393382207
PCB1	C6527	VX C	CE04W50V-22M(VX)	1	393382207
PCB1	C6528	VX C	CE04W50V-22M(VX)	1	393382207
PCB1	C6601	TF C	ECQ-B50V-272J	1	374722724
PCB1	C6602	TF C	ECQ-B50V-272J	1	374722724
PCB1	C6611	TF C	ECQ-B50V-122J	1	374721224
PCB1	C6612	TF C	ECQ-B50V-122J	1	374721224
PCB1	C6701	C-CERA C	CK725F1H-104Z1	1	332151040R1
PCB1	C6921	VR C	CE04W16V-100M(VR)	1	394641017
PCB1	C6921 or	ELECT C	CE04W16V-100M(SC)	(1)	394741017
PCB1	C6923	VR C	CE04W16V-100M(VR)	1	394641017
PCB1	C6923 or	ELECT C	CE04W16V-100M(SC)	(1)	394741017
PCB1	C6924	VR C	CE04W16V-100M(VR)	1	394641017
PCB1	C6924 or	ELECT C	CE04W16V-100M(SC)	(1)	394741017
PCB1	C7001	C-CERA C	CK725F1H-104Z1	1	332151040R1
PCB1	C7009	C-CERA C	CK725F1H-104Z1	1	332151040R1
PCB1	C7010	VX C	CE04W50V-4.7M(VX)	1	393380477
PCB1	C7014	C-CERA C	CK725F1H-104Z1	1	332151040R1
PCB1	C7016	C-CERA C	CC725CH1H-220J1	1	342102204R1
PCB1	C7022	C-CERA C	CC725CH1H-330J1	1	342103304R1
PCB1	C7034	C-CERA C	CK725F1H-104Z1	1	332151040R1
PCB1	C7070	C-CERA C	CK725F1H-104Z1	1	332151040R1
PCB1	C7100	VR C	CE04W16V-100M(VR)	1	394641017
PCB1	C7100 or	ELECT C	CE04W16V-100M(SC)	(1)	394741017
PCB1	C7115	TRIM C	NTC-45P27	1	3060031
PCB1	C7121	C-CERA C	CC725CH1H-330J1	1	342103304R1
PCB1	C7138	C-CERA C	CC725CH1E-102J1	1	342111024R1
PCB1	C7185	VR C	CE04W6.3V-470M(VR)	1	394624717
PCB1	C7185 or	ELECT C	CE04W6.3V-470M(SC)	(1)	394724717

PCB1	C7196	C-CERA C	CC725CH1E-102J1	1	342111024R1	
PCB1	C7214	VX C	CE04W50V-4.7M(VX)	1	393380477	
PCB1	C7235	C-CERA C	CK725F1H-104Z1	1	332151040R1	
PCB1	C7301	C-CERA C	CC725CH1H-101J1	1	342101014R1	
PCB1	C7302	C-CERA C	CK725F1H-104Z1	1	332151040R1	
PCB1	C7303	C-CERA C	CK725F1H-104Z1	1	332151040R1	
PCB1	C7304	C-CERA C	CK725F1H-104Z1	1	332151040R1	
PCB1	C7306	C-CERA C	CC725CH1E-102J1	1	342111024R1	
PCB1	C7307	C-CERA C	CC725CH1E-102J1	1	342111024R1	
PCB1	R1001	C-CARBON R	RN72K1J-000JE	1	435030004R1	<MDD1N>
PCB1	R1002	C-CARBON R	RN72K1J-000JE	1	435030004R1	<MDD1N>
PCB1	R1301	C-CARBON R	RN72K1J-222JE	1	435032224R1	
PCB1	R1302	C-CARBON R	RN72K1J-222JE	1	435032224R1	
PCB1	R1303	C-CARBON R	RN72K1J-273JE	1	435032734R1	
PCB1	R1304	C-CARBON R	RN72K1J-273JE	1	435032734R1	
PCB1	R1310	C-CARBON R	RN72K1J-104JE	1	435031044R1	
PCB1	R1312	C-CARBON R	RN72K1J-102JE	1	435031024R1	
PCB1	R1313	C-CARBON R	RN72K1J-102JE	1	435031024R1	
PCB1	R1314	METAL O R	RS1/2WBJ-15	1	443521504	
PCB1	R2101	C-CARBON R	RN72K1J-331JE	1	435033314R1	
PCB1	R2102	C-CARBON R	RN72K1J-470JE	1	435034704R1	
PCB1	R2103	C-CARBON R	RN72K1J-331JE	1	435033314R1	
PCB1	R2104	C-CARBON R	RN72K1J-470JE	1	435034704R1	
PCB1	R2105	C-CARBON R	RN72K1J-223JE	1	435032234R1	
PCB1	R2106	C-CARBON R	RN72K1J-223JE	1	435032234R1	
PCB1	R2107	C-CARBON R	RN72K1J-223JE	1	435032234R1	
PCB1	R2108	C-CARBON R	RN72K1J-223JE	1	435032234R1	
PCB1	R3017	C-CARBON R	RN72K1J-332JE	1	435033324R1	<MDD1N>
PCB1	R3018	C-CARBON R	RN72K1J-332JE	1	435033324R1	<MDD1N>
PCB1	R3019	C-CARBON R	RN72K1J-472JE	1	435034724R1	<MDD1N>
PCB1	R3020	C-CARBON R	RN72K1J-472JE	1	435034724R1	<MDD1N>
PCB1	R3021	C-CARBON R	RN72K1J-272JE	1	435032724R1	<MDD1N>
PCB1	R3022	C-CARBON R	RN72K1J-272JE	1	435032724R1	<MDD1N>
PCB1	R3023	C-CARBON R	RN72K1J-102JE	1	435031024R1	<MDD1N>
PCB1	R3024	C-CARBON R	RN72K1J-102JE	1	435031024R1	<MDD1N>
PCB1	R3025	C-CARBON R	RN72K1J-224JE	1	435032244R1	<MDD1N>
PCB1	R3026	C-CARBON R	RN72K1J-224JE	1	435032244R1	<MDD1N>
PCB1	R3027	C-CARBON R	RN72K1J-223JE	1	435032234R1	<MDD1N>
PCB1	R3028	C-CARBON R	RN72K1J-223JE	1	435032234R1	<MDD1N>
PCB1	R3041	METAL R	RNU1/2WCJ-0.22	1	453532294	<MDD1N>
PCB1	R3042	METAL R	RNU1/2WCJ-0.22	1	453532294	<MDD1N>
PCB1	R3100	C-CARBON R	RN72K1J-000JE	1	435030004R1	<MDD1N>
PCB1	R3303	C-CARBON R	RN72K1J-223JE	1	435032234R1	
PCB1	R3304	C-CARBON R	RN72K1J-223JE	1	435032234R1	
PCB1	R3423	C-CARBON R	RN72K1J-470JE	1	435034704R1	<MDD1N>
PCB1	R3424	C-CARBON R	RN72K1J-470JE	1	435034704R1	<MDD1N>
PCB1	R3425	C-CARBON R	RN72K1J-223JE	1	435032234R1	
PCB1	R4001	C-CARBON R	RN72K1J-331JE	1	435033314R1	
PCB1	R4002	C-CARBON R	RN72K1J-331JE	1	435033314R1	
PCB1	R4003	C-CARBON R	RN72K1J-222JE	1	435032224R1	
PCB1	R4004	C-CARBON R	RN72K1J-222JE	1	435032224R1	
PCB1	R4005	C-CARBON R	RN72K1J-331JE	1	435033314R1	
PCB1	R4006	C-CARBON R	RN72K1J-331JE	1	435033314R1	
PCB1	R4007	C-CARBON R	RN72K1J-101JE	1	435031014R1	
PCB1	R4008	C-CARBON R	RN72K1J-101JE	1	435031014R1	
PCB1	R4009	C-CARBON R	RN72K1J-101JE	1	435031014R1	

PCB1	R4010	C-CARBON R	RN72K1J-101JE	1	435031014R1
PCB1	R4011	C-CARBON R	RN72K1J-224JE	1	435032244R1
PCB1	R4012	C-CARBON R	RN72K1J-224JE	1	435032244R1
PCB1	R4013	C-CARBON R	RN72K1J-224JE	1	435032244R1
PCB1	R4014	C-CARBON R	RN72K1J-224JE	1	435032244R1
PCB1	R4015	C-CARBON R	RN72K1J-224JE	1	435032244R1
PCB1	R4016	C-CARBON R	RN72K1J-224JE	1	435032244R1
PCB1	R4017	C-CARBON R	RN72K1J-224JE	1	435032244R1
PCB1	R4018	C-CARBON R	RN72K1J-224JE	1	435032244R1
PCB1	R4019	C-CARBON R	RN72K1J-224JE	1	435032244R1
PCB1	R4020	C-CARBON R	RN72K1J-224JE	1	435032244R1
PCB1	R4021	C-CARBON R	RN72K1J-101JE	1	435031014R1
PCB1	R4022	C-CARBON R	RN72K1J-101JE	1	435031014R1
PCB1	R4023	C-CARBON R	RN72K1J-101JE	1	435031014R1
PCB1	R4024	C-CARBON R	RN72K1J-101JE	1	435031014R1
PCB1	R4025	C-CARBON R	RN72K1J-271JE	1	435032714R1
PCB1	R4026	C-CARBON R	RN72K1J-271JE	1	435032714R1
PCB1	R4027	C-CARBON R	RN72K1J-271JE	1	435032714R1
PCB1	R4028	C-CARBON R	RN72K1J-271JE	1	435032714R1
PCB1	R4031	METAL O R	RS1/2WBJ-47	1	443524704
PCB1	R4032	METAL O R	RS1/2WBJ-47	1	443524704
PCB1	R4101	C-CARBON R	RN72K1J-102JE	1	435031024R1
PCB1	R4102	C-CARBON R	RN72K1J-102JE	1	435031024R1
PCB1	R4103	C-CARBON R	RN72K1J-104JE	1	435031044R1
PCB1	R4104	C-CARBON R	RN72K1J-104JE	1	435031044R1
PCB1	R4105	C-CARBON R	RN72K1J-683JE	1	435036834R1
PCB1	R4106	C-CARBON R	RN72K1J-683JE	1	435036834R1
PCB1	R4107	C-CARBON R	RN72K1J-475JE	1	435034754R1
PCB1	R4108	C-CARBON R	RN72K1J-475JE	1	435034754R1
PCB1	R4109	C-CARBON R	RN72K1J-563JE	1	435035634R1
PCB1	R4110	C-CARBON R	RN72K1J-563JE	1	435035634R1
PCB1	R4111	C-CARBON R	RN72K1J-683JE	1	435036834R1
PCB1	R4112	C-CARBON R	RN72K1J-683JE	1	435036834R1
PCB1	R4115	C-CARBON R	RN72K1J-475JE	1	435034754R1
PCB1	R4116	C-CARBON R	RN72K1J-475JE	1	435034754R1
PCB1	R4117	C-CARBON R	RN72K1J-102JE	1	435031024R1
PCB1	R4118	C-CARBON R	RN72K1J-102JE	1	435031024R1
PCB1	R4119	C-CARBON R	RN72K1J-222JE	1	435032224R1
PCB1	R4120	C-CARBON R	RN72K1J-222JE	1	435032224R1
PCB1	R4121	C-CARBON R	RN72K1J-104JE	1	435031044R1
PCB1	R4122	C-CARBON R	RN72K1J-104JE	1	435031044R1
PCB1	R4123	C-CARBON R	RN72K1J-224JE	1	435032244R1
PCB1	R4124	C-CARBON R	RN72K1J-224JE	1	435032244R1
PCB1	R4125	C-CARBON R	RN72K1J-224JE	1	435032244R1
PCB1	R4130	C-CARBON R	RN72K1J-222JE	1	435032224R1
PCB1	R4131	METAL R	RNU1/2WCJ-0.22	1	453532294
PCB1	R4132	METAL R	RNU1/2WCJ-0.22	1	453532294
PCB1	R4133	C-CARBON R	RN72K1J-102JE	1	435031024R1
PCB1	R4134	C-CARBON R	RN72K1J-102JE	1	435031024R1
PCB1	R4201	C-CARBON R	RN72K1J-273JE	1	435032734R1
PCB1	R4202	C-CARBON R	RN72K1J-273JE	1	435032734R1
PCB1	R4205	C-CARBON R	RN72K1J-822JE	1	435038224R1
PCB1	R4206	C-CARBON R	RN72K1J-822JE	1	435038224R1
PCB1	R4209	C-CARBON R	RN72K1J-103JE	1	435031034R1
PCB1	R4210	C-CARBON R	RN72K1J-103JE	1	435031034R1
PCB1	R4211	C-CARBON R	RN72K1J-123JE	1	435031234R1

PCB1	R4212	C-CARBON R	RN72K1J-123JE	1	435031234R1
PCB1	R4241	C-CARBON R	RN72K1J-103JE	1	435031034R1
PCB1	R4242	C-CARBON R	RN72K1J-103JE	1	435031034R1
PCB1	R4243	C-CARBON R	RN72K1J-223JE	1	435032234R1
PCB1	R4244	C-CARBON R	RN72K1J-223JE	1	435032234R1
PCB1	R4247	C-CARBON R	RN72K1J-000JE	1	435030004R1
PCB1	R4248	C-CARBON R	RN72K1J-000JE	1	435030004R1
PCB1	R4251	C-CARBON R	RN72K1J-102JE	1	435031024R1
PCB1	R4252	C-CARBON R	RN72K1J-473JE	1	435034734R1
PCB1	R4253	C-CARBON R	RN72K1J-224JE	1	435032244R1
PCB1	R4254	C-CARBON R	RN72K1J-472JE	1	435034724R1
PCB1	R4255	C-CARBON R	RN72K1J-223JE	1	435032234R1
PCB1	R6171	C-CARBON R	RN72K1J-105JE	1	435031054R1
PCB1	R6173	C-CARBON R	RN72K1J-470JE	1	435034704R1
PCB1	R6175	C-CARBON R	RN72K1J-470JE	1	435034704R1
PCB1	R6176	C-CARBON R	RN72K1J-470JE	1	435034704R1
PCB1	R6201	C-CARBON R	RN72K1J-332JE	1	435033324R1
PCB1	R6202	C-CARBON R	RN72K1J-332JE	1	435033324R1
PCB1	R6203	C-CARBON R	RN72K1J-332JE	1	435033324R1
PCB1	R6205	C-CARBON R	RN72K1J-103JE	1	435031034R1
PCB1	R6208	C-CARBON R	RN72K1J-103JE	1	435031034R1
PCB1	R6209	C-CARBON R	RN72K1J-103JE	1	435031034R1
PCB1	R6210	C-CARBON R	RN72K1J-332JE	1	435033324R1
PCB1	R6211	C-CARBON R	RN72K1J-332JE	1	435033324R1
PCB1	R6212	C-CARBON R	RN72K1J-103JE	1	435031034R1
PCB1	R6215	C-CARBON R	RN72K1J-332JE	1	435033324R1
PCB1	R6216	C-CARBON R	RN72K1J-103JE	1	435031034R1
PCB1	R6217	C-CARBON R	RN72K1J-103JE	1	435031034R1
PCB1	R6218	C-CARBON R	RN72K1J-103JE	1	435031034R1
PCB1	R6219	C-CARBON R	RN72K1J-103JE	1	435031034R1
PCB1	R6220	C-CARBON R	RN72K1J-103JE	1	435031034R1
PCB1	R6221	C-CARBON R	RN72K1J-103JE	1	435031034R1
PCB1	R6222	C-CARBON R	RN72K1J-103JE	1	435031034R1
PCB1	R6223	C-CARBON R	RN72K1J-103JE	1	435031034R1
PCB1	R6224	C-CARBON R	RN72K1J-103JE	1	435031034R1
PCB1	R6225	C-CARBON R	RN72K1J-103JE	1	435031034R1
PCB1	R6226	C-CARBON R	RN72K1J-470JE	1	435034704R1
PCB1	R6227	C-CARBON R	RN72K1J-470JE	1	435034704R1
PCB1	R6228	C-CARBON R	RN72K1J-470JE	1	435034704R1
PCB1	R6229	C-CARBON R	RN72K1J-470JE	1	435034704R1
PCB1	R6230	C-CARBON R	RN72K1J-470JE	1	435034704R1
PCB1	R6231	C-CARBON R	RN72K1J-470JE	1	435034704R1
PCB1	R6232	C-CARBON R	RN72K1J-470JE	1	435034704R1
PCB1	R6233	C-CARBON R	RN72K1J-470JE	1	435034704R1
PCB1	R6234	C-CARBON R	RN72K1J-103JE	1	435031034R1
PCB1	R6235	C-CARBON R	RN72K1J-103JE	1	435031034R1
PCB1	R6236	C-CARBON R	RN72K1J-103JE	1	435031034R1
PCB1	R6237	C-CARBON R	RN72K1J-470JE	1	435034704R1
PCB1	R6238	C-CARBON R	RN72K1J-470JE	1	435034704R1
PCB1	R6239	C-CARBON R	RN72K1J-103JE	1	435031034R1
PCB1	R6240	C-CARBON R	RN72K1J-103JE	1	435031034R1
PCB1	R6242	C-CARBON R	RN72K1J-103JE	1	435031034R1
PCB1	R6243	C-CARBON R	RN72K1J-470JE	1	435034704R1
PCB1	R6244	C-CARBON R	RN72K1J-470JE	1	435034704R1
PCB1	R6245	C-CARBON R	RN72K1J-470JE	1	435034704R1
PCB1	R6246	C-CARBON R	RN72K1J-470JE	1	435034704R1

PCB1	R6249	C-CARBON R	RN72K1J-103JE	1	435031034R1
PCB1	R6250	C-CARBON R	RN72K1J-103JE	1	435031034R1
PCB1	R6251	C-CARBON R	RN72K1J-103JE	1	435031034R1
PCB1	R6252	C-CARBON R	RN72K1J-470JE	1	435034704R1
PCB1	R6253	C-CARBON R	RN72K1J-470JE	1	435034704R1
PCB1	R6254	C-CARBON R	RN72K1J-470JE	1	435034704R1
PCB1	R6255	C-CARBON R	RN72K1J-103JE	1	435031034R1
PCB1	R6256	C-CARBON R	RN72K1J-103JE	1	435031034R1
PCB1	R6257	C-CARBON R	RN72K1J-331JE	1	435033314R1
PCB1	R6258	C-CARBON R	RN72K1J-272JE	1	435032724R1
PCB1	R6259	C-CARBON R	RN72K1J-470JE	1	435034704R1
PCB1	R6260	C-CARBON R	RN72K1J-103JE	1	435031034R1
PCB1	R6261	C-CARBON R	RN72K1J-103JE	1	435031034R1
PCB1	R6266	C-CARBON R	RN72K1J-103JE	1	435031034R1
PCB1	R6267	C-CARBON R	RN72K1J-470JE	1	435034704R1
PCB1	R6269	C-CARBON R	RN72K1J-332JE	1	435033324R1
PCB1	R6270	C-CARBON R	RN72K1J-221JE	1	435032214R1
PCB1	R6271	C-CARBON R	RN72K1J-103JE	1	435031034R1
PCB1	R6272	C-CARBON R	RN72K1J-103JE	1	435031034R1
PCB1	R6273	C-CARBON R	RN72K1J-103JE	1	435031034R1
PCB1	R6274	C-CARBON R	RN72K1J-103JE	1	435031034R1
PCB1	R6275	C-CARBON R	RN72K1J-103JE	1	435031034R1
PCB1	R6276	C-CARBON R	RN72K1J-103JE	1	435031034R1
PCB1	R6277	C-CARBON R	RN72K1J-103JE	1	435031034R1
PCB1	R6278	C-CARBON R	RN72K1J-103JE	1	435031034R1
PCB1	R6279	C-CARBON R	RN72K1J-103JE	1	435031034R1
PCB1	R6280	C-CARBON R	RN72K1J-221JE	1	435032214R1
PCB1	R6291	C-CARBON R	RN72K1J-470JE	1	435034704R1
PCB1	R6292	C-CARBON R	RN72K1J-470JE	1	435034704R1
PCB1	R6293	C-CARBON R	RN72K1J-470JE	1	435034704R1
PCB1	R6294	C-CARBON R	RN72K1J-470JE	1	435034704R1
PCB1	R6295	C-CARBON R	RN72K1J-470JE	1	435034704R1
PCB1	R6296	C-CARBON R	RN72K1J-470JE	1	435034704R1
PCB1	R6301	C-CARBON R	RN72K1J-470JE	1	435034704R1
PCB1	R6302	C-CARBON R	RN72K1J-470JE	1	435034704R1
PCB1	R6303	C-CARBON R	RN72K1J-470JE	1	435034704R1
PCB1	R6304	C-CARBON R	RN72K1J-221JE	1	435032214R1
PCB1	R6305	C-CARBON R	RN72K1J-221JE	1	435032214R1
PCB1	R6306	C-CARBON R	RN72K1J-221JE	1	435032214R1
PCB1	R6307	C-CARBON R	RN72K1J-221JE	1	435032214R1
PCB1	R6308	C-CARBON R	RN72K1J-221JE	1	435032214R1
PCB1	R6309	C-CARBON R	RN72K1J-221JE	1	435032214R1
PCB1	R6311	C-CARBON R	RN72K1J-272JE	1	435032724R1
PCB1	R6312	C-CARBON R	RN72K1J-470JE	1	435034704R1
PCB1	R6313	C-CARBON R	RN72K1J-470JE	1	435034704R1
PCB1	R6314	C-CARBON R	RN72K1J-470JE	1	435034704R1
PCB1	R6315	C-CARBON R	RN72K1J-470JE	1	435034704R1
PCB1	R6316	C-CARBON R	RN72K1J-470JE	1	435034704R1
PCB1	R6317	C-CARBON R	RN72K1J-470JE	1	435034704R1
PCB1	R6318	C-CARBON R	RN72K1J-470JE	1	435034704R1
PCB1	R6319	C-CARBON R	RN72K1J-470JE	1	435034704R1
PCB1	R6321	C-CARBON R	RN72K1J-560JE	1	435035604R1
PCB1	R6322	C-CARBON R	RN72K1J-560JE	1	435035604R1
PCB1	R6323	C-CARBON R	RN72K1J-560JE	1	435035604R1
PCB1	R6324	C-CARBON R	RN72K1J-560JE	1	435035604R1
PCB1	R6325	C-CARBON R	RN72K1J-392JE	1	435033924R1

PCB1	R6326	C-CARBON R	RN72K1J-392JE	1	435033924R1
PCB1	R6332	C-CARBON R	RN72K1J-101JE	1	435031014R1
PCB1	R6333	C-CARBON R	RN72K1J-000JE	1	435030004R1
PCB1	R6334	C-CARBON R	RN72K1J-000JE	1	435030004R1
PCB1	R6401	C-CARBON R	RN72K1J-332JE	1	435033324R1
PCB1	R6402	C-CARBON R	RN72K1J-332JE	1	435033324R1
PCB1	R6403	C-CARBON R	RN72K1J-332JE	1	435033324R1
PCB1	R6404	C-CARBON R	RN72K1J-332JE	1	435033324R1
PCB1	R6405	C-CARBON R	RN72K1J-332JE	1	435033324R1
PCB1	R6406	C-CARBON R	RN72K1J-332JE	1	435033324R1
PCB1	R6411	C-CARBON R	RN72K1J-332JE	1	435033324R1
PCB1	R6412	C-CARBON R	RN72K1J-332JE	1	435033324R1
PCB1	R6413	C-CARBON R	RN72K1J-332JE	1	435033324R1
PCB1	R6414	C-CARBON R	RN72K1J-332JE	1	435033324R1
PCB1	R6415	C-CARBON R	RN72K1J-332JE	1	435033324R1
PCB1	R6416	C-CARBON R	RN72K1J-332JE	1	435033324R1
PCB1	R6421	C-CARBON R	RN72K1J-471JE	1	435034714R1
PCB1	R6422	C-CARBON R	RN72K1J-471JE	1	435034714R1
PCB1	R6423	C-CARBON R	RN72K1J-471JE	1	435034714R1
PCB1	R6424	C-CARBON R	RN72K1J-471JE	1	435034714R1
PCB1	R6425	C-CARBON R	RN72K1J-471JE	1	435034714R1
PCB1	R6426	C-CARBON R	RN72K1J-471JE	1	435034714R1
PCB1	R6431	C-CARBON R	RN72K1J-471JE	1	435034714R1
PCB1	R6432	C-CARBON R	RN72K1J-471JE	1	435034714R1
PCB1	R6433	C-CARBON R	RN72K1J-471JE	1	435034714R1
PCB1	R6434	C-CARBON R	RN72K1J-471JE	1	435034714R1
PCB1	R6435	C-CARBON R	RN72K1J-471JE	1	435034714R1
PCB1	R6436	C-CARBON R	RN72K1J-471JE	1	435034714R1
PCB1	R6441	C-CARBON R	RN72K1J-472JE	1	435034724R1
PCB1	R6442	C-CARBON R	RN72K1J-472JE	1	435034724R1
PCB1	R6443	C-CARBON R	RN72K1J-472JE	1	435034724R1
PCB1	R6444	C-CARBON R	RN72K1J-472JE	1	435034724R1
PCB1	R6445	C-CARBON R	RN72K1J-472JE	1	435034724R1
PCB1	R6446	C-CARBON R	RN72K1J-472JE	1	435034724R1
PCB1	R6451	C-CARBON R	RN72K1J-472JE	1	435034724R1
PCB1	R6452	C-CARBON R	RN72K1J-472JE	1	435034724R1
PCB1	R6453	C-CARBON R	RN72K1J-472JE	1	435034724R1
PCB1	R6454	C-CARBON R	RN72K1J-472JE	1	435034724R1
PCB1	R6455	C-CARBON R	RN72K1J-472JE	1	435034724R1
PCB1	R6456	C-CARBON R	RN72K1J-472JE	1	435034724R1
PCB1	R6461	C-CARBON R	RN72K1J-181JE	1	435031814R1
PCB1	R6462	C-CARBON R	RN72K1J-181JE	1	435031814R1
PCB1	R6463	C-CARBON R	RN72K1J-181JE	1	435031814R1
PCB1	R6464	C-CARBON R	RN72K1J-181JE	1	435031814R1
PCB1	R6465	C-CARBON R	RN72K1J-181JE	1	435031814R1
PCB1	R6466	C-CARBON R	RN72K1J-181JE	1	435031814R1
PCB1	R6471	C-CARBON R	RN72K1J-181JE	1	435031814R1
PCB1	R6472	C-CARBON R	RN72K1J-181JE	1	435031814R1
PCB1	R6473	C-CARBON R	RN72K1J-181JE	1	435031814R1
PCB1	R6474	C-CARBON R	RN72K1J-181JE	1	435031814R1
PCB1	R6475	C-CARBON R	RN72K1J-181JE	1	435031814R1
PCB1	R6476	C-CARBON R	RN72K1J-181JE	1	435031814R1
PCB1	R6481	METAL O R	RS1/2WBJ-22	1	443522204
PCB1	R6482	METAL O R	RS1/2WBJ-22	1	443522204
PCB1	R6601	C-CARBON R	RN72K1J-103JE	1	435031034R1
PCB1	R6602	C-CARBON R	RN72K1J-103JE	1	435031034R1

PCB1	R6603	C-CARBON R	RN72K1J-223JE	1	435032234R1
PCB1	R6604	C-CARBON R	RN72K1J-223JE	1	435032234R1
PCB1	R6605	C-CARBON R	RN72K1J-223JE	1	435032234R1
PCB1	R6606	C-CARBON R	RN72K1J-223JE	1	435032234R1
PCB1	R6611	C-CARBON R	RN72K1J-103JE	1	435031034R1
PCB1	R6612	C-CARBON R	RN72K1J-103JE	1	435031034R1
PCB1	R6621	C-CARBON R	RN72K1J-152JE	1	435031524R1
PCB1	R6622	C-CARBON R	RN72K1J-152JE	1	435031524R1
PCB1	R6631	C-CARBON R	RN72K1J-223JE	1	435032234R1
PCB1	R6632	C-CARBON R	RN72K1J-223JE	1	435032234R1
PCB1	R6641	C-CARBON R	RN72K1J-223JE	1	435032234R1
PCB1	R6642	C-CARBON R	RN72K1J-223JE	1	435032234R1
PCB1	R6651	C-CARBON R	RN72K1J-223JE	1	435032234R1
PCB1	R6652	C-CARBON R	RN72K1J-223JE	1	435032234R1
PCB1	R6661	C-CARBON R	RN72K1J-223JE	1	435032234R1
PCB1	R6662	C-CARBON R	RN72K1J-223JE	1	435032234R1
PCB1	R6671	C-CARBON R	RN72K1J-152JE	1	435031524R1
PCB1	R6672	C-CARBON R	RN72K1J-152JE	1	435031524R1
PCB1	R6681	C-CARBON R	RN72K1J-152JE	1	435031524R1
PCB1	R6682	C-CARBON R	RN72K1J-152JE	1	435031524R1
PCB1	R6701	C-CARBON R	RN72K1J-470JE	1	435034704R1
PCB1	R6702	C-CARBON R	RN72K1J-470JE	1	435034704R1
PCB1	R6703	C-CARBON R	RN72K1J-470JE	1	435034704R1
PCB1	R6704	C-CARBON R	RN72K1J-470JE	1	435034704R1
PCB1	R6705	C-CARBON R	RN72K1J-221JE	1	435032214R1
PCB1	R6706	C-CARBON R	RN72K1J-332JE	1	435033324R1
PCB1	R7003	C-CARBON R	RN72K1J-101JE	1	435031014R1
PCB1	R7004	C-CARBON R	RN72K1J-101JE	1	435031014R1
PCB1	R7006	C-CARBON R	RN72K1J-000JE	1	435030004R1
PCB1	R7007	C-CARBON R	RN72K1J-222JE	1	435032224R1
PCB1	R7008	C-CARBON R	RN72K1J-103JE	1	435031034R1
PCB1	R7015	C-CARBON R	RN72K1J-000JE	1	435030004R1
PCB1	R7017	C-CARBON R	RN72K1J-101JE	1	435031014R1
PCB1	R7018	C-CARBON R	RN72K1J-101JE	1	435031014R1
PCB1	R7019	C-CARBON R	RN72K1J-101JE	1	435031014R1
PCB1	R7021	C-CARBON R	RN72K1J-221JE	1	435032214R1
PCB1	R7022	C-CARBON R	RN72K1J-221JE	1	435032214R1
PCB1	R7023	C-CARBON R	RN72K1J-101JE	1	435031014R1
PCB1	R7024	C-CARBON R	RN72K1J-221JE	1	435032214R1
PCB1	R7025	C-CARBON R	RN72K1J-101JE	1	435031014R1
PCB1	R7026	C-CARBON R	RN72K1J-101JE	1	435031014R1
PCB1	R7027	C-CARBON R	RN72K1J-101JE	1	435031014R1
PCB1	R7028	C-CARBON R	RN72K1J-101JE	1	435031014R1
PCB1	R7029	C-CARBON R	RN72K1J-101JE	1	435031014R1
PCB1	R7030	C-CARBON R	RN72K1J-101JE	1	435031014R1
PCB1	R7031	C-CARBON R	RN72K1J-101JE	1	435031014R1
PCB1	R7032	C-CARBON R	RN72K1J-101JE	1	435031014R1
PCB1	R7035	C-CARBON R	RN72K1J-101JE	1	435031014R1
PCB1	R7036	C-CARBON R	RN72K1J-101JE	1	435031014R1
PCB1	R7037	C-CARBON R	RN72K1J-103JE	1	435031034R1
PCB1	R7043	C-CARBON R	RN72K1J-101JE	1	435031014R1
PCB1	R7044	C-CARBON R	RN72K1J-101JE	1	435031014R1
PCB1	R7045	C-CARBON R	RN72K1J-101JE	1	435031014R1
PCB1	R7046	C-CARBON R	RN72K1J-101JE	1	435031014R1
PCB1	R7047	C-CARBON R	RN72K1J-101JE	1	435031014R1
PCB1	R7048	C-CARBON R	RN72K1J-101JE	1	435031014R1

PCB1	R7049	C-CARBON R	RN72K1J-101JE	1	435031014R1	
PCB1	R7050	C-CARBON R	RN72K1J-221JE	1	435032214R1	
PCB1	R7051	C-CARBON R	RN72K1J-331JE	1	435033314R1	
PCB1	R7052	C-CARBON R	RN72K1J-101JE	1	435031014R1	
PCB1	R7053	C-CARBON R	RN72K1J-101JE	1	435031014R1	
PCB1	R7054	C-CARBON R	RN72K1J-101JE	1	435031014R1	
PCB1	R7055	C-CARBON R	RN72K1J-101JE	1	435031014R1	
PCB1	R7056	C-CARBON R	RN72K1J-101JE	1	435031014R1	
PCB1	R7057	C-CARBON R	RN72K1J-101JE	1	435031014R1	
PCB1	R7058	C-CARBON R	RN72K1J-101JE	1	435031014R1	
PCB1	R7059	C-CARBON R	RN72K1J-101JE	1	435031014R1	
PCB1	R7060	C-CARBON R	RN72K1J-101JE	1	435031014R1	
PCB1	R7061	C-CARBON R	RN72K1J-101JE	1	435031014R1	
PCB1	R7062	C-CARBON R	RN72K1J-102JE	1	435031024R1	
PCB1	R7064	C-CARBON R	RN72K1J-223JE	1	435032234R1	
PCB1	R7065	C-CARBON R	RN72K1J-101JE	1	435031014R1	
PCB1	R7066	C-CARBON R	RN72K1J-101JE	1	435031014R1	
PCB1	R7067	C-CARBON R	RN72K1J-331JE	1	435033314R1	
PCB1	R7068	C-CARBON R	RN72K1J-101JE	1	435031014R1	
PCB1	R7071	C-CARBON R	RN72K1J-101JE	1	435031014R1	
PCB1	R7072	C-CARBON R	RN72K1J-101JE	1	435031014R1	
PCB1	R7073	C-CARBON R	RN72K1J-101JE	1	435031014R1	
PCB1	R7074	C-CARBON R	RN72K1J-103JE	1	435031034R1	
PCB1	R7075	C-CARBON R	RN72K1J-103JE	1	435031034R1	
PCB1	R7076	C-CARBON R	RN72K1J-103JE	1	435031034R1	
PCB1	R7077	C-CARBON R	RN72K1J-101JE	1	435031014R1	
PCB1	R7078	C-CARBON R	RN72K1J-101JE	1	435031014R1	
PCB1	R7079	C-CARBON R	RN72K1J-101JE	1	435031014R1	
PCB1	R7080	C-CARBON R	RN72K1J-101JE	1	435031014R1	
PCB1	R7081	C-CARBON R	RN72K1J-101JE	1	435031014R1	
PCB1	R7082	C-CARBON R	RN72K1J-101JE	1	435031014R1	
PCB1	R7083	C-CARBON R	RN72K1J-101JE	1	435031014R1	
PCB1	R7084	C-CARBON R	RN72K1J-101JE	1	435031014R1	
PCB1	R7087	C-CARBON R	RN72K1J-101JE	1	435031014R1	
PCB1	R7088	C-CARBON R	RN72K1J-101JE	1	435031014R1	
PCB1	R7089	C-CARBON R	RN72K1J-101JE	1	435031014R1	
PCB1	R7090	C-CARBON R	RN72K1J-101JE	1	435031014R1	
PCB1	R7091	C-CARBON R	RN72K1J-101JE	1	435031014R1	
PCB1	R7092	C-CARBON R	RN72K1J-101JE	1	435031014R1	
PCB1	R7093	C-CARBON R	RN72K1J-101JE	1	435031014R1	
PCB1	R7094	C-CARBON R	RN72K1J-101JE	1	435031014R1	
PCB1	R7095	C-CARBON R	RN72K1J-101JE	1	435031014R1	
PCB1	R7096	C-CARBON R	RN72K1J-000JE	1	435030004R1	
PCB1	R7097	C-CARBON R	RN72K1J-103JE	1	435031034R1	
PCB1	R7098	C-CARBON R	RN72K1J-101JE	1	435031014R1	
PCB1	R7099	C-CARBON R	RN72K1J-000JE	1	435030004R1	<MDD1N>
PCB1	R7099	C-CARBON R	RN72K1J-333JE	1	435033334R1	<MGQ3P, MGT3P>
PCB1	R7099	C-CARBON R	RN72K1J-333JE	1	435033334R1	<MDT3N>
PCB1	R7099	C-CARBON R	RN72K1J-333JE	1	435033334R1	<MDS4N>
PCB1	R7100	C-CARBON R	RN72K1J-333JE	1	435033334R1	
PCB1	R7103	C-CARBON R	RN72K1J-223JE	1	435032234R1	
PCB1	R7107	C-CARBON R	RN72K1J-104JE	1	435031044R1	
PCB1	R7114	C-CARBON R	RN72K1J-473JE	1	435034734R1	
PCB1	R7120	C-CARBON R	RN72K1J-223JE	1	435032234R1	
PCB1	R7121	C-CARBON R	RN72K1J-223JE	1	435032234R1	
PCB1	R7122	C-CARBON R	RN72K1J-223JE	1	435032234R1	

PCB1	R7129	C-CARBON R	RN72K1J-223JE	1	435032234R1	
PCB1	R7130	C-CARBON R	RN72K1J-223JE	1	435032234R1	
PCB1	R7131	C-CARBON R	RN72K1J-223JE	1	435032234R1	
PCB1	R7132	C-CARBON R	RN72K1J-223JE	1	435032234R1	
PCB1	R7135	C-CARBON R	RN72K1J-222JE	1	435032224R1	
PCB1	R7136	C-CARBON R	RN72K1J-222JE	1	435032224R1	
PCB1	R7138	C-CARBON R	RN72K1J-224JE	1	435032244R1	
PCB1	R7139	C-CARBON R	RN72K1J-223JE	1	435032234R1	
PCB1	R7140	C-CARBON R	RN72K1J-223JE	1	435032234R1	
PCB1	R7141	C-CARBON R	RN72K1J-223JE	1	435032234R1	
PCB1	R7142	C-CARBON R	RN72K1J-223JE	1	435032234R1	
PCB1	R7147	C-CARBON R	RN72K1J-223JE	1	435032234R1	
PCB1	R7148	C-CARBON R	RN72K1J-223JE	1	435032234R1	
PCB1	R7163	C-CARBON R	RN72K1J-101JE	1	435031014R1	
PCB1	R7177	C-CARBON R	RN72K1J-104JE	1	435031044R1	
PCB1	R7180	C-CARBON R	RN72K1J-223JE	1	435032234R1	
PCB1	R7185	C-CARBON R	RN72K1J-223JE	1	435032234R1	
PCB1	R7186	C-CARBON R	RN72K1J-223JE	1	435032234R1	
PCB1	R7190	C-CARBON R	RN72K1J-223JE	1	435032234R1	
PCB1	R7191	C-CARBON R	RN72K1J-223JE	1	435032234R1	
PCB1	R7195	C-CARBON R	RN72K1J-223JE	1	435032234R1	
PCB1	R7196	C-CARBON R	RN72K1J-272JE	1	435032724R1	
PCB1	R7197	C-CARBON R	RN72K1J-223JE	1	435032234R1	
PCB1	R7198	C-CARBON R	RN72K1J-102JE	1	435031024R1	
PCB1	R7199	C-CARBON R	RN72K1J-472JE	1	435034724R1	<MGQ3P, MGT3P>
PCB1	R7199	C-CARBON R	RN72K1J-472JE	1	435034724R1	<MDT3N>
PCB1	R7199	C-CARBON R	RN72K1J-563JE	1	435035634R1	<MDS4N>
PCB1	R7200	C-CARBON R	RN72K1J-472JE	1	435034724R1	<MDD1N>
PCB1	R7200	C-CARBON R	RN72K1J-103JE	1	435031034R1	<MGQ3P, MGT3P>
PCB1	R7200	C-CARBON R	RN72K1J-103JE	1	435031034R1	<MDT3N>
PCB1	R7200	C-CARBON R	RN72K1J-103JE	1	435031034R1	<MDS4N>
PCB1	R7217	C-CARBON R	RN72K1J-101JE	1	435031014R1	
PCB1	R7218	C-CARBON R	RN72K1J-101JE	1	435031014R1	
PCB1	R7219	C-CARBON R	RN72K1J-224JE	1	435032244R1	
PCB1	R7220	C-CARBON R	RN72K1J-103JE	1	435031034R1	
PCB1	R7234	C-CARBON R	RN72K1J-000JE	1	435030004R1	
PCB1	R7235	C-CARBON R	RN72K1J-101JE	1	435031014R1	
PCB1	R7236	C-CARBON R	RN72K1J-101JE	1	435031014R1	
PCB1	R7298	C-CARBON R	RN72K1J-104JE	1	435031044R1	
PCB1	R7301	C-CARBON R	RN72K1J-471JE	1	435034714R1	
PCB1	R7302	C-CARBON R	RN72K1J-103JE	1	435031034R1	
PCB1	R7303	C-CARBON R	RN72K1J-222JE	1	435032224R1	
PCB1	R7304	THERMISTOR	RXE010	1	4000213	
PCB1	P1001	SOCKET	CAM-C16	1	25053104R2	<MDD1N>
PCB1	P1002	SOCKET AS	NSAS-12P1547	1	2009990972UL	<MDD1N>
PCB1	P1003	WS CLAMP	CB-71694(L=30)	1	260260	<MDD1N>
PCB1	P1004	WS CLAMP	CB-71683(L=50)	1	260261	<MDD1N>
PCB1	P1005	WS CLAMP	CB-71694(L=30)	1	260260	<MDD1N>
PCB1	P1301	SOCKET	NSCT-13P1607	1	25051820	
PCB1	P2001B	SOCKET	NSCT-12P1027	1	25051237	
PCB1	P2004B	SOCKET	NSCT-12P1027	1	25051237	
PCB1	P2005B	SOCKET	NSCT-4P1313	1	25051526	
PCB1	P4001	PIN JACK	NPJ-6PDWWWRRR561	1	25045779	
PCB1	P4001 or	PIN JACK	NPJ-6PDRW386	(1)	25045571	
PCB1	P4002	PIN JACK	NPJ-4PDLGEP633	1	25045855	
PCB1	P4002 or	PIN JACK	NPJ4PDLGEP528	(1)	25045742	

PCB1	P4101A	SOCKET AS	NSAS-8P1544	1	2009990971UL	
PCB1	P7001	PLUG	NPLG-8P660	1	25055704	
PCB1	P7002B	SOCKET	NSCT-19P1613	1	25051826	
PCB1	P7301	JACK	HSJ1003-01-020	1	25045172	
PCB1	J2001	PVC	1007#24 .2/7HAND R	1	---	NSP
PCB1	J3002	PVC	1007#24 .2/7HAND B	1	---	NSP, <MDD1N>
PCB1	J4070	PVC	1007#24 .2/7HAND R	1	---	NSP
PCB1	J4091	PVC	1007#24 .2/7HAND B	1	---	NSP
PCB1	J6401	PVC	1007#24 .2/7HAND B	1	---	NSP
PCB1	JL901	JMP LEAD	JL4 120 B	1	---	NSP
PCB1	JL901A	WIRE HOL	NSCT-4P875	1	25051088	
PCB1	JL902	JUMPER LEAD	JL9 200 B	1	---	NSP
PCB1	JL902A	WIRE HOL	NSCT-9P880	1	25051093	
PCB1	JL903	JUMPER LEAD	JL10 150B(6-6)	1	---	NSP
PCB1	JL903A	WIRE HOL	NSCT-10P881	1	25051094	
PCB1	JL905	JUMPER LEAD	JL3 100 B(6-6)	1	---	NSP
PCB1	JL905A	WIRE HOL	NSCT-3P874	1	25051087	
PCB1	JL1001	JUMPER LEAD	JL7 200 B	1	---	NSP, <MDD1N>
PCB1	JL1001A	WIRE HOL	NSCT-7P878	1	25051091	<MDD1N>
PCB1	JL1002	JUMPER LEAD	JL5 250 B	1	---	NSP, <MDD1N>
PCB1	JL1002A	WIRE HOL	NSCT-5P876	1	25051089	<MDD1N>

U02 POWER AMPLIFIER PC BOARD (NAAF-8695-1C/1D/1E/1F)**U03 POWER SUPPLY PC BOARD (NAPS-8696-1C/1D/1E/1F)****U04 FAN DRIVE PC BOARD (NAETC-8697-1C/1D/1E/1F)****U05 TERMINAL PC BOARD (NAETC-8698-1C/1D/1E/1F)**

CIRCUIT NO.	NAME	DESCRIPTION	Q'TY	PART NO.	REMARKS
PCB2	Q904	IC	1	22241642R2	
PCB2	Q921	IC	1	22242240R2	
PCB2	Q922	IC	1	22242222R2	
PCB2	Q968	IC	1	22242270R2	<MDD1N>
PCB2	Q975	IC	1	22278008ENE	
PCB2	Q976	IC	1	222780123	
PCB2	Q2301	IC	1	22274000G1R2TO	
PCB2	Q2301 or	IC	(1)	22274000GR2TO	
PCB2	Q501	TR	1	2216153R2	
PCB2	Q501 or	TR	(1)	2216154R2	
PCB2	Q502	TR	1	2216153R2	
PCB2	Q502 or	TR	(1)	2216154R2	
PCB2	Q503	TR	1	2216153R2	
PCB2	Q503 or	TR	(1)	2216154R2	
PCB2	Q504	TR	1	2216153R2	
PCB2	Q504 or	TR	(1)	2216154R2	
PCB2	Q505	TR	1	2213145R2	
PCB2	Q506	TR	1	2213145R2	
PCB2	Q509	TR	1	2211353	<MDD1N>
PCB2	Q509 or	TR	(1)	2211354	<MDD1N>
PCB2	Q509	TR	1	2211353	<MDS4N>
PCB2	Q509 or	TR	(1)	2211354	<MDS4N>
PCB2	Q509	TR	1	2211455	<MDT3N>
PCB2	Q509	TR	1	2211455	<MGQ3P, MGT3P>
PCB2	Q510	TR	1	2211353	<MDD1N>
PCB2	Q510 or	TR	(1)	2211354	<MDD1N>
PCB2	Q510	TR	1	2211353	<MDS4N>
PCB2	Q510 or	TR	(1)	2211354	<MDS4N>

PCB2	Q510	TR	2SA1015-GR	1	2211455	<MDT3N>
PCB2	Q510	TR	2SA1015-GR	1	2211455	<MGQ3P, MGT3P>
PCB2	Q511	TR	2SA949-O(TPE6_F)	1	2211353	<MDD1N>
PCB2	Q511 or	TR	2SA949-Y(TPE6_F)	(1)	2211354	<MDD1N>
PCB2	Q511	TR	2SA949-O(TPE6_F)	1	2211353	<MDS4N>
PCB2	Q511 or	TR	2SA949-Y(TPE6_F)	(1)	2211354	<MDS4N>
PCB2	Q511	TR	2SA1015-GR	1	2211455	<MDT3N>
PCB2	Q511	TR	2SA1015-GR	1	2211455	<MGQ3P, MGT3P>
PCB2	Q512	TR	2SA949-O(TPE6_F)	1	2211353	<MDD1N>
PCB2	Q512 or	TR	2SA949-Y(TPE6_F)	(1)	2211354	<MDD1N>
PCB2	Q512	TR	2SA949-O(TPE6_F)	1	2211353	<MDS4N>
PCB2	Q512 or	TR	2SA949-Y(TPE6_F)	(1)	2211354	<MDS4N>
PCB2	Q512	TR	2SA1015-GR	1	2211455	<MDT3N>
PCB2	Q512	TR	2SA1015-GR	1	2211455	<MGQ3P, MGT3P>
PCB2	Q515	TR	2SA949-O(TPE6_F)	1	2211353	<MDD1N>
PCB2	Q515 or	TR	2SA949-Y(TPE6_F)	(1)	2211354	<MDD1N>
PCB2	Q515	TR	2SA949-O(TPE6_F)	1	2211353	<MDS4N>
PCB2	Q515 or	TR	2SA949-Y(TPE6_F)	(1)	2211354	<MDS4N>
PCB2	Q515	TR	2SA1015-GR	1	2211455	<MDT3N>
PCB2	Q515	TR	2SA1015-GR	1	2211455	<MGQ3P, MGT3P>
PCB2	Q516	TR	2SA949-O(TPE6_F)	1	2211353	<MDD1N>
PCB2	Q516 or	TR	2SA949-Y(TPE6_F)	(1)	2211354	<MDD1N>
PCB2	Q516	TR	2SA949-O(TPE6_F)	1	2211353	<MDS4N>
PCB2	Q516 or	TR	2SA949-Y(TPE6_F)	(1)	2211354	<MDS4N>
PCB2	Q516	TR	2SA1015-GR	1	2211455	<MDT3N>
PCB2	Q516	TR	2SA1015-GR	1	2211455	<MGQ3P, MGT3P>
PCB2	Q517	TR	2SC2229-O(TPE6_F)	1	2211633	<MDD1N>
PCB2	Q517 or	TR	2SC2229-Y(TPE6_F)	(1)	2211634	<MDD1N>
PCB2	Q517	TR	2SC2229-O(TPE6_F)	1	2211633	<MDS4N>
PCB2	Q517 or	TR	2SC2229-Y(TPE6_F)	(1)	2211634	<MDS4N>
PCB2	Q517	TR	2SC1815-GR	1	2211255	<MDT3N>
PCB2	Q517	TR	2SC1815-GR	1	2211255	<MGQ3P, MGT3P>
PCB2	Q518	TR	2SC2229-O(TPE6_F)	1	2211633	<MDD1N>
PCB2	Q518 or	TR	2SC2229-Y(TPE6_F)	(1)	2211634	<MDD1N>
PCB2	Q518	TR	2SC2229-O(TPE6_F)	1	2211633	<MDS4N>
PCB2	Q518 or	TR	2SC2229-Y(TPE6_F)	(1)	2211634	<MDS4N>
PCB2	Q518	TR	2SC1815-GR	1	2211255	<MDT3N>
PCB2	Q518	TR	2SC1815-GR	1	2211255	<MGQ3P, MGT3P>
PCB2	Q519	TR	2SC2229-O(TPE6_F)	1	2211633	<MDD1N>
PCB2	Q519 or	TR	2SC2229-Y(TPE6_F)	(1)	2211634	<MDD1N>
PCB2	Q519	TR	2SC2229-O(TPE6_F)	1	2211633	<MDS4N>
PCB2	Q519 or	TR	2SC2229-Y(TPE6_F)	(1)	2211634	<MDS4N>
PCB2	Q519	TR	2SC1815-GR	1	2211255	<MDT3N>
PCB2	Q519	TR	2SC1815-GR	1	2211255	<MGQ3P, MGT3P>
PCB2	Q520	TR	2SC2229-O(TPE6_F)	1	2211633	<MDD1N>
PCB2	Q520 or	TR	2SC2229-Y(TPE6_F)	(1)	2211634	<MDD1N>
PCB2	Q520	TR	2SC2229-O(TPE6_F)	1	2211633	<MDS4N>
PCB2	Q520 or	TR	2SC2229-Y(TPE6_F)	(1)	2211634	<MDS4N>
PCB2	Q520	TR	2SC1815-GR	1	2211255	<MDT3N>
PCB2	Q520	TR	2SC1815-GR	1	2211255	<MGQ3P, MGT3P>
PCB2	Q551	TR	2SC2713-GR(TE85R_F)	1	2213135R2	<MDD1N>
PCB2	Q551	TR	2SC2713-GR(TE85R_F)	1	2213135R2	<MDS4N>
PCB2	Q551	TR	2SC2712-GR	1	2213145R2	<MDT3N>
PCB2	Q551	TR	2SC2712-GR	1	2213145R2	<MGQ3P, MGT3P>
PCB2	Q552	TR	2SC2713-GR(TE85R_F)	1	2213135R2	<MDD1N>
PCB2	Q552	TR	2SC2713-GR(TE85R_F)	1	2213135R2	<MDS4N>

PCB2	Q552	TR	2SC2712-GR	1	2213145R2	<MDT3N>
PCB2	Q552	TR	2SC2712-GR	1	2213145R2	<MGQ3P, MGT3P>
PCB2	Q553	TR	2SC3421-O	1	2212653	<MDD1N>
PCB2	Q553 or	TR	2SC3421-Y(Q)	(1)	2212654	<MDD1N>
PCB2	Q553	TR	2SC3421-O	1	2212653	<MDS4N>
PCB2	Q553 or	TR	2SC3421-Y(Q)	(1)	2212654	<MDS4N>
PCB2	Q553	TR	2SC2235-O(TPE6_F)	1	2211653	<MDT3N>
PCB2	Q553 or	TR	2SC2235-Y(TPE6_F)	(1)	2211654	<MDT3N>
PCB2	Q553	TR	2SC2235-O(TPE6_F)	1	2211653	<MGQ3P, MGT3P>
PCB2	Q553 or	TR	2SC2235-Y(TPE6_F)	(1)	2211654	<MGQ3P, MGT3P>
PCB2	Q554	TR	2SC3421-O	1	2212653	<MDD1N>
PCB2	Q554 or	TR	2SC3421-Y(Q)	(1)	2212654	<MDD1N>
PCB2	Q554	TR	2SC3421-O	1	2212653	<MDS4N>
PCB2	Q554 or	TR	2SC3421-Y(Q)	(1)	2212654	<MDS4N>
PCB2	Q554	TR	2SC2235-O(TPE6_F)	1	2211653	<MDT3N>
PCB2	Q554 or	TR	2SC2235-Y(TPE6_F)	(1)	2211654	<MDT3N>
PCB2	Q554	TR	2SC2235-O(TPE6_F)	1	2211653	<MGQ3P, MGT3P>
PCB2	Q554 or	TR	2SC2235-Y(TPE6_F)	(1)	2211654	<MGQ3P, MGT3P>
PCB2	Q555	TR	2SA1358-O	1	2212643	<MDD1N>
PCB2	Q555 or	TR	2SA1358-Y(Q)	(1)	2212644	<MDD1N>
PCB2	Q555	TR	2SA1358-O	1	2212643	<MDS4N>
PCB2	Q555 or	TR	2SA1358-Y(Q)	(1)	2212644	<MDS4N>
PCB2	Q555	TR	2SA965-O(TPE6_F)	1	2211643	<MDT3N>
PCB2	Q555 or	TR	2SA965-Y(TPE6_F)	(1)	2211644	<MDT3N>
PCB2	Q555	TR	2SA965-O(TPE6_F)	1	2211643	<MGQ3P, MGT3P>
PCB2	Q555 or	TR	2SA965-Y(TPE6_F)	(1)	2211644	<MGQ3P, MGT3P>
PCB2	Q556	TR	2SA1358-O	1	2212643	<MDD1N>
PCB2	Q556 or	TR	2SA1358-Y(Q)	(1)	2212644	<MDD1N>
PCB2	Q556	TR	2SA1358-O	1	2212643	<MDS4N>
PCB2	Q556 or	TR	2SA1358-Y(Q)	(1)	2212644	<MDS4N>
PCB2	Q556	TR	2SA965-O(TPE6_F)	1	2211643	<MDT3N>
PCB2	Q556 or	TR	2SA965-Y(TPE6_F)	(1)	2211644	<MDT3N>
PCB2	Q556	TR	2SA965-O(TPE6_F)	1	2211643	<MGQ3P, MGT3P>
PCB2	Q556 or	TR	2SA965-Y(TPE6_F)	(1)	2211644	<MGQ3P, MGT3P>
PCB2	Q561	TR	2SA1163-BL(TE85L_F)	1	2216756R2	<MDD1N>
PCB2	Q561	TR	2SA1163-BL(TE85L_F)	1	2216756R2	<MDS4N>
PCB2	Q561	TR	2SA1162-GR	1	2214375R2	<MDT3N>
PCB2	Q561	TR	2SA1162-GR	1	2214375R2	<MGQ3P, MGT3P>
PCB2	Q562	TR	2SA1163-BL(TE85L_F)	1	2216756R2	<MDD1N>
PCB2	Q562	TR	2SA1163-BL(TE85L_F)	1	2216756R2	<MDS4N>
PCB2	Q562	TR	2SA1162-GR	1	2214375R2	<MDT3N>
PCB2	Q562	TR	2SA1162-GR	1	2214375R2	<MGQ3P, MGT3P>
PCB2	Q581	TR	2SC2713-GR(TE85R_F)	1	2213135R2	<MDD1N>
PCB2	Q581	TR	2SC2713-GR(TE85R_F)	1	2213135R2	<MDS4N>
PCB2	Q581	TR	2SC2712-GR	1	2213145R2	<MDT3N>
PCB2	Q581	TR	2SC2712-GR	1	2213145R2	<MGQ3P, MGT3P>
PCB2	Q582	TR	2SC2713-GR(TE85R_F)	1	2213135R2	<MDD1N>
PCB2	Q582	TR	2SC2713-GR(TE85R_F)	1	2213135R2	<MDS4N>
PCB2	Q582	TR	2SC2712-GR	1	2213145R2	<MDT3N>
PCB2	Q582	TR	2SC2712-GR	1	2213145R2	<MGQ3P, MGT3P>
PCB2	Q583	TR	2SA1163-BL(TE85L_F)	1	2216756R2	<MDD1N>
PCB2	Q583	TR	2SA1163-BL(TE85L_F)	1	2216756R2	<MDS4N>
PCB2	Q583	TR	2SA1162-GR	1	2214375R2	<MDT3N>
PCB2	Q583	TR	2SA1162-GR	1	2214375R2	<MGQ3P, MGT3P>
PCB2	Q591	TR	DTC123JS	1	2213640	
PCB2	Q592	TR	DTA114YKA	1	2216480R2	

PCB2	Q595	TR	2SC2712-GR	1	2213145R2
PCB2	Q596	TR	2SA1162-GR	1	2214375R2
PCB2	Q901	TR	DTC123JKA	1	2216690R2
PCB2	Q902	TR	2SA1015-GR	1	2211455
PCB2	Q9301	TR	2SK365-GR	1	2212445
PCB2	Q9302	TR	2SC2712-GR	1	2213145R2
PCB2	Q9303	TR	2SC2712-GR	1	2213145R2
PCB2	Q9304	TR	2SC2120-Y	1	2211164
PCB2	Q9305	TR	DTC114EKA	1	2216250R2
PCB2	D501	C-DIODE	ISS352	1	223234R2
PCB2	D501 or	C-DIODE	ISS355	(1)	223269R2
PCB2	D502	C-DIODE	ISS352	1	223234R2
PCB2	D502 or	C-DIODE	ISS355	(1)	223269R2
PCB2	D503	ZENER D	UDZS5.6B	1	224550560R2
PCB2	D503 or	ZENER D	HZU5.6B	(1)	224660564R2
PCB2	D504	ZENER D	UDZS5.6B	1	224550560R2
PCB2	D504 or	ZENER D	HZU5.6B	(1)	224660564R2
PCB2	D581	ZENER D	UDZS5.1B	1	224550510R2
PCB2	D581 or	ZENER D	HZU5.1B	(1)	224660514R2
PCB2	D591	C-DIODE	ISS352	1	223234R2
PCB2	D591 or	C-DIODE	ISS355	(1)	223269R2
PCB2	D595	C-DIODE	ISS352	1	223234R2
PCB2	D595 or	C-DIODE	ISS355	(1)	223269R2
PCB2	D901	C-DIODE	S1NB60-4062	1	22380318R2
PCB2	D902	DIODE	RL1N4003	1	22380260
PCB2	D902 or	DIODE	GP104003E	(1)	22380035
PCB2	D903	DIODE	RL1N4003	1	22380260
PCB2	D903 or	DIODE	GP104003E	(1)	22380035
PCB2	D905	ZENER D	UDZS5.1B	1	224550510R2
PCB2	D905 or	ZENER D	HZU5.1B	(1)	224660514R2
PCB2	D906	C-DIODE	ISS352	1	223234R2
PCB2	D906 or	C-DIODE	ISS355	(1)	223269R2
PCB2	D912	C-DIODE	ISS355	1	223269R2
PCB2	D912 or	C-DIODE	ISS352	(1)	223234R2
PCB2	D913	C-DIODE	ISS355	1	223269R2
PCB2	D913 or	C-DIODE	ISS352	(1)	223234R2
PCB2	D921	DIODE	D3SBA20	1	22380271F
PCB2	D921 or	DIODE	RBV402	(1)	22380022F
PCB2	D921A	HEAT-SINK	HEAT-SINK(DX-200)	1	27160166
PCB2	D921B	SCREW	3P+10FN(3BC)	1	82143010GR
PCB2	D922	DIODE	RL1N4003	1	22380260
PCB2	D922 or	DIODE	GP104003E	(1)	22380035
PCB2	D923	DIODE	RL1N4003	1	22380260
PCB2	D923 or	DIODE	GP104003E	(1)	22380035
PCB2	D931	DIODE	RL1N4003	1	22380260
PCB2	D931 or	DIODE	GP104003E	(1)	22380035
PCB2	D932	DIODE	RL1N4003	1	22380260
PCB2	D932 or	DIODE	GP104003E	(1)	22380035
PCB2	D933	DIODE	RL1N4003	1	22380260
PCB2	D933 or	DIODE	GP104003E	(1)	22380035
PCB2	D934	DIODE	RL1N4003	1	22380260
PCB2	D934 or	DIODE	GP104003E	(1)	22380035
PCB2	D935	ZENER D	UDZS11B	1	224551100R2
PCB2	D935 or	ZENER D	HZU11B	(1)	224661104R2
PCB2	D936	ZENER D	UDZS11B	1	224551100R2
PCB2	D936 or	ZENER D	HZU11B	(1)	224661104R2

PCB2	D941	DIODE	RL1N4003	1	22380260	
PCB2	D941 or	DIODE	GP104003E	(1)	22380035	
PCB2	D942	ZENER D	UDZS7.5B	1	224550750R2	
PCB2	D942 or	ZENER D	HZU7.5B	(1)	224660754R2	
PCB2	D943	ZENER D	UDZS27B	1	224552700R2	
PCB2	D943 or	ZENER D	HZU27B	(1)	224662704R2	
PCB2	D944	DIODE	RL1N4003	1	22380260	
PCB2	D944 or	DIODE	GP104003E	(1)	22380035	
PCB2	D951	DIODE	D3SBA20	1	22380271F	
PCB2	D951 or	DIODE	RBV402	(1)	22380022F	
PCB2	D951A	HEAT-SINK	HEAT-SINK(DX-200)	1	27160166	
PCB2	D951B	SCREW	3P+10FN(3BC)	1	82143010GR	
PCB2	D961	DIODE	D3SBA20	1	22380271F	<MDD1N>
PCB2	D961 or	DIODE	RBV402	(1)	22380022F	<MDD1N>
PCB2	D971	DIODE	D3SBA20	1	22380271F	
PCB2	D971 or	DIODE	RBV402	(1)	22380022F	
PCB2	D972	DIODE	RL1N4003	1	22380260	
PCB2	D973	DIODE	RL1N4003	1	22380260	
PCB2	D9301	C-DIODE	ISS355	1	223269R2	
PCB2	D9301 or	C-DIODE	ISS352	(1)	223234R2	
PCB2	D9302	ZENER D	UDZS8.2B	1	224550820R2	
PCB2	D9302 or	ZENER D	HZU8.2B	(1)	224660824R2	
PCB2	T902	P TRANS	NPT-1520JQ	1	2301812	!, <MDD1N>
PCB2	T902	P TRANS	NPT-1519GQ	1	2301811	!, <MGQ3P, MGT3P>
PCB2	T902	P TRANS	NPT-1520JQ	1	2301812	!, <MDT3N>
PCB2	T902	P TRANS	NPT-1520JQ	1	2301812	!, <MDS4N>
PCB2	L571	S COIL	S-1.3C	1	231176S	
PCB2	L572	S COIL	S-1.3C	1	231176S	
PCB2	L901	CHOKE COIL	NCH-3581	1	231301	!
PCB2	L901 or	CHOKE COIL	NCH-3489	(1)	231252	!
PCB2	L901 or	CHOKE COIL	NCH-3567	(1)	231287	!
PCB2	L901 or	CHOKE COIL	NCH-3584	(1)	231305	!
PCB2	C501	VX C	CE04W50V-47M(VX)	1	393384707	
PCB2	C502	VX C	CE04W50V-47M(VX)	1	393384707	
PCB2	C503	TF C	ECQ-B50V-221K	1	374722215	
PCB2	C504	TF C	ECQ-B50V-221K	1	374722215	
PCB2	C505	VX C	CE04W16V-22M(VX)	1	393342207	
PCB2	C506	VX C	CE04W16V-22M(VX)	1	393342207	
PCB2	C509	VX C	CE04W6.3V-220M(VX)	1	393322217	
PCB2	C510	VX C	CE04W6.3V-220M(VX)	1	393322217	
PCB2	C511	C-CERA C	CC725CH1H-020C1	1	342100201R1	
PCB2	C512	C-CERA C	CC725CH1H-020C1	1	342100201R1	
PCB2	C517	VX C	CE04W50V-10M(VX)	1	393381007	
PCB2	C518	VX C	CE04W50V-10M(VX)	1	393381007	
PCB2	C525	C-CERA C	CC725CH1H-220J1	1	342102204R1	
PCB2	C526	C-CERA C	CC725CH1H-220J1	1	342102204R1	
PCB2	C541	VX C	CE04W35V-100M(VX)	1	393361017	
PCB2	C542	VX C	CE04W35V-100M(VX)	1	393361017	
PCB2	C551	VX C	CE04W50V-10M(VX)	1	393381007	
PCB2	C552	VX C	CE04W50V-10M(VX)	1	393381007	
PCB2	C553	TF C	ECQ-V50V-473J	1	374724734	
PCB2	C554	TF C	ECQ-V50V-473J	1	374724734	
PCB2	C555	C-CERA C	CK725B1H-102K1	1	332101025R1	
PCB2	C556	C-CERA C	CK725B1H-102K1	1	332101025R1	
PCB2	C557	C-CERA C	CK725B1H-102K1	1	332101025R1	
PCB2	C558	C-CERA C	CK725B1H-102K1	1	332101025R1	

PCB2	C559	C-CERA C	CK725B1H-472K1	1	332104725R1	
PCB2	C583	VR C	CE04W50V-1M(VR)	1	394680107	
PCB2	C591	C-CERA C	CK725F1H-104Z1	1	332151040R1	
PCB2	C595	VR C	CE04W6.3V-100M(VR)	1	394621017	
PCB2	C901	IS C	DE1007E472M-KY	1	3300063	
PCB2	C902	IS C	DE1007E472M-KY	1	3300063	
PCB2	C903	IS C	MKP R46 103M	1	3500202S	
PCB2	C904	C-CERA C	CK725F1H-104Z1	1	332151040R1	
PCB2	C905	TF C	ECQ-B50V-223J	1	374722234	
PCB2	C906	VR C	CE04W16V-470M(VR)	1	394644717	
PCB2	C907	VR C	CE04W16V-2200M(VR)	1	394642227S	
PCB2	C909	VR C	CE04W50V-4.7M(VR)	1	394680477	
PCB2	C910	C-CERA C	CK725F1H-104Z1	1	332151040R1	
PCB2	C911	C-CERA C	CK725F1H-104Z1	1	332151040R1	
PCB2	C912	C-CERA C	CK725F1H-103Z1	1	332151030R1	
PCB2	C921	TF C	ECQ-V50V-334J	1	374723344	
PCB2	C922	VR C	CE04W16V-10000M(VR)	1	394641037S	
PCB2	C923	VR C	CE04W16V-47M(VR)	1	394644707	
PCB2	C924	VR C	CE04W6.3V-100M(VR)	1	394621017	
PCB2	C925	VR C	CE04W6.3V-100M(VR)	1	394621017	
PCB2	C926	VR C	CE04W50V-10M(VR)	1	394681007	
PCB2	C931	TF C	ECQ-V50V-334J	1	374723344	
PCB2	C932	TF C	ECQ-V50V-334J	1	374723344	
PCB2	C933	VR C	CE04W25V-2200M(VR)	1	394652227S	
PCB2	C934	VR C	CE04W25V-1000M(VR)	1	394651027S	
PCB2	C935	VR C	CE04W16V-220M(VR)	1	394642217	
PCB2	C936	VR C	CE04W16V-220M(VR)	1	394642217	
PCB2	C937	C-CERA C	CK725F1H-104Z1	1	332151040R1	
PCB2	C938	C-CERA C	CK725F1H-104Z1	1	332151040R1	
PCB2	C939	VR C	CE04W16V-220M(VR)	1	394642217	
PCB2	C940	VR C	CE04W16V-220M(VR)	1	394642217	
PCB2	C941	VR C	CE04W63V-220M(VR)	1	394672217	
PCB2	C942	C-CERA C	CK725F1H-223Z1	1	332152230R1	
PCB2	C943	TF C	ECQ-V50V-104J	1	374721044	
PCB2	C944	TF C	ECQ-V50V-104J	1	374721044	
PCB2	C951	TF C	ECQ-V50V-334J	1	374723344	
PCB2	C952	TF C	ECQ-V50V-334J	1	374723344	
PCB2	C953	VX C	CE04W35V-3300M(VX)	1	393363327S	
PCB2	C954	VX C	CE04W35V-3300M(VX)	1	393363327S	
PCB2	C961	TF C	ECQ-V50V-334J	1	374723344	<MDD1N>
PCB2	C965	VR C	CE04W16V-4700M(VR)	1	394644727S	<MDD1N>
PCB2	C968	VR C	CE04W16V-47M(VR)	1	394644707	<MDD1N>
PCB2	C969	VR C	CE04W6.3V-100M(VR)	1	394621017	<MDD1N>
PCB2	C971	TF C	ECQ-V50V-334J	1	374723344	
PCB2	C972	VR C	CE04W25V-4700M(VR)	1	394654727S	
PCB2	C973	VR C	CE04W35V-47M(VR)	1	394664707	
PCB2	C974	VR C	CE04W16V-100M(VR)	1	394641017	
PCB2	C975	VR C	CE04W35V-47M(VR)	1	394664707	
PCB2	C976	VR C	CE04W16V-100M(VR)	1	394641017	
PCB2	C977	VR C	CE04W35V-47M(VR)	1	394664707	
PCB2	C978	VR C	CE04W35V-100M(VR)	1	394661017	
PCB2	C979	VR C	CE04W16V-47M(VR)	1	394644707	
PCB2	C2003	C-CERA C	CK725F1H-104Z1	1	332151040R1	
PCB2	C2004	C-CERA C	CK725F1H-104Z1	1	332151040R1	
PCB2	C2005	C-CERA C	CK725F1H-104Z1	1	332151040R1	
PCB2	C3501	C-CERA C	CK725F1H-104Z1	1	332151040R1	

PCB2	C9301	VX C	CE04W50V-10M(VX)	1	393381007	
PCB2	C9302	VX C	CE04W35V-47M(VX)	1	393364707	
PCB2	C9303	C-CERA C	CK725F1H-104Z1	1	332151040R1	
PCB2	R501	C-CARBON R	RN72K1J-563JE	1	435035634R1	
PCB2	R502	C-CARBON R	RN72K1J-563JE	1	435035634R1	
PCB2	R503	C-CARBON R	RN72K1J-123JE	1	435031234R1	
PCB2	R504	C-CARBON R	RN72K1J-123JE	1	435031234R1	
PCB2	R505	C-CARBON R	RN72K1J-223JE	1	435032234R1	
PCB2	R506	C-CARBON R	RN72K1J-223JE	1	435032234R1	
PCB2	R507	C-CARBON R	RN72K1J-471JE	1	435034714R1	
PCB2	R508	C-CARBON R	RN72K1J-471JE	1	435034714R1	
PCB2	R509	C-CARBON R	RN72K1J-821JE	1	435038214R1	
PCB2	R510	C-CARBON R	RN72K1J-821JE	1	435038214R1	
PCB2	R511	C-CARBON R	RN72K1J-821JE	1	435038214R1	
PCB2	R512	C-CARBON R	RN72K1J-821JE	1	435038214R1	
PCB2	R513	C-CARBON R	RN72K1J-392JE	1	435033924R1	<MDD1N>
PCB2	R513	C-CARBON R	RN72K1J-392JE	1	435033924R1	<MDS4N>
PCB2	R513	C-CARBON R	RN72K1J-332JE	1	435033324R1	<MGQ3P, MGT3P>
PCB2	R513	C-CARBON R	RN72K1J-332JE	1	435033324R1	<MDT3N>
PCB2	R514	C-CARBON R	RN72K1J-392JE	1	435033924R1	<MDD1N>
PCB2	R514	C-CARBON R	RN72K1J-392JE	1	435033924R1	<MDS4N>
PCB2	R514	C-CARBON R	RN72K1J-332JE	1	435033324R1	<MGQ3P, MGT3P>
PCB2	R514	C-CARBON R	RN72K1J-332JE	1	435033324R1	<MDT3N>
PCB2	R515	C-CARBON R	RN72K1J-122JE	1	435031224R1	
PCB2	R516	C-CARBON R	RN72K1J-122JE	1	435031224R1	
PCB2	R517	C-CARBON R	RN72K1J-104JE	1	435031044R1	
PCB2	R518	C-CARBON R	RN72K1J-104JE	1	435031044R1	
PCB2	R519	METAL O R	RS1/2WBJ-39	1	443523904	
PCB2	R520	METAL O R	RS1/2WBJ-39	1	443523904	
PCB2	R521	METAL O R	RS1/2WBJ-39	1	443523904	
PCB2	R522	METAL O R	RS1/2WBJ-39	1	443523904	
PCB2	R523	C-CARBON R	RN72K1J-472JE	1	435034724R1	<MDD1N>
PCB2	R523	C-CARBON R	RN72K1J-472JE	1	435034724R1	<MDS4N>
PCB2	R523	C-CARBON R	RN72K1J-682JE	1	435036824R1	<MGQ3P, MGT3P>
PCB2	R523	C-CARBON R	RN72K1J-682JE	1	435036824R1	<MDT3N>
PCB2	R524	C-CARBON R	RN72K1J-472JE	1	435034724R1	<MDD1N>
PCB2	R524	C-CARBON R	RN72K1J-472JE	1	435034724R1	<MDS4N>
PCB2	R524	C-CARBON R	RN72K1J-682JE	1	435036824R1	<MGQ3P, MGT3P>
PCB2	R524	C-CARBON R	RN72K1J-682JE	1	435036824R1	<MDT3N>
PCB2	R525	C-CARBON R	RN72K1J-183JE	1	435031834R1	
PCB2	R526	C-CARBON R	RN72K1J-183JE	1	435031834R1	
PCB2	R527	C-CARBON R	RN72K1J-183JE	1	435031834R1	
PCB2	R528	C-CARBON R	RN72K1J-183JE	1	435031834R1	
PCB2	R533	METAL O R	RS1/2WBJ-33	1	443523304	
PCB2	R534	METAL O R	RS1/2WBJ-33	1	443523304	
PCB2	R535	METAL O R	RS1/2WBJ-39	1	443523904	
PCB2	R536	METAL O R	RS1/2WBJ-39	1	443523904	
PCB2	R537	C-CARBON R	RN72K1J-181JE	1	435031814R1	
PCB2	R538	C-CARBON R	RN72K1J-181JE	1	435031814R1	
PCB2	R539	C-CARBON R	RN72K1J-181JE	1	435031814R1	
PCB2	R540	C-CARBON R	RN72K1J-181JE	1	435031814R1	
PCB2	R541	METAL O R	RS1/2WBJ-22	1	443522204	
PCB2	R542	METAL O R	RS1/2WBJ-22	1	443522204	
PCB2	R543	C-CARBON R	RN72K1J-471JE	1	435034714R1	
PCB2	R544	C-CARBON R	RN72K1J-471JE	1	435034714R1	
PCB2	R545	C-CARBON R	RN72K1J-563JE	1	435035634R1	

PCB2	R546	C-CARBON R	RN72K1J-563JE	1	435035634R1	
PCB2	R547	C-CARBON R	RN72K1J-104JE	1	435031044R1	
PCB2	R548	C-CARBON R	RN72K1J-104JE	1	435031044R1	
PCB2	R551	C-CARBON R	RN72K1J-152FE	1	435031522R1	
PCB2	R552	C-CARBON R	RN72K1J-152FE	1	435031522R1	
PCB2	R553	C-CARBON R	RN72K1J-561FE	1	435035612R1	<MDD1N>
PCB2	R553	C-CARBON R	RN72K1J-561FE	1	435035612R1	<MDS4N>
PCB2	R553	C-CARBON R	RN72K1J-681FE	1	435036812R1	<MGQ3P, MGT3P>
PCB2	R553	C-CARBON R	RN72K1J-681FE	1	435036812R1	<MDT3N>
PCB2	R554	C-CARBON R	RN72K1J-561FE	1	435035612R1	<MDD1N>
PCB2	R554	C-CARBON R	RN72K1J-561FE	1	435035612R1	<MDS4N>
PCB2	R554	C-CARBON R	RN72K1J-681FE	1	435036812R1	<MGQ3P, MGT3P>
PCB2	R554	C-CARBON R	RN72K1J-681FE	1	435036812R1	<MDT3N>
<Note>						
Circuit No. : R551 - R554 ---> Resistance tolerance : F class (+I / -I %)						
PCB2	R555	C-CARBON R	RN72K1J-223JE	1	435032234R1	<MDD1N>
PCB2	R555	C-CARBON R	RN72K1J-223JE	1	435032234R1	<MDS4N>
PCB2	R555	C-CARBON R	RN72K1J-472FE	1	435034722R1	<MGQ3P, MGT3P>
PCB2	R555	C-CARBON R	RN72K1J-472FE	1	435034722R1	<MDT3N>
PCB2	R556	C-CARBON R	RN72K1J-223JE	1	435032234R1	<MDD1N>
PCB2	R556	C-CARBON R	RN72K1J-223JE	1	435032234R1	<MDS4N>
PCB2	R556	C-CARBON R	RN72K1J-472FE	1	435034722R1	<MGQ3P, MGT3P>
PCB2	R556	C-CARBON R	RN72K1J-472FE	1	435034722R1	<MDT3N>
<Note>						
Circuit No. : R555 - R556 ---> Resistance tolerance : F class (+I / -I %) MDD1N / MDS4N						
PCB2	R557	METAL O R	RS1/2WBJ-82	1	443528204	
PCB2	R558	METAL O R	RS1/2WBJ-82	1	443528204	
PCB2	R5581	C-CARBON R	RN72K1J-392JE	1	435033924R1	
PCB2	R5582	C-CARBON R	RN72K1J-822JE	1	435038224R1	
PCB2	R559	METAL O R	RS2WBJ-0.22	1	442722294PF	
PCB2	R559 or	METAL R	RNU2WCJ-0.22	(1)	452732294F	
PCB2	R560	METAL O R	RS2WBJ-0.22	1	442722294PF	
PCB2	R560 or	METAL R	RNU2WCJ-0.22	(1)	452732294F	
PCB2	R561	METAL O R	RS2WBJ-0.22	1	442722294PF	
PCB2	R561 or	METAL R	RNU2WCJ-0.22	(1)	452732294F	
PCB2	R562	METAL O R	RS2WBJ-0.22	1	442722294PF	
PCB2	R562 or	METAL R	RNU2WCJ-0.22	(1)	452732294F	
PCB2	R563	METAL R	RNU1/2WCJ-8.2	1	453530824	
PCB2	R564	METAL R	RNU1/2WCJ-8.2	1	453530824	
PCB2	R567	METAL O R	RS1/2WBJ-390	1	443523914	
PCB2	R568	METAL O R	RS1/2WBJ-390	1	443523914	
PCB2	R571	METAL R	RNU1/2WCJ-5.6	1	453530564	
PCB2	R572	METAL R	RNU1/2WCJ-5.6	1	453530564	
PCB2	R573	C-CARBON R	RN72K1J-333JE	1	435033334R1	
PCB2	R574	C-CARBON R	RN72K1J-333JE	1	435033334R1	
PCB2	R575	C-CARBON R	RN72K1J-223JE	1	435032234R1	
PCB2	R577	C-CARBON R	RN72K1J-561JE	1	435035614R1	
PCB2	R578	C-CARBON R	RN72K1J-561JE	1	435035614R1	
PCB2	R581	C-CARBON R	RN72K1J-123JE	1	435031234R1	
PCB2	R582	C-CARBON R	RN72K1J-123JE	1	435031234R1	
PCB2	R583	C-CARBON R	RN72K1J-472JE	1	435034724R1	<MDD1N>
PCB2	R583	C-CARBON R	RN72K1J-472JE	1	435034724R1	<MDS4N>
PCB2	R583	C-CARBON R	RN72K1J-562JE	1	435035624R1	<MGQ3P, MGT3P>
PCB2	R583	C-CARBON R	RN72K1J-562JE	1	435035624R1	<MDT3N>
PCB2	R584	C-CARBON R	RN72K1J-472JE	1	435034724R1	<MDD1N>
PCB2	R584	C-CARBON R	RN72K1J-472JE	1	435034724R1	<MDS4N>

PCB2	R584	C-CARBON R	RN72K1J-562JE	1	435035624R1	<MGQ3P, MGT3P>
PCB2	R584	C-CARBON R	RN72K1J-562JE	1	435035624R1	<MDT3N>
PCB2	R585	C-CARBON R	RN72K1J-333JE	1	435033334R1	
PCB2	R586	C-CARBON R	RN72K1J-333JE	1	435033334R1	
PCB2	R587	C-CARBON R	RN72K1J-103JE	1	435031034R1	
PCB2	R588	C-CARBON R	RN72K1J-183JE	1	435031834R1	
PCB2	R591	METAL O R	RS1WBJ-82	1	443628204	
PCB2	R592	METAL O R	RS1WBJ-82	1	443628204	
PCB2	R593	C-CARBON R	RN72K1J-104JE	1	435031044R1	
PCB2	R595	C-CARBON R	RN72K1J-183JE	1	435031834R1	
PCB2	R596	C-CARBON R	RN72K1J-473JE	1	435034734R1	
PCB2	R597	C-CARBON R	RN72K1J-123JE	1	435031234R1	
PCB2	R598	C-CARBON R	RN72K1J-223JE	1	435032234R1	
PCB2	R599	C-CARBON R	RN72K1J-222JE	1	435032224R1	
PCB2	R901	METAL O R	RS1/2WBJ-68	1	443526804	
PCB2	R902	C-CARBON R	RN72K1J-153JE	1	435031534R1	
PCB2	R903	C-CARBON R	RN72K1J-223JE	1	435032234R1	
PCB2	R904	C-CARBON R	RN72K1J-223JE	1	435032234R1	
PCB2	R924	METAL O R	RS1/2WBJ-56	1	443525604	
PCB2	R925	C-CARBON R	RN72K1J-392JE	1	435033924R1	<MDD1N>
PCB2	R925	C-CARBON R	RN72K1J-392JE	1	435033924R1	<MDS4N>
PCB2	R925	C-CARBON R	RN72K1J-392JE	1	435033924R1	<MDT3N>
PCB2	R932	METAL R	RNU1/2WCJ-2.2	1	453530224	
PCB2	R933	C-CARBON R	RN72K1J-821JE	1	435038214R1	
PCB2	R934	C-CARBON R	RN72K1J-102JE	1	435031024R1	
PCB2	R942	METAL O R	RS1/2WBJ-22	1	443522204	
PCB2	R943	C-CARBON R	RN72K1J-822JE	1	435038224R1	
PCB2	R944	C-CARBON R	RN72K1J-822JE	1	435038224R1	
PCB2	R945	C-CARBON R	RN72K1J-333JE	1	435033334R1	
PCB2	R946	METAL R	RNU1/2WCJ-1	1	453530104	
PCB2	R961	FUSE	2.5A-T/UL/SE-125V	1	252315	<MDD1N>
PCB2	R965	METAL O R	RS1/2WBJ-22	1	443522204	<MDD1N>
PCB2	R971	FUSE	2.5A-T/UL/SE-125V	1	252315	!
PCB2	R975	METAL R	RNU1/2WCJ-0.22	1	453532294	
PCB2	R976	METAL O R	RS1/2WBJ-10	1	443521004	
PCB2	R977	C-CARBON R	RN72K1J-681JE	1	435036814R1	
PCB2	R978	C-CARBON R	RN72K1J-681JE	1	435036814R1	
PCB2	R931	METAL R	RNU1/2WCJ-2.2	1	453530224	
PCB2	R2001	C-CARBON R	RN72K1J-470JE	1	435034704R1	
PCB2	R2002	C-CARBON R	RN72K1J-470JE	1	435034704R1	
PCB2	R2003	C-CARBON R	RN72K1J-470JE	1	435034704R1	
PCB2	R2004	C-CARBON R	RN72K1J-470JE	1	435034704R1	
PCB2	R2005	C-CARBON R	RN72K1J-470JE	1	435034704R1	
PCB2	R2006	C-CARBON R	RN72K1J-470JE	1	435034704R1	
PCB2	R2301	C-CARBON R	RN72K1J-331JE	1	435033314R1	
PCB2	R2302	C-CARBON R	RN72K1J-331JE	1	435033314R1	
PCB2	R2303	C-CARBON R	RN72K1J-101JE	1	435031014R1	
PCB2	R2305	C-CARBON R	RN72K1J-331JE	1	435033314R1	
PCB2	R2306	C-CARBON R	RN72K1J-331JE	1	435033314R1	
PCB2	R2991	C-CARBON R	RN72K1J-000JE	1	435030004R1	
PCB2	R2992	C-CARBON R	RN72K1J-000JE	1	435030004R1	
PCB2	R9301	METAL O R	RS1WBJ-56	1	443625604	
PCB2	R9302	METAL O R	RS1WBJ-56	1	443625604	
PCB2	R9303	C-CARBON R	RN72K1J-223JE	1	435032234R1	
PCB2	R9304	C-CARBON R	RN72K1J-224JE	1	435032244R1	
PCB2	R9305	C-CARBON R	RN72K1J-332JE	1	435033324R1	

PCB2	R9306	C-CARBON R	RN72K1J-183JE	1	435031834R1	
PCB2	R9307	C-CARBON R	RN72K1J-393JE	1	435033934R1	
PCB2	R9308	C-CARBON R	RN72K1J-332JE	1	435033324R1	
PCB2	R9309	C-CARBON R	RN72K1J-224JE	1	435032244R1	
PCB2	R9310	C-CARBON R	RN72K1J-471JE	1	435034714R1	
PCB2	R9311	C-CARBON R	RN72K1J-222JE	1	435032224R1	
PCB2	R9312	C-CARBON R	RN72K1J-105JE	1	435031054R1	
PCB2	RL591	RELAY	NRL-2P5A-DC12-160	1	25065632	
PCB2	RL901	RELAY	NRL-1P5A-DC9-179	1	25065669	
PCB2	P501	TRM	NTM-4PDML381	1	25060452	
PCB2	P502	HOLDER	HOLDER(CLAMP)	1	27190540-1	
PCB2	P503	HOLDER	HOLDER(CLAMP)	1	27190540-1	
PCB2	P901	PLUG	NPLG-2P631	1	25055675	
PCB2	P902B	PLUG	NPLG-2P631	1	25055675	
PCB2	P903	PLUG	NPLG-3P838	1	25055882	
PCB2	P904B	PLUG	NPLG-3P117	1	25055133	
PCB2	P905B	PLUG	NPLG-4P118	1	25055134	<MDD1N>
PCB2	P905B	PLUG	NPLG-4P118	1	25055134	<MDS4N>
PCB2	P905B	PLUG	NPLG-2P116	1	25055132	<MGQ3P, MGT3P>
PCB2	P905B	PLUG	NPLG-2P116	1	25055132	<MDT3N>
PCB2	P906B	PLUG	NPLG-6P120	1	25055136	
PCB2	P907A	PLUG	NPLG-6P658	1	25055702	
PCB2	P907B	SOCKET	NSCT-6P1021	1	25051231	
PCB2	P908A	PLUG	NPLG-8P660	1	25055704	
PCB2	P908B	SOCKET	NSCT-8P1023	1	25051233	
PCB2	P911A	SOCKET AS	NSAS-4P1546	1	200C4190420UL	<MDD1N>
PCB2	P2001A	PLUG	NPLG-12P664	1	25055708	
PCB2	P2002	SOCKET	NSCT-13P1724	1	25051937	
PCB2	P2003	SOCKET	NSCT-25P1736	1	25051949	
PCB2	P2004A	PLUG	NPLG-12P664	1	25055708	
PCB2	P2005A	PLUG	NPLG-4P760	1	25055804	
PCB2	P205A	PLUG	NPLG-6P658	1	25055702	
PCB2	P4101B	PLUG	NPLG-4P351	1	25055368	
PCB2	P9301	PLUG	NPLG-2P83	1	25055099	
PCB2	E901	TRM	NTM-1P233(M1969)	1	25060302	
PCB2	E951	RETAINER	(BUS)	1	27141882	
PCB2	F901A	FUSE HOL	NSCT-1P2031	1	25052133	
PCB2	F901B	FUSE HOL	NSCT-1P2031	1	25052133	
PCB2	F901C	FUSE LABEL	T630mAL250V	1	29364044	<MGQ3P, MGT3P>
PCB2	J501	PVC	1007#24 .2/7HAND B	1	---	NSP
PCB2	J502	PVC	1007#24 .2/7HAND B	1	---	NSP
PCB2	J503	PVC	1430#24 .2/7HAND R	1	---	NSP
PCB2	J504	PVC	1430#24 .2/7HAND R	1	---	NSP
PCB2	J505	PVC	1430#24 .2/7HAND BLU	1	---	
PCB2	J506	PVC	1430#24 .2/7HAND BLU	1	---	
PCB2	JL502B	SOCKET	NSCT-3P108	1	25050280	
PCB2	JL901B	WIRE TRAP	NPLG-4P587	1	25055625	
PCB2	JL902B	WIRE TRAP	NPLG-9P592	1	25055630	
PCB2	JL903B	WIRE TRAP	NPLG-10P593	1	25055631	
PCB2	JL904	JUMPER LEAD	JL8 150 B	1	---	NSP
PCB2	JL904A	WIRE HOL	NSCT-8P879	1	25051092	
PCB2	JL904B	WIRE TRAP	NPLG-8P591	1	25055629	
PCB2	JL905B	WIRE TRAP	NPLG-3P586	1	25055624	

U06 DISPLAY PC BOARD (NADIS-8700-1C/1D/1E/1F)

U07 SWITCH PC BOARD (NASW-8701-1C/1D/1E/1F)

U08	VIDEO PC BOARD (NAVD-8702-1C/1D/1E/1F)
U09	HEADPHONE JACK PC BOARD (NAVD-8705-1C/1D/1E/1F)

	CIRCUIT NO.	NAME	DESCRIPTION	Q'TY	PART NO.	REMARKS
PCB3	U681	PHT CP	GP1FAV51RK5	1	24120129	
PCB3	U801	REMO SENS	GP1UM271XK0FH=12MM	1	241360	
PCB3	Q801	IC	MPD780232GC-710-8BT-A	1	22242286R3	
PCB3	Q802	FL TUBE	HNA-15SM09	1	212256A	
PCB3	Q802A	HOLDER	(FL)	1	27191241	
PCB3	Q803	TR	2SC2712-GR	1	2213145R2	
PCB3	Q804	TR	2SC2712-GR	1	2213145R2	
PCB3	Q805	TR	2SC2712-GR	1	2213145R2	
PCB3	D801	ZENER D	UDZS5.6B	1	224550560R2	
PCB3	D801 or	ZENER D	HZU5.6B	(1)	224660564R2	
PCB3	D811	LED	SLI-343URC-T32	1	225436	
PCB3	X801	CERA LOCK	CSTLS5M00G56-A0	1	3010406	
PCB3	L230	EMIFIL	BK1608LM182-T	1	230958R1	
PCB3	L231	EMIFIL	BK1608LM182-T	1	230958R1	
PCB3	L232	EMIFIL	BK1608LM182-T	1	230958R1	
PCB3	L233	EMIFIL	BK1608LM182-T	1	230958R1	
PCB3	L234	EMIFIL	BK1608LM182-T	1	230958R1	
PCB3	L235	EMIFIL	BK1608LM182-T	1	230958R1	
PCB3	L681	CHOKE COIL	NCH-1471	1	231237M022R2	
PCB3	L871	EMIFIL	BK1608LM182-T	1	230958R1	
PCB3	L872	EMIFIL	BK1608LM182-T	1	230958R1	
PCB3	L873	EMIFIL	BK1608LM182-T	1	230958R1	
PCB3	L874	EMIFIL	BK1608HS102-T	1	230955R2	
PCB3	L875	EMIFIL	BK1608HS102-T	1	230955R2	
PCB3	L876	EMIFIL	BK1608HS102-T	1	230955R2	
PCB3	L877	EMIFIL	BK1608HS102-T	1	230955R2	
PCB3	C230	VR C	CE04W6.3V-1000M(VR)	1	394621027	
PCB3	C231	VR C	CE04W6.3V-1000M(VR)	1	394621027	
PCB3	C232	VR C	CE04W6.3V-1000M(VR)	1	394621027	
PCB3	C233	C-CERA C	CK725F1H-104Z1	1	332151040R1	
PCB3	C235	VR C	CE04W6.3V-1000M(VR)	1	394621027	
PCB3	C236	VR C	CE04W6.3V-1000M(VR)	1	394621027	
PCB3	C237	VR C	CE04W6.3V-1000M(VR)	1	394621027	
PCB3	C259	C-CERA C	CK725F1H-104Z1	1	332151040R1	
PCB3	C681	C-CERA C	CK725F1H-104Z1	1	332151040R1	
PCB3	C682	VX C	CE04W16V-10M(VX)	1	393341007	
PCB3	C801	ELECT C	CE04W6.3V-47M	1	355724709	
PCB3	C806	C-CERA C	CC725CH1H-101J1	1	342101014R1	
PCB3	C810	C-CERA C	CK725F1H-104Z1	1	332151040R1	
PCB3	C811	C-CERA C	CK725F1H-104Z1	1	332151040R1	
PCB3	C812	C-CERA C	CK725F1H-104Z1	1	332151040R1	
PCB3	C815	C-CERA C	CC725CH1H-330J1	1	342103304R1	
PCB3	C816	C-CERA C	CC725CH1H-330J1	1	342103304R1	
PCB3	C817	C-CERA C	CC725CH1H-330J1	1	342103304R1	
PCB3	C818	C-CERA C	CC725CH1H-330J1	1	342103304R1	
PCB3	C819	C-CERA C	CC725CH1H-330J1	1	342103304R1	
PCB3	C820	C-CERA C	CK725F1H-104Z1	1	332151040R1	
PCB3	C821	ELECT C	CE04W6.3V-47M	1	355724709	
PCB3	C822	C-CERA C	CC725CH1H-221J1	1	342102214R1	
PCB3	C823	C-CERA C	CC725CH1H-221J1	1	342102214R1	
PCB3	C824	C-CERA C	CC725CH1H-221J1	1	342102214R1	
PCB3	C871	C-CERA C	CC725CH1H-102J1	1	342101024R1	

PCB3	C872	C-CERA C	CC725CH1H-102J1	1	342101024R1
PCB3	C873	C-CERA C	CC725CH1H-102J1	1	342101024R1
PCB3	C877	C-CERA C	CK725F1H-104Z1	1	332151040R1
PCB3	R230	C-CARBON R	RN72K1J-750JE	1	435037504R1
PCB3	R231	C-CARBON R	RN72K1J-750JE	1	435037504R1
PCB3	R232	C-CARBON R	RN72K1J-750JE	1	435037504R1
PCB3	R236	C-CARBON R	RN72K1J-750JE	1	435037504R1
PCB3	R237	C-CARBON R	RN72K1J-750JE	1	435037504R1
PCB3	R238	C-CARBON R	RN72K1J-750JE	1	435037504R1
PCB3	R239	C-CARBON R	RN72K1J-471JE	1	435034714R1
PCB3	R240	C-CARBON R	RN72K1J-471JE	1	435034714R1
PCB3	R241	C-CARBON R	RN72K1J-471JE	1	435034714R1
PCB3	R242	C-CARBON R	RN72K1J-471JE	1	435034714R1
PCB3	R244	C-CARBON R	RN72K1J-000JE	1	435030004R1
PCB3	R245	C-CARBON R	RN72K1J-000JE	1	435030004R1
PCB3	R246	C-CARBON R	RN72K1J-000JE	1	435030004R1
PCB3	R247	C-CARBON R	RN72K1J-000JE	1	435030004R1
PCB3	R251	C-CARBON R	RN72K1J-101JE	1	435031014R1
PCB3	R801	C-CARBON R	RN72K1J-104JE	1	435031044R1
PCB3	R802	C-CARBON R	RN72K1J-104JE	1	435031044R1
PCB3	R803	C-CARBON R	RN72K1J-104JE	1	435031044R1
PCB3	R804	C-CARBON R	RN72K1J-104JE	1	435031044R1
PCB3	R805	C-CARBON R	RN72K1J-223JE	1	435032234R1
PCB3	R806	C-CARBON R	RN72K1J-223JE	1	435032234R1
PCB3	R807	C-CARBON R	RN72K1J-223JE	1	435032234R1
PCB3	R808	C-CARBON R	RN72K1J-103JE	1	435031034R1
PCB3	R809	C-CARBON R	RN72K1J-103JE	1	435031034R1
PCB3	R810	C-CARBON R	RN72K1J-272JE	1	435032724R1
PCB3	R811	C-CARBON R	RN72K1J-272JE	1	435032724R1
PCB3	R812	C-CARBON R	RN72K1J-103JE	1	435031034R1
PCB3	R813	C-CARBON R	RN72K1J-103JE	1	435031034R1
PCB3	R814	C-CARBON R	RN72K1J-000JE	1	435030004R1
PCB3	R815	C-CARBON R	RN72K1J-471JE	1	435034714R1
PCB3	R816	C-CARBON R	RN72K1J-471JE	1	435034714R1
PCB3	R817	C-CARBON R	RN72K1J-221JE	1	435032214R1
PCB3	R818	C-CARBON R	RN72K1J-471JE	1	435034714R1
PCB3	R819	C-CARBON R	RN72K1J-101JE	1	435031014R1
PCB3	R820	C-CARBON R	RN72K1J-105JE	1	435031054R1
PCB3	R824	C-CARBON R	RN72K1J-471JE	1	435034714R1
PCB3	R827	C-CARBON R	RN72K1J-103JE	1	435031034R1
PCB3	R828	C-CARBON R	RN72K1J-103JE	1	435031034R1
PCB3	R831	C-CARBON R	RN72K1J-101JE	1	435031014R1
PCB3	R839	C-CARBON R	RN72K1J-223JE	1	435032234R1
PCB3	R840	C-CARBON R	RN72K1J-391JE	1	435033914R1
PCB3	R841	C-CARBON R	RN72K1J-471JE	1	435034714R1
PCB3	R842	C-CARBON R	RN72K1J-821JE	1	435038214R1
PCB3	R843	C-CARBON R	RN72K1J-102JE	1	435031024R1
PCB3	R844	C-CARBON R	RN72K1J-182JE	1	435031824R1
PCB3	R845	C-CARBON R	RN72K1J-392JE	1	435033924R1
PCB3	R846	C-CARBON R	RN72K1J-391JE	1	435033914R1
PCB3	R847	C-CARBON R	RN72K1J-471JE	1	435034714R1
PCB3	R848	C-CARBON R	RN72K1J-821JE	1	435038214R1
PCB3	R849	C-CARBON R	RN72K1J-102JE	1	435031024R1
PCB3	R850	C-CARBON R	RN72K1J-182JE	1	435031824R1
PCB3	R851	C-CARBON R	RN72K1J-392JE	1	435033924R1
PCB3	R853	C-CARBON R	RN72K1J-391JE	1	435033914R1

PCB3	R854	C-CARBON R	RN72K1J-471JE	1	435034714R1	
PCB3	R855	C-CARBON R	RN72K1J-821JE	1	435038214R1	
PCB3	R856	C-CARBON R	RN72K1J-102JE	1	435031024R1	
PCB3	R857	C-CARBON R	RN72K1J-182JE	1	435031824R1	
PCB3	R858	C-CARBON R	RN72K1J-101JE	1	435031014R1	
PCB3	R859	C-CARBON R	RN72K1J-101JE	1	435031014R1	
PCB3	R860	C-CARBON R	RN72K1J-332JE	1	435033324R1	
PCB3	R861	C-CARBON R	RN72K1J-000JE	1	435030004R1	
PCB3	R863	C-CARBON R	RN72K1J-223JE	1	435032234R1	
PCB3	S801	R ENCODE	EC12E2470802	1	25065630	
PCB3	S802	R ENCODE	EC12E2424404	1	25065631	
PCB3	S803	PUSH SW	NPS-111-S681	1	25035718	
PCB3	S805	PUSH SW	NPS-111-S681	1	25035718	
PCB3	S806	PUSH SW	NPS-111-S681	1	25035718	
PCB3	S807	PUSH SW	NPS-111-S681	1	25035718	
PCB3	S809	PUSH SW	NPS-111-S681	1	25035718	
PCB3	S812	PUSH SW	NPS-111-S681	1	25035718	
PCB3	S813	PUSH SW	NPS-111-S681	1	25035718	
PCB3	S814	PUSH SW	NPS-111-S681	1	25035718	
PCB3	S815	PUSH SW	NPS-111-S681	1	25035718	
PCB3	S816	PUSH SW	NPS-111-S681	1	25035718	
PCB3	S821	PUSH SW	NPS-111-S681	1	25035718	
PCB3	S822	PUSH SW	NPS-111-S681	1	25035718	
PCB3	S823	PUSH SW	NPS-111-S681	1	25035718	
PCB3	S826	PUSH SW	NPS-111-S681	1	25035718	
PCB3	P204C	SOCKET	NSCT-27P2261	1	25052364	
PCB3	P204C or	SOCKET	NSCT-27P2445	(1)	25052548	
PCB3	P205C	SOCKET	NSCT-6P1021	1	25051231	
PCB3	P208	WS CLAMP	CB-71683(L=50)	1	260261	
PCB3	P230	PIN JACK	NPJ-5PDBY622	1	25045843	
PCB3	P230 or	PIN JACK	NPJ-5PDBY479	(1)	25045682	
PCB3	P231	PIN JACK	NPJ-3PDGLR436	1	25045629	
PCB3	P4003A	SOCKET	NSCT-4P1313	1	25051526	
PCB3	P4003B	PLUG	NPLG-4P760	1	25055804	
PCB3	P7002A	SOCKET	NSCT-19P2149	1	25052252	
PCB3	P7004	SOCKET AS	NSAS-16P1543	1	200EE391607UL	
PCB3	P871	ST JACK	YKB21-5100A	1	25045563	
PCB3	P873	CRIMP AS	CRIMP AS	1	2061712200UL	
PCB3	P874	TRM	NTM-1P233(M1969)	1	25060302	
PCB3	JL502	JUMPER LEAD	JL3 300 H	1	---	NSP
PCB3	JL502A	WIRE HOL	NSCT-3P894	1	25051107	

U10 XM DIGITAL TRANSCEIVER PC BOARD (NARF-8688-4A)

CIRCUIT NO.	NAME	DESCRIPTION	Q'TY	PART NO.	REMARKS
PCB4	Q7001	IC	1	M30281FAHP	W0041R301681D100
PCB4	Q7004	IC	1	TA48033AF(TE16L_NQ)	22278033DR2
PCB4	Q7004 or	IC	(1)	BA33BC0FP	22278033DR2RH
PCB4	Q7004 or	IC	(1)	NJM2391DL1-33	22278033DR2JR
PCB4	Q7101	IC	1	F2602E-01	22242266R2
PCB4	Q7102	IC	1	AK4384ET	22242280R2
PCB4	Q7104	IC	1	MAX1930ESA	22242279R2
PCB4	Q7104 or	IC	(1)	TPS2011ADR	22242273R2
PCB4	Q7105	IC	1	78L05(NJM78L05UA)	222780053R2JR
PCB4	X7001	CERA LOCK	1	CSTCW2000MX01	3010342R2
PCB4	X7101	CRYSTAL	1	DSX840GA 45.1584MHz	3010420R2

PCB4	L7001	CHOKO COIL	NCH-1471	1	231237K022R2
PCB4	L7001 or	CHOKO COIL	NCH-1587-022K	(1)	233533K022R2
PCB4	L7101	CHOKO COIL	BLM21PG221SN1	1	230949R2
PCB4	L7102	CHOKO COIL	BLM21PG221SN1	1	230949R2
PCB4	L7103	EMIFIL	BK1608LM182-T	1	230958R1
PCB4	L7104	CHOKO COIL	NCH-1471	1	231237K022R2
PCB4	L7104 or	CHOKO COIL	NCH-1587-022K	(1)	233533K022R2
PCB4	L7105	CHOKO COIL	NCH-1471	1	231237K022R2
PCB4	L7105 or	CHOKO COIL	NCH-1587-022K	(1)	233533K022R2
PCB4	C7001	C-CERA C	CK725F1E-104Z1	1	332161040R1
PCB4	C7002	C-CERA C	CK725F1E-104Z1	1	332161040R1
PCB4	C7003	VR C	CE04W16V-100M(VR)	1	394641017
PCB4	C7006	C-CERA C	CK725F1E-104Z1	1	332161040R1
PCB4	C7007	VR C	CE04W6.3V-470M(VR)	1	394624717
PCB4	C7101	C-CERA C	CK725F1E-104Z1	1	332161040R1
PCB4	C7102	C-CERA C	CK725B1H-102K1	1	332101025R1
PCB4	C7103	C-CERA C	CK725F1E-104Z1	1	332161040R1
PCB4	C7104	C-CERA C	CK725F1E-104Z1	1	332161040R1
PCB4	C7105	C-CERA C	CK725F1E-104Z1	1	332161040R1
PCB4	C7106	C-CERA C	CK725F1E-104Z1	1	332161040R1
PCB4	C7111	VR C	CE04W16V-100M(VR)	1	394641017
PCB4	C7112	C-CERA C	CC725CH1H-040C1	1	342100401R1
PCB4	C7113	C-CERA C	CC725CH1H-080D1	1	342100802R1
PCB4	C7114	C-CERA C	CK725F1E-104Z1	1	332161040R1
PCB4	C7115	C-CERA C	CK725F1E-104Z1	1	332161040R1
PCB4	C7116	C-CERA C	CK725F1E-104Z1	1	332161040R1
PCB4	C7118	C-CERA C	CK725F1E-104Z1	1	332161040R1
PCB4	C7119	C-CERA C	CK725B1H-102K1	1	332101025R1
PCB4	C7120	C-CERA C	CK725F1E-104Z1	1	332161040R1
PCB4	C7121	VX C	CE04W50V-10M(VX)	1	393381007
PCB4	C7122	C-CERA C	CK725F1E-104Z1	1	332161040R1
PCB4	C7123	VR C	CE04W6.3V-470M(VR)	1	394624717
PCB4	C7124	VX C	CE04W50V-10M(VX)	1	393381007
PCB4	C7125	VX C	CE04W50V-10M(VX)	1	393381007
PCB4	C7134	C-CERA C	CK725F1E-104Z1	1	332161040R1
PCB4	C7135	C-CERA C	CK725F1E-104Z1	1	332161040R1
PCB4	C7136	VR C	CE04W16V-100M(VR)	1	394641017
PCB4	C7137	C-CERA C	CK725F1E-104Z1	1	332161040R1
PCB4	R7001	C-CARBON R	RN72K1J-102JE	1	435031024R1
PCB4	R7002	C-CARBON R	RN72K1J-103JE	1	435031034R1
PCB4	R7003	C-CARBON R	RN72K1J-102JE	1	435031024R1
PCB4	R7004	C-CARBON R	RN72K1J-000JE	1	435030004R1
PCB4	R7005	C-CARBON R	RN72K1J-102JE	1	435031024R1
PCB4	R7006	C-CARBON R	RN72K1J-102JE	1	435031024R1
PCB4	R7007	C-CARBON R	RN72K1J-102JE	1	435031024R1
PCB4	R7008	C-CARBON R	RN72K1J-102JE	1	435031024R1
PCB4	R7009	C-CARBON R	RN72K1J-102JE	1	435031024R1
PCB4	R7010	C-CARBON R	RN72K1J-221JE	1	435032214R1
PCB4	R7011	C-CARBON R	RN72K1J-221JE	1	435032214R1
PCB4	R7012	C-CARBON R	RN72K1J-221JE	1	435032214R1
PCB4	R7013	C-CARBON R	RN72K1J-221JE	1	435032214R1
PCB4	R7014	C-CARBON R	RN72K1J-102JE	1	435031024R1
PCB4	R7017	C-CARBON R	RN72K1J-221JE	1	435032214R1
PCB4	R7018	C-CARBON R	RN72K1J-221JE	1	435032214R1
PCB4	R7021	C-CARBON R	RN72K1J-102JE	1	435031024R1
PCB4	R7022	C-CARBON R	RN72K1J-102JE	1	435031024R1

PCB4	R7023	C-CARBON R	RN72K1J-102JE	1	435031024R1	
PCB4	R7024	C-CARBON R	RN72K1J-102JE	1	435031024R1	
PCB4	R7026	C-CARBON R	RN72K1J-000JE	1	435030004R1	
PCB4	R7027	C-CARBON R	RN72K1J-000JE	1	435030004R1	
PCB4	R7028	C-CARBON R	RN72K1J-000JE	1	435030004R1	
PCB4	R7029	C-CARBON R	RN72K1J-000JE	1	435030004R1	
PCB4	R7030	C-CARBON R	RN72K1J-000JE	1	435030004R1	
PCB4	R7031	C-CARBON R	RN72K1J-000JE	1	435030004R1	
PCB4	R7033	C-CARBON R	RN72K1J-103JE	1	435031034R1	
PCB4	R7101	C-CARBON R	RN72K1J-104JE	1	435031044R1	
PCB4	R7102	C-CARBON R	RN72K1J-104JE	1	435031044R1	
PCB4	R7103	C-CARBON R	RN72K1J-104JE	1	435031044R1	
PCB4	R7104	C-CARBON R	RN72K1J-104JE	1	435031044R1	
PCB4	R7105	C-CARBON R	RN72K1J-104JE	1	435031044R1	
PCB4	R7111	C-CARBON R	RN72K1J-102JE	1	435031024R1	
PCB4	R7112	C-CARBON R	RN72K1J-102JE	1	435031024R1	
PCB4	R7113	C-CARBON R	RN72K1J-101JE	1	435031014R1	
PCB4	R7114	C-CARBON R	RN72K1J-101JE	1	435031014R1	
PCB4	R7115	C-CARBON R	RN72K1J-681JE	1	435036814R1	
PCB4	R7116	C-CARBON R	RN72K1J-105JE	1	435031054R1	
PCB4	R7117	C-CARBON R	RN72K1J-101JE	1	435031014R1	
PCB4	R7118	C-CARBON R	RN72K1J-331JE	1	435033314R1	
PCB4	R7119	C-CARBON R	RN72K1J-331JE	1	435033314R1	
PCB4	R7120	C-CARBON R	RN72K1J-331JE	1	435033314R1	
PCB4	R7121	C-CARBON R	RN72K1J-000JE	1	435030004R1	
PCB4	R7126	C-CARBON R	RN72K1J-000JE	1	435030004R1	
PCB4	R7127	C-CARBON R	RN72K1J-000JE	1	435030004R1	
PCB4	R7128	C-CARBON R	RN72K1J-000JE	1	435030004R1	
PCB4	R7140	C-CARBON R	RN72K1J-220JE	1	435032204R1	
PCB4	R7141	C-CARBON R	RN72K1J-220JE	1	435032204R1	
PCB4	R7142	C-CARBON R	RN72K1J-104JE	1	435031044R1	
PCB4	R7143	C-CARBON R	RN72K1J-104JE	1	435031044R1	
PCB4	R7144	C-CARBON R	RN72K1J-000JE	1	435030004R1	
PCB4	R7145	C-CARBON R	RN72K1J-000JE	1	435030004R1	
PCB4	P291B	PLUG	NPLG-2P130	1	25055146	
PCB4	P7001A	SOCKET	NSCT-9P2400	1	25052503	
PCB4	P7104	PLUG	NPLG-6P134	1	25055150	
PCB4	JL101B	WIRE TRAP	NPLG-7P590	1	25055628	
PCB4	JL5502B	WIRE TRAP	NPLG-5P588	1	25055626	

DR-UN7

PACKING PROCEDURES PARTS LIST

<Notes>

- <MDD1N> : DR-UN7 USA model
- <MGQ3P> : DR-UN7 Hongkong model
- <MDT3N> : DR-UN7 Taiwan model
- <MGT3P> : DR-UN7 Southeast agian model

<Notes>

DR-UN7 for CS-V720 MDD1N / MDS4N ---> Refer to service manual of "CS-V720"

REF. NO.	NAME	DESCRIPTION	Q'TY	PART NO.	REMARKS
PV	A601	TAPE		NITTO NO.29	(1) 29110149
PV	A701	CARTON		---	1 29054465A <MDD1N>
PV	A701	CARTON		---	1 29054415A <MGQ3P>
PV	A701	CARTON		---	1 29054415A <MDT3N>
PV	A701	CARTON		---	1 29054415A <MGT3P>

PV	A702	TAPE	NITTO 3703 W50L100	(1)	29110176	
PV	A702 or	PP TAPE	W48 OPP TAPE	(1)	29110148	
PV	A705	PAD	AS	1	29092300B	
PV	A710	POLY BAG	POLY BAG(430 x 550)	1	29100123C	
PV	A711	UPC LABEL	---	1	29364293	<MDD1N>
PV	A711	EAN LABEL	---	1	29364295	<MGQ3P>
PV	A711	EAN LABEL	---	1	29364295	<MDT3N>
PV	A711	EAN LABEL	---	1	29364295	<MGT3P>
PV	A712	LABEL	(CARTON)	2	29364298	<MGQ3P>
PV	A712	LABEL	(CARTON)	2	29364299	<MDT3N>
PV	A712	LABEL	(CARTON)	2	29364306	<MGT3P>
PV	A713	SHEET	300 x 300	1	29095862	
PV	A714	POLY BAG	350 x 250	1	29100097-1A	
PV	A715	POLY BAG	350 x 250	1	29100097-1A	<MGQ3P>
PV	A801	BATTERY	R6/AA(UM-3)	2	3010054	
PV	A801	WRNTY CARD	MGQ	1	29365099	<MGQ3P>
PV	A802	PIN CORD AS	RCA-1P(Y) 1.5M	1	2010398	
PV	A803	ANT COIL	NMA-3057	1	232140	
PV	A804	FM ANT AS	Type W	1	292191	
PV	A805	REMO CON	RC-640S	1	24140640	
PV	A901	TAPE	TAPE(CLOTH-16U)	(1)	29110083	
PV	A903	INS MANUAL	En(DR-UN7)	1	29344125	
PV	A906	INS MANUAL	Ct(DR-UN7)	1	29344128	<MGQ3P>
PV	A906	INS MANUAL	Ct(DR-UN7)	1	29344128	<MDT3N>
PV	A906	INS MANUAL	Ct(DR-UN7)	1	29344128	<MGT3P>
PV	A909	WRNTY CARD	(ONKYO)	1	29365102	<MDD1N>
PV	A910	HANDBILL	(DS-A1)	1	29380140	<MDD1N>
PV	A911	INST SHEET	XM RADIO(E)	1	29355538	<MDD1N>