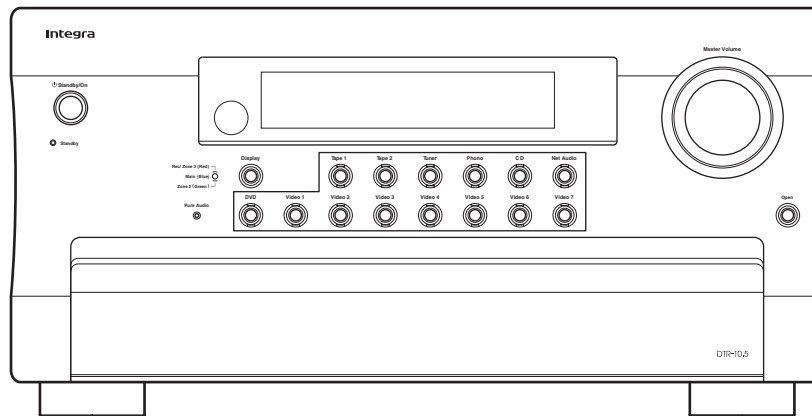


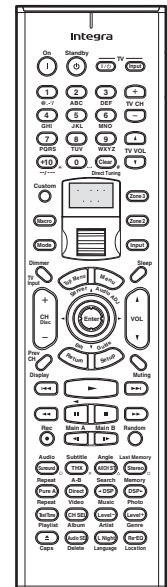
Integra SERVICE MANUAL

AV RECEIVER MODEL DTR-10.5




Black model

BUDD	120V AC, 60Hz
BUPA	230V-240V AC, 50Hz



RC-556M

SAFETY-RELATED COMPONENT WARNING!!

COMPONENTS IDENTIFIED BY MARK  ON THE SCHEMATIC DIAGRAM AND IN THE PARTS LIST ARE CRITICAL FOR RISK OF FIRE AND ELECTRIC SHOCK. REPLACE THESE COMPONENTS WITH ONKYO PARTS WHOSE PART NUMBERS APPEAR AS SHOWN IN THIS MANUAL.

MAKE LEAKAGE-CURRENT OR RESISTANCE MEASUREMENTS TO DETERMINE THAT EXPOSED PARTS ARE ACCEPTABLY INSULATED FROM THE SUPPLY CIRCUIT BEFORE RETURNING THE APPLIANCE TO THE CUSTOMER.

SPECIFICATIONS

General

Power Supply Rating

USA and Canadian models:	AC 120V, 60 Hz
Australian models:	AC 230-240V, 50 Hz

Consumption Power

USA & Canadian models:	13.8A
Australian models:	1,200 W

Standby Power Consumption:

Standby Power Consumption:	3.9W
Dimensions (W×H ×D):	435 × 220 × 480.5 mm (17-1/8" × 8-11/16" × 18-15/16")

Weight:

33 kg (72.8 lbs)

Inputs:

Audio

Multichannel (7.1ch) Inputs:	2
Phono (MM):	1
Line inputs:	9 (assignable), 1 (Fixed) (Video 7 on the front panel)
Digital inputs Coaxial:	6
Digital inputs Optical:	6 (assignable), 1 (Fixed) (Video 7 on the front panel)

Video

Composite Video inputs:	6 (assignable), 1 (fixed, on the front panel)
SVideo inputs:	6 (assignable), 1 (fixed, on the front panel)

Component VideoRCA inputs:

3

Component VideoBNC input:

1 (Australian models)

Audio and Video

HDMI inputs (19-pin): (option)

2

Miscellaneous

3-IR in (Phoenix connector) for Main, Zone 2 and Zone 3

Outputs:

Audio

Speakers A:	Front L/R, Center, Surround L/R, Surround Back L/R
Speakers B:	Front L/R, Center, Surround L/R, Surround Back L/R or Powered Zone 2 L/R
Pre out A:	Front L/R, Center, Surround L/R, Surround Back L/R, Subwoofer
Pre out B:	Subwoofer
Headphones:	1
Line outputs:	5 (assignable to Recout, Zone 2 out and Zone 3 out)
Digital outputs Coaxial:	2 (assignable to Recout, Zone 2 out and Zone 3 out)
Digital outputs Optical:	2 (assignable to Recout, Zone 2 out and Zone 3 out)

Video

Composite Video outputs:	3 (assignable to Monitor out A/B, Recout, Zone 2 out and Zone 3 out) 1 (fixed, Monitor out A)
S Video outputs:	3 (assignable to Monitor out A/B and Recout) 1 (fixed, Monitor out A)

Component VideoRCA outputs:

1

Component VideoBNC output:

1 (Australian models)

Audio and Video

HDMI output (19-pin): (option)

1

Miscellaneous

12V Trigger out (1/8-inch mini-jack):	5 (for A, B, C, D, E)
Inputs/Outputs:	
Miscellaneous	
i. LINK(AUDIO) (4 pin):	2
Ethernet (Net-Tune): (option)	1
RI (1/8-inch mini-jack):	1
RS232 (9 pin D-SUB Female connector):	1
Antennas:	
FM:	75 ohms unbalanced
AM:	Included loop antenna and external terminal
AC Inlet:	1 (IEC type)
AC Outlets:	
USA & Canadian models:	1 (Switched, 120W 1A max.)
Australian models:	1 (Switched, 100W max.)

Amplifier Section

Power Output (All channels):

USA & Canada (FTC):	150Watts per channel min. RMS into 8 ohms 2 channel driven, from 20 to 20,000 Hz with no more than 0.05% total harmonic distortion.
	200Watts per channel min. RMS into 6 ohms 2 channel driven, 1,000 Hz with no more than 0.1% total harmonic distortion.
	260Watts per channel min. RMS into 8 ohms 2 channel driven, 1,000 Hz with no more than 0.1% total harmonic distortion. [BTL]
Australian model (DIN):	200Watts per channel min. RMS into 6 ohms 2 channel driven, 1,000 Hz DIN
	280Watts per channel min. RMS into 8 ohms 2 channel driven, 1,000 Hz DIN [BTL]

Dynamic Power:

2 × 340W (3 Ω, 2 channel driven)
2 × 260W (4 Ω, 2 channel driven)
2 × 175W (8 Ω, 2 channel driven)

THD (Total Harmonic Distortion):

0.05% (rated power)
0.05% (1 watt output)

Damping Factor:

60 at 8 ohms

IM Distortion:

0.05% (rated power)
0.05% (1 watt output)

Input Sensitivity and Impedance:

Audio	200 mV, 50 kΩ (AUDIO IN 1-9/FRONT)
	2.5 mV, 50 kΩ (PHONO MM)
	200 mV, 50 kΩ (MULTI IN FR/FL/C/SR/SL/SBR/SBL)
	36 mV, 50 kΩ (MULTI IN SUB)
	0.5 Vp-p, 75Ω (DIGITAL IN COAXIAL 1-6)
Video (DVD, VIDEO 1-5)	1 Vp-p, 75Ω (Composite Video)
	1 Vp-p, 75Ω (S Video, Y signal)
	0.28 Vp-p, 75Ω (S Video, C signal)
	1 Vp-p, 75Ω (Y)
Component	0.7 Vp-p, 75Ω (PB/CB, PR/CR)

SPECIFICATIONS

Output Level and Impedance:

Audio	
AUDIO 1-5:	200 mV, 470Ω (Tape 1/2/Video 1/2/3 Rec Out) 100 mV, 470Ω (Zone 2/3 Out (fixed)) 1 V, 470Ω (Zone 2/3 Out (variable))
PRE OUT A:	1 V, 470Ω (Front L/R, CENTER, SURR L/R, SURR BACK or Zone 2 L/R, SUBWOOFER)
PRE OUT B:	1 V, 470Ω (SUBWOOFER)
Video	
VIDEO 1-4 (Composite Video):	1 Vp-p 75Ω (Monitor Out A/B, Video 1/2/3 Rec Out, Zone 2/3 Out)
VIDEO 1-4 (SVideo, Y signal):	1 Vp-p, 75Ω (Monitor Out A/B, Video 1/2/3 Rec Out)
VIDEO 1-4 (SVideo, C signal):	0.28Vp-p, 75 ohms (Monitor Out A/B, Video 1/2/3 Rec Out)
COMPONENT VIDEO:	1 Vp-p, 75 ohms (Y) 0.7Vp-p, 75 ohms (Pb/Cb, Pr/CR)
Phono Overload:	120 mV RMS at 1,000 Hz, 0.5% THD
Frequency Response:	
Audio (CD in Direct mode)	5 Hz-100 kHz: +1/- 3 dB
Video Component	10 Hz-50 MHz: +1/-3 dB
RIAA Deviation:	20-20 kHz: ±0.8 dB
Tone Control:	±12 dB at 50 Hz (Bass) ±12 dB at 1,000 Hz (Mid) ±12 dB at 20,000 Hz (Treble)
S/N (Direct mode):	80 dB (PHONO, IHF A, 5 mV input) 95 dB (LINE, IHFA, 0.5V input)
Muting:	Due to setup menu

Tuner Section

FM

Tuning frequency Range:	
USA & Canadian models:	87.50 to 108.00 MHz, 200 kHz steps
Other models:	87.50 to 108.00 MHz, 50 kHz steps
Usable Sensitivity:	
Stereo	17.2 dBf, 2.0 μV (75Ω IHF) 23 μV (75Ω DIN)
Mono	11.2 dBf, 1.0 μV (75Ω IHF) 0.9 μV (75Ω DIN)
50 dB Quieting Sensitivity:	
Mono	17.2 dBf, 2.0 μV (75 ohms)
Stereo	37.2 dBf, 20.0 μV (75 ohms)
Capture Ratio:	2.0 dB
Image Rejection Ratio:	85 dB (UDD, UDC: 40dB)
IF Rejection Ratio:	90 dB
S/N:	
Mono	76 dB, IHF
Stereo	70 dB, IHF
Alternate Channel Attenuation:	
Mono	55 dB IHF
Selectivity:	50 dB DIN
AM Suppression Ratio:	50 dB
Harmonic Distortion:	
Mono	0.2%
Stereo	0.3%
Frequency Response:	
Stereo Separation:	30 to 15,000 Hz, +/- 1.0 dB 45 dB at 1,000 Hz 30 dB at 100 to 10,000 Hz
Stereo Threshold:	17.2 dBf, 2.0 μV (75Ω)

AM

Tuning frequency Range:	
USA & Canadian models:	530 to 1710 kHz, 10 kHz steps
Australian models:	522 to 1611 kHz, 9 kHz steps
Usable Sensitivity:	30 μV
Image Rejection Ratio:	40 dB
IF Rejection Ratio:	40 dB
S/N:	40 dB
THD:	0.7%

Specifications and features are subject to change without notice.

SERVICE PROCEDURES

1. Replacing the fuses



This symbol located near the fuses indicates that the fuse used is fast operating type. For continued protection against fire hazard, replace with same type fuse. For fuse rating refer to the marking adjacent to the symbol.



Ce symbole indique que le fusible utilise est a rapide. Pour une protection permanente, n'utiliser que fusibles de meme type. Ce dernier est la qu le present symbol est appse.

CIRCUIT NO.	PART NO.	DESCRIPTION
F6911,F6913	252304	20A-UL-250V,Fuse
F6921,F6923	252304	20A-UL-250V,Fuse
F9001	252099	8A-EAK,Fuse <A>
	252303 or	15A-TUL-250V or
	252197	15A-UL/T-314,Fuse <D>
F9002	252164 or	5A-UL/T-237 or
	252075 or	2.5A-SE-EAK or
	252258	5A-T/UL-ST2,Fuse <D>
	252241 or	2.5A-SE-TL250V or
	252275	2.5A-SE-TL250V,Fuse <A>
F9501	252198 or	8A-UL or
	252079 or	6.3A-SE-EAK or
	252261	8A-T/UL-ST2,Fuse <D>
	252245 or	6.3A-SE-TL250V or
	252279	6.3A-SE-TL250V,Fuse <A>
F9502	252198 or	8A-UL or
	252079 or	6.3A-SE-EAK or
	252261	8A-T/UL-ST2,Fuse <D>
	252245 or	6.3A-SE-TL250V or
	252279	6.3A-SE-TL250V,Fuse <A>
F9503,F9504	252160 or	2.5A-UL/T-237 or
	252075 or	2.5A-SE-EAK or
	252254	2.5A-T/UL-ST2,Fuse <D>
	252241 or	2.5A-SE-TL250V or
	252275	2.5A-SE-TL250V,Fuse <A>

Note: <D>: USA model only
<A>: Australian model only

2. To initialize the unit

This device employs a microprocessor to perform various functions and operations. If interference generated by an external power supply, radio wave, or other electrical source results in accident which causes the specified operations and functions to operate abnormally.

To perform a result, please follow the procedure below.

- 1.Press and hold down the VIDEO-1 button, then press the STANDBY button.
- 2.After "CLEAR" is displayed, the preset memory and each mode stored in the memory, such as surround, are initialized and will return to the factory setting.

3. Safty-check out

(U.S.A. model only)

After correcting the original service problem, perform the following safety check before releasing the set to the customer.

Leakage Current Check

Measure leakage current to a known earth ground(water pipe, conduit, etc.) by connecting a leakage current tester between the earth ground and exposed metal parts of the appliance (input/output terminals, screwheads,metal overlays, etc.). Plug the power supply cord directly into a 120V AC 60 Hz outlet and turn Standby switch on. Any current measured must not exceed 0.5mA.

4. Error Messages

"Not available with Headphones use"

- Operation not allowed while a pair of headphones is connected.

"Not available in this Sp Config"

- Doesn't work with the current speaker configuration.

"Only available with Dolby D"

- Can be used with only Dolby Digital.

"Not available with this signal"

- Doesn't work with the current listening mode.

"Not available with Muting"

- Operation not allowed because the DTR-10.5 is currently muted.

"Not available in this Listening Mode"

- Doesn't work with the current listening mode.

"Not available with NET AUDIO use"

- Operation not possible with Net Audio selected for the input source.

"Not available with Dolby Headphone Off "

- Doesn't work with the Dolby Headphone function off.

"Not available with Dolby Headphone On"

- Doesn't work with the Dolby Headphone function on.

"Not available with zone2 out in Line out"

- Operation not possible with "1-8. f. Zone 2 Out" set to "Line Out."

"Not available with zone3 out in Line out"

- Operation not possible with "1-8. g. Zone 3 Out" set to "Line Out."

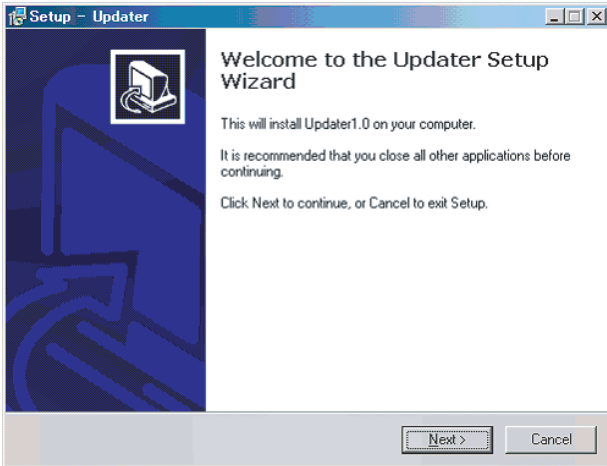
5.Memory backup

The DTR-10.5 uses a battery-less memory backup system in order to retain radio presets and other settings when it is unplugged or in the case of a power failure. Although no batteries are required, the DTR-10.5 must be plugged into an AC outlet in order to charge the backup system. Once it has been charged, the DTR-10.5 will retain the settings for several weeks, although this depends on the environment and time will be shorter in humid climates.

How to Install Updater

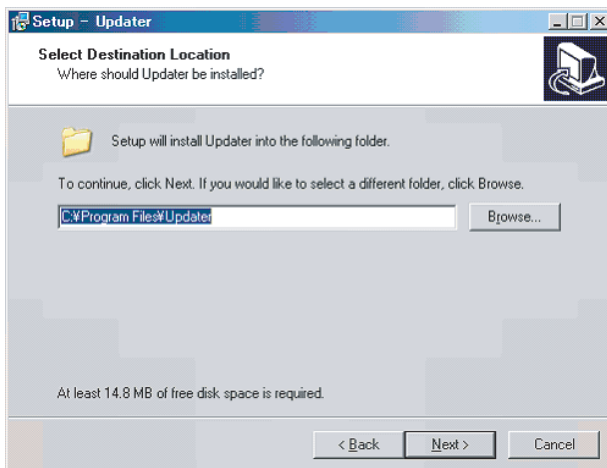
0. Download the firmware "setup_xxxxxx.zip" to the disk top.
Double-click the icon.

1. Start Install program by double-clicking "Setup.exe".



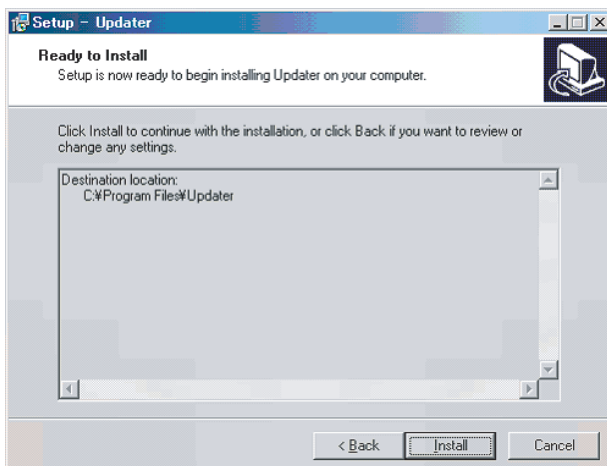
Click "Next".

2. Select a target folder Updater should be installed to.



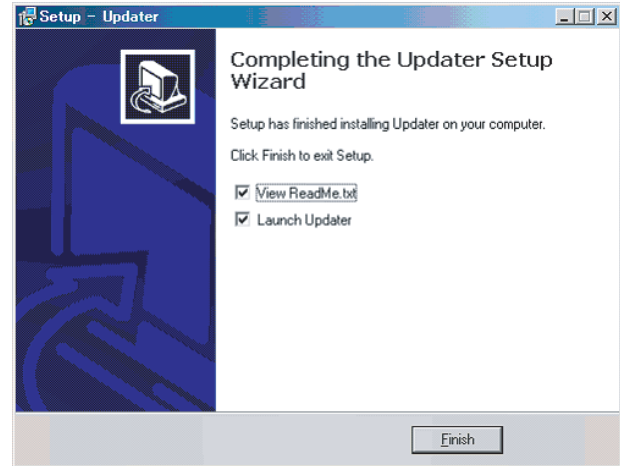
Click "Next".

3. Make sure the location is OK and click "Install".



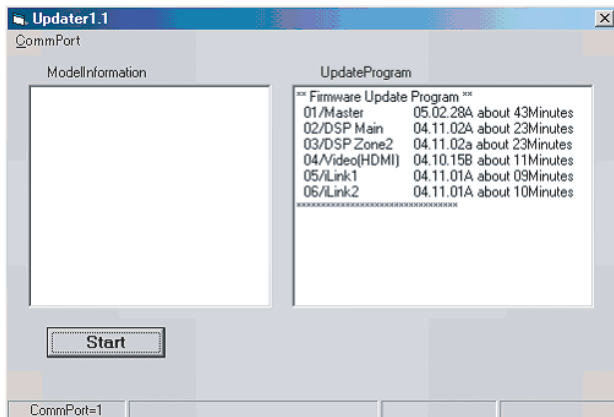
4. When Install is completed, this window appears.

Please read "ReadMe.txt" at least once.



How to Use Updater

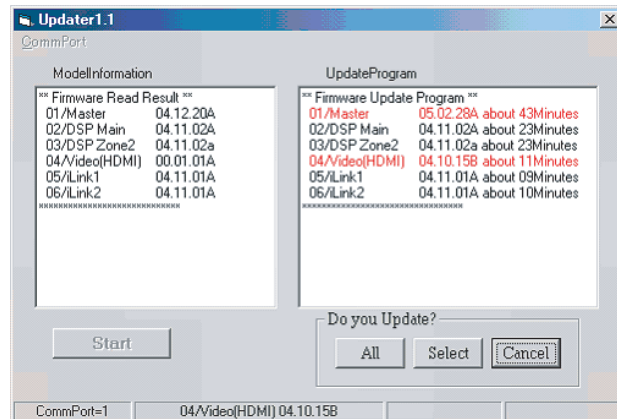
1. Connect your unit and PC with RS-232C cable, turn on the unit, and start "Updater".



The right box shows each latest version of firmware that can be loaded with this Updater.

From the left, Number/ IC's Purpose, Firmware Version, Estimated amount of time to update.

2. Click "Start" and see which versions of firmware your unit currently has in the left box.



Red-letter programs are newer than the existing ones.

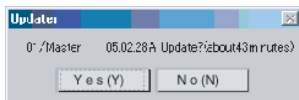
Click "All" to update all the updatable programs.

Click "Select" to select any programs to be updated.

Click "Cancel" to stop update.

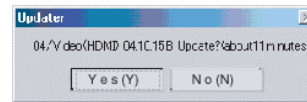
3. When "Select" is clicked,

For each of the updatable programs, you can decide whether update is performed or not.

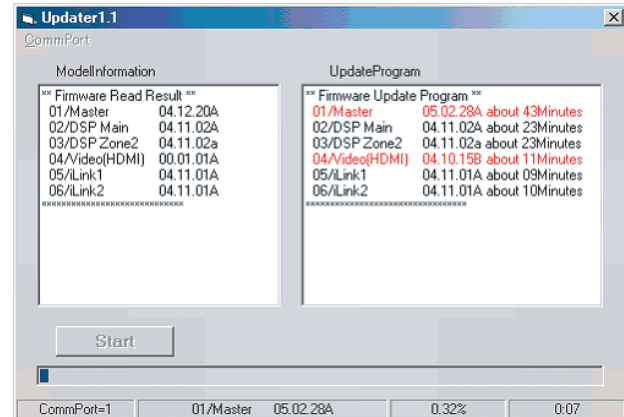


Click "Yes(Y)" to update it now, and the update will be started.

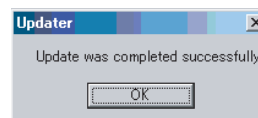
4. After completing update or skipping update by clicking "No(N)", decide whether another one should be updated now or not.



--Updating--



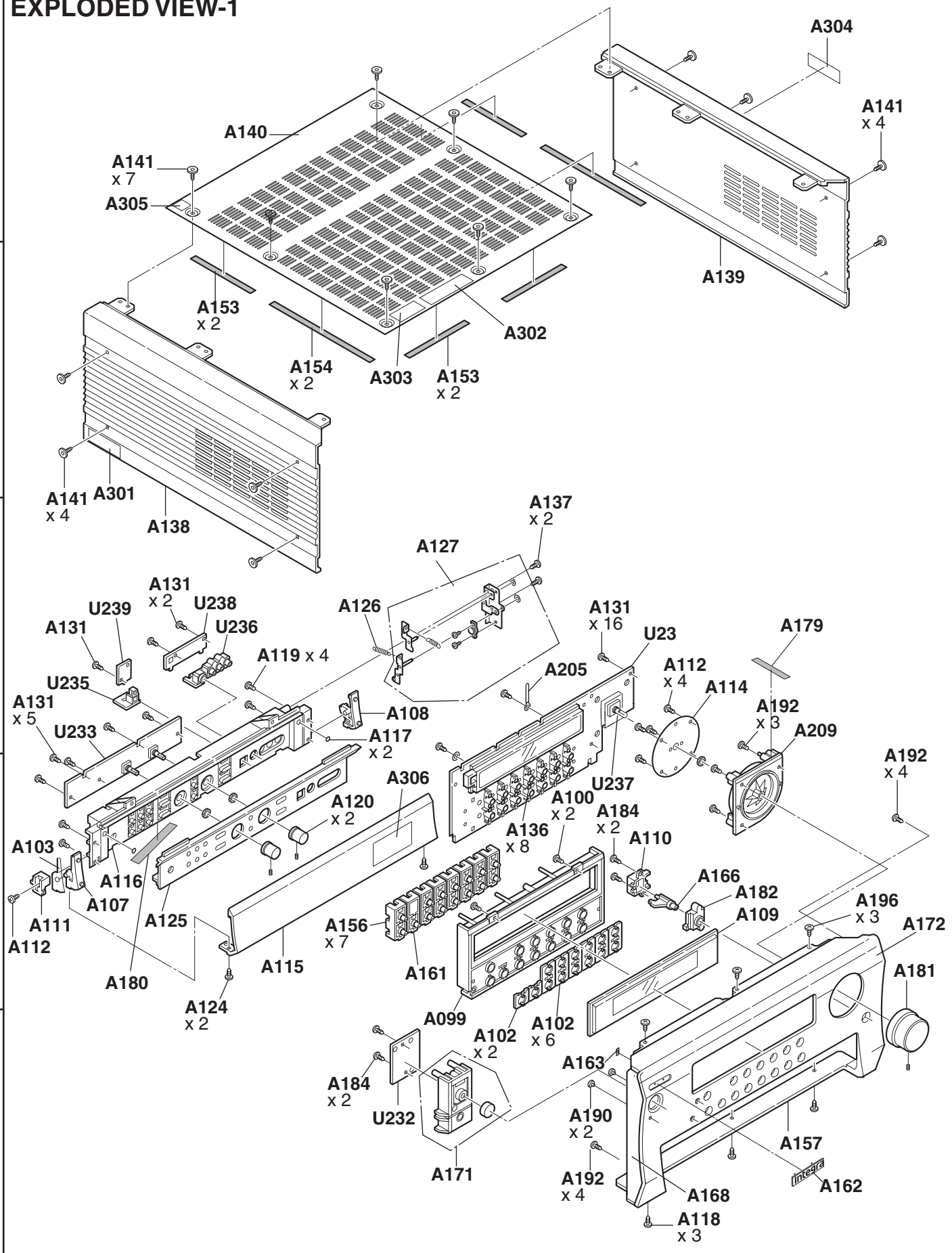
5. After all the necessary works have completed properly, Click "OK" to return your set to Standby.



A B C D

EXPLODED VIEW-1

1
2
3
4
5



A

B

C

D

EXPLODED VIEW-2

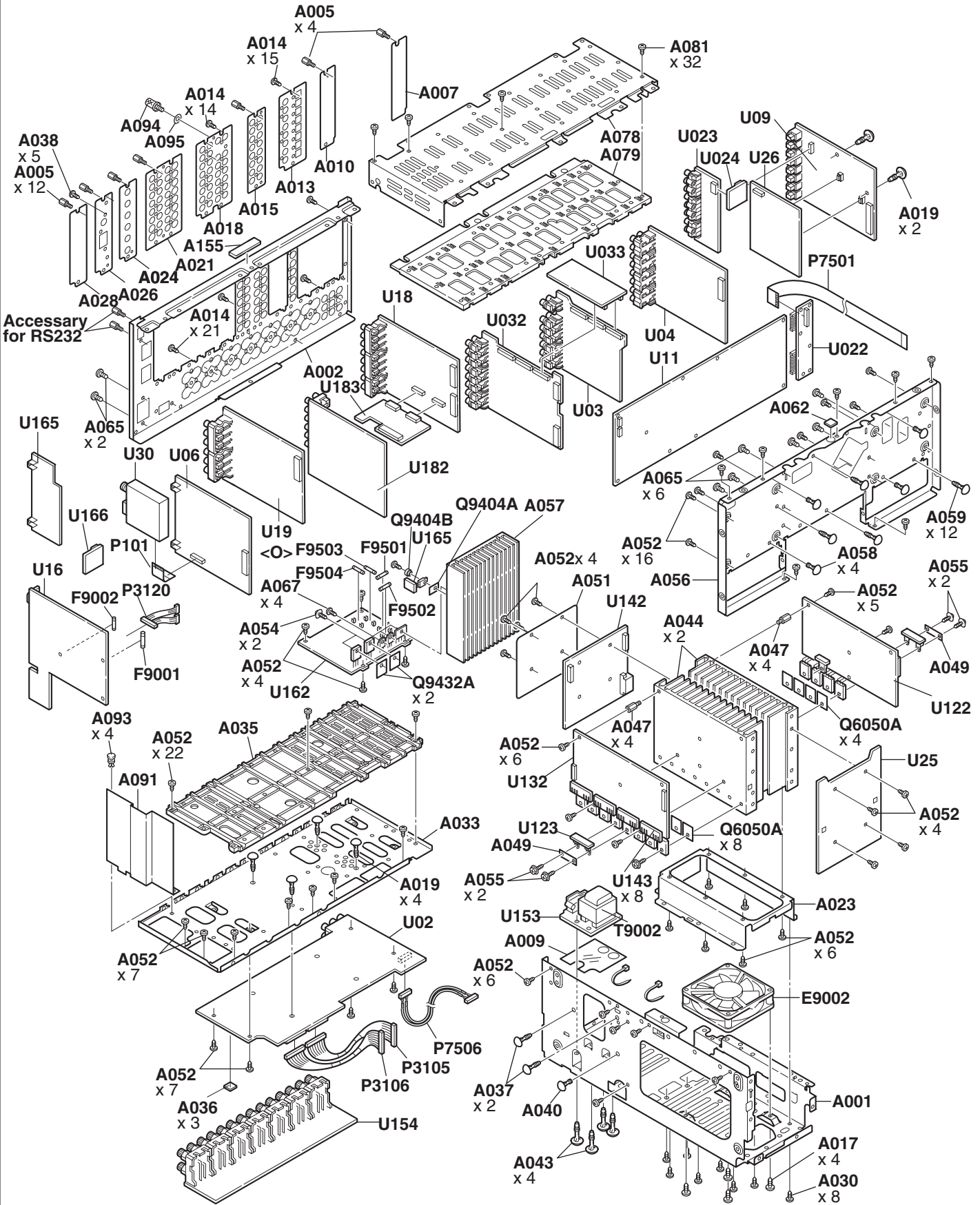
1

2

3

4

5



A

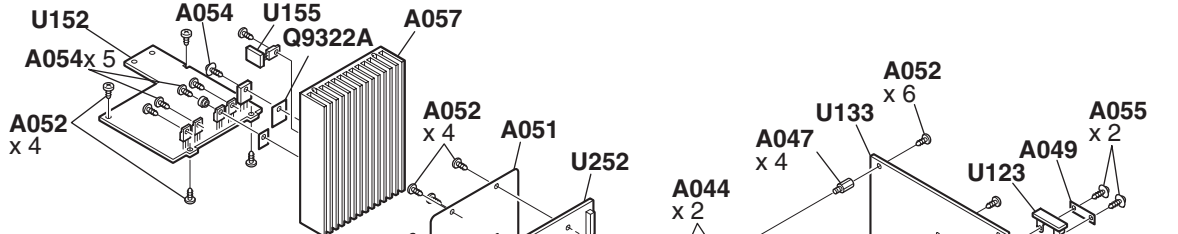
B

C

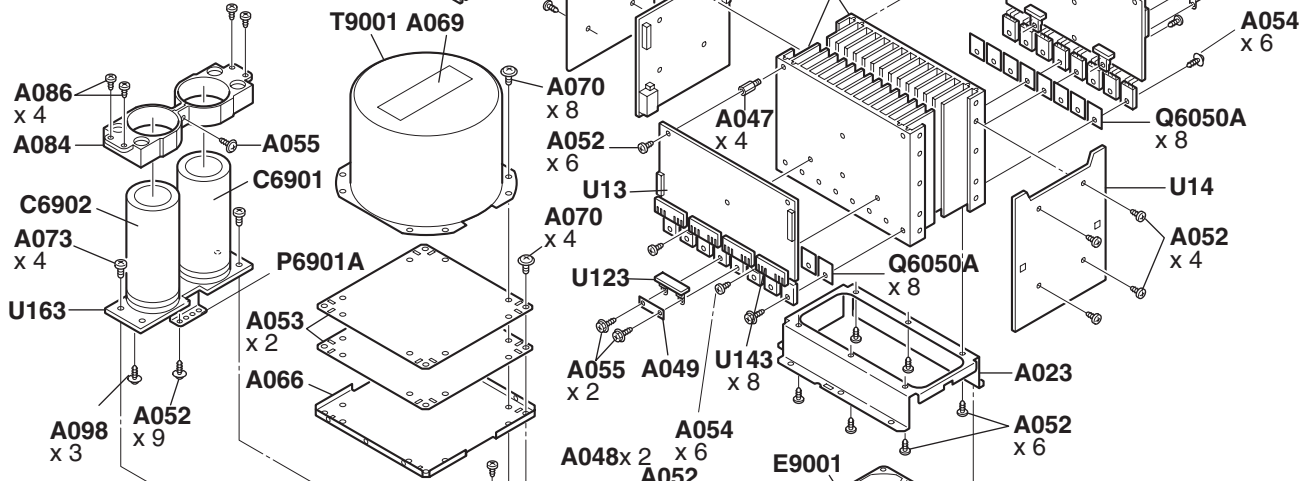
D

EXPLODED VIEW-3

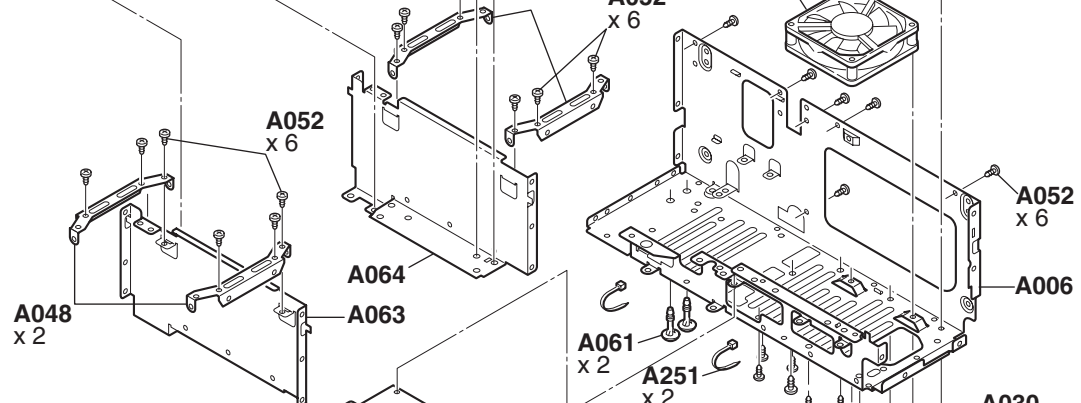
1



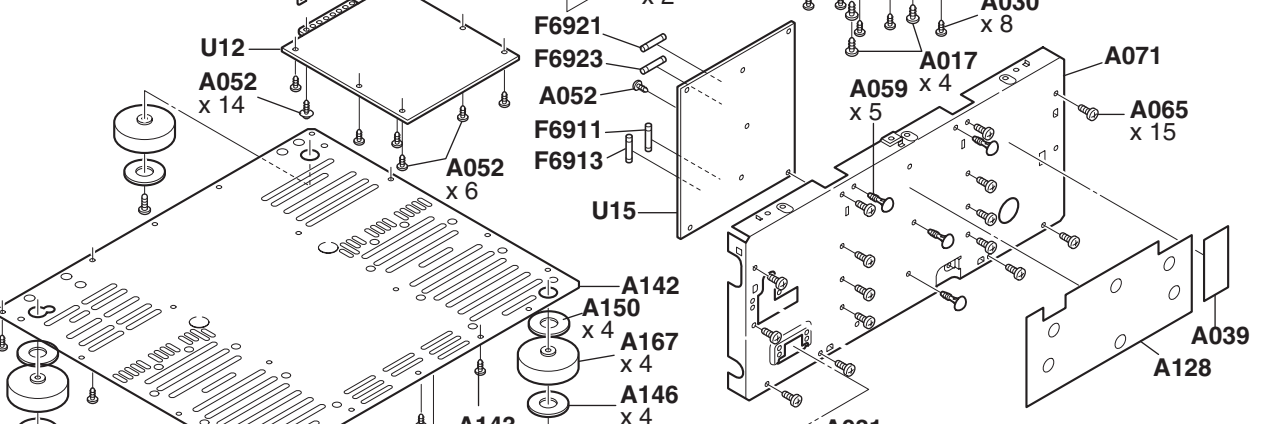
2



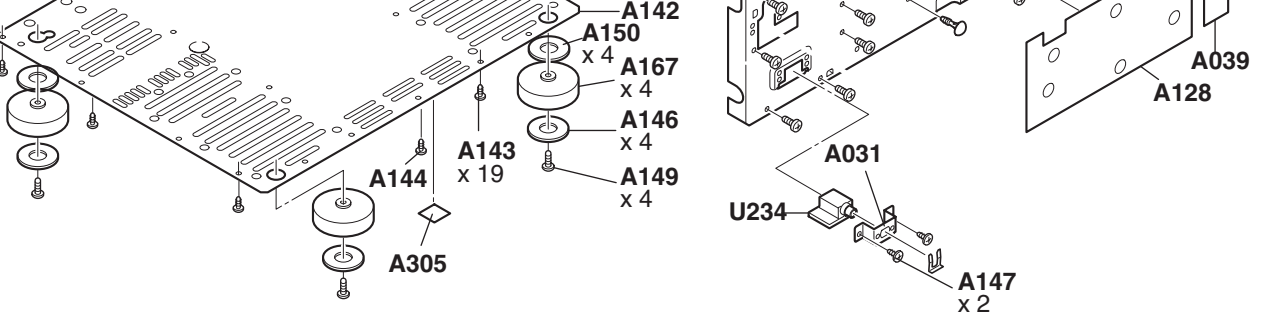
3

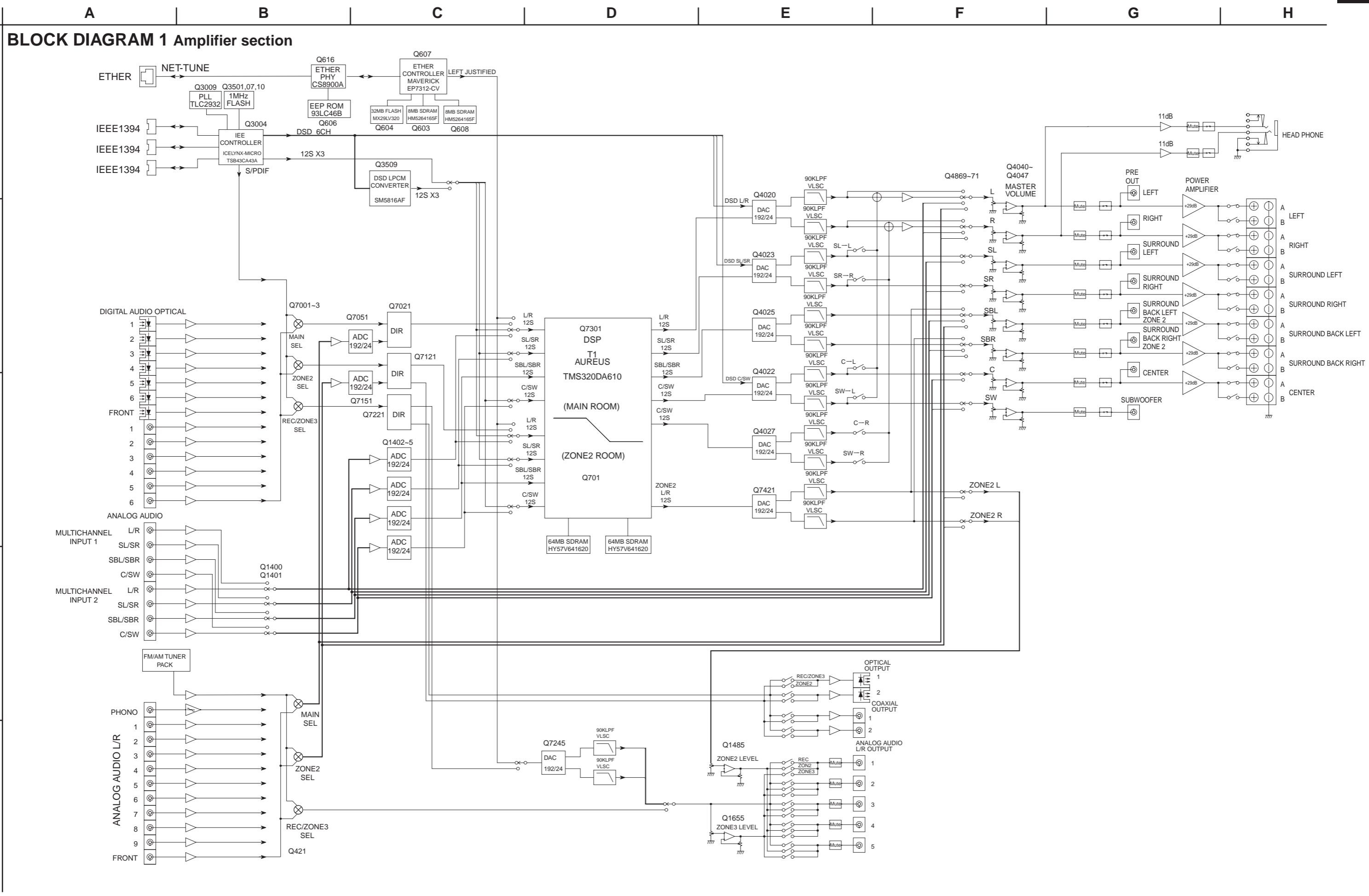


4



5





BLOCK DIAGRAM 2 Video section

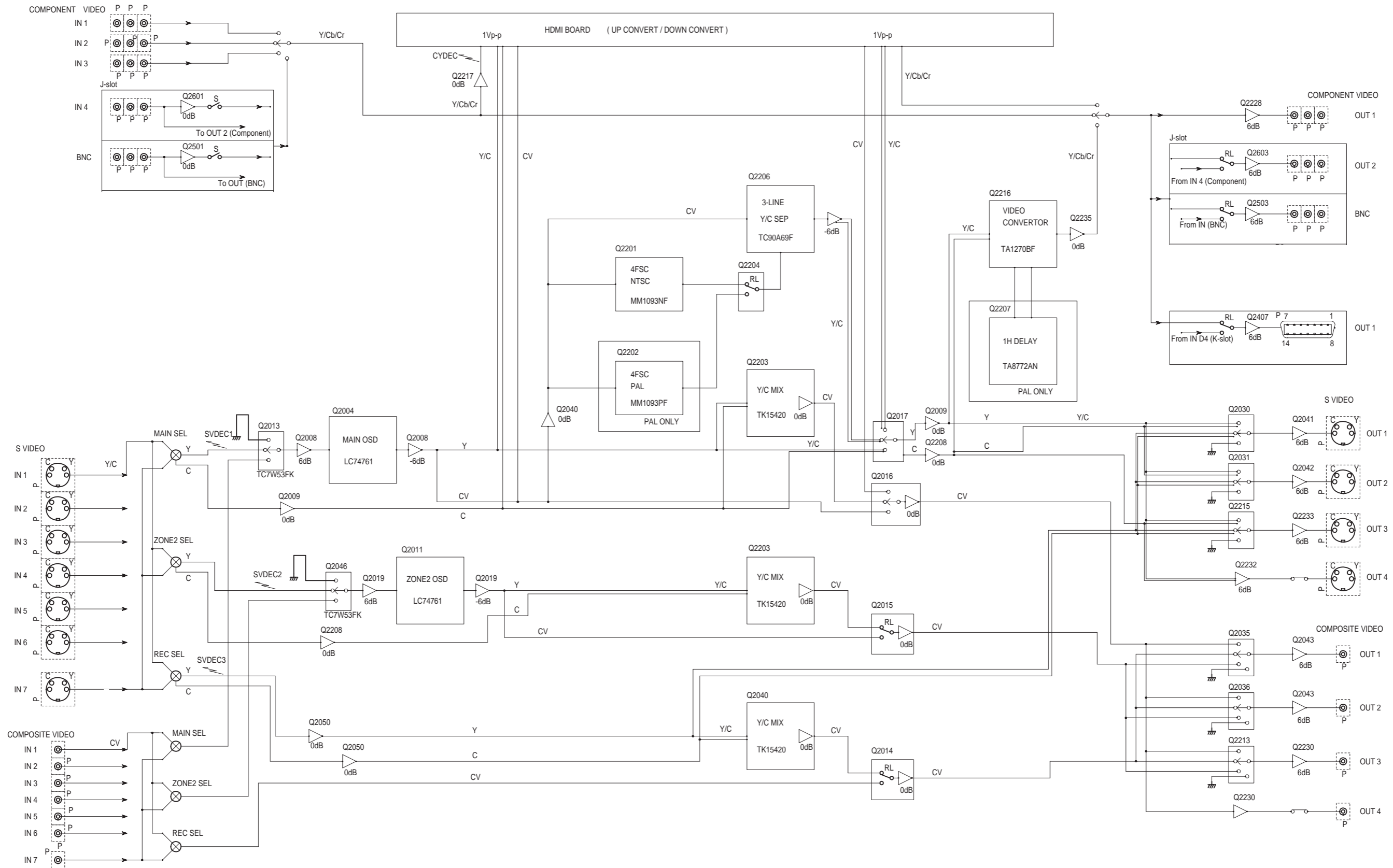
1

2

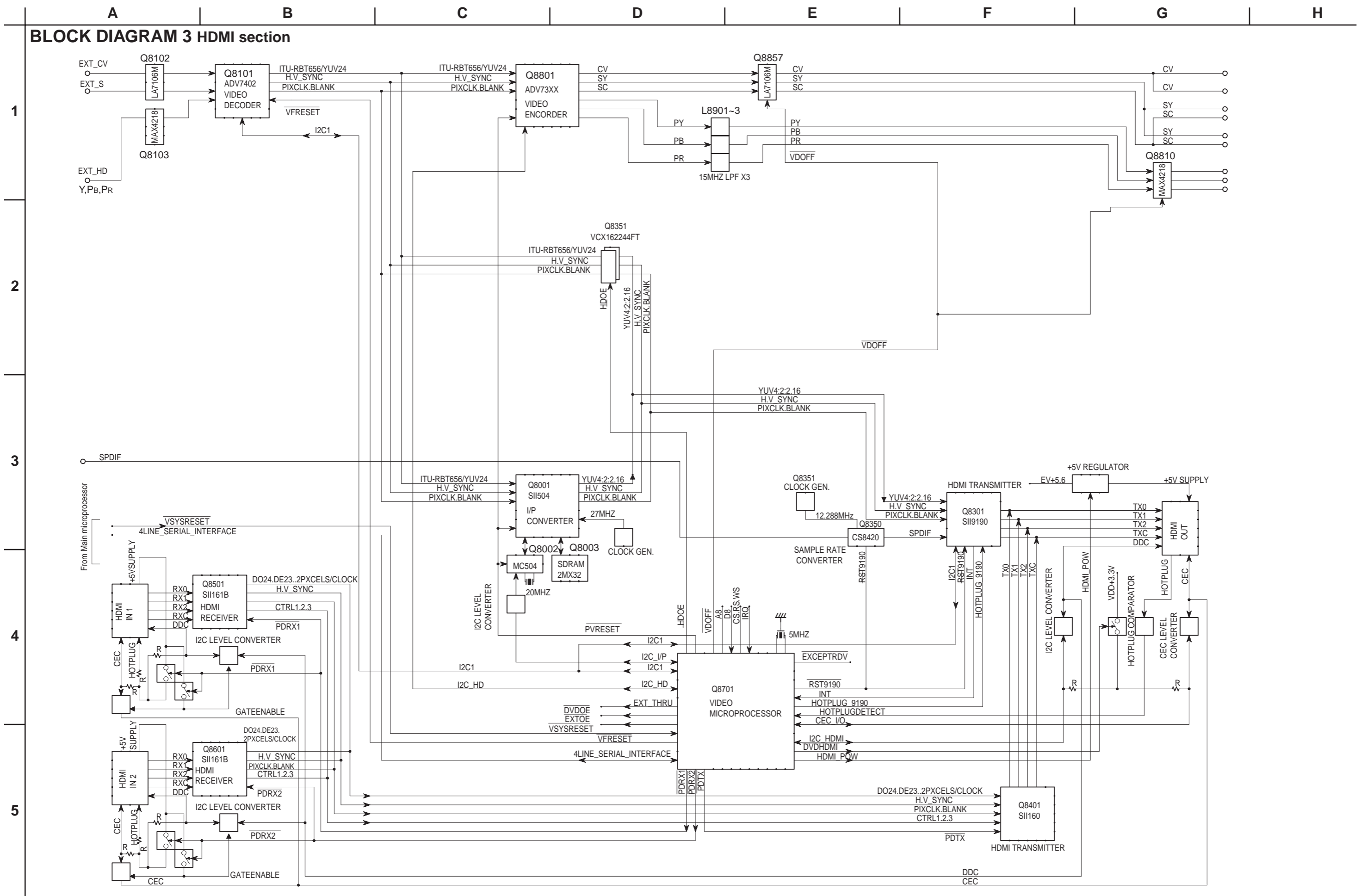
3

4

5



BLOCK DIAGRAM 3 HDMI section



SCHEMATIC DIAGRAM 1

Phono/AF IN/OUT

1 to 3 sections

NAAF-8144
U03
SLOT F

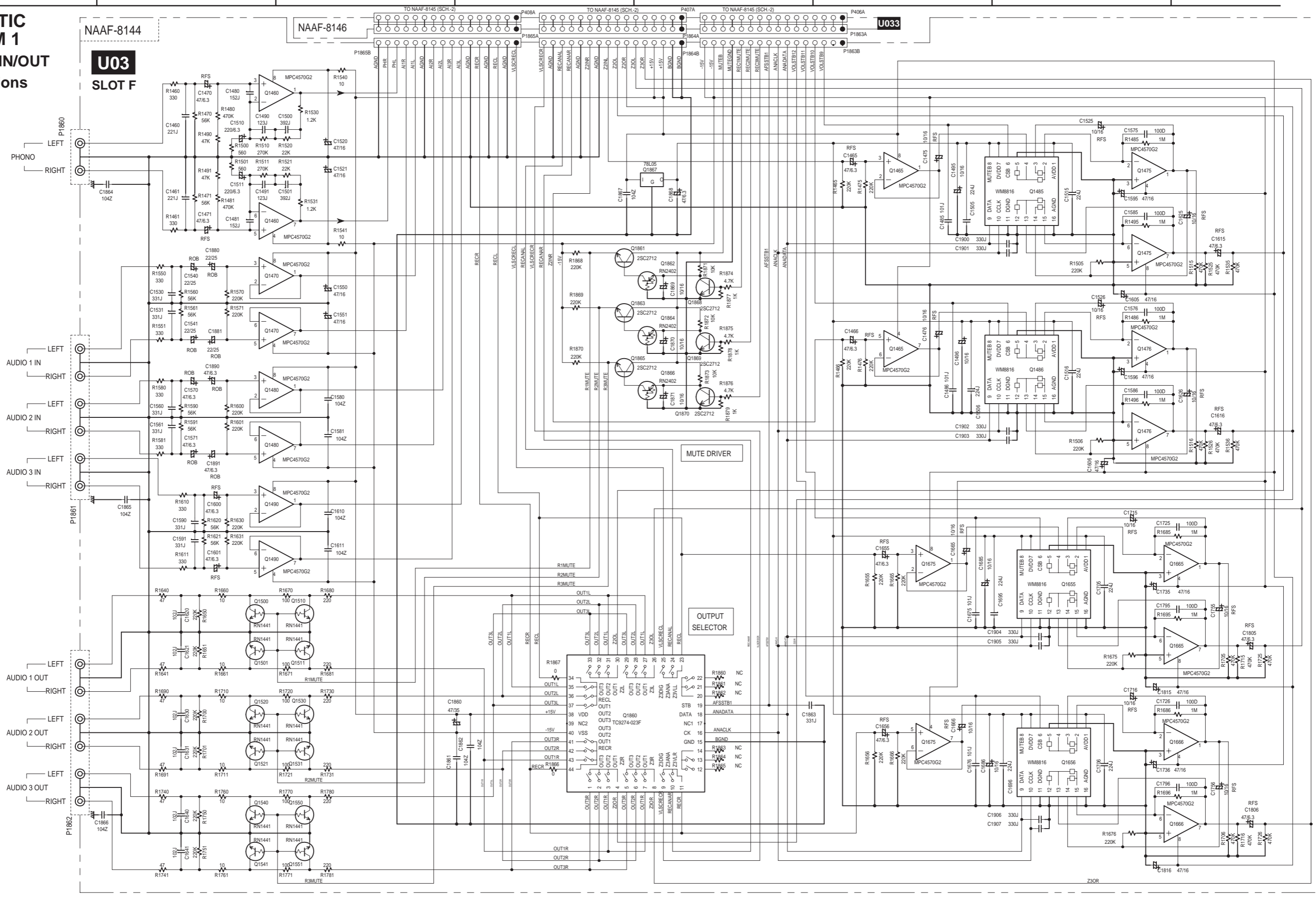
1

2

3

4

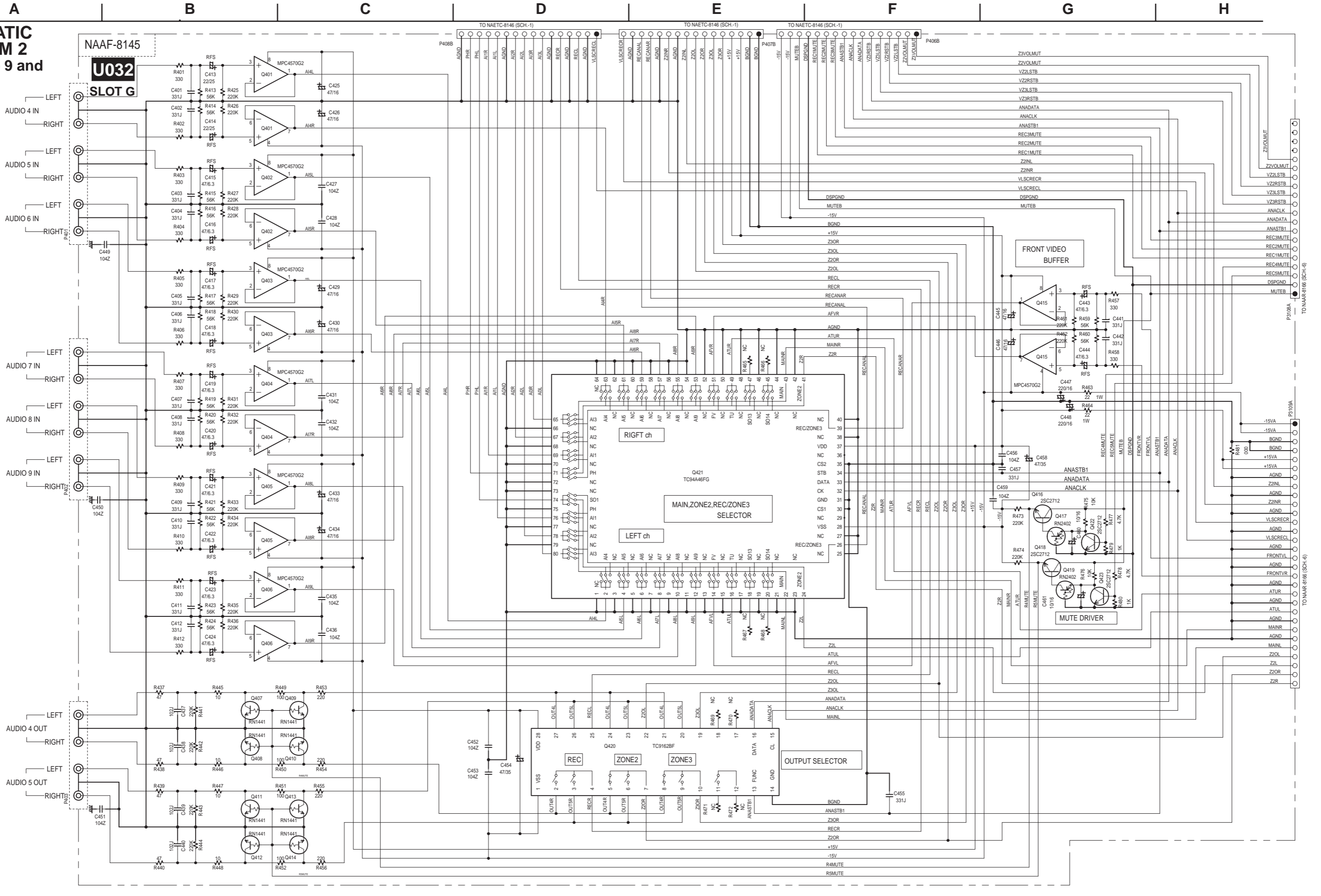
5



SCHEMATIC DIAGRAM 2

AF IN 4 to 9 and OUT 4/5 sections

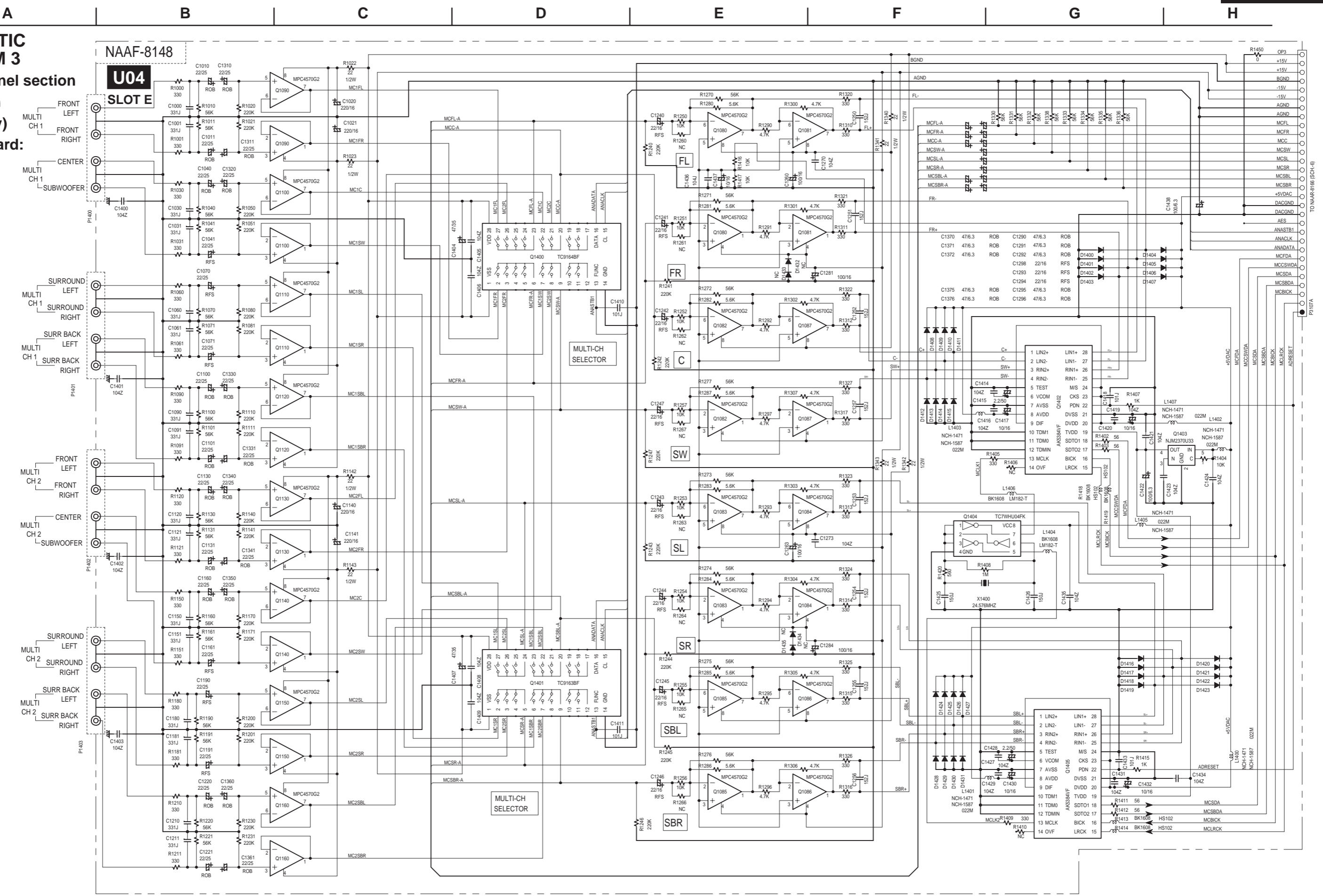
1
2
3
4
5



SCHEMATIC DIAGRAM 3

Multi channel section
(Australian model only)
Option Board:
C-MULTI

1
2
3
4
5



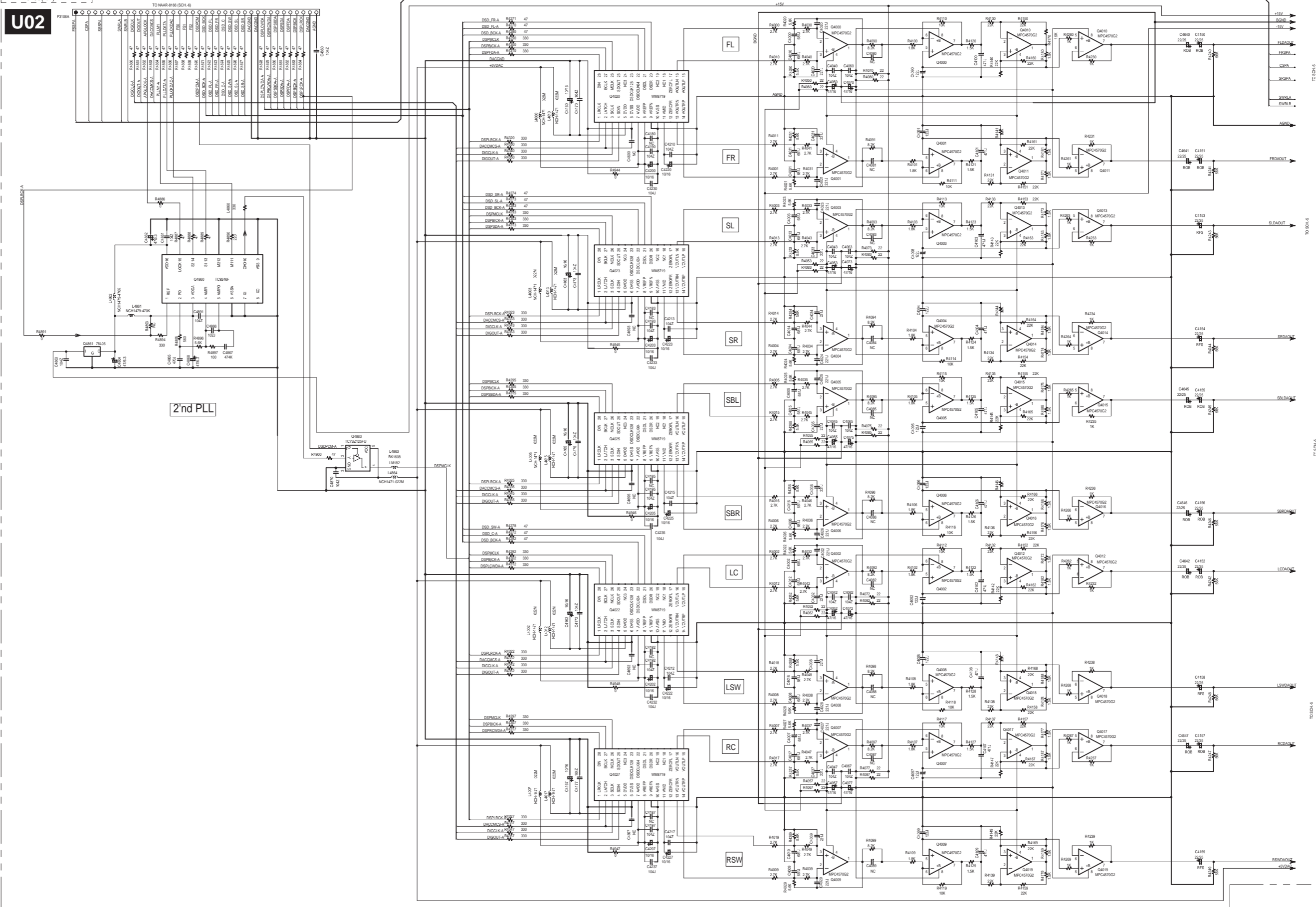
TO NAAF-8166 (SCH-6)
P3107A

SCHEMATIC DIAGRAM 4

DAC and Second PLL sections

U02

NAAR-8139(1/2)



1

2

3

4

5

TO SCH-5

TO SCH-5

TO SCH-5

TO SCH-5

TO SCH-5

SCHEMATIC DIAGRAM 5

Preamplifier section

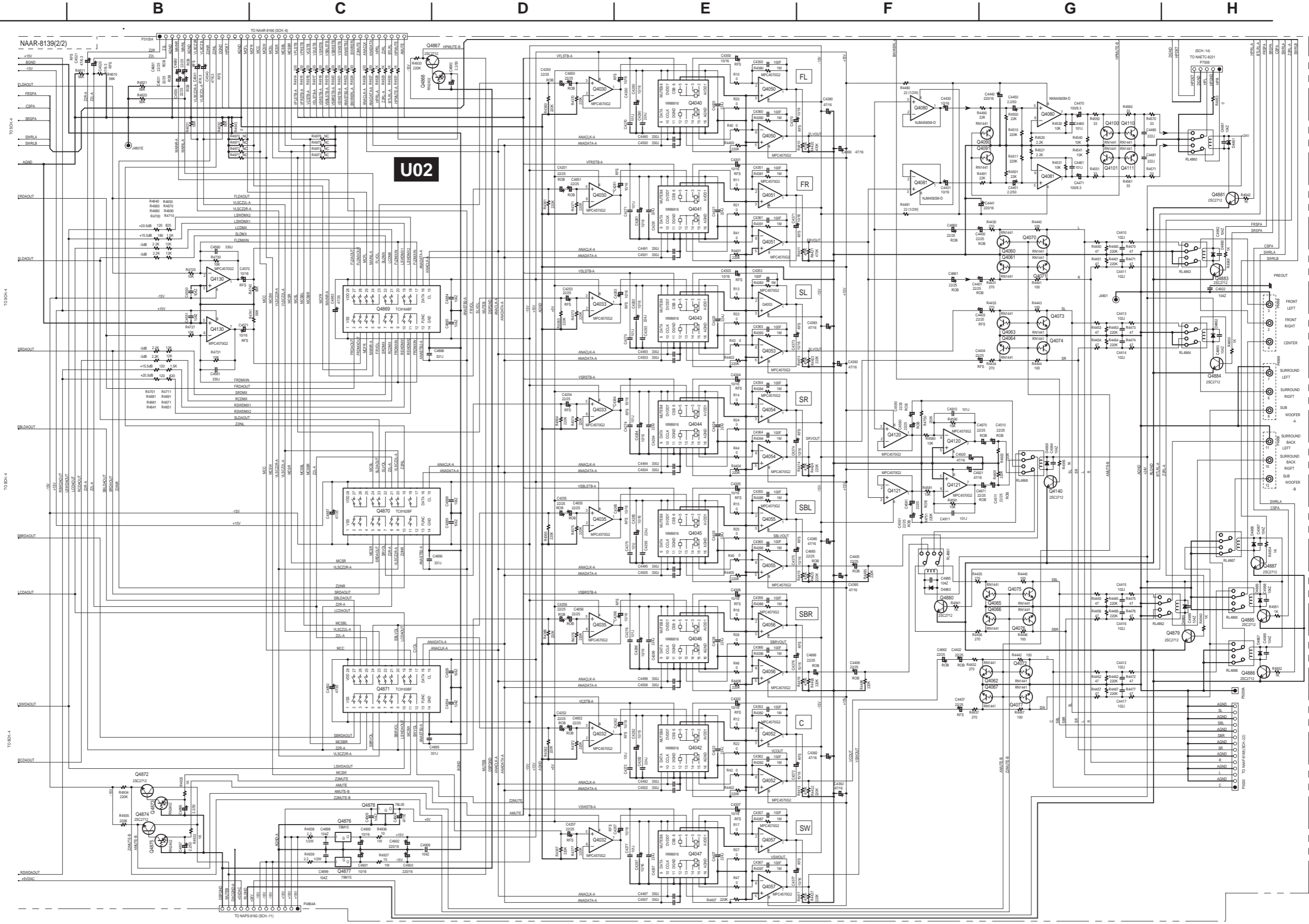
1

2

3

4

5



SCHEMATIC DIAGRAM 7

DIR section

1

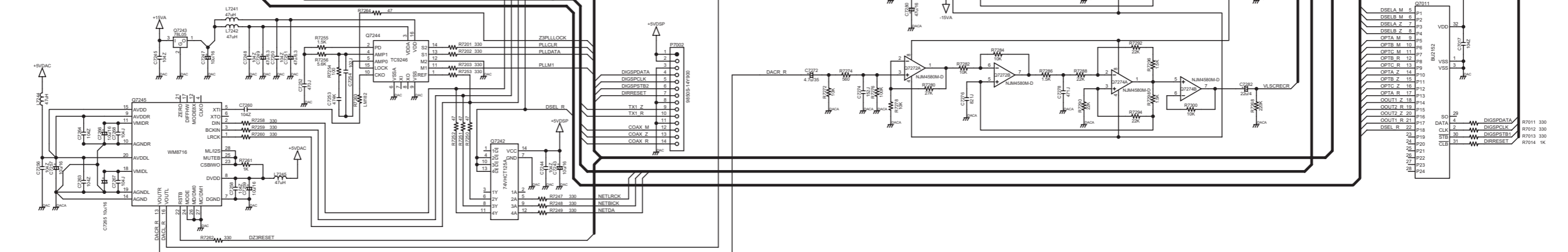
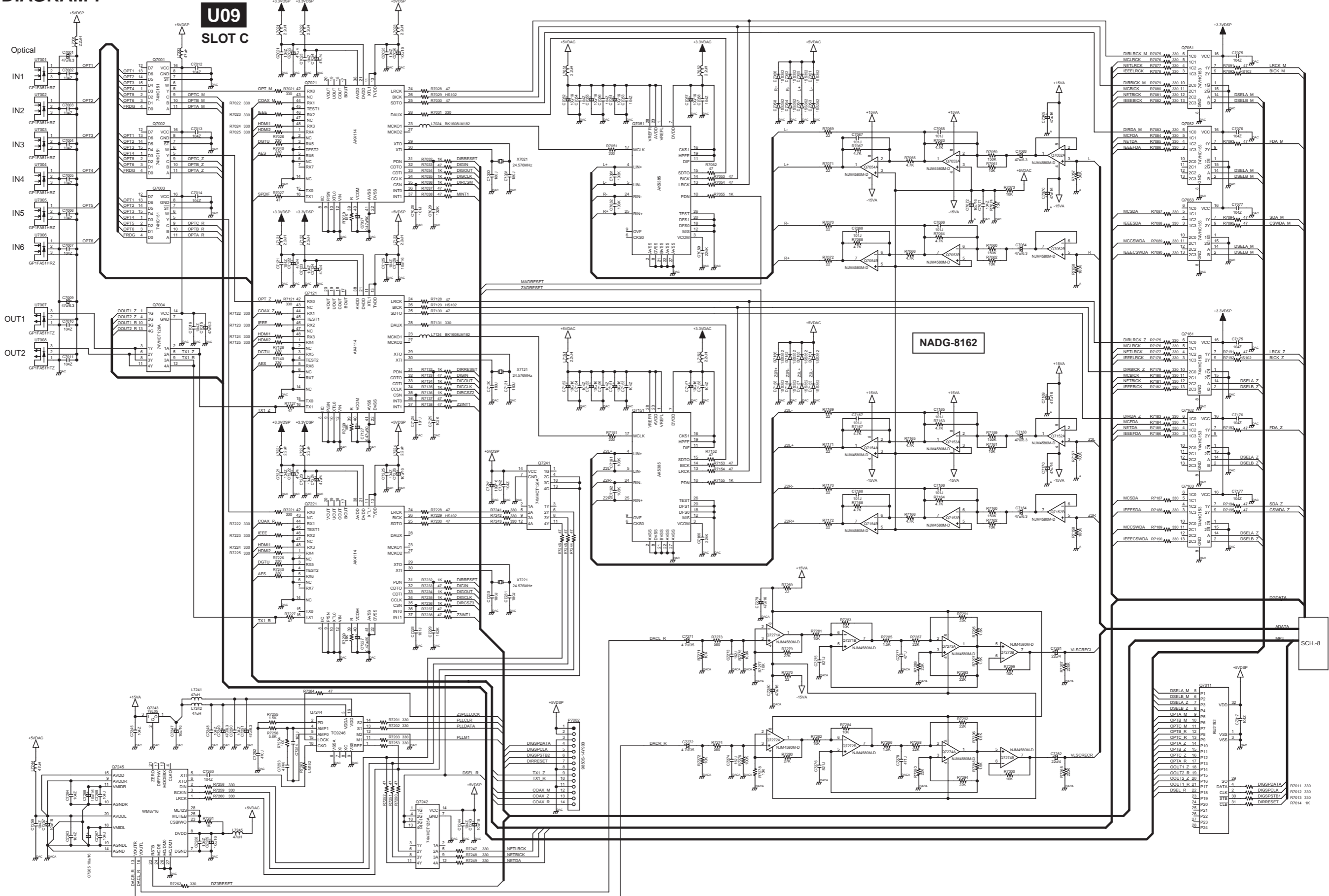
2

3

4

5

A B C D E F G H



SCHEMATIC DIAGRAM 8

Second PLL section

1

2

3

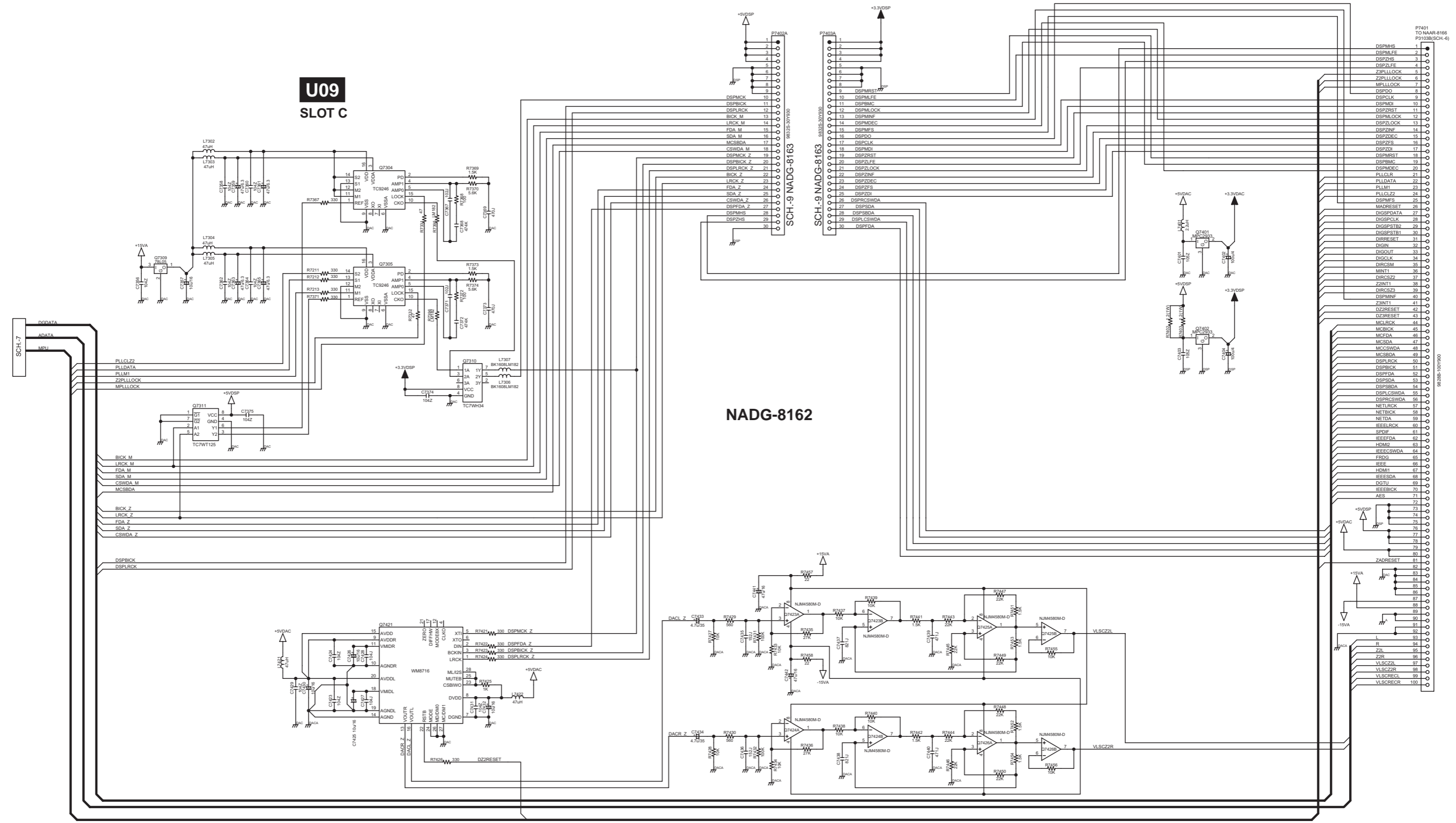
4

5

A B C D E F G H

U09
SLOT C

NADG-8162



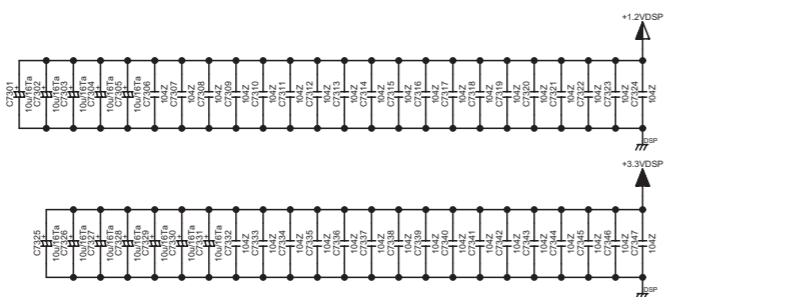
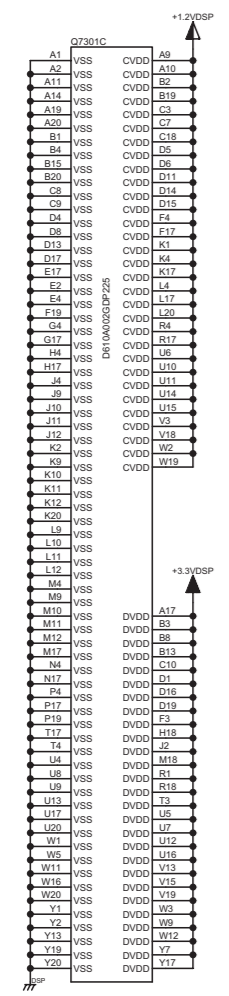
P7401
TO NAR-8166
P3103B(SCH.6)

98285-100YX00

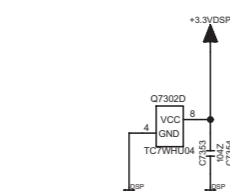
DSPMHS 1
 DSPMLFE 2
 DSPPHS 3
 DSPZLFE 4
 ZSPLLLOCK 5
 ZSPLLLOCK 6
 MPLLLOCK 7
 DSPPO 8
 DSPCLK 9
 DSPMDI 10
 DSPPST 11
 DSPMLCK 12
 DSPZLOCK 13
 DSPZINF 14
 DSPZDEC 15
 DSPZFS 16
 DSPZDI 17
 DSPMRST 18
 DSPBMC 19
 DSPBDEC 20
 PLLCR 21
 PLLDATA 22
 PLLM1 23
 PLLCZ 24
 DSPZFS 25
 MADRESET 26
 DIGSPDATA 27
 DIGSPCLK 28
 DIGSPSTB 29
 DIGSPSTB1 30
 DIRRESET 31
 DIGIN 32
 DIGOUT 33
 DIGCLK 34
 DIRCSM 35
 MINT 36
 DIRCZ 37
 ZINT1 38
 DIRCZ 39
 DSPMINF 40
 ZINT1 41
 DZRESET 42
 DZRESET 43
 MCLCK 44
 MCBICK 45
 MCFDA 46
 MCSDA 47
 MCSWDA 48
 MCSBDA 49
 DSPLRCK 50
 DSPBICK 51
 DSPFDA 52
 DSPSBA 53
 DSPSBA 54
 DSPCSWDA 55
 DSPRCSWDA 56
 NETLCK 57
 NETBICK 58
 NETDA 59
 IEELRCK 60
 SPCF 61
 IEEFDA 62
 HDM2 63
 IEECWDA 64
 FRDS 65
 IESE 66
 HDM1 67
 IEESDA 68
 DGTU 69
 IEEBICK 70
 AES 71
 72
 73
 74
 75
 76
 77
 78
 79
 80
 ZADRESET 81
 82
 83
 84
 85
 86
 87
 88
 89
 90
 91
 92
 93
 94
 95
 96
 97
 98
 99
 100

SCHEMATIC DIAGRAM 9 DSP section

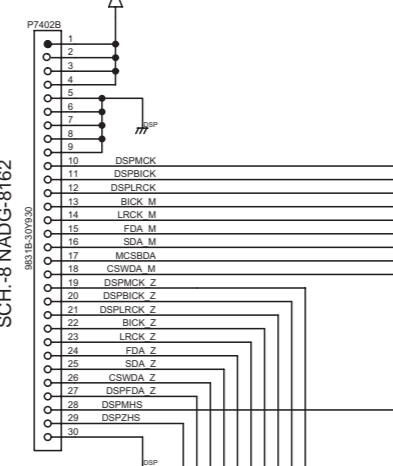
1
2
3
4
5



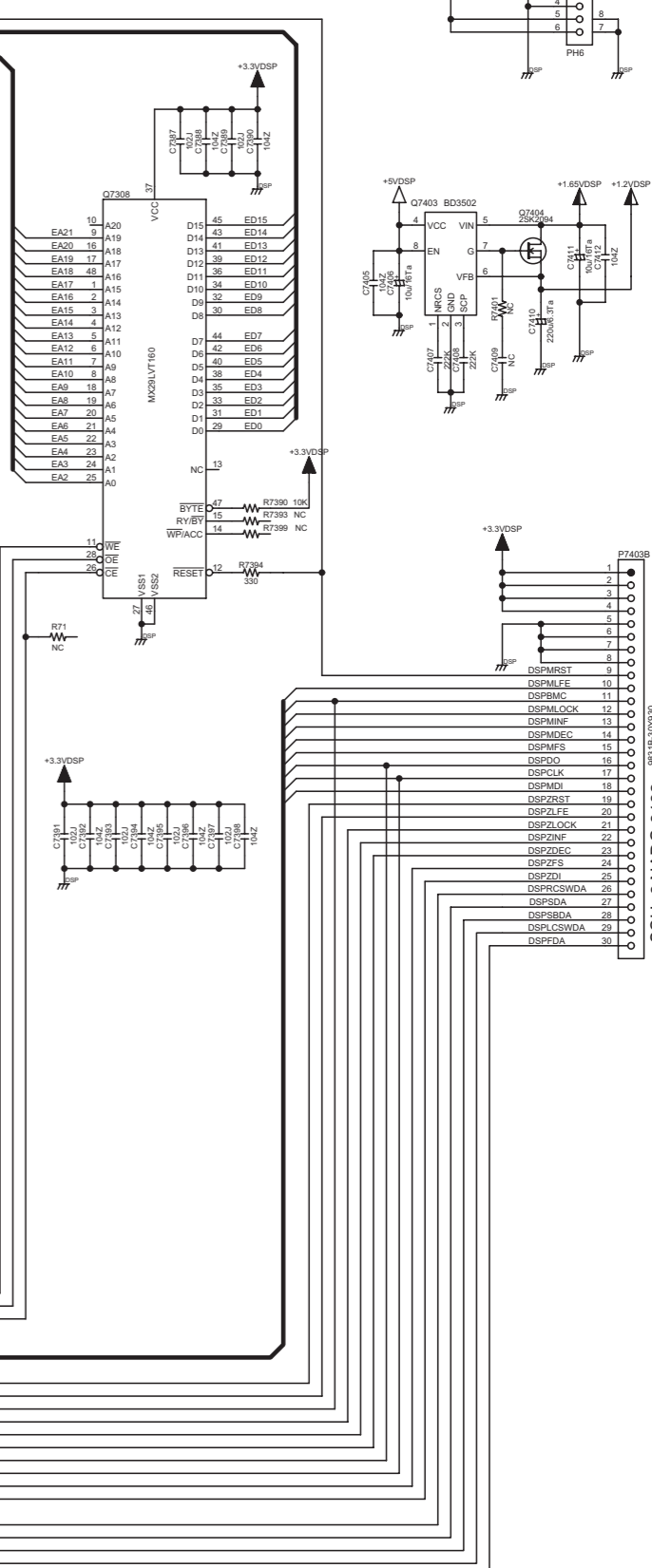
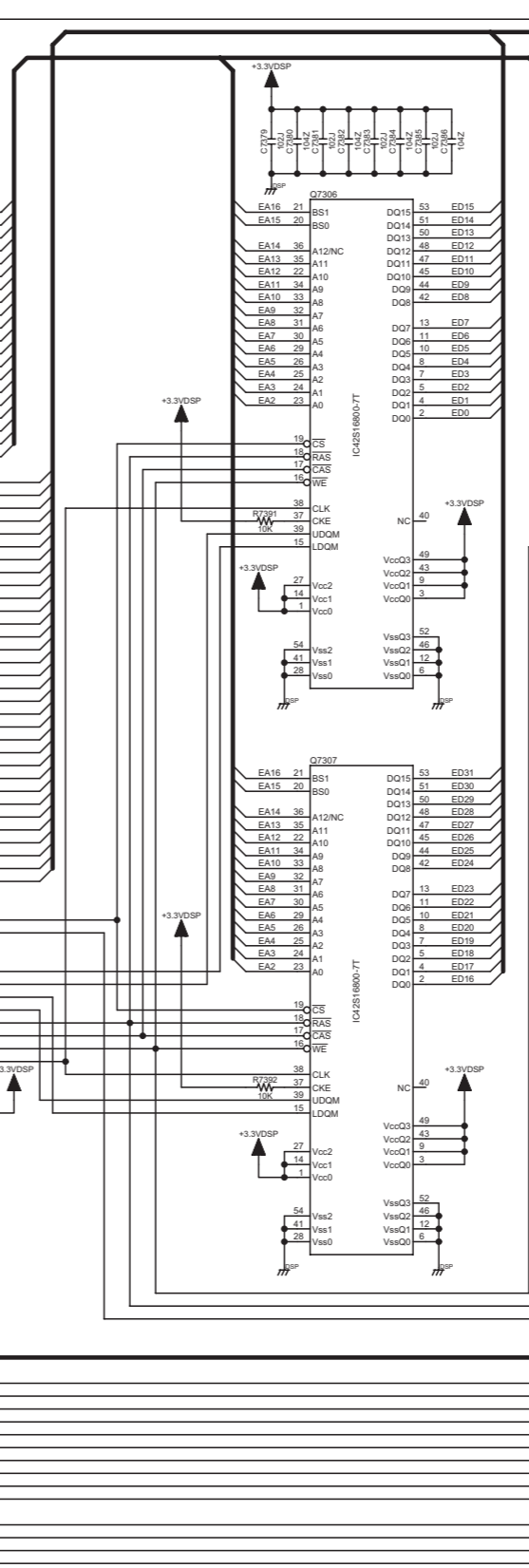
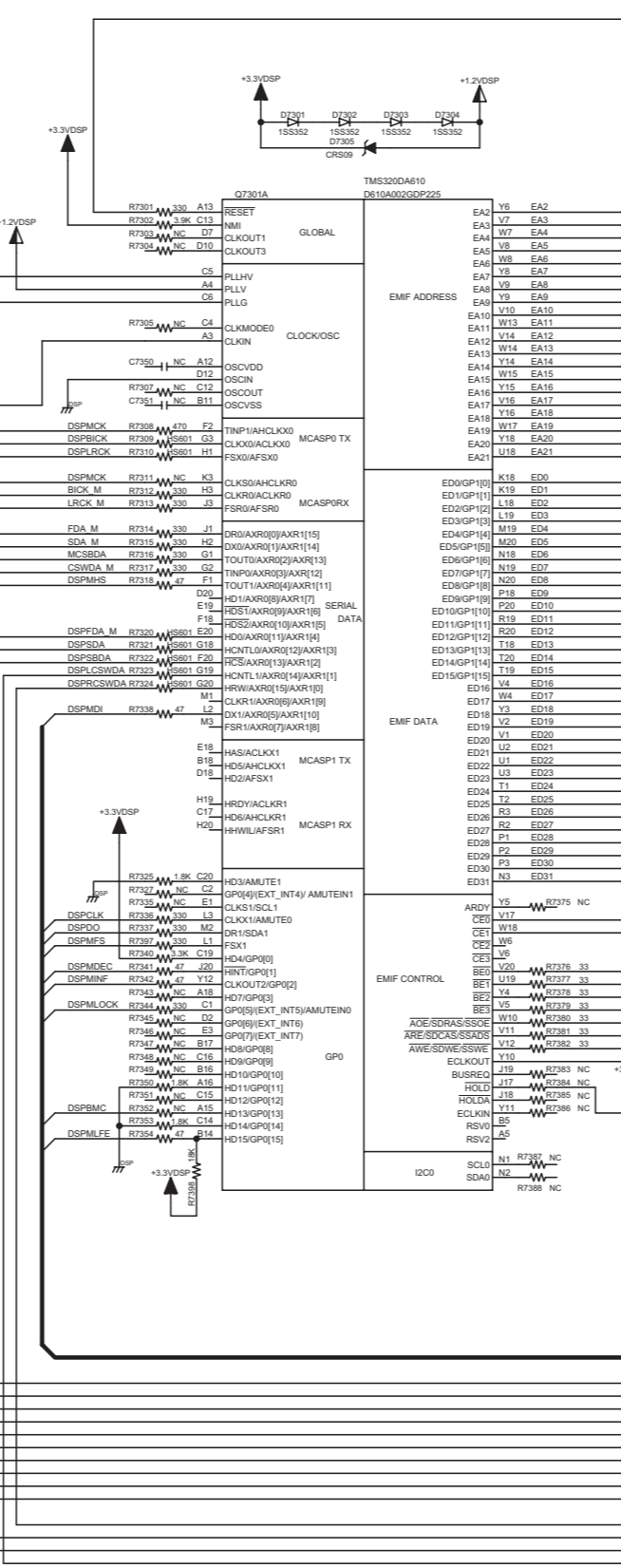
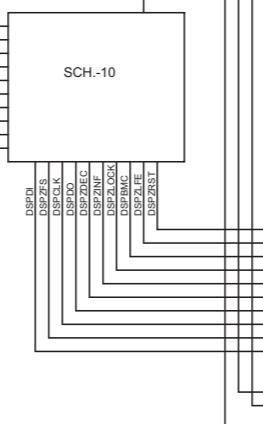
U26



SCH.-8 NADG-8162



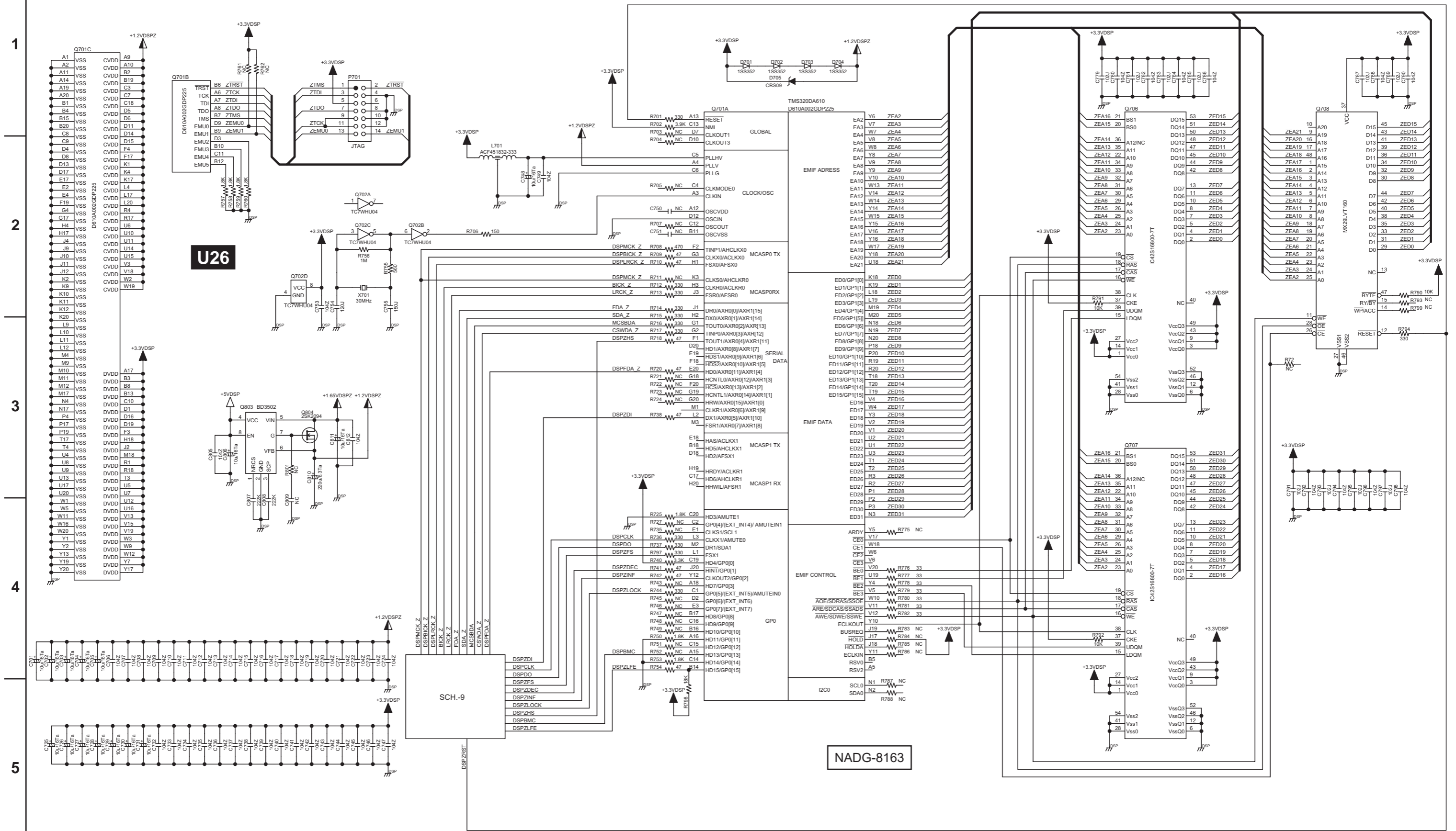
SCH.-10



SCH.-8 NADG-8162

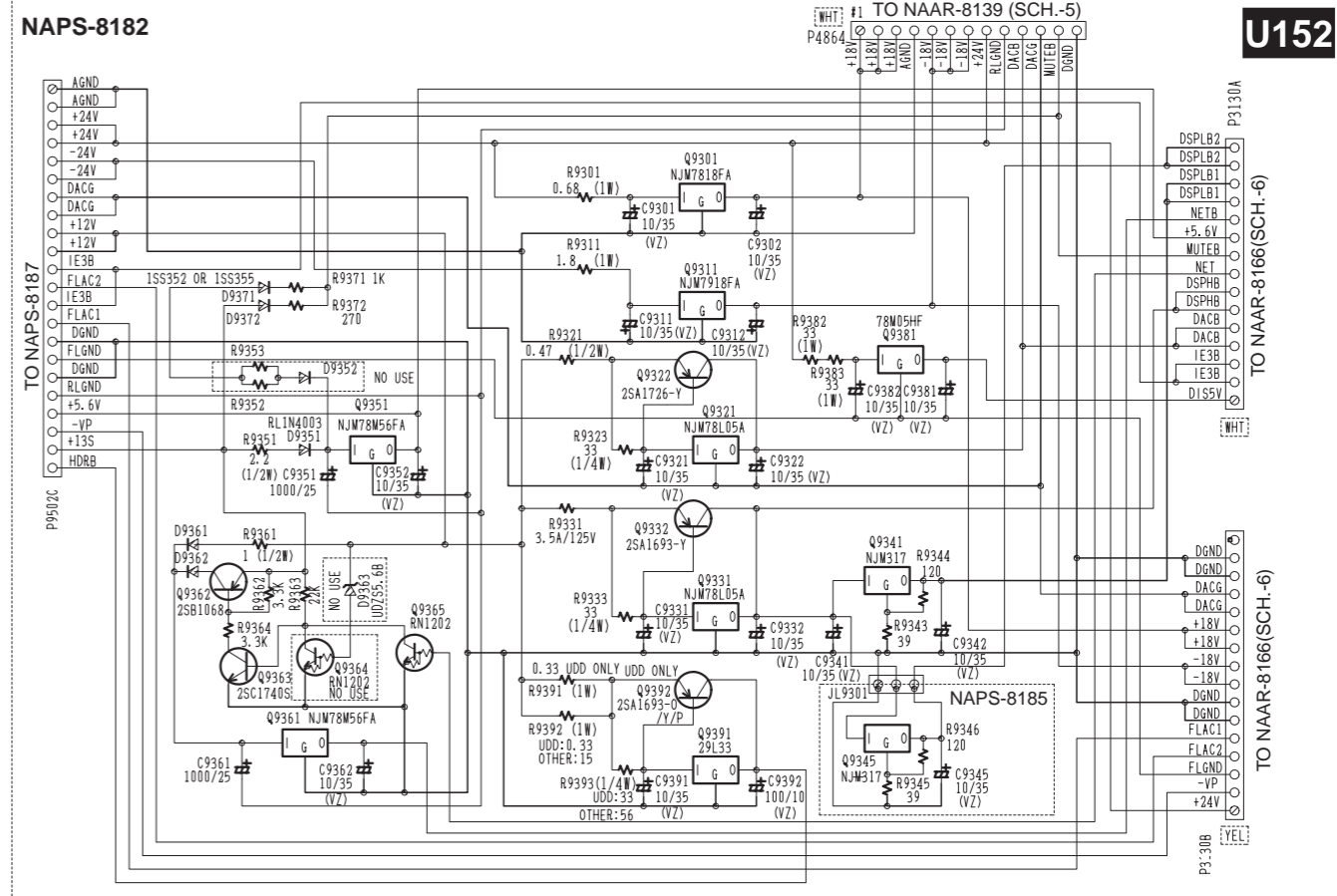
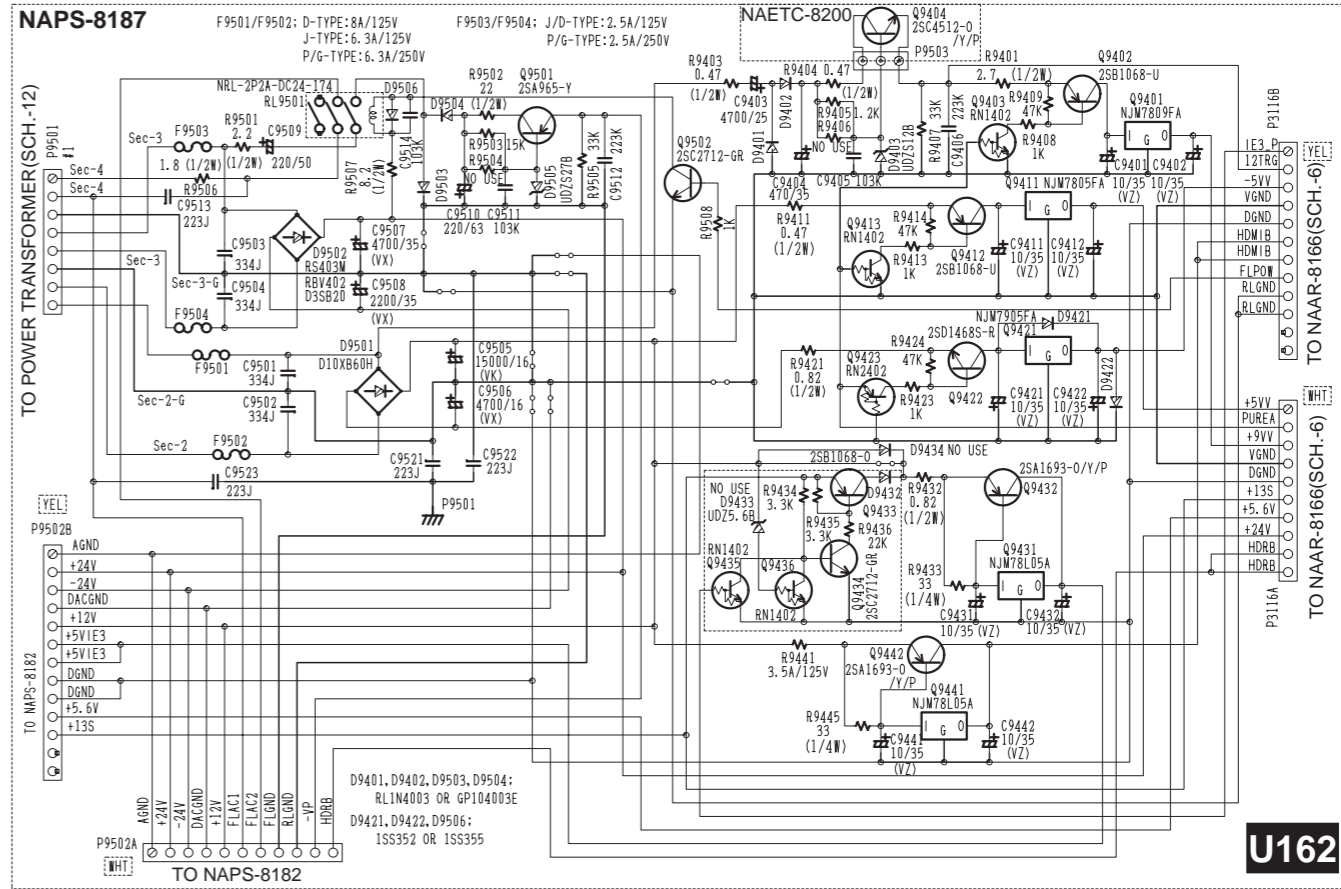
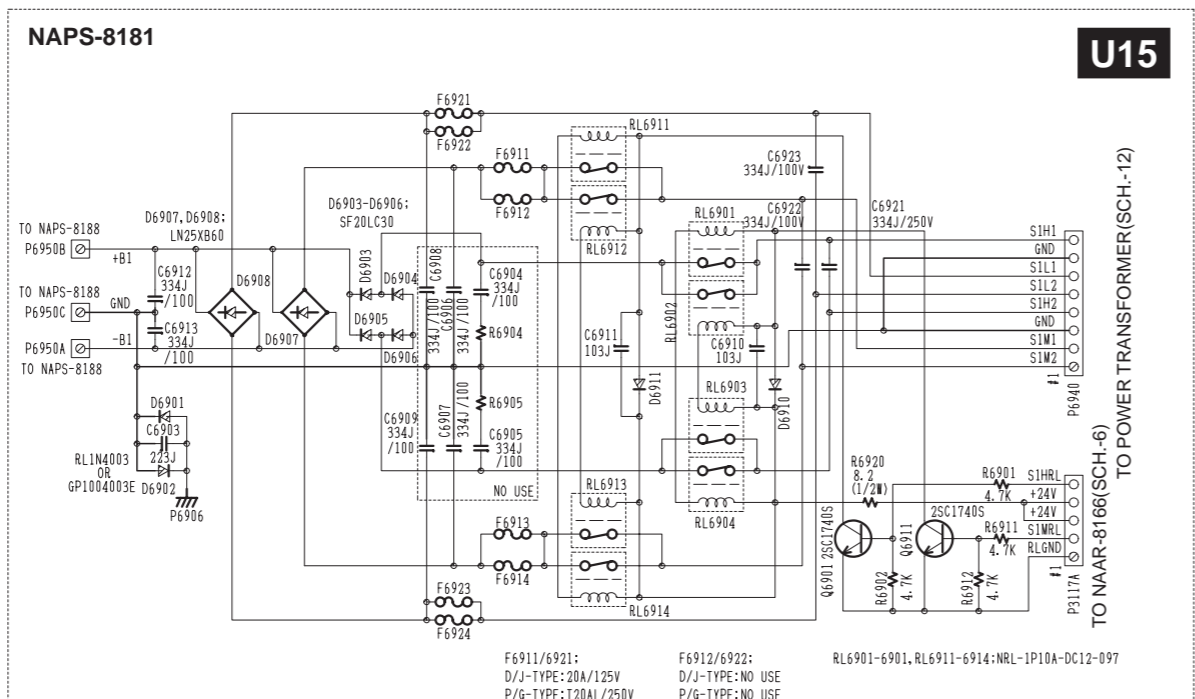
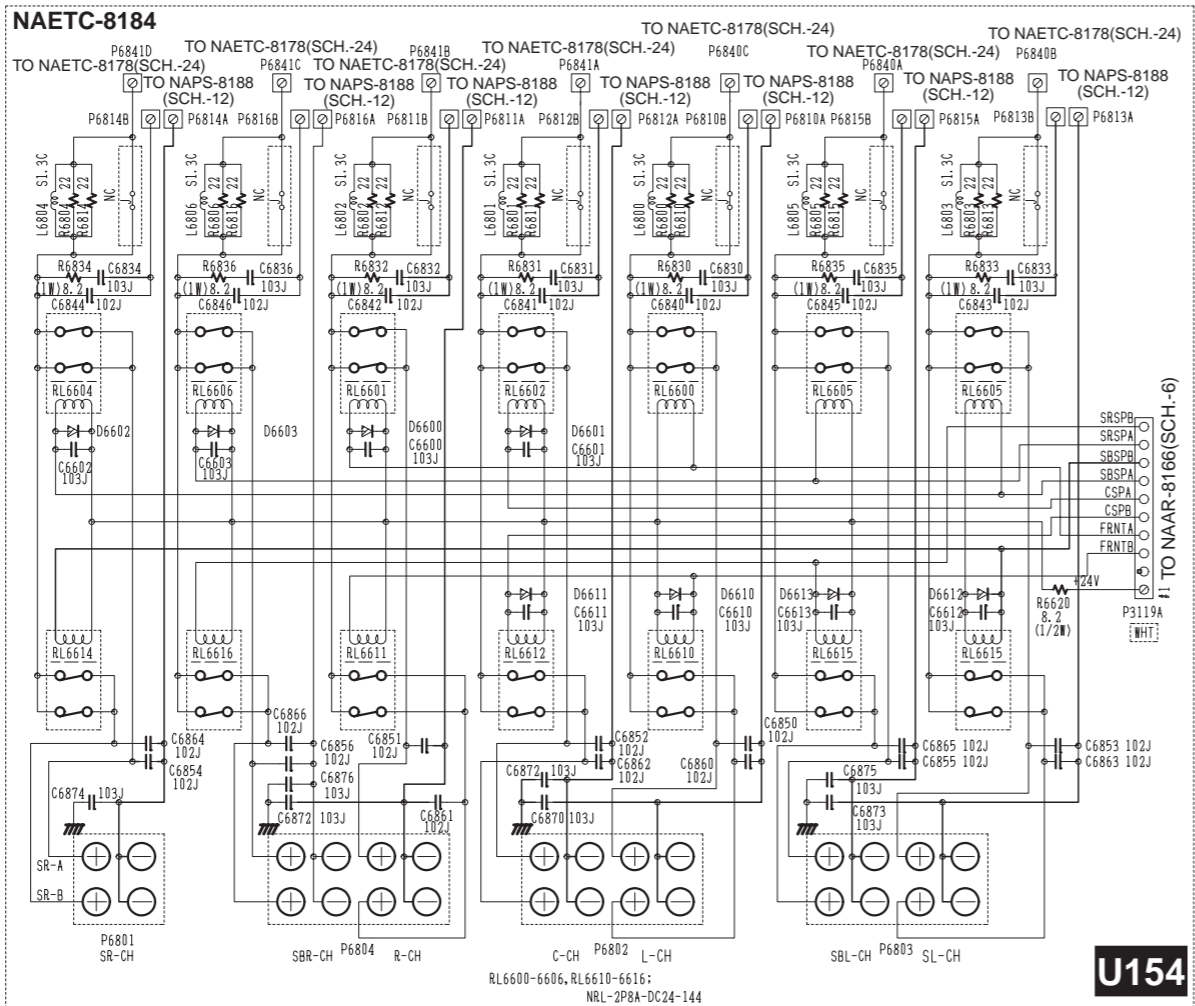
SCHEMATIC DIAGRAM 10

DSP section



SCHEMATIC DIAGRAM 11 Speaker and supply sections

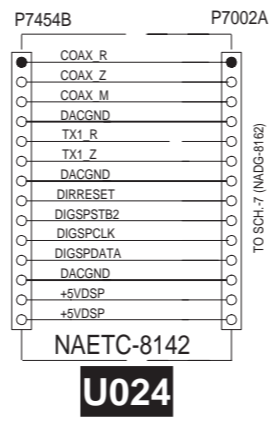
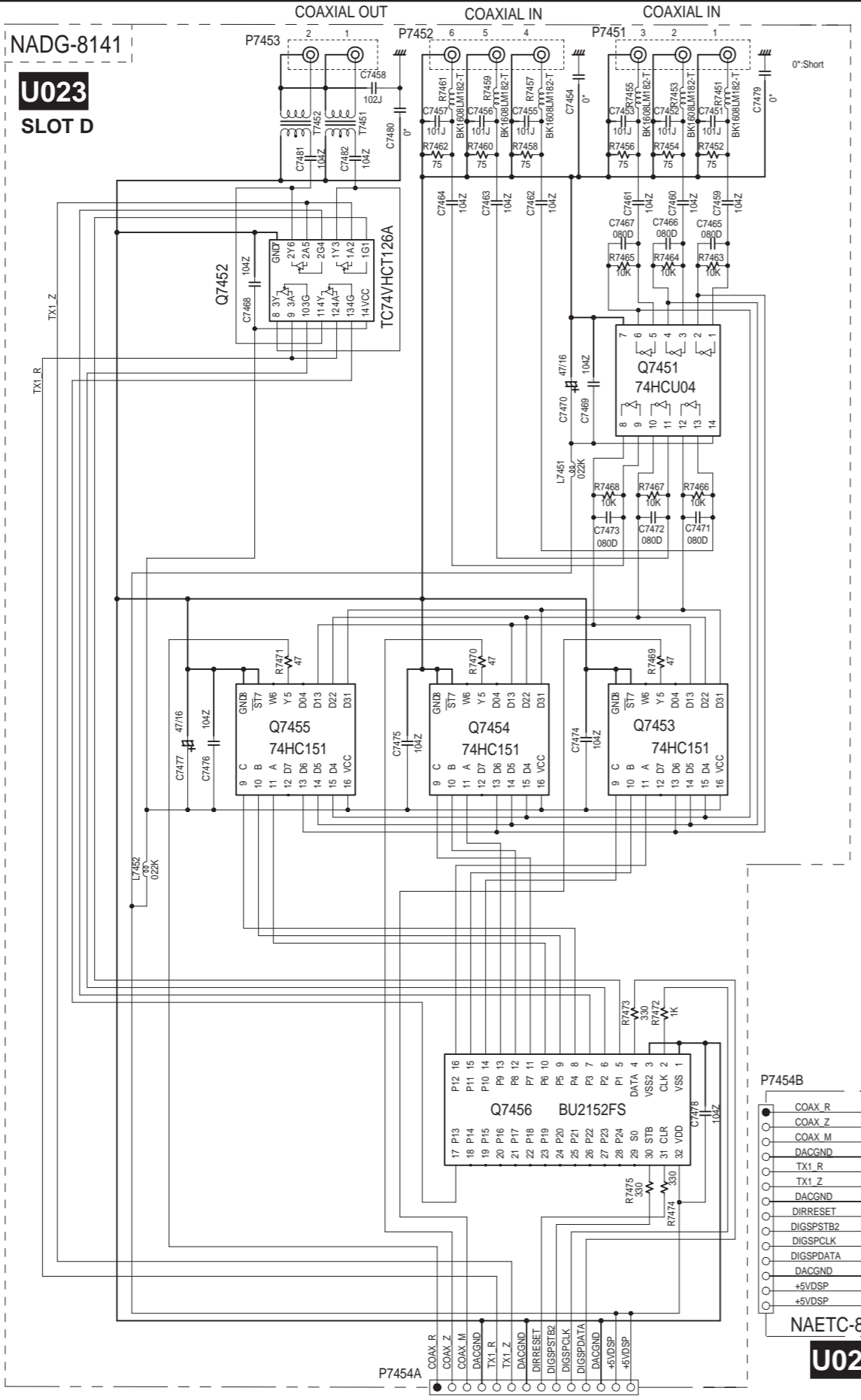
1
2
3
4
5



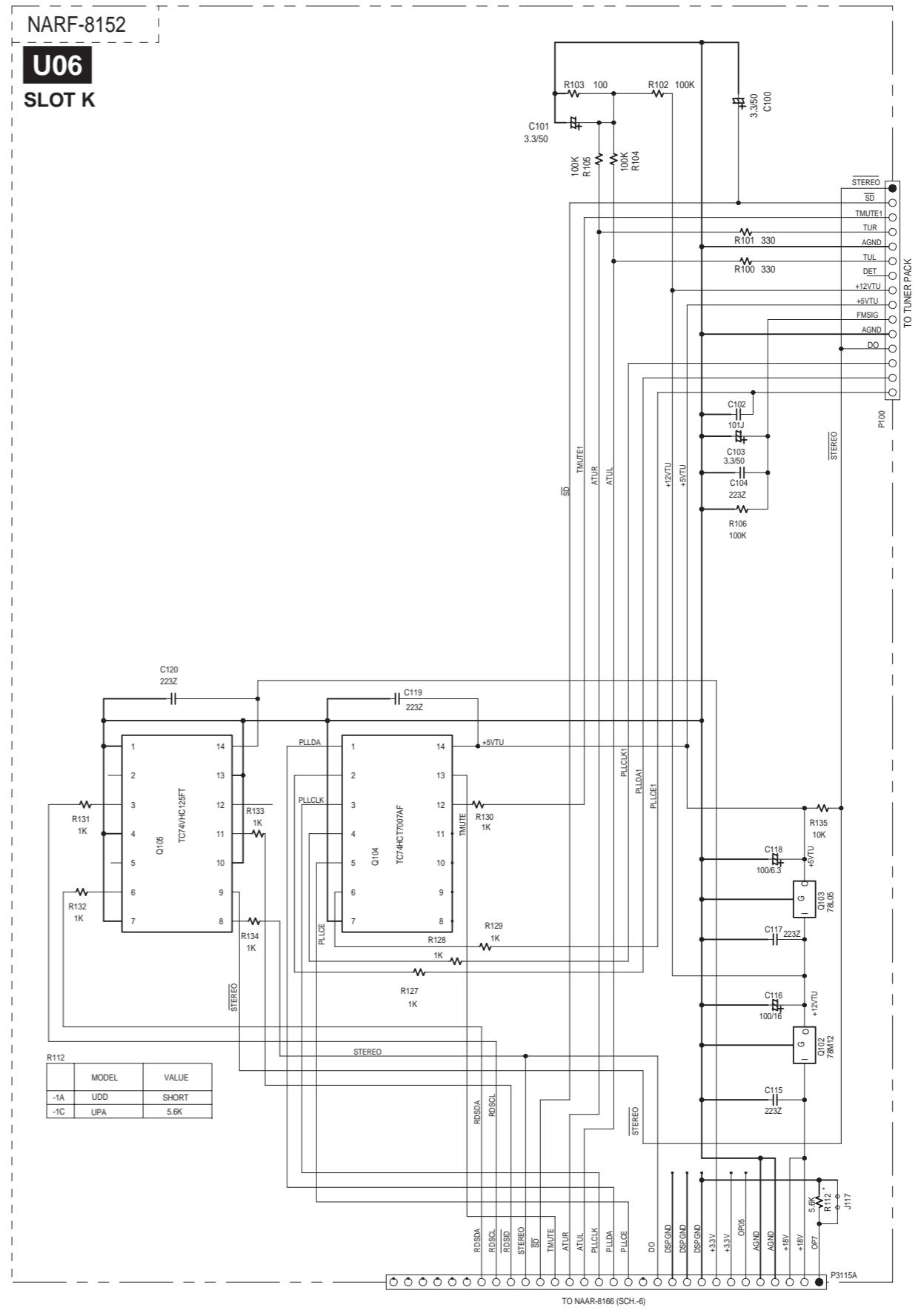
SCHEMATIC DIAGRAM 13

Coaxial I/O and Tuner sections

NADG-8141
U023
SLOT D



NARF-8152
U06
SLOT K



R112	MODEL	VALUE
-1A	UDD	SHORT
-1C	UPA	5.6K

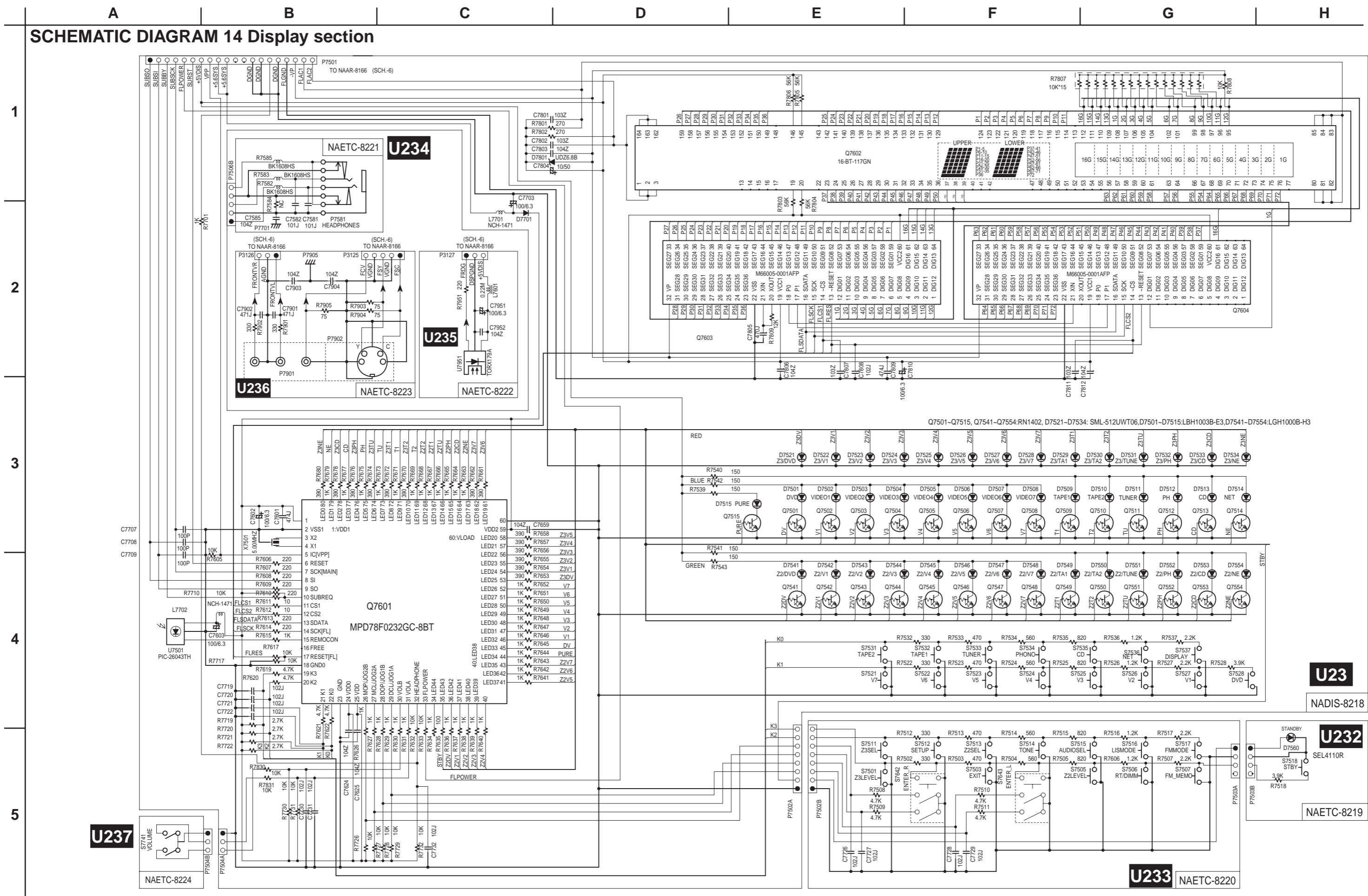
1
2
3
4
5

TO TUNER PACK

TO NAAR-8166 (SCH-6)

TO SCH-7 (NADG-8162)

SCHEMATIC DIAGRAM 14 Display section



U23
NADIS-8218

U232
SEL4110R
NAETC-8219

U233
NAETC-8220

U237
NAETC-8224

U234
NAETC-8221

U236
NAETC-8223

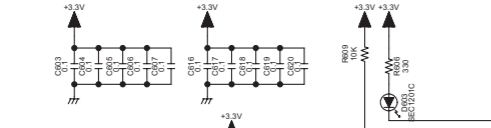
U235
NAETC-8222

SCHEMATIC DIAGRAM 15

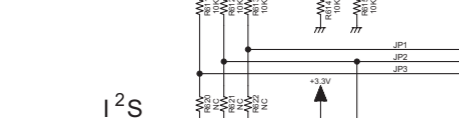
NET-TUNE section (Option board)

1

3.3V 2.5V Voltage Regulator

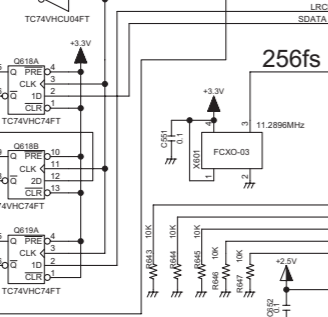


SLOT B

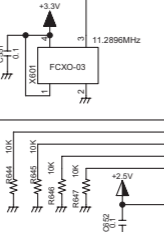


2

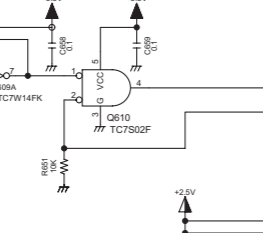
I²S



256fs

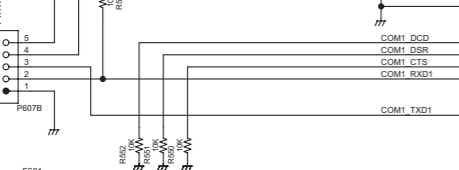


WakeUP



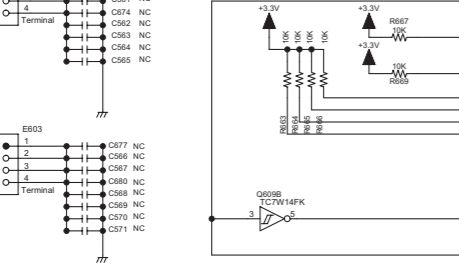
3

Firm update



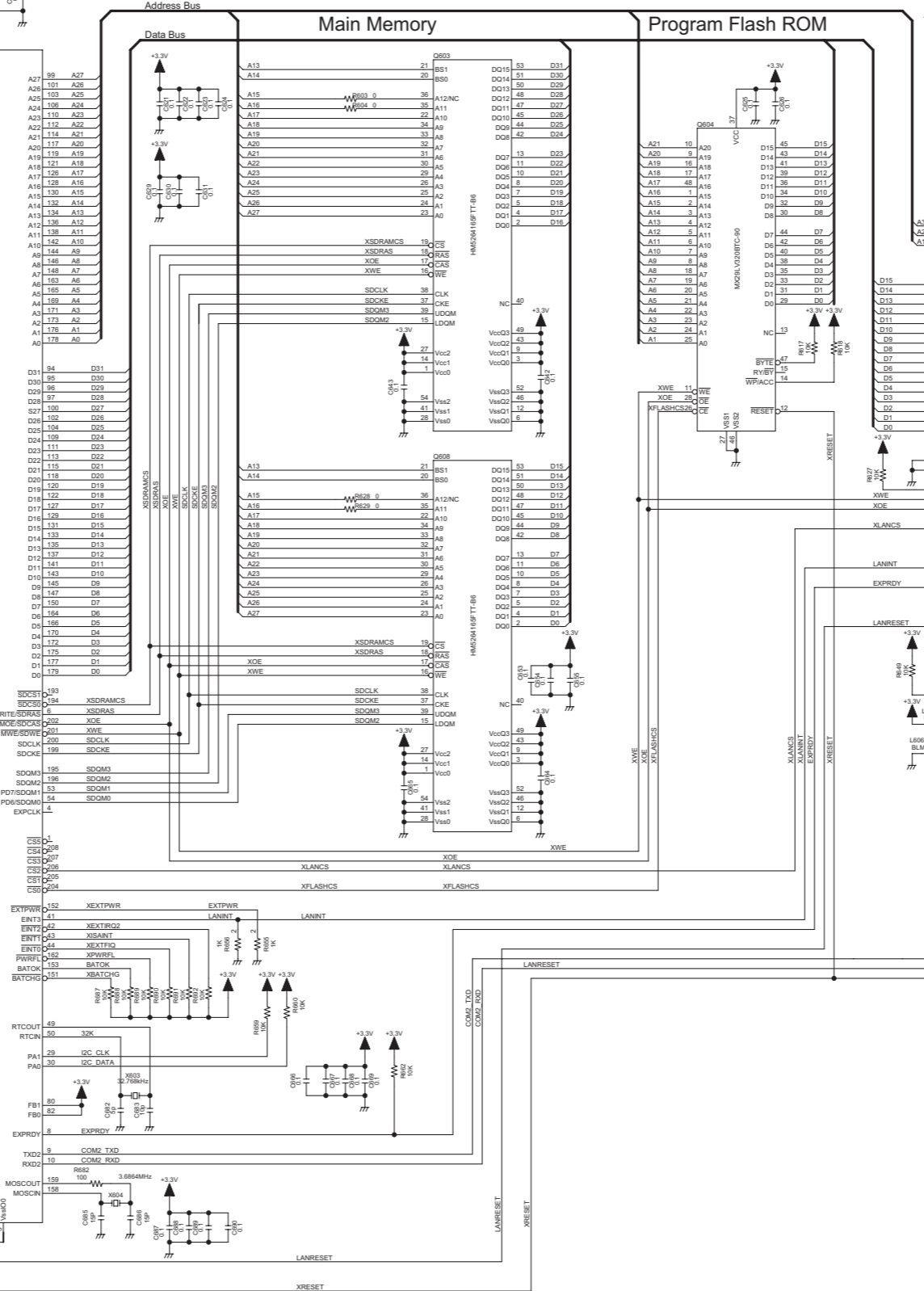
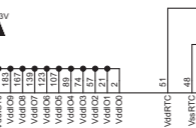
4

Terminal

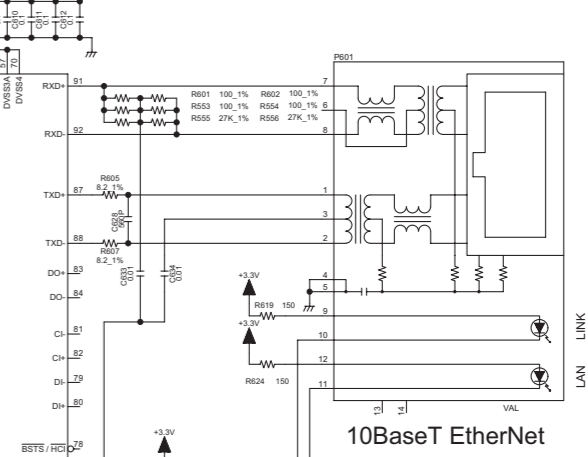
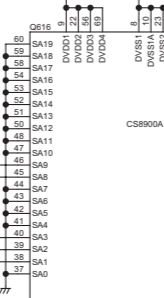


5

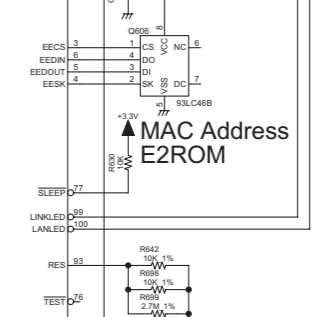
MultiMedia CPU



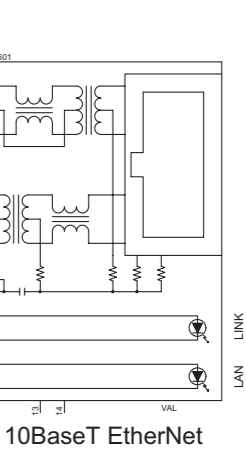
U24



MAC Address E2ROM

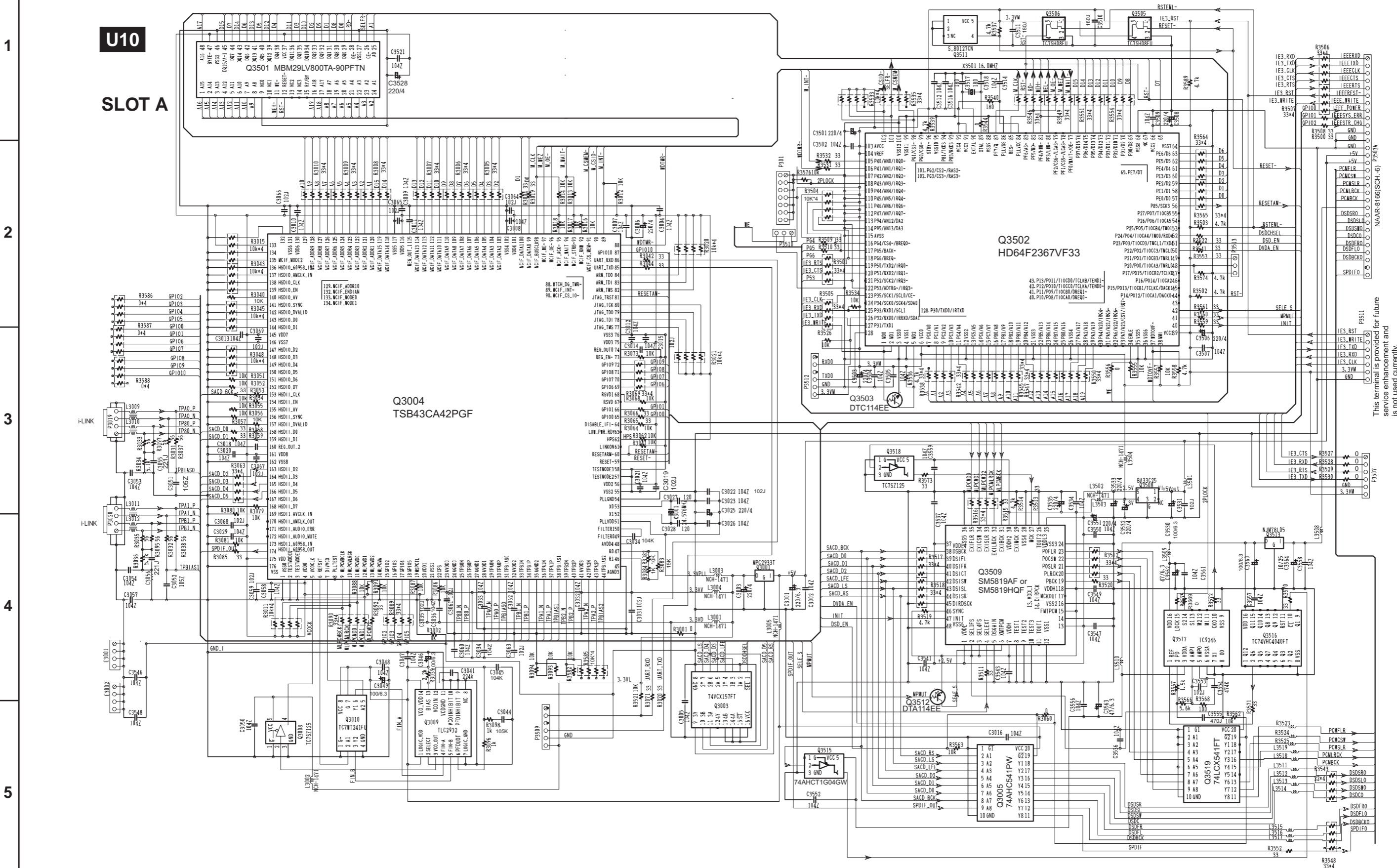


NADG-8228



SCHEMATIC DIAGRAM 16
IEEE1394

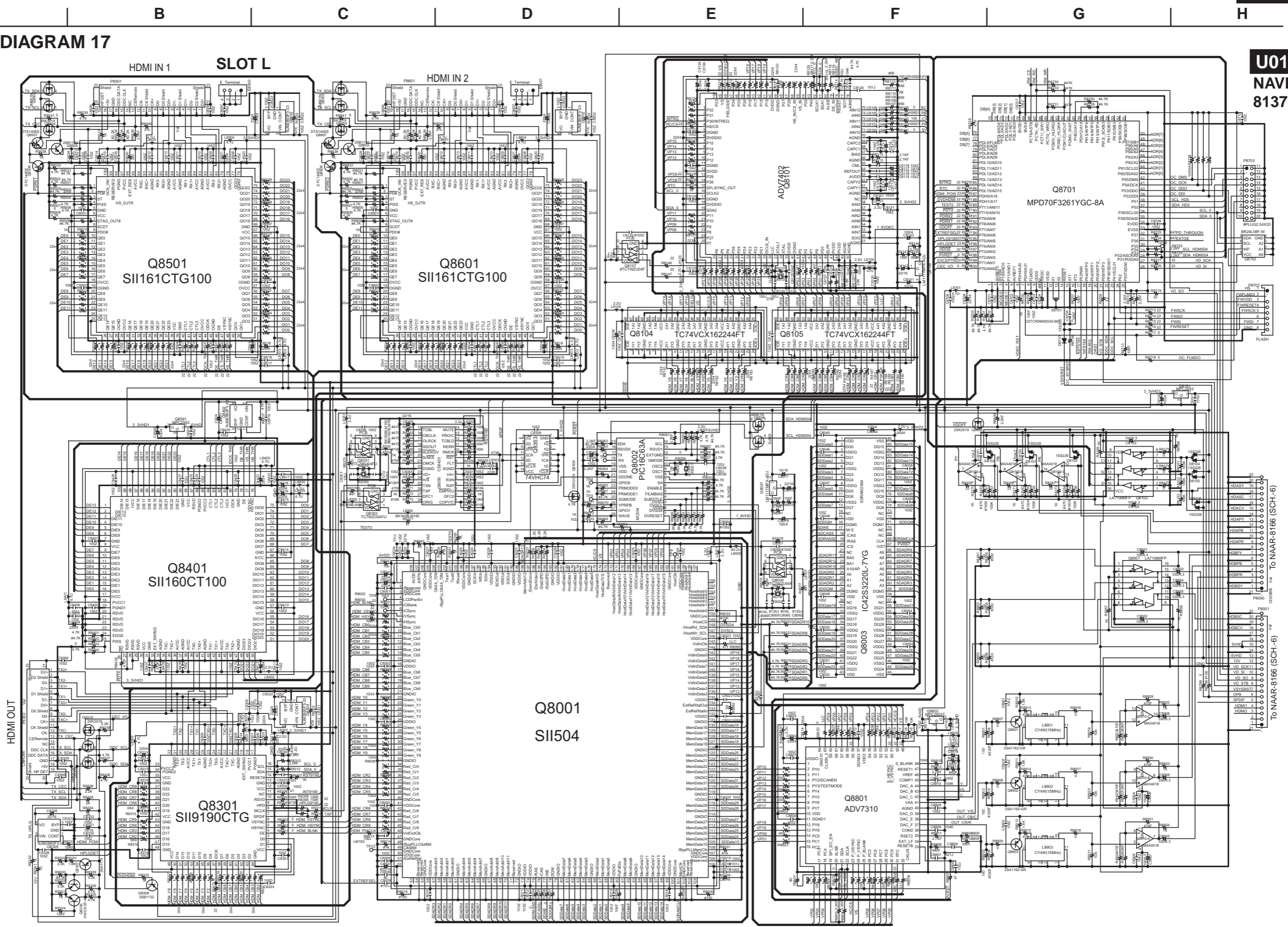
U10
SLOT A



This terminal is provided for future service enhancement and is not used currently.

SCHEMATIC DIAGRAM 17

HDMI section
120V model/
Option board:
C-HDMI



U01
NAVD-
8137

To NAAR-8166 (SCH-6)

1

2

3

4

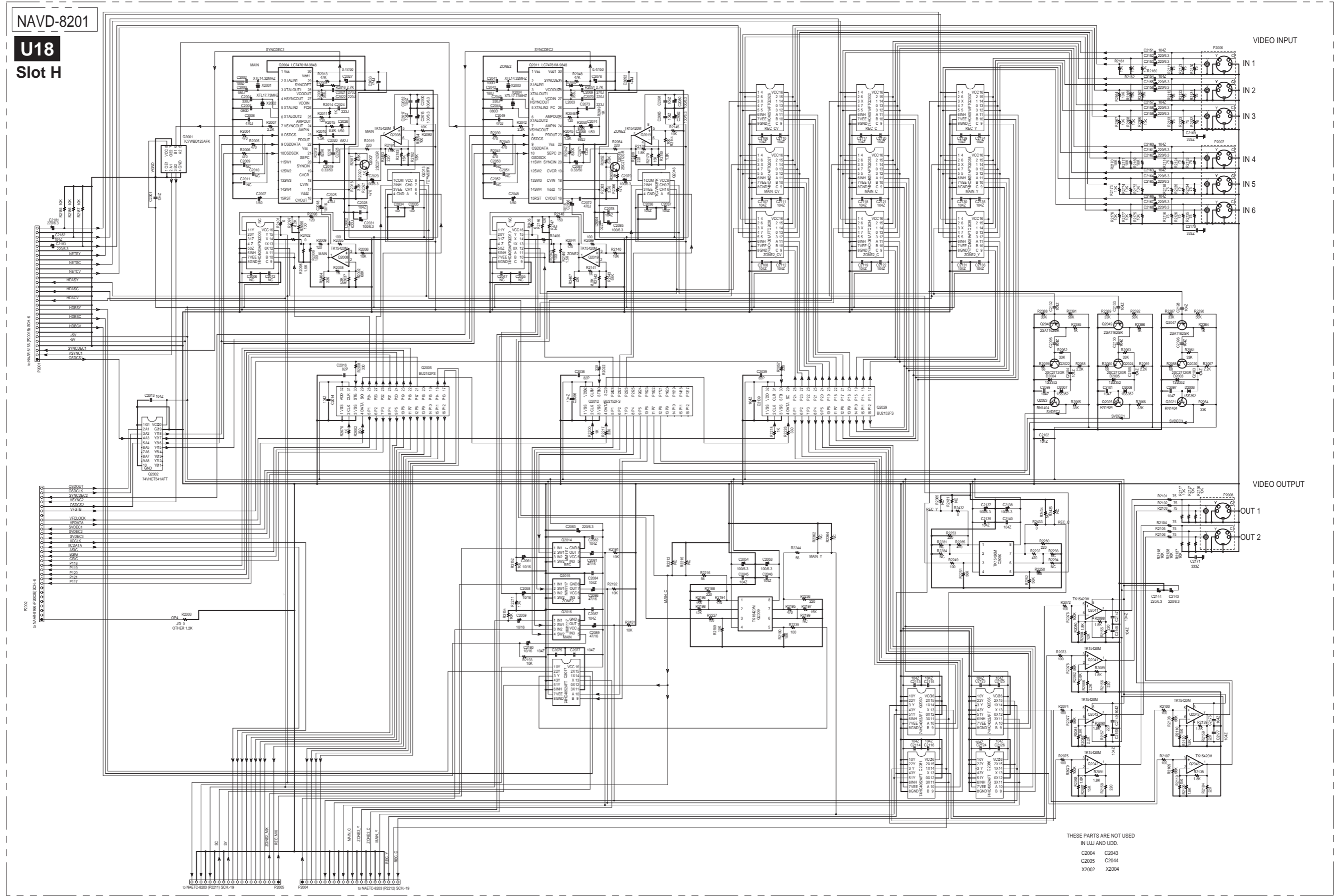
5

SCHEMATIC DIAGRAM 18

Video section

NAVD-8201

U18
Slot H



VIDEO INPUT
IN 1
IN 2
IN 3
IN 4
IN 5
IN 6

VIDEO OUTPUT
OUT 1
OUT 2

THESE PARTS ARE NOT USED
IN U1J AND UDD.
C2004 C2043
C2005 C2044
X2002 X2004

1

2

3

4

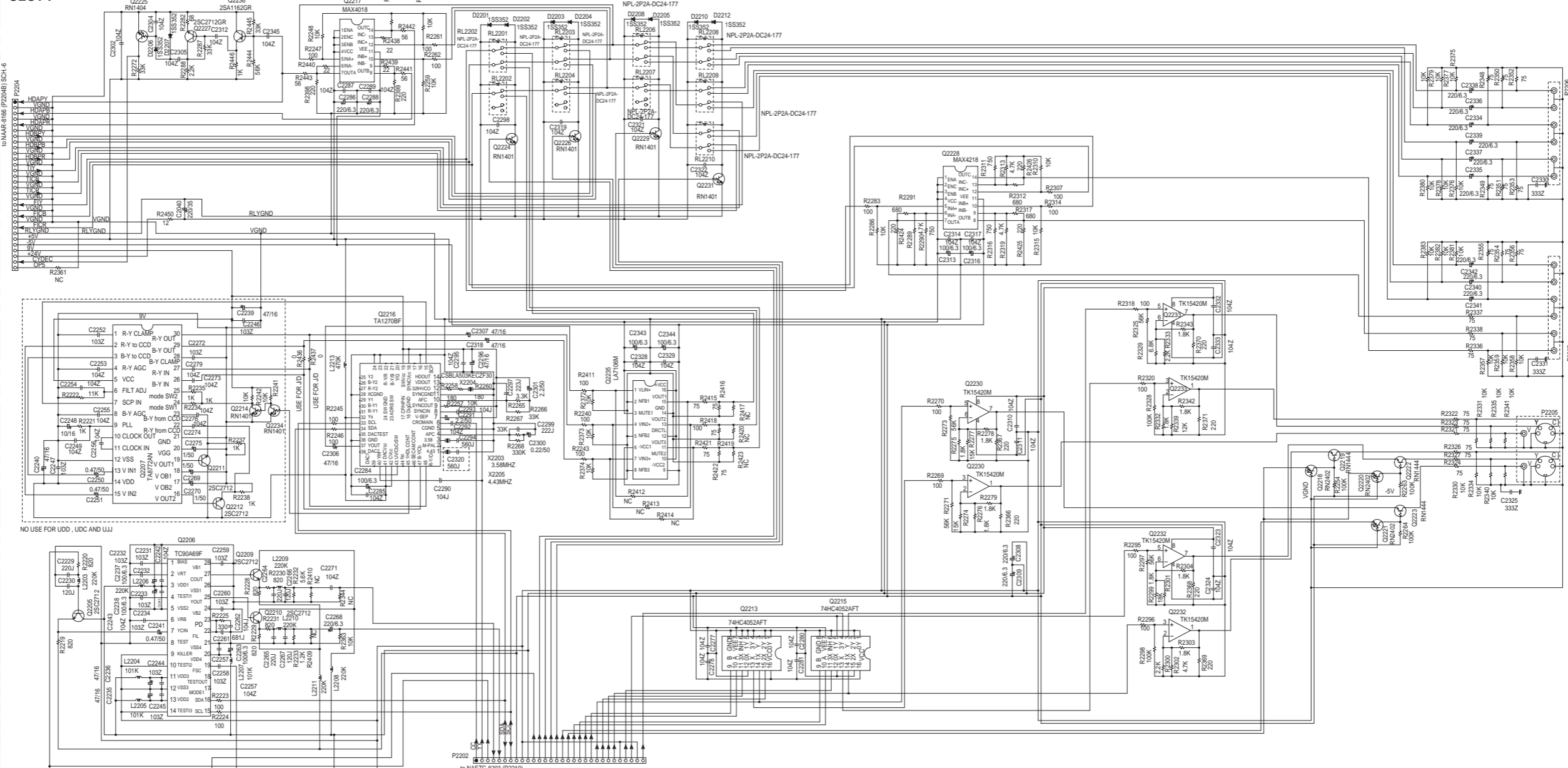
5

SCHEMATIC DIAGRAM 19 Video section

U182

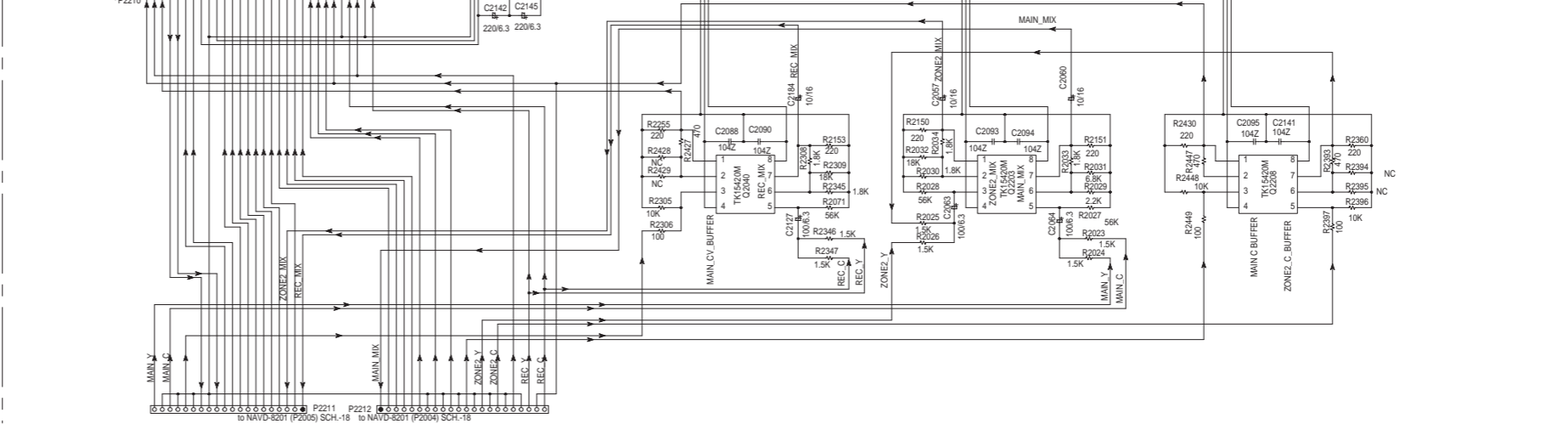
NAVD-8202

SLOT 1



NAETC-8203

U183



1

2

3

4

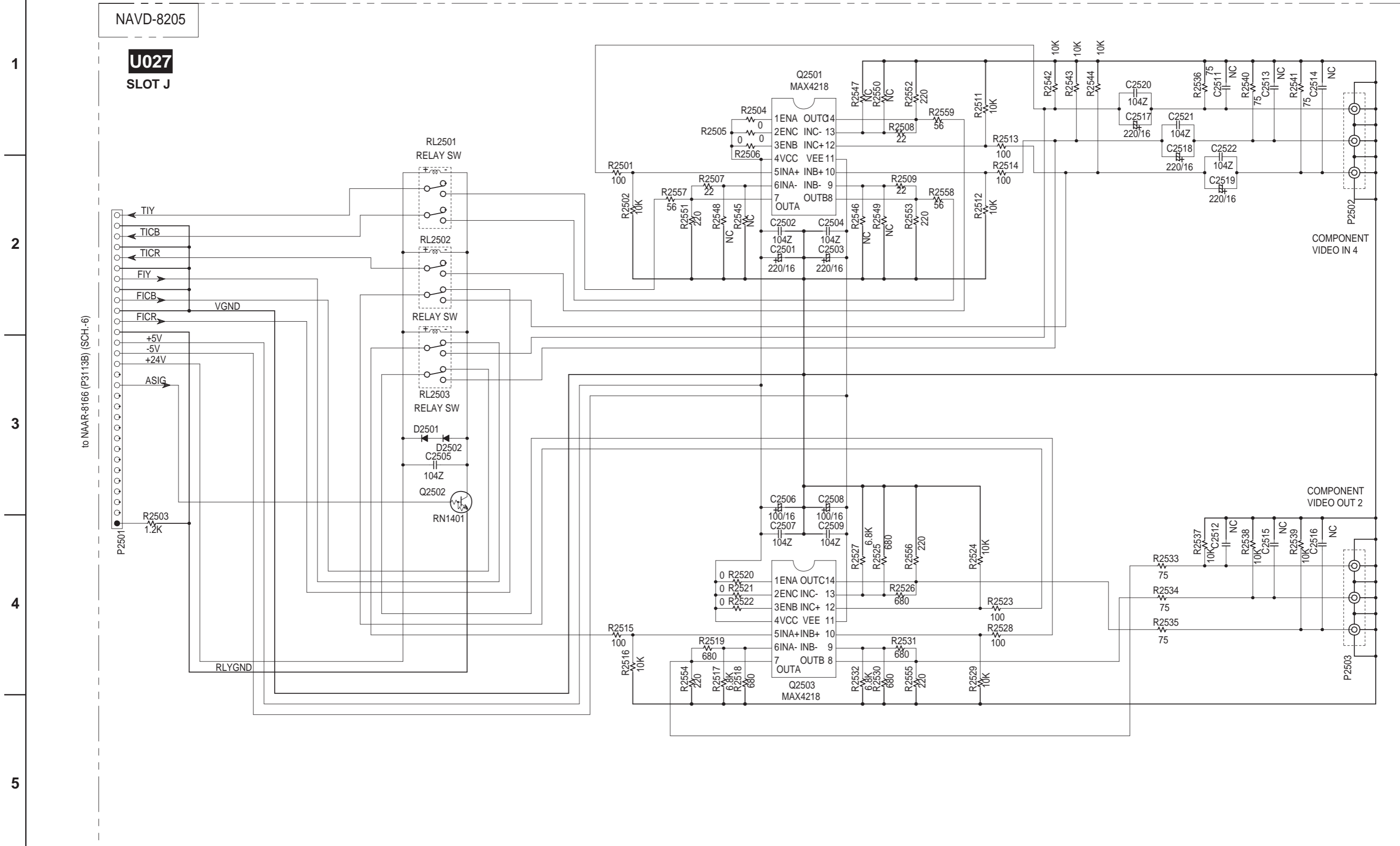
5

NO USE FOR UDD, UDC AND UUJ

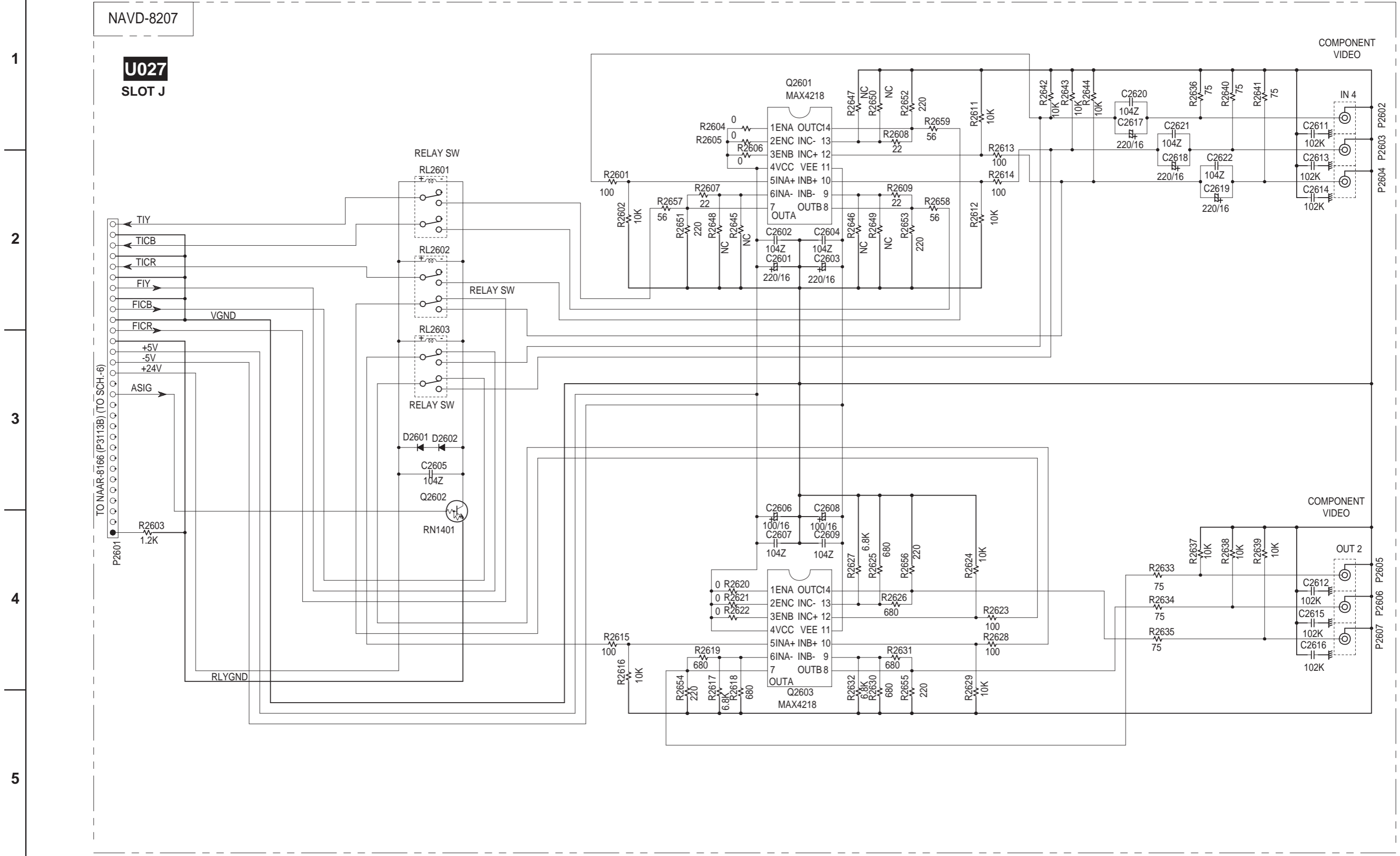
NO USE FOR UDD, UDC AND UUJ

to NAVD-8202 (P2202) to NAVD-8201 (P2205) SCH-18 to NAVD-8201 (P2004) SCH-18

SCHEMATIC DIAGRAM 20 Video section (Australian model/Option board:C-CPNT-BNC)



SCHEMATIC DIAGRAM 21 Component video section (Option board:C-CPNT-RCA)

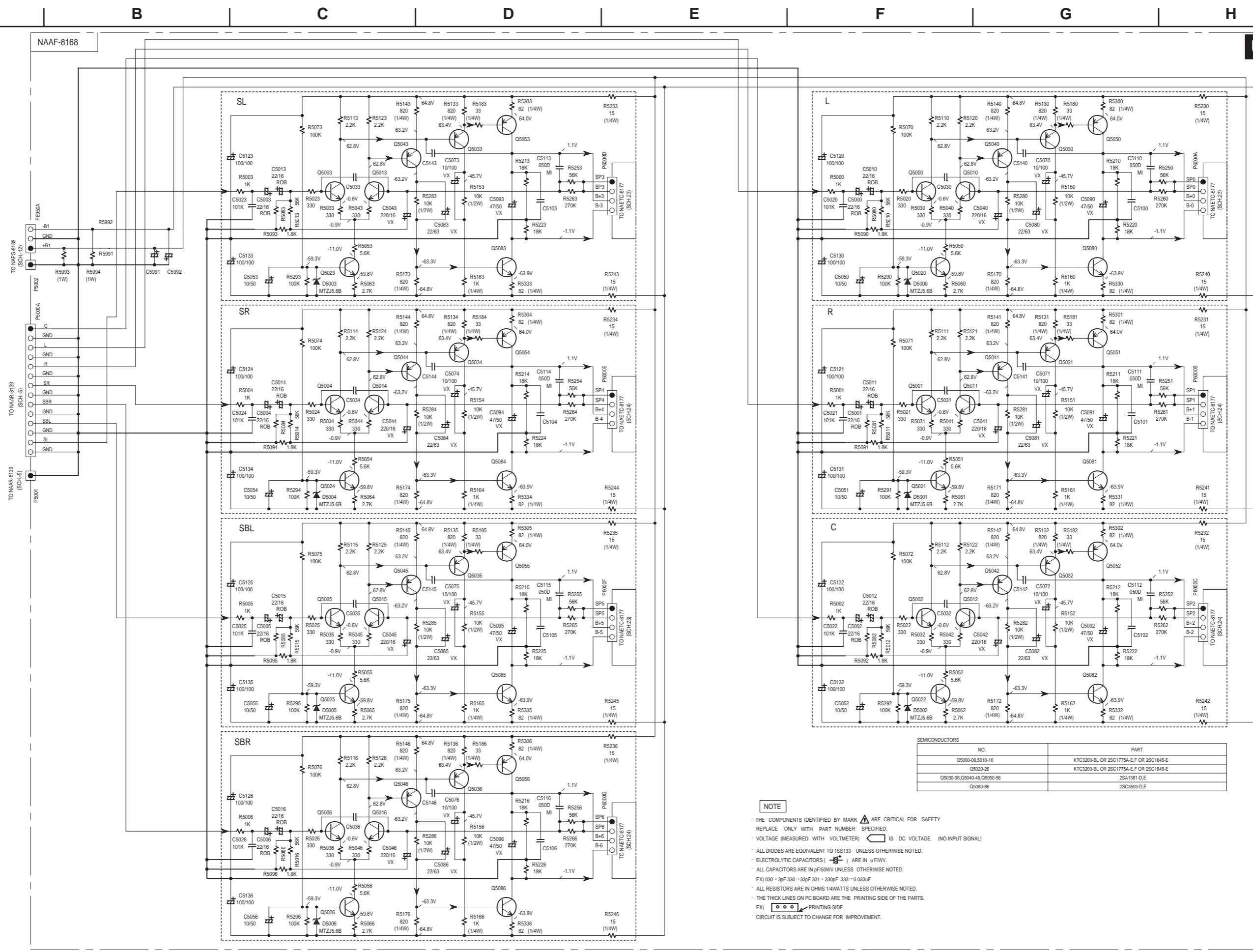


SCHEMATIC DIAGRAM 22

Driver section

U12

1
2
3
4
5



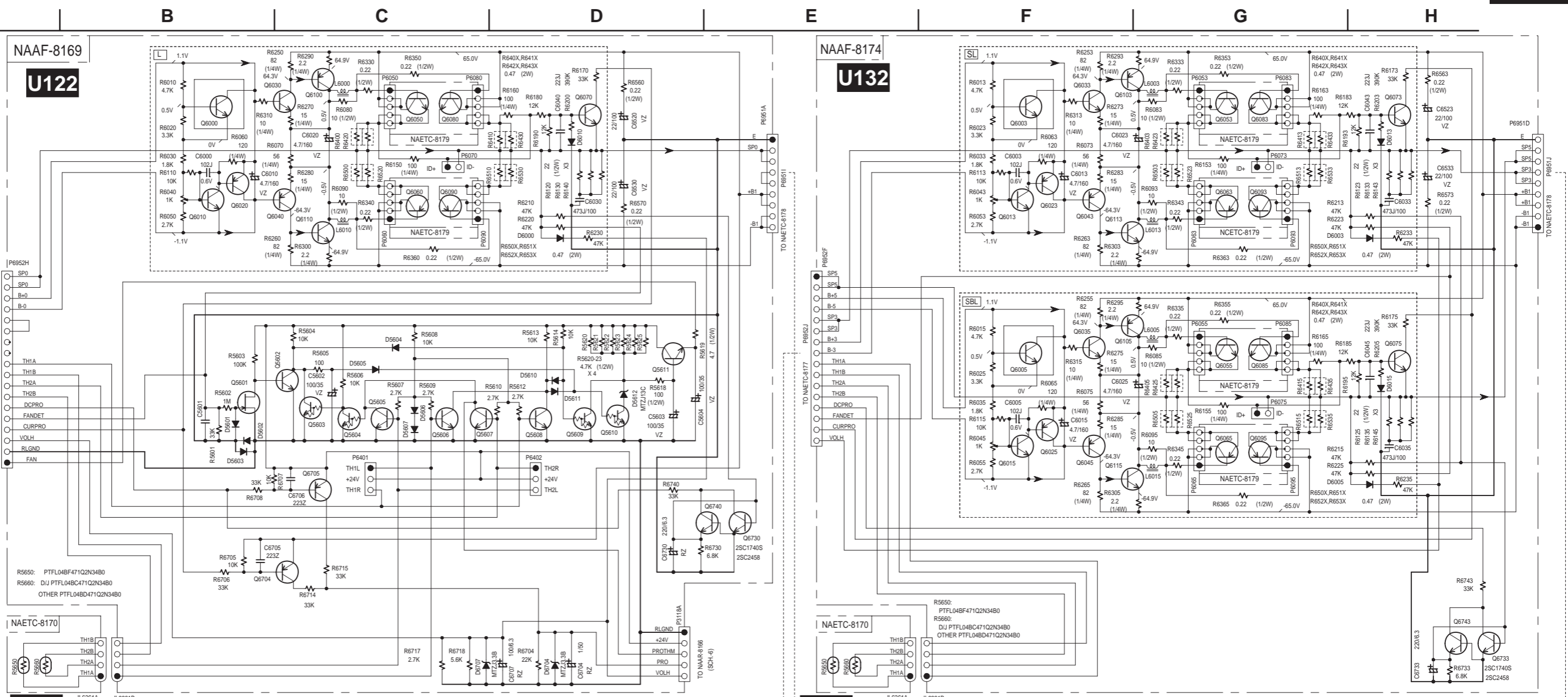
SEMICONDUCTORS

NO.	PART
Q5000-06, 5010-16	KTC3200-BL OR 2SC1775A-E-F OR 2SC1845-E
Q5020-26	KTC3200-BL OR 2SC1775A-E-F OR 2SC1845-E
Q5030-36, Q5040-46, Q5050-56	2SA1381-D-E
Q5080-86	2SC3503-D-E

- NOTE**
- THE COMPONENTS IDENTIFIED BY MARK ARE CRITICAL FOR SAFETY. REPLACE ONLY WITH PART NUMBER SPECIFIED.
 - VOLTAGE (MEASURED WITH VOLTMETER) IS DC VOLTAGE. (NO INPUT SIGNAL)
 - ALL DIODES ARE EQUIVALENT TO 1SS133 UNLESS OTHERWISE NOTED.
 - ELECTROLYTIC CAPACITORS () ARE IN uF/MV.
 - ALL CAPACITORS ARE IN pF/500V UNLESS OTHERWISE NOTED.
 - EX) 030-3pF 330-33pF 331-330pF 333-0.033uF
 - ALL RESISTORS ARE IN OHMS 1/4WATTS UNLESS OTHERWISE NOTED.
 - THE THICK LINES ON PC BOARD ARE THE PRINTING SIDE OF THE PARTS.
 - EX) PRINTING SIDE
 - CIRCUIT IS SUBJECT TO CHANGE FOR IMPROVEMENT.

SCHEMATIC DIAGRAM 23

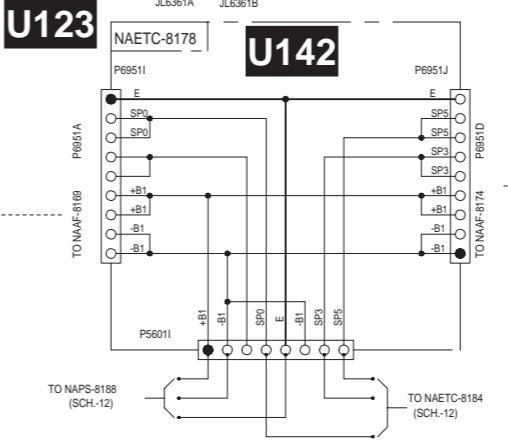
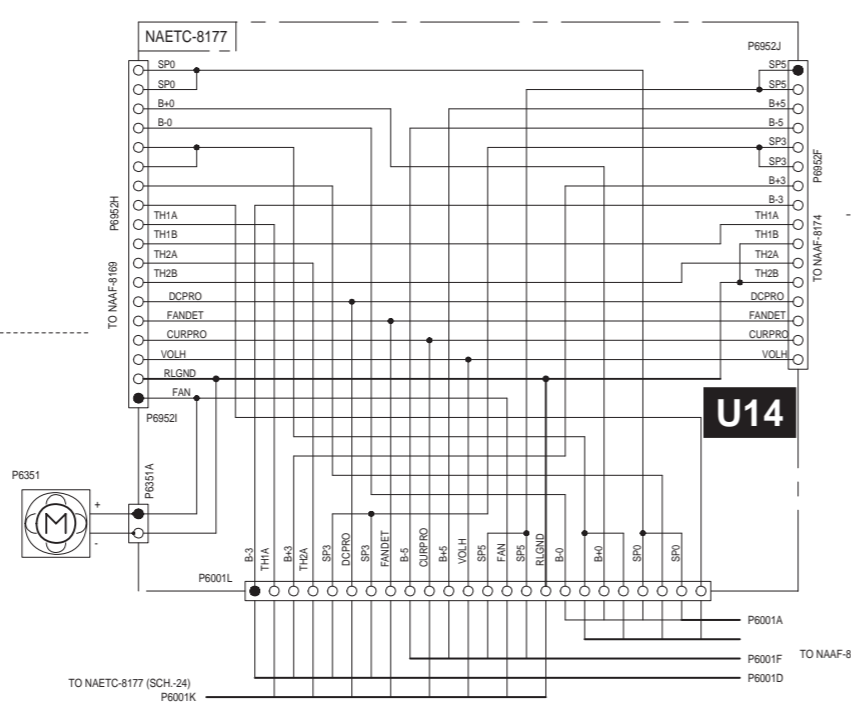
Power amplifier section



U123

FAN CONTROL

SIGNAL	NO	YES	NO	YES	NO	YES
TEMP	LOW	LOW	MID	MID	HIGH	HIGH
Q5601	ON	OFF	ON	OFF	ON	OFF
Q5602	OFF	OFF	OFF	ON	OFF	ON
Q5603	OFF	OFF	OFF	OFF	ON	ON
Q5604	ON	ON	ON	ON	OFF	OFF
Q5605 OR Q5607	OFF	OFF	OFF	OFF	ON	ON
Q5606 OR Q5608	OFF	OFF	ON	ON	ON	ON
Q5609	ON	OFF	OFF	OFF	OFF	OFF
Q5610	ON	ON	ON	ON	OFF	OFF
Q5611	0V	12V	12V	22V	22V	22V
FAN	OFF	LOW	LOW	HI	HI	HI



SEMICONDUCTORS (INCLUDE SCH.-24)

NO.	DESCRIPTION
Q6000-06	2SC3421-Y-O
Q6010-16	2SC3421-Y-O
Q6020-26	2SA933-R.S OR 2SA1048-GR
Q6030-36	2SC3503-D-E
Q6040-46	2SA1381-D-E
Q6050-56	MN150-O.Y.P
Q6060-66	MP150-O.Y.P
Q6070-76	2SC2631-R.S
Q6080-86	MN150-O.Y.P
Q6090-96	MP150-O.Y.P
Q6100-06	2SA1859A-Y.O
Q6110-16	2SC4883A-Y.O
Q5601	2SK365-GR
Q5602,05-08	2SC1740S OR 2SC2458
Q5603-04,09-10	DTC144ES OR RN1204
Q5611	2SD2394-E-F
Q6700-02,04	2SC1740S-R.S OR 2SC2458-GR
Q6710-12,14	2SC1740S-R.S OR 2SC2458-GR
Q6704	2SA992-E-F
Q6705	2SA933-R.S OR 2SA1048-GR

1
2
3
4
5

SCHEMATIC DIAGRAM 24

Power amplifier section

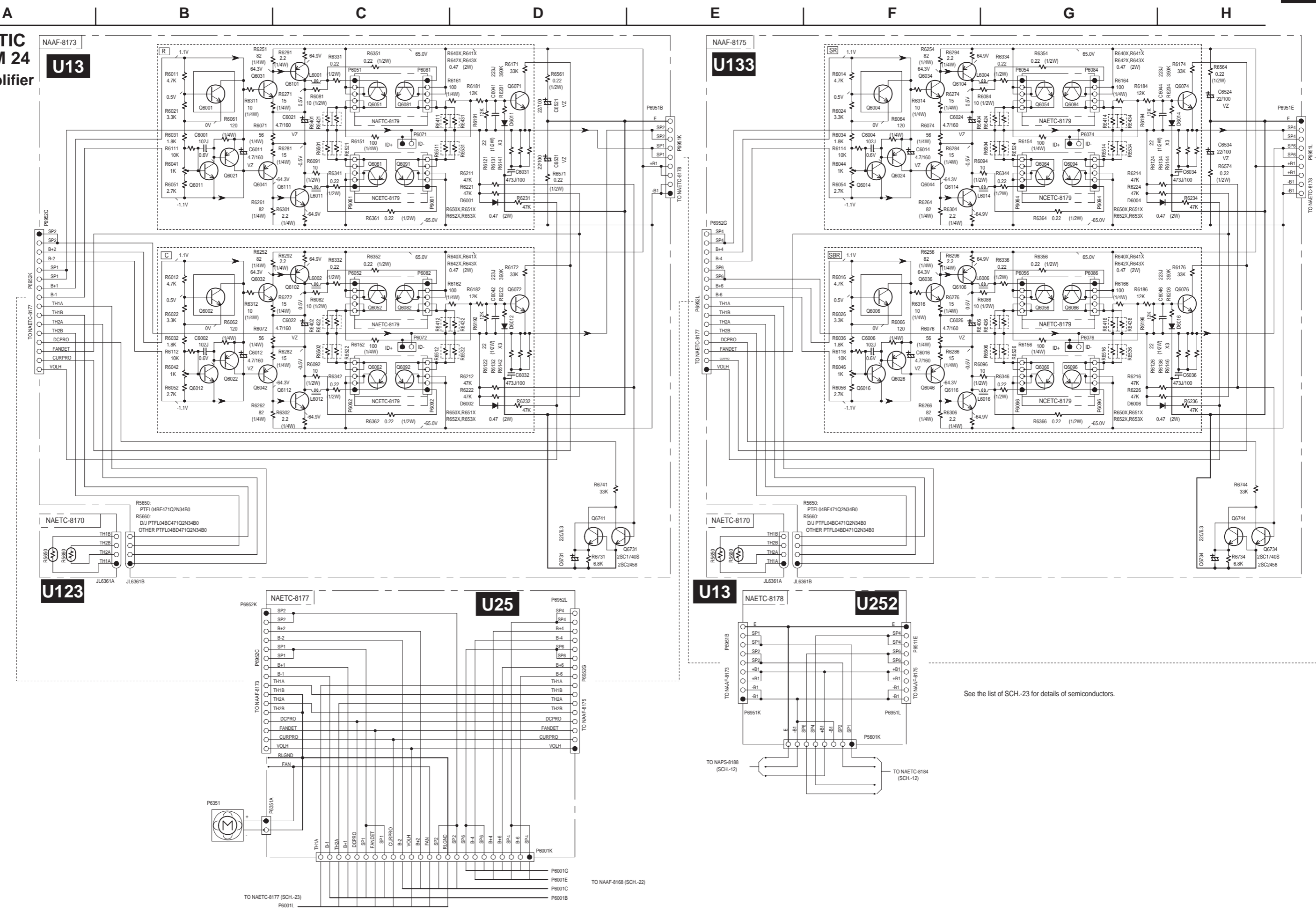
1

2

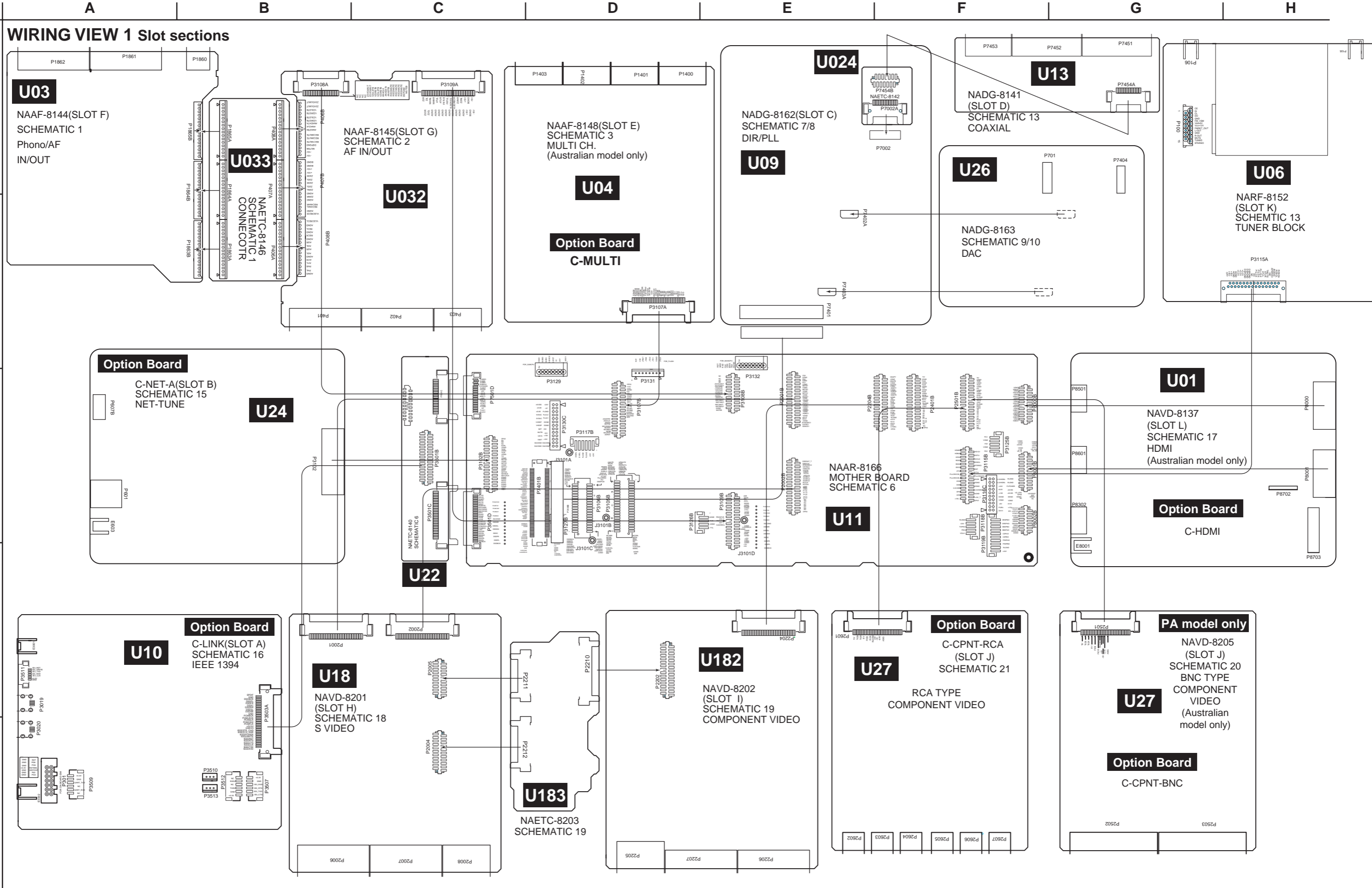
3

4

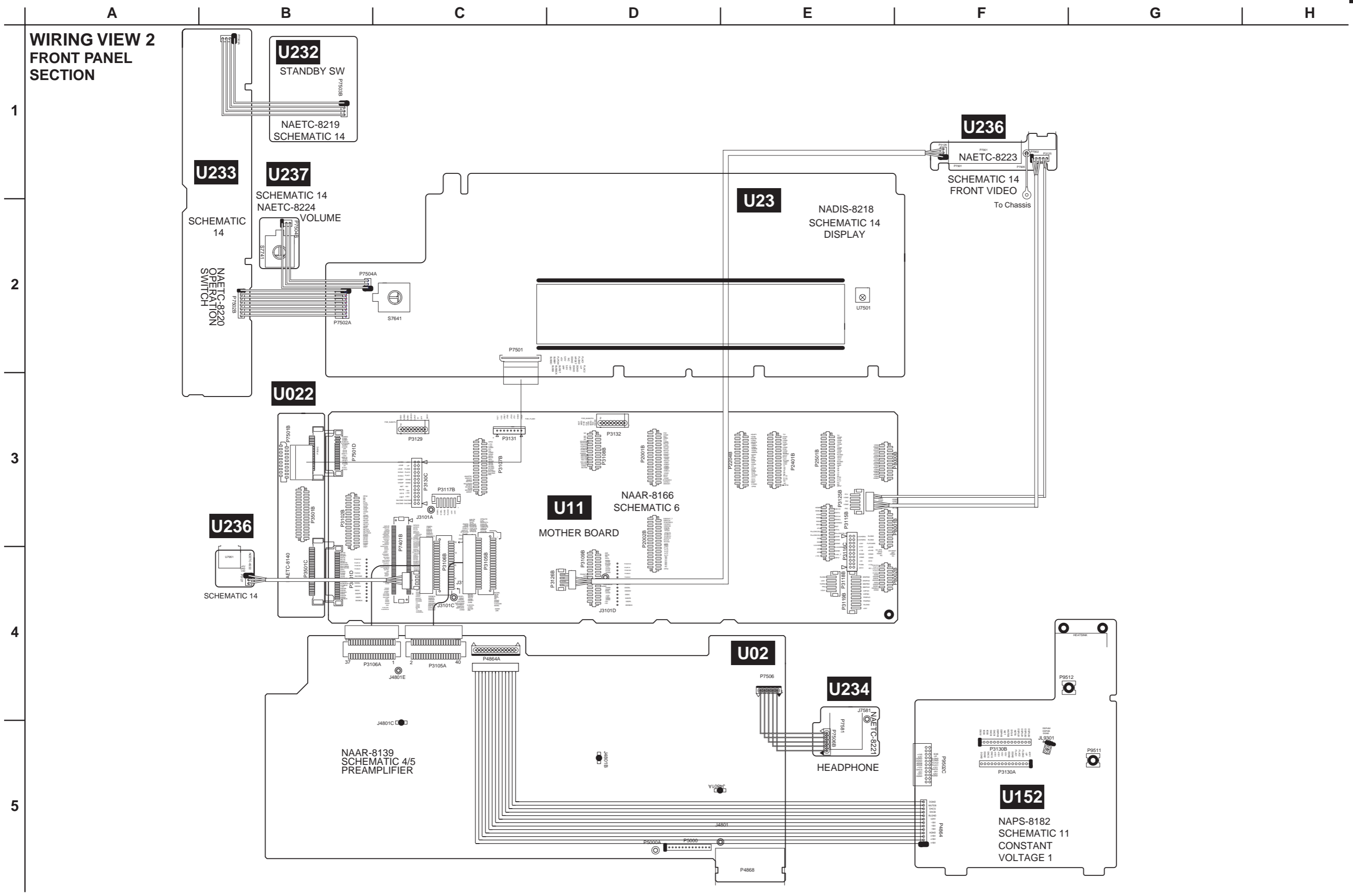
5

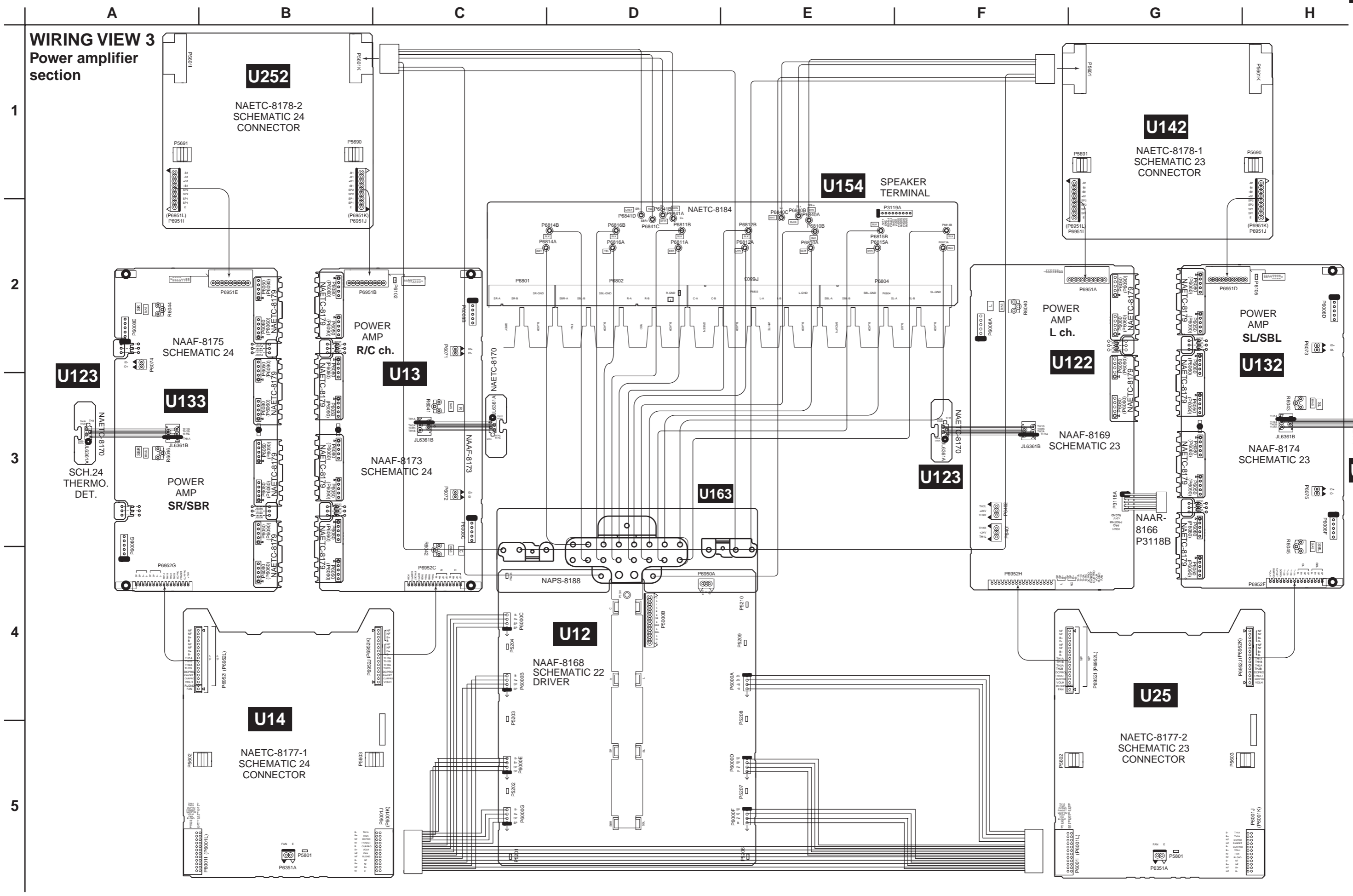


See the list of SCH-23 for details of semiconductors.

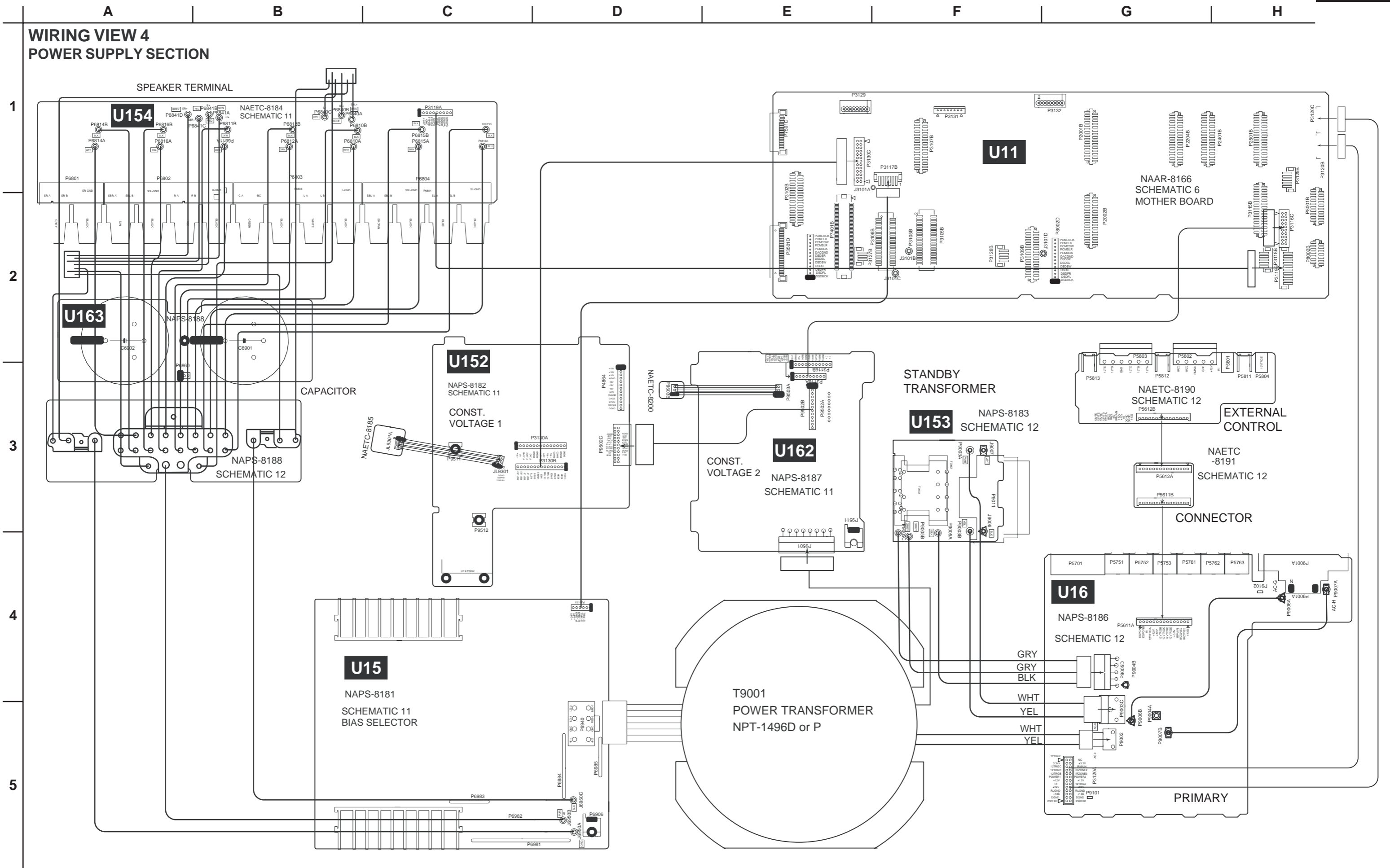


WIRING VIEW 2
FRONT PANEL
SECTION





WIRING VIEW 4 POWER SUPPLY SECTION



1
2
3
4
5

A B C D E F G H

SPEAKER TERMINAL

U154
NAETC-8184
SCHEMATIC 11

U11
NAAR-8166
SCHEMATIC 6
MOTHER BOARD

U163
NAPS-8188

U152
NAPS-8182
SCHEMATIC 11
CONST. VOLTAGE 1

STANDBY
TRANSFORMER

U153
NAPS-8183
SCHEMATIC 12

NAETC-8190
SCHEMATIC 12
EXTERNAL CONTROL

NAPS-8188
SCHEMATIC 12

CAPACITOR

U162
NAPS-8187
SCHEMATIC 11
CONST. VOLTAGE 2

NAETC-8191
SCHEMATIC 12
CONNECTOR

U15
NAPS-8181
SCHEMATIC 11
BIAS SELECTOR

T9001
POWER TRANSFORMER
NPT-1496D or P

U16
NAPS-8186
SCHEMATIC 12

GRY
GRY
BLK
WHT
YEL
WHT
YEL

PRIMARY

A B C D E F G H

PRINTED CIRCUIT BOARD VIEW 1

1

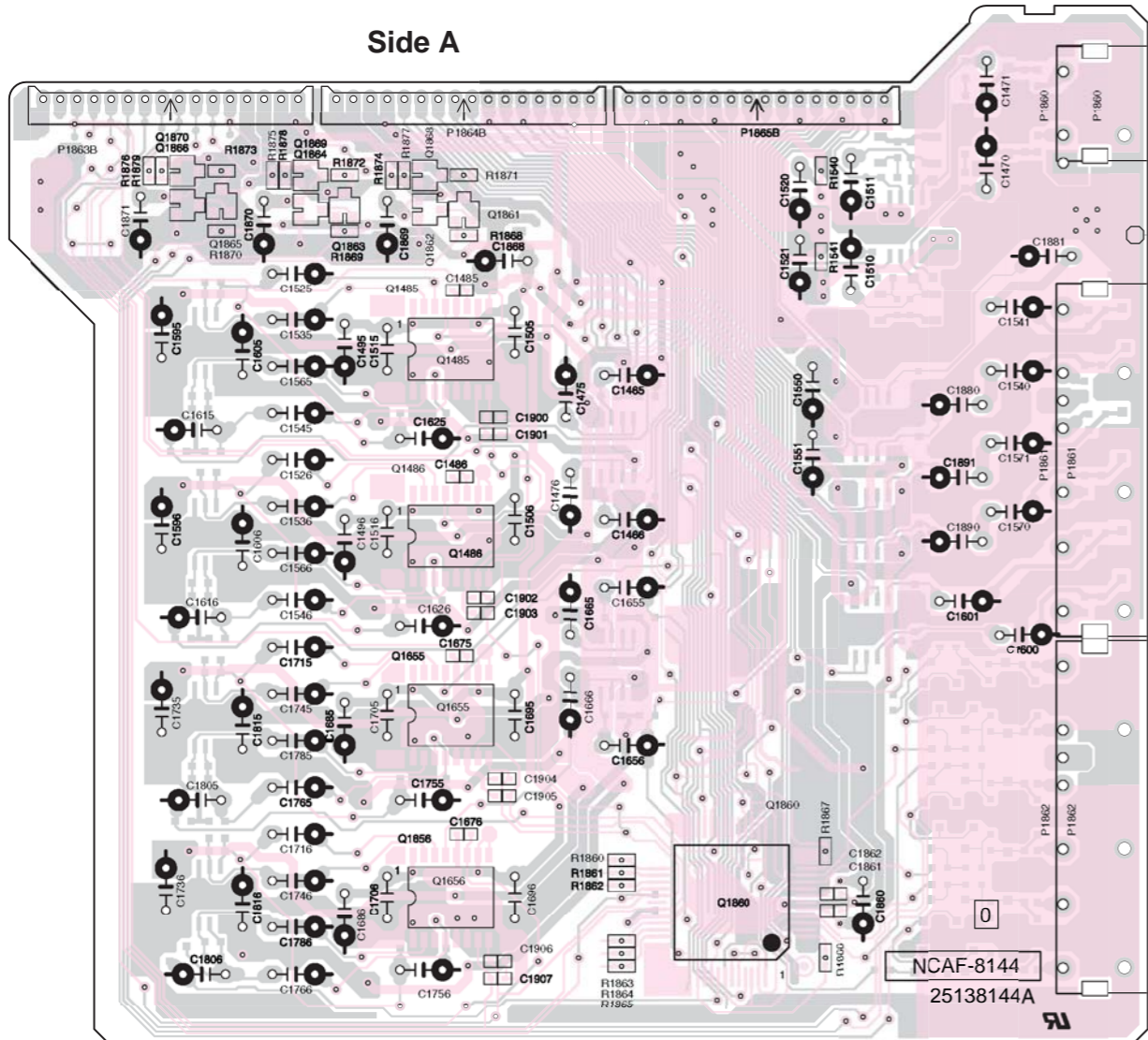
2

3

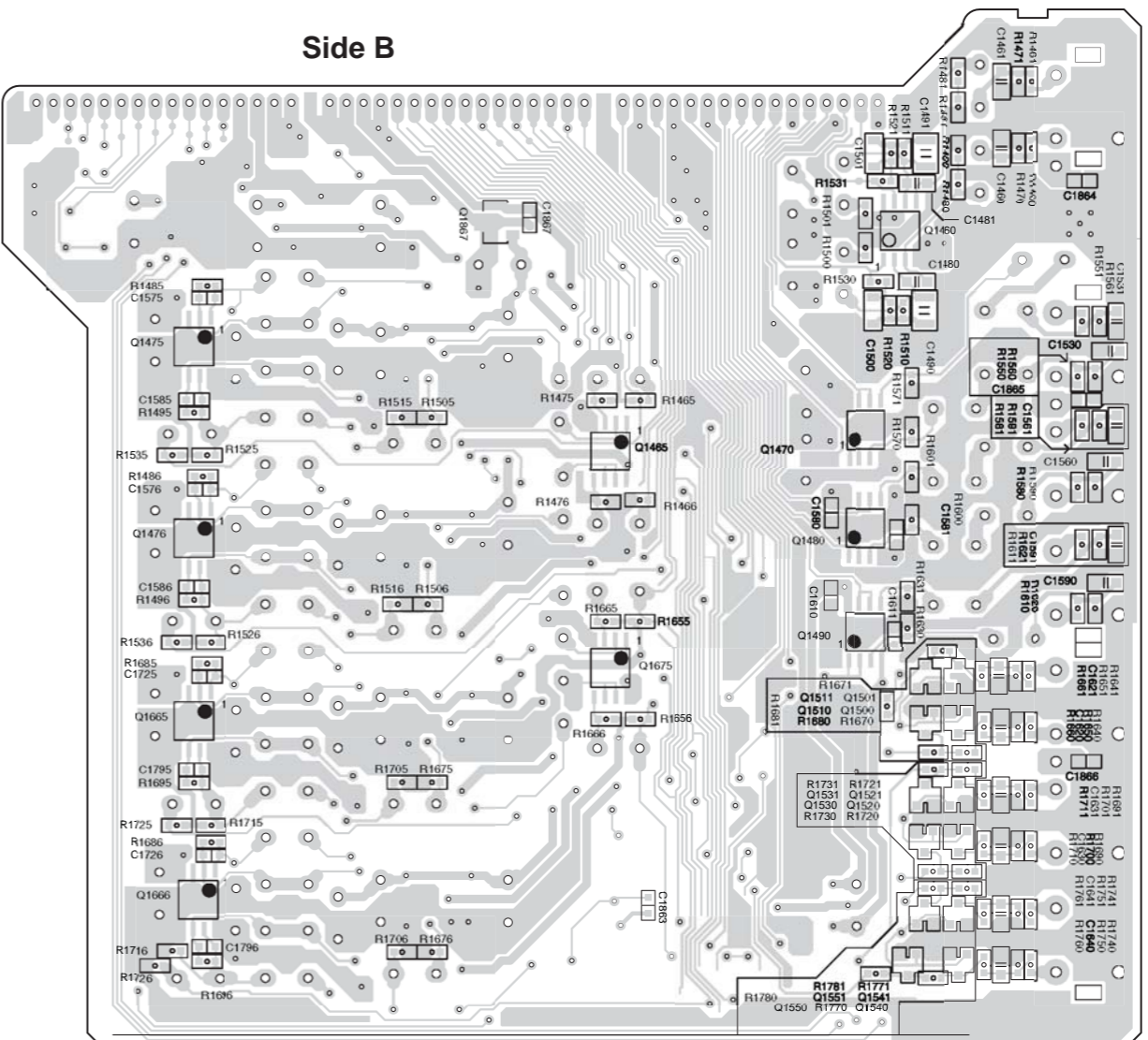
4

5

Side A



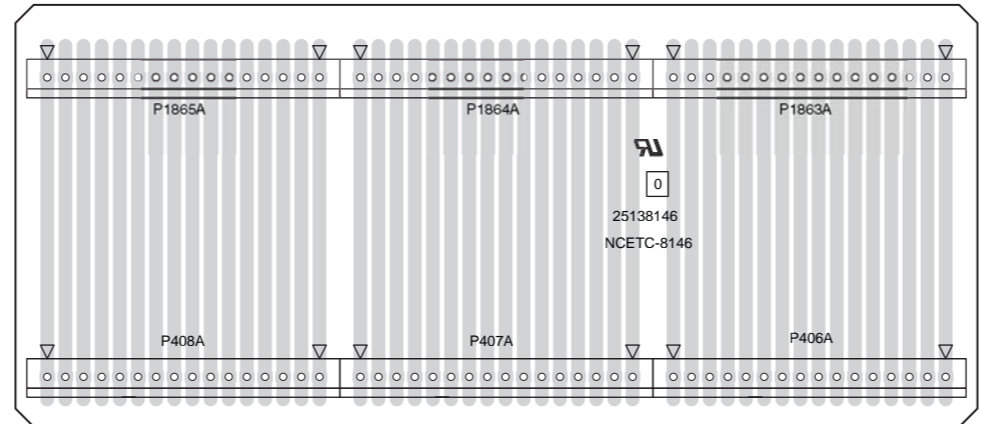
Side B



U03 AUDIO IN/OUT TERMINAL (SLOT F) PC BOARD (NAAF-8144)

U03 AUDIO IN/OUT TERMINAL (SLOT F) PC BOARD (NAAF-8144)

Soldering side



U033 CONNECTOR PC BOARD (NAETC-8146)

A B C D E F G H

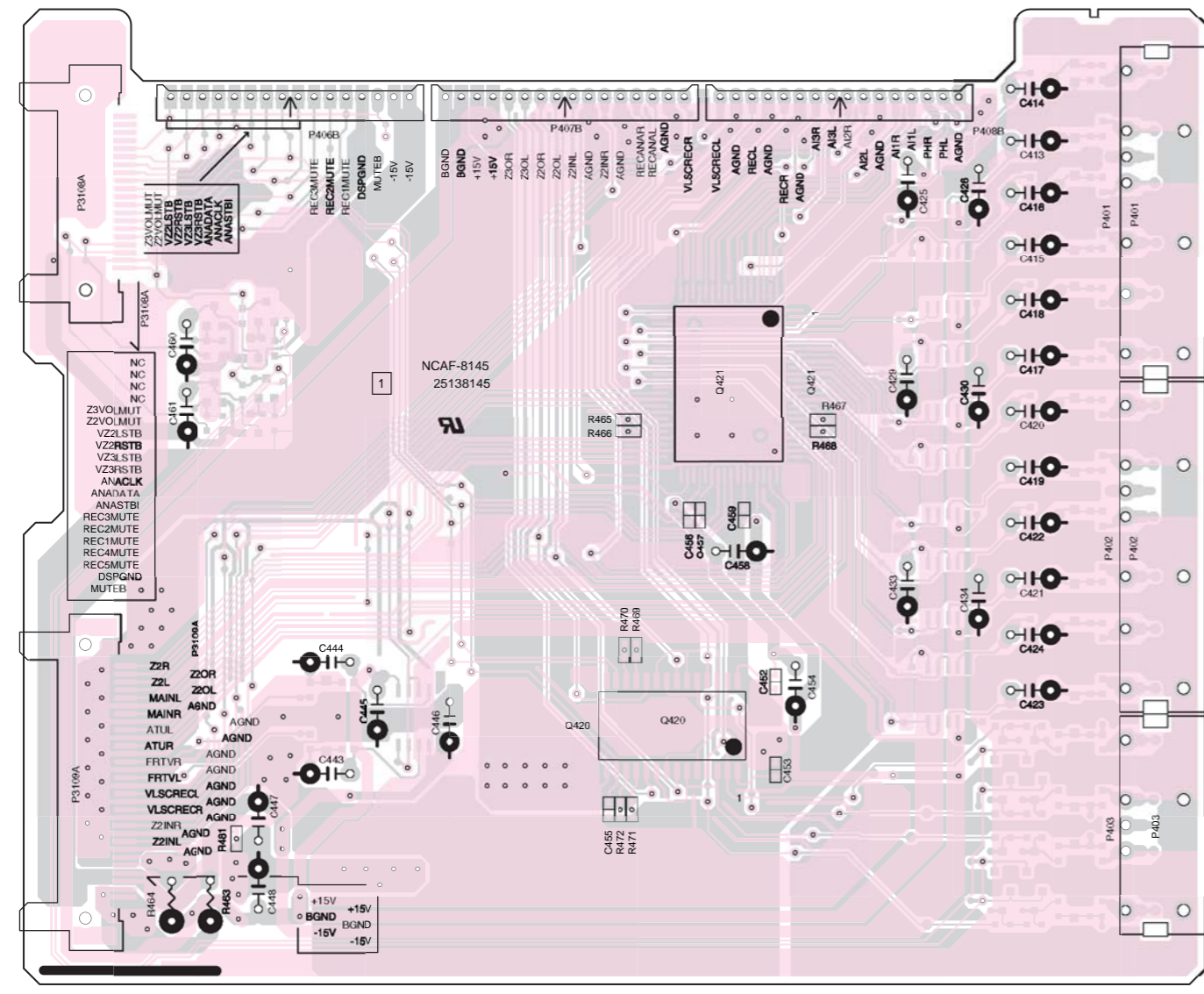
PRINTED CIRCUIT BOARD VIEW 2

1

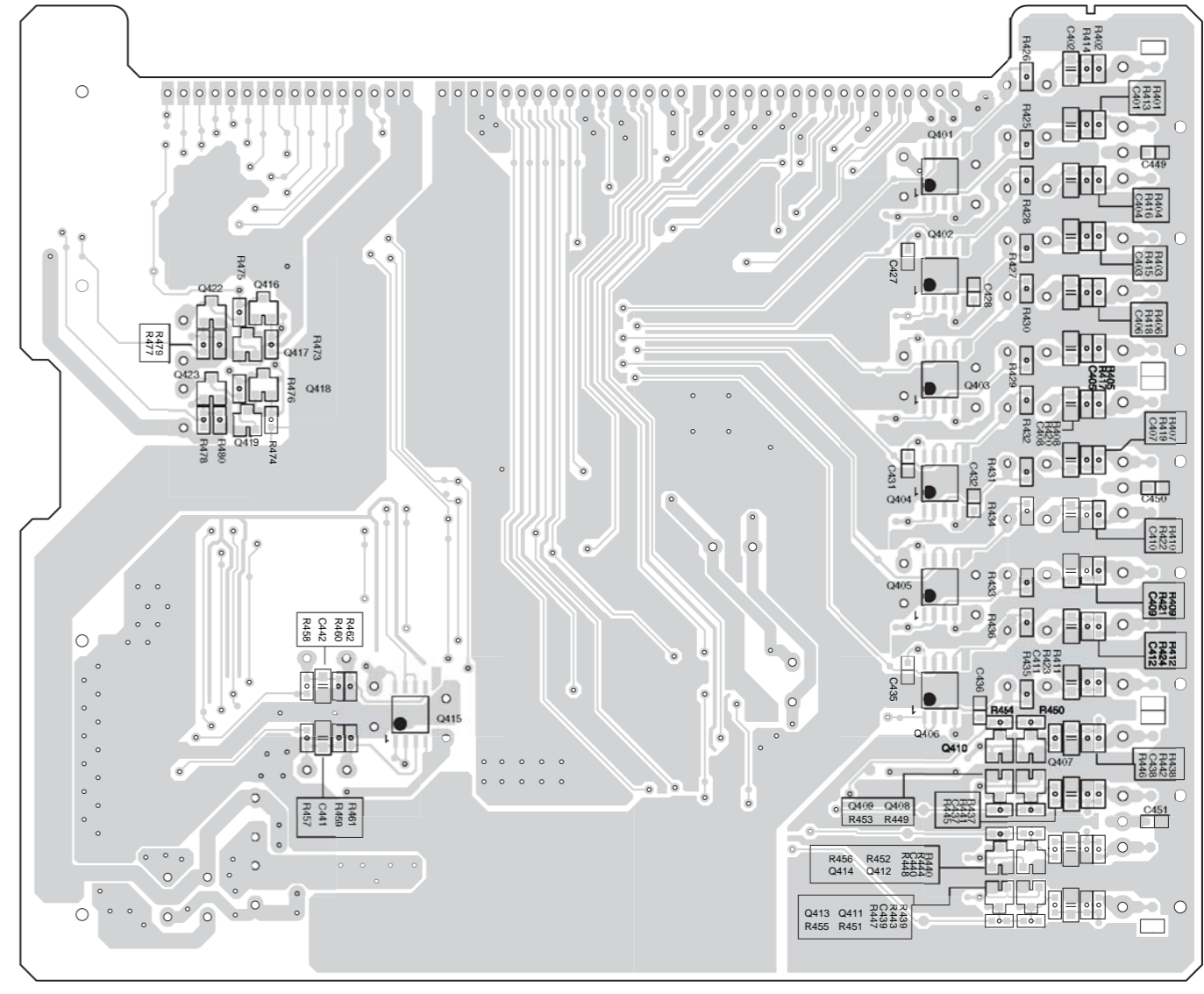
2

3

4



Side A



Side B

U032 AUDIO IN/OUT TERMINAL (SLOT G) PC BOARD (NAAF-8145)

5

A B C D E F G H
PRINTED CIRCUIT BOARD VIEW 4

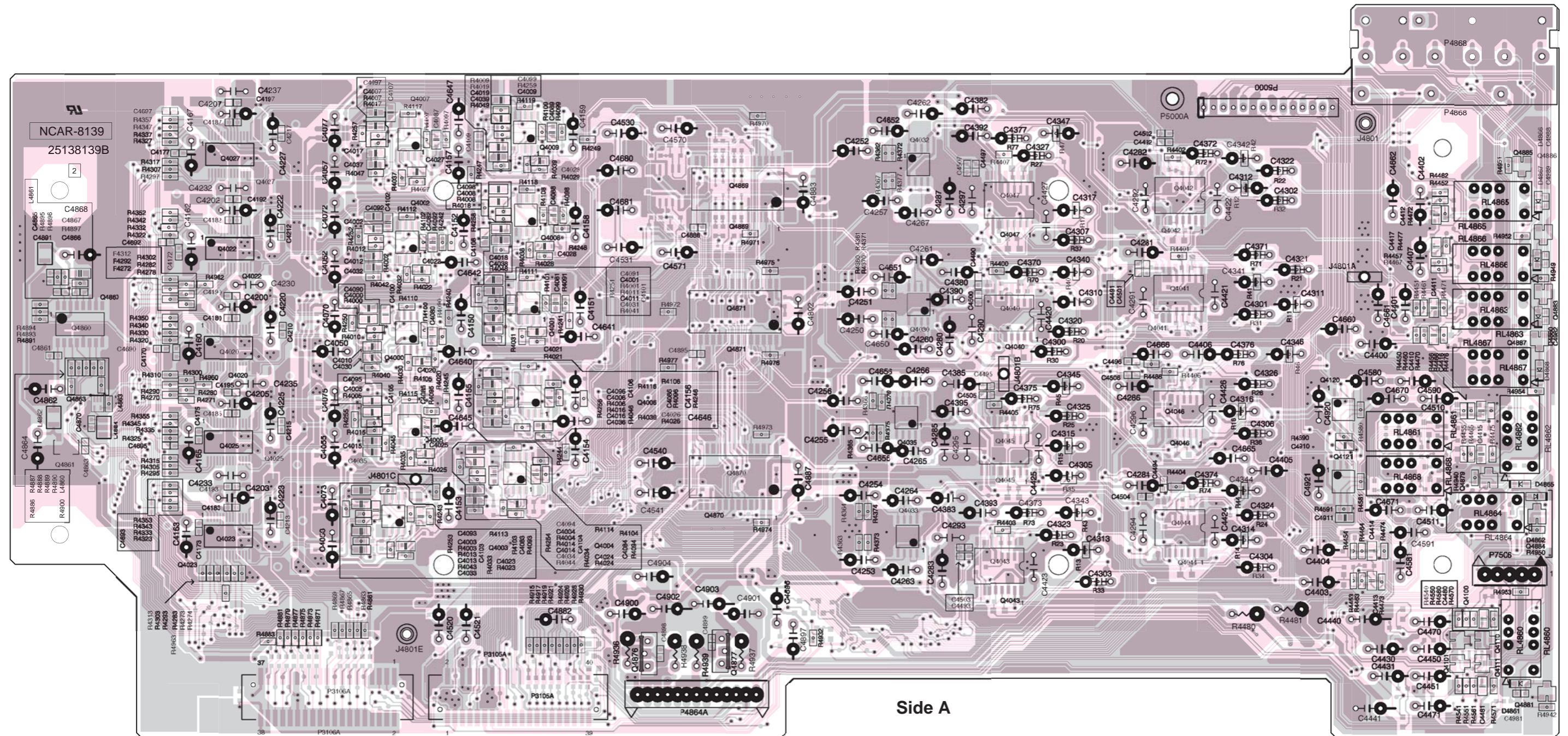
1

2

3

4

5



U02 PREAMPLIFIER PC BOARD (NAAR-8139)

A B C D E F G H
PRINTED CIRCUIT BOARD VIEW 5

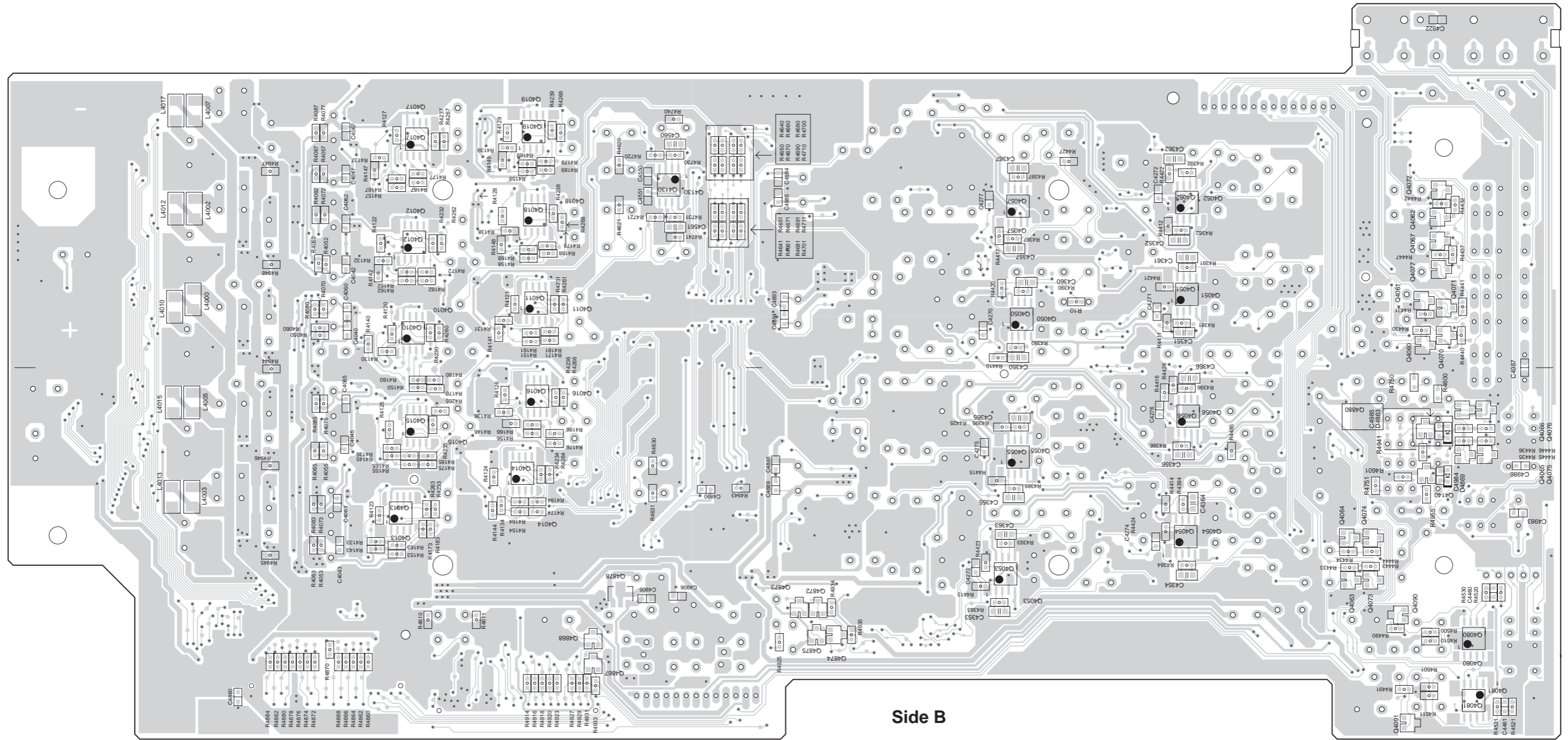
1

2

3

4

5



U02

PREAMPLIFIER PC BOARD (NAAR-8139)

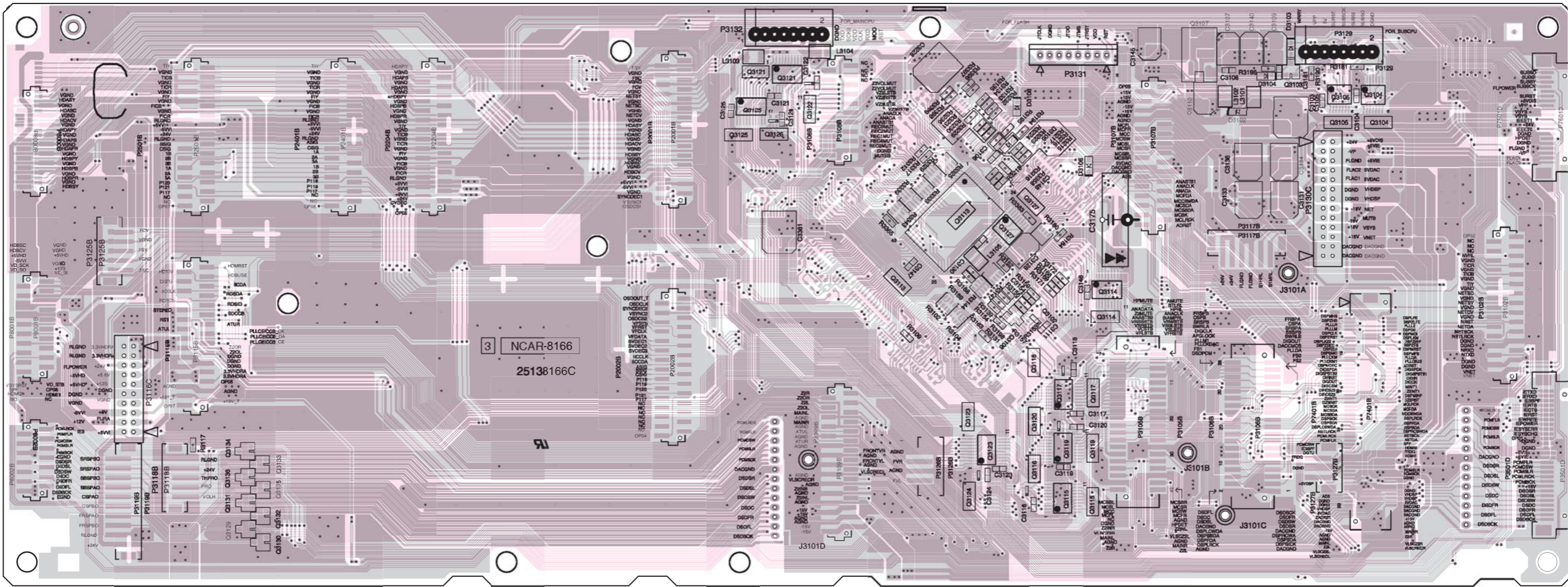
A B C D E F G H

PRINTED CIRCUIT BOARD VIEW 6-1

1

2

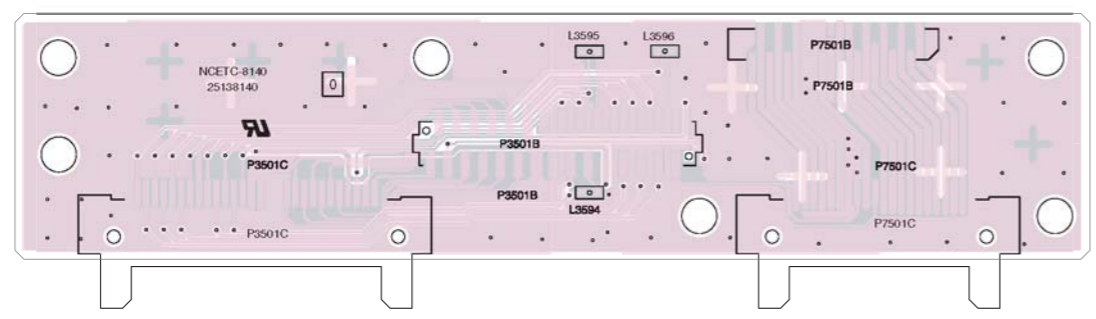
3



U11 MOTHER PC BOARD (NAAR-8166)

Side A

4



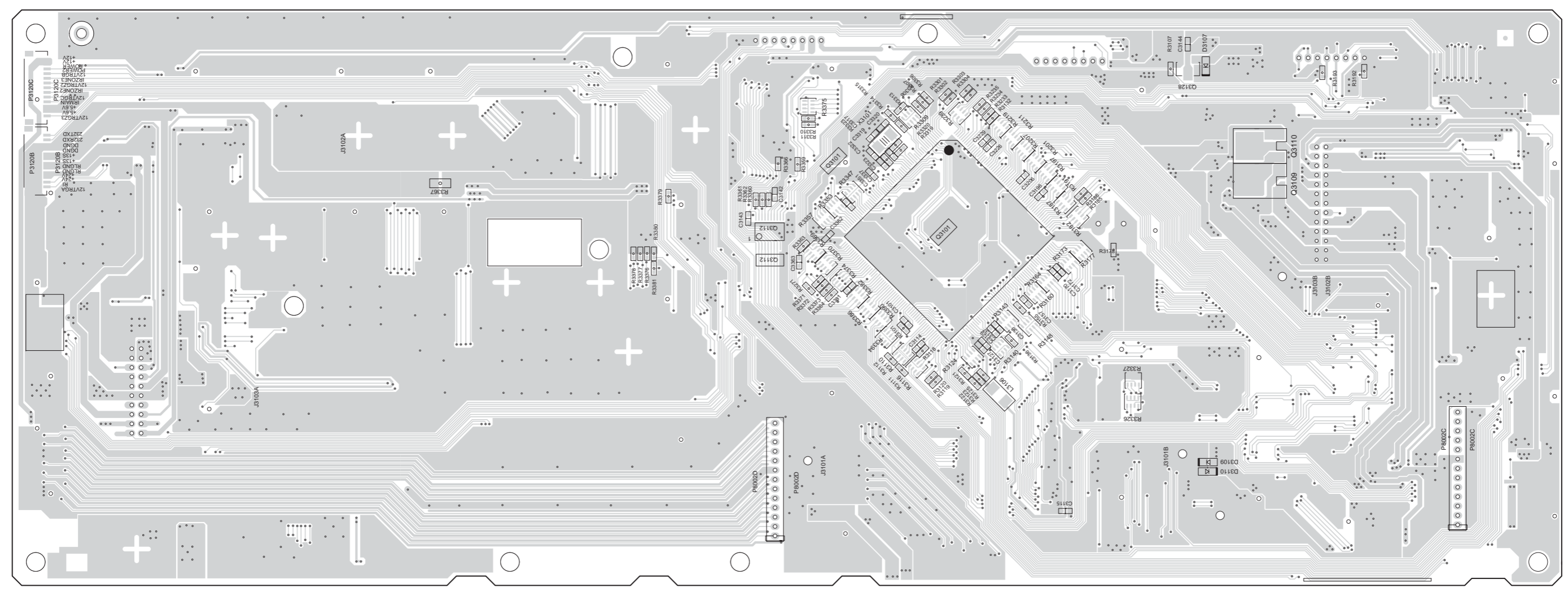
U022 CONNECTOR PC BOARD (NAETC-8140) Side A

5

A B C D E F G H

PRINTED CIRCUIT BOARD VIEW 6-2

1
2
3
4
5



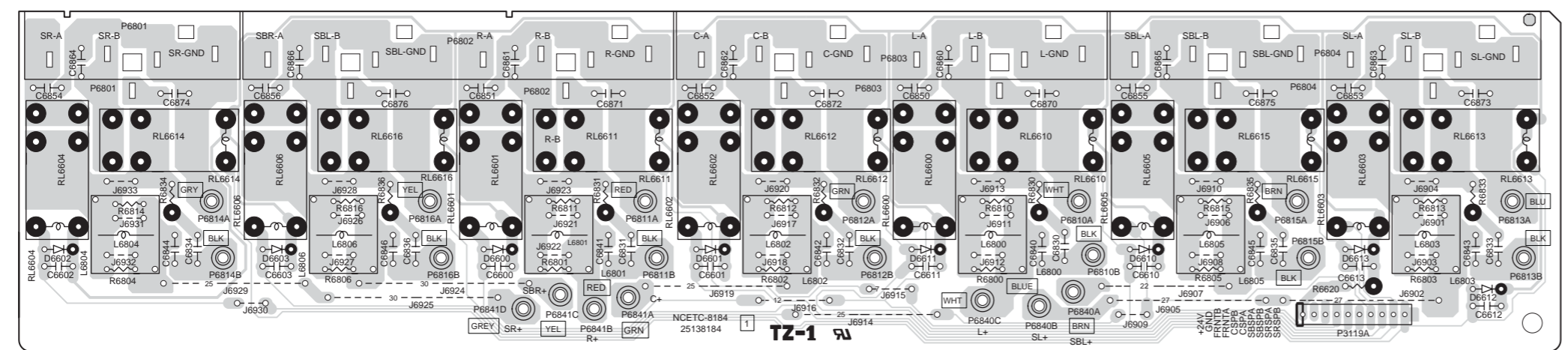
Side B

U11 MOTHER PC BOARD (NAAR-8166)

A B C D E F G H

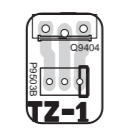
PRINTED CIRCUIT BOARD VIEW 11-1

1



2

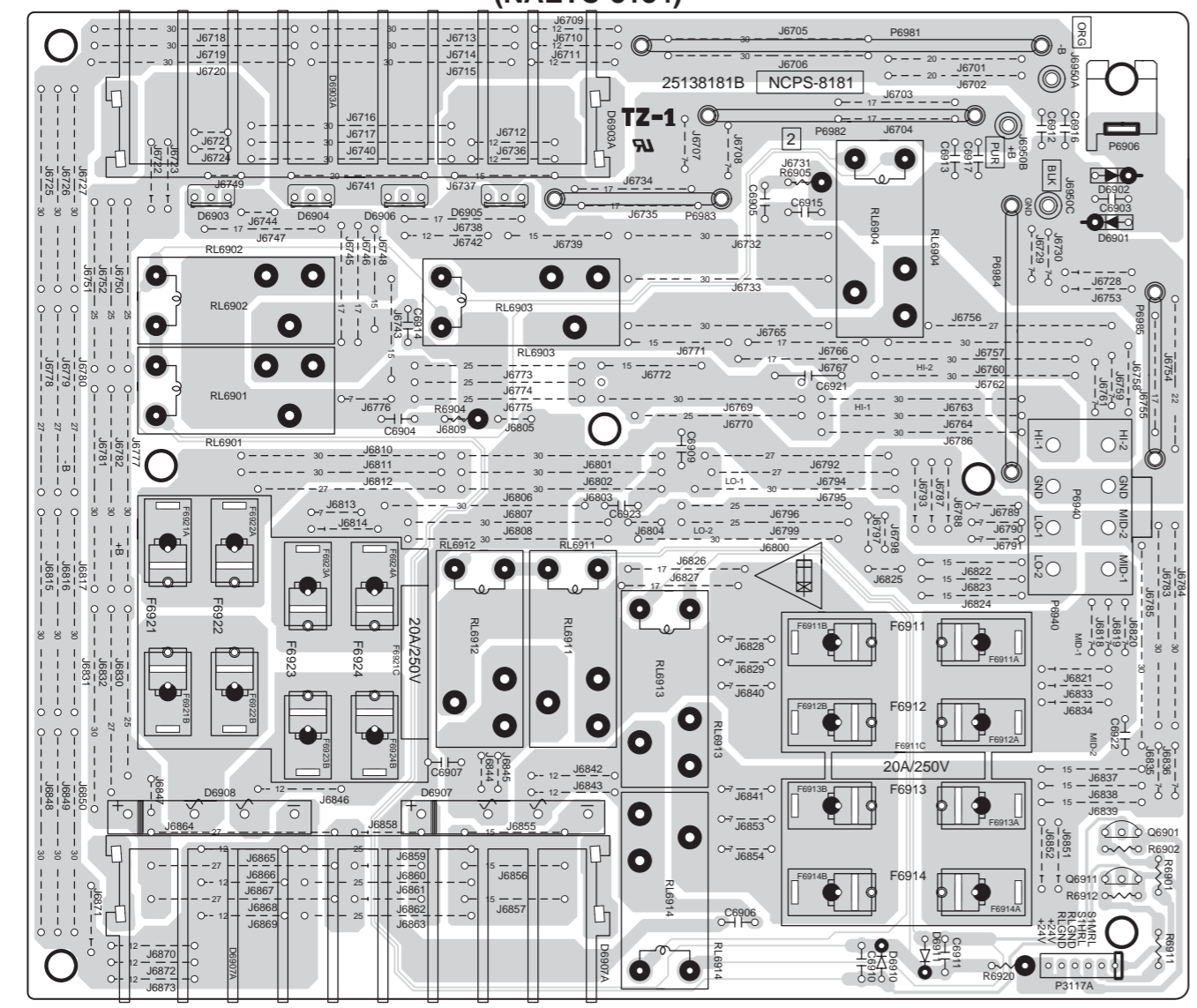
U165 CONSTANT VOLTAGE PC BOARD (NAETC-8200)



Soldering side

U154 SPEAKER TERMINAL PC BOARD (NAETC-8184)

3

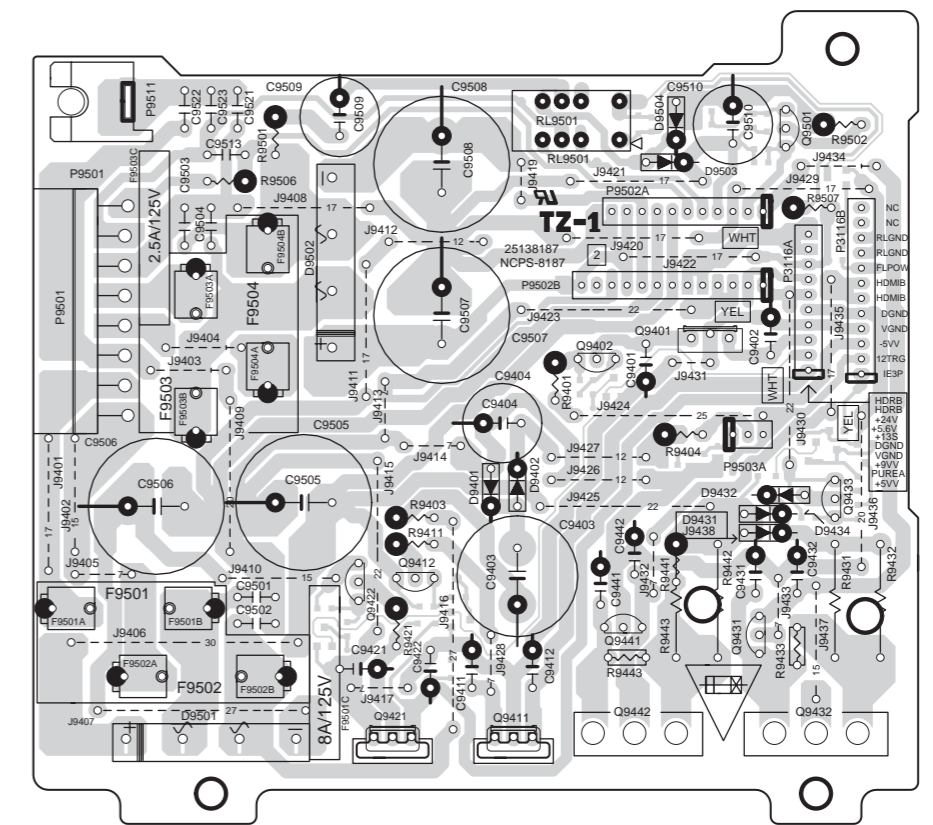


4

5

U15 BIAS SELECTOR PC BOARD (NAPS-8181)

Soldering side



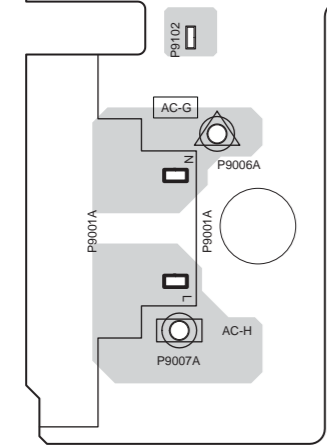
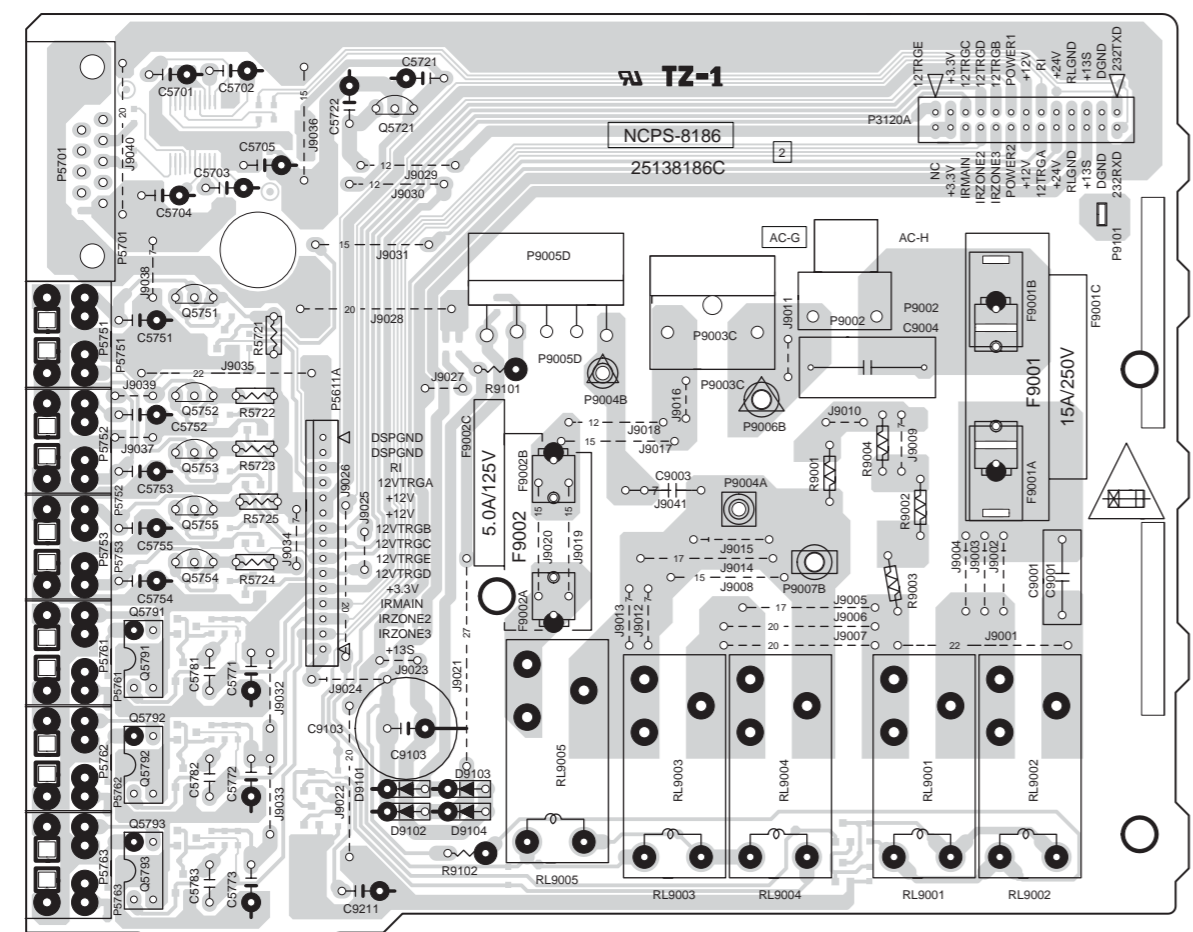
U162 SECONDARY CIRCUIT PC BOARD (NAPS-8187)

Soldering side

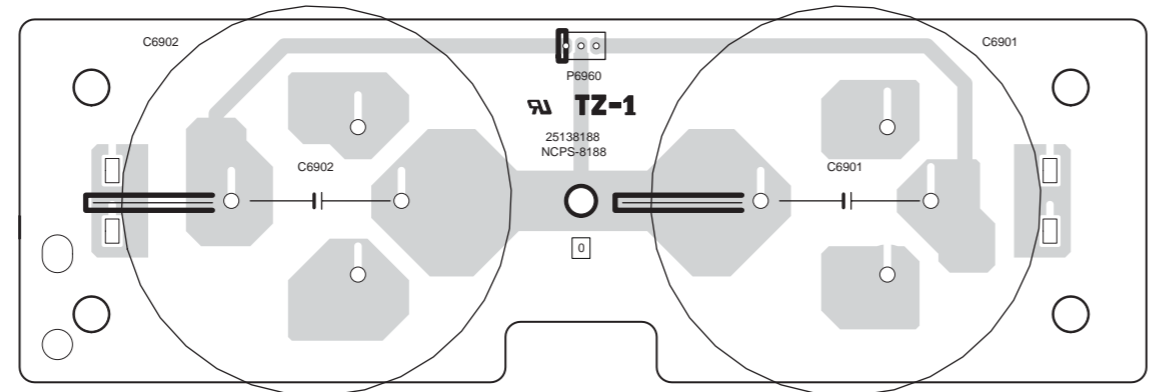
A B C D E F G H

PRINTED CIRCUIT BOARD VIEW 12

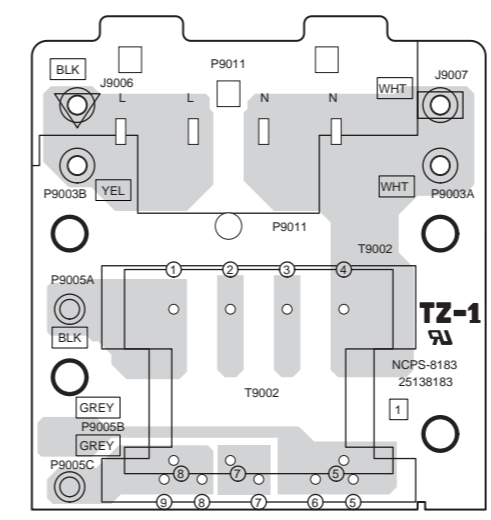
1
2
3
4
5



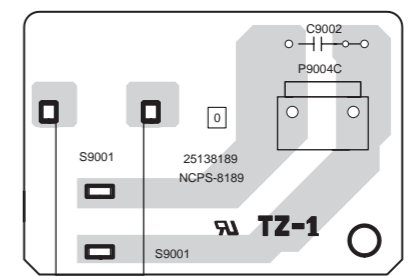
U16 Soldering side
POWER SUPPLY CIRCUIT PC BOARD (NAPS-8186)



U163 Soldering side
CAPACITOR PC BOARD (NAPS-8188)



U153 Soldering side
STANDBY TRANSFORMER PC BOARD (NAPS-8183)

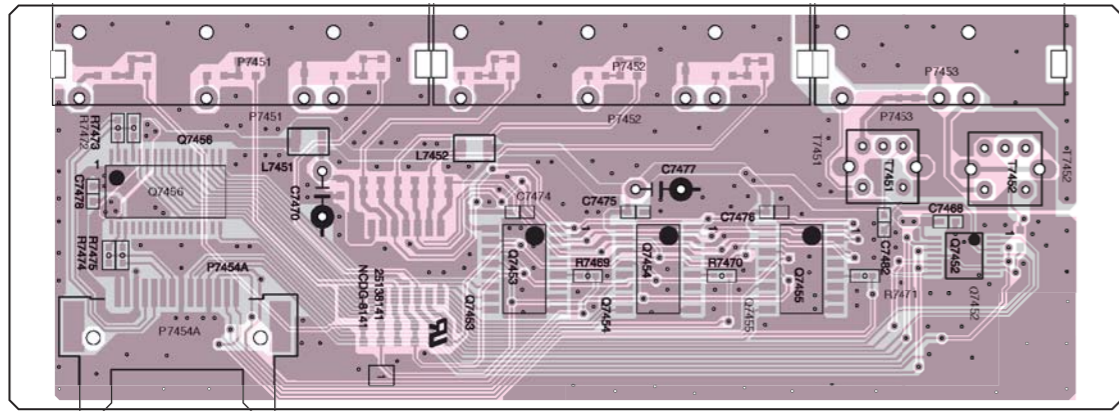


U164 Soldering side
POWER SWITCH PC BOARD (NAPS-8189)

A B C D E F G H

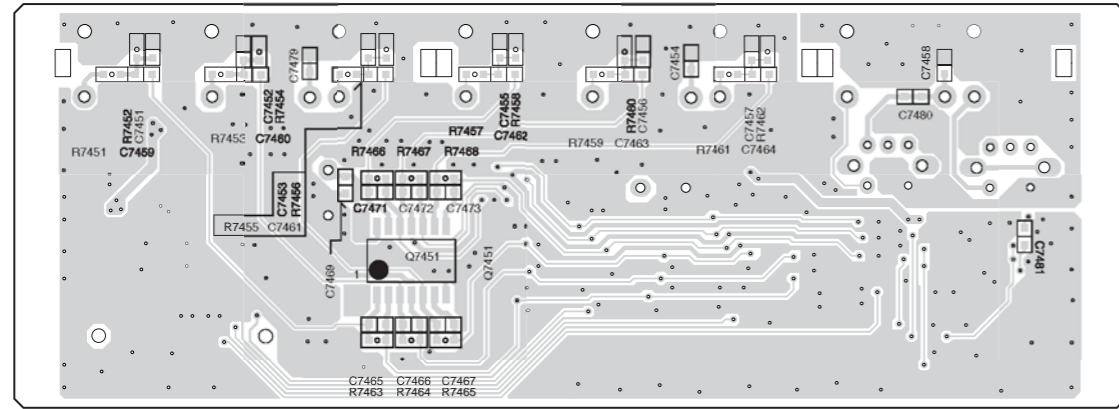
PRINTED CIRCUIT BOARD VIEW 13

1



Side A

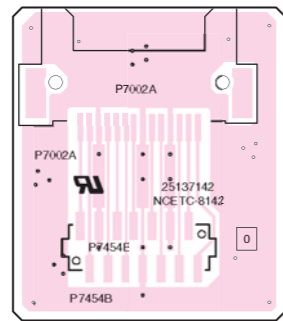
2



Side B

U023 COAXIAL IN/OUT TERMINAL (SLOT D) PC BOARD (NADG-8141)

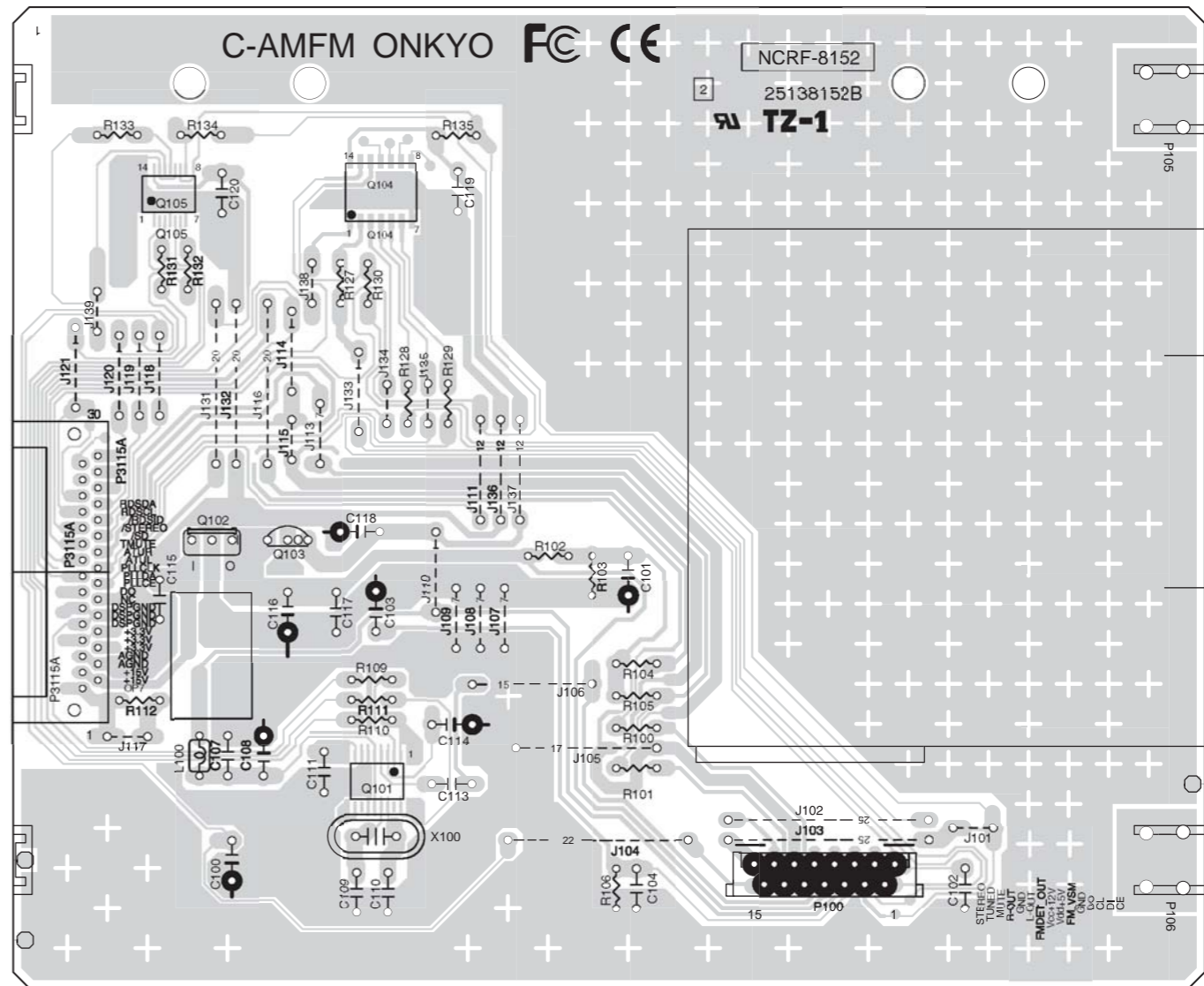
4



Side A

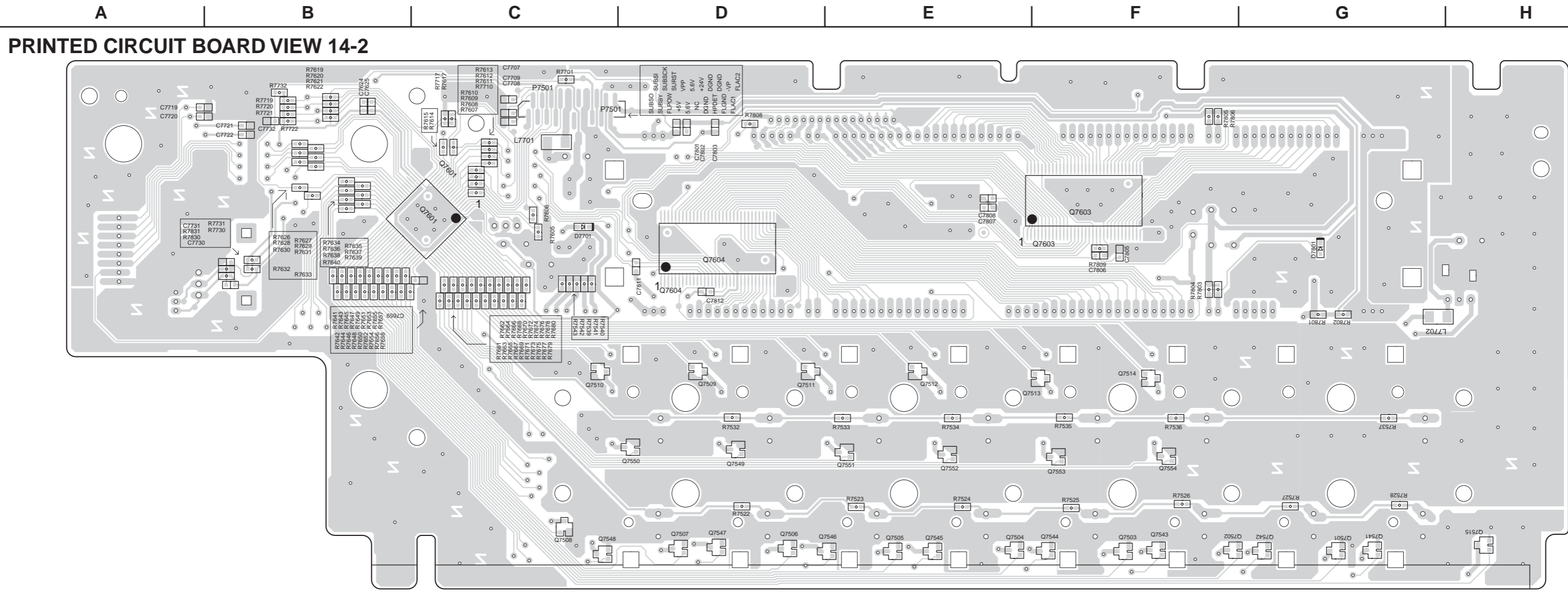
U024 CONNECTOR PC BOARD (NAETC-8142)

5

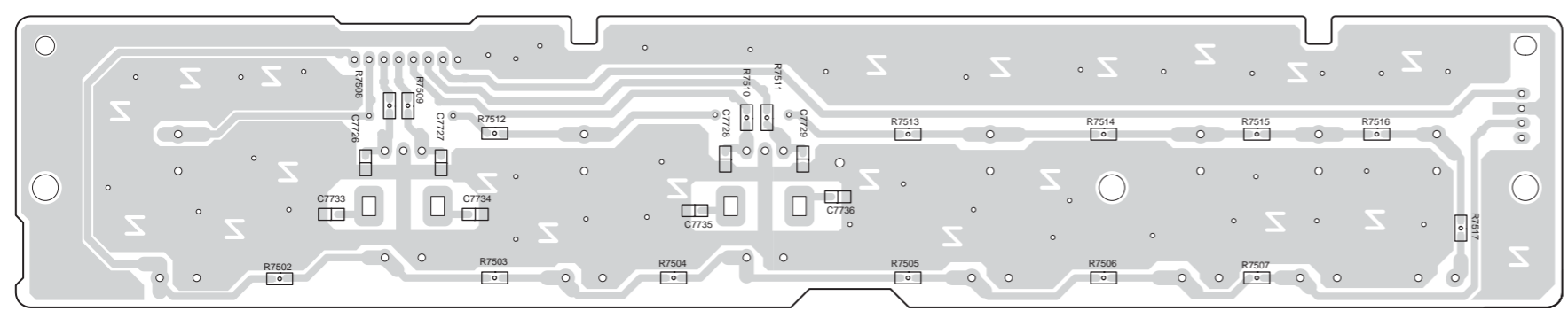


Soldering side

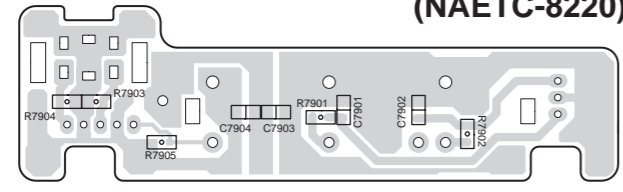
U06 TUNER BLOCK (SLOT K) PC BOARD (NARF-8152)



U23 Side B
DISPLAY CIRCUIT PC BOARD (NADIS-8218)

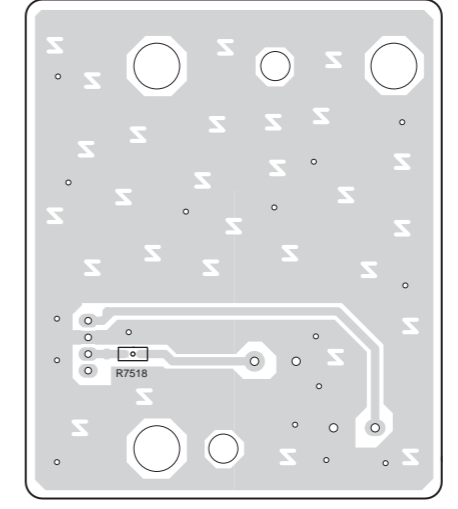


U233 Side B
OPERATION SWITCH PC BOARD (NAETC-8220)

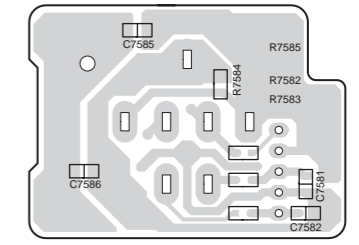


U236 Side B
FRONT VIDEO PC BOARD (NAETC-8223)

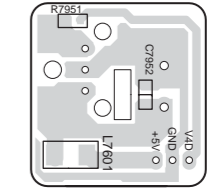
U23 Side B
DISPLAY CIRCUIT PC BOARD (NADIS-8218)



U232 Side B
STANDBY SWITCH PC BOARD (NAETC-8219)



U234 Side B
HEADPHONE TERMINAL PC BOARD (NAETC-8221)



U235 Side B
FRONT OPTICAL PC BOARD (NAETC-8222)

1

2

3

4

5

A B C D E F G H

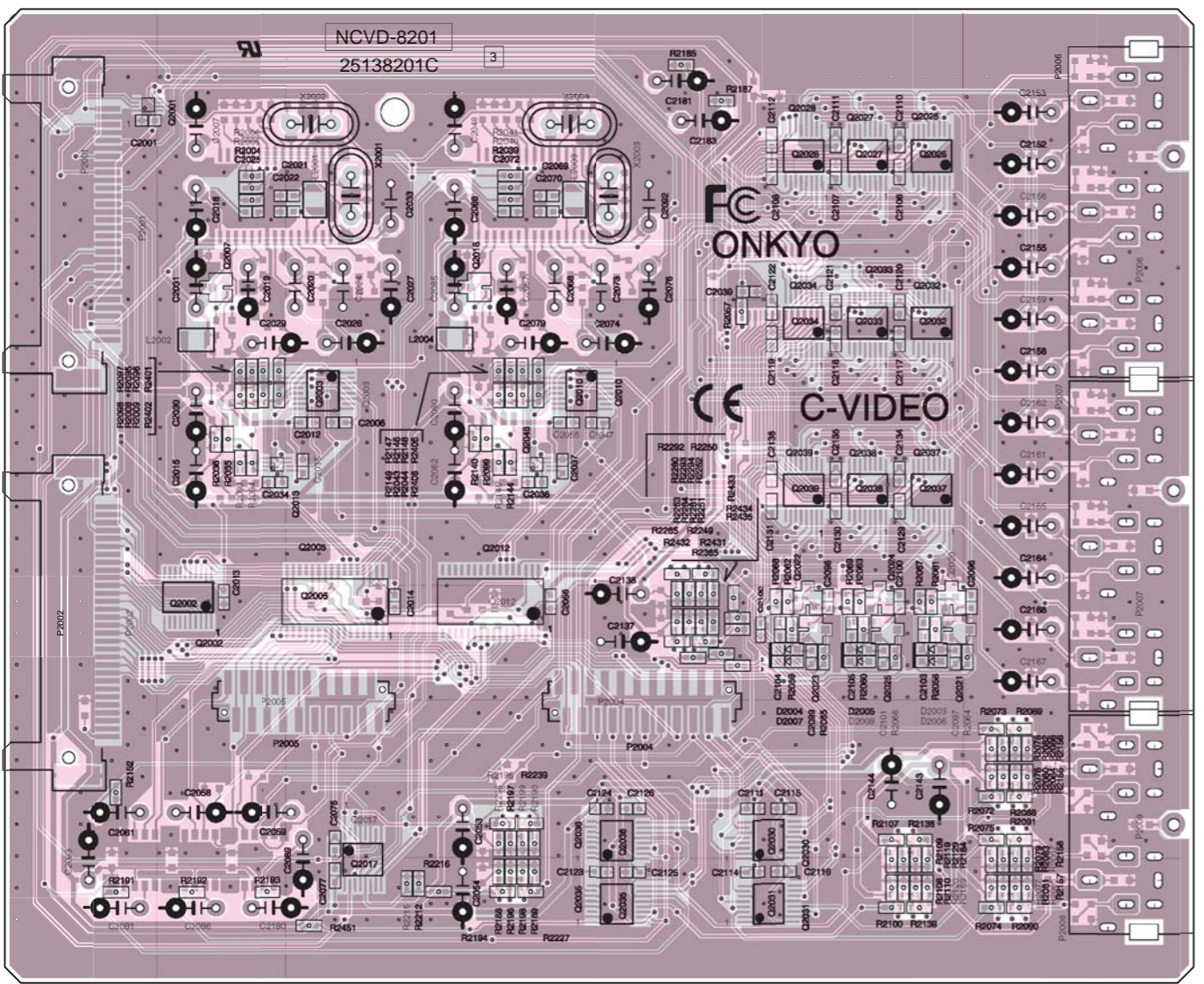
PRINTED CIRCUIT BOARD VIEW 18

1

2

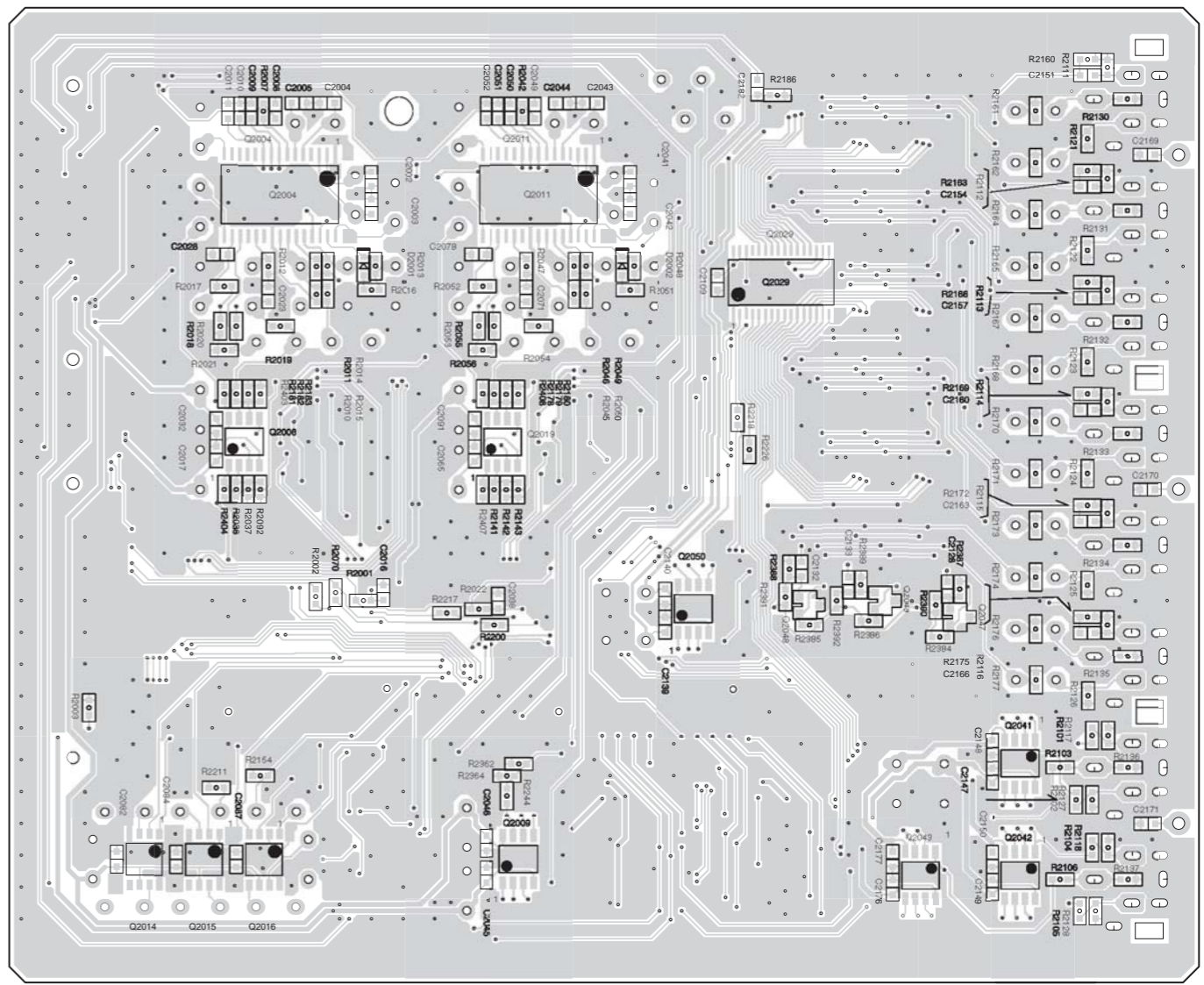
3

4



Side A

U18 S VIDEO (SLOT H) PC BOARD (NAVD-8201)



Side B

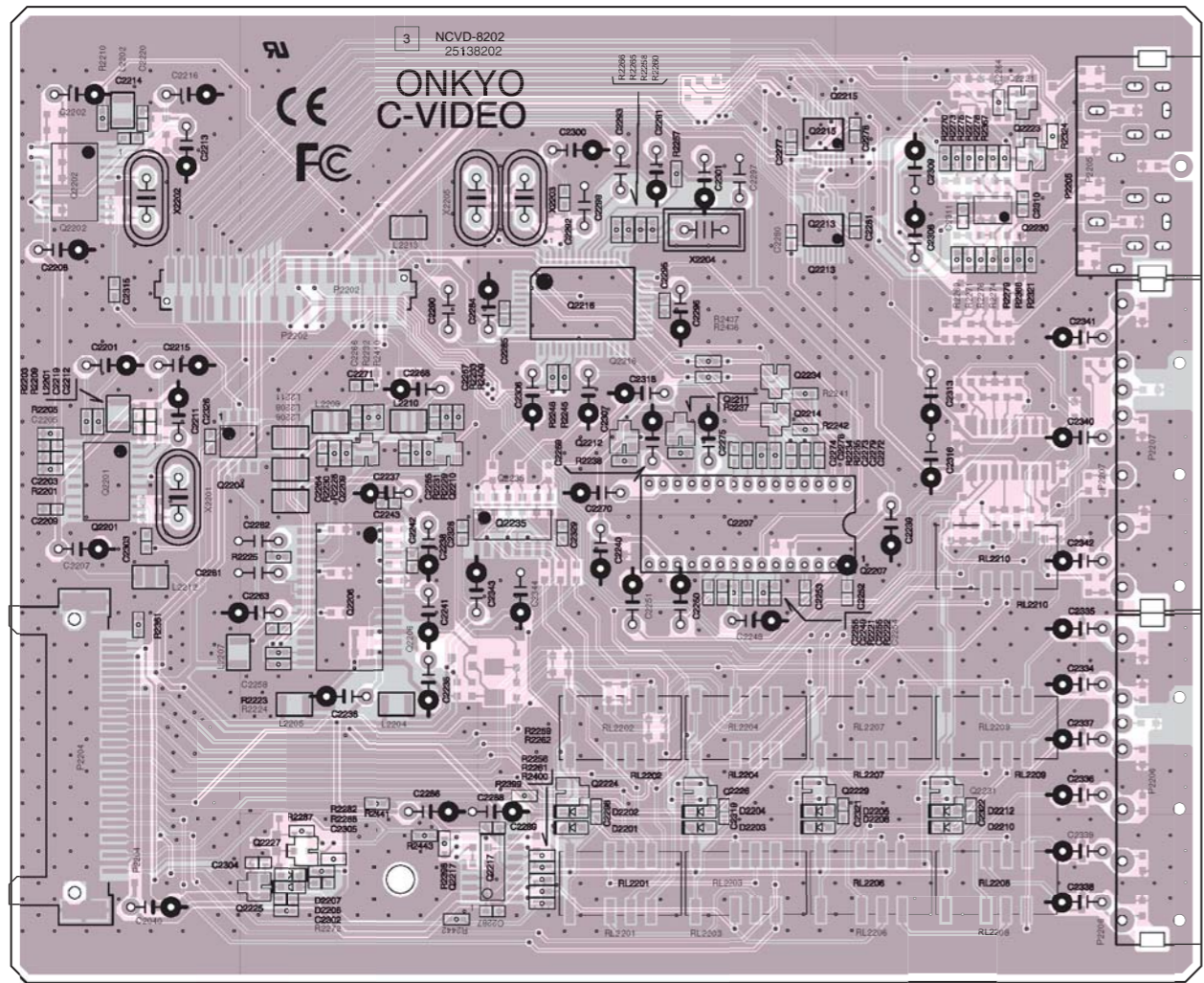
U18 S VIDEO (SLOT H) PC BOARD (NAVD-8201)

5

A B C D E F G H

PRINTED CIRCUIT BOARD VIEW 19

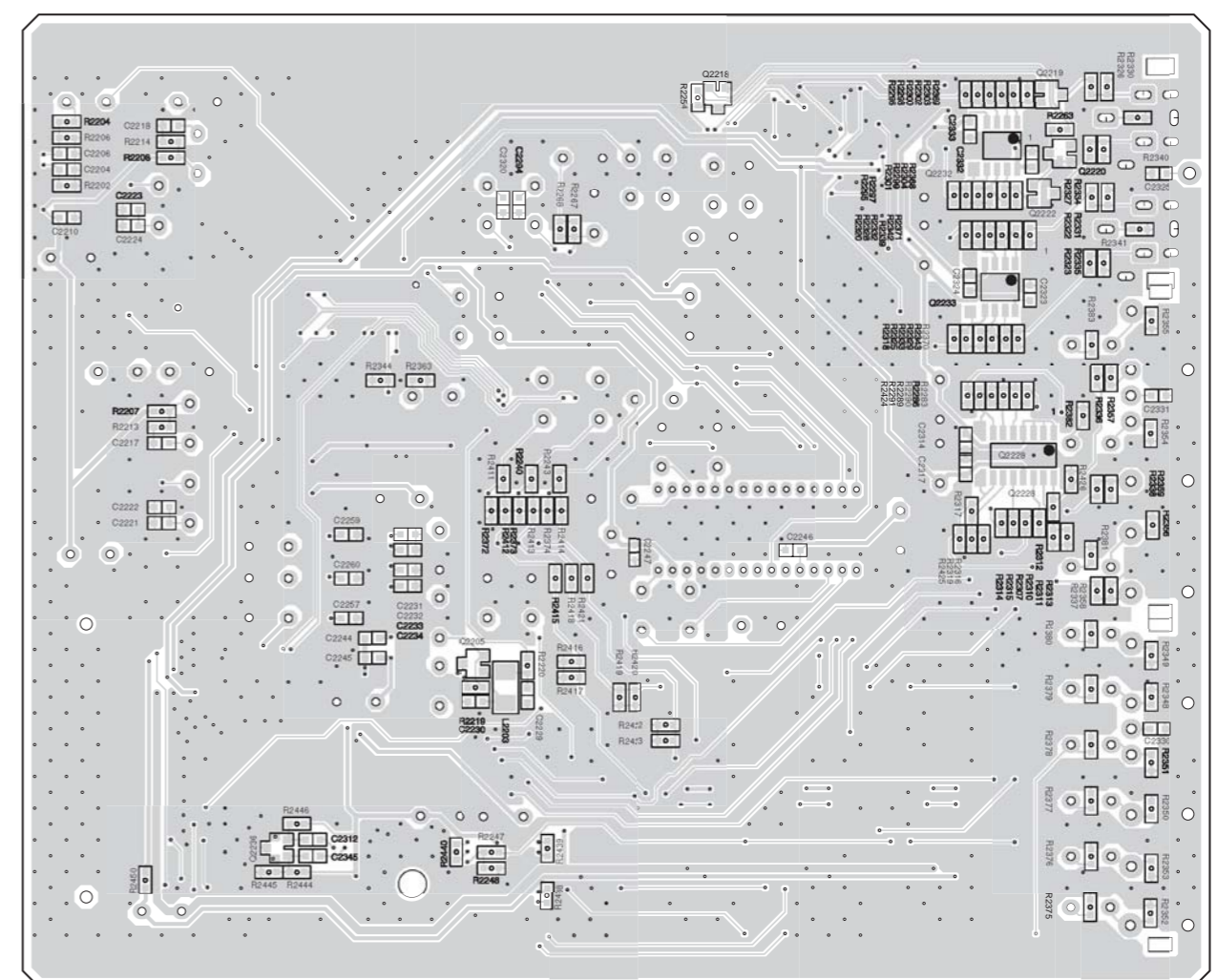
1



Side A

U182 COMPOSITE VIDEO (SLOT I) PC BOARD (NAVD-8202)

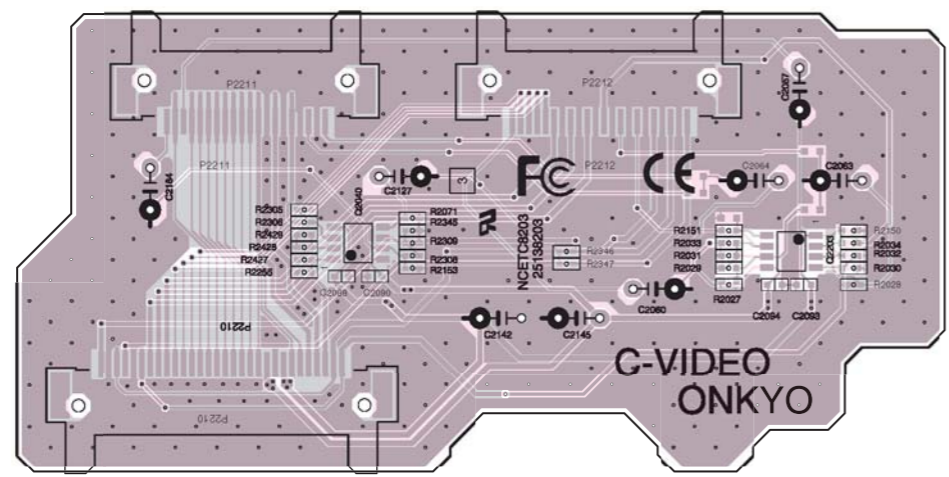
2



Side B

U182 COMPOSITE VIDEO (SLOT I) PC BOARD (NAVD-8202)

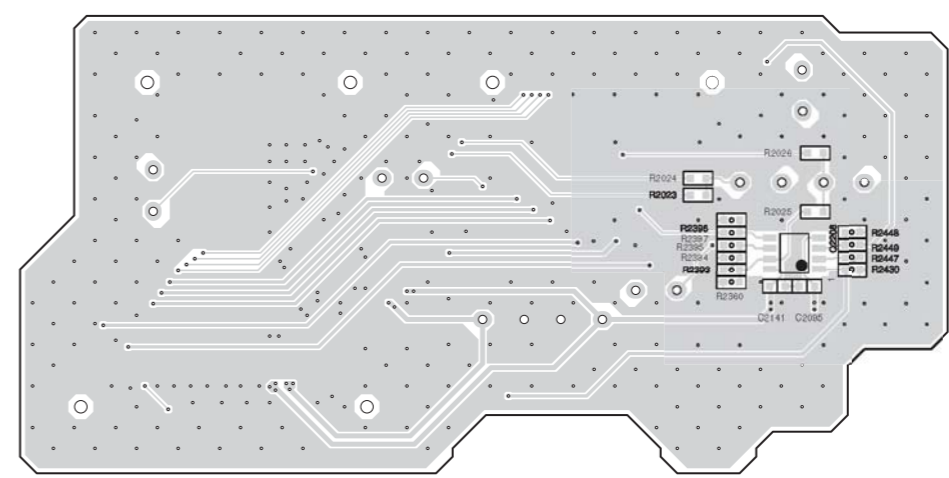
3



Side A

U183 CONNECTOR PC BOARD (NAETC-8203)

4



Side B

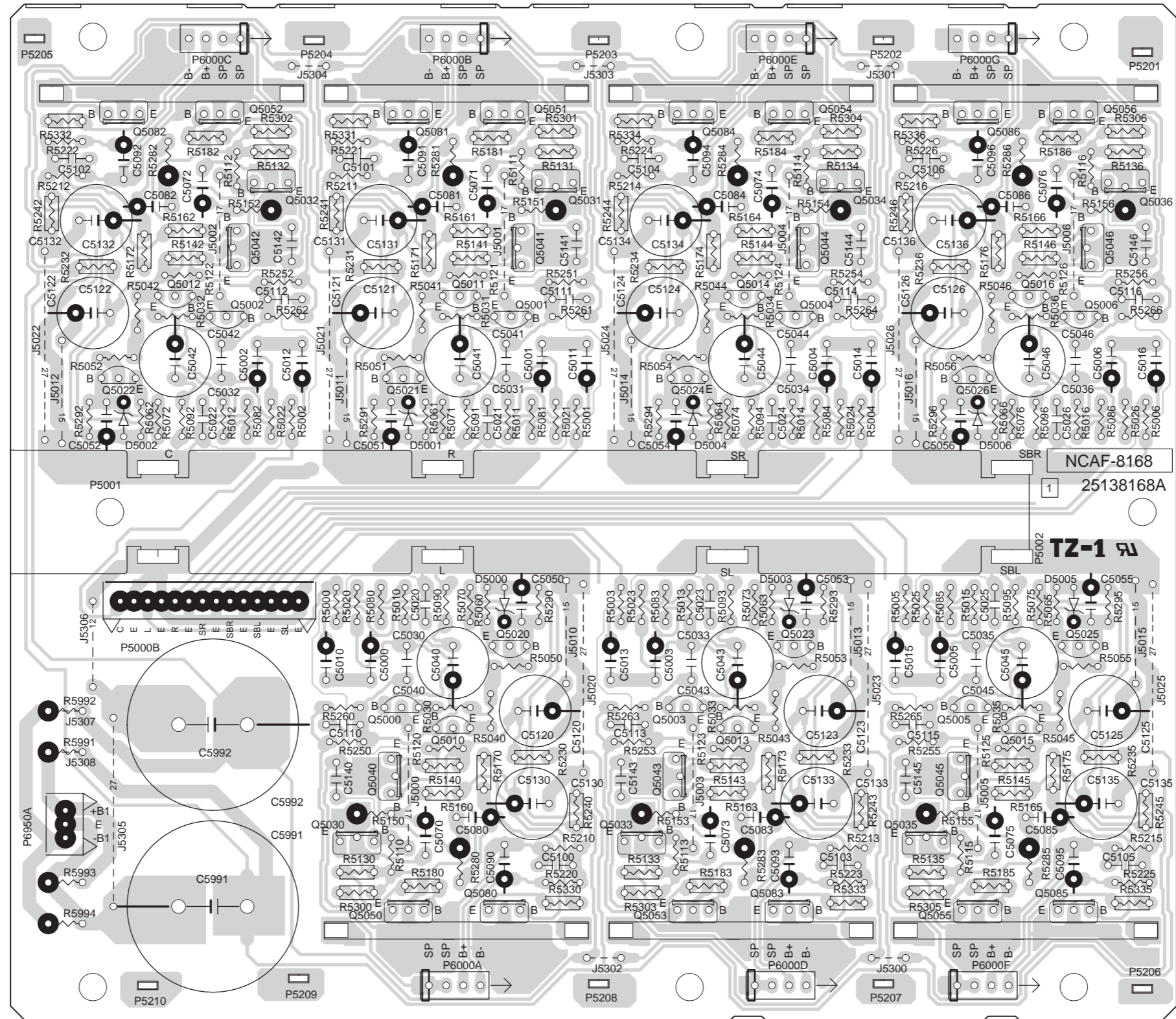
U183 CONNECTOR PC BOARD (NAETC-8203)

5

A B C D E F G H

PRINTED CIRCUIT BOARD VIEW 22

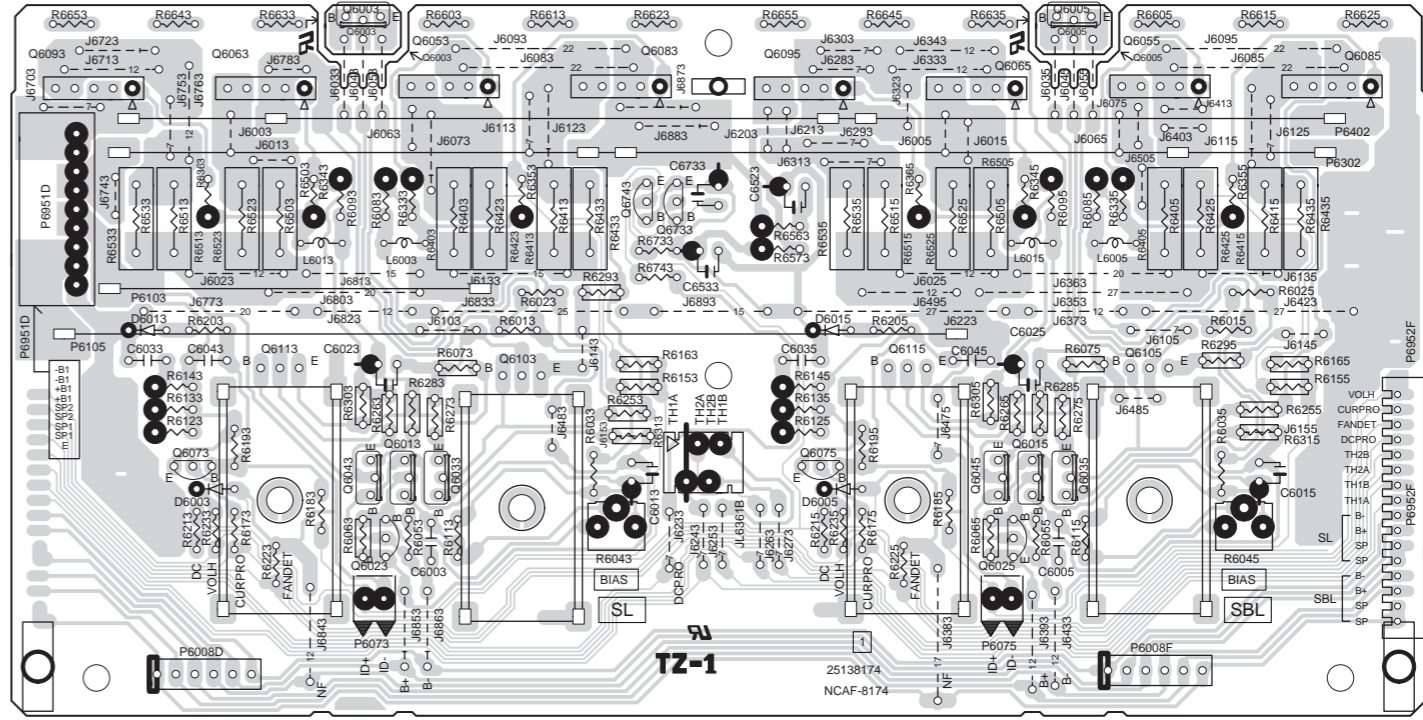
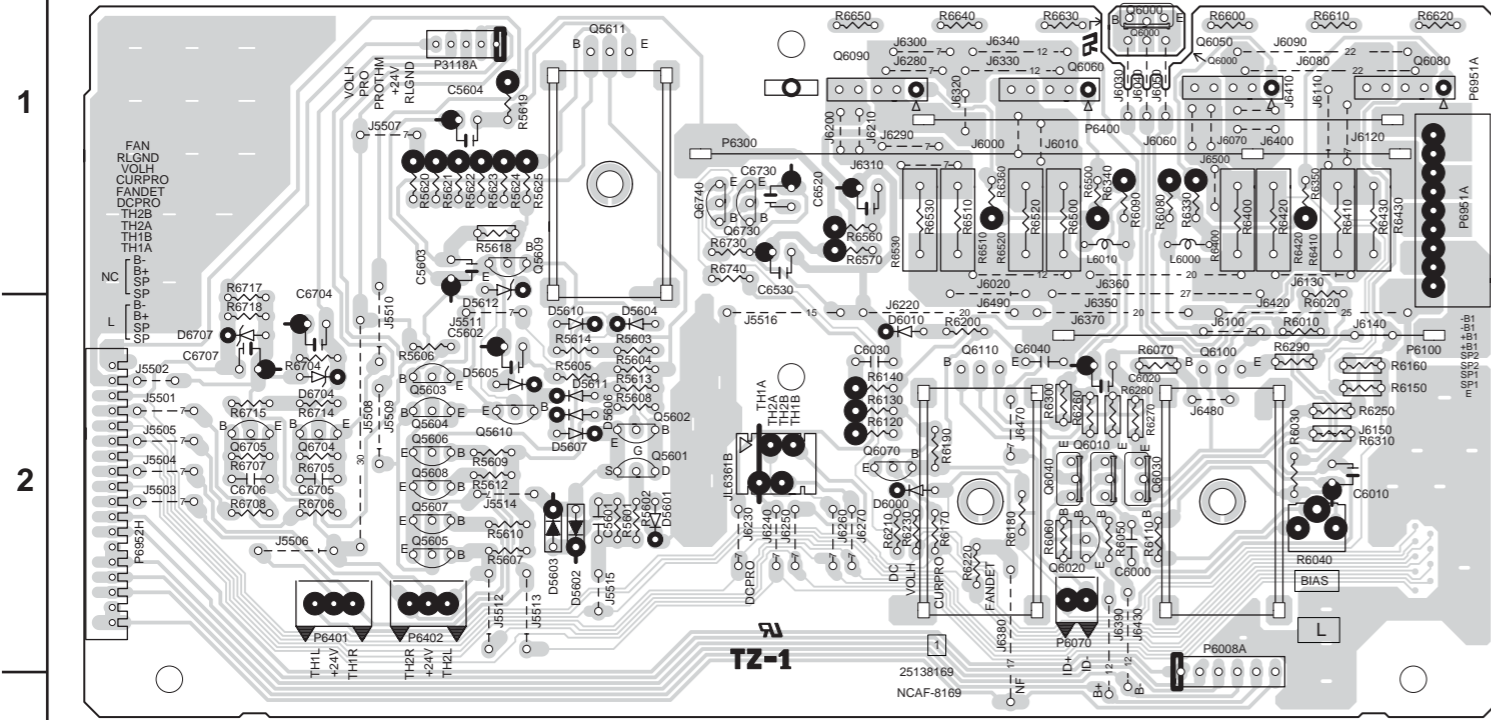
1
2
3
4
5



U12 DRIVER CIRCUIT PC BOARD (NAAF-8168)

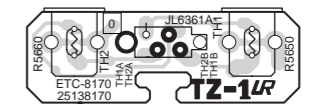
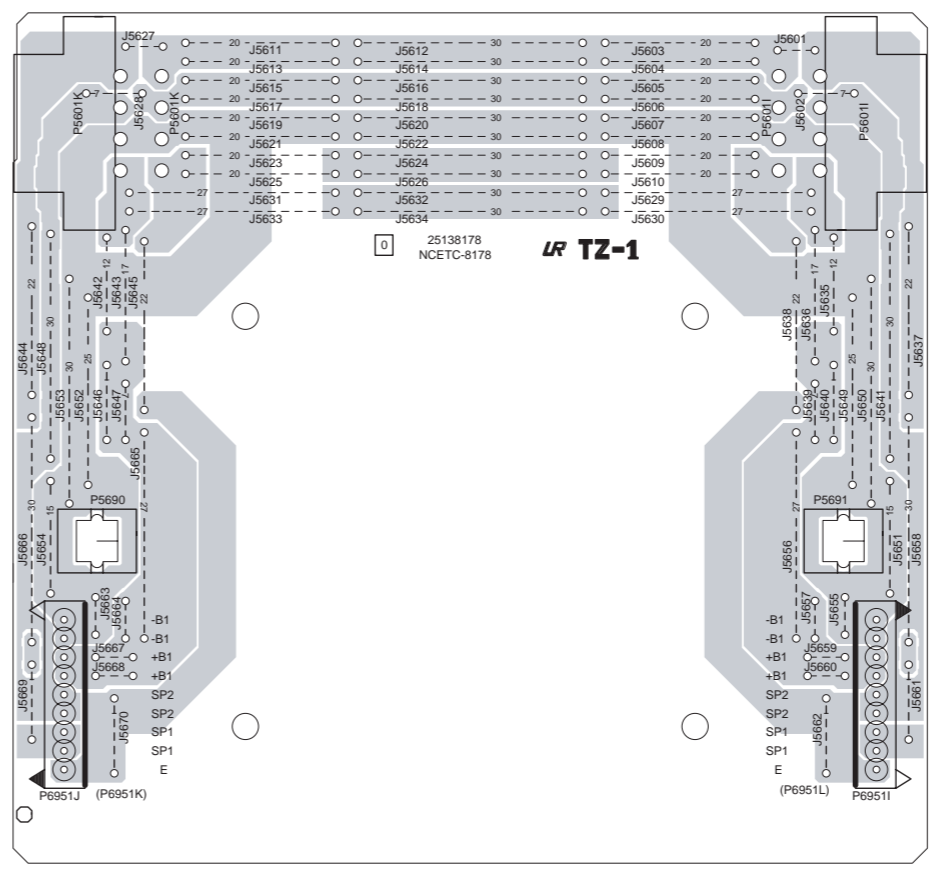
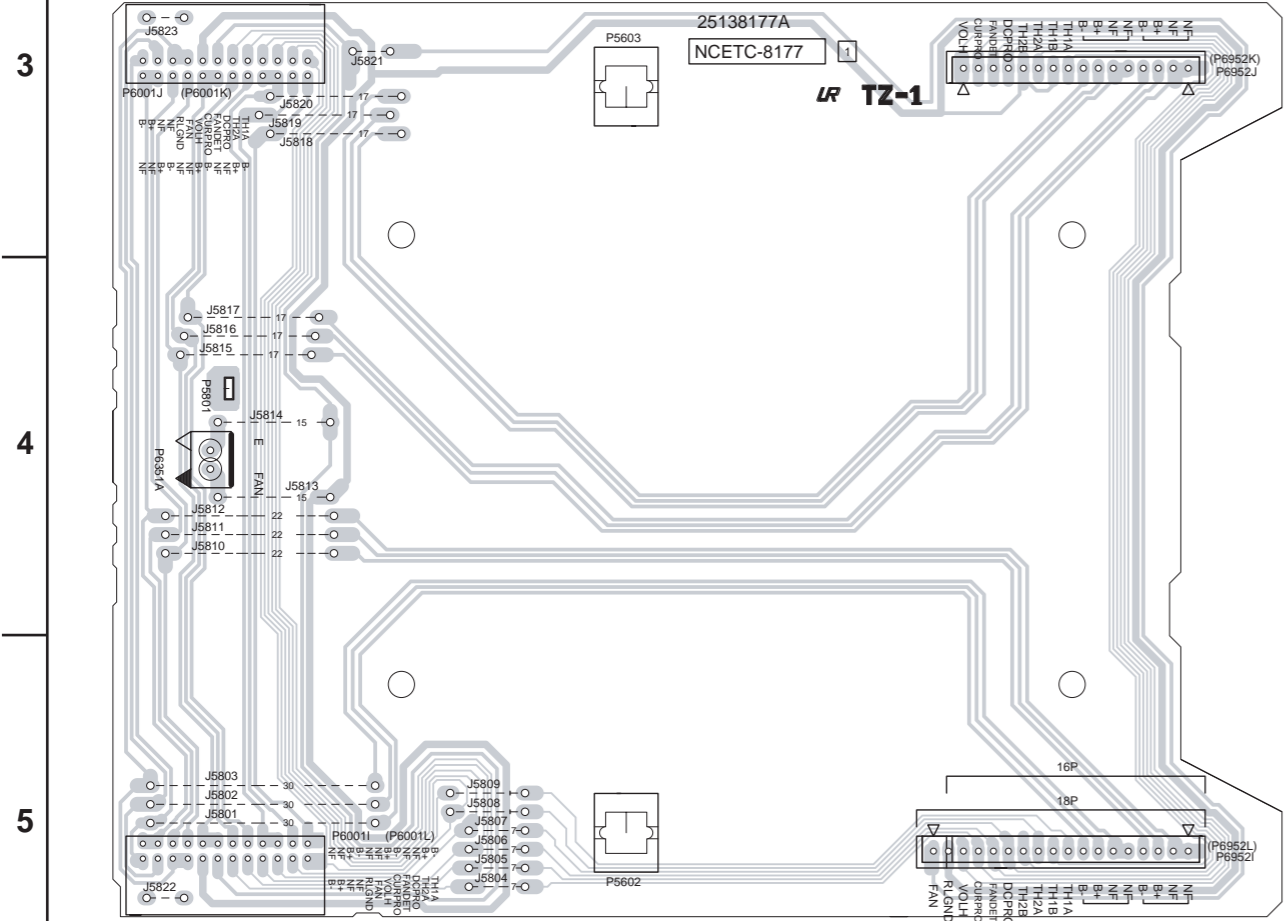
Soldering side

PRINTED CIRCUIT BOARD VIEW 23 Soldering side

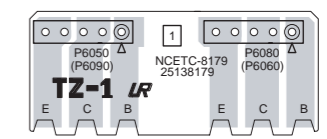


U122 POWER AMPLIFIER 4 PC BOARD (NAAF-8169)

U132 POWER AMPLIFIER 2 PC BOARD (NAAF-8174)



U123 THERMAL DETECTOR PC BOARD (NAETC-8170)



U143 POWER TRANSISTOR PC BOARD (NAETC-8179)

U14 CONNECTOR PC BOARD (NAETC-8177)

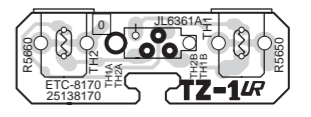
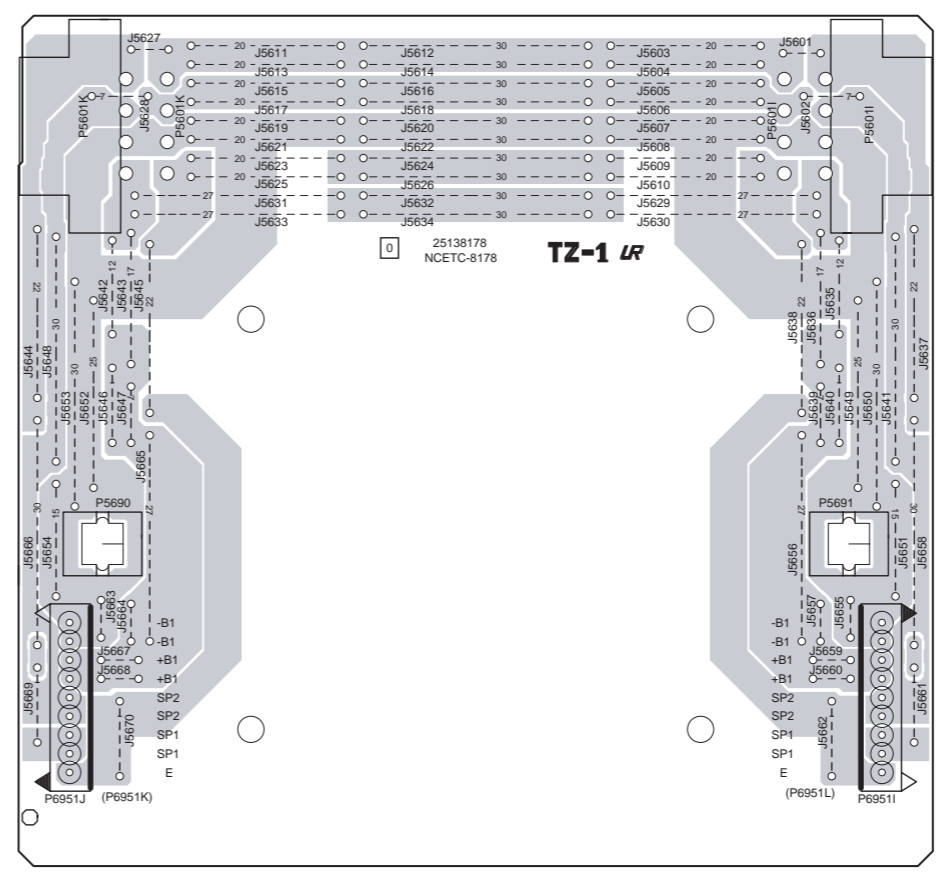
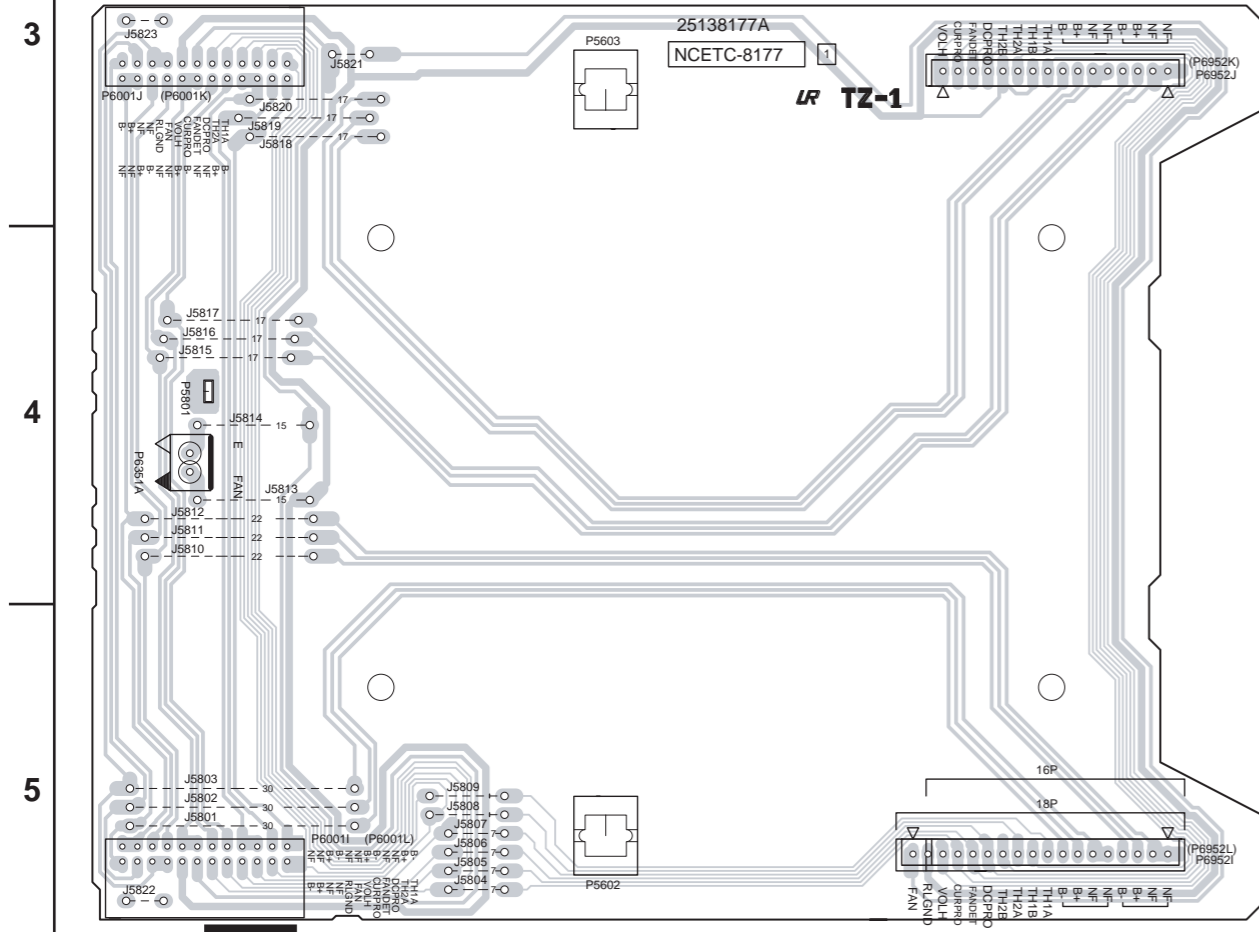
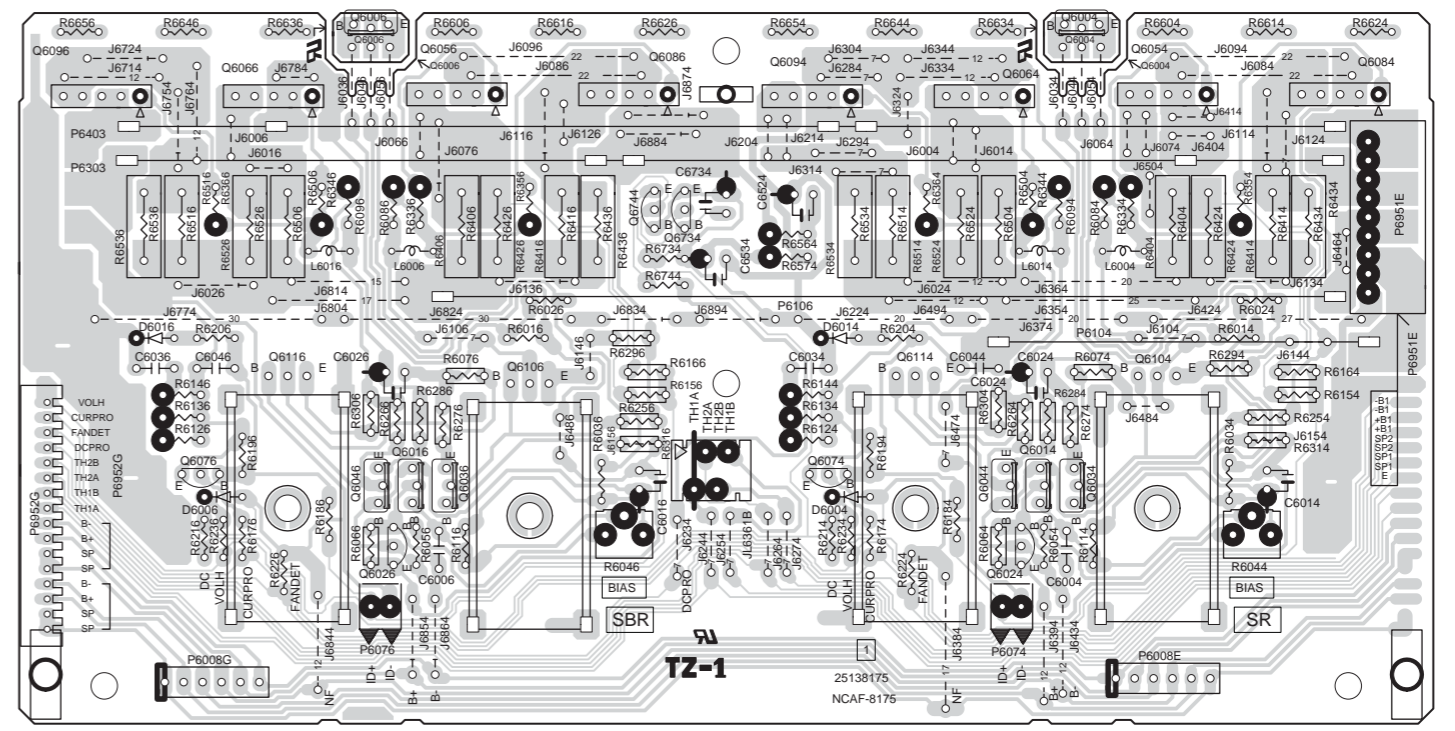
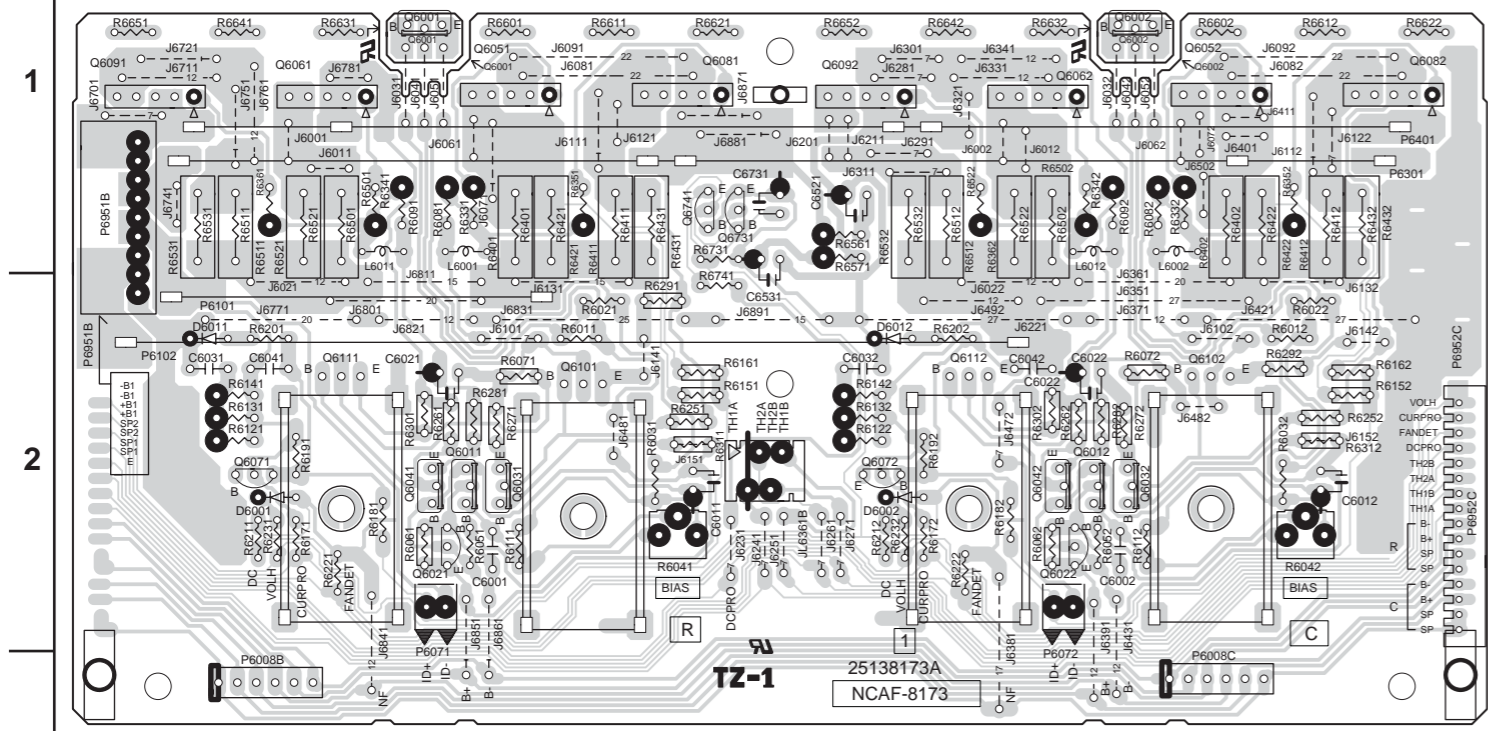
U142 CONNECTOR PC BOARD (NAETC-8178)

A B C D E F G H

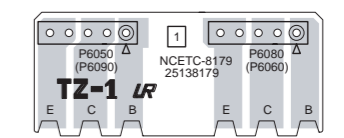
PRINTED CIRCUIT BOARD VIEW 24

Soldering side

Soldering side



U123 THERMAL DETECTOR PC BOARD (NAETC-8170)

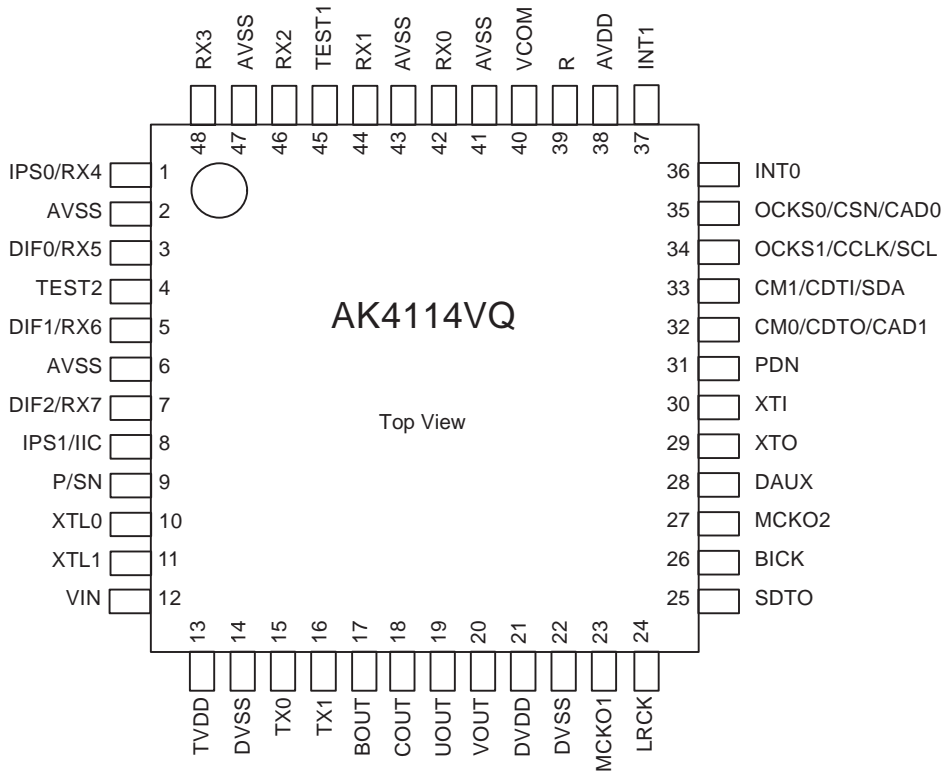
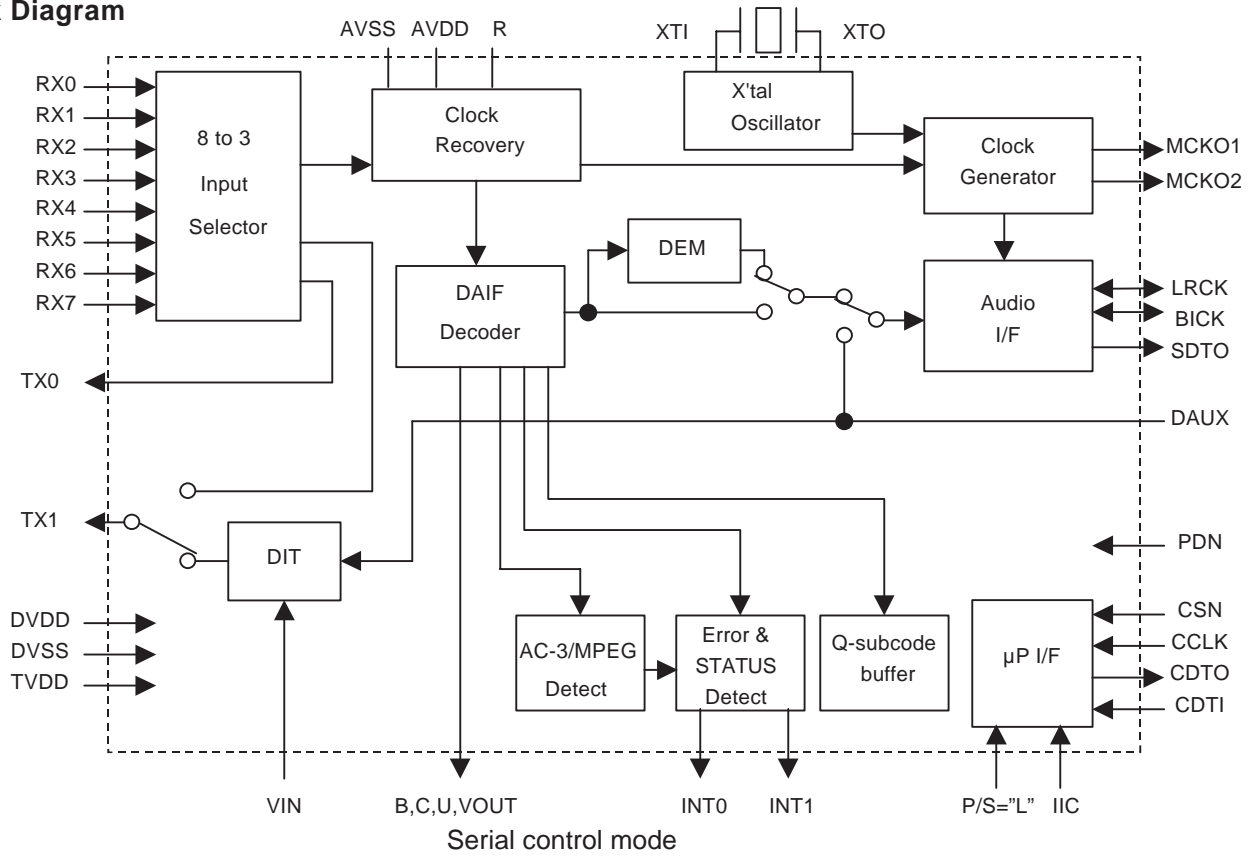


U143 POWER TRANSISTOR PC BOARD (NAETC-8179)

IC BLOCK DIAGRAM AND DESCRIPTION

AK4114VQ(192kHz 24bit Digital Audio Interface Transceiver)

Block Diagram



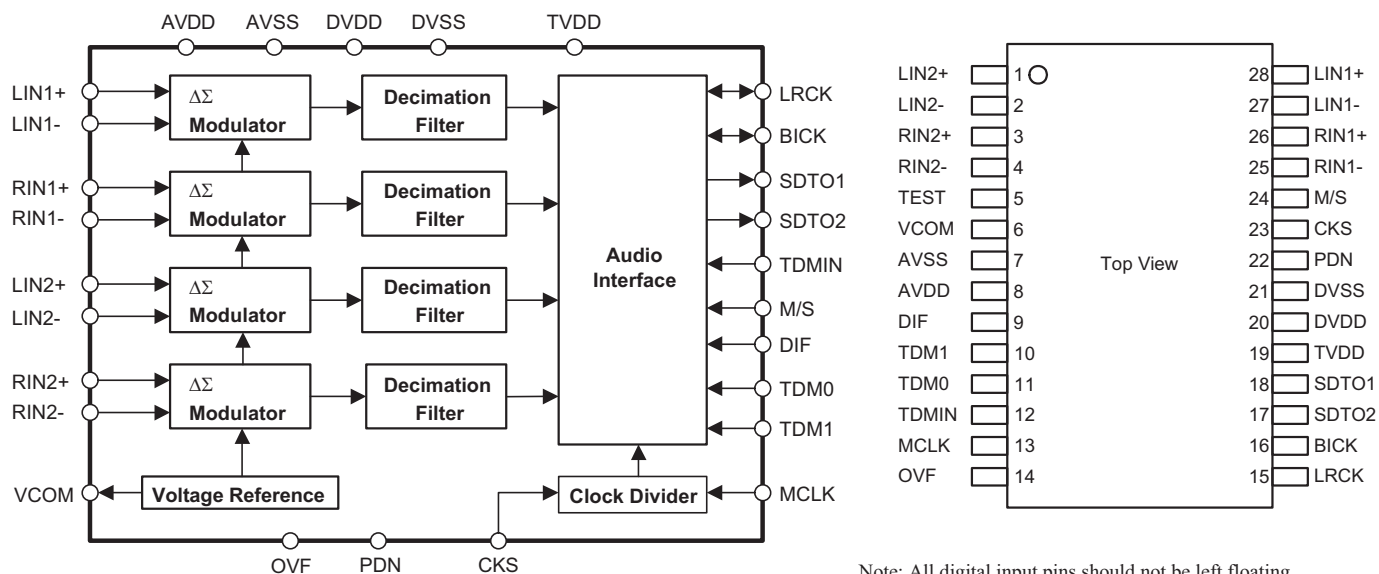
IC BLOCK DIAGRAM AND DESCRIPTION

AK4114VQ(192kHz 24bit Digital Audio Interface Transceiver)

No.	Symbol	I/O	Function
1	RX4	I	Receiver channel input 4 pin
2	NC(AVSS)	I	No connection pin
3	RX5	I	Receiver channel input 5 pin
4	TEST2	I	Test 2 pin
5	RX6	I	Receiver channel input 6 pin
6	NC(AVSS)	I	No connection pin
7	RX7	I	Receiver channel input 7 pin
8	IIC	I	IIC select pin. L:4 lines serial
9	P/SN	I	Parallel/serial select pin. L: Serial mode
10	XTL0	I	Crystal frequency select 0 pin
11	XTL1	I	Crystal frequency select 1 pin
12	VIN	I	V bit input pin for transmitter output.
13	TVDD	I	Power supply pin for input buffer
14	NC	I	No connection pin
15	TX0	O	Transmitter channel output 0 pin
16	TX1	O	Transmitter channel output 1 pin
17	BOUT	O	Block start output pin for receiver input
18	COUT	O	C bit output pin for receiver input
19	UOUT	O	U bit output pin for receiver input
20	VOUT	O	V bit output pin for receiver input
21	DVDD	I	Digital power supply pin
22	DVSS	I	Digital ground pin
23	MCKO1	O	Master clock output 1 pin
24	LRCK	I/O	Channel clock pin
25	SDTO	O	Audio serial data output pin
26	BICK	I/O	Audio serial data clock pin
27	MCKO2	O	Master clock output 2 pin
28	DAUX	I	Axially audio serial data input pin
29	XTO	O	Crystal output pin
30	XTI	I	Crystal input pin
31	PDN	I	Power down and reset pin
32	CDTO	O	Control data output pin
33	CDTI	I	Control data input pin
34	CCLK	I	Control data clock pin
35	CSN	I	Chip select pin
36	INT0	O	Interrupter 0 pin
37	INT1	O	Interrupter 1 pin
38	AVDD	I	Analog power supply
39	R	-	External connection resistor pin
40	VCOM	-	Common voltage output pin
41	AVSS	I	Analog ground pin
42	RX0	I	Receiver channel input 0 pin
43	NC(AVSS)	I	No connection pin
44	RX1	I	Receiver channel input 1 pin
45	TEST1	I	Test 1 pin
46	RX2	I	Receiver channel input 2 pin
47	NC(AVSS)	I	No connection pin
48	RX3	I	Receiver channel input 3 pin

IC BLOCK DIAGRAM AND DESCRIPTION

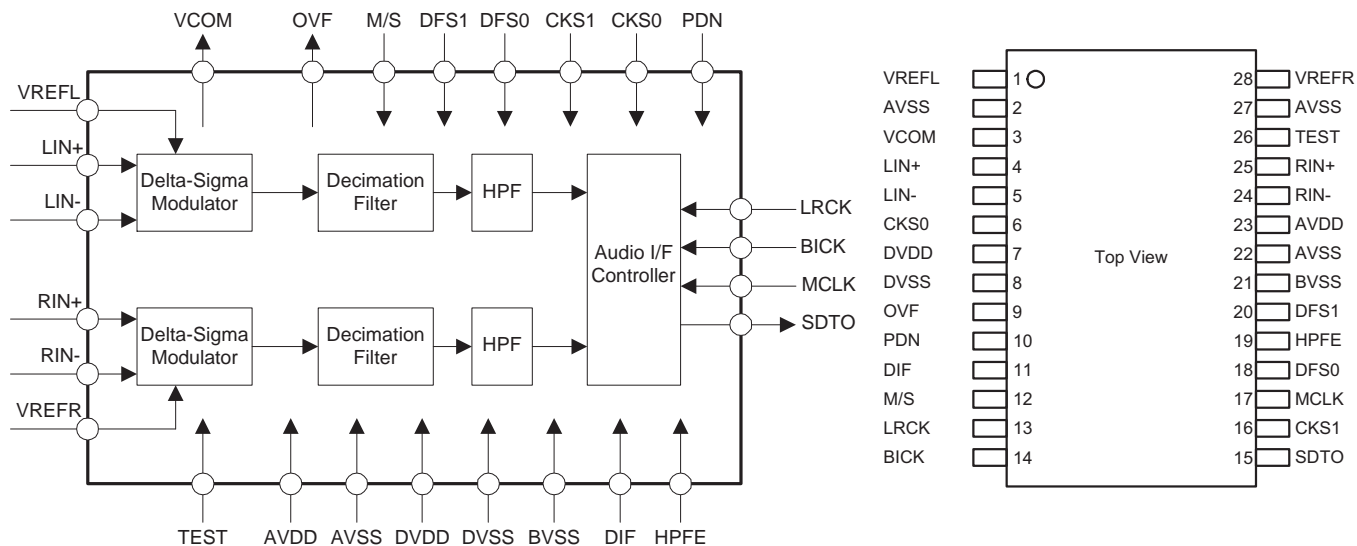
AK4584VF(107dB 24-Bit 96kHz 4-Channel SDC)



No.	Pin Name	I/O	Function
1	LIN2+	I	ADC2 Lch Positive Analog Input Pin
2	LIN2-	I	ADC2 Lch Negative Analog Input Pin
3	RIN2+	I	ADC2 Rch Positive Analog Input Pin
4	RIN2-	I	ADC2 Rch Negative Analog Input Pin
5	TEST	I	Test Pin (Connected to AVSS)
6	VCOM	O	Common Voltage Output Pin, AVDD/2 Normally connected to AVSS with a 0.1μF ceramic capacitor in parallel with an electrolytic capacitor less than 2.2μF.
7	AVSS	-	Analog Ground Pin
8	AVDD	-	Analog Power Supply Pin, 4.75 ~ 5.25V
9	DIF	I	Audio Interface Format Pin “L”: 24bit MSB justified, “H”: 24bit I ² S Compatible
10	TDM1	I	TDM I/F BICK Frequency Select Pin “L”: 256fs, “H”: 128fs
11	TDM0	I	TDM I/F Format Enable Pin “L”: Normal Mode, “H”: TDM Mode
12	TDMIN	I	TDM Data Input Pin
13	MCLK	I	Master Clock Input Pin
14	OVF	O	Analog Input Overflow Detect Pin This pin goes to “H” if one of four analog inputs overflows.
15	LRCK	I/O	Output Channel Clock Pin “L” Output in Master Mode at Power-down mode.
16	BICK	I/O	Audio Serial Data Clock Pin “L” Output in Master Mode at Power-down mode.
17	SDTO2	O	ADC2 Audio Serial Data Output Pin “L” Output at Power-down mode.
18	SDTO1	O	ADC1 Audio Serial Data Output Pin “L” Output at Power-down mode.
19	TVDD	-	Output Buffer Power Supply Pin, 3.0 ~ 5.25V
20	DVDD	-	Digital Power Supply Pin, 4.75 ~ 5.25V
21	DVSS	-	Digital Ground Pin
22	PDN	I	Power-Down Mode Pin When “L”, the circuit is in power-down mode. The AK5384 should always be reset upon power-up.
23	CKS	I	Master Clock Select Pin “L”: 256fs, “H”: 512fs This pin is enabled in Master Mode.
24	M/S	I	Master / Slave Mode Pin “L”: Slave Mode, “H”: Master Mode
25	RIN1-	I	ADC1 Rch Negative Analog Input Pin
26	RIN1+	I	ADC1 Rch Positive Analog Input Pin
27	LIN1-	I	ADC1 Lch Negative Analog Input Pin
28	LIN1+	I	ADC1 Lch Positive Analog Input Pin

IC BLOCK DIAGRAM AND DESCRIPTION

AK4585AVF(24-Bit 192kHz $\Delta\Sigma$ ADC)

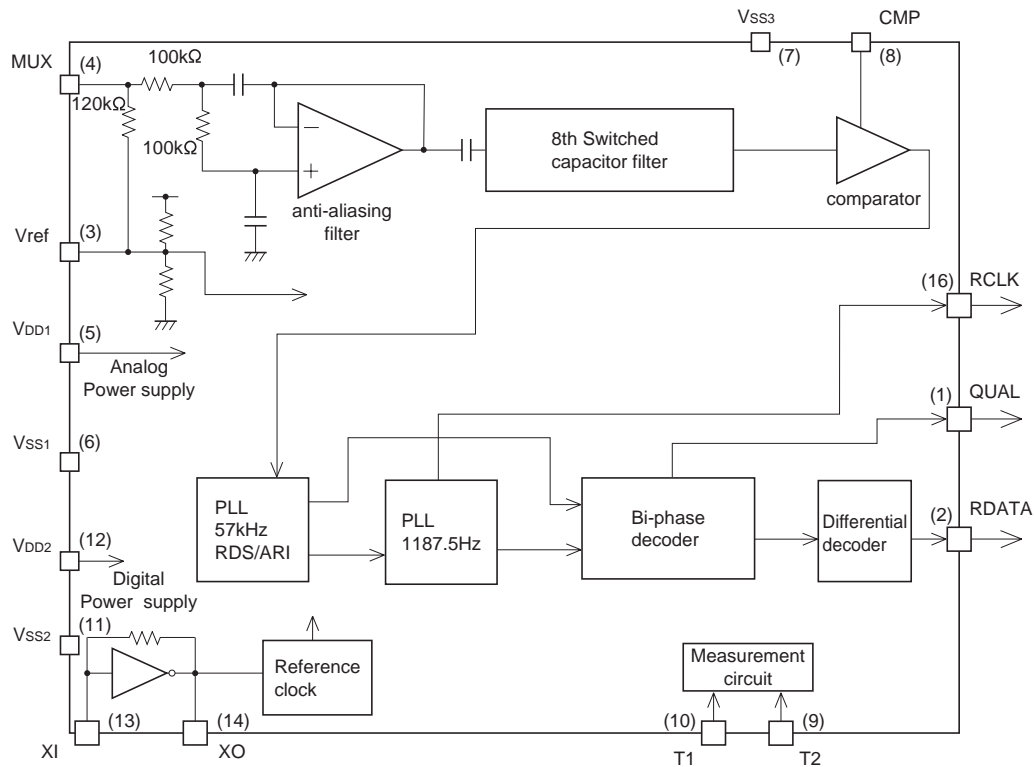


No.	Pin Name	I/O	Function
1	VREFL	I	Lch Voltage Reference Input Pin, AVDD Normally, connected to AVSS with a 10 μ F electrolytic capacitor and a 0.1 μ F ceramic capacitor.
2	AVSS	-	Analog Ground Pin
3	VCOM	O	Common Voltage Output Pin, AVDD/2 Bias voltage of ADC input.
4	LIN+	I	Lch Analog Positive Input Pin
5	LIN-	I	Lch Analog Negative Input Pin
6	CKS0	I	Master Clock Select 0 Pin (Internal Pull-down Pin, typ. 100k Ω)
7	DVDD	-	Digital Power Supply Pin, 3.0 ~ 5.25V
8	DVSS	-	Digital Ground Pin
9	OVF	O	Analog Input Overflow Detect Pin This pin goes to "H" if analog input overflows.
10	PDN	I	Power Down Mode Pin "H": Power up, "L": Power down
11	DIF	I	Audio Interface Format Pin "H": 24bit I ² S Compatible, "L": 24bit MSB justified
12	M/S	I	Master / Slave Mode Pin (Fixed to "L") "L": Slave Mode only
13	LRCK	I	Output Channel Clock Pin
14	BICK	I	Audio Serial Data Clock Pin
15	SDTO	O	Audio Serial Data Output Pin
16	CKS1	I	Master Clock Select 1 Pin (Internal Pull-down Pin, typ. 100k Ω)
17	MCLK	I	Master Clock Input Pin
18	DFS0	I	Sampling Speed Select 0 Pin
19	HPFE	I	High Pass Filter Enable Pin "H": Enable, "L": Disable
20	DFS1	I	Sampling Speed Select 1 Pin
21	BVSS	-	Substrate Ground Pin
22	AVSS	-	Analog Ground Pin
23	AVDD	-	Analog Power Supply Pin, 4.75 ~ 5.25V
24	RIN-	I	Rch Analog Negative Input Pin
25	RIN+	I	Rch Analog Positive Input Pin
26	TEST	I	Test Pin (Internal Pull-down Pin, typ. 100k Ω)
27	AVSS	-	Analog Ground Pin
28	VREFR	I	Rch Voltage Reference Input Pin, AVDD Normally, connected to AVSS with a 10 μ F electrolytic capacitor and a 0.1 μ F ceramic capacitor.

IC BLOCK DIAGRAMS AND TERMINAL DESCRIPTIONS

BU1924FS (RDS Decoder) <European model only>

BLOCK DIAGRAM

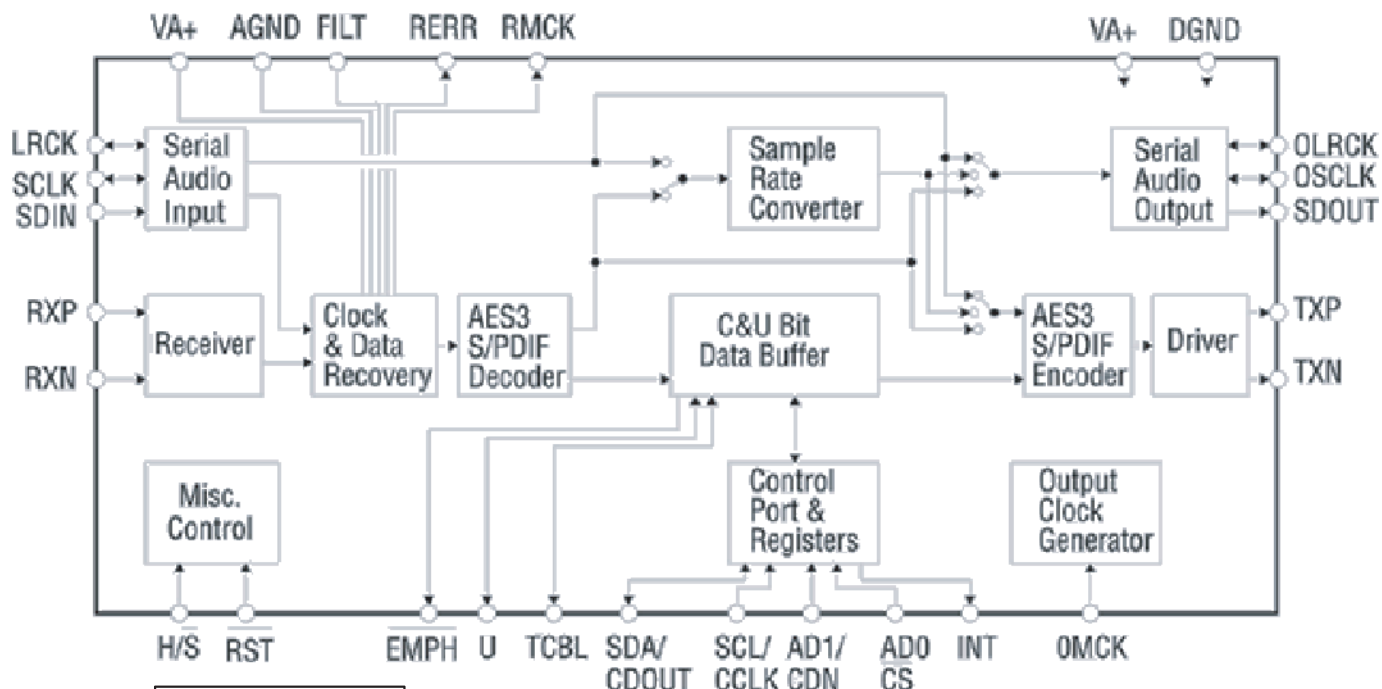


TERMINAL DESCRIPTION

Pin No.	Pin name	Description
1	QUAL	Output terminal of demodulator quality signal.
2	RDATA	Output terminal of demodulator data.
3	Vref	Input terminal of reference voltage.
4	MUX	Input terminal of composite signal.
5	VDD1	Analog power supply.
6	VSS1	Analog power supply.
7	VSS3	Ground.
8	CMP	Input terminal of comparator.
9	T2	Input terminal for test mode.
10	T1	Input terminal for test mode.
11	VSS2	Digital power supply.
12	VDD2	Digital power supply.
13	XI	Connect to oscillator.
14	XO	Connect to oscillator.
15	(N.C.)	---
16	RCLK	Output terminal of demodulator clock.

IC BLOCK DIAGRAM AND DESCRIPTION

CS8420(Digital audio sample rate converter)



COPY	1	ORIG	28
DFC0	2	DFC1	27
EMPH/U	3	TXP	26
RXP	4	TXN	25
RXN	5	H/S	24
VA+	6	VD+	23
AGND	7	DGND	22
FILT	8	OMCK	21
RST	9	PRO/C	20
RMCK	10	AUDIO/V	19
RERR	11	SDOUT	18
ILRCK	12	OLRCK	17
ISCLK	13	OSCLK	16
SDIN	14	TCBL	15

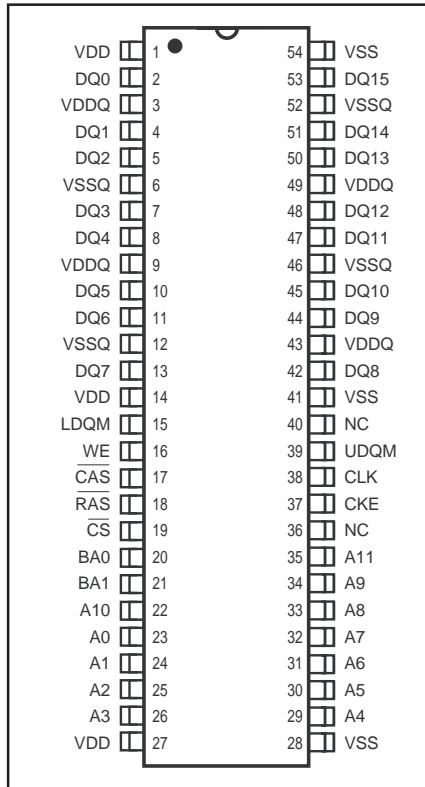
- DFC0,DFC1...Data flow control inputs
- OMCK...Output section master clock input
- SDIN...Serial audio input port data input
- SCLK...Serial audio input port bit clock input
- ILRCK...Serial audio input port left/right clock input
- SDOUT...Serial audio output port data output
- OSCLK...Serial audio output port bit clock input or output
- OLRCK...Serial audio output port left/right clock input or output
- TXN, TXP... Differential line driver outputs
- TCBL...Transmit channel status block start
- RXP, RXN...Differential line receiver inputs
- RMCK...Input section recovered master clock output
- RERR...Receiver error indicator output
- EMPH/U...Pre-emphasis indicator output or U-bit data input
- COPY...Copy channel status bit output
- ORIG...Original channel status output
- PRO/C...Professional channel status bit output or C-bit data input
- AUDIO/V...Audio channel status bit output or V-bit data input

IC BLOCK DIAGRAM AND DESCRIPTION

IC42S16800-7T(2Mx8 bitsx4 banks Synchronous Dynamic RAM)

PIN CONFIGURATIONS

54-Pin TSOP-2 (IC42S16800)

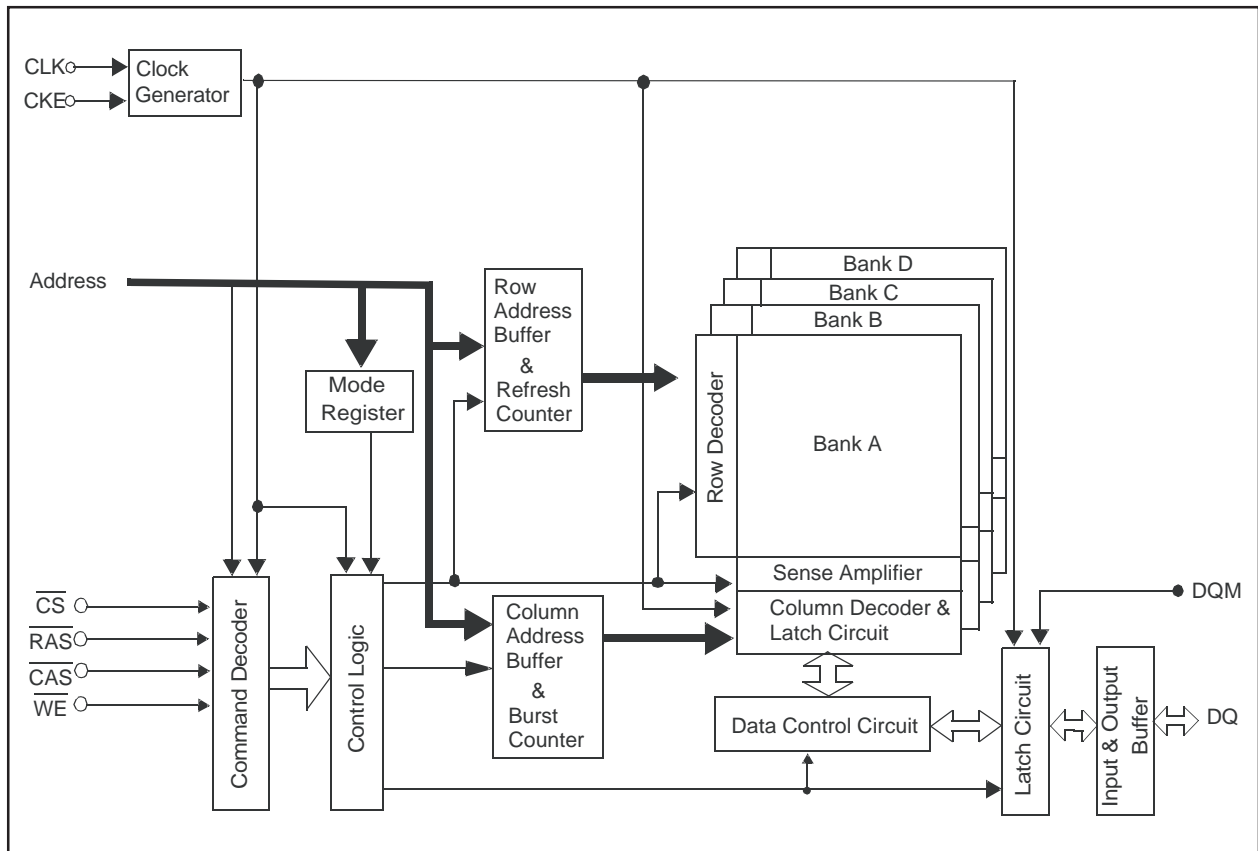


PIN DESCRIPTIONS

Pin Name	Function
CLK	Master Clock
CKE	Clock Enable
CS	Chip Select
RAS	Row Address Strobe
CAS	Column Address Strobe
WE	Write Enable
DQ0 ~ DQ15	Data I/O

Pin Name	Function
DQM	DQ Mask Enable
A0-11	Address Input
BA0,1	Bank Address
VDD	Power Supply
VDDQ	Power Supply for DQ
VSS	Ground
VSSQ	Ground for DQ

FUNCTIONAL BLOCK DIAGRAM



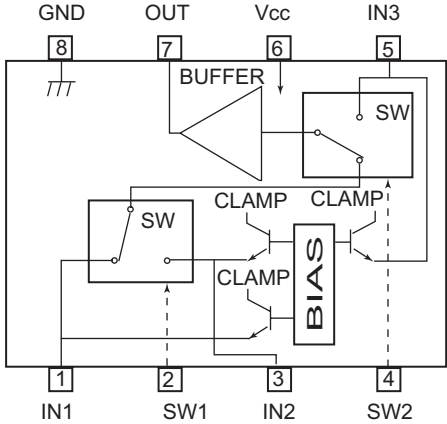
IC BLOCK DIAGRAM AND DESCRIPTION

IC42S16800-7T(2Mx8 bitsx4 banks Synchronous Dynamic RAM)

PIN FUNCTIONS

Symbol	Type	Function (In Detail)
CLK	Input Pin	Master Clock: Other inputs signals are referenced to the CLK rising edge
CKE	Input Pin	Clock Enable: CKE HIGH activates, and CKE LOW deactivates internal clock signals, device input buffers and output drivers. Deactivating the clock provides PRECHARGE POWER-DOWN and SELF REFRESH operation (all banks idle), or ACTIVE POWER-DOWN (row ACTIVE in any bank).
CS	Input Pin	Chip Select: CS enables (registered LOW) and disables (registered HIGH) the command decoder. All commands are masked when CS is registered HIGH. CS provides for external bank selection on systems with multiple banks. CS is considered part of the command code.
RAS, CAS, WE	Input Pin	Command Inputs: RAS, CAS and WE (along with CS) define the command being entered.
A0-A11	Input Pin	Address Inputs: Provide the row address for ACTIVE commands, and the column address and AUTO PRECHARGE bit for READ/WRITE commands, to select one location out of the memory array in the respective bank. The row address is specified by A0-A11. The column address is specified by A0-A8 (IC42S16800)
BA0,BA1	Input Pin	Bank Address Inputs: BA0 and BA1 define to which bank an ACTIVE, READ, WRITE or PRECHARGE command is being applied.
DQM, UDQM, LDQM	Input Pin	Din Mask / Output Disable: When DQM is high in burst write, Din for the current cycle is masked. When DQM is high in burst read, Dout is disable at the next but one cycle.
DQ0 to DQ15	I/O Pin	Data Input / Output: Data bus.
V _{DD} , V _{SS}	Power Supply Pin	Power Supply for the memory array and peripheral circuitry.
V _{DDQ} , V _{SSQ}	Power Supply Pin	Power Supply are supplied to the output buffers only.

IC BLOCK DIAGRAM AND DESCRIPTION
MM1117XFBE(3 inputs/1 output video switch)



Control Input Truth Table

SW1	SW2	OUT
L	L	IN1
H	L	IN2
-	H	IN3

IC BLOCK DIAGRAM AND DESCRIPTION

MX29LV160BBTC-70(16Mbit CMOS single voltage 3V only flash memory)

PIN CONFIGURATIONS

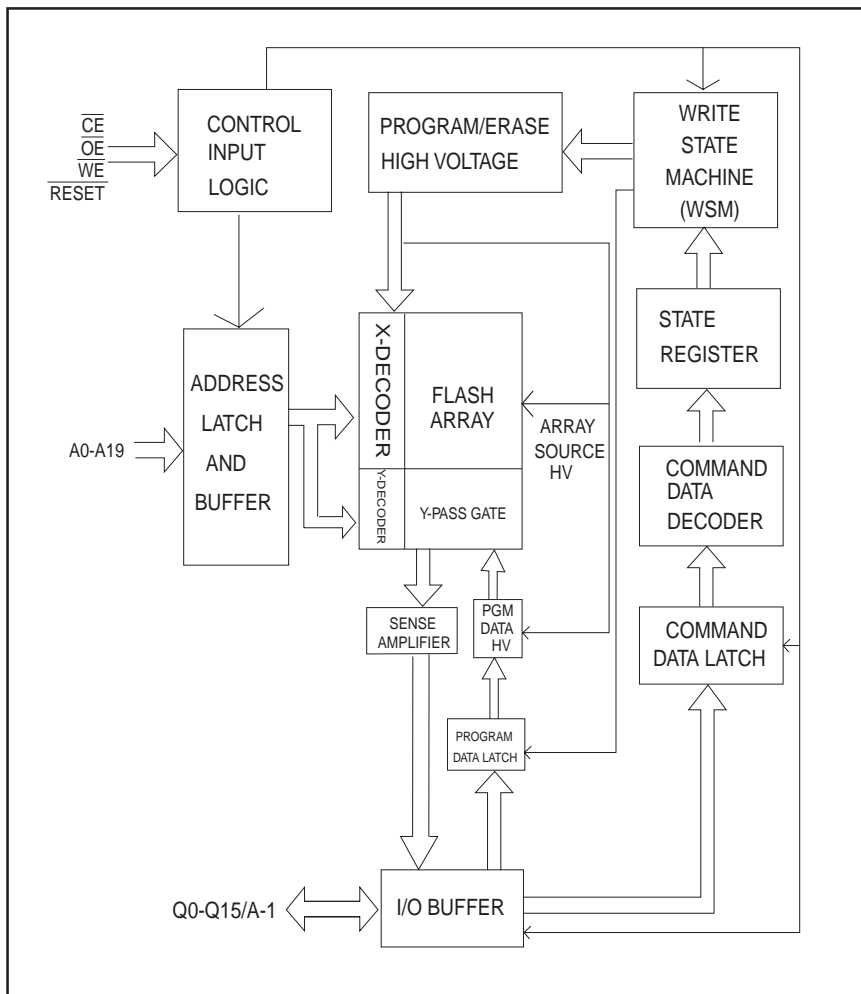
48 TSOP (Standard Type) (12mm x 20mm)



PIN DESCRIPTION

SYMBOL	PIN NAME
A0~A19	Address Input
Q0~Q14	Data Input/Output
Q15/A-1	Q15(Word mode)/LSB addr(Byte mode)
\overline{CE}	Chip Enable Input
\overline{WE}	Write Enable Input
BYTE	Word/Byte Selection input
RESET	Hardware Reset Pin/Sector Protect Unlock
\overline{OE}	Output Enable Input
RY/BY	Ready/Busy Output
VCC	Power Supply Pin (2.7V~3.6V)
GND	Ground Pin

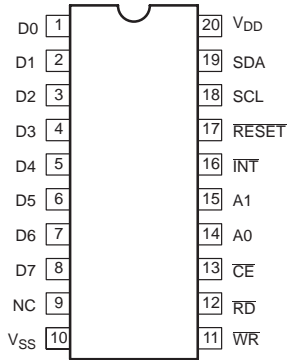
BLOCK DIAGRAM



IC BLOCK DIAGRAM AND DESCRIPTION

PCA9564PW(Parallel bus to I²C-bus controller)

PIN CONFIGURATION ⌀ SO, TSSOP



PIN CONFIGURATION

PIN NUMBER		SYMBOL	PIN TYPE	NAME AND FUNCTION
SO, TSSOP	HVQFN			
1, 2, 3, 4, 5, 6, 7, 8	1, 2, 3, 4, 5, 18, 19, 20	D0±D7	I/O	Data Bus: Bi-directional 3-State data bus used to transfer commands, data and status between the controller and the CPU. D0 is the least significant bit.
9	6	NC		No connect: must be left floating
10	7	V _{SS}	Pwr	Ground
11	8	WR	I	Write Strobe: When LOW and CE is also LOW, the contents of the data bus is loaded into the addressed register. The transfer occurs on the rising edge of the signal.
12	9	RD	I	Read Strobe: When LOW and CE is also LOW, causes the contents of the addressed register to be presented on the data bus. The read cycle begins on the falling edge of RD.
13	10	CE	I	Chip Enable: Active-LOW input signal. When LOW, data transfers between the CPU and the controller are enabled on D0±D7 as controlled by the WR, RD and A0±A1 inputs. When HIGH, places the D0±D7 lines in the 3-State condition.
14, 15	11, 12	A0, A1	I	Address Inputs: Selects the controller internal registers and ports for read/write operations.
16	13	INT	O	Interrupt Request: Active-LOW, open-drain, output. This pin requires a pull-up device.
17	14	RESET	I	Reset: A LOW level clears internal registers resets the I ² C state machine.
18	15	SCL	I/O	I ² C-bus serial clock input/output (open-drain).
19	16	SDA	I/O	I ² C-bus serial data input/output (open-drain).
20	17	V _{DD}	Pwr	Power Supply: +2.3 to +3.6 V

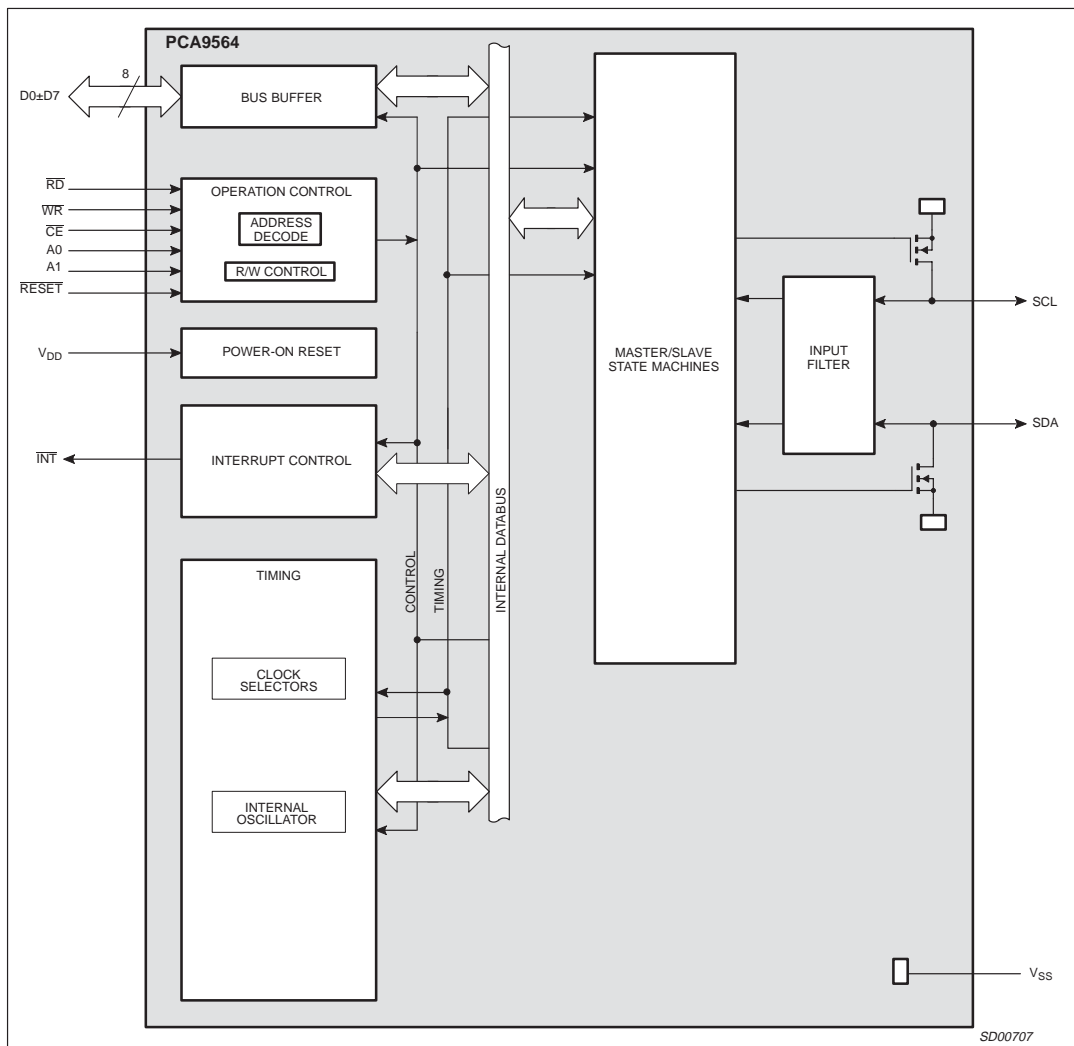
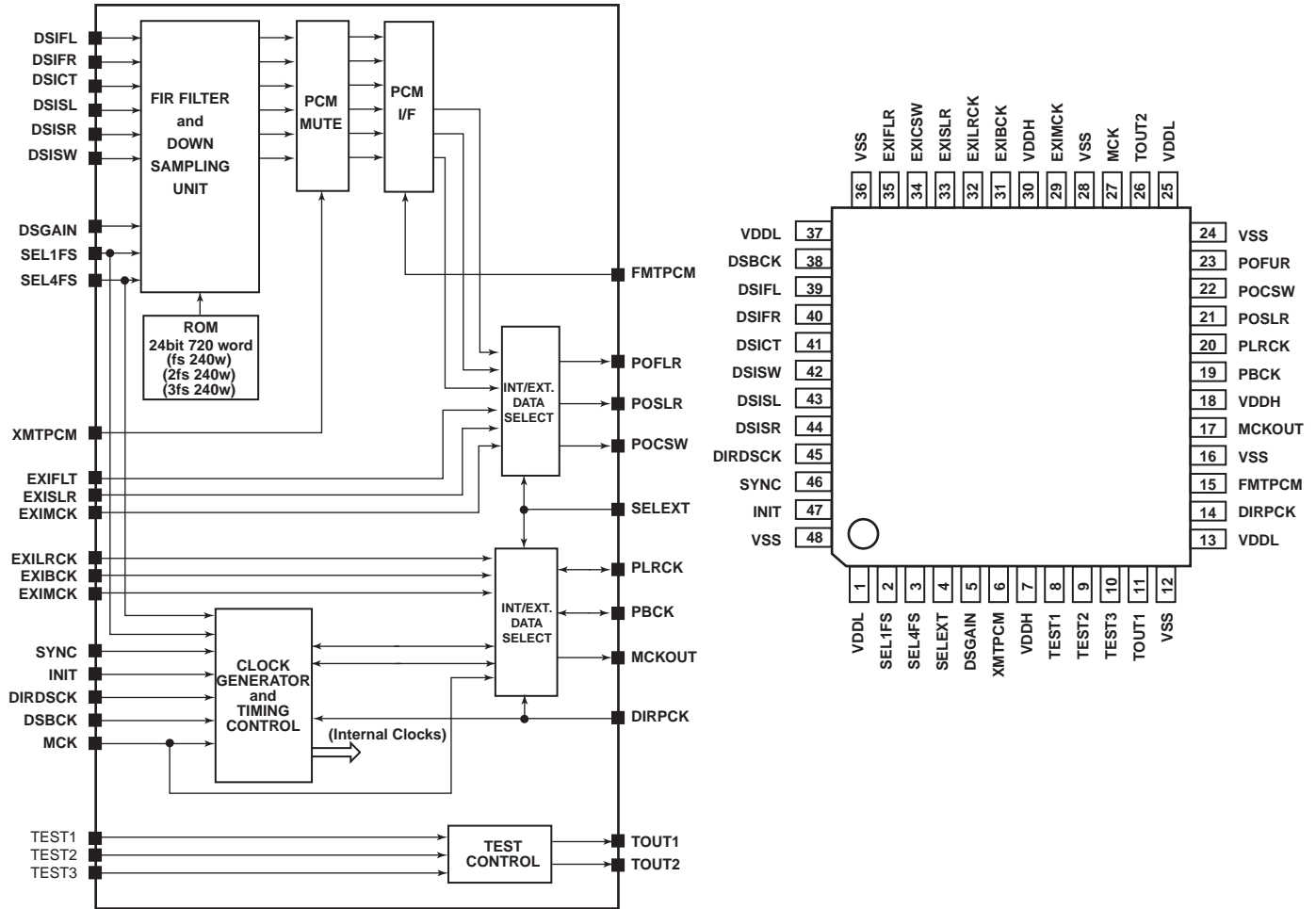


Figure 1. Block diagram

IC BLOCK DIAGRAM AND DESCRIPTION

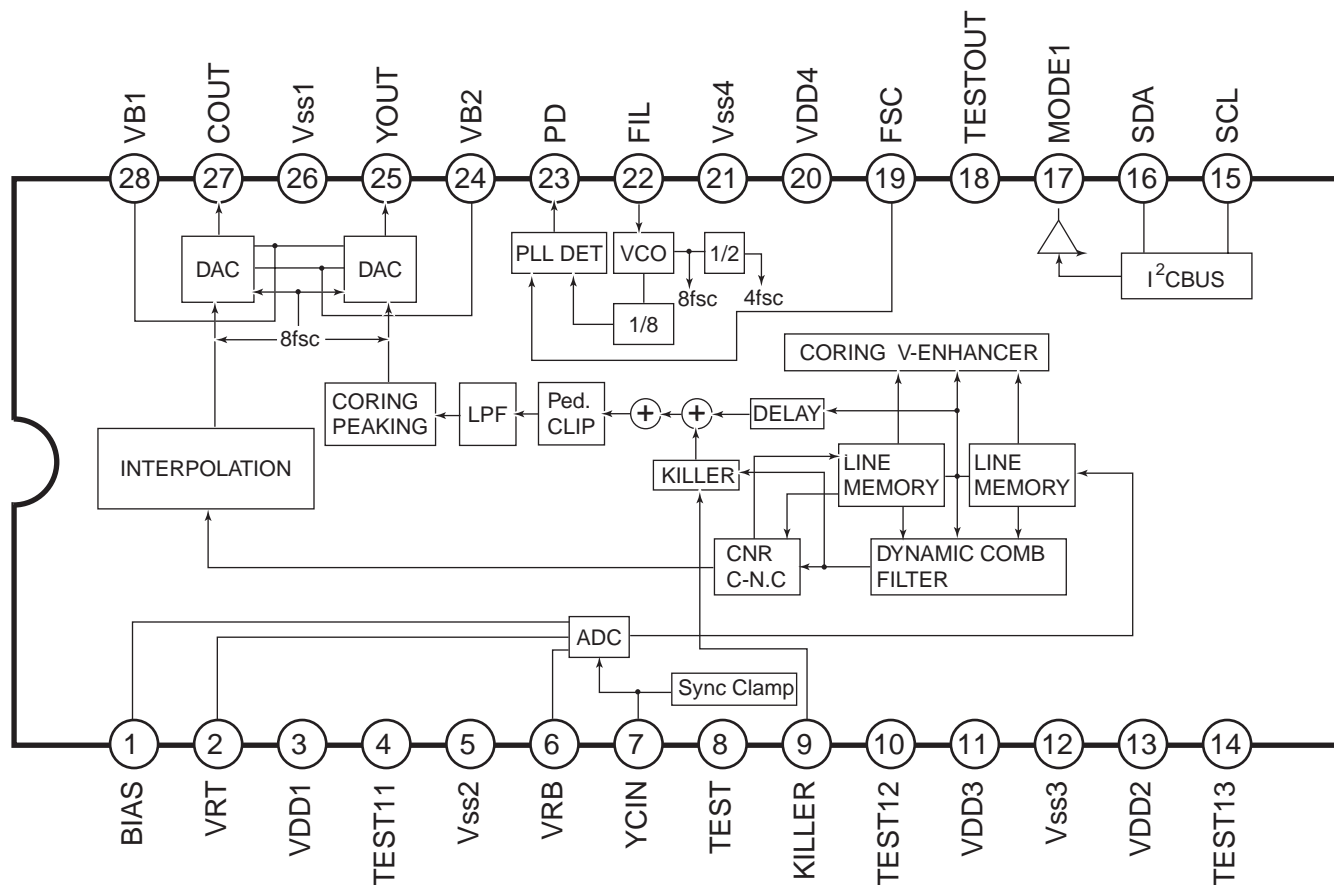
SM5819AF(6-channel DSD-PCM converter)



No.	Name	I/O	Description	No.	Name	I/O	Description
1	VDDL	-	Core power supply	25	VDDL	-	Core power supply
2	SEL1FS	I	PCM output rate select 1	26	TOUT2	-	Test output 2
3	SEL4FS	I	PCM output rate select 2	27	MCKOUT	O	Master clock input:512fs(22.5792MHz, fs=44.1kHz)
4	SELEXT	I	fs/2fs/4fs output and external data output select	28	VSS	I	Ground
5	DSGAIN	I	OSD signal gain setting	29	EXIMCK	-	External system clock input
6	XMTPCM	I	PCM output mute control input	30	VDDH	-	I/O power supply
7	VDDH	-	I/O power supply	31	EXIBCK	I	External PCM data BCK bit clock input
8	TEST1	I	Test input 1	32	EXILRCK	I	External PCM data LRCK word clock input
9	TEST2	I	Test input 2	33	EXISLR	I	External PCM data input:surround left/right channel
10	TEST3	I	Test input 3	34	EXICSW	I	External PCM data input:center/subwoofer channel
11	TOUT1	O	Test output 1	35	EXIFLR	I	External PCM data input:front left/right channel
12	VSS	-	Ground	36	VSS	-	Ground
13	VDDL	-	Core power supply	37	VDDL	-	Core power supply
14	DIRPCK	I	PCM output PBCK/PLRCK I/O select	38	DSBCK	I/O	DSD data input bit clock. Controlled by DIRDSCCK.
15	FMTPCM	I	PCM output format select	39	DSIFL	I	DSD data input:front left-channel
16	VSS	-	Ground	40	DSIFR	I	DSD data input:front right-channel
17	MCKOUT	O	System clock output	41	DSICT	I	DSD data input:center-channel
18	VDDH	-	I/O power supply	42	DSISW	I	DSD data input:front subwoofer-channel
19	PBCK	I/O	PCM output BCK bit clock	43	DSISL	I	DSD data input:surround left-channel
20	PLRCK	I/O	PCM output LRCK word clock input	44	DSISR	I	DSD data input:surround right-channel
21	POSLR	O	PCM data output:surround right/left channel	45	DIRDSCCK	I	DSBCK I/O select
22	POCSW	O	PCM data output:center/subwoofer channel	46	SYNC	I	Forced synchronization input.
23	POFLR	O	PCM data output:front right/left channel	47	INIT	I	Initialization input. Active-LOW. Resync on "L" → "H"
24	VSS	O	Ground	48	VSS	-	Ground

IC BLOCK DIAGRAM AND DESCRIPTION

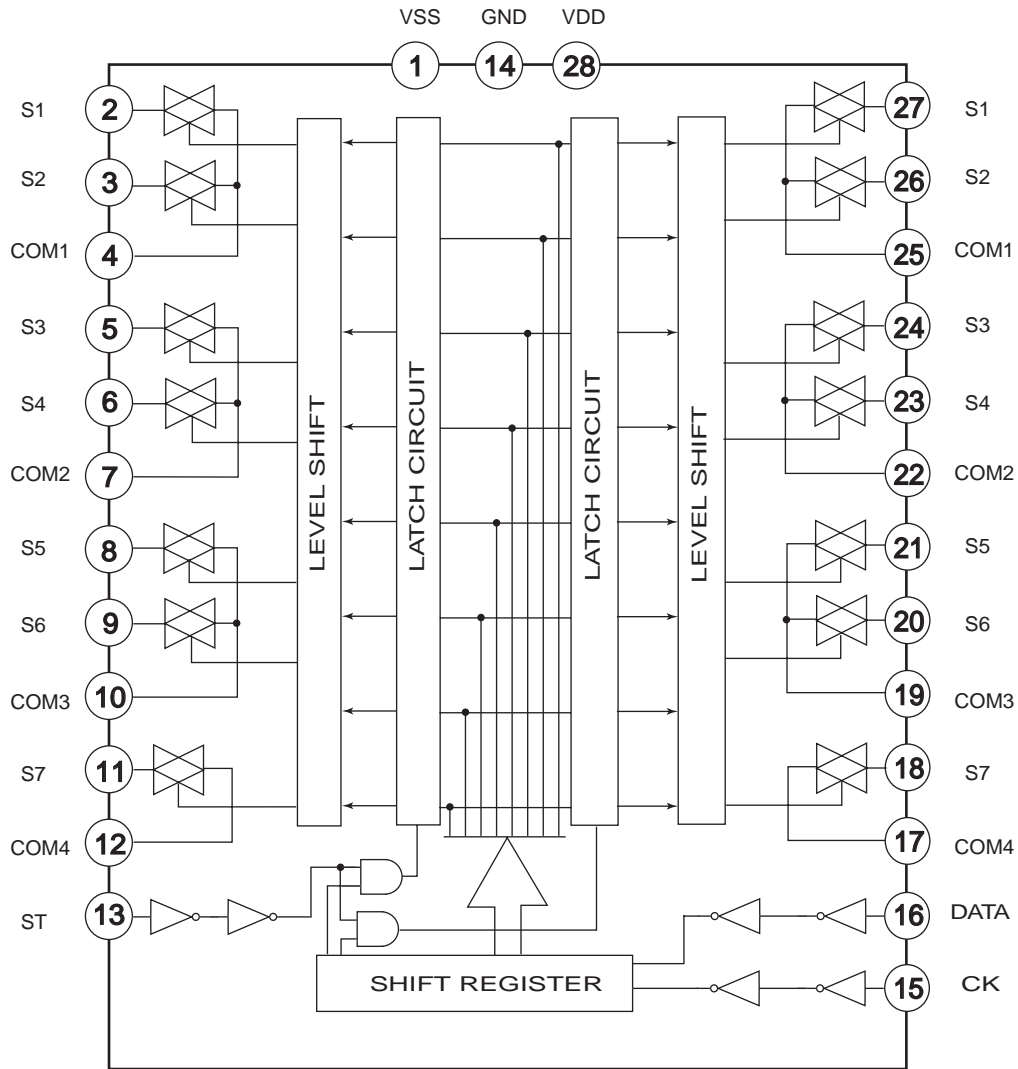
TC90A69F(3-lines digital COM filter)



Pin	Symbol	Function	Pin	Symbol	Function
1	BIAS	Bias for ADC	15	SCL	Clock input of I ² C Bus
2	VRT	Maximum bias of D range for ADC	16	SDA	Data input/output of I ² C Bus
3	VDD1	Analog supply for ADC/DAC	17	MODE1	Mode 1 output
4	TEST1	Test input	18	TESTOUT	Test output
5	VSS2	Analog ground supply for ADC	19	FSC	Clock input of I ² C Bus
6	VRB	Minimum bias of D range for ADC	20	VDD4	Analog supply for PLL
7	YCIN	Video signal input	21	VSS4	Analog ground supply for PLL
8	TEST1	Reset control and test control of initializing	22	FIL	VCO control
9	KILLER	Y/C separation and vertical enhancer off control	23	PD	PLL detection output
10	TEST2	Test input	24	VB2	Bias 2 for DAC
11	VDD3	Digital supply for logic	25	YOUT	Brightness signal output
12	VSS3	Digital ground supply for Logic/DRAM	26	VSS1	Analog ground for DAC
13	VDD2	Digital supply for DRAM	27	COUT	Color signal output
14	TEST3	Test input	28	VB1	Bias 1 for DAC

IC BLOCK DIAGRAM AND DESCRIPTION

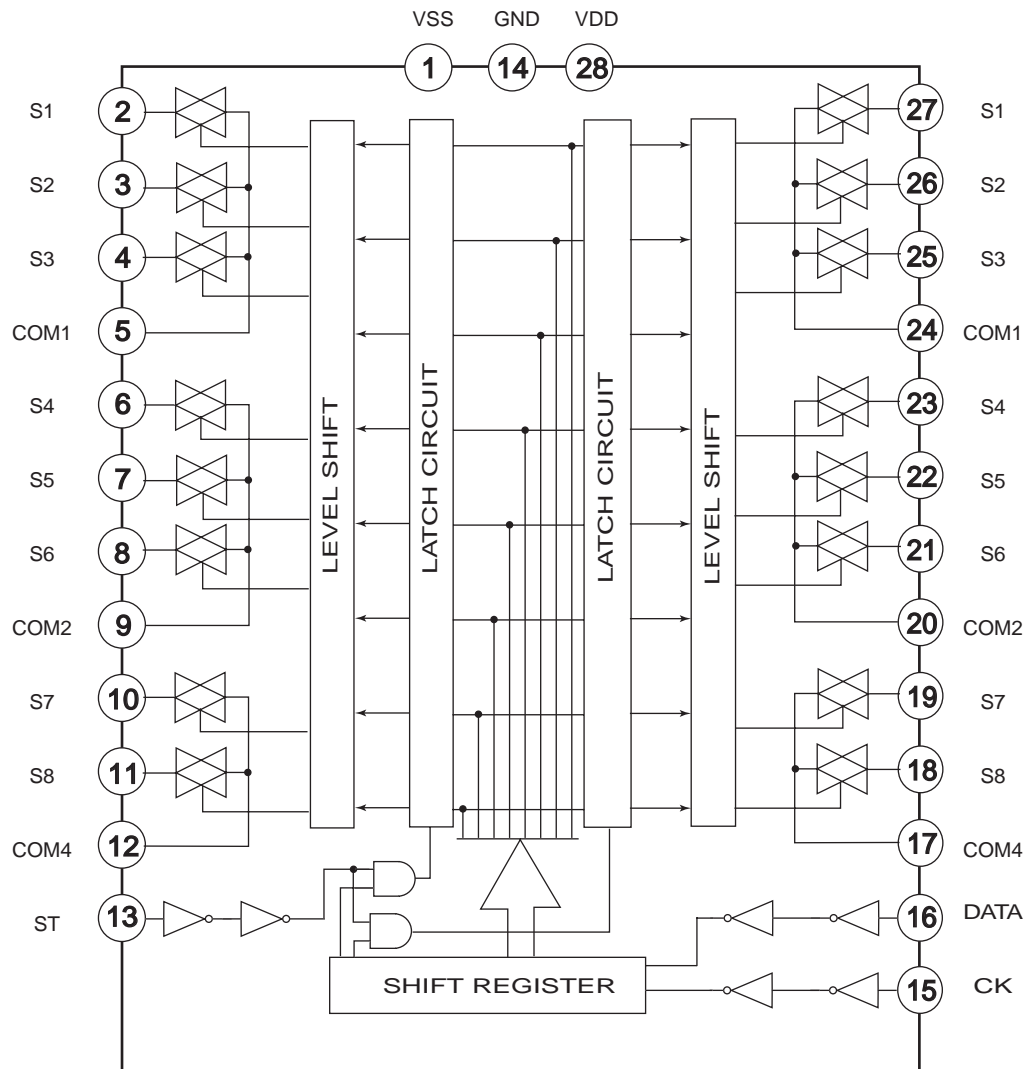
TC9162BFG(Function Switch)



Pin No.	Symbol	Function
1	Vss	Negative power supply
14	GND	Ground
28	VDD	Positive power supply
2,3,5,6,8,9,11	S1~S7	Input/output terminals
27,26,24,23,21,20,18	S1~S7	Input/output terminals
4,7,10,12	COM1 ~ COM4	Common terminals
25,22,19,17	COM1 ~ COM4	Common terminals
13	ST	Strobe input terminal for data reading
15	CK	Clock input terminal for data transfer
16	DATA	Data input terminal for switch

IC BLOCK DIAGRAM AND DESCRIPTION

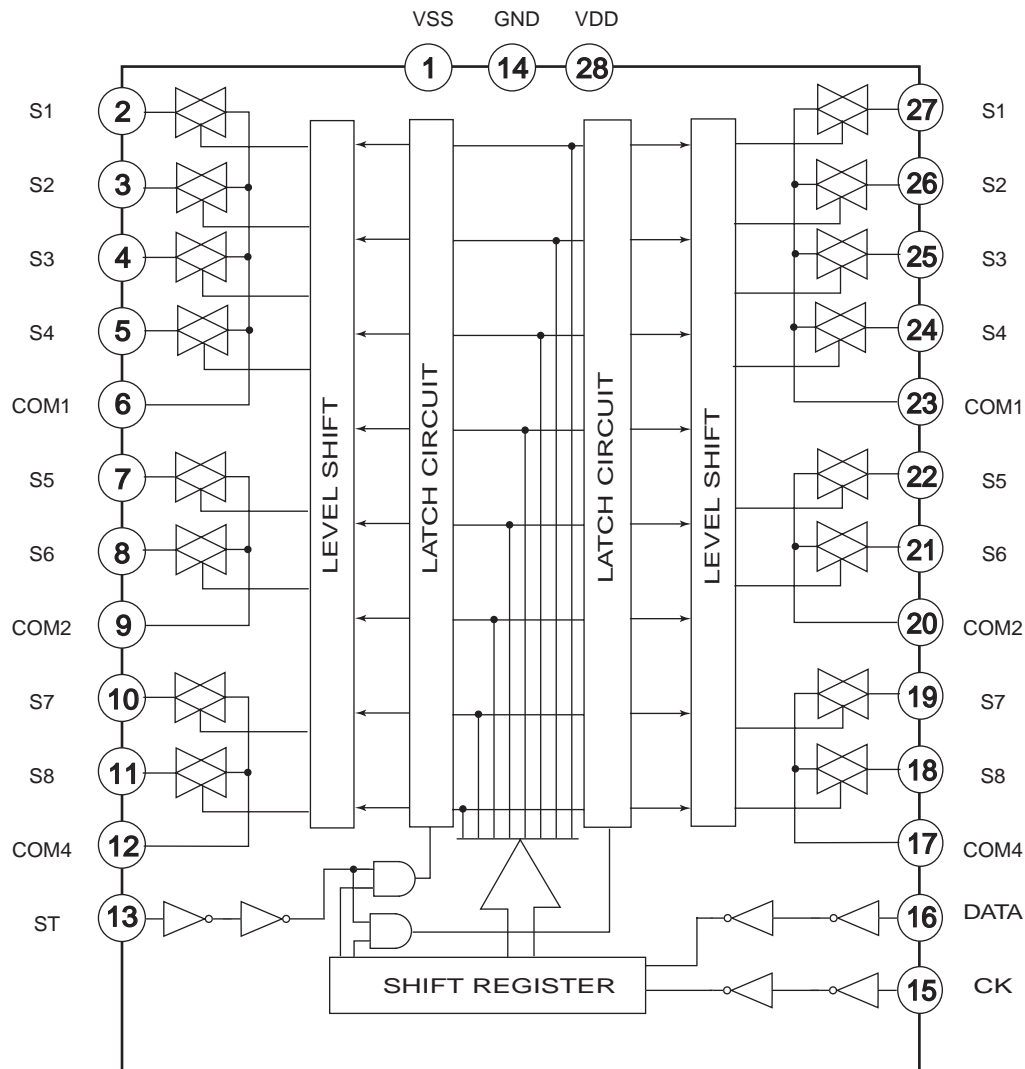
TC9163BFG(Function Switch)



Pin No.	Symbol	Function
1	Vss	Negative power supply
14	GND	Ground
28	VDD	Positive power supply
2,3,4,6,7,8,10,11	S1~S8	Input/output terminals
27,26,25,23,22,21,18,17	S1~S8	Input/output terminals
5,9,12	COM1 ~ COM3	Common terminals
24,20,17	COM1 ~ COM3	Common terminals
13	ST	Strobe input terminal for data reading
15	CK	Clock input terminal for data transfer
16	DATA	Data input terminal for switch

IC BLOCK DIAGRAM AND DESCRIPTION

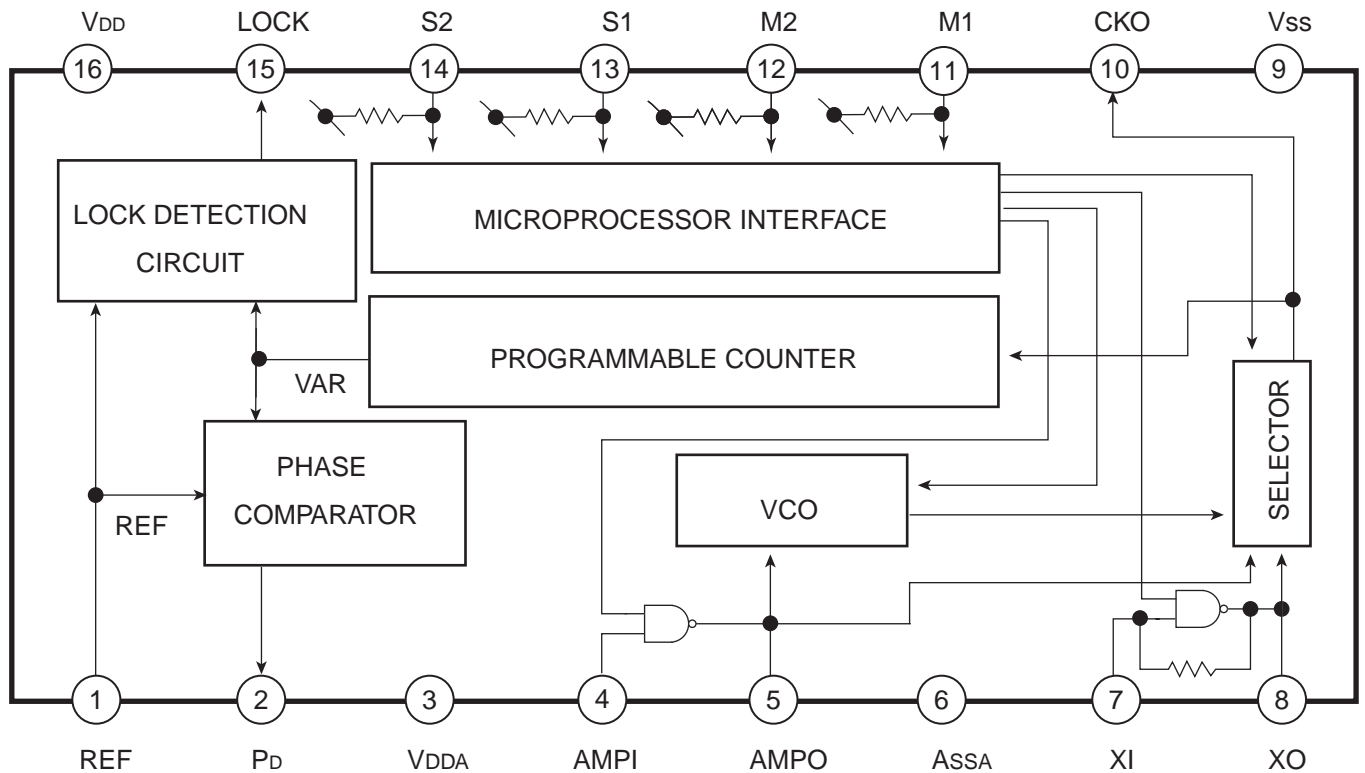
TC9164BFG(Function Switch)



Pin No.	Symbol	Function
1	Vss	Negative power supply
14	GND	Ground
28	VDD	Positive power supply
2,3,4,5,7,8,10,11	S1~S8	Input/output terminals
27,26,25,24,22,21,18,17	S1~S8	Input/output terminals
6,9,12	COM1 ~ COM3	Common terminals
23,20,17	COM1 ~ COM3	Common terminals
13	ST	Strobe input terminal for data reading
15	CK	Clock input terminal for data transfer
16	DATA	Data input terminal for switch

IC BLOCK DIAGRAMS AND DESCRIPTIONS

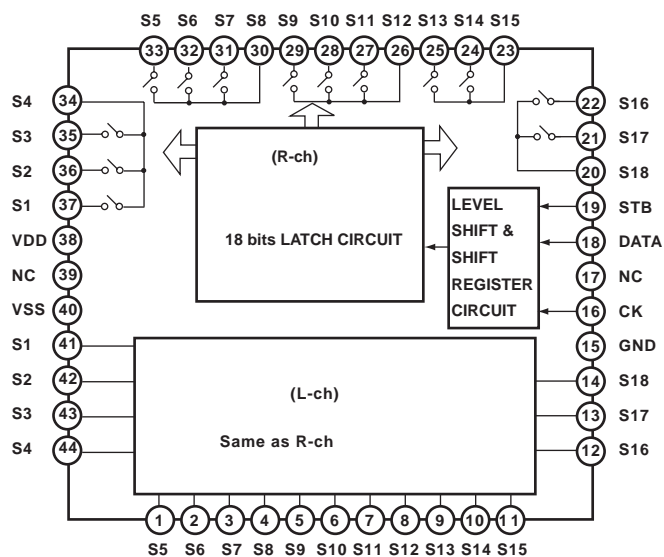
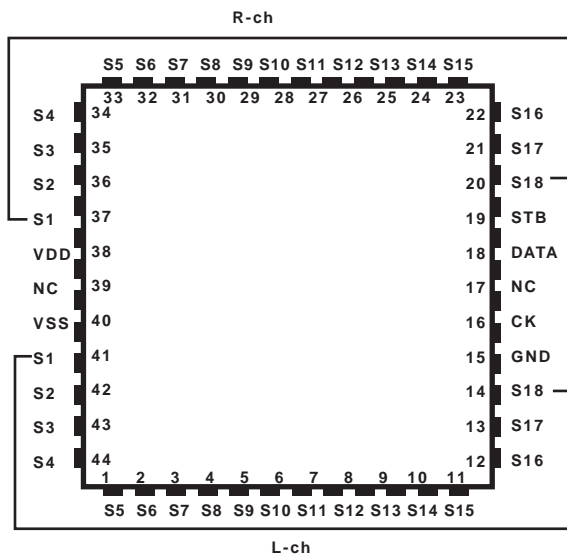
TC9246F(PLL IC for Digital Audio)



No.	Symbol	I/O	Function Description
1	REF	I	Reference signal input pin
2	PD	O	Phase error signal output pin
3	VDDA	-	Analog power supply
4	AMPI	I	Amplifier input pin for LPF or Oscillator 1
5	AMPO	O	Amplifier output pin for LPF or oscillator 1
6	VSSA	-	Analog ground pin
7	XI	I	Amplifier input pin for oscillator 3
8	XO	O	Output pin for oscillator 3
9	VSS	-	Digital ground pin
10	CKO	O	Oscillator clock output
11	M1	I	Mode select pin
12	M2	I	Mode select pin
13	S1	I	Parallel mode: Divided ratio select pin Serial mode: Data input pin from microprocessor
14	S2	I	Parallel mode: Divided ratio select pin Serial mode: Shift clock input pin
15	LOCK	O	Lock detect signal output pin
16	VDD	-	Digital power supply

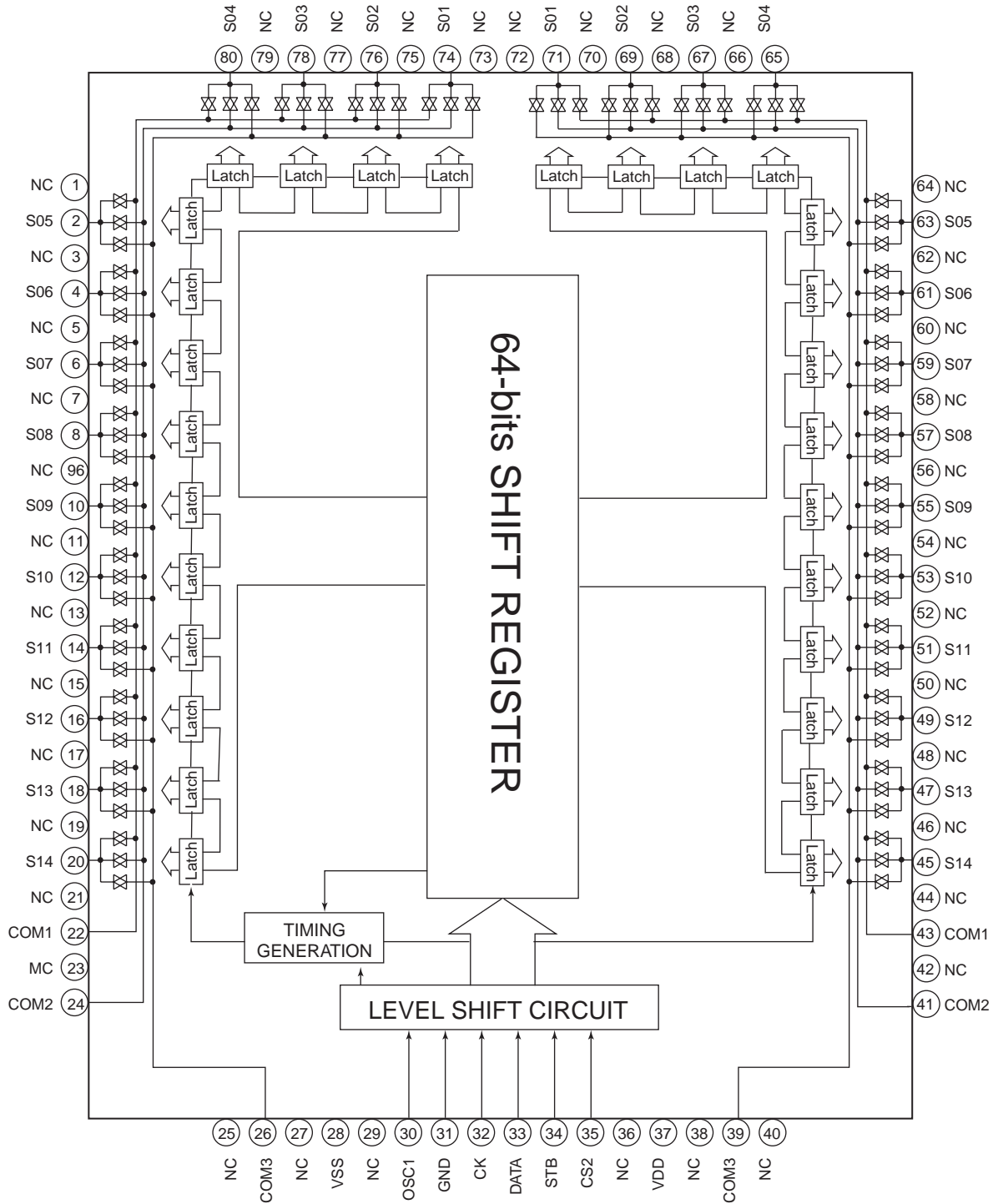
IC BLOCK DIAGRAM AND DESCRIPTION

TC9274FG-023 (Analog switch)



IC BLOCK DIAGRAM AND DESCRIPTION

TC94A46FG(Function Switch)



IC BLOCK DIAGRAM AND DESCRIPTION

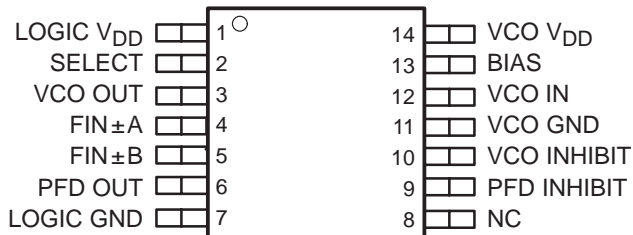
TC94A46FG(Function Switch)

PIN NO.	SYMBOL	TERMINAL	FUNCTION/OPERATION																																													
74	S01	Input/ Output Terminals	Analog Switch Circuit																																													
71																																																
75	S02																																															
69																																																
78	S03																																															
67																																																
80	S04																																															
65																																																
2	S05																																															
63																																																
4	S06																																															
61																																																
6	S07																																															
59																																																
8	S08																																															
57																																																
10	S09																																															
55																																																
12	S10																																															
53																																																
14	S11																																															
51																																																
16	S12																																															
49																																																
18	S13																																															
47																																																
20	S14																																															
45																																																
22	COM1	Output/ Input Terminals																																														
43																																																
24	COM2																																															
41																																																
26	COM3																																															
39																																																
28	V _{SS}	Negative power	Power supply terminal.																																													
31	V _{DD}	Positive power																																														
37	GND	Digital ground																																														
30	CS1	Chip select cord change-over terminal	Input to change a chip select code.																																													
35	CS2		<table border="1"> <thead> <tr> <th colspan="2">Terminal</th> <th colspan="4">Chip select code</th> </tr> <tr> <th>CS1</th> <th>CS2</th> <th>CS1</th> <th>CS2</th> <th>C1</th> <th>C2</th> <th>C3</th> <th>C4</th> </tr> </thead> <tbody> <tr> <td>L</td> <td>L</td> <td>0</td> <td>0</td> <td>1</td> <td>0</td> <td>1</td> <td>0</td> </tr> <tr> <td>H</td> <td>L</td> <td>1</td> <td>0</td> <td>1</td> <td>0</td> <td>1</td> <td>0</td> </tr> <tr> <td>L</td> <td>H</td> <td>0</td> <td>1</td> <td>1</td> <td>0</td> <td>1</td> <td>0</td> </tr> <tr> <td>H</td> <td>H</td> <td>1</td> <td>1</td> <td>1</td> <td>0</td> <td>1</td> <td>0</td> </tr> </tbody> </table>	Terminal		Chip select code				CS1	CS2	CS1	CS2	C1	C2	C3	C4	L	L	0	0	1	0	1	0	H	L	1	0	1	0	1	0	L	H	0	1	1	0	1	0	H	H	1	1	1	0	1
Terminal		Chip select code																																														
CS1	CS2	CS1	CS2	C1	C2	C3	C4																																									
L	L	0	0	1	0	1	0																																									
H	L	1	0	1	0	1	0																																									
L	H	0	1	1	0	1	0																																									
H	H	1	1	1	0	1	0																																									
32	CK	Clock input	Clock input to transfer a data.																																													
33	DATA	Data input	Analog switch control data input.																																													
34	STB	Strobe input	Strobe input to write a data.																																													
1,3, 5,7, 9,11, 13,15, 17,19, 21,23, 25,27, 29,36, 38,40, 42,44, 46,48, 50,52, 54,56, 58,60, 62,64 66,68, 70,72, 73	NC	No connection																																														

IC BLOCK DIAGRAM AND DESCRIPTION

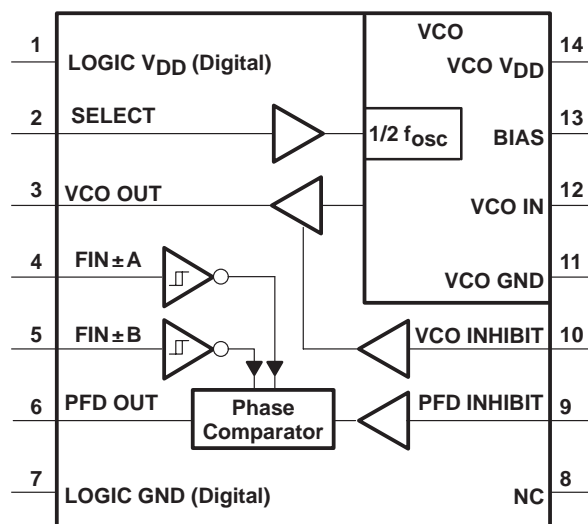
TLC2932IPWLE(High-Performance Phase-Locked Loop)

PW PACKAGE
(TOP VIEW)



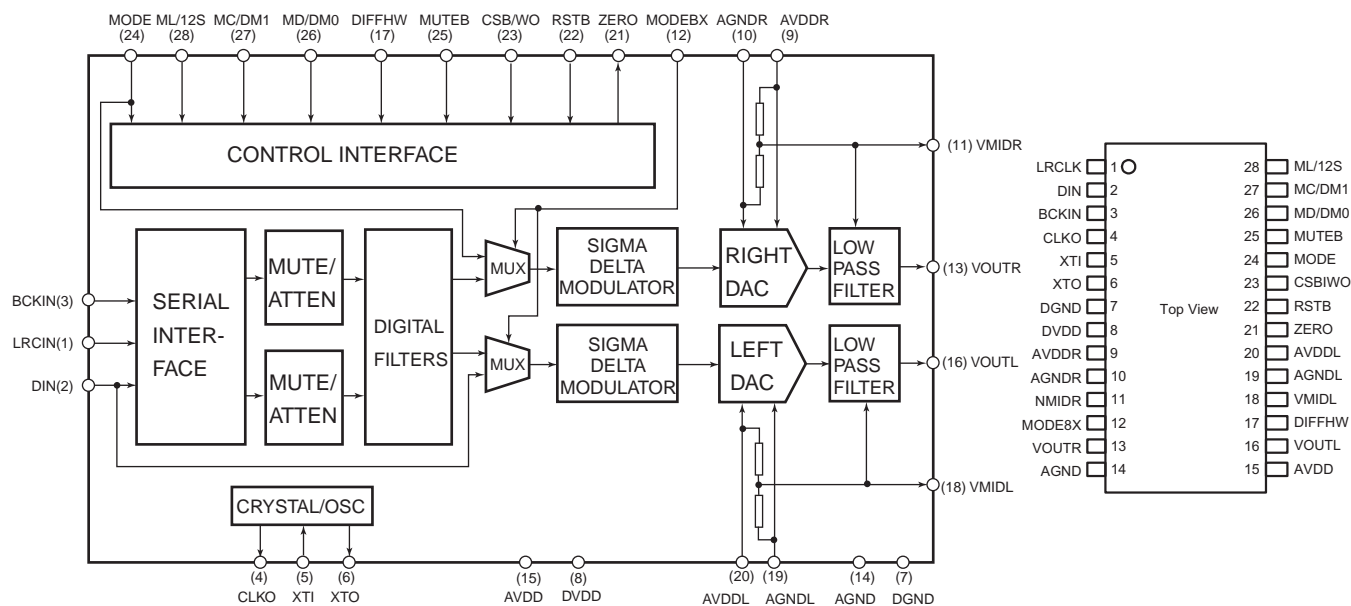
Terminal Functions

TERMINAL NAME	NO.	I/O	DESCRIPTION
FIN±A	4	I	Input reference frequency $f_{(REF IN)}$ is applied to FIN±A.
FIN±B	5	I	Input for VCO external counter output frequency $f_{(FIN±B)}$. FIN±B is nominally provided from the external counter.
LOGIC GND	7		GND for the internal logic.
LOGIC V _{DD}	1		Power supply for the internal logic. This power supply should be separate from VCO V _{DD} to reduce cross-coupling between supplies.
NC	8		No internal connection.
PFD INHIBIT	9	I	PFD inhibit control. When PFD INHIBIT is high, PFD output is in the high-impedance state, see Table 3.
PFD OUT	6	O	PFD output. When the PFD INHIBIT is high, PFD output is in the high-impedance state.
BIAS	13	I	Bias supply. An external resistor (R_{BIAS}) between VCO V _{DD} and BIAS supplies bias for adjusting the oscillation frequency range.
SELECT	2	I	VCO output frequency select. When SELECT is high, the VCO output frequency is $y/2$ and when low, the output frequency is y , see Table 1.
VCO IN	12	I	VCO control voltage input. Nominally the external loop filter output connects to VCO IN to control VCO oscillation frequency.
VCO INHIBIT	10	I	VCO inhibit control. When VCO INHIBIT is high, VCO OUT is low (see Table 2).
VCO GND	11		GND for VCO.
VCO OUT	3	O	VCO output. When the VCO INHIBIT is high, VCO output is low.
VCO V _{DD}	14		Power supply for VCO. This power supply should be separated from LOGIC V _{DD} to reduce cross-coupling between supplies.



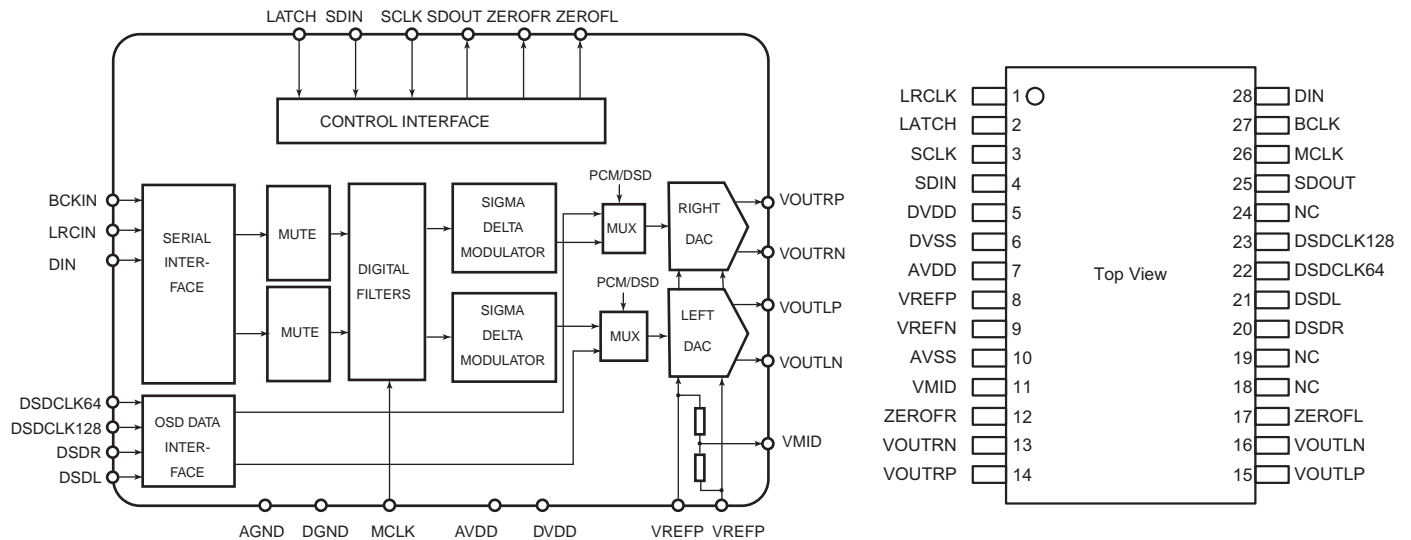
IC BLOCK DIAGRAM AND DESCRIPTION

WM8716(24 bit 192kHz Stereo DAC)



PIN	NAME	TYPE	DESCRIPTION
1	LRCIN	Digital input	Sampling rate clock input
2	DIN	Digital input	Audio data serial input
3	BCKIN	Digital input	Audio data bit clock input
4	CLKO	Digital output	Oscillator buffered output
5	XTI	Analog input	Oscillator input
6	XTO	Analog ioutput	Oscillator output
7	DGND	Supply	Digital ground supply
8	DVDD	Supply	Digital positive supply
9	AVDDR	Supply	Analog positive supply
10	AGNDR	Supply	Analog ground supply
11	VMIDR	Analog ioutput	Mid rail right channel
12	MODE8X	Digital input	Internal pull-down, active high, 8xfs mode
13	VOUTR	Analog ioutput	Right channel DAC output
14	AGNDR	Supply	Analog ground supply
15	AVDDR	Supply	Analog positive supply
16	VOUTL	Analog ioutput	Left channel DAC output
17	DIFFHW	Digital input	Internal pull-down, active high, differential mono mode
18	VMIDL	Analog ioutput	Mid rail left channel
19	AGNDL	Supply	Analog ground supply
20	AVDDL	Supply	Analog positive supply
21	ZERO	Digital output	Infinite zero detect-active low. Open drain type output with active pull-down.
22	RSTB	Digital input	Rest input-active low. Internal pull-up.
23	CSBIWO	Digital input	Low for serial interface operation.
24	MODE8X	Digital input	High for software mode
25	MUTEB	Digital input	Low to soft mute. High for normal operation. Z for automute.
26	MD/DM0	Digital input	Control serial interface data signal.
27	MC/DM1	Digital input	Control serial interface clock signal.
28	ML/12S	Digital input	Control signal interface load signal.

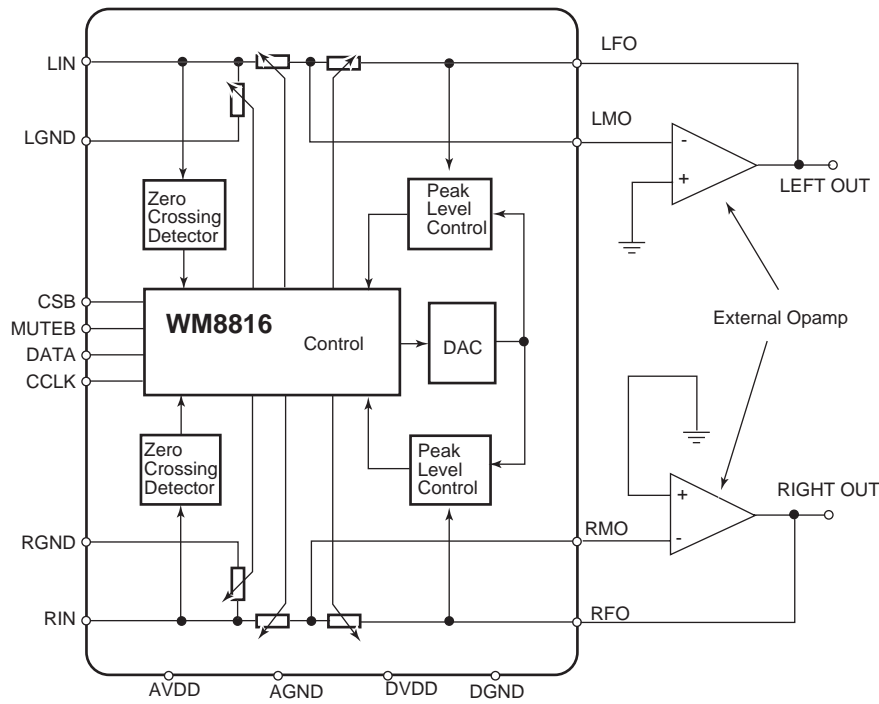
IC BLOCK DIAGRAM AND DESCRIPTION WM8719(24 bit differential stereo DAC with volume control)



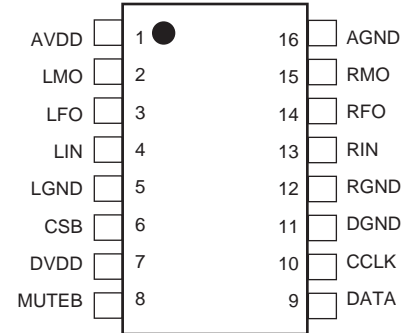
PIN	NAME	TYPE	DESCRIPTION
1	LRCIN	Digital input	PCM DAC sample clock input
2	LATCH	Digital input	Serial control load input
3	SCLK	Digital input	Serial control data input clock
4	SDIN	Digital	Serial control data input clock
5	DVDD	Supply	Digital positive supply
6	DGND	Supply	Digital ground supply
7	AVDD	Supply	Analog ground supply
8	VREFP	Supply	DAC positive reference
9	VREFN	Supply	DAC negative reference
10	AGND	Supply	Analog ground supply DAC positive reference
11	VMID	Analog output	Mid rail decoupling point
12	ZEROFR	Digital output	Infinite ZERO detect flag for right channel
13	VOUTRN	Analog output	Right channel DAC output positive
14	VOUTRP	Analog output	Right channel DAC output negative
15	VOUTLP	Analog output	Left channel DAC output positive
16	VOUTLN	Analog output	Left channel DAC output negative
17	ZEROFL	Digital output	Infinite ZERO detect flag for left channel
18	NC		
19	NC		
20	DSDR	Digital input	Right channel DSD bitstream input
21	DSDL	Digital input	Left channel DSD bitstream input
22	DSDCLK64	Digital bi-directional	DSD format clock at 64fs
23	DSDCLK128	Digital bi-directional	DSD format clock at 128fs.(Optional for OSD bi-phase mode)
24	NC		
25	SDOUT	Digital output	Serial control data output
26	MCLK	Digital input	Master clock input
27	BCLKIN	Digital input	PCM audio data bit clock input
28	DIN	Digital input	PCM serial audio data input

WM8816(Stereo Digital Volume Control)

BLOCK DIAGRAM



PIN CONFIGURATION



PIN DESCRIPTION

PIN	NAME	TYPE	DESCRIPTION
1	AVDD	Supply	Supply voltage for Analogue Circuitry
2	LMO	Analogue output	External Op-amp Inverting Input (Left channel)
3	LFO	Analogue input	External Op-amp Feedback Signal (Left channel)
4	LIN	Analogue input	Input Signal (Left Channel)
5	LGND	Analogue input	Input Signal Ground (Left Channel)
6	CSB	Digital input	Chip Select (active low)
7	DVDD	Supply	Supply Voltage for Digital Circuitry
8	MUTE B	Digital input	Mute (active low)
9	DATA	Digital In/Out	Serial Interface Data Input/Output (tri-state)
10	CCLK	Digital input	Serial Interface Clock
11	DGND	Supply	Digital Ground
12	RGND	Analogue input	Input Signal Ground (Left Channel)
13	RIN	Analogue input	Input Signal (Left Channel)
14	RFO	Analogue input	External Op-amp Feedback Signal (Left channel)
15	RMO	Analogue output	External Op-amp Inverting Input (Left channel)
16	AGND	Supply	Analogue Ground

ADJUSTMENT AND CONFIRMATION PROCEDURES 1

Idling current adjustment

Remove Top cover and Side panels.

Before Idling adjustment, turn the trimming resistors R6040 to R6046 counter-clockwise fully.

Connect the DC voltmeter to sockets P6070 to P6076.

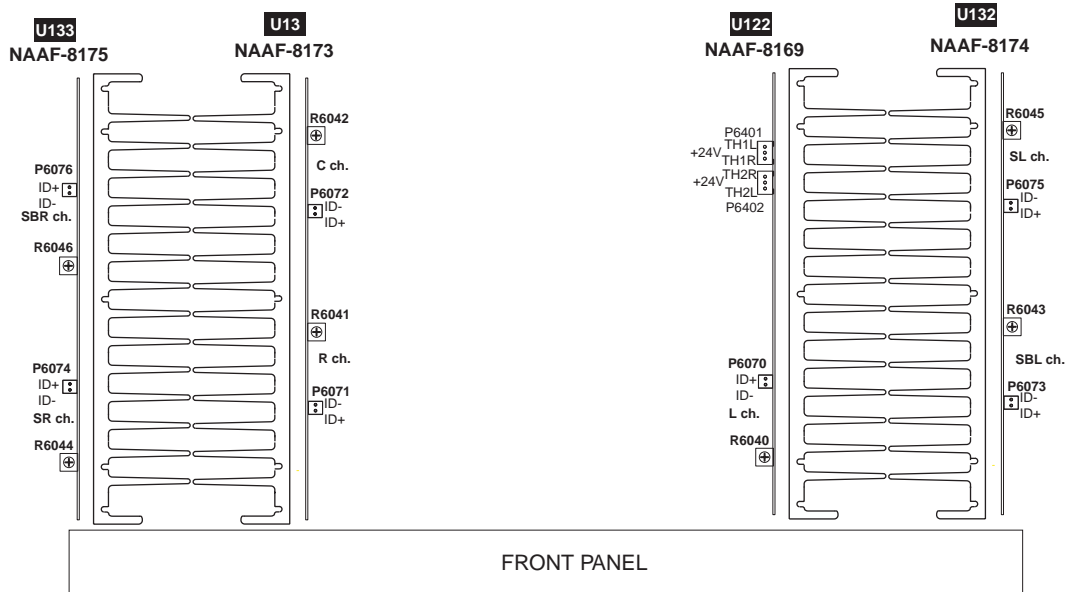
After turn POWER to ON, adjust the trimming resistors R6040 to R6046 so that the reading of voltmeter becomes 1.0 mV.

After adjustment, attach the top cover. After about 5 minutes, check the voltage at points above.

When less than 3.0 mV, readjust the resistors above so that the voltage becomes 3.0 mV.

When 3.0 mV to 5.0 mV, it is not necessary to adjust.

When more than 5.0 mV, readjust the resistors above so that the voltage becomes 5.0 mV.



Confirmation of protection circuit

1. Confirmation of speaker relay

Confirm that the speaker relays turn ON approximately 5 seconds after the power switch is turned ON.

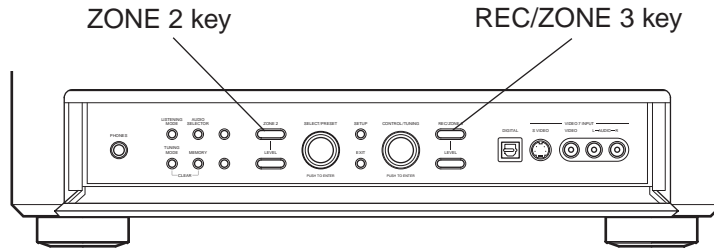
Confirm that the speaker relays turn OFF immediately after the power switch is turned OFF.

2. How to enter Test Mode

- To enter a test mode (Test 1 to 5), when the unit is turned on, hold down "CD" button and then press "DISPLAY"+"STANDBY/ON" buttons.
- Press the respective designated buttons and make sure that your target mode starts.

Mode	Button to be pressed	Message to be shown on the Front display
Test-1	"VIDEO 1"	"Test-1-00"
Test-2	"VIDEO 2"	"Test-2-00"
Test-3	"VIDEO 3"	"Test-3-00"
Test-4	"VIDEO 4"	"Test-4-00"
Test-5	"VIDEO 5"	"Test-5-00"

ADJUSTMENT AND CONFIRMATION PROCEDURES 2



To move to the next step, press ZONE 2 key.

To move to the previous step, press REC/ZONE 3 key.

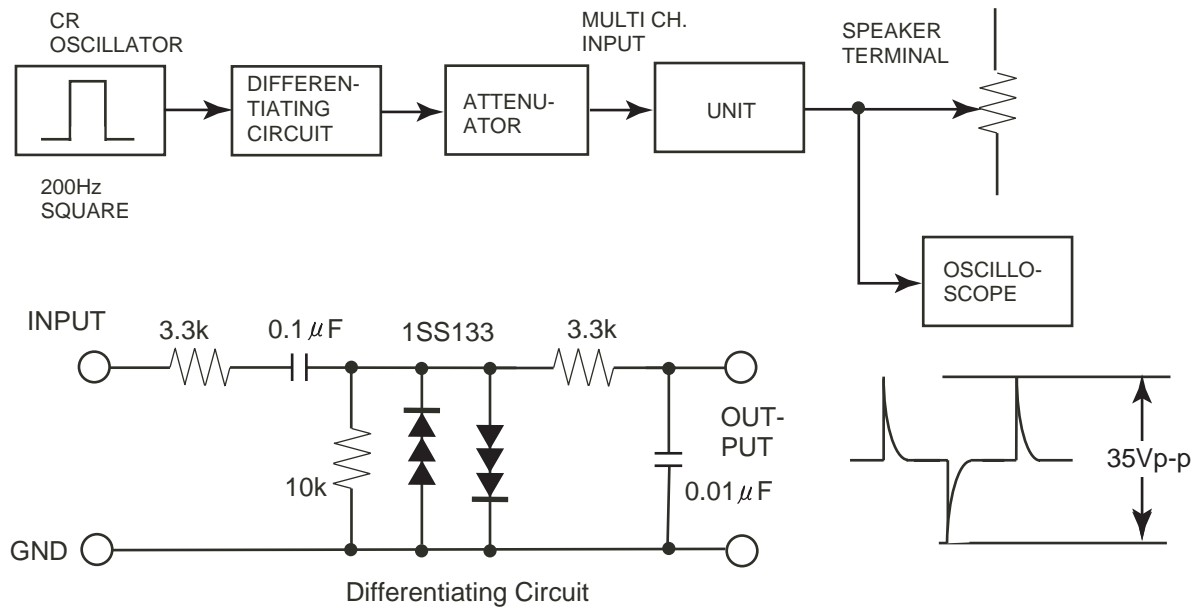
To exit, press "STANDBY/ON" button.

2. Confirmation of DC detection circuit

1. Enter Test-1-00 mode.
2. Apply DC 1.5 to 3.5 V to MULTI CHANNEL INPUT terminal with no load.
Confirm that the speaker relay turns OFF.
Apply DC -1.5 to -3.5 V to MULTI CHANNEL INPUT terminal with no load.
Confirm that the speaker relay turns OFF.
Caution: Don't apply DC voltage more than 1 second.
To confirm all channels except subwoofer channel.

3. Confirmation of Current detection circuit

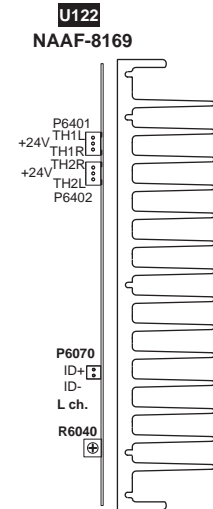
- Enter Test-1-00 mode.
Connect the differentiating circuit and apply the 200Hz square signal to MULTI CH. input terminal.
Adjust the attenuator or Volume so that the output level becomes 35V p-p.
Confirm that the speaker relay does not turn OFF when a 3.0 ohm load is connected.
Confirm that the speaker relay turn OFF when a 1.0 ohm load is connected.
Caution: Don't continue more than 3 seconds.
To confirm all channels except subwoofer channel.



ADJUSTMENT AND CONFIRMATION PROCEDURES 3

Confirmation of fan operation

1. Set the unit to Test-1-00.
2. Apply the signal 1kHz, -15dBV to the MULTI CH. terminal input with no load.
Confirm that the fan rotates slow after few seconds.
Confirm the all channels except SUBWOFFER.
3. When connect the resistor 1.2 kohm/1 W between the terminals 24V and TH1L of P6401, confirm that the fan rotates slow speed after few seconds.
4. When connect the resistor 1.2 kohm/1 W between the terminals 24V and TH1L of P6401 and connect the resistor 1.2 kohm/1 W between the terminals 24V and TH2L of P6402, confirm that the fan rotates fast speed after few seconds.
5. When connect the resistor 1.2 kohm/1 W between the terminals 24V and TH1R of P6401 and connect the resistor 1.2 kohm/1 W between the terminals 24V and TH2R of P6402, confirm that the fan rotates fast speed after few seconds.



Confirmation of voltage sensor and thermal protect

1. Set the unit to Test-3-02.
2. Apply the signal 1kHz, -15dBV to the MULTI CH. terminal input with no load.
Confirm that "FM Stereo" indicator lights on.
Confirm that the all channels except SUBWOFFER.
3. When connect the resistor 1.2 kohm/1 W between the terminals 24V and TH1L of P6401, confirm that "MEMORY" indicator lights on.
4. When connect the resistor 1.2 kohm/1 W between the terminals 24V and TH1L of P6401 and connect the resistor 1.2 kohm/1 W between the terminals 24V and TH2L of P6402, confirm that the fan rotates fast speed after few seconds.
5. When connect the resistor 1.2 kohm/1 W between the terminals 24V and TH1R of P6401 and connect the resistor 1.2 kohm/1 W between the terminals 24V and TH2R of P6402, confirm that the fan rotates fast speed after few seconds.

A

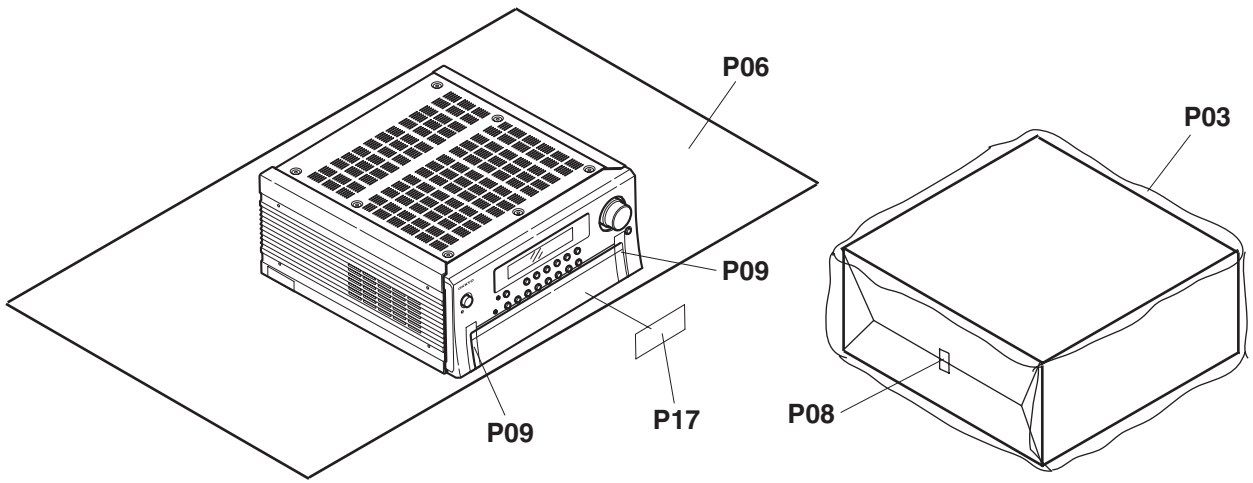
B

C

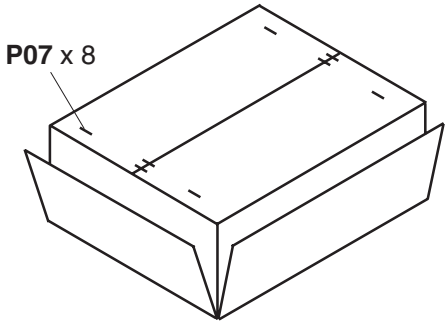
D

PACKING VIEW-1

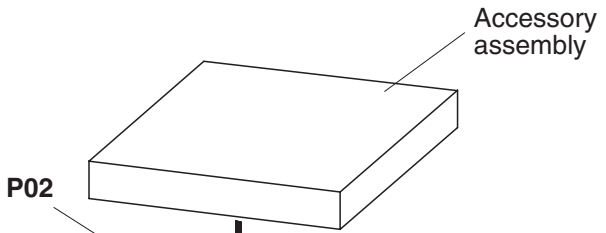
1



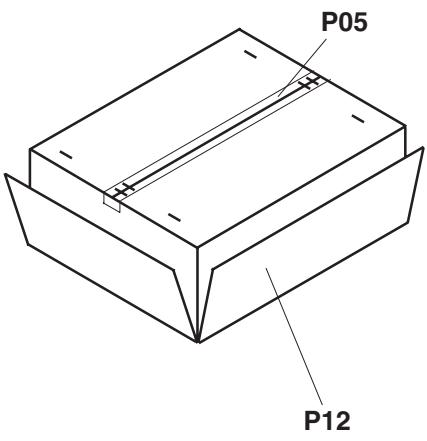
2



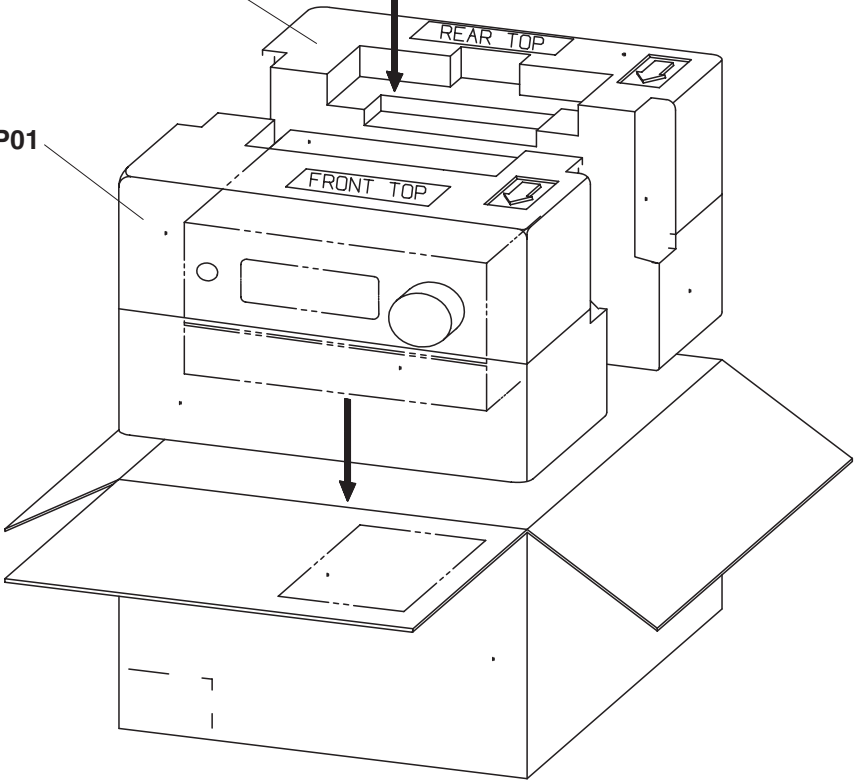
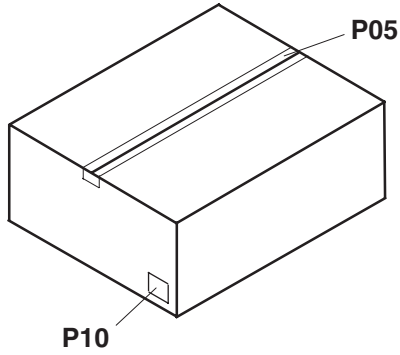
3



4



5



A

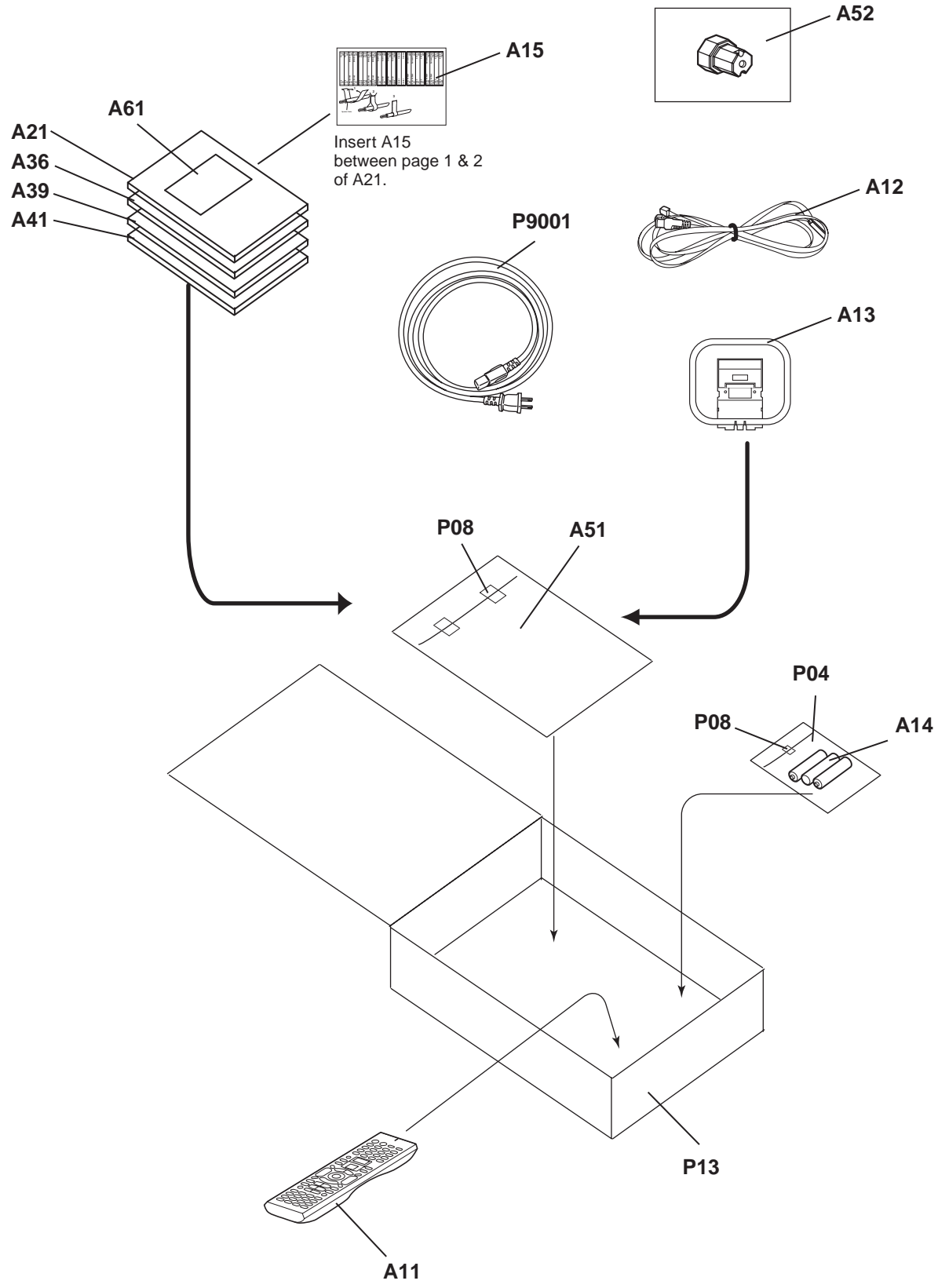
B

C

D

PACKING VIEW 2

1
2
3
4
5



EXPLODED VIEW-PARTS LIST

NOTE: THE COMPONENTS IDENTIFIED BY MARK !
ARE CRITICAL FOR RISK OF FIRE AND
ELECTRIC SHOCK. REPLACE ONLY WITH
PART NUMBER SPECIFIED.

CAUTION: Replacement for transistor of mark *, if necessary
must be made from the same beta group (hFE) as
the original type.

NOTE: <D>:120V model only <A>:Australian model only

REF. NO.	PART NO.	DESCRIPTION
A001	27130947A	Bracket L
A002	27123227B	Rear panel <D>
	27123228B	Rear panel <A>
A005	801620A	Screw, plate
A006	27130948A	Bracket R
A007	27262730	Plate, slot A2
A008	28141626	T4*30*12.5,Cushion
A009	28175308	Isolated plate B2
A010	27262731	Plate, slot B2
A013	27262715A	Plate, slot C/D
A014	801624	3TTB+10B(BC),Self-tapping screw with stopper
A015	27262732	Plate, slot E3 <D>
	27262716	Plate, slot E <A>
A017	833450102	5STP+10BQ(BC),Special screw
A018	27262718	Plate, slot F/G
A019	27190503A	KGLS-8RT,Holder
A021	27262719	Plate, slot H/I
A023	27130939	Bracket H
A024	27262734	Plate, slot J4 <D>
	27262720	Plate, slot J <A>
A026	27262723	Plate, slot K
A028	27262736	Plate, slot L2
A030	838430088	3TTB+8B(BC),Self-tapping screw
A031	27141911	Retainer
A032	27270439	Spacer
A033	27130933	Bracket, rail A

A034	29110082	8mm, Tape cloth
A035	27130935	Bracket, Bottom
A036	28141592	Cushion MB
A037	27190266	KGLS-12RT,Holder
A039	29110083	16mm, Tape cloth
A040	27190965	Holder
A043	27191156	KGLS-5RT,Holder
A044	27160543A	Heat sink M
A047	27270441	Spacer PC
A048	27141903	Retainer H
A049	27262706	Plate PHT
A050	27270438	t0.5x ϕ 8x ϕ 3.2,Spacer
A051	28175302	Isolated plate H
A052	801612	3TTB+8B(CU),Self-tapping screw
A053	27150491	Shield plate PT
A054	801606	3SMH10W.SW+15B(CU),Special screw
A055	801433	3SMS8W.SW+14B(BC),Special screw
A056	27130940A	Bracket C
A057	27160544	Heat sink S
A058	27191224	KGPS-5RF,Holder
A059	27191156	KGLS-5RT,Holder
A061	27190524	KGLS-14RT,Holder
A062	28141624	T3*10*10,Cushion
A063	27130937	Bracket UL
A064	27130938	Bracket UR
A065	838440089	4TTB+8C(BC),self-tapping screw
A066	27130932	Bracket PT
A067	801612	3TTB+8B(CU),Self-tapping screw
REF. NO.	PART NO.	DESCRIPTION
A069	29363691	Label PT
A070	830440109	4TTC+10C(BC),Self-tapping screw
A071	27111343A	Front bracket
A073	838440089	4TTB+8C(BC),self-tapping screw
A078	27130936	Bracket U
A079	27130934	Bracket, Rail B
A081	801612	3TTB+8B(CU),Self-tapping screw
A084	27191221	Holder CH

A091	28175305	Isolated plate T2
A093	880009	NRP-345,Plastic rivet
A094	25060151	Terminal, ground
A095	87643010	W3*10F(BC),Washer
A098	830030088	3TTC+8B(Cu),Screw
A099	27268094	Guide, Selector
A100	82143005	3P+5FN(BC),Pan head screw
A101	24847051	15*5*3,Cushion
A102	28198981	Facet, Selector
A103	27141974	Retainer EC
A107	28180165C	Hinge L
A108	28180169C	Hinge R
A109	28192023	Clear plate
A110	27268108A	Guide, lever
A111	28184890	Cover, hinge
A112	801612	3TTB+8B(CU),Self-tapping screw
A114	27141910	Retainer, Encoder
A115	28148571	Door
A116	27268097	Guide, door
A117	28141625	Cushion, Door
A118	838430088	3TTB+8B(BC),Self-tapping screw
A120	28326194B	Knob, Encoder
A121	838120088	2TTB+8B,Machine screw
A123	28141615	0.25*20*10,Cushion
A124	838426068	2.6TTB+6B(BC),Screw
A125	27262712A	Plate, Door
A126	27180590	Spring B
A127	27141909A	Retainer, Door
A128	29095963	Sheet, Bracket
A131	801612	3TTB+8B(CU),Self-tapping screw
A136	27191223	Holder, LED
A137	801612	3TTB+8B(CU),Self-tapping screw
A138	28185447A	Side panel L
A139	28185450A	Side panel R
A140	28184891A	Top cover
A141	801616A	RCTK4*10(BC),Decorative screw
A142	27170335	Bottom panel

A143	801525	3TTB+8B(BC),Self-tapping screw with stopper
A144	838430068	3TTB+6B(BC),Self-tapping screw
A146	28141569	Cushion, leg B
A147	801613	3*8,Flat head screw
A149	838140127	4TTB+12S,Self-tapping screw
A150	28141590	Cushion, leg
A153	28141627	T0.4*10*110,Cushion
A154	28141628	T0.4*10*180,Cushion
A155	28141409A	9*35*5,Cushion
A156	28326187	Knob, Selector
A157	27212621C	Front panel
A161	28326188A	Knob, Selector 1
A162	28135296	Badge
A163	890035	SPN-1.5,Stopper for badge
A166	28326192	Knob, Open
A167	27175401A	Leg
A168	28125412B	End cap L
A171	27268107	Guide, Standby
A172	28125413B	End cap R
REF. NO.	PART NO.	DESCRIPTION
A179	29110183	W12*90,Tape, copper
A180	29110182	W12*50,Tape, copper
A181	28326172C	Knob, Volume
A182	27268109A	Guide, Open
A184	801612	3TTB+8B(CU),Self-tapping screw
A190	28198908	Facet
A192	82143005	3P+5FN(BC),Pan head screw
A196	801613	3*8,Flat head screw
A205	27255004	CS-1U,Clip
A209	27268116	Guide, Volume
A214	27270450	Spacer, shaft
A251	260208	Wire tie
A301	29363796	Label, Caution
A302	29363195	Label, Hook-up <D>
A303	29363774	Label, Cover
A304	29363772	Label, Specifications <D>
	29363783	Label, Specifications <A>
A305	29363800	Label, Flash

A307	29363264		Label MAC
C6901,C6902	3504398		CE62W80V-33000M,Capacitor, Elect.
D9501	22380337		D10XB60H,Diode
E9001,E9002	24502318A		9A0924F403,Fan
F6911,F6913	252304	!	20A-UL-250V,Fuse
F6921,F6923	252304	!	20A-UL-250V,Fuse
F9001	252099	!	8A-EAK,Fuse <A>
	252303 or	!	15A-TUL-250V or
	252197	!	15A-UL/T-314,Fuse <D>
F9002	252164 or	!	5A-UL/T-237 or
	252075 or	!	2.5A-SE-EAK or
	252258	!	5A-T/UL-ST2,Fuse <D>
	252241 or	!	2.5A-SE-TL250V or
	252275	!	2.5A-SE-TL250V,Fuse <A>
F9501	252198 or	!	8A-UL or
	252079 or	!	6.3A-SE-EAK or
	252261	!	8A-T/UL-ST2,Fuse <D>
	252245 or	!	6.3A-SE-TL250V or
	252279	!	6.3A-SE-TL250V,Fuse <A>
F9502	252198 or	!	8A-UL or
	252079 or	!	6.3A-SE-EAK or
	252261	!	8A-T/UL-ST2,Fuse <D>
	252245 or	!	6.3A-SE-TL250V or
	252279	!	6.3A-SE-TL250V,Fuse <A>
F9503,F9504	252160 or	!	2.5A-UL/T-237 or
	252075 or	!	2.5A-SE-EAK or
	252254	!	2.5A-T/UL-ST2,Fuse <D>
	252241 or	!	2.5A-SE-TL250V or
	252275	!	2.5A-SE-TL250V,Fuse <A>
P101	2047150312		NCFC7-150312,Flat cable
P3105	2009990867UL		NSAS-80P1310,Socket
P3106	2009990868UL		NSAS-76P1311,Socket
P3120	2009990871AUL		NSAS-50P1318,Socket
P5802A	25052980		(796641-5),Socket
P5803A	25052981		(796641-6),Socket
P6901A	27141898		Retainer BUS-G
P6901B,P6901C	27141899		Retainer BUS-B

P7501	2045206022	NCFC5-206022,Flat cable
P7506	20033281065UL	NSAS-10P1381,Socket
Q6050,Q6051,Q6052	2203684 or	* MN150S-Y or
Q6053,Q6054,Q6055	2203683 or	* MN150S-O or
Q6056	2203686	* MN150S-P,Transistor
Q6050A	27301328	BFG-20,Sheet

REF. NO.	PART NO.	DESCRIPTION
Q6060,Q6061,Q6062	2203694 or	* MP150S-Y or
Q6063,Q6064,Q6065	2203693 or	* MP150S-O or
Q6066	2203696	* MP150S-P,Transistor
Q6080,Q6081,Q6082	2203684 or	* MN150S-Y or
Q6083,Q6084,Q6085	2203683 or	* MN150S-O or
Q6086	2203686	* MN150S-P,Transistor
Q6090,Q6091,Q6092	2203694 or	* MP150S-Y or
Q6093,Q6094,Q6095	2203693	* MP150S-O
Q6096	2203696	* MP150S-P
Q9301	222780184JRC	7818FA(NJM7818FA),IC
Q9311	222790184JRC	7818FA(NJM7818FA),IC
Q9322	2202314 or	2SA1726-Y or
	2202313 or	2SA1726-O or
	2202315	2SA1726-P,Transistor
Q9322A	223026	Isolated sheet
Q9322B	223034	MT-25,Transistor accessory
Q9332	2202364 or	2SA1693-Y or
	2202363 or	2SA1693-O or
	2202365	2SA1693-P,Transistor
Q9332A	223024	AC238,Isolated sheet
Q9351	222780565JRC	78M56(NJM78M56FA), IC
Q9392	2202364 or	2SA1693-Y or
	2202363 or	2SA1693-O or
	2202365	2SA1693-P,Transistor <D>
Q9392A	223024	AC238,Isolated sheet <D>
Q9404A	223026	Isolated sheet
Q9404B	223034	MT-25,Transistor accessory

Q9411	222780054JRC		7805FA(NJM7805FA),IC
Q9421	222790054JRC		7905FA(NJM7905FA),IC
Q9432,Q9442	2202364 or		2SA1693-Y or
	2202363 or		2SA1693-O or
	2202365		2SA1693-P,Transistor
Q9432A,Q9442A	223024		AC238,Isolated sheet
T9001	2301747A	!	NPT-1496D,Power transformer <D>
	2301748A	!	NPT-1496P,Power transformer <A>
T9002	2301723	!	NPT-1487D,Power transformer <D>
	2301724	!	NPT-1487P,Power transformer <A>
U02	1A989539-1A		NAAR-8139-1A,Preamplifier PC board ass'y
U022	1A989540-1A		NAETC-8140-1A,Connector PC board ass'y for U10/U11
U023	1A989541-1A		NADG-8141-1A, Coaxial in/out (slot D) terminal PC board ass'y
U024	1A989542-1A		NAETC-8142-1A, Connector PC board ass'y for U09/U023
U03	1A989544-1		NAAF-8144-1,Audio in/out terminal (slot F) PC board ass'y
U032	1A989545-1		NAAF-8145-1,Audio in/out terminal (slot G) PC board ass'y
U033	1A989546-1		NAETC-8146-1,Connector PC board ass'y for U03/U032
U04	1A989548-1A		NAAF-8148-1A,Multi channel terminal (slot E) PC board ass'y
U06	1A989552-1A		NARF-8152-1A,Tuner block (slot K) PC board ass'y <D>
	1A989552-1C		NARF-8152-1C,Tuner block (slot K) PC board ass'y <A>
U09	1A989562-1		NADG-8162-1,DIR circuit (slot C) PC board ass'y
U11	1A989566-1E		NAAR-8166-1E,Mother PC board ass'y
U12	1A989568-1A		NAAF-8168-1A,Driver circuit PC board ass'y <D>
	1A989568-1B		NAAF-8168-1B,Driver circuit PC board ass'y <A>
U122	1A989569-1A		NAAF-8169-1A,Power amplifier 4 PC board ass'y <D>
	1A989569-1B		NAAF-8169-1B,Power amplifier 4 PC board ass'y <A>
U123	1A989570-1A		NAETC-8170-1A,Thermal detector PC board ass'y <D>
	1A989570-1B		NAETC-8170-1B,Thermal detector PC board ass'y <A>
U13	1A989573-1		NAAF-8173-1,Power amplifier 1 PC board ass'y
U132	1A989574-1		NAAF-8174-1,Power amplifier 2 PC board ass'y
U133	1A989575-1		NAAF-8175-1,Power amplifier 3 PC board ass'y
U14	1A989577-1		NAETC-8177-1,Connector PC board 1 for Power amplifier
U142	1A989578-1		NAETC-8178-1,Connector PC board 2 for Power amplifier
U143	1A989579-1		NAETC-8179-1, Power transistor PC board ass'y
U15	1A989581-1A		NAPS-8181-1A,Bias selector PC board ass'y <D>
	1A989581-1F		NAPS-8181-1F,Bias selector PC board ass'y <A>

REF. NO.	PART NO.	DESCRIPTION
U152	1A989582-1A	NAPS-8182-1A,Regulator circuit 1 PC board ass'y <D>
	1A989582-1F	NAPS-8182-1F,Regulator circuit 1 PC board ass'y <A>
U153	1A989583-1A	NAPS-8183-1A,Standby transformer PC board ass'y <D>
	1A989583-1F	NAPS-8183-1F,Standby transformer PC board ass'y <A>
U154	1A989584-1A	NAETC-8184-1A,Speaket terminal PC board ass'y <D>
	1A989584-1F	NAETC-8184-1F,Speaket terminal PC board ass'y <A>
U155	1A989585-1A	NAETC-8185-1A,Regulator IC PC board ass'y <D>
	1A989585-1F	NAETC-8185-1F,Regulator IC PC board ass'y <A>
U16	1A989586-1E	NAPS-8186-1E,Power supply circuit PC board ass'y <D>
	1A989586-1F	NAPS-8186-1F,Power supply circuit PC board ass'y <A>
U162	1A989587-1E	NAPS-8187-1E,Secondary circuit PC board ass'y <D>
	1A989587-1F	NAPS-8187-1F,Secondary circuit PC board ass'y <A>
U163	1A989588-1E	NAPS-8188-1E,Capacitor PC board ass'y <D>
	1A989588-1F	NAPS-8188-1F,Capacitor PC board ass'y <A>
U165	1A989590-1E	NAPS-8190-1E,RI terminal PC board ass'y <D>
	1A989590-1F	NAPS-8190-1F,RI terminal PC board ass'y <A>
U166	1A989591-1E	NAPS-8191-1E,Connector PC board ass'y <D>
	1A989591-1F	NAPS-8191-1F,Connector PC board ass'y <A>
U18	1A989501-1A	NAVD-8201-1A,S video (slot H) PC board ass'y <D>
	1A989501-1B	NAVD-8201-1B,S video (slot H) PC board ass'y <A>
U182	1A989502-1A	NAVD-8202-1A,Composite video (slot I) PC board ass'y <D>
	1A989502-1B	NAVD-8202-1B,Composite video (slot I) PC board ass'y <A>
U183	1A989503-1A	NAETC-8203-1A,Connector PC board ass'y for U18/U182 <D>
	1A989503-1B	NAETC-8203-1B,Connector PC board ass'y for U18/U182 <A>
U19	1A989505-1A	NAVD-8205-1A,Component video (slot J) PC board ass'y <A>
U23	1A989518-1B	NADIS-8218-1B,Display circuit PC board ass'y
U232	1A989519-1B	NAETC-8219-1B,Standby switch PC board ass'y
U233	1A989520-1B	NAETC-8220-1B,Operation switch PC board ass'y
U234	1A989521-1B	NAETC-8221-1B,Headphone terminal PC board ass'y
U235	1A989522-1B	NAETC-8222-1B,Front optical PC board ass'y
U236	1A989523-1B	NAETC-8223-1B,Front video PC board ass'y
U237	1A989524-1B	NAETC-8224-1B,Volume PC board ass'y
U238	1A989525-1B	NAETC-8225-1B,Holder PC board ass'y
U239	1A989526-1B	NAETC-8226-1B,Holder PC board ass'y
U25	1A989577-2	NAETC-8177-2,Connector PC board 3 for Power amplifier
U252	1A989578-2	NAETC-8178-2,Connector PC board 4 for Power amplifier

U26	1A989563-1	NADG-8163-1,DSP circuit PC board ass'y
U30	240134A	TFCE1U114B,Tuner unit <D>
	240135	TFCE1E512A,Tuner unit <A>

PACKING VIEW-PARTS LIST

REF. NO.	PART NO.	DESCRIPTION
A11	24140556	RC-556M,Remote controller
A12	292198	NHB1-00-007(NTSC),FM antenna <D>
	292199	NHB1-00-008(PAL),FM antenna <A>
A13	232140	NMA-3057,AM loop antenna
A14	3010054	R6/AA(UM-3),Battery
A15	29363059A	Label, speaker cable
A21	29343684	Instruction manual En

A36	29343823	Instruction manual En(Setup Memo)
A39	29343685	Instruction manual, digest
A41	29355489	Instruction sheet, caution
A51	29100097-1A	350*250,Polybag
A52	25060401	(221LTS00500G),Terminal
A61	29365089A	Warranty card <D>
P01	29092175A	Pad assembly F
P02	29092180A	Pad assembly R
P03	29100035-1	720*1020,Polybag
P04	29100217	t0.1*70*100,Polybag
P05	29110148	W48,Tape PP
P06	29095964	0.515*1350*1500,Sheet
P07	282301	Staple
P08	29110149	Tape, cellophane
P09	29110151	W35,Tape FIXLON
P10	29363674	Label EAN <A>
	29363670	Label UPC <D>
P12	29054168	Carton
P13	29054166	Carton A
P14	29363235-1	Label UPA <A>
P17	29363682	Label, door
P9001	253301HIT	! AS-UC-2,Power supply cord <D>
	253391VOL	! AS-SAA,Power supply cord <A>

Sch. No.	REF.	PCB No.	Option Board	Slot	Description
					B to B:Board to Board PCB
1	U03	8144		F	PHONO/AF IN/OUT 1 to 3
1	U033	8146			B to B
2	U032	8145		G	AF IN 4-9 OUT 4/5
3	U04	8148	C-MULTI	E	MULTI IN 1/2
4	U02	8139			Preamp.
5	U02	8139			Preamp.
6	U11	8166			Mother(Main micro chip)
7	U09	8162		C	DIR
8	U09	8162		C	DIR
9	U26	8163			DSP Main
10	U26	8163			DSP Zone
11	U15	8181			+B select
11	U152	8182			Rectifier 1
11	U154	8184			Sp terminal
11	U162	8187			Rectifier 2
12	U153	8183			Power transformer
12	U16	8186			Primary
12	U163	8188			Elect. capacitor
12	U165	8190			R1/12V trigger
12	U166	8191			B to B
13	U023	8141		D	COAXIAL IN/OUT
13	U024	8142			B to B P7002A,P7454B
13	U06	8152		K	TUNER
14	U23	8218			Display and Sub-micro chip
14	U232	8219			Standby ind./sw
14	U233	8220			Operation switches
14	U234	8221			Headphones
14	U235	8222			Front opto. input
14	U236	8223			Front video input
14	U237	8224			Volume
15	U24	8228	C-NET-A	B	NET-TUNE
16	U10	8164	C-LINK	A	IEEE1394
17	U01	8137	C-HDMI	L	HDMI
18	U18	8201		H	S VIDEO
19	U182	8202		I	COMPONENT VIDEO IN/OUT/S VIDEO
19	U183	8203			VIDEO BUFFER
20	U027	8205	C-CPNT-BNC	J	COMPONENT VIDEO IN/OUT
21	U20	8207	C-CPNT-RCA	J	COMPONENT VIDEO IN/OUT
22	U12	8168			Driver section
23	U122	8169			Power amplifier L
23	U123	8170			Thermo. det.
23	U132	8174			Power amplifier SL/SBL
23	U14	8177			B to B
23	U142	8178			B to B
24	U123	8170			Thermo. det.
24	U13	8173			Power amplifier R/C
24	U133	8175			Power amplifier SR/SBR
24	U25	8177			B to B
24	U252	8178			B to B

PRINTED CIRCUIT BOARD-PARTS LIST

NOTE: THE COMPONENTS IDENTIFIED BY MARK !
ARE CRITICAL FOR RISK OF FIRE AND
ELECTRIC SHOCK. REPLACE ONLY WITH
PART NUMBER SPECIFIED.

CAUTION: Replacement for transistor of mark *, if necessary
must be made from the same beta group (hFE) as
the original type.

NOTE: <D>:120V model only <A>:Australian model only

PRE OUTPUT TERMINAL PC BOARD (NAAR-8139-1A)

CONNECTOR PC BOARD(NAETC-8140-1A)

COAXIAL INPUT TERMINAL PC BOARD(NADG-8141-1A)

CONNECTOR PC BOARD(NAETC-8142-1A)

CIRCUIT NO.	PART NO.	DESCRIPTION
	ICs	
Q4000,Q4001,Q4002	22240489R1NE	MPC4570G2-T1(MST)
Q4003,Q4004,Q4005	22240489R1NE	MPC4570G2-T1(MST)
Q4006,Q4007,Q4008	22240489R1NE	MPC4570G2-T1(MST)
Q4009,Q4010,Q4011	22240489R1NE	MPC4570G2-T1(MST)
Q4012,Q4013,Q4014	22240489R1NE	MPC4570G2-T1(MST)
Q4015,Q4016,Q4017	22240489R1NE	MPC4570G2-T1(MST)
Q4018,Q4019	22240489R1NE	MPC4570G2-T1(MST)
Q4020,Q4022,Q4023	22242068R2	WM8719EDS
Q4025,Q4027	22242068R2	WM8719EDS
Q4030,Q4032,Q4033	22240489R1NE	MPC4570G2-T1(MST)
Q4035,Q4050,Q4051	22240489R1NE	MPC4570G2-T1(MST)
Q4040,Q4041,Q4042	22242107R2	WM8816
Q4043,Q4044,Q4045	22242107R2	WM8816
Q4046,Q4047	22242107R2	WM8816
Q4052,Q4053,Q4054	22240489R1NE	MPC4570G2-T1(MST)
Q4055,Q4056,Q4057	22240489R1NE	MPC4570G2-T1(MST)
Q4080,Q4081	22241383R2	NJM4565M-D
Q4120,Q4121,Q4130	22240489R1NE	MPC4570G2-T1(MST)
Q4860	22240928R2	TC9246F
Q4861	222780053R2JR	78L05(NJM78L05UA)
Q4863	22241895R2	TC7SZ125FU
Q4869,Q4870,Q4871	22242101R2	TC9164BFG
Q4876	222780155JRC or 222780155NEC	78M15HF(NJM78M15FA) or 78M15HF(MPC78M15HF)
Q4877	222790155JRC or 222790155NEC	79M15HF(NJM79M15FA) or 79M15HF(MPC79M15HF)
Q4878	222780053R2JR	78L05(NJM78L05UA)
Q7451	222740046R2	74HCU04F
Q7452	22274126GR2	TC74VHCT126AFT

Q7453,Q7454,Q7455 Q7456	222741515R2TO 22242090R2	TC74HC151F BU2152FS
	Transistors	
Q4060,Q4061,Q4062	2215410R2	RN1441
Q4063,Q4064,Q4065	2215410R2	RN1441
Q4066,Q4067,Q4070	2215410R2	RN1441
Q4071,Q4072,Q4073	2215410R2	RN1441
Q4074,Q4075,Q4076	2215410R2	RN1441
Q4077,Q4090,Q4091	2215410R2	RN1441
Q4100,Q4101	2215410R2	RN1441
Q4110,Q4111	2215410R2	RN1441
Q4140,Q4867,Q4872	2213145R2 or	2SC2712-GR or
Q4874,Q4879,Q4880	2216175R2	KTC3875-GR
Q4868,Q4873,Q4875	2214530R2 or	RN2402 or
	2216220R2	KRA102S
Q4881,Q4883,Q4884	2213145R2 or	2SC2712-GR or
Q4885,Q4886,Q4887	2216175R2	KTC3875-GR
	Diodes	
D4860,D4861,D4862	223234R2 or	1SS352 or
D4863,D4865,D4866	223269R2	1SS355,Chip
D4867,D4868,D4869	223234R2 or	1SS352 or
	223269R2	1SS355,Chip
	Coils	
L4000,L4002,L4003	231237M022R2 or	NCH-1471 or
L4005,L4007,L4010	233533M022R2	NCH-1587-022M,Choke
CIRCUIT NO.	PART NO.	DESCRIPTION
	Coils	
L4015,L4017	231237M022R2	NCH-1471,Choke
L4864,L7451,L7452	233533M022R2	NCH-1587-022M,Choke
L4861,L4862	231237K470R2 or	NCH-1479 or
	233533K470R2	NCH-1587-470K,Choke
L4863	230958R1	BK1608LM182-T,EMI
R7451,R7453,R7455	230958R1	BK1608LM182-T,EMI
R7457,R7459,R7461	230958R1	BK1608LM182-T,EMI
T7451,T7452	232136	NSRF-2046,Multiplex
	Capacitors	
C4000,C4001,C4002	373026814R2	ECHU50V-681J,Chip film
C4003,C4004,C4005	373026814R2	ECHU50V-681J,Chip film
C4006,C4007,C4008	373026814R2	ECHU50V-681J,Chip film
C4009,C4010,C4011	373026814R2	ECHU50V-681J,Chip film
C4012,C4013,C4014	373026814R2	ECHU50V-681J,Chip film
C4015,C4016,C4017	373026814R2	ECHU50V-681J,Chip film
C4018,C4019	373026814R2	ECHU50V-681J,Chip film
C4020,C4021,C4022	373022214R2	ECHU50V-221J,Chip film
C4023,C4024,C4025	373022214R2	ECHU50V-221J,Chip film
C4026,C4027,C4028	373022214R2	ECHU50V-221J,Chip film

C4029,C4030,C4031	373022214R2	ECHU50V-221J,Chip film
C4032,C4033,C4034	373022214R2	ECHU50V-221J,Chip film
C4035,C4036,C4037	373022214R2	ECHU50V-221J,Chip film
C4038,C4039	373022214R2	ECHU50V-221J,Chip film
C4040,C4042,C4043	332161040R1	CK725F1E-104Z1,Chip ceramic
C4045,C4047,C4060	332161040R1	CK725F1E-104Z1,Chip ceramic
C4050,C4052,C4053	393344707 or	CE04W16V-47M(VX) or
C4055,C4057,C4070	394644707	CE04W16V-47M(VR),Elect.
C4062,C4063,C4065	332161040R1	CK725F1E-104Z1,Chip ceramic
C4067,C4170,C4172	332161040R1	CK725F1E-104Z1,Chip ceramic
C4072,C4073,C4075	393344707 or	CE04W16V-47M(VX) or
C4077,C4380,C4382	394644707	CE04W16V-47M(VR),Elect.
C4090,C4091,C4092	373021224R2	ECHU50V-122J,Chip film
C4093,C4094,C4095	373021224R2	ECHU50V-122J,Chip film
C4096,C4097,C4098	373021224R2	ECHU50V-122J,Chip film
C4099	373021224R2	ECHU50V-122J,Chip film
C4100,C4101,C4102	373024714R2	ECHU50V-471J,Chip film
C4103,C4104,C4105	373024714R2	ECHU50V-471J,Chip film
C4106,C4107,C4108	373024714R2	ECHU50V-471J,Chip film
C4109	373024714R2	ECHU50V-471J,Chip film
C4150,C4151,C4152	395852207	CE04W25V-22M(ROB),Elect.
C4153,C4154,C4158	395952207	CE04W25V-22M(RFS),Elect.
C4155,C4156,C4157	395852207	CE04W25V-22M(ROB),Elect.
C4159,C4253,C4254	395952207	CE04W25V-22M(RFS),Elect.
C4160,C4162,C4163	393341007 or	CE04W16V-10M(VX) or
C4165,C4167,C4200	394641007	CE04W16V-10M(VR),Elect.
C4173,C4175,C4177	332161040R1	CK725F1E-104Z1,Chip ceramic
C4190,C4192,C4193	332161040R1	CK725F1E-104Z1,Chip ceramic
C4195,C4197,C4210	332161040R1	CK725F1E-104Z1,Chip ceramic
C4202,C4203,C4205	393341007 or	CE04W16V-10M(VX) or
C4207,C4220,C4222	394641007	CE04W16V-10M(VR),Elect.
C4212,C4213,C4215	332161040R1	CK725F1E-104Z1,Chip ceramic
C4217,C4550,C4551	332161040R1	CK725F1E-104Z1,Chip ceramic
C4223,C4225,C4227	393341007 or	CE04W16V-10M(VX) or
	394641007	CE04W16V-10M(VR),Elect.
C4230,C4232,C4233	374721044	ECQ-V50V-104J,Plastic film
C4235,C4237	374721044	ECQ-V50V-104J,Plastic film
C4250,C4251,C4252	395852207	CE04W25V-22M(ROB),Elect.
C4255,C4256,C4400	395852207	CE04W25V-22M(ROB),Elect.
C4257,C4403,C4404	395952207	CE04W25V-22M(RFS),Elect.
C4260,C4261,C4262	395941007	CE04W16V-10M(RFS),Elect.
C4263,C4264,C4265	395941007	CE04W16V-10M(RFS),Elect.
C4266,C4267,C4300	395941007	CE04W16V-10M(RFS),Elect.
C4270,C4271,C4272	342101014R1	CC725CH1H-101J1,Chip ceramic
C4273,C4274,C4275	342101014R1	CC725CH1H-101J1,Chip ceramic
C4276,C4277,C4460	342101014R1	CC725CH1H-101J1,Chip ceramic

C4280,C4281,C4282	393341007 or	CE04W16V-10M(VX) or
C4283,C4284,C4285	394641007	CE04W16V-10M(VR),Elect.
C4286,C4287	393341007 or	CE04W16V-10M(VX) or
	394641007	CE04W16V-10M(VR),Elect.
CIRCUIT NO.	PART NO.	DESCRIPTION
	Capacitors	
C4290,C4291,C4292	374722244	ECQ-V50V-224J,Plastic film
C4293,C4294,4295	374722244	ECQ-V50V-224J,Plastic film
C4296,C4297,C4420	374722244	ECQ-V50V-224J,Plastic film
C4301,C4302,C4303	395941007	CE04W16V-10M(RFS),Elect.
C4304,C4305,C4306	395941007	CE04W16V-10M(RFS),Elect.
C4307,C4370,C4371	395941007	CE04W16V-10M(RFS),Elect.
C4350,C4351,C4352	3600028R2	UC122A0100F-T,Mica
C4353,C4354,C4355	3600028R2	UC122A0100F-T,Mica
C4356,C4357,C4360	3600028R2	UC122A0100F-T,Mica
C4361,C4362,C4363	3600028R2	UC122A0100F-T,Mica
C4364,C4365	3600028R2	UC122A0100F-T,Mica
C4366,C4367	3600028R2	UC122A0100F-T,Mica
C4372,C4373,C4374	395941007	CE04W16V-10M(RFS),Elect.
C4375,C4376,C4377	395941007	CE04W16V-10M(RFS),Elect.
C4383,C4385,C4390	393344707 or	CE04W16V-47M(VX) or
C4392,C4393,C4395	394644707	CE04W16V-47M(VR),Elect.
C4401,C4402,C4405	395852207	CE04W25V-22M(ROB),Elect.
C4406,C4510,C4511	395852207	CE04W25V-22M(ROB),Elect.
C4407	395952207	CE04W25V-22M(RFS),Elect.
C4410,C4411,C4412	373021024R2	ECHU50V-102J,Chip film
C4413,C4414,C4415	373021024R2	ECHU50V-102J,Chip film
C4416,C4417	373021024R2	ECHU50V-102J,Chip film
C4421,C4422,C4423	374722244	ECQ-V50V-224J,Plastic film
C4424,C4425	374722244	ECQ-V50V-224J,Plastic film
C4426,C4427	374722244	ECQ-V50V-224J,Plastic film
C4430,C4431	393341007	CE04W16V-10M(VX),Elect.
C4440,C4441	393342217 or	CE04W16V-220M(VX) or
	394642217	CE04W16V-220M(VR),Elect.
C4450,C4451	393380227	CE04W50V-2.2M(VX),Elect.
C4461,C7451,C7452	342101014R1	CC725CH1H-101J1,Chip ceramic
C4470,C4471	393321017	CE04W6.3V-100M(VX),Elect.
C4480,C4481	373022224R2	ECHU50V-222J,Chip film
C4490,C4491,C4492	342103304R1	CC725CH1H-330J1,Chip ceramic
C4493,C4494,C4495	342103304R1	CC725CH1H-330J1,Chip ceramic
C4496,C4497,C4500	342103304R1	CC725CH1H-330J1,Chip ceramic
C4501,C4502,C4503	342103304R1	CC725CH1H-330J1,Chip ceramic
C4504,C4505,C4506	342103304R1	CC725CH1H-330J1,Chip ceramic
C4507	342103304R1	CC725CH1H-330J1,Chip ceramic
C4520,C4521,C4540	395924707	CE04W6.3V-47M(RFS),Elect.
C4530,C4531,C4580	395852207	CE04W25V-22M(ROB),Elect.

C4541	395924707	CE04W6.3V-47M(RFS),Elect.
C4560,C4561,C4910	3600029R2	UC122A0330J-T,Mica
C4570,C4571	395941007	CE04W16V-10M(RFS),Elect.
C4581,C4590,C4591	395852207	CE04W25V-22M(ROB),Elect.
C4640,C4641,C4642	395852207	CE04W25V-22M(ROB),Elect.
C4645,C4646,C4647	395852207	CE04W25V-22M(ROB),Elect.
C4650,C4651,C4652	395852207	CE04W25V-22M(ROB),Elect.
C4655,C4656,C4660	395852207	CE04W25V-22M(ROB),Elect.
C4661,C4662,C4665	395852207	CE04W25V-22M(ROB),Elect.
C4666,C4670,C4671	395852207	CE04W25V-22M(ROB),Elect.
C4680,C4681	395852207	CE04W25V-22M(ROB),Elect.
C4860,C4861,C4863	332161040R1	CK725F1E-104Z1,Chip ceramic
C4862,C4864,C4868	393324707 or 394624707	CE04W6.3V-47M(VX) or CE04W6.3V-47M(VR),Elect.
C4865	342104704R1	CC725CH1H-470J1,Chip ceramic
C4866	342111024R1	CC725CH1E-102J1,Chip ceramic
C4867	337394745R1	CK732B1C-474K ,Chip ceramic
C4870,C4884,C4885	332161040R1	CK725F1E-104Z1,Chip ceramic
C4882,C4896,C4897	393380227 or 394680227	CE04W50V-2.2M(VX) or CE04W50V-2.2M(VR),Elect.
C4883,C4887,C4892	393364707 or 394664707	CE04W35V-47M(VX) or CE04W35V-47M(VR),Elect.
C4886,C4890,C4895	342103314R1	CC725CH1H-331J1,Chip ceramic
C4888,C4889,C4891	332161040R1	CK725F1E-104Z1,Chip ceramic
C4893,C4894,C4898	332161040R1	CK725F1E-104Z1,Chip ceramic
C4899,C4905,C4906	332161040R1	CK725F1E-104Z1,Chip ceramic
C4900,C4901	394641007 or 393341007	CE04W16V-10M(VR) or CE04W16V-10M(VX),Elect.

CIRCUIT NO.	PART NO.	DESCRIPTION
	Capacitors	
C4902,C4903	393342217 or 394642217	CE04W16V-220M(VX) or CE04W16V-220M(VR),Elect.
C4904,C4920,C4921	393344707 or 394644707	CE04W16V-47M(VX) or CE04W16V-47M(VR),Elect.
C4911	3600030R2	UC122A0330J-T,Mica
C4922,C4981,C4982	332161040R1	CK725F1E-104Z1,Chip ceramic
C4983,C4984,C4985	332161040R1	CK725F1E-104Z1,Chip ceramic
C4986,C4987,C4988	332161040R1	CK725F1E-104Z1,Chip ceramic
C4989,C7459,C7460	332161040R1	CK725F1E-104Z1,Chip ceramic
C7453,C7455,C7456	342101014R1	CC725CH1H-101J1,Chip ceramic
C7457	342101014R1	CC725CH1H-101J1,Chip ceramic
C7458	342101024R1	CC725CH1H-102J1,Chip ceramic
C7461,C7462,C7463	332161040R1	CK725F1E-104Z1,Chip ceramic
C7464,C7468,C7469	332161040R1	CK725F1E-104Z1,Chip ceramic
C7465,C7466,C7467	342100802R1	CC725CH1H-080D1,Chip ceramic

CIRCUIT NO.	PART NO.	DESCRIPTION
R4113,R4114,R4115	435021034R1	RN72W1J-103JE,Chip carbon
R4116,R4117,R4118	435021034R1	RN72W1J-103JE,Chip carbon
R4119,R4530,R4531	435021034R1	RN72W1J-103JE,Chip carbon
R4120,R4121,R4122	435021524R1	RN72W1J-152JE,Chip carbon
R4123,R4124,R4125	435021524R1	RN72W1J-152JE,Chip carbon
R4126,R4127,R4128	435021524R1	RN72W1J-152JE,Chip carbon
R4129,R4170,R4171	435021524R1	RN72W1J-152JE,Chip carbon
R4130,R4131,R4132	435022234R1	RN72W1J-223JE,Chip carbon
	Resistors	
R4133,R4134,R4135	435022234R1	RN72W1J-223JE,Chip carbon
R4136,R4137,R4138	435022234R1	RN72W1J-223JE,Chip carbon
R4139,R4140,R4141	435022234R1	RN72W1J-223JE,Chip carbon
R4142,R4143,R4144	435022234R1	RN72W1J-223JE,Chip carbon
R4145,R4146,R4147	435022234R1	RN72W1J-223JE,Chip carbon
R4148,R4149,R4150	435022234R1	RN72W1J-223JE,Chip carbon
R4151,R4152,R4153	435022234R1	RN72W1J-223JE,Chip carbon
R4154,R5155,R4156	435022234R1	RN72W1J-223JE,Chip carbon
R4157,R4158,R4159	435022234R1	RN72W1J-223JE,Chip carbon
R4160,R4161,R4162	435022234R1	RN72W1J-223JE,Chip carbon
R4163,R4164,R4165	435022234R1	RN72W1J-223JE,Chip carbon
R4166,R4167,R4168	435022234R1	RN72W1J-223JE,Chip carbon
R4169,R4490,R4491	435022234R1	RN72W1J-223JE,Chip carbon
R4172,R4173,R4174	435021524R1	RN72W1J-152JE,Chip carbon
R4175,R4176,R4177	435021524R1	RN72W1J-152JE,Chip carbon
R4178,R4179,R4180	435021524R1	RN72W1J-152JE,Chip carbon
R4181,R4182,R4183	435021524R1	RN72W1J-152JE,Chip carbon
R4184,R4185,R4186	435021524R1	RN72W1J-152JE,Chip carbon
R4187,R4188,R4189	435021524R1	RN72W1J-152JE,Chip carbon
R4230,R4231,R4232	435021024R1	RN72W1J-102JE,Chip carbon
R4233,R4234,R4235	435021024R1	RN72W1J-102JE,Chip carbon
R4236,R4237,R4238	435021024R1	RN72W1J-102JE,Chip carbon
R4239,R4260,R4261	435021024R1	RN72W1J-102JE,Chip carbon
R4240,R4241,R4242	435025634R1	RN72W1J-563JE,Chip carbon
R4243,R4244,R4245	435025634R1	RN72W1J-563JE,Chip carbon
R4246,R4247,R4248	435025634R1	RN72W1J-563JE,Chip carbon
R4249,R4610,R4611	435025634R1	RN72W1J-563JE,Chip carbon
R4252,R4253,R4254	435025624R1	RN72W1J-562JE,Chip carbon
R4255,R4256,R4257	435025624R1	RN72W1J-562JE,Chip carbon
R4258,R4259,R4896	435025624R1	RN72W1J-562JE,Chip carbon
R4262,R4263,R4264	435021024R1	RN72W1J-102JE,Chip carbon
R4265,R4266,R4267	435021024R1	RN72W1J-102JE,Chip carbon
R4268,R4269,R4925	435021024R1	RN72W1J-102JE,Chip carbon
R4270,R4271,R4272	435024704R1	RN72W1J-470JE,Chip carbon
R4273,R4274,R4278	435024704R1	RN72W1J-470JE,Chip carbon
R4280,R4282,R4283	435024704R1	RN72W1J-470JE,Chip carbon

CIRCUIT NO.	PART NO.	DESCRIPTION
R4290,R4292,R4293	435023314R1	RN72W1J-331JE,Chip carbon
R4295,R4297,R4300	435023314R1	RN72W1J-331JE,Chip carbon
R4302,R4303,R4305	435023314R1	RN72W1J-331JE,Chip carbon
R4307,R4310,R4312	435023314R1	RN72W1J-331JE,Chip carbon
R4313,R4315,R4317	435023314R1	RN72W1J-331JE,Chip carbon
R4320,R4322,R4323	435023314R1	RN72W1J-331JE,Chip carbon
R4325,R4327,R4330	435023314R1	RN72W1J-331JE,Chip carbon
R4332,R4333,R4335	435023314R1	RN72W1J-331JE,Chip carbon
R4337,R4340,R4342	435023314R1	RN72W1J-331JE,Chip carbon
R4343,R4345,R4347	435023314R1	RN72W1J-331JE,Chip carbon
R4350,R4352,R4353	435023314R1	RN72W1J-331JE,Chip carbon
R4355,R4357,R4894	435023314R1	RN72W1J-331JE,Chip carbon
R4360,R4361,R4362	435022244R1	RN72W1J-224JE,Chip carbon
R4363,R4364,R4365	435022244R1	RN72W1J-224JE,Chip carbon
R4366,R4367,R4370	435022244R1	RN72W1J-224JE,Chip carbon
R4371,R4372,R4373	435022244R1	RN72W1J-224JE,Chip carbon
R4374,R4375,R4376	435022244R1	RN72W1J-224JE,Chip carbon
R4377,R4400,R4401	435022244R1	RN72W1J-224JE,Chip carbon
R4380,R4381,R4382	435021054R1	RN72W1J-105JE,Chip carbon
R4383,R4384,R4385	435021054R1	RN72W1J-105JE,Chip carbon
R4386,R4387,R4390	435021054R1	RN72W1J-105JE,Chip carbon
R4391,R4392,R4393	435021054R1	RN72W1J-105JE,Chip carbon
R4394,R4395,R4396	435021054R1	RN72W1J-105JE,Chip carbon
R4397	435021054R1	RN72W1J-105JE,Chip carbon
R44,R45,R46,R47	435030004R1	RN72K1J-000JE,Chip carbon
R4402,R4403,R4404	435022244R1	RN72W1J-224JE,Chip carbon
R4405,R4406,R4407	435022244R1	RN72W1J-224JE,Chip carbon
R4410,R4411,R4412	435024744R1	RN72W1J-474JE,Chip carbon
R4413,R4414,R4415	435024744R1	RN72W1J-474JE,Chip carbon
R4416,R4417,R4420	435024744R1	RN72W1J-474JE,Chip carbon
R4421	435024744R1	RN72W1J-474JE,Chip carbon
R4422,R4423,R4424	435022244R1	RN72W1J-224JE,Chip carbon
R4425,R4426,R4427	435022244R1	RN72W1J-224JE,Chip carbon
CIRCUIT NO.	PART NO.	DESCRIPTION
	Resistors	
R4430,R4431,R4432	435022714R1	RN72W1J-271JE,Chip carbon
R4433,R4434,R4435	435022714R1	RN72W1J-271JE,Chip carbon
R4436,R4437	435022714R1	RN72W1J-271JE,Chip carbon
R4440,R4441,R4442	435021014R1	RN72W1J-101JE,Chip carbon
R4443,R4444,R4445	435021014R1	RN72W1J-101JE,Chip carbon
R4446,R4447,R4897	435021014R1	RN72W1J-101JE,Chip carbon
R4450,R4451,R4452	435024704R1	RN72W1J-470JE,Chip carbon
R4453,R4454,R4455	435024704R1	RN72W1J-470JE,Chip carbon
R4456,R4457,R4470	435024704R1	RN72W1J-470JE,Chip carbon
R4460,R4461,R4462	435022244R1	RN72W1J-224JE,Chip carbon
R4463,R4464,R4465	435022244R1	RN72W1J-224JE,Chip carbon

R4466,R4467,R4485	435022244R1	RN72W1J-224JE,Chip carbon
R4471,R4472,R4473	435024704R1	RN72W1J-470JE,Chip carbon
R4474,R4475,R4476	435024704R1	RN72W1J-470JE,Chip carbon
R4477,R4860,R4861	435024704R1	RN72W1J-470JE,Chip carbon
R4480,R4481	443522204	RS1/2WBJ-22,Metal oxide
R4486,R4510,R4511	435022244R1	RN72W1J-224JE,Chip carbon
R4500,R4501	435022234R1	RN72W1J-223JE,Chip carbon
R4520,R4521,R4680	435022224R1	RN72W1J-222JE,Chip carbon
R4540,R4541,R4580	435021034R1	RN72W1J-103JE,Chip carbon
R4550,R4551,R4560	435023304R1	RN72W1J-330JE,Chip carbon
R4561,R4570,R4571	435023304R1	RN72W1J-330JE,Chip carbon
R4581,R4590,R4591	435021034R1	RN72W1J-103JE,Chip carbon
R4600,R4601,R4750	435022244R1	RN72W1J-224JE,Chip carbon
R4620,R4621,R4630	435025634R1	RN72W1J-563JE,Chip carbon
R4631,R4740,R4741	435025634R1	RN72W1J-563JE,Chip carbon
R4640,R4641,R4661	435021214R1	RN72W1J-121JE,Chip carbon
R4650,R4651	435028214R1	RN72W1J-821JE,Chip carbon
R4660	435021814R1	RN72W1J-181JE,Chip carton
R4670,R4671	435021524R1	RN72W1J-152JE,Chip carbon
R4681,R4700,R4701	435022224R1	RN72W1J-222JE,Chip carbon
R4690,R4691	435021234R1	RN72W1J-123JE,Chip carbon
R4710,R4711	435021234R1	RN72W1J-123JE,Chip carbon
R4720,R4721,R4730	435021034R1	RN72W1J-103JE,Chip carbon
R4731,R7463,R7464	435021034R1	RN72W1J-103JE,Chip carbon
R4751	435022244R1	RN72W1J-224JE,Chip carbon
R4862,R4863,R4864	435024704R1	RN72W1J-470JE,Chip carbon
R4865,R4866,R4867	435024704R1	RN72W1J-470JE,Chip carbon
R4868,R4869,R4870	435024704R1	RN72W1J-470JE,Chip carbon
R4871,R4872,R4873	435024704R1	RN72W1J-470JE,Chip carbon
R4874,R4875,R4876	435024704R1	RN72W1J-470JE,Chip carbon
R4877,R4878,R4879	435024704R1	RN72W1J-470JE,Chip carbon
R4880,R4881,R4882	435024704R1	RN72W1J-470JE,Chip carbon
R4883,R4884,R4887	435024704R1	RN72W1J-470JE,Chip carbon
R4886,R4891,R4943	435030004R1	RN72K1J-000JE,Chip carbon
R4888,R4889,R4900	435024704R1	RN72W1J-470JE,Chip carbon
R4890	435022214R1	RN72W1J-221JE,Chip carbon
R4895	435025614R1	RN72W1J-561JE,Chip carbon
R4914,R4915,R4916	435021014R1	RN72W1J-101JE,Chip carbon
R4917,R4918,R4919	435021014R1	RN72W1J-101JE,Chip carbon
R4920,R4921,R4923	435021014R1	RN72W1J-101JE,Chip carbon
R4924,R4926,R4927	435021014R1	RN72W1J-101JE,Chip carbon
R4928,R4929,R4930	435021024R1	RN72W1J-102JE,Chip carbon
R4931,R4932,R4940	435021024R1	RN72W1J-102JE,Chip carbon
R4933,R4934,R4935	435022244R1	RN72W1J-224JE,Chip carbon
R4936,R4937	443621004	RS1WBJ-10,Metal oxide
R4938,R4939	453530224	RNU1/2WCJ-2.2,Metal

R4941,R4942,R4949	435021024R1	RN72W1J-102JE,Chip carbon
R4944,R4945,R4946	435030004R1	RN72K1J-000JE,Chip carbon
R4947,R4948,R4953	435030004R1	RN72K1J-000JE,Chip carbon
R4950,R4951,R4952	435021024R1	RN72W1J-102JE,Chip carbon
R4954,R4955,R7472	435021024R1	RN72W1J-102JE,Chip carbon
R7452,R7454,R7456	435037504R1	RN72K1J-750JE,Chip carbon
R7458,R7460,R7462	435037504R1	RN72K1J-750JE,Chip carbon
R7465,R7466,R7467	435021034R1	RN72W1J-103JE,Chip carbon
R7468	435021034R1	RN72W1J-103JE,Chip carbon
R7469,R7470,R7471	435024704R1	RN72W1J-470JE,Chip carbon
R7473,R7474,R7475	435023314R1	RN72W1J-331JE,Chip carbon

CIRCUIT NO.	PART NO.	DESCRIPTION
	Relays	
RL4860,RL4861,RL4862	25065659	NRL-2P2A-DC24-174
RL4863,RL4864,RL4865	25065659	NRL-2P2A-DC24-174
RL4866,RL4867,RL4868	25065659	NRL-2P2A-DC24-174
	Terminals	
P4868	25045797	NPJ-9PDWRGLEPNT577
P7451,P7452	25045624	NPJ-3PDO431
P7453	25045758	NPJ-2PDO543
	Sockets	
P3501B	25052979R2	IMSA-9850S-30Y903
P5000	2009990869UL	NSAS-30P1316
P7454B	25052810R2	IMSA-9850S-14Y900
P7501B	25052586R2	NSCT-20P2483
	Plugs	
P3105A	25056360R2	MINI-CT-40P(4-353315-0)
P3106A	25056359R2	MINI-CT-38P(3-353315-8)
P3501C	25056209R2	IMSA-9850B-28Y900
P4864A	25055157	NPLG-13P141
P7002A,P7454A	25056202R2	IMSA-9850B-14Y900
P7501C	25056205R2	IMSA-9850B-20Y900
P7506	25055135	NPLG-5P119
	Holders	
J4801A,J4801B,J4801C	27190540-1	Clamp

SLOT F TERMINAL PC BOARD (NAAF-8144-1)

SLOT G TERMINAL PC BOARD (NAAF-8145-1)

CONNECTOR TERMINAL PC BOARD (NAETC-8146-1)

CIRCUIT NO.	PART NO.	DESCRIPTION
	ICs	
Q1460,Q1465,Q1470	22240489R1NE	MPC4570G2-T1(MST)
Q1475,Q1476,Q1480	22240489R1NE	MPC4570G2-T1(MST)
Q1485,Q1486	22242107R2	WM8816
Q1490	22240489R1NE	MPC4570G2-T1(MST)

Q1655,Q1656	22242107R2	WM8816
Q1665,Q1666,Q1675	22240489R1NE	MPC4570G2-T1(MST)
Q1860	22242102R3	TC9274FG-023
Q1867	222780053R2JR	78L05(NJM78L05UA)
Q401,Q402,Q403,Q404	22240489R1NE	MPC4570G2-T1(MST)
Q405,Q406,Q415	22240489R1NE	MPC4570G2-T1(MST)
Q420	22242099R2	TC9162BFG
Q421	22242103R3	TC94A46FG
	Transistors	
Q1500,Q1501,Q1510	2215410R2	RN1441
Q1511,Q1520,Q1521	2215410R2	RN1441
Q1530,Q1531,Q1540	2215410R2	RN1441
Q1541,Q1550,Q1551	2215410R2	RN1441
Q1861,Q1863,Q1865	2213145R2 or	2SC2712-GR or
Q1868,Q1869,Q1870	2216175R2	KTC3875-GR
Q1862,Q1864,Q1866	2214530R2 or	RN2402 or
Q417,Q419	2216220R2	KRA102S
Q407,Q408,Q409	2215410R2	RN1441
Q410,Q411,Q412	2215410R2	RN1441
Q413,Q414	2215410R2	RN1441
Q416,Q418,Q422	2213145R2 or	2SC2712-GR or
Q423	2216175R2	KTC3875-GR
	Capacitors	
C1460,C1461	373022214R2	ECHU50V-221J,Chip film
C1465,C1466	395924707	CE04W6.3V-47M(RFS),Elect.
C1470,C1471	395924707	CE04W6.3V-47M(RFS),Elect.
C1475,C1476,C1525	395941007	CE04W16V-10M(RFS),Elect.
C1480,C1481	373021524R2	ECHU50V-152J,Chip film
C1485,C1486	342101014R1	CC725CH1H-101J1,Chip ceramic
C1490,C1491	373021234R2	ECHU50V-123J,Chip film
C1495,C1496	393341007 or 394641007	CE04W16V-10M(VX) or CE04W16V-10M(VR),Elect.
C1500,C1501	373023924R2	ECHU50V-392J,Chip film
C1505,C1506,C1515	374722244	ECQ-V50V-224J,Plastic film
C1510,C1511	393322217	CE04W6.3V-220M(VX),Elect.
C1516,C1695,C1696	374722244	ECQ-V50V-224J,Plastic film
C1520,C1521,C1550	393344707	CE04W16V-47M(VX),Elect.
CIRCUIT NO.	PART NO.	DESCRIPTION
	Capacitors	
C1520,C1521,C1550	394644707	CE04W16V-47M(VR),Elect.
C1526,C1625,C1626	395941007	CE04W16V-10M(RFS),Elect.
C1530,C1531,C1560	373023314R2	ECHU50V-331J,Chip film
C1540,C1541	395852207	CE04W25V-22M(ROB),Elect.
C1551,C1595,C1596	393344707 or	CE04W16V-47M(VX) or
C1605,C1606,C1735	394644707	CE04W16V-47M(VR),Elect.
C1561,C1590,C1591	373023314R2	ECHU50V-331J,Chip film

C1570,C1571	395824707	CE04W6.3V-47M(ROB),Elect.
C1575,C1576,C1585	342101002R1	CC725CH1H-100D1,Chip ceramic
C1580,C1581	332161040R1	CK725F1E-104Z1,Chip ceramic
C1586,C1725,C1726	342101002R1	CC725CH1H-100D1,Chip ceramic
C1600,C1601,C1615	395924707	CE04W6.3V-47M(RFS),Elect.
C1610,C1611	332161040R1	CK725F1E-104Z1,Chip ceramic
C1616,C1655,C1656	395924707	CE04W6.3V-47M(RFS),Elect.
C1620,C1621,C1630	373021024R2	ECHU50V-102J,Chip film
C1631,C1640,C1641	373021024R2	ECHU50V-102J,Chip film
C1665,C1666	395941007	CE04W16V-10M(RFS),Elect.
C1675,C1676	342101014R1	CC725CH1H-101J1,Chip ceramic
C1685,C1686	393341007	CE04W16V-10M(VX),Elect.
C1685,C1686	394641007	CE04W16V-10M(VR),Elect.
C1705,C1706	374722244	ECQ-V50V-224J,Plastic film
C1715,C1716	395941007	CE04W16V-10M(RFS),Elect.
C1736,C1815,C1816	393344707	CE04W16V-47M(VX),Elect.
C1736,C1815,C1816	394644707	CE04W16V-47M(VR),Elect.
C1755,C1756	395941007	CE04W16V-10M(RFS),Elect.
C1765,C1766	25060406	TP00509-3C
C1795,R1796	342101002R1	CC725CH1H-100D1,Chip ceramic
C1805,C1806	395924707	CE04W6.3V-47M(RFS),Elect.
C1860	394664707 or 393364707	CE04W35V-47M(VR) or CE04W35V-47M(VX),Elect.
C1861,C1862,C1864	332161040R1	CK725F1E-104Z1,Chip ceramic
C1863	342103314R1	CC725CH1H-331J1,Chip ceramic
C1865,C1866,C1867	332161040R1	CK725F1E-104Z1,Chip ceramic
C1868	393324707 or 394624707	CE04W6.3V-47M(VX) or CE04W6.3V-47M(VR),Elect.
C1869,C1870,C1871	393341007	CE04W16V-10M(VX),Elect.
C1869,C1870,C1871	394641007	CE04W16V-10M(VR),Elect.
C1880,C1881	395852207	CE04W25V-22M(ROB),Elect.
C1890,C1891	395824707	CE04W6.3V-47M(ROB),Elect.
C1900,C1901,C1902	342103304R1	CC725CH1H-330J1,Chip ceramic
C1903,C1904,C1905	342103304R1	CC725CH1H-330J1,Chip ceramic
C1906,C1907	342103304R1	CC725CH1H-330J1,Chip ceramic
C401,C402,C403,C404	373023314R2	ECHU50V-331J,Chip film
C405,C406,C407,C408	373023314R2	ECHU50V-331J,Chip film
C409,C410,C411,C412	373023314R2	ECHU50V-331J,Chip film
C413,C414	395952207	CE04W25V-22M(RFS),Elect.
C415,C416,C417	395924707	CE04W6.3V-47M(RFS),Elect.
C418,C419,C420	395924707	CE04W6.3V-47M(RFS),Elect.
C421,C422,C423	395924707	CE04W6.3V-47M(RFS),Elect.
C424,C443,C444	395924707	CE04W6.3V-47M(RFS),Elect.
C425,C426,C429	393344707	CE04W16V-47M(VX),Elect.
C425,C426,C429	394644707	CE04W16V-47M(VR),Elect.
C427,C428,C431	332161040R1	CK725F1E-104Z1,Chip ceramic

C430,C433,C434	393344707 or	CE04W16V-47M(VX) or
C445,C446	394644707	CE04W16V-47M(VR),Elect.
C432,C435,C436	332161040R1	CK725F1E-104Z1,Chip ceramic
C437,C438,C439,C440	373021024R2	ECHU50V-102J,Chip film
C441,C442	373023314R2	ECHU50V-331J,Chip film
C447,C448	393342217 or	CE04W16V-220M(VX) or
	394642217	CE04W16V-220M(VR),Elect.
C449,C450,C451,C452	332161040R1	CK725F1E-104Z1,Chip ceramic
C453,C456,C459	332161040R1	CK725F1E-104Z1,Chip ceramic
C454,C458	393364707 or	CE04W35V-47M(VX) or
	394664707	CE04W35V-47M(VR),Elect.
C455,C457	342103314R1	CC725CH1H-331J1,Chip ceramic
C460,C461	393341007 or	CE04W16V-10M(VX) or
	394641007	CE04W16V-10M(VR),Elect.

CIRCUIT NO.

PART NO.

DESCRIPTION

Resistors

R1460,R1461,R1550	435023314R1	RN72W1J-331JE,Chip carbon
R1465,R1466,R1475	435022244R1	RN72W1J-224JE,Chip carbon
R1470,R1471,R1560	435025634R1	RN72W1J-563JE,Chip carbon
R1476,R1505,R1506	435022244R1	RN72W1J-224JE,Chip carbon
R1480,R1481,R1515	435024744R1	RN72W1J-474JE,Chip carbon
R1485,R1486,R1495	435021054R1	RN72W1J-105JE,Chip carbon
R1490,R1491	435024734R1	RN72W1J-473JE,Chip carbon
R1496,R1685,R1686	435021054R1	RN72W1J-105JE,Chip carbon
R1500,R1501	435025614R1	RN72W1J-561JE,Chip carbon
R1510,R1511	435022744R1	RN72W1J-274JE,Chip carbon
R1516,R1525,R1526	435024744R1	RN72W1J-474JE,Chip carbon
R1520,R1521	435022234R1	RN72W1J-223JE,Chip carbon
R1530,R1531	435021224R1	RN72W1J-122JE,Chip carbon
R1535,R1536,R1705	435024744R1	RN72W1J-474JE,Chip carbon
R1540,R1541,R1660	435021004R1	RN72W1J-100JE,Chip carbon
R1551,R1580,R1581	435023314R1	RN72W1J-331JE,Chip carbon
R1561,R1590,R1591	435025634R1	RN72W1J-563JE,Chip carbon
R1570,R1571,R1600	435022244R1	RN72W1J-224JE,Chip carbon
R1601,R1630,R1631	435022244R1	RN72W1J-224JE,Chip carbon
R1610,R1611	435023314R1	RN72W1J-331JE,Chip carbon
R1620,R1621	435025634R1	RN72W1J-563JE,Chip carbon
R1640,R1641,R1690	435024704R1	RN72W1J-470JE,Chip carbon
R1650,R1651,R1655	435022244R1	RN72W1J-224JE,Chip carbon
R1656,R1665,R1666	435022244R1	RN72W1J-224JE,Chip carbon
R1661,R1710,R1711	435021004R1	RN72W1J-100JE,Chip carbon
R1670,R1671,R1720	435021014R1	RN72W1J-101JE,Chip carbon
R1675,R1676,R1700	435022244R1	RN72W1J-224JE,Chip carbon
R1680,R1681,R1730	435022214R1	RN72W1J-221JE,Chip carbon

R1691,R1740,R1741	435024704R1
R1695,R1696	435021054R1
R1701,R1750,R1751	435022244R1
R1706,R1715,R1716	435024744R1
R1721,R1770,R1771	435021014R1
R1725,R1726	435024744R1
R1731,R1780,R1781	435022214R1
R1760,R1761	435021004R1
R1866,R1867	435030004R1
R1868,R1869,R1870	435022244R1
R1871,R1872,R1873	435021034R1
R1874,R1875,R1876	435024724R1
R1877,R1878,R1879	435021024R1
R401,R402,R403,R404	435023314R1
R405,R406,R407,R408	435023314R1
R409,R410,R411,R412	435023314R1
R413,R414,R415,R416	435025634R1
R417,R418,R419,R420	435025634R1
R421,R422,R423,R424	435025634R1
R425,R426,R427,R428	435022244R1
R429,R430,R431,R432	435022244R1
R433,R434,R435,R436	435022244R1
R437,R438,R439,R440	435024704R1
R441,R442,R443,R444	435022244R1
R445,R446,R447,R448	435021004R1
R449,R450,R451,R452	435021014R1
R453,R454,R455,R456	435022214R1
R457,R458	435023314R1
R459,R460	435025634R1
R461,R462,R473,R474	435022244R1
R463,R464	443622204
R475,R476	435021034R1
R477,R478	435024724R1
R479,R480	435021024R1
R481	435030004R1

Terminals

P1860	25045424
P1861,P1862	25045565
P401,P402	25045565
P403	25045491
C1545,C1546	25060406

CIRCUIT NO. PART NO.

Sockets

P1863B,P1864B,B1865B	25051527
P406B,P407B,P408B	25051527

Plugs

RN72W1J-470JE,Chip carbon
RN72W1J-105JE,Chip carbon
RN72W1J-224JE,Chip carbon
RN72W1J-474JE,Chip carbon
RN72W1J-101JE,Chip carbon
RN72W1J-474JE,Chip carbon
RN72W1J-221JE,Chip carbon
RN72W1J-100JE,Chip carbon
RN72K1J-000JE,Chip carbon
RN72W1J-224JE,Chip carbon
RN72W1J-103JE,Chip carbon
RN72W1J-472JE,Chip carbon
RN72W1J-102JE,Chip carbon
RN72W1J-331JE,Chip carbon
RN72W1J-331JE,Chip carbon
RN72W1J-331JE,Chip carbon
RN72W1J-563JE,Chip carbon
RN72W1J-563JE,Chip carbon
RN72W1J-563JE,Chip carbon
RN72W1J-224JE,Chip carbon
RN72W1J-224JE,Chip carbon
RN72W1J-224JE,Chip carbon
RN72W1J-470JE,Chip carbon
RN72W1J-224JE,Chip carbon
RN72W1J-100JE,Chip carbon
RN72W1J-101JE,Chip carbon
RN72W1J-221JE,Chip carbon
RN72W1J-331JE,Chip carbon
RN72W1J-563JE,Chip carbon
RN72W1J-224JE,Chip carbon
RS1WBJ-22,Metal oxide
RN72W1J-103JE,Chip carbon
RN72W1J-472JE,Chip carbon
RN72W1J-102JE,Chip carbon
RN72K1J-000JE,Chip carbon

NPJ-2PDBL249

NPJ-6PDBL380

NPJ-6PDBL380

NPJ-4PDBL308

TP00509-3C

DESCRIPTION

NSCT-16P1314

NSCT-16P1314

P1863A,P1864A,P1865A	25055805	NPLG-16P761
P3108A,P3109A	25056324R2	IMSA-9850B-20Y902
P406A,P407A,P408A	25055805	NPLG-16P761

SLOT TERMINAL E PC BOARD (NAAF-8148-1A)

Australian model only

CIRCUIT NO.	PART NO.	DESCRIPTION
ICs		
Q1083,Q1084,Q1085	22240489R1NE	MPC4570G2-T1(MST)
Q1086,Q1087,Q1090	22240489R1NE	MPC4570G2-T1(MST)
Q1100,Q1110,Q1120	22240489R1NE	MPC4570G2-T1(MST)
Q1130 ,Q1140	22240489R1NE	MPC4570G2-T1(MST)
Q1150,Q1160	22240489R1NE	MPC4570G2-T1(MST)
Q1400	22242101R2	TC9164BFG
Q1401	22242100R2	TC9163BFG
Q1402,Q1405	22242092R2	AK5384VF
Q1403	22241547R2	NJM2370U33
Q1404	22241649R2	TC7WHU04FK
Diodes		
D1400,D1401,D1402	223234R2 or	1SS352 or
D1403,D1404,D1405	223269R2	1SS355,Chip
D1406,D1407,D1408	223234R2 or	1SS352 or
D1409,D1410,D1411	223269R2	1SS355,Chip
D1412,D1413,D1414	223234R2 or	1SS352 or
D1415,D1416,D1417	223269R2	1SS355,Chip
D1418,D1419,D1420	223234R2 or	1SS352 or
D1421,D1422,D1423	223269R2	1SS355,Chip
D1424,D1425,D1426	223234R2 or	1SS352 or
D1427,D1428,D1429	223269R2	1SS355,Chip
D1430,D1431	223234R2 or	1SS352 or
	223269R2	1SS355,Chip
Coils		
L1400,L1401,L1402	231237M022R2	NCH-1471,Choke
L1403,L1405,L1407	233533M022R2	NCH-1587-022M,Choke
L1404,L1406	230958R1	BK1608LM182-T,EMI
R1413,R1414	230955R2	BK1608HS102-T,EMI
R1418,R1419	230955R2	BK1608HS102-T,EMI
Oscillator		
X1400	3010385R2	FCX-03-24.576MHz
Capacitors		
C1000,C1001,C1030	373023314R2	ECHU50V-331J,Chip film
C1010,C1011,C1040	395852207	CE04W25V-22M(ROB),Elect.
C1020,C1021	393342217 or	CE04W16V-220M(VX) or
	394642217	CE04W16V-220M(VR),Elect.
C1031,C1060,C1061	373023314R2	ECHU50V-331J,Chip film
C1041,C1070,C1071	395952207	CE04W25V-22M(RFS),Elect.

C1090,C1091,C1120	373023314R2	ECHU50V-331J,Chip film
C1100,C1101,C1130	395852207	CE04W25V-22M(ROB),Elect.
C1121,C1150,C1151	373023314R2	ECHU50V-331J,Chip film
C1131,C1160,C1220	395852207	CE04W25V-22M(ROB),Elect.
C1140,C1141	393342217 or 394642217	CE04W16V-220M(VX) or CE04W16V-220M(VR),Elect.
C1161,C1190,C1191	395952207	CE04W25V-22M(RFS),Elect.
C1180,C1181	373023314R2	ECHU50V-331J,Chip film
C1210,C1211	373023314R2	ECHU50V-331J,Chip film
C1221,C1310,C1311	395852207	CE04W25V-22M(ROB),Elect.
C1240,C1241,C1242	395942207	CE04W16V-22M(RFS),Elect.
C1243,C1244,C1245	395942207	CE04W16V-22M(RFS),Elect.
C1246,C1247	395942207	CE04W16V-22M(RFS),Elect.
C1250,C1251,C1252	373021524R2	ECHU50V-152J,Chip film
C1253,C1254,C1255	373021524R2	ECHU50V-152J,Chip film
C1256,C1257	373021524R2	ECHU50V-152J,Chip film
C1260,C1263	393341017 or 394641017	CE04W16V-100M(VX) or CE04W16V-100M(VR),Elect.
C1281,C1284	332161040R1	CK725F1E-104Z1,Chip ceramic
C1270,C1273	395824707	CE04W6.3V-47M(ROB),Elect.
C1290,C1291,C1292	395824707	CE04W6.3V-47M(ROB),Elect.
CIRCUIT NO.	PART NO.	DESCRIPTION
	Capacitors	
C1293,C1294,C1298	395942207	CE04W16V-22M(RFS),Elect.
C1295,C1296	395824707	CE04W6.3V-47M(ROB),Elect.
C1320,C1330,C1331	395852207	CE04W25V-22M(ROB),Elect.
C1340,C1341,C1350	395852207	CE04W25V-22M(ROB),Elect.
C1360,C1361	395852207	CE04W25V-22M(ROB),Elect.
C1370,C1371,C1372	395824707	CE04W6.3V-47M(ROB),Elect.
C1375,C1376	395824707	CE04W6.3V-47M(ROB),Elect.
C1400,C1401,C1402	332161040R1	CK725F1E-104Z1,Chip ceramic
C1403,C1405,C1406	332161040R1	CK725F1E-104Z1,Chip ceramic
C1404,C1407	393364707 or 394664707	CE04W35V-47M(VX) or CE04W35V-47M(VR),Elect.
C1408,C1409,C1414	332161040R1	CK725F1E-104Z1,Chip ceramic
C1410,C1411,C1418	342101014R1	CC725CH1H-101J1,Chip ceramic
C1415,C1428	393380227	CE04W50V-2.2M(VX),Elect.
C1416,C1419,C1421	332161040R1	CK725F1E-104Z1,Chip ceramic
C1417,C1420,C1430	393341007 or 394641007	CE04W16V-10M(VX) or CE04W16V-10M(VR),Elect.
C1432,C1437	393321017 or 394621017	CE04W6.3V-100M(VX) or CE04W6.3V-100M(VR),Elect.
C1422,C1438	393321017 or 394621017	CE04W6.3V-100M(VX) or CE04W6.3V-100M(VR),Elect.
C1423,C1424,C1427	332161040R1	CK725F1E-104Z1,Chip ceramic
C1425,C1426	342101504R1	CC725CH1H-150J1,Chip ceramic
C1429,C1431,C1434	332161040R1	CK725F1E-104Z1,Chip ceramic
C1433	342101014R1	CC725CH1H-101J1,Chip ceramic
C1435	332161040R1	CK725F1E-104Z1,Chip ceramic

C1436

374721044

ECQ-V50V-104J,Plastic film

Resistors

R1000,R1001,R1030
R1010,R1011,R1040
R1020,R1021,R1050
R1022,R1023,R1142
R1031,R1060,R1061
R1041,R1070,R1071
R1051,R1080,R1081
R1090,R1091,R1120
R1100,R1101,R1130
R1110,R1111,R1140
R1121,R1150,R1151
R1131,R1160,R1161
R1141,R1170,R1171
R1143,R1340,R1341
R1180,R1181,R1210
R1190,R1191,R1220
R1200,R1201,R1230
R1211,R1310,R1311
R1221,R1270,R1271
R1231,R1240,R1241
R1242,R1243,R1244
R1245,R1246,R1247
R1250,R1251,R1252
R1253,R1254,R1255
R1256,R1257,R1404
R1272,R1273,R1274
R1275,R1276,R1277
R1280,R1281,R1282
R1283,R1284,R1285
R1286,R1287
R1290,R1291,R1292
R1293,R1294,R1295
R1296,R1297,R1300
R1301,R1302,R1303
R1304,R1305,R1306
R1307
R1312,R1313,R1314
R1315,R1316,R1317
R1320,R1321,R1322
R1323,R1324,R1325
R1326,R1327
R1330,R1331,R1332
R1333,R1334,R1335

435023314R1
435025634R1
435022244R1
443522204
435023314R1
435025634R1
435022244R1
435023314R1
435025634R1
435022244R1
435023314R1
435025634R1
435022244R1
443522204
435023314R1
435025634R1
435022244R1
435023314R1
435025634R1
435022244R1
435023314R1
435025634R1
435022244R1
435021034R1
435021034R1
435021034R1
435025634R1
435025634R1
435025624R1
435025624R1
435024724R1
435024724R1
435024724R1
435024724R1
435024724R1
435024724R1
435023314R1
435023314R1
435023314R1
435023314R1
435023314R1
435023314R1
435025634R1
435025634R1

RN72W1J-331JE,Chip carbon
RN72W1J-563JE,Chip carbon
RN72W1J-224JE,Chip carbon
RS1/2WBJ-22,Metal oxide
RN72W1J-331JE,Chip carbon
RN72W1J-563JE,Chip carbon
RN72W1J-224JE,Chip carbon
RN72W1J-331JE,Chip carbon
RN72W1J-563JE,Chip carbon
RN72W1J-224JE,Chip carbon
RN72W1J-331JE,Chip carbon
RN72W1J-563JE,Chip carbon
RN72W1J-224JE,Chip carbon
RS1/2WBJ-22,Metal oxide
RN72W1J-331JE,Chip carbon
RN72W1J-563JE,Chip carbon
RN72W1J-224JE,Chip carbon
RN72W1J-331JE,Chip carbon
RN72W1J-563JE,Chip carbon
RN72W1J-224JE,Chip carbon
RN72W1J-103JE,Chip carbon
RN72W1J-103JE,Chip carbon
RN72W1J-103JE,Chip carbon
RN72W1J-563JE,Chip carbon
RN72W1J-563JE,Chip carbon
RN72W1J-562JE,Chip carbon
RN72W1J-562JE,Chip carbon
RN72W1J-472JE,Chip carbon
RN72W1J-472JE,Chip carbon
RN72W1J-472JE,Chip carbon
RN72W1J-472JE,Chip carbon
RN72W1J-472JE,Chip carbon
RN72W1J-331JE,Chip carbon
RN72W1J-331JE,Chip carbon
RN72W1J-331JE,Chip carbon
RN72W1J-331JE,Chip carbon
RN72W1J-331JE,Chip carbon
RN72W1J-563JE,Chip carbon
RN72W1J-563JE,Chip carbon

CIRCUIT NO.

PART NO.

DESCRIPTION

Resistors		
R1336,R1338	435025634R1	RN72W1J-563JE,Chip carbon
R1342,R1343	443522204	RS1/2WBJ-22,Metal oxide
R1402,R1403	435025604R1	RN72W1J-560JE,Chip carbon
R1405,R1409	435023314R1	RN72W1J-331JE,Chip carbon
R1407,R1415	435021024R1	RN72W1J-102JE,Chip carbon
R1408	435021054R1	RN72W1J-105JE,Chip carbon
R1411,R1412	435025604R1	RN72W1J-560JE,Chip carbon
R1416,R1417	435021034R1	RN72W1J-103JE,Chip carbon
R1420	435025614R1	RN72W1J-561JE,Chip carbon
R1450	435030004R1	RN72K1J-000JE,Chip carbon
Terminals		
P1400,P1402	25045795	NPT-4PDGPRW575
P1401,P1403	25045796	NPT-4PELNT576
Plug		
P3107A	25056329R2	IMSA-9850B-30Y902

SLOT K PC BOARD (NARF-8152-1A/1C)

CIRCUIT NO.	PART NO.	DESCRIPTION
ICs		
Q102	222780125JRC or 222780125NEC	78M12HF(NJM78M12FA) or 78M12HF(MPC78M12HF)
Q103	222780053JRC	78L05(NJM78L05A)
Q104	222740077R2TO	TC74HCT7007AF
Q105	22274125ER2TO	TC74VHC125FT
Oscillator		
X100	3010321	HC-49/U034.332MHz
Capacitors		
C100	355780339	CE04W50V-3.3M,Elect.
C101,C103	394680337 or 393380337	CE04W50V-3.3M(VR) or CE04W50V-3.3M(VX),Elect.
C102	345021014	CC45SL50V-101J,Ceramic
C104,C115,C117	335622230	CK45F50V-223Z,Ceramic
C108,C114	394621017	CE04W6.3V-100M(VR)
C115	335622230	CK45F50V-223Z,Ceramic
C116	393341017 or 394641017	CE04W16V-100M(VX) or CE04W16V-100M(VR),Elect.
C118	393321017 or 394621017	CE04W6.3V-100M(VX) or CE04W6.3V-100M(VR),Elect.
C119,C120	335622230	CK45F50V-223Z,Ceramic
Resistors		
R100,R101	417343314	R16J-330,Carbon
R102,R104,R105,R106	417341044	R16J-100K,Carbon
R103	417341014	R16J-100,Carbon
R112	417345624	R16J-5.6K,Carbon <A>
R127,R128,R129,R130	417341024	R16J-1K,Carbon

R134	417341024	R16J-1K,Carbon
	Socket	
P100	25052211	NSCT-15P2108
	Plug	
P3115A	25056314	IMSA-9850B-30A-GF

DIR CIRCUIT PC BOARD (NADG-8162-1)

CIRCUIT NO.	PART NO.	DESCRIPTION
	ICs	
Q7001,Q7002,Q7003	222741515R2TO	TC74HC151F
Q7004,Q7241	22274126GR2	TC74VHCT126AFT
Q7011	22242090R2	BU2152FS
Q7021,Q7121,Q7221	22241633R3	AK4114VQ
Q7051,Q7151	22242091R2	AK5385AVF
Q7052,Q7053,Q7054	22241448R2	NJM4580M-D
Q7061,Q7062,Q7063	22274153ER2TO	TC74VHC153FT
Q7152,Q7153,Q7154	22241448R2	NJM4580M-D
Q7161,Q7162,Q7163	22274153ER2TO	TC74VHC153FT
Q7242	22241894R2	TC74VHCT125AFT
Q7243,Q7309	222780053R2JR	78L05(NJM78L05UA)
Q7244,Q7304,Q7305	22240928R2	TC9246F
Q7245,Q7421	22241821R2	WM8716EDS
Q7271,Q7272,Q7273	22241448R2	NJM4580M-D
Q7274,Q7423,Q7424	22241448R2	NJM4580M-D
	PART NO.	DESCRIPTION
	ICs	
Q7310	22242095R2	TC7WH34FK
Q7311	22241917R2TO	TC7WT125FU
Q7401,Q7402	22278033DR2NE	MPC2933T
Q7425,Q7426	22241448R2	NJM4580M-D
	Modules	
U7001,U7002,U7003	24120113	GP1FA51HRZ
U7004,U7005,U7006	24120113	GP1FA51HRZ
U7007,U7008	24120114	GP1FA51HTZ
	Oscillators	
X7021,X7121,X7221	3010385R2	FCX-03-24.576MHz
	Diodes	
D7051,D7052,D7053	223234R2 or	1SS352 or
D7054,D7055,D7056	223269R2	1SS355,Chip
D7057,D7058	223234R2 or	1SS352 or
D7151,D7152,D7153	223269R2	1SS355,Chip
D7154,D7155,D7156	223234R2 or	1SS352 or
D7157,D7158	223269R2	1SS355,Chip
	Coils	
L7001,L7021,L7022	231237M022R2	NCH-1471,Choke
L7002,L7241,L7242	231237K470R2	NCH-1479,Choke

L7023,L7051,L7052
L7024,L7124
L7121,L7122,L7123
L7151,L7152,L7221
L7222,L7224,L7401
L7244,L7245,L7302
L7303,L7304,L7305
L7306,L7307
L7421,L7422
R7027
R7029,R7092,R7129
R7192,R7229
R7263,R7395,R7396

231237M022R2
230958R1
231237M022R2
231237M022R2
231237M022R2
231237K470R2
231237K470R2
230958R1
231237K470R2
230984R1
230955R2
230955R2
230958R1

Capacitors

C7001,C7009,C7015
C7002,C7003,C7004
C7005,C7006,C7007
C7010,C7011,C7012
C7013,C7014,C7016
C7017,C7021,C7023
C7022,C7024,C7122
C7025,C7053,C7054
C7026,C7051,C7052
C7027,C7127,C7227
C7028,C7128,C7228
C7029,C7129,C7229
C7030,C7031,C7130
C7055,C7057,C7072
C7056,C7058,C7071
C7059,C7160
C7061,C7062
C7063,C7064,C7163
C7069,C7070,C7169
C7075,C7076,C7077
C7121,C7123,C7125
C7124,C7222,C7224
C7126,C7151,C7152
C7131,C7230,C7231
C7153,C7154,C7156
C7155,C7157,C7226
C7158,C7175,C7176
C7161,C7162
C7164,C7249,C7251
C7170,C7279,C7280
C7177,C7221,C7223
C7225,C7242,C7244

356724709R2
332161040R1
332161040R1
332161040R1
332161040R1
332161040R1
3567A4709R2
332161040R1
356741009R2
356784799R2
342101014R1
332101025R1
342101804R1
356741009R2
332161040R1
332132245R1
332101035R1
356724709R2
356744709R2
332161040R1
332161040R1
3567A4709R2
356741009R2
342101804R1
332161040R1
356741009R2
332161040R1
332101035R1
356724709R2
356744709R2
332161040R1
332161040R1

NCH-1471,Choke
BK1608LM182-T,EMI
NCH-1471,Choke
NCH-1471,Choke
NCH-1471,Choke
NCH-1479,Choke
NCH-1479,Choke
BK1608LM182-T,EMI
NCH-1479,Choke
BK1608HS601-T,EMI
BK1608HS102-T,EMI
BK1608HS102-T,EMI
BK1608LM182-T,EMI

CEWX6.3V-47M,Chip elect.
CK725F1E-104Z1,Chip ceramic
CK725F1E-104Z1,Chip ceramic
CK725F1E-104Z1,Chip ceramic
CK725F1E-104Z1,Chip ceramic
CK725F1E-104Z1,Chip ceramic
CEWX4V-47M,Chip elect.
CK725F1E-104Z1,Chip ceramic
CEWX16V-10M,Chip elect.
CEWX50V-0.47M,Chip elect.
CC725CH1H-101J1,Chip ceramic
CK725B1H-102K1,Chip ceramic
CC725CH1H-180J1,Chip ceramic
CEWX16V-10M,Chip elect.
CK725F1E-104Z1,Chip ceramic
CK725B1A-224K1,Chip ceramic
CK725B1H-103K1,Chip ceramic
CEWX6.3V-47M,Chip elect.
CEWX16V-47M,Chip elect.
CK725F1E-104Z1,Chip ceramic
CK725F1E-104Z1,Chip ceramic
CEWX4V-47M,Chip elect.
CEWX16V-10M,Chip elect.
CC725CH1H-180J1,Chip ceramic
CK725F1E-104Z1,Chip ceramic
CEWX16V-10M,Chip elect.
CK725F1E-104Z1,Chip ceramic
CK725B1H-103K1,Chip ceramic
CEWX6.3V-47M,Chip elect.
CEWX16V-47M,Chip elect.
CK725F1E-104Z1,Chip ceramic
CK725F1E-104Z1,Chip ceramic

C7241,C7243,C7247
C7245,C7248,C7250
C7252,C7369,C7373
CIRCUIT NO.

C7253,C7368,C7372
C7254,C7367,C7371
C7256,C7258,C7260
C7257,C7259,C7265
C7263,C7264,C7356
C7266,C7357,C7425
C7267,C7268
C7271,C7272
C7273,C7274
C7275,C7276
C7277,C7278
C7281,C7282
C7358,C7360,C7362
C7359,C7361,C7363
C7364,C7374,C7375
C7365
C7401,C7403
C7402,C7404
C7423,C7424,C7429
C7426,C7430,C7432
C7427,C7428
C7431
C7433,C7434
C7435,C7436
C7437,C7438
C7439,C7440
C7441,C7442

356741009R2
332161040R1
342104704R1
PART NO.

Capacitors

332134745R1
342101024R1
332161040R1
356741009R2
332161040R1
356741009R2
373041044R2
356760479R2
373021524R2
373028214R2
373024714R2
3567A2209R2
332161040R1
356724709R2
332161040R1
356724709R2
332181050R1
3567A1019R2
332161040R1
356741009R2
373041044R2
332161040R1
356760479R2
373021524R2
373028214R2
373024714R2
356744709R2

Resistors

R7011,R7012,R7013
R7014,R7032,R7034
R7021,R7022,R7023
R7024,R7025,R7026
R7028,R7030,R7033
R7031,R7040,R7051
R7035,R7036,R7055
R7037,R7038
R7039,R7139,R7239
R7052,R7053,R7054
R7057,R7058,R7157
R7059,R7060
R7061,R7062,R7073

435033314R1
435031024R1
435033314R1
435033314R1
435034704R1
435033314R1
435031024R1
435034704R1
435031834R1
435034704R1
435031044R1
435033944R1
435031034R1

CEWX16V-10M,Chip elect.
CK725F1E-104Z1,Chip ceramic
CC725CH1H-470J1,Chip ceramic
DESCRIPTION

CK725B1A-474K1,Chip ceramic
CC725CH1H-102J1,Chip ceramic
CK725F1E-104Z1,Chip ceramic
CEWX16V-10M,Chip elect.
CK725F1E-104Z1,Chip ceramic
CEWX16V-10M,Chip elect.
ECHU16V-104J,Chip film
CEWX35V-4.7M,Chip elect.
ECHU50V-152J,Chip film
ECHU50V-821J,Chip film
ECHU50V-471J,Chip film
CEWX4V-22M,Chip elect.
CK725F1E-104Z1,Chip ceramic
CEWX6.3V-47M,Chip elect.
CK725F1E-104Z1,Chip ceramic
CEWX6.3V-47M,Chip elect.
CK725F1A-105Z1,Chip ceramic
CEWX4V-100M,Chip elect.
CK725F1E-104Z1,Chip ceramic
CEWX16V-10M,Chip elect.
ECHU16V-104J,Chip film
CK725F1E-104Z1,Chip ceramic
CEWX35V-4.7M,Chip elect.
ECHU50V-152J,Chip film
ECHU50V-821J,Chip film
ECHU50V-471J,Chip film
CEWX16V-47M,Chip elect.

RN72K1J-331JE,Chip carbon
RN72K1J-102JE,Chip carbon
RN72K1J-331JE,Chip carbon
RN72K1J-331JE,Chip carbon
RN72K1J-470JE,Chip carbon
RN72K1J-331JE,Chip carbon
RN72K1J-102JE,Chip carbon
RN72K1J-470JE,Chip carbon
RN72K1J-183JE,Chip carbon
RN72K1J-470JE,Chip carbon
RN72K1J-104JE,Chip carbon
RN72K1J-394JE,Chip carbon
RN72K1J-103JE,Chip carbon

CIRCUIT NO.	PART NO.	DESCRIPTION
R7063,R7064,R7065	435034724R1	RN72K1J-472JE,Chip carbon
R7066,R7067,R7068	435034724R1	RN72K1J-472JE,Chip carbon
R7069,R7070,R7071	435032204R1	RN72K1J-220JE,Chip carbon
R7072,R7169,R7170	435032204R1	RN72K1J-220JE,Chip carbon
R7074,R7161,R7162	435031034R1	RN72K1J-103JE,Chip carbon
R7075,R7076,R7077	435033314R1	RN72K1J-331JE,Chip carbon
R7078,R7079,R7080	435033314R1	RN72K1J-331JE,Chip carbon
R7081,R7082,R7083	435033314R1	RN72K1J-331JE,Chip carbon
R7084,R7085,R7086	435033314R1	RN72K1J-331JE,Chip carbon
R7087,R7088,R7089	435033314R1	RN72K1J-331JE,Chip carbon
R7090,R7121,R7122	435033314R1	RN72K1J-331JE,Chip carbon
R7091,R7093,R7094	435034704R1	RN72K1J-470JE,Chip carbon
R7095,R7127,R7128	435034704R1	RN72K1J-470JE,Chip carbon
R7123,R7124,R7125	435033314R1	RN72K1J-331JE,Chip carbon
R7126,R7131,R7140	435033314R1	RN72K1J-331JE,Chip carbon
R7130,R7133,R7137	435034704R1	RN72K1J-470JE,Chip carbon
R7132,R7134,R7135	435031024R1	RN72K1J-102JE,Chip carbon
R7136,R7155,R7232	435031024R1	RN72K1J-102JE,Chip carbon
R7138,R7152,R7153	435034704R1	RN72K1J-470JE,Chip carbon
R7151,R7175,R7176	435033314R1	RN72K1J-331JE,Chip carbon
R7154,R7191,R7193	435034704R1	RN72K1J-470JE,Chip carbon
R7158,R7275,R7276	435031044R1	RN72K1J-104JE,Chip carbon
R7159,R7160	435033944R1	RN72K1J-394JE,Chip carbon
R7163,R7164,R7165	435034724R1	RN72K1J-472JE,Chip carbon
R7166,R7167,R7168	435034724R1	RN72K1J-472JE,Chip carbon
R7171,R7172,R7269	435032204R1	RN72K1J-220JE,Chip carbon
R7177,R7178,R7179	435033314R1	RN72K1J-331JE,Chip carbon
R7180,R7181,R7182	435033314R1	RN72K1J-331JE,Chip carbon
CIRCUIT NO.	PART NO.	
	Resistors	
R7183,R7184,R7185	435033314R1	RN72K1J-331JE,Chip carbon
R7186,R7187,R7188	435033314R1	RN72K1J-331JE,Chip carbon
R7189,R7190,R7201	435033314R1	RN72K1J-331JE,Chip carbon
R7194,R7195,R7227	435034704R1	RN72K1J-470JE,Chip carbon
R7202,R7203,R7211	435033314R1	RN72K1J-331JE,Chip carbon
R7212,R7213	435033314R1	RN72K1J-331JE,Chip carbon
R7221,R7222,R7223	435033314R1	RN72K1J-331JE,Chip carbon
R7224,R7225,R7226	435033314R1	RN72K1J-331JE,Chip carbon
R7228,R7230,R7233	435034704R1	RN72K1J-470JE,Chip carbon
R7234,R7235,R7236	435031024R1	RN72K1J-102JE,Chip carbon
R7237,R7238,R7244	435034704R1	RN72K1J-470JE,Chip carbon
R7240,R7241	435033314R1	RN72K1J-331JE,Chip carbon
R7242,R7243	435033314R1	RN72K1J-331JE,Chip carbon
R7245,R7246,R7250	435034704R1	RN72K1J-470JE,Chip carbon
R7247,R7248,R7249	435033314R1	RN72K1J-331JE,Chip carbon
R7251,R7252,R7264	435034704R1	RN72K1J-470JE,Chip carbon

R7253,R7258,R7259	435033314R1	RN72K1J-331JE,Chip carbon
R7254,R7368,R7372	435031014R1	RN72K1J-101JE,Chip carbon
R7255,R7285,R7286	435031524R1	RN72K1J-152JE,Chip carbon
R7256,R7370,R7374	435035624R1	RN72K1J-562JE,Chip carbon
R7260,R7262	435033314R1	RN72K1J-331JE,Chip carbon
R7261,R7425	435031024R1	RN72K1J-102JE,Chip carbon
R7267,R7268	435032244R1	RN72K1J-224JE,Chip carbon
R7270,R7457,R7458	435032204R1	RN72K1J-220JE,Chip carbon
R7271,R7272,R7277	435031034R1	RN72K1J-103JE,Chip carbon
R7273,R7274	435035614R1	RN72K1J-561JE,Chip carbon
R7278,R7281,R7282	435031034R1	RN72K1J-103JE,Chip carbon
R7279,R7280	435032734R1	RN72K1J-273JE,Chip carbon
R7283,R7284,R7299	435031034R1	RN72K1J-103JE,Chip carbon
R7287,R7288,R7289	435032234R1	RN72K1J-223JE,Chip carbon
R7290,R7291,R7292	435032234R1	RN72K1J-223JE,Chip carbon
R7293,R7294,R7443	435032234R1	RN72K1J-223JE,Chip carbon
R7295,R7296,R7297	435031524R1	RN72K1J-152JE,Chip carbon
R7298,R7369,R7373	435031524R1	RN72K1J-152JE,Chip carbon
R7300,R7427,R7428	435031034R1	RN72K1J-103JE,Chip carbon
R7331,R7332	435034704R1	RN72K1J-470JE,Chip carbon
R7367,R7371	435033314R1	RN72K1J-331JE,Chip carbon
R7402,R7403	435320124R2	RN72K3A-012JE,Chip carbon
R7421,R7422,R7423	435033314R1	RN72K1J-331JE,Chip carbon
R7424,R7426	435033314R1	RN72K1J-331JE,Chip carbon
R7429,R7430	435035614R1	RN72K1J-561JE,Chip carbon
R7431,R7432	435031044R1	RN72K1J-104JE,Chip carbon
R7433,R7434,R7437	435031034R1	RN72K1J-103JE,Chip carbon
R7435,R7436	435032734R1	RN72K1J-273JE,Chip carbon
R7438,R7439,R7440	435031034R1	RN72K1J-103JE,Chip carbon
R7441,R7442,R7451	435031524R1	RN72K1J-152JE,Chip carbon
R7444,R7445,R7446	435032234R1	RN72K1J-223JE,Chip carbon
R7447,R7448,R7449	435032234R1	RN72K1J-223JE,Chip carbon
R7450	435032234R1	RN72K1J-223JE,Chip carbon
R7452,R7453,R7454	435031524R1	RN72K1J-152JE,Chip carbon
R7455,R7456	435031034R1	RN72K1J-103JE,Chip carbon
	Sockets	
P7002	25052810R2	IMSA-9850S-14Y900
P7402A,P7403A	25053006R2	IMSA-9832S-30Y930
	Plug	
P7401	25056332R2	IMSA-9828B-100Y900

DAC PC BOARD(NADG-8163-1)

CIRCUIT NO.	PART NO.	DESCRIPTION
	ICs	
Q701,Q7301	22242093R3	NS D610A002GDP225
Q702,Q7302	22241649R2	TC7WHU04FK

Q706,Q707	22242094R3	IC42S16800-7T
Q708	222W0018R300967	MX29LV160ABTC-70(0096)
Q7306,Q7307	22242094R3	IC42S16800-7T
Q7308	222W0018R300966	MX29LV160ABTC-70(0096)
Q7403,Q803	22242096R2	BD3502FVM
	Transistors	
Q7404,Q804	2216920R2	2SK2094
CIRCUIT NO.	PART NO.	DESCRIPTION
	Diodes	
D701,D702,D703,D704	223234R2 or 223269R2	1SS352 or 1SS355,Chip
D705,D7305	223274R2	CRS09
D7301,D7302	223234R2 or	1SS352 or
D7303,D7304	223269R2	1SS355,Chip
	Coils	
L701,L7301	230978R2	ACF451832-333-T,EMI
R7320,R7321,R7322	230984R1	BK1608HS601-T,EMI
R7323,R7324	230984R1	BK1608HS601-T,EMI
	Oscillators	
X701,X7301	3010393R2	FCX-03-30.000MHz
	Capacitors	
C701,C702,C703,C704	395541007R2	F93-16V-10M,Chip tantal
C705,C725,C726,C727	395541007R2	F93-16V-10M,Chip tantal
C706,C707,C708,C709	332161040R1	CK725F1E-104Z1,Chip ceramic
C710,C711,C712,C713	332161040R1	CK725F1E-104Z1,Chip ceramic
C714,C715,C716,C717	332161040R1	CK725F1E-104Z1,Chip ceramic
C718,C719,C720,C721	332161040R1	CK725F1E-104Z1,Chip ceramic
C722,C723,C724,C732	332161040R1	CK725F1E-104Z1,Chip ceramic
C728,C729,C730,C731	395541007R2	F93-16V-10M,Chip tantal
C7301,C7302,C7303	395541007R2	F93-16V-10M,Chip tantal
C7304,C7305,C7325	395541007R2	F93-16V-10M,Chip tantal
C7306,C7307,C7308	332161040R1	CK725F1E-104Z1,Chip ceramic
C7309,C7310,C7311	332161040R1	CK725F1E-104Z1,Chip ceramic
C7312,C7313,C7314	332161040R1	CK725F1E-104Z1,Chip ceramic
C7315,C7316,C7317	332161040R1	CK725F1E-104Z1,Chip ceramic
C7318,C7319,C7320	332161040R1	CK725F1E-104Z1,Chip ceramic
C7321,C7322,C7323	332161040R1	CK725F1E-104Z1,Chip ceramic
C7324,C7332,C7333	332161040R1	CK725F1E-104Z1,Chip ceramic
C7326,C7327,C7328	395541007R2	F93-16V-10M,Chip tantal
C7329,C7330,C7331	395541007R2	F93-16V-10M,Chip tantal
C733,C734,C735,C736	332161040R1	CK725F1E-104Z1,Chip ceramic
C7334,C7335,C7336	332161040R1	CK725F1E-104Z1,Chip ceramic
C7337,C7338,C7339	332161040R1	CK725F1E-104Z1,Chip ceramic
C7340,C7341,C7342	332161040R1	CK725F1E-104Z1,Chip ceramic
C7343,C7344,C7345	332161040R1	CK725F1E-104Z1,Chip ceramic
C7346,C7347,C7349	332161040R1	CK725F1E-104Z1,Chip ceramic

C7348,C7406,C7411	395541007R2
C7353,C7380,C7382	332161040R1
C7354,C754	342101204R1
C7355,C755	342101504R1
C737,C738,C739,C740	332161040R1
C7379,C7381,C7383	342101024R1
C7384,C7386,C7388	332161040R1
C7385,C7387,C7389	342101024R1
C7390,C7392,C7394	332161040R1
C7391,C7393,C7395	342101024R1
C7396,C7398,C7405	332161040R1
C7397	342101024R1
C7407,C7408	332102225R1
C741,C742,C743,C744	332161040R1
C7410,C810	395522217R2
C7412	332161040R1
C745,C746,C747,C749	332161040R1
C748,C806,C811	395541007R2
C753,C780,C782,C784	332161040R1
C779,C781,C783,C785	342101024R1
C786,C788,C790,C792	332161040R1
C787,C789,C791,C793	342101024R1
C794,C796,C798	332161040R1
C795,C797	342101024R1
C805,C812	332161040R1
C807,C808	332102225R1

Resistors

R701,R712,R713,R714	435033314R1
R702,R7302	435033924R1
R706,R7306	435031514R1
R708,R7308	435034714R1
R709,R710,R718,R720	435034704R1

CIRCUIT NO.

PART NO.

Resistors

R715,R716,R717,R736	435033314R1
R725,R750,R753,R757	435031824R1
R7301,R7312,R7313	435033314R1
R7309,R7310,R7318	435034704R1
R7314,R7315,R7316	435033314R1
R7317,R7336,R7337	435033314R1
R7325,R7350,R7353	435031824R1
R7338,R7341,R7342	435034704R1
R7340,R740	435033324R1
R7344,R7394,R7397	435033314R1
R7354	435034704R1
R7355,R755	435035614R1

F93-16V-10M,Chip tantal
CK725F1E-104Z1,Chip ceramic
CC725CH1H-120J1,Chip ceramic
CC725CH1H-150J1,Chip ceramic
CK725F1E-104Z1,Chip ceramic
CC725CH1H-102J1,Chip ceramic
CK725F1E-104Z1,Chip ceramic
CC725CH1H-102J1,Chip ceramic
CK725F1E-104Z1,Chip ceramic
CC725CH1H-102J1,Chip ceramic
CK725F1E-104Z1,Chip ceramic
CC725CH1H-102J1,Chip ceramic
CK725F1E-104Z1,Chip ceramic
CC725CH1H-102J1,Chip ceramic
CK725B1H-222K1,Chip ceramic
CK725F1E-104Z1,Chip ceramic
F93-6.3V-220M,Chip tantal
CK725F1E-104Z1,Chip ceramic
CK725F1E-104Z1,Chip ceramic
F93-16V-10M,Chip tantal
CK725F1E-104Z1,Chip ceramic
CC725CH1H-102J1,Chip ceramic
CK725F1E-104Z1,Chip ceramic
CC725CH1H-102J1,Chip ceramic
CK725F1E-104Z1,Chip ceramic
CC725CH1H-102J1,Chip ceramic
CK725F1E-104Z1,Chip ceramic
CK725B1H-222K1,Chip ceramic

RN72K1J-331JE,Chip carbon
RN72K1J-392JE,Chip carbon
RN72K1J-151JE,Chip carbon
RN72K1J-471JE,Chip carbon
RN72K1J-470JE,Chip carbon

DESCRIPTION

RN72K1J-331JE,Chip carbon
RN72K1J-182JE,Chip carbon
RN72K1J-331JE,Chip carbon
RN72K1J-470JE,Chip carbon
RN72K1J-331JE,Chip carbon
RN72K1J-331JE,Chip carbon
RN72K1J-182JE,Chip carbon
RN72K1J-470JE,Chip carbon
RN72K1J-332JE,Chip carbon
RN72K1J-331JE,Chip carbon
RN72K1J-470JE,Chip carbon
RN72K1J-561JE,Chip carbon

R7356,R756	435031054R1	RN72K1J-105JE,Chip carbon
R7357,R7358,R7359	435031824R1	RN72K1J-182JE,Chip carbon
R7360	435031824R1	RN72K1J-182JE,Chip carbon
R737,R744,R794,R797	435033314R1	RN72K1J-331JE,Chip carbon
R7376,R7377,R7378	435033304R1	RN72K1J-330JE,Chip carbon
R7379,R7380	435033304R1	RN72K1J-330JE,Chip carbon
R738,R741,R742,R754	435034704R1	RN72K1J-470JE,Chip carbon
R7381,R7382	435033304R1	RN72K1J-330JE,Chip carbon
R7390,R7391,R7392	435031034R1	RN72K1J-103JE,Chip carbon
R7398,R798	435031834R1	RN72K1J-183JE,Chip carbon
R758,R759,R760	435031824R1	RN72K1J-182JE,Chip carbon
R776,R777,R778,R779	435033304R1	RN72K1J-330JE,Chip carbon
R780,R781,R782	435033304R1	RN72K1J-330JE,Chip carbon
R790,R791,R792	435031034R1	RN72K1J-103JE,Chip carbon
	Plugs	
P701,P7301	25056542	IMSA-9204B-2-13Z122-GF
P7402B,P7403B	25056364R2	IMSA-9831B-30Y930
P7404A	25055966R2	NPLG-6P919

MOTHER PC BOARD (NAAR-8166-1E)

CIRCUIT NO.	PART NO.	DESCRIPTION
	ICs	
Q3101	NSP DISCON	M32174F4VFP(0088)
Q3102	22241642R2	S-80127CNMC-JKM-T2
Q3104	22274125CR2PH	74LV125PW
Q3105	22241894R2PH	74AHCT125PW
Q3107	22278033DR2NE or	MPC2933T or
Q3107 or	22278033DR2JR	NJM2391DL1-33
Q3109	222780155R2JR	78M15HF(NJM78M15DL1A)
Q3110	222790155R2JR	79M15(NJM79M15DL1A)
Q3112	22242113R2	PCA9564PW
Q3113	NSP	MX29LV160BBTC-70
Q3114	22274541GR2PH	74AHCT541PW
Q3115,Q3117	22274574GR2PH	74AHCT574PW
Q3116,Q3118,Q3120	22242124R2PH or	74HC1G32GW or
Q3122,Q3124,Q3126	22241292R2	TC7S32FU
Q3119,Q3121	22274574GR2PH	74AHCT574PW
Q3123,Q3125	22274574GR2PH	74AHCT574PW
Q3127	22274138IR2PH	74AHC138PW
Q3128	22278033BR2JR	NJU7200U33
	Transistors	
Q3103	2214540R2 or	RN2403 or
Q3103 or	2216240R2	DTA124EKA
Q3106	2214470R2	RN1402
Q3106 or	2216250R2	DTC114EKA
Q3129,Q3130,Q3131	2214470R2 or	RN1402 or

Q3132,Q3133,Q3134 Q3135,Q3136	2216250R2 2214470R2 or 2216250R2	DTC114EKA RN1402 or DTC114EKA
D3102,D3103 D3105,D3106,D3107 D3104	223234R2 or 223269R2 224490510R2 or 224550510R2	1SS352 or 1SS355,Chip UDZ5.1B or UDZS5.1B,Zener
D3108	224490820R2 or 224550820R2	UDZ8.2B or UDZS8.2B,Zener
D3109,D3110	223234R2 or 223269R2	1SS352 or 1SS355,Chip
CIRCUIT NO.	PART NO.	DESCRIPTION
L3101,L3102 L3103,L3104 L3105,L3106 R3215,R3216	231237M022R2 231237K470R2 231237K470R2 230955R2	NCH-1471,Choke NCH-1479,Choke NCH-1479,Choke BK1608HS102-T,EMI
X3101	Oscillator 3010392R2	FCX-03-10.000MHz
R3102,R3104,R3110 R3116,R3382,R3386 R3124,R3140,R3143 R3144,R3148,R3160 R3147,R3180,R3326 R3164,R3173,R3177 R3182,R3187,R3191 R3197,R3201,R3207 R3211,R3219,R3239 R3309,R3325,R3329 R3327,R3374,R3375 R3333,R3339,R3343 R3347,R3353,R3357 R3369,R3370 R3390,R3394	Coils 231237M022R2 231237K470R2 231237K470R2 230955R2 Oscillator 3010392R2 Composite parts 43474433004R1 43474418104R1 43474433004R1 43474433004R1 43474410304R1 43474433004R1 43474433004R1 43474433004R1 43474433004R1 43474433004R1 43474433004R1 43474433004R1 43474433004R1 43474433004R1 43474433004R1 43474433004R1 43474433004R1 43474433004R1 43474433004R1 43474433004R1 43474433004R1	RM4KJ330X04,Composite RM4KJ181X04,Composite RM4KJ330X04,Composite RM4KJ330X04,Composite RM4KJ103X04,Composite RM4KJ330X04,Composite RM4KJ330X04,Composite RM4KJ330X04,Composite RM4KJ330X04,Composite RM4KJ330X04,Composite RM4KJ330X04,Composite RM4KJ103X04,Composite RM4KJ330X04,Composite RM4KJ330X04,Composite RM4KJ330X04,Composite RM4KJ330X04,Composite RM4KJ330X04,Composite RM4KJ330X04,Composite RM4KJ330X04,Composite RM4KJ330X04,Composite
C3101,C3104,C3105 C3103,C3228,C3361 C3106,C3108,C3111 C3107,C3109 C3110,C3145 C3114,C3115,C3116 C3117,C3118,C3119 C3120,C3121,C3122 C3123,C3124,C3125	332161040R1 356721019R2 332161040R1 356741009R2 3567A1019R2 332161040R1 332161040R1 332161040R1 332161040R1 332161040R1	CK725F1E-104Z1,Chip ceramic CEWX6.3V-100M,Chip elect. CK725F1E-104Z1,Chip ceramic CEWX16V-10M,Chip elect. CEWX4V-100M,Chip elect. CK725F1E-104Z1,Chip ceramic CK725F1E-104Z1,Chip ceramic CK725F1E-104Z1,Chip ceramic CK725F1E-104Z1,Chip ceramic
	Capacitors	

C3126,C3127,LC3129	332161040R1	CK725F1E-104Z1,Chip ceramic
C3128,C3140	356741009R2	CEWX16V-10M,Chip elect.
C3130,C3137,C3138	332161040R1	CK725F1E-104Z1,Chip ceramic
C3131,C3133,C3134	394561007	CE04W35V-10M(VZ),Elect.
C3136	394561007	CE04W35V-10M(VZ),Elect.
C3142,C3143,C3144	332161040R1	CK725F1E-104Z1,Chip ceramic
C3146,C3147,C3157	332161040R1	CK725F1E-104Z1,Chip ceramic
C3148,C3154	342101024R1	CC725CH1H-102J1,Chip ceramic
C3170,C3172,C3181	332161040R1	CK725F1E-104Z1,Chip ceramic
C3175	3000116 or	EECS5R5V105 or
	3000089	DX-5R5V105,Super
C3196,C3206,C3226	332161040R1	CK725F1E-104Z1,Chip ceramic
C3229,C3319	342101204R1	CC725CH1H-120J1,Chip ceramic
C3317,C3337,C3351	332161040R1	CK725F1E-104Z1,Chip ceramic
C3320,C3362	342101204R1	CC725CH1H-120J1,Chip ceramic
C3322	332121045R1	CK725B1C-104K1,Chip cersamic
C3323	342102214R1	CC725CH1H-221J1,Chip ceramic
C3381	332161040R1	CK725F1E-104Z1,Chip ceramic

Resistors

R3101,R3120,R3121	435033304R1	RN72K1J-330JE,Chip carbon
R3107	417342724	R16J-2.7K,Carbon
R3109,R3111,R3112	435031034R1	RN72K1J-103JE,Chip carbon
R3118,R3119,R3122	435031034R1	RN72K1J-103JE,Chip carbon
R3123,R3125,R3131	435031034R1	RN72K1J-103JE,Chip carbon
R3132	435030004R1	RN72K1J-000JE,Chip carbon
R3133,R3134,R3135	435036834R1	RN72K1J-683JE,Chip carbon
R3136,R3153,R3159	435033304R1	RN72K1J-330JE,Chip carbon
R3139,R3152,R3154	435031034R1	RN72K1J-103JE,Chip carbon
R3155,R3156,R3171	435031034R1	RN72K1J-103JE,Chip carbon
R3157,R3181	435034734R1	RN72K1J-473JE,Chip carbon
R3168,R3169,R3178	435033304R1	RN72K1J-330JE,Chip carbon
R3172,R3183,R3188	435031034R1	RN72K1J-103JE,Chip carbon
R3184	435031824R1	RN72K1J-182JE,Chip carbon
R3185,R3186,R3217	435033304R1	RN72K1J-330JE,Chip carbon
R3189,R3190,R3192	435031034R1	RN72K1J-103JE,Chip carbon
R3193,R3195,R3198	435031034R1	RN72K1J-103JE,Chip carbon
R3194,R3196	435032244R1	RN72K1J-224JE,Chip carbon

CIRCUIT NO.

PART NO.

DESCRIPTION

R3218,R3233	435030004R1	RN72K1J-000JE,Chip carbon
R3223,R3224,R3229	435031034R1	RN72K1J-103JE,Chip carbon
R3230,R3231	435031034R1	RN72K1J-103JE,Chip carbon
R3234,R3235	435030004R1	RN72K1J-000JE,Chip carbon
R3236,R3271,R3301	435031034R1	RN72K1J-103JE,Chip carbon
R3302,R3304	435030004R1	RN72K1J-000JE,Chip carbon
R3306,R3307,R3308	435031034R1	RN72K1J-103JE,Chip carbon

R3310,R3313	435032224R1	RN72K1J-222JE,Chip carbon
R3311,R3312,R3359	435031034R1	RN72K1J-103JE,Chip carbon
R3314,R3316,R3317	435033304R1	RN72K1J-330JE,Chip carbon
R3315	435034724R1	RN72K1J-472JE,Chip carbon
R3319	435031054R1	RN72K1J-105JE,Chip carbon
R3320,R3358,R3360	435030004R1	RN72K1J-000JE,Chip carbon
R3323	435031024R1	RN72K1J-102JE,Chip carbon
R3361,R3362,R3365	435031034R1	RN72K1J-103JE,Chip carbon
R3363	435036834R1	RN72K1J-683JE,Chip carbon
R3364	435030004R1	RN72K1J-000JE,Chip carbon
R3366,R3373,R3383	435031034R1	RN72K1J-103JE,Chip carbon
R3371,R3372	435033304R1	RN72K1J-330JE,Chip carbon
R3376,R3377,R3378	435035134R1	RN72K1J-513JE,Chip carbon
R3379,R3380,R3381	435036834R1	RN72K1J-683JE,Chip carbon
R3397	435031034R1	RN72K1J-103JE,Chip carbon

Sockets

JL8002	200EE392615UL	NSAS-26P1451
P2001B,P2002B,P2204B	25052979R2	IMSA-9850S-30Y903
P2401B,P2501B,P3102B	25052979R2	IMSA-9850S-30Y903
P3107B,P3109B,P3115B	25052979R2	IMSA-9850S-30Y903
P3108B,P8000B,P8001B	25052974R2	IMSA-9850S-20Y903
P3501D	25053026R2	IMSA-9853S-28Y921
P7401B	25052982R2	IMSA-9828S-100Y900
P7501D	25053025R2	IMSA-9853S-20Y903
P8002B	25052971R2	IMSA-9850S-14Y903

Plugs

P3105B	25056360R2	MINI-CT-40P(4-353315-0)
P3106B	25056359R2	MINI-CT-38P(3-353315-8)
P3116C	25056294	PHDT-20P(B20B-PHDSS-B)
P3117B	25055966R2	NPLG-6P919
P3118B,P3125B	25055965R2	NPLG-5P918
P3119B	25055970R2	NPLG-10P923
P3120B	25056389R2	SM12B-SRSS-TB
P3120C	25056390R2	SM13B-SRSS-TB
P3126B	25055964R2	NPLG-4P917
P3127B	25055963R2	NPLG-3P916
P3129,P3132	25056543	ISMA-9210B-1-08Z863-PT1
P3130C	25056297	PHDT-26P(B26B-PHDSS-B)
P3131	25055704	NPLG-8P660

Sheets

A501	29095986	(MB)
------	----------	------

DRIVER CIRCUIT PC BOARD(NAAF-8168-1A/1B)

POWER AMPLIFIER PC BOARD(NAAF-8169-1A/1B)

THERMAL DETECTOR PC BOARD(NAETC-8170-1A/1B)

CIRCUIT NO.	PART NO.	DESCRIPTION
-------------	----------	-------------

CIRCUIT NO.	PART NO.	DESCRIPTION
Q5000, Q5001, Q5002	2210756 or	2SC1775A-F or
Q5003, Q5004	2210755 or	2SC1775A-E or
Q5005, Q5006	2211733	2SC1845-E
Q5010, Q5011, Q5012	2210756 or	2SC1775A-F or
Q5013, Q5014	2210755 or	2SC1775A-E or
Q5015, Q5016	2211733	2SC1845-E
Q5020, Q5021, Q5022	2210756 or	2SC1775A-F or
Q5023, Q5024	2210755 or	2SC1775A-E or
Q5025, Q5026	2211733	2SC1845-E
Q5030, Q5031	2203795 or	2SA1381-E or
Q5032, Q5033	2203794	2SA1381-D
Q5034, Q5035	2203795 or	2SA1381-E or
Q5036	2203794	2SA1381-D
Q5040, Q5041	2203795 or	2SA1381-E or
Q5042, Q5043	2203794	2SA1381-D
CIRCUIT NO.	PART NO.	DESCRIPTION
	Transistors	
Q5044, Q5045	2203795 or	2SA1381-E or
Q5046	2203794	2SA1381-D
Q5050, Q5051	2203795 or	2SA1381-E or
Q5052, Q5053	2203794	2SA1381-D
Q5054, Q5055	2203795 or	2SA1381-E or
Q5056	2203794	2SA1381-D
Q5080, Q5081	2203805 or	2SC3503-E or
Q5082, Q5083	2203804	2SC3503-D
Q5084, Q5085	2203805 or	2SC3503-E or
Q5086	2203804	2SC3503-D
Q5601	2212445	2SK365-GR
Q5602, Q5605, Q5606	2213284 or	2SC1740S-R or
Q5607, Q5608	2212115 or	2SC2458-GR or
Q6730, Q6740	2213285 or	2SC1740S-S or
	2215864	KTC3199-GR
Q5603, Q5604	221282 or	DTC144ES or
	2213560 or	RN1204 or
	2215820	KRC104M
Q5609, Q5610	221282 or	DTC144ES or
	2213560 or	RN1204 or
	2215820	KRC104M
Q5611	2202706 or	2SD2394-F or
	2202705 or	2SD2394-E or
	2203594 or	KTC2026-Y or
	2203595	KTC2026-GR
Q6000, Q6010	2212654 or	2SC3421-Y or
	2212653	2SC3421-O
Q6020, Q6705	2213354 or	2SA933S-R or

	2212125 or	2SA1048-GR or
	2213355 or	2SA933S-S or
	2215995	KTA1267-GR
Q6030	2203805 or	2SC3503-E or
	2203804	2SC3503-D
Q6040	2203795 or	2SA1381-E or
	2203794	2SA1381-D
Q6070	2214984 or	2SC2631-R or
	2214985	2SC2631-S
Q6100,Q6110	2203334 or	2SA1859A-Y or
	2203333	2SA1859A-O
Q6704	2211793 or	2SA992-E or
	2211792 or	2SA992-F or
	2215885 or	KTA1268-GR or
	2215886	KTA1268-BL
	Diodes	
D5000,D5001,D5002	224470562	MTZJ5.6B,Zener
D5003,D5004	224470562	MTZJ5.6B,Zener
D5005,D5006	224470562	MTZJ5.6B,Zener
D5601,D5604,D5605	223163 or	1SS133 or
D5606,D5607,D5610	223205 or	1SS270A or
D5611	223222	WG713A
D5602,D5603	22380260 or	RL1N4003 or
	22380035	GP104003E
D5612	224471303T	MTZJ13C,Zener
D6000,D6010	223163 or	1SS133 or
	223205 or	1SS270A or
	223222	WG713A
D6704,D6707	224470332T	MTZJ3.3B,Zener
	Cores	
L6000,L6010	5597-45502	FR
	Capacitors	
C5000,C5001,C5002	395842207	CE04W16V-22M(ROB),Elect.
C5003,C5004,C5005	395842207	CE04W16V-22M(ROB),Elect.
C5006,C5010,C5011	395842207	CE04W16V-22M(ROB),Elect.
C5012,C5013,C5014	395842207	CE04W16V-22M(ROB),Elect.
C5015,C5016	395842207	CE04W16V-22M(ROB),Elect.
C5020,C5021,C5022	374721015	ECQ-B50V-101K,Plastic film
C5023,C5024,C5025	374721015	ECQ-B50V-101K,Plastic film
C5026,C5030,C5031	374721015	ECQ-B50V-101K,Plastic film
C5032C5033,C5034	374721015	ECQ-B50V-101K,Plastic film
CIRCUIT NO.	PART NO.	DESCRIPTION
C5035,C5036	374721015	ECQ-B50V-101K,Plastic film
C5040,C5041,C5042	393342217	CE04W16V-220M(VX),Elect.
C5043,C5044	393342217	CE04W16V-220M(VX),Elect.

C5045,C5046	393342217	CE04W16V-220M(VX),Elect.
C5050,C5051,C5052	393381007	CE04W50V-10M(VX),Elect.
C5053,C5054	393381007	CE04W50V-10M(VX),Elect.
C5055,C5056	393381007	CE04W50V-10M(VX),Elect.
C5070,C5071,C5072	393391007	CE04W100V-10M(VX),Elect.
C5073,C5074	393391007	CE04W100V-10M(VX),Elect.
C5075,C5076	393391007	CE04W100V-10M(VX),Elect.
C5080,C5081,C5082	393372207	CE04W63V-22M(VX),Elect.
C5083,C5084	393372207	CE04W63V-22M(VX),Elect.
C5085,C5086	393372207	CE04W63V-22M(VX),Elect.
C5090,C5091,C5092	393384707	CE04W50V-47M(VX),Elect.
C5093,C5094	393384707	CE04W50V-47M(VX),Elect.
C5095,C5096	393384707	CE04W50V-47M(VX),Elect.
C5110,C5111,C5112	363150502	MI92-500V-050D,Plastic film
C5113,C5114	363150502	MI92-500V-050D,Plastic film
C5115,C5116	363150502	MI92-500V-050D,Plastic film
C5120,C5121,C5122	394691017S	CE04W100V-100M(VR),Elect.
C5123,C5124,C5125	394691017S	CE04W100V-100M(VR),Elect.
C5126,C5130,C5131	394691017S	CE04W100V-100M(VR),Elect.
C5132,C5133,C5134	394691017S	CE04W100V-100M(VR),Elect.
C5135,C5136	394691017S	CE04W100V-100M(VR),Elect.
C5602,C5603,C5604	3500217	CE04W35V-100M(VZ2.5),Elect.
C6000	374721024	ECQ-B50V-102J,Plastic film
C6010,C6020	3500215	CE04W160V-4.7M(VZ2.5),Elect.
C6030	374734734	ECQ-V100-473J,Plastic film
C6040	374722234	ECQ-B50V-223J,Plastic film
C6520,C6530	3500216	CE04W100V-22M(VZ2.5),Elect.
C6704	3500219	CE04W50V-1M(RZ2.5),Elect.
C6705,C6706	335622230	CK45F50V-223Z,Ceramic
C6707	3500220	CE04W6.3V-100M(RZ2.5),Elect.
C6730	3500218	CE04W6.3V-220M(RZ2.5),Elect.

Resistors

R5000,R5001,R5002	417341024	R16J-1K,Carbon
R5003,R5004,R5005	417341024	R16J-1K,Carbon
R5006	417341024	R16J-1K,Carbon
R5010,R5011,R5012	417345634	R16J-56K,Carbon
R5013,R5014,R5015	417345634	R16J-56K,Carbon
R5016,R5250,R5251	417345634	R16J-56K,Carbon
R5020,R5021,R5022	417343314	R16J-330,Carbon
R5023,R5024,R5025	417343314	R16J-330,Carbon
R5026,R5030,R5031	417343314	R16J-330,Carbon
R5032,R5033,R5034	417343314	R16J-330,Carbon
R5035,R5036,R5040	417343314	R16J-330,Carbon
R5041,R5042,R5043	417343314	R16J-330,Carbon
R5044,R5045,R5046	417343314	R16J-330,Carbon
R5050,R5051,R5052	417345624	R16J-5.6K,Carbon

CIRCUIT NO.	PART NO.	DESCRIPTION
R5053,R5054,R5055	417345624	R16J-5.6K,Carbon
R5056,R6718	417345624	R16J-5.6K,Carbon
R5060,R5061,R5062	417342724	R16J-2.7K,Carbon
R5063,R5064	417342724	R16J-2.7K,Carbon
R5065,R5066	417342724	R16J-2.7K,Carbon
R5070,R5071,R5072	417341044	R16J-100K,Carbon
R5073,R5074,R5075	417341044	R16J-100K,Carbon
R5076,R5290,R5291	417341044	R16J-100K,Carbon
R5090,R5091,R5092	417341824	R16J-1.8K,Carbon
R5093,R5094	417341824	R16J-1.8K,Carbon
R5095,R5096	417341824	R16J-1.8K,Carbon
R5110,R5111,R5112	417342224	R16J-2.2K,Carbon
R5113,R5114	417342224	R16J-2.2K,Carbon
R5115,R5116	417342224	R16J-2.2K,Carbon
R5120,R5121,R5122	417342224	R16J-2.2K,Carbon
R5123,R5124	417342224	R16J-2.2K,Carbon
R5125,R5126	417342224	R16J-2.2K,Carbon
R5130,R5131,R5132	415478214	R25J-820,NF carbon
R5133,R5134,R5135	415478214	R25J-820,NF carbon
R5136,R5140,R5141	415478214	R25J-820,NF carbon
CIRCUIT NO.	PART NO.	DESCRIPTION
	Resistors	
R5142,R5143,R5144	415478214	R25J-820,NF carbon
R5145,R5146,R5170	415478214	R25J-820,NF carbon
R5150,R5151,R5152	443521034	RS1/2WBJ-10K,Metal oxide
R5153,R5154	443521034	RS1/2WBJ-10K,Metal oxide
R5155,R5156	443521034	RS1/2WBJ-10K,Metal oxide
R5160,R5161,R5162	415471024	R25J-1.0K,NF carbon
R5163,R5164,R5165	415471024	R25J-1.0K,NF carbon
R5166	415471024	R25J-1.0K,NF carbon
R5171,R5172,R5173	415478214	R25J-820,NF carbon
R5174,R5175,R5176	415478214	R25J-820,NF carbon
R5180,R5181,R5182	415473304	R25J-33,NF carbon
R5183,R5184,R5185	415473304	R25J-33,NF carbon
R5186	415473304	R25J-33,NF carbon
R5210,R5211,R5212	417341834	R16J-18K,Carbon
R5213,R5214	417341834	R16J-18K,Carbon
R5215,R5216	417341834	R16J-18K,Carbon
R5220,R5221,R5222	417341834	R16J-18K,Carbon
R5223,R5224	417341834	R16J-18K,Carbon
R5225,R5226	417341834	R16J-18K,Carbon
R5230,R5231,R5232	415471504	R25J-15,NF carbon
R5233,R5234,R5235	415471504	R25J-15,NF carbon
R5236,R5240,R5241	415471504	R25J-15,NF carbon
R5242,R5243,R5244	415471504	R25J-15,NF carbon
R5245,R5246	415471504	R25J-15,NF carbon

R5252,R5253,R5254	417345634	R16J-56K,Carbon
R5255,R5256	417345634	R16J-56K,Carbon
R5260,R5261,R5262	417342744	R16J-270K,Carbon
R5263,R5264	417342744	R16J-270K,Carbon
R5265,R5266	417342744	R16J-270K,Carbon
R5280,R5281,R5282	443521034	RS1/2WBJ-10K,Metal oxide
R5283,R5284	443521034	RS1/2WBJ-10K,Metal oxide
R5285,R5286	443521034	RS1/2WBJ-10K,Metal oxide
R5292,R5293,R5294	417341044	R16J-100K,Carbon
R5295,R5296,R5603	417341044	R16J-100K,Carbon
R5300,R5301,R5302	415478204	R25J-82,NF carbon
R5303,R5304	415478204	R25J-82,NF carbon
R5305,R5306	415478204	R25J-82,NF carbon
R5330,R5331,R5332	415478204	R25J-82,NF carbon
R5333,R5334,R5335	415478204	R25J-82,NF carbon
R5336	415478204	R25J-82,NF carbon
R5601	417343334	R16J-33K,Carbon
R5602	417341054	R16J-1M,Carbon
R5604,R5606,R5608	417341034	R16J-10K,Carbon
R5605	417341014	R16J-100,Carbon
R5607,R5609,R5610	417342724	R16J-2.7K,Carbon
R5612	417342724	R16J-2.7K,Carbon
R5613,R5614	417341034	R16J-10K,Carbon
R5618	443521014	RS1/2WBJ-100,Metal oxide
R5619	453530474	RNU1/2WCJ-4.7,Metal
R5620,R5621	443524724	RS1/2WBJ-4.7K,Metal oxide
R5622,R5623	443524724	RS1/2WBJ-4.7K,Metal oxide
R5650	4000217	PTFL04BF471Q2N34B0 (80)
R5660	4000219	PTFL04BD471Q2N34B0 (100) <A>
R5660	4000220	PTFL04BC471Q2N34B0 (110) <D>
R6010	417344724	R16J-4.7K,Carbon
R6020	417343324	R16J-3.3K,Carbon
R6030,R6050,R6717	417342724	R16J-2.7K,Carbon
R6040	5215387	N06HR1KBBM(RH0684C),Trimming
R6060	415471214	R25J-120,NF carbon
R6070	415475604	R25J-56,NF carbon
R6080,R6090	443521004	RS1/2WBJ-10,Metal oxide
R6110,R6705,R6707	417341034	R16J-10K,Carbon
R6120,R6130,R6140	443522204	RS1/2WBJ-22,Metal oxide
R6150,R6160	415471014	R25J-100,NF carbon
R6170,R6706,R6708	417343334	R16J-33K,Carbon
R6180,R6190	417341234	R16J-12K,Carbon
R6200	417343944	R16J-390K,Carbon
R6210,R6220,R6230	417344734	R16J-47K,Carbon
R6250,R6260	415478204	R25J-82,NF carbon
CIRCUIT NO.	PART NO.	DESCRIPTION

Resistors

R6279,R6280	415471504	R25J-15,NF carbon
R6290,R6300	415470224	R25J-2.2,NF carbon
R6310	415471004	R25J-10,NF carbon
R6330,R6340,R6350	453532294	RNU1/2WCJ-0.22,Metal
R6360,R6560,R6570	453532294	RNU1/2WCJ-0.22,Metal
R6400,R6410,R6420	4800077	RSS2WJ-0.47(BPR28CR47J),Metal plate
R6430,R6500,R6510	4800077	RSS2WJ-0.47(BPR28CR47J),Metal plate
R6520,R6530	4800077	RSS2WJ-0.47(BPR28CR47J),Metal plate
R6600,R6610,R6620	417341024	R16J-1K,Carbon
R6630,R6640,R6650	417341024	R16J-1K,Carbon
R6704	417342244	R16J-220K,Carbon
R6714,R6715,R6740	417343334	R16J-33K,Carbon
R6730	417346824	R16J-6.8K,Carbon

Sockets

P6000A	2009990841BUL	NSAS-72P1254
P3118A	200C4341040UL	NSAS-10P1386
P6951A	25050460	NSCT-9P284
JL6361A	25051088	NSCT-4P875
P6952H	25052301	NSCT-18P2198

Plugs

P6401,P6402	25055089	NPLG-3P73
P6960A	25055147	NPLG-3P131
P5000B	25055158	NPLG-14P142
JL6361B	25055625	NPLG-4P587
P6070	25055689	NPLG-2P645

Isolated sheet

Q5050C,Q5051C,Q5052C	223039	TBM-5 NO.9281(TO-126)
Q5053C,Q5054C,Q5055C	223039	TBM-5 NO.9281(TO-126)
Q5056C,Q5080C,Q5081C	223039	TBM-5 NO.9281(TO-126)
Q5082C,Q5083C,Q5084C	223039	TBM-5 NO.9281(TO-126)
Q5085C,Q5086C	223039	TBM-5 NO.9281(TO-126)

Clamps

P5201,P5202,P5203	260224	CP-1S
P5204,P5206	260224	CP-1S
P5207,P5208	260224	CP-1S

Retainers

P5001	27141883	(AMP)
R5650A,R5660A	27141884	(PTH)
P6300	27141915	(BUS-1A)
P6400	27141916	(BUS-1B)
P6100	27141917	(BUS-2)

Heat sinks

Q5050A,Q5051A,Q5052A	27160517	RAD-177
Q5053A,Q5054A	27160517	RAD-177
Q5055A,Q5056A	27160517	RAD-177

Q5611A,Q6100A,Q6110A	27160538	RAD-191
	Screws	
Q5050B,Q5051B,Q5052B	82143006	3P+6FN(BC)
Q5053B,Q5054B,Q5055B	82143006	3P+6FN(BC)
Q5056B,Q5080B,Q5081B	82143006	3P+6FN(BC)
Q5082B,Q5083B,Q5084B	82143006	3P+6FN(BC)
Q5085B,Q5086B	82143006	3P+6FN(BC)
Q5611B,P6100B,Q6110B	801612	3TTB+8B(CU)

POWER AMPLIFIER PC BOARD 1 (NAAF-8173-1)

POWER AMPLIFIER PC BOARD 2 (NAAF-8174-1)

POWER AMPLIFIER PC BOARD 3 (NAAF-8175-1)

CIRCUIT NO.	PART NO.	DESCRIPTION
	Transistors	
Q6001,Q6002,Q6003	2212654 or	2SC3421-Y or
Q6004,Q6005,Q6006	2212653	2SC3421-O
Q6011,Q6012,Q6013	2212654 or	2SC3421-Y or
Q6014,Q6015,Q6016	2212653	2SC3421-O
Q6021,Q6022,Q6023	2213354 or	2SA933S-R or
Q6024,Q6025,Q6026	2212125 or	2SA1048-GR or
	2213355 or	2SA933S-S or
	2215995	KTA1267-GR
Q6031,Q6032,Q6033	2203805 or	2SC3503-E or
Q6034,Q6035,Q6036	2203804	2SC3503-D
	PART NO.	DESCRIPTION
	Transistors	
Q6041,Q6042,Q6043	2203795 or	2SA1381-E or
Q6044,Q6045,Q6046	2203794	2SA1381-D
Q6071,Q6072,Q6073	2214984 or	2SC2631-R or
Q6074,Q6075,Q6076	2214985	2SC2631-S
Q6101,Q6102,Q6103	2203334	2SA1859A-Y
Q6104,Q6105,Q6106	2203334	2SA1859A-Y
Q6111,Q6112,Q6113	2203344	2SC4883A-Y
Q6114,Q6115,Q6116	2203344	2SC4883A-Y
Q6731,Q6733,Q6734	2213284 or	2SC1740S-R or
Q6741,Q6743,Q6744	2212115 or	2SC2458-GR or
	2213285 or	2SC1740S-S or
	2215864	KTC3199-GR
	Diodes	
D6001,D6002,D6003	223163 or	1SS133 or
D6004,D6005,D6006	223205 or	1SS270A or
	223222	WG713A
D6011,D6012,D6013	223163 or	1SS133 or
D6014,D6015,D6016	223205 or	1SS270A or
	223222	WG713A
	Cores	

R6154,R6155,R6156	415471014	R25J-100,NF carbon
R6161,R6162,R6163	415471014	R25J-100,NF carbon
R6164,R6165,R6166	415471014	R25J-100,NF carbon
CIRCUIT NO.	PART NO.	DESCRIPTION
	Resistors	
R6171,R6172,R6173	417343334	R16J-33K,Carbon
R6174,R6175,R6176	417343334	R16J-33K,Carbon
R6181,R6182,R6183	417341234	R16J-12K,Carbon
R6184,R6185,R6186	417341234	R16J-12K,Carbon
R6191,R6192,R6193	417341234	R16J-12K,Carbon
R6194,R6195,R6196	417341234	R16J-12K,Carbon
R6201,R6202,R6203	417343944	R16J-390K,Carbon
R6204,R6205,R6206	417343944	R16J-390K,Carbon
R6211,R6212,R6213	417344734	R16J-47K,Carbon
R6214,R6215,R6216	417344734	R16J-47K,Carbon
R6221,R6222,R6223	417344734	R16J-47K,Carbon
R6224,R6225,R6226	417344734	R16J-47K,Carbon
R6231,R6232,R6233	417344734	R16J-47K,Carbon
R6234,R6235,R6236	417344734	R16J-47K,Carbon
R6251,R6252,R6253	415478204	R25J-82,NF carbon
R6254,R6255,R6256	415478204	R25J-82,NF carbon
R6261,R6262,R6263	415478204	R25J-82,NF carbon
R6264,R6265,R6266	415478204	R25J-82,NF carbon
R6271,R6272,R6273	415471504	R25J-15,NF carbon
R6274,R6275,R6276	415471504	R25J-15,NF carbon
R6281,R6282,R6283	415471504	R25J-15,NF carbon
R6284,R6285,R6286	415471504	R25J-15,NF carbon
R6291,R6292,R6293	415470224	R25J-2.2,NF carbon
R6294,R6295,R6296	415470224	R25J-2.2,NF carbon
R6301,R6302,,R6303	415470224	R25J-2.2,NF carbon
R6304,R6305,R6306	415470224	R25J-2.2,NF carbon
R6311,R6312,R6313	415471004	R25J-10,NF carbon
R6314,R6315,R6316	415471004	R25J-10,NF carbon
R6331,R6332,R6333	453532294	RNU1/2WCJ-0.22,Metal
R6334,R6335,R6336	453532294	RNU1/2WCJ-0.22,Metal
R6341,R6342,R6343	453532294	RNU1/2WCJ-0.22,Metal
R6344,R6345,R6346	453532294	RNU1/2WCJ-0.22,Metal
R6351,R6352,R6353	453532294	RNU1/2WCJ-0.22,Metal
R6354,R6355,R6356	453532294	RNU1/2WCJ-0.22,Metal
R6361,R6362,R6363	453532294	RNU1/2WCJ-0.22,Metal
R6364,R6365,R6366	453532294	RNU1/2WCJ-0.22,Metal
R6401,R6402,R6403	4800077	RSS2WJ-0.47(BPR28CR47J),Metal plate
R6404,R6405,R6406	4800077	RSS2WJ-0.47(BPR28CR47J),Metal plate
R6411,R6412,R6413	4800077	RSS2WJ-0.47(BPR28CR47J),Metal plate
R6414,R6415,R6416	4800077	RSS2WJ-0.47(BPR28CR47J),Metal plate
R6421,R6422,R6423	4800077	RSS2WJ-0.47(BPR28CR47J),Metal plate

R6424,R6425,R6426	4800077	RSS2WJ-0.47(BPR28CR47J),Metal plate
R6431,R6432,R6433	4800077	RSS2WJ-0.47(BPR28CR47J),Metal plate
R6434,R6435,R6436	4800077	RSS2WJ-0.47(BPR28CR47J),Metal plate
R6501,R6502,R6503	4800077	RSS2WJ-0.47(BPR28CR47J),Metal plate
R6504,R6505,R6506	4800077	RSS2WJ-0.47(BPR28CR47J),Metal plate
R6511,R6512,R6513	4800077	RSS2WJ-0.47(BPR28CR47J),Metal plate
R6514,R6515,R6516	4800077	RSS2WJ-0.47(BPR28CR47J),Metal plate
R6521,R6522,R6523	4800077	RSS2WJ-0.47(BPR28CR47J),Metal plate
R6524,R6525,R6526	4800077	RSS2WJ-0.47(BPR28CR47J),Metal plate
R6531,R6532,R6533	4800077	RSS2WJ-0.47(BPR28CR47J),Metal plate
R6534,R6535,R6536	4800077	RSS2WJ-0.47(BPR28CR47J),Metal plate
R6561,R6563,R6564	453532294	RNU1/2WCJ-0.22,Metal
R6571,R6573,R6574	453532294	RNU1/2WCJ-0.22,Metal
R6601,R6602,R6603	417341024	R16J-1K,Carbon
R6604,R6605,R6606	417341024	R16J-1K,Carbon
R6611,R6612,R6613	417341024	R16J-1K,Carbon
R6614,R6615,R6616	417341024	R16J-1K,Carbon
R6621,R6622,R6623	417341024	R16J-1K,Carbon
R6624,R6625,R6626	417341024	R16J-1K,Carbon
R6631,R6632,R6633	417341024	R16J-1K,Carbon
R6634,R6635,R6636	417341024	R16J-1K,Carbon
R6641,R6642,R6643	417341024	R16J-1K,Carbon
R6644,R6645,R6646	417341024	R16J-1K,Carbon
R6651,R6652,R6653	417341024	R16J-1K,Carbon
R6654,R6655,R6656	417341024	R16J-1K,Carbon
R6731,R6733,R6734	417346824	R16J-6.8K,Carbon
R6741,R6743,R6744	417343334	R16J-33K,Carbon

CIRCUIT NO.	PART NO.	DESCRIPTION
	Sockets	
P6951B,P6951D,P6951E	25050460	NSCT-9P284
P6952C,P6952F,P6952G	25052299	NSCT-16P2196
	Plugs	
JL6361B	25055625	NPLG-4P587
P6071,P6072,P6073	25055689	NPLG-2P645
P6074,P6075,P6076	25055689	NPLG-2P645
	Retainers	
P6101,P6103,P6104	27141917	(BUS-2)
P6102,P6105,P6106	27141918	(BUS-3)
P6301,P6302,P6303	27141914	(BUS-1)
P6401,P6402,P6403	27141914	(BUS-1)
	Heat sinks	
Q6101A,Q6102A,Q6103A	27160538	RAD-191
Q6104A,Q6105A,Q6106A	27160538	RAD-191
Q6111A,Q6112A,Q6113A	27160538	RAD-191
Q6114A,Q6115A,Q6116A	27160538	RAD-191

Screws

Q6101B,Q6102B,Q6103B	801612	3TTB+8B(CU)
Q6104B,Q6105B,Q6106B	801612	3TTB+8B(CU)
Q6111B,Q6112B,Q6113B	801612	3TTB+8B(CU)
Q6114B,Q6115B,Q6116B	801612	3TTB+8B(CU)

CONNECTOR PC BOARD 1 FOR POWER AMPLIFIER (NAETC-8177-1)**CONNECTOR PC BOARD 2 FOR POWER AMPLIFIER (NAETC-8178-1)****POWER TRANSISTOR PC BOARD(NAETC-8179-1)**

CIRCUIT NO.	PART NO.	DESCRIPTION
Plugs		
P5601I	25056246	5569RDF-8P(39-29-1088)
P6001I	25056262	PHDS-24P(S24B-PHDSS-B)
P6050,P6080	25056268	IMSA-9202B-1-5P-T
P6351A	25055099	NPLG-2P83
P6951I,P6951J	25055106	NPLG-9P90
P6952I	25056023	NPLG-18P0973
P6952J	25056021	NPLG-16P0971
Clamp		
P5801	260226	CP-2S

BIAS SELECTOR PC BOARD (NAPS-8181-1A/1F)**REGULATOR CIRCUIT PC BOARD(NAPS-8182-1A/1F)****STANDBY TRANSFORMER PC BOARD(NAPS-8183-1A/1F)****SPEAKER TERMINAL PC BOARD (NAETC-8184-1A/1F)****REGULATOR PC BOARD(NAPS-8185-1A/1F)**

CIRCUIT NO.	PART NO.	DESCRIPTION
ICs		
Q9321,Q9331	222780053JRC	78L05(NJM78L05A)
Q9341,Q9345	22242097	NJM317F
Q9361	222780565JRC	78M56(NJM78M56FA)
Q9381	222780055	78M05HF
Q9391	22278033F	MPC29L33J
Transistors		
Q6901,Q6911,Q6963	2213284	2SC1740S-R
	2212115 or	2SC2458-GR or
	2213285 or	2SC1740S-S or
	2215864 or	KTC3199-GR or
Q9362	2212855	2SB1068-U
Q9365	2214230	RN1202
Diodes		
D6600,D6601,D6602	223163 or	1SS133 or
D6603,D6610,D6611	223205 or	1SS270A or
D6612,D6613	223222	WG713A
D6901,D6902	22380260 or	RL1N4003 or
D9351,D9361,D9362	22380032 or	1SR139-100 or

D6903,D6904	22380035	GP104003E
D6905,D6906	22380344	SF20LC30
D6907,D6908	22380344	SF20LC30
D6910,D6911	22380345	LN25XB60
D9371,D9372	223163 or	1SS133 or
	223205 or	1SS270A or
	223222	WG713A
CIRCUIT NO.	PART NO.	DESCRIPTION
	Coils	
L6800,L6801,L6802	231176S	S-1.3C
L6803,L6804	231176S	S-1.3C
L6805,L6806	231176S	S-1.3C
	Capacitors	
C6600,C6601,C6602	374721034	ECQ-B50V-103J,Plastic film
C6603,C6610,C6611	374721034	ECQ-B50V-103J,Plastic film
C6612,C6613,C6830	374721034	ECQ-B50V-103J,Plastic film
C6831,C6832,C6833	374721034	ECQ-B50V-103J,Plastic film
C6834,C6835,C6836	374721034	ECQ-B50V-103J,Plastic film
C6840,C6841,C6842	374721024	ECQ-B50V-102J,Plastic film
C6843,C6844	374721024	ECQ-B50V-102J,Plastic film
C6845,C6846	374721024	ECQ-B50V-102J,Plastic film
C6850,C6851,C6852	374721024	ECQ-B50V-102J,Plastic film
C6853,C6854	374721024	ECQ-B50V-102J,Plastic film
C6855,C6856	374721024	ECQ-B50V-102J,Plastic film
C6860,C6861,C6862	374721024	ECQ-B50V-102J,Plastic film
C6863,C6864	374721024	ECQ-B50V-102J,Plastic film
C6865,C6866	374721024	ECQ-B50V-102J,Plastic film
C6870,C6871,C6872	374721034	ECQ-B50V-103J,Plastic film
C6873,C6874	374721034	ECQ-B50V-103J,Plastic film
C6875,C6876	374721034	ECQ-B50V-103J,Plastic film
C6903	374722234	ECQ-B50V-223J,Plastic film
C6910,C6911	374721034	ECQ-B50V-103J,Plastic film
C6912,C6913	374733344	ECQ-V100-334J,Plastic film
C6921	3700083S	ECQE250V-334J,Plastic film
C6922,C6923	374733344	ECQ-V100-334J,Plastic film
C9301,C9302	394561007	CE04W35V-10M(VZ),Elect.
C9311,C9312	394561007	CE04W35V-10M(VZ),Elect.
C9321,C9322	394561007	CE04W35V-10M(VZ),Elect.
C9331,C9332	394561007	CE04W35V-10M(VZ),Elect.
C9341,C9342,C9345	394561007	CE04W35V-10M(VZ),Elect.
C9351,C9361	394651027S	CE04W25V-1000M(VR),Elect.
C9352,C9362	394561007	CE04W35V-10M(VZ),Elect.
C9381,C9382,C9391	394561007	CE04W35V-10M(VZ),Elect.
C9392	394531017	CE04W10V-100M(VZ),Elect.
	Resistors	
R6620,R6830,R6831	453530824	RNU1/2WCJ-8.2,Metal

R6800,R6801,R6802	417342204	R16J-22,Carbon
R6803,R6804	417342204	R16J-22,Carbon
R6805,R6806	417342204	R16J-22,Carbon
R6810,R6811,R6812	417342204	R16J-22,Carbon
R6813,R6814	417342204	R16J-22,Carbon
R6815,R6816	417342204	R16J-22,Carbon
R6832,R6833,R6834	453530824	RNU1/2WCJ-8.2,Metal
R6835,R6836,R6920	453530824	RNU1/2WCJ-8.2,Metal
R6901,R6902	417344724	R16J-4.7K,Carbon
R6911,R6912	417344724	R16J-4.7K,Carbon
R9301	453636894	RNU1WCJ-0.68,Metal
R9311	453630184	RNU1WCJ-1.8,Metal
R9321	453534794	RNU1/2WCJ-0.47,Metal
R9323,R9333	415473304	R25J-33,NF carbon
R9343,R9345	417343904	R16J-39,Carbon
R9344,R9346	417341214	R16J-120,Carbon
R9351	453530224	RNU1/2WCJ-2.2,Metal
R9361	453530104	RNU1/2WCJ-1,Metal
R9362,R9364	417343324	R16J-3.3K,Carbon
R9363	417342234	R16J-22K,Carbon
R9371	417341024	R16J-1K,Carbon
R9372	417342714	R16J-270,Carbon
R9382,R9383	441623304F	RS1WBJ-33,Metal oxide
R9391,R9392	441623394F	RS1WBJ-0.33,Metal oxide <D>
R9392	441621504F	RS1WBJ-15,Metal oxide <A>
R9393	415473304	R25J-33,NF carbon <D>
R9393	415475604	R25J-56,NF carbon <A>
Relays		
RL6600,RL6601,RL6602	25065590	NRL-2P8A-DC24-144
RL6603,RL6604	25065590	NRL-2P8A-DC24-144
RL6605,RL6606	25065590	NRL-2P8A-DC24-144
RL6610,RL6611,RL6612	25065590	NRL-2P8A-DC24-144
CIRCUIT NO.	PART NO.	DESCRIPTION
Relays		
RL6613,RL6614	25065590	NRL-2P8A-DC24-144
RL6615,RL6616	25065590	NRL-2P8A-DC24-144
RL6901,RL6902	25065516	NRL-1P10A-DC12-097
RL6903,RL6904	25065516	NRL-1P10A-DC12-097
RL6911,RL6912	25065516	NRL-1P10A-DC12-097
RL6913,RL6914	25065516	NRL-1P10A-DC12-097
Fuse		
R9331	252181	3.5A-UL/T-251
Fuse holders		
F6911A,F6911B	250113	SN5051
F6913A,F6913B	250113	SN5051
F6921A,F6921B	250113	SN5051

F6923A,F6923B	250113	SN5051
	Terminals	
P6801	25060365	NTM-4PDMN296 <D>
P6801	25060366	NTM-4PDMN297 <A>
P6802	25060369	NTM-8PDMN300 <D>
P6802	25060370	NTM-8PDMN301 <A>
P6803	25060367	NTM-8PDMN298 <D>
P6803	25060368	NTM-8PDMN299 <A>
P6804	25060371	NTM-8PDMN302 <D>
P6804	25060372	NTM-8PDMN303 <A>
P9511,P9512	25060301	NTM-1P232(M1700)
	AC outlet	
P9011	25051571	NSCT-2P1358 <D>
P9011	25052115	NSCT-2P2013 <A>
	Sockets	
JL9301A,JL9301B	25051107	NSCT-3P894
P3117A	200C4391254UL	NSAS-12P1385
P3119A	200C4392026UL	NSAS-20P1328
P3130A	2009990877UL	NSAS-60P1336
P4864	200C4192612UL	NSAS-26P1384
P6840	2009990842BUL	NSAS-12P1258
P6841	2009990843BUL	NSAS-14P1259
P9003	2009990862UL	NSAS-2P1305
P9005	2009990861UL	NSAS-3P1304
	Plugs	
P6940	25056177	NPLG-8P1116
P9502C	25056261	PHDS-22P(S22B-PHDSS-B)
	Labels	
F6911C,F6921C	29363792	T20AL250V <A>
	Heat sinks	
D6903A,D6907A	27160541	RAD-194
Q9341A	27160540	RAD-193
	Screws	
D6903B,D6904A,D6905A	801612	3TTB+8B(CU)
D6906A,D6907B,D6908A	801612	3TTB+8B(CU)
Q9341B,Q9361A	801612	3TTB+8B(CU)
P9511A,P9512A	801612	3TTB+8B(CU)
	Retainers	
P6981	27141851	BBL60
P6982,P6984	27141867	BBL40
P6983,P6985	27141866	BBL25

POWER SUPPLY CIRCUIT PC BOARD (NAPS-8186-1E/1F)
SECONDARY CIRCUIT PC BOARD (NAPS-8187-1E/1F)
CAPACITOR PC BOARD (NAETC-8188-1E/1F)
RI TERMINAL PC BOARD (NAETC-8190-1E/1F)

CONNECTOR PC BOARD (NAETC-8191-1E/1F)

CIRCUIT NO.	PART NO.	DESCRIPTION
	ICs	
Q5701	22241537R2	MPD4721GS
Q5721	22278033F	MPC29L33J
Q5801	22278012ENE	MPC29M12HF
Q9401	222780094JRC	7809FA(NJM7809FA)
Q9431,Q9441	222780053JRC	78L05(NJM78L05A)

CIRCUIT NO.	PART NO.	DESCRIPTION
	Transistors	
Q5851,Q5852,Q5853	2212855	2SB1068-U
Q5854,Q5855	2212855	2SB1068-U
Q5861,Q5862,Q5863	2214470R2 or	RN1402 or
Q5864,Q5865	2216190R2	KRC102S
Q5871,Q5872,Q5873	2214470R2 or	RN1402 or
Q5881,Q5882,Q5883	2216190R2	KRC102S
Q9201,Q9211	2214470R2 or	RN1402 or
Q9403,Q9413	2216190R2	KRC102S
Q9202,Q9212,Q9363	2213145R2 or	2SC2712-GR or
Q9502	2216175R2	KTC3875-GR
Q9402,Q9412	2212855	2SB1068-U
Q9404	2202304 or	2SC4512-Y or
	2202305	2SC4512-P
Q9422	2215024	2SD1468S-R
Q9423	2214530R2 or	RN2402 or
	2216220R2	KRA102S
Q9501	2211644	2SA965-Y
	Photo couplers	
Q5891,Q5892,Q5893	24120080	PC817X
	Diodes	
D9101,D9102,D9103	22380260 or	RL1N4003 or
D9104,D9401,D9402	22380032 or	1SR139-100 or
D9503,D9504	22380035	GP104003E
D9201,D9211	223234R2 or	1SS352 or
D9421,D9422,D9506	223269R2	1SS355,Chip
D9403	224551200R2	UDZS12B,Zener
D9502	22380285F or	RS403M or
	22380022F or	RBV402 or
	22380271F	D3SBA20
D9505	224552700R2	UDZS27B,Zener
	Coil	
L5701	230948R2	BLM21A102F,Choke
	Capacitors	

C5701,C5702	394681007	CE04W50V-10M(VR),Elect.
C5703,C5704	394681007	CE04W50V-10M(VR),Elect.
C5705	394621017	CE04W6.3V-100M(VR),Elect.
C5706,C5707	332161040R1	CK725F1E-104Z1,Chip ceramic
C5721	394641017	CE04W16V-100M(VR),Elect.
C5722	394661007	CE04W35V-10M(VR),Elect.
C5801	394661007	CE04W35V-10M(VR),Elect.
C5802	394641017	CE04W16V-100M(VR),Elect.
C5851,C5852,C5853	394644707	CE04W16V-47M(VR),Elect.
C5854,C5855	394644707	CE04W16V-47M(VR),Elect.
C5871,C5872,C5873	394621017	CE04W6.3V-100M(VR),Elect.
C5881,C5882,C5883	374722234	ECQ-B50V-223J,Plastic film
C9001	3500196S or 3500202S	RE275V-103M or MKP R46 103M,IS
C9004	3800041S	MKP R46 104M
C9101,C9104	332112235R1	CK725B1E-223K1,Chip ceramic
C9103	394654717	CE04W25V-470M(VR),Elect.
C9401,C9402	394561007	CE04W35V-10M(VZ),Elect.
C9403	394654727S	CE04W25V-4700M(VR),Elect.
C9404	394664717	CE04W35V-470M(VR),Elect.
C9405,C9511	332101035R1	CK725B1H-103K1,Chip ceramic
C9406,C9512	332112235R1	CK725B1E-223K1,Chip ceramic
C9411,C9412	394561007	CE04W35V-10M(VZ),Elect.
C9421,C9422	394561007	CE04W35V-10M(VZ),Elect.
C9431,C9432	394561007	CE04W35V-10M(VZ),Elect.
C9441,C9442	394561007	CE04W35V-10M(VZ),Elect.
C9501,C9502	374723344	ECQ-V50V-334J,Plastic film
C9503,C9504	374723344	ECQ-V50V-334J,Plastic film
C9505	3500226S	CE04W16V-15000M(VK),Elect.
C9506	393344727S	CE04W16V-4700M(VX),Elect.
C9507	393364727S	CE04W35V-4700M(VX),Elect.
C9508	393362227S	CE04W35V-2200M(VX),Elect.
C9509	394682217	CE04W50V-220M(VR),Elect.
C9510	394672217	CE04W63V-220M(VR),Elect.
C9513	374722234	ECQ-B50V-223J,Plastic film
C9521,C9522,C9523	374722234	ECQ-B50V-223J,Plastic film
CIRCUIT NO.	PART NO.	DESCRIPTION
	Resistors	
R5701,R5702	435033314R1	RN72K1J-331JE,Chip carbon
R5703,R5704	435033314R1	RN72K1J-331JE,Chip carbon
R5801	4000225 or 4000213	FRX010-60 or RXE010
R5811	435032214R1	RN72K1J-221JE,Chip carbon
R5821	4000227 or 4000223	FRX040-60 or RXE040
R5822,R5823	4000226 or	FRX020-60 or

R5824,R5825	4000228	RXE020
R5831,R5832,R5833	435032224R1	RN72K1J-222JE,Chip carbon
R5834,R5835	435032224R1	RN72K1J-222JE,Chip carbon
R5841,R5842,R5843	435031024R1	RN72K1J-102JE,Chip carbon
R5844,R5845	435031024R1	RN72K1J-102JE,Chip carbon
R5851,R5852,R5853	435033324R1	RN72K1J-332JE,Chip carbon
R5861,R5862,R5863	435031034R1	RN72K1J-103JE,Chip carbon
R5871,R5872,R5873	435031034R1	RN72K1J-103JE,Chip carbon
R5881,R5882,R5883	435031014R1	RN72K1J-101JE,Chip carbon
R9001,R9002,R9003	4000147	S5R114 <A>
R9001,R9002,R9003	4000148	M3R014C <D>
R9004	4000147	S5R114 <A>
R9101	453536894	RNU1/2WCJ-0.68,Metal
R9102	453530474	RNU1/2WCJ-4.7,Metal
R9103	435034724R1	RN72K1J-472JE,Chip carbon
R9202,R9212	435031034R1	RN72K1J-103JE,Chip carbon
R9211	435031024R1	RN72K1J-102JE,Chip carbon
R9401	453530274	RNU1/2WCJ-2.7,Metal
R9403,R9404,R9411	453534794	RNU1/2WCJ-0.47,Metal
R9405	435031224R1	RN72K1J-122JE,Chip carbon
R9407,R9505	435033334R1	RN72K1J-333JE,Chip carbon
R9408,R9413,R9423	435031024R1	RN72K1J-102JE,Chip carbon
R9409,R9414,R9424	435034734R1	RN72K1J-473JE,Chip carbon
R9421,R9432	453538294	RNU1/2WCJ-0.82,Metal
R9433,R9443	415473304	R25J-33,NF carbon
R9501	453530224	RNU1/2WCJ-2.2,Metal
R9502	443522204	RS1/2WBJ-22,Metal oxide
R9503	435031534R1	RN72K1J-153JE,Chip carbon
R9506	453530184	RNU1/2WCJ-1.8,Metal
R9507	453530824	RNU1/2WCJ-8.2,Metal
R9508	435031024R1	RN72K1J-102JE,Chip carbon
	Relays	
RL9001,RL9002	25065584	NRL-1P10A-DC12-140
RL9003,RL9004	25065584	NRL-1P10A-DC12-140
RL9005	25065583	NRL-1P5A-DC12-139
RL9501	25065659	NRL-2P2A-DC24-174
	Terminals	
P5801,P5804	25045696	LG Y2502-0200C
	AC inlet	
P9001A	25055960	NPLG-2P913
	Fuse	
R9441	252181	3.5A-UL/T-251
	Fuse holders	
F9001A,F9001B	25052133	NSCT-1P2031 <A>
F9001A,F9001B	250113	SN5051 <D>
F9002A,F9002B	25052133	NSCT-1P2031

F9501A,F9501B	25052133	NSCT-1P2031
F9502A,F9502B	25052133	NSCT-1P2031
F9503A,F9503B	25052133	NSCT-1P2031
F9504A,F9504B	25052133	NSCT-1P2031

Labels

F9001C	29362800	T8AL250V <A>
F9002C,F9503C	29361747	T2.5AL250V <A>
F9501C	29361681	T6.3AL/250V <A>

Sockets

P3116	2009990855UL	NSAS-40P1298
P5611B,P5612B	25051240	NSCT-15P1030
P5701	25052379	NSCT-9P2277
P6960	200C4190612UL	NSAS-6P1330
P9502	2009990856UL	NSAS-44P1299
P9503	200EE390615	NSAS-6P0795

CIRCUIT NO.	PART NO.	DESCRIPTION
--------------------	-----------------	--------------------

Plugs

P3120A	25056297	PHDT-26P(B26B-PHDSS-B)
P5611A,P5612A	25055711	NPLG-15P667
P5802	25056330	PLUG5P(1546179-5)
P5803	25056331	PLUG6P(1546179-6)
P9002	25055676	NPLG-2P632
P9003C	25056455	S02B-VT
P9005D	25055177	NPLG-5P161
P9501	25055180	NPLG-8P164

Clamps

P9101,P9102	260226	CP-2S
-------------	--------	-------

CONNECTOR PC BOARD 3 FOR POWER AMPLIFIER (NAETC-8177-2)

CONNECTOR PC BOARD 4 FOR POWER AMPLIFIER (NAETC-8178-2)

CIRCUIT NO.	PART NO.	DESCRIPTION
--------------------	-----------------	--------------------

Plugs

P5601K	25056246	5569RDF-8P(39-29-1088)
P6001K	25056262	PHDS-24P(S24B-PHDSS-B)
P6351A	25055099	NPLG-2P83
P6951K,P6951L	25055106	NPLG-9P90
P6952K,P6952L	25056021	NPLG-16P0971

Clamp

P5801	260226	CP-2S
-------	--------	-------

SLOT H PC BOARD(NAVD-8201-1A/1B)

SLOT I PC BOARD(NAVD-8202-1A/1B)

CONNECTOR PC BOARD(NAETC-8203-1A/1B)

CIRCUIT NO.	PART NO.	DESCRIPTION
--------------------	-----------------	--------------------

ICs

Q2001	22242104R2	TC7WBD125AFK
-------	------------	--------------

Q2002	22274541GR2TO or	TC74VHCT541AFT or
Q2002	22274541GR2PH	74AHCT541PW
Q2004,Q2011	22241884R2	LC74761M-9848
Q2005,Q2012,Q2029	22242090R2	BU2152FS
Q2008,Q2009,Q2019	22241443R2	TK15420M
Q2013,Q2046	22242137R2	TC7W53FK
Q2014,Q2015,Q2016	22242109R2	MM1117XFBE
Q2017,Q2030,Q2031	2227B0525R2	TC74HC4052AFT
Q2026,Q2027,Q2028	2227B0515R2	TC74HC4051AFT
Q2032,Q2033,Q2034	2227B0515R2	TC74HC4051AFT
Q2035,Q2036	2227B0525R2	TC74HC4052AFT
Q2037,Q2038,Q2039	2227B0515R2	TC74HC4051AFT
Q2040,Q2041	22241443R2	TK15420M
Q2042,Q2043,Q2050	22241443R2	TK15420M
Q2201	22241858R2	MM1093NF
Q2202	22241998R2	MM1093PF <A>
Q2203,Q2208	22241443R2	TK15420M
Q2204	22242109R2	MM1117XFBE
Q2206	22241850R2	TC90A69F
Q2207	22241999	TA8772AN <A>
Q2213,Q2215	2227B0525R2	TC74HC4052AFT
Q2216	22241851R3	TA1270BF
Q2217	22241440R2	MAX4018ESD
Q2228	22241442R2	MAX4218ESD
Q2230,Q2232,Q2233	22241443R2	TK15420M
Q2235	22241465R2	LA7106MFP
	Transistors	
Q2007,Q2018,Q2020	2213145R2	2SC2712-GR
Q2021,Q2023,Q2025	2214490R2 or	RN1404 or
	2216210R2	KRC104S
Q2022,Q2024	2213145R2	2SC2712-GR
Q2047,Q2048,Q2049	2214375R2	2SA1162-GR
Q2205,Q2209,Q2210	2213145R2	2SC2712-GR
Q2211,Q2212	2213145R2	2SC2712-GR <A>
Q2214	2214460R2 or	RN1401 or
	2216330R2	KRC101S <A>
Q2218,Q2220,Q2221	2214530R2 or	RN2402 or
	2216220R2	KRA102S
Q2219,Q2222,Q2223	2216031R2	RN1444-A

CIRCUIT NO.	PART NO.	DESCRIPTION
	Transistors	
Q2224,Q2226,Q2229	2214460R2 or	RN1401 or
Q2231	2216210R2	KRC104S
Q2225	2214490R2	RN1404
Q2227	2213145R2	2SC2712-GR

Q2234	2214460R2 or 2216210R2	RN1401 or <A> KRC104S <A>
Q2236	2214375R2	2SA1162-GR
	Diodes	
D2001,D2002,D2003	223234R2 or	1SS352 or
D2004,D2005,D2006	223269R2	1SS355,Chip
D2007,D2008,D2201	223234R2 or	1SS352 or
D2202,D2203,D2204	223269R2	1SS355,Chip
D2205,D2206,D2207	223234R2 or	1SS352 or
D2208,D2210,D2212	223269R2	1SS355,Chip
	Coils	
L2001,L2003	231292J056R2	NCH-1572,Choke
L2002,L2004	231237M022R2	NCH-1471,Choke
L2201	231237K330R2	NCH-1478,Choke
L2202	231237K220R2	NCH-1477,Choke <A>
L2203,L2206,L2208	231237K220R2	NCH-1477,Choke
L2204,L2205,L2207	231237K101R2	NCH-1481,Choke
L2209,L2210,L2211	231237K220R2	NCH-1477,Choke
L2212,L2213	231237K470R2	NCH-1479,Choke
	Oscillators	
X2001,X2003	3010363	HC-49/U0314.318M
X2002,X2004	3010364	HC-49/U0317.734M <A>
X2201,X2203	3010369	HC-49/U033.579545M
X2202,X2205	3010381	HC-49/U034.433619M <A>
X2204	3010370	CSBLA503KECZF30,Ceramic
	Capacitors	
C2001,C2013,C2014	332161040R1	CK725F1E-104Z1,Chip ceramic
C2002,C2041	342101002R1	CC725CH1H-100D1,Chip ceramic
C2003,C2042	342101804R1	CC725CH1H-180J1,Chip ceramic
C2004,C2043	342103304R1	CC725CH1H-330J1,Chip ceramic <A>
C2005,C2044,C2223	342100802R1	CC725CH1H-080D1,Chip ceramic <A>
C2007,C2026	394680107 or	CE04W50V-1M(VR) or
C2048,C2074	394780107	CE04W50V-1M(SC),Elect.
C2008,C2025,C2049	342104704R1	CC725CH1H-470J1,Chip ceramic
C2015,C2029,C2030	394621017 or	CE04W6.3V-100M(VR) or
C2031,C2053,C2054	394721017	CE04W6.3V-100M(SC),Elect.
C2016,C2038,C2039	342108204R1	CC725CH1H-820J1,Chip ceramic
C2017,C2028,C2032	332161040R1	CK725F1E-104Z1,Chip ceramic
C2018,C2057,C2058	394641007 or	CE04W16V-10M(VR) or
C2059,C2060,C2061	394741007	CE04W16V-10M(SC),Elect.
C2019,C2067	394683397	CE04W50V-0.33M(VR),Elect.
C2020,C2068	374726824	ECQ-B50V-682J,Plastic film
C2021,C2069	342102704R1	CC725CH1H-270J1,Chip ceramic
C2022,C2070,C2229	342102204R1	CC725CH1H-220J1,Chip ceramic
C2023,C2071	332101225R1	CK725B1H-122K1,Chip ceramic
C2024,C2073,C2297	374722234	ECQ-B50V-223J,Plastic film

C2027,C2076,C2201	394684797 or 394784797	CE04W50V-0.47M(VR) or CE04W50V0.47M(SC),Elect.
C2033,C2092	375524744	MMT50V-474J,Plastic film
C2034,C2035,C2036	332161040R1	CK725F1E-104Z1,Chip ceramic
C2037,C2045,C2046	332161040R1	CK725F1E-104Z1,Chip ceramic
C2040	394661017	CE04W35V-100M(VR),Elect.
C2056,C2065,C2075	332161040R1	CK725F1E-104Z1,Chip ceramic
C2062,C2063,C2064	394621017 or	CE04W6.3V-100M(VR) or
C2079,C2080,C2085	394721017	CE04W6.3V-100M(SC),Elect.
C2066,C2180,C2184	394641007 or 394741007	CE04W16V-10M(VR) or CE04W16V-10M(SC),Elect.
C2072	342104704R1	CC725CH1H-470J1,Chip ceramic
C2077,C2078,C2082	332161040R1	CK725F1E-104Z1,Chip ceramic
C2081,C2086,C2089	394644707 or 394744707	CE04W16V-47M(VR) or CE04W16V-47M(SC),Elect.
C2083,C2142,C2143	394622217 or 394722217	CE04W6.3V-220M(VR) or CE04W6.3V-220M(SC),Elect.
C2084,C2084,C2087	332161040R1	CK725F1E-104Z1,Chip ceramic
C2088,C2090,C2091	332161040R1	CK725F1E-104Z1,Chip ceramic
CIRCUIT NO.	PART NO.	DESCRIPTION
	Capacitors	
C2093,C2094,C2095	332161040R1	CK725F1E-104Z1,Chip ceramic
C2096,C2097,C2098	332161040R1	CK725F1E-104Z1,Chip ceramic
C2099,C2100,C2101	332161040R1	CK725F1E-104Z1,Chip ceramic
C2102,C2103,C2104	332161040R1	CK725F1E-104Z1,Chip ceramic
C2105,C2106,C2107	332161040R1	CK725F1E-104Z1,Chip ceramic
C2108,C2109,C2110	332161040R1	CK725F1E-104Z1,Chip ceramic
C2111,C2112,C2113	332161040R1	CK725F1E-104Z1,Chip ceramic
C2114,C2115,C2116	332161040R1	CK725F1E-104Z1,Chip ceramic
C2117,C2118,C2119	332161040R1	CK725F1E-104Z1,Chip ceramic
C2120,C2121,C2122	332161040R1	CK725F1E-104Z1,Chip ceramic
C2123,C2124,C2125	332161040R1	CK725F1E-104Z1,Chip ceramic
C2126,C2128,C2129	332161040R1	CK725F1E-104Z1,Chip ceramic
C2127,C2137,C2138	394621017 or 394721017	CE04W6.3V-100M(VR) or CE04W6.3V-100M(SC),Elect.
C2130 ,C2131,C2132	332161040R1	CK725F1E-104Z1,Chip ceramic
C2133,C2134,C2135	332161040R1	CK725F1E-104Z1,Chip ceramic
C2136,C2139,C2140	332161040R1	CK725F1E-104Z1,Chip ceramic
C2141,C2147,C2148	332161040R1	CK725F1E-104Z1,Chip ceramic
C2144,C2145,C2152	394622217 or	CE04W6.3V-220M(VR) or
C2153,C2155,C2156	394722217	CE04W6.3V-220M(SC),Elect.
C2149,C2150,C2151	332161040R1	CK725F1E-104Z1,Chip ceramic
C2154,C2157,C2160	332161040R1	CK725F1E-104Z1,Chip ceramic
C2158,C2159,C2161	394622217 or	CE04W6.3V-220M(VR) or
C2162,C2164,C2165	394722217	CE04W6.3V-220M(SC),Elect.
C2163.C2166,C2176	332161040R1	CK725F1E-104Z1,Chip ceramic

C2167,C2168,C2181	394622217 or	CE04W6.3V-220M(VR) or
C2169,C2170,C2171	332153330R1	CK725F1H-333Z1,Chip ceramic
C2177,C2182,C2209	332161040R1	CK725F1E-104Z1,Chip ceramic
C2181,C2183,C2268	394722217	CE04W6.3V-220M(SC),Elect.
C2202,C2250,C2251	394784797 or	CE04W50V0.47M(SC) or
	394684797	CE04W50V-0.47M(VR),Elect. <A>
C2203	342103914R1	CC725CH1H-391J1,Chip ceramic
C2204	342103914R1	CC725CH1H-391J1,Chip ceramic <A>
C2205	342115614R1	CC725CH1E-561J1,Chip ceramic
C2206	342115614R1	CC725CH1E-561J1,Chip ceramic <A>
C2207,C2237,C2238	394621017	CE04W6.3V-100M(VR),Elect.
C2208	394721017 or	CE04W6.3V-100M(SC) or
	394621017	CE04W6.3V-100M(VR),Elect. <A>
C2210,C2249,C2253	332161040R1	CK725F1E-104Z1,Chip ceramic <A>
C2211,C2291,C2301	394680227 or	CE04W50V-2.2M(VR) or
	394780227	CE04W50V-2.2M(SC),Elect.
C2212,C2214,C2217	332151030R1	CK725F1H-103Z1,Chip ceramic
C2213	394680227 or	CE04W50V-2.2M(VR) or
	394780227	CE04W50V-2.2M(SC),Elect. <A>
C2215	394680477 or	CE04W50V-4.7M(VR) or
	394780477	CE04W50V-4.7M(SC),Elect.
C2216	394680477 or	CE04W50V-4.7M(VR) or
	394780477	CE04W50V-4.7M(SC),Elect. <A>
C2218	332151030R1	CK725F1H-103Z1,Chip ceramic
C2219,C2294	342105604R1	CC725CH1H-560J1,Chip ceramic
C2220,C2320	342105604R1	CC725CH1H-560J1,Chip ceramic <A>
C2221	342100802R1	CC725CH1H-080D1,Chip ceramic
C2222	342106804R1	CC725CH1H-680J1,Chip ceramic
C2224	342106804R1	CC725CH1H-680J1,Chip ceramic <A>
C2230,C2266,C2267	342101204R1	CC725CH1H-120J1,Chip ceramic
C2231,C2232,C2233	332151030R1	CK725F1H-103Z1,Chip ceramic
C2234,C2244,C2245	332151030R1	CK725F1H-103Z1,Chip ceramic
C2235,C2236,C2296	394644707 or	CE04W16V-47M(VR) or
	394744707	CE04W16V-47M(SC),Elect.
C2237,C2238,C2263	394721017	CE04W6.3V-100M(SC),Elect.
C2239,C2240	394644707 or	CE04W16V-47M(VR) or
	394744707	CE04W16V-47M(SC),Elect. <A>
C2241	394684797 or	CE04W50V-0.47M(VR) or
	394784797	CE04W50V0.47M(SC),Elect.
C2242,C2243,C2257	332161040R1	CK725F1E-104Z1,Chip ceramic
C2246,C2247,C2252	332151030R1	CK725F1H-103Z1,Chip ceramic <A>
C2248	394641007 or	CE04W16V-10M(VR) or
	394741007	CE04W16V-10M(SC),Elect. <A>
C2254,C2255,C2256	332161040R1	CK725F1E-104Z1,Chip ceramic <A>

CIRCUIT NO.

PART NO.
Capacitors

DESCRIPTION

C2258,C2259,C2260	332151030R1	CK725F1H-103Z1,Chip ceramic
C2261	374726814	ECQ-B50V-681J,Plastic film
C2262,C2290,C2293	374721044	ECQ-V50V-104J,Plastic film
C2263 ,C2284,C2313	394621017	CE04W6.3V-100M(VR),Elect.
C2264,C2265	342102204R1	CC725CH1H-220J1,Chip ceramic
C2269,C2270,C2275	394680107 or 394780107	CE04W50V-1M(VR) or CE04W50V-1M(SC),Elect. <A>
C2271,C2277,C2278	332161040R1	CK725F1E-104Z1,Chip ceramic
C2272	332151030R1	CK725F1H-103Z1,Chip ceramic <A>
C2273,C2274,C2276	332161040R1	CK725F1E-104Z1,Chip ceramic <A>
C2279	332161040R1	CK725F1E-104Z1,Chip ceramic <A>
C2280,C2281,C2285	332161040R1	CK725F1E-104Z1,Chip ceramic
C2284,C2313,C2316	394721017	CE04W6.3V-100M(SC),Elect.
C2286,C2288,C2308	394722217 or	CE04W6.3V-220M(SC) or
C2334,C2335,C2336	394622217	CE04W6.3V-220M(VR),Elect.
C2287,C2289,C2292	332161040R1	CK725F1E-104Z1,Chip ceramic
C2295,C2298,C2302	332161040R1	CK725F1E-104Z1,Chip ceramic
C2299	374722224	ECQ-B50V-222J,Plastic film
C2300	394682297	CE04W50V-0.22M(VR),Elect.
C2303	332151030R1	CK725F1H-103Z1,Chip ceramic
C2304,C2305,C2310	332161040R1	CK725F1E-104Z1,Chip ceramic
C2306,C2307,C2318	394644707 or 394744707	CE04W16V-47M(VR) or CE04W16V-47M(SC),Elect.
C2309,C2334,C2335	394722217	CE04W6.3V-220M(SC),Elect.
C2311,C2312,C2314	332161040R1	CK725F1E-104Z1,Chip ceramic
C2315	332151030R1	CK725F1H-103Z1,Chip ceramic <A>
C2316,C2343,C2344	394621017	CE04W6.3V-100M(VR),Elect.
C2317,C2319,C2321	332161040R1	CK725F1E-104Z1,Chip ceramic
C2322,C2323,C2324	332161040R1	CK725F1E-104Z1,Chip ceramic
C2325,C2330,C2331	332153330R1	CK725F1H-333Z1,Chip ceramic
C2326,C2328,C2329	332161040R1	CK725F1E-104Z1,Chip ceramic
C2332,C2333,C2345	332161040R1	CK725F1E-104Z1,Chip ceramic
C2337,C2338,C2339	394622217 or	CE04W6.3V-220M(VR) or
C2340,C2341,C2342	394722217	CE04W6.3V-220M(SC),Elect.
Resistors		
R2001,R2002,R2022	435033314R1	RN72K1J-331JE,Chip carbon
R2003	435031224R1	RN72K1J-122JE,Chip carbon <A>
R2003,R2436,R2437	435030004R1	RN72K1J-000JE,Chip carbon <D>
R2004,R2005,R2006	435034714R1	RN72K1J-471JE,Chip carbon
R2007,R2029,R2042	435032224R1	RN72K1J-222JE,Chip carbon
R2008,R2035,R2043	435031014R1	RN72K1J-101JE,Chip carbon
R2009,R2011,R2044	435031214R1	RN72K1J-121JE,Chip carbon
R2010,R2023,R2024	435031524R1	RN72K1J-152JE,Chip carbon
R2012,R2047	435038244R1	RN72K1J-824JE,Chip carbon
R2013,R2021,2048	435034734R1	RN72K1J-473JE,Chip carbon
R2014,R2020,R2038	435031024R1	RN72K1J-102JE,Chip carbon

R2015,R2017,R2031	435036824R1	RN72K1J-682JE,Chip carbon
R2016,R2051	435032724R1	RN72K1J-272JE,Chip carbon
R2018,R2053,R2265	435033324R1	RN72K1J-332JE,Chip carbon
R2019,R2054,R2150	435032214R1	RN72K1J-221JE,Chip carbon
R2025,R2026,R2045	435031524R1	RN72K1J-152JE,Chip carbon
R2027,R2028,R2071	435035634R1	RN72K1J-563JE,Chip carbon
R2030,R2033,R2034	435031824R1	RN72K1J-182JE,Chip carbon
R2032,R2301,R2309	435031834R1	RN72K1J-183JE,Chip carbon
R2036,R2093,R2117	435031034R1	RN72K1J-103JE,Chip carbon
R2037	435031824R1	RN72K1J-182JE,Chip carbon <A>
R2037,R2097,R2142	435038224R1	RN72K1J-822JE,Chip carbon
R2039,R2040,R2041	435034714R1	RN72K1J-471JE,Chip carbon
R2046,R2096,R2146	435031214R1	RN72K1J-121JE,Chip carbon
R2049,R2055,R2070	435031024R1	RN72K1J-102JE,Chip carbon
R2050,R2052,R2081	435036824R1	RN72K1J-682JE,Chip carbon
R2056	435034734R1	RN72K1J-473JE,Chip carbon
R2057,R2217,R2225	435033314R1	RN72K1J-331JE,Chip carbon
R2058,R2059,R2060	435036804R1	RN72K1J-680JE,Chip carbon
R2061,R2062,R2063	435033334R1	RN72K1J-333JE,Chip carbon
R2064,R2065,R2066	435033334R1	RN72K1J-333JE,Chip carbon
R2067,R2068,R2069	435032224R1	RN72K1J-222JE,Chip carbon
R2072,R2073,R2074	435031014R1	RN72K1J-101JE,Chip carbon
R2075,R2094,R2095	435031014R1	RN72K1J-101JE,Chip carbon

CIRCUIT NO.

PART NO.

DESCRIPTION

Resistors

R2076,R2079,R2254	435031044R1	RN72K1J-104JE,Chip carbon
R2077,R2078,R2108	435035634R1	RN72K1J-563JE,Chip carbon
R2080,R2083,R2088	435031824R1	RN72K1J-182JE,Chip carbon
R2082,R2329	435036824R1	RN72K1J-682JE,Chip carbon
R2084,R2198,R2339	435031234R1	RN72K1J-123JE,Chip carbon
R2085,R2086,R2288	435032224R1	RN72K1J-222JE,Chip carbon
R2087,R2110,R2119	435031534R1	RN72K1J-153JE,Chip carbon
R2089,R2090,R2091	435031824R1	RN72K1J-182JE,Chip carbon
R2092,R2143	435036834R1	RN72K1J-683JE,Chip carbon
R2098,R2149,R2346	435031524R1	RN72K1J-152JE,Chip carbon
R2099,R2100,R2107	435031014R1	RN72K1J-101JE,Chip carbon
R2101,R2102,R2103	435037504R1	RN72K1J-750JE,Chip carbon
R2104,R2105,R2106	435037504R1	RN72K1J-750JE,Chip carbon
R2109,R2251,R2252	435035634R1	RN72K1J-563JE,Chip carbon
R2111,R2112,R2113	435037504R1	RN72K1J-750JE,Chip carbon
R2114,R2115,R2116	435037504R1	RN72K1J-750JE,Chip carbon
R2118,R2127,R2128	435031034R1	RN72K1J-103JE,Chip carbon
R2120,R2129,R2138	435031824R1	RN72K1J-182JE,Chip carbon
R2121,R2122,R2123	435037504R1	RN72K1J-750JE,Chip carbon
R2124,R2125,R2126	435037504R1	RN72K1J-750JE,Chip carbon
R2130,R2131,R2132	435037504R1	RN72K1J-750JE,Chip carbon

R2133,R2134,R2135	435037504R1	RN72K1J-750JE,Chip carbon
R2136,R2137,R2140	435031034R1	RN72K1J-103JE,Chip carbon
R2139,R2178,R2180	435031824R1	RN72K1J-182JE,Chip carbon
R2141,R2200,R2218	435031024R1	RN72K1J-102JE,Chip carbon
R2144,R2223,R2224	435031014R1	RN72K1J-101JE,Chip carbon
R2145,R2152,R2154	435031034R1	RN72K1J-103JE,Chip carbon
R2148	435031514R1	RN72K1J-151JE,Chip carbon
R2151,R2153,R2155	435032214R1	RN72K1J-221JE,Chip carbon
R2156,R2157,R2158	435032214R1	RN72K1J-221JE,Chip carbon
R2159,R2184,R2188	435032214R1	RN72K1J-221JE,Chip carbon
R2160,R2161,R2162	435031034R1	RN72K1J-103JE,Chip carbon
R2163,R2164,R2165	435031034R1	RN72K1J-103JE,Chip carbon
R2166,R2167,R2168	435031034R1	RN72K1J-103JE,Chip carbon
R2169,R2170,R2171	435031034R1	RN72K1J-103JE,Chip carbon
R2172,R2173,R2174	435031034R1	RN72K1J-103JE,Chip carbon
R2175,R2176,R2177	435031034R1	RN72K1J-103JE,Chip carbon
R2179,R2183,R2196	435031534R1	RN72K1J-153JE,Chip carbon
R2181,R2182,R2275	435031824R1	RN72K1J-182JE,Chip carbon
R2185,R2186,R2187	435031034R1	RN72K1J-103JE,Chip carbon
R2189,R2190,R2191	435031034R1	RN72K1J-103JE,Chip carbon
R2192,R2193,R2207	435031034R1	RN72K1J-103JE,Chip carbon
R2194,R2195,R2285	435034714R1	RN72K1J-471JE,Chip carbon
R2197,R2201,R2274	435031534R1	RN72K1J-153JE,Chip carbon
R2202	435031534R1	RN72K1J-153JE,Chip carbon <A>
R2203,R2209	435033914R1	RN72K1J-391JE,Chip carbon
R2204,R2210	435033914R1	RN72K1J-391JE,Chip carbon <A>
R2205	435031054R1	RN72K1J-105JE,Chip carbon
R2206	435031054R1	RN72K1J-105JE,Chip carbon <A>
R2208,R2214	435031034R1	RN72K1J-103JE,Chip carbon <A>
R2211,R2213	435031034R1	RN72K1J-103JE,Chip carbon
R2216,R2244,R2441	435035604R1	RN72K1J-560JE,Chip carbon
R2219,R2220,R2228	435038214R1	RN72K1J-821JE,Chip carbon
R2221,R2234,R2235	435031024R1	RN72K1J-102JE,Chip carbon <A>
R2222	435031132R1	RN72K1J-113FE,Chip carbon <A>
R2226	435033314R1	RN72K1J-331JE,Chip carbon
R2227,R2239,R2240	435031014R1	RN72K1J-101JE,Chip carbon
R2229,R2230,R2231	435038214R1	RN72K1J-821JE,Chip carbon
R2232	435035624R1	RN72K1J-562JE,Chip carbon
R2233	435031224R1	RN72K1J-122JE,Chip carbon
R2236,R2253,R2255	435032214R1	RN72K1J-221JE,Chip carbon
R2237,R2238	435031024R1	RN72K1J-102JE,Chip carbon <A>
R2241,R2242	435031034R1	RN72K1J-103JE,Chip carbon <A>
R2243,R2245,R2246	435031014R1	RN72K1J-101JE,Chip carbon
R2247,R2249,R2250	435031014R1	RN72K1J-101JE,Chip carbon
R2248,R2256,R2257	435031034R1	RN72K1J-103JE,Chip carbon
R2258,R2260	435031814R1	RN72K1J-181JE,Chip carbon

CIRCUIT NO.	PART NO.	DESCRIPTION
R2259,R2286,R2305	435031034R1	RN72K1J-103JE,Chip carbon
R2261,R2262,R2269	435031014R1	RN72K1J-101JE,Chip carbon
Resistors		
R2263,R2264,R2298	435031044R1	RN72K1J-104JE,Chip carbon
R2266,R2267,R2272	435033334R1	RN72K1J-333JE,Chip carbon
R2268	435033344R1	RN72K1J-334JE,Chip carbon
R2270,R2283,R2295	435031014R1	RN72K1J-101JE,Chip carbon
R2271,R2273,R2297	435035634R1	RN72K1J-563JE,Chip carbon
R2276,R2278,R2279	435031824R1	RN72K1J-182JE,Chip carbon
R2277	435031534R1	RN72K1J-153JE,Chip carbon
R2280,R2360,R2366	435032214R1	RN72K1J-221JE,Chip carbon
R2282	435036804R1	RN72K1J-680JE,Chip carbon
R2287,R2387,R2388	435033334R1	RN72K1J-333JE,Chip carbon
R2289,R2302,2313	435034724R1	RN72K1J-472JE,Chip carbon
R2290,R2311,R2316	435037514R1	RN72K1J-751JE,Chip carbon
R2291,R2312,R2317	435036814R1	RN72K1J-681JE,Chip carbon
R2292,R2293,R2427	435034714R1	RN72K1J-471JE,Chip carbon
R2296,R2306,R2307	435031014R1	RN72K1J-101JE,Chip carbon
R2299,R2303,R2304	435031824R1	RN72K1J-182JE,Chip carbon
R2300,R2333	435032224R1	RN72K1J-222JE,Chip carbon
R2308,R2332,R2342	435031824R1	RN72K1J-182JE,Chip carbon
R2310,R2315,R2330	435031034R1	RN72K1J-103JE,Chip carbon
R2314,R2318,R2320	435031014R1	RN72K1J-101JE,Chip carbon
R2319	435034724R1	RN72K1J-472JE,Chip carbon
R2321,R2322,R2323	435037504R1	RN72K1J-750JE,Chip carbon
R2324,R2326,R2327	435037504R1	RN72K1J-750JE,Chip carbon
R2325,R2390,R2391	435035634R1	RN72K1J-563JE,Chip carbon
R2328	435031044R1	RN72K1J-104JE,Chip carbon
R2331,R2334,R2335	435031034R1	RN72K1J-103JE,Chip carbon
R2336,R2337,R2338	435037504R1	RN72K1J-750JE,Chip carbon
R2340,R2341,R2357	435031034R1	RN72K1J-103JE,Chip carbon
R2343,R2345	435031824R1	RN72K1J-182JE,Chip carbon
R2347	435031524R1	RN72K1J-152JE,Chip carbon
R2348,R2349,R2350	435037504R1	RN72K1J-750JE,Chip carbon
R2351,R2352,R2353	435037504R1	RN72K1J-750JE,Chip carbon
R2354,R2355,R2356	435037504R1	RN72K1J-750JE,Chip carbon
R2358,R2359,R2363	435031034R1	RN72K1J-103JE,Chip carbon
R2367,R2368,R2369	435032214R1	RN72K1J-221JE,Chip carbon
R2370,R2371,R2398	435032214R1	RN72K1J-221JE,Chip carbon
R2372,R2373,R2374	435031034R1	RN72K1J-103JE,Chip carbon
R2375,R2376,R2377	435031034R1	RN72K1J-103JE,Chip carbon
R2378,R2379,R2380	435031034R1	RN72K1J-103JE,Chip carbon
R2381,R2382,R2383	435031034R1	RN72K1J-103JE,Chip carbon
R2384,R2385,R2386	435031024R1	RN72K1J-102JE,Chip carbon
R2389,R2445	435033334R1	RN72K1J-333JE,Chip carbon

R2392,R2444	435035634R1	RN72K1J-563JE,Chip carbon
R2396,R2448,R2451	435031034R1	RN72K1J-103JE,Chip carbon
R2397,R2411,R2418	435031014R1	RN72K1J-101JE,Chip carbon
R2399,R2400,R2403	435032214R1	RN72K1J-221JE,Chip carbon
R2401,R2402,R2405	435030004R1	RN72K1J-000JE,Chip carbon
R2404,R2407,R2408	435032214R1	RN72K1J-221JE,Chip carbon
R2406,R2432,R2433	435030004R1	RN72K1J-000JE,Chip carbon
R2415,R2416,R2419	435037504R1	RN72K1J-750JE,Chip carbon
R2421,R2422	435037504R1	RN72K1J-750JE,Chip carbon
R2424,R2425,R2426	435032214R1	RN72K1J-221JE,Chip carbon
R2430	435032214R1	RN72K1J-221JE,Chip carbon
R2438,R2439,R2440	435032204R1	RN72K1J-220JE,Chip carbon
R2442,R2443	435035604R1	RN72K1J-560JE,Chip carbon
R2446	435031024R1	RN72K1J-102JE,Chip carbon
R2447	435034714R1	RN72K1J-471JE,Chip carbon
R2449	435031014R1	RN72K1J-101JE,Chip carbon
R2450	435031204R1	RN72K1J-120JE,Chip carbon

Relays

RL2201,RL2202,RL2203	25065662R2	NPL-2P2A-DC24-177
RL2204,RL2206,RL2207	25065662R2	NPL-2P2A-DC24-177
RL2208,RL2209,RL2210	25065662R2	NPL-2P2A-DC24-177

Plugs

P2001,P2002,P2204	25056329R2	IMSA-9850B-30Y902
P2210	25056210R2	IMSA-9850B-30Y900
P2211	25056205R2	IMSA-9850B-20Y900
P2212	25056206R2	IMSA-9850B-22Y900

CIRCUIT NO.	PART NO.	DESCRIPTION
	Terminals	
P2006,P2007	25045728	NPJ-15PDBY516
P2008,P2205	25045730	NPJ-10PDBY518
P2206,P2207	25045764	NPJ-6PDGLR548
	Sockets	
P2004	25052814R2	IMSA-9850S-22Y900
P2005	25052813R2	IMSA-9850S-20Y900
P2202	25052818R2	IMSA-9850S-30Y900

SLOT J PC BOARD (NAVD-8205-1A) Australian model only

CIRCUIT NO.	PART NO.	DESCRIPTION
	ICs	
Q2501,Q2503	22241442R2	MAX4218ESD
	Transistors	
Q2502	2214460R2 or 2216330R2	RN1401 or KRC101S
	Diodes	
D2501,D2502	223234R2 or	1SS352 or

	223269R2	1SS355,Chip
	Capacitors	
C2501,C2503	356742219R2	CEWX16V-220M,Chip elect.
C2502,C2504,C2505	332161040R1	CK725F1E-104Z1,Chip ceramic
C2506,C2508	356741019R2	CEWX16V-100M,Chip elect.
C2507,C2509,C2520	332161040R1	CK725F1E-104Z1,Chip ceramic
C2517,C2518,C2519	356742219R2	CEWX16V-220M,Chip elect.
C2521,C2522	332161040R1	CK725F1E-104Z1,Chip ceramic
	Resistors	
R2501,R2513,R2514	435031014R1	RN72K1J-101JE,Chip carbon
R2502,R2511,R2512	435031034R1	RN72K1J-103JE,Chip carbon
R2503	435031224R1	RN72K1J-122JE,Chip carbon
R2504,R2505,R2506	435030004R1	RN72K1J-000JE,Chip carbon
R2507,R2508,R2509	435032204R1	RN72K1J-220JE,Chip carbon
R2515,R2523,R2528	435031014R1	RN72K1J-101JE,Chip carbon
R2516,R2524,R2529	435031034R1	RN72K1J-103JE,Chip carbon
R2517,R2527,R2532	435036824R1	RN72K1J-682JE,Chip carbon
R2518,R2519,R2525	435036814R1	RN72K1J-681JE,Chip carbon
R2520,R2521,R2522	435030004R1	RN72K1J-000JE,Chip carbon
R2526,R2530,R2531	435036814R1	RN72K1J-681JE,Chip carbon
R2533,R2534,R2535	435037504R1	RN72K1J-750JE,Chip carbon
R2536,R2540,R2541	435037504R1	RN72K1J-750JE,Chip carbon
R2537,R2538,R2539	435031034R1	RN72K1J-103JE,Chip carbon
	Relays	
RL2501,RL2502,RL2503	25065662R2	NPL-2P2A-DC24-177
	Terminals	
P2502,P2503	25045760	P2298-C
	Plug	
P2501	25056329R2	IMSA-9850B-30Y902

DISPLAY CIRCUIT PC BOARD(NADIS-8218-1B)
STANDBY SWITCH PC BOARD(NAETC-8219-1B)
OPERATION SWITCH PC BOARD (NAETC-8220-1B)
HEADPHONE TERMINAL PC BOARD (NAETC-8221-1B)
FRONT OPTICAL PC BOARD(NAETC-8222-1B)
FRONT VIDEO PC BOARD(NAETC-8223-1B)
VOLUME PC BOARD(NAETC-8224-1B)

CIRCUIT NO.	PART NO.	DESCRIPTION
	FL tube	
Q7602	212248	16-BT-117GN
	ICs	
Q7601	222W0004R300912	MPD78F0233GC-8BT (0091)
Q7603,Q7604	22241680AR2	M66005-0001AFP
	Transistors	
Q7501,Q7502,Q7503	2214470R2	RN1402
Q7504,Q7505,Q7506	2214470R2	RN1402

Q7507,Q7508,Q7509	2214470R2	RN1402
Q7510,Q7511,Q7512	2214470R2	RN1402
Q7513,Q7514,Q7515	2214470R2	RN1402
Q7541,Q7542,Q7543	2214470R2	RN1402
Q7544,Q7545,Q7546	2214470R2	RN1402
Q7547,Q7548,Q7549	2214470R2	RN1402
CIRCUIT NO.	PART NO.	DESCRIPTION
	Transistors	
Q7550,Q7551,Q7552	2214470R2	RN1402
Q7553,Q7554	2214470R2	RN1402
	Remote sensor	
U7501	241336	PIC-37043TH2
	Photo couplers	
U7951	24120108	GP1FA513RZ
	Diodes	
D7501,D7502,D7503	225432R2	LBH1000B-E3,LED
D7504,D7505,D7506	225432R2	LBH1000B-E3,LED
D7507,D7508,D7509	225432R2	LBH1000B-E3,LED
D7510,D7511,D7512	225432R2	LBH1000B-E3,LED
D7513,D7514,D7515	225432R2	LBH1000B-E3,LED
D7521,D7522,D7523	225434R2	SML-512UWT86,LED
D7524,D7525,D7526	225434R2	SML-512UWT86,LED
D7527,D7528,D7529	225434R2	SML-512UWT86,LED
D7530,D7531,D7532	225434R2	SML-512UWT86,LED
D7533,D7534	225434R2	SML-512UWT86,LED
D7541,D7542,D7543	225433R2	LGH1000B-H3,LED
D7544,D7545,D7546	225433R2	LGH1000B-H3,LED
D7547,D7548,D7549	225433R2	LGH1000B-H3,LED
D7550,D7551,D7552	225433R2	LGH1000B-H3,LED
D7553,D7554	225433R2	LGH1000B-H3,LED
D7560	225290	SEL4110R,LED
D7701	223234R2 or 223269R2	1SS352 or 1SS355,Chip
D7801	224550680R2	UDZS6.8B,Zener
	Oscillator	
X7501	3010242	CST5.00MGW,Ceramic
	Coils	
L7601,L7701,L7702	231237M022R2	NCH-1471,Choke
R7582,R7583,R7585	230955R2	BK1608HS102-T,EMI
	Capacitors	
C7581,C7582,C7707	342101014R1	CC725CH1H-101J1,Chip ceramic
C7585,C7624,C7625	332161040R1	CK725F1E-104Z1,Chip ceramic
C7601,C7809	375524744	MMT50V-474J,Plastic film
C7602,C7603,C7703	355721019	CE04W6.3V-100M,Elect.
C7659,C7806,C7812	332161040R1	CK725F1E-104Z1,Chip ceramic
C7708,C7709	342101014R1	CC725CH1H-101J1,Chip ceramic

C7719,C7720,C7721 342111024R1
 C7722,C7726,C7727 342111024R1
 C7728,C7729,C7730 342111024R1
 C7731,C7732,C7808 342111024R1
 C7801,C7802,C7803 337621030R1
 C7804 355781009
 C7805 342104704R1
 C7807,C7811 332151030R1
 C7810 355721019
 C7901,C7902 342104714R1
 C7903,C7904,C7952 332161040R1
 C7951 394621017

Resistors

R7807 49163103415
 R7502,R7512 435023314R1
 R7503,R7513 435024714R1
 R7504,R7514 435035614R1
 R7505,R7515 435038214R1
 R7506,R7516,R7526 435031224R1
 R7507 435032224R1
 R7508,R7509,R7510 435034724R1
 R7511,R7619,R7620 435034724R1
 R7517 435032224R1
 R7518,R7528 435033924R1
 R7522,R7532 435023314R1
 R7523,R7533 435024714R1
 R7524,R7534 435035614R1
 R7525,R7535 435038214R1
 R7527,R7537 435032224R1
 R7536 435031224R1
 R7539,R7540,R7541 435031514R1

CIRCUIT NO.

R7542,R7543 435031514R1
 R7605,R7617,R7632 435031034R1
 R7606,R7607,R7608 435032214R1
 R7609,R7610,R7613 435032214R1
 R7611,R7612 435031004R1
 R7614,R7951 435032214R1
 R7615,R7626,R7627 435031024R1
 R7621,R7622 435034724R1
 R7628,R7629,R7630 435031024R1
 R7631,R7634,R7636 435031024R1
 R7633,R7710,R7717 435031034R1
 R7635 435031014R1
 R7637,R7638,R7639 435031024R1

PART NO.

Resistors

CC725CH1E-102J1,Chip ceramic
 CC725CH1E-102J1,Chip ceramic
 CC725CH1E-102J1,Chip ceramic
 CC725CH1E-102J1,Chip ceramic
 CK732F1H-103Z,Chip ceramic
 CE04W50V-10M,Elect.
 CC725CH1H-470J1,Chip ceramic
 CK725F1H-103Z1,Chip ceramic
 CE04W6.3V-100M,Elect.
 CC725CH1H-471J1,Chip ceramic
 CK725F1E-104Z1,Chip ceramic
 CE04W6.3V-100M(VR),Elect.

RM1/10IJ-10K*15,Array
 RN72W1J-331JE,Chip carbon
 RN72W1J-471JE,Chip carbon
 RN72K1J-561JE,Chip carbon
 RN72K1J-821JE,Chip carbon
 RN72K1J-122JE,Chip carbon
 RN72K1J-222JE,Chip carbon
 RN72K1J-472JE,Chip carbon
 RN72K1J-472JE,Chip carbon
 RN72K1J-222JE,Chip carbon
 RN72K1J-392JE,Chip carbon
 RN72W1J-331JE,Chip carbon
 RN72W1J-471JE,Chip carbon
 RN72K1J-561JE,Chip carbon
 RN72K1J-821JE,Chip carbon
 RN72K1J-222JE,Chip carbon
 RN72K1J-122JE,Chip carbon
 RN72K1J-151JE,Chip carbon

DESCRIPTION

RN72K1J-151JE,Chip carbon
 RN72K1J-103JE,Chip carbon
 RN72K1J-221JE,Chip carbon
 RN72K1J-221JE,Chip carbon
 RN72K1J-100JE,Chip carbon
 RN72K1J-221JE,Chip carbon
 RN72K1J-102JE,Chip carbon
 RN72K1J-472JE,Chip carbon
 RN72K1J-102JE,Chip carbon
 RN72K1J-102JE,Chip carbon
 RN72K1J-103JE,Chip carbon
 RN72K1J-101JE,Chip carbon
 RN72K1J-102JE,Chip carbon

R7640,R7641,R7642	435031024R1	RN72K1J-102JE,Chip carbon
R7643,R7644,R7645	435031024R1	RN72K1J-102JE,Chip carbon
R7646,R7647,R7648	435031024R1	RN72K1J-102JE,Chip carbon
R7649,R7650,R7651	435031024R1	RN72K1J-102JE,Chip carbon
R7652,R7663,R7664	435031024R1	RN72K1J-102JE,Chip carbon
R7653,R7654,R7655	435033914R1	RN72K1J-391JE,Chip carbon
R7656,R7657,R7658	435033914R1	RN72K1J-391JE,Chip carbon
R7661,R7662,R7670	435033914R1	RN72K1J-391JE,Chip carbon
R7665,R7666,R7667	435031024R1	RN72K1J-102JE,Chip carbon
R7668,R7669,R7671	435031024R1	RN72K1J-102JE,Chip carbon
R7672,R7674,R7676	435033914R1	RN72K1J-391JE,Chip carbon
R7673,R7675,R7677	435031024R1	RN72K1J-102JE,Chip carbon
R7678,R7680	435033914R1	RN72K1J-391JE,Chip carbon
R7679,R7701	435031024R1	RN72K1J-102JE,Chip carbon
R7719,R7720	435032724R1	RN72K1J-272JE,Chip carbon
R7721,R7722	435032724R1	RN72K1J-272JE,Chip carbon
R7726,R7727,R7728	435031034R1	RN72K1J-103JE,Chip carbon
R7729,R7730,R7731	435031034R1	RN72K1J-103JE,Chip carbon
R7732,R7808,R7830	435031034R1	RN72K1J-103JE,Chip carbon
R7801,R7802	435032714R1	RN72K1J-271JE,Chip carbon
R7803,R7804	435035634R1	RN72K1J-563JE,Chip carbon
R7805,R7806	435035634R1	RN72K1J-563JE,Chip carbon
R7809	435031234R1	RN72K1J-123JE,Chip carbon
R7831	435031034R1	RN72K1J-103JE,Chip carbon
R7901,R7902	435033314R1	RN72K1J-331JE,Chip carbon
R7903,R7904,R7905	435037504R1	RN72K1J-750JE,Chip carbon

Switches

S7501,S7503,S7505	25035718	NPS-111-S681
S7506,S7507,S7511	25035718	NPS-111-S681
S7512,S7513,S7514	25035718	NPS-111-S681
S7515,S7516,S7517	25035718	NPS-111-S681
S7518,S7521,S7522	25035718	NPS-111-S681
S7523,S7524,S7525	25035718	NPS-111-S681
S7526,S7527,S7528	25035718	NPS-111-S681
S7531,S7532,S7533	25035718	NPS-111-S681
S7534,S7535	25035718	NPS-111-S681
S7536,S7537	25035718	NPS-111-S681
S7642,S7643	25065666	EC11B30CM17
S7741	25065596	EC16B36C25

Terminals

P7581	25045385	YKB26-5153,Headphone
P7901	25045678	NPJ-3PDB475,Front video

Sockets

P3125	2009990849UL	NSAS-10P1265
P3126	2009990848UL	NSAS-6P1264
P3127	2009990850UL	NSAS-6P1266

P7501	25052586R2	NSCT-20P2483
P7502B	200HE391625UL	NSAS-16P1227
P7503A	200EE390810	NSAS-8P1256
P7504A	200EE390615	NSAS-6P0795
P7902	25051569	NSCT-4P1356
	Plugs	
P7502A	25055994	NPLG-8P946
P7506B	25055135	NPLG-5P119
	Holder	
Q7602A	27190987A	(FL)

Integra Division of

ONKYO CORPORATION

Sales & Product Planning Div. : 2-1, Nisshin-cho, Neyagawa-shi, OSAKA 572-8540, JAPAN

Tel: 072-831-8023 Fax: 072-831-8124 <http://www.onkyo.com/>

Integra Division of

ONKYO U.S.A. CORPORATION

18 Park Way, Upper Saddle River, N.J. 07458, U.S.A.

Tel: 201-785-2600 Fax: 201-785-2650 <http://www.integrahometheater.com>