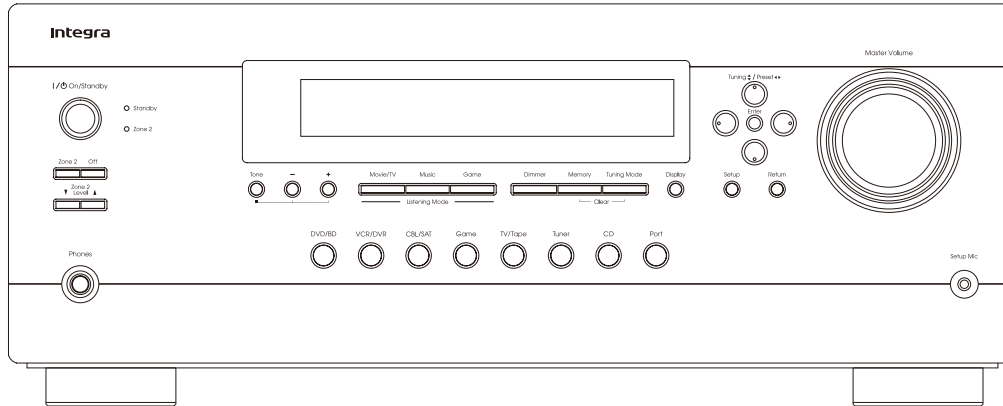


# Integra SERVICE MANUAL

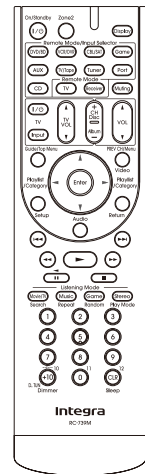
MAY, 2009

## AV RECEIVER MODEL DTR-20.1(B)




**Black model**

BMDD	120V AC, 60Hz
------	---------------



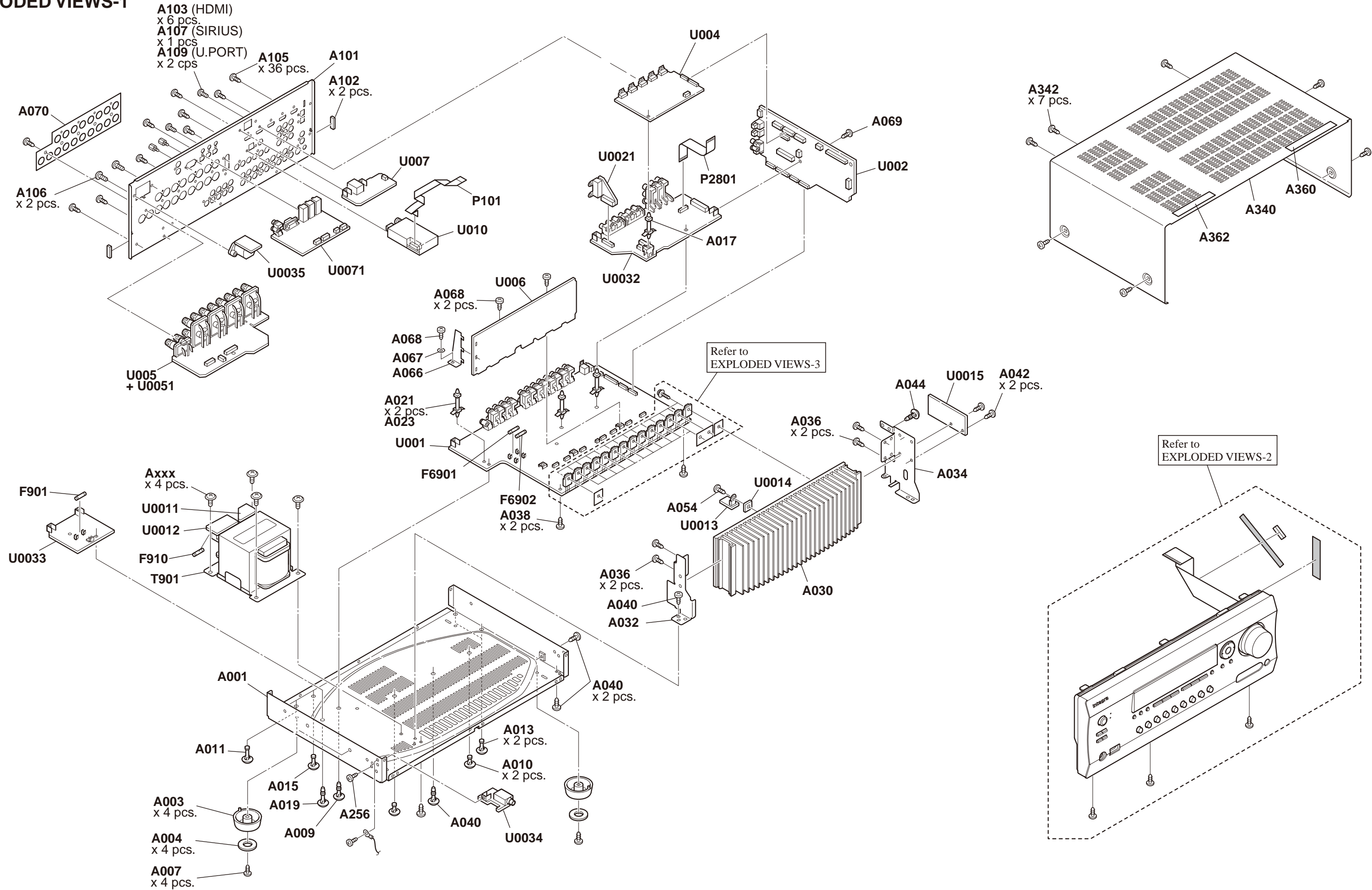
RC-739M

### SAFETY-RELATED COMPONENT WARNING!!

COMPONENTS IDENTIFIED BY MARK  ON THE SCHEMATIC DIAGRAM AND IN THE PARTS LIST ARE CRITICAL FOR RISK OF FIRE AND ELECTRIC SHOCK. REPLACE THESE COMPONENTS WITH ONKYO PARTS WHOSE PART NUMBERS APPEAR AS SHOWN IN THIS MANUAL.

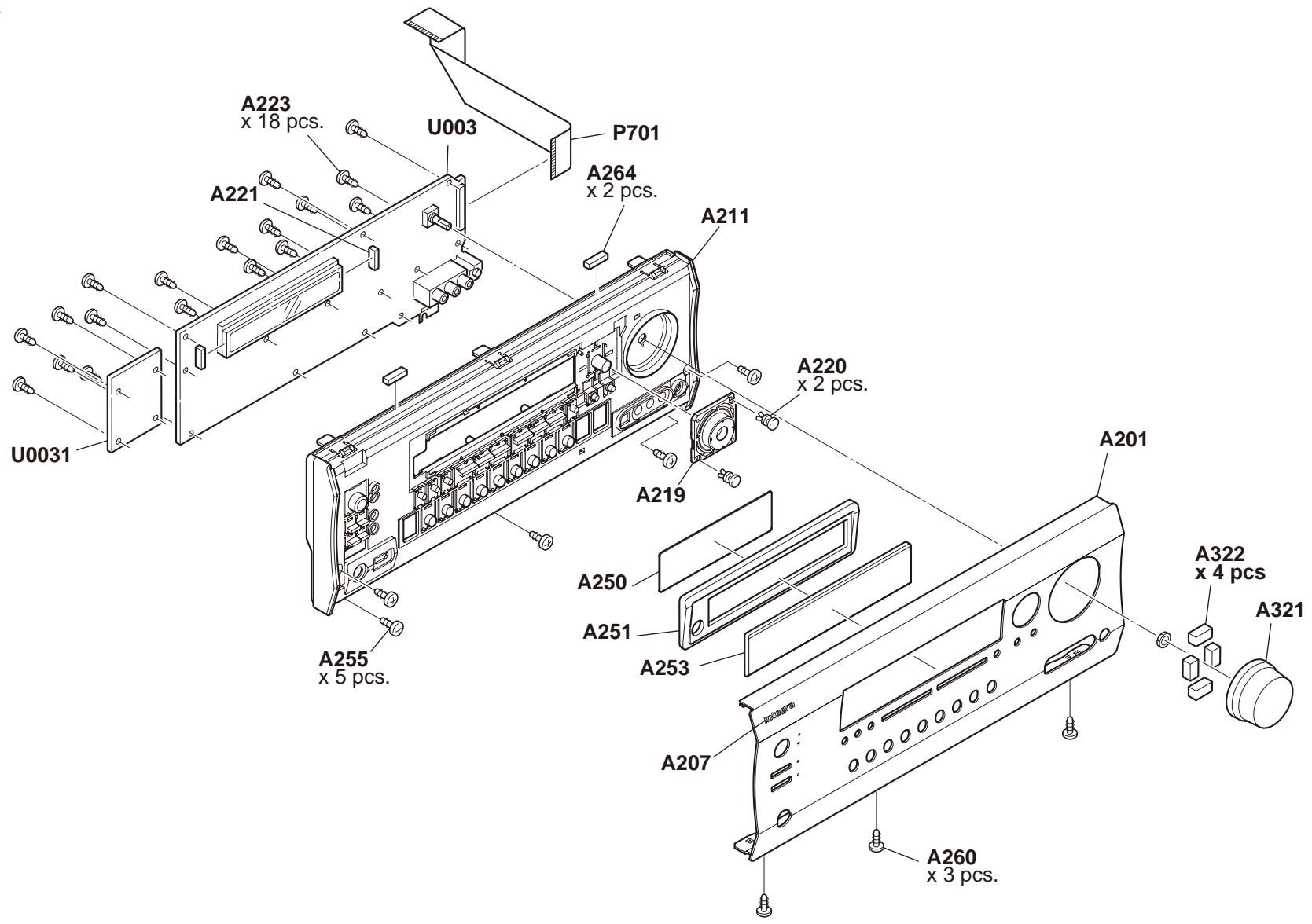
MAKE LEAKAGE-CURRENT OR RESISTANCE MEASUREMENTS TO DETERMINE THAT EXPOSED PARTS ARE ACCEPTABLY INSULATED FROM THE SUPPLY CIRCUIT BEFORE RETURNING THE APPLIANCE TO THE CUSTOMER.

EXPLODED VIEWS-1



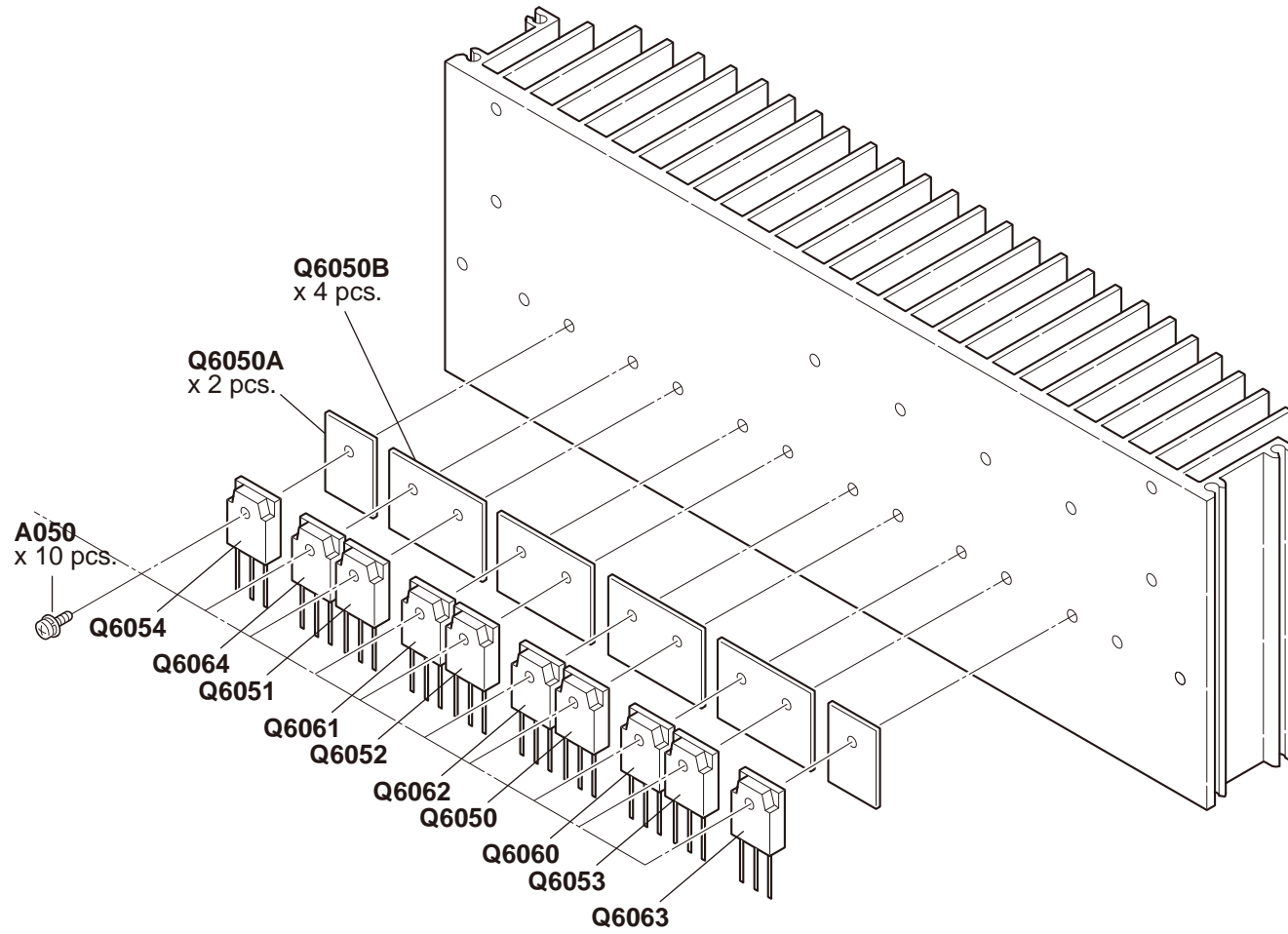
# EXPLODED VIEWS-2

<Fig-1>



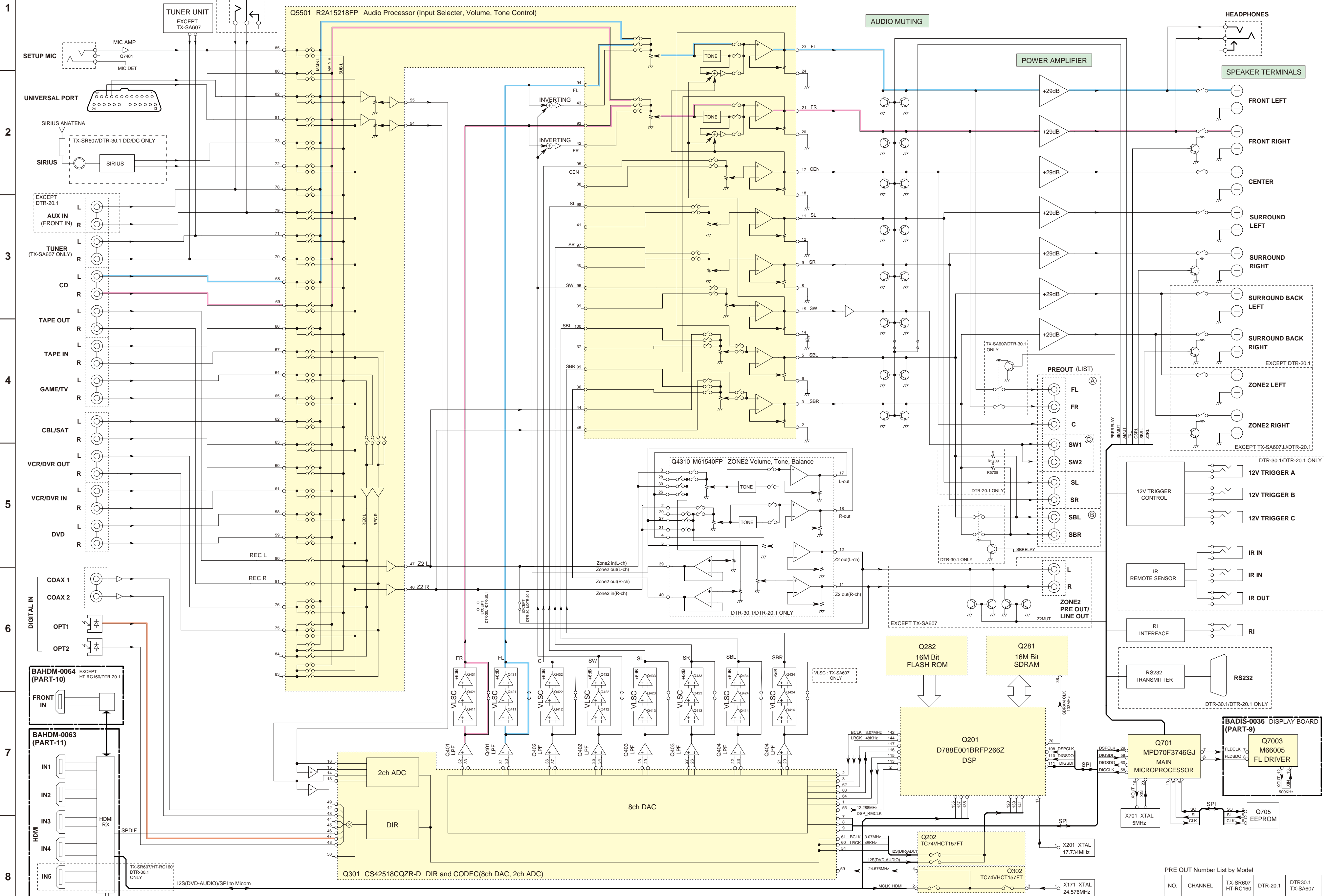
### EXPLODED VIEWS-3

<Fig-2>





**BLOCK DIAGRAMS-1 / PART-1**  
**AUDIO SECTION**



<Note>  
Refer to SCHEMATIC DIAGRAM-3 / PART-5 and SCHEMATIC DIAGRAM-17 / PART-19  
for digital audio signal waveforms.

PRE OUT Number List by Model

NO.	CHANNEL	TX-SR607 HT-RC160	DTR-20.1	DTR30.1 TX-SA607
(A)	FL/FR/C/SL/SR	NO	NO	YES
(B)	SBL/SBR	NO	YES	YES
(C)	SW1/SW2	YES	YES	YES

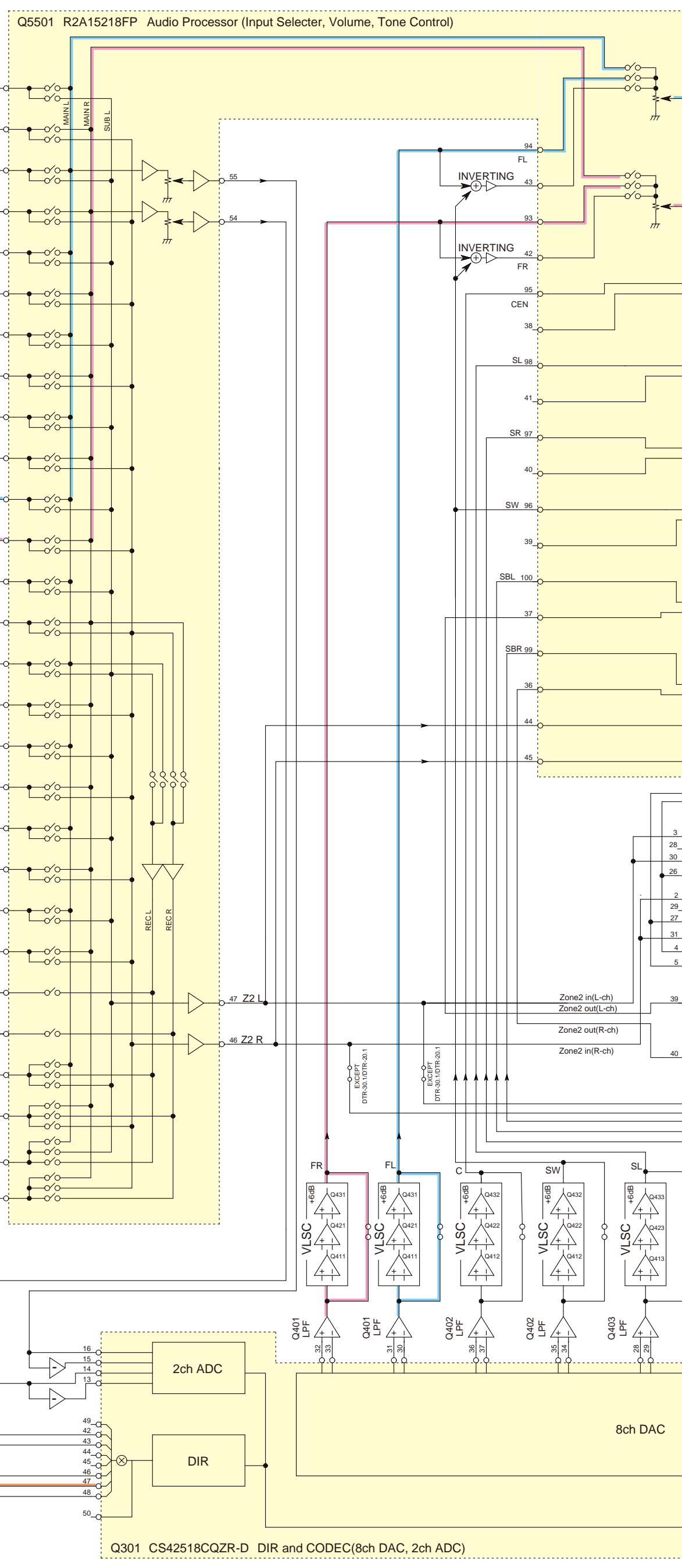
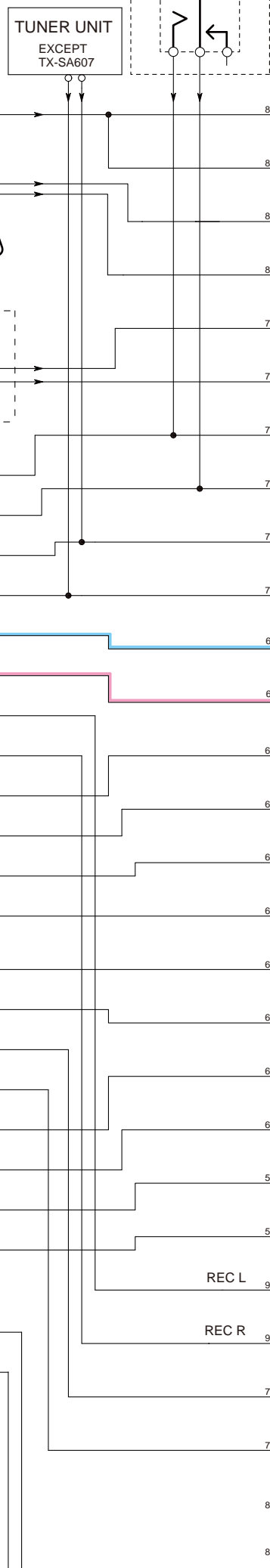
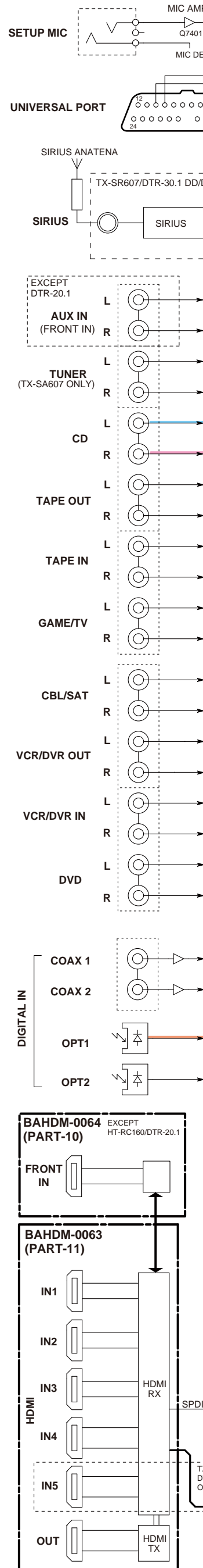
# BLOCK DIAGRAMS-1 / PART-1 AUDIO SECTION

TX-SR607/SA607/HT-RC160 ONLY

PORTABLE  
(STEREO MINI JACK  
FRONT INPUT)

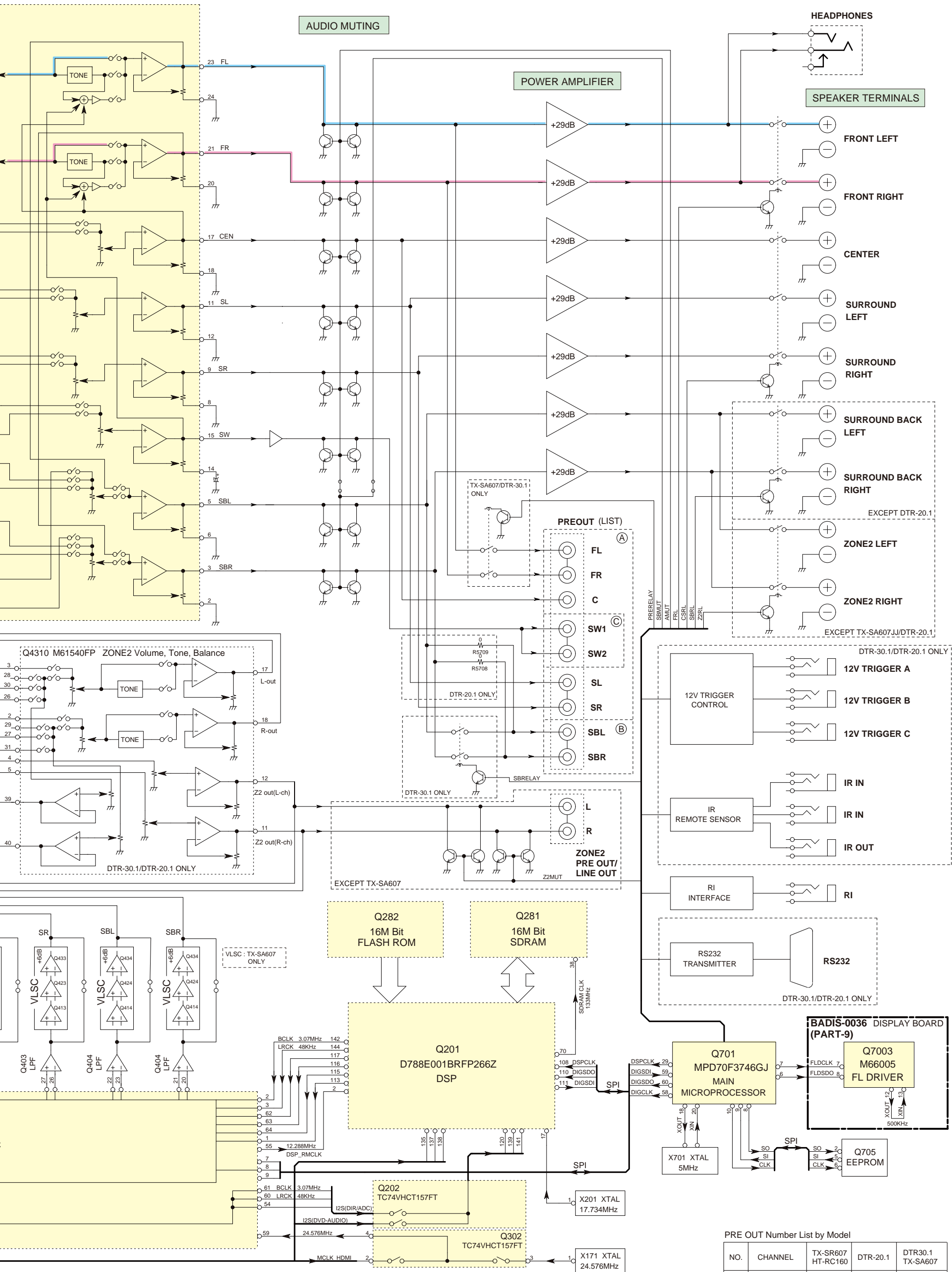
Q5501 R2A15218FP Audio Processor (Input Selector, Volume, Tone Control)

1  
2  
3  
4  
5  
6  
7  
8



<Note>  
Refer to SCHEMATIC DIAGRAM-3 / PART-5 and SCHEMATIC DIAGRAM-17 / PART-19 for digital audio signal waveforms.

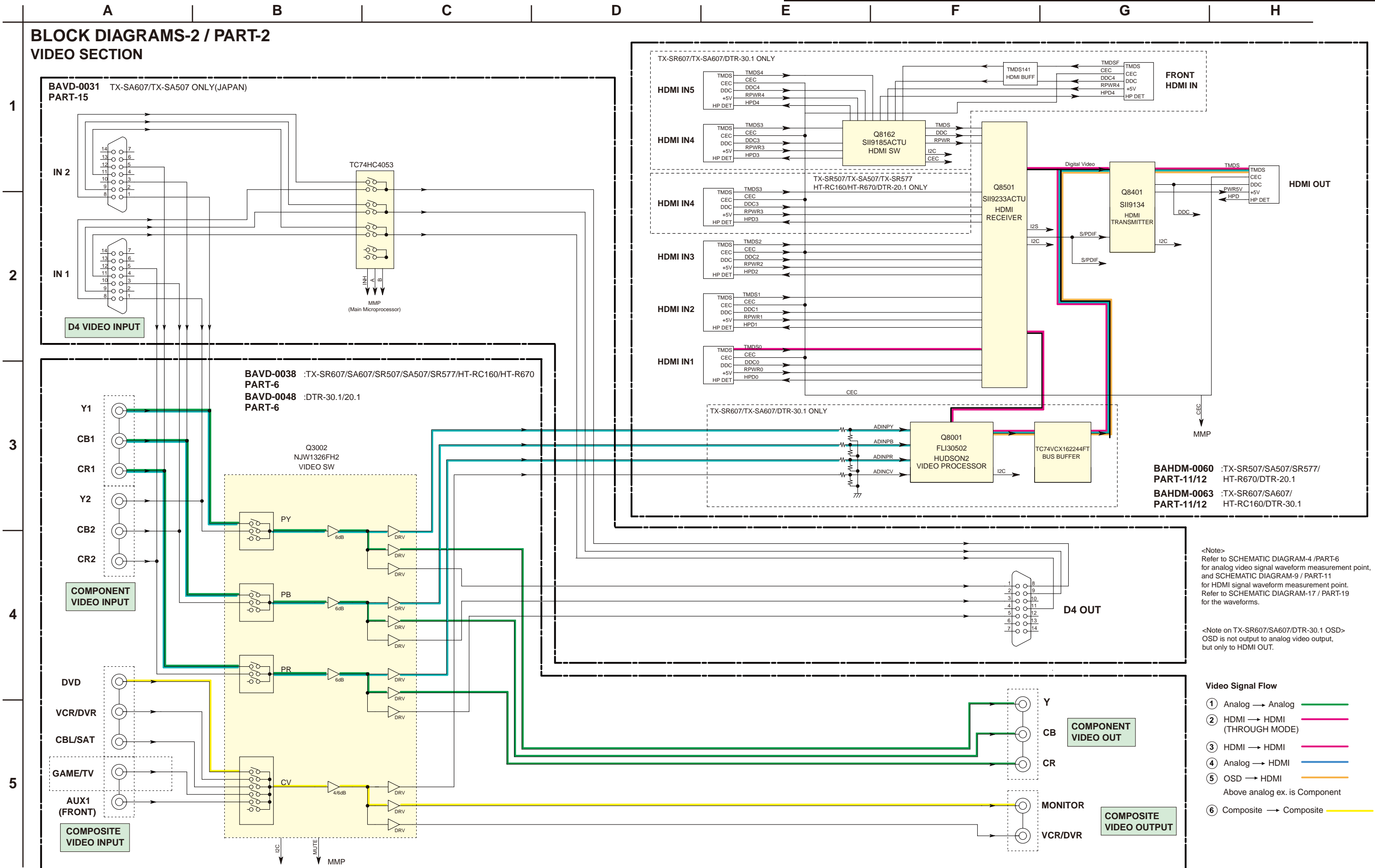
F G H I J K



PRE OUT Number List by Model

NO.	CHANNEL	TX-SR607 HT-RC160	DTR-20.1	DTR30.1 TX-SA607
(A)	FL/FR/C/SL/SR	NO	NO	YES
(B)	SBL/SBR	NO	YES	YES
(C)	SW1/SW2	YES	YES	YES

**BLOCK DIAGRAMS-2 / PART-2**  
**VIDEO SECTION**



<Note>  
Refer to SCHEMATIC DIAGRAM-4 /PART-6 for analog video signal waveform measurement point, and SCHEMATIC DIAGRAM-9 / PART-11 for HDMI signal waveform measurement point. Refer to SCHEMATIC DIAGRAM-17 / PART-19 for the waveforms.

<Note on TX-SR607/SA607/DTR-30.1 OSD>  
OSD is not output to analog video output, but only to HDMI OUT.

- Video Signal Flow**
- ① Analog → Analog (Green line)
  - ② HDMI → HDMI (THROUGH MODE) (Pink line)
  - ③ HDMI → HDMI (Magenta line)
  - ④ Analog → HDMI (Blue line)
  - ⑤ OSD → HDMI (Yellow line)
  - ⑥ Composite → Composite (Yellow line)
- Above analog ex. is Component

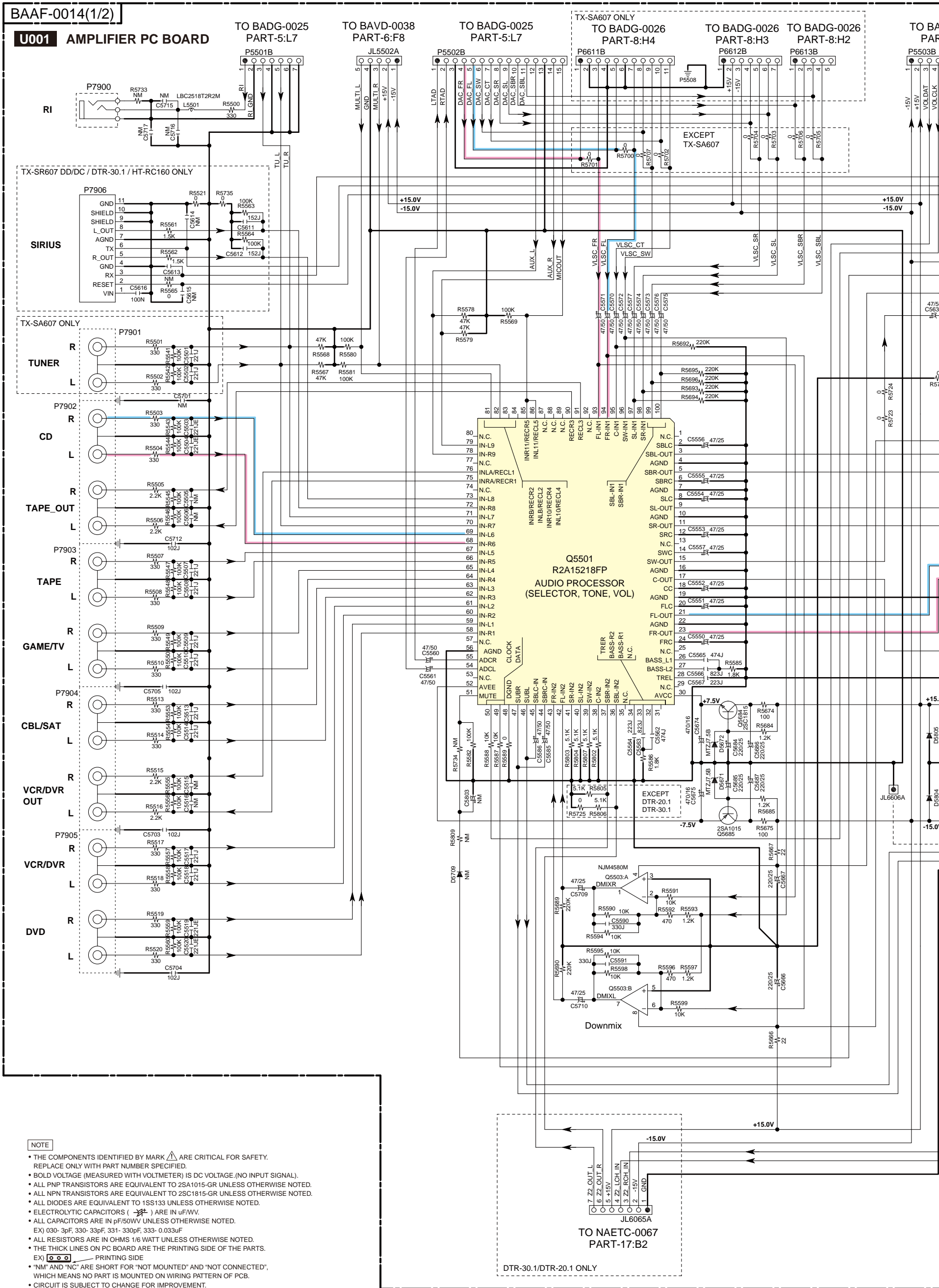




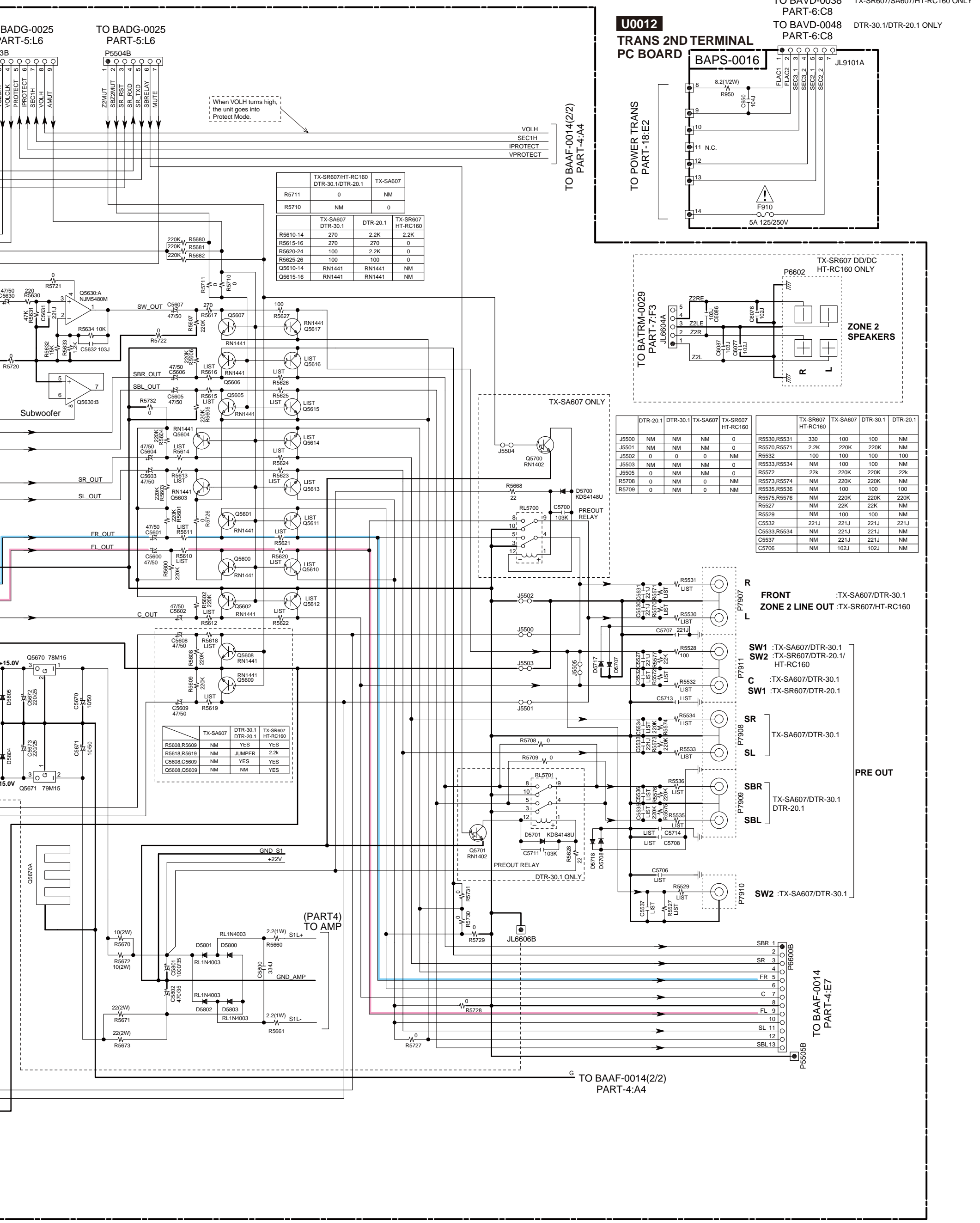
# SCHEMATIC DIAGRAMS-1 / PART-3

## AUDIO SECTION

NOTE:  
XY in "SCHEMATIC-a / PART-b:XY" indicates the target location of the plug or socket, X=A to E/H/K, Y=1 to 4/5/8.



1  
2  
3  
4  
5  
6  
7  
8

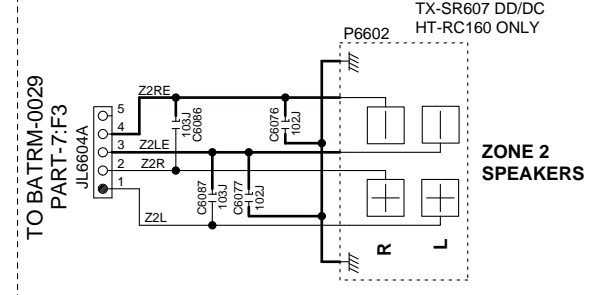
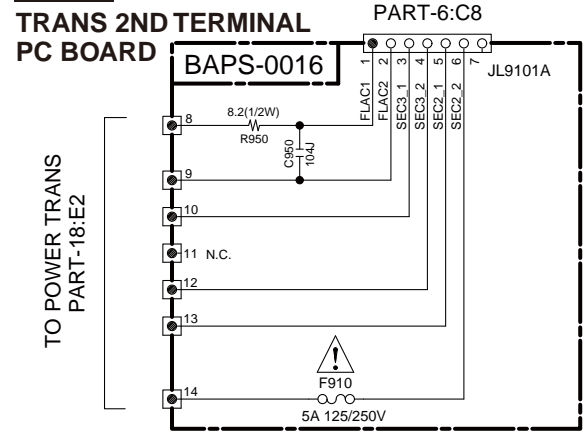


When VOLH turns high, the unit goes into Protect Mode.

	TX-SR607/HT-RC160 DTR-30.1/DTR-20.1	TX-SA607
R5711	0	NM
R5710	NM	0
R5610-14	270	2.2K
R5615-16	270	270
R5620-24	100	2.2K
R5625-26	100	100
Q5610-14	RN1441	RN1441
Q5615-16	RN1441	RN1441

	TX-SA607	DTR-30.1 DTR-20.1	TX-SR607 HT-RC160
R5608,R5609	NM	YES	YES
R5618,R5619	NM	JUMPER	2.2K
C5608,C5609	NM	YES	YES
Q5608,Q5609	NM	NM	YES

TO BAUF-0014(2/2) PART-4:A4



	DTR-20.1	DTR-30.1	TX-SA607	TX-SR607 HT-RC160
J5500	NM	NM	NM	0
J5501	NM	NM	NM	0
J5502	0	0	0	NM
J5503	NM	NM	NM	0
J5505	0	NM	NM	0
R5708	0	NM	0	NM
R5709	0	NM	0	NM

FRONT :TX-SA607/DTR-30.1  
ZONE 2 LINE OUT :TX-SR607/HT-RC160

SW1 :TX-SA607/DTR-30.1  
SW2 :TX-SR607/DTR-20.1/  
HT-RC160

C :TX-SA607/DTR-30.1  
SW1 :TX-SR607/DTR-20.1

SR :TX-SA607/DTR-30.1

SL :TX-SA607/DTR-30.1

SBR :TX-SA607/DTR-30.1

SBL :DTR-20.1

SW2 :TX-SA607/DTR-30.1

PRE OUT

TO BAUF-0014  
PART-4:E7

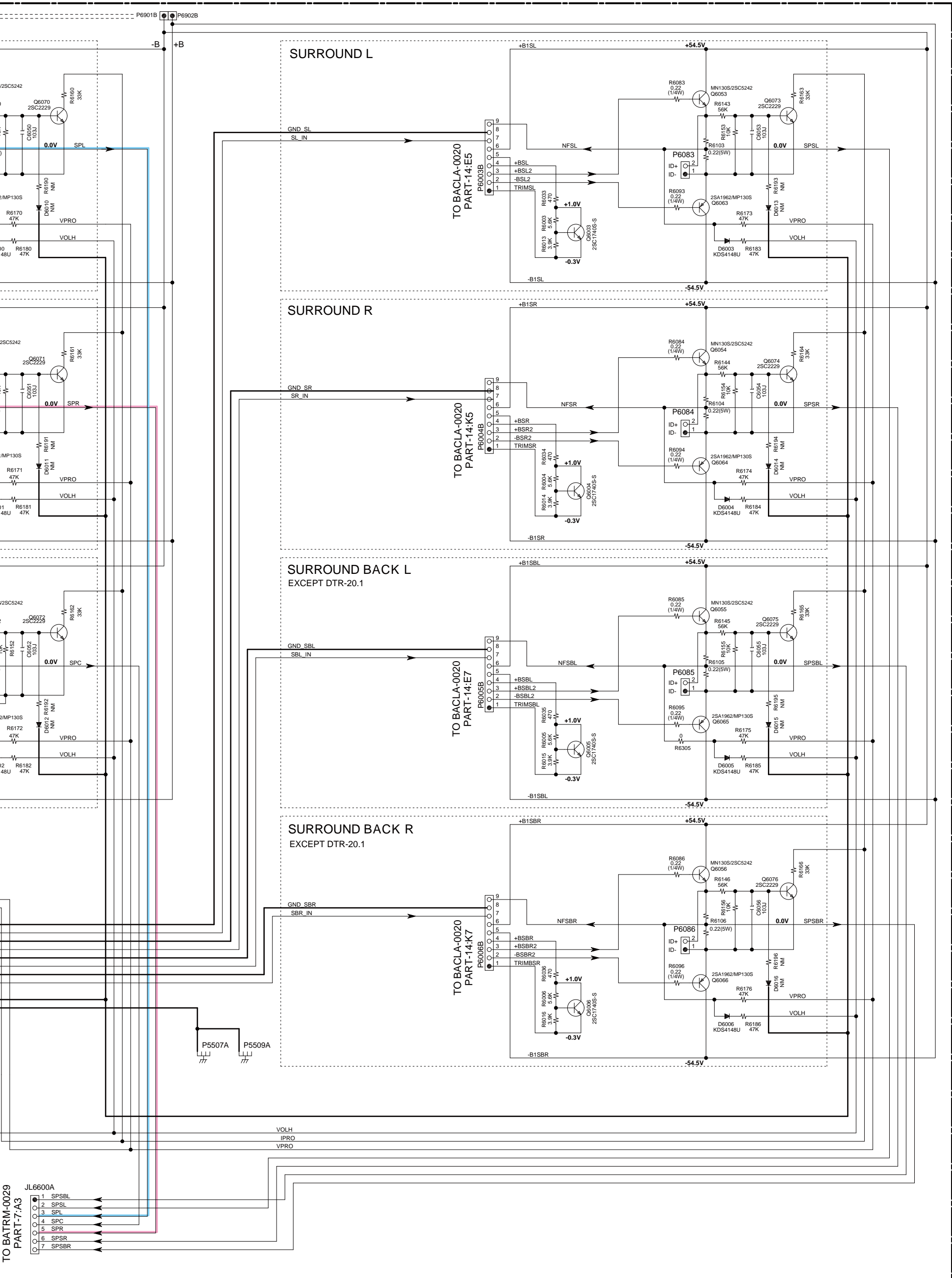
TO BAUF-0014(2/2)  
PART-4:A4

(PART4)  
TO AMP









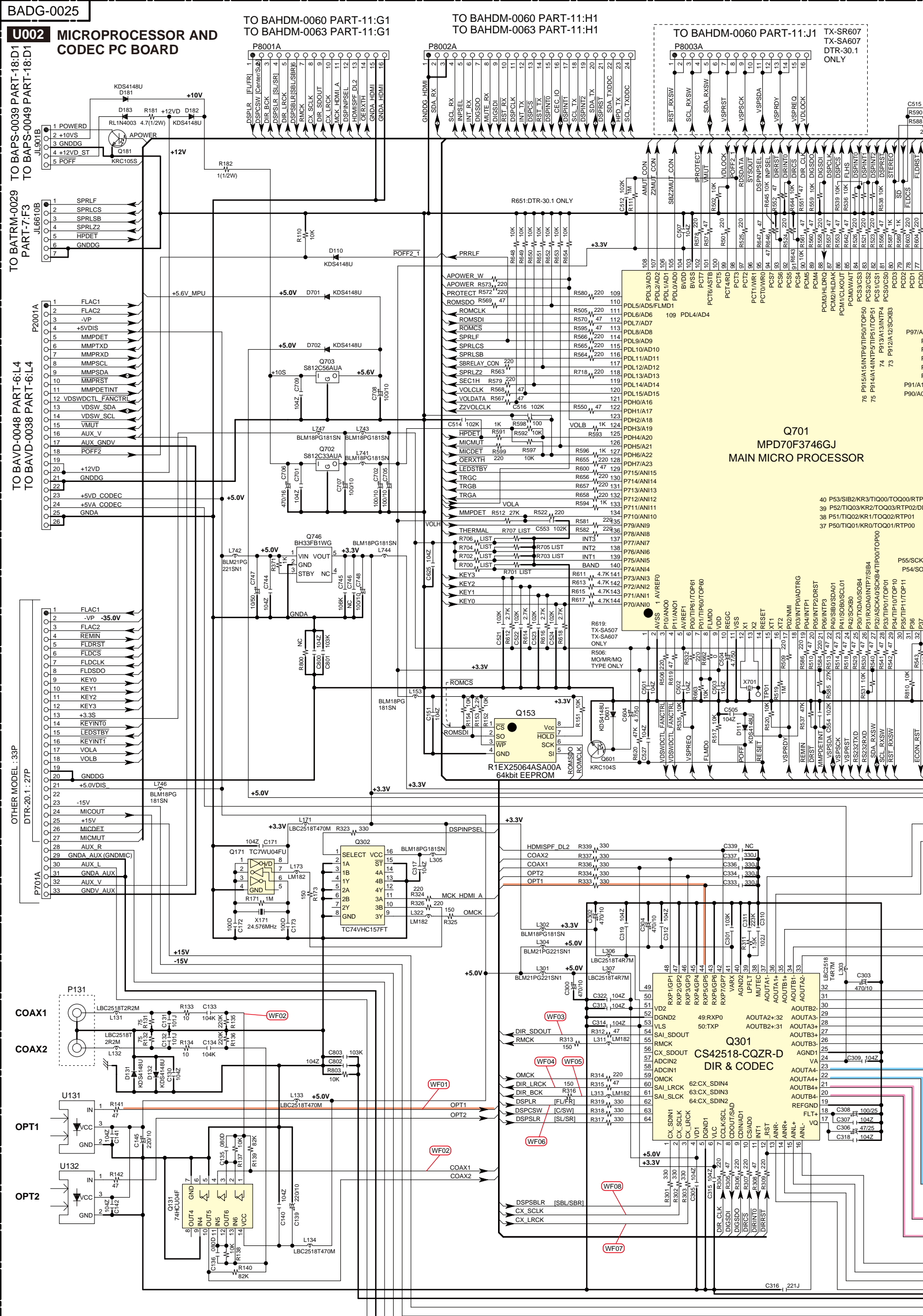






# SCHEMATIC DIAGRAMS-3 / PART-5 MICROPROCESSOR AND CODEC SECTION

NOTE:  
XY in "SCHEMATIC-a / PART-b:XY" indicates the target location of the plug or socket, X=A to E/H/K, Y=1 to 4/5/8.



<Note>  
Refer to SCHEMATIC DIAGRAM-19 / PART-17 for digital audio signal waveforms.

1  
2  
3  
4  
5  
6  
7  
8

TO BADIS-0036 PART-9:L2  
TO BADIS-0046 PART-9:J2

OTHER MODEL : 33P  
DTR-20.1 : 27P

COAX1  
COAX2

OPT1  
OPT2

DIGITAL IN

TO BATHM-0029 PART-7:F3  
TO BATHM-0048 PART-6:L4  
TO BATHM-0038 PART-6:L4

BADG-0025

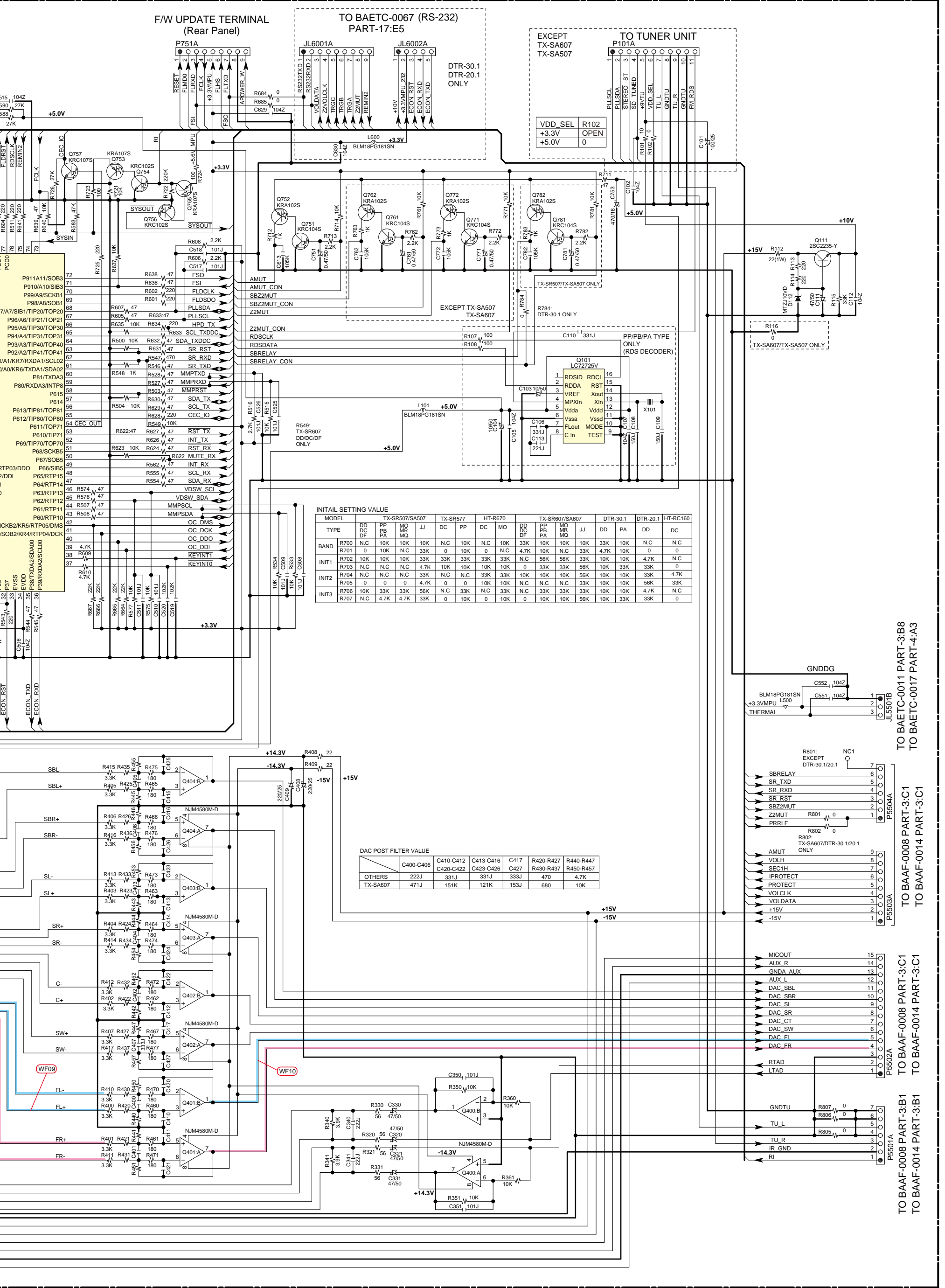
U002 MICROPROCESSOR AND CODEC PC BOARD

TO BAHDM-0060 PART-11:G1  
TO BAHDM-0063 PART-11:G1

TO BAHDM-0060 PART-11:H1  
TO BAHDM-0063 PART-11:H1

TO BAHDM-0060 PART-11:J1  
TX-SR607  
TX-SA607  
DTR-30.1 ONLY

C515  
R590  
R586  
R588  
R587  
R589  
R585  
R584  
R583  
R582  
R581  
R580  
R579  
R578  
R577  
R576  
R575  
R574  
R573  
R572  
R571  
R570  
R569  
R568  
R567  
R566  
R565  
R564  
R563  
R562  
R561  
R560  
R559  
R558  
R557  
R556  
R555  
R554  
R553  
R552  
R551  
R550  
R549  
R548  
R547  
R546  
R545  
R544  
R543  
R542  
R541  
R540  
R539  
R538  
R537  
R536  
R535  
R534  
R533  
R532  
R531  
R530  
R529  
R528  
R527  
R526  
R525  
R524  
R523  
R522  
R521  
R520  
R519  
R518  
R517  
R516  
R515  
R514  
R513  
R512  
R511  
R510  
R509  
R508  
R507  
R506  
R505  
R504  
R503  
R502  
R501  
R500  
R499  
R498  
R497  
R496  
R495  
R494  
R493  
R492  
R491  
R490  
R489  
R488  
R487  
R486  
R485  
R484  
R483  
R482  
R481  
R480  
R479  
R478  
R477  
R476  
R475  
R474  
R473  
R472  
R471  
R470  
R469  
R468  
R467  
R466  
R465  
R464  
R463  
R462  
R461  
R460  
R459  
R458  
R457  
R456  
R455  
R454  
R453  
R452  
R451  
R450  
R449  
R448  
R447  
R446  
R445  
R444  
R443  
R442  
R441  
R440  
R439  
R438  
R437  
R436  
R435  
R434  
R433  
R432  
R431  
R430  
R429  
R428  
R427  
R426  
R425  
R424  
R423  
R422  
R421  
R420  
R419  
R418  
R417  
R416  
R415  
R414  
R413  
R412  
R411  
R410  
R409  
R408  
R407  
R406  
R405  
R404  
R403  
R402  
R401  
R400  
R399  
R398  
R397  
R396  
R395  
R394  
R393  
R392  
R391  
R390  
R389  
R388  
R387  
R386  
R385  
R384  
R383  
R382  
R381  
R380  
R379  
R378  
R377  
R376  
R375  
R374  
R373  
R372  
R371  
R370  
R369  
R368  
R367  
R366  
R365  
R364  
R363  
R362  
R361  
R360  
R359  
R358  
R357  
R356  
R355  
R354  
R353  
R352  
R351  
R350  
R349  
R348  
R347  
R346  
R345  
R344  
R343  
R342  
R341  
R340  
R339  
R338  
R337  
R336  
R335  
R334  
R333  
R332  
R331  
R330  
R329  
R328  
R327  
R326  
R325  
R324  
R323  
R322  
R321  
R320  
R319  
R318  
R317  
R316  
R315  
R314  
R313  
R312  
R311  
R310  
R309  
R308  
R307  
R306  
R305  
R304  
R303  
R302  
R301  
R300  
R299  
R298  
R297  
R296  
R295  
R294  
R293  
R292  
R291  
R290  
R289  
R288  
R287  
R286  
R285  
R284  
R283  
R282  
R281  
R280  
R279  
R278  
R277  
R276  
R275  
R274  
R273  
R272  
R271  
R270  
R269  
R268  
R267  
R266  
R265  
R264  
R263  
R262  
R261  
R260  
R259  
R258  
R257  
R256  
R255  
R254  
R253  
R252  
R251  
R250  
R249  
R248  
R247  
R246  
R245  
R244  
R243  
R242  
R241  
R240  
R239  
R238  
R237  
R236  
R235  
R234  
R233  
R232  
R231  
R230  
R229  
R228  
R227  
R226  
R225  
R224  
R223  
R222  
R221  
R220  
R219  
R218  
R217  
R216  
R215  
R214  
R213  
R212  
R211  
R210  
R209  
R208  
R207  
R206  
R205  
R204  
R203  
R202  
R201  
R200  
R199  
R198  
R197  
R196  
R195  
R194  
R193  
R192  
R191  
R190  
R189  
R188  
R187  
R186  
R185  
R184  
R183  
R182  
R181  
R180  
R179  
R178  
R177  
R176  
R175  
R174  
R173  
R172  
R171  
R170  
R169  
R168  
R167  
R166  
R165  
R164  
R163  
R162  
R161  
R160  
R159  
R158  
R157  
R156  
R155  
R154  
R153  
R152  
R151  
R150  
R149  
R148  
R147  
R146  
R145  
R144  
R143  
R142  
R141  
R140  
R139  
R138  
R137  
R136  
R135  
R134  
R133  
R132  
R131  
R130  
R129  
R128  
R127  
R126  
R125  
R124  
R123  
R122  
R121  
R120  
R119  
R118  
R117  
R116  
R115  
R114  
R113  
R112  
R111  
R110  
R109  
R108  
R107  
R106  
R105  
R104  
R103  
R102  
R101  
R100  
R99  
R98  
R97  
R96  
R95  
R94  
R93  
R92  
R91  
R90  
R89  
R88  
R87  
R86  
R85  
R84  
R83  
R82  
R81  
R80  
R79  
R78  
R77  
R76  
R75  
R74  
R73  
R72  
R71  
R70  
R69  
R68  
R67  
R66  
R65  
R64  
R63  
R62  
R61  
R60  
R59  
R58  
R57  
R56  
R55  
R54  
R53  
R52  
R51  
R50  
R49  
R48  
R47  
R46  
R45  
R44  
R43  
R42  
R41  
R40  
R39  
R38  
R37  
R36  
R35  
R34  
R33  
R32  
R31  
R30  
R29  
R28  
R27  
R26  
R25  
R24  
R23  
R22  
R21  
R20  
R19  
R18  
R17  
R16  
R15  
R14  
R13  
R12  
R11  
R10  
R9  
R8  
R7  
R6  
R5  
R4  
R3  
R2  
R1

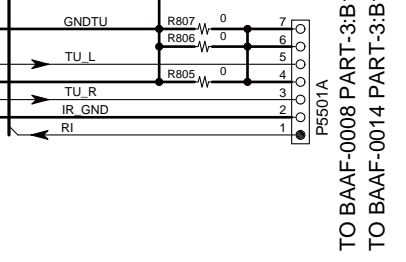
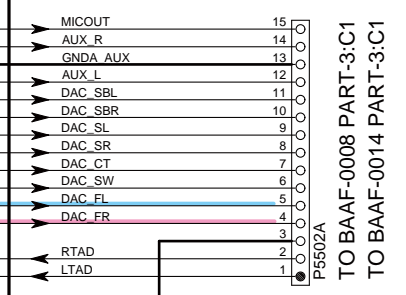
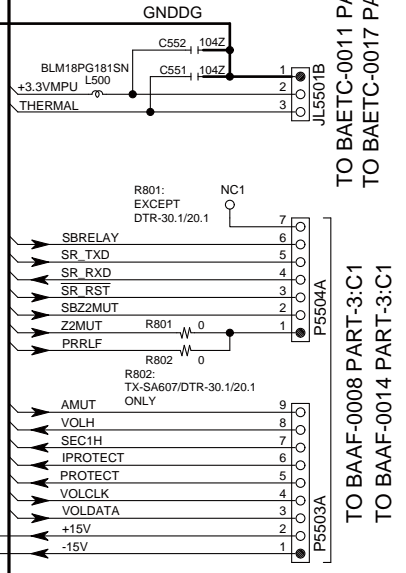


**INITIAL SETTING VALUE**

MODEL	TX-SR507/SA507			TX-SR577			HT-R670			TX-SR607/SA607			DTR-30.1		DTR-20.1		HT-RC160	
	TYPE	DD	DC	PP	MO	JJ	DC	PP	MO	DD	DC	PP	MO	DD	PA	DD	DC	
BAND	R700	N.C	10K	10K	10K	10K	N.C	10K	N.C	10K	33K	10K	10K	33K	10K	N.C	N.C	
R701	0	10K	N.C	33K	0	10K	0	N.C	4.7K	10K	N.C	33K	4.7K	10K	0	0		
INIT1	R702	10K	10K	33K	33K	33K	33K	33K	N.C	56K	56K	33K	10K	10K	4.7K	N.C		
R703	N.C	N.C	N.C	4.7K	10K	10K	10K	10K	0	33K	33K	56K	10K	33K	33K	0		
R704	N.C	N.C	N.C	33K	N.C	N.C	33K	33K	10K	10K	10K	56K	10K	10K	33K	4.7K		
R705	0	0	0	4.7K	0	0	10K	10K	N.C	N.C	N.C	33K	10K	10K	56K	33K		
R706	10K	33K	33K	56K	N.C	33K	33K	N.C	33K	33K	33K	10K	10K	10K	4.7K	N.C		
R707	N.C	4.7K	4.7K	33K	0	10K	0	10K	0	10K	10K	56K	10K	33K	33K	0		

**DAC POST FILTER VALUE**

	C400-C406	C410-C412	C413-C416	C417	R420-R427	R440-R447
OTHERS	222J	331J	331J	C427	R430-R437	R450-R457
TX-SA607	471J	151K	121K	153J	470	4.7K







# SCHEMATIC DIAGRAMS-4 / PART-6 VIDEO SECTION

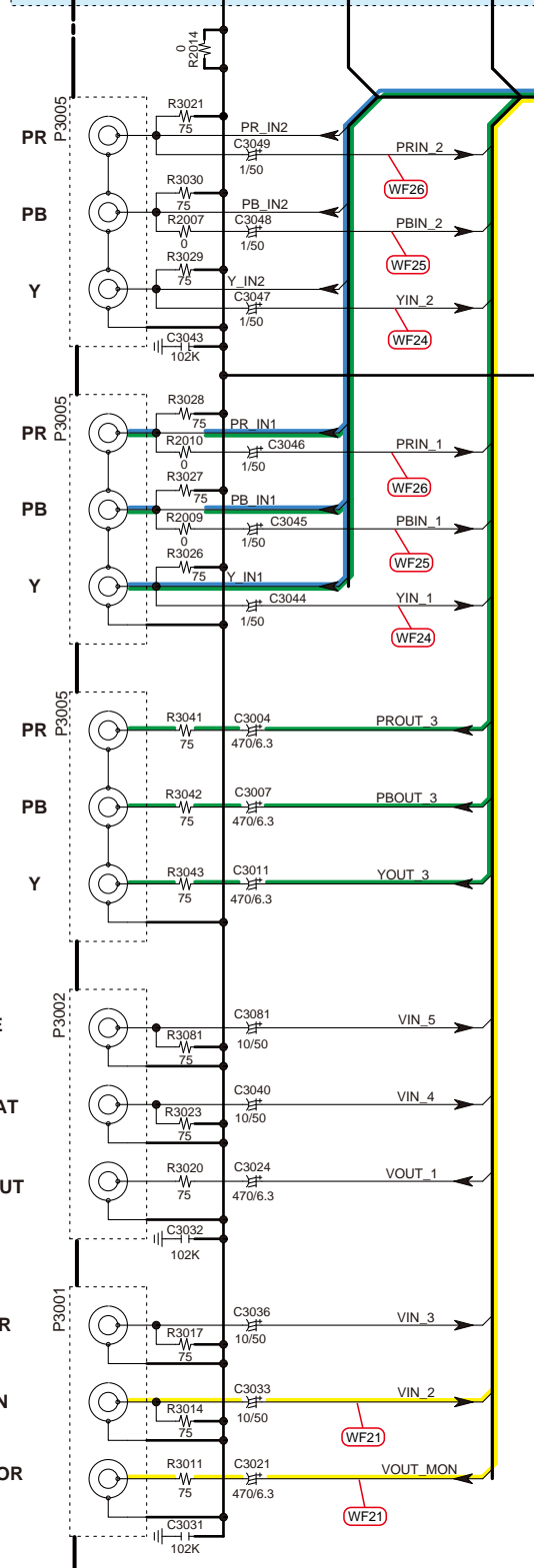
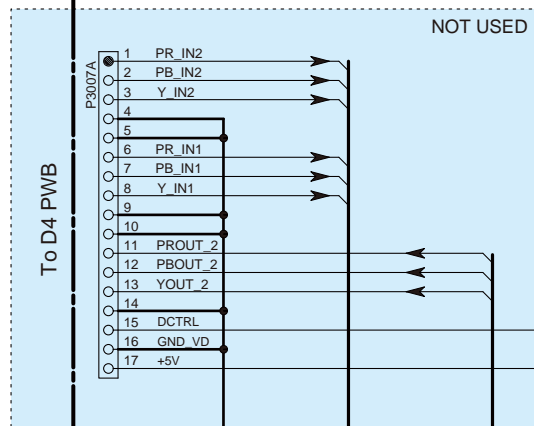
NOTE:  
XY in "SCHEMATIC-a / PART-b:XY" indicates the target location of the plug or socket, X=A to E/H/K, Y=1 to 4/5/8.

BCVD-0048

U0032 VIDEO PC BOARD

### Video Signal Flow

- ① Analog → Analog
  - ② HDMI → HDMI (THROUGH MODE)
  - ③ HDMI → HDMI
  - ④ Analog → HDMI
  - ⑤ OSD → HDMI
  - ⑥ Composite → Composite
- Above analog ex. is Component



FCTRL/DCTRL

+5.0V

PR IN2

PB IN2

Y IN2

PR IN1

PB IN1

Y IN1

PROUT 3

PBOUT 3

YOUT 3

VIN 5

VIN 4

VOUT 1

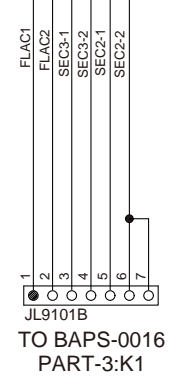
VIN 3

VIN 2

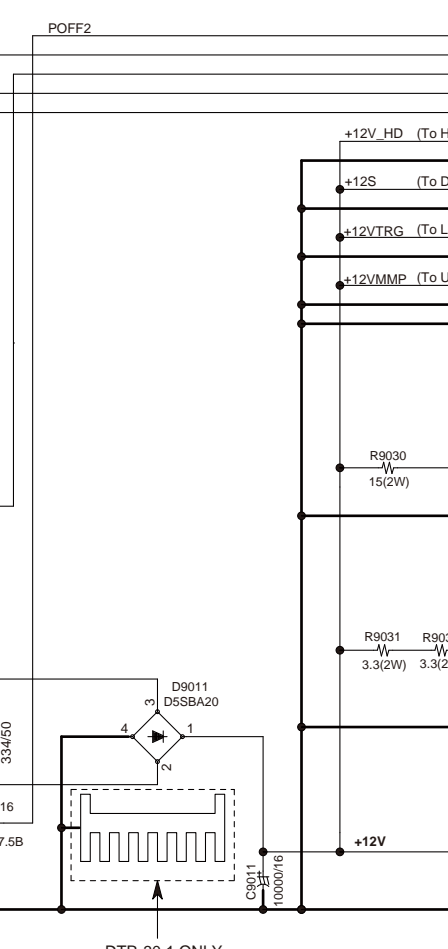
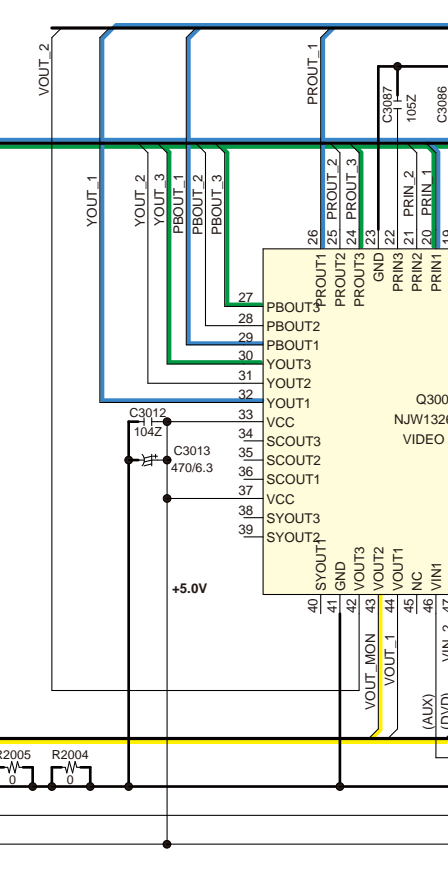
VOUT\_MON

WF21

WF21



TO BAPS-0016  
PART-3:K1



DTR-30.1 ONLY

<Note>  
Refer to SCHEMATIC DIAGRAM-19 / PART-17  
for analog video signal waveforms.



**SCHEMATIC DIAGRAMS-5 / PART-7**  
**SP TERMINAL SECTION**

NOTE:  
XY in "SCHEMATIC-a / PART-b:XY" indicates the target location of the plug or socket, X=A to E/H/K, Y=1 to 4/5/8.

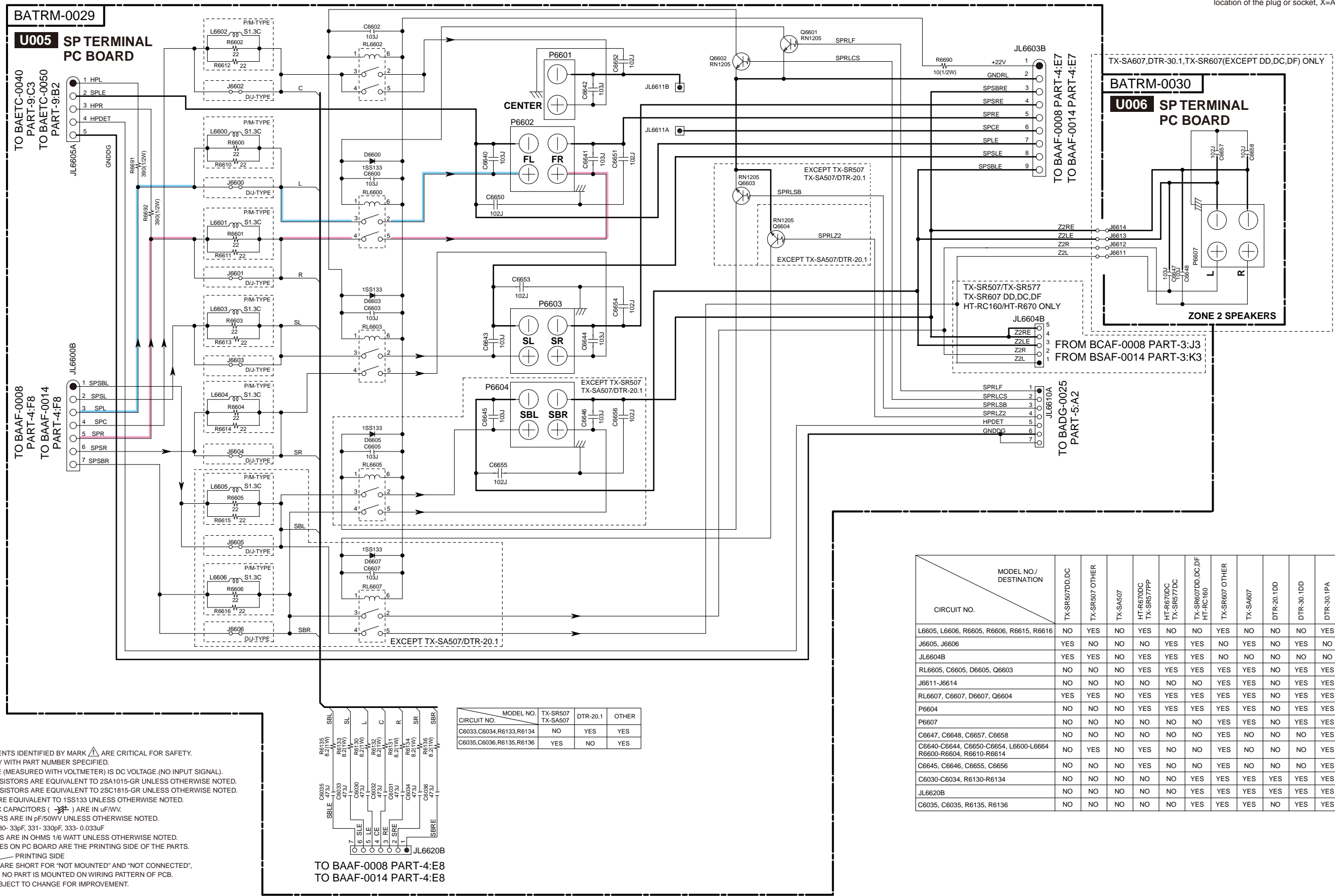
1

2

3

4

5



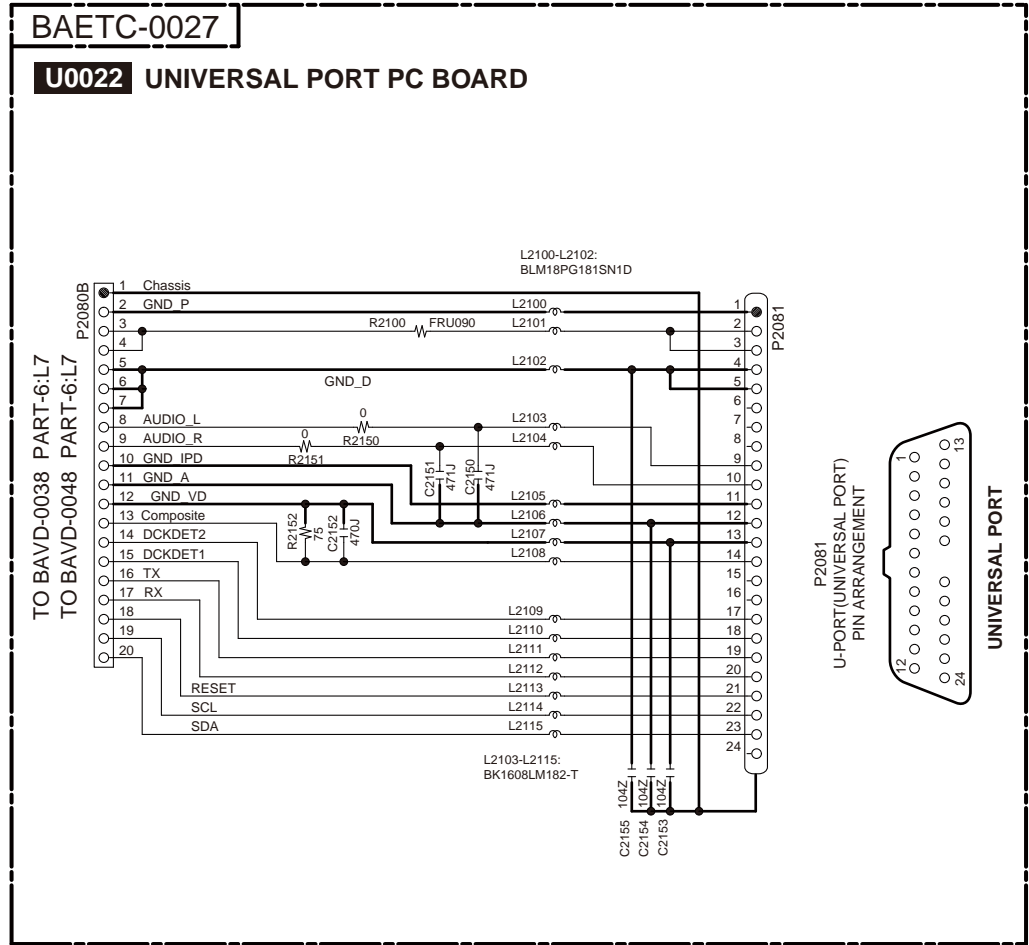
- NOTE**
- THE COMPONENTS IDENTIFIED BY MARK  $\Delta$  ARE CRITICAL FOR SAFETY. REPLACE ONLY WITH PART NUMBER SPECIFIED.
  - BOLD VOLTAGE (MEASURED WITH VOLTMETER) IS DC VOLTAGE (NO INPUT SIGNAL).
  - ALL PNP TRANSISTORS ARE EQUIVALENT TO 2SA1015-GR UNLESS OTHERWISE NOTED.
  - ALL NPN TRANSISTORS ARE EQUIVALENT TO 2SC1815-GR UNLESS OTHERWISE NOTED.
  - ALL DIODES ARE EQUIVALENT TO 1SS133 UNLESS OTHERWISE NOTED.
  - ELECTROLYTIC CAPACITORS (  $\text{---}$  ) ARE IN  $\mu\text{F/WV}$ .
  - ALL CAPACITORS ARE IN pF/50WV UNLESS OTHERWISE NOTED.  
EX) 030- 3pF, 330- 33pF, 331- 330pF, 333- 0.033 $\mu\text{F}$
  - ALL RESISTORS ARE IN OHMS 1/6 WATT UNLESS OTHERWISE NOTED.
  - THE THICK LINES ON PC BOARD ARE THE PRINTING SIDE OF THE PARTS.  
EX)  $\text{---}$  PRINTING SIDE
  - "NM" AND "NC" ARE SHORT FOR "NOT MOUNTED" AND "NOT CONNECTED", WHICH MEANS NO PART IS MOUNTED ON WIRING PATTERN OF PCB.
  - CIRCUIT IS SUBJECT TO CHANGE FOR IMPROVEMENT.

CIRCUIT NO.	MODEL NO. TX-SR507 TX-SA507	DTR-20.1	OTHER
C6033,C6034,R6133,R6134	NO	YES	YES
C6035,C6036,R6135,R6136	YES	NO	YES

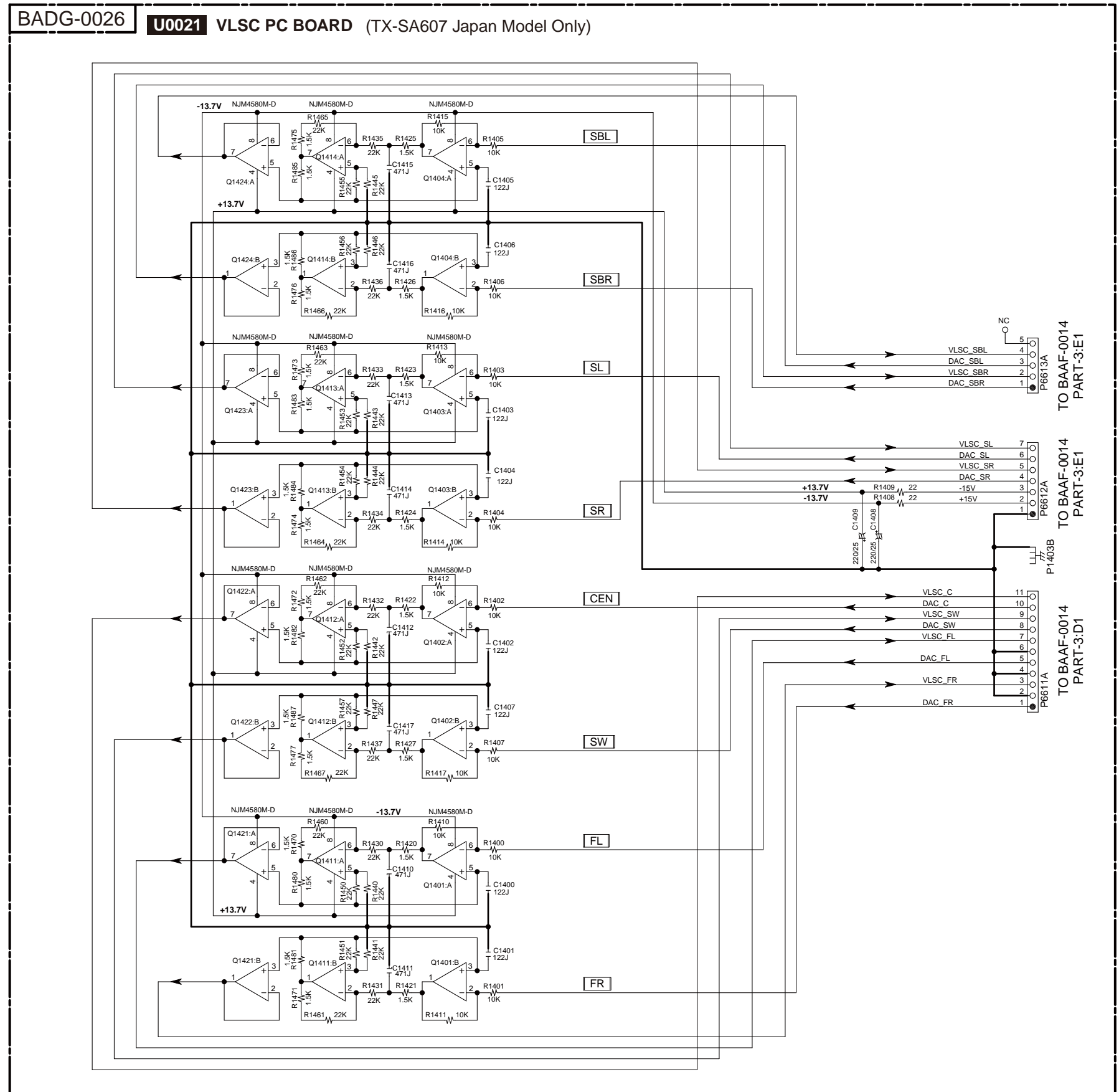
CIRCUIT NO.	MODEL NO. / DESTINATION		TX-SR507 DD,DC	TX-SR507 OTHER	TX-SA507	HT-R670DC TX-SR577PP	HT-R670DC TX-SR577DC	TX-SR607 DD,DC,DF HT-RC160	TX-SR607 OTHER	TX-SA607	DTR-20.1DD	DTR-30.1DD	DTR-30.1PA
	TX-SR507 DD,DC	TX-SR507 OTHER											
L6605, L6606, R6605, R6606, R6615, R6616	NO	YES	NO	YES	NO	NO	NO	NO	YES	NO	NO	NO	YES
J6605, J6606	YES	NO	NO	NO	NO	YES	YES	NO	YES	NO	NO	YES	NO
JL6604B	YES	YES	NO	YES	YES	YES	YES	NO	NO	NO	NO	NO	NO
RL6605, C6605, D6605, Q6603	NO	NO	NO	YES	YES	YES	YES	YES	YES	NO	NO	YES	YES
J6611-J6614	NO	NO	NO	NO	NO	NO	NO	NO	YES	YES	NO	YES	YES
RL6607, C6607, D6607, Q6604	YES	YES	NO	YES	YES	YES	YES	YES	YES	NO	YES	YES	YES
P6604	NO	NO	NO	YES	YES	YES	YES	YES	YES	NO	YES	YES	YES
P6607	NO	NO	NO	NO	NO	NO	NO	NO	YES	YES	NO	YES	YES
C6647, C6648, C6657, C6658	NO	NO	NO	NO	NO	NO	NO	NO	YES	NO	NO	NO	YES
C6640-C6644, C6650-C6654, L6600-L6664 R6600-R6604, R6610-R6614	NO	YES	NO	YES	NO	NO	NO	NO	YES	NO	NO	NO	YES
C6645, C6646, C6655, C6656	NO	NO	NO	YES	NO	NO	NO	NO	YES	NO	NO	NO	YES
C6030-C6034, R6130-R6134	NO	NO	NO	NO	NO	NO	NO	YES	YES	YES	YES	YES	YES
JL6620B	NO	NO	NO	NO	NO	NO	NO	YES	YES	YES	YES	YES	YES
C6035, C6035, R6135, R6136	NO	NO	NO	NO	NO	NO	NO	YES	YES	YES	NO	YES	YES

TO BAAF-0008 PART-4:E8  
TO BAAF-0014 PART-4:E8

**SCHEMATIC DIAGRAMS-6 / PART-8**  
**U PORT AND VLSC SECTION**



NOTE:  
XY in "SCHEMATIC-a / PART-b:XY" indicates the target location of the plug or socket, X=A to E/H/K, Y=1 to 4/5/8.

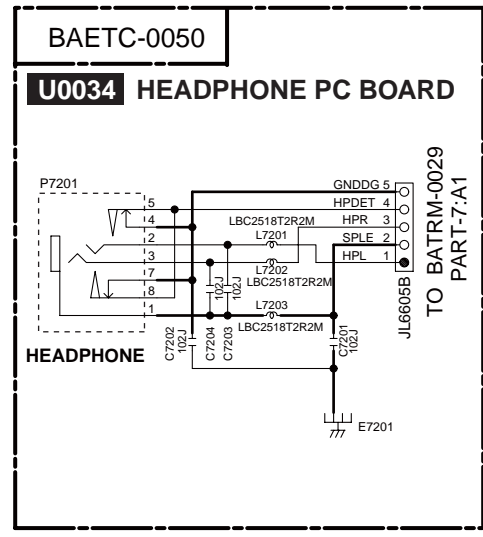


- NOTE**
- THE COMPONENTS IDENTIFIED BY MARK ARE CRITICAL FOR SAFETY. REPLACE ONLY WITH PART NUMBER SPECIFIED.
  - BOLD VOLTAGE (MEASURED WITH VOLTMETER) IS DC VOLTAGE.(NO INPUT SIGNAL).
  - ALL PNP TRANSISTORS ARE EQUIVALENT TO 2SA1015-GR UNLESS OTHERWISE NOTED.
  - ALL NPN TRANSISTORS ARE EQUIVALENT TO 2SC1815-GR UNLESS OTHERWISE NOTED.
  - ALL DIODES ARE EQUIVALENT TO 1SS133 UNLESS OTHERWISE NOTED.
  - ELECTROLYTIC CAPACITORS ( ) ARE IN uF/MV.
  - ALL CAPACITORS ARE IN pF/50V/VV UNLESS OTHERWISE NOTED.
  - EX) 030- 3pF, 330- 33pF, 331- 330pF, 333- 0.033uF
  - ALL RESISTORS ARE IN OHMS 1/6 WATT UNLESS OTHERWISE NOTED.
  - THE THICK LINES ON PC BOARD ARE THE PRINTING SIDE OF THE PARTS.
  - EX) PRINTING SIDE
  - "NM" AND "NC" ARE SHORT FOR "NOT MOUNTED" AND "NOT CONNECTED", WHICH MEANS NO PART IS MOUNTED ON WIRING PATTERN OF PCB.
  - CIRCUIT IS SUBJECT TO CHANGE FOR IMPROVEMENT.

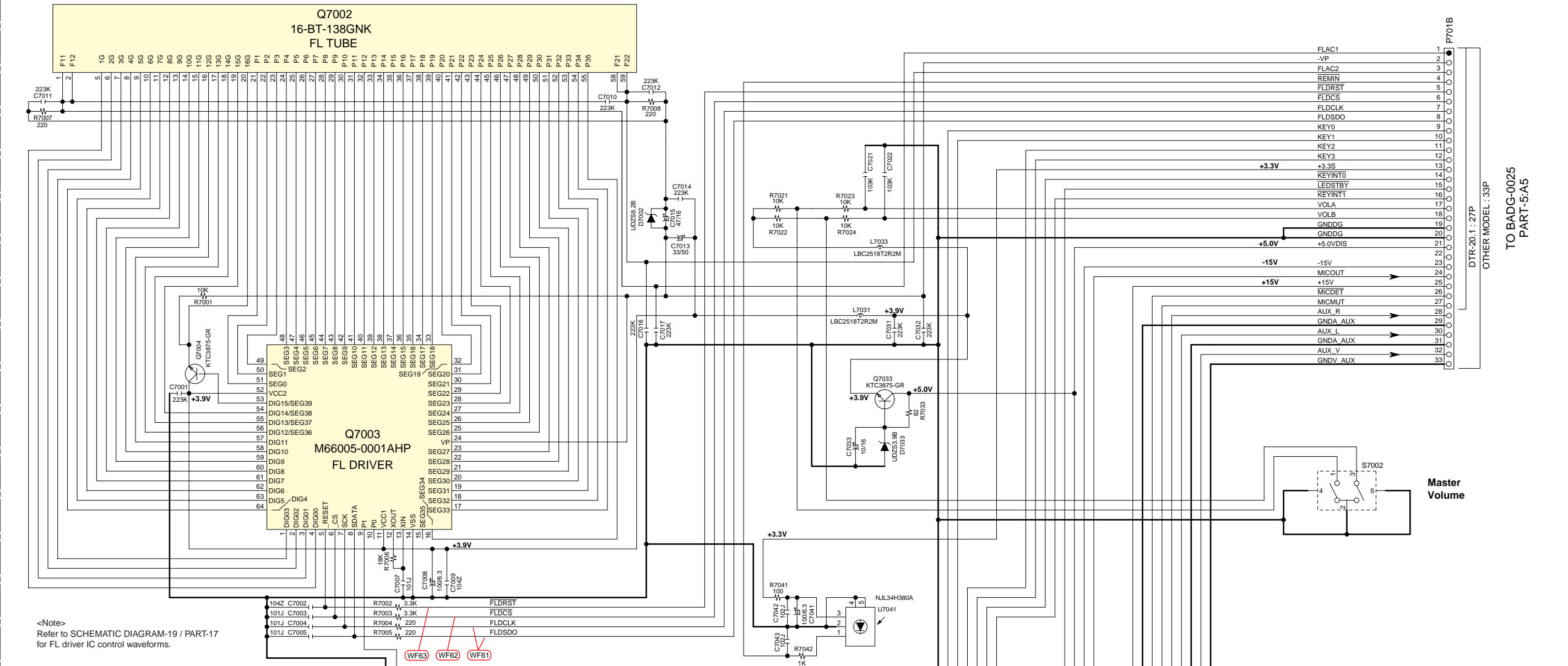
1  
2  
3  
4  
5

SCHEMATIC DIAGRAMS-7 / PART-9  
DISPLAY SECTION

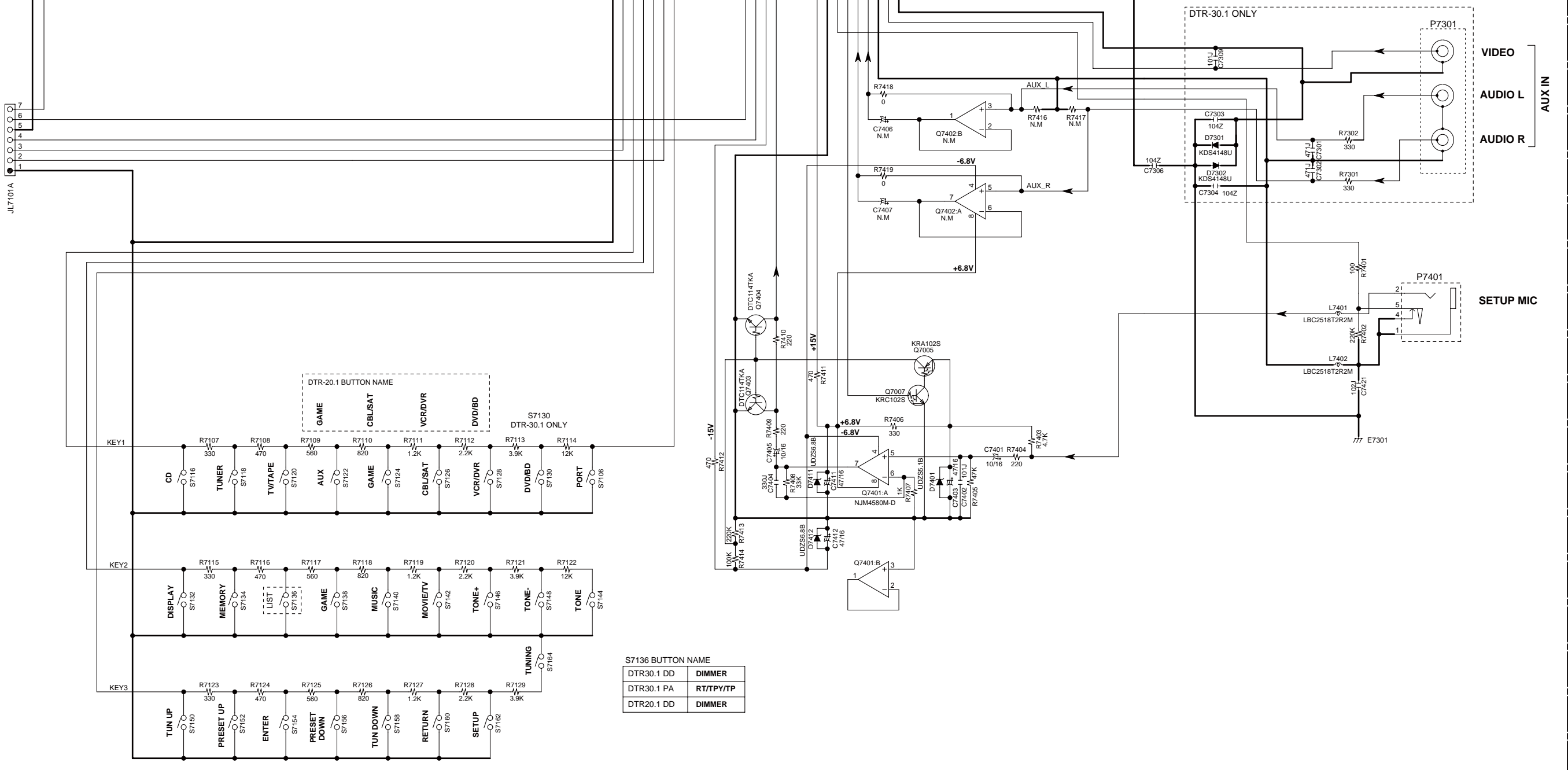
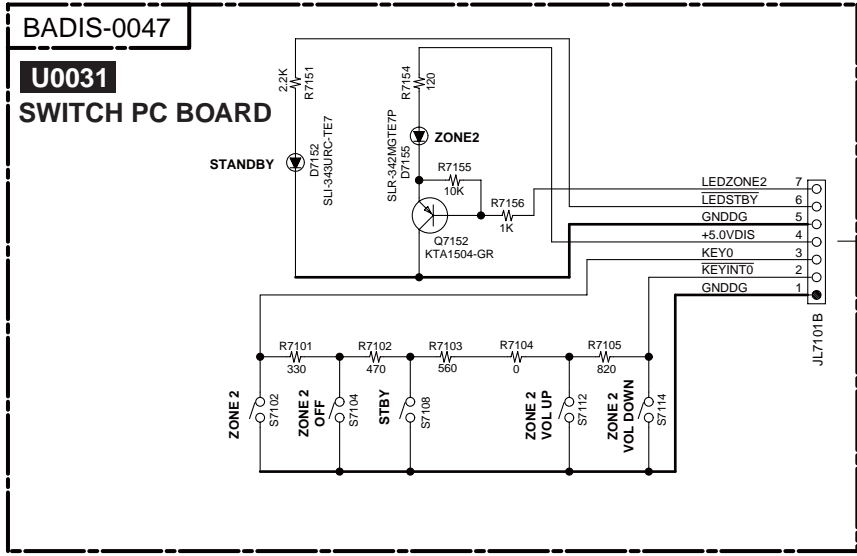
NOTE:  
XY in "SCHEMATIC-a / PART-b.XY" indicates the target location of the plug or socket, X=A to E/H/K, Y=1 to 4/5/8.



BADIS-0046 U003 DISPLAY PC BOARD



<Note>  
Refer to SCHEMATIC DIAGRAM-19 / PART-17 for FL driver IC control waveforms.



- NOTE
- THE COMPONENTS IDENTIFIED BY MARK  $\Delta$  ARE CRITICAL FOR SAFETY. REPLACE ONLY WITH PART NUMBER SPECIFIED.
  - BOLD VOLTAGE (MEASURED WITH VOLTMETER) IS DC VOLTAGE (NO INPUT SIGNAL).
  - ALL PNP TRANSISTORS ARE EQUIVALENT TO 2SA1015-GR UNLESS OTHERWISE NOTED.
  - ALL NPN TRANSISTORS ARE EQUIVALENT TO 2SC1815-GR UNLESS OTHERWISE NOTED.
  - ALL DIODES ARE EQUIVALENT TO 1SS133 UNLESS OTHERWISE NOTED.
  - ELECTROLYTIC CAPACITORS (  $\text{---}$  ) ARE IN  $\mu\text{F/WV}$ .
  - ALL CAPACITORS ARE IN  $\text{pF}/50\text{V}$  UNLESS OTHERWISE NOTED.
  - EX) 030-3pF, 330-33pF, 331-330pF, 333-0.033 $\mu\text{F}$
  - ALL RESISTORS ARE IN OHMS 1/8 WATT UNLESS OTHERWISE NOTED.
  - THE THICK LINES ON PCB ARE THE PRINTING SIDE OF THE PARTS.
  - EX)  $\text{---}$  PRINTING SIDE
  - "NM" AND "NC" ARE SHORT FOR "NOT MOUNTED" AND "NOT CONNECTED", WHICH MEANS NO PART IS MOUNTED ON WIRING PATTERN OF PCB.
  - CIRCUIT IS SUBJECT TO CHANGE FOR IMPROVEMENT.

S7136 BUTTON NAME

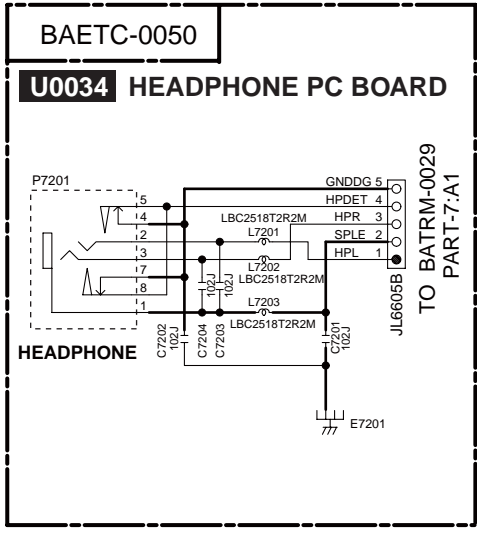
DTR30.1 DD	DIMMER
DTR30.1 PA	R717P/YTP
DTR20.1 DD	DIMMER

1  
2  
3  
4  
5  
6  
7  
8

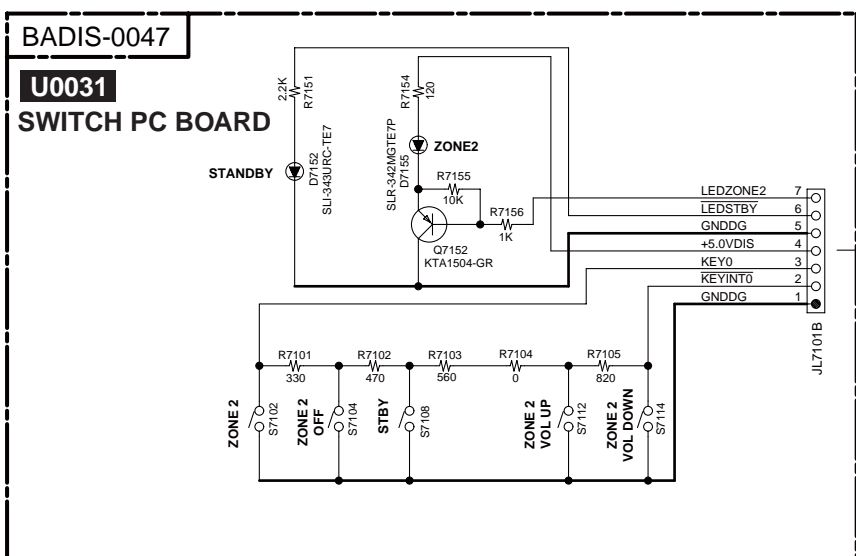
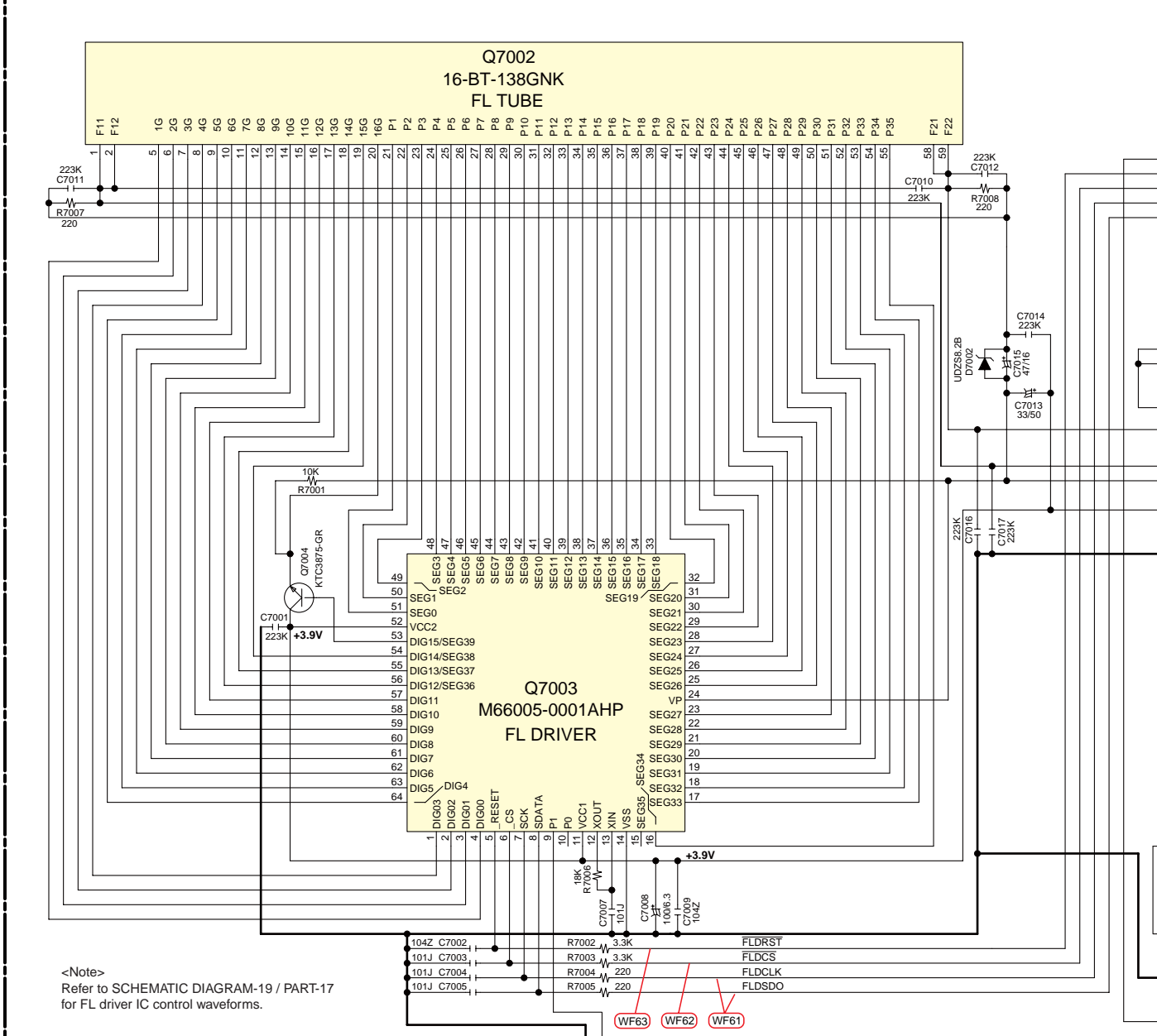


SCHEMATIC DIAGRAMS-7 / PART-9  
DISPLAY SECTION

NOTE:  
XY in "SCHEMATIC-a / PART-b:XY" indicates the target location of the plug or socket, X=A to E/H/K, Y=1 to 4/5/8.

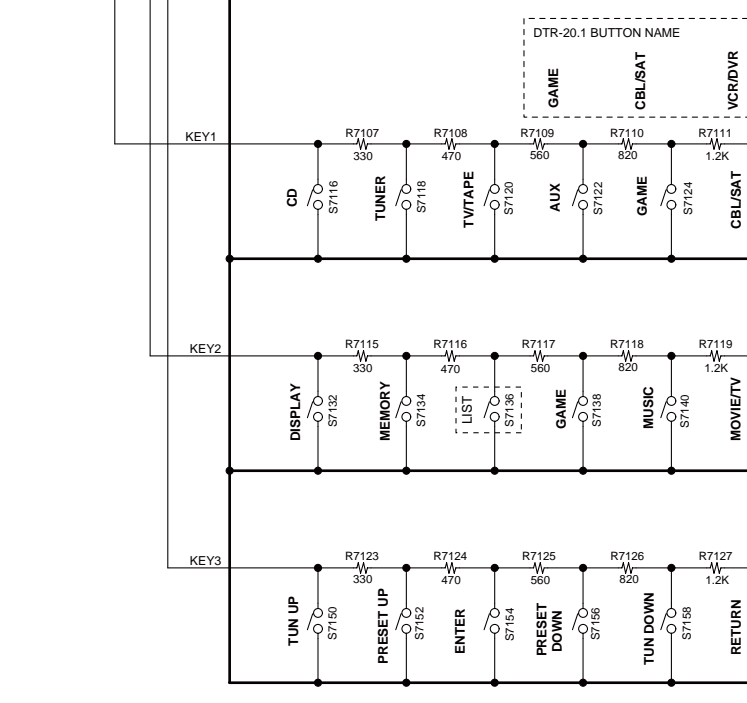


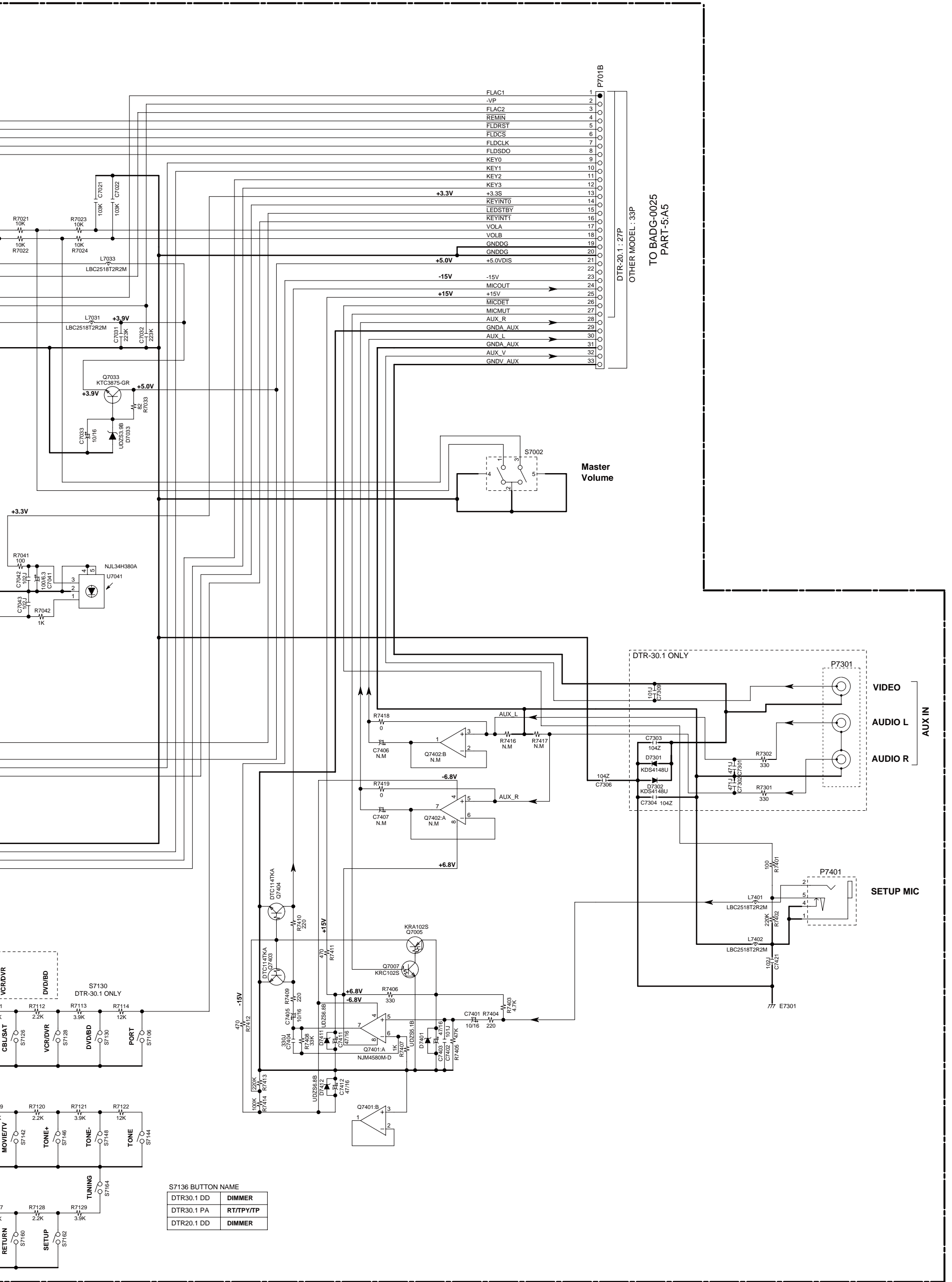
BADIS-0046 U003 DISPLAY PC BOARD



NOTE

- THE COMPONENTS IDENTIFIED BY MARK  $\Delta$  ARE CRITICAL FOR SAFETY. REPLACE ONLY WITH PART NUMBER SPECIFIED.
- BOLD VOLTAGE (MEASURED WITH VOLTMETER) IS DC VOLTAGE.(NO INPUT SIGNAL).
- ALL PNP TRANSISTORS ARE EQUIVALENT TO 2SA1015-GR UNLESS OTHERWISE NOTED.
- ALL NPN TRANSISTORS ARE EQUIVALENT TO 2SC1815-GR UNLESS OTHERWISE NOTED.
- ALL DIODES ARE EQUIVALENT TO 1SS133 UNLESS OTHERWISE NOTED.
- ELECTROLYTIC CAPACITORS (  $\text{---}$  ) ARE IN  $\mu\text{F/WV}$ .
- ALL CAPACITORS ARE IN pF/50V UNLESS OTHERWISE NOTED.  
EX) 030-3pF, 330-33pF, 331-330pF, 333-0.033 $\mu\text{F}$
- ALL RESISTORS ARE IN OHMS 1/6 WATT UNLESS OTHERWISE NOTED.
- THE THICK LINES ON PC BOARD ARE THE PRINTING SIDE OF THE PARTS.  
EX)  $\text{---}$  PRINTING SIDE
- "NM" AND "NC" ARE SHORT FOR "NOT MOUNTED" AND "NOT CONNECTED", WHICH MEANS NO PART IS MOUNTED ON WIRING PATTERN OF PCB.
- CIRCUIT IS SUBJECT TO CHANGE FOR IMPROVEMENT.





S7136 BUTTON NAME

DTR30.1 DD	DIMMER
DTR30.1 PA	RT/TPY/TP
DTR20.1 DD	DIMMER

OTHER MODEL : 33P  
TO BADG-0025  
PART-5:A5

DTR-30.1 ONLY

VIDEO  
AUDIO L  
AUDIO R  
AUX IN

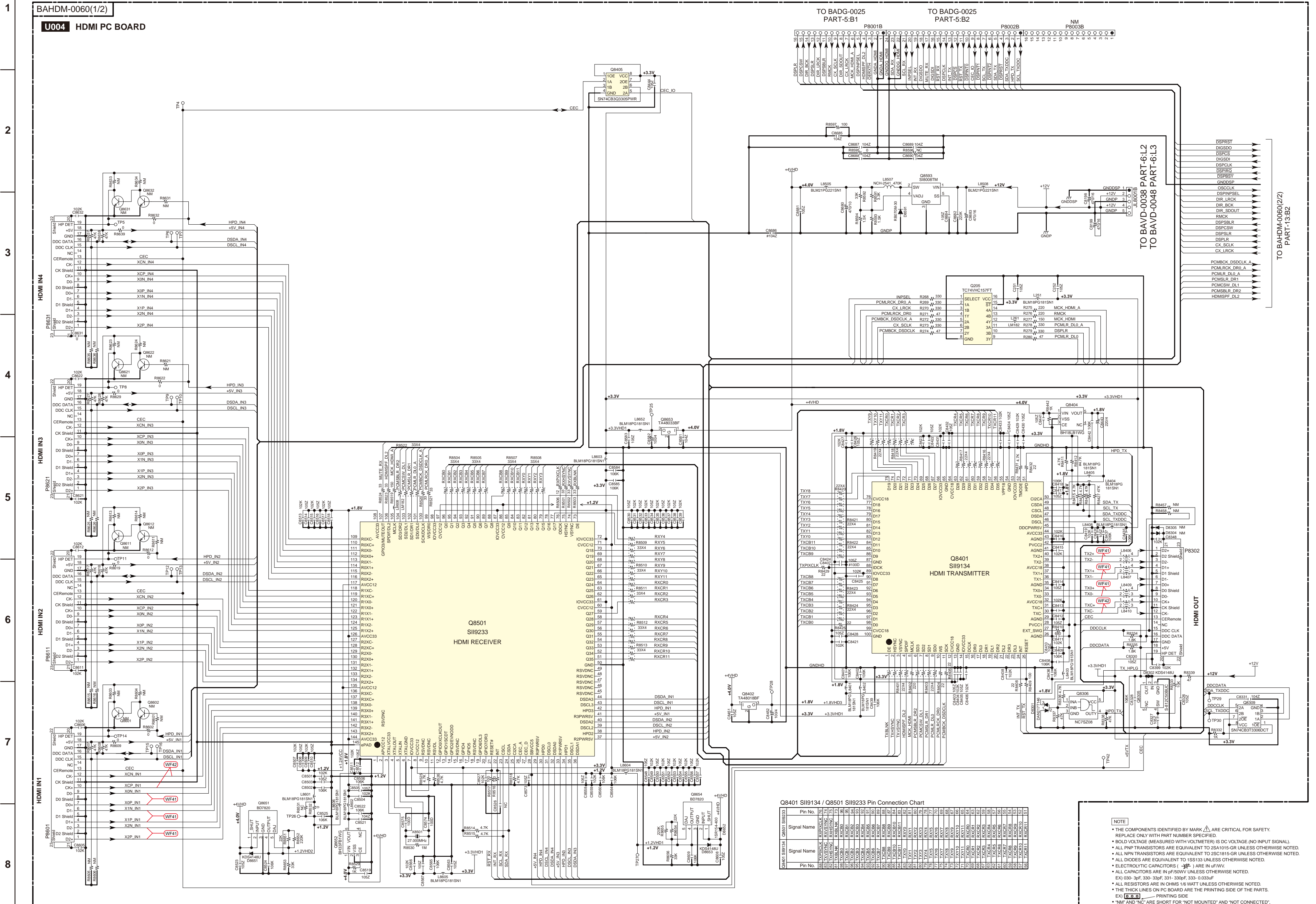
SETUP MIC



SCHEMATIC DIAGRAMS-9 / PART-11  
HDMI SECTION

NOTE:  
PART-10 and PART-12 are not used for TX-SR507/TX-SA507/TX-SR577.  
PART-12 are not used for DTR-20.1.

NOTE:  
XY in "SCHEMATIC-a / PART-b:XY" indicates the target  
location of the plug or socket, X=A to E/H/K, Y=1 to 4/5/8.



Q8401 SI9134 / Q8501 SI9233 Pin Connection Chart

Table with 2 columns: Signal Name and Pin No. It lists connections for both the transmitter (Q8401) and receiver (Q8501) components.

- NOTE
- THE COMPONENTS IDENTIFIED BY MARK  $\Delta$  ARE CRITICAL FOR SAFETY.
- REPLACE ONLY WITH PART NUMBER SPECIFIED.
- BOLD VOLTAGE (MEASURED WITH VOLTMETER) IS DC VOLTAGE (NO INPUT SIGNAL).
- ALL PNP TRANSISTORS ARE EQUIVALENT TO 2SA1015-GR UNLESS OTHERWISE NOTED.
- ALL NPN TRANSISTORS ARE EQUIVALENT TO 2SC1815-GR UNLESS OTHERWISE NOTED.
- ALL DIODES ARE EQUIVALENT TO 1SS135 UNLESS OTHERWISE NOTED.
- ELECTROLYTIC CAPACITORS (  $\text{---}$  ) ARE IN  $\mu$ F.
- ALL CAPACITORS ARE IN pF UNLESS OTHERWISE NOTED.
- EX) 030-3pF, 330-33pF, 331-330pF, 333-0.033 $\mu$ F
- ALL RESISTORS ARE IN OHMS IF NOT SPECIFIED UNLESS OTHERWISE NOTED.
- THE THICK LINES ON PCB BOARD ARE THE PRINTING SIDE OF THE PARTS.
- EX)  $\square$  - PRINTING SIDE
- 'NM' AND 'NC' ARE SHORT FOR 'NOT MOUNTED' AND 'NOT CONNECTED', WHICH MEANS NO PART IS MOUNTED ON WIRING PATTERN OF PCB.
- CIRCUIT IS SUBJECT TO CHANGE FOR IMPROVEMENT.

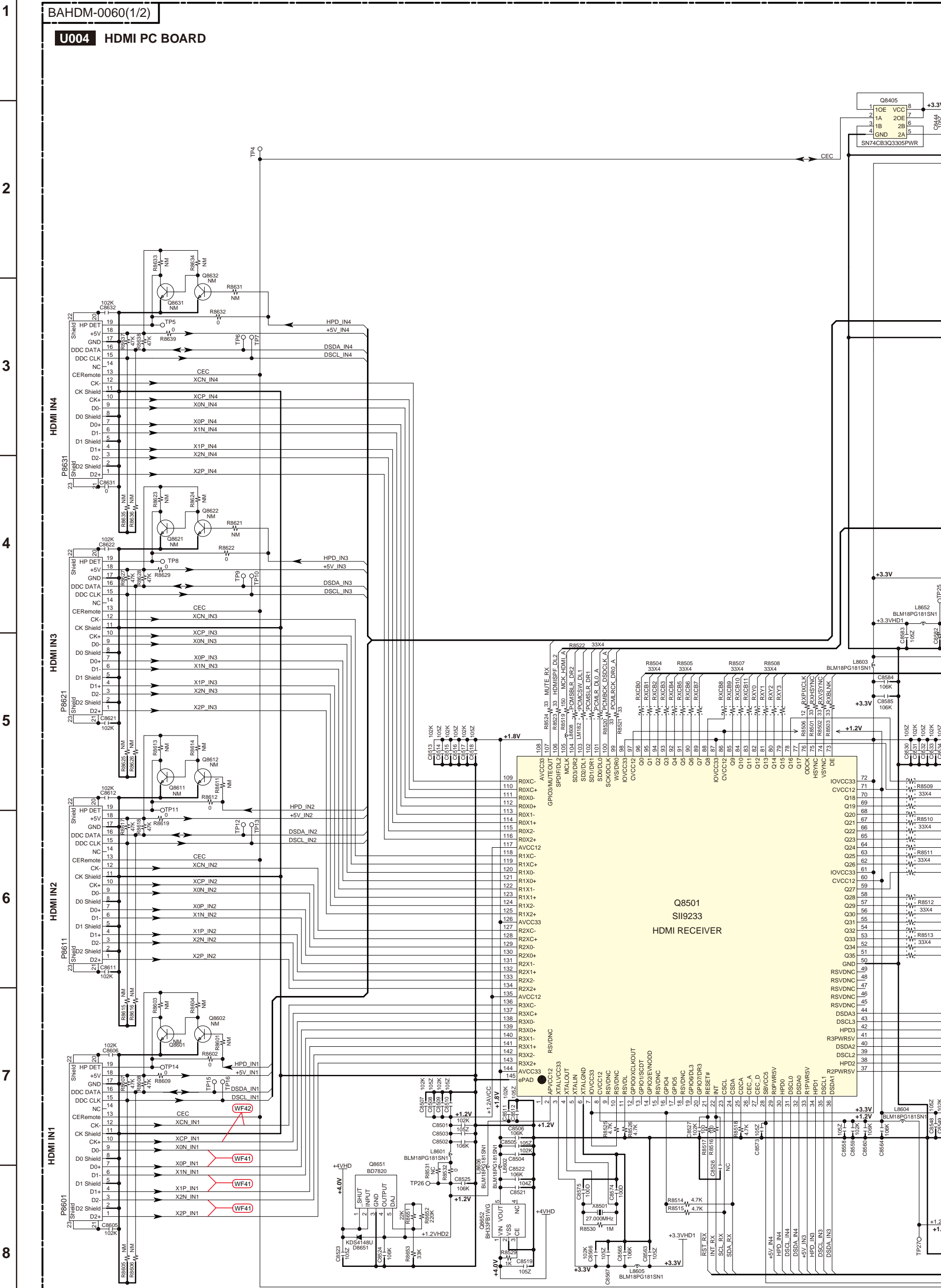
Refer to SCHEMATIC DIAGRAM-19 / PART-17 for HDMI signal waveforms.

# SCHEMATIC DIAGRAMS-9 / PART-11

## HDMI SECTION

NOTE:  
PART-10 and PART-12 are not used for TX-SR507/TX-SA507/TX-SR577.  
PART-12 are not used for DTR-20.1.

NOTE:  
XY in "SCHEMATIC-a / PART-b:XY" indicates the target location of the plug or socket, X=A to E/H/K, Y=1 to 4/5/8.



<Note>  
Refer to SCHEMATIC DIAGRAM-19 / PART-17  
for HDMI signal waveforms.







SCHEMATIC DIAGRAMS-12 / PART-14  
POWER AMP SECTION-2

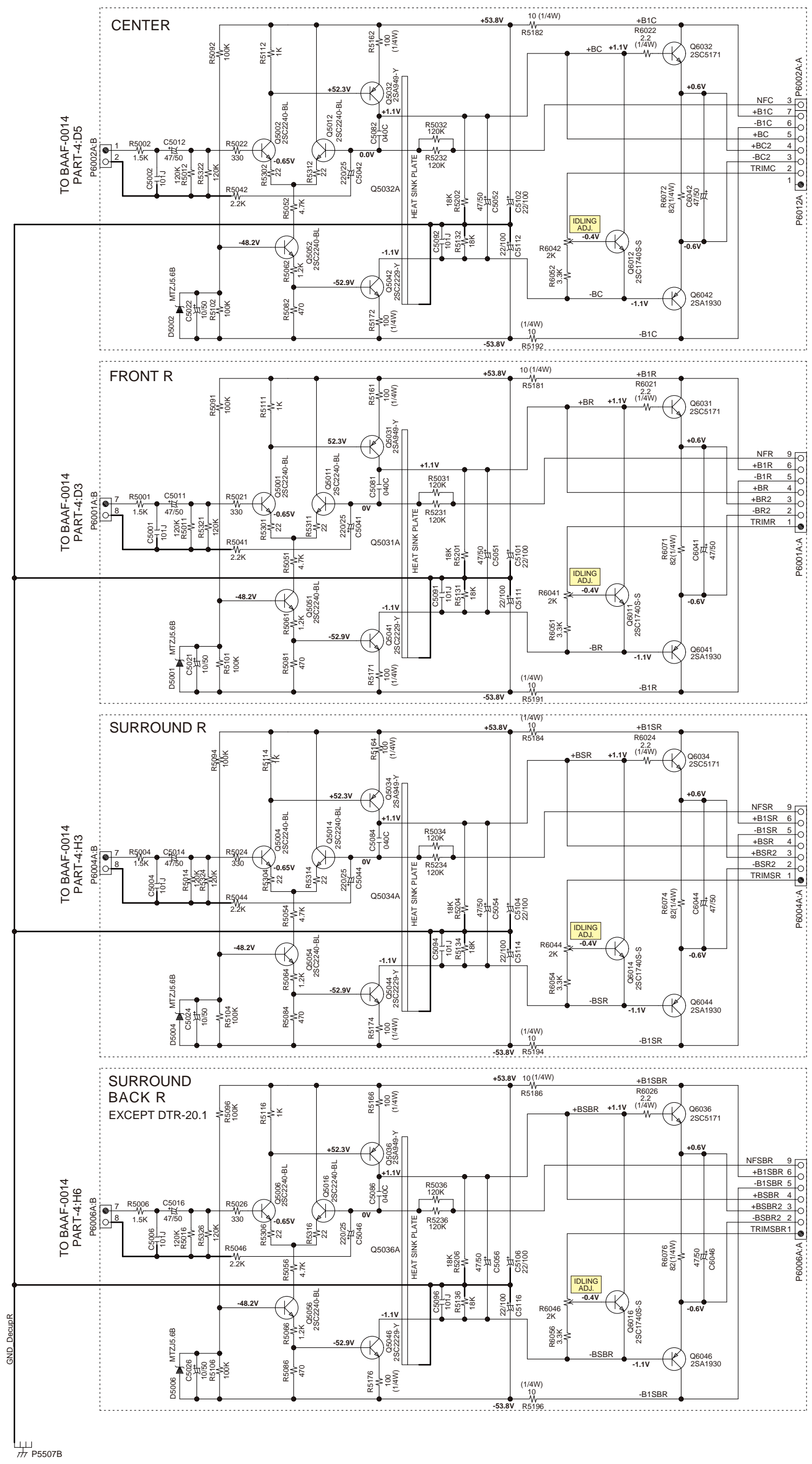
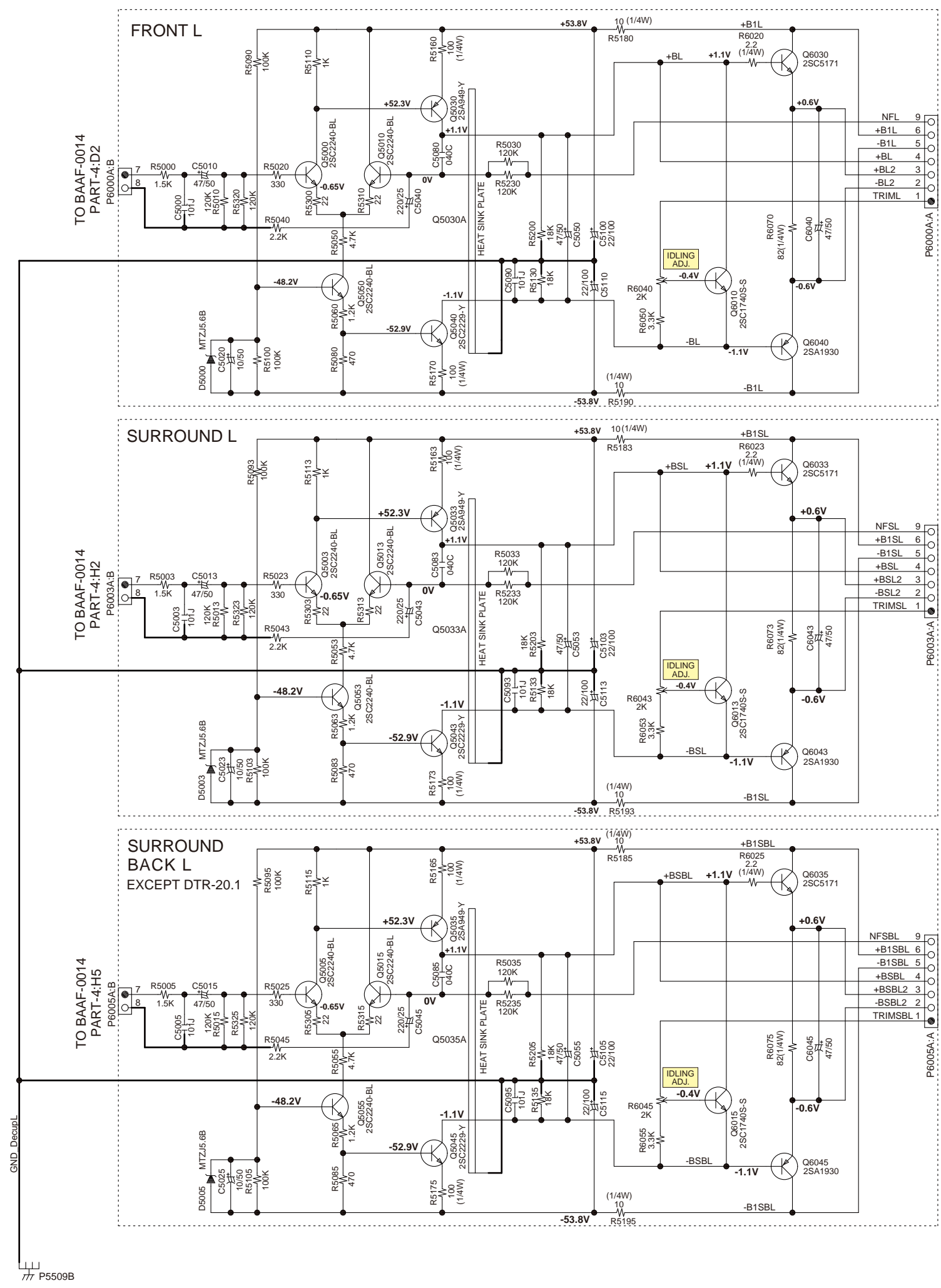
NOTE:  
PART-15 is used only for TX-SA607.  
PART-16 and PART-17 are not used for TX-SR607/TX-SA607.

NOTE:  
XY in "SCHEMATIC-a / PART-b:XY" indicates the target location of the plug or socket, X=A to E/H/K, Y=1 to 4/5/8.

- NOTE
- THE COMPONENTS IDENTIFIED BY MARK  $\Delta$  ARE CRITICAL FOR SAFETY. REPLACE ONLY WITH PART NUMBER SPECIFIED.
  - BOLD VOLTAGE (MEASURED WITH VOLTMETER) IS DC VOLTAGE (NO INPUT SIGNAL).
  - ALL PNP TRANSISTORS ARE EQUIVALENT TO 2SA1015-GR UNLESS OTHERWISE NOTED.
  - ALL NPN TRANSISTORS ARE EQUIVALENT TO 2SC1815-GR UNLESS OTHERWISE NOTED.
  - ALL DIODES ARE EQUIVALENT TO 1SS133 UNLESS OTHERWISE NOTED.
  - ELECTROLYTIC CAPACITORS  $\frac{1}{100}$  ARE IN  $\mu$ F/V.
  - ALL CAPACITORS ARE IN pF/50WV UNLESS OTHERWISE NOTED. EX) 030-3pF, 330-33pF, 331-330pF, 333-0.03 $\mu$ F.
  - ALL RESISTORS ARE IN OHMS/1/6 WATT UNLESS OTHERWISE NOTED.
  - THE THICK LINES ON PCB ARE THE PRINTING SIDE OF THE PARTS. EX)  $\square$  PRINTING SIDE.
  - "NM" AND "NC" ARE SHORT FOR "NOT MOUNTED" AND "NOT CONNECTED", WHICH MEANS NO PART IS MOUNTED ON WIRING PATTERN OF PCB.
  - CIRCUIT IS SUBJECT TO CHANGE FOR IMPROVEMENT.

BACLA-0020

U006 POWER AMP PC BOARD  
(DRIVER AMP STAGE)



GND Decoupl  
P5509B

GND Decoupl  
P5507B



# SCHEMATIC DIAGRAMS-12 / PART-14

## POWER AMP SECTION-2

NOTE:  
PART-15 is used only for TX-SA607.  
PART-16 and PART-17 are not used for TX-SR607/TX-SA607.

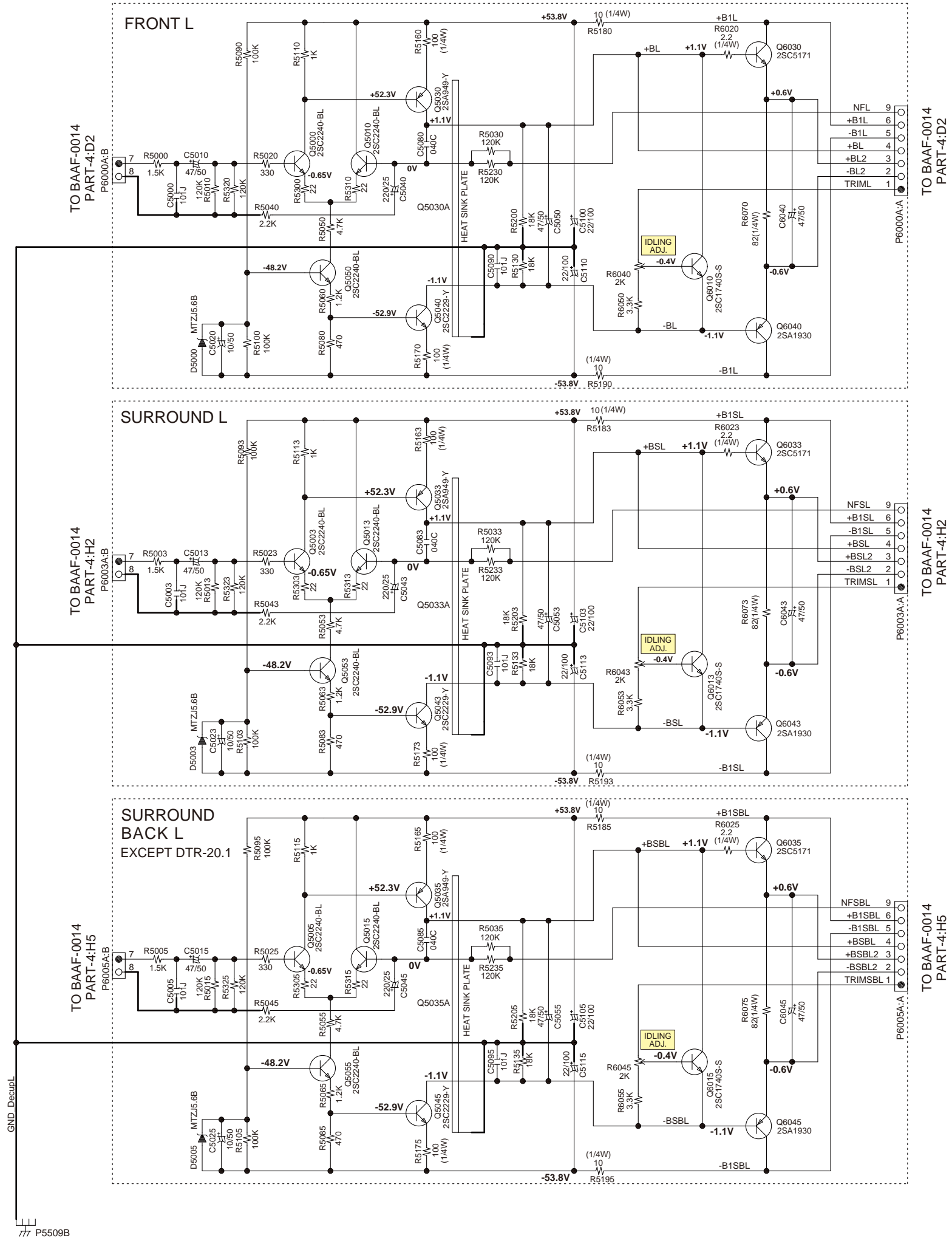
NOTE:  
XY in "SCHEMATIC-a / PART-b:XY" indicates the target location of the plug or socket, X=A to E/H/K, Y=1 to 4/5/8.

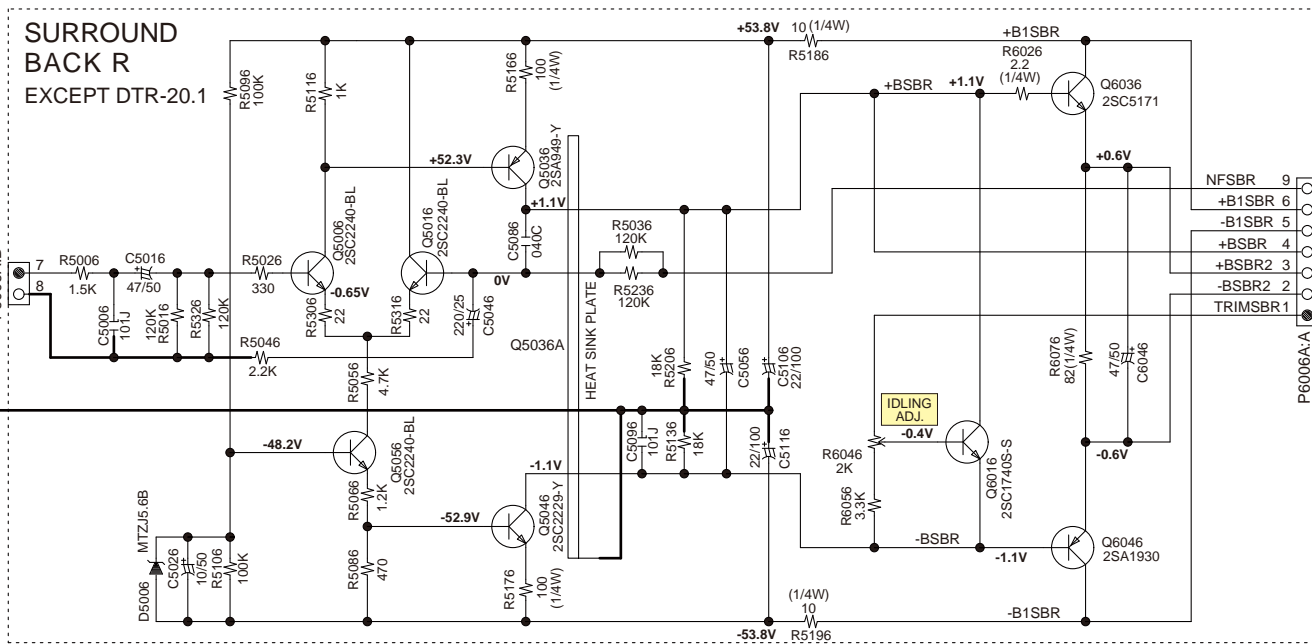
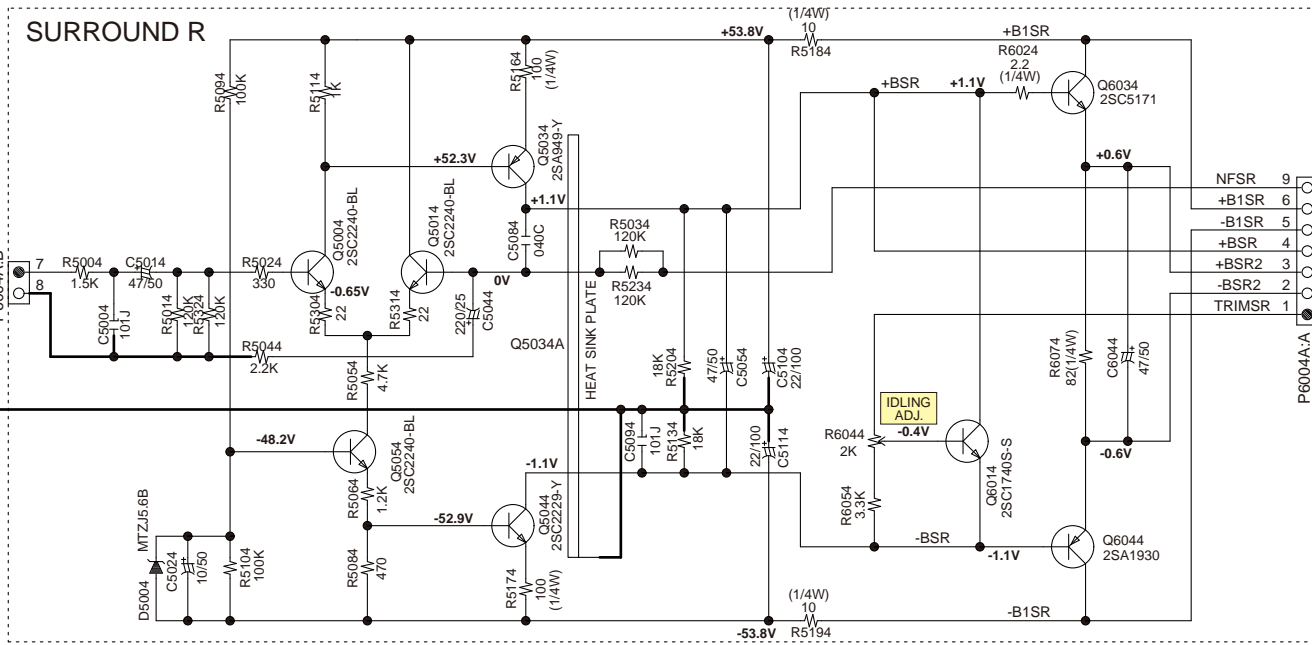
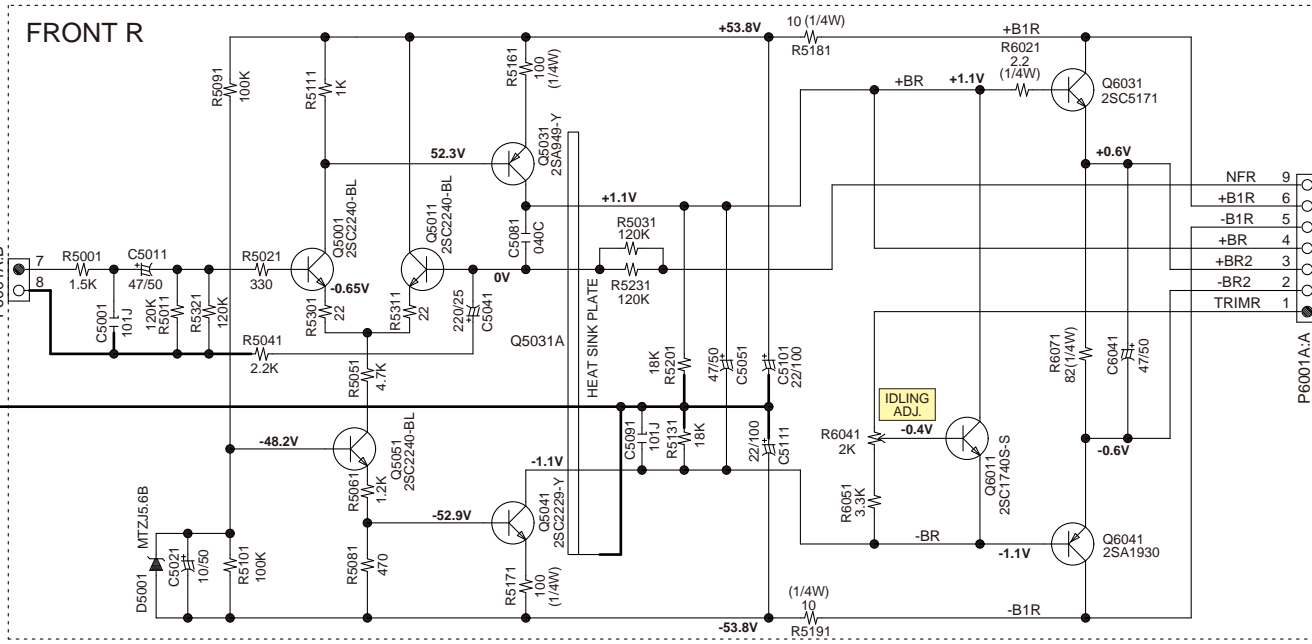
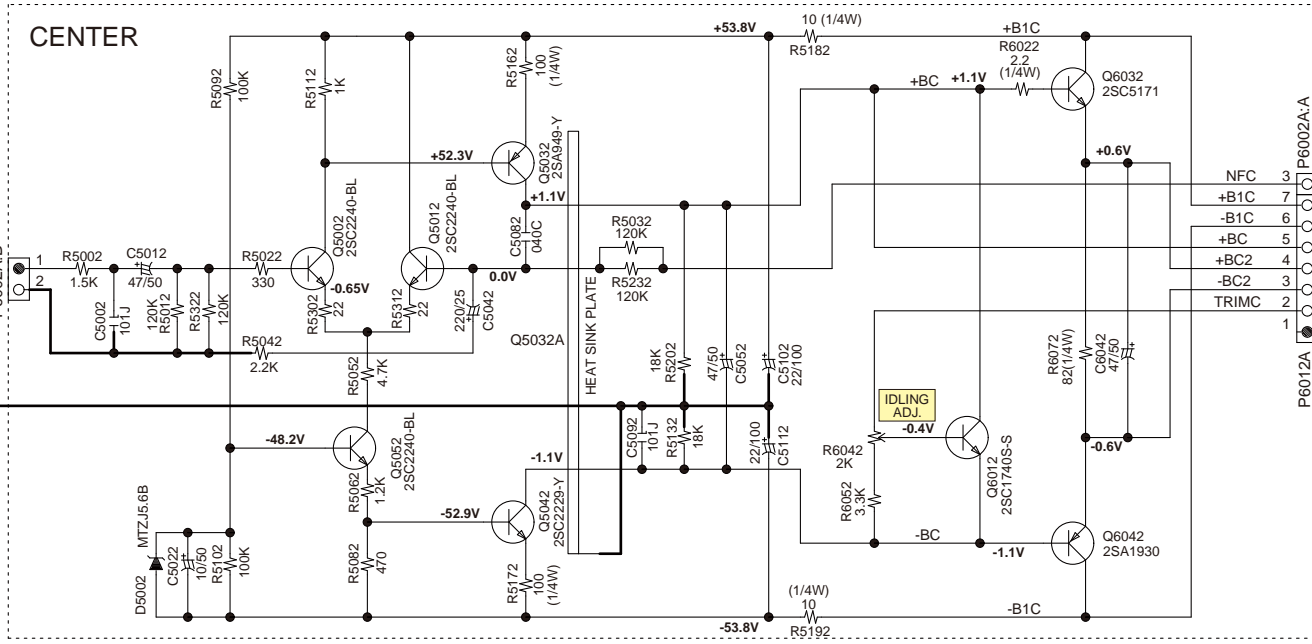
**NOTE**

- THE COMPONENTS IDENTIFIED BY MARK  $\Delta$  ARE CRITICAL FOR SAFETY. REPLACE ONLY WITH PART NUMBER SPECIFIED.
- BOLD VOLTAGE (MEASURED WITH VOLTMETER) IS DC VOLTAGE.(NO INPUT SIGNAL).
- ALL PNP TRANSISTORS ARE EQUIVALENT TO 2SA1015-GR UNLESS OTHERWISE NOTED.
- ALL NPN TRANSISTORS ARE EQUIVALENT TO 2SC1815-GR UNLESS OTHERWISE NOTED.
- ALL DIODES ARE EQUIVALENT TO 1SS133 UNLESS OTHERWISE NOTED.
- ELECTROLYTIC CAPACITORS (  $\text{---}$  ) ARE IN  $\mu\text{F/WV}$ .
- ALL CAPACITORS ARE IN  $\text{pF}/50\text{V}$  UNLESS OTHERWISE NOTED.  
EX) 030-3pF, 330-33pF, 331-330pF, 333-0.033 $\mu\text{F}$
- ALL RESISTORS ARE IN OHMS 1/6 WATT UNLESS OTHERWISE NOTED.
- THE THICK LINES ON PC BOARD ARE THE PRINTING SIDE OF THE PARTS.  
EX)  $\text{---}$  PRINTING SIDE
- "NM" AND "NC" ARE SHORT FOR "NOT MOUNTED" AND "NOT CONNECTED", WHICH MEANS NO PART IS MOUNTED ON WIRING PATTERN OF PCB.
- CIRCUIT IS SUBJECT TO CHANGE FOR IMPROVEMENT.

BACLA-0020

**U006 POWER AMP PC BOARD (DRIVER AMP STAGE)**





GND\_DecupR



A

B

C

D

E

**SCHEMATIC DIAGRAMS-14 / PART-16**  
**E-CONTROL SECTION**

NOTE:  
PART-15 is not used for DTR-30.1/DTR-20.1.

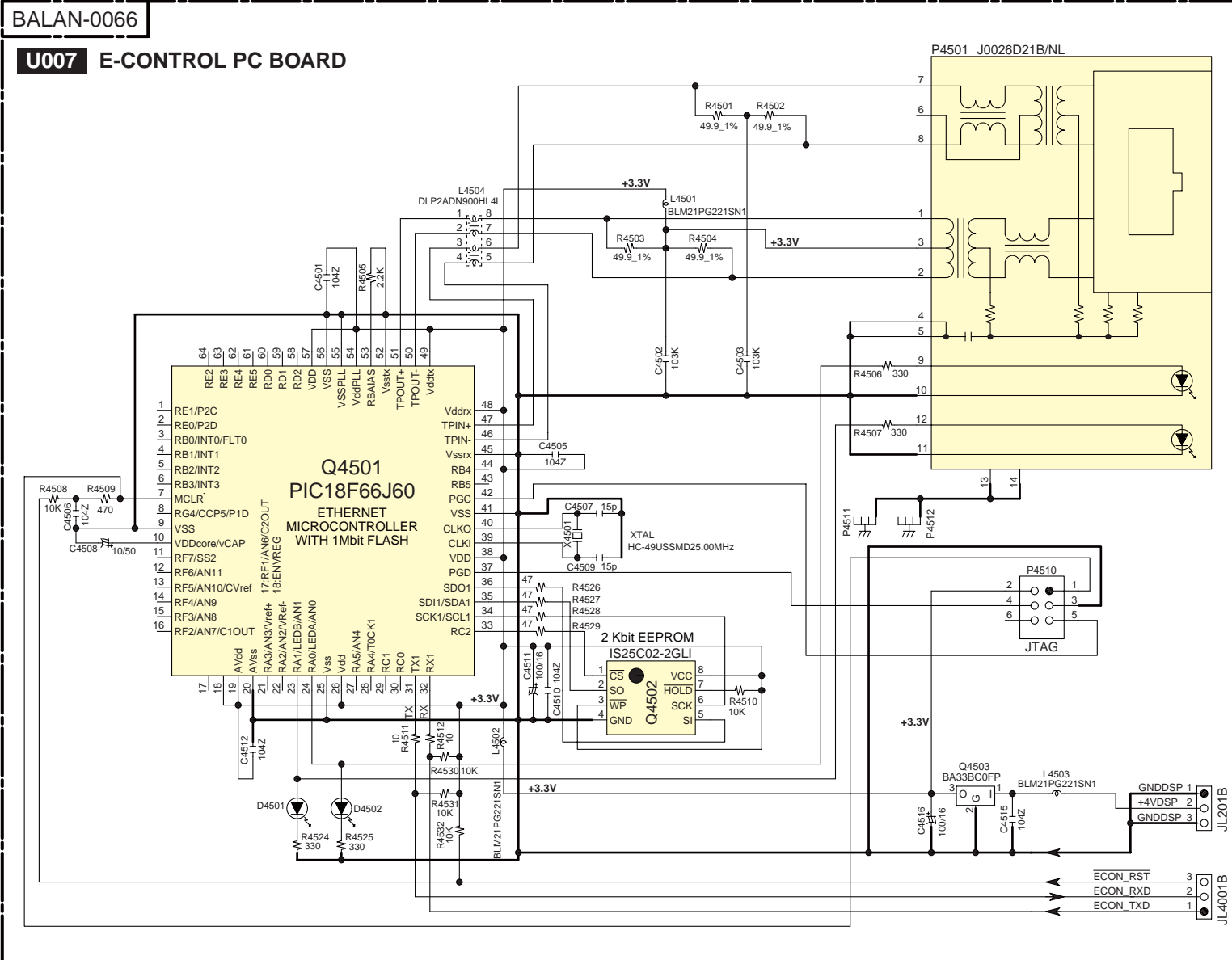
NOTE:  
XY in "SCHEMATIC-a / PART-b:XY" indicates the target location of the plug or socket, X=A to E/H/K, Y=1 to 4/5/8.

1

2

3

4



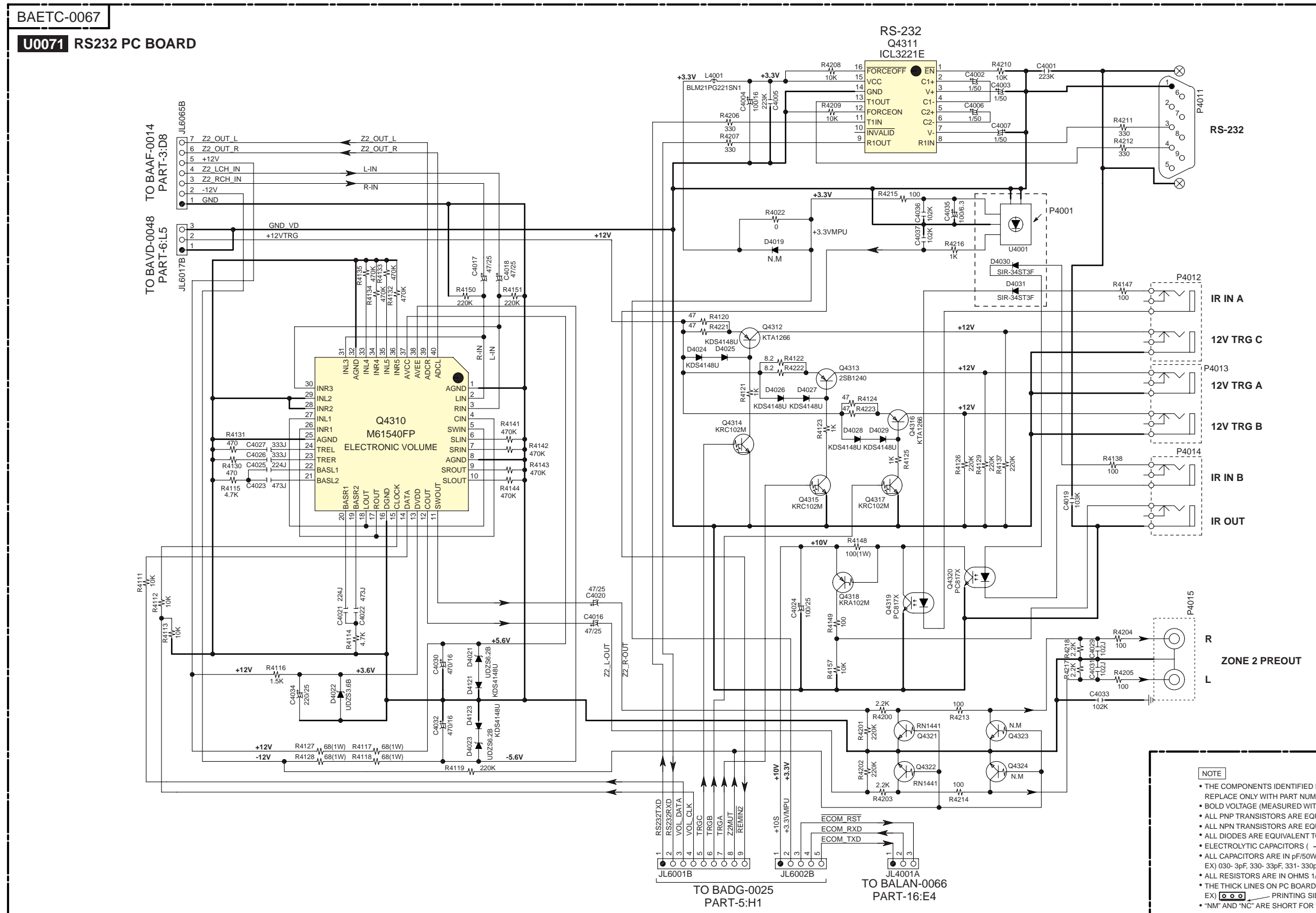
ETHERNET  
(E-CONTROL)

TO BAHDM-0060  
PART-13:B5  
TO BAHDM-0063  
PART-13:B5

TO BAETC-0067  
PART-17:E5

**SCHEMATIC DIAGRAMS-15 / PART-17**  
**RS232 SECTION**

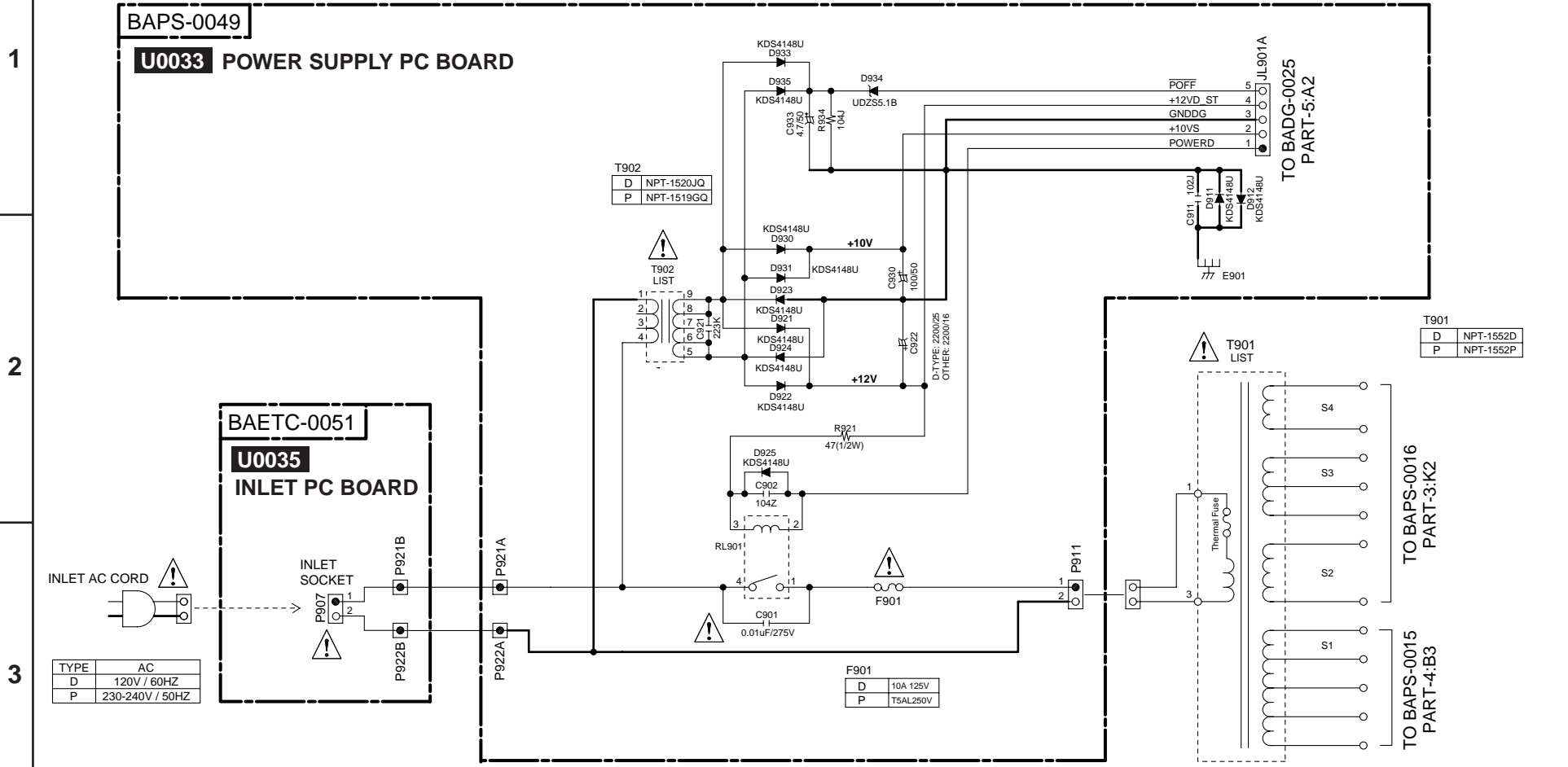
NOTE:  
XY in "SCHEMATIC-a / PART-b:XY" indicates the target location of the plug or socket, X=A to E/H/K, Y=1 to 4/5/8.



- NOTE**
- THE COMPONENTS IDENTIFIED BY MARK ARE CRITICAL FOR SAFETY. REPLACE ONLY WITH PART NUMBER SPECIFIED.
  - BOLD VOLTAGE (MEASURED WITH VOLTMETER) IS DC VOLTAGE, (NO INPUT SIGNAL).
  - ALL PNP TRANSISTORS ARE EQUIVALENT TO 2SA1015-GR UNLESS OTHERWISE NOTED.
  - ALL NPN TRANSISTORS ARE EQUIVALENT TO 2SC1815-GR UNLESS OTHERWISE NOTED.
  - ALL DIODES ARE EQUIVALENT TO 1SS133 UNLESS OTHERWISE NOTED.
  - ELECTROLYTIC CAPACITORS ( ) ARE IN uF/WV.
  - ALL CAPACITORS ARE IN pF/50WV UNLESS OTHERWISE NOTED.  
EX) 030- 3pF, 330- 33pF, 331- 330pF, 333- 0.033uF
  - ALL RESISTORS ARE IN OHMS 1/6 WATT UNLESS OTHERWISE NOTED.
  - THE THICK LINES ON PC BOARD ARE THE PRINTING SIDE OF THE PARTS.  
EX) PRINTING SIDE
  - "NM" AND "NC" ARE SHORT FOR "NOT MOUNTED" AND "NOT CONNECTED", WHICH MEANS NO PART IS MOUNTED ON WIRING PATTERN OF PCB.
  - CIRCUIT IS SUBJECT TO CHANGE FOR IMPROVEMENT.

**SCHEMATIC DIAGRAMS-16 / PART-18**  
**PWOER SUPPLY SECTION**

NOTE:  
 XY in "SCHEMATIC-a / PART-b:XY" indicates the target location of the plug or socket, X=A to E/H/K, Y=1 to 4/5/8.



T902 LIST

D	NPT-1520JQ
P	NPT-1519GQ

T901 LIST

D	NPT-1552D
P	NPT-1552P

TYPE	AC
D	120V / 60HZ
P	230-240V / 50HZ

F901

D	10A 125V
P	T5AL250V

THIS SYMBOL LOCATED NEAR THE FUSE INDICATES THAT THE FUSE USED IS SLOW OPERATING TYPE FOR CONTINUED PROTECTION AGAINST FIRE HAZARD, REPLACE WITH SAME TYPE FUSE. FOR FUSE RATING REFER TO THE MAKING ADJACENT TO THE SYMBOL.

CE SYMBOLE INDIQUE QUE LE FUSIBLE UTILISE EST A LENT, E POUR UNE PROTECTION PERMANENTE, N'UTILISER QUE DES FUSIBLES DE MEME TYPE. CE DERNIER EST INDIQUE LA QU LE PRESENT SYMBOL EST APPOSE.

**CAUTION**  
 FOR CONTINUED PROTECTION AGAINST FIRE HAZARD, REPLACE ONLY WITH FUSE OF SAME TYPE AND RATING INDICATED.

**ATTENTION**  
 AFIN D'ASSURER UNE PROTECTION PERMANENTE CONTRE LES RISQUES D'INCENDIE, REMPLACER UNIQUEMENT PAR UN FUSIBLE DE MEME TYPE ET CALIBRATION COMME INDIQUE.

**NOTE**

- THE COMPONENTS IDENTIFIED BY MARK ARE CRITICAL FOR SAFETY. REPLACE ONLY WITH PART NUMBER SPECIFIED.
- BOLD VOLTAGE (MEASURED WITH VOLTMETER) IS DC VOLTAGE. (NO INPUT SIGNAL).
- ALL PNP TRANSISTORS ARE EQUIVALENT TO 2SA1015-GR UNLESS OTHERWISE NOTED.
- ALL NPN TRANSISTORS ARE EQUIVALENT TO 2SC1815-GR UNLESS OTHERWISE NOTED.
- ALL DIODES ARE EQUIVALENT TO 1SS133 UNLESS OTHERWISE NOTED.
- ELECTROLYTIC CAPACITORS ( ) ARE IN uF/WV.
- ALL CAPACITORS ARE IN pF/500V UNLESS OTHERWISE NOTED.  
 EX) 030- 3pF, 330- 33pF, 331- 330pF, 333- 0.033uF
- ALL RESISTORS ARE IN OHMS 1/6 WATT UNLESS OTHERWISE NOTED.
- THE THICK LINES ON PC BOARD ARE THE PRINTING SIDE OF THE PARTS.  
 EX) PRINTING SIDE
- "NM" AND "NC" ARE SHORT FOR "NOT MOUNTED" AND "NOT CONNECTED", WHICH MEANS NO PART IS MOUNTED ON WIRING PATTERN OF PCB.
- CIRCUIT IS SUBJECT TO CHANGE FOR IMPROVEMENT.

**SCHEMATIC DIAGRAMS-17 / PART-19**  
**WAVEFORM SECTION**

1

**Digital Audio Waveform Part**

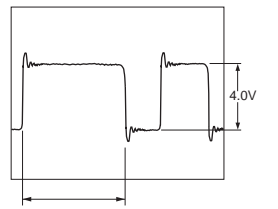
**NOTE:**

1. (WF01) is short for (Waveform01)
2. Refer to SCHEMATIC DIAGRAM-3 / PART-5 for the location of each waveform in the circuit.
3. XY in "PART-b:XY" indicates each measurement point location, X=A to E/H/K, Y=1 to 4/5/8.

LR CLOCK (SAI\_LRCK, CX\_LRCK)  
Fs=48kHz : DVD, Clock width=20.8us  
Fs=44.1kHz : CD, Clock width=22.7us

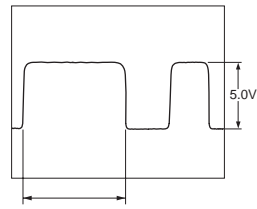
BIT CLOCK (SAI\_SLCK, CX\_SLCK)  
64Fs=3072kHz : DVD, Clock width=325ns  
64Fs=2822.4kHz : CD, Clock width=354ns

(WF01) OPT1 (PART-5:C7)



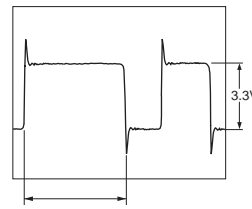
Duty varies according to audio data

(WF02) COAX1 (PART-5:B6,C7)



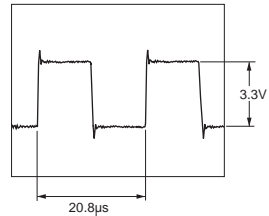
Duty always varies according to audio data

(WF03) SAI\_SDOUT (PART-5:D7)

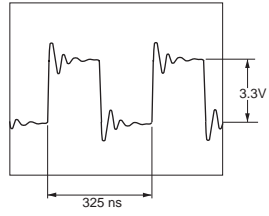


Duty varies according to audio data

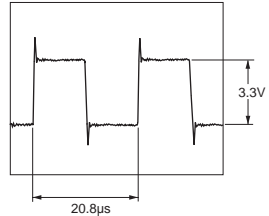
(WF04) SAI\_LRCK (PART-5:D7)



(WF05) SAI\_SLCK (PART-5:D7)

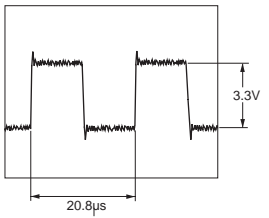


(WF06) DSPLR (PART-5:D7)

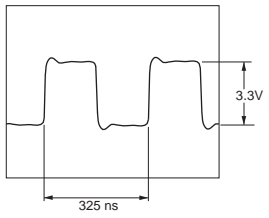


Front L/R audio data

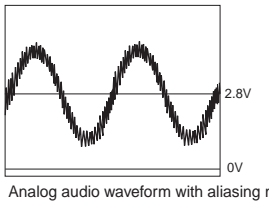
(WF07) CX\_LRCK (PART-5:D8)



(WF08) CX\_SCLK (PART-5:D8)

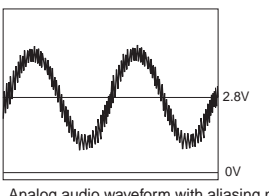


(WF09) FL+ (PART-5:F7)



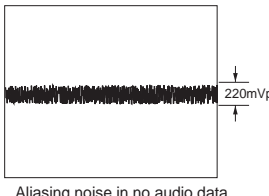
Analog audio waveform with aliasing noise

(WF10) DAC\_FL (PART-5:G7)



Analog audio waveform with aliasing noise

(WF10) DAC\_FL (PART-5:G7)



Aliasing noise in no audio data

2

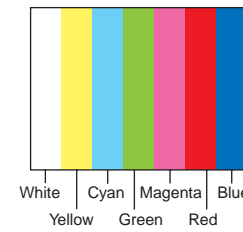
3

4

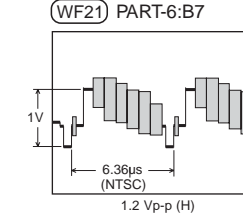
5

**Video Waveform Part**

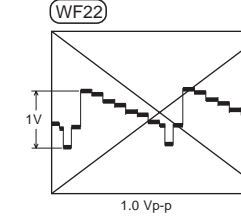
**Video source color and pattern**



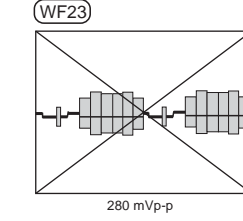
Composite waveform (WF21) PART-6:B7



S-Video Y waveform (WF22)



S-Video C waveform (WF23)

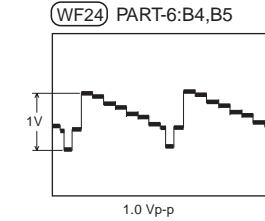


S-Video terminals are not installed for this model.

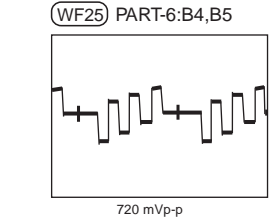
**NOTE:**

1. (WF21) is short for (Waveform21)
2. Refer to SCHEMATIC DIAGRAM-4/PART-6 for the location of each waveform on circuit.
3. XY in "PART-x:XY" indicates each socket's location, X=A to E/H/K, Y=1 to 4/5/8.
4. In the case that video outputs are not connected to video devices, video signal output levels are doubled.

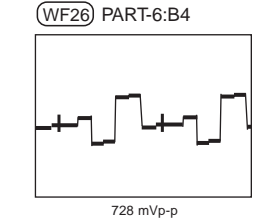
Component Y waveform (WF24) PART-6:B4,B5



Component PB waveform (WF25) PART-6:B4,B5

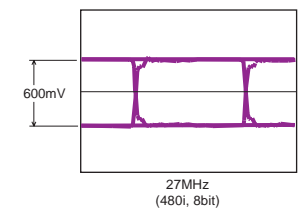
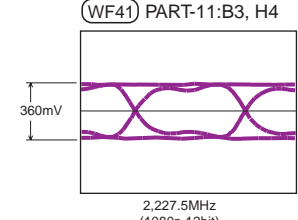


Component PR waveform (WF26) PART-6:B4



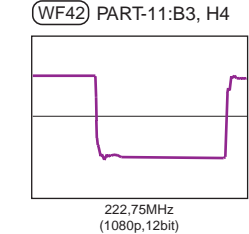
**HDMI Waveform Part**

HDMI D0,D1,D2 waveform (WF41) PART-11:B3, H4



D0,D1,D2 Eye-pattern waveform, frequency and level vary according to video resolution, aspect and profile. Waveforms above are examples.

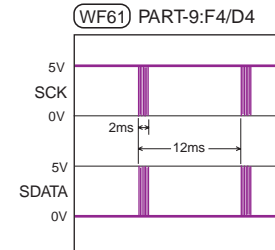
HDMI CK waveform (WF42) PART-11:B3, H4



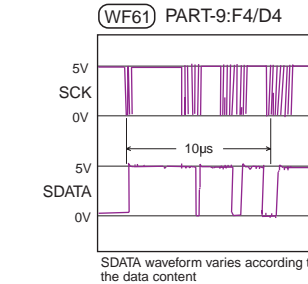
CK waveform, frequency and level differ according to video resolution, aspect and profile. D0,D1,D2 are just CK x10.

**FL Driver IC Control Waveform Part**

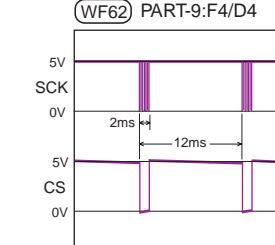
SCK/SDATA waveform (WF61) PART-9:F4/D4



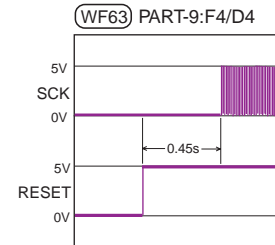
SCK/SDATA waveform (WF61) PART-9:F4/D4



SCK/CS waveform (WF62) PART-9:F4/D4

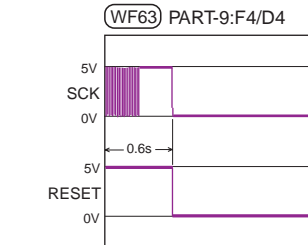


SCK/RESET waveform (WF63) PART-9:F4/D4



When power on

SCK/RESET waveform (WF63) PART-9:F4/D4



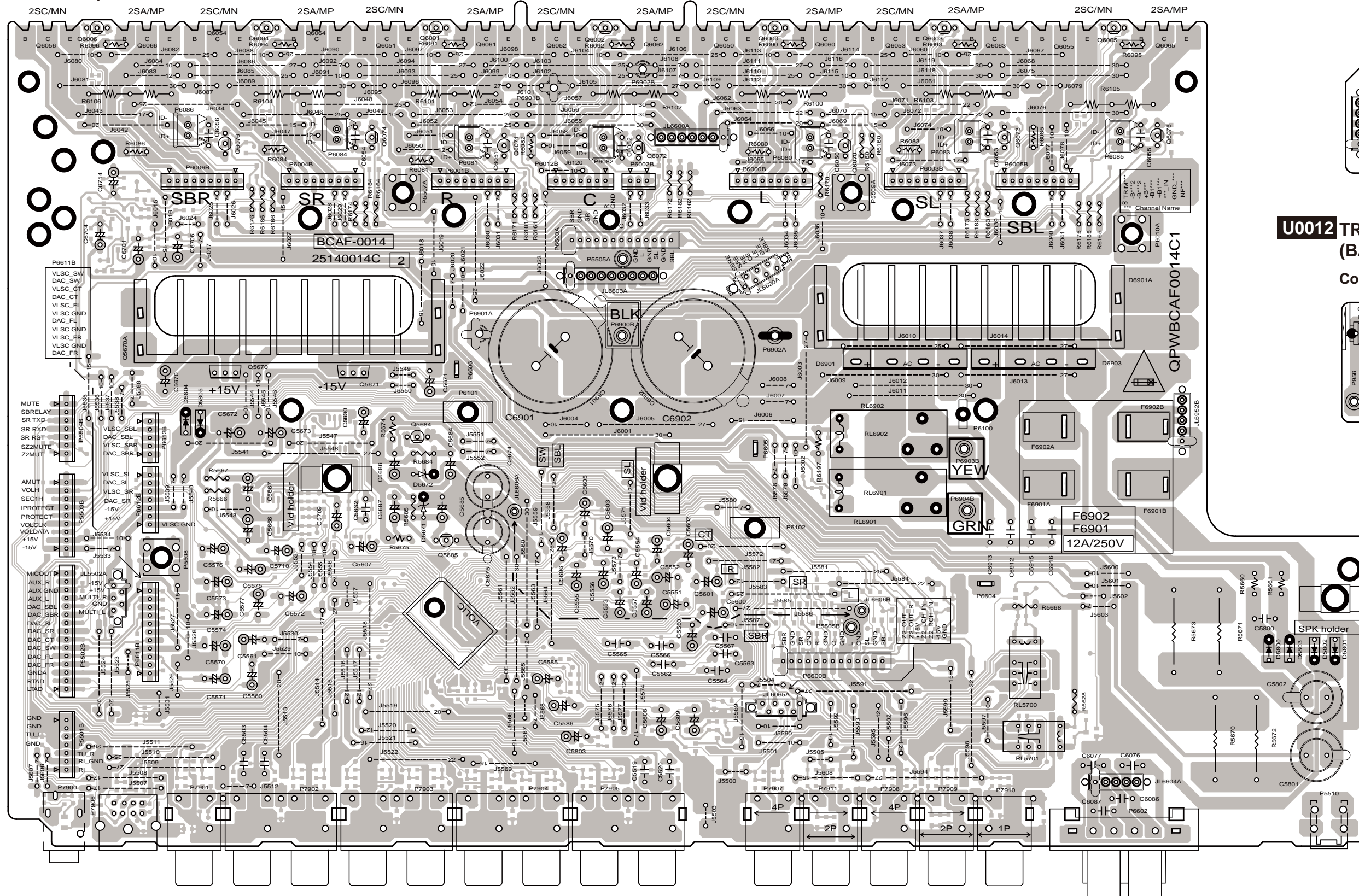
When power off



PRINTED CIRCUIT BOARD VIEWS-2 / U001

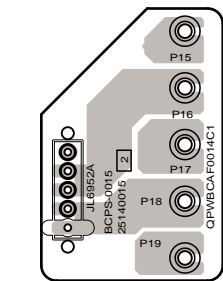
**U001** INPUT SELECTOR / VOLUME / POWER AMP. PC BOARD  
(BAAF-0014)

Component side



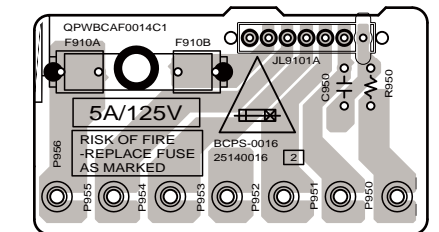
**U0011** TRANS 2ND TERMINAL  
(BAPS-0015)

Component side



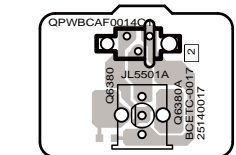
**U0012** TRANS 2ND TERMINAL  
(BAPS-0016)

Component side



**U0013** THERMAL SENSOR  
(BAETC-0017)

Component side



A B C D E F G H

PRINTED CIRCUIT BOARD VIEWS-3 / U001

**U001** INPUT SELECTOR / VOLUME / POWER AMP. PC BOARD  
(BAAF-0014)

Soldering side

**U0017** THERMAL SENSOR  
(BAETC-0017)

Soldering side

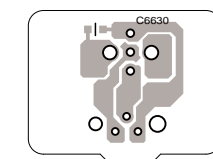
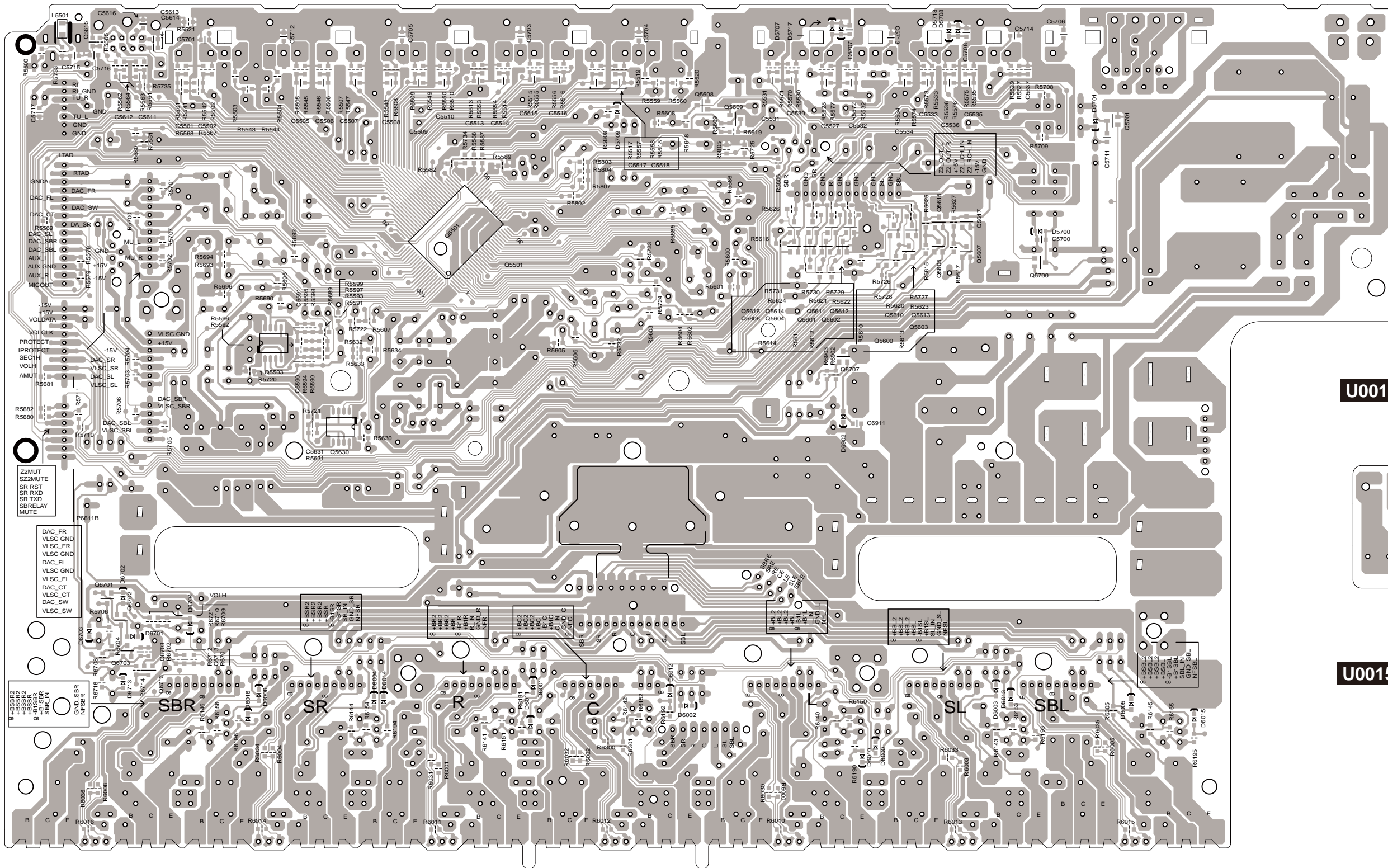
1

2

3

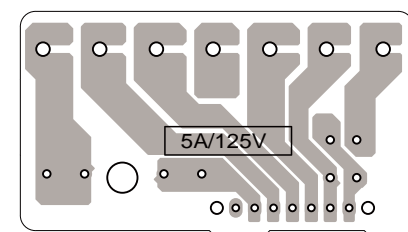
4

5



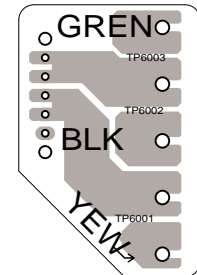
**U0016** TRANS 2ND TERMINAL  
(BAPS-0016)

Soldering side



**U0015** TRANS 2ND TERMINAL  
(BAPS-0015)

Soldering side

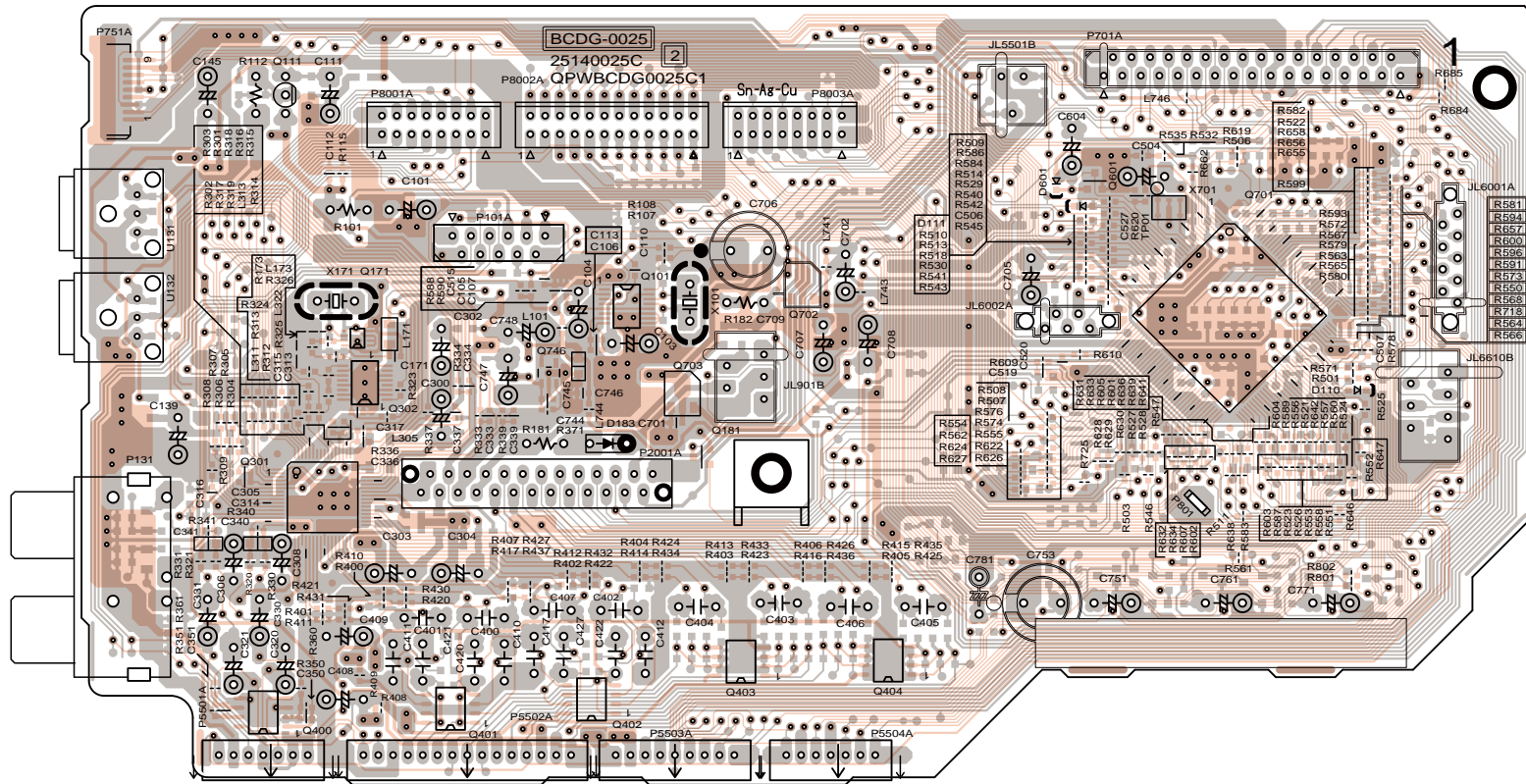




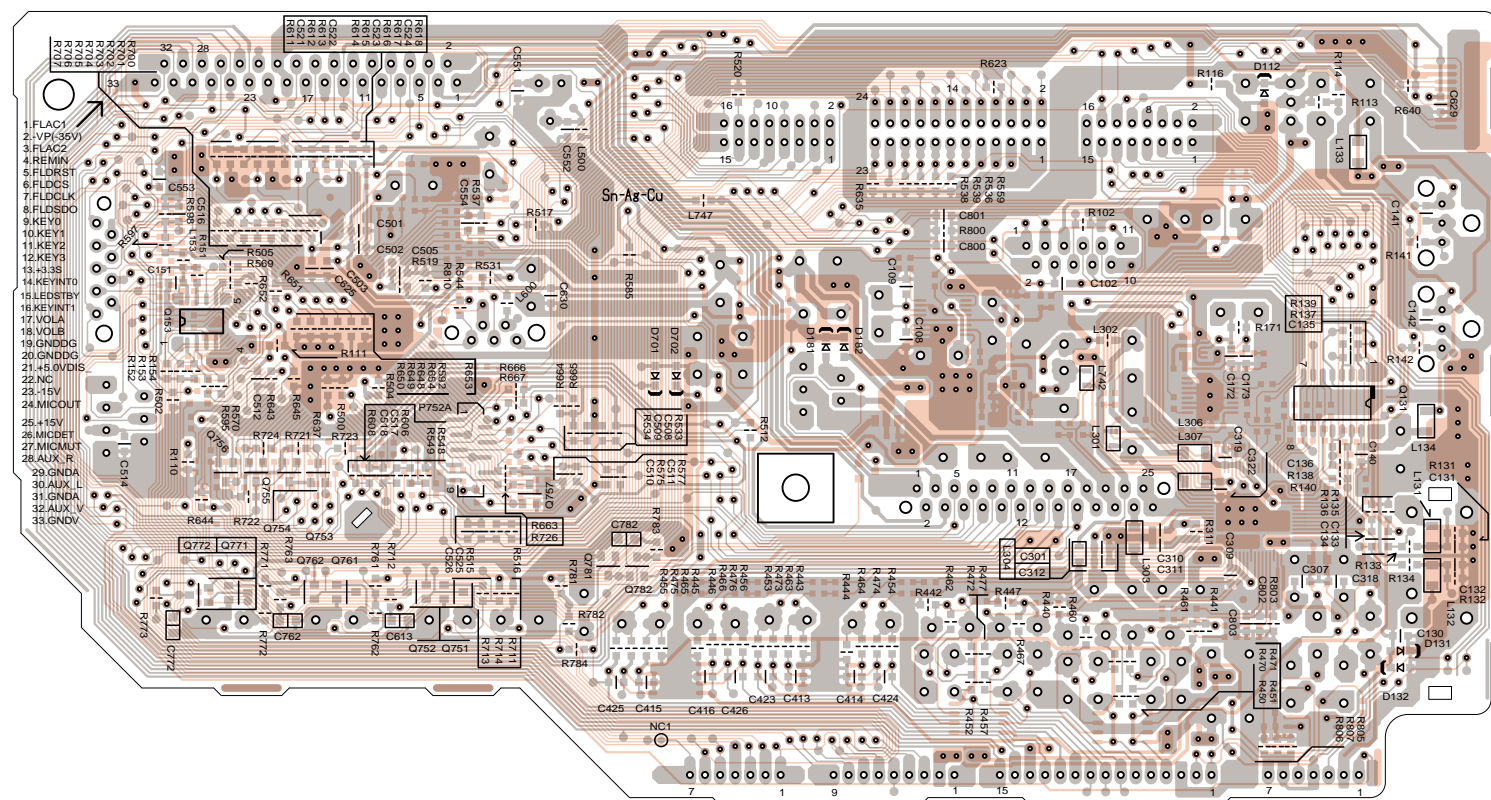
A B C D E F G H

PRINTED CIRCUIT BOARD VIEWS-5 / U002

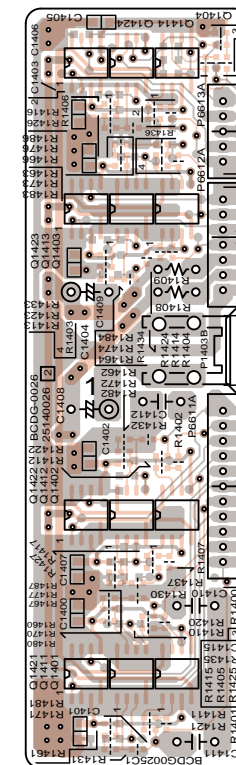
**U002 MPU / CODEC PC BOARD (BADG-0025)**



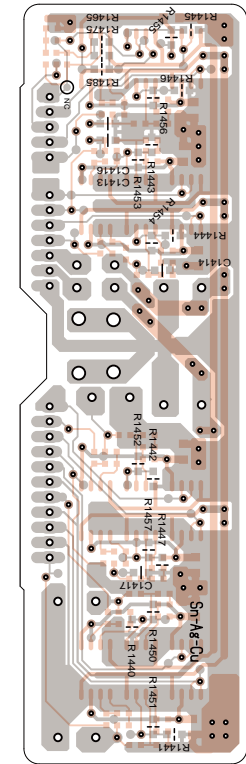
**U002 MPU / CODEC PC BOARD (BADG-0025)**



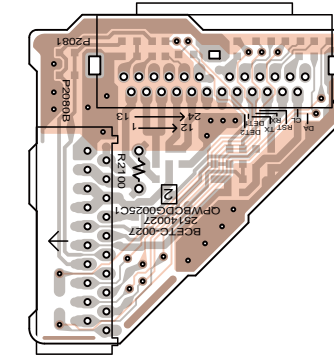
**U0021 VLSC PC BOARD (BADG-0026) TX-SA607 only**



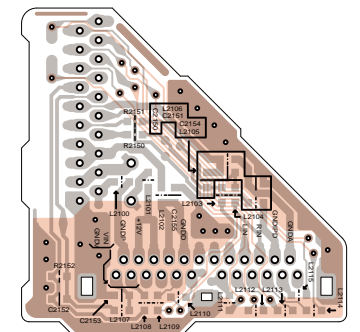
**U0021 VLSC PC BOARD (BADG-0026) TX-SA607 only**



**U0022 UNIVERSAL PORT PC BOARD (BAETC-0027)**



**U0022 UNIVERSAL PORT PC BOARD (BAETC-0027)**



1

2

3

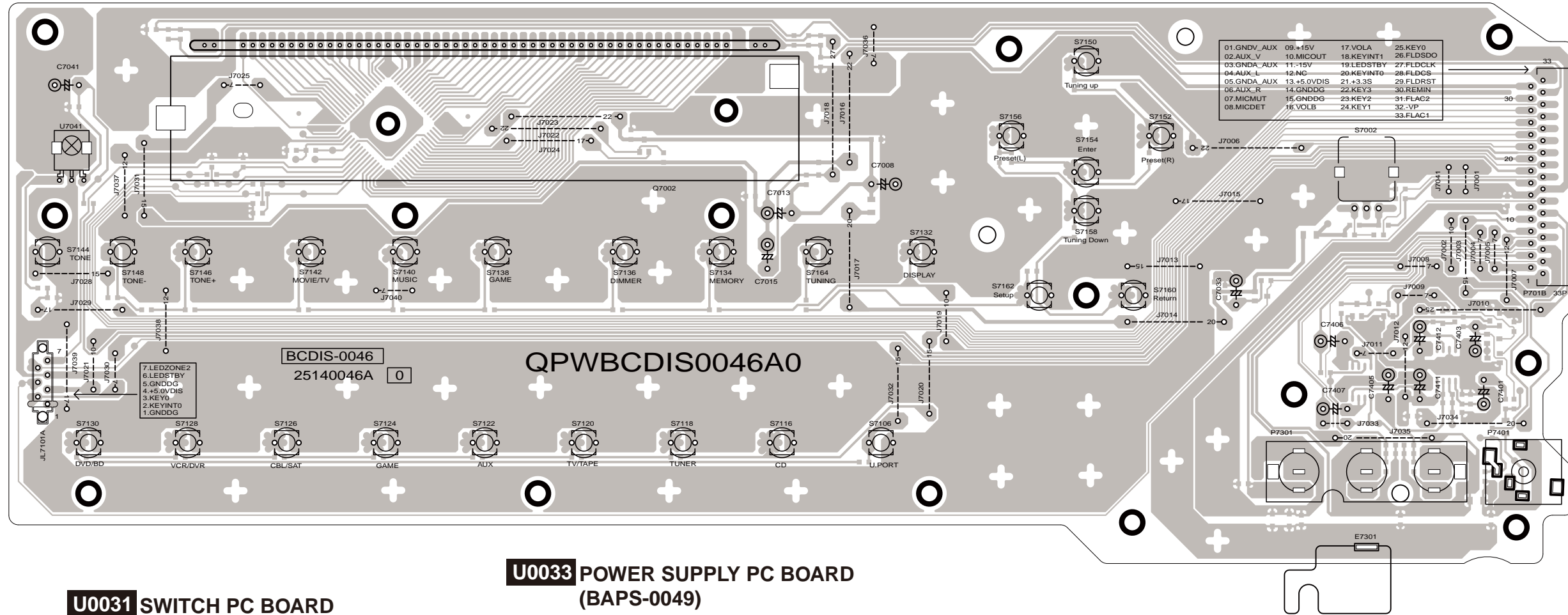
4

5

PRINTED CIRCUIT BOARD VIEWS-7 / U003

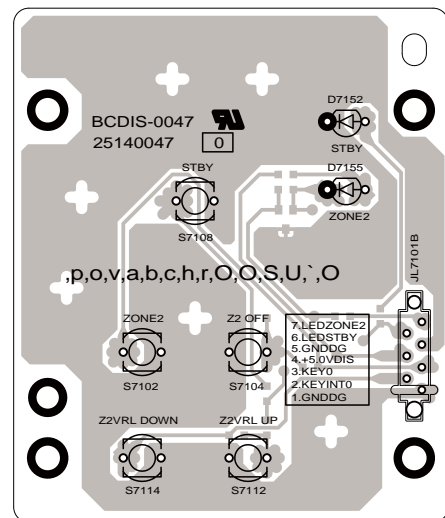
**U003** DISPLAY PC BOARD  
(BADIS-0046)

Component side



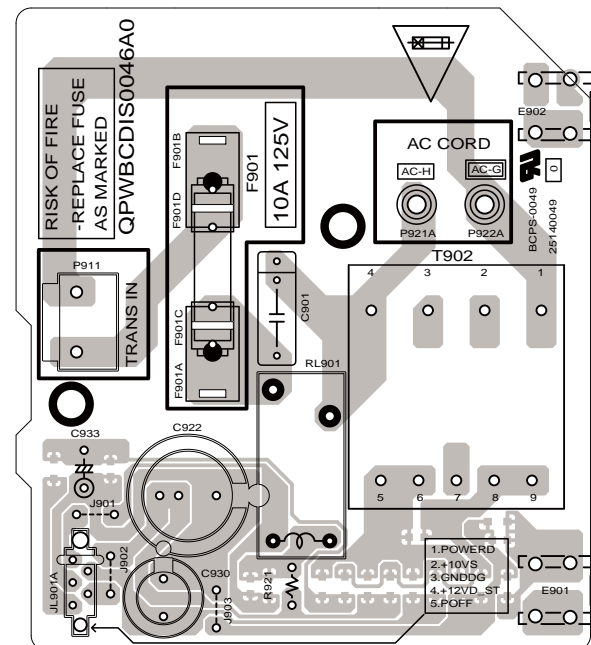
**U0031** SWITCH PC BOARD  
(BADIS-0047)

Component side



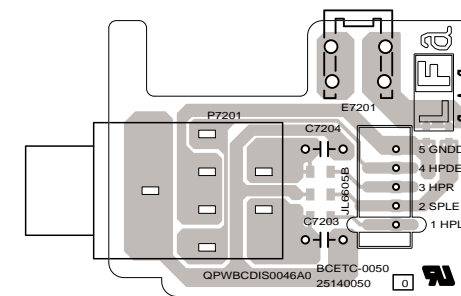
**U0033** POWER SUPPLY PC BOARD  
(BAPS-0049)

Component side



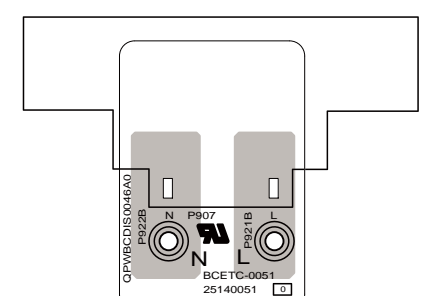
**U0034** HEADPHONE PC BOARD  
(BAETC-0050)

Component side



**U0035** INLET PC BOARD  
(BAETC-0051)

Component side





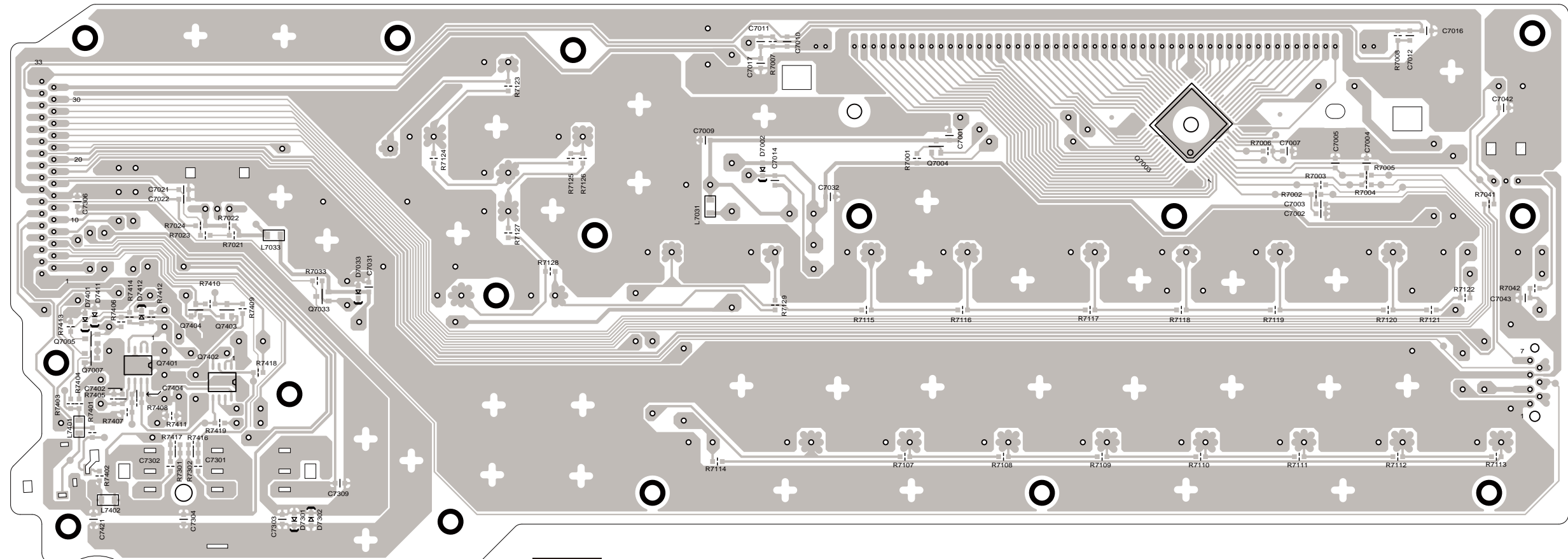
A B C D E F G H

PRINTED CIRCUIT BOARD VIEWS-8 / U003

**U003** DISPLAY PC BOARD  
(BADIS-0046)

Soldering side

1



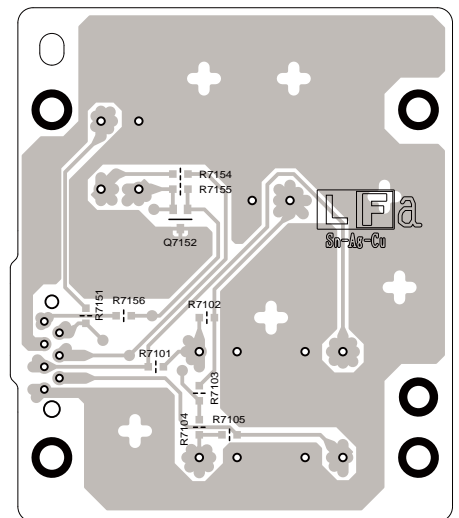
2

3

**U0031** SWITCH PC BOARD  
(BADIS-0047)

Soldering side

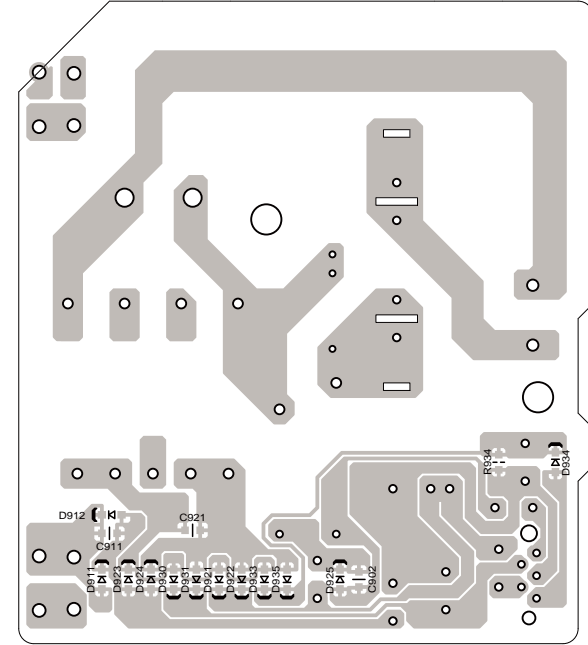
4



5

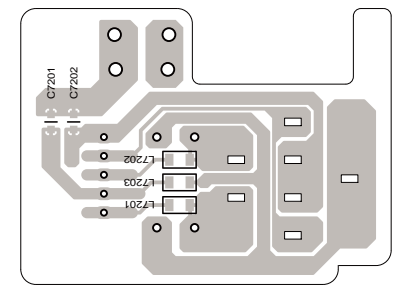
**U0033** POWER SUPPLY PC BOARD  
(BAPS-0049)

Soldering side



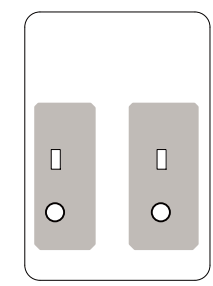
**U0034** HEADPHONE PC BOARD  
(BAETC-0050)

Soldering side



**U0035** INLET PC BOARD  
(BAETC-0051)

Soldering side



A

B

C

D

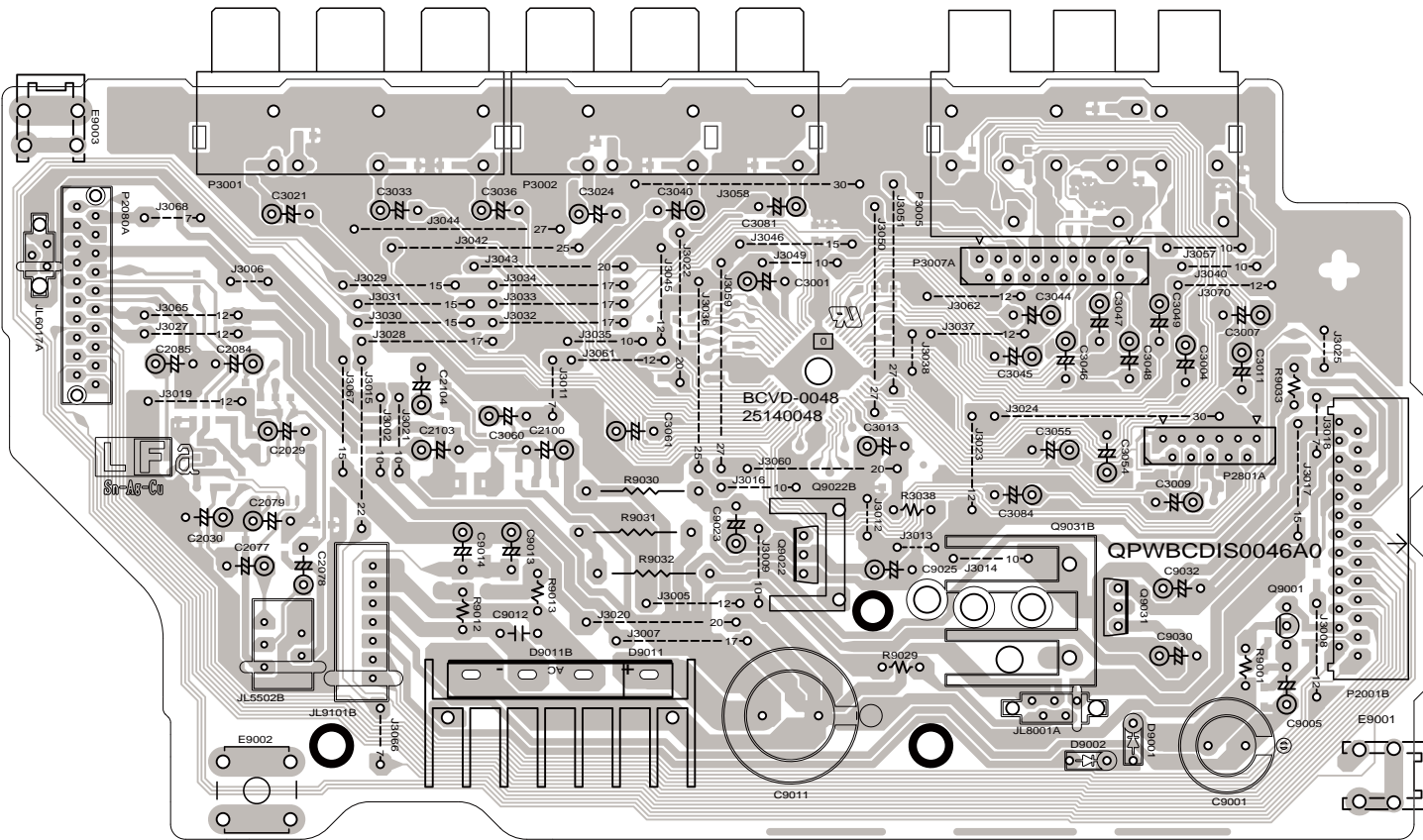
# PRINTED CIRCUIT BOARD VIEWS-9 / U003

## U0032 VIDEO PC BOARD (BAVD-0048)

1

2

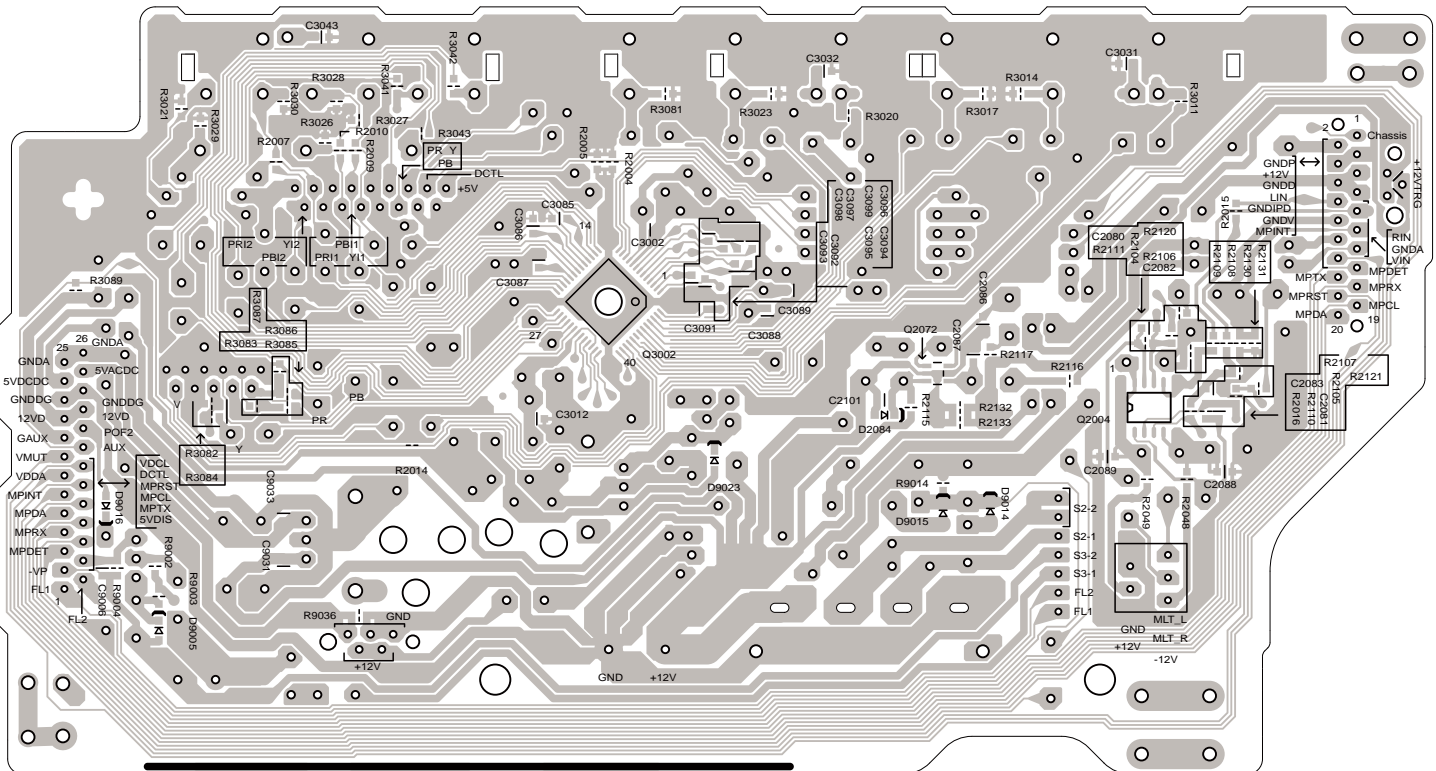
3



## U0032 VIDEO PC BOARD (BAVD-0048)

4

5





A

B

C

D

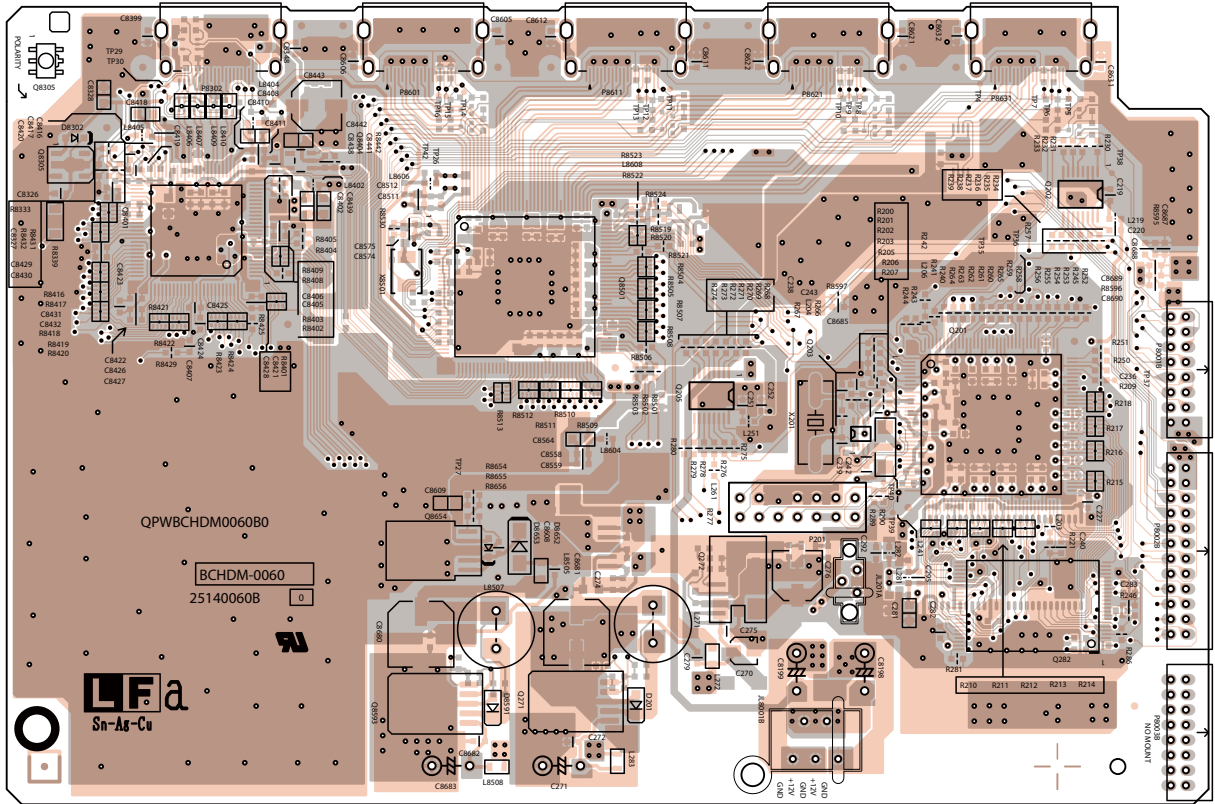
PRINTED CIRCUIT BOARD VIEWS-11 / U004

U004 HDMI / DSP PC BOARD  
(BAHDM-0060)

1

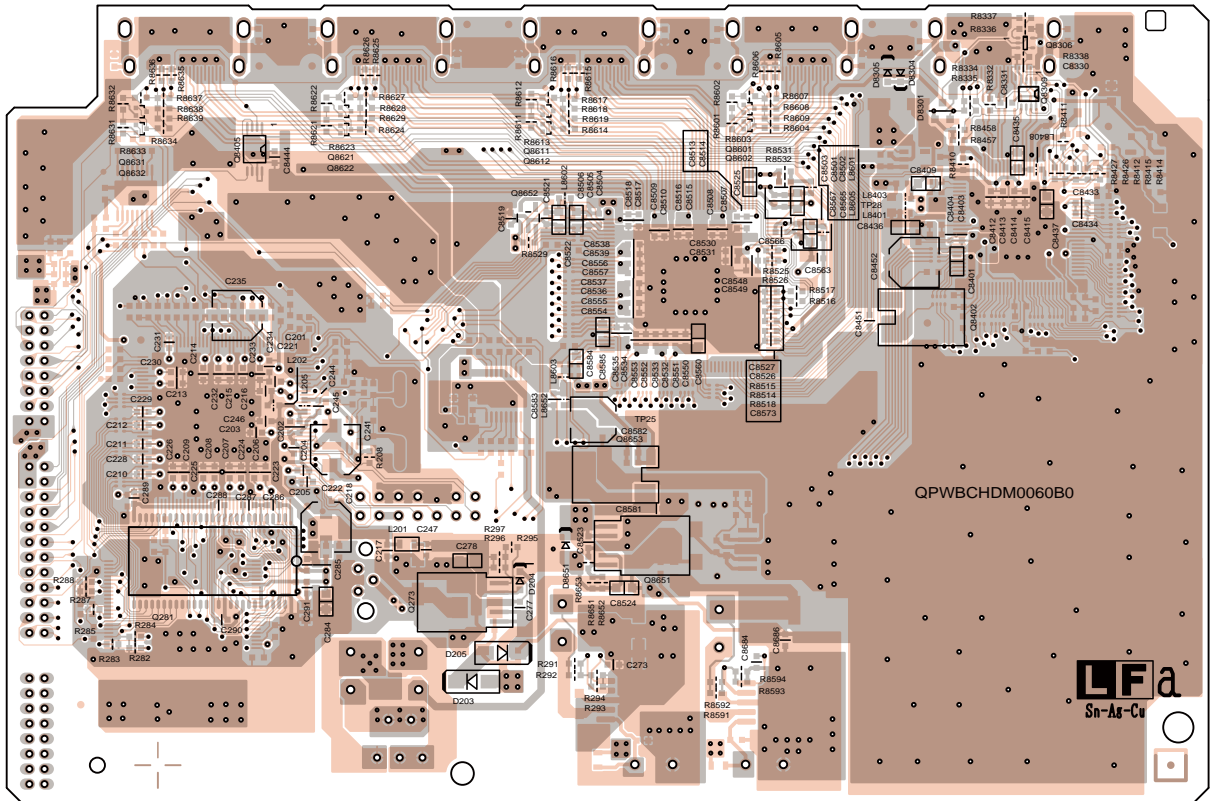
2

3



4

5

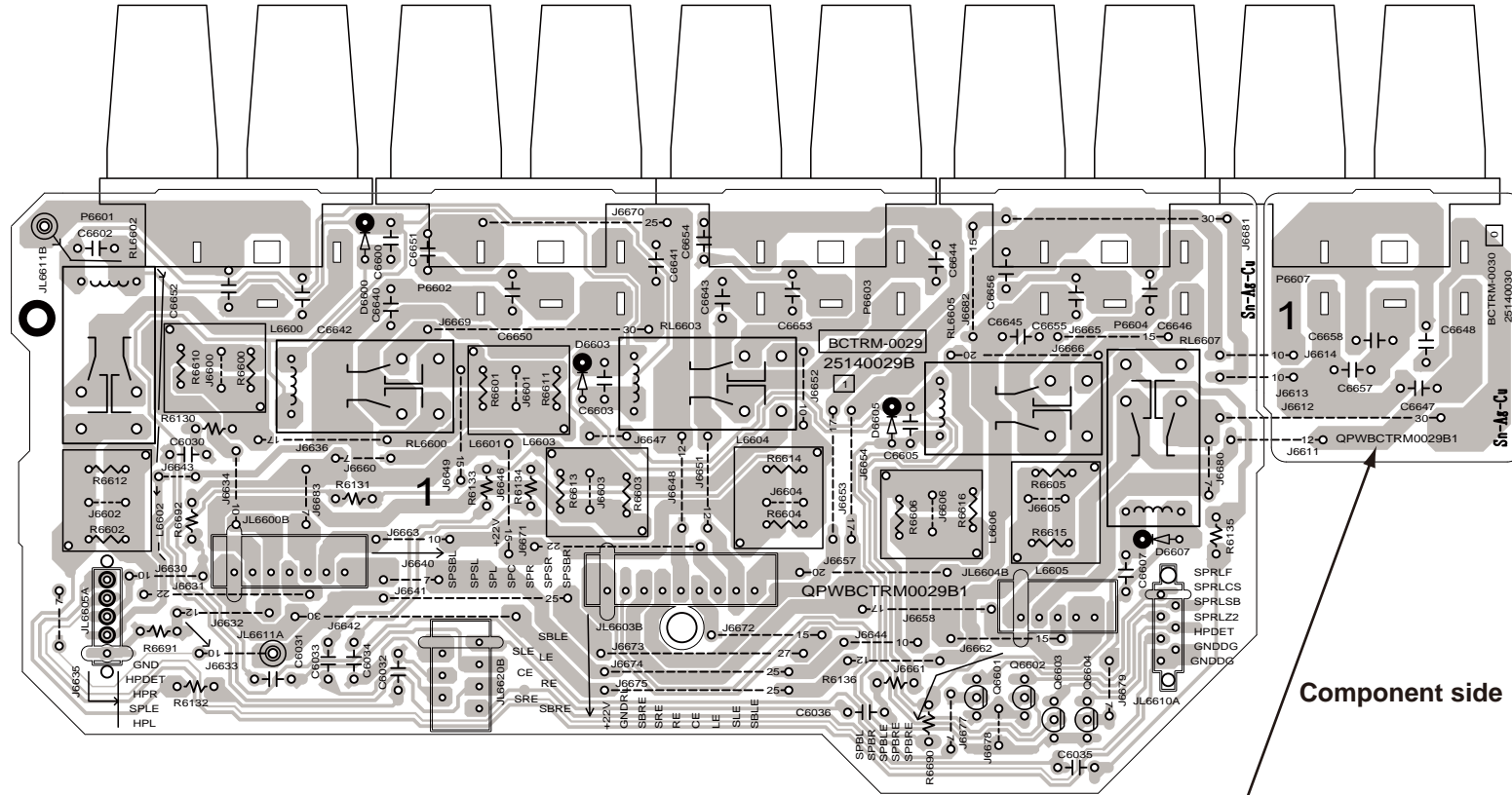


A B C D E F G H

PRINTED CIRCUIT BOARD VIEWS-13 / U005

**U005** SP TERMINAL PC BOARD  
(BATRM-0029)

Component side

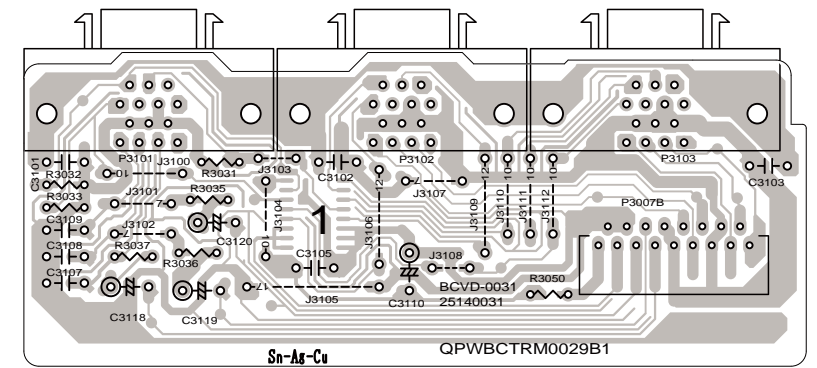


Component side

**U0052** D4 TERMINAL PC BOARD  
(BAVD-0031)

TX-SA507/607 only

Component side

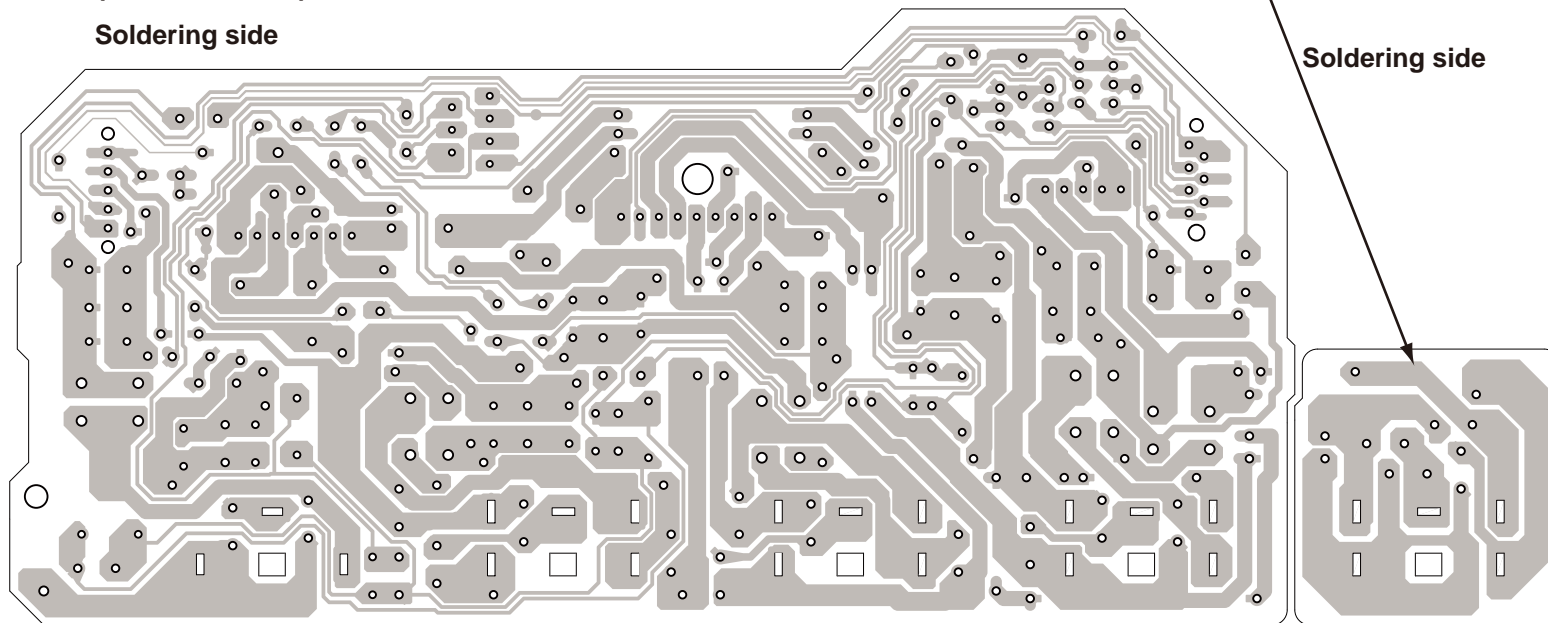


Sn-Ag-Cu

QPWBCTRM0029B1

**U005** SP TERMINAL PC BOARD  
(BATRM-0029)

Soldering side

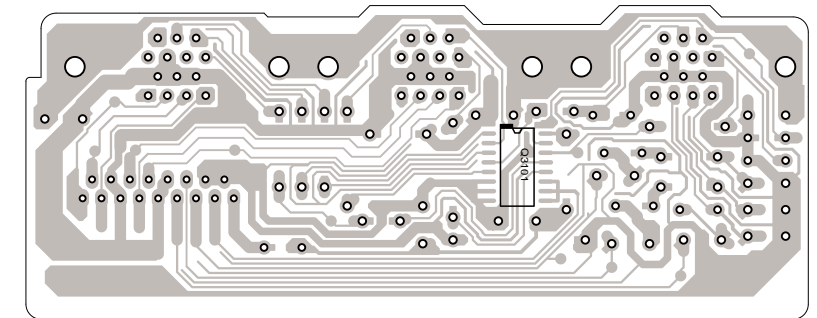


Soldering side

**U0052** D4 TERMINAL PC BOARD  
(BAVD-0031)

TX-SA507/607 only

Soldering side



1

2

3

4

5





A

B

C

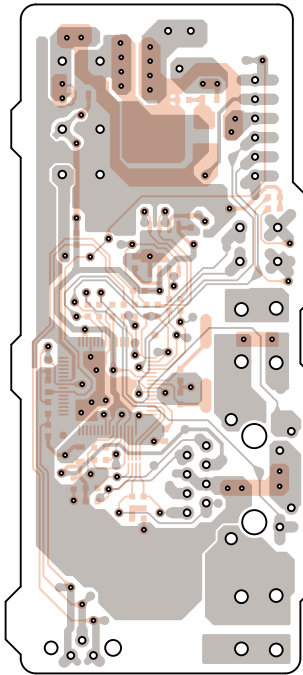
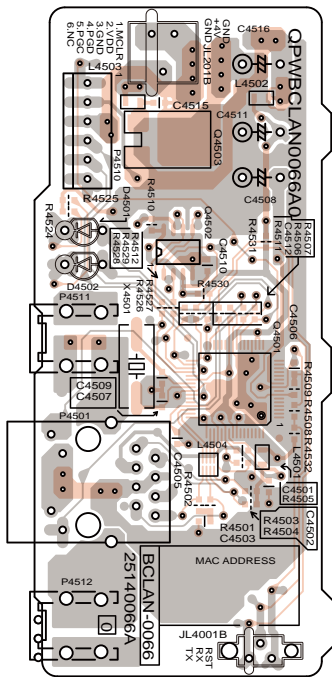
D

PRINTED CIRCUIT BOARD VIEWS-17 / U007

U007

BALAN-0066

1



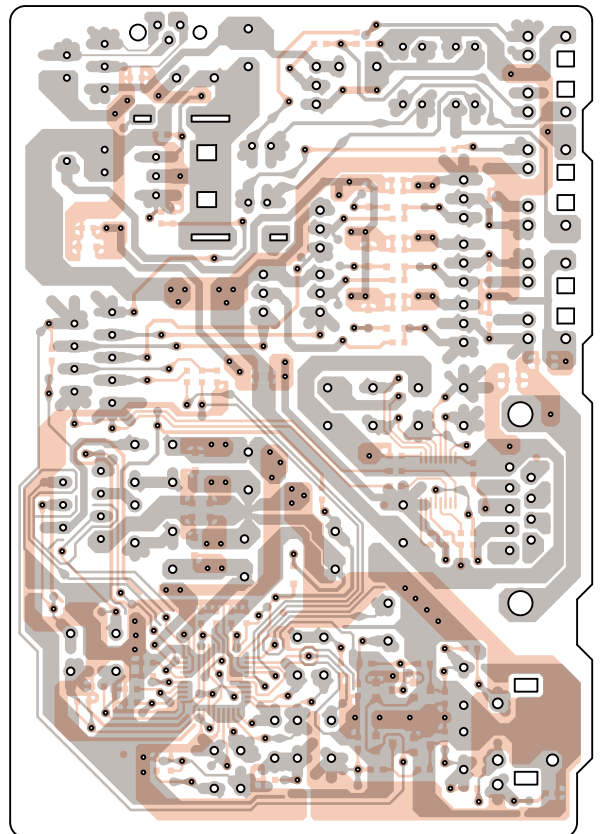
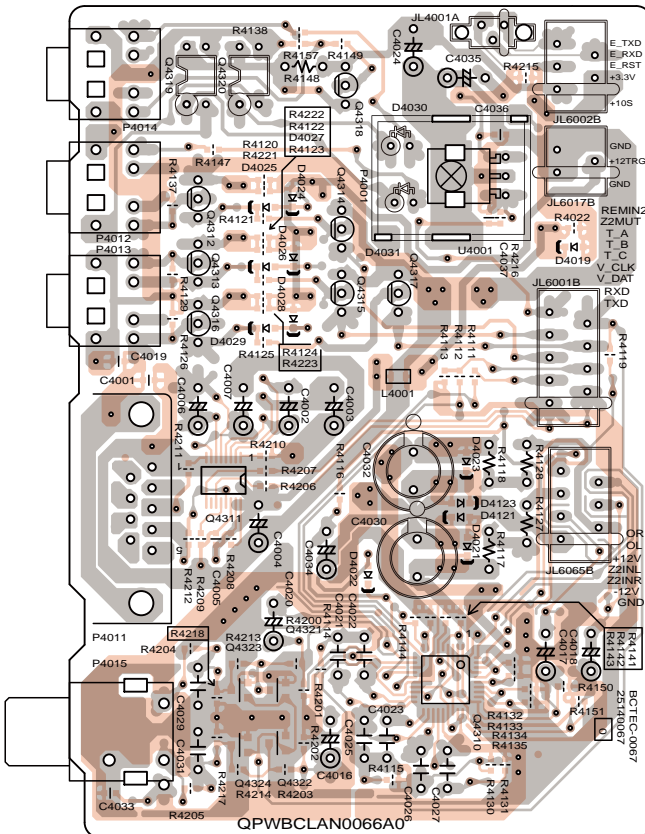
2

3

U0071

BAETC-0067

4



5



DTR-20.1

## &lt;Note&gt;

Parts marked by "NSP" are generally unavailable because they are not in our Master Spare Parts List.

**NOTE : THE COMPONENTS IDENTIFIED BY THE MARK  
! ARE CRITICAL FOR RISK OF FIRE AND  
ELECTRIC SHOCK. REPLACE ONLY WITH PART  
NUMBER SPECIFIED.**

**EXPLODED VIEW PARTS LIST**

REF. NO.	PART NAME	DESCRIPTION	Q'TY	PART NO. (SN)	REMARKS
[SEMI CONDUCTOR]					
Q6050	TR	2SC4468-O	1	2202523	
Q6050 or	TR	2SC4468-Y	(1)	2202524	
Q6050 or	TR	2SC4468-P	(1)	2202526	
Q6050 or	TR	MN130S-O	(1)	2203663	
Q6050 or	TR	MN130S-Y	(1)	2203664	
Q6050 or	TR	MN130S-P	(1)	2203666	
Q6050A	ISO SHEET	AC238	2	223024	
Q6050B	ISO SHEET	ISO SHEET	4	223050	
Q6051	TR	2SC4468-O	1	2202523	
Q6051 or	TR	2SC4468-Y	(1)	2202524	
Q6051 or	TR	2SC4468-P	(1)	2202526	
Q6051 or	TR	MN130S-O	(1)	2203663	
Q6051 or	TR	MN130S-Y	(1)	2203664	
Q6051 or	TR	MN130S-P	(1)	2203666	
Q6052	TR	2SC4468-O	1	2202523	
Q6052 or	TR	2SC4468-Y	(1)	2202524	
Q6052 or	TR	2SC4468-P	(1)	2202526	
Q6052 or	TR	MN130S-O	(1)	2203663	
Q6052 or	TR	MN130S-Y	(1)	2203664	
Q6052 or	TR	MN130S-P	(1)	2203666	
Q6053	TR	2SC4468-O	1	2202523	
Q6053 or	TR	2SC4468-Y	(1)	2202524	
Q6053 or	TR	2SC4468-P	(1)	2202526	

Q6053 or	TR	MN130S-O	(1)	2203663
Q6053 or	TR	MN130S-Y	(1)	2203664
Q6053 or	TR	MN130S-P	(1)	2203666
Q6054	TR	2SC4468-O	1	2202523
Q6054 or	TR	2SC4468-Y	(1)	2202524
Q6054 or	TR	2SC4468-P	(1)	2202526
Q6054 or	TR	MN130S-O	(1)	2203663
Q6054 or	TR	MN130S-Y	(1)	2203664
Q6054 or	TR	MN130S-P	(1)	2203666
Q6060	TR	2SA1695-O	1	2202513
Q6060 or	TR	2SA1695-Y	(1)	2202514
Q6060 or	TR	2SA1695-P	(1)	2202516
Q6060 or	TR	MP130S-O	(1)	2203673
Q6060 or	TR	MP130S-Y	(1)	2203674
Q6060 or	TR	MP130S-P	(1)	2203676
Q6061	TR	2SA1695-O	1	2202513
Q6061 or	TR	2SA1695-Y	(1)	2202514
Q6061 or	TR	2SA1695-P	(1)	2202516
Q6061 or	TR	MP130S-O	(1)	2203673
Q6061 or	TR	MP130S-Y	(1)	2203674
Q6061 or	TR	MP130S-P	(1)	2203676
Q6062	TR	2SA1695-O	1	2202513
Q6062 or	TR	2SA1695-Y	(1)	2202514
Q6062 or	TR	2SA1695-P	(1)	2202516
Q6062 or	TR	MP130S-O	(1)	2203673
Q6062 or	TR	MP130S-Y	(1)	2203674
Q6062 or	TR	MP130S-P	(1)	2203676
Q6063	TR	2SA1695-O	1	2202513
Q6063 or	TR	2SA1695-Y	(1)	2202514
Q6063 or	TR	2SA1695-P	(1)	2202516
Q6063 or	TR	MP130S-O	(1)	2203673
Q6063 or	TR	MP130S-Y	(1)	2203674
Q6063 or	TR	MP130S-P	(1)	2203676
Q6064	TR	2SA1695-O	1	2202513
Q6064 or	TR	2SA1695-Y	(1)	2202514
Q6064 or	TR	2SA1695-P	(1)	2202516
Q6064 or	TR	MP130S-O	(1)	2203673

Q6064 or	TR	MP130S-Y	(1)	2203674
Q6064 or	TR	MP130S-P	(1)	2203676

## &lt;Note&gt;

Must use the same HFE rank mutually about the following parts.

Ref. No. : Q6050-Q6060, Q6051-Q6061, Q6052-Q6062, Q6053-Q6063, Q6054-Q6064

## [TRANS COIL]

T901	P TRANS	NPT-1552D	1	2301888	!
[SW TRM]					
F6901	FUSE	12A-TUL-250V	1	252301GR	!
F6902	FUSE	12A-TUL-250V	1	252301GR	!
F901	FUSE	10A-UL/T-233	1	252330GR	!
F901 or	FUSE	10A-T/UL-ST2	(1)	252333GR	!
F910	FUSE	5A-UL/T-233	1	252326GR	!
F910 or	FUSE	5A-T/UL-ST2	(1)	252258GR	!
P101	FFC	NCFC7-112012	1	2047112012	
P701	FFC	NCFC7-332012	1	2047332012	
P901	AC CORD	AS-UC-2	1	253297KAW	
P901 or	AC CORD	AS-UC-2	(1)	253352ATES	

## [CHASSIS SCREW]

A001	CHASSIS	TX-SR507	1	27100533B	
A003	LEG	.	4	27175419	
A004	CUSHION	(LEG)	4	28141660	
A007	SCREW	3TTB+8B(3CM)SR	4	801637	
A009	HOLDER	KGLS-8RT	2	27190503A	
A010	HOLDER	KGPS-8RF	2	27191044	
A011	HOLDER	KGLS-10RT	1	27190428A	
A015	HOLDER	KGPS-14RF	2	27190802	
A017	HOLDER	KGLS-16S	1	27190607	
A019	HOLDER	KGPS-16RF	1	27190991	
A021	HOLDER	KGLS-22S	2	27190369	
A023	HOLDER	KGLS-22S	1	27190369	
A025	SCREW	4TTC+8C(3BC)	4	830440089GR	
A027	SPACER	.	1	27270439	
A029	IB CUSHION	W15*3t TAPE	1	28141585	
A030	HEAT SINK	251	1	27160630	
A032	RETAINER	(HL)	1	27142138A	
A034	RETAINER	(HR)	1	27142139A	

A035	CUSHION	(BUTYL)	1	28141748	
A036	SCREW	3TTB+8B(3CM)SR	4	801637	
A038	SCREW	3TTB+8B(3CM)SR	2	801637	
A040	SCREW	3TTB+8B(3CM)SR	4	801637	
A042	SCREW	3TTB+8B(3CM)SR	2	801637	
A044	HOLDER	KGLS-8RT	1	27190503A	
A050	SCREW	3SMS8W.SW+14B(CU)	10	801634	
A054	SCREW	3TTB+8B(3CM)SR	1	801637	
A058	LABEL	(PT)	1	29364345	
A060	WIRE TIE	BINDER(CLAMPER)UL	2	260258	
A062	WIRE TIE	BSK-1	9	260208	
A066	RETAINER	(B)	1	27142141	
A068	SCREW	3TTB+8B(3CM)SR	3	801637	
A069	SCREW	3TTB+8B(3BC)	1	838430088GR	
A070	LABEL	(SP)507	1	29390689	
A100	LABEL	SHEET(S)	1	29364983	
A100A	LABEL	(E-CON)	{ 1 }	29364978	
A101	REAR PANEL	DTR-20.1MDD	1	27123992B	N
A102	CUSHION	.	2	28141799	
A103	SCREW	3P+6FN(3BC)	5	82143006GR	
A104	CUSHION	(BUTYL)	1	28141748	
A105	SCREW	3TTB+8B(3BC)	33	838430088GR	
A106	SCREW	4TTB+10B(3BC)	2	838440108GR	
A109	SCREW	3P+6FN(3BC)	2	82143006GR	
<b>[CABINET]</b>					
A185	LABEL	(COVER)	1	29390767	
A201	F PANEL	DTR-20.1(B)DD	1	27213218A	N
A207	BADGE	.	1	28135278	
A211	F BRACKET	(B)301	1	27111533B	
A217	KNOB	(STANDBY)	1	28325756	
A219	KNOB	(CUR)B	1	28326682A	
A220	P RIVET	P-3055B-8L	2	880048	
A221	IB CUSHION	W15*3t TAPE	1	28141585	
A223	SCREW	3TTB+8B(3CM)SR	18	801637	
A250	B PLATE	.	1	28133418	
A251	DECO FRM	(B)	1	27215384	N
A253	CLEAR PLT	.301	1	28192231	N



A255	SCREW	3TTB+8B(3CM)SR	5	801637	
A256	SCREW	3TTB+8B(3CM)SR	1	801637	
A262	TAPE	TAPE(CLOTH-16U)	1	29110083	
A263	TAPE	TAPE(CLOTH-8U)	1	29110082	
A264	CUSHION	.	3	28141681	
A303	FACET	.	2	28198905	
A307	SCREW	3TTB+8B(3BC)	3	838430088GR	
A321	KNOB	(VOL)AS	1	28326685	
A322	CUSHION	.	4	28141637	
A325	LABEL	HOOKUP-INTEGRA	1	29363195	
A340	COVER	(B) (Bent)	1	28210034	
A340	COVER	(B) (Not Bent)	1	28210034Z	
A342	SCREW	3TTB+8B(3BC)	7	838430088GR	
<b>U001</b>	<b>Input selector/Volume/Power amp. pc board AS</b>	<b>BAAF-0014-1F</b>	<b>1</b>	<b>1B232514-1F</b>	<b>N</b>
U0011	Trans 2nd terminal pc board AS	BAPS-0015-1F	{ 1}	1B232515-1F	N
U0012	Trans 2nd terminal pc board AS	BAPS-0016-1F	{ 1}	1B232516-1F	N
U0013	Thermal sensor pc board AS	BAETC-0017-1F	{ 1}	1B232517-1F	N
U0014	Holder pc board AS	BAETC-0018-1F	{ 1}	1B232518-1F	N
U0015	Holder pc board AS	BAETC-0019-1F	{ 1}	1B232519-1F	N
<b>U002</b>	<b>MPU/CODEC pc board AS</b>	<b>BADG-0025-1N</b>	<b>1</b>	<b>1B232525-1N</b>	<b>N</b>
U0021	Universal port pc board AS	BAETC-0027-1N	{ 1}	1B232527-1N	N
<b>U003</b>	<b>Display pc board AS</b>	<b>BADIS-0046-1A</b>	<b>1</b>	<b>1B232546-1A</b>	<b>N</b>
U0031	Switch pc board AS	BADIS-0047-1A	{ 1}	1B232547-1A	N
U0032	Video pc board AS	BAVD-0048-1A	{ 1}	1B232548-1A	N
U0033	Power supply pc board AS	BAPS-0049-1A	{ 1}	1B232549-1A	N
U0034	Headphone pc board AS	BAETC-0050-1A	{ 1}	1B232550-1A	N
<b>U004</b>	<b>HDMI,DSP pc board AS</b>	<b>BAHDM-0060-1B</b>	<b>1</b>	<b>1B232560-1B</b>	<b>N</b>
<b>U005</b>	<b>SP terminal pc board AS</b>	<b>BATRM-0029-1K</b>	<b>1</b>	<b>1B232529-1K</b>	<b>N</b>
<b>U006</b>	<b>Driver amp. Pc board AS</b>	<b>BACLA-0020-1B</b>	<b>1</b>	<b>1B232520-1B</b>	<b>N</b>
<b>U007</b>	<b>LAN pc board AS</b>	<b>BALAN-0066-1A</b>	<b>1</b>	<b>1B232566-1A</b>	<b>N</b>
U0071	RS-232C / IR terminal pc board AS	BAETC-0067-1A	1	1B232567-1A	N
U010	TUNER UNIT	FAEH06-A01US	1	240166	

DTR-20.1

## PC BOARD PARTS LIST

<b>U001</b>	Input selector/Volume/Power amp. pc board AS (BAAF-0014-1F)
<b>U0011</b>	Trans 2nd terminal pc board AS (BAPS-0015-1F)
<b>U0012</b>	Trans 2nd terminal pc board AS (BAPS-0016-1F)
<b>U0013</b>	Thermal sensor pc board AS (BAETC-0017-1F)
<b>U0014</b>	Holder pc board AS (BAETC-0018-1F)
<b>U0015</b>	Holder pc board AS (BAETC-0019-1F)

CIRCUIT NO.	PART NAME	DESCRIPTION	Q'TY	PART NO. (SN)	REMARKS
<b>[SEMI CONDUCTOR]</b>					
D5671	ZENER D	MTZJ7.5B	1	224470752T	
D5672	ZENER D	MTZJ7.5B	1	224470752T	
D5800	DIODE	RL1N4003	1	22380260T	
D5801	DIODE	RL1N4003	1	22380260T	
D5802	DIODE	RL1N4003	1	22380260T	
D5803	DIODE	RL1N4003	1	22380260T	
D5804	DIODE	RL1N4003	1	22380260T	
D5805	DIODE	RL1N4003	1	22380260T	
D6000	C-DIODE	KDS4148U	1	223283R2	
D6000 or	C-DIODE	1SS352	(1)	223234R2	
D6000 or	C-DIODE	MA2J111	(1)	223279R2	
D6001	C-DIODE	KDS4148U	1	223283R2	
D6001 or	C-DIODE	1SS352	(1)	223234R2	
D6001 or	C-DIODE	MA2J111	(1)	223279R2	
D6002	C-DIODE	KDS4148U	1	223283R2	
D6002 or	C-DIODE	1SS352	(1)	223234R2	
D6002 or	C-DIODE	MA2J111	(1)	223279R2	
D6003	C-DIODE	KDS4148U	1	223283R2	
D6003 or	C-DIODE	1SS352	(1)	223234R2	
D6003 or	C-DIODE	MA2J111	(1)	223279R2	
D6004	C-DIODE	KDS4148U	1	223283R2	
D6004 or	C-DIODE	1SS352	(1)	223234R2	
D6004 or	C-DIODE	MA2J111	(1)	223279R2	
D6701	C-DIODE	KDS4148U	1	223283R2	
D6701 or	C-DIODE	1SS352	(1)	223234R2	

D6701 or	C-DIODE	MA2J111	(1)	223279R2
D6702	C-DIODE	KDS4148U	1	223283R2
D6702 or	C-DIODE	1SS352	(1)	223234R2
D6702 or	C-DIODE	MA2J111	(1)	223279R2
D6703	ZENER D	UDZS3.3B	1	224550330R2
D6704	ZENER D	UDZS3.3B	1	224550330R2
D6713	ZENER D	UDZS3.3B	1	224550330R2
D6901	DIODE	D10XB60H	1	22380337
D6901A	HEAT SINK	RAD-196	1	27160545
D6901C	SCREW	3P+10FN(3BC)	2	82143010GR
D6902	C-DIODE	KDS4148U	1	223283R2
D6902 or	C-DIODE	1SS352	(1)	223234R2
D6902 or	C-DIODE	MA2J111	(1)	223279R2
D6903	DIODE	D10XB60H	1	22380337
Q5501	IC	R2A15218FP	1	22242605R3
Q5503	IC	NJM4580M-D	1	22241448R2
Q5600	TR	RN1441	1	2215410R2
Q5601	TR	RN1441	1	2215410R2
Q5602	TR	RN1441	1	2215410R2
Q5603	TR	RN1441	1	2215410R2
Q5604	TR	RN1441	1	2215410R2
Q5605	TR	RN1441	1	2215410R2
Q5606	TR	RN1441	1	2215410R2
Q5607	TR	RN1441	1	2215410R2
Q5615	TR	RN1441	1	2215410R2
Q5616	TR	RN1441	1	2215410R2
Q5617	TR	RN1441	1	2215410R2
Q5630	IC	NJM4580M-D	1	22241448R2
Q5670	IC	78M15HF(NJM78M15FA)	1	222780155JRC
Q5670 or	IC	UPC78M15AHF-AZ	(1)	222780155NEC
Q5670A	HEAT SINK	RAD-196	1	27160545
Q5670B	SCREW	3P+10FN(3BC)	1	82143010GR
Q5671	IC	79M15HF(NJM79M15FA)	1	222790155JRC
Q5671 or	IC	UPC79M15HF-AZ	(1)	222790155NEC
Q5671B	SCREW	3P+10FN(3BC)	1	82143010GR
Q5684	TR	2SC1815-GR	1	2211255T
Q5685	TR	2SA1015-GR	1	2211455T

Q6000	TR	2SC1740S-S	1	2213285T
Q6001	TR	2SC1740S-S	1	2213285T
Q6002	TR	2SC1740S-S	1	2213285T
Q6003	TR	2SC1740S-S	1	2213285T
Q6004	TR	2SC1740S-S	1	2213285T
Q6070	TR	2SC2229-Y(TPE6_F)	1	2211634T
Q6071	TR	2SC2229-Y(TPE6_F)	1	2211634T
Q6072	TR	2SC2229-Y(TPE6_F)	1	2211634T
Q6073	TR	2SC2229-Y(TPE6_F)	1	2211634T
Q6074	TR	2SC2229-Y(TPE6_F)	1	2211634T
Q6380	IC	LM61CIZ	1	22242212
Q6380A	RETAINER	(PTH)	1	27141884-1
Q6701	TR	2SC2712-GR	1	2213145R2
Q6701 or	TR	KTC3875-GR	( 1)	2216175R2
Q6702	TR	2SC2712-GR	1	2213145R2
Q6702 or	TR	KTC3875-GR	( 1)	2216175R2
Q6703	TR	2SA1163-BL(TE85L_F)	1	2216756R2
Q6707	TR	2SC2712-GR	1	2213145R2
Q6707 or	TR	KTC3875-GR	( 1)	2216175R2
Q6713	TR	2SA1163-BL(TE85L_F)	1	2216756R2
<a href="#">[TRANS COIL]</a>				
L5501	CHOKE COIL	LBC2518T2R2M	1	231364M022R2
<a href="#">[CAPACITOR]</a>				
C5503	UPZ C	2AUPZTF221JE	1	376332214T
C5504	UPZ C	2AUPZTF221JE	1	376332214T
C5507	C-CERA C	CC725CH1H-221J1	1	342102214R1
C5508	C-CERA C	CC725CH1H-221J1	1	342102214R1
C5509	C-CERA C	CC725CH1H-221J1	1	342102214R1
C5510	C-CERA C	CC725CH1H-221J1	1	342102214R1
C5513	C-CERA C	CC725CH1H-221J1	1	342102214R1
C5514	C-CERA C	CC725CH1H-221J1	1	342102214R1
C5517	C-CERA C	CC725CH1H-221J1	1	342102214R1
C5518	C-CERA C	CC725CH1H-221J1	1	342102214R1
C5519	UPZ C	2AUPZTF221JE	1	376332214T
C5520	UPZ C	2AUPZTF221JE	1	376332214T
C5527	C-CERA C	CC725CH1H-221J1	1	342102214R1
C5532	C-CERA C	CC725CH1H-221J1	1	342102214R1



C5535	C-CERA C	CC725CH1H-221J1	1	342102214R1
C5536	C-CERA C	CC725CH1H-221J1	1	342102214R1
C5550	UTSP C	CE04W10V-220M(UTSP)	1	397532217T
C5551	UTSP C	CE04W10V-220M(UTSP)	1	397532217T
C5552	UTSP C	CE04W10V-220M(UTSP)	1	397532217T
C5553	UTSP C	CE04W25V-47M(UTSP)	1	397554707T
C5554	UTSP C	CE04W25V-47M(UTSP)	1	397554707T
C5555	UTSP C	CE04W25V-47M(UTSP)	1	397554707T
C5556	UTSP C	CE04W25V-47M(UTSP)	1	397554707T
C5557	UTSP C	CE04W25V-47M(UTSP)	1	397554707T
C5560	UTSP C	CE04W50V 47M(UTSP)	1	397584707T
C5561	UTSP C	CE04W50V 47M(UTSP)	1	397584707T
C5562	TF C	ECQ-V50V-474J	1	374724744T
C5563	TF C	ECQ-V50V-823J	1	374728234T
C5564	TF C	ECQ-V50V-223J	1	374722234T
C5565	TF C	ECQ-V50V-474J	1	374724744T
C5566	TF C	ECQ-V50V-823J	1	374728234T
C5567	TF C	ECQ-V50V-223J	1	374722234T
C5570	UTSP C	CE04W50V 47M(UTSP)	1	397584707T
C5571	UTSP C	CE04W50V 47M(UTSP)	1	397584707T
C5572	UTSP C	CE04W50V 47M(UTSP)	1	397584707T
C5573	UTSP C	CE04W50V 47M(UTSP)	1	397584707T
C5574	UTSP C	CE04W50V 47M(UTSP)	1	397584707T
C5575	UTSP C	CE04W50V 47M(UTSP)	1	397584707T
C5576	UTSP C	CE04W50V 47M(UTSP)	1	397584707T
C5577	UTSP C	CE04W50V 47M(UTSP)	1	397584707T
C5585	UTSP C	CE04W50V 47M(UTSP)	1	397584707T
C5586	UTSP C	CE04W50V 47M(UTSP)	1	397584707T
C5590	C-CERA C	CC725CH1H-330J1	1	342103304R1
C5591	C-CERA C	CC725CH1H-330J1	1	342103304R1
C5600	UTSP C	CE04W50V 47M(UTSP)	1	397584707T
C5601	UTSP C	CE04W50V 47M(UTSP)	1	397584707T
C5602	UTSP C	CE04W50V 47M(UTSP)	1	397584707T
C5603	UTSP C	CE04W50V 47M(UTSP)	1	397584707T
C5604	UTSP C	CE04W50V 47M(UTSP)	1	397584707T
C5605	UTSP C	CE04W50V 47M(UTSP)	1	397584707T
C5606	UTSP C	CE04W50V 47M(UTSP)	1	397584707T

C5607	UTSP C	CE04W50V 47M(UTSP)	1	397584707T
C5608	UTSP C	CE04W50V 47M(UTSP)	1	397584707T
C5609	UTSP C	CE04W50V 47M(UTSP)	1	397584707T
C5630	UTSP C	CE04W50V 47M(UTSP)	1	397584707T
C5631	C-CERA C	CC725CH1H-221J1	1	342102214R1
C5632	TF C	ECQ-V50V-103J	1	374721034T
C5666	UTSP C	CE04W25V-220M(UTSP)	1	397552217T
C5667	UTSP C	CE04W25V-220M(UTSP)	1	397552217T
C5670	UTSP C	CE04W50V-10M(UTSP)	1	397581007T
C5671	UTSP C	CE04W50V-10M(UTSP)	1	397581007T
C5672	UTSP C	CE04W25V-220M(UTSP)	1	397552217T
C5673	UTSP C	CE04W25V-220M(UTSP)	1	397552217T
C5674	UTSP C	CE04W16V-470M(UTSP)	1	397544717T
C5675	UTSP C	CE04W16V-470M(UTSP)	1	397544717T
C5684	UTSP C	CE04W25V-220M(UTSP)	1	397552217T
C5685	UTSP C	CE04W25V-220M(UTSP)	1	397552217T
C5686	UTSP C	CE04W25V-220M(UTSP)	1	397552217T
C5687	UTSP C	CE04W25V-220M(UTSP)	1	397552217T
C5703	C-CERA C	CC725CH1H-102J1	1	342101024R1
C5704	C-CERA C	CC725CH1H-102J1	1	342101024R1
C5705	C-CERA C	CC725CH1H-102J1	1	342101024R1
C5709	UTSP C	CE04W25V-47M(UTSP)	1	397554707T
C5710	UTSP C	CE04W25V-47M(UTSP)	1	397554707T
C5713	C-CERA C	CC725CH1H-102J1	1	342101024R1
C5714	C-CERA C	CC725CH1H-102J1	1	342101024R1
C5800	TF C	ECQ-V50V-334J	1	374723344T
C5801	VR C	CE04W35V-1000M(VR)	1	394661027S
C5802	VR C	CE04W35V-470M(VR)	1	394664717T
C6050	TF C	ECQ-V50V-103J	1	374721034T
C6051	TF C	ECQ-V50V-103J	1	374721034T
C6052	TF C	ECQ-V50V-103J	1	374721034T
C6053	TF C	ECQ-V50V-103J	1	374721034T
C6054	TF C	ECQ-V50V-103J	1	374721034T
C6630	C-CERA C	CK725F1E-104Z1	1	332161040R1
C6701	UTSP C	CE04W25V-100M(UTSP)	1	397551017T
C6703	C-CERA C	CK725F1H-104Z1	1	332151040R1
C6704	UTSP C	CE04W50V-1M(UTSP)	1	397580107T

C6706	UTSP C	CE04W50V-10M(UTSP)	1	397581007T
C6713	C-CERA C	CK725F1H-104Z1	1	332151040R1
C6714	UTSP C	CE04W50V-1M(UTSP)	1	397580107T
C6901	ELECT C	CE69W63V-10000MA	1	3504417
C6901A	IB CUSHION	W15*3t TAPE	1	28141585
C6902	ELECT C	CE69W63V-10000MA	1	3504417
C6911	C-CERA C	CC725CH1H-102J1	1	342101024R1
C6912	TF C	ECQ-V100V-334J	1	374733344T
C6913	TF C	ECQ-V100V-334J	1	374733344T
C6915	TF C	ECQ-V50V-104J	1	374721044T
C6916	TF C	ECQ-V50V-104J	1	374721044T
C950	TF C	ECQ-V50V-104J	1	374721044T
<b>[RESISTOR]</b>				
R5500	C-CARBON R	RN72K1J-331JE	1	435033314R1
R5503	C-CARBON R	RN72K1J-331JE	1	435033314R1
R5504	C-CARBON R	RN72K1J-331JE	1	435033314R1
R5505	C-CARBON R	RN72K1J-222JE	1	435032224R1
R5506	C-CARBON R	RN72K1J-222JE	1	435032224R1
R5507	C-CARBON R	RN72K1J-331JE	1	435033314R1
R5508	C-CARBON R	RN72K1J-331JE	1	435033314R1
R5509	C-CARBON R	RN72K1J-331JE	1	435033314R1
R5510	C-CARBON R	RN72K1J-331JE	1	435033314R1
R5513	C-CARBON R	RN72K1J-331JE	1	435033314R1
R5514	C-CARBON R	RN72K1J-331JE	1	435033314R1
R5515	C-CARBON R	RN72K1J-222JE	1	435032224R1
R5516	C-CARBON R	RN72K1J-222JE	1	435032224R1
R5517	C-CARBON R	RN72K1J-331JE	1	435033314R1
R5518	C-CARBON R	RN72K1J-331JE	1	435033314R1
R5519	C-CARBON R	RN72K1J-331JE	1	435033314R1
R5520	C-CARBON R	RN72K1J-331JE	1	435033314R1
R5528	C-CARBON R	RN72K1J-101JE	1	435031014R1
R5532	C-CARBON R	RN72K1J-101JE	1	435031014R1
R5535	C-CARBON R	RN72K1J-101JE	1	435031014R1
R5536	C-CARBON R	RN72K1J-101JE	1	435031014R1
R5543	C-CARBON R	RN72K1J-104JE	1	435031044R1
R5544	C-CARBON R	RN72K1J-104JE	1	435031044R1
R5545	C-CARBON R	RN72K1J-104JE	1	435031044R1

R5546	C-CARBON R	RN72K1J-104JE	1	435031044R1
R5547	C-CARBON R	RN72K1J-104JE	1	435031044R1
R5548	C-CARBON R	RN72K1J-104JE	1	435031044R1
R5549	C-CARBON R	RN72K1J-104JE	1	435031044R1
R5550	C-CARBON R	RN72K1J-104JE	1	435031044R1
R5553	C-CARBON R	RN72K1J-104JE	1	435031044R1
R5554	C-CARBON R	RN72K1J-104JE	1	435031044R1
R5555	C-CARBON R	RN72K1J-104JE	1	435031044R1
R5556	C-CARBON R	RN72K1J-104JE	1	435031044R1
R5557	C-CARBON R	RN72K1J-104JE	1	435031044R1
R5558	C-CARBON R	RN72K1J-104JE	1	435031044R1
R5559	C-CARBON R	RN72K1J-104JE	1	435031044R1
R5560	C-CARBON R	RN72K1J-104JE	1	435031044R1
R5567	C-CARBON R	RN72K1J-473JE	1	435034734R1
R5568	C-CARBON R	RN72K1J-473JE	1	435034734R1
R5569	C-CARBON R	RN72K1J-104JE	1	435031044R1
R5572	C-CARBON R	RN72K1J-222JE	1	435032224R1
R5575	C-CARBON R	RN72K1J-224JE	1	435032244R1
R5576	C-CARBON R	RN72K1J-224JE	1	435032244R1
R5577	C-CARBON R	RN72K1J-223JE	1	435032234R1
R5578	C-CARBON R	RN72K1J-473JE	1	435034734R1
R5579	C-CARBON R	RN72K1J-473JE	1	435034734R1
R5580	C-CARBON R	RN72K1J-104JE	1	435031044R1
R5581	C-CARBON R	RN72K1J-104JE	1	435031044R1
R5582	C-CARBON R	RN72K1J-104JE	1	435031044R1
R5585	C-CARBON R	RN72K1J-182JE	1	435031824R1
R5586	C-CARBON R	RN72K1J-182JE	1	435031824R1
R5587	C-CARBON R	RN72K1J-103JE	1	435031034R1
R5588	C-CARBON R	RN72K1J-103JE	1	435031034R1
R5589	C-CARBON R	RN72K1J-000JE	1	435030004R1
R5590	C-CARBON R	RN72K1J-103JE	1	435031034R1
R5591	C-CARBON R	RN72K1J-103JE	1	435031034R1
R5592	C-CARBON R	RN72K1J-471JE	1	435034714R1
R5593	C-CARBON R	RN72K1J-122JE	1	435031224R1
R5594	C-CARBON R	RN72K1J-103JE	1	435031034R1
R5595	C-CARBON R	RN72K1J-103JE	1	435031034R1
R5596	C-CARBON R	RN72K1J-471JE	1	435034714R1



R5597	C-CARBON R	RN72K1J-122JE	1	435031224R1
R5598	C-CARBON R	RN72K1J-103JE	1	435031034R1
R5599	C-CARBON R	RN72K1J-103JE	1	435031034R1
R5600	C-CARBON R	RN72K1J-224JE	1	435032244R1
R5601	C-CARBON R	RN72K1J-224JE	1	435032244R1
R5602	C-CARBON R	RN72K1J-224JE	1	435032244R1
R5603	C-CARBON R	RN72K1J-224JE	1	435032244R1
R5604	C-CARBON R	RN72K1J-224JE	1	435032244R1
R5605	C-CARBON R	RN72K1J-224JE	1	435032244R1
R5606	C-CARBON R	RN72K1J-224JE	1	435032244R1
R5607	C-CARBON R	RN72K1J-224JE	1	435032244R1
R5608	C-CARBON R	RN72K1J-224JE	1	435032244R1
R5609	C-CARBON R	RN72K1J-224JE	1	435032244R1
R5610	C-CARBON R	RN72K1J-222JE	1	435032224R1
R5611	C-CARBON R	RN72K1J-222JE	1	435032224R1
R5612	C-CARBON R	RN72K1J-222JE	1	435032224R1
R5613	C-CARBON R	RN72K1J-222JE	1	435032224R1
R5614	C-CARBON R	RN72K1J-222JE	1	435032224R1
R5615	C-CARBON R	RN72K1J-271JE	1	435032714R1
R5616	C-CARBON R	RN72K1J-271JE	1	435032714R1
R5617	C-CARBON R	RN72K1J-271JE	1	435032714R1
R5618	C-CARBON R	RN72K1J-000JE	1	435030004R1
R5619	C-CARBON R	RN72K1J-000JE	1	435030004R1
R5620	C-CARBON R	RN72K1J-000JE	1	435030004R1
R5621	C-CARBON R	RN72K1J-000JE	1	435030004R1
R5622	C-CARBON R	RN72K1J-000JE	1	435030004R1
R5623	C-CARBON R	RN72K1J-000JE	1	435030004R1
R5624	C-CARBON R	RN72K1J-000JE	1	435030004R1
R5625	C-CARBON R	RN72K1J-101JE	1	435031014R1
R5626	C-CARBON R	RN72K1J-101JE	1	435031014R1
R5627	C-CARBON R	RN72K1J-101JE	1	435031014R1
R5630	C-CARBON R	RN72K1J-221JE	1	435032214R1
R5631	C-CARBON R	RN72K1J-473JE	1	435034734R1
R5632	C-CARBON R	RN72K1J-153JE	1	435031534R1
R5633	C-CARBON R	RN72K1J-122JE	1	435031224R1
R5634	C-CARBON R	RN72K1J-103JE	1	435031034R1
R5660	METAL R	RNU1WCJ-2.2	1	453630224T

R5661	METAL R	RNU1WCJ-2.2	1	453630224T
R5666	CARBON R	R16J-22	1	417342204T
R5667	CARBON R	R16J-22	1	417342204T
R5670	METAL O R	RS2WBJ-10	1	441721004F
R5671	METAL O R	RS2WBJ-22	1	441722204F
R5672	METAL O R	RS2WBJ-10	1	441721004F
R5673	METAL O R	RS2WBJ-22	1	441722204F
R5674	METAL O R	RS1WBJ-100	1	443621014T
R5675	METAL O R	RS1WBJ-100	1	443621014T
R5680	C-CARBON R	RN72K1J-224JE	1	435032244R1
R5681	C-CARBON R	RN72K1J-224JE	1	435032244R1
R5684	CARBON R	R16J-1.2K	1	417341224T
R5685	CARBON R	R16J-1.2K	1	417341224T
R5689	C-CARBON R	RN72K1J-224JE	1	435032244R1
R5690	C-CARBON R	RN72K1J-224JE	1	435032244R1
R5692	C-CARBON R	RN72K1J-224JE	1	435032244R1
R5693	C-CARBON R	RN72K1J-224JE	1	435032244R1
R5694	C-CARBON R	RN72K1J-224JE	1	435032244R1
R5695	C-CARBON R	RN72K1J-224JE	1	435032244R1
R5696	C-CARBON R	RN72K1J-224JE	1	435032244R1
R5700	C-CARBON R	RN72K1J-000JE	1	435030004R1
R5701	C-CARBON R	RN72K1J-000JE	1	435030004R1
R5702	C-CARBON R	RN72K1J-000JE	1	435030004R1
R5703	C-CARBON R	RN72K1J-000JE	1	435030004R1
R5704	C-CARBON R	RN72K1J-000JE	1	435030004R1
R5705	C-CARBON R	RN72K1J-000JE	1	435030004R1
R5706	C-CARBON R	RN72K1J-000JE	1	435030004R1
R5707	C-CARBON R	RN72K1J-000JE	1	435030004R1
R5708	C-CARBON R	RN72K1J-000JE	1	435030004R1
R5709	C-CARBON R	RN72K1J-000JE	1	435030004R1
R5711	C-CARBON R	RN72K1J-000JE	1	435030004R1
R5720	C-CARBON R	RN72K1J-000JE	1	435030004R1
R5721	C-CARBON R	RN72K1J-000JE	1	435030004R1
R5722	C-CARBON R	RN72K1J-000JE	1	435030004R1
R5723	C-CARBON R	RN72K1J-000JE	1	435030004R1
R5724	C-CARBON R	RN72K1J-000JE	1	435030004R1
R5725	C-CARBON R	RN72K1J-000JE	1	435030004R1

R5726	C-CARBON R	RN72K1J-000JE	1	435030004R1
R5727	C-CARBON R	RN72K1J-000JE	1	435030004R1
R5728	C-CARBON R	RN72K1J-000JE	1	435030004R1
R5729	C-CARBON R	RN72K1J-000JE	1	435030004R1
R5730	C-CARBON R	RN72K1J-000JE	1	435030004R1
R5731	C-CARBON R	RN72K1J-000JE	1	435030004R1
R5732	C-CARBON R	RN72K1J-000JE	1	435030004R1
R5802	C-CARBON R	RN72K1J-512JE	1	435035124R1
R5803	C-CARBON R	RN72K1J-512JE	1	435035124R1
R5804	C-CARBON R	RN72K1J-512JE	1	435035124R1
R5807	C-CARBON R	RN72K1J-512JE	1	435035124R1
R6000	C-CARBON R	RN72K1J-562JE	1	435035624R1
R6001	C-CARBON R	RN72K1J-562JE	1	435035624R1
R6002	C-CARBON R	RN72K1J-562JE	1	435035624R1
R6003	C-CARBON R	RN72K1J-562JE	1	435035624R1
R6004	C-CARBON R	RN72K1J-562JE	1	435035624R1
R6010	C-CARBON R	RN72K1J-392JE	1	435033924R1
R6011	C-CARBON R	RN72K1J-392JE	1	435033924R1
R6012	C-CARBON R	RN72K1J-392JE	1	435033924R1
R6013	C-CARBON R	RN72K1J-392JE	1	435033924R1
R6014	C-CARBON R	RN72K1J-392JE	1	435033924R1
R6030	C-CARBON R	RN72K1J-471JE	1	435034714R1
R6031	C-CARBON R	RN72K1J-471JE	1	435034714R1
R6032	C-CARBON R	RN72K1J-471JE	1	435034714R1
R6033	C-CARBON R	RN72K1J-471JE	1	435034714R1
R6034	C-CARBON R	RN72K1J-471JE	1	435034714R1
R6080	NF CARBON R	R25J-0.22	1	415472294T
R6081	NF CARBON R	R25J-0.22	1	415472294T
R6082	NF CARBON R	R25J-0.22	1	415472294T
R6083	NF CARBON R	R25J-0.22	1	415472294T
R6084	NF CARBON R	R25J-0.22	1	415472294T
R6090	NF CARBON R	R25J-0.22	1	415472294T
R6091	NF CARBON R	R25J-0.22	1	415472294T
R6092	NF CARBON R	R25J-0.22	1	415472294T
R6093	NF CARBON R	R25J-0.22	1	415472294T
R6094	NF CARBON R	R25J-0.22	1	415472294T
R6100	METAL PR	MPR5W+5W 0R22	1	4000233

R6101	METAL PR	MPR5W+5W 0R22	1	4000233
R6102	METAL PR	MPR5W+5W 0R22	1	4000233
R6103	METAL PR	MPR5W+5W 0R22	1	4000233
R6104	METAL PR	MPR5W+5W 0R22	1	4000233
R6140	C-CARBON R	RN72K1J-563JE	1	435035634R1
R6141	C-CARBON R	RN72K1J-563JE	1	435035634R1
R6142	C-CARBON R	RN72K1J-563JE	1	435035634R1
R6143	C-CARBON R	RN72K1J-563JE	1	435035634R1
R6144	C-CARBON R	RN72K1J-563JE	1	435035634R1
R6150	C-CARBON R	RN72K1J-103JE	1	435031034R1
R6151	C-CARBON R	RN72K1J-103JE	1	435031034R1
R6152	C-CARBON R	RN72K1J-103JE	1	435031034R1
R6153	C-CARBON R	RN72K1J-103JE	1	435031034R1
R6154	C-CARBON R	RN72K1J-103JE	1	435031034R1
R6160	CARBON R	R16J-33K	1	417343334T
R6161	CARBON R	R16J-33K	1	417343334T
R6162	CARBON R	R16J-33K	1	417343334T
R6163	CARBON R	R16J-33K	1	417343334T
R6164	CARBON R	R16J-33K	1	417343334T
R6170	CARBON R	R16J-47K	1	417344734T
R6171	CARBON R	R16J-47K	1	417344734T
R6172	CARBON R	R16J-47K	1	417344734T
R6173	CARBON R	R16J-47K	1	417344734T
R6174	CARBON R	R16J-47K	1	417344734T
R6180	CARBON R	R16J-47K	1	417344734T
R6181	CARBON R	R16J-47K	1	417344734T
R6182	CARBON R	R16J-47K	1	417344734T
R6183	CARBON R	R16J-47K	1	417344734T
R6184	CARBON R	R16J-47K	1	417344734T
R6197	METAL R	RNU1WCJ-8.2	1	453630824T
R6300	C-CARBON R	RN72K1J-000JE	1	435030004R1
R6301	C-CARBON R	RN72K1J-000JE	1	435030004R1
R6305	C-CARBON R	RN72K1J-000JE	1	435030004R1
R6701	C-CARBON R	RN72K1J-223JE	1	435032234R1
R6702	C-CARBON R	RN72K1J-103JE	1	435031034R1
R6704	C-CARBON R	RN72K1J-473JE	1	435034734R1
R6706	C-CARBON R	RN72K1J-224JE	1	435032244R1

R6708	C-CARBON R	RN72K1J-333JE	1	435033334R1	
R6709	C-CARBON R	RN72K1J-562JE	1	435035624R1	
R6710	C-CARBON R	RN72K1J-472JE	1	435034724R1	
R6712	C-CARBON R	RN72K1J-103JE	1	435031034R1	
R6714	C-CARBON R	RN72K1J-473JE	1	435034734R1	
R6716	C-CARBON R	RN72K1J-224JE	1	435032244R1	
R6902	C-CARBON R	RN72K1J-102JE	1	435031024R1	
R6903	C-CARBON R	RN72K1J-473JE	1	435034734R1	
R950	METAL R	RNU1/2WCJ-8.2	1	453530824T	
[SW TRM]					
F6901A	FUSE HOLDER	SN5051	1	250113	
F6901B	FUSE HOLDER	SN5051	1	250113	
F6902A	FUSE HOLDER	SN5051	1	250113	
F6902B	FUSE HOLDER	SN5051	1	250113	
F910A	FUSE HOL	NSCT-1P2031	1	25052133T	
F910B	FUSE HOL	NSCT-1P2031	1	25052133T	
JL5501A	WIRE HOL	NSCT-3P874	1	25051087	
JL5502A	WIRE HOL	NSCT-5P876	1	25051089	
JL6065A	WIRE HOL	NSCT-7P878	1	25051091	
JL6600A	WIRE HOL	NSCT-7P898	1	25051111	
JL6603A	WIRE HOL	NSCT-9P900	1	25051113	
JL6620A	WIRE HOL	NSCT-7P878	1	25051091	
JL6952A	WIRE HOL	NSCT-5P896	1	25051109	
JL6952B	WIRE HOL	NSCT-5P896	1	25051109	
JL9101A	WIRE HOL	NSCT-7P898	1	25051111	
P001	PWB	BCAF-0014	1	25140014C	N
P002	PWB	BCPS-0015	{ 1 }	25140015	N
P003	PWB	BCPS-0016	{ 1 }	25140016	N
P004	PWB	BCETC-0017	{ 1 }	25140017	N
P005	PWB	BCETC-0018	{ 1 }	25140018	N
P006	PWB	BCETC-0019	{ 1 }	25140019	N
P5501B	PLUG	NPLG-7P0962	1	25056012	
P5502B	PLUG	NPLG-15P0970	1	25056020	
P5503B	PLUG	NPLG-9P0964	1	25056014	
P5504B	PLUG	NPLG-7P0962	1	25056012	
P5505	CRIMP AS	CRIMP AS	1	2069955200UL	
P5507	TRM	NTM-1P232(M1700)	1	25060301	



P5509	TRM	NTM-1P232(M1700)	1	25060301	
P5510	TRM-423(SCREW)	NEJITANSI ST3	1	25060495	
P6000B	PLUG	NPLG-9P0964	1	25056014	
P6001B	PLUG	NPLG-9P0964	1	25056014	
P6002B	PLUG	NPLG-3P0958	1	25056008	
P6003B	PLUG	NPLG-9P0964	1	25056014	
P6004B	PLUG	NPLG-9P0964	1	25056014	
P6010	TRM	NTM-1P232(M1700)	1	25060301	
P6011A	RETAINER	(BUS-D)TX-SR606	1	27142100	
P6012B	PLUG	NPLG-7P0962	1	25056012	
P6080	PLUG	NPLG-2P29	1	25055038	
P6081	PLUG	NPLG-2P29	1	25055038	
P6082	PLUG	NPLG-2P29	1	25055038	
P6083	PLUG	NPLG-2P29	1	25055038	
P6084	PLUG	NPLG-2P29	1	25055038	
P6100	HOLDER	HOLDER(CLAMP)	1	27190540-1	
P6101	HOLDER	(CRAMP) UA-0 V0	1	27190608-1	
P6102	HOLDER	(CRAMP) UA-0 V0	1	27190608-1	
P6600A	SOCKET AS	NSAS-26P1775	1	2009991135UL	
P6605	WS CLAMP	CB-71683(L=50)	1	260261	
P6606	WS CLAMP	CB-71683(L=50)	1	260261	
P6900	CRIMP AS	UL1015#18SIN-SVH 300 BLK	1	20799177UL	
P6901	CRIMP AS	CRIMP AS	1	2069925119UL	
P6902	CRIMP AS	CRIMP AS	1	2069925188UL	
P6903	CRIMP AS	UL1015#18SIN-SVH 200 YEL	1	20799172UL	
P6904	CRIMP AS	UL1015#18SIN-SVH 200 GRN	1	20799173UL	
P7900	ST JACK	MSJ-035-22	1	25045887	
P7900 or	JACK	YKB21-5130	( 1)	25045387	
P7902	PIN JACK	NPJ-4PDRW691	1	25045923	N
P7903	PIN JACK	NPJ-4PDRW592	1	25045812	
P7903 or	PIN JACK	NPJ-4PDRW393	( 1)	25045582	
P7904	PIN JACK	NPJ-4PDRW592	1	25045812	
P7904 or	PIN JACK	NPJ-4PDRW393	( 1)	25045582	
P7905	PIN JACK	NPJ-4PDRW592	1	25045812	
P7905 or	PIN JACK	NPJ-4PDRW393	( 1)	25045582	
P7909	PIN JACK	NPJ-2PDNT689	1	25045921	N
P7911	PIN JACK	NPJ-2PDP687	1	25045919	N

RL6901	RELAY	NRL-1P10A-DC12-140	1	25065584
RL6901 or	RELAY	NRL-1P10A-DC12-143	( 1)	25065588
RL6902	RELAY	NRL-1P10A-DC12-140	1	25065584
RL6902 or	RELAY	NRL-1P10A-DC12-143	( 1)	25065588

- U002** MPU/CODEC pc board AS (BADG-0025-1N)
- U0021** Universal port pc board AS (BAETC-0027-1N)

CIRCUIT NO.	PART NAME	DESCRIPTION	Q'TY	PART NO. (SN)	REMARKS
<b>[TUNER UNIT]</b>					
U131	PHT CP	JSR1165-001recieving	1	24120143	
U131 or	PHT CP	GP1FAV51RK0F	( 1)	24120129	
U132	PHT CP	JSR1165-001recieving	1	24120143	
U132 or	PHT CP	GP1FAV51RK0F	( 1)	24120129	
<b>[SEMI CONDUCTOR]</b>					
D110	C-DIODE	KDS4148U	1	223283R2	
D110 or	C-DIODE	1SS352	( 1)	223234R2	
D110 or	C-DIODE	MA2J111	( 1)	223279R2	
D111	C-DIODE	KDS4148U	1	223283R2	
D111 or	C-DIODE	1SS352	( 1)	223234R2	
D111 or	C-DIODE	MA2J111	( 1)	223279R2	
D112	ZENER D	UDZS10B	1	224551000R2	<1N>
D131	C-DIODE	KDS4148U	1	223283R2	
D131 or	C-DIODE	1SS352	( 1)	223234R2	
D131 or	C-DIODE	MA2J111	( 1)	223279R2	
D132	C-DIODE	KDS4148U	1	223283R2	
D132 or	C-DIODE	1SS352	( 1)	223234R2	
D132 or	C-DIODE	MA2J111	( 1)	223279R2	
D181	C-DIODE	KDS4148U	1	223283R2	
D181 or	C-DIODE	1SS352	( 1)	223234R2	
D181 or	C-DIODE	MA2J111	( 1)	223279R2	
D182	C-DIODE	KDS4148U	1	223283R2	
D182 or	C-DIODE	1SS352	( 1)	223234R2	
D182 or	C-DIODE	MA2J111	( 1)	223279R2	
D183	DIODE	RL1N4003	1	22380260T	
D601	C-DIODE	KDS4148U	1	223283R2	
D601 or	C-DIODE	1SS352	( 1)	223234R2	

D601 or	C-DIODE	MA2J111	(1)	223279R2	
D701	C-DIODE	KDS4148U	1	223283R2	
D701 or	C-DIODE	1SS352	(1)	223234R2	
D701 or	C-DIODE	MA2J111	(1)	223279R2	
D702	C-DIODE	KDS4148U	1	223283R2	
D702 or	C-DIODE	1SS352	(1)	223234R2	
D702 or	C-DIODE	MA2J111	(1)	223279R2	
Q111	TR	2SC2235-Y(TPE6_F)	1	2211654T	<1N>
Q131	IC	74HCU04F	1	222740046R2	
Q131 or	IC	TC74HCU04AF	(1)	222740046R2TO	
Q153	IC	R1EX25064ASA00A	1	22242581R2	N
Q171	IC	TC7WU04FU(TE12L_F)	1	22240935R2	
Q181	TR	KRC105S	1	2217290R2	
Q181 or	TR	RN1405	(1)	2214500R2	
Q301	IC	CS42518-CQZR-D	1	22242229R2	
Q302	IC	TC74VHC157FT	1	22274157ER2TO	
Q400	IC	NJM4580M-D	1	22241448R2	
Q401	IC	NJM4580M-D	1	22241448R2	
Q402	IC	NJM4580M-D	1	22241448R2	
Q403	IC	NJM4580M-D	1	22241448R2	
Q404	IC	NJM4580M-D	1	22241448R2	
Q601	TR	KRC104S	1	2216210R2	
Q601 or	TR	RN1404	(1)	2214490R2	
Q701	IC (MAIN MICROPROCESSOR)	MPD70F3746GJ-GAE-AX(0301)	1	222W0079R303010	
Q702	IC	S-812C33AUA-C2N	1	22242222R2	
Q703	IC	S-812C56AUA-C3K	1	22242207R2	
Q746	IC	BH33FB1WG-TR	1	22242585R2	
Q751	TR	KRC104S	1	2216210R2	
Q751 or	TR	RN1404	(1)	2214490R2	
Q752	TR	KRA102S	1	2216220R2	
Q752 or	TR	RN2402	(1)	2214530R2	
Q753	TR	KRA107S	1	2216350R2	
Q753 or	TR	RN2407(TE85L_F)	(1)	2216360R2	
Q754	TR	KRC102S	1	2216190R2	
Q754 or	TR	RN1402	(1)	2214470R2	
Q755	TR	KRA107S	1	2216350R2	
Q755 or	TR	RN2407(TE85L_F)	(1)	2216360R2	

Q756	TR	KRC102S	1	2216190R2	
Q756 or	TR	RN1402	( 1)	2214470R2	
Q757	TR	KRC107S	1	2216340R2	
Q757 or	TR	RN1407	( 1)	2216260R2	
Q761	TR	KRC104S	1	2216210R2	<IN>
Q761 or	TR	RN1404	( 1)	2214490R2	<IN>
Q762	TR	KRA102S	1	2216220R2	<IN>
Q762 or	TR	RN2402	( 1)	2214530R2	<IN>
Q771	TR	KRC104S	1	2216210R2	<IN>
Q771 or	TR	RN1404	( 1)	2214490R2	<IN>
Q772	TR	KRA102S	1	2216220R2	<IN>
Q772 or	TR	RN2402	( 1)	2214530R2	<IN>
<b>[TRANS COIL]</b>					
L101	CORE	BLM18PG181SN1D	1	2350005R1	
L131	CHOKE COIL	LBC2518T2R2M	1	231364M022R2	
L132	CHOKE COIL	LBC2518T2R2M	1	231364M022R2	
L133	CHOKE COIL	LBC2518T470M	1	231364M470R2	
L134	CHOKE COIL	LBC2518T470M	1	231364M470R2	
L153	CORE	BLM18PG181SN1D	1	2350005R1	
L171	CHOKE COIL	LBC2518T470M	1	231364M470R2	
L173	EMIFIL	BK1608LM182-T	1	230958R1	
L2100	CORE	BLM18PG181SN1D	1	2350005R1	
L2101	CORE	BLM18PG181SN1D	1	2350005R1	
L2102	CORE	BLM18PG181SN1D	1	2350005R1	
L2103	EMIFIL	BK1608LM182-T	1	230958R1	
L2104	EMIFIL	BK1608LM182-T	1	230958R1	
L2105	EMIFIL	BK1608LM182-T	1	230958R1	
L2106	EMIFIL	BK1608LM182-T	1	230958R1	
L2107	EMIFIL	BK1608LM182-T	1	230958R1	
L2108	EMIFIL	BK1608LM182-T	1	230958R1	
L2109	EMIFIL	BK1608LM182-T	1	230958R1	
L2110	EMIFIL	BK1608LM182-T	1	230958R1	
L2111	EMIFIL	BK1608LM182-T	1	230958R1	
L2112	EMIFIL	BK1608LM182-T	1	230958R1	
L2113	EMIFIL	BK1608LM182-T	1	230958R1	
L2114	EMIFIL	BK1608LM182-T	1	230958R1	
L2115	EMIFIL	BK1608LM182-T	1	230958R1	



L301	CHOKE COIL	BLM21PG221SN1	1	230949R2	
L302	CORE	BLM18PG181SN1D	1	2350005R1	
L303	CHOKE COIL	LBC2518T4R7M	1	231364M047R2	
L304	CHOKE COIL	BLM21PG221SN1	1	230949R2	
L305	CORE	BLM18PG181SN1D	1	2350005R1	
L306	CHOKE COIL	LBC2518T4R7M	1	231364M047R2	
L307	CHOKE COIL	LBC2518T4R7M	1	231364M047R2	
L311	EMIFIL	BK1608LM182-T	1	230958R1	
L313	EMIFIL	BK1608LM182-T	1	230958R1	
L322	EMIFIL	BK1608LM182-T	1	230958R1	
L500	CORE	BLM18PG181SN1D	1	2350005R1	
L600	CORE	BLM18PG181SN1D	1	2350005R1	<IN>
L741	CORE	BLM18PG181SN1D	1	2350005R1	
L742	CHOKE COIL	BLM21PG221SN1	1	230949R2	
L743	CORE	BLM18PG181SN1D	1	2350005R1	
L744	CORE	BLM18PG181SN1D	1	2350005R1	
L746	CORE	BLM18PG181SN1D	1	2350005R1	
L747	CORE	BLM18PG181SN1D	1	2350005R1	
<b>[CAPACITOR]</b>					
C101	UTSP C	CE04W25V-100M(UTSP)	1	397551017T	<IN>
C102	C-CERA C	CK725F1E-104Z1	1	332161040R1	<IN>
C111	UTSP C	CE04W50V 47M(UTSP)	1	397584707T	<IN>
C112	C-CERA C	CK725F1E-104Z1	1	332161040R1	<IN>
C130	C-CERA C	CK725F1E-104Z1	1	332161040R1	
C131	C-CERA C	CC725CH1H-101J1	1	342101014R1	
C132	C-CERA C	CC725CH1H-101J1	1	342101014R1	
C133	C-CERA C	CK725B1C-104K1	1	332121045R1	
C134	C-CERA C	CK725B1C-104K1	1	332121045R1	
C135	C-CERA C	CC725CH1H-080D1	1	342100802R1	
C136	C-CERA C	CC725CH1H-080D1	1	342100802R1	
C139	UTSP C	CE04W10V-220M(UTSP)	1	397532217T	
C140	C-CERA C	CK725F1E-104Z1	1	332161040R1	
C141	C-CERA C	CK725F1E-104Z1	1	332161040R1	
C142	C-CERA C	CK725F1E-104Z1	1	332161040R1	
C145	UTSP C	CE04W10V-220M(UTSP)	1	397532217T	
C151	C-CERA C	CK725F1E-104Z1	1	332161040R1	
C171	C-CERA C	CK725F1E-104Z1	1	332161040R1	

C172	C-CERA C	CC725CH1H-100D1	1	342101002R1
C173	C-CERA C	CC725CH1H-100D1	1	342101002R1
C2150	C-CERA C	CC725CH1H-471J1	1	342104714R1
C2151	C-CERA C	CC725CH1H-471J1	1	342104714R1
C2152	C-CERA C	CC725CH1H-470J1	1	342104704R1
C2155	C-CERA C	CK725F1E-104Z1	1	332161040R1
C300	UTSP C	CE04W10V-470M(UTSP)	1	397534717T
C301	C-CERA C	CK725B1H-103K1	1	332101035R1
C302	UTSP C	CE04W10V-470M(UTSP)	1	397534717T
C303	UTSP C	CE04W10V-470M(UTSP)	1	397534717T
C304	UTSP C	CE04W10V-470M(UTSP)	1	397534717T
C305	C-CERA C	CK725F1E-104Z1	1	332161040R1
C306	UTSJ C	CE04W25V-47M(UTSJ)	1	398054707T
C307	C-CERA C	CK725F1E-104Z1	1	332161040R1
C308	UTSP C	CE04W25V-100M(UTSP)	1	397551017T
C309	C-CERA C	CK725F1E-104Z1	1	332161040R1
C310	C-CERA C	CC725CH1H-102J1	1	342101024R1
C311	C-CERA C	CK725B1H-223K1	1	332102235R1
C312	C-CERA C	CK725F1E-104Z1	1	332161040R1
C313	C-CERA C	CK725F1E-104Z1	1	332161040R1
C314	C-CERA C	CK725F1E-104Z1	1	332161040R1
C315	C-CERA C	CK725F1E-104Z1	1	332161040R1
C316	C-CERA C	CC725CH1H-221J1	1	342102214R1
C317	C-CERA C	CK725F1E-104Z1	1	332161040R1
C318	C-CERA C	CK725F1E-104Z1	1	332161040R1
C319	C-CERA C	CK725F1E-104Z1	1	332161040R1
C320	UTSP C	CE04W50V 47M(UTSP)	1	397584707T
C321	UTSP C	CE04W50V 47M(UTSP)	1	397584707T
C322	C-CERA C	CK725F1E-104Z1	1	332161040R1
C330	UTSP C	CE04W50V 47M(UTSP)	1	397584707T
C331	UTSP C	CE04W50V 47M(UTSP)	1	397584707T
C333	C-CERA C	CC725CH1H-330J1	1	342103304R1
C334	C-CERA C	CC725CH1H-330J1	1	342103304R1
C336	C-CERA C	CC725CH1H-330J1	1	342103304R1
C337	C-CERA C	CC725CH1H-330J1	1	342103304R1
C340	C-CERA C	CC732CH1H-222J	1	347342224R2
C341	C-CERA C	CC732CH1H-222J	1	347342224R2

C350	C-CERA C	CC725CH1H-101J1	1	342101014R1	
C351	C-CERA C	CC725CH1H-101J1	1	342101014R1	
C400	MKT C	B32529C0222J289	1	376492224T	<IN>
C401	MKT C	B32529C0222J289	1	376492224T	<IN>
C402	MKT C	B32529C0222J289	1	376492224T	<IN>
C403	MKT C	B32529C0222J289	1	376492224T	<IN>
C404	MKT C	B32529C0222J289	1	376492224T	<IN>
C405	MKT C	B32529C0222J289	1	376492224T	<IN>
C406	MKT C	B32529C0222J289	1	376492224T	<IN>
C407	TF C	ECQ-V50V-333J	1	374723334T	
C408	UTSP C	CE04W25V-220M(UTSP)	1	397552217T	
C409	UTSP C	CE04W25V-220M(UTSP)	1	397552217T	
C410	UPZ C	2AUPZTF331JE	1	376333314T	<IN>
C411	UPZ C	2AUPZTF331JE	1	376333314T	<IN>
C412	UPZ C	2AUPZTF331JE	1	376333314T	<IN>
C413	C-CERA C	CC725CH1H-331J1	1	342103314R1	<IN>
C414	C-CERA C	CC725CH1H-331J1	1	342103314R1	<IN>
C415	C-CERA C	CC725CH1H-331J1	1	342103314R1	<IN>
C416	C-CERA C	CC725CH1H-331J1	1	342103314R1	<IN>
C417	TF C	ECQ-V50V-333J	1	374723334T	<IN>
C420	UPZ C	2AUPZTF331JE	1	376333314T	<IN>
C421	UPZ C	2AUPZTF331JE	1	376333314T	<IN>
C422	UPZ C	2AUPZTF331JE	1	376333314T	<IN>
C423	C-CERA C	CC725CH1H-331J1	1	342103314R1	<IN>
C424	C-CERA C	CC725CH1H-331J1	1	342103314R1	<IN>
C425	C-CERA C	CC725CH1H-331J1	1	342103314R1	<IN>
C426	C-CERA C	CC725CH1H-331J1	1	342103314R1	<IN>
C427	TF C	ECQ-V50V-333J	1	374723334T	<IN>
C501	C-CERA C	CK725F1E-104Z1	1	332161040R1	
C502	C-CERA C	CK725F1E-104Z1	1	332161040R1	
C503	C-CERA C	CK725F1E-104Z1	1	332161040R1	
C504	UTSP C	CE04W50V-4.7M(UTSP)	1	397580477T	
C505	C-CERA C	CK725F1E-104Z1	1	332161040R1	
C506	C-CERA C	CK725F1E-104Z1	1	332161040R1	
C507	C-CERA C	CK725F1E-104Z1	1	332161040R1	
C508	C-CERA C	CC725CH1H-101J1	1	342101014R1	
C509	C-CERA C	CC725CH1H-101J1	1	342101014R1	

C510	C-CERA C	CC725CH1H-101J1	1	342101014R1	
C511	C-CERA C	CC725CH1H-101J1	1	342101014R1	
C512	C-CERA C	CK725B1H-102K1	1	332101025R1	
C514	C-CERA C	CK725B1H-102K1	1	332101025R1	
C515	C-CERA C	CK725F1E-104Z1	1	332161040R1	
C516	C-CERA C	CK725B1H-102K1	1	332101025R1	
C517	C-CERA C	CC725CH1H-101J1	1	342101014R1	
C518	C-CERA C	CC725CH1H-101J1	1	342101014R1	
C519	C-CERA C	CK725B1H-102K1	1	332101025R1	
C520	C-CERA C	CK725B1H-102K1	1	332101025R1	
C521	C-CERA C	CK725B1H-102K1	1	332101025R1	
C522	C-CERA C	CK725B1H-102K1	1	332101025R1	
C523	C-CERA C	CK725B1H-102K1	1	332101025R1	
C524	C-CERA C	CK725B1H-102K1	1	332101025R1	
C525	C-CERA C	CC725CH1H-101J1	1	342101014R1	
C526	C-CERA C	CC725CH1H-101J1	1	342101014R1	
C527	C-CERA C	CK725F1E-104Z1	1	332161040R1	
C551	C-CERA C	CK725F1E-104Z1	1	332161040R1	
C552	C-CERA C	CK725F1E-104Z1	1	332161040R1	
C553	C-CERA C	CK725B1H-102K1	1	332101025R1	
C554	C-CERA C	CK725B1H-102K1	1	332101025R1	
C604	UTSP C	CE04W50V-4.7M(UTSP)	1	397580477T	
C613	C-CERA C	CK732B1A-105K	1	337361055R2	
C625	C-CERA C	CK725F1E-104Z1	1	332161040R1	
C629	C-CERA C	CK725F1E-104Z1	1	332161040R1	
C630	C-CERA C	CK725F1E-104Z1	1	332161040R1	<IN>
C701	C-CERA C	CK725F1E-104Z1	1	332161040R1	
C702	UTSP C	CE04W10V-100M(UTSP)	1	397531017T	
C705	UTSP C	CE04W10V-100M(UTSP)	1	397531017T	
C706	UTSP C	CE04W16V-470M(UTSP)	1	397544717T	
C707	UTSP C	CE04W10V-100M(UTSP)	1	397531017T	
C708	UTSP C	CE04W10V-100M(UTSP)	1	397531017T	
C709	C-CERA C	CK725F1E-104Z1	1	332161040R1	
C744	C-CERA C	CK725F1E-104Z1	1	332161040R1	
C745	C-CERA C	CK725B0J-106K	1	332091065R2	
C747	UTSP C	CE04W50V-10M(UTSP)	1	397581007T	
C751	UTSP C	CE04W50V-0.47M(UTSP)	1	397584797T	



C753	UTSP C	CE04W16V-470M(UTSP)	1	397544717T	
C761	UTSP C	CE04W50V-0.47M(UTSP)	1	397584797T	<IN>
C762	C-CERA C	CK732B1A-105K	1	337361055R2	<IN>
C771	UTSP C	CE04W50V-0.47M(UTSP)	1	397584797T	<IN>
C772	C-CERA C	CK732B1A-105K	1	337361055R2	<IN>
C800	C-CERA C	CK725F1E-104Z1	1	332161040R1	
C801	C-CERA C	CK725B1H-103K1	1	332101035R1	
C802	C-CERA C	CK725F1E-104Z1	1	332161040R1	
C803	C-CERA C	CK725B1H-103K1	1	332101035R1	
X171	CRYSTAL	HC-49US24.576MHz	1	3010423T	
X171 or	CRYSTAL	HC-49/U03-24.576M	( 1)	3010314T	
X171A	CUSHION	(BUTYL)	1	28141748	
X701	CERA LOCK	CSTCR5M00G53-B0	1	3010356R2	
[RESISTOR]					
R101	METAL O R	RS1/2WBJ-10	1	443521004T	<IN>
R110	C-CARBON R	RN72K1J-103JE	1	435031034R1	
R111	C-CARBON R	RN72K1J-105JE	1	435031054R1	
R112	METAL O R	RS1WBJ-22	1	443622204T	<IN>
R113	C-CARBON R	RN72K1J-221JE	1	435032214R1	<IN>
R114	C-CARBON R	RN72K1J-221JE	1	435032214R1	<IN>
R115	C-CARBON R	RN72K1J-333JE	1	435033334R1	<IN>
R131	C-CARBON R	RN72K1J-750JE	1	435037504R1	
R132	C-CARBON R	RN72K1J-750JE	1	435037504R1	
R133	C-CARBON R	RN72K1J-100JE	1	435031004R1	
R134	C-CARBON R	RN72K1J-100JE	1	435031004R1	
R135	C-CARBON R	RN72K1J-224JE	1	435032244R1	
R136	C-CARBON R	RN72K1J-224JE	1	435032244R1	
R137	C-CARBON R	RN72K1J-103JE	1	435031034R1	
R138	C-CARBON R	RN72K1J-103JE	1	435031034R1	
R139	C-CARBON R	RN72K1J-823JE	1	435038234R1	
R140	C-CARBON R	RN72K1J-823JE	1	435038234R1	
R141	C-CARBON R	RN72K1J-470JE	1	435034704R1	
R142	C-CARBON R	RN72K1J-470JE	1	435034704R1	
R151	C-CARBON R	RN72K1J-103JE	1	435031034R1	
R152	C-CARBON R	RN72K1J-103JE	1	435031034R1	
R153	C-CARBON R	RN72K1J-222JE	1	435032224R1	
R154	C-CARBON R	RN72K1J-103JE	1	435031034R1	

R171	C-CARBON R	RN72K1J-105JE	1	435031054R1	
R173	C-CARBON R	RN72K1J-151JE	1	435031514R1	
R181	METAL R	RNU1/2WCJ-4.7	1	453530474T	
R182	METAL R	RNU1/2WCJ-1	1	453530104T	
R2100	THERMISTOR	FUSB090F	1	4000252T	N
R2150	C-CARBON R	RN72K1J-000JE	1	435030004R1	
R2151	C-CARBON R	RN72K1J-000JE	1	435030004R1	
R2152	C-CARBON R	RN72K1J-750JE	1	435037504R1	
R301	C-CARBON R	RN72K1J-331JE	1	435033314R1	
R302	C-CARBON R	RN72K1J-331JE	1	435033314R1	
R303	C-CARBON R	RN72K1J-331JE	1	435033314R1	
R304	C-CARBON R	RN72K1J-221JE	1	435032214R1	
R305	C-CARBON R	RN72K1J-470JE	1	435034704R1	
R306	C-CARBON R	RN72K1J-221JE	1	435032214R1	
R307	C-CARBON R	RN72K1J-221JE	1	435032214R1	
R308	C-CARBON R	RN72K1J-470JE	1	435034704R1	
R309	C-CARBON R	RN72K1J-221JE	1	435032214R1	
R311	C-CARBON R	RN72K1J-152JE	1	435031524R1	
R312	C-CARBON R	RN72K1J-470JE	1	435034704R1	
R313	C-CARBON R	RN72K1J-151JE	1	435031514R1	
R314	C-CARBON R	RN72K1J-221JE	1	435032214R1	
R315	C-CARBON R	RN72K1J-470JE	1	435034704R1	
R316	C-CARBON R	RN72K1J-151JE	1	435031514R1	
R317	C-CARBON R	RN72K1J-331JE	1	435033314R1	
R318	C-CARBON R	RN72K1J-331JE	1	435033314R1	
R319	C-CARBON R	RN72K1J-331JE	1	435033314R1	
R320	C-CARBON R	RN72K1J-560JE	1	435035604R1	
R321	C-CARBON R	RN72K1J-560JE	1	435035604R1	
R323	C-CARBON R	RN72K1J-331JE	1	435033314R1	
R324	C-CARBON R	RN72K1J-221JE	1	435032214R1	
R325	C-CARBON R	RN72K1J-151JE	1	435031514R1	
R326	C-CARBON R	RN72K1J-221JE	1	435032214R1	
R330	C-CARBON R	RN72K1J-560JE	1	435035604R1	
R331	C-CARBON R	RN72K1J-560JE	1	435035604R1	
R333	C-CARBON R	RN72K1J-331JE	1	435033314R1	
R334	C-CARBON R	RN72K1J-331JE	1	435033314R1	
R336	C-CARBON R	RN72K1J-331JE	1	435033314R1	

R337	C-CARBON R	RN72K1J-331JE	1	435033314R1	
R339	C-CARBON R	RN72K1J-331JE	1	435033314R1	
R340	C-CARBON R	RN72K1J-392JE	1	435033924R1	
R341	C-CARBON R	RN72K1J-392JE	1	435033924R1	
R350	C-CARBON R	RN72K1J-103JE	1	435031034R1	
R351	C-CARBON R	RN72K1J-103JE	1	435031034R1	
R360	C-CARBON R	RN72K1J-103JE	1	435031034R1	
R361	C-CARBON R	RN72K1J-103JE	1	435031034R1	
R371	C-CARBON R	RN72K1J-102JE	1	435031024R1	
R400	C-CARBON R	RN72K1J-332JE	1	435033324R1	
R401	C-CARBON R	RN72K1J-332JE	1	435033324R1	
R402	C-CARBON R	RN72K1J-332JE	1	435033324R1	
R403	C-CARBON R	RN72K1J-332JE	1	435033324R1	
R404	C-CARBON R	RN72K1J-332JE	1	435033324R1	
R405	C-CARBON R	RN72K1J-332JE	1	435033324R1	
R406	C-CARBON R	RN72K1J-332JE	1	435033324R1	
R407	C-CARBON R	RN72K1J-332JE	1	435033324R1	
R408	C-CARBON R	RN72K1J-220JE	1	435032204R1	
R409	C-CARBON R	RN72K1J-220JE	1	435032204R1	
R410	C-CARBON R	RN72K1J-332JE	1	435033324R1	
R411	C-CARBON R	RN72K1J-332JE	1	435033324R1	
R412	C-CARBON R	RN72K1J-332JE	1	435033324R1	
R413	C-CARBON R	RN72K1J-332JE	1	435033324R1	
R414	C-CARBON R	RN72K1J-332JE	1	435033324R1	
R415	C-CARBON R	RN72K1J-332JE	1	435033324R1	
R416	C-CARBON R	RN72K1J-332JE	1	435033324R1	
R417	C-CARBON R	RN72K1J-332JE	1	435033324R1	
R420	C-CARBON R	RN72K1J-471JE	1	435034714R1	<1N>
R421	C-CARBON R	RN72K1J-471JE	1	435034714R1	<1N>
R422	C-CARBON R	RN72K1J-471JE	1	435034714R1	<1N>
R423	C-CARBON R	RN72K1J-471JE	1	435034714R1	<1N>
R424	C-CARBON R	RN72K1J-471JE	1	435034714R1	<1N>
R425	C-CARBON R	RN72K1J-471JE	1	435034714R1	<1N>
R426	C-CARBON R	RN72K1J-471JE	1	435034714R1	<1N>
R427	C-CARBON R	RN72K1J-471JE	1	435034714R1	<1N>
R430	C-CARBON R	RN72K1J-471JE	1	435034714R1	<1N>
R431	C-CARBON R	RN72K1J-471JE	1	435034714R1	<1N>

R432	C-CARBON R	RN72K1J-471JE	1	435034714R1	<IN>
R433	C-CARBON R	RN72K1J-471JE	1	435034714R1	<IN>
R434	C-CARBON R	RN72K1J-471JE	1	435034714R1	<IN>
R435	C-CARBON R	RN72K1J-471JE	1	435034714R1	<IN>
R436	C-CARBON R	RN72K1J-471JE	1	435034714R1	<IN>
R437	C-CARBON R	RN72K1J-471JE	1	435034714R1	<IN>
R440	C-CARBON R	RN72K1J-472JE	1	435034724R1	<IN>
R441	C-CARBON R	RN72K1J-472JE	1	435034724R1	<IN>
R442	C-CARBON R	RN72K1J-472JE	1	435034724R1	<IN>
R443	C-CARBON R	RN72K1J-472JE	1	435034724R1	<IN>
R444	C-CARBON R	RN72K1J-472JE	1	435034724R1	<IN>
R445	C-CARBON R	RN72K1J-472JE	1	435034724R1	<IN>
R446	C-CARBON R	RN72K1J-472JE	1	435034724R1	<IN>
R447	C-CARBON R	RN72K1J-472JE	1	435034724R1	<IN>
R450	C-CARBON R	RN72K1J-472JE	1	435034724R1	<IN>
R451	C-CARBON R	RN72K1J-472JE	1	435034724R1	<IN>
R452	C-CARBON R	RN72K1J-472JE	1	435034724R1	<IN>
R453	C-CARBON R	RN72K1J-472JE	1	435034724R1	<IN>
R454	C-CARBON R	RN72K1J-472JE	1	435034724R1	<IN>
R455	C-CARBON R	RN72K1J-472JE	1	435034724R1	<IN>
R456	C-CARBON R	RN72K1J-472JE	1	435034724R1	<IN>
R457	C-CARBON R	RN72K1J-472JE	1	435034724R1	<IN>
R460	C-CARBON R	RN72K1J-181JE	1	435031814R1	<IN>
R461	C-CARBON R	RN72K1J-181JE	1	435031814R1	<IN>
R462	C-CARBON R	RN72K1J-181JE	1	435031814R1	<IN>
R463	C-CARBON R	RN72K1J-181JE	1	435031814R1	<IN>
R464	C-CARBON R	RN72K1J-181JE	1	435031814R1	<IN>
R465	C-CARBON R	RN72K1J-181JE	1	435031814R1	<IN>
R466	C-CARBON R	RN72K1J-181JE	1	435031814R1	<IN>
R467	C-CARBON R	RN72K1J-181JE	1	435031814R1	<IN>
R470	C-CARBON R	RN72K1J-181JE	1	435031814R1	<IN>
R471	C-CARBON R	RN72K1J-181JE	1	435031814R1	<IN>
R472	C-CARBON R	RN72K1J-181JE	1	435031814R1	<IN>
R473	C-CARBON R	RN72K1J-181JE	1	435031814R1	<IN>
R474	C-CARBON R	RN72K1J-181JE	1	435031814R1	<IN>
R475	C-CARBON R	RN72K1J-181JE	1	435031814R1	<IN>
R476	C-CARBON R	RN72K1J-181JE	1	435031814R1	<IN>

R477	C-CARBON R	RN72K1J-181JE	1	435031814R1
R500	C-CARBON R	RN72K1J-103JE	1	435031034R1
R501	C-CARBON R	RN72K1J-221JE	1	435032214R1
R502	C-CARBON R	RN72K1J-103JE	1	435031034R1
R503	C-CARBON R	RN72K1J-470JE	1	435034704R1
R504	C-CARBON R	RN72K1J-103JE	1	435031034R1
R505	C-CARBON R	RN72K1J-221JE	1	435032214R1
R507	C-CARBON R	RN72K1J-470JE	1	435034704R1
R508	C-CARBON R	RN72K1J-470JE	1	435034704R1
R509	C-CARBON R	RN72K1J-221JE	1	435032214R1
R510	C-CARBON R	RN72K1J-470JE	1	435034704R1
R511	C-CARBON R	RN72K1J-221JE	1	435032214R1
R512	C-CARBON R	RN72K1J-273JE	1	435032734R1
R513	C-CARBON R	RN72K1J-470JE	1	435034704R1
R514	C-CARBON R	RN72K1J-470JE	1	435034704R1
R515	C-CARBON R	RN72K1J-103JE	1	435031034R1
R516	C-CARBON R	RN72K1J-272JE	1	435032724R1
R517	C-CARBON R	RN72K1J-103JE	1	435031034R1
R518	C-CARBON R	RN72K1J-470JE	1	435034704R1
R519	C-CARBON R	RN72K1J-105JE	1	435031054R1
R520	C-CARBON R	RN72K1J-103JE	1	435031034R1
R521	C-CARBON R	RN72K1J-221JE	1	435032214R1
R522	C-CARBON R	RN72K1J-221JE	1	435032214R1
R523	C-CARBON R	RN72K1J-221JE	1	435032214R1
R524	C-CARBON R	RN72K1J-221JE	1	435032214R1
R525	C-CARBON R	RN72K1J-221JE	1	435032214R1
R526	C-CARBON R	RN72K1J-221JE	1	435032214R1
R527	C-CARBON R	RN72K1J-470JE	1	435034704R1
R528	C-CARBON R	RN72K1J-470JE	1	435034704R1
R529	C-CARBON R	RN72K1J-470JE	1	435034704R1
R530	C-CARBON R	RN72K1J-470JE	1	435034704R1
R531	C-CARBON R	RN72K1J-103JE	1	435031034R1
R532	C-CARBON R	RN72K1J-221JE	1	435032214R1
R533	C-CARBON R	RN72K1J-103JE	1	435031034R1
R534	C-CARBON R	RN72K1J-103JE	1	435031034R1
R535	C-CARBON R	RN72K1J-103JE	1	435031034R1
R536	C-CARBON R	RN72K1J-103JE	1	435031034R1



R537	C-CARBON R	RN72K1J-473JE	1	435034734R1
R538	C-CARBON R	RN72K1J-103JE	1	435031034R1
R539	C-CARBON R	RN72K1J-103JE	1	435031034R1
R540	C-CARBON R	RN72K1J-470JE	1	435034704R1
R541	C-CARBON R	RN72K1J-470JE	1	435034704R1
R542	C-CARBON R	RN72K1J-470JE	1	435034704R1
R543	C-CARBON R	RN72K1J-221JE	1	435032214R1
R544	C-CARBON R	RN72K1J-470JE	1	435034704R1
R545	C-CARBON R	RN72K1J-470JE	1	435034704R1
R546	C-CARBON R	RN72K1J-470JE	1	435034704R1
R547	C-CARBON R	RN72K1J-471JE	1	435034714R1
R548	C-CARBON R	RN72K1J-102JE	1	435031024R1
R550	C-CARBON R	RN72K1J-470JE	1	435034704R1
R551	C-CARBON R	RN72K1J-470JE	1	435034704R1
R552	C-CARBON R	RN72K1J-470JE	1	435034704R1
R553	C-CARBON R	RN72K1J-470JE	1	435034704R1
R554	C-CARBON R	RN72K1J-470JE	1	435034704R1
R555	C-CARBON R	RN72K1J-470JE	1	435034704R1
R556	C-CARBON R	RN72K1J-470JE	1	435034704R1
R557	C-CARBON R	RN72K1J-470JE	1	435034704R1
R558	C-CARBON R	RN72K1J-221JE	1	435032214R1
R559	C-CARBON R	RN72K1J-103JE	1	435031034R1
R560	C-CARBON R	RN72K1J-470JE	1	435034704R1
R561	C-CARBON R	RN72K1J-470JE	1	435034704R1
R562	C-CARBON R	RN72K1J-470JE	1	435034704R1
R563	C-CARBON R	RN72K1J-221JE	1	435032214R1
R564	C-CARBON R	RN72K1J-221JE	1	435032214R1
R565	C-CARBON R	RN72K1J-221JE	1	435032214R1
R566	C-CARBON R	RN72K1J-221JE	1	435032214R1
R567	C-CARBON R	RN72K1J-470JE	1	435034704R1
R568	C-CARBON R	RN72K1J-470JE	1	435034704R1
R569	C-CARBON R	RN72K1J-470JE	1	435034704R1
R570	C-CARBON R	RN72K1J-470JE	1	435034704R1
R571	C-CARBON R	RN72K1J-470JE	1	435034704R1
R572	C-CARBON R	RN72K1J-221JE	1	435032214R1
R573	C-CARBON R	RN72K1J-221JE	1	435032214R1
R574	C-CARBON R	RN72K1J-470JE	1	435034704R1

R575	C-CARBON R	RN72K1J-103JE	1	435031034R1
R576	C-CARBON R	RN72K1J-470JE	1	435034704R1
R577	C-CARBON R	RN72K1J-103JE	1	435031034R1
R578	C-CARBON R	RN72K1J-221JE	1	435032214R1
R579	C-CARBON R	RN72K1J-221JE	1	435032214R1
R580	C-CARBON R	RN72K1J-221JE	1	435032214R1
R581	C-CARBON R	RN72K1J-221JE	1	435032214R1
R582	C-CARBON R	RN72K1J-221JE	1	435032214R1
R583	C-CARBON R	RN72K1J-473JE	1	435034734R1
R584	C-CARBON R	RN72K1J-221JE	1	435032214R1
R585	C-CARBON R	RN72K1J-273JE	1	435032734R1
R586	C-CARBON R	RN72K1J-221JE	1	435032214R1
R587	C-CARBON R	RN72K1J-102JE	1	435031024R1
R588	C-CARBON R	RN72K1J-273JE	1	435032734R1
R589	C-CARBON R	RN72K1J-102JE	1	435031024R1
R590	C-CARBON R	RN72K1J-273JE	1	435032734R1
R591	C-CARBON R	RN72K1J-102JE	1	435031024R1
R592	C-CARBON R	RN72K1J-103JE	1	435031034R1
R593	C-CARBON R	RN72K1J-102JE	1	435031024R1
R594	C-CARBON R	RN72K1J-102JE	1	435031024R1
R595	C-CARBON R	RN72K1J-470JE	1	435034704R1
R596	C-CARBON R	RN72K1J-102JE	1	435031024R1
R597	C-CARBON R	RN72K1J-103JE	1	435031034R1
R599	C-CARBON R	RN72K1J-221JE	1	435032214R1
R600	C-CARBON R	RN72K1J-470JE	1	435034704R1
R601	C-CARBON R	RN72K1J-221JE	1	435032214R1
R602	C-CARBON R	RN72K1J-221JE	1	435032214R1
R603	C-CARBON R	RN72K1J-221JE	1	435032214R1
R604	C-CARBON R	RN72K1J-221JE	1	435032214R1
R605	C-CARBON R	RN72K1J-470JE	1	435034704R1
R606	C-CARBON R	RN72K1J-222JE	1	435032224R1
R607	C-CARBON R	RN72K1J-470JE	1	435034704R1
R608	C-CARBON R	RN72K1J-222JE	1	435032224R1
R609	C-CARBON R	RN72K1J-472JE	1	435034724R1
R610	C-CARBON R	RN72K1J-472JE	1	435034724R1
R611	C-CARBON R	RN72K1J-472JE	1	435034724R1
R612	C-CARBON R	RN72K1J-272JE	1	435032724R1

R613	C-CARBON R	RN72K1J-472JE	1	435034724R1
R614	C-CARBON R	RN72K1J-272JE	1	435032724R1
R615	C-CARBON R	RN72K1J-472JE	1	435034724R1
R616	C-CARBON R	RN72K1J-272JE	1	435032724R1
R617	C-CARBON R	RN72K1J-472JE	1	435034724R1
R618	C-CARBON R	RN72K1J-272JE	1	435032724R1
R620	C-CARBON R	RN72K1J-473JE	1	435034734R1
R622	C-CARBON R	RN72K1J-470JE	1	435034704R1
R623	C-CARBON R	RN72K1J-103JE	1	435031034R1
R624	C-CARBON R	RN72K1J-470JE	1	435034704R1
R626	C-CARBON R	RN72K1J-470JE	1	435034704R1
R627	C-CARBON R	RN72K1J-470JE	1	435034704R1
R628	C-CARBON R	RN72K1J-221JE	1	435032214R1
R629	C-CARBON R	RN72K1J-470JE	1	435034704R1
R630	C-CARBON R	RN72K1J-470JE	1	435034704R1
R631	C-CARBON R	RN72K1J-470JE	1	435034704R1
R632	C-CARBON R	RN72K1J-470JE	1	435034704R1
R633	C-CARBON R	RN72K1J-470JE	1	435034704R1
R634	C-CARBON R	RN72K1J-221JE	1	435032214R1
R635	C-CARBON R	RN72K1J-103JE	1	435031034R1
R636	C-CARBON R	RN72K1J-470JE	1	435034704R1
R637	C-CARBON R	RN72K1J-103JE	1	435031034R1
R638	C-CARBON R	RN72K1J-470JE	1	435034704R1
R639	C-CARBON R	RN72K1J-470JE	1	435034704R1
R640	C-CARBON R	RN72K1J-103JE	1	435031034R1
R641	C-CARBON R	RN72K1J-221JE	1	435032214R1
R642	C-CARBON R	RN72K1J-470JE	1	435034704R1
R643	C-CARBON R	RN72K1J-103JE	1	435031034R1
R644	C-CARBON R	RN72K1J-103JE	1	435031034R1
R645	C-CARBON R	RN72K1J-103JE	1	435031034R1
R646	C-CARBON R	RN72K1J-470JE	1	435034704R1
R647	C-CARBON R	RN72K1J-470JE	1	435034704R1
R648	C-CARBON R	RN72K1J-103JE	1	435031034R1
R649	C-CARBON R	RN72K1J-103JE	1	435031034R1
R650	C-CARBON R	RN72K1J-103JE	1	435031034R1
R652	C-CARBON R	RN72K1J-103JE	1	435031034R1
R653	C-CARBON R	RN72K1J-103JE	1	435031034R1

R654	C-CARBON R	RN72K1J-103JE	1	435031034R1	
R655	C-CARBON R	RN72K1J-221JE	1	435032214R1	
R656	C-CARBON R	RN72K1J-221JE	1	435032214R1	
R657	C-CARBON R	RN72K1J-221JE	1	435032214R1	
R658	C-CARBON R	RN72K1J-221JE	1	435032214R1	
R662	C-CARBON R	RN72K1J-000JE	1	435030004R1	
R663	C-CARBON R	RN72K1J-103JE	1	435031034R1	
R664	C-CARBON R	RN72K1J-223JE	1	435032234R1	
R665	C-CARBON R	RN72K1J-223JE	1	435032234R1	
R666	C-CARBON R	RN72K1J-223JE	1	435032234R1	
R667	C-CARBON R	RN72K1J-223JE	1	435032234R1	
R684	C-CARBON R	RN72K1J-000JE	1	435030004R1	
R685	C-CARBON R	RN72K1J-000JE	1	435030004R1	
R701	C-CARBON R	RN72K1J-000JE	1	435030004R1	<1N>
R702	C-CARBON R	RN72K1J-472JE	1	435034724R1	<1N>
R703	C-CARBON R	RN72K1J-333JE	1	435033334R1	<1N>
R704	C-CARBON R	RN72K1J-333JE	1	435033334R1	<1N>
R705	C-CARBON R	RN72K1J-563JE	1	435035634R1	<1N>
R706	C-CARBON R	RN72K1J-472JE	1	435034724R1	<1N>
R707	C-CARBON R	RN72K1J-333JE	1	435033334R1	<1N>
R711	C-CARBON R	RN72K1J-470JE	1	435034704R1	
R712	C-CARBON R	RN72K1J-102JE	1	435031024R1	
R713	C-CARBON R	RN72K1J-222JE	1	435032224R1	
R714	C-CARBON R	RN72K1J-103JE	1	435031034R1	
R718	C-CARBON R	RN72K1J-221JE	1	435032214R1	
R721	C-CARBON R	RN72K1J-103JE	1	435031034R1	
R722	C-CARBON R	RN72K1J-224JE	1	435032244R1	
R723	C-CARBON R	RN72K1J-101JE	1	435031014R1	
R724	C-CARBON R	RN72K1J-101JE	1	435031014R1	
R725	C-CARBON R	RN72K1J-221JE	1	435032214R1	
R726	C-CARBON R	RN72K1J-273JE	1	435032734R1	
R761	C-CARBON R	RN72K1J-103JE	1	435031034R1	<1N>
R762	C-CARBON R	RN72K1J-222JE	1	435032224R1	<1N>
R763	C-CARBON R	RN72K1J-102JE	1	435031024R1	<1N>
R771	C-CARBON R	RN72K1J-103JE	1	435031034R1	<1N>
R772	C-CARBON R	RN72K1J-222JE	1	435032224R1	<1N>
R773	C-CARBON R	RN72K1J-102JE	1	435031024R1	<1N>

R805	C-CARBON R	RN72K1J-000JE	1	435030004R1	
R806	C-CARBON R	RN72K1J-000JE	1	435030004R1	
R807	C-CARBON R	RN72K1J-000JE	1	435030004R1	
<b>[SW TRM]</b>					
JL5501B	WIRE TRAP	NPLG-3P586	1	25055624	
JL6001A	WIRE HOL	NSCT-9P880	1	25051093	<1N>
JL6002A	WIRE HOL	NSCT-5P876	1	25051089	<1N>
JL6610B	WIRE TRAP	NPLG-7P590	1	25055628	
JL901B	WIRE TRAP	NPLG-5P588	1	25055626	
P002	PWB	BCDG-0025	1	25140025C	N
P004	PWB	BCETC-0027	{ 1}	25140027	N
P101A	SOCKET	NSCT-11P2104	1	25052207	<1N>
P131	PIN JACK	NPJ-2PDO666	1	25045895	<1N>
P131 or	PIN JACK	NPJ-2PDO543	( 1)	25045758	<1N>
P2001A	SOCKET	IMSA-9142S-26A	1	25053235	
P2080B	PLUG	IMSA-9142B-20A	1	25056600	
P2081	SOCKET	NNA1-01-006	1	25053357	
P5501A	SOCKET	NSCT-7P2187	1	25052290	
P5502A	SOCKET	NSCT-15P2195	1	25052298	
P5503A	SOCKET	NSCT-9P2189	1	25052292	
P5504A	SOCKET	NSCT-7P2187	1	25052290	
P701A	SOCKET	NSCT-33P2126	1	25052229	
P751A	SOCKET	IMSA-9618S-09A	1	25053334R2	N
P8001A	PLUG	IMSA-9111B-16	1	25056620	
P8002A	PLUG	IMSA-9111B-24	1	25056625	
P801	WS CLAMP	CB-71683(L=50)	1	260261	
<b>U003</b>	<b>Diplay pc board AS (BADIS-0046-1A)</b>				
<b>U0031</b>	<b>Switch pc board AS (BADIS-0047-1A)</b>				
<b>U0032</b>	<b>Video pc board AS (BAVD-0048-1A)</b>				
<b>U0033</b>	<b>Power supply pc board AS (BAPS-0049-1A)</b>				
<b>U0034</b>	<b>Headphone pc board AS (BAETC-0050-1A)</b>				
<b>U0035</b>	<b>Inlet pc board AS (BAETC-0051-1A)</b>				
<b>CIRCUIT NO.</b>	<b>PART NAME</b>	<b>DESCRIPTION</b>	<b>Q'TY</b>	<b>PART NO. (SN)</b>	<b>REMARKS</b>
<b>[TUNER UNIT]</b>					
U7041	REMO SENS	NJL34H380A	1	241365	



[SEMI CONDUCTOR]					
D2084	ZENER D	UDZS6.8B	1	224550680R2	
D7002	ZENER D	UDZS8.2B	1	224550820R2	
D7033	ZENER D	UDZS3.9B	1	224550390R2	
D7152	LED	SLI-343URC-TE7	1	225449T	
D7155	LED	SLR-342MGTE7P	1	225455T	
D7401	ZENER D	UDZS5.1B	1	224550510R2	
D7411	ZENER D	UDZS6.8B	1	224550680R2	
D7412	ZENER D	UDZS6.8B	1	224550680R2	
D9001	DIODE	RL1N4003	1	22380260T	
D9005	ZENER D	UDZS36B	1	224553600R2	
D9011	DIODE	D5SBA20	1	22380130F	<1A>
D9014	C-DIODE	KDS4148U	1	223283R2	
D9014 or	C-DIODE	1SS352	(1)	223234R2	
D9014 or	C-DIODE	MA2J111	(1)	223279R2	
D9015	C-DIODE	KDS4148U	1	223283R2	
D9015 or	C-DIODE	1SS352	(1)	223234R2	
D9015 or	C-DIODE	MA2J111	(1)	223279R2	
D9016	ZENER D	UDZS7.5B	1	224550750R2	
D9023	C-DIODE	KDS4148U	1	223283R2	
D9023 or	C-DIODE	1SS352	(1)	223234R2	
D9023 or	C-DIODE	MA2J111	(1)	223279R2	
D911	C-DIODE	KDS4148U	1	223283R2	
D911 or	C-DIODE	1SS352	(1)	223234R2	
D911 or	C-DIODE	MA2J111	(1)	223279R2	
D912	C-DIODE	KDS4148U	1	223283R2	
D912 or	C-DIODE	1SS352	(1)	223234R2	
D912 or	C-DIODE	MA2J111	(1)	223279R2	
D921	C-DIODE	KDS4148U	1	223283R2	
D921 or	C-DIODE	1SS352	(1)	223234R2	
D921 or	C-DIODE	MA2J111	(1)	223279R2	
D922	C-DIODE	KDS4148U	1	223283R2	
D922 or	C-DIODE	1SS352	(1)	223234R2	
D922 or	C-DIODE	MA2J111	(1)	223279R2	
D923	C-DIODE	KDS4148U	1	223283R2	
D923 or	C-DIODE	1SS352	(1)	223234R2	
D923 or	C-DIODE	MA2J111	(1)	223279R2	

D924	C-DIODE	KDS4148U	1	223283R2
D924 or	C-DIODE	1SS352	(1)	223234R2
D924 or	C-DIODE	MA2J111	(1)	223279R2
D925	C-DIODE	KDS4148U	1	223283R2
D925 or	C-DIODE	1SS352	(1)	223234R2
D925 or	C-DIODE	MA2J111	(1)	223279R2
D930	C-DIODE	KDS4148U	1	223283R2
D930 or	C-DIODE	1SS352	(1)	223234R2
D930 or	C-DIODE	MA2J111	(1)	223279R2
D931	C-DIODE	KDS4148U	1	223283R2
D931 or	C-DIODE	1SS352	(1)	223234R2
D931 or	C-DIODE	MA2J111	(1)	223279R2
D933	C-DIODE	KDS4148U	1	223283R2
D933 or	C-DIODE	1SS352	(1)	223234R2
D933 or	C-DIODE	MA2J111	(1)	223279R2
D934	ZENER D	UDZS5.1B	1	224550510R2
D935	C-DIODE	KDS4148U	1	223283R2
D935 or	C-DIODE	1SS352	(1)	223234R2
D935 or	C-DIODE	MA2J111	(1)	223279R2
Q2004	IC	NJM4580M-D	1	22241448R2
Q2072	IC	NJM2505AF	1	22242490R2
Q3002	IC	NJW1326FH2	1	22242583R3
Q7002	FL TUBE	16-BT-138GNK	1	212268
Q7002A	HOLDER	(FL)	1	27191222C
Q7003	IC	M66005-0001AHP	1	22242208R3
Q7004	TR	KTC3875-GR	1	2216175R2
Q7005	TR	KRA102S	1	2216220R2
Q7007	TR	KRC102S	1	2216190R2
Q7033	TR	KTC3875-GR	1	2216175R2
Q7152	TR	KTA1504-GR	1	2216185R2
Q7401	IC	NJM4580M-D	1	22241448R2
Q7403	TR	DTC114TKA	1	2216670R2
Q7404	TR	DTC114TKA	1	2216670R2
Q9001	TR	2SC2235-Y(TPE6_F)	1	2211654T
Q9001 or	TR	2SC2235-O(TPE6_F)	(1)	2211653T
Q9022	IC	78M05(NJM78M05FA)	1	222780055JRC
Q9022A	SCREW	3P+10FN(3BC)	1	82143010GR

Q9022B	HEAT SINK	RAD-157	1	27160491	
Q9031	IC	MPC2905BHF	1	22278005DBNE	
Q9031A	SCREW	3P+10FN(3BC)	1	82143010GR	
Q9031B	HEAT SINK	RAD-140	1	27160471	
[TRANS COIL]					
L7031	CHOKE COIL	LBC2518T2R2M	1	231364M022R2	
L7033	CHOKE COIL	LBC2518T2R2M	1	231364M022R2	
L7201	CHOKE COIL	LBC2518T2R2M	1	231364M022R2	
L7202	CHOKE COIL	LBC2518T2R2M	1	231364M022R2	
L7203	CHOKE COIL	LBC2518T2R2M	1	231364M022R2	
L7401	CHOKE COIL	LBC2518T2R2M	1	231364M022R2	
L7402	CHOKE COIL	LBC2518T2R2M	1	231364M022R2	
T902	P TRANS	NPT-1520JQ	1	2301812A	! <1A>
[CAPACITOR]					
C2029	UTSP C	CE04W25V-100M(UTSP)	1	397551017T	
C2030	UTSP C	CE04W25V-100M(UTSP)	1	397551017T	
C2077	UTSP C	CE04W50V-10M(UTSP)	1	397581007T	
C2078	UTSP C	CE04W50V-10M(UTSP)	1	397581007T	
C2079	UTSP C	CE04W50V-10M(UTSP)	1	397581007T	
C2080	C-CERA C	CC725CH1H-101J1	1	342101014R1	
C2081	C-CERA C	CC725CH1H-101J1	1	342101014R1	
C2082	C-CERA C	CC725CH1H-101J1	1	342101014R1	
C2083	C-CERA C	CC725CH1H-101J1	1	342101014R1	
C2084	UTSP C	CE04W50V-10M(UTSP)	1	397581007T	
C2085	UTSP C	CE04W50V-10M(UTSP)	1	397581007T	
C2086	C-CERA C	CC725CH1H-470J1	1	342104704R1	
C2087	C-CERA C	CC725CH1H-470J1	1	342104704R1	
C2088	C-CERA C	CK725F1E-104Z1	1	332161040R1	
C2089	C-CERA C	CK725F1E-104Z1	1	332161040R1	
C2100	VR C	CE04W16V-100M(VR)	1	394641017T	
C2101	C-CERA C	CK725F1E-104Z1	1	332161040R1	
C2103	VR C	CE04W6.3V-470M(VR)	1	394624717T	
C2104	VR C	CE04W6.3V-470M(VR)	1	394624717T	
C3001	VR C	CE04W6.3V-470M(VR)	1	394624717T	
C3002	C-CERA C	CK725F1E-104Z1	1	332161040R1	
C3004	VR C	CE04W6.3V-470M(VR)	1	394624717T	
C3007	VR C	CE04W6.3V-470M(VR)	1	394624717T	

C3011	VR C	CE04W6.3V-470M(VR)	1	394624717T
C3012	C-CERA C	CK725F1E-104Z1	1	332161040R1
C3013	VR C	CE04W6.3V-470M(VR)	1	394624717T
C3021	VR C	CE04W6.3V-470M(VR)	1	394624717T
C3024	VR C	CE04W6.3V-470M(VR)	1	394624717T
C3031	C-CERA C	CK725B1H-102K1	1	332101025R1
C3032	C-CERA C	CK725B1H-102K1	1	332101025R1
C3033	VR C	CE04W50V-10M(VR)	1	394681007T
C3036	VR C	CE04W50V-10M(VR)	1	394681007T
C3040	VR C	CE04W50V-10M(VR)	1	394681007T
C3043	C-CERA C	CK725B1H-102K1	1	332101025R1
C3044	VR C	CE04W50V-1M(VR)	1	394680107T
C3045	VR C	CE04W50V-1M(VR)	1	394680107T
C3046	VR C	CE04W50V-1M(VR)	1	394680107T
C3047	VR C	CE04W50V-1M(VR)	1	394680107T
C3048	VR C	CE04W50V-1M(VR)	1	394680107T
C3049	VR C	CE04W50V-1M(VR)	1	394680107T
C3060	VR C	CE04W50V-10M(VR)	1	394681007T
C3061	VR C	CE04W50V-10M(VR)	1	394681007T
C3081	VR C	CE04W50V-10M(VR)	1	394681007T
C3085	C-CERA C	CK725F1A-105Z1	1	332181050R1
C3086	C-CERA C	CK725F1A-105Z1	1	332181050R1
C3087	C-CERA C	CK725F1A-105Z1	1	332181050R1
C3091	C-CERA C	CK725F1A-105Z1	1	332181050R1
C3092	C-CERA C	CK725F1A-105Z1	1	332181050R1
C3093	C-CERA C	CK725F1A-105Z1	1	332181050R1
C3094	C-CERA C	CK725F1A-105Z1	1	332181050R1
C3095	C-CERA C	CK725F1A-105Z1	1	332181050R1
C3096	C-CERA C	CK725F1A-105Z1	1	332181050R1
C3097	C-CERA C	CK725F1A-105Z1	1	332181050R1
C3098	C-CERA C	CK725F1A-105Z1	1	332181050R1
C3099	C-CERA C	CK725F1A-105Z1	1	332181050R1
C7001	C-CERA C	CK725B1H-223K1	1	332102235R1
C7002	C-CERA C	CK725F1E-104Z1	1	332161040R1
C7003	C-CERA C	CC725CH1H-101J1	1	342101014R1
C7004	C-CERA C	CC725CH1H-101J1	1	342101014R1
C7005	C-CERA C	CC725CH1H-101J1	1	342101014R1

C7007	C-CERA C	CC725CH1H-101J1	1	342101014R1	
C7008	ELECT C	CE04W6.3V-100M	1	355721019T	
C7009	C-CERA C	CK725F1E-104Z1	1	332161040R1	
C7010	C-CERA C	CK725B1H-223K1	1	332102235R1	
C7011	C-CERA C	CK725B1H-223K1	1	332102235R1	
C7012	C-CERA C	CK725B1H-223K1	1	332102235R1	
C7013	ELECT C	CE04W50V-33M	1	355783309T	
C7014	C-CERA C	CK725B1H-223K1	1	332102235R1	
C7015	ELECT C	CE04W16V-47M(S)	1	353744709T	
C7016	C-CERA C	CK725B1H-223K1	1	332102235R1	
C7017	C-CERA C	CK725B1H-223K1	1	332102235R1	
C7021	C-CERA C	CK725B1H-103K1	1	332101035R1	
C7022	C-CERA C	CK725B1H-103K1	1	332101035R1	
C7031	C-CERA C	CK725B1H-223K1	1	332102235R1	
C7032	C-CERA C	CK725B1H-223K1	1	332102235R1	
C7033	ELECT C	CE04W16V-10M(S)	1	353741009T	
C7041	ELECT C	CE04W6.3V-100M(S)	1	353721019T	
C7042	C-CERA C	CC725CH1H-102J1	1	342101024R1	
C7043	C-CERA C	CC725CH1H-102J1	1	342101024R1	
C7201	C-CERA C	CC725CH1H-102J1	1	342101024R1	
C7203	MKT C	B32529C0102J289	1	376491024T	
C7204	MKT C	B32529C0102J289	1	376491024T	
C7306	C-CERA C	CK725F1E-104Z1	1	332161040R1	
C7401	ELECT C	CE04W16V-10M(S)	1	353741009T	
C7402	C-CERA C	CC725CH1H-101J1	1	342101014R1	
C7403	ELECT C	CE04W16V-47M(S)	1	353744709T	
C7404	C-CERA C	CC725CH1H-330J1	1	342103304R1	
C7405	ELECT C	CE04W16V-10M(S)	1	353741009T	
C7411	ELECT C	CE04W16V-47M(S)	1	353744709T	
C7412	ELECT C	CE04W16V-47M(S)	1	353744709T	
C7421	C-CERA C	CC725CH1H-102J1	1	342101024R1	
C9001	VR C	CE04W63V-470M(VR)	1	394674717S	
C9005	VR C	CE04W50V-47M(VR)	1	394684707T	
C9006	C-CERA C	CK725F1E-104Z1	1	332161040R1	
C901	IS C	LE103-C3.5	1	3800042S	!
C901 or	IS C	ECQU2A103MLC	( 1)	3800039S	!
C9011	VR C	CE04W16V-10000M(VR)	1	394641037S	



C9012	TF C	ECQ-V50V-334J	1	374723344T	
C9013	VR C	CE04W50V-2.2M(VR)	1	394680227T	
C9014	VR C	CE04W50V-1M(VR)	1	394680107T	
C902	C-CERA C	CK725F1E-104Z1	1	332161040R1	
C9023	VR C	CE04W50V-10M(VR)	1	394681007T	
C9025	VR C	CE04W6.3V-470M(VR)	1	394624717T	
C9030	VR C	CE04W25V-220M(VR)	1	394652217T	
C9031	C-CERA C	CK725F1E-104Z1	1	332161040R1	
C9032	VR C	CE04W6.3V-470M(VR)	1	394624717T	
C911	C-CERA C	CC725CH1H-102J1	1	342101024R1	
C921	C-CERA C	CK725B1H-223K1	1	332102235R1	
C922	VR C	CE04W25V-2200M(VR)	1	394652227S	<1A>
C930	UTSP C	CE04W50V-100M(UTSP)	1	397581017T	
C933	UTSP C	CE04W50V-4.7M(UTSP)	1	397580477T	
<b>[RESISTOR]</b>					
R2004	C-CARBON R	RN72K1J-000JE	1	435030004R1	
R2005	C-CARBON R	RN72K1J-000JE	1	435030004R1	
R2007	C-CARBON R	RN72K1J-000JE	1	435030004R1	
R2009	C-CARBON R	RN72K1J-000JE	1	435030004R1	
R2010	C-CARBON R	RN72K1J-000JE	1	435030004R1	
R2014	C-CARBON R	RN72K1J-000JE	1	435030004R1	
R2015	C-CARBON R	RN72K1J-000JE	1	435030004R1	
R2016	C-CARBON R	RN72K1J-000JE	1	435030004R1	
R2048	C-CARBON R	RN72K1J-220JE	1	435032204R1	
R2049	C-CARBON R	RN72K1J-220JE	1	435032204R1	
R2104	C-CARBON R	RN72K1J-223JE	1	435032234R1	
R2105	C-CARBON R	RN72K1J-223JE	1	435032234R1	
R2106	C-CARBON R	RN72K1J-223JE	1	435032234R1	
R2107	C-CARBON R	RN72K1J-223JE	1	435032234R1	
R2108	C-CARBON R	RN72K1J-223JE	1	435032234R1	
R2109	C-CARBON R	RN72K1J-223JE	1	435032234R1	
R2110	C-CARBON R	RN72K1J-223JE	1	435032234R1	
R2111	C-CARBON R	RN72K1J-223JE	1	435032234R1	
R2115	C-CARBON R	RN72K1J-681JE	1	435036814R1	
R2116	C-CARBON R	RN72K1J-220JE	1	435032204R1	
R2117	C-CARBON R	RN72K1J-220JE	1	435032204R1	
R2120	C-CARBON R	RN72K1J-471JE	1	435034714R1	

R2121	C-CARBON R	RN72K1J-471JE	1	435034714R1
R2130	C-CARBON R	RN72K1J-105JE	1	435031054R1
R2132	C-CARBON R	RN72K1J-105JE	1	435031054R1
R3011	C-CARBON R	RN72K1J-750JE	1	435037504R1
R3014	C-CARBON R	RN72K1J-750JE	1	435037504R1
R3017	C-CARBON R	RN72K1J-750JE	1	435037504R1
R3020	C-CARBON R	RN72K1J-750JE	1	435037504R1
R3021	C-CARBON R	RN72K1J-750JE	1	435037504R1
R3023	C-CARBON R	RN72K1J-750JE	1	435037504R1
R3026	C-CARBON R	RN72K1J-750JE	1	435037504R1
R3027	C-CARBON R	RN72K1J-750JE	1	435037504R1
R3028	C-CARBON R	RN72K1J-750JE	1	435037504R1
R3029	C-CARBON R	RN72K1J-750JE	1	435037504R1
R3030	C-CARBON R	RN72K1J-750JE	1	435037504R1
R3038	METAL R	RNU1/2WCJ-1	1	453530104T
R3041	C-CARBON R	RN72K1J-750JE	1	435037504R1
R3042	C-CARBON R	RN72K1J-750JE	1	435037504R1
R3043	C-CARBON R	RN72K1J-750JE	1	435037504R1
R3081	C-CARBON R	RN72K1J-750JE	1	435037504R1
R3089	C-CARBON R	RN72K1J-750JE	1	435037504R1
R7001	C-CARBON R	RN72K1J-103JE	1	435031034R1
R7002	C-CARBON R	RN72K1J-332JE	1	435033324R1
R7003	C-CARBON R	RN72K1J-332JE	1	435033324R1
R7004	C-CARBON R	RN72K1J-221JE	1	435032214R1
R7005	C-CARBON R	RN72K1J-221JE	1	435032214R1
R7006	C-CARBON R	RN72K1J-103JE	1	435031034R1
R7007	C-CARBON R	RN72K1J-221JE	1	435032214R1
R7008	C-CARBON R	RN72K1J-221JE	1	435032214R1
R7021	C-CARBON R	RN72K1J-103JE	1	435031034R1
R7022	C-CARBON R	RN72K1J-103JE	1	435031034R1
R7023	C-CARBON R	RN72K1J-103JE	1	435031034R1
R7024	C-CARBON R	RN72K1J-103JE	1	435031034R1
R7033	C-CARBON R	RN72K1J-820JE	1	435038204R1
R7041	C-CARBON R	RN72K1J-101JE	1	435031014R1
R7042	C-CARBON R	RN72K1J-102JE	1	435031024R1
R7101	C-CARBON R	RN72K1J-331JE	1	435033314R1
R7102	C-CARBON R	RN72K1J-471JE	1	435034714R1

R7103	C-CARBON R	RN72K1J-561JE	1	435035614R1
R7104	C-CARBON R	RN72K1J-000JE	1	435030004R1
R7105	C-CARBON R	RN72K1J-821JE	1	435038214R1
R7107	C-CARBON R	RN72K1J-331JE	1	435033314R1
R7108	C-CARBON R	RN72K1J-471JE	1	435034714R1
R7109	C-CARBON R	RN72K1J-561JE	1	435035614R1
R7110	C-CARBON R	RN72K1J-821JE	1	435038214R1
R7111	C-CARBON R	RN72K1J-122JE	1	435031224R1
R7112	C-CARBON R	RN72K1J-222JE	1	435032224R1
R7113	C-CARBON R	RN72K1J-392JE	1	435033924R1
R7114	C-CARBON R	RN72K1J-123JE	1	435031234R1
R7115	C-CARBON R	RN72K1J-331JE	1	435033314R1
R7116	C-CARBON R	RN72K1J-471JE	1	435034714R1
R7117	C-CARBON R	RN72K1J-561JE	1	435035614R1
R7118	C-CARBON R	RN72K1J-821JE	1	435038214R1
R7119	C-CARBON R	RN72K1J-122JE	1	435031224R1
R7120	C-CARBON R	RN72K1J-222JE	1	435032224R1
R7121	C-CARBON R	RN72K1J-392JE	1	435033924R1
R7122	C-CARBON R	RN72K1J-123JE	1	435031234R1
R7123	C-CARBON R	RN72K1J-331JE	1	435033314R1
R7124	C-CARBON R	RN72K1J-471JE	1	435034714R1
R7125	C-CARBON R	RN72K1J-561JE	1	435035614R1
R7126	C-CARBON R	RN72K1J-821JE	1	435038214R1
R7127	C-CARBON R	RN72K1J-122JE	1	435031224R1
R7128	C-CARBON R	RN72K1J-222JE	1	435032224R1
R7129	C-CARBON R	RN72K1J-392JE	1	435033924R1
R7151	C-CARBON R	RN72K1J-222JE	1	435032224R1
R7154	C-CARBON R	RN72K1J-121JE	1	435031214R1
R7155	C-CARBON R	RN72K1J-103JE	1	435031034R1
R7156	C-CARBON R	RN72K1J-102JE	1	435031024R1
R7401	C-CARBON R	RN72K1J-101JE	1	435031014R1
R7402	C-CARBON R	RN72K1J-224JE	1	435032244R1
R7403	C-CARBON R	RN72K1J-472JE	1	435034724R1
R7404	C-CARBON R	RN72K1J-221JE	1	435032214R1
R7405	C-CARBON R	RN72K1J-473JE	1	435034734R1
R7406	C-CARBON R	RN72K1J-331JE	1	435033314R1
R7407	C-CARBON R	RN72K1J-102JE	1	435031024R1

R7408	C-CARBON R	RN72K1J-333JE	1	435033334R1	
R7409	C-CARBON R	RN72K1J-221JE	1	435032214R1	
R7410	C-CARBON R	RN72K1J-221JE	1	435032214R1	
R7411	C-CARBON R	RN72K1J-471JE	1	435034714R1	
R7412	C-CARBON R	RN72K1J-471JE	1	435034714R1	
R7413	C-CARBON R	RN72K1J-224JE	1	435032244R1	
R7414	C-CARBON R	RN72K1J-104JE	1	435031044R1	
R7418	C-CARBON R	RN72K1J-000JE	1	435030004R1	
R7419	C-CARBON R	RN72K1J-000JE	1	435030004R1	
R9001	METAL O R	RS1WBJ-220	1	443622214T	
R9002	C-CARBON R	RN72K1J-822JE	1	435038224R1	
R9003	C-CARBON R	RN72K1J-822JE	1	435038224R1	
R9004	C-CARBON R	RN72K1J-333JE	1	435033334R1	
R9010	METAL R	RNU1/2WCJ-2.2	1	453530224T	
R9012	METAL R	RNU1/2WCJ-1	1	453530104T	
R9013	METAL R	RNU1/2WCJ-1	1	453530104T	
R9014	C-CARBON R	RN72K1J-104JE	1	435031044R1	
R9029	METAL R	RNU1WCJ-0.22	1	453632294T	
R9030	METAL O R	RS2WBJ-15	1	442721504F	
R9031	METAL R	RNU2WCJ-3.3	1	452730334F	
R9032	METAL R	RNU2WCJ-3.3	1	452730334F	
R9033	METAL R	RNU1/2WCJ-1	1	453530104T	
R9036	C-CARBON R	RN72K1J-000JE	1	435030004R1	<1A>
R921	METAL O R	RS1/2WBJ-47	1	443524704T	
R934	C-CARBON R	RN72K1J-104JE	1	435031044R1	
[SW TRM]					
E7201	TRM-423(SCREW)	NEJITANSI ST3	1	25060495	
E7301	RETAINER	(S)	1	27142074	
E9001	TRM-423(SCREW)	NEJITANSI ST3	1	25060495	
E9002	RETAINER	(JOINT)	1	27142069	<1A>
E9003	TRM-423(SCREW)	NEJITANSI ST3	1	25060495	
E901	TRM-423(SCREW)	NEJITANSI ST3	1	25060495	
E902	TRM-423(SCREW)	NEJITANSI ST3	1	25060495	
F901C	FUSE HOL	NSCT-1P2031	1	25052133T	
F901D	FUSE HOL	NSCT-1P2031	1	25052133T	
JL5502B	WIRE TRAP	NPLG-5P588	1	25055626	
JL6017A	WIRE HOL	NSCT-3P874	1	25051087	

JL6605B	SOCKET	NSCT-5P97	1	25050269	
JL7101A	WIRE HOL	NSCT-7P878	1	25051091	
JL7101B	WIRE HOL	NSCT-7P878	1	25051091	
JL8001A	WIRE HOL	NSCT-5P876	1	25051089	
JL901A	WIRE HOL	NSCT-5P876	1	25051089	
JL9101B	SOCKET	NSCT-7P99	1	25050271	
P002	PWB	BCDIS-0046	1	25140046A	N
P003	PWB	BCDIS-0047	{ 1 }	25140047	N
P004	PWB	BCVD-0048	{ 1 }	25140048	N
P005	PWB	BCPS-0049	{ 1 }	25140049	N
P006	PWB	BCETC-0050	{ 1 }	25140050	N
P007	PWB	BCETC-0051	{ 1 }	25140051	N
P2001B	PLUG	IMSA-9142B-26A	1	25056603	
P2080A	SOCKET	IMSA-9142S-20A	1	25053232	
P3001	PIN JACK	NPJ-3PDYYY681	1	25045913	
P3002	PIN JACK	NPJ-3PDYYY681	1	25045913	
P3005	PIN JACK	NPJ-9PDGLR630	1	25045851	
P3005 or	PIN JACK	NPJ-9PDGLR520	( 1 )	25045732	
P701B	SOCKET	NSCT-33P2163	1	25052266	
P7201	JACK	YKB26-5153	1	25045385	
P7401	ST JACK	MSJ-035-05C B AG GR type	1	25045880	
P907	AC INLET	NPLG-2P913	1	25055960	
P911	PLUG	NPLG-2P631	1	25055675	
P911 or	PLUG	1-1123724-2	( 1 )	25056402	
P921	CRIMP AS	CRIMP AS	1	206CC45150UL	
P922	CRIMP AS	CRIMP AS	1	206CC45159UL	
RL901	RELAY	NRL-1P10A-DC9-186	1	25065683	! <1A>
S7002	R ENCODE	EVEHD1F3024B	1	25065695W	
S7102	PUSH SW	NPS-111-S681	1	25035718T	
S7104	PUSH SW	NPS-111-S681	1	25035718T	
S7106	PUSH SW	NPS-111-S681	1	25035718T	
S7108	PUSH SW	NPS-111-S681	1	25035718T	
S7112	PUSH SW	NPS-111-S681	1	25035718T	
S7114	PUSH SW	NPS-111-S681	1	25035718T	
S7116	PUSH SW	NPS-111-S681	1	25035718T	
S7118	PUSH SW	NPS-111-S681	1	25035718T	
S7120	PUSH SW	NPS-111-S681	1	25035718T	

S7122	PUSH SW	NPS-111-S681	1	25035718T
S7124	PUSH SW	NPS-111-S681	1	25035718T
S7126	PUSH SW	NPS-111-S681	1	25035718T
S7128	PUSH SW	NPS-111-S681	1	25035718T
S7132	PUSH SW	NPS-111-S681	1	25035718T
S7134	PUSH SW	NPS-111-S681	1	25035718T
S7136	PUSH SW	NPS-111-S681	1	25035718T
S7138	PUSH SW	NPS-111-S681	1	25035718T
S7140	PUSH SW	NPS-111-S681	1	25035718T
S7142	PUSH SW	NPS-111-S681	1	25035718T
S7144	PUSH SW	NPS-111-S681	1	25035718T
S7146	PUSH SW	NPS-111-S681	1	25035718T
S7148	PUSH SW	NPS-111-S681	1	25035718T
S7150	PUSH SW	NPS-111-S681	1	25035718T
S7152	PUSH SW	NPS-111-S681	1	25035718T
S7154	PUSH SW	NPS-111-S681	1	25035718T
S7156	PUSH SW	NPS-111-S681	1	25035718T
S7158	PUSH SW	NPS-111-S681	1	25035718T
S7160	PUSH SW	NPS-111-S681	1	25035718T
S7162	PUSH SW	NPS-111-S681	1	25035718T
S7164	PUSH SW	NPS-111-S681	1	25035718T

**U004 HDMI / DSP pc board AS (BAHDM-0060-1B)**

CIRCUIT NO.	PART NAME	DESCRIPTION	Q'TY	PART NO. (SN)	REMARKS
<b>[SEMI CONDUCTOR]</b>					
D201	DIODE	RB070M-30	1	22380361R2	
D201 or	C-DIODE	CRS09(TE85L_Q)	(1)	223274R2	
D203	C-DIODE	1SR154-400	1	22380284R2	
D204	C-DIODE	KDS4148U	1	223283R2	
D204 or	C-DIODE	1SS352	(1)	223234R2	
D204 or	C-DIODE	MA2J111	(1)	223279R2	
D204 or	C-DIODE	MA2J1110GL	(1)	223302R2	
D205	C-DIODE	1SR154-400	1	22380284R2	
D8301	DIODE	DAN217T146	1	223285R2	
D8301 or	C-DIODE	1SS226(TE85L_F)	(1)	223266R2	
D8302	C-DIODE	KDS4148U	1	223283R2	



D8302 or	C-DIODE	1SS352	(1)	223234R2
D8302 or	C-DIODE	MA2J111	(1)	223279R2
D8302 or	C-DIODE	MA2J1110GL	(1)	223302R2
D8591	DIODE	RB070M-30	1	22380361R2
D8591 or	C-DIODE	CRS09(TE85L_Q)	(1)	223274R2
D8651	C-DIODE	KDS4148U	1	223283R2
D8651 or	C-DIODE	1SS352	(1)	223234R2
D8651 or	C-DIODE	MA2J111	(1)	223279R2
D8651 or	C-DIODE	MA2J1110GL	(1)	223302R2
D8652	C-DIODE	1SR154-400	1	22380284R2
D8653	C-DIODE	KDS4148U	1	223283R2
D8653 or	C-DIODE	1SS352	(1)	223234R2
D8653 or	C-DIODE	MA2J111	(1)	223279R2
D8653 or	C-DIODE	MA2J1110GL	(1)	223302R2
Q201	IC	D788E001BRFP266Z	1	22242502R3
Q202	IC	TC74VHC157FT	1	22274157ER2TO
Q203	IC	TC7WU04FU(TE12L_F)	1	22240935R2
Q205	IC	TC74VHC157FT	1	22274157ER2TO
Q271	IC	SI8008TM	1	22242323R2
Q272	IC	TA48033BF(TE16L_NQ)	1	22278033DBR2TO
Q273	IC	BD7820	1	22242300R2
Q281	IC	K4S641632K-UC60	1	22242462R2
Q281 or	IC	K4S641632N-LC60	(1)	22242603R2
Q281 or	IC	EM638165TS-7G	(1)	22242607R2
Q282	IC (DSP PROGRAM)	S29AL016D70TFI010(0313)	1	222W0063R303136
Q282 or	IC (DSP PROGRAM)	ES29LV160ET-70TG(0313)	(1)	222W0069R303136
Q8305	IC	S-812C50BUC-C5ET2G	1	22242407R2
Q8306	IC	NC7SZ08P5X_F042	1	22242482R2
Q8306 or	IC	TC7SZ08FU(TE85L_F)	(1)	22242071R2TO
Q8309	IC	SN74CB3T3306DCT	1	22242454R2
Q8401	IC	SI9134CTU	1	22242394R3
Q8402	IC	TA48018BF(TE16L_NQ)	1	22278018DBR2TO
Q8404	IC	BH18LB1WG-TR	1	22242562R2
Q8405	IC	SN74CB3Q3305PWR	1	22242258R2
Q8501	IC	SI9233ACTU	1	22242582R3
Q8593	IC	SI8008TM	1	22242323R2
Q8651	IC	BD7820	1	22242300R2

Q8652	IC	BH33FB1WG-TR	1	22242585R2
Q8653	IC	TA48033BF(TE16L_NQ)	1	22278033DBR2TO
Q8654	IC	BD7820	1	22242300R2
[TRANS COIL]				
L201	CHOKO COIL	BLM21PG221SN1	1	230949R2
L202	CORE	BLM18PG181SN1D	1	2350005R1
L203	C-CARBON R	RN72K1J-000JE	1	435030004R1
L204	EMIFIL	BK1608LM182-T	1	230958R1
L205	CORE	BLM18PG181SN1D	1	2350005R1
L206	EMIFIL	BK1608LM182-T	1	230958R1
L219	CORE	BLM18PG181SN1D	1	2350005R1
L241	EMIFIL	ACF451832-333-T	1	230978R2
L251	CORE	BLM18PG181SN1D	1	2350005R1
L261	EMIFIL	BK1608LM182-T	1	230958R1
L271	CHOKO COIL	NCH-2541	1	231363K470A
L271 or	COIL	0182-7310-470K-RB	( 1)	231389
L272	CHOKO COIL	BLM21PG221SN1	1	230949R2
L281	CORE	BLM18PG181SN1D	1	2350005R1
L282	CORE	BLM18PG181SN1D	1	2350005R1
L283	CHOKO COIL	BLM21PG221SN1	1	230949R2
L8401	CORE	BLM18PG181SN1D	1	2350005R1
L8402	CORE	BLM18PG181SN1D	1	2350005R1
L8403	CORE	BLM18PG181SN1D	1	2350005R1
L8404	CORE	BLM18PG181SN1D	1	2350005R1
L8405	CORE	BLM18PG181SN1D	1	2350005R1
L8406	C-R NET	MNR12E0API000	1	43464900002R2
L8407	C-R NET	MNR12E0API000	1	43464900002R2
L8408	CORE	BLM18PG181SN1D	1	2350005R1
L8409	C-R NET	MNR12E0API000	1	43464900002R2
L8410	C-R NET	MNR12E0API000	1	43464900002R2
L8505	CHOKO COIL	BLM21PG221SN1	1	230949R2
L8507	CHOKO COIL	NCH-2541	1	231363K470A
L8507 or	COIL	0182-7310-470K-RB	( 1)	231389
L8508	CHOKO COIL	BLM21PG221SN1	1	230949R2
L8601	CORE	BLM18PG181SN1D	1	2350005R1
L8602	CORE	BLM18PG181SN1D	1	2350005R1
L8603	CORE	BLM18PG181SN1D	1	2350005R1

L8604	CORE	BLM18PG181SN1D	1	2350005R1
L8605	CORE	BLM18PG181SN1D	1	2350005R1
L8606	CORE	BLM18PG181SN1D	1	2350005R1
L8608	EMIFIL	BK1608LM182-T	1	230958R1
L8652	CORE	BLM18PG181SN1D	1	2350005R1
X201	CRYSTAL	HC-49USSMD17.734MHz	1	3010442R2
X8501	CRYSTAL	FCX-03-27.000MMHz	1	3010473R2
<a href="#">[CAPACITOR]</a>				
C201	C-CERA C	CK725F1A-105Z1	1	332181050R1
C202	C-CERA C	CK725F1A-105Z1	1	332181050R1
C203	C-CERA C	CK725F1A-105Z1	1	332181050R1
C204	C-CERA C	CK725F1A-105Z1	1	332181050R1
C205	C-CERA C	CK725F1A-105Z1	1	332181050R1
C206	C-CERA C	CK725F1A-105Z1	1	332181050R1
C207	C-CERA C	CK725F1A-105Z1	1	332181050R1
C208	C-CERA C	CK725F1A-105Z1	1	332181050R1
C209	C-CERA C	CK725F1A-105Z1	1	332181050R1
C210	C-CERA C	CK725F1A-105Z1	1	332181050R1
C211	C-CERA C	CK725F1A-105Z1	1	332181050R1
C212	C-CERA C	CK725F1A-105Z1	1	332181050R1
C213	C-CERA C	CK725F1A-105Z1	1	332181050R1
C214	C-CERA C	CK725F1A-105Z1	1	332181050R1
C215	C-CERA C	CK725F1A-105Z1	1	332181050R1
C216	C-CERA C	CK725F1A-105Z1	1	332181050R1
C217	C-CERA C	CK725F1A-105Z1	1	332181050R1
C218	CHIP ELECT C	CEWX4V-220M	1	3981G2217R2
C219	C-CERA C	CK725F1A-105Z1	1	332181050R1
C220	C-CERA C	CK725F1A-105Z1	1	332181050R1
C221	C-CERA C	CK725F1A-105Z1	1	332181050R1
C222	C-CERA C	CK725F1A-105Z1	1	332181050R1
C223	C-CERA C	CK725F1A-105Z1	1	332181050R1
C224	C-CERA C	CK725F1A-105Z1	1	332181050R1
C225	C-CERA C	CK725F1A-105Z1	1	332181050R1
C226	C-CERA C	CK725F1A-105Z1	1	332181050R1
C227	C-CERA C	CK725F1A-105Z1	1	332181050R1
C228	C-CERA C	CK725F1A-105Z1	1	332181050R1
C229	C-CERA C	CK725F1A-105Z1	1	332181050R1

C230	C-CERA C	CK725F1A-105Z1	1	332181050R1
C231	C-CERA C	CK725F1A-105Z1	1	332181050R1
C232	C-CERA C	CK725F1A-105Z1	1	332181050R1
C233	C-CERA C	CK725F1A-105Z1	1	332181050R1
C234	C-CERA C	CK725F1A-105Z1	1	332181050R1
C235	CHIP ELECT C	CEWX4V-220M	1	3981G2217R2
C238	C-CERA C	CC725CH1H-060D1	1	342100602R1
C239	C-CERA C	CC725CH1H-060D1	1	342100602R1
C241	CHIP ELECT C	CEWX4V-220M	1	3981G2217R2
C242	C-CERA C	CK725F1E-104Z1	1	332161040R1
C243	C-CERA C	CC725CH1H-101J1	1	342101014R1
C244	C-CERA C	CK725F1A-105Z1	1	332181050R1
C245	C-CERA C	CK725F1A-105Z1	1	332181050R1
C246	C-CERA C	CK725F1A-105Z1	1	332181050R1
C247	C-CERA C	CK725F1A-105Z1	1	332181050R1
C251	C-CERA C	CK725F1A-105Z1	1	332181050R1
C252	C-CERA C	CK725F1A-105Z1	1	332181050R1
C270	CHIP ELECT C	CEWX4V-22M	1	3981G2207R2
C271	VR C	CE04W16V-470M(VR)	1	394644717T
C272	C-CERA C	CK725B1H-223K1	1	332102235R1
C273	C-CERA C	CK725F1A-105Z1	1	332181050R1
C274	CD C	UCD1A471MNL1GS	1	396634717R2
C275	C-CERA C	CK725F1A-105Z1	1	332181050R1
C276	CHIP ELECT C	CEWX4V-220M	1	3981G2217R2
C277	C-CERA C	CK725F1A-105Z1	1	332181050R1
C278	C-CERA C	CK725B0J-106K	1	332091065R2
C279	C-CERA C	CK725F1A-105Z1	1	332181050R1
C281	C-CERA C	CK725B0J-106K	1	332091065R2
C282	C-CERA C	CK725F1A-105Z1	1	332181050R1
C283	C-CERA C	CC725CH1H-102J1	1	342101024R1
C284	C-CERA C	CK725B0J-106K	1	332091065R2
C285	C-CERA C	CK725F1A-105Z1	1	332181050R1
C286	C-CERA C	CK725F1A-105Z1	1	332181050R1
C287	C-CERA C	CK725F1A-105Z1	1	332181050R1
C288	C-CERA C	CK725F1A-105Z1	1	332181050R1
C289	C-CERA C	CK725F1A-105Z1	1	332181050R1
C290	C-CERA C	CK725F1A-105Z1	1	332181050R1

C291	C-CERA C	CK725F1A-105Z1	1	332181050R1
C292	C-CERA C	CK725F1A-105Z1	1	332181050R1
C295	C-CERA C	CK725F1A-105Z1	1	332181050R1
C8198	VR C	CE04W16V-470M(VR)	1	394644717T
C8199	VR C	CE04W16V-470M(VR)	1	394644717T
C8326	C-CERA C	CK725F1A-105Z1	1	332181050R1
C8327	C-CERA C	CK725F1A-105Z1	1	332181050R1
C8328	C-CERA C	CK725B0J-106K	1	332091065R2
C8330	C-CERA C	CK725F1A-105Z1	1	332181050R1
C8331	C-CERA C	CK725F1E-104Z1	1	332161040R1
C8348	C-CERA C	CK725B1H-102K1	1	332101025R1
C8399	C-CERA C	CK725B1H-102K1	1	332101025R1
C8401	C-CERA C	CK725B0J-106K	1	332091065R2
C8402	C-CERA C	CK725B0J-106K	1	332091065R2
C8403	C-CERA C	CK725F1A-105Z1	1	332181050R1
C8404	C-CERA C	CK725B1H-102K1	1	332101025R1
C8405	C-CERA C	CK725F1A-105Z1	1	332181050R1
C8406	C-CERA C	CK725B1H-102K1	1	332101025R1
C8408	C-CERA C	CK725B0J-106K	1	332091065R2
C8409	C-CERA C	CK725B0J-106K	1	332091065R2
C8410	C-CERA C	CK725F1A-105Z1	1	332181050R1
C8411	C-CERA C	CK725B1H-102K1	1	332101025R1
C8412	C-CERA C	CK725F1A-105Z1	1	332181050R1
C8413	C-CERA C	CK725B1H-102K1	1	332101025R1
C8414	C-CERA C	CK725F1A-105Z1	1	332181050R1
C8415	C-CERA C	CK725B1H-102K1	1	332101025R1
C8416	C-CERA C	CK725B1H-102K1	1	332101025R1
C8417	C-CERA C	CK725F1A-105Z1	1	332181050R1
C8418	C-CERA C	CK725B0J-106K	1	332091065R2
C8419	C-CERA C	CK725B1H-102K1	1	332101025R1
C8420	C-CERA C	CK725F1A-105Z1	1	332181050R1
C8421	C-CERA C	CK725B1H-102K1	1	332101025R1
C8422	C-CERA C	CK725F1A-105Z1	1	332181050R1
C8423	C-CERA C	CK725B1H-102K1	1	332101025R1
C8424	C-CERA C	CK725F1A-105Z1	1	332181050R1
C8425	C-CERA C	CK725B1H-102K1	1	332101025R1
C8426	C-CERA C	CK725F1A-105Z1	1	332181050R1

C8427	C-CERA C	CK725B1H-102K1	1	332101025R1
C8428	C-CERA C	CK725F1A-105Z1	1	332181050R1
C8429	C-CERA C	CK725B1H-102K1	1	332101025R1
C8430	C-CERA C	CK725F1A-105Z1	1	332181050R1
C8431	C-CERA C	CK725B1H-102K1	1	332101025R1
C8432	C-CERA C	CK725F1A-105Z1	1	332181050R1
C8433	C-CERA C	CK725B1H-102K1	1	332101025R1
C8434	C-CERA C	CK725F1A-105Z1	1	332181050R1
C8435	C-CERA C	CK725B0J-106K	1	332091065R2
C8436	C-CERA C	CK725B0J-106K	1	332091065R2
C8437	C-CERA C	CK725B0J-106K	1	332091065R2
C8438	C-CERA C	CK725B1H-102K1	1	332101025R1
C8439	C-CERA C	CK725B0J-106K	1	332091065R2
C8441	C-CERA C	CK725F1A-105Z1	1	332181050R1
C8442	C-CERA C	CK725B0J-106K	1	332091065R2
C8443	CHIP ELECT C	CEWX4V-220M	1	3981G2217R2
C8444	C-CERA C	CK725F1A-105Z1	1	332181050R1
C8451	C-CERA C	CK725F1A-105Z1	1	332181050R1
C8452	CHIP ELECT C	CEWX4V-100M	1	3981G1017R2
C8501	C-CERA C	CK725B1H-102K1	1	332101025R1
C8502	C-CERA C	CK725B0J-106K	1	332091065R2
C8503	C-CERA C	CK725F1A-105Z1	1	332181050R1
C8504	C-CERA C	CK725B1H-102K1	1	332101025R1
C8505	C-CERA C	CK725F1A-105Z1	1	332181050R1
C8506	C-CERA C	CK725B0J-106K	1	332091065R2
C8507	C-CERA C	CK725B1H-102K1	1	332101025R1
C8508	C-CERA C	CK725F1A-105Z1	1	332181050R1
C8509	C-CERA C	CK725B1H-102K1	1	332101025R1
C8510	C-CERA C	CK725F1A-105Z1	1	332181050R1
C8511	C-CERA C	CK725B1H-102K1	1	332101025R1
C8512	C-CERA C	CK725F1A-105Z1	1	332181050R1
C8513	C-CERA C	CK725B1H-102K1	1	332101025R1
C8514	C-CERA C	CK725F1A-105Z1	1	332181050R1
C8515	C-CERA C	CK725B1H-102K1	1	332101025R1
C8516	C-CERA C	CK725F1A-105Z1	1	332181050R1
C8517	C-CERA C	CK725B1H-102K1	1	332101025R1
C8518	C-CERA C	CK725F1A-105Z1	1	332181050R1



C8519	C-CERA C	CK725F1A-105Z1	1	332181050R1
C8521	C-CERA C	CK725F1E-104Z1	1	332161040R1
C8522	C-CERA C	CK725B0J-106K	1	332091065R2
C8523	C-CERA C	CK725F1A-105Z1	1	332181050R1
C8524	C-CERA C	CK725B0J-106K	1	332091065R2
C8525	C-CERA C	CK725B0J-106K	1	332091065R2
C8527	C-CERA C	CK725B1H-102K1	1	332101025R1
C8530	C-CERA C	CK725F1A-105Z1	1	332181050R1
C8531	C-CERA C	CK725B1H-102K1	1	332101025R1
C8532	C-CERA C	CK725F1A-105Z1	1	332181050R1
C8533	C-CERA C	CK725B1H-102K1	1	332101025R1
C8534	C-CERA C	CK725F1A-105Z1	1	332181050R1
C8535	C-CERA C	CK725B1H-102K1	1	332101025R1
C8536	C-CERA C	CK725F1A-105Z1	1	332181050R1
C8537	C-CERA C	CK725B1H-102K1	1	332101025R1
C8538	C-CERA C	CK725F1A-105Z1	1	332181050R1
C8539	C-CERA C	CK725B1H-102K1	1	332101025R1
C8548	C-CERA C	CK725F1A-105Z1	1	332181050R1
C8549	C-CERA C	CK725B1H-102K1	1	332101025R1
C8550	C-CERA C	CK725F1A-105Z1	1	332181050R1
C8551	C-CERA C	CK725B1H-102K1	1	332101025R1
C8552	C-CERA C	CK725F1A-105Z1	1	332181050R1
C8553	C-CERA C	CK725B1H-102K1	1	332101025R1
C8554	C-CERA C	CK725F1A-105Z1	1	332181050R1
C8555	C-CERA C	CK725B1H-102K1	1	332101025R1
C8556	C-CERA C	CK725F1A-105Z1	1	332181050R1
C8557	C-CERA C	CK725B1H-102K1	1	332101025R1
C8558	C-CERA C	CK725F1A-105Z1	1	332181050R1
C8559	C-CERA C	CK725B1H-102K1	1	332101025R1
C8560	C-CERA C	CK725B0J-106K	1	332091065R2
C8563	C-CERA C	CK725F1A-105Z1	1	332181050R1
C8564	C-CERA C	CK725B0J-106K	1	332091065R2
C8565	C-CERA C	CK725B0J-106K	1	332091065R2
C8566	C-CERA C	CK725B1H-102K1	1	332101025R1
C8567	C-CERA C	CK725F1A-105Z1	1	332181050R1
C8573	C-CERA C	CK725F1A-105Z1	1	332181050R1
C8574	C-CERA C	CC725CH1H-100D1	1	342101002R1

C8575	C-CERA C	CC725CH1H-100D1	1	342101002R1
C8581	C-CERA C	CK725F1E-104Z1	1	332161040R1
C8582	CHIP ELECT C	CEWX4V-100M	1	3981G1017R2
C8583	C-CERA C	CK725F1A-105Z1	1	332181050R1
C8584	C-CERA C	CK725B0J-106K	1	332091065R2
C8585	C-CERA C	CK725B0J-106K	1	332091065R2
C8605	C-CERA C	CK725B1H-102K1	1	332101025R1
C8606	C-CERA C	CK725B1H-102K1	1	332101025R1
C8608	C-CERA C	CK725F1A-105Z1	1	332181050R1
C8609	C-CERA C	CK725B0J-106K	1	332091065R2
C8611	C-CERA C	CK725B1H-102K1	1	332101025R1
C8612	C-CERA C	CK725B1H-102K1	1	332101025R1
C8621	C-CERA C	CK725B1H-102K1	1	332101025R1
C8622	C-CERA C	CK725B1H-102K1	1	332101025R1
C8631	C-CARBON R	RN72K1J-000JE	1	435030004R1
C8632	C-CERA C	CK725B1H-102K1	1	332101025R1
C8680	CD C	UCD1A471MNL1GS	1	396634717R2
C8681	C-CERA C	CK725F1A-105Z1	1	332181050R1
C8682	C-CERA C	CK725B1H-223K1	1	332102235R1
C8683	VR C	CE04W16V-470M(VR)	1	394644717T
C8684	C-CERA C	CK725F1A-105Z1	1	332181050R1
C8685	C-CERA C	CK725F1E-104Z1	1	332161040R1
C8687	C-CERA C	CK725F1E-104Z1	1	332161040R1
C8688	C-CERA C	CK725F1E-104Z1	1	332161040R1
C8689	C-CERA C	CK725F1E-104Z1	1	332161040R1
C8690	C-CERA C	CK725F1E-104Z1	1	332161040R1
<b>[RESISTOR]</b>				
R200	C-CARBON R	RN72K1J-221JE	1	435032214R1
R201	C-CARBON R	RN72K1J-103JE	1	435031034R1
R202	C-CARBON R	RN72K1J-103JE	1	435031034R1
R203	C-CARBON R	RN72K1J-103JE	1	435031034R1
R205	C-CARBON R	RN72K1J-103JE	1	435031034R1
R206	C-CARBON R	RN72K1J-221JE	1	435032214R1
R207	C-CARBON R	RN72K1J-221JE	1	435032214R1
R208	C-CARBON R	RN72K1J-103JE	1	435031034R1
R209	C-CARBON R	RN72K1J-470JE	1	435034704R1
R210	C-R NET	RM7LJ330X04	1	43484733004R2

R211	C-R NET	RM7LJ330X04	1	43484733004R2
R212	C-R NET	RM7LJ330X04	1	43484733004R2
R213	C-R NET	RM7LJ330X04	1	43484733004R2
R214	C-R NET	RM7LJ330X04	1	43484733004R2
R215	C-R NET	RM7LJ330X04	1	43484733004R2
R216	C-R NET	RM7LJ330X04	1	43484733004R2
R217	C-R NET	RM7LJ330X04	1	43484733004R2
R218	C-R NET	RM7LJ330X04	1	43484733004R2
R221	C-CARBON R	RN72K1J-750JE	1	435037504R1
R230	C-CARBON R	RN72K1J-331JE	1	435033314R1
R231	C-CARBON R	RN72K1J-331JE	1	435033314R1
R232	C-CARBON R	RN72K1J-331JE	1	435033314R1
R233	C-CARBON R	RN72K1J-470JE	1	435034704R1
R234	C-CARBON R	RN72K1J-331JE	1	435033314R1
R235	C-CARBON R	RN72K1J-331JE	1	435033314R1
R236	C-CARBON R	RN72K1J-470JE	1	435034704R1
R237	C-CARBON R	RN72K1J-331JE	1	435033314R1
R238	C-CARBON R	RN72K1J-221JE	1	435032214R1
R239	C-CARBON R	RN72K1J-470JE	1	435034704R1
R240	C-CARBON R	RN72K1J-331JE	1	435033314R1
R241	C-CARBON R	RN72K1J-331JE	1	435033314R1
R242	C-CARBON R	RN72K1J-470JE	1	435034704R1
R243	C-CARBON R	RN72K1J-221JE	1	435032214R1
R244	C-CARBON R	RN72K1J-470JE	1	435034704R1
R245	C-CARBON R	RN72K1J-103JE	1	435031034R1
R246	C-CARBON R	RN72K1J-000JE	1	435030004R1
R250	C-CARBON R	RN72K1J-472JE	1	435034724R1
R251	C-CARBON R	RN72K1J-221JE	1	435032214R1
R252	C-CARBON R	RN72K1J-331JE	1	435033314R1
R253	C-CARBON R	RN72K1J-470JE	1	435034704R1
R254	C-CARBON R	RN72K1J-470JE	1	435034704R1
R255	C-CARBON R	RN72K1J-470JE	1	435034704R1
R256	C-CARBON R	RN72K1J-470JE	1	435034704R1
R257	C-CARBON R	RN72K1J-470JE	1	435034704R1
R258	C-CARBON R	RN72K1J-470JE	1	435034704R1
R259	C-CARBON R	RN72K1J-331JE	1	435033314R1
R260	C-CARBON R	RN72K1J-470JE	1	435034704R1

R261	C-CARBON R	RN72K1J-470JE	1	435034704R1
R262	C-CARBON R	RN72K1J-331JE	1	435033314R1
R263	C-CARBON R	RN72K1J-331JE	1	435033314R1
R264	C-CARBON R	RN72K1J-331JE	1	435033314R1
R265	C-CARBON R	RN72K1J-470JE	1	435034704R1
R266	C-CARBON R	RN72K1J-221JE	1	435032214R1
R267	C-CARBON R	RN72K1J-105JE	1	435031054R1
R268	C-CARBON R	RN72K1J-331JE	1	435033314R1
R269	C-CARBON R	RN72K1J-331JE	1	435033314R1
R270	C-CARBON R	RN72K1J-331JE	1	435033314R1
R271	C-CARBON R	RN72K1J-470JE	1	435034704R1
R272	C-CARBON R	RN72K1J-331JE	1	435033314R1
R273	C-CARBON R	RN72K1J-331JE	1	435033314R1
R274	C-CARBON R	RN72K1J-470JE	1	435034704R1
R275	C-CARBON R	RN72K1J-221JE	1	435032214R1
R276	C-CARBON R	RN72K1J-221JE	1	435032214R1
R277	C-CARBON R	RN72K1J-151JE	1	435031514R1
R278	C-CARBON R	RN72K1J-331JE	1	435033314R1
R279	C-CARBON R	RN72K1J-331JE	1	435033314R1
R280	C-CARBON R	RN72K1J-470JE	1	435034704R1
R281	C-CARBON R	RN72K1J-103JE	1	435031034R1
R282	C-CARBON R	RN72K1J-103JE	1	435031034R1
R283	C-CARBON R	RN72K1J-103JE	1	435031034R1
R284	C-CARBON R	RN72K1J-103JE	1	435031034R1
R285	C-CARBON R	RN72K1J-103JE	1	435031034R1
R286	C-CARBON R	RN72K1J-331JE	1	435033314R1
R287	C-CARBON R	RN72K1J-103JE	1	435031034R1
R288	C-CARBON R	RN72K1J-103JE	1	435031034R1
R289	C-CARBON R	RN72K1J-472JE	1	435034724R1
R290	C-CARBON R	RN72K1J-472JE	1	435034724R1
R291	C-CARBON R	RN72K1J-332JE	1	435033324R1
R292	C-CARBON R	RN72K1J-333JE	1	435033334R1
R293	C-CARBON R	RN72K1J-152JE	1	435031524R1
R294	C-CARBON R	RN72K1J-152JE	1	435031524R1
R295	C-CARBON R	RN72K1J-333JE	1	435033334R1
R296	C-CARBON R	RN72K1J-224JE	1	435032244R1
R297	C-CARBON R	RN72K1J-223JE	1	435032234R1

R8332	C-CARBON R	RN72K1J-102JE	1	435031024R1
R8333	C-CARBON R	RN72K1J-103JE	1	435031034R1
R8334	C-CARBON R	RN72K1J-182JE	1	435031824R1
R8335	C-CARBON R	RN72K1J-182JE	1	435031824R1
R8336	C-CARBON R	RN72K1J-472JE	1	435034724R1
R8337	C-CARBON R	RN72K1J-473JE	1	435034734R1
R8338	C-CARBON R	RN72K1J-473JE	1	435034734R1
R8339	C-CARBON R	RN72K2E-470JE	1	435224704R1
R8401	C-R NET	RM7LJ220X04	1	43484722004R2
R8402	C-CARBON R	RN72K1J-221JE	1	435032214R1
R8403	C-R NET	RM7LJ220X04	1	43484722004R2
R8404	C-CARBON R	RN72K1J-220JE	1	435032204R1
R8405	C-CARBON R	RN72K1J-220JE	1	435032204R1
R8408	C-CARBON R	RN72K1J-220JE	1	435032204R1
R8409	C-CARBON R	RN72K1J-101JE	1	435031014R1
R8410	C-CARBON R	RN72K1J-681JE	1	435036814R1
R8411	C-CARBON R	RN72K1J-472JE	1	435034724R1
R8414	C-CARBON R	RN72K1J-472JE	1	435034724R1
R8415	C-CARBON R	RN72K1J-472JE	1	435034724R1
R8416	C-R NET	RM7LJ220X04	1	43484722004R2
R8417	C-R NET	RM7LJ220X04	1	43484722004R2
R8418	C-R NET	RM7LJ220X04	1	43484722004R2
R8419	C-R NET	RM7LJ220X04	1	43484722004R2
R8420	C-R NET	RM7LJ220X04	1	43484722004R2
R8421	C-R NET	RM7LJ220X04	1	43484722004R2
R8422	C-R NET	RM7LJ220X04	1	43484722004R2
R8423	C-R NET	RM7LJ220X04	1	43484722004R2
R8424	C-R NET	RM7LJ220X04	1	43484722004R2
R8425	C-CARBON R	RN72K1J-220JE	1	435032204R1
R8426	C-CARBON R	RN72K1J-473JE	1	435034734R1
R8427	C-CARBON R	RN72K1J-473JE	1	435034734R1
R8429	C-CARBON R	RN72K1J-220JE	1	435032204R1
R8431	C-CARBON R	RN72K1J-472JE	1	435034724R1
R8432	C-CARBON R	RN72K1J-220JE	1	435032204R1
R8442	C-CARBON R	RN72K1J-102JE	1	435031024R1
R8501	C-CARBON R	RN72K1J-330JE	1	435033304R1
R8502	C-CARBON R	RN72K1J-330JE	1	435033304R1

R8503	C-CARBON R	RN72K1J-330JE	1	435033304R1
R8504	C-R NET	RM7LJ330X04	1	43484733004R2
R8505	C-R NET	RM7LJ330X04	1	43484733004R2
R8506	C-CARBON R	RN72K1J-120JE	1	435031204R1
R8507	C-R NET	RM7LJ330X04	1	43484733004R2
R8508	C-R NET	RM7LJ330X04	1	43484733004R2
R8509	C-R NET	RM7LJ330X04	1	43484733004R2
R8510	C-R NET	RM7LJ330X04	1	43484733004R2
R8511	C-R NET	RM7LJ330X04	1	43484733004R2
R8512	C-R NET	RM7LJ330X04	1	43484733004R2
R8513	C-R NET	RM7LJ330X04	1	43484733004R2
R8514	C-CARBON R	RN72K1J-472JE	1	435034724R1
R8515	C-CARBON R	RN72K1J-472JE	1	435034724R1
R8516	C-CARBON R	RN72K1J-101JE	1	435031014R1
R8517	C-CARBON R	RN72K1J-101JE	1	435031014R1
R8518	C-CARBON R	RN72K1J-472JE	1	435034724R1
R8519	C-CARBON R	RN72K1J-151JE	1	435031514R1
R8520	C-CARBON R	RN72K1J-330JE	1	435033304R1
R8521	C-CARBON R	RN72K1J-330JE	1	435033304R1
R8522	C-R NET	RM7LJ330X04	1	43484733004R2
R8523	C-CARBON R	RN72K1J-330JE	1	435033304R1
R8524	C-CARBON R	RN72K1J-330JE	1	435033304R1
R8525	C-CARBON R	RN72K1J-472JE	1	435034724R1
R8526	C-CARBON R	RN72K1J-472JE	1	435034724R1
R8529	C-CARBON R	RN72K1J-102JE	1	435031024R1
R8530	C-CARBON R	RN72K1J-105JE	1	435031054R1
R8532	C-CARBON R	RN72K1J-000JE	1	435030004R1
R8591	C-CARBON R	RN72K1J-332JE	1	435033324R1
R8592	C-CARBON R	RN72K1J-333JE	1	435033334R1
R8593	C-CARBON R	RN72K1J-152JE	1	435031524R1
R8594	C-CARBON R	RN72K1J-152JE	1	435031524R1
R8595	C-CARBON R	RN72K1J-000JE	1	435030004R1
R8597	C-CARBON R	RN72K1J-101JE	1	435031014R1
R8602	C-CARBON R	RN72K1J-000JE	1	435030004R1
R8607	C-CARBON R	RN72K1J-473JE	1	435034734R1
R8608	C-CARBON R	RN72K1J-473JE	1	435034734R1
R8609	C-CARBON R	RN72K1J-000JE	1	435030004R1



R8612	C-CARBON R	RN72K1J-000JE	1	435030004R1	
R8617	C-CARBON R	RN72K1J-473JE	1	435034734R1	
R8618	C-CARBON R	RN72K1J-473JE	1	435034734R1	
R8619	C-CARBON R	RN72K1J-000JE	1	435030004R1	
R8622	C-CARBON R	RN72K1J-000JE	1	435030004R1	
R8627	C-CARBON R	RN72K1J-473JE	1	435034734R1	
R8628	C-CARBON R	RN72K1J-473JE	1	435034734R1	
R8629	C-CARBON R	RN72K1J-000JE	1	435030004R1	
R8632	C-CARBON R	RN72K1J-000JE	1	435030004R1	
R8637	C-CARBON R	RN72K1J-473JE	1	435034734R1	
R8638	C-CARBON R	RN72K1J-473JE	1	435034734R1	
R8639	C-CARBON R	RN72K1J-000JE	1	435030004R1	
R8651	C-CARBON R	RN72K1J-223JE	1	435032234R1	
R8652	C-CARBON R	RN72K1J-224JE	1	435032244R1	
R8653	C-CARBON R	RN72K1J-333JE	1	435033334R1	
R8654	C-CARBON R	RN72K1J-223JE	1	435032234R1	
R8655	C-CARBON R	RN72K1J-224JE	1	435032244R1	
R8656	C-CARBON R	RN72K1J-333JE	1	435033334R1	
[SW TRM]					
JL201A	WIRE HOL	NSCT-3P874	1	25051087	<IB>
JL8001B	WIRE TRAP	NPLG-5P588	1	25055626	
P004	PWB	BCHDM-0060	1	25140060B	N
P8001B	SOCKET	IMSA-9111S-16L	1	25053258	
P8002B	SOCKET	IMSA-9111S-24L	1	25053259	
P8302	SOCKET	YKF45-7037V	1	25053253R3	
P8601	SOCKET	YKF45-7037V	1	25053253R3	
P8611	SOCKET	YKF45-7037V	1	25053253R3	
P8621	SOCKET	YKF45-7037V	1	25053253R3	
P8631	SOCKET	YKF45-7037V	1	25053253R3	
<b>U005 SP terminal pc board AS (BATRM-0029-1K)</b>					
<b>CIRCUIT NO.</b>	<b>PART NAME</b>	<b>DESCRIPTION</b>	<b>Q'TY</b>	<b>PART NO. (SN)</b>	<b>REMARKS</b>
[SEMI CONDUCTOR]					
D6600	DIODE	1SS133	1	223163T	
D6603	DIODE	1SS133	1	223163T	
Q6601	TR	KRC105M	1	2215830T	

Q6601 or	TR	RN1205	(1)	2214660T	
Q6602	TR	KRC105M	1	2215830T	
Q6602 or	TR	RN1205	(1)	2214660T	
<b>[CAPACITOR]</b>					
C6030	TF C	ECQ-V50V-473J	1	374724734T	<1K>
C6031	TF C	ECQ-V50V-473J	1	374724734T	<1K>
C6032	TF C	ECQ-V50V-473J	1	374724734T	<1K>
C6033	TF C	ECQ-V50V-473J	1	374724734T	<1K>
C6034	TF C	ECQ-V50V-473J	1	374724734T	<1K>
C6600	TF C	ECQ-V50V-103J	1	374721034T	
C6602	TF C	ECQ-V50V-103J	1	374721034T	
C6603	TF C	ECQ-V50V-103J	1	374721034T	
<b>[RESISTOR]</b>					
R6130	METAL R	RNU1WCJ-8.2	1	453630824T	<1K>
R6131	METAL R	RNU1WCJ-8.2	1	453630824T	<1K>
R6132	METAL R	RNU1WCJ-8.2	1	453630824T	<1K>
R6133	METAL R	RNU1WCJ-8.2	1	453630824T	<1K>
R6134	METAL R	RNU1WCJ-8.2	1	453630824T	<1K>
R6690	METAL O R	RS1/2WBJ-10	1	443521004T	<1K>
R6691	METAL O R	RS1/2WBJ-390	1	443523914T	
R6692	METAL O R	RS1/2WBJ-390	1	443523914T	
<b>[SW TRM]</b>					
JL6600B	SOCKET	NSCT-7P99	1	25050271	
JL6603B	SOCKET	NSCT-9P101	1	25050273	
JL6605A	WIRE HOL	NSCT-5P896	1	25051109	
JL6610A	WIRE HOL	NSCT-7P878	1	25051091	
JL6620B	WIRE TRAP	NPLG-7P590	1	25055628	<1K>
P003	PWB	BCTRM-0029	1	25140029B	N
P6601	TRM	NTM-2PDMCR400	1	25060472	
P6602	TRM	NTM-4PDMNRR420	1	25060492	
P6603	TRM	NTM-4PDMNRR420	1	25060492	
RL6600	RELAY	NRL-2P5A-DC24-129	1	25065563A	
RL6600 or	RELAY	NRL-2P5A-DC24-193	(1)	25065703	
RL6602	RELAY	NRL-2P5A-DC24-129	1	25065563A	
RL6602 or	RELAY	NRL-2P5A-DC24-193	(1)	25065703	
RL6603	RELAY	NRL-2P5A-DC24-129	1	25065563A	
RL6603 or	RELAY	NRL-2P5A-DC24-193	(1)	25065703	

**U006** Driver amp. pc board AS (BACLA-0020-1B)

CIRCUIT NO.	PART NAME	DESCRIPTION	Q'TY	PART NO. (SN)	REMARKS
<b>[SEMI CONDUCTOR]</b>					
D5000	ZENER D	MTZJ5.6B	1	224470562T	
D5001	ZENER D	MTZJ5.6B	1	224470562T	
D5002	ZENER D	MTZJ5.6B	1	224470562T	
D5003	ZENER D	MTZJ5.6B	1	224470562T	
D5004	ZENER D	MTZJ5.6B	1	224470562T	
Q5000	TR	2SC2240-BL(TPE2_F)	1	2211406T	
Q5001	TR	2SC2240-BL(TPE2_F)	1	2211406T	
Q5002	TR	2SC2240-BL(TPE2_F)	1	2211406T	
Q5003	TR	2SC2240-BL(TPE2_F)	1	2211406T	
Q5004	TR	2SC2240-BL(TPE2_F)	1	2211406T	
Q5010	TR	2SC2240-BL(TPE2_F)	1	2211406T	
Q5011	TR	2SC2240-BL(TPE2_F)	1	2211406T	
Q5012	TR	2SC2240-BL(TPE2_F)	1	2211406T	
Q5013	TR	2SC2240-BL(TPE2_F)	1	2211406T	
Q5014	TR	2SC2240-BL(TPE2_F)	1	2211406T	
Q5030	TR	2SA949-Y(TPE6_F)	1	2211354T	
Q5030A	RETAINER	(CLA2)	1	27142140	N
Q5031	TR	2SA949-Y(TPE6_F)	1	2211354T	
Q5031A	RETAINER	(CLA2)	1	27142140	N
Q5032	TR	2SA949-Y(TPE6_F)	1	2211354T	
Q5032A	RETAINER	(CLA2)	1	27142140	N
Q5033	TR	2SA949-Y(TPE6_F)	1	2211354T	
Q5033A	RETAINER	(CLA2)	1	27142140	N
Q5034	TR	2SA949-Y(TPE6_F)	1	2211354T	
Q5034A	RETAINER	(CLA2)	1	27142140	N
Q5040	TR	2SC2229-Y(TPE6_F)	1	2211634T	
Q5041	TR	2SC2229-Y(TPE6_F)	1	2211634T	
Q5042	TR	2SC2229-Y(TPE6_F)	1	2211634T	
Q5043	TR	2SC2229-Y(TPE6_F)	1	2211634T	
Q5044	TR	2SC2229-Y(TPE6_F)	1	2211634T	
Q5050	TR	2SC2240-BL(TPE2_F)	1	2211406T	
Q5051	TR	2SC2240-BL(TPE2_F)	1	2211406T	

Q5052	TR	2SC2240-BL(TPE2_F)	1	2211406T
Q5053	TR	2SC2240-BL(TPE2_F)	1	2211406T
Q5054	TR	2SC2240-BL(TPE2_F)	1	2211406T
Q6010	TR	2SC1740S-S	1	2213285T
Q6011	TR	2SC1740S-S	1	2213285T
Q6012	TR	2SC1740S-S	1	2213285T
Q6013	TR	2SC1740S-S	1	2213285T
Q6014	TR	2SC1740S-S	1	2213285T
Q6030	TR	2SC5171(ONK_Q)	1	2203010
Q6030 or	TR	2SC5993-Q_P	(1)	2217161
Q6031	TR	2SC5171(ONK_Q)	1	2203010
Q6031 or	TR	2SC5993-Q_P	(1)	2217161
Q6032	TR	2SC5171(ONK_Q)	1	2203010
Q6032 or	TR	2SC5993-Q_P	(1)	2217161
Q6033	TR	2SC5171(ONK_Q)	1	2203010
Q6033 or	TR	2SC5993-Q_P	(1)	2217161
Q6034	TR	2SC5171(ONK_Q)	1	2203010
Q6034 or	TR	2SC5993-Q_P	(1)	2217161
Q6040	TR	2SA1930(ONK_Q)	1	2203000
Q6040 or	TR	2SA2140-Q_P	(1)	2217151
Q6041	TR	2SA1930(ONK_Q)	1	2203000
Q6041 or	TR	2SA2140-Q_P	(1)	2217151
Q6042	TR	2SA1930(ONK_Q)	1	2203000
Q6042 or	TR	2SA2140-Q_P	(1)	2217151
Q6043	TR	2SA1930(ONK_Q)	1	2203000
Q6043 or	TR	2SA2140-Q_P	(1)	2217151
Q6044	TR	2SA1930(ONK_Q)	1	2203000
Q6044 or	TR	2SA2140-Q_P	(1)	2217151
<b>[CAPACITOR]</b>				
C5000	UPZ C	2AUPZTF101JE	1	376331014T
C5001	UPZ C	2AUPZTF101JE	1	376331014T
C5002	UPZ C	2AUPZTF101JE	1	376331014T
C5003	UPZ C	2AUPZTF101JE	1	376331014T
C5004	UPZ C	2AUPZTF101JE	1	376331014T
C5010	UTSP C	CE04W50V 47M(UTSP)	1	397584707T
C5011	UTSP C	CE04W50V 47M(UTSP)	1	397584707T
C5012	UTSP C	CE04W50V 47M(UTSP)	1	397584707T

C5013	UTSP C	CE04W50V 47M(UTSP)	1	397584707T
C5014	UTSP C	CE04W50V 47M(UTSP)	1	397584707T
C5020	UTSP C	CE04W50V-10M(UTSP)	1	397581007T
C5021	UTSP C	CE04W50V-10M(UTSP)	1	397581007T
C5022	UTSP C	CE04W50V-10M(UTSP)	1	397581007T
C5023	UTSP C	CE04W50V-10M(UTSP)	1	397581007T
C5024	UTSP C	CE04W50V-10M(UTSP)	1	397581007T
C5040	UTSP C	CE04W25V-220M(UTSP)	1	397552217T
C5041	UTSP C	CE04W25V-220M(UTSP)	1	397552217T
C5042	UTSP C	CE04W25V-220M(UTSP)	1	397552217T
C5043	UTSP C	CE04W25V-220M(UTSP)	1	397552217T
C5044	UTSP C	CE04W25V-220M(UTSP)	1	397552217T
C5050	UTSP C	CE04W50V 47M(UTSP)	1	397584707T
C5051	UTSP C	CE04W50V 47M(UTSP)	1	397584707T
C5052	UTSP C	CE04W50V 47M(UTSP)	1	397584707T
C5053	UTSP C	CE04W50V 47M(UTSP)	1	397584707T
C5054	UTSP C	CE04W50V 47M(UTSP)	1	397584707T
C5080	CERA C	CC45SL50V-040C	1	345020401T
C5081	CERA C	CC45SL50V-040C	1	345020401T
C5082	CERA C	CC45SL50V-040C	1	345020401T
C5083	CERA C	CC45SL50V-040C	1	345020401T
C5084	CERA C	CC45SL50V-040C	1	345020401T
C5090	UPZ C	2AUPZTF101JE	1	376331014T
C5091	UPZ C	2AUPZTF101JE	1	376331014T
C5092	UPZ C	2AUPZTF101JE	1	376331014T
C5093	UPZ C	2AUPZTF101JE	1	376331014T
C5094	UPZ C	2AUPZTF101JE	1	376331014T
C5100	VR C	CE04W100V-22M(VR)	1	394692207T
C5101	VR C	CE04W100V-22M(VR)	1	394692207T
C5102	VR C	CE04W100V-22M(VR)	1	394692207T
C5103	VR C	CE04W100V-22M(VR)	1	394692207T
C5104	VR C	CE04W100V-22M(VR)	1	394692207T
C5110	VR C	CE04W100V-22M(VR)	1	394692207T
C5111	VR C	CE04W100V-22M(VR)	1	394692207T
C5112	VR C	CE04W100V-22M(VR)	1	394692207T
C5113	VR C	CE04W100V-22M(VR)	1	394692207T
C5114	VR C	CE04W100V-22M(VR)	1	394692207T

C6040	UTSP C	CE04W50V 47M(UTSP)	1	397584707T
C6041	UTSP C	CE04W50V 47M(UTSP)	1	397584707T
C6042	UTSP C	CE04W50V 47M(UTSP)	1	397584707T
C6043	UTSP C	CE04W50V 47M(UTSP)	1	397584707T
C6044	UTSP C	CE04W50V 47M(UTSP)	1	397584707T
<a href="#">[RESISTOR]</a>				
R5000	CARBON R	R16J-1.5K	1	417341524T
R5001	CARBON R	R16J-1.5K	1	417341524T
R5002	CARBON R	R16J-1.5K	1	417341524T
R5003	CARBON R	R16J-1.5K	1	417341524T
R5004	CARBON R	R16J-1.5K	1	417341524T
R5010	CARBON R	R16J-120K	1	417341244T
R5011	CARBON R	R16J-120K	1	417341244T
R5012	CARBON R	R16J-120K	1	417341244T
R5013	CARBON R	R16J-120K	1	417341244T
R5014	CARBON R	R16J-120K	1	417341244T
R5020	CARBON R	R16J-330	1	417343314T
R5021	CARBON R	R16J-330	1	417343314T
R5022	CARBON R	R16J-330	1	417343314T
R5023	CARBON R	R16J-330	1	417343314T
R5024	CARBON R	R16J-330	1	417343314T
R5030	CARBON R	R16J-120K	1	417341244T
R5031	CARBON R	R16J-120K	1	417341244T
R5032	CARBON R	R16J-120K	1	417341244T
R5033	CARBON R	R16J-120K	1	417341244T
R5034	CARBON R	R16J-120K	1	417341244T
R5040	CARBON R	R16J-2.2K	1	417342224T
R5041	CARBON R	R16J-2.2K	1	417342224T
R5042	CARBON R	R16J-2.2K	1	417342224T
R5043	CARBON R	R16J-2.2K	1	417342224T
R5044	CARBON R	R16J-2.2K	1	417342224T
R5050	CARBON R	R16J-4.7K	1	417344724T
R5051	CARBON R	R16J-4.7K	1	417344724T
R5052	CARBON R	R16J-4.7K	1	417344724T
R5053	CARBON R	R16J-4.7K	1	417344724T
R5054	CARBON R	R16J-4.7K	1	417344724T
R5060	CARBON R	R16J-1.2K	1	417341224T

R5061	CARBON R	R16J-1.2K	1	417341224T
R5062	CARBON R	R16J-1.2K	1	417341224T
R5063	CARBON R	R16J-1.2K	1	417341224T
R5064	CARBON R	R16J-1.2K	1	417341224T
R5080	CARBON R	R16J-470	1	417344714T
R5081	CARBON R	R16J-470	1	417344714T
R5082	CARBON R	R16J-470	1	417344714T
R5083	CARBON R	R16J-470	1	417344714T
R5084	CARBON R	R16J-470	1	417344714T
R5090	CARBON R	R16J-100K	1	417341044T
R5091	CARBON R	R16J-100K	1	417341044T
R5092	CARBON R	R16J-100K	1	417341044T
R5093	CARBON R	R16J-100K	1	417341044T
R5094	CARBON R	R16J-100K	1	417341044T
R5100	CARBON R	R16J-100K	1	417341044T
R5101	CARBON R	R16J-100K	1	417341044T
R5102	CARBON R	R16J-100K	1	417341044T
R5103	CARBON R	R16J-100K	1	417341044T
R5104	CARBON R	R16J-100K	1	417341044T
R5110	CARBON R	R16J-1K	1	417341024T
R5111	CARBON R	R16J-1K	1	417341024T
R5112	CARBON R	R16J-1K	1	417341024T
R5113	CARBON R	R16J-1K	1	417341024T
R5114	CARBON R	R16J-1K	1	417341024T
R5130	CARBON R	R16J-18K	1	417341834T
R5131	CARBON R	R16J-18K	1	417341834T
R5132	CARBON R	R16J-18K	1	417341834T
R5133	CARBON R	R16J-18K	1	417341834T
R5134	CARBON R	R16J-18K	1	417341834T
R5160	NF CARBON R	R25J-100	1	415471014T
R5161	NF CARBON R	R25J-100	1	415471014T
R5162	NF CARBON R	R25J-100	1	415471014T
R5163	NF CARBON R	R25J-100	1	415471014T
R5164	NF CARBON R	R25J-100	1	415471014T
R5170	NF CARBON R	R25J-100	1	415471014T
R5171	NF CARBON R	R25J-100	1	415471014T
R5172	NF CARBON R	R25J-100	1	415471014T



R5173	NF CARBON R	R25J-100	1	415471014T
R5174	NF CARBON R	R25J-100	1	415471014T
R5180	NF CARBON R	R25J-10	1	415471004T
R5181	NF CARBON R	R25J-10	1	415471004T
R5182	NF CARBON R	R25J-10	1	415471004T
R5183	NF CARBON R	R25J-10	1	415471004T
R5184	NF CARBON R	R25J-10	1	415471004T
R5190	NF CARBON R	R25J-10	1	415471004T
R5191	NF CARBON R	R25J-10	1	415471004T
R5192	NF CARBON R	R25J-10	1	415471004T
R5193	NF CARBON R	R25J-10	1	415471004T
R5194	NF CARBON R	R25J-10	1	415471004T
R5200	CARBON R	R16J-18K	1	417341834T
R5201	CARBON R	R16J-18K	1	417341834T
R5202	CARBON R	R16J-18K	1	417341834T
R5203	CARBON R	R16J-18K	1	417341834T
R5204	CARBON R	R16J-18K	1	417341834T
R5230	CARBON R	R16J-120K	1	417341244T
R5231	CARBON R	R16J-120K	1	417341244T
R5232	CARBON R	R16J-120K	1	417341244T
R5233	CARBON R	R16J-120K	1	417341244T
R5234	CARBON R	R16J-120K	1	417341244T
R5300	CARBON R	R16J-22	1	417342204T
R5301	CARBON R	R16J-22	1	417342204T
R5302	CARBON R	R16J-22	1	417342204T
R5303	CARBON R	R16J-22	1	417342204T
R5304	CARBON R	R16J-22	1	417342204T
R5310	CARBON R	R16J-22	1	417342204T
R5311	CARBON R	R16J-22	1	417342204T
R5312	CARBON R	R16J-22	1	417342204T
R5313	CARBON R	R16J-22	1	417342204T
R5314	CARBON R	R16J-22	1	417342204T
R5320	CARBON R	R16J-120K	1	417341244T
R5321	CARBON R	R16J-120K	1	417341244T
R5322	CARBON R	R16J-120K	1	417341244T
R5323	CARBON R	R16J-120K	1	417341244T
R5324	CARBON R	R16J-120K	1	417341244T

R6020	NF CARBON R	R25J-2.2	1	415470224T	
R6021	NF CARBON R	R25J-2.2	1	415470224T	
R6022	NF CARBON R	R25J-2.2	1	415470224T	
R6023	NF CARBON R	R25J-2.2	1	415470224T	
R6024	NF CARBON R	R25J-2.2	1	415470224T	
R6040	TRIM R	N06HR2KBB	1	5211402T	
R6041	TRIM R	N06HR2KBB	1	5211402T	
R6042	TRIM R	N06HR2KBB	1	5211402T	
R6043	TRIM R	N06HR2KBB	1	5211402T	
R6044	TRIM R	N06HR2KBB	1	5211402T	
R6050	CARBON R	R16J-3.3K	1	417343324T	
R6051	CARBON R	R16J-3.3K	1	417343324T	
R6052	CARBON R	R16J-3.3K	1	417343324T	
R6053	CARBON R	R16J-3.3K	1	417343324T	
R6054	CARBON R	R16J-3.3K	1	417343324T	
R6070	NF CARBON R	R25J-82	1	415478204T	
R6071	NF CARBON R	R25J-82	1	415478204T	
R6072	NF CARBON R	R25J-82	1	415478204T	
R6073	NF CARBON R	R25J-82	1	415478204T	
R6074	NF CARBON R	R25J-82	1	415478204T	
[SW TRM]					
P001	PWB	BCCLA-0020	1	25140020B	N
P5507B	TRM	NTM-1P233(M1969)	1	25060302	
P5509B	TRM	NTM-1P233(M1969)	1	25060302	
P6000A	SOCKET	NSCT-9P2189	1	25052292	
P6001A	SOCKET	NSCT-9P2189	1	25052292	
P6002A	SOCKET	NSCT-3P2183	1	25052286	
P6003A	SOCKET	NSCT-9P2189	1	25052292	
P6004A	SOCKET	NSCT-9P2189	1	25052292	
P6012A	SOCKET	NSCT-7P2187	1	25052290	

**U007 LAN pc board AS (BALAN-0066-1A)**  
**U0071 RS232/IR pc board AS (BAETC-0067-1A)**

CIRCUIT NO.	PART NAME	DESCRIPTION	Q'TY	PART NO. (SN)	REMARKS
[TUNER UNIT]					
U4001	REMO SENS	NJL34H380A	1	241365	

[SEMI CONDUCTOR]				
D4021	ZENER D	UDZS6.2B	1	224550620R2
D4022	ZENER D	UDZS3.6B	1	224550360R2
D4023	ZENER D	UDZS6.2B	1	224550620R2
D4024	C-DIODE	KDS4148U	1	223283R2
D4025	C-DIODE	KDS4148U	1	223283R2
D4026	C-DIODE	KDS4148U	1	223283R2
D4027	C-DIODE	KDS4148U	1	223283R2
D4028	C-DIODE	KDS4148U	1	223283R2
D4029	C-DIODE	KDS4148U	1	223283R2
D4030	SPCF D	SIR-34ST3F	1	225456
D4031	SPCF D	SIR-34ST3F	1	225456
D4121	C-DIODE	KDS4148U	1	223283R2
D4123	C-DIODE	KDS4148U	1	223283R2
Q4310	IC	M61540FP	1	22242497R2
Q4311	IC	ICL3221ECVZ	1	22242268R2
Q4312	TR	KTA1266-GR	1	2215975T
Q4312 or	TR	2SA1015-GR	(1)	2211455T
Q4313	TR	2SB1240-R	1	2213794T
Q4314	TR	KRC102M	1	2215960T
Q4314 or	TR	DTC114ES	(1)	2213290T
Q4315	TR	KRC102M	1	2215960T
Q4315 or	TR	DTC114ES	(1)	2213290T
Q4316	TR	KTA1266-GR	1	2215975T
Q4316 or	TR	2SA1015-GR	(1)	2211455T
Q4317	TR	KRC102M	1	2215960T
Q4317 or	TR	DTC114ES	(1)	2213290T
Q4318	TR	KRA102M	1	2215770T
Q4318 or	TR	DTA114ES	(1)	2213510T
Q4319	PHT CP	TLP421(BL_J)	1	24120103
Q4319 or	PHT CP	PC817X	(1)	24120080
Q4320	PHT CP	TLP421(BL_J)	1	24120103
Q4320 or	PHT CP	PC817X	(1)	24120080
Q4321	TR	RN1441	1	2215410R2
Q4322	TR	RN1441	1	2215410R2
Q4501	IC (LAN)	PIC18F66J60(0332)	1	222W0072R303324
Q4502	IC	IS25C02-2GLI	1	222W0075R2

Q4502 or	IC	BR25L020FJ-W	(1)	222W0076R2
Q4503	IC	BA33BC0FP	1	22278033DR2RH
Q4503 or	IC	TA48033BF(TE16L_NQ)	(1)	22278033DBR2TO
Q4503 or	IC	TA48033AF(TE16L_NQ)	(1)	22278033DR2TO
<b>[TRANS COIL]</b>				
L4001	CHOKO COIL	BLM21PG221SN1	1	230949R2
L4501	CHOKO COIL	BLM21PG221SN1	1	230949R2
L4502	CHOKO COIL	BLM21PG221SN1	1	230949R2
L4503	CHOKO COIL	BLM21PG221SN1	1	230949R2
L4504	CORE	DLP2ADN900HL4L	1	230990R2
X4501	CRYSTAL	HC-49USSMD25.00MHz	1	3010444R2
<b>[CAPACITOR]</b>				
C4001	C-CERA C	CK725B1H-223K1	1	332102235R1
C4002	UTSP C	CE04W50V-1M(UTSP)	1	397580107T
C4003	UTSP C	CE04W50V-1M(UTSP)	1	397580107T
C4004	UTSP C	CE04W10V-100M(UTSP)	1	397531017T
C4005	C-CERA C	CK725B1H-223K1	1	332102235R1
C4006	UTSP C	CE04W50V-1M(UTSP)	1	397580107T
C4007	UTSP C	CE04W50V-1M(UTSP)	1	397580107T
C4016	UTSP C	CE04W25V-47M(UTSP)	1	397554707T
C4017	UTSP C	CE04W25V-47M(UTSP)	1	397554707T
C4018	UTSP C	CE04W25V-47M(UTSP)	1	397554707T
C4019	C-CERA C	CK725B1H-103K1	1	332101035R1
C4020	UTSP C	CE04W25V-47M(UTSP)	1	397554707T
C4021	TF C	ECQ-V50V-224J	1	374722244T
C4022	TF C	ECQ-V50V-473J	1	374724734T
C4023	TF C	ECQ-V50V-473J	1	374724734T
C4024	UTSP C	CE04W25V-100M(UTSP)	1	397551017T
C4025	TF C	ECQ-V50V-224J	1	374722244T
C4026	TF C	ECQ-V50V-333J	1	374723334T
C4027	TF C	ECQ-V50V-333J	1	374723334T
C4029	MKT C	B32529C0102J289	1	376491024T
C4030	UTSP C	CE04W16V-470M(UTSP)	1	397544717T
C4031	MKT C	B32529C0102J289	1	376491024T
C4032	UTSP C	CE04W16V-470M(UTSP)	1	397544717T
C4033	C-CERA C	CK725B1H-102K1	1	332101025R1
C4034	UTSP C	CE04W25V-220M(UTSP)	1	397552217T

C4035	ELECT C	CE04W6.3V-100M(S)	1	353721019T
C4036	C-CERA C	CK725B1H-102K1	1	332101025R1
C4037	C-CERA C	CK725B1H-102K1	1	332101025R1
C4501	C-CERA C	CK725F1E-104Z1	1	332161040R1
C4502	C-CERA C	CK725B1H-103K1	1	332101035R1
C4503	C-CERA C	CK725B1H-103K1	1	332101035R1
C4505	C-CERA C	CK725F1E-104Z1	1	332161040R1
C4506	C-CERA C	CK725F1E-104Z1	1	332161040R1
C4507	C-CERA C	CC725CH1H-150J1	1	342101504R1
C4508	VR C	CE04W50V-10M(VR)	1	394681007T
C4509	C-CERA C	CC725CH1H-150J1	1	342101504R1
C4510	C-CERA C	CK725F1E-104Z1	1	332161040R1
C4511	VR C	CE04W16V-100M(VR)	1	394641017T
C4512	C-CERA C	CK725F1E-104Z1	1	332161040R1
C4515	C-CERA C	CK725F1E-104Z1	1	332161040R1
C4516	VR C	CE04W16V-100M(VR)	1	394641017T
<a href="#">[RESISTOR]</a>				
R4022	C-CARBON R	RN72K1J-000JE	1	435030004R1
R4111	C-CARBON R	RN72K1J-103JE	1	435031034R1
R4112	C-CARBON R	RN72K1J-103JE	1	435031034R1
R4113	C-CARBON R	RN72K1J-103JE	1	435031034R1
R4114	C-CARBON R	RN72K1J-472JE	1	435034724R1
R4115	C-CARBON R	RN72K1J-472JE	1	435034724R1
R4116	C-CARBON R	RN72K1J-152JE	1	435031524R1
R4117	METAL O R	RS1WBJ-68	1	443626804T
R4118	METAL O R	RS1WBJ-68	1	443626804T
R4119	C-CARBON R	RN72K1J-224JE	1	435032244R1
R4120	C-CARBON R	RN72K1J-470JE	1	435034704R1
R4121	C-CARBON R	RN72K1J-102JE	1	435031024R1
R4122	C-CARBON R	RN72K1J-082JE	1	435030824R1
R4123	C-CARBON R	RN72K1J-102JE	1	435031024R1
R4124	C-CARBON R	RN72K1J-470JE	1	435034704R1
R4125	C-CARBON R	RN72K1J-102JE	1	435031024R1
R4126	C-CARBON R	RN72K1J-224JE	1	435032244R1
R4127	METAL O R	RS1WBJ-68	1	443626804T
R4128	METAL O R	RS1WBJ-68	1	443626804T
R4129	C-CARBON R	RN72K1J-224JE	1	435032244R1

R4130	C-CARBON R	RN72K1J-471JE	1	435034714R1
R4131	C-CARBON R	RN72K1J-471JE	1	435034714R1
R4132	C-CARBON R	RN72K1J-474JE	1	435034744R1
R4133	C-CARBON R	RN72K1J-474JE	1	435034744R1
R4134	C-CARBON R	RN72K1J-474JE	1	435034744R1
R4135	C-CARBON R	RN72K1J-474JE	1	435034744R1
R4137	C-CARBON R	RN72K1J-224JE	1	435032244R1
R4138	C-CARBON R	RN72K1J-101JE	1	435031014R1
R4141	C-CARBON R	RN72K1J-474JE	1	435034744R1
R4142	C-CARBON R	RN72K1J-474JE	1	435034744R1
R4143	C-CARBON R	RN72K1J-474JE	1	435034744R1
R4144	C-CARBON R	RN72K1J-474JE	1	435034744R1
R4147	C-CARBON R	RN72K1J-101JE	1	435031014R1
R4148	METAL O R	RS1WBJ-100	1	443621014T
R4149	C-CARBON R	RN72K1J-101JE	1	435031014R1
R4150	C-CARBON R	RN72K1J-224JE	1	435032244R1
R4151	C-CARBON R	RN72K1J-224JE	1	435032244R1
R4157	C-CARBON R	RN72K1J-103JE	1	435031034R1
R4200	C-CARBON R	RN72K1J-222JE	1	435032224R1
R4201	C-CARBON R	RN72K1J-224JE	1	435032244R1
R4202	C-CARBON R	RN72K1J-224JE	1	435032244R1
R4203	C-CARBON R	RN72K1J-222JE	1	435032224R1
R4204	C-CARBON R	RN72K1J-101JE	1	435031014R1
R4205	C-CARBON R	RN72K1J-101JE	1	435031014R1
R4206	C-CARBON R	RN72K1J-331JE	1	435033314R1
R4207	C-CARBON R	RN72K1J-331JE	1	435033314R1
R4208	C-CARBON R	RN72K1J-103JE	1	435031034R1
R4209	C-CARBON R	RN72K1J-103JE	1	435031034R1
R4210	C-CARBON R	RN72K1J-103JE	1	435031034R1
R4211	C-CARBON R	RN72K1J-331JE	1	435033314R1
R4212	C-CARBON R	RN72K1J-331JE	1	435033314R1
R4213	C-CARBON R	RN72K1J-101JE	1	435031014R1
R4214	C-CARBON R	RN72K1J-101JE	1	435031014R1
R4215	C-CARBON R	RN72K1J-101JE	1	435031014R1
R4216	C-CARBON R	RN72K1J-102JE	1	435031024R1
R4217	C-CARBON R	RN72K1J-222JE	1	435032224R1
R4218	C-CARBON R	RN72K1J-222JE	1	435032224R1

R4221	C-CARBON R	RN72K1J-470JE	1	435034704R1	
R4222	C-CARBON R	RN72K1J-082JE	1	435030824R1	
R4223	C-CARBON R	RN72K1J-470JE	1	435034704R1	
R4501	C-CARBON R	MCR03EZPF49R9(49.9_1%)	1	4100037R2	
R4502	C-CARBON R	MCR03EZPF49R9(49.9_1%)	1	4100037R2	
R4503	C-CARBON R	MCR03EZPF49R9(49.9_1%)	1	4100037R2	
R4504	C-CARBON R	MCR03EZPF49R9(49.9_1%)	1	4100037R2	
R4505	C-CARBON R	RN72K1J-222JE	1	435032224R1	
R4506	C-CARBON R	RN72K1J-331JE	1	435033314R1	
R4507	C-CARBON R	RN72K1J-331JE	1	435033314R1	
R4508	C-CARBON R	RN72K1J-103JE	1	435031034R1	
R4509	C-CARBON R	RN72K1J-471JE	1	435034714R1	
R4510	C-CARBON R	RN72K1J-103JE	1	435031034R1	
R4511	C-CARBON R	RN72K1J-100JE	1	435031004R1	
R4512	C-CARBON R	RN72K1J-100JE	1	435031004R1	
R4524	C-CARBON R	RN72K1J-331JE	1	435033314R1	
R4525	C-CARBON R	RN72K1J-331JE	1	435033314R1	
R4526	C-CARBON R	RN72K1J-470JE	1	435034704R1	
R4527	C-CARBON R	RN72K1J-470JE	1	435034704R1	
R4528	C-CARBON R	RN72K1J-470JE	1	435034704R1	
R4529	C-CARBON R	RN72K1J-470JE	1	435034704R1	
R4530	C-CARBON R	RN72K1J-103JE	1	435031034R1	
R4531	C-CARBON R	RN72K1J-103JE	1	435031034R1	
R4532	C-CARBON R	RN72K1J-103JE	1	435031034R1	
<a href="#">[SW TRM]</a>					
JL201B	WIRE TRAP	NPLG-3P586	1	25055624	
JL4001A	WIRE HOL	NSCT-3P874	1	25051087	
JL4001B	WIRE HOL	NSCT-3P874	1	25051087	
JL6001B	WIRE TRAP	NPLG-9P592	1	25055630	
JL6002B	WIRE TRAP	NPLG-5P588	1	25055626	
JL6017B	WIRE TRAP	NPLG-3P586	1	25055624	
JL6065B	WIRE TRAP	NPLG-7P590	1	25055628	
P001	PWB	BCLAN-0066	1	25140066A	N
P002	PWB	BCETC-0067	{ 1}	25140067	N
P4001	CAP	(IR)	1	28330185	
P4011	SOCKET	7906-09FHA	1	25053103	
P4012	ST JACK	HSJ1002-01-6020	1	25045647	



P4013	ST JACK	HSJ1002-01-6020	1	25045647
P4014	ST JACK	HSJ1002-01-6020	1	25045647
P4015	PIN JACK	NPJ-2PDBL249	1	25045424
P4501	SOCKET	J0026D21NL	1	25053250
P4510	PLUG	IMSA-9201B-1-06Z388-PT1	1	25056614
P4511	TRM-423(SCREW)	NEJITANSI ST3	1	25060495
P4512	TRM-423(SCREW)	NEJITANSI ST3	1	25060495

**DTR-20.1****PACKING PROCEDURES PARTS LIST**

REF. NO.	PART NAME	DESCRIPTION	Q'TY	PART NO. (SN)	REMARKS
<a href="#">[PACKING]</a>					
A601	PAD	(AS)607	1	29092458A	
A605	POLY BAG	w850xd650	1	29100245	
A606	TAPE	(SEROHAN)NITTO NO.29	1	29110149	
A610	SHEET	(PAD)	1	29096095	N
A701	CARTON	DTR-20.1(B)MDD	1	29055006	N
A703A	UPC LABEL	.DTR-20.1B	{ 1 }	29390792	N
A760	PP TAPE	W50 SBT-70	1	29110200	
<a href="#">[ACCESSARY]</a>					
A674	POLY BAG	D250xd300xW300(t0.04)	1	29100256A	
A676	TAPE	(SEROHAN)NITTO NO.29	1	29110149	
A801	INS MANUAL	En(DTR-20.1)	1	29344968	N
A811	INS MANUAL	U9(RC736/737/738/739)	1	29344962	
A816	INS MANUAL	En(QSS DTR-20.1)	1	29344969	N
A821	INST SHEET	En(2009E_RIHD)	1	29355745	
A835	HANDBILL	(UP-A1)US	1	29380155	
A855	REMO CON	RC-739M	1	24140739	N
A856	MIC	MIC-7000	1	245044	
A858	ANT COIL	NMA-3057	1	232140	
A859	FM ANT AS	Type W	1	292191	
A860	LABEL	(SPCABLE)2009	1	29390881	
A861	BATTERY	R6/AA(UM-3)	2	3010194	
A861 or	BATTERY	R6/AA(UM-3)	( 2 )	3010054	
A885	WRNTY CARD	(INTEGRA)	1	29365136	N

---

Integra Division of

**ONKYO CORPORATION**

Service Dept. Technical Support : 2-1, Nisshin-cho, Neyagawa-shi, OSAKA 572-8540, JAPAN

Tel: 072-831-8023 Fax: 072-831-8163 <http://www.onkyo.com/>

Integra Division of

**ONKYO U.S.A. CORPORATION**

18 Park Way, Upper Saddle River, N.J. 07458, U.S.A.

Tel: 201-785-2600 Fax: 201-785-2650 <http://www.integrahometheater.com>