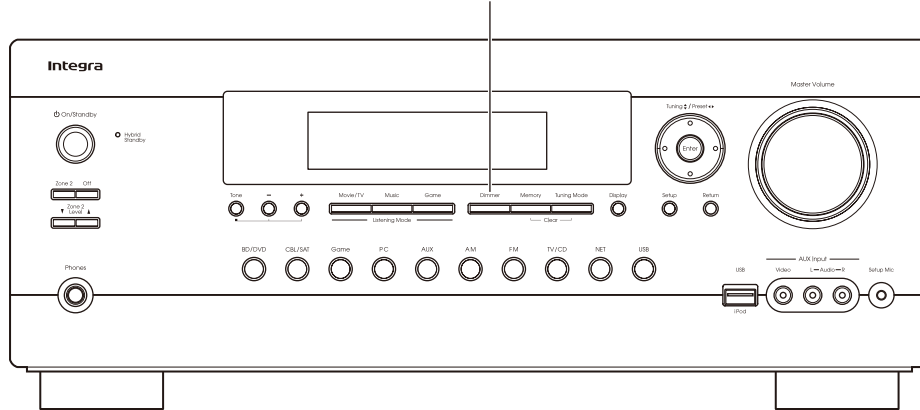


Integra® SERVICE MANUAL

AV RECEIVER MODEL DTR-20.4(B)

North American models ---> "Dimmer"
Australian models ---> "RT/PTY/TP"




RC-835M

Black model

B MDD	120V AC, 60Hz
B MPA	230V AC, 50Hz

SAFETY-RELATED COMPONENT WARNING!!

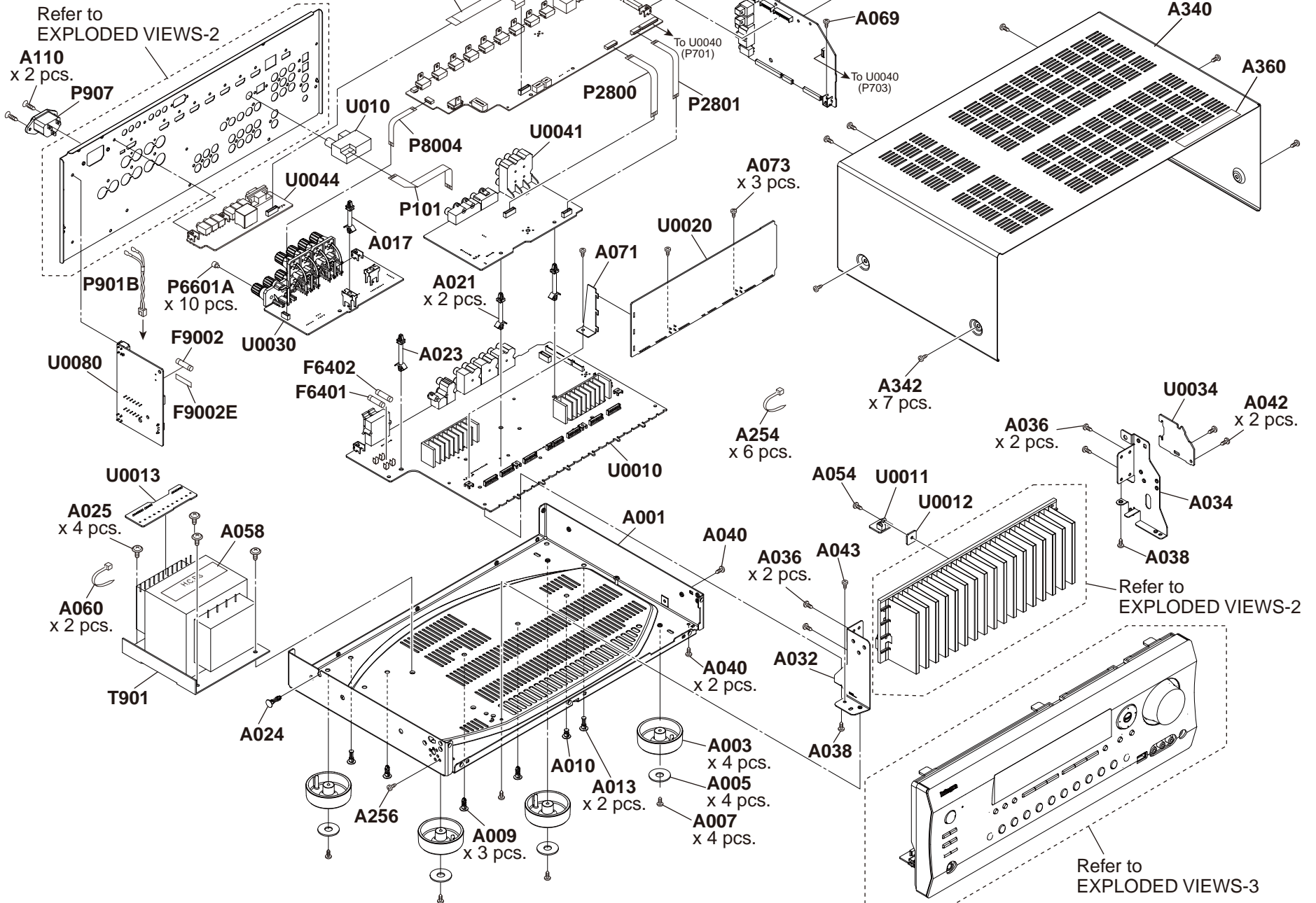
COMPONENTS IDENTIFIED BY MARK  ON THE SCHEMATIC DIAGRAM AND IN THE PARTS LIST ARE CRITICAL FOR RISK OF FIRE AND ELECTRIC SHOCK. REPLACE THESE COMPONENTS WITH ONKYO PARTS WHOSE PART NUMBERS APPEAR AS SHOWN IN THIS MANUAL.

MAKE LEAKAGE-CURRENT OR RESISTANCE MEASUREMENTS TO DETERMINE THAT EXPOSED PARTS ARE ACCEPTABLY INSULATED FROM THE SUPPLY CIRCUIT BEFORE RETURNING THE APPLIANCE TO THE CUSTOMER.

ONKYO SOUND & VISION CORPORATION
Service Department

EXPLODED VIEWS-1

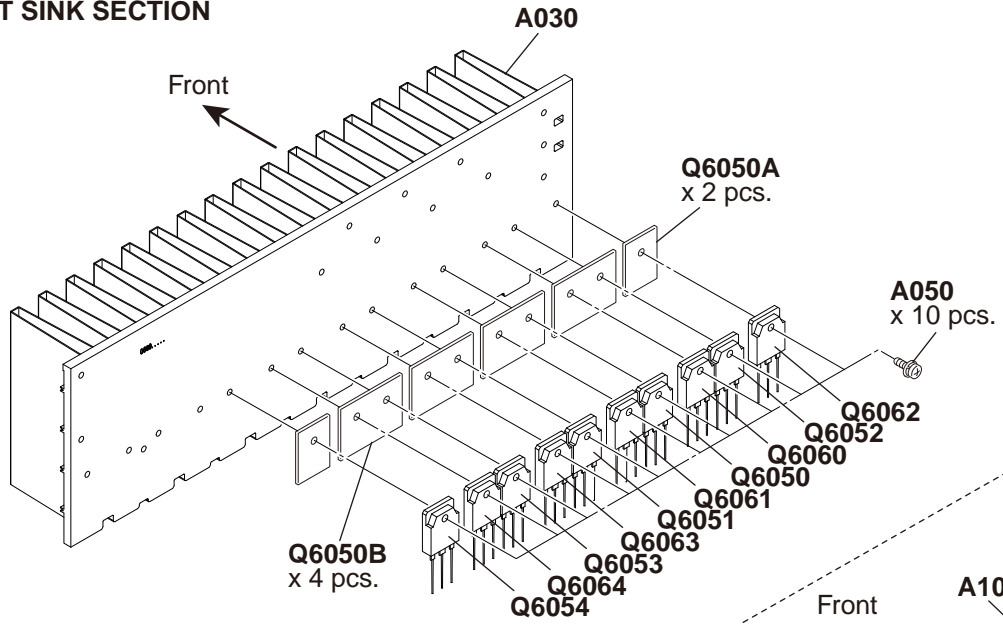
OVERALL



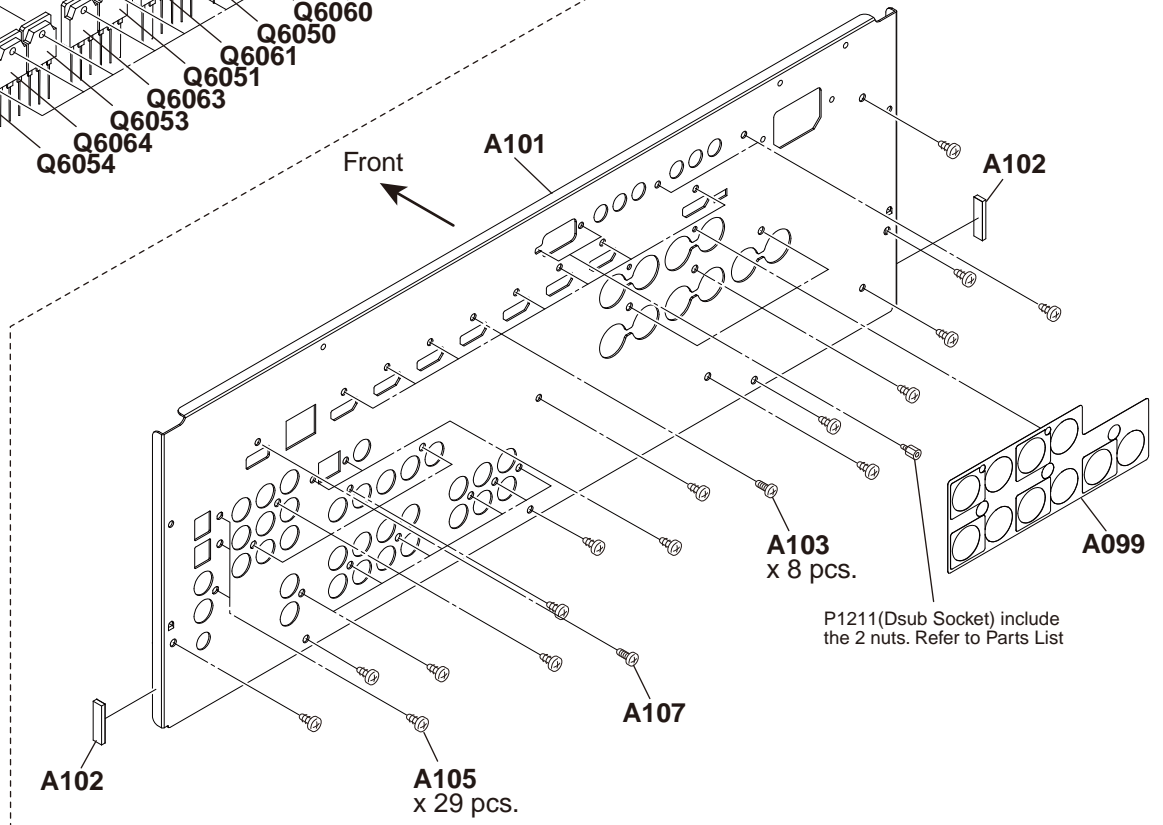
EXPLODED VIEWS-2

HEAT SINK / REAR PANEL SECTION

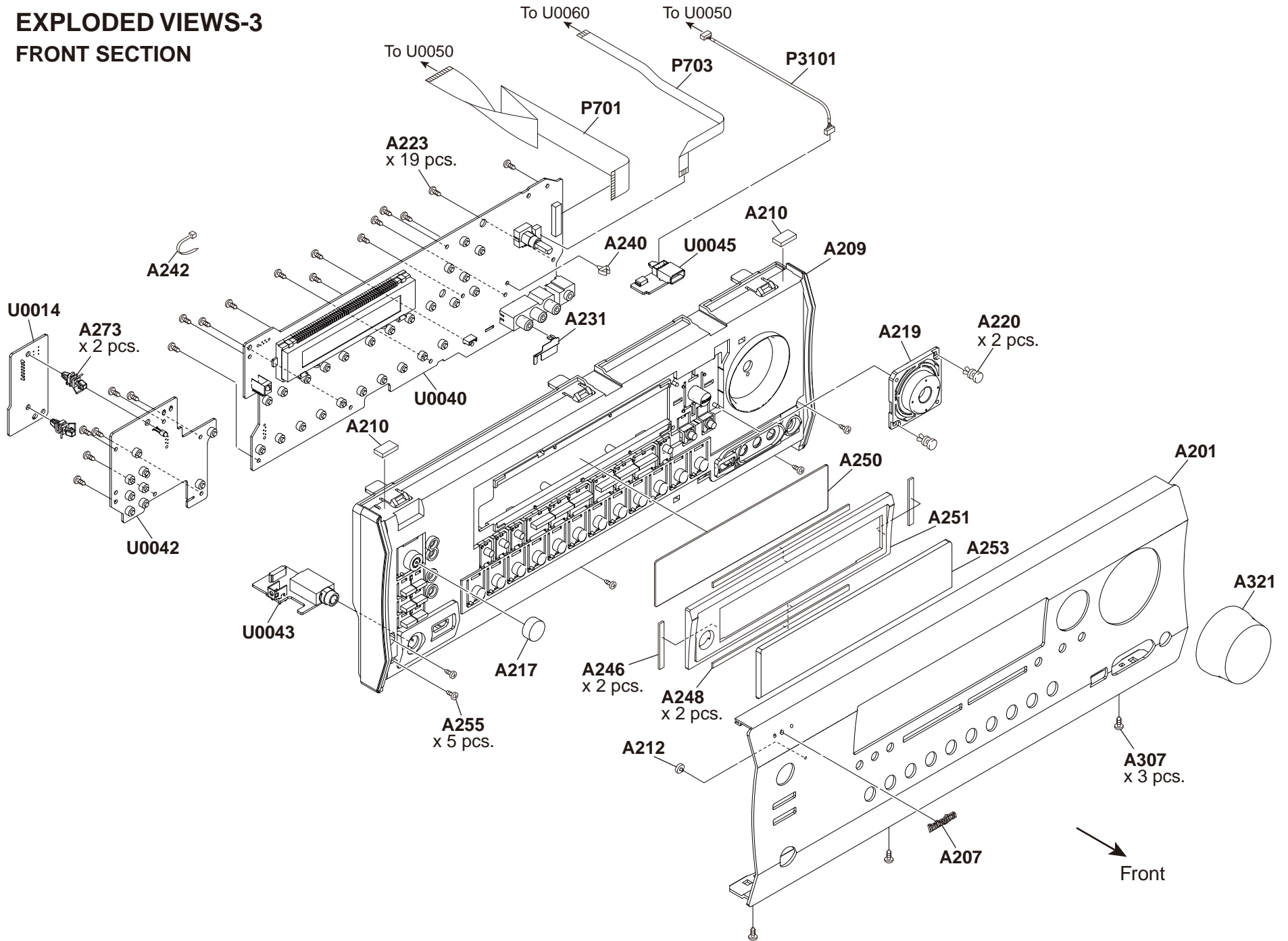
HEAT SINK SECTION



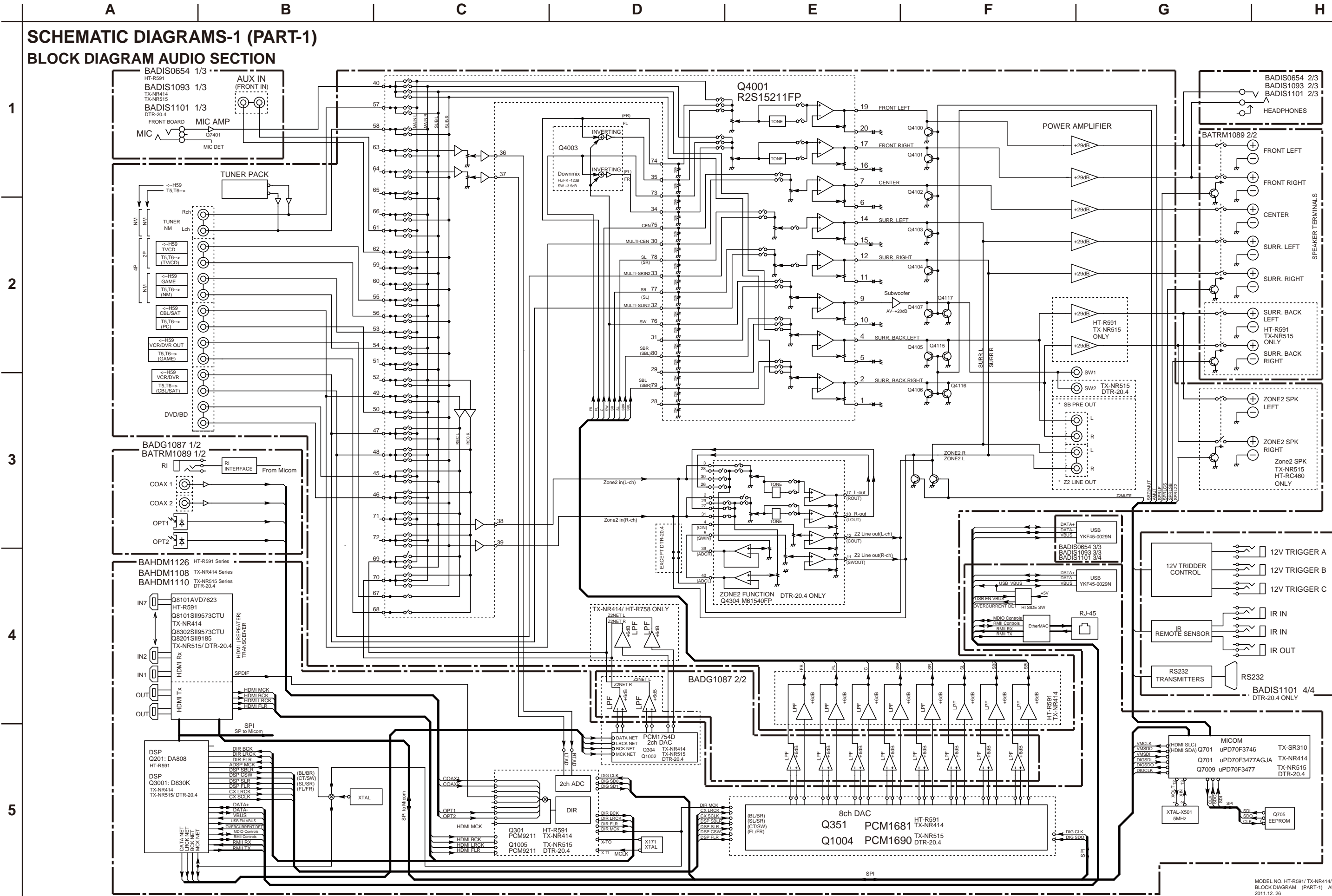
REAR PANEL SECTION



EXPLODED VIEWS-3 FRONT SECTION

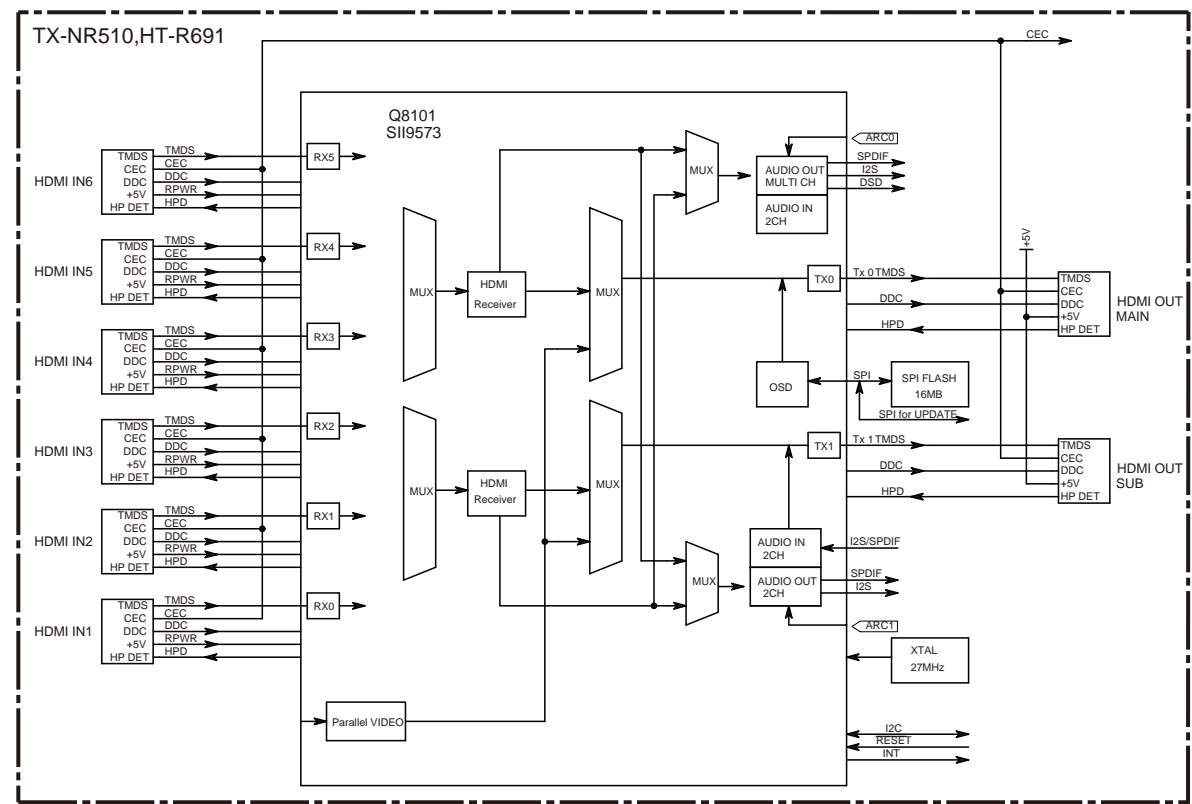


SCHEMATIC DIAGRAMS-1 (PART-1)
BLOCK DIAGRAM AUDIO SECTION

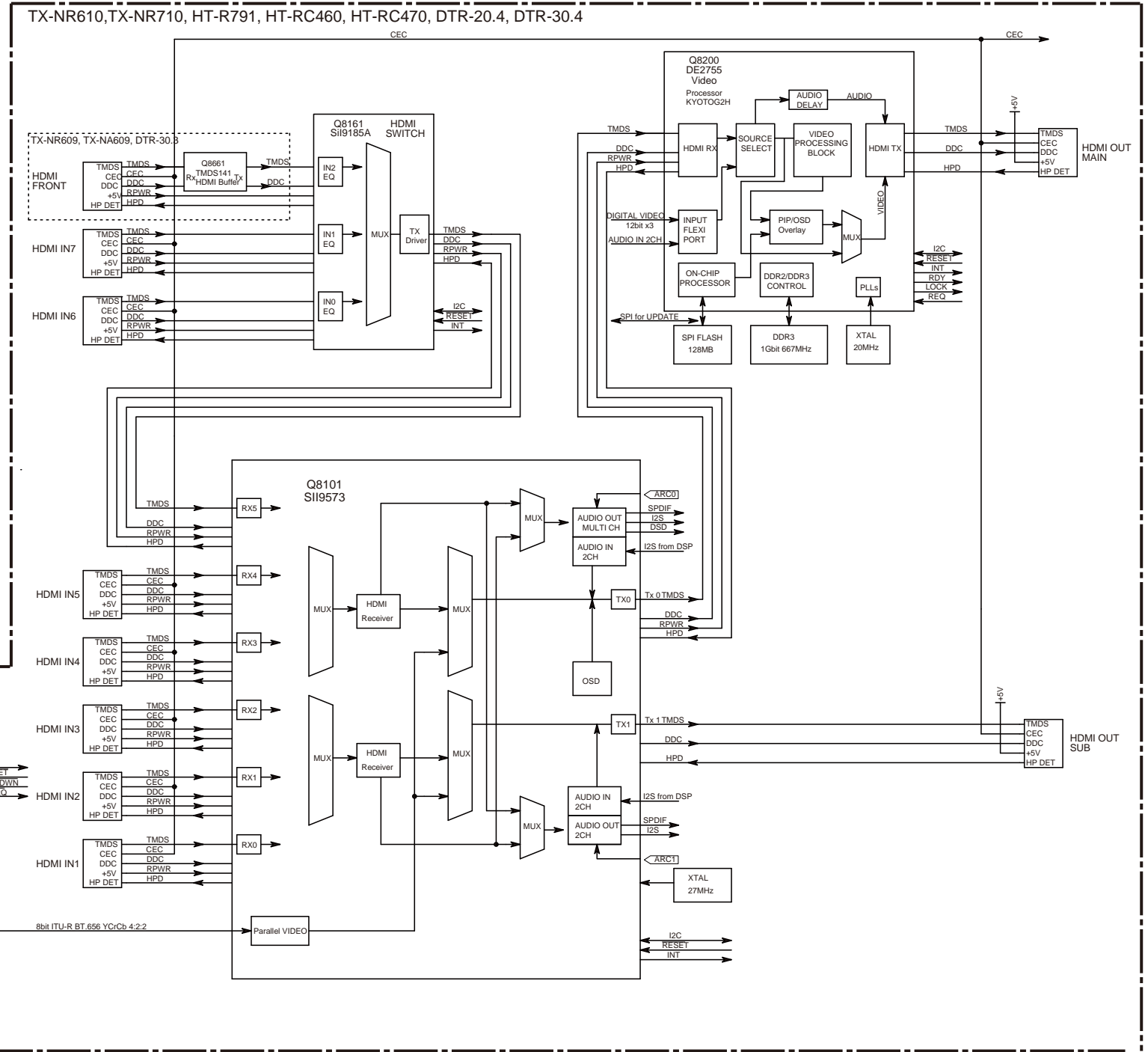


SCHEMATIC DIAGRAMS-2 (PART-2)
BLOCK DIAGRAM VIDEO SECTION

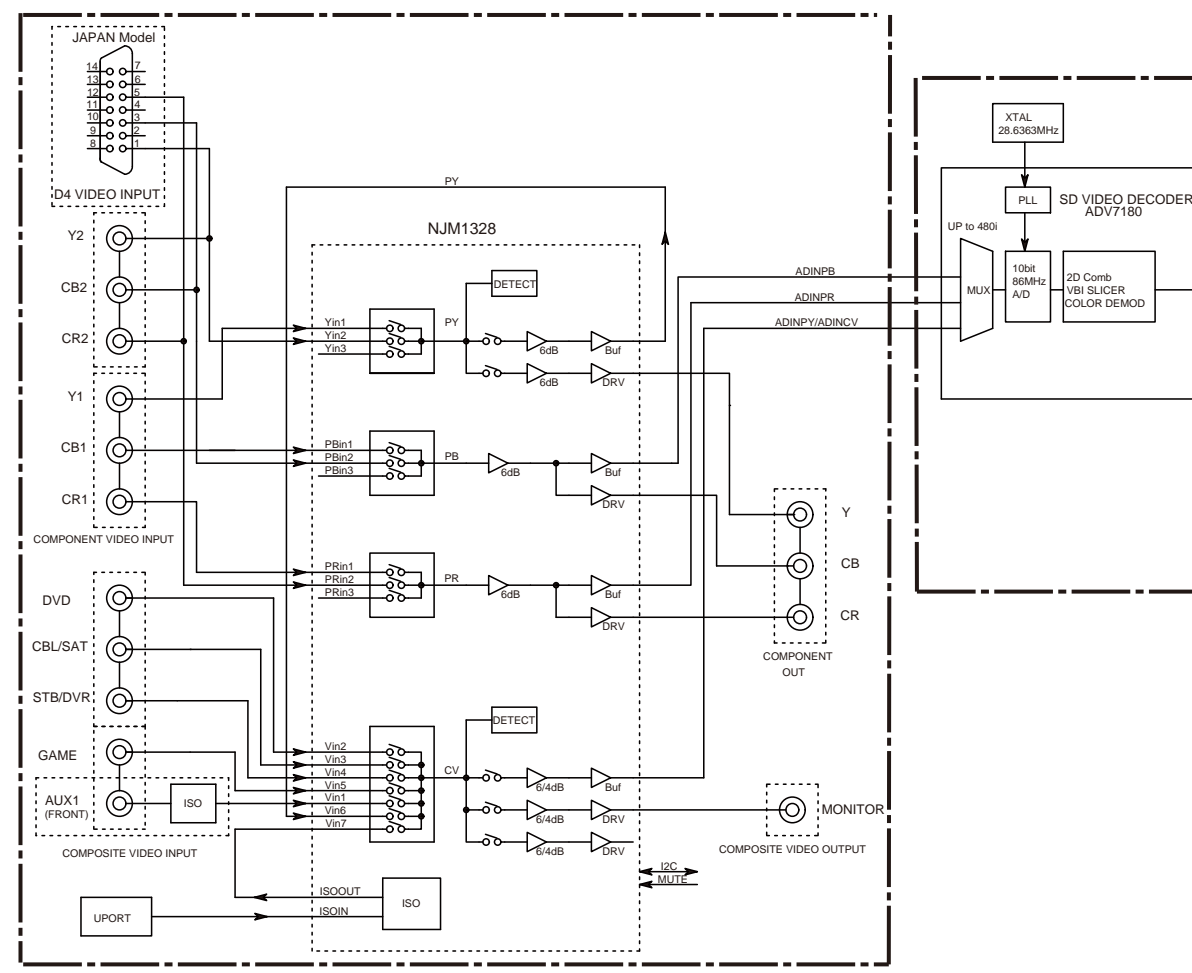
1



2



3

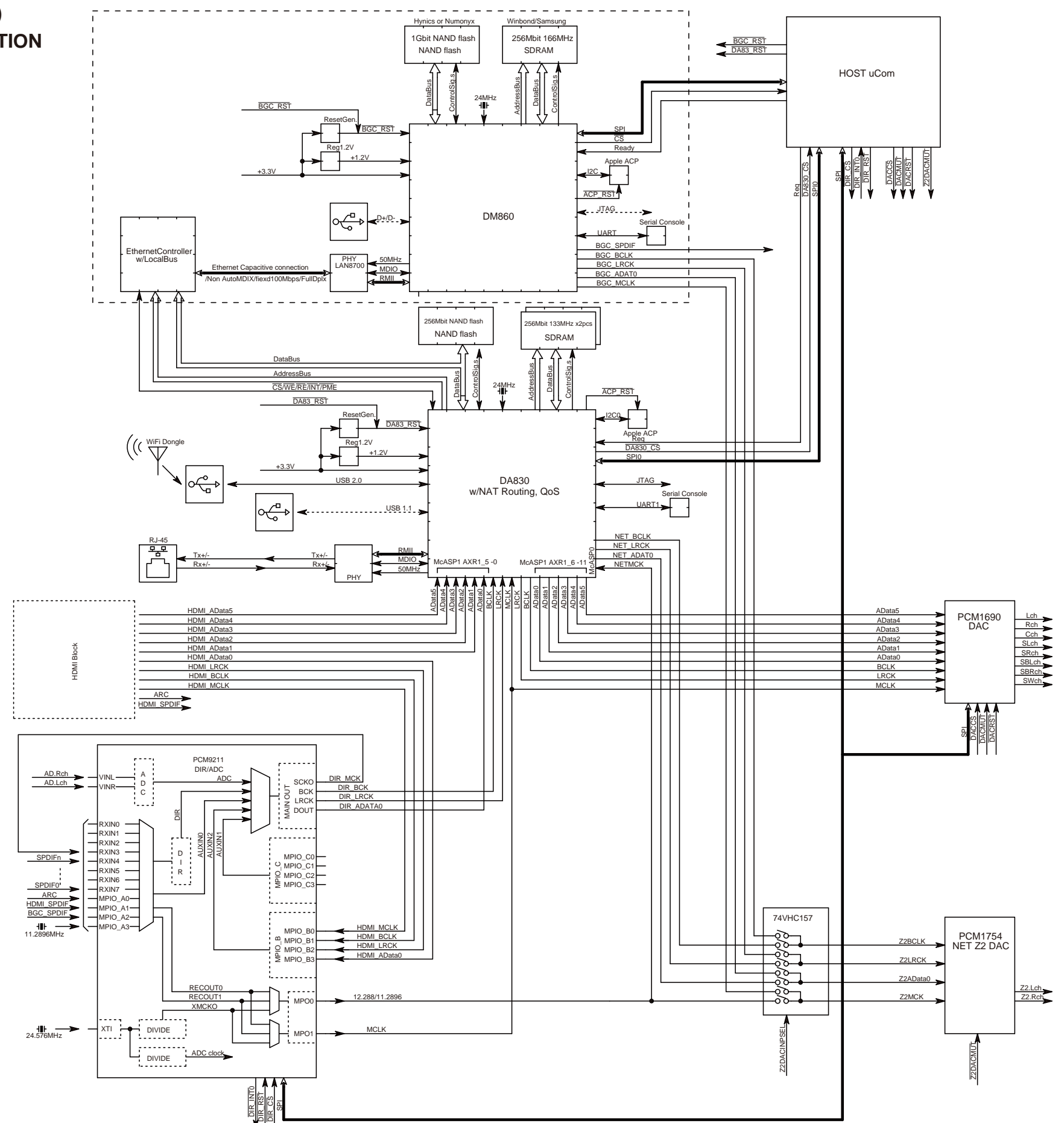


4

5

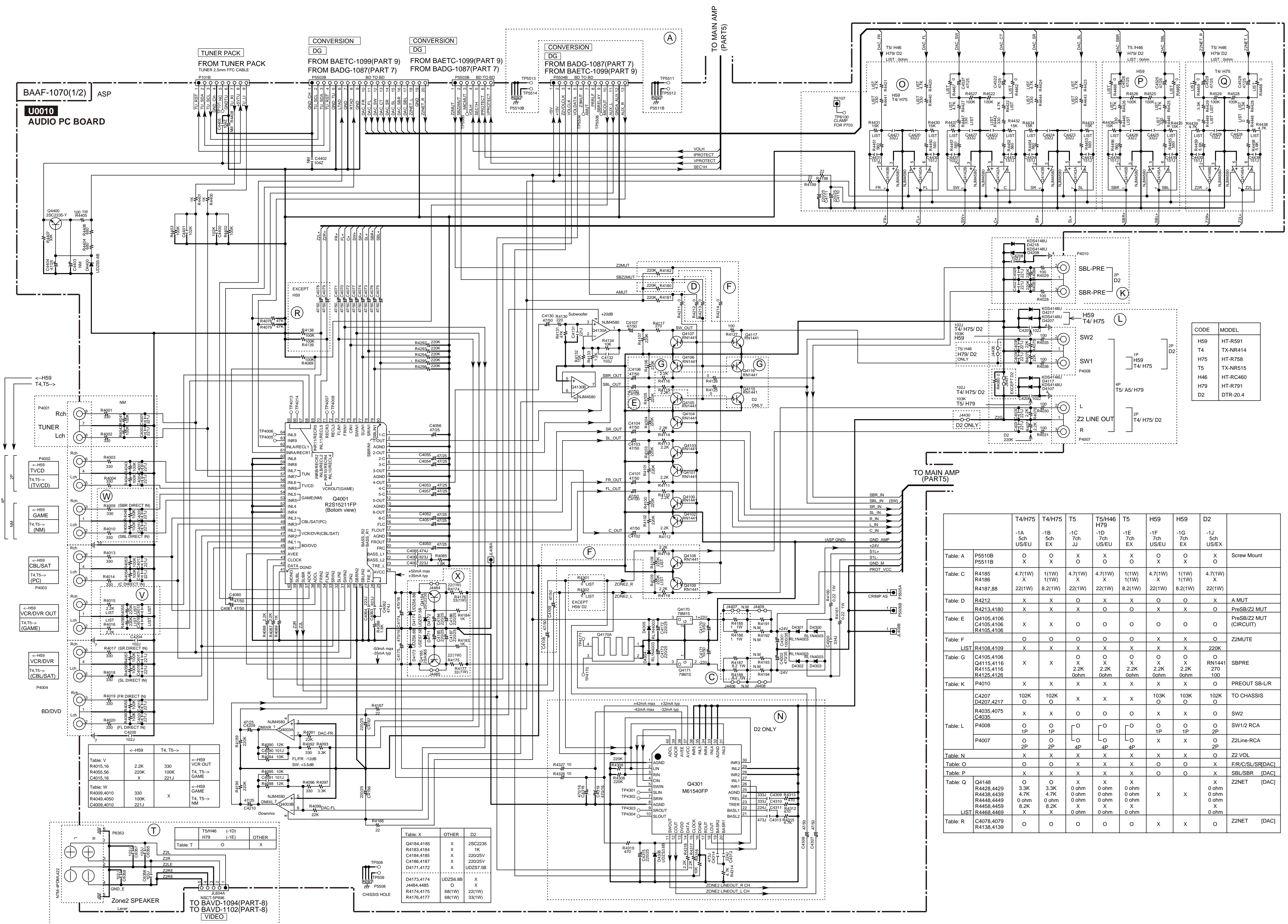
SCHEMATIC DIAGRAMS-3 (PART-3)
BLOCK DIAGRAM (DIGITAL AUDIO) SECTION

1
2
3
4
5



SCHEMATIC DIAGRAMS-4 (PART-4)
ASP SECTION

1
2
3
4
5
6
7
8



CODE	MODEL
H59	HT-R591
T4	TX-NR414
H75	HT-R758
T5	TX-NR515
H46	HT-RC460
H79	HT-R791
D2	DTR-20.4

	T4/H75	T4/H75	T5	T5/H46 H79	T5	H59	H59	D2		
	-1A 5ch US/EU	-1B 5ch EX	-1C 7ch JJ	-1D 7ch US/EU	-1E 7ch EX	-1F 7ch US/EU	-1G 7ch EX	-1J 5ch US/EX		
Table A	P510B P511B	O X	O X	O X	O X	O X	O X	O X	Screw Mount	
Table C	R4185 R4188 R4187,88	4.7(1W) 1(1W) 22(1W)	1(1W) X 8.2(1W)	4.7(1W) X 22(1W)	1(1W) X 8.2(1W)	4.7(1W) X 22(1W)	1(1W) X 8.2(1W)	4.7(1W) X 22(1W)	A MUT PreSB/Z2 MUT	
Table D	R4212 R4213,4180	X X	X X	X O	X O	X O	X O	X O	A MUT PreSB/Z2 MUT	
Table E	Q4105,4106 C4105,4106 R4105,4106	X X X	X X O	O O O	O O O	O O O	O O O	O O O	PreSB/Z2 MUT (CIRCUIT)	
Table F	LIST R4108,4109	O X	O X	O X	O X	O X	O X	O 220K	Z2MUTE	
Table G	Q4105,4106 Q4115,4116 R4125,4126	X X X	X X 2.2K	O X 0ohm	O X 0ohm	O X 0ohm	O X 0ohm	O 270 100	SBPRE	
Table K	P4010	X	X	X	X	X	X	O	PREOUT SB-L/R	
Table L	C4207 D4207,4217 R4035,4075 C4035 P4008 P4007	102K O X X O O	102K O O O O O	X O O O O	X O O O O	X O O O O	X O O O O	103K 103K X X X X	102K 102K X X 2P 2P	TO CHASSIS SW2 SW1/2 RCA Z2Line-RCA
Table N		X	X	X	X	X	X	O	Z2 VOL	
Table O		O	O	X	X	O	O	X	F/R/C/SL/SR/DAC	
Table P		X	X	X	X	O	O	X	SBL/SBR [DAC]	
Table Q	Q4148 R4428,4429 R4438,4439 R4448,4449 R4458,4459 LIST R4468,4469	O 3.3K 4.7K 0 ohm 8.2K X	O 3.3K 4.7K 0 ohm X X	X 0 ohm 0 ohm 0 ohm 0 ohm	X 0 ohm 0 ohm 0 ohm 0 ohm	X 0 ohm 0 ohm 0 ohm 0 ohm	X X X X X	X X X X X	X 0 ohm 0 ohm 0 ohm 0 ohm 0 ohm	Z2NET [DAC]
Table R	C4078,4079 R4138,4139	O O	O O	O O	O O	O O	O O	O O	Z2NET [DAC]	

Table V	<-H59	T4, T5->	<-H59
R4015,16	2.2K	330	<-H59
R4055,56	220K	100K	T4, T5->
C4015,16	X	221J	TVCD

Table W	<-H59	T4, T5->	<-H59
R4009,4010	330	X	GAME
R4040,4050	100K		TVCD
C4009,4010	221J		NM

Table T	T5/H46 H79	(-1D)	(-1E)	OTHER
	O	O	O	X

Table X	OTHER	D2
Q4184,4185	X	2SC2235
R4183,4184	X	1K
C4184,4185	X	22025V
C4186,4187	X	22025V
D4171,4172	X	UDZ57.5B

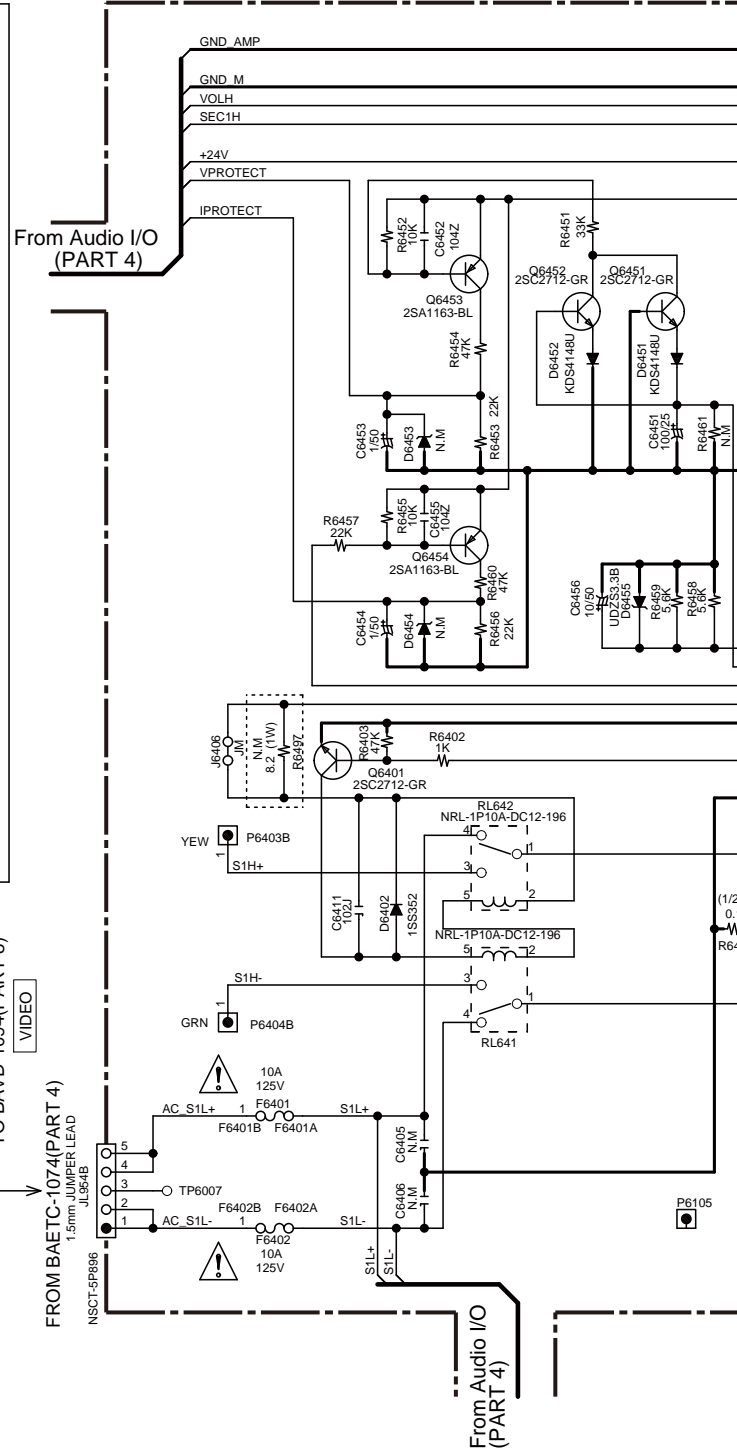
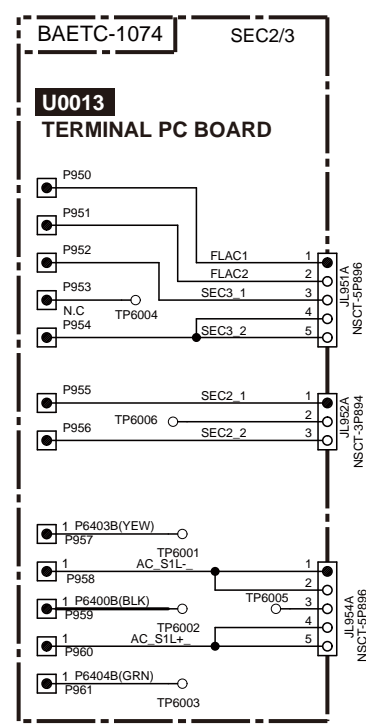
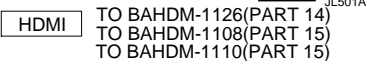
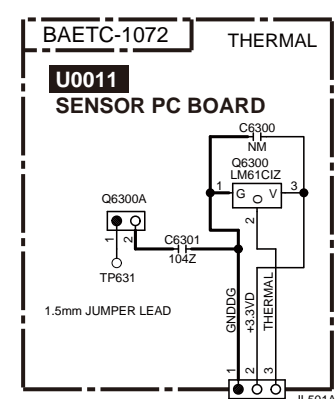
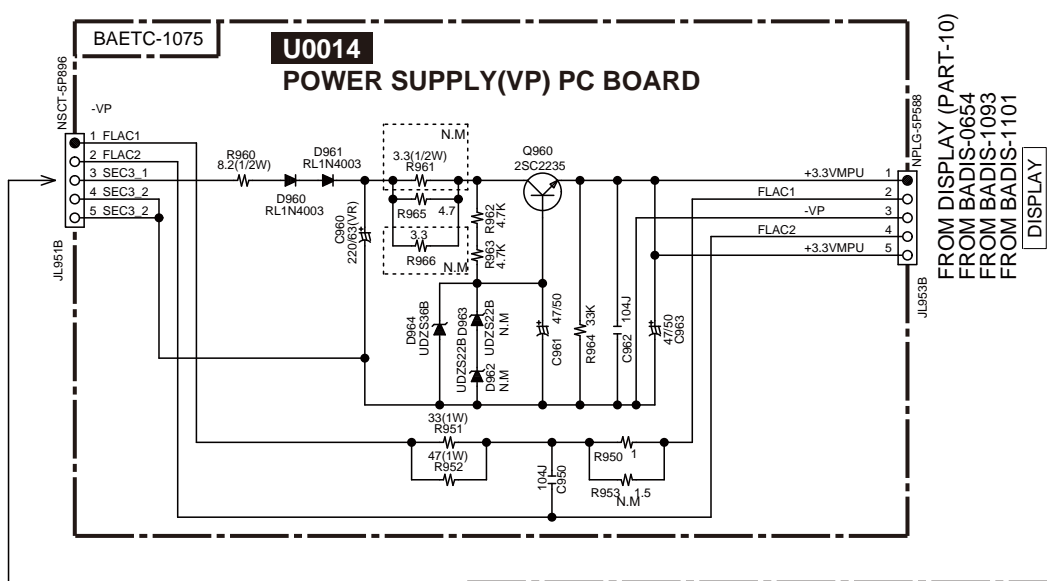
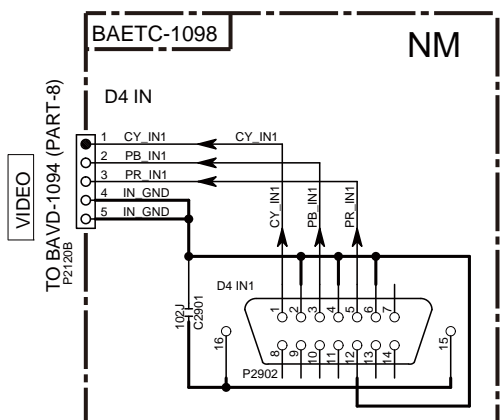
	OTHER	D2
D4173,4174	O	X
J4484,4485	O	X
R4174,4175	68(1W)	22(1W)
R4176,4177	68(1W)	33(1W)

SCHEMATIC DIAGRAMS-5 (PART-5)

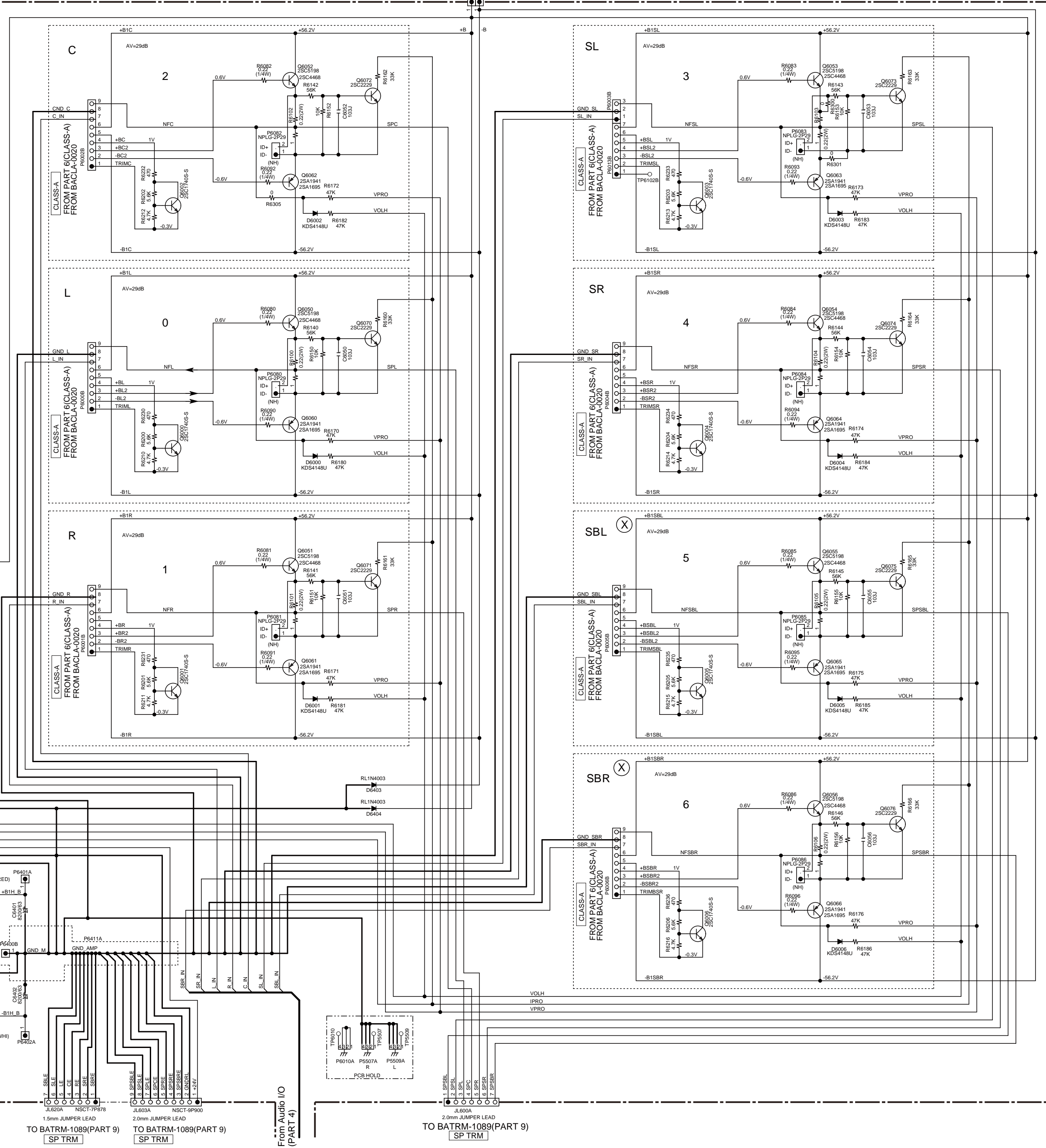
AMP. SECTION

	T4/H75	T4/H75	T5	T5/H46 H79	T5	H59	H59	D2	
	-1A 5ch US/EU	-1B 5ch EX	-1C 7ch JJ	-1D 7ch US/EU	-1E 7ch EX	-1F 7ch US/EU	-1G 7ch EX	-1J 5ch US/EX	
Table: X	X	X	O	O	X	O	O	X	SBL/R AMP Zone2 SPKR

CODE	MODEL
H59	HT-R591
T4	TX-NR414
H75	HT-R758
T5	TX-NR515
H46	HT-RC460
H79	HT-R791
D2	DTR-20.4



BAAF-1070(2/2)
AMP
U0010
AUDIO PC BOARD



SCHEMATIC DIAGRAMS-6 (PART-6)
AMP.(CLASS-A) SECTION

ADJUSTMENT OF IDLING CURRENT

- [NOTES]
1. Set R6040 ~ 6046 to minimum position before POWER ON.
2. Equip series 1/4W 100-ohm resistors near the terminal respectively in the each poles of the jig used for P6080-6086 terminals.
[PROCEDURES]
1. Set the voltages at P6080 ~ 6082 to 2.5mV by adjusting R6040 ~ 6042, under the condition of no input and no load, immediately after POWER ON.
2. Set the voltages at P6083 ~ 6086 to 1.5mV by adjusting R6043 ~ 6046, under the condition of no input and no load, immediately after POWER ON.
3. Re-adjust by following procedure after 4 ~ 6 minutes of heat running.

L / C / R		SL / SR / SBL / SBR	
Below 9mV	→ 9mV	Below 6mV	→ 6mV
Between 9 ~ 11mV	→ Leave it as it is.	Between 6 ~ 8mV	→ Leave it as it is.
Over 11mV	→ 11mV	Over 8mV	→ 8mV

アイドリング電流の調整

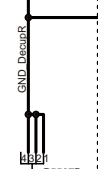
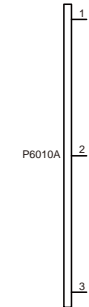
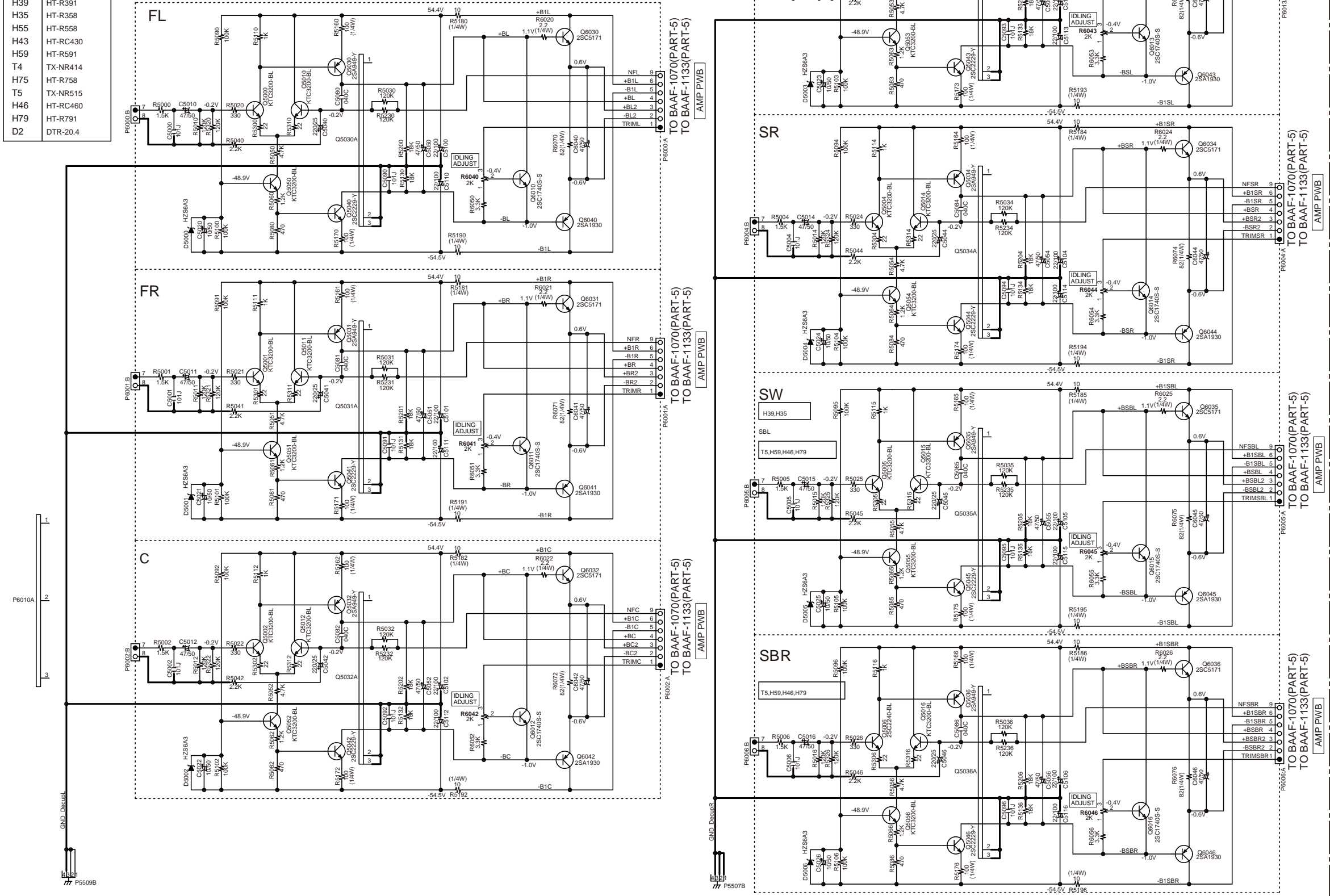
- [注意]
1. R6040 ~ 6046はPOWER ON前に、左に回して最小の位置にしておく。
2. P6080 ~ 6086端子に接続するジグ端子の両極には、端子近傍にそれぞれ100Ω/1/4Wの抵抗をシリーズに入れること。
[手順]
1. 無負荷・無信号にてPOWER ON直後、P6080 ~ 6082の両端電圧をR6040 ~ 6042にて2.5mVに設定する。
2. 無負荷・無信号にてPOWER ON直後、P6083 ~ 6086の両端電圧をR6043 ~ 6046にて1.5mVに設定する。
3. 約4~6分間のヒートラシ後、下記手順で再調整する。

L / C / R		SL / SR / SBL / SBR	
9mV 未満の場合	→ 9mV	6mV 未満の場合	→ 6mV
9 ~ 11mV の場合	→ そのまま	6 ~ 8mV の場合	→ そのまま
11mVより大きい場合	→ 11mV	8mV より大きい場合	→ 8mV

BACLA-1130
CLASS-A

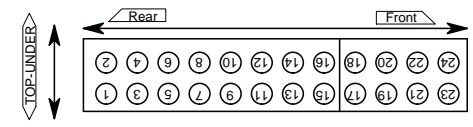
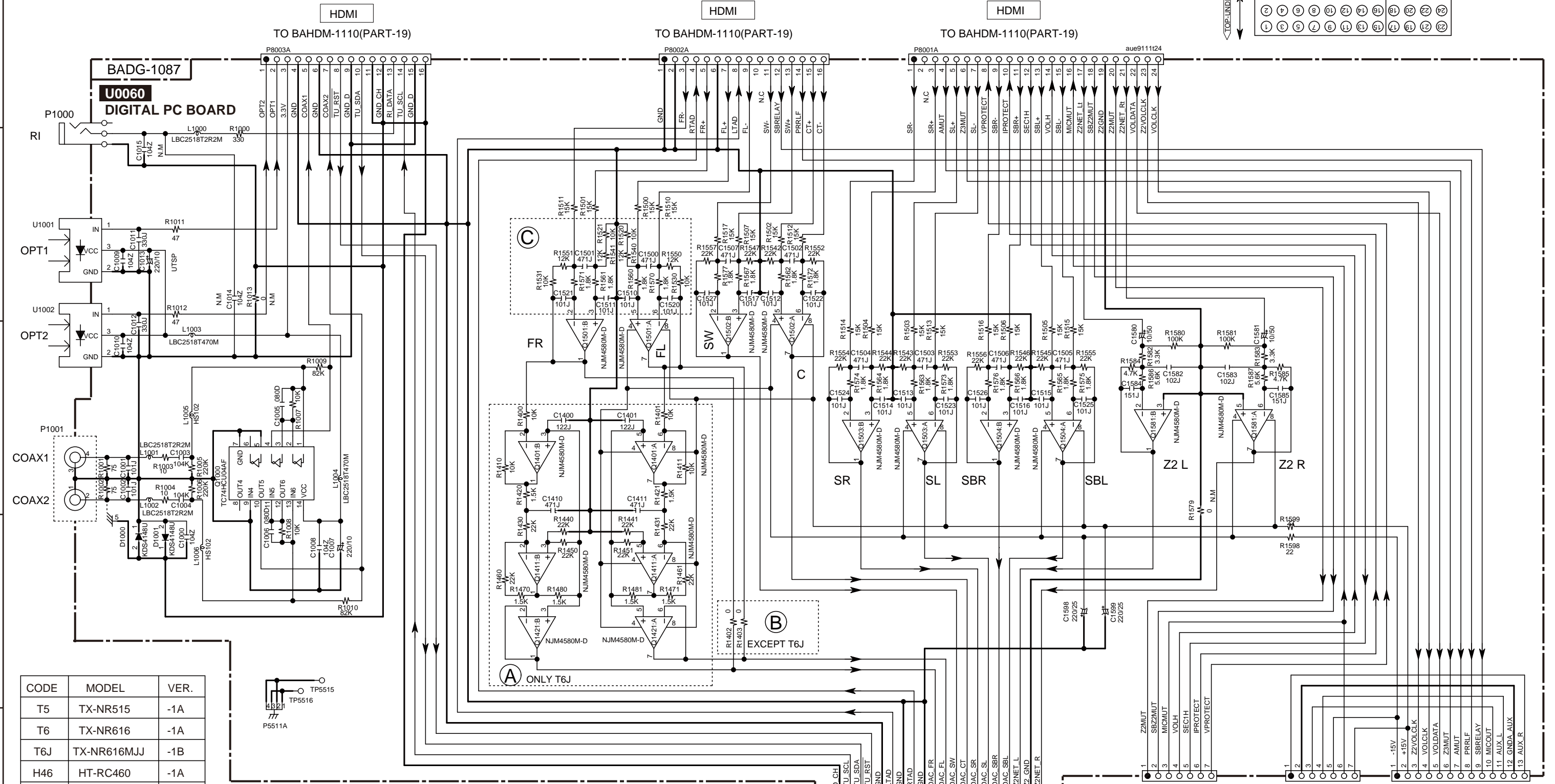
U0020
AMPLIFIER PC BOARD

CODE	MODEL
T3	TX-SR313
H39	HT-R391
H35	HT-R358
H55	HT-R558
H43	HT-RC430
H59	HT-R591
T4	TX-NR414
H75	HT-R758
T5	TX-NR515
H46	HT-RC460
H79	HT-R791
D2	DTR-20.4



SCHEMATIC DIAGRAMS-7 (PART-7)
DIGITAL SECTION

1
2
3
4
5



CODE	MODEL	VER.
T5	TX-NR515	-1A
T6	TX-NR616	-1A
T6J	TX-NR616MJJ	-1B
H46	HT-RC460	-1A
H47	HT-RC470	-1A
H79	HT-R791	-1A
D2	DTR-20.4	-1C
D3	DTR-30.4	-1C

TABLE A

ADD/DEL	VER.
ADD	-1B
DEL	-1A/-1C

TABLE B

ADD/DEL	VER.
ADD	-1A/-1C
DEL	-1B

TABLE C

REF.NO.	T6J	OTHER
C1500,C1501	331J	471J
C1510,C1511,C1520,C1521	470J	101J
R1520,R1521,R1530,R1531	22K	10K
R1540,R1541,R1550,R1551	22K	12K
R1560,R1561,R1570,R1571	2.2K	1.8K

TO BAAF-1070(PART-4)
TO BAAF-1078(PART-4) ASP

TO BAAF-1070(PART-4)
TO BAAF-1078(PART-4) ASP

FROM BADIS-1093(PART-10) TO BAAF-1070(PART-4)
FROM BADIS-1101(PART-10) TO BAAF-1078(PART-4) DISPLAY

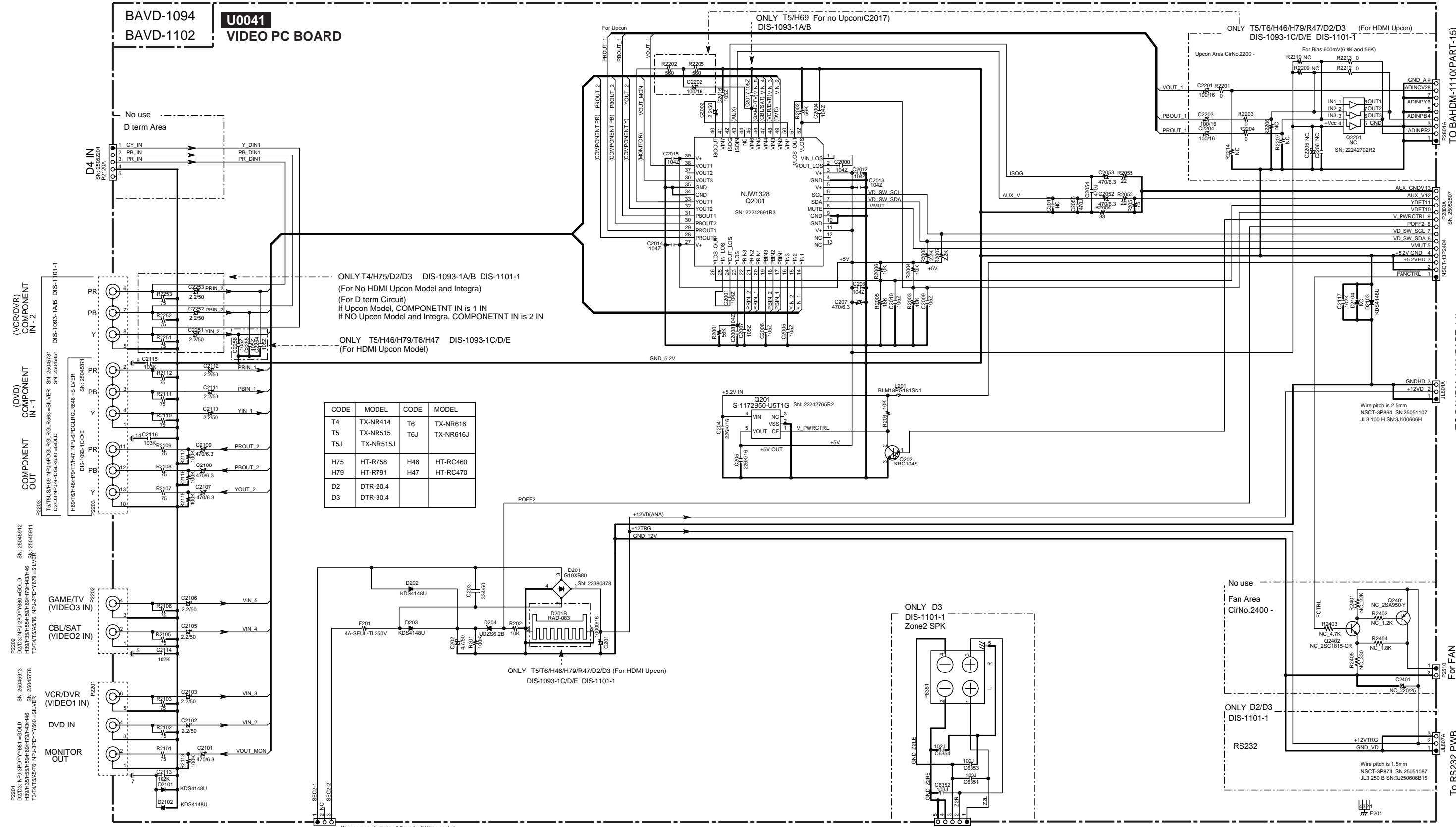
TO BAAF-1070(PART-4)
TO BAAF-1078(PART-4) ASP

SCHEMATIC DIAGRAMS-8 (PART-8)
VIDEO SECTION

1
2
3
4
5

A B C D E F G H

BAVD-1094
BAVD-1102
U0041
VIDEO PC BOARD



ONLY T4/H75/D2/D3 DIS-1093-1A/B DIS-1101-1
(For No HDMI Upcon Model and Integra)
(For D term Circuit)
If Upcon Model, COMPONENT IN is 1 IN
If NO Upcon Model and Integra, COMPONENT IN is 2 IN

ONLY T5/H46/H79/T6/H47 DIS-1093-1C/D/E
(For HDMI Upcon Model)

CODE	MODEL	CODE	MODEL
T4	TX-NR414	T6	TX-NR616
T5	TX-NR515	T6J	TX-NR616J
T5J	TX-NR515J		
H75	HT-R758	H46	HT-RC460
H79	HT-R791	H47	HT-RC470
D2	DTR-20.4		
D3	DTR-30.4		

ONLY T5/T6/H46/H79/R47/D2/D3 (For HDMI Upcon)
DIS-1093-1C/D/E DIS-1101-1

ONLY D3
DIS-1101-1
Zone2 SPK

No use
Fan Area
CirNo.2400 -

ONLY D2/D3
DIS-1101-1

To BAETC-1074(PART-5)
To BAETC-1137(PART-4)
To BAETC-1078(PART-5)
From AMP PWB

SP TRM(TO PART 9)
TO BATRM-1089

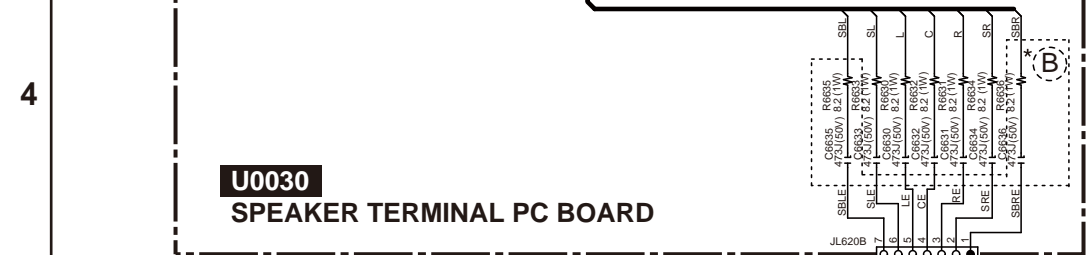
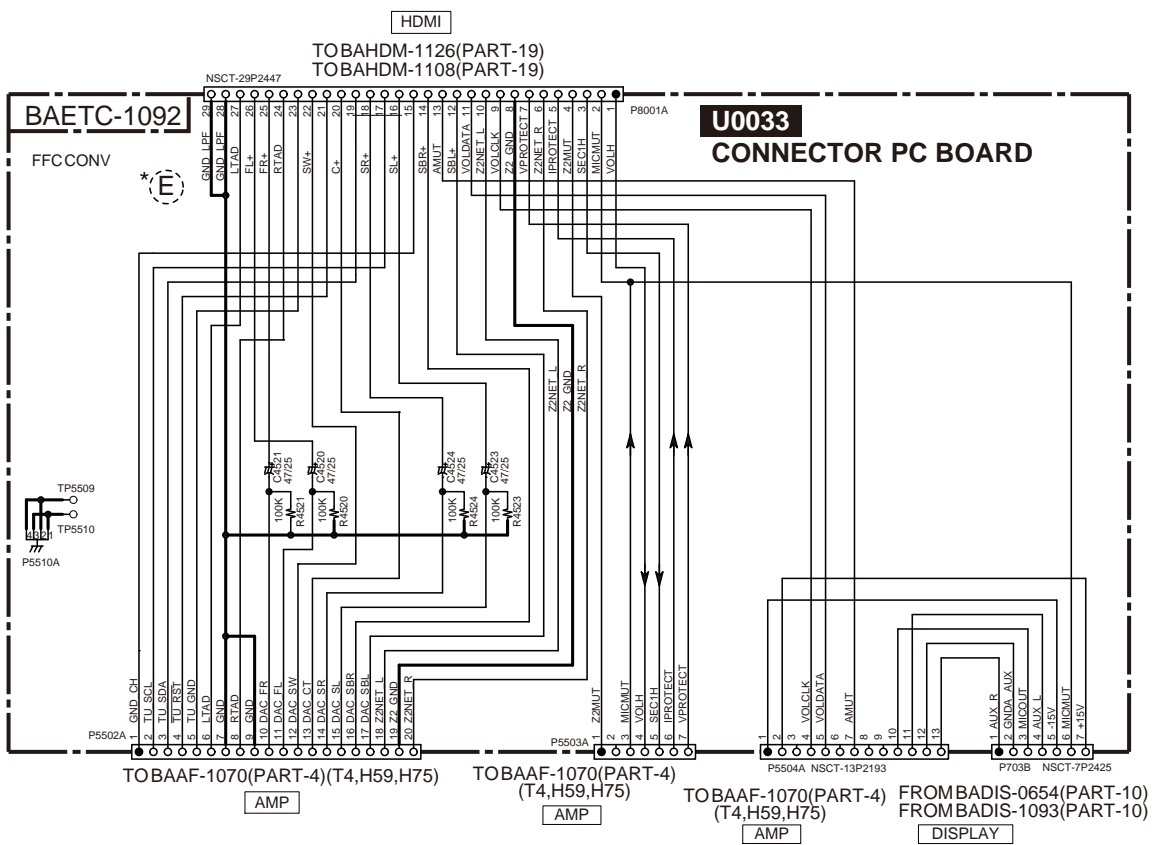
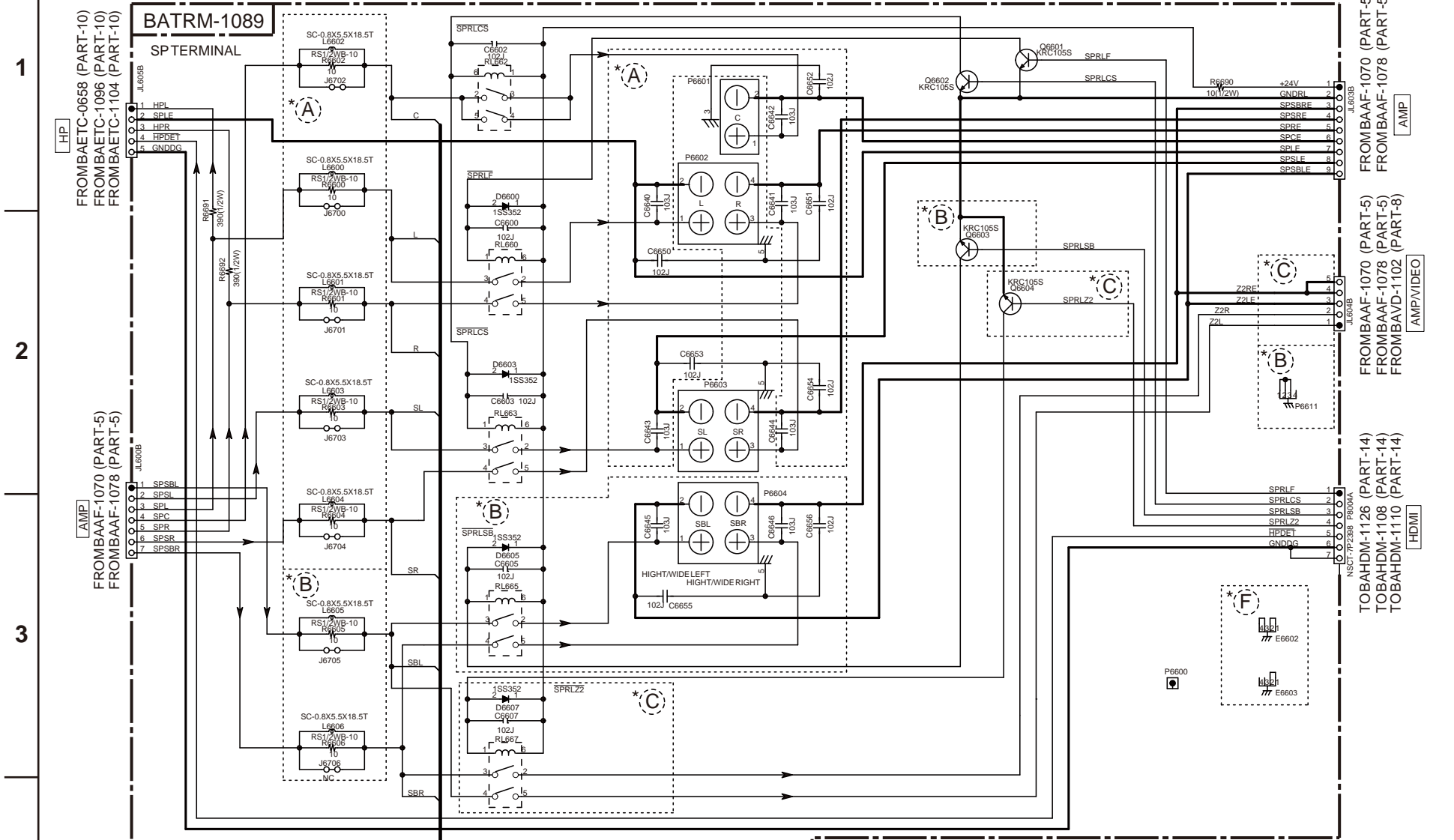
To BAHDM-110(PART-15)
To BAHDM-1108(PART-14)
To BAHDM-1110(PART-14)
For HDMI

To BAHDM-1108(PART-14)
To BAHDM-1110(PART-14)
For HDMI

To RS232 PWB
To BAETC-0645 (PART-12)

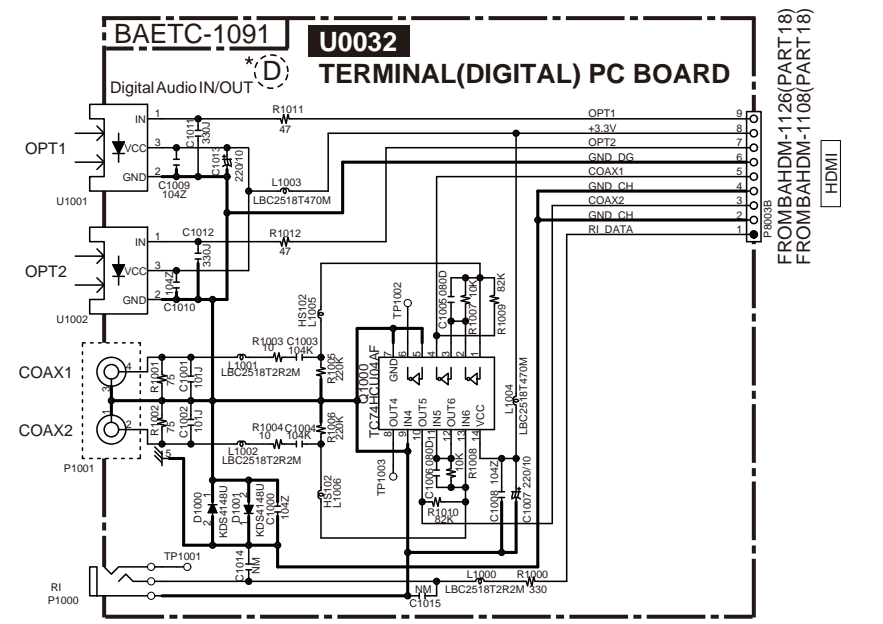
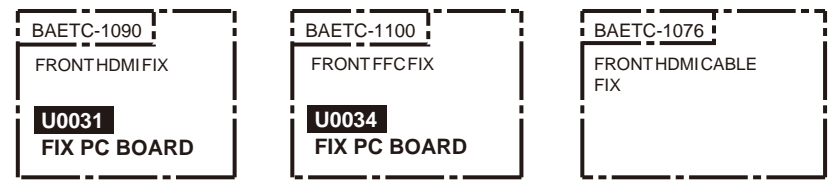
SCHEMATIC DIAGRAMS-9 (PART-9)

SPEAKER OUT SECTION



		T6	RC47	D3	MDD		T6	MJJ	D2	MDD	D2	MPP	H59	MDD	H59	MMQ		T4	H75	MDD		T4	H75	MPP		T5	MJJ	T5	RC46	H79	MDD					
Table A		1A	1B	1C	1D	1E	1F	1G	1H	1I	1J	1K	1L	1M	1N	1O	1P	1Q	1R	1S	1T	1U	1V	1W	1X	1Y	1Z	1AA	1AB	1AC						
L6600-04																																				
R6600-04																																				
J6700-04																																				
C6640-44/C6650-54																																				
L6605-06																																				
R6605/06																																				
J6705/06																																				
P6604/Q6603/D6605/C6605/RL665/R6635-36																																				
C6645-46/C6655-56																																				
P6611																																				
RL667/C6607/D6607/Q6604/JL604B																																				
Table C																																				
Table D																																				
Table E																																				
Table F																																				

CODE	MODEL
H59	HT-R591
H75	HT-R758
T4	TX-NR414
H79	HT-R791
H46	HT-RC460
T5	TX-NR515
H47	HT-RC470
T6	TX-NR616
D2	DTR-20.4
D3	DTR-30.4



SCHEMATIC DIAGRAMS-10 (PART-10)

DISPLAY SECTION

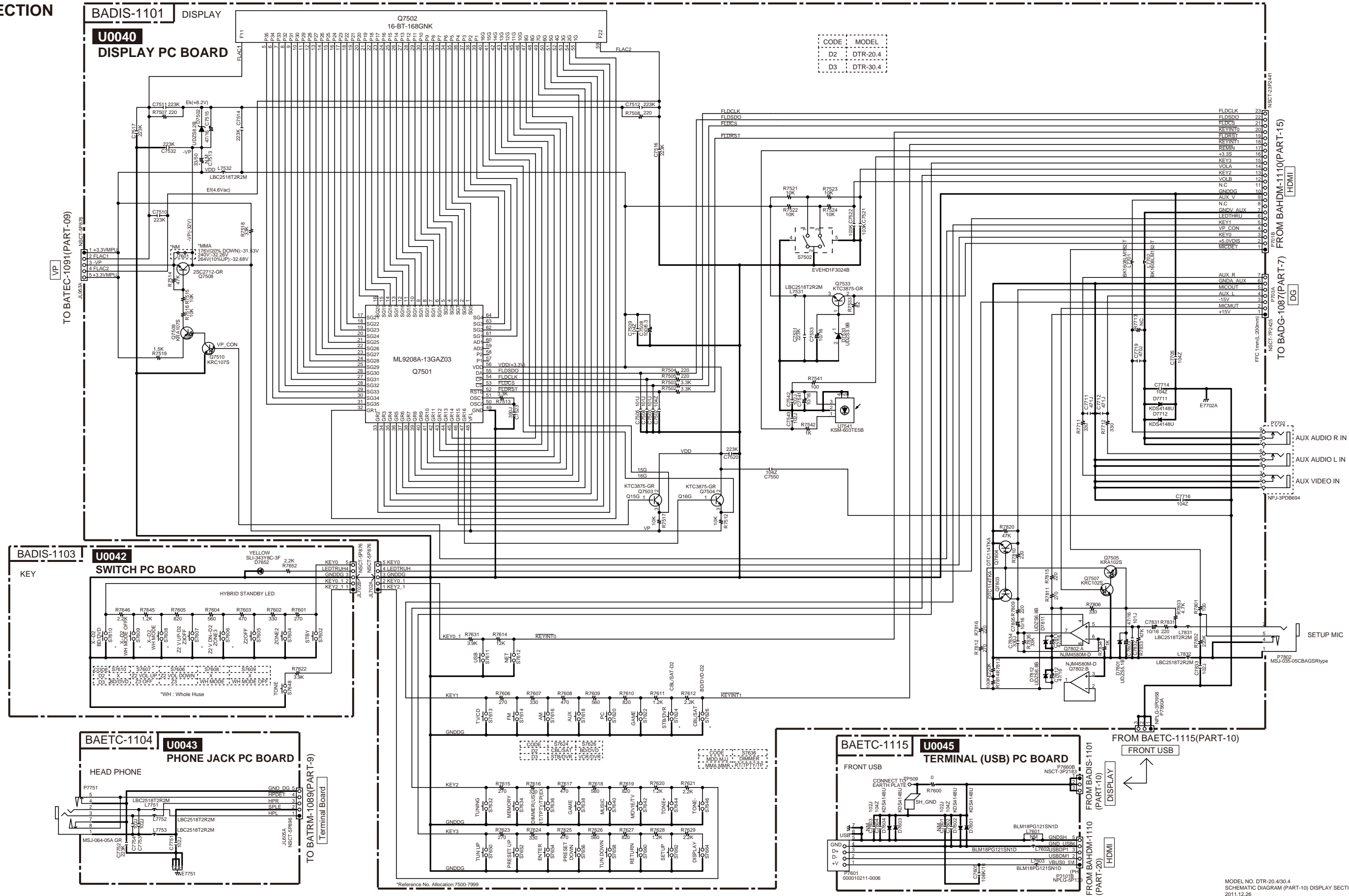
1

2

3

4

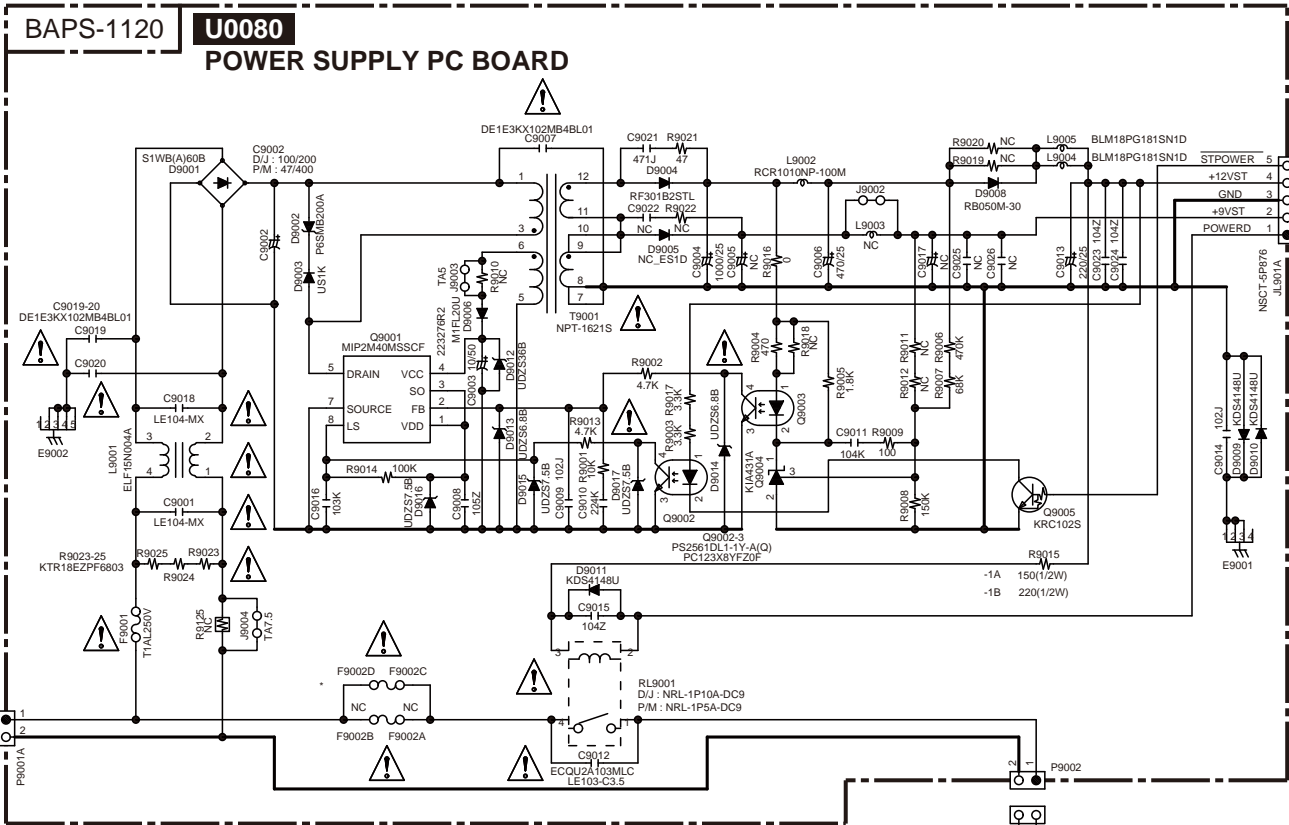
5



CODE	MODEL
D2	DTR-20.4
D3	DTR-30.4

*Reference No. Allocation:7500-7999

SCHEMATIC DIAGRAMS-11 (PART-11)
POWER SUPPLY SECTION



- * THE COMPONENTS IDENTIFIED BY MARK ARE CRITICAL FOR SAFETY. REPLACE ONLY WITH PART NUMBER SPECIFIED.
- * VOLTAGE (MEASURED WITH VOLT METER) IS DC VOLTAGE. (NO INPUT SIGNAL)
- * ELECTROLYTIC CAPACITORS () ARE IN $\mu\text{F}/\text{WV}$.
- * ALL CAPACITORS ARE IN $\text{pF}/50\text{WV}$ UNLESS OTHERWISE NOTED.
- * CIRCUIT IS SUBJECT TO CHANGE FOR IMPROVEMENT.

CAUTION

FOR CONTINUED PROTECTION AGAINST FIRE HAZARD, REPLACE ONLY WITH FUSE OF SAME TYPE AND RATING INDICATED.



ATTENTION

AFIN D'ASSURER UNE PROTECTION PERMANENTE CONTRE LES RISQUES D'INCENDIE, REMPLACER UNIQUEMENT PAR UN FUSIBLE DE MEME TYPE ET CALIBRATION COMME INDIQUE.



THIS SYMBOL LOCATED NEAR THE FUSE INDICATES THAT THE FUSE USED IS SLOW OPERATING TYPE FOR CONTINUED PROTECTION AGAINST FIRE FUSE HAZARD, REPLACE WITH SAME TYPE FUSE. FOR FUSE RATING REFER TO THE MAKING ADJACENT TO THE SYMBOL.



CE SYMBOLE INDIQUE QUE LE FUSIBLE UTILISE EST A LENT, E POUR UNE PROTECTION PERMANENTE. UTILISER QUE DES FUSIBLES DE MEME TYPE. CE DERNIER EST INDIQUE LA QU LE PRESENT SYMBOLE EST APPOSE.

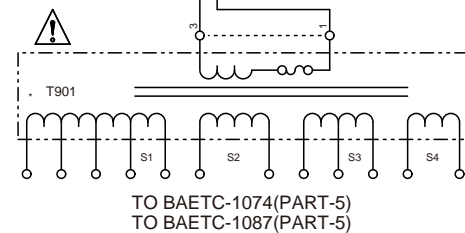
CODE	MODEL
T4	TX-NR414
T5	TX-NR515
T6	TX-NR616
HT46	HT-RC460
HT47	HT-RC470
HT75	HT-R758
HT79	HT-R791
D2	DTR-20.4
D3	DTR-30.4

TYPE	AC
D	120V ~ / 60Hz
P	230V ~ / 50Hz
M	220-240V ~ / 50/60Hz
J	100V ~ / 50/60Hz

Note:
Some parts on BAPS-1120 remain high voltages even after the power cord is disconnected from AC power source. Before starting any work, please discharge C9002 by connecting resistors between its terminals. (recommended resistor spec: 5k ohms/10W)

T901	T4	T5	T6	HT46	HT47	HT75	HT79	D2	D3
D	NPT-1604D	NPT-1604D	NPT-1619D	NPT-1604D	NPT-1619D	NPT-1604D	NPT-1604D	NPT-1604D	NPT-1604D
P	NPT-1604P	NPT-1604P	---	NPT-1604P	---	NPT-1604P	---	NPT-1604P	---
M	NPT-1604M	NPT-1604M	NPT-1619M	NPT-1604M	NPT-1619M	NPT-1604M	---	NPT-1604M	NPT-1604M
J	---	NPT-1604J	NPT-1619J	---	---	---	---	NPT-1604J	NPT-1604J

F9002	T4	T5	T6	HT46	HT47	HT75	HT79	D2	D3
D	8A 125V	8A 125V	10A 125V	8A 125V	10A 125V	8A 125V	8A 125V	8A 125V	10A 125V
P	T4AL250V	T4AL250V	---	---	---	T4AL250V	---	T4AL250V	---
M	T4AL250V	T4AL250V	T5AL250V	T4AL250V	T5AL250V	T4AL250V	---	T4AL250V	T5AL250V
J	---	10A 125V	12A 125V	---	---	---	---	10A 125V	12A 125V



TO BAETC-1074(PART-5)
TO BAETC-1087(PART-5)

TO BAHDM-1108(PART-14)
TO BAHDM-1110(PART-14)

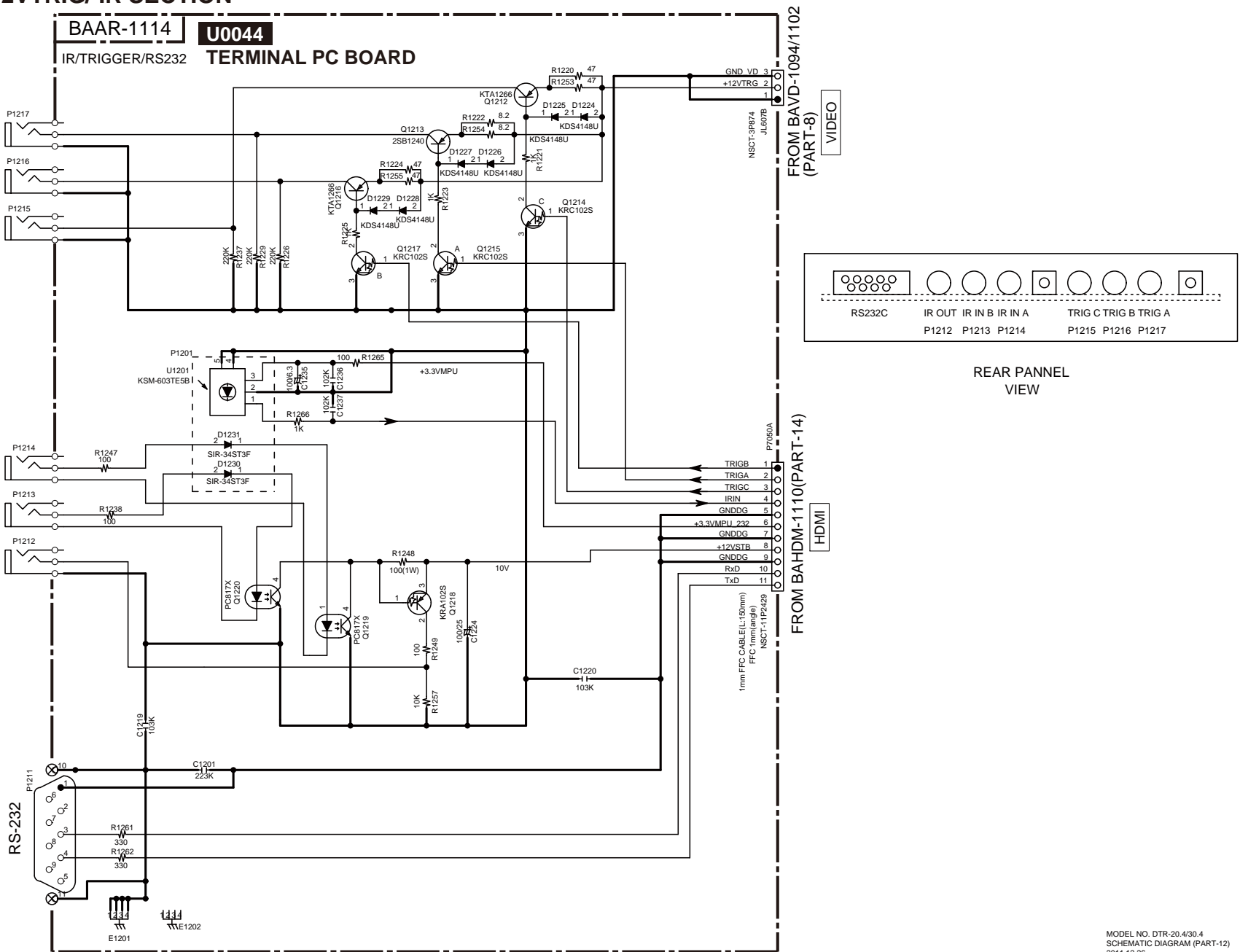
SCHEMATIC DIAGRAMS-12 (PART-12)
RS-232/ 12VTRIG/ IR SECTION

1

2

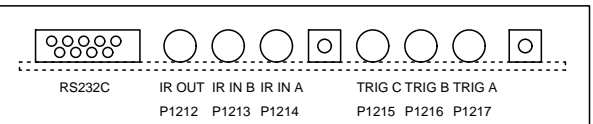
3

4



FROM BAVD-1094/1102 (PART-8)

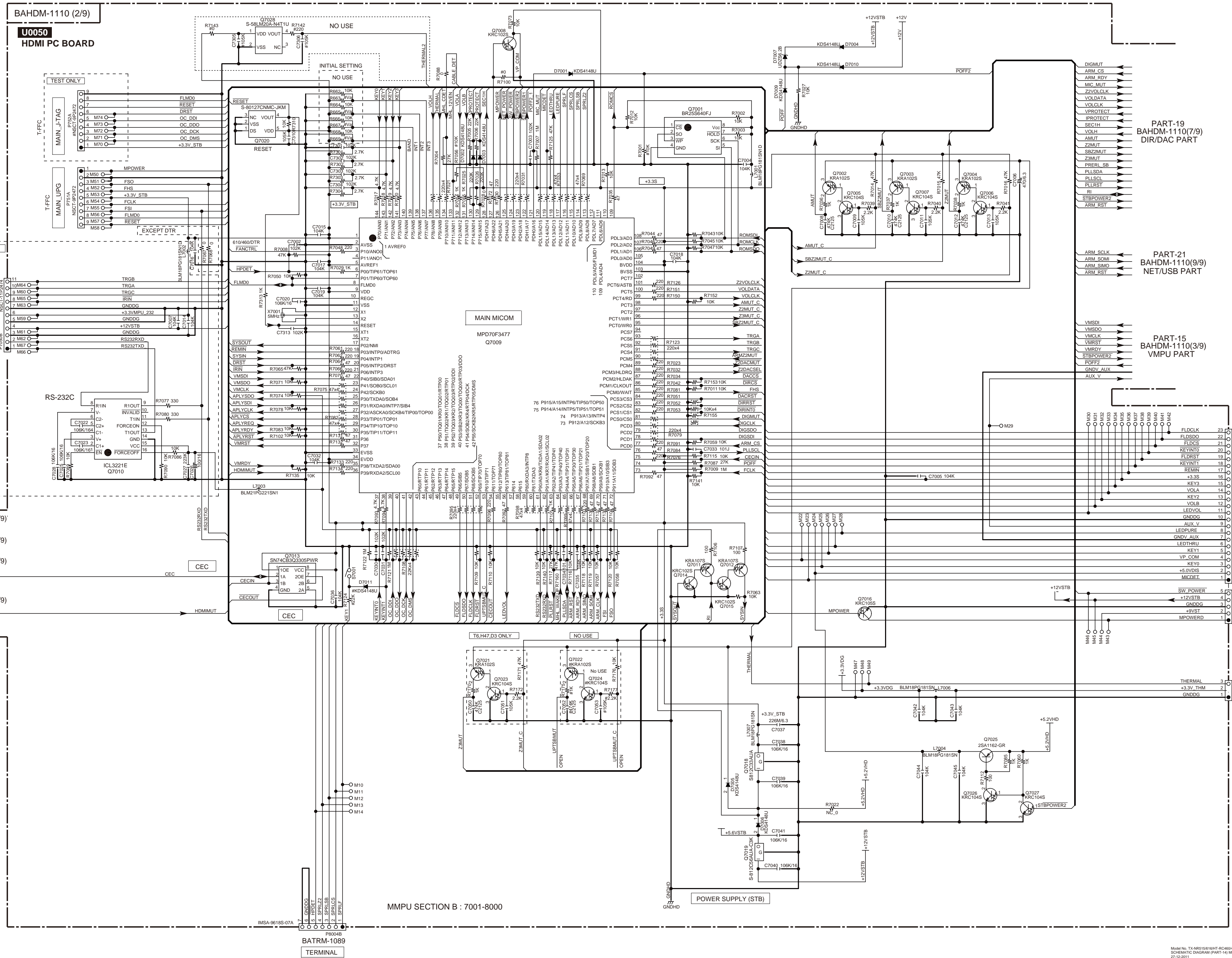
FROM BAHDM-1110(PART-14)



REAR PANNEL VIEW

SCHEMATIC DIAGRAMS-14 (PART-14)
MPU SECTION

1
2
3
4
5
6
7
8



MMPU SECTION B : 7001-8000

SCHEMATIC DIAGRAMS-15 (PART-15)

VMPU/ POWER SUPPLY SECTION

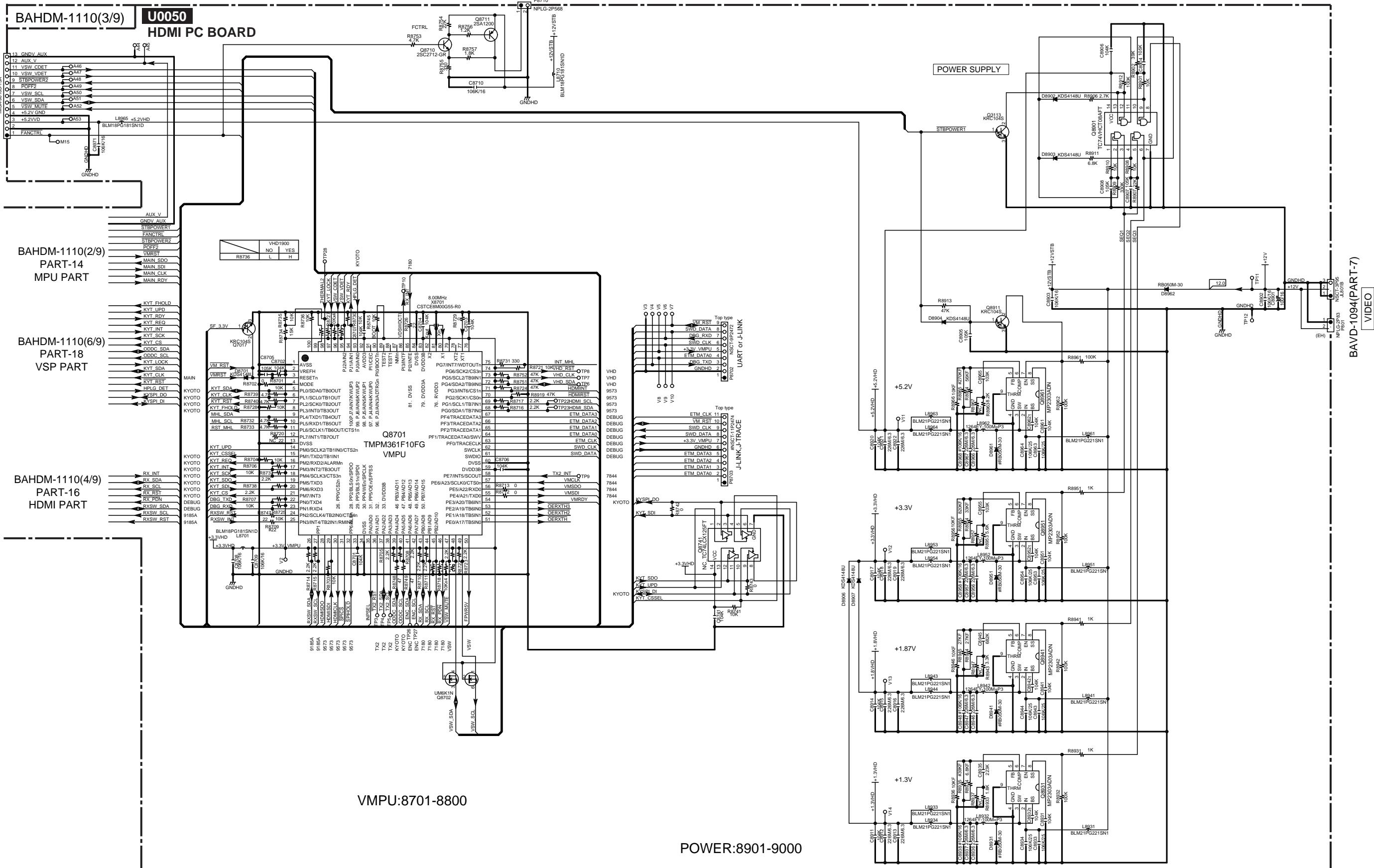
1

2

3

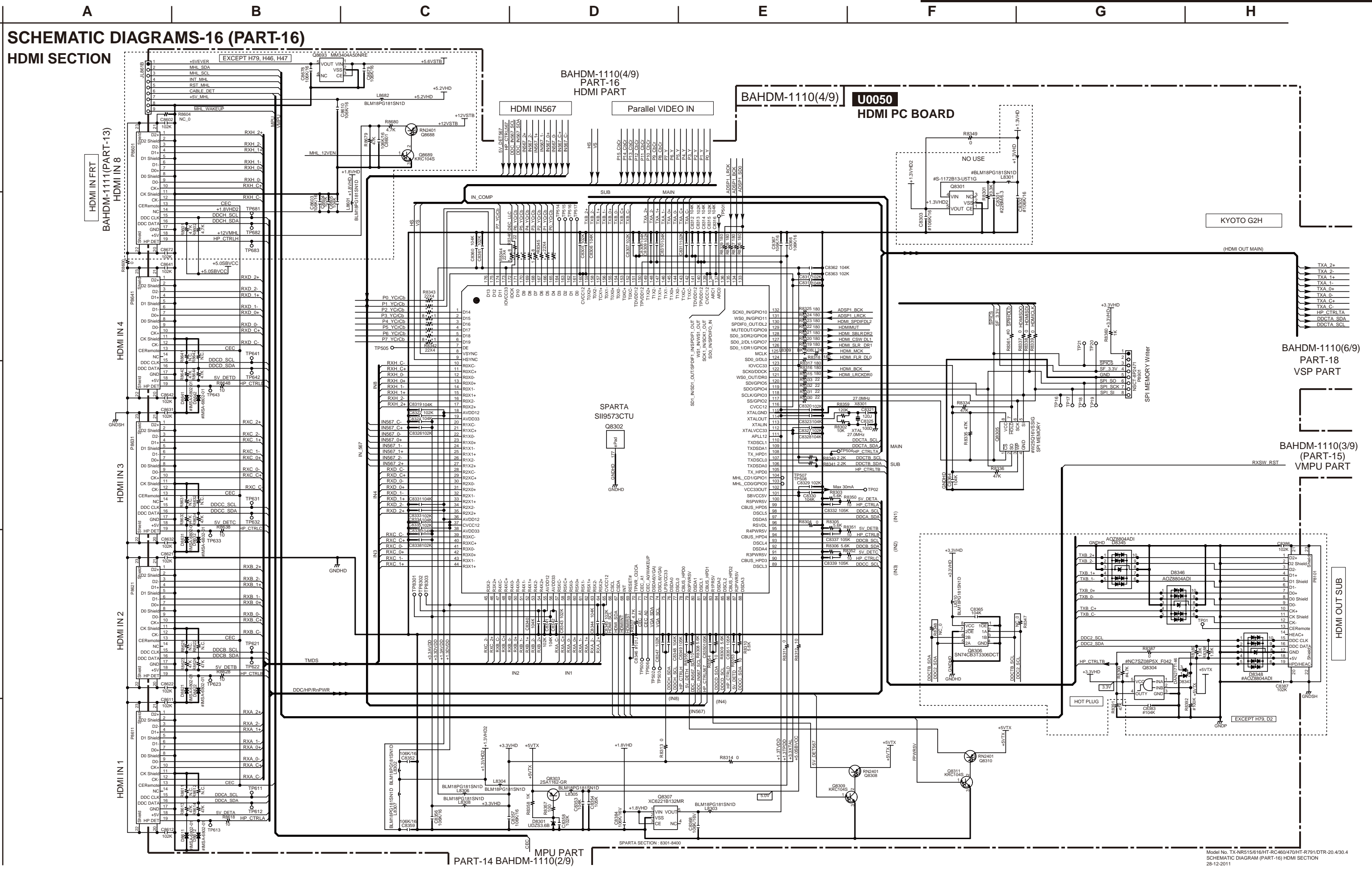
4

5



VMPU:8701-8800

POWER:8901-9000



SCHEMATIC DIAGRAMS-16 (PART-16)
HDMI SECTION

BAHDM-1110(4/9)
 PART-16
 HDMI PART

BAHDM-1110(4/9)
 U0050
 HDMI PC BOARD

SPARTA
 SII9573CTU
 Q8302

MPU PART
 PART-14 BAHDM-1110(2/9)

KYOTO G2H

BAHDM-1110(6/9)
 PART-18
 VSP PART

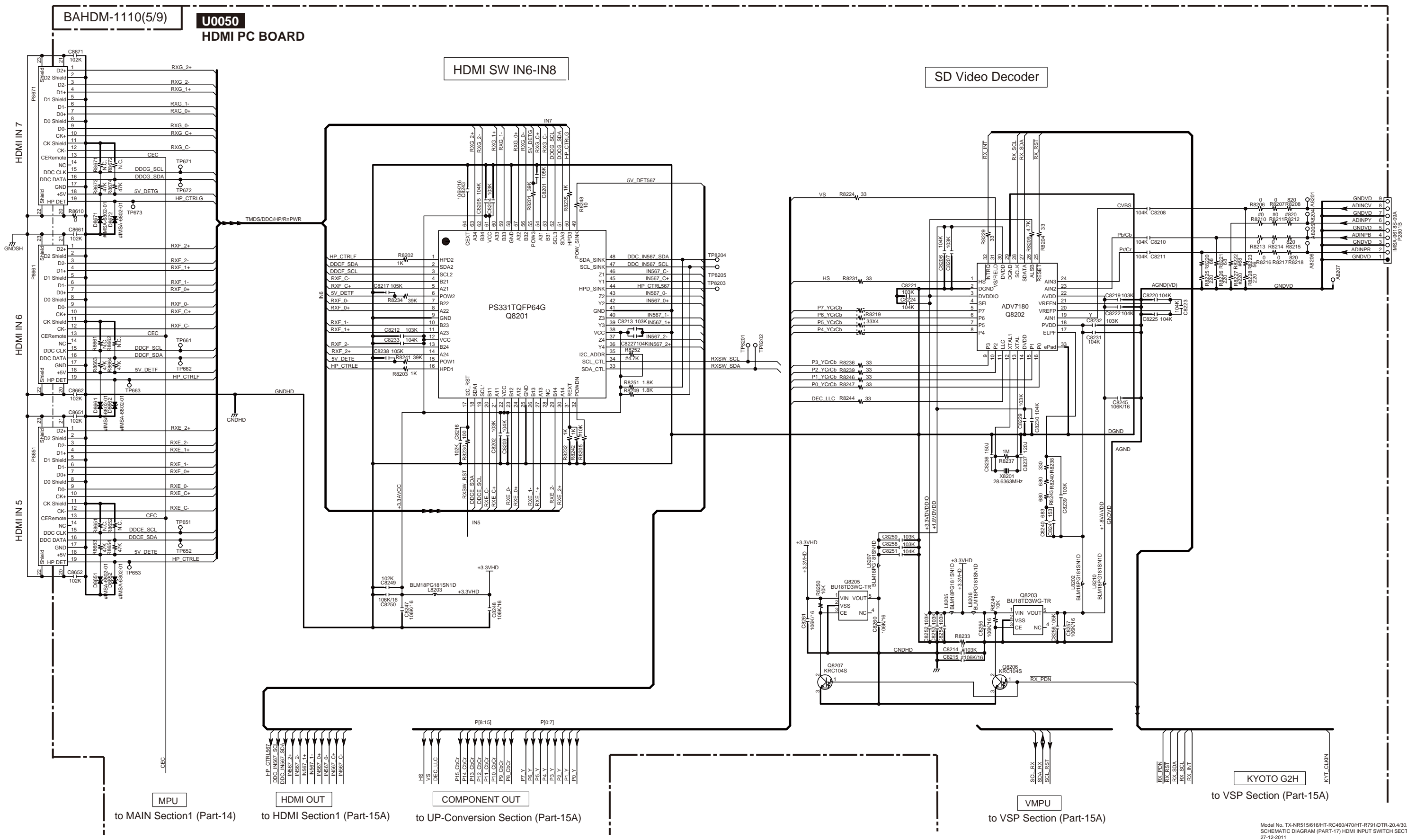
BAHDM-1110(3/9)
 PART-15)
 VMPU PART

HDMI OUT SUB

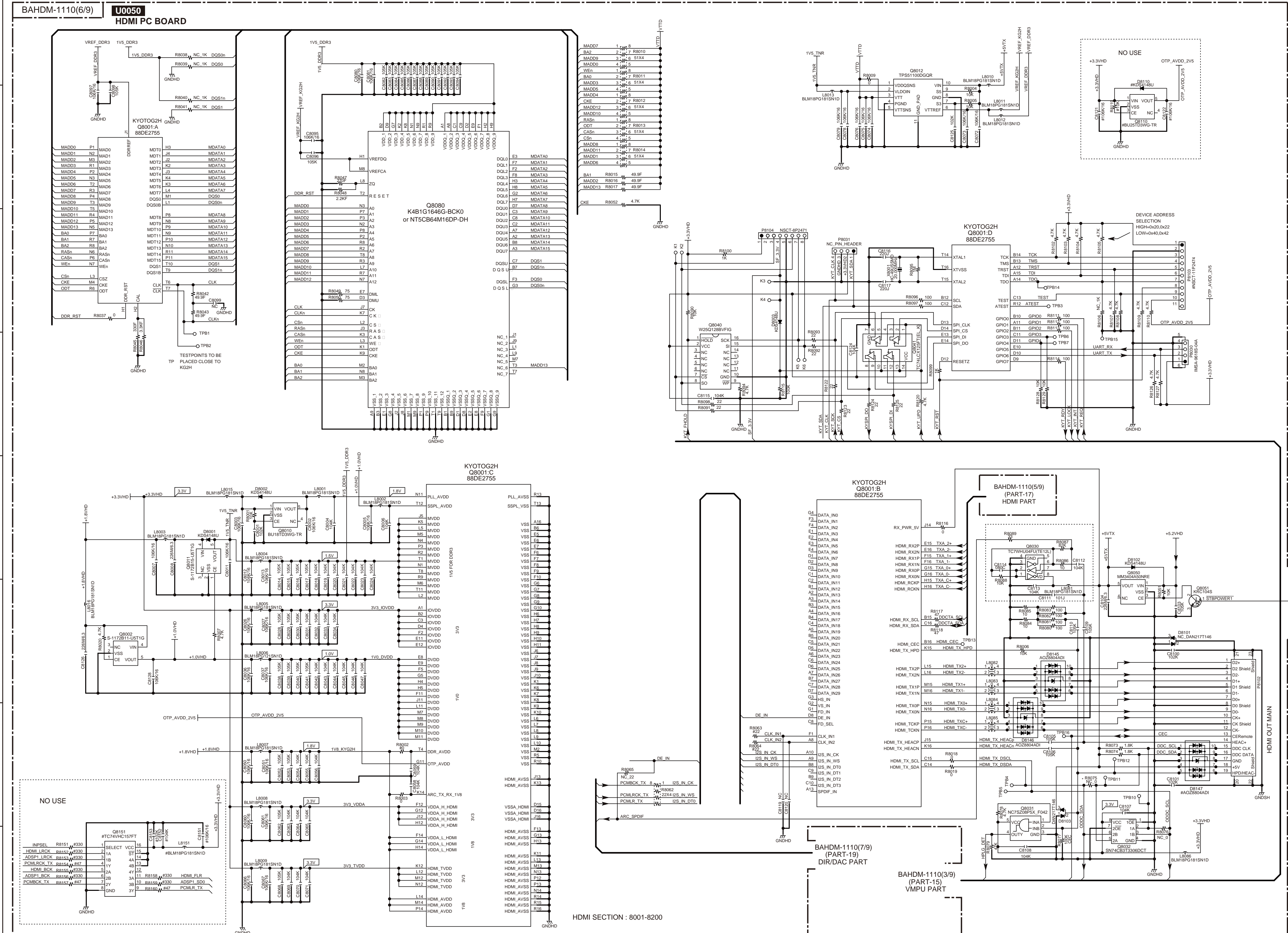
SCHEMATIC DIAGRAMS-17 (PART-17)
HDMI INPUT SWITCH SECTION

1
2
3
4
5

A B C D E F G H



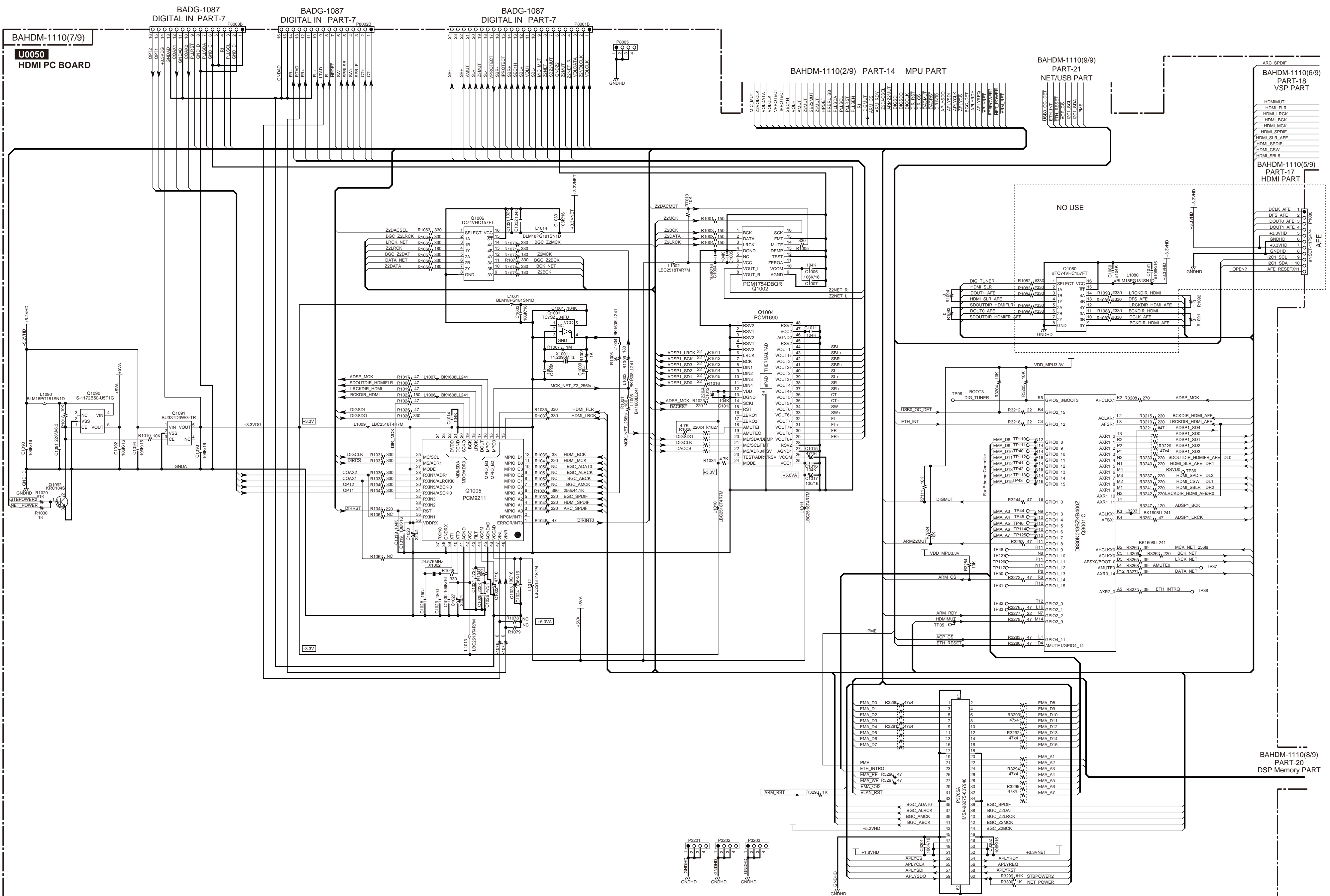
SCHEMATIC DIAGRAMS-18 (PART-18)
VIDEO PROCESSOR SECTION



HDMI SECTION : 8001-8200

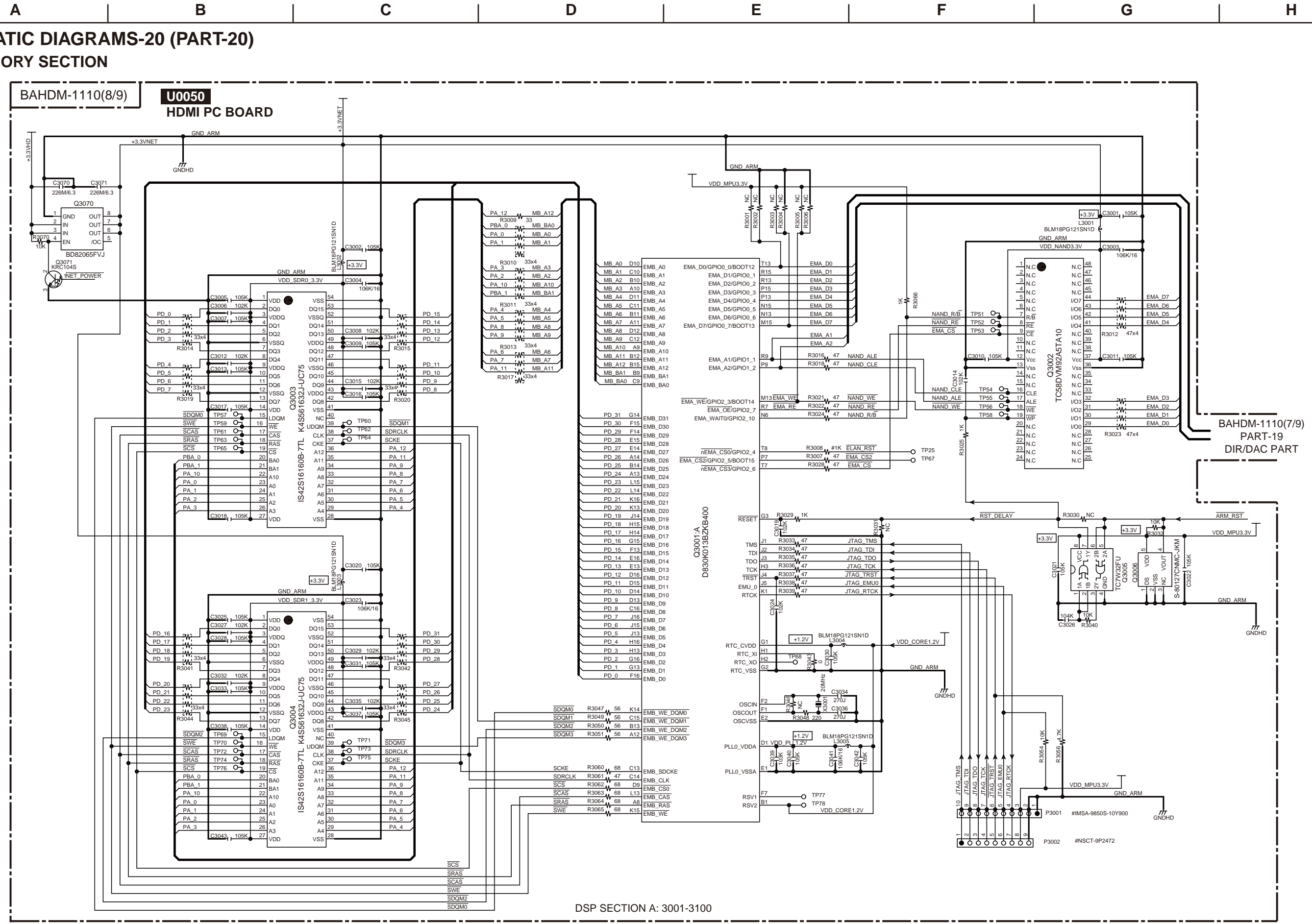
SCHEMATIC DIAGRAMS-19 (PART-19)
DSP/ DIR/ DAC SECTION

1
2
3
4
5
6
7
8



SCHEMATIC DIAGRAMS-20 (PART-20)
DSP MEMORY SECTION

1
2
3
4
5



DSP SECTION A: 3001-3100

SCHEMATIC DIAGRAMS-21 (PART-21)

NET/ USB POWER SECTION

1

2

3

4

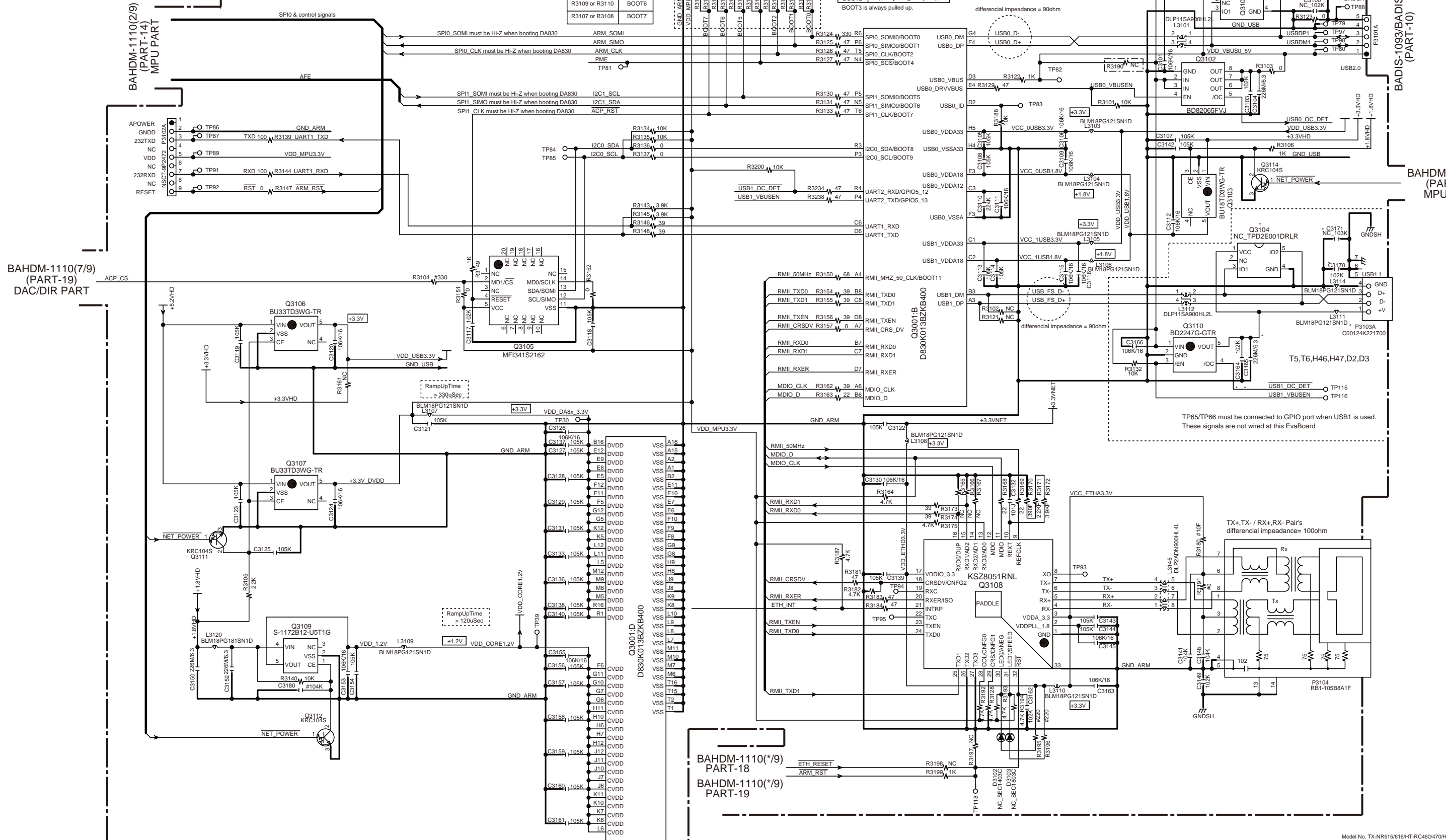
5

BAHDM-1110(9/9)
U0050
HDMI PC BOARD

R3115 or R3116	BOOT2
R3111 or R3112	BOOT5
R3109 or R3110	BOOT6
R3107 or R3108	BOOT7

Boot Opt.	NAND	UART1	SPI0
BOOT7	H	H	H
BOOT6	H	H	H
BOOT5	H	H	H
BOOT4	H	H	H
BOOT3	H	H	H
BOOT2	H	H	H
BOOT1	H	H	H

BOOT3 is always pulled up.



BAHDM-1110(*9)
PART-18
BAHDM-1110(*9)
PART-19

TP65/TP66 must be connected to GPIO port when USB1 is used. These signals are not wired at this EvaBoard

DTR-20.4

<Note>

Parts marked by "NSP" are generally unavailable because they are not in our Master Spare Parts List.

NOTE : THE COMPONENTS IDENTIFIED BY THE MARK ! ARE CRITICAL FOR RISK OF FIRE AND ELECTRIC SHOCK. REPLACE ONLY WITH PART NUMBER SPECIFIED.

<Notes>

<MDD> : 120V,USA model

<MPA> : 230V,Australian model

DTR-20.4

EXPLODED VIEW PARTS LIST

REF. NO.	PART NAME	DESCRIPTION	Q'TY	PART NO. (SN)	REMARKS
[SEMI CONDUCTOR]					
Q6050	TR	2SC5198-O	1	2203063	
Q6050 or	TR	2SC4468-O	(1)	2202523	
Q6050 or	TR	2SC4468-P	(1)	2202526	
Q6050 or	TR	2SC5198-R	(1)	2203062	
Q6050A	ISO SHEET	AC238	2	223024	
Q6050B	ISO SHEET	ISO SHEET	4	223050	
Q6051	TR	2SC5198-O	1	2203063	
Q6051 or	TR	2SC4468-O	(1)	2202523	
Q6051 or	TR	2SC4468-P	(1)	2202526	
Q6051 or	TR	2SC5198-R	(1)	2203062	
Q6052	TR	2SC5198-O	1	2203063	
Q6052 or	TR	2SC4468-O	(1)	2202523	
Q6052 or	TR	2SC4468-P	(1)	2202526	
Q6052 or	TR	2SC5198-R	(1)	2203062	
Q6053	TR	2SC5198-O	1	2203063	
Q6053 or	TR	2SC4468-O	(1)	2202523	
Q6053 or	TR	2SC4468-P	(1)	2202526	
Q6053 or	TR	2SC5198-R	(1)	2203062	
Q6054	TR	2SC5198-O	1	2203063	

Q6054 or	TR	2SC4468-O	(1)	2202523	
Q6054 or	TR	2SC4468-P	(1)	2202526	
Q6054 or	TR	2SC5198-R	(1)	2203062	
Q6060	TR	2SA1941-O	1	2203053	
Q6060 or	TR	2SA1695-O	(1)	2202513	
Q6060 or	TR	2SA1695-P	(1)	2202516	
Q6060 or	TR	2SA1941-R	(1)	2203052	
Q6061	TR	2SA1941-O	1	2203053	
Q6061 or	TR	2SA1695-O	(1)	2202513	
Q6061 or	TR	2SA1695-P	(1)	2202516	
Q6061 or	TR	2SA1941-R	(1)	2203052	
Q6062	TR	2SA1941-O	1	2203053	
Q6062 or	TR	2SA1695-O	(1)	2202513	
Q6062 or	TR	2SA1695-P	(1)	2202516	
Q6062 or	TR	2SA1941-R	(1)	2203052	
Q6063	TR	2SA1941-O	1	2203053	
Q6063 or	TR	2SA1695-O	(1)	2202513	
Q6063 or	TR	2SA1695-P	(1)	2202516	
Q6063 or	TR	2SA1941-R	(1)	2203052	
Q6064	TR	2SA1941-O	1	2203053	
Q6064 or	TR	2SA1695-O	(1)	2202513	
Q6064 or	TR	2SA1695-P	(1)	2202516	
Q6064 or	TR	2SA1941-R	(1)	2203052	
[CHASSIS SCREW]					
A001	CHASSIS	TX-SR507	1	27100533F	N
A003	LEG	(B)	4	27175464	
A005	CUSHION	(ZUL)	4	28141877	
A007	SCREW	3TTB+8B(3BC)	4	838430088GR	
A009	HOLDER	KGLS-8RT	3	27190503A	
A010	HOLDER	KGPS-8RF	1	27191044	
A013	HOLDER	KGPS-14RF	3	27190802	
A017	HOLDER	HOLDER KGLS-18S	1	27190470	
A021	HOLDER	KGLS-22S	2	27190369	
A023	HOLDER	KGLS-22S	1	27190369	

A024	HOLDER	KGLS-12RT	1	27190266	
A025	SCREW	4TTC+8C(3BC)SR	4	801658	
A030	HEAT SINK	(L)414	1	27160669	
A032	RETAINER	(HL)313	1	27142280	
A034	RETAINER	(HR)	1	27142223A	
A036	SCREW	3TTB+8B(3BC)	4	838430088GR	
A038	SCREW	3TTB+8B(3BC)	2	838430088GR	
A040	SCREW	3TTB+8B(3BC)	3	838430088GR	
A042	SCREW	3TTB+8B(3BC)	2	838430088GR	
A043	SCREW	3TTB+8B(3CM)SR	1	801637	
A050	SCREW	3SMS8W.SW+14B(CU)	10	801634	
A054	SCREW	3TTB+8B(3BC)	1	838430088GR	
A058	LABEL	(PT)	1	29364345	
A060	WIRE TIE	BSK-1	2	260208	
A069	SCREW	3TTB+8B(3BC)	2	838430088GR	
A071	RETAINER	(B)	1	27142141	
A073	SCREW	3TTB+8B(3BC)	3	838430088GR	
A075	CUSHION	(BUTYL)	1	28141748	
A080	IB CUSHION	W15*3t TAPE	1	28141585	
A099	LABEL	(SP)203	1	29391540	
A101	REAR PANEL	DTR204DD	1	27124388B	N <B MDD>
A101	REAR PANEL	DTR204MA	1	27124389B	N <B MPA>
A102	CUSHION	---	2	28141799	
A103	SCREW	3P+6FN(3BC)	8	82143006GR	
A105	SCREW	3TTB+8B(3BC)	29	838430088GR	
A107	SCREW	3P+6FN(3BC)	1	82143006GR	
A110	SCREW	3TTF+10B(3BC)	2	835430108GR	
A112	TAPE	TAPE(CLOTH-8U)	1	29110082	
A120A	LABEL	(E-CON)	{ 1 }	29364978	
[CABINET]					
A201	F PANEL	DTR204(B)DD	1	27213558	N <B MDD>
A201	F PANEL	DTR204(B)MA	1	27213559	N <B MPA>
A207	BADGE	---	1	28135278	
A209	F BRACKET	(B)402	1	27111576C	

A210	CUSHION	t1.5xw13xd5	2	28141912	N
A212	FACET	---	1	28198905	
A217	KNOB	(STANDBY)	1	28325756	
A219	KNOB	(CUR)B	1	28326682A	
A220	P RIVET	P-3055B-8L	2	880048	
A221	IB CUSHION	W15*3t TAPE	1	28141585	
A223	SCREW	3TTB+8B(3BC)	19	838430088GR	
A231	RETAINER	(USB)	1	27142185	
A240	HOLDER	(CLAMP) UA-0	1	27190432	
A242	WIRE TIE	BSK-1	1	260208	
A246	CUSHION	45x5xt2	2	28141463	
A248	CUSHION	---	2	28141498A	
A250	B PLATE	---	1	28133430	
A251	DECO FRM	(B)	1	27215384	
A253	CLEAR PLT	301	1	28192231	
A254	WIRE TIE	BSK-1	6	260208	
A255	SCREW	3TTB+8B(3BC)	5	838430088GR	
A256	SCREW	3TTB+8B(3BC)	1	838430088GR	
A260	TAPE	TAPE(CLOTH-8U)	1	29110082	
A261	TAPE	TAPE(CLOTH-16U)	1	29110083	
A263	TAPE	TAPE(CLOTH-16U)	1	29110083	
A271	TAPE	TAPE(CLOTH-16U)	1	29110083	
A273	HOLDER	KGLS-4S	2	27190009	
A307	SCREW	3TTB+8B(3BC)	3	838430088GR	
A321	KNOB	(VOL)AS	1	28326685B	
A340	COVER	(B) (Bent)	1	28210034	
A340	COVER	(B) (Not Bent)	1	28210034Z	
A342	SCREW	3TTB+8B(3BC)	7	838430088GR	
A360	LABEL	(COVER)	1	29390767	
[TRANS COIL]					
T901	P TRANS	NPT-1604D	1	2302012	! <B MDD>
T901	P TRANS	NPT-1604P	1	2302013	! <B MPA>
[SW TRM]					
F6401	FUSE	10A-UL/T-233	1	252330GR	!

F6401 or	FUSE	10A-T/UL-ST2	(1)	252333GR	!
F6402	FUSE	10A-UL/T-233	1	252330GR	!
F6402 or	FUSE	10A-T/UL-ST2	(1)	252333GR	!
F9002	FUSE	8A-UL/T-233	1	252329GR	! <B MDD>
F9002 or	FUSE	8A-T/UL-ST2	(1)	252261GR	! <B MDD>
F9002	FUSE	4A-SE-EAK FUSE	1	252077GR	! <B MPA>
F9002 or	FUSE	4A-SE-TL250V	(1)	252277GR	! <B MPA>
F9002E	LABEL	LABEL	1	29360842	<B MDD>
F9002E	LABEL	T4AL250V	1	29361732A	<B MPA>
P101	FFC	NCFC7-091512	1	2047091512	
P2800	FFC	NCFC5-131512	1	2045131512	
P2801	FFC	NCFC5-091012	1	2045091012	
P3101	SOCKET AS	NSAS-10P1924	1	2009991224UL	
P6601A	P RIVET	JB-407A-C	10	880052	<B MPA>
P701	FFC	NCFC5-232212	1	2045232212	
P703	FFC	NCFC5-072512	1	2045072512	
P7050	FFC	NCFC5-111012	1	2045111012	
P8004	FFC	NCFC5-071012	1	2045071012	
P901B	FASTON AS	FASTON SOCKET	1	1F999027	!
P907	AC INLET	R301X2PSn	1	25053358	!
[TUNER UNIT]					
U001	U0010~U0014	BAAF-1070-1J *	1	1B272570-1J	N
U0010	AUDIO PC BOARD ASS'Y	BAAF-1070-1J	1	1B2725070-1J	N
U0011	SENSOR PC BOARD ASS'Y	BAETC-1072-1J	1	1B2725072-1J	N
U0012	FIX PC BOARD	BAETC-1073-1J	1	1B2725073-1J	N
U0013	TERMINAL PC BOARD ASS'Y	BAETC-1074-1J	1	1B2725074-1J	N
U0014	POWER SUPPLY(VP) PC BOARD ASS'Y	BAETC-1075-1J	1	1B2725075-1J	N
U002	U0020 x 4 pcs.	BACLA-1130-2A *	1	1B271530-2A	
U0020	AMPLIFIER PC BOARD ASS'Y	BACLA-1130-2A	1	1B2715130-2A	
U003	U0030,U0034 x 2 pcs.	BATRM-1089-1D *	1	1B272589-1D	<MDD>
U0030	SPEAKER TERMINAL PC BOARD ASS'Y	BATRM-1089-1D	1	1B2725089-1D	<MDD>
U0034	FIX PC BOARD	BAETC-1100-1D	1	1B2725100-1D	<MDD>
U003	U0030,U0034 x 2 pcs.	BATRM-1089-1E *	1	1B272589-1E	<MPA>
U0030	SPEAKER TERMINAL PC BOARD ASS'Y	BATRM-1089-1E	1	1B2725089-1E	<MPA>

U0034	FIX PC BOARD	BAETC-1100-1E	1	1B2725100-1E	<MPA>
U004	U0040~U0045	BADIS-1101-1A *	1	1B272501-1A	N
U0040	DISPLAY PC BOARD ASS'Y	BADIS-1101-1A	1	1B2725101-1A	N
U0041	VIDEO PC BOARD ASS'Y	BAVD-1102-1A	1	1B2725102-1A	N
U0042	SWITCH PC BOARD ASS'Y	BADIS-1103-1A	1	1B2725103-1A	N
U0043	PHONE JACK PC BOARD ASS'Y	BAETC-1104-1A	1	1B2725104-1A	N
U0044	TERMINAL PC BOARD ASS'Y	BAAR-1114-1A	1	1B2725114-1A	
U0045	TERMINAL(USB) PC BOARD ASS'Y	BAETC-1115-1A	1	1B2725115-1A	
U005	U0050, U0051	BAHDM-1110-1D *	1	1B272510-1D	
U0050	HDMI(MAIN) PC BOARD ASS'Y	BAHDM-1110-1D	1	1B272510-1D	
U006	U0060 x 4 pcs.	BADG-1087-1C *	1	1B272587-1C	
U0060	DIGITAL PC BOARD ASS'Y	BADG-1087-1C	1	1B2725087-1C	
U008	U0080 x 4 pcs.	BAPS-1120-1A *	1	1B272520-1A	<MDD>
U0080	POWER SUPPLY PC BOARD ASS'Y	BAPS-1120-1A	1	1B2725120-1A	<MDD>
U008	U0080 x 4 pcs.	BAPS-1120-1B *	1	1B272520-1B	<MPA>
U0080	POWER SUPPLY PC BOARD ASS'Y	BAPS-1120-1B	1	1B2725120-1B	<MPA>
U010	TUNER UNIT	FAEH08-W01	1	240169A	<B MDD>
U010	TUNER UNIT	FAEH08-E01	1	240170A	<B MPA>

DTR-20.4

PACKING PROCEDURES PARTS LIST

REF. NO.	PART NAME	DESCRIPTION	Q'TY	PART NO. (SN)	REMARKS
[PACKING]					
A601	PAD AS	(AS) L & R	1	29092500	
A601A	PAD	(L)	1	29092501	
A601B	PAD	(R)	1	29092502	
A605	POLY BAG	w850xd650	1	29100245	
A606	TAPE	(SEROHAN)NITTO NO.29	1	29110149	
A677	TAPE	(SEROHAN)NITTO NO.29	1	29110149	
A701	CARTON	(DTR20.4BMDD)	1	29055338	N
A702	LABEL	(MPA)	2	29390972	<B MPA>
A704A	UPC LABEL	DTR204(B)MDD	1	29391866	N <B MDD>

A704A	EAN LABEL	DTR204(B)MPA	1	29391867	N <B MPA>
A760	PP TAPE	W50 SBT-70	1	29110200	
[ACCESSARY]					
A674	POLY BAG	w250xd350	1	29100250A	
A676	TAPE	(SEROHAN)NITTO NO.29	1	29110149	
A801	INS MANUAL	En(DTR204)	1	29401041	N
A815	INS MANUAL	EnJa(GNU_License)	1	29401190	
A821	LABEL	(SPCABLE)2009	1	29390881	
A825	INST SHEET	U11(2010_RIHD)	1	29355782A	
A827	INS MANUAL	En(InternetRadioGuide_INT)	1	29401191	N <B MDD>
A829	INS MANUAL	En(Last.fm)_INT(MMA)	1	29400859	<B MPA>
A831	INST SHEET	WEEE	1	29355793A	<B MPA>
A850	INS MANUAL	U9(2012_Prepro)	1	29401094	
A855	REMO CON	RC-835M	1	24140835A	N
A856	MIC	MIC-7001	1	245045	
A858	ANT COIL	NMA-3057	1	232140	
A859	FM ANT AS	Type W	1	292191	
A861	BATTERY	R6/AA(UM-3)	2	3010194	
A861 or	BATTERY	R6/AA(UM-3)	(2)	3010054	
A871	INST SHEET	U9(AppleTV)	1	29355863	
A891	WRNTY CARD	(INTEGRA)	1	29365136	<B MDD>
P901	AC CORD	AS-UC-2	1	253352ATES	! <B MDD>
P901	AC CORD	AS-SAA	1	253391VOL	! <B MPA>
P902	AC CORD	AS-CEE-3	1	253298VOL	! <B MPA>

DTR-20.4

PC BOARD PARTS LIST

U001	U0010~U0014	BAAF-1070-1J *
U0010	AUDIO PC BOARD ASS'Y	BAAF-1070-1J
U0011	SENSOR PC BOARD ASS'Y	BAETC-1072-1J
U0012	FIX PC BOARD	BAETC-1073-1J
U0013	TERMINAL PC BOARD ASS'Y	BAETC-1074-1J

U0014 POWER SUPPLY(VP) PC BOARD ASS'Y BAETC-1075-1J

CIRCUIT N	PART NAME	DESCRIPTION	Q'TY	PART NO. (SN)	REMARKS
[SEMI CONDUCTOR]					
D4107	C-DIODE	DA2J10100	1	223303R2	
D4107 or	C-DIODE	ISS352	(1)	223234R2	
D4107 or	C-DIODE	ISS355	(1)	223269R2	
D4107 or	C-DIODE	MA2J111	(1)	223279R2	
D4107 or	C-DIODE	KDS4148U	(1)	223283R2	
D4117	C-DIODE	DA2J10100	1	223303R2	
D4117 or	C-DIODE	ISS352	(1)	223234R2	
D4117 or	C-DIODE	ISS355	(1)	223269R2	
D4117 or	C-DIODE	MA2J111	(1)	223279R2	
D4117 or	C-DIODE	KDS4148U	(1)	223283R2	
D4171	ZENER D	DZ2J075M0L	1	224760750R2	
D4171 or	ZENER D	UDZS7.5B	(1)	224550750R2	
D4172	ZENER D	DZ2J075M0L	1	224760750R2	
D4172 or	ZENER D	UDZS7.5B	(1)	224550750R2	
D4207	C-DIODE	DA2J10100	1	223303R2	
D4207 or	C-DIODE	ISS352	(1)	223234R2	
D4207 or	C-DIODE	ISS355	(1)	223269R2	
D4207 or	C-DIODE	MA2J111	(1)	223279R2	
D4207 or	C-DIODE	KDS4148U	(1)	223283R2	
D4208	C-DIODE	DA2J10100	1	223303R2	
D4208 or	C-DIODE	ISS352	(1)	223234R2	
D4208 or	C-DIODE	ISS355	(1)	223269R2	
D4208 or	C-DIODE	MA2J111	(1)	223279R2	
D4208 or	C-DIODE	KDS4148U	(1)	223283R2	
D4217	C-DIODE	DA2J10100	1	223303R2	
D4217 or	C-DIODE	ISS352	(1)	223234R2	
D4217 or	C-DIODE	ISS355	(1)	223269R2	
D4217 or	C-DIODE	MA2J111	(1)	223279R2	
D4217 or	C-DIODE	KDS4148U	(1)	223283R2	

D4218	C-DIODE	DA2J10100	1	223303R2
D4218 or	C-DIODE	1SS352	(1)	223234R2
D4218 or	C-DIODE	1SS355	(1)	223269R2
D4218 or	C-DIODE	MA2J111	(1)	223279R2
D4218 or	C-DIODE	KDS4148U	(1)	223283R2
D4300	DIODE	RL1N4003	1	22380260T
D4300 or	DIODE	GP104003E	(1)	22380035T
D4301	DIODE	RL1N4003	1	22380260T
D4301 or	DIODE	GP104003E	(1)	22380035T
D4302	DIODE	RL1N4003	1	22380260T
D4302 or	DIODE	GP104003E	(1)	22380035T
D4303	DIODE	RL1N4003	1	22380260T
D4303 or	DIODE	GP104003E	(1)	22380035T
D4304	DIODE	RL1N4003	1	22380260T
D4304 or	DIODE	GP104003E	(1)	22380035T
D4305	DIODE	RL1N4003	1	22380260T
D4305 or	DIODE	GP104003E	(1)	22380035T
D4306	ZENER D	DZ2J036M0L	1	224760360R2
D4306 or	ZENER D	UDZS3.6B	(1)	224550360R2
D4400	ZENER D	DZ2J056M0L	1	224760560R2
D4400 or	ZENER D	UDZS5.6B	(1)	224550560R2
D6000	C-DIODE	DA2J10100	1	223303R2
D6000 or	C-DIODE	1SS352	(1)	223234R2
D6000 or	C-DIODE	1SS355	(1)	223269R2
D6000 or	C-DIODE	MA2J111	(1)	223279R2
D6000 or	C-DIODE	KDS4148U	(1)	223283R2
D6001	C-DIODE	DA2J10100	1	223303R2
D6001 or	C-DIODE	1SS352	(1)	223234R2
D6001 or	C-DIODE	1SS355	(1)	223269R2
D6001 or	C-DIODE	MA2J111	(1)	223279R2
D6001 or	C-DIODE	KDS4148U	(1)	223283R2
D6002	C-DIODE	DA2J10100	1	223303R2
D6002 or	C-DIODE	1SS352	(1)	223234R2
D6002 or	C-DIODE	1SS355	(1)	223269R2

D6002 or	C-DIODE	MA2J111	(1)	223279R2	
D6002 or	C-DIODE	KDS4148U	(1)	223283R2	
D6003	C-DIODE	DA2J10100	1	223303R2	
D6003 or	C-DIODE	ISS352	(1)	223234R2	
D6003 or	C-DIODE	ISS355	(1)	223269R2	
D6003 or	C-DIODE	MA2J111	(1)	223279R2	
D6003 or	C-DIODE	KDS4148U	(1)	223283R2	
D6004	C-DIODE	DA2J10100	1	223303R2	
D6004 or	C-DIODE	ISS352	(1)	223234R2	
D6004 or	C-DIODE	ISS355	(1)	223269R2	
D6004 or	C-DIODE	MA2J111	(1)	223279R2	
D6004 or	C-DIODE	KDS4148U	(1)	223283R2	
D6401	DIODE	TS10B06G-07	1	22380379	N
D6401A	HEAT SINK	RAD-196	1	27160545	
D6401D	SCREW	3P+10FN(3BC)	1	82143010GR	
D6402	C-DIODE	DA2J10100	1	223303R2	
D6402 or	C-DIODE	ISS352	(1)	223234R2	
D6402 or	C-DIODE	ISS355	(1)	223269R2	
D6402 or	C-DIODE	MA2J111	(1)	223279R2	
D6402 or	C-DIODE	KDS4148U	(1)	223283R2	
D6451	C-DIODE	DA2J10100	1	223303R2	
D6451 or	C-DIODE	ISS352	(1)	223234R2	
D6451 or	C-DIODE	ISS355	(1)	223269R2	
D6451 or	C-DIODE	MA2J111	(1)	223279R2	
D6451 or	C-DIODE	KDS4148U	(1)	223283R2	
D6452	C-DIODE	DA2J10100	1	223303R2	
D6452 or	C-DIODE	ISS352	(1)	223234R2	
D6452 or	C-DIODE	ISS355	(1)	223269R2	
D6452 or	C-DIODE	MA2J111	(1)	223279R2	
D6452 or	C-DIODE	KDS4148U	(1)	223283R2	
D6455	ZENER D	DZ2J033M0L	1	224760330R2	
D6455 or	ZENER D	UDZS3.3B	(1)	224550330R2	
D960	DIODE	RL1N4003	1	22380260T	
D961	DIODE	RL1N4003	1	22380260T	

D964	ZENER D	DZ2J360M0L	1	224763600R2
D964 or	ZENER D	UDZS36B	(1)	224553600R2
Q4001	IC	R2S15211FP	1	22242297R3
Q4003	IC	NJM4580M-D	1	22241448R2
Q4100	TR	RN1441	1	2215410R2
Q4100 or	TR	RTAN430C-T112-1	(1)	2217780R2
Q4101	TR	RN1441	1	2215410R2
Q4101 or	TR	RTAN430C-T112-1	(1)	2217780R2
Q4102	TR	RN1441	1	2215410R2
Q4102 or	TR	RTAN430C-T112-1	(1)	2217780R2
Q4103	TR	RN1441	1	2215410R2
Q4103 or	TR	RTAN430C-T112-1	(1)	2217780R2
Q4104	TR	RN1441	1	2215410R2
Q4104 or	TR	RTAN430C-T112-1	(1)	2217780R2
Q4105	TR	RN1441	1	2215410R2
Q4105 or	TR	RTAN430C-T112-1	(1)	2217780R2
Q4106	TR	RN1441	1	2215410R2
Q4106 or	TR	RTAN430C-T112-1	(1)	2217780R2
Q4107	TR	RN1441	1	2215410R2
Q4107 or	TR	RTAN430C-T112-1	(1)	2217780R2
Q4108	TR	RN1441	1	2215410R2
Q4108 or	TR	RTAN430C-T112-1	(1)	2217780R2
Q4109	TR	RN1441	1	2215410R2
Q4109 or	TR	RTAN430C-T112-1	(1)	2217780R2
Q4115	TR	RN1441	1	2215410R2
Q4115 or	TR	RTAN430C-T112-1	(1)	2217780R2
Q4116	TR	RN1441	1	2215410R2
Q4116 or	TR	RTAN430C-T112-1	(1)	2217780R2
Q4117	TR	RN1441	1	2215410R2
Q4117 or	TR	RTAN430C-T112-1	(1)	2217780R2
Q4130	IC	NJM4580M-D	1	22241448R2
Q4170	IC	78M15HF(NJM78M15FA)	1	222780155JRC
Q4170 or	IC	UPC78M15AHF-AZ	(1)	222780155NEC
Q4170A	HEAT SINK	RAD-196	1	27160545

Q4170B	SCREW	3P+10FN(3BC)	1	82143010GR
Q4171	IC	79M15HF(NJM79M15FA)	1	222790155JRC
Q4171 or	IC	UPC79M15HF-AZ	(1)	222790155NEC
Q4171B	SCREW	3P+10FN(3BC)	1	82143010GR
Q4184	TR	2SC2235-Y(TPE6_F)	1	2211654T
Q4185	TR	2SA965-O(TPE6_F)	1	2211643T
Q4301	IC	M61540FP	1	22242497R2
Q4400	TR	2SC2235-Y(TPE6_F)	1	2211654T
Q6000	TR	2SC1740S-S	1	2213285T
Q6000 or	TR	KTC3198-GR	(1)	2215985T
Q6001	TR	2SC1740S-S	1	2213285T
Q6001 or	TR	KTC3198-GR	(1)	2215985T
Q6002	TR	2SC1740S-S	1	2213285T
Q6002 or	TR	KTC3198-GR	(1)	2215985T
Q6003	TR	2SC1740S-S	1	2213285T
Q6003 or	TR	KTC3198-GR	(1)	2215985T
Q6004	TR	2SC1740S-S	1	2213285T
Q6004 or	TR	KTC3198-GR	(1)	2215985T
Q6070	TR	2SC2229-Y(TPE6_F)	1	2211634T
Q6070 or	TR	2SC2229-O(TPE6_F)	(1)	2211633T
Q6071	TR	2SC2229-Y(TPE6_F)	1	2211634T
Q6071 or	TR	2SC2229-O(TPE6_F)	(1)	2211633T
Q6072	TR	2SC2229-Y(TPE6_F)	1	2211634T
Q6072 or	TR	2SC2229-O(TPE6_F)	(1)	2211633T
Q6073	TR	2SC2229-Y(TPE6_F)	1	2211634T
Q6073 or	TR	2SC2229-O(TPE6_F)	(1)	2211633T
Q6074	TR	2SC2229-Y(TPE6_F)	1	2211634T
Q6074 or	TR	2SC2229-O(TPE6_F)	(1)	2211633T
Q6300	IC	LM61CIZ	1	22242212
Q6300A	RETAINER	(PTH)	1	27141884-1
Q6401	TR	KTC3875-GR	1	2216175R2
Q6401 or	TR	2SC2712-GR	(1)	2213145R2
Q6451	TR	KTC3875-GR	1	2216175R2
Q6451 or	TR	2SC2712-GR	(1)	2213145R2

Q6452	TR	KTC3875-GR	1	2216175R2
Q6452 or	TR	2SC2712-GR	(1)	2213145R2
Q6453	TR	2SA1163-BL(TE85L_F)	1	2216756R2
Q6453 or	TR	KTA1517-GR	(1)	2216305R2
Q6454	TR	2SA1163-BL(TE85L_F)	1	2216756R2
Q6454 or	TR	KTA1517-GR	(1)	2216305R2
Q960	TR	2SC2235-Y(TPE6_F)	1	2211654T
Q960 or	TR	2SC2235-O(TPE6_F)	(1)	2211653T
[CAPACITOR]				
C4003	UPZ C	2AUPZTF221JE	1	376332214T
C4004	UPZ C	2AUPZTF221JE	1	376332214T
C4013	C-CERA C	CC725CH1H-221J1	1	342102214R1
C4014	C-CERA C	CC725CH1H-221J1	1	342102214R1
C4015	C-CERA C	CC725CH1H-221J1	1	342102214R1
C4016	C-CERA C	CC725CH1H-221J1	1	342102214R1
C4017	C-CERA C	CC725CH1H-221J1	1	342102214R1
C4018	C-CERA C	CC725CH1H-221J1	1	342102214R1
C4019	UPZ C	2AUPZTF221JE	1	376332214T
C4020	UPZ C	2AUPZTF221JE	1	376332214T
C4027	C-CERA C	CC725CH1H-221J1	1	342102214R1
C4028	C-CERA C	CC725CH1H-221J1	1	342102214R1
C4030	C-CERA C	CC725CH1H-221J1	1	342102214R1
C4031	C-CERA C	CC725CH1H-221J1	1	342102214R1
C4035	C-CERA C	CC725CH1H-221J1	1	342102214R1
C4036	C-CERA C	CC725CH1H-221J1	1	342102214R1
C4050	UTSP C	CE04W25V-47M(UTSP)	1	397554707T
C4051	UTSP C	CE04W25V-47M(UTSP)	1	397554707T
C4052	UTSP C	CE04W25V-47M(UTSP)	1	397554707T
C4053	UTSP C	CE04W25V-47M(UTSP)	1	397554707T
C4054	UTSP C	CE04W25V-47M(UTSP)	1	397554707T
C4055	UTSP C	CE04W25V-47M(UTSP)	1	397554707T
C4056	UTSP C	CE04W25V-47M(UTSP)	1	397554707T
C4057	UTSP C	CE04W25V-47M(UTSP)	1	397554707T
C4060	UTSP C	CE04W50V 47M(UTSP)	1	397584707T

C4061	UTSP C	CE04W50V 47M(UTSP)	1	397584707T
C4062	TF C	ECQ-V50V-474J	1	374724744T
C4063	TF C	ECQ-V50V-823J	1	374728234T
C4064	TF C	ECQ-V50V-223J	1	374722234T
C4065	TF C	ECQ-V50V-474J	1	374724744T
C4066	TF C	ECQ-V50V-823J	1	374728234T
C4067	TF C	ECQ-V50V-223J	1	374722234T
C4070	UTSP C	CE04W50V 47M(UTSP)	1	397584707T
C4071	UTSP C	CE04W50V 47M(UTSP)	1	397584707T
C4072	UTSP C	CE04W50V 47M(UTSP)	1	397584707T
C4073	UTSP C	CE04W50V 47M(UTSP)	1	397584707T
C4074	UTSP C	CE04W50V 47M(UTSP)	1	397584707T
C4075	UTSP C	CE04W50V 47M(UTSP)	1	397584707T
C4076	UTSP C	CE04W50V 47M(UTSP)	1	397584707T
C4077	UTSP C	CE04W50V 47M(UTSP)	1	397584707T
C4078	UTSP C	CE04W50V 47M(UTSP)	1	397584707T
C4079	UTSP C	CE04W50V 47M(UTSP)	1	397584707T
C4090	C-CERA C	CC725CH1H-101J1	1	342101014R1
C4091	C-CERA C	CC725CH1H-101J1	1	342101014R1
C4100	UTSP C	CE04W50V 47M(UTSP)	1	397584707T
C4101	UTSP C	CE04W50V 47M(UTSP)	1	397584707T
C4102	UTSP C	CE04W50V 47M(UTSP)	1	397584707T
C4103	UTSP C	CE04W50V 47M(UTSP)	1	397584707T
C4104	UTSP C	CE04W50V 47M(UTSP)	1	397584707T
C4105	UTSP C	CE04W50V 47M(UTSP)	1	397584707T
C4106	UTSP C	CE04W50V 47M(UTSP)	1	397584707T
C4107	UTSP C	CE04W50V 47M(UTSP)	1	397584707T
C4108	UTSP C	CE04W50V 47M(UTSP)	1	397584707T
C4109	UTSP C	CE04W50V 47M(UTSP)	1	397584707T
C4130	UTSP C	CE04W50V 47M(UTSP)	1	397584707T
C4131	C-CERA C	CC725CH1H-221J1	1	342102214R1
C4132	TF C	ECQ-V50V-103J	1	374721034T
C4166	UTSP C	CE04W25V-220M(UTSP)	1	397552217T
C4167	UTSP C	CE04W25V-220M(UTSP)	1	397552217T

C4170	UTSP C	CE04W50V-10M(UTSP)	1	397581007T	
C4171	UTSP C	CE04W50V-10M(UTSP)	1	397581007T	
C4172	UTSP C	CE04W25V-220M(UTSP)	1	397552217T	
C4173	UTSP C	CE04W25V-220M(UTSP)	1	397552217T	
C4174	UTSP C	CE04W16V-470M(UTSP)	1	397544717T	
C4175	UTSP C	CE04W16V-470M(UTSP)	1	397544717T	
C4184	UTSP C	CE04W25V-220M(UTSP)	1	397552217T	
C4185	UTSP C	CE04W25V-220M(UTSP)	1	397552217T	
C4186	UTSP C	CE04W25V-220M(UTSP)	1	397552217T	
C4187	UTSP C	CE04W25V-220M(UTSP)	1	397552217T	
C4204	C-CERA C	CC725CH1H-102J1	1	342101024R1	
C4205	C-CERA C	CC725CH1H-102J1	1	342101024R1	
C4206	C-CERA C	CC725CH1H-102J1	1	342101024R1	
C4207	C-CERA C	CC725CH1H-102J1	1	342101024R1	
C4208	C-CERA C	CC725CH1H-102J1	1	342101024R1	
C4209	UTSP C	CE04W25V-47M(UTSP)	1	397554707T	
C4210	UTSP C	CE04W25V-47M(UTSP)	1	397554707T	
C4300	TF C	ECQ-V50V-334J	1	374723344T	
C4301	JAMICON	CE04W35V-1000M	1	398561027T	
C4301 or	VR C	CE04W35V-1000M(VR)	(1)	394661027T	N
C4302	VR C	CE04W35V-470M(VR)	1	394664717T	
C4302 or	JAMICON	CE04W35V-470M	(1)	398564717T	
C4307	UTSP C	CE04W50V 47M(UTSP)	1	397584707T	
C4308	UTSP C	CE04W50V 47M(UTSP)	1	397584707T	
C4309	TF C	ECQ-V50V-333J	1	374723334T	
C4310	TF C	ECQ-V50V-333J	1	374723334T	
C4311	TF C	ECQ-V50V-224J	1	374722244T	
C4312	TF C	ECQ-V50V-224J	1	374722244T	
C4313	TF C	ECQ-V50V-473J	1	374724734T	
C4314	TF C	ECQ-V50V-473J	1	374724734T	
C4315	UTSP C	CE04W25V-220M(UTSP)	1	397552217T	
C4318	UTSP C	CE04W16V-470M(UTSP)	1	397544717T	
C4319	UTSP C	CE04W16V-470M(UTSP)	1	397544717T	
C4400	C-CERA C	CK725B1H-102K1	1	332101025R1	

C4401	C-CERA C	CK725B1H-102K1	1	332101025R1
C4404	UTSP C	CE04W25V-47M(UTSP)	1	397554707T
C4405	C-CERA C	CK725F1E-104Z1	1	332161040R1
C6050	TF C	ECQ-V50V-103J	1	374721034T
C6051	TF C	ECQ-V50V-103J	1	374721034T
C6052	TF C	ECQ-V50V-103J	1	374721034T
C6053	TF C	ECQ-V50V-103J	1	374721034T
C6054	TF C	ECQ-V50V-103J	1	374721034T
C6301	C-CERA C	CK725F1E-104Z1	1	332161040R1
C6401	ELECT C	CE69W63V-8200MB	1	3504420
C6402	ELECT C	CE69W63V-8200MB	1	3504420
C6403	TF C	ECQ-V100V-334J	1	374733344T
C6404	TF C	ECQ-V100V-334J	1	374733344T
C6411	C-CERA C	CC725CH1H-102J1	1	342101024R1
C6451	UTSP C	CE04W25V-100M(UTSP)	1	397551017T
C6452	C-CERA C	CK725F1E-104Z1	1	332161040R1
C6453	UTSP C	CE04W50V-1M(UTSP)	1	397580107T
C6454	UTSP C	CE04W50V-1M(UTSP)	1	397580107T
C6455	C-CERA C	CK725F1E-104Z1	1	332161040R1
C6456	UTSP C	CE04W50V-10M(UTSP)	1	397581007T
C950	TF C	ECQ-V50V-104J	1	374721044T
C960	VR C	CE04W63V-220M(VR)	1	394672217T
C960 or	JAMICON	CE04W63V-220M	(1)	398572217T
C961	UTSP C	CE04W50V 47M(UTSP)	1	397584707T
C962	TF C	ECQ-V50V-104J	1	374721044T
C963	UTSP C	CE04W50V 47M(UTSP)	1	397584707T
[RESISTOR]				
R4003	C-CARBON R	RN72K1J-331JE	1	435033314R1
R4004	C-CARBON R	RN72K1J-331JE	1	435033314R1
R4013	C-CARBON R	RN72K1J-331JE	1	435033314R1
R4014	C-CARBON R	RN72K1J-331JE	1	435033314R1
R4015	C-CARBON R	RN72K1J-331JE	1	435033314R1
R4016	C-CARBON R	RN72K1J-331JE	1	435033314R1
R4017	C-CARBON R	RN72K1J-331JE	1	435033314R1

R4018	C-CARBON R	RN72K1J-331JE	1	435033314R1
R4019	C-CARBON R	RN72K1J-331JE	1	435033314R1
R4020	C-CARBON R	RN72K1J-331JE	1	435033314R1
R4028	C-CARBON R	RN72K1J-101JE	1	435031014R1
R4029	C-CARBON R	RN72K1J-101JE	1	435031014R1
R4030	C-CARBON R	RN72K1J-101JE	1	435031014R1
R4031	C-CARBON R	RN72K1J-101JE	1	435031014R1
R4035	C-CARBON R	RN72K1J-101JE	1	435031014R1
R4036	C-CARBON R	RN72K1J-101JE	1	435031014R1
R4043	C-CARBON R	RN72K1J-104JE	1	435031044R1
R4044	C-CARBON R	RN72K1J-104JE	1	435031044R1
R4053	C-CARBON R	RN72K1J-104JE	1	435031044R1
R4054	C-CARBON R	RN72K1J-104JE	1	435031044R1
R4055	C-CARBON R	RN72K1J-104JE	1	435031044R1
R4056	C-CARBON R	RN72K1J-104JE	1	435031044R1
R4057	C-CARBON R	RN72K1J-104JE	1	435031044R1
R4058	C-CARBON R	RN72K1J-104JE	1	435031044R1
R4059	C-CARBON R	RN72K1J-104JE	1	435031044R1
R4060	C-CARBON R	RN72K1J-104JE	1	435031044R1
R4069	C-CARBON R	RN72K1J-104JE	1	435031044R1
R4070	C-CARBON R	RN72K1J-224JE	1	435032244R1
R4071	C-CARBON R	RN72K1J-224JE	1	435032244R1
R4075	C-CARBON R	RN72K1J-223JE	1	435032234R1
R4076	C-CARBON R	RN72K1J-223JE	1	435032234R1
R4078	C-CARBON R	RN72K1J-473JE	1	435034734R1
R4079	C-CARBON R	RN72K1J-473JE	1	435034734R1
R4083	C-CARBON R	RN72K1J-224JE	1	435032244R1
R4084	C-CARBON R	RN72K1J-224JE	1	435032244R1
R4085	C-CARBON R	RN72K1J-182JE	1	435031824R1
R4086	C-CARBON R	RN72K1J-182JE	1	435031824R1
R4087	C-CARBON R	RN72K1J-222JE	1	435032224R1
R4088	C-CARBON R	RN72K1J-222JE	1	435032224R1
R4089	C-CARBON R	RN72K1J-102JE	1	435031024R1
R4090	C-CARBON R	RN72K1J-123JE	1	435031234R1

R4091	C-CARBON R	RN72K1J-223JE	1	435032234R1
R4092	C-CARBON R	RN72K1J-331JE	1	435033314R1
R4093	C-CARBON R	RN72K1J-332JE	1	435033324R1
R4094	C-CARBON R	RN72K1J-103JE	1	435031034R1
R4095	C-CARBON R	RN72K1J-103JE	1	435031034R1
R4096	C-CARBON R	RN72K1J-331JE	1	435033314R1
R4097	C-CARBON R	RN72K1J-332JE	1	435033324R1
R4098	C-CARBON R	RN72K1J-123JE	1	435031234R1
R4099	C-CARBON R	RN72K1J-223JE	1	435032234R1
R4100	C-CARBON R	RN72K1J-224JE	1	435032244R1
R4101	C-CARBON R	RN72K1J-224JE	1	435032244R1
R4102	C-CARBON R	RN72K1J-224JE	1	435032244R1
R4103	C-CARBON R	RN72K1J-224JE	1	435032244R1
R4104	C-CARBON R	RN72K1J-224JE	1	435032244R1
R4105	C-CARBON R	RN72K1J-224JE	1	435032244R1
R4106	C-CARBON R	RN72K1J-224JE	1	435032244R1
R4107	C-CARBON R	RN72K1J-224JE	1	435032244R1
R4108	C-CARBON R	RN72K1J-224JE	1	435032244R1
R4109	C-CARBON R	RN72K1J-224JE	1	435032244R1
R4110	C-CARBON R	RN72K1J-222JE	1	435032224R1
R4111	C-CARBON R	RN72K1J-222JE	1	435032224R1
R4112	C-CARBON R	RN72K1J-222JE	1	435032224R1
R4113	C-CARBON R	RN72K1J-222JE	1	435032224R1
R4114	C-CARBON R	RN72K1J-222JE	1	435032224R1
R4115	C-CARBON R	RN72K1J-271JE	1	435032714R1
R4116	C-CARBON R	RN72K1J-271JE	1	435032714R1
R4117	C-CARBON R	RN72K1J-271JE	1	435032714R1
R4118	C-CARBON R	RN72K1J-222JE	1	435032224R1
R4119	C-CARBON R	RN72K1J-222JE	1	435032224R1
R4125	C-CARBON R	RN72K1J-101JE	1	435031014R1
R4126	C-CARBON R	RN72K1J-101JE	1	435031014R1
R4127	C-CARBON R	RN72K1J-101JE	1	435031014R1
R4130	C-CARBON R	RN72K1J-221JE	1	435032214R1
R4131	C-CARBON R	RN72K1J-473JE	1	435034734R1

R4132	C-CARBON R	RN72K1J-153JE	1	435031534R1
R4133	C-CARBON R	RN72K1J-122JE	1	435031224R1
R4134	C-CARBON R	RN72K1J-103JE	1	435031034R1
R4138	C-CARBON R	RN72K1J-104JE	1	435031044R1
R4139	C-CARBON R	RN72K1J-104JE	1	435031044R1
R4160	METAL R	RNU1WCJ-0.22	1	453632294T
R4161	METAL R	RNU1WCJ-0.22	1	453632294T
R4166	C-CARBON R	RN72K1J-220JE	1	435032204R1
R4167	C-CARBON R	RN72K1J-220JE	1	435032204R1
R4174	METAL O R	RS1WBJ-22	1	443622204T
R4175	METAL O R	RS1WBJ-22	1	443622204T
R4176	METAL O R	RS1WBJ-33	1	443623304T
R4177	METAL O R	RS1WBJ-33	1	443623304T
R4180	C-CARBON R	RN72K1J-224JE	1	435032244R1
R4181	C-CARBON R	RN72K1J-224JE	1	435032244R1
R4182	C-CARBON R	RN72K1J-224JE	1	435032244R1
R4183	CARBON R	R16J-1K	1	417341024T
R4184	CARBON R	R16J-1K	1	417341024T
R4185	METAL R	RNU1WCJ-4.7	1	453630474T
R4187	METAL O R	RS1WBJ-22	1	443622204T
R4188	METAL O R	RS1WBJ-22	1	443622204T
R4189	C-CARBON R	RN72K1J-224JE	1	435032244R1
R4190	C-CARBON R	RN72K1J-224JE	1	435032244R1
R4211	C-CARBON R	RN72K1J-000JE	1	435030004R1
R4213	C-CARBON R	RN72K1J-000JE	1	435030004R1
R4214	C-CARBON R	RN72K1J-000JE	1	435030004R1
R4292	C-CARBON R	RN72K1J-224JE	1	435032244R1
R4293	C-CARBON R	RN72K1J-224JE	1	435032244R1
R4294	C-CARBON R	RN72K1J-224JE	1	435032244R1
R4295	C-CARBON R	RN72K1J-224JE	1	435032244R1
R4296	C-CARBON R	RN72K1J-224JE	1	435032244R1
R4308	C-CARBON R	RN72K1J-224JE	1	435032244R1
R4309	C-CARBON R	RN72K1J-224JE	1	435032244R1
R4312	C-CARBON R	RN72K1J-471JE	1	435034714R1

R4313	C-CARBON R	RN72K1J-471JE	1	435034714R1
R4314	C-CARBON R	RN72K1J-472JE	1	435034724R1
R4315	C-CARBON R	RN72K1J-472JE	1	435034724R1
R4316	C-CARBON R	RN72K1J-103JE	1	435031034R1
R4317	C-CARBON R	RN72K1J-222JE	1	435032224R1
R4318	C-CARBON R	RN72K1J-222JE	1	435032224R1
R4319	CARBON R	R16J-470	1	417344714T
R4326	CARBON R	R16J-10	1	417341004T
R4327	CARBON R	R16J-10	1	417341004T
R4400	C-CARBON R	RN72K1J-102JE	1	435031024R1
R4401	C-CARBON R	RN72K1J-102JE	1	435031024R1
R4402	C-CARBON R	RN72K1J-104JE	1	435031044R1
R4403	C-CARBON R	RN72K1J-104JE	1	435031044R1
R4404	C-CARBON R	RN72K1J-681JE	1	435036814R1
R4405	METAL O R	RS1WBJ-100	1	443621014T
R4406	C-CARBON R	RN72K1J-681JE	1	435036814R1
R4407	C-CARBON R	RN72K1J-333JE	1	435033334R1
R4420	C-CARBON R	RN72K1J-000JE	1	435030004R1
R4421	C-CARBON R	RN72K1J-000JE	1	435030004R1
R4422	C-CARBON R	RN72K1J-000JE	1	435030004R1
R4423	C-CARBON R	RN72K1J-000JE	1	435030004R1
R4424	C-CARBON R	RN72K1J-000JE	1	435030004R1
R4425	C-CARBON R	RN72K1J-000JE	1	435030004R1
R4426	C-CARBON R	RN72K1J-000JE	1	435030004R1
R4427	C-CARBON R	RN72K1J-000JE	1	435030004R1
R4428	C-CARBON R	RN72K1J-000JE	1	435030004R1
R4429	C-CARBON R	RN72K1J-000JE	1	435030004R1
R4430	C-CARBON R	RN72K1J-000JE	1	435030004R1
R4431	C-CARBON R	RN72K1J-000JE	1	435030004R1
R4432	C-CARBON R	RN72K1J-000JE	1	435030004R1
R4433	C-CARBON R	RN72K1J-000JE	1	435030004R1
R4434	C-CARBON R	RN72K1J-000JE	1	435030004R1
R4435	C-CARBON R	RN72K1J-000JE	1	435030004R1
R4436	C-CARBON R	RN72K1J-000JE	1	435030004R1

R4437	C-CARBON R	RN72K1J-000JE	1	435030004R1
R4438	C-CARBON R	RN72K1J-000JE	1	435030004R1
R4439	C-CARBON R	RN72K1J-000JE	1	435030004R1
R4440	C-CARBON R	RN72K1J-000JE	1	435030004R1
R4441	C-CARBON R	RN72K1J-000JE	1	435030004R1
R4442	C-CARBON R	RN72K1J-000JE	1	435030004R1
R4443	C-CARBON R	RN72K1J-000JE	1	435030004R1
R4444	C-CARBON R	RN72K1J-000JE	1	435030004R1
R4445	C-CARBON R	RN72K1J-000JE	1	435030004R1
R4446	C-CARBON R	RN72K1J-000JE	1	435030004R1
R4447	C-CARBON R	RN72K1J-000JE	1	435030004R1
R4448	C-CARBON R	RN72K1J-000JE	1	435030004R1
R4449	C-CARBON R	RN72K1J-000JE	1	435030004R1
R4462	C-CARBON R	RN72K1J-000JE	1	435030004R1
R4465	C-CARBON R	RN72K1J-000JE	1	435030004R1
R4466	C-CARBON R	RN72K1J-000JE	1	435030004R1
R4467	C-CARBON R	RN72K1J-000JE	1	435030004R1
R4468	C-CARBON R	RN72K1J-000JE	1	435030004R1
R4469	C-CARBON R	RN72K1J-000JE	1	435030004R1
R6080	NF CARBON R	R25J-0.22	1	415472294T
R6081	NF CARBON R	R25J-0.22	1	415472294T
R6082	NF CARBON R	R25J-0.22	1	415472294T
R6083	NF CARBON R	R25J-0.22	1	415472294T
R6084	NF CARBON R	R25J-0.22	1	415472294T
R6090	NF CARBON R	R25J-0.22	1	415472294T
R6091	NF CARBON R	R25J-0.22	1	415472294T
R6092	NF CARBON R	R25J-0.22	1	415472294T
R6093	NF CARBON R	R25J-0.22	1	415472294T
R6094	NF CARBON R	R25J-0.22	1	415472294T
R6100	METAL PR	MPR2W+2W 0R22	1	4000234
R6100 or	METAL P R	RF-2EGPJR22	(1)	4000243
R6101	METAL PR	MPR2W+2W 0R22	1	4000234
R6101 or	METAL P R	RF-2EGPJR22	(1)	4000243
R6102	METAL PR	MPR2W+2W 0R22	1	4000234

R6102 or	METAL P R	RF-2EGPJR22	(1)	4000243
R6103	METAL PR	MPR2W+2W 0R22	1	4000234
R6103 or	METAL P R	RF-2EGPJR22	(1)	4000243
R6104	METAL PR	MPR2W+2W 0R22	1	4000234
R6104 or	METAL P R	RF-2EGPJR22	(1)	4000243
R6140	C-CARBON R	RN72K1J-563JE	1	435035634R1
R6141	C-CARBON R	RN72K1J-563JE	1	435035634R1
R6142	C-CARBON R	RN72K1J-563JE	1	435035634R1
R6143	C-CARBON R	RN72K1J-563JE	1	435035634R1
R6144	C-CARBON R	RN72K1J-563JE	1	435035634R1
R6150	C-CARBON R	RN72K1J-103JE	1	435031034R1
R6151	C-CARBON R	RN72K1J-103JE	1	435031034R1
R6152	C-CARBON R	RN72K1J-103JE	1	435031034R1
R6153	C-CARBON R	RN72K1J-103JE	1	435031034R1
R6154	C-CARBON R	RN72K1J-103JE	1	435031034R1
R6160	CARBON R	R16J-33K	1	417343334T
R6161	CARBON R	R16J-33K	1	417343334T
R6162	CARBON R	R16J-33K	1	417343334T
R6163	CARBON R	R16J-33K	1	417343334T
R6164	CARBON R	R16J-33K	1	417343334T
R6170	CARBON R	R16J-47K	1	417344734T
R6171	CARBON R	R16J-47K	1	417344734T
R6172	CARBON R	R16J-47K	1	417344734T
R6173	CARBON R	R16J-47K	1	417344734T
R6174	CARBON R	R16J-47K	1	417344734T
R6180	CARBON R	R16J-47K	1	417344734T
R6181	CARBON R	R16J-47K	1	417344734T
R6182	CARBON R	R16J-47K	1	417344734T
R6183	CARBON R	R16J-47K	1	417344734T
R6184	CARBON R	R16J-47K	1	417344734T
R6200	C-CARBON R	RN72K1J-562JE	1	435035624R1
R6201	C-CARBON R	RN72K1J-562JE	1	435035624R1
R6202	C-CARBON R	RN72K1J-562JE	1	435035624R1
R6203	C-CARBON R	RN72K1J-562JE	1	435035624R1

R6204	C-CARBON R	RN72K1J-562JE	1	435035624R1
R6210	C-CARBON R	RN72K1J-472JE	1	435034724R1
R6211	C-CARBON R	RN72K1J-472JE	1	435034724R1
R6212	C-CARBON R	RN72K1J-472JE	1	435034724R1
R6213	C-CARBON R	RN72K1J-472JE	1	435034724R1
R6214	C-CARBON R	RN72K1J-472JE	1	435034724R1
R6230	C-CARBON R	RN72K1J-471JE	1	435034714R1
R6231	C-CARBON R	RN72K1J-471JE	1	435034714R1
R6232	C-CARBON R	RN72K1J-471JE	1	435034714R1
R6233	C-CARBON R	RN72K1J-471JE	1	435034714R1
R6234	C-CARBON R	RN72K1J-471JE	1	435034714R1
R6300	C-CARBON R	RN72K1J-000JE	1	435030004R1
R6301	C-CARBON R	RN72K1J-000JE	1	435030004R1
R6305	C-CARBON R	RN72K1J-000JE	1	435030004R1
R6401	METAL R	RNU1/2WCJ-0.1	1	453531094T
R6402	C-CARBON R	RN72K1J-102JE	1	435031024R1
R6403	C-CARBON R	RN72K1J-473JE	1	435034734R1
R6451	C-CARBON R	RN72K1J-333JE	1	435033334R1
R6452	C-CARBON R	RN72K1J-103JE	1	435031034R1
R6453	C-CARBON R	RN72K1J-223JE	1	435032234R1
R6454	C-CARBON R	RN72K1J-473JE	1	435034734R1
R6455	C-CARBON R	RN72K1J-103JE	1	435031034R1
R6456	C-CARBON R	RN72K1J-223JE	1	435032234R1
R6457	C-CARBON R	RN72K1J-223JE	1	435032234R1
R6458	C-CARBON R	RN72K1J-562JE	1	435035624R1
R6459	C-CARBON R	RN72K1J-562JE	1	435035624R1
R6460	C-CARBON R	RN72K1J-473JE	1	435034734R1
R950	CARBON R	R16J-1	1	417340104T
R951	METAL O R	RS1WBJ-33	1	443623304T
R952	METAL O R	RS1WBJ-47	1	443624704T
R960	METAL R	RNU1/2WCJ-8.2	1	453530824T
R962	C-CARBON R	RN72K1J-472JE	1	435034724R1
R963	C-CARBON R	RN72K1J-472JE	1	435034724R1
R964	C-CARBON R	RN72K1J-333JE	1	435033334R1

R965	CARBON R	R16J-4.7	1	417340474T	
[SW TRM]					
F6401A	FUSE HOL	NSCT-1P2031	1	25052133T	!
F6401B	FUSE HOL	NSCT-1P2031	1	25052133T	!
F6402A	FUSE HOL	NSCT-1P2031	1	25052133T	!
F6402B	FUSE HOL	NSCT-1P2031	1	25052133T	!
JL501A	WIRE HOL	NSCT-3P874	1	25051087	!
JL600A	WIRE HOL	NSCT-7P898	1	25051111	!
JL603A	WIRE HOL	NSCT-9P900	1	25051113	!
JL620A	WIRE HOL	NSCT-7P878	1	25051091	!
JL951A	WIRE HOL	NSCT-5P896	1	25051109	!
JL951B	WIRE HOL	NSCT-5P896	1	25051109	!
JL952A	WIRE HOL	NSCT-3P894	1	25051107	!
JL953B	WIRE TRAP	NPLG-5P588	1	25055626	
JL954A	WIRE HOL	NSCT-5P896	1	25051109	
JL954B	WIRE HOL	NSCT-5P896	1	25051109	
P101B	SOCKET	NSCT-9P2102	1	25052205	
P4002	PIN JACK	NPJ-2PDWR692	1	25045924	
P4003	PIN JACK	NPJ-4PDRW592	1	25045812	
P4003 or	PIN JACK	NPJ-4PDRW393	(1)	25045582	
P4004	PIN JACK	NPJ-4PDRW592	1	25045812	
P4004 or	PIN JACK	NPJ-4PDRW393	(1)	25045582	
P4007	PIN JACK	NPJ-2PDWR583	1	25045803	
P4008	PIN JACK	NPJ-2PDP687	1	25045919	
P4010	PIN JACK	NPJ-2PDNT689	1	25045921	
P5502B	PLUG	NPLG-20P0975	1	25056025	
P5503B	PLUG	NPLG-7P0962	1	25056012	
P5504B	PLUG	NPLG-13P0968	1	25056018	
P5507A	TRM	NTM-1P232(M1700)	1	25060301	
P5508	TRM-423(SCREW)	NEJITANSI ST3	1	25060495	
P5509A	TRM	NTM-1P232(M1700)	1	25060301	
P5511B	TRM	NTM-1P232(M1700)	1	25060301	
P6000B	PLUG	NPLG-9P0964	1	25056014	
P6001B	PLUG	NPLG-9P0964	1	25056014	

P6002B	PLUG	NPLG-9P0964	1	25056014	
P6003B	PLUG	NPLG-3P0958	1	25056008	
P6004B	PLUG	NPLG-9P0964	1	25056014	
P6010A	TRM	NTM-1P232(M1700)	1	25060301	
P6013B	PLUG	NPLG-7P0962	1	25056012	
P6080	PLUG	NPLG-2P29	1	25055038	
P6081	PLUG	NPLG-2P29	1	25055038	
P6082	PLUG	NPLG-2P29	1	25055038	
P6083	PLUG	NPLG-2P29	1	25055038	
P6084	PLUG	NPLG-2P29	1	25055038	
P6101	HOLDER	HOLDER(CLAMP)	1	27190540-1	
P6102	HOLDER	HOLDER(CLAMP)	1	27190540-1	
P6105	HOLDER	(CRAMP) UA-0 V0	1	27190608-1	
P6106	WS CLAMP	CB-71683(L=50)	1	260261	
P6400	CRIMP AS	CRIMP AS	1	20799165UL	
P6401	CRIMP AS	CRIMP AS	1	2069925162UL	
P6402	CRIMP AS	CRIMP AS	1	2069925199UL	N
P6403	CRIMP AS	CRIMP AS	1	20799163UL	
P6404	CRIMP AS	CRIMP AS	1	20799164UL	
RL641	RELAY	NRL-1P10A-DC12-196	1	25065707	
RL641 or	RELAY	NRL-1P10A-DC12-197	(1)	25065708	
RL641 or	RELAY	NRL-1P10A-DC12-198	(1)	25065709	
RL642	RELAY	NRL-1P10A-DC12-196	1	25065707	
RL642 or	RELAY	NRL-1P10A-DC12-197	(1)	25065708	
RL642 or	RELAY	NRL-1P10A-DC12-198	(1)	25065709	
U002	U0020 x 4 pcs.	BACLA-1130-2A *			
U0020	AMPLIFIER PC BOARD ASS'Y	BACLA-1130-2A			
CIRCUIT N	PART NAME	DESCRIPTION	Q'TY	PART NO. (SN)	REMARKS
[SEMI CONDUCTOR]					
D5000	ZENER D	HZS6A3	1	224860560T	
D5000 or	ZENER D	MTZJ5.6B	(1)	224470562T	

D5001	ZENER D	HZS6A3	1	224860560T
D5001 or	ZENER D	MTZJ5.6B	(1)	224470562T
D5002	ZENER D	HZS6A3	1	224860560T
D5002 or	ZENER D	MTZJ5.6B	(1)	224470562T
D5003	ZENER D	HZS6A3	1	224860560T
D5003 or	ZENER D	MTZJ5.6B	(1)	224470562T
D5004	ZENER D	HZS6A3	1	224860560T
D5004 or	ZENER D	MTZJ5.6B	(1)	224470562T
Q5000	TR	KTC3201-BL	1	2217946T
Q5001	TR	KTC3201-BL	1	2217946T
Q5002	TR	KTC3201-BL	1	2217946T
Q5003	TR	KTC3201-BL	1	2217946T
Q5004	TR	KTC3201-BL	1	2217946T
Q5010	TR	KTC3201-BL	1	2217946T
Q5011	TR	KTC3201-BL	1	2217946T
Q5012	TR	KTC3201-BL	1	2217946T
Q5013	TR	KTC3201-BL	1	2217946T
Q5014	TR	KTC3201-BL	1	2217946T
Q5030	TR	2SA949-Y(TPE6_F)	1	2211354T
Q5030 or	TR	2SA949-O(TPE6_F)	(1)	2211353T
Q5030A	RETAINER	(CLA2)	1	27142140A
Q5031	TR	2SA949-Y(TPE6_F)	1	2211354T
Q5031 or	TR	2SA949-O(TPE6_F)	(1)	2211353T
Q5031A	RETAINER	(CLA2)	1	27142140A
Q5032	TR	2SA949-Y(TPE6_F)	1	2211354T
Q5032 or	TR	2SA949-O(TPE6_F)	(1)	2211353T
Q5032A	RETAINER	(CLA2)	1	27142140A
Q5033	TR	2SA949-Y(TPE6_F)	1	2211354T
Q5033 or	TR	2SA949-O(TPE6_F)	(1)	2211353T
Q5033A	RETAINER	(CLA2)	1	27142140A
Q5034	TR	2SA949-Y(TPE6_F)	1	2211354T
Q5034 or	TR	2SA949-O(TPE6_F)	(1)	2211353T
Q5034A	RETAINER	(CLA2)	1	27142140A
Q5040	TR	2SC2229-Y(TPE6_F)	1	2211634T

Q5040 or	TR	2SC2229-O(TPE6_F)	(1)	2211633T
Q5041	TR	2SC2229-Y(TPE6_F)	1	2211634T
Q5041 or	TR	2SC2229-O(TPE6_F)	(1)	2211633T
Q5042	TR	2SC2229-Y(TPE6_F)	1	2211634T
Q5042 or	TR	2SC2229-O(TPE6_F)	(1)	2211633T
Q5043	TR	2SC2229-Y(TPE6_F)	1	2211634T
Q5043 or	TR	2SC2229-O(TPE6_F)	(1)	2211633T
Q5044	TR	2SC2229-Y(TPE6_F)	1	2211634T
Q5044 or	TR	2SC2229-O(TPE6_F)	(1)	2211633T
Q5050	TR	2N5551C	1	2217920T
Q5051	TR	2N5551C	1	2217920T
Q5052	TR	2N5551C	1	2217920T
Q5053	TR	2N5551C	1	2217920T
Q5054	TR	2N5551C	1	2217920T
Q6010	TR	2SC1740S-S	1	2213285T
Q6010 or	TR	KTC3198-GR	(1)	2215985T
Q6011	TR	2SC1740S-S	1	2213285T
Q6011 or	TR	KTC3198-GR	(1)	2215985T
Q6012	TR	2SC1740S-S	1	2213285T
Q6012 or	TR	KTC3198-GR	(1)	2215985T
Q6013	TR	2SC1740S-S	1	2213285T
Q6013 or	TR	KTC3198-GR	(1)	2215985T
Q6014	TR	2SC1740S-S	1	2213285T
Q6014 or	TR	KTC3198-GR	(1)	2215985T
Q6030	TR	2SC5171(ONK_Q)	1	2203010
Q6031	TR	2SC5171(ONK_Q)	1	2203010
Q6032	TR	2SC5171(ONK_Q)	1	2203010
Q6033	TR	2SC5171(ONK_Q)	1	2203010
Q6034	TR	2SC5171(ONK_Q)	1	2203010
Q6040	TR	2SA1930(ONK_Q)	1	2203000
Q6041	TR	2SA1930(ONK_Q)	1	2203000
Q6042	TR	2SA1930(ONK_Q)	1	2203000
Q6043	TR	2SA1930(ONK_Q)	1	2203000
Q6044	TR	2SA1930(ONK_Q)	1	2203000

[CAPACITOR]					
C5000	UPZ C	2AUPZTF101JE	1	376331014T	
C5001	UPZ C	2AUPZTF101JE	1	376331014T	
C5002	UPZ C	2AUPZTF101JE	1	376331014T	
C5003	UPZ C	2AUPZTF101JE	1	376331014T	
C5004	UPZ C	2AUPZTF101JE	1	376331014T	
C5010	UTSP C	CE04W50V 47M(UTSP)	1	397584707T	
C5011	UTSP C	CE04W50V 47M(UTSP)	1	397584707T	
C5012	UTSP C	CE04W50V 47M(UTSP)	1	397584707T	
C5013	UTSP C	CE04W50V 47M(UTSP)	1	397584707T	
C5014	UTSP C	CE04W50V 47M(UTSP)	1	397584707T	
C5020	UTSP C	CE04W50V-10M(UTSP)	1	397581007T	
C5021	UTSP C	CE04W50V-10M(UTSP)	1	397581007T	
C5022	UTSP C	CE04W50V-10M(UTSP)	1	397581007T	
C5023	UTSP C	CE04W50V-10M(UTSP)	1	397581007T	
C5024	UTSP C	CE04W50V-10M(UTSP)	1	397581007T	
C5040	UTSP C	CE04W25V-220M(UTSP)	1	397552217T	
C5041	UTSP C	CE04W25V-220M(UTSP)	1	397552217T	
C5042	UTSP C	CE04W25V-220M(UTSP)	1	397552217T	
C5043	UTSP C	CE04W25V-220M(UTSP)	1	397552217T	
C5044	UTSP C	CE04W25V-220M(UTSP)	1	397552217T	
C5050	UTSP C	CE04W50V 47M(UTSP)	1	397584707T	
C5051	UTSP C	CE04W50V 47M(UTSP)	1	397584707T	
C5052	UTSP C	CE04W50V 47M(UTSP)	1	397584707T	
C5053	UTSP C	CE04W50V 47M(UTSP)	1	397584707T	
C5054	UTSP C	CE04W50V 47M(UTSP)	1	397584707T	
C5080	CERA C	CC45SL50V-040C	1	345020401T	
C5081	CERA C	CC45SL50V-040C	1	345020401T	
C5082	CERA C	CC45SL50V-040C	1	345020401T	
C5083	CERA C	CC45SL50V-040C	1	345020401T	
C5084	CERA C	CC45SL50V-040C	1	345020401T	
C5090	UPZ C	2AUPZTF101JE	1	376331014T	
C5091	UPZ C	2AUPZTF101JE	1	376331014T	
C5092	UPZ C	2AUPZTF101JE	1	376331014T	

C5093	UPZ C	2AUPZTF101JE	1	376331014T
C5094	UPZ C	2AUPZTF101JE	1	376331014T
C5100	VR C	CE04W100V-22M(VR)	1	394692207T
C5101	VR C	CE04W100V-22M(VR)	1	394692207T
C5102	VR C	CE04W100V-22M(VR)	1	394692207T
C5103	VR C	CE04W100V-22M(VR)	1	394692207T
C5104	VR C	CE04W100V-22M(VR)	1	394692207T
C5110	VR C	CE04W100V-22M(VR)	1	394692207T
C5111	VR C	CE04W100V-22M(VR)	1	394692207T
C5112	VR C	CE04W100V-22M(VR)	1	394692207T
C5113	VR C	CE04W100V-22M(VR)	1	394692207T
C5114	VR C	CE04W100V-22M(VR)	1	394692207T
C6040	UTSP C	CE04W50V 47M(UTSP)	1	397584707T
C6041	UTSP C	CE04W50V 47M(UTSP)	1	397584707T
C6042	UTSP C	CE04W50V 47M(UTSP)	1	397584707T
C6043	UTSP C	CE04W50V 47M(UTSP)	1	397584707T
C6044	UTSP C	CE04W50V 47M(UTSP)	1	397584707T
[RESISTOR]				
R5000	CARBON R	R16J-1.5K	1	417341524T
R5001	CARBON R	R16J-1.5K	1	417341524T
R5002	CARBON R	R16J-1.5K	1	417341524T
R5003	CARBON R	R16J-1.5K	1	417341524T
R5004	CARBON R	R16J-1.5K	1	417341524T
R5010	CARBON R	R16J-120K	1	417341244T
R5011	CARBON R	R16J-120K	1	417341244T
R5012	CARBON R	R16J-120K	1	417341244T
R5013	CARBON R	R16J-120K	1	417341244T
R5014	CARBON R	R16J-120K	1	417341244T
R5020	CARBON R	R16J-330	1	417343314T
R5021	CARBON R	R16J-330	1	417343314T
R5022	CARBON R	R16J-330	1	417343314T
R5023	CARBON R	R16J-330	1	417343314T
R5024	CARBON R	R16J-330	1	417343314T
R5030	CARBON R	R16J-120K	1	417341244T

R5031	CARBON R	R16J-120K	1	417341244T
R5032	CARBON R	R16J-120K	1	417341244T
R5033	CARBON R	R16J-120K	1	417341244T
R5034	CARBON R	R16J-120K	1	417341244T
R5040	CARBON R	R16J-2.2K	1	417342224T
R5041	CARBON R	R16J-2.2K	1	417342224T
R5042	CARBON R	R16J-2.2K	1	417342224T
R5043	CARBON R	R16J-2.2K	1	417342224T
R5044	CARBON R	R16J-2.2K	1	417342224T
R5050	CARBON R	R16J-4.7K	1	417344724T
R5051	CARBON R	R16J-4.7K	1	417344724T
R5052	CARBON R	R16J-4.7K	1	417344724T
R5053	CARBON R	R16J-4.7K	1	417344724T
R5054	CARBON R	R16J-4.7K	1	417344724T
R5060	CARBON R	R16J-1.2K	1	417341224T
R5061	CARBON R	R16J-1.2K	1	417341224T
R5062	CARBON R	R16J-1.2K	1	417341224T
R5063	CARBON R	R16J-1.2K	1	417341224T
R5064	CARBON R	R16J-1.2K	1	417341224T
R5080	CARBON R	R16J-510	1	417345114T
R5081	CARBON R	R16J-510	1	417345114T
R5082	CARBON R	R16J-510	1	417345114T
R5083	CARBON R	R16J-510	1	417345114T
R5084	CARBON R	R16J-510	1	417345114T
R5090	CARBON R	R16J-100K	1	417341044T
R5091	CARBON R	R16J-100K	1	417341044T
R5092	CARBON R	R16J-100K	1	417341044T
R5093	CARBON R	R16J-100K	1	417341044T
R5094	CARBON R	R16J-100K	1	417341044T
R5100	CARBON R	R16J-100K	1	417341044T
R5101	CARBON R	R16J-100K	1	417341044T
R5102	CARBON R	R16J-100K	1	417341044T
R5103	CARBON R	R16J-100K	1	417341044T
R5104	CARBON R	R16J-100K	1	417341044T

R5110	CARBON R	R16J-1K	1	417341024T
R5111	CARBON R	R16J-1K	1	417341024T
R5112	CARBON R	R16J-1K	1	417341024T
R5113	CARBON R	R16J-1K	1	417341024T
R5114	CARBON R	R16J-1K	1	417341024T
R5130	CARBON R	R16J-18K	1	417341834T
R5131	CARBON R	R16J-18K	1	417341834T
R5132	CARBON R	R16J-18K	1	417341834T
R5133	CARBON R	R16J-18K	1	417341834T
R5134	CARBON R	R16J-18K	1	417341834T
R5160	NF CARBON R	R25J-100	1	415471014T
R5161	NF CARBON R	R25J-100	1	415471014T
R5162	NF CARBON R	R25J-100	1	415471014T
R5163	NF CARBON R	R25J-100	1	415471014T
R5164	NF CARBON R	R25J-100	1	415471014T
R5170	NF CARBON R	R25J-100	1	415471014T
R5171	NF CARBON R	R25J-100	1	415471014T
R5172	NF CARBON R	R25J-100	1	415471014T
R5173	NF CARBON R	R25J-100	1	415471014T
R5174	NF CARBON R	R25J-100	1	415471014T
R5180	NF CARBON R	R25J-10	1	415471004T
R5181	NF CARBON R	R25J-10	1	415471004T
R5182	NF CARBON R	R25J-10	1	415471004T
R5183	NF CARBON R	R25J-10	1	415471004T
R5184	NF CARBON R	R25J-10	1	415471004T
R5190	NF CARBON R	R25J-10	1	415471004T
R5191	NF CARBON R	R25J-10	1	415471004T
R5192	NF CARBON R	R25J-10	1	415471004T
R5193	NF CARBON R	R25J-10	1	415471004T
R5194	NF CARBON R	R25J-10	1	415471004T
R5200	CARBON R	R16J-18K	1	417341834T
R5201	CARBON R	R16J-18K	1	417341834T
R5202	CARBON R	R16J-18K	1	417341834T
R5203	CARBON R	R16J-18K	1	417341834T

R5204	CARBON R	R16J-18K	1	417341834T
R5230	CARBON R	R16J-120K	1	417341244T
R5231	CARBON R	R16J-120K	1	417341244T
R5232	CARBON R	R16J-120K	1	417341244T
R5233	CARBON R	R16J-120K	1	417341244T
R5234	CARBON R	R16J-120K	1	417341244T
R5300	CARBON R	R16J-22	1	417342204T
R5301	CARBON R	R16J-22	1	417342204T
R5302	CARBON R	R16J-22	1	417342204T
R5303	CARBON R	R16J-22	1	417342204T
R5304	CARBON R	R16J-22	1	417342204T
R5310	CARBON R	R16J-22	1	417342204T
R5311	CARBON R	R16J-22	1	417342204T
R5312	CARBON R	R16J-22	1	417342204T
R5313	CARBON R	R16J-22	1	417342204T
R5314	CARBON R	R16J-22	1	417342204T
R5320	CARBON R	R16J-120K	1	417341244T
R5321	CARBON R	R16J-120K	1	417341244T
R5322	CARBON R	R16J-120K	1	417341244T
R5323	CARBON R	R16J-120K	1	417341244T
R5324	CARBON R	R16J-120K	1	417341244T
R6020	NF CARBON R	R25J-2.2	1	415470224T
R6021	NF CARBON R	R25J-2.2	1	415470224T
R6022	NF CARBON R	R25J-2.2	1	415470224T
R6023	NF CARBON R	R25J-2.2	1	415470224T
R6024	NF CARBON R	R25J-2.2	1	415470224T
R6040	TRIM R	N06HR2KBB	1	5211402T
R6041	TRIM R	N06HR2KBB	1	5211402T
R6042	TRIM R	N06HR2KBB	1	5211402T
R6043	TRIM R	N06HR2KBB	1	5211402T
R6044	TRIM R	N06HR2KBB	1	5211402T
R6050	CARBON R	R16J-3.3K	1	417343324T
R6051	CARBON R	R16J-3.3K	1	417343324T
R6052	CARBON R	R16J-3.3K	1	417343324T

R6053	CARBON R	R16J-3.3K	1	417343324T	
R6054	CARBON R	R16J-3.3K	1	417343324T	
R6070	NF CARBON R	R25J-82	1	415478204T	
R6071	NF CARBON R	R25J-82	1	415478204T	
R6072	NF CARBON R	R25J-82	1	415478204T	
R6073	NF CARBON R	R25J-82	1	415478204T	
R6074	NF CARBON R	R25J-82	1	415478204T	
[SW TRM]					
P5507B	TRM	NTM-1P233(M1969)	1	25060302	
P5509B	TRM	NTM-1P233(M1969)	1	25060302	
P6000	SOCKET	NSCT-9P2189	1	25052292	
P6001	SOCKET	NSCT-9P2189	1	25052292	
P6002	SOCKET	NSCT-9P2189	1	25052292	
P6003	SOCKET	NSCT-3P2183	1	25052286	
P6004	SOCKET	NSCT-9P2189	1	25052292	
P6013A	SOCKET	NSCT-7P2187	1	25052290	
U003	U0030,U0034 x 2 pcs.	BATRM-1089-1D/ 1E *			
U0030	SPEAKER TERMINAL PC BOARD ASS'Y	BATRM-1089-1D/ 1E			
U0034	FIX PC BOARD	BAETC-1100-1D/ 1E			
CIRCUIT N	PART NAME	DESCRIPTION	Q'TY	PART NO. (SN)	REMARKS
[SEMI CONDUCTOR]					
D6600	C-DIODE	KDS4148U	1	223283R2	
D6600 or	C-DIODE	1SS352	(1)	223234R2	
D6600 or	C-DIODE	1SS355	(1)	223269R2	
D6600 or	C-DIODE	MA2J111	(1)	223279R2	
D6600 or	C-DIODE	DA2J10100	(1)	223303R2	
D6603	C-DIODE	KDS4148U	1	223283R2	
D6603 or	C-DIODE	1SS352	(1)	223234R2	
D6603 or	C-DIODE	1SS355	(1)	223269R2	
D6603 or	C-DIODE	MA2J111	(1)	223279R2	
D6603 or	C-DIODE	DA2J10100	(1)	223303R2	

Q6601	TR	KRC105S	1	2217290R2	
Q6602	TR	KRC105S	1	2217290R2	
[TRANS COIL]					
L6600	S-COIL	SC-0.8X5.5X18.5T	1	231431S	<B MPA>
L6600 or	S-COIL	PI-ROD002-0083	(1)	231454S	<B MPA>
L6600 or	S-COIL	SC2-0.8X5.5X18.5T	(1)	231455S	<B MPA>
L6601	S-COIL	SC-0.8X5.5X18.5T	1	231431S	<B MPA>
L6601 or	S-COIL	PI-ROD002-0083	(1)	231454S	<B MPA>
L6601 or	S-COIL	SC2-0.8X5.5X18.5T	(1)	231455S	<B MPA>
L6602	S-COIL	SC-0.8X5.5X18.5T	1	231431S	<B MPA>
L6602 or	S-COIL	PI-ROD002-0083	(1)	231454S	<B MPA>
L6602 or	S-COIL	SC2-0.8X5.5X18.5T	(1)	231455S	<B MPA>
L6603	S-COIL	SC-0.8X5.5X18.5T	1	231431S	<B MPA>
L6603 or	S-COIL	PI-ROD002-0083	(1)	231454S	<B MPA>
L6603 or	S-COIL	SC2-0.8X5.5X18.5T	(1)	231455S	<B MPA>
L6604	S-COIL	SC-0.8X5.5X18.5T	1	231431S	<B MPA>
L6604 or	S-COIL	PI-ROD002-0083	(1)	231454S	<B MPA>
L6604 or	S-COIL	SC2-0.8X5.5X18.5T	(1)	231455S	<B MPA>
[CAPACITOR]					
C6600	C-CERA C	CC725CH1H-102J1	1	342101024R1	
C6602	C-CERA C	CC725CH1H-102J1	1	342101024R1	
C6603	C-CERA C	CC725CH1H-102J1	1	342101024R1	
C6630	TF C	ECQ-V50V-473J	1	374724734T	
C6631	TF C	ECQ-V50V-473J	1	374724734T	
C6632	TF C	ECQ-V50V-473J	1	374724734T	
C6633	TF C	ECQ-V50V-473J	1	374724734T	
C6634	TF C	ECQ-V50V-473J	1	374724734T	
C6640	TF C	ECQ-V50V-103J	1	374721034T	<B MPA>
C6641	TF C	ECQ-V50V-103J	1	374721034T	<B MPA>
C6642	TF C	ECQ-V50V-103J	1	374721034T	<B MPA>
C6643	TF C	ECQ-V50V-103J	1	374721034T	<B MPA>
C6644	TF C	ECQ-V50V-103J	1	374721034T	<B MPA>
C6650	MKT C	B32529C0102J289	1	376491024T	<B MPA>
C6651	MKT C	B32529C0102J289	1	376491024T	<B MPA>

C6652	MKT C	B32529C0102J289	1	376491024T	<B MPA>
C6653	MKT C	B32529C0102J289	1	376491024T	<B MPA>
C6654	MKT C	B32529C0102J289	1	376491024T	<B MPA>
[RESISTOR]					
R6600	METAL O R	RS1/2WBJ-10	1	443521004T	<B MPA>
R6601	METAL O R	RS1/2WBJ-10	1	443521004T	<B MPA>
R6602	METAL O R	RS1/2WBJ-10	1	443521004T	<B MPA>
R6603	METAL O R	RS1/2WBJ-10	1	443521004T	<B MPA>
R6604	METAL O R	RS1/2WBJ-10	1	443521004T	<B MPA>
R6630	METAL R	RNU1WCJ-8.2	1	453630824T	
R6631	METAL R	RNU1WCJ-8.2	1	453630824T	
R6632	METAL R	RNU1WCJ-8.2	1	453630824T	
R6633	METAL R	RNU1WCJ-8.2	1	453630824T	
R6634	METAL R	RNU1WCJ-8.2	1	453630824T	
R6690	METAL O R	RS1/2WBJ-10	1	443521004T	
R6691	METAL O R	RS1/2WBJ-390	1	443523914T	
R6692	METAL O R	RS1/2WBJ-390	1	443523914T	
[SW TRM]					
E6602	RETAINER	(JOINT)	1	27142069	<B MDD, B MPA>
JL600B	SOCKET	NSCT-7P99	1	25050271	
JL603B	SOCKET	NSCT-9P101	1	25050273	
JL605B	SOCKET	NSCT-5P97	1	25050269	
JL620B	WIRE TRAP	NPLG-7P590	1	25055628	
P6601	TRM	NTM-2PDMCR400	1	25060472	
P6602	TRM	NTM-4PDMNRR420	1	25060492	
P6603	TRM	NTM-4PDMNRR420	1	25060492	
P6611	TRM-423(SCREW)	NEJITANSI ST3	1	25060495	<B MDD, B MPA>
P8004A	SOCKET	NSCT-7P2398	1	25052501	
RL660	RELAY	NRL-2P5A-DC24-129	1	25065563A	
RL660 or	RELAY	NRL-2P8A-DC24-144	(1)	25065590	
RL660 or	RELAY	NRL-2P5A-DC24-193	(1)	25065703	
RL660 or	RELAY	NRL-2P8A-DC24-201	(1)	25065718	
RL662	RELAY	NRL-2P5A-DC24-129	1	25065563A	
RL662 or	RELAY	NRL-2P8A-DC24-144	(1)	25065590	

RL662 or	RELAY	NRL-2P5A-DC24-193	(1)	25065703
RL662 or	RELAY	NRL-2P8A-DC24-201	(1)	25065718
RL663	RELAY	NRL-2P5A-DC24-129	1	25065563A
RL663 or	RELAY	NRL-2P8A-DC24-144	(1)	25065590
RL663 or	RELAY	NRL-2P5A-DC24-193	(1)	25065703
RL663 or	RELAY	NRL-2P8A-DC24-201	(1)	25065718

U004	U0040~U0045	BADIS-1101-1A *
U0040	DISPLAY PC BOARD ASS'Y	BADIS-1101-1A
U0041	VIDEO PC BOARD ASS'Y	BAVD-1102-1A
U0042	SWITCH PC BOARD ASS'Y	BADIS-1103-1A
U0043	PHONE JACK PC BOARD ASS'Y	BAETC-1104-1A
U0044	TERMINAL PC BOARD ASS'Y	BAAR-1114-1A
U0045	TERMINAL(USB) PC BOARD ASS'Y	BAETC-1115-1A

CIRCUIT N	PART NAME	DESCRIPTION	Q'TY	PART NO. (SN)	REMARKS
[SEMI CONDUCTOR]					
D1224	C-DIODE	DA2J10100	1	223303R2	
D1224 or	C-DIODE	ISS352	(1)	223234R2	
D1224 or	C-DIODE	ISS355	(1)	223269R2	
D1224 or	C-DIODE	MA2J111	(1)	223279R2	
D1224 or	C-DIODE	KDS4148U	(1)	223283R2	
D1225	C-DIODE	DA2J10100	1	223303R2	
D1225 or	C-DIODE	ISS352	(1)	223234R2	
D1225 or	C-DIODE	ISS355	(1)	223269R2	
D1225 or	C-DIODE	MA2J111	(1)	223279R2	
D1225 or	C-DIODE	KDS4148U	(1)	223283R2	
D1226	C-DIODE	DA2J10100	1	223303R2	
D1226 or	C-DIODE	ISS352	(1)	223234R2	
D1226 or	C-DIODE	ISS355	(1)	223269R2	
D1226 or	C-DIODE	MA2J111	(1)	223279R2	
D1226 or	C-DIODE	KDS4148U	(1)	223283R2	
D1227	C-DIODE	DA2J10100	1	223303R2	

D1227 or	C-DIODE	ISS352	(1)	223234R2
D1227 or	C-DIODE	ISS355	(1)	223269R2
D1227 or	C-DIODE	MA2J111	(1)	223279R2
D1227 or	C-DIODE	KDS4148U	(1)	223283R2
D1228	C-DIODE	DA2J10100	1	223303R2
D1228 or	C-DIODE	ISS352	(1)	223234R2
D1228 or	C-DIODE	ISS355	(1)	223269R2
D1228 or	C-DIODE	MA2J111	(1)	223279R2
D1228 or	C-DIODE	KDS4148U	(1)	223283R2
D1229	C-DIODE	DA2J10100	1	223303R2
D1229 or	C-DIODE	ISS352	(1)	223234R2
D1229 or	C-DIODE	ISS355	(1)	223269R2
D1229 or	C-DIODE	MA2J111	(1)	223279R2
D1229 or	C-DIODE	KDS4148U	(1)	223283R2
D1230	SPCF D	SIR-34ST3F	1	225456
D1231	SPCF D	SIR-34ST3F	1	225456
D201	DIODE	G10XB80-02-54A-T	1	22380378
D201 or	DIODE	D5SBA60	(1)	22380070
D201B	HEAT SINK	RAD-083	1	27160271
D202	C-DIODE	KDS4148U	1	223283R2
D202 or	C-DIODE	ISS352	(1)	223234R2
D202 or	C-DIODE	ISS355	(1)	223269R2
D202 or	C-DIODE	MA2J111	(1)	223279R2
D203	C-DIODE	KDS4148U	1	223283R2
D203 or	C-DIODE	ISS352	(1)	223234R2
D203 or	C-DIODE	ISS355	(1)	223269R2
D203 or	C-DIODE	MA2J111	(1)	223279R2
D204	ZENER D	UDZS6.2B	1	224550620R2
D2101	C-DIODE	KDS4148U	1	223283R2
D2101 or	C-DIODE	ISS352	(1)	223234R2
D2101 or	C-DIODE	ISS355	(1)	223269R2
D2101 or	C-DIODE	MA2J111	(1)	223279R2
D2102	C-DIODE	KDS4148U	1	223283R2
D2102 or	C-DIODE	ISS352	(1)	223234R2

D2102 or	C-DIODE	ISS355	(1)	223269R2
D2102 or	C-DIODE	MA2J111	(1)	223279R2
D2103	C-DIODE	KDS4148U	1	223283R2
D2103 or	C-DIODE	ISS352	(1)	223234R2
D2103 or	C-DIODE	ISS355	(1)	223269R2
D2103 or	C-DIODE	MA2J111	(1)	223279R2
D7502	ZENER D	DZ2J082M0L	1	224760820R2
D7502 or	ZENER D	UDZS8.2B	(1)	224550820R2
D7533	ZENER D	DZ2J039M0L	1	224760390R2
D7533 or	ZENER D	UDZS3.9B	(1)	224550390R2
D7601	C-DIODE	DA2J10100	1	223303R2
D7601 or	C-DIODE	ISS352	(1)	223234R2
D7601 or	C-DIODE	ISS355	(1)	223269R2
D7601 or	C-DIODE	MA2J111	(1)	223279R2
D7601 or	C-DIODE	KDS4148U	(1)	223283R2
D7602	C-DIODE	DA2J10100	1	223303R2
D7602 or	C-DIODE	ISS352	(1)	223234R2
D7602 or	C-DIODE	ISS355	(1)	223269R2
D7602 or	C-DIODE	MA2J111	(1)	223279R2
D7602 or	C-DIODE	KDS4148U	(1)	223283R2
D7603	C-DIODE	DA2J10100	1	223303R2
D7603 or	C-DIODE	ISS352	(1)	223234R2
D7603 or	C-DIODE	ISS355	(1)	223269R2
D7603 or	C-DIODE	MA2J111	(1)	223279R2
D7603 or	C-DIODE	KDS4148U	(1)	223283R2
D7604	C-DIODE	DA2J10100	1	223303R2
D7604 or	C-DIODE	ISS352	(1)	223234R2
D7604 or	C-DIODE	ISS355	(1)	223269R2
D7604 or	C-DIODE	MA2J111	(1)	223279R2
D7604 or	C-DIODE	KDS4148U	(1)	223283R2
D7652	LED	SLI-343Y8C-3F	1	225491
D7711	C-DIODE	DA2J10100	1	223303R2
D7711 or	C-DIODE	ISS352	(1)	223234R2
D7711 or	C-DIODE	ISS355	(1)	223269R2

D7711 or	C-DIODE	MA2J111	(1)	223279R2
D7711 or	C-DIODE	KDS4148U	(1)	223283R2
D7712	C-DIODE	DA2J10100	1	223303R2
D7712 or	C-DIODE	1SS352	(1)	223234R2
D7712 or	C-DIODE	1SS355	(1)	223269R2
D7712 or	C-DIODE	MA2J111	(1)	223279R2
D7712 or	C-DIODE	KDS4148U	(1)	223283R2
D7801	ZENER D	DZ2J051M0L	1	224760510R2
D7801 or	ZENER D	UDZS5.1B	(1)	224550510R2
D7811	ZENER D	DZ2J068M0L	1	224760680R2
D7811 or	ZENER D	UDZS6.8B	(1)	224550680R2
D7812	ZENER D	DZ2J068M0L	1	224760680R2
D7812 or	ZENER D	UDZS6.8B	(1)	224550680R2
Q1212	TR	KTA1266-GR	1	2215975T
Q1213	TR	2SB1240-R	1	2213794T
Q1213 or	TR	KTA1281-O	(1)	2217833T
Q1213 or	TR	KTA1281-Y	(1)	2217834T
Q1214	TR	KRC102S	1	2216190R2
Q1215	TR	KRC102S	1	2216190R2
Q1216	TR	KTA1266-GR	1	2215975T
Q1217	TR	KRC102S	1	2216190R2
Q1218	TR	KRA102S	1	2216220R2
Q1219	PHT CP	PC817X	1	24120080
Q1220	PHT CP	PC817X	1	24120080
Q2001	IC	NJW1328	1	22242691R3
Q201	IC	S-1172B50-U5T1G	1	22242765R2
Q202	TR	KRC104S	1	2216210R2
Q7501	IC	ML9208A-13GAZ03A	1	22242772R3
Q7502	FL TUBE	16-BT-168GNK	1	212279
Q7502A	HOLDER	(FL)	1	27191222C
Q7503	TR	KTC3875-GR	1	2216175R2
Q7504	TR	KTC3875-GR	1	2216175R2
Q7505	TR	KRA102S	1	2216220R2
Q7507	TR	KRC102S	1	2216190R2

Q7508	TR	2SC2712-GR	1	2213145R2
Q7508 or	TR	KTC3875-GR	(1)	2216175R2
Q7509	TR	KRA107S	1	2216350R2
Q7510	TR	KRC107S	1	2216340R2
Q7533	TR	KTC3875-GR	1	2216175R2
Q7802	IC	NJM4580M-D	1	22241448R2
Q7803	TR	DTC114TKA	1	2216670R2
Q7803 or	TR	KRC111S	(1)	2217850R2
Q7804	TR	DTC114TKA	1	2216670R2
Q7804 or	TR	KRC111S	(1)	2217850R2
[TRANS COIL]				
L201	CORE	BLM18PG181SN1D	1	2350005R1
L7531	CHOKE COIL	LBC2518T2R2M	1	231364M022R2
L7532	CHOKE COIL	LBC2518T2R2M	1	231364M022R2
L7602	CORE	BLM18PG121SN1D	1	2350006R1
L7603	CORE	BLM18PG121SN1D	1	2350006R1
L7701	EMIFIL	BK1608LM182-T	1	230958R1
L7702	EMIFIL	BK1608LM182-T	1	230958R1
L7751	CHOKE COIL	LBC2518T2R2M	1	231364M022R2
L7752	CHOKE COIL	LBC2518T2R2M	1	231364M022R2
L7753	CHOKE COIL	LBC2518T2R2M	1	231364M022R2
L7831	CHOKE COIL	LBC2518T2R2M	1	231364M022R2
L7832	CHOKE COIL	LBC2518T2R2M	1	231364M022R2
[CAPACITOR]				
C1201	C-CERA C	CK725B1H-223K1	1	332102235R1
C1219	C-CERA C	CK725B1H-103K1	1	332101035R1
C1220	C-CERA C	CK725B1H-103K1	1	332101035R1
C1224	UTSP C	CE04W25V-100M(UTSP)	1	397551017T
C1235	ELECT C	CE04W6.3V-100M(S)	1	353721019T
C1236	C-CERA C	CK725B1H-102K1	1	332101025R1
C1237	C-CERA C	CK725B1H-102K1	1	332101025R1
C2000	C-CERA C	CK725F1E-104Z1	1	332161040R1
C2001	C-CERA C	CK725F1E-104Z1	1	332161040R1
C2002	VR C	CE04W50V-2.2M(VR)	1	394680227T

C2002 or	JAMICON	CE04W50V-2.2M	(1)	398580227T
C2004	C-CERA C	CK725F1E-104Z1	1	332161040R1
C2005	C-CERA C	CK725F1A-105Z1	1	332181050R1
C2006	C-CERA C	CK725F1A-105Z1	1	332181050R1
C2007	C-CERA C	CK725F1A-105Z1	1	332181050R1
C2008	C-CERA C	CK725F1E-104Z1	1	332161040R1
C2009	C-CERA C	CK725F1A-105Z1	1	332181050R1
C201	VR C	CE04W16V-10000M(VR)	1	394641037S
C2010	C-CERA C	CK725F1A-105Z1	1	332181050R1
C2012	C-CERA C	CK725F1E-104Z1	1	332161040R1
C2013	C-CERA C	CK725F1E-104Z1	1	332161040R1
C2014	C-CERA C	CK725F1E-104Z1	1	332161040R1
C2015	C-CERA C	CK725F1E-104Z1	1	332161040R1
C2016	C-CERA C	CK725F1A-105Z1	1	332181050R1
C202	VR C	CE04W50V-4.7M(VR)	1	394680477T
C202 or	JAMICON	CE04W50V-4.7M	(1)	398580477T
C203	TF C	ECQ-V50V-334J	1	374723344T
C204	C-CERA C	CK725B0J-226M	1	332092267R2
C205	C-CERA C	CK725B0J-226M	1	332092267R2
C2052	VR C	CE04W6.3V-470M(VR)	1	394624717T
C2052 or	JAMICON	CE04W6.3V-470M	(1)	398524717T
C2053	VR C	CE04W6.3V-470M(VR)	1	394624717T
C2053 or	JAMICON	CE04W6.3V-470M	(1)	398524717T
C2054	C-CERA C	CC725CH1H-470J1	1	342104704R1
C2055	C-CERA C	CC725CH1H-470J1	1	342104704R1
C207	VR C	CE04W6.3V-470M(VR)	1	394624717T
C207 or	JAMICON	CE04W6.3V-470M	(1)	398524717T
C208	C-CERA C	CK725F1E-104Z1	1	332161040R1
C2101	VR C	CE04W6.3V-470M(VR)	1	394624717T
C2101 or	JAMICON	CE04W6.3V-470M	(1)	398524717T
C2102	VR C	CE04W50V-2.2M(VR)	1	394680227T
C2102 or	JAMICON	CE04W50V-2.2M	(1)	398580227T
C2103	VR C	CE04W50V-2.2M(VR)	1	394680227T
C2103 or	JAMICON	CE04W50V-2.2M	(1)	398580227T

C2105	VR C	CE04W50V-2.2M(VR)	1	394680227T
C2105 or	JAMICON	CE04W50V-2.2M	(1)	398580227T
C2106	VR C	CE04W50V-2.2M(VR)	1	394680227T
C2106 or	JAMICON	CE04W50V-2.2M	(1)	398580227T
C2107	VR C	CE04W6.3V-470M(VR)	1	394624717T
C2107 or	JAMICON	CE04W6.3V-470M	(1)	398524717T
C2108	VR C	CE04W6.3V-470M(VR)	1	394624717T
C2108 or	JAMICON	CE04W6.3V-470M	(1)	398524717T
C2109	VR C	CE04W6.3V-470M(VR)	1	394624717T
C2109 or	JAMICON	CE04W6.3V-470M	(1)	398524717T
C2110	VR C	CE04W50V-2.2M(VR)	1	394680227T
C2110 or	JAMICON	CE04W50V-2.2M	(1)	398580227T
C2111	VR C	CE04W50V-2.2M(VR)	1	394680227T
C2111 or	JAMICON	CE04W50V-2.2M	(1)	398580227T
C2112	VR C	CE04W50V-2.2M(VR)	1	394680227T
C2112 or	JAMICON	CE04W50V-2.2M	(1)	398580227T
C2113	C-CERA C	CK725B1H-102K1	1	332101025R1
C2114	C-CERA C	CK725B1H-102K1	1	332101025R1
C2115	C-CERA C	CK725B1H-103K1	1	332101035R1
C2116	C-CERA C	CK725B1H-103K1	1	332101035R1
C2117	C-CERA C	CK725B1H-102K1	1	332101025R1
C2201	VR C	CE04W16V-100M(VR)	1	394641017T
C2201 or	JAMICON	CE04W16V-100M	(1)	398541017T
C2202	VR C	CE04W16V-100M(VR)	1	394641017T
C2202 or	JAMICON	CE04W16V-100M	(1)	398541017T
C2203	VR C	CE04W16V-100M(VR)	1	394641017T
C2203 or	JAMICON	CE04W16V-100M	(1)	398541017T
C2204	VR C	CE04W16V-100M(VR)	1	394641017T
C2204 or	JAMICON	CE04W16V-100M	(1)	398541017T
C2251	VR C	CE04W50V-2.2M(VR)	1	394680227T
C2251 or	JAMICON	CE04W50V-2.2M	(1)	398580227T
C2252	VR C	CE04W50V-2.2M(VR)	1	394680227T
C2252 or	JAMICON	CE04W50V-2.2M	(1)	398580227T
C2253	VR C	CE04W50V-2.2M(VR)	1	394680227T

C2253 or	JAMICON	CE04W50V-2.2M	(1)	398580227T
C7502	C-CERA C	CK725F1E-104Z1	1	332161040R1
C7503	C-CERA C	CC725CH1H-101J1	1	342101014R1
C7504	C-CERA C	CC725CH1H-101J1	1	342101014R1
C7505	C-CERA C	CC725CH1H-101J1	1	342101014R1
C7508	ELECT C	CE04W6.3V-100M(S)	1	353721019T
C7509	C-CERA C	CK725F1E-104Z1	1	332161040R1
C7510	C-CERA C	CK725B1H-223K1	1	332102235R1
C7511	C-CERA C	CK725B1H-223K1	1	332102235R1
C7512	C-CERA C	CK725B1H-223K1	1	332102235R1
C7514	C-CERA C	CK725B1H-223K1	1	332102235R1
C7515	ELECT C	CE04W16V-47M(S)	1	353744709T
C7516	C-CERA C	CK725B1H-223K1	1	332102235R1
C7517	C-CERA C	CK725B1H-223K1	1	332102235R1
C7520	C-CERA C	CK725B1H-223K1	1	332102235R1
C7521	C-CERA C	CK725B1H-103K1	1	332101035R1
C7522	C-CERA C	CK725B1H-103K1	1	332101035R1
C7523	C-CERA C	CC725CH1H-390J1	1	342103904R1
C7531	C-CERA C	CK725B1H-223K1	1	332102235R1
C7532	C-CERA C	CK725B1H-223K1	1	332102235R1
C7533	ELECT C	CE04W16V-10M(S)	1	353741009T
C7541	ELECT C	CE04W16V-10M(S)	1	353741009T
C7542	C-CERA C	CC725CH1H-102J1	1	342101024R1
C7543	C-CERA C	CC725CH1H-102J1	1	342101024R1
C7550	C-CERA C	CK725F1E-104Z1	1	332161040R1
C7602	C-CERA C	CK725F1E-104Z1	1	332161040R1
C7604	C-CERA C	CK725F1E-104Z1	1	332161040R1
C7605	C-CERA C	CK732B16V-106K	1	332071065R2
C7705	C-CERA C	CK725F1E-104Z1	1	332161040R1
C7711	C-CERA C	CC725CH1H-471J1	1	342104714R1
C7712	C-CERA C	CC725CH1H-471J1	1	342104714R1
C7714	C-CERA C	CK725F1E-104Z1	1	332161040R1
C7716	C-CERA C	CK725F1E-104Z1	1	332161040R1
C7719	C-CERA C	CC725CH1H-470J1	1	342104704R1

C7751	C-CERA C	CC725CH1H-102J1	1	342101024R1
C7752	C-CERA C	CK725B1H-223K1	1	332102235R1
C7753	MKT C	B32529C0102J289	1	376491024T
C7754	MKT C	B32529C0102J289	1	376491024T
C7803	ELECT C	CE04W16V-47M(S)	1	353744709T
C7805	ELECT C	CE04W16V-10M(S)	1	353741009T
C7811	ELECT C	CE04W16V-47M(S)	1	353744709T
C7812	ELECT C	CE04W16V-47M(S)	1	353744709T
C7831	ELECT C	CE04W16V-10M(S)	1	353741009T
C7832	C-CERA C	CC725CH1H-101J1	1	342101014R1
C7833	C-CERA C	CC725CH1H-102J1	1	342101024R1
C7834	C-CERA C	CC725CH1H-330J1	1	342103304R1
[RESISTOR]				
R1220	C-CARBON R	RN72K1J-470JE	1	435034704R1
R1221	C-CARBON R	RN72K1J-102JE	1	435031024R1
R1222	C-CARBON R	RN72K1J-082JE	1	435030824R1
R1223	C-CARBON R	RN72K1J-102JE	1	435031024R1
R1224	C-CARBON R	RN72K1J-470JE	1	435034704R1
R1225	C-CARBON R	RN72K1J-102JE	1	435031024R1
R1226	C-CARBON R	RN72K1J-224JE	1	435032244R1
R1229	C-CARBON R	RN72K1J-224JE	1	435032244R1
R1237	C-CARBON R	RN72K1J-224JE	1	435032244R1
R1238	C-CARBON R	RN72K1J-101JE	1	435031014R1
R1247	C-CARBON R	RN72K1J-101JE	1	435031014R1
R1248	METAL O R	RS1WBJ-100	1	443621014T
R1249	C-CARBON R	RN72K1J-101JE	1	435031014R1
R1253	C-CARBON R	RN72K1J-470JE	1	435034704R1
R1254	C-CARBON R	RN72K1J-082JE	1	435030824R1
R1255	C-CARBON R	RN72K1J-470JE	1	435034704R1
R1257	C-CARBON R	RN72K1J-103JE	1	435031034R1
R1261	C-CARBON R	RN72K1J-331JE	1	435033314R1
R1262	C-CARBON R	RN72K1J-331JE	1	435033314R1
R1265	C-CARBON R	RN72K1J-101JE	1	435031014R1
R1266	C-CARBON R	RN72K1J-102JE	1	435031024R1

R2001	C-CARBON R	RN72K1J-563JE	1	435035634R1
R2002	C-CARBON R	RN72K1J-563JE	1	435035634R1
R2003	C-CARBON R	RN72K1J-183JE	1	435031834R1
R2004	C-CARBON R	RN72K1J-103JE	1	435031034R1
R2005	C-CARBON R	RN72K1J-183JE	1	435031834R1
R2006	C-CARBON R	RN72K1J-103JE	1	435031034R1
R2007	C-CARBON R	RN72K1J-222JE	1	435032224R1
R2008	C-CARBON R	RN72K1J-222JE	1	435032224R1
R201	C-CARBON R	RN72K1J-104JE	1	435031044R1
R202	C-CARBON R	RN72K1J-103JE	1	435031034R1
R203	C-CARBON R	RN72K1J-103JE	1	435031034R1
R2051	C-CARBON R	RN72K1J-750JE	1	435037504R1
R2052	C-CARBON R	RN72K1J-220JE	1	435032204R1
R2054	C-CARBON R	RN72K1J-330JE	1	435033304R1
R2055	C-CARBON R	RN72K1J-220JE	1	435032204R1
R2101	C-CARBON R	RN72K1J-750JE	1	435037504R1
R2102	C-CARBON R	RN72K1J-750JE	1	435037504R1
R2103	C-CARBON R	RN72K1J-750JE	1	435037504R1
R2105	C-CARBON R	RN72K1J-750JE	1	435037504R1
R2106	C-CARBON R	RN72K1J-750JE	1	435037504R1
R2107	C-CARBON R	RN72K1J-750JE	1	435037504R1
R2108	C-CARBON R	RN72K1J-750JE	1	435037504R1
R2109	C-CARBON R	RN72K1J-750JE	1	435037504R1
R2110	C-CARBON R	RN72K1J-750JE	1	435037504R1
R2111	C-CARBON R	RN72K1J-750JE	1	435037504R1
R2112	C-CARBON R	RN72K1J-750JE	1	435037504R1
R2113	C-CARBON R	RN72K1J-104JE	1	435031044R1
R2115	C-CARBON R	RN72K1J-104JE	1	435031044R1
R2116	C-CARBON R	RN72K1J-104JE	1	435031044R1
R2117	C-CARBON R	RN72K1J-104JE	1	435031044R1
R2201	C-CARBON R	RN72K1J-000JE	1	435030004R1
R2202	C-CARBON R	RN72K1J-561JE	1	435035614R1
R2203	C-CARBON R	RN72K1J-000JE	1	435030004R1
R2204	C-CARBON R	RN72K1J-000JE	1	435030004R1

R2205	C-CARBON R	RN72K1J-561JE	1	435035614R1
R2212	C-CARBON R	RN72K1J-000JE	1	435030004R1
R2213	C-CARBON R	RN72K1J-000JE	1	435030004R1
R2251	C-CARBON R	RN72K1J-750JE	1	435037504R1
R2252	C-CARBON R	RN72K1J-750JE	1	435037504R1
R2253	C-CARBON R	RN72K1J-750JE	1	435037504R1
R7502	C-CARBON R	RN72K1J-332JE	1	435033324R1
R7503	C-CARBON R	RN72K1J-332JE	1	435033324R1
R7504	C-CARBON R	RN72K1J-221JE	1	435032214R1
R7505	C-CARBON R	RN72K1J-221JE	1	435032214R1
R7507	C-CARBON R	RN72K1J-221JE	1	435032214R1
R7508	C-CARBON R	RN72K1J-221JE	1	435032214R1
R7512	C-CARBON R	RN72K1J-103JE	1	435031034R1
R7513	C-CARBON R	RN72K1J-332JE	1	435033324R1
R7514	C-CARBON R	RN72K1J-473JE	1	435034734R1
R7515	C-CARBON R	RN72K1J-103JE	1	435031034R1
R7516	C-CARBON R	RN72K1J-103JE	1	435031034R1
R7517	C-CARBON R	RN72K1J-103JE	1	435031034R1
R7518	C-CARBON R	RN72K1J-333JE	1	435033334R1
R7519	C-CARBON R	RN72K1J-152JE	1	435031524R1
R7521	C-CARBON R	RN72K1J-103JE	1	435031034R1
R7522	C-CARBON R	RN72K1J-103JE	1	435031034R1
R7523	C-CARBON R	RN72K1J-103JE	1	435031034R1
R7524	C-CARBON R	RN72K1J-103JE	1	435031034R1
R7533	C-CARBON R	RN72K1J-820JE	1	435038204R1
R7541	C-CARBON R	RN72K1J-101JE	1	435031014R1
R7542	C-CARBON R	RN72K1J-102JE	1	435031024R1
R7601	C-CARBON R	RN72K1J-271JE	1	435032714R1
R7602	C-CARBON R	RN72K1J-331JE	1	435033314R1
R7603	C-CARBON R	RN72K1J-471JE	1	435034714R1
R7604	C-CARBON R	RN72K1J-561JE	1	435035614R1
R7605	C-CARBON R	RN72K1J-821JE	1	435038214R1
R7606	C-CARBON R	RN72K1J-271JE	1	435032714R1
R7607	C-CARBON R	RN72K1J-331JE	1	435033314R1

R7608	C-CARBON R	RN72K1J-471JE	1	435034714R1
R7609	C-CARBON R	RN72K1J-561JE	1	435035614R1
R7610	C-CARBON R	RN72K1J-821JE	1	435038214R1
R7611	C-CARBON R	RN72K1J-122JE	1	435031224R1
R7612	C-CARBON R	RN72K1J-222JE	1	435032224R1
R7614	C-CARBON R	RN72K1J-123JE	1	435031234R1
R7615	C-CARBON R	RN72K1J-271JE	1	435032714R1
R7616	C-CARBON R	RN72K1J-331JE	1	435033314R1
R7617	C-CARBON R	RN72K1J-471JE	1	435034714R1
R7618	C-CARBON R	RN72K1J-561JE	1	435035614R1
R7619	C-CARBON R	RN72K1J-821JE	1	435038214R1
R7620	C-CARBON R	RN72K1J-122JE	1	435031224R1
R7621	C-CARBON R	RN72K1J-222JE	1	435032224R1
R7622	C-CARBON R	RN72K1J-392JE	1	435033924R1
R7623	C-CARBON R	RN72K1J-271JE	1	435032714R1
R7624	C-CARBON R	RN72K1J-331JE	1	435033314R1
R7625	C-CARBON R	RN72K1J-471JE	1	435034714R1
R7626	C-CARBON R	RN72K1J-561JE	1	435035614R1
R7627	C-CARBON R	RN72K1J-821JE	1	435038214R1
R7628	C-CARBON R	RN72K1J-122JE	1	435031224R1
R7629	C-CARBON R	RN72K1J-222JE	1	435032224R1
R7631	C-CARBON R	RN72K1J-392JE	1	435033924R1
R7645	C-CARBON R	RN72K1J-122JE	1	435031224R1
R7646	C-CARBON R	RN72K1J-222JE	1	435032224R1
R7652	C-CARBON R	RN72K1J-222JE	1	435032224R1
R7711	C-CARBON R	RN72K1J-331JE	1	435033314R1
R7712	C-CARBON R	RN72K1J-331JE	1	435033314R1
R7801	C-CARBON R	RN72K1J-101JE	1	435031014R1
R7803	C-CARBON R	RN72K1J-472JE	1	435034724R1
R7806	C-CARBON R	RN72K1J-331JE	1	435033314R1
R7809	C-CARBON R	RN72K1J-221JE	1	435032214R1
R7810	C-CARBON R	RN72K1J-221JE	1	435032214R1
R7811	C-CARBON R	RN72K1J-271JE	1	435032714R1
R7812	C-CARBON R	RN72K1J-271JE	1	435032714R1

R7813	C-CARBON R	RN72K1J-224JE	1	435032244R1	
R7814	C-CARBON R	RN72K1J-104JE	1	435031044R1	
R7815	C-CARBON R	RN72K1J-221JE	1	435032214R1	
R7816	C-CARBON R	RN72K1J-221JE	1	435032214R1	
R7820	C-CARBON R	RN72K1J-473JE	1	435034734R1	
R7831	C-CARBON R	RN72K1J-221JE	1	435032214R1	
R7832	C-CARBON R	RN72K1J-224JE	1	435032244R1	
R7833	C-CARBON R	RN72K1J-473JE	1	435034734R1	
R7834	C-CARBON R	RN72K1J-102JE	1	435031024R1	
R7835	C-CARBON R	RN72K1J-333JE	1	435033334R1	
[SW TRM]					
E1201	TRM-423(SCREW)	NEJITANSI ST3	1	25060495	
E1202	TRM-423(SCREW)	NEJITANSI ST3	1	25060495	
E7702A	RETAINER	(S)	1	27142074	
E7751	TRM-423(SCREW)	NEJITANSI ST3	1	25060495	
F201	FUSE	4A-SEUL-TL250V	1	252392T	!
JL605A	WIRE HOL	NSCT-5P896	1	25051109	
JL607A	WIRE HOL	NSCT-3P874	1	25051087	
JL607B	WIRE HOL	NSCT-3P874	1	25051087	
JL702A	WIRE HOL	NSCT-5P876	1	25051089	
JL702B	WIRE HOL	NSCT-5P876	1	25051089	
JL801A	WIRE HOL	NSCT-3P894	1	25051107	
JL952B	SOCKET	NSCT-3P95	1	25050267	
JL953A	WIRE HOL	NSCT-5P876	1	25051089	
P1201	CAP	(IR)	1	28330185	
P1211	SOCKET	MDS-09P-V-01(DSUB9P)	1	25053363	
P1212	ST JACK	MSJ-035-22	1	25045887	
P1213	ST JACK	MSJ-035-22	1	25045887	
P1214	ST JACK	MSJ-035-22	1	25045887	
P1215	ST JACK	MSJ-035-22	1	25045887	
P1216	ST JACK	MSJ-035-22	1	25045887	
P1217	ST JACK	MSJ-035-22	1	25045887	
P2201	PIN JACK	NPJ-3PDYYY681	1	25045913	
P2202	PIN JACK	NPJ-2PDYY680	1	25045912	

P2203	PIN JACK	NPJ-9PDGLR630	1	25045851
P2800A	SOCKET	NSCT-13P2404	1	25052507
P2801A	SOCKET	NSCT-9P2400	1	25052503
P3101B	PLUG	NPLG-5P133	1	25055149
P701B	SOCKET	NSCT-23P2441	1	25052544
P703A	SOCKET	NSCT-7P2425	1	25052528
P7050A	SOCKET	NSCT-11P2429	1	25052532
P7560A	PLUG	NPLG-3P0958	1	25056008
P7601	SOCKET	000010211-00006	1	25053422
P7660B	SOCKET	NSCT-3P2183	1	25052286
P7702	PIN JACK	NPJ-3PDB694	1	25045926
P7751	ST JACK	MSJ-064-05A GR	1	25045782
P7802	ST JACK	MSJ-035-05C B AG GR type	1	25045880
S7502	R ENCODE	EVEHD1F3024B	1	25065695W
S7602	PUSH SW	NPS-111-S681	1	25035718T
S7604	PUSH SW	NPS-111-S681	1	25035718T
S7605	PUSH SW	NPS-111-S681	1	25035718T
S7606	PUSH SW	NPS-111-S681	1	25035718T
S7607	PUSH SW	NPS-111-S681	1	25035718T
S7611	PUSH SW	NPS-111-S681	1	25035718T
S7612	PUSH SW	NPS-111-S681	1	25035718T
S7613	PUSH SW	NPS-111-S681	1	25035718T
S7614	PUSH SW	NPS-111-S681	1	25035718T
S7616	PUSH SW	NPS-111-S681	1	25035718T
S7618	PUSH SW	NPS-111-S681	1	25035718T
S7620	PUSH SW	NPS-111-S681	1	25035718T
S7622	PUSH SW	NPS-111-S681	1	25035718T
S7624	PUSH SW	NPS-111-S681	1	25035718T
S7626	PUSH SW	NPS-111-S681	1	25035718T
S7632	PUSH SW	NPS-111-S681	1	25035718T
S7634	PUSH SW	NPS-111-S681	1	25035718T
S7636	PUSH SW	NPS-111-S681	1	25035718T
S7638	PUSH SW	NPS-111-S681	1	25035718T
S7640	PUSH SW	NPS-111-S681	1	25035718T

S7642	PUSH SW	NPS-111-S681	1	25035718T
S7644	PUSH SW	NPS-111-S681	1	25035718T
S7646	PUSH SW	NPS-111-S681	1	25035718T
S7648	PUSH SW	NPS-111-S681	1	25035718T
S7650	PUSH SW	NPS-111-S681	1	25035718T
S7652	PUSH SW	NPS-111-S681	1	25035718T
S7654	PUSH SW	NPS-111-S681	1	25035718T
S7656	PUSH SW	NPS-111-S681	1	25035718T
S7658	PUSH SW	NPS-111-S681	1	25035718T
S7660	PUSH SW	NPS-111-S681	1	25035718T
S7662	PUSH SW	NPS-111-S681	1	25035718T
S7664	PUSH SW	NPS-111-S681	1	25035718T

[TUNER UNIT]

U1201	REMO SENS	KSM-603TE5B	1	24130019
U7541	REMO SENS	KSM-603TE5B	1	24130019

U005	U0050, U0051	BAHDM-1110-ID *
U0050	HDMI(MAIN) PC BOARD ASS'Y	BAHDM-1110-ID

CIRCUIT N	PART NAME	DESCRIPTION	Q'TY	PART NO. (SN)	REMARKS
[SEMI CONDUCTOR]					
D7001	C-DIODE	KDS4148U	1	223283R2	
D7001 or	C-DIODE	1SS352	(1)	223234R2	
D7001 or	C-DIODE	1SS355	(1)	223269R2	
D7001 or	C-DIODE	MA2J111	(1)	223279R2	
D7002	C-DIODE	KDS4148U	1	223283R2	
D7002 or	C-DIODE	1SS352	(1)	223234R2	
D7002 or	C-DIODE	1SS355	(1)	223269R2	
D7002 or	C-DIODE	MA2J111	(1)	223279R2	
D7003	C-DIODE	KDS4148U	1	223283R2	
D7003 or	C-DIODE	1SS352	(1)	223234R2	
D7003 or	C-DIODE	1SS355	(1)	223269R2	

D7003 or	C-DIODE	MA2J111	(1)	223279R2
D7004	C-DIODE	KDS4148U	1	223283R2
D7004 or	C-DIODE	ISS352	(1)	223234R2
D7004 or	C-DIODE	ISS355	(1)	223269R2
D7004 or	C-DIODE	MA2J111	(1)	223279R2
D7005	C-DIODE	KDS4148U	1	223283R2
D7005 or	C-DIODE	ISS352	(1)	223234R2
D7005 or	C-DIODE	ISS355	(1)	223269R2
D7005 or	C-DIODE	MA2J111	(1)	223279R2
D7006	C-DIODE	KDS4148U	1	223283R2
D7006 or	C-DIODE	ISS352	(1)	223234R2
D7006 or	C-DIODE	ISS355	(1)	223269R2
D7006 or	C-DIODE	MA2J111	(1)	223279R2
D7007	ZENER D	DZ2J062M0L	1	224760620R2
D7007 or	ZENER D	UDZS6.2B	(1)	224550620R2
D7009	C-DIODE	KDS4148U	1	223283R2
D7009 or	C-DIODE	ISS352	(1)	223234R2
D7009 or	C-DIODE	ISS355	(1)	223269R2
D7009 or	C-DIODE	MA2J111	(1)	223279R2
D7010	C-DIODE	KDS4148U	1	223283R2
D7010 or	C-DIODE	ISS352	(1)	223234R2
D7010 or	C-DIODE	ISS355	(1)	223269R2
D7010 or	C-DIODE	MA2J111	(1)	223279R2
D8001	C-DIODE	KDS4148U	1	223283R2
D8001 or	C-DIODE	ISS352	(1)	223234R2
D8001 or	C-DIODE	ISS355	(1)	223269R2
D8001 or	C-DIODE	MA2J111	(1)	223279R2
D8002	C-DIODE	KDS4148U	1	223283R2
D8002 or	C-DIODE	ISS352	(1)	223234R2
D8002 or	C-DIODE	ISS355	(1)	223269R2
D8002 or	C-DIODE	MA2J111	(1)	223279R2
D8003	C-DIODE	KDS4148U	1	223283R2
D8003 or	C-DIODE	ISS352	(1)	223234R2
D8003 or	C-DIODE	ISS355	(1)	223269R2

D8003 or	C-DIODE	MA2J111	(1)	223279R2
D8102	C-DIODE	KDS4148U	1	223283R2
D8102 or	C-DIODE	ISS352	(1)	223234R2
D8102 or	C-DIODE	ISS355	(1)	223269R2
D8102 or	C-DIODE	MA2J111	(1)	223279R2
D8103	DIODE	DAN217T146	1	223285R2
D8103 or	DIODE	KDS123S	(1)	223312R2
D8145	ESD D	AOZ8804ADI	1	225502R2
D8146	ESD D	AOZ8804ADI	1	225502R2
D8301	ZENER D	DZ2J036M0L	1	224760360R2
D8301 or	ZENER D	UDZS3.6B	(1)	224550360R2
D8701	C-DIODE	KDS4148U	1	223283R2
D8701 or	C-DIODE	ISS352	(1)	223234R2
D8701 or	C-DIODE	ISS355	(1)	223269R2
D8701 or	C-DIODE	MA2J111	(1)	223279R2
D8902	C-DIODE	KDS4148U	1	223283R2
D8902 or	C-DIODE	ISS352	(1)	223234R2
D8902 or	C-DIODE	ISS355	(1)	223269R2
D8902 or	C-DIODE	MA2J111	(1)	223279R2
D8903	C-DIODE	KDS4148U	1	223283R2
D8903 or	C-DIODE	ISS352	(1)	223234R2
D8903 or	C-DIODE	ISS355	(1)	223269R2
D8903 or	C-DIODE	MA2J111	(1)	223279R2
D8904	C-DIODE	KDS4148U	1	223283R2
D8904 or	C-DIODE	ISS352	(1)	223234R2
D8904 or	C-DIODE	ISS355	(1)	223269R2
D8904 or	C-DIODE	MA2J111	(1)	223279R2
D8906	C-DIODE	KDS4148U	1	223283R2
D8906 or	C-DIODE	ISS352	(1)	223234R2
D8906 or	C-DIODE	ISS355	(1)	223269R2
D8906 or	C-DIODE	MA2J111	(1)	223279R2
D8907	C-DIODE	KDS4148U	1	223283R2
D8907 or	C-DIODE	ISS352	(1)	223234R2
D8907 or	C-DIODE	ISS355	(1)	223269R2

D8907 or	C-DIODE	MA2J111	(1)	223279R2	
D8962	DIODE	RB050M-30GTR	1	22380373R2	
Q1001	IC	TC7SZU04FU	1	22242512R2TO	
Q1002	IC	PCM1754DBQR	1	22242598R2	
Q1004	IC	PCM1690DCAR	1	22242599R2	
Q1005	IC	PCM9211PTR	1	22242703R2	
Q1006	IC	TC74VHC157FT	1	22274157ER2TO	
Q1090	IC	S-1172B50-U5T1G	1	22242765R2	
Q1091	IC	BU33TD3WG-TR	1	22242715R2	
Q1092	TR	KRC104S	1	2216210R2	
Q1092 or	TR	RN1404	(1)	2214490R2	
Q3001	IC	D830K013BZKB400Z	1	22242694R3	
Q3002	IC(DSP)	TC58DVM92A5TA10B3H(0546)	1	222W0125R305466	N
Q3003	IC	A3V56S40FTP-G6	1	22242764R2	
Q3003 or	IC	K4S561632J-UC75	(1)	22242524AR3	
Q3003 or	IC	IS42S16160C-7TL	(1)	22242592R3	
Q3004	IC	A3V56S40FTP-G6	1	22242764R2	
Q3004 or	IC	K4S561632J-UC75	(1)	22242524AR3	
Q3004 or	IC	IS42S16160C-7TL	(1)	22242592R3	
Q3005	IC	TC7W32FU	1	22241162R2	
Q3006	IC	S-80127CNMC-JKM-T2	1	22241642R2	
Q3070	IC	BD82065FVJ	1	22242718R2	
Q3071	TR	KRC104S	1	2216210R2	
Q3071 or	TR	RN1404	(1)	2214490R2	
Q3102	IC	BD82065FVJ	1	22242718R2	
Q3103	IC	BU18TD3WG-TR	1	22242716R2	
Q3105	IC	MFI341S2162	1	22242803R2	N
Q3106	IC	BU33TD3WG-TR	1	22242715R2	
Q3107	IC	BU33TD3WG-TR	1	22242715R2	
Q3108	IC	KSZ8051RNL	1	22242723R2	
Q3108 or	IC	KSZ8051RNL(REVA2)	(1)	22242723AR2	
Q3109	IC	S-1172B12-U5T1G	1	22242777R2	N
Q3110	IC	BD2247G-GTR	1	22242795R2	
Q3111	TR	KRC104S	1	2216210R2	

Q3111 or	TR	RN1404	(1)	2214490R2
Q3112	TR	KRC104S	1	2216210R2
Q3112 or	TR	RN1404	(1)	2214490R2
Q3113	TR	KRC104S	1	2216210R2
Q3113 or	TR	RN1404	(1)	2214490R2
Q3114	TR	KRC104S	1	2216210R2
Q3114 or	TR	RN1404	(1)	2214490R2
Q7001	IC	BR25S640FJ	1	22242761R2
Q7001 or	IC	R1EX25064ASA00A	(1)	22242581R2
Q7001 or	IC	M95640-WMN6TP	(1)	22242643R2
Q7002	TR	KRA102S	1	2216220R2
Q7002 or	TR	RN2402	(1)	2214530R2
Q7003	TR	KRA102S	1	2216220R2
Q7003 or	TR	RN2402	(1)	2214530R2
Q7004	TR	KRA102S	1	2216220R2
Q7004 or	TR	RN2402	(1)	2214530R2
Q7005	TR	KRC104S	1	2216210R2
Q7005 or	TR	RN1404	(1)	2214490R2
Q7006	TR	KRC104S	1	2216210R2
Q7006 or	TR	RN1404	(1)	2214490R2
Q7007	TR	KRC104S	1	2216210R2
Q7007 or	TR	RN1404	(1)	2214490R2
Q7008	TR	KRC102S	1	2216190R2
Q7008 or	TR	RN1402	(1)	2214470R2
Q7009	IC(MAIN)	MPD70F3477AGJA-GAE-G(0545)	1	222W0117R305450
Q7010	IC	ICL3221ECVZ	1	22242268R2
Q7011	TR	KRA107S	1	2216350R2
Q7011 or	TR	RN2407(TE85L_F)	(1)	2216360R2
Q7012	TR	KRA107S	1	2216350R2
Q7012 or	TR	RN2407(TE85L_F)	(1)	2216360R2
Q7013	IC	SN74CB3Q3305PWR	1	22242258R2
Q7014	TR	KRC102S	1	2216190R2
Q7014 or	TR	RN1402	(1)	2214470R2
Q7015	TR	KRC102S	1	2216190R2

Q7015 or	TR	RN1402	(1)	2214470R2	
Q7016	TR	KRC105S	1	2217290R2	
Q7016 or	TR	RN1405	(1)	2214500R2	
Q7017	TR	KRC104S	1	2216210R2	
Q7017 or	TR	RN1404	(1)	2214490R2	
Q7018	IC	S-812C33AUA-C2N	1	2224222R2	
Q7019	IC	S-812C56AUA-C3K	1	22242207R2	
Q7020	IC	S-80127CNMC-JKM-T2	1	22241642R2	
Q7025	TR	2SA1162-GR	1	2214375R2	
Q7025 or	TR	KTA1504-GR	(1)	2216185R2	
Q7026	TR	KRC104S	1	2216210R2	
Q7026 or	TR	RN1404	(1)	2214490R2	
Q7027	TR	KRC104S	1	2216210R2	
Q7027 or	TR	RN1404	(1)	2214490R2	
Q8001	IC	88DE2755B0-BIF2C000	1	22242752R3	
Q8002	IC	S-1172B11-U5T1G	1	22242776R2	N
Q8010	IC	BU18TD3WG-TR	1	22242716R2	
Q8011	IC	S-1172B15-U5T1G	1	22242778R2	N
Q8012	IC	TPS51100DGQR	1	22242711R2	
Q8030	IC	TC7WHU04FU(TE12L)	1	22242231R2	
Q8031	IC	NC7SZ08P5X_F042	1	22242482R2	
Q8032	IC	SN74CB3T3306DCT	1	22242454R2	
Q8040	IC(VSP)	W25Q128BVF1G(0550)	1	222W0116R20550A	
Q8041	IC	TC74LCX125FT(EL_K)	1	22274125BR2TO	
Q8050	IC	MM3404A50NRE	1	22242701R2	
Q8051	TR	KRC104S	1	2216210R2	
Q8051 or	TR	RN1404	(1)	2214490R2	
Q8080	IC	K4B1G1646G-BCK0	1	22242710R3	
Q8201	IC	PS331TQFP64GTR	1	22242788R2	N
Q8202	IC	ADV7180KCP32Z	1	22242763R3	N
Q8203	IC	BU18TD3WG-TR	1	22242716R2	
Q8205	IC	BU18TD3WG-TR	1	22242716R2	
Q8206	TR	KRC104S	1	2216210R2	
Q8206 or	TR	RN1404	(1)	2214490R2	

Q8207	TR	KRC104S	1	2216210R2	
Q8207 or	TR	RN1404	(1)	2214490R2	
Q8302	IC	SI9573CTUC	1	22242762R3	
Q8303	TR	2SA1162-GR	1	2214375R2	
Q8303 or	TR	KTA1504-GR	(1)	2216185R2	
Q8307	IC	XC6221B132MR	1	22242809R2	
Q8308	TR	RN2401(TE85L_F)	1	2214520R2	
Q8308 or	TR	KRA101S	(1)	2217840R2	
Q8309	TR	KRC104S	1	2216210R2	
Q8309 or	TR	RN1404	(1)	2214490R2	
Q8310	TR	RN2401(TE85L_F)	1	2214520R2	
Q8310 or	TR	KRA101S	(1)	2217840R2	
Q8311	TR	KRC104S	1	2216210R2	
Q8311 or	TR	RN1404	(1)	2214490R2	
Q8701	IC(HDMI/VIDEO)	TMPM361F10FG(0547)	1	222W0115R305475	
Q8702	TR ARRAY	UM6K1N	1	226066R2	
Q8702 or	TR ARRAY	UPA672T	(1)	226067R2	
Q8702 or	TR ARRAY	RT3K66M-T111-1	(1)	226069R2	
Q8901	IC	TC74VHCT08AFT	1	22274008GR2TO	
Q8901 or	IC	TC74VHCT08AFT (EKJ)	(1)	22274008G1R2TO	
Q8911	TR	KRC104S	1	2216210R2	
Q8911 or	TR	RN1404	(1)	2214490R2	
Q8931	IC	MP2303ADN-LF-Z	1	22242785R2	N
Q8941	IC	MP2303ADN-LF-Z	1	22242785R2	N
Q8951	IC	MP2303ADN-LF-Z	1	22242785R2	N
Q8961	IC	MP2303ADN-LF-Z	1	22242785R2	N
[TRANS COIL]					
L1001	CORE	BLM18PG181SN1D	1	2350005R1	
L1002	CHOKE COIL	LBC2518T4R7M	1	231364M047R2	
L1003	EMIFIL	BK1608LL241-T	1	230959R1	
L1004	EMIFIL	BK1608LL241-T	1	230959R1	
L1005	EMIFIL	BK1608LL241-T	1	230959R1	
L1006	EMIFIL	BK1608LL241-T	1	230959R1	
L1007	EMIFIL	BK1608LL241-T	1	230959R1	

L1009	CHOKE COIL	LBC2518T4R7M	1	231364M047R2
L1010	CHOKE COIL	LBC2518T4R7M	1	231364M047R2
L1011	CHOKE COIL	LBC2518T4R7M	1	231364M047R2
L1012	CHOKE COIL	LBC2518T4R7M	1	231364M047R2
L1013	CHOKE COIL	LBC2518T4R7M	1	231364M047R2
L1014	CORE	BLM18PG181SN1D	1	2350005R1
L1090	CORE	BLM18PG181SN1D	1	2350005R1
L3001	CORE	BLM18PG121SN1D	1	2350006R1
L3002	CORE	BLM18PG121SN1D	1	2350006R1
L3003	CORE	BLM18PG121SN1D	1	2350006R1
L3004	CORE	BLM18PG121SN1D	1	2350006R1
L3005	CORE	BLM18PG121SN1D	1	2350006R1
L3101	CORE	DLP11SA900HL2L	1	2350021R2
L3103	CORE	BLM18PG121SN1D	1	2350006R1
L3104	CORE	BLM18PG121SN1D	1	2350006R1
L3105	CORE	BLM18PG121SN1D	1	2350006R1
L3106	CORE	BLM18PG121SN1D	1	2350006R1
L3107	CORE	BLM18PG121SN1D	1	2350006R1
L3108	CORE	BLM18PG121SN1D	1	2350006R1
L3109	CORE	BLM18PG121SN1D	1	2350006R1
L3110	CORE	BLM18PG121SN1D	1	2350006R1
L3111	CORE	BLM18PG121SN1D	1	2350006R1
L3112	CORE	DLP11SA900HL2L	1	2350021R2
L3114	CORE	BLM18PG121SN1D	1	2350006R1
L3120	CORE	BLM18PG181SN1D	1	2350005R1
L3145	CORE	DLP2ADN900HL4L	1	230990R2
L3203	EMIFIL	BK1608LL241-T	1	230959R1
L3209	EMIFIL	BK1608LL241-T	1	230959R1
L7001	CORE	BLM18PG181SN1D	1	2350005R1
L7002	CORE	BLM18PG181SN1D	1	2350005R1
L7003	CHOKE COIL	BLM21PG221SN1	1	230949R2
L7004	CORE	BLM18PG181SN1D	1	2350005R1
L7006	CORE	BLM18PG181SN1D	1	2350005R1
L7007	CORE	BLM18PG181SN1D	1	2350005R1

L8001	CORE	BLM18PG181SN1D	1	2350005R1
L8002	CORE	BLM18PG181SN1D	1	2350005R1
L8003	CORE	BLM18PG181SN1D	1	2350005R1
L8004	CORE	BLM18PG181SN1D	1	2350005R1
L8005	CORE	BLM18PG181SN1D	1	2350005R1
L8006	CORE	BLM18PG121SN1D	1	2350006R1
L8007	CORE	BLM18PG181SN1D	1	2350005R1
L8008	CORE	BLM18PG181SN1D	1	2350005R1
L8009	CORE	BLM18PG181SN1D	1	2350005R1
L8010	CORE	BLM18PG181SN1D	1	2350005R1
L8011	CORE	BLM18PG181SN1D	1	2350005R1
L8012	CORE	BLM18PG181SN1D	1	2350005R1
L8013	CORE	BLM18PG181SN1D	1	2350005R1
L8015	CORE	BLM18PG181SN1D	1	2350005R1
L8016	CORE	BLM18PG181SN1D	1	2350005R1
L8081	CORE	BLM18PG181SN1D	1	2350005R1
L8082	C-R NET	MNR12E0APJ000	1	43464900002R2
L8082 or	C-R NET	YCN162-000-ZL	(1)	43464B00002R1
L8083	C-R NET	MNR12E0APJ000	1	43464900002R2
L8083 or	C-R NET	YCN162-000-ZL	(1)	43464B00002R1
L8084	C-R NET	MNR12E0APJ000	1	43464900002R2
L8084 or	C-R NET	YCN162-000-ZL	(1)	43464B00002R1
L8085	C-R NET	MNR12E0APJ000	1	43464900002R2
L8085 or	C-R NET	YCN162-000-ZL	(1)	43464B00002R1
L8086	CORE	BLM18PG181SN1D	1	2350005R1
L8202	CORE	BLM18PG181SN1D	1	2350005R1
L8203	CORE	BLM18PG181SN1D	1	2350005R1
L8205	CORE	BLM18PG181SN1D	1	2350005R1
L8206	CORE	BLM18PG181SN1D	1	2350005R1
L8207	CORE	BLM18PG181SN1D	1	2350005R1
L8210	CORE	BLM18PG181SN1D	1	2350005R1
L8302	CORE	BLM18PG181SN1D	1	2350005R1
L8303	CORE	BLM18PG181SN1D	1	2350005R1
L8304	CORE	BLM18PG181SN1D	1	2350005R1

L8305	CORE	BLM18PG181SN1D	1	2350005R1	
L8306	CORE	BLM18PG181SN1D	1	2350005R1	
L8307	CORE	BLM18PG181SN1D	1	2350005R1	
L8308	CORE	BLM18PG181SN1D	1	2350005R1	
L8309	EMIFIL	BK1608LL241-T	1	230959R1	
L8701	CORE	BLM18PG181SN1D	1	2350005R1	
L8931	CHOKE COIL	BLM21PG221SN1	1	230949R2	
L8932	CHOKE COIL	1264EY-100M=P3	1	231447M100R2	
L8933	CHOKE COIL	BLM21PG221SN1	1	230949R2	
L8934	CHOKE COIL	BLM21PG221SN1	1	230949R2	
L8941	CHOKE COIL	BLM21PG221SN1	1	230949R2	
L8942	CHOKE COIL	1264EY-100M=P3	1	231447M100R2	
L8943	CHOKE COIL	BLM21PG221SN1	1	230949R2	
L8944	CHOKE COIL	BLM21PG221SN1	1	230949R2	
L8951	CHOKE COIL	BLM21PG221SN1	1	230949R2	
L8952	CHOKE COIL	1264EY-100M=P3	1	231447M100R2	
L8953	CHOKE COIL	BLM21PG221SN1	1	230949R2	
L8954	CHOKE COIL	BLM21PG221SN1	1	230949R2	
L8961	CHOKE COIL	BLM21PG221SN1	1	230949R2	
L8962	CHOKE COIL	1264EY-100M=P3	1	231447M100R2	
L8963	CHOKE COIL	BLM21PG221SN1	1	230949R2	
L8964	CHOKE COIL	BLM21PG221SN1	1	230949R2	
L8965	CORE	BLM18PG181SN1D	1	2350005R1	
X1001	CRYSTAL	HC-49S 9C11.2896M	1	3010513R2	N
X1002	CRYSTAL	HC-49S 9C24.5760M	1	3010516R2	N
X3001	CRYSTAL	HC-49S 9C20.0000M	1	3010514R2	N
X7001	CERA LOCK	CSTCR5M00G53-B0	1	3010356R2	
X8001	CRYSTAL	HC-49S 9C20.0000M	1	3010514R2	N
X8201	CRYSTAL	HC-49S 9C28.6363M	1	3010519R2	N
X8301	CRYSTAL	HC-49S 9C27.0000M	1	3010518R2	N
X8701	CERA LOCK	CSTCE8M00G55-R0	1	3010416R2	
[CAPACITOR]					
C1001	C-CERA C	CK725B1C-104K0	1	332011045R1	
C1003	C-CERA C	CK732B16V-106K	1	332071065R2	

C1004	C-CERA C	CK732B16V-106K	1	332071065R2
C1005	C-CERA C	CK725B1C-104K0	1	332011045R1
C1006	C-CERA C	CK725B1C-104K0	1	332011045R1
C1007	C-CERA C	CK732B16V-106K	1	332071065R2
C1008	C-CERA C	CC725CH1H-180J0	1	342031804R1
C1009	C-CERA C	CC725CH1H-180J0	1	342031804R1
C1011	C-CERA C	CK725B1C-104K0	1	332011045R1
C1012	CHIP ELECT C	CEWX4V-220M	1	3981G2217R2
C1013	C-CERA C	CK725B1C-104K0	1	332011045R1
C1014	C-CERA C	CK725B1C-104K0	1	332011045R1
C1015	CHIP ELECT C	CEWX16V-47M	1	398144707R2
C1016	C-CERA C	CK725B1C-104K0	1	332011045R1
C1017	CHIP ELECT C	CEWX16V-100M	1	398141017R2
C1018	C-CERA C	CK725B1C-104K0	1	332011045R1
C1019	C-CERA C	CK732B16V-106K	1	332071065R2
C1020	CHIP ELECT C	CEWX4V-220M	1	3981G2217R2
C1021	C-CERA C	CK725B1H-472K0	1	332034725R1
C1022	CHIP ELECT C	CEWX16V-47M	1	398144707R2
C1023	CHIP ELECT C	CEWX16V-100M	1	398141017R2
C1024	C-CERA C	CK732B16V-106K	1	332071065R2
C1025	C-CERA C	CK725B1E-223K0	1	332022235R1
C1026	C-CERA C	CK725B1E-473K0	1	332024735R1
C1027	CHIP ELECT C	CEWX4V-220M	1	3981G2217R2
C1028	C-CERA C	CC725CH1H-150J0	1	342031504R1
C1029	C-CERA C	CC725CH1H-180J0	1	342031804R1
C1030	C-CERA C	CK732B16V-106K	1	332071065R2
C1031	C-CERA C	CK725B1H-102K0	1	332031025R1
C1032	C-CERA C	CK725B1C-104K0	1	332011045R1
C1033	C-CERA C	CK732B16V-106K	1	332071065R2
C1090	C-CERA C	CK732B16V-106K	1	332071065R2
C1091	C-CERA C	CK725B0J-226M	1	332092267R2
C1092	C-CERA C	CK732B16V-106K	1	332071065R2
C1093	C-CERA C	CK732B16V-106K	1	332071065R2
C1094	C-CERA C	CK732B16V-106K	1	332071065R2

C3001	C-CERA C	CK725B1A-105K0	1	332001055R1
C3002	C-CERA C	CK725B1A-105K0	1	332001055R1
C3003	C-CERA C	CK732B16V-106K	1	332071065R2
C3004	C-CERA C	CK732B16V-106K	1	332071065R2
C3005	C-CERA C	CK725B1A-105K0	1	332001055R1
C3006	C-CERA C	CK725B1H-102K0	1	332031025R1
C3007	C-CERA C	CK725B1A-105K0	1	332001055R1
C3008	C-CERA C	CK725B1H-102K0	1	332031025R1
C3009	C-CERA C	CK725B1A-105K0	1	332001055R1
C3010	C-CERA C	CK725B1A-105K0	1	332001055R1
C3011	C-CERA C	CK725B1A-105K0	1	332001055R1
C3012	C-CERA C	CK725B1H-102K0	1	332031025R1
C3013	C-CERA C	CK725B1A-105K0	1	332001055R1
C3014	C-CERA C	CK725B1H-102K0	1	332031025R1
C3015	C-CERA C	CK725B1H-102K0	1	332031025R1
C3016	C-CERA C	CK725B1A-105K0	1	332001055R1
C3017	C-CERA C	CK725B1A-105K0	1	332001055R1
C3018	C-CERA C	CK725B1A-105K0	1	332001055R1
C3019	C-CERA C	CK725B1H-102K0	1	332031025R1
C3020	C-CERA C	CK725B1A-105K0	1	332001055R1
C3021	C-CERA C	CK725B1A-105K0	1	332001055R1
C3022	C-CERA C	CK725B1A-105K0	1	332001055R1
C3023	C-CERA C	CK732B16V-106K	1	332071065R2
C3024	C-CERA C	CK725B1H-102K0	1	332031025R1
C3025	C-CERA C	CK725B1A-105K0	1	332001055R1
C3026	C-CERA C	CK725B1C-104K0	1	332011045R1
C3027	C-CERA C	CK725B1H-102K0	1	332031025R1
C3028	C-CERA C	CK725B1A-105K0	1	332001055R1
C3029	C-CERA C	CK725B1H-102K0	1	332031025R1
C3030	C-CERA C	CK725B1A-105K0	1	332001055R1
C3031	C-CERA C	CK725B1A-105K0	1	332001055R1
C3032	C-CERA C	CK725B1H-102K0	1	332031025R1
C3033	C-CERA C	CK725B1A-105K0	1	332001055R1
C3034	C-CERA C	CC725CH1H-270J0	1	342032704R1

C3035	C-CERA C	CK725B1H-102K0	1	332031025R1
C3036	C-CERA C	CC725CH1H-270J0	1	342032704R1
C3037	C-CERA C	CK725B1A-105K0	1	332001055R1
C3038	C-CERA C	CK725B1A-105K0	1	332001055R1
C3039	C-CERA C	CK725B1E-103K0	1	332021035R1
C3040	C-CERA C	CK725B1A-105K0	1	332001055R1
C3041	C-CERA C	CK732B16V-106K	1	332071065R2
C3042	C-CERA C	CK725B1A-105K0	1	332001055R1
C3043	C-CERA C	CK725B1A-105K0	1	332001055R1
C3070	C-CERA C	CK725B0J-226M	1	332092267R2
C3071	C-CERA C	CK725B0J-226M	1	332092267R2
C3101	C-CERA C	CK732B16V-106K	1	332071065R2
C3103	C-CERA C	CK725B1H-102K0	1	332031025R1
C3104	C-CERA C	CK725B0J-226M	1	332092267R2
C3105	C-CERA C	CK725B1A-105K0	1	332001055R1
C3106	C-CERA C	CK732B16V-106K	1	332071065R2
C3107	C-CERA C	CK725B1A-105K0	1	332001055R1
C3108	C-CERA C	CK725B1A-105K0	1	332001055R1
C3109	C-CERA C	CK732B16V-106K	1	332071065R2
C3110	C-CERA C	CK725B1A-224K0	1	332002245R1
C3111	C-CERA C	CK732B16V-106K	1	332071065R2
C3112	C-CERA C	CK732B16V-106K	1	332071065R2
C3113	C-CERA C	CK725B1A-105K0	1	332001055R1
C3114	C-CERA C	CK725B1A-105K0	1	332001055R1
C3115	C-CERA C	CK732B16V-106K	1	332071065R2
C3116	C-CERA C	CK732B16V-106K	1	332071065R2
C3117	C-CERA C	CK725B1H-102K0	1	332031025R1
C3118	C-CERA C	CK725B1A-105K0	1	332001055R1
C3119	C-CERA C	CK725B1A-105K0	1	332001055R1
C3120	C-CERA C	CK732B16V-106K	1	332071065R2
C3121	C-CERA C	CK725B1A-105K0	1	332001055R1
C3122	C-CERA C	CK725B1A-105K0	1	332001055R1
C3123	C-CERA C	CK725B1A-105K0	1	332001055R1
C3124	C-CERA C	CK732B16V-106K	1	332071065R2

C3125	C-CERA C	CK725B1A-105K0	1	332001055R1
C3126	C-CERA C	CK732B16V-106K	1	332071065R2
C3127	C-CERA C	CK725B1A-105K0	1	332001055R1
C3128	C-CERA C	CK725B1A-105K0	1	332001055R1
C3129	C-CERA C	CK725B1A-105K0	1	332001055R1
C3130	C-CERA C	CK732B16V-106K	1	332071065R2
C3131	C-CERA C	CK725B1A-105K0	1	332001055R1
C3132	C-CERA C	CC725CH1H-101J0	1	342031014R1
C3133	C-CERA C	CK725B1A-105K0	1	332001055R1
C3136	C-CERA C	CK725B1A-105K0	1	332001055R1
C3137	C-CERA C	CK725B1A-105K0	1	332001055R1
C3138	C-CERA C	CK725B1A-105K0	1	332001055R1
C3139	C-CERA C	CK725B1A-105K0	1	332001055R1
C3140	C-CERA C	CK725B1A-105K0	1	332001055R1
C3141	C-CERA C	CK725B1C-104K0	1	332011045R1
C3142	C-CERA C	CK725B1A-105K0	1	332001055R1
C3143	C-CERA C	CK725B1A-105K0	1	332001055R1
C3144	C-CERA C	CK725B1A-105K0	1	332001055R1
C3145	C-CERA C	CK732B16V-106K	1	332071065R2
C3148	C-CERA C	CK725B1C-104K0	1	332011045R1
C3149	C-CERA C	CK725B1H-102K0	1	332031025R1
C3150	C-CERA C	CK725B0J-226M	1	332092267R2
C3152	C-CERA C	CK725B0J-226M	1	332092267R2
C3153	C-CERA C	CK732B16V-106K	1	332071065R2
C3154	C-CERA C	CK725B1A-105K0	1	332001055R1
C3155	C-CERA C	CK732B16V-106K	1	332071065R2
C3156	C-CERA C	CK725B1A-105K0	1	332001055R1
C3157	C-CERA C	CK725B1A-105K0	1	332001055R1
C3158	C-CERA C	CK725B1A-105K0	1	332001055R1
C3159	C-CERA C	CK725B1A-105K0	1	332001055R1
C3160	C-CERA C	CK725B1A-105K0	1	332001055R1
C3161	C-CERA C	CK725B1A-105K0	1	332001055R1
C3162	C-CERA C	CK725B1H-102K0	1	332031025R1
C3163	C-CERA C	CK732B16V-106K	1	332071065R2

C3164	C-CERA C	CK725B1H-102K0	1	332031025R1
C3165	C-CERA C	CK725B0J-226M	1	332092267R2
C3166	C-CERA C	CK732B16V-106K	1	332071065R2
C3170	C-CERA C	CK725B1H-102K0	1	332031025R1
C3201	C-CERA C	CK732B16V-106K	1	332071065R2
C3202	C-CERA C	CK732B16V-106K	1	332071065R2
C7002	C-CERA C	CK725B1H-102K0	1	332031025R1
C7003	C-CERA C	CK725B1H-102K0	1	332031025R1
C7004	C-CERA C	CK725B1C-104K0	1	332011045R1
C7005	C-CERA C	CK725B1C-104K0	1	332011045R1
C7006	CHIP ELECT C	CEWT6.3V-470M	1	395724717R2
C7007	C-CERA C	CK725B1C-104K0	1	332011045R1
C7008	C-CERA C	CK732B1C-474K	1	337394745R1
C7009	C-CERA C	CK725B1A-105K0	1	332001055R1
C7010	C-CERA C	CK732B1C-474K	1	337394745R1
C7011	C-CERA C	CK725B1A-105K0	1	332001055R1
C7012	C-CERA C	CK732B1C-474K	1	337394745R1
C7013	C-CERA C	CK725B1A-105K0	1	332001055R1
C7014	C-CERA C	CK725B1C-104K0	1	332011045R1
C7015	C-CERA C	CK725B1C-104K0	1	332011045R1
C7016	C-CERA C	CK725B1C-104K0	1	332011045R1
C7017	C-CERA C	CK725B1C-104K0	1	332011045R1
C7018	C-CERA C	CK725B1C-104K0	1	332011045R1
C7019	C-CERA C	CK725B1C-104K0	1	332011045R1
C7020	C-CERA C	CK732B16V-106K	1	332071065R2
C7022	C-CERA C	CK732B16V-106K	1	332071065R2
C7023	C-CERA C	CK732B16V-106K	1	332071065R2
C7025	C-CERA C	CK732B16V-106K	1	332071065R2
C7026	CHIP ELECT C	CEWX16V-100M	1	398141017R2
C7027	C-CERA C	CK725B1H-223K1	1	332102235R1
C7028	C-CERA C	CK732B16V-106K	1	332071065R2
C7030	C-CERA C	CK725B1H-102K0	1	332031025R1
C7031	C-CERA C	CK725B1H-102K0	1	332031025R1
C7032	C-CERA C	CK725B1C-104K0	1	332011045R1

C7033	C-CERA C	CC725CH1H-101J0	1	342031014R1
C7034	C-CERA C	CC725CH1H-101J0	1	342031014R1
C7035	C-CERA C	CK725B1C-104K0	1	332011045R1
C7036	C-CERA C	CK725B1C-104K0	1	332011045R1
C7037	C-CERA C	CK725B0J-226M	1	332092267R2
C7038	C-CERA C	CK732B16V-106K	1	332071065R2
C7039	C-CERA C	CK732B16V-106K	1	332071065R2
C7040	C-CERA C	CK732B16V-106K	1	332071065R2
C7041	C-CERA C	CK732B16V-106K	1	332071065R2
C7042	C-CERA C	CK725B1C-104K0	1	332011045R1
C7043	C-CERA C	CK725B1C-104K0	1	332011045R1
C7044	C-CERA C	CK725B1C-104K0	1	332011045R1
C7045	C-CERA C	CK725B1C-104K0	1	332011045R1
C7301	C-CERA C	CK725B1H-102K0	1	332031025R1
C7302	C-CERA C	CK725B1H-102K0	1	332031025R1
C7303	C-CERA C	CK725B1H-102K0	1	332031025R1
C7304	C-CERA C	CK725B1H-102K0	1	332031025R1
C7310	C-CERA C	CK725B1A-105K0	1	332001055R1
C7313	C-CERA C	CK725B1H-102K0	1	332031025R1
C8001	C-CERA C	CK725B1H-102K0	1	332031025R1
C8002	C-CERA C	CK732B16V-106K	1	332071065R2
C8003	C-CERA C	CK732B16V-106K	1	332071065R2
C8004	C-CERA C	CK725B1C-104K0	1	332011045R1
C8005	C-CERA C	CK732B16V-106K	1	332071065R2
C8006	C-CERA C	CK725B1C-104K0	1	332011045R1
C8007	C-CERA C	CK732B16V-106K	1	332071065R2
C8008	C-CERA C	CK725B0J-226M	1	332092267R2
C8011	C-CERA C	CK732B16V-106K	1	332071065R2
C8012	C-CERA C	CK732B16V-106K	1	332071065R2
C8013	C-CERA C	CK732B16V-106K	1	332071065R2
C8014	C-CERA C	CK725B1A-105K0	1	332001055R1
C8015	C-CERA C	CK725B1A-105K0	1	332001055R1
C8016	C-CERA C	CK725B1A-105K0	1	332001055R1
C8017	C-CERA C	CK725B1A-105K0	1	332001055R1

C8018	C-CERA C	CK725B1C-104K0	1	332011045R1
C8019	C-CERA C	CK725B1C-104K0	1	332011045R1
C8020	C-CERA C	CK725B1C-104K0	1	332011045R1
C8021	C-CERA C	CK725B1C-104K0	1	332011045R1
C8022	C-CERA C	CK725B1C-104K0	1	332011045R1
C8023	C-CERA C	CK725B1C-104K0	1	332011045R1
C8024	C-CERA C	CK725B1C-104K0	1	332011045R1
C8026	C-CERA C	CK732B16V-106K	1	332071065R2
C8027	C-CERA C	CK732B16V-106K	1	332071065R2
C8028	C-CERA C	CK725B1A-105K0	1	332001055R1
C8029	C-CERA C	CK725B1A-105K0	1	332001055R1
C8030	C-CERA C	CK725B1A-105K0	1	332001055R1
C8031	C-CERA C	CK725B1C-104K0	1	332011045R1
C8032	C-CERA C	CK725B1C-104K0	1	332011045R1
C8033	C-CERA C	CK725B1C-104K0	1	332011045R1
C8034	C-CERA C	CK725B1C-104K0	1	332011045R1
C8036	C-CERA C	CK732B16V-106K	1	332071065R2
C8037	C-CERA C	CK732B16V-106K	1	332071065R2
C8038	C-CERA C	CK725B1A-105K0	1	332001055R1
C8039	C-CERA C	CK725B1A-105K0	1	332001055R1
C8040	C-CERA C	CK725B1A-105K0	1	332001055R1
C8041	C-CERA C	CK725B1A-105K0	1	332001055R1
C8042	C-CERA C	CK725B1C-104K0	1	332011045R1
C8043	C-CERA C	CK725B1C-104K0	1	332011045R1
C8044	C-CERA C	CK725B1C-104K0	1	332011045R1
C8045	C-CERA C	CK725B1C-104K0	1	332011045R1
C8046	C-CERA C	CK725B1C-104K0	1	332011045R1
C8047	C-CERA C	CK725B1C-104K0	1	332011045R1
C8050	C-CERA C	CK732B16V-106K	1	332071065R2
C8051	C-CERA C	CK732B16V-106K	1	332071065R2
C8052	C-CERA C	CK725B1A-105K0	1	332001055R1
C8053	C-CERA C	CK725B1A-105K0	1	332001055R1
C8054	C-CERA C	CK725B1C-104K0	1	332011045R1
C8055	C-CERA C	CK725B1C-104K0	1	332011045R1

C8056	C-CERA C	CK725B1C-104K0	1	332011045R1
C8058	C-CERA C	CK725B1C-104K0	1	332011045R1
C8059	C-CERA C	CK725B1C-104K0	1	332011045R1
C8060	C-CERA C	CK732B16V-106K	1	332071065R2
C8061	C-CERA C	CK732B16V-106K	1	332071065R2
C8062	C-CERA C	CK725B1A-105K0	1	332001055R1
C8063	C-CERA C	CK725B1C-104K0	1	332011045R1
C8064	C-CERA C	CK725B1C-104K0	1	332011045R1
C8065	C-CERA C	CK725B1C-104K0	1	332011045R1
C8066	C-CERA C	CK732B16V-106K	1	332071065R2
C8067	C-CERA C	CK732B16V-106K	1	332071065R2
C8068	C-CERA C	CK725B1A-105K0	1	332001055R1
C8069	C-CERA C	CK725B1C-104K0	1	332011045R1
C8070	C-CERA C	CK725B1C-104K0	1	332011045R1
C8071	C-CERA C	CK725B1C-104K0	1	332011045R1
C8072	C-CERA C	CK732B16V-106K	1	332071065R2
C8073	C-CERA C	CK732B16V-106K	1	332071065R2
C8074	C-CERA C	CK732B16V-106K	1	332071065R2
C8075	C-CERA C	CK732B16V-106K	1	332071065R2
C8076	C-CERA C	CK732B16V-106K	1	332071065R2
C8078	C-CERA C	CK732B16V-106K	1	332071065R2
C8079	C-CERA C	CK732B16V-106K	1	332071065R2
C8080	C-CERA C	CK732B16V-106K	1	332071065R2
C8081	C-CERA C	CK732B16V-106K	1	332071065R2
C8082	C-CERA C	CK725B1A-105K0	1	332001055R1
C8083	C-CERA C	CK725B1A-105K0	1	332001055R1
C8084	C-CERA C	CK725B1A-105K0	1	332001055R1
C8085	C-CERA C	CK725B1A-105K0	1	332001055R1
C8086	C-CERA C	CK725B1A-105K0	1	332001055R1
C8087	C-CERA C	CK725B1A-105K0	1	332001055R1
C8088	C-CERA C	CK725B1A-105K0	1	332001055R1
C8089	C-CERA C	CK725B1A-105K0	1	332001055R1
C8090	C-CERA C	CK725B1A-105K0	1	332001055R1
C8091	C-CERA C	CK725B1A-105K0	1	332001055R1

C8092	C-CERA C	CK725B1A-105K0	1	332001055R1
C8093	C-CERA C	CK725B1A-105K0	1	332001055R1
C8094	C-CERA C	CK725B1A-105K0	1	332001055R1
C8095	C-CERA C	CK732B16V-106K	1	332071065R2
C8096	C-CERA C	CK725B1A-105K0	1	332001055R1
C8097	C-CERA C	CK732B16V-106K	1	332071065R2
C8098	C-CERA C	CK725B1A-105K0	1	332001055R1
C8100	C-CERA C	CK725B1H-102K0	1	332031025R1
C8101	C-CERA C	CK725B1H-102K0	1	332031025R1
C8103	C-CERA C	CK725B1A-105K0	1	332001055R1
C8104	C-CERA C	CK725B0J-226M	1	332092267R2
C8105	C-CERA C	CK725B1A-105K0	1	332001055R1
C8106	C-CERA C	CK725B1A-105K0	1	332001055R1
C8107	C-CERA C	CK725B1C-104K0	1	332011045R1
C8108	C-CERA C	CK725B1C-104K0	1	332011045R1
C8109	C-CERA C	CK725B1A-105K0	1	332001055R1
C8110	C-CERA C	CK725B1A-105K0	1	332001055R1
C8111	C-CERA C	CC725CH1H-101J0	1	342031014R1
C8112	C-CERA C	CK725B1C-104K0	1	332011045R1
C8113	C-CERA C	CK725B1C-104K0	1	332011045R1
C8114	C-CERA C	CC725CH1H-080C0	1	342030801R1
C8115	C-CERA C	CK725B1C-104K0	1	332011045R1
C8116	C-CERA C	CC725CH1H-220J0	1	342032204R1
C8117	C-CERA C	CC725CH1H-220J0	1	342032204R1
C8124	C-CERA C	CK725B1C-104K0	1	332011045R1
C8125	C-CERA C	CK725B1H-102K0	1	332031025R1
C8126	C-CERA C	CK725B0J-226M	1	332092267R2
C8128	C-CERA C	CK732B16V-106K	1	332071065R2
C8201	C-CERA C	CK725B1A-105K0	1	332001055R1
C8202	C-CERA C	CK725B1E-103K0	1	332021035R1
C8203	C-CERA C	CK725B1C-104K0	1	332011045R1
C8204	C-CERA C	CK725B1E-103K0	1	332021035R1
C8205	C-CERA C	CK725B1C-104K0	1	332011045R1
C8206	C-CERA C	CK725B1C-104K0	1	332011045R1

C8207	C-CERA C	CK725B1E-103K0	1	332021035R1
C8208	C-CERA C	CK725B1C-104K0	1	332011045R1
C8210	C-CERA C	CK725B1C-104K0	1	332011045R1
C8211	C-CERA C	CK725B1C-104K0	1	332011045R1
C8212	C-CERA C	CK725B1E-103K0	1	332021035R1
C8213	C-CERA C	CK725B1E-103K0	1	332021035R1
C8214	C-CERA C	CK725B1C-104K0	1	332011045R1
C8216	C-CERA C	CK725B1H-102K0	1	332031025R1
C8217	C-CERA C	CK725B1A-105K0	1	332001055R1
C8219	C-CERA C	CK725B1E-103K0	1	332021035R1
C8220	C-CERA C	CK725B1C-104K0	1	332011045R1
C8221	C-CERA C	CK725B1E-103K0	1	332021035R1
C8222	C-CERA C	CK725B1C-104K0	1	332011045R1
C8223	C-CERA C	CK725B1C-104K0	1	332011045R1
C8224	C-CERA C	CK725B1C-104K0	1	332011045R1
C8225	C-CERA C	CK725B1C-104K0	1	332011045R1
C8227	C-CERA C	CK725B1C-104K0	1	332011045R1
C8229	C-CERA C	CK725B1E-103K0	1	332021035R1
C8230	C-CERA C	CK725B1C-104K0	1	332011045R1
C8231	C-CERA C	CK725B1C-104K0	1	332011045R1
C8232	C-CERA C	CK725B1E-103K0	1	332021035R1
C8233	C-CERA C	CK725B1C-104K0	1	332011045R1
C8236	C-CERA C	CC725CH1H-150J0	1	342031504R1
C8237	C-CERA C	CC725CH1H-120J0	1	342031204R1
C8238	C-CERA C	CK725B1A-105K0	1	332001055R1
C8239	C-CERA C	CK725B1E-103K0	1	332021035R1
C8240	C-CERA C	CK725B1C-683K0	1	332016835R1
C8241	C-CERA C	CK725B1E-153K0	1	332021535R1
C8243	C-CERA C	CK732B16V-106K	1	332071065R2
C8245	C-CERA C	CK732B16V-106K	1	332071065R2
C8247	C-CERA C	CK732B16V-106K	1	332071065R2
C8248	C-CERA C	CK732B16V-106K	1	332071065R2
C8249	C-CERA C	CK725B1H-102K0	1	332031025R1
C8250	C-CERA C	CK732B16V-106K	1	332071065R2

C8251	C-CERA C	CK725B1C-104K0	1	332011045R1
C8252	C-CERA C	CK725B1E-103K0	1	332021035R1
C8253	C-CERA C	CK725B1E-103K0	1	332021035R1
C8254	C-CERA C	CK725B1E-103K0	1	332021035R1
C8255	C-CERA C	CK732B16V-106K	1	332071065R2
C8256	C-CERA C	CK725B1A-105K0	1	332001055R1
C8257	C-CERA C	CK732B16V-106K	1	332071065R2
C8258	C-CERA C	CK725B1E-103K0	1	332021035R1
C8259	C-CERA C	CK725B1E-103K0	1	332021035R1
C8260	C-CERA C	CK732B16V-106K	1	332071065R2
C8261	C-CERA C	CK732B16V-106K	1	332071065R2
C8305	C-CERA C	CK725B1H-102K0	1	332031025R1
C8306	C-CERA C	CK725B1C-104K0	1	332011045R1
C8307	C-CERA C	CK725B1H-102K0	1	332031025R1
C8308	C-CERA C	CK725B1C-104K0	1	332011045R1
C8309	C-CERA C	CK725B1H-102K0	1	332031025R1
C8310	C-CERA C	CK725B1C-104K0	1	332011045R1
C8311	C-CERA C	CK725B1H-102K0	1	332031025R1
C8312	C-CERA C	CK725B1C-104K0	1	332011045R1
C8313	C-CERA C	CK725B1H-102K0	1	332031025R1
C8314	C-CERA C	CK725B1C-104K0	1	332011045R1
C8315	C-CERA C	CK725B1H-102K0	1	332031025R1
C8316	C-CERA C	CK725B1C-104K0	1	332011045R1
C8317	C-CERA C	CK725B1H-102K0	1	332031025R1
C8318	C-CERA C	CK725B1C-104K0	1	332011045R1
C8319	C-CERA C	CK725B1C-104K0	1	332011045R1
C8320	C-CERA C	CK725B1H-102K0	1	332031025R1
C8321	C-CERA C	CC725CH1H-120J0	1	342031204R1
C8322	C-CERA C	CK725B1H-102K0	1	332031025R1
C8323	C-CERA C	CK725B1C-104K0	1	332011045R1
C8324	C-CERA C	CK725B1C-104K0	1	332011045R1
C8325	C-CERA C	CC725CH1H-100D0	1	342031002R1
C8326	C-CERA C	CK725B1H-102K0	1	332031025R1
C8327	C-CERA C	CK725B1H-102K0	1	332031025R1

C8328	C-CERA C	CK725B1C-104K0	1	332011045R1
C8329	C-CERA C	CK725B1H-102K0	1	332031025R1
C8330	C-CERA C	CK725B1C-104K0	1	332011045R1
C8331	C-CERA C	CK725B1C-104K0	1	332011045R1
C8332	C-CERA C	CK725B1A-105K0	1	332001055R1
C8333	C-CERA C	CK725B1H-102K0	1	332031025R1
C8334	C-CERA C	CK725B1C-104K0	1	332011045R1
C8335	C-CERA C	CK725B1H-102K0	1	332031025R1
C8336	C-CERA C	CK725B1C-104K0	1	332011045R1
C8337	C-CERA C	CK725B1A-105K0	1	332001055R1
C8338	C-CERA C	CK725B1H-102K0	1	332031025R1
C8339	C-CERA C	CK725B1A-105K0	1	332001055R1
C8340	C-CERA C	CK725B1C-104K0	1	332011045R1
C8341	C-CERA C	CK725B1H-102K0	1	332031025R1
C8342	C-CERA C	CK725B1C-104K0	1	332011045R1
C8343	C-CERA C	CK725B1H-102K0	1	332031025R1
C8344	C-CERA C	CK725B1C-104K0	1	332011045R1
C8345	C-CERA C	CK725B1H-102K0	1	332031025R1
C8347	C-CERA C	CK725B1H-102K0	1	332031025R1
C8348	C-CERA C	CK725B1C-104K0	1	332011045R1
C8349	C-CERA C	CK725B1A-105K0	1	332001055R1
C8350	C-CERA C	CK725B1A-105K0	1	332001055R1
C8351	C-CERA C	CK725B1A-105K0	1	332001055R1
C8352	C-CERA C	CK732B16V-106K	1	332071065R2
C8353	C-CERA C	CK725B1C-104K0	1	332011045R1
C8354	C-CERA C	CK725B1A-105K0	1	332001055R1
C8356	C-CERA C	CK732B16V-106K	1	332071065R2
C8357	C-CERA C	CK732B16V-106K	1	332071065R2
C8358	C-CERA C	CK725B1H-102K0	1	332031025R1
C8359	C-CERA C	CK732B16V-106K	1	332071065R2
C8360	C-CERA C	CK725B1C-104K0	1	332011045R1
C8361	C-CERA C	CK725B1H-102K0	1	332031025R1
C8362	C-CERA C	CK725B1C-104K0	1	332011045R1
C8363	C-CERA C	CK725B1H-102K0	1	332031025R1

C8364	C-CERA C	CK725B1C-104K0	1	332011045R1
C8366	C-CERA C	CK732B16V-106K	1	332071065R2
C8367	C-CERA C	CK732B16V-106K	1	332071065R2
C8368	C-CERA C	CK732B16V-106K	1	332071065R2
C8384	C-CERA C	CK732B16V-106K	1	332071065R2
C8611	C-CERA C	CK725B1H-102K0	1	332031025R1
C8612	C-CERA C	CK725B1H-102K0	1	332031025R1
C8621	C-CERA C	CK725B1H-102K0	1	332031025R1
C8622	C-CERA C	CK725B1H-102K0	1	332031025R1
C8631	C-CERA C	CK725B1H-102K0	1	332031025R1
C8632	C-CERA C	CK725B1H-102K0	1	332031025R1
C8641	C-CERA C	CK725B1H-102K0	1	332031025R1
C8642	C-CERA C	CK725B1H-102K0	1	332031025R1
C8651	C-CERA C	CK725B1H-102K0	1	332031025R1
C8652	C-CERA C	CK725B1H-102K0	1	332031025R1
C8661	C-CERA C	CK725B1H-102K0	1	332031025R1
C8662	C-CERA C	CK725B1H-102K0	1	332031025R1
C8671	C-CERA C	CK725B1H-102K0	1	332031025R1
C8701	C-CERA C	CK725B1C-104K0	1	332011045R1
C8702	C-CERA C	CK725B1C-104K0	1	332011045R1
C8703	C-CERA C	CK725B1C-104K0	1	332011045R1
C8704	C-CERA C	CK725B1C-104K0	1	332011045R1
C8705	C-CERA C	CK725B1A-105K0	1	332001055R1
C8706	C-CERA C	CK725B1C-104K0	1	332011045R1
C8707	C-CERA C	CK725B1C-104K0	1	332011045R1
C8708	C-CERA C	CK732B16V-106K	1	332071065R2
C8709	C-CERA C	CK732B16V-106K	1	332071065R2
C8741	C-CERA C	CK725B1C-104K0	1	332011045R1
C8901	CHIP ELECT C	CEWX16V-100M	1	398141017R2
C8902	C-CERA C	CK732B16V-106K	1	332071065R2
C8903	C-CERA C	CK732B16V-106K	1	332071065R2
C8904	C-CERA C	CK725B1A-105K0	1	332001055R1
C8905	C-CERA C	CK725B1A-105K0	1	332001055R1
C8906	C-CERA C	CK725B1C-104K0	1	332011045R1

C8907	C-CERA C	CK725B1A-105K0	1	332001055R1
C8908	C-CERA C	CK725B1A-105K0	1	332001055R1
C8911	C-CERA C	CK725B1C-104K0	1	332011045R1
C8912	C-CERA C	CK725B0J-226M	1	332092267R2
C8913	C-CERA C	CK725B0J-226M	1	332092267R2
C8914	C-CERA C	CK725B1C-104K0	1	332011045R1
C8915	C-CERA C	CK725B0J-226M	1	332092267R2
C8916	C-CERA C	CK725B0J-226M	1	332092267R2
C8917	C-CERA C	CK725B1C-104K0	1	332011045R1
C8918	C-CERA C	CK725B0J-226M	1	332092267R2
C8919	C-CERA C	CK725B0J-226M	1	332092267R2
C8920	C-CERA C	CK725B1C-104K0	1	332011045R1
C8921	C-CERA C	CK725B0J-226M	1	332092267R2
C8922	C-CERA C	CK725B0J-226M	1	332092267R2
C8931	C-CERA C	CK725B1C-104K0	1	332011045R1
C8932	C-CERA C	CK725B1C-104K0	1	332011045R1
C8933	C-CERA C	CK725B1E-106K	1	332221065R2
C8934	C-CERA C	CK725B1E-106K	1	332221065R2
C8935	C-CERA C	CK725B1E-223K0	1	332022235R1
C8936	C-CERA C	CK725B0J-226M	1	332092267R2
C8937	C-CERA C	CK725B0J-226M	1	332092267R2
C8941	C-CERA C	CK725B1C-104K0	1	332011045R1
C8942	C-CERA C	CK725B1C-104K0	1	332011045R1
C8943	C-CERA C	CK725B1E-106K	1	332221065R2
C8944	C-CERA C	CK725B1E-106K	1	332221065R2
C8945	C-CERA C	CK725B1E-682K0	1	332026825R1
C8946	C-CERA C	CK725B0J-226M	1	332092267R2
C8947	C-CERA C	CK725B0J-226M	1	332092267R2
C8951	C-CERA C	CK725B1C-104K0	1	332011045R1
C8952	C-CERA C	CK725B1C-104K0	1	332011045R1
C8953	C-CERA C	CK725B1E-106K	1	332221065R2
C8954	C-CERA C	CK725B1E-106K	1	332221065R2
C8955	C-CERA C	CK725B1E-103K0	1	332021035R1
C8956	C-CERA C	CK725B0J-226M	1	332092267R2

C8957	C-CERA C	CK725B0J-226M	1	332092267R2
C8961	C-CERA C	CK725B1C-104K0	1	332011045R1
C8962	C-CERA C	CK725B1C-104K0	1	332011045R1
C8963	C-CERA C	CK725B1E-106K	1	332221065R2
C8964	C-CERA C	CK725B1E-106K	1	332221065R2
C8965	C-CERA C	CK725B1E-103K0	1	332021035R1
C8966	C-CERA C	CK725B0J-226M	1	332092267R2
C8967	C-CERA C	CK725B0J-226M	1	332092267R2
C8971	C-CERA C	CK732B16V-106K	1	332071065R2
[RESISTOR]				
R1001	C-CARBON R	RN72K1J-151JE	1	435031514R1
R1002	C-CARBON R	RN72K1J-151JE	1	435031514R1
R1003	C-CARBON R	RN72K1J-151JE	1	435031514R1
R1004	C-CARBON R	RN72K1J-151JE	1	435031514R1
R1005	C-CARBON R	RN72K1J-331JE	1	435033314R1
R1006	C-CARBON R	RN72K1J-560JE	1	435035604R1
R1007	C-CARBON R	RN72K1J-105JE	1	435031054R1
R1008	C-CARBON R	RN72K1J-102JE	1	435031024R1
R1009	C-CARBON R	RN72K1J-181JE	1	435031814R1
R1010	C-CARBON R	RN72K1J-103JE	1	435031034R1
R1011	C-CARBON R	RN72K1J-220JE	1	435032204R1
R1012	C-CARBON R	RN72K1J-220JE	1	435032204R1
R1013	C-CARBON R	RN72K1J-220JE	1	435032204R1
R1014	C-CARBON R	RN72K1J-220JE	1	435032204R1
R1015	C-CARBON R	RN72K1J-220JE	1	435032204R1
R1016	C-CARBON R	RN72K1J-220JE	1	435032204R1
R1017	C-CARBON R	RN72K1J-470JE	1	435034704R1
R1018	C-CARBON R	RN72K1J-103JE	1	435031034R1
R1019	C-CARBON R	RN72K1J-470JE	1	435034704R1
R1020	C-CARBON R	RN72K1J-391JE	1	435033914R1
R1021	C-CARBON R	RN72K1J-101JE	1	435031014R1
R1022	C-CARBON R	RN72K1J-151JE	1	435031514R1
R1023	C-CARBON R	RN72K1J-221JE	1	435032214R1
R1024	C-CARBON R	RN72K1J-470JE	1	435034704R1

R1025	C-CARBON R	RN72K1J-470JE	1	435034704R1
R1026	C-CARBON R	RN72K1J-331JE	1	435033314R1
R1027	C-R NET	RM7LJ221X04	1	43484722104R2
R1027 or	C-R NET	YCN104-221-JK	(1)	43464C22104R1
R1028	C-CARBON R	RN72K1J-472JE	1	435034724R1
R1030	C-CARBON R	RN72K1J-102JE	1	435031024R1
R1031	C-CARBON R	RN72K1J-331JE	1	435033314R1
R1032	C-CARBON R	RN72K1J-331JE	1	435033314R1
R1033	C-CARBON R	RN72K1J-221JE	1	435032214R1
R1034	C-CARBON R	RN72K1J-472JE	1	435034724R1
R1035	C-CARBON R	RN72K1J-331JE	1	435033314R1
R1036	C-CARBON R	RN72K1J-331JE	1	435033314R1
R1037	C-CARBON R	RN72K1J-331JE	1	435033314R1
R1038	C-CARBON R	RN72K1J-331JE	1	435033314R1
R1039	C-CARBON R	RN72K1J-330JE	1	435033304R1
R1040	C-CARBON R	RN72K1J-331JE	1	435033314R1
R1041	C-CARBON R	RN72K1J-221JE	1	435032214R1
R1042	C-CARBON R	RN72K1J-331JE	1	435033314R1
R1043	C-CARBON R	RN72K1J-221JE	1	435032214R1
R1044	C-CARBON R	RN72K1J-221JE	1	435032214R1
R1045	C-CARBON R	RN72K1J-221JE	1	435032214R1
R1046	C-CARBON R	RN72K1J-470JE	1	435034704R1
R1047	C-CARBON R	RN72K1J-681JE	1	435036814R1
R1048	C-CARBON R	RN72K1J-331JE	1	435033314R1
R1060	C-CARBON R	RN72K1J-470JE	1	435034704R1
R1063	C-CARBON R	RN72K1J-331JE	1	435033314R1
R1064	C-CARBON R	RN72K1J-331JE	1	435033314R1
R1065	C-CARBON R	RN72K1J-331JE	1	435033314R1
R1066	C-CARBON R	RN72K1J-181JE	1	435031814R1
R1067	C-CARBON R	RN72K1J-331JE	1	435033314R1
R1068	C-CARBON R	RN72K1J-331JE	1	435033314R1
R1069	C-CARBON R	RN72K1J-181JE	1	435031814R1
R1070	C-CARBON R	RN72K1J-331JE	1	435033314R1
R1071	C-CARBON R	RN72K1J-331JE	1	435033314R1

R1072	C-CARBON R	RN72K1J-181JE	1	435031814R1
R1073	C-CARBON R	RN72K1J-331JE	1	435033314R1
R1074	C-CARBON R	RN72K1J-331JE	1	435033314R1
R1075	C-CARBON R	RN72K1J-181JE	1	435031814R1
R1076	C-CARBON R	RN72K1J-000JE	1	435030004R1
R1077	C-CARBON R	RN72K1J-000JE	1	435030004R1
R1091	C-CARBON R	RN72K1J-000JE	1	435030004R1
R1092	C-CARBON R	RN72K1J-000JE	1	435030004R1
R1093	C-CARBON R	RN72K1J-000JE	1	435030004R1
R1094	C-CARBON R	RN72K1J-000JE	1	435030004R1
R3007	C-CARBON R	RN72K1J-470JE	1	435034704R1
R3009	C-CARBON R	RN72K1J-330JE	1	435033304R1
R3010	C-R NET	RM7LJ330X04	1	43484733004R2
R3010 or	C-R NET	YCN104-330-JK	(1)	43464C33004R1
R3011	C-R NET	RM7LJ330X04	1	43484733004R2
R3011 or	C-R NET	YCN104-330-JK	(1)	43464C33004R1
R3012	C-R NET	RM7LJ470X04	1	43484747004R2
R3012 or	C-R NET	YCN104-470-JK	(1)	43464C47004R1
R3013	C-R NET	RM7LJ330X04	1	43484733004R2
R3013 or	C-R NET	YCN104-330-JK	(1)	43464C33004R1
R3014	C-R NET	RM7LJ330X04	1	43484733004R2
R3014 or	C-R NET	YCN104-330-JK	(1)	43464C33004R1
R3015	C-R NET	RM7LJ330X04	1	43484733004R2
R3015 or	C-R NET	YCN104-330-JK	(1)	43464C33004R1
R3016	C-CARBON R	RN72K1J-470JE	1	435034704R1
R3017	C-R NET	RM7LJ330X04	1	43484733004R2
R3017 or	C-R NET	YCN104-330-JK	(1)	43464C33004R1
R3018	C-CARBON R	RN72K1J-470JE	1	435034704R1
R3019	C-R NET	RM7LJ330X04	1	43484733004R2
R3019 or	C-R NET	YCN104-330-JK	(1)	43464C33004R1
R3020	C-R NET	RM7LJ330X04	1	43484733004R2
R3020 or	C-R NET	YCN104-330-JK	(1)	43464C33004R1
R3021	C-CARBON R	RN72K1J-470JE	1	435034704R1
R3022	C-CARBON R	RN72K1J-470JE	1	435034704R1

R3023	C-R NET	RM7LJ470X04	1	43484747004R2
R3023 or	C-R NET	YCN104-470-JK	(1)	43464C47004R1
R3024	C-CARBON R	RN72K1J-470JE	1	435034704R1
R3025	C-CARBON R	RN72K1J-102JE	1	435031024R1
R3028	C-CARBON R	RN72K1J-470JE	1	435034704R1
R3029	C-CARBON R	RN72K1J-102JE	1	435031024R1
R3032	C-CARBON R	RN72K1J-103JE	1	435031034R1
R3033	C-CARBON R	RN72K1J-470JE	1	435034704R1
R3034	C-CARBON R	RN72K1J-470JE	1	435034704R1
R3035	C-CARBON R	RN72K1J-470JE	1	435034704R1
R3036	C-CARBON R	RN72K1J-470JE	1	435034704R1
R3037	C-CARBON R	RN72K1J-470JE	1	435034704R1
R3038	C-CARBON R	RN72K1J-470JE	1	435034704R1
R3039	C-CARBON R	RN72K1J-470JE	1	435034704R1
R3040	C-CARBON R	RN72K1J-103JE	1	435031034R1
R3041	C-R NET	RM7LJ330X04	1	43484733004R2
R3041 or	C-R NET	YCN104-330-JK	(1)	43464C33004R1
R3042	C-R NET	RM7LJ330X04	1	43484733004R2
R3042 or	C-R NET	YCN104-330-JK	(1)	43464C33004R1
R3043	C-CARBON R	RN72K1J-000JE	1	435030004R1
R3044	C-R NET	RM7LJ330X04	1	43484733004R2
R3044 or	C-R NET	YCN104-330-JK	(1)	43464C33004R1
R3045	C-R NET	RM7LJ330X04	1	43484733004R2
R3045 or	C-R NET	YCN104-330-JK	(1)	43464C33004R1
R3047	C-CARBON R	RN72K1J-560JE	1	435035604R1
R3048	C-CARBON R	RN72K1J-221JE	1	435032214R1
R3049	C-CARBON R	RN72K1J-560JE	1	435035604R1
R3050	C-CARBON R	RN72K1J-560JE	1	435035604R1
R3051	C-CARBON R	RN72K1J-560JE	1	435035604R1
R3054	C-CARBON R	RN72K1J-103JE	1	435031034R1
R3056	C-CARBON R	RN72K1J-472JE	1	435034724R1
R3060	C-CARBON R	RN72K1J-680JE	1	435036804R1
R3061	C-CARBON R	RN72K1J-470JE	1	435034704R1
R3062	C-CARBON R	RN72K1J-680JE	1	435036804R1

R3063	C-CARBON R	RN72K1J-680JE	1	435036804R1
R3064	C-CARBON R	RN72K1J-680JE	1	435036804R1
R3065	C-CARBON R	RN72K1J-680JE	1	435036804R1
R3066	C-CARBON R	RN72K1J-102JE	1	435031024R1
R3070	C-CARBON R	RN72K1J-103JE	1	435031034R1
R3101	C-CARBON R	RN72K1J-103JE	1	435031034R1
R3103	C-CARBON R	RN72K1J-000JE	1	435030004R1
R3105	C-CARBON R	RN72K1J-222JE	1	435032224R1
R3106	C-CARBON R	RN72K1J-102JE	1	435031024R1
R3108	C-CARBON R	RN72K1J-103JE	1	435031034R1
R3110	C-CARBON R	RN72K1J-103JE	1	435031034R1
R3111	C-CARBON R	RN72K1J-103JE	1	435031034R1
R3113	C-CARBON R	RN72K1J-103JE	1	435031034R1
R3115	C-CARBON R	RN72K1J-332JE	1	435033324R1
R3117	C-CARBON R	RN72K1J-332JE	1	435033324R1
R3119	C-CARBON R	RN72K1J-332JE	1	435033324R1
R3122	C-CARBON R	RN72K1J-102JE	1	435031024R1
R3123	C-CARBON R	RN72K1J-000JE	1	435030004R1
R3124	C-CARBON R	RN72K1J-331JE	1	435033314R1
R3125	C-CARBON R	RN72K1J-470JE	1	435034704R1
R3126	C-CARBON R	RN72K1J-470JE	1	435034704R1
R3127	C-CARBON R	RN72K1J-470JE	1	435034704R1
R3128	C-CARBON R	RN72K1J-472JE	1	435034724R1
R3129	C-CARBON R	RN72K1J-470JE	1	435034704R1
R3130	C-CARBON R	RN72K1J-470JE	1	435034704R1
R3131	C-CARBON R	RN72K1J-470JE	1	435034704R1
R3132	C-CARBON R	RN72K1J-103JE	1	435031034R1
R3133	C-CARBON R	RN72K1J-470JE	1	435034704R1
R3134	C-CARBON R	RN72K1J-103JE	1	435031034R1
R3135	C-CARBON R	RN72K1J-103JE	1	435031034R1
R3136	C-CARBON R	RN72K1J-000JE	1	435030004R1
R3137	C-CARBON R	RN72K1J-000JE	1	435030004R1
R3139	C-CARBON R	RN72K1J-101JE	1	435031014R1
R3140	C-CARBON R	RN72K1J-103JE	1	435031034R1

R3143	C-CARBON R	RN72K1J-392JE	1	435033924R1
R3144	C-CARBON R	RN72K1J-101JE	1	435031014R1
R3145	C-CARBON R	RN72K1J-392JE	1	435033924R1
R3146	C-CARBON R	RN72K1J-390JE	1	435033904R1
R3147	C-CARBON R	RN72K1J-000JE	1	435030004R1
R3148	C-CARBON R	RN72K1J-390JE	1	435033904R1
R3149	C-CARBON R	RN72K1J-102JE	1	435031024R1
R3150	C-CARBON R	RN72K1J-680JE	1	435036804R1
R3151	C-CARBON R	RN72K1J-000JE	1	435030004R1
R3152	C-CARBON R	RN72K1J-000JE	1	435030004R1
R3154	C-CARBON R	RN72K1J-390JE	1	435033904R1
R3155	C-CARBON R	RN72K1J-390JE	1	435033904R1
R3156	C-CARBON R	RN72K1J-390JE	1	435033904R1
R3157	C-CARBON R	RN72K1J-000JE	1	435030004R1
R3162	C-CARBON R	RN72K1J-390JE	1	435033904R1
R3163	C-CARBON R	RN72K1J-220JE	1	435032204R1
R3164	C-CARBON R	RN72K1J-472JE	1	435034724R1
R3168	C-CARBON R	RN72K1J-220JE	1	435032204R1
R3169	C-CARBON R	RN72K1J-220JE	1	435032204R1
R3170	C-CARBON R	RN72K1J-391FE	1	435033912R1
R3171	C-CARBON R	RN72K1J-222FE	1	435032222R1
R3172	C-CARBON R	RN72K1J-392FE	1	435033922R1
R3173	C-CARBON R	RN72K1J-390JE	1	435033904R1
R3174	C-CARBON R	RN72K1J-390JE	1	435033904R1
R3175	C-CARBON R	RN72K1J-472JE	1	435034724R1
R3181	C-CARBON R	RN72K1J-470JE	1	435034704R1
R3182	C-CARBON R	RN72K1J-472JE	1	435034724R1
R3183	C-CARBON R	RN72K1J-470JE	1	435034704R1
R3184	C-CARBON R	RN72K1J-470JE	1	435034704R1
R3187	C-CARBON R	RN72K1J-472JE	1	435034724R1
R3188	C-CARBON R	RN72K1J-103JE	1	435031034R1
R3192	C-CARBON R	RN72K1J-472JE	1	435034724R1
R3193	C-CARBON R	RN72K1J-472JE	1	435034724R1
R3194	C-CARBON R	RN72K1J-472JE	1	435034724R1

R3199	C-CARBON R	RN72K1J-102JE	1	435031024R1
R3200	C-CARBON R	RN72K1J-103JE	1	435031034R1
R3204	C-CARBON R	RN72K1J-103JE	1	435031034R1
R3205	C-CARBON R	RN72K1J-103JE	1	435031034R1
R3208	C-CARBON R	RN72K1J-271JE	1	435032714R1
R3212	C-CARBON R	RN72K1J-220JE	1	435032204R1
R3215	C-CARBON R	RN72K1J-221JE	1	435032214R1
R3218	C-CARBON R	RN72K1J-220JE	1	435032204R1
R3219	C-CARBON R	RN72K1J-221JE	1	435032214R1
R3226	C-R NET	RM7LJ470X04	1	43484747004R2
R3226 or	C-R NET	YCN104-470-JK	(1)	43464C47004R1
R3230	C-CARBON R	RN72K1J-221JE	1	435032214R1
R3234	C-CARBON R	RN72K1J-470JE	1	435034704R1
R3237	C-CARBON R	RN72K1J-221JE	1	435032214R1
R3238	C-CARBON R	RN72K1J-470JE	1	435034704R1
R3239	C-CARBON R	RN72K1J-221JE	1	435032214R1
R3240	C-CARBON R	RN72K1J-221JE	1	435032214R1
R3241	C-CARBON R	RN72K1J-221JE	1	435032214R1
R3242	C-CARBON R	RN72K1J-221JE	1	435032214R1
R3244	C-CARBON R	RN72K1J-470JE	1	435034704R1
R3247	C-CARBON R	RN72K1J-121JE	1	435031214R1
R3251	C-CARBON R	RN72K1J-470JE	1	435034704R1
R3257	C-CARBON R	RN72K1J-470JE	1	435034704R1
R3260	C-CARBON R	RN72K1J-390JE	1	435033904R1
R3262	C-CARBON R	RN72K1J-221JE	1	435032214R1
R3265	C-CARBON R	RN72K1J-390JE	1	435033904R1
R3268	C-CARBON R	RN72K1J-390JE	1	435033904R1
R3271	C-CARBON R	RN72K1J-390JE	1	435033904R1
R3272	C-CARBON R	RN72K1J-470JE	1	435034704R1
R3274	C-CARBON R	RN72K1J-390JE	1	435033904R1
R3276	C-CARBON R	RN72K1J-470JE	1	435034704R1
R3277	C-CARBON R	RN72K1J-220JE	1	435032204R1
R3278	C-CARBON R	RN72K1J-470JE	1	435034704R1
R3280	C-CARBON R	RN72K1J-470JE	1	435034704R1

R3283	C-CARBON R	RN72K1J-470JE	1	435034704R1
R3284	C-CARBON R	RN72K1J-103JE	1	435031034R1
R3290	C-R NET	RM7LJ470X04	1	43484747004R2
R3290 or	C-R NET	YCN104-470-JK	(1)	43464C47004R1
R3291	C-R NET	RM7LJ470X04	1	43484747004R2
R3291 or	C-R NET	YCN104-470-JK	(1)	43464C47004R1
R3292	C-R NET	RM7LJ470X04	1	43484747004R2
R3292 or	C-R NET	YCN104-470-JK	(1)	43464C47004R1
R3293	C-R NET	RM7LJ470X04	1	43484747004R2
R3293 or	C-R NET	YCN104-470-JK	(1)	43464C47004R1
R3294	C-R NET	RM7LJ470X04	1	43484747004R2
R3294 or	C-R NET	YCN104-470-JK	(1)	43464C47004R1
R3295	C-R NET	RM7LJ470X04	1	43484747004R2
R3295 or	C-R NET	YCN104-470-JK	(1)	43464C47004R1
R3296	C-CARBON R	RN72K1J-470JE	1	435034704R1
R3297	C-CARBON R	RN72K1J-470JE	1	435034704R1
R3298	C-CARBON R	RN72K1J-102JE	1	435031024R1
R3300	C-CARBON R	RN72K1J-102JE	1	435031024R1
R662	C-CARBON R	RN72K1J-103JE	1	435031034R1
R664	C-CARBON R	RN72K1J-103JE	1	435031034R1
R666	C-CARBON R	RN72K1J-103JE	1	435031034R1
R668	C-CARBON R	RN72K1J-103JE	1	435031034R1
R7002	C-CARBON R	RN72K1J-103JE	1	435031034R1
R7003	C-CARBON R	RN72K1J-103JE	1	435031034R1
R7004	C-CARBON R	RN72K1J-273JE	1	435032734R1
R7005	C-CARBON R	RN72K1J-223JE	1	435032234R1
R7006	C-CARBON R	RN72K1J-223JE	1	435032234R1
R7007	C-CARBON R	RN72K1J-105JE	1	435031054R1
R7008	C-CARBON R	RN72K1J-473JE	1	435034734R1
R7009	C-CARBON R	RN72K1J-105JE	1	435031054R1
R7010	C-CARBON R	RN72K1J-103JE	1	435031034R1
R7011	C-CARBON R	RN72K1J-103JE	1	435031034R1
R7012	C-CARBON R	RN72K1J-103JE	1	435031034R1
R7013	C-CARBON R	RN72K1J-103JE	1	435031034R1

R7014	C-CARBON R	RN72K1J-473JE	1	435034734R1
R7015	C-CARBON R	RN72K1J-473JE	1	435034734R1
R7016	C-CARBON R	RN72K1J-473JE	1	435034734R1
R7017	C-CARBON R	RN72K1J-472JE	1	435034724R1
R7018	C-CARBON R	RN72K1J-472JE	1	435034724R1
R7019	C-CARBON R	RN72K1J-472JE	1	435034724R1
R7020	C-CARBON R	RN72K1J-472JE	1	435034724R1
R7021	C-R NET	RM7LJ221X04	1	43484722104R2
R7021 or	C-R NET	YCN104-221-JK	(1)	43464C22104R1
R7023	C-CARBON R	RN72K1J-221JE	1	435032214R1
R7024	C-CARBON R	RN72K1J-103JE	1	435031034R1
R7025	C-CARBON R	RN72K1J-224JE	1	435032244R1
R7026	C-CARBON R	RN72K1J-224JE	1	435032244R1
R7027	C-CARBON R	RN72K1J-103JE	1	435031034R1
R7028	C-CARBON R	RN72K1J-000JE	1	435030004R1
R7029	C-CARBON R	RN72K1J-102JE	1	435031024R1
R7030	C-CARBON R	RN72K1J-221JE	1	435032214R1
R7031	C-R NET	RM7LJ221X04	1	43484722104R2
R7031 or	C-R NET	YCN104-221-JK	(1)	43464C22104R1
R7032	C-CARBON R	RN72K1J-221JE	1	435032214R1
R7033	C-R NET	RM7LJ470X04	1	43484747004R2
R7033 or	C-R NET	YCN104-470-JK	(1)	43464C47004R1
R7034	C-CARBON R	RN72K1J-221JE	1	435032214R1
R7035	C-CARBON R	RN72K1J-470JE	1	435034704R1
R7036	C-CARBON R	RN72K1J-102JE	1	435031024R1
R7037	C-CARBON R	RN72K1J-102JE	1	435031024R1
R7038	C-CARBON R	RN72K1J-102JE	1	435031024R1
R7039	C-CARBON R	RN72K1J-222JE	1	435032224R1
R7040	C-CARBON R	RN72K1J-222JE	1	435032224R1
R7041	C-CARBON R	RN72K1J-222JE	1	435032224R1
R7042	C-CARBON R	RN72K1J-221JE	1	435032214R1
R7043	C-CARBON R	RN72K1J-103JE	1	435031034R1
R7044	C-CARBON R	RN72K1J-470JE	1	435034704R1
R7045	C-CARBON R	RN72K1J-103JE	1	435031034R1

R7046	C-CARBON R	RN72K1J-221JE	1	435032214R1
R7047	C-CARBON R	RN72K1J-103JE	1	435031034R1
R7048	C-CARBON R	RN72K1J-221JE	1	435032214R1
R7049	C-CARBON R	RN72K1J-470JE	1	435034704R1
R7050	C-CARBON R	RN72K1J-103JE	1	435031034R1
R7051	C-CARBON R	RN72K1J-221JE	1	435032214R1
R7052	C-CARBON R	RN72K1J-221JE	1	435032214R1
R7053	C-CARBON R	RN72K1J-221JE	1	435032214R1
R7054	C-CARBON R	RN72K1J-102JE	1	435031024R1
R7055	C-CARBON R	RN72K1J-102JE	1	435031024R1
R7057	C-CARBON R	RN72K1J-103JE	1	435031034R1
R7058	C-CARBON R	RN72K1J-103JE	1	435031034R1
R7059	C-CARBON R	RN72K1J-103JE	1	435031034R1
R7060	C-CARBON R	RN72K1J-102JE	1	435031024R1
R7061	C-CARBON R	RN72K1J-221JE	1	435032214R1
R7062	C-CARBON R	RN72K1J-221JE	1	435032214R1
R7063	C-CARBON R	RN72K1J-103JE	1	435031034R1
R7064	C-CARBON R	RN72K1J-470JE	1	435034704R1
R7065	C-CARBON R	RN72K1J-473JE	1	435034734R1
R7066	C-CARBON R	RN72K1J-221JE	1	435032214R1
R7069	C-R NET	RM7LJ470X04	1	43484747004R2
R7069 or	C-R NET	YCN104-470-JK	(1)	43464C47004R1
R7070	C-CARBON R	RN72K1J-470JE	1	435034704R1
R7071	C-CARBON R	RN72K1J-103JE	1	435031034R1
R7072	C-CARBON R	RN72K1J-470JE	1	435034704R1
R7073	C-CARBON R	RN72K1J-103JE	1	435031034R1
R7074	C-CARBON R	RN72K1J-103JE	1	435031034R1
R7075	C-R NET	RM7LJ470X04	1	43484747004R2
R7075 or	C-R NET	YCN104-470-JK	(1)	43464C47004R1
R7076	C-CARBON R	RN72K1J-221JE	1	435032214R1
R7077	C-CARBON R	RN72K1J-331JE	1	435033314R1
R7078	C-CARBON R	RN72K1J-103JE	1	435031034R1
R7079	C-R NET	RM7LJ221X04	1	43484722104R2
R7079 or	C-R NET	YCN104-221-JK	(1)	43464C22104R1

R7080	C-CARBON R	RN72K1J-331JE	1	435033314R1
R7081	C-CARBON R	RN72K1J-221JE	1	435032214R1
R7082	C-R NET	RM7LJ470X04	1	43484747004R2
R7082 or	C-R NET	YCN104-470-JK	(1)	43464C47004R1
R7083	C-CARBON R	RN72K1J-103JE	1	435031034R1
R7084	C-CARBON R	RN72K1J-470JE	1	435034704R1
R7085	C-CARBON R	RN72K1J-102JE	1	435031024R1
R7086	C-CARBON R	RN72K1J-103JE	1	435031034R1
R7087	C-CARBON R	RN72K1J-273JE	1	435032734R1
R7088	C-CARBON R	RN72K1J-000JE	1	435030004R1
R7089	C-CARBON R	RN72K1J-103JE	1	435031034R1
R7090	C-CARBON R	RN72K1J-103JE	1	435031034R1
R7091	C-CARBON R	RN72K1J-221JE	1	435032214R1
R7092	C-CARBON R	RN72K1J-470JE	1	435034704R1
R7093	C-CARBON R	RN72K1J-472JE	1	435034724R1
R7094	C-CARBON R	RN72K1J-472JE	1	435034724R1
R7095	C-R NET	RM7LJ221X04	1	43484722104R2
R7095 or	C-R NET	YCN104-221-JK	(1)	43464C22104R1
R7096	C-CARBON R	RN72K1J-221JE	1	435032214R1
R7097	C-CARBON R	RN72K1J-470JE	1	435034704R1
R7098	C-R NET	RM7LJ470X04	1	43484747004R2
R7098 or	C-R NET	YCN104-470-JK	(1)	43464C47004R1
R7099	C-R NET	RM7LJ470X04	1	43484747004R2
R7099 or	C-R NET	YCN104-470-JK	(1)	43464C47004R1
R7101	C-CARBON R	RN72K1J-102JE	1	435031024R1
R7102	C-CARBON R	RN72K1J-103FE	1	435031032R1
R7103	C-CARBON R	RN72K1J-221JE	1	435032214R1
R7104	C-CARBON R	RN72K1J-470JE	1	435034704R1
R7106	C-CARBON R	RN72K1J-101JE	1	435031014R1
R7107	C-CARBON R	RN72K1J-101JE	1	435031014R1
R7108	C-R NET	RM7LJ223X04	1	43484722304R2
R7108 or	C-R NET	YCN104-223-JK	(1)	43464C22304R1
R7109	C-CARBON R	RN72K1J-103JE	1	435031034R1
R7110	C-CARBON R	RN72K1J-103JE	1	435031034R1

R7111	C-CARBON R	RN72K1J-103JE	1	435031034R1
R7112	C-CARBON R	RN72K1J-101JE	1	435031014R1
R7115	C-CARBON R	RN72K1J-103JE	1	435031034R1
R7116	C-CARBON R	RN72K1J-103JE	1	435031034R1
R7117	C-CARBON R	RN72K1J-273JE	1	435032734R1
R7118	C-CARBON R	RN72K1J-103JE	1	435031034R1
R7119	C-CARBON R	RN72K1J-103JE	1	435031034R1
R7120	C-CARBON R	RN72K1J-103JE	1	435031034R1
R7121	C-CARBON R	RN72K1J-105JE	1	435031054R1
R7122	C-CARBON R	RN72K1J-105JE	1	435031054R1
R7123	C-R NET	RM7LJ221X04	1	43484722104R2
R7123 or	C-R NET	YCN104-221-JK	(1)	43464C22104R1
R7125	C-CARBON R	RN72K1J-473JE	1	435034734R1
R7126	C-CARBON R	RN72K1J-221JE	1	435032214R1
R7131	C-CARBON R	RN72K1J-470JE	1	435034704R1
R7132	C-CARBON R	RN72K1J-470JE	1	435034704R1
R7133	C-CARBON R	RN72K1J-221JE	1	435032214R1
R7134	C-CARBON R	RN72K1J-221JE	1	435032214R1
R7135	C-CARBON R	RN72K1J-103JE	1	435031034R1
R7136	C-CARBON R	RN72K1J-470JE	1	435034704R1
R7137	C-CARBON R	RN72K1J-470JE	1	435034704R1
R7138	C-CARBON R	RN72K1J-470JE	1	435034704R1
R7139	C-CARBON R	RN72K1J-103JE	1	435031034R1
R7140	C-CARBON R	RN72K1J-103JE	1	435031034R1
R7141	C-CARBON R	RN72K1J-103JE	1	435031034R1
R7150	C-CARBON R	RN72K1J-221JE	1	435032214R1
R7151	C-CARBON R	RN72K1J-221JE	1	435032214R1
R7152	C-CARBON R	RN72K1J-103JE	1	435031034R1
R7153	C-CARBON R	RN72K1J-103JE	1	435031034R1
R7155	C-R NET	RM7LJ103X04	1	43484710304R2
R7155 or	C-R NET	YCN104-103-JK	(1)	43464C10304R1
R7160	C-CARBON R	RN72K1J-473JE	1	435034734R1
R7176	C-CARBON R	RN72K1J-103JE	1	435031034R1
R7301	C-CARBON R	RN72K1J-272JE	1	435032724R1

R7302	C-CARBON R	RN72K1J-272JE	1	435032724R1
R7303	C-CARBON R	RN72K1J-272JE	1	435032724R1
R7304	C-CARBON R	RN72K1J-272JE	1	435032724R1
R7310	C-CARBON R	RN72K1J-103JE	1	435031034R1
R7313	C-CARBON R	RN72K1J-102JE	1	435031024R1
R8001	C-CARBON R	RN72K1J-103JE	1	435031034R1
R8003	C-CARBON R	RN72K1J-000JE	1	435030004R1
R8004	C-CARBON R	RN72K1J-103JE	1	435031034R1
R8005	C-CARBON R	RN72K1J-103JE	1	435031034R1
R8006	C-CARBON R	RN72K1J-103FE	1	435031032R1
R8007	C-CARBON R	RN72K1J-472JE	1	435034724R1
R8009	C-CARBON R	RN72K1J-000JE	1	435030004R1
R8010	C-R NET	RM7LJ510X04	1	43484751004R2
R8010 or	C-R NET	YCN104-510-JK	(1)	43464C51004R1
R8011	C-R NET	RM7LJ510X04	1	43484751004R2
R8011 or	C-R NET	YCN104-510-JK	(1)	43464C51004R1
R8012	C-R NET	RM7LJ510X04	1	43484751004R2
R8012 or	C-R NET	YCN104-510-JK	(1)	43464C51004R1
R8013	C-R NET	RM7LJ510X04	1	43484751004R2
R8013 or	C-R NET	YCN104-510-JK	(1)	43464C51004R1
R8014	C-R NET	RM7LJ510X04	1	43484751004R2
R8014 or	C-R NET	YCN104-510-JK	(1)	43464C51004R1
R8015	C-CARBON R	MCR03EZPF49R9(49.9_1%)	1	4100037R2
R8015 or	CARBON R	CR16-49R9-FL	(1)	4100046R1
R8016	C-CARBON R	MCR03EZPF49R9(49.9_1%)	1	4100037R2
R8016 or	CARBON R	CR16-49R9-FL	(1)	4100046R1
R8017	C-CARBON R	MCR03EZPF49R9(49.9_1%)	1	4100037R2
R8017 or	CARBON R	CR16-49R9-FL	(1)	4100046R1
R8018	C-CARBON R	RN72K1J-000JE	1	435030004R1
R8019	C-CARBON R	RN72K1J-000JE	1	435030004R1
R8020	C-CARBON R	RN72K1J-472JE	1	435034724R1
R8037	C-CARBON R	RN72K1J-000JE	1	435030004R1
R8042	C-CARBON R	MCR03EZPF49R9(49.9_1%)	1	4100037R2
R8042 or	CARBON R	CR16-49R9-FL	(1)	4100046R1

R8043	C-CARBON R	MCR03EZPF49R9(49.9_1%)	1	4100037R2
R8043 or	CARBON R	CR16-49R9-FL	(1)	4100046R1
R8045	C-CARBON R	RN72K1J-331FE	1	435033312R1
R8046	C-CARBON R	RN72K1J-332FE	1	435033322R1
R8047	C-CARBON R	RN72K1J-271FE	1	435032712R1
R8048	C-CARBON R	RN72K1J-222FE	1	435032222R1
R8049	C-CARBON R	RN72K1J-750JE	1	435037504R1
R8050	C-CARBON R	RN72K1J-750JE	1	435037504R1
R8051	C-CARBON R	RN72K1J-103JE	1	435031034R1
R8052	C-CARBON R	RN72K1J-472JE	1	435034724R1
R8062	C-R NET	RM7LJ220X04	1	43484722004R2
R8062 or	C-R NET	YCN104-220-JK	(1)	43464C22004R1
R8073	C-CARBON R	RN72K1J-182JE	1	435031824R1
R8074	C-CARBON R	RN72K1J-182JE	1	435031824R1
R8077	C-CARBON R	RN72K1J-104JE	1	435031044R1
R8078	C-CARBON R	RN72K1J-472JE	1	435034724R1
R8079	C-CARBON R	RN72K1J-473JE	1	435034734R1
R8080	C-CARBON R	RN72K1J-101JE	1	435031014R1
R8081	C-CARBON R	RN72K1J-101JE	1	435031014R1
R8082	C-CARBON R	RN72K1J-101JE	1	435031014R1
R8083	C-CARBON R	RN72K1J-101JE	1	435031014R1
R8084	C-CARBON R	RN72K1J-100JE	1	435031004R1
R8085	C-CARBON R	RN72K1J-100JE	1	435031004R1
R8086	C-CARBON R	RN72K1J-100JE	1	435031004R1
R8087	C-CARBON R	RN72K1J-823JE	1	435038234R1
R8088	C-CARBON R	RN72K1J-103JE	1	435031034R1
R8089	C-CARBON R	RN72K1J-330JE	1	435033304R1
R8090	C-CARBON R	RN72K1J-103JE	1	435031034R1
R8091	C-CARBON R	RN72K1J-220JE	1	435032204R1
R8092	C-CARBON R	RN72K1J-220JE	1	435032204R1
R8093	C-CARBON R	RN72K1J-220JE	1	435032204R1
R8094	C-CARBON R	RN72K1J-472JE	1	435034724R1
R8095	C-CARBON R	RN72K1J-105JE	1	435031054R1
R8096	C-CARBON R	RN72K1J-101JE	1	435031014R1

R8097	C-CARBON R	RN72K1J-101JE	1	435031014R1
R8098	C-CARBON R	RN72K1J-220JE	1	435032204R1
R8099	C-CARBON R	RN72K1J-102JE	1	435031024R1
R8100	C-CARBON R	RN72K1J-102JE	1	435031024R1
R8102	C-CARBON R	RN72K1J-472JE	1	435034724R1
R8103	C-CARBON R	RN72K1J-472JE	1	435034724R1
R8104	C-CARBON R	RN72K1J-472JE	1	435034724R1
R8105	C-CARBON R	RN72K1J-472JE	1	435034724R1
R8107	C-CARBON R	RN72K1J-472JE	1	435034724R1
R8108	C-CARBON R	RN72K1J-472JE	1	435034724R1
R8109	C-CARBON R	RN72K1J-472JE	1	435034724R1
R8110	C-CARBON R	RN72K1J-472JE	1	435034724R1
R8111	C-CARBON R	RN72K1J-101JE	1	435031014R1
R8112	C-CARBON R	RN72K1J-101JE	1	435031014R1
R8113	C-CARBON R	RN72K1J-101JE	1	435031014R1
R8114	C-CARBON R	RN72K1J-101JE	1	435031014R1
R8115	C-CARBON R	RN72K1J-104JE	1	435031044R1
R8116	C-CARBON R	RN72K1J-000JE	1	435030004R1
R8117	C-CARBON R	RN72K1J-470JE	1	435034704R1
R8118	C-CARBON R	RN72K1J-470JE	1	435034704R1
R8120	C-CARBON R	RN72K1J-472JE	1	435034724R1
R8122	C-CARBON R	RN72K1J-220JE	1	435032204R1
R8123	C-CARBON R	RN72K1J-220JE	1	435032204R1
R8124	C-CARBON R	RN72K1J-220JE	1	435032204R1
R8125	C-CARBON R	RN72K1J-220JE	1	435032204R1
R8126	C-CARBON R	RN72K1J-472JE	1	435034724R1
R8127	C-CARBON R	RN72K1J-472JE	1	435034724R1
R8128	C-CARBON R	RN72K1J-103JE	1	435031034R1
R8129	C-CARBON R	RN72K1J-103JE	1	435031034R1
R8201	C-CARBON R	RN72K1J-393JE	1	435033934R1
R8202	C-CARBON R	RN72K1J-102JE	1	435031024R1
R8203	C-CARBON R	RN72K1J-102JE	1	435031024R1
R8204	C-CARBON R	RN72K1J-330JE	1	435033304R1
R8206	C-CARBON R	RN72K1J-000JE	1	435030004R1

R8207	C-CARBON R	RN72K1J-000JE	1	435030004R1
R8208	C-CARBON R	RN72K1J-821JE	1	435038214R1
R8209	C-CARBON R	RN72K1J-472JE	1	435034724R1
R8213	C-CARBON R	RN72K1J-000JE	1	435030004R1
R8214	C-CARBON R	RN72K1J-000JE	1	435030004R1
R8215	C-CARBON R	RN72K1J-821JE	1	435038214R1
R8216	C-CARBON R	RN72K1J-000JE	1	435030004R1
R8217	C-CARBON R	RN72K1J-000JE	1	435030004R1
R8218	C-CARBON R	RN72K1J-821JE	1	435038214R1
R8219	C-R NET	RM7LJ330X04	1	43484733004R2
R8219 or	C-R NET	YCN104-330-JK	(1)	43464C33004R1
R8220	C-CARBON R	RN72K1J-680JE	1	435036804R1
R8221	C-CARBON R	RN72K1J-680JE	1	435036804R1
R8223	C-CARBON R	RN72K1J-560JE	1	435035604R1
R8224	C-CARBON R	RN72K1J-330JE	1	435033304R1
R8225	C-CARBON R	RN72K1J-221JE	1	435032214R1
R8226	C-CARBON R	RN72K1J-221JE	1	435032214R1
R8228	C-CARBON R	RN72K1J-221JE	1	435032214R1
R8229	C-CARBON R	RN72K1J-330JE	1	435033304R1
R8230	C-CARBON R	RN72K1J-101JE	1	435031014R1
R8231	C-CARBON R	RN72K1J-330JE	1	435033304R1
R8232	C-CARBON R	RN72K1J-102JE	1	435031024R1
R8233	C-CARBON R	RN72K1J-000JE	1	435030004R1
R8234	C-CARBON R	RN72K1J-393JE	1	435033934R1
R8235	C-CARBON R	RN72K1J-102JE	1	435031024R1
R8236	C-CARBON R	RN72K1J-330JE	1	435033304R1
R8237	C-CARBON R	RN72K1J-105JE	1	435031054R1
R8238	C-CARBON R	RN72K1J-331JE	1	435033314R1
R8239	C-CARBON R	RN72K1J-330JE	1	435033304R1
R8240	C-CARBON R	RN72K1J-681JE	1	435036814R1
R8241	C-CARBON R	RN72K1J-393JE	1	435033934R1
R8242	C-CARBON R	RN72K1J-102JE	1	435031024R1
R8243	C-CARBON R	RN72K1J-681JE	1	435036814R1
R8244	C-CARBON R	RN72K1J-330JE	1	435033304R1

R8245	C-CARBON R	RN72K1J-103JE	1	435031034R1
R8246	C-CARBON R	RN72K1J-330JE	1	435033304R1
R8247	C-CARBON R	RN72K1J-330JE	1	435033304R1
R8248	C-CARBON R	RN72K1J-100JE	1	435031004R1
R8249	C-CARBON R	RN72K1J-182JE	1	435031824R1
R8250	C-CARBON R	RN72K1J-103JE	1	435031034R1
R8251	C-CARBON R	RN72K1J-182JE	1	435031824R1
R8302	C-CARBON R	RN72K1J-103JE	1	435031034R1
R8303	C-CARBON R	RN72K1J-562JE	1	435035624R1
R8304	C-CARBON R	RN72K1J-000JE	1	435030004R1
R8305	C-CARBON R	RN72K1J-562JE	1	435035624R1
R8306	C-CARBON R	RN72K1J-562JE	1	435035624R1
R8307	C-CARBON R	RN72K1J-472JE	1	435034724R1
R8308	C-CARBON R	RN72K1J-562JE	1	435035624R1
R8309	C-CARBON R	RN72K1J-562JE	1	435035624R1
R8310	C-CARBON R	RN72K1J-562JE	1	435035624R1
R8311	C-CARBON R	RN72K1J-000JE	1	435030004R1
R8312	C-CARBON R	RN72K1J-100JE	1	435031004R1
R8313	C-CARBON R	RN72K1J-000JE	1	435030004R1
R8314	C-CARBON R	RN72K1J-000JE	1	435030004R1
R8315	C-CARBON R	RN72K1J-181JE	1	435031814R1
R8316	C-CARBON R	RN72K1J-181JE	1	435031814R1
R8317	C-CARBON R	RN72K1J-181JE	1	435031814R1
R8318	C-CARBON R	RN72K1J-181JE	1	435031814R1
R8319	C-CARBON R	RN72K1J-181JE	1	435031814R1
R8320	C-CARBON R	RN72K1J-181JE	1	435031814R1
R8321	C-CARBON R	RN72K1J-181JE	1	435031814R1
R8322	C-CARBON R	RN72K1J-181JE	1	435031814R1
R8323	C-CARBON R	RN72K1J-181JE	1	435031814R1
R8324	C-CARBON R	RN72K1J-181JE	1	435031814R1
R8325	C-CARBON R	RN72K1J-181JE	1	435031814R1
R8326	C-CARBON R	RN72K1J-181JE	1	435031814R1
R8327	C-CARBON R	RN72K1J-181JE	1	435031814R1
R8328	C-CARBON R	RN72K1J-181JE	1	435031814R1

R8329	C-CARBON R	RN72K1J-181JE	1	435031814R1
R8330	C-CARBON R	RN72K1J-220JE	1	435032204R1
R8331	C-CARBON R	RN72K1J-220JE	1	435032204R1
R8332	C-CARBON R	RN72K1J-220JE	1	435032204R1
R8333	C-CARBON R	RN72K1J-220JE	1	435032204R1
R8334	C-CARBON R	RN72K1J-473JE	1	435034734R1
R8335	C-CARBON R	RN72K1J-473JE	1	435034734R1
R8336	C-CARBON R	RN72K1J-473JE	1	435034734R1
R8337	C-CARBON R	RN72K1J-000JE	1	435030004R1
R8338	C-CARBON R	RN72K1J-000JE	1	435030004R1
R8339	C-CARBON R	RN72K1J-000JE	1	435030004R1
R8340	C-CARBON R	RN72K1J-222JE	1	435032224R1
R8341	C-CARBON R	RN72K1J-222JE	1	435032224R1
R8342	C-R NET	RM7LJ220X04	1	43484722004R2
R8342 or	C-R NET	YCN104-220-JK	(1)	43464C22004R1
R8343	C-R NET	RM7LJ220X04	1	43484722004R2
R8343 or	C-R NET	YCN104-220-JK	(1)	43464C22004R1
R8344	C-R NET	RM7LJ220X04	1	43484722004R2
R8344 or	C-R NET	YCN104-220-JK	(1)	43464C22004R1
R8345	C-R NET	RM7LJ220X04	1	43484722004R2
R8345 or	C-R NET	YCN104-220-JK	(1)	43464C22004R1
R8346	C-CARBON R	RN72K1J-220JE	1	435032204R1
R8349	C-CARBON R	RN72K1J-000JE	1	435030004R1
R8350	C-CARBON R	RN72K1J-100JE	1	435031004R1
R8351	C-CARBON R	RN72K1J-100JE	1	435031004R1
R8352	C-CARBON R	RN72K1J-100JE	1	435031004R1
R8353	C-CARBON R	RN72K1J-100JE	1	435031004R1
R8354	C-CARBON R	RN72K1J-100JE	1	435031004R1
R8355	C-CARBON R	RN72K1J-100JE	1	435031004R1
R8357	C-CARBON R	RN72K1J-101JE	1	435031014R1
R8358	C-CARBON R	RN72K1J-102JE	1	435031024R1
R8359	C-CARBON R	RN72K1J-124JE	1	435031244R1
R8360	C-CARBON R	RN72K1J-102JE	1	435031024R1
R8391	C-CARBON R	RN72K1J-473JE	1	435034734R1

R8600	C-CARBON R	RN72K1J-000JE	1	435030004R1
R8610	C-CARBON R	RN72K1J-000JE	1	435030004R1
R8613	C-CARBON R	RN72K1J-473JE	1	435034734R1
R8614	C-CARBON R	RN72K1J-473JE	1	435034734R1
R8618	C-CARBON R	RN72K1J-100JE	1	435031004R1
R8623	C-CARBON R	RN72K1J-473JE	1	435034734R1
R8624	C-CARBON R	RN72K1J-473JE	1	435034734R1
R8628	C-CARBON R	RN72K1J-100JE	1	435031004R1
R8633	C-CARBON R	RN72K1J-473JE	1	435034734R1
R8634	C-CARBON R	RN72K1J-473JE	1	435034734R1
R8638	C-CARBON R	RN72K1J-100JE	1	435031004R1
R8643	C-CARBON R	RN72K1J-473JE	1	435034734R1
R8644	C-CARBON R	RN72K1J-473JE	1	435034734R1
R8648	C-CARBON R	RN72K1J-100JE	1	435031004R1
R8653	C-CARBON R	RN72K1J-473JE	1	435034734R1
R8654	C-CARBON R	RN72K1J-473JE	1	435034734R1
R8663	C-CARBON R	RN72K1J-473JE	1	435034734R1
R8664	C-CARBON R	RN72K1J-473JE	1	435034734R1
R8673	C-CARBON R	RN72K1J-473JE	1	435034734R1
R8674	C-CARBON R	RN72K1J-473JE	1	435034734R1
R8701	C-CARBON R	RN72K1J-103JE	1	435031034R1
R8702	C-CARBON R	RN72K1J-000JE	1	435030004R1
R8703	C-CARBON R	RN72K1J-103JE	1	435031034R1
R8704	C-CARBON R	RN72K1J-103JE	1	435031034R1
R8705	C-CARBON R	RN72K1J-222JE	1	435032224R1
R8706	C-CARBON R	RN72K1J-103JE	1	435031034R1
R8707	C-CARBON R	RN72K1J-103JE	1	435031034R1
R8708	C-CARBON R	RN72K1J-222JE	1	435032224R1
R8710	C-CARBON R	RN72K1J-222JE	1	435032224R1
R8711	C-CARBON R	RN72K1J-222JE	1	435032224R1
R8712	C-CARBON R	RN72K1J-000JE	1	435030004R1
R8713	C-CARBON R	RN72K1J-000JE	1	435030004R1
R8714	C-CARBON R	RN72K1J-222JE	1	435032224R1
R8715	C-CARBON R	RN72K1J-222JE	1	435032224R1

R8716	C-CARBON R	RN72K1J-222JE	1	435032224R1
R8717	C-CARBON R	RN72K1J-222JE	1	435032224R1
R8718	C-R NET	RM7LJ103X04	1	43484710304R2
R8718 or	C-R NET	YCN104-103-JK	(1)	43464C10304R1
R8721	C-CARBON R	RN72K1J-103JE	1	435031034R1
R8722	C-CARBON R	RN72K1J-222JE	1	435032224R1
R8723	C-CARBON R	RN72K1J-222JE	1	435032224R1
R8724	C-CARBON R	RN72K1J-473JE	1	435034734R1
R8725	C-CARBON R	RN72K1J-103JE	1	435031034R1
R8726	C-CARBON R	RN72K1J-220JE	1	435032204R1
R8727	C-R NET	RM7LJ103X04	1	43484710304R2
R8727 or	C-R NET	YCN104-103-JK	(1)	43464C10304R1
R8728	C-CARBON R	RN72K1J-103JE	1	435031034R1
R8729	C-CARBON R	RN72K1J-000JE	1	435030004R1
R8730	C-CARBON R	RN72K1J-103JE	1	435031034R1
R8731	C-CARBON R	RN72K1J-331JE	1	435033314R1
R8732	C-CARBON R	RN72K1J-472JE	1	435034724R1
R8733	C-CARBON R	RN72K1J-472JE	1	435034724R1
R8734	C-CARBON R	RN72K1J-153JE	1	435031534R1
R8735	C-CARBON R	RN72K1J-103JE	1	435031034R1
R8736	C-CARBON R	RN72K1J-103JE	1	435031034R1
R8737	C-CARBON R	RN72K1J-222JE	1	435032224R1
R8738	C-CARBON R	RN72K1J-222JE	1	435032224R1
R8739	C-CARBON R	RN72K1J-472JE	1	435034724R1
R8740	C-CARBON R	RN72K1J-472JE	1	435034724R1
R8741	C-CARBON R	RN72K1J-103JE	1	435031034R1
R8742	C-CARBON R	RN72K1J-000JE	1	435030004R1
R8743	C-CARBON R	RN72K1J-000JE	1	435030004R1
R8745	C-CARBON R	RN72K1J-103JE	1	435031034R1
R8747	C-CARBON R	RN72K1J-220JE	1	435032204R1
R8748	C-CARBON R	RN72K1J-470JE	1	435034704R1
R8749	C-CARBON R	RN72K1J-470JE	1	435034704R1
R8751	C-CARBON R	RN72K1J-473JE	1	435034734R1
R8752	C-CARBON R	RN72K1J-473JE	1	435034734R1

R8901	C-CARBON R	RN72K1J-103JE	1	435031034R1
R8902	C-CARBON R	RN72K1J-393JE	1	435033934R1
R8906	C-CARBON R	RN72K1J-272JE	1	435032724R1
R8907	C-CARBON R	RN72K1J-223JE	1	435032234R1
R8908	C-CARBON R	RN72K1J-103JE	1	435031034R1
R8909	C-CARBON R	RN72K1J-334JE	1	435033344R1
R8910	C-CARBON R	RN72K1J-103JE	1	435031034R1
R8911	C-CARBON R	RN72K1J-682JE	1	435036824R1
R8912	C-CARBON R	RN72K1J-104JE	1	435031044R1
R8913	C-CARBON R	RN72K1J-473JE	1	435034734R1
R8919	C-CARBON R	RN72K1J-473JE	1	435034734R1
R8931	C-CARBON R	RN72K1J-102JE	1	435031024R1
R8932	C-CARBON R	RN72K1J-104JE	1	435031044R1
R8933	C-CARBON R	RN72K1J-182JE	1	435031824R1
R8934	C-CARBON R	RN72K1J-682FE	1	435036822R1
R8936	C-CARBON R	RN72K1J-103FE	1	435031032R1
R8941	C-CARBON R	RN72K1J-102JE	1	435031024R1
R8942	C-CARBON R	RN72K1J-104JE	1	435031044R1
R8943	C-CARBON R	RN72K1J-332JE	1	435033324R1
R8944	C-CARBON R	RN72K1J-273FE	1	435032732R1
R8945	C-CARBON R	RN72K1J-273FE	1	435032732R1
R8946	C-CARBON R	RN72K1J-103FE	1	435031032R1
R8951	C-CARBON R	RN72K1J-102JE	1	435031024R1
R8952	C-CARBON R	RN72K1J-104JE	1	435031044R1
R8953	C-CARBON R	RN72K1J-562JE	1	435035624R1
R8954	C-CARBON R	RN72K1J-333FE	1	435033332R1
R8955	C-CARBON R	RN72K1J-824FE	1	435038242R1
R8956	C-CARBON R	RN72K1J-103FE	1	435031032R1
R8961	C-CARBON R	RN72K1J-104JE	1	435031044R1
R8962	C-CARBON R	RN72K1J-104JE	1	435031044R1
R8963	C-CARBON R	RN72K1J-822JE	1	435038224R1
R8964	C-CARBON R	RN72K1J-563FE	1	435035632R1
R8966	C-CARBON R	RN72K1J-103FE	1	435031032R1
[SW TRM]				

JL501B	WIRE TRAP	NPLG-3P586	1	25055624
JL801B	SOCKET	NSCT-3P95	1	25050267
JL901B	WIRE TRAP	NPLG-5P588	1	25055626
P2800B	SOCKET	IMSA-9618S-13A	1	25053338R2
P2800Bor	SOCKET	13FMN-SMT-A-TF	(1)	25052830R2
P2801B	SOCKET	IMSA-9618S-09A	1	25053334R2
P2801Bor	SOCKET	09FMN-SMT-A-TF	(1)	25052826R2
P3101A	PLUG	NPLG-5P918	1	25055965R2
P3102A	SOCKET	NSCT-9P2472	1	25052575R2
P3103A	SOCKET	C00124K221700	1	25053410
P3104	SOCKET	RB1-105B8A1F	1	25053409
P3104 or	SOCKET	SI-60073-F	(1)	25053307
P3104 or	SOCKET	EJFR0002	(1)	25056668
P701A	SOCKET	IMSA-9618S-23A	1	25053348R2
P701Aor	SOCKET	23FMN-SMT-A-TF	(1)	25052840R2
P7050B	SOCKET	NSCT-11P2474	1	25052577R2
P751A	SOCKET	NSCT-9P2472	1	25052575R2
P8001B	SOCKET	IMSA-9111S-24L	1	25053259
P8002B	SOCKET	IMSA-9111S-16L	1	25053258
P8003B	SOCKET	IMSA-9111S-16L	1	25053258
P8004B	SOCKET	IMSA-9618S-07A	1	25053332R2
P8004Bor	SOCKET	07FMN-SMT-A-TF	(1)	25052824R2
P8005	TRM-423(SCREW)	NEJITANSI ST3	1	25060495
P801	PLUG	NPLG-2P83	1	25055099
P8030	SOCKET	IMSA-9618S-04A	1	25053329R2
P8030 or	SOCKET	04FMN-SMT-A-TF	(1)	25052821R2
P8102	SOCKET	TCX3400-111387	1	25053406R3
P8102 or	SOCKET	HDMI(47266-4101)	(1)	25053389R3
P8104	SOCKET	NSCT-8P2471	1	25052574R2
P8611	SOCKET	TCX3400-111387	1	25053406R3
P8611 or	SOCKET	HDMI(47266-4101)	(1)	25053389R3
P8621	SOCKET	TCX3400-111387	1	25053406R3
P8621 or	SOCKET	HDMI(47266-4101)	(1)	25053389R3
P8631	SOCKET	TCX3400-111387	1	25053406R3

P8631 or	SOCKET	HDMI(47266-4101)	(1)	25053389R3	
P8641	SOCKET	TCX3400-111387	1	25053406R3	
P8641 or	SOCKET	HDMI(47266-4101)	(1)	25053389R3	
P8651	SOCKET	TCX3400-111387	1	25053406R3	
P8651 or	SOCKET	HDMI(47266-4101)	(1)	25053389R3	
P8661	SOCKET	TCX3400-111387	1	25053406R3	
P8661 or	SOCKET	HDMI(47266-4101)	(1)	25053389R3	
P8671	SOCKET	TCX3400-111387	1	25053406R3	
P8671 or	SOCKET	HDMI(47266-4101)	(1)	25053389R3	
P8702	SOCKET	NSCT-9P2472	1	25052575R2	
P8901	SOCKET	NSCT-8P2471	1	25052574R2	

U006	U0060 x 4 pcs.	BADG-1087-1C *
U0060	DIGITAL PC BOARD ASS'Y	BADG-1087-1C

CIRCUIT N	PART NAME	DESCRIPTION	Q'TY	PART NO. (SN)	REMARKS
[SEMI CONDUCTOR]					
D1000	C-DIODE	DA2J10100	1	223303R2	
D1000 or	C-DIODE	ISS352	(1)	223234R2	
D1000 or	C-DIODE	ISS355	(1)	223269R2	
D1000 or	C-DIODE	MA2J111	(1)	223279R2	
D1000 or	C-DIODE	KDS4148U	(1)	223283R2	
D1001	C-DIODE	DA2J10100	1	223303R2	
D1001 or	C-DIODE	ISS352	(1)	223234R2	
D1001 or	C-DIODE	ISS355	(1)	223269R2	
D1001 or	C-DIODE	MA2J111	(1)	223279R2	
D1001 or	C-DIODE	KDS4148U	(1)	223283R2	
Q1000	IC	TC74HCU04AF	1	222740046R2TO	
Q1501	IC	NJM4580M-D	1	22241448R2	
Q1502	IC	NJM4580M-D	1	22241448R2	
Q1503	IC	NJM4580M-D	1	22241448R2	
Q1504	IC	NJM4580M-D	1	22241448R2	
Q1581	IC	NJM4580M-D	1	22241448R2	

[TRANS COIL]					
L1000	CHOKE COIL	LBC2518T2R2M	1	231364M022R2	
L1001	CHOKE COIL	LBC2518T2R2M	1	231364M022R2	
L1002	CHOKE COIL	LBC2518T2R2M	1	231364M022R2	
L1003	CHOKE COIL	LBC2518T470M	1	231364M470R2	
L1004	CHOKE COIL	LBC2518T470M	1	231364M470R2	
L1005	EMIFIL	BK1608HS102-T	1	230955R2	
L1006	EMIFIL	BK1608HS102-T	1	230955R2	
[CAPACITOR]					
C1000	C-CERA C	CK725F1E-104Z1	1	332161040R1	
C1001	C-CERA C	CC725CH1H-101J1	1	342101014R1	
C1002	C-CERA C	CC725CH1H-101J1	1	342101014R1	
C1003	C-CERA C	CK725B1C-104K1	1	332121045R1	
C1004	C-CERA C	CK725B1C-104K1	1	332121045R1	
C1005	C-CERA C	CC725CH1H-080D1	1	342100802R1	
C1006	C-CERA C	CC725CH1H-080D1	1	342100802R1	
C1007	UTSP C	CE04W10V-220M(UTSP)	1	397532217T	
C1008	C-CERA C	CK725F1E-104Z1	1	332161040R1	
C1009	C-CERA C	CK725F1E-104Z1	1	332161040R1	
C1010	C-CERA C	CK725F1E-104Z1	1	332161040R1	
C1011	C-CERA C	CC725CH1H-330J1	1	342103304R1	
C1012	C-CERA C	CC725CH1H-330J1	1	342103304R1	
C1013	UTSP C	CE04W10V-220M(UTSP)	1	397532217T	
C1500	UPZ C	2AUPZTF471JE	1	376334714T	
C1501	UPZ C	2AUPZTF471JE	1	376334714T	
C1502	UPZ C	2AUPZTF471JE	1	376334714T	
C1503	UPZ C	2AUPZTF471JE	1	376334714T	
C1504	UPZ C	2AUPZTF471JE	1	376334714T	
C1505	UPZ C	2AUPZTF471JE	1	376334714T	
C1506	UPZ C	2AUPZTF471JE	1	376334714T	
C1507	UPZ C	2AUPZTF471JE	1	376334714T	
C1510	UPZ C	2AUPZTF101JE	1	376331014T	
C1511	UPZ C	2AUPZTF101JE	1	376331014T	
C1512	UPZ C	2AUPZTF101JE	1	376331014T	

C1513	C-CERA C	CC725CH1H-101J1	1	342101014R1
C1514	C-CERA C	CC725CH1H-101J1	1	342101014R1
C1515	C-CERA C	CC725CH1H-101J1	1	342101014R1
C1516	C-CERA C	CC725CH1H-101J1	1	342101014R1
C1517	UPZ C	2AUPZTF101JE	1	376331014T
C1520	UPZ C	2AUPZTF101JE	1	376331014T
C1521	UPZ C	2AUPZTF101JE	1	376331014T
C1522	UPZ C	2AUPZTF101JE	1	376331014T
C1523	C-CERA C	CC725CH1H-101J1	1	342101014R1
C1524	C-CERA C	CC725CH1H-101J1	1	342101014R1
C1525	C-CERA C	CC725CH1H-101J1	1	342101014R1
C1526	C-CERA C	CC725CH1H-101J1	1	342101014R1
C1527	UPZ C	2AUPZTF101JE	1	376331014T
C1580	UTSP C	CE04W50V-10M(UTSP)	1	397581007T
C1581	UTSP C	CE04W50V-10M(UTSP)	1	397581007T
C1582	C-CERA C	CC725CH1H-102J1	1	342101024R1
C1583	C-CERA C	CC725CH1H-102J1	1	342101024R1
C1584	C-CERA C	CC725CH1H-151J1	1	342101514R1
C1585	C-CERA C	CC725CH1H-151J1	1	342101514R1
C1598	UTSP C	CE04W25V-220M(UTSP)	1	397552217T
C1599	UTSP C	CE04W25V-220M(UTSP)	1	397552217T
[RESISTOR]				
R1000	C-CARBON R	RN72K1J-331JE	1	435033314R1
R1001	C-CARBON R	RN72K1J-750JE	1	435037504R1
R1002	C-CARBON R	RN72K1J-750JE	1	435037504R1
R1003	C-CARBON R	RN72K1J-100JE	1	435031004R1
R1004	C-CARBON R	RN72K1J-100JE	1	435031004R1
R1005	C-CARBON R	RN72K1J-224JE	1	435032244R1
R1006	C-CARBON R	RN72K1J-224JE	1	435032244R1
R1007	C-CARBON R	RN72K1J-103JE	1	435031034R1
R1008	C-CARBON R	RN72K1J-103JE	1	435031034R1
R1009	C-CARBON R	RN72K1J-823JE	1	435038234R1
R1010	C-CARBON R	RN72K1J-823JE	1	435038234R1
R1011	C-CARBON R	RN72K1J-470JE	1	435034704R1

R1012	C-CARBON R	RN72K1J-470JE	1	435034704R1
R1402	C-CARBON R	RN72K1J-000JE	1	435030004R1
R1403	C-CARBON R	RN72K1J-000JE	1	435030004R1
R1500	C-CARBON R	RN72K1J-153JE	1	435031534R1
R1501	C-CARBON R	RN72K1J-153JE	1	435031534R1
R1502	C-CARBON R	RN72K1J-153JE	1	435031534R1
R1503	C-CARBON R	RN72K1J-153JE	1	435031534R1
R1504	C-CARBON R	RN72K1J-153JE	1	435031534R1
R1505	C-CARBON R	RN72K1J-153JE	1	435031534R1
R1506	C-CARBON R	RN72K1J-153JE	1	435031534R1
R1507	C-CARBON R	RN72K1J-153JE	1	435031534R1
R1510	C-CARBON R	RN72K1J-153JE	1	435031534R1
R1511	C-CARBON R	RN72K1J-153JE	1	435031534R1
R1512	C-CARBON R	RN72K1J-153JE	1	435031534R1
R1513	C-CARBON R	RN72K1J-153JE	1	435031534R1
R1514	C-CARBON R	RN72K1J-153JE	1	435031534R1
R1515	C-CARBON R	RN72K1J-153JE	1	435031534R1
R1516	C-CARBON R	RN72K1J-153JE	1	435031534R1
R1517	C-CARBON R	RN72K1J-153JE	1	435031534R1
R1520	C-CARBON R	RN72K1J-103JE	1	435031034R1
R1521	C-CARBON R	RN72K1J-103JE	1	435031034R1
R1530	C-CARBON R	RN72K1J-103JE	1	435031034R1
R1531	C-CARBON R	RN72K1J-103JE	1	435031034R1
R1540	C-CARBON R	RN72K1J-123JE	1	435031234R1
R1541	C-CARBON R	RN72K1J-123JE	1	435031234R1
R1542	C-CARBON R	RN72K1J-223JE	1	435032234R1
R1543	C-CARBON R	RN72K1J-223JE	1	435032234R1
R1544	C-CARBON R	RN72K1J-223JE	1	435032234R1
R1545	C-CARBON R	RN72K1J-223JE	1	435032234R1
R1546	C-CARBON R	RN72K1J-223JE	1	435032234R1
R1547	C-CARBON R	RN72K1J-223JE	1	435032234R1
R1550	C-CARBON R	RN72K1J-123JE	1	435031234R1
R1551	C-CARBON R	RN72K1J-123JE	1	435031234R1
R1552	C-CARBON R	RN72K1J-223JE	1	435032234R1

R1553	C-CARBON R	RN72K1J-223JE	1	435032234R1
R1554	C-CARBON R	RN72K1J-223JE	1	435032234R1
R1555	C-CARBON R	RN72K1J-223JE	1	435032234R1
R1556	C-CARBON R	RN72K1J-223JE	1	435032234R1
R1557	C-CARBON R	RN72K1J-223JE	1	435032234R1
R1560	C-CARBON R	RN72K1J-182JE	1	435031824R1
R1561	C-CARBON R	RN72K1J-182JE	1	435031824R1
R1562	C-CARBON R	RN72K1J-182JE	1	435031824R1
R1563	C-CARBON R	RN72K1J-182JE	1	435031824R1
R1564	C-CARBON R	RN72K1J-182JE	1	435031824R1
R1565	C-CARBON R	RN72K1J-182JE	1	435031824R1
R1566	C-CARBON R	RN72K1J-182JE	1	435031824R1
R1567	C-CARBON R	RN72K1J-182JE	1	435031824R1
R1570	C-CARBON R	RN72K1J-182JE	1	435031824R1
R1571	C-CARBON R	RN72K1J-182JE	1	435031824R1
R1572	C-CARBON R	RN72K1J-182JE	1	435031824R1
R1573	C-CARBON R	RN72K1J-182JE	1	435031824R1
R1574	C-CARBON R	RN72K1J-182JE	1	435031824R1
R1575	C-CARBON R	RN72K1J-182JE	1	435031824R1
R1576	C-CARBON R	RN72K1J-182JE	1	435031824R1
R1577	C-CARBON R	RN72K1J-182JE	1	435031824R1
R1580	C-CARBON R	RN72K1J-104JE	1	435031044R1
R1581	C-CARBON R	RN72K1J-104JE	1	435031044R1
R1582	C-CARBON R	RN72K1J-332JE	1	435033324R1
R1583	C-CARBON R	RN72K1J-332JE	1	435033324R1
R1584	C-CARBON R	RN72K1J-472JE	1	435034724R1
R1585	C-CARBON R	RN72K1J-472JE	1	435034724R1
R1586	C-CARBON R	RN72K1J-562JE	1	435035624R1
R1587	C-CARBON R	RN72K1J-562JE	1	435035624R1
R1598	C-CARBON R	RN72K1J-220JE	1	435032204R1
R1599	C-CARBON R	RN72K1J-220JE	1	435032204R1
[SW TRM]				
P1000	ST JACK	MSJ-035-22	1	25045887
P1001	PIN JACK	NPJ-2PDO666	1	25045895

P5502A	SOCKET	NSCT-20P2200	1	25052303	
P5503A	SOCKET	NSCT-7P2187	1	25052290	
P5504A	SOCKET	NSCT-13P2193	1	25052296	
P5511A	TRM	NTM-1P233(M1969)	1	25060302	
P703B	SOCKET	NSCT-7P2398	1	25052501	
P8001A	PLUG	IMSA-9111B-24	1	25056625	
P8002A	PLUG	IMSA-9111B-16	1	25056620	
P8003A	PLUG	IMSA-9111B-16	1	25056620	

[TUNER UNIT]

U1001	PHT CP	JSR1165-001recieving	1	24120143	
U1002	PHT CP	JSR1165-001recieving	1	24120143	

U008	U0080 x 4 pcs.	BAPS-1120-1A/ 1B *
U0080	POWER SUPPLY PC BOARD ASS'Y	BAPS-1120-1A/ 1B

CIRCUIT N	PART NAME	DESCRIPTION	Q'TY	PART NO. (SN)	REMARKS
[SEMI CONDUCTOR]					
D9001	DIODE	S1WB(A)60B-7062	1	22380377R2	N
D9002	SPCF D	P6SMB200A-M3/52T	1	225505R2	N
D9003	DIODE	US1K-E3/61T	1	22380376R2	N
D9004	DIODE	RF301B2STL	1	22380374R2	N
D9006	DIODE	M1FL20U	1	223276R2	
D9008	DIODE	RB050M-30GTR	1	22380373R2	
D9011	C-DIODE	KDS4148U	1	223283R2	
D9011 or	C-DIODE	1SS352	(1)	223234R2	
D9011 or	C-DIODE	1SS355	(1)	223269R2	
D9011 or	C-DIODE	MA2J111	(1)	223279R2	
D9012	ZENER D	UDZS36B	1	224553600R2	
D9013	ZENER D	UDZS6.8B	1	224550680R2	
D9014	ZENER D	UDZS6.8B	1	224550680R2	
D9015	ZENER D	UDZS7.5B	1	224550750R2	
D9016	ZENER D	UDZS7.5B	1	224550750R2	
D9017	ZENER D	UDZS7.5B	1	224550750R2	

Q9001	IC	MIP2M40MSSCF	1	22242769	N
Q9002	IC	PS2561DL1-1Y-A(Q)	1	22242794	!
Q9002 or	IC	PC123X8YFZ0F	(1)	22242771	!
Q9003	IC	PS2561DL1-1Y-A(Q)	1	22242794	!
Q9003 or	IC	PC123X8YFZ0F	(1)	22242771	!
Q9004	IC	KIA431A-AT/P	1	22242770T	N
Q9005	TR	KRC102S	1	2216190R2	
Q9005 or	TR	RN1402	(1)	2214470R2	
[TRANS COIL]					
L9001	CHOKE COIL	ELF15N004A	1	231453	!
L9002	CHOKE COIL	RCR1010NP-100M	1	231449M100	N
L9004	CORE	BLM18PG181SN1D	1	2350005R1	
L9005	CORE	BLM18PG181SN1D	1	2350005R1	
T9001	P TRANS	NPT-1621S	1	2302054A	!
[CAPACITOR]					
C9001	IS C	LE104-MX-C3.5	1	3800049S	!
C9002	ELECT C	CE04W200V-100M(KXJ)	1	3500233S	N <B MDD>
C9002	ELECT C	CE04W400V-47M(KXJ)	1	3500234S	N <B MPA>
C9003	PW C	CE04W50V-10M(PW)	1	393781007T	N
C9004	PW C	CE04W25V-1000M(PW)	1	393751027S	
C9006	PW C	CE04W25V-470M(PW)	1	393754717T	N
C9007	IS C	DE1E3KX102MB4BL01	1	3300066S	!
C9008	C-CERA C	CK725F1A-105Z1	1	332181050R1	
C9009	C-CERA C	CC725CH1H-101J1	1	342101014R1	
C9010	C-CERA C	CK725B1A-224K1	1	332132245R1	
C9011	C-CERA C	CK725B1C-104K1	1	332121045R1	
C9012	IS C	ECQU2A103MLC	1	3800039S	
C9012 or	IS C	LE103-C3.5	(1)	3800042S	
C9013	UTSP C	CE04W25V-220M(UTSP)	1	397552217T	
C9015	C-CERA C	CK725F1E-104Z1	1	332161040R1	
C9016	C-CERA C	CK725B1H-103K1	1	332101035R1	
C9018	IS C	LE104-MX-C3.5	1	3800049S	!
C9019	IS C	DE1E3KX102MB4BL01	1	3300066S	!
C9020	IS C	DE1E3KX102MB4BL01	1	3300066S	!

C9021	C-CERA C	CK725R2J-471J3	1	332194714R1	
C9023	C-CERA C	CK725F1E-104Z1	1	332161040R1	
C9024	C-CERA C	CK725F1E-104Z1	1	332161040R1	
[RESISTOR]					
R9001	C-CARBON R	RN72K1J-103JE	1	435031034R1	
R9002	C-CARBON R	RN72K1J-472JE	1	435034724R1	
R9003	C-CARBON R	RN72K1J-332JE	1	435033324R1	
R9004	C-CARBON R	RN72K1J-471JE	1	435034714R1	
R9005	C-CARBON R	RN72K1J-182JE	1	435031824R1	
R9006	C-CARBON R	RN72K1J-474JE	1	435034744R1	
R9007	C-CARBON R	RN72K1J-683JE	1	435036834R1	
R9008	C-CARBON R	RN72K1J-154JE	1	435031544R1	
R9009	C-CARBON R	RN72K1J-101JE	1	435031014R1	
R9013	C-CARBON R	RN72K1J-472JE	1	435034724R1	
R9014	C-CARBON R	RN72K1J-104JE	1	435031044R1	
R9015	METAL O R	RS1/2WBJ-150	1	443521514T	<B MDD>
R9015	METAL O R	RS1/2WBJ-220	1	443522214T	<B MPA>
R9016	C-CARBON R	RN72K1J-000JE	1	435030004R1	
R9017	C-CARBON R	RN72K1J-332JE	1	435033324R1	
R9021	METAL O R	RS1/2WBJ-47	1	443524704T	
R9023	C-CARBON R	KTR18EZPF6803	1	435236842R1	!
R9024	C-CARBON R	KTR18EZPF6803	1	435236842R1	!
R9025	C-CARBON R	KTR18EZPF6803	1	435236842R1	!
[SW TRM]					
E9001	TRM-423(SCREW)	NEJITANSI ST3	1	25060495	
E9002	RETAINER	(TRM-PS)	1	27142287	N
F9001	FUSE	1A-SEUL-TL250V	1	252397T	!
F9002C	FUSE HOL	NSCT-1P2031	1	25052133T	! <B MDD, B MPA>
F9002D	FUSE HOL	NSCT-1P2031	1	25052133T	! <B MDD, B MPA>
JL901A	WIRE HOL	NSCT-5P876	1	25051089	
P9001A	PLUG	NPLG-2P631	1	25055675	!
P9002	PLUG	NPLG-2P632	1	25055676	!
RL9001	RELAY	NRL-1P10A-DC9-186	1	25065683	! <B MDD>
RL9001 or	RELAY	NRL-1P10A-DC9-188	(1)	25065693	! <B MDD, B MPA>

RL9001 RELAY	NRL-1P5A-DC9-179	1	25065669	! <B MPA>
RL9001 or RELAY	NRL-1P10A-DC9-186	(1)	25065683	! <B MPA>

Integra

Integra Division of

ONKYO SOUND & VISION CORPORATION

Technical Support, Service Department
2-1, Nisshin-cho, Neyagawa-shi, OSAKA 572-8540, JAPAN
Tel: 072-831-8023 Fax: 072-831-8163

Integra Division of

ONKYO U.S.A. CORPORATION

18 Park Way, Upper Saddle River, N.J. 07458, U.S.A.
Tel: 800-225-1946, 201-818-9200 Fax: 201-785-2650
<http://www.integrahometheater.com/>

Integra Division of

ONKYO EUROPE ELECTRONICS GmbH

Liegnitzerstrasse 6, 82194 Grobenzell, GERMANY
Tel: +49-8142-4401-0 Fax: +49-8142-4208-213
<http://www.eu.onkyo.com/>

Integra Division of

ONKYO CHINA PRC

1301, 555 Tower, No.555 West NanJin Road, Jin an, Shanghai,
China 200041, Tel: 86-21-52131366 Fax: 86-21-52130396
<http://www.cn.onkyo.com/>