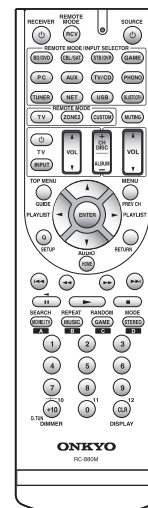
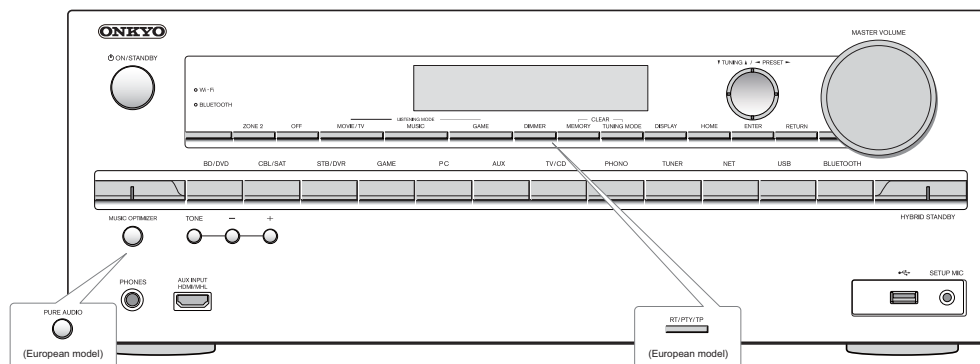


ONKYO SERVICE MANUAL

AV RECEIVER MODEL HT-RC660(B)




RC-880M

Black model

B MMP	220-240V AC, 50/60Hz
B MDC	120V AC, 60Hz

SAFETY-RELATED COMPONENT WARNING!!

COMPONENTS IDENTIFIED BY MARK  ON THE SCHEMATIC DIAGRAM AND IN THE PARTS LIST ARE CRITICAL FOR RISK OF FIRE AND ELECTRIC SHOCK. REPLACE THESE COMPONENTS WITH ONKYO PARTS WHOSE PART NUMBERS APPEAR AS SHOWN IN THIS MANUAL.

MAKE LEAKAGE-CURRENT OR RESISTANCE MEASUREMENTS TO DETERMINE THAT EXPOSED PARTS ARE ACCEPTABLY INSULATED FROM THE SUPPLY CIRCUIT BEFORE RETURNING THE APPLIANCE TO THE CUSTOMER.

Onkyo Corporation
Service Department

DEBUG MODE-1

AUDIO DEBUG MODE-1/5

The operations of DSP and DIR etc are able to checked by the information displayed on FL in this debug mode. This information will help to analysing digital audio no sound trouble.

To set in Debug mode

1. Press **twice** the **ON/STANDBY** key while pressing the **DISPLAY** key.

e.g. *M1.03/14307ALN* — The version number of Microprocessor is displayed only for 3 seconds.

2. Press **+** (**TONE**) button while the version number of microprocessor is displayed.

e.g. *N1.02/14210ALA* — The version number of DSP is displayed only for 3 seconds.

3. Press **DISPLAY** button while the version number of DSP is displayed.

e.g. *0A0002: :00* **Step-1**

4. Proceed to the next step by pressing the **DISPLAY** key.

ANA:o:NON:C: **Step-2**



1:ANA 048k048k **Step-3**



2/0.0: 2.0:3/4 **Step-4**



2:o:PCM :PCM **Step-5**



00:x:F:OFF **Step-6**



*SP00F*00F00409* **Step-7**



48 48256STB **Step-8**



L :0000 0000



SW :0000 0000



Exit

AUDIO debug mode

The status of DSP and DIR etc will be displayed.

DEBUG MODE-2

AUDIO DEBUG MODE-2/5

FL Display

Step-1

1	1	2	2	3	3	:	4	4	:	5	5		
---	---	---	---	---	---	---	---	---	---	---	---	--	--

1. st_srd.lmd

01	C_LM_LAST
02	C_LM_PURE
03	C_LM_DIRECT
04	C_LM_STEREO
05	C_LM_MONO
20	C_LM_SURR
50	C_LM_THX_MUSIC
70	C_LM_THX_GAME
90	C_LM_THX_CINEMA
A0	C_LM_THX_U2GAME
A8	C_LM_THX_U2MUSIC
B0	C_LM_THX_U2CINEMA
D0	C_LM_AUDYSSEY
48	C_LM_DTSSS
06	C_LM_ORCHESTRA
07	C_LM_UNPLUGGED
08	C_LM_STUDIOMIX
09	C_LM_TVLOGIC
0A	C_LM_ALLCHST
0B	C_LM_FULLMONO
0C	C_LM_TD
F1	C_LM_TESTTONE
F2	C_LM_TESTTHR
F3	C_LM_TESTAUTO

2. st_srd.extdec

00	C_EXTDEC_OFF
01	C_EXTDEC_20_PLII
02	C_EXTDEC_20_PLIIX
03	C_EXTDEC_20_PLIIZ
04	C_EXTDEC_20_NEO6
05	C_EXTDEC_51_MTR
06	C_EXTDEC_51_DSC
07	C_EXTDEC_51_NEO6
08	C_EXTDEC_51_EX
09	C_EXTDEC_51_PLIIX
0A	C_EXTDEC_51_PLIIZ
0B	C_EXTDEC_9624
0C	C_EXTDEC_9624_MTR
0E	C_EXTDEC_71MULTI
0F	C_EXTDEC_20_NEURAL
10	C_EXTDEC_51_NEURAL

3. st_srd.extdecmd

00	C_EXTDECMD_OFF
01	C_EXTDECMD_10
02	C_EXTDECMD_20
03	C_EXTDECMD_MOVIE
04	C_EXTDECMD_MUSIC
05	C_EXTDECMD_GAME
06	C_EXTDECMD_HEIGHT
07	C_EXTDECMD_WIDE

4. Muting port

D	DIGMUTE port
A	AMUTE port

5. Factor of muting

bit_1	SELMUTE
bit_2	POWMUTE
bit_3	PROTECTMUTE
bit_4	AUDIOOUTMUTE
bit_5	AUDIOMUTE
bit_6	DIRMUTE
bit_7	DACMUTE
bit_8	HDMIMUTE

Step-2

6	6	6	:	7	:	8	8	8	:	9	:	10	
---	---	---	---	---	---	---	---	---	---	---	---	----	--

6. Audio input channel

ANA	Analog
COX	Coaxial
OPT	Optical
HDM	HDMI
ARC	ARC

7. DSP decode

o	DSP Detect OK
x	DSP No Detect

8. HDMI audio lock

STB	SOUND STATE FIX
TRS	SOUND STATE UNFIX
NON	SOUND STATE NONE

9. Display inhibit frag

S	display_inhibit SET
C	display_inhibit CLR

10. RX mute

V	HDMI MUTE
---	-----------

DEBUG MODE-3

AUDIO DEBUG MODE-3/5

Step-3

1	:	11	11	11	11	12	12	12	k	13	13	13	k
---	---	----	----	----	----	----	----	----	---	----	----	----	---

11. Source_format

UNLK	DDR_UNLOCK
ANA	DDR_ANALOG
PCM	DDR_PCM
AC3	DDR_AC3
DTS	DDR_DTS
MPEG	DDR_MPEG
DATA	DDR_DATA
UNKW	DDR_UNKNOWN
NORD	DDR_NOT_READY
NPCM	DDR_NOT_PCM
FS96	DDR_FS96
NODT	DDR_NOT_DETECT

DTSC	DDR_DTSCD
AAC	DDR_AAC
MPCM	DDR_MCHPCM
MCH	DDR_MCH
TRUE	DDR_TRUE
MSTR	DDR_MSTR
DSD	DDR_DSD
PLUS	DDR_DDPLUS
EXPR	DDR_DTSEXP
DTSH	DDR_DTSHD

12. st_srd.fs

???	unknown
008	8kHz
011	11kHz
012	12kHz
016	16kHz
022	22kHz
024	24kHz
032	32kHz
044	44.1kHz
048	48kHz
064	64Hz
088	88.2kHz
096	96kHz
176	176.4kHz
192	192kHz

13. st_hd_display.fs

???	unknown
008	8kHz
011	11kHz
012	12kHz
016	16kHz
022	22kHz
024	24kHz
032	32kHz
044	44.1kHz
048	48kHz
064	64Hz
088	88.2kHz
096	96kHz
176	176.4kHz
192	192kHz

Step-4

14	14	14	.	15	:	16	16	16	16	:	17	17	17
----	----	----	---	----	---	----	----	----	----	---	----	----	----

14. Information of the input channels for listening mode transition

???	C_FMT_UNKNOWN
10	C_FMT_10
20	C_FMT_20
30	C_FMT_30
21	C_FMT_21
31	C_FMT_31
22	C_FMT_22
32	C_FMT_32
23	C_FMT_23
33	C_FMT_33
24	C_FMT_24
34	C_FMT_34
4H2	C_FMT_42H
5H2	C_FMT_52H
4W2	C_FMT_42W
5W2	C_FMT_52W
4H4	C_FMT_44H

4H3	C_FMT_43H
5H4	C_FMT_54H
5H3	C_FMT_53H
4W4	C_FMT_44W
4W3	C_FMT_43W
5W4	C_FMT_54W
5W3	C_FMT_53W
11	C_FMT_11

15. Information of the LFE channel input

0	SW 0ch
1	SW 1ch
2	SW 2ch

16. Channel information for the FL display
four-digit string "10.2" "5.1" "1 +1"

17. Number of channels after decoding

???	C_FMT_UNKNOWN
10	C_FMT_10
20	C_FMT_20
30	C_FMT_30
21	C_FMT_21

31	C_FMT_31
22	C_FMT_22
32	C_FMT_32
23	C_FMT_23
33	C_FMT_33
24	C_FMT_24
34	C_FMT_34
4H2	C_FMT_42H
5H2	C_FMT_52H
4W2	C_FMT_42W
5W2	C_FMT_52W
4H4	C_FMT_44H
4H3	C_FMT_43H
5H4	C_FMT_54H
5H3	C_FMT_53H
4W4	C_FMT_44W
4W3	C_FMT_43W
5W4	C_FMT_54W
5W3	C_FMT_53W
11	C_FMT_11

DEBUG MODE-4

AUDIO DEBUG MODE-4/5

Step-5

2	:	18	:	19	19	19	19	:	20	20	20	20	
---	---	----	---	----	----	----	----	---	----	----	----	----	--

18. Audio output OK/NG

o	decode OK
x	decode NG

19. Details of input format

ANA	C_SRC_ANA
PCM	C_SRC_PCM
DLB	C_SRC_DD
DEX	C_SRC_DD_EX
DTS	C_SRC_DTS
MTR	C_SRC_DTS_MTR
DSC	C_SRC_DTS_DSC
D96	C_SRC_DTS_96
96M	C_SRC_DTS_96M
AAC	C_SRC_AAC
MCH	C_SRC_MCH
DSP	C_SRC_DSP
MPCM	C_SRC_MCHPCM
DSD	C_SRC_DSD
TRUE	C_SRC_TRUE
TREX	C_SRC_TRUE_EX
MSTR	C_SRC_MSTR
PLUS	C_SRC_DDPLUS
PLEX	C_SRC_DDPLUS_EX
EXP	C_SRC_DTSEXP
DTSH	C_SRC_DTSHD
DSUR	C_SRC_DD_SUR
DPSR	C_SRC_DDPLUS_SUR
TRSR	C_SRC_TRUE_SUR

20. Details of the format for the FL display

ANA	C_SRC_ANA
PCM	C_SRC_PCM
DLB	C_SRC_DD
DEX	C_SRC_DD_EX
DTS	C_SRC_DTS
MTR	C_SRC_DTS_MTR
DSC	C_SRC_DTS_DSC
D96	C_SRC_DTS_96
96M	C_SRC_DTS_96M
AAC	C_SRC_AAC
MCH	C_SRC_MCH
DSP	C_SRC_DSP
MPCM	C_SRC_MCHPCM
DSD	C_SRC_DSD
TRUE	C_SRC_TRUE
TREX	C_SRC_TRUE_EX
MSTR	C_SRC_MSTR
PLUS	C_SRC_DDPLUS
PLEX	C_SRC_DDPLUS_EX
EXP	C_SRC_DTSEXP
DTSH	C_SRC_DTSHD
DSUR	C_SRC_DD_SUR
DPSR	C_SRC_DDPLUS_SUR
TRSR	C_SRC_TRUE_SUR

Step-6

	21	21	:	22	:	23	:	24	24	24		25	25
--	----	----	---	----	---	----	---	----	----	----	--	----	----

21. Dialog norm

Dialog Norm value from 0 to 31

22. Return value of DIRINT Request_dir (DDC_STATUS)

o	LOCK
x	UNLOCK

23. Return value of DIR busy or free

Request_dir (DDC_BUSY)

F	Free
B	Busy

24. emphasis of information

ON	ON
OFF	OFF

25. HDDVD/BLUE(only DDPLUS)

BD	Bluray
HD	HDDVD

DEBUG MODE-5

AUDIO DEBUG MODE-5/5

Step-7

26	26	27	27	28	*	29	*	30	30	31	31	32	32
----	----	----	----	----	---	----	---	----	----	----	----	----	----

26. AudiIF DA830 input

IH	AUD_IF_I2S_H
DS	AUD_IF_DSD
IS	AUD_IF_I2S
NT	AUD_IF_NET
SP	AUD_IF_SPDIF
AD	AUD_IF_ADC
HR	AUD_IF_DDDTSHR

27. Information of DIR Burst Preamble

DS	DTSHD HR
DP	DD PLUS
Preamble Val	0x??

28. DIR Free or Busy

F	Free
B	Busy

29. DIR Detect Fs

00	CLOCK_FREQ_UNKNOWN
01	CLOCK_FREQ_8K
02	CLOCK_FREQ_11K
03	CLOCK_FREQ_12K
04	CLOCK_FREQ_16K
05	CLOCK_FREQ_22K
06	CLOCK_FREQ_24K
07	CLOCK_FREQ_32K
08	CLOCK_FREQ_44K
09	CLOCK_FREQ_48K
0A	CLOCK_FREQ_64K

0B	CLOCK_FREQ_88K
0C	CLOCK_FREQ_96K
0D	CLOCK_FREQ_128K
0E	CLOCK_FREQ_176K
0F	CLOCK_FREQ_192K

30. DIR sequence number

00	SEQ_DIG_POWEROFF
10	SEQ_DIG_RESET
11	SEQ_DIG_POWERON_WAIT
12	SEQ_DIG_RESTART
13	SEQ_DIG_WAIT_HDMI_FREE
20	SEQ_DIG_INPSEL_SET
30	SEQ_DIG_ANALOG_SET
31	SEQ_DIG_DIGITAL_SET
32	SEQ_DIG_MCHPCM_SET
33	SEQ_DIG_MCHANA_SET
34	SEQ_DIG_DDPDTSHD_SET
35	SEQ_DIG_NET_SET
40	SEQ_DIG_INIT_ERROR
41	SEQ_DIG_CHK_ERROR1
42	SEQ_DIG_CHK_ERROR2
43	SEQ_DIG_CHK_FREE
50	SEQ_DIG_CHK_ANALOG
60	SEQ_DIG_LOCK_PLL
61	SEQ_DIG_LOCK_ANA
f0	SEQ_DIG_FREE
f1	SEQ_DIG_FREE_ANA

31. DIR switch sequence number

00	SEQ_SWITCH_POWEROFF
01	SEQ_SWITCH_RESET
02	SEQ_SWITCH_POWERON_WAIT
03	SEQ_SWITCH_CHANGE
04	SEQ_SWITCH_FREE

32. DAC sequence number

00	SEQ_DAC_POWEROFF
01	SEQ_DAC_RESET
02	SEQ_DAC_POWERON_WAIT
03	SEQ_DAC_INITIALIZE
04	SEQ_DAC_RESTART
05	SEQ_DAC_CMND_SET
06	SEQ_DAC_FREE_WAIT
07	SEQ_DAC_FREE

Step-8

33	33	33	34	34	34	35	35	35	36	36	36		
----	----	----	----	----	----	----	----	----	----	----	----	--	--

33. Information of the input FS of DA830

UNK	C_FS_UNKNOWN
8	C_FS_08
11	C_FS_11
12	C_FS_12
16	C_FS_16
22	C_FS_22
24	C_FS_24
32	C_FS_32
44	C_FS_44
48	C_FS_48
64	C_FS_64
88	C_FS_88
96	C_FS_96
176	C_FS_176
192	C_FS_192

34. Information of the output FS of DA830

UNK	C_FS_UNKNOWN
8	C_FS_08
11	C_FS_11
12	C_FS_12
16	C_FS_16
22	C_FS_22
24	C_FS_24
32	C_FS_32
44	C_FS_44
48	C_FS_48
64	C_FS_64
88	C_FS_88
96	C_FS_96
176	C_FS_176
192	C_FS_192

35. Information of the input MCLK of DA830

64	AUD_MCLK_64Fs
128	AUD_MCLK_128Fs
256	AUD_MCLK_256Fs
384	AUD_MCLK_384Fs
512	AUD_MCLK_512Fs
640	AUD_MCLK_640Fs
768	AUD_MCLK_768Fs

36. State of the audio input of DA830

NO	AUD_STS_SOUND_NO
TRS	AUD_STS_SOUND_TRANS
STB	AUD_STS_SOUND_STAB

DEBUG MODE-6

HDMI RESOLUTION DISPLAY-1/4

HDMI-related operations can be checked to some extent by displaying HDMI debug mode.

To enter this mode

Hold down **DISPLAY** button for 3 seconds. Information display will last for about 8 seconds.

Resolution display method

Input resolution

1 0 8 0 i / 6 0 →

Output resolution

1 0 8 0 i / 6 0

List of standard resolution

4 8 0 i / 6 0	# 5 7 6 i / 5 0	5 7 6 p 2 0 0
4 8 0 p / 6 0	# 5 7 6 p / 5 0	5 7 6 i 2 0 0
1 0 8 0 i / 6 0	# 2 8 8 p / 5 0	4 8 0 p / 6 0
7 2 0 p / 6 0	1 0 8 0 p / 2 4	4 8 0 p 2 4 0
1 0 8 0 p / 6 0	1 0 8 0 p / 2 5	4 8 0 i 2 4 0
2 4 0 p / 6 0	1 0 8 0 p / 3 0	* 4 8 0 p / 6 0
# 4 8 0 i / 6 0	V G A	* 5 7 6 p / 5 0
# 4 8 0 p / 6 0	1 0 8 0 i 1 0 0	7 2 0 p / 2 4
# 2 4 0 p / 6 0	7 2 0 p 1 0 0	7 2 0 p / 2 5
5 7 6 i / 5 0	5 7 6 p 1 0 0	7 2 0 p / 3 0
5 7 6 p / 5 0	5 7 6 i 1 0 0	
1 0 8 0 i / 5 0	1 0 8 0 i 1 2 0	
7 2 0 p / 5 0	7 2 0 p 1 2 0	
1 0 8 0 p / 5 0	4 8 0 p 1 2 0	
2 8 8 p / 5 0	4 8 0 i 1 2 0	

Display of Input Resolution

DVI input signal	<p>4 8 0 I / 6 0 →</p> <p>4 8 0 P / 6 0 →</p> <p>"I" and "P" will be capitalized.</p>
VGA input signal	<p>* V G A →</p> <p>Display the " *" in column 1</p>
21:9	<p>1 0 8 0 p / 6 0 2 1 : 9 →</p>
No input	<p>U n k n o w n →</p>

DEBUG MODE-7 HDMI RESOLUTION DISPLAY-2/4

Display of Output Resolution

For a video processor	Via VSP Display the " → " in column 4	→ 1 0 8 0 i / 6 0
	VSP skip	1 0 8 0 i / 6 0
DVI input signal	i / p will be capitalized.	4 8 0 I / 6 0
		4 8 0 P / 6 0
VGA input signal	Display the " * " in column 5	* 4 8 0 p / 6 0
21:9	Aspect ratio	→ 1 0 8 0 i / 6 0 * 2 1 : 9
RSEN is OFF	Display the " * " in column 14	4 8 0 p / 6 0 *
EDID_READ is NG	Display the " # " in column 14	4 8 0 p / 6 0 #
Resolution Error	Display the " x " in column 14	4 8 0 p / 6 0 x
No output (Signal output destination can not be found.)		- - - - -
Hot-plug of Sink equipment can not be detected.		O F F

4K Upscaling

Display of Input resolution 1 0 8 0 i / 6 0 →

Display of Output resolution * * * * x * * * * p / * *

↓
* * * If the three-digit numbers are refrate

List of resolution

3 8 4 0 x 2 1 6 0 p / 3 0
3 8 4 0 x 2 1 6 0 p / 2 5
3 8 4 0 x 2 1 6 0 p / 2 4
4 0 9 6 x 2 1 6 0 p / 2 4

Resolution Error 3 8 4 0 x 2 1 6 0 p / 3 0 x

EDID_READ_NG 3 8 4 0 x 2 1 6 0 p / 3 0 #

3D Display

Resolution display 1 0 8 0 p / 2 4 (3 D)

Status Display H D M I 4 4 4 3 6 b i t

3D format F r a m e P a c k i n g

INPUT/OUTPUT I N : O U T :

RSEN OFF	Display the " * " in column 14	1 0 8 0 p / 2 4 (3 D) *
EDID READ NG	Display the " # " in column 9	H D M I 4 4 4 # 3 6 b i t
Resolution Error	Display the " x " in column 13	1 0 8 0 p / 2 4 (3 D) x

DEBUG MODE-8

HDMI RESOLUTION DISPLAY-3/4

Status		
Input Mode	HDMI input	H D M I 4 4 4 3 6 b i t
	DVI input	D V I 4 4 4 3 6 b i t
	No input	- - - 4 4 4 3 6 b i t
Input Color	RGB	H D M I R G B 3 6 b i t
	422	H D M I 4 2 2 3 6 b i t
	444	H D M I 4 4 4 3 6 b i t
Deep Color	24bit	H D M I R G B 2 6 b i t
	30bit	H D M I R G B 3 0 b i t
	36bit	H D M I R G B 3 6 b i t

3D format	
Frame Packing	F r a m e P a c k i n g
Field alternative	F a l t e r n a t i v e
Line alternative	L a l t e r n a t i v e
Side-by-Side(Full)	S i d e b y S i d e (F)
L+depth	L + d e p t h
L+depth + graphics	L + d e p t h g r a p h i c
Side by Side(Harf)	S i d e b y S i d e (H)
Top and Bottom	T o p - a n d - B o t t o m
unknown	U N K N O W N
INPUT/ OUTPUT	
	I N : * * O U T : * *

DEBUG MODE-9

HDMI RESOLUTION DISPLAY-4/4

PC Resolution

Input Resolution 1 0 2 4 x 7 6 8 p / 6 0 →



Output Resolution 1 0 2 4 x 7 6 8 p / 6 0

Display of Input resolution		
DVI input	Display uppercase P/I	1 0 2 4 x 7 6 8 P / 6 0 →
HDMI input	Display lowercase p/i	1 0 2 4 x 7 6 8 p / 6 0 →
Three-digit numbers are Referat		1 0 2 4 x 7 6 8 P 1 2 0 →
No input		U N K N O W N
Display of Output resolution		
DVI output	Display uppercase P/I	1 0 2 4 x 7 6 8 P / 6 0
HDMI output	Display lowercase p/i	1 0 2 4 x 7 6 8 p / 6 0
Display "-----"		→ - - - - -
Three-digit numbers are Referat		1 0 2 4 x 7 6 8 P 1 2 0
EDID READ NG	Display the "# " in column 13	1 0 2 4 x 7 6 8 P / 6 0 #
Resolution through	Display the "x " in column 13	1 0 2 4 x 7 6 8 P / 6 0 x
INPUT/ OUTPUT		I N : * O U T : *

DEBUG MODE-10

SERVICE INFORMATION MODE

Displaying Service information

This service information display system is helpful in analyze the status when the unit goes into Protect mode and is powered off. Pay attention that the status will change if a button is pushed.

1. Press **twice** the **ON/ STANDBY** key while pressing the **DISPLAY** key.

e.g. M1.03/14307ALN — The version of main microprocessor is displayed only for 3 seconds.

2. Press **HOME** button within 3 seconds above.

e.g. - 80 °F 27 DD — Information Displayed (Record this Information)

Power off Cause Temperature Volume Level Listening Mode
 T : Thermal Protect : xx F or xx C ---> Refer to the code list below.
 V : Voltage Protect
 I : Current Protect
 - : Other

Listening Mode Code List

01	C_LM_LAST
02	C_LM_PURE
03	C_LM_DIRECT
04	C_LM_STEREO
05	C_LM_MONO
20	C_LM_SURR
50	C_LM_THX_MUSIC
70	C_LM_THX_GAME
90	C_LM_THX_CINEMA
A0	C_LM_THX_U2GAME
A8	C_LM_THX_U2MUSIC
B0	C_LM_THX_U2CINEMA

D0	C_LM_AUDYSSEY
48	C_LM_DTSSS
06	C_LM_ORCHESTRA
07	C_LM_UNPLUGGED
08	C_LM_STUDIOMIX
09	C_LM_TVLOGIC
0A	C_LM_ALLCHST
0B	C_LM_FULLMONO
0C	C_LM_TD
F1	C_LM_TESTTONE
F2	C_LM_TESTTHR
F3	C_LM_TESTAUTO

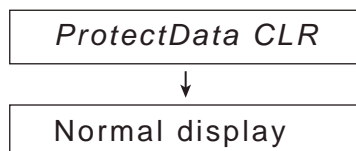
F4	C_LM_ASC
F5	C_LM_FLASH
F6	C_LM_DEBUGMODE
F7	C_LM_FLASH2
F8	C_LM_FLASH3
F9	C_LM_FLASH4
FA	C_LM_FLASH_CHECK
0D	C_LM_RPG
0E	C_LM_ACTION
0F	C_LM_ROCKBAND
10	C_LM_SPORTS

3. Press **HOME** button again. The following information are displayed.

e.g. 01:23 10h — Information Displayed (Record this Information)

Time after Power on Time after Initialize
 xx : xx xx hour

4. Press **ON/STANDBY** button to exit the display of service information.
 (Ref.: Press **RETURN** button to initialize the data in the service information.)



OPERATION CHECK-1

NOTATION ABOUT ENTERING TEST MODE BY PRESSING BUTTON

In this procedure, the following notations are used to simplify explanation of how to press button.

e.g.-1 **[TV/CD] + [ON/STANDBY] → [BD/DVD]**

This means "While holding down TV/CD button, press ON/STANDBY button then release both buttons and then press BD/DVD button".

e.g.-2 **[DISPLAY] + [ON/STANDBY] *2 → [DIMMER]**

This means "While holding down DISPLAY button, press ON/STANDBY button **twice** then release both buttons and then press DIMMER button".

INITIAL SETTING FOR SHIPPING

Initialization of memories.

Do the following operation.

[CBL/SAT] + [ON/STANDBY]

Unplug the power cord from AVR after the FL tube displays "Clear" and AVR goes standby.

CONFIRMATION OF F/W VERSION

Do the following operation.

1. **[DISPLAY] + [ON/STANDBY]**

to display MMPU version.

e.g. *M1.03/14307ALN*

2. **[TONE+]**

to display another F/W version.

e.g. [ONKYO]

M1.04/14422AE Main

N1.03/14324AEA DSP

D1.00/14218AEA DSP2

V1.03/14325AE HDMI/VIDEO

K1.00/14220AEO VSP

T1.01/14311A VSP2 HDCPTX

R1.00/14303A VSP2 HDCPRX

O1.00/14219AE OSD(Excluding TX-NR636)

[INTEGRA]

M1.04/14422AE Main

N1.03/14324AEA DSP

D1.00/14218AEA DSP2

V1.03/14325AE HDMI/VIDEO

K1.00/14220AEI VSP

T1.01/14311A VSP2 HDCPTX

R1.00/14303A VSP2 HDCPRX

O1.00/14219AE OSD(Excluding DTR-30.6)

H1.30.72.1 Sub3 HDBase-T(Excluding DTR-30.6)

<NOTE>

It cannot enter a test mode immediately after power supply ON, please press the Setup key.

CONFIRMATION OF MAIN CHECKSUM

MAIN Checksum can be confirmed the following operation.

[DISPLAY] + [ON/STANDBY] * 2 → [MEMORY]

CONFIRMATION OF OUTPUT VOLTAGE AND THERMAL SENSOR

Temperature and output voltage can be confirmed the following operation.

[DISPLAY] + [ON/STANDBY] * 2 → [TONE]

e.g. *001 042 F:x S:H*

Voltage
of VOLH port

Temperature
of thermal sensor

FAN speed

x: Stop

L: Low speed

H: High speed

Amplifier power

Supply voltage condition

H : High-B

L : Low-B

OPERATION CHECK-3

CONFIRMATION OF VOLTAGE-DETECTION PROTECTORS.

<NOTE>

Don't connect load nor short speaker terminals.

1. Do the following operation.
 - 1-1. set the volume level to **25**(TX-NR636, DTR-30.6) or **30**(TX-NR737, 838, DTR-40, 50.5).
 - 1-2. **[TV/CD] + [ON/STANDBY] → [BD/DVD]**
 - 1-3. **[TONE +]**
to the following test mode.
TEST 1-01
2. AVR automatically tests in the following test sequence. And if it is all OK, Wi-Fi test will begin.
Test sequence (FL+) → (FR-) → (C+) → (SL-) → (SR+) → (SBL-) → (SBR+)
3. If FL tube displays Wi-Fi check mode then voltage-detection protectors test will be completed.

CONFIRMATION OF UPDATE ROUTE.

1. Do the following operation.
 - 1-1. set the volume level to **25**(TX-NR636, DTR-30.6) or **30**(TX-NR737, 838, DTR-40, 50.5).
 - 1-2. **[TV/CD] + [ON/STANDBY] → [BD/DVD]**
 - 1-3. **[TONE +]**
to the following test mode.
TEST 1-01
2. Once the above mentioned test mode is entered, voltage-detection protectors function is checked automatically first, then update route check will begin.
If the result of update route check is no problem then Wi-Fi check will begin. If the result is NG then NG message will be shown on the FL tube.
3. If FL tube displays Wi-Fi check mode then voltage-detection protectors test and update route check are passed.

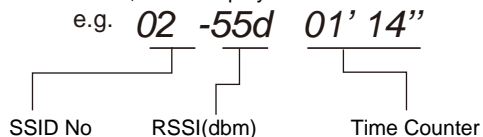
Detail of NG number of F/W update route test is as below.

1	N/A
2	VIDEO - OSD
3	DA830 - KG2H
4	VIDEO - HDCP TX
5	VIDEO - HDCP RX

OSD is except TX-NR636 and DTR-30.6

CONFIRMATION OF Wi-Fi CONNECTION

1. Setting Wi-Fi routers.
2. set the following test mode.
TEST 1-01
3. Once the above mentioned test mode is entered, voltage-detection protectors function is checked automatically first, then update route check will begin and then Wi-Fi check will begin.
In Wi-Fi check mode, it connects an access point automatically. Wi-Fi LED flashes during connection.
4. If connection is completed and IP address is successfully acquired, Wi-Fi LED turning lights off and the value of RSSI to an access point is displayed in dBm.
If the connection is failed, NG is displayed.



In case value of RSSI level isn't showed on the FL tube at all past 4 minutes in this timer mode, judge as NG.
The sound from USB flash device is output from Zone2 PREOUT or Zone2 LINEOUT via Zone2 DAC.

CONFIRMATION OF ZONE2 DAC ROUTE

1. Connect USB memory or USB storage to AVR front USB port.
2. set the following test mode.
TEST 1-01
3. After being displayed Wi-Fi RSSI level, it will play back wave file from USB storage.
4. Check the wave form that appears L+R and R alternately from the following output terminal.
Output terminal : ZONE2 LINE OUT
Wi-Fi LED is turn on in Zone2 DAC check mode.

OPERATION CHECK-4

CONFIRMATION OF CURRENT DETECTION PROTECTORS

- Do the following operation.
 - set the volume level to **25**(TX-NR636, DTR-30.6) or **30**(TX-NR737, 838, DTR-40, 50.5).
 - [TV/CD] + [ON/STANDBY] → [CBL/SAT]**
 - [TONE -]**
to the following test mode.

TEST 1-09

- Confirm that relay is not cut off even if you connect the following load A to the following channels one by one.
- Confirm that relay is cut if you connect the following load B to the following channels one by one.

Channel	FL, FR, C, SL, SR, SBL and SBR ch
Load A	3 ohm
Load B	1 ohm

CONFIRMATION OF 12V TRIGGER OPERATIONS . (The following model ONLY)

After checking that there is no output from the following output terminal, set the following test mode and confirm that there is an output of the following power.

	(1)		(2)	(3)
Output terminal	12V TRIGGER Zone2	12V TRIGGER A	12V TRIGGER B	12V TRIGGER C
Test mode	TEST 1-09	TEST 1-09	TEST 1-08	TEST 1-07
Power	12V +10%, -20% /150mA	12V +10%, -20% /150mA	12V +10%, -20% /25mA	12V +10%, -20% /25mA
Applied model	TX-NR838	DTR-30.6, DTR-40.6, DTR-50.6		

CONFIRMATION OF OUTPUT SENSOR

- Do the following operation.
 - set the volume level to **25**(TX-NR636, DTR-30.6) or **30**(TX-NR737, 838, DTR-40, 50.5).
 - [TV/CD] + [ON/STANDBY] → [CBL/SAT]**
 - [TONE -] *2 and (*3)**
to the following test mode.

TEST 1-07 and TEST 1-08

After lighting "FM STEREO" on the FL tube, the following relays break their connections and "FM STEREO" lamp goes off .

Relays **RL643** and **RL644**

CONFIRMATION OF COOLING FAN OPERATION

- Confirm fan that is not rotating.
- Set the following test mode and confirm fan that is rotating at HIGH speed.
- Set the following test mode B and confirm fan that is rotating at LOW speed.

TEST 1-07

TEST 1-08

CONFIRMATION OF KEY OPERATION

- Do the following operation.
 - set the volume level to **25**(TX-NR636, DTR-30.6) or **30**(TX-NR737, 838, DTR-40, 50.5).
 - [TV/CD] + [ON/STANDBY] → [CBL/SAT]**
 - [TONE -] *4**
to the following test mode.

TEST 1-06

- Confirm each key and master volume operation.
- If "ON/STANDBY" button is pressed, AVR escapes from this KEY test mode.
Therefore, press the "ON/STANDBY" button, after checking other buttons finished.

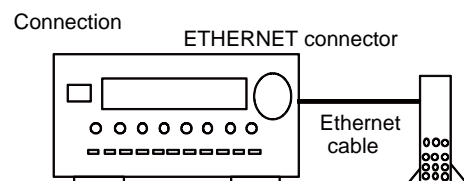
CONFIRMATION OF NETWORK

Please wait for about 1 minute after turning on the AVR when using the following test mode.

- Connect the receiver to the router.
- Do the following operation.
 - set the volume level to **25**(TX-NR636, DTR-30.6) or **30**(TX-NR737, 838, DTR-40, 50.5).
 - [TV/CD] + [ON/STANDBY] → [CBL/SAT]**
 - [TONE -] *5**
to the following test mode.

TEST 1-05

- Confirm that the AVR's display shows appropriate IP address.



OPERATION CHECK-5

CONFIRMATION OF FL TUBE AND LED

- Do the following operation.
[TV/CD] + [ON/STANDBY] → [DIMMER]
- Confirm that all LEDs and all segments of FL tube are lit.

CONFIRMATION OF HEAD PHONE OPERATION

Confirm the headphone indicator when headphones plug is inserted into the PHONES jack.

CONFIRMATION OF FM RADIO OPERATION

- Setting of Signal Generator(SG)

Carrier frequency	any
Modulation	1kHz
Deviation	75kHz
Output level	35dBu

- Waveform confirmation

Set the signal of SG as following channels and confirm output is the following table.

	SG Input	Output	
		Lch	R ch
(1)	R ch only	No	Yes
(2)	L + R ch	Yes	Yes

- Confirmation of Stereo indicator

Set SG as stereo and confirm stereo indicator is on.

- Confirmation of Auto stop operation

Do auto tuning (Press TUNING UP or TUNING DOWN button) and confirm that the searching stops when a station that is set by SG is found.

CONFIRMATION OF RDS (RADIO DATA SYSTEM) OPERATION (Applied to MPP/MPB/MM* type)

- Input 98MHz,30dB μ signal modulated with RDS data.
- When a PS information is received, the name of the station "RDS TEST" shall be displayed within 2 seconds instead of the frequency.

CONFIRMATION OF OSD(ON SCREEN DISPLAY) OPERATION

- When DISPLAY button is pushed, confirm that OSD is displayed in HDMI SUB/ZONE2 Out.
- Confirm that specified operations for ENTER(with 4-cursor) buttons are made.

Applied model	TX-NR737/838,DTR-40.6/50.6
---------------	----------------------------

CONFIRMATION OF CEC OPERATION

- Connect AVR's HDMI OUT to HDMI input of appliance compatible with CEC(SINK or REPEATER) by HDMI cable.
- Turn on the power to the AVR
- Do the following operation.
 - set the volume level to **25**(TX-NR636, DTR-30.6) or **30**(TX-NR737, 838, DTR-40, 50.5).
 - [TV/CD] + [ON/STANDBY] → [AUX]
 to the following test mode.
TEST 6-00
 FL tube will display "OK" or "NG".

CONFIRMATION OF DOLBY TEST TONE

- Press TEST TONE on remote controller then press CH SELECT repeatedly.
Set turn to Dolby Test mode tone Check speaker condition.
- Please check that a sound comes out from each channel.
-> FL ch -> C ch -> FR ch -> SR ch -> SBR ch -> SBL ch -> SL ch -> SW ch ->

OPERATION CHECK-6

CONFIRMATION OF VIDEO SIGNAL-DETECTION

- Do the following operation.
 - set the volume level to **25**(TX-NR636, DTR-30.6) or **30**(TX-NR737, 838, DTR-40, 50.5).
 - [TV/CD] + [ON/STANDBY] → [PC]**
 - [TONE +]**
to the following test mode.
TEST 5-01
- Confirm the following indicator lights up on the FL TUBE when the following video signal is input.
- Furthermore, confirm the following indicator is turned off on the FL TUBE when the following video signal isn't input at the following test mode as well.

	(1)	(2)
Input terminal	Composite	Component
Indicator	FM STEREO	RDS

CONFIRMATION OF VIDEO IN/OUT

Confirm Video output signal as shown Table 2, while Video signal are input as shown Table 1 in "Video in_out" sheet.

<NOTE>Confirm the HDMI path at 1080p signal.

Table-1

Video Signal ->	Composite Video	Component	HDMI
BD/DVD	---	---	IN1 F
CBL/SAT	A	IN1 E	IN2 G
STB/DVR	B	---	IN3 H
GAME	C	---	IN4 I
---	---	---	IN5 J
---	---	---	IN6 K
---	---	---	IN7 ---
AUX	D	---	AUX L

Table-2

Test mode	Output	Composite Video	Component	HDMI	
	MONITOR OUT	MONITOR OUT	OUT	MAIN OUT	*Sub OUT/Zone2 OUT
5-00(BD/DVD)	---	---	---	F	
5-01(CBL/SAT)	A	A	E	G	
5-02(STB/DVR)	B	B	---	H	
5-03(GAME)	C	C	---	I	
5-04(PC)	---	---	---	J	
5-05(IN6)	---	---	---	K	
5-06(IN7)	---	---	---	---	
5-07(AUX)	D	D	---	L	
5-08(CBL/SAT)	A	A	E	E	
5-09(CBL/SAT)	A	A	---	—	A

* TX-NR636, TX-NR737, DTR-30.6 --- Sub OUT
TX-NR838, DTR-40.6, DTR-50.6 --- Zone2 OUT

CONFIRMATION OF FL DISPLAY

- Do the following operation.
 - set the volume level to **25**(TX-NR636, DTR-30.6) or **30**(TX-NR737, 838, DTR-40, 50.5).
 - [TV/CD] + [ON/STANDBY] → [DIMMER(RT/PTY/TP)]**
to the FL test mode
[TONE+] = Step up
[TONE-] = Step down

The contents of the step are as follows.

 - Lit all segment
 - Lit '23456789ABCDEF'.
 - Lit a even number segment
 - Lit an odd number segment
 - The Destination setting is displayed.

OPERATION CHECK-7

TEST 1-00 ~ 1-09

TEST No		DSP Output ch	DSP Output Frequency	DSP Output Voltage	Config. SW/F/C/S/SB	Master Vol.	Speaker Relay	12V TRG	etc.
1-00	SELECTOR MUTING TIME REDUCTION MODE	-	-	-	Y/L/L/L/L	64(Ref)	F	-	Analog Input Only
1-01	IDLING TIMER	Timer start	-	-	Y/L/L/L/L	Min(Min)	F	-	IDLING TIMER
	V Protect (FL)	FL	+DC	+Max	Y/L/L/L/L	Max(Max)	F/CS/SB	-	*1, *3 +DC Protect
	V Protect (FR)	FR	-DC	-Max	Y/L/L/L/L	Max(Max)	F/CS/SB	-	*1, *3 -DC Protect
	V Protect (C)	C	+DC	+Max	Y/L/L/L/L	Max(Max)	F/CS/SB	-	*1, *3 +DC Protect
	V Protect (SL)	SL	-DC	-Max	Y/L/L/L/L	Max(Max)	F/CS/SB	-	*1, *3 -DC Protect
	V Protect (SR)	SR	+DC	+Max	Y/L/L/L/L	Max(Max)	F/CS/SB	-	*1, *3 +DC Protect
	V Protect (SBL)	SBL	-DC	-Max	Y/L/L/L/L	Max(Max)	F/CS/SB	-	*1, *3 -DC Protect
	V Protect (SBR)	SBR	+DC	+Max	Y/L/L/L/L	Max(Max)	F/CS/SB	-	*1, *3 +DC Protect
	V Protect (EHL)	EHL	-DC	-Max	Y/L/L/L/L	Max(Max)	E/C/S/SB/H/W	-	*1, *3 -DC Protect
	V Protect (EHR)	EHR	+DC	+Max	Y/L/L/L/L	Max(Max)	E/C/S/SB/H/W	-	*1, *3 +DC Protect
	V Protect (EWL)	EWL	-DC	-Max	Y/L/L/L/L	Max(Max)	E/C/S/SB/H/W	-	*1, *3 -DC Protect
	V Protect (EWR)	EWR	+DC	+Max	Y/L/L/L/L	Max(Max)	E/C/S/SB/H/W	-	*1, *3 +DC Protect
	UPDATE ROUTE	-	-	-	Y/L/L/L/L	Min(Min)	F	-	UPDATE ROUTE CHECK
	Wi-Fi check	-	-	-	Y/L/L/L/L	Min(Min)	F	-	Wi-Fi check
	Z2 DAC (USB Play)	-	-	-	Y/L/L/L/L	Min(Min)	F	-	Z2 PREOUT Z2 DAC (USB Play)
1-02	MULTI TONE 1kHz + 30Hz + 20kHz, -20dBFS	ALL	1kHz+30Hz+20kHz	-20dBFS	Y/L/L/L/L	64(Ref)	F/CS/SB	-	*6 Multi tone
1-03	Wi-Fi check	-	-	-	Y/L/L/L/L	Min(Min)	F	-	Wi-Fi check
1-04	UPDATE ROUTE	-	-	-	Y/L/L/L/L	Min(Min)	-	-	UPDATE ROUTE CHECK
1-05	DISPLAY IP ADDRESS	-	-	-	Y/L/L/L/L	Min(Min)	-	-	IP ADDRESS
1-06	KEY TEST	-	-	-	Y/L/L/L/L	76(-6dB)	F/C/SB	-	*7 KEY TEST
1-07	VOLH DET / FAN HIGH-SPEED / 12V TRIGGER C	C.SL.SR.SBL.SBR	1kHz	0dBFS	Y/L/L/L/L	64(Ref)	F/CS/SB	C	*5 VOLH DET,FAN High
1-08	VOLH DET / FAN LOW-SPEED / 12V TRIGGER B (ZONE3)	FL.FR.C.SL.SR	1kHz	0dBFS	Y/L/L/L/L	64(Ref)	F/CS/SB	B (Z3)	*5 VOLH DET,FAN Low
1-09	CURRENT PROTECT / 12V TRIGGER A (ZONE2)	ALL	Pulse	Max	Y/L/L/L/L	58(76)	F/CS/SB	A (Z2)	*1, *4 Current Protect

TEST 2-00 ~ 3-14

TEST No	Analog Input [Rec Sel] (Zone2/Zone3)	Listening Mode/ Input Format	VIDEO Input	Component V	HDMI	12V TRG	Digital Input /Output	Config.	Master Vol. NonTHX (THX)	Speaker Relay	etc.
2-00	Fch -> BD/DVD Cch -> STB/DVR Sch -> CBL/SAT SBch -> GAME Z2/Z3 -> (Off)	Stereo(Direct)	BD/DVD	IN1	-	-	-	-	Max(Max)	F/CS/SB	T5, T6, D3 LINE GAIN, HUM NOISE
	BD/DVD (Off)	Whole House Mode	BD/DVD	IN1	-	-	-	Max(Max)	F/CS/SB		Except the above models.
2-01	BD/DVD (Off)	ADC DSP 8ch Thru.	BD/DVD	IN1	-	-	-	Y/L/L/L/L	57(75)	F/CS/SB	ADC GAIN etc.
2-02	BD/DVD (Off)	ADC DSP 8ch Thru.	BD/DVD	IN1	-	-	-	Y/L/L/L/L	MIN(Min)	F/CS/SB	MIN NOISE
2-03	CBL/SAT (Off)	DIR DSP 8ch Thru.	CBL/SAT	-	-	-	*OPT1	Y/L/L/L/L	Max(Max)	F/CS/SB	AMUT OFF DAC HUM NOISE
2-04	MIC	ADC DSP 8ch Thru.	BD/DVD	BD/DVD	-	-	-	Y/L/L/L/L	Max(Max)	F/CS/SB	MIC GAIN
2-05	MIC	ADC DSP 8ch Thru.	BD/DVD	BD/DVD	-	-	-	Y/L/L/L/L	Max(Max)	F/CS/SB	MICMUTE ON MIC MUTING
2-06	PHONO/Source	Direct	BD/DVD	-	-	-	-	Max(Max)	F		PHONO GAIN etc.
2-07	BD/Source	BI AMP	BD/DVD	IN1	-	-	-	Max (+18dB)	F/C/S/FH		BI AMP
2-08	BD/Source	ADC DSP 8ch Thru.	BD/DVD	IN1	-	-	-	Y/L/L/L/L	Max (+18dB)	F/CS/SB	HUM NOISE
2-09	BD/Source	ADC DSP 12ch Thru.	BD/DVD	IN1	-	-	-	Y/L/L/L/L	Max (+18dB)	F/C	DIFF SIG MODE
2-10	BD/BALANCE	ADC DSP 8ch Thru.	BD/DVD	IN1	-	-	-	Y/L/L/L/L	Max (+18dB)	E/C/S/SB	BALANCE
2-11	BD/BALANCE	ADC DSP 8ch Thru.	BD/DVD	IN1	-	-	-	Y/L/L/L/L	Max (+18dB)	E/C/S/SB	BALANCE MONO
2-12	BD/DVD (Off)	ADC DSP 8ch Thru.	BD/DVD	IN1	-	-	-	Y/L/L/L/L	Max(Max)	CS/SB	SPRLF OFF PREOUT RELAY OFF
2-13	BD/DVD (Off)	Stereo(Direct)	BD/DVD	IN1	-	-	-	-	Max(Max)	F	SW=NO HP GAIN/SP-B GAIN
2-14	PHONO/Source	Direct	BD/DVD	-	-	-	-	44(62)	F		PHONO SEP.
3-00	FM/Source	Stereo(Direct)	BD/DVD	BD/DVD	-	-	-	-	64(Ref)	F	Z2Vol_64 62(82) T6, T7, Z2 LINE T8, D3, D4, D5 Z2 PRE/LINE
3-01	GAME(BD/TV)	Stereo(Direct)	BD/DVD	BD/DVD	-	-	-	-	Max(Max)	F/Z2/Z3	Powered_ON Z2/Z3Vol_64 62(82) T6, T7 LINE T8, D3, D4, D5_PRE/LINE
3-02	GAME(BD/TV)	Stereo(Direct)	BD/DVD	BD/DVD	-	-	-	-	Max(Max)	F/Z2/Z3	Powered_ON Z2/Z3Vol_64 62(82) Z2/Z3 Mute_ON T6, T7 LINE T8, D3, D4, D5_PRE/LINE
3-03	GAME(BD/TV)	Stereo(Direct)	BD/DVD	BD/DVD	-	-	-	-	Max(Max)	F/Z2/Z3	Powered_ON Z2/Z3Vol_64 62(82) Z2 Bass=Max T6, T7 LINE T8, D3, D4, D5_PRE/LINE
3-04	GAME(BD/TV)	Stereo(Direct)	BD/DVD	BD/DVD	-	-	-	-	Max(Max)	F/Z2/Z3	Powered_ON Z2/Z3Vol_64 62(82) Z2 Bass=Min T6, T7 LINE T8, D3, D4, D5_PRE/LINE
3-05	GAME(BD/TV)	Stereo(Direct)	BD/DVD	BD/DVD	-	-	-	-	Max(Max)	F/Z2/Z3	Powered_ON Z2/Z3Vol_64 62(82) Z2 Treble=Max T6, T7 LINE T8, D3, D4, D5_PRE/LINE
3-06	GAME(BD/TV)	Stereo(Direct)	BD/DVD	BD/DVD	-	-	-	-	Max(Max)	F/Z2/Z3	Powered_ON Z2/Z3Vol_64 62(82) Z2 Treble=Min T6, T7 LINE T8, D3, D4, D5_PRE/LINE
3-07	GAME(BD/TV)	Stereo(Direct)	BD/DVD	-	-	-	-	-	MIN(Min)	E/Z2/Z3	Z2/Z3PRE VOL MAX ATT
3-08	GAME(BD/TV)	Stereo(Direct)	BD/DVD	-	-	-	-	-	MIN(Min)	F/Z2/Z3	Z2/Z3 LINEOUT (Mid)
3-09	USB/(Source)	Stereo(Direct)	Last	-	-	-	Front USB	-	MIN(Min)	F	Z2 out 1.44.1kHz_16bit_1kHz_0dBfs L&R.wav *2
3-10	USB/(Source)	Stereo(Direct)	Last	-	-	-	Front USB	-	MIN(Min)	F	Z2 out 2.44.1kHz_16bit_∞dBfs L&R.wav *2
3-11	USB/(Source)	Stereo(Direct)	Last	-	-	-	Front USB	-	MIN(Min)	F	Z2 out 3.44.1kHz_16bit_20Hz_0dBfs L&R.wav *2
3-12	USB/(Source)	Stereo(Direct)	Last	-	-	-	Front USB	-	MIN(Min)	F	Z2 out 4.44.1kHz_16bit_20kHz_0dBfs L&R.wav *2
3-13	USB/(Source)	Stereo(Direct)	Last	-	-	-	Front USB	-	MIN(Min)	F	Z2 out 5.44.1kHz_16bit_1kHz_0dBfs Lch.wav *2
3-14	USB/(Source)	Stereo(Direct)	Last	-	-	-	Front USB	-	MIN(Min)	F	Z2 out 6.44.1kHz_16bit_1kHz_0dBfs Rch.wav *2
	USB/(Source)	Stereo(Direct)	Last	-	-	-	Front USB	-	MIN(Min)	F	Z2 out 7.48kHz_16bit_1kHz_0dBfs L&R.wav *2

OPERATION CHECK-8

TEST 4-00~4-30 Auto Measurement Mode

TEST No.	DSP Output channel	DSP Output Frequency	DSP Output Voltage	Config.	Master Vol.	Speaker Relay	etc.
4-00	ALL	1kHz (SW:30Hz)	-20dBFS	Y/L/L/L/L	64(Ref)	F/CS/SB	*6 DSP Gain
4-01	ALL	30Hz (SW:1kHz)	-20dBFS	Y/L/L/L/L	64(Ref)	F/CS/SB	*6 DSP Freq.Response
4-02	ALL	20kHz	-20dBFS	Y/L/L/L/L	64(Ref)	F/CS/SB	*6 DSP Freq.Response
4-03	SW	30Hz	-20dBFS	N/L/L/L/L	58(76)	F/CS/SB	*6 Characteristic(1)
4-04	FL,FR	30Hz	-20dBFS	N/L/L/L/L	64(Ref)	F/CS/SB	*6 Characteristic(2)
4-05		1kHz (SW:30Hz)	-20dBFS	Y/L/L/L/L	64(Ref)	F/CS/SB	Mute On *6 Muting
4-06	ALL	1kHz (SW:30Hz)	-20dBFS	Y/L/L/L/L	Min(Min)	F/CS/SB	*6 Volume Max.Attenuation
4-07	FR,C,SL,SR,SBL,SBR,SW	10kHz	-20dBFS	Y/L/L/L/L	64(Ref)	F/CS/SB	Mute_FL *6 Separation(FL)
4-08	FL,C,SL,SR,SBL,SBR,SW	10kHz	-20dBFS	Y/L/L/L/L	64(Ref)	F/CS/SB	Mute_FR *6 Separation(FR)
4-09	FL,FR,SL,SR,SBL,SBR,SW	10kHz	-20dBFS	Y/L/L/L/L	64(Ref)	F/CS/SB	Mute_C *6 Separation(C)
4-10	FL,FR,C,SR,SBL,SBR,SW	10kHz	-20dBFS	Y/L/L/L/L	64(Ref)	F/CS/SB	Mute_SL *6 Separation(SL)
4-11	FL,FR,C,SL,SBL,SBR,SW	10kHz	-20dBFS	Y/L/L/L/L	64(Ref)	F/CS/SB	Mute_SR *6 Separation(SR)
4-12	FL,FR,C,SL,SR,SBR,SW	10kHz	-20dBFS	Y/L/L/L/L	64(Ref)	F/CS/SB	Mute_SBL *6 Separation(SBL)
4-13	FL,FR,C,SL,SR,SBL,SW	10kHz	-20dBFS	Y/L/L/L/L	64(Ref)	F/CS/SB	Mute_SBR *6 Separation(SBR)
4-14	FL,FR,C,SL,SR,SBL,SBR	30Hz	-20dBFS	Y/L/L/L/L	64(Ref)	F/CS/SB	Mute_SW *6 Separation(SW)
4-15	E.C.SUR.SBR.HR.Wide.SW	10kHz	-20dBFS	Y/L/L/L/L	82(0dB)	F/CS/SB/H/W	Mute_LH *6 Separation(FHL)
4-16	E.C.SUR.SBR.HL.Wide.SW	10kHz	-20dBFS	Y/L/L/L/L	82(0dB)	F/CS/SB/H/W	Mute_RH *6 Separation(FHR)
4-17	E.C.SUR.SRB.High.RW.SW	10kHz	-20dBFS	Y/L/L/L/L	82(0dB)	F/CS/SB/H/W	Mute_LW *6 Separation(FWL)
4-18	E.C.SUR.SRB.High.LW.SW	10kHz	-20dBFS	Y/L/L/L/L	82(0dB)	F/CS/SB/H/W	Mute_RW *6 Separation(FWR)
4-19	FL	+DC	+Max	Y/L/L/L/L	Max(Max)	F/CS/SB	*1,*3 +DC Protect(FL)
4-20	FR	-DC	-Max	Y/L/L/L/L	Max(Max)	F/CS/SB	*1,*3 -DC Protect(FR)
4-21	C	+DC	+Max	Y/L/L/L/L	Max(Max)	F/CS/SB	*1,*3 +DC Protect(C)
4-22	SL	-DC	-Max	Y/L/L/L/L	Max(Max)	F/CS/SB	*1,*3 -DC Protect(SL)
4-23	SR	+DC	+Max	Y/L/L/L/L	Max(Max)	F/CS/SB	*1,*3 +DC Protect(SR)
4-24	SBL	-DC	-Max	Y/L/L/L/L	Max(Max)	F/CS/SB	*1,*3 -DC Protect(SBL)
4-25	SBR	+DC	+Max	Y/L/L/L/L	Max(Max)	F/CS/SB	*1,*3 +DC Protect(SBR)
4-26	FHL	-DC	-Max	Y/L/L/L/L	Max(Max)	F/CS/SB/H/W	*1,*3 -DC Protect(FHL)
4-27	FHR	+DC	+Max	Y/L/L/L/L	Max(Max)	F/CS/SB/H/W	*1,*3 +DC Protect(FHR)
4-28	FWL	-DC	-Max	Y/L/L/L/L	Max(Max)	F/CS/SB/H/W	*1,*3 -DC Protect(FWL)
4-29	FWR	+DC	+Max	Y/L/L/L/L	Max(Max)	F/CS/SB/H/W	*1,*3 +DC Protect(FWR)
4-30	ALL	30Hz	-20dBFS	Y/L/L/L/L	64(Ref)	F/CS/SB/H/W	PASSIVE SW=ON PASSIVE SW

*1 All SP-RELAYS are turned ON only at the time of this STEP.

Moreover, whether make RELAY restoration time at the time of protection operation into 1 second, and PROTECT input "H" is detected how many times or it continues 1 second or more, RELAY is not held at OFF or POWER OFF is not carried out, either.

When "H" is 1 seconds or more to PROTECT input and it is set to "L", RELAY is turned ON again.

Moreover, not any MUTE is outputted at the time of this STEP.

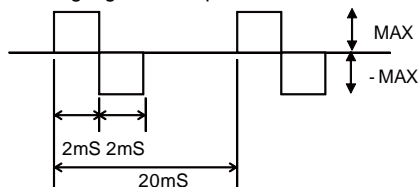
*2 Use USB memory which stored only following signals.

In addition, measure using application.

- | | |
|-------------------------------------|-----------------|
| 1.44.1kHz_16bit_1kHz_0dBfs_L&R.wav | Reference |
| 2.44.1kHz_16bit_-∞dBfs_L&R.wav | SN ratio |
| 3.44.1kHz_16bit_20Hz_0dBfs_L&R.wav | Freq. resp. |
| 4.44.1kHz_16bit_20kHz_0dBfs_L&R.wav | Freq. resp. |
| 5.44.1kHz_16bit_1kHz_0dBfs_Lch.wav | Separation |
| 6.44.1kHz_16bit_1kHz_0dBfs_Rch.wav | Separation |
| 7.48kHz_16bit_1kHz_0dBfs_L&R.wav | Operation check |

*3 If voltage-detection protector check in TEST-1-01 starts, DC voltage is output immediately from each channel. (within 100msec.)

*4 The following signal is output from all channel continuously in TEST1-09.



*5 VOLH is detected and H/L of SEC1H is changed.

A detection level is the same as the normal mode. When it is detected, light "FM STEREO" on FL TUBE.

*6 4-00~4-18:PRRLF=ON

*7 In TEST 1-04 06, some character is displayed while pushing down some button. Another character shall be displayed by each button.

<NOTE>

TEST of NET/USB can't do immediately after the start-up.It should be measure after other TEST.

OPERATION CHECK-9

<NOTES>

1. DSP Thru of Listening Mode outputs L Input signal to L/C/SL/SBL, and outputs R Input signal to R/SR/SBR/SW.
2. Config. is in order of SW/Front/Center/Surround/Surround back.
3. Mute is function to stop output(from the channel) by using inner DSP programming.
4. When Listening Mode is DSP thru, an analog SW is changed into the state of SURROUND.
5. At the time of PRTCTTHM detection, it is displayed on FLT as "THERMAL PROTECT".
6. In all test modes, it is not concerned with detection of VOLH but SEC1H are made "H" fixation. (Except TEST 1-07 and 1-08.)
7. After initialization of Net or USB, start TEST 1-04. After TEST 1-04 checking, clear the set.

TEST-3-00

Following frequencies are automatically written in the preset memory, when the unit goes into "TEST 3-00".

	PRESET No.	MD*	MW*(10k)	MP*,MG* MW*(9k)	MJJ
FM	1	89.9MHz	89.90MHz	89.90MHz	76.0MHz
	2	97.9MHz	97.90MHz	97.90MHz	82.0MHz
	3	98.9MHz	98.90MHz	98.90MHz	83.0MHz
	4	107.1MHz	107.10MHz	107.10MHz	84.0MHz
	5	107.9MHz	107.90MHz	107.90MHz	90.0MHz
	6	100.1MHz	100.10MHz	100.10MHz	80.0MHz
	7	88.1MHz	88.10MHz	88.10MHz	85.1MHz
	8	104.1MHz	104.10MHz	104.10MHz	88.1MHz
	9	95.3MHz	95.30MHz	95.30MHz	76.0MHz
	10	106.7MHz	106.70MHz	106.70MHz	90.0MHz
AM	11	530KHz	530KHz	522KHz	522kHz
	12	630KHz	630KHz	630KHz	630kHz
	13	990KHz	990KHz	990KHz	990kHz
	14	1440KHz	1440KHz	1440KHz	1440kHz
	15	1710KHz	1710KHz	1611KHz	1611kHz
	16	670KHz	670KHz	666KHz	666kHz
	17	830KHz	830KHz	828KHz	828kHz
	18	1310KHz	1310KHz	1314KHz	1314kHz
	19	1200KHz	1200KHz	1197KHz	1197kHz
	20	530KHz	530KHz	522KHz	522kHz
FM	21	87.5MHz	87.50MHz	87.50MHz	76.0MHz
	22	107.9MHz	108.00MHz	108.00MHz	90.0MHz
	23	103.7MHz	104.00MHz	104.00MHz	79.8MHz
	24	104.5MHz	104.20MHz	104.20MHz	80.2MHz
AM	25	1180kHz	1180kHz	1179kHz	1179kHz
	26	1220kHz	1220kHz	1215kHz	1215kHz

TEST-5-00~6-05 Video & HDMI Test mode

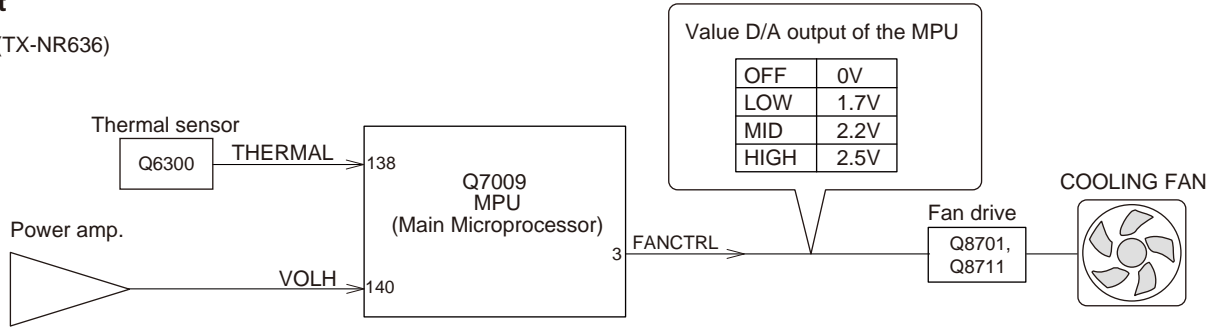
	Input selector	DIGITAL INPUT	COMPO-NENT	Volume NonTHX/THX	HDMI	MODE	etc.	Reference TEST DISC*
5-00	BD/DVD	HDMI	-	31/51	IN1	Through(Main/Sub or Zone2_Both), I2S	SP ALLch & SW-PO	DISC-D(BD) Tr.20or28
5-01	CBL/SAT	HDMI	IN	31/51	IN2	Through(Ma n/Sub or Zone2_Both), SPDIF	SP ALLch & SW-PO	DISC-D(BD) Tr.21 or A(DVD)
5-02	STB/DVR	HDMI	-	31/51	IN3	Through(Ma n/Sub or Zone2_Both), SPDIF	Audio out TV = ON	DISC-D(BD) Tr.21 or A(DVD)
5-03	GAME	HDMI	-	31/51	IN4	Through(Ma n/Sub or Zone2_Both), SPDIF	Audio out TV = ON	DISC-D(BD) Tr.21 or A(DVD)
5-04	PC	HDMI	-	31/51	IN5	Through(Ma n/Sub or Zone2_Both), SPDIF	Audio out TV = ON	DISC-D(BD) Tr.21 or A(DVD)
5-05	IN6	HDMI	-	31/51	IN6	Through(Ma n/Sub or Zone2_Both), SPDIF	Audio out TV = ON	DISC-D(BD) Tr.21 or A(DVD)
5-06	IN7	HDMI	-	31/51	IN7	Through(Ma n/Sub or Zone2_Both), SPDIF	Audio out TV = ON	DISC-D(BD) Tr.21 or A(DVD)
5-07	AUX	HDMI	-	31/51	AUX	Through(Ma n/Sub or Zone2_Both), SPDIF	Audio out TV = ON	DISC-D(BD) Tr.21 or A(DVD)
5-08	CBL/SAT	-	IN1	MIN	-	COMPONENT?HDMI(Main/Sub or Zone2_Both)	-	-
5-09	CBL/SAT	-	-	MIN	-	CV ? HDMI(Main/Sub or Zone2_Both)	-	-
5-10	BD/DVD	-	-	MIN	-	CV ? CV COMPONENT	-	-
5-10	PC(RGB)	-	-	MIN	-	RGB INPUT ? HDMI OUT	-	-
5-11	PC/GAME	HDMI	-	31/51	IN5/IN4	Z2 HDMI TEST / HDMI Powered Z2	-	-
6-00	BD/DVD	HDMI	IN	40/60	IN3	HDMI DSD SIGNAL	OUTPUT CH = L/R/C/SW/SL/SR	DISC-C(SACD) TRACK12
6-01	BD/DVD	COAX1*	IN	MIN	-	Audio TV OUT = ON, VOL=0, ANALOG(DVD)	HDMI OUT is blue back	-
6-02	CBL/SAT	HDMI ARC	-	40/60	-	HDMI AUDIO RETURN CHANNEL	-	-
6-03	BD/DVD	HDMI	-	31/51	IN1	MHL Check(CABLE DET)	CEC Relay check.	-
6-04	BD/DVD	HDMI	-	31/51	IN1	MHL Check(VBUS=OFF)	CEC Relay check.	-
6-05	BD/DVD	HDMI	-	31/51	IN1	MHL Check(VBUS=ON)	-	-

OPERATION CHECK-10

COOLING FAN

Circuit

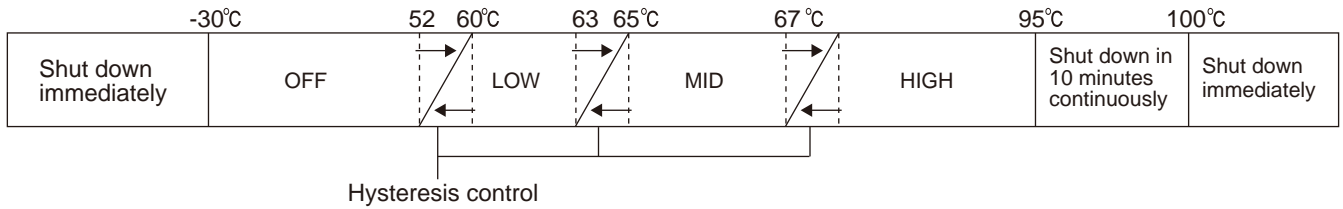
e.g.(TX-NR636)



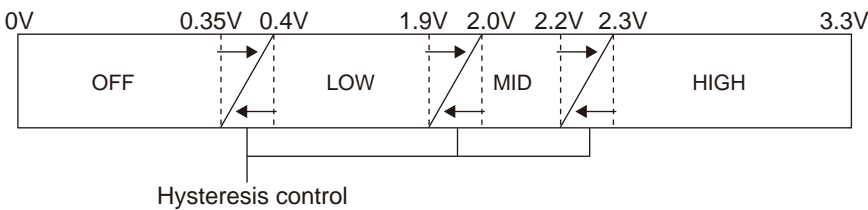
Condition to operate

		VOLH							
		Normal/ Bi-Amp				Powerd Zone-2,3,4			
		OFF or Headphone	LOW	MID	HIGH	OFF or Headphone	LOW	MID	HIGH
THERMAL	OFF	STOP	STOP	STOP	STOP	STOP	STOP	STOP	STOP
	LOW	LOW	LOW	LOW	LOW	LOW	LOW	LOW	LOW
	MID	LOW	MID	MID	MID	MID	MID	MID	MID
	HIGH	MID	HIGH	HIGH	HIGH	HIGH	HIGH	HIGH	HIGH

THERMAL(Temperature of thermal sensor)



VOLH(Voltage of VOLH port)



How to check

- How to check operation of Cooling Fan.
See "CONFIRMATION OF COOLING FAN OPERATION" in OPERATION CHECK-4.
- How to check the value of THERMAL and VOLH.
See "CONFIRMATION OF OUTPUT VOLTAGE AND THERMAL SENSOR" in OPERATION CHECK-1.

ADJUSTMENT PROCEDURE

ADJUSTMENT OF IDLING CURRENT

Applied to the following model.

(Model)	TX-NR636/ DTR-30.6/ HT-RC660/ HT-R993
---------	---------------------------------------

Procedure

a. Pre-adjustment

Set the following registers to minimum position before POWER ON.

Set the voltages at the following terminals to the following voltage by adjusting the following registers, under the condition of no input and no load, immediately after POWER ON.

Channel	L/C/R	SL/SR/SBL/SBR
Terminals	P6080~6082	P6083~6086
Registers	R5440~5442	R5443~5446
Voltage	2.5mV	1.5mV

b. Aging

Heat run during the following time.

Time	4~6 minutes
------	-------------

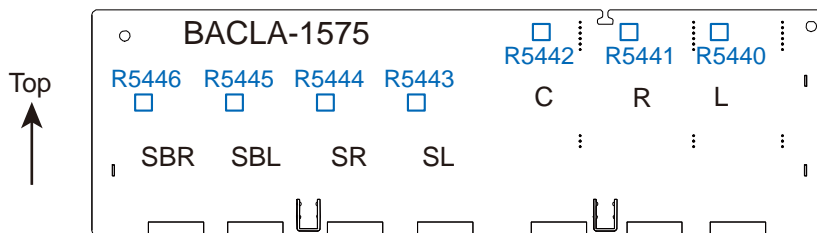
c. Final adjustment

Re-adjust by the following procedure after heat running for the above mentioned time.

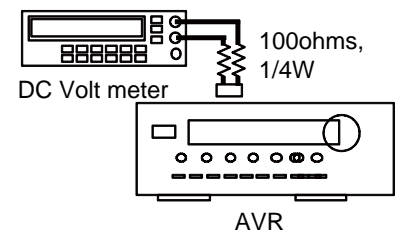
L/C/R		
Below	9mV	9mV
Between	9~11mV	Do not adjust.
Over	11mV	11mV
SL/SR/SBL(SW)/SBR		
Below	6mV	6mV
Between	6~8mV	Do not adjust.
Over	8mV	8mV

Adjustment point

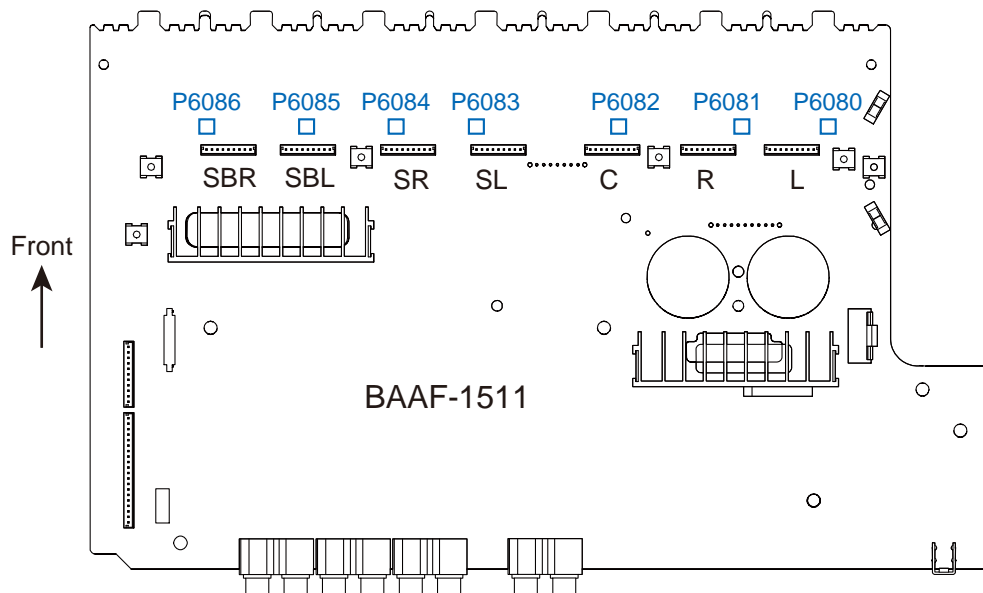
Equip series 1/4W 100-ohm resistors near the terminal respectively in each pole of the jig used for the above mentioned terminals.



Connection



Test point



FIRMWARE UPDATE-1/2

USB Update (service mode)

CONFIDENTIALITY NOTICE:

The contents of the “Firmware Update” is “Confidential Information” as defined in the applicable “Service Center Agreement”.

It is for the exclusive use of Onkyo/Integra Authorized Independent Service Centers.

Dissemination or posting of this Firmware Update to any non-authorized individual or company is strictly prohibited.

Failure to keep this information confidential may result in the loss of service center authorization.

[Version Check]

Refer to “OPERATION CHECK-1” about the way of showing firmware version.

[Preparation]

1. Connect the USB storage device to your PC. If there is any data in the USB storage device, remove it.
2. Download the firmware file (package file) from the Onkyo FTP-server.
However European service partners should download the firmware file (package file) from the ExtraNet.

Onkyo FTP-server: ftp://manex.onkyo.co.jp/_servicefwa/TX-NR636

ID and Password are those we informed when changed.

Filename is as follows: ONKAVR0018_*****.zip

Unzip the downloaded file. A following file is created.

```
ONKAVR0018_*****.of1
ONKAVR0018_*****.of2
ONKAVR0018_*****.of3
ONKAVR0018_*****.of4
ONKAVR0018_*****.of5
```

3. Copy it to the USB storage device. Be careful not to copy the zip file.
4. Remove the USB storage device from your PC.

FIRMWARE UPDATE-2/2

USB Update (service mode)

[Procedure]

Overwriting is also possible.

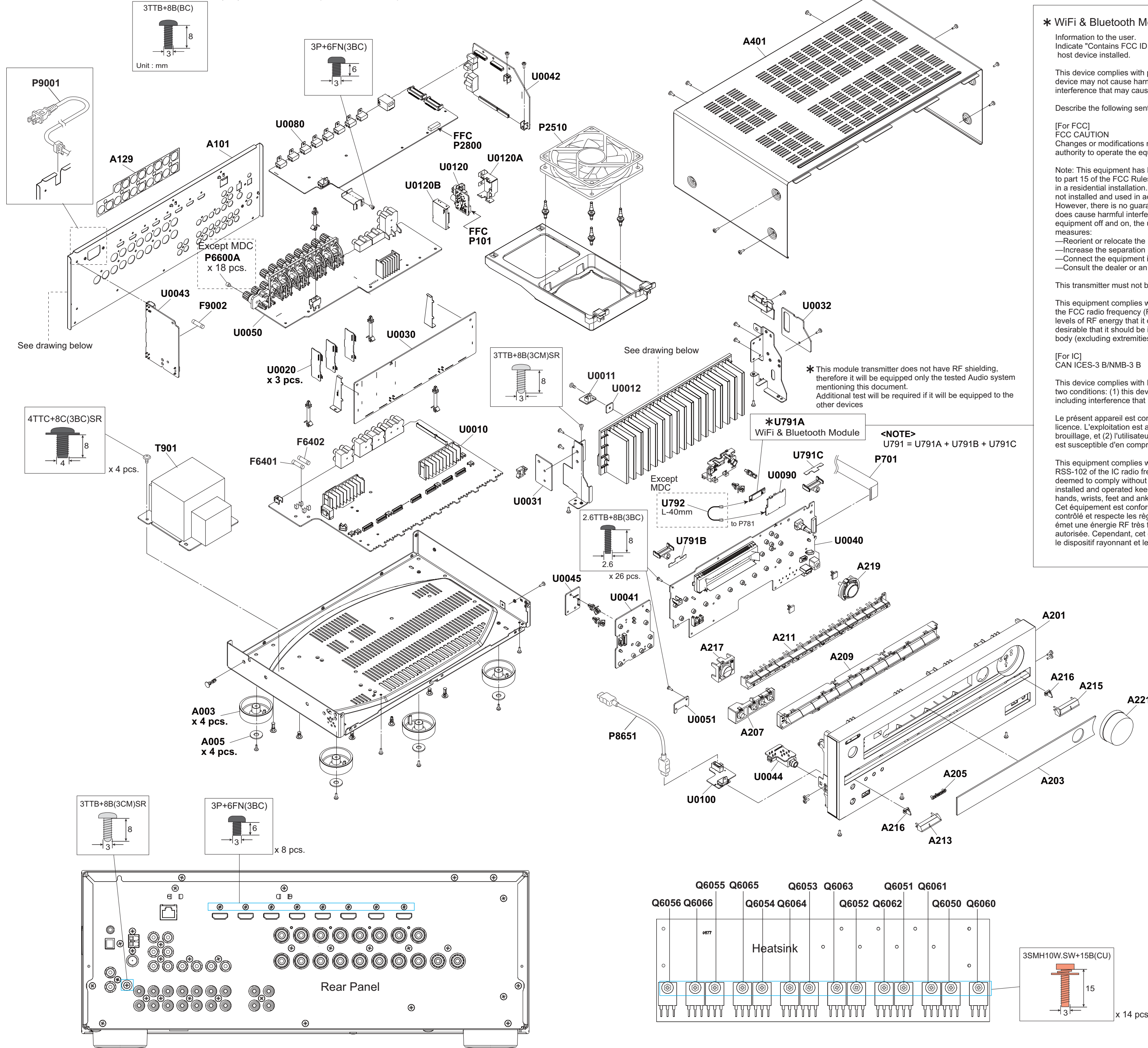
1. Turn on the unit. It takes some time to start after you switch on the unit.
2. Select the USB input source.
3. Connect the USB storage device to USB port on the unit. Wait until Initializing of USB/NET finishes.
4. Hold down **[DISPLAY]** button and then press **[ON/STANDBY]** button **twice**.
Main version will be displayed, and HYBRID STANDBY indicator will start to flash.
5. Press **[RETURN]** button. "NET -> ALL_D" will be displayed.
6. Select "**USB -> ALL_D**" by **[PRESET(left/right)]** cursors and **[TUNING(up/down)]** cursors,
then press **[ENTER]** button, updating will begin.
7. Wait until update is completed. When the update ends, "Completed!" is displayed.
(If you leave it, it automatically turns standby mode.)
8. Press **[ON/STANDBY]** button, and the unit turns on.
9. Check the new FW version number.

<Note>

If the procedure might not be successful, please select "**USB -> ALL_M**".

EXPLODED VIEW OVERALL

<NOTE>
Please use the 3TTB+8B(BC) is screwed to the place that is not specified.



* WiFi & Bluetooth Module has already been certificated by FCC and IC.

Information to the user.
Indicate "Contains FCC ID: TX2-RTL8723AS", "Contains IC: 6317A- RTL8723AS" and following information to the host device installed.

This device complies with part 15 of the FCC Rules. Operation is subject to the following two conditions: (1) This device may not cause harmful interference, and (2) this device must accept any interference received, including interference that may cause undesired operation.

Describe the following sentence to a user's manual of the host device.

[For FCC]
FCC CAUTION
Changes or modifications not expressly approved by the party responsible for compliance could void the user's authority to operate the equipment.

Note: This equipment has been tested and found to comply with the limits for a Class B digital device, pursuant to part 15 of the FCC Rules. These limits are designed to provide reasonable protection against harmful interference in a residential installation. This equipment generates, uses and can radiate radio frequency energy and, if not installed and used in accordance with the instructions, may cause harmful interference to radio communications. However, there is no guarantee that interference will not occur in a particular installation. If this equipment does cause harmful interference to radio or television reception, which can be determined by turning the equipment off and on, the user is encouraged to try to correct the interference by one or more of the following measures:

- Reorient or relocate the receiving antenna.
- Increase the separation between the equipment and receiver.
- Connect the equipment into an outlet on a circuit different from that to which the receiver is connected.
- Consult the dealer or an experienced radio/TV technician for help.

This transmitter must not be co-located or operated in conjunction with any other antenna or transmitter.

This equipment complies with FCC radiation exposure limits set forth for an uncontrolled environment and meets the FCC radio frequency (RF) Exposure Guidelines in Supplement C to OET65. This equipment has very low levels of RF energy that it deemed to comply without maximum permissive exposure evaluation (MPE). But it is desirable that it should be installed and operated keeping the radiator at least 20cm or more away from person's body (excluding extremities: hands, wrists, feet and ankles).

[For IC]
CAN ICES-3 B/NMB-3 B

This device complies with Industry Canada licence-exempt RSS standard(s). Operation is subject to the following two conditions: (1) this device may not cause interference, and (2) this device must accept any interference, including interference that may cause undesired operation of the device.

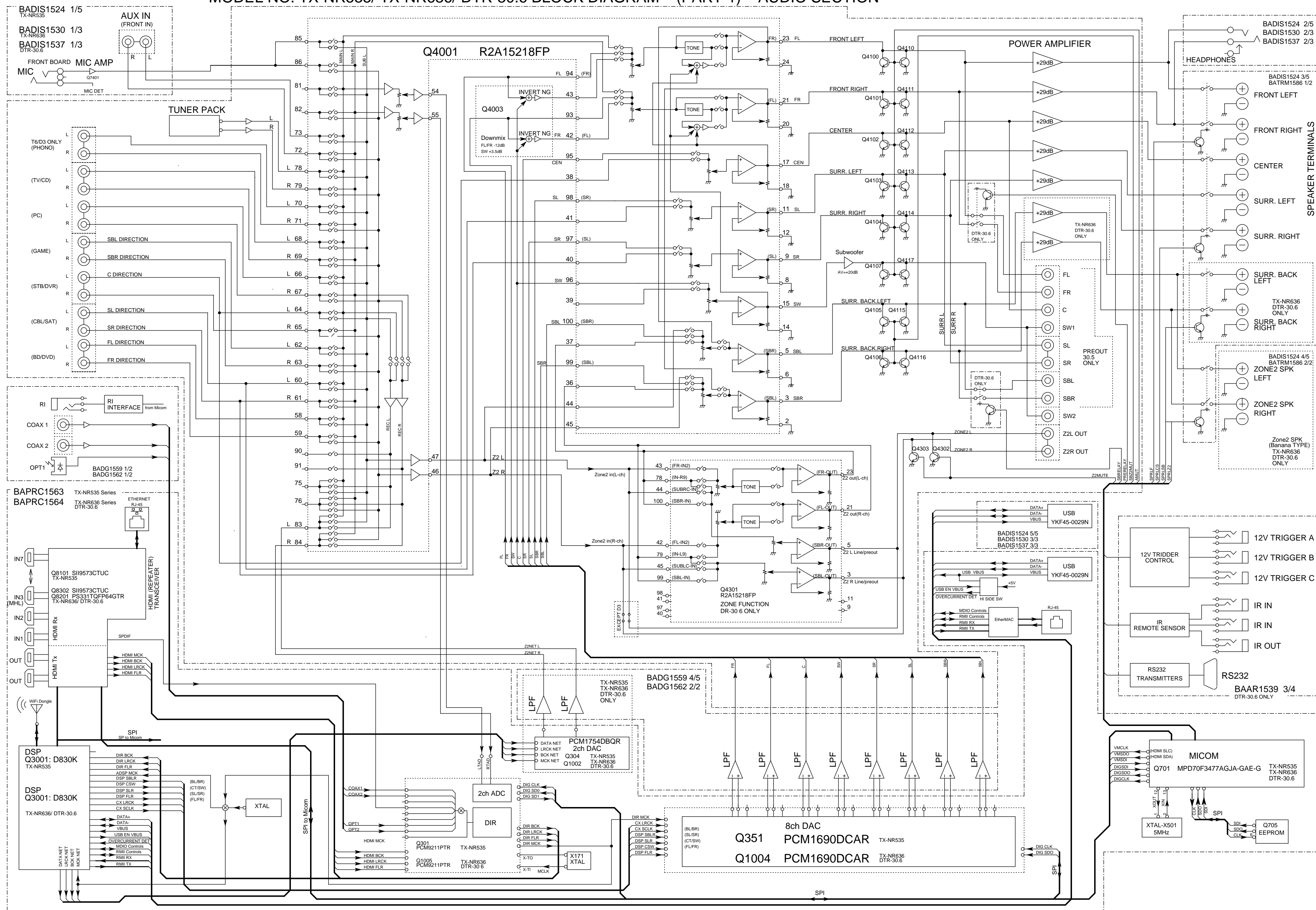
Le présent appareil est conforme aux CNR d'Industrie Canada applicables aux appareils radio exempts de licence. L'exploitation est autorisée aux deux conditions suivantes : (1) l'appareil ne doit pas produire de brouillage, et (2) l'utilisateur de l'appareil doit accepter tout brouillage radioélectrique subi, même si le brouillage est susceptible d'en compromettre le fonctionnement.

This equipment complies with IC radiation exposure limits set forth for an uncontrolled environment and meets RSS-102 of the IC radio frequency (RF) Exposure rules. This equipment has very low levels of RF energy that it deemed to comply without maximum permissive exposure evaluation (MPE). But it is desirable that it should be installed and operated keeping the radiator at least 20cm or more away from person's body (excluding extremities: hands, wrists, feet and ankles).
Cet équipement est conforme aux limites d'exposition aux rayonnements énoncées pour un environnement non contrôlé et respecte les règles d'exposition aux fréquences radioélectriques (RF) CNR-102 de l'IC. Cet équipement émet une énergie RF très faible qui est considérée conforme sans évaluation de l'exposition maximale autorisée. Cependant, cet équipement doit être installé et utilisé en gardant une distance de 20 cm ou plus entre le dispositif rayonnant et le corps (à l'exception des extrémités : mains, poignets, pieds et chevilles).

SCHEMATIC DIAGRAMS-01
BLOCK DIAGRAM AUDIO SECTION

MODEL NO. TX-NR535/ TX-NR636/ DTR-30.6 BLOCK DIAGRAM (PART-1) AUDIO SECTION

1
2
3
4
5
6
7
8



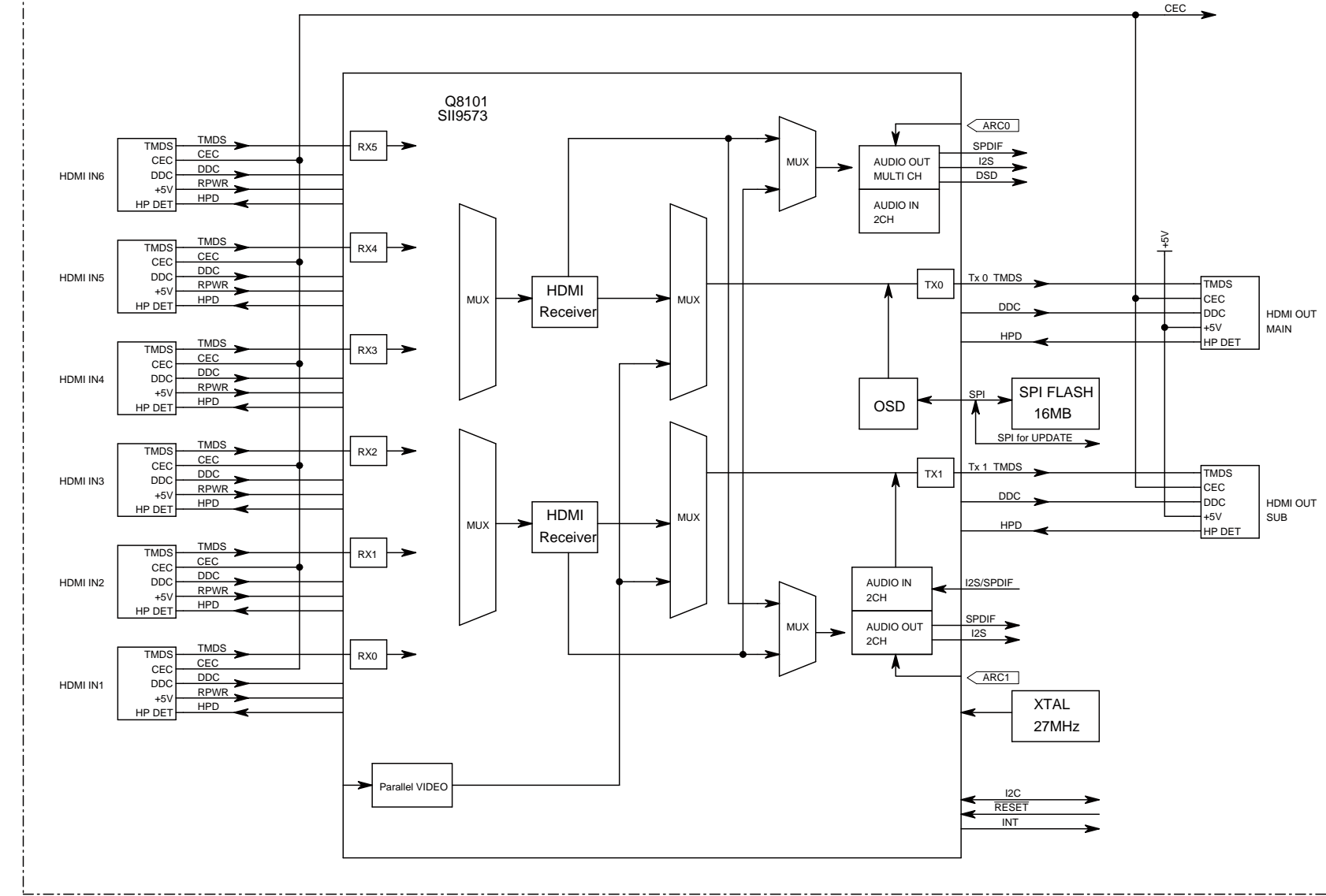
SCHEMATIC DIAGRAMS-02
BLOCK DIAGRAM VIDEO SECTION

Model No. TX-NR535/636/737/838,DTR-30.6/40.6/50.6

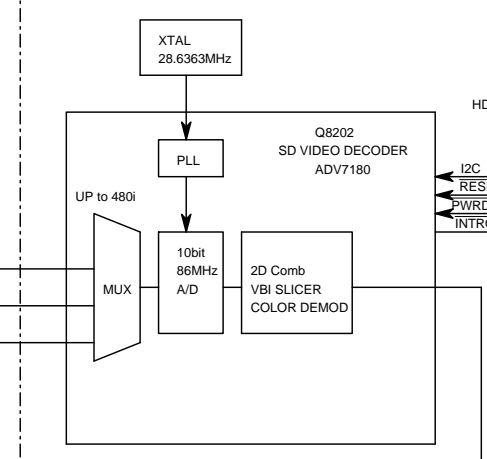
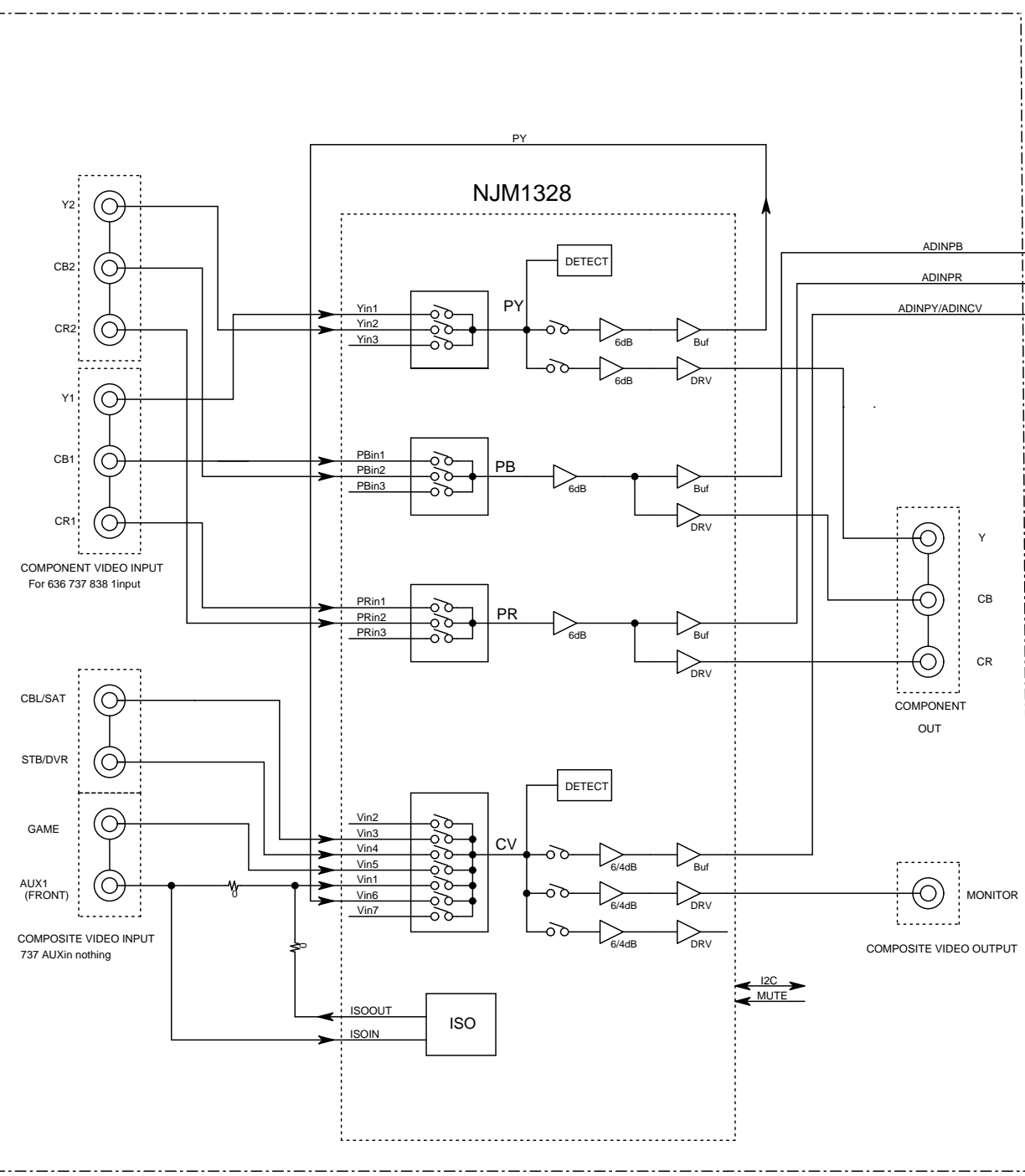
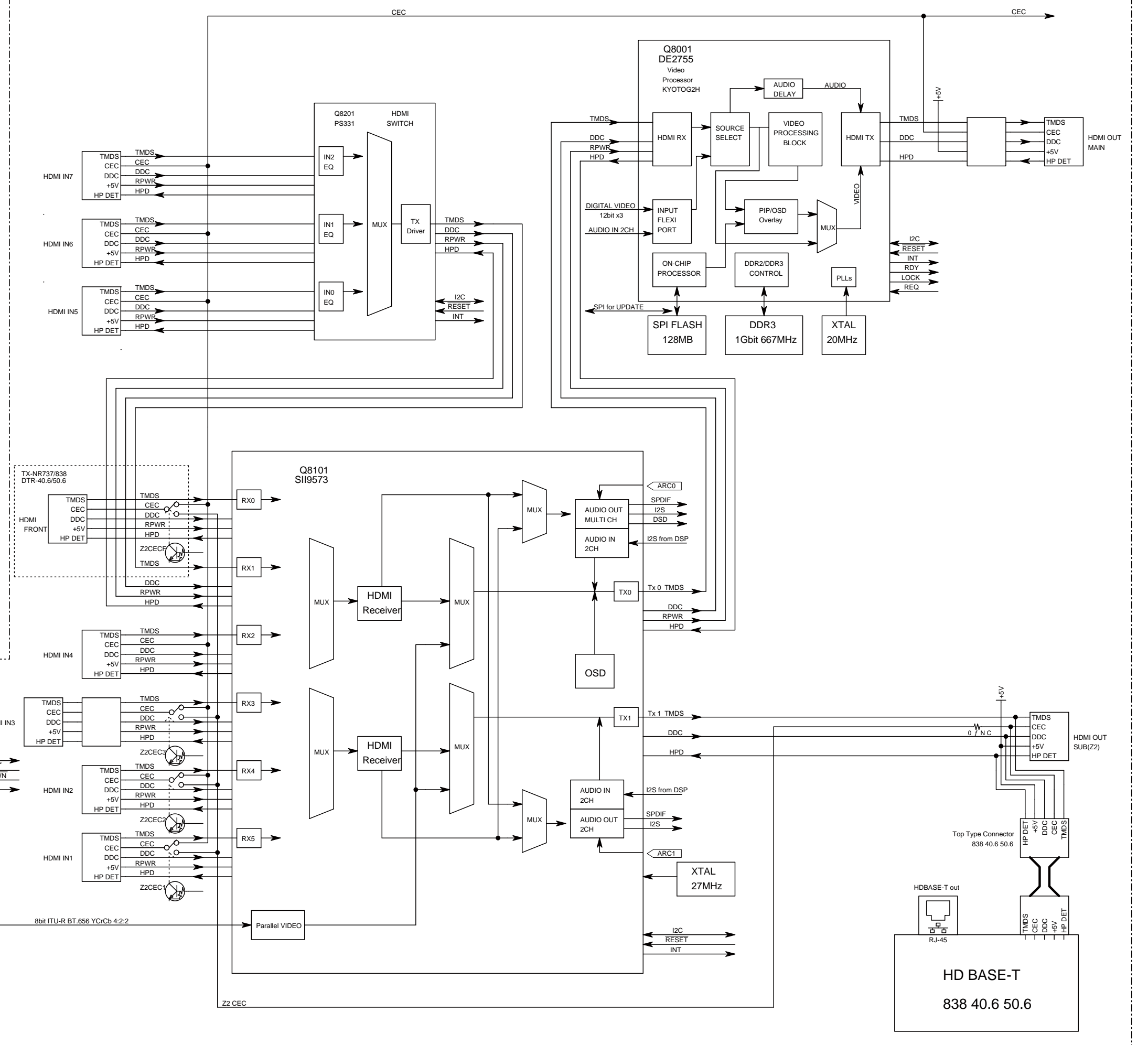
SCHEMATIC DIAGRAM (PART-2) **BLOCK DIAGRAM(VIDEO)**

1
2
3
4
5
6
7
8

TX-NR636



TX-NR636/737/838,DTR-30.6/40.6/50.6



HD BASE-T
838 40.6 50.6

SCHEMATIC DIAGRAMS-03
BLOCK DIAGRAM DIGITAL AUDIO SECTION

MODEL No. TX-NR636/737/838/DTR-30.6/40.6/50.6/HT-RC660
SCHEMATIC DIAGRAM(PART-3) BLOCK DIAGRAM(DIGITAL AUDIO)

1

2

3

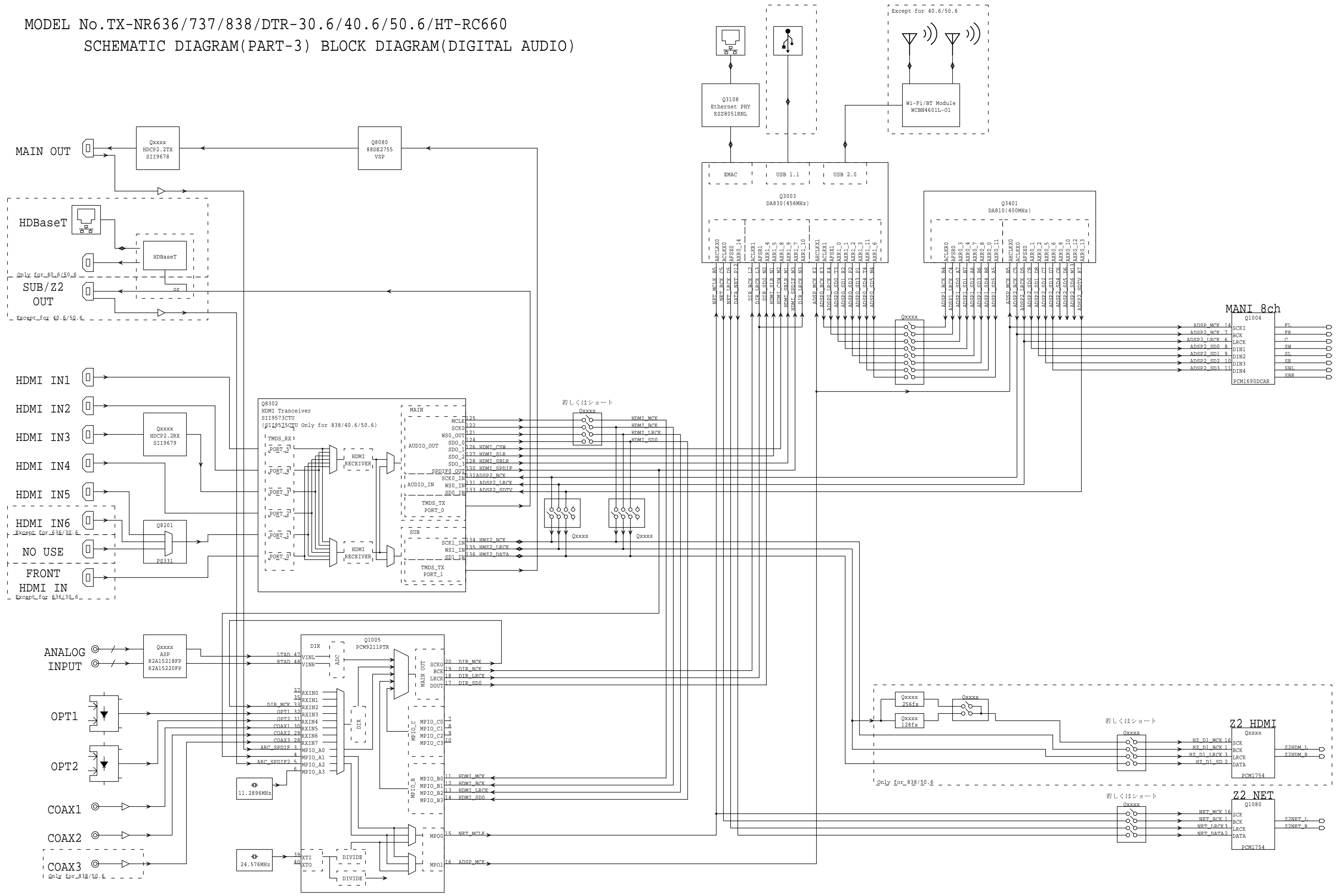
4

5

6

7

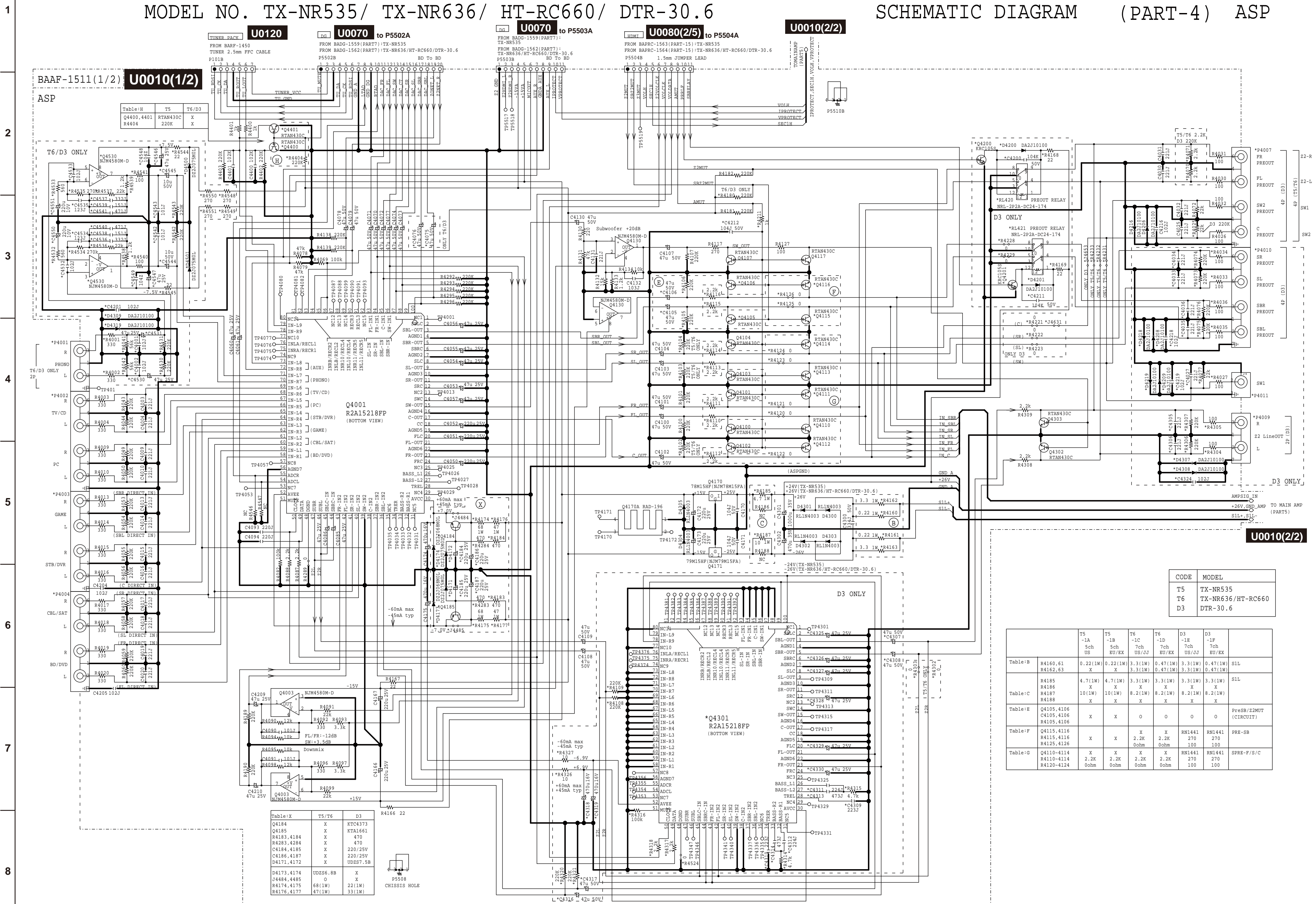
8



SCHEMATIC DIAGRAMS-04
ASP SECTION

MODEL NO. TX-NR535/ TX-NR636/ HT-RC660/ DTR-30.6

SCHEMATIC DIAGRAM (PART-4) ASP



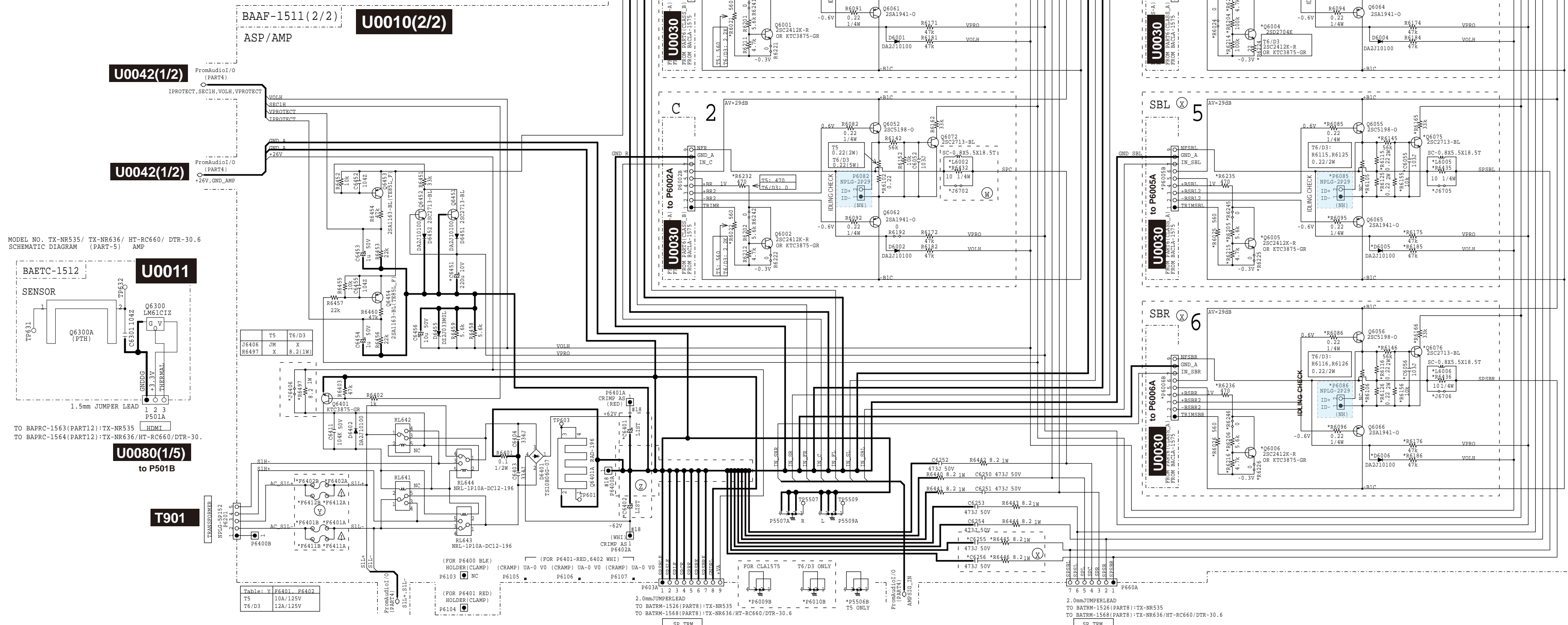
SCHEMATIC DIAGRAMS-05
AMP SECTION

MODEL NO. TX-NR535/ TX-NR636/ HT-RC660/ DTR-30.6

SCHEMATIC DIAGRAM (PART-5) AMP

	T5 -1A 5ch US	T5 -1B 5ch EU/EX	T6 -1C 7ch US/JJ	T6 -1D 7ch EU/EX	D3 -1E 7ch US/JJ	D3 -1F 7ch EU/EX	
Table:W	L6000-02 R6430-32	X	O	O	O	O	FL/FR/C AMP
	J6700-02	O	X	X	X	X	
	L6003-04 R6433-34	O	X	O	X	O	SL/SR AMP
	J6703-04	O	X	O	X	O	
Table:X		X	X	O	O	O	SBL/R AMP Zone2 SPKR
	L6005,06 R6435,36	X	X	X	O	X	
	J6705,06	X	X	O	X	X	
Table:Y	F6401,02 F6411,12 JL6101	10A	10A	12A	12A	12A	SIL FUSE
		X	X	O	O	O	CLAMP
Table:z	C6401,02	6800 /63V	6800 /63V	8200 /69V	8200 /69V	10000 /69V	Main CAP

CODE	MODEL
T5	TX-NR535
T6	TX-NR636/HT-RC660
D3	DTR-30.6



MODEL NO. TX-NR535/ TX-NR636/ HT-RC660/ DTR-30.6
SCHEMATIC DIAGRAM (PART-5) AMP

TO BAPRC-1563(PART12):TX-NR535
TO BAPRC-1564(PART12):TX-NR636/HT-RC660/DTR-30.

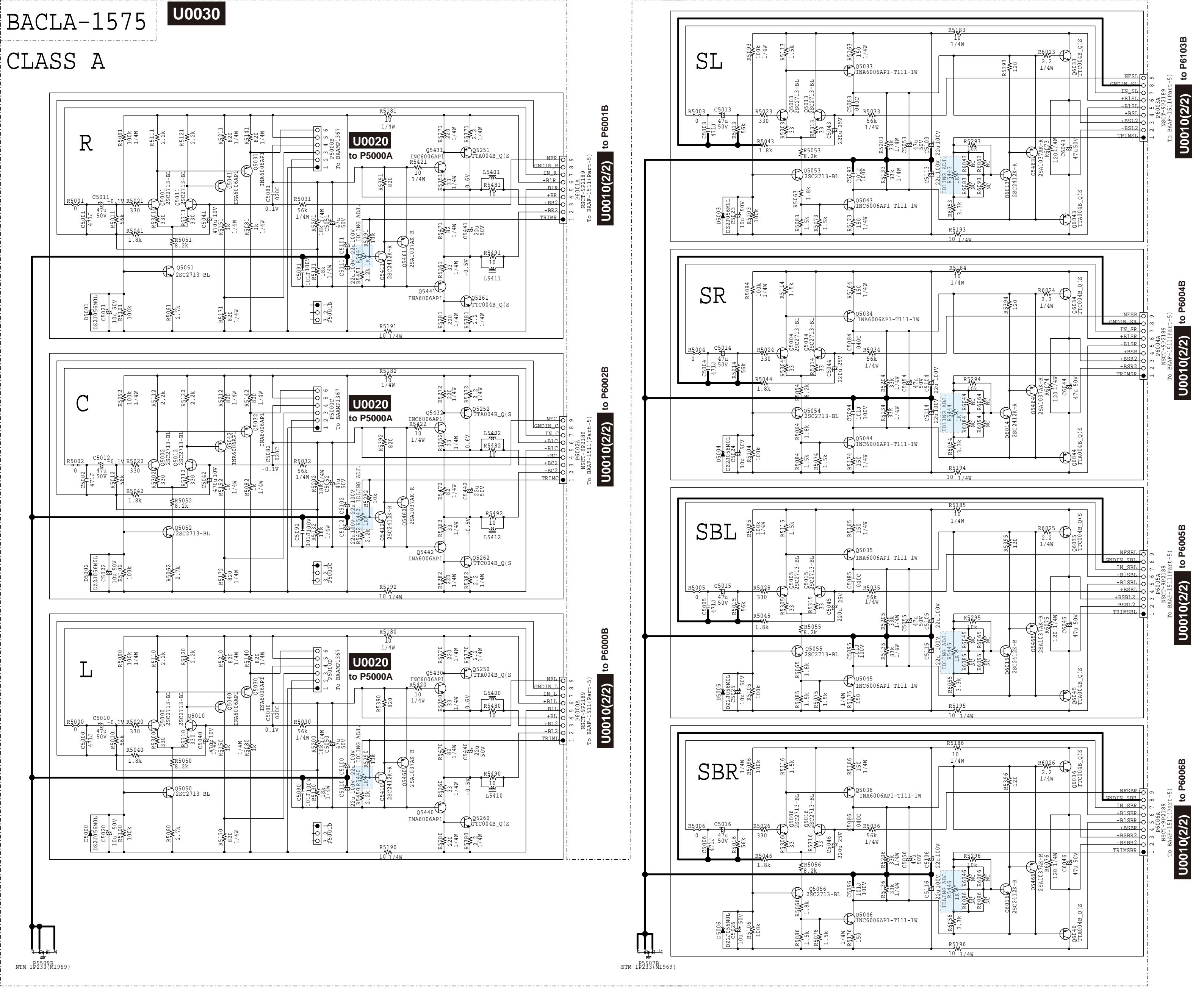
Table: Y F6401 F6402
T5 10A/125V
T6/D3 12A/125V

U0042 to P603B

U0042 to P606B

SCHEMATIC DIAGRAMS-06
AMP(CLASS-A) SECTION

MODEL NO. TX-NR636/DTR-30.6/HT-RC660 SCHEMATIC DIAGRAM(PART-6) AMP SECTION



BACLA-1575
CLASS A

U0030

R

U0020
to P5000A

C

U0020
to P5000A

L

U0020
to P5000A

SL

SR

SBL

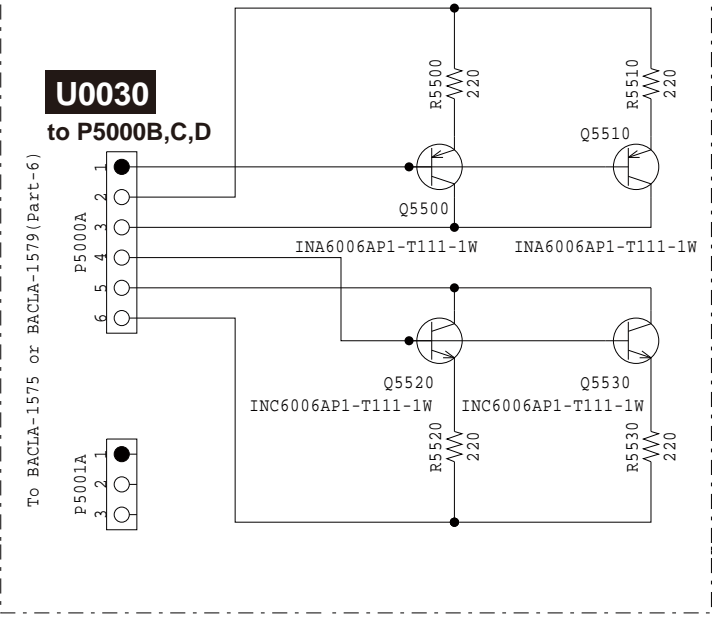
SBR

MODEL NO. TX-NR636/737/838, DTR-30.6/40.6/50.6,
HT-RC660 (PART-20)
Schematic Diagram AMP Section

BAAMP-1367

U0020

U0030
to P5000B,C,D



U0010(2/2) to P6103B

U0010(2/2) to P6004B

U0010(2/2) to P6005B

U0010(2/2) to P6006B

1
2
3
4
5
6
7
8

SCHEMATIC DIAGRAMS-07
DG(DAC FILTER) SECTION

MODEL NO. TX-NR636/737

SCHEMATIC DIAGRAM(PART-7)DG SECTION

to P8003B
U0080(6/11) HDMI

to P8002B
U0080(6/11) HDMI

TO BAHDM-1564 (PART-19):TX-NR636/737

TO BAHDM-1564 (PART-19):TX-NR636/737

1

2

3

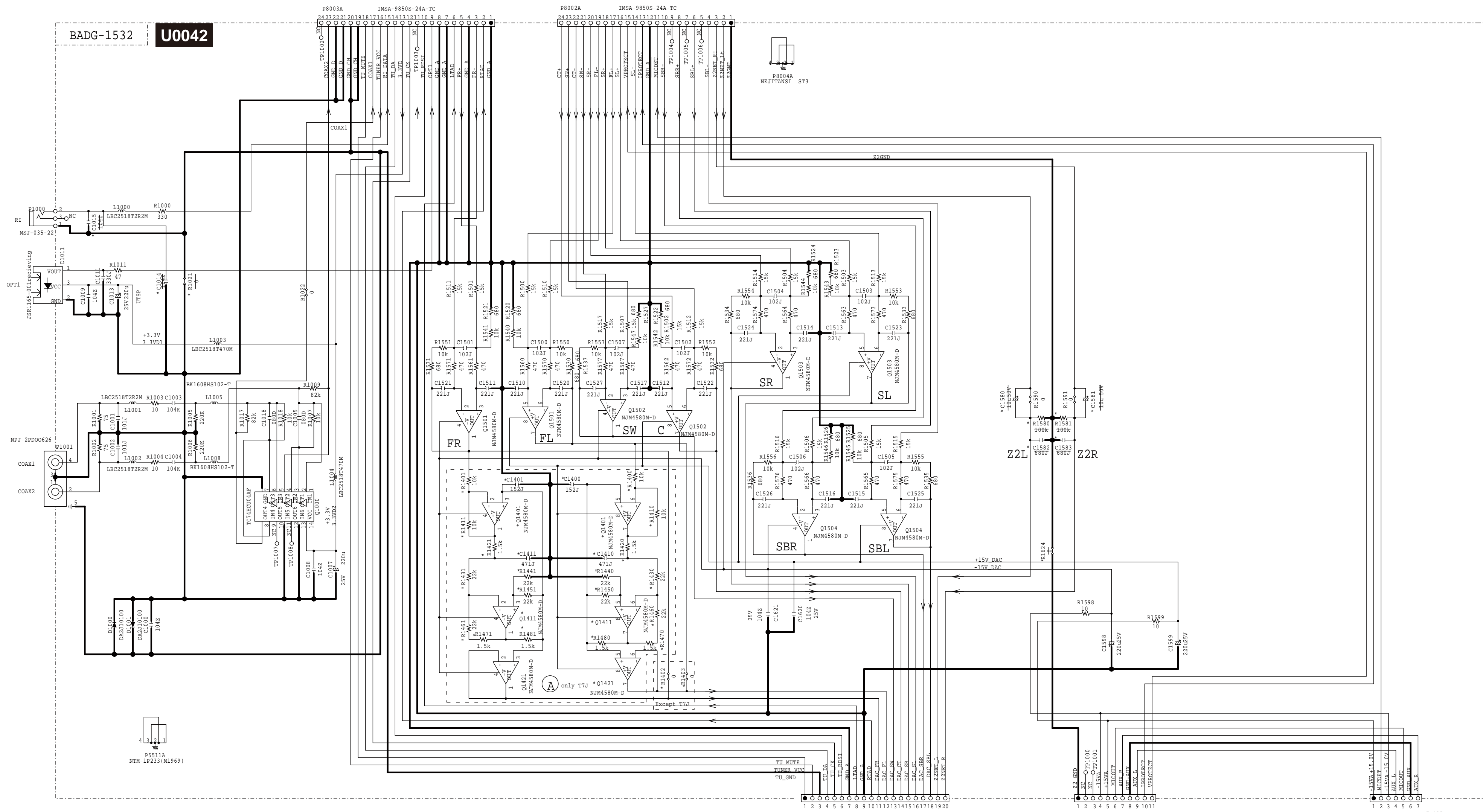
4

5

6

7

8



ASP
U0010(1/2) to P5502B

ASP
U0010(1/2) to P5503B

DISPLAY
U0040 to P703A

P5502A NSCT-20P2200
TO BAAF-1511 (PART-4):TX-NR636
TO BAAF-1517 (PART-4):TX-NR737

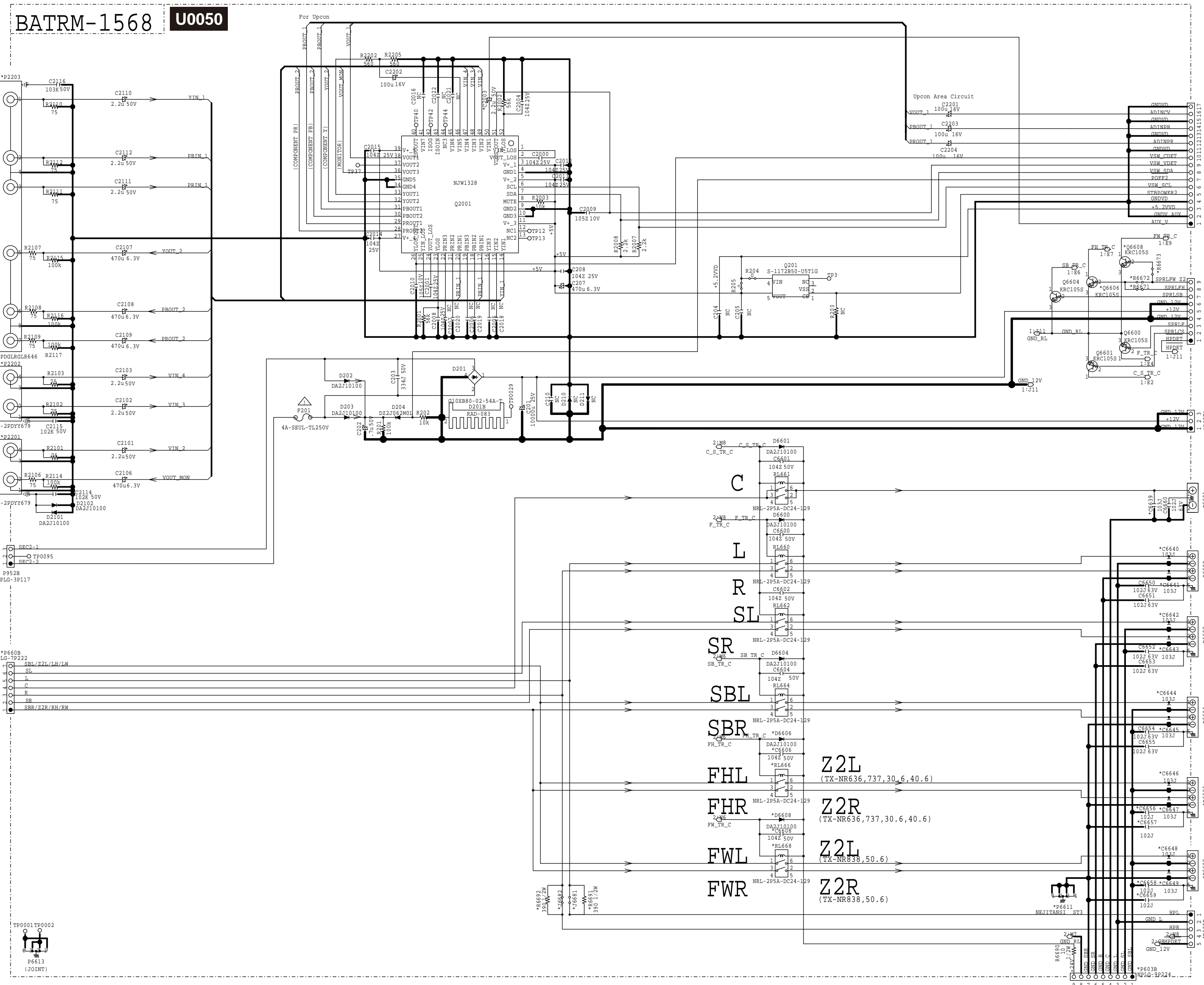
P5503A NSCT-11P2191
TO BAAF-1511 (PART-4):TX-NR636
TO BAAF-1517 (PART-4):TX-NR737

P7033 NPLG-7P135
FROM BADI5-1530 (PART-10):TX-NR636/737

SCHEMATIC DIAGRAMS-08
TERMINAL(VIDEO/SPEAKER) SECTION

MODEL No. TX-NR636/737/838, DTR-30.6/40.6/50.6/HT-RC660 SCHEMATIC DIAGRAM(Part-8) VIDEO SECTION

1
2
3
4
5
6
7
8



BATRM-1568 U0050

COMPONENT

COMPOSITE

T901

U0010(2/2)

TO AMP (PART-5)

FROM TRANS

TP0001 TP0002

P6613 (JOINT)

(PART-14)

(PART-15)

(PART-12)

(PART-13)

(PART-14)

(PART-15)

(PART-16)

(PART-17)

TO BAHDM-1564

TO BAHDM-1545

TO BAAR-1539 (DTR-30.6,40.6)

TO BAAP-1545 (TX-NR838)

TO BAAR-1554 (DTR-50.6)

TO RS-232C/12VTRG/IR

TO P607B

TO P605A

BAAP-1511(TX-NR636, DTR-30.6)
BAAP-1511/1517(TX-NR737/838, DTR-40.6/50.6)

U0010(2/2) to P603A

U0044

U0044

U0047

U0044

SCHEMATIC DIAGRAMS-09
DISPLAY SECTION

MODEL NO. TX-NR636/737 SCHEMATIC DIAGRAM (PART-10) DISPLAY SECTION

1
2
3
4
5
6
7
8

BADIS-1530

U0040

DISPLAY

*Reference No. Allocation:7500-7999

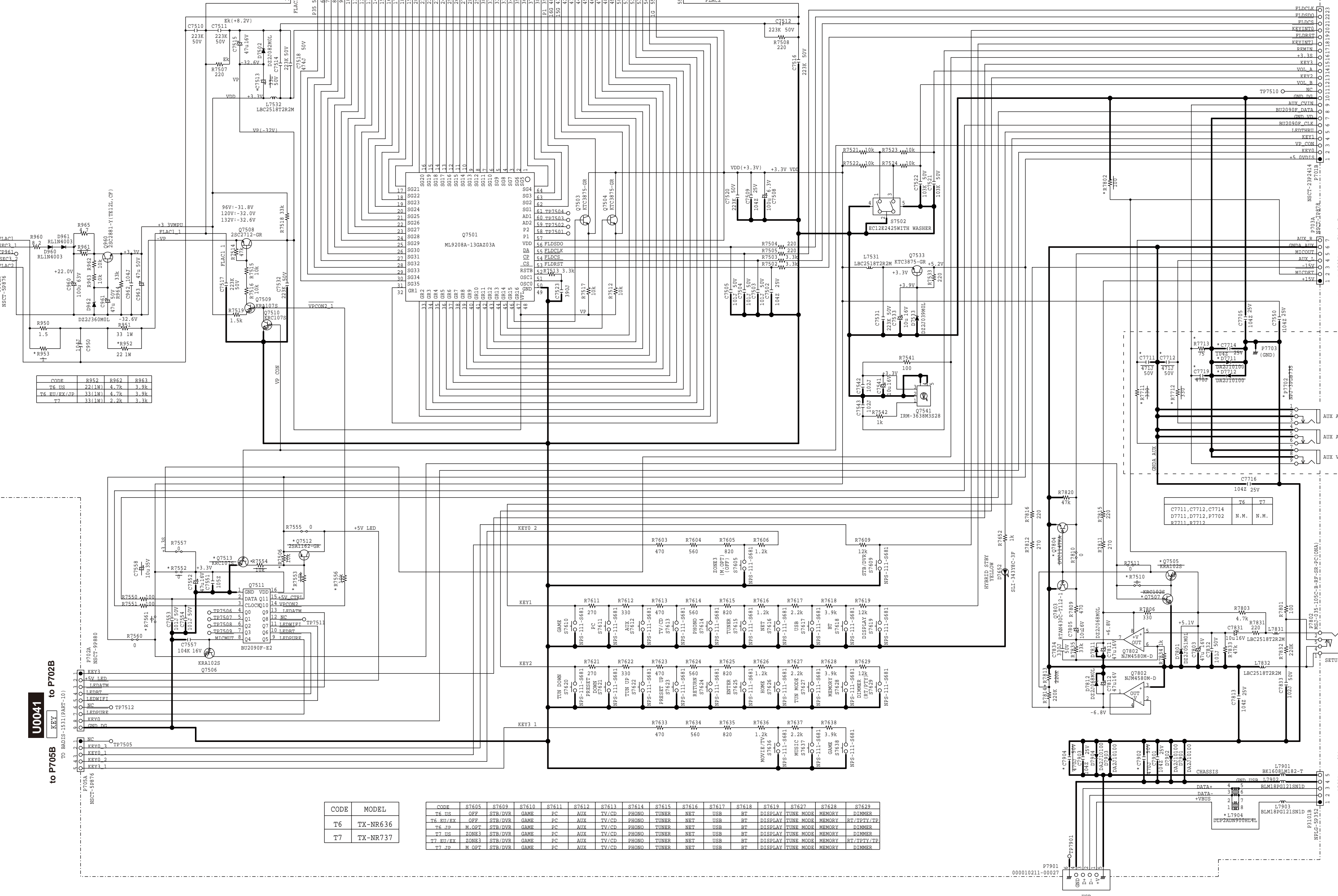
U0045

POWER TRANS FROM RMT-1531(PART-10) to P951B FROM RMT-1531(PART-10) to P951B

HDMI to P701A U0080(1/11)

HDMI to P703B U0042

HDMI to P3101A U0080(6/11)



CODE R952 R953 R954
T6 US 22(1W) 4.7K 3.9K
T6 EU/EX/JP 33(1W) 4.7K 3.9K
T7 33(1W) 2.2K 3.3K

CODE MODEL
T6 TX-NR636
T7 TX-NR737

CODE	S7605	S7609	S7610	S7611	S7612	S7613	S7614	S7615	S7616	S7617	S7618	S7619	S7620	S7621	S7622
T6 US	OFF	STR/DVR	GAME	FC	AUX	TV/CD	PHONO	TUNER	NET	USB	BT	DISPLAY	TUNE MODE	MEMORY	DIMMER
T6 EU/EX/JP	OFF	STR/DVR	GAME	FC	AUX	TV/CD	PHONO	TUNER	NET	USB	BT	DISPLAY	TUNE MODE	MEMORY	RT/PTY/TP
T7 US	M.OPT	STR/DVR	GAME	FC	AUX	TV/CD	PHONO	TUNER	NET	USB	BT	DISPLAY	TUNE MODE	MEMORY	DIMMER
T7 EU/EX/JP	ZONE3	STR/DVR	GAME	FC	AUX	TV/CD	PHONO	TUNER	NET	USB	BT	DISPLAY	TUNE MODE	MEMORY	RT/PTY/TP
T7 JP	M.OPT	STR/DVR	GAME	FC	AUX	TV/CD	PHONO	TUNER	NET	USB	BT	DISPLAY	TUNE MODE	MEMORY	DIMMER

TO BADIS-1531(PART-14) T6, T7

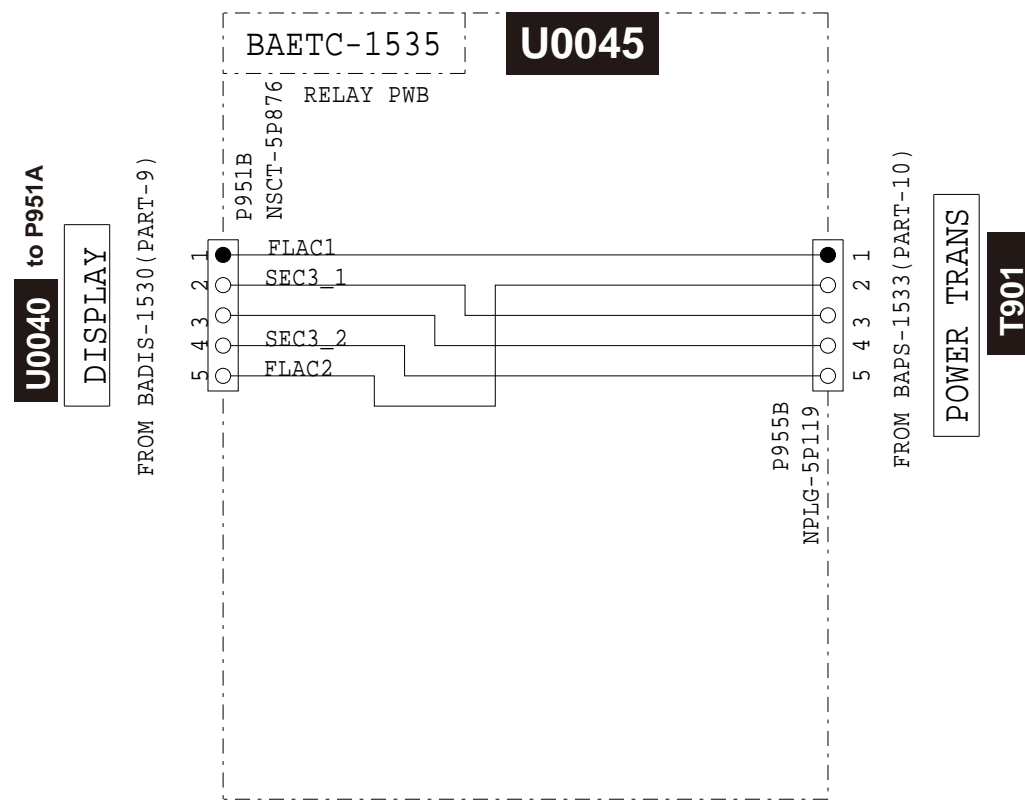
TO BADIS-1532(PART-17) T6, T7

FROM BADIS-1564(PART-21)

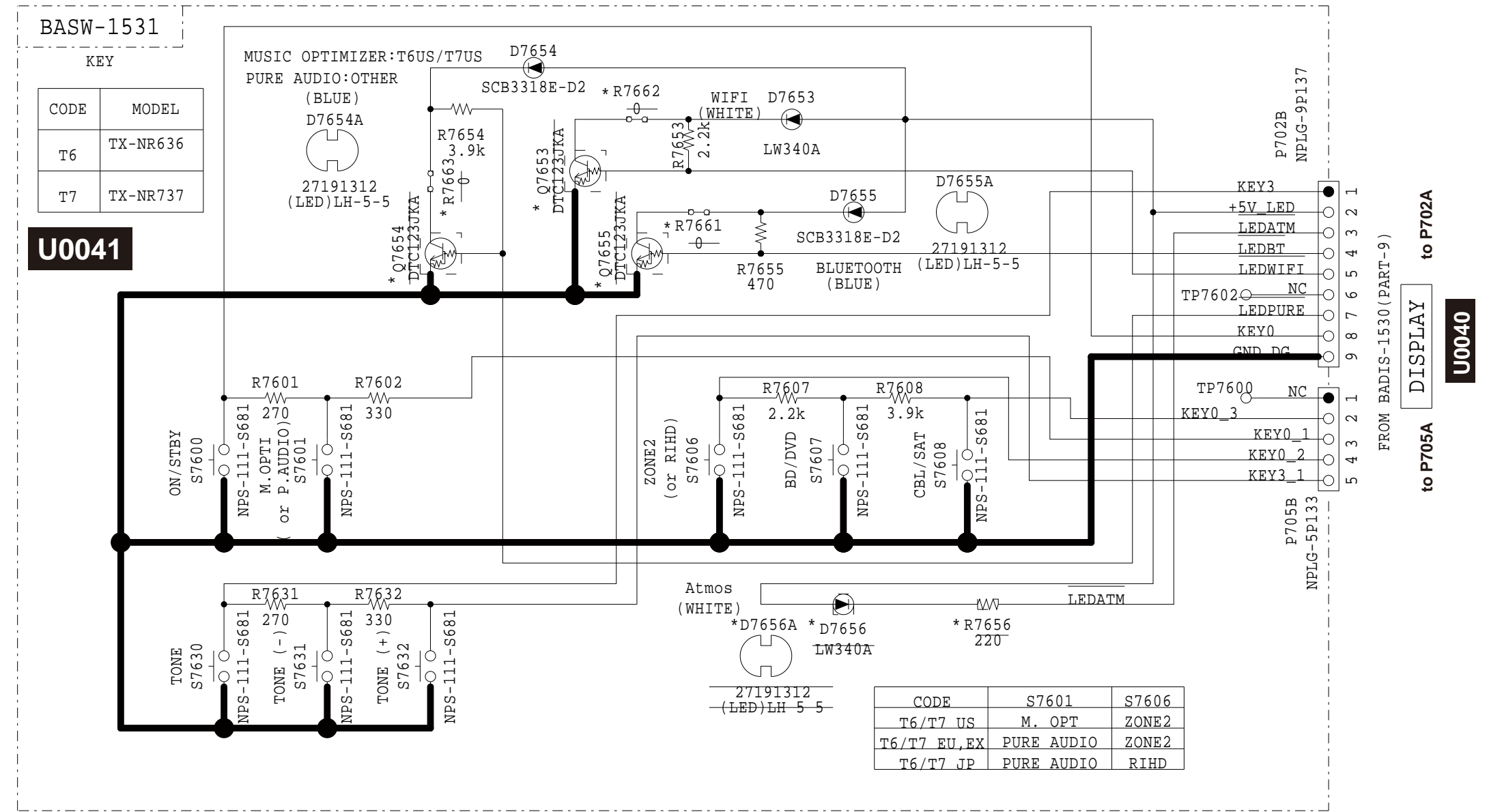
FROM BADIS-1564(PART-21)

A B C D E F G H I J K
SCHEMATIC DIAGRAMS-10
DISPLAY(PHONE/ LED) SECTION

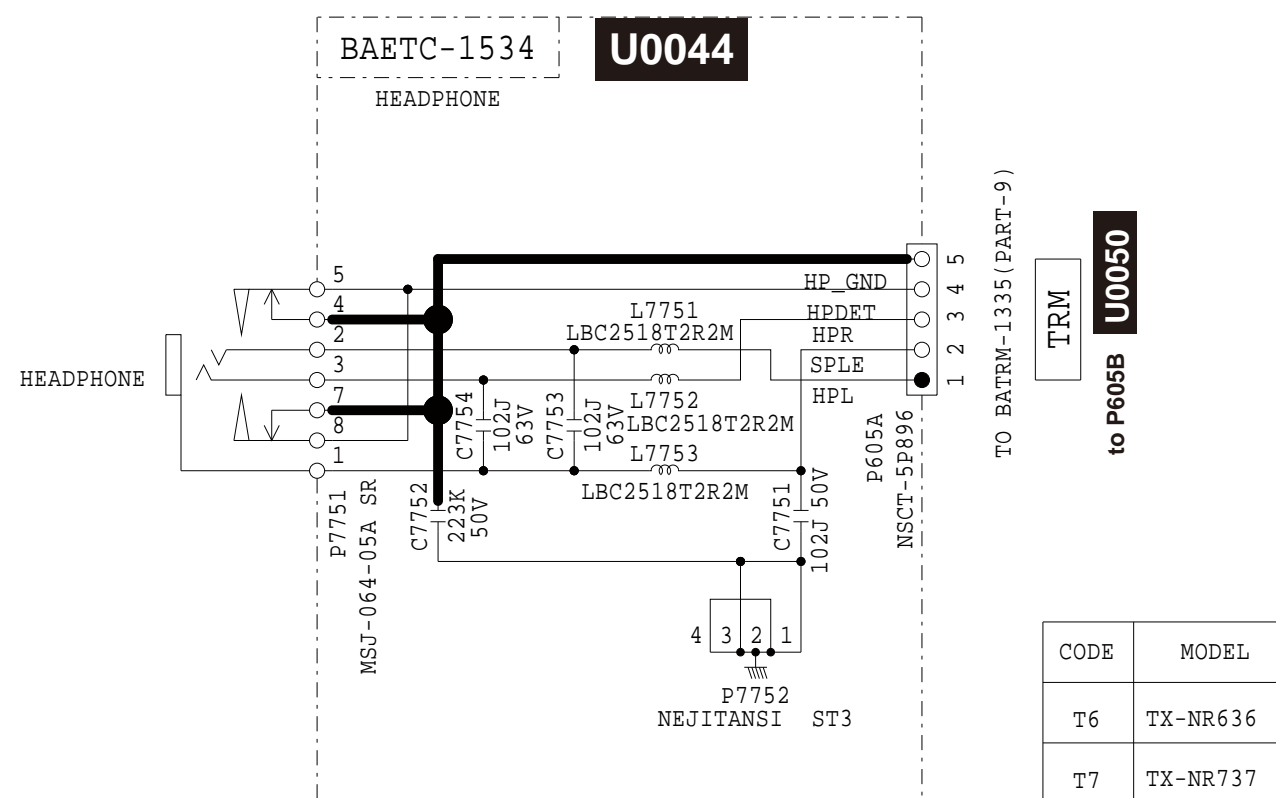
MODEL NO. TX-NR636/737 SCHEMATIC DIAGRAM
 (PART-9) DISPLAY SECTION



MODEL NO. TX-NR636/737 SCHEMATIC DIAGRAM
 (PART-9) DISPLAY SECTION



MODEL NO. TX-NR636/737 SCHEMATIC DIAGRAM
 (PART-10) DISPLAY SECTION



CODE	MODEL
T6	TX-NR636
T7	TX-NR737

SCHEMATIC DIAGRAMS-11
POWER SUPPLY(PRI) SECTION

MODEL NO. TX-NR535/636/737/838, DTR-30.6/40.6/50.6 SCHEMATIC DIAGRAM (PART-11) PS SECTION

THE COMPONENTS IDENTIFIED MARK Δ ARE CRITICAL FOR SAFETY, REPLACE ONLY WITH PART NUMBER SPECIFIED.
VOLTAGE (MEASURED WITH VOLTMETER) IS DC VOLTAGE. (NO INPUT SIGNAL)
ELECTRLYTIC CAPACITORS (∇) ARE IN μ F/WV.
ALL CAPACITORS ARE IN pF/50WV UNLESS OTHERWISE NOTED.
EX) 030 -> 3pF, 330 -> 33pF, 331 -> 330pF, 333 -> 0.033 μ F
CIRCUIT IS SUBJECT TO CHANGE FOR IMPROVEMENT.

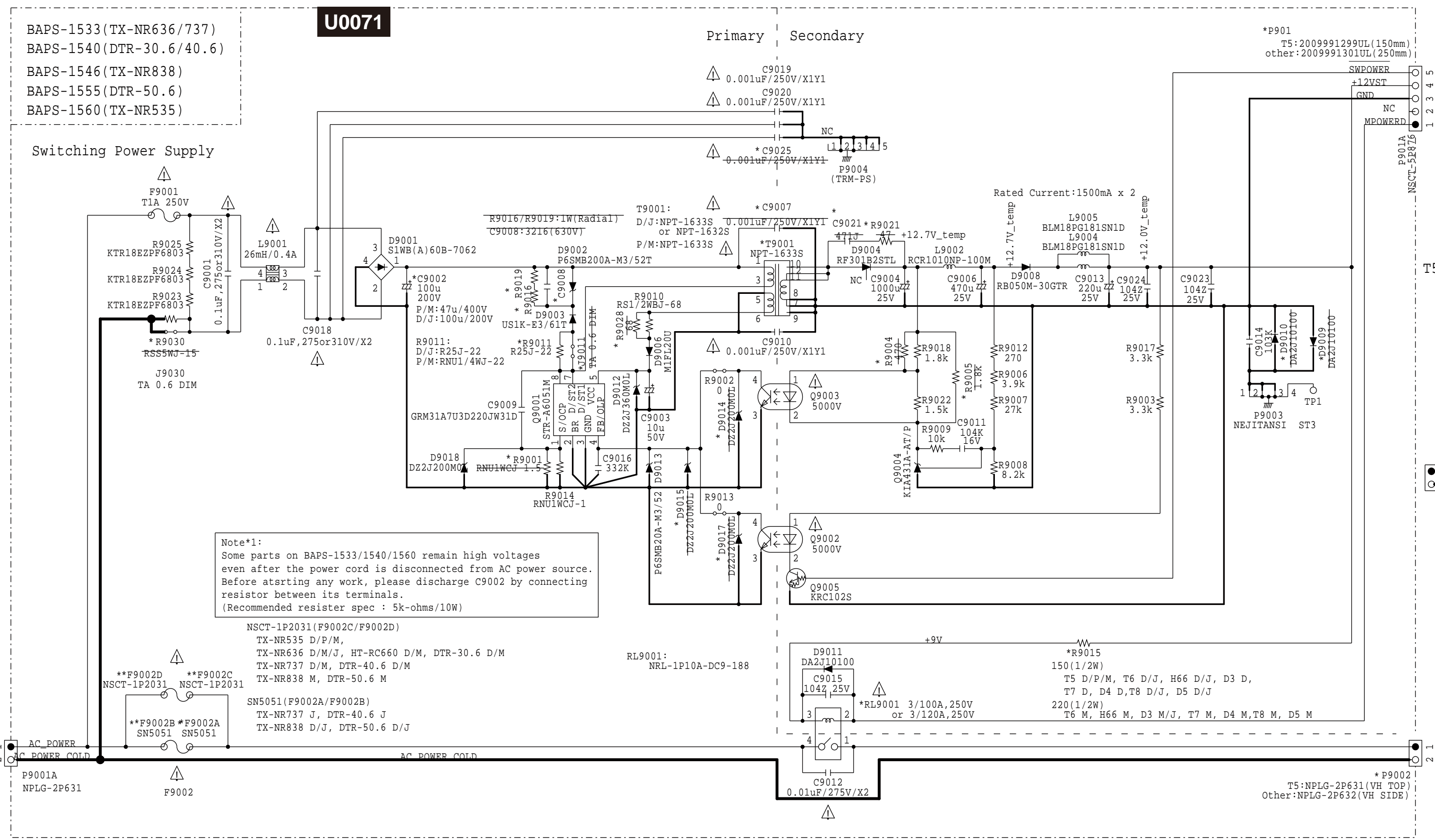
CAUTION
FOR CONTINUED PROTECTION AGAINST FIRE HAZARD,
REPLACE ONLY WITH FUSE OF SAME TYPE AND RATING INDICATED.

ATTENTION
AFIN D'ASSURER UNE PROTECTION PERMANENTE CONTRE LES RISQUES D'INCENDIE,
REPLACER UNIQUEMENT PAR UN FUSIBLE DE MEME TYPE ET CALIBRATION COMME INDIQUE.

THIS SYMBOL LOCATED NEAR THE FUSE INDICATES THAT THE FUSE USED IS SLOW OPERATING TYPE
FOR CONTINUED PROTECTION AGAINST FIRE FUSE HAZARD, REPLACE WITH SAME TYPE FUSE.
RATING REFER TO THE MAKING ADJACENT TO THE SYMBOL.

CE SYMBOLE INDIQUE QUE LE FUSIBLE UTILISE EST A LENT, E POUR UNEPROTECTION PERMANENT,
N'UTILISER QUE DES FUSIBLES DE MEME TYPE.
CE DARNIER EST INDIQUE LA QU LE PRESENT SYMBOL EST APPOSE.

Δ 印は火災、感電の危険に関与する部品の為、必ず指定部品を使用の事。
電圧表示は無信号時に測定した直流電圧を示す。
記入なき電解コンデンサの単位は μ F/WVである。
記入なきコンデンサの単位はpF/50WVである。
例) 030 -> 3pF, 330 -> 33pF, 331 -> 330pF, 333 -> 0.033 μ F
本配線図は基本配線図につき性能改善等により予告なく変更する事がある。



Note*1:
Some parts on BAPS-1533/1540/1560 remain high voltages
even after the power cord is disconnected from AC power source.
Before atsrting any work, please discharge C9002 by connecting
resistor between its terminals.
(Recommended resistor spec : 5k-ohms/10W)

CODE	MODEL
T5	TX-NR535
T6	TX-NR636
T7	TX-NR737
T8	TX-NR838
H66	HT-RC660
D3	DTR-30.6
D4	DTR-40.6
D5	DTR-50.6

TYPE	AC
D	120Vac/60Hz
P	230Vac/50Hz
M	220-240Vac/50-60Hz
J	100Vac/50-60Hz

F9002 Rating of Fuse				
F9002E SN of Fuse Label				
TYPE	T5	T6/D3/H66	T7/D4	T8/D5
D	8A 125V 29360842	10A 125V	10A 125V	12A 250V
P	T4AL250V 29361732A	---	---	---
M	T4AL250V 29361938	T5AL250V 29361938	T5AL250V 29361938	T6.3AL250V 29361681
J	---	12A 125V 29392136	12A 125V 29392136	15A 125V 29362252

T901 Rating				
TYPE	T5	T6/D3/H66	T7/D4	T8/D5
D	NPT-1639D	NPT-1640D	NPT-1641D	NPT-1642D
P	NPT-1639P	---	---	---
M	NPT-1639M	NPT-1640M	NPT-1641M	NPT-1642M
J	---	NPT-1640J	NPT-1641J	NPT-1642J

TO BAHDM-1563 (PART-14) :T5
TO BAHDM-1564 (PART-14) :T6, T7, T8, D3, D4, D5

HDMI BOARD
U0080(1/5)
to P901B

P-TRANS(T901)
T5, T6, T7, T8, D3, D4, D5

U0044 to P955B
U0045 to P955B
U0045 to P951B
U0048 to P961B
U0046 to P961B

TO BAAF-1511(PART-5) TO BATERM-1526(PART-8)
T5, T6, D3

TO BAAF-1517(PART-5) TO BATERM-1335(PART-8)
T6, T7, 8, D3, D4, D5

VIDEO
U0042 to P952B

AMP
U0010(2/2) to P6201

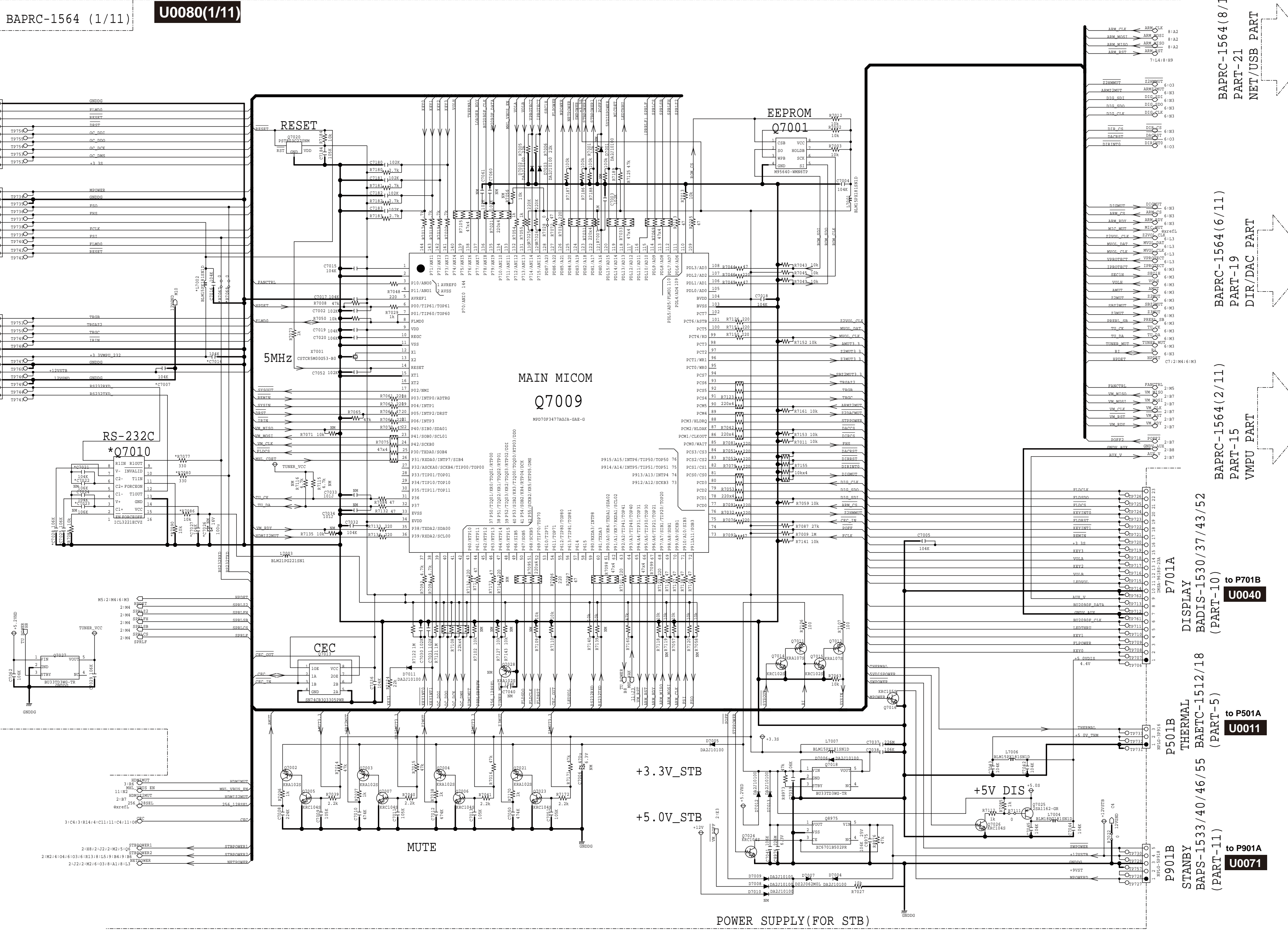
TX-NR636, TX-NR737 J
TX-NR828
DTR-30.6, DTR-40.6, DR-50.6

SCHEMATIC DIAGRAMS-12
PRC(MPU) SECTION

SCHEMATIC DIAGRAM (PART-14) MPU SECTION

MODEL NO. TX-NR636/NR737/NR838/DTR-30.6/40.6/50.6/HT-RC660

1
2
3
4
5
6
7
8



BAPRC-1564 (1/11)

U0080(1/11)

F/W
MAIN_J-TAG
P752A

F/W
MAIN_UPG
P751A

RS232/12VTRG
BAAR-1539 (PART-11)
*P7050B

RS-232C
*Q7010

MAIN MICOM
Q7009

EEPROM
Q7001

RESET

5MHz

CEC

MUTE

+3.3V_STB

+5.0V_STB

POWER SUPPLY(FOR STB)

BAPRC-1564 (8/11)
PART-21
NET/USB PART

BAPRC-1564 (6/11)
PART-19
DIR/DAC PART

BAPRC-1564 (2/11)
PART-15
VMPU PART

P701A
DISPLAY
BADIS-1530/37/43/52
(PART-10)
to P701B
U0040

P501B
THERMAL
BAETC-1512/18
(PART-5)
to P501A
U0011

P901B
STANBY
BAPS-1533/40/46/55
(PART-11)
to P901A
U0071

SCHEMATIC DIAGRAMS-13
PRC(VMPU/ PS) SECTION

MODEL NO. TX-NR636/NR737/NR838/DTR-30.6/40.6/50.6/HT-RC660

SCHEMATIC DIAGRAM (PART-15) VMPU/POWER SUPPLY SECTION

BAPRC-1564 (2/11)

U0080(2/11)

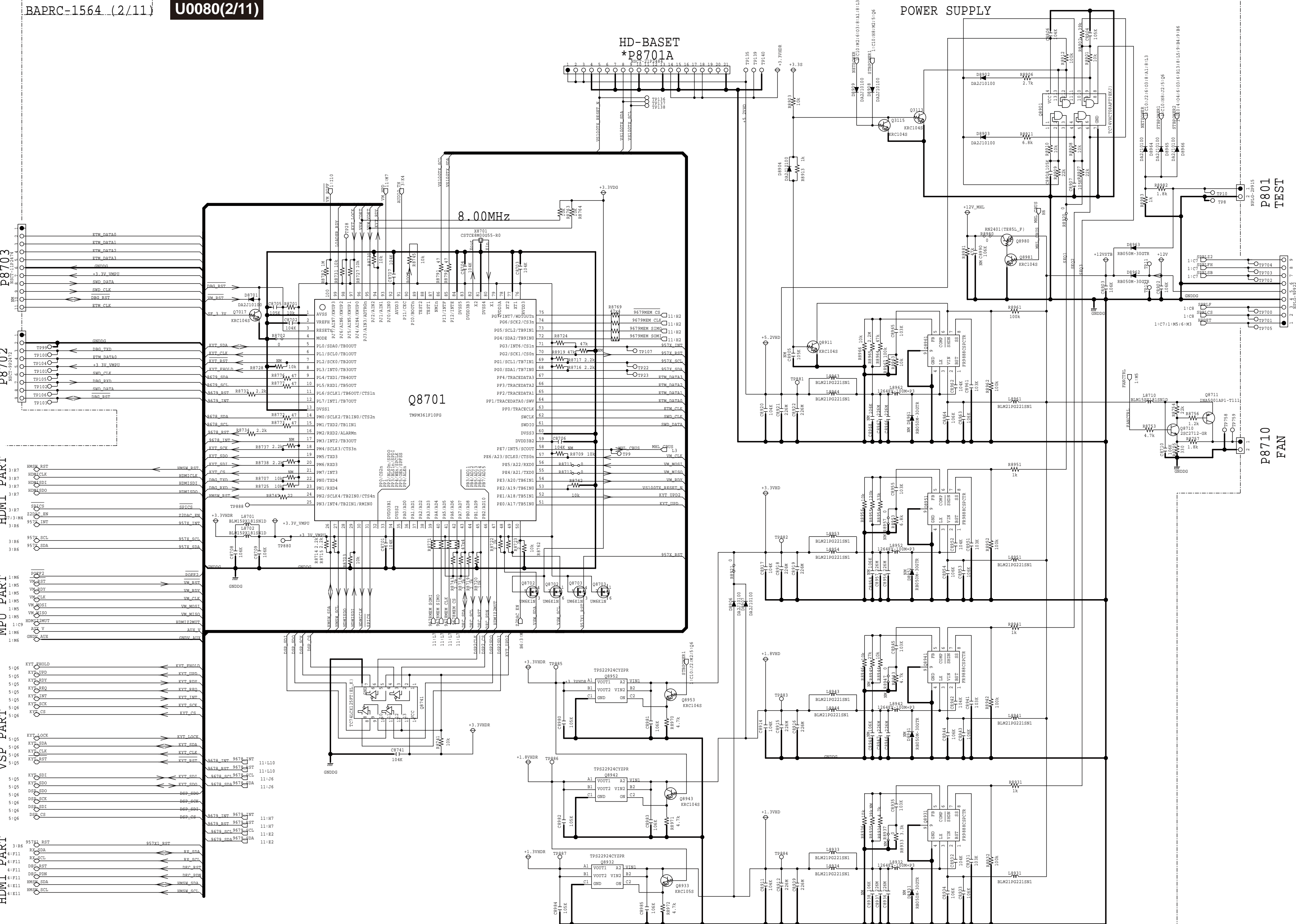
HD-BASET
*P8701A

POWER SUPPLY

1
2
3
4
5
6
7
8

BAPRC-1564(4/11) PART-17
BAPRC-1564(5/11) PART-18
BAPRC-1564(1/11) PART-14
BAPRC-1564(3/11) PART-16

HDMI PART
VSP PART
MPU PART
HDMI PART



P801 TEST
P801A TERMINAL
BATR-1568 (PART-9)
U0050

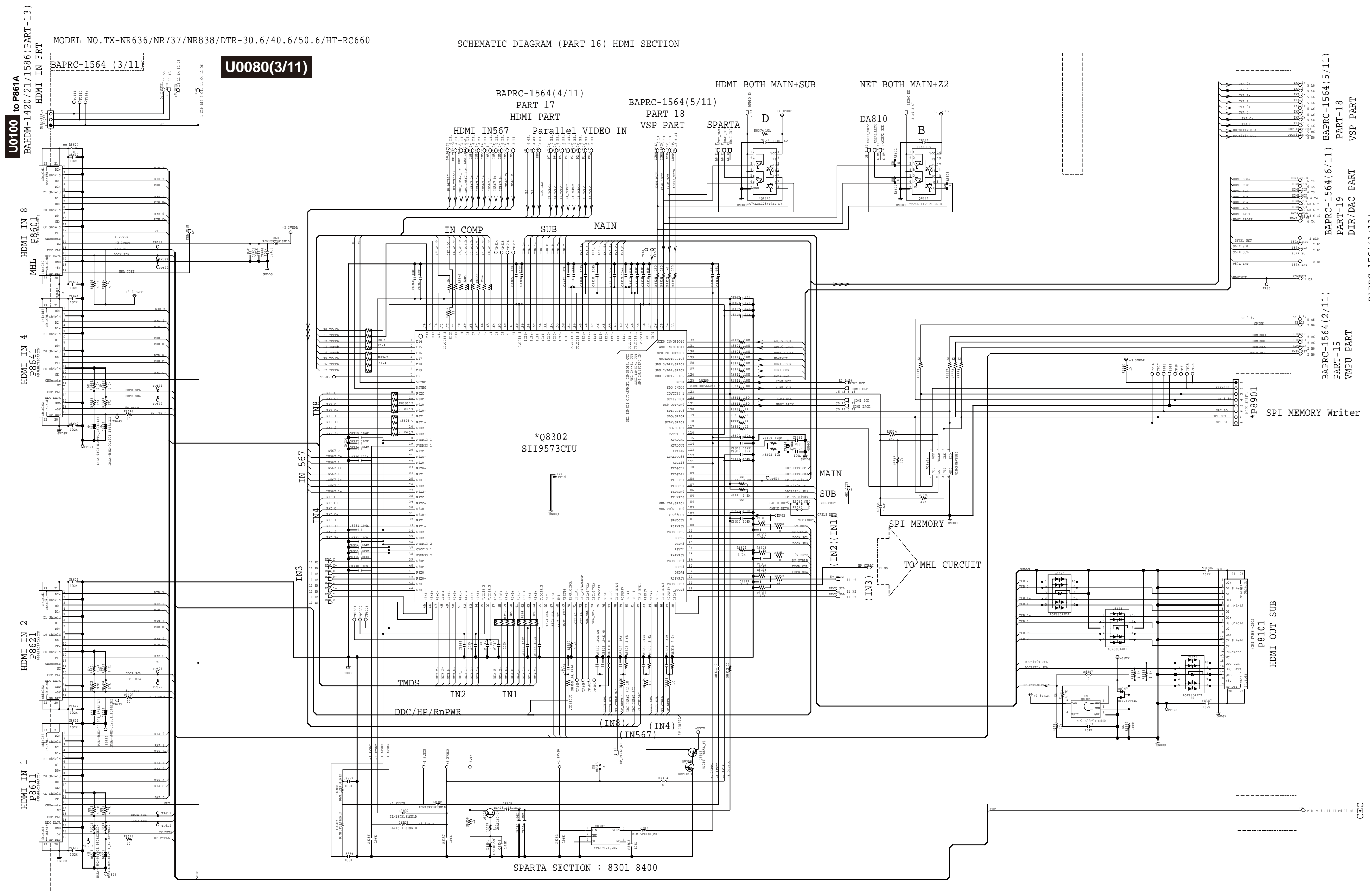
P8710 FAN

SCHEMATIC DIAGRAMS-14
PRC(HDMI IN/OUT) SECTION

MODEL NO. TX-NR636/NR737/NR838/DTR-30.6/40.6/50.6/HT-RC660

SCHEMATIC DIAGRAM (PART-16) HDMI SECTION

1
2
3
4
5
6
7
8



BAPRC-1564(3/11)
BAPRC-1564(4/11) PART-17 HDMI PART
BAPRC-1564(5/11) PART-18 VSP PART
BAPRC-1564(6/11) PART-19 DIR/DAC PART
BAPRC-1564(2/11) PART-15 VMPU PART
BAPRC-1564(1/11) PART-14 MPU PART

CEC

SCHEMATIC DIAGRAMS-15
PRC(HDMI IN) SECTION

MODEL NO. TX-NR636/NR737/NR838/DTR-30.6/40.6/50.6/HT-RC660

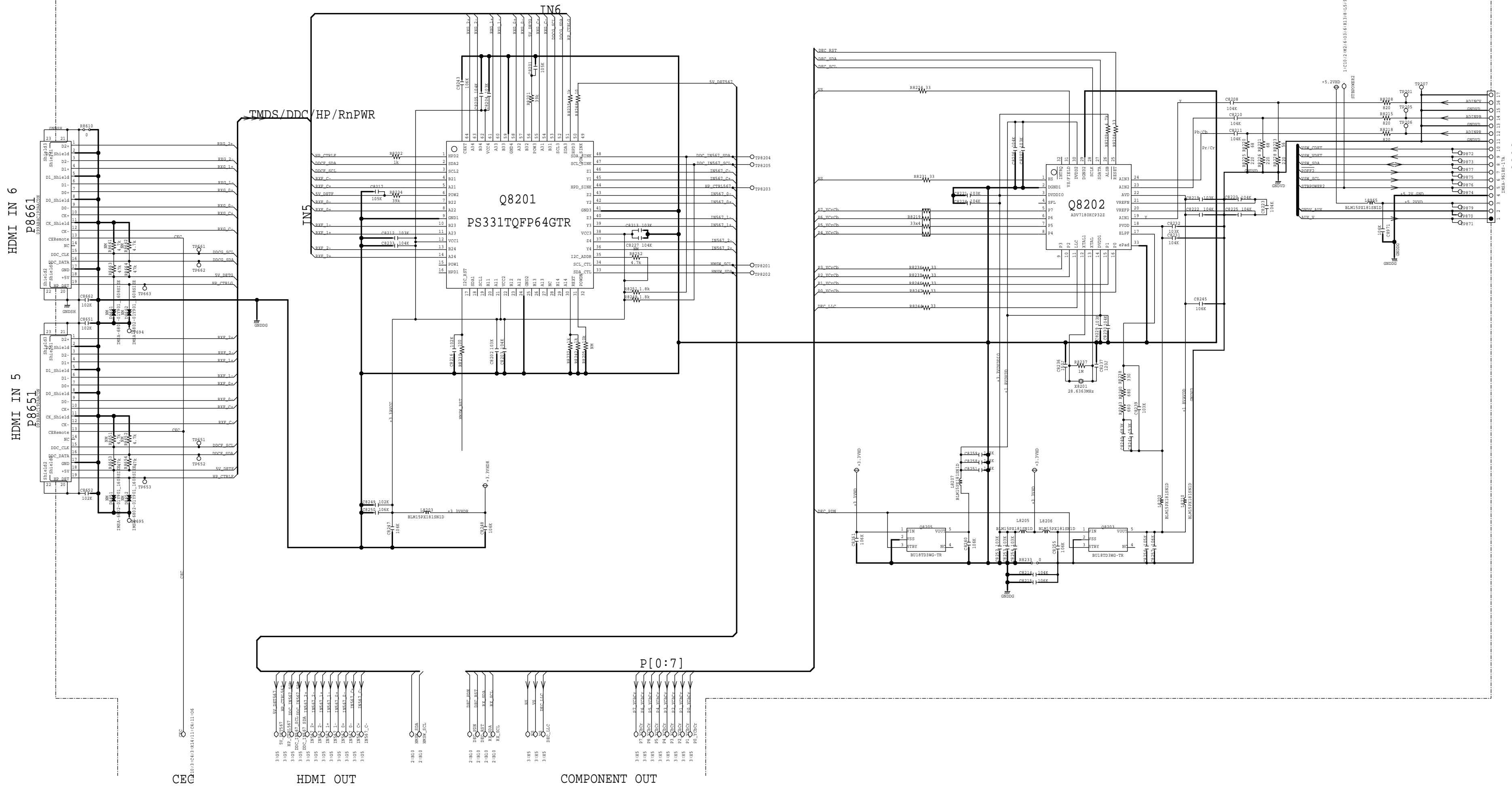
SCHEMATIC DIAGRAM (PART-17) HDMI INPUT SWITCH SECTION

BAPRC-1564 (4/11)

U0080(4/11)

HDMI SW IN5-IN6

SD Video Decoder



CEC

HDMI OUT
BAPRC-1564(3/11) PART-16 HDMI PART

COMPONENT OUT
BAPRC-1564(2/11) PART-15 VMPU PART

COMPONENT OUT
BAPRC-1564(3/11) PART-16 HDMI PART

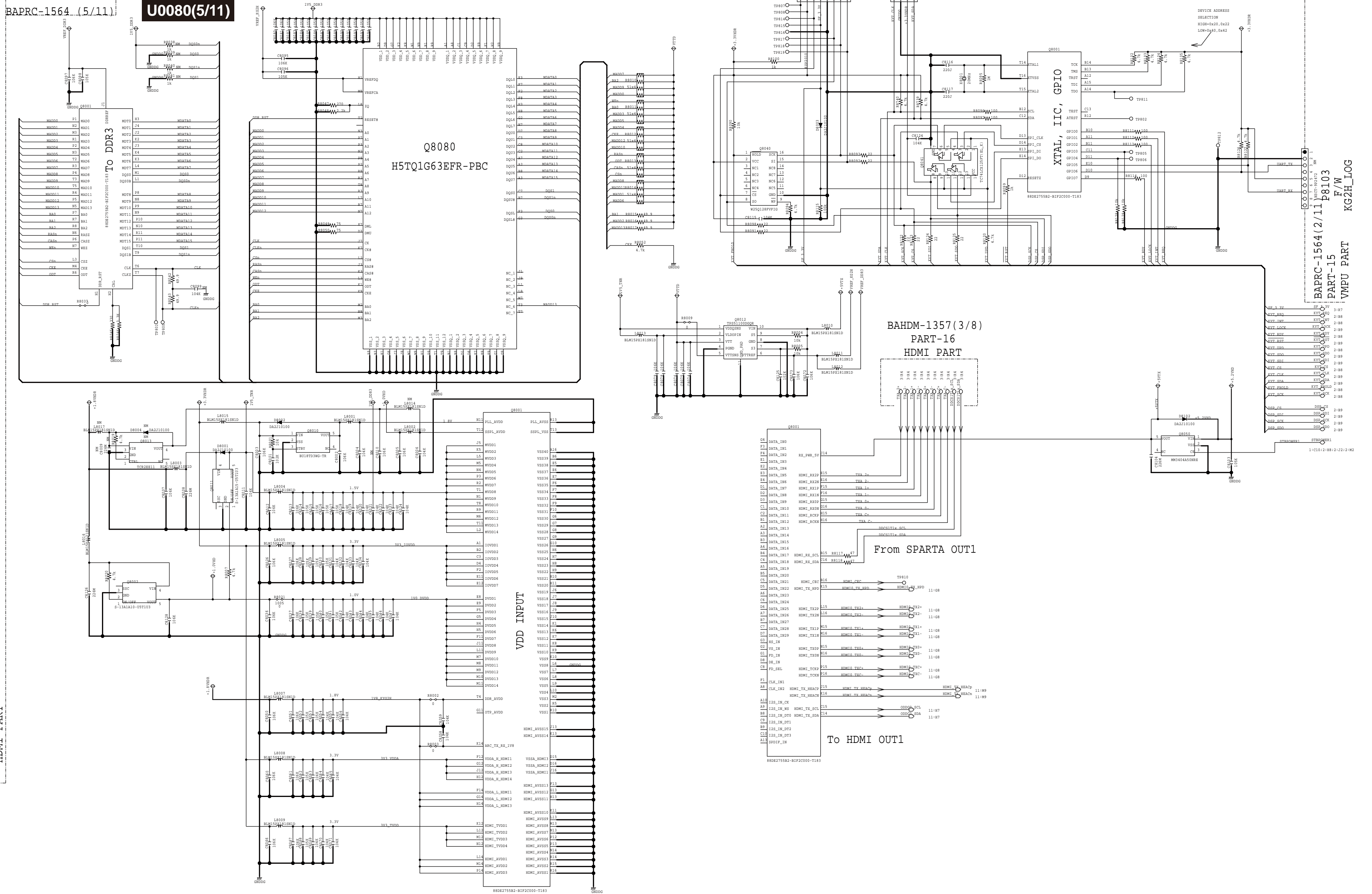
P2800B
COMPONENT UPCONVERSION
BAPRC-1568 (PART-9)
TRM to P2800A
U0050

SCHMATIC DIAGRAMS-16
PRC(VSP) SECTION

MODEL NO. TX-NR636/NR737/NR838/DTR-30.6/40.6/50.6/HT-RC660

SCHEMATIC DIAGRAM (PART-18) VIDEO PROCESSOR SECTION

SPIFLASH_UPG PIN_HEADER
P8104 P8031



BAPRC-1564(3/11)
PART-16
HDMI PART

BAPRC-1564(2/11)
PART-15
VMPU PART

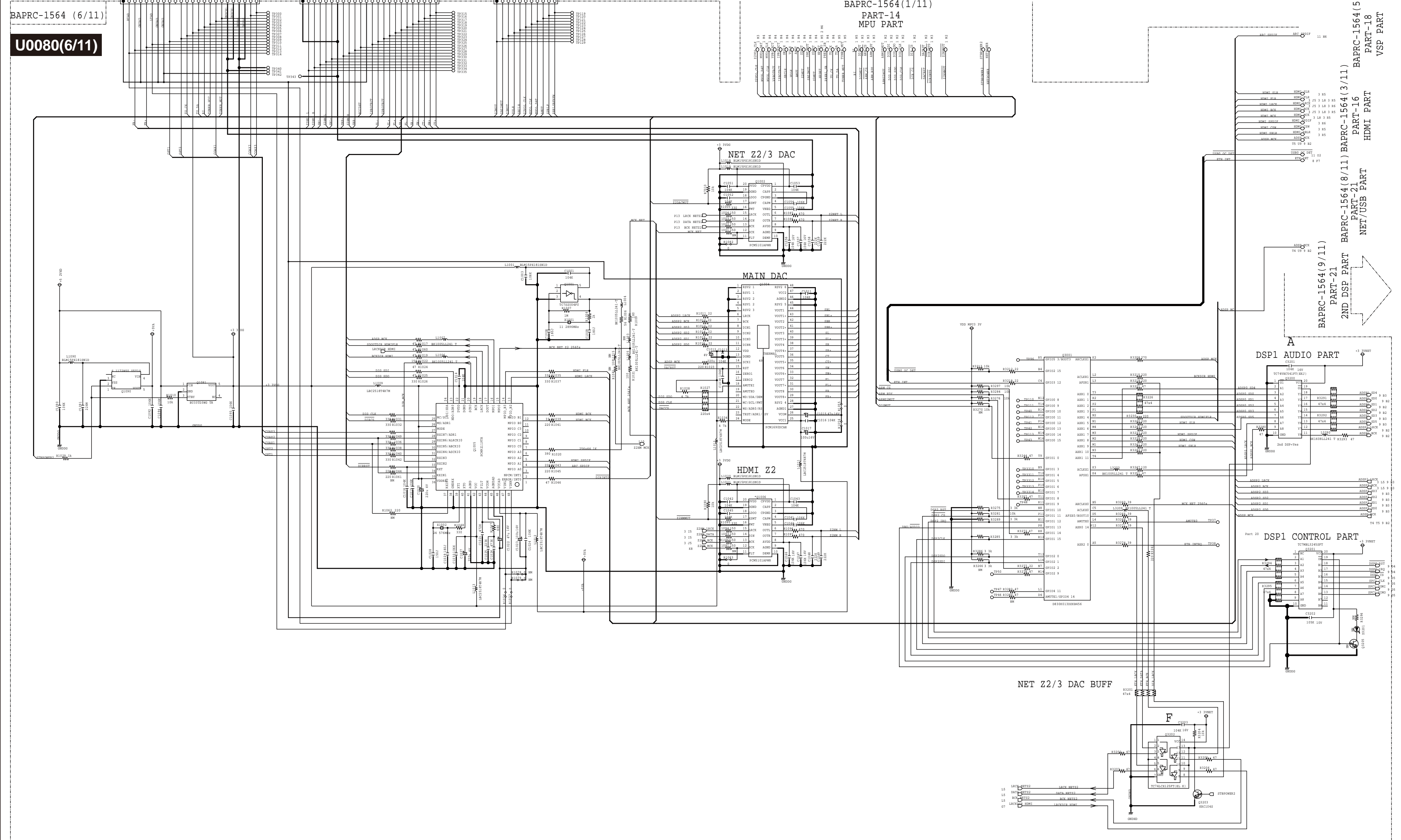
F/W
KG2H_LOG

TO DIR/DAC SECTION
(PART-19)
BAPRC-1564(6/11)

SCHMATIC DIAGRAMS-17
PRC(DSP/DIR/DAC) SECTION

MODEL NO. TX-NR636/NR737/NR838/DTR-30.6/40.6/50.6/HT-RC660 SCHEMATIC DIAGRAM (PART-19) DSP/DIR/DAC SECTION

TX-NR636/737 to P8003A U0042 BADG-1532/62(PART-7) U0042 BADG-1532/62(PART-7) BAAF-1511(PART-6)/1517(PART-7) to P5504B
TX-NR838/ DTR-30.6/40.6/50.6 U0070 DIGITAL IN P8003B U0070 DIGITAL IN P8002B DIGITAL IN P5504A U0010(1/2)



1
2
3
4
5
6
7
8

BAPRC-1564(6/11)
U0080(6/11)
BAPRC-1564(1/11)
PART-14 MPU PART
BAPRC-1564(3/11)
PART-16
HDMI PART
BAPRC-1564(5/11)
PART-18
VSP PART
BAPRC-1564(8/11)
PART-21
NET/USB PART
BAPRC-1564(9/11)
PART-21
2ND DSP PART

NET Z2/3 DAC BUFF

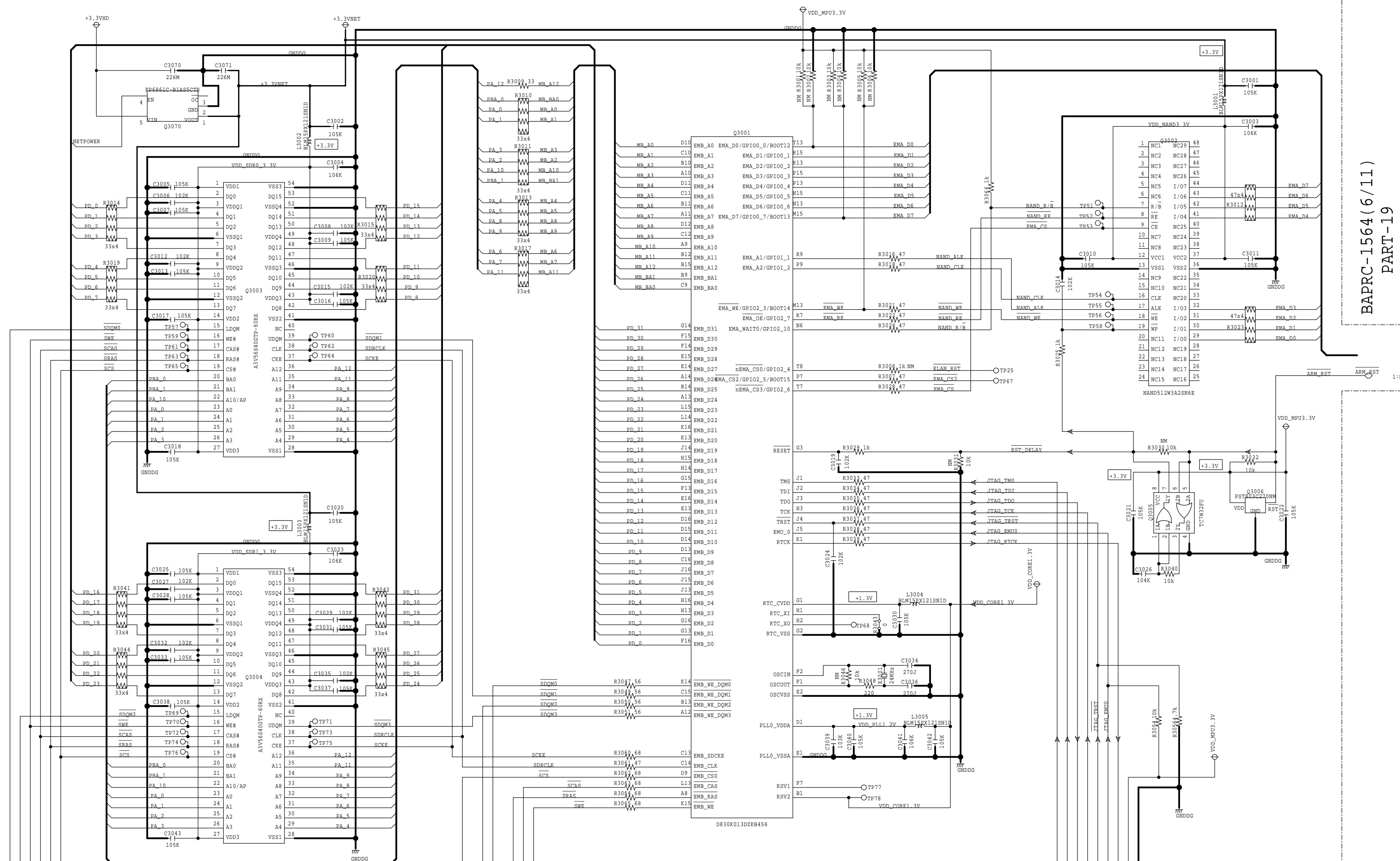
DSP1 AUDIO PART

DSP1 CONTROL PART

SCHEMATIC DIAGRAMS-18
PRC(DSP MEMORY) SECTION

MODEL NO. TX-NR636/NR737/NR838/DTR-30.6/40.6/50.6/HT-RC660 SCHEMATIC DIAGRAM (PART-20) DSP MEMORY SECTION

BAPRC-1564 (7/11) U0080(7/11)

BAPRC-1564 (6/11)
PART-19
DIR/DAC PART

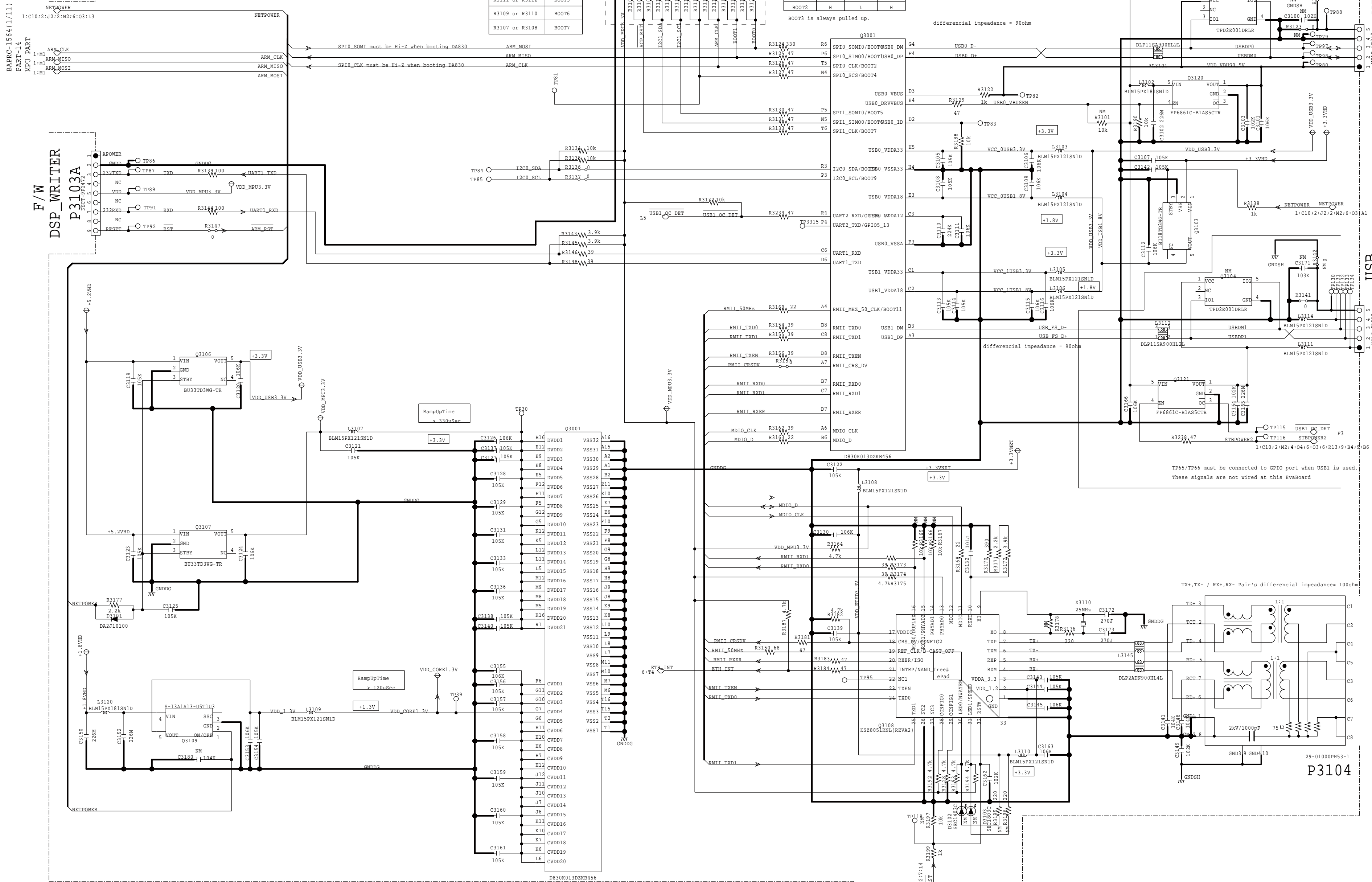
DSP SECTION A: 3001-3100

P3002
F/W
DSP_J-TAG

SCHEMATIC DIAGRAMS-19
PRC(NET/ USB/ PS) SECTION

MODEL NO. TX-NR636/NR737/NR838/DTR-30.6/40.6/50.6/HT-RC660 SCHEMATIC DIAGRAM (PART-21) NET/USB POWER SECTION

BAPRC-1564 (8/11) U0080(8/11)



R3115 or R3116	BOOT2
R3111 or R3112	BOOT5
R3109 or R3110	BOOT6
R3107 or R3108	BOOT7

Boot Opt.	NAND	UART1	SPI0
BOOT7	L	H	L
BOOT1	H	H	L
BOOT0	H	H	L
BOOT3	H	H	H
BOOT2	H	L	H

WIFI/BT
* P3102A
to P3102B
U0090

USB
* P3101B
to P3101A
U0040
DTR-30.6/40.6
U0046
U0100

P3101A
P3101B
to P3101C
to P3101D
to P3101E
to P3101F
to P3101G
to P3101H
to P3101I
to P3101J
to P3101K
to P3101L
to P3101M
to P3101N
to P3101O
to P3101P
to P3101Q
to P3101R
to P3101S
to P3101T
to P3101U
to P3101V
to P3101W
to P3101X
to P3101Y
to P3101Z

TX-NR636/737
DTR-30.6/40.6
U0046
U0100

TX-NR838/DTR-50.6

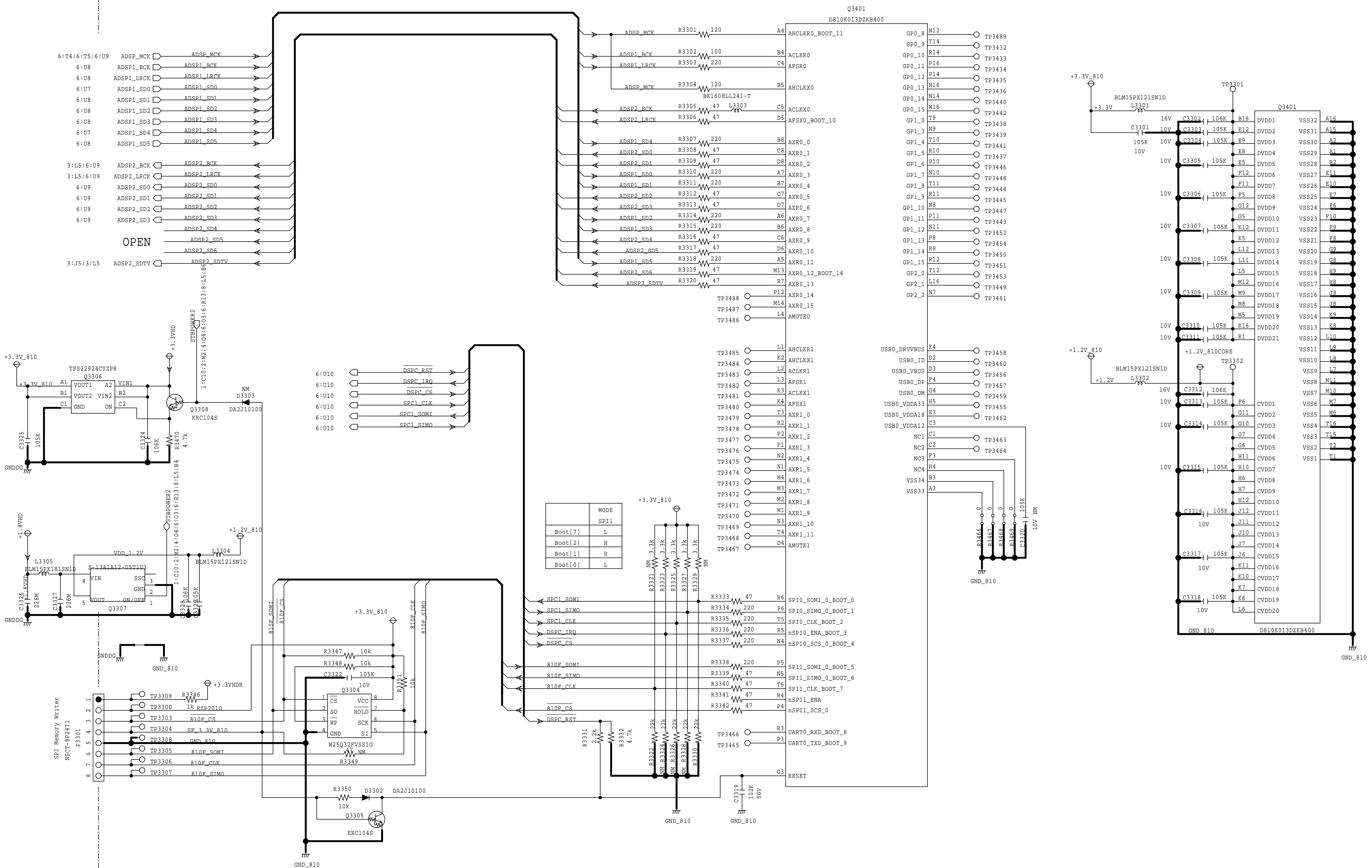
SCHEMATIC DIAGRAMS-20
PRC(2DSP MEMORY) SECTION

MODEL NO. TX-NR636/NR737/NR838/DTR-30.6/40.6/50.6/HT-RC660 SCHEMATIC DIAGRAM (PART-21) 2nd DSP MEMORY SECTION

BAPRC-1564 (9/11)

U0080(9/11)

1
2
3
4
5
6
7
8



MODE	SPI1
Boot[7]	L
Boot[2]	H
Boot[1]	H
Boot[0]	L

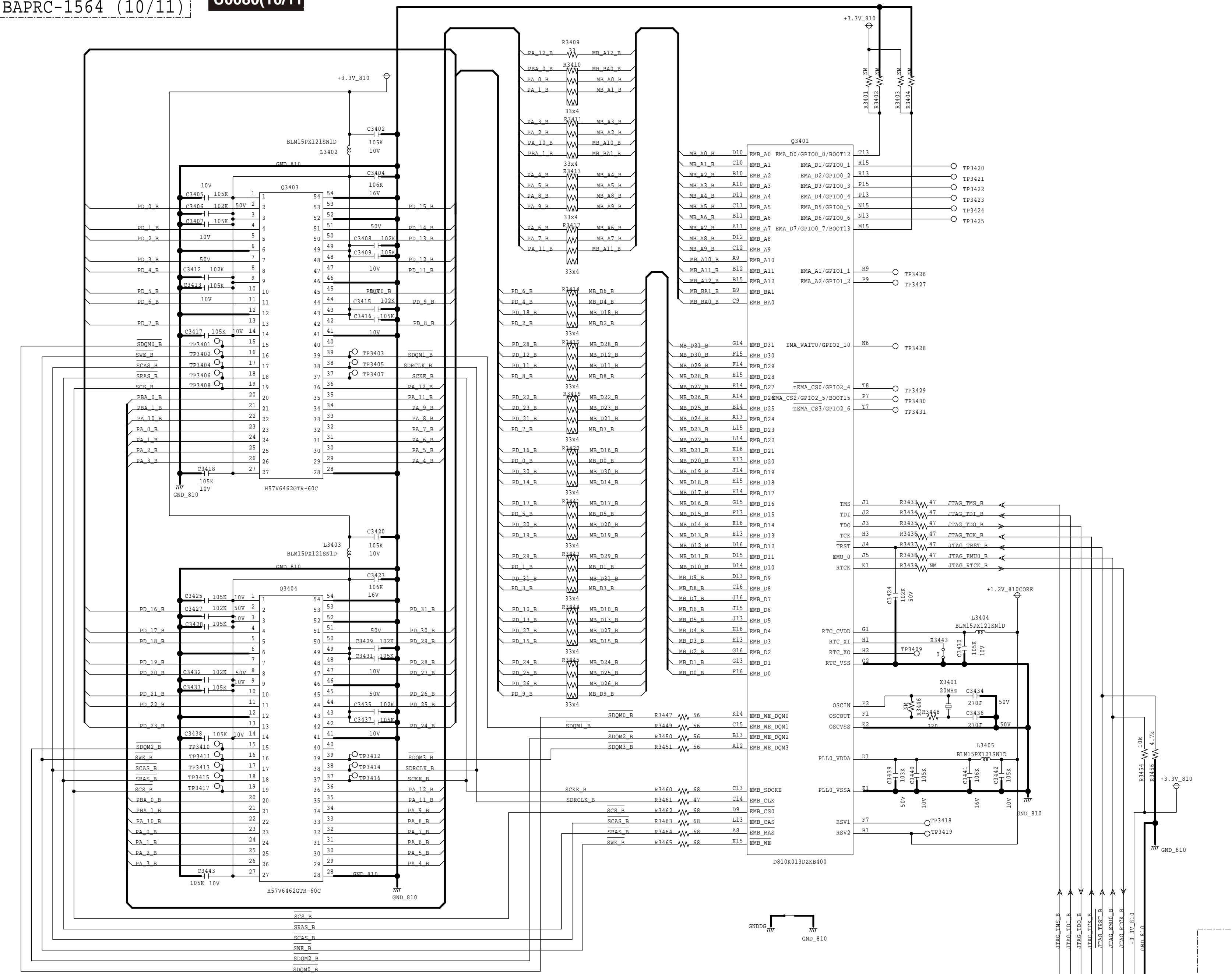
SCHEMATIC DIAGRAMS-21
PRC(2DSP MEMORY) SECTION

MODEL NO. TX-NR636/NR737/NR838/DTR-30.6/40.6/50.6/HT-RC660 SCHEMATIC DIAGRAM (PART-21) 2nd DSP MEMORY SECTION

BAPRC-1564 (10/11)

U0080(10/11)

1
2
3
4
5
6
7
8



SCHEMATIC DIAGRAMS-22
PRC(HDMI IN/OUT) SECTION

MODEL NO. TX-NR636/NR737/NR838/DTR-30.6/40.6/50.6/HT-RC660 SCHEMATIC DIAGRAM (PART-16) HDMI SECTION

BAPRC-1564 (11/11)

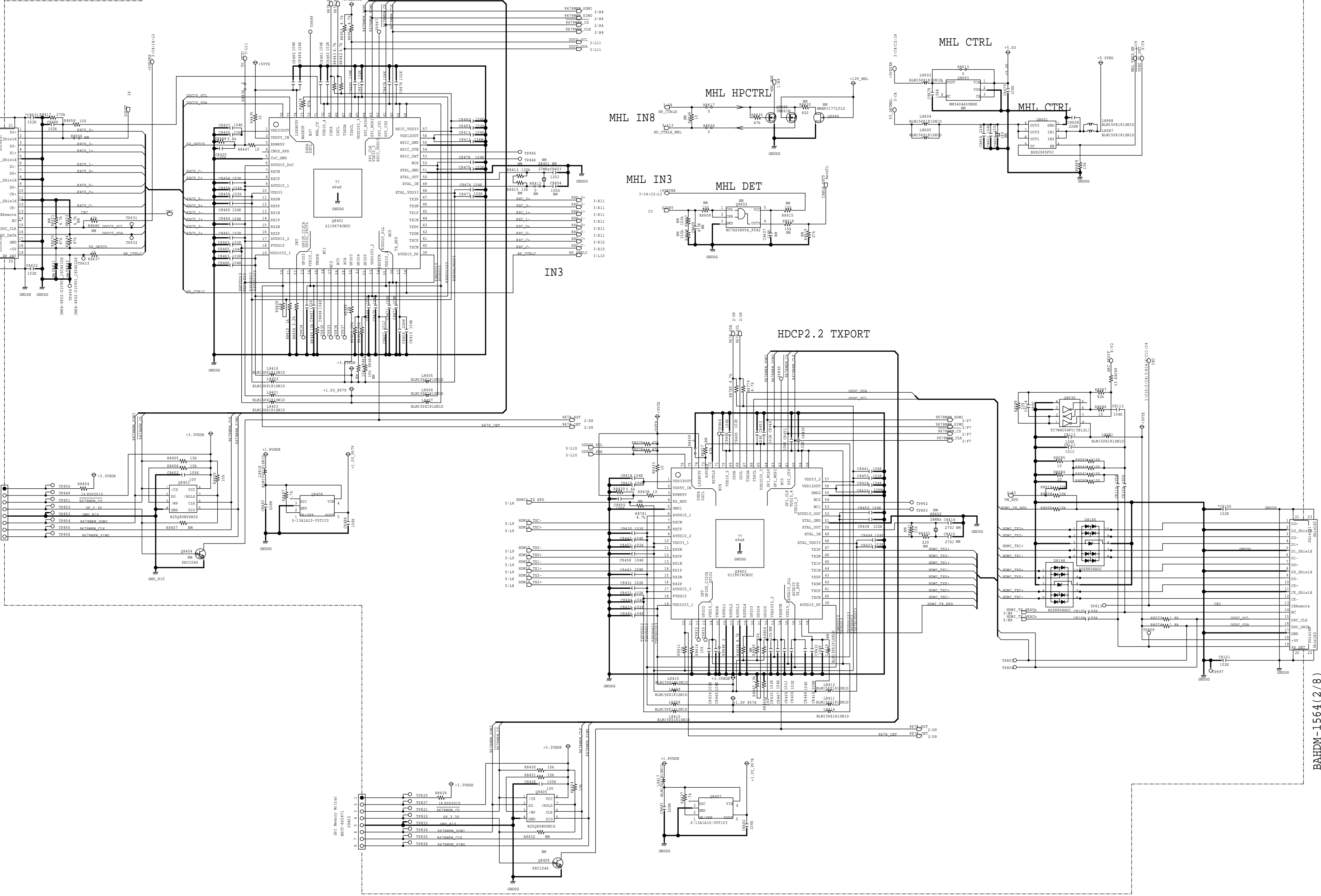
U0080(11/11)

MHL3/HDCP2.2 RXPORT

HDMI IN 3 (HDCP2.2)
P8631

SPI Memory Writer
P8401

8

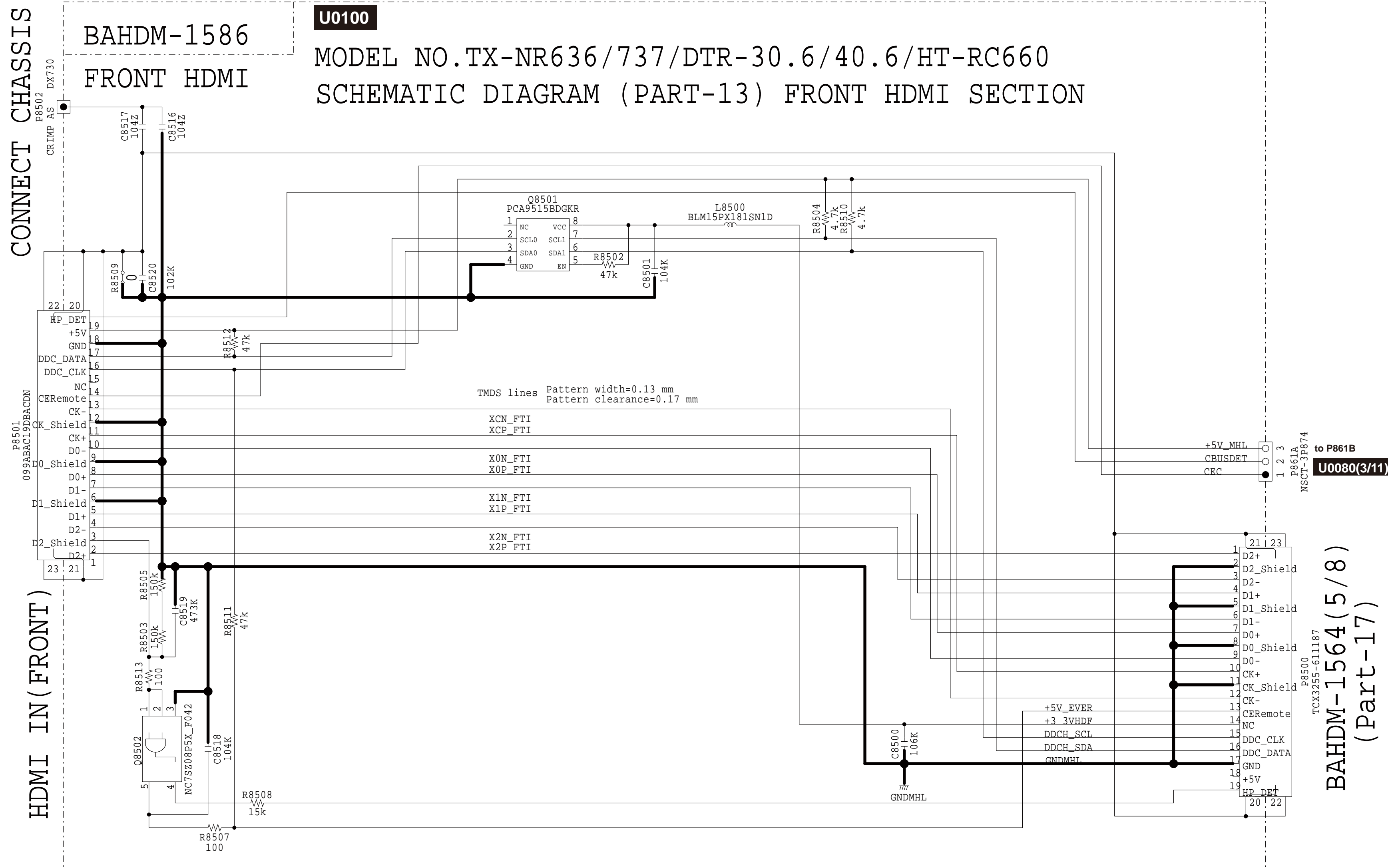


BAHDM-1564 (2/8)
PART-15
VMPU PART

HDMI OUT MAIN
P8102

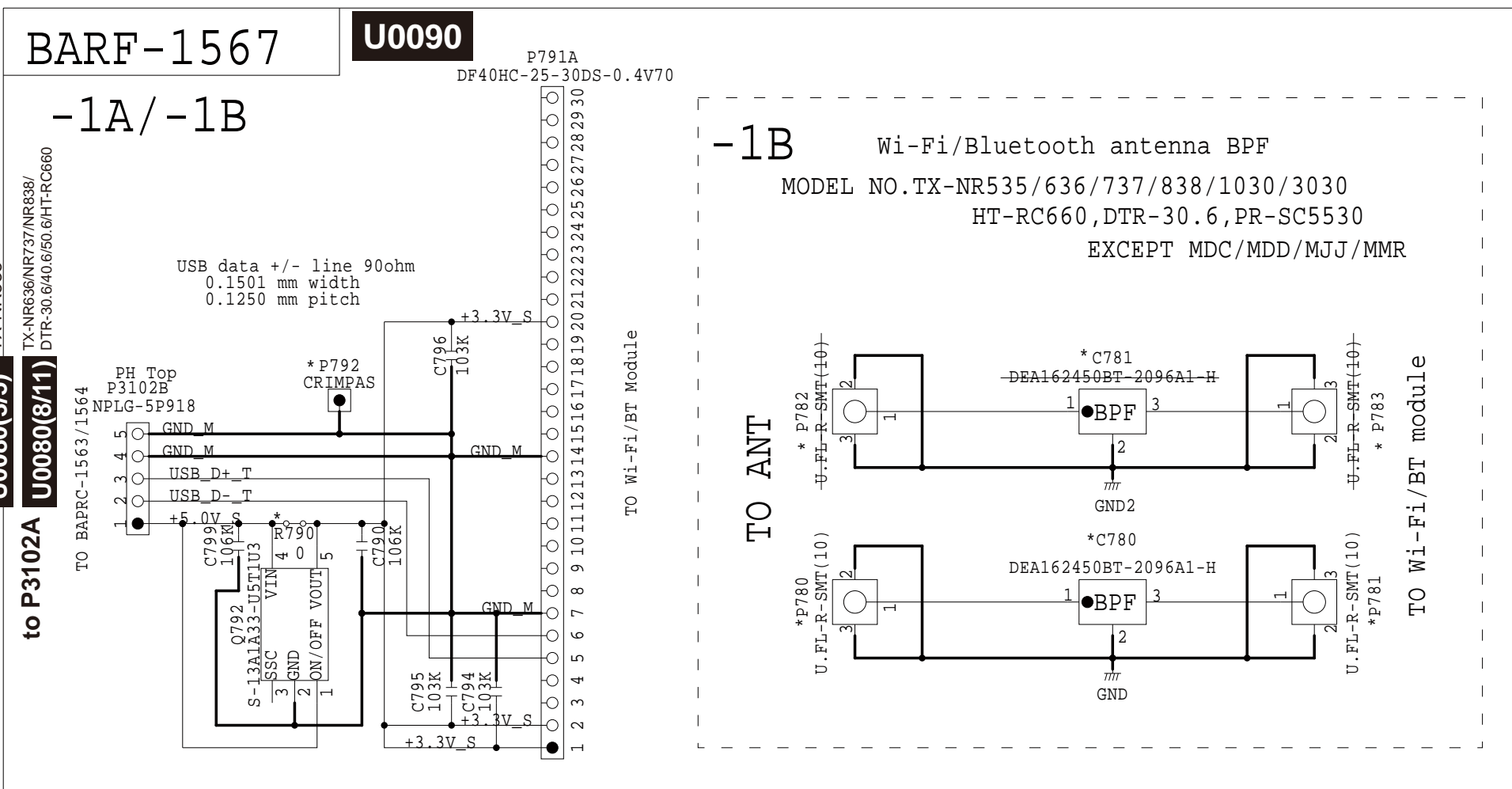
SCHEMATIC DIAGRAMS-23
TRM(FRONT HDMI) SECTION

1
2
3
4
5
6
7
8

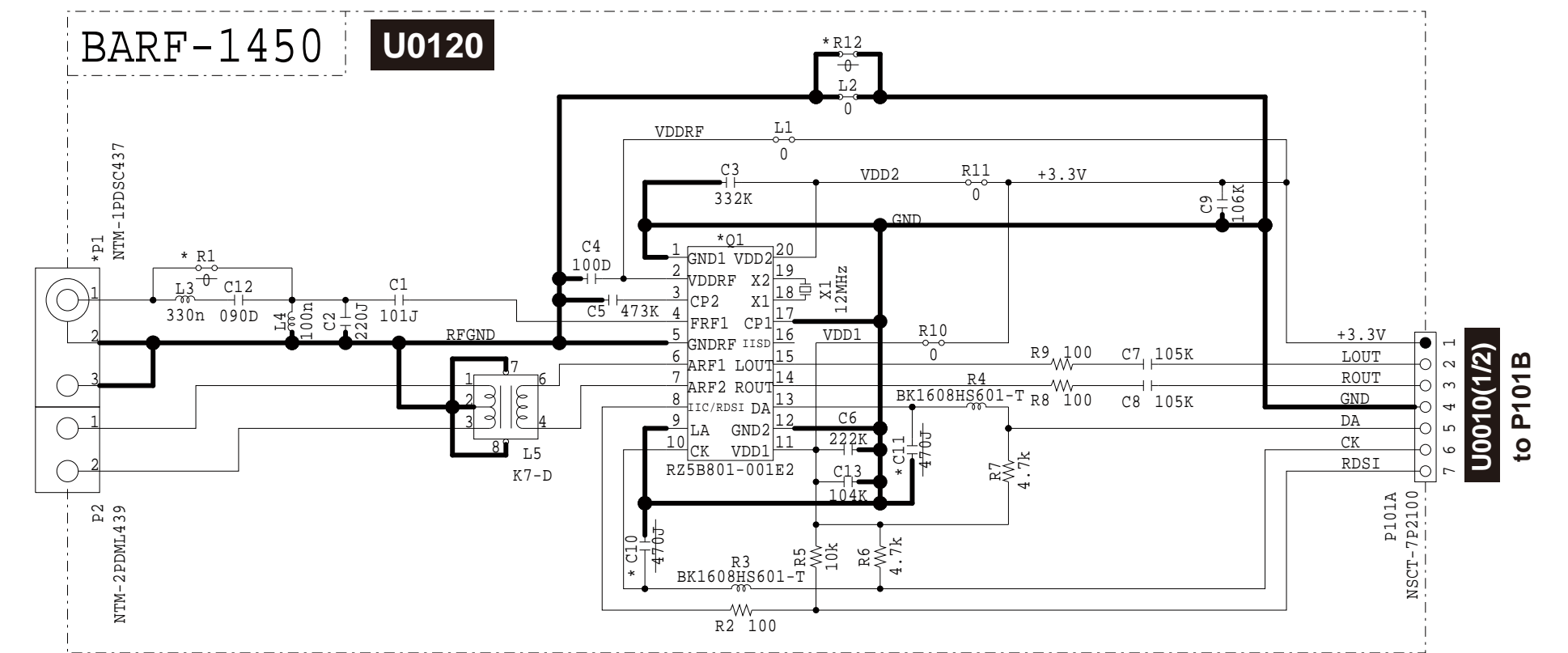


SCHEMATIC DIAGRAMS-25
WIFI CONNECT/ TUNER SECTION

MODEL NO. TX-NR535/636/737/838,HT-RC660,DTR-30.6 SCHEMATIC DIAGRAM (PART-17) Wi-Fi/Bluetooth Connector Section
 MODEL NO. TX-NR1030/3030,PR-SC5530 SCHEMATIC DIAGRAM (PART-**) Wi-Fi/Bluetooth Connector Section



MODEL NO. TX-NR535/636/737/838,DTR-30.6/40.6/50.6,HT-RC660
 SCHEMATIC DIAGRAM (PART-18) TUNER SECTION
 MODEL NO. TX-NR1030/3030,DTR-60.6/70.6,DHC-80.6,PR-SC5530
 SCHEMATIC DIAGRAM (PART-**) TUNER SECTION



HT-RC660(B)MDC

<Note>

Parts marked by "NSP" are generally unavailable because they are not in our Master Spare Parts List.

NOTE : THE COMPONENTS IDENTIFIED BY THE MARK ! ARE CRITICAL FOR RISK OF FIRE AND ELECTRIC SHOCK. REPLACE ONLY WITH PART NUMBER SPECIFIED.

<Notes>

(B) : Black color model

<MDC> : 120V

Canadian/USA/(Mexico) model

NSP

HT-RC660(B)MDC

EXPLODED VIEW PARTS LIST

REF. NO.	PART NAME	DESCRIPTION	Q'TY	PART NO. (SN)	REMARKS
[SEMI CONDUCTOR]					
Q6050	TRANSISTOR	2SC5198-O	1	2203063	
Q6050 or	TRANSISTOR	2SC4468-O	(1)	2202523	
Q6050 or	TRANSISTOR	2SC4468-P	(1)	2202526	
Q6050 or	TRANSISTOR	2SC5198-R	(1)	2203062	
Q6051	TRANSISTOR	2SC5198-O	1	2203063	
Q6051 or	TRANSISTOR	2SC4468-O	(1)	2202523	
Q6051 or	TRANSISTOR	2SC4468-P	(1)	2202526	
Q6051 or	TRANSISTOR	2SC5198-R	(1)	2203062	
Q6052	TRANSISTOR	2SC5198-O	1	2203063	
Q6052 or	TRANSISTOR	2SC4468-O	(1)	2202523	
Q6052 or	TRANSISTOR	2SC4468-P	(1)	2202526	
Q6052 or	TRANSISTOR	2SC5198-R	(1)	2203062	
Q6053	TRANSISTOR	2SC5198-O	1	2203063	
Q6053 or	TRANSISTOR	2SC4468-O	(1)	2202523	
Q6053 or	TRANSISTOR	2SC4468-P	(1)	2202526	
Q6053 or	TRANSISTOR	2SC5198-R	(1)	2203062	
Q6054	TRANSISTOR	2SC5198-O	1	2203063	
Q6054 or	TRANSISTOR	2SC4468-O	(1)	2202523	
Q6054 or	TRANSISTOR	2SC4468-P	(1)	2202526	
Q6054 or	TRANSISTOR	2SC5198-R	(1)	2203062	
Q6055	TRANSISTOR	2SC5198-O	1	2203063	
Q6055 or	TRANSISTOR	2SC4468-O	(1)	2202523	
Q6055 or	TRANSISTOR	2SC4468-P	(1)	2202526	
Q6055 or	TRANSISTOR	2SC5198-R	(1)	2203062	
Q6056	TRANSISTOR	2SC5198-O	1	2203063	
Q6056 or	TRANSISTOR	2SC4468-O	(1)	2202523	
Q6056 or	TRANSISTOR	2SC4468-P	(1)	2202526	
Q6056 or	TRANSISTOR	2SC5198-R	(1)	2203062	
Q6060	TRANSISTOR	2SA1941-O	1	2203053	
Q6060 or	TRANSISTOR	2SA1695-O	(1)	2202513	
Q6060 or	TRANSISTOR	2SA1695-P	(1)	2202516	
Q6060 or	TRANSISTOR	2SA1941-R	(1)	2203052	
Q6061	TRANSISTOR	2SA1941-O	1	2203053	
Q6061 or	TRANSISTOR	2SA1695-O	(1)	2202513	
Q6061 or	TRANSISTOR	2SA1695-P	(1)	2202516	
Q6061 or	TRANSISTOR	2SA1941-R	(1)	2203052	
Q6062	TRANSISTOR	2SA1941-O	1	2203053	
Q6062 or	TRANSISTOR	2SA1695-O	(1)	2202513	
Q6062 or	TRANSISTOR	2SA1695-P	(1)	2202516	
Q6062 or	TRANSISTOR	2SA1941-R	(1)	2203052	
Q6063	TRANSISTOR	2SA1941-O	1	2203053	
Q6063 or	TRANSISTOR	2SA1695-O	(1)	2202513	
Q6063 or	TRANSISTOR	2SA1695-P	(1)	2202516	
Q6063 or	TRANSISTOR	2SA1941-R	(1)	2203052	
Q6064	TRANSISTOR	2SA1941-O	1	2203053	
Q6064 or	TRANSISTOR	2SA1695-O	(1)	2202513	
Q6064 or	TRANSISTOR	2SA1695-P	(1)	2202516	
Q6064 or	TRANSISTOR	2SA1941-R	(1)	2203052	
Q6065	TRANSISTOR	2SA1941-O	1	2203053	
Q6065 or	TRANSISTOR	2SA1695-O	(1)	2202513	
Q6065 or	TRANSISTOR	2SA1695-P	(1)	2202516	
Q6065 or	TRANSISTOR	2SA1941-R	(1)	2203052	
Q6066	TRANSISTOR	2SA1941-O	1	2203053	

Q6066 or	TRANSISTOR	2SA1695-O	(1)	2202513	
Q6066 or	TRANSISTOR	2SA1695-P	(1)	2202516	
Q6066 or	TRANSISTOR	2SA1941-R	(1)	2203052	
[CHASSIS SCREW]					
A003	LEG	(B)	4	27175464	
A005	CUSHION	(ZUL)	4	28141877	
A090A	LABEL	(E-CON)	{ 1}	29364978	
A101	REAR PANEL	(HTRC660MDC)	1	27124604	N
A129	LABEL	(SP7Ch+Z2)	1	29392523	
[CABINET]					
A201	FRONT PANEL	HTRC660(B)DC	1	27213735	N
A203	CLEAR PLATE	636(B)D	1	28192426A	
A205	BADGE		1	28135317	
A207	KNOB	(TONE)(B)	1	28326918	
A209	KNOB	(INP)B_737	1	28327166A	
A211	KNOB	(SEL)	1	28326906B	
A213	KNOB	(INP-L)B_737	1	28327168A	
A215	KNOB	(INP-R)B_737	1	28327169A	
A216	FACET	(KNOB)_737	2	28200075	
A217	KNOB	(STBY)(B)	1	28327234	
A217 or	KNOB	(STBY)(B)	(1)	28326904	
A219	KNOB	(CUR)	1	28326907B	
A221	KNOB	(VOL)AS(B)	1	28326933	
A401	COVER	(B) (Bent)	1	28210087B	
A401	COVER	(B) (Not Bent)	1	28210087BZ	
A411	LABEL	(CAUTION)	1	29392531	
[TRANS COIL]					
T901	POWER TRANSFORMER	NPT-1640D	1	2302091	!
[SW TRM]					
F6401	FUSE	12A-TUL-250V	1	252301GR	!
F6402	FUSE	12A-TUL-250V	1	252301GR	!
F9002	FUSE	10A-UL/T-233	1	252330GR	!
F9002 or	FUSE	10A-T/UL-ST2	(1)	252333GR	!
P101	FLEXIBLE FLAT CABLE	NCFC7-071012	1	2047071012	
P2510	FAN	KF1225B1E-33ACFG9RB	1	24502336	
P2800	FLEXIBLE FLAT CABLE	NCFC5-171012	1	2045171012	
P701	FLEXIBLE FLAT CABLE	NCFC5-232212	1	2045232212	
P8651	CORD ASSEMBLY	HDMI 0.25M	1	2010515	
P9001	POWER SUPPLY CORD	AS-UC-2	1	253368AYUN	!
P9001 or	POWER SUPPLY CORD	AS-UC-2	(1)	253368BLTK	!
[TUNER UNIT]					
U001	U0010, U0011, U0012	BAAF-1511-1C * (Parent)	1	1B299511-1C	MDC
U0010	AMP/ ASP PC BOARDS AS	BAAF-1511-1C (Child)	1	1B299511-1C	
U0011	SENSOR(THERMAL) PC BOARDS AS	BAETC-1512-1C (Child)	1	1B299512-1C	
U0012	FIX(THERMAL) PC BOARDS AS	BAETC-1513-1C (Child)	1	1B299513-1C	
U002	U0020 x 30 pcs.	BAAMP-1367-2A * (Parent)	1	1B299567-2A	MDC
U0020	TRANSISTOR(AMP) PC BOARDS AS	BAAMP-1367-2A (Child)	1	1B2995367-2A	
U003	U0030, U0031, U0032 x 2 pcs.	BACLA-1575-1A * (Parent)	1	1B299575-1A	MDC
U0030	AMP(CLASS A) PC BOARDS AS	BACLA-1575-1A (Child)	1	1B2995575-1A	
U0031	FIX(HDMI CABLE) PC BOARDS AS	BAETC-1573-1A (Child)	1	1B2995573-1A	
U0032	FIX(FFC) PC BOARDS AS	BAETC-1577-1A (Child)	1	1B2995577-1A	
U004	U0040, U0041, U0042, U0043, U0044, U0045	BADIS-1530-1A * (Parent)	1	1B299530-1A	MDC
U0040	DISPLAY PC BOARDS AS	BADIS-1530-1A (Child)	1	1B2995530-1A	
U0041	KEY/ LED PC BOARDS AS	BASW-1531-1A (Child)	1	1B2995531-1A	
U0042	DAC/ FILTER PC BOARDS AS	BADG-1532-1A (Child)	1	1B2995532-1A	
U0043	POWER SUPPLY(PRI) PC BOARDS AS	BAPS-1533-1A (Child)	1	1B2995533-1A	
U0044	PHONE JACK PC BOARDS AS	BAETC-1534-1A (Child)	1	1B2995534-1A	
U0045	CONNECTOR PC BOARDS AS	BAETC-1535-1A (Child)	1	1B2995535-1A	
U005	U0050, U0051 x 2 pcs.	BATRM-1568-1A * (Parent)	1	1B299568-1A	MDC
U0050	TERMINAL(SPEAKER) PC BOARDS AS	BATRM-1568-1A (Child)	1	1B2995568-1A	
U0051	FIX(FRONT HDMI) PC BOARDS AS	BAETC-1569-1A (Child)	1	1B2995569-1A	
U008	U0080	BAPRC-1564-1W * (Parent)	1	1B299564-1W	MDC
U0080	PROCESSING(DSP/VSP/MPU/DAC) PC BOARDS AS	BAPRC-1564-1W (Child)	1	1B2995564-1W	
U009	U0090 x 25 pcs.	BARF-1567-1A * (Parent)	1	1B299567-1A	MDC
U0090	CONNCTOR(Wifi)/ BPF PC BOARDS AS	BARF-1567-1A (Child)	1	1B2995567-1A	
U010	U0100 x 25 pcs.	BAHDM-1586-1A * (Parent)	1	1B299586-1A	MDC
U0100	TERMINAL(FRONT HDMI) PC BOARDS AS	BAHDM-1586-1A (Child)	1	1B2995586-1A	

U012	U0120 x 25 pcs.	BARF-1450-2A * (Parent)	1	1B300550-2A	MDC
U0120	TUNER PC BOARDS AS	BARF-1450-2A (Child)	1	1B3005450-2A	
U0120A	SHLD CASE	(TUNER-TOP)	1	27225206A	N
U0120B	SHLD CASE	(TUNER-BTM)	1	27225207A	N
U791	WIFI MODULE (U791A+U791B+U791C)	WCBN4601L-O1(wANT_IN)	1	24850701	
U791A	ASSEMBLED PWB	WCBN4601L-O1	{ 1 }	24150122	
U791B	WIFI BT ANTENA	2.4GHZ ANT L1	{ 1 }	2050091	
U791C	WIFI BT ANTENA	2.4GHZ ANT R1	{ 1 }	2050092	

HT-RC660(B)MDC

PACKING PROCEDURES PARTS LIST

REF. NO.	PART NAME	DESCRIPTION	Q'TY	PART NO. (SN)	REMARKS
[PACKING]					
A601	PAD	(AS)609	1	29092610	
A601A	PAD	(L)609	{ 1}	29092611	
A601B	PAD	(R)609	{ 1}	29092612	
A603	BAG	(650 x 600 x 0.515)	1	29100267	
A604	TAPE	(SEROHAN)NITTO NO.29	1	29110149	
A609	TAPE	(SEROHAN)NITTO NO.29	1	29110149	
A701	CARTON	HT-RC660	1	29055490	N
A702	POLYPROPYLENE TAPE	W50 SBT-70	1	29110200	
A711A	UPC LABEL	HTRC660(B)MDC	{ 1}	29392601	N
[ACCESSARY]					
A801	POLY BAG	w250xd350	1	29100250A	
A803	TAPE	(SEROHAN)NITTO NO.29	1	29110149	
A805	REMOTE CONTROL TRANSMITTER	RC-880M	1	24140880	
A807	BATTERY	R6/AA(UM-3)	2	3010194	
A807 or	BATTERY	R6/AA(UM-3)	(2)	3010054	
A809	MIC	MIC-5010	1	245046A	
A811	ANTENNA COIL	AM LOOP-ANTENNA	1	232207	
A813	FM ANT AS	Type W	1	292191	
A815	LABEL	(SPCABLE)2009	1	29390881	
A823	WARRANTY CARD	(ONKYO)	1	29365156	
A911	INSTRUCTION MANUAL	BAS_En Fr Es(HTRC660AT)	1	29401941	N
A941	INSTRUCTION MANUAL	EnJa(GNU_License_2013)	1	29401470A	
A943	INSTRUCTION MANUAL	SAFETY_U4(EnFrEsCt)	1	29401783	
A971	SHEET	(FLYER-US)	1	29380162	

HT-RC660(B)MDC

PC BOARD PARTS LIST

U001

BAAF-1511-1C

: NSP

CIRCUIT NC	PART NAME	DESCRIPTION	Q'TY	PART NO. (SN)	REMARKS
[SEMI CONDUCTOR]					
D4173	ZENER DIODE	DZ2J068M0L	1	224760680R2	
D4173 or	ZENER DIODE	UDZS6.8B	(1)	224550680R2	
D4174	ZENER DIODE	DZ2J068M0L	1	224760680R2	
D4174 or	ZENER DIODE	UDZS6.8B	(1)	224550680R2	
D4206	CHIP TYPE DIODE	DA2J10100	1	223303R2	
D4206 or	CHIP TYPE DIODE	1SS352	(1)	223234R2	
D4216	CHIP TYPE DIODE	DA2J10100	1	223303R2	
D4216 or	CHIP TYPE DIODE	1SS352	(1)	223234R2	
D4300	DIODE	RL1N4003	1	22380260T	
D4301	DIODE	RL1N4003	1	22380260T	
D4302	DIODE	RL1N4003	1	22380260T	
D4303	DIODE	RL1N4003	1	22380260T	
D4304	DIODE	RL1N4003	1	22380260T	
D4305	DIODE	RL1N4003	1	22380260T	
D4309	CHIP TYPE DIODE	DA2J10100	1	223303R2	
D4309 or	CHIP TYPE DIODE	1SS352	(1)	223234R2	
D4319	CHIP TYPE DIODE	DA2J10100	1	223303R2	
D4319 or	CHIP TYPE DIODE	1SS352	(1)	223234R2	
D4500	ZENER DIODE	DZ2J075M0L	1	224760750R2	
D4500 or	ZENER DIODE	UDZS7.5B	(1)	224550750R2	
D4501	ZENER DIODE	DZ2J075M0L	1	224760750R2	
D4501 or	ZENER DIODE	UDZS7.5B	(1)	224550750R2	
D6000	CHIP TYPE DIODE	DA2J10100	1	223303R2	
D6000 or	CHIP TYPE DIODE	1SS352	(1)	223234R2	
D6001	CHIP TYPE DIODE	DA2J10100	1	223303R2	
D6001 or	CHIP TYPE DIODE	1SS352	(1)	223234R2	
D6002	CHIP TYPE DIODE	DA2J10100	1	223303R2	
D6002 or	CHIP TYPE DIODE	1SS352	(1)	223234R2	
D6003	CHIP TYPE DIODE	DA2J10100	1	223303R2	
D6003 or	CHIP TYPE DIODE	1SS352	(1)	223234R2	
D6004	CHIP TYPE DIODE	DA2J10100	1	223303R2	
D6004 or	CHIP TYPE DIODE	1SS352	(1)	223234R2	
D6005	CHIP TYPE DIODE	DA2J10100	1	223303R2	
D6005 or	CHIP TYPE DIODE	1SS352	(1)	223234R2	
D6006	CHIP TYPE DIODE	DA2J10100	1	223303R2	
D6006 or	CHIP TYPE DIODE	1SS352	(1)	223234R2	
D6401	DIODE	TS10B06G-07	1	22380379	
D6401B	SCREW	3P+10FN(3BC)	1	82143010GR	
D6402	CHIP TYPE DIODE	DA2J10100	1	223303R2	
D6402 or	CHIP TYPE DIODE	1SS352	(1)	223234R2	
D6451	CHIP TYPE DIODE	DA2J10100	1	223303R2	
D6451 or	CHIP TYPE DIODE	1SS352	(1)	223234R2	
D6452	CHIP TYPE DIODE	DA2J10100	1	223303R2	
D6452 or	CHIP TYPE DIODE	1SS352	(1)	223234R2	
D6455	ZENER DIODE	DZ2J033M0L	1	224760330R2	
D6455 or	ZENER DIODE	UDZS3.3B	(1)	224550330R2	
Q4001	HYBRID IC	R2A15218FP	1	22242605R3	
Q4003	HYBRID IC	NJM4580M-D	1	22241448R2	
Q4100	TRANSISTOR	RTAN430C-T112-1	1	2217780R2	
Q4100 or	TRANSISTOR	RN1441	(1)	2215410R2	
Q4101	TRANSISTOR	RTAN430C-T112-1	1	2217780R2	
Q4101 or	TRANSISTOR	RN1441	(1)	2215410R2	
Q4102	TRANSISTOR	RTAN430C-T112-1	1	2217780R2	
Q4102 or	TRANSISTOR	RN1441	(1)	2215410R2	
Q4103	TRANSISTOR	RTAN430C-T112-1	1	2217780R2	
Q4103 or	TRANSISTOR	RN1441	(1)	2215410R2	
Q4104	TRANSISTOR	RTAN430C-T112-1	1	2217780R2	
Q4104 or	TRANSISTOR	RN1441	(1)	2215410R2	
Q4105	TRANSISTOR	RTAN430C-T112-1	1	2217780R2	
Q4105 or	TRANSISTOR	RN1441	(1)	2215410R2	

Q4106	TRANSISTOR	RTAN430C-T112-1	1	2217780R2
Q4106 or	TRANSISTOR	RN1441	(1)	2215410R2
Q4107	TRANSISTOR	RTAN430C-T112-1	1	2217780R2
Q4107 or	TRANSISTOR	RN1441	(1)	2215410R2
Q4117	TRANSISTOR	RTAN430C-T112-1	1	2217780R2
Q4117 or	TRANSISTOR	RN1441	(1)	2215410R2
Q4130	HYBRID IC	NJM4580M-D	1	22241448R2
Q4170	HYBRID IC	78M15HF(NJM78M15FA)	1	222780155JRC
Q4170A	HEAT SINK	RAD-196	1	27160545
Q4170B	SCREW	3P+10FN(3BC)	1	82143010GR
Q4171	HYBRID IC	79M15HF(NJM79M15FA)	1	222790155JRC
Q4171B	SCREW	3P+10FN(3BC)	1	82143010GR
Q4302	TRANSISTOR	RTAN430C-T112-1	1	2217780R2
Q4302 or	TRANSISTOR	RN1441	(1)	2215410R2
Q4303	TRANSISTOR	RTAN430C-T112-1	1	2217780R2
Q4303 or	TRANSISTOR	RN1441	(1)	2215410R2
Q4530	HYBRID IC	NJM4580M-D	1	22241448R2
Q6000	TRANSISTOR	2SC2412K-R	1	2214653R2
Q6000 or	TRANSISTOR	KTC3875-GR	(1)	2216175R2
Q6001	TRANSISTOR	2SC2412K-R	1	2214653R2
Q6001 or	TRANSISTOR	KTC3875-GR	(1)	2216175R2
Q6002	TRANSISTOR	2SC2412K-R	1	2214653R2
Q6002 or	TRANSISTOR	KTC3875-GR	(1)	2216175R2
Q6003	TRANSISTOR	2SC2412K-R	1	2214653R2
Q6003 or	TRANSISTOR	KTC3875-GR	(1)	2216175R2
Q6004	TRANSISTOR	2SC2412K-R	1	2214653R2
Q6004 or	TRANSISTOR	KTC3875-GR	(1)	2216175R2
Q6005	TRANSISTOR	2SC2412K-R	1	2214653R2
Q6005 or	TRANSISTOR	KTC3875-GR	(1)	2216175R2
Q6006	TRANSISTOR	2SC2412K-R	1	2214653R2
Q6006 or	TRANSISTOR	KTC3875-GR	(1)	2216175R2
Q6070	TRANSISTOR	2SC2713-BL	1	2213136R2
Q6071	TRANSISTOR	2SC2713-BL	1	2213136R2
Q6072	TRANSISTOR	2SC2713-BL	1	2213136R2
Q6073	TRANSISTOR	2SC2713-BL	1	2213136R2
Q6074	TRANSISTOR	2SC2713-BL	1	2213136R2
Q6075	TRANSISTOR	2SC2713-BL	1	2213136R2
Q6076	TRANSISTOR	2SC2713-BL	1	2213136R2
Q6300	HYBRID IC	LM61CIZ	1	22242212
Q6300A	RETAINER	(PTH)	1	27141884-1
Q6401	TRANSISTOR	KTC3875-GR	1	2216175R2
Q6401 or	TRANSISTOR	2SC2712-GR	(1)	2213145R2
Q6401A	HEAT SINK	RAD-196	1	27160545
Q6451	TRANSISTOR	2SC2713-BL	1	2213136R2
Q6452	TRANSISTOR	2SC2713-BL	1	2213136R2
Q6453	TRANSISTOR	2SA1163-BL(TE85L_F)	1	2216756R2
Q6454	TRANSISTOR	2SA1163-BL(TE85L_F)	1	2216756R2
[TRANS COIL]				
L6000	SPEAKER OUTPUT FILTER COIL	SC-0.8X5.5X18.5T	1	231431S
L6000 or	SPEAKER OUTPUT FILTER COIL	PI-ROD002-0083	(1)	231454S
L6000 or	SPEAKER OUTPUT FILTER COIL	SC2-0.8X5.5X18.5T	(1)	231455S
L6000 or	SPEAKER OUTPUT FILTER COIL	E6-S/33331	(1)	231460S
L6001	SPEAKER OUTPUT FILTER COIL	SC-0.8X5.5X18.5T	1	231431S
L6001 or	SPEAKER OUTPUT FILTER COIL	PI-ROD002-0083	(1)	231454S
L6001 or	SPEAKER OUTPUT FILTER COIL	SC2-0.8X5.5X18.5T	(1)	231455S
L6001 or	SPEAKER OUTPUT FILTER COIL	E6-S/33331	(1)	231460S
L6002	SPEAKER OUTPUT FILTER COIL	SC-0.8X5.5X18.5T	1	231431S
L6002 or	SPEAKER OUTPUT FILTER COIL	PI-ROD002-0083	(1)	231454S
L6002 or	SPEAKER OUTPUT FILTER COIL	SC2-0.8X5.5X18.5T	(1)	231455S
L6002 or	SPEAKER OUTPUT FILTER COIL	E6-S/33331	(1)	231460S
[CAPACITOR]				
C4001	CHIP TYPE CERAMIC CAPACITOR	CC725CH1H-102J1	1	342101024R1
C4002	CHIP TYPE CERAMIC CAPACITOR	CC725CH1H-102J1	1	342101024R1
C4003	UPZ TYPE PLASTIC FILM CAPACITOR	2AUPZTF221JE	1	376332214T
C4004	UPZ TYPE PLASTIC FILM CAPACITOR	2AUPZTF221JE	1	376332214T
C4009	CHIP TYPE CERAMIC CAPACITOR	CC725CH1H-221J1	1	342102214R1
C4010	CHIP TYPE CERAMIC CAPACITOR	CC725CH1H-221J1	1	342102214R1

C4301	JAMICON TYPE ELECTROLYTIC CAPACITOR	CE04W35V-1000M	1	398561027T	
C4301 or	VR TYPE ELECTROLYTIC CAPACITOR	CE04W35V-1000M(VR)	(1)	394661027T	
C4302	JAMICON TYPE ELECTROLYTIC CAPACITOR	CE04W35V-470M	1	398564717T	
C4302 or	VR TYPE ELECTROLYTIC CAPACITOR	CE04W35V-470M(VR)	(1)	394664717T	
C4400	CHIP TYPE CERAMIC CAPACITOR	CK725B1H-102K1	1	332101025R1	
C4401	CHIP TYPE CERAMIC CAPACITOR	CK725B1H-102K1	1	332101025R1	
C4530	UTSP TYPE ELECTROLYTIC CAPACITOR	CE04W25V-47M(UTSP)	1	397554707AT	
C4531	UTSP TYPE ELECTROLYTIC CAPACITOR	CE04W25V-47M(UTSP)	1	397554707AT	
C4532	CHIP TYPE CERAMIC CAPACITOR	CC725CH1H-102J1	1	342101024R1	
C4533	CHIP TYPE CERAMIC CAPACITOR	CC725CH1H-102J1	1	342101024R1	
C4534	TF TYPE PLASTIC FILM CAPACITOR	ECQ-V50V-123J	1	374721234T	
C4535	TF TYPE PLASTIC FILM CAPACITOR	ECQ-V50V-123J	1	374721234T	
C4536	UMXR TYPE PLASTIC FILM CAPACITOR	1JUMXRTEF332JE	1	376593324T	
C4536 or	MKT TYPE CAPACITOR	B32529C0332J289	(1)	376493324T	
C4537	UMXR TYPE PLASTIC FILM CAPACITOR	1JUMXRTEF332JE	1	376593324T	
C4537 or	MKT TYPE CAPACITOR	B32529C0332J289	(1)	376493324T	
C4538	CHIP TYPE CERAMIC CAPACITOR	CC725CH1H-151J1	1	342101514R1	
C4539	CHIP TYPE CERAMIC CAPACITOR	CC725CH1H-151J1	1	342101514R1	
C4540	CHIP TYPE CERAMIC CAPACITOR	CC725CH1H-471J1	1	342104714R1	
C4541	CHIP TYPE CERAMIC CAPACITOR	CC725CH1H-471J1	1	342104714R1	
C4542	CHIP TYPE CERAMIC CAPACITOR	CC725CH1H-101J1	1	342101014R1	
C4543	CHIP TYPE CERAMIC CAPACITOR	CC725CH1H-101J1	1	342101014R1	
C4544	UTSP TYPE ELECTROLYTIC CAPACITOR	CE04W50V-10M(UTSP)	1	397581007AT	
C4545	UTSP TYPE ELECTROLYTIC CAPACITOR	CE04W50V-10M(UTSP)	1	397581007AT	
C4546	UTSP TYPE ELECTROLYTIC CAPACITOR	CE04W25V-47M(UTSP)	1	397554707AT	
C4547	UTSP TYPE ELECTROLYTIC CAPACITOR	CE04W25V-47M(UTSP)	1	397554707AT	
C4548	CHIP TYPE CERAMIC CAPACITOR	CK725F1E-104Z1	1	332161040R1	
C4549	CHIP TYPE CERAMIC CAPACITOR	CK725F1E-104Z1	1	332161040R1	
C4550	UTSP TYPE ELECTROLYTIC CAPACITOR	CE04W10V-220M(UTSP)	1	397532217AT	
C4551	UTSP TYPE ELECTROLYTIC CAPACITOR	CE04W10V-220M(UTSP)	1	397532217AT	
C6050	TF TYPE PLASTIC FILM CAPACITOR	ECQ-V50V-103J	1	374721034T	
C6051	TF TYPE PLASTIC FILM CAPACITOR	ECQ-V50V-103J	1	374721034T	
C6052	TF TYPE PLASTIC FILM CAPACITOR	ECQ-V50V-103J	1	374721034T	
C6053	TF TYPE PLASTIC FILM CAPACITOR	ECQ-V50V-103J	1	374721034T	
C6054	TF TYPE PLASTIC FILM CAPACITOR	ECQ-V50V-103J	1	374721034T	
C6055	TF TYPE PLASTIC FILM CAPACITOR	ECQ-V50V-103J	1	374721034T	
C6056	TF TYPE PLASTIC FILM CAPACITOR	ECQ-V50V-103J	1	374721034T	
C6250	TF TYPE PLASTIC FILM CAPACITOR	ECQ-V50V-473J	1	374724734T	
C6251	TF TYPE PLASTIC FILM CAPACITOR	ECQ-V50V-473J	1	374724734T	
C6252	TF TYPE PLASTIC FILM CAPACITOR	ECQ-V50V-473J	1	374724734T	
C6253	TF TYPE PLASTIC FILM CAPACITOR	ECQ-V50V-473J	1	374724734T	
C6254	TF TYPE PLASTIC FILM CAPACITOR	ECQ-V50V-473J	1	374724734T	
C6255	TF TYPE PLASTIC FILM CAPACITOR	ECQ-V50V-473J	1	374724734T	
C6256	TF TYPE PLASTIC FILM CAPACITOR	ECQ-V50V-473J	1	374724734T	
C6301	CHIP TYPE CERAMIC CAPACITOR	CK725F1E-104Z1	1	332161040R1	
C6401	ELECTROLYTIC CAPACITOR	CE69W69V-8200M	1	3504507	N
C6402	ELECTROLYTIC CAPACITOR	CE69W69V-8200M	1	3504507	N
C6403	TF TYPE PLASTIC FILM CAPACITOR	ECQ-V100V-334J	1	374733344T	
C6404	TF TYPE PLASTIC FILM CAPACITOR	ECQ-V100V-334J	1	374733344T	
C6411	CHIP TYPE CERAMIC CAPACITOR	CK725B1H-104K1	1	332101045R1	
C6451	UTSP TYPE ELECTROLYTIC CAPACITOR	CE04W10V-220M(UTSP)	1	397532217AT	
C6452	CHIP TYPE CERAMIC CAPACITOR	CK725F1E-104Z1	1	332161040R1	
C6453	UTSP TYPE ELECTROLYTIC CAPACITOR	CE04W50V-1M(UTSP)	1	397580107AT	
C6454	UTSP TYPE ELECTROLYTIC CAPACITOR	CE04W50V-1M(UTSP)	1	397580107AT	
C6455	CHIP TYPE CERAMIC CAPACITOR	CK725F1E-104Z1	1	332161040R1	
C6456	UTSP TYPE ELECTROLYTIC CAPACITOR	CE04W50V-10M(UTSP)	1	397581007AT	

[RESISTOR]

R4001	CHIP TYPE CARBON RESISTOR	RN72K1J-331JE	1	435033314R1	
R4002	CHIP TYPE CARBON RESISTOR	RN72K1J-331JE	1	435033314R1	
R4003	CHIP TYPE CARBON RESISTOR	RN72K1J-331JE	1	435033314R1	
R4004	CHIP TYPE CARBON RESISTOR	RN72K1J-331JE	1	435033314R1	
R4009	CHIP TYPE CARBON RESISTOR	RN72K1J-331JE	1	435033314R1	
R4010	CHIP TYPE CARBON RESISTOR	RN72K1J-331JE	1	435033314R1	
R4013	CHIP TYPE CARBON RESISTOR	RN72K1J-331JE	1	435033314R1	
R4014	CHIP TYPE CARBON RESISTOR	RN72K1J-331JE	1	435033314R1	
R4015	CHIP TYPE CARBON RESISTOR	RN72K1J-331JE	1	435033314R1	
R4016	CHIP TYPE CARBON RESISTOR	RN72K1J-331JE	1	435033314R1	

R4131	CHIP TYPE CARBON RESISTOR	RN72K1J-473JE	1	435034734R1
R4132	CHIP TYPE CARBON RESISTOR	RN72K1J-153JE	1	435031534R1
R4133	CHIP TYPE CARBON RESISTOR	RN72K1J-122JE	1	435031224R1
R4134	CHIP TYPE CARBON RESISTOR	RN72K1J-103JE	1	435031034R1
R4138	CHIP TYPE CARBON RESISTOR	RN72K1J-224JE	1	435032244R1
R4139	CHIP TYPE CARBON RESISTOR	RN72K1J-224JE	1	435032244R1
R4160	METAL RESISTOR	RNU1WCJ-3.3	1	453630334T
R4161	METAL RESISTOR	RNU1WCJ-3.3	1	453630334T
R4162	METAL RESISTOR	RNU1WCJ-3.3	1	453630334T
R4163	METAL RESISTOR	RNU1WCJ-3.3	1	453630334T
R4166	CHIP TYPE CARBON RESISTOR	RN72K1J-220JE	1	435032204R1
R4167	CHIP TYPE CARBON RESISTOR	RN72K1J-220JE	1	435032204R1
R4174	METAL OXIDE FILM RESISTOR	RS1WBJ-68	1	443626804T
R4175	METAL OXIDE FILM RESISTOR	RS1WBJ-68	1	443626804T
R4176	METAL OXIDE FILM RESISTOR	RS1WBJ-47	1	443624704T
R4177	METAL OXIDE FILM RESISTOR	RS1WBJ-47	1	443624704T
R4180	CHIP TYPE CARBON RESISTOR	RN72K1J-224JE	1	435032244R1
R4181	CHIP TYPE CARBON RESISTOR	RN72K1J-224JE	1	435032244R1
R4182	CHIP TYPE CARBON RESISTOR	RN72K1J-224JE	1	435032244R1
R4185	METAL RESISTOR	RNU1WCJ-3.3	1	453630334T
R4187	METAL RESISTOR	RNU1WCJ-8.2	1	453630824T
R4189	CHIP TYPE CARBON RESISTOR	RN72K1J-224JE	1	435032244R1
R4190	CHIP TYPE CARBON RESISTOR	RN72K1J-224JE	1	435032244R1
R4211	CHIP TYPE CARBON RESISTOR	RN72K1J-102JE	1	435031024R1
R4231	CHIP TYPE CARBON RESISTOR	RN72K1J-000JE	1	435030004R1
R4232	CHIP TYPE CARBON RESISTOR	RN72K1J-000JE	1	435030004R1
R4233	CHIP TYPE CARBON RESISTOR	RN72K1J-000JE	1	435030004R1
R4289	CHIP TYPE CARBON RESISTOR	RN72K1J-000JE	1	435030004R1
R4292	CHIP TYPE CARBON RESISTOR	RN72K1J-224JE	1	435032244R1
R4293	CHIP TYPE CARBON RESISTOR	RN72K1J-224JE	1	435032244R1
R4294	CHIP TYPE CARBON RESISTOR	RN72K1J-224JE	1	435032244R1
R4295	CHIP TYPE CARBON RESISTOR	RN72K1J-224JE	1	435032244R1
R4296	CHIP TYPE CARBON RESISTOR	RN72K1J-224JE	1	435032244R1
R4302	CHIP TYPE CARBON RESISTOR	RN72K1J-000JE	1	435030004R1
R4303	CHIP TYPE CARBON RESISTOR	RN72K1J-000JE	1	435030004R1
R4308	CHIP TYPE CARBON RESISTOR	RN72K1J-222JE	1	435032224R1
R4309	CHIP TYPE CARBON RESISTOR	RN72K1J-222JE	1	435032224R1
R4400	CHIP TYPE CARBON RESISTOR	RN72K1J-102JE	1	435031024R1
R4401	CHIP TYPE CARBON RESISTOR	RN72K1J-102JE	1	435031024R1
R4402	CHIP TYPE CARBON RESISTOR	RN72K1J-224JE	1	435032244R1
R4403	CHIP TYPE CARBON RESISTOR	RN72K1J-224JE	1	435032244R1
R4530	CHIP TYPE CARBON RESISTOR	RN72K1J-224JE	1	435032244R1
R4531	CHIP TYPE CARBON RESISTOR	RN72K1J-224JE	1	435032244R1
R4532	CHIP TYPE CARBON RESISTOR	RN72K1J-561JE	1	435035614R1
R4533	CHIP TYPE CARBON RESISTOR	RN72K1J-561JE	1	435035614R1
R4534	CHIP TYPE CARBON RESISTOR	RN72K1J-274JE	1	435032744R1
R4535	CHIP TYPE CARBON RESISTOR	RN72K1J-274JE	1	435032744R1
R4536	CHIP TYPE CARBON RESISTOR	RN72K1J-223JE	1	435032234R1
R4537	CHIP TYPE CARBON RESISTOR	RN72K1J-223JE	1	435032234R1
R4538	CHIP TYPE CARBON RESISTOR	RN72K1J-122JE	1	435031224R1
R4539	CHIP TYPE CARBON RESISTOR	RN72K1J-122JE	1	435031224R1
R4540	CHIP TYPE CARBON RESISTOR	RN72K1J-101JE	1	435031014R1
R4541	CHIP TYPE CARBON RESISTOR	RN72K1J-101JE	1	435031014R1
R4542	CHIP TYPE CARBON RESISTOR	RN72K1J-224JE	1	435032244R1
R4543	CHIP TYPE CARBON RESISTOR	RN72K1J-224JE	1	435032244R1
R4544	CHIP TYPE CARBON RESISTOR	RN72K1J-220JE	1	435032204R1
R4545	CHIP TYPE CARBON RESISTOR	RN72K1J-220JE	1	435032204R1
R4548	CHIP TYPE CARBON RESISTOR	RN72K1J-271JE	1	435032714R1
R4549	CHIP TYPE CARBON RESISTOR	RN72K1J-271JE	1	435032714R1
R4550	CHIP TYPE CARBON RESISTOR	RN72K1J-271JE	1	435032714R1
R4551	CHIP TYPE CARBON RESISTOR	RN72K1J-271JE	1	435032714R1
R6020	CHIP TYPE CARBON RESISTOR	RN72K1J-222JE	1	435032224R1
R6021	CHIP TYPE CARBON RESISTOR	RN72K1J-222JE	1	435032224R1
R6022	CHIP TYPE CARBON RESISTOR	RN72K1J-222JE	1	435032224R1
R6023	CHIP TYPE CARBON RESISTOR	RN72K1J-561JE	1	435035614R1
R6024	CHIP TYPE CARBON RESISTOR	RN72K1J-561JE	1	435035614R1
R6025	CHIP TYPE CARBON RESISTOR	RN72K1J-561JE	1	435035614R1

R6205	CHIP TYPE CARBON RESISTOR	RN72K1J-562JE	1	435035624R1	
R6206	CHIP TYPE CARBON RESISTOR	RN72K1J-562JE	1	435035624R1	
R6210	CHIP TYPE CARBON RESISTOR	RN72K1J-472JE	1	435034724R1	
R6211	CHIP TYPE CARBON RESISTOR	RN72K1J-472JE	1	435034724R1	
R6212	CHIP TYPE CARBON RESISTOR	RN72K1J-472JE	1	435034724R1	
R6213	CHIP TYPE CARBON RESISTOR	RN72K1J-472JE	1	435034724R1	
R6214	CHIP TYPE CARBON RESISTOR	RN72K1J-472JE	1	435034724R1	
R6215	CHIP TYPE CARBON RESISTOR	RN72K1J-472JE	1	435034724R1	
R6216	CHIP TYPE CARBON RESISTOR	RN72K1J-472JE	1	435034724R1	
R6220	CHIP TYPE CARBON RESISTOR	RN72K1J-000JE	1	435030004R1	
R6221	CHIP TYPE CARBON RESISTOR	RN72K1J-000JE	1	435030004R1	
R6222	CHIP TYPE CARBON RESISTOR	RN72K1J-000JE	1	435030004R1	
R6223	CHIP TYPE CARBON RESISTOR	RN72K1J-000JE	1	435030004R1	
R6224	CHIP TYPE CARBON RESISTOR	RN72K1J-000JE	1	435030004R1	
R6225	CHIP TYPE CARBON RESISTOR	RN72K1J-000JE	1	435030004R1	
R6226	CHIP TYPE CARBON RESISTOR	RN72K1J-000JE	1	435030004R1	
R6230	CHIP TYPE CARBON RESISTOR	RN72K1J-000JE	1	435030004R1	
R6231	CHIP TYPE CARBON RESISTOR	RN72K1J-000JE	1	435030004R1	
R6232	CHIP TYPE CARBON RESISTOR	RN72K1J-000JE	1	435030004R1	
R6233	CHIP TYPE CARBON RESISTOR	RN72K1J-471JE	1	435034714R1	
R6234	CHIP TYPE CARBON RESISTOR	RN72K1J-471JE	1	435034714R1	
R6235	CHIP TYPE CARBON RESISTOR	RN72K1J-471JE	1	435034714R1	
R6236	CHIP TYPE CARBON RESISTOR	RN72K1J-471JE	1	435034714R1	
R6240	CHIP TYPE CARBON RESISTOR	RN72K1J-000JE	1	435030004R1	
R6241	CHIP TYPE CARBON RESISTOR	RN72K1J-000JE	1	435030004R1	
R6242	CHIP TYPE CARBON RESISTOR	RN72K1J-000JE	1	435030004R1	
R6243	CHIP TYPE CARBON RESISTOR	RN72K1J-000JE	1	435030004R1	
R6244	CHIP TYPE CARBON RESISTOR	RN72K1J-000JE	1	435030004R1	
R6245	CHIP TYPE CARBON RESISTOR	RN72K1J-000JE	1	435030004R1	
R6246	CHIP TYPE CARBON RESISTOR	RN72K1J-000JE	1	435030004R1	
R6401	METAL RESISTOR	RNU1/2WCJ-0.1	1	453531094T	
R6402	CHIP TYPE CARBON RESISTOR	RN72K1J-102JE	1	435031024R1	
R6403	CHIP TYPE CARBON RESISTOR	RN72K1J-473JE	1	435034734R1	
R6430	CHIP TYPE CARBON RESISTOR	RN72K2E-100JE	1	435221004R1	
R6431	CHIP TYPE CARBON RESISTOR	RN72K2E-100JE	1	435221004R1	
R6432	CHIP TYPE CARBON RESISTOR	RN72K2E-100JE	1	435221004R1	
R6440	METAL RESISTOR	RNU1WCJ-8.2	1	453630824T	
R6441	METAL RESISTOR	RNU1WCJ-8.2	1	453630824T	
R6442	METAL RESISTOR	RNU1WCJ-8.2	1	453630824T	
R6443	METAL RESISTOR	RNU1WCJ-8.2	1	453630824T	
R6444	METAL RESISTOR	RNU1WCJ-8.2	1	453630824T	
R6445	METAL RESISTOR	RNU1WCJ-8.2	1	453630824T	
R6446	METAL RESISTOR	RNU1WCJ-8.2	1	453630824T	
R6451	CHIP TYPE CARBON RESISTOR	RN72K1J-333JE	1	435033334R1	
R6452	CHIP TYPE CARBON RESISTOR	RN72K1J-103JE	1	435031034R1	
R6453	CHIP TYPE CARBON RESISTOR	RN72K1J-223JE	1	435032234R1	
R6454	CHIP TYPE CARBON RESISTOR	RN72K1J-473JE	1	435034734R1	
R6455	CHIP TYPE CARBON RESISTOR	RN72K1J-103JE	1	435031034R1	
R6456	CHIP TYPE CARBON RESISTOR	RN72K1J-223JE	1	435032234R1	
R6457	CHIP TYPE CARBON RESISTOR	RN72K1J-223JE	1	435032234R1	
R6458	CHIP TYPE CARBON RESISTOR	RN72K1J-562JE	1	435035624R1	
R6459	CHIP TYPE CARBON RESISTOR	RN72K1J-562JE	1	435035624R1	
R6460	CHIP TYPE CARBON RESISTOR	RN72K1J-473JE	1	435034734R1	
R6497	METAL RESISTOR	RNU1WCJ-8.2	1	453630824T	
[SW TRM]					
F6411A	FUSE HOLDER	SN5051	1	250113	!
F6411B	FUSE HOLDER	SN5051	1	250113	!
F6412A	FUSE HOLDER	SN5051	1	250113	!
F6412B	FUSE HOLDER	SN5051	1	250113	!
P101B	SOCKET	NSCT-7P2100	1	25052203	
P4001	PIN JACK	NPJ-2PDWR558	1	25045776	
P4002	PIN JACK	NPJ-4PDWR690	1	25045922	
P4003	PIN JACK	NPJ-4PDWWR624	1	25045845	
P4004	PIN JACK	NPJ-4PDWWR624	1	25045845	
P4007	PIN JACK	NPJ-4PDWRP682	1	25045914	
P501	WIRE HARNESS ASSEMBLY	NSAS-3P2094	1	2009991283UL	
P501A	WIRE HOL	NSCT-3P874	1	25051087	

P501Aor	WIRE HOL	CHD-1.5-3	(1)	25053535	
P5502B	PLUG	NPLG-20P0975	1	25056025	
P5503B	PLUG	NPLG-11P0966	1	25056016	
P5504B	WIRE HARNESS ASSEMBLY	NSAS-22P2305	1	200C4292220UL	
P5508	TRM-423(SCREW)	NEJITANSI ST3	1	25060495	
P5509A	TERMINAL	NTM-1P232(M1700)	1	25060301	
P5510B	TERMINAL	NTM-1P232(M1700)	1	25060301	
P6000B	PLUG	NPLG-9P0964	1	25056014	
P6001B	PLUG	NPLG-9P0964	1	25056014	
P6002B	PLUG	NPLG-9P0964	1	25056014	
P6004B	PLUG	NPLG-9P0964	1	25056014	
P6005B	PLUG	NPLG-9P0964	1	25056014	
P6006B	PLUG	NPLG-9P0964	1	25056014	
P6009B	TERMINAL	NTM-1P232(M1700)	1	25060301	
P6010B	TERMINAL	NTM-1P232(M1700)	1	25060301	
P6011B	RETAINER	(BUS 636)	1	27142324	N
P6013B	PLUG	NPLG-9P0964	1	25056014	
P603	WIRE HARNESS ASSEMBLY	NSAS-9P2222	1	20099914111UL	
P603A	WIRE HOL	NSCT-9P900	1	25051113	
P603Aor	WIRE HOL	CHD-2.5-9	(1)	25053543	
P6080	PLUG	NPLG-2P29	1	25055038	
P6081	PLUG	NPLG-2P29	1	25055038	
P6082	PLUG	NPLG-2P29	1	25055038	
P6083	PLUG	NPLG-2P29	1	25055038	
P6084	PLUG	NPLG-2P29	1	25055038	
P6085	PLUG	NPLG-2P29	1	25055038	
P6086	PLUG	NPLG-2P29	1	25055038	
P6201	PLUG	NPLG-5P152	1	25055168	
P6400A	CRIMP CORD ASSEMBLY	CLIMP AS	1	2069925080UL	N
P6401A	CRIMP CORD ASSEMBLY	CRIMP AS	1	2069925222UL	N
P6402A	CRIMP CORD ASSEMBLY	CRIMP AS	1	2069925146UL	N
P660	WIRE HARNESS ASSEMBLY	NSAS-7P2207	1	2009991396UL	
P660A	WIRE HOL	NSCT-7P898	1	25051111	
P660Aor	WIRE HOL	CHD-2.5-7	(1)	25053542	
RL643	RELAY	NRL-1P10A-DC12-196	1	25065707	
RL643 or	RELAY	NRL-1P10A-DC12-197	(1)	25065708	
RL643 or	RELAY	NRL-1P10A-DC12-198	(1)	25065709	
RL644	RELAY	NRL-1P10A-DC12-196	1	25065707	
RL644 or	RELAY	NRL-1P10A-DC12-197	(1)	25065708	
RL644 or	RELAY	NRL-1P10A-DC12-198	(1)	25065709	

U002

BAAMP-1367-2A

: NSP

CIRCUIT NC	PART NAME	DESCRIPTION	Q'TY	PART NO. (SN)	REMARKS
[SEMI CONDUCTOR]					
Q5500	TRANSISTOR	INA6006AP1-T111	1	2217980R2	
Q5510	TRANSISTOR	INA6006AP1-T111	1	2217980R2	
Q5520	TRANSISTOR	INC6006AP1-T111	1	2217990R2	
Q5530	TRANSISTOR	INC6006AP1-T111	1	2217990R2	
[RESISTOR]					
R5500	NON-FLAMMABLE CARBON FILM RESISTOR	R25J-220	1	415472214T	
R5510	NON-FLAMMABLE CARBON FILM RESISTOR	R25J-220	1	415472214T	
R5520	NON-FLAMMABLE CARBON FILM RESISTOR	R25J-220	1	415472214T	
R5530	NON-FLAMMABLE CARBON FILM RESISTOR	R25J-220	1	415472214T	
[SW TRM]					
P5000A	SOCKET	9210B-1-06Z140-PT1	1	25053513	
P5001A	SOCKET	9210B-1-03Z140-PT1	1	25053266	

U003

BACLA-1575-1A

: NSP

CIRCUIT NC	PART NAME	DESCRIPTION	Q'TY	PART NO. (SN)	REMARKS
------------	-----------	-------------	------	---------------	---------

[SEMI CONDUCTOR]

D5000	ZENER DIODE	DZ2J056M0L	1	224760560R2
D5001	ZENER DIODE	DZ2J056M0L	1	224760560R2
D5002	ZENER DIODE	DZ2J056M0L	1	224760560R2
D5003	ZENER DIODE	DZ2J056M0L	1	224760560R2
D5004	ZENER DIODE	DZ2J056M0L	1	224760560R2
D5005	ZENER DIODE	DZ2J056M0L	1	224760560R2
D5006	ZENER DIODE	DZ2J056M0L	1	224760560R2
Q5000	TRANSISTOR	2SC2713-BL	1	2213136R2
Q5001	TRANSISTOR	2SC2713-BL	1	2213136R2
Q5002	TRANSISTOR	2SC2713-BL	1	2213136R2
Q5003	TRANSISTOR	2SC2713-BL	1	2213136R2
Q5004	TRANSISTOR	2SC2713-BL	1	2213136R2
Q5005	TRANSISTOR	2SC2713-BL	1	2213136R2
Q5006	TRANSISTOR	2SC2713-BL	1	2213136R2
Q5010	TRANSISTOR	2SC2713-BL	1	2213136R2
Q5011	TRANSISTOR	2SC2713-BL	1	2213136R2
Q5012	TRANSISTOR	2SC2713-BL	1	2213136R2
Q5013	TRANSISTOR	2SC2713-BL	1	2213136R2
Q5014	TRANSISTOR	2SC2713-BL	1	2213136R2
Q5015	TRANSISTOR	2SC2713-BL	1	2213136R2
Q5016	TRANSISTOR	2SC2713-BL	1	2213136R2
Q5030	TRANSISTOR	INA6006AP1-T111	1	2217980R2
Q5031	TRANSISTOR	INA6006AP1-T111	1	2217980R2
Q5032	TRANSISTOR	INA6006AP1-T111	1	2217980R2
Q5033	TRANSISTOR	INA6006AP1-T111	1	2217980R2
Q5034	TRANSISTOR	INA6006AP1-T111	1	2217980R2
Q5035	TRANSISTOR	INA6006AP1-T111	1	2217980R2
Q5036	TRANSISTOR	INA6006AP1-T111	1	2217980R2
Q5040	TRANSISTOR	INA6006AP1-T111	1	2217980R2
Q5041	TRANSISTOR	INA6006AP1-T111	1	2217980R2
Q5042	TRANSISTOR	INA6006AP1-T111	1	2217980R2
Q5043	TRANSISTOR	INC6006AP1-T111	1	2217990R2
Q5044	TRANSISTOR	INC6006AP1-T111	1	2217990R2
Q5045	TRANSISTOR	INC6006AP1-T111	1	2217990R2
Q5046	TRANSISTOR	INC6006AP1-T111	1	2217990R2
Q5050	TRANSISTOR	2SC2713-BL	1	2213136R2
Q5051	TRANSISTOR	2SC2713-BL	1	2213136R2
Q5052	TRANSISTOR	2SC2713-BL	1	2213136R2
Q5053	TRANSISTOR	2SC2713-BL	1	2213136R2
Q5054	TRANSISTOR	2SC2713-BL	1	2213136R2
Q5055	TRANSISTOR	2SC2713-BL	1	2213136R2
Q5056	TRANSISTOR	2SC2713-BL	1	2213136R2
Q5250	TRANSISTOR	TTA004B_Q(S)	1	2218012
Q5251	TRANSISTOR	TTA004B_Q(S)	1	2218012
Q5252	TRANSISTOR	TTA004B_Q(S)	1	2218012
Q5260	TRANSISTOR	TTC004B_Q(S)	1	2218022
Q5261	TRANSISTOR	TTC004B_Q(S)	1	2218022
Q5262	TRANSISTOR	TTC004B_Q(S)	1	2218022
Q5410	TRANSISTOR	2SC2412K-R	1	2214653R2
Q5411	TRANSISTOR	2SC2412K-R	1	2214653R2
Q5412	TRANSISTOR	2SC2412K-R	1	2214653R2
Q5430	TRANSISTOR	INC6006AP1-T111	1	2217990R2
Q5431	TRANSISTOR	INC6006AP1-T111	1	2217990R2
Q5432	TRANSISTOR	INC6006AP1-T111	1	2217990R2
Q5440	TRANSISTOR	INA6006AP1-T111	1	2217980R2
Q5441	TRANSISTOR	INA6006AP1-T111	1	2217980R2
Q5442	TRANSISTOR	INA6006AP1-T111	1	2217980R2
Q5460	TRANSISTOR	2SA1037AK-R	1	2217043R2
Q5461	TRANSISTOR	2SA1037AK-R	1	2217043R2
Q5462	TRANSISTOR	2SA1037AK-R	1	2217043R2
Q5463	TRANSISTOR	2SA1037AK-R	1	2217043R2
Q5464	TRANSISTOR	2SA1037AK-R	1	2217043R2
Q5465	TRANSISTOR	2SA1037AK-R	1	2217043R2
Q5466	TRANSISTOR	2SA1037AK-R	1	2217043R2
Q6013	TRANSISTOR	2SC2412K-R	1	2214653R2
Q6014	TRANSISTOR	2SC2412K-R	1	2214653R2

Q6015	TRANSISTOR	2SC2412K-R	1	2214653R2	
Q6016	TRANSISTOR	2SC2412K-R	1	2214653R2	
Q6033	TRANSISTOR	TTC004B_Q(S)	1	2218022	
Q6034	TRANSISTOR	TTC004B_Q(S)	1	2218022	
Q6035	TRANSISTOR	TTC004B_Q(S)	1	2218022	
Q6036	TRANSISTOR	TTC004B_Q(S)	1	2218022	
Q6043	TRANSISTOR	TTA004B_Q(S)	1	2218012	
Q6044	TRANSISTOR	TTA004B_Q(S)	1	2218012	
Q6045	TRANSISTOR	TTA004B_Q(S)	1	2218012	
Q6046	TRANSISTOR	TTA004B_Q(S)	1	2218012	
[CHASSIS SCREW]					
P6009C	RETAINER	(CLA-R)	1	27142313	N
P6010C	RETAINER	(CLA-L)	1	27142312	N
[TRANS COIL]					
L5400	FERRITE CORE	---	1	5597-45502	
L5401	FERRITE CORE	---	1	5597-45502	
L5402	FERRITE CORE	---	1	5597-45502	
L5410	FERRITE CORE	---	1	5597-45502	
L5411	FERRITE CORE	---	1	5597-45502	
L5412	FERRITE CORE	---	1	5597-45502	
[CAPACITOR]					
C5000	UPZ TYPE PLASTIC FILM CAPACITOR	2AUPZTF471JE	1	376334714T	
C5001	UPZ TYPE PLASTIC FILM CAPACITOR	2AUPZTF471JE	1	376334714T	
C5002	UPZ TYPE PLASTIC FILM CAPACITOR	2AUPZTF471JE	1	376334714T	
C5003	UPZ TYPE PLASTIC FILM CAPACITOR	2AUPZTF471JE	1	376334714T	
C5004	UPZ TYPE PLASTIC FILM CAPACITOR	2AUPZTF471JE	1	376334714T	
C5005	UPZ TYPE PLASTIC FILM CAPACITOR	2AUPZTF471JE	1	376334714T	
C5006	UPZ TYPE PLASTIC FILM CAPACITOR	2AUPZTF471JE	1	376334714T	
C5010	UTSP TYPE ELECTROLYTIC CAPACITOR	CE04W50V-47M(UTSP)	1	397584707AT	
C5011	UTSP TYPE ELECTROLYTIC CAPACITOR	CE04W50V-47M(UTSP)	1	397584707AT	
C5012	UTSP TYPE ELECTROLYTIC CAPACITOR	CE04W50V-47M(UTSP)	1	397584707AT	
C5013	UTSP TYPE ELECTROLYTIC CAPACITOR	CE04W50V-47M(UTSP)	1	397584707AT	
C5014	UTSP TYPE ELECTROLYTIC CAPACITOR	CE04W50V-47M(UTSP)	1	397584707AT	
C5015	UTSP TYPE ELECTROLYTIC CAPACITOR	CE04W50V-47M(UTSP)	1	397584707AT	
C5016	UTSP TYPE ELECTROLYTIC CAPACITOR	CE04W50V-47M(UTSP)	1	397584707AT	
C5020	UTSP TYPE ELECTROLYTIC CAPACITOR	CE04W50V-10M(UTSP)	1	397581007AT	
C5021	UTSP TYPE ELECTROLYTIC CAPACITOR	CE04W50V-10M(UTSP)	1	397581007AT	
C5022	UTSP TYPE ELECTROLYTIC CAPACITOR	CE04W50V-10M(UTSP)	1	397581007AT	
C5023	UTSP TYPE ELECTROLYTIC CAPACITOR	CE04W50V-10M(UTSP)	1	397581007AT	
C5024	UTSP TYPE ELECTROLYTIC CAPACITOR	CE04W50V-10M(UTSP)	1	397581007AT	
C5025	UTSP TYPE ELECTROLYTIC CAPACITOR	CE04W50V-10M(UTSP)	1	397581007AT	
C5026	UTSP TYPE ELECTROLYTIC CAPACITOR	CE04W50V-10M(UTSP)	1	397581007AT	
C5040	UTSP TYPE ELECTROLYTIC CAPACITOR	CE04W10V-470M(UTSP)	1	397534717T	
C5041	UTSP TYPE ELECTROLYTIC CAPACITOR	CE04W10V-470M(UTSP)	1	397534717T	
C5042	UTSP TYPE ELECTROLYTIC CAPACITOR	CE04W10V-470M(UTSP)	1	397534717T	
C5043	UTSP TYPE ELECTROLYTIC CAPACITOR	CE04W25V-220M(UTSP)	1	397552217T	
C5044	UTSP TYPE ELECTROLYTIC CAPACITOR	CE04W25V-220M(UTSP)	1	397552217T	
C5045	UTSP TYPE ELECTROLYTIC CAPACITOR	CE04W25V-220M(UTSP)	1	397552217T	
C5046	UTSP TYPE ELECTROLYTIC CAPACITOR	CE04W25V-220M(UTSP)	1	397552217T	
C5050	UTSP TYPE ELECTROLYTIC CAPACITOR	CE04W50V-47M(UTSP)	1	397584707AT	
C5051	UTSP TYPE ELECTROLYTIC CAPACITOR	CE04W50V-47M(UTSP)	1	397584707AT	
C5052	UTSP TYPE ELECTROLYTIC CAPACITOR	CE04W50V-47M(UTSP)	1	397584707AT	
C5053	UTSP TYPE ELECTROLYTIC CAPACITOR	CE04W50V-47M(UTSP)	1	397584707AT	
C5054	UTSP TYPE ELECTROLYTIC CAPACITOR	CE04W50V-47M(UTSP)	1	397584707AT	
C5055	UTSP TYPE ELECTROLYTIC CAPACITOR	CE04W50V-47M(UTSP)	1	397584707AT	
C5056	UTSP TYPE ELECTROLYTIC CAPACITOR	CE04W50V-47M(UTSP)	1	397584707AT	
C5080	CERAMIC CAPACITOR	CC45SL50V-020C	1	345020201T	
C5081	CERAMIC CAPACITOR	CC45SL50V-020C	1	345020201T	
C5082	CERAMIC CAPACITOR	CC45SL50V-020C	1	345020201T	
C5083	CERAMIC CAPACITOR	CC45SL50V-040C	1	345020401T	
C5084	CERAMIC CAPACITOR	CC45SL50V-040C	1	345020401T	
C5085	CERAMIC CAPACITOR	CC45SL50V-040C	1	345020401T	
C5086	CERAMIC CAPACITOR	CC45SL50V-040C	1	345020401T	
C5090	UPZ TYPE PLASTIC FILM CAPACITOR	2AUPZTF101JE	1	376331014T	
C5091	UPZ TYPE PLASTIC FILM CAPACITOR	2AUPZTF101JE	1	376331014T	
C5092	UPZ TYPE PLASTIC FILM CAPACITOR	2AUPZTF101JE	1	376331014T	
C5093	UPZ TYPE PLASTIC FILM CAPACITOR	2AUPZTF101JE	1	376331014T	

C5094	UPZ TYPE PLASTIC FILM CAPACITOR	2AUPZTF101JE	1	376331014T
C5095	UPZ TYPE PLASTIC FILM CAPACITOR	2AUPZTF101JE	1	376331014T
C5096	UPZ TYPE PLASTIC FILM CAPACITOR	2AUPZTF101JE	1	376331014T
C5100	VR TYPE ELECTROLYTIC CAPACITOR	CE04W100V-22M(VR)	1	394692207T
C5101	VR TYPE ELECTROLYTIC CAPACITOR	CE04W100V-22M(VR)	1	394692207T
C5102	VR TYPE ELECTROLYTIC CAPACITOR	CE04W100V-22M(VR)	1	394692207T
C5103	VR TYPE ELECTROLYTIC CAPACITOR	CE04W100V-22M(VR)	1	394692207T
C5104	VR TYPE ELECTROLYTIC CAPACITOR	CE04W100V-22M(VR)	1	394692207T
C5105	VR TYPE ELECTROLYTIC CAPACITOR	CE04W100V-22M(VR)	1	394692207T
C5106	VR TYPE ELECTROLYTIC CAPACITOR	CE04W100V-22M(VR)	1	394692207T
C5110	VR TYPE ELECTROLYTIC CAPACITOR	CE04W100V-22M(VR)	1	394692207T
C5111	VR TYPE ELECTROLYTIC CAPACITOR	CE04W100V-22M(VR)	1	394692207T
C5112	VR TYPE ELECTROLYTIC CAPACITOR	CE04W100V-22M(VR)	1	394692207T
C5113	VR TYPE ELECTROLYTIC CAPACITOR	CE04W100V-22M(VR)	1	394692207T
C5114	VR TYPE ELECTROLYTIC CAPACITOR	CE04W100V-22M(VR)	1	394692207T
C5115	VR TYPE ELECTROLYTIC CAPACITOR	CE04W100V-22M(VR)	1	394692207T
C5116	VR TYPE ELECTROLYTIC CAPACITOR	CE04W100V-22M(VR)	1	394692207T
C5440	UTSP TYPE ELECTROLYTIC CAPACITOR	CE04W50V-22M(UTSP)	1	397582207AT
C5441	UTSP TYPE ELECTROLYTIC CAPACITOR	CE04W50V-22M(UTSP)	1	397582207AT
C5442	UTSP TYPE ELECTROLYTIC CAPACITOR	CE04W50V-22M(UTSP)	1	397582207AT
C6043	UTSP TYPE ELECTROLYTIC CAPACITOR	CE04W50V 47M(UTSP)	1	397584707AT
C6044	UTSP TYPE ELECTROLYTIC CAPACITOR	CE04W50V 47M(UTSP)	1	397584707AT
C6045	UTSP TYPE ELECTROLYTIC CAPACITOR	CE04W50V 47M(UTSP)	1	397584707AT
C6046	UTSP TYPE ELECTROLYTIC CAPACITOR	CE04W50V 47M(UTSP)	1	397584707AT
[RESISTOR]				
R5000	CHIP TYPE CARBON RESISTOR	RN72K1J-000JE	1	435030004R1
R5001	CHIP TYPE CARBON RESISTOR	RN72K1J-000JE	1	435030004R1
R5002	CHIP TYPE CARBON RESISTOR	RN72K1J-000JE	1	435030004R1
R5003	CHIP TYPE CARBON RESISTOR	RN72K1J-000JE	1	435030004R1
R5004	CHIP TYPE CARBON RESISTOR	RN72K1J-000JE	1	435030004R1
R5005	CHIP TYPE CARBON RESISTOR	RN72K1J-000JE	1	435030004R1
R5006	CHIP TYPE CARBON RESISTOR	RN72K1J-000JE	1	435030004R1
R5010	CHIP TYPE CARBON RESISTOR	RN72K1J-563JE	1	435035634R1
R5011	CHIP TYPE CARBON RESISTOR	RN72K1J-563JE	1	435035634R1
R5012	CHIP TYPE CARBON RESISTOR	RN72K1J-563JE	1	435035634R1
R5013	CHIP TYPE CARBON RESISTOR	RN72K1J-563JE	1	435035634R1
R5014	CHIP TYPE CARBON RESISTOR	RN72K1J-563JE	1	435035634R1
R5015	CHIP TYPE CARBON RESISTOR	RN72K1J-563JE	1	435035634R1
R5016	CHIP TYPE CARBON RESISTOR	RN72K1J-563JE	1	435035634R1
R5020	CHIP TYPE CARBON RESISTOR	RN72K1J-331JE	1	435033314R1
R5021	CHIP TYPE CARBON RESISTOR	RN72K1J-331JE	1	435033314R1
R5022	CHIP TYPE CARBON RESISTOR	RN72K1J-331JE	1	435033314R1
R5023	CHIP TYPE CARBON RESISTOR	RN72K1J-331JE	1	435033314R1
R5024	CHIP TYPE CARBON RESISTOR	RN72K1J-331JE	1	435033314R1
R5025	CHIP TYPE CARBON RESISTOR	RN72K1J-331JE	1	435033314R1
R5026	CHIP TYPE CARBON RESISTOR	RN72K1J-331JE	1	435033314R1
R5030	NON-FLAMMABLE CARBON FILM RESISTOR	R25J-56K	1	415475634T
R5031	NON-FLAMMABLE CARBON FILM RESISTOR	R25J-56K	1	415475634T
R5032	NON-FLAMMABLE CARBON FILM RESISTOR	R25J-56K	1	415475634T
R5033	NON-FLAMMABLE CARBON FILM RESISTOR	R25J-56K	1	415475634T
R5034	NON-FLAMMABLE CARBON FILM RESISTOR	R25J-56K	1	415475634T
R5035	NON-FLAMMABLE CARBON FILM RESISTOR	R25J-56K	1	415475634T
R5036	NON-FLAMMABLE CARBON FILM RESISTOR	R25J-56K	1	415475634T
R5040	CHIP TYPE CARBON RESISTOR	RN72K1J-182JE	1	435031824R1
R5041	CHIP TYPE CARBON RESISTOR	RN72K1J-182JE	1	435031824R1
R5042	CHIP TYPE CARBON RESISTOR	RN72K1J-182JE	1	435031824R1
R5043	CHIP TYPE CARBON RESISTOR	RN72K1J-182JE	1	435031824R1
R5044	CHIP TYPE CARBON RESISTOR	RN72K1J-182JE	1	435031824R1
R5045	CHIP TYPE CARBON RESISTOR	RN72K1J-182JE	1	435031824R1
R5046	CHIP TYPE CARBON RESISTOR	RN72K1J-182JE	1	435031824R1
R5050	CHIP TYPE CARBON RESISTOR	RN72K1J-822JE	1	435038224R1
R5051	CHIP TYPE CARBON RESISTOR	RN72K1J-822JE	1	435038224R1
R5052	CHIP TYPE CARBON RESISTOR	RN72K1J-822JE	1	435038224R1
R5053	CHIP TYPE CARBON RESISTOR	RN72K1J-822JE	1	435038224R1
R5054	CHIP TYPE CARBON RESISTOR	RN72K1J-822JE	1	435038224R1
R5055	CHIP TYPE CARBON RESISTOR	RN72K1J-822JE	1	435038224R1
R5056	CHIP TYPE CARBON RESISTOR	RN72K1J-822JE	1	435038224R1

R5395	CHIP TYPE CARBON RESISTOR	RN72K1J-121JE	1	435031214R1
R5396	CHIP TYPE CARBON RESISTOR	RN72K1J-121JE	1	435031214R1
R5420	NON-FLAMMABLE CARBON FILM RESISTOR	R25J-10	1	415471004T
R5421	NON-FLAMMABLE CARBON FILM RESISTOR	R25J-10	1	415471004T
R5422	NON-FLAMMABLE CARBON FILM RESISTOR	R25J-10	1	415471004T
R5440	TRIMMER RESISTOR	N06HR1KBB	1	5211401T
R5441	TRIMMER RESISTOR	N06HR1KBB	1	5211401T
R5442	TRIMMER RESISTOR	N06HR1KBB	1	5211401T
R5443	TRIMMER RESISTOR	N06HR1KBB	1	5211401T
R5444	TRIMMER RESISTOR	N06HR1KBB	1	5211401T
R5445	TRIMMER RESISTOR	N06HR1KBB	1	5211401T
R5446	TRIMMER RESISTOR	N06HR1KBB	1	5211401T
R5450	CHIP TYPE CARBON RESISTOR	RN72K1J-222JE	1	435032224R1
R5451	CHIP TYPE CARBON RESISTOR	RN72K1J-222JE	1	435032224R1
R5452	CHIP TYPE CARBON RESISTOR	RN72K1J-222JE	1	435032224R1
R5470	NON-FLAMMABLE CARBON FILM RESISTOR	R25J-82	1	415478204T
R5471	NON-FLAMMABLE CARBON FILM RESISTOR	R25J-82	1	415478204T
R5472	NON-FLAMMABLE CARBON FILM RESISTOR	R25J-82	1	415478204T
R5480	CHIP TYPE CARBON RESISTOR	RN72K2E-100JE	1	435221004R1
R5481	CHIP TYPE CARBON RESISTOR	RN72K2E-100JE	1	435221004R1
R5482	CHIP TYPE CARBON RESISTOR	RN72K2E-100JE	1	435221004R1
R5490	CHIP TYPE CARBON RESISTOR	RN72K2E-100JE	1	435221004R1
R5491	CHIP TYPE CARBON RESISTOR	RN72K2E-100JE	1	435221004R1
R5492	CHIP TYPE CARBON RESISTOR	RN72K2E-100JE	1	435221004R1
R6023	NON-FLAMMABLE CARBON FILM RESISTOR	R25J-2.2	1	415470224T
R6024	NON-FLAMMABLE CARBON FILM RESISTOR	R25J-2.2	1	415470224T
R6025	NON-FLAMMABLE CARBON FILM RESISTOR	R25J-2.2	1	415470224T
R6026	NON-FLAMMABLE CARBON FILM RESISTOR	R25J-2.2	1	415470224T
R6053	CHIP TYPE CARBON RESISTOR	RN72K1J-332JE	1	435033324R1
R6054	CHIP TYPE CARBON RESISTOR	RN72K1J-332JE	1	435033324R1
R6055	CHIP TYPE CARBON RESISTOR	RN72K1J-332JE	1	435033324R1
R6056	CHIP TYPE CARBON RESISTOR	RN72K1J-332JE	1	435033324R1
R6073	NON-FLAMMABLE CARBON FILM RESISTOR	R25J-120	1	415471214T
R6074	NON-FLAMMABLE CARBON FILM RESISTOR	R25J-120	1	415471214T
R6075	NON-FLAMMABLE CARBON FILM RESISTOR	R25J-120	1	415471214T
R6076	NON-FLAMMABLE CARBON FILM RESISTOR	R25J-120	1	415471214T

[SW TRM]

P5509B	TERMINAL	NTM-1P233(M1969)	1	25060302
P6000A	SOCKET	NSCT-9P2189	1	25052292
P6001A	SOCKET	NSCT-9P2189	1	25052292
P6002A	SOCKET	NSCT-9P2189	1	25052292
P6003A	SOCKET	NSCT-9P2189	1	25052292
P6004A	SOCKET	NSCT-9P2189	1	25052292
P6005A	SOCKET	NSCT-9P2189	1	25052292
P6006A	SOCKET	NSCT-9P2189	1	25052292

U004

BADIS-1530-1A

: NSP

CIRCUIT NC	PART NAME	DESCRIPTION	Q'TY	PART NO. (SN)	REMARKS
[SEMI CONDUCTOR]					
D1000	CHIP TYPE DIODE	DA2J10100	1	223303R2	
D1000 or	CHIP TYPE DIODE	1SS352	(1)	223234R2	
D1001	CHIP TYPE DIODE	DA2J10100	1	223303R2	
D1001 or	CHIP TYPE DIODE	1SS352	(1)	223234R2	
D1011	PHOTO COUPLER	JSR1165-001recieving	1	24120143	
D7502	ZENER DIODE	DZ2J082M0L	1	224760820R2	
D7502 or	ZENER DIODE	UDZS8.2B	(1)	224550820R2	
D7533	ZENER DIODE	DZ2J039M0L	1	224760390R2	
D7533 or	ZENER DIODE	UDZS3.9B	(1)	224550390R2	
D7652	LED	SLI-343Y8C-3F	1	225491	
D7653	LED	LW340A	1	225517	
D7654	LED	SCB3318E-D2	1	225487	
D7654A	HOLDER	(LED)LH-5-5	1	27191312	
D7655	LED	SCB3318E-D2	1	225487	

D7655A	HOLDER	(LED)LH-5-5	1	27191312
D7801	ZENER DIODE	DZ2J051M0L	1	224760510R2
D7801 or	ZENER DIODE	UDZS5.1B	(1)	224550510R2
D7811	ZENER DIODE	DZ2J068M0L	1	224760680R2
D7811 or	ZENER DIODE	UDZS6.8B	(1)	224550680R2
D7812	ZENER DIODE	DZ2J068M0L	1	224760680R2
D7812 or	ZENER DIODE	UDZS6.8B	(1)	224550680R2
D7901	CHIP TYPE DIODE	DA2J10100	1	223303R2
D7901 or	CHIP TYPE DIODE	1SS352	(1)	223234R2
D7902	CHIP TYPE DIODE	DA2J10100	1	223303R2
D7902 or	CHIP TYPE DIODE	1SS352	(1)	223234R2
D7903	CHIP TYPE DIODE	DA2J10100	1	223303R2
D7903 or	CHIP TYPE DIODE	1SS352	(1)	223234R2
D7904	CHIP TYPE DIODE	DA2J10100	1	223303R2
D7904 or	CHIP TYPE DIODE	1SS352	(1)	223234R2
D9001	DIODE	S1WB(A)60B-7062	1	22380377R2
D9002	SPECIFIED DIODE	P6SMB200A-M3/52T	1	225505R2
D9003	DIODE	US1K-E3/61T	1	22380376R2
D9004	DIODE	RF301B2STL	1	22380374R2
D9006	DIODE	M1FL20U	1	223276R2
D9008	DIODE	RB050M-30GTR	1	22380373R2
D9011	CHIP TYPE DIODE	DA2J10100	1	223303R2
D9011 or	CHIP TYPE DIODE	1SS352	(1)	223234R2
D9012	ZENER DIODE	DZ2J360M0L	1	224763600R2
D9012 or	ZENER DIODE	UDZS36B	(1)	224553600R2
D9013	SPECIFIED DIODE	P6SMB20A-M3/52	1	225515R2
D9018	ZENER DIODE	DZ2J200M0L	1	224762000R2
D9018 or	ZENER DIODE	UDZS20B	(1)	224552000R2
D960	DIODE	RL1N4003	1	22380260T
D961	DIODE	RL1N4003	1	22380260T
D962	ZENER DIODE	DZ2J360M0L	1	224763600R2
D962 or	ZENER DIODE	UDZS36B	(1)	224553600R2
Q1000	HYBRID IC	TC74HCU04AF	1	222740046R2TO
Q1501	HYBRID IC	NJM4580M-D	1	22241448R2
Q1502	HYBRID IC	NJM4580M-D	1	22241448R2
Q1503	HYBRID IC	NJM4580M-D	1	22241448R2
Q1504	HYBRID IC	NJM4580M-D	1	22241448R2
Q7501	HYBRID IC	ML9208A-13GA	1	22242772R3
Q7502	FLUORESCENT TUBE	16-BT-168GNK	1	212279
Q7502A	HOLDER	(FL)	1	27191222C
Q7503	TRANSISTOR	KTC3875-GR	1	2216175R2
Q7504	TRANSISTOR	KTC3875-GR	1	2216175R2
Q7506	TRANSISTOR	KRA102S	1	2216220R2
Q7508	TRANSISTOR	2SC2712-GR	1	2213145R2
Q7508 or	TRANSISTOR	KTC3875-GR	(1)	2216175R2
Q7509	TRANSISTOR	KRA107S	1	2216350R2
Q7510	TRANSISTOR	KRC107S	1	2216340R2
Q7511	HYBRID IC	BU2090F-E2	1	22242686R2
Q7533	TRANSISTOR	KTC3875-GR	1	2216175R2
Q7541	REMOTE SENSOR	IRM-3638M3S28	1	24130026
Q7802	HYBRID IC	NJM4580M-D	1	22241448R2
Q7803	TRANSISTOR	RTAN430C-T112-1	1	2217780R2
Q7803 or	TRANSISTOR	RN1441	(1)	2215410R2
Q9001	HYBRID IC	STR-A6051M	1	222154
Q9002	HYBRID IC	EL816MX	1	22242845
Q9002 or	HYBRID IC	PC123X8YFZ0F	(1)	22242771
Q9002 or	HYBRID IC	PS2561DL1-1Y-A(Q)	(1)	22242794
Q9003	HYBRID IC	EL816MX	1	22242845
Q9003 or	HYBRID IC	PC123X8YFZ0F	(1)	22242771
Q9003 or	HYBRID IC	PS2561DL1-1Y-A(Q)	(1)	22242794
Q9004	HYBRID IC	KIA431A-AT/P	1	22242770T
Q9005	TRANSISTOR	KRC102S	1	2216190R2
Q9005 or	TRANSISTOR	RN1402	(1)	2214470R2
Q960	TRANSISTOR	2SC2881-Y	1	2217564AR2
[TRANS COIL]				
L1000	CHOKE COIL	LBC2518T2R2M	1	231364M022R2
L1001	CHOKE COIL	LBC2518T2R2M	1	231364M022R2

L1002	CHOKE COIL	LBC2518T2R2M	1	231364M022R2	
L1003	CHOKE COIL	LBC2518T470M	1	231364M470R2	
L1004	CHOKE COIL	LBC2518T470M	1	231364M470R2	
L1005	EMI SUPPRESSION FILTER	BK1608HS102-T	1	230955R2	
L1008	EMI SUPPRESSION FILTER	BK1608HS102-T	1	230955R2	
L7531	CHOKE COIL	LBC2518T2R2M	1	231364M022R2	
L7532	CHOKE COIL	LBC2518T2R2M	1	231364M022R2	
L7751	CHOKE COIL	LBC2518T2R2M	1	231364M022R2	
L7752	CHOKE COIL	LBC2518T2R2M	1	231364M022R2	
L7753	CHOKE COIL	LBC2518T2R2M	1	231364M022R2	
L7831	CHOKE COIL	LBC2518T2R2M	1	231364M022R2	
L7832	CHOKE COIL	LBC2518T2R2M	1	231364M022R2	
L7901	EMI SUPPRESSION FILTER	BK1608LM182-T	1	230958R1	
L7902	CORE	BLM18PG121SN1D	1	2350006R1	
L7903	CORE	BLM18PG121SN1D	1	2350006R1	
L9001	CHOKE COIL	EM-UT2014-0033	1	231474	
L9002	CHOKE COIL	RCR1010NP-100M	1	231449M100	
L9004	CORE	BLM18PG181SN1D	1	2350005R1	
L9005	CORE	BLM18PG181SN1D	1	2350005R1	
T9001	POWER TRANSFORMER	NPT-1633S	1	2302077	!
T9001 or	POWER TRANSFORMER	NPT-1632S	(1)	2302076	!
[CAPACITOR]					
C1000	CHIP TYPE CERAMIC CAPACITOR	CK725F1E-104Z1	1	332161040R1	
C1001	CHIP TYPE CERAMIC CAPACITOR	CC725CH1H-101J1	1	342101014R1	
C1002	CHIP TYPE CERAMIC CAPACITOR	CC725CH1H-101J1	1	342101014R1	
C1003	CHIP TYPE CERAMIC CAPACITOR	CK725B1C-104K1	1	332121045R1	
C1004	CHIP TYPE CERAMIC CAPACITOR	CK725B1C-104K1	1	332121045R1	
C1005	CHIP TYPE CERAMIC CAPACITOR	CC725CH1H-080D1	1	342100802R1	
C1007	UTSP TYPE ELECTROLYTIC CAPACITOR	CE04W25V-220M(UTSP)	1	397552217T	
C1008	CHIP TYPE CERAMIC CAPACITOR	CK725F1E-104Z1	1	332161040R1	
C1009	CHIP TYPE CERAMIC CAPACITOR	CK725F1E-104Z1	1	332161040R1	
C1011	CHIP TYPE CERAMIC CAPACITOR	CC725CH1H-330J1	1	342103304R1	
C1013	UTSP TYPE ELECTROLYTIC CAPACITOR	CE04W25V-220M(UTSP)	1	397552217T	
C1018	CHIP TYPE CERAMIC CAPACITOR	CC725CH1H-080D1	1	342100802R1	
C1500	MKT TYPE CAPACITOR	B32529C0102J289	1	376491024T	
C1501	MKT TYPE CAPACITOR	B32529C0102J289	1	376491024T	
C1502	MKT TYPE CAPACITOR	B32529C0102J289	1	376491024T	
C1503	MKT TYPE CAPACITOR	B32529C0102J289	1	376491024T	
C1504	MKT TYPE CAPACITOR	B32529C0102J289	1	376491024T	
C1505	MKT TYPE CAPACITOR	B32529C0102J289	1	376491024T	
C1506	MKT TYPE CAPACITOR	B32529C0102J289	1	376491024T	
C1507	MKT TYPE CAPACITOR	B32529C0102J289	1	376491024T	
C1510	UPZ TYPE PLASTIC FILM CAPACITOR	2AUPZTF221JE	1	376332214T	
C1511	UPZ TYPE PLASTIC FILM CAPACITOR	2AUPZTF221JE	1	376332214T	
C1512	UPZ TYPE PLASTIC FILM CAPACITOR	2AUPZTF221JE	1	376332214T	
C1513	CHIP TYPE CERAMIC CAPACITOR	CC725CH1H-221J1	1	342102214R1	
C1514	CHIP TYPE CERAMIC CAPACITOR	CC725CH1H-221J1	1	342102214R1	
C1515	CHIP TYPE CERAMIC CAPACITOR	CC725CH1H-221J1	1	342102214R1	
C1516	CHIP TYPE CERAMIC CAPACITOR	CC725CH1H-221J1	1	342102214R1	
C1517	UPZ TYPE PLASTIC FILM CAPACITOR	2AUPZTF221JE	1	376332214T	
C1520	UPZ TYPE PLASTIC FILM CAPACITOR	2AUPZTF221JE	1	376332214T	
C1521	UPZ TYPE PLASTIC FILM CAPACITOR	2AUPZTF221JE	1	376332214T	
C1522	UPZ TYPE PLASTIC FILM CAPACITOR	2AUPZTF221JE	1	376332214T	
C1523	CHIP TYPE CERAMIC CAPACITOR	CC725CH1H-221J1	1	342102214R1	
C1524	CHIP TYPE CERAMIC CAPACITOR	CC725CH1H-221J1	1	342102214R1	
C1525	CHIP TYPE CERAMIC CAPACITOR	CC725CH1H-221J1	1	342102214R1	
C1526	CHIP TYPE CERAMIC CAPACITOR	CC725CH1H-221J1	1	342102214R1	
C1527	UPZ TYPE PLASTIC FILM CAPACITOR	2AUPZTF221JE	1	376332214T	
C1598	UTSP TYPE ELECTROLYTIC CAPACITOR	CE04W25V-220M(UTSP)	1	397552217T	
C1599	UTSP TYPE ELECTROLYTIC CAPACITOR	CE04W25V-220M(UTSP)	1	397552217T	
C1620	CHIP TYPE CERAMIC CAPACITOR	CK725F1E-104Z1	1	332161040R1	
C1621	CHIP TYPE CERAMIC CAPACITOR	CK725F1E-104Z1	1	332161040R1	
C7502	CHIP TYPE CERAMIC CAPACITOR	CK725F1E-104Z1	1	332161040R1	
C7503	CHIP TYPE CERAMIC CAPACITOR	CC725CH1H-101J1	1	342101014R1	
C7504	CHIP TYPE CERAMIC CAPACITOR	CC725CH1H-101J1	1	342101014R1	
C7505	CHIP TYPE CERAMIC CAPACITOR	CC725CH1H-101J1	1	342101014R1	
C7508	ELECTROLYTIC CAPACITOR	CE04W6.3V-100M(S)	1	353721019T	

C7509	CHIP TYPE CERAMIC CAPACITOR	CK725F1E-104Z1	1	332161040R1	
C7510	CHIP TYPE CERAMIC CAPACITOR	CK725B1H-223K1	1	332102235R1	
C7511	CHIP TYPE CERAMIC CAPACITOR	CK725B1H-223K1	1	332102235R1	
C7512	CHIP TYPE CERAMIC CAPACITOR	CK725B1H-223K1	1	332102235R1	
C7514	CHIP TYPE CERAMIC CAPACITOR	CK725B1H-223K1	1	332102235R1	
C7515	ELECTROLYTIC CAPACITOR	CE04W16V-47M(S)	1	353744709T	
C7516	CHIP TYPE CERAMIC CAPACITOR	CK725B1H-223K1	1	332102235R1	
C7517	CHIP TYPE CERAMIC CAPACITOR	CK725B1H-223K1	1	332102235R1	
C7518	TF TYPE PLASTIC FILM CAPACITOR	ECQ-V50V-474J	1	374724744T	
C7520	CHIP TYPE CERAMIC CAPACITOR	CK725B1H-223K1	1	332102235R1	
C7521	CHIP TYPE CERAMIC CAPACITOR	CK725B1H-103K1	1	332101035R1	
C7522	CHIP TYPE CERAMIC CAPACITOR	CK725B1H-103K1	1	332101035R1	
C7523	CHIP TYPE CERAMIC CAPACITOR	CC725CH1H-390J1	1	342103904R1	
C7531	CHIP TYPE CERAMIC CAPACITOR	CK725B1H-223K1	1	332102235R1	
C7532	CHIP TYPE CERAMIC CAPACITOR	CK725B1H-223K1	1	332102235R1	
C7533	ELECTROLYTIC CAPACITOR	CE04W16V-10M(S)	1	353741009T	
C7541	ELECTROLYTIC CAPACITOR	CE04W16V-10M(S)	1	353741009T	
C7542	CHIP TYPE CERAMIC CAPACITOR	CC725CH1H-102J1	1	342101024R1	
C7543	CHIP TYPE CERAMIC CAPACITOR	CC725CH1H-102J1	1	342101024R1	
C7550	CHIP TYPE CERAMIC CAPACITOR	CK725F1E-104Z1	1	332161040R1	
C7551	CHIP TYPE CERAMIC CAPACITOR	CK725F1A-105Z1	1	332181050R1	
C7552	ELECTROLYTIC CAPACITOR	CE04W16V-47M(S)	1	353744709T	
C7553	CHIP TYPE CERAMIC CAPACITOR	CC725CH1H-101J1	1	342101014R1	
C7554	CHIP TYPE CERAMIC CAPACITOR	CC725CH1H-101J1	1	342101014R1	
C7557	CHIP TYPE CERAMIC CAPACITOR	CK725B1C-104K1	1	332121045R1	
C7558	ELECTROLYTIC CAPACITOR	CE04W35V-10M(MA)	1	355761009T	
C7705	CHIP TYPE CERAMIC CAPACITOR	CK725F1E-104Z1	1	332161040R1	
C7716	CHIP TYPE CERAMIC CAPACITOR	CK725F1E-104Z1	1	332161040R1	
C7751	CHIP TYPE CERAMIC CAPACITOR	CC725CH1H-102J1	1	342101024R1	
C7752	CHIP TYPE CERAMIC CAPACITOR	CK725B1H-223K1	1	332102235R1	
C7753	MKT TYPE CAPACITOR	B32529C0102J289	1	376491024T	
C7754	MKT TYPE CAPACITOR	B32529C0102J289	1	376491024T	
C7803	ELECTROLYTIC CAPACITOR	CE04W16V-47M(S)	1	353744709T	
C7805	ELECTROLYTIC CAPACITOR	CE04W16V-10M(S)	1	353741009T	
C7811	ELECTROLYTIC CAPACITOR	CE04W16V-47M(S)	1	353744709T	
C7812	ELECTROLYTIC CAPACITOR	CE04W16V-47M(S)	1	353744709T	
C7813	CHIP TYPE CERAMIC CAPACITOR	CK725F1E-104Z1	1	332161040R1	
C7831	ELECTROLYTIC CAPACITOR	CE04W16V-10M(S)	1	353741009T	
C7832	CHIP TYPE CERAMIC CAPACITOR	CC725CH1H-101J1	1	342101014R1	
C7833	CHIP TYPE CERAMIC CAPACITOR	CC725CH1H-102J1	1	342101024R1	
C7834	CHIP TYPE CERAMIC CAPACITOR	CC725CH1H-330J1	1	342103304R1	
C7901	CHIP TYPE CERAMIC CAPACITOR	CK725F1E-104Z1	1	332161040R1	
C7903	CHIP TYPE CERAMIC CAPACITOR	CK725F1E-104Z1	1	332161040R1	
C9001	IS TYPE CAPACITOR	LE104-MX-C3.5	1	3800049S	!
C9002	ELECTROLYTIC CAPACITOR	CE04W200V-100M(KXJ)	1	3500233S	
C9003	PW TYPE ELECTROLYTIC CAPACITOR	CE04W50V-10M(PW)	1	393781007T	
C9004	PW TYPE ELECTROLYTIC CAPACITOR	CE04W25V-1000M(PW)	1	393751027S	
C9006	PW TYPE ELECTROLYTIC CAPACITOR	CE04W25V-470M(PW)	1	393754717T	
C9009	CHIP TYPE CERAMIC CAPACITOR	GRM31A7U3D220JW31D	1	3300071R1	
C9010	IS TYPE CAPACITOR	DE1E3KX102MB4BL01	1	3300066S	!
C9011	CHIP TYPE CERAMIC CAPACITOR	CK725B1C-104K1	1	332121045R1	
C9012	IS TYPE CAPACITOR	ECQU2A103MLC	1	3800039S	!
C9012 or	IS TYPE CAPACITOR	LE103-C3.5	(1)	3800042S	!
C9013	UTSP TYPE ELECTROLYTIC CAPACITOR	CE04W25V-220M(UTSP)	1	397552217T	
C9014	CHIP TYPE CERAMIC CAPACITOR	CK725B1H-103K1	1	332101035R1	
C9015	CHIP TYPE CERAMIC CAPACITOR	CK725F1E-104Z1	1	332161040R1	
C9016	CHIP TYPE CERAMIC CAPACITOR	CK725B1H-332K1	1	332103325R1	
C9018	IS TYPE CAPACITOR	LE104-MX-C3.5	1	3800049S	!
C9019	IS TYPE CAPACITOR	DE1E3KX102MB4BL01	1	3300066S	!
C9020	IS TYPE CAPACITOR	DE1E3KX102MB4BL01	1	3300066S	!
C9023	CHIP TYPE CERAMIC CAPACITOR	CK725F1E-104Z1	1	332161040R1	
C9024	CHIP TYPE CERAMIC CAPACITOR	CK725F1E-104Z1	1	332161040R1	
C950	TF TYPE PLASTIC FILM CAPACITOR	ECQ-V50V-104J	1	374721044T	
C960	VR TYPE ELECTROLYTIC CAPACITOR	CE04W63V-100M(VR)	1	394671017T	
C961	UTSP TYPE ELECTROLYTIC CAPACITOR	CE04W50V 47M(UTSP)	1	397584707AT	
C962	TF TYPE PLASTIC FILM CAPACITOR	ECQ-V50V-104J	1	374721044T	
C963	UTSP TYPE ELECTROLYTIC CAPACITOR	CE04W50V 47M(UTSP)	1	397584707AT	

R7626	CHIP TYPE CARBON RESISTOR	RN72K1J-122JE	1	435031224R1	
R7627	CHIP TYPE CARBON RESISTOR	RN72K1J-222JE	1	435032224R1	
R7628	CHIP TYPE CARBON RESISTOR	RN72K1J-392JE	1	435033924R1	
R7629	CHIP TYPE CARBON RESISTOR	RN72K1J-123JE	1	435031234R1	
R7631	CHIP TYPE CARBON RESISTOR	RN72K1J-271JE	1	435032714R1	
R7632	CHIP TYPE CARBON RESISTOR	RN72K1J-331JE	1	435033314R1	
R7633	CHIP TYPE CARBON RESISTOR	RN72K1J-471JE	1	435034714R1	
R7634	CHIP TYPE CARBON RESISTOR	RN72K1J-561JE	1	435035614R1	
R7635	CHIP TYPE CARBON RESISTOR	RN72K1J-821JE	1	435038214R1	
R7636	CHIP TYPE CARBON RESISTOR	RN72K1J-122JE	1	435031224R1	
R7637	CHIP TYPE CARBON RESISTOR	RN72K1J-222JE	1	435032224R1	
R7638	CHIP TYPE CARBON RESISTOR	RN72K1J-392JE	1	435033924R1	
R7652	CHIP TYPE CARBON RESISTOR	RN72K1J-102JE	1	435031024R1	
R7653	CHIP TYPE CARBON RESISTOR	RN72K1J-222JE	1	435032224R1	
R7654	CHIP TYPE CARBON RESISTOR	RN72K1J-392JE	1	435033924R1	
R7655	CHIP TYPE CARBON RESISTOR	RN72K1J-471JE	1	435034714R1	
R7801	CHIP TYPE CARBON RESISTOR	RN72K1J-101JE	1	435031014R1	
R7803	CHIP TYPE CARBON RESISTOR	RN72K1J-472JE	1	435034724R1	
R7806	CHIP TYPE CARBON RESISTOR	RN72K1J-331JE	1	435033314R1	
R7809	CHIP TYPE CARBON RESISTOR	RN72K1J-471JE	1	435034714R1	
R7810	CHIP TYPE CARBON RESISTOR	RN72K1J-000JE	1	435030004R1	
R7811	CHIP TYPE CARBON RESISTOR	RN72K1J-271JE	1	435032714R1	
R7812	CHIP TYPE CARBON RESISTOR	RN72K1J-271JE	1	435032714R1	
R7814	CHIP TYPE CARBON RESISTOR	RN72K1J-224JE	1	435032244R1	
R7815	CHIP TYPE CARBON RESISTOR	RN72K1J-221JE	1	435032214R1	
R7816	CHIP TYPE CARBON RESISTOR	RN72K1J-221JE	1	435032214R1	
R7820	CHIP TYPE CARBON RESISTOR	RN72K1J-473JE	1	435034734R1	
R7831	CHIP TYPE CARBON RESISTOR	RN72K1J-221JE	1	435032214R1	
R7832	CHIP TYPE CARBON RESISTOR	RN72K1J-224JE	1	435032244R1	
R7833	CHIP TYPE CARBON RESISTOR	RN72K1J-473JE	1	435034734R1	
R7834	CHIP TYPE CARBON RESISTOR	RN72K1J-102JE	1	435031024R1	
R7835	CHIP TYPE CARBON RESISTOR	RN72K1J-333JE	1	435033334R1	
R9002	CHIP TYPE CARBON RESISTOR	RN72K1J-000JE	1	435030004R1	
R9003	CHIP TYPE CARBON RESISTOR	RN72K1J-332JE	1	435033324R1	
R9006	CHIP TYPE CARBON RESISTOR	RN72K1J-392JE	1	435033924R1	
R9007	CHIP TYPE CARBON RESISTOR	RN72K1J-273FE	1	435032732R1	
R9008	CHIP TYPE CARBON RESISTOR	RN72K1J-822JE	1	435038224R1	
R9009	CHIP TYPE CARBON RESISTOR	RN72K1J-103JE	1	435031034R1	
R9010	METAL OXIDE FILM RESISTOR	RS1/2WBJ-68	1	443526804T	
R9011	NON-FLAMMABLE CARBON FILM RESISTOR	R25J-22	1	415472204T	
R9012	CHIP TYPE CARBON RESISTOR	RN72K1J-271JE	1	435032714R1	
R9013	CHIP TYPE CARBON RESISTOR	RN72K1J-000JE	1	435030004R1	
R9014	METAL RESISTOR	RNU1WCJ-1	1	453630104T	
R9015	METAL OXIDE FILM RESISTOR	RS1/2WBJ-150	1	443521514T	
R9017	CHIP TYPE CARBON RESISTOR	RN72K1J-332JE	1	435033324R1	
R9018	CHIP TYPE CARBON RESISTOR	RN72K1J-182JE	1	435031824R1	
R9022	CHIP TYPE CARBON RESISTOR	RN72K1J-152JE	1	435031524R1	
R9023	CHIP TYPE CARBON RESISTOR	KTR18EZPF6803	1	435236842R1	
R9024	CHIP TYPE CARBON RESISTOR	KTR18EZPF6803	1	435236842R1	
R9025	CHIP TYPE CARBON RESISTOR	KTR18EZPF6803	1	435236842R1	
R950	CHIP TYPE CARBON RESISTOR	RN72K1J-015JE	1	435030154R1	
R951	METAL OXIDE FILM RESISTOR	RS1WBJ-33	1	443623304T	
R952	METAL OXIDE FILM RESISTOR	RS1WBJ-22	1	443622204T	
R960	METAL RESISTOR	RNU1/2WCJ-8.2	1	453530824T	
R962	CHIP TYPE CARBON RESISTOR	RN72K1J-103JE	1	435031034R1	
R963	CHIP TYPE CARBON RESISTOR	RN72K1J-103JE	1	435031034R1	
R964	CHIP TYPE CARBON RESISTOR	RN72K1J-333JE	1	435033334R1	
R965	CHIP TYPE CARBON RESISTOR	RN72K1J-047JE	1	435030474R1	
[SW TRM]					
F9001	FUSE	T1A-SEUL-T250V	1	252397T	!
F9002C	FUSE HOLDER	NSCT-1P2031	1	25052133T	!
F9002D	FUSE HOLDER	NSCT-1P2031	1	25052133T	!
P1000	ST JACK	MSJ-035-22	1	25045887	
P1001	PIN JACK	NPJ-2PDOO626	1	25045847	
P3101B	PLUG	NPLG-5P352	1	25055369	
P5502A	SOCKET	NSCT-20P2200	1	25052303	
P5503A	SOCKET	NSCT-11P2191	1	25052294	

P5511A	TERMINAL	NTM-1P233(M1969)	1	25060302	
P605	WIRE HARNESS ASSEMBLY	NSAS-5P2193	1	2009991382UL	
P605A	WIRE HOL	NSCT-5P896	1	25051109	
P605Aor	WIRE HOL	CHD-2.5-5	(1)	25053541	
P701B	SOCKET	NSCT-23P2414	1	25052517	
P702	WIRE HARNESS ASSEMBLY	NSAS-9P2144	1	2009991333UL	N
P702A	WIRE HOL	NSCT-9P880	1	25051093	
P702Aor	WIRE HOL	CHD-1.5-9	(1)	25053538	
P702B	PLUG	NPLG-9P137	1	25055153	
P703	WIRE HARNESS ASSEMBLY	NSAS-7P2128	1	2009991317UL	
P703A	WIRE HOL	NSCT-7P878	1	25051091	
P703Aor	WIRE HOL	CHD-1.5-7	(1)	25053537	
P703B	PLUG	NPLG-7P135	1	25055151	
P705	WIRE HARNESS ASSEMBLY	NSAS-5P2112	1	2009991301UL	
P705A	WIRE HOL	NSCT-5P876	1	25051089	
P705Aor	WIRE HOL	CHD-1.5-5	(1)	25053536	
P705B	PLUG	NPLG-5P133	1	25055149	
P7703	RETAINER	(GND)	1	27142222A	
P7751	ST JACK	MSJ-064-05A SR	1	25045783	
P7752	TRM-423(SCREW)	NEJITANSI ST3	1	25060495	
P7802	ST JACK	MSJ-035-105C-B-RF-SR-PC(ONA)	1	25045990	
P7901	SOCKET	000010211-00027	1	25053411	
P8002A	SOCKET	IMSA-9850S-24	1	25053212	N
P8003A	SOCKET	IMSA-9850S-24	1	25053212	N
P8004A	TRM-423(SCREW)	NEJITANSI ST3	1	25060495	
P9001A	PLUG	NPLG-2P631	1	25055675	
P9002	PLUG	NPLG-2P632	1	25055676	
P9003	TRM-423(SCREW)	NEJITANSI ST3	1	25060495	
P9004	RETAINER	(TRM-PS)	1	27142287	
P901	WIRE HARNESS ASSEMBLY	NSAS-5P2112	1	2009991301UL	
P901A	WIRE HOL	NSCT-5P876	1	25051089	
P901Aor	WIRE HOL	CHD-1.5-5	(1)	25053536	
P951A	WIRE HOL	NSCT-5P876	1	25051089	
P951Aor	WIRE HOL	CHD-1.5-5	(1)	25053536	
P951B	WIRE HOL	NSCT-5P876	1	25051089	
P951Bor	WIRE HOL	CHD-1.5-5	(1)	25053536	
P955B	PLUG	NPLG-5P119	1	25055135	
RL9001	RELAY	NRL-1P10A-DC9-188	1	25065693	!
S7502	ROTARY ENCODER	EC12E2425WITH WASHER	1	25065655W	
S7600	PUSH SWITCH	NPS-111-S681	1	25035718T	
S7601	PUSH SWITCH	NPS-111-S681	1	25035718T	
S7605	PUSH SWITCH	NPS-111-S681	1	25035718T	
S7606	PUSH SWITCH	NPS-111-S681	1	25035718T	
S7607	PUSH SWITCH	NPS-111-S681	1	25035718T	
S7608	PUSH SWITCH	NPS-111-S681	1	25035718T	
S7609	PUSH SWITCH	NPS-111-S681	1	25035718T	
S7610	PUSH SWITCH	NPS-111-S681	1	25035718T	
S7611	PUSH SWITCH	NPS-111-S681	1	25035718T	
S7612	PUSH SWITCH	NPS-111-S681	1	25035718T	
S7613	PUSH SWITCH	NPS-111-S681	1	25035718T	
S7614	PUSH SWITCH	NPS-111-S681	1	25035718T	
S7615	PUSH SWITCH	NPS-111-S681	1	25035718T	
S7616	PUSH SWITCH	NPS-111-S681	1	25035718T	
S7617	PUSH SWITCH	NPS-111-S681	1	25035718T	
S7618	PUSH SWITCH	NPS-111-S681	1	25035718T	
S7619	PUSH SWITCH	NPS-111-S681	1	25035718T	
S7620	PUSH SWITCH	NPS-111-S681	1	25035718T	
S7621	PUSH SWITCH	NPS-111-S681	1	25035718T	
S7622	PUSH SWITCH	NPS-111-S681	1	25035718T	
S7623	PUSH SWITCH	NPS-111-S681	1	25035718T	
S7624	PUSH SWITCH	NPS-111-S681	1	25035718T	
S7625	PUSH SWITCH	NPS-111-S681	1	25035718T	
S7626	PUSH SWITCH	NPS-111-S681	1	25035718T	
S7627	PUSH SWITCH	NPS-111-S681	1	25035718T	
S7628	PUSH SWITCH	NPS-111-S681	1	25035718T	
S7629	PUSH SWITCH	NPS-111-S681	1	25035718T	
S7630	PUSH SWITCH	NPS-111-S681	1	25035718T	

S7631	PUSH SWITCH	NPS-111-S681	1	25035718T
S7632	PUSH SWITCH	NPS-111-S681	1	25035718T
S7636	PUSH SWITCH	NPS-111-S681	1	25035718T
S7637	PUSH SWITCH	NPS-111-S681	1	25035718T
S7638	PUSH SWITCH	NPS-111-S681	1	25035718T

U005

BATRM-1568-1A

: NSP

CIRCUIT NC	PART NAME	DESCRIPTION	Q'TY	PART NO. (SN)	REMARKS
[SEMI CONDUCTOR]					
D201	DIODE	G10XB80-02-54A-T	1	22380378	
D201 or	DIODE	D5SBA60	(1)	22380070	
D202	CHIP TYPE DIODE	DA2J10100	1	223303R2	
D202 or	CHIP TYPE DIODE	1SS352	(1)	223234R2	
D203	CHIP TYPE DIODE	DA2J10100	1	223303R2	
D203 or	CHIP TYPE DIODE	1SS352	(1)	223234R2	
D204	ZENER DIODE	DZ2J062M0L	1	224760620R2	
D204 or	ZENER DIODE	UDZS6.2B	(1)	224550620R2	
D2101	CHIP TYPE DIODE	DA2J10100	1	223303R2	
D2101 or	CHIP TYPE DIODE	1SS352	(1)	223234R2	
D2102	CHIP TYPE DIODE	DA2J10100	1	223303R2	
D2102 or	CHIP TYPE DIODE	1SS352	(1)	223234R2	
D6600	CHIP TYPE DIODE	DA2J10100	1	223303R2	
D6600 or	CHIP TYPE DIODE	1SS352	(1)	223234R2	
D6601	CHIP TYPE DIODE	DA2J10100	1	223303R2	
D6604	CHIP TYPE DIODE	DA2J10100	1	223303R2	
D6604 or	CHIP TYPE DIODE	1SS352	(1)	223234R2	
D6606	CHIP TYPE DIODE	DA2J10100	1	223303R2	
D6606 or	CHIP TYPE DIODE	1SS352	(1)	223234R2	
Q2001	HYBRID IC	NJW1328	1	22242691R3	
Q6600	TRANSISTOR	KRC105S	1	2217290R2	
Q6600 or	TRANSISTOR	RN1405	(1)	2214500R2	
Q6601	TRANSISTOR	KRC105S	1	2217290R2	
Q6601 or	TRANSISTOR	RN1405	(1)	2214500R2	
Q6604	TRANSISTOR	KRC105S	1	2217290R2	
Q6604 or	TRANSISTOR	RN1405	(1)	2214500R2	
Q6606	TRANSISTOR	KRC105S	1	2217290R2	
Q6606 or	TRANSISTOR	RN1405	(1)	2214500R2	
[CHASSIS SCREW]					
D201C	SCREW	3P+10FN(3BC)	1	82143010GR	
[CAPACITOR]					
C2000	CHIP TYPE CERAMIC CAPACITOR	CK725F1E-104Z1	1	332161040R1	
C2001	CHIP TYPE CERAMIC CAPACITOR	CK725F1E-104Z1	1	332161040R1	
C2004	CHIP TYPE CERAMIC CAPACITOR	CK725F1E-104Z1	1	332161040R1	
C2008	CHIP TYPE CERAMIC CAPACITOR	CK725F1E-104Z1	1	332161040R1	
C2009	CHIP TYPE CERAMIC CAPACITOR	CK725F1A-105Z1	1	332181050R1	
C201	ELECTROLYTIC CAPACITOR	CE69W25V-10000M	1	3504512	
C201 or	ELECTROLYTIC CAPACITOR	CE69W25V-10000M	(1)	3504502	
C2010	CHIP TYPE CERAMIC CAPACITOR	CK725F1A-105Z1	1	332181050R1	
C2012	CHIP TYPE CERAMIC CAPACITOR	CK725F1E-104Z1	1	332161040R1	
C2013	CHIP TYPE CERAMIC CAPACITOR	CK725F1E-104Z1	1	332161040R1	
C2014	CHIP TYPE CERAMIC CAPACITOR	CK725F1E-104Z1	1	332161040R1	
C2015	CHIP TYPE CERAMIC CAPACITOR	CK725F1E-104Z1	1	332161040R1	
C202	JAMICON TYPE ELECTROLYTIC CAPACITOR	CE04W50V-4.7M	1	398580477T	
C202 or	VR TYPE ELECTROLYTIC CAPACITOR	CE04W50V-4.7M(VR)	(1)	394680477T	
C203	TF TYPE PLASTIC FILM CAPACITOR	ECQ-V50V-334J	1	374723344T	
C207	JAMICON TYPE ELECTROLYTIC CAPACITOR	CE04W6.3V-470M	1	398524717T	
C207 or	VR TYPE ELECTROLYTIC CAPACITOR	CE04W6.3V-470M(VR)	(1)	394624717T	
C208	CHIP TYPE CERAMIC CAPACITOR	CK725F1E-104Z1	1	332161040R1	
C2101	JAMICON TYPE ELECTROLYTIC CAPACITOR	CE04W50V-2.2M	1	398580227T	
C2101 or	VR TYPE ELECTROLYTIC CAPACITOR	CE04W50V-2.2M(VR)	(1)	394680227T	
C2102	JAMICON TYPE ELECTROLYTIC CAPACITOR	CE04W50V-2.2M	1	398580227T	
C2102 or	VR TYPE ELECTROLYTIC CAPACITOR	CE04W50V-2.2M(VR)	(1)	394680227T	
C2103	JAMICON TYPE ELECTROLYTIC CAPACITOR	CE04W50V-2.2M	1	398580227T	

C2103 or	VR TYPE ELECTROLYTIC CAPACITOR	CE04W50V-2.2M(VR)	(1)	394680227T	
C2106	JAMICON TYPE ELECTROLYTIC CAPACITOR	CE04W6.3V-470M	1	398524717T	
C2106 or	VR TYPE ELECTROLYTIC CAPACITOR	CE04W6.3V-470M(VR)	(1)	394624717T	
C2107	JAMICON TYPE ELECTROLYTIC CAPACITOR	CE04W6.3V-470M	1	398524717T	
C2107 or	VR TYPE ELECTROLYTIC CAPACITOR	CE04W6.3V-470M(VR)	(1)	394624717T	
C2108	JAMICON TYPE ELECTROLYTIC CAPACITOR	CE04W6.3V-470M	1	398524717T	
C2108 or	VR TYPE ELECTROLYTIC CAPACITOR	CE04W6.3V-470M(VR)	(1)	394624717T	
C2109	JAMICON TYPE ELECTROLYTIC CAPACITOR	CE04W6.3V-470M	1	398524717T	
C2109 or	VR TYPE ELECTROLYTIC CAPACITOR	CE04W6.3V-470M(VR)	(1)	394624717T	
C2110	JAMICON TYPE ELECTROLYTIC CAPACITOR	CE04W50V-2.2M	1	398580227T	
C2110 or	VR TYPE ELECTROLYTIC CAPACITOR	CE04W50V-2.2M(VR)	(1)	394680227T	
C2111	JAMICON TYPE ELECTROLYTIC CAPACITOR	CE04W50V-2.2M	1	398580227T	
C2111 or	VR TYPE ELECTROLYTIC CAPACITOR	CE04W50V-2.2M(VR)	(1)	394680227T	
C2112	JAMICON TYPE ELECTROLYTIC CAPACITOR	CE04W50V-2.2M	1	398580227T	
C2112 or	VR TYPE ELECTROLYTIC CAPACITOR	CE04W50V-2.2M(VR)	(1)	394680227T	
C2114	CHIP TYPE CERAMIC CAPACITOR	CK725B1H-102K1	1	332101025R1	
C2115	CHIP TYPE CERAMIC CAPACITOR	CK725B1H-102K1	1	332101025R1	
C2116	CHIP TYPE CERAMIC CAPACITOR	CK725B1H-103K1	1	332101035R1	
C2201	JAMICON TYPE ELECTROLYTIC CAPACITOR	CE04W16V-100M	1	398541017T	
C2201 or	VR TYPE ELECTROLYTIC CAPACITOR	CE04W16V-100M(VR)	(1)	394641017T	
C2202	JAMICON TYPE ELECTROLYTIC CAPACITOR	CE04W16V-100M	1	398541017T	
C2202 or	VR TYPE ELECTROLYTIC CAPACITOR	CE04W16V-100M(VR)	(1)	394641017T	
C2203	JAMICON TYPE ELECTROLYTIC CAPACITOR	CE04W16V-100M	1	398541017T	
C2203 or	VR TYPE ELECTROLYTIC CAPACITOR	CE04W16V-100M(VR)	(1)	394641017T	
C2204	JAMICON TYPE ELECTROLYTIC CAPACITOR	CE04W16V-100M	1	398541017T	
C2204 or	VR TYPE ELECTROLYTIC CAPACITOR	CE04W16V-100M(VR)	(1)	394641017T	
C6600	CHIP TYPE CERAMIC CAPACITOR	CK725F1H-104Z1	1	332151040R1	
C6601	CHIP TYPE CERAMIC CAPACITOR	CK725F1H-104Z1	1	332151040R1	
C6602	CHIP TYPE CERAMIC CAPACITOR	CK725F1H-104Z1	1	332151040R1	
C6604	CHIP TYPE CERAMIC CAPACITOR	CK725F1H-104Z1	1	332151040R1	
C6606	CHIP TYPE CERAMIC CAPACITOR	CK725F1H-104Z1	1	332151040R1	
C6639	TF TYPE PLASTIC FILM CAPACITOR	ECQ-V50V-103J	1	374721034T	
C6640	TF TYPE PLASTIC FILM CAPACITOR	ECQ-V50V-103J	1	374721034T	
C6641	TF TYPE PLASTIC FILM CAPACITOR	ECQ-V50V-103J	1	374721034T	
C6650	MKT TYPE CAPACITOR	B32529C0102J289	1	376491024T	
C6651	MKT TYPE CAPACITOR	B32529C0102J289	1	376491024T	
C6652	MKT TYPE CAPACITOR	B32529C0102J289	1	376491024T	
C6653	MKT TYPE CAPACITOR	B32529C0102J289	1	376491024T	
C6654	MKT TYPE CAPACITOR	B32529C0102J289	1	376491024T	
C6655	MKT TYPE CAPACITOR	B32529C0102J289	1	376491024T	
C6656	MKT TYPE CAPACITOR	B32529C0102J289	1	376491024T	
C6657	MKT TYPE CAPACITOR	B32529C0102J289	1	376491024T	
C6660	MKT TYPE CAPACITOR	B32529C0102J289	1	376491024T	
[RESISTOR]					
F201	FUSE	T4A-SEUL-T250V	1	252392T	!
R2001	CHIP TYPE CARBON RESISTOR	RN72K1J-563JE	1	435035634R1	
R2002	CHIP TYPE CARBON RESISTOR	RN72K1J-563JE	1	435035634R1	
R2003	CHIP TYPE CARBON RESISTOR	RN72K1J-103JE	1	435031034R1	
R2007	CHIP TYPE CARBON RESISTOR	RN72K1J-222JE	1	435032224R1	
R2008	CHIP TYPE CARBON RESISTOR	RN72K1J-222JE	1	435032224R1	
R201	CHIP TYPE CARBON RESISTOR	RN72K1J-104JE	1	435031044R1	
R202	CHIP TYPE CARBON RESISTOR	RN72K1J-103JE	1	435031034R1	
R205	CHIP TYPE CARBON RESISTOR	RN72K1J-000JE	1	435030004R1	
R2101	CHIP TYPE CARBON RESISTOR	RN72K1J-750JE	1	435037504R1	
R2102	CHIP TYPE CARBON RESISTOR	RN72K1J-750JE	1	435037504R1	
R2103	CHIP TYPE CARBON RESISTOR	RN72K1J-750JE	1	435037504R1	
R2106	CHIP TYPE CARBON RESISTOR	RN72K1J-750JE	1	435037504R1	
R2107	CHIP TYPE CARBON RESISTOR	RN72K1J-750JE	1	435037504R1	
R2108	CHIP TYPE CARBON RESISTOR	RN72K1J-750JE	1	435037504R1	
R2109	CHIP TYPE CARBON RESISTOR	RN72K1J-750JE	1	435037504R1	
R2110	CHIP TYPE CARBON RESISTOR	RN72K1J-750JE	1	435037504R1	
R2111	CHIP TYPE CARBON RESISTOR	RN72K1J-750JE	1	435037504R1	
R2112	CHIP TYPE CARBON RESISTOR	RN72K1J-750JE	1	435037504R1	
R2114	CHIP TYPE CARBON RESISTOR	RN72K1J-104JE	1	435031044R1	
R2115	CHIP TYPE CARBON RESISTOR	RN72K1J-104JE	1	435031044R1	
R2116	CHIP TYPE CARBON RESISTOR	RN72K1J-104JE	1	435031044R1	
R2117	CHIP TYPE CARBON RESISTOR	RN72K1J-104JE	1	435031044R1	

R2202	CHIP TYPE CARBON RESISTOR	RN72K1J-561JE	1	435035614R1
R2205	CHIP TYPE CARBON RESISTOR	RN72K1J-561JE	1	435035614R1
R6672	CHIP TYPE CARBON RESISTOR	RN72K1J-000JE	1	435030004R1
R6690	METAL OXIDE FILM RESISTOR	RS1/2WBJ-10	1	443521004T
R6691	METAL OXIDE FILM RESISTOR	RS1/2WBJ-390	1	443523914T
R6692	METAL OXIDE FILM RESISTOR	RS1/2WBJ-390	1	443523914T

[SW TRM]

P2201	PIN JACK	NPJ-2PDYY679	1	25045911
P2202	PIN JACK	NPJ-2PDYY679	1	25045911
P2203	PIN JACK	NPJ-6PDGLRGLR646	1	25045871
P2800A	SOCKET	NSCT-17P2408	1	25052511
P603B	PLUG	NPLG-9P123	1	25055139
P605B	PLUG	NPLG-5P119	1	25055135
P6600	TERMINAL	NTM-4PDMNRR420	1	25060492
P6601	TERMINAL	NTM-2PDMCR400	1	25060472
P6602	TERMINAL	NTM-4PDMNRR420	1	25060492
P6604	TERMINAL	NTM-4PDMNRR420	1	25060492
P6606	TERMINAL	NTM-4PDMNRR420	1	25060492
P660B	PLUG	NPLG-7P121	1	25055137
P801	WIRE HARNESS ASSEMBLY	NSAS-9P2141	1	2009991330UL
P801A	WIRE HOL	NSCT-9P880	1	25051093
P801Aor	WIRE HOL	CHD-1.5-9	(1)	25053538
P952B	PLUG	NPLG-3P117	1	25055133
RL660	RELAY	NRL-2P5A-DC24-129	1	25065563A
RL660 or	RELAY	NRL-2P5A-DC24-193	(1)	25065703
RL661	RELAY	NRL-2P5A-DC24-129	1	25065563A
RL661 or	RELAY	NRL-2P5A-DC24-193	(1)	25065703
RL662	RELAY	NRL-2P5A-DC24-129	1	25065563A
RL662 or	RELAY	NRL-2P5A-DC24-193	(1)	25065703
RL664	RELAY	NRL-2P5A-DC24-129	1	25065563A
RL664 or	RELAY	NRL-2P5A-DC24-193	(1)	25065703
RL666	RELAY	NRL-2P5A-DC24-129	1	25065563A
RL666 or	RELAY	NRL-2P5A-DC24-193	(1)	25065703

[MECHA PARTS]

D201B	HEAT SINK	RAD-083	1	27160271
-------	-----------	---------	---	----------

U008

BAPRC-1564-1W

: NSP

CIRCUIT NC	PART NAME	DESCRIPTION	Q'TY	PART NO. (SN)	REMARKS
[SEMI CONDUCTOR]					
D3101	CHIP TYPE DIODE	DA2J10100	1	223303R2	
D3101 or	CHIP TYPE DIODE	1SS352	(1)	223234R2	
D3302	CHIP TYPE DIODE	DA2J10100	1	223303R2	
D3302 or	CHIP TYPE DIODE	1SS352	(1)	223234R2	
D7001	CHIP TYPE DIODE	DA2J10100	1	223303R2	
D7001 or	CHIP TYPE DIODE	1SS352	(1)	223234R2	
D7002	CHIP TYPE DIODE	DA2J10100	1	223303R2	
D7002 or	CHIP TYPE DIODE	1SS352	(1)	223234R2	
D7003	CHIP TYPE DIODE	DA2J10100	1	223303R2	
D7003 or	CHIP TYPE DIODE	1SS352	(1)	223234R2	
D7004	CHIP TYPE DIODE	DA2J10100	1	223303R2	
D7004 or	CHIP TYPE DIODE	1SS352	(1)	223234R2	
D7005	CHIP TYPE DIODE	DA2J10100	1	223303R2	
D7005 or	CHIP TYPE DIODE	1SS352	(1)	223234R2	
D7006	CHIP TYPE DIODE	DA2J10100	1	223303R2	
D7006 or	CHIP TYPE DIODE	1SS352	(1)	223234R2	
D7007	ZENER DIODE	DZZJ062M0L	1	224760620R2	
D7007 or	ZENER DIODE	UDZS6.2B	(1)	224550620R2	
D7008	CHIP TYPE DIODE	DA2J10100	1	223303R2	
D7008 or	CHIP TYPE DIODE	1SS352	(1)	223234R2	
D7009	CHIP TYPE DIODE	DA2J10100	1	223303R2	
D7009 or	CHIP TYPE DIODE	1SS352	(1)	223234R2	
D7011	CHIP TYPE DIODE	DA2J10100	1	223303R2	
D7011 or	CHIP TYPE DIODE	1SS352	(1)	223234R2	

D7012	CHIP TYPE DIODE	DA2J10100	1	223303R2	
D7012 or	CHIP TYPE DIODE	1SS352	(1)	223234R2	
D7013	CHIP TYPE DIODE	DA2J10100	1	223303R2	
D7013 or	CHIP TYPE DIODE	1SS352	(1)	223234R2	
D8001	CHIP TYPE DIODE	DA2J10100	1	223303R2	
D8001 or	CHIP TYPE DIODE	1SS352	(1)	223234R2	
D8002	CHIP TYPE DIODE	DA2J10100	1	223303R2	
D8002 or	CHIP TYPE DIODE	1SS352	(1)	223234R2	
D8003	CHIP TYPE DIODE	DA2J10100	1	223303R2	
D8003 or	CHIP TYPE DIODE	1SS352	(1)	223234R2	
D8102	CHIP TYPE DIODE	DA2J10100	1	223303R2	
D8102 or	CHIP TYPE DIODE	1SS352	(1)	223234R2	
D8145	ESD D	AOZ8804ADI	1	225502R2	
D8146	ESD D	AOZ8804ADI	1	225502R2	
D8301	ZENER DIODE	DZ2J036M0L	1	224760360R2	
D8301 or	ZENER DIODE	UDZS3.6B	(1)	224550360R2	
D8345	ESD D	AOZ8804ADI	1	225502R2	
D8346	ESD D	AOZ8804ADI	1	225502R2	
D8347	DIODE	DAN217T146	1	223285R2	
D8701	CHIP TYPE DIODE	DA2J10100	1	223303R2	
D8701 or	CHIP TYPE DIODE	1SS352	(1)	223234R2	
D8902	CHIP TYPE DIODE	DA2J10100	1	223303R2	
D8902 or	CHIP TYPE DIODE	1SS352	(1)	223234R2	
D8903	CHIP TYPE DIODE	DA2J10100	1	223303R2	
D8903 or	CHIP TYPE DIODE	1SS352	(1)	223234R2	
D8904	CHIP TYPE DIODE	DA2J10100	1	223303R2	
D8904 or	CHIP TYPE DIODE	1SS352	(1)	223234R2	
D8906	CHIP TYPE DIODE	DA2J10100	1	223303R2	
D8906 or	CHIP TYPE DIODE	1SS352	(1)	223234R2	
D8907	CHIP TYPE DIODE	DA2J10100	1	223303R2	
D8907 or	CHIP TYPE DIODE	1SS352	(1)	223234R2	
D8908	CHIP TYPE DIODE	DA2J10100	1	223303R2	
D8908 or	CHIP TYPE DIODE	1SS352	(1)	223234R2	
D8909	CHIP TYPE DIODE	DA2J10100	1	223303R2	
D8909 or	CHIP TYPE DIODE	1SS352	(1)	223234R2	
D8962	DIODE	RB050M-30GTR	1	22380373R2	
D8963	DIODE	RB050M-30GTR	1	22380373R2	
D8964	CHIP TYPE DIODE	DA2J10100	1	223303R2	
D8964 or	CHIP TYPE DIODE	1SS352	(1)	223234R2	
D8965	CHIP TYPE DIODE	DA2J10100	1	223303R2	
D8965 or	CHIP TYPE DIODE	1SS352	(1)	223234R2	
D8966	CHIP TYPE DIODE	DA2J10100	1	223303R2	
D8966 or	CHIP TYPE DIODE	1SS352	(1)	223234R2	
Q1001	HYBRID IC	TC7SZU04FU	1	22242512R2TO	
Q1002	HYBRID IC	PCM5101APWR	1	22242855R2	
Q1004	HYBRID IC	PCM1690DCAR	1	22242599R2	
Q1005	HYBRID IC	PCM9211PTR	1	22242703R2	
Q1090	HYBRID IC	S-1172B50-U5T1G	1	22242765R2	
Q1091	HYBRID IC	BU33TD3WG-TR	1	22242715R2	
Q3001	HYBRID IC	D830K013DZKB456	1	22242887R3	N
Q3002	HYBRID IC	NAND512W3A2SN6E	1	222W0137R3	firmware
Q3003	HYBRID IC	A3V56S40GTP-60RX	1	22242891R2	N
Q3003 or	HYBRID IC	EM63A165TSB-6G	(1)	22242829R2	
Q3004	HYBRID IC	A3V56S40GTP-60RX	1	22242891R2	N
Q3004 or	HYBRID IC	EM63A165TSB-6G	(1)	22242829R2	
Q3005	HYBRID IC	TC7W32FU	1	22241162R2	
Q3006	HYBRID IC	PST803C270NM	1	22242894R2	N
Q3070	HYBRID IC	FP6861C-B1AS5CT	1	22242840R2	
Q3103	HYBRID IC	BU18TD3WG-TR	1	22242716R2	
Q3106	HYBRID IC	BU33TD3WG-TR	1	22242715R2	
Q3107	HYBRID IC	BU33TD3WG-TR	1	22242715R2	
Q3108	HYBRID IC	KSZ8051RNL(REVA2)	1	22242723AR2	
Q3108 or	HYBRID IC	KSZ8081RNBCA	(1)	22242921R2	
Q3109	HYBRID IC	S-13A1A13-U5T1U3	1	22242848R2	
Q3113	TRANSISTOR	KRC104S	1	2216210R2	
Q3113 or	TRANSISTOR	RN1404	(1)	2214490R2	
Q3115	TRANSISTOR	KRC104S	1	2216210R2	

Q3115 or	TRANSISTOR	RN1404	(1)	2214490R2	
Q3120	HYBRID IC	FP6861C-B1AS5CT	1	22242840R2	
Q3121	HYBRID IC	FP6861C-B1AS5CT	1	22242840R2	
Q3200	HYBRID IC	74VHC541FT	1	22274541E1R2TO	
Q3201	HYBRID IC	TC7MBL3245SFT	1	22242539R2TO	
Q3202	HYBRID IC	74LCX125FT	1	22274125BR2TO	
Q3203	TRANSISTOR	KRC104S	1	2216210R2	
Q3203 or	TRANSISTOR	RN1404	(1)	2214490R2	
Q3304	HYBRID IC	W25Q32FVSSIG	1	222W0135R2	N firmware
Q3305	TRANSISTOR	KRC104S	1	2216210R2	
Q3305 or	TRANSISTOR	RN1404	(1)	2214490R2	
Q3306	HYBRID IC	TPS22924CYZPR	1	22242807R2	
Q3307	HYBRID IC	S-13A1A12-U5T1U3	1	22242841R2	
Q3308	TRANSISTOR	KRC104S	1	2216210R2	
Q3308 or	TRANSISTOR	RN1404	(1)	2214490R2	
Q3401	HYBRID IC	D810K013DZKB400	1	22242884R3	N
Q3403	HYBRID IC	H57V6462GTR-60C	1	22242888R3	N
Q3403 or	HYBRID IC	EM638165TSB-7G	(1)	22242775R2	
Q3404	HYBRID IC	H57V6462GTR-60C	1	22242888R3	N
Q3404 or	HYBRID IC	EM638165TSB-7G	(1)	22242775R2	
Q7001	HYBRID IC	M95640-WMN6TP	1	22242643R2	
Q7001 or	HYBRID IC	R1EX25064ASA00A	(1)	22242581R2	
Q7001 or	HYBRID IC	BR25S640FJ	(1)	22242761R2	
Q7002	TRANSISTOR	KRA102S	1	2216220R2	
Q7002 or	TRANSISTOR	RN2402	(1)	2214530R2	
Q7003	TRANSISTOR	KRA102S	1	2216220R2	
Q7003 or	TRANSISTOR	RN2402	(1)	2214530R2	
Q7004	TRANSISTOR	KRA102S	1	2216220R2	
Q7004 or	TRANSISTOR	RN2402	(1)	2214530R2	
Q7005	TRANSISTOR	KRC104S	1	2216210R2	
Q7005 or	TRANSISTOR	RN1404	(1)	2214490R2	
Q7006	TRANSISTOR	KRC104S	1	2216210R2	
Q7006 or	TRANSISTOR	RN1404	(1)	2214490R2	
Q7007	TRANSISTOR	KRC104S	1	2216210R2	
Q7007 or	TRANSISTOR	RN1404	(1)	2214490R2	
Q7009	HYBRID IC	MPD70F3477AGJA-GAE-G	1	222W0117R3	firmware
Q7011	TRANSISTOR	KRA107S	1	2216350R2	
Q7011 or	TRANSISTOR	RN2407(TE85L_F)	(1)	2216360R2	
Q7012	TRANSISTOR	KRA107S	1	2216350R2	
Q7012 or	TRANSISTOR	RN2407(TE85L_F)	(1)	2216360R2	
Q7013	HYBRID IC	SN74CB3Q3305PWR	1	22242258R2	
Q7014	TRANSISTOR	KRC102S	1	2216190R2	
Q7015	TRANSISTOR	KRC102S	1	2216190R2	
Q7016	TRANSISTOR	KRC105S	1	2217290R2	
Q7016 or	TRANSISTOR	RN1405	(1)	2214500R2	
Q7017	TRANSISTOR	KRC104S	1	2216210R2	
Q7017 or	TRANSISTOR	RN1404	(1)	2214490R2	
Q7018	HYBRID IC	BU33TD3WG-TR	1	22242715R2	
Q7020	HYBRID IC	PST803C270NM	1	22242894R2	N
Q7021	TRANSISTOR	KRA102S	1	2216220R2	
Q7021 or	TRANSISTOR	RN2402	(1)	2214530R2	
Q7023	TRANSISTOR	KRC104S	1	2216210R2	
Q7023 or	TRANSISTOR	RN1404	(1)	2214490R2	
Q7024	TRANSISTOR	KRC104S	1	2216210R2	
Q7024 or	TRANSISTOR	RN1404	(1)	2214490R2	
Q7025	TRANSISTOR	2SA1162-GR	1	2214375R2	
Q7025 or	TRANSISTOR	KTA1504-GR	(1)	2216185R2	
Q7026	TRANSISTOR	KRC104S	1	2216210R2	
Q7026 or	TRANSISTOR	RN1404	(1)	2214490R2	
Q7027	HYBRID IC	BU33TD3WG-TR	1	22242715R2	
Q8001	HYBRID IC	88DE2755B2-BIF2C000-T183	1	22242886R3	N
Q8002	HYBRID IC	S-13A1A10-U5T1U3	1	22242889R2	N
Q8010	HYBRID IC	BU18TD3WG-TR	1	22242716R2	
Q8011	HYBRID IC	S-13A1A15-U5T1U3	1	22242842R2	
Q8012	HYBRID IC	TPS51100DGQR	1	22242711R2	
Q8030	HYBRID IC	TC7WHU04FU(TE12L)	1	22242231R2	
Q8040	HYBRID IC	W25Q128FVFIG	1	222W0136R2	N firmware

Q8041	HYBRID IC	74LCX125FT	1	22274125BR2TO	
Q8050	HYBRID IC	MM3404A50NRE	1	22242701R2	
Q8080	HYBRID IC	H5TQ1G63EFR-PBC	1	22242892R3	N
Q8080 or	HYBRID IC	K4B1G1646G-BCK0	(1)	22242710R3	
Q8201	HYBRID IC	PS331TQFP64GTR	1	22242788R2	
Q8202	HYBRID IC	ADV7180KCP32Z	1	22242763R3	
Q8203	HYBRID IC	BU18TD3WG-TR	1	22242716R2	
Q8205	HYBRID IC	BU18TD3WG-TR	1	22242716R2	
Q8302	HYBRID IC	SI9573CTUC	1	22242762R3	
Q8303	TRANSISTOR	2SA1162-GR	1	2214375R2	
Q8303 or	TRANSISTOR	KTA1504-GR	(1)	2216185R2	
Q8307	HYBRID IC	XC6221B132MR	1	22242809R2	
Q8308	TRANSISTOR	RN2401(TE85L_F)	1	2214520R2	
Q8308 or	TRANSISTOR	KRA101S	(1)	2217840R2	
Q8309	TRANSISTOR	KRC104S	1	2216210R2	
Q8309 or	TRANSISTOR	RN1404	(1)	2214490R2	
Q8380	HYBRID IC	74LCX125FT	1	22274125BR2TO	
Q8401	HYBRID IC	SI9679CNUC	1	22242881R3	N
Q8402	HYBRID IC	SI9678CNUC	1	22242880R3	N
Q8403	HYBRID IC	W25Q80BVSNI	1	222W0132R2	firmware
Q8403 or	HYBRID IC	W25Q80DVSNI	(1)	222W0142R2	firmware
Q8405	HYBRID IC	W25Q80BVSNI	1	222W0132R2	firmware
Q8405 or	HYBRID IC	W25Q80DVSNI	(1)	222W0142R2	firmware
Q8407	HYBRID IC	S-13A1A10-U5T1U3	1	22242889R2	N
Q8408	HYBRID IC	S-13A1A10-U5T1U3	1	22242889R2	N
Q8601	HYBRID IC	BD82065FVJ	1	22242718R2	
Q8685	TRANSISTOR ARRAY	UM6K1N	1	226066R2	
Q8685 or	TRANSISTOR ARRAY	UPA672T	(1)	226067R2	
Q8685 or	TRANSISTOR ARRAY	RT3K66M-T111-1	(1)	226069R2	
Q8701	HYBRID IC	TMPM361F10FG	1	222W0115R3	firmware
Q8702	TRANSISTOR ARRAY	UM6K1N	1	226066R2	
Q8702 or	TRANSISTOR ARRAY	UPA672T	(1)	226067R2	
Q8702 or	TRANSISTOR ARRAY	RT3K66M-T111-1	(1)	226069R2	
Q8703	TRANSISTOR ARRAY	UM6K1N	1	226066R2	
Q8703 or	TRANSISTOR ARRAY	UPA672T	(1)	226067R2	
Q8703 or	TRANSISTOR ARRAY	RT3K66M-T111-1	(1)	226069R2	
Q8710	TRANSISTOR	2SC2712-GR	1	2213145R2	
Q8710 or	TRANSISTOR	KTC3875-GR	(1)	2216175R2	
Q8711	TRANSISTOR	INA5001AP1-T111	1	2218030R2	
Q8711 or	TRANSISTOR	2SA1201-Y	(1)	2217554R2	
Q8741	HYBRID IC	74LCX125FT	1	22274125BR2TO	
Q8901	HYBRID IC	74VHCT08AFT	1	22274008G1R2TO	
Q8911	TRANSISTOR	KRC104S	1	2216210R2	
Q8911 or	TRANSISTOR	RN1404	(1)	2214490R2	
Q8931	HYBRID IC	FR9888CSPCTR	1	22242839R2	
Q8932	HYBRID IC	TPS22924CYZPR	1	22242807R2	
Q8933	TRANSISTOR	KRC105S	1	2217290R2	
Q8933 or	TRANSISTOR	RN1405	(1)	2214500R2	
Q8941	HYBRID IC	FR9888CSPCTR	1	22242839R2	
Q8942	HYBRID IC	TPS22924CYZPR	1	22242807R2	
Q8943	TRANSISTOR	KRC104S	1	2216210R2	
Q8943 or	TRANSISTOR	RN1404	(1)	2214490R2	
Q8951	HYBRID IC	FR9888CSPCTR	1	22242839R2	
Q8952	HYBRID IC	TPS22924CYZPR	1	22242807R2	
Q8953	TRANSISTOR	KRC104S	1	2216210R2	
Q8953 or	TRANSISTOR	RN1404	(1)	2214490R2	
Q8961	HYBRID IC	FR9888CSPCTR	1	22242839R2	
Q8975	HYBRID IC	XC6701B502PR	1	22242808R2	
Q8980	TRANSISTOR	RN2401(TE85L_F)	1	2214520R2	
Q8980 or	TRANSISTOR	KRA101S	(1)	2217840R2	
Q8981	TRANSISTOR	KRC104S	1	2216210R2	
Q8981 or	TRANSISTOR	RN1404	(1)	2214490R2	
[TRANS COIL]					
L1001	CORE	BLM15PX181SN1D	1	2350033R1	N
L1004	CORE	BK1005LL241-T	1	2350032R1	N
L1005	CORE	BK1005LL241-T	1	2350032R1	N
L1006	CORE	BK1005LL241-T	1	2350032R1	N

L1007	CORE	BK1005LL241-T	1	2350032R1	N
L1009	CHOKE COIL	LBC2518T4R7M	1	231364M047R2	
L1010	CHOKE COIL	LBC2518T4R7M	1	231364M047R2	
L1011	CHOKE COIL	LBC2518T4R7M	1	231364M047R2	
L1012	CHOKE COIL	LBC2518T4R7M	1	231364M047R2	
L1013	CHOKE COIL	LBC2518T4R7M	1	231364M047R2	
L1018	CORE	BLM15PX181SN1D	1	2350033R1	N
L1019	CORE	BLM15PX181SN1D	1	2350033R1	N
L1020	CORE	BLM15PX181SN1D	1	2350033R1	N
L1021	CORE	BLM15PX181SN1D	1	2350033R1	N
L1090	CORE	BLM15PX181SN1D	1	2350033R1	N
L3001	CORE	BLM15PX121SN1D	1	2350034R1	N
L3002	CORE	BLM15PX121SN1D	1	2350034R1	N
L3003	CORE	BLM15PX121SN1D	1	2350034R1	N
L3004	CORE	BLM15PX121SN1D	1	2350034R1	N
L3005	CORE	BLM15PX121SN1D	1	2350034R1	N
L3101	CORE	DLP11SA900HL2L	1	2350021R2	
L3102	CORE	BLM15PX181SN1D	1	2350033R1	N
L3103	CORE	BLM15PX121SN1D	1	2350034R1	N
L3104	CORE	BLM15PX121SN1D	1	2350034R1	N
L3105	CORE	BLM15PX121SN1D	1	2350034R1	N
L3106	CORE	BLM15PX121SN1D	1	2350034R1	N
L3107	CORE	BLM15PX121SN1D	1	2350034R1	N
L3108	CORE	BLM15PX121SN1D	1	2350034R1	N
L3109	CORE	BLM15PX121SN1D	1	2350034R1	N
L3110	CORE	BLM15PX121SN1D	1	2350034R1	N
L3111	CORE	BLM15PX121SN1D	1	2350034R1	N
L3112	CORE	DLP11SA900HL2L	1	2350021R2	
L3114	CORE	BLM15PX121SN1D	1	2350034R1	N
L3120	CORE	BLM15PX181SN1D	1	2350033R1	N
L3145	CORE	DLP2ADN900HL4L	1	230990R2	
L3203	CORE	BK1005LL241-T	1	2350032R1	N
L3209	CORE	BK1005LL241-T	1	2350032R1	N
L3290	EMI SUPPRESSION FILTER	BK1608LL241-T	1	230959R1	
L3301	CORE	BLM15PX121SN1D	1	2350034R1	N
L3302	CORE	BLM15PX121SN1D	1	2350034R1	N
L3303	EMI SUPPRESSION FILTER	BK1608LL241-T	1	230959R1	
L3304	CORE	BLM15PX121SN1D	1	2350034R1	N
L3305	CORE	BLM15PX181SN1D	1	2350033R1	N
L3402	CORE	BLM15PX121SN1D	1	2350034R1	N
L3403	CORE	BLM15PX121SN1D	1	2350034R1	N
L3404	CORE	BLM15PX121SN1D	1	2350034R1	N
L3405	CORE	BLM15PX121SN1D	1	2350034R1	N
L7001	CORE	BLM15PX181SN1D	1	2350033R1	N
L7003	CHOKE COIL	BLM21PG221SN1	1	230949R2	
L7004	CORE	BLM18PG181SN1D	1	2350005R1	
L7006	CORE	BLM15PX181SN1D	1	2350033R1	N
L7007	CORE	BLM15PX181SN1D	1	2350033R1	N
L8001	CORE	BLM15PX181SN1D	1	2350033R1	N
L8002	CORE	BLM15PX181SN1D	1	2350033R1	N
L8003	CORE	BLM15PX181SN1D	1	2350033R1	N
L8004	CORE	BLM15PX181SN1D	1	2350033R1	N
L8005	CORE	BLM15PX181SN1D	1	2350033R1	N
L8007	CORE	BLM15PX181SN1D	1	2350033R1	N
L8008	CORE	BLM15PX181SN1D	1	2350033R1	N
L8009	CORE	BLM15PX181SN1D	1	2350033R1	N
L8010	CORE	BLM15PX181SN1D	1	2350033R1	N
L8011	CORE	BLM15PX181SN1D	1	2350033R1	N
L8012	CORE	BLM15PX181SN1D	1	2350033R1	N
L8013	CORE	BLM15PX181SN1D	1	2350033R1	N
L8015	CORE	BLM15PX181SN1D	1	2350033R1	N
L8016	CORE	BLM15PX121SN1D	1	2350034R1	N
L8081	CORE	BLM15PX181SN1D	1	2350033R1	N
L8202	CORE	BLM15PX181SN1D	1	2350033R1	N
L8203	CORE	BLM15PX181SN1D	1	2350033R1	N
L8205	CORE	BLM15PX181SN1D	1	2350033R1	N
L8206	CORE	BLM15PX181SN1D	1	2350033R1	N

L8207	CORE	BLM15PX181SN1D	1	2350033R1	N
L8210	CORE	BLM15PX181SN1D	1	2350033R1	N
L8302	CORE	BLM15PX181SN1D	1	2350033R1	N
L8303	CORE	BLM15PX181SN1D	1	2350033R1	N
L8304	CORE	BLM15PX181SN1D	1	2350033R1	N
L8305	CORE	BLM15PX181SN1D	1	2350033R1	N
L8306	CORE	BLM15PX181SN1D	1	2350033R1	N
L8307	CORE	BLM15PX181SN1D	1	2350033R1	N
L8308	CORE	BLM15PX181SN1D	1	2350033R1	N
L8309	CORE	BK1005LL241-T	1	2350032R1	N
L8401	CORE	BLM15PX181SN1D	1	2350033R1	N
L8402	CORE	BLM15PX181SN1D	1	2350033R1	N
L8403	CORE	BLM15PX181SN1D	1	2350033R1	N
L8404	CORE	BLM15PX181SN1D	1	2350033R1	N
L8405	CORE	BLM15PX181SN1D	1	2350033R1	N
L8407	CORE	BLM15PX181SN1D	1	2350033R1	N
L8408	CORE	BLM15PX181SN1D	1	2350033R1	N
L8409	CORE	BLM15PX181SN1D	1	2350033R1	N
L8410	CORE	BLM15PX181SN1D	1	2350033R1	N
L8411	CORE	BLM15PX181SN1D	1	2350033R1	N
L8412	CORE	BLM15PX181SN1D	1	2350033R1	N
L8414	CORE	BLM15PX181SN1D	1	2350033R1	N
L8415	CORE	BLM15PX181SN1D	1	2350033R1	N
L8416	CORE	BLM15PX181SN1D	1	2350033R1	N
L8417	CORE	BLM15PX181SN1D	1	2350033R1	N
L8418	CORE	BLM15PX181SN1D	1	2350033R1	N
L8601	CORE	BLM15PX181SN1D	1	2350033R1	N
L8602	CORE	BLM15PX181SN1D	1	2350033R1	N
L8604	CORE	BLM15PX181SN1D	1	2350033R1	N
L8605	CORE	BLM15PX181SN1D	1	2350033R1	N
L8687	CORE	BLM15PX181SN1D	1	2350033R1	N
L8688	CORE	BLM15PX181SN1D	1	2350033R1	N
L8701	CORE	BLM15PX181SN1D	1	2350033R1	N
L8702	CORE	BLM15PX181SN1D	1	2350033R1	N
L8710	CORE	BLM15PX181SN1D	1	2350033R1	N
L8931	CHOKE COIL	BLM21PG221SN1	1	230949R2	
L8932	CHOKE COIL	1264EY-100M=P3	1	231447M100R2	
L8933	CHOKE COIL	BLM21PG221SN1	1	230949R2	
L8934	CHOKE COIL	BLM21PG221SN1	1	230949R2	
L8941	CHOKE COIL	BLM21PG221SN1	1	230949R2	
L8942	CHOKE COIL	1264EY-100M=P3	1	231447M100R2	
L8943	CHOKE COIL	BLM21PG221SN1	1	230949R2	
L8944	CHOKE COIL	BLM21PG221SN1	1	230949R2	
L8951	CHOKE COIL	BLM21PG221SN1	1	230949R2	
L8952	CHOKE COIL	1264EY-100M=P3	1	231447M100R2	
L8953	CHOKE COIL	BLM21PG221SN1	1	230949R2	
L8954	CHOKE COIL	BLM21PG221SN1	1	230949R2	
L8961	CHOKE COIL	BLM21PG221SN1	1	230949R2	
L8962	CHOKE COIL	1264EY-100M=P3	1	231447M100R2	
L8963	CHOKE COIL	BLM21PG221SN1	1	230949R2	
L8964	CHOKE COIL	BLM21PG221SN1	1	230949R2	
L8965	CORE	BLM15PX181SN1D	1	2350033R1	N
X1001	CRYSTAL	HC-49S 9C11.2896M	1	3010513R2	
X1002	CRYSTAL	HC-49S 9C24.5760M	1	3010516R2	
X3001	CRYSTAL	HC-49S 9C24.0000M	1	3010515R2	
X3110	CRYSTAL	HC-49S 9C25.0000M	1	3010517R2	
X3401	CRYSTAL	HC-49S 9C20.0000M	1	3010514R2	
X7001	CERAMIC RESONATOR	CSTCR5M00G53-B0	1	3010356R2	
X8001	CRYSTAL	HC-49S 9C20.0000M	1	3010514R2	
X8201	CRYSTAL	HC-49S 9C28.6363M	1	3010519R2	
X8301	CRYSTAL	HC-49S 9C27.0000M	1	3010518R2	
X8701	CERAMIC RESONATOR	CSTCE8M00G55-R0	1	3010416R2	
[CAPACITOR]					
C1001	CHIP TYPE CERAMIC CAPACITOR	CK725B1C-104K0	1	332011045R1	
C1003	CHIP TYPE CERAMIC CAPACITOR	CK732B16V-106K	1	332071065R2	
C1008	CHIP TYPE CERAMIC CAPACITOR	CC725CH1H-180J0	1	342031804R1	
C1009	CHIP TYPE CERAMIC CAPACITOR	CC725CH1H-180J0	1	342031804R1	

C1011	CHIP TYPE CERAMIC CAPACITOR	CK725B1C-104K0	1	332011045R1
C1012	CHIP ELECT C	CEWX4V-220M	1	3981G2217R2
C1013	CHIP TYPE CERAMIC CAPACITOR	CK725B1C-104K0	1	332011045R1
C1014	CHIP TYPE CERAMIC CAPACITOR	CK725B1C-104K0	1	332011045R1
C1015	CHIP ELECT C	CEWX16V-47M	1	398144707R2
C1016	CHIP TYPE CERAMIC CAPACITOR	CK725B1C-104K0	1	332011045R1
C1017	CHIP ELECT C	CEWX16V-100M	1	398141017R2
C1018	CHIP TYPE CERAMIC CAPACITOR	CK725B1C-104K0	1	332011045R1
C1019	CHIP TYPE CERAMIC CAPACITOR	CK732B16V-106K	1	332071065R2
C1020	CHIP ELECT C	CEWX4V-220M	1	3981G2217R2
C1021	CHIP TYPE CERAMIC CAPACITOR	CK725B1H-472K0	1	332034725R1
C1022	CHIP ELECT C	CEWX16V-47M	1	398144707R2
C1023	CHIP ELECT C	CEWX16V-100M	1	398141017R2
C1024	CHIP TYPE CERAMIC CAPACITOR	CK732B16V-106K	1	332071065R2
C1025	CHIP TYPE CERAMIC CAPACITOR	CK725B1H-223K0	1	332032235R1
C1026	CHIP TYPE CERAMIC CAPACITOR	CK725B1E-473K0	1	332024735R1
C1027	CHIP ELECT C	CEWX4V-220M	1	3981G2217R2
C1028	CHIP TYPE CERAMIC CAPACITOR	CC725CH1H-150J0	1	342031504R1
C1029	CHIP TYPE CERAMIC CAPACITOR	CC725CH1H-180J0	1	342031804R1
C1030	CHIP TYPE CERAMIC CAPACITOR	CK732B16V-106K	1	332071065R2
C1038	CHIP TYPE CERAMIC CAPACITOR	CK725B1C-104K0	1	332011045R1
C1041	CHIP TYPE CERAMIC CAPACITOR	CK732B16V-106K	1	332071065R2
C1042	CHIP TYPE CERAMIC CAPACITOR	CK725B1C-104K0	1	332011045R1
C1043	CHIP TYPE CERAMIC CAPACITOR	CK725B1C-104K0	1	332011045R1
C1044	CHIP TYPE CERAMIC CAPACITOR	CK732B16V-106K	1	332071065R2
C1045	CHIP TYPE CERAMIC CAPACITOR	CK725B1C-104K0	1	332011045R1
C1046	CHIP TYPE CERAMIC CAPACITOR	CK725B1C-104K0	1	332011045R1
C1047	CHIP TYPE CERAMIC CAPACITOR	CK732B16V-106K	1	332071065R2
C1048	CHIP TYPE CERAMIC CAPACITOR	CK725B1H-222K0	1	332032225R1
C1049	CHIP TYPE CERAMIC CAPACITOR	CK725B1H-222K0	1	332032225R1
C1051	CHIP TYPE CERAMIC CAPACITOR	CK725B1C-104K0	1	332011045R1
C1052	CHIP TYPE CERAMIC CAPACITOR	CK725B1C-104K0	1	332011045R1
C1053	CHIP TYPE CERAMIC CAPACITOR	CK725B1C-104K0	1	332011045R1
C1054	CHIP TYPE CERAMIC CAPACITOR	CK732B16V-106K	1	332071065R2
C1055	CHIP TYPE CERAMIC CAPACITOR	CK732B16V-106K	1	332071065R2
C1056	CHIP TYPE CERAMIC CAPACITOR	CK725B1C-104K0	1	332011045R1
C1057	CHIP TYPE CERAMIC CAPACITOR	CK732B16V-106K	1	332071065R2
C1058	CHIP TYPE CERAMIC CAPACITOR	CK725B1H-222K0	1	332032225R1
C1059	CHIP TYPE CERAMIC CAPACITOR	CK725B1H-222K0	1	332032225R1
C1090	CHIP TYPE CERAMIC CAPACITOR	CK732B16V-106K	1	332071065R2
C1091	CHIP TYPE CERAMIC CAPACITOR	CK725B0J-226M	1	332092267R2
C1092	CHIP TYPE CERAMIC CAPACITOR	CK732B16V-106K	1	332071065R2
C1093	CHIP TYPE CERAMIC CAPACITOR	CK732B16V-106K	1	332071065R2
C1094	CHIP TYPE CERAMIC CAPACITOR	CK732B16V-106K	1	332071065R2
C3001	CHIP TYPE CERAMIC CAPACITOR	CK725B1A-105K0	1	332001055R1
C3002	CHIP TYPE CERAMIC CAPACITOR	CK725B1A-105K0	1	332001055R1
C3003	CHIP TYPE CERAMIC CAPACITOR	CK732B16V-106K	1	332071065R2
C3004	CHIP TYPE CERAMIC CAPACITOR	CK732B16V-106K	1	332071065R2
C3005	CHIP TYPE CERAMIC CAPACITOR	CK725B1A-105K0	1	332001055R1
C3006	CHIP TYPE CERAMIC CAPACITOR	CK725B1H-102K0	1	332031025R1
C3007	CHIP TYPE CERAMIC CAPACITOR	CK725B1A-105K0	1	332001055R1
C3008	CHIP TYPE CERAMIC CAPACITOR	CK725B1H-102K0	1	332031025R1
C3009	CHIP TYPE CERAMIC CAPACITOR	CK725B1A-105K0	1	332001055R1
C3010	CHIP TYPE CERAMIC CAPACITOR	CK725B1A-105K0	1	332001055R1
C3011	CHIP TYPE CERAMIC CAPACITOR	CK725B1A-105K0	1	332001055R1
C3012	CHIP TYPE CERAMIC CAPACITOR	CK725B1H-102K0	1	332031025R1
C3013	CHIP TYPE CERAMIC CAPACITOR	CK725B1A-105K0	1	332001055R1
C3014	CHIP TYPE CERAMIC CAPACITOR	CK725B1H-102K0	1	332031025R1
C3015	CHIP TYPE CERAMIC CAPACITOR	CK725B1H-102K0	1	332031025R1
C3016	CHIP TYPE CERAMIC CAPACITOR	CK725B1A-105K0	1	332001055R1
C3017	CHIP TYPE CERAMIC CAPACITOR	CK725B1A-105K0	1	332001055R1
C3018	CHIP TYPE CERAMIC CAPACITOR	CK725B1A-105K0	1	332001055R1
C3019	CHIP TYPE CERAMIC CAPACITOR	CK725B1H-102K0	1	332031025R1
C3020	CHIP TYPE CERAMIC CAPACITOR	CK725B1A-105K0	1	332001055R1
C3021	CHIP TYPE CERAMIC CAPACITOR	CK725B1A-105K0	1	332001055R1
C3022	CHIP TYPE CERAMIC CAPACITOR	CK725B1A-105K0	1	332001055R1
C3023	CHIP TYPE CERAMIC CAPACITOR	CK732B16V-106K	1	332071065R2

C8094	CHIP TYPE CERAMIC CAPACITOR	CK725B1A-105K0	1	332001055R1
C8095	CHIP TYPE CERAMIC CAPACITOR	CK732B16V-106K	1	332071065R2
C8096	CHIP TYPE CERAMIC CAPACITOR	CK725B1A-105K0	1	332001055R1
C8097	CHIP TYPE CERAMIC CAPACITOR	CK732B16V-106K	1	332071065R2
C8098	CHIP TYPE CERAMIC CAPACITOR	CK725B1A-105K0	1	332001055R1
C8100	CHIP TYPE CERAMIC CAPACITOR	CK725B1H-102K0	1	332031025R1
C8101	CHIP TYPE CERAMIC CAPACITOR	CK725B1H-102K0	1	332031025R1
C8103	CHIP TYPE CERAMIC CAPACITOR	CK725B1A-105K0	1	332001055R1
C8104	CHIP TYPE CERAMIC CAPACITOR	CK725B0J-226M	1	332092267R2
C8105	CHIP TYPE CERAMIC CAPACITOR	CK725B1A-105K0	1	332001055R1
C8106	CHIP TYPE CERAMIC CAPACITOR	CK725B1A-105K0	1	332001055R1
C8109	CHIP TYPE CERAMIC CAPACITOR	CK725B1A-105K0	1	332001055R1
C8110	CHIP TYPE CERAMIC CAPACITOR	CK725B1A-105K0	1	332001055R1
C8111	CHIP TYPE CERAMIC CAPACITOR	CC725CH1H-101J0	1	342031014R1
C8112	CHIP TYPE CERAMIC CAPACITOR	CK725B1C-104K0	1	332011045R1
C8113	CHIP TYPE CERAMIC CAPACITOR	CK725B1C-104K0	1	332011045R1
C8114	CHIP TYPE CERAMIC CAPACITOR	CC725CH1H-080C0	1	342030801R1
C8115	CHIP TYPE CERAMIC CAPACITOR	CK725B1C-104K0	1	332011045R1
C8116	CHIP TYPE CERAMIC CAPACITOR	CC725CH1H-220J0	1	342032204R1
C8117	CHIP TYPE CERAMIC CAPACITOR	CC725CH1H-220J0	1	342032204R1
C8124	CHIP TYPE CERAMIC CAPACITOR	CK725B1C-104K0	1	332011045R1
C8125	CHIP TYPE CERAMIC CAPACITOR	CK725B1H-102K0	1	332031025R1
C8126	CHIP TYPE CERAMIC CAPACITOR	CK725B0J-226M	1	332092267R2
C8128	CHIP TYPE CERAMIC CAPACITOR	CK732B16V-106K	1	332071065R2
C8201	CHIP TYPE CERAMIC CAPACITOR	CK725B1A-105K0	1	332001055R1
C8202	CHIP TYPE CERAMIC CAPACITOR	CK725B1H-103K0	1	332031035R1
C8203	CHIP TYPE CERAMIC CAPACITOR	CK725B1C-104K0	1	332011045R1
C8204	CHIP TYPE CERAMIC CAPACITOR	CK725B1H-103K0	1	332031035R1
C8205	CHIP TYPE CERAMIC CAPACITOR	CK725B1C-104K0	1	332011045R1
C8206	CHIP TYPE CERAMIC CAPACITOR	CK725B1C-104K0	1	332011045R1
C8207	CHIP TYPE CERAMIC CAPACITOR	CK725B1H-103K0	1	332031035R1
C8208	CHIP TYPE CERAMIC CAPACITOR	CK725B1C-104K0	1	332011045R1
C8210	CHIP TYPE CERAMIC CAPACITOR	CK725B1C-104K0	1	332011045R1
C8211	CHIP TYPE CERAMIC CAPACITOR	CK725B1C-104K0	1	332011045R1
C8212	CHIP TYPE CERAMIC CAPACITOR	CK725B1H-103K0	1	332031035R1
C8213	CHIP TYPE CERAMIC CAPACITOR	CK725B1H-103K0	1	332031035R1
C8214	CHIP TYPE CERAMIC CAPACITOR	CK725B1C-104K0	1	332011045R1
C8215	CHIP TYPE CERAMIC CAPACITOR	CK732B16V-106K	1	332071065R2
C8216	CHIP TYPE CERAMIC CAPACITOR	CK725B1H-102K0	1	332031025R1
C8217	CHIP TYPE CERAMIC CAPACITOR	CK725B1A-105K0	1	332001055R1
C8219	CHIP TYPE CERAMIC CAPACITOR	CK725B1H-103K0	1	332031035R1
C8220	CHIP TYPE CERAMIC CAPACITOR	CK725B1C-104K0	1	332011045R1
C8221	CHIP TYPE CERAMIC CAPACITOR	CK725B1H-103K0	1	332031035R1
C8222	CHIP TYPE CERAMIC CAPACITOR	CK725B1C-104K0	1	332011045R1
C8223	CHIP TYPE CERAMIC CAPACITOR	CK725B1C-104K0	1	332011045R1
C8224	CHIP TYPE CERAMIC CAPACITOR	CK725B1C-104K0	1	332011045R1
C8225	CHIP TYPE CERAMIC CAPACITOR	CK725B1C-104K0	1	332011045R1
C8227	CHIP TYPE CERAMIC CAPACITOR	CK725B1C-104K0	1	332011045R1
C8229	CHIP TYPE CERAMIC CAPACITOR	CK725B1H-103K0	1	332031035R1
C8230	CHIP TYPE CERAMIC CAPACITOR	CK725B1C-104K0	1	332011045R1
C8231	CHIP TYPE CERAMIC CAPACITOR	CK725B1C-104K0	1	332011045R1
C8232	CHIP TYPE CERAMIC CAPACITOR	CK725B1H-103K0	1	332031035R1
C8233	CHIP TYPE CERAMIC CAPACITOR	CK725B1C-104K0	1	332011045R1
C8236	CHIP TYPE CERAMIC CAPACITOR	CC725CH1H-150J0	1	342031504R1
C8237	CHIP TYPE CERAMIC CAPACITOR	CC725CH1H-120J0	1	342031204R1
C8239	CHIP TYPE CERAMIC CAPACITOR	CK725B1H-103K0	1	332031035R1
C8240	CHIP TYPE CERAMIC CAPACITOR	CK725B1C-683K0	1	332016835R1
C8241	CHIP TYPE CERAMIC CAPACITOR	CK725B1E-153K0	1	332021535R1
C8243	CHIP TYPE CERAMIC CAPACITOR	CK732B16V-106K	1	332071065R2
C8245	CHIP TYPE CERAMIC CAPACITOR	CK732B16V-106K	1	332071065R2
C8247	CHIP TYPE CERAMIC CAPACITOR	CK732B16V-106K	1	332071065R2
C8248	CHIP TYPE CERAMIC CAPACITOR	CK732B16V-106K	1	332071065R2
C8249	CHIP TYPE CERAMIC CAPACITOR	CK725B1H-102K0	1	332031025R1
C8250	CHIP TYPE CERAMIC CAPACITOR	CK732B16V-106K	1	332071065R2
C8251	CHIP TYPE CERAMIC CAPACITOR	CK725B1C-104K0	1	332011045R1
C8252	CHIP TYPE CERAMIC CAPACITOR	CK725B1H-103K0	1	332031035R1
C8253	CHIP TYPE CERAMIC CAPACITOR	CK725B1H-103K0	1	332031035R1

C8921	CHIP TYPE CERAMIC CAPACITOR	CK725B0J-226M	1	332092267R2	
C8922	CHIP TYPE CERAMIC CAPACITOR	CK725B0J-226M	1	332092267R2	
C8931	CHIP TYPE CERAMIC CAPACITOR	CK725B1H-103K0	1	332031035R1	
C8932	CHIP TYPE CERAMIC CAPACITOR	CK725B1C-104K0	1	332011045R1	
C8933	CHIP TYPE CERAMIC CAPACITOR	CK725B1E-106K	1	332221065R2	
C8934	CHIP TYPE CERAMIC CAPACITOR	CK725B1E-106K	1	332221065R2	
C8935	CHIP TYPE CERAMIC CAPACITOR	CK725B1H-103K0	1	332031035R1	
C8936	CHIP TYPE CERAMIC CAPACITOR	CK725B0J-226M	1	332092267R2	
C8937	CHIP TYPE CERAMIC CAPACITOR	CK725B0J-226M	1	332092267R2	
C8939	CHIP TYPE CERAMIC CAPACITOR	CK725B0J-226M	1	332092267R2	
C8941	CHIP TYPE CERAMIC CAPACITOR	CK725B1H-103K0	1	332031035R1	
C8942	CHIP TYPE CERAMIC CAPACITOR	CK725B1C-104K0	1	332011045R1	
C8943	CHIP TYPE CERAMIC CAPACITOR	CK725B1E-106K	1	332221065R2	
C8944	CHIP TYPE CERAMIC CAPACITOR	CK725B1E-106K	1	332221065R2	
C8945	CHIP TYPE CERAMIC CAPACITOR	CK725B1H-103K0	1	332031035R1	
C8946	CHIP TYPE CERAMIC CAPACITOR	CK725B0J-226M	1	332092267R2	
C8947	CHIP TYPE CERAMIC CAPACITOR	CK725B0J-226M	1	332092267R2	
C8951	CHIP TYPE CERAMIC CAPACITOR	CK725B1H-103K0	1	332031035R1	
C8952	CHIP TYPE CERAMIC CAPACITOR	CK725B1C-104K0	1	332011045R1	
C8953	CHIP TYPE CERAMIC CAPACITOR	CK725B1E-106K	1	332221065R2	
C8954	CHIP TYPE CERAMIC CAPACITOR	CK725B1E-106K	1	332221065R2	
C8955	CHIP TYPE CERAMIC CAPACITOR	CK725B1H-103K0	1	332031035R1	
C8956	CHIP TYPE CERAMIC CAPACITOR	CK725B0J-226M	1	332092267R2	
C8957	CHIP TYPE CERAMIC CAPACITOR	CK725B0J-226M	1	332092267R2	
C8961	CHIP TYPE CERAMIC CAPACITOR	CK725B1H-103K0	1	332031035R1	
C8962	CHIP TYPE CERAMIC CAPACITOR	CK725B1C-104K0	1	332011045R1	
C8963	CHIP TYPE CERAMIC CAPACITOR	CK725B1E-106K	1	332221065R2	
C8964	CHIP TYPE CERAMIC CAPACITOR	CK725B1E-106K	1	332221065R2	
C8965	CHIP TYPE CERAMIC CAPACITOR	CK725B1H-103K0	1	332031035R1	
C8966	CHIP TYPE CERAMIC CAPACITOR	CK725B0J-226M	1	332092267R2	
C8967	CHIP TYPE CERAMIC CAPACITOR	CK725B0J-226M	1	332092267R2	
C8971	CHIP TYPE CERAMIC CAPACITOR	CK732B16V-106K	1	332071065R2	
C8975	CHIP TYPE CERAMIC CAPACITOR	CK725B1E-106K	1	332221065R2	
C8976	CHIP TYPE CERAMIC CAPACITOR	CK725B0J-226M	1	332092267R2	
C8980	CHIP TYPE CERAMIC CAPACITOR	CK725B1A-105K0	1	332001055R1	
C8981	CHIP TYPE CERAMIC CAPACITOR	CK732B16V-106K	1	332071065R2	
C8982	CHIP TYPE CERAMIC CAPACITOR	CK725B1A-105K0	1	332001055R1	
C8983	CHIP TYPE CERAMIC CAPACITOR	CK732B16V-106K	1	332071065R2	
C8984	CHIP TYPE CERAMIC CAPACITOR	CK725B1A-105K0	1	332001055R1	
C8985	CHIP TYPE CERAMIC CAPACITOR	CK732B16V-106K	1	332071065R2	
[RESISTOR]					
R1002	CHIP TYPE CARBON RESISTOR	RN72K1J-151JE	1	435031514R1	
R1003	CHIP TYPE CARBON RESISTOR	RN72K1J-151JE	1	435031514R1	
R1004	CHIP TYPE CARBON RESISTOR	RN72K1J-151JE	1	435031514R1	
R1005	CHIP TYPE CARBON RESISTOR	RN72K1J-331JE	1	435033314R1	
R1006	CHIP TYPE CARBON RESISTOR	RN72K1J-560JE	1	435035604R1	
R1007	CHIP TYPE CARBON RESISTOR	RN72K1J-105JE	1	435031054R1	
R1008	CHIP TYPE CARBON RESISTOR	RN72K1J-102JE	1	435031024R1	
R1010	CHIP TYPE CARBON RESISTOR	RN72K1J-103JE	1	435031034R1	
R1011	CHIP TYPE CARBON RESISTOR	RN72K1J-220JE	1	435032204R1	
R1012	CHIP TYPE CARBON RESISTOR	RN72K1J-220JE	1	435032204R1	
R1013	CHIP TYPE CARBON RESISTOR	RN72K1J-220JE	1	435032204R1	
R1014	CHIP TYPE CARBON RESISTOR	RN72K1J-220JE	1	435032204R1	
R1015	CHIP TYPE CARBON RESISTOR	RN72K1J-220JE	1	435032204R1	
R1016	CHIP TYPE CARBON RESISTOR	RN72K1J-220JE	1	435032204R1	
R1017	CHIP TYPE CARBON RESISTOR	RN72K1J-470JE	1	435034704R1	
R1019	CHIP TYPE CARBON RESISTOR	RN72K1J-470JE	1	435034704R1	
R1020	CHIP TYPE CARBON RESISTOR	RN72K1J-391JE	1	435033914R1	
R1021	CHIP TYPE CARBON RESISTOR	RN72K1J-101JE	1	435031014R1	
R1022	CHIP TYPE CARBON RESISTOR	RN72K1J-151JE	1	435031514R1	
R1023	CHIP TYPE CARBON RESISTOR	RN72K1J-221JE	1	435032214R1	
R1024	CHIP TYPE CARBON RESISTOR	RN72K1J-470JE	1	435034704R1	
R1025	CHIP TYPE CARBON RESISTOR	RN72K1J-470JE	1	435034704R1	
R1026	CHIP TYPE CARBON RESISTOR	RN72K1J-331JE	1	435033314R1	
R1027	CHIP RESISTOR NETWORK	YCN104-221-JK	1	43464C22104R1	
R1027 or	CHIP RESISTOR NETWORK	MNR04MRAPJ221	(1)	43464722104R2	N
R1027 or	CHIP RESISTOR NETWORK	RM7LJ221X04	(1)	43484722104R2	

R1028	CHIP TYPE CARBON RESISTOR	RN72K1J-472JE	1	435034724R1	
R1029	CHIP TYPE CARBON RESISTOR	RN72K1J-102JE	1	435031024R1	
R1031	CHIP TYPE CARBON RESISTOR	RN72K1J-331JE	1	435033314R1	
R1032	CHIP TYPE CARBON RESISTOR	RN72K1J-331JE	1	435033314R1	
R1034	CHIP TYPE CARBON RESISTOR	RN72K1J-472JE	1	435034724R1	
R1035	CHIP TYPE CARBON RESISTOR	RN72K1J-331JE	1	435033314R1	
R1036	CHIP TYPE CARBON RESISTOR	RN72K1J-331JE	1	435033314R1	
R1037	CHIP TYPE CARBON RESISTOR	RN72K1J-331JE	1	435033314R1	
R1038	CHIP TYPE CARBON RESISTOR	RN72K1J-331JE	1	435033314R1	
R1039	CHIP TYPE CARBON RESISTOR	RN72K1J-330JE	1	435033304R1	
R1040	CHIP TYPE CARBON RESISTOR	RN72K1J-331JE	1	435033314R1	
R1041	CHIP TYPE CARBON RESISTOR	RN72K1J-221JE	1	435032214R1	
R1042	CHIP TYPE CARBON RESISTOR	RN72K1J-331JE	1	435033314R1	
R1043	CHIP TYPE CARBON RESISTOR	RN72K1J-221JE	1	435032214R1	
R1044	CHIP TYPE CARBON RESISTOR	RN72K1J-221JE	1	435032214R1	
R1045	CHIP TYPE CARBON RESISTOR	RN72K1J-221JE	1	435032214R1	
R1046	CHIP TYPE CARBON RESISTOR	RN72K1J-470JE	1	435034704R1	
R1047	CHIP TYPE CARBON RESISTOR	RN72K1J-681JE	1	435036814R1	
R1048	CHIP TYPE CARBON RESISTOR	RN72K1J-331JE	1	435033314R1	
R1049	CHIP TYPE CARBON RESISTOR	RN72K1J-331JE	1	435033314R1	
R1055	CHIP TYPE CARBON RESISTOR	RN72K1J-000JE	1	435030004R1	
R1060	CHIP TYPE CARBON RESISTOR	RN72K1J-470JE	1	435034704R1	
R1076	CHIP TYPE CARBON RESISTOR	RN72K1J-000JE	1	435030004R1	
R1082	CHIP TYPE CARBON RESISTOR	RN72K1J-000JE	1	435030004R1	
R1083	CHIP TYPE CARBON RESISTOR	RN72K1J-000JE	1	435030004R1	
R1087	CHIP TYPE CARBON RESISTOR	RN72K1J-471JE	1	435034714R1	
R1088	CHIP TYPE CARBON RESISTOR	RN72K1J-471JE	1	435034714R1	
R1090	CHIP TYPE CARBON RESISTOR	RN72K1J-103JE	1	435031034R1	
R1092	CHIP TYPE CARBON RESISTOR	RN72K1J-151JE	1	435031514R1	
R1093	CHIP TYPE CARBON RESISTOR	RN72K1J-151JE	1	435031514R1	
R1094	CHIP TYPE CARBON RESISTOR	RN72K1J-151JE	1	435031514R1	
R1095	CHIP TYPE CARBON RESISTOR	RN72K1J-331JE	1	435033314R1	
R1096	CHIP TYPE CARBON RESISTOR	RN72K1J-471JE	1	435034714R1	
R1097	CHIP TYPE CARBON RESISTOR	RN72K1J-471JE	1	435034714R1	
R3007	CHIP TYPE CARBON RESISTOR	RN72K1J-470JE	1	435034704R1	
R3009	CHIP TYPE CARBON RESISTOR	RN72K1J-330JE	1	435033304R1	
R3010	CHIP RESISTOR NETWORK	YCN104-330-JK	1	43464C33004R1	
R3010 or	CHIP RESISTOR NETWORK	MNR04MRAPJ330	(1)	43464733004R2	N
R3010 or	CHIP RESISTOR NETWORK	RM7LJ330X04	(1)	43484733004R2	
R3011	CHIP RESISTOR NETWORK	YCN104-330-JK	1	43464C33004R1	
R3011 or	CHIP RESISTOR NETWORK	MNR04MRAPJ330	(1)	43464733004R2	N
R3011 or	CHIP RESISTOR NETWORK	RM7LJ330X04	(1)	43484733004R2	
R3012	CHIP RESISTOR NETWORK	YCN104-470-JK	1	43464C47004R1	
R3012 or	CHIP RESISTOR NETWORK	MNR04MRAPJ470	(1)	43464747004R2	N
R3012 or	CHIP RESISTOR NETWORK	RM7LJ470X04	(1)	43484747004R2	
R3013	CHIP RESISTOR NETWORK	YCN104-330-JK	1	43464C33004R1	
R3013 or	CHIP RESISTOR NETWORK	MNR04MRAPJ330	(1)	43464733004R2	N
R3013 or	CHIP RESISTOR NETWORK	RM7LJ330X04	(1)	43484733004R2	
R3014	CHIP RESISTOR NETWORK	YCN104-330-JK	1	43464C33004R1	
R3014 or	CHIP RESISTOR NETWORK	MNR04MRAPJ330	(1)	43464733004R2	N
R3014 or	CHIP RESISTOR NETWORK	RM7LJ330X04	(1)	43484733004R2	
R3015	CHIP RESISTOR NETWORK	YCN104-330-JK	1	43464C33004R1	
R3015 or	CHIP RESISTOR NETWORK	MNR04MRAPJ330	(1)	43464733004R2	N
R3015 or	CHIP RESISTOR NETWORK	RM7LJ330X04	(1)	43484733004R2	
R3016	CHIP TYPE CARBON RESISTOR	RN72K1J-470JE	1	435034704R1	
R3017	CHIP RESISTOR NETWORK	YCN104-330-JK	1	43464C33004R1	
R3017 or	CHIP RESISTOR NETWORK	MNR04MRAPJ330	(1)	43464733004R2	N
R3017 or	CHIP RESISTOR NETWORK	RM7LJ330X04	(1)	43484733004R2	
R3018	CHIP TYPE CARBON RESISTOR	RN72K1J-470JE	1	435034704R1	
R3019	CHIP RESISTOR NETWORK	YCN104-330-JK	1	43464C33004R1	
R3019 or	CHIP RESISTOR NETWORK	MNR04MRAPJ330	(1)	43464733004R2	N
R3019 or	CHIP RESISTOR NETWORK	RM7LJ330X04	(1)	43484733004R2	
R3020	CHIP RESISTOR NETWORK	YCN104-330-JK	1	43464C33004R1	
R3020 or	CHIP RESISTOR NETWORK	MNR04MRAPJ330	(1)	43464733004R2	N
R3020 or	CHIP RESISTOR NETWORK	RM7LJ330X04	(1)	43484733004R2	
R3021	CHIP TYPE CARBON RESISTOR	RN72K1J-470JE	1	435034704R1	
R3022	CHIP TYPE CARBON RESISTOR	RN72K1J-470JE	1	435034704R1	

R3023	CHIP RESISTOR NETWORK	YCN104-470-JK	1	43464C47004R1	
R3023 or	CHIP RESISTOR NETWORK	MNR04MRAPJ470	(1)	43464747004R2	N
R3023 or	CHIP RESISTOR NETWORK	RM7LJ470X04	(1)	43484747004R2	
R3024	CHIP TYPE CARBON RESISTOR	RN72K1J-470JE	1	435034704R1	
R3025	CHIP TYPE CARBON RESISTOR	RN72K1J-102JE	1	435031024R1	
R3028	CHIP TYPE CARBON RESISTOR	RN72K1J-470JE	1	435034704R1	
R3029	CHIP TYPE CARBON RESISTOR	RN72K1J-102JE	1	435031024R1	
R3032	CHIP TYPE CARBON RESISTOR	RN72K1J-103JE	1	435031034R1	
R3033	CHIP TYPE CARBON RESISTOR	RN72K1J-470JE	1	435034704R1	
R3034	CHIP TYPE CARBON RESISTOR	RN72K1J-470JE	1	435034704R1	
R3035	CHIP TYPE CARBON RESISTOR	RN72K1J-470JE	1	435034704R1	
R3036	CHIP TYPE CARBON RESISTOR	RN72K1J-470JE	1	435034704R1	
R3037	CHIP TYPE CARBON RESISTOR	RN72K1J-470JE	1	435034704R1	
R3038	CHIP TYPE CARBON RESISTOR	RN72K1J-470JE	1	435034704R1	
R3039	CHIP TYPE CARBON RESISTOR	RN72K1J-470JE	1	435034704R1	
R3040	CHIP TYPE CARBON RESISTOR	RN72K1J-103JE	1	435031034R1	
R3041	CHIP RESISTOR NETWORK	YCN104-330-JK	1	43464C33004R1	
R3041 or	CHIP RESISTOR NETWORK	MNR04MRAPJ330	(1)	43464733004R2	N
R3041 or	CHIP RESISTOR NETWORK	RM7LJ330X04	(1)	43484733004R2	
R3042	CHIP RESISTOR NETWORK	YCN104-330-JK	1	43464C33004R1	
R3042 or	CHIP RESISTOR NETWORK	MNR04MRAPJ330	(1)	43464733004R2	N
R3042 or	CHIP RESISTOR NETWORK	RM7LJ330X04	(1)	43484733004R2	
R3044	CHIP RESISTOR NETWORK	YCN104-330-JK	1	43464C33004R1	
R3044 or	CHIP RESISTOR NETWORK	MNR04MRAPJ330	(1)	43464733004R2	N
R3044 or	CHIP RESISTOR NETWORK	RM7LJ330X04	(1)	43484733004R2	
R3045	CHIP RESISTOR NETWORK	YCN104-330-JK	1	43464C33004R1	
R3045 or	CHIP RESISTOR NETWORK	MNR04MRAPJ330	(1)	43464733004R2	N
R3045 or	CHIP RESISTOR NETWORK	RM7LJ330X04	(1)	43484733004R2	
R3047	CHIP TYPE CARBON RESISTOR	RN72K1J-560JE	1	435035604R1	
R3048	CHIP TYPE CARBON RESISTOR	RN72K1J-221JE	1	435032214R1	
R3049	CHIP TYPE CARBON RESISTOR	RN72K1J-560JE	1	435035604R1	
R3050	CHIP TYPE CARBON RESISTOR	RN72K1J-560JE	1	435035604R1	
R3051	CHIP TYPE CARBON RESISTOR	RN72K1J-560JE	1	435035604R1	
R3054	CHIP TYPE CARBON RESISTOR	RN72K1J-103JE	1	435031034R1	
R3056	CHIP TYPE CARBON RESISTOR	RN72K1J-472JE	1	435034724R1	
R3060	CHIP TYPE CARBON RESISTOR	RN72K1J-680JE	1	435036804R1	
R3061	CHIP TYPE CARBON RESISTOR	RN72K1J-470JE	1	435034704R1	
R3062	CHIP TYPE CARBON RESISTOR	RN72K1J-680JE	1	435036804R1	
R3063	CHIP TYPE CARBON RESISTOR	RN72K1J-680JE	1	435036804R1	
R3064	CHIP TYPE CARBON RESISTOR	RN72K1J-680JE	1	435036804R1	
R3065	CHIP TYPE CARBON RESISTOR	RN72K1J-680JE	1	435036804R1	
R3066	CHIP TYPE CARBON RESISTOR	RN72K1J-102JE	1	435031024R1	
R3108	CHIP TYPE CARBON RESISTOR	RN72K1J-103JE	1	435031034R1	
R3110	CHIP TYPE CARBON RESISTOR	RN72K1J-103JE	1	435031034R1	
R3111	CHIP TYPE CARBON RESISTOR	RN72K1J-103JE	1	435031034R1	
R3113	CHIP TYPE CARBON RESISTOR	RN72K1J-103JE	1	435031034R1	
R3115	CHIP TYPE CARBON RESISTOR	RN72K1J-332JE	1	435033324R1	
R3117	CHIP TYPE CARBON RESISTOR	RN72K1J-332JE	1	435033324R1	
R3119	CHIP TYPE CARBON RESISTOR	RN72K1J-332JE	1	435033324R1	
R3122	CHIP TYPE CARBON RESISTOR	RN72K1J-102JE	1	435031024R1	
R3124	CHIP TYPE CARBON RESISTOR	RN72K1J-331JE	1	435033314R1	
R3125	CHIP TYPE CARBON RESISTOR	RN72K1J-470JE	1	435034704R1	
R3126	CHIP TYPE CARBON RESISTOR	RN72K1J-470JE	1	435034704R1	
R3127	CHIP TYPE CARBON RESISTOR	RN72K1J-470JE	1	435034704R1	
R3128	CHIP TYPE CARBON RESISTOR	RN72K1J-472JE	1	435034724R1	
R3129	CHIP TYPE CARBON RESISTOR	RN72K1J-470JE	1	435034704R1	
R3130	CHIP TYPE CARBON RESISTOR	RN72K1J-470JE	1	435034704R1	
R3131	CHIP TYPE CARBON RESISTOR	RN72K1J-470JE	1	435034704R1	
R3132	CHIP TYPE CARBON RESISTOR	RN72K1J-103JE	1	435031034R1	
R3133	CHIP TYPE CARBON RESISTOR	RN72K1J-470JE	1	435034704R1	
R3134	CHIP TYPE CARBON RESISTOR	RN72K1J-103JE	1	435031034R1	
R3135	CHIP TYPE CARBON RESISTOR	RN72K1J-103JE	1	435031034R1	
R3136	CHIP TYPE CARBON RESISTOR	RN72K1J-000JE	1	435030004R1	
R3138	CHIP TYPE CARBON RESISTOR	RN72K1J-102JE	1	435031024R1	
R3139	CHIP TYPE CARBON RESISTOR	RN72K1J-101JE	1	435031014R1	
R3141	CHIP TYPE CARBON RESISTOR	RN72K1J-000JE	1	435030004R1	
R3143	CHIP TYPE CARBON RESISTOR	RN72K1J-392JE	1	435033924R1	

R3144	CHIP TYPE CARBON RESISTOR	RN72K1J-101JE	1	435031014R1	
R3145	CHIP TYPE CARBON RESISTOR	RN72K1J-392JE	1	435033924R1	
R3146	CHIP TYPE CARBON RESISTOR	RN72K1J-390JE	1	435033904R1	
R3148	CHIP TYPE CARBON RESISTOR	RN72K1J-390JE	1	435033904R1	
R3150	CHIP TYPE CARBON RESISTOR	RN72K1J-680JE	1	435036804R1	
R3154	CHIP TYPE CARBON RESISTOR	RN72K1J-390JE	1	435033904R1	
R3155	CHIP TYPE CARBON RESISTOR	RN72K1J-390JE	1	435033904R1	
R3156	CHIP TYPE CARBON RESISTOR	RN72K1J-390JE	1	435033904R1	
R3162	CHIP TYPE CARBON RESISTOR	RN72K1J-390JE	1	435033904R1	
R3163	CHIP TYPE CARBON RESISTOR	RN72K1J-220JE	1	435032204R1	
R3164	CHIP TYPE CARBON RESISTOR	RN72K1J-472JE	1	435034724R1	
R3168	CHIP TYPE CARBON RESISTOR	RN72K1J-220JE	1	435032204R1	
R3169	CHIP TYPE CARBON RESISTOR	RN72K1J-220JE	1	435032204R1	
R3170	CHIP TYPE CARBON RESISTOR	RN72K1J-391FE	1	435033912R1	
R3171	CHIP TYPE CARBON RESISTOR	RN72K1J-222FE	1	435032222R1	
R3172	CHIP TYPE CARBON RESISTOR	RN72K1J-392FE	1	435033922R1	
R3173	CHIP TYPE CARBON RESISTOR	RN72K1J-390JE	1	435033904R1	
R3174	CHIP TYPE CARBON RESISTOR	RN72K1J-390JE	1	435033904R1	
R3175	CHIP TYPE CARBON RESISTOR	RN72K1J-472JE	1	435034724R1	
R3176	CHIP TYPE CARBON RESISTOR	RN72K1J-221JE	1	435032214R1	
R3177	CHIP TYPE CARBON RESISTOR	RN72K1J-222JE	1	435032224R1	
R3181	CHIP TYPE CARBON RESISTOR	RN72K1J-470JE	1	435034704R1	
R3182	CHIP TYPE CARBON RESISTOR	RN72K1J-472JE	1	435034724R1	
R3183	CHIP TYPE CARBON RESISTOR	RN72K1J-470JE	1	435034704R1	
R3184	CHIP TYPE CARBON RESISTOR	RN72K1J-470JE	1	435034704R1	
R3187	CHIP TYPE CARBON RESISTOR	RN72K1J-472JE	1	435034724R1	
R3188	CHIP TYPE CARBON RESISTOR	RN72K1J-103JE	1	435031034R1	
R3190	CHIP TYPE CARBON RESISTOR	RN72K1J-103JE	1	435031034R1	
R3192	CHIP TYPE CARBON RESISTOR	RN72K1J-472JE	1	435034724R1	
R3193	CHIP TYPE CARBON RESISTOR	RN72K1J-472JE	1	435034724R1	
R3194	CHIP TYPE CARBON RESISTOR	RN72K1J-472JE	1	435034724R1	
R3199	CHIP TYPE CARBON RESISTOR	RN72K1J-102JE	1	435031024R1	
R3201	CHIP RESISTOR NETWORK	YCN104-470-JK	1	43464C47004R1	
R3201 or	CHIP RESISTOR NETWORK	MNR04MRAPJ470	(1)	43464747004R2	N
R3201 or	CHIP RESISTOR NETWORK	RM7LJ470X04	(1)	43484747004R2	
R3202	CHIP TYPE CARBON RESISTOR	RN72K1J-470JE	1	435034704R1	
R3203	CHIP TYPE CARBON RESISTOR	RN72K1J-470JE	1	435034704R1	
R3204	CHIP TYPE CARBON RESISTOR	RN72K1J-103JE	1	435031034R1	
R3205	CHIP TYPE CARBON RESISTOR	RN72K1J-470JE	1	435034704R1	
R3206	CHIP TYPE CARBON RESISTOR	RN72K1J-470JE	1	435034704R1	
R3208	CHIP TYPE CARBON RESISTOR	RN72K1J-271JE	1	435032714R1	
R3212	CHIP TYPE CARBON RESISTOR	RN72K1J-220JE	1	435032204R1	
R3213	CHIP TYPE CARBON RESISTOR	RN72K1J-103JE	1	435031034R1	
R3215	CHIP TYPE CARBON RESISTOR	RN72K1J-221JE	1	435032214R1	
R3218	CHIP TYPE CARBON RESISTOR	RN72K1J-220JE	1	435032204R1	
R3219	CHIP TYPE CARBON RESISTOR	RN72K1J-221JE	1	435032214R1	
R3221	CHIP TYPE CARBON RESISTOR	RN72K1J-470JE	1	435034704R1	
R3226	CHIP RESISTOR NETWORK	YCN104-470-JK	1	43464C47004R1	
R3226 or	CHIP RESISTOR NETWORK	MNR04MRAPJ470	(1)	43464747004R2	N
R3226 or	CHIP RESISTOR NETWORK	RM7LJ470X04	(1)	43484747004R2	
R3230	CHIP TYPE CARBON RESISTOR	RN72K1J-221JE	1	435032214R1	
R3234	CHIP TYPE CARBON RESISTOR	RN72K1J-470JE	1	435034704R1	
R3237	CHIP TYPE CARBON RESISTOR	RN72K1J-221JE	1	435032214R1	
R3238	CHIP TYPE CARBON RESISTOR	RN72K1J-470JE	1	435034704R1	
R3239	CHIP TYPE CARBON RESISTOR	RN72K1J-221JE	1	435032214R1	
R3240	CHIP TYPE CARBON RESISTOR	RN72K1J-221JE	1	435032214R1	
R3241	CHIP TYPE CARBON RESISTOR	RN72K1J-221JE	1	435032214R1	
R3242	CHIP TYPE CARBON RESISTOR	RN72K1J-221JE	1	435032214R1	
R3243	CHIP TYPE CARBON RESISTOR	RN72K1J-221JE	1	435032214R1	
R3244	CHIP TYPE CARBON RESISTOR	RN72K1J-470JE	1	435034704R1	
R3247	CHIP TYPE CARBON RESISTOR	RN72K1J-121JE	1	435031214R1	
R3251	CHIP TYPE CARBON RESISTOR	RN72K1J-470JE	1	435034704R1	
R3257	CHIP TYPE CARBON RESISTOR	RN72K1J-470JE	1	435034704R1	
R3260	CHIP TYPE CARBON RESISTOR	RN72K1J-390JE	1	435033904R1	
R3262	CHIP TYPE CARBON RESISTOR	RN72K1J-221JE	1	435032214R1	
R3265	CHIP TYPE CARBON RESISTOR	RN72K1J-390JE	1	435033904R1	
R3268	CHIP TYPE CARBON RESISTOR	RN72K1J-390JE	1	435033904R1	

R3271	CHIP TYPE CARBON RESISTOR	RN72K1J-390JE	1	435033904R1	
R3272	CHIP TYPE CARBON RESISTOR	RN72K1J-470JE	1	435034704R1	
R3274	CHIP TYPE CARBON RESISTOR	RN72K1J-390JE	1	435033904R1	
R3275	CHIP TYPE CARBON RESISTOR	RN72K1J-332JE	1	435033324R1	
R3276	CHIP TYPE CARBON RESISTOR	RN72K1J-103JE	1	435031034R1	
R3277	CHIP TYPE CARBON RESISTOR	RN72K1J-220JE	1	435032204R1	
R3278	CHIP TYPE CARBON RESISTOR	RN72K1J-470JE	1	435034704R1	
R3281	CHIP TYPE CARBON RESISTOR	RN72K1J-103JE	1	435031034R1	
R3283	CHIP TYPE CARBON RESISTOR	RN72K1J-470JE	1	435034704R1	
R3284	CHIP TYPE CARBON RESISTOR	RN72K1J-103JE	1	435031034R1	
R3285	CHIP TYPE CARBON RESISTOR	RN72K1J-332JE	1	435033324R1	
R3286	CHIP TYPE CARBON RESISTOR	RN72K1J-332JE	1	435033324R1	
R3289	CHIP TYPE CARBON RESISTOR	RN72K1J-332JE	1	435033324R1	
R3290	CHIP TYPE CARBON RESISTOR	RN72K1J-470JE	1	435034704R1	
R3291	CHIP RESISTOR NETWORK	YCN104-470-JK	1	43464C47004R1	
R3291 or	CHIP RESISTOR NETWORK	MNR04MRAPJ470	(1)	43464747004R2	N
R3291 or	CHIP RESISTOR NETWORK	RM7LJ470X04	(1)	43484747004R2	
R3292	CHIP RESISTOR NETWORK	YCN104-470-JK	1	43464C47004R1	
R3292 or	CHIP RESISTOR NETWORK	MNR04MRAPJ470	(1)	43464747004R2	N
R3292 or	CHIP RESISTOR NETWORK	RM7LJ470X04	(1)	43484747004R2	
R3293	CHIP TYPE CARBON RESISTOR	RN72K1J-470JE	1	435034704R1	
R3294	CHIP RESISTOR NETWORK	YCN104-470-JK	1	43464C47004R1	
R3294 or	CHIP RESISTOR NETWORK	MNR04MRAPJ470	(1)	43464747004R2	N
R3294 or	CHIP RESISTOR NETWORK	RM7LJ470X04	(1)	43484747004R2	
R3295	CHIP RESISTOR NETWORK	YCN104-470-JK	1	43464C47004R1	
R3295 or	CHIP RESISTOR NETWORK	MNR04MRAPJ470	(1)	43464747004R2	N
R3295 or	CHIP RESISTOR NETWORK	RM7LJ470X04	(1)	43484747004R2	
R3297	CHIP TYPE CARBON RESISTOR	RN72K1J-103JE	1	435031034R1	
R3301	CHIP TYPE CARBON RESISTOR	RN72K1J-121JE	1	435031214R1	
R3302	CHIP TYPE CARBON RESISTOR	RN72K1J-101JE	1	435031014R1	
R3303	CHIP TYPE CARBON RESISTOR	RN72K1J-221JE	1	435032214R1	
R3304	CHIP TYPE CARBON RESISTOR	RN72K1J-121JE	1	435031214R1	
R3305	CHIP TYPE CARBON RESISTOR	RN72K1J-470JE	1	435034704R1	
R3306	CHIP TYPE CARBON RESISTOR	RN72K1J-470JE	1	435034704R1	
R3307	CHIP TYPE CARBON RESISTOR	RN72K1J-221JE	1	435032214R1	
R3308	CHIP TYPE CARBON RESISTOR	RN72K1J-470JE	1	435034704R1	
R3309	CHIP TYPE CARBON RESISTOR	RN72K1J-470JE	1	435034704R1	
R3310	CHIP TYPE CARBON RESISTOR	RN72K1J-221JE	1	435032214R1	
R3311	CHIP TYPE CARBON RESISTOR	RN72K1J-221JE	1	435032214R1	
R3312	CHIP TYPE CARBON RESISTOR	RN72K1J-470JE	1	435034704R1	
R3313	CHIP TYPE CARBON RESISTOR	RN72K1J-470JE	1	435034704R1	
R3314	CHIP TYPE CARBON RESISTOR	RN72K1J-221JE	1	435032214R1	
R3315	CHIP TYPE CARBON RESISTOR	RN72K1J-221JE	1	435032214R1	
R3316	CHIP TYPE CARBON RESISTOR	RN72K1J-470JE	1	435034704R1	
R3317	CHIP TYPE CARBON RESISTOR	RN72K1J-470JE	1	435034704R1	
R3318	CHIP TYPE CARBON RESISTOR	RN72K1J-221JE	1	435032214R1	
R3319	CHIP TYPE CARBON RESISTOR	RN72K1J-470JE	1	435034704R1	
R3320	CHIP TYPE CARBON RESISTOR	RN72K1J-470JE	1	435034704R1	
R3322	CHIP TYPE CARBON RESISTOR	RN72K1J-223JE	1	435032234R1	
R3323	CHIP TYPE CARBON RESISTOR	RN72K1J-332JE	1	435033324R1	
R3325	CHIP TYPE CARBON RESISTOR	RN72K1J-332JE	1	435033324R1	
R3327	CHIP TYPE CARBON RESISTOR	RN72K1J-332JE	1	435033324R1	
R3330	CHIP TYPE CARBON RESISTOR	RN72K1J-223JE	1	435032234R1	
R3331	CHIP TYPE CARBON RESISTOR	RN72K1J-222JE	1	435032224R1	
R3332	CHIP TYPE CARBON RESISTOR	RN72K1J-472JE	1	435034724R1	
R3333	CHIP TYPE CARBON RESISTOR	RN72K1J-470JE	1	435034704R1	
R3334	CHIP TYPE CARBON RESISTOR	RN72K1J-221JE	1	435032214R1	
R3335	CHIP TYPE CARBON RESISTOR	RN72K1J-221JE	1	435032214R1	
R3336	CHIP TYPE CARBON RESISTOR	RN72K1J-221JE	1	435032214R1	
R3337	CHIP TYPE CARBON RESISTOR	RN72K1J-221JE	1	435032214R1	
R3338	CHIP TYPE CARBON RESISTOR	RN72K1J-221JE	1	435032214R1	
R3339	CHIP TYPE CARBON RESISTOR	RN72K1J-470JE	1	435034704R1	
R3340	CHIP TYPE CARBON RESISTOR	RN72K1J-470JE	1	435034704R1	
R3341	CHIP TYPE CARBON RESISTOR	RN72K1J-470JE	1	435034704R1	
R3342	CHIP TYPE CARBON RESISTOR	RN72K1J-470JE	1	435034704R1	
R3346	CHIP TYPE CARBON RESISTOR	RN72K1J-102JE	1	435031024R1	
R3347	CHIP TYPE CARBON RESISTOR	RN72K1J-103JE	1	435031034R1	

R3348	CHIP TYPE CARBON RESISTOR	RN72K1J-103JE	1	435031034R1	
R3350	CHIP TYPE CARBON RESISTOR	RN72K1J-103JE	1	435031034R1	
R3351	CHIP TYPE CARBON RESISTOR	RN72K1J-103JE	1	435031034R1	
R3409	CHIP TYPE CARBON RESISTOR	RN72K1J-330JE	1	435033304R1	
R3410	CHIP RESISTOR NETWORK	YCN104-330-JK	1	43464C33004R1	
R3410 or	CHIP RESISTOR NETWORK	MNR04MRAPJ330	(1)	43464733004R2	N
R3410 or	CHIP RESISTOR NETWORK	RM7LJ330X04	(1)	43484733004R2	
R3411	CHIP RESISTOR NETWORK	YCN104-330-JK	1	43464C33004R1	
R3411 or	CHIP RESISTOR NETWORK	MNR04MRAPJ330	(1)	43464733004R2	N
R3411 or	CHIP RESISTOR NETWORK	RM7LJ330X04	(1)	43484733004R2	
R3413	CHIP RESISTOR NETWORK	YCN104-330-JK	1	43464C33004R1	
R3413 or	CHIP RESISTOR NETWORK	MNR04MRAPJ330	(1)	43464733004R2	N
R3413 or	CHIP RESISTOR NETWORK	RM7LJ330X04	(1)	43484733004R2	
R3414	CHIP RESISTOR NETWORK	YCN104-330-JK	1	43464C33004R1	
R3414 or	CHIP RESISTOR NETWORK	MNR04MRAPJ330	(1)	43464733004R2	N
R3414 or	CHIP RESISTOR NETWORK	RM7LJ330X04	(1)	43484733004R2	
R3415	CHIP RESISTOR NETWORK	YCN104-330-JK	1	43464C33004R1	
R3415 or	CHIP RESISTOR NETWORK	MNR04MRAPJ330	(1)	43464733004R2	N
R3415 or	CHIP RESISTOR NETWORK	RM7LJ330X04	(1)	43484733004R2	
R3417	CHIP RESISTOR NETWORK	YCN104-330-JK	1	43464C33004R1	
R3417 or	CHIP RESISTOR NETWORK	MNR04MRAPJ330	(1)	43464733004R2	N
R3417 or	CHIP RESISTOR NETWORK	RM7LJ330X04	(1)	43484733004R2	
R3419	CHIP RESISTOR NETWORK	YCN104-330-JK	1	43464C33004R1	
R3419 or	CHIP RESISTOR NETWORK	MNR04MRAPJ330	(1)	43464733004R2	N
R3419 or	CHIP RESISTOR NETWORK	RM7LJ330X04	(1)	43484733004R2	
R3420	CHIP RESISTOR NETWORK	YCN104-330-JK	1	43464C33004R1	
R3420 or	CHIP RESISTOR NETWORK	MNR04MRAPJ330	(1)	43464733004R2	N
R3420 or	CHIP RESISTOR NETWORK	RM7LJ330X04	(1)	43484733004R2	
R3433	CHIP TYPE CARBON RESISTOR	RN72K1J-470JE	1	435034704R1	
R3434	CHIP TYPE CARBON RESISTOR	RN72K1J-470JE	1	435034704R1	
R3435	CHIP TYPE CARBON RESISTOR	RN72K1J-470JE	1	435034704R1	
R3436	CHIP TYPE CARBON RESISTOR	RN72K1J-470JE	1	435034704R1	
R3437	CHIP TYPE CARBON RESISTOR	RN72K1J-470JE	1	435034704R1	
R3438	CHIP TYPE CARBON RESISTOR	RN72K1J-470JE	1	435034704R1	
R3441	CHIP RESISTOR NETWORK	YCN104-330-JK	1	43464C33004R1	
R3441 or	CHIP RESISTOR NETWORK	MNR04MRAPJ330	(1)	43464733004R2	N
R3441 or	CHIP RESISTOR NETWORK	RM7LJ330X04	(1)	43484733004R2	
R3442	CHIP RESISTOR NETWORK	YCN104-330-JK	1	43464C33004R1	
R3442 or	CHIP RESISTOR NETWORK	MNR04MRAPJ330	(1)	43464733004R2	N
R3442 or	CHIP RESISTOR NETWORK	RM7LJ330X04	(1)	43484733004R2	
R3444	CHIP RESISTOR NETWORK	YCN104-330-JK	1	43464C33004R1	
R3444 or	CHIP RESISTOR NETWORK	MNR04MRAPJ330	(1)	43464733004R2	N
R3444 or	CHIP RESISTOR NETWORK	RM7LJ330X04	(1)	43484733004R2	
R3445	CHIP RESISTOR NETWORK	YCN104-330-JK	1	43464C33004R1	
R3445 or	CHIP RESISTOR NETWORK	MNR04MRAPJ330	(1)	43464733004R2	N
R3445 or	CHIP RESISTOR NETWORK	RM7LJ330X04	(1)	43484733004R2	
R3447	CHIP TYPE CARBON RESISTOR	RN72K1J-560JE	1	435035604R1	
R3448	CHIP TYPE CARBON RESISTOR	RN72K1J-221JE	1	435032214R1	
R3449	CHIP TYPE CARBON RESISTOR	RN72K1J-560JE	1	435035604R1	
R3450	CHIP TYPE CARBON RESISTOR	RN72K1J-560JE	1	435035604R1	
R3451	CHIP TYPE CARBON RESISTOR	RN72K1J-560JE	1	435035604R1	
R3454	CHIP TYPE CARBON RESISTOR	RN72K1J-103JE	1	435031034R1	
R3456	CHIP TYPE CARBON RESISTOR	RN72K1J-472JE	1	435034724R1	
R3460	CHIP TYPE CARBON RESISTOR	RN72K1J-680JE	1	435036804R1	
R3461	CHIP TYPE CARBON RESISTOR	RN72K1J-470JE	1	435034704R1	
R3462	CHIP TYPE CARBON RESISTOR	RN72K1J-680JE	1	435036804R1	
R3463	CHIP TYPE CARBON RESISTOR	RN72K1J-680JE	1	435036804R1	
R3464	CHIP TYPE CARBON RESISTOR	RN72K1J-680JE	1	435036804R1	
R3465	CHIP TYPE CARBON RESISTOR	RN72K1J-680JE	1	435036804R1	
R3470	CHIP TYPE CARBON RESISTOR	RN72K1J-472JE	1	435034724R1	
R7002	CHIP TYPE CARBON RESISTOR	RN72K1J-103JE	1	435031034R1	
R7003	CHIP TYPE CARBON RESISTOR	RN72K1J-103JE	1	435031034R1	
R7005	CHIP TYPE CARBON RESISTOR	RN72K1J-223JE	1	435032234R1	
R7006	CHIP TYPE CARBON RESISTOR	RN72K1J-223JE	1	435032234R1	
R7007	CHIP TYPE CARBON RESISTOR	RN72K1J-105JE	1	435031054R1	
R7008	CHIP TYPE CARBON RESISTOR	RN72K1J-473JE	1	435034734R1	
R7009	CHIP TYPE CARBON RESISTOR	RN72K1J-105JE	1	435031054R1	

R7010	CHIP TYPE CARBON RESISTOR	RN72K1J-103JE	1	435031034R1	
R7011	CHIP TYPE CARBON RESISTOR	RN72K1J-103JE	1	435031034R1	
R7012	CHIP TYPE CARBON RESISTOR	RN72K1J-103JE	1	435031034R1	
R7013	CHIP TYPE CARBON RESISTOR	RN72K1J-103JE	1	435031034R1	
R7014	CHIP TYPE CARBON RESISTOR	RN72K1J-473JE	1	435034734R1	
R7015	CHIP TYPE CARBON RESISTOR	RN72K1J-473JE	1	435034734R1	
R7016	CHIP TYPE CARBON RESISTOR	RN72K1J-473JE	1	435034734R1	
R7017	CHIP TYPE CARBON RESISTOR	RN72K1J-472JE	1	435034724R1	
R7018	CHIP TYPE CARBON RESISTOR	RN72K1J-472JE	1	435034724R1	
R7019	CHIP TYPE CARBON RESISTOR	RN72K1J-472JE	1	435034724R1	
R7020	CHIP TYPE CARBON RESISTOR	RN72K1J-472JE	1	435034724R1	
R7021	CHIP RESISTOR NETWORK	YCN104-221-JK	1	43464C22104R1	
R7021 or	CHIP RESISTOR NETWORK	MNR04MRAPJ221	(1)	43464722104R2	N
R7021 or	CHIP RESISTOR NETWORK	RM7LJ221X04	(1)	43484722104R2	
R7025	CHIP TYPE CARBON RESISTOR	RN72K1J-224JE	1	435032244R1	
R7026	CHIP TYPE CARBON RESISTOR	RN72K1J-224JE	1	435032244R1	
R7027	CHIP TYPE CARBON RESISTOR	RN72K1J-103JE	1	435031034R1	
R7029	CHIP TYPE CARBON RESISTOR	RN72K1J-102JE	1	435031024R1	
R7030	CHIP TYPE CARBON RESISTOR	RN72K1J-221JE	1	435032214R1	
R7031	CHIP RESISTOR NETWORK	YCN104-221-JK	1	43464C22104R1	
R7031 or	CHIP RESISTOR NETWORK	MNR04MRAPJ221	(1)	43464722104R2	N
R7031 or	CHIP RESISTOR NETWORK	RM7LJ221X04	(1)	43484722104R2	
R7032	CHIP TYPE CARBON RESISTOR	RN72K1J-221JE	1	435032214R1	
R7033	CHIP RESISTOR NETWORK	YCN104-470-JK	1	43464C47004R1	
R7033 or	CHIP RESISTOR NETWORK	MNR04MRAPJ470	(1)	43464747004R2	N
R7033 or	CHIP RESISTOR NETWORK	RM7LJ470X04	(1)	43484747004R2	
R7035	CHIP TYPE CARBON RESISTOR	RN72K1J-470JE	1	435034704R1	
R7036	CHIP TYPE CARBON RESISTOR	RN72K1J-102JE	1	435031024R1	
R7037	CHIP TYPE CARBON RESISTOR	RN72K1J-102JE	1	435031024R1	
R7038	CHIP TYPE CARBON RESISTOR	RN72K1J-102JE	1	435031024R1	
R7039	CHIP TYPE CARBON RESISTOR	RN72K1J-222JE	1	435032224R1	
R7040	CHIP TYPE CARBON RESISTOR	RN72K1J-222JE	1	435032224R1	
R7041	CHIP TYPE CARBON RESISTOR	RN72K1J-222JE	1	435032224R1	
R7042	CHIP RESISTOR NETWORK	YCN104-221-JK	1	43464C22104R1	
R7042 or	CHIP RESISTOR NETWORK	MNR04MRAPJ221	(1)	43464722104R2	N
R7042 or	CHIP RESISTOR NETWORK	RM7LJ221X04	(1)	43484722104R2	
R7043	CHIP TYPE CARBON RESISTOR	RN72K1J-103JE	1	435031034R1	
R7044	CHIP TYPE CARBON RESISTOR	RN72K1J-470JE	1	435034704R1	
R7045	CHIP TYPE CARBON RESISTOR	RN72K1J-103JE	1	435031034R1	
R7046	CHIP TYPE CARBON RESISTOR	RN72K1J-221JE	1	435032214R1	
R7047	CHIP TYPE CARBON RESISTOR	RN72K1J-103JE	1	435031034R1	
R7048	CHIP TYPE CARBON RESISTOR	RN72K1J-221JE	1	435032214R1	
R7049	CHIP TYPE CARBON RESISTOR	RN72K1J-470JE	1	435034704R1	
R7050	CHIP TYPE CARBON RESISTOR	RN72K1J-103JE	1	435031034R1	
R7051	CHIP TYPE CARBON RESISTOR	RN72K1J-221JE	1	435032214R1	
R7052	CHIP TYPE CARBON RESISTOR	RN72K1J-221JE	1	435032214R1	
R7053	CHIP TYPE CARBON RESISTOR	RN72K1J-221JE	1	435032214R1	
R7054	CHIP TYPE CARBON RESISTOR	RN72K1J-102JE	1	435031024R1	
R7055	CHIP TYPE CARBON RESISTOR	RN72K1J-102JE	1	435031024R1	
R7057	CHIP TYPE CARBON RESISTOR	RN72K1J-103JE	1	435031034R1	
R7059	CHIP TYPE CARBON RESISTOR	RN72K1J-103JE	1	435031034R1	
R7061	CHIP TYPE CARBON RESISTOR	RN72K1J-221JE	1	435032214R1	
R7062	CHIP TYPE CARBON RESISTOR	RN72K1J-221JE	1	435032214R1	
R7063	CHIP TYPE CARBON RESISTOR	RN72K1J-103JE	1	435031034R1	
R7064	CHIP TYPE CARBON RESISTOR	RN72K1J-470JE	1	435034704R1	
R7065	CHIP TYPE CARBON RESISTOR	RN72K1J-473JE	1	435034734R1	
R7066	CHIP TYPE CARBON RESISTOR	RN72K1J-221JE	1	435032214R1	
R7067	CHIP TYPE CARBON RESISTOR	RN72K1J-000JE	1	435030004R1	
R7068	CHIP TYPE CARBON RESISTOR	RN72K1J-000JE	1	435030004R1	
R7069	CHIP RESISTOR NETWORK	YCN104-470-JK	1	43464C47004R1	
R7069 or	CHIP RESISTOR NETWORK	MNR04MRAPJ470	(1)	43464747004R2	N
R7069 or	CHIP RESISTOR NETWORK	RM7LJ470X04	(1)	43484747004R2	
R7070	CHIP TYPE CARBON RESISTOR	RN72K1J-470JE	1	435034704R1	
R7072	CHIP TYPE CARBON RESISTOR	RN72K1J-470JE	1	435034704R1	
R7073	CHIP TYPE CARBON RESISTOR	RN72K1J-102JE	1	435031024R1	
R7075	CHIP RESISTOR NETWORK	YCN104-470-JK	1	43464C47004R1	
R7075 or	CHIP RESISTOR NETWORK	MNR04MRAPJ470	(1)	43464747004R2	N

R7075 or	CHIP RESISTOR NETWORK	RM7LJ470X04	(1)	43484747004R2	
R7076	CHIP TYPE CARBON RESISTOR	RN72K1J-221JE	1	435032214R1	
R7079	CHIP RESISTOR NETWORK	YCN104-221-JK	1	43464C22104R1	
R7079 or	CHIP RESISTOR NETWORK	MNR04MRAPJ221	(1)	43464722104R2	N
R7079 or	CHIP RESISTOR NETWORK	RM7LJ221X04	(1)	43484722104R2	
R7081	CHIP TYPE CARBON RESISTOR	RN72K1J-221JE	1	435032214R1	
R7084	CHIP TYPE CARBON RESISTOR	RN72K1J-470JE	1	435034704R1	
R7085	CHIP TYPE CARBON RESISTOR	RN72K1J-102JE	1	435031024R1	
R7087	CHIP TYPE CARBON RESISTOR	RN72K1J-273JE	1	435032734R1	
R7091	CHIP TYPE CARBON RESISTOR	RN72K1J-221JE	1	435032214R1	
R7092	CHIP TYPE CARBON RESISTOR	RN72K1J-470JE	1	435034704R1	
R7093	CHIP TYPE CARBON RESISTOR	RN72K1J-472JE	1	435034724R1	
R7094	CHIP TYPE CARBON RESISTOR	RN72K1J-472JE	1	435034724R1	
R7095	CHIP RESISTOR NETWORK	YCN104-221-JK	1	43464C22104R1	
R7095 or	CHIP RESISTOR NETWORK	MNR04MRAPJ221	(1)	43464722104R2	N
R7095 or	CHIP RESISTOR NETWORK	RM7LJ221X04	(1)	43484722104R2	
R7096	CHIP TYPE CARBON RESISTOR	RN72K1J-221JE	1	435032214R1	
R7097	CHIP TYPE CARBON RESISTOR	RN72K1J-470JE	1	435034704R1	
R7098	CHIP RESISTOR NETWORK	YCN104-470-JK	1	43464C47004R1	
R7098 or	CHIP RESISTOR NETWORK	MNR04MRAPJ470	(1)	43464747004R2	N
R7098 or	CHIP RESISTOR NETWORK	RM7LJ470X04	(1)	43484747004R2	
R7099	CHIP RESISTOR NETWORK	YCN104-470-JK	1	43464C47004R1	
R7099 or	CHIP RESISTOR NETWORK	MNR04MRAPJ470	(1)	43464747004R2	N
R7099 or	CHIP RESISTOR NETWORK	RM7LJ470X04	(1)	43484747004R2	
R7101	CHIP TYPE CARBON RESISTOR	RN72K1J-221JE	1	435032214R1	
R7103	CHIP TYPE CARBON RESISTOR	RN72K1J-221JE	1	435032214R1	
R7104	CHIP TYPE CARBON RESISTOR	RN72K1J-470JE	1	435034704R1	
R7105	CHIP RESISTOR NETWORK	YCN104-470-JK	1	43464C47004R1	
R7105 or	CHIP RESISTOR NETWORK	MNR04MRAPJ470	(1)	43464747004R2	N
R7105 or	CHIP RESISTOR NETWORK	RM7LJ470X04	(1)	43484747004R2	
R7106	CHIP TYPE CARBON RESISTOR	RN72K1J-101JE	1	435031014R1	
R7107	CHIP TYPE CARBON RESISTOR	RN72K1J-101JE	1	435031014R1	
R7108	CHIP RESISTOR NETWORK	YCN104-223-JK	1	43464C22304R1	
R7108 or	CHIP RESISTOR NETWORK	MNR04MRAPJ223	(1)	43464722304R2	N
R7108 or	CHIP RESISTOR NETWORK	RM7LJ223X04	(1)	43484722304R2	
R7110	CHIP TYPE CARBON RESISTOR	RN72K1J-103JE	1	435031034R1	
R7111	CHIP TYPE CARBON RESISTOR	RN72K1J-104JE	1	435031044R1	
R7112	CHIP TYPE CARBON RESISTOR	RN72K1J-102JE	1	435031024R1	
R7113	CHIP TYPE CARBON RESISTOR	RN72K1J-470JE	1	435034704R1	
R7114	CHIP TYPE CARBON RESISTOR	RN72K1J-470JE	1	435034704R1	
R7118	CHIP TYPE CARBON RESISTOR	RN72K1J-103JE	1	435031034R1	
R7120	CHIP TYPE CARBON RESISTOR	RN72K1J-103JE	1	435031034R1	
R7121	CHIP TYPE CARBON RESISTOR	RN72K1J-105JE	1	435031054R1	
R7122	CHIP TYPE CARBON RESISTOR	RN72K1J-105JE	1	435031054R1	
R7123	CHIP RESISTOR NETWORK	YCN104-221-JK	1	43464C22104R1	
R7123 or	CHIP RESISTOR NETWORK	MNR04MRAPJ221	(1)	43464722104R2	N
R7123 or	CHIP RESISTOR NETWORK	RM7LJ221X04	(1)	43484722104R2	
R7124	CHIP TYPE CARBON RESISTOR	RN72K1J-223JE	1	435032234R1	
R7125	CHIP TYPE CARBON RESISTOR	RN72K1J-473JE	1	435034734R1	
R7126	CHIP TYPE CARBON RESISTOR	RN72K1J-221JE	1	435032214R1	
R7131	CHIP TYPE CARBON RESISTOR	RN72K1J-221JE	1	435032214R1	
R7132	CHIP TYPE CARBON RESISTOR	RN72K1J-470JE	1	435034704R1	
R7133	CHIP TYPE CARBON RESISTOR	RN72K1J-221JE	1	435032214R1	
R7134	CHIP TYPE CARBON RESISTOR	RN72K1J-221JE	1	435032214R1	
R7136	CHIP TYPE CARBON RESISTOR	RN72K1J-470JE	1	435034704R1	
R7137	CHIP TYPE CARBON RESISTOR	RN72K1J-470JE	1	435034704R1	
R7138	CHIP TYPE CARBON RESISTOR	RN72K1J-470JE	1	435034704R1	
R7140	CHIP TYPE CARBON RESISTOR	RN72K1J-103JE	1	435031034R1	
R7141	CHIP TYPE CARBON RESISTOR	RN72K1J-103JE	1	435031034R1	
R7150	CHIP TYPE CARBON RESISTOR	RN72K1J-221JE	1	435032214R1	
R7151	CHIP TYPE CARBON RESISTOR	RN72K1J-221JE	1	435032214R1	
R7152	CHIP TYPE CARBON RESISTOR	RN72K1J-103JE	1	435031034R1	
R7153	CHIP TYPE CARBON RESISTOR	RN72K1J-103JE	1	435031034R1	
R7155	CHIP RESISTOR NETWORK	YCN104-103-JK	1	43464C10304R1	
R7155 or	CHIP RESISTOR NETWORK	MNR04MRAPJ103	(1)	43464710304R2	N
R7155 or	CHIP RESISTOR NETWORK	RM7LJ103X04	(1)	43484710304R2	
R7160	CHIP TYPE CARBON RESISTOR	RN72K1J-473JE	1	435034734R1	

R7161	CHIP TYPE CARBON RESISTOR	RN72K1J-103JE	1	435031034R1	
R7170	CHIP TYPE CARBON RESISTOR	RN72K1J-102JE	1	435031024R1	
R7171	CHIP TYPE CARBON RESISTOR	RN72K1J-473JE	1	435034734R1	
R7172	CHIP TYPE CARBON RESISTOR	RN72K1J-222JE	1	435032224R1	
R7173	CHIP TYPE CARBON RESISTOR	RN72K1J-470JE	1	435034704R1	
R7180	CHIP TYPE CARBON RESISTOR	RN72K1J-272JE	1	435032724R1	
R7181	CHIP TYPE CARBON RESISTOR	RN72K1J-272JE	1	435032724R1	
R7182	CHIP TYPE CARBON RESISTOR	RN72K1J-272JE	1	435032724R1	
R7183	CHIP TYPE CARBON RESISTOR	RN72K1J-272JE	1	435032724R1	
R7184	CHIP TYPE CARBON RESISTOR	RN72K1J-103JE	1	435031034R1	
R7186	CHIP TYPE CARBON RESISTOR	RN72K1J-104JE	1	435031044R1	
R7187	CHIP TYPE CARBON RESISTOR	RN72K1J-104JE	1	435031044R1	
R7188	CHIP TYPE CARBON RESISTOR	RN72K1J-104JE	1	435031044R1	
R8001	CHIP TYPE CARBON RESISTOR	RN72K1J-103JE	1	435031034R1	
R8002	CHIP TYPE CARBON RESISTOR	RN72K1J-000JE	1	435030004R1	
R8003	CHIP TYPE CARBON RESISTOR	RN72K1J-000JE	1	435030004R1	
R8004	CHIP TYPE CARBON RESISTOR	RN72K1J-103JE	1	435031034R1	
R8005	CHIP TYPE CARBON RESISTOR	RN72K1J-103JE	1	435031034R1	
R8006	CHIP TYPE CARBON RESISTOR	RN72K1J-103FE	1	435031032R1	
R8007	CHIP TYPE CARBON RESISTOR	RN72K1J-472JE	1	435034724R1	
R8008	CHIP TYPE CARBON RESISTOR	RN72K1J-103FE	1	435031032R1	
R8010	CHIP RESISTOR NETWORK	YCN104-510-JK	1	43464C51004R1	
R8010 or	CHIP RESISTOR NETWORK	MNR04MRAPJ510	(1)	43464751004R2	N
R8010 or	CHIP RESISTOR NETWORK	RM7LJ510X04	(1)	43484751004R2	
R8011	CHIP RESISTOR NETWORK	YCN104-510-JK	1	43464C51004R1	
R8011 or	CHIP RESISTOR NETWORK	MNR04MRAPJ510	(1)	43464751004R2	N
R8011 or	CHIP RESISTOR NETWORK	RM7LJ510X04	(1)	43484751004R2	
R8012	CHIP RESISTOR NETWORK	YCN104-510-JK	1	43464C51004R1	
R8012 or	CHIP RESISTOR NETWORK	MNR04MRAPJ510	(1)	43464751004R2	N
R8012 or	CHIP RESISTOR NETWORK	RM7LJ510X04	(1)	43484751004R2	
R8013	CHIP RESISTOR NETWORK	YCN104-510-JK	1	43464C51004R1	
R8013 or	CHIP RESISTOR NETWORK	MNR04MRAPJ510	(1)	43464751004R2	N
R8013 or	CHIP RESISTOR NETWORK	RM7LJ510X04	(1)	43484751004R2	
R8014	CHIP RESISTOR NETWORK	YCN104-510-JK	1	43464C51004R1	
R8014 or	CHIP RESISTOR NETWORK	MNR04MRAPJ510	(1)	43464751004R2	N
R8014 or	CHIP RESISTOR NETWORK	RM7LJ510X04	(1)	43484751004R2	
R8015	CHIP TYPE CARBON RESISTOR	MCR03EZPF49R9(49.9_1%)	1	4100037R2	
R8015 or	CARBON FILM RESISTOR	CR16-49R9-FL	(1)	4100046R1	
R8016	CHIP TYPE CARBON RESISTOR	MCR03EZPF49R9(49.9_1%)	1	4100037R2	
R8016 or	CARBON FILM RESISTOR	CR16-49R9-FL	(1)	4100046R1	
R8017	CHIP TYPE CARBON RESISTOR	MCR03EZPF49R9(49.9_1%)	1	4100037R2	
R8017 or	CARBON FILM RESISTOR	CR16-49R9-FL	(1)	4100046R1	
R8018	CHIP TYPE CARBON RESISTOR	RN72K1J-223FE	1	435032232R1	
R8020	CHIP TYPE CARBON RESISTOR	RN72K1J-472JE	1	435034724R1	
R8042	CHIP TYPE CARBON RESISTOR	MCR03EZPF49R9(49.9_1%)	1	4100037R2	
R8042 or	CARBON FILM RESISTOR	CR16-49R9-FL	(1)	4100046R1	
R8043	CHIP TYPE CARBON RESISTOR	MCR03EZPF49R9(49.9_1%)	1	4100037R2	
R8043 or	CARBON FILM RESISTOR	CR16-49R9-FL	(1)	4100046R1	
R8045	CHIP TYPE CARBON RESISTOR	RN72K1J-331FE	1	435033312R1	
R8046	CHIP TYPE CARBON RESISTOR	RN72K1J-332FE	1	435033322R1	
R8047	CHIP TYPE CARBON RESISTOR	RN72K1J-271FE	1	435032712R1	
R8048	CHIP TYPE CARBON RESISTOR	RN72K1J-222FE	1	435032222R1	
R8049	CHIP TYPE CARBON RESISTOR	RN72K1J-750JE	1	435037504R1	
R8050	CHIP TYPE CARBON RESISTOR	RN72K1J-750JE	1	435037504R1	
R8052	CHIP TYPE CARBON RESISTOR	RN72K1J-472JE	1	435034724R1	
R8073	CHIP TYPE CARBON RESISTOR	RN72K1J-182JE	1	435031824R1	
R8074	CHIP TYPE CARBON RESISTOR	RN72K1J-182JE	1	435031824R1	
R8075	CHIP TYPE CARBON RESISTOR	RN72K1J-473JE	1	435034734R1	
R8076	CHIP TYPE CARBON RESISTOR	RN72K1J-473JE	1	435034734R1	
R8080	CHIP TYPE CARBON RESISTOR	RN72K1J-101JE	1	435031014R1	
R8081	CHIP TYPE CARBON RESISTOR	RN72K1J-101JE	1	435031014R1	
R8082	CHIP TYPE CARBON RESISTOR	RN72K1J-101JE	1	435031014R1	
R8083	CHIP TYPE CARBON RESISTOR	RN72K1J-101JE	1	435031014R1	
R8084	CHIP TYPE CARBON RESISTOR	RN72K1J-100JE	1	435031004R1	
R8085	CHIP TYPE CARBON RESISTOR	RN72K1J-100JE	1	435031004R1	
R8086	CHIP TYPE CARBON RESISTOR	RN72K1J-100JE	1	435031004R1	
R8087	CHIP TYPE CARBON RESISTOR	RN72K1J-823JE	1	435038234R1	

R8088	CHIP TYPE CARBON RESISTOR	RN72K1J-103JE	1	435031034R1	
R8089	CHIP TYPE CARBON RESISTOR	RN72K1J-330JE	1	435033304R1	
R8090	CHIP TYPE CARBON RESISTOR	RN72K1J-103JE	1	435031034R1	
R8091	CHIP TYPE CARBON RESISTOR	RN72K1J-220JE	1	435032204R1	
R8092	CHIP TYPE CARBON RESISTOR	RN72K1J-220JE	1	435032204R1	
R8093	CHIP TYPE CARBON RESISTOR	RN72K1J-220JE	1	435032204R1	
R8094	CHIP TYPE CARBON RESISTOR	RN72K1J-472JE	1	435034724R1	
R8095	CHIP TYPE CARBON RESISTOR	RN72K1J-105JE	1	435031054R1	
R8096	CHIP TYPE CARBON RESISTOR	RN72K1J-101JE	1	435031014R1	
R8097	CHIP TYPE CARBON RESISTOR	RN72K1J-101JE	1	435031014R1	
R8098	CHIP TYPE CARBON RESISTOR	RN72K1J-220JE	1	435032204R1	
R8099	CHIP TYPE CARBON RESISTOR	RN72K1J-102JE	1	435031024R1	
R8100	CHIP TYPE CARBON RESISTOR	RN72K1J-102JE	1	435031024R1	
R8102	CHIP TYPE CARBON RESISTOR	RN72K1J-472JE	1	435034724R1	
R8103	CHIP TYPE CARBON RESISTOR	RN72K1J-472JE	1	435034724R1	
R8104	CHIP TYPE CARBON RESISTOR	RN72K1J-472JE	1	435034724R1	
R8105	CHIP TYPE CARBON RESISTOR	RN72K1J-472JE	1	435034724R1	
R8111	CHIP TYPE CARBON RESISTOR	RN72K1J-101JE	1	435031014R1	
R8112	CHIP TYPE CARBON RESISTOR	RN72K1J-101JE	1	435031014R1	
R8113	CHIP TYPE CARBON RESISTOR	RN72K1J-101JE	1	435031014R1	
R8114	CHIP TYPE CARBON RESISTOR	RN72K1J-101JE	1	435031014R1	
R8115	CHIP TYPE CARBON RESISTOR	RN72K1J-104JE	1	435031044R1	
R8117	CHIP TYPE CARBON RESISTOR	RN72K1J-470JE	1	435034704R1	
R8118	CHIP TYPE CARBON RESISTOR	RN72K1J-470JE	1	435034704R1	
R8120	CHIP TYPE CARBON RESISTOR	RN72K1J-472JE	1	435034724R1	
R8122	CHIP TYPE CARBON RESISTOR	RN72K1J-220JE	1	435032204R1	
R8123	CHIP TYPE CARBON RESISTOR	RN72K1J-220JE	1	435032204R1	
R8124	CHIP TYPE CARBON RESISTOR	RN72K1J-220JE	1	435032204R1	
R8125	CHIP TYPE CARBON RESISTOR	RN72K1J-220JE	1	435032204R1	
R8126	CHIP TYPE CARBON RESISTOR	RN72K1J-472JE	1	435034724R1	
R8127	CHIP TYPE CARBON RESISTOR	RN72K1J-472JE	1	435034724R1	
R8128	CHIP TYPE CARBON RESISTOR	RN72K1J-103JE	1	435031034R1	
R8129	CHIP TYPE CARBON RESISTOR	RN72K1J-103JE	1	435031034R1	
R8201	CHIP TYPE CARBON RESISTOR	RN72K1J-393JE	1	435033934R1	
R8202	CHIP TYPE CARBON RESISTOR	RN72K1J-102JE	1	435031024R1	
R8204	CHIP TYPE CARBON RESISTOR	RN72K1J-330JE	1	435033304R1	
R8208	CHIP TYPE CARBON RESISTOR	RN72K1J-821JE	1	435038214R1	
R8209	CHIP TYPE CARBON RESISTOR	RN72K1J-472JE	1	435034724R1	
R8215	CHIP TYPE CARBON RESISTOR	RN72K1J-821JE	1	435038214R1	
R8218	CHIP TYPE CARBON RESISTOR	RN72K1J-821JE	1	435038214R1	
R8219	CHIP RESISTOR NETWORK	YCN104-330-JK	1	43464C33004R1	
R8219 or	CHIP RESISTOR NETWORK	MNR04MRAPJ330	(1)	43464733004R2	N
R8219 or	CHIP RESISTOR NETWORK	RM7LJ330X04	(1)	43484733004R2	
R8220	CHIP TYPE CARBON RESISTOR	RN72K1J-680JE	1	435036804R1	
R8221	CHIP TYPE CARBON RESISTOR	RN72K1J-680JE	1	435036804R1	
R8223	CHIP TYPE CARBON RESISTOR	RN72K1J-560JE	1	435035604R1	
R8224	CHIP TYPE CARBON RESISTOR	RN72K1J-330JE	1	435033304R1	
R8225	CHIP TYPE CARBON RESISTOR	RN72K1J-221JE	1	435032214R1	
R8226	CHIP TYPE CARBON RESISTOR	RN72K1J-221JE	1	435032214R1	
R8228	CHIP TYPE CARBON RESISTOR	RN72K1J-221JE	1	435032214R1	
R8230	CHIP TYPE CARBON RESISTOR	RN72K1J-101JE	1	435031014R1	
R8231	CHIP TYPE CARBON RESISTOR	RN72K1J-330JE	1	435033304R1	
R8232	CHIP TYPE CARBON RESISTOR	RN72K1J-102JE	1	435031024R1	
R8233	CHIP TYPE CARBON RESISTOR	RN72K1J-000JE	1	435030004R1	
R8234	CHIP TYPE CARBON RESISTOR	RN72K1J-393JE	1	435033934R1	
R8235	CHIP TYPE CARBON RESISTOR	RN72K1J-102JE	1	435031024R1	
R8236	CHIP TYPE CARBON RESISTOR	RN72K1J-330JE	1	435033304R1	
R8237	CHIP TYPE CARBON RESISTOR	RN72K1J-105JE	1	435031054R1	
R8238	CHIP TYPE CARBON RESISTOR	RN72K1J-331JE	1	435033314R1	
R8239	CHIP TYPE CARBON RESISTOR	RN72K1J-330JE	1	435033304R1	
R8240	CHIP TYPE CARBON RESISTOR	RN72K1J-681JE	1	435036814R1	
R8242	CHIP TYPE CARBON RESISTOR	RN72K1J-102JE	1	435031024R1	
R8243	CHIP TYPE CARBON RESISTOR	RN72K1J-681JE	1	435036814R1	
R8244	CHIP TYPE CARBON RESISTOR	RN72K1J-330JE	1	435033304R1	
R8246	CHIP TYPE CARBON RESISTOR	RN72K1J-330JE	1	435033304R1	
R8247	CHIP TYPE CARBON RESISTOR	RN72K1J-330JE	1	435033304R1	
R8248	CHIP TYPE CARBON RESISTOR	RN72K1J-100JE	1	435031004R1	

R8249	CHIP TYPE CARBON RESISTOR	RN72K1J-182JE	1	435031824R1	
R8251	CHIP TYPE CARBON RESISTOR	RN72K1J-182JE	1	435031824R1	
R8301	CHIP TYPE CARBON RESISTOR	RN72K1J-103JE	1	435031034R1	
R8302	CHIP TYPE CARBON RESISTOR	RN72K1J-103JE	1	435031034R1	
R8303	CHIP TYPE CARBON RESISTOR	RN72K1J-562JE	1	435035624R1	
R8304	CHIP TYPE CARBON RESISTOR	RN72K1J-472JE	1	435034724R1	
R8305	CHIP TYPE CARBON RESISTOR	RN72K1J-562JE	1	435035624R1	
R8306	CHIP TYPE CARBON RESISTOR	RN72K1J-562JE	1	435035624R1	
R8307	CHIP TYPE CARBON RESISTOR	RN72K1J-472JE	1	435034724R1	
R8308	CHIP TYPE CARBON RESISTOR	RN72K1J-562JE	1	435035624R1	
R8309	CHIP TYPE CARBON RESISTOR	RN72K1J-562JE	1	435035624R1	
R8310	CHIP TYPE CARBON RESISTOR	RN72K1J-562JE	1	435035624R1	
R8312	CHIP TYPE CARBON RESISTOR	RN72K1J-100JE	1	435031004R1	
R8315	CHIP TYPE CARBON RESISTOR	RN72K1J-181JE	1	435031814R1	
R8316	CHIP TYPE CARBON RESISTOR	RN72K1J-181JE	1	435031814R1	
R8317	CHIP TYPE CARBON RESISTOR	RN72K1J-181JE	1	435031814R1	
R8318	CHIP TYPE CARBON RESISTOR	RN72K1J-181JE	1	435031814R1	
R8319	CHIP TYPE CARBON RESISTOR	RN72K1J-181JE	1	435031814R1	
R8320	CHIP TYPE CARBON RESISTOR	RN72K1J-181JE	1	435031814R1	
R8321	CHIP TYPE CARBON RESISTOR	RN72K1J-181JE	1	435031814R1	
R8322	CHIP TYPE CARBON RESISTOR	RN72K1J-181JE	1	435031814R1	
R8323	CHIP TYPE CARBON RESISTOR	RN72K1J-181JE	1	435031814R1	
R8324	CHIP TYPE CARBON RESISTOR	RN72K1J-181JE	1	435031814R1	
R8325	CHIP TYPE CARBON RESISTOR	RN72K1J-181JE	1	435031814R1	
R8326	CHIP TYPE CARBON RESISTOR	RN72K1J-181JE	1	435031814R1	
R8327	CHIP TYPE CARBON RESISTOR	RN72K1J-470JE	1	435034704R1	
R8328	CHIP TYPE CARBON RESISTOR	RN72K1J-181JE	1	435031814R1	
R8329	CHIP TYPE CARBON RESISTOR	RN72K1J-181JE	1	435031814R1	
R8330	CHIP TYPE CARBON RESISTOR	RN72K1J-220JE	1	435032204R1	
R8331	CHIP TYPE CARBON RESISTOR	RN72K1J-220JE	1	435032204R1	
R8332	CHIP TYPE CARBON RESISTOR	RN72K1J-220JE	1	435032204R1	
R8333	CHIP TYPE CARBON RESISTOR	RN72K1J-220JE	1	435032204R1	
R8334	CHIP TYPE CARBON RESISTOR	RN72K1J-473JE	1	435034734R1	
R8335	CHIP TYPE CARBON RESISTOR	RN72K1J-473JE	1	435034734R1	
R8336	CHIP TYPE CARBON RESISTOR	RN72K1J-473JE	1	435034734R1	
R8337	CHIP TYPE CARBON RESISTOR	RN72K1J-220JE	1	435032204R1	
R8338	CHIP TYPE CARBON RESISTOR	RN72K1J-220JE	1	435032204R1	
R8339	CHIP TYPE CARBON RESISTOR	RN72K1J-220JE	1	435032204R1	
R8342	CHIP RESISTOR NETWORK	YCN104-220-JK	1	43464C22004R1	
R8342 or	CHIP RESISTOR NETWORK	MNR04MRAPJ220	(1)	43464722004R2	N
R8342 or	CHIP RESISTOR NETWORK	RM7LJ220X04	(1)	43484722004R2	
R8343	CHIP RESISTOR NETWORK	YCN104-220-JK	1	43464C22004R1	
R8343 or	CHIP RESISTOR NETWORK	MNR04MRAPJ220	(1)	43464722004R2	N
R8343 or	CHIP RESISTOR NETWORK	RM7LJ220X04	(1)	43484722004R2	
R8346	CHIP TYPE CARBON RESISTOR	RN72K1J-220JE	1	435032204R1	
R8347	CHIP TYPE CARBON RESISTOR	RN72K1J-220JE	1	435032204R1	
R8350	CHIP TYPE CARBON RESISTOR	RN72K1J-100JE	1	435031004R1	
R8351	CHIP TYPE CARBON RESISTOR	RN72K1J-100JE	1	435031004R1	
R8352	CHIP TYPE CARBON RESISTOR	RN72K1J-100JE	1	435031004R1	
R8353	CHIP TYPE CARBON RESISTOR	RN72K1J-100JE	1	435031004R1	
R8354	CHIP TYPE CARBON RESISTOR	RN72K1J-100JE	1	435031004R1	
R8355	CHIP TYPE CARBON RESISTOR	RN72K1J-103JE	1	435031034R1	
R8357	CHIP TYPE CARBON RESISTOR	RN72K1J-101JE	1	435031014R1	
R8358	CHIP TYPE CARBON RESISTOR	RN72K1J-102JE	1	435031024R1	
R8359	CHIP TYPE CARBON RESISTOR	RN72K1J-124JE	1	435031244R1	
R8360	CHIP TYPE CARBON RESISTOR	RN72K1J-102JE	1	435031024R1	
R8370	CHIP TYPE CARBON RESISTOR	RN72K1J-000JE	1	435030004R1	
R8374	CHIP TYPE CARBON RESISTOR	RN72K1J-103JE	1	435031034R1	
R8387	CHIP TYPE CARBON RESISTOR	RN72K1J-000JE	1	435030004R1	
R8388	CHIP TYPE CARBON RESISTOR	RN72K1J-182JE	1	435031824R1	
R8389	CHIP TYPE CARBON RESISTOR	RN72K1J-182JE	1	435031824R1	
R8391	CHIP TYPE CARBON RESISTOR	RN72K1J-473JE	1	435034734R1	
R8395	CHIP RESISTOR NETWORK	YCN104-5R1-JK	1	43484C05104R1	
R8395 or	CHIP RESISTOR NETWORK	MNR04MRAPJ051	(1)	43464705104R2	N
R8395 or	CHIP RESISTOR NETWORK	RM7LJ051X04	(1)	43484705104R2	
R8396	CHIP RESISTOR NETWORK	YCN104-5R1-JK	1	43484C05104R1	
R8396 or	CHIP RESISTOR NETWORK	MNR04MRAPJ051	(1)	43464705104R2	N

R8715	CHIP TYPE CARBON RESISTOR	RN72K1J-222JE	1	435032224R1	
R8716	CHIP TYPE CARBON RESISTOR	RN72K1J-222JE	1	435032224R1	
R8717	CHIP TYPE CARBON RESISTOR	RN72K1J-222JE	1	435032224R1	
R8718	CHIP TYPE CARBON RESISTOR	RN72K1J-222JE	1	435032224R1	
R8719	CHIP TYPE CARBON RESISTOR	RN72K1J-222JE	1	435032224R1	
R8720	CHIP TYPE CARBON RESISTOR	RN72K1J-103JE	1	435031034R1	
R8722	CHIP TYPE CARBON RESISTOR	RN72K1J-222JE	1	435032224R1	
R8723	CHIP TYPE CARBON RESISTOR	RN72K1J-222JE	1	435032224R1	
R8724	CHIP TYPE CARBON RESISTOR	RN72K1J-473JE	1	435034734R1	
R8725	CHIP TYPE CARBON RESISTOR	RN72K1J-103JE	1	435031034R1	
R8727	CHIP TYPE CARBON RESISTOR	RN72K1J-103JE	1	435031034R1	
R8730	CHIP TYPE CARBON RESISTOR	RN72K1J-103JE	1	435031034R1	
R8731	CHIP TYPE CARBON RESISTOR	RN72K1J-103JE	1	435031034R1	
R8732	CHIP TYPE CARBON RESISTOR	RN72K1J-222JE	1	435032224R1	
R8734	CHIP TYPE CARBON RESISTOR	RN72K1J-222JE	1	435032224R1	
R8738	CHIP TYPE CARBON RESISTOR	RN72K1J-222JE	1	435032224R1	
R8739	CHIP TYPE CARBON RESISTOR	RN72K1J-472JE	1	435034724R1	
R8740	CHIP TYPE CARBON RESISTOR	RN72K1J-472JE	1	435034724R1	
R8741	CHIP TYPE CARBON RESISTOR	RN72K1J-103JE	1	435031034R1	
R8742	CHIP TYPE CARBON RESISTOR	RN72K1J-103JE	1	435031034R1	
R8743	CHIP TYPE CARBON RESISTOR	RN72K1J-222JE	1	435032224R1	
R8745	CHIP TYPE CARBON RESISTOR	RN72K1J-103JE	1	435031034R1	
R8747	CHIP TYPE CARBON RESISTOR	RN72K1J-220JE	1	435032204R1	
R8753	CHIP TYPE CARBON RESISTOR	RN72K1J-472JE	1	435034724R1	
R8754	CHIP TYPE CARBON RESISTOR	RN72K1J-223JE	1	435032234R1	
R8755	CHIP TYPE CARBON RESISTOR	RN72K1J-331JE	1	435033314R1	
R8756	CHIP TYPE CARBON RESISTOR	RN72K1J-122JE	1	435031224R1	
R8757	CHIP TYPE CARBON RESISTOR	RN72K1J-182JE	1	435031824R1	
R8762	CHIP TYPE CARBON RESISTOR	RN72K1J-103JE	1	435031034R1	
R8763	CHIP TYPE CARBON RESISTOR	RN72K1J-103JE	1	435031034R1	
R8764	CHIP TYPE CARBON RESISTOR	RN72K1J-103JE	1	435031034R1	
R8769	CHIP RESISTOR NETWORK	YCN104-470-JK	1	43464C47004R1	
R8769 or	CHIP RESISTOR NETWORK	MNR04MRAPJ470	(1)	43464747004R2	N
R8769 or	CHIP RESISTOR NETWORK	RM7LJ470X04	(1)	43484747004R2	
R8771	CHIP RESISTOR NETWORK	YCN104-470-JK	1	43464C47004R1	
R8771 or	CHIP RESISTOR NETWORK	MNR04MRAPJ470	(1)	43464747004R2	N
R8771 or	CHIP RESISTOR NETWORK	RM7LJ470X04	(1)	43484747004R2	
R8772	CHIP TYPE CARBON RESISTOR	RN72K1J-470JE	1	435034704R1	
R8773	CHIP TYPE CARBON RESISTOR	RN72K1J-470JE	1	435034704R1	
R8776	CHIP TYPE CARBON RESISTOR	RN72K1J-470JE	1	435034704R1	
R8777	CHIP TYPE CARBON RESISTOR	RN72K1J-470JE	1	435034704R1	
R8779	CHIP TYPE CARBON RESISTOR	RN72K1J-472JE	1	435034724R1	
R8780	CHIP TYPE CARBON RESISTOR	RN72K1J-472JE	1	435034724R1	
R8782	CHIP TYPE CARBON RESISTOR	RN72K1J-105JE	1	435031054R1	
R8790	CHIP TYPE CARBON RESISTOR	RN72K1J-470JE	1	435034704R1	
R8791	CHIP TYPE CARBON RESISTOR	RN72K1J-470JE	1	435034704R1	
R8901	CHIP TYPE CARBON RESISTOR	RN72K1J-103JE	1	435031034R1	
R8902	CHIP TYPE CARBON RESISTOR	RN72K1J-393JE	1	435033934R1	
R8903	CHIP TYPE CARBON RESISTOR	RN72K1J-103JE	1	435031034R1	
R8906	CHIP TYPE CARBON RESISTOR	RN72K1J-272JE	1	435032724R1	
R8907	CHIP TYPE CARBON RESISTOR	RN72K1J-223JE	1	435032234R1	
R8908	CHIP TYPE CARBON RESISTOR	RN72K1J-103JE	1	435031034R1	
R8909	CHIP TYPE CARBON RESISTOR	RN72K1J-223JE	1	435032234R1	
R8910	CHIP TYPE CARBON RESISTOR	RN72K1J-103JE	1	435031034R1	
R8911	CHIP TYPE CARBON RESISTOR	RN72K1J-682JE	1	435036824R1	
R8912	CHIP TYPE CARBON RESISTOR	RN72K1J-104JE	1	435031044R1	
R8913	CHIP TYPE CARBON RESISTOR	RN72K1J-102JE	1	435031024R1	
R8920	CHIP TYPE CARBON RESISTOR	RN72K1J-000JE	1	435030004R1	
R8921	CHIP TYPE CARBON RESISTOR	RN72K1J-000JE	1	435030004R1	
R8931	CHIP TYPE CARBON RESISTOR	RN72K1J-102JE	1	435031024R1	
R8932	CHIP TYPE CARBON RESISTOR	RN72K1J-104JE	1	435031044R1	
R8933	CHIP TYPE CARBON RESISTOR	RN72K1J-332JE	1	435033324R1	
R8934	CHIP TYPE CARBON RESISTOR	RN72K1J-472FE	1	435034722R1	
R8936	CHIP TYPE CARBON RESISTOR	RN72K1J-103FE	1	435031032R1	
R8941	CHIP TYPE CARBON RESISTOR	RN72K1J-102JE	1	435031024R1	
R8942	CHIP TYPE CARBON RESISTOR	RN72K1J-104JE	1	435031044R1	
R8943	CHIP TYPE CARBON RESISTOR	RN72K1J-472JE	1	435034724R1	

R8944	CHIP TYPE CARBON RESISTOR	RN72K1J-103FE	1	435031032R1	
R8946	CHIP TYPE CARBON RESISTOR	RN72K1J-103FE	1	435031032R1	
R8951	CHIP TYPE CARBON RESISTOR	RN72K1J-102JE	1	435031024R1	
R8952	CHIP TYPE CARBON RESISTOR	RN72K1J-104JE	1	435031044R1	
R8953	CHIP TYPE CARBON RESISTOR	RN72K1J-682JE	1	435036824R1	
R8954	CHIP TYPE CARBON RESISTOR	RN72K1J-333FE	1	435033332R1	
R8955	CHIP TYPE CARBON RESISTOR	RN72K1J-124FE	1	435031242R1	
R8956	CHIP TYPE CARBON RESISTOR	RN72K1J-103FE	1	435031032R1	
R8961	CHIP TYPE CARBON RESISTOR	RN72K1J-104JE	1	435031044R1	
R8962	CHIP TYPE CARBON RESISTOR	RN72K1J-104JE	1	435031044R1	
R8963	CHIP TYPE CARBON RESISTOR	RN72K1J-103FE	1	435031032R1	
R8964	CHIP TYPE CARBON RESISTOR	RN72K1J-473FE	1	435034732R1	
R8965	CHIP TYPE CARBON RESISTOR	RN72K1J-225JE	1	435032254R1	
R8966	CHIP TYPE CARBON RESISTOR	RN72K1J-103FE	1	435031032R1	
R8967	CHIP TYPE CARBON RESISTOR	RN72K1J-104FE	1	435031042R1	
R8970	CHIP TYPE CARBON RESISTOR	RN72K1J-472JE	1	435034724R1	
R8971	CHIP TYPE CARBON RESISTOR	RN72K1J-472JE	1	435034724R1	
R8972	CHIP TYPE CARBON RESISTOR	RN72K1J-472JE	1	435034724R1	
R8973	CHIP TYPE CARBON RESISTOR	RN72K1J-473JE	1	435034734R1	
R8976	CHIP TYPE CARBON RESISTOR	RN72K1J-473JE	1	435034734R1	
R8980	CHIP TYPE CARBON RESISTOR	RN72K1J-000JE	1	435030004R1	
R8981	CHIP TYPE CARBON RESISTOR	RN72K1J-473JE	1	435034734R1	
R8982	CHIP TYPE CARBON RESISTOR	RN72K1J-182JE	1	435031824R1	
R8983	CHIP TYPE CARBON RESISTOR	RN72K1J-102JE	1	435031024R1	
[SW TRM]					
P2800B	SOCKET	IMSA-9618S-17A	1	25053342R2	N
P2800Bor	SOCKET	17FMN-SMT-A-TF	(1)	25052834R2	
P3101A	PLUG	NPLG-5P918	1	25055965R2	
P3102A	PLUG	NPLG-5P918	1	25055965R2	
P3103A	SOCKET	NSCT-9P2472	1	25052575R2	
P3104	SOCKET	29-01000PH53-1	1	25053526R3	N
P501B	PLUG	NPLG-3P916	1	25055963R2	
P5504A	PLUG	NPLG-11P924	1	25055971R2	
P701A	SOCKET	IMSA-9618S-23A	1	25053348R2	
P701Aor	SOCKET	23FMN-SMT-A-TF	(1)	25052840R2	
P751A	SOCKET	NSCT-9P2472	1	25052575R2	
P8002B	PLUG(B to B)	IMSA-9850B-24Y	1	25056207R2	
P8003B	PLUG(B to B)	IMSA-9850B-24Y	1	25056207R2	
P801	PLUG	NPLG-2P915	1	25055962R2	
P801B	PLUG	NPLG-9P922	1	25055969R2	
P8101	SOCKET	HDMI(47266-4201)	1	25053522R3	
P8101 or	SOCKET	HDMI(47266-4101)	(1)	25053389R3	
P8101 or	SOCKET	TCX3423-311387	(1)	25060513R3	
P8102	SOCKET	HDMI(47266-4201)	1	25053522R3	
P8102 or	SOCKET	HDMI(47266-4101)	(1)	25053389R3	
P8102 or	SOCKET	TCX3423-311387	(1)	25060513R3	
P8104	SOCKET	NSCT-8P2471	1	25052574R2	
P8601	SOCKET	HDMI(47266-4201)	1	25053522R3	
P8601 or	SOCKET	HDMI(47266-4101)	(1)	25053389R3	
P8601 or	SOCKET	TCX3423-311387	(1)	25060513R3	
P8611	SOCKET	HDMI(47266-4201)	1	25053522R3	
P8611 or	SOCKET	HDMI(47266-4101)	(1)	25053389R3	
P8611 or	SOCKET	TCX3423-311387	(1)	25060513R3	
P861B	PLUG	NPLG-3P916	1	25055963R2	
P8621	SOCKET	HDMI(47266-4201)	1	25053522R3	
P8621 or	SOCKET	HDMI(47266-4101)	(1)	25053389R3	
P8621 or	SOCKET	TCX3423-311387	(1)	25060513R3	
P8631	SOCKET	HDMI(47266-4201)	1	25053522R3	
P8631 or	SOCKET	HDMI(47266-4101)	(1)	25053389R3	
P8631 or	SOCKET	TCX3423-311387	(1)	25060513R3	
P8641	SOCKET	HDMI(47266-4201)	1	25053522R3	
P8641 or	SOCKET	HDMI(47266-4101)	(1)	25053389R3	
P8641 or	SOCKET	TCX3423-311387	(1)	25060513R3	
P8651	SOCKET	HDMI(47266-4201)	1	25053522R3	
P8651 or	SOCKET	HDMI(47266-4101)	(1)	25053389R3	
P8651 or	SOCKET	TCX3423-311387	(1)	25060513R3	
P8661	SOCKET	HDMI(47266-4201)	1	25053522R3	

P8661 or	SOCKET	HDMI(47266-4101)	(1)	25053389R3
P8661 or	SOCKET	TCX3423-311387	(1)	25060513R3
P8710	PLUG	NPLG-2P915	1	25055962R2
P901B	PLUG	NPLG-5P918	1	25055965R2

U009

BARF-1567-1A

: NSP

CIRCUIT NC	PART NAME	DESCRIPTION	Q'TY	PART NO. (SN)	REMARKS
[SEMI CONDUCTOR]					
Q792	HYBRID IC	S-13A1A33-U5T1U3	1	22242844R2	
[CAPACITOR]					
C790	CHIP TYPE CERAMIC CAPACITOR	CK732B16V-106K	1	332071065R2	
C794	CHIP TYPE CERAMIC CAPACITOR	CK725B1H-103K0	1	332031035R1	
C795	CHIP TYPE CERAMIC CAPACITOR	CK725B1H-103K0	1	332031035R1	
C796	CHIP TYPE CERAMIC CAPACITOR	CK725B1H-103K0	1	332031035R1	
C799	CHIP TYPE CERAMIC CAPACITOR	CK732B16V-106K	1	332071065R2	
[SW TRM]					
P3102B	PLUG	NPLG-5P918	1	25055965R2	
P791A	SOCKET	DF40HC(2.5)-30DS-0.4V(70)	1	25053514R2	

U010

BAHDM-1586-1A

: NSP

CIRCUIT NC	PART NAME	DESCRIPTION	Q'TY	PART NO. (SN)	REMARKS
[SEMI CONDUCTOR]					
Q8501	HYBRID IC	PCA9515BDGKR	1	22242895R2	N
Q8502	HYBRID IC	NC7SZ08P5X_F042	1	22242482R2	
[TRANS COIL]					
L8500	CORE	BLM15PX181SN1D	1	2350033R1	
[CAPACITOR]					
C8500	CHIP TYPE CERAMIC CAPACITOR	CK732B16V-106K	1	332071065R2	
C8501	CHIP TYPE CERAMIC CAPACITOR	CK725B1C-104K0	1	332011045R1	
C8516	CHIP TYPE CERAMIC CAPACITOR	CK725F1E-104Z1	1	332161040R1	
C8517	CHIP TYPE CERAMIC CAPACITOR	CK725F1E-104Z1	1	332161040R1	
C8518	CHIP TYPE CERAMIC CAPACITOR	CK725B1C-104K0	1	332011045R1	
C8519	CHIP TYPE CERAMIC CAPACITOR	CK725B1E-473K0	1	332024735R1	
C8520	CHIP TYPE CERAMIC CAPACITOR	CK725B1H-102K0	1	332031025R1	
[RESISTOR]					
R8502	CHIP TYPE CARBON RESISTOR	RN72K1J-473JE	1	435034734R1	
R8503	CHIP TYPE CARBON RESISTOR	RN72K1J-154JE	1	435031544R1	
R8504	CHIP TYPE CARBON RESISTOR	RN72K1J-472JE	1	435034724R1	
R8505	CHIP TYPE CARBON RESISTOR	RN72K1J-154JE	1	435031544R1	
R8507	CHIP TYPE CARBON RESISTOR	RN72K1J-101JE	1	435031014R1	
R8508	CHIP TYPE CARBON RESISTOR	RN72K1J-153JE	1	435031534R1	
R8510	CHIP TYPE CARBON RESISTOR	RN72K1J-472JE	1	435034724R1	
R8511	CHIP TYPE CARBON RESISTOR	RN72K1J-473JE	1	435034734R1	
R8512	CHIP TYPE CARBON RESISTOR	RN72K1J-473JE	1	435034734R1	
R8513	CHIP TYPE CARBON RESISTOR	RN72K1J-101JE	1	435031014R1	
[SW TRM]					
P8500	SOCKET	TCX3255-611187	1	25053413R3	
P8501	SOCKET	TCX3423-311387	1	25060513R3	
P8502	CRIMP CORD ASSEMBLY	CRIMP AS DX730	1	2063925100UL	
P861	WIRE HARNESS ASSEMBLY	NSAS-3P2096	1	2009991285UL	
P861A	WIRE HOL	NSCT-3P874	1	25051087	
P861Aor	WIRE HOL	CHD-1.5-3	(1)	25053535	

U012

BARF-1450-2A

: NSP

CIRCUIT NC	PART NAME	DESCRIPTION	Q'TY	PART NO. (SN)	REMARKS
------------	-----------	-------------	------	---------------	---------

[SEMI CONDUCTOR]				
Q1	HYBRID IC	RZ5B801-0001E2	1	22242835R2
[TRANS COIL]				
L1	CHIP TYPE CARBON RESISTOR	RN72K1J-000JE	1	435030004R1
L2	CHIP TYPE CARBON RESISTOR	RN72K1J-000JE	1	435030004R1
L3	RF COIL	SDCL1608CR33JTDF	1	233557R1
L3 or	RF COIL	HK1608R33J-T	(1)	233559R1
L4	RF COIL	SDCL1608CR10JTDF	1	233556R1
L4 or	RF COIL	HK1608R10J-T	(1)	233558R1
L5	ANTENNA COIL	K7-D	1	232212
X1	CRYSTAL	HC-49S 9B12.000MHz	1	3010533
[CAPACITOR]				
C1	CHIP TYPE CERAMIC CAPACITOR	CC725CH1H-101J1	1	342101014R1
C12	CHIP TYPE CERAMIC CAPACITOR	CC725CH1H-090D1	1	342100902R1
C13	CHIP TYPE CERAMIC CAPACITOR	CK725B1C-104K1	1	332121045R1
C2	CHIP TYPE CERAMIC CAPACITOR	CC725CH1H-220J1	1	342102204R1
C3	CHIP TYPE CERAMIC CAPACITOR	CK725B1H-332K1	1	332103325R1
C4	CHIP TYPE CERAMIC CAPACITOR	CC725CH1H-100D1	1	342101002R1
C5	CHIP TYPE CERAMIC CAPACITOR	CK725B1H-473K1	1	332104735R1
C6	CHIP TYPE CERAMIC CAPACITOR	CK725B1H-222K1	1	332102225R1
C7	CHIP TYPE CERAMIC CAPACITOR	CK725B1A-105K1	1	332131055R1
C8	CHIP TYPE CERAMIC CAPACITOR	CK725B1A-105K1	1	332131055R1
C9	CHIP TYPE CERAMIC CAPACITOR	CK732B16V-106K	1	332071065R2
[RESISTOR]				
R10	CHIP TYPE CARBON RESISTOR	RN72K1J-000JE	1	435030004R1
R11	CHIP TYPE CARBON RESISTOR	RN72K1J-000JE	1	435030004R1
R13	CHIP TYPE CARBON RESISTOR	RN72K1J-000JE	1	435030004R1
R14	CHIP TYPE CARBON RESISTOR	RN72K1J-000JE	1	435030004R1
R2	CHIP TYPE CARBON RESISTOR	RN72K1J-101JE	1	435031014R1
R21	CHIP TYPE CARBON RESISTOR	RN72K2E-000JE	1	435220004R1
R22	CHIP TYPE CARBON RESISTOR	RN72K2E-000JE	1	435220004R1
R3	EMI SUPPRESSION FILTER	BK1608HS601-T	1	230984R1
R4	EMI SUPPRESSION FILTER	BK1608HS601-T	1	230984R1
R5	CHIP TYPE CARBON RESISTOR	RN72K1J-103JE	1	435031034R1
R6	CHIP TYPE CARBON RESISTOR	RN72K1J-472JE	1	435034724R1
R7	CHIP TYPE CARBON RESISTOR	RN72K1J-472JE	1	435034724R1
R8	CHIP TYPE CARBON RESISTOR	RN72K1J-101JE	1	435031014R1
R9	CHIP TYPE CARBON RESISTOR	RN72K1J-101JE	1	435031014R1
[SW TRM]				
P1	TERMINAL	NTM-1PDSC437	1	25060515
P101A	SOCKET	NSCT-7P2100	1	25052203
P2	TERMINAL	NTM-2PDML439	1	25060517