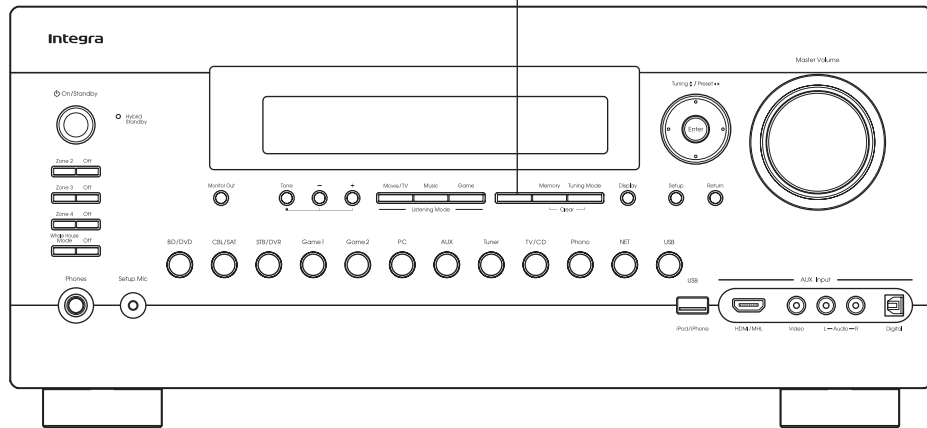


Integra® SERVICE MANUAL

AV RECEIVER MODEL DTR-70.4(B)

North American models ----> "Dimmer"
Australian models ----> "RT/PTY/TP"




RC-842M

Black model

B MDD	120V AC, 60Hz
B MMA	220-240V AC, 50/60Hz
B MMR	220-240V AC, 50/60Hz

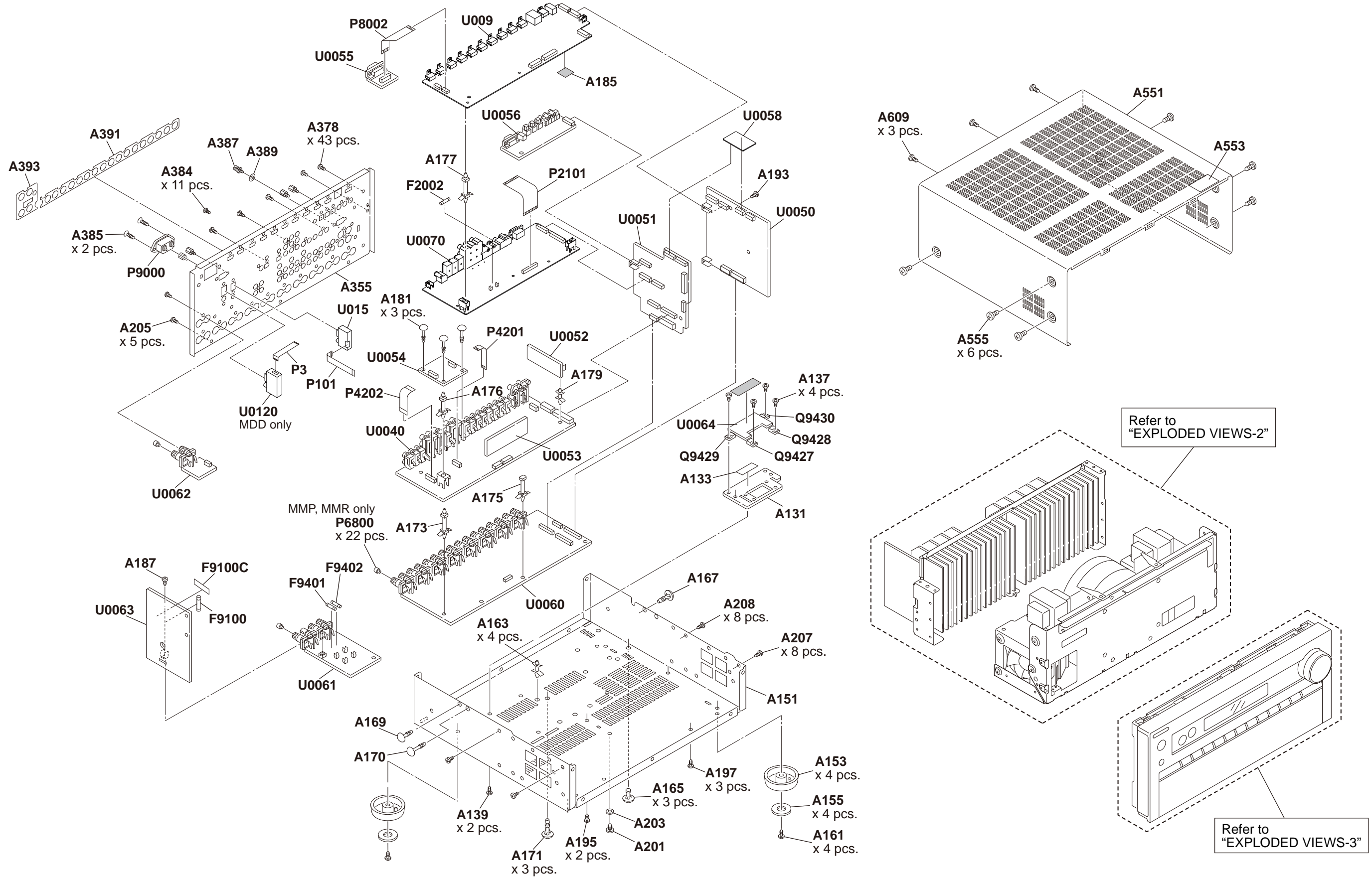
SAFETY-RELATED COMPONENT WARNING!!

COMPONENTS IDENTIFIED BY MARK  ON THE SCHEMATIC DIAGRAM AND IN THE PARTS LIST ARE CRITICAL FOR RISK OF FIRE AND ELECTRIC SHOCK. REPLACE THESE COMPONENTS WITH ONKYO PARTS WHOSE PART NUMBERS APPEAR AS SHOWN IN THIS MANUAL.

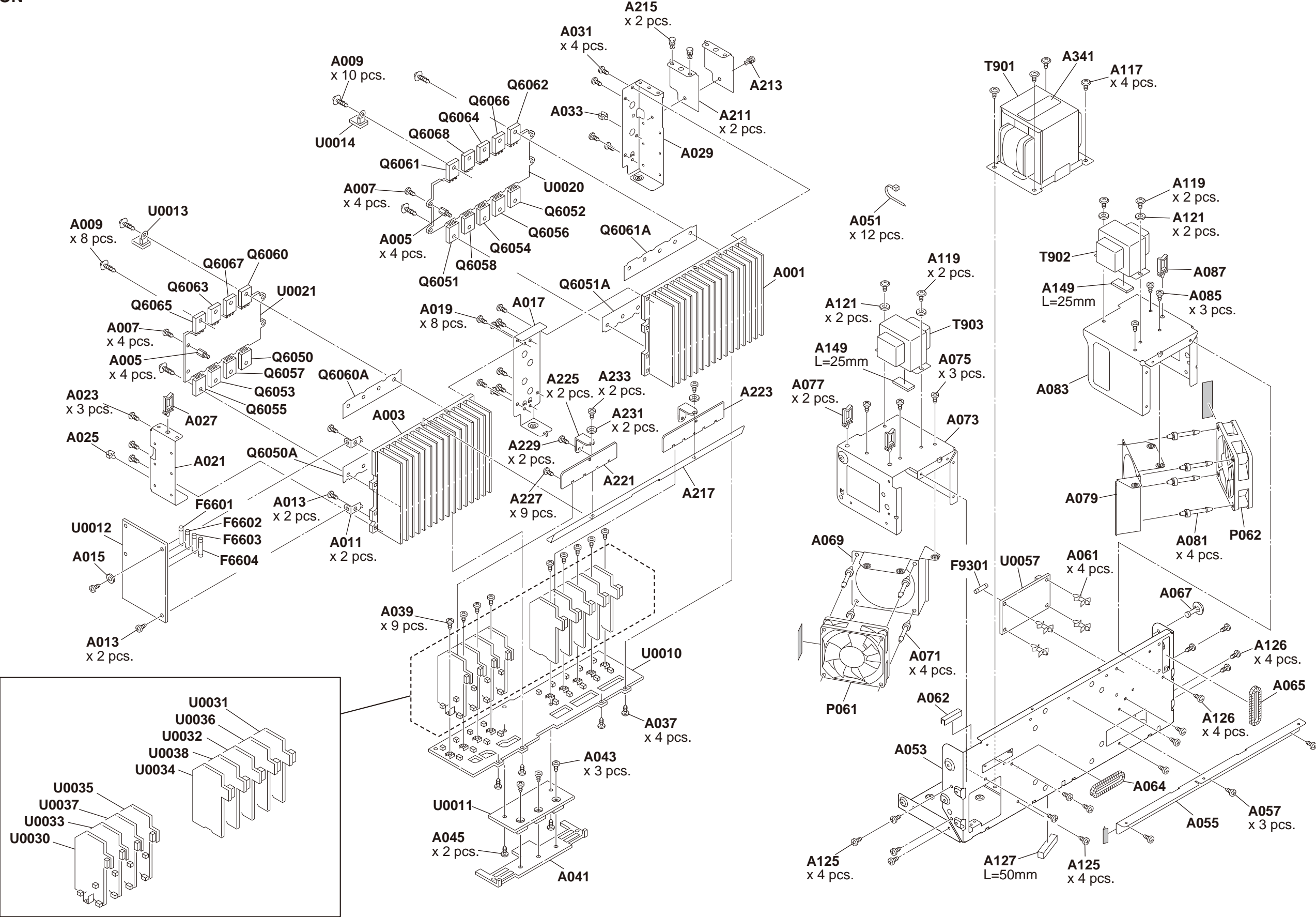
MAKE LEAKAGE-CURRENT OR RESISTANCE MEASUREMENTS TO DETERMINE THAT EXPOSED PARTS ARE ACCEPTABLY INSULATED FROM THE SUPPLY CIRCUIT BEFORE RETURNING THE APPLIANCE TO THE CUSTOMER.

Onkyo Corporation
Service Department

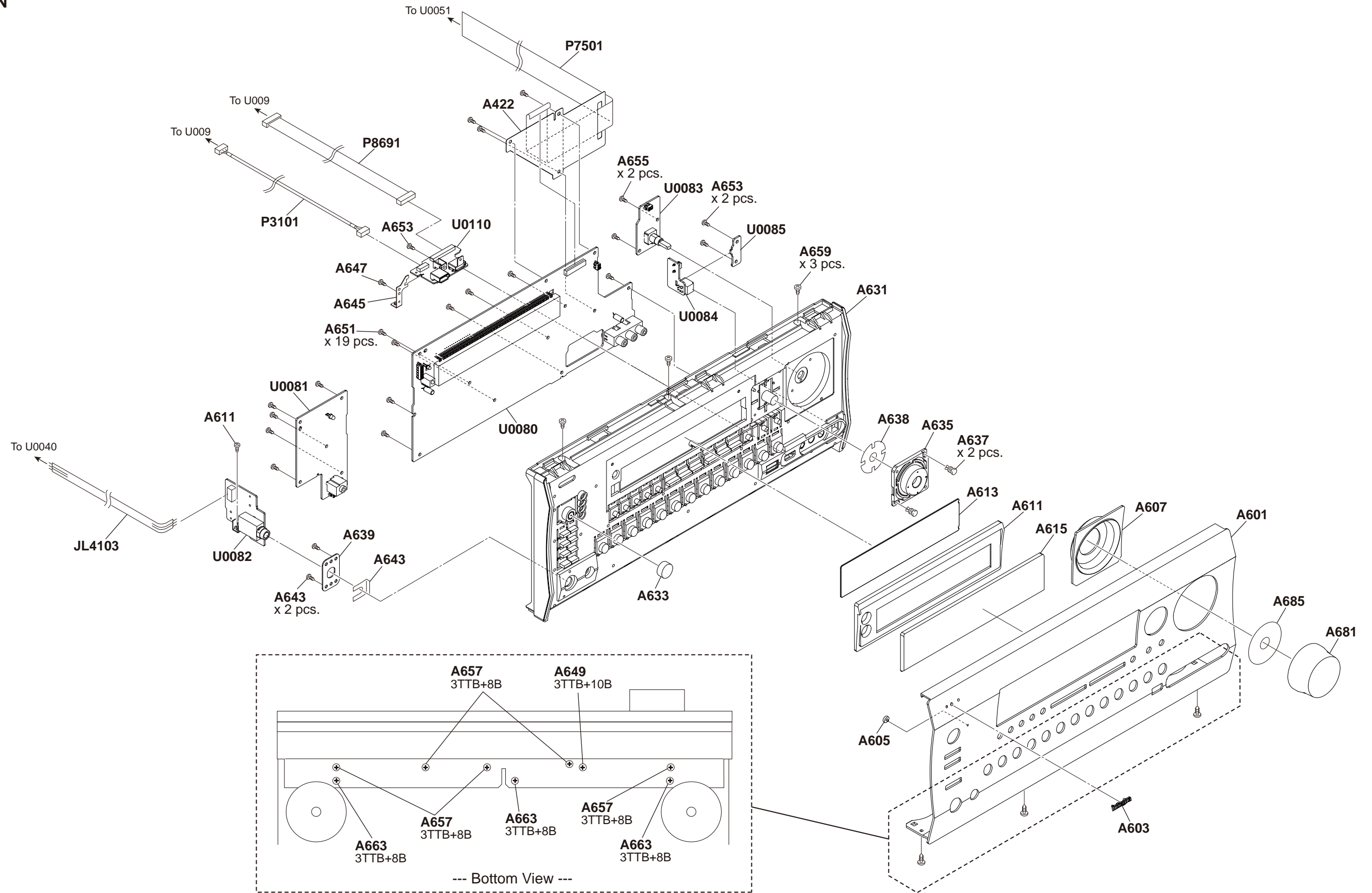
EXPLODED VIEWS-1
OVERALL



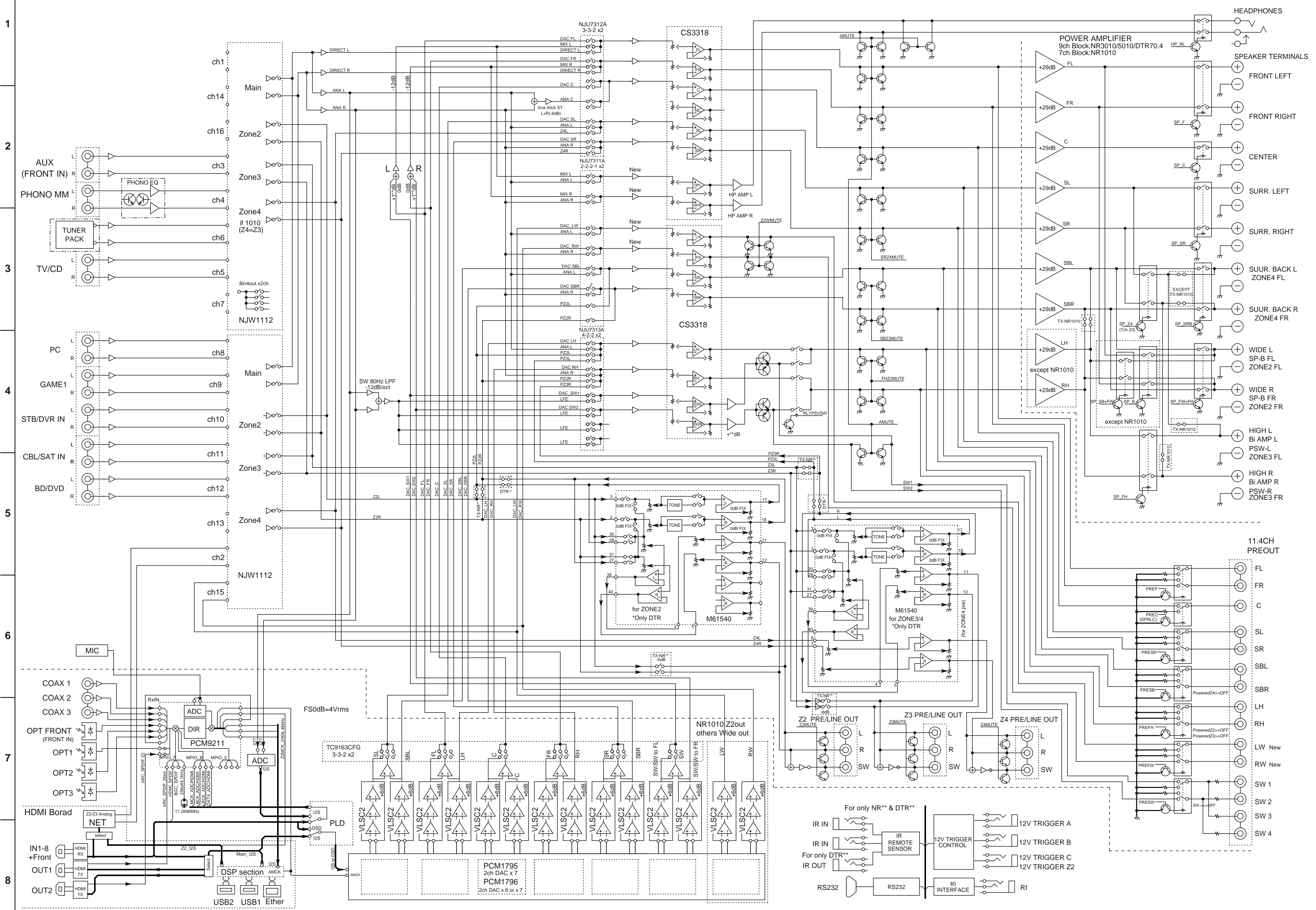
EXPLODED VIEWS-2
AMP. SECTION



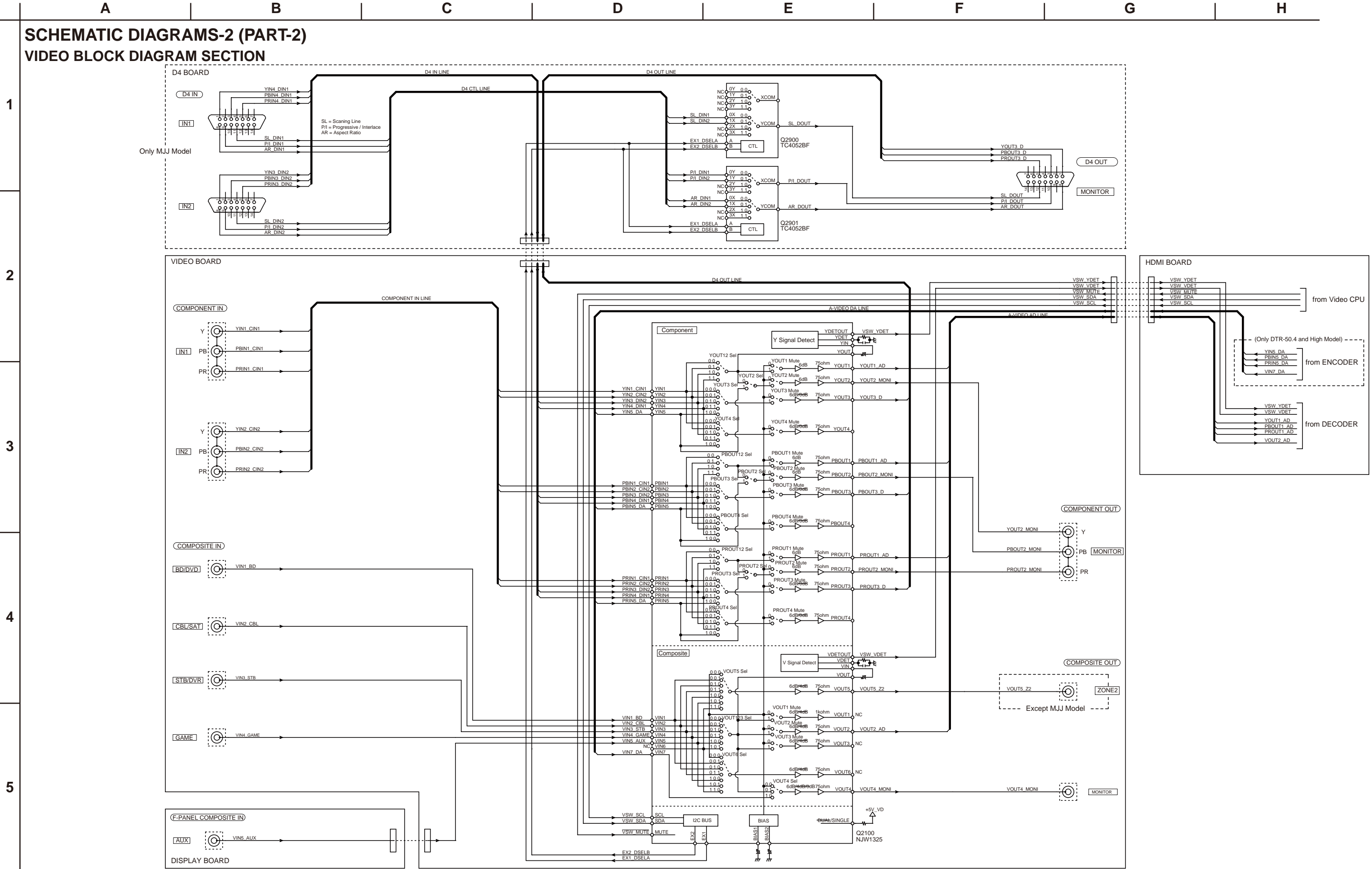
EXPLODED VIEWS-3
FRONT SECTION



SCHEMATIC DIAGRAMS-1 (PART-1)
AUDIO BLOCK DIAGRAM SECTION



SCHEMATIC DIAGRAMS-2 (PART-2)
VIDEO BLOCK DIAGRAM SECTION



SCHEMATIC DIAGRAMS-3 (PART-3)
HDMI BLOCK DIAGRAM SECTION

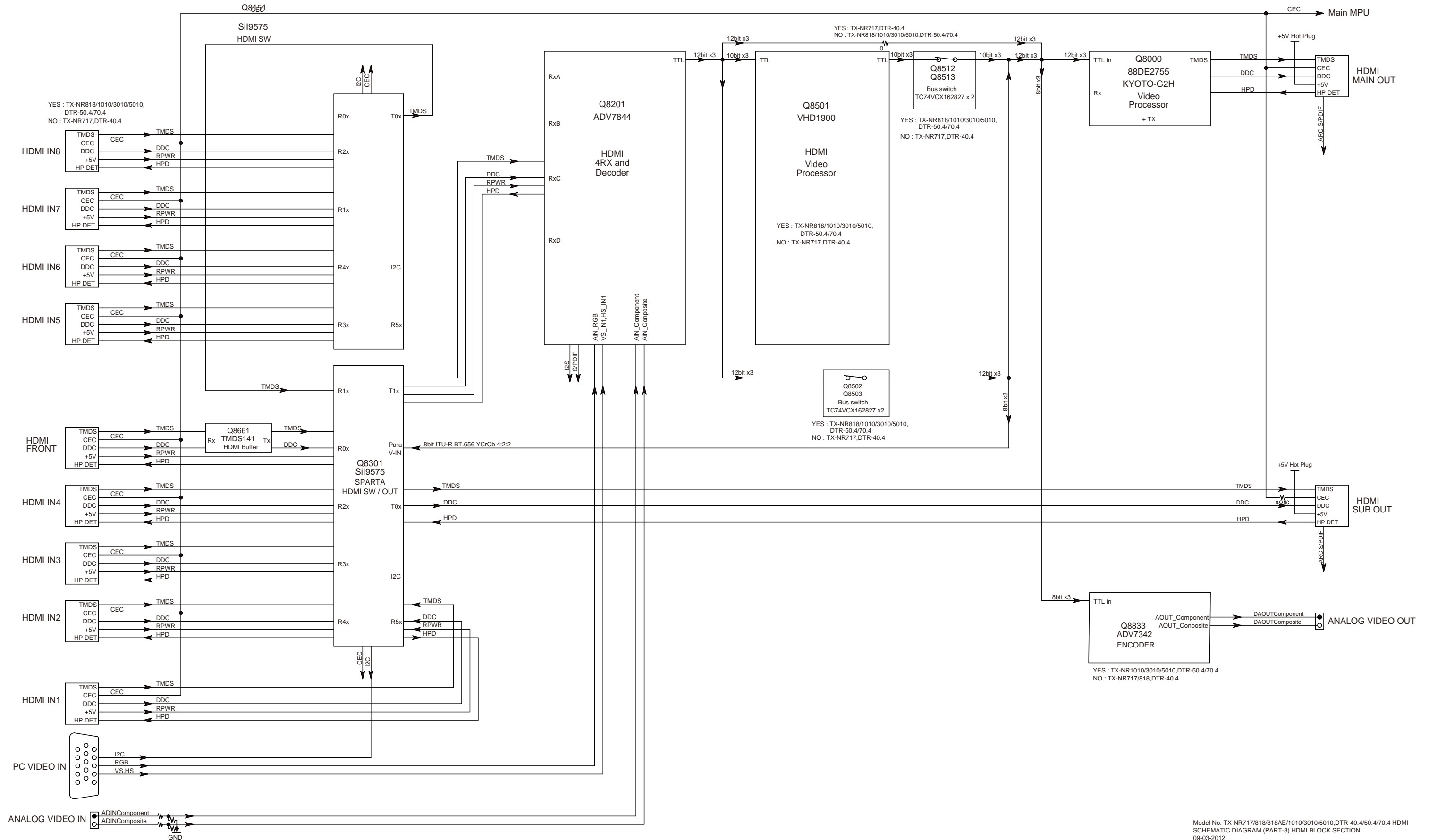
1

2

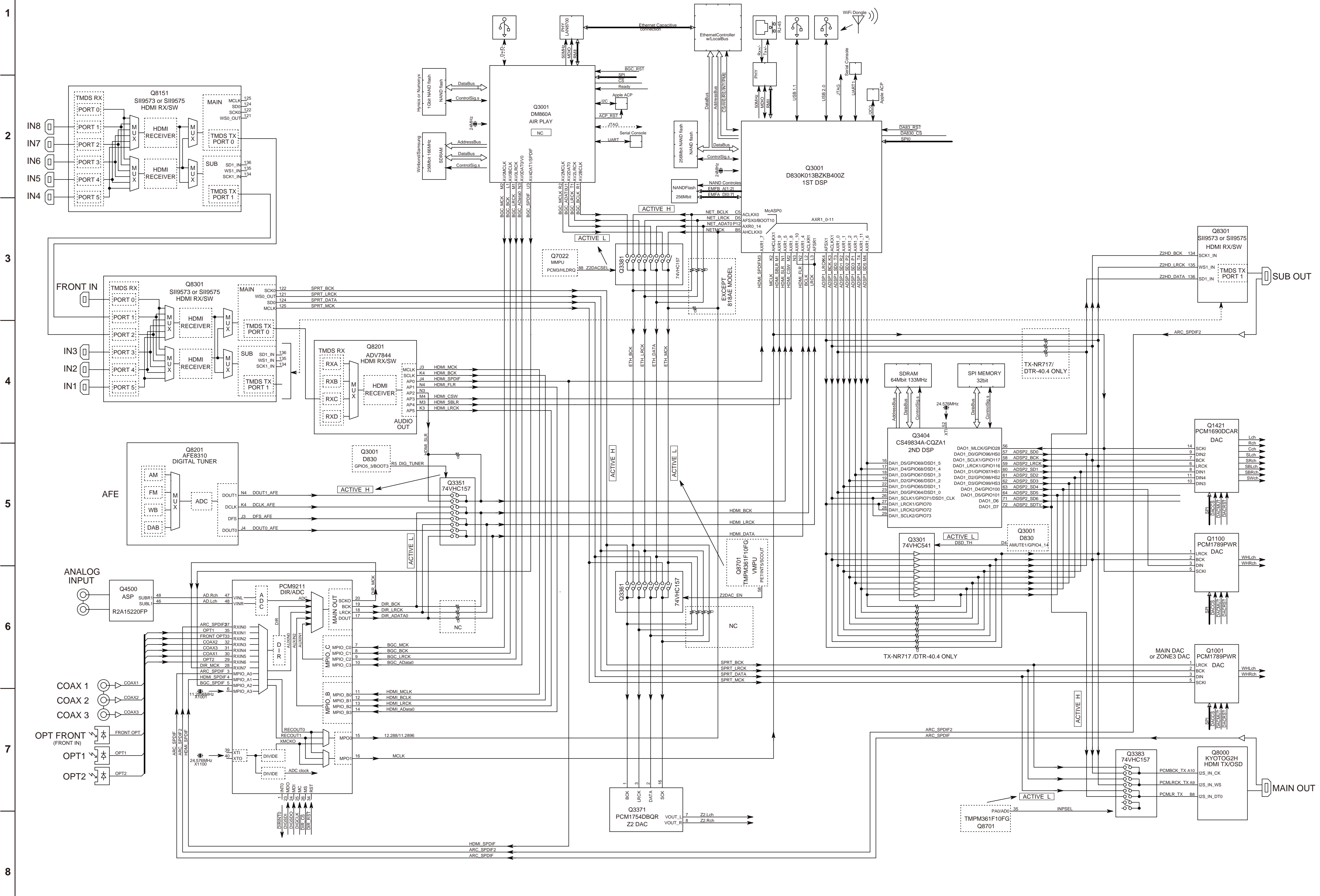
3

4

5

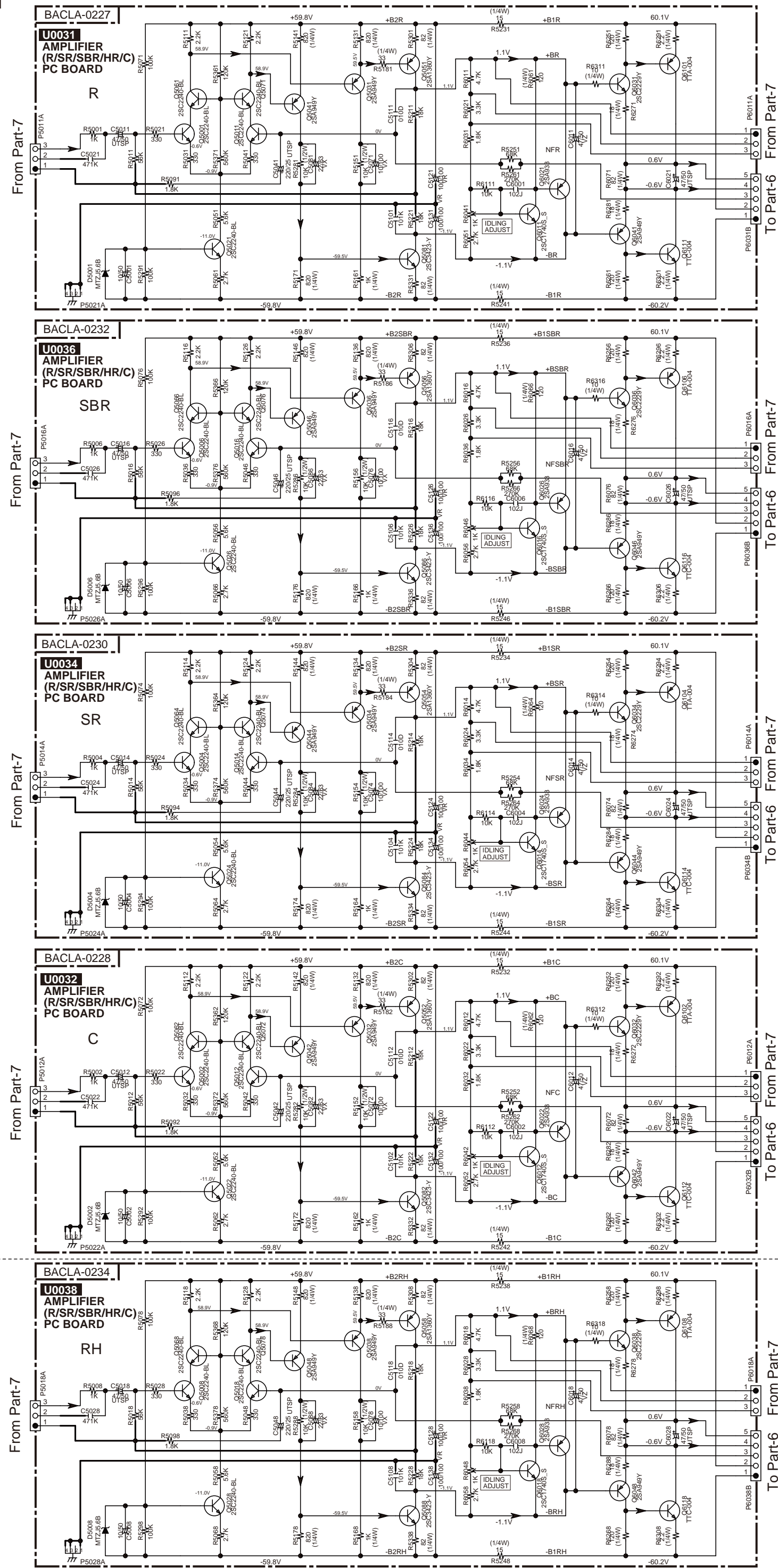


SCHEMATIC DIAGRAMS-4 (PART-4)
DIGITAL AUDIO BLOCK DIAGRAM SECTION



SCHEMATIC DIAGRAMS-5 (PART-5)
AMP-1(VOLTAGE AMP) SECTION

1
2
3
4
5
6
7
8



ADJUSTMENT OF IDLING CURRENT

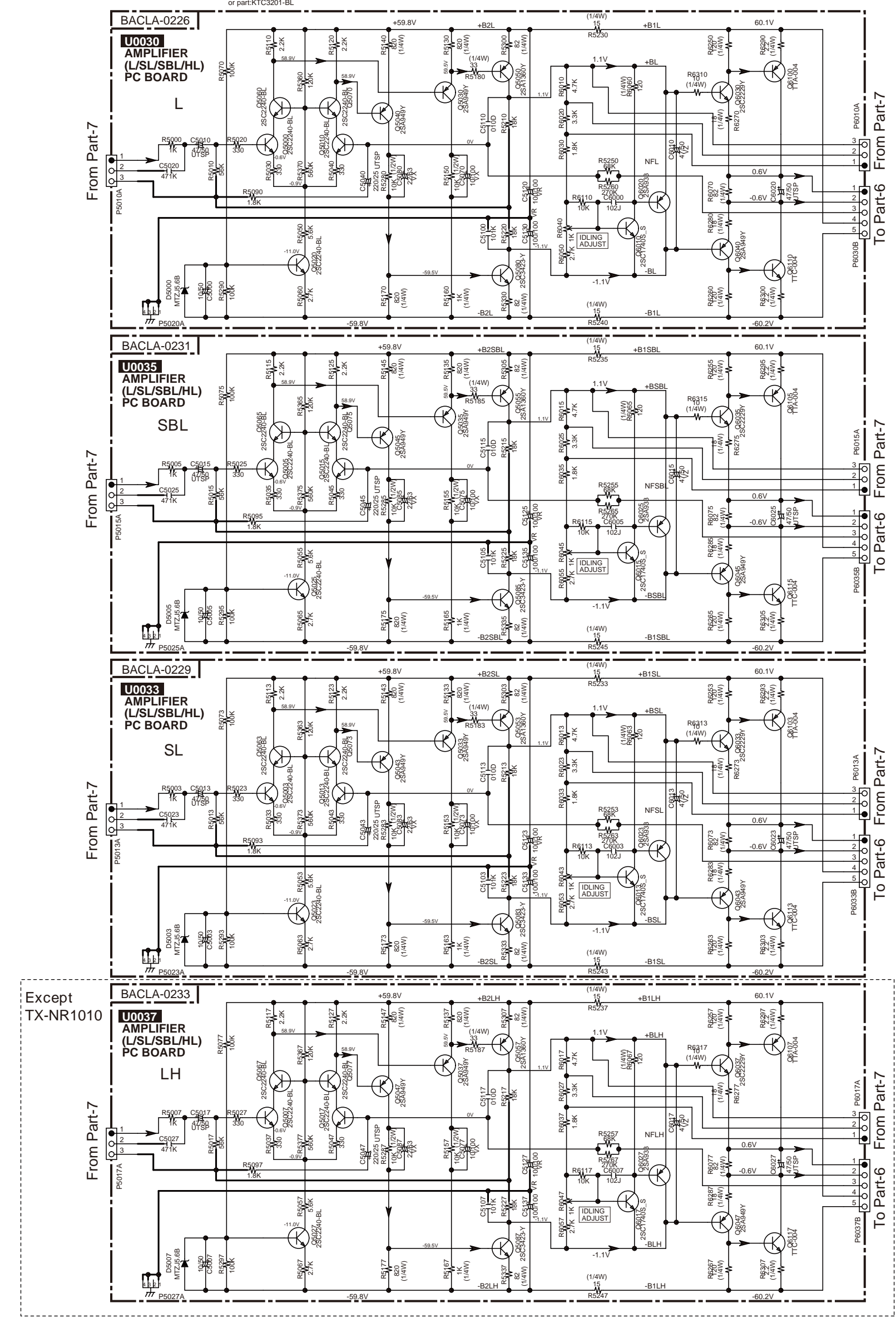
- [NOTES]
1. Set R6040 ~ 6048 to minimum position before POWER ON.
2. Equip series 1/4W 100-ohm resistors near the terminal respectively in the each poles of the jig used for P6070 ~ 6078 terminals.
[PROCEDURE]
1. Set the voltages at P6070 ~ 6078 to 3 mV by adjusting R6040 ~ 6048, under the condition of no input and no load, immediately after POWER ON (for TX-NR1010 except P6072, P6075)
2. Re-adjust by following procedure after 4 ~ 6 minutes of heat running.

L/C/R/SL/SR/SBL/SBR/LH/RH	3 mV	未測の場合	3 mV
Below 3 mV	→	3 mV	
Between 3 ~ 4 mV	→	Leave it as it is.	
Over 4 mV	→	4 mV	

アイドリング電流調整

- [注意]
1. R6040～6048はPOWER ONの前、左に回して最小の位置にしておく。
2. P6070～6078端子に接続するシグ端子の両側には、端子近傍にそれぞれ100Ω1/4Wの抵抗をシリーズに入れること。
[手順]
1. 無負荷・無信号にてPOWER ON直後、P6070～6078の両端電圧をR6040～6048にて3 mVに設定する。(TX-NR1010はP6072、P6075を除く)
2. 約4～6分間のヒートラン後、下記手順で再調整する。

L/C/R/SL/SR/SBL/SBR/LH/RH	3 mV	未測の場合	3 mV
3 mV以下	→	3 mV	
3～4 mVの間	→	そのまま	
4 mVより大きい場合	→	4 mV	



SCHEMATIC DIAGRAMS-6 (PART-6) AMP-2(FINAL STAGE) SECTION

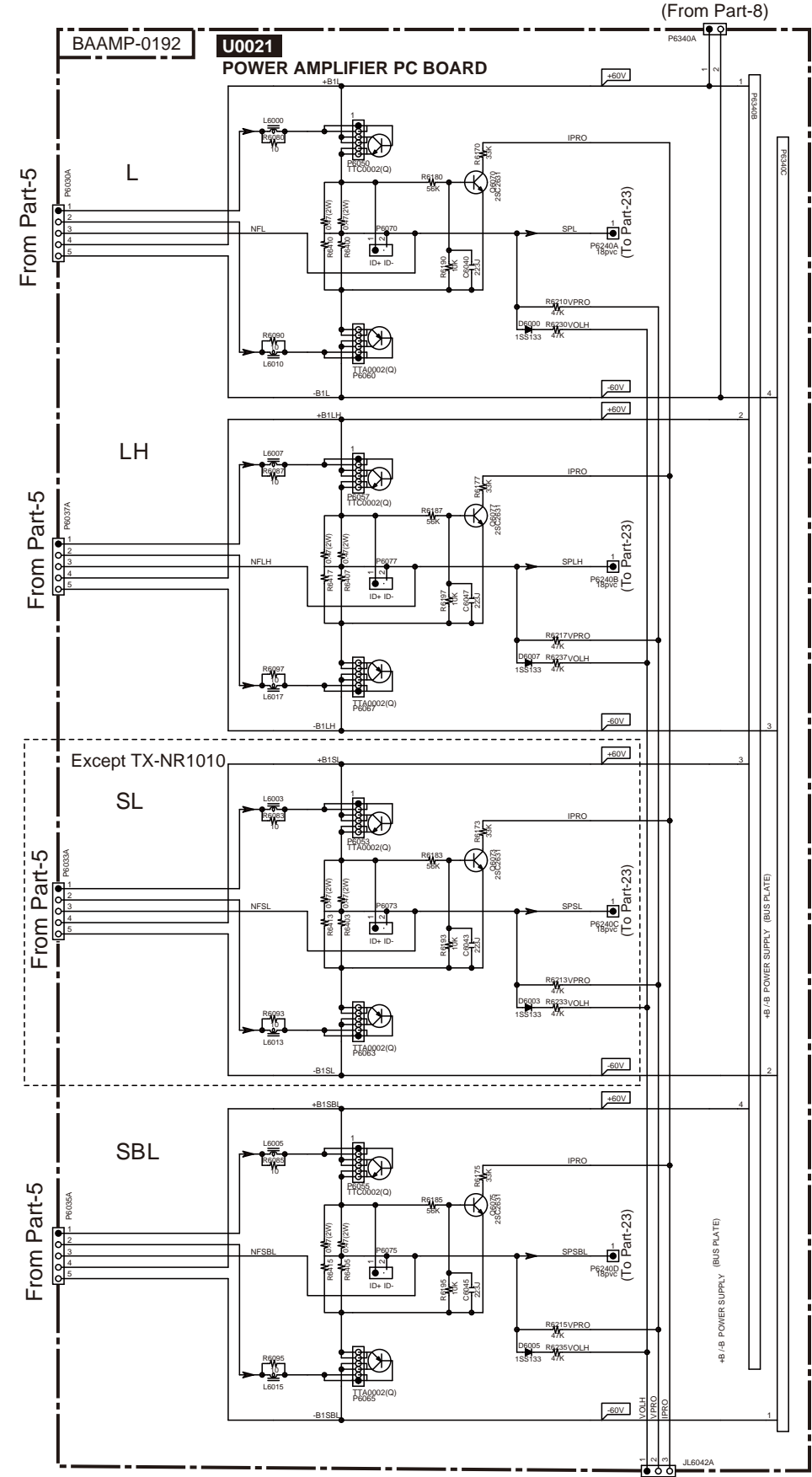
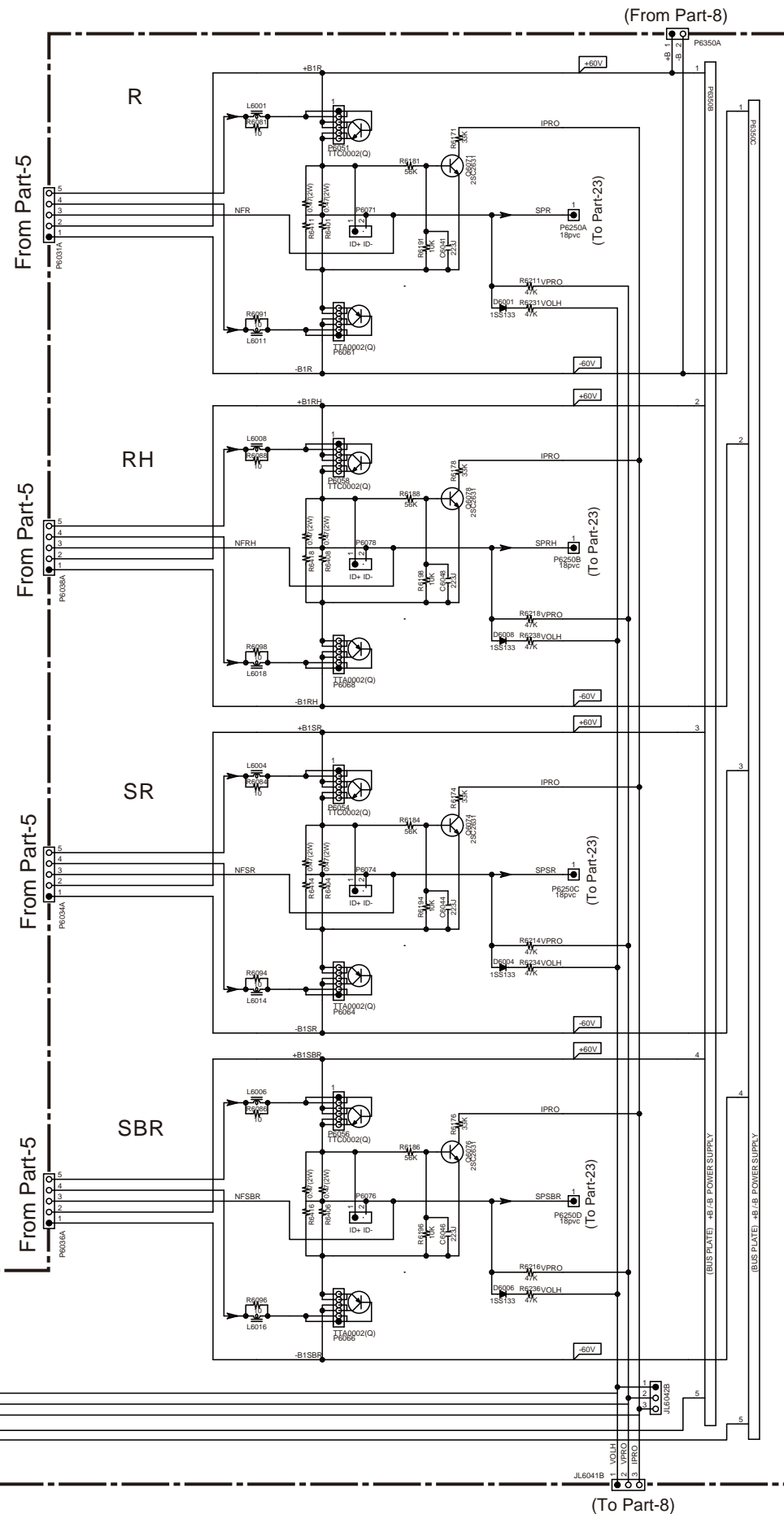
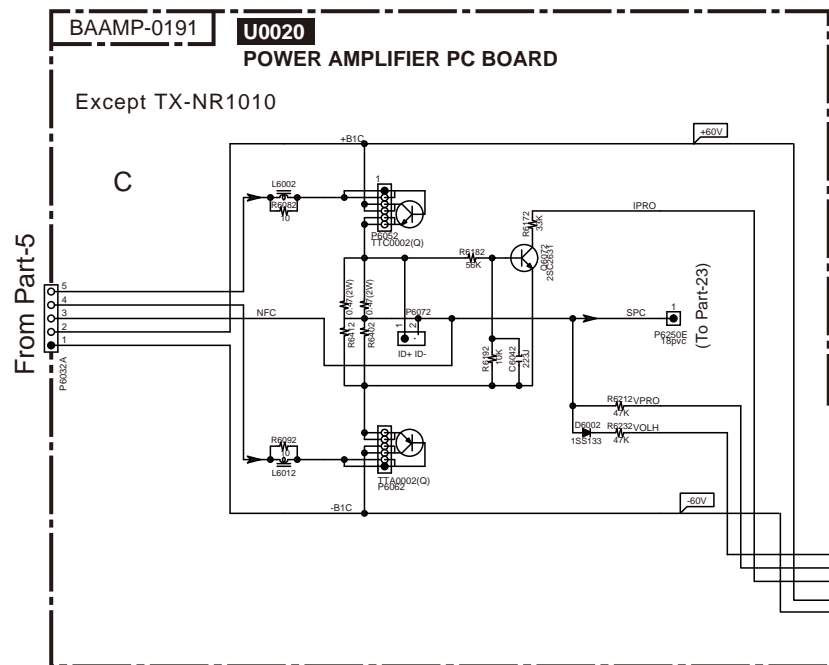
1

2

3

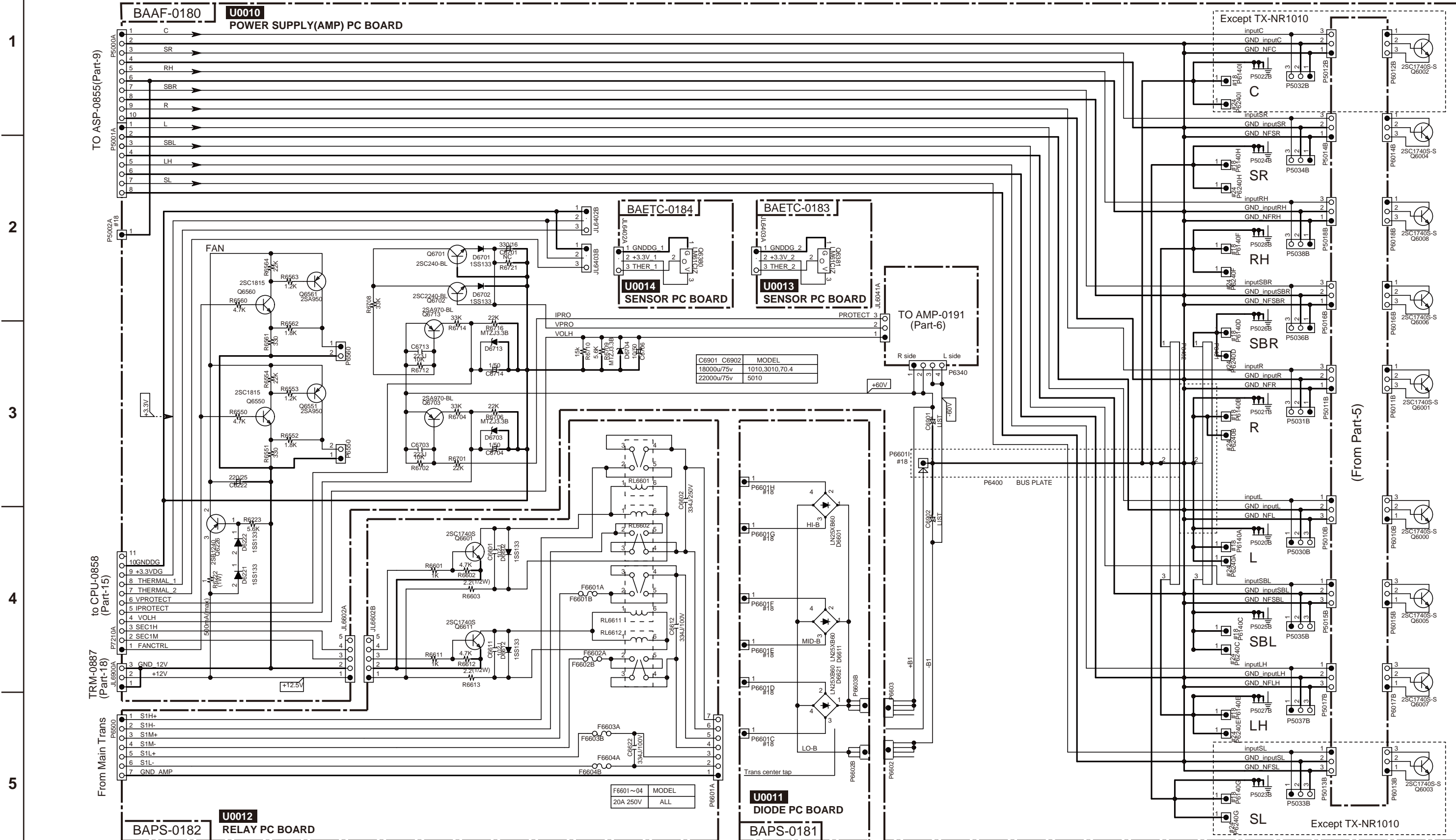
4

5



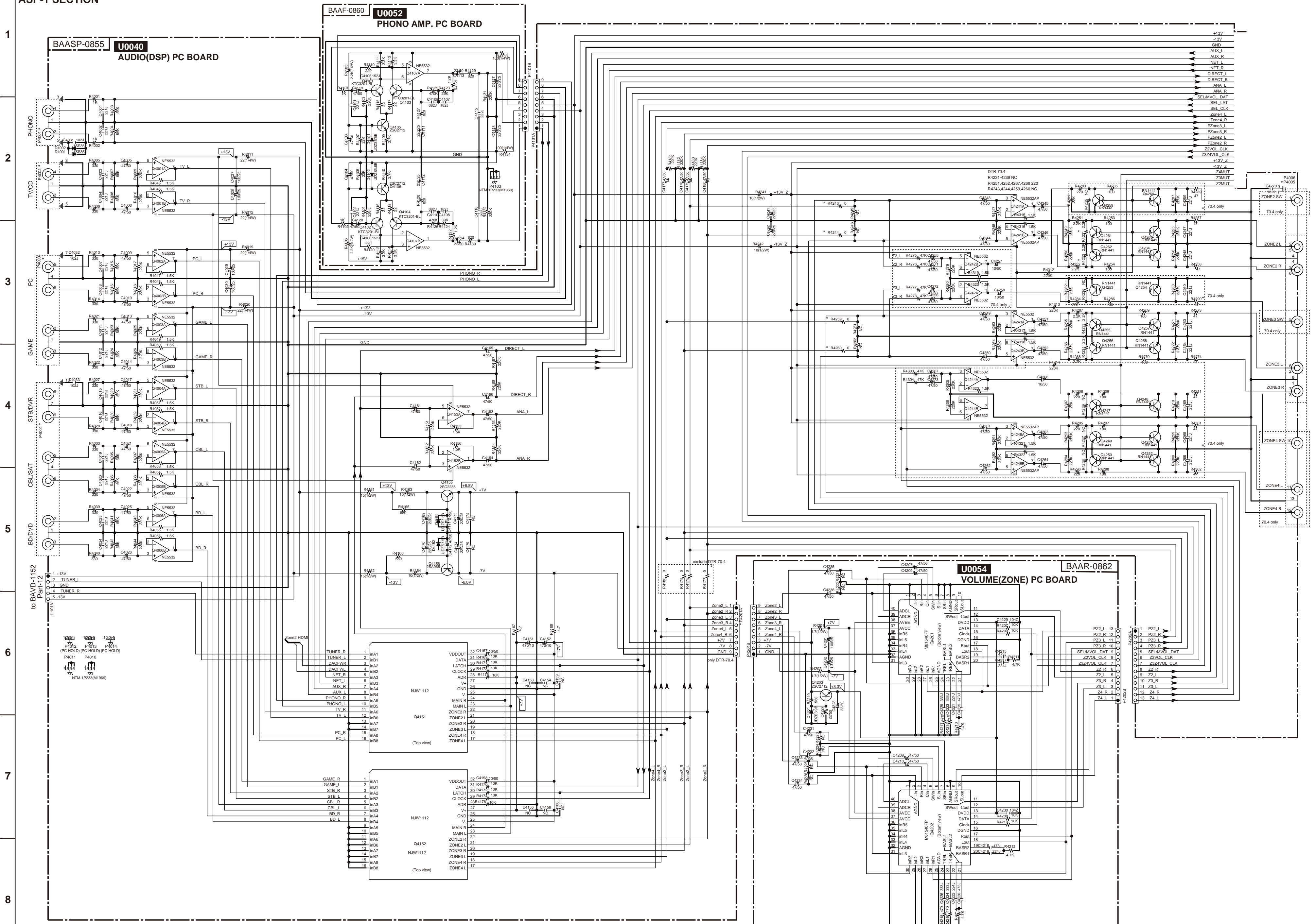
(To Part-8)

SCHEMATIC DIAGRAMS-7 (PART-7)
AMP-3(POWER SUPPLY, PROTECT) SECTION

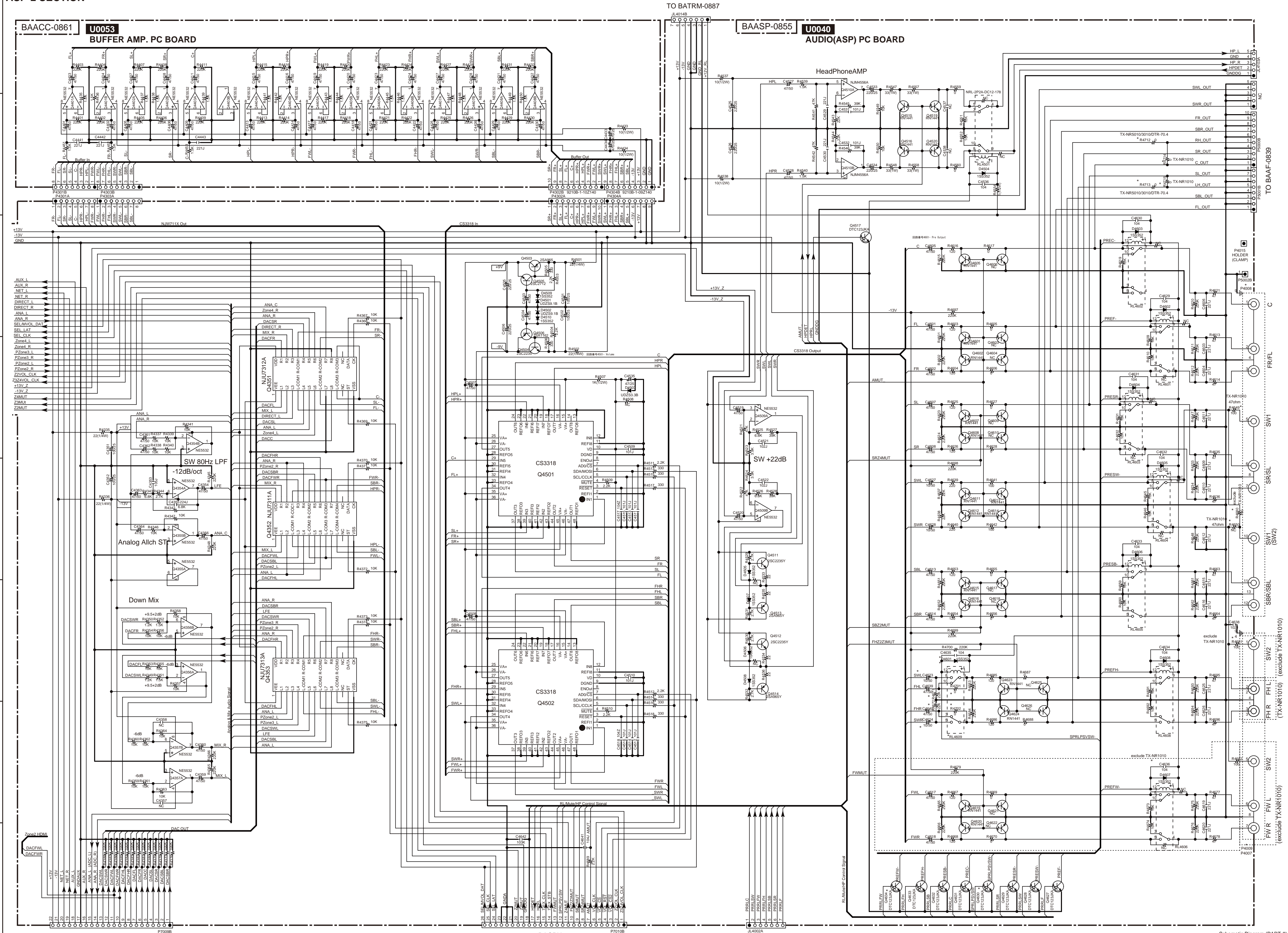


Model No.TX-NR1010/3010/5010,DTR-70.4
 SCHEMATIC DIAGRAM (PART-7) AMP3(Power supply,Protect ..etc) SECTION
 22-03-2012

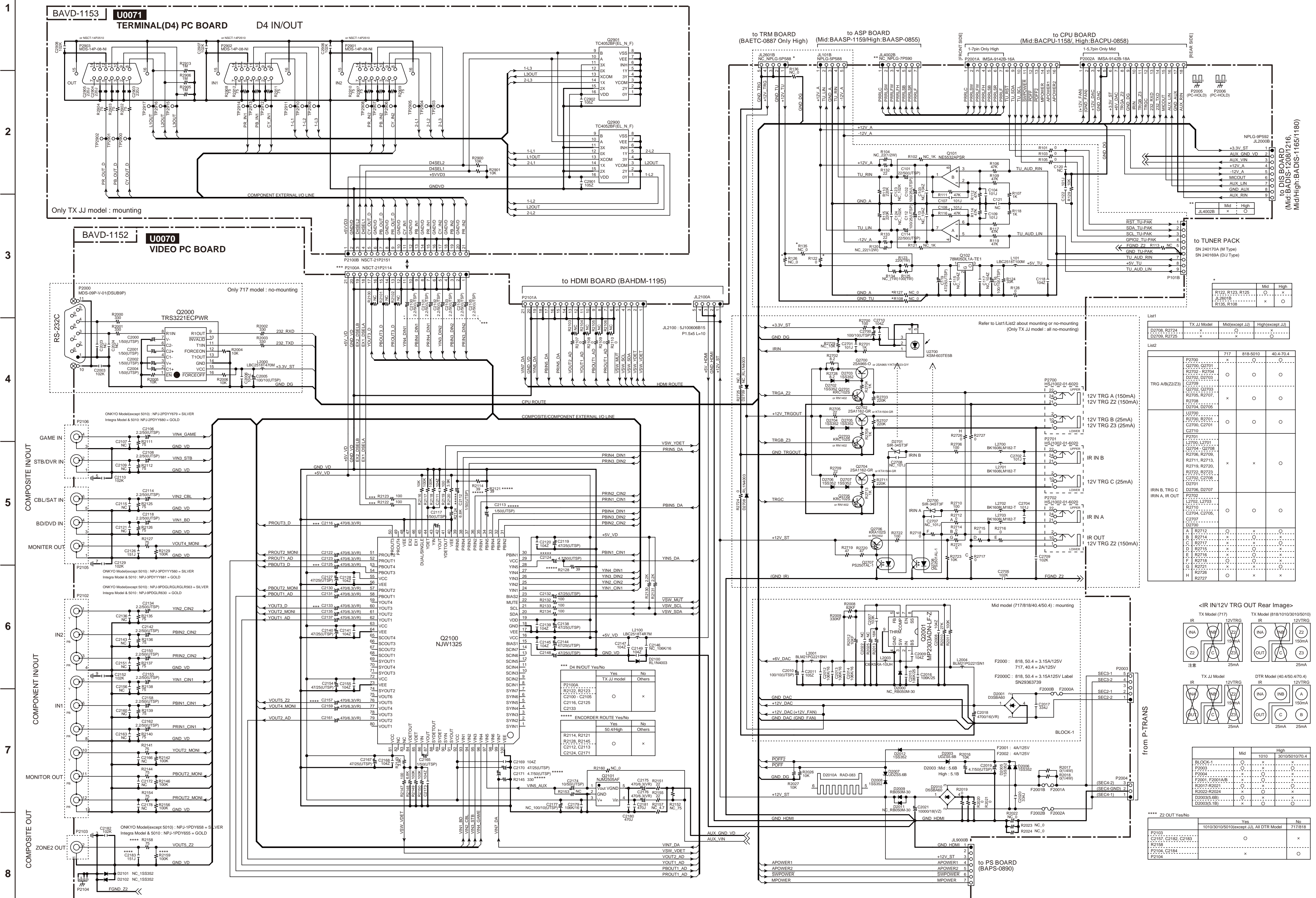
SCHEMATIC DIAGRAMS-8 (PART-8)
ASP-1 SECTION



SCHEMATIC DIAGRAMS-9(PART-9)
ASP-2 SECTION



SCHEMATIC DIAGRAMS-10 (PART-10)
ANALOG VIDEO SECTION

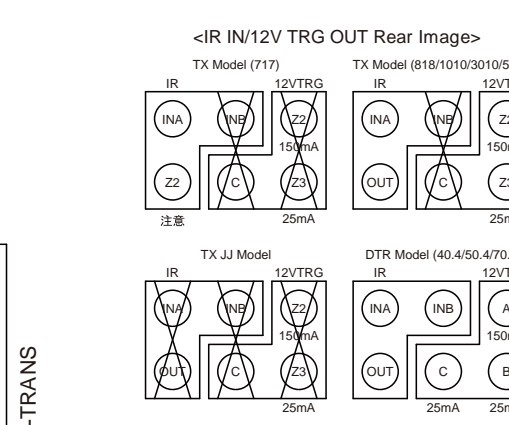


List1

TX JJ Model	Mid/except JJ	High/except JJ
D2708, R2724	x	x
D2709, R2725	x	x

List2

	717	818-5010	40.4-70.4
TRG A/B(Z2/Z3)			
IRIN B			
IRIN B, TRG C			
IRIN A, IRIN OUT			



Block-1

	Mid	High
Block-1		
P2003		
P2004		
P2005		
P2006		
P2007		
P2008		
P2009		
P2010		
P2011		
P2012		
P2013		
P2014		

*** ZZ Out Yes/No

	Yes	No
P2103		
C2157, C2182, C2183		
R2155		
P2104, C2184		
P2104		

Mid/High: BADI5-1165(1180)

from P-TRANS

to PS BOARD (BAPS-0890)

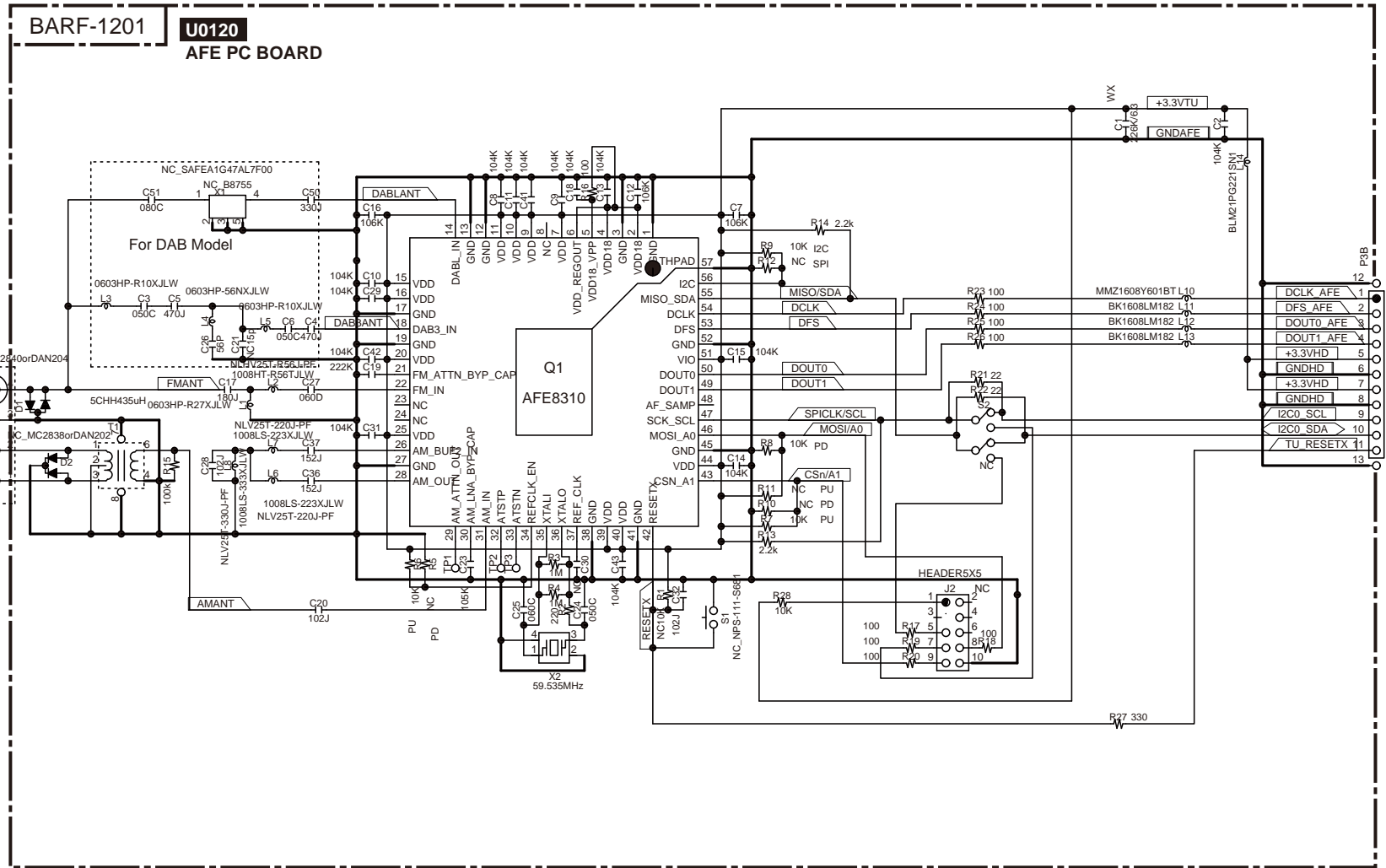
SCHEMATIC DIAGRAMS-11 (PART-11)
AFE TUNER FRONTEND SECTION

1

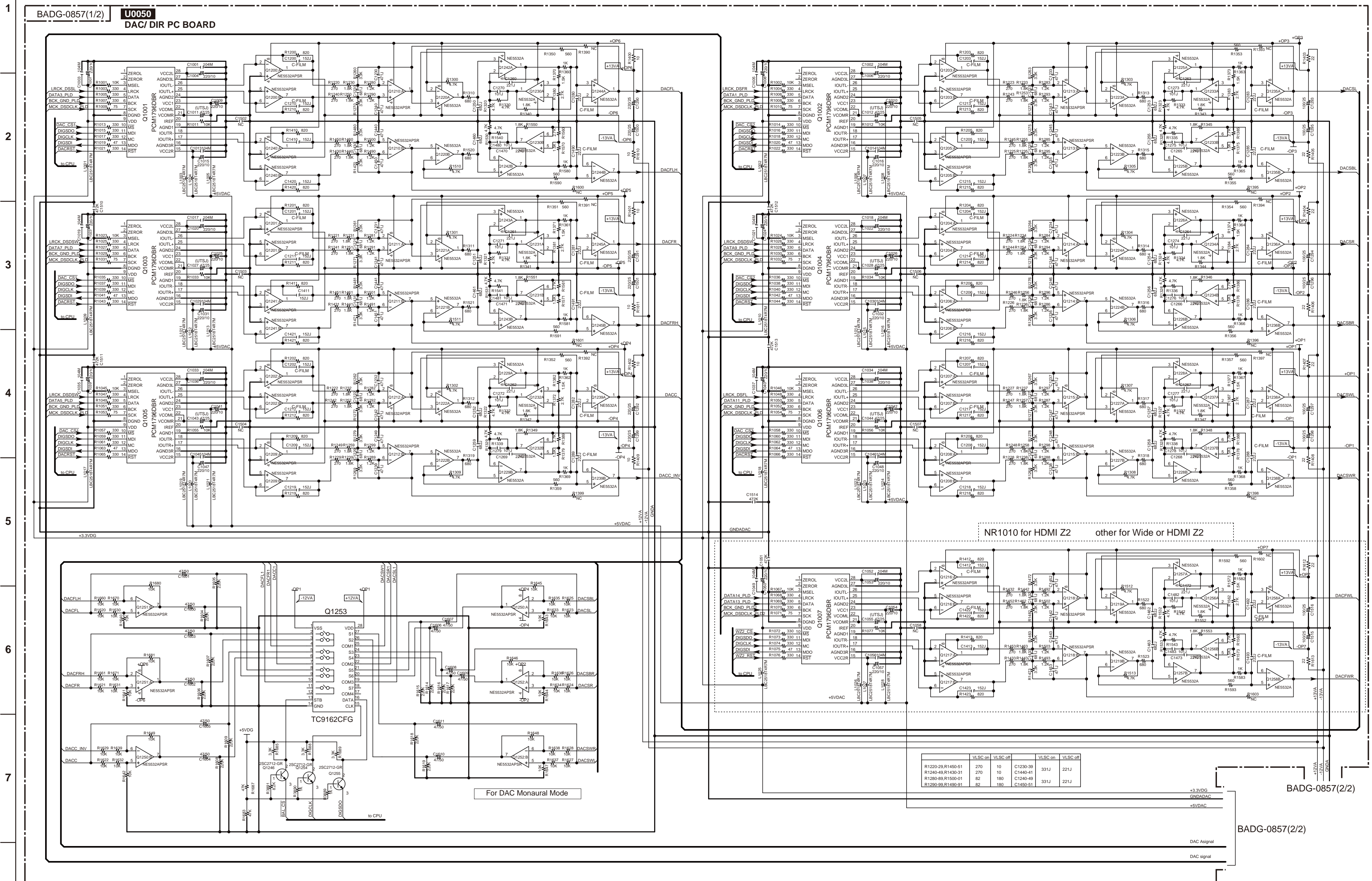
2

3

4



SCHEMATIC DIAGRAMS-12 (PART-12)
DAC SECTION



R1220-29, R1450-51	270	10	10	10	10
R1240-49, R1430-31	270	10	10	10	10
R1280-89, R1500-01	82	180	180	180	180
R1290-99, R1490-91	82	180	180	180	180

For DAC Monaural Mode

NR1010 for HDMI Z2 other for Wide or HDMI Z2

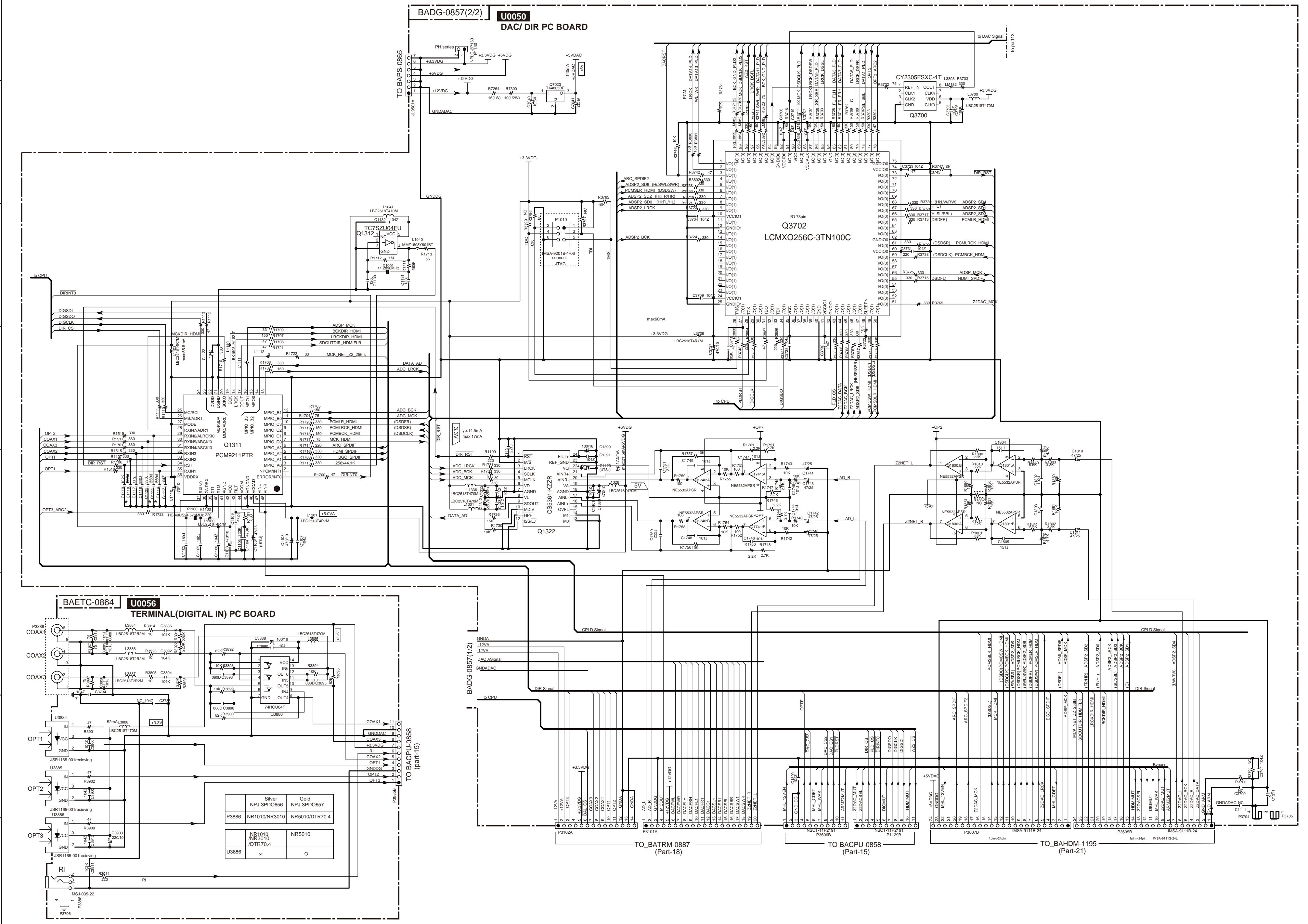
BADG-0857(2/2)

BADG-0857(2/2)

SCHEMATIC DIAGRAMS-13 (PART-13)
DIGITAL SECTION

1
2
3
4
5
6
7
8

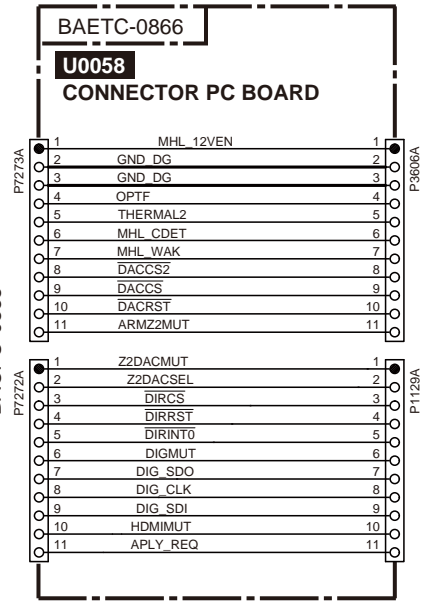
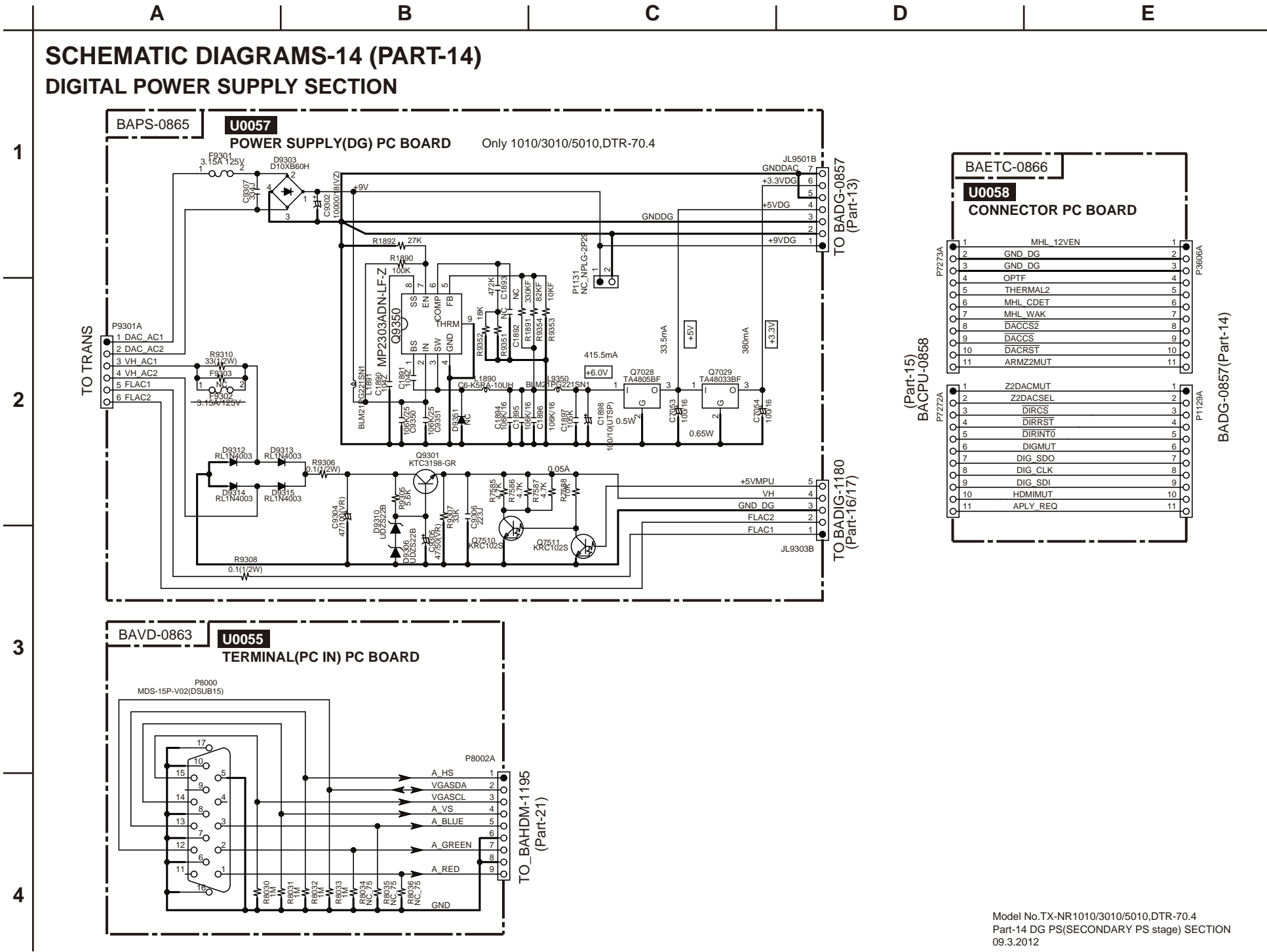
BADG-0857 (2/2) U0050
DAC/ DIR PC BOARD



BAETC-0864 U0056
TERMINAL(DIGITAL IN) PC BOARD

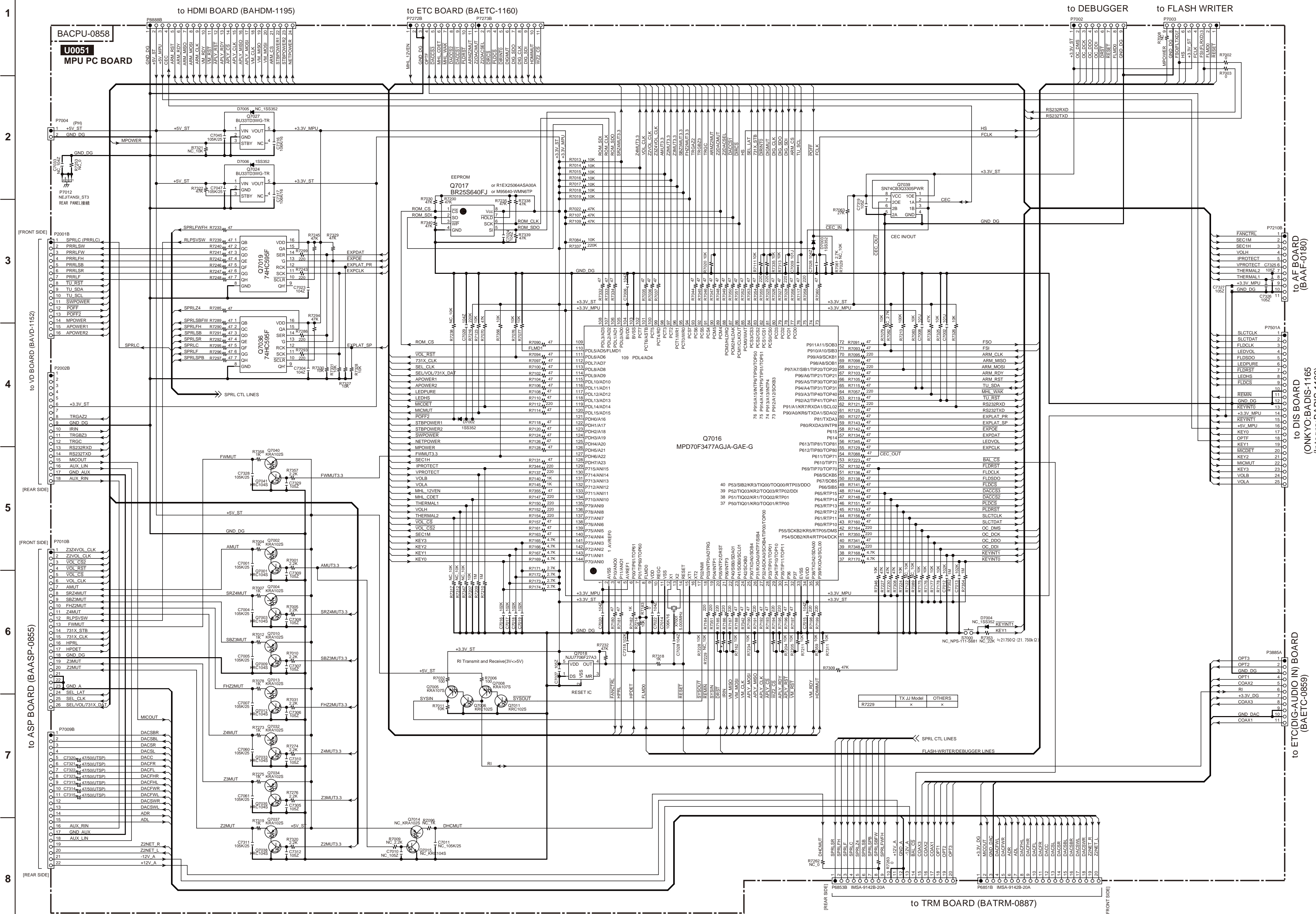
	Silver	Gold
	NPJ-3PDO656	NPJ-3PDO657
P3886	NR1010/NR3010	NR5010/DTR70.4
	NR1010	NR5010
	NR3010	DTR70.4
U3886	x	O

SCHEMATIC DIAGRAMS-14 (PART-14)
DIGITAL POWER SUPPLY SECTION



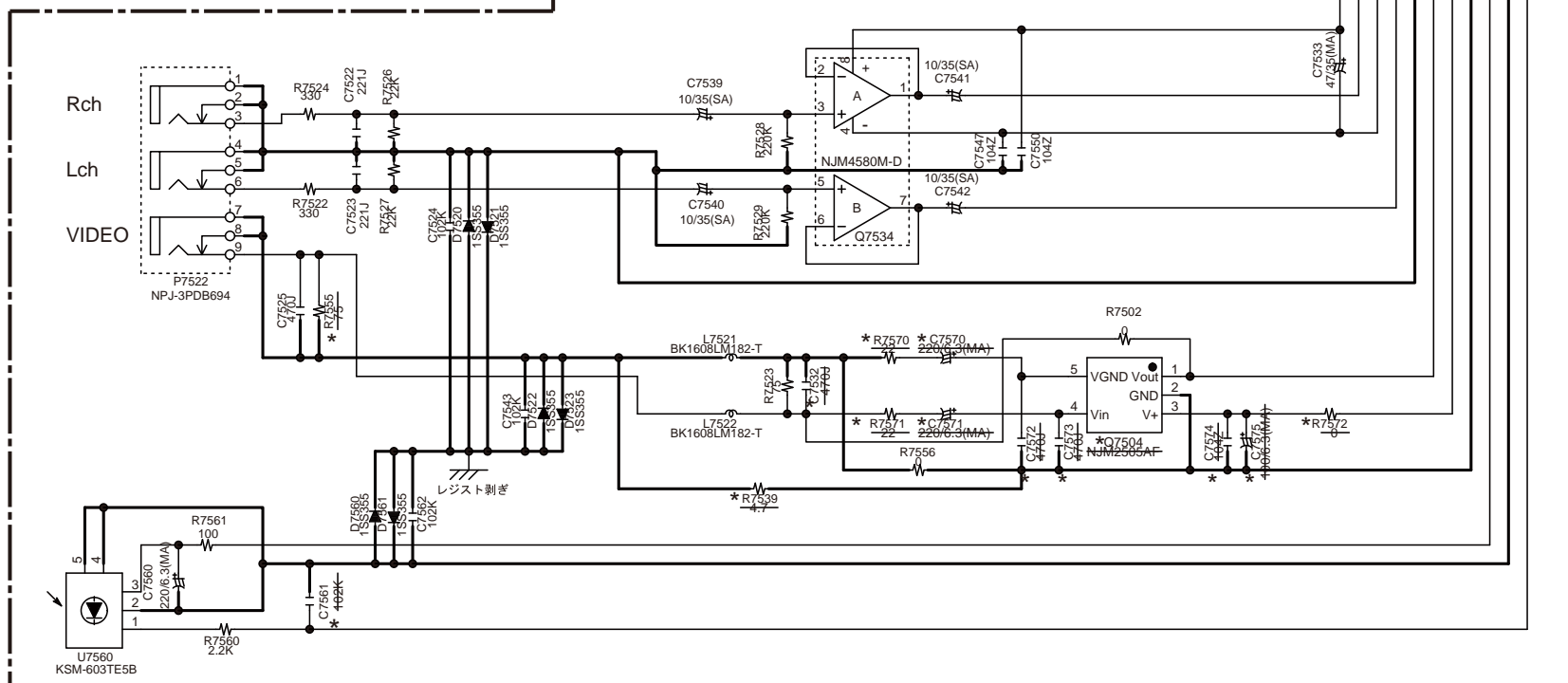
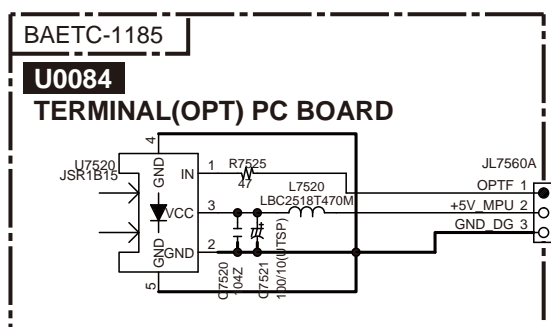
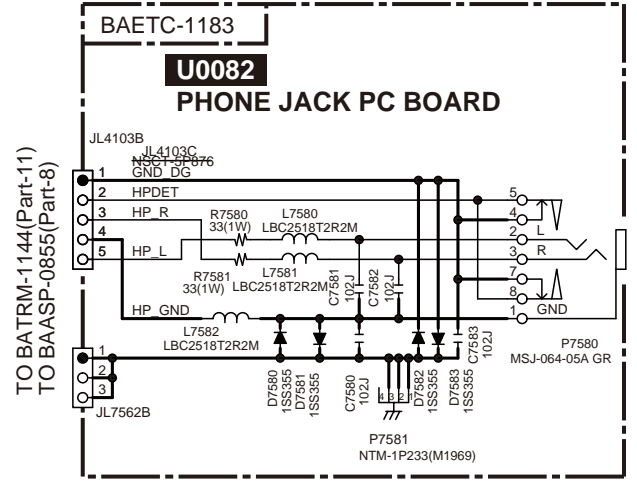
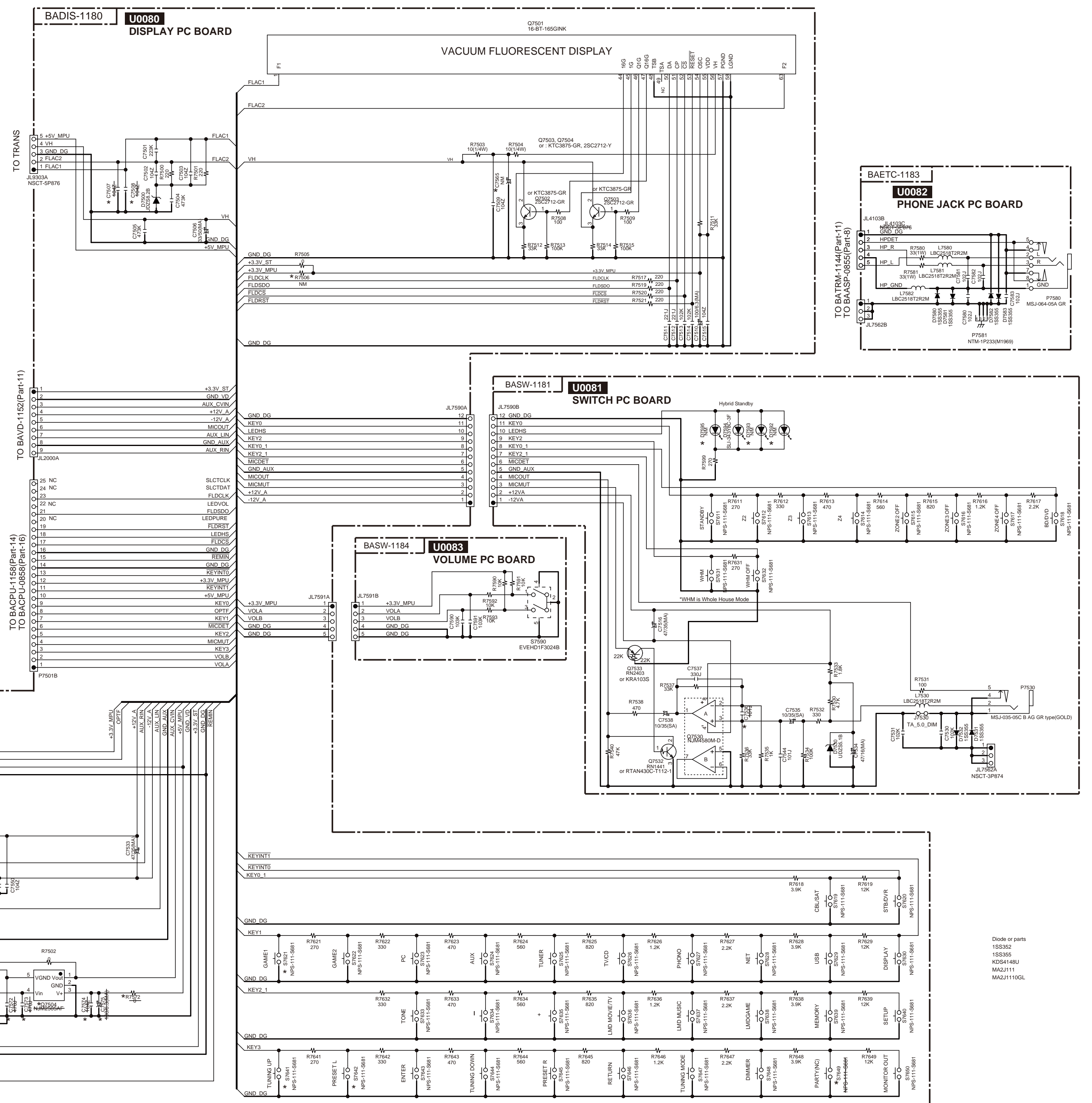
Model No. TX-NR1010/3010/5010,DTR-70.4
Part-14 DG PS(SECONDARY PS stage) SECTION
09.3.2012

SCHEMATIC DIAGRAMS-15 (PART-15)
CPU SECTION



SCHEMATIC DIAGRAMS-17 (PART-17)
DISPLAY SECTION

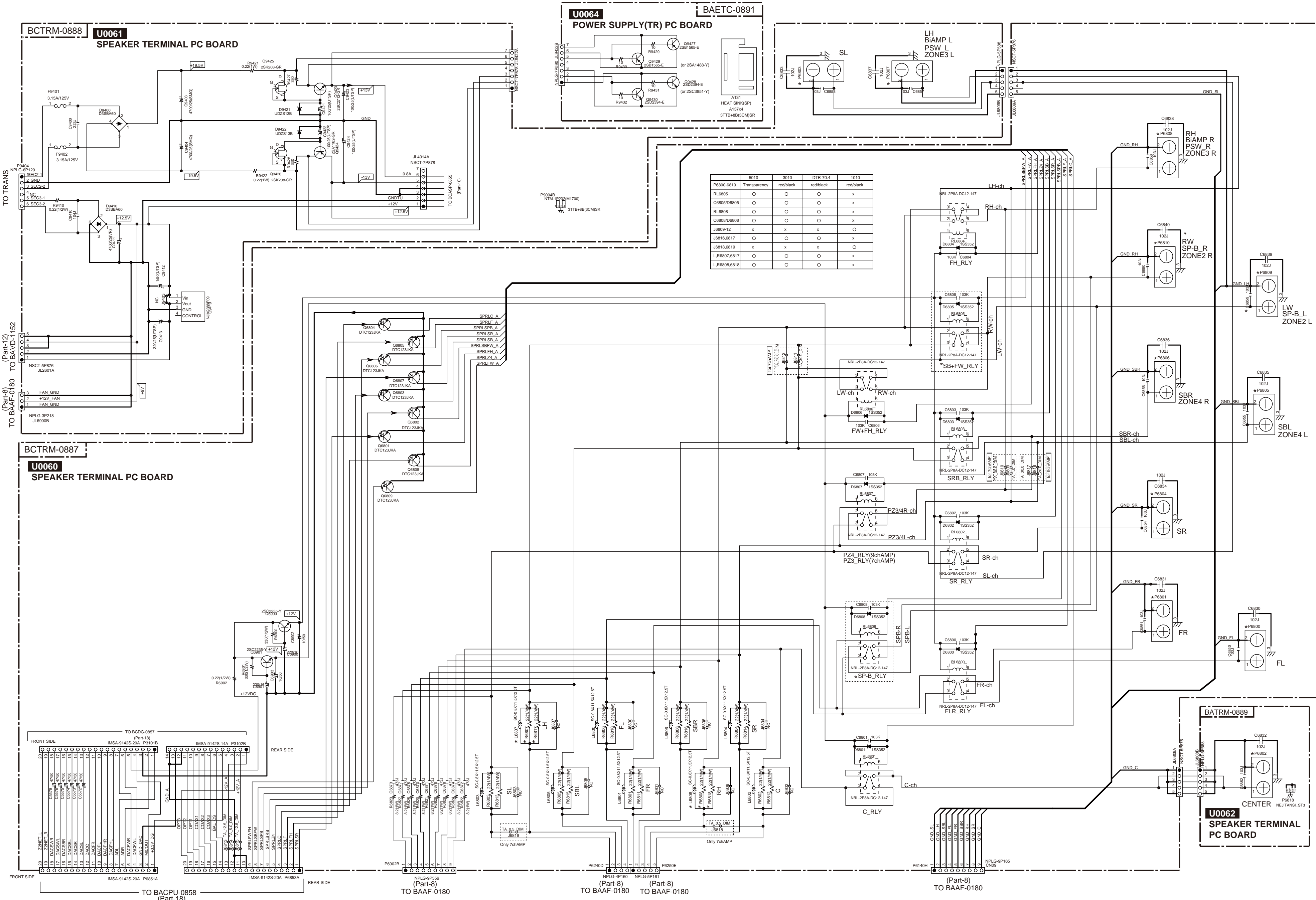
1
2
3
4
5
6
7
8



- Diode or parts
1S5352
1S5355
KDS4148U
MA2J111
MA2J110GL

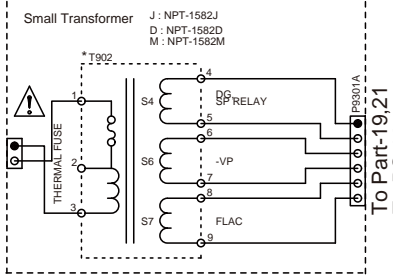
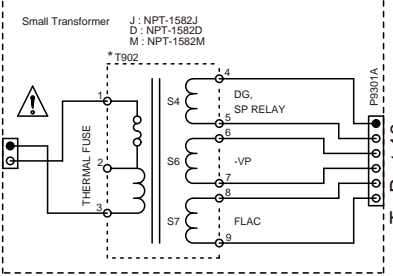
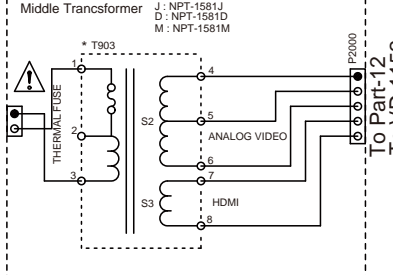
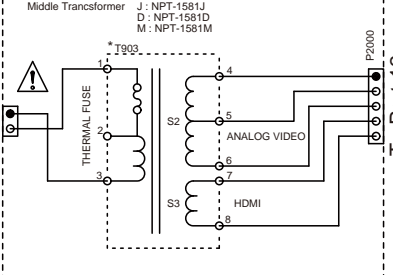
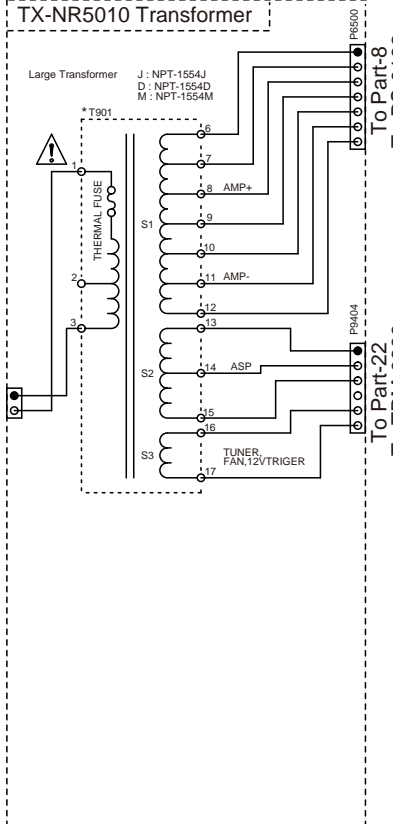
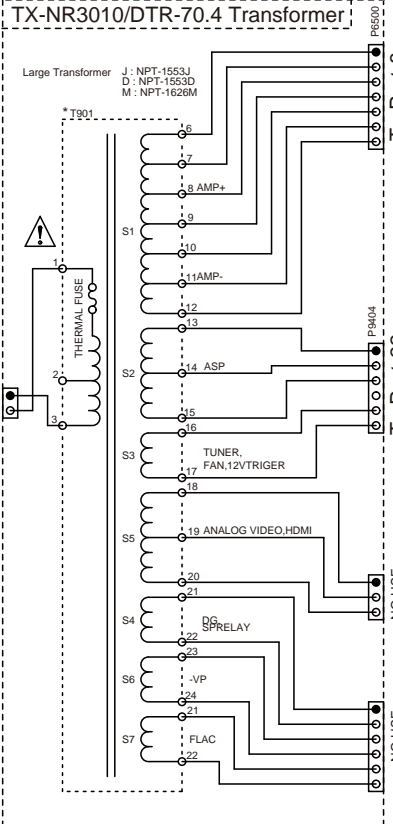
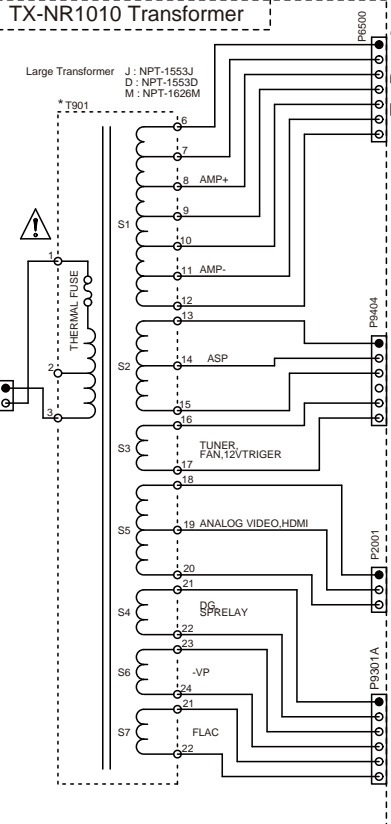
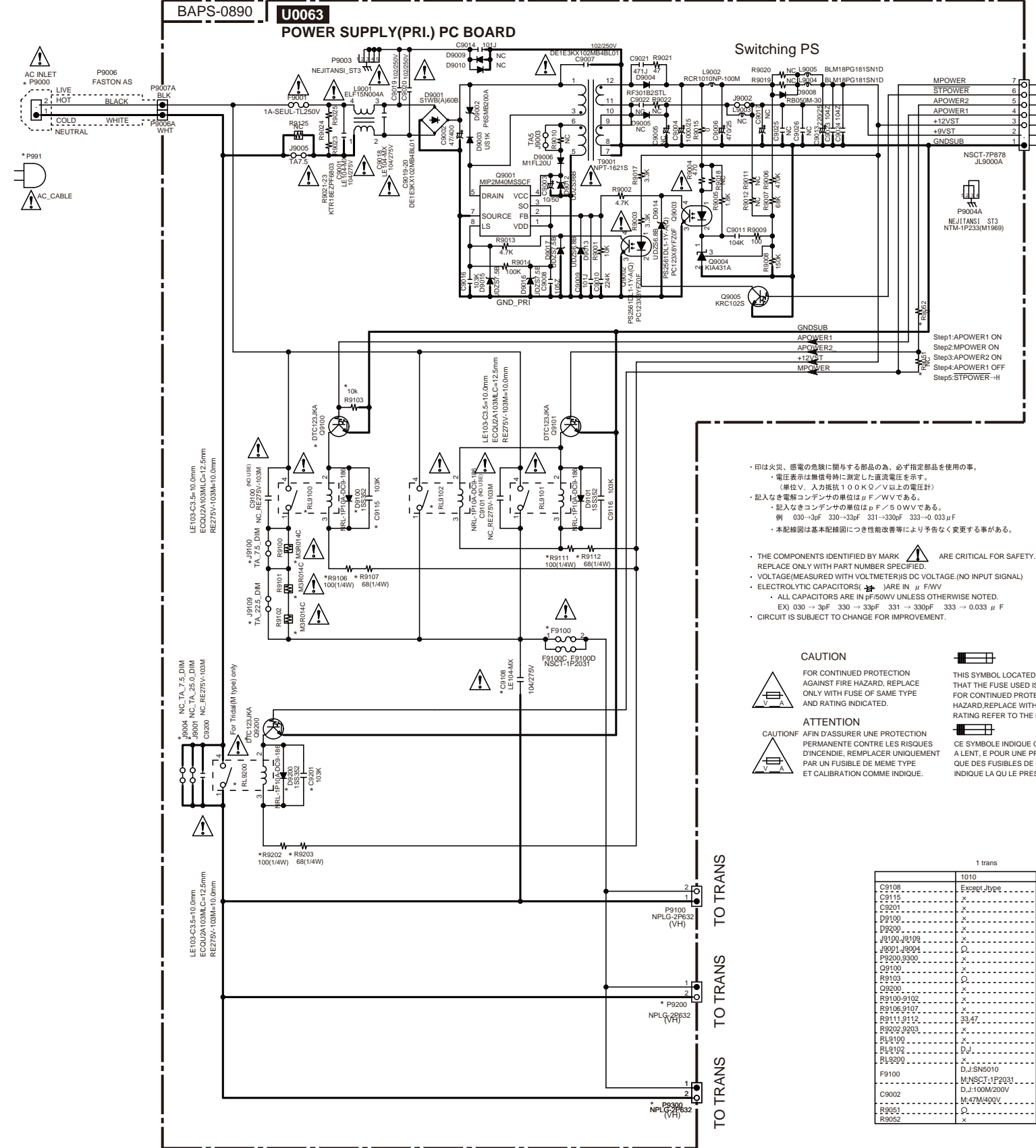
SCHEMATIC DIAGRAMS-18 (PART-18)
SPEAKER TERMINAL SECTION

1
2
3
4
5
6
7
8



SCHEMATIC DIAGRAMS-19 (PART-19)
PRIMARY POWER SUPPLY SECTION

1
2
3
4
5



・印は火災、感電の危険に際する部品の為、必ず指定部品を使用の事。
 ・電圧表示は無番号時に測定した直流電圧を示す。
 (単位V、入力抵抗100kΩ/V以上の電圧計)
 ・記入なき電解コンデンサの単位はμF/50Vである。
 ・記入なきコンデンサの単位はpF/50Vである。
 例 030→30pF 330→33pF 331→330pF 333→0.033μF
 ・本配線図は基本配線図につき性能改善等により予告なく変更する事がある。

・ THE COMPONENTS IDENTIFIED BY MARK ARE CRITICAL FOR SAFETY.
 REPLACE ONLY WITH PART NUMBER SPECIFIED.
 ・ VOLTAGE(MEASURED WITH VOLTMETER)IS DC VOLTAGE.(NO INPUT SIGNAL)
 ・ ELECTROLYTIC CAPACITORS ARE IN μF/WV UNLESS OTHERWISE NOTED.
 EX) 030 → 30pF 330 → 33pF 331 → 330pF 333 → 0.033 μF
 ・ CIRCUIT IS SUBJECT TO CHANGE FOR IMPROVEMENT.

CAUTION
 FOR CONTINUED PROTECTION AGAINST FIRE HAZARD, REPLACE ONLY WITH FUSE OF SAME TYPE AND RATING INDICATED.

CAUTION
 AFIN D'ASSURER UNE PROTECTION PERMANENTE CONTRE LES RISQUES D'INCENDIE, REMPLACER UNIQUEMENT PAR UN FUSIBLE DE MEME TYPE ET CALIBRATION COMME INDIQUE.

THIS SYMBOL LOCATED NEAR THE FUSE INDICATES THAT THE FUSE USED IS SLOW OPERATING TYPE FOR CONTINUED PROTECTION AGAINST FIRE HAZARD, REPLACE WITH SAME TYPE FUSE. FOR FUSE RATING REFER TO THE MAKING ADJACENT TO THE SYMBOL.

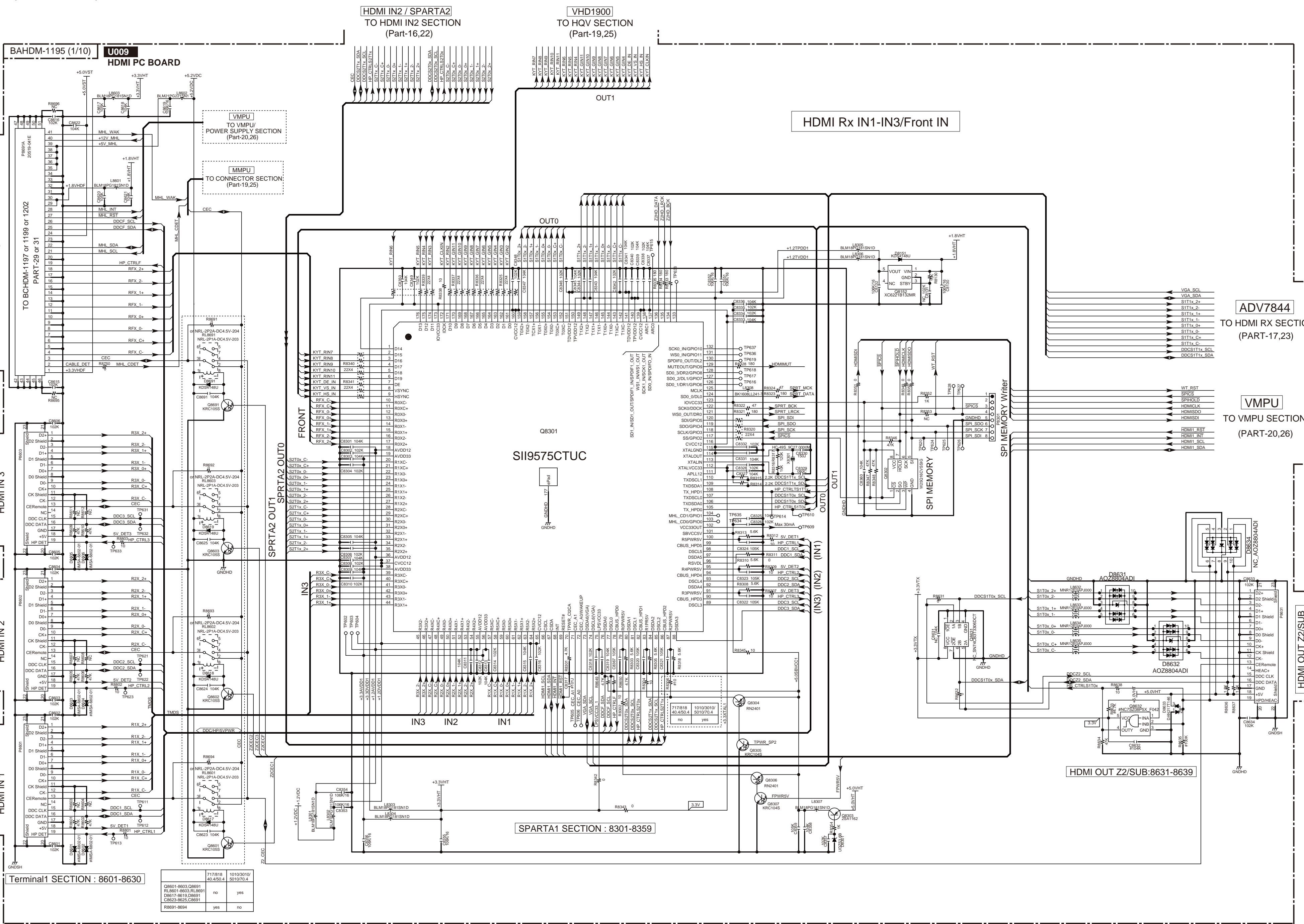
CE SYMBOLE INDIQUE QUE LE FUSIBLE UTILISE EST A LENT, ET POUR UNE PROTECTION PERMANENTE, UTILISER QUE DES FUSIBLES DE MEME TYPE. CE DERNIER EST INDIQUE LA QU LE PRESENT SYMBOLE EST APPOSE.

	1010	3010/70.4	5010
C9108	Except Jtype	Except Jtype	Except Jtype
C9115	x	x	O
C9201	x	x	O
D9100	x	x	O
D9200	x	x	M
J9100-J9109	x	x	J
J9911-J9914	O	O	O
P9200-P9201	x	O	O
P9100	x	O	O
R9103	O	O	O
O9200	x	x	M
R9100-9102	x	O	O
R9106-9107	x	x	M:100.68 / D:33.47
R9111-9112	33.47	33.47	M:100.68 / D:33.47
R9202-9203	x	x	M
RL9100	x	x	O
RL9105	D.J	D.J	D.J
RL9200	x	x	M
F9100	D.J:SN6010	D.J:SN6010	D.J:SN6010
C9002	M:NSCT-1P2031 D:100M/200V	M:NSCT-1P2031 D:100M/200V	M:NSCT-1P2031 D:100M/200V
R9051	M:47M/400V	M:47M/400V	M:47M/400V
R9052	O	O	O

F9100
 D:12A-UL-ST6 12A/125V RH
 M:6.3A-SE-TL250V 6.3A/250V HD
 J:15A-T-ST6N1 15A/125V RH

SCHEMATIC DIAGRAMS-20 (PART-20)
HDMI-1(HDMI SUB OUT) SECTION

1
2
3
4
5
6
7
8



Terminal1 SECTION : 8601-8630

	717/818 40.450.4	1010/3010/ 5010/70.4
C8601-8603,C8691	no	yes
RL8601-8603,RL8691	no	yes
D8617-8619,D8691	no	yes
C8623-8625,C8691	no	yes
R8691-8694	yes	no

ADV7844
TO HDMI RX SECTION
(PART-17,23)

VMPU
TO VMPU SECTION
(PART-20,26)

HDMI OUT Z2/SUB

HDMI OUT Z2/SUB:8631-8639

SCHEMATIC DIAGRAMS-21 (PART-21)

HDMI IN 2 SECTION

MMPU TO CONNECTOR SECTION (Part-19,25)

BAHDM-1195 (2/10)

U009 HDMI PC BOARD

OUT0 OUT1

Q8151 SPARTA SII9575CTUC

SPARTA2 SECTION : 8141-8189

Terminal1 SECTION : 8601-8630,8641-45

HDMI SPARTA1 TO HDMI IN1 SECTION (PART-15,21)

VMPU TO VMPU SECTION (PART-20,26)

1

2

3

4

5

A

B

C

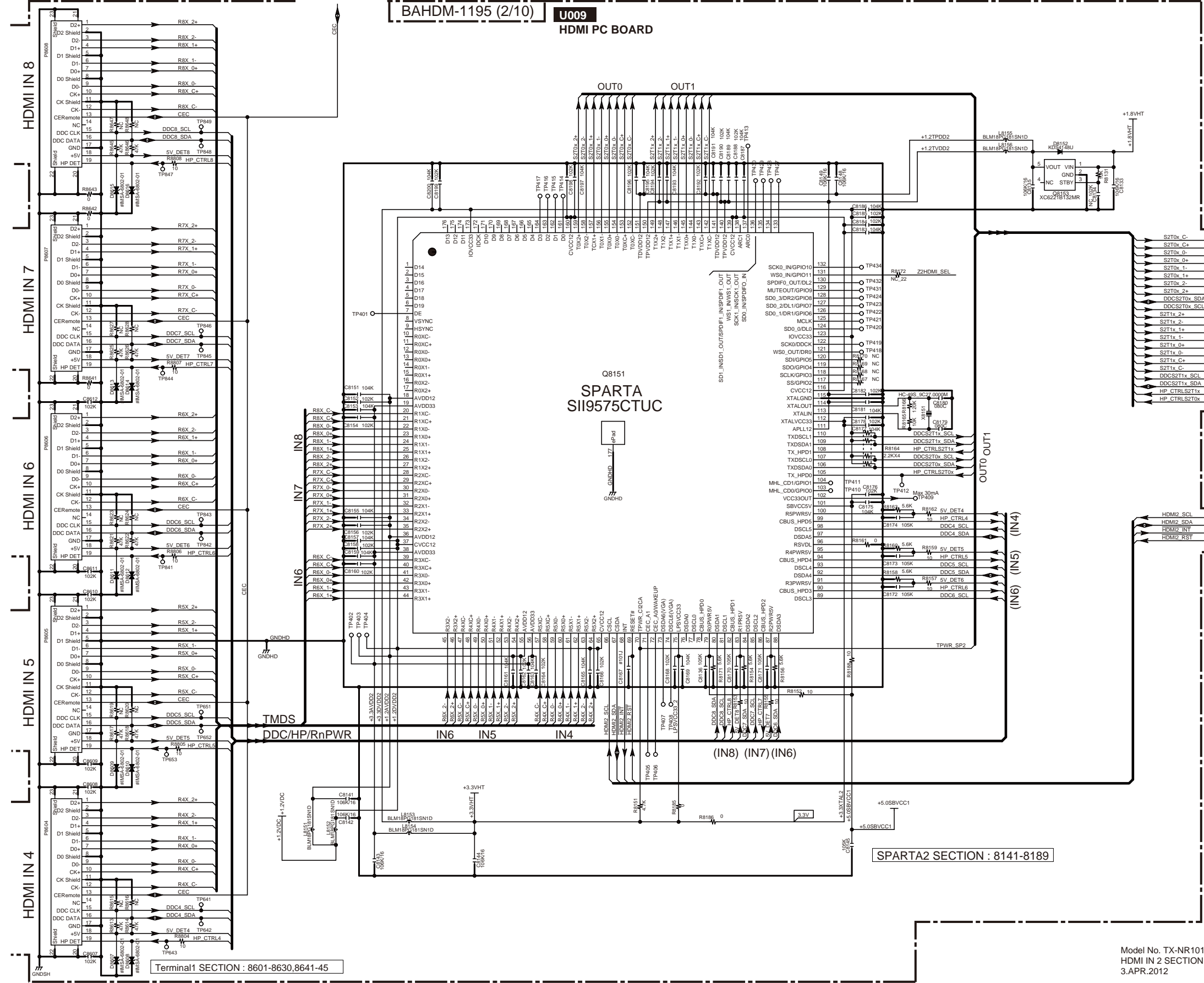
D

E

F

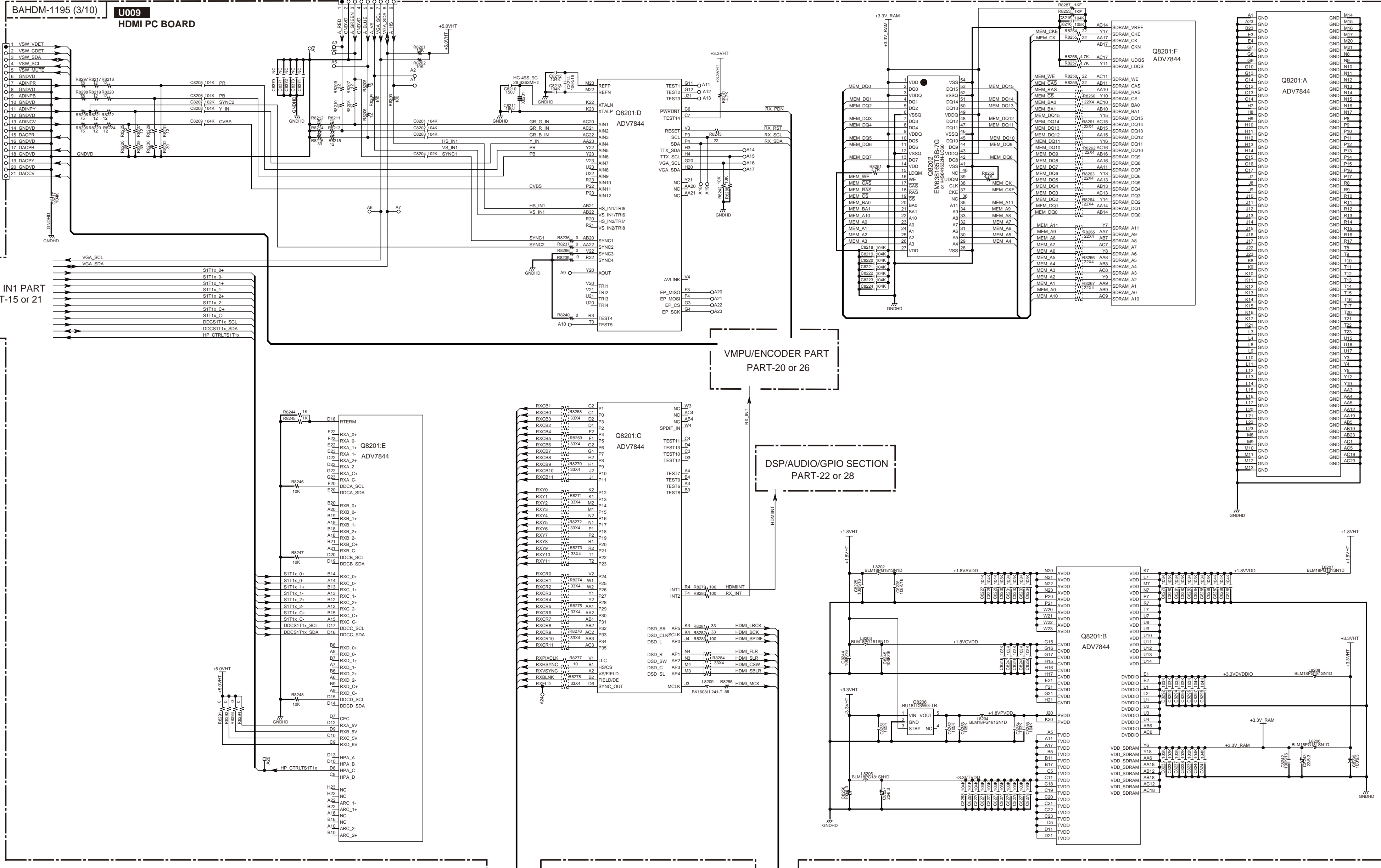
G

H



SCHEMATIC DIAGRAMS-22 (PART-22)
HDMI RX/ DECODER SECTION

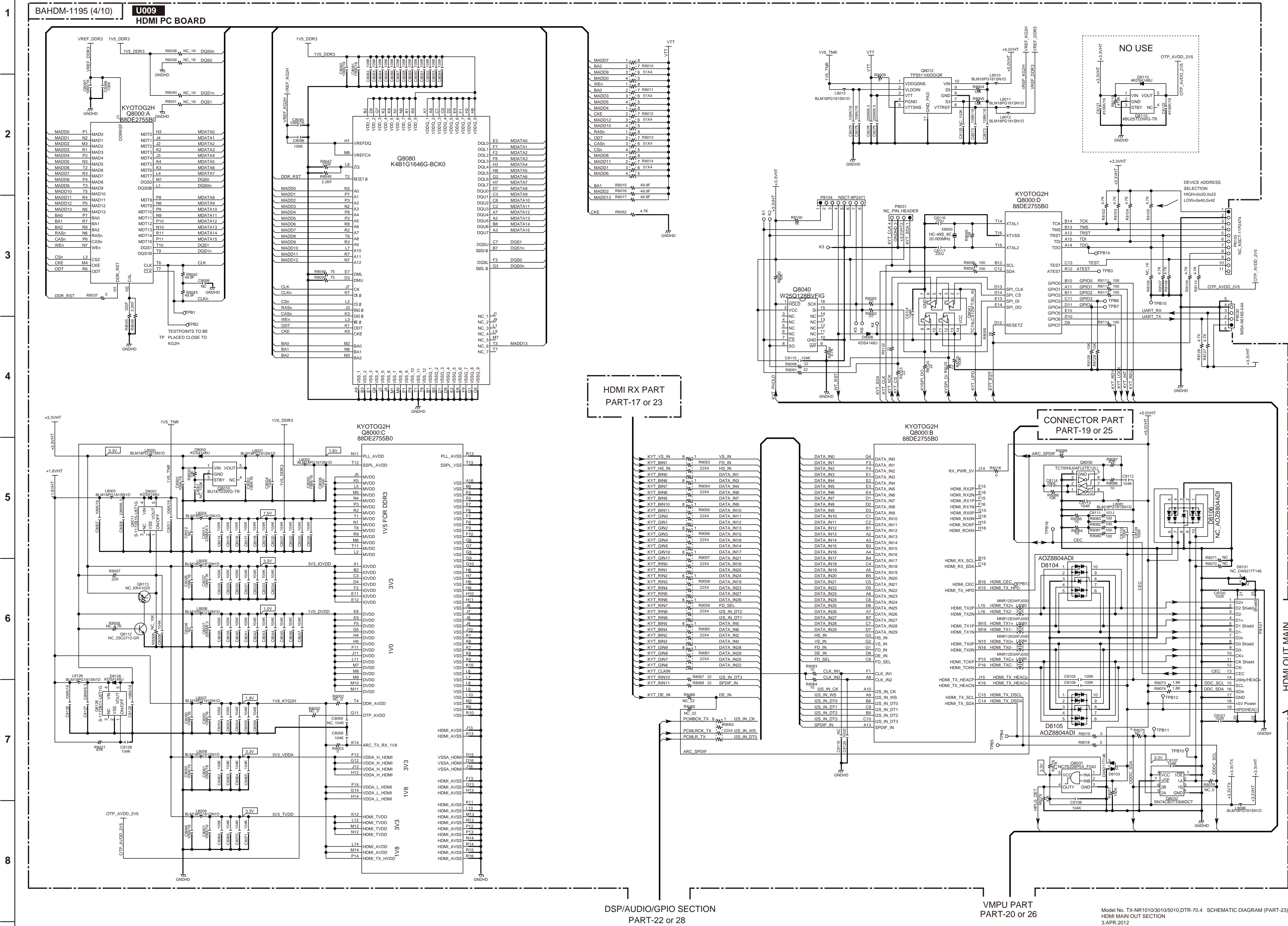
1
2
3
4
5
6
7
8



HQV PART
PART-19 or 25

HDMI CONNECTOR PART
PART-19 or 25

SCHEMATIC DIAGRAMS-23 (PART-23)
HDMI MAIN SECTION



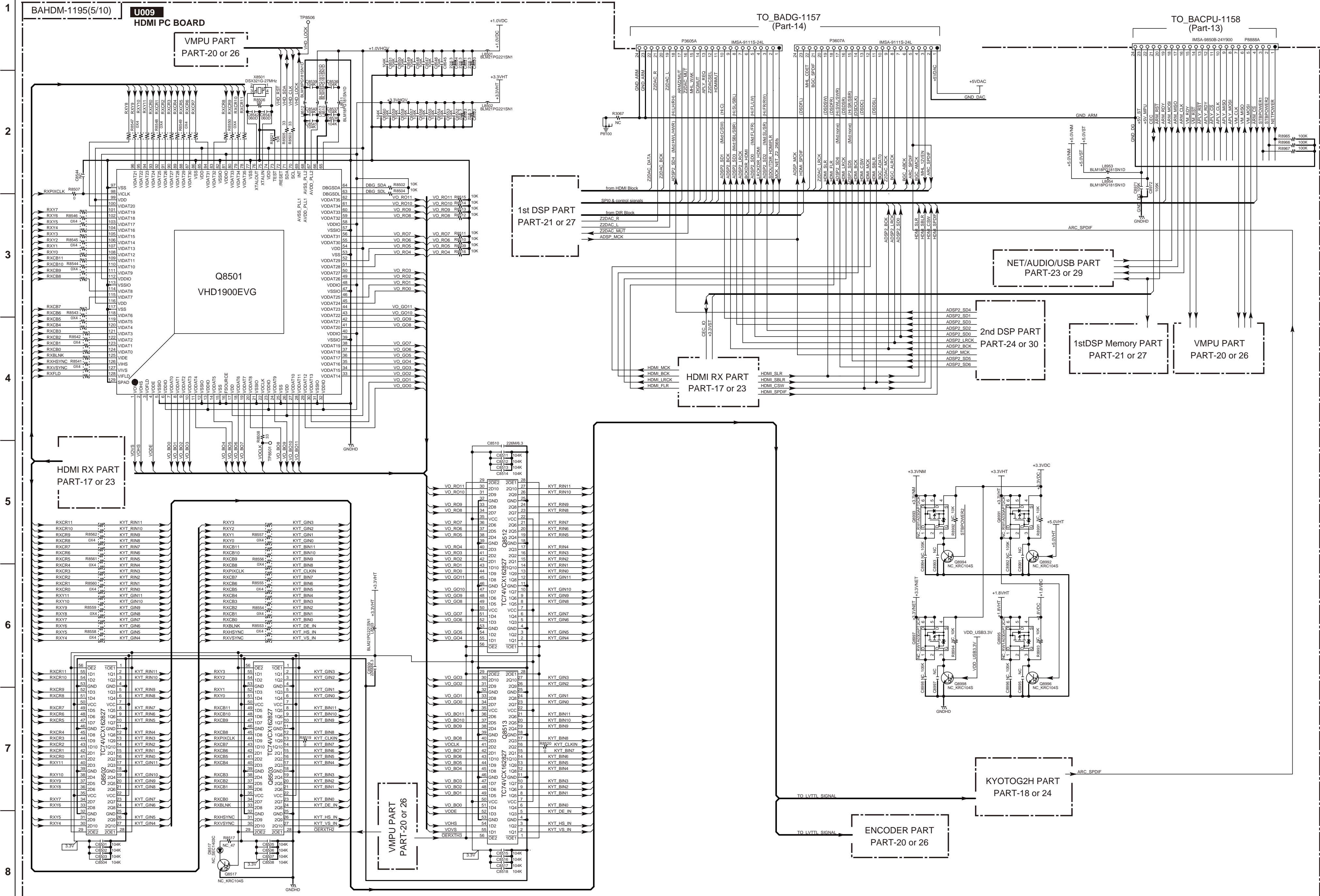
HDMI RX PART
PART-17 or 23

CONNECTOR PART
PART-19 or 25

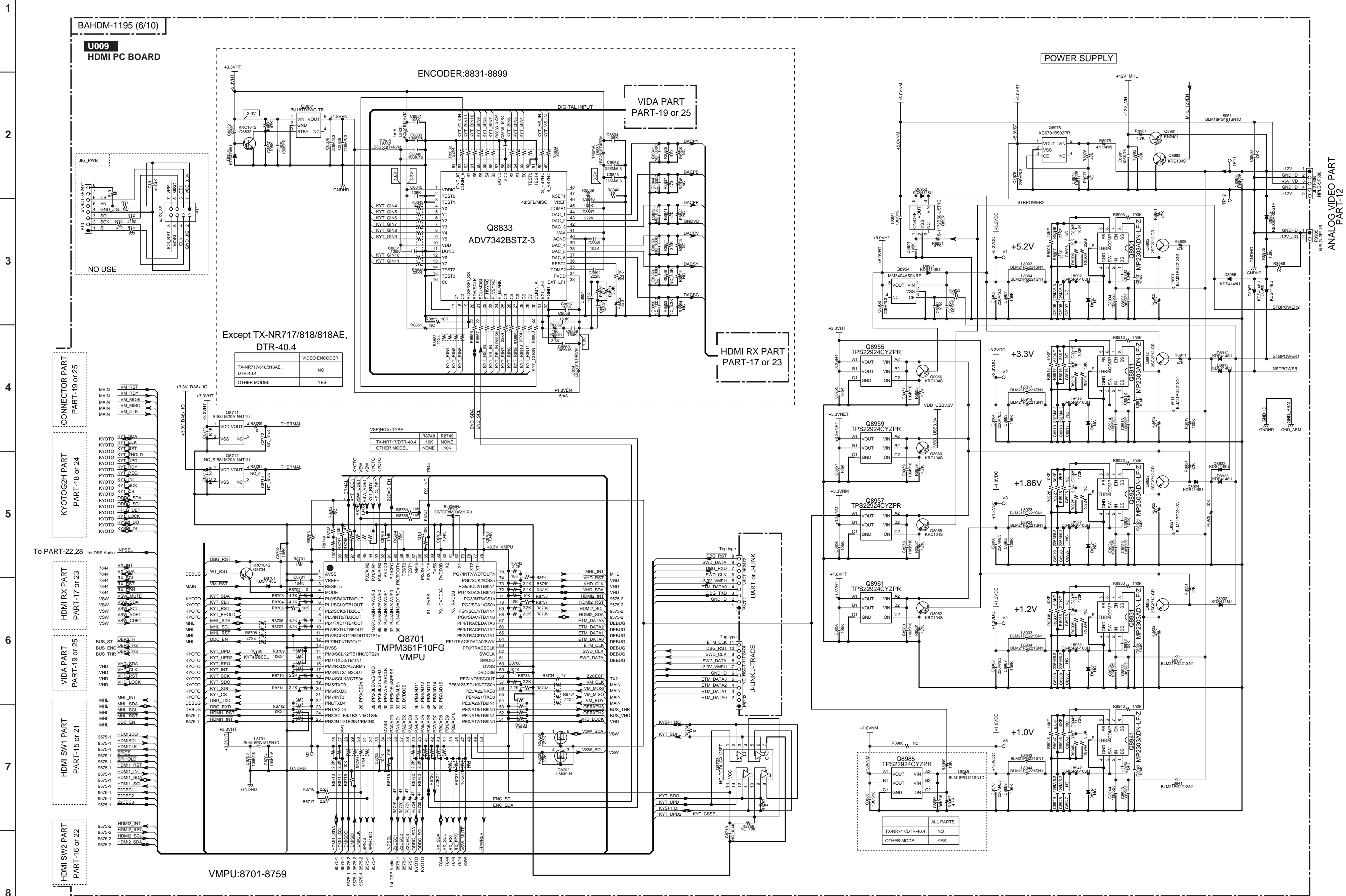
DSP/AUDIO/GPIO SECTION
PART-22 or 28

VMPU PART
PART-20 or 26

SCHEMATIC DIAGRAMS-24 (PART-24)
HQV/ CONNECTOR SECTION



SCHEMATIC DIAGRAMS-25 (PART-25)
HDMI MAIN SECTION



SCHEMATIC DIAGRAMS-26 (PART-26)

1st DSP MEMORY SECTION

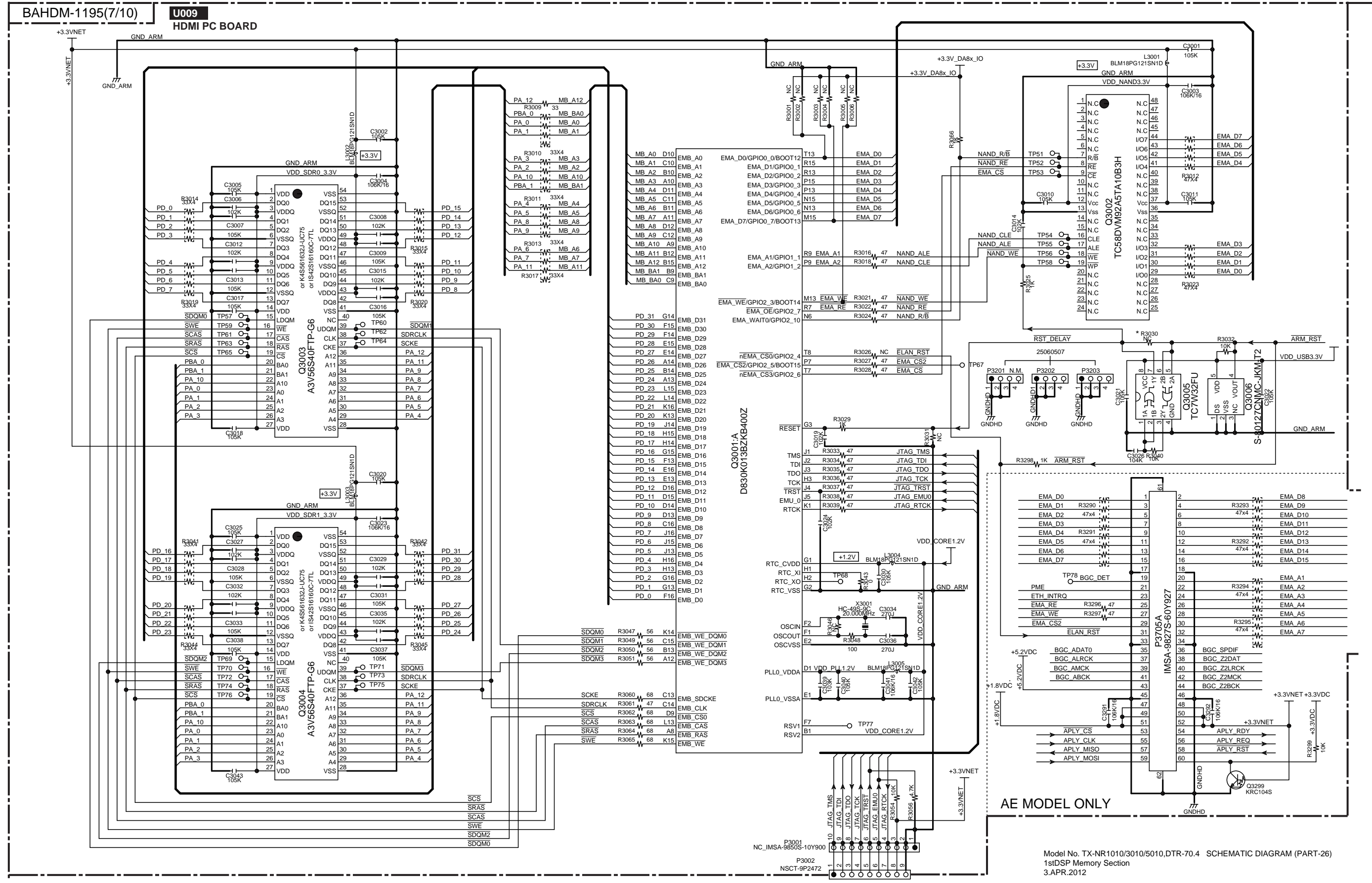
1

2

3

4

5



AE MODEL ONLY

SCHEMATIC DIAGRAMS-27 (PART-27)

DSP/ AUDIO/ GPIO SECTION

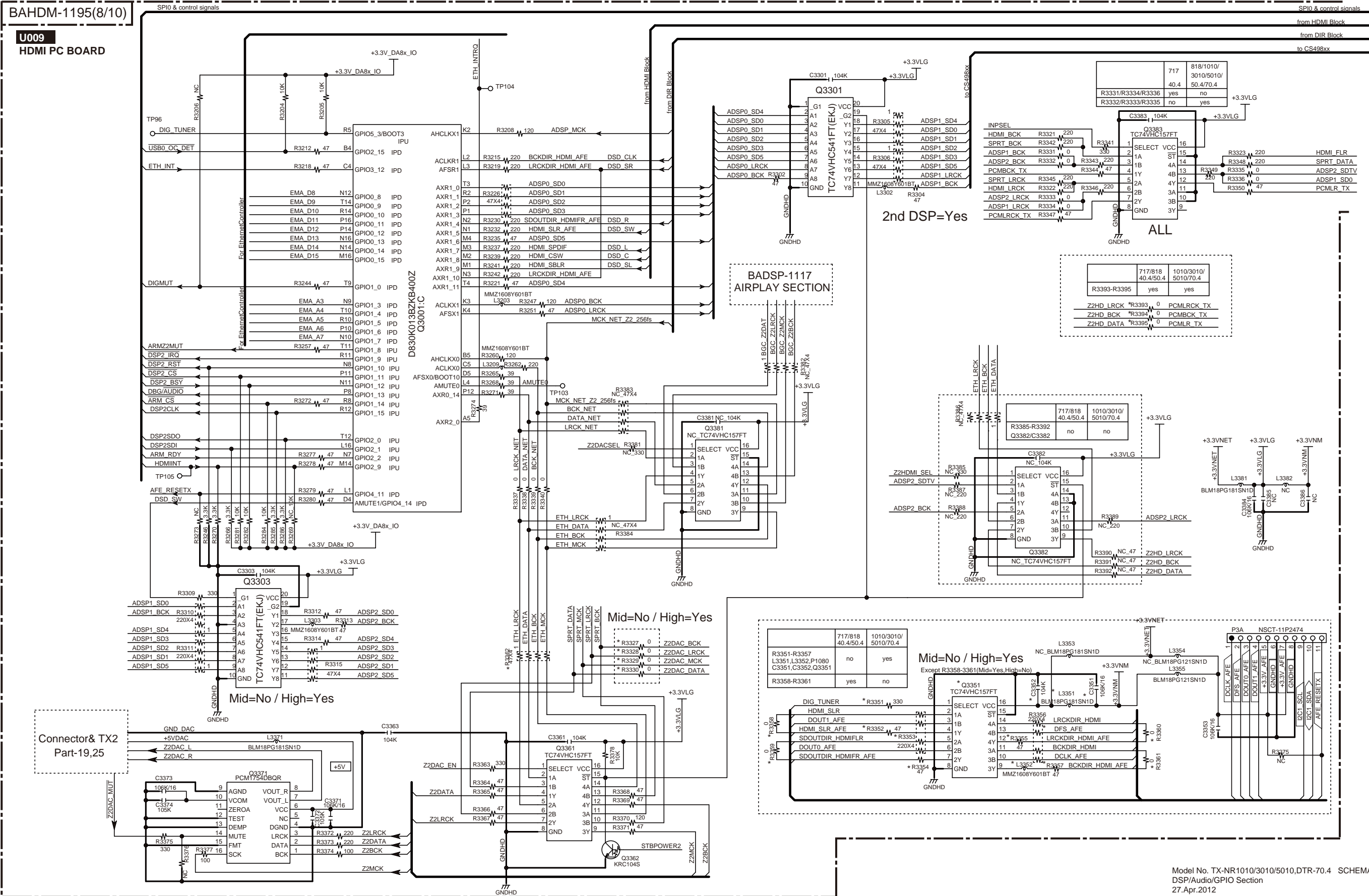
1

2

3

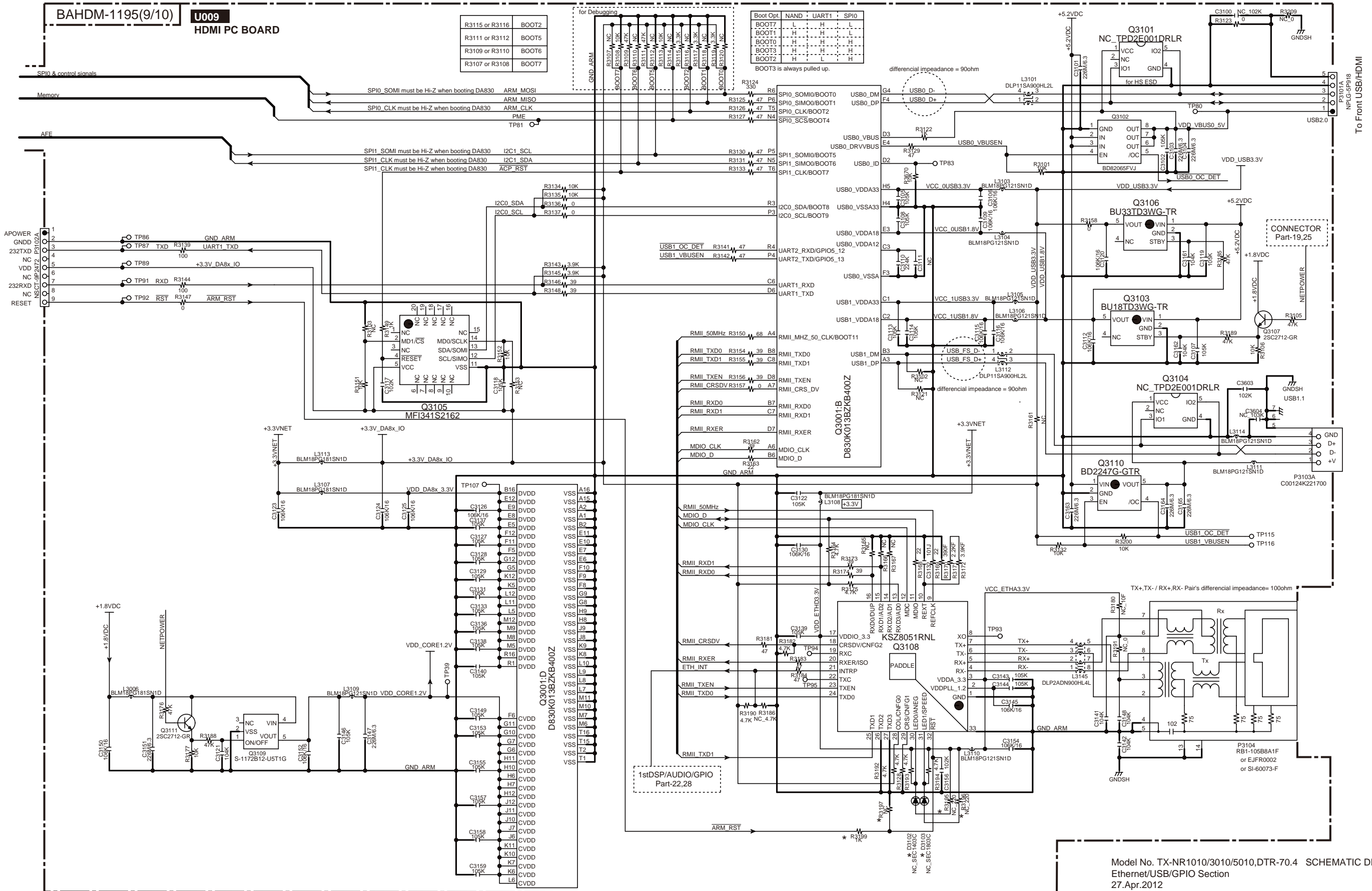
4

5



SCHEMATIC DIAGRAMS-28 (PART-28)
ETHERNET/ USB/ GPIO SECTION

1
2
3
4
5



SCHEMATIC DIAGRAMS-29 (PART-29)

2nd DSP SECTION

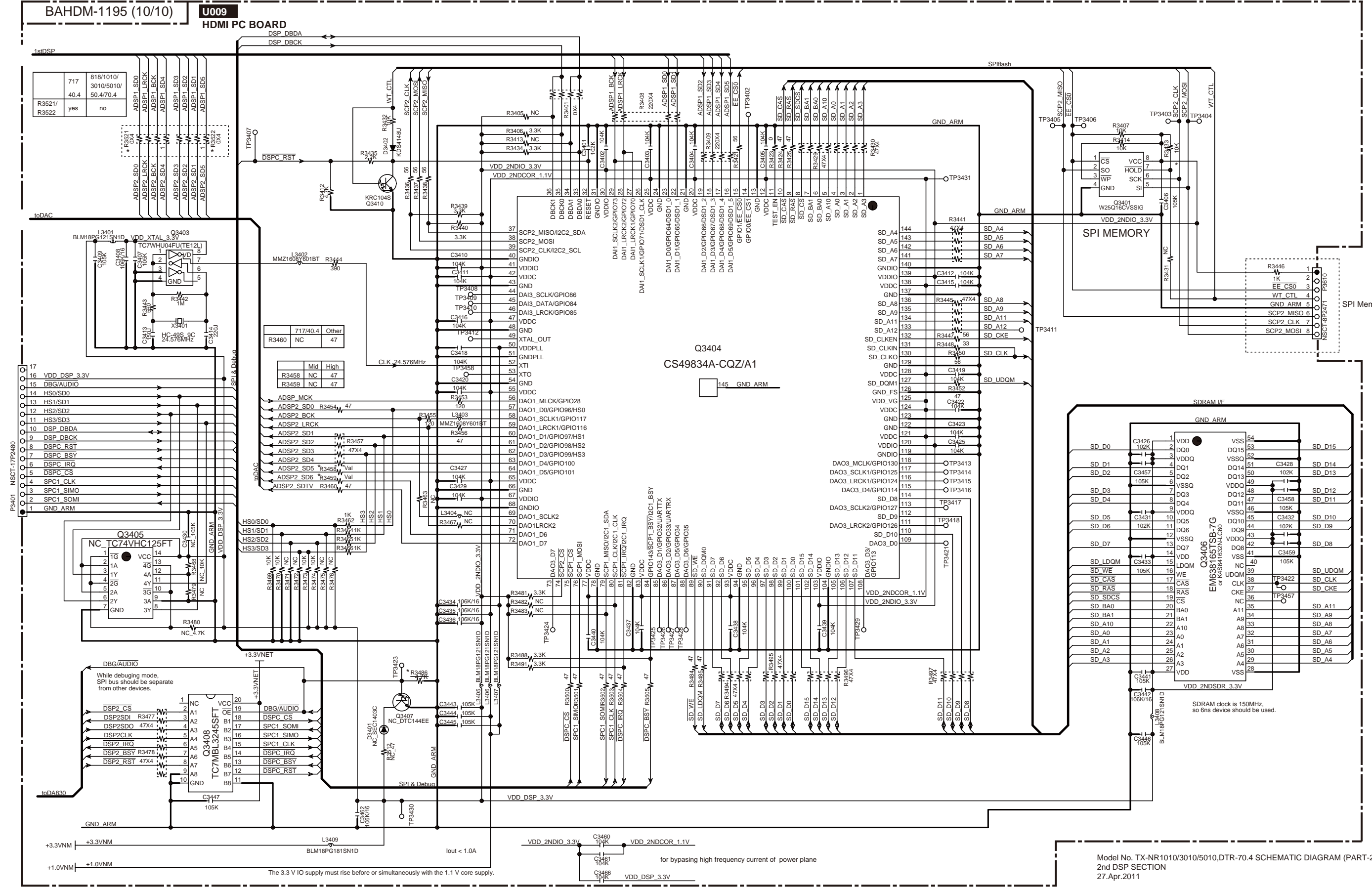
1

2

3

4

5



R3521/ R3522	717	818/1010/ 3010/5010/ 40.4	50.4/70.4
	yes	no	

R3460	NC	717/40.4	Other

While debugging mode, SPI bus should be separate from other devices.

SDRAM clock is 150MHz, so fins device should be used.

The 3.3 V IO supply must rise before or simultaneously with the 1.1 V core supply.

for bypassing high frequency current of power plane

SCHEMATIC DIAGRAMS-30 (PART-30)
FRONT USB AND USB SECTION

1

BAHDM-1197 TX-NR1010/3010/5010

U0100
 TERMINAL(FRONT HDMI) PC BOARD

BAHDM-1199 DTR-70.4

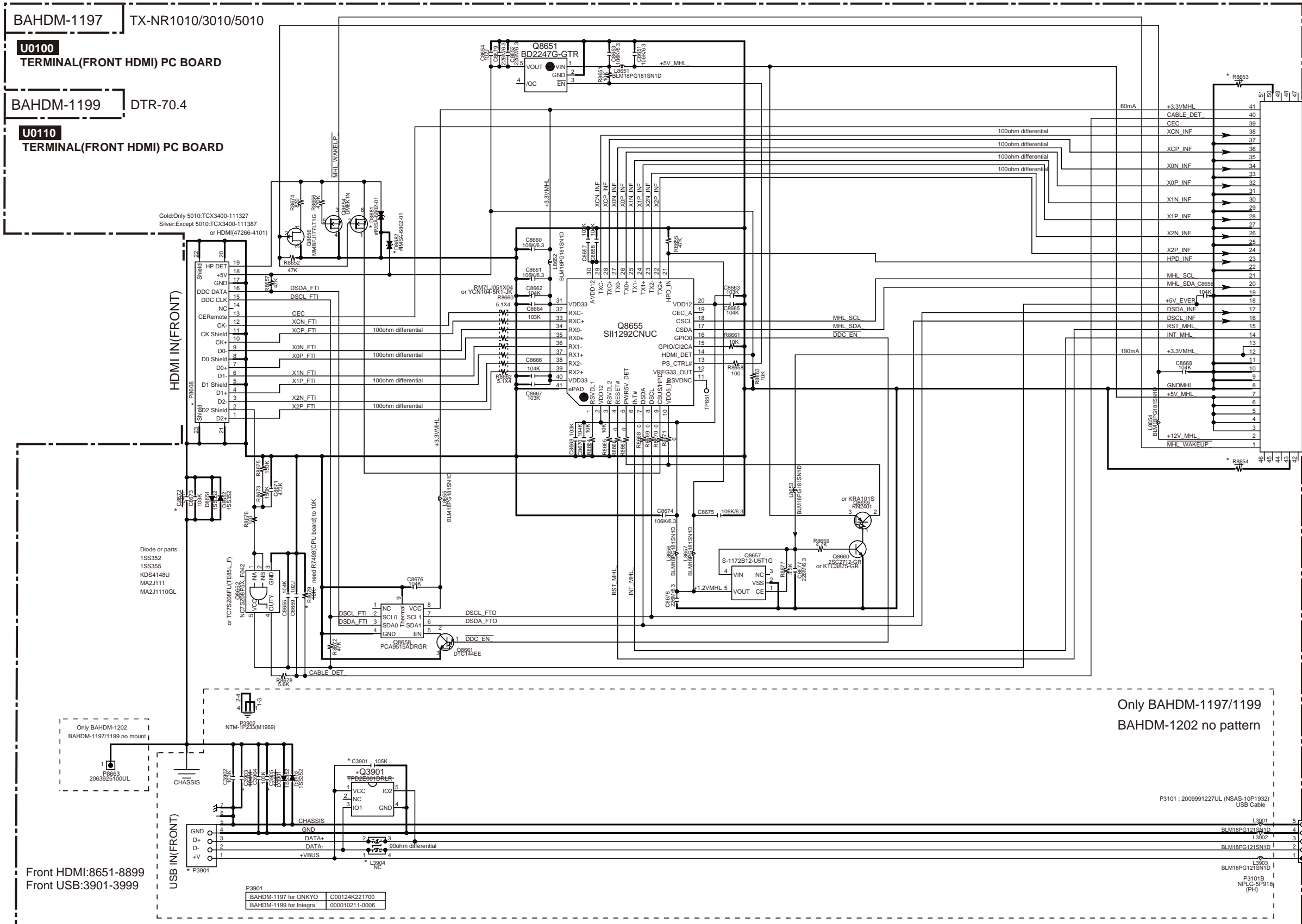
U0110
 TERMINAL(FRONT HDMI) PC BOARD

2

3

4

5



TO BAHDM-1195
 PART-16

TO BAHDM-1195
 PART-23

Only BAHDM-1197/1199
 BAHDM-1202 no pattern

Front HDMI:8651-8899
 Front USB:3901-3999

P3901	BAHDM-1197 for ONKYO	C00124K221700
	BAHDM-1199 for Integra	000010211-0006

DTR-70.4**<Note>**

Parts marked by "NSP" are generally unavailable because they are not in our Master Spare Parts List.

**NOTE : THE COMPONENTS IDENTIFIED BY THE MARK
! ARE CRITICAL FOR RISK OF FIRE AND
ELECTRIC SHOCK. REPLACE ONLY WITH PART
NUMBER SPECIFIED.**

<Notes>

<MDD> : 120V,USA model

<MMA> : 230V,Australian model

<MMR> : 220/230-240V,Chinese model

DTR-70.4**EXPLODED VIEW PARTS LIST**

REF. NO.	PART NAME	DESCRIPTION	Q'TY	PART NO. (SN)	REMARKS
[SEMI CONDUCTOR]					
Q6050	TR	TTC0002(Q)TO3PL	1	2204150	
Q6050A	ISO SHEET	ISO SHEET(NR5007_4CH)	1	223052	
Q6051	TR	TTC0002(Q)TO3PL	1	2204150	
Q6051A	ISO SHEET	ISO SHEET(NR5007_5CH)	1	223051	
Q6052	TR	TTC0002(Q)TO3PL	1	2204150	
Q6053	TR	TTC0002(Q)TO3PL	1	2204150	
Q6054	TR	TTC0002(Q)TO3PL	1	2204150	
Q6055	TR	TTC0002(Q)TO3PL	1	2204150	
Q6056	TR	TTC0002(Q)TO3PL	1	2204150	
Q6057	TR	TTC0002(Q)TO3PL	1	2204150	
Q6058	TR	TTC0002(Q)TO3PL	1	2204150	
Q6060	TR	TTA0002(Q)TO3PL	1	2204140	
Q6060A	ISO SHEET	ISO SHEET(NR5007_4CH)	1	223052	
Q6061	TR	TTA0002(Q)TO3PL	1	2204140	
Q6061A	ISO SHEET	ISO SHEET(NR5007_5CH)	1	223051	
Q6062	TR	TTA0002(Q)TO3PL	1	2204140	
Q6063	TR	TTA0002(Q)TO3PL	1	2204140	
Q6064	TR	TTA0002(Q)TO3PL	1	2204140	
Q6065	TR	TTA0002(Q)TO3PL	1	2204140	
Q6066	TR	TTA0002(Q)TO3PL	1	2204140	
Q6067	TR	TTA0002(Q)TO3PL	1	2204140	
Q6068	TR	TTA0002(Q)TO3PL	1	2204140	
Q9427	TR	2SB1565-E	1	2202715	
Q9427 or	TR	2SA1488-Y	(1)	2203394	
Q9428	TR	2SD2394-E	1	2202705	
Q9428 or	TR	2SC3851-Y	(1)	2203384	
Q9429	TR	2SB1565-E	1	2202715	
Q9429 or	TR	2SA1488-Y	(1)	2203394	
Q9430	TR	2SD2394-E	1	2202705	
Q9430 or	TR	2SC3851-Y	(1)	2203384	
[CHASSIS SCREW]					

A001	HEAT SINK	(5)	1	27160634A
A003	HEAT SINK	(4)	1	27160635A
A005	SPACER	(PC)	8	27270485
A007	SCREW	3P+6FN(3BC)	8	82143006GR
A009	SCREW	3SMS8W.SW+14B(CU)	18	801634
A011	RETAINER	(HS-2)	2	27141530A
A013	SCREW	3TTB+8B(3BC)	4	838430088GR
A015	SPACER	T1*Φ8*Φ3.2PTFE	1	27270527
A017	RETAINER	(HS-C)	1	27142151
A019	SCREW	3TTB+8B(3BC)	8	838430088GR
A021	RETAINER	(HS-L)	1	27142152
A023	SCREW	3TTB+8B(3BC)	3	838430088GR
A025	HOLDER	(CLAMP) UA-0	1	27190432
A027	HOLDER	WS-4NS	1	27191207
A029	RETAINER	(HS-R)	1	27142153A
A031	SCREW	3TTB+8B(3BC)	4	838430088GR
A033	HOLDER	(CLAMP) UA-0	1	27190432
A037	SCREW	3TTB+8B(3BC)	4	838430088GR
A039	SCREW	3TTB+8B(3BC)	9	838430088GR
A041	HEAT SINK(S)	240	1	27160608
A043	SCREW	3TTB+8B(3CM)SR	3	801637
A045	SCREW	3TTB+8B(3BC)	2	838430088GR
A049	IB CUSHION	W15*3t TAPE	1	28141585
A051	WIRE TIE	BSK-1	12	260208
A053	CHASSIS	(SUB)	1	27100536D
A055	RETAINER	(FBR)	1	27142150A
A056	TAPE	TAPE(CLOTH-8U)	1	29110082
A057	SCREW	3TTB+8B(3BC)	3	838430088GR
A061	HOLDER	SPM-4	4	27191154
A062	BUSHING	CE-016 L=25	1	28170097
A064	BUSHING	L125	1	28170004
A065	BUSHING	---	1	28170070
A067	HOLDER	KGPS-14RF	1	27190802
A069	BRACKET	(FAN-L)	1	27131022A
A071	HOLDER	(FAN)	4	27191307
A073	BRACKET	(SUB-L)	1	27131060A
A075	SCREW	3TTB+8B(3BC)	3	838430088GR
A077	HOLDER	WS-4NS	2	27191207
A079	BRACKET	(FAN-R)	1	27131023A
A081	HOLDER	(FAN)	4	27191307
A083	BRACKET	(SUB-R)	1	27131061B
A085	SCREW	3TTB+8B(3BC)	3	838430088GR
A087	HOLDER	WS-4NS	1	27191207
A089	TAPE	TAPE(CLOTH-16U)	1	29110083
A117	SCREW	4TTC+8C(3BC)	4	830440089GR
A119	SCREW	4TTC+8C(3BC)	4	830440089GR
A121	SPACER	---	4	27270489

A123	IB CUSHION	W15*3t TAPE	1	28141585	
A125	SCREW	3TTB+8B(3BC)	7	838430088GR	
A126	SCREW	3TTB+8B(3BC)	7	838430088GR	
A127	CUSHION	t10*10*100	1	28141746	
A131	HEAT SINK	(SP)	1	27160643A	N
A133	SPACER	t0.5*w30*d10	1	27270495	
A137	SCREW	3TTB+8B(3CM)SR	4	801637	
A139	SCREW	3TTB+8B(3BC)	2	838430088GR	
A141	TAPE	TAPE(CLOTH-16U)	1	29110083	
A145	WIRE TIE	BSK-1	1	260208	
A147	CUSHION	(BUTYL)	1	28141748	
A149	IB CUSHION	W15*3t TAPE	1	28141585	
A151	CHASSIS	---	1	27100575	N
A153	BOTTOM LEG	---	4	27175452	
A155	CUSHION	(LEG)	4	28141735	
A157	IB CUSHION	W15*3t TAPE	1	28141585	
A158	CUSHION	(BUTYL)	1	28141748	
A159	CUSHION	---	8	28141637	
A161	SCREW	3TTB+8B(3BC)	4	838430088GR	
A163	HOLDER	(SPD-6)	5	27191308	
A165	HOLDER	KGPS-10RF	4	27190813	
A167	HOLDER	KGLS-10RT	1	27190428A	
A169	HOLDER	KGLS-12RT	1	27190266	
A170	HOLDER	KGLS-22RT	1	27190772	
A171	HOLDER	KGLS-20RT V0	3	27191338	
A173	HOLDER	HOLDER KGLS-18S	1	27190470	
A175	HOLDER	KGPS-18S	1	27191339	
A176	HOLDER	KGLS-10S	3	27190896	
A177	HOLDER	KGLS-14S	1	27190164	
A178	HOLDER	KGPS-14S	1	27191372	N
A179	HOLDER	SPM-4	2	27191154	
A181	HOLDER	KGLS-22RT	3	27190772	
A185	CUSHION	(CR)	1	28141908	
A187	SCREW	3TTB+8B(3BC)	1	838430088GR	
A189	SCREW	3TTB+8B(3BC)	1	838430088GR	
A193	SCREW	3TTB+8B(3BC)	1	838430088GR	
A195	SCREW	3TTB+8B(3BC)	2	838430088GR	
A197	SCREW	3TTB+8B(3BC)	3	838430088GR	
A199	SCREW	3TTB+8B(3BC)	2	838430088GR	
A201	SCREW	4TTC+8C(3BC)	1	830440089GR	
A203	SPACER	---	1	27270489	
A205	SCREW	3TTB+8B(3BC)	5	838430088GR	
A207	SCREW	3TTB+8B(3BC)	8	838430088GR	
A208	SCREW	3TTB+8B(3BC)	8	838430088GR	
A211	ISO PLT	(HS-R)	2	28175336A	
A213	RIVET	P-RIVET NRP-345	1	880009	
A215	P RIVET	P-3055B-8L	2	880048	

A217	ISO PLT	(HS-U)	1	28175337A	
A221	RETAINER	(CLA-L)	1	27142196	
A223	RETAINER	(CLA-R)	1	27142197	
A225	RETAINER	(CLA-U)	2	27142198	
A227	SCREW	3TTB+8B(3BC)	9	838430088GR	
A229	SCREW	3TTB+8B(3BC)	2	838430088GR	
A231	SPACER	T1*Φ8*Φ3.2PTFE	2	27270527	
A233	SCREW	3TTW+8B(3BC)	2	831430088GR	
A235	BUSHING	BUSHING	2	28170040	
A237	BUSHING	CE-016 L=40	1	28170102	
A239	BUSHING	CE-016 L=70	1	28170103	
A341	LABEL	(PT)	1	29364345	
A343A	LABEL	(E-CON)	{ 1 }	29364978	
A345	WIRE TIE	BSK-1	9	260208	
A347	WIRE TIE	BSK-1	1	260208	
A349	TAPE	TAPE(CLOTH-16U)	1	29110083	
A350	TAPE	TAPE(CLOTH-8U)	1	29110082	
A352	CUSHION	(BUTYL)	1	28141748	
A355	REAR PANEL	70.4DD	1	27124451A	N <MDD>
A355	REAR PANEL	70.4MA	1	27124452B	N <MMA>
A355	REAR PANEL	70.4MR	1	27124453B	N <MMR>
A357	TAPE	TAPE(CLOTH-8U)	1	29110082	
A378	SCREW	3TTB+8B(3BC)	45	838430088GR	<MDD>
A378	SCREW	3TTB+8B(3BC)	43	838430088GR	<MMA, MMR>
A384	SCREW	3P+6FN(3BC)	11	82143006GR	
A385	SCREW	3TTF+10B(3BC)	2	835430108GR	
A387	TRM	E TERMINAL	1	25060151	
A389	WASHER	W3*10F(3BC)	1	87643010GR	
A391	LABEL	(SP1)	1	29390790	
A393	LABEL	(SP2)	1	29390791	
A394	CUSHION	(BUTYL)	1	28141748	
A395	CUSHION	(BUTYL)	1	28141748	
P6800	P RIVET	JB-407A-C	22	880052	<MMA, MMR>
[CABINET]					
A422	ISO PLT	(FFC)	1	28175347	
A423	TAPE	TAPE(CLOTH-16U)	1	29110083	
A541	TAPE	TAPE(CLOTH-8U)	1	29110082	
A551	COVER	(B) (Bent)	1	28210040A	
A551	COVER	(B) (Not Bent)	1	28210040AZ	
A553	LABEL	(COVER)	1	29364123	
A555	SCREW	4TTB+8C(3BC)	6	838440089GR	
A601	F PANEL	DTR-70.4MDD	1	27213599B	N <MDD>
A601	F PANEL	DTR-70.4MMA	1	27213600B	N <MMA, MMR>
A603	BADGE	---	1	28135278	
A605	FACET	---	1	28198905	
A607	GUIDE	(VOL)	1	27268227	
A609	SCREW	3TTB+8B(3BC)	3	838430088GR	

A611	DECO FRM	---	1	28159049A	
A613	B PLATE	---	1	28133430	
A615	CLEAR PLT	---	1	28192233	
A631	F BRACKET	(B)	1	27111536D	
A633	KNOB	(STANDBY)	1	28325756	
A635	KNOB	(CUR)B	1	28326682A	
A637	P RIVET	P-3055B-8L	2	880048	
A638	CUSHION	(CUR)	1	28141811	
A639	RETAINER	(HP)	1	27141787	
A641	SNAP PLATE	SNAP PLATE	1	27301877	
A643	SCREW	3TTB+8B(3BC)	2	838430088GR	
A645	RETAINER	(F)	1	27142155A	
A647	SCREW	3TTB+8B(3BC)	1	838430088GR	
A649	SCREW	3TTB+10B(3BC)	1	838430108GR	
A651	SCREW	3TTB+8B(3BC)	19	838430088GR	
A653	SCREW	3TTB+8B(3BC)	3	838430088GR	
A655	SCREW	3TTB+8B(3BC)	2	838430088GR	
A657	SCREW	3TTB+8B(3BC)	3	838430088GR	
A659	SCREW	3TTB+8B(3BC)	3	838430088GR	
A661	SCREW	3TTB+8B(3BC)	1	838430088GR	
A663	SCREW	3TTB+8B(3BC)	3	838430088GR	
A671	IB CUSHION	W15*3t TAPE	1	28141585	
A672	CUSHION	---	2	28141823	
A681	KNOB	(VOL)AS	1	28326231C	
A685	CUSHION	t0.9*Φ48	1	28141824	
A695	TAPE	TAPE(CLOTH-16U)	1	29110083	
[TRANS COIL]					
T901	P TRANS	NPT-1553D	1	2301893	! <MDD>
T901	P TRANS	NPT-1626M	1	2302061	! <MMA, MMR>
T902	P TRANS	NPT-1582D	1	2301955	! <MDD>
T902	P TRANS	NPT-1582M	1	2301956	! <MMA, MMR>
T903	P TRANS	NPT-1581D	1	2301952	! <MDD>
T903	P TRANS	NPT-1581M	1	2301953	! <MMA, MMR>
[SW TRM]					
F2002	FUSE	4A-UL/T-233	1	252325GR	!
F2002 or	FUSE	4A-T/UL-ST2	(1)	252257GR	!
F6601	FUSE	20A-UL-250V	1	252304GR	!
F6602	FUSE	20A-UL-250V	1	252304GR	!
F6603	FUSE	20A-UL-250V	1	252304GR	!
F6604	FUSE	20A-UL-250V	1	252304GR	!
F9100	FUSE	6.3A-SE-EAK	1	252079GR	! <MMA, MMR>
F9100	FUSE	12A-TUL-250V	1	252301GR	! <MDD>
F9100 or	FUSE	12A-UL/T-314	(1)	252196GR	! <MDD>
F9100 or	FUSE	6.3A-SE-TL250V	(1)	252279GR	! <MMA, MMR>
F9100C	LABEL	T6.3AL/250V	1	29361681	<MMA, MMR>
F9301	FUSE	3.15A-UL/T-233	1	252323GR	!
F9301 or	FUSE	3.15A-T/UL-ST2	(1)	252256GR	!

F9401	FUSE	3.15A-UL/T-233	1	252323GR	!
F9401 or	FUSE	3.15A-T/UL-ST2	(1)	252256GR	!
F9402	FUSE	3.15A-UL/T-233	1	252323GR	!
F9402 or	FUSE	3.15A-T/UL-ST2	(1)	252256GR	!
JL4103	JUMPER LEAD	JANPER LEAD	1	NSP	
P061	FAN	D09A-12PG13	1	24502328	
P062	FAN	D09A-12PG13	1	24502328	
P101	FFC	NCFC7-091012	1	2047091012	
P2101	FFC	NCFC5-211012	1	2045211012	
P3	FFC	NCFC4-11061	1	204411061	N <MDD>
P3101	SOCKET AS	NSAS-10P1932	1	2009991227UL	
P4201	FFC	NCFC7-090512	1	2047090512	
P4202	FFC	NCFC7-131012	1	2047131012	
P7501	FFC	NCFC5-255012	1	2045255012	
P8002	FFC	NCFC5-090712	1	2045090712	
P8691	FFC	NCFCD-41011	1	204D41011	
P9000	AC INLET	R301X2PSn	1	25053358	!
[TUNER UNIT]					
U001	U0010~U0014	BAAF-0180-2A *	1	1B234580-2A	N
U0010	POWER SUPPLY PC BOARD ASS'Y	BAAF-0180-2A	1	1B2345180-2A	N
U0011	DIODE PC BOARD ASS'Y	BAPS-0181-2A	1	1B2345181-2A	N
U0012	RELAY PC BOARD ASS'Y	BAPS-0182-2A	1	1B2345182-2A	N
U0013	SENSOR PC BOARD ASS'Y	BAETC-0183-2A	1	1B2345183-2A	N
U0014	SENSOR PC BOARD ASS'Y	BAETC-0184-2A	1	1B2345184-2A	N
U002	U0020, U0021	BAAMP-0191-2A *	1	1B234591-2A	N
U0020	POWER AMPLIFIER PC BOARD ASS'Y	BAAMP-0191-2A	1	1B2345191-2A	N
U0021	POWER AMPLIFIER PC BOARD ASS'Y	BAAMP-0192-2A	1	1B2345192-2A	N
U003	U0030~U0028	BACLA-0226-2A *	1	1B234526-2A	N
U0030	AMPLIFIER (L/SL/SBL/HL) PC BOARD ASS'Y	BACLA-0226-2A	1	1B2345226-2A	N
U0031	AMPLIFIER (R/SR/SBR/HR/C) PC BOARD ASS'Y	BACLA-0227-2A	1	1B2345227-2A	N
U0032	AMPLIFIER (R/SR/SBR/HR/C) PC BOARD ASS'Y	BACLA-0228-2A	1	1B2345228-2A	N
U0033	AMPLIFIER (L/SL/SBL/HL) PC BOARD ASS'Y	BACLA-0229-2A	1	1B2345229-2A	N
U0034	AMPLIFIER (R/SR/SBR/HR/C) PC BOARD ASS'Y	BACLA-0230-2A	1	1B2345230-2A	N
U0035	AMPLIFIER (L/SL/SBL/HL) PC BOARD ASS'Y	BACLA-0231-2A	1	1B2345231-2A	N
U0036	AMPLIFIER (R/SR/SBR/HR/C) PC BOARD ASS'Y	BACLA-0232-2A	1	1B2345232-2A	N
U0037	AMPLIFIER (L/SL/SBL/HL) PC BOARD ASS'Y	BACLA-0233-2A	1	1B2345233-2A	N
U0038	AMPLIFIER (R/SR/SBR/HR/C) PC BOARD ASS'Y	BACLA-0234-2A	1	1B2345234-2A	N
U004	U0040 x 2 pcs.	BAASP-0855-1D *	1	1B260555-1D	N
U0040	AUDIO(ASP) PC BOARD ASS'Y	BAASP-0855-1D	1	1B2605855-1D	N
U005	U0050~U0058	BADG-0857-1F *	1	1B260557-1F_DTR704MD	N <MDD>
U0050	DAC/DIR PC BOARD ASS'Y	BADG-0857-1F	1	1B2605857-1F	N <MDD>
U0051	MPU PC BOARD ASS'Y	BACPU-0858-1F	1	1B2605858-1F_DTR704D	N <MDD>
U0052	PHONO AMP. PC BOARD ASS'Y	BAAR-0862-1F	1	1B2605862-1F	N <MDD>
U0053	BUFFER AMP. PC BOARD ASS'Y	BAAF-0860-1F	1	1B2605860-1F	N <MDD>
U0054	BUFFER AMP. PC BOARD ASS'Y	BAACC-0861-1F	1	1B2605861-1F	N <MDD>
U0055	TERMINAL(PC IN) PC BOARD ASS'Y	BAVD-0863-1F	1	1B2605863-1F	N <MDD>
U0056	TERMINAL(DIGITAL IN) PC BOARD ASS'Y	BAETC-0864-1F	1	1B2605864-1F	N <MDD>

U0057	POWER SUPPLY(DG) PC BOARD ASS'Y	BAPS-0865-1F	1	1B2605865-1F	N <MDD>
U0058	CONNECTOR PC BOARD ASS'Y	BAETC-0866-1F	1	1B2605866-1F	N <MDD>
U005	U0050~U0058	BADG-0857-1F *	1	1B260557-1F_DTR704MA	N <MMA, MMR>
U0050	DAC/DIR PC BOARD ASS'Y	BADG-0857-1F	1	1B2605857-1F	N <MMA, MMR>
U0051	MPU PC BOARD ASS'Y	BACPU-0858-1F	1	1B2605858-1F_DTR704M	N <MMA, MMR>
U0052	PHONO AMP. PC BOARD ASS'Y	BAAF-0860-1F	1	1B2605860-1F	N <MMA, MMR>
U0053	BUFFER AMP. PC BOARD ASS'Y	BAACC-0861-1F	1	1B2605861-1F	N <MMA, MMR>
U0054	VOLUME(ZONE) PC BOARD ASS'Y	BAAR-0862-1F	1	1B2605862-1F	N <MMA, MMR>
U0055	TERMINAL(PC IN) PC BOARD ASS'Y	BAVD-0863-1F	1	1B2605863-1F	N <MMA, MMR>
U0056	TERMINAL(DIGITAL IN) PC BOARD ASS'Y	BAETC-0864-1F	1	1B2605864-1F	N <MMA, MMR>
U0057	POWER SUPPLY(DG) PC BOARD ASS'Y	BAPS-0865-1F	1	1B2605865-1F	N <MMA, MMR>
U0058	CONNECTOR PC BOARD ASS'Y	BAETC-0866-1F	1	1B2605866-1F	N <MMA, MMR>
U006	U0060~U0064	BATRM-0887-1A *	1	1B260587-1A	N <MDD>
U0060	SPEAKER TERMINAL PC BOARD ASS'Y	BATRM-0887-1A	1	1B2605887-1A	N <MDD>
U0061	SPEAKER TERMINAL PC BOARD ASS'Y	BATRM-0888-1A	1	1B2605888-1A	N <MDD>
U0062	SPEAKER TERMINAL PC BOARD ASS'Y	BATRM-0889-1A	1	1B2605889-1A	N <MDD>
U0063	POWER SUPPLY(PRI.) PC BOARD ASS'Y	BAPS-0890-1A	1	1B2605890-1A	N <MDD>
U0064	POWER SUPPLY(TR) PC BOARD ASS'Y	BAETC-0891-1A	1	1B2605891-1A	N <MDD>
U006	U0060~U0064	BATRM-0887-1B *	1	1B260587-1B	N <MMA, MMR>
U0060	SPEAKER TERMINAL PC BOARD ASS'Y	BATRM-0887-1B	1	1B2605887-1B	N <MMA, MMR>
U0061	SPEAKER TERMINAL PC BOARD ASS'Y	BATRM-0888-1B	1	1B2605888-1B	N <MMA, MMR>
U0062	SPEAKER TERMINAL PC BOARD ASS'Y	BATRM-0889-1B	1	1B2605889-1B	N <MMA, MMR>
U0063	POWER SUPPLY(PRI.) PC BOARD ASS'Y	BAPS-0890-1B	1	1B2605890-1B	N <MMA, MMR>
U0064	POWER SUPPLY(TR) PC BOARD ASS'Y	BAETC-0891-1B	1	1B2605891-1B	N <MMA, MMR>
U007	U0070 x 2pcs.	BAVD-1152-1L *	1	1B275552-1L	N
U0070	VIDEO PC BOARD ASS'Y	BAVD-1152-1L	1	1B2755152-1L	N
U008	U0080~U0085	BADIS-1180-1B *	1	1B275580-1B	N
U0080	DISPLY PC BOARD ASS'Y	BADIS-1180-1B	1	1B2755180-1B	N
U0081	SWITCH PC BOARD ASS'Y	BASW-1181-1B	1	1B2755181-1B	N
U0082	PHONE JACK PC BOARD ASS'Y	BAETC-1183-1B	1	1B2755183-1B	N
U0083	VOLUME PC BOARD ASS'Y	BASW-1184-1B	1	1B2755184-1B	N
U0084	TERMINAL(OPT) PC BOARD ASS'Y	BAETC-1185-1B	1	1B2755185-1B	N
U0085	FIX PC BOARD	BAETC-1187-1B	1	1B2755187-1B	N
U009	HDMI PC BOARD ASS'Y	BAHDM-1195-1D *	1	1B275595-1D_DTR704MD	N <MDD>
U009	HDMI PC BOARD ASS'Y	BAHDM-1195-1G *	1	1B275595-1G_DTR704MA	N <MMA, MMR>
U011	U0110 x 10 pcs.	BAHDM-1199-1A *	1	1B275599-1A	N
U0110	TERMINAL (FRONT HDMI) PC BOARD ASS'Y	BAHDM-1199-1A	1	1B2755199-1A	N
U012	U0120 x 10 pcs.	BARF-1201-1A *	1	1B275501-1A	N <MDD> Only
U0120	AFE PC BOARD ASS'Y	BARF-1201-1A	1	1B2755201-1A	N <MDD> Only
U015	TUNER UNIT	FAEH08-W01	1	240169A	<MDD>
U015	TUNER UNIT	FAEH08-E01	1	240170A	<MMA, MMR>

DTR-70.4

PACKING PROCEDURES PARTS LIST

REF. NO.	PART NAME	DESCRIPTION	Q'TY	PART NO. (SN)	REMARKS
----------	-----------	-------------	------	---------------	---------

A720	SHEET	T1.015*1300*800	1	29096134	
A724	TAPE	(SEROHAN)NITTO NO.29	1	29110149	
A731	CARTON	DTR-70.4(B)MDD	1	29055386	N
A733	PAD	(AS)	1	29092475C	
A734	SHEET	(PAD)	4	29096132	
A737	SHEET	(ACC)	1	29096104	
A739	STAPLE	FUKAN-BARI(1000KO)	4	282321	
A741	PP TAPE	W50 SBT-70	1	29110200	
A751A	UPC LABEL	DTR-70.4(B)MDD	1	29392065	N <MDD>
A751A	EAN LABEL	DTR-70.4(B)MMA	1	29392066	N <MMA>
A751A	EAN LABEL	DTR-70.4(B)MMR	1	29392067	N <MMR>
A761	LABEL	(MMA)	2	29390973	<MMA>
A761	LABEL	(MMR)	2	29391542	<MMR>
A762	LABEL	(CHINA)	1	29390952A	<MMR>
A763	LABEL	(CARTON)	1	29390944	<MMR>
A765	LABEL	(CCC)	1	29364396	<MMR>
[ACCESSARY]					
A1113	INS MANUAL	En(Last.fm)_INT(MMA)	1	29400859	<MMA>
A1146	INST SHEET	(AM ANTENNA)	1	29355884	N <MDD>
A1148	POLY BAG	w250xd350	1	29100250A	<MDD>
A1150	TAPE	(SEROHAN)NITTO NO.29	1	29110149	<MDD>
A860	INST SHEET	CHINA ROHS	1	29355616B	<MMR>
A862	WRNTY CARD	(INTEGRA-CH)	1	29365142	<MMR>
A864	LABEL	(APV)	1	29390190	<MMR>
A869	INS MANUAL	En(InternetRadioGuide_INT)	1	29401191	<MDD>
A871	INS MANUAL	U9(2012_Prepro)	1	29401094	
A873	INS MANUAL	EnJa(GNU_License)	1	29401190	
A875	INS MANUAL	En(DTR70.4)	1	29401258	N <MDD, MMA>
A877	INS MANUAL	Cs(DTR70.4)	1	29401259	N <MMR>
A891	INST SHEET	U11(2010_RIHD)	1	29355782A	
A893	INST SHEET	EnCs(IR-SERVICE)INT	1	29355882	N
A901	INST SHEET	WEEE	1	29355793A	<MMA>
A915	LABEL	(SPCABLE)2009	1	29390881	
A941	WRNTY CARD	(INTEGRA)	1	29365136	<MDD>
A981	POLY BAG	w250xd350	1	29100250A	
A985	TAPE	(SEROHAN)NITTO NO.29	1	29110149	
A990	REMO CON	RC-842M	1	24140842	N
A991	BATTERY	R6/AA(UM-3)	2	3010194	<MDD, MMA>
A991 or	BATTERY	R6/AA(UM-3)	(2)	3010054	<MDD, MMA>
A992	MIC	MIC-7001	1	245045	
A993	ANT COIL	NMA-3057	1	232140	
A993 or	ANT COIL	AM LOOP-ANTENNA	(1)	232207	
A994	FM ANT AS	Type W	1	292191	
A995	ANT COIL	NMA-3057	1	232140	<MDD>
A995 or	ANT COIL	AM LOOP-ANTENNA	(1)	232207	<MDD>
A996	FM ANT AS	Type W	1	292191	<MDD>
P991	AC CORD	AS-UC-2	1	253301VOL	! <MDD>

P991	AC CORD	AS-CCC	1	253358VOL	! <MMR>
P991	AC CORD	AS-SAA	1	253391VOL	! <MMA>
P992	AC CORD	AS-CEE-3	1	253298VOL	! <MMA>

PC BOARD PARTS LIST					DTR-70.4
U001	U0010~U0014	BAAF-0180-2A *			
U0010	POWER SUPPLY PC BOARD ASS'Y	BAAF-0180-2A			
U0011	DIODE PC BOARD ASS'Y	BAPS-0181-2A			
U0012	RELAY PC BOARD ASS'Y	BAPS-0182-2A			
U0013	SENSOR PC BOARD ASS'Y	BAETC-0183-2A			
U0014	SENSOR PC BOARD ASS'Y	BAETC-0184-2A			
CIRCUIT NO	PART NAME	DESCRIPTION	Q'TY	PART NO. (SN)	REMARKS
[SEMI CONDUCTOR]					
D6221	DIODE	1SS133	1	223163T	
D6221 or	DIODE	1SS270ATD	(1)	223314T	
D6222	DIODE	1SS133	1	223163T	
D6222 or	DIODE	1SS270ATD	(1)	223314T	
D6601	DIODE	LN25XB60	1	22380345	
D6602	DIODE	1SS133	1	223163T	
D6602 or	DIODE	1SS270ATD	(1)	223314T	
D6611	DIODE	LN25XB60	1	22380345	
D6612	DIODE	1SS133	1	223163T	
D6612 or	DIODE	1SS270ATD	(1)	223314T	
D6621	DIODE	LN25XB60	1	22380345	
D6701	DIODE	1SS133	1	223163T	
D6701 or	DIODE	1SS270ATD	(1)	223314T	
D6702	DIODE	1SS133	1	223163T	
D6702 or	DIODE	1SS270ATD	(1)	223314T	
D6703	ZENER D	MTZJ3.3B	1	224470332T	
D6703 or	ZENER D	HZS3C2	(1)	224860330T	N
D6704	ZENER D	MTZJ3.3B	1	224470332T	
D6704 or	ZENER D	HZS3C2	(1)	224860330T	N
D6713	ZENER D	MTZJ3.3B	1	224470332T	
D6713 or	ZENER D	HZS3C2	(1)	224860330T	N
Q6000	TR	2SC1740S-S	1	2213285T	
Q6000 or	TR	KTC3198-GR	(1)	2215985T	
Q6001	TR	2SC1740S-S	1	2213285T	
Q6001 or	TR	KTC3198-GR	(1)	2215985T	
Q6002	TR	2SC1740S-S	1	2213285T	
Q6002 or	TR	KTC3198-GR	(1)	2215985T	
Q6003	TR	2SC1740S-S	1	2213285T	
Q6003 or	TR	KTC3198-GR	(1)	2215985T	

Q6004	TR	2SC1740S-S	1	2213285T
Q6004 or	TR	KTC3198-GR	(1)	2215985T
Q6005	TR	2SC1740S-S	1	2213285T
Q6005 or	TR	KTC3198-GR	(1)	2215985T
Q6006	TR	2SC1740S-S	1	2213285T
Q6006 or	TR	KTC3198-GR	(1)	2215985T
Q6007	TR	2SC1740S-S	1	2213285T
Q6007 or	TR	KTC3198-GR	(1)	2215985T
Q6008	TR	2SC1740S-S	1	2213285T
Q6008 or	TR	KTC3198-GR	(1)	2215985T
Q6226	TR	2SB1240-R	1	2213794T
Q6226 or	TR	KTA1281-O	(1)	2217833T
Q6226 or	TR	KTA1281-Y	(1)	2217834T
Q6380	IC	LM61CIZ	1	22242212
Q6380A	RETAINER	(PTH)	1	27141884-1
Q6381	IC	LM61CIZ	1	22242212
Q6381A	RETAINER	(PTH)	1	27141884-1
Q6550	TR	2SC1815-GR	1	2211255T
Q6550 or	TR	KTC3198-GR	(1)	2215985T
Q6551	TR	2SA950-O	1	2211503T
Q6551 or	TR	2SA950-Y	(1)	2211504T
Q6551 or	TR	KTA1271-Y	(1)	2217824T
Q6560	TR	2SC1815-GR	1	2211255T
Q6560 or	TR	KTC3198-GR	(1)	2215985T
Q6561	TR	2SA950-O	1	2211503T
Q6561 or	TR	2SA950-Y	(1)	2211504T
Q6561 or	TR	KTA1271-Y	(1)	2217824T
Q6601	TR	KTC3199-GR	1	2215864T
Q6601 or	TR	2SC1740S-R	(1)	2213284T
Q6601 or	TR	2SC1740S-S	(1)	2213285T
Q6601 or	TR	KTC3198-GR	(1)	2215985T
Q6611	TR	KTC3199-GR	1	2215864T
Q6611 or	TR	2SC1740S-R	(1)	2213284T
Q6611 or	TR	2SC1740S-S	(1)	2213285T
Q6611 or	TR	KTC3198-GR	(1)	2215985T
Q6701	TR	2N5551C	1	2217920T
Q6702	TR	2N5551C	1	2217920T
Q6703	TR	2SA970-BL(TPE2_F)	1	2211396T
Q6703 or	TR	KTA1268-BL	(1)	2215886T
Q6713	TR	2SA970-BL(TPE2_F)	1	2211396T
Q6713 or	TR	KTA1268-BL	(1)	2215886T
[CAPACITOR]				
C6222	UTSP C	CE04W25V-220M(UTSP)	1	397552217T
C6601	MKT C	B32529C0102J289	1	376491024T
C6602	PLA C	ECQE250V-334J	1	3700083S
C6611	MKT C	B32529C0102J289	1	376491024T
C6612	TF C	ECQ-V100V-334J	1	374733344T

C6622	TF C	ECQ-V100V-334J	1	374733344T	
C6701	UTSP C	CE04W16V-330M(UTSP)	1	397543317T	
C6703	TF C	ECQ-V50V-223J	1	374722234T	
C6704	UTSP C	CE04W50V-1M(UTSP)	1	397580107T	
C6704 or	UTSP C	CE04W50V-1M(UTSP)	(1)	397580107AT	
C6706	UTSP C	CE04W50V-10M(UTSP)	1	397581007T	
C6706 or	UTSP C	CE04W50V-10M(UTSP)	(1)	397581007AT	
C6713	TF C	ECQ-V50V-223J	1	374722234T	
C6714	UTSP C	CE04W50V-1M(UTSP)	1	397580107T	
C6714 or	UTSP C	CE04W50V-1M(UTSP)	(1)	397580107AT	
C6901	ELECT C	CE69W75V-18000M	1	3504437A	
C6901 or	ELECT C	CE69W75V-18000M	(1)	3504479	
C6902	ELECT C	CE69W75V-18000M	1	3504437A	
C6902 or	ELECT C	CE69W75V-18000M	(1)	3504479	
[RESISTOR]					
R6222	METAL R	RNU1WCJ-1	1	453630104T	
R6223	CARBON R	R16J-5.6K	1	417345624T	
R6550	CARBON R	R16J-4.7K	1	417344724T	
R6551	CARBON R	R16J-330	1	417343314T	
R6552	CARBON R	R16J-1.8K	1	417341824T	
R6553	CARBON R	R16J-1.2K	1	417341224T	
R6554	CARBON R	R16J-22K	1	417342234T	
R6560	CARBON R	R16J-4.7K	1	417344724T	
R6561	CARBON R	R16J-330	1	417343314T	
R6562	CARBON R	R16J-1.8K	1	417341824T	
R6563	CARBON R	R16J-1.2K	1	417341224T	
R6564	CARBON R	R16J-22K	1	417342234T	
R6601	CARBON R	R16J-1K	1	417341024T	
R6602	CARBON R	R16J-4.7K	1	417344724T	
R6603	METAL R	RNU1/2WCJ-2.2	1	453530224T	
R6611	CARBON R	R16J-1K	1	417341024T	
R6612	CARBON R	R16J-4.7K	1	417344724T	
R6613	METAL R	RNU1/2WCJ-2.2	1	453530224T	
R6701	CARBON R	R16J-22K	1	417342234T	
R6702	CARBON R	R16J-10K	1	417341034T	
R6704	CARBON R	R16J-33K	1	417343334T	
R6706	CARBON R	R16J-22K	1	417342234T	
R6708	CARBON R	R16J-33K	1	417343334T	
R6709	CARBON R	R16J-5.6K	1	417345624T	
R6710	CARBON R	R16J-15K	1	417341534T	
R6712	CARBON R	R16J-10K	1	417341034T	
R6714	CARBON R	R16J-33K	1	417343334T	
R6716	CARBON R	R16J-22K	1	417342234T	
[SW TRM]					
F6601A	FUSE HOLDER	SN5051	1	250113	!
F6601B	FUSE HOLDER	SN5051	1	250113	!
F6602A	FUSE HOLDER	SN5051	1	250113	!

F6602B	FUSE HOLDER	SN5051	1	250113	!
F6603A	FUSE HOLDER	SN5051	1	250113	!
F6603B	FUSE HOLDER	SN5051	1	250113	!
F6604A	FUSE HOLDER	SN5051	1	250113	!
F6604B	FUSE HOLDER	SN5051	1	250113	!
JL6041A	WIRE HOL	NSCT-3P874	1	25051087	
JL6402A	WIRE TRAP	NPLG-3P586	1	25055624	
JL6402B	WIRE HOL	NSCT-3P874	1	25051087	
JL6403A	WIRE TRAP	NPLG-3P586	1	25055624	
JL6403B	WIRE HOL	NSCT-3P874	1	25051087	
JL6602A	WIRE HOL	NSCT-5P876	1	25051089	
JL6602B	WIRE TRAP	NPLG-5P588	1	25055626	
JL6900	SOCKET AS	NSAS-6P1991	1	2003B190618UL	
P5000A	SOCKET AS	NSAS-20P1811	1	2009991171UL	
P5001A	SOCKET AS	NSAS-16P1810	1	2009991170UL	
P5002A	CRIMP AS	CRIMP SR805_1	1	20799169UL	
P5010B	PLUG	NPLG-3P0958	1	25056008	
P5011B	PLUG	NPLG-3P0958	1	25056008	
P5012B	PLUG	NPLG-3P0958	1	25056008	
P5013B	PLUG	NPLG-3P0958	1	25056008	
P5014B	PLUG	NPLG-3P0958	1	25056008	
P5015B	PLUG	NPLG-3P0958	1	25056008	
P5016B	PLUG	NPLG-3P0958	1	25056008	
P5017B	PLUG	NPLG-3P0958	1	25056008	
P5018B	PLUG	NPLG-3P0958	1	25056008	
P5020B	TRM	NTM-1P232(M1700)	1	25060301	
P5021B	TRM	NTM-1P232(M1700)	1	25060301	
P5022B	TRM	NTM-1P232(M1700)	1	25060301	
P5023B	TRM	NTM-1P232(M1700)	1	25060301	
P5024B	TRM	NTM-1P232(M1700)	1	25060301	
P5025B	TRM	NTM-1P232(M1700)	1	25060301	
P5026B	TRM	NTM-1P232(M1700)	1	25060301	
P5027B	TRM	NTM-1P232(M1700)	1	25060301	
P5028B	TRM	NTM-1P232(M1700)	1	25060301	
P6010B	PLUG	NPLG-3P0958	1	25056008	
P6011B	PLUG	NPLG-3P0958	1	25056008	
P6012B	PLUG	NPLG-3P0958	1	25056008	
P6013B	PLUG	NPLG-3P0958	1	25056008	
P6014B	PLUG	NPLG-3P0958	1	25056008	
P6015B	PLUG	NPLG-3P0958	1	25056008	
P6016B	PLUG	NPLG-3P0958	1	25056008	
P6017B	PLUG	NPLG-3P0958	1	25056008	
P6018B	PLUG	NPLG-3P0958	1	25056008	
P6140	SOCKET AS	NSAS-9P1790	1	2009991156UL	
P6240	SOCKET AS	NSAS-9P1812	1	2009991172AUL	
P6340	SOCKET AS	NSAS-8P1660	1	2009991064AUL	
P6500	PLUG	NPLG-7P163	1	25055179	

P6550	PLUG	NPLG-2P83	1	25055099	
P6560	PLUG	NPLG-2P568	1	25055600	
P6601	SOCKET AS	NSAS7P-1815	1	2009991174UL	
P6601A	PLUG	NPLG-7P163	1	25055179	
P6602	RETAINER	(TRM-12)	1	27142148	
P6602B	RETAINER	MET37-0002	1	27142009T	
P6603	RETAINER	(TRM-12)	1	27142148	
P6603B	RETAINER	MET37-0002	1	27142009T	
P7210A	SOCKET AS	NSAS-22P1792	1	2009991158UL	
RL6601	RELAY	G2RL-1A-E-DC12V-423	1	25060496	
RL6602	RELAY	G2RL-1A-E-DC12V-423	1	25060496	
RL6611	RELAY	G2RL-1A-E-DC12V-423	1	25060496	
RL6612	RELAY	G2RL-1A-E-DC12V-423	1	25060496	

[MECHA PARTS]

P6202	HOLDER	HOLDER(CLAMP)	1	27190540-1	
P6400	RETAINER	(BUS-3)	1	27142058A	
P6401	RETAINER	(BUS-S)	1	27142147	
P6402	RETAINER	(BUS-L)	1	27142146	

U002

U0020, U0021

BAAMP-0191-2A *

U0020

POWER AMPLIFIER PC BOARD ASS'Y

BAAMP-0191-2A

U0021

POWER AMPLIFIER PC BOARD ASS'Y

BAAMP-0192-2A

CIRCUIT NO	PART NAME	DESCRIPTION	Q'TY	PART NO. (SN)	REMARKS
------------	-----------	-------------	------	---------------	---------

[SEMI CONDUCTOR]

D6000	DIODE	1SS270ATD	1	223314T	
D6001	DIODE	1SS270ATD	1	223314T	
D6002	DIODE	1SS270ATD	1	223314T	
D6003	DIODE	1SS270ATD	1	223314T	
D6004	DIODE	1SS270ATD	1	223314T	
D6005	DIODE	1SS270ATD	1	223314T	
D6006	DIODE	1SS270ATD	1	223314T	
D6007	DIODE	1SS270ATD	1	223314T	
D6008	DIODE	1SS270ATD	1	223314T	
Q6070	TR	2N5551C	1	2217920T	
Q6071	TR	2N5551C	1	2217920T	
Q6072	TR	2N5551C	1	2217920T	
Q6073	TR	2N5551C	1	2217920T	
Q6074	TR	2N5551C	1	2217920T	
Q6075	TR	2N5551C	1	2217920T	
Q6076	TR	2N5551C	1	2217920T	
Q6077	TR	2N5551C	1	2217920T	
Q6078	TR	2N5551C	1	2217920T	

[TRANS COIL]

L6000	FR CORE	*	1	5597-45502
L6001	FR CORE	*	1	5597-45502
L6002	FR CORE	*	1	5597-45502
L6003	FR CORE	*	1	5597-45502
L6004	FR CORE	*	1	5597-45502
L6005	FR CORE	*	1	5597-45502
L6006	FR CORE	*	1	5597-45502
L6007	FR CORE	*	1	5597-45502
L6008	FR CORE	*	1	5597-45502
L6010	FR CORE	*	1	5597-45502
L6011	FR CORE	*	1	5597-45502
L6012	FR CORE	*	1	5597-45502
L6013	FR CORE	*	1	5597-45502
L6014	FR CORE	*	1	5597-45502
L6015	FR CORE	*	1	5597-45502
L6016	FR CORE	*	1	5597-45502
L6017	FR CORE	*	1	5597-45502
L6018	FR CORE	*	1	5597-45502
[CAPACITOR]				
C6040	TF C	ECQ-V50V-223J	1	374722234T
C6041	TF C	ECQ-V50V-223J	1	374722234T
C6042	TF C	ECQ-V50V-223J	1	374722234T
C6043	TF C	ECQ-V50V-223J	1	374722234T
C6044	TF C	ECQ-V50V-223J	1	374722234T
C6045	TF C	ECQ-V50V-223J	1	374722234T
C6046	TF C	ECQ-V50V-223J	1	374722234T
C6047	TF C	ECQ-V50V-223J	1	374722234T
C6048	TF C	ECQ-V50V-223J	1	374722234T
[RESISTOR]				
R6080	METAL O R	RS1/2WBJ-10	1	443521004T
R6081	METAL O R	RS1/2WBJ-10	1	443521004T
R6082	METAL O R	RS1/2WBJ-10	1	443521004T
R6083	METAL O R	RS1/2WBJ-10	1	443521004T
R6084	METAL O R	RS1/2WBJ-10	1	443521004T
R6085	METAL O R	RS1/2WBJ-10	1	443521004T
R6086	METAL O R	RS1/2WBJ-10	1	443521004T
R6087	METAL O R	RS1/2WBJ-10	1	443521004T
R6088	METAL O R	RS1/2WBJ-10	1	443521004T
R6090	METAL O R	RS1/2WBJ-10	1	443521004T
R6091	METAL O R	RS1/2WBJ-10	1	443521004T
R6092	METAL O R	RS1/2WBJ-10	1	443521004T
R6093	METAL O R	RS1/2WBJ-10	1	443521004T
R6094	METAL O R	RS1/2WBJ-10	1	443521004T
R6095	METAL O R	RS1/2WBJ-10	1	443521004T
R6096	METAL O R	RS1/2WBJ-10	1	443521004T
R6097	METAL O R	RS1/2WBJ-10	1	443521004T
R6098	METAL O R	RS1/2WBJ-10	1	443521004T

R6170	CARBON R	R16J-33K	1	417343334T
R6171	CARBON R	R16J-33K	1	417343334T
R6172	CARBON R	R16J-33K	1	417343334T
R6173	CARBON R	R16J-33K	1	417343334T
R6174	CARBON R	R16J-33K	1	417343334T
R6175	CARBON R	R16J-33K	1	417343334T
R6176	CARBON R	R16J-33K	1	417343334T
R6177	CARBON R	R16J-33K	1	417343334T
R6178	CARBON R	R16J-33K	1	417343334T
R6180	CARBON R	R16J-56K	1	417345634T
R6181	CARBON R	R16J-56K	1	417345634T
R6182	CARBON R	R16J-56K	1	417345634T
R6183	CARBON R	R16J-56K	1	417345634T
R6184	CARBON R	R16J-56K	1	417345634T
R6185	CARBON R	R16J-56K	1	417345634T
R6186	CARBON R	R16J-56K	1	417345634T
R6187	CARBON R	R16J-56K	1	417345634T
R6188	CARBON R	R16J-56K	1	417345634T
R6190	CARBON R	R16J-10K	1	417341034T
R6191	CARBON R	R16J-10K	1	417341034T
R6192	CARBON R	R16J-10K	1	417341034T
R6193	CARBON R	R16J-10K	1	417341034T
R6194	CARBON R	R16J-10K	1	417341034T
R6195	CARBON R	R16J-10K	1	417341034T
R6196	CARBON R	R16J-10K	1	417341034T
R6197	CARBON R	R16J-10K	1	417341034T
R6198	CARBON R	R16J-10K	1	417341034T
R6210	CARBON R	R16J-47K	1	417344734T
R6211	CARBON R	R16J-47K	1	417344734T
R6212	CARBON R	R16J-47K	1	417344734T
R6213	CARBON R	R16J-47K	1	417344734T
R6214	CARBON R	R16J-47K	1	417344734T
R6215	CARBON R	R16J-47K	1	417344734T
R6216	CARBON R	R16J-47K	1	417344734T
R6217	CARBON R	R16J-47K	1	417344734T
R6218	CARBON R	R16J-47K	1	417344734T
R6230	CARBON R	R16J-47K	1	417344734T
R6231	CARBON R	R16J-47K	1	417344734T
R6232	CARBON R	R16J-47K	1	417344734T
R6233	CARBON R	R16J-47K	1	417344734T
R6234	CARBON R	R16J-47K	1	417344734T
R6235	CARBON R	R16J-47K	1	417344734T
R6236	CARBON R	R16J-47K	1	417344734T
R6237	CARBON R	R16J-47K	1	417344734T
R6238	CARBON R	R16J-47K	1	417344734T
R6400	METAL PR	MPR2W+2WK 0R47	1	4000253
R6401	METAL PR	MPR2W+2WK 0R47	1	4000253

R6402	METAL PR	MPR2W+2WK 0R47	1	4000253
R6403	METAL PR	MPR2W+2WK 0R47	1	4000253
R6404	METAL PR	MPR2W+2WK 0R47	1	4000253
R6405	METAL PR	MPR2W+2WK 0R47	1	4000253
R6406	METAL PR	MPR2W+2WK 0R47	1	4000253
R6407	METAL PR	MPR2W+2WK 0R47	1	4000253
R6408	METAL PR	MPR2W+2WK 0R47	1	4000253
R6410	METAL PR	MPR2W+2WK 0R47	1	4000253
R6411	METAL PR	MPR2W+2WK 0R47	1	4000253
R6412	METAL PR	MPR2W+2WK 0R47	1	4000253
R6413	METAL PR	MPR2W+2WK 0R47	1	4000253
R6414	METAL PR	MPR2W+2WK 0R47	1	4000253
R6415	METAL PR	MPR2W+2WK 0R47	1	4000253
R6416	METAL PR	MPR2W+2WK 0R47	1	4000253
R6417	METAL PR	MPR2W+2WK 0R47	1	4000253
R6418	METAL PR	MPR2W+2WK 0R47	1	4000253
[SW TRM]				
JL6041B	WIRE TRAP	NPLG-3P586	1	25055624
JL6042A	WIRE HOL	NSCT-3P874	1	25051087
JL6042B	WIRE TRAP	NPLG-3P586	1	25055624
P6030A	PLUG	IMSA-9115B-05	1	25056335
P6031A	PLUG	IMSA-9115B-05	1	25056335
P6032A	PLUG	IMSA-9115B-05	1	25056335
P6033A	PLUG	IMSA-9115B-05	1	25056335
P6034A	PLUG	IMSA-9115B-05	1	25056335
P6035A	PLUG	IMSA-9115B-05	1	25056335
P6036A	PLUG	IMSA-9115B-05	1	25056335
P6037A	PLUG	IMSA-9115B-05	1	25056335
P6038A	PLUG	IMSA-9115B-05	1	25056335
P6050	PLUG	IMSA-9201B-1-06Z388-PT1	1	25056614
P6051	PLUG	IMSA-9201B-1-06Z388-PT1	1	25056614
P6052	PLUG	IMSA-9201B-1-06Z388-PT1	1	25056614
P6053	PLUG	IMSA-9201B-1-06Z388-PT1	1	25056614
P6054	PLUG	IMSA-9201B-1-06Z388-PT1	1	25056614
P6055	PLUG	IMSA-9201B-1-06Z388-PT1	1	25056614
P6056	PLUG	IMSA-9201B-1-06Z388-PT1	1	25056614
P6057	PLUG	IMSA-9201B-1-06Z388-PT1	1	25056614
P6058	PLUG	IMSA-9201B-1-06Z388-PT1	1	25056614
P6060	PLUG	IMSA-9201B-1-06Z388-PT1	1	25056614
P6061	PLUG	IMSA-9201B-1-06Z388-PT1	1	25056614
P6062	PLUG	IMSA-9201B-1-06Z388-PT1	1	25056614
P6063	PLUG	IMSA-9201B-1-06Z388-PT1	1	25056614
P6064	PLUG	IMSA-9201B-1-06Z388-PT1	1	25056614
P6065	PLUG	IMSA-9201B-1-06Z388-PT1	1	25056614
P6066	PLUG	IMSA-9201B-1-06Z388-PT1	1	25056614
P6067	PLUG	IMSA-9201B-1-06Z388-PT1	1	25056614
P6068	PLUG	IMSA-9201B-1-06Z388-PT1	1	25056614

P6070	PLUG	NPLG-2P645	1	25055689	
P6071	PLUG	NPLG-2P645	1	25055689	
P6072	PLUG	NPLG-2P645	1	25055689	
P6073	PLUG	NPLG-2P645	1	25055689	
P6074	PLUG	NPLG-2P645	1	25055689	
P6075	PLUG	NPLG-2P645	1	25055689	
P6076	PLUG	NPLG-2P645	1	25055689	
P6077	PLUG	NPLG-2P645	1	25055689	
P6078	PLUG	NPLG-2P645	1	25055689	
P6240	SOCKET AS	NSAS-4P1789	1	2009991155AUL	
P6250	SOCKET AS	NSAS-5P1791	1	2009991157AUL	
P6340A	PLUG	NPLG-2P149	1	25055165	
P6350A	PLUG	NPLG-2P149	1	25055165	
[MECHA PARTS]					
P6340B	RETAINER	(AMP-4)	1	27142144	
P6340C	RETAINER	(AMP-4)	1	27142144	
P6350B	RETAINER	(AMP-5)	1	27142145	
P6350C	RETAINER	(AMP-5)	1	27142145	

U003	U0030~U0028	BACLA-0226-2A *
U0030	AMPLIFIER (L/SL/SBL/HL) PC BOARD ASS'Y	BACLA-0226-2A
U0031	AMPLIFIER (R/SR/SBR/HR/C) PC BOARD ASS'Y	BACLA-0227-2A
U0032	AMPLIFIER (R/SR/SBR/HR/C) PC BOARD ASS'Y	BACLA-0228-2A
U0033	AMPLIFIER (L/SL/SBL/HL) PC BOARD ASS'Y	BACLA-0229-2A
U0034	AMPLIFIER (R/SR/SBR/HR/C) PC BOARD ASS'Y	BACLA-0230-2A
U0035	AMPLIFIER (L/SL/SBL/HL) PC BOARD ASS'Y	BACLA-0231-2A
U0036	AMPLIFIER (R/SR/SBR/HR/C) PC BOARD ASS'Y	BACLA-0232-2A
U0037	AMPLIFIER (L/SL/SBL/HL) PC BOARD ASS'Y	BACLA-0233-2A
U0038	AMPLIFIER (R/SR/SBR/HR/C) PC BOARD ASS'Y	BACLA-0234-2A

CIRCUIT NO	PART NAME	DESCRIPTION	Q'TY	PART NO. (SN)	REMARKS
[SEMI CONDUCTOR]					
D5000	ZENER D	MTZJ5.6B	1	224470562T	
D5000 or	ZENER D	HZS6A3	(1)	224860560T	
D5001	ZENER D	MTZJ5.6B	1	224470562T	
D5001 or	ZENER D	HZS6A3	(1)	224860560T	
D5002	ZENER D	MTZJ5.6B	1	224470562T	
D5002 or	ZENER D	HZS6A3	(1)	224860560T	
D5003	ZENER D	MTZJ5.6B	1	224470562T	
D5003 or	ZENER D	HZS6A3	(1)	224860560T	
D5004	ZENER D	MTZJ5.6B	1	224470562T	
D5004 or	ZENER D	HZS6A3	(1)	224860560T	
D5005	ZENER D	MTZJ5.6B	1	224470562T	
D5005 or	ZENER D	HZS6A3	(1)	224860560T	

D5006	ZENER D	MTZJ5.6B	1	224470562T
D5006 or	ZENER D	HZS6A3	(1)	224860560T
D5007	ZENER D	MTZJ5.6B	1	224470562T
D5007 or	ZENER D	HZS6A3	(1)	224860560T
D5008	ZENER D	MTZJ5.6B	1	224470562T
D5008 or	ZENER D	HZS6A3	(1)	224860560T
Q5000	TR	2SC2240-BL(TPE2_F)	1	2211406T
Q5000 or	TR	KTC3201-BL	(1)	2217946T
Q5001	TR	2SC2240-BL(TPE2_F)	1	2211406T
Q5001 or	TR	KTC3201-BL	(1)	2217946T
Q5002	TR	2SC2240-BL(TPE2_F)	1	2211406T
Q5002 or	TR	KTC3201-BL	(1)	2217946T
Q5003	TR	2SC2240-BL(TPE2_F)	1	2211406T
Q5003 or	TR	KTC3201-BL	(1)	2217946T
Q5004	TR	2SC2240-BL(TPE2_F)	1	2211406T
Q5004 or	TR	KTC3201-BL	(1)	2217946T
Q5005	TR	2SC2240-BL(TPE2_F)	1	2211406T
Q5005 or	TR	KTC3201-BL	(1)	2217946T
Q5006	TR	2SC2240-BL(TPE2_F)	1	2211406T
Q5006 or	TR	KTC3201-BL	(1)	2217946T
Q5007	TR	2SC2240-BL(TPE2_F)	1	2211406T
Q5007 or	TR	KTC3201-BL	(1)	2217946T
Q5008	TR	2SC2240-BL(TPE2_F)	1	2211406T
Q5008 or	TR	KTC3201-BL	(1)	2217946T
Q5010	TR	2SC2240-BL(TPE2_F)	1	2211406T
Q5010 or	TR	KTC3201-BL	(1)	2217946T
Q5011	TR	2SC2240-BL(TPE2_F)	1	2211406T
Q5011 or	TR	KTC3201-BL	(1)	2217946T
Q5012	TR	2SC2240-BL(TPE2_F)	1	2211406T
Q5012 or	TR	KTC3201-BL	(1)	2217946T
Q5013	TR	2SC2240-BL(TPE2_F)	1	2211406T
Q5013 or	TR	KTC3201-BL	(1)	2217946T
Q5014	TR	2SC2240-BL(TPE2_F)	1	2211406T
Q5014 or	TR	KTC3201-BL	(1)	2217946T
Q5015	TR	2SC2240-BL(TPE2_F)	1	2211406T
Q5015 or	TR	KTC3201-BL	(1)	2217946T
Q5016	TR	2SC2240-BL(TPE2_F)	1	2211406T
Q5016 or	TR	KTC3201-BL	(1)	2217946T
Q5017	TR	2SC2240-BL(TPE2_F)	1	2211406T
Q5017 or	TR	KTC3201-BL	(1)	2217946T
Q5018	TR	2SC2240-BL(TPE2_F)	1	2211406T
Q5018 or	TR	KTC3201-BL	(1)	2217946T
Q5020	TR	2N5551C	1	2217920T
Q5021	TR	2N5551C	1	2217920T
Q5022	TR	2N5551C	1	2217920T
Q5023	TR	2N5551C	1	2217920T
Q5024	TR	2N5551C	1	2217920T

Q5025	TR	2N5551C	1	2217920T
Q5026	TR	2N5551C	1	2217920T
Q5027	TR	2N5551C	1	2217920T
Q5027 or	TR	KTC3201-BL	(1)	2217946T
Q5028	TR	2N5551C	1	2217920T
Q5028 or	TR	KTC3201-BL	(1)	2217946T
Q5030	TR	2SA949-O(TPE6_F)	1	2211353T
Q5030 or	TR	2SA949-Y(TPE6_F)	(1)	2211354T
Q5031	TR	2SA949-O(TPE6_F)	1	2211353T
Q5031 or	TR	2SA949-Y(TPE6_F)	(1)	2211354T
Q5032	TR	2SA949-O(TPE6_F)	1	2211353T
Q5032 or	TR	2SA949-Y(TPE6_F)	(1)	2211354T
Q5033	TR	2SA949-O(TPE6_F)	1	2211353T
Q5033 or	TR	2SA949-Y(TPE6_F)	(1)	2211354T
Q5034	TR	2SA949-O(TPE6_F)	1	2211353T
Q5034 or	TR	2SA949-Y(TPE6_F)	(1)	2211354T
Q5035	TR	2SA949-O(TPE6_F)	1	2211353T
Q5035 or	TR	2SA949-Y(TPE6_F)	(1)	2211354T
Q5036	TR	2SA949-O(TPE6_F)	1	2211353T
Q5036 or	TR	2SA949-Y(TPE6_F)	(1)	2211354T
Q5037	TR	2SA949-O(TPE6_F)	1	2211353T
Q5037 or	TR	2SA949-Y(TPE6_F)	(1)	2211354T
Q5038	TR	2SA949-O(TPE6_F)	1	2211353T
Q5038 or	TR	2SA949-Y(TPE6_F)	(1)	2211354T
Q5040	TR	2SA949-O(TPE6_F)	1	2211353T
Q5040 or	TR	2SA949-Y(TPE6_F)	(1)	2211354T
Q5041	TR	2SA949-O(TPE6_F)	1	2211353T
Q5041 or	TR	2SA949-Y(TPE6_F)	(1)	2211354T
Q5042	TR	2SA949-O(TPE6_F)	1	2211353T
Q5042 or	TR	2SA949-Y(TPE6_F)	(1)	2211354T
Q5043	TR	2SA949-O(TPE6_F)	1	2211353T
Q5043 or	TR	2SA949-Y(TPE6_F)	(1)	2211354T
Q5044	TR	2SA949-O(TPE6_F)	1	2211353T
Q5044 or	TR	2SA949-Y(TPE6_F)	(1)	2211354T
Q5045	TR	2SA949-O(TPE6_F)	1	2211353T
Q5045 or	TR	2SA949-Y(TPE6_F)	(1)	2211354T
Q5046	TR	2SA949-O(TPE6_F)	1	2211353T
Q5046 or	TR	2SA949-Y(TPE6_F)	(1)	2211354T
Q5047	TR	2SA949-O(TPE6_F)	1	2211353T
Q5047 or	TR	2SA949-Y(TPE6_F)	(1)	2211354T
Q5048	TR	2SA949-O(TPE6_F)	1	2211353T
Q5048 or	TR	2SA949-Y(TPE6_F)	(1)	2211354T
Q5050	TR	2SA1360-Y	1	2202094
Q5050 or	TR	2SA1360-O	(1)	2202093
Q5051	TR	2SA1360-Y	1	2202094
Q5051 or	TR	2SA1360-O	(1)	2202093
Q5052	TR	2SA1360-Y	1	2202094

Q5052 or	TR	2SA1360-O	(1)	2202093
Q5053	TR	2SA1360-Y	1	2202094
Q5053 or	TR	2SA1360-O	(1)	2202093
Q5054	TR	2SA1360-Y	1	2202094
Q5054 or	TR	2SA1360-O	(1)	2202093
Q5055	TR	2SA1360-Y	1	2202094
Q5055 or	TR	2SA1360-O	(1)	2202093
Q5056	TR	2SA1360-Y	1	2202094
Q5056 or	TR	2SA1360-O	(1)	2202093
Q5057	TR	2SA1360-Y	1	2202094
Q5057 or	TR	2SA1360-O	(1)	2202093
Q5058	TR	2SA1360-Y	1	2202094
Q5058 or	TR	2SA1360-O	(1)	2202093
Q5060	TR	2SC2240-BL(TPE2_F)	1	2211406T
Q5060 or	TR	KTC3201-BL	(1)	2217946T
Q5061	TR	2SC2240-BL(TPE2_F)	1	2211406T
Q5061 or	TR	KTC3201-BL	(1)	2217946T
Q5062	TR	2SC2240-BL(TPE2_F)	1	2211406T
Q5062 or	TR	KTC3201-BL	(1)	2217946T
Q5063	TR	2SC2240-BL(TPE2_F)	1	2211406T
Q5063 or	TR	KTC3201-BL	(1)	2217946T
Q5064	TR	2SC2240-BL(TPE2_F)	1	2211406T
Q5064 or	TR	KTC3201-BL	(1)	2217946T
Q5065	TR	2SC2240-BL(TPE2_F)	1	2211406T
Q5065 or	TR	KTC3201-BL	(1)	2217946T
Q5066	TR	2SC2240-BL(TPE2_F)	1	2211406T
Q5066 or	TR	KTC3201-BL	(1)	2217946T
Q5067	TR	2SC2240-BL(TPE2_F)	1	2211406T
Q5067 or	TR	KTC3201-BL	(1)	2217946T
Q5068	TR	2SC2240-BL(TPE2_F)	1	2211406T
Q5068 or	TR	KTC3201-BL	(1)	2217946T
Q5070	TR	2SC2240-BL(TPE2_F)	1	2211406T
Q5070 or	TR	KTC3201-BL	(1)	2217946T
Q5071	TR	2SC2240-BL(TPE2_F)	1	2211406T
Q5071 or	TR	KTC3201-BL	(1)	2217946T
Q5072	TR	2SC2240-BL(TPE2_F)	1	2211406T
Q5072 or	TR	KTC3201-BL	(1)	2217946T
Q5073	TR	2SC2240-BL(TPE2_F)	1	2211406T
Q5073 or	TR	KTC3201-BL	(1)	2217946T
Q5074	TR	2SC2240-BL(TPE2_F)	1	2211406T
Q5074 or	TR	KTC3201-BL	(1)	2217946T
Q5075	TR	2SC2240-BL(TPE2_F)	1	2211406T
Q5075 or	TR	KTC3201-BL	(1)	2217946T
Q5076	TR	2SC2240-BL(TPE2_F)	1	2211406T
Q5076 or	TR	KTC3201-BL	(1)	2217946T
Q5077	TR	2SC2240-BL(TPE2_F)	1	2211406T
Q5077 or	TR	KTC3201-BL	(1)	2217946T

Q5078	TR	2SC2240-BL(TPE2_F)	1	2211406T
Q5078 or	TR	KTC3201-BL	(1)	2217946T
Q5080	TR	2SC3423-Y	1	2202104
Q5080 or	TR	2SC3423-O	(1)	2202103
Q5080A	HEAT SINK	(CLA)B	1	27160642A
Q5080B	SCREW	3TTB+8B(3BC)	4	838430088GR
Q5081	TR	2SC3423-Y	1	2202104
Q5081 or	TR	2SC3423-O	(1)	2202103
Q5081A	HEAT SINK	(CLA)B	1	27160642A
Q5081B	SCREW	3TTB+8B(3BC)	4	838430088GR
Q5082	TR	2SC3423-Y	1	2202104
Q5082 or	TR	2SC3423-O	(1)	2202103
Q5082A	HEAT SINK	(CLA)B	1	27160642A
Q5082B	SCREW	3TTB+8B(3BC)	4	838430088GR
Q5083	TR	2SC3423-Y	1	2202104
Q5083 or	TR	2SC3423-O	(1)	2202103
Q5083A	HEAT SINK	(CLA)B	1	27160642A
Q5083B	SCREW	3TTB+8B(3BC)	4	838430088GR
Q5084	TR	2SC3423-Y	1	2202104
Q5084 or	TR	2SC3423-O	(1)	2202103
Q5084A	HEAT SINK	(CLA)B	1	27160642A
Q5084B	SCREW	3TTB+8B(3BC)	4	838430088GR
Q5085	TR	2SC3423-Y	1	2202104
Q5085 or	TR	2SC3423-O	(1)	2202103
Q5085A	HEAT SINK	(CLA)B	1	27160642A
Q5085B	SCREW	3TTB+8B(3BC)	4	838430088GR
Q5086	TR	2SC3423-Y	1	2202104
Q5086 or	TR	2SC3423-O	(1)	2202103
Q5086A	HEAT SINK	(CLA)B	1	27160642A
Q5086B	SCREW	3TTB+8B(3BC)	4	838430088GR
Q5087	TR	2SC3423-Y	1	2202104
Q5087 or	TR	2SC3423-O	(1)	2202103
Q5087A	HEAT SINK	(CLA)B	1	27160642A
Q5087B	SCREW	3TTB+8B(3BC)	4	838430088GR
Q5088	TR	2SC3423-Y	1	2202104
Q5088 or	TR	2SC3423-O	(1)	2202103
Q5088B	SCREW	3TTB+8B(3BC)	4	838430088GR
Q5888A	HEAT SINK	(CLA)B	1	27160642A
Q6010	TR	2SC1740S-S	1	2213285T
Q6010 or	TR	KTC3198-GR	(1)	2215985T
Q6011	TR	2SC1740S-S	1	2213285T
Q6011 or	TR	KTC3198-GR	(1)	2215985T
Q6012	TR	2SC1740S-S	1	2213285T
Q6012 or	TR	KTC3198-GR	(1)	2215985T
Q6013	TR	2SC1740S-S	1	2213285T
Q6013 or	TR	KTC3198-GR	(1)	2215985T
Q6014	TR	2SC1740S-S	1	2213285T

Q6014 or	TR	KTC3198-GR	(1)	2215985T
Q6015	TR	2SC1740S-S	1	2213285T
Q6015 or	TR	KTC3198-GR	(1)	2215985T
Q6016	TR	2SC1740S-S	1	2213285T
Q6016 or	TR	KTC3198-GR	(1)	2215985T
Q6017	TR	2SC1740S-S	1	2213285T
Q6017 or	TR	KTC3198-GR	(1)	2215985T
Q6018	TR	2SC1740S-S	1	2213285T
Q6018 or	TR	KTC3198-GR	(1)	2215985T
Q6020	TR	2SA933S-R	1	2213354T
Q6020 or	TR	2SA1048-GR	(1)	2212125T
Q6020 or	TR	2SA933S-S	(1)	2213355T
Q6020 or	TR	KTA1267-GR	(1)	2215995T
Q6021	TR	2SA933S-R	1	2213354T
Q6021 or	TR	2SA1048-GR	(1)	2212125T
Q6021 or	TR	2SA933S-S	(1)	2213355T
Q6021 or	TR	KTA1267-GR	(1)	2215995T
Q6022	TR	2SA933S-R	1	2213354T
Q6022 or	TR	2SA1048-GR	(1)	2212125T
Q6022 or	TR	2SA933S-S	(1)	2213355T
Q6022 or	TR	KTA1267-GR	(1)	2215995T
Q6023	TR	2SA933S-R	1	2213354T
Q6023 or	TR	2SA1048-GR	(1)	2212125T
Q6023 or	TR	2SA933S-S	(1)	2213355T
Q6023 or	TR	KTA1267-GR	(1)	2215995T
Q6024	TR	2SA933S-R	1	2213354T
Q6024 or	TR	2SA1048-GR	(1)	2212125T
Q6024 or	TR	2SA933S-S	(1)	2213355T
Q6024 or	TR	KTA1267-GR	(1)	2215995T
Q6025	TR	2SA933S-R	1	2213354T
Q6025 or	TR	2SA1048-GR	(1)	2212125T
Q6025 or	TR	2SA933S-S	(1)	2213355T
Q6025 or	TR	KTA1267-GR	(1)	2215995T
Q6026	TR	2SA933S-R	1	2213354T
Q6026 or	TR	2SA1048-GR	(1)	2212125T
Q6026 or	TR	2SA933S-S	(1)	2213355T
Q6026 or	TR	KTA1267-GR	(1)	2215995T
Q6027	TR	2SA933S-R	1	2213354T
Q6027 or	TR	2SA1048-GR	(1)	2212125T
Q6027 or	TR	2SA933S-S	(1)	2213355T
Q6027 or	TR	KTA1267-GR	(1)	2215995T
Q6028	TR	2SA933S-R	1	2213354T
Q6028 or	TR	2SA1048-GR	(1)	2212125T
Q6028 or	TR	2SA933S-S	(1)	2213355T
Q6028 or	TR	KTA1267-GR	(1)	2215995T
Q6030	TR	2SC2229-O(TPE6_F)	1	2211633T
Q6030 or	TR	2SC2229-Y(TPE6_F)	(1)	2211634T

Q6031	TR	2SC2229-O(TPE6_F)	1	2211633T
Q6031 or	TR	2SC2229-Y(TPE6_F)	(1)	2211634T
Q6032	TR	2SC2229-O(TPE6_F)	1	2211633T
Q6032 or	TR	2SC2229-Y(TPE6_F)	(1)	2211634T
Q6033	TR	2SC2229-O(TPE6_F)	1	2211633T
Q6033 or	TR	2SC2229-Y(TPE6_F)	(1)	2211634T
Q6034	TR	2SC2229-O(TPE6_F)	1	2211633T
Q6034 or	TR	2SC2229-Y(TPE6_F)	(1)	2211634T
Q6035	TR	2SC2229-O(TPE6_F)	1	2211633T
Q6035 or	TR	2SC2229-Y(TPE6_F)	(1)	2211634T
Q6036	TR	2SC2229-O(TPE6_F)	1	2211633T
Q6036 or	TR	2SC2229-Y(TPE6_F)	(1)	2211634T
Q6037	TR	2SC2229-O(TPE6_F)	1	2211633T
Q6037 or	TR	2SC2229-Y(TPE6_F)	(1)	2211634T
Q6038	TR	2SC2229-O(TPE6_F)	1	2211633T
Q6038 or	TR	2SC2229-Y(TPE6_F)	(1)	2211634T
Q6040	TR	2SA949-O(TPE6_F)	1	2211353T
Q6040 or	TR	2SA949-Y(TPE6_F)	(1)	2211354T
Q6041	TR	2SA949-O(TPE6_F)	1	2211353T
Q6041 or	TR	2SA949-Y(TPE6_F)	(1)	2211354T
Q6042	TR	2SA949-O(TPE6_F)	1	2211353T
Q6042 or	TR	2SA949-Y(TPE6_F)	(1)	2211354T
Q6043	TR	2SA949-O(TPE6_F)	1	2211353T
Q6043 or	TR	2SA949-Y(TPE6_F)	(1)	2211354T
Q6044	TR	2SA949-O(TPE6_F)	1	2211353T
Q6044 or	TR	2SA949-Y(TPE6_F)	(1)	2211354T
Q6045	TR	2SA949-O(TPE6_F)	1	2211353T
Q6045 or	TR	2SA949-Y(TPE6_F)	(1)	2211354T
Q6046	TR	2SA949-O(TPE6_F)	1	2211353T
Q6046 or	TR	2SA949-Y(TPE6_F)	(1)	2211354T
Q6047	TR	2SA949-O(TPE6_F)	1	2211353T
Q6047 or	TR	2SA949-Y(TPE6_F)	(1)	2211354T
Q6048	TR	2SA949-O(TPE6_F)	1	2211353T
Q6048 or	TR	2SA949-Y(TPE6_F)	(1)	2211354T
Q6100	TR	TTA-004(Q)TO126	1	2217442
Q6101	TR	TTA-004(Q)TO126	1	2217442
Q6102	TR	TTA-004(Q)TO126	1	2217442
Q6103	TR	TTA-004(Q)TO126	1	2217442
Q6104	TR	TTA-004(Q)TO126	1	2217442
Q6105	TR	TTA-004(Q)TO126	1	2217442
Q6106	TR	TTA-004(Q)TO126	1	2217442
Q6107	TR	TTA-004(Q)TO126	1	2217442
Q6108	TR	TTA-004(Q)TO126	1	2217442
Q6110	TR	TTC-004(Q)TO126	1	2217452
Q6111	TR	TTC-004(Q)TO126	1	2217452
Q6112	TR	TTC-004(Q)TO126	1	2217452
Q6113	TR	TTC-004(Q)TO126	1	2217452

Q6114	TR		TTC-004(Q)TO126	1	2217452
Q6115	TR		TTC-004(Q)TO126	1	2217452
Q6116	TR		TTC-004(Q)TO126	1	2217452
Q6117	TR		TTC-004(Q)TO126	1	2217452
Q6118	TR		TTC-004(Q)TO126	1	2217452
[CAPACITOR]					
C5000	UTSP C		CE04W50V-10M(UTSP)	1	397581007T
C5000 or	UTSP C		CE04W50V-10M(UTSP)	(1)	397581007AT
C5001	UTSP C		CE04W50V-10M(UTSP)	1	397581007T
C5001 or	UTSP C		CE04W50V-10M(UTSP)	(1)	397581007AT
C5002	UTSP C		CE04W50V-10M(UTSP)	1	397581007T
C5002 or	UTSP C		CE04W50V-10M(UTSP)	(1)	397581007AT
C5003	UTSP C		CE04W50V-10M(UTSP)	1	397581007T
C5003 or	UTSP C		CE04W50V-10M(UTSP)	(1)	397581007AT
C5004	UTSP C		CE04W50V-10M(UTSP)	1	397581007T
C5004 or	UTSP C		CE04W50V-10M(UTSP)	(1)	397581007AT
C5005	UTSP C		CE04W50V-10M(UTSP)	1	397581007T
C5005 or	UTSP C		CE04W50V-10M(UTSP)	(1)	397581007AT
C5006	UTSP C		CE04W50V-10M(UTSP)	1	397581007T
C5006 or	UTSP C		CE04W50V-10M(UTSP)	(1)	397581007AT
C5007	UTSP C		CE04W50V-10M(UTSP)	1	397581007T
C5007 or	UTSP C		CE04W50V-10M(UTSP)	(1)	397581007AT
C5008	UTSP C		CE04W50V-10M(UTSP)	1	397581007T
C5008 or	UTSP C		CE04W50V-10M(UTSP)	(1)	397581007AT
C5010	UTSJ C		CE04W50V-47M(UTSJ)	1	398084707BT
C5011	UTSJ C		CE04W50V-47M(UTSJ)	1	398084707BT
C5012	UTSJ C		CE04W50V-47M(UTSJ)	1	398084707BT
C5013	UTSJ C		CE04W50V-47M(UTSJ)	1	398084707BT
C5014	UTSJ C		CE04W50V-47M(UTSJ)	1	398084707BT
C5015	UTSJ C		CE04W50V-47M(UTSJ)	1	398084707BT
C5016	UTSJ C		CE04W50V-47M(UTSJ)	1	398084707BT
C5017	UTSJ C		CE04W50V-47M(UTSJ)	1	398084707BT
C5018	UTSJ C		CE04W50V-47M(UTSJ)	1	398084707BT
C5020	UPZ C		2AUPZTF471JE	1	376334714T
C5021	UPZ C		2AUPZTF471JE	1	376334714T
C5022	UPZ C		2AUPZTF471JE	1	376334714T
C5023	UPZ C		2AUPZTF471JE	1	376334714T
C5024	UPZ C		2AUPZTF471JE	1	376334714T
C5025	UPZ C		2AUPZTF471JE	1	376334714T
C5026	UPZ C		2AUPZTF471JE	1	376334714T
C5027	UPZ C		2AUPZTF471JE	1	376334714T
C5028	UPZ C		2AUPZTF471JE	1	376334714T
C5040	UTSP C		CE04W25V-220M(UTSP)	1	397552217T
C5041	UTSP C		CE04W25V-220M(UTSP)	1	397552217T
C5042	UTSP C		CE04W25V-220M(UTSP)	1	397552217T
C5043	UTSP C		CE04W25V-220M(UTSP)	1	397552217T
C5044	UTSP C		CE04W25V-220M(UTSP)	1	397552217T

C5045	UTSP C	CE04W25V-220M(UTSP)	1	397552217T
C5046	UTSP C	CE04W25V-220M(UTSP)	1	397552217T
C5047	UTSP C	CE04W25V-220M(UTSP)	1	397552217T
C5048	UTSP C	CE04W25V-220M(UTSP)	1	397552217T
C5070	VX C	CE04W100V-10M(VX_BLK)	1	397391007T
C5071	VX C	CE04W100V-10M(VX_BLK)	1	397391007T
C5072	VX C	CE04W100V-10M(VX_BLK)	1	397391007T
C5073	VX C	CE04W100V-10M(VX_BLK)	1	397391007T
C5074	VX C	CE04W100V-10M(VX_BLK)	1	397391007T
C5075	VX C	CE04W100V-10M(VX_BLK)	1	397391007T
C5076	VX C	CE04W100V-10M(VX_BLK)	1	397391007T
C5077	VX C	CE04W100V-10M(VX_BLK)	1	397391007T
C5078	VX C	CE04W100V-10M(VX_BLK)	1	397391007T
C5080	VX C	CE04W63V-22M(VX_BLK)	1	397372207T
C5081	VX C	CE04W63V-22M(VX_BLK)	1	397372207T
C5082	VX C	CE04W63V-22M(VX_BLK)	1	397372207T
C5083	VX C	CE04W63V-22M(VX_BLK)	1	397372207T
C5084	VX C	CE04W63V-22M(VX_BLK)	1	397372207T
C5085	VX C	CE04W63V-22M(VX_BLK)	1	397372207T
C5086	VX C	CE04W63V-22M(VX_BLK)	1	397372207T
C5087	VX C	CE04W63V-22M(VX_BLK)	1	397372207T
C5088	VX C	CE04W63V-22M(VX_BLK)	1	397372207T
C5100	UPZ C	2AUPZTF101JE	1	376331014T
C5101	UPZ C	2AUPZTF101JE	1	376331014T
C5102	UPZ C	2AUPZTF101JE	1	376331014T
C5103	UPZ C	2AUPZTF101JE	1	376331014T
C5104	UPZ C	2AUPZTF101JE	1	376331014T
C5105	UPZ C	2AUPZTF101JE	1	376331014T
C5106	UPZ C	2AUPZTF101JE	1	376331014T
C5107	UPZ C	2AUPZTF101JE	1	376331014T
C5108	UPZ C	2AUPZTF101JE	1	376331014T
C5110	CERA C	CC45CH50V-010C	1	345340101T
C5111	CERA C	CC45CH50V-010C	1	345340101T
C5112	CERA C	CC45CH50V-010C	1	345340101T
C5113	CERA C	CC45CH50V-010C	1	345340101T
C5114	CERA C	CC45CH50V-010C	1	345340101T
C5115	CERA C	CC45CH50V-010C	1	345340101T
C5116	CERA C	CC45CH50V-010C	1	345340101T
C5117	CERA C	CC45CH50V-010C	1	345340101T
C5118	CERA C	CC45CH50V-010C	1	345340101T
C5120	SPC C	CE04W100V-100M(RJ5)	1	396791017T
C5121	SPC C	CE04W100V-100M(RJ5)	1	396791017T
C5122	SPC C	CE04W100V-100M(RJ5)	1	396791017T
C5123	SPC C	CE04W100V-100M(RJ5)	1	396791017T
C5124	SPC C	CE04W100V-100M(RJ5)	1	396791017T
C5125	SPC C	CE04W100V-100M(RJ5)	1	396791017T
C5126	SPC C	CE04W100V-100M(RJ5)	1	396791017T

C5127	SPC C	CE04W100V-100M(RJ5)	1	396791017T
C5128	SPC C	CE04W100V-100M(RJ5)	1	396791017T
C5130	SPC C	CE04W100V-100M(RJ5)	1	396791017T
C5131	SPC C	CE04W100V-100M(RJ5)	1	396791017T
C5132	SPC C	CE04W100V-100M(RJ5)	1	396791017T
C5133	SPC C	CE04W100V-100M(RJ5)	1	396791017T
C5134	SPC C	CE04W100V-100M(RJ5)	1	396791017T
C5135	SPC C	CE04W100V-100M(RJ5)	1	396791017T
C5136	SPC C	CE04W100V-100M(RJ5)	1	396791017T
C5137	SPC C	CE04W100V-100M(RJ5)	1	396791017T
C5138	SPC C	CE04W100V-100M(RJ5)	1	396791017T
C6000	MKT C	B32529C0102J289	1	376491024T
C6001	MKT C	B32529C0102J289	1	376491024T
C6002	MKT C	B32529C0102J289	1	376491024T
C6003	MKT C	B32529C0102J289	1	376491024T
C6004	MKT C	B32529C0102J289	1	376491024T
C6005	MKT C	B32529C0102J289	1	376491024T
C6006	MKT C	B32529C0102J289	1	376491024T
C6007	MKT C	B32529C0102J289	1	376491024T
C6008	MKT C	B32529C0102J289	1	376491024T
C6010	UTSP C	CE04W50V 47M(UTSP)	1	397584707T
C6010 or	UTSP C	CE04W50V 47M(UTSP)	(1)	397584707AT
C6011	UTSP C	CE04W50V 47M(UTSP)	1	397584707T
C6011 or	UTSP C	CE04W50V 47M(UTSP)	(1)	397584707AT
C6012	UTSP C	CE04W50V 47M(UTSP)	1	397584707T
C6012 or	UTSP C	CE04W50V 47M(UTSP)	(1)	397584707AT
C6013	UTSP C	CE04W50V 47M(UTSP)	1	397584707T
C6013 or	UTSP C	CE04W50V 47M(UTSP)	(1)	397584707AT
C6014	UTSP C	CE04W50V 47M(UTSP)	1	397584707T
C6014 or	UTSP C	CE04W50V 47M(UTSP)	(1)	397584707AT
C6015	UTSP C	CE04W50V 47M(UTSP)	1	397584707T
C6015 or	UTSP C	CE04W50V 47M(UTSP)	(1)	397584707AT
C6016	UTSP C	CE04W50V 47M(UTSP)	1	397584707T
C6016 or	UTSP C	CE04W50V 47M(UTSP)	(1)	397584707AT
C6017	UTSP C	CE04W50V 47M(UTSP)	1	397584707T
C6017 or	UTSP C	CE04W50V 47M(UTSP)	(1)	397584707AT
C6018	UTSP C	CE04W50V 47M(UTSP)	1	397584707T
C6018 or	UTSP C	CE04W50V 47M(UTSP)	(1)	397584707AT
C6020	UTSP C	CE04W50V 47M(UTSP)	1	397584707T
C6020 or	UTSP C	CE04W50V 47M(UTSP)	(1)	397584707AT
C6021	UTSP C	CE04W50V 47M(UTSP)	1	397584707T
C6021 or	UTSP C	CE04W50V 47M(UTSP)	(1)	397584707AT
C6022	UTSP C	CE04W50V 47M(UTSP)	1	397584707T
C6022 or	UTSP C	CE04W50V 47M(UTSP)	(1)	397584707AT
C6023	UTSP C	CE04W50V 47M(UTSP)	1	397584707T
C6023 or	UTSP C	CE04W50V 47M(UTSP)	(1)	397584707AT
C6024	UTSP C	CE04W50V 47M(UTSP)	1	397584707T

C6024 or	UTSP C	CE04W50V 47M(UTSP)	(1)	397584707AT
C6025	UTSP C	CE04W50V 47M(UTSP)	1	397584707T
C6025 or	UTSP C	CE04W50V 47M(UTSP)	(1)	397584707AT
C6026	UTSP C	CE04W50V 47M(UTSP)	1	397584707T
C6026 or	UTSP C	CE04W50V 47M(UTSP)	(1)	397584707AT
C6027	UTSP C	CE04W50V 47M(UTSP)	1	397584707T
C6027 or	UTSP C	CE04W50V 47M(UTSP)	(1)	397584707AT
C6028	UTSP C	CE04W50V 47M(UTSP)	1	397584707T
C6028 or	UTSP C	CE04W50V 47M(UTSP)	(1)	397584707AT
[RESISTOR]				
R5000	CARBON R	R16J-1K	1	417341024T
R5001	CARBON R	R16J-1K	1	417341024T
R5002	CARBON R	R16J-1K	1	417341024T
R5003	CARBON R	R16J-1K	1	417341024T
R5004	CARBON R	R16J-1K	1	417341024T
R5005	CARBON R	R16J-1K	1	417341024T
R5006	CARBON R	R16J-1K	1	417341024T
R5007	CARBON R	R16J-1K	1	417341024T
R5008	CARBON R	R16J-1K	1	417341024T
R5010	CARBON R	R16J-56K	1	417345634T
R5011	CARBON R	R16J-56K	1	417345634T
R5012	CARBON R	R16J-56K	1	417345634T
R5013	CARBON R	R16J-56K	1	417345634T
R5014	CARBON R	R16J-56K	1	417345634T
R5015	CARBON R	R16J-56K	1	417345634T
R5016	CARBON R	R16J-56K	1	417345634T
R5017	CARBON R	R16J-56K	1	417345634T
R5018	CARBON R	R16J-56K	1	417345634T
R5020	CARBON R	R16J-330	1	417343314T
R5021	CARBON R	R16J-330	1	417343314T
R5022	CARBON R	R16J-330	1	417343314T
R5023	CARBON R	R16J-330	1	417343314T
R5024	CARBON R	R16J-330	1	417343314T
R5025	CARBON R	R16J-330	1	417343314T
R5026	CARBON R	R16J-330	1	417343314T
R5027	CARBON R	R16J-330	1	417343314T
R5028	CARBON R	R16J-330	1	417343314T
R5030	CARBON R	R16J-330	1	417343314T
R5031	CARBON R	R16J-330	1	417343314T
R5032	CARBON R	R16J-330	1	417343314T
R5033	CARBON R	R16J-330	1	417343314T
R5034	CARBON R	R16J-330	1	417343314T
R5035	CARBON R	R16J-330	1	417343314T
R5036	CARBON R	R16J-330	1	417343314T
R5037	CARBON R	R16J-330	1	417343314T
R5038	CARBON R	R16J-330	1	417343314T
R5040	CARBON R	R16J-330	1	417343314T

R5041	CARBON R	R16J-330	1	417343314T
R5042	CARBON R	R16J-330	1	417343314T
R5043	CARBON R	R16J-330	1	417343314T
R5044	CARBON R	R16J-330	1	417343314T
R5045	CARBON R	R16J-330	1	417343314T
R5046	CARBON R	R16J-330	1	417343314T
R5047	CARBON R	R16J-330	1	417343314T
R5048	CARBON R	R16J-330	1	417343314T
R5050	CARBON R	R16J-5.6K	1	417345624T
R5051	CARBON R	R16J-5.6K	1	417345624T
R5052	CARBON R	R16J-5.6K	1	417345624T
R5053	CARBON R	R16J-5.6K	1	417345624T
R5054	CARBON R	R16J-5.6K	1	417345624T
R5055	CARBON R	R16J-5.6K	1	417345624T
R5056	CARBON R	R16J-5.6K	1	417345624T
R5057	CARBON R	R16J-5.6K	1	417345624T
R5058	CARBON R	R16J-5.6K	1	417345624T
R5060	CARBON R	R16J-2.7K	1	417342724T
R5061	CARBON R	R16J-2.7K	1	417342724T
R5062	CARBON R	R16J-2.7K	1	417342724T
R5063	CARBON R	R16J-2.7K	1	417342724T
R5064	CARBON R	R16J-2.7K	1	417342724T
R5065	CARBON R	R16J-2.7K	1	417342724T
R5066	CARBON R	R16J-2.7K	1	417342724T
R5067	CARBON R	R16J-2.7K	1	417342724T
R5068	CARBON R	R16J-2.7K	1	417342724T
R5070	CARBON R	R16J-100K	1	417341044T
R5071	CARBON R	R16J-100K	1	417341044T
R5072	CARBON R	R16J-100K	1	417341044T
R5073	CARBON R	R16J-100K	1	417341044T
R5074	CARBON R	R16J-100K	1	417341044T
R5075	CARBON R	R16J-100K	1	417341044T
R5076	CARBON R	R16J-100K	1	417341044T
R5077	CARBON R	R16J-100K	1	417341044T
R5078	CARBON R	R16J-100K	1	417341044T
R5090	CARBON R	R16J-1.8K	1	417341824T
R5091	CARBON R	R16J-1.8K	1	417341824T
R5092	CARBON R	R16J-1.8K	1	417341824T
R5093	CARBON R	R16J-1.8K	1	417341824T
R5094	CARBON R	R16J-1.8K	1	417341824T
R5095	CARBON R	R16J-1.8K	1	417341824T
R5096	CARBON R	R16J-1.8K	1	417341824T
R5097	CARBON R	R16J-1.8K	1	417341824T
R5098	CARBON R	R16J-1.8K	1	417341824T
R5110	CARBON R	R16J-2.2K	1	417342224T
R5111	CARBON R	R16J-2.2K	1	417342224T
R5112	CARBON R	R16J-2.2K	1	417342224T

R5113	CARBON R	R16J-2.2K	1	417342224T
R5114	CARBON R	R16J-2.2K	1	417342224T
R5115	CARBON R	R16J-2.2K	1	417342224T
R5116	CARBON R	R16J-2.2K	1	417342224T
R5117	CARBON R	R16J-2.2K	1	417342224T
R5118	CARBON R	R16J-2.2K	1	417342224T
R5120	CARBON R	R16J-2.2K	1	417342224T
R5121	CARBON R	R16J-2.2K	1	417342224T
R5122	CARBON R	R16J-2.2K	1	417342224T
R5123	CARBON R	R16J-2.2K	1	417342224T
R5124	CARBON R	R16J-2.2K	1	417342224T
R5125	CARBON R	R16J-2.2K	1	417342224T
R5126	CARBON R	R16J-2.2K	1	417342224T
R5127	CARBON R	R16J-2.2K	1	417342224T
R5128	CARBON R	R16J-2.2K	1	417342224T
R5130	NF CARBON R	R25J-820	1	415478214T
R5131	NF CARBON R	R25J-820	1	415478214T
R5132	NF CARBON R	R25J-820	1	415478214T
R5133	NF CARBON R	R25J-820	1	415478214T
R5134	NF CARBON R	R25J-820	1	415478214T
R5135	NF CARBON R	R25J-820	1	415478214T
R5136	NF CARBON R	R25J-820	1	415478214T
R5137	NF CARBON R	R25J-820	1	415478214T
R5138	NF CARBON R	R25J-820	1	415478214T
R5140	NF CARBON R	R25J-820	1	415478214T
R5141	NF CARBON R	R25J-820	1	415478214T
R5142	NF CARBON R	R25J-820	1	415478214T
R5143	NF CARBON R	R25J-820	1	415478214T
R5144	NF CARBON R	R25J-820	1	415478214T
R5145	NF CARBON R	R25J-820	1	415478214T
R5146	NF CARBON R	R25J-820	1	415478214T
R5147	NF CARBON R	R25J-820	1	415478214T
R5148	NF CARBON R	R25J-820	1	415478214T
R5150	METAL O R	RS1/2WBJ-10K	1	443521034T
R5151	METAL O R	RS1/2WBJ-10K	1	443521034T
R5152	METAL O R	RS1/2WBJ-10K	1	443521034T
R5153	METAL O R	RS1/2WBJ-10K	1	443521034T
R5154	METAL O R	RS1/2WBJ-10K	1	443521034T
R5155	METAL O R	RS1/2WBJ-10K	1	443521034T
R5156	METAL O R	RS1/2WBJ-10K	1	443521034T
R5157	METAL O R	RS1/2WBJ-10K	1	443521034T
R5158	METAL O R	RS1/2WBJ-10K	1	443521034T
R5160	NF CARBON R	R25J-1.0K	1	415471024T
R5161	NF CARBON R	R25J-1.0K	1	415471024T
R5162	NF CARBON R	R25J-1.0K	1	415471024T
R5163	NF CARBON R	R25J-1.0K	1	415471024T
R5164	NF CARBON R	R25J-1.0K	1	415471024T

R5165	NF CARBON R	R25J-1.0K	1	415471024T
R5166	NF CARBON R	R25J-1.0K	1	415471024T
R5167	NF CARBON R	R25J-1.0K	1	415471024T
R5168	NF CARBON R	R25J-1.0K	1	415471024T
R5170	NF CARBON R	R25J-820	1	415478214T
R5171	NF CARBON R	R25J-820	1	415478214T
R5172	NF CARBON R	R25J-820	1	415478214T
R5173	NF CARBON R	R25J-820	1	415478214T
R5174	NF CARBON R	R25J-820	1	415478214T
R5175	NF CARBON R	R25J-820	1	415478214T
R5176	NF CARBON R	R25J-820	1	415478214T
R5177	NF CARBON R	R25J-820	1	415478214T
R5178	NF CARBON R	R25J-820	1	415478214T
R5180	NF CARBON R	R25J-33	1	415473304T
R5181	NF CARBON R	R25J-33	1	415473304T
R5182	NF CARBON R	R25J-33	1	415473304T
R5183	NF CARBON R	R25J-33	1	415473304T
R5184	NF CARBON R	R25J-33	1	415473304T
R5185	NF CARBON R	R25J-33	1	415473304T
R5186	NF CARBON R	R25J-33	1	415473304T
R5187	NF CARBON R	R25J-33	1	415473304T
R5188	NF CARBON R	R25J-33	1	415473304T
R5210	CARBON R	R16J-18K	1	417341834T
R5211	CARBON R	R16J-18K	1	417341834T
R5212	CARBON R	R16J-18K	1	417341834T
R5213	CARBON R	R16J-18K	1	417341834T
R5214	CARBON R	R16J-18K	1	417341834T
R5215	CARBON R	R16J-18K	1	417341834T
R5216	CARBON R	R16J-18K	1	417341834T
R5217	CARBON R	R16J-18K	1	417341834T
R5218	CARBON R	R16J-18K	1	417341834T
R5220	CARBON R	R16J-18K	1	417341834T
R5221	CARBON R	R16J-18K	1	417341834T
R5222	CARBON R	R16J-18K	1	417341834T
R5223	CARBON R	R16J-18K	1	417341834T
R5224	CARBON R	R16J-18K	1	417341834T
R5225	CARBON R	R16J-18K	1	417341834T
R5226	CARBON R	R16J-18K	1	417341834T
R5227	CARBON R	R16J-18K	1	417341834T
R5228	CARBON R	R16J-18K	1	417341834T
R5230	NF CARBON R	R25J-15	1	415471504T
R5231	NF CARBON R	R25J-15	1	415471504T
R5232	NF CARBON R	R25J-15	1	415471504T
R5233	NF CARBON R	R25J-15	1	415471504T
R5234	NF CARBON R	R25J-15	1	415471504T
R5235	NF CARBON R	R25J-15	1	415471504T
R5236	NF CARBON R	R25J-15	1	415471504T

R5237	NF CARBON R	R25J-15	1	415471504T
R5238	NF CARBON R	R25J-15	1	415471504T
R5240	NF CARBON R	R25J-15	1	415471504T
R5241	NF CARBON R	R25J-15	1	415471504T
R5242	NF CARBON R	R25J-15	1	415471504T
R5243	NF CARBON R	R25J-15	1	415471504T
R5244	NF CARBON R	R25J-15	1	415471504T
R5245	NF CARBON R	R25J-15	1	415471504T
R5246	NF CARBON R	R25J-15	1	415471504T
R5247	NF CARBON R	R25J-15	1	415471504T
R5248	NF CARBON R	R25J-15	1	415471504T
R5250	CARBON R	R16J-68K	1	417346834T
R5251	CARBON R	R16J-68K	1	417346834T
R5252	CARBON R	R16J-68K	1	417346834T
R5253	CARBON R	R16J-68K	1	417346834T
R5254	CARBON R	R16J-68K	1	417346834T
R5255	CARBON R	R16J-68K	1	417346834T
R5256	CARBON R	R16J-68K	1	417346834T
R5257	CARBON R	R16J-68K	1	417346834T
R5258	CARBON R	R16J-68K	1	417346834T
R5260	CARBON R	R16J-270K	1	417342744T
R5261	CARBON R	R16J-270K	1	417342744T
R5262	CARBON R	R16J-270K	1	417342744T
R5263	CARBON R	R16J-270K	1	417342744T
R5264	CARBON R	R16J-270K	1	417342744T
R5265	CARBON R	R16J-270K	1	417342744T
R5266	CARBON R	R16J-270K	1	417342744T
R5267	CARBON R	R16J-270K	1	417342744T
R5268	CARBON R	R16J-270K	1	417342744T
R5280	METAL O R	RS1/2WBJ-10K	1	443521034T
R5281	METAL O R	RS1/2WBJ-10K	1	443521034T
R5282	METAL O R	RS1/2WBJ-10K	1	443521034T
R5283	METAL O R	RS1/2WBJ-10K	1	443521034T
R5284	METAL O R	RS1/2WBJ-10K	1	443521034T
R5285	METAL O R	RS1/2WBJ-10K	1	443521034T
R5286	METAL O R	RS1/2WBJ-10K	1	443521034T
R5287	METAL O R	RS1/2WBJ-10K	1	443521034T
R5288	METAL O R	RS1/2WBJ-10K	1	443521034T
R5290	CARBON R	R16J-100K	1	417341044T
R5291	CARBON R	R16J-100K	1	417341044T
R5292	CARBON R	R16J-100K	1	417341044T
R5293	CARBON R	R16J-100K	1	417341044T
R5294	CARBON R	R16J-100K	1	417341044T
R5295	CARBON R	R16J-100K	1	417341044T
R5296	CARBON R	R16J-100K	1	417341044T
R5297	CARBON R	R16J-100K	1	417341044T
R5298	CARBON R	R16J-100K	1	417341044T

R5300	NF CARBON R	R25J-82	1	415478204T
R5301	NF CARBON R	R25J-82	1	415478204T
R5302	NF CARBON R	R25J-82	1	415478204T
R5303	NF CARBON R	R25J-82	1	415478204T
R5304	NF CARBON R	R25J-82	1	415478204T
R5305	NF CARBON R	R25J-82	1	415478204T
R5306	NF CARBON R	R25J-82	1	415478204T
R5307	NF CARBON R	R25J-82	1	415478204T
R5308	NF CARBON R	R25J-82	1	415478204T
R5330	NF CARBON R	R25J-82	1	415478204T
R5331	NF CARBON R	R25J-82	1	415478204T
R5332	NF CARBON R	R25J-82	1	415478204T
R5333	NF CARBON R	R25J-82	1	415478204T
R5334	NF CARBON R	R25J-82	1	415478204T
R5335	NF CARBON R	R25J-82	1	415478204T
R5336	NF CARBON R	R25J-82	1	415478204T
R5337	NF CARBON R	R25J-82	1	415478204T
R5338	NF CARBON R	R25J-82	1	415478204T
R5360	CARBON R	R16J-120K	1	417341244T
R5361	CARBON R	R16J-120K	1	417341244T
R5362	CARBON R	R16J-120K	1	417341244T
R5363	CARBON R	R16J-120K	1	417341244T
R5364	CARBON R	R16J-120K	1	417341244T
R5365	CARBON R	R16J-120K	1	417341244T
R5366	CARBON R	R16J-120K	1	417341244T
R5367	CARBON R	R16J-120K	1	417341244T
R5368	CARBON R	R16J-120K	1	417341244T
R5370	CARBON R	R16J-560K	1	417345644T
R5371	CARBON R	R16J-560K	1	417345644T
R5372	CARBON R	R16J-560K	1	417345644T
R5373	CARBON R	R16J-560K	1	417345644T
R5374	CARBON R	R16J-560K	1	417345644T
R5375	CARBON R	R16J-560K	1	417345644T
R5376	CARBON R	R16J-560K	1	417345644T
R5377	CARBON R	R16J-560K	1	417345644T
R5378	CARBON R	R16J-560K	1	417345644T
R6010	CARBON R	R16J-4.7K	1	417344724T
R6011	CARBON R	R16J-4.7K	1	417344724T
R6012	CARBON R	R16J-4.7K	1	417344724T
R6013	CARBON R	R16J-4.7K	1	417344724T
R6014	CARBON R	R16J-4.7K	1	417344724T
R6015	CARBON R	R16J-4.7K	1	417344724T
R6016	CARBON R	R16J-4.7K	1	417344724T
R6017	CARBON R	R16J-4.7K	1	417344724T
R6018	CARBON R	R16J-4.7K	1	417344724T
R6020	CARBON R	R16J-3.3K	1	417343324T
R6021	CARBON R	R16J-3.3K	1	417343324T

R6022	CARBON R	R16J-3.3K	1	417343324T
R6023	CARBON R	R16J-3.3K	1	417343324T
R6024	CARBON R	R16J-3.3K	1	417343324T
R6025	CARBON R	R16J-3.3K	1	417343324T
R6026	CARBON R	R16J-3.3K	1	417343324T
R6027	CARBON R	R16J-3.3K	1	417343324T
R6028	CARBON R	R16J-3.3K	1	417343324T
R6030	CARBON R	R16J-1.8K	1	417341824T
R6031	CARBON R	R16J-1.8K	1	417341824T
R6032	CARBON R	R16J-1.8K	1	417341824T
R6033	CARBON R	R16J-1.8K	1	417341824T
R6034	CARBON R	R16J-1.8K	1	417341824T
R6035	CARBON R	R16J-1.8K	1	417341824T
R6036	CARBON R	R16J-1.8K	1	417341824T
R6037	CARBON R	R16J-1.8K	1	417341824T
R6038	CARBON R	R16J-1.8K	1	417341824T
R6040	TRIM R	N06HR1KBB	1	5211401T
R6041	TRIM R	N06HR1KBB	1	5211401T
R6042	TRIM R	N06HR1KBB	1	5211401T
R6043	TRIM R	N06HR1KBB	1	5211401T
R6044	TRIM R	N06HR1KBB	1	5211401T
R6045	TRIM R	N06HR1KBB	1	5211401T
R6046	TRIM R	N06HR1KBB	1	5211401T
R6047	TRIM R	N06HR1KBB	1	5211401T
R6048	TRIM R	N06HR1KBB	1	5211401T
R6050	CARBON R	R16J-2.7K	1	417342724T
R6051	CARBON R	R16J-2.7K	1	417342724T
R6052	CARBON R	R16J-2.7K	1	417342724T
R6053	CARBON R	R16J-2.7K	1	417342724T
R6054	CARBON R	R16J-2.7K	1	417342724T
R6055	CARBON R	R16J-2.7K	1	417342724T
R6056	CARBON R	R16J-2.7K	1	417342724T
R6057	CARBON R	R16J-2.7K	1	417342724T
R6058	CARBON R	R16J-2.7K	1	417342724T
R6060	NF CARBON R	R25J-120	1	415471214T
R6061	NF CARBON R	R25J-120	1	415471214T
R6062	NF CARBON R	R25J-120	1	415471214T
R6063	NF CARBON R	R25J-120	1	415471214T
R6064	NF CARBON R	R25J-120	1	415471214T
R6065	NF CARBON R	R25J-120	1	415471214T
R6066	NF CARBON R	R25J-120	1	415471214T
R6067	NF CARBON R	R25J-120	1	415471214T
R6068	NF CARBON R	R25J-120	1	415471214T
R6070	NF CARBON R	R25J-82	1	415478204T
R6071	NF CARBON R	R25J-82	1	415478204T
R6072	NF CARBON R	R25J-82	1	415478204T
R6073	NF CARBON R	R25J-82	1	415478204T

R6074	NF CARBON R	R25J-82	1	415478204T
R6075	NF CARBON R	R25J-82	1	415478204T
R6076	NF CARBON R	R25J-82	1	415478204T
R6077	NF CARBON R	R25J-82	1	415478204T
R6078	NF CARBON R	R25J-82	1	415478204T
R6110	CARBON R	R16J-10K	1	417341034T
R6111	CARBON R	R16J-10K	1	417341034T
R6112	CARBON R	R16J-10K	1	417341034T
R6113	CARBON R	R16J-10K	1	417341034T
R6114	CARBON R	R16J-10K	1	417341034T
R6115	CARBON R	R16J-10K	1	417341034T
R6116	CARBON R	R16J-10K	1	417341034T
R6117	CARBON R	R16J-10K	1	417341034T
R6118	CARBON R	R16J-10K	1	417341034T
R6250	NF CARBON R	R25J-120	1	415471214T
R6251	NF CARBON R	R25J-120	1	415471214T
R6252	NF CARBON R	R25J-120	1	415471214T
R6253	NF CARBON R	R25J-120	1	415471214T
R6254	NF CARBON R	R25J-120	1	415471214T
R6255	NF CARBON R	R25J-120	1	415471214T
R6256	NF CARBON R	R25J-120	1	415471214T
R6257	NF CARBON R	R25J-120	1	415471214T
R6258	NF CARBON R	R25J-120	1	415471214T
R6260	NF CARBON R	R25J-120	1	415471214T
R6261	NF CARBON R	R25J-120	1	415471214T
R6262	NF CARBON R	R25J-120	1	415471214T
R6263	NF CARBON R	R25J-120	1	415471214T
R6264	NF CARBON R	R25J-120	1	415471214T
R6265	NF CARBON R	R25J-120	1	415471214T
R6266	NF CARBON R	R25J-120	1	415471214T
R6267	NF CARBON R	R25J-120	1	415471214T
R6268	NF CARBON R	R25J-120	1	415471214T
R6270	NF CARBON R	R25J-18	1	415471804T
R6271	NF CARBON R	R25J-18	1	415471804T
R6272	NF CARBON R	R25J-18	1	415471804T
R6273	NF CARBON R	R25J-18	1	415471804T
R6274	NF CARBON R	R25J-18	1	415471804T
R6275	NF CARBON R	R25J-18	1	415471804T
R6276	NF CARBON R	R25J-18	1	415471804T
R6277	NF CARBON R	R25J-18	1	415471804T
R6278	NF CARBON R	R25J-18	1	415471804T
R6280	NF CARBON R	R25J-18	1	415471804T
R6281	NF CARBON R	R25J-18	1	415471804T
R6282	NF CARBON R	R25J-18	1	415471804T
R6283	NF CARBON R	R25J-18	1	415471804T
R6284	NF CARBON R	R25J-18	1	415471804T
R6285	NF CARBON R	R25J-18	1	415471804T

R6286	NF CARBON R	R25J-18	1	415471804T
R6287	NF CARBON R	R25J-18	1	415471804T
R6288	NF CARBON R	R25J-18	1	415471804T
R6290	NF CARBON R	R25J-2.2	1	415470224T
R6291	NF CARBON R	R25J-2.2	1	415470224T
R6292	NF CARBON R	R25J-2.2	1	415470224T
R6293	NF CARBON R	R25J-2.2	1	415470224T
R6294	NF CARBON R	R25J-2.2	1	415470224T
R6295	NF CARBON R	R25J-2.2	1	415470224T
R6296	NF CARBON R	R25J-2.2	1	415470224T
R6297	NF CARBON R	R25J-2.2	1	415470224T
R6298	NF CARBON R	R25J-2.2	1	415470224T
R6300	NF CARBON R	R25J-2.2	1	415470224T
R6301	NF CARBON R	R25J-2.2	1	415470224T
R6302	NF CARBON R	R25J-2.2	1	415470224T
R6303	NF CARBON R	R25J-2.2	1	415470224T
R6304	NF CARBON R	R25J-2.2	1	415470224T
R6305	NF CARBON R	R25J-2.2	1	415470224T
R6306	NF CARBON R	R25J-2.2	1	415470224T
R6307	NF CARBON R	R25J-2.2	1	415470224T
R6308	NF CARBON R	R25J-2.2	1	415470224T
R6310	NF CARBON R	R25J-10	1	415471004T
R6311	NF CARBON R	R25J-10	1	415471004T
R6312	NF CARBON R	R25J-10	1	415471004T
R6313	NF CARBON R	R25J-10	1	415471004T
R6314	NF CARBON R	R25J-10	1	415471004T
R6315	NF CARBON R	R25J-10	1	415471004T
R6316	NF CARBON R	R25J-10	1	415471004T
R6317	NF CARBON R	R25J-10	1	415471004T
R6318	NF CARBON R	R25J-10	1	415471004T
[SW TRM]				
P5010A	SOCKET	NSCT-3P2183	1	25052286
P5011A	SOCKET	NSCT-3P2183	1	25052286
P5012A	SOCKET	NSCT-3P2183	1	25052286
P5013A	SOCKET	NSCT-3P2183	1	25052286
P5014A	SOCKET	NSCT-3P2183	1	25052286
P5015A	SOCKET	NSCT-3P2183	1	25052286
P5016A	SOCKET	NSCT-3P2183	1	25052286
P5017A	SOCKET	NSCT-3P2183	1	25052286
P5018A	SOCKET	NSCT-3P2183	1	25052286
P5020A	TRM	NTM-1P233(M1969)	1	25060302
P5021A	TRM	NTM-1P233(M1969)	1	25060302
P5022A	TRM	NTM-1P233(M1969)	1	25060302
P5023A	TRM	NTM-1P233(M1969)	1	25060302
P5024A	TRM	NTM-1P233(M1969)	1	25060302
P5025A	TRM	NTM-1P233(M1969)	1	25060302
P5026A	TRM	NTM-1P233(M1969)	1	25060302

P5027A	TRM	NTM-1P233(M1969)	1	25060302	
P5028A	TRM	NTM-1P233(M1969)	1	25060302	
P6010A	SOCKET	NSCT-3P2183	1	25052286	
P6011A	SOCKET	NSCT-3P2183	1	25052286	
P6012A	SOCKET	NSCT-3P2183	1	25052286	
P6013A	SOCKET	NSCT-3P2183	1	25052286	
P6014A	SOCKET	NSCT-3P2183	1	25052286	
P6015A	SOCKET	NSCT-3P2183	1	25052286	
P6016A	SOCKET	NSCT-3P2183	1	25052286	
P6017A	SOCKET	NSCT-3P2183	1	25052286	
P6018A	SOCKET	NSCT-3P2183	1	25052286	
P6030B	SOCKET	IMSA-9115S-05L	1	25052985	
P6031B	SOCKET	IMSA-9115S-05L	1	25052985	
P6032B	SOCKET	IMSA-9115S-05L	1	25052985	
P6033B	SOCKET	IMSA-9115S-05L	1	25052985	
P6034B	SOCKET	IMSA-9115S-05L	1	25052985	
P6035B	SOCKET	IMSA-9115S-05L	1	25052985	
P6036B	SOCKET	IMSA-9115S-05L	1	25052985	
P6037B	SOCKET	IMSA-9115S-05L	1	25052985	
P6038B	SOCKET	IMSA-9115S-05L	1	25052985	

U004

U0040 x 2 pcs.

BAASP-0855-1D *

U0040

AUDIO(ASP) PC BOARD ASS'Y

BAASP-0855-1D

CIRCUIT NC	PART NAME	DESCRIPTION	Q'TY	PART NO. (SN)	REMARKS
[SEMI CONDUCTOR]					
D4001	C-DIODE	1SS352	1	223234R2	
D4001 or	C-DIODE	1SS355	(1)	223269R2	
D4001 or	C-DIODE	MA2J111	(1)	223279R2	
D4001 or	C-DIODE	KDS4148U	(1)	223283R2	
D4002	C-DIODE	1SS352	1	223234R2	
D4002 or	C-DIODE	1SS355	(1)	223269R2	
D4002 or	C-DIODE	MA2J111	(1)	223279R2	
D4002 or	C-DIODE	KDS4148U	(1)	223283R2	
D4151	ZENER D	UDZS7.5B	1	224550750R2	
D4152	ZENER D	UDZS7.5B	1	224550750R2	
D4501	ZENER D	UDZS9.1B	1	224550910R2	
D4502	ZENER D	UDZS9.1B	1	224550910R2	
D4503	ZENER D	UDZS3.3B	1	224550330R2	
D4504	C-DIODE	1SS352	1	223234R2	
D4504 or	C-DIODE	1SS355	(1)	223269R2	
D4504 or	C-DIODE	MA2J111	(1)	223279R2	
D4504 or	C-DIODE	KDS4148U	(1)	223283R2	
D4505	C-DIODE	1SS352	1	223234R2	

D4505 or	C-DIODE	1SS355	(1)	223269R2
D4505 or	C-DIODE	MA2J111	(1)	223279R2
D4505 or	C-DIODE	KDS4148U	(1)	223283R2
D4506	C-DIODE	1SS352	1	223234R2
D4506 or	C-DIODE	1SS355	(1)	223269R2
D4506 or	C-DIODE	MA2J111	(1)	223279R2
D4506 or	C-DIODE	KDS4148U	(1)	223283R2
D4507	C-DIODE	1SS352	1	223234R2
D4507 or	C-DIODE	1SS355	(1)	223269R2
D4507 or	C-DIODE	MA2J111	(1)	223279R2
D4507 or	C-DIODE	KDS4148U	(1)	223283R2
D4508	C-DIODE	1SS352	1	223234R2
D4508 or	C-DIODE	1SS355	(1)	223269R2
D4508 or	C-DIODE	MA2J111	(1)	223279R2
D4508 or	C-DIODE	KDS4148U	(1)	223283R2
D4509	C-DIODE	1SS352	1	223234R2
D4509 or	C-DIODE	1SS355	(1)	223269R2
D4509 or	C-DIODE	MA2J111	(1)	223279R2
D4509 or	C-DIODE	KDS4148U	(1)	223283R2
D4510	C-DIODE	1SS352	1	223234R2
D4510 or	C-DIODE	1SS355	(1)	223269R2
D4510 or	C-DIODE	MA2J111	(1)	223279R2
D4510 or	C-DIODE	KDS4148U	(1)	223283R2
D4601	C-DIODE	1SS352	1	223234R2
D4601 or	C-DIODE	1SS355	(1)	223269R2
D4601 or	C-DIODE	MA2J111	(1)	223279R2
D4601 or	C-DIODE	KDS4148U	(1)	223283R2
D4602	C-DIODE	1SS352	1	223234R2
D4602 or	C-DIODE	1SS355	(1)	223269R2
D4602 or	C-DIODE	MA2J111	(1)	223279R2
D4602 or	C-DIODE	KDS4148U	(1)	223283R2
D4603	C-DIODE	1SS352	1	223234R2
D4603 or	C-DIODE	1SS355	(1)	223269R2
D4603 or	C-DIODE	MA2J111	(1)	223279R2
D4603 or	C-DIODE	KDS4148U	(1)	223283R2
D4604	C-DIODE	1SS352	1	223234R2
D4604 or	C-DIODE	1SS355	(1)	223269R2
D4604 or	C-DIODE	MA2J111	(1)	223279R2
D4604 or	C-DIODE	KDS4148U	(1)	223283R2
D4605	C-DIODE	1SS352	1	223234R2
D4605 or	C-DIODE	1SS355	(1)	223269R2
D4605 or	C-DIODE	MA2J111	(1)	223279R2
D4605 or	C-DIODE	KDS4148U	(1)	223283R2
D4606	C-DIODE	1SS352	1	223234R2
D4606 or	C-DIODE	1SS355	(1)	223269R2
D4606 or	C-DIODE	MA2J111	(1)	223279R2
D4606 or	C-DIODE	KDS4148U	(1)	223283R2

D4607	C-DIODE	1SS352	1	223234R2
D4607 or	C-DIODE	1SS355	(1)	223269R2
D4607 or	C-DIODE	MA2J111	(1)	223279R2
D4607 or	C-DIODE	KDS4148U	(1)	223283R2
D4608	C-DIODE	1SS352	1	223234R2
D4608 or	C-DIODE	1SS355	(1)	223269R2
D4608 or	C-DIODE	MA2J111	(1)	223279R2
D4608 or	C-DIODE	KDS4148U	(1)	223283R2
Q4001	IC	NE5532APSR	1	22242283R2
Q4002	IC	NE5532APSR	1	22242283R2
Q4003	IC	NE5532APSR	1	22242283R2
Q4004	IC	NE5532APSR	1	22242283R2
Q4005	IC	NE5532APSR	1	22242283R2
Q4006	IC	NE5532APSR	1	22242283R2
Q4151	IC	NJW1112	1	22242597R2
Q4152	IC	NJW1112	1	22242597R2
Q4153	IC	NE5532APSR	1	22242283R2
Q4155	TR	2SC2235-Y(TPE6_F)	1	2211654T
Q4156	TR	2SA965-Y(TPE6_F)	1	2211644T
Q4241	IC	NE5532APSR	1	22242283R2
Q4242	IC	NE5532APSR	1	22242283R2
Q4243	IC	NE5532APSR	1	22242283R2
Q4244	IC	NE5532APSR	1	22242283R2
Q4245	IC	NE5532APSR	1	22242283R2
Q4247	TR	RN1441	1	2215410R2
Q4247 or	TR	RTAN430C-T112-1	(1)	2217780R2
Q4248	TR	RN1441	1	2215410R2
Q4248 or	TR	RTAN430C-T112-1	(1)	2217780R2
Q4249	TR	RN1441	1	2215410R2
Q4249 or	TR	RTAN430C-T112-1	(1)	2217780R2
Q4250	TR	RN1441	1	2215410R2
Q4250 or	TR	RTAN430C-T112-1	(1)	2217780R2
Q4251	TR	RN1441	1	2215410R2
Q4251 or	TR	RTAN430C-T112-1	(1)	2217780R2
Q4252	TR	RN1441	1	2215410R2
Q4252 or	TR	RTAN430C-T112-1	(1)	2217780R2
Q4253	TR	RN1441	1	2215410R2
Q4253 or	TR	RTAN430C-T112-1	(1)	2217780R2
Q4254	TR	RN1441	1	2215410R2
Q4254 or	TR	RTAN430C-T112-1	(1)	2217780R2
Q4255	TR	RN1441	1	2215410R2
Q4255 or	TR	RTAN430C-T112-1	(1)	2217780R2
Q4256	TR	RN1441	1	2215410R2
Q4256 or	TR	RTAN430C-T112-1	(1)	2217780R2
Q4257	TR	RN1441	1	2215410R2
Q4257 or	TR	RTAN430C-T112-1	(1)	2217780R2
Q4258	TR	RN1441	1	2215410R2

Q4258 or	TR	RTAN430C-T112-1	(1)	2217780R2
Q4259	TR	RN1441	1	2215410R2
Q4259 or	TR	RTAN430C-T112-1	(1)	2217780R2
Q4260	TR	RN1441	1	2215410R2
Q4260 or	TR	RTAN430C-T112-1	(1)	2217780R2
Q4261	TR	RN1441	1	2215410R2
Q4261 or	TR	RTAN430C-T112-1	(1)	2217780R2
Q4262	TR	RN1441	1	2215410R2
Q4262 or	TR	RTAN430C-T112-1	(1)	2217780R2
Q4263	TR	RN1441	1	2215410R2
Q4263 or	TR	RTAN430C-T112-1	(1)	2217780R2
Q4264	TR	RN1441	1	2215410R2
Q4264 or	TR	RTAN430C-T112-1	(1)	2217780R2
Q4351	IC	NJU7312AM	1	22242210R2
Q4352	IC	NJU7311AM	1	22242209R2
Q4353	IC	NJU7313AM	1	22242211R2
Q4354	IC	NE5532APSR	1	22242283R2
Q4355	IC	NE5532APSR	1	22242283R2
Q4356	IC	NE5532APSR	1	22242283R2
Q4357	IC	NE5532APSR	1	22242283R2
Q4501	IC	CS3318-CQZR	1	22242404R2
Q4502	IC	CS3318-CQZR	1	22242404R2
Q4503	TR	2SA965-Y(TPE6_F)	1	2211644T
Q4504	TR	2SC2235-Y(TPE6_F)	1	2211654T
Q4505	TR	2SC2712-GR	1	2213145R2
Q4505 or	TR	KTC3875-GR	(1)	2216175R2
Q4506	TR	2SA1162-GR	1	2214375R2
Q4506 or	TR	KTA1504-GR	(1)	2216185R2
Q4509	IC	NE5532APSR	1	22242283R2
Q4510	IC	NJM4556AM	1	22241414R2
Q4511	TR	2SC2235-Y(TPE6_F)	1	2211654T
Q4512	TR	2SC2235-Y(TPE6_F)	1	2211654T
Q4513	TR	2SA965-Y(TPE6_F)	1	2211644T
Q4514	TR	2SA965-Y(TPE6_F)	1	2211644T
Q4515	TR	RN1441	1	2215410R2
Q4515 or	TR	RTAN430C-T112-1	(1)	2217780R2
Q4516	TR	RN1441	1	2215410R2
Q4516 or	TR	RTAN430C-T112-1	(1)	2217780R2
Q4517	TR	DTC123JKA	1	2216690R2
Q4517 or	TR	KRC105S	(1)	2217290R2
Q4519	TR	RN1441	1	2215410R2
Q4519 or	TR	RTAN430C-T112-1	(1)	2217780R2
Q4520	TR	RN1441	1	2215410R2
Q4520 or	TR	RTAN430C-T112-1	(1)	2217780R2
Q4601	TR	RN1441	1	2215410R2
Q4601 or	TR	RTAN430C-T112-1	(1)	2217780R2
Q4602	TR	RN1441	1	2215410R2

Q4602 or	TR	RTAN430C-T112-1	(1)	2217780R2
Q4605	TR	RN1441	1	2215410R2
Q4605 or	TR	RTAN430C-T112-1	(1)	2217780R2
Q4607	TR	RN1441	1	2215410R2
Q4607 or	TR	RTAN430C-T112-1	(1)	2217780R2
Q4608	TR	RN1441	1	2215410R2
Q4608 or	TR	RTAN430C-T112-1	(1)	2217780R2
Q4611	TR	RN1441	1	2215410R2
Q4611 or	TR	RTAN430C-T112-1	(1)	2217780R2
Q4612	TR	RN1441	1	2215410R2
Q4612 or	TR	RTAN430C-T112-1	(1)	2217780R2
Q4613	TR	RN1441	1	2215410R2
Q4613 or	TR	RTAN430C-T112-1	(1)	2217780R2
Q4614	TR	RN1441	1	2215410R2
Q4614 or	TR	RTAN430C-T112-1	(1)	2217780R2
Q4615	TR	RN1441	1	2215410R2
Q4615 or	TR	RTAN430C-T112-1	(1)	2217780R2
Q4616	TR	RN1441	1	2215410R2
Q4616 or	TR	RTAN430C-T112-1	(1)	2217780R2
Q4619	TR	RN1441	1	2215410R2
Q4619 or	TR	RTAN430C-T112-1	(1)	2217780R2
Q4620	TR	RN1441	1	2215410R2
Q4620 or	TR	RTAN430C-T112-1	(1)	2217780R2
Q4623	TR	RN1441	1	2215410R2
Q4623 or	TR	RTAN430C-T112-1	(1)	2217780R2
Q4624	TR	RN1441	1	2215410R2
Q4624 or	TR	RTAN430C-T112-1	(1)	2217780R2
Q4627	TR	DTC123JKA	1	2216690R2
Q4627 or	TR	KRC105S	(1)	2217290R2
Q4628	TR	DTC123JKA	1	2216690R2
Q4628 or	TR	KRC105S	(1)	2217290R2
Q4629	TR	DTC123JKA	1	2216690R2
Q4629 or	TR	KRC105S	(1)	2217290R2
Q4630	TR	DTC123JKA	1	2216690R2
Q4630 or	TR	KRC105S	(1)	2217290R2
Q4631	TR	DTC123JKA	1	2216690R2
Q4631 or	TR	KRC105S	(1)	2217290R2
Q4632	TR	DTC123JKA	1	2216690R2
Q4632 or	TR	KRC105S	(1)	2217290R2
Q4633	TR	DTC123JKA	1	2216690R2
Q4633 or	TR	KRC105S	(1)	2217290R2
Q4634	TR	DTC123JKA	1	2216690R2
Q4634 or	TR	KRC105S	(1)	2217290R2
[CAPACITOR]				
C4001	UPZ C	2AUPZTF221JE	1	376332214T
C4002	UPZ C	2AUPZTF221JE	1	376332214T
C4003	UPZ C	2AUPZTF221JE	1	376332214T

C4004	UPZ C	2AUPZTF221JE	1	376332214T
C4005	UTSP C	CE04W50V 47M(UTSP)	1	397584707T
C4005 or	UTSP C	CE04W50V 47M(UTSP)	(1)	397584707AT
C4006	UTSP C	CE04W50V 47M(UTSP)	1	397584707T
C4006 or	UTSP C	CE04W50V 47M(UTSP)	(1)	397584707AT
C4007	UPZ C	2AUPZTF221JE	1	376332214T
C4008	UPZ C	2AUPZTF221JE	1	376332214T
C4009	UTSP C	CE04W50V 47M(UTSP)	1	397584707T
C4009 or	UTSP C	CE04W50V 47M(UTSP)	(1)	397584707AT
C4010	UTSP C	CE04W50V 47M(UTSP)	1	397584707T
C4010 or	UTSP C	CE04W50V 47M(UTSP)	(1)	397584707AT
C4011	UPZ C	2AUPZTF221JE	1	376332214T
C4012	UPZ C	2AUPZTF221JE	1	376332214T
C4013	UTSP C	CE04W50V 47M(UTSP)	1	397584707T
C4013 or	UTSP C	CE04W50V 47M(UTSP)	(1)	397584707AT
C4014	UTSP C	CE04W50V 47M(UTSP)	1	397584707T
C4014 or	UTSP C	CE04W50V 47M(UTSP)	(1)	397584707AT
C4015	UPZ C	2AUPZTF221JE	1	376332214T
C4016	UPZ C	2AUPZTF221JE	1	376332214T
C4017	UTSP C	CE04W50V 47M(UTSP)	1	397584707T
C4017 or	UTSP C	CE04W50V 47M(UTSP)	(1)	397584707AT
C4018	UTSP C	CE04W50V 47M(UTSP)	1	397584707T
C4018 or	UTSP C	CE04W50V 47M(UTSP)	(1)	397584707AT
C4019	UPZ C	2AUPZTF221JE	1	376332214T
C4020	UPZ C	2AUPZTF221JE	1	376332214T
C4021	UTSP C	CE04W50V 47M(UTSP)	1	397584707T
C4021 or	UTSP C	CE04W50V 47M(UTSP)	(1)	397584707AT
C4022	UTSP C	CE04W50V 47M(UTSP)	1	397584707T
C4022 or	UTSP C	CE04W50V 47M(UTSP)	(1)	397584707AT
C4023	UPZ C	2AUPZTF221JE	1	376332214T
C4024	UPZ C	2AUPZTF221JE	1	376332214T
C4025	UTSP C	CE04W50V 47M(UTSP)	1	397584707T
C4025 or	UTSP C	CE04W50V 47M(UTSP)	(1)	397584707AT
C4026	UTSP C	CE04W50V 47M(UTSP)	1	397584707T
C4026 or	UTSP C	CE04W50V 47M(UTSP)	(1)	397584707AT
C4027	UTSP C	CE04W25V-100M(UTSP)	1	397551017AT
C4028	UTSP C	CE04W25V-100M(UTSP)	1	397551017AT
C4029	UTSP C	CE04W25V-100M(UTSP)	1	397551017AT
C4030	UTSP C	CE04W25V-100M(UTSP)	1	397551017AT
C4031	MKT C	B32529C0102J289	1	376491024T
C4032	MKT C	B32529C0102J289	1	376491024T
C4033	MKT C	B32529C0102J289	1	376491024T
C4151	UTSP C	CE04W10V-470M(UTSP)	1	397534717T
C4152	UTSP C	CE04W10V-470M(UTSP)	1	397534717T
C4157	UTSP C	CE04W50V-10M(UTSP)	1	397581007T
C4157 or	UTSP C	CE04W50V-10M(UTSP)	(1)	397581007AT
C4158	UTSP C	CE04W50V-10M(UTSP)	1	397581007T

C4158 or	UTSP C	CE04W50V-10M(UTSP)	(1)	397581007AT
C4161	UTSP C	CE04W50V 47M(UTSP)	1	397584707T
C4161 or	UTSP C	CE04W50V 47M(UTSP)	(1)	397584707AT
C4162	UTSP C	CE04W50V 47M(UTSP)	1	397584707T
C4162 or	UTSP C	CE04W50V 47M(UTSP)	(1)	397584707AT
C4163	UTSP C	CE04W50V 47M(UTSP)	1	397584707T
C4163 or	UTSP C	CE04W50V 47M(UTSP)	(1)	397584707AT
C4164	UTSP C	CE04W50V 47M(UTSP)	1	397584707T
C4164 or	UTSP C	CE04W50V 47M(UTSP)	(1)	397584707AT
C4165	UTSP C	CE04W50V 47M(UTSP)	1	397584707T
C4165 or	UTSP C	CE04W50V 47M(UTSP)	(1)	397584707AT
C4166	UTSP C	CE04W50V 47M(UTSP)	1	397584707T
C4166 or	UTSP C	CE04W50V 47M(UTSP)	(1)	397584707AT
C4169	UTSP C	CE04W25V-220M(UTSP)	1	397552217T
C4170	UTSP C	CE04W25V-220M(UTSP)	1	397552217T
C4171	UTSP C	CE04W50V 47M(UTSP)	1	397584707T
C4171 or	UTSP C	CE04W50V 47M(UTSP)	(1)	397584707AT
C4172	UTSP C	CE04W50V 47M(UTSP)	1	397584707T
C4172 or	UTSP C	CE04W50V 47M(UTSP)	(1)	397584707AT
C4173	UTSP C	CE04W25V-220M(UTSP)	1	397552217T
C4174	UTSP C	CE04W25V-220M(UTSP)	1	397552217T
C4177	UTSP C	CE04W50V 47M(UTSP)	1	397584707T
C4177 or	UTSP C	CE04W50V 47M(UTSP)	(1)	397584707AT
C4178	UTSP C	CE04W50V 47M(UTSP)	1	397584707T
C4178 or	UTSP C	CE04W50V 47M(UTSP)	(1)	397584707AT
C4179	UTSP C	CE04W50V 47M(UTSP)	1	397584707T
C4179 or	UTSP C	CE04W50V 47M(UTSP)	(1)	397584707AT
C4180	UTSP C	CE04W50V 47M(UTSP)	1	397584707T
C4180 or	UTSP C	CE04W50V 47M(UTSP)	(1)	397584707AT
C4241	UTSP C	CE04W25V-220M(UTSP)	1	397552217T
C4242	UTSP C	CE04W25V-220M(UTSP)	1	397552217T
C4243	UTSP C	CE04W50V 47M(UTSP)	1	397584707T
C4243 or	UTSP C	CE04W50V 47M(UTSP)	(1)	397584707AT
C4244	UTSP C	CE04W50V 47M(UTSP)	1	397584707T
C4244 or	UTSP C	CE04W50V 47M(UTSP)	(1)	397584707AT
C4245	UTSP C	CE04W50V 47M(UTSP)	1	397584707T
C4245 or	UTSP C	CE04W50V 47M(UTSP)	(1)	397584707AT
C4246	UTSP C	CE04W50V 47M(UTSP)	1	397584707T
C4246 or	UTSP C	CE04W50V 47M(UTSP)	(1)	397584707AT
C4247	C-CERA C	CC725CH1H-221J1	1	342102214R1
C4248	C-CERA C	CC725CH1H-221J1	1	342102214R1
C4249	UTSP C	CE04W50V 47M(UTSP)	1	397584707T
C4249 or	UTSP C	CE04W50V 47M(UTSP)	(1)	397584707AT
C4250	UTSP C	CE04W50V 47M(UTSP)	1	397584707T
C4250 or	UTSP C	CE04W50V 47M(UTSP)	(1)	397584707AT
C4251	UTSP C	CE04W50V 47M(UTSP)	1	397584707T
C4251 or	UTSP C	CE04W50V 47M(UTSP)	(1)	397584707AT

C4252	UTSP C	CE04W50V 47M(UTSP)	1	397584707T
C4252 or	UTSP C	CE04W50V 47M(UTSP)	(1)	397584707AT
C4253	C-CERA C	CC725CH1H-221J1	1	342102214R1
C4254	C-CERA C	CC725CH1H-221J1	1	342102214R1
C4255	UTSP C	CE04W50V 47M(UTSP)	1	397584707T
C4255 or	UTSP C	CE04W50V 47M(UTSP)	(1)	397584707AT
C4256	UTSP C	CE04W50V 47M(UTSP)	1	397584707T
C4256 or	UTSP C	CE04W50V 47M(UTSP)	(1)	397584707AT
C4257	UTSP C	CE04W50V-10M(UTSP)	1	397581007T
C4257 or	UTSP C	CE04W50V-10M(UTSP)	(1)	397581007AT
C4258	UTSP C	CE04W50V-10M(UTSP)	1	397581007T
C4258 or	UTSP C	CE04W50V-10M(UTSP)	(1)	397581007AT
C4259	C-CERA C	CC725CH1H-221J1	1	342102214R1
C4260	C-CERA C	CC725CH1H-221J1	1	342102214R1
C4261	UTSP C	CE04W50V 47M(UTSP)	1	397584707T
C4261 or	UTSP C	CE04W50V 47M(UTSP)	(1)	397584707AT
C4262	UTSP C	CE04W50V 47M(UTSP)	1	397584707T
C4262 or	UTSP C	CE04W50V 47M(UTSP)	(1)	397584707AT
C4263	UTSP C	CE04W50V 47M(UTSP)	1	397584707T
C4263 or	UTSP C	CE04W50V 47M(UTSP)	(1)	397584707AT
C4264	UTSP C	CE04W50V 47M(UTSP)	1	397584707T
C4264 or	UTSP C	CE04W50V 47M(UTSP)	(1)	397584707AT
C4265	C-CERA C	CC725CH1H-221J1	1	342102214R1
C4266	C-CERA C	CC725CH1H-221J1	1	342102214R1
C4267	UTSP C	CE04W50V 47M(UTSP)	1	397584707T
C4267 or	UTSP C	CE04W50V 47M(UTSP)	(1)	397584707AT
C4268	UTSP C	CE04W50V-10M(UTSP)	1	397581007T
C4268 or	UTSP C	CE04W50V-10M(UTSP)	(1)	397581007AT
C4269	C-CERA C	CC725CH1H-221J1	1	342102214R1
C4270	MKT C	B32529C0102J289	1	376491024T
C4271	UTSP C	CE04W50V 47M(UTSP)	1	397584707T
C4271 or	UTSP C	CE04W50V 47M(UTSP)	(1)	397584707AT
C4272	UTSP C	CE04W50V 47M(UTSP)	1	397584707T
C4272 or	UTSP C	CE04W50V 47M(UTSP)	(1)	397584707AT
C4273	UTSP C	CE04W50V 47M(UTSP)	1	397584707T
C4273 or	UTSP C	CE04W50V 47M(UTSP)	(1)	397584707AT
C4351	UTSP C	CE04W25V-100M(UTSP)	1	397551017AT
C4352	UTSP C	CE04W25V-100M(UTSP)	1	397551017AT
C4353	TF C	ECQ-V50V-105J	1	374721054T
C4354	UTSP C	CE04W50V 47M(UTSP)	1	397584707T
C4354 or	UTSP C	CE04W50V 47M(UTSP)	(1)	397584707AT
C4355	TF C	ECQ-V50V-224J	1	374722244T
C4356	UTSP C	CE04W50V 47M(UTSP)	1	397584707T
C4356 or	UTSP C	CE04W50V 47M(UTSP)	(1)	397584707AT
C4359	UTSP C	CE04W50V 47M(UTSP)	1	397584707T
C4359 or	UTSP C	CE04W50V 47M(UTSP)	(1)	397584707AT
C4360	UTSP C	CE04W50V 47M(UTSP)	1	397584707T

C4360 or	UTSP C	CE04W50V 47M(UTSP)	(1)	397584707AT
C4361	UTSP C	CE04W50V 47M(UTSP)	1	397584707T
C4361 or	UTSP C	CE04W50V 47M(UTSP)	(1)	397584707AT
C4362	UTSP C	CE04W50V 47M(UTSP)	1	397584707T
C4362 or	UTSP C	CE04W50V 47M(UTSP)	(1)	397584707AT
C4363	UTSP C	CE04W50V 47M(UTSP)	1	397584707T
C4363 or	UTSP C	CE04W50V 47M(UTSP)	(1)	397584707AT
C4364	UTSP C	CE04W50V 47M(UTSP)	1	397584707T
C4364 or	UTSP C	CE04W50V 47M(UTSP)	(1)	397584707AT
C4501	UTSP C	CE04W25V-100M(UTSP)	1	397551017AT
C4502	UTSP C	CE04W25V-100M(UTSP)	1	397551017AT
C4503	UTSP C	CE04W50V 47M(UTSP)	1	397584707T
C4503 or	UTSP C	CE04W50V 47M(UTSP)	(1)	397584707AT
C4504	UTSP C	CE04W50V 47M(UTSP)	1	397584707T
C4504 or	UTSP C	CE04W50V 47M(UTSP)	(1)	397584707AT
C4505	UTSP C	CE04W25V-220M(UTSP)	1	397552217T
C4506	UTSP C	CE04W25V-220M(UTSP)	1	397552217T
C4507	UTSP C	CE04W50V 47M(UTSP)	1	397584707T
C4507 or	UTSP C	CE04W50V 47M(UTSP)	(1)	397584707AT
C4508	UTSP C	CE04W50V 47M(UTSP)	1	397584707T
C4508 or	UTSP C	CE04W50V 47M(UTSP)	(1)	397584707AT
C4509	C-CERA C	CC725CH1H-101J1	1	342101014R1
C4510	C-CERA C	CC725CH1H-101J1	1	342101014R1
C4511	C-CERA C	CC725CH1H-101J1	1	342101014R1
C4512	C-CERA C	CC725CH1H-101J1	1	342101014R1
C4513	C-CERA C	CC725CH1H-101J1	1	342101014R1
C4514	C-CERA C	CC725CH1H-101J1	1	342101014R1
C4515	C-CERA C	CC725CH1H-101J1	1	342101014R1
C4516	C-CERA C	CC725CH1H-101J1	1	342101014R1
C4517	C-CERA C	CK725F1E-104Z1	1	332161040R1
C4518	C-CERA C	CK725F1E-104Z1	1	332161040R1
C4519	UTSP C	CE04W50V 47M(UTSP)	1	397584707T
C4519 or	UTSP C	CE04W50V 47M(UTSP)	(1)	397584707AT
C4520	UTSP C	CE04W50V 47M(UTSP)	1	397584707T
C4520 or	UTSP C	CE04W50V 47M(UTSP)	(1)	397584707AT
C4521	C-CERA C	CC725CH1H-102J1	1	342101024R1
C4522	C-CERA C	CC725CH1H-102J1	1	342101024R1
C4525	UTSP C	CE04W25V-220M(UTSP)	1	397552217T
C4526	UTSP C	CE04W25V-220M(UTSP)	1	397552217T
C4527	UTSP C	CE04W50V 47M(UTSP)	1	397584707T
C4527 or	UTSP C	CE04W50V 47M(UTSP)	(1)	397584707AT
C4528	UTSP C	CE04W50V 47M(UTSP)	1	397584707T
C4528 or	UTSP C	CE04W50V 47M(UTSP)	(1)	397584707AT
C4529	C-CERA C	CC725CH1H-221J1	1	342102214R1
C4530	C-CERA C	CC725CH1H-221J1	1	342102214R1
C4531	C-CERA C	CC725CH1H-101J1	1	342101014R1
C4532	C-CERA C	CC725CH1H-101J1	1	342101014R1

C4533	UTSP C	CE04W25V-220M(UTSP)	1	397552217T
C4534	UTSP C	CE04W25V-220M(UTSP)	1	397552217T
C4535	UTSP C	CE04W25V-47M(UTSP)	1	397554707AT
C4536	TF C	ECQ-V50V-104J	1	374721044T
C4601	UTSP C	CE04W50V 47M(UTSP)	1	397584707T
C4601 or	UTSP C	CE04W50V 47M(UTSP)	(1)	397584707AT
C4602	UTSP C	CE04W50V 47M(UTSP)	1	397584707T
C4602 or	UTSP C	CE04W50V 47M(UTSP)	(1)	397584707AT
C4603	C-CERA C	CC725CH1H-221J1	1	342102214R1
C4604	C-CERA C	CC725CH1H-221J1	1	342102214R1
C4605	UTSP C	CE04W50V 47M(UTSP)	1	397584707T
C4605 or	UTSP C	CE04W50V 47M(UTSP)	(1)	397584707AT
C4606	C-CERA C	CC725CH1H-221J1	1	342102214R1
C4607	UTSP C	CE04W50V 47M(UTSP)	1	397584707T
C4607 or	UTSP C	CE04W50V 47M(UTSP)	(1)	397584707AT
C4608	UTSP C	CE04W50V 47M(UTSP)	1	397584707T
C4608 or	UTSP C	CE04W50V 47M(UTSP)	(1)	397584707AT
C4609	C-CERA C	CC725CH1H-221J1	1	342102214R1
C4610	C-CERA C	CC725CH1H-221J1	1	342102214R1
C4611	C-CERA C	CC725CH1H-221J1	1	342102214R1
C4612	C-CERA C	CC725CH1H-221J1	1	342102214R1
C4613	UTSP C	CE04W50V 47M(UTSP)	1	397584707T
C4613 or	UTSP C	CE04W50V 47M(UTSP)	(1)	397584707AT
C4614	UTSP C	CE04W50V 47M(UTSP)	1	397584707T
C4614 or	UTSP C	CE04W50V 47M(UTSP)	(1)	397584707AT
C4615	C-CERA C	CC725CH1H-221J1	1	342102214R1
C4616	C-CERA C	CC725CH1H-221J1	1	342102214R1
C4617	UTSP C	CE04W50V 47M(UTSP)	1	397584707T
C4617 or	UTSP C	CE04W50V 47M(UTSP)	(1)	397584707AT
C4618	UTSP C	CE04W50V 47M(UTSP)	1	397584707T
C4618 or	UTSP C	CE04W50V 47M(UTSP)	(1)	397584707AT
C4619	C-CERA C	CC725CH1H-221J1	1	342102214R1
C4620	C-CERA C	CC725CH1H-221J1	1	342102214R1
C4623	UTSP C	CE04W50V-10M(UTSP)	1	397581007T
C4623 or	UTSP C	CE04W50V-10M(UTSP)	(1)	397581007AT
C4624	UTSP C	CE04W50V-10M(UTSP)	1	397581007T
C4624 or	UTSP C	CE04W50V-10M(UTSP)	(1)	397581007AT
C4625	C-CERA C	CC725CH1H-221J1	1	342102214R1
C4626	C-CERA C	CC725CH1H-221J1	1	342102214R1
C4627	UTSP C	CE04W50V-10M(UTSP)	1	397581007T
C4627 or	UTSP C	CE04W50V-10M(UTSP)	(1)	397581007AT
C4628	UTSP C	CE04W50V-10M(UTSP)	1	397581007T
C4628 or	UTSP C	CE04W50V-10M(UTSP)	(1)	397581007AT
C4629	TF C	ECQ-V50V-104J	1	374721044T
C4630	TF C	ECQ-V50V-104J	1	374721044T
C4631	TF C	ECQ-V50V-104J	1	374721044T
C4632	TF C	ECQ-V50V-104J	1	374721044T

C4633	TF C	ECQ-V50V-104J	1	374721044T
C4634	TF C	ECQ-V50V-104J	1	374721044T
C4635	TF C	ECQ-V50V-104J	1	374721044T
C4636	TF C	ECQ-V50V-104J	1	374721044T
C4638	MKT C	B32529C0102J289	1	376491024T
C4639	UTSP C	CE04W50V 47M(UTSP)	1	397584707T
C4639 or	UTSP C	CE04W50V 47M(UTSP)	(1)	397584707AT
C4640	UTSP C	CE04W50V 47M(UTSP)	1	397584707T
C4640 or	UTSP C	CE04W50V 47M(UTSP)	(1)	397584707AT
C4641	TF C	ECQ-V50V-104J	1	374721044T
C4642	C-CERA C	CK725B1H-103K1	1	332101035R1
[RESISTOR]				
R4001	C-CARBON R	RN72K1J-102JE	1	435031024R1
R4002	C-CARBON R	RN72K1J-102JE	1	435031024R1
R4003	C-CARBON R	RN72K1J-563JE	1	435035634R1
R4004	C-CARBON R	RN72K1J-563JE	1	435035634R1
R4005	C-CARBON R	RN72K1J-331JE	1	435033314R1
R4006	C-CARBON R	RN72K1J-331JE	1	435033314R1
R4007	C-CARBON R	RN72K1J-563JE	1	435035634R1
R4008	C-CARBON R	RN72K1J-563JE	1	435035634R1
R4009	C-CARBON R	RN72K1J-224JE	1	435032244R1
R4010	C-CARBON R	RN72K1J-224JE	1	435032244R1
R4011	NF CARBON R	R25J-22	1	415472204T
R4012	NF CARBON R	R25J-22	1	415472204T
R4013	C-CARBON R	RN72K1J-331JE	1	435033314R1
R4014	C-CARBON R	RN72K1J-331JE	1	435033314R1
R4015	C-CARBON R	RN72K1J-563JE	1	435035634R1
R4016	C-CARBON R	RN72K1J-563JE	1	435035634R1
R4017	C-CARBON R	RN72K1J-224JE	1	435032244R1
R4018	C-CARBON R	RN72K1J-224JE	1	435032244R1
R4019	NF CARBON R	R25J-22	1	415472204T
R4020	NF CARBON R	R25J-22	1	415472204T
R4021	C-CARBON R	RN72K1J-331JE	1	435033314R1
R4022	C-CARBON R	RN72K1J-331JE	1	435033314R1
R4023	C-CARBON R	RN72K1J-563JE	1	435035634R1
R4024	C-CARBON R	RN72K1J-563JE	1	435035634R1
R4025	C-CARBON R	RN72K1J-224JE	1	435032244R1
R4026	C-CARBON R	RN72K1J-224JE	1	435032244R1
R4027	C-CARBON R	RN72K1J-331JE	1	435033314R1
R4028	C-CARBON R	RN72K1J-331JE	1	435033314R1
R4029	C-CARBON R	RN72K1J-563JE	1	435035634R1
R4030	C-CARBON R	RN72K1J-563JE	1	435035634R1
R4031	C-CARBON R	RN72K1J-224JE	1	435032244R1
R4032	C-CARBON R	RN72K1J-224JE	1	435032244R1
R4033	C-CARBON R	RN72K1J-331JE	1	435033314R1
R4034	C-CARBON R	RN72K1J-331JE	1	435033314R1
R4035	C-CARBON R	RN72K1J-563JE	1	435035634R1

R4036	C-CARBON R	RN72K1J-563JE	1	435035634R1
R4037	C-CARBON R	RN72K1J-224JE	1	435032244R1
R4038	C-CARBON R	RN72K1J-224JE	1	435032244R1
R4039	C-CARBON R	RN72K1J-331JE	1	435033314R1
R4040	C-CARBON R	RN72K1J-331JE	1	435033314R1
R4041	C-CARBON R	RN72K1J-563JE	1	435035634R1
R4042	C-CARBON R	RN72K1J-563JE	1	435035634R1
R4043	C-CARBON R	RN72K1J-224JE	1	435032244R1
R4044	C-CARBON R	RN72K1J-224JE	1	435032244R1
R4045	C-CARBON R	RN72K1J-152JE	1	435031524R1
R4046	C-CARBON R	RN72K1J-152JE	1	435031524R1
R4047	C-CARBON R	RN72K1J-152JE	1	435031524R1
R4048	C-CARBON R	RN72K1J-152JE	1	435031524R1
R4049	C-CARBON R	RN72K1J-152JE	1	435031524R1
R4050	C-CARBON R	RN72K1J-152JE	1	435031524R1
R4051	C-CARBON R	RN72K1J-152JE	1	435031524R1
R4052	C-CARBON R	RN72K1J-152JE	1	435031524R1
R4053	C-CARBON R	RN72K1J-152JE	1	435031524R1
R4054	C-CARBON R	RN72K1J-152JE	1	435031524R1
R4055	C-CARBON R	RN72K1J-152JE	1	435031524R1
R4056	C-CARBON R	RN72K1J-152JE	1	435031524R1
R4151	C-CARBON R	RN72K1J-224JE	1	435032244R1
R4152	C-CARBON R	RN72K1J-224JE	1	435032244R1
R4153	C-CARBON R	RN72K1J-224JE	1	435032244R1
R4154	C-CARBON R	RN72K1J-224JE	1	435032244R1
R4155	C-CARBON R	RN72K1J-152JE	1	435031524R1
R4156	C-CARBON R	RN72K1J-152JE	1	435031524R1
R4157	C-CARBON R	RN72K1J-224JE	1	435032244R1
R4158	C-CARBON R	RN72K1J-224JE	1	435032244R1
R4161	METAL O R	RS1/2WBJ-15	1	443521504T
R4162	METAL O R	RS1/2WBJ-15	1	443521504T
R4163	METAL O R	RS1/2WBJ-10	1	443521004T
R4164	METAL O R	RS1/2WBJ-10	1	443521004T
R4165	C-CARBON R	RN72K1J-681JE	1	435036814R1
R4166	C-CARBON R	RN72K1J-681JE	1	435036814R1
R4167	C-CARBON R	RN72K1J-047JE	1	435030474R1
R4168	C-CARBON R	RN72K1J-047JE	1	435030474R1
R4169	C-CARBON R	RN72K1J-103JE	1	435031034R1
R4170	C-CARBON R	RN72K1J-103JE	1	435031034R1
R4171	C-CARBON R	RN72K1J-103JE	1	435031034R1
R4172	C-CARBON R	RN72K1J-103JE	1	435031034R1
R4173	C-CARBON R	RN72K1J-103JE	1	435031034R1
R4174	C-CARBON R	RN72K1J-103JE	1	435031034R1
R4175	C-CARBON R	RN72K1J-103JE	1	435031034R1
R4176	C-CARBON R	RN72K1J-103JE	1	435031034R1
R4181	C-CARBON R	RN72K1J-224JE	1	435032244R1
R4182	C-CARBON R	RN72K1J-224JE	1	435032244R1

R4183	C-CARBON R	RN72K1J-224JE	1	435032244R1
R4184	C-CARBON R	RN72K1J-224JE	1	435032244R1
R4241	METAL O R	RS1/2WBJ-10	1	443521004T
R4242	METAL O R	RS1/2WBJ-10	1	443521004T
R4247	C-CARBON R	RN72K1J-224JE	1	435032244R1
R4248	C-CARBON R	RN72K1J-224JE	1	435032244R1
R4249	C-CARBON R	RN72K1J-224JE	1	435032244R1
R4250	C-CARBON R	RN72K1J-224JE	1	435032244R1
R4251	C-CARBON R	RN72K1J-221JE	1	435032214R1
R4252	C-CARBON R	RN72K1J-221JE	1	435032214R1
R4253	C-CARBON R	RN72K1J-101JE	1	435031014R1
R4254	C-CARBON R	RN72K1J-101JE	1	435031014R1
R4255	C-CARBON R	RN72K1J-224JE	1	435032244R1
R4256	C-CARBON R	RN72K1J-224JE	1	435032244R1
R4257	C-CARBON R	RN72K1J-470JE	1	435034704R1
R4258	C-CARBON R	RN72K1J-470JE	1	435034704R1
R4263	C-CARBON R	RN72K1J-224JE	1	435032244R1
R4264	C-CARBON R	RN72K1J-224JE	1	435032244R1
R4265	C-CARBON R	RN72K1J-224JE	1	435032244R1
R4266	C-CARBON R	RN72K1J-224JE	1	435032244R1
R4267	C-CARBON R	RN72K1J-221JE	1	435032214R1
R4268	C-CARBON R	RN72K1J-221JE	1	435032214R1
R4269	C-CARBON R	RN72K1J-101JE	1	435031014R1
R4270	C-CARBON R	RN72K1J-101JE	1	435031014R1
R4271	C-CARBON R	RN72K1J-224JE	1	435032244R1
R4272	C-CARBON R	RN72K1J-224JE	1	435032244R1
R4273	C-CARBON R	RN72K1J-470JE	1	435034704R1
R4274	C-CARBON R	RN72K1J-470JE	1	435034704R1
R4275	C-CARBON R	RN72K1J-473JE	1	435034734R1
R4276	C-CARBON R	RN72K1J-473JE	1	435034734R1
R4277	C-CARBON R	RN72K1J-473JE	1	435034734R1
R4278	C-CARBON R	RN72K1J-473JE	1	435034734R1
R4279	C-CARBON R	RN72K1J-224JE	1	435032244R1
R4280	C-CARBON R	RN72K1J-224JE	1	435032244R1
R4281	C-CARBON R	RN72K1J-223JE	1	435032234R1
R4282	C-CARBON R	RN72K1J-223JE	1	435032234R1
R4283	C-CARBON R	RN72K1J-221JE	1	435032214R1
R4284	C-CARBON R	RN72K1J-221JE	1	435032214R1
R4285	C-CARBON R	RN72K1J-101JE	1	435031014R1
R4286	C-CARBON R	RN72K1J-101JE	1	435031014R1
R4287	C-CARBON R	RN72K1J-224JE	1	435032244R1
R4288	C-CARBON R	RN72K1J-224JE	1	435032244R1
R4289	C-CARBON R	RN72K1J-470JE	1	435034704R1
R4290	C-CARBON R	RN72K1J-470JE	1	435034704R1
R4291	C-CARBON R	RN72K1J-224JE	1	435032244R1
R4292	C-CARBON R	RN72K1J-224JE	1	435032244R1
R4293	C-CARBON R	RN72K1J-224JE	1	435032244R1

R4294	C-CARBON R	RN72K1J-224JE	1	435032244R1
R4295	C-CARBON R	RN72K1J-221JE	1	435032214R1
R4296	C-CARBON R	RN72K1J-221JE	1	435032214R1
R4297	C-CARBON R	RN72K1J-101JE	1	435031014R1
R4298	C-CARBON R	RN72K1J-101JE	1	435031014R1
R4299	C-CARBON R	RN72K1J-224JE	1	435032244R1
R4300	C-CARBON R	RN72K1J-224JE	1	435032244R1
R4301	C-CARBON R	RN72K1J-470JE	1	435034704R1
R4302	C-CARBON R	RN72K1J-470JE	1	435034704R1
R4303	C-CARBON R	RN72K1J-473JE	1	435034734R1
R4304	C-CARBON R	RN72K1J-473JE	1	435034734R1
R4305	C-CARBON R	RN72K1J-224JE	1	435032244R1
R4306	C-CARBON R	RN72K1J-224JE	1	435032244R1
R4307	C-CARBON R	RN72K1J-223JE	1	435032234R1
R4308	C-CARBON R	RN72K1J-221JE	1	435032214R1
R4309	C-CARBON R	RN72K1J-101JE	1	435031014R1
R4310	C-CARBON R	RN72K1J-224JE	1	435032244R1
R4311	C-CARBON R	RN72K1J-470JE	1	435034704R1
R4312	C-CARBON R	RN72K1J-224JE	1	435032244R1
R4313	C-CARBON R	RN72K1J-224JE	1	435032244R1
R4314	C-CARBON R	RN72K1J-224JE	1	435032244R1
R4315	C-CARBON R	RN72K1J-152JE	1	435031524R1
R4316	C-CARBON R	RN72K1J-152JE	1	435031524R1
R4317	C-CARBON R	RN72K1J-152JE	1	435031524R1
R4318	C-CARBON R	RN72K1J-152JE	1	435031524R1
R4319	C-CARBON R	RN72K1J-152JE	1	435031524R1
R4320	C-CARBON R	RN72K1J-152JE	1	435031524R1
R4321	C-CARBON R	RN72K1J-152JE	1	435031524R1
R4322	C-CARBON R	RN72K1J-152JE	1	435031524R1
R4323	C-CARBON R	RN72K1J-152JE	1	435031524R1
R4335	NF CARBON R	R25J-22	1	415472204T
R4336	NF CARBON R	R25J-22	1	415472204T
R4337	C-CARBON R	RN72K1J-103JE	1	435031034R1
R4338	C-CARBON R	RN72K1J-103JE	1	435031034R1
R4339	C-CARBON R	RN72K1J-103JE	1	435031034R1
R4340	C-CARBON R	RN72K1J-103JE	1	435031034R1
R4341	C-CARBON R	RN72K1J-103JE	1	435031034R1
R4342	C-CARBON R	RN72K1J-682JE	1	435036824R1
R4343	C-CARBON R	RN72K1J-682JE	1	435036824R1
R4344	C-CARBON R	RN72K1J-272JE	1	435032724R1
R4345	C-CARBON R	RN72K1J-224JE	1	435032244R1
R4346	C-CARBON R	RN72K1J-103JE	1	435031034R1
R4347	C-CARBON R	RN72K1J-103JE	1	435031034R1
R4348	C-CARBON R	RN72K1J-224JE	1	435032244R1
R4349	C-CARBON R	RN72K1J-122JE	1	435031224R1
R4350	C-CARBON R	RN72K1J-122JE	1	435031224R1
R4351	C-CARBON R	RN72K1J-152JE	1	435031524R1

R4352	C-CARBON R	RN72K1J-152JE	1	435031524R1
R4353	C-CARBON R	RN72K1J-103JE	1	435031034R1
R4354	C-CARBON R	RN72K1J-103JE	1	435031034R1
R4355	C-CARBON R	RN72K1J-103JE	1	435031034R1
R4356	C-CARBON R	RN72K1J-103JE	1	435031034R1
R4357	C-CARBON R	RN72K1J-103JE	1	435031034R1
R4358	C-CARBON R	RN72K1J-103JE	1	435031034R1
R4359	C-CARBON R	RN72K1J-103JE	1	435031034R1
R4360	C-CARBON R	RN72K1J-103JE	1	435031034R1
R4361	C-CARBON R	RN72K1J-103JE	1	435031034R1
R4362	C-CARBON R	RN72K1J-103JE	1	435031034R1
R4363	C-CARBON R	RN72K1J-103JE	1	435031034R1
R4364	C-CARBON R	RN72K1J-103JE	1	435031034R1
R4365	C-CARBON R	RN72K1J-224JE	1	435032244R1
R4366	C-CARBON R	RN72K1J-224JE	1	435032244R1
R4367	C-CARBON R	RN72K1J-103JE	1	435031034R1
R4368	C-CARBON R	RN72K1J-103JE	1	435031034R1
R4369	C-CARBON R	RN72K1J-103JE	1	435031034R1
R4370	C-CARBON R	RN72K1J-103JE	1	435031034R1
R4371	C-CARBON R	RN72K1J-103JE	1	435031034R1
R4372	C-CARBON R	RN72K1J-103JE	1	435031034R1
R4373	C-CARBON R	RN72K1J-103JE	1	435031034R1
R4374	C-CARBON R	RN72K1J-103JE	1	435031034R1
R4375	C-CARBON R	RN72K1J-103JE	1	435031034R1
R4376	C-CARBON R	RN72K1J-104JE	1	435031044R1
R4377	C-CARBON R	RN72K1J-104JE	1	435031044R1
R4378	C-CARBON R	RN72K1J-104JE	1	435031044R1
R4379	C-CARBON R	RN72K1J-104JE	1	435031044R1
R4380	C-CARBON R	RN72K1J-104JE	1	435031044R1
R4381	C-CARBON R	RN72K1J-104JE	1	435031044R1
R4382	C-CARBON R	RN72K1J-104JE	1	435031044R1
R4383	C-CARBON R	RN72K1J-104JE	1	435031044R1
R4384	C-CARBON R	RN72K1J-104JE	1	435031044R1
R4385	C-CARBON R	RN72K1J-104JE	1	435031044R1
R4386	C-CARBON R	RN72K1J-104JE	1	435031044R1
R4387	C-CARBON R	RN72K1J-104JE	1	435031044R1
R4388	C-CARBON R	RN72K1J-104JE	1	435031044R1
R4501	NF CARBON R	R25J-22	1	415472204T
R4502	NF CARBON R	R25J-22	1	415472204T
R4503	C-CARBON R	RN72K1J-222JE	1	435032224R1
R4504	C-CARBON R	RN72K1J-222JE	1	435032224R1
R4505	C-CARBON R	RN72K1J-331JE	1	435033314R1
R4506	C-CARBON R	RN72K1J-331JE	1	435033314R1
R4507	METAL O R	RS1/2WBJ-1K	1	443521024T
R4509	C-CARBON R	RN72K1J-222JE	1	435032224R1
R4510	C-CARBON R	RN72K1J-222JE	1	435032224R1
R4511	C-CARBON R	RN72K1J-222JE	1	435032224R1

R4512	C-CARBON R	RN72K1J-222JE	1	435032224R1
R4513	C-CARBON R	RN72K1J-331JE	1	435033314R1
R4514	C-CARBON R	RN72K1J-331JE	1	435033314R1
R4515	C-CARBON R	RN72K1J-331JE	1	435033314R1
R4516	C-CARBON R	RN72K1J-331JE	1	435033314R1
R4517	C-CARBON R	RN72K1J-331JE	1	435033314R1
R4518	C-CARBON R	RN72K1J-331JE	1	435033314R1
R4521	C-CARBON R	RN72K1J-473JE	1	435034734R1
R4522	C-CARBON R	RN72K1J-473JE	1	435034734R1
R4523	C-CARBON R	RN72K1J-392JE	1	435033924R1
R4524	C-CARBON R	RN72K1J-392JE	1	435033924R1
R4525	C-CARBON R	RN72K1J-682JE	1	435036824R1
R4526	C-CARBON R	RN72K1J-682JE	1	435036824R1
R4527	C-CARBON R	RN72K1J-393JE	1	435033934R1
R4528	C-CARBON R	RN72K1J-393JE	1	435033934R1
R4529	C-CARBON R	RN72K1J-272JE	1	435032724R1
R4530	C-CARBON R	RN72K1J-272JE	1	435032724R1
R4531	C-CARBON R	RN72K1J-272JE	1	435032724R1
R4532	C-CARBON R	RN72K1J-272JE	1	435032724R1
R4533	C-CARBON R	RN72K2E-220JE	1	435222204R1
R4534	C-CARBON R	RN72K2E-220JE	1	435222204R1
R4535	C-CARBON R	RN72K2E-220JE	1	435222204R1
R4536	C-CARBON R	RN72K2E-220JE	1	435222204R1
R4537	METAL O R	RS1/2WBJ-10	1	443521004T
R4538	METAL O R	RS1/2WBJ-10	1	443521004T
R4539	C-CARBON R	RN72K1J-152JE	1	435031524R1
R4540	C-CARBON R	RN72K1J-152JE	1	435031524R1
R4541	C-CARBON R	RN72K1J-473JE	1	435034734R1
R4542	C-CARBON R	RN72K1J-473JE	1	435034734R1
R4543	C-CARBON R	RN72K1J-223JE	1	435032234R1
R4544	C-CARBON R	RN72K1J-223JE	1	435032234R1
R4545	C-CARBON R	RN72K1J-393JE	1	435033934R1
R4546	C-CARBON R	RN72K1J-393JE	1	435033934R1
R4547	METAL O R	RS1WBJ-33	1	443623304T
R4548	METAL O R	RS1WBJ-33	1	443623304T
R4549	C-CARBON R	RN72K1J-103JE	1	435031034R1
R4550	C-CARBON R	RN72K1J-103JE	1	435031034R1
R4551	C-CARBON R	RN72K1J-103JE	1	435031034R1
R4552	C-CARBON R	RN72K1J-103JE	1	435031034R1
R4554	METAL R	RNU1/2WCJ-1	1	453530104T
R4557	METAL O R	RS1WBJ-33	1	443623304T
R4558	METAL O R	RS1WBJ-33	1	443623304T
R4559	C-CARBON R	RN72K1J-000JE	1	435030004R1
R4560	C-CARBON R	RN72K1J-000JE	1	435030004R1
R4601	C-CARBON R	RN72K1J-224JE	1	435032244R1
R4602	C-CARBON R	RN72K1J-224JE	1	435032244R1
R4603	C-CARBON R	RN72K1J-121JE	1	435031214R1

R4604	C-CARBON R	RN72K1J-121JE	1	435031214R1
R4605	C-CARBON R	RN72K1J-000JE	1	435030004R1
R4606	C-CARBON R	RN72K1J-000JE	1	435030004R1
R4609	C-CARBON R	RN72K1J-103JE	1	435031034R1
R4610	C-CARBON R	RN72K1J-103JE	1	435031034R1
R4611	C-CARBON R	RN72K1J-224JE	1	435032244R1
R4612	C-CARBON R	RN72K1J-224JE	1	435032244R1
R4613	C-CARBON R	RN72K1J-470JE	1	435034704R1
R4614	C-CARBON R	RN72K1J-470JE	1	435034704R1
R4615	C-CARBON R	RN72K1J-224JE	1	435032244R1
R4616	C-CARBON R	RN72K1J-121JE	1	435031214R1
R4617	C-CARBON R	RN72K1J-000JE	1	435030004R1
R4619	C-CARBON R	RN72K1J-103JE	1	435031034R1
R4620	C-CARBON R	RN72K1J-224JE	1	435032244R1
R4621	C-CARBON R	RN72K1J-470JE	1	435034704R1
R4623	C-CARBON R	RN72K1J-224JE	1	435032244R1
R4624	C-CARBON R	RN72K1J-224JE	1	435032244R1
R4625	C-CARBON R	RN72K1J-121JE	1	435031214R1
R4626	C-CARBON R	RN72K1J-121JE	1	435031214R1
R4627	C-CARBON R	RN72K1J-000JE	1	435030004R1
R4628	C-CARBON R	RN72K1J-000JE	1	435030004R1
R4631	C-CARBON R	RN72K1J-103JE	1	435031034R1
R4632	C-CARBON R	RN72K1J-103JE	1	435031034R1
R4633	C-CARBON R	RN72K1J-224JE	1	435032244R1
R4634	C-CARBON R	RN72K1J-224JE	1	435032244R1
R4635	C-CARBON R	RN72K1J-470JE	1	435034704R1
R4636	C-CARBON R	RN72K1J-470JE	1	435034704R1
R4637	C-CARBON R	RN72K1J-223JE	1	435032234R1
R4638	C-CARBON R	RN72K1J-223JE	1	435032234R1
R4639	C-CARBON R	RN72K1J-221JE	1	435032214R1
R4640	C-CARBON R	RN72K1J-221JE	1	435032214R1
R4641	C-CARBON R	RN72K1J-101JE	1	435031014R1
R4642	C-CARBON R	RN72K1J-101JE	1	435031014R1
R4645	C-CARBON R	RN72K1J-103JE	1	435031034R1
R4646	C-CARBON R	RN72K1J-103JE	1	435031034R1
R4647	C-CARBON R	RN72K1J-224JE	1	435032244R1
R4648	C-CARBON R	RN72K1J-224JE	1	435032244R1
R4649	C-CARBON R	RN72K1J-101JE	1	435031014R1
R4651	C-CARBON R	RN72K1J-224JE	1	435032244R1
R4652	C-CARBON R	RN72K1J-224JE	1	435032244R1
R4653	C-CARBON R	RN72K1J-121JE	1	435031214R1
R4654	C-CARBON R	RN72K1J-121JE	1	435031214R1
R4655	C-CARBON R	RN72K1J-000JE	1	435030004R1
R4656	C-CARBON R	RN72K1J-000JE	1	435030004R1
R4659	C-CARBON R	RN72K1J-103JE	1	435031034R1
R4660	C-CARBON R	RN72K1J-103JE	1	435031034R1
R4661	C-CARBON R	RN72K1J-224JE	1	435032244R1

R4662	C-CARBON R	RN72K1J-224JE	1	435032244R1
R4663	C-CARBON R	RN72K1J-470JE	1	435034704R1
R4664	C-CARBON R	RN72K1J-470JE	1	435034704R1
R4665	C-CARBON R	RN72K1J-224JE	1	435032244R1
R4666	C-CARBON R	RN72K1J-224JE	1	435032244R1
R4667	C-CARBON R	RN72K1J-121JE	1	435031214R1
R4668	C-CARBON R	RN72K1J-121JE	1	435031214R1
R4669	C-CARBON R	RN72K1J-000JE	1	435030004R1
R4670	C-CARBON R	RN72K1J-000JE	1	435030004R1
R4671	C-CARBON R	RN72K1J-223JE	1	435032234R1
R4672	C-CARBON R	RN72K1J-223JE	1	435032234R1
R4673	C-CARBON R	RN72K1J-103JE	1	435031034R1
R4674	C-CARBON R	RN72K1J-103JE	1	435031034R1
R4675	C-CARBON R	RN72K1J-224JE	1	435032244R1
R4676	C-CARBON R	RN72K1J-224JE	1	435032244R1
R4677	C-CARBON R	RN72K1J-470JE	1	435034704R1
R4678	C-CARBON R	RN72K1J-470JE	1	435034704R1
R4679	C-CARBON R	RN72K1J-224JE	1	435032244R1
R4680	C-CARBON R	RN72K1J-101JE	1	435031014R1
R4681	C-CARBON R	RN72K1J-101JE	1	435031014R1
R4682	C-CARBON R	RN72K1J-101JE	1	435031014R1
R4683	C-CARBON R	RN72K1J-224JE	1	435032244R1
R4684	C-CARBON R	RN72K1J-224JE	1	435032244R1
R4685	C-CARBON R	RN72K1J-121JE	1	435031214R1
R4686	C-CARBON R	RN72K1J-121JE	1	435031214R1
R4687	C-CARBON R	RN72K1J-000JE	1	435030004R1
R4688	C-CARBON R	RN72K1J-000JE	1	435030004R1
R4689	C-CARBON R	RN72K1J-222JE	1	435032224R1
R4691	C-CARBON R	RN72K1J-103JE	1	435031034R1
R4692	C-CARBON R	RN72K1J-103JE	1	435031034R1
R4693	C-CARBON R	RN72K1J-224JE	1	435032244R1
R4694	C-CARBON R	RN72K1J-224JE	1	435032244R1
R4695	C-CARBON R	RN72K1J-470JE	1	435034704R1
R4696	C-CARBON R	RN72K1J-470JE	1	435034704R1
R4697	C-CARBON R	RN72K1J-224JE	1	435032244R1
R4698	C-CARBON R	RN72K1J-224JE	1	435032244R1
R4699	C-CARBON R	RN72K1J-224JE	1	435032244R1
R4700	C-CARBON R	RN72K1J-224JE	1	435032244R1
R4712	C-CARBON R	RN72K1J-000JE	1	435030004R1
R4713	C-CARBON R	RN72K1J-000JE	1	435030004R1
[SW TRM]				
JL101A	WIRE HOL	NSCT-5P876	1	25051089
JL4002A	WIRE HOL	NSCT-7P878	1	25051091
JL4014B	WIRE TRAP	NPLG-7P590	1	25055628
JL4103A	WIRE TRAP	NPLG-5P588	1	25055626
P4001	PIN JACK	NPJ-2PDWR706	1	25045940A
P4002	PIN JACK	NPJ-2PDWR706	1	25045940A

P4003	PIN JACK	NPJ-4PDRW592	1	25045812	
P4004	PIN JACK	NPJ-6PDRW665	1	25045894	
P4005	PIN JACK	NPJ-9PDPWR739	1	25045988	
P4008	PIN JACK	NPJ-9PDGWRPLENT698	1	25045932	
P4009	PIN JACK	NPJ-6PDPWR654	1	25045881	
P4010	TRM	NTM-1P233(M1969)	1	25060302	
P4011	TRM-423(SCREW)	NEJITANSI ST3	1	25060495	
P4012	RETAINER	(PC-HOLD)	1	27142149	
P4013	RETAINER	(PC-HOLD)	1	27142149	
P4014	RETAINER	(PC-HOLD)	1	27142149	
P4015	HOLDER	HOLDER(CLAMP)	1	27190540-1	
P4101A	PLUG	NPLG-9P661	1	25055705	
P4201A	SOCKET	NSCT-9P2102	1	25052205	
P4202A	SOCKET	NSCT-13P2106	1	25052209	
P5000B	PLUG	NPLG-10P357	1	25055374	
P5001B	PLUG	NPLG-8P355	1	25055372	
P5002B	CRIMP AS	CRIMP SR805_2	1	20799170UL	
P7009B	PLUG	IMSA-9142B-22A	1	25056601	
P7010B	PLUG	IMSA-9142B-26A	1	25056603	
RL4501	RELAY	NRL-2P2A-DC12-178	1	25065664	
RL4601	RELAY	NRL-2P2A-DC12-178	1	25065664	
RL4602	RELAY	NRL-2P2A-DC12-178	1	25065664	
RL4603	RELAY	NRL-2P2A-DC12-178	1	25065664	
RL4604	RELAY	NRL-2P2A-DC12-178	1	25065664	
RL4605	RELAY	NRL-2P2A-DC12-178	1	25065664	
RL4606	RELAY	NRL-2P2A-DC12-178	1	25065664	
RL4608	RELAY	NRL-2P2A-DC12-178	1	25065664	
RL4609	RELAY	NRL-2P2A-DC12-178	1	25065664	

U005	U0050~U0058	BADG-0857-1F *
U0050	DAC/DIR PC BOARD ASS'Y	BADG-0857-1F
U0051	MPU PC BOARD ASS'Y	BACPU-0858-1F
U0052	PHONO AMP. PC BOARD ASS'Y	BAAR-0862-1F
U0053	BUFFER AMP. PC BOARD ASS'Y	BAAF-0860-1F
U0054	BUFFER AMP. PC BOARD ASS'Y	BAACC-0861-1F
U0055	TERMINAL(PC IN) PC BOARD ASS'Y	BAVD-0863-1F
U0056	TERMINAL(DIGITAL IN) PC BOARD ASS'Y	BAETC-0864-1F
U0057	POWER SUPPLY(DG) PC BOARD ASS'Y	BAPS-0865-1F
U0058	CONNECTOR PC BOARD ASS'Y	BAETC-0866-1F

CIRCUIT NO	PART NAME	DESCRIPTION	Q'TY	PART NO. (SN)	REMARKS
	[SEMI CONDUCTOR]				
D4101	ZENER D	UDZS5.6B	1	224550560R2	
D4101 or	ZENER D	MAZ8056-M	(1)	224750562R2	

D4102	ZENER D	UDZS5.6B	1	224550560R2
D4102 or	ZENER D	MAZ8056-M	(1)	224750562R2
D4201	ZENER D	UDZS3.9B	1	224550390R2
D7002	C-DIODE	1SS352	1	223234R2
D7002 or	C-DIODE	1SS355	(1)	223269R2
D7002 or	C-DIODE	MA2J111	(1)	223279R2
D7002 or	C-DIODE	KDS4148U	(1)	223283R2
D7003	C-DIODE	1SS352	1	223234R2
D7003 or	C-DIODE	1SS355	(1)	223269R2
D7003 or	C-DIODE	MA2J111	(1)	223279R2
D7003 or	C-DIODE	KDS4148U	(1)	223283R2
D7006	C-DIODE	1SS352	1	223234R2
D7006 or	C-DIODE	1SS355	(1)	223269R2
D7006 or	C-DIODE	MA2J111	(1)	223279R2
D7006 or	C-DIODE	KDS4148U	(1)	223283R2
D9303	DIODE	D10XB60H	1	22380337F
D9306	ZENER D	UDZS22B	1	224552200R2
D9310	ZENER D	UDZS22B	1	224552200R2
D9312	DIODE	RL1N4003	1	22380260T
D9313	DIODE	RL1N4003	1	22380260T
D9314	DIODE	RL1N4003	1	22380260T
D9315	DIODE	RL1N4003	1	22380260T
Q1001	IC	PCM1796DBR	1	22242403R2
Q1002	IC	PCM1796DBR	1	22242403R2
Q1003	IC	PCM1796DBR	1	22242403R2
Q1004	IC	PCM1796DBR	1	22242403R2
Q1005	IC	PCM1796DBR	1	22242403R2
Q1006	IC	PCM1796DBR	1	22242403R2
Q1007	IC	PCM1796DBR	1	22242403R2
Q1200	IC	NE5532APSR	1	22242283R2
Q1201	IC	NE5532APSR	1	22242283R2
Q1202	IC	NE5532APSR	1	22242283R2
Q1203	IC	NE5532APSR	1	22242283R2
Q1204	IC	NE5532APSR	1	22242283R2
Q1205	IC	NE5532APSR	1	22242283R2
Q1206	IC	NE5532APSR	1	22242283R2
Q1207	IC	NE5532APSR	1	22242283R2
Q1208	IC	NE5532APSR	1	22242283R2
Q1209	IC	NE5532APSR	1	22242283R2
Q1210	IC	NE5532APSR	1	22242283R2
Q1211	IC	NE5532APSR	1	22242283R2
Q1212	IC	NE5532APSR	1	22242283R2
Q1213	IC	NE5532APSR	1	22242283R2
Q1214	IC	NE5532APSR	1	22242283R2
Q1215	IC	NE5532APSR	1	22242283R2
Q1216	IC	NE5532APSR	1	22242283R2
Q1217	IC	NE5532APSR	1	22242283R2

Q1218	IC	NE5532APSR	1	22242283R2
Q1219	IC	NE5532APSR	1	22242283R2
Q1220	IC	NE5532APSR	1	22242283R2
Q1221	IC	NE5532APSR	1	22242283R2
Q1222	IC	NE5532APSR	1	22242283R2
Q1223	IC	NE5532APSR	1	22242283R2
Q1224	IC	NE5532APSR	1	22242283R2
Q1225	IC	NE5532APSR	1	22242283R2
Q1226	IC	NE5532APSR	1	22242283R2
Q1227	IC	NE5532APSR	1	22242283R2
Q1228	IC	NE5532APSR	1	22242283R2
Q1229	IC	NE5532APSR	1	22242283R2
Q1230	IC	NE5532APSR	1	22242283R2
Q1231	IC	NE5532APSR	1	22242283R2
Q1232	IC	NE5532APSR	1	22242283R2
Q1233	IC	NE5532APSR	1	22242283R2
Q1234	IC	NE5532APSR	1	22242283R2
Q1235	IC	NE5532APSR	1	22242283R2
Q1236	IC	NE5532APSR	1	22242283R2
Q1237	IC	NE5532APSR	1	22242283R2
Q1238	IC	NE5532APSR	1	22242283R2
Q1239	IC	NE5532APSR	1	22242283R2
Q1240	IC	NE5532APSR	1	22242283R2
Q1241	IC	NE5532APSR	1	22242283R2
Q1242	IC	NE5532APSR	1	22242283R2
Q1243	IC	NE5532APSR	1	22242283R2
Q1244	IC	NE5532APSR	1	22242283R2
Q1245	IC	NE5532APSR	1	22242283R2
Q1246	TR	2SC2712-GR	1	2213145R2
Q1246 or	TR	KTC3875-GR	(1)	2216175R2
Q1250	IC	NE5532APSR	1	22242283R2
Q1251	IC	NE5532APSR	1	22242283R2
Q1252	IC	NE5532APSR	1	22242283R2
Q1253	IC	TC9162CFG(EL)	1	22242099R2
Q1254	TR	2SC2712-GR	1	2213145R2
Q1254 or	TR	KTC3875-GR	(1)	2216175R2
Q1255	TR	2SC2712-GR	1	2213145R2
Q1255 or	TR	KTC3875-GR	(1)	2216175R2
Q1256	IC	NE5532APSR	1	22242283R2
Q1257	IC	NE5532APSR	1	22242283R2
Q1258	IC	NE5532APSR	1	22242283R2
Q1311	IC	PCM9211PTR	1	22242703R2
Q1312	IC	TC7SZU04FU	1	22242512R2TO
Q1322	IC	CS5361-KZZR	1	22242646R2
Q1740	IC	NE5532APSR	1	22242283R2
Q1741	IC	NE5532APSR	1	22242283R2
Q1800	IC	NE5532APSR	1	22242283R2

Q1801	IC	NE5532APSR	1	22242283R2	
Q3700	IC	CY2305FSXC-1T	1	22242779R2	
Q3702	IC(SUB3)	LCMXO256C-3TN100C(0603)	1	222W0127R306033	N
Q3886	IC	74HCU04F	1	222740046R2	
Q3886 or	IC	TC74HCU04AF	(1)	222740046R2TO	
Q4101	TR	KTC3201-BL	1	2217946T	
Q4102	TR	KTC3201-BL	1	2217946T	
Q4103	TR	KTC3201-BL	1	2217946T	
Q4104	TR	KTC3201-BL	1	2217946T	
Q4105	TR	2SC2712-GR	1	2213145R2	
Q4105 or	TR	KTC3875-GR	(1)	2216175R2	
Q4106	TR	2SC2712-GR	1	2213145R2	
Q4106 or	TR	KTC3875-GR	(1)	2216175R2	
Q4107	IC	NE5532APSR	1	22242283R2	
Q4201	IC	M61540FP	1	22242497R2	
Q4202	IC	M61540FP	1	22242497R2	
Q4203	TR	2SC2712-GR	1	2213145R2	
Q4203 or	TR	KTC3875-GR	(1)	2216175R2	
Q4401	IC	NE5532APSR	1	22242283R2	
Q4402	IC	NE5532APSR	1	22242283R2	
Q4403	IC	NE5532APSR	1	22242283R2	
Q4404	IC	NE5532APSR	1	22242283R2	
Q4405	IC	NE5532APSR	1	22242283R2	
Q4406	IC	NE5532APSR	1	22242283R2	
Q4407	IC	NE5532APSR	1	22242283R2	
Q4408	IC	NE5532APSR	1	22242283R2	
Q7001	TR	KRC104S	1	2216210R2	
Q7001 or	TR	RN1404	(1)	2214490R2	
Q7002	TR	KRA102S	1	2216220R2	
Q7002 or	TR	RN2402	(1)	2214530R2	
Q7003	TR	KRC104S	1	2216210R2	
Q7003 or	TR	RN1404	(1)	2214490R2	
Q7004	TR	KRA102S	1	2216220R2	
Q7004 or	TR	RN2402	(1)	2214530R2	
Q7005	TR	KRA107S	1	2216350R2	
Q7005 or	TR	RN2407(TE85L_F)	(1)	2216360R2	
Q7006	TR	KRC102S	1	2216190R2	
Q7006 or	TR	RN1402	(1)	2214470R2	
Q7008	TR	KRA107S	1	2216350R2	
Q7008 or	TR	RN2407(TE85L_F)	(1)	2216360R2	
Q7009	TR	KRC104S	1	2216210R2	
Q7009 or	TR	RN1404	(1)	2214490R2	
Q7010	TR	KRA102S	1	2216220R2	
Q7010 or	TR	RN2402	(1)	2214530R2	
Q7011	TR	KRC102S	1	2216190R2	
Q7011 or	TR	RN1402	(1)	2214470R2	
Q7012	TR	KRC104S	1	2216210R2	

Q7012 or	TR	RN1404	(1)	2214490R2
Q7013	TR	KRA102S	1	2216220R2
Q7013 or	TR	RN2402	(1)	2214530R2
Q7016	IC(MAIN)	MPD70F3477AGJA-GAE-G(058.	1	222W0117R305830
Q7017	IC	BR25S640FJ	1	22242761R2
Q7017 or	IC	R1EX25064ASA00A	(1)	22242581R2
Q7017 or	IC	M95640-WMN6TP	(1)	22242643R2
Q7018	IC	NJU7706F27A3	1	22242614R2
Q7019	IC	74HC595F	1	222745955R2
Q7023	IC	TA4805BF(TE16L_NQ)	1	22278005DBR2TO
Q7024	IC	BU33TD3WG-TR	1	22242715R2
Q7027	IC	BU33TD3WG-TR	1	22242715R2
Q7028	IC	TA4805BF(TE16L_NQ)	1	22278005DBR2TO
Q7029	IC	TA48033BF(TE16L_NQ)	1	22278033DBR2TO
Q7032	TR	KRA102S	1	2216220R2
Q7032 or	TR	RN2402	(1)	2214530R2
Q7033	TR	KRC104S	1	2216210R2
Q7033 or	TR	RN1404	(1)	2214490R2
Q7034	TR	KRA102S	1	2216220R2
Q7034 or	TR	RN2402	(1)	2214530R2
Q7035	TR	KRC104S	1	2216210R2
Q7035 or	TR	RN1404	(1)	2214490R2
Q7036	IC	74HC595F	1	222745955R2
Q7037	TR	KRA102S	1	2216220R2
Q7037 or	TR	RN2402	(1)	2214530R2
Q7038	TR	KRC104S	1	2216210R2
Q7038 or	TR	RN1404	(1)	2214490R2
Q7039	IC	SN74CB3Q3305PWR	1	22242258R2
Q7040	TR	KRA102S	1	2216220R2
Q7040 or	TR	RN2402	(1)	2214530R2
Q7041	TR	KRC104S	1	2216210R2
Q7041 or	TR	RN1404	(1)	2214490R2
Q7510	TR	KRC102S	1	2216190R2
Q7511	TR	KRC102S	1	2216190R2
Q9301	TR	KTC3198-GR	1	2215985T
Q9350	IC	MP2303ADN-LF-Z	1	22242785R2
[TRANS COIL]				
L1001	CHOKE COIL	LBC2518T4R7M	1	231364M047R2
L1002	CHOKE COIL	LBC2518T4R7M	1	231364M047R2
L1003	CHOKE COIL	LBC2518T4R7M	1	231364M047R2
L1004	CHOKE COIL	LBC2518T4R7M	1	231364M047R2
L1005	CHOKE COIL	LBC2518T4R7M	1	231364M047R2
L1006	CHOKE COIL	LBC2518T4R7M	1	231364M047R2
L1007	CHOKE COIL	LBC2518T4R7M	1	231364M047R2
L1008	CHOKE COIL	LBC2518T4R7M	1	231364M047R2
L1009	CHOKE COIL	LBC2518T4R7M	1	231364M047R2
L1010	CHOKE COIL	LBC2518T4R7M	1	231364M047R2

L1011	CHOKE COIL	LBC2518T4R7M	1	231364M047R2
L1012	CHOKE COIL	LBC2518T4R7M	1	231364M047R2
L1013	CHOKE COIL	LBC2518T4R7M	1	231364M047R2
L1014	CHOKE COIL	LBC2518T4R7M	1	231364M047R2
L1015	CHOKE COIL	LBC2518T4R7M	1	231364M047R2
L1016	CHOKE COIL	LBC2518T4R7M	1	231364M047R2
L1017	CHOKE COIL	LBC2518T4R7M	1	231364M047R2
L1018	CHOKE COIL	LBC2518T4R7M	1	231364M047R2
L1019	CHOKE COIL	LBC2518T4R7M	1	231364M047R2
L1020	CHOKE COIL	LBC2518T4R7M	1	231364M047R2
L1021	CHOKE COIL	LBC2518T4R7M	1	231364M047R2
L1022	CHOKE COIL	LBC2518T4R7M	1	231364M047R2
L1023	CHOKE COIL	LBC2518T4R7M	1	231364M047R2
L1024	CHOKE COIL	LBC2518T4R7M	1	231364M047R2
L1025	CHOKE COIL	LBC2518T4R7M	1	231364M047R2
L1026	CHOKE COIL	LBC2518T4R7M	1	231364M047R2
L1027	CHOKE COIL	LBC2518T4R7M	1	231364M047R2
L1028	CHOKE COIL	LBC2518T4R7M	1	231364M047R2
L1040	CORE	MMZ1608Y601BT	1	2350004R1
L1041	CHOKE COIL	LBC2518T470M	1	231364M470R2
L1100	CHOKE COIL	LBC2518T4R7M	1	231364M047R2
L1101	CHOKE COIL	LBC2518T4R7M	1	231364M047R2
L1102	CHOKE COIL	LBC2518T4R7M	1	231364M047R2
L1110	EMIFIL	BK1608LM182-T	1	230958R1
L1111	C-CARBON R	RN72K1J-000JE	1	435030004R1
L1112	C-CARBON R	RN72K1J-000JE	1	435030004R1
L1301	CHOKE COIL	LBC2518T470M	1	231364M470R2
L1326	CHOKE COIL	LBC2518T470M	1	231364M470R2
L1336	CHOKE COIL	LBC2518T470M	1	231364M470R2
L1890	CHOKE COIL	C6-K5RA-10UH	1	231451P100R2
L1891	CHOKE COIL	BLM21PG221SN1	1	230949R2
L3700	CHOKE COIL	LBC2518T470M	1	231364M470R2
L3706	CHOKE COIL	LBC2518T4R7M	1	231364M047R2
L3884	CHOKE COIL	LBC2518T2R2M	1	231364M022R2
L3885	CHOKE COIL	LBC2518T470M	1	231364M470R2
L3886	CHOKE COIL	LBC2518T2R2M	1	231364M022R2
L3887	CHOKE COIL	LBC2518T2R2M	1	231364M022R2
L3888	CHOKE COIL	LBC2518T470M	1	231364M470R2
L3892	EMIFIL	BK1608LM182-T	1	230958R1
L3893	EMIFIL	BK1608LM182-T	1	230958R1
L3894	EMIFIL	BK1608LM182-T	1	230958R1
L3895	EMIFIL	BK1608LM182-T	1	230958R1
L3896	EMIFIL	BK1608LM182-T	1	230958R1
L9350	CHOKE COIL	BLM21PG221SN1	1	230949R2
X1001	CRYSTAL	HC-49SMD11.2896MHz	1	3010480R2
X1100	CRYSTAL	HC-49US24.576MHz	1	3010490T
X7001	CERA LOCK	CSTCR5M00G53-B0	1	3010356R2

[CAPACITOR]					
C1001	C-FILM C	50ST104MA13216	1	376721047R2	
C1002	C-FILM C	50ST104MA13216	1	376721047R2	
C1003	C-FILM C	50ST104MA13216	1	376721047R2	
C1004	UTSP C	CE04W10V-220M(UTSP)	1	397532217AT	
C1005	C-FILM C	50ST104MA13216	1	376721047R2	
C1006	UTSP C	CE04W10V-220M(UTSP)	1	397532217AT	
C1007	UTSP C	CE04W10V-220M(UTSP)	1	397532217AT	
C1008	UTSP C	CE04W10V-220M(UTSP)	1	397532217AT	
C1009	UTSP C	CE04W10V-220M(UTSP)	1	397532217AT	
C1010	UTSP C	CE04W10V-220M(UTSP)	1	397532217AT	
C1011	UTSJ C	CE04W25V-47M(UTSJ)	1	398054707BT	
C1012	UTSJ C	CE04W25V-47M(UTSJ)	1	398054707BT	
C1013	C-FILM C	50ST104MA13216	1	376721047R2	
C1014	C-FILM C	50ST104MA13216	1	376721047R2	
C1015	UTSP C	CE04W10V-220M(UTSP)	1	397532217AT	
C1016	UTSP C	CE04W10V-220M(UTSP)	1	397532217AT	
C1017	C-FILM C	50ST104MA13216	1	376721047R2	
C1018	C-FILM C	50ST104MA13216	1	376721047R2	
C1019	C-FILM C	50ST104MA13216	1	376721047R2	
C1020	UTSP C	CE04W10V-220M(UTSP)	1	397532217AT	
C1021	C-FILM C	50ST104MA13216	1	376721047R2	
C1022	UTSP C	CE04W10V-220M(UTSP)	1	397532217AT	
C1023	UTSP C	CE04W10V-220M(UTSP)	1	397532217AT	
C1024	UTSP C	CE04W10V-220M(UTSP)	1	397532217AT	
C1025	UTSP C	CE04W10V-220M(UTSP)	1	397532217AT	
C1026	UTSP C	CE04W10V-220M(UTSP)	1	397532217AT	
C1027	UTSJ C	CE04W25V-47M(UTSJ)	1	398054707BT	
C1028	UTSJ C	CE04W25V-47M(UTSJ)	1	398054707BT	
C1029	C-FILM C	50ST104MA13216	1	376721047R2	
C1030	C-FILM C	50ST104MA13216	1	376721047R2	
C1031	UTSP C	CE04W10V-220M(UTSP)	1	397532217AT	
C1032	UTSP C	CE04W10V-220M(UTSP)	1	397532217AT	
C1033	C-FILM C	50ST104MA13216	1	376721047R2	
C1034	C-FILM C	50ST104MA13216	1	376721047R2	
C1035	C-FILM C	50ST104MA13216	1	376721047R2	
C1036	UTSP C	CE04W10V-220M(UTSP)	1	397532217AT	
C1037	C-FILM C	50ST104MA13216	1	376721047R2	
C1038	UTSP C	CE04W10V-220M(UTSP)	1	397532217AT	
C1039	UTSP C	CE04W10V-220M(UTSP)	1	397532217AT	
C1040	UTSP C	CE04W10V-220M(UTSP)	1	397532217AT	
C1041	UTSP C	CE04W10V-220M(UTSP)	1	397532217AT	
C1042	UTSP C	CE04W10V-220M(UTSP)	1	397532217AT	
C1043	UTSJ C	CE04W25V-47M(UTSJ)	1	398054707BT	
C1044	UTSJ C	CE04W25V-47M(UTSJ)	1	398054707BT	
C1045	C-FILM C	50ST104MA13216	1	376721047R2	
C1046	C-FILM C	50ST104MA13216	1	376721047R2	

C1047	UTSP C	CE04W10V-220M(UTSP)	1	397532217AT
C1048	UTSP C	CE04W10V-220M(UTSP)	1	397532217AT
C1049	C-FILM C	50ST104MA13216	1	376721047R2
C1050	UTSP C	CE04W10V-220M(UTSP)	1	397532217AT
C1051	C-CERA C	CK725B1H-472K1	1	332104725R1
C1052	C-FILM C	50ST104MA13216	1	376721047R2
C1053	UTSP C	CE04W10V-220M(UTSP)	1	397532217AT
C1054	UTSP C	CE04W10V-220M(UTSP)	1	397532217AT
C1055	UTSJ C	CE04W25V-47M(UTSJ)	1	398054707BT
C1056	C-FILM C	50ST104MA13216	1	376721047R2
C1057	UTSP C	CE04W10V-220M(UTSP)	1	397532217AT
C1100	C-CERA C	CK725F1E-104Z1	1	332161040R1
C1101	C-CERA C	CC725CH1H-180J1	1	342101804R1
C1102	C-CERA C	CC725CH1H-180J1	1	342101804R1
C1103	UTSP C	CE04W10V-470M(UTSP)	1	397534717T
C1104	C-CERA C	CK725B1H-473K1	1	332104735R1
C1105	C-CERA C	CK725B1H-223K1	1	332102235R1
C1106	UTSJ C	CE04W25V-47M(UTSJ)	1	398054707BT
C1107	C-CERA C	CK725F1E-104Z1	1	332161040R1
C1108	UTSP C	CE04W10V-470M(UTSP)	1	397534717T
C1109	C-CERA C	CK725B1H-472K1	1	332104725R1
C1110	UTSP C	CE04W10V-470M(UTSP)	1	397534717T
C1113	C-CERA C	CK725F1E-104Z1	1	332161040R1
C1116	C-CERA C	CC725CH1H-330J1	1	342103304R1
C1117	C-CERA C	CC725CH1H-330J1	1	342103304R1
C1119	C-CERA C	CK725B1H-102K1	1	332101025R1
C1120	UTSJ C	CE04W25V-47M(UTSJ)	1	398054707BT
C1121	C-CERA C	CC725CH1H-221J1	1	342102214R1
C1122	C-CERA C	CK725F1E-104Z1	1	332161040R1
C1125	C-CERA C	CC725CH1H-330J1	1	342103304R1
C1130	C-CERA C	CC725CH1H-120J1	1	342101204R1
C1131	C-CERA C	CC725CH1H-120J1	1	342101204R1
C1132	C-CERA C	CK725F1E-104Z1	1	332161040R1
C1200	C-FILM C	ECHU50V-152J	1	373021524R2
C1201	C-FILM C	ECHU50V-152J	1	373021524R2
C1202	C-FILM C	ECHU50V-152J	1	373021524R2
C1203	C-FILM C	ECHU50V-152J	1	373021524R2
C1204	C-FILM C	ECHU50V-152J	1	373021524R2
C1205	MKT C	B32529C0152J289	1	376491524T
C1206	MKT C	B32529C0152J289	1	376491524T
C1207	C-FILM C	ECHU50V-152J	1	373021524R2
C1208	MKT C	B32529C0152J289	1	376491524T
C1209	MKT C	B32529C0152J289	1	376491524T
C1210	C-FILM C	ECHU50V-152J	1	373021524R2
C1211	C-FILM C	ECHU50V-152J	1	373021524R2
C1212	C-FILM C	ECHU50V-152J	1	373021524R2
C1213	C-FILM C	ECHU50V-152J	1	373021524R2

C1214	C-FILM C	ECHU50V-152J	1	373021524R2
C1215	MKT C	B32529C0152J289	1	376491524T
C1216	MKT C	B32529C0152J289	1	376491524T
C1217	C-FILM C	ECHU50V-152J	1	373021524R2
C1218	MKT C	B32529C0152J289	1	376491524T
C1219	MKT C	B32529C0152J289	1	376491524T
C1220	UPZ C	2AUPZTF681JE	1	376336814T
C1221	UPZ C	2AUPZTF681JE	1	376336814T
C1222	UPZ C	2AUPZTF681JE	1	376336814T
C1223	UPZ C	2AUPZTF681JE	1	376336814T
C1224	UPZ C	2AUPZTF681JE	1	376336814T
C1225	UPZ C	2AUPZTF681JE	1	376336814T
C1226	UPZ C	2AUPZTF681JE	1	376336814T
C1227	UPZ C	2AUPZTF681JE	1	376336814T
C1228	UPZ C	2AUPZTF681JE	1	376336814T
C1229	UPZ C	2AUPZTF681JE	1	376336814T
C1230	UPZ C	2AUPZTF471JE	1	376334714T
C1231	UPZ C	2AUPZTF471JE	1	376334714T
C1232	UPZ C	2AUPZTF471JE	1	376334714T
C1233	UPZ C	2AUPZTF471JE	1	376334714T
C1234	UPZ C	2AUPZTF471JE	1	376334714T
C1235	UPZ C	2AUPZTF471JE	1	376334714T
C1236	UPZ C	2AUPZTF471JE	1	376334714T
C1237	UPZ C	2AUPZTF471JE	1	376334714T
C1238	UPZ C	2AUPZTF471JE	1	376334714T
C1239	UPZ C	2AUPZTF471JE	1	376334714T
C1240	UPZ C	2AUPZTF471JE	1	376334714T
C1241	UPZ C	2AUPZTF471JE	1	376334714T
C1242	UPZ C	2AUPZTF471JE	1	376334714T
C1243	UPZ C	2AUPZTF471JE	1	376334714T
C1244	UPZ C	2AUPZTF471JE	1	376334714T
C1245	UPZ C	2AUPZTF471JE	1	376334714T
C1246	UPZ C	2AUPZTF471JE	1	376334714T
C1247	UPZ C	2AUPZTF471JE	1	376334714T
C1248	UPZ C	2AUPZTF471JE	1	376334714T
C1249	UPZ C	2AUPZTF471JE	1	376334714T
C1250	C-FILM C	ECHU16V-682J	1	373046824R2
C1251	C-FILM C	ECHU16V-682J	1	373046824R2
C1252	C-FILM C	ECHU16V-682J	1	373046824R2
C1253	C-FILM C	ECHU16V-682J	1	373046824R2
C1254	C-FILM C	ECHU16V-682J	1	373046824R2
C1255	C-FILM C	ECHU16V-682J	1	373046824R2
C1256	C-FILM C	ECHU16V-682J	1	373046824R2
C1257	C-FILM C	ECHU16V-682J	1	373046824R2
C1258	C-FILM C	ECHU16V-682J	1	373046824R2
C1259	C-FILM C	ECHU16V-682J	1	373046824R2
C1260	UPZ C	2AUPZTF221JE	1	376332214T

C1261	UPZ C	2AUPZTF221JE	1	376332214T
C1262	UPZ C	2AUPZTF221JE	1	376332214T
C1263	UPZ C	2AUPZTF221JE	1	376332214T
C1264	UPZ C	2AUPZTF221JE	1	376332214T
C1265	UPZ C	2AUPZTF221JE	1	376332214T
C1266	UPZ C	2AUPZTF221JE	1	376332214T
C1267	UPZ C	2AUPZTF221JE	1	376332214T
C1268	UPZ C	2AUPZTF221JE	1	376332214T
C1269	UPZ C	2AUPZTF221JE	1	376332214T
C1270	UPZ C	2AUPZTF101JE	1	376331014T
C1271	UPZ C	2AUPZTF101JE	1	376331014T
C1272	UPZ C	2AUPZTF101JE	1	376331014T
C1273	UPZ C	2AUPZTF101JE	1	376331014T
C1274	UPZ C	2AUPZTF101JE	1	376331014T
C1275	UPZ C	2AUPZTF101JE	1	376331014T
C1276	UPZ C	2AUPZTF101JE	1	376331014T
C1277	UPZ C	2AUPZTF101JE	1	376331014T
C1278	UPZ C	2AUPZTF101JE	1	376331014T
C1279	UPZ C	2AUPZTF101JE	1	376331014T
C1280	C-FILM C	ECHU50V-222J	1	373022224R2
C1281	C-FILM C	ECHU50V-222J	1	373022224R2
C1282	C-FILM C	ECHU50V-222J	1	373022224R2
C1283	C-FILM C	ECHU50V-222J	1	373022224R2
C1284	C-FILM C	ECHU50V-222J	1	373022224R2
C1285	C-FILM C	ECHU50V-222J	1	373022224R2
C1286	C-FILM C	ECHU50V-222J	1	373022224R2
C1287	C-FILM C	ECHU50V-222J	1	373022224R2
C1288	C-FILM C	ECHU50V-222J	1	373022224R2
C1289	C-FILM C	ECHU50V-222J	1	373022224R2
C1290	UTSP C	CE04W25V-220M(UTSP)	1	397552217T
C1291	UTSP C	CE04W25V-220M(UTSP)	1	397552217T
C1292	UTSP C	CE04W25V-220M(UTSP)	1	397552217T
C1293	UTSP C	CE04W25V-100M(UTSP)	1	397551017AT
C1294	UTSP C	CE04W25V-100M(UTSP)	1	397551017AT
C1295	UTSP C	CE04W25V-100M(UTSP)	1	397551017AT
C1296	UTSP C	CE04W25V-100M(UTSP)	1	397551017AT
C1297	UTSP C	CE04W25V-100M(UTSP)	1	397551017AT
C1298	UTSP C	CE04W25V-100M(UTSP)	1	397551017AT
C1299	UTSP C	CE04W25V-220M(UTSP)	1	397552217T
C1312	UTSP C	CE04W10V-220M(UTSP)	1	397532217AT
C1321	C-CERA C	CK725F1E-104Z1	1	332161040R1
C1331	C-CERA C	CK725F1E-104Z1	1	332161040R1
C1332	UTSP C	CE04W10V-220M(UTSP)	1	397532217AT
C1389	UTSP C	CE04W10V-470M(UTSP)	1	397534717T
C1391	C-CERA C	CK725F1E-104Z1	1	332161040R1
C1399	VR C	CE04W16V-100M(VR)	1	394641017T
C1401	C-CERA C	CK725F1E-104Z1	1	332161040R1

C1410	MKT C	B32529C0152J289	1	376491524T
C1411	MKT C	B32529C0152J289	1	376491524T
C1412	C-FILM C	ECHU50V-152J	1	373021524R2
C1413	MKT C	B32529C0152J289	1	376491524T
C1420	MKT C	B32529C0152J289	1	376491524T
C1421	MKT C	B32529C0152J289	1	376491524T
C1422	C-FILM C	ECHU50V-152J	1	373021524R2
C1423	MKT C	B32529C0152J289	1	376491524T
C1430	UPZ C	2AUPZTF681JE	1	376336814T
C1431	UPZ C	2AUPZTF681JE	1	376336814T
C1432	UPZ C	2AUPZTF681JE	1	376336814T
C1433	UPZ C	2AUPZTF681JE	1	376336814T
C1440	UPZ C	2AUPZTF471JE	1	376334714T
C1441	UPZ C	2AUPZTF471JE	1	376334714T
C1442	UPZ C	2AUPZTF471JE	1	376334714T
C1443	UPZ C	2AUPZTF471JE	1	376334714T
C1450	UPZ C	2AUPZTF471JE	1	376334714T
C1451	UPZ C	2AUPZTF471JE	1	376334714T
C1452	UPZ C	2AUPZTF471JE	1	376334714T
C1453	UPZ C	2AUPZTF471JE	1	376334714T
C1460	C-FILM C	ECHU16V-682J	1	373046824R2
C1461	C-FILM C	ECHU16V-682J	1	373046824R2
C1462	C-FILM C	ECHU16V-682J	1	373046824R2
C1463	C-FILM C	ECHU16V-682J	1	373046824R2
C1470	UPZ C	2AUPZTF221JE	1	376332214T
C1471	UPZ C	2AUPZTF221JE	1	376332214T
C1472	UPZ C	2AUPZTF221JE	1	376332214T
C1473	UPZ C	2AUPZTF221JE	1	376332214T
C1480	UPZ C	2AUPZTF101JE	1	376331014T
C1481	UPZ C	2AUPZTF101JE	1	376331014T
C1482	UPZ C	2AUPZTF101JE	1	376331014T
C1483	UPZ C	2AUPZTF101JE	1	376331014T
C1490	C-FILM C	ECHU50V-222J	1	373022224R2
C1491	C-FILM C	ECHU50V-222J	1	373022224R2
C1492	C-FILM C	ECHU50V-222J	1	373022224R2
C1493	C-FILM C	ECHU50V-222J	1	373022224R2
C1500	UTSP C	CE04W25V-220M(UTSP)	1	397552217T
C1501	UTSP C	CE04W25V-220M(UTSP)	1	397552217T
C1510	C-CERA C	CK725B1H-472K1	1	332104725R1
C1511	C-CERA C	CK725B1H-472K1	1	332104725R1
C1512	C-CERA C	CK725B1H-472K1	1	332104725R1
C1513	C-CERA C	CK725B1H-472K1	1	332104725R1
C1514	C-CERA C	CK725B1H-472K1	1	332104725R1
C1515	UTSP C	CE04W25V-100M(UTSP)	1	397551017AT
C1516	UTSP C	CE04W25V-100M(UTSP)	1	397551017AT
C1600	UTSP C	CE04W50V 47M(UTSP)	1	397584707T
C1600 or	UTSP C	CE04W50V 47M(UTSP)	(1)	397584707AT

C1601	UTSP C	CE04W50V 47M(UTSP)	1	397584707T
C1601 or	UTSP C	CE04W50V 47M(UTSP)	(1)	397584707AT
C1602	UTSP C	CE04W50V 47M(UTSP)	1	397584707T
C1602 or	UTSP C	CE04W50V 47M(UTSP)	(1)	397584707AT
C1603	UTSP C	CE04W50V 47M(UTSP)	1	397584707T
C1603 or	UTSP C	CE04W50V 47M(UTSP)	(1)	397584707AT
C1604	UTSP C	CE04W50V 47M(UTSP)	1	397584707T
C1604 or	UTSP C	CE04W50V 47M(UTSP)	(1)	397584707AT
C1605	UTSP C	CE04W50V 47M(UTSP)	1	397584707T
C1605 or	UTSP C	CE04W50V 47M(UTSP)	(1)	397584707AT
C1606	UTSP C	CE04W50V 47M(UTSP)	1	397584707T
C1606 or	UTSP C	CE04W50V 47M(UTSP)	(1)	397584707AT
C1607	UTSP C	CE04W50V 47M(UTSP)	1	397584707T
C1607 or	UTSP C	CE04W50V 47M(UTSP)	(1)	397584707AT
C1608	UTSP C	CE04W50V 47M(UTSP)	1	397584707T
C1608 or	UTSP C	CE04W50V 47M(UTSP)	(1)	397584707AT
C1609	UTSP C	CE04W50V 47M(UTSP)	1	397584707T
C1609 or	UTSP C	CE04W50V 47M(UTSP)	(1)	397584707AT
C1610	UTSP C	CE04W50V 47M(UTSP)	1	397584707T
C1610 or	UTSP C	CE04W50V 47M(UTSP)	(1)	397584707AT
C1611	UTSP C	CE04W50V 47M(UTSP)	1	397584707T
C1611 or	UTSP C	CE04W50V 47M(UTSP)	(1)	397584707AT
C1740	UTSJ C	CE04W25V-47M(UTSJ)	1	398054707BT
C1741	UTSJ C	CE04W25V-47M(UTSJ)	1	398054707BT
C1742	UTSJ C	CE04W25V-47M(UTSJ)	1	398054707BT
C1743	UTSJ C	CE04W25V-47M(UTSJ)	1	398054707BT
C1744	C-FILM C	ECHU50V-101J	1	373021014R2
C1745	C-FILM C	ECHU50V-101J	1	373021014R2
C1746	C-FILM C	ECHU50V-101J	1	373021014R2
C1747	C-FILM C	ECHU50V-101J	1	373021014R2
C1748	C-FILM C	ECHU50V-101J	1	373021014R2
C1749	C-FILM C	ECHU50V-101J	1	373021014R2
C1750	C-FILM C	ECHU50V-222J	1	373022224R2
C1751	C-FILM C	ECHU50V-222J	1	373022224R2
C1802	C-FILM C	ECHU50V-102J	1	373021024R2
C1803	C-FILM C	ECHU50V-102J	1	373021024R2
C1804	UPZ C	2AUPZTF151JE	1	376331514T
C1805	UPZ C	2AUPZTF151JE	1	376331514T
C1810	UTSJ C	CE04W25V-47M(UTSJ)	1	398054707BT
C1811	UTSJ C	CE04W25V-47M(UTSJ)	1	398054707BT
C1890	C-CERA C	CK725F1E-104Z1	1	332161040R1
C1891	C-CERA C	CK725F1E-104Z1	1	332161040R1
C1893	C-CERA C	CK725B1H-472K1	1	332104725R1
C1894	C-CERA C	CK732B16V-106K	1	332071065R2
C1895	C-CERA C	CK732B16V-106K	1	332071065R2
C1896	C-CERA C	CK732B16V-106K	1	332071065R2
C1897	C-CERA C	CK725B25V-105K1	1	332111055R1

C1898	UTSP C	CE04W10V-100M(UTSP)	1	397531017AT
C1899	C-CERA C	CK725F1E-104Z1	1	332161040R1
C3701	C-CERA C	CK725F1E-104Z1	1	332161040R1
C3703	C-CERA C	CK725F1E-104Z1	1	332161040R1
C3704	C-CERA C	CK725F1E-104Z1	1	332161040R1
C3705	C-CERA C	CK732B16V-106K	1	332071065R2
C3706	C-CERA C	CK725F1E-104Z1	1	332161040R1
C3707	C-CERA C	CK725F1E-104Z1	1	332161040R1
C3709	C-CERA C	CK725F1E-104Z1	1	332161040R1
C3710	C-CERA C	CK725B1H-102K1	1	332101025R1
C3719	C-CERA C	CK725F1E-104Z1	1	332161040R1
C3723	C-CERA C	CK725F1E-104Z1	1	332161040R1
C3727	UTSP C	CE04W10V-470M(UTSP)	1	397534717T
C3728	C-CERA C	CK725F1E-104Z1	1	332161040R1
C3730	C-CERA C	CK725F1E-104Z1	1	332161040R1
C3731	C-CERA C	CK725F1E-104Z1	1	332161040R1
C3734	C-CERA C	CK725F1E-104Z1	1	332161040R1
C3886	C-CERA C	CK725B1C-104K1	1	332121045R1
C3887	C-CERA C	CC725CH1H-101J1	1	342101014R1
C3888	VR C	CE04W16V-100M(VR)	1	394641017T
C3889	C-CERA C	CC725CH1H-101J1	1	342101014R1
C3890	C-CERA C	CK725F1E-104Z1	1	332161040R1
C3892	C-CERA C	CK725B1C-104K1	1	332121045R1
C3893	C-CERA C	CC725CH1H-080D1	1	342100802R1
C3894	C-CERA C	CK725B1C-104K1	1	332121045R1
C3895	C-CERA C	CC725CH1H-080D1	1	342100802R1
C3896	C-CERA C	CC725CH1H-101J1	1	342101014R1
C3898	C-CERA C	CC725CH1H-080D1	1	342100802R1
C3900	C-CERA C	CK725F1E-104Z1	1	332161040R1
C3902	C-CERA C	CK725F1E-104Z1	1	332161040R1
C3903	UTSP C	CE04W10V-220M(UTSP)	1	397532217AT
C3911	C-CERA C	CK725B1H-102K1	1	332101025R1
C4101	C-CERA C	CC725CH1H-221J1	1	342102214R1
C4102	C-CERA C	CC725CH1H-221J1	1	342102214R1
C4103	UTSP C	CE04W50V 47M(UTSP)	1	397584707T
C4103 or	UTSP C	CE04W50V 47M(UTSP)	(1)	397584707AT
C4104	UTSP C	CE04W50V 47M(UTSP)	1	397584707T
C4104 or	UTSP C	CE04W50V 47M(UTSP)	(1)	397584707AT
C4105	C-CERA C	CC725CH1H-152J1	1	342101524R1
C4106	C-CERA C	CC725CH1H-152J1	1	342101524R1
C4107	C-FILM C	ECHU50V-182J	1	373021824R2
C4108	C-FILM C	ECHU50V-182J	1	373021824R2
C4109	MKT C	B32529C0682J289	1	376496824T
C4110	MKT C	B32529C0682J289	1	376496824T
C4111	UTSP C	CE04W25V-220M(UTSP)	1	397552217T
C4112	UTSP C	CE04W25V-220M(UTSP)	1	397552217T
C4113	UTSP C	CE04W50V-22M(UTSP)	1	397582207T

C4113 or	UTSP C	CE04W50V-22M(UTSP)	(1)	397582207AT
C4114	UTSP C	CE04W50V-22M(UTSP)	1	397582207T
C4114 or	UTSP C	CE04W50V-22M(UTSP)	(1)	397582207AT
C4115	MKT C	B32529C0222J289	1	376492224T
C4116	MKT C	B32529C0222J289	1	376492224T
C4117	UTSP C	CE04W25V-220M(UTSP)	1	397552217T
C4118	UTSP C	CE04W25V-220M(UTSP)	1	397552217T
C4119	UTSP C	CE04W50V 47M(UTSP)	1	397584707T
C4119 or	UTSP C	CE04W50V 47M(UTSP)	(1)	397584707AT
C4120	UTSP C	CE04W50V 47M(UTSP)	1	397584707T
C4120 or	UTSP C	CE04W50V 47M(UTSP)	(1)	397584707AT
C4201	UTSP C	CE04W25V-100M(UTSP)	1	397551017AT
C4202	UTSP C	CE04W25V-100M(UTSP)	1	397551017AT
C4207	UTSP C	CE04W50V 47M(UTSP)	1	397584707T
C4207 or	UTSP C	CE04W50V 47M(UTSP)	(1)	397584707AT
C4208	UTSP C	CE04W50V 47M(UTSP)	1	397584707T
C4208 or	UTSP C	CE04W50V 47M(UTSP)	(1)	397584707AT
C4209	UTSP C	CE04W50V 47M(UTSP)	1	397584707T
C4209 or	UTSP C	CE04W50V 47M(UTSP)	(1)	397584707AT
C4210	UTSP C	CE04W50V 47M(UTSP)	1	397584707T
C4210 or	UTSP C	CE04W50V 47M(UTSP)	(1)	397584707AT
C4215	TF C	ECQ-V50V-473J	1	374724734T
C4216	TF C	ECQ-V50V-473J	1	374724734T
C4217	TF C	ECQ-V50V-224J	1	374722244T
C4218	TF C	ECQ-V50V-224J	1	374722244T
C4219	TF C	ECQ-V50V-473J	1	374724734T
C4220	TF C	ECQ-V50V-473J	1	374724734T
C4221	TF C	ECQ-V50V-224J	1	374722244T
C4222	TF C	ECQ-V50V-224J	1	374722244T
C4223	TF C	ECQ-V50V-333J	1	374723334T
C4224	TF C	ECQ-V50V-333J	1	374723334T
C4225	TF C	ECQ-V50V-333J	1	374723334T
C4226	TF C	ECQ-V50V-333J	1	374723334T
C4227	UTSP C	CE04W50V-22M(UTSP)	1	397582207T
C4227 or	UTSP C	CE04W50V-22M(UTSP)	(1)	397582207AT
C4228	UTSP C	CE04W50V-22M(UTSP)	1	397582207T
C4228 or	UTSP C	CE04W50V-22M(UTSP)	(1)	397582207AT
C4229	C-CERA C	CK725F1E-104Z1	1	332161040R1
C4230	C-CERA C	CK725F1E-104Z1	1	332161040R1
C4231	UTSP C	CE04W50V 47M(UTSP)	1	397584707T
C4231 or	UTSP C	CE04W50V 47M(UTSP)	(1)	397584707AT
C4232	UTSP C	CE04W50V 47M(UTSP)	1	397584707T
C4232 or	UTSP C	CE04W50V 47M(UTSP)	(1)	397584707AT
C4233	UTSP C	CE04W50V 47M(UTSP)	1	397584707T
C4233 or	UTSP C	CE04W50V 47M(UTSP)	(1)	397584707AT
C4234	UTSP C	CE04W50V 47M(UTSP)	1	397584707T
C4234 or	UTSP C	CE04W50V 47M(UTSP)	(1)	397584707AT

C4235	UTSP C	CE04W50V 47M(UTSP)	1	397584707T
C4235 or	UTSP C	CE04W50V 47M(UTSP)	(1)	397584707AT
C4236	UTSP C	CE04W50V 47M(UTSP)	1	397584707T
C4236 or	UTSP C	CE04W50V 47M(UTSP)	(1)	397584707AT
C4401	UTSP C	CE04W50V 47M(UTSP)	1	397584707T
C4401 or	UTSP C	CE04W50V 47M(UTSP)	(1)	397584707AT
C4402	UTSP C	CE04W50V 47M(UTSP)	1	397584707T
C4402 or	UTSP C	CE04W50V 47M(UTSP)	(1)	397584707AT
C4403	UTSP C	CE04W50V 47M(UTSP)	1	397584707T
C4403 or	UTSP C	CE04W50V 47M(UTSP)	(1)	397584707AT
C4404	UTSP C	CE04W50V 47M(UTSP)	1	397584707T
C4404 or	UTSP C	CE04W50V 47M(UTSP)	(1)	397584707AT
C4405	UTSP C	CE04W50V 47M(UTSP)	1	397584707T
C4405 or	UTSP C	CE04W50V 47M(UTSP)	(1)	397584707AT
C4406	UTSP C	CE04W50V 47M(UTSP)	1	397584707T
C4406 or	UTSP C	CE04W50V 47M(UTSP)	(1)	397584707AT
C4407	UTSP C	CE04W50V 47M(UTSP)	1	397584707T
C4407 or	UTSP C	CE04W50V 47M(UTSP)	(1)	397584707AT
C4408	UTSP C	CE04W50V 47M(UTSP)	1	397584707T
C4408 or	UTSP C	CE04W50V 47M(UTSP)	(1)	397584707AT
C4409	UTSP C	CE04W50V 47M(UTSP)	1	397584707T
C4409 or	UTSP C	CE04W50V 47M(UTSP)	(1)	397584707AT
C4411	UTSP C	CE04W50V 47M(UTSP)	1	397584707T
C4411 or	UTSP C	CE04W50V 47M(UTSP)	(1)	397584707AT
C4413	UTSP C	CE04W50V 47M(UTSP)	1	397584707T
C4413 or	UTSP C	CE04W50V 47M(UTSP)	(1)	397584707AT
C4414	UTSP C	CE04W50V 47M(UTSP)	1	397584707T
C4414 or	UTSP C	CE04W50V 47M(UTSP)	(1)	397584707AT
C4415	UTSP C	CE04W50V 47M(UTSP)	1	397584707T
C4415 or	UTSP C	CE04W50V 47M(UTSP)	(1)	397584707AT
C4416	UTSP C	CE04W50V 47M(UTSP)	1	397584707T
C4416 or	UTSP C	CE04W50V 47M(UTSP)	(1)	397584707AT
C4417	UTSP C	CE04W50V 47M(UTSP)	1	397584707T
C4417 or	UTSP C	CE04W50V 47M(UTSP)	(1)	397584707AT
C4418	UTSP C	CE04W50V 47M(UTSP)	1	397584707T
C4418 or	UTSP C	CE04W50V 47M(UTSP)	(1)	397584707AT
C4419	UTSP C	CE04W50V 47M(UTSP)	1	397584707T
C4419 or	UTSP C	CE04W50V 47M(UTSP)	(1)	397584707AT
C4420	UTSP C	CE04W50V 47M(UTSP)	1	397584707T
C4420 or	UTSP C	CE04W50V 47M(UTSP)	(1)	397584707AT
C4421	UTSP C	CE04W50V 47M(UTSP)	1	397584707T
C4421 or	UTSP C	CE04W50V 47M(UTSP)	(1)	397584707AT
C4422	UTSP C	CE04W50V 47M(UTSP)	1	397584707T
C4422 or	UTSP C	CE04W50V 47M(UTSP)	(1)	397584707AT
C4423	UTSP C	CE04W50V 47M(UTSP)	1	397584707T
C4423 or	UTSP C	CE04W50V 47M(UTSP)	(1)	397584707AT
C4424	UTSP C	CE04W50V 47M(UTSP)	1	397584707T

C4424 or	UTSP C	CE04W50V 47M(UTSP)	(1)	397584707AT
C4425	UTSP C	CE04W50V 47M(UTSP)	1	397584707T
C4425 or	UTSP C	CE04W50V 47M(UTSP)	(1)	397584707AT
C4426	UTSP C	CE04W50V 47M(UTSP)	1	397584707T
C4426 or	UTSP C	CE04W50V 47M(UTSP)	(1)	397584707AT
C4427	UTSP C	CE04W50V 47M(UTSP)	1	397584707T
C4427 or	UTSP C	CE04W50V 47M(UTSP)	(1)	397584707AT
C4428	UTSP C	CE04W50V 47M(UTSP)	1	397584707T
C4428 or	UTSP C	CE04W50V 47M(UTSP)	(1)	397584707AT
C4429	UTSP C	CE04W50V 47M(UTSP)	1	397584707T
C4429 or	UTSP C	CE04W50V 47M(UTSP)	(1)	397584707AT
C4430	UTSP C	CE04W50V 47M(UTSP)	1	397584707T
C4430 or	UTSP C	CE04W50V 47M(UTSP)	(1)	397584707AT
C4431	UTSP C	CE04W50V 47M(UTSP)	1	397584707T
C4431 or	UTSP C	CE04W50V 47M(UTSP)	(1)	397584707AT
C4432	UTSP C	CE04W50V 47M(UTSP)	1	397584707T
C4432 or	UTSP C	CE04W50V 47M(UTSP)	(1)	397584707AT
C4433	UTSP C	CE04W25V-470M(UTSP)	1	397554717T
C4434	UTSP C	CE04W25V-470M(UTSP)	1	397554717T
C4441	UPZ C	2AUPZTF221JE	1	376332214T
C4442	UPZ C	2AUPZTF221JE	1	376332214T
C4443	UPZ C	2AUPZTF221JE	1	376332214T
C7001	C-CERA C	CK725B25V-105K1	1	332111055R1
C7002	C-CERA C	CC725CH1H-101J1	1	342101014R1
C7004	C-CERA C	CK725B25V-105K1	1	332111055R1
C7005	C-CERA C	CK725B25V-105K1	1	332111055R1
C7006	C-CERA C	CK725F1E-104Z1	1	332161040R1
C7007	C-CERA C	CK725B25V-105K1	1	332111055R1
C7008	C-CERA C	CC725CH1H-101J1	1	342101014R1
C7009	C-CERA C	CC725CH1H-101J1	1	342101014R1
C7012	C-CERA C	CK725B1H-102K1	1	332101025R1
C7013	C-CERA C	CK725B1H-102K1	1	332101025R1
C7014	C-CERA C	CK732B16V-106K	1	332071065R2
C7015	C-CERA C	CK725F1E-104Z1	1	332161040R1
C7016	C-CERA C	CK725B1H-102K1	1	332101025R1
C7017	C-CERA C	CK725B1H-102K1	1	332101025R1
C7018	C-CERA C	CK725B1H-102K1	1	332101025R1
C7019	C-CERA C	CK725B1H-102K1	1	332101025R1
C7020	C-CERA C	CK725F1E-104Z1	1	332161040R1
C7022	C-CERA C	CK725F1E-104Z1	1	332161040R1
C7023	C-CERA C	CK725F1E-104Z1	1	332161040R1
C7024	C-CERA C	CK725F1E-104Z1	1	332161040R1
C7026	C-CERA C	CK725F1E-104Z1	1	332161040R1
C7027	C-CERA C	CK725F1A-105Z1	1	332181050R1
C7028	C-CERA C	CK725F1E-104Z1	1	332161040R1
C7029	C-CERA C	CK725F1E-104Z1	1	332161040R1
C7040	UTSP C	CE04W50V-10M(UTSP)	1	397581007T

C7040 or	UTSP C	CE04W50V-10M(UTSP)	(1)	397581007AT
C7041	VR C	CE04W16V-100M(VR)	1	394641017T
C7045	C-CERA C	CK725B25V-105K1	1	332111055R1
C7047	C-CERA C	CK725B25V-105K1	1	332111055R1
C7053	VR C	CE04W16V-100M(VR)	1	394641017T
C7054	VR C	CE04W16V-100M(VR)	1	394641017T
C7060	C-CERA C	CK725B25V-105K1	1	332111055R1
C7061	C-CERA C	CK725B25V-105K1	1	332111055R1
C7304	C-CERA C	CK725F1E-104Z1	1	332161040R1
C7305	C-CERA C	CK725F1A-105Z1	1	332181050R1
C7306	C-CERA C	CK725F1A-105Z1	1	332181050R1
C7307	C-CERA C	CK725F1A-105Z1	1	332181050R1
C7308	C-CERA C	CK725F1A-105Z1	1	332181050R1
C7309	C-CERA C	CK725F1A-105Z1	1	332181050R1
C7310	C-CERA C	CK725F1A-105Z1	1	332181050R1
C7311	C-CERA C	CK725B25V-105K1	1	332111055R1
C7312	C-CERA C	CK725F1A-105Z1	1	332181050R1
C7313	UTSP C	CE04W50V 47M(UTSP)	1	397584707T
C7313 or	UTSP C	CE04W50V 47M(UTSP)	(1)	397584707AT
C7314	UTSP C	CE04W50V 47M(UTSP)	1	397584707T
C7314 or	UTSP C	CE04W50V 47M(UTSP)	(1)	397584707AT
C7315	UTSP C	CE04W50V 47M(UTSP)	1	397584707T
C7315 or	UTSP C	CE04W50V 47M(UTSP)	(1)	397584707AT
C7316	C-CERA C	CK732B16V-106K	1	332071065R2
C7317	C-CERA C	CK732B16V-106K	1	332071065R2
C7318	C-CERA C	CK725B1H-102K1	1	332101025R1
C7319	C-CERA C	CK725F1A-105Z1	1	332181050R1
C7320	UTSP C	CE04W50V 47M(UTSP)	1	397584707T
C7320 or	UTSP C	CE04W50V 47M(UTSP)	(1)	397584707AT
C7321	UTSP C	CE04W50V 47M(UTSP)	1	397584707T
C7321 or	UTSP C	CE04W50V 47M(UTSP)	(1)	397584707AT
C7322	UTSP C	CE04W50V 47M(UTSP)	1	397584707T
C7322 or	UTSP C	CE04W50V 47M(UTSP)	(1)	397584707AT
C7323	UTSP C	CE04W50V 47M(UTSP)	1	397584707T
C7323 or	UTSP C	CE04W50V 47M(UTSP)	(1)	397584707AT
C7325	C-CERA C	CK725F1A-105Z1	1	332181050R1
C7326	C-CERA C	CK725F1A-105Z1	1	332181050R1
C7327	C-CERA C	CK725F1A-105Z1	1	332181050R1
C7328	C-CERA C	CK725B25V-105K1	1	332111055R1
C7329	C-CERA C	CK725F1A-105Z1	1	332181050R1
C9302	ELECT C	CE04W18V-10000M(VZ)	1	3945H1037S
C9304	VR C	CE04W100V-47M(VR)	1	394694707T
C9305	VR C	CE04W50V-47M(VR)	1	394684707T
C9306	TF C	ECQ-V50V-223J	1	374722234T
C9307	TF C	ECQ-V50V-334J	1	374723344T
C9350	C-CERA C	CK725B1E-106K	1	332221065R2
C9351	C-CERA C	CK725B1E-106K	1	332221065R2

[RESISTOR]					
R1001	C-CARBON R	RN72K1J-103JE	1	435031034R1	
R1002	C-CARBON R	RN72K1J-103JE	1	435031034R1	
R1003	C-CARBON R	RN72K1J-331JE	1	435033314R1	
R1004	C-CARBON R	RN72K1J-331JE	1	435033314R1	
R1005	C-CARBON R	RN72K1J-331JE	1	435033314R1	
R1006	C-CARBON R	RN72K1J-331JE	1	435033314R1	
R1007	C-CARBON R	RN72K1J-331JE	1	435033314R1	
R1008	C-CARBON R	RN72K1J-331JE	1	435033314R1	
R1009	C-CARBON R	RN72K1J-750JE	1	435037504R1	
R1010	C-CARBON R	RN72K1J-750JE	1	435037504R1	
R1011	C-CARBON R	RN72K1J-103JE	1	435031034R1	
R1012	C-CARBON R	RN72K1J-103JE	1	435031034R1	
R1013	C-CARBON R	RN72K1J-331JE	1	435033314R1	
R1014	C-CARBON R	RN72K1J-331JE	1	435033314R1	
R1015	C-CARBON R	RN72K1J-331JE	1	435033314R1	
R1016	C-CARBON R	RN72K1J-331JE	1	435033314R1	
R1017	C-CARBON R	RN72K1J-331JE	1	435033314R1	
R1018	C-CARBON R	RN72K1J-331JE	1	435033314R1	
R1019	C-CARBON R	RN72K1J-470JE	1	435034704R1	
R1020	C-CARBON R	RN72K1J-470JE	1	435034704R1	
R1021	C-CARBON R	RN72K1J-331JE	1	435033314R1	
R1022	C-CARBON R	RN72K1J-331JE	1	435033314R1	
R1023	C-CARBON R	RN72K1J-103JE	1	435031034R1	
R1024	C-CARBON R	RN72K1J-103JE	1	435031034R1	
R1025	C-CARBON R	RN72K1J-331JE	1	435033314R1	
R1026	C-CARBON R	RN72K1J-331JE	1	435033314R1	
R1027	C-CARBON R	RN72K1J-331JE	1	435033314R1	
R1028	C-CARBON R	RN72K1J-331JE	1	435033314R1	
R1029	C-CARBON R	RN72K1J-331JE	1	435033314R1	
R1030	C-CARBON R	RN72K1J-331JE	1	435033314R1	
R1031	C-CARBON R	RN72K1J-750JE	1	435037504R1	
R1032	C-CARBON R	RN72K1J-750JE	1	435037504R1	
R1033	C-CARBON R	RN72K1J-103JE	1	435031034R1	
R1034	C-CARBON R	RN72K1J-103JE	1	435031034R1	
R1035	C-CARBON R	RN72K1J-331JE	1	435033314R1	
R1036	C-CARBON R	RN72K1J-331JE	1	435033314R1	
R1037	C-CARBON R	RN72K1J-331JE	1	435033314R1	
R1038	C-CARBON R	RN72K1J-331JE	1	435033314R1	
R1039	C-CARBON R	RN72K1J-331JE	1	435033314R1	
R1040	C-CARBON R	RN72K1J-331JE	1	435033314R1	
R1041	C-CARBON R	RN72K1J-470JE	1	435034704R1	
R1042	C-CARBON R	RN72K1J-470JE	1	435034704R1	
R1043	C-CARBON R	RN72K1J-331JE	1	435033314R1	
R1044	C-CARBON R	RN72K1J-331JE	1	435033314R1	
R1045	C-CARBON R	RN72K1J-103JE	1	435031034R1	
R1046	C-CARBON R	RN72K1J-103JE	1	435031034R1	

R1047	C-CARBON R	RN72K1J-331JE	1	435033314R1
R1048	C-CARBON R	RN72K1J-331JE	1	435033314R1
R1049	C-CARBON R	RN72K1J-331JE	1	435033314R1
R1050	C-CARBON R	RN72K1J-331JE	1	435033314R1
R1051	C-CARBON R	RN72K1J-331JE	1	435033314R1
R1052	C-CARBON R	RN72K1J-331JE	1	435033314R1
R1053	C-CARBON R	RN72K1J-750JE	1	435037504R1
R1054	C-CARBON R	RN72K1J-750JE	1	435037504R1
R1055	C-CARBON R	RN72K1J-103JE	1	435031034R1
R1056	C-CARBON R	RN72K1J-103JE	1	435031034R1
R1057	C-CARBON R	RN72K1J-331JE	1	435033314R1
R1058	C-CARBON R	RN72K1J-331JE	1	435033314R1
R1059	C-CARBON R	RN72K1J-331JE	1	435033314R1
R1060	C-CARBON R	RN72K1J-331JE	1	435033314R1
R1061	C-CARBON R	RN72K1J-331JE	1	435033314R1
R1062	C-CARBON R	RN72K1J-331JE	1	435033314R1
R1063	C-CARBON R	RN72K1J-470JE	1	435034704R1
R1064	C-CARBON R	RN72K1J-470JE	1	435034704R1
R1065	C-CARBON R	RN72K1J-331JE	1	435033314R1
R1066	C-CARBON R	RN72K1J-331JE	1	435033314R1
R1067	C-CARBON R	RN72K1J-103JE	1	435031034R1
R1068	C-CARBON R	RN72K1J-331JE	1	435033314R1
R1069	C-CARBON R	RN72K1J-331JE	1	435033314R1
R1070	C-CARBON R	RN72K1J-331JE	1	435033314R1
R1071	C-CARBON R	RN72K1J-750JE	1	435037504R1
R1072	C-CARBON R	RN72K1J-331JE	1	435033314R1
R1073	C-CARBON R	RN72K1J-331JE	1	435033314R1
R1074	C-CARBON R	RN72K1J-331JE	1	435033314R1
R1075	C-CARBON R	RN72K1J-470JE	1	435034704R1
R1076	C-CARBON R	RN72K1J-331JE	1	435033314R1
R1077	C-CARBON R	RN72K1J-103JE	1	435031034R1
R1100	C-CARBON R	RN72K1J-221JE	1	435032214R1
R1101	C-CARBON R	RN72K1J-681JE	1	435036814R1
R1106	C-CARBON R	RN72K1J-102JE	1	435031024R1
R1107	C-CARBON R	RN72K1J-331JE	1	435033314R1
R1109	C-CARBON R	RN72K1J-221JE	1	435032214R1
R1110	C-CARBON R	RN72K1J-331JE	1	435033314R1
R1111	C-CARBON R	RN72K1J-331JE	1	435033314R1
R1112	C-CARBON R	RN72K1J-470JE	1	435034704R1
R1113	C-CARBON R	RN72K1J-331JE	1	435033314R1
R1200	C-CARBON R	RN72K1J-821JE	1	435038214R1
R1201	C-CARBON R	RN72K1J-821JE	1	435038214R1
R1202	C-CARBON R	RN72K1J-821JE	1	435038214R1
R1203	C-CARBON R	RN72K1J-821JE	1	435038214R1
R1204	C-CARBON R	RN72K1J-821JE	1	435038214R1
R1205	C-CARBON R	RN72K1J-821JE	1	435038214R1
R1206	C-CARBON R	RN72K1J-821JE	1	435038214R1

R1207	C-CARBON R	RN72K1J-821JE	1	435038214R1
R1208	C-CARBON R	RN72K1J-821JE	1	435038214R1
R1209	C-CARBON R	RN72K1J-821JE	1	435038214R1
R1210	C-CARBON R	RN72K1J-821JE	1	435038214R1
R1211	C-CARBON R	RN72K1J-821JE	1	435038214R1
R1212	C-CARBON R	RN72K1J-821JE	1	435038214R1
R1213	C-CARBON R	RN72K1J-821JE	1	435038214R1
R1214	C-CARBON R	RN72K1J-821JE	1	435038214R1
R1215	C-CARBON R	RN72K1J-821JE	1	435038214R1
R1216	C-CARBON R	RN72K1J-821JE	1	435038214R1
R1217	C-CARBON R	RN72K1J-821JE	1	435038214R1
R1218	C-CARBON R	RN72K1J-821JE	1	435038214R1
R1219	C-CARBON R	RN72K1J-821JE	1	435038214R1
R1220	C-CARBON R	RN72K1J-271JE	1	435032714R1
R1221	C-CARBON R	RN72K1J-271JE	1	435032714R1
R1222	C-CARBON R	RN72K1J-271JE	1	435032714R1
R1223	C-CARBON R	RN72K1J-271JE	1	435032714R1
R1224	C-CARBON R	RN72K1J-271JE	1	435032714R1
R1225	C-CARBON R	RN72K1J-271JE	1	435032714R1
R1226	C-CARBON R	RN72K1J-271JE	1	435032714R1
R1227	C-CARBON R	RN72K1J-271JE	1	435032714R1
R1228	C-CARBON R	RN72K1J-271JE	1	435032714R1
R1229	C-CARBON R	RN72K1J-271JE	1	435032714R1
R1230	C-CARBON R	RN72K1J-182JE	1	435031824R1
R1231	C-CARBON R	RN72K1J-182JE	1	435031824R1
R1232	C-CARBON R	RN72K1J-182JE	1	435031824R1
R1233	C-CARBON R	RN72K1J-182JE	1	435031824R1
R1234	C-CARBON R	RN72K1J-182JE	1	435031824R1
R1235	C-CARBON R	RN72K1J-182JE	1	435031824R1
R1236	C-CARBON R	RN72K1J-182JE	1	435031824R1
R1237	C-CARBON R	RN72K1J-182JE	1	435031824R1
R1238	C-CARBON R	RN72K1J-182JE	1	435031824R1
R1239	C-CARBON R	RN72K1J-182JE	1	435031824R1
R1240	C-CARBON R	RN72K1J-271JE	1	435032714R1
R1241	C-CARBON R	RN72K1J-271JE	1	435032714R1
R1242	C-CARBON R	RN72K1J-271JE	1	435032714R1
R1243	C-CARBON R	RN72K1J-271JE	1	435032714R1
R1244	C-CARBON R	RN72K1J-271JE	1	435032714R1
R1245	C-CARBON R	RN72K1J-271JE	1	435032714R1
R1246	C-CARBON R	RN72K1J-271JE	1	435032714R1
R1247	C-CARBON R	RN72K1J-271JE	1	435032714R1
R1248	C-CARBON R	RN72K1J-271JE	1	435032714R1
R1249	C-CARBON R	RN72K1J-271JE	1	435032714R1
R1250	C-CARBON R	RN72K1J-182JE	1	435031824R1
R1251	C-CARBON R	RN72K1J-182JE	1	435031824R1
R1252	C-CARBON R	RN72K1J-182JE	1	435031824R1
R1253	C-CARBON R	RN72K1J-182JE	1	435031824R1

R1254	C-CARBON R	RN72K1J-182JE	1	435031824R1
R1255	C-CARBON R	RN72K1J-182JE	1	435031824R1
R1256	C-CARBON R	RN72K1J-182JE	1	435031824R1
R1257	C-CARBON R	RN72K1J-182JE	1	435031824R1
R1258	C-CARBON R	RN72K1J-182JE	1	435031824R1
R1259	C-CARBON R	RN72K1J-182JE	1	435031824R1
R1260	C-CARBON R	RN72K1J-332JE	1	435033324R1
R1261	C-CARBON R	RN72K1J-332JE	1	435033324R1
R1262	C-CARBON R	RN72K1J-332JE	1	435033324R1
R1263	C-CARBON R	RN72K1J-332JE	1	435033324R1
R1264	C-CARBON R	RN72K1J-332JE	1	435033324R1
R1265	C-CARBON R	RN72K1J-332JE	1	435033324R1
R1266	C-CARBON R	RN72K1J-332JE	1	435033324R1
R1267	C-CARBON R	RN72K1J-332JE	1	435033324R1
R1268	C-CARBON R	RN72K1J-332JE	1	435033324R1
R1269	C-CARBON R	RN72K1J-332JE	1	435033324R1
R1270	C-CARBON R	RN72K1J-332JE	1	435033324R1
R1271	C-CARBON R	RN72K1J-332JE	1	435033324R1
R1272	C-CARBON R	RN72K1J-332JE	1	435033324R1
R1273	C-CARBON R	RN72K1J-332JE	1	435033324R1
R1274	C-CARBON R	RN72K1J-332JE	1	435033324R1
R1275	C-CARBON R	RN72K1J-332JE	1	435033324R1
R1276	C-CARBON R	RN72K1J-332JE	1	435033324R1
R1277	C-CARBON R	RN72K1J-332JE	1	435033324R1
R1278	C-CARBON R	RN72K1J-332JE	1	435033324R1
R1279	C-CARBON R	RN72K1J-332JE	1	435033324R1
R1280	C-CARBON R	RN72K1J-122JE	1	435031224R1
R1281	C-CARBON R	RN72K1J-122JE	1	435031224R1
R1282	C-CARBON R	RN72K1J-122JE	1	435031224R1
R1283	C-CARBON R	RN72K1J-122JE	1	435031224R1
R1284	C-CARBON R	RN72K1J-122JE	1	435031224R1
R1285	C-CARBON R	RN72K1J-122JE	1	435031224R1
R1286	C-CARBON R	RN72K1J-122JE	1	435031224R1
R1287	C-CARBON R	RN72K1J-122JE	1	435031224R1
R1288	C-CARBON R	RN72K1J-122JE	1	435031224R1
R1289	C-CARBON R	RN72K1J-122JE	1	435031224R1
R1290	C-CARBON R	RN72K1J-122JE	1	435031224R1
R1291	C-CARBON R	RN72K1J-122JE	1	435031224R1
R1292	C-CARBON R	RN72K1J-122JE	1	435031224R1
R1293	C-CARBON R	RN72K1J-122JE	1	435031224R1
R1294	C-CARBON R	RN72K1J-122JE	1	435031224R1
R1295	C-CARBON R	RN72K1J-122JE	1	435031224R1
R1296	C-CARBON R	RN72K1J-122JE	1	435031224R1
R1297	C-CARBON R	RN72K1J-122JE	1	435031224R1
R1298	C-CARBON R	RN72K1J-122JE	1	435031224R1
R1299	C-CARBON R	RN72K1J-122JE	1	435031224R1
R1300	C-CARBON R	RN72K1J-472JE	1	435034724R1

R1301	C-CARBON R	RN72K1J-472JE	1	435034724R1
R1302	C-CARBON R	RN72K1J-472JE	1	435034724R1
R1303	C-CARBON R	RN72K1J-472JE	1	435034724R1
R1304	C-CARBON R	RN72K1J-472JE	1	435034724R1
R1305	C-CARBON R	RN72K1J-472JE	1	435034724R1
R1306	C-CARBON R	RN72K1J-472JE	1	435034724R1
R1307	C-CARBON R	RN72K1J-472JE	1	435034724R1
R1308	C-CARBON R	RN72K1J-472JE	1	435034724R1
R1309	C-CARBON R	RN72K1J-472JE	1	435034724R1
R1310	C-CARBON R	RN72K1J-681JE	1	435036814R1
R1311	C-CARBON R	RN72K1J-681JE	1	435036814R1
R1312	C-CARBON R	RN72K1J-681JE	1	435036814R1
R1313	C-CARBON R	RN72K1J-681JE	1	435036814R1
R1314	C-CARBON R	RN72K1J-681JE	1	435036814R1
R1315	C-CARBON R	RN72K1J-681JE	1	435036814R1
R1316	C-CARBON R	RN72K1J-681JE	1	435036814R1
R1317	C-CARBON R	RN72K1J-681JE	1	435036814R1
R1318	C-CARBON R	RN72K1J-681JE	1	435036814R1
R1319	C-CARBON R	RN72K1J-681JE	1	435036814R1
R1320	C-CARBON R	RN72K1J-472JE	1	435034724R1
R1321	C-CARBON R	RN72K1J-472JE	1	435034724R1
R1322	C-CARBON R	RN72K1J-472JE	1	435034724R1
R1323	C-CARBON R	RN72K1J-472JE	1	435034724R1
R1324	C-CARBON R	RN72K1J-472JE	1	435034724R1
R1325	C-CARBON R	RN72K1J-472JE	1	435034724R1
R1326	C-CARBON R	RN72K1J-472JE	1	435034724R1
R1327	C-CARBON R	RN72K1J-472JE	1	435034724R1
R1328	C-CARBON R	RN72K1J-472JE	1	435034724R1
R1329	C-CARBON R	RN72K1J-472JE	1	435034724R1
R1330	C-CARBON R	RN72K1J-472JE	1	435034724R1
R1331	C-CARBON R	RN72K1J-472JE	1	435034724R1
R1332	C-CARBON R	RN72K1J-472JE	1	435034724R1
R1333	C-CARBON R	RN72K1J-472JE	1	435034724R1
R1334	C-CARBON R	RN72K1J-472JE	1	435034724R1
R1335	C-CARBON R	RN72K1J-472JE	1	435034724R1
R1336	C-CARBON R	RN72K1J-472JE	1	435034724R1
R1337	C-CARBON R	RN72K1J-472JE	1	435034724R1
R1338	C-CARBON R	RN72K1J-472JE	1	435034724R1
R1339	C-CARBON R	RN72K1J-472JE	1	435034724R1
R1340	C-CARBON R	RN72K1J-182JE	1	435031824R1
R1341	C-CARBON R	RN72K1J-182JE	1	435031824R1
R1342	C-CARBON R	RN72K1J-182JE	1	435031824R1
R1343	C-CARBON R	RN72K1J-182JE	1	435031824R1
R1344	C-CARBON R	RN72K1J-182JE	1	435031824R1
R1345	C-CARBON R	RN72K1J-182JE	1	435031824R1
R1346	C-CARBON R	RN72K1J-182JE	1	435031824R1
R1347	C-CARBON R	RN72K1J-182JE	1	435031824R1

R1348	C-CARBON R	RN72K1J-182JE	1	435031824R1
R1349	C-CARBON R	RN72K1J-182JE	1	435031824R1
R1350	C-CARBON R	RN72K1J-561JE	1	435035614R1
R1351	C-CARBON R	RN72K1J-561JE	1	435035614R1
R1352	C-CARBON R	RN72K1J-561JE	1	435035614R1
R1353	C-CARBON R	RN72K1J-561JE	1	435035614R1
R1354	C-CARBON R	RN72K1J-561JE	1	435035614R1
R1355	C-CARBON R	RN72K1J-561JE	1	435035614R1
R1356	C-CARBON R	RN72K1J-561JE	1	435035614R1
R1357	C-CARBON R	RN72K1J-561JE	1	435035614R1
R1358	C-CARBON R	RN72K1J-561JE	1	435035614R1
R1359	C-CARBON R	RN72K1J-561JE	1	435035614R1
R1360	C-CARBON R	RN72K1J-102JE	1	435031024R1
R1361	C-CARBON R	RN72K1J-102JE	1	435031024R1
R1362	C-CARBON R	RN72K1J-102JE	1	435031024R1
R1363	C-CARBON R	RN72K1J-102JE	1	435031024R1
R1364	C-CARBON R	RN72K1J-102JE	1	435031024R1
R1365	C-CARBON R	RN72K1J-102JE	1	435031024R1
R1366	C-CARBON R	RN72K1J-102JE	1	435031024R1
R1367	C-CARBON R	RN72K1J-102JE	1	435031024R1
R1368	C-CARBON R	RN72K1J-102JE	1	435031024R1
R1369	C-CARBON R	RN72K1J-102JE	1	435031024R1
R1370	C-CARBON R	RN72K1J-152JE	1	435031524R1
R1371	C-CARBON R	RN72K1J-152JE	1	435031524R1
R1372	C-CARBON R	RN72K1J-272JE	1	435032724R1
R1373	C-CARBON R	RN72K1J-152JE	1	435031524R1
R1374	C-CARBON R	RN72K1J-152JE	1	435031524R1
R1375	C-CARBON R	RN72K1J-152JE	1	435031524R1
R1376	C-CARBON R	RN72K1J-152JE	1	435031524R1
R1377	C-CARBON R	RN72K1J-152JE	1	435031524R1
R1378	C-CARBON R	RN72K1J-152JE	1	435031524R1
R1379	C-CARBON R	RN72K1J-152JE	1	435031524R1
R1380	C-CARBON R	RN72K1J-272JE	1	435032724R1
R1381	C-CARBON R	RN72K1J-272JE	1	435032724R1
R1382	C-CARBON R	RN72K1J-152JE	1	435031524R1
R1383	C-CARBON R	RN72K1J-272JE	1	435032724R1
R1384	C-CARBON R	RN72K1J-272JE	1	435032724R1
R1385	C-CARBON R	RN72K1J-272JE	1	435032724R1
R1386	C-CARBON R	RN72K1J-272JE	1	435032724R1
R1387	C-CARBON R	RN72K1J-272JE	1	435032724R1
R1388	C-CARBON R	RN72K1J-272JE	1	435032724R1
R1389	C-CARBON R	RN72K1J-272JE	1	435032724R1
R1400	C-CARBON R	RN72K2E-100JE	1	435221004R1
R1401	C-CARBON R	RN72K2E-100JE	1	435221004R1
R1402	C-CARBON R	RN72K2E-100JE	1	435221004R1
R1403	C-CARBON R	RN72K2E-220JE	1	435222204R1
R1404	C-CARBON R	RN72K2E-220JE	1	435222204R1

R1405	C-CARBON R	RN72K2E-220JE	1	435222204R1
R1406	C-CARBON R	RN72K2E-220JE	1	435222204R1
R1407	C-CARBON R	RN72K2E-220JE	1	435222204R1
R1408	C-CARBON R	RN72K2E-220JE	1	435222204R1
R1409	C-CARBON R	RN72K2E-100JE	1	435221004R1
R1410	C-CARBON R	RN72K1J-821JE	1	435038214R1
R1411	C-CARBON R	RN72K1J-821JE	1	435038214R1
R1412	C-CARBON R	RN72K1J-821JE	1	435038214R1
R1413	C-CARBON R	RN72K1J-821JE	1	435038214R1
R1420	C-CARBON R	RN72K1J-821JE	1	435038214R1
R1421	C-CARBON R	RN72K1J-821JE	1	435038214R1
R1422	C-CARBON R	RN72K1J-821JE	1	435038214R1
R1423	C-CARBON R	RN72K1J-821JE	1	435038214R1
R1430	C-CARBON R	RN72K1J-271JE	1	435032714R1
R1431	C-CARBON R	RN72K1J-271JE	1	435032714R1
R1432	C-CARBON R	RN72K1J-271JE	1	435032714R1
R1433	C-CARBON R	RN72K1J-271JE	1	435032714R1
R1440	C-CARBON R	RN72K1J-182JE	1	435031824R1
R1441	C-CARBON R	RN72K1J-182JE	1	435031824R1
R1442	C-CARBON R	RN72K1J-182JE	1	435031824R1
R1443	C-CARBON R	RN72K1J-182JE	1	435031824R1
R1450	C-CARBON R	RN72K1J-271JE	1	435032714R1
R1451	C-CARBON R	RN72K1J-271JE	1	435032714R1
R1452	C-CARBON R	RN72K1J-271JE	1	435032714R1
R1453	C-CARBON R	RN72K1J-271JE	1	435032714R1
R1460	C-CARBON R	RN72K1J-182JE	1	435031824R1
R1461	C-CARBON R	RN72K1J-182JE	1	435031824R1
R1462	C-CARBON R	RN72K1J-182JE	1	435031824R1
R1463	C-CARBON R	RN72K1J-182JE	1	435031824R1
R1470	C-CARBON R	RN72K1J-332JE	1	435033324R1
R1471	C-CARBON R	RN72K1J-332JE	1	435033324R1
R1472	C-CARBON R	RN72K1J-332JE	1	435033324R1
R1473	C-CARBON R	RN72K1J-332JE	1	435033324R1
R1480	C-CARBON R	RN72K1J-332JE	1	435033324R1
R1481	C-CARBON R	RN72K1J-332JE	1	435033324R1
R1482	C-CARBON R	RN72K1J-332JE	1	435033324R1
R1483	C-CARBON R	RN72K1J-332JE	1	435033324R1
R1490	C-CARBON R	RN72K1J-122JE	1	435031224R1
R1491	C-CARBON R	RN72K1J-122JE	1	435031224R1
R1492	C-CARBON R	RN72K1J-122JE	1	435031224R1
R1493	C-CARBON R	RN72K1J-122JE	1	435031224R1
R1500	C-CARBON R	RN72K1J-122JE	1	435031224R1
R1501	C-CARBON R	RN72K1J-122JE	1	435031224R1
R1502	C-CARBON R	RN72K1J-122JE	1	435031224R1
R1503	C-CARBON R	RN72K1J-122JE	1	435031224R1
R1510	C-CARBON R	RN72K1J-472JE	1	435034724R1
R1511	C-CARBON R	RN72K1J-472JE	1	435034724R1

R1512	C-CARBON R	RN72K1J-472JE	1	435034724R1
R1513	C-CARBON R	RN72K1J-472JE	1	435034724R1
R1515	C-CARBON R	RN72K1J-331JE	1	435033314R1
R1517	C-CARBON R	RN72K1J-331JE	1	435033314R1
R1518	C-CARBON R	RN72K1J-331JE	1	435033314R1
R1519	C-CARBON R	RN72K1J-331JE	1	435033314R1
R1520	C-CARBON R	RN72K1J-681JE	1	435036814R1
R1521	C-CARBON R	RN72K1J-681JE	1	435036814R1
R1522	C-CARBON R	RN72K1J-681JE	1	435036814R1
R1523	C-CARBON R	RN72K1J-681JE	1	435036814R1
R1530	C-CARBON R	RN72K1J-472JE	1	435034724R1
R1531	C-CARBON R	RN72K1J-472JE	1	435034724R1
R1532	C-CARBON R	RN72K1J-472JE	1	435034724R1
R1533	C-CARBON R	RN72K1J-472JE	1	435034724R1
R1540	C-CARBON R	RN72K1J-472JE	1	435034724R1
R1541	C-CARBON R	RN72K1J-472JE	1	435034724R1
R1542	C-CARBON R	RN72K1J-472JE	1	435034724R1
R1543	C-CARBON R	RN72K1J-472JE	1	435034724R1
R1550	C-CARBON R	RN72K1J-182JE	1	435031824R1
R1551	C-CARBON R	RN72K1J-182JE	1	435031824R1
R1552	C-CARBON R	RN72K1J-182JE	1	435031824R1
R1553	C-CARBON R	RN72K1J-182JE	1	435031824R1
R1560	C-CARBON R	RN72K1J-272JE	1	435032724R1
R1561	C-CARBON R	RN72K1J-272JE	1	435032724R1
R1562	C-CARBON R	RN72K1J-272JE	1	435032724R1
R1563	C-CARBON R	RN72K1J-272JE	1	435032724R1
R1570	C-CARBON R	RN72K1J-152JE	1	435031524R1
R1571	C-CARBON R	RN72K1J-152JE	1	435031524R1
R1572	C-CARBON R	RN72K1J-152JE	1	435031524R1
R1573	C-CARBON R	RN72K1J-152JE	1	435031524R1
R1580	C-CARBON R	RN72K1J-102JE	1	435031024R1
R1581	C-CARBON R	RN72K1J-102JE	1	435031024R1
R1582	C-CARBON R	RN72K1J-102JE	1	435031024R1
R1583	C-CARBON R	RN72K1J-102JE	1	435031024R1
R1590	C-CARBON R	RN72K1J-561JE	1	435035614R1
R1591	C-CARBON R	RN72K1J-561JE	1	435035614R1
R1592	C-CARBON R	RN72K1J-561JE	1	435035614R1
R1593	C-CARBON R	RN72K1J-561JE	1	435035614R1
R1604	C-CARBON R	RN72K1J-224JE	1	435032244R1
R1605	C-CARBON R	RN72K1J-224JE	1	435032244R1
R1606	C-CARBON R	RN72K1J-224JE	1	435032244R1
R1607	C-CARBON R	RN72K1J-224JE	1	435032244R1
R1608	C-CARBON R	RN72K1J-224JE	1	435032244R1
R1609	C-CARBON R	RN72K1J-224JE	1	435032244R1
R1610	C-CARBON R	RN72K2E-100JE	1	435221004R1
R1611	C-CARBON R	RN72K2E-100JE	1	435221004R1
R1612	C-CARBON R	RN72K2E-220JE	1	43522204R1

R1613	C-CARBON R	RN72K2E-220JE	1	435222204R1
R1614	C-CARBON R	RN72K1J-224JE	1	435032244R1
R1615	C-CARBON R	RN72K1J-224JE	1	435032244R1
R1616	C-CARBON R	RN72K1J-224JE	1	435032244R1
R1617	C-CARBON R	RN72K1J-224JE	1	435032244R1
R1618	C-CARBON R	RN72K1J-224JE	1	435032244R1
R1619	C-CARBON R	RN72K1J-224JE	1	435032244R1
R1620	C-CARBON R	RN72K1J-103JE	1	435031034R1
R1621	C-CARBON R	RN72K1J-103JE	1	435031034R1
R1622	C-CARBON R	RN72K1J-103JE	1	435031034R1
R1623	C-CARBON R	RN72K1J-103JE	1	435031034R1
R1624	C-CARBON R	RN72K1J-103JE	1	435031034R1
R1625	C-CARBON R	RN72K1J-103JE	1	435031034R1
R1626	C-CARBON R	RN72K1J-103JE	1	435031034R1
R1627	C-CARBON R	RN72K1J-103JE	1	435031034R1
R1628	C-CARBON R	RN72K1J-103JE	1	435031034R1
R1629	C-CARBON R	RN72K1J-103JE	1	435031034R1
R1630	C-CARBON R	RN72K1J-103JE	1	435031034R1
R1631	C-CARBON R	RN72K1J-103JE	1	435031034R1
R1632	C-CARBON R	RN72K1J-103JE	1	435031034R1
R1633	C-CARBON R	RN72K1J-103JE	1	435031034R1
R1634	C-CARBON R	RN72K1J-103JE	1	435031034R1
R1635	C-CARBON R	RN72K1J-103JE	1	435031034R1
R1636	C-CARBON R	RN72K1J-103JE	1	435031034R1
R1637	C-CARBON R	RN72K1J-103JE	1	435031034R1
R1638	C-CARBON R	RN72K1J-103JE	1	435031034R1
R1639	C-CARBON R	RN72K1J-103JE	1	435031034R1
R1640	C-CARBON R	RN72K1J-103JE	1	435031034R1
R1641	C-CARBON R	RN72K1J-103JE	1	435031034R1
R1642	C-CARBON R	RN72K1J-103JE	1	435031034R1
R1643	C-CARBON R	RN72K1J-103JE	1	435031034R1
R1644	C-CARBON R	RN72K1J-103JE	1	435031034R1
R1645	C-CARBON R	RN72K1J-103JE	1	435031034R1
R1646	C-CARBON R	RN72K1J-103JE	1	435031034R1
R1647	C-CARBON R	RN72K1J-103JE	1	435031034R1
R1648	C-CARBON R	RN72K1J-103JE	1	435031034R1
R1649	C-CARBON R	RN72K1J-103JE	1	435031034R1
R1660	C-CARBON R	RN72K1J-103JE	1	435031034R1
R1661	C-CARBON R	RN72K1J-103JE	1	435031034R1
R1670	C-CARBON R	RN72K1J-103JE	1	435031034R1
R1671	C-CARBON R	RN72K1J-103JE	1	435031034R1
R1680	C-CARBON R	RN72K1J-103JE	1	435031034R1
R1681	C-CARBON R	RN72K1J-103JE	1	435031034R1
R1683	C-CARBON R	RN72K1J-473JE	1	435034734R1
R1685	C-CARBON R	RN72K1J-332JE	1	435033324R1
R1687	C-CARBON R	RN72K1J-473JE	1	435034734R1
R1688	C-CARBON R	RN72K1J-332JE	1	435033324R1

R1689	C-CARBON R	RN72K1J-332JE	1	435033324R1
R1700	C-CARBON R	RN72K1J-470JE	1	435034704R1
R1701	C-CARBON R	RN72K1J-331JE	1	435033314R1
R1702	C-CARBON R	RN72K1J-151JE	1	435031514R1
R1703	C-CARBON R	RN72K1J-331JE	1	435033314R1
R1704	C-CARBON R	RN72K1J-750JE	1	435037504R1
R1705	C-CARBON R	RN72K1J-151JE	1	435031514R1
R1706	C-CARBON R	RN72K1J-331JE	1	435033314R1
R1707	C-CARBON R	RN72K1J-151JE	1	435031514R1
R1708	C-CARBON R	RN72K1J-470JE	1	435034704R1
R1709	C-CARBON R	RN72K1J-330JE	1	435033304R1
R1710	C-CARBON R	RN72K1J-331JE	1	435033314R1
R1711	C-CARBON R	RN72K1J-561FE	1	435035612R1
R1712	C-CARBON R	RN72K1J-105JE	1	435031054R1
R1713	C-CARBON R	RN72K1J-560JE	1	435035604R1
R1714	C-CARBON R	RN72K1J-221JE	1	435032214R1
R1715	C-CARBON R	RN72K1J-331JE	1	435033314R1
R1716	C-CARBON R	RN72K1J-331JE	1	435033314R1
R1717	C-CARBON R	RN72K1J-750JE	1	435037504R1
R1718	C-CARBON R	RN72K1J-151JE	1	435031514R1
R1719	C-CARBON R	RN72K1J-151JE	1	435031514R1
R1720	C-CARBON R	RN72K1J-331JE	1	435033314R1
R1721	C-CARBON R	RN72K1J-470JE	1	435034704R1
R1722	C-CARBON R	RN72K1J-330JE	1	435033304R1
R1723	C-CARBON R	RN72K1J-331JE	1	435033314R1
R1726	C-CARBON R	RN72K1J-151JE	1	435031514R1
R1730	C-CARBON R	RN72K1J-103JE	1	435031034R1
R1731	C-CARBON R	RN72K1J-331JE	1	435033314R1
R1732	C-CARBON R	RN72K1J-331JE	1	435033314R1
R1733	C-CARBON R	RN72K1J-331JE	1	435033314R1
R1740	C-CARBON R	RN72K1J-103JE	1	435031034R1
R1741	C-CARBON R	RN72K1J-103JE	1	435031034R1
R1742	C-CARBON R	RN72K1J-103JE	1	435031034R1
R1743	C-CARBON R	RN72K1J-103JE	1	435031034R1
R1744	C-CARBON R	RN72K1J-272JE	1	435032724R1
R1745	C-CARBON R	RN72K1J-272JE	1	435032724R1
R1746	C-CARBON R	RN72K1J-222JE	1	435032224R1
R1747	C-CARBON R	RN72K1J-222JE	1	435032224R1
R1748	C-CARBON R	RN72K1J-272JE	1	435032724R1
R1750	C-CARBON R	RN72K1J-222JE	1	435032224R1
R1751	C-CARBON R	RN72K1J-272JE	1	435032724R1
R1752	C-CARBON R	RN72K1J-101JE	1	435031014R1
R1753	C-CARBON R	RN72K1J-101JE	1	435031014R1
R1754	C-CARBON R	RN72K1J-103JE	1	435031034R1
R1755	C-CARBON R	RN72K1J-103JE	1	435031034R1
R1756	C-CARBON R	RN72K1J-103JE	1	435031034R1
R1757	C-CARBON R	RN72K1J-103JE	1	435031034R1

R1758	C-CARBON R	RN72K1J-101JE	1	435031014R1
R1759	C-CARBON R	RN72K1J-101JE	1	435031014R1
R1761	C-CARBON R	RN72K1J-222JE	1	435032224R1
R1800	C-CARBON R	RN72K1J-223JE	1	435032234R1
R1801	C-CARBON R	RN72K1J-223JE	1	435032234R1
R1802	C-CARBON R	RN72K1J-332JE	1	435033324R1
R1803	C-CARBON R	RN72K1J-332JE	1	435033324R1
R1810	C-CARBON R	RN72K1J-223JE	1	435032234R1
R1811	C-CARBON R	RN72K1J-223JE	1	435032234R1
R1830	C-CARBON R	RN72K1J-153JE	1	435031534R1
R1831	C-CARBON R	RN72K1J-153JE	1	435031534R1
R1840	C-CARBON R	RN72K1J-562JE	1	435035624R1
R1841	C-CARBON R	RN72K1J-562JE	1	435035624R1
R1850	C-CARBON R	RN72K1J-153JE	1	435031534R1
R1851	C-CARBON R	RN72K1J-153JE	1	435031534R1
R1860	C-CARBON R	RN72K1J-104JE	1	435031044R1
R1861	C-CARBON R	RN72K1J-104JE	1	435031044R1
R1870	C-CARBON R	RN72K1J-472JE	1	435034724R1
R1871	C-CARBON R	RN72K1J-472JE	1	435034724R1
R1890	C-CARBON R	RN72K1J-104JE	1	435031044R1
R1891	C-CARBON R	RN72K1J-334FE	1	435033342R1
R1892	C-CARBON R	RN72K1J-273JE	1	435032734R1
R3700	C-CARBON R	RN72K1J-000JE	1	435030004R1
R3702	C-CARBON R	RN72K1J-750JE	1	435037504R1
R3703	C-CARBON R	RN72K1J-331JE	1	435033314R1
R3707	C-CARBON R	RN72K1J-151JE	1	435031514R1
R3708	C-CARBON R	RN72K1J-151JE	1	435031514R1
R3709	C-CARBON R	RN72K1J-151JE	1	435031514R1
R3711	C-CARBON R	RN72K1J-101JE	1	435031014R1
R3713	C-CARBON R	RN72K1J-331JE	1	435033314R1
R3714	C-CARBON R	RN72K1J-151JE	1	435031514R1
R3715	C-CARBON R	RN72K1J-331JE	1	435033314R1
R3716	C-CARBON R	RN72K1J-151JE	1	435031514R1
R3717	C-CARBON R	RN72K1J-331JE	1	435033314R1
R3719	C-CARBON R	RN72K1J-331JE	1	435033314R1
R3720	C-CARBON R	RN72K1J-331JE	1	435033314R1
R3721	C-CARBON R	RN72K1J-331JE	1	435033314R1
R3722	C-CARBON R	RN72K1J-103JE	1	435031034R1
R3723	C-CARBON R	RN72K1J-331JE	1	435033314R1
R3724	C-CARBON R	RN72K1J-331JE	1	435033314R1
R3725	C-CARBON R	RN72K1J-331JE	1	435033314R1
R3726	C-CARBON R	RN72K1J-750JE	1	435037504R1
R3728	C-CARBON R	RN72K1J-151JE	1	435031514R1
R3733	C-CARBON R	RN72K1J-151JE	1	435031514R1
R3735	C-CARBON R	RN72K1J-151JE	1	435031514R1
R3737	C-CARBON R	RN72K1J-151JE	1	435031514R1
R3738	C-CARBON R	RN72K1J-221JE	1	435032214R1

R3741	C-CARBON R	RN72K1J-151JE	1	435031514R1
R3742	C-CARBON R	RN72K1J-470JE	1	435034704R1
R3743	C-CARBON R	RN72K1J-151JE	1	435031514R1
R3744	C-CARBON R	RN72K1J-331JE	1	435033314R1
R3745	C-CARBON R	RN72K1J-470JE	1	435034704R1
R3746	C-CARBON R	RN72K1J-103JE	1	435031034R1
R3747	C-CARBON R	RN72K1J-103JE	1	435031034R1
R3748	C-CARBON R	RN72K1J-102JE	1	435031024R1
R3751	C-CARBON R	RN72K1J-331JE	1	435033314R1
R3752	C-CARBON R	RN72K1J-331JE	1	435033314R1
R3754	C-CARBON R	RN72K1J-331JE	1	435033314R1
R3755	C-CARBON R	RN72K1J-331JE	1	435033314R1
R3756	C-CARBON R	RN72K1J-331JE	1	435033314R1
R3757	C-CARBON R	RN72K1J-331JE	1	435033314R1
R3758	C-CARBON R	RN72K1J-331JE	1	435033314R1
R3759	C-CARBON R	RN72K1J-331JE	1	435033314R1
R3761	C-CARBON R	RN72K1J-103JE	1	435031034R1
R3762	C-CARBON R	RN72K1J-331JE	1	435033314R1
R3763	C-CARBON R	RN72K1J-331JE	1	435033314R1
R3765	C-CARBON R	RN72K1J-103JE	1	435031034R1
R3766	C-CARBON R	RN72K1J-331JE	1	435033314R1
R3767	C-CARBON R	RN72K1J-331JE	1	435033314R1
R3768	C-CARBON R	RN72K1J-331JE	1	435033314R1
R3769	C-CARBON R	RN72K1J-331JE	1	435033314R1
R3770	C-CARBON R	RN72K1J-331JE	1	435033314R1
R3771	C-CARBON R	RN72K1J-220JE	1	435032204R1
R3796	C-CARBON R	RN72K1J-102JE	1	435031024R1
R3800	C-CARBON R	RN72K1J-151JE	1	435031514R1
R3801	C-CARBON R	RN72K1J-151JE	1	435031514R1
R3802	C-CARBON R	RN72K1J-331JE	1	435033314R1
R3803	C-CARBON R	RN72K1J-331JE	1	435033314R1
R3804	C-CARBON R	RN72K1J-470JE	1	435034704R1
R3883	C-CARBON R	RN72K1J-331JE	1	435033314R1
R3884	C-CARBON R	RN72K1J-221JE	1	435032214R1
R3886	C-CARBON R	RN72K1J-221JE	1	435032214R1
R3887	C-CARBON R	RN72K1J-470JE	1	435034704R1
R3888	C-CARBON R	RN72K1J-470JE	1	435034704R1
R3889	C-CARBON R	RN72K1J-102JE	1	435031024R1
R3890	C-CARBON R	RN72K1J-102JE	1	435031024R1
R3891	C-CARBON R	RN72K1J-822JE	1	435038224R1
R3892	C-CARBON R	RN72K1J-823JE	1	435038234R1
R3893	C-CARBON R	RN72K1J-103JE	1	435031034R1
R3894	C-CARBON R	RN72K1J-103JE	1	435031034R1
R3895	C-CARBON R	RN72K1J-100JE	1	435031004R1
R3896	C-CARBON R	RN72K1J-823JE	1	435038234R1
R3897	C-CARBON R	RN72K1J-750JE	1	435037504R1
R3898	C-CARBON R	RN72K1J-224JE	1	435032244R1

R3899	C-CARBON R	RN72K1J-103JE	1	435031034R1
R3900	C-CARBON R	RN72K1J-823JE	1	435038234R1
R3901	C-CARBON R	RN72K1J-470JE	1	435034704R1
R3902	C-CARBON R	RN72K1J-470JE	1	435034704R1
R3911	C-CARBON R	RN72K1J-221JE	1	435032214R1
R3913	C-CARBON R	RN72K1J-750JE	1	435037504R1
R3914	C-CARBON R	RN72K1J-100JE	1	435031004R1
R3915	C-CARBON R	RN72K1J-224JE	1	435032244R1
R3921	C-CARBON R	RN72K1J-750JE	1	435037504R1
R3922	C-CARBON R	RN72K1J-224JE	1	435032244R1
R3923	C-CARBON R	RN72K1J-100JE	1	435031004R1
R4101	C-CARBON R	RN72K1J-102JE	1	435031024R1
R4102	C-CARBON R	RN72K1J-102JE	1	435031024R1
R4103	C-CARBON R	RN72K1J-224JE	1	435032244R1
R4104	C-CARBON R	RN72K1J-224JE	1	435032244R1
R4105	METAL O R	RS1/2WBJ-2.2K	1	443522224T
R4106	METAL O R	RS1/2WBJ-2.2K	1	443522224T
R4107	C-CARBON R	RN72K1J-223JE	1	435032234R1
R4108	C-CARBON R	RN72K1J-223JE	1	435032234R1
R4109	C-CARBON R	RN72K1J-272JE	1	435032724R1
R4110	C-CARBON R	RN72K1J-272JE	1	435032724R1
R4111	C-CARBON R	RN72K1J-332JE	1	435033324R1
R4112	C-CARBON R	RN72K1J-332JE	1	435033324R1
R4113	C-CARBON R	RN72K1J-332JE	1	435033324R1
R4114	C-CARBON R	RN72K1J-332JE	1	435033324R1
R4115	C-CARBON R	RN72K1J-220JE	1	435032204R1
R4116	C-CARBON R	RN72K1J-220JE	1	435032204R1
R4117	C-CARBON R	RN72K1J-220JE	1	435032204R1
R4118	C-CARBON R	RN72K1J-220JE	1	435032204R1
R4119	C-CARBON R	RN72K1J-221JE	1	435032214R1
R4120	C-CARBON R	RN72K1J-221JE	1	435032214R1
R4121	C-CARBON R	RN72K1J-122JE	1	435031224R1
R4122	C-CARBON R	RN72K1J-122JE	1	435031224R1
R4123	C-CARBON R	RN72K1J-393JE	1	435033934R1
R4124	C-CARBON R	RN72K1J-393JE	1	435033934R1
R4125	C-CARBON R	RN72K1J-474JE	1	435034744R1
R4126	C-CARBON R	RN72K1J-474JE	1	435034744R1
R4127	C-CARBON R	RN72K1J-821JE	1	435038214R1
R4128	C-CARBON R	RN72K1J-821JE	1	435038214R1
R4129	C-CARBON R	RN72K1J-821JE	1	435038214R1
R4130	C-CARBON R	RN72K1J-821JE	1	435038214R1
R4131	C-CARBON R	RN72K1J-224JE	1	435032244R1
R4132	C-CARBON R	RN72K1J-224JE	1	435032244R1
R4133	NF CARBON R	R25J-100	1	415471014T
R4134	NF CARBON R	R25J-100	1	415471014T
R4201	METAL R	RNU1/2WCJ-4.7	1	453530474T
R4202	METAL R	RNU1/2WCJ-4.7	1	453530474T

R4207	C-CARBON R	RN72K1J-103JE	1	435031034R1
R4208	C-CARBON R	RN72K1J-103JE	1	435031034R1
R4209	C-CARBON R	RN72K1J-103JE	1	435031034R1
R4210	C-CARBON R	RN72K1J-103JE	1	435031034R1
R4211	C-CARBON R	RN72K1J-472JE	1	435034724R1
R4212	C-CARBON R	RN72K1J-472JE	1	435034724R1
R4213	C-CARBON R	RN72K1J-472JE	1	435034724R1
R4214	C-CARBON R	RN72K1J-472JE	1	435034724R1
R4215	C-CARBON R	RN72K1J-471JE	1	435034714R1
R4216	C-CARBON R	RN72K1J-471JE	1	435034714R1
R4217	C-CARBON R	RN72K1J-471JE	1	435034714R1
R4218	C-CARBON R	RN72K1J-471JE	1	435034714R1
R4219	C-CARBON R	RN72K1J-561JE	1	435035614R1
R4401	C-CARBON R	RN72K1J-224JE	1	435032244R1
R4402	C-CARBON R	RN72K1J-224JE	1	435032244R1
R4403	C-CARBON R	RN72K1J-224JE	1	435032244R1
R4404	C-CARBON R	RN72K1J-224JE	1	435032244R1
R4405	C-CARBON R	RN72K1J-224JE	1	435032244R1
R4406	C-CARBON R	RN72K1J-224JE	1	435032244R1
R4407	C-CARBON R	RN72K1J-224JE	1	435032244R1
R4408	C-CARBON R	RN72K1J-224JE	1	435032244R1
R4409	C-CARBON R	RN72K1J-224JE	1	435032244R1
R4411	C-CARBON R	RN72K1J-224JE	1	435032244R1
R4413	C-CARBON R	RN72K1J-224JE	1	435032244R1
R4414	C-CARBON R	RN72K1J-224JE	1	435032244R1
R4415	C-CARBON R	RN72K1J-224JE	1	435032244R1
R4416	C-CARBON R	RN72K1J-224JE	1	435032244R1
R4417	C-CARBON R	RN72K1J-224JE	1	435032244R1
R4418	C-CARBON R	RN72K1J-224JE	1	435032244R1
R4419	C-CARBON R	RN72K1J-224JE	1	435032244R1
R4420	C-CARBON R	RN72K1J-224JE	1	435032244R1
R4421	C-CARBON R	RN72K1J-224JE	1	435032244R1
R4422	C-CARBON R	RN72K1J-224JE	1	435032244R1
R4423	C-CARBON R	RN72K1J-224JE	1	435032244R1
R4424	C-CARBON R	RN72K1J-224JE	1	435032244R1
R4425	C-CARBON R	RN72K1J-224JE	1	435032244R1
R4426	C-CARBON R	RN72K1J-224JE	1	435032244R1
R4427	C-CARBON R	RN72K1J-224JE	1	435032244R1
R4428	C-CARBON R	RN72K1J-224JE	1	435032244R1
R4429	C-CARBON R	RN72K1J-224JE	1	435032244R1
R4430	C-CARBON R	RN72K1J-224JE	1	435032244R1
R4431	C-CARBON R	RN72K1J-224JE	1	435032244R1
R4432	C-CARBON R	RN72K1J-224JE	1	435032244R1
R4433	METAL O R	RS1/2WBJ-10	1	443521004T
R4434	METAL O R	RS1/2WBJ-10	1	443521004T
R4435	C-CARBON R	RN72K1J-152JE	1	435031524R1
R4436	C-CARBON R	RN72K1J-152JE	1	435031524R1

R4437	C-CARBON R	RN72K1J-152JE	1	435031524R1
R4438	C-CARBON R	RN72K1J-152JE	1	435031524R1
R4439	C-CARBON R	RN72K1J-152JE	1	435031524R1
R4441	C-CARBON R	RN72K1J-152JE	1	435031524R1
R4442	C-CARBON R	RN72K1J-152JE	1	435031524R1
R4443	C-CARBON R	RN72K1J-152JE	1	435031524R1
R4444	C-CARBON R	RN72K1J-152JE	1	435031524R1
R4445	C-CARBON R	RN72K1J-152JE	1	435031524R1
R4446	C-CARBON R	RN72K1J-152JE	1	435031524R1
R4447	C-CARBON R	RN72K1J-152JE	1	435031524R1
R4448	C-CARBON R	RN72K1J-152JE	1	435031524R1
R4449	C-CARBON R	RN72K1J-152JE	1	435031524R1
R4450	C-CARBON R	RN72K1J-152JE	1	435031524R1
R4451	C-CARBON R	RN72K1J-152JE	1	435031524R1
R4452	C-CARBON R	RN72K1J-152JE	1	435031524R1
R4453	C-CARBON R	RN72K1J-152JE	1	435031524R1
R7001	C-CARBON R	RN72K1J-222JE	1	435032224R1
R7002	C-CARBON R	RN72K1J-000JE	1	435030004R1
R7003	C-CARBON R	RN72K1J-000JE	1	435030004R1
R7004	C-CARBON R	RN72K1J-102JE	1	435031024R1
R7005	C-CARBON R	RN72K1J-222JE	1	435032224R1
R7006	C-CARBON R	RN72K1J-101JE	1	435031014R1
R7007	C-CARBON R	RN72K1J-102JE	1	435031024R1
R7010	C-CARBON R	RN72K1J-222JE	1	435032224R1
R7011	C-CARBON R	RN72K1J-103JE	1	435031034R1
R7012	C-CARBON R	RN72K1J-102JE	1	435031024R1
R7013	C-CARBON R	RN72K1J-103JE	1	435031034R1
R7014	C-CARBON R	RN72K1J-103JE	1	435031034R1
R7015	C-CARBON R	RN72K1J-103JE	1	435031034R1
R7016	C-CARBON R	RN72K1J-103JE	1	435031034R1
R7017	C-CARBON R	RN72K1J-103JE	1	435031034R1
R7018	C-CARBON R	RN72K1J-103JE	1	435031034R1
R7019	C-CARBON R	RN72K1J-103JE	1	435031034R1
R7020	C-CARBON R	RN72K1J-103JE	1	435031034R1
R7022	C-CARBON R	RN72K1J-473JE	1	435034734R1
R7025	C-CARBON R	RN72K1J-221JE	1	435032214R1
R7026	C-CARBON R	RN72K1J-470JE	1	435034704R1
R7027	C-CARBON R	RN72K1J-470JE	1	435034704R1
R7028	C-CARBON R	RN72K1J-221JE	1	435032214R1
R7030	C-CARBON R	RN72K1J-473JE	1	435034734R1
R7031	C-CARBON R	RN72K1J-222JE	1	435032224R1
R7032	C-CARBON R	RN72K1J-101JE	1	435031014R1
R7035	C-CARBON R	RN72K1J-470JE	1	435034704R1
R7036	C-CARBON R	RN72K1J-470JE	1	435034704R1
R7037	C-CARBON R	RN72K1J-470JE	1	435034704R1
R7044	C-CARBON R	RN72K1J-470JE	1	435034704R1
R7045	C-CARBON R	RN72K1J-470JE	1	435034704R1

R7046	C-CARBON R	RN72K1J-470JE	1	435034704R1
R7047	C-CARBON R	RN72K1J-470JE	1	435034704R1
R7048	C-CARBON R	RN72K1J-470JE	1	435034704R1
R7049	C-CARBON R	RN72K1J-470JE	1	435034704R1
R7050	C-CARBON R	RN72K1J-470JE	1	435034704R1
R7051	C-CARBON R	RN72K1J-470JE	1	435034704R1
R7052	C-CARBON R	RN72K1J-470JE	1	435034704R1
R7053	C-CARBON R	RN72K1J-470JE	1	435034704R1
R7054	C-CARBON R	RN72K1J-470JE	1	435034704R1
R7055	C-CARBON R	RN72K1J-221JE	1	435032214R1
R7056	C-CARBON R	RN72K1J-470JE	1	435034704R1
R7057	C-CARBON R	RN72K1J-221JE	1	435032214R1
R7058	C-CARBON R	RN72K1J-221JE	1	435032214R1
R7060	C-CARBON R	RN72K1J-470JE	1	435034704R1
R7061	C-CARBON R	RN72K1J-272JE	1	435032724R1
R7063	C-CARBON R	RN72K1J-273JE	1	435032734R1
R7070	C-CARBON R	RN72K1J-473JE	1	435034734R1
R7076	C-CARBON R	RN72K1J-103JE	1	435031034R1
R7077	C-CARBON R	RN72K1J-103JE	1	435031034R1
R7078	C-CARBON R	RN72K1J-102JE	1	435031024R1
R7079	C-CARBON R	RN72K1J-103JE	1	435031034R1
R7083	C-CARBON R	RN72K1J-103JE	1	435031034R1
R7084	C-CARBON R	RN72K1J-103JE	1	435031034R1
R7088	C-CARBON R	RN72K1J-470JE	1	435034704R1
R7090	C-CARBON R	RN72K1J-470JE	1	435034704R1
R7091	C-CARBON R	RN72K1J-470JE	1	435034704R1
R7093	C-CARBON R	RN72K1J-470JE	1	435034704R1
R7094	C-CARBON R	RN72K1J-470JE	1	435034704R1
R7095	C-CARBON R	RN72K1J-221JE	1	435032214R1
R7097	C-CARBON R	RN72K1J-470JE	1	435034704R1
R7098	C-CARBON R	RN72K1J-470JE	1	435034704R1
R7100	C-CARBON R	RN72K1J-470JE	1	435034704R1
R7101	C-CARBON R	RN72K1J-221JE	1	435032214R1
R7102	C-CARBON R	RN72K1J-470JE	1	435034704R1
R7103	C-CARBON R	RN72K1J-470JE	1	435034704R1
R7104	C-CARBON R	RN72K1J-470JE	1	435034704R1
R7105	C-CARBON R	RN72K1J-470JE	1	435034704R1
R7106	C-CARBON R	RN72K1J-470JE	1	435034704R1
R7107	C-CARBON R	RN72K1J-473JE	1	435034734R1
R7108	C-CARBON R	RN72K1J-470JE	1	435034704R1
R7109	C-CARBON R	RN72K1J-473JE	1	435034734R1
R7110	C-CARBON R	RN72K1J-470JE	1	435034704R1
R7111	C-CARBON R	RN72K1J-103JE	1	435031034R1
R7112	C-CARBON R	RN72K1J-221JE	1	435032214R1
R7114	C-CARBON R	RN72K1J-470JE	1	435034704R1
R7115	C-CARBON R	RN72K1J-470JE	1	435034704R1
R7117	C-CARBON R	RN72K1J-470JE	1	435034704R1

R7118	C-CARBON R	RN72K1J-470JE	1	435034704R1
R7119	C-CARBON R	RN72K1J-470JE	1	435034704R1
R7120	C-CARBON R	RN72K1J-470JE	1	435034704R1
R7121	C-CARBON R	RN72K1J-221JE	1	435032214R1
R7123	C-CARBON R	RN72K1J-103JE	1	435031034R1
R7124	C-CARBON R	RN72K1J-470JE	1	435034704R1
R7125	C-CARBON R	RN72K1J-470JE	1	435034704R1
R7126	C-CARBON R	RN72K1J-470JE	1	435034704R1
R7127	C-CARBON R	RN72K1J-470JE	1	435034704R1
R7128	C-CARBON R	RN72K1J-470JE	1	435034704R1
R7129	C-CARBON R	RN72K1J-470JE	1	435034704R1
R7131	C-CARBON R	RN72K1J-470JE	1	435034704R1
R7132	C-CARBON R	RN72K1J-470JE	1	435034704R1
R7134	C-CARBON R	RN72K1J-470JE	1	435034704R1
R7136	C-CARBON R	RN72K1J-470JE	1	435034704R1
R7137	C-CARBON R	RN72K1J-221JE	1	435032214R1
R7138	C-CARBON R	RN72K1J-470JE	1	435034704R1
R7140	C-CARBON R	RN72K1J-102JE	1	435031024R1
R7141	C-CARBON R	RN72K1J-470JE	1	435034704R1
R7142	C-CARBON R	RN72K1J-470JE	1	435034704R1
R7143	C-CARBON R	RN72K1J-470JE	1	435034704R1
R7144	C-CARBON R	RN72K1J-470JE	1	435034704R1
R7145	C-CARBON R	RN72K1J-102JE	1	435031024R1
R7147	C-CARBON R	RN72K1J-221JE	1	435032214R1
R7148	C-CARBON R	RN72K1J-470JE	1	435034704R1
R7150	C-CARBON R	RN72K1J-221JE	1	435032214R1
R7151	C-CARBON R	RN72K1J-470JE	1	435034704R1
R7152	C-CARBON R	RN72K1J-221JE	1	435032214R1
R7153	C-CARBON R	RN72K1J-470JE	1	435034704R1
R7154	C-CARBON R	RN72K1J-221JE	1	435032214R1
R7156	C-CARBON R	RN72K1J-470JE	1	435034704R1
R7157	C-CARBON R	RN72K1J-470JE	1	435034704R1
R7160	C-CARBON R	RN72K1J-470JE	1	435034704R1
R7161	C-CARBON R	RN72K1J-470JE	1	435034704R1
R7162	C-CARBON R	RN72K1J-103JE	1	435031034R1
R7163	C-CARBON R	RN72K1J-470JE	1	435034704R1
R7164	C-CARBON R	RN72K1J-221JE	1	435032214R1
R7165	C-CARBON R	RN72K1J-472JE	1	435034724R1
R7166	C-CARBON R	RN72K1J-472JE	1	435034724R1
R7167	C-CARBON R	RN72K1J-472JE	1	435034724R1
R7168	C-CARBON R	RN72K1J-472JE	1	435034724R1
R7169	C-CARBON R	RN72K1J-472JE	1	435034724R1
R7170	C-CARBON R	RN72K1J-472JE	1	435034724R1
R7171	C-CARBON R	RN72K1J-272JE	1	435032724R1
R7172	C-CARBON R	RN72K1J-272JE	1	435032724R1
R7173	C-CARBON R	RN72K1J-272JE	1	435032724R1
R7174	C-CARBON R	RN72K1J-272JE	1	435032724R1

R7175	C-CARBON R	RN72K1J-103JE	1	435031034R1
R7176	C-CARBON R	RN72K1J-103JE	1	435031034R1
R7177	C-CARBON R	RN72K1J-103JE	1	435031034R1
R7178	C-CARBON R	RN72K1J-103JE	1	435031034R1
R7180	C-CARBON R	RN72K1J-470JE	1	435034704R1
R7181	C-CARBON R	RN72K1J-470JE	1	435034704R1
R7182	C-CARBON R	RN72K1J-102JE	1	435031024R1
R7183	C-CARBON R	RN72K1J-000JE	1	435030004R1
R7184	C-CARBON R	RN72K1J-221JE	1	435032214R1
R7185	C-CARBON R	RN72K1J-221JE	1	435032214R1
R7186	C-CARBON R	RN72K1J-221JE	1	435032214R1
R7187	C-CARBON R	RN72K1J-221JE	1	435032214R1
R7188	C-CARBON R	RN72K1J-470JE	1	435034704R1
R7190	C-CARBON R	RN72K1J-470JE	1	435034704R1
R7191	C-CARBON R	RN72K1J-221JE	1	435032214R1
R7192	C-CARBON R	RN72K1J-470JE	1	435034704R1
R7193	C-CARBON R	RN72K1J-470JE	1	435034704R1
R7194	C-CARBON R	RN72K1J-221JE	1	435032214R1
R7195	C-CARBON R	RN72K1J-221JE	1	435032214R1
R7196	C-CARBON R	RN72K1J-470JE	1	435034704R1
R7197	C-CARBON R	RN72K1J-470JE	1	435034704R1
R7198	C-CARBON R	RN72K1J-221JE	1	435032214R1
R7199	C-CARBON R	RN72K1J-221JE	1	435032214R1
R7200	C-CARBON R	RN72K1J-473JE	1	435034734R1
R7204	C-CARBON R	RN72K1J-103JE	1	435031034R1
R7205	C-CARBON R	RN72K1J-103JE	1	435031034R1
R7207	C-CARBON R	RN72K1J-103JE	1	435031034R1
R7209	C-CARBON R	RN72K1J-105JE	1	435031054R1
R7210	C-CARBON R	RN72K1J-105JE	1	435031054R1
R7211	C-CARBON R	RN72K1J-103JE	1	435031034R1
R7213	C-CARBON R	RN72K1J-104JE	1	435031044R1
R7214	C-CARBON R	RN72K1J-103JE	1	435031034R1
R7216	C-CARBON R	RN72K1J-224JE	1	435032244R1
R7223	C-CARBON R	RN72K1J-470JE	1	435034704R1
R7224	C-CARBON R	RN72K1J-103JE	1	435031034R1
R7227	C-CARBON R	RN72K1J-473JE	1	435034734R1
R7228	C-CARBON R	RN72K1J-103JE	1	435031034R1
R7230	C-CARBON R	RN72K1J-473JE	1	435034734R1
R7232	C-CARBON R	RN72K1J-473JE	1	435034734R1
R7233	C-CARBON R	RN72K1J-470JE	1	435034704R1
R7234	C-CARBON R	RN72K1J-103JE	1	435031034R1
R7235	C-CARBON R	RN72K1J-473JE	1	435034734R1
R7239	C-CARBON R	RN72K1J-470JE	1	435034704R1
R7240	C-CARBON R	RN72K1J-470JE	1	435034704R1
R7241	C-CARBON R	RN72K1J-470JE	1	435034704R1
R7242	C-CARBON R	RN72K1J-470JE	1	435034704R1
R7243	C-CARBON R	RN72K1J-221JE	1	435032214R1

R7245	C-CARBON R	RN72K1J-473JE	1	435034734R1
R7246	C-CARBON R	RN72K1J-470JE	1	435034704R1
R7247	C-CARBON R	RN72K1J-470JE	1	435034704R1
R7248	C-CARBON R	RN72K1J-470JE	1	435034704R1
R7263	C-CARBON R	RN72K1J-000JE	1	435030004R1
R7264	METAL O R	RS1WBJ-15	1	443621504T
R7273	C-CARBON R	RN72K1J-102JE	1	435031024R1
R7274	C-CARBON R	RN72K1J-222JE	1	435032224R1
R7275	C-CARBON R	RN72K1J-102JE	1	435031024R1
R7276	C-CARBON R	RN72K1J-222JE	1	435032224R1
R7285	C-CARBON R	RN72K1J-470JE	1	435034704R1
R7286	C-CARBON R	RN72K1J-221JE	1	435032214R1
R7289	C-CARBON R	RN72K1J-470JE	1	435034704R1
R7290	C-CARBON R	RN72K1J-470JE	1	435034704R1
R7291	C-CARBON R	RN72K1J-470JE	1	435034704R1
R7292	C-CARBON R	RN72K1J-470JE	1	435034704R1
R7293	C-CARBON R	RN72K1J-221JE	1	435032214R1
R7294	C-CARBON R	RN72K1J-473JE	1	435034734R1
R7295	C-CARBON R	RN72K1J-470JE	1	435034704R1
R7296	C-CARBON R	RN72K1J-470JE	1	435034704R1
R7297	C-CARBON R	RN72K1J-470JE	1	435034704R1
R7299	C-CARBON R	RN72K1J-221JE	1	435032214R1
R7300	METAL O R	RS1/2WBJ-10	1	443521004T
R7308	C-CARBON R	RN72K1J-473JE	1	435034734R1
R7309	C-CARBON R	RN72K1J-473JE	1	435034734R1
R7311	C-CARBON R	RN72K1J-103JE	1	435031034R1
R7313	C-CARBON R	RN72K1J-103JE	1	435031034R1
R7318	C-CARBON R	RN72K1J-102JE	1	435031024R1
R7319	C-CARBON R	RN72K1J-102JE	1	435031024R1
R7320	C-CARBON R	RN72K1J-222JE	1	435032224R1
R7322	C-CARBON R	RN72K1J-473JE	1	435034734R1
R7325	C-CARBON R	RN72K1J-103JE	1	435031034R1
R7326	C-CARBON R	RN72K1J-103JE	1	435031034R1
R7327	C-CARBON R	RN72K1J-103JE	1	435031034R1
R7328	C-CARBON R	RN72K1J-103JE	1	435031034R1
R7329	C-CARBON R	RN72K1J-473JE	1	435034734R1
R7330	C-CARBON R	RN72K1J-103JE	1	435031034R1
R7331	C-CARBON R	RN72K1J-103JE	1	435031034R1
R7332	C-CARBON R	RN72K1J-470JE	1	435034704R1
R7333	C-CARBON R	RN72K1J-470JE	1	435034704R1
R7334	C-CARBON R	RN72K1J-470JE	1	435034704R1
R7335	C-CARBON R	RN72K1J-103JE	1	435031034R1
R7336	C-CARBON R	RN72K1J-473JE	1	435034734R1
R7337	C-CARBON R	RN72K1J-224JE	1	435032244R1
R7338	C-CARBON R	RN72K1J-473JE	1	435034734R1
R7339	C-CARBON R	RN72K1J-473JE	1	435034734R1
R7340	C-CARBON R	RN72K1J-473JE	1	435034734R1

R7341	C-CARBON R	RN72K1J-470JE	1	435034704R1	
R7342	C-CARBON R	RN72K1J-470JE	1	435034704R1	
R7344	C-CARBON R	RN72K1J-221JE	1	435032214R1	
R7345	C-CARBON R	RN72K1J-470JE	1	435034704R1	
R7346	C-CARBON R	RN72K1J-103JE	1	435031034R1	
R7348	C-CARBON R	RN72K1J-221JE	1	435032214R1	
R7350	C-CARBON R	RN72K1J-221JE	1	435032214R1	
R7351	C-CARBON R	RN72K1J-221JE	1	435032214R1	
R7352	C-CARBON R	RN72K1J-105JE	1	435031054R1	
R7354	C-CARBON R	RN72K1J-105JE	1	435031054R1	
R7355	C-CARBON R	RN72K1J-470JE	1	435034704R1	
R7356	C-CARBON R	RN72K1J-103JE	1	435031034R1	
R7357	C-CARBON R	RN72K1J-222JE	1	435032224R1	
R7358	C-CARBON R	RN72K1J-102JE	1	435031024R1	
R7359	C-CARBON R	RN72K1J-103JE	1	435031034R1	
R7585	METAL O R	RS1/2WBJ-4.7K	1	443524724T	
R7586	METAL O R	RS1/2WBJ-4.7K	1	443524724T	
R7587	METAL O R	RS1/2WBJ-4.7K	1	443524724T	
R7588	C-CARBON R	RN72K1J-103JE	1	435031034R1	
R8030	C-CARBON R	RN72K1J-105JE	1	435031054R1	
R8031	C-CARBON R	RN72K1J-105JE	1	435031054R1	
R8032	C-CARBON R	RN72K1J-105JE	1	435031054R1	
R8033	C-CARBON R	RN72K1J-105JE	1	435031054R1	
R9305	C-CARBON R	RN72K1J-562JE	1	435035624R1	
R9306	METAL R	RNU1/2WCJ-0.1	1	453531094T	
R9307	C-CARBON R	RN72K1J-333JE	1	435033334R1	
R9308	METAL R	RNU1/2WCJ-0.1	1	453531094T	
R9310	METAL O R	RS1/2WBJ-33	1	443523304T	
R9352	C-CARBON R	RN72K1J-183JE	1	435031834R1	
R9353	C-CARBON R	RN72K1J-103FE	1	435031032R1	
R9354	C-CARBON R	RN72K1J-823FE	1	435038232R1	
[SW TRM]					
F9301A	FUSE HOL	NSCT-1P2031	1	25052133T	!
F9301B	FUSE HOL	NSCT-1P2031	1	25052133T	!
JL9303B	WIRE TRAP	NPLG-5P588	1	25055626	
JL9501A	WIRE HOL	NSCT-7P878	1	25051091	
JL9501B	WIRE TRAP	NPLG-7P590	1	25055628	
P1010	PLUG	IMSA-9201B-1-06Z388-PT1	1	25056614	
P1129A	PLUG	NPLG-11P0966	1	25056016	
P1129B	SOCKET	NSCT-11P2191	1	25052294	
P1130	PLUG	NPLG-2P130	1	25055146	
P2001B	SOCKET	IMSA-9142S-16A	1	25053230	
P2002B	SOCKET	IMSA-9142S-18A	1	25053231	
P3101A	PLUG	IMSA-9142B-20A	1	25056600	
P3102A	PLUG	IMSA-9142B-14A	1	25056597	
P3605B	PLUG	IMSA-9111B-24	1	25056625	
P3606A	PLUG	NPLG-11P0966	1	25056016	

P3606B	SOCKET	NSCT-11P2191	1	25052294
P3607B	PLUG	IMSA-9111B-24	1	25056625
P3704	TRM-423(SCREW)	NEJITANSI ST3	1	25060495
P3705	TRM-423(SCREW)	NEJITANSI ST3	1	25060495
P3706	TRM-423(SCREW)	NEJITANSI ST3	1	25060495
P3885A	PLUG	NPLG-11P0966	1	25056016
P3885B	SOCKET	NSCT-11P2191	1	25052294
P3886	PIN JACK	NPJ-3PDO657	1	25045885
P3888	ST JACK	MSJ-035-22	1	25045887
P3888 or	JACK	YKB21-5130	(1)	25045387
P4101B	SOCKET	NSCT-9P1024	1	25051234
P4103	TRM	NTM-1P233(M1969)	1	25060302
P4201B	SOCKET	NSCT-9P2102	1	25052205
P4202B	SOCKET	NSCT-13P2106	1	25052209
P4301B	SOCKET	9210B-1-08Z140-PT1	1	25053243
P4302B	SOCKET	9210B-1-10Z140-PT1	1	25053247
P4303B	SOCKET	9210B-1-08Z140-PT1	1	25053243
P4304B	SOCKET	9210B-1-09Z140-PT1	1	25053249
P6851B	PLUG	IMSA-9142B-20A	1	25056600
P6853B	PLUG	IMSA-9142B-20A	1	25056600
P7003	SOCKET	IMSA-9618S-09A	1	25053334R2
P7004	PLUG	NPLG-2P130	1	25055146
P7009B	SOCKET	IMSA-9142S-22A	1	25053233
P7010B	SOCKET	IMSA-9142S-26A	1	25053235
P7012	TRM-423(SCREW)	NEJITANSI ST3	1	25060495
P7210B	PLUG	NPLG-11P358	1	25055375
P7272A	PLUG	NPLG-11P0966	1	25056016
P7272B	SOCKET	NSCT-11P2191	1	25052294
P7273A	PLUG	NPLG-11P0966	1	25056016
P7273B	SOCKET	NSCT-11P2191	1	25052294
P7501A	SOCKET	NSCT-25P2222	1	25052325
P8000	SOCKET	MDS-15P-V02(DSUB15)	1	25053362
P8002A	SOCKET	NSCT-9P2400	1	25052503
P8888B	SOCKET(B to B)	IMSA-9850S-24Y900	1	25052815R2
P9301A	PLUG	NPLG-6P120	1	25055136
[TUNER UNIT]				
U3884	PHT CP	JSR1165-001recieving	1	24120143
U3885	PHT CP	JSR1165-001recieving	1	24120143

U006 U0060~U0064**U0060** SPEAKER TERMINAL PC BOARD ASS'Y**U0061** SPEAKER TERMINAL PC BOARD ASS'Y**U0062** SPEAKER TERMINAL PC BOARD ASS'Y**U0063** POWER SUPPLY(PRI.) PC BOARD ASS'Y**U0064** POWER SUPPLY(TR) PC BOARD ASS'Y**BATRM-0887-1A /1B ***

BATRM-0887-1A /1B

BATRM-0888-1A /1B

BATRM-0889-1A /1B

BAPS-0890-1A /1B

BAETC-0891-1A /1B

CIRCUIT NO	PART NAME	DESCRIPTION	Q'TY	PART NO. (SN)	REMARKS
[SEMI CONDUCTOR]					
D6800	C-DIODE	1SS352	1	223234R2	
D6800 or	C-DIODE	1SS355	(1)	223269R2	
D6800 or	C-DIODE	MA2J111	(1)	223279R2	
D6800 or	C-DIODE	KDS4148U	(1)	223283R2	
D6801	C-DIODE	1SS352	1	223234R2	
D6801 or	C-DIODE	1SS355	(1)	223269R2	
D6801 or	C-DIODE	MA2J111	(1)	223279R2	
D6801 or	C-DIODE	KDS4148U	(1)	223283R2	
D6802	C-DIODE	1SS352	1	223234R2	
D6802 or	C-DIODE	1SS355	(1)	223269R2	
D6802 or	C-DIODE	MA2J111	(1)	223279R2	
D6802 or	C-DIODE	KDS4148U	(1)	223283R2	
D6803	C-DIODE	1SS352	1	223234R2	
D6803 or	C-DIODE	1SS355	(1)	223269R2	
D6803 or	C-DIODE	MA2J111	(1)	223279R2	
D6803 or	C-DIODE	KDS4148U	(1)	223283R2	
D6804	C-DIODE	1SS352	1	223234R2	
D6804 or	C-DIODE	1SS355	(1)	223269R2	
D6804 or	C-DIODE	MA2J111	(1)	223279R2	
D6804 or	C-DIODE	KDS4148U	(1)	223283R2	
D6805	C-DIODE	1SS352	1	223234R2	
D6805 or	C-DIODE	1SS355	(1)	223269R2	
D6805 or	C-DIODE	MA2J111	(1)	223279R2	
D6805 or	C-DIODE	KDS4148U	(1)	223283R2	
D6806	C-DIODE	1SS352	1	223234R2	
D6806 or	C-DIODE	1SS355	(1)	223269R2	
D6806 or	C-DIODE	MA2J111	(1)	223279R2	
D6806 or	C-DIODE	KDS4148U	(1)	223283R2	
D6807	C-DIODE	1SS352	1	223234R2	
D6807 or	C-DIODE	1SS355	(1)	223269R2	
D6807 or	C-DIODE	MA2J111	(1)	223279R2	
D6807 or	C-DIODE	KDS4148U	(1)	223283R2	
D6808	C-DIODE	1SS352	1	223234R2	
D6808 or	C-DIODE	1SS355	(1)	223269R2	
D6808 or	C-DIODE	MA2J111	(1)	223279R2	
D6808 or	C-DIODE	KDS4148U	(1)	223283R2	
D9001	DIODE	S1WB(A)60B-7062	1	22380377R2	
D9002	SPCF D	P6SMB200A-M3/52T	1	225505R2	
D9003	DIODE	US1K-E3/61T	1	22380376R2	
D9004	DIODE	RF301B2STL	1	22380374R2	
D9006	DIODE	M1FL20U	1	223276R2	
D9008	DIODE	RB050M-30GTR	1	22380373R2	
D9012	ZENER D	UDZS36B	1	224553600R2	

D9013	ZENER D	UDZS6.8B	1	224550680R2	
D9014	ZENER D	UDZS6.8B	1	224550680R2	
D9015	ZENER D	UDZS7.5B	1	224550750R2	
D9016	ZENER D	UDZS7.5B	1	224550750R2	
D9017	ZENER D	UDZS7.5B	1	224550750R2	
D9101	C-DIODE	1SS352	1	223234R2	
D9101 or	C-DIODE	1SS355	(1)	223269R2	
D9101 or	C-DIODE	MA2J111	(1)	223279R2	
D9101 or	C-DIODE	KDS4148U	(1)	223283R2	
D9400	DIODE	D3SBA60	1	22380272F	
D9400 or	DIODE	D3SBA20	(1)	22380271F	
D9410	DIODE	D3SBA60	1	22380272F	
D9410 or	DIODE	D3SBA20	(1)	22380271F	
D9421	ZENER D	UDZS13B	1	224551300R2	
D9422	ZENER D	UDZS13B	1	224551300R2	
Q6801	TR	KRC105S	1	2217290R2	
Q6801 or	TR	DTC123JKA	(1)	2216690R2	
Q6802	TR	KRC105S	1	2217290R2	
Q6802 or	TR	DTC123JKA	(1)	2216690R2	
Q6803	TR	KRC105S	1	2217290R2	
Q6803 or	TR	DTC123JKA	(1)	2216690R2	
Q6804	TR	KRC105S	1	2217290R2	
Q6804 or	TR	DTC123JKA	(1)	2216690R2	
Q6805	TR	KRC105S	1	2217290R2	
Q6805 or	TR	DTC123JKA	(1)	2216690R2	
Q6806	TR	KRC105S	1	2217290R2	
Q6806 or	TR	DTC123JKA	(1)	2216690R2	
Q6807	TR	KRC105S	1	2217290R2	
Q6807 or	TR	DTC123JKA	(1)	2216690R2	
Q6808	TR	KRC105S	1	2217290R2	
Q6808 or	TR	DTC123JKA	(1)	2216690R2	
Q6809	TR	KRC105S	1	2217290R2	
Q6809 or	TR	DTC123JKA	(1)	2216690R2	
Q6900	TR	2SC2235-Y(TPE6_F)	1	2211654T	
Q6901	TR	2SC2235-Y(TPE6_F)	1	2211654T	
Q9001	IC	MIP2M40MSSCF	1	22242769	
Q9002	IC	PS2561DL1-1Y-A(Q)	1	22242794	!
Q9002 or	IC	PC123X8YFZ0F	(1)	22242771	!
Q9003	IC	PS2561DL1-1Y-A(Q)	1	22242794	!
Q9003 or	IC	PC123X8YFZ0F	(1)	22242771	!
Q9004	IC	KIA431A-AT/P	1	22242770T	
Q9005	TR	KRC102S	1	2216190R2	
Q9005 or	TR	RN1402	(1)	2214470R2	
Q9101	TR	KRC105S	1	2217290R2	
Q9101 or	TR	DTC123JKA	(1)	2216690R2	
Q9410	IC	NJM2388F09	1	22242383	
Q9423	TR	KTC3875-GR	1	2216175R2	

Q9423 or	TR	2SC2712-GR	(1)	2213145R2	
Q9424	TR	KTA1504-GR	1	2216185R2	
Q9424 or	TR	2SA1162-GR	(1)	2214375R2	
Q9425	TR	2SK208-GR	1	2217434R2	
Q9426	TR	2SK208-GR	1	2217434R2	
[TRANS COIL]					
L6800	S COIL	SC-0.8X11.5X12.5T-6.5L	1	231393S	
L6801	S COIL	SC-0.8X11.5X12.5T-6.5L	1	231393S	
L6802	S COIL	SC-0.8X11.5X12.5T-6.5L	1	231393S	
L6803	S COIL	SC-0.8X11.5X12.5T-6.5L	1	231393S	
L6804	S COIL	SC-0.8X11.5X12.5T-6.5L	1	231393S	
L6805	S COIL	SC-0.8X11.5X12.5T-6.5L	1	231393S	
L6806	S COIL	SC-0.8X11.5X12.5T-6.5L	1	231393S	
L6807	S COIL	SC-0.8X11.5X12.5T-6.5L	1	231393S	
L6808	S COIL	SC-0.8X11.5X12.5T-6.5L	1	231393S	
L9001	CHOKE COIL	ELF15N004A	1	231453	!
L9002	CHOKE COIL	RCR1010NP-100M	1	231449M100	
L9004	CORE	BLM18PG181SN1D	1	2350005R1	
L9005	CORE	BLM18PG181SN1D	1	2350005R1	
T9001	P TRANS	NPT-1621S	1	2302054A	!
[CAPACITOR]					
C5572	UTSP C	CE04W50V 47M(UTSP)	1	397584707T	
C5572 or	UTSP C	CE04W50V 47M(UTSP)	(1)	397584707AT	
C5573	UTSP C	CE04W50V 47M(UTSP)	1	397584707T	
C5573 or	UTSP C	CE04W50V 47M(UTSP)	(1)	397584707AT	
C5574	UTSP C	CE04W50V 47M(UTSP)	1	397584707T	
C5574 or	UTSP C	CE04W50V 47M(UTSP)	(1)	397584707AT	
C5575	UTSP C	CE04W50V 47M(UTSP)	1	397584707T	
C5575 or	UTSP C	CE04W50V 47M(UTSP)	(1)	397584707AT	
C5576	UTSP C	CE04W50V 47M(UTSP)	1	397584707T	
C5576 or	UTSP C	CE04W50V 47M(UTSP)	(1)	397584707AT	
C5579	UTSP C	CE04W50V 47M(UTSP)	1	397584707T	
C5579 or	UTSP C	CE04W50V 47M(UTSP)	(1)	397584707AT	
C6800	C-CERA C	CK725B1H-103K1	1	332101035R1	
C6801	C-CERA C	CK725B1H-103K1	1	332101035R1	
C6802	C-CERA C	CK725B1H-103K1	1	332101035R1	
C6803	C-CERA C	CK725B1H-103K1	1	332101035R1	
C6804	C-CERA C	CK725B1H-103K1	1	332101035R1	
C6805	C-CERA C	CK725B1H-103K1	1	332101035R1	
C6806	C-CERA C	CK725B1H-103K1	1	332101035R1	
C6807	C-CERA C	CK725B1H-103K1	1	332101035R1	
C6808	C-CERA C	CK725B1H-103K1	1	332101035R1	
C6830	MKT C	B32529C0102J289	1	376491024T	
C6831	MKT C	B32529C0102J289	1	376491024T	
C6832	MKT C	B32529C0102J289	1	376491024T	
C6833	MKT C	B32529C0102J289	1	376491024T	
C6834	MKT C	B32529C0102J289	1	376491024T	

C6835	MKT C	B32529C0102J289	1	376491024T	
C6836	MKT C	B32529C0102J289	1	376491024T	
C6837	MKT C	B32529C0102J289	1	376491024T	
C6838	MKT C	B32529C0102J289	1	376491024T	
C6839	MKT C	B32529C0102J289	1	376491024T	
C6840	MKT C	B32529C0102J289	1	376491024T	
C6850	TF C	ECQ-V50V-103J	1	374721034T	
C6851	TF C	ECQ-V50V-103J	1	374721034T	
C6852	TF C	ECQ-V50V-103J	1	374721034T	
C6853	TF C	ECQ-V50V-103J	1	374721034T	
C6854	TF C	ECQ-V50V-103J	1	374721034T	
C6855	TF C	ECQ-V50V-103J	1	374721034T	
C6856	TF C	ECQ-V50V-103J	1	374721034T	
C6857	TF C	ECQ-V50V-103J	1	374721034T	
C6858	TF C	ECQ-V50V-103J	1	374721034T	
C6859	TF C	ECQ-V50V-103J	1	374721034T	
C6860	TF C	ECQ-V50V-103J	1	374721034T	
C6870	TF C	ECQ-V50V-473J	1	374724734T	
C6871	TF C	ECQ-V50V-473J	1	374724734T	
C6872	TF C	ECQ-V50V-473J	1	374724734T	
C6873	TF C	ECQ-V50V-473J	1	374724734T	
C6874	TF C	ECQ-V50V-473J	1	374724734T	
C6875	TF C	ECQ-V50V-473J	1	374724734T	
C6876	TF C	ECQ-V50V-473J	1	374724734T	
C6877	TF C	ECQ-V50V-473J	1	374724734T	
C6878	TF C	ECQ-V50V-473J	1	374724734T	
C6900	VR C	CE04W16V-220M(VR)	1	394642217T	
C6901	VR C	CE04W16V-220M(VR)	1	394642217T	
C6902	UTSP C	CE04W50V-10M(UTSP)	1	397581007T	
C6902 or	UTSP C	CE04W50V-10M(UTSP)	(1)	397581007AT	
C6903	UTSP C	CE04W50V-10M(UTSP)	1	397581007T	
C6903 or	UTSP C	CE04W50V-10M(UTSP)	(1)	397581007AT	
C9001	IS C	LE104-MX-C3.5	1	3800049S	!
C9002	ELECT C	CE04W200V-100M(KXJ)	1	3500233S	<MDD>
C9002	ELECT C	CE04W400V-47M(KXJ)	1	3500234S	<MMA, MMR>
C9003	PW C	CE04W50V-10M(PW)	1	393781007T	
C9004	PW C	CE04W25V-1000M(PW)	1	393751027S	
C9006	PW C	CE04W25V-470M(PW)	1	393754717T	
C9007	IS C	DE1E3KX102MB4BL01	1	3300066S	!
C9008	C-CERA C	CK725F1A-105Z1	1	332181050R1	
C9009	C-CERA C	CC725CH1H-101J1	1	342101014R1	
C9010	C-CERA C	CK725B1A-224K1	1	332132245R1	
C9011	C-CERA C	CK725B1C-104K1	1	332121045R1	
C9013	UTSP C	CE04W25V-220M(UTSP)	1	397552217T	
C9014	C-CERA C	CC725CH1H-101J1	1	342101014R1	
C9016	C-CERA C	CK725B1H-103K1	1	332101035R1	
C9018	IS C	LE104-MX-C3.5	1	3800049S	!

C9019	IS C	DE1E3KX102MB4BL01	1	3300066S	!
C9020	IS C	DE1E3KX102MB4BL01	1	3300066S	!
C9021	C-CERA C	CK725R2J-471J3	1	332194714R1	
C9023	C-CERA C	CK725F1E-104Z1	1	332161040R1	
C9024	C-CERA C	CK725F1E-104Z1	1	332161040R1	
C9108	IS C	LE104-MX-C3.5	1	3800049S	!
C9116	C-CERA C	CK725B1H-103K1	1	332101035R1	
C9400	TF C	ECQ-V50V-223J	1	374722234T	
C9403	ELECT C	CE04W25V-4700M(SMQ)	1	354754726	
C9404	ELECT C	CE04W25V-4700M(SMQ)	1	354754726	
C9410	TF C	ECQ-V50V-104J	1	374721044T	
C9411	VR C	CE04W25V-4700M(VR)	1	394654727S	
C9412	UTSP C	CE04W50V-1M(UTSP)	1	397580107T	
C9412 or	UTSP C	CE04W50V-1M(UTSP)	(1)	397580107AT	
C9413	UTSP C	CE04W25V-220M(UTSP)	1	397552217T	
C9421	UTSP C	CE04W25V-100M(UTSP)	1	397551017AT	
C9422	UTSP C	CE04W25V-100M(UTSP)	1	397551017AT	
C9423	UTSP C	CE04W25V-100M(UTSP)	1	397551017AT	
C9424	UTSP C	CE04W25V-100M(UTSP)	1	397551017AT	
[RESISTOR]					
R6800	C-CARBON R	RN72K2E-220JE	1	435222204R1	
R6801	C-CARBON R	RN72K2E-220JE	1	435222204R1	
R6802	C-CARBON R	RN72K2E-220JE	1	435222204R1	
R6803	C-CARBON R	RN72K2E-220JE	1	435222204R1	
R6804	C-CARBON R	RN72K2E-220JE	1	435222204R1	
R6805	C-CARBON R	RN72K2E-220JE	1	435222204R1	
R6806	C-CARBON R	RN72K2E-220JE	1	435222204R1	
R6807	C-CARBON R	RN72K2E-220JE	1	435222204R1	
R6808	C-CARBON R	RN72K2E-220JE	1	435222204R1	
R6810	C-CARBON R	RN72K2E-220JE	1	435222204R1	
R6811	C-CARBON R	RN72K2E-220JE	1	435222204R1	
R6812	C-CARBON R	RN72K2E-220JE	1	435222204R1	
R6813	C-CARBON R	RN72K2E-220JE	1	435222204R1	
R6814	C-CARBON R	RN72K2E-220JE	1	435222204R1	
R6815	C-CARBON R	RN72K2E-220JE	1	435222204R1	
R6816	C-CARBON R	RN72K2E-220JE	1	435222204R1	
R6817	C-CARBON R	RN72K2E-220JE	1	435222204R1	
R6818	C-CARBON R	RN72K2E-220JE	1	435222204R1	
R6820	METAL R	RNU1WCJ-8.2	1	453630824T	
R6821	METAL R	RNU1WCJ-8.2	1	453630824T	
R6822	METAL R	RNU1WCJ-8.2	1	453630824T	
R6823	METAL R	RNU1WCJ-8.2	1	453630824T	
R6824	METAL R	RNU1WCJ-8.2	1	453630824T	
R6825	METAL R	RNU1WCJ-8.2	1	453630824T	
R6826	METAL R	RNU1WCJ-8.2	1	453630824T	
R6827	METAL R	RNU1WCJ-8.2	1	453630824T	
R6828	METAL R	RNU1WCJ-8.2	1	453630824T	

R6900	METAL O R	RS1/2WBJ-330	1	443523314T	
R6901	METAL O R	RS1/2WBJ-330	1	443523314T	
R6902	METAL R	RNU1/2WCJ-0.22	1	453532294T	
R9001	C-CARBON R	RN72K1J-103JE	1	435031034R1	
R9002	C-CARBON R	RN72K1J-472JE	1	435034724R1	
R9003	C-CARBON R	RN72K1J-332JE	1	435033324R1	
R9004	C-CARBON R	RN72K1J-471JE	1	435034714R1	
R9005	C-CARBON R	RN72K1J-182JE	1	435031824R1	
R9006	C-CARBON R	RN72K1J-474JE	1	435034744R1	
R9007	C-CARBON R	RN72K1J-683JE	1	435036834R1	
R9008	C-CARBON R	RN72K1J-154JE	1	435031544R1	
R9009	C-CARBON R	RN72K1J-101JE	1	435031014R1	
R9013	C-CARBON R	RN72K1J-472JE	1	435034724R1	
R9014	C-CARBON R	RN72K1J-104JE	1	435031044R1	
R9015	C-CARBON R	RN72K1J-000JE	1	435030004R1	
R9017	C-CARBON R	RN72K1J-332JE	1	435033324R1	
R9021	METAL O R	RS1/2WBJ-47	1	443524704T	
R9023	C-CARBON R	KTR18EZPF6803	1	435236842R1	!
R9024	C-CARBON R	KTR18EZPF6803	1	435236842R1	!
R9025	C-CARBON R	KTR18EZPF6803	1	435236842R1	!
R9051	C-CARBON R	RN72K1J-000JE	1	435030004R1	
R9103	C-CARBON R	RN72K1J-103JE	1	435031034R1	
R9111	C-CARBON R	RN72K2E-101JE	1	435221014R1	<MMA, MMR>
R9111	C-CARBON R	RN72K2E-330JE	1	435223304R1	<MDD>
R9112	C-CARBON R	RN72K2E-470JE	1	435224704R1	<MDD>
R9112	C-CARBON R	RN72K2E-680JE	1	435226804R1	<MMA, MMR>
R9410	METAL R	RNU1/2WCJ-0.22	1	453532294T	
R9421	METAL R	RNU1WCJ-0.22	1	453632294T	
R9422	METAL R	RNU1WCJ-0.22	1	453632294T	
R9427	C-CARBON R	RN72K1J-331JE	1	435033314R1	
R9428	C-CARBON R	RN72K1J-331JE	1	435033314R1	
R9429	C-CARBON R	RN72K1J-100JE	1	435031004R1	
R9430	C-CARBON R	RN72K1J-100JE	1	435031004R1	
R9431	C-CARBON R	RN72K1J-100JE	1	435031004R1	
R9432	C-CARBON R	RN72K1J-100JE	1	435031004R1	
[SW TRM]					
F9001	FUSE	1A-SEUL-TL250V	1	252397T	!
F9100A	FUSE HOLDER	SN5051	1	250113	! <MDD>
F9100B	FUSE HOLDER	SN5051	1	250113	! <MDD>
F9100C	FUSE HOL	NSCT-1P2031	1	25052133T	! <MMA, MMR>
F9100D	FUSE HOL	NSCT-1P2031	1	25052133T	! <MMA, MMR>
F9401A	FUSE HOL	NSCT-1P2031	1	25052133T	!
F9401B	FUSE HOL	NSCT-1P2031	1	25052133T	!
F9402A	FUSE HOL	NSCT-1P2031	1	25052133T	!
F9402B	FUSE HOL	NSCT-1P2031	1	25052133T	!
JL2601A	WIRE HOL	NSCT-5P876	1	25051089	!
JL4014A	WIRE HOL	NSCT-7P878	1	25051091	!

JL6808A	WIRE HOL	NSCT-5P876	1	25051089	!
JL6808B	WIRE TRAP	NPLG-5P588	1	25055626	
JL6809A	WIRE HOL	NSCT-5P876	1	25051089	
JL6809B	WIRE TRAP	NPLG-5P588	1	25055626	
JL6900B	PLUG	NPLG-3P218	1	25055234	
JL9000A	WIRE HOL	NSCT-7P878	1	25051091	
JL9422A	WIRE HOL	NSCT-7P878	1	25051091	
JL9422B	WIRE TRAP	NPLG-7P590	1	25055628	
P3101B	SOCKET	IMSA-9142S-20A	1	25053232	
P3102B	SOCKET	IMSA-9142S-14A	1	25053229	
P6140H	PLUG	NPLG-9P165	1	25055181	
P6240D	PLUG	NPLG-4P160	1	25055176	
P6250E	PLUG	NPLG-5P161	1	25055177	
P6800	TRM	NTM-2PDMCR400	1	25060472	
P6801	TRM	NTM-2PDMCR400	1	25060472	
P6802	TRM	NTM-2PDMCR400	1	25060472	
P6803	TRM	NTM-2PDMCR400	1	25060472	
P6804	TRM	NTM-2PDMCR400	1	25060472	
P6805	TRM	NTM-2PDMCR400	1	25060472	
P6806	TRM	NTM-2PDMCR400	1	25060472	
P6807	TRM	NTM-2PDMCR400	1	25060472	
P6808	TRM	NTM-2PDMCR400	1	25060472	
P6809	TRM	NTM-2PDMCR400	1	25060472	
P6810	TRM	NTM-2PDMCR400	1	25060472	
P6818	TRM-423(SCREW)	NEJITANSI ST3	1	25060495	
P6851A	SOCKET	IMSA-9142S-20A	1	25053232	
P6853A	SOCKET	IMSA-9142S-20A	1	25053232	
P6902B	PLUG	NPLG-9P356	1	25055373	
P9003	TRM-423(SCREW)	NEJITANSI ST3	1	25060495	
P9004A	TRM	NTM-1P233(M1969)	1	25060302	
P9004B	TRM	NTM-1P232(M1700)	1	25060301	
P9006	FASTON AS	FASTON_PAMC5500	1	1F999028UL	!
P9100	PLUG	NPLG-2P632	1	25055676	
P9200	PLUG	NPLG-2P632	1	25055676	
P9300	PLUG	NPLG-2P632	1	25055676	
P9404	PLUG	NPLG-6P120	1	25055136	
RL6800	RELAY	NRL-2P8A-DC12-147	1	25065597	
RL6801	RELAY	NRL-2P8A-DC12-147	1	25065597	
RL6802	RELAY	NRL-2P8A-DC12-147	1	25065597	
RL6803	RELAY	NRL-2P8A-DC12-147	1	25065597	
RL6804	RELAY	NRL-2P8A-DC12-147	1	25065597	
RL6805	RELAY	NRL-2P8A-DC12-147	1	25065597	
RL6806	RELAY	NRL-2P8A-DC12-147	1	25065597	
RL6807	RELAY	NRL-2P8A-DC12-147	1	25065597	
RL6808	RELAY	NRL-2P8A-DC12-147	1	25065597	
RL9101	RELAY	NRL-1P10A-DC9-186	1	25065683	!
RL9102	RELAY	NRL-1P10A-DC9-186	1	25065683	! <MDD>

U007 U0070 x 2pcs.
U0070 VIDEO PC BOARD ASS'Y

BAVD-1152-1L *
 BAVD-1152-1L

CIRCUIT NC	PART NAME	DESCRIPTION	Q'TY	PART NO. (SN)	REMARKS
[SEMI CONDUCTOR]					
D2003	ZENER D	UDZS5.1B	1	224550510R2	
D2005	C-DIODE	1SS352	1	223234R2	
D2005 or	C-DIODE	1SS355	(1)	223269R2	
D2005 or	C-DIODE	MA2J111	(1)	223279R2	
D2005 or	C-DIODE	KDS4148U	(1)	223283R2	
D2006	C-DIODE	1SS352	1	223234R2	
D2006 or	C-DIODE	1SS355	(1)	223269R2	
D2006 or	C-DIODE	MA2J111	(1)	223279R2	
D2006 or	C-DIODE	KDS4148U	(1)	223283R2	
D2007	ZENER D	UDZS5.6B	1	224550560R2	
D2007 or	ZENER D	MAZ8056-M	(1)	224750562R2	
D2008	C-DIODE	1SS352	1	223234R2	
D2008 or	C-DIODE	1SS355	(1)	223269R2	
D2008 or	C-DIODE	MA2J111	(1)	223279R2	
D2008 or	C-DIODE	KDS4148U	(1)	223283R2	
D2009	DIODE	RB050M-30GTR	1	22380373R2	
D2010	DIODE	D5SBA60	1	22380070	
D2010A	HEAT SINK	RAD-083	1	27160271	
D2010B	SCREW	3P+6FN(3BC)	1	82143006GR	
D2012	C-DIODE	1SS352	1	223234R2	
D2012 or	C-DIODE	1SS355	(1)	223269R2	
D2012 or	C-DIODE	MA2J111	(1)	223279R2	
D2012 or	C-DIODE	KDS4148U	(1)	223283R2	
D2100	DIODE	RL1N4003	1	22380260T	
D2700	SPCF D	SIR-34ST3F	1	225456	
D2701	SPCF D	SIR-34ST3F	1	225456	
D2702	C-DIODE	1SS352	1	223234R2	
D2702 or	C-DIODE	1SS355	(1)	223269R2	
D2702 or	C-DIODE	MA2J111	(1)	223279R2	
D2702 or	C-DIODE	KDS4148U	(1)	223283R2	
D2703	C-DIODE	1SS352	1	223234R2	
D2703 or	C-DIODE	1SS355	(1)	223269R2	
D2703 or	C-DIODE	MA2J111	(1)	223279R2	
D2703 or	C-DIODE	KDS4148U	(1)	223283R2	
D2704	C-DIODE	1SS352	1	223234R2	
D2704 or	C-DIODE	1SS355	(1)	223269R2	
D2704 or	C-DIODE	MA2J111	(1)	223279R2	
D2704 or	C-DIODE	KDS4148U	(1)	223283R2	
D2705	C-DIODE	1SS352	1	223234R2	

D2705 or	C-DIODE	1SS355	(1)	223269R2
D2705 or	C-DIODE	MA2J111	(1)	223279R2
D2705 or	C-DIODE	KDS4148U	(1)	223283R2
D2706	C-DIODE	1SS352	1	223234R2
D2706 or	C-DIODE	1SS355	(1)	223269R2
D2706 or	C-DIODE	MA2J111	(1)	223279R2
D2706 or	C-DIODE	KDS4148U	(1)	223283R2
D2707	C-DIODE	1SS352	1	223234R2
D2707 or	C-DIODE	1SS355	(1)	223269R2
D2707 or	C-DIODE	MA2J111	(1)	223279R2
D2707 or	C-DIODE	KDS4148U	(1)	223283R2
D2709	DIODE	RL1N4003	1	22380260T
Q101	IC	NE5532APSR	1	22242283R2
Q102	IC	78M05HF(NJM78M05DL1A-TE	1	222780055R2JR
Q2000	IC	TRS3221ECPWR	1	22242805R2
Q2100	IC	NJW1325	1	22242596R3
Q2101	IC	NJM2505AF	1	22242490R2
Q2700	TR	2SA965-Y(TPE6_F)	1	2211644T
Q2700 or	TR	2SA965-O(TPE6_F)	(1)	2211643T
Q2701	TR	KRC102S	1	2216190R2
Q2701 or	TR	RN1402	(1)	2214470R2
Q2702	TR	2SA1162-GR	1	2214375R2
Q2702 or	TR	KTA1504-GR	(1)	2216185R2
Q2703	TR	KRC102S	1	2216190R2
Q2703 or	TR	RN1402	(1)	2214470R2
Q2704	TR	2SA1162-GR	1	2214375R2
Q2704 or	TR	KTA1504-GR	(1)	2216185R2
Q2705	TR	KRC102S	1	2216190R2
Q2705 or	TR	RN1402	(1)	2214470R2
Q2706	TR	KRA102S	1	2216220R2
Q2706 or	TR	RN2402	(1)	2214530R2
Q2707	PHT CP	PS2501AL-1	1	24120141R2
Q2708	PHT CP	PS2501AL-1	1	24120141R2
[TRANS COIL]				
L101	CHOKE COIL	LBC2518T100M	1	231364M100R2
L2000	CHOKE COIL	LBC2518T470M	1	231364M470R2
L2100	CHOKE COIL	LBC2518T4R7M	1	231364M047R2
L2700	EMIFIL	BK1608LM182-T	1	230958R1
L2701	EMIFIL	BK1608LM182-T	1	230958R1
L2702	EMIFIL	BK1608LM182-T	1	230958R1
L2703	EMIFIL	BK1608LM182-T	1	230958R1
[CAPACITOR]				
C101	UTSP C	CE04W50V-22M(UTSP)	1	397582207T
C101 or	UTSP C	CE04W50V-22M(UTSP)	(1)	397582207AT
C102	UTSP C	CE04W25V-100M(UTSP)	1	397551017AT
C104	C-CERA C	CC725CH1H-101J1	1	342101014R1
C107	C-CERA C	CC725CH1H-101J1	1	342101014R1

C108	C-CERA C	CC725CH1H-101J1	1	342101014R1
C109	C-CERA C	CC725CH1H-101J1	1	342101014R1
C112	UTSP C	CE04W25V-100M(UTSP)	1	397551017AT
C114	UTSP C	CE04W50V-22M(UTSP)	1	397582207T
C114 or	UTSP C	CE04W50V-22M(UTSP)	(1)	397582207AT
C116	UTSP C	CE04W10V-100M(UTSP)	1	397531017AT
C118	C-CERA C	CK725F1E-104Z1	1	332161040R1
C119	UTSP C	CE04W25V-47M(UTSP)	1	397554707AT
C122	C-CERA C	CC725CH1H-101J1	1	342101014R1
C2000	UTSP C	CE04W50V-1M(UTSP)	1	397580107T
C2000 or	UTSP C	CE04W50V-1M(UTSP)	(1)	397580107AT
C2001	UTSP C	CE04W50V-1M(UTSP)	1	397580107T
C2001 or	UTSP C	CE04W50V-1M(UTSP)	(1)	397580107AT
C2002	UTSP C	CE04W50V-1M(UTSP)	1	397580107T
C2002 or	UTSP C	CE04W50V-1M(UTSP)	(1)	397580107AT
C2003	C-CERA C	CK725B1H-102K1	1	332101025R1
C2004	UTSP C	CE04W50V-1M(UTSP)	1	397580107T
C2004 or	UTSP C	CE04W50V-1M(UTSP)	(1)	397580107AT
C2005	UTSP C	CE04W10V-100M(UTSP)	1	397531017AT
C2006	C-CERA C	CK725F1E-104Z1	1	332161040R1
C2019	UTSP C	CE04W50V-4.7M(UTSP)	1	397580477AT
C2020	TF C	ECQ-V50V-334J	1	374723344T
C2021	ELECT C	CE04W18V-10000M(VZ)	1	3945H1037S
C2106	UTSP C	CE04W50V-2.2M(UTSP)	1	397580227T
C2106 or	UTSP C	CE04W50V-2.2M(UTSP)	(1)	397580227AT
C2108	UTSP C	CE04W50V-2.2M(UTSP)	1	397580227T
C2108 or	UTSP C	CE04W50V-2.2M(UTSP)	(1)	397580227AT
C2110	C-CERA C	CK725B1H-102K1	1	332101025R1
C2111	C-CERA C	CK725F1E-104Z1	1	332161040R1
C2112	UTSP C	CE04W50V-1M(UTSP)	1	397580107T
C2112 or	UTSP C	CE04W50V-1M(UTSP)	(1)	397580107AT
C2113	UTSP C	CE04W50V-1M(UTSP)	1	397580107T
C2113 or	UTSP C	CE04W50V-1M(UTSP)	(1)	397580107AT
C2114	UTSP C	CE04W50V-2.2M(UTSP)	1	397580227T
C2114 or	UTSP C	CE04W50V-2.2M(UTSP)	(1)	397580227AT
C2117	UTSP C	CE04W50V-1M(UTSP)	1	397580107T
C2117 or	UTSP C	CE04W50V-1M(UTSP)	(1)	397580107AT
C2118	UTSP C	CE04W50V-2.2M(UTSP)	1	397580227T
C2118 or	UTSP C	CE04W50V-2.2M(UTSP)	(1)	397580227AT
C2119	UTSP C	CE04W25V-47M(UTSP)	1	397554707AT
C2120	C-CERA C	CK725F1E-104Z1	1	332161040R1
C2122	VR C	CE04W6.3V-470M(VR)	1	394624717T
C2123	VR C	CE04W6.3V-470M(VR)	1	394624717T
C2124	UTSP C	CE04W50V-4.7M(UTSP)	1	397580477AT
C2126	C-CERA C	CC725CH1H-151J1	1	342101514R1
C2127	UTSP C	CE04W25V-47M(UTSP)	1	397554707AT
C2128	C-CERA C	CK725F1E-104Z1	1	332161040R1

C2129	C-CERA C	CK725B1H-102K1	1	332101025R1
C2130	VR C	CE04W6.3V-470M(VR)	1	394624717T
C2131	VR C	CE04W6.3V-470M(VR)	1	394624717T
C2132	UTSP C	CE04W25V-47M(UTSP)	1	397554707AT
C2134	UTSP C	CE04W50V-2.2M(UTSP)	1	397580227T
C2134 or	UTSP C	CE04W50V-2.2M(UTSP)	(1)	397580227AT
C2135	VR C	CE04W6.3V-470M(VR)	1	394624717T
C2137	VR C	CE04W6.3V-470M(VR)	1	394624717T
C2138	UTSP C	CE04W25V-47M(UTSP)	1	397554707AT
C2139	C-CERA C	CK725F1E-104Z1	1	332161040R1
C2140	UTSP C	CE04W25V-47M(UTSP)	1	397554707AT
C2141	C-CERA C	CK725F1E-104Z1	1	332161040R1
C2142	UTSP C	CE04W50V-2.2M(UTSP)	1	397580227T
C2142 or	UTSP C	CE04W50V-2.2M(UTSP)	(1)	397580227AT
C2144	UTSP C	CE04W25V-47M(UTSP)	1	397554707AT
C2145	C-CERA C	CK725F1E-104Z1	1	332161040R1
C2147	C-CERA C	CK725F1E-104Z1	1	332161040R1
C2148	UTSP C	CE04W25V-47M(UTSP)	1	397554707AT
C2149	C-CERA C	CK725F1E-104Z1	1	332161040R1
C2150	UTSP C	CE04W50V-2.2M(UTSP)	1	397580227T
C2150 or	UTSP C	CE04W50V-2.2M(UTSP)	(1)	397580227AT
C2152	C-CERA C	CK725B1H-102K1	1	332101025R1
C2153	UTSP C	CE04W50V-2.2M(UTSP)	1	397580227T
C2153 or	UTSP C	CE04W50V-2.2M(UTSP)	(1)	397580227AT
C2154	UTSP C	CE04W25V-47M(UTSP)	1	397554707AT
C2155	C-CERA C	CK725F1E-104Z1	1	332161040R1
C2157	VR C	CE04W6.3V-470M(VR)	1	394624717T
C2158	UTSP C	CE04W50V-2.2M(UTSP)	1	397580227T
C2158 or	UTSP C	CE04W50V-2.2M(UTSP)	(1)	397580227AT
C2159	VR C	CE04W6.3V-470M(VR)	1	394624717T
C2161	VR C	CE04W6.3V-470M(VR)	1	394624717T
C2162	UTSP C	CE04W50V-2.2M(UTSP)	1	397580227T
C2162 or	UTSP C	CE04W50V-2.2M(UTSP)	(1)	397580227AT
C2165	UTSP C	CE04W50V-1M(UTSP)	1	397580107T
C2165 or	UTSP C	CE04W50V-1M(UTSP)	(1)	397580107AT
C2167	UTSP C	CE04W25V-47M(UTSP)	1	397554707AT
C2168	C-CERA C	CK725F1E-104Z1	1	332161040R1
C2169	C-CERA C	CK725F1E-104Z1	1	332161040R1
C2170	UTSP C	CE04W25V-47M(UTSP)	1	397554707AT
C2171	UTSP C	CE04W50V-4.7M(UTSP)	1	397580477AT
C2173	C-CERA C	CK725F1E-104Z1	1	332161040R1
C2174	UTSP C	CE04W50V-10M(UTSP)	1	397581007T
C2174 or	UTSP C	CE04W50V-10M(UTSP)	(1)	397581007AT
C2175	VR C	CE04W6.3V-470M(VR)	1	394624717T
C2176	VR C	CE04W6.3V-470M(VR)	1	394624717T
C2179	C-CERA C	CK732B16V-106K	1	332071065R2
C2180	C-CERA C	CC725CH1H-470J1	1	342104704R1

C2181	C-CERA C	CC725CH1H-470J1	1	342104704R1
C2182	C-CERA C	CK725B1H-102K1	1	332101025R1
C2183	C-CERA C	CC725CH1H-151J1	1	342101514R1
C2700	UTSP C	CE04W10V-100M(UTSP)	1	397531017AT
C2701	C-CERA C	CC725CH1H-101J1	1	342101014R1
C2702	C-CERA C	CC725CH1H-101J1	1	342101014R1
C2704	C-CERA C	CC725CH1H-101J1	1	342101014R1
C2705	C-CERA C	CK725B1H-102K1	1	332101025R1
C2709	C-CERA C	CK725B1H-102K1	1	332101025R1
C2710	C-CERA C	CK725F1E-104Z1	1	332161040R1
[RESISTOR]				
R101	C-CARBON R	RN72K1J-000JE	1	435030004R1
R103	C-CARBON R	RN72K1J-000JE	1	435030004R1
R105	C-CARBON R	RN72K1J-000JE	1	435030004R1
R106	C-CARBON R	RN72K1J-473JE	1	435034734R1
R107	C-CARBON R	RN72K1J-102JE	1	435031024R1
R108	C-CARBON R	RN72K1J-000JE	1	435030004R1
R109	C-CARBON R	RN72K1J-473JE	1	435034734R1
R110	C-CARBON R	RN72K1J-224JE	1	435032244R1
R111	C-CARBON R	RN72K1J-473JE	1	435034734R1
R112	C-CARBON R	RN72K1J-473JE	1	435034734R1
R114	C-CARBON R	RN72K1J-473JE	1	435034734R1
R115	C-CARBON R	RN72K1J-224JE	1	435032244R1
R116	C-CARBON R	RN72K1J-473JE	1	435034734R1
R117	C-CARBON R	RN72K1J-473JE	1	435034734R1
R118	C-CARBON R	RN72K1J-102JE	1	435031024R1
R119	C-CARBON R	RN72K1J-473JE	1	435034734R1
R124	C-CARBON R	RN72K1J-333JE	1	435033334R1
R128	C-CARBON R	RN72K1J-000JE	1	435030004R1
R129	C-CARBON R	RN72K1J-103JE	1	435031034R1
R132	C-CARBON R	RN72K1J-220JE	1	435032204R1
R133	C-CARBON R	RN72K1J-220JE	1	435032204R1
R135	C-CARBON R	RN72K1J-000JE	1	435030004R1
R2000	C-CARBON R	RN72K1J-331JE	1	435033314R1
R2001	C-CARBON R	RN72K1J-331JE	1	435033314R1
R2002	C-CARBON R	RN72K1J-331JE	1	435033314R1
R2003	C-CARBON R	RN72K1J-331JE	1	435033314R1
R2004	C-CARBON R	RN72K1J-103JE	1	435031034R1
R2005	C-CARBON R	RN72K1J-103JE	1	435031034R1
R2006	C-CARBON R	RN72K1J-103JE	1	435031034R1
R2016	C-CARBON R	RN72K1J-103JE	1	435031034R1
R2017	C-CARBON R	RN72K2E-000JE	1	435220004R1
R2018	C-CARBON R	RN72K2E-000JE	1	435220004R1
R2019	C-CARBON R	RN72K1J-000JE	1	435030004R1
R2020	C-CARBON R	RN72K1J-000JE	1	435030004R1
R2021	C-CARBON R	RN72K1J-000JE	1	435030004R1
R2026	C-CARBON R	RN72K1J-103JE	1	435031034R1

R2027	C-CARBON R	RN72K1J-103JE	1	435031034R1
R2107	C-CARBON R	RN72K1J-000JE	1	435030004R1
R2108	C-CARBON R	RN72K1J-000JE	1	435030004R1
R2109	C-CARBON R	RN72K1J-000JE	1	435030004R1
R2110	C-CARBON R	RN72K1J-000JE	1	435030004R1
R2111	C-CARBON R	RN72K1J-750JE	1	435037504R1
R2112	C-CARBON R	RN72K1J-750JE	1	435037504R1
R2114	C-CARBON R	RN72K1J-390JE	1	435033904R1
R2116	C-CARBON R	RN72K1J-103JE	1	435031034R1
R2117	C-CARBON R	RN72K1J-104JE	1	435031044R1
R2118	C-CARBON R	RN72K1J-104JE	1	435031044R1
R2119	C-CARBON R	RN72K1J-101JE	1	435031014R1
R2120	C-CARBON R	RN72K1J-392JE	1	435033924R1
R2121	C-CARBON R	RN72K1J-390JE	1	435033904R1
R2124	C-CARBON R	RN72K1J-682JE	1	435036824R1
R2125	C-CARBON R	RN72K1J-750JE	1	435037504R1
R2126	C-CARBON R	RN72K1J-750JE	1	435037504R1
R2127	C-CARBON R	RN72K1J-750JE	1	435037504R1
R2128	C-CARBON R	RN72K1J-390JE	1	435033904R1
R2129	C-CARBON R	RN72K1J-104JE	1	435031044R1
R2130	C-CARBON R	RN72K1J-222JE	1	435032224R1
R2131	C-CARBON R	RN72K1J-222JE	1	435032224R1
R2132	C-CARBON R	RN72K1J-101JE	1	435031014R1
R2133	C-CARBON R	RN72K1J-101JE	1	435031014R1
R2134	C-CARBON R	RN72K1J-101JE	1	435031014R1
R2135	C-CARBON R	RN72K1J-750JE	1	435037504R1
R2136	C-CARBON R	RN72K1J-750JE	1	435037504R1
R2137	C-CARBON R	RN72K1J-750JE	1	435037504R1
R2138	C-CARBON R	RN72K1J-750JE	1	435037504R1
R2139	C-CARBON R	RN72K1J-750JE	1	435037504R1
R2140	C-CARBON R	RN72K1J-750JE	1	435037504R1
R2141	C-CARBON R	RN72K1J-750JE	1	435037504R1
R2142	C-CARBON R	RN72K1J-104JE	1	435031044R1
R2143	C-CARBON R	RN72K1J-392JE	1	435033924R1
R2144	C-CARBON R	RN72K1J-750JE	1	435037504R1
R2145	C-CARBON R	RN72K1J-331JE	1	435033314R1
R2146	C-CARBON R	RN72K1J-104JE	1	435031044R1
R2147	C-CARBON R	RN72K1J-101JE	1	435031014R1
R2148	C-CARBON R	RN72K1J-682JE	1	435036824R1
R2149	C-CARBON R	RN72K1J-104JE	1	435031044R1
R2150	C-CARBON R	RN72K1J-104JE	1	435031044R1
R2151	C-CARBON R	RN72K1J-220JE	1	435032204R1
R2154	C-CARBON R	RN72K1J-750JE	1	435037504R1
R2155	C-CARBON R	RN72K1J-220JE	1	435032204R1
R2156	C-CARBON R	RN72K1J-104JE	1	435031044R1
R2158	C-CARBON R	RN72K1J-750JE	1	435037504R1
R2159	C-CARBON R	RN72K1J-104JE	1	435031044R1

R2700	C-CARBON R	RN72K1J-101JE	1	435031014R1	
R2701	C-CARBON R	RN72K1J-102JE	1	435031024R1	
R2702	C-CARBON R	RN72K1J-082JE	1	435030824R1	
R2703	C-CARBON R	RN72K1J-224JE	1	435032244R1	
R2704	C-CARBON R	RN72K1J-102JE	1	435031024R1	
R2705	C-CARBON R	RN72K1J-220JE	1	435032204R1	
R2706	C-CARBON R	RN72K1J-101JE	1	435031014R1	
R2707	C-CARBON R	RN72K1J-224JE	1	435032244R1	
R2708	C-CARBON R	RN72K1J-102JE	1	435031024R1	
R2709	C-CARBON R	RN72K1J-220JE	1	435032204R1	
R2710	C-CARBON R	RN72K1J-101JE	1	435031014R1	
R2711	C-CARBON R	RN72K1J-224JE	1	435032244R1	
R2712	C-CARBON R	RN72K1J-000JE	1	435030004R1	
R2713	C-CARBON R	RN72K1J-102JE	1	435031024R1	
R2717	C-CARBON R	RN72K1J-000JE	1	435030004R1	
R2719	C-CARBON R	RN72K1J-470JE	1	435034704R1	
R2720	C-CARBON R	RN72K1J-470JE	1	435034704R1	
R2721	C-CARBON R	RN72K1J-000JE	1	435030004R1	
R2722	C-CARBON R	RN72K1J-101JE	1	435031014R1	
R2723	C-CARBON R	RN72K1J-103JE	1	435031034R1	
R2725	C-CARBON R	RN72K1J-000JE	1	435030004R1	
R2728	C-CARBON R	RN72K1J-082JE	1	435030824R1	
[SW TRM]					
F2002A	FUSE HOL	NSCT-1P2031	1	25052133T	!
F2002B	FUSE HOL	NSCT-1P2031	1	25052133T	!
JL101B	WIRE TRAP	NPLG-5P588	1	25055626	
JL2000B	WIRE TRAP	NPLG-9P592	1	25055630	
JL2100A	WIRE HOL	NSCT-5P876	1	25051089	
JL2601B	WIRE TRAP	NPLG-5P588	1	25055626	
JL4002B	WIRE TRAP	NPLG-7P590	1	25055628	
JL9000B	WIRE TRAP	NPLG-7P590	1	25055628	
P101B	SOCKET	NSCT-9P2102	1	25052205	
P2000	SOCKET	MDS-09P-V-01(DSUB9P)	1	25053363	
P2001A	PLUG	IMSA-9142B-16A	1	25056598	
P2002A	PLUG	IMSA-9142B-18A	1	25056599	
P2003	PLUG	NPLG-5P119	1	25055135	
P2005	RETAINER	(PC-HOLD)	1	27142149	
P2006	RETAINER	(PC-HOLD)	1	27142149	
P2101A	SOCKET	NSCT-21P2412	1	25052515	
P2102	PIN JACK	NPJ-9PDGLR630	1	25045851	
P2103	PIN JACK	NPJ-1PDY655	1	25045882	
P2105	PIN JACK	NPJ-3PDYY681	1	25045913	
P2106	PIN JACK	NPJ-2PDYY680	1	25045912	
P2700	ST JACK	HSJ1002-01-6020	1	25045647	
P2701	ST JACK	HSJ1002-01-6020	1	25045647	
P2702	ST JACK	HSJ1002-01-6020	1	25045647	
[TUNER UNIT]					

U2700	REMO SENS	KSM-603TE5B	1	24130019	
U008	U0080~U0085	BADIS-1180-1B *			
U0080	DISPLY PC BOARD ASS'Y	BADIS-1180-1B			
U0081	SWITCH PC BOARD ASS'Y	BASW-1181-1B			
U0082	PHONE JACK PC BOARD ASS'Y	BAETC-1183-1B			
U0083	VOLUME PC BOARD ASS'Y	BASW-1184-1B			
U0084	TERMINAL(OPT) PC BOARD ASS'Y	BAETC-1185-1B			
U0085	FIX PC BOARD	BAETC-1187-1B			
CIRCUIT NO	PART NAME	DESCRIPTION	Q'TY	PART NO. (SN)	REMARKS
[SEMI CONDUCTOR]					
D7500	ZENER D	UDZS8.2B	1	224550820R2	
D7520	C-DIODE	1SS355	1	223269R2	
D7520 or	C-DIODE	1SS352	(1)	223234R2	
D7520 or	C-DIODE	MA2J111	(1)	223279R2	
D7520 or	C-DIODE	KDS4148U	(1)	223283R2	
D7520 or	C-DIODE	MA2J1110GL	(1)	223302R2	
D7521	C-DIODE	1SS355	1	223269R2	
D7521 or	C-DIODE	1SS352	(1)	223234R2	
D7521 or	C-DIODE	MA2J111	(1)	223279R2	
D7521 or	C-DIODE	KDS4148U	(1)	223283R2	
D7521 or	C-DIODE	MA2J1110GL	(1)	223302R2	
D7522	C-DIODE	1SS355	1	223269R2	
D7522 or	C-DIODE	1SS352	(1)	223234R2	
D7522 or	C-DIODE	MA2J111	(1)	223279R2	
D7522 or	C-DIODE	KDS4148U	(1)	223283R2	
D7522 or	C-DIODE	MA2J1110GL	(1)	223302R2	
D7523	C-DIODE	1SS355	1	223269R2	
D7523 or	C-DIODE	1SS352	(1)	223234R2	
D7523 or	C-DIODE	MA2J111	(1)	223279R2	
D7523 or	C-DIODE	KDS4148U	(1)	223283R2	
D7523 or	C-DIODE	MA2J1110GL	(1)	223302R2	
D7530	ZENER D	UDZS5.1B	1	224550510R2	
D7531	C-DIODE	1SS355	1	223269R2	
D7531 or	C-DIODE	1SS352	(1)	223234R2	
D7531 or	C-DIODE	MA2J111	(1)	223279R2	
D7531 or	C-DIODE	KDS4148U	(1)	223283R2	
D7531 or	C-DIODE	MA2J1110GL	(1)	223302R2	
D7532	C-DIODE	1SS355	1	223269R2	
D7532 or	C-DIODE	1SS352	(1)	223234R2	
D7532 or	C-DIODE	MA2J111	(1)	223279R2	
D7532 or	C-DIODE	KDS4148U	(1)	223283R2	
D7532 or	C-DIODE	MA2J1110GL	(1)	223302R2	

D7560	C-DIODE	1SS355	1	223269R2
D7560 or	C-DIODE	1SS352	(1)	223234R2
D7560 or	C-DIODE	MA2J111	(1)	223279R2
D7560 or	C-DIODE	KDS4148U	(1)	223283R2
D7560 or	C-DIODE	MA2J1110GL	(1)	223302R2
D7561	C-DIODE	1SS355	1	223269R2
D7561 or	C-DIODE	1SS352	(1)	223234R2
D7561 or	C-DIODE	MA2J111	(1)	223279R2
D7561 or	C-DIODE	KDS4148U	(1)	223283R2
D7561 or	C-DIODE	MA2J1110GL	(1)	223302R2
D7580	C-DIODE	1SS355	1	223269R2
D7580 or	C-DIODE	1SS352	(1)	223234R2
D7580 or	C-DIODE	MA2J111	(1)	223279R2
D7580 or	C-DIODE	KDS4148U	(1)	223283R2
D7580 or	C-DIODE	MA2J1110GL	(1)	223302R2
D7581	C-DIODE	1SS355	1	223269R2
D7581 or	C-DIODE	1SS352	(1)	223234R2
D7581 or	C-DIODE	MA2J111	(1)	223279R2
D7581 or	C-DIODE	KDS4148U	(1)	223283R2
D7581 or	C-DIODE	MA2J1110GL	(1)	223302R2
D7582	C-DIODE	1SS355	1	223269R2
D7582 or	C-DIODE	1SS352	(1)	223234R2
D7582 or	C-DIODE	MA2J111	(1)	223279R2
D7582 or	C-DIODE	KDS4148U	(1)	223283R2
D7582 or	C-DIODE	MA2J1110GL	(1)	223302R2
D7583	C-DIODE	1SS355	1	223269R2
D7583 or	C-DIODE	1SS352	(1)	223234R2
D7583 or	C-DIODE	MA2J111	(1)	223279R2
D7583 or	C-DIODE	KDS4148U	(1)	223283R2
D7583 or	C-DIODE	MA2J1110GL	(1)	223302R2
D7594	LED	SLI-343Y8C-3F	1	225491
Q7501	FL TUBE	16-BT-165GINK	1	212276
Q7501A	HOLDER	(FL)	1	27191370
Q7501Aor	HOLDER	(FL)	(1)	27191303
Q7502	TR	2SC2712-GR	1	2213145R2
Q7502 or	TR	KTC3875-GR	(1)	2216175R2
Q7503	TR	2SC2712-GR	1	2213145R2
Q7503 or	TR	KTC3875-GR	(1)	2216175R2
Q7530	IC	NJM4580M-D	1	22241448R2
Q7532	TR	RN1441	1	2215410R2
Q7532 or	TR	RTAN430C-T112-1	(1)	2217780R2
Q7533	TR	RN2403	1	2214540R2
Q7533 or	TR	KRA103S	(1)	2216230R2
Q7534	IC	NJM4580M-D	1	22241448R2
[TRANS COIL]				
L7520	CHOKO COIL	LBC2518T470M	1	231364M470R2
L7521	EMIFIL	BK1608LM182-T	1	230958R1

L7522	EMIFIL	BK1608LM182-T	1	230958R1
L7530	CHOKE COIL	LBC2518T2R2M	1	231364M022R2
L7580	CHOKE COIL	LBC2518T2R2M	1	231364M022R2
L7581	CHOKE COIL	LBC2518T2R2M	1	231364M022R2
L7582	CHOKE COIL	LBC2518T2R2M	1	231364M022R2
[CAPACITOR]				
C7501	C-CERA C	CK725B1H-223K1	1	332102235R1
C7502	C-CERA C	CK725F1E-104Z1	1	332161040R1
C7503	C-CERA C	CK725F1E-104Z1	1	332161040R1
C7504	C-CERA C	CK725B1H-473K1	1	332104735R1
C7505	C-CERA C	CK725B1H-473K1	1	332104735R1
C7506	ELECT C	CE04W50V-33M	1	355783309T
C7509	C-CERA C	CK725F1H-104Z1	1	332151040R1
C7510	ELECT C	CE04W6.3V-100M	1	355721019T
C7511	C-CERA C	CC725CH1H-221J1	1	342102214R1
C7512	C-CERA C	CC725CH1H-221J1	1	342102214R1
C7513	C-CERA C	CK725B1H-102K1	1	332101025R1
C7514	C-CERA C	CK725B1H-102K1	1	332101025R1
C7515	C-CERA C	CK725F1E-104Z1	1	332161040R1
C7516	ELECT C	CE04W35V-47M	1	355764709T
C7520	C-CERA C	CK725F1E-104Z1	1	332161040R1
C7521	UTSP C	CE04W10V-100M(UTSP)	1	397531017AT
C7522	C-CERA C	CC725CH1H-221J1	1	342102214R1
C7523	C-CERA C	CC725CH1H-221J1	1	342102214R1
C7524	C-CERA C	CK725B1H-102K1	1	332101025R1
C7525	C-CERA C	CC725CH1H-470J1	1	342104704R1
C7530	C-CERA C	CK725B1H-102K1	1	332101025R1
C7531	C-CERA C	CK725B1H-102K1	1	332101025R1
C7533	ELECT C	CE04W35V-47M	1	355764709T
C7534	ELECT C	CE04W16V-47M	1	355744709T
C7535	ELECT C	CE04W35V-10M(S)	1	353761009T
C7537	C-CERA C	CC725CH1H-330J1	1	342103304R1
C7538	ELECT C	CE04W35V-10M(S)	1	353761009T
C7539	ELECT C	CE04W35V-10M(S)	1	353761009T
C7540	ELECT C	CE04W35V-10M(S)	1	353761009T
C7541	ELECT C	CE04W35V-10M(S)	1	353761009T
C7542	ELECT C	CE04W35V-10M(S)	1	353761009T
C7543	C-CERA C	CK725B1H-102K1	1	332101025R1
C7544	C-CERA C	CC725CH1H-101J1	1	342101014R1
C7547	C-CERA C	CK725F1E-104Z1	1	332161040R1
C7550	C-CERA C	CK725F1E-104Z1	1	332161040R1
C7560	ELECT C	CE04W6.3V-220M	1	355722219T
C7562	C-CERA C	CK725B1H-102K1	1	332101025R1
C7580	MKT C	B32529C0102J289	1	376491024T
C7581	MKT C	B32529C0102J289	1	376491024T
C7582	MKT C	B32529C0102J289	1	376491024T
C7583	MKT C	B32529C0102J289	1	376491024T

C7590	C-CERA C	CK725B1H-103K1	1	332101035R1
C7591	C-CERA C	CK725B1H-103K1	1	332101035R1
[RESISTOR]				
R7500	C-CARBON R	RN72K1J-221JE	1	435032214R1
R7501	C-CARBON R	RN72K1J-221JE	1	435032214R1
R7502	C-CARBON R	RN72K1J-000JE	1	435030004R1
R7503	NF CARBON R	R25J-10	1	415471004T
R7504	NF CARBON R	R25J-10	1	415471004T
R7505	C-CARBON R	RN72K1J-000JE	1	435030004R1
R7508	C-CARBON R	RN72K1J-101JE	1	435031014R1
R7509	C-CARBON R	RN72K1J-101JE	1	435031014R1
R7511	C-CARBON R	RN72K1J-333JE	1	435033334R1
R7512	C-CARBON R	RN72K1J-333JE	1	435033334R1
R7513	C-CARBON R	RN72K1J-104JE	1	435031044R1
R7514	C-CARBON R	RN72K1J-333JE	1	435033334R1
R7515	C-CARBON R	RN72K1J-104JE	1	435031044R1
R7517	C-CARBON R	RN72K1J-221JE	1	435032214R1
R7519	C-CARBON R	RN72K1J-221JE	1	435032214R1
R7520	C-CARBON R	RN72K1J-221JE	1	435032214R1
R7521	C-CARBON R	RN72K1J-221JE	1	435032214R1
R7522	C-CARBON R	RN72K1J-331JE	1	435033314R1
R7523	C-CARBON R	RN72K1J-750JE	1	435037504R1
R7524	C-CARBON R	RN72K1J-331JE	1	435033314R1
R7525	C-CARBON R	RN72K1J-470JE	1	435034704R1
R7526	C-CARBON R	RN72K1J-223JE	1	435032234R1
R7527	C-CARBON R	RN72K1J-223JE	1	435032234R1
R7528	C-CARBON R	RN72K1J-224JE	1	435032244R1
R7529	C-CARBON R	RN72K1J-224JE	1	435032244R1
R7530	C-CARBON R	RN72K1J-472JE	1	435034724R1
R7531	C-CARBON R	RN72K1J-101JE	1	435031014R1
R7532	C-CARBON R	RN72K1J-331JE	1	435033314R1
R7533	C-CARBON R	RN72K1J-182JE	1	435031824R1
R7534	C-CARBON R	RN72K1J-104JE	1	435031044R1
R7535	C-CARBON R	RN72K1J-102JE	1	435031024R1
R7536	C-CARBON R	RN72K1J-333JE	1	435033334R1
R7537	C-CARBON R	RN72K1J-333JE	1	435033334R1
R7538	C-CARBON R	RN72K1J-471JE	1	435034714R1
R7540	C-CARBON R	RN72K1J-473JE	1	435034734R1
R7551	C-CARBON R	RN72K1J-000JE	1	435030004R1
R7556	C-CARBON R	RN72K1J-000JE	1	435030004R1
R7560	C-CARBON R	RN72K1J-222JE	1	435032224R1
R7561	C-CARBON R	RN72K1J-101JE	1	435031014R1
R7580	METAL O R	RS1WBJ-33	1	443623304T
R7581	METAL O R	RS1WBJ-33	1	443623304T
R7590	C-CARBON R	RN72K1J-103JE	1	435031034R1
R7591	C-CARBON R	RN72K1J-103JE	1	435031034R1
R7592	C-CARBON R	RN72K1J-103JE	1	435031034R1

R7593	C-CARBON R	RN72K1J-103JE	1	435031034R1
R7599	C-CARBON R	RN72K1J-271JE	1	435032714R1
R7611	C-CARBON R	RN72K1J-271JE	1	435032714R1
R7612	C-CARBON R	RN72K1J-331JE	1	435033314R1
R7613	C-CARBON R	RN72K1J-471JE	1	435034714R1
R7614	C-CARBON R	RN72K1J-561JE	1	435035614R1
R7615	C-CARBON R	RN72K1J-821JE	1	435038214R1
R7616	C-CARBON R	RN72K1J-122JE	1	435031224R1
R7617	C-CARBON R	RN72K1J-222JE	1	435032224R1
R7618	C-CARBON R	RN72K1J-392JE	1	435033924R1
R7619	C-CARBON R	RN72K1J-123JE	1	435031234R1
R7621	C-CARBON R	RN72K1J-271JE	1	435032714R1
R7622	C-CARBON R	RN72K1J-331JE	1	435033314R1
R7623	C-CARBON R	RN72K1J-471JE	1	435034714R1
R7624	C-CARBON R	RN72K1J-561JE	1	435035614R1
R7625	C-CARBON R	RN72K1J-821JE	1	435038214R1
R7626	C-CARBON R	RN72K1J-122JE	1	435031224R1
R7627	C-CARBON R	RN72K1J-222JE	1	435032224R1
R7628	C-CARBON R	RN72K1J-392JE	1	435033924R1
R7629	C-CARBON R	RN72K1J-123JE	1	435031234R1
R7631	C-CARBON R	RN72K1J-271JE	1	435032714R1
R7632	C-CARBON R	RN72K1J-331JE	1	435033314R1
R7633	C-CARBON R	RN72K1J-471JE	1	435034714R1
R7634	C-CARBON R	RN72K1J-561JE	1	435035614R1
R7635	C-CARBON R	RN72K1J-821JE	1	435038214R1
R7636	C-CARBON R	RN72K1J-122JE	1	435031224R1
R7637	C-CARBON R	RN72K1J-222JE	1	435032224R1
R7638	C-CARBON R	RN72K1J-392JE	1	435033924R1
R7639	C-CARBON R	RN72K1J-123JE	1	435031234R1
R7641	C-CARBON R	RN72K1J-271JE	1	435032714R1
R7642	C-CARBON R	RN72K1J-331JE	1	435033314R1
R7643	C-CARBON R	RN72K1J-471JE	1	435034714R1
R7644	C-CARBON R	RN72K1J-561JE	1	435035614R1
R7645	C-CARBON R	RN72K1J-821JE	1	435038214R1
R7646	C-CARBON R	RN72K1J-122JE	1	435031224R1
R7647	C-CARBON R	RN72K1J-222JE	1	435032224R1
R7648	C-CARBON R	RN72K1J-392JE	1	435033924R1
R7649	C-CARBON R	RN72K1J-123JE	1	435031234R1
[SW TRM]				
JL2000A	WIRE HOL	NSCT-9P880	1	25051093
JL4103B	WIRE TRAP	NPLG-5P588	1	25055626
JL7560A	WIRE HOL	NSCT-3P874	1	25051087
JL7560B	WIRE HOL	NSCT-3P874	1	25051087
JL7562A	WIRE HOL	NSCT-3P874	1	25051087
JL7562B	WIRE HOL	NSCT-3P874	1	25051087
JL7590A	WIRE HOL	NSCT-12P883	1	25051096
JL7590B	WIRE TRAP	NPLG-12P595	1	25055633

JL7591A	WIRE HOL	NSCT-5P876	1	25051089
JL7591B	WIRE HOL	NSCT-5P876	1	25051089
JL9303A	WIRE HOL	NSCT-5P876	1	25051089
P7501B	SOCKET	NSCT-25P2259	1	25052362
P7522	PIN JACK	NPJ-3PDB694	1	25045926
P7530	ST JACK	MSJ-035-05C B AG GR type	1	25045880
P7580	ST JACK	MSJ-064-05A GR	1	25045782
P7581	TRM	NTM-1P233(M1969)	1	25060302
P9301A	PLUG	NPLG-6P120	1	25055136
S7590	R ENCODE	EVEHD1F3024B	1	25065695W
S7611	PUSH SW	NPS-111-S681	1	25035718T
S7611 or	PUSH SW	NPS-111-S677	(1)	25035714T
S7612	PUSH SW	NPS-111-S681	1	25035718T
S7612 or	PUSH SW	NPS-111-S677	(1)	25035714T
S7613	PUSH SW	NPS-111-S681	1	25035718T
S7613 or	PUSH SW	NPS-111-S677	(1)	25035714T
S7614	PUSH SW	NPS-111-S681	1	25035718T
S7614 or	PUSH SW	NPS-111-S677	(1)	25035714T
S7615	PUSH SW	NPS-111-S681	1	25035718T
S7615 or	PUSH SW	NPS-111-S677	(1)	25035714T
S7616	PUSH SW	NPS-111-S681	1	25035718T
S7616 or	PUSH SW	NPS-111-S677	(1)	25035714T
S7617	PUSH SW	NPS-111-S681	1	25035718T
S7617 or	PUSH SW	NPS-111-S677	(1)	25035714T
S7618	PUSH SW	NPS-111-S681	1	25035718T
S7618 or	PUSH SW	NPS-111-S677	(1)	25035714T
S7619	PUSH SW	NPS-111-S681	1	25035718T
S7619 or	PUSH SW	NPS-111-S677	(1)	25035714T
S7620	PUSH SW	NPS-111-S681	1	25035718T
S7620 or	PUSH SW	NPS-111-S677	(1)	25035714T
S7621	PUSH SW	NPS-111-S681	1	25035718T
S7621 or	PUSH SW	NPS-111-S677	(1)	25035714T
S7622	PUSH SW	NPS-111-S681	1	25035718T
S7622 or	PUSH SW	NPS-111-S677	(1)	25035714T
S7623	PUSH SW	NPS-111-S681	1	25035718T
S7623 or	PUSH SW	NPS-111-S677	(1)	25035714T
S7624	PUSH SW	NPS-111-S681	1	25035718T
S7624 or	PUSH SW	NPS-111-S677	(1)	25035714T
S7625	PUSH SW	NPS-111-S681	1	25035718T
S7625 or	PUSH SW	NPS-111-S677	(1)	25035714T
S7626	PUSH SW	NPS-111-S681	1	25035718T
S7626 or	PUSH SW	NPS-111-S677	(1)	25035714T
S7627	PUSH SW	NPS-111-S681	1	25035718T
S7627 or	PUSH SW	NPS-111-S677	(1)	25035714T
S7628	PUSH SW	NPS-111-S681	1	25035718T
S7628 or	PUSH SW	NPS-111-S677	(1)	25035714T
S7629	PUSH SW	NPS-111-S681	1	25035718T

S7629 or	PUSH SW	NPS-111-S677	(1)	25035714T
S7630	PUSH SW	NPS-111-S681	1	25035718T
S7630 or	PUSH SW	NPS-111-S677	(1)	25035714T
S7631	PUSH SW	NPS-111-S681	1	25035718T
S7631 or	PUSH SW	NPS-111-S677	(1)	25035714T
S7632	PUSH SW	NPS-111-S681	1	25035718T
S7632 or	PUSH SW	NPS-111-S677	(1)	25035714T
S7633	PUSH SW	NPS-111-S681	1	25035718T
S7633 or	PUSH SW	NPS-111-S677	(1)	25035714T
S7634	PUSH SW	NPS-111-S681	1	25035718T
S7634 or	PUSH SW	NPS-111-S677	(1)	25035714T
S7635	PUSH SW	NPS-111-S681	1	25035718T
S7635 or	PUSH SW	NPS-111-S677	(1)	25035714T
S7636	PUSH SW	NPS-111-S681	1	25035718T
S7636 or	PUSH SW	NPS-111-S677	(1)	25035714T
S7637	PUSH SW	NPS-111-S681	1	25035718T
S7637 or	PUSH SW	NPS-111-S677	(1)	25035714T
S7638	PUSH SW	NPS-111-S681	1	25035718T
S7638 or	PUSH SW	NPS-111-S677	(1)	25035714T
S7639	PUSH SW	NPS-111-S681	1	25035718T
S7639 or	PUSH SW	NPS-111-S677	(1)	25035714T
S7640	PUSH SW	NPS-111-S681	1	25035718T
S7640 or	PUSH SW	NPS-111-S677	(1)	25035714T
S7641	PUSH SW	NPS-111-S681	1	25035718T
S7641 or	PUSH SW	NPS-111-S677	(1)	25035714T
S7642	PUSH SW	NPS-111-S681	1	25035718T
S7642 or	PUSH SW	NPS-111-S677	(1)	25035714T
S7643	PUSH SW	NPS-111-S681	1	25035718T
S7643 or	PUSH SW	NPS-111-S677	(1)	25035714T
S7644	PUSH SW	NPS-111-S681	1	25035718T
S7644 or	PUSH SW	NPS-111-S677	(1)	25035714T
S7645	PUSH SW	NPS-111-S681	1	25035718T
S7645 or	PUSH SW	NPS-111-S677	(1)	25035714T
S7646	PUSH SW	NPS-111-S681	1	25035718T
S7646 or	PUSH SW	NPS-111-S677	(1)	25035714T
S7647	PUSH SW	NPS-111-S681	1	25035718T
S7647 or	PUSH SW	NPS-111-S677	(1)	25035714T
S7648	PUSH SW	NPS-111-S681	1	25035718T
S7648 or	PUSH SW	NPS-111-S677	(1)	25035714T
S7650	PUSH SW	NPS-111-S681	1	25035718T
S7650 or	PUSH SW	NPS-111-S677	(1)	25035714T
[TUNER UNIT]				
U7520	PHT CP	JSR1B15	1	24120166
U7560	REMO SENS	KSM-603TE5B	1	24130019

U009 HDMI PC BOARD ASS'Y

BAHDM-1195-1D /IG*

CIRCUIT NC	PART NAME	DESCRIPTION	Q'TY	PART NO. (SN)	REMARKS
[SEMI CONDUCTOR]					
D3402	C-DIODE	KDS4148U	1	223283R2	
D3402 or	C-DIODE	1SS352	(1)	223234R2	
D3402 or	C-DIODE	1SS355	(1)	223269R2	
D3402 or	C-DIODE	MA2J111	(1)	223279R2	
D8000	C-DIODE	KDS4148U	1	223283R2	
D8000 or	C-DIODE	1SS352	(1)	223234R2	
D8000 or	C-DIODE	1SS355	(1)	223269R2	
D8000 or	C-DIODE	MA2J111	(1)	223279R2	
D8001	C-DIODE	KDS4148U	1	223283R2	
D8001 or	C-DIODE	1SS352	(1)	223234R2	
D8001 or	C-DIODE	1SS355	(1)	223269R2	
D8001 or	C-DIODE	MA2J111	(1)	223279R2	
D8006	C-DIODE	KDS4148U	1	223283R2	
D8006 or	C-DIODE	1SS352	(1)	223234R2	
D8006 or	C-DIODE	1SS355	(1)	223269R2	
D8006 or	C-DIODE	MA2J111	(1)	223279R2	
D8103	DIODE	DAN217T146	1	223285R2	
D8103 or	DIODE	KDS123S	(1)	223312R2	
D8104	ESD D	AOZ8804ADI	1	225502R2	
D8105	ESD D	AOZ8804ADI	1	225502R2	
D8126	C-DIODE	KDS4148U	1	223283R2	
D8126 or	C-DIODE	1SS352	(1)	223234R2	
D8126 or	C-DIODE	1SS355	(1)	223269R2	
D8126 or	C-DIODE	MA2J111	(1)	223279R2	
D8151	C-DIODE	KDS4148U	1	223283R2	
D8151 or	C-DIODE	1SS352	(1)	223234R2	
D8151 or	C-DIODE	1SS355	(1)	223269R2	
D8151 or	C-DIODE	MA2J111	(1)	223279R2	
D8152	C-DIODE	KDS4148U	1	223283R2	
D8152 or	C-DIODE	1SS352	(1)	223234R2	
D8152 or	C-DIODE	1SS355	(1)	223269R2	
D8152 or	C-DIODE	MA2J111	(1)	223279R2	
D8301	ZENER D	UDZS3.6B	1	224550360R2	
D8617	C-DIODE	KDS4148U	1	223283R2	
D8617 or	C-DIODE	1SS352	(1)	223234R2	
D8617 or	C-DIODE	1SS355	(1)	223269R2	
D8617 or	C-DIODE	MA2J111	(1)	223279R2	
D8618	C-DIODE	KDS4148U	1	223283R2	
D8618 or	C-DIODE	1SS352	(1)	223234R2	
D8618 or	C-DIODE	1SS355	(1)	223269R2	
D8618 or	C-DIODE	MA2J111	(1)	223279R2	
D8619	C-DIODE	KDS4148U	1	223283R2	

D8619 or	C-DIODE	1SS352	(1)	223234R2
D8619 or	C-DIODE	1SS355	(1)	223269R2
D8619 or	C-DIODE	MA2J111	(1)	223279R2
D8631	ESD D	AOZ8804ADI	1	225502R2
D8632	ESD D	AOZ8804ADI	1	225502R2
D8633	DIODE	DAN217T146	1	223285R2
D8633 or	DIODE	KDS123S	(1)	223312R2
D8691	C-DIODE	KDS4148U	1	223283R2
D8691 or	C-DIODE	1SS352	(1)	223234R2
D8691 or	C-DIODE	1SS355	(1)	223269R2
D8691 or	C-DIODE	MA2J111	(1)	223279R2
D8701	C-DIODE	KDS4148U	1	223283R2
D8701 or	C-DIODE	1SS352	(1)	223234R2
D8701 or	C-DIODE	1SS355	(1)	223269R2
D8701 or	C-DIODE	MA2J111	(1)	223279R2
D8831	C-DIODE	KDS4148U	1	223283R2
D8831 or	C-DIODE	1SS352	(1)	223234R2
D8831 or	C-DIODE	1SS355	(1)	223269R2
D8831 or	C-DIODE	MA2J111	(1)	223279R2
D8912	C-DIODE	KDS4148U	1	223283R2
D8912 or	C-DIODE	1SS352	(1)	223234R2
D8912 or	C-DIODE	1SS355	(1)	223269R2
D8912 or	C-DIODE	MA2J111	(1)	223279R2
D8913	C-DIODE	KDS4148U	1	223283R2
D8913 or	C-DIODE	1SS352	(1)	223234R2
D8913 or	C-DIODE	1SS355	(1)	223269R2
D8913 or	C-DIODE	MA2J111	(1)	223279R2
D8922	C-DIODE	KDS4148U	1	223283R2
D8922 or	C-DIODE	1SS352	(1)	223234R2
D8922 or	C-DIODE	1SS355	(1)	223269R2
D8922 or	C-DIODE	MA2J111	(1)	223279R2
D8923	C-DIODE	KDS4148U	1	223283R2
D8923 or	C-DIODE	1SS352	(1)	223234R2
D8923 or	C-DIODE	1SS355	(1)	223269R2
D8923 or	C-DIODE	MA2J111	(1)	223279R2
D8924	C-DIODE	KDS4148U	1	223283R2
D8924 or	C-DIODE	1SS352	(1)	223234R2
D8924 or	C-DIODE	1SS355	(1)	223269R2
D8924 or	C-DIODE	MA2J111	(1)	223279R2
D8932	C-DIODE	KDS4148U	1	223283R2
D8932 or	C-DIODE	1SS352	(1)	223234R2
D8932 or	C-DIODE	1SS355	(1)	223269R2
D8932 or	C-DIODE	MA2J111	(1)	223279R2
D8951	C-DIODE	KDS4148U	1	223283R2
D8951 or	C-DIODE	1SS352	(1)	223234R2
D8951 or	C-DIODE	1SS355	(1)	223269R2
D8951 or	C-DIODE	MA2J111	(1)	223279R2

D8952	C-DIODE	KDS4148U	1	223283R2	
D8952 or	C-DIODE	1SS352	(1)	223234R2	
D8952 or	C-DIODE	1SS355	(1)	223269R2	
D8952 or	C-DIODE	MA2J111	(1)	223279R2	
D8985	DIODE	RB050M-30GTR	1	22380373R2	
D8986	C-DIODE	KDS4148U	1	223283R2	
D8986 or	C-DIODE	1SS352	(1)	223234R2	
D8986 or	C-DIODE	1SS355	(1)	223269R2	
D8986 or	C-DIODE	MA2J111	(1)	223279R2	
D8987	C-DIODE	KDS4148U	1	223283R2	
D8987 or	C-DIODE	1SS352	(1)	223234R2	
D8987 or	C-DIODE	1SS355	(1)	223269R2	
D8987 or	C-DIODE	MA2J111	(1)	223279R2	
D8988	C-DIODE	KDS4148U	1	223283R2	
D8988 or	C-DIODE	1SS352	(1)	223234R2	
D8988 or	C-DIODE	1SS355	(1)	223269R2	
D8988 or	C-DIODE	MA2J111	(1)	223279R2	
Q3001	IC	D830K013BZKB400Z	1	22242694R3	
Q3002	IC(DSP)	TC58DVM92A5TA10B3H(0585)	1	222W0125R305856	
Q3003	IC	A3V56S40FTP-G6	1	22242764R2	N
Q3003 or	IC	K4S561632J-UC75	(1)	22242524AR3	
Q3003 or	IC	IS42S16160C-7TL	(1)	22242592R3	
Q3003 or	IC	EM63A165TSB-6G	(1)	22242829R3	
Q3004	IC	A3V56S40FTP-G6	1	22242764R2	N
Q3004 or	IC	K4S561632J-UC75	(1)	22242524AR3	
Q3004 or	IC	IS42S16160C-7TL	(1)	22242592R3	
Q3004 or	IC	EM63A165TSB-6G	(1)	22242829R3	
Q3005	IC	TC7W32FU	1	22241162R2	
Q3006	IC	S-80127CNMC-JKM-T2	1	22241642R2	
Q3102	IC	BD82065FVJ	1	22242718R2	
Q3103	IC	BU18TD3WG-TR	1	22242716R2	
Q3105	IC	MFI341S2162	1	22242803R2	
Q3106	IC	BU33TD3WG-TR	1	22242715R2	
Q3107	TR	2SC2712-GR	1	2213145R2	
Q3107 or	TR	KTC3875-GR	(1)	2216175R2	
Q3108	IC	KSZ8051RNL	1	22242723R2	
Q3108 or	IC	KSZ8051RNL(REVA2)	(1)	22242723AR2	
Q3109	IC	S-1172B12-U5T1G	1	22242777R2	
Q3110	IC	BD2247G-GTR	1	22242795R2	
Q3111	TR	2SC2712-GR	1	2213145R2	
Q3111 or	TR	KTC3875-GR	(1)	2216175R2	
Q3301	IC	TC74VHC541FT(EKJ)	1	22274541E1R2TO	
Q3303	IC	TC74VHC541FT(EKJ)	1	22274541E1R2TO	
Q3351	IC	TC74VHC157FT	1	22274157ER2TO	<MDC>
Q3361	IC	TC74VHC157FT	1	22274157ER2TO	
Q3362	TR	KRC104S	1	2216210R2	
Q3362 or	TR	RN1404	(1)	2214490R2	

Q3371	IC	PCM1754DBQR	1	22242598R2	
Q3383	IC	TC74VHC157FT	1	22274157ER2TO	
Q3401	IC(DSP2)	W25Q16CVSSIG(0586)	1	222W0118R205867	
Q3403	IC	TC7WHU04FU(TE12L)	1	22242231R2	
Q3404	IC	CS49834A-CQZ/A1	1	22242744R3	
Q3406	IC	EM638165TSB-7G	1	22242775R2	
Q3406 or	IC	K4S641632N-LC60	(1)	22242603R2	
Q3406 or	IC	EM638165TS-7G	(1)	22242607R2	
Q3408	IC	TC7MBL3245SFT	1	22242539R2TO	
Q3410	TR	KRC104S	1	2216210R2	
Q3410 or	TR	RN1404	(1)	2214490R2	
Q8000	IC	88DE2755B0-BIF2C000	1	22242752R3	
Q8010	IC	BU18TD3WG-TR	1	22242716R2	
Q8011	IC	S-1172B15-U5T1G	1	22242778R2	
Q8012	IC	TPS51100DGQR	1	22242711R2	
Q8030	IC	TC7WHU04FU(TE12L)	1	22242231R2	
Q8031	IC	NC7SZ08P5X_F042	1	22242482R2	
Q8031 or	IC	TC7SZ08FU(TE85L_F)	(1)	22242071R2TO	
Q8032	IC	SN74CB3T3306DCT	1	22242454R2	
Q8040	IC(VSP)	W25Q128BVFFIG(0589)	1	222W0116R20589A	
Q8041	IC	TC74LCX125FT(EL_K)	1	22274125BR2TO	
Q8080	IC	K4B1G1646G-BCK0	1	22242710R3	
Q8126	IC	S-1172B11-U5T1G	1	22242776R2	
Q8151	IC	SI9575CTUC	1	22242783R3	
Q8152	IC	XC6221B132MR	1	22242809R2	N
Q8153	IC	XC6221B132MR	1	22242809R2	N
Q8201	IC	ADV7844	1	22242696R3	
Q8202	IC	EM638165TSB-7G	1	22242775R2	
Q8202 or	IC	K4S641632N-LC60	(1)	22242603R2	
Q8202 or	IC	EM638165TS-7G	(1)	22242607R2	
Q8206	IC	BU18TD3WG-TR	1	22242716R2	
Q8301	IC	SI9575CTUC	1	22242783R3	
Q8302	IC(VSP2)	W25Q16CVSSIG(0591)	1	222W0118R20591B	
Q8303	TR	2SA1162-GR	1	2214375R2	
Q8303 or	TR	KTA1504-GR	(1)	2216185R2	
Q8304	TR	RN2401(TE85L_F)	1	2214520R2	
Q8304 or	TR	KRA101S	(1)	2217840R2	
Q8305	TR	KRC104S	1	2216210R2	
Q8305 or	TR	RN1404	(1)	2214490R2	
Q8306	TR	RN2401(TE85L_F)	1	2214520R2	
Q8306 or	TR	KRA101S	(1)	2217840R2	
Q8307	TR	KRC104S	1	2216210R2	
Q8307 or	TR	RN1404	(1)	2214490R2	
Q8501	IC	VHD1900EVG	1	22242708R3	
Q8502	IC	TC74VCX162827	1	22242395R2	
Q8503	IC	TC74VCX162827	1	22242395R2	
Q8512	IC	TC74VCX162827	1	22242395R2	

Q8513	IC	TC74VCX162827	1	22242395R2	
Q8601	TR	KRC105S	1	2217290R2	
Q8601 or	TR	DTC123JKA	(1)	2216690R2	
Q8602	TR	KRC105S	1	2217290R2	
Q8602 or	TR	DTC123JKA	(1)	2216690R2	
Q8603	TR	KRC105S	1	2217290R2	
Q8603 or	TR	DTC123JKA	(1)	2216690R2	
Q8691	TR	KRC105S	1	2217290R2	
Q8691 or	TR	DTC123JKA	(1)	2216690R2	
Q8701	IC(HDMI/VIDEO)	TMPM361F10FG(0584)	1	222W0115R305845	
Q8702	TR ARRAY	UM6K1N	1	226066R2	
Q8702 or	TR ARRAY	UPA672T	(1)	226067R2	
Q8702 or	TR ARRAY	RT3K66M-T111-1	(1)	226069R2	
Q8704	TR	KRC104S	1	2216210R2	
Q8704 or	TR	RN1404	(1)	2214490R2	
Q8711	IC	S-58LM20A-N4T1U	1	22242813R2	N
Q8831	IC	BU18TD3WG-TR	1	22242716R2	
Q8832	TR	KRC104S	1	2216210R2	
Q8832 or	TR	RN1404	(1)	2214490R2	
Q8833	IC	ADV7342BSTZ-3	1	22242608R3	
Q8901	IC	MP2303ADN-LF-Z	1	22242785R2	
Q8902	TR	2SC2712-GR	1	2213145R2	
Q8902 or	TR	KTC3875-GR	(1)	2216175R2	
Q8911	IC	MP2303ADN-LF-Z	1	22242785R2	
Q8912	TR	2SC2712-GR	1	2213145R2	
Q8912 or	TR	KTC3875-GR	(1)	2216175R2	
Q8921	IC	MP2303ADN-LF-Z	1	22242785R2	
Q8922	TR	2SC2712-GR	1	2213145R2	
Q8922 or	TR	KTC3875-GR	(1)	2216175R2	
Q8931	IC	MP2303ADN-LF-Z	1	22242785R2	
Q8932	TR	2SC2712-GR	1	2213145R2	
Q8932 or	TR	KTC3875-GR	(1)	2216175R2	
Q8941	IC	MP2303ADN-LF-Z	1	22242785R2	
Q8951	IC	S-1172B50-U5T1G	1	22242765R2	
Q8954	IC	MM3404A50NRE	1	22242701R2	
Q8955	IC	TPS22924CYZPR	1	22242807R2	
Q8956	TR	KRC104S	1	2216210R2	
Q8956 or	TR	RN1404	(1)	2214490R2	
Q8957	IC	TPS22924CYZPR	1	22242807R2	
Q8958	TR	KRC104S	1	2216210R2	
Q8958 or	TR	RN1404	(1)	2214490R2	
Q8959	IC	TPS22924CYZPR	1	22242807R2	
Q8960	TR	KRC104S	1	2216210R2	
Q8960 or	TR	RN1404	(1)	2214490R2	
Q8961	IC	TPS22924CYZPR	1	22242807R2	
Q8962	TR	KRC104S	1	2216210R2	
Q8962 or	TR	RN1404	(1)	2214490R2	

Q8975	IC	XC6701B502PR	1	22242808R2	N
Q8981	TR	RN2401(TE85L_F)	1	2214520R2	
Q8981 or	TR	KRA101S	(1)	2217840R2	
Q8982	TR	KRC104S	1	2216210R2	
Q8982 or	TR	RN1404	(1)	2214490R2	
Q8985	IC	TPS22924CYZPR	1	22242807R2	
[TRANS COIL]					
L3001	CORE	BLM18PG121SN1D	1	2350006R1	
L3002	CORE	BLM18PG121SN1D	1	2350006R1	
L3003	CORE	BLM18PG121SN1D	1	2350006R1	
L3004	CORE	BLM18PG121SN1D	1	2350006R1	
L3005	CORE	BLM18PG121SN1D	1	2350006R1	
L3006	CORE	BLM18PG181SN1D	1	2350005R1	
L3101	CORE	DLP11SA900HL2L	1	2350021R2	
L3103	CORE	BLM18PG121SN1D	1	2350006R1	
L3104	CORE	BLM18PG121SN1D	1	2350006R1	
L3105	CORE	BLM18PG121SN1D	1	2350006R1	
L3106	CORE	BLM18PG121SN1D	1	2350006R1	
L3107	CORE	BLM18PG181SN1D	1	2350005R1	
L3108	CORE	BLM18PG181SN1D	1	2350005R1	
L3109	CORE	BLM18PG121SN1D	1	2350006R1	
L3110	CORE	BLM18PG121SN1D	1	2350006R1	
L3111	CORE	BLM18PG121SN1D	1	2350006R1	
L3112	CORE	DLP11SA900HL2L	1	2350021R2	
L3113	CORE	BLM18PG181SN1D	1	2350005R1	
L3114	CORE	BLM18PG121SN1D	1	2350006R1	
L3145	CORE	DLP2ADN900HL4L	1	230990R2	
L3203	CORE	MMZ1608Y601BT	1	2350004R1	
L3209	CORE	MMZ1608Y601BT	1	2350004R1	
L3302	CORE	MMZ1608Y601BT	1	2350004R1	
L3303	CORE	MMZ1608Y601BT	1	2350004R1	
L3351	CORE	BLM18PG181SN1D	1	2350005R1	<MDC>
L3352	CORE	MMZ1608Y601BT	1	2350004R1	<MDC>
L3355	CORE	BLM18PG121SN1D	1	2350006R1	<MDC>
L3371	CORE	BLM18PG181SN1D	1	2350005R1	
L3381	CORE	BLM18PG181SN1D	1	2350005R1	
L3401	CORE	BLM18PG121SN1D	1	2350006R1	
L3402	CORE	MMZ1608Y601BT	1	2350004R1	
L3403	CORE	MMZ1608Y601BT	1	2350004R1	
L3405	CORE	BLM18PG121SN1D	1	2350006R1	
L3406	CORE	BLM18PG121SN1D	1	2350006R1	
L3407	CORE	BLM18PG121SN1D	1	2350006R1	
L3408	CORE	BLM18PG121SN1D	1	2350006R1	
L3409	CORE	BLM18PG181SN1D	1	2350005R1	
L8000	CORE	BLM18PG181SN1D	1	2350005R1	
L8001	CORE	BLM18PG181SN1D	1	2350005R1	
L8002	CORE	BLM18PG181SN1D	1	2350005R1	

L8003	CORE	BLM18PG181SN1D	1	2350005R1
L8004	CORE	BLM18PG181SN1D	1	2350005R1
L8005	CORE	BLM18PG181SN1D	1	2350005R1
L8006	CORE	BLM18PG121SN1D	1	2350006R1
L8007	CORE	BLM18PG181SN1D	1	2350005R1
L8008	CORE	BLM18PG181SN1D	1	2350005R1
L8009	CORE	BLM18PG181SN1D	1	2350005R1
L8010	CORE	BLM18PG181SN1D	1	2350005R1
L8011	CORE	BLM18PG181SN1D	1	2350005R1
L8012	CORE	BLM18PG181SN1D	1	2350005R1
L8013	CORE	BLM18PG181SN1D	1	2350005R1
L8081	CORE	BLM18PG181SN1D	1	2350005R1
L8082	C-R NET	MNR12E0APJ000	1	43464900002R2
L8082 or	C-R NET	YCN162-000-ZL	(1)	43464B00002R1
L8083	C-R NET	MNR12E0APJ000	1	43464900002R2
L8083 or	C-R NET	YCN162-000-ZL	(1)	43464B00002R1
L8084	C-R NET	MNR12E0APJ000	1	43464900002R2
L8084 or	C-R NET	YCN162-000-ZL	(1)	43464B00002R1
L8085	C-R NET	MNR12E0APJ000	1	43464900002R2
L8085 or	C-R NET	YCN162-000-ZL	(1)	43464B00002R1
L8086	CORE	BLM18PG181SN1D	1	2350005R1
L8126	CORE	BLM18PG181SN1D	1	2350005R1
L8151	CORE	BLM18PG181SN1D	1	2350005R1
L8152	CORE	BLM18PG181SN1D	1	2350005R1
L8153	CORE	BLM18PG181SN1D	1	2350005R1
L8154	CORE	BLM18PG181SN1D	1	2350005R1
L8155	CORE	BLM18PG181SN1D	1	2350005R1
L8156	CORE	BLM18PG181SN1D	1	2350005R1
L8202	CORE	BLM18PG181SN1D	1	2350005R1
L8203	CORE	BLM18PG181SN1D	1	2350005R1
L8204	CORE	BLM18PG181SN1D	1	2350005R1
L8205	CORE	BLM18PG181SN1D	1	2350005R1
L8206	CORE	BLM18PG181SN1D	1	2350005R1
L8207	CORE	BLM18PG181SN1D	1	2350005R1
L8208	CORE	BLM18PG181SN1D	1	2350005R1
L8209	EMIFIL	BK1608LL241-T	1	230959R1
L8301	CORE	BLM18PG181SN1D	1	2350005R1
L8302	CORE	BLM18PG181SN1D	1	2350005R1
L8303	CORE	BLM18PG181SN1D	1	2350005R1
L8304	CORE	BLM18PG181SN1D	1	2350005R1
L8305	CORE	BLM18PG181SN1D	1	2350005R1
L8306	CORE	BLM18PG181SN1D	1	2350005R1
L8307	CORE	BLM18PG181SN1D	1	2350005R1
L8308	EMIFIL	BK1608LL241-T	1	230959R1
L8501	CHOKE COIL	BLM21PG221SN1	1	230949R2
L8502	CHOKE COIL	BLM21PG221SN1	1	230949R2
L8503	CHOKE COIL	BLM21PG221SN1	1	230949R2

L8510	CORE	BLM18PG181SN1D	1	2350005R1	
L8511	CORE	BLM18PG181SN1D	1	2350005R1	
L8512	CORE	BLM18PG181SN1D	1	2350005R1	
L8513	CORE	BLM18PG181SN1D	1	2350005R1	
L8601	CORE	BLM18PG181SN1D	1	2350005R1	
L8602	CHOKE COIL	BLM21PG221SN1	1	230949R2	
L8603	CORE	BLM18PG181SN1D	1	2350005R1	
L8632	C-R NET	MNR12E0APJ000	1	43464900002R2	
L8632 or	C-R NET	YCN162-000-ZL	(1)	43464B00002R1	
L8633	C-R NET	MNR12E0APJ000	1	43464900002R2	
L8633 or	C-R NET	YCN162-000-ZL	(1)	43464B00002R1	
L8634	C-R NET	MNR12E0APJ000	1	43464900002R2	
L8634 or	C-R NET	YCN162-000-ZL	(1)	43464B00002R1	
L8635	C-R NET	MNR12E0APJ000	1	43464900002R2	
L8635 or	C-R NET	YCN162-000-ZL	(1)	43464B00002R1	
L8701	CORE	BLM18PG181SN1D	1	2350005R1	
L8831	CHOKE COIL	LBC2518T4R7M	1	231364M047R2	
L8832	CHOKE COIL	LBC2518T4R7M	1	231364M047R2	
L8833	CHOKE COIL	LBC2518T4R7M	1	231364M047R2	
L8834	CHOKE COIL	LBC2518T4R7M	1	231364M047R2	
L8901	CHOKE COIL	BLM21PG221SN1	1	230949R2	
L8902	CHOKE COIL	C6-K5RA-10UH	1	231451P100R2	N
L8903	CHOKE COIL	BLM21PG221SN1	1	230949R2	
L8904	CHOKE COIL	BLM21PG221SN1	1	230949R2	
L8911	CHOKE COIL	BLM21PG221SN1	1	230949R2	
L8912	CHOKE COIL	C6-K5RA-10UH	1	231451P100R2	N
L8913	CHOKE COIL	BLM21PG221SN1	1	230949R2	
L8914	CHOKE COIL	BLM21PG221SN1	1	230949R2	
L8921	CHOKE COIL	BLM21PG221SN1	1	230949R2	
L8922	CHOKE COIL	C6-K5RA-10UH	1	231451P100R2	N
L8923	CHOKE COIL	BLM21PG221SN1	1	230949R2	
L8924	CHOKE COIL	BLM21PG221SN1	1	230949R2	
L8931	CHOKE COIL	BLM21PG221SN1	1	230949R2	
L8932	CHOKE COIL	C6-K5RA-10UH	1	231451P100R2	N
L8933	CHOKE COIL	BLM21PG221SN1	1	230949R2	
L8934	CHOKE COIL	BLM21PG221SN1	1	230949R2	
L8941	CHOKE COIL	BLM21PG221SN1	1	230949R2	
L8942	CHOKE COIL	C6-K5RA-10UH	1	231451P100R2	N
L8943	CHOKE COIL	BLM21PG221SN1	1	230949R2	
L8944	CHOKE COIL	BLM21PG221SN1	1	230949R2	
L8951	CORE	BLM18PG181SN1D	1	2350005R1	
L8953	CORE	BLM18PG181SN1D	1	2350005R1	
L8954	CORE	BLM18PG181SN1D	1	2350005R1	
L8985	CORE	BLM18PG121SN1D	1	2350006R1	
X3001	CRYSTAL	HC-49S 9C20.0000M	1	3010514R2	
X3401	CRYSTAL	HC-49S 9C24.5760M	1	3010516R2	
X8000	CRYSTAL	HC-49S 9C20.0000M	1	3010514R2	

X8151	CRYSTAL	HC-49S 9C27.0000M	1	3010518R2
X8201	CRYSTAL	HC-49S 9C28.6363M	1	3010519R2
X8301	CRYSTAL	HC-49S 9C27.0000M	1	3010518R2
X8501	CRYSTAL	DSX321G-27MHz	1	3010487R2
X8701	CERA LOCK	CSTCE8M00G55-R0	1	3010416R2
[CAPACITOR]				
C3001	C-CERA C	CK725B1A-105K0	1	332001055R1
C3002	C-CERA C	CK725B1A-105K0	1	332001055R1
C3003	C-CERA C	CK732B16V-106K	1	332071065R2
C3004	C-CERA C	CK732B16V-106K	1	332071065R2
C3005	C-CERA C	CK725B1A-105K0	1	332001055R1
C3006	C-CERA C	CK725B1H-102K0	1	332031025R1
C3007	C-CERA C	CK725B1A-105K0	1	332001055R1
C3008	C-CERA C	CK725B1H-102K0	1	332031025R1
C3009	C-CERA C	CK725B1A-105K0	1	332001055R1
C3010	C-CERA C	CK725B1A-105K0	1	332001055R1
C3011	C-CERA C	CK725B1A-105K0	1	332001055R1
C3012	C-CERA C	CK725B1H-102K0	1	332031025R1
C3013	C-CERA C	CK725B1A-105K0	1	332001055R1
C3014	C-CERA C	CK725B1H-102K0	1	332031025R1
C3015	C-CERA C	CK725B1H-102K0	1	332031025R1
C3016	C-CERA C	CK725B1A-105K0	1	332001055R1
C3017	C-CERA C	CK725B1A-105K0	1	332001055R1
C3018	C-CERA C	CK725B1A-105K0	1	332001055R1
C3019	C-CERA C	CK725B1H-102K0	1	332031025R1
C3020	C-CERA C	CK725B1A-105K0	1	332001055R1
C3021	C-CERA C	CK725B1A-105K0	1	332001055R1
C3022	C-CERA C	CK725B1A-105K0	1	332001055R1
C3023	C-CERA C	CK732B16V-106K	1	332071065R2
C3024	C-CERA C	CK725B1H-102K0	1	332031025R1
C3025	C-CERA C	CK725B1A-105K0	1	332001055R1
C3026	C-CERA C	CK725B1C-104K0	1	332011045R1
C3027	C-CERA C	CK725B1H-102K0	1	332031025R1
C3028	C-CERA C	CK725B1A-105K0	1	332001055R1
C3029	C-CERA C	CK725B1H-102K0	1	332031025R1
C3030	C-CERA C	CK725B1A-105K0	1	332001055R1
C3031	C-CERA C	CK725B1A-105K0	1	332001055R1
C3032	C-CERA C	CK725B1H-102K0	1	332031025R1
C3033	C-CERA C	CK725B1A-105K0	1	332001055R1
C3034	C-CERA C	CC725CH1H-270J0	1	342032704R1
C3035	C-CERA C	CK725B1H-102K0	1	332031025R1
C3036	C-CERA C	CC725CH1H-270J0	1	342032704R1
C3037	C-CERA C	CK725B1A-105K0	1	332001055R1
C3038	C-CERA C	CK725B1A-105K0	1	332001055R1
C3039	C-CERA C	CK725B1E-103K0	1	332021035R1
C3040	C-CERA C	CK725B1A-105K0	1	332001055R1
C3041	C-CERA C	CK732B16V-106K	1	332071065R2

C3042	C-CERA C	CK725B1A-105K0	1	332001055R1
C3043	C-CERA C	CK725B1A-105K0	1	332001055R1
C3101	C-CERA C	CK725B0J-226M	1	332092267R2
C3102	C-CERA C	CK725B1A-105K0	1	332001055R1
C3103	C-CERA C	CK725B0J-226M	1	332092267R2
C3104	C-CERA C	CK725B0J-226M	1	332092267R2
C3105	C-CERA C	CK725B1A-105K0	1	332001055R1
C3106	C-CERA C	CK732B16V-106K	1	332071065R2
C3107	C-CERA C	CK725B1A-105K0	1	332001055R1
C3108	C-CERA C	CK725B1A-105K0	1	332001055R1
C3109	C-CERA C	CK732B16V-106K	1	332071065R2
C3110	C-CERA C	CK725B1A-224K0	1	332002245R1
C3112	C-CERA C	CK732B16V-106K	1	332071065R2
C3113	C-CERA C	CK725B1A-105K0	1	332001055R1
C3114	C-CERA C	CK725B1A-105K0	1	332001055R1
C3115	C-CERA C	CK732B16V-106K	1	332071065R2
C3116	C-CERA C	CK732B16V-106K	1	332071065R2
C3117	C-CERA C	CK725B1H-102K0	1	332031025R1
C3118	C-CERA C	CK725B1A-105K0	1	332001055R1
C3119	C-CERA C	CK725B1A-105K0	1	332001055R1
C3120	C-CERA C	CK732B16V-106K	1	332071065R2
C3121	C-CERA C	CK725B1C-104K0	1	332011045R1
C3122	C-CERA C	CK725B1A-105K0	1	332001055R1
C3123	C-CERA C	CK732B16V-106K	1	332071065R2
C3124	C-CERA C	CK732B16V-106K	1	332071065R2
C3125	C-CERA C	CK732B16V-106K	1	332071065R2
C3126	C-CERA C	CK732B16V-106K	1	332071065R2
C3127	C-CERA C	CK725B1A-105K0	1	332001055R1
C3128	C-CERA C	CK725B1A-105K0	1	332001055R1
C3129	C-CERA C	CK725B1A-105K0	1	332001055R1
C3130	C-CERA C	CK732B16V-106K	1	332071065R2
C3131	C-CERA C	CK725B1A-105K0	1	332001055R1
C3132	C-CERA C	CC725CH1H-101J0	1	342031014R1
C3133	C-CERA C	CK725B1A-105K0	1	332001055R1
C3136	C-CERA C	CK725B1A-105K0	1	332001055R1
C3137	C-CERA C	CK725B1A-105K0	1	332001055R1
C3138	C-CERA C	CK725B1A-105K0	1	332001055R1
C3139	C-CERA C	CK725B1A-105K0	1	332001055R1
C3140	C-CERA C	CK725B1A-105K0	1	332001055R1
C3141	C-CERA C	CK725B1C-104K0	1	332011045R1
C3142	C-CERA C	CK725B1C-104K0	1	332011045R1
C3143	C-CERA C	CK725B1A-105K0	1	332001055R1
C3144	C-CERA C	CK725B1A-105K0	1	332001055R1
C3145	C-CERA C	CK732B16V-106K	1	332071065R2
C3146	C-CERA C	CK725B1A-105K0	1	332001055R1
C3147	C-CERA C	CK725B0J-226M	1	332092267R2
C3148	C-CERA C	CK725B1C-104K0	1	332011045R1

C3149	C-CERA C	CK725B1A-105K0	1	332001055R1	
C3150	C-CERA C	CK732B16V-106K	1	332071065R2	
C3151	C-CERA C	CK725B0J-226M	1	332092267R2	
C3152	C-CERA C	CK732B16V-106K	1	332071065R2	
C3153	C-CERA C	CK725B1A-105K0	1	332001055R1	
C3154	C-CERA C	CK732B16V-106K	1	332071065R2	
C3155	C-CERA C	CK725B1A-105K0	1	332001055R1	
C3156	C-CERA C	CK725B1H-102K0	1	332031025R1	
C3157	C-CERA C	CK725B1A-105K0	1	332001055R1	
C3158	C-CERA C	CK725B1A-105K0	1	332001055R1	
C3159	C-CERA C	CK725B1A-105K0	1	332001055R1	
C3161	C-CERA C	CK725B1C-104K0	1	332011045R1	
C3162	C-CERA C	CK725B1C-104K0	1	332011045R1	
C3163	C-CERA C	CK725B0J-226M	1	332092267R2	
C3164	C-CERA C	CK725B0J-226M	1	332092267R2	
C3165	C-CERA C	CK725B0J-226M	1	332092267R2	
C3301	C-CERA C	CK725B1C-104K0	1	332011045R1	
C3303	C-CERA C	CK725B1C-104K0	1	332011045R1	
C3351	C-CERA C	CK732B16V-106K	1	332071065R2	<MDC>
C3352	C-CERA C	CK725B1C-104K0	1	332011045R1	<MDC>
C3353	C-CERA C	CK732B16V-106K	1	332071065R2	<MDC>
C3361	C-CERA C	CK725B1C-104K0	1	332011045R1	
C3363	C-CERA C	CK725B1C-104K0	1	332011045R1	
C3371	C-CERA C	CK732B16V-106K	1	332071065R2	
C3372	C-CERA C	CK725B1A-105K0	1	332001055R1	
C3373	C-CERA C	CK732B16V-106K	1	332071065R2	
C3374	C-CERA C	CK725B1A-105K0	1	332001055R1	
C3383	C-CERA C	CK725B1C-104K0	1	332011045R1	
C3384	C-CERA C	CK732B16V-106K	1	332071065R2	
C3401	C-CERA C	CK725B1H-102K0	1	332031025R1	
C3402	C-CERA C	CK725B1C-104K0	1	332011045R1	
C3403	C-CERA C	CK725B1C-104K0	1	332011045R1	
C3404	C-CERA C	CK725B1C-104K0	1	332011045R1	
C3405	C-CERA C	CK725B1C-104K0	1	332011045R1	
C3406	C-CERA C	CK725B1A-105K0	1	332001055R1	
C3407	C-CERA C	CK725B1A-105K0	1	332001055R1	
C3408	C-CERA C	CK732B16V-106K	1	332071065R2	
C3409	C-CERA C	CK725B1A-105K0	1	332001055R1	
C3410	C-CERA C	CK725B1C-104K0	1	332011045R1	
C3411	C-CERA C	CK725B1C-104K0	1	332011045R1	
C3412	C-CERA C	CK725B1C-104K0	1	332011045R1	
C3413	C-CERA C	CC725CH1H-150J0	1	342031504R1	
C3414	C-CERA C	CC725CH1H-220J0	1	342032204R1	
C3415	C-CERA C	CK725B1C-104K0	1	332011045R1	
C3416	C-CERA C	CK725B1C-104K0	1	332011045R1	
C3418	C-CERA C	CK725B1C-104K0	1	332011045R1	
C3419	C-CERA C	CK725B1C-104K0	1	332011045R1	

C3420	C-CERA C	CK725B1C-104K0	1	332011045R1
C3422	C-CERA C	CK725B1C-104K0	1	332011045R1
C3423	C-CERA C	CK725B1C-104K0	1	332011045R1
C3425	C-CERA C	CK725B1C-104K0	1	332011045R1
C3426	C-CERA C	CK725B1H-102K0	1	332031025R1
C3427	C-CERA C	CK725B1C-104K0	1	332011045R1
C3428	C-CERA C	CK725B1H-102K0	1	332031025R1
C3429	C-CERA C	CK725B1C-104K0	1	332011045R1
C3431	C-CERA C	CK725B1H-102K0	1	332031025R1
C3432	C-CERA C	CK725B1H-102K0	1	332031025R1
C3433	C-CERA C	CK725B1A-105K0	1	332001055R1
C3434	C-CERA C	CK732B16V-106K	1	332071065R2
C3435	C-CERA C	CK732B16V-106K	1	332071065R2
C3436	C-CERA C	CK732B16V-106K	1	332071065R2
C3437	C-CERA C	CK725B1C-104K0	1	332011045R1
C3438	C-CERA C	CK725B1C-104K0	1	332011045R1
C3439	C-CERA C	CK725B1C-104K0	1	332011045R1
C3440	C-CERA C	CK725B1C-104K0	1	332011045R1
C3441	C-CERA C	CK725B1A-105K0	1	332001055R1
C3442	C-CERA C	CK732B16V-106K	1	332071065R2
C3443	C-CERA C	CK725B1A-105K0	1	332001055R1
C3444	C-CERA C	CK725B1A-105K0	1	332001055R1
C3445	C-CERA C	CK725B1A-105K0	1	332001055R1
C3446	C-CERA C	CK725B1A-105K0	1	332001055R1
C3447	C-CERA C	CK725B1A-105K0	1	332001055R1
C3457	C-CERA C	CK725B1A-105K0	1	332001055R1
C3458	C-CERA C	CK725B1A-105K0	1	332001055R1
C3459	C-CERA C	CK725B1A-105K0	1	332001055R1
C3460	C-CERA C	CK725B1C-104K0	1	332011045R1
C3461	C-CERA C	CK725B1C-104K0	1	332011045R1
C3462	C-CERA C	CK732B16V-106K	1	332071065R2
C3466	C-CERA C	CK725B1C-104K0	1	332011045R1
C3603	C-CERA C	CK725B1H-102K0	1	332031025R1
C8000	C-CERA C	CK732B16V-106K	1	332071065R2
C8002	C-CERA C	CK732B16V-106K	1	332071065R2
C8004	C-CERA C	CK725B1C-104K0	1	332011045R1
C8005	C-CERA C	CK732B16V-106K	1	332071065R2
C8006	C-CERA C	CK725B1C-104K0	1	332011045R1
C8007	C-CERA C	CK732B16V-106K	1	332071065R2
C8008	C-CERA C	CK725B0J-226M	1	332092267R2
C8009	C-CERA C	CK725B1C-104K0	1	332011045R1
C8011	C-CERA C	CK732B16V-106K	1	332071065R2
C8013	C-CERA C	CK725B0J-226M	1	332092267R2
C8014	C-CERA C	CK725B1A-105K0	1	332001055R1
C8015	C-CERA C	CK725B1A-105K0	1	332001055R1
C8016	C-CERA C	CK725B1A-105K0	1	332001055R1
C8017	C-CERA C	CK725B1A-105K0	1	332001055R1

C8018	C-CERA C	CK725B1C-104K0	1	332011045R1
C8019	C-CERA C	CK725B1C-104K0	1	332011045R1
C8020	C-CERA C	CK725B1C-104K0	1	332011045R1
C8021	C-CERA C	CK725B1C-104K0	1	332011045R1
C8022	C-CERA C	CK725B1C-104K0	1	332011045R1
C8023	C-CERA C	CK725B1C-104K0	1	332011045R1
C8024	C-CERA C	CK725B1C-104K0	1	332011045R1
C8026	C-CERA C	CK732B16V-106K	1	332071065R2
C8027	C-CERA C	CK732B16V-106K	1	332071065R2
C8028	C-CERA C	CK725B1A-105K0	1	332001055R1
C8029	C-CERA C	CK725B1A-105K0	1	332001055R1
C8030	C-CERA C	CK725B1A-105K0	1	332001055R1
C8031	C-CERA C	CK725B1C-104K0	1	332011045R1
C8032	C-CERA C	CK725B1C-104K0	1	332011045R1
C8033	C-CERA C	CK725B1C-104K0	1	332011045R1
C8034	C-CERA C	CK725B1C-104K0	1	332011045R1
C8037	C-CERA C	CK725B0J-226M	1	332092267R2
C8038	C-CERA C	CK725B1A-105K0	1	332001055R1
C8039	C-CERA C	CK725B1A-105K0	1	332001055R1
C8040	C-CERA C	CK725B1A-105K0	1	332001055R1
C8041	C-CERA C	CK725B1A-105K0	1	332001055R1
C8042	C-CERA C	CK725B1C-104K0	1	332011045R1
C8043	C-CERA C	CK725B1C-104K0	1	332011045R1
C8044	C-CERA C	CK725B1C-104K0	1	332011045R1
C8045	C-CERA C	CK725B1C-104K0	1	332011045R1
C8046	C-CERA C	CK725B1C-104K0	1	332011045R1
C8047	C-CERA C	CK725B1C-104K0	1	332011045R1
C8050	C-CERA C	CK732B16V-106K	1	332071065R2
C8051	C-CERA C	CK732B16V-106K	1	332071065R2
C8052	C-CERA C	CK725B1A-105K0	1	332001055R1
C8053	C-CERA C	CK725B1A-105K0	1	332001055R1
C8054	C-CERA C	CK725B1C-104K0	1	332011045R1
C8055	C-CERA C	CK725B1C-104K0	1	332011045R1
C8056	C-CERA C	CK725B1C-104K0	1	332011045R1
C8058	C-CERA C	CK725B1C-104K0	1	332011045R1
C8060	C-CERA C	CK732B16V-106K	1	332071065R2
C8061	C-CERA C	CK732B16V-106K	1	332071065R2
C8062	C-CERA C	CK725B1A-105K0	1	332001055R1
C8063	C-CERA C	CK725B1C-104K0	1	332011045R1
C8064	C-CERA C	CK725B1C-104K0	1	332011045R1
C8065	C-CERA C	CK725B1C-104K0	1	332011045R1
C8066	C-CERA C	CK732B16V-106K	1	332071065R2
C8067	C-CERA C	CK732B16V-106K	1	332071065R2
C8068	C-CERA C	CK725B1A-105K0	1	332001055R1
C8069	C-CERA C	CK725B1C-104K0	1	332011045R1
C8070	C-CERA C	CK725B1C-104K0	1	332011045R1
C8071	C-CERA C	CK725B1C-104K0	1	332011045R1

C8072	C-CERA C	CK732B16V-106K	1	332071065R2
C8073	C-CERA C	CK732B16V-106K	1	332071065R2
C8075	C-CERA C	CK725B0J-226M	1	332092267R2
C8076	C-CERA C	CK725B0J-226M	1	332092267R2
C8078	C-CERA C	CK732B16V-106K	1	332071065R2
C8079	C-CERA C	CK732B16V-106K	1	332071065R2
C8080	C-CERA C	CK732B16V-106K	1	332071065R2
C8081	C-CERA C	CK732B16V-106K	1	332071065R2
C8082	C-CERA C	CK725B1A-105K0	1	332001055R1
C8083	C-CERA C	CK725B1A-105K0	1	332001055R1
C8084	C-CERA C	CK725B1A-105K0	1	332001055R1
C8085	C-CERA C	CK725B1A-105K0	1	332001055R1
C8086	C-CERA C	CK725B1A-105K0	1	332001055R1
C8087	C-CERA C	CK725B1A-105K0	1	332001055R1
C8088	C-CERA C	CK725B1A-105K0	1	332001055R1
C8089	C-CERA C	CK725B1A-105K0	1	332001055R1
C8090	C-CERA C	CK725B1A-105K0	1	332001055R1
C8091	C-CERA C	CK725B1A-105K0	1	332001055R1
C8092	C-CERA C	CK725B1A-105K0	1	332001055R1
C8093	C-CERA C	CK725B1A-105K0	1	332001055R1
C8094	C-CERA C	CK725B1A-105K0	1	332001055R1
C8095	C-CERA C	CK732B16V-106K	1	332071065R2
C8096	C-CERA C	CK725B1A-105K0	1	332001055R1
C8097	C-CERA C	CK732B16V-106K	1	332071065R2
C8098	C-CERA C	CK725B1A-105K0	1	332001055R1
C8100	C-CERA C	CK725B1H-102K0	1	332031025R1
C8101	C-CERA C	CK725B1H-102K0	1	332031025R1
C8105	C-CERA C	CK725B1A-105K0	1	332001055R1
C8106	C-CERA C	CK725B1A-105K0	1	332001055R1
C8107	C-CERA C	CK725B1C-104K0	1	332011045R1
C8108	C-CERA C	CK725B1C-104K0	1	332011045R1
C8109	C-CERA C	CK725B1A-105K0	1	332001055R1
C8110	C-CERA C	CK725B1A-105K0	1	332001055R1
C8111	C-CERA C	CC725CH1H-101J0	1	342031014R1
C8112	C-CERA C	CK725B1C-104K0	1	332011045R1
C8113	C-CERA C	CK725B1C-104K0	1	332011045R1
C8114	C-CERA C	CC725CH1H-080C0	1	342030801R1
C8115	C-CERA C	CK725B1C-104K0	1	332011045R1
C8116	C-CERA C	CC725CH1H-270J0	1	342032704R1
C8117	C-CERA C	CC725CH1H-220J0	1	342032204R1
C8120	C-CERA C	CC725CH1H-100D0	1	342031002R1
C8124	C-CERA C	CK725B1C-104K0	1	332011045R1
C8126	C-CERA C	CK732B16V-106K	1	332071065R2
C8127	C-CERA C	CK725B0J-226M	1	332092267R2
C8128	C-CERA C	CK725B1C-104K0	1	332011045R1
C8129	C-CERA C	CK732B16V-106K	1	332071065R2
C8130	C-CERA C	CK732B16V-106K	1	332071065R2

C8132	C-CERA C	CK732B16V-106K	1	332071065R2
C8133	C-CERA C	CK732B16V-106K	1	332071065R2
C8135	C-CERA C	CK732B16V-106K	1	332071065R2
C8136	C-CERA C	CK725B1A-105K0	1	332001055R1
C8141	C-CERA C	CK732B16V-106K	1	332071065R2
C8142	C-CERA C	CK732B16V-106K	1	332071065R2
C8143	C-CERA C	CK732B16V-106K	1	332071065R2
C8144	C-CERA C	CK732B16V-106K	1	332071065R2
C8145	C-CERA C	CK725B1A-105K0	1	332001055R1
C8148	C-CERA C	CK732B16V-106K	1	332071065R2
C8149	C-CERA C	CK732B16V-106K	1	332071065R2
C8151	C-CERA C	CK725B1C-104K0	1	332011045R1
C8152	C-CERA C	CK725B1H-102K0	1	332031025R1
C8153	C-CERA C	CK725B1C-104K0	1	332011045R1
C8154	C-CERA C	CK725B1H-102K0	1	332031025R1
C8155	C-CERA C	CK725B1C-104K0	1	332011045R1
C8156	C-CERA C	CK725B1H-102K0	1	332031025R1
C8157	C-CERA C	CK725B1C-104K0	1	332011045R1
C8158	C-CERA C	CK725B1H-102K0	1	332031025R1
C8159	C-CERA C	CK725B1C-104K0	1	332011045R1
C8160	C-CERA C	CK725B1H-102K0	1	332031025R1
C8161	C-CERA C	CK725B1C-104K0	1	332011045R1
C8162	C-CERA C	CK725B1H-102K0	1	332031025R1
C8163	C-CERA C	CK725B1C-104K0	1	332011045R1
C8164	C-CERA C	CK725B1H-102K0	1	332031025R1
C8165	C-CERA C	CK725B1C-104K0	1	332011045R1
C8166	C-CERA C	CK725B1H-102K0	1	332031025R1
C8168	C-CERA C	CK725B1H-102K0	1	332031025R1
C8169	C-CERA C	CK725B1C-104K0	1	332011045R1
C8170	C-CERA C	CK725B1A-105K0	1	332001055R1
C8171	C-CERA C	CK725B1A-105K0	1	332001055R1
C8172	C-CERA C	CK725B1A-105K0	1	332001055R1
C8173	C-CERA C	CK725B1A-105K0	1	332001055R1
C8174	C-CERA C	CK725B1A-105K0	1	332001055R1
C8175	C-CERA C	CK725B1C-104K0	1	332011045R1
C8176	C-CERA C	CK725B1H-102K0	1	332031025R1
C8177	C-CERA C	CK725B1C-104K0	1	332011045R1
C8178	C-CERA C	CK725B1H-102K0	1	332031025R1
C8179	C-CERA C	CC725CH1H-080C0	1	342030801R1
C8180	C-CERA C	CC725CH1H-080C0	1	342030801R1
C8181	C-CERA C	CK725B1C-104K0	1	332011045R1
C8182	C-CERA C	CK725B1H-102K0	1	332031025R1
C8183	C-CERA C	CK725B1C-104K0	1	332011045R1
C8184	C-CERA C	CK725B1H-102K0	1	332031025R1
C8185	C-CERA C	CK725B1H-102K0	1	332031025R1
C8186	C-CERA C	CK725B1C-104K0	1	332011045R1
C8187	C-CERA C	CK725B1C-104K0	1	332011045R1

C8188	C-CERA C	CK725B1H-102K0	1	332031025R1
C8189	C-CERA C	CK725B1C-104K0	1	332011045R1
C8190	C-CERA C	CK725B1H-102K0	1	332031025R1
C8191	C-CERA C	CK725B1C-104K0	1	332011045R1
C8192	C-CERA C	CK725B1H-102K0	1	332031025R1
C8193	C-CERA C	CK725B1C-104K0	1	332011045R1
C8194	C-CERA C	CK725B1H-102K0	1	332031025R1
C8195	C-CERA C	CK725B1C-104K0	1	332011045R1
C8196	C-CERA C	CK725B1H-102K0	1	332031025R1
C8197	C-CERA C	CK725B1C-104K0	1	332011045R1
C8198	C-CERA C	CK725B1H-102K0	1	332031025R1
C8199	C-CERA C	CK725B1H-102K0	1	332031025R1
C8200	C-CERA C	CK725B1C-104K0	1	332011045R1
C8201	C-CERA C	CK725B1C-104K0	1	332011045R1
C8202	C-CERA C	CK725B1C-104K0	1	332011045R1
C8203	C-CERA C	CK725B1C-104K0	1	332011045R1
C8204	C-CERA C	CK725B1H-102K0	1	332031025R1
C8205	C-CERA C	CK725B1C-104K0	1	332011045R1
C8206	C-CERA C	CK725B1C-104K0	1	332011045R1
C8207	C-CERA C	CK725B1H-102K0	1	332031025R1
C8208	C-CERA C	CK725B1C-104K0	1	332011045R1
C8209	C-CERA C	CK725B1C-104K0	1	332011045R1
C8210	C-CERA C	CC725CH1H-150J0	1	342031504R1
C8211	C-CERA C	CC725CH1H-180J0	1	342031804R1
C8212	C-CERA C	CK725B1C-104K0	1	332011045R1
C8213	C-CERA C	CK725B1C-104K0	1	332011045R1
C8214	C-CERA C	CK732B16V-106K	1	332071065R2
C8215	C-CERA C	CK725B1C-104K0	1	332011045R1
C8216	C-CERA C	CK725B1A-105K0	1	332001055R1
C8217	C-CERA C	CK725B1C-104K0	1	332011045R1
C8218	C-CERA C	CK725B1C-104K0	1	332011045R1
C8219	C-CERA C	CK725B1C-104K0	1	332011045R1
C8220	C-CERA C	CK725B1C-104K0	1	332011045R1
C8221	C-CERA C	CK725B1C-104K0	1	332011045R1
C8222	C-CERA C	CK725B1C-104K0	1	332011045R1
C8223	C-CERA C	CK725B1C-104K0	1	332011045R1
C8224	C-CERA C	CK725B1C-104K0	1	332011045R1
C8225	C-CERA C	CK732B16V-106K	1	332071065R2
C8226	C-CERA C	CK732B16V-106K	1	332071065R2
C8227	C-CERA C	CK725B1C-104K0	1	332011045R1
C8228	C-CERA C	CK725B1C-104K0	1	332011045R1
C8229	C-CERA C	CK725B1C-104K0	1	332011045R1
C8230	C-CERA C	CK725B1E-103K0	1	332021035R1
C8231	C-CERA C	CK725B1E-103K0	1	332021035R1
C8232	C-CERA C	CK725B1E-103K0	1	332021035R1
C8233	C-CERA C	CK725B1E-103K0	1	332021035R1
C8234	C-CERA C	CK725B1E-103K0	1	332021035R1

C8235	C-CERA C	CK725B1E-103K0	1	332021035R1
C8236	C-CERA C	CK725B1E-103K0	1	332021035R1
C8237	C-CERA C	CK725B1E-103K0	1	332021035R1
C8238	C-CERA C	CK725B1E-103K0	1	332021035R1
C8239	C-CERA C	CK725B1E-103K0	1	332021035R1
C8240	C-CERA C	CK725B1C-104K0	1	332011045R1
C8241	C-CERA C	CK725B1C-104K0	1	332011045R1
C8242	C-CERA C	CK732B16V-106K	1	332071065R2
C8243	CHIP TANTAL	TEESVA0J226M8R	1	398422207R2
C8243 or	CHIP TANTAL	F93-6.3V-22M	(1)	395522207R2
C8243 or	CHIP TANTAL	TCSCS0J226MAAR	(1)	396522207R2
C8244	C-CERA C	CK732B16V-106K	1	332071065R2
C8245	C-CERA C	CK732B16V-106K	1	332071065R2
C8246	C-CERA C	CK725B1E-103K0	1	332021035R1
C8247	C-CERA C	CK725B1E-103K0	1	332021035R1
C8248	C-CERA C	CK725B1E-103K0	1	332021035R1
C8249	C-CERA C	CK725B1E-103K0	1	332021035R1
C8250	C-CERA C	CK725B1E-103K0	1	332021035R1
C8251	C-CERA C	CK725B1A-105K0	1	332001055R1
C8252	C-CERA C	CK725B1A-105K0	1	332001055R1
C8253	C-CERA C	CK725B1A-105K0	1	332001055R1
C8254	C-CERA C	CK725B1E-103K0	1	332021035R1
C8255	C-CERA C	CK725B1C-104K0	1	332011045R1
C8256	CHIP TANTAL	TEESVB20J107M8R	1	398421017R2
C8256 or	CHIP TANTAL	F93-6.3V-100M	(1)	395521017R2
C8256 or	CHIP TANTAL	TCSCS0J107MBAR	(1)	396521017R2
C8257	CHIP TANTAL	TEESVA0J226M8R	1	398422207R2
C8257 or	CHIP TANTAL	F93-6.3V-22M	(1)	395522207R2
C8257 or	CHIP TANTAL	TCSCS0J226MAAR	(1)	396522207R2
C8268	C-CERA C	CK725B1C-104K0	1	332011045R1
C8269	C-CERA C	CK725B1C-104K0	1	332011045R1
C8270	C-CERA C	CK725B1C-104K0	1	332011045R1
C8271	C-CERA C	CK725B1E-103K0	1	332021035R1
C8272	C-CERA C	CK725B1E-103K0	1	332021035R1
C8273	C-CERA C	CK725B1E-103K0	1	332021035R1
C8274	C-CERA C	CK725B1E-103K0	1	332021035R1
C8275	C-CERA C	CK725B1E-103K0	1	332021035R1
C8276	C-CERA C	CK725B1E-103K0	1	332021035R1
C8277	C-CERA C	CK725B1E-103K0	1	332021035R1
C8278	C-CERA C	CK725B1E-103K0	1	332021035R1
C8279	C-CERA C	CK725B1E-103K0	1	332021035R1
C8280	C-CERA C	CK725B1E-103K0	1	332021035R1
C8281	C-CERA C	CK725B1E-103K0	1	332021035R1
C8282	C-CERA C	CK725B1E-103K0	1	332021035R1
C8283	C-CERA C	CK725B1E-103K0	1	332021035R1
C8284	C-CERA C	CK725B1E-103K0	1	332021035R1
C8285	C-CERA C	CK725B1E-103K0	1	332021035R1

C8286	C-CERA C	CK725B1E-103K0	1	332021035R1
C8287	C-CERA C	CK725B1C-104K0	1	332011045R1
C8288	C-CERA C	CK725B1C-104K0	1	332011045R1
C8289	C-CERA C	CK725B1C-104K0	1	332011045R1
C8292	C-CERA C	CK725B1E-103K0	1	332021035R1
C8293	C-CERA C	CK725B1E-103K0	1	332021035R1
C8294	C-CERA C	CK725B1E-103K0	1	332021035R1
C8295	C-CERA C	CK725B1E-103K0	1	332021035R1
C8296	C-CERA C	CK725B1E-103K0	1	332021035R1
C8297	C-CERA C	CK725B1C-104K0	1	332011045R1
C8298	C-CERA C	CK725B1C-104K0	1	332011045R1
C8299	CHIP TANTAL	TEESVB20J107M8R	1	398421017R2
C8299 or	CHIP TANTAL	F93-6.3V-100M	(1)	395521017R2
C8299 or	CHIP TANTAL	TCSCS0J107MBAR	(1)	396521017R2
C8301	C-CERA C	CK725B1C-104K0	1	332011045R1
C8302	C-CERA C	CK725B1H-102K0	1	332031025R1
C8303	C-CERA C	CK725B1C-104K0	1	332011045R1
C8304	C-CERA C	CK725B1H-102K0	1	332031025R1
C8305	C-CERA C	CK725B1C-104K0	1	332011045R1
C8306	C-CERA C	CK725B1H-102K0	1	332031025R1
C8307	C-CERA C	CK725B1C-104K0	1	332011045R1
C8308	C-CERA C	CK725B1H-102K0	1	332031025R1
C8309	C-CERA C	CK725B1C-104K0	1	332011045R1
C8310	C-CERA C	CK725B1H-102K0	1	332031025R1
C8311	C-CERA C	CK725B1C-104K0	1	332011045R1
C8312	C-CERA C	CK725B1H-102K0	1	332031025R1
C8313	C-CERA C	CK725B1C-104K0	1	332011045R1
C8314	C-CERA C	CK725B1H-102K0	1	332031025R1
C8315	C-CERA C	CK725B1C-104K0	1	332011045R1
C8316	C-CERA C	CK725B1H-102K0	1	332031025R1
C8318	C-CERA C	CK725B1H-102K0	1	332031025R1
C8319	C-CERA C	CK725B1C-104K0	1	332011045R1
C8320	C-CERA C	CK725B1A-105K0	1	332001055R1
C8321	C-CERA C	CK725B1A-105K0	1	332001055R1
C8322	C-CERA C	CK725B1A-105K0	1	332001055R1
C8323	C-CERA C	CK725B1A-105K0	1	332001055R1
C8324	C-CERA C	CK725B1A-105K0	1	332001055R1
C8325	C-CERA C	CK725B1C-104K0	1	332011045R1
C8326	C-CERA C	CK725B1H-102K0	1	332031025R1
C8327	C-CERA C	CK725B1C-104K0	1	332011045R1
C8328	C-CERA C	CK725B1H-102K0	1	332031025R1
C8329	C-CERA C	CC725CH1H-080C0	1	342030801R1
C8330	C-CERA C	CC725CH1H-150J0	1	342031504R1
C8331	C-CERA C	CK725B1C-104K0	1	332011045R1
C8332	C-CERA C	CK725B1H-102K0	1	332031025R1
C8333	C-CERA C	CK725B1C-104K0	1	332011045R1
C8334	C-CERA C	CK725B1H-102K0	1	332031025R1

C8335	C-CERA C	CK725B1H-102K0	1	332031025R1
C8336	C-CERA C	CK725B1C-104K0	1	332011045R1
C8337	C-CERA C	CK725B1C-104K0	1	332011045R1
C8338	C-CERA C	CK725B1H-102K0	1	332031025R1
C8339	C-CERA C	CK725B1C-104K0	1	332011045R1
C8340	C-CERA C	CK725B1H-102K0	1	332031025R1
C8341	C-CERA C	CK725B1C-104K0	1	332011045R1
C8342	C-CERA C	CK725B1H-102K0	1	332031025R1
C8343	C-CERA C	CK725B1C-104K0	1	332011045R1
C8344	C-CERA C	CK725B1H-102K0	1	332031025R1
C8345	C-CERA C	CK725B1C-104K0	1	332011045R1
C8346	C-CERA C	CK725B1H-102K0	1	332031025R1
C8347	C-CERA C	CK725B1C-104K0	1	332011045R1
C8348	C-CERA C	CK725B1H-102K0	1	332031025R1
C8349	C-CERA C	CK725B1H-102K0	1	332031025R1
C8350	C-CERA C	CK725B1C-104K0	1	332011045R1
C8351	C-CERA C	CK732B16V-106K	1	332071065R2
C8352	C-CERA C	CK732B16V-106K	1	332071065R2
C8353	C-CERA C	CK732B16V-106K	1	332071065R2
C8354	C-CERA C	CK732B16V-106K	1	332071065R2
C8355	C-CERA C	CK732B16V-106K	1	332071065R2
C8356	C-CERA C	CK732B16V-106K	1	332071065R2
C8357	C-CERA C	CK725B1H-102K0	1	332031025R1
C8358	C-CERA C	CK725B1C-104K0	1	332011045R1
C8359	C-CERA C	CK725B1A-105K0	1	332001055R1
C8360	C-CERA C	CK725B1C-104K0	1	332011045R1
C8367	C-CERA C	CK725B1A-105K0	1	332001055R1
C8501	C-CERA C	CK725B1C-104K0	1	332011045R1
C8502	C-CERA C	CK725B1C-104K0	1	332011045R1
C8503	C-CERA C	CK725B1C-104K0	1	332011045R1
C8504	C-CERA C	CK725B1C-104K0	1	332011045R1
C8505	C-CERA C	CK725B1C-104K0	1	332011045R1
C8506	C-CERA C	CK725B1C-104K0	1	332011045R1
C8507	C-CERA C	CK725B1C-104K0	1	332011045R1
C8508	C-CERA C	CK725B1C-104K0	1	332011045R1
C8509	C-CERA C	CK725B0J-226M	1	332092267R2
C8510	C-CERA C	CK725B0J-226M	1	332092267R2
C8511	C-CERA C	CK725B1C-104K0	1	332011045R1
C8512	C-CERA C	CK725B1C-104K0	1	332011045R1
C8513	C-CERA C	CK725B1C-104K0	1	332011045R1
C8514	C-CERA C	CK725B1C-104K0	1	332011045R1
C8515	C-CERA C	CK725B1C-104K0	1	332011045R1
C8516	C-CERA C	CK725B1C-104K0	1	332011045R1
C8517	C-CERA C	CK725B1C-104K0	1	332011045R1
C8518	C-CERA C	CK725B1C-104K0	1	332011045R1
C8520	CHIP TANTAL	TEESVA0J226M8R	1	398422207R2
C8520 or	CHIP TANTAL	F93-6.3V-22M	(1)	395522207R2

C8520 or	CHIP TANTAL	TCSCS0J226MAAR	(1)	396522207R2
C8521	CHIP TANTAL	TEESVA0J226M8R	1	398422207R2
C8521 or	CHIP TANTAL	F93-6.3V-22M	(1)	395522207R2
C8521 or	CHIP TANTAL	TCSCS0J226MAAR	(1)	396522207R2
C8522	CHIP TANTAL	TEESVA0J226M8R	1	398422207R2
C8522 or	CHIP TANTAL	F93-6.3V-22M	(1)	395522207R2
C8522 or	CHIP TANTAL	TCSCS0J226MAAR	(1)	396522207R2
C8523	CHIP TANTAL	TEESVA0J226M8R	1	398422207R2
C8523 or	CHIP TANTAL	F93-6.3V-22M	(1)	395522207R2
C8523 or	CHIP TANTAL	TCSCS0J226MAAR	(1)	396522207R2
C8536	C-CERA C	CK725B1C-104K0	1	332011045R1
C8537	C-CERA C	CK725B1C-104K0	1	332011045R1
C8538	C-CERA C	CK725B1C-104K0	1	332011045R1
C8539	C-CERA C	CK725B1C-104K0	1	332011045R1
C8540	C-CERA C	CK725B1C-104K0	1	332011045R1
C8541	C-CERA C	CK725B1C-104K0	1	332011045R1
C8542	C-CERA C	CC725CH1H-060D0	1	342030602R1
C8543	C-CERA C	CC725CH1H-060D0	1	342030602R1
C8545	C-CERA C	CK725B1C-104K0	1	332011045R1
C8546	C-CERA C	CK725B1C-104K0	1	332011045R1
C8547	C-CERA C	CK725B1C-104K0	1	332011045R1
C8548	C-CERA C	CK725B1C-104K0	1	332011045R1
C8549	C-CERA C	CK725B1C-104K0	1	332011045R1
C8550	C-CERA C	CK725B1C-104K0	1	332011045R1
C8551	C-CERA C	CK725B1C-104K0	1	332011045R1
C8552	C-CERA C	CK725B1C-104K0	1	332011045R1
C8553	C-CERA C	CK725B1C-104K0	1	332011045R1
C8554	C-CERA C	CK725B1C-104K0	1	332011045R1
C8555	C-CERA C	CK725B1C-104K0	1	332011045R1
C8556	C-CERA C	CK725B1C-104K0	1	332011045R1
C8557	C-CERA C	CK725B1C-104K0	1	332011045R1
C8558	C-CERA C	CK725B1C-104K0	1	332011045R1
C8559	C-CERA C	CK725B1C-104K0	1	332011045R1
C8560	C-CERA C	CK725B1C-104K0	1	332011045R1
C8584	CHIP TANTAL	TEESVA0J226M8R	1	398422207R2
C8584 or	CHIP TANTAL	F93-6.3V-22M	(1)	395522207R2
C8584 or	CHIP TANTAL	TCSCS0J226MAAR	(1)	396522207R2
C8601	C-CERA C	CK725B1H-102K0	1	332031025R1
C8602	C-CERA C	CK725B1H-102K0	1	332031025R1
C8603	C-CERA C	CK725B1H-102K0	1	332031025R1
C8604	C-CERA C	CK725B1H-102K0	1	332031025R1
C8605	C-CERA C	CK725B1H-102K0	1	332031025R1
C8606	C-CERA C	CK725B1H-102K0	1	332031025R1
C8607	C-CERA C	CK725B1H-102K0	1	332031025R1
C8608	C-CERA C	CK725B1H-102K0	1	332031025R1
C8609	C-CERA C	CK725B1H-102K0	1	332031025R1
C8610	C-CERA C	CK725B1H-102K0	1	332031025R1

C8611	C-CERA C	CK725B1H-102K0	1	332031025R1
C8612	C-CERA C	CK725B1H-102K0	1	332031025R1
C8615	C-CERA C	CK725B1H-102K0	1	332031025R1
C8616	C-CERA C	CK725B1H-102K0	1	332031025R1
C8617	C-CERA C	CK725B1A-105K0	1	332001055R1
C8618	C-CERA C	CK725B1C-104K0	1	332011045R1
C8619	C-CERA C	CK732B16V-106K	1	332071065R2
C8620	C-CERA C	CK725B1A-105K0	1	332001055R1
C8621	C-CERA C	CK725B1C-104K0	1	332011045R1
C8622	C-CERA C	CK725B1C-104K0	1	332011045R1
C8623	C-CERA C	CK725B1C-104K0	1	332011045R1
C8624	C-CERA C	CK725B1C-104K0	1	332011045R1
C8625	C-CERA C	CK725B1C-104K0	1	332011045R1
C8633	C-CERA C	CK725B1H-102K0	1	332031025R1
C8634	C-CERA C	CK725B1H-102K0	1	332031025R1
C8691	C-CERA C	CK725B1C-104K0	1	332011045R1
C8701	C-CERA C	CK725B1C-104K0	1	332011045R1
C8702	C-CERA C	CK725B1A-105K0	1	332001055R1
C8703	C-CERA C	CK732B16V-106K	1	332071065R2
C8704	C-CERA C	CK732B16V-106K	1	332071065R2
C8705	C-CERA C	CK725B1C-104K0	1	332011045R1
C8706	C-CERA C	CK725B1C-104K0	1	332011045R1
C8707	C-CERA C	CK725B1C-104K0	1	332011045R1
C8708	C-CERA C	CK725B1C-104K0	1	332011045R1
C8709	C-CERA C	CK725B1C-104K0	1	332011045R1
C8711	C-CERA C	CK725B1C-104K0	1	332011045R1
C8831	C-CERA C	CK725B1A-105K0	1	332001055R1
C8832	C-CERA C	CK725B0J-225K	1	332092255R1
C8833	C-CERA C	CK732B16V-106K	1	332071065R2
C8834	C-CERA C	CK725B1A-105K0	1	332001055R1
C8835	C-CERA C	CK725B0J-226M	1	332092267R2
C8836	C-CERA C	CK725B0J-226M	1	332092267R2
C8837	C-CERA C	CK725B1A-105K0	1	332001055R1
C8838	C-CERA C	CK732B16V-106K	1	332071065R2
C8839	C-CERA C	CK725B1A-105K0	1	332001055R1
C8840	C-CERA C	CK732B16V-106K	1	332071065R2
C8842	C-CERA C	CK725B0J-226M	1	332092267R2
C8843	C-CERA C	CK725B0J-226M	1	332092267R2
C8845	C-CERA C	CK725B1A-105K0	1	332001055R1
C8846	C-CERA C	CK725B1A-105K0	1	332001055R1
C8847	C-CERA C	CK725B1H-222K0	1	332032225R1
C8849	C-CERA C	CK725B1A-105K0	1	332001055R1
C8851	C-CERA C	CK725B1A-105K0	1	332001055R1
C8852	C-CERA C	CK725B1H-222K0	1	332032225R1
C8854	C-CERA C	CK725B1E-153K0	1	332021535R1
C8855	C-CERA C	CK725B1A-154K0	1	332001545R1
C8857	C-CERA C	CK725B1A-105K0	1	332001055R1

C8858	C-CERA C	CK725B1E-153K0	1	332021535R1
C8859	C-CERA C	CK725B1A-154K0	1	332001545R1
C8860	C-CERA C	CK732B16V-106K	1	332071065R2
C8901	C-CERA C	CK725B1C-104K0	1	332011045R1
C8902	C-CERA C	CK725B1C-104K0	1	332011045R1
C8903	C-CERA C	CK725B1E-106K	1	332221065R2
C8904	C-CERA C	CK725B1E-106K	1	332221065R2
C8905	C-CERA C	CK725B1E-103K0	1	332021035R1
C8908	C-CERA C	CK725B0J-226M	1	332092267R2
C8909	C-CERA C	CK725B0J-226M	1	332092267R2
C8911	C-CERA C	CK725B1C-104K0	1	332011045R1
C8912	C-CERA C	CK725B1C-104K0	1	332011045R1
C8913	C-CERA C	CK725B1E-106K	1	332221065R2
C8914	C-CERA C	CK725B1E-106K	1	332221065R2
C8915	C-CERA C	CK725B1E-103K0	1	332021035R1
C8918	C-CERA C	CK725B0J-226M	1	332092267R2
C8919	C-CERA C	CK725B0J-226M	1	332092267R2
C8921	C-CERA C	CK725B1C-104K0	1	332011045R1
C8922	C-CERA C	CK725B1C-104K0	1	332011045R1
C8923	C-CERA C	CK725B1E-106K	1	332221065R2
C8924	C-CERA C	CK725B1E-106K	1	332221065R2
C8925	C-CERA C	CK725B1H-472K0	1	332034725R1
C8928	C-CERA C	CK725B0J-226M	1	332092267R2
C8929	C-CERA C	CK725B0J-226M	1	332092267R2
C8931	C-CERA C	CK725B1C-104K0	1	332011045R1
C8932	C-CERA C	CK725B1C-104K0	1	332011045R1
C8933	C-CERA C	CK725B1E-106K	1	332221065R2
C8934	C-CERA C	CK725B1E-106K	1	332221065R2
C8935	C-CERA C	CK725B1H-472K0	1	332034725R1
C8938	C-CERA C	CK725B0J-226M	1	332092267R2
C8939	C-CERA C	CK725B0J-226M	1	332092267R2
C8941	C-CERA C	CK725B1C-104K0	1	332011045R1
C8942	C-CERA C	CK725B1C-104K0	1	332011045R1
C8943	C-CERA C	CK725B1E-106K	1	332221065R2
C8944	C-CERA C	CK725B1E-106K	1	332221065R2
C8945	C-CERA C	CK725B1H-472K0	1	332034725R1
C8948	C-CERA C	CK725B0J-226M	1	332092267R2
C8949	C-CERA C	CK725B0J-226M	1	332092267R2
C8951	C-CERA C	CK732B16V-106K	1	332071065R2
C8952	C-CERA C	CK725B1A-105K0	1	332001055R1
C8953	C-CERA C	CK725B0J-226M	1	332092267R2
C8954	C-CERA C	CK732B16V-106K	1	332071065R2
C8955	C-CERA C	CK725B1A-105K0	1	332001055R1
C8956	C-CERA C	CK725B1A-105K0	1	332001055R1
C8957	C-CERA C	CK725B1A-105K0	1	332001055R1
C8958	C-CERA C	CK725B1A-105K0	1	332001055R1
C8959	C-CERA C	CK725B1E-106K	1	332221065R2

C8960	C-CERA C	CK725B1A-105K0	1	332001055R1
C8961	C-CERA C	CK725B1A-105K0	1	332001055R1
C8962	C-CERA C	CK725B0J-226M	1	332092267R2
C8963	C-CERA C	CK725B1A-105K0	1	332001055R1
C8964	C-CERA C	CK725B0J-226M	1	332092267R2
C8965	C-CERA C	CK725B1A-105K0	1	332001055R1
C8966	C-CERA C	CK725B0J-226M	1	332092267R2
C8967	C-CERA C	CK725B1A-105K0	1	332001055R1
C8968	C-CERA C	CK725B0J-226M	1	332092267R2
C8969	C-CERA C	CK725B1A-105K0	1	332001055R1
C8970	C-CERA C	CK725B0J-226M	1	332092267R2
C8971	C-CERA C	CK725B1A-105K0	1	332001055R1
C8972	C-CERA C	CK725B1A-105K0	1	332001055R1
C8974	C-CERA C	CK725B1A-105K0	1	332001055R1
C8975	C-CERA C	CK725B1E-106K	1	332221065R2
C8976	C-CERA C	CK725B0J-226M	1	332092267R2
C8977	C-CERA C	CK732B16V-106K	1	332071065R2
C8978	C-CERA C	CK732B16V-106K	1	332071065R2
C8979	C-CERA C	CK732B16V-106K	1	332071065R2
C8980	C-CERA C	CK732B16V-106K	1	332071065R2
C8981	C-CERA C	CK732B16V-106K	1	332071065R2
C8985	C-CERA C	CK732B16V-106K	1	332071065R2
C8986	C-CERA C	CK732B16V-106K	1	332071065R2
[RESISTOR]				
R3009	C-CARBON R	RN72K1J-330JE	1	435033304R1
R3010	C-R NET	RM7LJ330X04	1	43484733004R2
R3010 or	C-R NET	YCN104-330-JK	(1)	43464C33004R1
R3011	C-R NET	RM7LJ330X04	1	43484733004R2
R3011 or	C-R NET	YCN104-330-JK	(1)	43464C33004R1
R3012	C-R NET	RM7LJ470X04	1	43484747004R2
R3012 or	C-R NET	YCN104-470-JK	(1)	43464C47004R1
R3013	C-R NET	RM7LJ330X04	1	43484733004R2
R3013 or	C-R NET	YCN104-330-JK	(1)	43464C33004R1
R3014	C-R NET	RM7LJ330X04	1	43484733004R2
R3014 or	C-R NET	YCN104-330-JK	(1)	43464C33004R1
R3015	C-R NET	RM7LJ330X04	1	43484733004R2
R3015 or	C-R NET	YCN104-330-JK	(1)	43464C33004R1
R3016	C-CARBON R	RN72K1J-470JE	1	435034704R1
R3017	C-R NET	RM7LJ330X04	1	43484733004R2
R3017 or	C-R NET	YCN104-330-JK	(1)	43464C33004R1
R3018	C-CARBON R	RN72K1J-470JE	1	435034704R1
R3019	C-R NET	RM7LJ330X04	1	43484733004R2
R3019 or	C-R NET	YCN104-330-JK	(1)	43464C33004R1
R3020	C-R NET	RM7LJ330X04	1	43484733004R2
R3020 or	C-R NET	YCN104-330-JK	(1)	43464C33004R1
R3021	C-CARBON R	RN72K1J-470JE	1	435034704R1
R3022	C-CARBON R	RN72K1J-470JE	1	435034704R1

R3023	C-R NET	RM7LJ470X04	1	43484747004R2
R3023 or	C-R NET	YCN104-470-JK	(1)	43464C47004R1
R3024	C-CARBON R	RN72K1J-470JE	1	435034704R1
R3025	C-CARBON R	RN72K1J-102JE	1	435031024R1
R3027	C-CARBON R	RN72K1J-470JE	1	435034704R1
R3028	C-CARBON R	RN72K1J-470JE	1	435034704R1
R3029	C-CARBON R	RN72K1J-102JE	1	435031024R1
R3032	C-CARBON R	RN72K1J-103JE	1	435031034R1
R3033	C-CARBON R	RN72K1J-470JE	1	435034704R1
R3034	C-CARBON R	RN72K1J-470JE	1	435034704R1
R3035	C-CARBON R	RN72K1J-470JE	1	435034704R1
R3036	C-CARBON R	RN72K1J-470JE	1	435034704R1
R3037	C-CARBON R	RN72K1J-470JE	1	435034704R1
R3038	C-CARBON R	RN72K1J-470JE	1	435034704R1
R3039	C-CARBON R	RN72K1J-470JE	1	435034704R1
R3040	C-CARBON R	RN72K1J-103JE	1	435031034R1
R3041	C-R NET	RM7LJ330X04	1	43484733004R2
R3041 or	C-R NET	YCN104-330-JK	(1)	43464C33004R1
R3042	C-R NET	RM7LJ330X04	1	43484733004R2
R3042 or	C-R NET	YCN104-330-JK	(1)	43464C33004R1
R3043	C-CARBON R	RN72K1J-000JE	1	435030004R1
R3044	C-R NET	RM7LJ330X04	1	43484733004R2
R3044 or	C-R NET	YCN104-330-JK	(1)	43464C33004R1
R3045	C-R NET	RM7LJ330X04	1	43484733004R2
R3045 or	C-R NET	YCN104-330-JK	(1)	43464C33004R1
R3047	C-CARBON R	RN72K1J-560JE	1	435035604R1
R3048	C-CARBON R	RN72K1J-101JE	1	435031014R1
R3049	C-CARBON R	RN72K1J-560JE	1	435035604R1
R3050	C-CARBON R	RN72K1J-560JE	1	435035604R1
R3051	C-CARBON R	RN72K1J-560JE	1	435035604R1
R3054	C-CARBON R	RN72K1J-103JE	1	435031034R1
R3056	C-CARBON R	RN72K1J-472JE	1	435034724R1
R3060	C-CARBON R	RN72K1J-680JE	1	435036804R1
R3061	C-CARBON R	RN72K1J-470JE	1	435034704R1
R3062	C-CARBON R	RN72K1J-680JE	1	435036804R1
R3063	C-CARBON R	RN72K1J-680JE	1	435036804R1
R3064	C-CARBON R	RN72K1J-680JE	1	435036804R1
R3065	C-CARBON R	RN72K1J-680JE	1	435036804R1
R3066	C-CARBON R	RN72K1J-102JE	1	435031024R1
R3101	C-CARBON R	RN72K1J-103JE	1	435031034R1
R3105	C-CARBON R	RN72K1J-473JE	1	435034734R1
R3106	C-CARBON R	RN72K1J-103JE	1	435031034R1
R3108	C-CARBON R	RN72K1J-103JE	1	435031034R1
R3109	C-CARBON R	RN72K1J-473JE	1	435034734R1
R3111	C-CARBON R	RN72K1J-473JE	1	435034734R1
R3113	C-CARBON R	RN72K1J-103JE	1	435031034R1
R3115	C-CARBON R	RN72K1J-332JE	1	435033324R1

R3117	C-CARBON R	RN72K1J-332JE	1	435033324R1
R3119	C-CARBON R	RN72K1J-332JE	1	435033324R1
R3122	C-CARBON R	RN72K1J-102JE	1	435031024R1
R3123	C-CARBON R	RN72K1J-000JE	1	435030004R1
R3124	C-CARBON R	RN72K1J-331JE	1	435033314R1
R3125	C-CARBON R	RN72K1J-470JE	1	435034704R1
R3126	C-CARBON R	RN72K1J-470JE	1	435034704R1
R3127	C-CARBON R	RN72K1J-470JE	1	435034704R1
R3128	C-CARBON R	RN72K1J-472JE	1	435034724R1
R3129	C-CARBON R	RN72K1J-470JE	1	435034704R1
R3130	C-CARBON R	RN72K1J-470JE	1	435034704R1
R3131	C-CARBON R	RN72K1J-470JE	1	435034704R1
R3132	C-CARBON R	RN72K1J-103JE	1	435031034R1
R3133	C-CARBON R	RN72K1J-470JE	1	435034704R1
R3134	C-CARBON R	RN72K1J-103JE	1	435031034R1
R3135	C-CARBON R	RN72K1J-103JE	1	435031034R1
R3136	C-CARBON R	RN72K1J-000JE	1	435030004R1
R3137	C-CARBON R	RN72K1J-000JE	1	435030004R1
R3139	C-CARBON R	RN72K1J-101JE	1	435031014R1
R3141	C-CARBON R	RN72K1J-470JE	1	435034704R1
R3142	C-CARBON R	RN72K1J-470JE	1	435034704R1
R3143	C-CARBON R	RN72K1J-392JE	1	435033924R1
R3144	C-CARBON R	RN72K1J-101JE	1	435031014R1
R3145	C-CARBON R	RN72K1J-392JE	1	435033924R1
R3146	C-CARBON R	RN72K1J-390JE	1	435033904R1
R3147	C-CARBON R	RN72K1J-000JE	1	435030004R1
R3148	C-CARBON R	RN72K1J-390JE	1	435033904R1
R3149	C-CARBON R	RN72K1J-102JE	1	435031024R1
R3150	C-CARBON R	RN72K1J-680JE	1	435036804R1
R3151	C-CARBON R	RN72K1J-103JE	1	435031034R1
R3152	C-CARBON R	RN72K1J-103JE	1	435031034R1
R3154	C-CARBON R	RN72K1J-390JE	1	435033904R1
R3155	C-CARBON R	RN72K1J-390JE	1	435033904R1
R3156	C-CARBON R	RN72K1J-390JE	1	435033904R1
R3157	C-CARBON R	RN72K1J-000JE	1	435030004R1
R3158	C-CARBON R	RN72K1J-000JE	1	435030004R1
R3162	C-CARBON R	RN72K1J-390JE	1	435033904R1
R3163	C-CARBON R	RN72K1J-220JE	1	435032204R1
R3164	C-CARBON R	RN72K1J-472JE	1	435034724R1
R3168	C-CARBON R	RN72K1J-220JE	1	435032204R1
R3169	C-CARBON R	RN72K1J-220JE	1	435032204R1
R3170	C-CARBON R	RN72K1J-391FE	1	435033912R1
R3171	C-CARBON R	RN72K1J-222FE	1	435032222R1
R3172	C-CARBON R	RN72K1J-392FE	1	435033922R1
R3173	C-CARBON R	RN72K1J-390JE	1	435033904R1
R3174	C-CARBON R	RN72K1J-390JE	1	435033904R1
R3175	C-CARBON R	RN72K1J-472JE	1	435034724R1

R3176	C-CARBON R	RN72K1J-473JE	1	435034734R1
R3177	C-CARBON R	RN72K1J-103JE	1	435031034R1
R3181	C-CARBON R	RN72K1J-470JE	1	435034704R1
R3182	C-CARBON R	RN72K1J-472JE	1	435034724R1
R3183	C-CARBON R	RN72K1J-470JE	1	435034704R1
R3184	C-CARBON R	RN72K1J-470JE	1	435034704R1
R3185	C-CARBON R	RN72K1J-473JE	1	435034734R1
R3188	C-CARBON R	RN72K1J-473JE	1	435034734R1
R3189	C-CARBON R	RN72K1J-473JE	1	435034734R1
R3190	C-CARBON R	RN72K1J-472JE	1	435034724R1
R3192	C-CARBON R	RN72K1J-472JE	1	435034724R1
R3193	C-CARBON R	RN72K1J-472JE	1	435034724R1
R3194	C-CARBON R	RN72K1J-472JE	1	435034724R1
R3199	C-CARBON R	RN72K1J-102JE	1	435031024R1
R3200	C-CARBON R	RN72K1J-103JE	1	435031034R1
R3204	C-CARBON R	RN72K1J-103JE	1	435031034R1
R3205	C-CARBON R	RN72K1J-103JE	1	435031034R1
R3208	C-CARBON R	RN72K1J-121JE	1	435031214R1
R3212	C-CARBON R	RN72K1J-470JE	1	435034704R1
R3215	C-CARBON R	RN72K1J-221JE	1	435032214R1
R3218	C-CARBON R	RN72K1J-470JE	1	435034704R1
R3219	C-CARBON R	RN72K1J-221JE	1	435032214R1
R3221	C-CARBON R	RN72K1J-470JE	1	435034704R1
R3226	C-R NET	RM7LJ470X04	1	43484747004R2
R3226 or	C-R NET	YCN104-470-JK	(1)	43464C47004R1
R3230	C-CARBON R	RN72K1J-221JE	1	435032214R1
R3232	C-CARBON R	RN72K1J-221JE	1	435032214R1
R3235	C-CARBON R	RN72K1J-470JE	1	435034704R1
R3237	C-CARBON R	RN72K1J-221JE	1	435032214R1
R3239	C-CARBON R	RN72K1J-221JE	1	435032214R1
R3241	C-CARBON R	RN72K1J-221JE	1	435032214R1
R3242	C-CARBON R	RN72K1J-221JE	1	435032214R1
R3244	C-CARBON R	RN72K1J-470JE	1	435034704R1
R3246	C-CARBON R	RN72K1J-332JE	1	435033324R1
R3247	C-CARBON R	RN72K1J-121JE	1	435031214R1
R3251	C-CARBON R	RN72K1J-470JE	1	435034704R1
R3257	C-CARBON R	RN72K1J-470JE	1	435034704R1
R3260	C-CARBON R	RN72K1J-121JE	1	435031214R1
R3262	C-CARBON R	RN72K1J-221JE	1	435032214R1
R3265	C-CARBON R	RN72K1J-390JE	1	435033904R1
R3266	C-CARBON R	RN72K1J-332JE	1	435033324R1
R3268	C-CARBON R	RN72K1J-390JE	1	435033904R1
R3270	C-CARBON R	RN72K1J-332JE	1	435033324R1
R3271	C-CARBON R	RN72K1J-390JE	1	435033904R1
R3272	C-CARBON R	RN72K1J-470JE	1	435034704R1
R3274	C-CARBON R	RN72K1J-390JE	1	435033904R1
R3277	C-CARBON R	RN72K1J-470JE	1	435034704R1

R3278	C-CARBON R	RN72K1J-470JE	1	435034704R1	
R3279	C-CARBON R	RN72K1J-470JE	1	435034704R1	
R3280	C-CARBON R	RN72K1J-470JE	1	435034704R1	
R3281	C-CARBON R	RN72K1J-103JE	1	435031034R1	
R3282	C-CARBON R	RN72K1J-103JE	1	435031034R1	
R3284	C-CARBON R	RN72K1J-103JE	1	435031034R1	
R3285	C-CARBON R	RN72K1J-332JE	1	435033324R1	
R3286	C-CARBON R	RN72K1J-332JE	1	435033324R1	
R3298	C-CARBON R	RN72K1J-102JE	1	435031024R1	
R3302	C-CARBON R	RN72K1J-470JE	1	435034704R1	
R3304	C-CARBON R	RN72K1J-470JE	1	435034704R1	
R3305	C-R NET	RM7LJ470X04	1	43484747004R2	
R3305 or	C-R NET	YCN104-470-JK	(1)	43464C47004R1	
R3306	C-R NET	RM7LJ470X04	1	43484747004R2	
R3306 or	C-R NET	YCN104-470-JK	(1)	43464C47004R1	
R3309	C-CARBON R	RN72K1J-331JE	1	435033314R1	
R3310	C-R NET	RM7LJ221X04	1	43484722104R2	
R3310 or	C-R NET	YCN104-221-JK	(1)	43464C22104R1	
R3311	C-R NET	RM7LJ221X04	1	43484722104R2	
R3311 or	C-R NET	YCN104-221-JK	(1)	43464C22104R1	
R3312	C-CARBON R	RN72K1J-470JE	1	435034704R1	
R3313	C-CARBON R	RN72K1J-470JE	1	435034704R1	
R3314	C-CARBON R	RN72K1J-470JE	1	435034704R1	
R3315	C-R NET	RM7LJ470X04	1	43484747004R2	
R3315 or	C-R NET	YCN104-470-JK	(1)	43464C47004R1	
R3321	C-CARBON R	RN72K1J-221JE	1	435032214R1	
R3322	C-CARBON R	RN72K1J-221JE	1	435032214R1	
R3323	C-CARBON R	RN72K1J-221JE	1	435032214R1	
R3327	C-CARBON R	RN72K1J-000JE	1	435030004R1	
R3328	C-CARBON R	RN72K1J-000JE	1	435030004R1	
R3329	C-CARBON R	RN72K1J-000JE	1	435030004R1	
R3330	C-CARBON R	RN72K1J-000JE	1	435030004R1	
R3332	C-CARBON R	RN72K1J-000JE	1	435030004R1	
R3333	C-CARBON R	RN72K1J-000JE	1	435030004R1	
R3335	C-CARBON R	RN72K1J-000JE	1	435030004R1	
R3337	C-CARBON R	RN72K1J-000JE	1	435030004R1	
R3338	C-CARBON R	RN72K1J-000JE	1	435030004R1	
R3339	C-CARBON R	RN72K1J-000JE	1	435030004R1	
R3340	C-CARBON R	RN72K1J-000JE	1	435030004R1	
R3341	C-CARBON R	RN72K1J-331JE	1	435033314R1	
R3343	C-CARBON R	RN72K1J-221JE	1	435032214R1	
R3344	C-CARBON R	RN72K1J-470JE	1	435034704R1	
R3346	C-CARBON R	RN72K1J-221JE	1	435032214R1	
R3347	C-CARBON R	RN72K1J-470JE	1	435034704R1	
R3349	C-CARBON R	RN72K1J-221JE	1	435032214R1	
R3350	C-CARBON R	RN72K1J-470JE	1	435034704R1	
R3351	C-CARBON R	RN72K1J-331JE	1	435033314R1	<MDC>

R3352	C-CARBON R	RN72K1J-470JE	1	435034704R1	<MDC>
R3353	C-R NET	RM7LJ221X04	1	43484722104R2	<MDC>
R3353 or	C-R NET	YCN104-221-JK	(1)	43464C22104R1	<MDC>
R3354	C-CARBON R	RN72K1J-470JE	1	435034704R1	<MDC>
R3355	C-CARBON R	RN72K1J-470JE	1	435034704R1	<MDC>
R3356	C-R NET	RM7LJ221X04	1	43484722104R2	<MDC>
R3356 or	C-R NET	YCN104-221-JK	(1)	43464C22104R1	<MDC>
R3357	C-CARBON R	RN72K1J-470JE	1	435034704R1	<MDC>
R3358	C-CARBON R	RN72K1J-000JE	1	435030004R1	<MMA, MMR>
R3359	C-CARBON R	RN72K1J-000JE	1	435030004R1	<MMA, MMR>
R3360	C-CARBON R	RN72K1J-000JE	1	435030004R1	<MMA, MMR>
R3361	C-CARBON R	RN72K1J-000JE	1	435030004R1	<MMA, MMR>
R3362	C-R NET	RM7LJ470X04	1	43484747004R2	
R3362 or	C-R NET	YCN104-470-JK	(1)	43464C47004R1	
R3363	C-CARBON R	RN72K1J-331JE	1	435033314R1	
R3364	C-CARBON R	RN72K1J-470JE	1	435034704R1	
R3365	C-CARBON R	RN72K1J-470JE	1	435034704R1	
R3366	C-CARBON R	RN72K1J-470JE	1	435034704R1	
R3367	C-CARBON R	RN72K1J-470JE	1	435034704R1	
R3368	C-CARBON R	RN72K1J-470JE	1	435034704R1	
R3369	C-CARBON R	RN72K1J-470JE	1	435034704R1	
R3370	C-CARBON R	RN72K1J-121JE	1	435031214R1	
R3371	C-CARBON R	RN72K1J-470JE	1	435034704R1	
R3372	C-CARBON R	RN72K1J-221JE	1	435032214R1	
R3373	C-CARBON R	RN72K1J-221JE	1	435032214R1	
R3374	C-CARBON R	RN72K1J-101JE	1	435031014R1	
R3375	C-CARBON R	RN72K1J-331JE	1	435033314R1	
R3377	C-CARBON R	RN72K1J-101JE	1	435031014R1	
R3378	C-CARBON R	RN72K1J-103JE	1	435031034R1	
R3393	C-CARBON R	RN72K1J-000JE	1	435030004R1	
R3394	C-CARBON R	RN72K1J-000JE	1	435030004R1	
R3395	C-CARBON R	RN72K1J-000JE	1	435030004R1	
R3401	C-R NET	RM7LJ000X04	1	43484700004R2	
R3401 or	C-R NET	YCN104-000-ZK	(1)	43484C00004R1	
R3406	C-CARBON R	RN72K1J-332JE	1	435033324R1	
R3407	C-CARBON R	RN72K1J-103JE	1	435031034R1	
R3408	C-R NET	RM7LJ221X04	1	43484722104R2	
R3408 or	C-R NET	YCN104-221-JK	(1)	43464C22104R1	
R3409	C-R NET	RM7LJ221X04	1	43484722104R2	
R3409 or	C-R NET	YCN104-221-JK	(1)	43464C22104R1	
R3412	C-CARBON R	RN72K1J-472JE	1	435034724R1	
R3414	C-CARBON R	RN72K1J-103JE	1	435031034R1	
R3421	C-CARBON R	RN72K1J-560JE	1	435035604R1	
R3423	C-CARBON R	RN72K1J-000JE	1	435030004R1	
R3424	C-CARBON R	RN72K1J-470JE	1	435034704R1	
R3425	C-CARBON R	RN72K1J-470JE	1	435034704R1	
R3429	C-R NET	RM7LJ470X04	1	43484747004R2	

R3429 or	C-R NET	YCN104-470-JK	(1)	43464C47004R1
R3430	C-R NET	RM7LJ470X04	1	43484747004R2
R3430 or	C-R NET	YCN104-470-JK	(1)	43464C47004R1
R3432	C-CARBON R	RN72K1J-103JE	1	435031034R1
R3433	C-CARBON R	RN72K1J-103JE	1	435031034R1
R3434	C-CARBON R	RN72K1J-332JE	1	435033324R1
R3435	C-CARBON R	RN72K1J-222JE	1	435032224R1
R3436	C-CARBON R	RN72K1J-560JE	1	435035604R1
R3437	C-CARBON R	RN72K1J-560JE	1	435035604R1
R3438	C-CARBON R	RN72K1J-560JE	1	435035604R1
R3439	C-CARBON R	RN72K1J-332JE	1	435033324R1
R3440	C-CARBON R	RN72K1J-332JE	1	435033324R1
R3441	C-R NET	RM7LJ470X04	1	43484747004R2
R3441 or	C-R NET	YCN104-470-JK	(1)	43464C47004R1
R3442	C-CARBON R	RN72K1J-105JE	1	435031054R1
R3443	C-CARBON R	RN72K1J-561JE	1	435035614R1
R3444	C-CARBON R	RN72K1J-391JE	1	435033914R1
R3445	C-R NET	RM7LJ470X04	1	43484747004R2
R3445 or	C-R NET	YCN104-470-JK	(1)	43464C47004R1
R3446	C-CARBON R	RN72K1J-102JE	1	435031024R1
R3447	C-CARBON R	RN72K1J-560JE	1	435035604R1
R3448	C-CARBON R	RN72K1J-330JE	1	435033304R1
R3450	C-CARBON R	RN72K1J-560JE	1	435035604R1
R3452	C-CARBON R	RN72K1J-470JE	1	435034704R1
R3453	C-CARBON R	RN72K1J-121JE	1	435031214R1
R3454	C-CARBON R	RN72K1J-470JE	1	435034704R1
R3455	C-CARBON R	RN72K1J-121JE	1	435031214R1
R3456	C-CARBON R	RN72K1J-470JE	1	435034704R1
R3457	C-R NET	RM7LJ470X04	1	43484747004R2
R3457 or	C-R NET	YCN104-470-JK	(1)	43464C47004R1
R3458	C-CARBON R	RN72K1J-470JE	1	435034704R1
R3459	C-CARBON R	RN72K1J-470JE	1	435034704R1
R3460	C-CARBON R	RN72K1J-470JE	1	435034704R1
R3462	C-CARBON R	RN72K1J-102JE	1	435031024R1
R3464	C-CARBON R	RN72K1J-102JE	1	435031024R1
R3465	C-CARBON R	RN72K1J-102JE	1	435031024R1
R3466	C-CARBON R	RN72K1J-102JE	1	435031024R1
R3469	C-CARBON R	RN72K1J-103JE	1	435031034R1
R3470	C-CARBON R	RN72K1J-103JE	1	435031034R1
R3473	C-CARBON R	RN72K1J-103JE	1	435031034R1
R3474	C-CARBON R	RN72K1J-103JE	1	435031034R1
R3477	C-R NET	RM7LJ470X04	1	43484747004R2
R3477 or	C-R NET	YCN104-470-JK	(1)	43464C47004R1
R3478	C-R NET	RM7LJ470X04	1	43484747004R2
R3478 or	C-R NET	YCN104-470-JK	(1)	43464C47004R1
R3481	C-CARBON R	RN72K1J-332JE	1	435033324R1
R3484	C-CARBON R	RN72K1J-470JE	1	435034704R1

R3485	C-CARBON R	RN72K1J-470JE	1	435034704R1
R3488	C-CARBON R	RN72K1J-332JE	1	435033324R1
R3491	C-CARBON R	RN72K1J-332JE	1	435033324R1
R3494	C-R NET	RM7LJ470X04	1	43484747004R2
R3494 or	C-R NET	YCN104-470-JK	(1)	43464C47004R1
R3495	C-R NET	RM7LJ470X04	1	43484747004R2
R3495 or	C-R NET	YCN104-470-JK	(1)	43464C47004R1
R3496	C-R NET	RM7LJ470X04	1	43484747004R2
R3496 or	C-R NET	YCN104-470-JK	(1)	43464C47004R1
R3497	C-R NET	RM7LJ470X04	1	43484747004R2
R3497 or	C-R NET	YCN104-470-JK	(1)	43464C47004R1
R3500	C-CARBON R	RN72K1J-470JE	1	435034704R1
R3501	C-CARBON R	RN72K1J-470JE	1	435034704R1
R3502	C-CARBON R	RN72K1J-470JE	1	435034704R1
R3503	C-CARBON R	RN72K1J-470JE	1	435034704R1
R3504	C-CARBON R	RN72K1J-470JE	1	435034704R1
R3505	C-CARBON R	RN72K1J-470JE	1	435034704R1
R3670	C-CARBON R	RN72K1J-103JE	1	435031034R1
R8000	C-CARBON R	RN72K1J-103JE	1	435031034R1
R8003	C-CARBON R	RN72K1J-000JE	1	435030004R1
R8004	C-CARBON R	RN72K1J-103JE	1	435031034R1
R8005	C-CARBON R	RN72K1J-103JE	1	435031034R1
R8007	C-CARBON R	RN72K1J-223JE	1	435032234R1
R8009	C-CARBON R	RN72K1J-000JE	1	435030004R1
R8010	C-R NET	RM7LJ510X04	1	43484751004R2
R8010 or	C-R NET	YCN104-510-JK	(1)	43464C51004R1
R8011	C-R NET	RM7LJ510X04	1	43484751004R2
R8011 or	C-R NET	YCN104-510-JK	(1)	43464C51004R1
R8012	C-R NET	RM7LJ510X04	1	43484751004R2
R8012 or	C-R NET	YCN104-510-JK	(1)	43464C51004R1
R8013	C-R NET	RM7LJ510X04	1	43484751004R2
R8013 or	C-R NET	YCN104-510-JK	(1)	43464C51004R1
R8014	C-R NET	RM7LJ510X04	1	43484751004R2
R8014 or	C-R NET	YCN104-510-JK	(1)	43464C51004R1
R8015	C-CARBON R	MCR03EZPF49R9(49.9_1%)	1	4100037R2
R8015 or	CARBON R	CR16-49R9-FL	(1)	4100046R1
R8016	C-CARBON R	MCR03EZPF49R9(49.9_1%)	1	4100037R2
R8016 or	CARBON R	CR16-49R9-FL	(1)	4100046R1
R8017	C-CARBON R	MCR03EZPF49R9(49.9_1%)	1	4100037R2
R8017 or	CARBON R	CR16-49R9-FL	(1)	4100046R1
R8018	C-CARBON R	RN72K1J-000JE	1	435030004R1
R8019	C-CARBON R	RN72K1J-000JE	1	435030004R1
R8021	C-CARBON R	RN72K1J-473JE	1	435034734R1
R8037	C-CARBON R	RN72K1J-000JE	1	435030004R1
R8042	C-CARBON R	MCR03EZPF49R9(49.9_1%)	1	4100037R2
R8042 or	CARBON R	CR16-49R9-FL	(1)	4100046R1
R8043	C-CARBON R	MCR03EZPF49R9(49.9_1%)	1	4100037R2

R8043 or	CARBON R	CR16-49R9-FL	(1)	4100046R1
R8045	C-CARBON R	RN72K1J-331FE	1	435033312R1
R8046	C-CARBON R	RN72K1J-332FE	1	435033322R1
R8047	C-CARBON R	RN72K1J-271FE	1	435032712R1
R8048	C-CARBON R	RN72K1J-222FE	1	435032222R1
R8049	C-CARBON R	RN72K1J-750JE	1	435037504R1
R8050	C-CARBON R	RN72K1J-750JE	1	435037504R1
R8052	C-CARBON R	RN72K1J-472JE	1	435034724R1
R8053	C-R NET	RM7LJ220X04	1	43484722004R2
R8053 or	C-R NET	YCN104-220-JK	(1)	43464C22004R1
R8054	C-R NET	RM7LJ220X04	1	43484722004R2
R8054 or	C-R NET	YCN104-220-JK	(1)	43464C22004R1
R8055	C-R NET	RM7LJ220X04	1	43484722004R2
R8055 or	C-R NET	YCN104-220-JK	(1)	43464C22004R1
R8056	C-R NET	RM7LJ220X04	1	43484722004R2
R8056 or	C-R NET	YCN104-220-JK	(1)	43464C22004R1
R8057	C-R NET	RM7LJ220X04	1	43484722004R2
R8057 or	C-R NET	YCN104-220-JK	(1)	43464C22004R1
R8058	C-R NET	RM7LJ220X04	1	43484722004R2
R8058 or	C-R NET	YCN104-220-JK	(1)	43464C22004R1
R8059	C-R NET	RM7LJ220X04	1	43484722004R2
R8059 or	C-R NET	YCN104-220-JK	(1)	43464C22004R1
R8060	C-R NET	RM7LJ220X04	1	43484722004R2
R8060 or	C-R NET	YCN104-220-JK	(1)	43464C22004R1
R8061	C-R NET	RM7LJ220X04	1	43484722004R2
R8061 or	C-R NET	YCN104-220-JK	(1)	43464C22004R1
R8062	C-R NET	RM7LJ220X04	1	43484722004R2
R8062 or	C-R NET	YCN104-220-JK	(1)	43464C22004R1
R8063	C-CARBON R	RN72K1J-100JE	1	435031004R1
R8064	C-CARBON R	RN72K1J-100JE	1	435031004R1
R8067	C-CARBON R	RN72K1J-220JE	1	435032204R1
R8068	C-CARBON R	RN72K1J-220JE	1	435032204R1
R8073	C-CARBON R	RN72K1J-182JE	1	435031824R1
R8074	C-CARBON R	RN72K1J-182JE	1	435031824R1
R8077	C-CARBON R	RN72K1J-104JE	1	435031044R1
R8078	C-CARBON R	RN72K1J-472JE	1	435034724R1
R8079	C-CARBON R	RN72K1J-473JE	1	435034734R1
R8080	C-CARBON R	RN72K1J-101JE	1	435031014R1
R8081	C-CARBON R	RN72K1J-101JE	1	435031014R1
R8082	C-CARBON R	RN72K1J-101JE	1	435031014R1
R8083	C-CARBON R	RN72K1J-101JE	1	435031014R1
R8084	C-CARBON R	RN72K1J-100JE	1	435031004R1
R8085	C-CARBON R	RN72K1J-100JE	1	435031004R1
R8086	C-CARBON R	RN72K1J-100JE	1	435031004R1
R8087	C-CARBON R	RN72K1J-823JE	1	435038234R1
R8088	C-CARBON R	RN72K1J-103JE	1	435031034R1
R8089	C-CARBON R	RN72K1J-330JE	1	435033304R1

R8090	C-CARBON R	RN72K1J-103JE	1	435031034R1
R8091	C-CARBON R	RN72K1J-220JE	1	435032204R1
R8092	C-CARBON R	RN72K1J-220JE	1	435032204R1
R8093	C-CARBON R	RN72K1J-220JE	1	435032204R1
R8094	C-CARBON R	RN72K1J-472JE	1	435034724R1
R8095	C-CARBON R	RN72K1J-105JE	1	435031054R1
R8096	C-CARBON R	RN72K1J-101JE	1	435031014R1
R8097	C-CARBON R	RN72K1J-101JE	1	435031014R1
R8098	C-CARBON R	RN72K1J-220JE	1	435032204R1
R8099	C-CARBON R	RN72K1J-102JE	1	435031024R1
R8100	C-CARBON R	RN72K1J-102JE	1	435031024R1
R8102	C-CARBON R	RN72K1J-472JE	1	435034724R1
R8103	C-CARBON R	RN72K1J-472JE	1	435034724R1
R8104	C-CARBON R	RN72K1J-472JE	1	435034724R1
R8105	C-CARBON R	RN72K1J-472JE	1	435034724R1
R8107	C-CARBON R	RN72K1J-472JE	1	435034724R1
R8108	C-CARBON R	RN72K1J-472JE	1	435034724R1
R8109	C-CARBON R	RN72K1J-472JE	1	435034724R1
R8110	C-CARBON R	RN72K1J-472JE	1	435034724R1
R8111	C-CARBON R	RN72K1J-101JE	1	435031014R1
R8112	C-CARBON R	RN72K1J-101JE	1	435031014R1
R8113	C-CARBON R	RN72K1J-101JE	1	435031014R1
R8114	C-CARBON R	RN72K1J-101JE	1	435031014R1
R8115	C-CARBON R	RN72K1J-104JE	1	435031044R1
R8116	C-CARBON R	RN72K1J-000JE	1	435030004R1
R8122	C-CARBON R	RN72K1J-220JE	1	435032204R1
R8123	C-CARBON R	RN72K1J-220JE	1	435032204R1
R8124	C-CARBON R	RN72K1J-220JE	1	435032204R1
R8125	C-CARBON R	RN72K1J-220JE	1	435032204R1
R8126	C-CARBON R	RN72K1J-472JE	1	435034724R1
R8127	C-CARBON R	RN72K1J-472JE	1	435034724R1
R8128	C-CARBON R	RN72K1J-103JE	1	435031034R1
R8129	C-CARBON R	RN72K1J-103JE	1	435031034R1
R8130	C-CARBON R	RN72K1J-103JE	1	435031034R1
R8131	C-CARBON R	RN72K1J-103JE	1	435031034R1
R8151	C-CARBON R	RN72K1J-472JE	1	435034724R1
R8152	C-CARBON R	RN72K1J-100JE	1	435031004R1
R8153	C-CARBON R	RN72K1J-100JE	1	435031004R1
R8154	C-CARBON R	RN72K1J-562JE	1	435035624R1
R8155	C-CARBON R	RN72K1J-100JE	1	435031004R1
R8156	C-CARBON R	RN72K1J-562JE	1	435035624R1
R8157	C-CARBON R	RN72K1J-100JE	1	435031004R1
R8158	C-CARBON R	RN72K1J-562JE	1	435035624R1
R8159	C-CARBON R	RN72K1J-100JE	1	435031004R1
R8160	C-CARBON R	RN72K1J-562JE	1	435035624R1
R8161	C-CARBON R	RN72K1J-000JE	1	435030004R1
R8162	C-CARBON R	RN72K1J-100JE	1	435031004R1

R8163	C-CARBON R	RN72K1J-562JE	1	435035624R1
R8164	C-R NET	RM7LJ222X04	1	43484722204R2
R8164 or	C-R NET	YCN104-222-JK	(1)	43464C22204R1
R8165	C-CARBON R	RN72K1J-103JE	1	435031034R1
R8166	C-CARBON R	RN72K1J-124JE	1	435031244R1
R8171	C-CARBON R	RN72K1J-562JE	1	435035624R1
R8185	C-CARBON R	RN72K1J-000JE	1	435030004R1
R8186	C-CARBON R	RN72K1J-000JE	1	435030004R1
R8188	C-CARBON R	RN72K1J-100JE	1	435031004R1
R8201	C-CARBON R	RN72K1J-103JE	1	435031034R1
R8202	C-CARBON R	RN72K1J-103JE	1	435031034R1
R8203	C-CARBON R	RN72K1J-101JE	1	435031014R1
R8204	C-CARBON R	RN72K1J-101JE	1	435031014R1
R8205	C-CARBON R	RN72K1J-120JE	1	435031204R1
R8206	C-CARBON R	RN72K1J-120JE	1	435031204R1
R8207	C-CARBON R	RN72K1J-120JE	1	435031204R1
R8208	C-CARBON R	RN72K1J-120JE	1	435031204R1
R8209	C-CARBON R	RN72K1J-120JE	1	435031204R1
R8210	C-CARBON R	RN72K1J-120JE	1	435031204R1
R8211	C-CARBON R	RN72K1J-120JE	1	435031204R1
R8212	C-CARBON R	RN72K1J-390JE	1	435033904R1
R8213	C-CARBON R	RN72K1J-120JE	1	435031204R1
R8214	C-CARBON R	RN72K1J-390JE	1	435033904R1
R8215	C-CARBON R	RN72K1J-120JE	1	435031204R1
R8216	C-CARBON R	RN72K1J-390JE	1	435033904R1
R8217	C-CARBON R	RN72K1J-120JE	1	435031204R1
R8218	C-CARBON R	RN72K1J-120JE	1	435031204R1
R8219	C-CARBON R	RN72K1J-120JE	1	435031204R1
R8220	C-CARBON R	RN72K1J-120JE	1	435031204R1
R8221	C-CARBON R	RN72K1J-120JE	1	435031204R1
R8222	C-CARBON R	RN72K1J-120JE	1	435031204R1
R8223	C-CARBON R	RN72K1J-120JE	1	435031204R1
R8224	C-CARBON R	RN72K1J-120JE	1	435031204R1
R8225	C-CARBON R	RN72K1J-120JE	1	435031204R1
R8226	C-CARBON R	RN72K1J-390JE	1	435033904R1
R8227	C-CARBON R	RN72K1J-120JE	1	435031204R1
R8228	C-CARBON R	RN72K1J-390JE	1	435033904R1
R8229	C-CARBON R	RN72K1J-120JE	1	435031204R1
R8230	C-CARBON R	RN72K1J-390JE	1	435033904R1
R8231	C-CARBON R	RN72K1J-120JE	1	435031204R1
R8232	C-CARBON R	RN72K1J-390JE	1	435033904R1
R8236	C-CARBON R	RN72K1J-000JE	1	435030004R1
R8237	C-CARBON R	RN72K1J-000JE	1	435030004R1
R8239	C-CARBON R	RN72K1J-000JE	1	435030004R1
R8240	C-CARBON R	RN72K1J-000JE	1	435030004R1
R8241	C-CARBON R	RN72K1J-472JE	1	435034724R1
R8242	C-CARBON R	RN72K1J-103JE	1	435031034R1

R8243	C-CARBON R	RN72K1J-220JE	1	435032204R1
R8244	C-CARBON R	RN72K1J-102JE	1	435031024R1
R8245	C-CARBON R	RN72K1J-102JE	1	435031024R1
R8246	C-CARBON R	RN72K1J-103JE	1	435031034R1
R8247	C-CARBON R	RN72K1J-103JE	1	435031034R1
R8248	C-CARBON R	RN72K1J-103JE	1	435031034R1
R8251	C-CARBON R	RN72K1J-472JE	1	435034724R1
R8252	C-CARBON R	RN72K1J-472JE	1	435034724R1
R8253	C-CARBON R	RN72K1J-102FE	1	435031022R1
R8254	C-CARBON R	RN72K1J-220JE	1	435032204R1
R8255	C-CARBON R	RN72K1J-220JE	1	435032204R1
R8256	C-CARBON R	RN72K1J-472JE	1	435034724R1
R8257	C-CARBON R	RN72K1J-472JE	1	435034724R1
R8258	C-CARBON R	RN72K1J-220JE	1	435032204R1
R8259	C-CARBON R	RN72K1J-220JE	1	435032204R1
R8260	C-R NET	RM7LJ220X04	1	43484722004R2
R8260 or	C-R NET	YCN104-220-JK	(1)	43464C22004R1
R8261	C-R NET	RM7LJ220X04	1	43484722004R2
R8261 or	C-R NET	YCN104-220-JK	(1)	43464C22004R1
R8262	C-R NET	RM7LJ220X04	1	43484722004R2
R8262 or	C-R NET	YCN104-220-JK	(1)	43464C22004R1
R8263	C-R NET	RM7LJ220X04	1	43484722004R2
R8263 or	C-R NET	YCN104-220-JK	(1)	43464C22004R1
R8264	C-R NET	RM7LJ220X04	1	43484722004R2
R8264 or	C-R NET	YCN104-220-JK	(1)	43464C22004R1
R8265	C-R NET	RM7LJ220X04	1	43484722004R2
R8265 or	C-R NET	YCN104-220-JK	(1)	43464C22004R1
R8266	C-R NET	RM7LJ220X04	1	43484722004R2
R8266 or	C-R NET	YCN104-220-JK	(1)	43464C22004R1
R8267	C-R NET	RM7LJ220X04	1	43484722004R2
R8267 or	C-R NET	YCN104-220-JK	(1)	43464C22004R1
R8268	C-R NET	RM7LJ330X04	1	43484733004R2
R8268 or	C-R NET	YCN104-330-JK	(1)	43464C33004R1
R8269	C-R NET	RM7LJ330X04	1	43484733004R2
R8269 or	C-R NET	YCN104-330-JK	(1)	43464C33004R1
R8270	C-R NET	RM7LJ330X04	1	43484733004R2
R8270 or	C-R NET	YCN104-330-JK	(1)	43464C33004R1
R8271	C-R NET	RM7LJ330X04	1	43484733004R2
R8271 or	C-R NET	YCN104-330-JK	(1)	43464C33004R1
R8272	C-R NET	RM7LJ330X04	1	43484733004R2
R8272 or	C-R NET	YCN104-330-JK	(1)	43464C33004R1
R8273	C-R NET	RM7LJ330X04	1	43484733004R2
R8273 or	C-R NET	YCN104-330-JK	(1)	43464C33004R1
R8274	C-R NET	RM7LJ330X04	1	43484733004R2
R8274 or	C-R NET	YCN104-330-JK	(1)	43464C33004R1
R8275	C-R NET	RM7LJ330X04	1	43484733004R2
R8275 or	C-R NET	YCN104-330-JK	(1)	43464C33004R1

R8276	C-R NET	RM7LJ330X04	1	43484733004R2
R8276 or	C-R NET	YCN104-330-JK	(1)	43464C33004R1
R8277	C-CARBON R	RN72K1J-100JE	1	435031004R1
R8278	C-R NET	RM7LJ330X04	1	43484733004R2
R8278 or	C-R NET	YCN104-330-JK	(1)	43464C33004R1
R8279	C-CARBON R	RN72K1J-101JE	1	435031014R1
R8280	C-CARBON R	RN72K1J-101JE	1	435031014R1
R8281	C-CARBON R	RN72K1J-330JE	1	435033304R1
R8282	C-CARBON R	RN72K1J-330JE	1	435033304R1
R8283	C-CARBON R	RN72K1J-101JE	1	435031014R1
R8284	C-R NET	RM7LJ330X04	1	43484733004R2
R8284 or	C-R NET	YCN104-330-JK	(1)	43464C33004R1
R8285	C-CARBON R	RN72K1J-560JE	1	435035604R1
R8286	C-CARBON R	RN72K1J-000JE	1	435030004R1
R8287	C-CARBON R	RN72K1J-102FE	1	435031022R1
R8288	C-CARBON R	RN72K1J-103JE	1	435031034R1
R8291	C-CARBON R	RN72K1J-000JE	1	435030004R1
R8292	C-CARBON R	RN72K1J-000JE	1	435030004R1
R8293	C-CARBON R	RN72K1J-000JE	1	435030004R1
R8294	C-CARBON R	RN72K1J-000JE	1	435030004R1
R8295	C-CARBON R	RN72K1J-750JE	1	435037504R1
R8296	C-CARBON R	RN72K1J-750JE	1	435037504R1
R8297	C-CARBON R	RN72K1J-750JE	1	435037504R1
R8298	C-CARBON R	RN72K1J-750JE	1	435037504R1
R8301	C-CARBON R	RN72K1J-472JE	1	435034724R1
R8302	C-CARBON R	RN72K1J-100JE	1	435031004R1
R8303	C-CARBON R	RN72K1J-562JE	1	435035624R1
R8304	C-CARBON R	RN72K1J-100JE	1	435031004R1
R8305	C-CARBON R	RN72K1J-562JE	1	435035624R1
R8306	C-CARBON R	RN72K1J-100JE	1	435031004R1
R8307	C-CARBON R	RN72K1J-100JE	1	435031004R1
R8308	C-CARBON R	RN72K1J-562JE	1	435035624R1
R8309	C-CARBON R	RN72K1J-100JE	1	435031004R1
R8310	C-CARBON R	RN72K1J-562JE	1	435035624R1
R8311	C-CARBON R	RN72K1J-000JE	1	435030004R1
R8312	C-CARBON R	RN72K1J-100JE	1	435031004R1
R8313	C-CARBON R	RN72K1J-562JE	1	435035624R1
R8314	C-CARBON R	RN72K1J-222JE	1	435032224R1
R8315	C-CARBON R	RN72K1J-222JE	1	435032224R1
R8316	C-CARBON R	RN72K1J-103JE	1	435031034R1
R8317	C-CARBON R	RN72K1J-124JE	1	435031244R1
R8318	C-CARBON R	RN72K1J-562JE	1	435035624R1
R8320	C-R NET	RM7LJ220X04	1	43484722004R2
R8320 or	C-R NET	YCN104-220-JK	(1)	43464C22004R1
R8321	C-CARBON R	RN72K1J-181JE	1	435031814R1
R8322	C-CARBON R	RN72K1J-470JE	1	435034704R1
R8323	C-CARBON R	RN72K1J-181JE	1	435031814R1

R8324	C-CARBON R	RN72K1J-470JE	1	435034704R1
R8325	C-R NET	RM7LJ220X04	1	43484722004R2
R8325 or	C-R NET	YCN104-220-JK	(1)	43464C22004R1
R8328	C-CARBON R	RN72K1J-181JE	1	435031814R1
R8333	C-CARBON R	RN72K1J-181JE	1	435031814R1
R8334	C-CARBON R	RN72K1J-181JE	1	435031814R1
R8335	C-CARBON R	RN72K1J-181JE	1	435031814R1
R8336	C-R NET	RM7LJ220X04	1	43484722004R2
R8336 or	C-R NET	YCN104-220-JK	(1)	43464C22004R1
R8337	C-R NET	RM7LJ220X04	1	43484722004R2
R8337 or	C-R NET	YCN104-220-JK	(1)	43464C22004R1
R8338	C-CARBON R	RN72K1J-100JE	1	435031004R1
R8339	C-R NET	RM7LJ220X04	1	43484722004R2
R8339 or	C-R NET	YCN104-220-JK	(1)	43464C22004R1
R8340	C-R NET	RM7LJ220X04	1	43484722004R2
R8340 or	C-R NET	YCN104-220-JK	(1)	43464C22004R1
R8341	C-R NET	RM7LJ220X04	1	43484722004R2
R8341 or	C-R NET	YCN104-220-JK	(1)	43464C22004R1
R8342	C-CARBON R	RN72K1J-000JE	1	435030004R1
R8343	C-CARBON R	RN72K1J-000JE	1	435030004R1
R8345	C-CARBON R	RN72K1J-100JE	1	435031004R1
R8346	C-CARBON R	RN72K1J-473JE	1	435034734R1
R8347	C-CARBON R	RN72K1J-473JE	1	435034734R1
R8348	C-CARBON R	RN72K1J-473JE	1	435034734R1
R8349	C-CARBON R	RN72K1J-000JE	1	435030004R1
R8350	C-CARBON R	RN72K1J-000JE	1	435030004R1
R8351	C-CARBON R	RN72K1J-000JE	1	435030004R1
R8352	C-CARBON R	RN72K1J-102JE	1	435031024R1
R8354	C-CARBON R	RN72K1J-101JE	1	435031014R1
R8502	C-CARBON R	RN72K1J-103JE	1	435031034R1
R8503	C-CARBON R	RN72K1J-330JE	1	435033304R1
R8504	C-CARBON R	RN72K1J-103JE	1	435031034R1
R8505	C-CARBON R	RN72K1J-330JE	1	435033304R1
R8506	C-CARBON R	RN72K1J-105JE	1	435031054R1
R8507	C-CARBON R	RN72K1J-000JE	1	435030004R1
R8508	C-CARBON R	RN72K1J-330JE	1	435033304R1
R8509	C-CARBON R	RN72K1J-103JE	1	435031034R1
R8510	C-CARBON R	RN72K1J-103JE	1	435031034R1
R8511	C-CARBON R	RN72K1J-103JE	1	435031034R1
R8512	C-CARBON R	RN72K1J-103JE	1	435031034R1
R8513	C-CARBON R	RN72K1J-103JE	1	435031034R1
R8514	C-CARBON R	RN72K1J-103JE	1	435031034R1
R8515	C-CARBON R	RN72K1J-103JE	1	435031034R1
R8516	C-CARBON R	RN72K1J-103JE	1	435031034R1
R8519	C-CARBON R	RN72K1J-000JE	1	435030004R1
R8520	C-CARBON R	RN72K1J-000JE	1	435030004R1
R8521	C-CARBON R	RN72K1J-103JE	1	435031034R1

R8541	C-R NET	RM7LJ000X04	1	43484700004R2
R8541 or	C-R NET	YCN104-000-ZK	(1)	43484C00004R1
R8542	C-R NET	RM7LJ000X04	1	43484700004R2
R8542 or	C-R NET	YCN104-000-ZK	(1)	43484C00004R1
R8543	C-R NET	RM7LJ000X04	1	43484700004R2
R8543 or	C-R NET	YCN104-000-ZK	(1)	43484C00004R1
R8544	C-R NET	RM7LJ000X04	1	43484700004R2
R8544 or	C-R NET	YCN104-000-ZK	(1)	43484C00004R1
R8545	C-R NET	RM7LJ000X04	1	43484700004R2
R8545 or	C-R NET	YCN104-000-ZK	(1)	43484C00004R1
R8546	C-R NET	RM7LJ000X04	1	43484700004R2
R8546 or	C-R NET	YCN104-000-ZK	(1)	43484C00004R1
R8547	C-R NET	RM7LJ000X04	1	43484700004R2
R8547 or	C-R NET	YCN104-000-ZK	(1)	43484C00004R1
R8548	C-R NET	RM7LJ000X04	1	43484700004R2
R8548 or	C-R NET	YCN104-000-ZK	(1)	43484C00004R1
R8549	C-R NET	RM7LJ000X04	1	43484700004R2
R8549 or	C-R NET	YCN104-000-ZK	(1)	43484C00004R1
R8550	C-R NET	RM7LJ000X04	1	43484700004R2
R8550 or	C-R NET	YCN104-000-ZK	(1)	43484C00004R1
R8601	C-CARBON R	RN72K1J-473JE	1	435034734R1
R8602	C-CARBON R	RN72K1J-473JE	1	435034734R1
R8605	C-CARBON R	RN72K1J-473JE	1	435034734R1
R8606	C-CARBON R	RN72K1J-473JE	1	435034734R1
R8609	C-CARBON R	RN72K1J-473JE	1	435034734R1
R8610	C-CARBON R	RN72K1J-473JE	1	435034734R1
R8613	C-CARBON R	RN72K1J-473JE	1	435034734R1
R8614	C-CARBON R	RN72K1J-473JE	1	435034734R1
R8617	C-CARBON R	RN72K1J-473JE	1	435034734R1
R8618	C-CARBON R	RN72K1J-473JE	1	435034734R1
R8621	C-CARBON R	RN72K1J-473JE	1	435034734R1
R8622	C-CARBON R	RN72K1J-473JE	1	435034734R1
R8625	C-CARBON R	RN72K1J-473JE	1	435034734R1
R8626	C-CARBON R	RN72K1J-473JE	1	435034734R1
R8631	C-CARBON R	RN72K1J-000JE	1	435030004R1
R8632	C-CARBON R	RN72K1J-000JE	1	435030004R1
R8634	C-CARBON R	RN72K1J-473JE	1	435034734R1
R8636	C-CARBON R	RN72K1J-182JE	1	435031824R1
R8637	C-CARBON R	RN72K1J-182JE	1	435031824R1
R8638	C-CARBON R	RN72K1J-100JE	1	435031004R1
R8641	C-CARBON R	RN72K1J-000JE	1	435030004R1
R8642	C-CARBON R	RN72K1J-000JE	1	435030004R1
R8643	C-CARBON R	RN72K1J-000JE	1	435030004R1
R8645	C-CARBON R	RN72K1J-473JE	1	435034734R1
R8646	C-CARBON R	RN72K1J-473JE	1	435034734R1
R8649	C-CARBON R	RN72K1J-472JE	1	435034724R1
R8650	C-CARBON R	RN72K1J-472JE	1	435034724R1

R8701	C-CARBON R	RN72K1J-103JE	1	435031034R1
R8702	C-CARBON R	RN72K1J-000JE	1	435030004R1
R8703	C-CARBON R	RN72K1J-472JE	1	435034724R1
R8704	C-CARBON R	RN72K1J-472JE	1	435034724R1
R8705	C-CARBON R	RN72K1J-103JE	1	435031034R1
R8706	C-CARBON R	RN72K1J-472JE	1	435034724R1
R8707	C-CARBON R	RN72K1J-472JE	1	435034724R1
R8708	C-R NET	RM7LJ470X04	1	43484747004R2
R8708 or	C-R NET	YCN104-470-JK	(1)	43464C47004R1
R8709	C-R NET	RM7LJ103X04	1	43484710304R2
R8709 or	C-R NET	YCN104-103-JK	(1)	43464C10304R1
R8710	C-CARBON R	RN72K1J-222JE	1	435032224R1
R8711	C-CARBON R	RN72K1J-222JE	1	435032224R1
R8712	C-R NET	RM7LJ103X04	1	43484710304R2
R8712 or	C-R NET	YCN104-103-JK	(1)	43464C10304R1
R8713	C-CARBON R	RN72K1J-222JE	1	435032224R1
R8714	C-CARBON R	RN72K1J-222JE	1	435032224R1
R8715	C-CARBON R	RN72K1J-103JE	1	435031034R1
R8716	C-CARBON R	RN72K1J-222JE	1	435032224R1
R8717	C-CARBON R	RN72K1J-222JE	1	435032224R1
R8718	C-CARBON R	RN72K1J-103JE	1	435031034R1
R8719	C-CARBON R	RN72K1J-470JE	1	435034704R1
R8720	C-CARBON R	RN72K1J-470JE	1	435034704R1
R8721	C-CARBON R	RN72K1J-470JE	1	435034704R1
R8722	C-CARBON R	RN72K1J-222JE	1	435032224R1
R8723	C-CARBON R	RN72K1J-222JE	1	435032224R1
R8724	C-CARBON R	RN72K1J-470JE	1	435034704R1
R8725	C-CARBON R	RN72K1J-470JE	1	435034704R1
R8726	C-R NET	RM7LJ222X04	1	43484722204R2
R8726 or	C-R NET	YCN104-222-JK	(1)	43464C22204R1
R8727	C-R NET	RM7LJ103X04	1	43484710304R2
R8727 or	C-R NET	YCN104-103-JK	(1)	43464C10304R1
R8728	C-CARBON R	RN72K1J-222JE	1	435032224R1
R8729	C-CARBON R	RN72K1J-222JE	1	435032224R1
R8730	C-R NET	RM7LJ103X04	1	43484710304R2
R8730 or	C-R NET	YCN104-103-JK	(1)	43464C10304R1
R8731	C-R NET	RM7LJ220X04	1	43484722004R2
R8731 or	C-R NET	YCN104-220-JK	(1)	43464C22004R1
R8732	C-CARBON R	RN72K1J-222JE	1	435032224R1
R8733	C-CARBON R	RN72K1J-222JE	1	435032224R1
R8734	C-CARBON R	RN72K1J-470JE	1	435034704R1
R8735	C-CARBON R	RN72K1J-222JE	1	435032224R1
R8736	C-CARBON R	RN72K1J-222JE	1	435032224R1
R8737	C-CARBON R	RN72K1J-103JE	1	435031034R1
R8738	C-CARBON R	RN72K1J-103JE	1	435031034R1
R8739	C-CARBON R	RN72K1J-222JE	1	435032224R1
R8740	C-CARBON R	RN72K1J-222JE	1	435032224R1

R8741	C-CARBON R	RN72K1J-103JE	1	435031034R1
R8742	C-CARBON R	RN72K1J-222JE	1	435032224R1
R8743	C-CARBON R	RN72K1J-103JE	1	435031034R1
R8744	C-CARBON R	RN72K1J-103JE	1	435031034R1
R8745	C-CARBON R	RN72K1J-470JE	1	435034704R1
R8746	C-R NET	RM7LJ103X04	1	43484710304R2
R8746 or	C-R NET	YCN104-103-JK	(1)	43464C10304R1
R8747	C-CARBON R	RN72K1J-103JE	1	435031034R1
R8749	C-CARBON R	RN72K1J-103JE	1	435031034R1
R8750	C-CARBON R	RN72K1J-000JE	1	435030004R1
R8751	C-R NET	RM7LJ470X04	1	43484747004R2
R8751 or	C-R NET	YCN104-470-JK	(1)	43464C47004R1
R8756	C-CARBON R	RN72K1J-000JE	1	435030004R1
R8757	C-CARBON R	RN72K1J-000JE	1	435030004R1
R8759	C-CARBON R	RN72K1J-000JE	1	435030004R1
R8760	C-CARBON R	RN72K1J-472JE	1	435034724R1
R8764	C-CARBON R	RN72K1J-103JE	1	435031034R1
R8765	C-CARBON R	RN72K1J-103JE	1	435031034R1
R8801	C-CARBON R	RN72K1J-100JE	1	435031004R1
R8802	C-CARBON R	RN72K1J-100JE	1	435031004R1
R8803	C-CARBON R	RN72K1J-100JE	1	435031004R1
R8804	C-CARBON R	RN72K1J-100JE	1	435031004R1
R8805	C-CARBON R	RN72K1J-100JE	1	435031004R1
R8806	C-CARBON R	RN72K1J-100JE	1	435031004R1
R8807	C-CARBON R	RN72K1J-100JE	1	435031004R1
R8808	C-CARBON R	RN72K1J-100JE	1	435031004R1
R8831	C-CARBON R	RN72K1J-473JE	1	435034734R1
R8832	C-R NET	RM7LJ220X04	1	43484722004R2
R8832 or	C-R NET	YCN104-220-JK	(1)	43464C22004R1
R8833	C-R NET	RM7LJ220X04	1	43484722004R2
R8833 or	C-R NET	YCN104-220-JK	(1)	43464C22004R1
R8834	C-R NET	RM7LJ220X04	1	43484722004R2
R8834 or	C-R NET	YCN104-220-JK	(1)	43464C22004R1
R8835	C-CARBON R	RN72K1J-471JE	1	435034714R1
R8837	C-CARBON R	RN72K1J-471JE	1	435034714R1
R8839	C-CARBON R	RN72K1J-181JE	1	435031814R1
R8840	C-CARBON R	RN72K1J-331JE	1	435033314R1
R8841	C-CARBON R	RN72K1J-471JE	1	435034714R1
R8843	C-R NET	RM7LJ220X04	1	43484722004R2
R8843 or	C-R NET	YCN104-220-JK	(1)	43464C22004R1
R8844	C-CARBON R	RN72K1J-332JE	1	435033324R1
R8846	C-R NET	RM7LJ220X04	1	43484722004R2
R8846 or	C-R NET	YCN104-220-JK	(1)	43464C22004R1
R8847	C-CARBON R	RN72K1J-332JE	1	435033324R1
R8850	C-CARBON R	RN72K1J-181JE	1	435031814R1
R8851	C-CARBON R	RN72K1J-332JE	1	435033324R1
R8852	C-CARBON R	RN72K1J-821JE	1	435038214R1

R8855	C-CARBON R	RN72K1J-103JE	1	435031034R1
R8856	C-CARBON R	RN72K1J-220JE	1	435032204R1
R8857	C-CARBON R	RN72K1J-220JE	1	435032204R1
R8858	C-R NET	RM7LJ220X04	1	43484722004R2
R8858 or	C-R NET	YCN104-220-JK	(1)	43464C22004R1
R8859	C-R NET	RM7LJ220X04	1	43484722004R2
R8859 or	C-R NET	YCN104-220-JK	(1)	43464C22004R1
R8860	C-CARBON R	RN72K1J-220JE	1	435032204R1
R8862	C-CARBON R	RN72K1J-181JE	1	435031814R1
R8863	C-R NET	RM7LJ220X04	1	43484722004R2
R8863 or	C-R NET	YCN104-220-JK	(1)	43464C22004R1
R8864	C-CARBON R	RN72K1J-332JE	1	435033324R1
R8901	C-CARBON R	RN72K1J-473JE	1	435034734R1
R8902	C-CARBON R	RN72K1J-473JE	1	435034734R1
R8903	C-CARBON R	RN72K1J-104JE	1	435031044R1
R8904	C-CARBON R	RN72K1J-223FE	1	435032232R1
R8905	C-CARBON R	RN72K1J-393JE	1	435033934R1
R8906	C-CARBON R	RN72K1J-223FE	1	435032232R1
R8907	C-CARBON R	RN72K1J-333FE	1	435033332R1
R8908	C-CARBON R	RN72K1J-103FE	1	435031032R1
R8909	C-CARBON R	RN72K1J-473JE	1	435034734R1
R8911	C-CARBON R	RN72K1J-473JE	1	435034734R1
R8912	C-CARBON R	RN72K1J-473JE	1	435034734R1
R8913	C-CARBON R	RN72K1J-104JE	1	435031044R1
R8914	C-CARBON R	RN72K1J-103JE	1	435031034R1
R8915	C-CARBON R	RN72K1J-104JE	1	435031044R1
R8916	C-CARBON R	RN72K1J-333FE	1	435033332R1
R8917	C-CARBON R	RN72K1J-824FE	1	435038242R1
R8918	C-CARBON R	RN72K1J-103FE	1	435031032R1
R8919	C-CARBON R	RN72K1J-104JE	1	435031044R1
R8921	C-CARBON R	RN72K1J-473JE	1	435034734R1
R8922	C-CARBON R	RN72K1J-473JE	1	435034734R1
R8923	C-CARBON R	RN72K1J-104JE	1	435031044R1
R8925	C-CARBON R	RN72K1J-562JE	1	435035624R1
R8926	C-CARBON R	RN72K1J-183FE	1	435031832R1
R8927	C-CARBON R	RN72K1J-563FE	1	435035632R1
R8928	C-CARBON R	RN72K1J-103FE	1	435031032R1
R8929	C-CARBON R	RN72K1J-103JE	1	435031034R1
R8931	C-CARBON R	RN72K1J-473JE	1	435034734R1
R8932	C-CARBON R	RN72K1J-473JE	1	435034734R1
R8933	C-CARBON R	RN72K1J-104JE	1	435031044R1
R8935	C-CARBON R	RN72K1J-332JE	1	435033324R1
R8936	C-CARBON R	RN72K1J-224FE	1	435032242R1
R8937	C-CARBON R	RN72K1J-682FE	1	435036822R1
R8938	C-CARBON R	RN72K1J-103FE	1	435031032R1
R8943	C-CARBON R	RN72K1J-104JE	1	435031044R1
R8944	C-CARBON R	RN72K1J-332JE	1	435033324R1

R8945	C-CARBON R	RN72K1J-333FE	1	43503332R1	
R8946	C-CARBON R	RN72K1J-103FE	1	435031032R1	
R8947	C-CARBON R	RN72K1J-682FE	1	435036822R1	
R8948	C-CARBON R	RN72K1J-103FE	1	435031032R1	
R8951	C-CARBON R	RN72K1J-473JE	1	435034734R1	
R8953	C-CARBON R	RN72K1J-473JE	1	435034734R1	
R8955	C-CARBON R	RN72K1J-472JE	1	435034724R1	
R8957	C-CARBON R	RN72K1J-472JE	1	435034724R1	
R8959	C-CARBON R	RN72K1J-472JE	1	435034724R1	
R8961	C-CARBON R	RN72K1J-472JE	1	435034724R1	
R8965	C-CARBON R	RN72K1J-104JE	1	435031044R1	
R8966	C-CARBON R	RN72K1J-104JE	1	435031044R1	
R8967	C-CARBON R	RN72K1J-104JE	1	435031044R1	
R8975	C-CARBON R	RN72K2E-470JE	1	435224704R1	
R8976	C-CARBON R	RN72K1J-473JE	1	435034734R1	
R8981	C-CARBON R	RN72K1J-472JE	1	435034724R1	
R8982	C-CARBON R	RN72K1J-473JE	1	435034734R1	
R8985	C-CARBON R	RN72K1J-182JE	1	435031824R1	
R8986	C-CARBON R	RN72K1J-102JE	1	435031024R1	
R8987	C-CARBON R	RN72K1J-472JE	1	435034724R1	
R8989	C-CARBON R	RN72K1J-103JE	1	435031034R1	
[SW TRM]					
JL2100B	WIRE TRAP	NPLG-5P588	1	25055626	
P2101B	SOCKET	IMSA-9618S-21A	1	25053346R2	
P3101A	PLUG	NPLG-5P918	1	25055965R2	
P3102A	SOCKET	NSCT-9P2472	1	25052575R2	
P3103A	SOCKET	C00124K221700	1	25053410	
P3104	SOCKET	RB1-105B8A1F	1	25053409	
P3104 or	SOCKET	SI-60073-F	(1)	25053307	
P3104 or	SOCKET	EJFR0002	(1)	25056668	
P3605A	SOCKET	IMSA-9111S-24L	1	25053259	
P3607A	SOCKET	IMSA-9111S-24L	1	25053259	
P3610	SOCKET	NSCT-8P2471	1	25052574R2	
P3A	SOCKET	NSCT-11P2474	1	25052577R2	<MDC>
P8002B	SOCKET	NSCT-9P2472	1	25052575R2	
P8030	SOCKET	IMSA-9618S-04A	1	25053329R2	
P8100	TRM-423(SCREW)	NEJITANSI ST3	1	25060495	
P8101	SOCKET	TCX3400-111387	1	25053406R3	
P8101 or	SOCKET	HDMI(47266-4101)	(1)	25053389R3	
P8104	SOCKET	NSCT-8P2471	1	25052574R2	
P8301	SOCKET	NSCT-8P2471	1	25052574R2	
P8601	SOCKET	TCX3400-111387	1	25053406R3	
P8601 or	SOCKET	HDMI(47266-4101)	(1)	25053389R3	
P8602	SOCKET	TCX3400-111387	1	25053406R3	
P8602 or	SOCKET	HDMI(47266-4101)	(1)	25053389R3	
P8603	SOCKET	TCX3400-111387	1	25053406R3	
P8603 or	SOCKET	HDMI(47266-4101)	(1)	25053389R3	

P8604	SOCKET	TCX3400-111387	1	25053406R3	
P8604 or	SOCKET	HDMI(47266-4101)	(1)	25053389R3	
P8605	SOCKET	TCX3400-111387	1	25053406R3	
P8605 or	SOCKET	HDMI(47266-4101)	(1)	25053389R3	
P8606	SOCKET	TCX3400-111387	1	25053406R3	
P8606 or	SOCKET	HDMI(47266-4101)	(1)	25053389R3	
P8607	SOCKET	TCX3400-111387	1	25053406R3	
P8607 or	SOCKET	HDMI(47266-4101)	(1)	25053389R3	
P8608	SOCKET	TCX3400-111387	1	25053406R3	
P8608 or	SOCKET	HDMI(47266-4101)	(1)	25053389R3	
P8631	SOCKET	TCX3400-111387	1	25053406R3	
P8631 or	SOCKET	HDMI(47266-4101)	(1)	25053389R3	
P8691A	SOCKET	20519-041E	1	25053502R2	
P8702	SOCKET	NSCT-9P2472	1	25052575R2	
P8888A	PLUG(B to B)	IMSA-9850B-24Y900	1	25056207R2	
P8985	PLUG	NPLG-2P116	1	25055132	
RL8601	RELAY	NRL-2P1A-DC4.5V-203	1	25065721R2	N
RL8601 or	RELAY	NRL-2P2A-DC4.5V-204	(1)	25065722R2	N
RL8602	RELAY	NRL-2P1A-DC4.5V-203	1	25065721R2	N
RL8602 or	RELAY	NRL-2P2A-DC4.5V-204	(1)	25065722R2	N
RL8603	RELAY	NRL-2P1A-DC4.5V-203	1	25065721R2	N
RL8603 or	RELAY	NRL-2P2A-DC4.5V-204	(1)	25065722R2	N
RL8691	RELAY	NRL-2P1A-DC4.5V-203	1	25065721R2	N
RL8691 or	RELAY	NRL-2P2A-DC4.5V-204	(1)	25065722R2	N

U011 U0110 x 10 pcs.

BAHDM-1199-1A *

U0110 TERMINAL (FRONT HDMI) PC BOARD ASS'Y

BAHDM-1199-1A

CIRCUIT NC	PART NAME	DESCRIPTION	Q'TY	PART NO. (SN)	REMARKS
[SEMI CONDUCTOR]					
D3901	C-DIODE	1SS352	1	223234R2	
D3901 or	C-DIODE	1SS355	(1)	223269R2	
D3901 or	C-DIODE	MA2J111	(1)	223279R2	
D3901 or	C-DIODE	KDS4148U	(1)	223283R2	
D3901 or	C-DIODE	MA2J1110GL	(1)	223302R2	
D3902	C-DIODE	1SS352	1	223234R2	
D3902 or	C-DIODE	1SS355	(1)	223269R2	
D3902 or	C-DIODE	MA2J111	(1)	223279R2	
D3902 or	C-DIODE	KDS4148U	(1)	223283R2	
D3902 or	C-DIODE	MA2J1110GL	(1)	223302R2	
D8651	C-DIODE	1SS352	1	223234R2	
D8651 or	C-DIODE	1SS355	(1)	223269R2	
D8651 or	C-DIODE	MA2J111	(1)	223279R2	
D8651 or	C-DIODE	KDS4148U	(1)	223283R2	

D8651 or	C-DIODE	MA2J1110GL	(1)	223302R2
D8652	C-DIODE	1SS352	1	223234R2
D8652 or	C-DIODE	1SS355	(1)	223269R2
D8652 or	C-DIODE	MA2J111	(1)	223279R2
D8652 or	C-DIODE	KDS4148U	(1)	223283R2
D8652 or	C-DIODE	MA2J1110GL	(1)	223302R2
Q8651	IC	BD2247G-GTR	1	22242795R2
Q8652	IC	NC7SZ08P5X_F042	1	22242482R2
Q8652 or	IC	TC7SZ08FU(TE85L_F)	(1)	22242071R2TO
Q8654	TR ARRAY	UM6K1N	1	226066R2
Q8654 or	TR ARRAY	UPA672T	(1)	226067R2
Q8654 or	TR ARRAY	RT3K66M-T111-1	(1)	226069R2
Q8655	IC	SII1292CNUC	1	22242786R3
Q8656	IC	MMBFJ177LT1G	1	22242789R2
Q8657	IC	S-1172B12-U5T1G	1	22242777R2
Q8658	IC	PCA9515ADRGR	1	22242817R2
Q8659	TR	RN2401(TE85L_F)	1	2214520R2
Q8659 or	TR	KRA101S	(1)	2217840R2
Q8660	TR	2SC2712-GR	1	2213145R2
Q8660 or	TR	KTC3875-GR	(1)	2216175R2
Q8661	TR	DTC144EE	1	2216390R2
[TRANS COIL]				
L3901	CORE	BLM18PG121SN1D	1	2350006R1
L3902	CORE	BLM18PG121SN1D	1	2350006R1
L3903	CORE	BLM18PG121SN1D	1	2350006R1
L8651	CORE	BLM18PG181SN1D	1	2350005R1
L8652	CORE	BLM18PG181SN1D	1	2350005R1
L8653	CORE	BLM18PG181SN1D	1	2350005R1
L8654	CORE	BLM18PG181SN1D	1	2350005R1
L8655	CORE	BLM18PG181SN1D	1	2350005R1
L8656	CORE	BLM18PG181SN1D	1	2350005R1
L8657	CORE	BLM18PG181SN1D	1	2350005R1
[CAPACITOR]				
C3901	C-CERA C	CK725B1A-105K0	1	332001055R1
C3902	C-CERA C	CK725B1H-103K0	1	332031035R1
C3904	C-CERA C	CK725B1H-103K0	1	332031035R1
C8651	C-CERA C	CK725B0J-106K	1	332091065R2
C8652	C-CERA C	CK725B0J-226M	1	332092267R2
C8653	C-CERA C	CK725B0J-106K	1	332091065R2
C8654	C-CERA C	CC725CH1E-102J0	1	342021024R1
C8655	C-CERA C	CK725B1C-104K0	1	332011045R1
C8656	C-CERA C	CK725B1C-104K0	1	332011045R1
C8657	C-CERA C	CK725B1H-103K0	1	332031035R1
C8658	C-CERA C	CK725B1C-104K0	1	332011045R1
C8659	C-CERA C	CC725CH1E-102J0	1	342021024R1
C8660	C-CERA C	CK725B0J-106K	1	332091065R2
C8661	C-CERA C	CK725B0J-106K	1	332091065R2

C8662	C-CERA C	CK725B1C-104K0	1	332011045R1
C8663	C-CERA C	CK725B1H-103K0	1	332031035R1
C8664	C-CERA C	CK725B1H-103K0	1	332031035R1
C8665	C-CERA C	CK725B1C-104K0	1	332011045R1
C8666	C-CERA C	CK725B1C-104K0	1	332011045R1
C8667	C-CERA C	CK725B1H-103K0	1	332031035R1
C8668	C-CERA C	CK725B1C-104K0	1	332011045R1
C8669	C-CERA C	CK725B1H-103K0	1	332031035R1
C8670	C-CERA C	CK725B1C-104K0	1	332011045R1
C8671	C-CERA C	CK725B1E-473K0	1	332024735R1
C8673	C-CERA C	CK725B1H-103K0	1	332031035R1
C8674	C-CERA C	CK725B0J-106K	1	332091065R2
C8675	C-CERA C	CK725B0J-106K	1	332091065R2
C8676	C-CERA C	CK725B1C-104K0	1	332011045R1
C8677	C-CERA C	CK725B0J-226M	1	332092267R2
C8678	C-CERA C	CK725B0J-226M	1	332092267R2
C8679	C-CERA C	CK725B0J-226M	1	332092267R2
[RESISTOR]				
R8651	C-CARBON R	RN72K1J-103JE	1	435031034R1
R8652	C-CARBON R	RN72K1J-473JE	1	435034734R1
R8653	C-CARBON R	RN72K1J-000JE	1	435030004R1
R8654	C-CARBON R	RN72K1J-000JE	1	435030004R1
R8655	C-CARBON R	RN72K1J-473JE	1	435034734R1
R8656	C-CARBON R	RN72K1J-474JE	1	435034744R1
R8657	C-CARBON R	RN72K1J-473JE	1	435034734R1
R8658	C-CARBON R	RN72K1J-101JE	1	435031014R1
R8659	C-CARBON R	RN72K1J-472JE	1	435034724R1
R8660	C-R NET	RM7LJ051X04	1	43484705104R2
R8660 or	C-R NET	YCN104-5R1-JK	(1)	43484C05104R1
R8661	C-CARBON R	RN72K1J-103JE	1	435031034R1
R8662	C-R NET	RM7LJ051X04	1	43484705104R2
R8662 or	C-R NET	YCN104-5R1-JK	(1)	43484C05104R1
R8663	C-CARBON R	RN72K1J-103JE	1	435031034R1
R8664	C-CARBON R	RN72K1J-103JE	1	435031034R1
R8665	C-CARBON R	RN72K1J-103JE	1	435031034R1
R8666	C-CARBON R	RN72K1J-000JE	1	435030004R1
R8667	C-CARBON R	RN72K1J-000JE	1	435030004R1
R8668	C-CARBON R	RN72K1J-000JE	1	435030004R1
R8669	C-CARBON R	RN72K1J-000JE	1	435030004R1
R8670	C-CARBON R	RN72K1J-000JE	1	435030004R1
R8671	C-CARBON R	RN72K1J-000JE	1	435030004R1
R8672	C-CARBON R	RN72K1J-473JE	1	435034734R1
R8673	C-CARBON R	RN72K1J-154JE	1	435031544R1
R8674	C-CARBON R	RN72K1J-821JE	1	435038214R1
R8675	C-CARBON R	RN72K1J-154JE	1	435031544R1
R8676	C-CARBON R	RN72K1J-101JE	1	435031014R1
R8677	C-CARBON R	RN72K1J-332JE	1	435033324R1

R8678	C-CARBON R	RN72K1J-562JE	1	435035624R1	
[SW TRM]					
P3101B	PLUG	NPLG-5P918	1	25055965R2	
P3901	SOCKET	000010211-00006	1	25053422	
P3902	TRM	NTM-1P233(M1969)	1	25060302	
P8608	SOCKET	TCX3400-111387	1	25053406R3	
P8608 or	SOCKET	HDMI(47266-4101)	(1)	25053389R3	
P8691B	SOCKET	20519-041E	1	25053502R2	

U012 U0120 x 10 pcs. **BARF-1201-1A ***
U0120 AFE PC BOARD ASS'Y BARF-1201-1A

CIRCUIT NO	PART NAME	DESCRIPTION	Q'TY	PART NO. (SN)	REMARKS
[CHASSIS SCREW]					
A397	SHLD CASE	(AFE)	1	27225196	
[TRANS COIL]					
L1	RF COIL	0603HP-R27XJLW	1	233542R1	
L10	CORE	MMZ1608Y601BT	1	2350004R1	
L11	EMIFIL	BK1608LM182-T	1	230958R1	
L12	EMIFIL	BK1608LM182-T	1	230958R1	
L13	EMIFIL	BK1608LM182-T	1	230958R1	
L14	CHOKO COIL	BLM21PG221SN1	1	230949R2	
L2	RF COIL	NLHV25T-R56J-PF	1	233548R2	N
L6	RF COIL	NLV25T-220J-PF	1	233549R2	N
L7	RF COIL	NLV25T-220J-PF	1	233549R2	N
L8	RF COIL	NLV25T-330J-PF	1	233550R2	N
T1	ANT COIL	5CHH435uH	1	232206R2	
T1 or	ANT COIL	K5-N435uH	(1)	232208R2	N
X2	CRYSTAL	DSX321G59.535MHz	1	3010520R2	
[CAPACITOR]					
C1	C-CERA C	CK725B0J-226M	1	332092267R2	
C10	C-CERA C	CK725B1C-104K0	1	332011045R1	
C11	C-CERA C	CK725B1C-104K0	1	332011045R1	
C12	C-CERA C	GRM188B30J106ME47D	1	332141067R1	
C13	C-CERA C	CK725B1C-104K0	1	332011045R1	
C14	C-CERA C	CK725B1C-104K0	1	332011045R1	
C15	C-CERA C	CK725B1C-104K0	1	332011045R1	
C16	C-CERA C	GRM188B30J106ME47D	1	332141067R1	
C17	C-CERA C	CC725CH1H-180J0	1	342031804R1	
C19	C-CERA C	CK725B1H-222K0	1	332032225R1	
C2	C-CERA C	CK725B1C-104K0	1	332011045R1	
C20	C-CERA C	CC725CH1E-102J0	1	342021024R1	
C23	C-CERA C	CK725B1A-105K0	1	332001055R1	
C24	C-CERA C	CC725CH1H-050C0	1	342030501R1	

C25	C-CERA C	CC725CH1H-060D0	1	342030602R1
C27	C-CERA C	CC725CH1H-060D0	1	342030602R1
C28	C-CERA C	CC725CH1E-102J0	1	342021024R1
C29	C-CERA C	CK725B1C-104K0	1	332011045R1
C3	C-CERA C	CC725CH1H-050C0	1	342030501R1
C31	C-CERA C	CK725B1C-104K0	1	332011045R1
C32	C-CERA C	CC725CH1E-102J0	1	342021024R1
C36	C-CERA C	CC725CH1H-152J1	1	342101524R1
C37	C-CERA C	CC725CH1H-152J1	1	342101524R1
C41	C-CERA C	CK725B1C-104K0	1	332011045R1
C42	C-CERA C	CK725B1C-104K0	1	332011045R1
C43	C-CERA C	CK725B1C-104K0	1	332011045R1
C7	C-CERA C	GRM188B30J106ME47D	1	332141067R1
C8	C-CERA C	CK725B1C-104K0	1	332011045R1
C9	C-CERA C	CK725B1C-104K0	1	332011045R1
[RESISTOR]				
R13	C-CARBON R	RN72K1J-222JE	1	435032224R1
R14	C-CARBON R	RN72K1J-222JE	1	435032224R1
R15	C-CARBON R	RN72K1J-104JE	1	435031044R1
R16	C-CARBON R	RN72K1J-101JE	1	435031014R1
R2	C-CARBON R	RN72K1J-221JE	1	435032214R1
R21	C-CARBON R	RN72K1J-220JE	1	435032204R1
R22	C-CARBON R	RN72K1J-220JE	1	435032204R1
R23	C-CARBON R	RN72K1J-101JE	1	435031014R1
R24	C-CARBON R	RN72K1J-101JE	1	435031014R1
R25	C-CARBON R	RN72K1J-101JE	1	435031014R1
R26	C-CARBON R	RN72K1J-101JE	1	435031014R1
R27	C-CARBON R	RN72K1J-331JE	1	435033314R1
R28	C-CARBON R	RN72K1J-103JE	1	435031034R1
R3	C-CARBON R	RN72K1J-105JE	1	435031054R1
R4	C-CARBON R	RN72K1J-105JE	1	435031054R1
R6	C-CARBON R	RN72K1J-103JE	1	435031034R1
R7	C-CARBON R	RN72K1J-103JE	1	435031034R1
R8	C-CARBON R	RN72K1J-103JE	1	435031034R1
R9	C-CARBON R	RN72K1J-103JE	1	435031034R1
[SW TRM]				
P1	TRM	NTM-4PDML401	1	25060473
P3B	SOCKET	IMSA-9618S-11A	1	25053336R2
P3Bor	SOCKET	11FMN-SMT-A-TF	(1)	25052828R2
[TUNER UNIT]				
Q1	IC	AFE8310DC3RVBR	1	22242784R2

Integra

Integra Division of
Onkyo Corporation

Technical Support, Service Department
2-1, Nisshin-cho, Neyagawa-shi, OSAKA 572-8540, JAPAN
Tel: 072-831-8023 Fax: 072-831-8163

Integra Division of
Onkyo U.S.A. Corporation

18 Park Way, Upper Saddle River, N.J. 07458, U.S.A.
Tel: 800-225-1946, 201-818-9200 Fax: 201-785-2650
<http://www.integrahometheater.com/>

Integra Division of
Onkyo Europe Electronics GmbH

Liegnitzerstrasse 6, 82194 Groebenzell, GERMANY
Tel: +49-8142-4401-0 Fax: +49-8142-4208-213
<http://www.integra.eu/>

Integra Division of
Onkyo China PRC

1301, 555 Tower, No.555 West NanJin Road, Jin an, Shanghai,
China 200041, Tel: 86-21-52131366 Fax: 86-21-52130396
<http://www.integra.com.cn/>