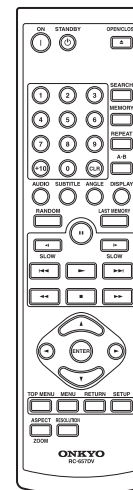
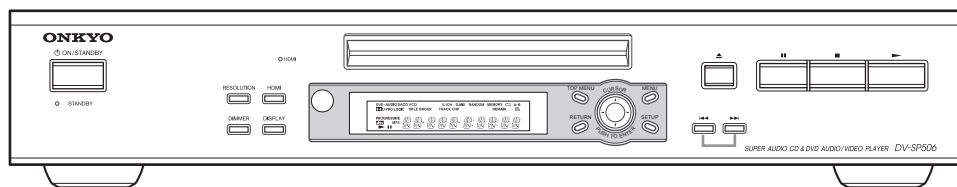


ONKYO SERVICE MANUAL

DVD PLAYER MODEL DV-SP506




RC-657DV

Black, Silver and Golden models

BMDD, SMDD	120 AC, 60Hz
BMUP, SMUP BMUA, SMUA BMUT, S, MUT, GMUT	100-240V AC, 50/60Hz

SAFETY-RELATED COMPONENT WARNING!!

COMPONENTS IDENTIFIED BY MARK  ON THE SCHEMATIC DIAGRAM AND IN THE PARTS LIST ARE CRITICAL FOR RISK OF FIRE AND ELECTRIC SHOCK. REPLACE THESE COMPONENTS WITH ONKYO PARTS WHOSE PART NUMBERS APPEAR AS SHOWN IN THIS MANUAL.

MAKE LEAKAGE-CURRENT OR RESISTANCE MEASUREMENTS TO DETERMINE THAT EXPOSED PARTS ARE ACCEPTABLY INSULATED FROM THE SUPPLY CIRCUIT BEFORE RETURNING THE APPLIANCE TO THE CUSTOMER.

SERVICE PROCEDURES-1

PROTECTION OF EYES FROM LASER BEAM DURING SERVICING

This set employs a laser. Therefore, be sure to follow carefully the instructions below when servicing.

WARNING!!

SERVICE WARNING : DO NOT APPROACH THE LASER EXIT WITH THE EYE TOO CLOSELY. IN CASE IT IS NECESSARY TO CONFIRM LASER BEAM EMISSION, BE SURE TO OBSERVE FROM A DISTANCE OF MORE THAN 30cm FROM THE SURFACE OF THE OBJECTIVE LENS ON THE OPTICAL PICKUP BLOCK.

Laser Diode Properties

Wavelength: 650/780nm (DVD/CD)

WARNING

WARNING:

TO REDUCE THE RISK OF FIRE OR ELECTRIC SHOCK, DO NOT EXPOSE THIS APPLIANCE TO RAIN OR MOISTURE.

CAUTION:

TO REDUCE THE RISK OF ELECTRIC SHOCK, DO NOT REMOVE COVER (OR BACK). NO USER-SERVICEABLE PARTS INSIDE. REFER SERVICING TO QUALIFIED SERVICE PERSONNEL.



WARNING
RISK OF ELECTRIC SHOCK
DO NOT OPEN

AVIS
RISQUE DE CHOC ELECTRIQUE
NE PAS OUVRIR



The lightning flash with arrowhead symbol, within an equilateral triangle, is intended to alert the user to the presence of uninsulated "dangerous voltage" within the product's enclosure that may be of sufficient magnitude to constitute a risk of electric shock to persons.



The exclamation point within an equilateral triangle is intended to alert the user to the presence of important operating and maintenance (servicing) instructions in the literature accompanying the appliance.

LASER WARNING

This unit contains a semiconductor laser system and is classified as a "CLASS 1 LASER PRODUCT". So, to use this model properly, read this Instruction Manual carefully. In case of any trouble, please contact the store where you purchased the unit. To prevent being exposed to the laser beam, do not try to open the enclosure.

CAUTION:

VISIBLE LASER RADIATION WHEN OPEN AND INTERLOCK FAILED OR DEFEATED. DO NOT STARE INTO BEAM.

CAUTION:

THIS PRODUCT UTILIZES A LASER. USE OF CONTROLS OR ADJUSTMENTS OR PERFORMANCE OF PROCEDURES OTHER THAN THOSE SPECIFIED HEREIN MAY RESULT IN HAZARDOUS RADIATION EXPOSURE.

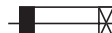
The label on the right is applied on the rear panel except for USA and Canadian models.

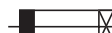




- 1.This unit is a CLASS 1 LASER PRODUCT and employs a laser inside the cabinet.
- 2.To prevent the laser from being exposed, do not remove the cover. Refer servicing to qualified personnel.

SERVICE PROCEDURE

1. Replacing the fuses

 This symbol located near the fuse indicates that the fuse used is show operating type, For continued protection against fire hazard, replace with same type fuse , For fuse rating, refer to the marking adjust to the symbol.

 Ce symbole indique que le fusible utilise est e lent. Pour une protection permanente, n'utiliser que des fusibles de meme type. Ce dernier est indique la qu le present symbol est apposse.

REF. NO.	PART NO.	DESCRIPTION
F101	252320GR	 2A-UL/T-233 <MDD1N>
	252074GR	 2A-SE-EAK <MUA4P> <MUP2P> <MUT3P>
		<MDD1N>: North American area
		<MUA4P>: Australian area
		<MUP2P>: European area
		<MUT3P>: Asian area

LASER BEAM CAUTION LABEL

SERVICE PROCEDURES-2

2. Safety-check out

(Only U.S.A. model)

After correcting the original service problem perform the following safety check before releasing the set to the customer

Connect the insulating-resistance tester between the plug of power supply cord and terminal GND on the back panel.

Specifications: More than 10M ohm at 500V

INITIALIZING

Factory-shipped condition

Press the [STOP] and [STANDBY] same time with NO DISC condition.

Display "CLEAR" on the FL tube.

After "CLEAR" is displayed on the FL tube, display "INITIALIZE COMPLETE" .

After it is confirmed to become to STANDBY.

Turn off the power.

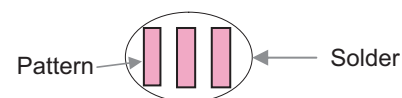
REMOVE THE SOLDER OF LASER DIODE SHORT

When replace the mechanism or DVD main PC board.

Shotting the solder of Shot-circuit land. (2 positions)

Connect the FFC to PWB(NCDG-8875:P1002) and Pickup.

Remove the solder of short-circuit land(1 points) for the laser diode destruction prevention with the soldering iron.



TEST MODE

1. Tray lock mode

Press "PLAY" key is 3-time and "OPEN/CLOSE" key is 10 seconds.

2. Select NTSC or PAL system

Press "UP" key and "POWER" key.

SETTING FW

NOTE: This work does before TEST MODE
Prepared Special remote controller (RC-484M)

1. Setting firmware

- 1-1. Turn on power switch and display "No Disc" on the FL tube.
- 1-2. Press "DVD" key and "2" key at the same time.
- 1-3. Press "RETURN" key.
 Display "REGION MODE" on the FL tube.
- 1-4. Press figure key (Example: 1=U.S.A.) , and display "REGION01" on the FL tube.

MDD1N: "1"	MUK3N: "3"
MUP2P: "2"	MUA4P: "4"
MUT3P: "3"	

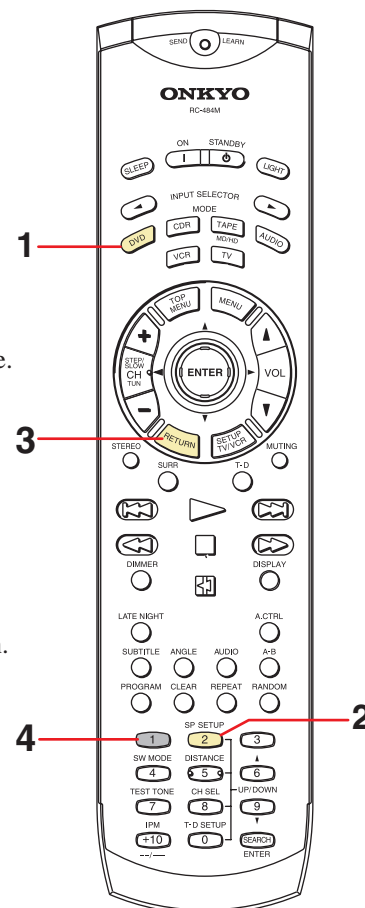
2. How to FW rewrite

- 2-1. The following FW file and file with about 40M (WAVW or MP3 etc) are written.
- 2-2. Write it Disc at Once.
- 2-3. DISC that has already been written is put on tray and close the tray.
- 2-4. Disc is loaded, display is "Firmware Upgrade Erase and program start cancel" on the TV monitor.
- 2-5. Select "Start" and press "ENTER" key. Starting upload.
- 2-6. When the tray opens, DISC is taken out.

NOTE: Do not pull out the AC cord.
Initialize it after changing of writing.

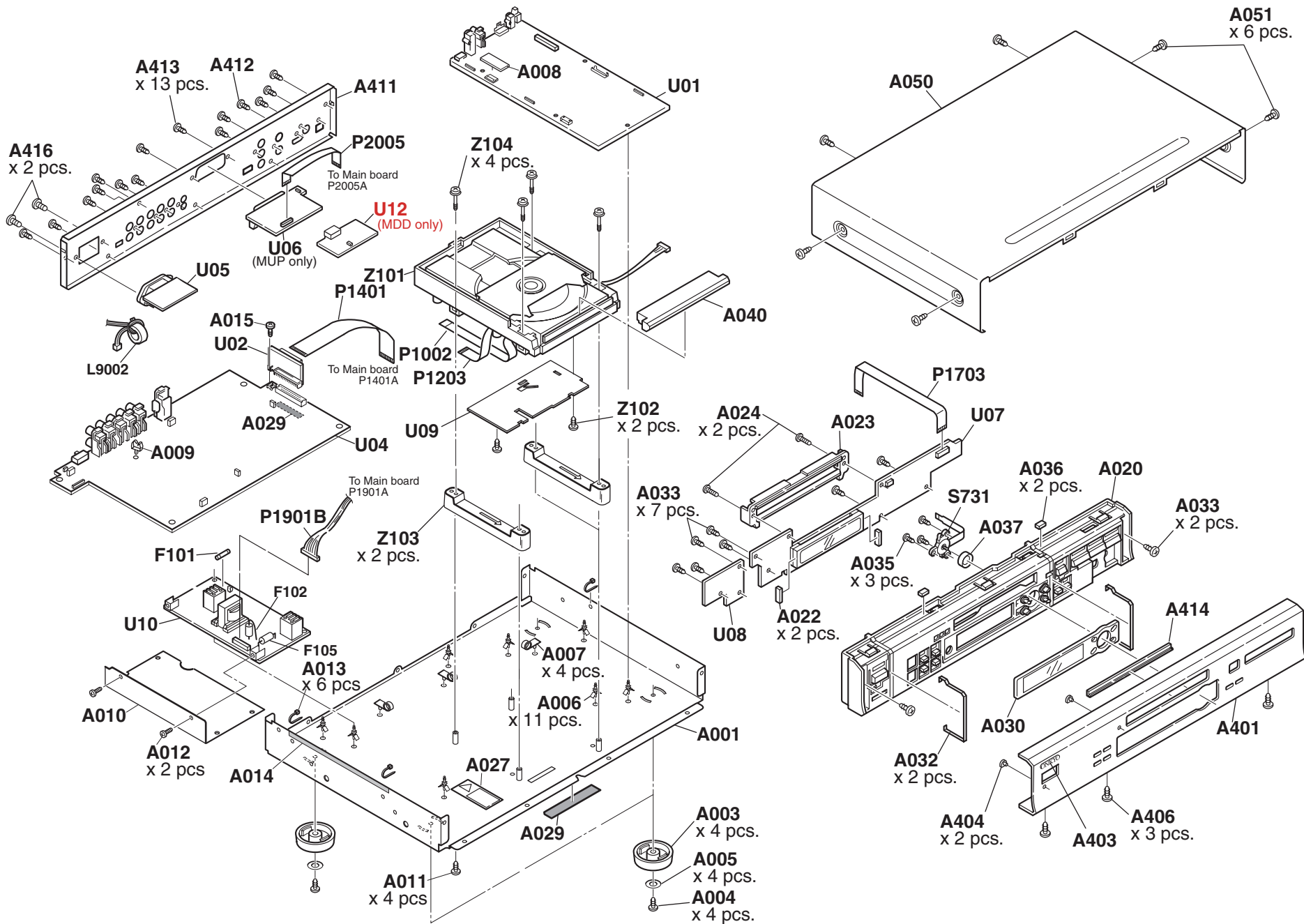
3. Initialization

- 3-1. Press "STOP" and "STANDBY" at same time with NO DISC condition.
- 3-2. Display "INTIALAIZE" on the FL display.
- 3-3. Display "COMPLEATE" on FL tube after initializing foe setting.
 The unit will be going to "STANDBY" after display "COMPLEATE".
 (VIDEO, AUDIO and etc.)



RC-484M
Part No. 24140484

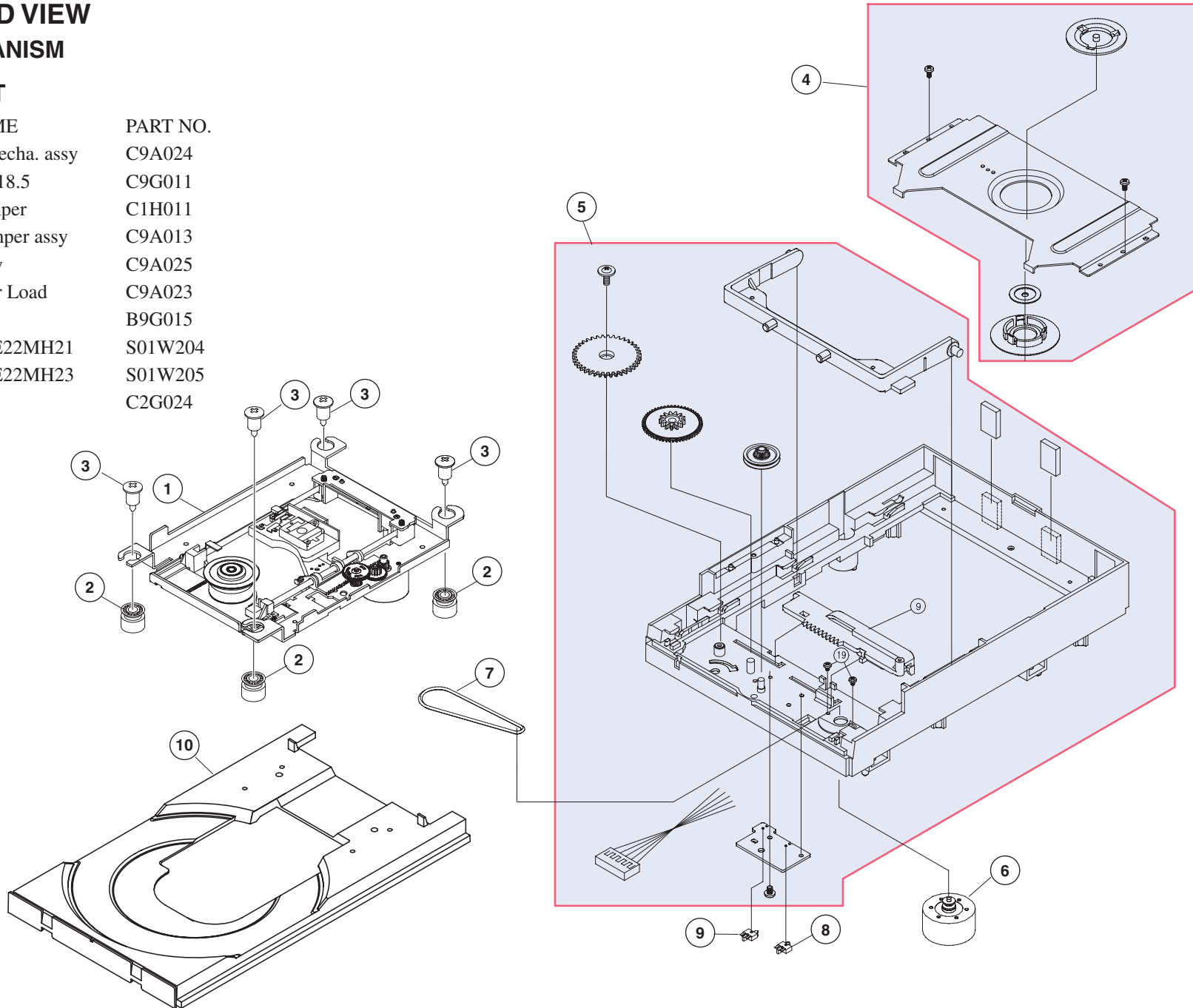
EXPLODED VIEW



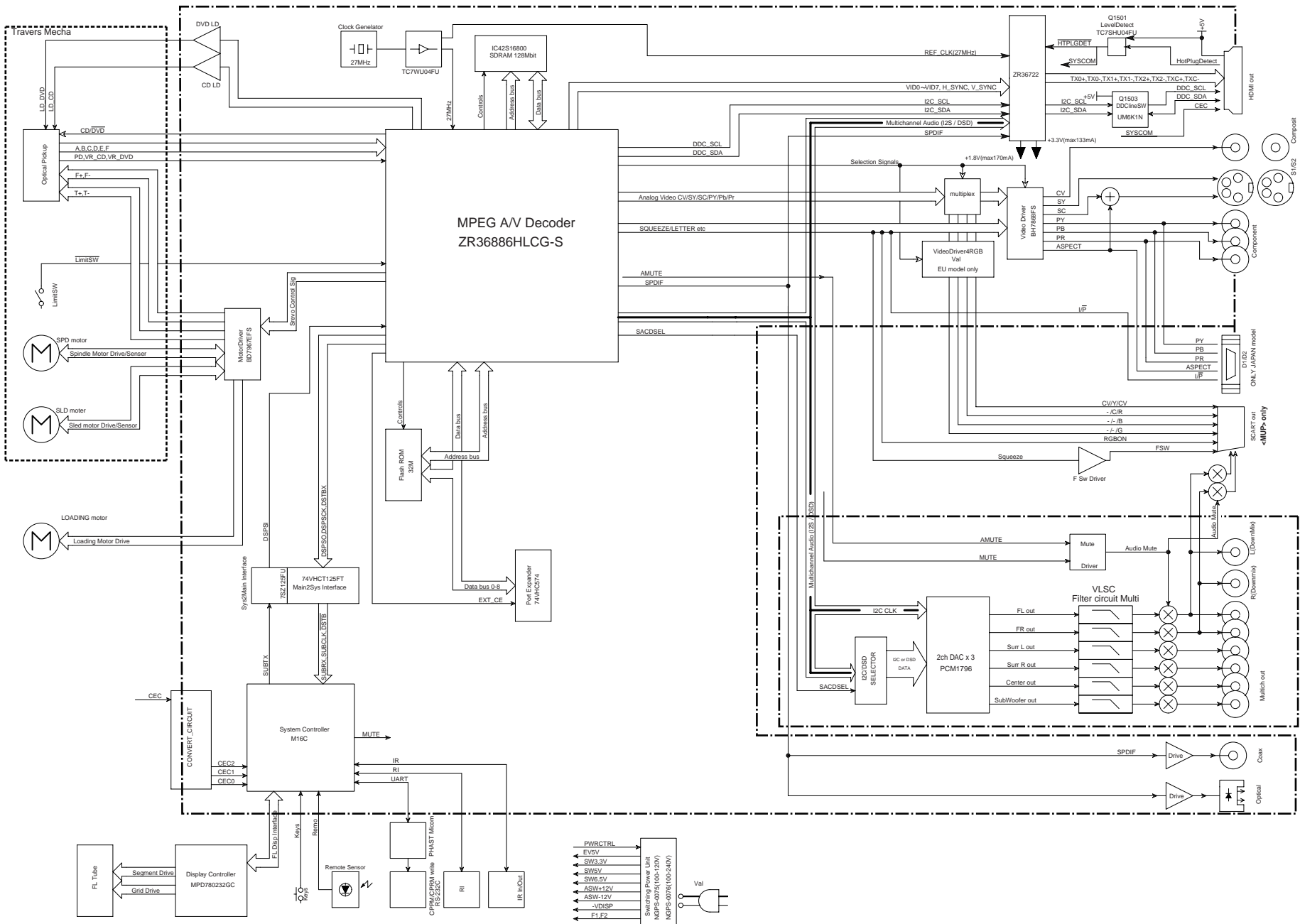
EXPLODED VIEW DVD MECHANISM

PARTS LIST

NO.	PART NAME	PART NO.
①	Traverse Mecha. assy	C9A024
②	DamperSI-18.5	C9G011
③	Screw Dumper	C1H011
④	Guide Clamper assy	C9A013
⑤	Loader assy	C9A025
⑥	Assy Motor Load	C9A023
⑦	Belt Load	B9G015
⑧	Switch ESE22MH21	S01W204
⑨	Switch ESE22MH23	S01W205
⑩	Tray	C2G024



BLOCK DIAGRAM



SCHEMATIC DIAGRAM-1-2

U01 : DVD MAIN PC BOARD NADG-9634

1

2

3

4

5

To pickup mech.

FH12-24S-0.5SH(55)

1. LD

2. MD

3. HFM

4. MD

5. LD_CD

6. VR_DVD

7. VR_CD

8. NC1

9. VCC_RFS

10. VCC_RFS

11. VCC_RFS

12. VC

13. GNDAS

14. F

15. B

16. A

17. VRF

18. CD_MD

19. D

20. C

21. T+

22. T+

23. F+

24. F+

Pin Name GNDAS GNDAS

PH00 CPU IF (top side)

To Spinrate Servo motor

1. SLD+

2. SLD-

3. SSW

4. GND PW

5. H+

6. H-

7. HS+

8. HS-

9. HS+

10. HS-

11. H1+

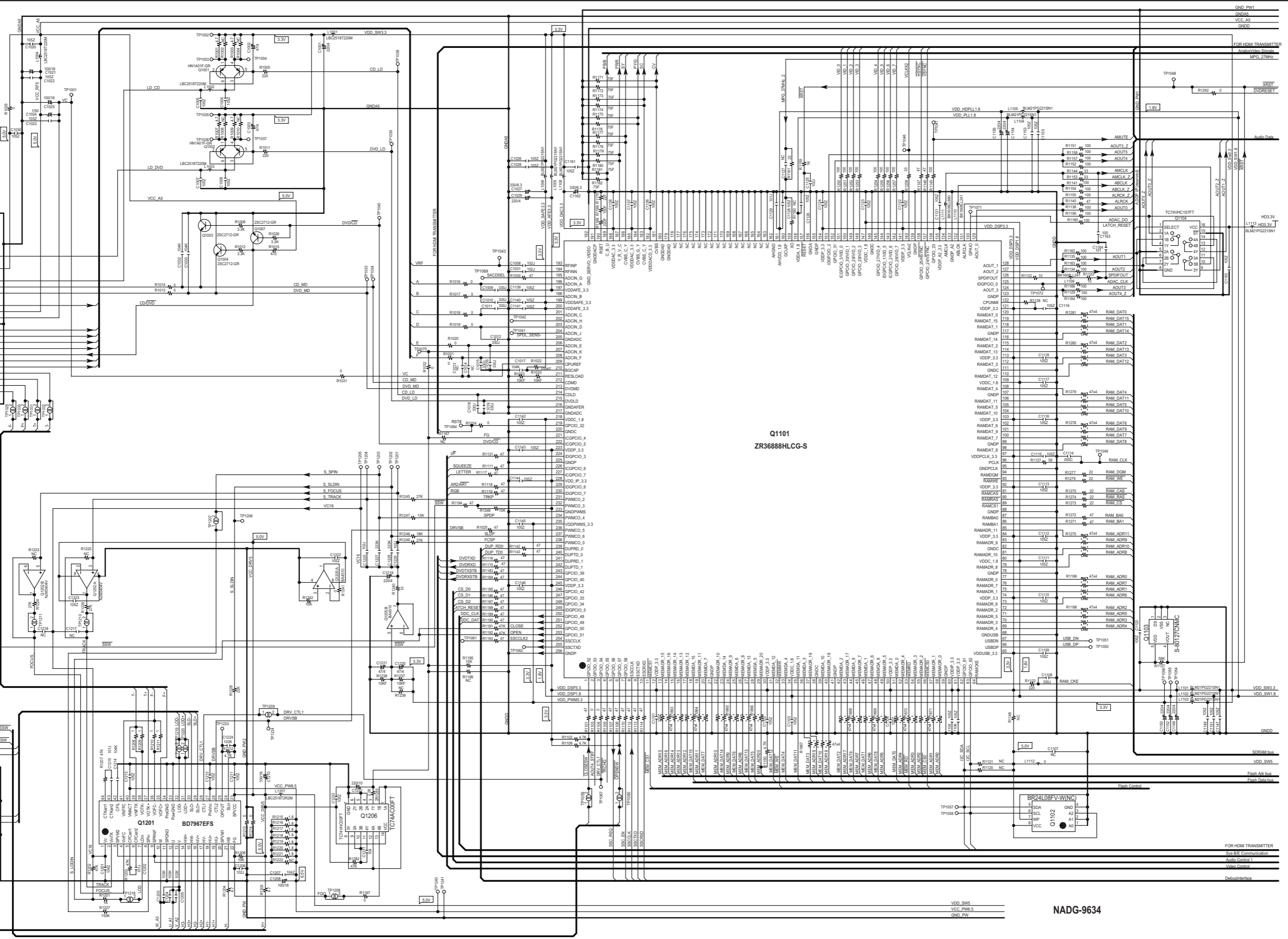
12. H1-

13. U.A1

14. V.A2

15. W.A3

Pin Name CLOSERSW TPENSW LOC LOC TP1212 NFG-9P01 TP1213 TP1214



NADG-9634

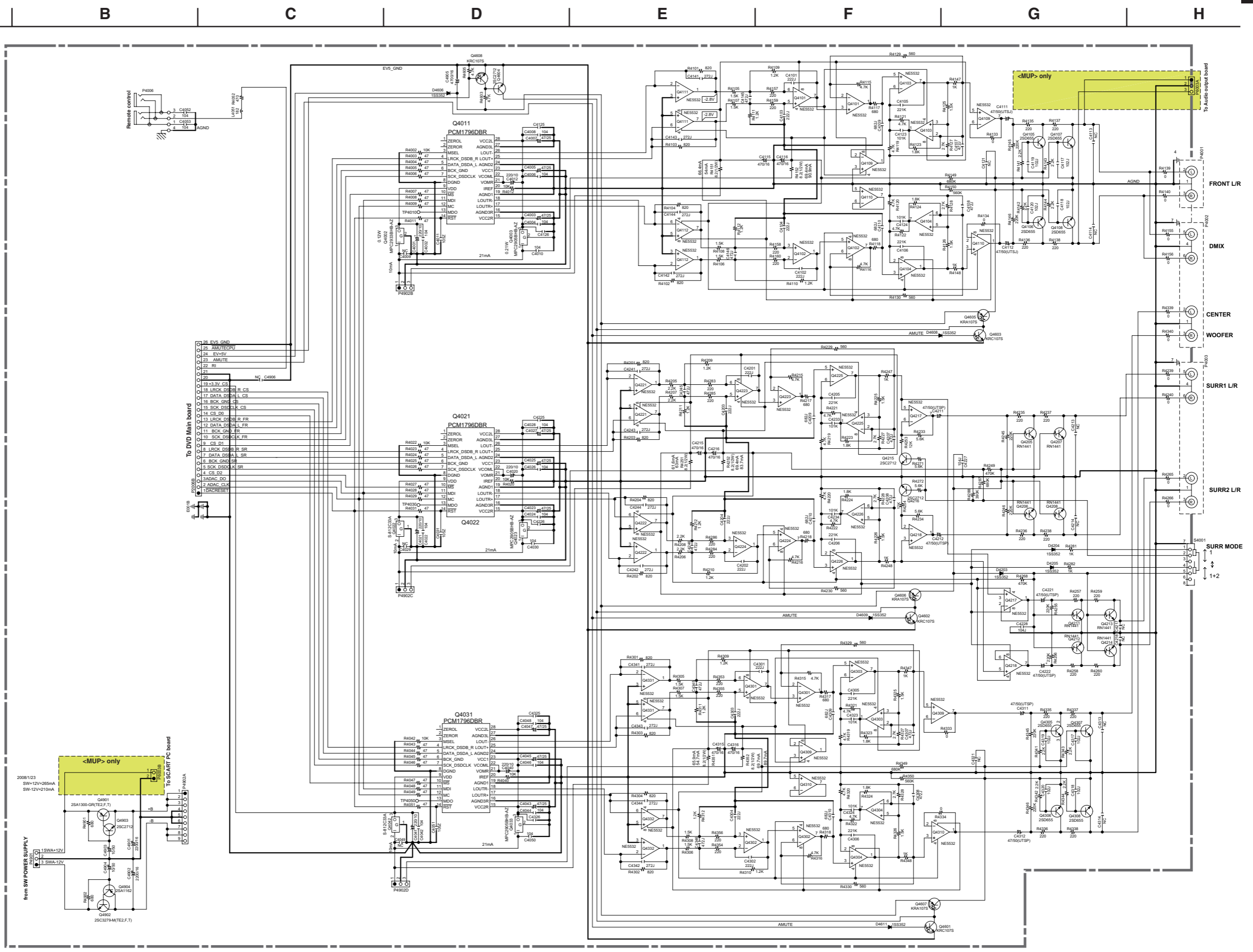
[CHANGER] From MECHA

[SINGLE UNIVERSAL] 1-1 0Pin 15Pin 150mm AD

SCHEMATIC DIAGRAM-2

U04 : AUDIO/VIDEO OUTPUT PC BOARD NAAF-9636

1
2
3
4
5

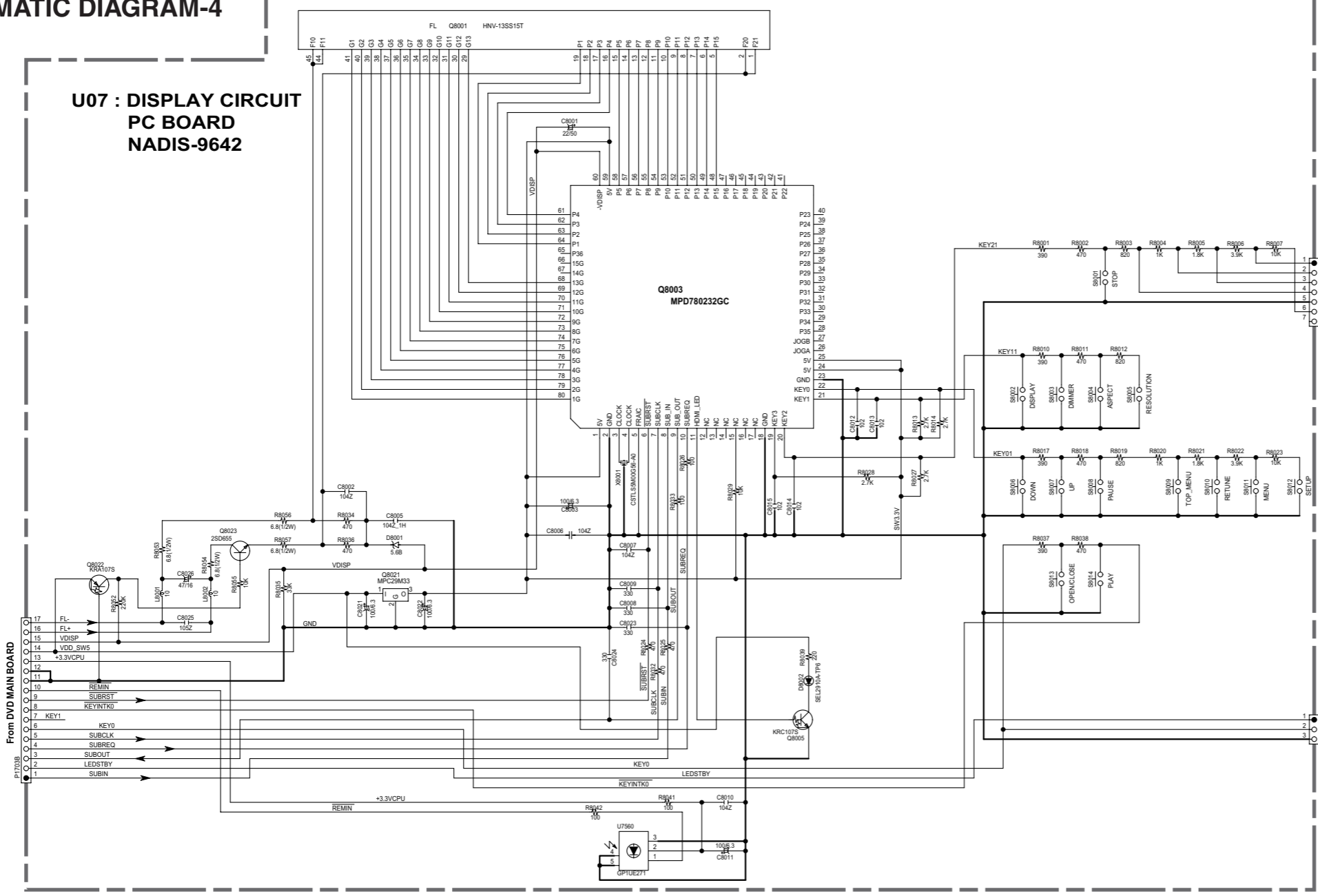


A B C D E F G H

SCHEMATIC DIAGRAM-4

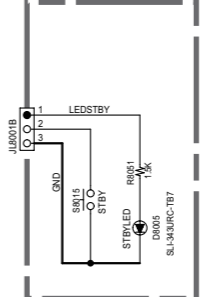
1
2
3
4
5

**U07 : DISPLAY CIRCUIT
PC BOARD
NADIS-9642**

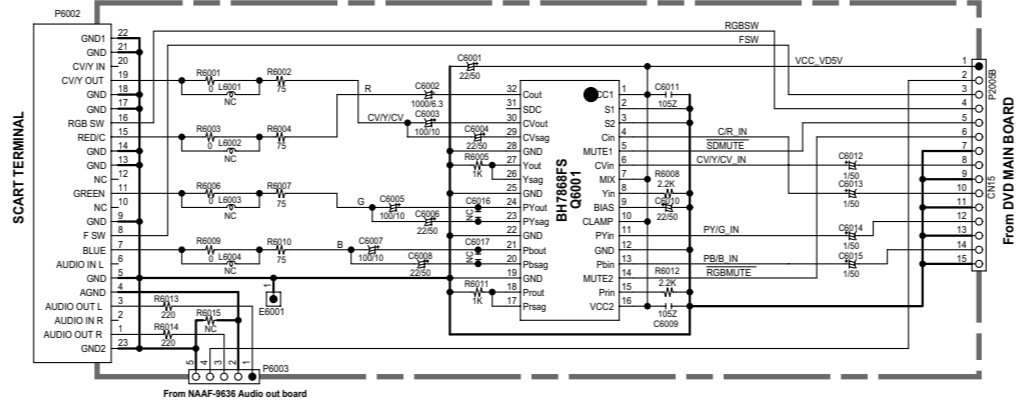


To Cursor switch

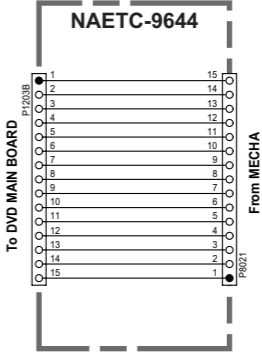
**U08 : STANDBY SWITCH
PC BOARD NASW-9643**



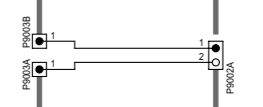
U06 : SCART TERMINAL PC BOARD NAVD-9640 <MUP> only



**U08: MECHA. CONNECTION
PC BOARD**



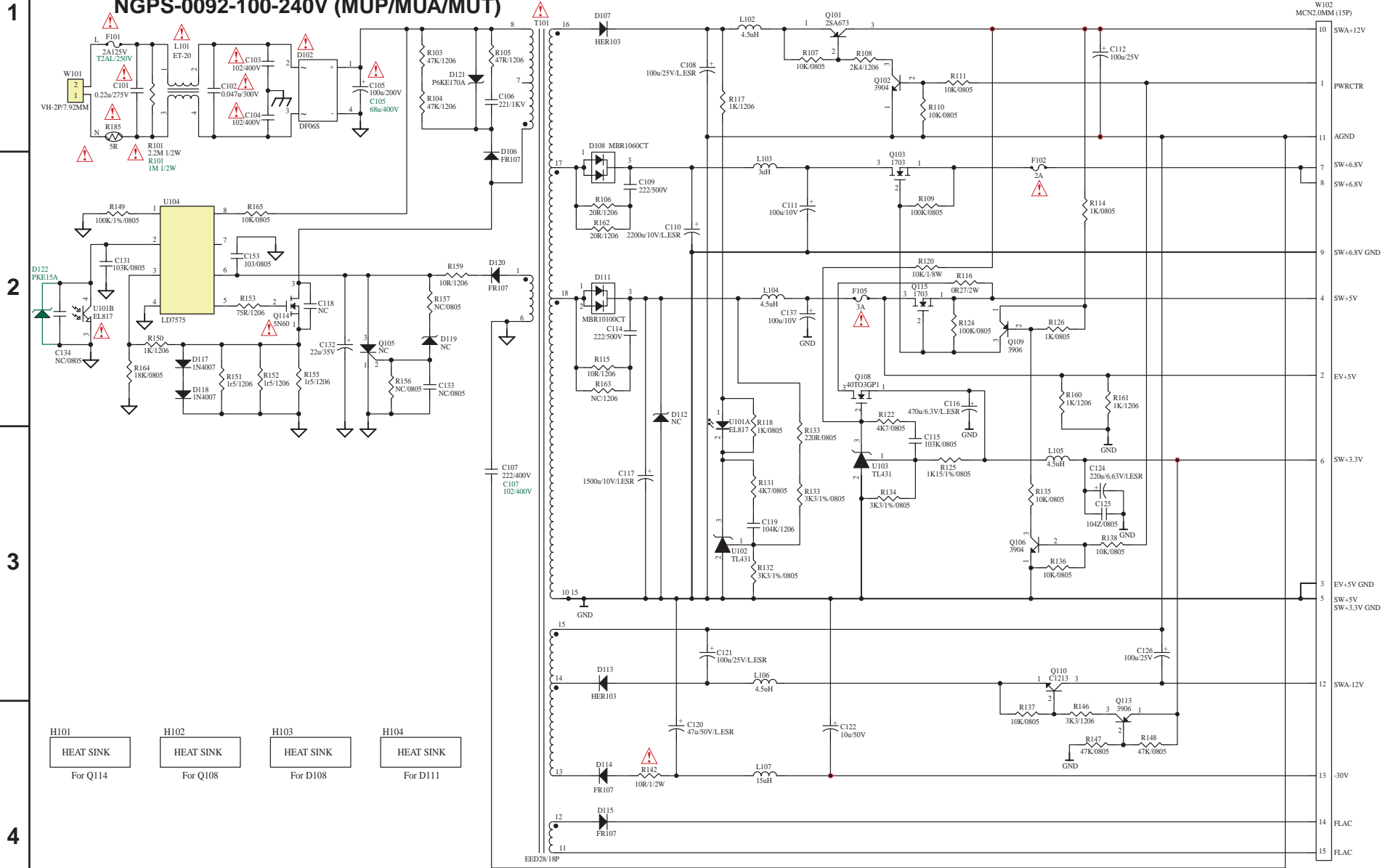
**U05: AC INLET TERMINAL
PC BOARD
NAPS-9639**



SCHEMATIC DIAGRAM-5 POWER SUPPLY UNIT

U10 : NGPS-0091-100-120V (MDD)

NGPS-0092-100-240V (MUP/MUA/MUT)

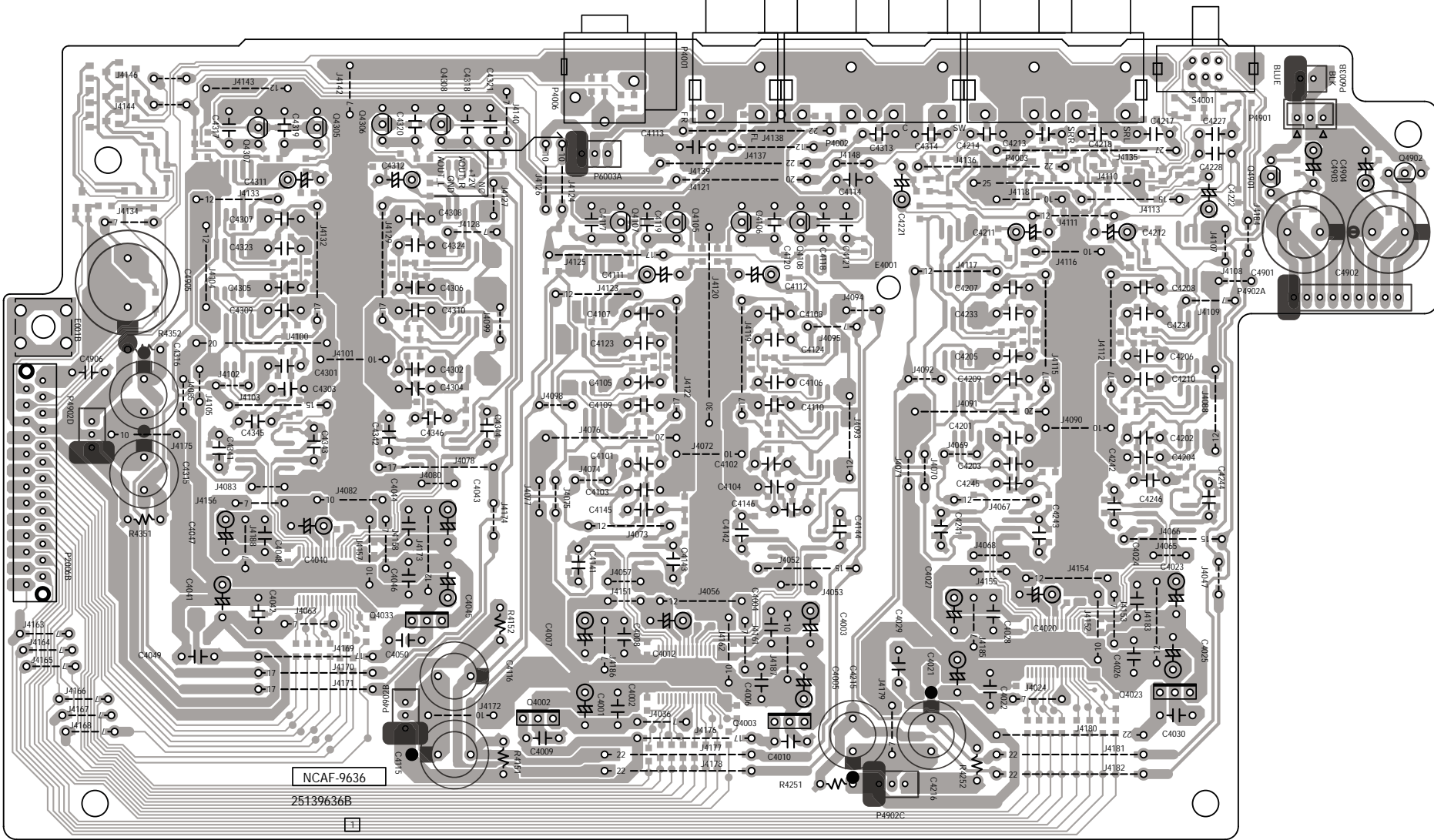


A B C D E

PRINTED CIRCUIT BOARD VIEW-2

U04 AUDIO/VIDEO OUTPUT PC BOARD (NAAF-9636)

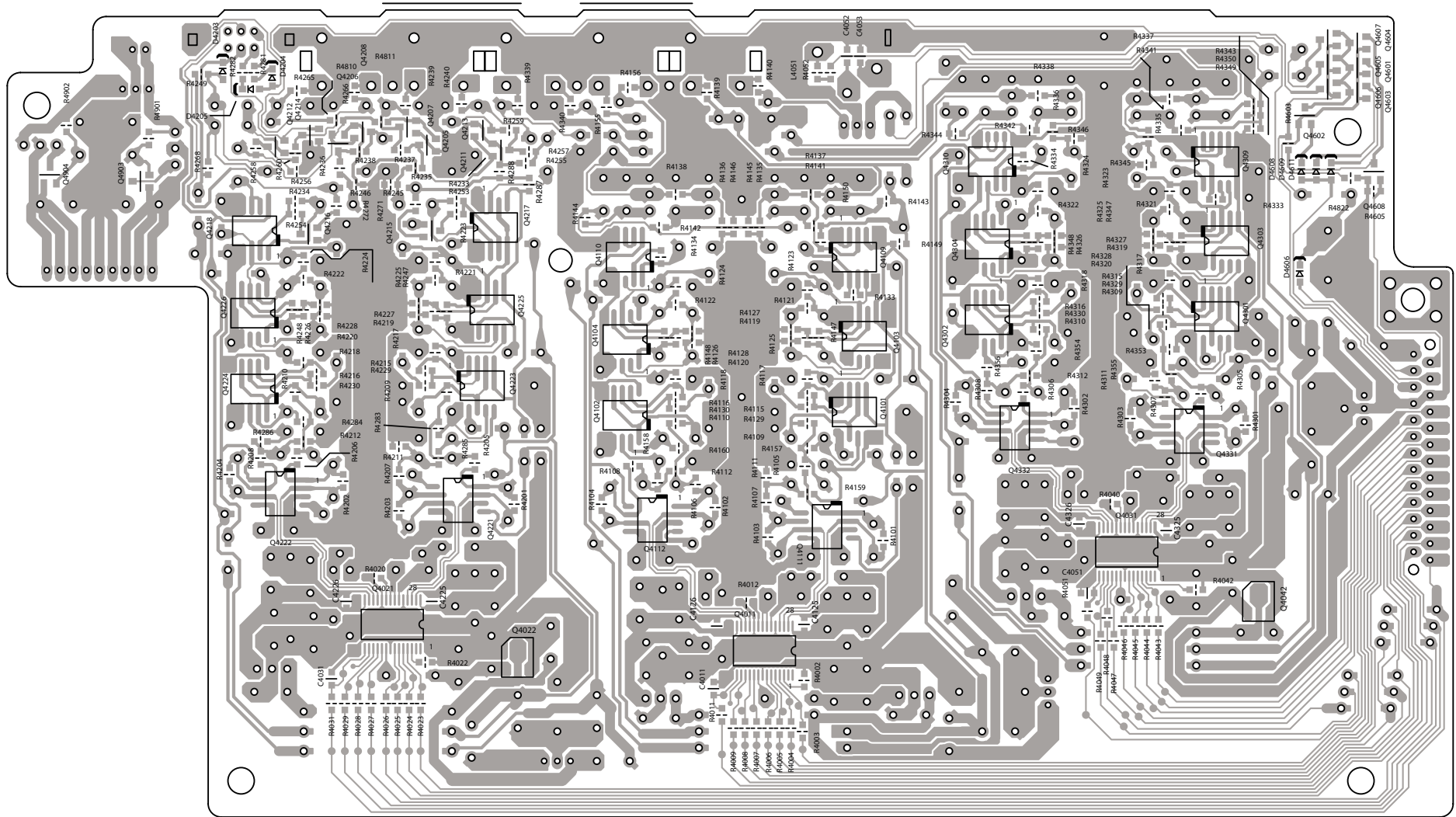
1
2
3
4



Component side view from soldering side

PRINTED CIRCUIT BOARD VIEW-2

U04 AUDIO/VIDEO OUTPUT PC BOARD (NAAF-9636)



Soldering side view from component side

A

B

C

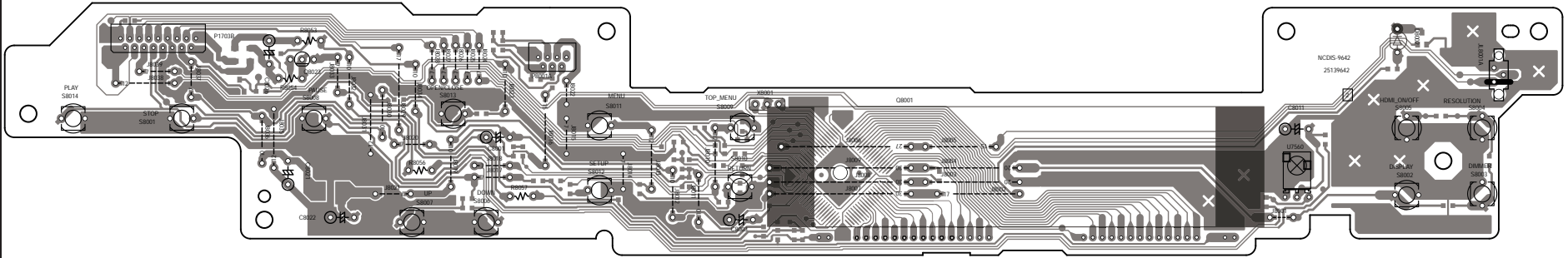
D

E

PRINTED CIRCUIT BOARD VIEW-3

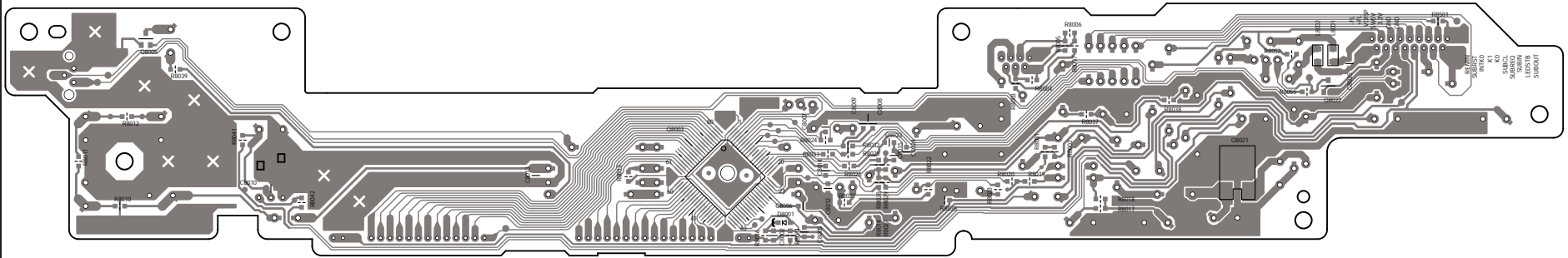
U07 DISPLAY CIRCUIT PC BOARD (NADIS-9642)

1



Component side view from soldering side

2



Soldering side view from component side

3

4

A

B

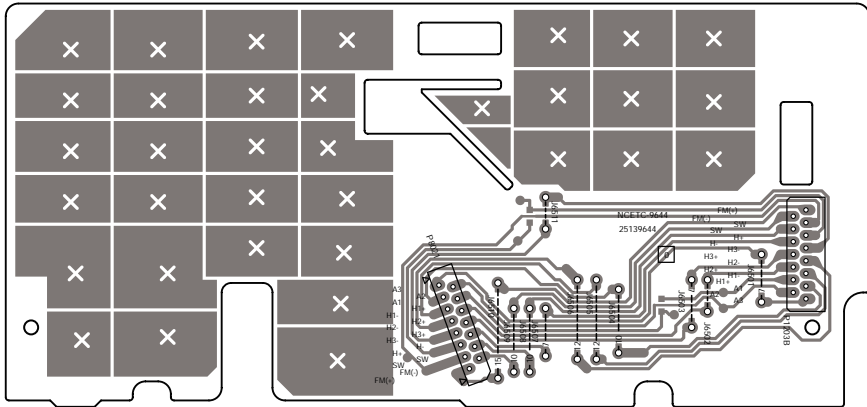
C

D

PRINTED CIRCUIT BOARD VIEW-4

U08 MECHA. CONNECTION PC BOARD (NAETC-9644)

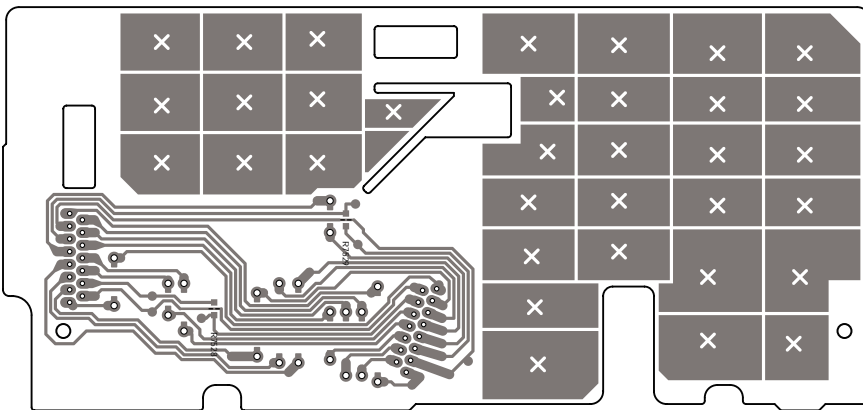
1



2

Component side view from soldering side

3



Soldering side view from component side

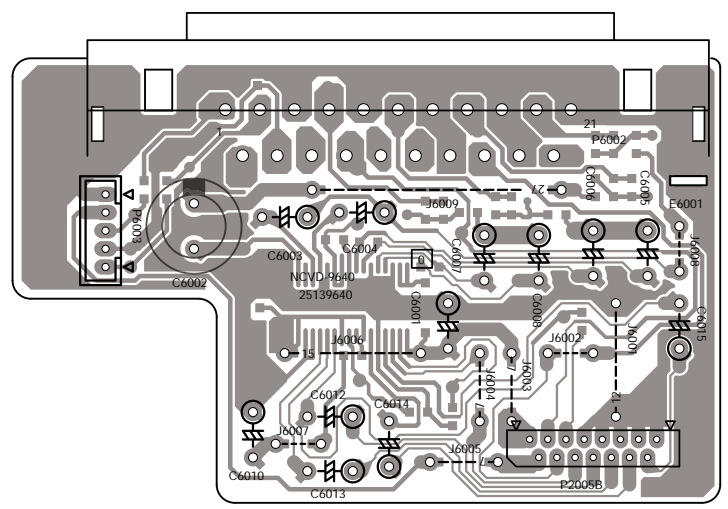
4

5

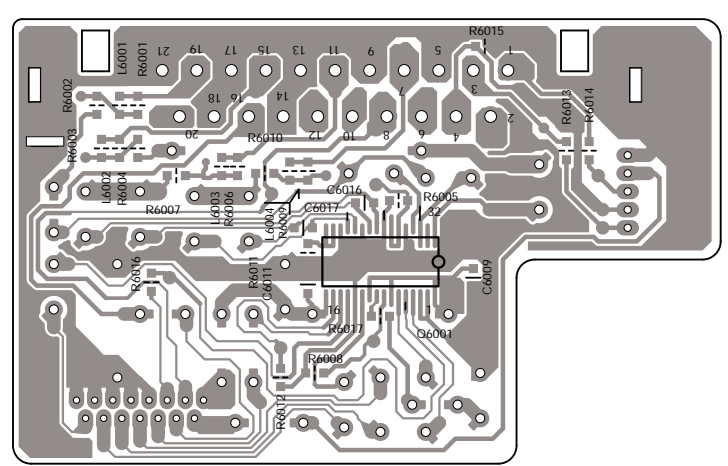
PRINTED CIRCUIT BOARD VIEW-5

U06 SCART TERMINAL PC BOARD (NAVD-9640)

1
2
3
4
5



Component side view from soldering side



Soldering side view from component side

A

B

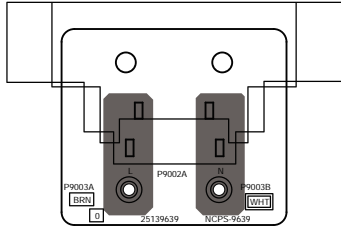
C

D

PRINTED CIRCUIT BOARD VIEW-6

1

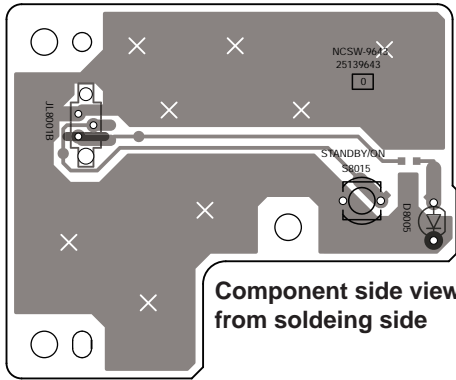
U05 AC INLET TERMINAL PC BOARD (NAPS-9639)



Soldering side view

2

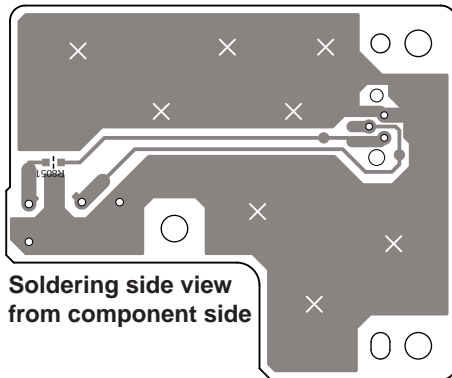
U05 STADBY SWITCH PC BOARD (NASW-9643)



Component side view from soldering side

3

4



Soldering side view from component side

5

A

B

C

D

PRINTED CIRCUIT BOARD VIEW-7 U01 DVD MAIN BOARD (NADG-9634)

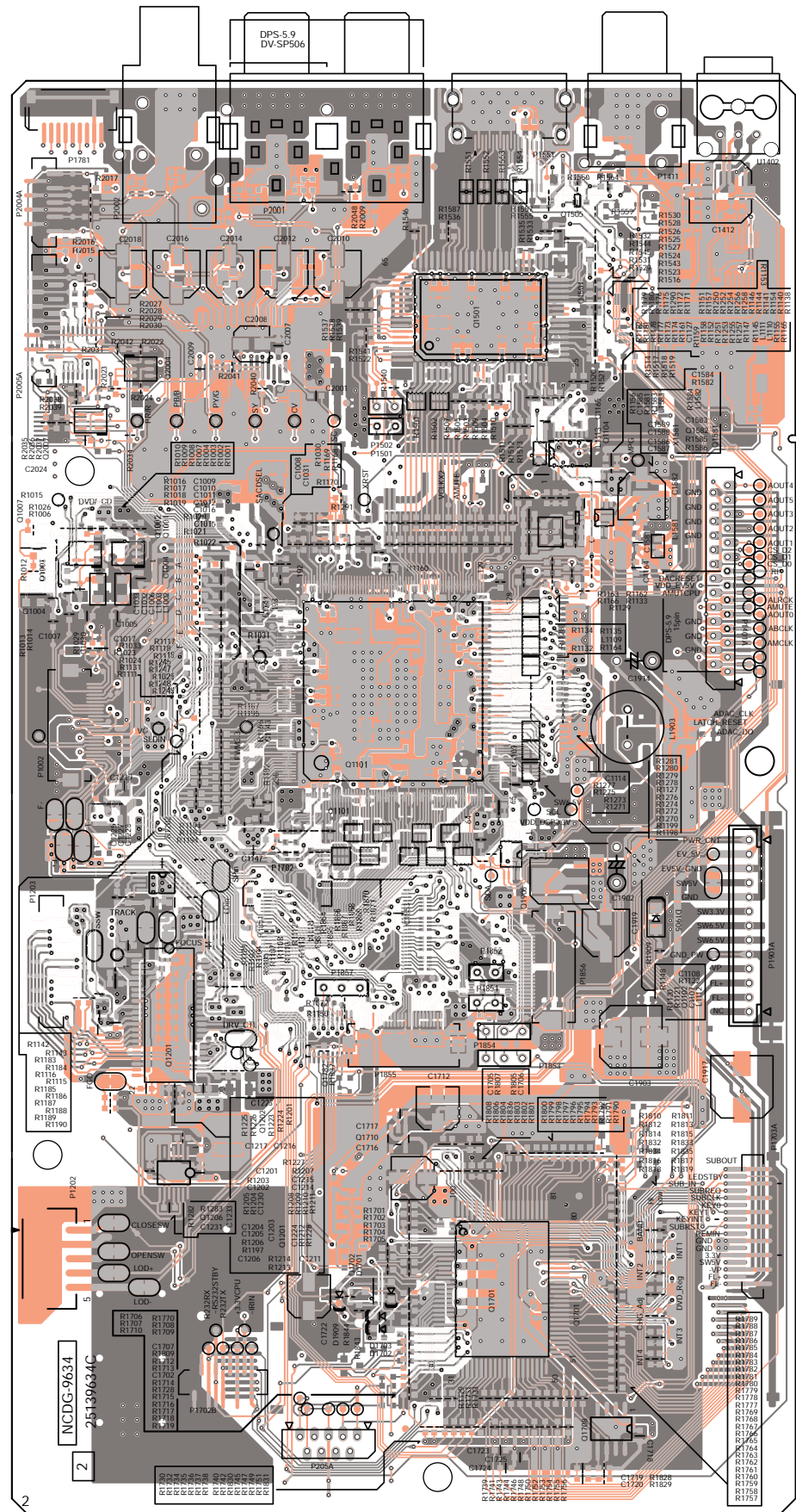
1

2

3

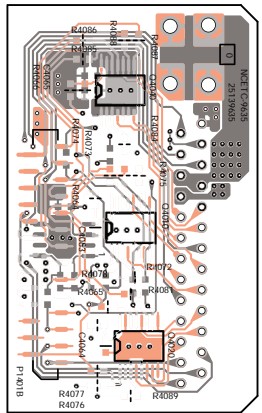
4

5



Top view

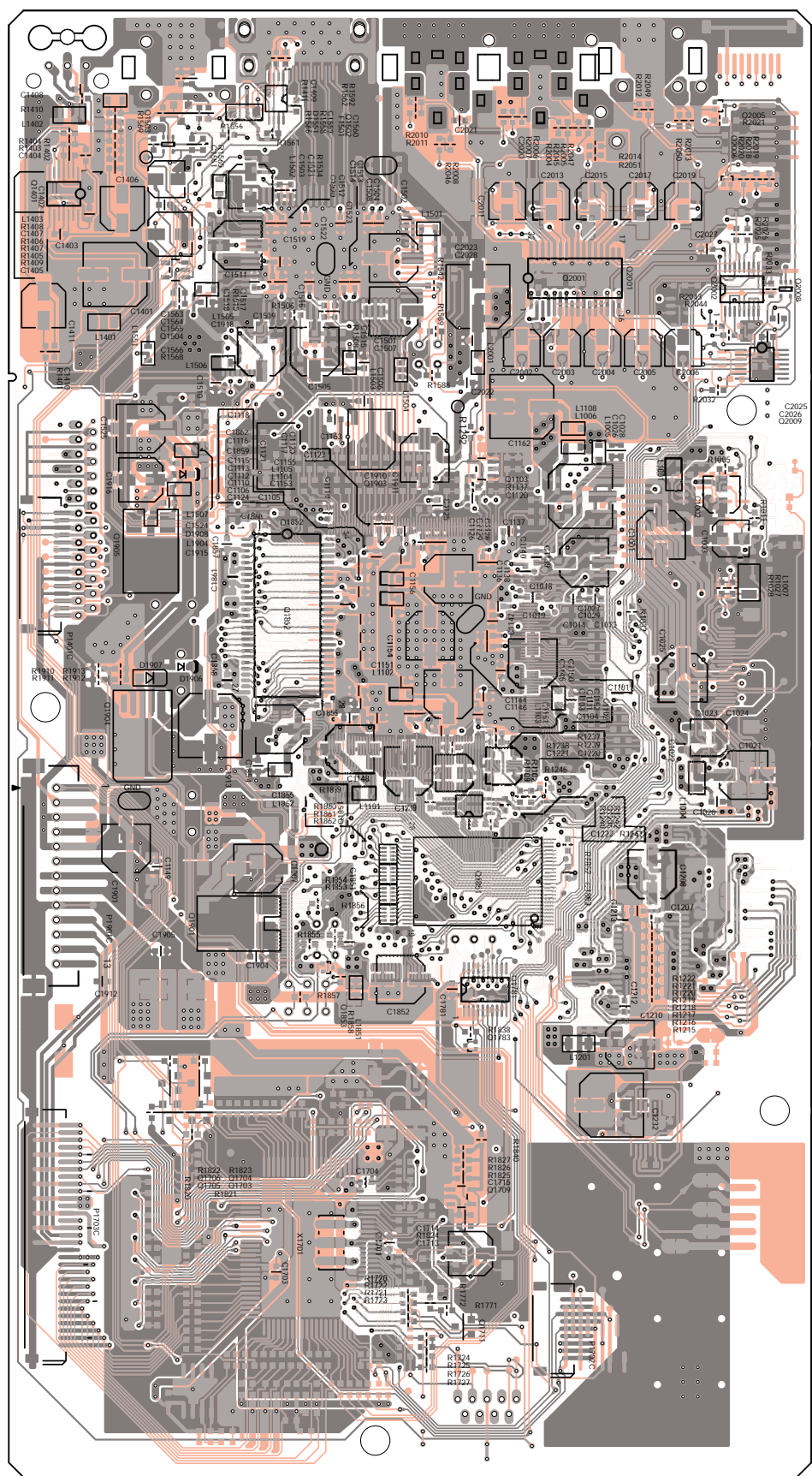
U02 CONNECTION PC BOARD (NAETC-9635)



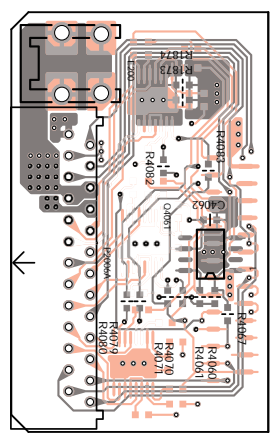
A B C D

PRINTED CIRCUIT BOARD VIEW-8 U01 DVD MAIN BOARD (NADG-9634)

1
2
3
4
5



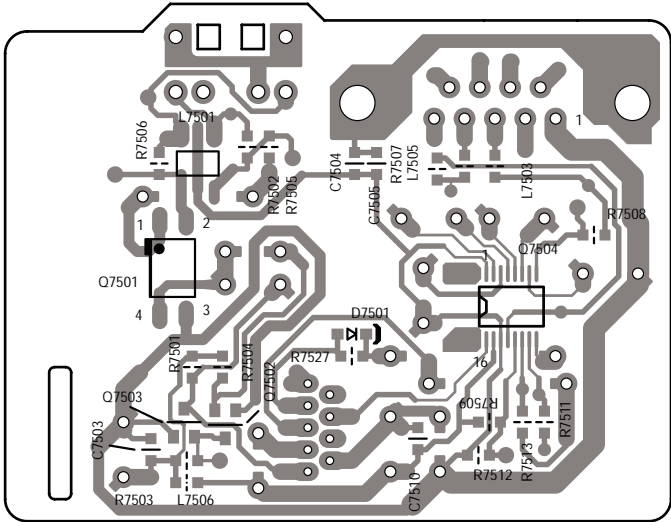
U02 CONNECTION PC BOARD (NAETC-9635)



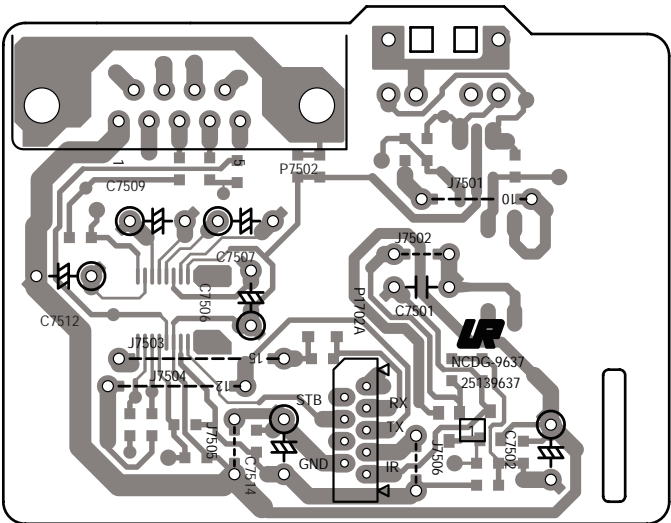
Bottom view

PRINTED CIRCUIT BOARD VIEW

U12 RS-232C TERMINAL PC BOARD
NADG-9637-1A (MDD only)

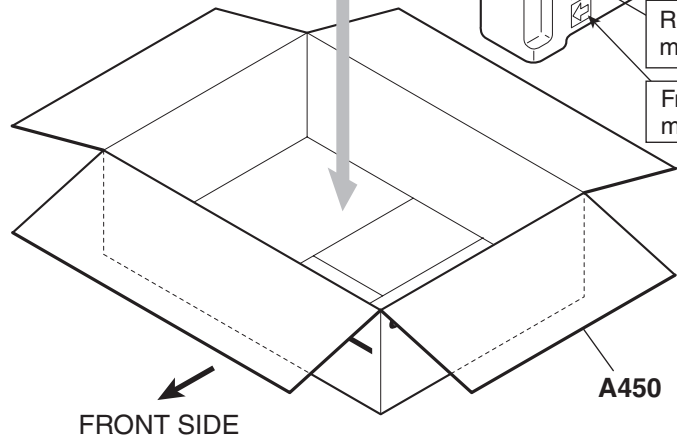
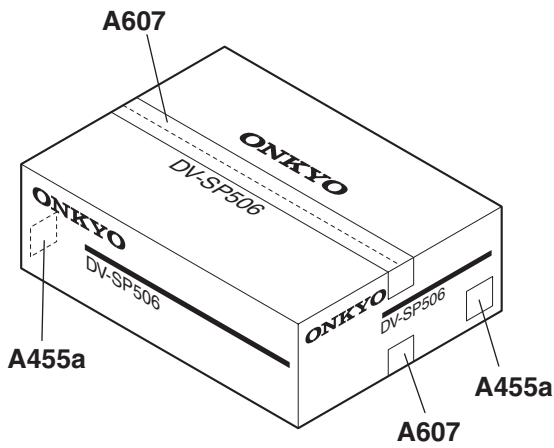
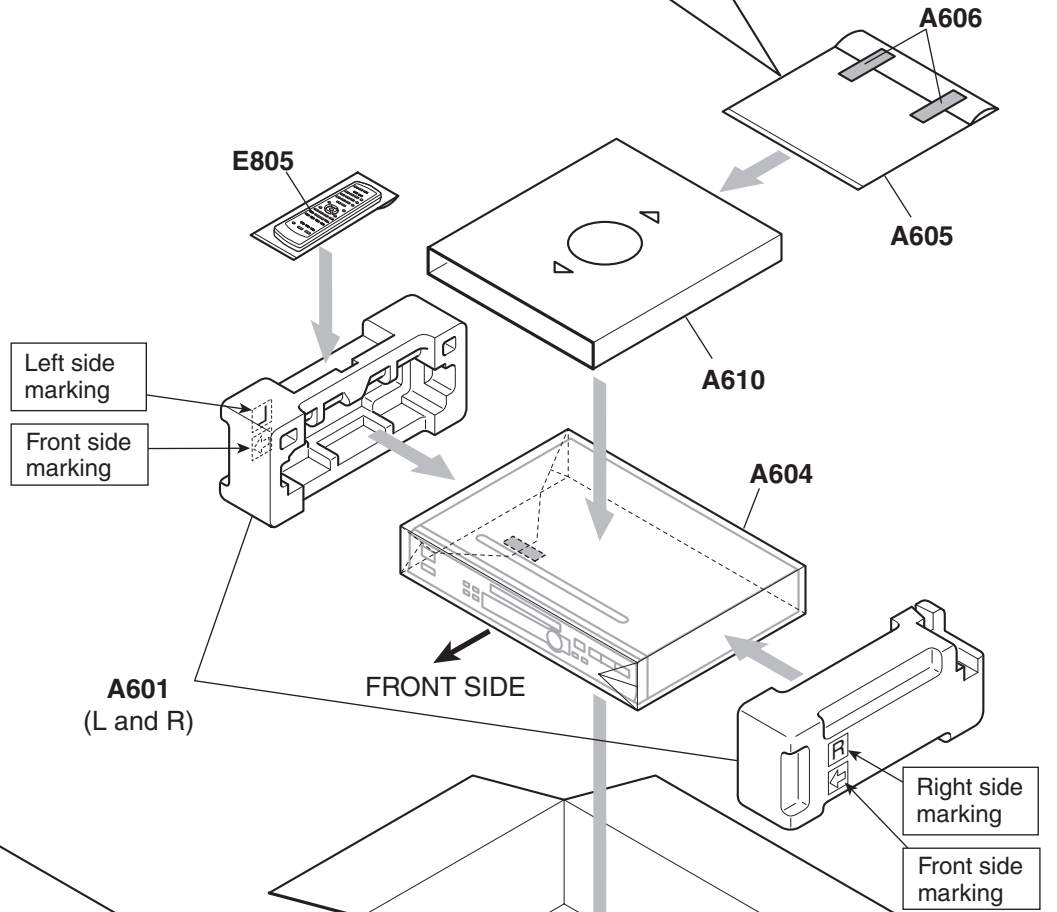
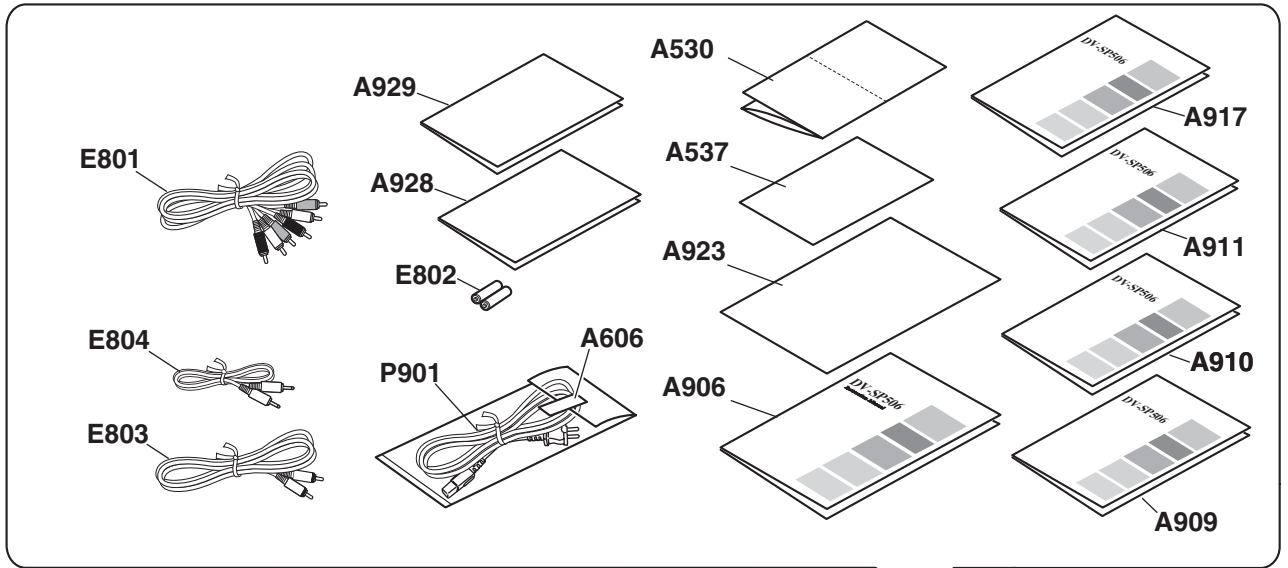


Soldering side view



Component side view

PACKING PROCEDURES



PARTS LIST

DV-SP506

NOTE: <MDD>: North American model

<MUP>: European model

<MUA>: Australian model

<MUT>: Asian model

: Black color

<G>: Golden color

<S>: Silver color

NSP: Not service part

! : Safety part

EXPLODED VIEW PARTS LIST

	REF. NO.	PART NAME	DESCRIPTION	PART NO.	REMARKS	
EXP V	A001	CHASSIS	AS	27100527C	NSP	1
EXP V	A003	BOTTOM LEG	--	27175443A		4
EXP V	A004	SCREW	3TTB+10B(3BC)	838430108GR		4
EXP V	A005	WASHER	W3*10F(3BC)	87643010GR		4
EXP V	A006	HOLDER	KGLS-6S	27190011	PWB-CHASSIS	11
EXP V	A007	HOLDER	KS CLUMP	27191332	N	4
EXP V	A008	CUSHION	40x20x3	28141787		1
EXP V	A009	HOLDER	KGPS-6S	27191260		1
EXP V	A010	PLATE	PW	27262814A		1
EXP V	A011	SCREW	3TTB+8B(3BC)	838430088GR		4
EXP V	A012	SCREW	3P+6FN(3BC)	82143006GR	SWPWB-CHASSIS	2
EXP V	A013	WIRE TIE	BSK-1	260208		6
EXP V	A014	TAPE	TAPE(CLOTH-8U)	29110082	CHASSIS:0.05:MT::	1
EXP V	A015	SCREW	3TTB+8B(3CM)SR	801637	MP011:PWB-PWB	1
EXP V	A020	F BRACKET	(AS)	27111363A	N 	1
EXP V	A020	F BRACKET	(AS)	27111528	N <G>	1
EXP V	A020	F BRACKET	(AS)(S)	27111414A	N <S>	1
EXP V	A022	IB CUSHION	W15*3t TAPE	28141585	FL:0.005:MT::	2
EXP V	A023	GUIDE	(MECHA)DV-SP504	27268183		1
EXP V	A024	SCREW	3TTP+10P(3CM)	833130100GR	FBRACKE-GUIDE(M)	2

EXP V	A027	LABEL	(DVD3)	29364728		1
EXP V	A029	TAPE	TAPE(CLOTH-16U)	29110083	CHASSIS:0.17:MT::	1
EXP V	A030	CLEAR PLT	DV-SP502(B)	28192043		1
EXP V	A030	CLEAR PLT	DV-SP502(G)	28192044	<G>	1
EXP V	A030	CLEAR PLT	DV-SP502(G)	28192044	<S>	1
EXP V	A032	TAPE	--	29110161	FBRACKET	2
EXP V	A033	SCREW	3TTB+8B(3CM)SR	801637	FBRA-PWB	9
EXP V	A035	SCREW	2.6TTB+8B(3BC)	838426088GR	JOYSTICK	3
EXP V	A036	CUSHION	.	28141606	F BRACKET	2
EXP V	A037	KNOB	(CRS)	28326244		1
EXP V	A037	KNOB	(CRS)	28326245	<G>	1
EXP V	A037	KNOB	(CRS)	28326245	<S>	1
EXP V	A040	DOOR	DV-SP504(B)	28148645		1
EXP V	A040	DOOR	(G)	28148731	N <G>	1
EXP V	A040	DOOR	DV-SP504(S)	28148646	<S>	1
EXP V	A050	COVER	(B)	28210023Z	N Not bent	1
EXP V	A050	COVER	(G)/(N)	28210025Z	N <G> Not bent	1
EXP V	A050	COVER	(S)	28210024Z	N <S> Not bent	1
EXP V	A050	COVER	(B)	28210023	N bent	1
EXP V	A050	COVER	(G)/(N)	28210025	N <G> bent	1
EXP V	A050	COVER	(S)	28210024	N <S> bent	1
EXP V	A051	SCREW	3TTB+8B(3BC)	838430088GR	 Cover	6
EXP V	A051	SCREW	3TTB+8B(3CM)	838130088GR	<G> Cover	6
EXP V	A051	SCREW	3TTB+8B(3CM)	838130088GR	<S> Cover	6
EXP V	A401	F PANEL	DV-SP506(B)MDD	27213174	N <MDD>	1
EXP V	A401	F PANEL	DV-SP506(B)M	27213176	N <MUP>	1
EXP V	A401	F PANEL	DV-SP506(B)M	27213176	N <MUA>	1
EXP V	A401	F PANEL	DV-SP506(G)M	27213178A	N <G> <MUT>	1
EXP V	A401	F PANEL	DV-SP506(S)MDD	27213175	N <S> <MDD>	1
EXP V	A401	F PANEL	DV-SP506(S)M	27213177	N <S> <MUP>	1
EXP V	A401	F PANEL	DV-SP506(S)M	27213177	N <S> <MUA>	1
EXP V	A403	BADGE	--	28135244		1
EXP V	A403	BADGE	--	28135245	<G>	1
EXP V	A403	BADGE	--	28135298	<S>	1
EXP V	A404	FACET	(S)	28198906		2

EXP V	A406	SCREW	3TTB+8B(3BC)	838430088GR	Front panel	3
EXP V	A411	REAR PANEL	DV-SP506DD1N	27123944	N <MDD>	1
EXP V	A411	REAR PANEL	DV-SP506UP2P	27123947	N <MUP>	1
EXP V	A411	REAR PANEL	DV-SP506UA4P	27123945	N <MUA>	1
EXP V	A411	REAR PANEL	DV-SP506UT3P	27123946	N <G> <MUT>	1
EXP V	A411	REAR PANEL	DV-SP506DD1N	27123944	N <S> <MDD>	1
EXP V	A411	REAR PANEL	DV-SP506UP2P	27123947	N <S> <MUP>	1
EXP V	A411	REAR PANEL	DV-SP506UA4P	27123945	N <S> <MUA>	1
EXP V	A412	SCREW	3P+6FN(3BC)	82143006GR	HDMI	1
EXP V	A413	SCREW	3TTB+8B(3BC)	838430088GR	<MDD> Rear panel	13
EXP V	A413	SCREW	3TTB+8B(3BC)	838430088GR	<MUP>	15
EXP V	A413	SCREW	3TTB+8B(3BC)	838430088GR	<MUA>	13
EXP V	A413	SCREW	3TTB+8B(3BC)	838430088GR	<MUT>	13
EXP V	A414	GUIDE	(CD)DV-SP504	27268184		1
EXP V	A414	GUIDE	(CD)	27268226	<G>	1
EXP V	A414	GUIDE	(CD)DV-SP504(S)	27268186	<S>	1
EXP V	A416	SCREW	4TTB+8C(3BC)	838440089GR	AC INLET	2
EXP V	A417	CUSHION	UC-300279TKITAGAWA	28141705	CHASSIS	1
EXP V	F101	FUSE	2A-UL/T-233	252320GR	! <MDD>	1
EXP V	F101	FUSE	2A-SE-EAK FUSE	252074GR	! <MUP>	1
EXP V	F101	FUSE	2A-SE-EAK FUSE	252074GR	! <MUA>	1
EXP V	F101	FUSE	2A-SE-EAK FUSE	252074GR	! <MUT>	1
EXP V	P1002	FFC	NCFC5-242812	204C242812		1
EXP V	P1203	FFC	NCFC5-151522	2045151522		1
EXP V	P1401	FFC	NCFC5-271522	2045271522		1
EXP V	P1702	FFC	NCFC5-093022	2045093022	<MDD> only	1
EXP V	P1703	FFC	NCFC5-172012	2045172012		1
EXP V	P1901B	SOCKET AS	NSAS-30P1781	2009991141UL		1
EXP V	P2005	FFC	NCFC5-151522	2045151522	<MUP> only	1
EXP V	S731	JOY STICK	NPS-115-S673	25035710		1
EXP V	U01	DVD Main PC board a'ssy	NADG-9634-1E	1H554534-1E	N <MDD>	1
EXP V	U01	DVD Main PC board a'ssy	NADG-9634-1F	1H554534-1F	N <MUP>	1
EXP V	U01	DVD Main PC board a'ssy	NADG-9634-1G	1H554534-1G	N <MUA>	1
EXP V	U01	DVD Main PC board a'ssy	NADG-9634-1H	1H554534-1H	N <MUT>	1
EXP V	U02	Connection PC board a'ssy	NAETC-9635-1E	1H5545351E	N <MDD>	1

EXP V	U02	Connection PC board a'ssy	NAETC-9635-1F	1H5545351F	N <MUP>	1
EXP V	U02	Connection PC board a'ssy	NAETC-9635-1G	1H5545351G	N <MUA>	1
EXP V	U02	Connection PC board a'ssy	NAETC-9635-1H	1H5545351H	N <MUT>	1
EXP V	U04	Audi/Video output PC board a'ssy	NAAF-9636-1A	1H554536-1A	N <MDD>	1
EXP V	U04	Audi/Video output PC board a'ssy	NAAF-9636-1B	1H554536-1B	N <MUP>	1
EXP V	U04	Audi/Video output PC board a'ssy	NAAF-9636-1C	1H554536-1C	N <MUA> <MUT>	1
EXP V	U05	AC Inlet terminal PC board a'ssy	NAPS-9639-1A	1H554539-1A	N <MDD>	1
EXP V	U05	AC Inlet terminal PC board a'ssy	NAPS-9639-1B	1H554539-1B	N <MUP>	1
EXP V	U05	AC Inlet terminal PC board a'ssy	NAPS-9639-1C	1H554539-1C	N <MUA> <MUT>	1
EXP V	U06	SCART terminal PC board a'ssy	NAVD-9640-1B	1H554540-1B	N <MUP>	1
EXP V	U07	Display circuit PC board a'ssy	NADIS-9642-1A	1H554542-1A	N <MDD>	1
EXP V	U07	Display circuit PC board a'ssy	NADIS-9642-1B	1H554542-1B	N <MUP>	1
EXP V	U07	Display circuit PC board a'ssy	NADIS-9642-1C	1H554542-1C	N <MUA> <MUT>	1
EXP V	U08	Standby switch PC board a'ssy	NASW-9643-1A	1H554543-1A	N <MDD>	1
EXP V	U08	Standby switch PC board a'ssy	NASW-9643-1B	1H554543-1B	N <MUP>	1
EXP V	U08	Standby switch PC board a'ssy	NASW-9643-1C	1H554543-1C	N <MUA> <MUT>	1
EXP V	U09	Mecha. connection PC board a'ssy	NAETC-9644-1A	1H554544-1A	N <MDD>	1
EXP V	U09	Mecha. connection PC board a'ssy	NAETC-9644-1B	1H554544-1B	N <MUP>	1
EXP V	U09	Mecha. connection PC board a'ssy	NAETC-9644-1C	1H554544-1C	N <MUA> <MUT>	1
EXP V	U10	Power supply PC board unit	NGPS-0091-100-120V	24150091	<MDD>	1
EXP V	U10	Power supply PC board unit	NGPS-0092-100-240V	24150092	<MUP> <MUA> <MUT>	1
EXP V	U12	RS-232C terminal PC board a'ssy	NADG-9637-1A	1H554537-1A	N <MDD> Revision 090318	1
EXP V	Z101	DVD Mechanism a'ssy	TD-505SF-3	24801036A		1
EXP V	Z102	SCREW	2TTB+8B(3CM)	838120088GR	MECHA-PWB	2
EXP V	Z103	HOLDER	(M)	27191331B		2
EXP V	Z104	JOINT	(M)	27273200	N HOLDER(M)-DVD M	4
EXP V	F102	Quick action micro fuse	MQ2A/125V	OP66	!	1
EXP V	F105	Quick action micro fuse	MQ3A/125V	OP67	!	1

PACKING VIEW PARTS LIST

DV-SP506

	REF. NO.	PART NAME	DESCRIPTION	PART NO.	REMARKS	
PKG V	A450	CARTON	DV-SP506MDD	29054951	N <MDD>	1
PKG V	A450	CARTON	DV-SP506M	29054952	N <MUP> <MUA> <MUT>	1
PKG V	A455a	UPC LABEL	DV-SP506(B)	29390557	N MBDD	1
PKG V	A455a	UPC LABEL	DV-SP506(S)	29390558	N <S>MBDD	1
PKG V	A455a	EAN LABEL	DV-SP506(B)MUP	29390566A	N < MUP>	1
PKG V	A455a	EAN LABEL	DV-SP506(S)MUP	29390567A	N <S>< MUP>	1
PKG V	A455a	EAN LABEL	DV-SP506(B)MUA	29390568	N <MUA>	1
PKG V	A455a	EAN LABEL	DV-SP506(S)MUA	29390569	N <S><MUA>	1
PKG V	A455a	EAN LABEL	DV-SP506(G)MUT	29390570A	N <G><MUT>	1
PKG V	A530	WRNTY CARD	(ONKYO)	29365135	<MDD> only	1
PKG V	A537	INST SHEET	WEEE	29355537	<MUP> only	1
PKG V	A601	PAD	(AS) DV-SP504	29092321		1
PKG V	A604	POLY BAG	w500xd650	29100249		1
PKG V	A605	POLY BAG	w250xd350	29100250A	<MUP> only	1
PKG V	A606	TAPE	(SEROHAN)NITTO NO.29	29110149	:0.3:MT	1
PKG V	A607	PP TAPE	W50 SBT-70	29110200	:1.3:MT	1
PKG V	A610	PAD	TOP	29092108B	<MUP> only	1
PKG V	A906	INS MANUAL	En(DVSP506)	29344792	N	1
PKG V	A909	INS MANUAL	U2FrEs(DVSP506)	29344795	N <MUP> only	1
PKG V	A910	INS MANUAL	U2ItDe(DVSP506)	29344796	N <MUP> only	1
PKG V	A911	INS MANUAL	U2NiSv(DVSP506)	29344797	N <MUP> only	1
PKG V	A917	INS MANUAL	Ct(DVSP506)	29344803	N <MUT> only	1
PKG V	A923	INS MANUAL	U8(DVSP506)HDMI	29344809	N	1
PKG V	A928	INS MANUAL	Ar(QC ImportantSheet)	29344373	<MUP> only	1
PKG V	A929	INS MANUAL	Ar(DVSP506)	29344851	N <MUP> only	1
PKG V	E801	PIN CORD AS	RCA3P(YWR)	2010379		1
PKG V	E802	BATTERY	R6/AA(UM-3)	3010194		2
PKG V	E802 or	BATTERY	R6/AA(UM-3)	3010054		(2)
PKG V	E803	PLUG CORD	3.5-MINI PLUG (RI)	2010200		1
PKG V	E804	CORD AS	RCA-1P(O)	2010424		1

PKG V	E805	REMO CON	RC-657DV	24140657		1
PKG V	P901	AC CORD	AS-UC-2	253352ATES	<MDD> only	1
PKG V	P901	AC CORD	AS-CEE-3	253298VOL	<MUP><MUT> only	1
PKG V	P901	AC CORD	AS-SAA	253391VOL	<MUA> only	1

PRINTED CIRCUIT BOARD PARTS LIST

DV-SP506

U01	DVD Main PC board	NADG-9634-1E	1H554534-1E	<MDD>
U01	DVD Main PC board	NADG-9634-1F	1H554534-1F	<MUP>
U01	DVD Main PC board	NADG-9634-1G	1H554534-1G	<MUA>
U01	DVD Main PC board	NADG-9634-1H	1H554534-1H	<MUT>
U02	Connection PC board	NAETC-9635-1E	1H5545351E	<MDD>
U02	Connection PC board	NAETC-9635-1F	1H5545351F	<MUP>
U02	Connection PC board	NAETC-9635-1G	1H5545351G	<MUA>
U02	Connection PC board	NAETC-9635-1H	1H5545351H	<MUT>

	REF. NO.	PART NAME	DESCRIPTION	PART NO.	REMARKS	
DG9634	C1001	CHIP ELECT C	CEWX4V-220M	3981G2217R2		1
DG9634	C1002	CHIP ELECT C	CEWX4V-47M	3981G4707R2		1
DG9634	C1003	CHIP ELECT C	CEWX4V-47M	3981G4707R2		1
DG9634	C1004	C-CERA C	CK725F1A-105Z1	332181050R1		1
DG9634	C1005	C-CERA C	CK725F1A-105Z1	332181050R1		1
DG9634	C1006	C-CERA C	CK725F1A-105Z1	332181050R1		1
DG9634	C1007	C-CERA C	CK725F1A-105Z1	332181050R1		1
DG9634	C1008	C-CERA C	CC725CH1H-102J1	342101024R1		1
DG9634	C1009	C-CERA C	CC725CH1H-330J1	342103304R1		1
DG9634	C1010	C-CERA C	CC725CH1H-330J1	342103304R1		1
DG9634	C1011	C-CERA C	CC725CH1H-330J1	342103304R1		1
DG9634	C1012	C-CERA C	CC725CH1H-330J1	342103304R1		1
DG9634	C1013	C-CERA C	CC725CH1H-102J1	342101024R1		1
DG9634	C1014	C-CERA C	CC725CH1H-102J1	342101024R1		1
DG9634	C1015	C-CERA C	CC725CH1H-330J1	342103304R1		1
DG9634	C1016	C-CERA C	CC725CH1H-330J1	342103304R1		1
DG9634	C1017	C-CERA C	CK725B1C-104K1	332121045R1		1
DG9634	C1018	C-CERA C	CC725CH1H-330J1	342103304R1		1

DG9634	C1019	C-CERA C	CC725CH1H-330J1	342103304R1	1
DG9634	C1020	C-CERA C	CK725F1A-105Z1	332181050R1	1
DG9634	C1021	CHIP ELECT C	CEWX16V-100M	398141017R2	1
DG9634	C1022	C-CERA C	CK725F1A-105Z1	332181050R1	1
DG9634	C1023	C-CERA C	CK725F1A-105Z1	332181050R1	1
DG9634	C1024	CHIP ELECT C	CEWX50V-1M	398180107R2	1
DG9634	C1025	CHIP ELECT C	CEWX16V-100M	398141017R2	1
DG9634	C1026	C-CERA C	CK725F1A-105Z1	332181050R1	1
DG9634	C1027	CHIP ELECT C	CEWX6.3V-330M	398123317R2	1
DG9634	C1028	C-CERA C	CK725F1A-105Z1	332181050R1	1
DG9634	C1029	CHIP ELECT C	CEWX4V-220M	3981G2217R2	1
DG9634	C1030	C-CERA C	CK725F1A-105Z1	332181050R1	1
DG9634	C1031	C-CERA C	CC725CH1H-102J1	342101024R1	1
DG9634	C1032	C-CERA C	CK725B1C-104K1	332121045R1	1
DG9634	C1033	C-CERA C	CK725B1C-104K1	332121045R1	1
DG9634	C1101	C-CERA C	CK725F1A-105Z1	332181050R1	1
DG9634	C1102	C-CERA C	CK725F1A-105Z1	332181050R1	1
DG9634	C1103	C-CERA C	CK725F1A-105Z1	332181050R1	1
DG9634	C1104	C-CERA C	CK725F1A-105Z1	332181050R1	1
DG9634	C1105	C-CERA C	CK725F1A-105Z1	332181050R1	1
DG9634	C1106	C-CERA C	CK725F1A-105Z1	332181050R1	1
DG9634	C1108	C-CERA C	CC725CH1H-330J1	342103304R1	1
DG9634	C1109	C-CERA C	CK725F1A-105Z1	332181050R1	1
DG9634	C1110	C-CERA C	CK725F1A-105Z1	332181050R1	1
DG9634	C1111	C-CERA C	CK725F1A-105Z1	332181050R1	1
DG9634	C1112	C-CERA C	CK725F1A-105Z1	332181050R1	1
DG9634	C1113	C-CERA C	CK725F1A-105Z1	332181050R1	1
DG9634	C1115	C-CERA C	CK725F1A-105Z1	332181050R1	1
DG9634	C1116	C-CERA C	CK725F1A-105Z1	332181050R1	1
DG9634	C1117	C-CERA C	CK725F1A-105Z1	332181050R1	1
DG9634	C1118	C-CERA C	CK725F1A-105Z1	332181050R1	1
DG9634	C1119	C-CERA C	CK725F1A-105Z1	332181050R1	1
DG9634	C1120	C-CERA C	CK725F1A-105Z1	332181050R1	1
DG9634	C1121	C-CERA C	CK725F1A-105Z1	332181050R1	1
DG9634	C1122	C-CERA C	CK725F1A-105Z1	332181050R1	1

DG9634	C1123	C-CERA C	CK725F1A-105Z1	332181050R1	1
DG9634	C1124	C-CERA C	CK725F1A-105Z1	332181050R1	1
DG9634	C1125	C-CERA C	CC725CH1H-102J1	342101024R1	1
DG9634	C1126	C-CERA C	CK725F1A-105Z1	332181050R1	1
DG9634	C1128	C-CERA C	CK725F1A-105Z1	332181050R1	1
DG9634	C1129	C-CERA C	CC725CH1H-101J1	342101014R1	1
DG9634	C1136	C-CERA C	CK725F1A-105Z1	332181050R1	1
DG9634	C1137	C-CERA C	CK725F1A-105Z1	332181050R1	1
DG9634	C1138	C-CERA C	CK725F1A-105Z1	332181050R1	1
DG9634	C1139	C-CERA C	CK725F1A-105Z1	332181050R1	1
DG9634	C1140	C-CERA C	CK725F1A-105Z1	332181050R1	1
DG9634	C1141	C-CERA C	CK725F1A-105Z1	332181050R1	1
DG9634	C1142	C-CERA C	CK725F1A-105Z1	332181050R1	1
DG9634	C1143	C-CERA C	CK725F1A-105Z1	332181050R1	1
DG9634	C1144	C-CERA C	CK725F1A-105Z1	332181050R1	1
DG9634	C1145	C-CERA C	CK725F1A-105Z1	332181050R1	1
DG9634	C1146	C-CERA C	CK725F1A-105Z1	332181050R1	1
DG9634	C1147	C-CERA C	CK725F1A-105Z1	332181050R1	1
DG9634	C1148	CHIP ELECT C	CEWX4V-220M	3981G2217R2	1
DG9634	C1149	C-CERA C	CK725F1A-105Z1	332181050R1	1
DG9634	C1150	CHIP ELECT C	CEWX4V-220M	3981G2217R2	1
DG9634	C1151	C-CERA C	CK725F1A-105Z1	332181050R1	1
DG9634	C1152	CHIP ELECT C	CEWX4V-220M	3981G2217R2	1
DG9634	C1153	C-CERA C	CK725F1A-105Z1	332181050R1	1
DG9634	C1154	CHIP ELECT C	CEWX4V-220M	3981G2217R2	1
DG9634	C1155	C-CERA C	CK725F1A-105Z1	332181050R1	1
DG9634	C1156	CHIP ELECT C	CEWX4V-220M	3981G2217R2	1
DG9634	C1161	C-CERA C	CK725F1A-105Z1	332181050R1	1
DG9634	C1162	CHIP ELECT C	CEWX6.3V-330M	398123317R2	1
DG9634	C1165	C-CERA C	CK725F1A-105Z1	332181050R1	1
DG9634	C1201	C-CERA C	CK725F1E-104Z1	332161040R1	1
DG9634	C1202	C-CERA C	CC725CH1H-101J1	342101014R1	1
DG9634	C1203	C-CERA C	CK725B1H-103K1	332101035R1	1
DG9634	C1204	C-CERA C	CK725B1H-103K1	332101035R1	1
DG9634	C1205	C-CERA C	CK725B1H-103K1	332101035R1	1

DG9634	C1206	C-CERA C	CC725CH1H-102J1	342101024R1		1
DG9634	C1207	C-CERA C	CK725F1E-104Z1	332161040R1		1
DG9634	C1208	CHIP ELECT C	CEWX16V-100M	398141017R2		1
DG9634	C1210	CHIP ELECT C	CEWX16V-100M	398141017R2		1
DG9634	C1211	C-CERA C	CK725F1A-105Z1	332181050R1		1
DG9634	C1212	C-CERA C	CK725F1A-105Z1	332181050R1		1
DG9634	C1213	C-CERA C	CK725F1A-105Z1	332181050R1		1
DG9634	C1214	C-CERA C	CK725B1C-104K1	332121045R1		1
DG9634	C1215	C-CERA C	CC725CH1H-101J1	342101014R1		1
DG9634	C1219	CHIP ELECT C	CEWX4V-220M	3981G2217R2		1
DG9634	C1220	CHIP ELECT C	CEWX4V-47M	3981G4707R2		1
DG9634	C1221	CHIP ELECT C	CEWX4V-47M	3981G4707R2		1
DG9634	C1222	C-CERA C	CK725F1A-105Z1	332181050R1		1
DG9634	C1223	C-CERA C	CK725F1A-105Z1	332181050R1		1
DG9634	C1224	C-CERA C	CK725B1H-103K1	332101035R1		1
DG9634	C1225	C-CERA C	CC725CH1H-102J1	342101024R1		1
DG9634	C1227	C-CERA C	CK725B1H-223K1	332102235R1		1
DG9634	C1228	C-CERA C	CK725B1H-223K1	332102235R1		1
DG9634	C1229	C-CERA C	CC725CH1H-102J1	342101024R1		1
DG9634	C1230	C-CERA C	CK725F1E-104Z1	332161040R1		1
DG9634	C1231	C-CERA C	CK725B1C-104K1	332121045R1	SPINDLE DETECT	1
DG9634	C1232	CHIP ELECT C	CEWX10V-220M	398132217R2	SPINDLE DETECT	1
DG9634	C1233	C-CERA C	CK725F1A-105Z1	332181050R1	SPINDLE DETECT	1
DG9634	C1401	CHIP ELECT C	CEWX10V-220M	398132217R2		1
DG9634	C1402	C-CERA C	CK725F1E-104Z1	332161040R1		1
DG9634	C1405	C-CERA C	CK725F1E-104Z1	332161040R1		1
DG9634	C1406	CHIP ELECT C	CEWX16V-22M	398142207R2		1
DG9634	C1407	C-CERA C	CC725CH1H-220J1	342102204R1		1
DG9634	C1408	C-CERA C	CK725F1E-104Z1	332161040R1		1
DG9634	C1410	C-CERA C	CK725F1E-104Z1	332161040R1		1
DG9634	C1411	CHIP ELECT C	CEWX16V-22M	398142207R2		1
DG9634	C1412	CHIP ELECT C	CEWX10V-220M	398132217R2		1
DG9634	C1501	CHIP ELECT C	CEWX16V-100M	398141017R2		1
DG9634	C1502	C-CERA C	CK725F1A-105Z1	332181050R1		1
DG9634	C1503	CHIP ELECT C	CEWX16V-22M	398142207R2		1

DG9634	C1504	C-CERA C	CK725F1A-105Z1	332181050R1		1
DG9634	C1505	CHIP ELECT C	CEWX16V-100M	398141017R2		1
DG9634	C1506	C-CERA C	CK725F1A-105Z1	332181050R1		1
DG9634	C1507	CHIP ELECT C	CEWX16V-100M	398141017R2		1
DG9634	C1508	C-CERA C	CK725F1A-105Z1	332181050R1		1
DG9634	C1509	CHIP ELECT C	CEWX16V-100M	398141017R2		1
DG9634	C1510	C-CERA C	CK725F1A-105Z1	332181050R1		1
DG9634	C1511	CHIP ELECT C	CEWX16V-100M	398141017R2		1
DG9634	C1512	C-CERA C	CK725F1A-105Z1	332181050R1		1
DG9634	C1513	C-CERA C	CK725F1A-105Z1	332181050R1		1
DG9634	C1514	C-CERA C	CK725F1A-105Z1	332181050R1		1
DG9634	C1516	C-CERA C	CK725F1A-105Z1	332181050R1		1
DG9634	C1517	C-CERA C	CK725F1A-105Z1	332181050R1		1
DG9634	C1518	C-CERA C	CK725F1A-105Z1	332181050R1		1
DG9634	C1519	C-CERA C	CK725F1A-105Z1	332181050R1		1
DG9634	C1520	C-CERA C	CK725F1A-105Z1	332181050R1		1
DG9634	C1521	C-CERA C	CK725F1A-105Z1	332181050R1		1
DG9634	C1522	C-CERA C	CK725F1A-105Z1	332181050R1		1
DG9634	C1523	C-CERA C	CK725F1A-105Z1	332181050R1		1
DG9634	C1524	C-CERA C	CK725F1A-105Z1	332181050R1		1
DG9634	C1525	CHIP ELECT C	CEWX16V-100M	398141017R2		1
DG9634	C1559	C-CERA C	CK725F1A-105Z1	332181050R1		1
DG9634	C1560	C-CERA C	CK725F1A-105Z1	332181050R1		1
DG9634	C1561	C-CERA C	CK725F1A-105Z1	332181050R1		1
DG9634	C1563	CHIP ELECT C	CEWX6.3V-22M	398122207R2		1
DG9634	C1564	C-CERA C	CK725F1A-105Z1	332181050R1		1
DG9634	C1565	CHIP ELECT C	CEWX4V-100M	3981G1017R2		1
DG9634	C1566	C-CERA C	CK725F1A-105Z1	332181050R1		1
DG9634	C1581	C-CERA C	CK725F1A-105Z1	332181050R1		1
DG9634	C1582	CHIP ELECT C	CEWX4V-220M	3981G2217R2		1
DG9634	C1583	C-CERA C	CK725F1A-105Z1	332181050R1		1
DG9634	C1587	C-CERA C	CC725CH1H-100D1	342101002R1	Matching	1
DG9634	C1589	C-CERA C	CC725CH1H-120J1	342101204R1	Matching	1
DG9634	C1701	C-CERA C	CK725F1E-104Z1	332161040R1		1
DG9634	C1702	C-CERA C	CK725F1E-104Z1	332161040R1		1

DG9634	C1703	C-CERA C	CK725F1E-104Z1	332161040R1	1
DG9634	C1704	C-CERA C	CK725F1E-104Z1	332161040R1	1
DG9634	C1705	C-CERA C	CC725CH1H-102J1	342101024R1	1
DG9634	C1706	C-CERA C	CC725CH1H-102J1	342101024R1	1
DG9634	C1707	C-CERA C	CK725F1E-104Z1	332161040R1	1
DG9634	C1712	CHIP ELECT C	CEWX16V-22M	398142207R2	1
DG9634	C1713	CHIP ELECT C	CEWX16V-22M	398142207R2	1
DG9634	C1714	C-CERA C	CK725F1E-104Z1	332161040R1	1
DG9634	C1715	C-CERA C	CK725F1E-104Z1	332161040R1	1
DG9634	C1716	CHIP ELECT C	CEWX4V-100M	3981G1017R2	1
DG9634	C1717	C-CERA C	CK725F1A-105Z1	332181050R1	1
DG9634	C1718	C-CERA C	CK725F1E-104Z1	332161040R1	1
DG9634	C1719	C-CERA C	CC725CH1H-101J1	342101014R1	1
DG9634	C1720	C-CERA C	CC725CH1H-101J1	342101014R1	1
DG9634	C1722	CHIP ELECT C	CEWX16V-22M	398142207R2	1
DG9634	C1723	C-CERA C	CC725CH1H-102J1	342101024R1	1
DG9634	C1724	C-CERA C	CC725CH1H-102J1	342101024R1	1
DG9634	C1725	C-CERA C	CC725CH1H-102J1	342101024R1	1
DG9634	C1781	C-CERA C	CK725F1A-105Z1	332181050R1	1
DG9634	C1851	C-CERA C	CK725F1A-105Z1	332181050R1	1
DG9634	C1852	CHIP ELECT C	CEWX4V-220M	3981G2217R2	1
DG9634	C1853	C-CERA C	CK725F1A-105Z1	332181050R1	1
DG9634	C1854	C-CERA C	CK725F1A-105Z1	332181050R1	1
DG9634	C1855	CHIP ELECT C	CEWX4V-220M	3981G2217R2	1
DG9634	C1856	C-CERA C	CK725F1A-105Z1	332181050R1	1
DG9634	C1857	C-CERA C	CK725F1A-105Z1	332181050R1	1
DG9634	C1858	C-CERA C	CK725F1A-105Z1	332181050R1	1
DG9634	C1859	C-CERA C	CK725F1A-105Z1	332181050R1	1
DG9634	C1860	C-CERA C	CK725F1A-105Z1	332181050R1	1
DG9634	C1861	C-CERA C	CK725F1A-105Z1	332181050R1	1
DG9634	C1862	C-CERA C	CK725F1A-105Z1	332181050R1	1
DG9634	C1863	C-CERA C	CC725CH1H-102J1	342101024R1	1
DG9634	C1901	CHIP ELECT C	CEWX16V-100M	398141017R2	1
DG9634	C1902	PW C	CE04W6.3V-470M(PW)	393724717	1
DG9634	C1903	CD C	UCD1A471MNL1GS	396634717R2	1

DG9634	C1904	C-CERA C	CK725F1A-105Z1	332181050R1		1
DG9634	C1905	C-CERA C	CK725F1A-105Z1	332181050R1		1
DG9634	C1907	CHIP ELECT C	CEWX4V-220M	3981G2217R2		1
DG9634	C1910	C-CERA C	CK725F1A-105Z1	332181050R1		1
DG9634	C1911	CHIP ELECT C	CEWX16V-100M	398141017R2		1
DG9634	C1913	CHIP ELECT C	CEWX10V-220M	398132217R2		1
DG9634	C1914	PW C	CE04W6.3V-470M(PW)	393724717		1
DG9634	C1915	C-CERA C	CK725F1A-105Z1	332181050R1		1
DG9634	C1916	CHIP ELECT C	CEWX4V-100M	3981G1017R2		1
DG9634	C1917	CD C	UCD1A471MNL1GS	396634717R2	For Single	1
DG9634	C1919	CHIP ELECT C	CEWX16V-100M	398141017R2	RF5V	1
DG9634	C2001	C-CERA C	CK725B1H-103K1	332101035R1		1
DG9634	C2002	CHIP ELECT C	CEWX50V-1M	398180107R2		1
DG9634	C2003	CHIP ELECT C	CEWX50V-1M	398180107R2		1
DG9634	C2004	CHIP ELECT C	CEWX50V-1M	398180107R2		1
DG9634	C2005	CHIP ELECT C	CEWX50V-1M	398180107R2		1
DG9634	C2006	CHIP ELECT C	CEWX50V-1M	398180107R2		1
DG9634	C2007	C-CERA C	CK725F1A-105Z1	332181050R1		1
DG9634	C2008	CHIP ELECT C	CEWX6.3V-22M	398122207R2		1
DG9634	C2009	C-CERA C	CK725F1A-105Z1	332181050R1		1
DG9634	C2010	CHIP ELECT C	CEWX16V-100M	398141017R2		1
DG9634	C2011	CHIP ELECT C	CEWX6.3V-22M	398122207R2		1
DG9634	C2012	CHIP ELECT C	CEWX16V-100M	398141017R2		1
DG9634	C2013	CHIP ELECT C	CEWX6.3V-22M	398122207R2		1
DG9634	C2014	CHIP ELECT C	CEWX16V-100M	398141017R2		1
DG9634	C2015	CHIP ELECT C	CEWX6.3V-22M	398122207R2		1
DG9634	C2016	CHIP ELECT C	CEWX16V-100M	398141017R2		1
DG9634	C2017	CHIP ELECT C	CEWX6.3V-22M	398122207R2		1
DG9634	C2018	CHIP ELECT C	CEWX16V-100M	398141017R2		1
DG9634	C2019	CHIP ELECT C	CEWX6.3V-22M	398122207R2		1
DG9634	C2020	C-CERA C	CK725B1H-103K1	332101035R1		1
DG9634	C2021	C-CERA C	CK725B1H-103K1	332101035R1		1
DG9634	C2022	C-CERA C	CK725F1A-105Z1	332181050R1		1
DG9634	C2023	CHIP ELECT C	CEWX10V-220M	398132217R2		1
DG9634	C2024	C-CERA C	CK725F1A-105Z1	332181050R1	<MUP> For Scart TRM	1

DG9634	C2028	C-CERA C	CK725F1A-105Z1	332181050R1		1
DG9634	D1551	C-DIODE	1SS226(TE85L_F)	223266R2		1
DG9634	D1701	C-DIODE	1SS352	223234R2		1
DG9634	D1701 or	C-DIODE	1SS355	223269R2		(1)
DG9634	D1701 or	C-DIODE	MA2J1110GL	223302R2		(1)
DG9634	D1703	C-DIODE	1SS352	223234R2		1
DG9634	D1703 or	C-DIODE	1SS355	223269R2		(1)
DG9634	D1703 or	C-DIODE	MA2J1110GL	223302R2		(1)
DG9634	D1905	LED	SEC1401C	225383R2		1
DG9634	D1906	C-DIODE	1SS352	223234R2		1
DG9634	D1906 or	C-DIODE	1SS355	223269R2		(1)
DG9634	D1906 or	C-DIODE	MA2J1110GL	223302R2		(1)
DG9634	D1907	DIODE	RB070M-30	22380361R2		1
DG9634	D1908	C-DIODE	1SS352	223234R2		1
DG9634	D1908 or	C-DIODE	1SS355	223269R2		(1)
DG9634	D1908 or	C-DIODE	MA2J1110GL	223302R2		(1)
DG9634	D1909	C-DIODE	1SS352	223234R2		1
DG9634	D1909 or	C-DIODE	1SS355	223269R2		(1)
DG9634	D1909 or	C-DIODE	MA2J1110GL	223302R2		(1)
DG9634	F1501	RESISTOR	nanoSMDC016F	4000239R2		1
DG9634	L1001	CHOKE COIL	LBC2518T220M	231364M220R2		1
DG9634	L1002	CHOKE COIL	LBC2518T220M	231364M220R2		1
DG9634	L1003	CHOKE COIL	LBC2518T220M	231364M220R2		1
DG9634	L1004	CHOKE COIL	LBC2518T220M	231364M220R2		1
DG9634	L1005	CHOKE COIL	BLM21PG221SN1	230949R2		1
DG9634	L1006	CHOKE COIL	BLM21PG221SN1	230949R2		1
DG9634	L1101	CHOKE COIL	BLM21PG221SN1	230949R2		1
DG9634	L1102	CHOKE COIL	BLM21PG221SN1	230949R2		1
DG9634	L1103	CHOKE COIL	BLM21PG221SN1	230949R2		1
DG9634	L1104	CHOKE COIL	BLM21PG221SN1	230949R2		1
DG9634	L1105	CHOKE COIL	BLM21PG221SN1	230949R2		1
DG9634	L1108	CHOKE COIL	BLM21PG221SN1	230949R2		1
DG9634	L1109	EMIFIL	BK1608LL241-T	230959R1		1
DG9634	L1110	EMIFIL	BK1608LL241-T	230959R1		1
DG9634	L1111	EMIFIL	BK1608LL680-T	2350013R1	N	1

DG9634	L1112	C-CARBON R	RN72K1J-000JE	435030004R1		1
DG9634	L1113	CHOKE COIL	BLM21PG221SN1	230949R2		1
DG9634	L1201	CHOKE COIL	LBC2518T2R2M	231364M022R2		1
DG9634	L1401	CHOKE COIL	LBC2518T2R2M	231364M022R2		1
DG9634	L1402	CHOKE COIL	LBC2518T2R2M	231364M022R2		1
DG9634	L1403	CHOKE COIL	BLM21B222SPT	230921R2		1
DG9634	L1501	CHOKE COIL	BLM21PG221SN1	230949R2		1
DG9634	L1502	CHOKE COIL	BLM21PG221SN1	230949R2		1
DG9634	L1503	CHOKE COIL	BLM21PG221SN1	230949R2		1
DG9634	L1504	CHOKE COIL	BLM21PG221SN1	230949R2		1
DG9634	L1505	CHOKE COIL	BLM21PG221SN1	230949R2		1
DG9634	L1506	CHOKE COIL	BLM21PG221SN1	230949R2		1
DG9634	L1507	CHOKE COIL	BLM21PG221SN1	230949R2		1
DG9634	L1551	CHOKE COIL	BLM21PG221SN1	230949R2		1
DG9634	L1581	CHOKE COIL	BLM21PG221SN1	230949R2		1
DG9634	L1582	EMIFIL	BK1608LL241-T	230959R1		1
DG9634	L1583	EMIFIL	BK1608LL241-T	230959R1		1
DG9634	L1851	CHOKE COIL	BLM21PG221SN1	230949R2		1
DG9634	L1852	CHOKE COIL	BLM21PG221SN1	230949R2		1
DG9634	L1903	CHOKE COIL	NCH-2541	231363K470A		1
DG9634	L1903 or	COIL	0182-7310-470K-RB	231389		(1)
DG9634	L1904	CHOKE COIL	BLM21PG221SN1	230949R2		1
DG9634	L2001	CHOKE COIL	BLM21PG221SN1	230949R2		1
DG9634	P1002	FFC SOCKET	FH12-24S-0.5SH(55)	25053125R2		1
DG9634	P1202	PLUG	NPLG-5P931	25055978R2	<MDD> FOR SINGLE LOADER M	1
DG9634	P1203	SOCKET	NSCT-15P2478	25052581R2		1
DG9634	P1401A	SOCKET	NSCT-27P2418	25052521	<MDD> To Audio 506	1
DG9634	P1411	PIN JACK	NPJ-1PDOR369	25045548	<MDD> COAX/Silver	1
DG9634	P1551	SOCKET	YKF45-7037V	25053253R3		1
DG9634	P1702B	SOCKET	NSCT-9P2472	25052575R2	<MDD> For RS232 IR	1
DG9634	P1703A	SOCKET	NSCT-17P2480	25052583R2	To Display Single	1
DG9634	P1781	SOCKET	09FMN-SMT-A-TF	25052826R2		1
DG9634	P1782	SOCKET	NSCT-9P2472	25052575R2	Debug I/F	1
DG9634	P1855	FFC SOCKET	FH12-24S-0.5SH(55)	25053125R2	Debug I/F	1
DG9634	P1856	FFC SOCKET	FH12-24S-0.5SH(55)	25053125R2	Debug I/F	1

DG9634	P1901A	PLUG	NPLG-13P141	25055157	power I/F Single	1
DG9634	P2001	PIN JACK	NPJ-5PDBY456	25045656	5P/Silver	1
DG9634	P2002	PIN JACK	NPJ-3PDGLR454	25045654	Component/Silver	1
DG9634	P2005A	SOCKET	NSCT-15P2478	25052581R2	<MUP> For Scart TRM	1
DG9634	Q1001	TR	HN1A01F-GR	2215915R2		1
DG9634	Q1002	TR	HN1A01F-GR	2215915R2		1
DG9634	Q1003	TR	2SC2712-GR	2213145R2		1
DG9634	Q1004	TR	2SC2712-GR	2213145R2		1
DG9634	Q1007	TR	2SC2712-GR	2213145R2		1
DG9634	Q1101	IC	ZR36886HLCG-S	22242537R3	SACD	1
DG9634	Q1101 or	IC	ZR36886HLCG-SA	22242537AR3	N	(1)
DG9634	Q1103	IC	S-80127CNMC-JKM-T2	22241642R2		1
DG9634	Q1104	IC	TC74VHC157FT	22274157ER2TO	DSD SW	1
DG9634	Q1201	IC	BD7967EFS	22242328R2		1
DG9634	Q1202	IC	NJM3404V	22241677R2		1
DG9634	Q1205	IC	BA4510FV	22241907R2		1
DG9634	Q1206	IC	TC74AC00FT	22242244R2	SPINDLE DETECT	1
DG9634	Q1401	IC	TC74VHC04FT	22274004HR2TO		1
DG9634	Q1501	IC	ZR36722PQCG	22242538R3	N	1
DG9634	Q1502	IC	SN74CB3Q3305PWR	22242258R2		1
DG9634	Q1503	IC	TC7SZ125FU(TE85L_F)	22241895R2		1
DG9634	Q1504	IC	XC6213B332MR	22242277R2		1
DG9634	Q1505	TR ARRAY	UM6K1N	226066R2		1
DG9634	Q1581	IC	TC7WZU04FU(TE12L_F)	22242078R2TO		1
DG9634	Q1582	IC	TC7SHU04FU	22241638R2		1
DG9634	Q1701	IC	M3062LFGPPFP U5	222W0048R3		1
DG9634	Q1702	TR	RN1402	2214470R2		1
DG9634	Q1702 or	TR	KRC102S	2216190R2		(1)
DG9634	Q1703	TR	DTC114EKA	2216250R2		1
DG9634	Q1704	TR	DTA114YKA	2216480R2		1
DG9634	Q1705	TR	DTA114YKA	2216480R2		1
DG9634	Q1706	TR	DTC114EKA	2216250R2		1
DG9634	Q1708	IC	S-24CS16A0I-J8V1G	22242326R2		1
DG9634	Q1710	IC	XC6213B332MR	22242277R2		1
DG9634	Q1711	TR	RN1402	2214470R2		1

DG9634	Q1711 or	TR	KRC102S	2216190R2		(1)
DG9634	Q1781	IC	TC7MBL3245SFT	22242539R2TO	N	1
DG9634	Q1782	TR	2SK3019	2216520R2		1
DG9634	Q1783	TR	2SK3019	2216520R2		1
DG9634	Q1851	IC	MX29LV320CTTC-70G	222W0052R3	FOR universal	1
DG9634	Q1852	IC	K4S281632K-UC60	22242489R3		1
DG9634	Q1853	TR	2SK3019	2216520R2		1
DG9634	Q1901	IC	TA48018AF(TE16L_NQ)	22278018DR2TO		1
DG9634	Q1903	IC	XC6202P502FR	22242331R2		1
DG9634	Q1904	IC	SI8008TM	22242323R2		1
DG9634	Q1905	IC	TA48018AF(TE16L_NQ)	22278018DR2TO		1
DG9634	Q1906	IC	XC6202P502FR	22242331R2	RF5V	1
DG9634	Q2001	IC	BH7868FS	22242329R2		1
DG9634	Q2002	IC	TC74HC4053AFT	2227B0535R2	<MUP> For Scart TRM	1
DG9634	Q2004	TR	HN1C01F-GR(TE85L_F)	2215925R2	<MUP> For Scart TRM	1
DG9634	Q2007	TR	HN1C01F-GR(TE85L_F)	2215925R2	<MUP> For Scart TRM	1
DG9634	Q2008	IC	TC7SET04FU(TE85L_F)	22242079R2TO	<MUP> For Scart TRM	1
DG9634	Q2009	IC	TC74VHCT08AFT	22274008GR2TO	<MUP> For Scart TRM	1
DG9634	Q2009 or	IC	TC74VHCT08AFT (EKJ)	22274008G1R2TO	<MUP> For Scart TRM	(1)
DG9634	R1001	C-CARBON R	RN72K1J-047JE	435030474R1		1
DG9634	R1003	C-CARBON R	RN72K1J-047JE	435030474R1		1
DG9634	R1005	C-CARBON R	RN72K1J-221JE	435032214R1		1
DG9634	R1006	C-CARBON R	RN72K1J-332JE	435033324R1		1
DG9634	R1007	C-CARBON R	RN72K1J-047JE	435030474R1		1
DG9634	R1009	C-CARBON R	RN72K1J-047JE	435030474R1		1
DG9634	R1011	C-CARBON R	RN72K1J-221JE	435032214R1		1
DG9634	R1012	C-CARBON R	RN72K1J-332JE	435033324R1		1
DG9634	R1013	C-CARBON R	RN72K1J-000JE	435030004R1		1
DG9634	R1014	C-CARBON R	RN72K1J-000JE	435030004R1		1
DG9634	R1015	C-CARBON R	RN72K1J-471JE	435034714R1		1
DG9634	R1016	C-CARBON R	RN72K1J-000JE	435030004R1		1
DG9634	R1017	C-CARBON R	RN72K1J-000JE	435030004R1		1
DG9634	R1018	C-CARBON R	RN72K1J-000JE	435030004R1		1
DG9634	R1019	C-CARBON R	RN72K1J-000JE	435030004R1		1
DG9634	R1020	C-CARBON R	RN72K1J-000JE	435030004R1		1

DG9634	R1021	C-CARBON R	RN72K1J-000JE	435030004R1		1
DG9634	R1022	C-CARBON R	RN72K1J-104FE	435031042R1		1
DG9634	R1023	C-CARBON R	RN72K1J-103FE	435031032R1		1
DG9634	R1024	C-CARBON R	RN72K1J-000JE	435030004R1		1
DG9634	R1025	C-CARBON R	RN72K1J-470JE	435034704R1		1
DG9634	R1026	C-CARBON R	RN72K1J-332JE	435033324R1		1
DG9634	R1027	C-CARBON R	RN72K1J-000JE	435030004R1		1
DG9634	R1028	C-CARBON R	RN72K1J-000JE	435030004R1		1
DG9634	R1029	C-CARBON R	RN72K1J-000JE	435030004R1		1
DG9634	R1030	C-CARBON R	RN72K1J-470JE	435034704R1		1
DG9634	R1031	C-CARBON R	RN72K1J-000JE	435030004R1		1
DG9634	R1032	C-CARBON R	RN72K1J-000JE	435030004R1		1
DG9634	R1033	C-CARBON R	RN72K1J-103FE	435031032R1		1
DG9634	R1101	C-CARBON R	RN72K1J-470JE	435034704R1		1
DG9634	R1102	C-CARBON R	RN72K1J-472JE	435034724R1		1
DG9634	R1103	C-CARBON R	RN72K1J-000JE	435030004R1		1
DG9634	R1104	C-CARBON R	RN72K1J-000JE	435030004R1		1
DG9634	R1105	C-CARBON R	RN72K1J-470JE	435034704R1		1
DG9634	R1107	C-CARBON R	RN72K1J-470JE	435034704R1		1
DG9634	R1108	C-CARBON R	RN72K1J-470JE	435034704R1		1
DG9634	R1109	C-CARBON R	RN72K1J-472JE	435034724R1		1
DG9634	R1110	C-CARBON R	RN72K1J-470JE	435034704R1		1
DG9634	R1111	C-CARBON R	RN72K1J-470JE	435034704R1		1
DG9634	R1112	C-CARBON R	RN72K1J-470JE	435034704R1		1
DG9634	R1113	C-CARBON R	RN72K1J-470JE	435034704R1		1
DG9634	R1114	C-CARBON R	RN72K1J-470JE	435034704R1		1
DG9634	R1115	C-CARBON R	RN72K1J-470JE	435034704R1		1
DG9634	R1116	C-CARBON R	RN72K1J-470JE	435034704R1		1
DG9634	R1117	C-CARBON R	RN72K1J-470JE	435034704R1		1
DG9634	R1118	C-CARBON R	RN72K1J-470JE	435034704R1		1
DG9634	R1119	C-CARBON R	RN72K1J-470JE	435034704R1		1
DG9634	R1122	C-CARBON R	RN72K1J-221JE	435032214R1		1
DG9634	R1127	C-CARBON R	RN72K1J-101JE	435031014R1		1
DG9634	R1129	C-CARBON R	RN72K1J-101JE	435031014R1	MULTI CH DATA	1
DG9634	R1131	C-CARBON R	RN72K1J-470JE	435034704R1		1

DG9634	R1132	C-CARBON R	RN72K1J-101JE	435031014R1		1
DG9634	R1133	C-CARBON R	RN72K1J-101JE	435031014R1		1
DG9634	R1134	C-CARBON R	RN72K1J-101JE	435031014R1	MULTI CH DATA	1
DG9634	R1135	C-CARBON R	RN72K1J-101JE	435031014R1	MULTI CH DATA	1
DG9634	R1137	C-CARBON R	RN72K1J-563JE	435035634R1		1
DG9634	R1138	C-CARBON R	RN72K1J-101JE	435031014R1		1
DG9634	R1140	C-CARBON R	RN72K1J-470JE	435034704R1		1
DG9634	R1141	C-CARBON R	RN72K1J-101JE	435031014R1		1
DG9634	R1142	C-CARBON R	RN72K1J-470JE	435034704R1		1
DG9634	R1143	C-CARBON R	RN72K1J-470JE	435034704R1		1
DG9634	R1144	C-CARBON R	RN72K1J-101JE	435031014R1		1
DG9634	R1145	C-CARBON R	RN72K1J-101JE	435031014R1		1
DG9634	R1146	C-CARBON R	RN72K1J-470JE	435034704R1		1
DG9634	R1147	C-CARBON R	RN72K1J-470JE	435034704R1		1
DG9634	R1150	C-CARBON R	RN72K1J-472JE	435034724R1		1
DG9634	R1151	C-CARBON R	RN72K1J-101JE	435031014R1	MULTI CH DATA	1
DG9634	R1152	C-CARBON R	RN72K1J-101JE	435031014R1	MULTI CH DATA	1
DG9634	R1153	C-CARBON R	RN72K1J-221JE	435032214R1		1
DG9634	R1154	C-CARBON R	RN72K1J-101JE	435031014R1		1
DG9634	R1155	C-CARBON R	RN72K1J-101JE	435031014R1		1
DG9634	R1156	C-CARBON R	RN72K1J-101JE	435031014R1		1
DG9634	R1157	C-CARBON R	RN72K1J-101JE	435031014R1	MULTI CH DATA	1
DG9634	R1158	C-CARBON R	RN72K1J-101JE	435031014R1	MULTI CH DATA	1
DG9634	R1159	C-CARBON R	RN72K1J-102JE	435031024R1		1
DG9634	R1161	C-CARBON R	RN72K1J-220JE	435032204R1		1
DG9634	R1162	C-CARBON R	RN72K1J-101JE	435031014R1	MULTI CH DATA	1
DG9634	R1163	C-CARBON R	RN72K1J-101JE	435031014R1	MULTI CH DATA	1
DG9634	R1164	C-CARBON R	RN72K1J-101JE	435031014R1	MULTI CH DATA	1
DG9634	R1165	C-CARBON R	RN72K1J-101JE	435031014R1	DAC CONTOROL DATA	1
DG9634	R1166	C-CARBON R	RN72K1J-101JE	435031014R1	DAC CONTOROL CLK	1
DG9634	R1168	C-CARBON R	RN72K1J-221FE	435032212R1		1
DG9634	R1169	C-CARBON R	RN72K1J-151FE	435031512R1		1
DG9634	R1170	C-CARBON R	RN72K1J-220FE	435032202R1		1
DG9634	R1171	C-CARBON R	RN72K1J-750FE	435037502R1		1
DG9634	R1172	C-CARBON R	RN72K1J-750FE	435037502R1		1

DG9634	R1173	C-CARBON R	RN72K1J-750FE	435037502R1	1
DG9634	R1174	C-CARBON R	RN72K1J-750FE	435037502R1	1
DG9634	R1175	C-CARBON R	RN72K1J-750FE	435037502R1	1
DG9634	R1176	C-CARBON R	RN72K1J-750FE	435037502R1	1
DG9634	R1177	C-CARBON R	RN72K1J-750FE	435037502R1	1
DG9634	R1178	C-CARBON R	RN72K1J-750FE	435037502R1	1
DG9634	R1179	C-CARBON R	RN72K1J-750FE	435037502R1	1
DG9634	R1180	C-CARBON R	RN72K1J-750FE	435037502R1	1
DG9634	R1181	C-CARBON R	RN72K1J-750FE	435037502R1	1
DG9634	R1182	C-CARBON R	RN72K1J-750FE	435037502R1	1
DG9634	R1183	C-CARBON R	RN72K1J-470JE	435034704R1	1
DG9634	R1184	C-CARBON R	RN72K1J-470JE	435034704R1	1
DG9634	R1185	C-CARBON R	RN72K1J-470JE	435034704R1	1
DG9634	R1186	C-CARBON R	RN72K1J-470JE	435034704R1	1
DG9634	R1187	C-CARBON R	RN72K1J-470JE	435034704R1	1
DG9634	R1188	C-CARBON R	RN72K1J-470JE	435034704R1	1
DG9634	R1189	C-CARBON R	RN72K1J-470JE	435034704R1	1
DG9634	R1190	C-CARBON R	RN72K1J-470JE	435034704R1	1
DG9634	R1191	C-CARBON R	RN72K1J-473JE	435034734R1	1
DG9634	R1192	C-CARBON R	RN72K1J-473JE	435034734R1	1
DG9634	R1193	C-CARBON R	RN72K1J-470JE	435034704R1	1
DG9634	R1194	C-CARBON R	RN72K1J-470JE	435034704R1	1
DG9634	R1195	C-CARBON R	RN72K1J-103JE	435031034R1	1
DG9634	R1197	C-CARBON R	RN72K1J-000JE	435030004R1	1
DG9634	R1198	C-R NET	RM7LJ470X04	43484747004R2	1
DG9634	R1199	C-R NET	RM7LJ470X04	43484747004R2	1
DG9634	R1201	C-CARBON R	RN72K1J-102JE	435031024R1	1
DG9634	R1202	C-CARBON R	RN72K1J-473JE	435034734R1	1
DG9634	R1203	C-CARBON R	RN72K1J-473JE	435034734R1	1
DG9634	R1204	C-CARBON R	RN72K1J-047JE	435030474R1	1
DG9634	R1205	C-CARBON R	RN72K1J-047JE	435030474R1	1
DG9634	R1206	C-CARBON R	RN72K1J-103JE	435031034R1	1
DG9634	R1207	C-CARBON R	RN72K1J-473JE	435034734R1	1
DG9634	R1208	C-CARBON R	RN72K1J-010JE	435030104R1	1
DG9634	R1209	C-CARBON R	RN72K1J-010JE	435030104R1	1

DG9634	R1210	C-CARBON R	RN72K1J-010JE	435030104R1	1
DG9634	R1211	C-CARBON R	RN72K1J-010JE	435030104R1	1
DG9634	R1212	C-CARBON R	RN72K1J-472JE	435034724R1	1
DG9634	R1213	C-CARBON R	RN72K1J-000JE	435030004R1	1
DG9634	R1214	C-CARBON R	RN72K1J-000JE	435030004R1	1
DG9634	R1215	C-CARBON R	RN72K1J-018JE	435030184R1	1
DG9634	R1216	C-CARBON R	RN72K1J-018JE	435030184R1	1
DG9634	R1217	C-CARBON R	RN72K1J-018JE	435030184R1	1
DG9634	R1218	C-CARBON R	RN72K1J-018JE	435030184R1	1
DG9634	R1219	C-CARBON R	RN72K1J-018JE	435030184R1	1
DG9634	R1220	C-CARBON R	RN72K1J-018JE	435030184R1	1
DG9634	R1221	C-CARBON R	RN72K1J-018JE	435030184R1	1
DG9634	R1224	C-CARBON R	RN72K1J-273JE	435032734R1	1
DG9634	R1226	C-CARBON R	RN72K1J-273JE	435032734R1	1
DG9634	R1227	C-CARBON R	RN72K1J-154JE	435031544R1	1
DG9634	R1228	C-CARBON R	RN72K1J-223JE	435032234R1	1
DG9634	R1237	C-CARBON R	RN72K1J-103FE	435031032R1	1
DG9634	R1238	C-CARBON R	RN72K1J-103FE	435031032R1	1
DG9634	R1240	C-CARBON R	RN72K1J-100JE	435031004R1	1
DG9634	R1241	C-CARBON R	RN72K1J-000JE	435030004R1	1
DG9634	R1242	C-CARBON R	RN72K1J-103JE	435031034R1	1
DG9634	R1245	C-CARBON R	RN72K1J-273JE	435032734R1	1
DG9634	R1246	C-CARBON R	RN72K1J-103JE	435031034R1	1
DG9634	R1247	C-CARBON R	RN72K1J-153JE	435031534R1	1
DG9634	R1248	C-CARBON R	RN72K1J-183JE	435031834R1	1
DG9634	R1249	C-CARBON R	RN72K1J-273JE	435032734R1	1
DG9634	R1250	C-CARBON R	RN72K1J-101JE	435031014R1	1
DG9634	R1251	C-CARBON R	RN72K1J-101JE	435031014R1	1
DG9634	R1252	C-CARBON R	RN72K1J-101JE	435031014R1	1
DG9634	R1253	C-CARBON R	RN72K1J-101JE	435031014R1	1
DG9634	R1254	C-CARBON R	RN72K1J-101JE	435031014R1	1
DG9634	R1255	C-CARBON R	RN72K1J-101JE	435031014R1	1
DG9634	R1256	C-CARBON R	RN72K1J-101JE	435031014R1	1
DG9634	R1257	C-CARBON R	RN72K1J-101JE	435031014R1	1
DG9634	R1258	C-CARBON R	RN72K1J-330JE	435033304R1	1

DG9634	R1270	C-R NET	RM7LJ470X04	43484747004R2		1
DG9634	R1271	C-CARBON R	RN72K1J-470JE	435034704R1		1
DG9634	R1272	C-CARBON R	RN72K1J-470JE	435034704R1		1
DG9634	R1273	C-CARBON R	RN72K1J-220JE	435032204R1		1
DG9634	R1274	C-CARBON R	RN72K1J-220JE	435032204R1		1
DG9634	R1275	C-CARBON R	RN72K1J-220JE	435032204R1		1
DG9634	R1276	C-CARBON R	RN72K1J-220JE	435032204R1		1
DG9634	R1277	C-CARBON R	RN72K1J-220JE	435032204R1		1
DG9634	R1278	C-R NET	RM7LJ470X04	43484747004R2		1
DG9634	R1279	C-R NET	RM7LJ470X04	43484747004R2		1
DG9634	R1280	C-R NET	RM7LJ470X04	43484747004R2		1
DG9634	R1281	C-R NET	RM7LJ470X04	43484747004R2		1
DG9634	R1282	C-CARBON R	RN72K1J-473JE	435034734R1	SPINDLE DETECT	1
DG9634	R1283	C-CARBON R	RN72K1J-222JE	435032224R1	SPINDLE DETECT	1
DG9634	R1290	C-CARBON R	RN72K1J-000JE	435030004R1		1
DG9634	R1291	C-CARBON R	RN72K1J-000JE	435030004R1		1
DG9634	R1292	C-CARBON R	RN72K1J-000JE	435030004R1	DVD RESET	1
DG9634	R1401	C-CARBON R	RN72K1J-101JE	435031014R1		1
DG9634	R1403	C-CARBON R	RN72K1J-474JE	435034744R1		1
DG9634	R1405	C-CARBON R	RN72K1J-331JE	435033314R1		1
DG9634	R1406	C-CARBON R	RN72K1J-121JE	435031214R1		1
DG9634	R1407	C-CARBON R	RN72K1J-182JE	435031824R1		1
DG9634	R1409	C-CARBON R	RN72K1J-122JE	435031224R1		1
DG9634	R1410	C-CARBON R	RN72K1J-221JE	435032214R1		1
DG9634	R1411	C-CARBON R	RN72K1J-000JE	435030004R1		1
DG9634	R1501	C-R NET	RM7LJ470X04	43484747004R2		1
DG9634	R1502	C-R NET	RM7LJ470X04	43484747004R2		1
DG9634	R1503	C-CARBON R	RN72K1J-470JE	435034704R1		1
DG9634	R1504	C-CARBON R	RN72K1J-470JE	435034704R1		1
DG9634	R1505	C-CARBON R	RN72K1J-472JE	435034724R1		1
DG9634	R1506	C-CARBON R	RN72K1J-472JE	435034724R1		1
DG9634	R1507	C-CARBON R	RN72K1J-330JE	435033304R1		1
DG9634	R1511	C-CARBON R	RN72K1J-470JE	435034704R1		1
DG9634	R1512	C-CARBON R	RN72K1J-470JE	435034704R1		1
DG9634	R1513	C-CARBON R	RN72K1J-470JE	435034704R1		1

DG9634	R1514	C-CARBON R	RN72K1J-470JE	435034704R1	1
DG9634	R1515	C-CARBON R	RN72K1J-000JE	435030004R1	1
DG9634	R1516	C-CARBON R	RN72K1J-470JE	435034704R1	1
DG9634	R1517	C-CARBON R	RN72K1J-100JE	435031004R1	1
DG9634	R1518	C-CARBON R	RN72K1J-472JE	435034724R1	1
DG9634	R1519	C-CARBON R	RN72K1J-470JE	435034704R1	1
DG9634	R1520	C-CARBON R	RN72K1J-470JE	435034704R1	1
DG9634	R1521	C-CARBON R	RN72K1J-470JE	435034704R1	1
DG9634	R1522	C-CARBON R	RN72K1J-470JE	435034704R1	1
DG9634	R1525	C-CARBON R	RN72K1J-470JE	435034704R1	1
DG9634	R1527	C-CARBON R	RN72K1J-103JE	435031034R1	1
DG9634	R1528	C-CARBON R	RN72K1J-000JE	435030004R1	1
DG9634	R1529	C-CARBON R	RN72K1J-000JE	435030004R1	1
DG9634	R1530	C-CARBON R	RN72K1J-472JE	435034724R1	1
DG9634	R1531	C-CARBON R	RN72K1J-472JE	435034724R1	1
DG9634	R1533	C-CARBON R	RN72K1J-221JE	435032214R1	1
DG9634	R1534	C-CARBON R	RN72K1J-472JE	435034724R1	1
DG9634	R1535	C-CARBON R	RN72K1J-221JE	435032214R1	1
DG9634	R1536	C-CARBON R	RN72K1J-101FE	435031012R1	1
DG9634	R1537	C-CARBON R	RN72K1J-750JE	435037504R1	1
DG9634	R1538	C-CARBON R	RN72K1J-750JE	435037504R1	1
DG9634	R1539	C-CARBON R	RN72K1J-750JE	435037504R1	1
DG9634	R1540	C-CARBON R	RN72K1J-331JE	435033314R1	1
DG9634	R1541	C-CARBON R	RN72K1J-472JE	435034724R1	1
DG9634	R1542	C-CARBON R	RN72K1J-000JE	435030004R1	1
DG9634	R1543	C-CARBON R	RN72K1J-473JE	435034734R1	1
DG9634	R1546	C-CARBON R	RN72K1J-391JE	435033914R1	1
DG9634	R1551	C-R NET	MNR12E0APJ000	43464900002R2	1
DG9634	R1552	C-R NET	MNR12E0APJ000	43464900002R2	1
DG9634	R1553	C-R NET	MNR12E0APJ000	43464900002R2	1
DG9634	R1554	C-R NET	MNR12E0APJ000	43464900002R2	1
DG9634	R1555	C-CARBON R	RN72K1J-000JE	435030004R1	1
DG9634	R1557	C-CARBON R	RN72K1J-000JE	435030004R1	1
DG9634	R1559	C-CARBON R	RN72K1J-182JE	435031824R1	1
DG9634	R1560	C-CARBON R	RN72K1J-182JE	435031824R1	1

DG9634	R1562	C-CARBON R	RN72K1J-000JE	435030004R1		1
DG9634	R1564	C-CARBON R	RN72K1J-102JE	435031024R1		1
DG9634	R1566	C-CARBON R	RN72K1J-473JE	435034734R1		1
DG9634	R1568	C-CARBON R	RN72K1J-000JE	435030004R1		1
DG9634	R1569	C-CARBON R	RN72K1J-000JE	435030004R1		1
DG9634	R1581	C-CARBON R	RN72K1J-221JE	435032214R1		1
DG9634	R1582	C-CARBON R	RN72K1J-221JE	435032214R1		1
DG9634	R1585	C-CARBON R	RN72K1J-105FE	435031052R1		1
DG9634	R1586	C-CARBON R	RN72K1J-821FE	435038212R1	Matching	1
DG9634	R1587	C-CARBON R	RN72K1J-331FE	435033312R1		1
DG9634	R1588	C-CARBON R	RN72K1J-000JE	435030004R1		1
DG9634	R1589	C-CARBON R	RN72K1J-000JE	435030004R1		1
DG9634	R1592	C-CARBON R	RN72K1J-103JE	435031034R1		1
DG9634	R1701	C-CARBON R	RN72K1J-470JE	435034704R1		1
DG9634	R1702	C-CARBON R	RN72K1J-470JE	435034704R1		1
DG9634	R1703	C-CARBON R	RN72K1J-221JE	435032214R1		1
DG9634	R1704	C-CARBON R	RN72K1J-473JE	435034734R1		1
DG9634	R1705	C-CARBON R	RN72K1J-470JE	435034704R1		1
DG9634	R1708	C-CARBON R	RN72K1J-221JE	435032214R1		1
DG9634	R1709	C-CARBON R	RN72K1J-103JE	435031034R1		1
DG9634	R1712	C-CARBON R	RN72K1J-103JE	435031034R1		1
DG9634	R1713	C-CARBON R	RN72K1J-224JE	435032244R1		1
DG9634	R1714	C-CARBON R	RN72K1J-470JE	435034704R1		1
DG9634	R1717	C-CARBON R	RN72K1J-000JE	435030004R1		1
DG9634	R1720	C-CARBON R	RN72K1J-221JE	435032214R1		1
DG9634	R1721	C-CARBON R	RN72K1J-221JE	435032214R1		1
DG9634	R1722	C-CARBON R	RN72K1J-221JE	435032214R1		1
DG9634	R1723	C-CARBON R	RN72K1J-221JE	435032214R1		1
DG9634	R1724	C-CARBON R	RN72K1J-221JE	435032214R1		1
DG9634	R1725	C-CARBON R	RN72K1J-472JE	435034724R1		1
DG9634	R1726	C-CARBON R	RN72K1J-221JE	435032214R1		1
DG9634	R1727	C-CARBON R	RN72K1J-472JE	435034724R1		1
DG9634	R1728	C-CARBON R	RN72K1J-103JE	435031034R1		1
DG9634	R1729	C-CARBON R	RN72K1J-470JE	435034704R1		1
DG9634	R1731	C-CARBON R	RN72K1J-470JE	435034704R1		1

DG9634	R1732	C-CARBON R	RN72K1J-103JE	435031034R1		1
DG9634	R1733	C-CARBON R	RN72K1J-470JE	435034704R1		1
DG9634	R1734	C-CARBON R	RN72K1J-470JE	435034704R1		1
DG9634	R1735	C-CARBON R	RN72K1J-470JE	435034704R1		1
DG9634	R1736	C-CARBON R	RN72K1J-470JE	435034704R1		1
DG9634	R1737	C-CARBON R	RN72K1J-470JE	435034704R1		1
DG9634	R1739	C-CARBON R	RN72K1J-221JE	435032214R1		1
DG9634	R1740	C-CARBON R	RN72K1J-103JE	435031034R1		1
DG9634	R1741	C-CARBON R	RN72K1J-221JE	435032214R1		1
DG9634	R1742	C-CARBON R	RN72K1J-103JE	435031034R1		1
DG9634	R1743	C-CARBON R	RN72K1J-221JE	435032214R1		1
DG9634	R1744	C-CARBON R	RN72K1J-221JE	435032214R1		1
DG9634	R1745	C-CARBON R	RN72K1J-103JE	435031034R1		1
DG9634	R1746	C-CARBON R	RN72K1J-000JE	435030004R1	~LD_CURRENT	1
DG9634	R1747	C-CARBON R	RN72K1J-473JE	435034734R1	~LD_CURRENT	1
DG9634	R1748	C-CARBON R	RN72K1J-000JE	435030004R1	POS_SENS	1
DG9634	R1749	C-CARBON R	RN72K1J-473JE	435034734R1	POS_SENS	1
DG9634	R1750	C-CARBON R	RN72K1J-000JE	435030004R1	DISC_SENS	1
DG9634	R1751	C-CARBON R	RN72K1J-473JE	435034734R1	DISC_SENS	1
DG9634	R1752	C-CARBON R	RN72K1J-470JE	435034704R1		1
DG9634	R1753	C-CARBON R	RN72K1J-221JE	435032214R1		1
DG9634	R1755	C-CARBON R	RN72K1J-470JE	435034704R1		1
DG9634	R1756	C-CARBON R	RN72K1J-470JE	435034704R1		1
DG9634	R1757	C-CARBON R	RN72K1J-221JE	435032214R1		1
DG9634	R1758	C-CARBON R	RN72K1J-221JE	435032214R1		1
DG9634	R1759	C-CARBON R	RN72K1J-221JE	435032214R1		1
DG9634	R1760	C-CARBON R	RN72K1J-221JE	435032214R1		1
DG9634	R1761	C-CARBON R	RN72K1J-221JE	435032214R1		1
DG9634	R1762	C-CARBON R	RN72K1J-221JE	435032214R1		1
DG9634	R1763	C-CARBON R	RN72K1J-221JE	435032214R1		1
DG9634	R1764	C-CARBON R	RN72K1J-221JE	435032214R1		1
DG9634	R1766	C-CARBON R	RN72K1J-470JE	435034704R1		1
DG9634	R1768	C-CARBON R	RN72K1J-221JE	435032214R1		1
DG9634	R1769	C-CARBON R	RN72K1J-103JE	435031034R1		1
DG9634	R1770	C-CARBON R	RN72K1J-473JE	435034734R1		1

DG9634	R1771	C-CARBON R	RN72K1J-000JE	435030004R1		1
DG9634	R1772	C-CARBON R	RN72K1J-273JE	435032734R1	CEC Pull UP	1
DG9634	R1777	C-CARBON R	RN72K1J-221JE	435032214R1		1
DG9634	R1778	C-CARBON R	RN72K1J-473JE	435034734R1		1
DG9634	R1779	C-CARBON R	RN72K1J-221JE	435032214R1		1
DG9634	R1780	C-CARBON R	RN72K1J-103JE	435031034R1		1
DG9634	R1781	C-CARBON R	RN72K1J-221JE	435032214R1		1
DG9634	R1782	C-CARBON R	RN72K1J-221JE	435032214R1		1
DG9634	R1783	C-CARBON R	RN72K1J-472JE	435034724R1		1
DG9634	R1784	C-CARBON R	RN72K1J-221JE	435032214R1		1
DG9634	R1785	C-CARBON R	RN72K1J-273JE	435032734R1		1
DG9634	R1786	C-CARBON R	RN72K1J-221JE	435032214R1		1
DG9634	R1787	C-CARBON R	RN72K1J-221JE	435032214R1		1
DG9634	R1788	C-CARBON R	RN72K1J-103JE	435031034R1		1
DG9634	R1789	C-CARBON R	RN72K1J-221JE	435032214R1		1
DG9634	R1798	C-CARBON R	RN72K1J-473JE	435034734R1		1
DG9634	R1799	C-CARBON R	RN72K1J-473JE	435034734R1		1
DG9634	R1800	C-CARBON R	RN72K1J-473JE	435034734R1		1
DG9634	R1801	C-CARBON R	RN72K1J-221JE	435032214R1		1
DG9634	R1803	C-CARBON R	RN72K1J-333JE	435033334R1		1
DG9634	R1804	C-CARBON R	RN72K1J-472JE	435034724R1		1
DG9634	R1805	C-CARBON R	RN72K1J-272JE	435032724R1		1
DG9634	R1806	C-CARBON R	RN72K1J-472JE	435034724R1		1
DG9634	R1807	C-CARBON R	RN72K1J-272JE	435032724R1		1
DG9634	R1808	C-CARBON R	RN72K1J-221JE	435032214R1		1
DG9634	R1809	C-CARBON R	RN72K1J-473JE	435034734R1		1
DG9634	R1811	C-CARBON R	RN72K1J-000JE	435030004R1	BAND	1
DG9634	R1812	C-CARBON R	RN72K1J-332JE	435033324R1	<MDD> INT1	1
DG9634	R1812	C-CARBON R	RN72K1J-562JE	435035624R1	<MUP> INT1	1
DG9634	R1812	C-CARBON R	RN72K1J-332JE	435033324R1	<MUA> INT1:	1
DG9634	R1812	C-CARBON R	RN72K1J-332JE	435033324R1	<MUT> INT1:	1
DG9634	R1813	C-CARBON R	RN72K1J-471JE	435034714R1	<MDD> INT1	1
DG9634	R1813	C-CARBON R	RN72K1J-332JE	435033324R1	<MUP> INT1	1
DG9634	R1813	C-CARBON R	RN72K1J-471JE	435034714R1	<MUA> INT1:	1
DG9634	R1813	C-CARBON R	RN72K1J-471JE	435034714R1	<MUT> INT1:	1

DG9634	R1814	C-CARBON R	RN72K1J-332JE	435033324R1	<MDD> INT2	1
DG9634	R1814	C-CARBON R	RN72K1J-272JE	435032724R1	<MUP> INT2	1
DG9634	R1814	C-CARBON R	RN72K1J-272JE	435032724R1	<MUA> INT2:	1
DG9634	R1814	C-CARBON R	RN72K1J-272JE	435032724R1	<MUT> INT2:	1
DG9634	R1815	C-CARBON R	RN72K1J-471JE	435034714R1	<MDD> INT2	1
DG9634	R1817	C-CARBON R	RN72K1J-000JE	435030004R1	INT3	1
DG9634	R1819	C-CARBON R	RN72K1J-000JE	435030004R1	INT4	1
DG9634	R1820	C-CARBON R	RN72K1J-101JE	435031014R1		1
DG9634	R1821	C-CARBON R	RN72K1J-103JE	435031034R1		1
DG9634	R1822	C-CARBON R	RN72K1J-224JE	435032244R1		1
DG9634	R1823	C-CARBON R	RN72K1J-101JE	435031014R1		1
DG9634	R1824	C-CARBON R	RN72K1J-000JE	435030004R1		1
DG9634	R1828	C-CARBON R	RN72K1J-222JE	435032224R1		1
DG9634	R1829	C-CARBON R	RN72K1J-222JE	435032224R1		1
DG9634	R1830	C-CARBON R	RN72K1J-473JE	435034734R1		1
DG9634	R1831	C-CARBON R	RN72K1J-473JE	435034734R1		1
DG9634	R1832	C-CARBON R	RN72K1J-332JE	435033324R1	<MUP>	1
DG9634	R1832	C-CARBON R	RN72K1J-272JE	435032724R1	<MUA> DVD_REG:	1
DG9634	R1832	C-CARBON R	RN72K1J-272JE	435032724R1	<MUT> DVD_REG:	1
DG9634	R1833	C-CARBON R	RN72K1J-103JE	435031034R1	<MDD> DVD_REG	1
DG9634	R1833	C-CARBON R	RN72K1J-562JE	435035624R1	<MUP> DVD_REG	1
DG9634	R1833	C-CARBON R	RN72K1J-822JE	435038224R1	<MUA> DVD_REG:	1
DG9634	R1835	C-CARBON R	RN72K1J-103JE	435031034R1	CHG_ADJ	1
DG9634	R1836	C-CARBON R	RN72K1J-563JE	435035634R1		1
DG9634	R1837	C-CARBON R	RN72K1J-104JE	435031044R1		1
DG9634	R1838	C-CARBON R	RN72K1J-104JE	435031044R1		1
DG9634	R1840	C-CARBON R	RN72K1J-000JE	435030004R1		1
DG9634	R1843	C-CARBON R	RN72K1J-104JE	435031044R1		1
DG9634	R1844	C-CARBON R	RN72K1J-104JE	435031044R1		1
DG9634	R1851	C-CARBON R	RN72K1J-103JE	435031034R1		1
DG9634	R1852	C-CARBON R	RN72K1J-102JE	435031024R1		1
DG9634	R1853	C-CARBON R	RN72K1J-102JE	435031024R1		1
DG9634	R1854	C-CARBON R	RN72K1J-102JE	435031024R1		1
DG9634	R1855	C-CARBON R	RN72K1J-472JE	435034724R1		1
DG9634	R1856	C-CARBON R	RN72K1J-472JE	435034724R1		1

DG9634	R1857	C-CARBON R	RN72K1J-000JE	435030004R1	1
DG9634	R1858	C-CARBON R	RN72K1J-472JE	435034724R1	1
DG9634	R1859	C-R NET	RM7LJ470X04	43484747004R2	1
DG9634	R1860	C-R NET	RM7LJ470X04	43484747004R2	1
DG9634	R1861	C-R NET	RM7LJ470X04	43484747004R2	1
DG9634	R1862	C-R NET	RM7LJ470X04	43484747004R2	1
DG9634	R1863	C-R NET	RM7LJ470X04	43484747004R2	1
DG9634	R1864	C-R NET	RM7LJ470X04	43484747004R2	1
DG9634	R1865	C-R NET	RM7LJ470X04	43484747004R2	1
DG9634	R1866	C-R NET	RM7LJ470X04	43484747004R2	1
DG9634	R1867	C-R NET	RM7LJ470X04	43484747004R2	1
DG9634	R1868	C-R NET	RM7LJ470X04	43484747004R2	1
DG9634	R1869	C-R NET	RM7LJ470X04	43484747004R2	1
DG9634	R1870	C-R NET	RM7LJ470X04	43484747004R2	1
DG9634	R1871	C-R NET	RM7LJ470X04	43484747004R2	1
DG9634	R1872	C-CARBON R	RN72K1J-000JE	435030004R1	1
DG9634	R1909	C-CARBON R	RN72K1J-471JE	435034714R1	1
DG9634	R1910	C-CARBON R	RN72K1J-102JE	435031024R1	1
DG9634	R1911	C-CARBON R	RN72K1J-392JE	435033924R1	1
DG9634	R1912	C-CARBON R	RN72K1J-392JE	435033924R1	1
DG9634	R1913	C-CARBON R	RN72K1J-682JE	435036824R1	1
DG9634	R2004	C-CARBON R	RN72K1J-750JE	435037504R1	1
DG9634	R2005	C-CARBON R	RN72K1J-750JE	435037504R1	1
DG9634	R2006	C-CARBON R	RN72K1J-750JE	435037504R1	1
DG9634	R2007	C-CARBON R	RN72K1J-103JE	435031034R1	1
DG9634	R2008	C-CARBON R	RN72K1J-750JE	435037504R1	1
DG9634	R2009	C-CARBON R	RN72K1J-750JE	435037504R1	1
DG9634	R2010	C-CARBON R	RN72K1J-750JE	435037504R1	1
DG9634	R2011	C-CARBON R	RN72K1J-103JE	435031034R1	1
DG9634	R2012	C-CARBON R	RN72K1J-750JE	435037504R1	1
DG9634	R2013	C-CARBON R	RN72K1J-750JE	435037504R1	1
DG9634	R2014	C-CARBON R	RN72K1J-750JE	435037504R1	1
DG9634	R2015	C-CARBON R	RN72K1J-000JE	435030004R1	1
DG9634	R2016	C-CARBON R	RN72K1J-000JE	435030004R1	1
DG9634	R2017	C-CARBON R	RN72K1J-000JE	435030004R1	1

DG9634	R2022	C-CARBON R	RN72K1J-182JE	435031824R1	<MUP> For Scart TRM	1
DG9634	R2023	C-CARBON R	RN72K1J-122JE	435031224R1	<MUP> For Scart TRM	1
DG9634	R2024	C-CARBON R	RN72K1J-392JE	435033924R1	<MUP> For Scart TRM	1
DG9634	R2025	C-CARBON R	RN72K1J-000JE	435030004R1	<MUP> For Scart TRM	1
DG9634	R2026	C-CARBON R	RN72K1J-000JE	435030004R1	<MUP> For Scart TRM	1
DG9634	R2027	C-CARBON R	RN72K1J-000JE	435030004R1	<MUP> For Scart TRM	1
DG9634	R2028	C-CARBON R	RN72K1J-000JE	435030004R1	<MUP> For Scart TRM	1
DG9634	R2029	C-CARBON R	RN72K1J-000JE	435030004R1	<MUP> For Scart TRM	1
DG9634	R2030	C-CARBON R	RN72K1J-000JE	435030004R1	<MUP> For Scart TRM	1
DG9634	R2031	C-CARBON R	RN72K1J-000JE	435030004R1	<MUP> For Scart TRM	1
DG9634	R2032	C-CARBON R	RN72K1J-000JE	435030004R1	<MUP> For Scart TRM	1
DG9634	R2033	C-CARBON R	RN72K1J-222JE	435032224R1	<MUP> For Scart TRM	1
DG9634	R2034	C-CARBON R	RN72K1J-103JE	435031034R1	<MUP> For Scart TRM	1
DG9634	R2035	C-CARBON R	RN72K1J-154JE	435031544R1	<MUP> For Scart TRM	1
DG9634	R2036	C-CARBON R	RN72K1J-682JE	435036824R1	<MUP> For Scart TRM	1
DG9634	R2037	C-CARBON R	RN72K1J-512JE	435035124R1	<MUP> For Scart TRM	1
DG9634	R2038	C-CARBON R	RN72K1J-103JE	435031034R1	<MUP> For Scart TRM	1
DG9634	R2039	C-CARBON R	RN72K1J-102JE	435031024R1	<MUP> For Scart TRM	1
DG9634	R2040	C-CARBON R	RN72K1J-000JE	435030004R1		1
DG9634	R2041	C-CARBON R	RN72K1J-000JE	435030004R1	<MDD> For Except Scart	1
DG9634	R2041	C-CARBON R	RN72K1J-000JE	435030004R1	<MUA> For Except Scart:	1
DG9634	R2041	C-CARBON R	RN72K1J-000JE	435030004R1	<MUT> For Except Scart:	1
DG9634	R2042	C-CARBON R	RN72K1J-750JE	435037504R1	<MUP> For Scart TRM	1
DG9634	R2043	C-CARBON R	RN72K1J-000JE	435030004R1	<MUP> For Scart TRM	1
DG9634	R2044	C-CARBON R	RN72K1J-000JE	435030004R1	<MUP> For Scart TRM	1
DG9634	R2045	C-CARBON R	RN72K1J-000JE	435030004R1		1
DG9634	R2046	C-CARBON R	RN72K1J-000JE	435030004R1		1
DG9634	R2047	C-CARBON R	RN72K1J-000JE	435030004R1		1
DG9634	R2048	C-CARBON R	RN72K1J-000JE	435030004R1		1
DG9634	R2049	C-CARBON R	RN72K1J-000JE	435030004R1		1
DG9634	R2050	C-CARBON R	RN72K1J-000JE	435030004R1		1
DG9634	R2051	C-CARBON R	RN72K1J-000JE	435030004R1		1
DG9634	R4090	C-CARBON R	RN72K1J-470JE	435034704R1		1
DG9634	R4091	C-CARBON R	RN72K1J-470JE	435034704R1		1
DG9634	R4092	C-CARBON R	RN72K1J-470JE	435034704R1		1

DG9634	R4093	C-CARBON R	RN72K1J-470JE	435034704R1		1
DG9634	R4094	C-CARBON R	RN72K1J-470JE	435034704R1		1
DG9634	R4095	C-CARBON R	RN72K1J-470JE	435034704R1		1
DG9634	R4096	C-CARBON R	RN72K1J-470JE	435034704R1		1
DG9634	R4097	C-CARBON R	RN72K1J-470JE	435034704R1		1
DG9634	R4098	C-CARBON R	RN72K1J-470JE	435034704R1		1
DG9634	R4099	C-CARBON R	RN72K1J-470JE	435034704R1		1
DG9634	R4100	C-CARBON R	RN72K1J-470JE	435034704R1		1
DG9634	R4101	C-CARBON R	RN72K1J-470JE	435034704R1		1
DG9634	U1402	PHT CP	GP1FAV31TK0F	24120157	N	1
DG9634	X1581	CRYSTAL	TSX-3225-27MHz	3010465R2	N	1
DG9634	X1701	CERA LOCK	CR06000-CG-K0R	3010462R2	N	1
DG9634-1E	C4062	C-CERA C	CK725F1A-105Z1	332181050R1	<MDD> ETC9635	1
DG9634-1E	C4063	C-CERA C	CK725F1A-105Z1	332181050R1	<MDD> ETC9635	1
DG9634-1E	C4064	C-CERA C	CK725F1A-105Z1	332181050R1	<MDD> ETC9635	1
DG9634-1E	C4065	C-CERA C	CK725F1A-105Z1	332181050R1	<MDD> ETC9635	1
DG9634-1E	E200	TRM	NTM-1P233(M1969)	25060302	<MDD> ETC9635	1
DG9634-1E	P1401B	SOCKET	NSCT-27P2490	25052593R2	<MDD> ETC9635	1
DG9634-1E	P2006A	PLUG	IMSA-9142B-26A	25056603	ETC9635	1
DG9634-1E	Q4010	IC	TC74VHC157FT	22274157ER2TO	ETC9635	1
DG9634-1E	Q4020	IC	TC74VHC157FT	22274157ER2TO	ETC9635	1
DG9634-1E	Q4040	IC	TC74VHC157FT	22274157ER2TO	ETC9635	1
DG9634-1E	Q4061	IC	CY2305SXC-1T	22242573R2	N ETC9635	1
DG9634-1E	R4061	C-CARBON R	RN72K1J-470JE	435034704R1	ETC9635	1
DG9634-1E	R4064	C-CARBON R	RN72K1J-000JE	435030004R1	ETC9635	1
DG9634-1E	R4065	C-CARBON R	RN72K1J-000JE	435030004R1	ETC9635	1
DG9634-1E	R4066	C-CARBON R	RN72K1J-000JE	435030004R1	ETC9635	1
DG9634-1E	R4067	C-CARBON R	RN72K1J-470JE	435034704R1	ETC9635	1
DG9634-1E	R4070	C-CARBON R	RN72K1J-470JE	435034704R1	ETC9635	1
DG9634-1E	R4071	C-CARBON R	RN72K1J-470JE	435034704R1	ETC9635	1
DG9634-1E	R4072	C-CARBON R	RN72K1J-470JE	435034704R1	ETC9635	1
DG9634-1E	R4073	C-CARBON R	RN72K1J-470JE	435034704R1	ETC9635	1
DG9634-1E	R4074	C-CARBON R	RN72K1J-470JE	435034704R1	ETC9635	1
DG9634-1E	R4075	C-CARBON R	RN72K1J-470JE	435034704R1	ETC9635	1

DG9634-1E	R4076	C-CARBON R	RN72K1J-470JE	435034704R1	ETC9635	1
DG9634-1E	R4077	C-CARBON R	RN72K1J-470JE	435034704R1	ETC9635	1
DG9634-1E	R4078	C-CARBON R	RN72K1J-470JE	435034704R1	ETC9635	1
DG9634-1E	R4079	C-CARBON R	RN72K1J-470JE	435034704R1	ETC9635	1
DG9634-1E	R4080	C-CARBON R	RN72K1J-470JE	435034704R1	ETC9635	1
DG9634-1E	R4081	C-CARBON R	RN72K1J-470JE	435034704R1	ETC9635	1
DG9634-1E	R4082	C-CARBON R	RN72K1J-470JE	435034704R1	ETC9635	1
DG9634-1E	R4083	C-CARBON R	RN72K1J-470JE	435034704R1	ETC9635	1
DG9634-1E	R4084	C-CARBON R	RN72K1J-470JE	435034704R1	ETC9635	1
DG9634-1E	R4085	C-CARBON R	RN72K1J-470JE	435034704R1	ETC9635	1
DG9634-1E	R4086	C-CARBON R	RN72K1J-470JE	435034704R1	ETC9635	1
DG9634-1E	R4087	C-CARBON R	RN72K1J-470JE	435034704R1	ETC9635	1
DG9634-1E	R4088	C-CARBON R	RN72K1J-470JE	435034704R1	ETC9635	1
DG9634-1E	R4089	C-CARBON R	RN72K1J-470JE	435034704R1	ETC9635	1

PRINTED CIRCUIT BOARD PARTS LIST

DV-SP506

U04	Audi/Video output PC board, NAAF-9636-1A	1H554536-1A	<MDD>
U04	Audi/Video output PC board, NAAF-9636-1B	1H554536-1B	<MUP>
U04	Audi/Video output PC board, NAAF-9636-1C	1H554536-1C	<MUA> <MUT>
U05	AC Inlet terminal PC board, NAPS-9639-1A	1H554539-1A	<MDD>
U05	AC Inlet terminal PC board, NAPS-9639-1B	1H554539-1B	<MUP>
U05	AC Inlet terminal PC board, NAPS-9639-1C	1H554539-1C	<MUA> <MUT>
U06	SCART terminal PC board, NAVD-9640-1B	1H554540-1B	<MUP>
U07	Display circuit PC board, NADIS-9642-1A	1H554542-1A	<MDD>
U07	Display circuit PC board, NADIS-9642-1B	1H554542-1B	<MUP>
U07	Display circuit PC board, NADIS-9642-1C	1H554542-1C	<MUA> <MUT>
U08	Standby switch PC board, NASW-9643-1A	1H554543-1A	<MDD>
U08	Standby switch PC board, NASW-9643-1B	1H554543-1B	<MUP>
U08	Standby switch PC board, NASW-9643-1C	1H554543-1C	<MUA> <MUT>
U08	Mecha. connection PC board, NAETC-9644-1A	1H554544-1A	<MDD>
U08	Mecha. connection PC board, NAETC-9644-1B	1H554544-1B	<MUP>
U08	Mecha. connection PC board, NAETC-9644-1C	1H554544-1C	<MUA> <MUT>

REF. NO.	PART NAME	DESCRIPTION	PART NO.	REMARKS
----------	-----------	-------------	----------	---------

AF9636	C4001	UTSP C	CE04W10V-220M(UTSP)	397532217T	1
AF9636	C4002	TF C	ECQ-V50V-104J	374721044T	1
AF9636	C4003	UTSP C	CE04W25V-47M(UTSP)	397554707T	1
AF9636	C4004	TF C	ECQ-V50V-104J	374721044T	1
AF9636	C4005	UTSP C	CE04W25V-47M(UTSP)	397554707T	1
AF9636	C4006	TF C	ECQ-V50V-104J	374721044T	1
AF9636	C4007	UTSP C	CE04W25V-47M(UTSP)	397554707T	1
AF9636	C4008	TF C	ECQ-V50V-104J	374721044T	1
AF9636	C4010	TF C	ECQ-V50V-104J	374721044T	1
AF9636	C4011	C-CERA C	CK725F1A-105Z1	332181050R1	1
AF9636	C4012	UTSP C	CE04W10V-220M(UTSP)	397532217T	1
AF9636	C4020	UTSP C	CE04W10V-220M(UTSP)	397532217T	1
AF9636	C4021	UTSP C	CE04W10V-220M(UTSP)	397532217T	1
AF9636	C4022	TF C	ECQ-V50V-104J	374721044T	1
AF9636	C4023	UTSP C	CE04W25V-47M(UTSP)	397554707T	1
AF9636	C4024	TF C	ECQ-V50V-104J	374721044T	1
AF9636	C4025	UTSP C	CE04W25V-47M(UTSP)	397554707T	1
AF9636	C4026	TF C	ECQ-V50V-104J	374721044T	1
AF9636	C4027	UTSP C	CE04W25V-47M(UTSP)	397554707T	1
AF9636	C4028	TF C	ECQ-V50V-104J	374721044T	1
AF9636	C4030	TF C	ECQ-V50V-104J	374721044T	1
AF9636	C4031	C-CERA C	CK725F1A-105Z1	332181050R1	1
AF9636	C4040	UTSP C	CE04W10V-220M(UTSP)	397532217T	1
AF9636	C4041	UTSP C	CE04W10V-220M(UTSP)	397532217T	1
AF9636	C4042	TF C	ECQ-V50V-104J	374721044T	1
AF9636	C4043	UTSP C	CE04W25V-47M(UTSP)	397554707T	1
AF9636	C4044	TF C	ECQ-V50V-104J	374721044T	1
AF9636	C4045	UTSP C	CE04W25V-47M(UTSP)	397554707T	1
AF9636	C4046	TF C	ECQ-V50V-104J	374721044T	1
AF9636	C4047	UTSP C	CE04W25V-47M(UTSP)	397554707T	1
AF9636	C4048	TF C	ECQ-V50V-104J	374721044T	1
AF9636	C4050	TF C	ECQ-V50V-104J	374721044T	1
AF9636	C4051	C-CERA C	CK725F1A-105Z1	332181050R1	1
AF9636	C4052	C-CERA C	CK725F1E-104Z1	332161040R1	1
AF9636	C4053	C-CERA C	CK725F1E-104Z1	332161040R1	1

AF9636	C4101	TF C	ECQ-B50V-222J	374722224T	1
AF9636	C4102	TF C	ECQ-B50V-222J	374722224T	1
AF9636	C4103	TF C	ECQ-B50V-222J	374722224T	1
AF9636	C4104	TF C	ECQ-B50V-222J	374722224T	1
AF9636	C4105	TF C	ECQ-B50V-221K	374722215T	1
AF9636	C4106	TF C	ECQ-B50V-221K	374722215T	1
AF9636	C4107	TF C	ECQ-B50V-472J	374724724T	1
AF9636	C4108	TF C	ECQ-B50V-472J	374724724T	1
AF9636	C4109	TF C	ECQ-B50V-682J	374726824T	1
AF9636	C4110	TF C	ECQ-B50V-682J	374726824T	1
AF9636	C4111	UTSJ C	CE04W50V-47M(UTSJ)	398084707T	1
AF9636	C4112	UTSJ C	CE04W50V-47M(UTSJ)	398084707T	1
AF9636	C4115	UTSP C	CE04W16V-470M(UTSP)	397544717T	1
AF9636	C4116	UTSP C	CE04W16V-470M(UTSP)	397544717T	1
AF9636	C4117	TF C	ECQ-B50V-102J	374721024T	1
AF9636	C4118	TF C	ECQ-B50V-102J	374721024T	1
AF9636	C4119	TF C	ECQ-B50V-102J	374721024T	1
AF9636	C4120	TF C	ECQ-B50V-102J	374721024T	1
AF9636	C4123	TF C	ECQ-B50V-101K	374721015T	1
AF9636	C4124	TF C	ECQ-B50V-101K	374721015T	1
AF9636	C4141	TF C	ECQ-B50V-272J	374722724T	1
AF9636	C4142	TF C	ECQ-B50V-272J	374722724T	1
AF9636	C4143	TF C	ECQ-B50V-272J	374722724T	1
AF9636	C4144	TF C	ECQ-B50V-272J	374722724T	1
AF9636	C4145	TF C	ECQ-B50V-472J	374724724T	1
AF9636	C4146	TF C	ECQ-B50V-472J	374724724T	1
AF9636	C4201	TF C	ECQ-B50V-222J	374722224T	1
AF9636	C4202	TF C	ECQ-B50V-222J	374722224T	1
AF9636	C4203	TF C	ECQ-B50V-222J	374722224T	1
AF9636	C4204	TF C	ECQ-B50V-222J	374722224T	1
AF9636	C4205	TF C	ECQ-B50V-221K	374722215T	1
AF9636	C4206	TF C	ECQ-B50V-221K	374722215T	1
AF9636	C4207	TF C	ECQ-B50V-472J	374724724T	1
AF9636	C4208	TF C	ECQ-B50V-472J	374724724T	1
AF9636	C4209	TF C	ECQ-B50V-682J	374726824T	1

AF9636	C4210	TF C	ECQ-B50V-682J	374726824T	1
AF9636	C4211	UTSP C	CE04W50V 47M(UTSP)	397584707T	1
AF9636	C4212	UTSP C	CE04W50V 47M(UTSP)	397584707T	1
AF9636	C4215	UTSP C	CE04W16V-470M(UTSP)	397544717T	1
AF9636	C4216	UTSP C	CE04W16V-470M(UTSP)	397544717T	1
AF9636	C4221	UTSP C	CE04W50V 47M(UTSP)	397584707T	1
AF9636	C4222	UTSP C	CE04W50V 47M(UTSP)	397584707T	1
AF9636	C4227	TF C	ECQ-V50V-104J	374721044T	1
AF9636	C4228	TF C	ECQ-V50V-104J	374721044T	1
AF9636	C4233	TF C	ECQ-B50V-101K	374721015T	1
AF9636	C4234	TF C	ECQ-B50V-101K	374721015T	1
AF9636	C4241	TF C	ECQ-B50V-272J	374722724T	1
AF9636	C4242	TF C	ECQ-B50V-272J	374722724T	1
AF9636	C4243	TF C	ECQ-B50V-272J	374722724T	1
AF9636	C4244	TF C	ECQ-B50V-272J	374722724T	1
AF9636	C4245	TF C	ECQ-B50V-472J	374724724T	1
AF9636	C4246	TF C	ECQ-B50V-472J	374724724T	1
AF9636	C4301	TF C	ECQ-B50V-222J	374722224T	1
AF9636	C4302	TF C	ECQ-B50V-222J	374722224T	1
AF9636	C4303	TF C	ECQ-B50V-222J	374722224T	1
AF9636	C4304	TF C	ECQ-B50V-222J	374722224T	1
AF9636	C4305	TF C	ECQ-B50V-221K	374722215T	1
AF9636	C4306	TF C	ECQ-B50V-221K	374722215T	1
AF9636	C4307	TF C	ECQ-B50V-472J	374724724T	1
AF9636	C4308	TF C	ECQ-B50V-472J	374724724T	1
AF9636	C4309	TF C	ECQ-B50V-682J	374726824T	1
AF9636	C4310	TF C	ECQ-B50V-682J	374726824T	1
AF9636	C4311	UTSP C	CE04W50V 47M(UTSP)	397584707T	1
AF9636	C4312	UTSP C	CE04W50V 47M(UTSP)	397584707T	1
AF9636	C4315	UTSP C	CE04W16V-470M(UTSP)	397544717T	1
AF9636	C4316	UTSP C	CE04W16V-470M(UTSP)	397544717T	1
AF9636	C4317	TF C	ECQ-B50V-102J	374721024T	1
AF9636	C4318	TF C	ECQ-B50V-102J	374721024T	1
AF9636	C4319	TF C	ECQ-B50V-102J	374721024T	1
AF9636	C4320	TF C	ECQ-B50V-102J	374721024T	1

AF9636	C4323	TF C	ECQ-B50V-101K	374721015T		1
AF9636	C4324	TF C	ECQ-B50V-101K	374721015T		1
AF9636	C4341	TF C	ECQ-B50V-272J	374722724T		1
AF9636	C4342	TF C	ECQ-B50V-272J	374722724T		1
AF9636	C4343	TF C	ECQ-B50V-272J	374722724T		1
AF9636	C4344	TF C	ECQ-B50V-272J	374722724T		1
AF9636	C4345	TF C	ECQ-B50V-472J	374724724T		1
AF9636	C4346	TF C	ECQ-B50V-472J	374724724T		1
AF9636	C4901	VX C	CE04W16V-2200M(VX_BLK)	397342227S		1
AF9636	C4902	VX C	CE04W16V-2200M(VX_BLK)	397342227S		1
AF9636	C4903	UTSP C	CE04W50V-10M(UTSP)	397581007T		1
AF9636	C4904	UTSP C	CE04W50V-10M(UTSP)	397581007T		1
AF9636	C4905	VR C	CE04W16V-4700M(VR)	394644727S		1
AF9636	C6001	UTSP C	CE04W50V-22M(UTSP)	397582207T	<MUP>	1
AF9636	C6002	UTSP C	CE04W6.3V-1000M(UTSP)	397521027T	<MUP>	1
AF9636	C6003	UTSP C	CE04W10V-100M(UTSP)	397531017T	<MUP>	1
AF9636	C6004	UTSP C	CE04W50V-22M(UTSP)	397582207T	<MUP>	1
AF9636	C6005	UTSP C	CE04W10V-100M(UTSP)	397531017T	<MUP>	1
AF9636	C6006	UTSP C	CE04W50V-22M(UTSP)	397582207T	<MUP>	1
AF9636	C6007	UTSP C	CE04W10V-100M(UTSP)	397531017T	<MUP>	1
AF9636	C6008	UTSP C	CE04W50V-22M(UTSP)	397582207T	<MUP>	1
AF9636	C6009	C-CERA C	CK725F1A-105Z1	332181050R1	<MUP>	1
AF9636	C6010	UTSP C	CE04W50V-22M(UTSP)	397582207T	<MUP>	1
AF9636	C6011	C-CERA C	CK725F1A-105Z1	332181050R1	<MUP>	1
AF9636	C6012	UTSP C	CE04W50V-1M(UTSP)	397580107T	<MUP>	1
AF9636	C6013	UTSP C	CE04W50V-1M(UTSP)	397580107T	<MUP>	1
AF9636	C6014	UTSP C	CE04W50V-1M(UTSP)	397580107T	<MUP>	1
AF9636	C6015	UTSP C	CE04W50V-1M(UTSP)	397580107T	<MUP>	1
AF9636	C7504	C-CERA C	CK725F1E-104Z1	332161040R1	<MDD>	1
AF9636	C7505	C-CERA C	CK725F1A-105Z1	332181050R1	<MDD>	1
AF9636	C7506	UTSP C	CE04W50V-0.47M(UTSP)	397584797T	<MDD>	1
AF9636	C7507	UTSP C	CE04W50V-0.47M(UTSP)	397584797T	<MDD>	1
AF9636	C7509	UTSP C	CE04W50V-0.47M(UTSP)	397584797T	<MDD>	1
AF9636	C7510	C-CERA C	CK725F1E-104Z1	332161040R1	<MDD>	1
AF9636	C7512	UTSP C	CE04W50V-0.47M(UTSP)	397584797T	<MDD>	1

AF9636	C7514	UTSP C	CE04W10V-100M(UTSP)	397531017T	<MDD>	1
AF9636	C8001	ELECT C	CE04W50V-22M	355782209T		1
AF9636	C8002	C-CERA C	CK725F1E-104Z1	332161040R1		1
AF9636	C8003	ELECT C	CE04W6.3V-100M	355721019T		1
AF9636	C8005	C-CERA C	CK725F1H-104Z1	332151040R1		1
AF9636	C8006	C-CERA C	CK725F1E-104Z1	332161040R1		1
AF9636	C8007	C-CERA C	CK725F1E-104Z1	332161040R1		1
AF9636	C8008	C-CERA C	CC725CH1H-330J1	342103304R1		1
AF9636	C8009	C-CERA C	CC725CH1H-330J1	342103304R1		1
AF9636	C8010	C-CERA C	CK725F1E-104Z1	332161040R1		1
AF9636	C8011	ELECT C	CE04W6.3V-100M	355721019T		1
AF9636	C8012	C-CERA C	CK725B1H-102K1	332101025R1		1
AF9636	C8013	C-CERA C	CK725B1H-102K1	332101025R1		1
AF9636	C8014	C-CERA C	CK725B1H-102K1	332101025R1		1
AF9636	C8015	C-CERA C	CK725B1H-102K1	332101025R1		1
AF9636	C8021	ELECT C	CE04W6.3V-100M	355721019T		1
AF9636	C8022	ELECT C	CE04W6.3V-100M	355721019T		1
AF9636	C8023	C-CERA C	CC725CH1H-330J1	342103304R1		1
AF9636	C8024	C-CERA C	CC725CH1H-330J1	342103304R1		1
AF9636	C8025	C-CERA C	CK725F1A-105Z1	332181050R1		1
AF9636	C8026	ELECT C	CE04W16V-47M	355744709T		1
AF9636	D4203	C-DIODE	1SS352	223234R2		1
AF9636	D4203 or	C-DIODE	1SS355	223269R2		(1)
AF9636	D4203 or	C-DIODE	MA2J1110GL	223302R2		(1)
AF9636	D4204	C-DIODE	1SS352	223234R2		1
AF9636	D4204 or	C-DIODE	1SS355	223269R2		(1)
AF9636	D4204 or	C-DIODE	MA2J1110GL	223302R2		(1)
AF9636	D4205	C-DIODE	1SS352	223234R2		1
AF9636	D4205 or	C-DIODE	1SS355	223269R2		(1)
AF9636	D4205 or	C-DIODE	MA2J1110GL	223302R2		(1)
AF9636	D4606	C-DIODE	1SS352	223234R2		1
AF9636	D4606 or	C-DIODE	1SS355	223269R2		(1)
AF9636	D4606 or	C-DIODE	MA2J1110GL	223302R2		(1)
AF9636	D4608	C-DIODE	1SS352	223234R2		1
AF9636	D4608 or	C-DIODE	1SS355	223269R2		(1)

AF9636	D4608 or	C-DIODE	MA2J1110GL	223302R2		(1)
AF9636	D4609	C-DIODE	1SS352	223234R2		1
AF9636	D4609 or	C-DIODE	1SS355	223269R2		(1)
AF9636	D4609 or	C-DIODE	MA2J1110GL	223302R2		(1)
AF9636	D4611	C-DIODE	1SS352	223234R2		1
AF9636	D4611 or	C-DIODE	1SS355	223269R2		(1)
AF9636	D4611 or	C-DIODE	MA2J1110GL	223302R2		(1)
AF9636	D7501	C-DIODE	1SS352	223234R2	<MDD>	1
AF9636	D7501 or	C-DIODE	1SS355	223269R2	<MDD>	(1)
AF9636	D7501 or	C-DIODE	MA2J1110GL	223302R2	<MDD>	(1)
AF9636	D8001	ZENER D	UDZS5.6B	224550560R2		1
AF9636	D8002	LED	SEL2910A-TP6	225390T		1
AF9636	D8005	LED	SLI-343URC-TB7	225452T		1
AF9636	E001B	TRM	NTM-1P232(M1700)	25060301		1
AF9636	E4001	HOLDER	(CRAMP) UA-0 V0	27190608-1		1
AF9636	JL8001	JUMPER LEAD	JL3 100 B(6-6)	3J100606B15		1
AF9636	JL8001A	WIRE HOL	NSCT-3P874	25051087		1
AF9636	JL8001B	WIRE HOL	NSCT-3P874	25051087		1
AF9636	L4051	EMIFIL	BK1608LM182-T	230958R1	<MDD>	1
AF9636	L7503	EMIFIL	BK1608LM182-T	230958R1	<MDD>	1
AF9636	L7505	EMIFIL	BK1608LM182-T	230958R1	<MDD>	1
AF9636	L8001	CHOKE COIL	LBC2518T100M	231364M100R2		1
AF9636	L8002	CHOKE COIL	LBC2518T100M	231364M100R2		1
AF9636	L9002	CORE	TR-25-15-12(Dot)	230997		1
AF9636	P1203B	SOCKET	NSCT-15P2249	25052352		1
AF9636	P1702A	SOCKET	NSCT-9P2206	25052309	<MDD>	1
AF9636	P1703B	SOCKET	NSCT-17P2251	25052354		1
AF9636	P2005B	SOCKET	NSCT-15P2212	25052315	<MUP>	1
AF9636	P2006B	SOCKET	IMSA-9142S-26A	25053235		1
AF9636	P4001	PIN JACK	NPJ-2PDWR678	25045910	N	1
AF9636	P4002	PIN JACK	NPJ-4PDWRGP673	25045905	N	1
AF9636	P4003	PIN JACK	NPJ-4PDELNT674	25045906	N	1
AF9636	P4006	ST JACK	SM0505-0021	25045857		1
AF9636	P4901	PLUG	NPLG-3P131	25055147		1
AF9636	P4902A	SOCKET AS	NSAS-18P1782	2009991142UL	N	1

AF9636	P6002	SOCKET	YKF-41-5051	25052957	<MUP>	1
AF9636	P6003	PLUG	NPLG-5P133	25055149	<MUP>	1
AF9636	P6003A	SOCKET AS	NSAS-10P1765	2009991132UL	N <MUP>	1
AF9636	P7502	SOCKET, RS-232C terminal	7906-09FHA	25053103	<MDD> Revision 090318	1
AF9636	P8001A	SOCKET	NSCT-7P2241	25052344		1
AF9636	P8021	SOCKET	NSCT-15P2212	25052315		1
AF9636	P9002A	AC INLET	NPLG-2P913	25055960		1
AF9636	P9003	SOCKET AS	NSAS-4P1779	2009991139UL		1
AF9636	Q4002	IC	MPC2933BHB-AZ	22278033DCNE	N	1
AF9636	Q4003	IC	MPC2905BHB-AZ	22278005DCNE	N	1
AF9636	Q4011	IC	PCM1796DBR	22242403R2		1
AF9636	Q4021	IC	PCM1796DBR	22242403R2		1
AF9636	Q4022	IC	S-812C33AUA-C2N	22242222R2		1
AF9636	Q4023	IC	MPC2905BHB-AZ	22278005DCNE	N	1
AF9636	Q4031	IC	PCM1796DBR	22242403R2		1
AF9636	Q4033	IC	MPC2905BHB-AZ	22278005DCNE	N	1
AF9636	Q4042	IC	S-812C33AUA-C2N	22242222R2		1
AF9636	Q4101	IC	NE5532APSR	22242283R2		1
AF9636	Q4102	IC	NE5532APSR	22242283R2		1
AF9636	Q4103	IC	NE5532APSR	22242283R2		1
AF9636	Q4104	IC	NE5532APSR	22242283R2		1
AF9636	Q4105	TR	2SD655-E	2211705T		1
AF9636	Q4105 or	TR	2SD655-F	2211706T		(1)
AF9636	Q4106	TR	2SD655-E	2211705T		1
AF9636	Q4106 or	TR	2SD655-F	2211706T		(1)
AF9636	Q4107	TR	2SD655-E	2211705T		1
AF9636	Q4107 or	TR	2SD655-F	2211706T		(1)
AF9636	Q4108	TR	2SD655-E	2211705T		1
AF9636	Q4108 or	TR	2SD655-F	2211706T		(1)
AF9636	Q4109	IC	NE5532APSR	22242283R2		1
AF9636	Q4110	IC	NE5532APSR	22242283R2		1
AF9636	Q4111	IC	NE5532APSR	22242283R2		1
AF9636	Q4112	IC	NE5532APSR	22242283R2		1
AF9636	Q4205	TR	RN1441	2215410R2		1
AF9636	Q4206	TR	RN1441	2215410R2		1

AF9636	Q4207	TR	RN1441	2215410R2	1
AF9636	Q4208	TR	RN1441	2215410R2	1
AF9636	Q4211	TR	RN1441	2215410R2	1
AF9636	Q4212	TR	RN1441	2215410R2	1
AF9636	Q4213	TR	RN1441	2215410R2	1
AF9636	Q4214	TR	RN1441	2215410R2	1
AF9636	Q4215	TR	2SC2712-GR	2213145R2	1
AF9636	Q4216	TR	2SC2712-GR	2213145R2	1
AF9636	Q4217	IC	NE5532APSR	22242283R2	1
AF9636	Q4218	IC	NE5532APSR	22242283R2	1
AF9636	Q4221	IC	NE5532APSR	22242283R2	1
AF9636	Q4222	IC	NE5532APSR	22242283R2	1
AF9636	Q4223	IC	NE5532APSR	22242283R2	1
AF9636	Q4224	IC	NE5532APSR	22242283R2	1
AF9636	Q4225	IC	NE5532APSR	22242283R2	1
AF9636	Q4226	IC	NE5532APSR	22242283R2	1
AF9636	Q4301	IC	NE5532APSR	22242283R2	1
AF9636	Q4302	IC	NE5532APSR	22242283R2	1
AF9636	Q4303	IC	NE5532APSR	22242283R2	1
AF9636	Q4304	IC	NE5532APSR	22242283R2	1
AF9636	Q4305	TR	2SD655-E	2211705T	1
AF9636	Q4305 or	TR	2SD655-F	2211706T	(1)
AF9636	Q4306	TR	2SD655-E	2211705T	1
AF9636	Q4306 or	TR	2SD655-F	2211706T	(1)
AF9636	Q4307	TR	2SD655-E	2211705T	1
AF9636	Q4307 or	TR	2SD655-F	2211706T	(1)
AF9636	Q4308	TR	2SD655-E	2211705T	1
AF9636	Q4308 or	TR	2SD655-F	2211706T	(1)
AF9636	Q4309	IC	NE5532APSR	22242283R2	1
AF9636	Q4310	IC	NE5532APSR	22242283R2	1
AF9636	Q4331	IC	NE5532APSR	22242283R2	1
AF9636	Q4332	IC	NE5532APSR	22242283R2	1
AF9636	Q4601	TR	KRC107S	2216340R2	1
AF9636	Q4601 or	TR	RN1407	2216260R2	(1)
AF9636	Q4602	TR	KRC107S	2216340R2	1

AF9636	Q4602 or	TR	RN1407	2216260R2		(1)
AF9636	Q4603	TR	KRC107S	2216340R2		1
AF9636	Q4603 or	TR	RN1407	2216260R2		(1)
AF9636	Q4604	TR	2SC2712-GR	2213145R2		1
AF9636	Q4605	TR	KRA107S	2216350R2		1
AF9636	Q4605 or	TR	RN2407(TE85L_F)	2216360R2		(1)
AF9636	Q4606	TR	KRA107S	2216350R2		1
AF9636	Q4606 or	TR	RN2407(TE85L_F)	2216360R2		(1)
AF9636	Q4607	TR	KRA107S	2216350R2		1
AF9636	Q4607 or	TR	RN2407(TE85L_F)	2216360R2		(1)
AF9636	Q4608	TR	KRC107S	2216340R2		1
AF9636	Q4608 or	TR	RN1407	2216260R2		(1)
AF9636	Q4901	TR	2SA1300-GR(TE2,F,T)	2212335T	N	1
AF9636	Q4901 or	TR	2SA1300-BL(TE2,F,T)	2212336T	N	(1)
AF9636	Q4902	TR	2SC3279-M(TE2,F,T)	2212343T	N	1
AF9636	Q4902 or	TR	2SC3279-N(TE2,F,T)	2212344T	N	(1)
AF9636	Q4903	TR	2SC2712-GR	2213145R2		1
AF9636	Q4904	TR	2SA1162-GR	2214375R2		1
AF9636	Q6001	IC	BH7868FS	22242329R2	<MUP>	1
AF9636	Q7504	IC	ICL3221ECVZ	22242268R2	<MDD>	1
AF9636	Q8001	FL TUBE	HNV-13SS15T	212253		1
AF9636	Q8001A	CUSHION	t3*10*25	28141513		2
AF9636	Q8003	IC	MPD780232GC-710-8BT-A	22242286R3		1
AF9636	Q8005	TR	KRC107S	2216340R2		1
AF9636	Q8005 or	TR	RN1407	2216260R2		(1)
AF9636	Q8021	IC	MPC29M33AT-E1-A	22278033EAR2NE		1
AF9636	Q8022	TR	KRA107S	2216350R2		1
AF9636	Q8022 or	TR	RN2407(TE85L_F)	2216360R2		(1)
AF9636	Q8023	TR	2SD655-E	2211705T		1
AF9636	Q8023 or	TR	2SD655-F	2211706T		(1)
AF9636	R4002	C-CARBON R	RN72K1J-103JE	435031034R1		1
AF9636	R4003	C-CARBON R	RN72K1J-470JE	435034704R1		1
AF9636	R4004	C-CARBON R	RN72K1J-470JE	435034704R1		1
AF9636	R4005	C-CARBON R	RN72K1J-470JE	435034704R1		1
AF9636	R4006	C-CARBON R	RN72K1J-470JE	435034704R1		1

AF9636	R4007	C-CARBON R	RN72K1J-470JE	435034704R1	1
AF9636	R4008	C-CARBON R	RN72K1J-470JE	435034704R1	1
AF9636	R4009	C-CARBON R	RN72K1J-470JE	435034704R1	1
AF9636	R4011	C-CARBON R	RN72K1J-470JE	435034704R1	1
AF9636	R4012	C-CARBON R	RN72K1J-103FE	435031032R1	1
AF9636	R4020	C-CARBON R	RN72K1J-103FE	435031032R1	1
AF9636	R4022	C-CARBON R	RN72K1J-103JE	435031034R1	1
AF9636	R4023	C-CARBON R	RN72K1J-470JE	435034704R1	1
AF9636	R4024	C-CARBON R	RN72K1J-470JE	435034704R1	1
AF9636	R4025	C-CARBON R	RN72K1J-470JE	435034704R1	1
AF9636	R4026	C-CARBON R	RN72K1J-470JE	435034704R1	1
AF9636	R4027	C-CARBON R	RN72K1J-470JE	435034704R1	1
AF9636	R4028	C-CARBON R	RN72K1J-470JE	435034704R1	1
AF9636	R4029	C-CARBON R	RN72K1J-470JE	435034704R1	1
AF9636	R4031	C-CARBON R	RN72K1J-470JE	435034704R1	1
AF9636	R4040	C-CARBON R	RN72K1J-103FE	435031032R1	1
AF9636	R4042	C-CARBON R	RN72K1J-103JE	435031034R1	1
AF9636	R4043	C-CARBON R	RN72K1J-470JE	435034704R1	1
AF9636	R4044	C-CARBON R	RN72K1J-470JE	435034704R1	1
AF9636	R4045	C-CARBON R	RN72K1J-470JE	435034704R1	1
AF9636	R4046	C-CARBON R	RN72K1J-470JE	435034704R1	1
AF9636	R4047	C-CARBON R	RN72K1J-470JE	435034704R1	1
AF9636	R4048	C-CARBON R	RN72K1J-470JE	435034704R1	1
AF9636	R4049	C-CARBON R	RN72K1J-470JE	435034704R1	1
AF9636	R4051	C-CARBON R	RN72K1J-470JE	435034704R1	1
AF9636	R4052	C-CARBON R	RN72K1J-471JE	435034714R1	1
AF9636	R4101	C-CARBON R	RN72K1J-821JE	435038214R1	1
AF9636	R4102	C-CARBON R	RN72K1J-821JE	435038214R1	1
AF9636	R4103	C-CARBON R	RN72K1J-821JE	435038214R1	1
AF9636	R4104	C-CARBON R	RN72K1J-821JE	435038214R1	1
AF9636	R4105	C-CARBON R	RN72K1J-152JE	435031524R1	1
AF9636	R4106	C-CARBON R	RN72K1J-152JE	435031524R1	1
AF9636	R4107	C-CARBON R	RN72K1J-152JE	435031524R1	1
AF9636	R4108	C-CARBON R	RN72K1J-152JE	435031524R1	1
AF9636	R4109	C-CARBON R	RN72K1J-122JE	435031224R1	1

AF9636	R4110	C-CARBON R	RN72K1J-122JE	435031224R1	1
AF9636	R4111	C-CARBON R	RN72K1J-122JE	435031224R1	1
AF9636	R4112	C-CARBON R	RN72K1J-122JE	435031224R1	1
AF9636	R4115	C-CARBON R	RN72K1J-472JE	435034724R1	1
AF9636	R4116	C-CARBON R	RN72K1J-472JE	435034724R1	1
AF9636	R4117	C-CARBON R	RN72K1J-681JE	435036814R1	1
AF9636	R4118	C-CARBON R	RN72K1J-681JE	435036814R1	1
AF9636	R4119	C-CARBON R	RN72K1J-472JE	435034724R1	1
AF9636	R4120	C-CARBON R	RN72K1J-472JE	435034724R1	1
AF9636	R4121	C-CARBON R	RN72K1J-472JE	435034724R1	1
AF9636	R4122	C-CARBON R	RN72K1J-472JE	435034724R1	1
AF9636	R4123	C-CARBON R	RN72K1J-182JE	435031824R1	1
AF9636	R4124	C-CARBON R	RN72K1J-182JE	435031824R1	1
AF9636	R4125	C-CARBON R	RN72K1J-152JE	435031524R1	1
AF9636	R4126	C-CARBON R	RN72K1J-152JE	435031524R1	1
AF9636	R4127	C-CARBON R	RN72K1J-272JE	435032724R1	1
AF9636	R4128	C-CARBON R	RN72K1J-272JE	435032724R1	1
AF9636	R4129	C-CARBON R	RN72K1J-561JE	435035614R1	1
AF9636	R4130	C-CARBON R	RN72K1J-561JE	435035614R1	1
AF9636	R4133	C-CARBON R	RN72K1J-000JE	435030004R1	1
AF9636	R4134	C-CARBON R	RN72K1J-000JE	435030004R1	1
AF9636	R4135	C-CARBON R	RN72K1J-221JE	435032214R1	1
AF9636	R4136	C-CARBON R	RN72K1J-221JE	435032214R1	1
AF9636	R4137	C-CARBON R	RN72K1J-221JE	435032214R1	1
AF9636	R4138	C-CARBON R	RN72K1J-221JE	435032214R1	1
AF9636	R4139	C-CARBON R	RN72K1J-000JE	435030004R1	1
AF9636	R4140	C-CARBON R	RN72K1J-000JE	435030004R1	1
AF9636	R4141	C-CARBON R	RN72K1J-222JE	435032224R1	1
AF9636	R4142	C-CARBON R	RN72K1J-222JE	435032224R1	1
AF9636	R4143	C-CARBON R	RN72K1J-222JE	435032224R1	1
AF9636	R4144	C-CARBON R	RN72K1J-222JE	435032224R1	1
AF9636	R4145	C-CARBON R	RN72K1J-224JE	435032244R1	1
AF9636	R4146	C-CARBON R	RN72K1J-224JE	435032244R1	1
AF9636	R4147	C-CARBON R	RN72K1J-102JE	435031024R1	1
AF9636	R4148	C-CARBON R	RN72K1J-102JE	435031024R1	1

AF9636	R4149	C-CARBON R	RN72K1J-684JE	435036844R1	1
AF9636	R4150	C-CARBON R	RN72K1J-564JE	435035644R1	1
AF9636	R4151	METAL R	RNU1/2WCJ-8.2	453530824T	1
AF9636	R4152	METAL R	RNU1/2WCJ-8.2	453530824T	1
AF9636	R4155	C-CARBON R	RN72K1J-000JE	435030004R1	1
AF9636	R4156	C-CARBON R	RN72K1J-000JE	435030004R1	1
AF9636	R4157	C-CARBON R	RN72K1J-221JE	435032214R1	1
AF9636	R4158	C-CARBON R	RN72K1J-221JE	435032214R1	1
AF9636	R4159	C-CARBON R	RN72K1J-221JE	435032214R1	1
AF9636	R4160	C-CARBON R	RN72K1J-221JE	435032214R1	1
AF9636	R4201	C-CARBON R	RN72K1J-821JE	435038214R1	1
AF9636	R4202	C-CARBON R	RN72K1J-821JE	435038214R1	1
AF9636	R4203	C-CARBON R	RN72K1J-821JE	435038214R1	1
AF9636	R4204	C-CARBON R	RN72K1J-821JE	435038214R1	1
AF9636	R4205	C-CARBON R	RN72K1J-222JE	435032224R1	1
AF9636	R4206	C-CARBON R	RN72K1J-222JE	435032224R1	1
AF9636	R4207	C-CARBON R	RN72K1J-222JE	435032224R1	1
AF9636	R4208	C-CARBON R	RN72K1J-222JE	435032224R1	1
AF9636	R4209	C-CARBON R	RN72K1J-122JE	435031224R1	1
AF9636	R4210	C-CARBON R	RN72K1J-122JE	435031224R1	1
AF9636	R4211	C-CARBON R	RN72K1J-122JE	435031224R1	1
AF9636	R4212	C-CARBON R	RN72K1J-122JE	435031224R1	1
AF9636	R4215	C-CARBON R	RN72K1J-472JE	435034724R1	1
AF9636	R4216	C-CARBON R	RN72K1J-472JE	435034724R1	1
AF9636	R4217	C-CARBON R	RN72K1J-681JE	435036814R1	1
AF9636	R4218	C-CARBON R	RN72K1J-681JE	435036814R1	1
AF9636	R4219	C-CARBON R	RN72K1J-472JE	435034724R1	1
AF9636	R4220	C-CARBON R	RN72K1J-472JE	435034724R1	1
AF9636	R4221	C-CARBON R	RN72K1J-472JE	435034724R1	1
AF9636	R4222	C-CARBON R	RN72K1J-472JE	435034724R1	1
AF9636	R4223	C-CARBON R	RN72K1J-182JE	435031824R1	1
AF9636	R4224	C-CARBON R	RN72K1J-182JE	435031824R1	1
AF9636	R4225	C-CARBON R	RN72K1J-152JE	435031524R1	1
AF9636	R4226	C-CARBON R	RN72K1J-152JE	435031524R1	1
AF9636	R4227	C-CARBON R	RN72K1J-272JE	435032724R1	1

AF9636	R4228	C-CARBON R	RN72K1J-272JE	435032724R1	1
AF9636	R4229	C-CARBON R	RN72K1J-561JE	435035614R1	1
AF9636	R4230	C-CARBON R	RN72K1J-561JE	435035614R1	1
AF9636	R4233	C-CARBON R	RN72K1J-562JE	435035624R1	1
AF9636	R4234	C-CARBON R	RN72K1J-562JE	435035624R1	1
AF9636	R4235	C-CARBON R	RN72K1J-221JE	435032214R1	1
AF9636	R4236	C-CARBON R	RN72K1J-221JE	435032214R1	1
AF9636	R4237	C-CARBON R	RN72K1J-221JE	435032214R1	1
AF9636	R4238	C-CARBON R	RN72K1J-221JE	435032214R1	1
AF9636	R4239	C-CARBON R	RN72K1J-000JE	435030004R1	1
AF9636	R4240	C-CARBON R	RN72K1J-000JE	435030004R1	1
AF9636	R4245	C-CARBON R	RN72K1J-224JE	435032244R1	1
AF9636	R4246	C-CARBON R	RN72K1J-224JE	435032244R1	1
AF9636	R4247	C-CARBON R	RN72K1J-102JE	435031024R1	1
AF9636	R4248	C-CARBON R	RN72K1J-102JE	435031024R1	1
AF9636	R4249	C-CARBON R	RN72K1J-474JE	435034744R1	1
AF9636	R4251	METAL R	RNU1/2WCJ-8.2	453530824T	1
AF9636	R4252	METAL R	RNU1/2WCJ-8.2	453530824T	1
AF9636	R4253	C-CARBON R	RN72K1J-123JE	435031234R1	1
AF9636	R4254	C-CARBON R	RN72K1J-123JE	435031234R1	1
AF9636	R4255	C-CARBON R	RN72K1J-224JE	435032244R1	1
AF9636	R4256	C-CARBON R	RN72K1J-224JE	435032244R1	1
AF9636	R4257	C-CARBON R	RN72K1J-221JE	435032214R1	1
AF9636	R4258	C-CARBON R	RN72K1J-221JE	435032214R1	1
AF9636	R4259	C-CARBON R	RN72K1J-221JE	435032214R1	1
AF9636	R4260	C-CARBON R	RN72K1J-221JE	435032214R1	1
AF9636	R4265	C-CARBON R	RN72K1J-000JE	435030004R1	1
AF9636	R4266	C-CARBON R	RN72K1J-000JE	435030004R1	1
AF9636	R4268	C-CARBON R	RN72K1J-474JE	435034744R1	1
AF9636	R4271	C-CARBON R	RN72K1J-562JE	435035624R1	1
AF9636	R4272	C-CARBON R	RN72K1J-562JE	435035624R1	1
AF9636	R4281	C-CARBON R	RN72K1J-102JE	435031024R1	1
AF9636	R4282	C-CARBON R	RN72K1J-102JE	435031024R1	1
AF9636	R4283	C-CARBON R	RN72K1J-221JE	435032214R1	1
AF9636	R4284	C-CARBON R	RN72K1J-221JE	435032214R1	1

AF9636	R4285	C-CARBON R	RN72K1J-221JE	435032214R1	1
AF9636	R4286	C-CARBON R	RN72K1J-221JE	435032214R1	1
AF9636	R4287	C-CARBON R	RN72K1J-684JE	435036844R1	1
AF9636	R4288	C-CARBON R	RN72K1J-394JE	435033944R1	1
AF9636	R4301	C-CARBON R	RN72K1J-821JE	435038214R1	1
AF9636	R4302	C-CARBON R	RN72K1J-821JE	435038214R1	1
AF9636	R4303	C-CARBON R	RN72K1J-821JE	435038214R1	1
AF9636	R4304	C-CARBON R	RN72K1J-821JE	435038214R1	1
AF9636	R4305	C-CARBON R	RN72K1J-152JE	435031524R1	1
AF9636	R4306	C-CARBON R	RN72K1J-152JE	435031524R1	1
AF9636	R4307	C-CARBON R	RN72K1J-152JE	435031524R1	1
AF9636	R4308	C-CARBON R	RN72K1J-152JE	435031524R1	1
AF9636	R4309	C-CARBON R	RN72K1J-122JE	435031224R1	1
AF9636	R4310	C-CARBON R	RN72K1J-122JE	435031224R1	1
AF9636	R4311	C-CARBON R	RN72K1J-122JE	435031224R1	1
AF9636	R4312	C-CARBON R	RN72K1J-122JE	435031224R1	1
AF9636	R4315	C-CARBON R	RN72K1J-472JE	435034724R1	1
AF9636	R4316	C-CARBON R	RN72K1J-472JE	435034724R1	1
AF9636	R4317	C-CARBON R	RN72K1J-681JE	435036814R1	1
AF9636	R4318	C-CARBON R	RN72K1J-681JE	435036814R1	1
AF9636	R4319	C-CARBON R	RN72K1J-472JE	435034724R1	1
AF9636	R4320	C-CARBON R	RN72K1J-472JE	435034724R1	1
AF9636	R4321	C-CARBON R	RN72K1J-472JE	435034724R1	1
AF9636	R4322	C-CARBON R	RN72K1J-472JE	435034724R1	1
AF9636	R4323	C-CARBON R	RN72K1J-182JE	435031824R1	1
AF9636	R4324	C-CARBON R	RN72K1J-182JE	435031824R1	1
AF9636	R4325	C-CARBON R	RN72K1J-152JE	435031524R1	1
AF9636	R4326	C-CARBON R	RN72K1J-152JE	435031524R1	1
AF9636	R4327	C-CARBON R	RN72K1J-272JE	435032724R1	1
AF9636	R4328	C-CARBON R	RN72K1J-272JE	435032724R1	1
AF9636	R4329	C-CARBON R	RN72K1J-561JE	435035614R1	1
AF9636	R4330	C-CARBON R	RN72K1J-561JE	435035614R1	1
AF9636	R4333	C-CARBON R	RN72K1J-000JE	435030004R1	1
AF9636	R4334	C-CARBON R	RN72K1J-000JE	435030004R1	1
AF9636	R4335	C-CARBON R	RN72K1J-221JE	435032214R1	1

AF9636	R4336	C-CARBON R	RN72K1J-221JE	435032214R1		1
AF9636	R4337	C-CARBON R	RN72K1J-221JE	435032214R1		1
AF9636	R4338	C-CARBON R	RN72K1J-221JE	435032214R1		1
AF9636	R4339	C-CARBON R	RN72K1J-000JE	435030004R1		1
AF9636	R4340	C-CARBON R	RN72K1J-000JE	435030004R1		1
AF9636	R4341	C-CARBON R	RN72K1J-222JE	435032224R1		1
AF9636	R4342	C-CARBON R	RN72K1J-222JE	435032224R1		1
AF9636	R4343	C-CARBON R	RN72K1J-222JE	435032224R1		1
AF9636	R4344	C-CARBON R	RN72K1J-222JE	435032224R1		1
AF9636	R4345	C-CARBON R	RN72K1J-224JE	435032244R1		1
AF9636	R4346	C-CARBON R	RN72K1J-224JE	435032244R1		1
AF9636	R4347	C-CARBON R	RN72K1J-102JE	435031024R1		1
AF9636	R4348	C-CARBON R	RN72K1J-102JE	435031024R1		1
AF9636	R4349	C-CARBON R	RN72K1J-684JE	435036844R1		1
AF9636	R4350	C-CARBON R	RN72K1J-564JE	435035644R1		1
AF9636	R4351	METAL R	RNU1/2WCJ-8.2	453530824T		1
AF9636	R4352	METAL R	RNU1/2WCJ-8.2	453530824T		1
AF9636	R4353	C-CARBON R	RN72K1J-221JE	435032214R1		1
AF9636	R4354	C-CARBON R	RN72K1J-221JE	435032214R1		1
AF9636	R4355	C-CARBON R	RN72K1J-221JE	435032214R1		1
AF9636	R4356	C-CARBON R	RN72K1J-221JE	435032214R1		1
AF9636	R4603	C-CARBON R	RN72K1J-472JE	435034724R1		1
AF9636	R4605	C-CARBON R	RN72K1J-472JE	435034724R1		1
AF9636	R4810	C-CARBON R	RN72K1J-000JE	435030004R1		1
AF9636	R4811	C-CARBON R	RN72K1J-000JE	435030004R1		1
AF9636	R4822	C-CARBON R	RN72K1J-000JE	435030004R1		1
AF9636	R4901	C-CARBON R	RN72K1J-681JE	435036814R1		1
AF9636	R4902	C-CARBON R	RN72K1J-681JE	435036814R1		1
AF9636	R6001	C-CARBON R	RN72K1J-000JE	435030004R1	<MUP>	1
AF9636	R6002	C-CARBON R	RN72K1J-750JE	435037504R1	<MUP>	1
AF9636	R6003	C-CARBON R	RN72K1J-000JE	435030004R1	<MUP>	1
AF9636	R6004	C-CARBON R	RN72K1J-750JE	435037504R1	<MUP>	1
AF9636	R6005	C-CARBON R	RN72K1J-102JE	435031024R1	<MUP>	1
AF9636	R6006	C-CARBON R	RN72K1J-000JE	435030004R1	<MUP>	1

AF9636	R6007	C-CARBON R	RN72K1J-750JE	435037504R1	<MUP>	1
AF9636	R6008	C-CARBON R	RN72K1J-222JE	435032224R1	<MUP>	1
AF9636	R6009	C-CARBON R	RN72K1J-000JE	435030004R1	<MUP>	1
AF9636	R6010	C-CARBON R	RN72K1J-750JE	435037504R1	<MUP>	1
AF9636	R6011	C-CARBON R	RN72K1J-102JE	435031024R1	<MUP>	1
AF9636	R6012	C-CARBON R	RN72K1J-222JE	435032224R1	<MUP>	1
AF9636	R6013	C-CARBON R	RN72K1J-221JE	435032214R1	<MUP>	1
AF9636	R6014	C-CARBON R	RN72K1J-221JE	435032214R1	<MUP>	1
AF9636	R6016	C-CARBON R	RN72K1J-000JE	435030004R1	<MUP>	1
AF9636	R6017	C-CARBON R	RN72K1J-000JE	435030004R1	<MUP>	1
AF9636	R7507	C-CARBON R	RN72K1J-101JE	435031014R1	<MDD>	1
AF9636	R7508	C-CARBON R	RN72K1J-101JE	435031014R1	<MDD>	1
AF9636	R7511	C-CARBON R	RN72K1J-101JE	435031014R1	<MDD>	1
AF9636	R7512	C-CARBON R	RN72K1J-103JE	435031034R1	<MDD>	1
AF9636	R7513	C-CARBON R	RN72K1J-101JE	435031014R1	<MDD>	1
AF9636	R7527	C-CARBON R	RN72K1J-332JE	435033324R1	<MDD>	1
AF9636	R7528	C-CARBON R	RN72K1J-000JE	435030004R1		1
AF9636	R7529	C-CARBON R	RN72K1J-000JE	435030004R1		1
AF9636	R8001	C-CARBON R	RN72K1J-391JE	435033914R1		1
AF9636	R8002	C-CARBON R	RN72K1J-471JE	435034714R1		1
AF9636	R8003	C-CARBON R	RN72K1J-821JE	435038214R1		1
AF9636	R8004	C-CARBON R	RN72K1J-102JE	435031024R1		1
AF9636	R8005	C-CARBON R	RN72K1J-182JE	435031824R1		1
AF9636	R8006	C-CARBON R	RN72K1J-392JE	435033924R1		1
AF9636	R8007	C-CARBON R	RN72K1J-103JE	435031034R1		1
AF9636	R8010	C-CARBON R	RN72K1J-391JE	435033914R1		1
AF9636	R8011	C-CARBON R	RN72K1J-471JE	435034714R1		1
AF9636	R8012	C-CARBON R	RN72K1J-821JE	435038214R1		1
AF9636	R8013	C-CARBON R	RN72K1J-272JE	435032724R1		1
AF9636	R8014	C-CARBON R	RN72K1J-272JE	435032724R1		1
AF9636	R8017	C-CARBON R	RN72K1J-391JE	435033914R1		1
AF9636	R8018	C-CARBON R	RN72K1J-471JE	435034714R1		1
AF9636	R8019	C-CARBON R	RN72K1J-821JE	435038214R1		1
AF9636	R8020	C-CARBON R	RN72K1J-102JE	435031024R1		1
AF9636	R8021	C-CARBON R	RN72K1J-182JE	435031824R1		1

AF9636	R8022	C-CARBON R	RN72K1J-392JE	435033924R1	1
AF9636	R8023	C-CARBON R	RN72K1J-103JE	435031034R1	1
AF9636	R8024	C-CARBON R	RN72K1J-471JE	435034714R1	1
AF9636	R8025	C-CARBON R	RN72K1J-471JE	435034714R1	1
AF9636	R8026	C-CARBON R	RN72K1J-101JE	435031014R1	1
AF9636	R8027	C-CARBON R	RN72K1J-272JE	435032724R1	1
AF9636	R8028	C-CARBON R	RN72K1J-272JE	435032724R1	1
AF9636	R8029	C-CARBON R	RN72K1J-103JE	435031034R1	1
AF9636	R8032	C-CARBON R	RN72K1J-471JE	435034714R1	1
AF9636	R8033	C-CARBON R	RN72K1J-101JE	435031014R1	1
AF9636	R8034	C-CARBON R	RN72K1J-471JE	435034714R1	1
AF9636	R8035	C-CARBON R	RN72K1J-333JE	435033334R1	1
AF9636	R8036	C-CARBON R	RN72K1J-471JE	435034714R1	1
AF9636	R8037	C-CARBON R	RN72K1J-391JE	435033914R1	1
AF9636	R8038	C-CARBON R	RN72K1J-471JE	435034714R1	1
AF9636	R8039	C-CARBON R	RN72K1J-221JE	435032214R1	1
AF9636	R8041	C-CARBON R	RN72K1J-101JE	435031014R1	1
AF9636	R8042	C-CARBON R	RN72K1J-101JE	435031014R1	1
AF9636	R8051	C-CARBON R	RN72K1J-152JE	435031524R1	1
AF9636	R8052	C-CARBON R	RN72K1J-224JE	435032244R1	1
AF9636	R8053	METAL R	RNU1/2WCJ-6.8	453530684T	1
AF9636	R8054	METAL R	RNU1/2WCJ-6.8	453530684T	1
AF9636	R8055	C-CARBON R	RN72K1J-103JE	435031034R1	1
AF9636	R8056	METAL R	RNU1/2WCJ-6.8	453530684T	1
AF9636	R8057	METAL R	RNU1/2WCJ-6.8	453530684T	1
AF9636	R8501	C-CARBON R	RN72K1J-000JE	435030004R1	1
AF9636	S4001	SLIDE SW	NSS-22155	25065414	1
AF9636	S8001	PUSH SW	NPS-111-S681	25035718T	1
AF9636	S8002	PUSH SW	NPS-111-S681	25035718T	1
AF9636	S8003	PUSH SW	NPS-111-S681	25035718T	1
AF9636	S8004	PUSH SW	NPS-111-S681	25035718T	1
AF9636	S8005	PUSH SW	NPS-111-S681	25035718T	1
AF9636	S8006	PUSH SW	NPS-111-S681	25035718T	1
AF9636	S8007	PUSH SW	NPS-111-S681	25035718T	1
AF9636	S8008	PUSH SW	NPS-111-S681	25035718T	1

AF9636	S8009	PUSH SW	NPS-111-S681	25035718T		1
AF9636	S8010	PUSH SW	NPS-111-S681	25035718T		1
AF9636	S8011	PUSH SW	NPS-111-S681	25035718T		1
AF9636	S8012	PUSH SW	NPS-111-S681	25035718T		1
AF9636	S8013	PUSH SW	NPS-111-S681	25035718T		1
AF9636	S8014	PUSH SW	NPS-111-S681	25035718T		1
AF9636	S8015	PUSH SW	NPS-111-S681	25035718T		1
AF9636	U7560	REMO SENS	GP1UE271RKVF	24130016	N	1
AF9636	X8001	CERA LOCK	CSTLS5M00G56-A0	3010406T		1

ONKYO CORPORATION

Sales & Product Planning Div. : 2-1, Nisshin-cho, Neyagawa-shi, OSAKA 572-8540, JAPAN
Tel: 072-831-8023 Fax: 072-831-8163

ONKYO U.S.A. CORPORATION

18 Park Way, Upper Saddle River, N.J. 07458, U.S.A.
Tel: 201-785-2600 Fax: 201-785-2650 <http://www.us.onkyo.com/>

ONKYO EUROPE ELECTRONICS GmbH

Liegnitzerstrasse 6, 82194 Groebenzell, GERMANY
Tel: +49-8142-4401-0 Fax: +49-8142-4401-555 <http://www.eu.onkyo.com/>

ONKYO EUROPE UK Office

Suite 1, Gregories Court, Gregories Road, Beaconsfield, Buckinghamshire, HP9 1HQ
UNITED KINGDOM Tel: +44-(0)1494-681515 Fax: +44(0)-1494-680452

ONKYO CHINA LIMITED

Units 2102-2107, Metroplaza Tower I, 223 Hing Fong Road, Kwai Chung,
N.T., HONG KONG Tel: 852-2429-3118 Fax: 852-2428-9039
<http://www.ch.onkyo.com/>

