


# ONKYO® SERVICE MANUAL

## COMPACT DISC PLAYER MODEL DX-7500

### Black model

BUDN, BUD	120V AC, 60 Hz
BUG	220V AC, 50Hz
BW, BWX	120/220V AC, 50/60 Hz
BUQA, BUQB	240V AC, 50 Hz

### SAFETY-RELATED COMPONENT WARNING!!

COMPONENTS IDENTIFIED BY MARK  ON THE SCHEMATIC DIAGRAM AND IN THE PARTS LIST ARE CRITICAL FOR RISK OF FIRE AND ELECTRIC SHOCK. REPLACE THESE COMPONENTS WITH ONKYO PARTS WHOSE PART NUMBERS APPEAR AS SHOWN IN THIS MANUAL.

MAKE LEAKAGE-CURRENT OR RESISTANCE MEASUREMENTS TO DETERMINE THAT EXPOSED PARTS ARE ACCEPTABLY INSULATED FROM THE SUPPLY CIRCUIT BEFORE RETURNING THE APPLIANCE TO THE CUSTOMER.

### SPECIFICATIONS

Signal readout system:	Optical non-contact
Reading rotation:	About 500~200 r.p.m. (constant linear velocity)
Linear velocity:	1.2~1.4m/s
Error correction system:	Cross interleave readsolomon code
Decoded bits:	18 bits linear
Sampling frequency:	352.8kHz (eight-times oversampling)
Number of channels:	2 (stereo)
Frequency response:	5Hz~20kHz
Total harmonic distortion:	0.0015% (at 1kHz)
Dynamic range:	103dB
Signal to noise ratio:	110dB
Channel separation:	103dB (at 1kHz)
Wow and Flutter:	Below threshold of measurability
Power consumption:	23 watts
Output level:	2 volts r.m.s.
Dimensions (W×H×D):	435×131×365 mm 17-1/8"×5-1/8"×14-7/16"
Weight:	8.8kg, 19.4 lbs.

Specifications are subject to change without notice.



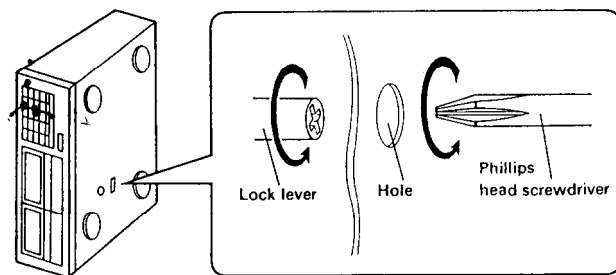
## TABLE OF CONTENTS

Specifications .....	1
Service procedures .....	2
Note on compact disc .....	3
Protection of eyes from laser beam during servicing ..	4
Laser warning label .....	4
Caution on replacement of pickup .....	6
Packing view .....	7
Chassis-exploded view .....	8
Parts list .....	9
Mechanism-exploded view .....	10
Parts list .....	11
Disassembling procedures .....	11
Lubrication .....	12
IC block diagram and descriptions .....	13
Adjustment procedures .....	22
Printed circuit board view from bottom side	
Main circuit .....	25
Other pc boards .....	29
Printed circuit board-parts list .....	27
Block diagram .....	31

## SERVICE PROCEDURES

### 1. How to Release the Transport Lock

To protect the optical assembly including the laser pickup from vibration related damage during shipping, this unit is equipped with a transport lock lever located on the base.



- Use a screwdriver to turn the lock lever (about 90°) in the round hole in the direction of arrow (  $\curvearrowright$  ).
- Before transporting the unit again, stand it with its left side facing down, and turn on the power. Wait 2-3 seconds and then turn the lock lever in the opposite direction of the arrow.

Fig. 1

### 2. Safety-check out

After correcting the original service problem, perform the following safety check before releasing the set to the customer:

Connect the insulating-resistance tester between the plug of power supply cable and chassis.

Specifications: more than 10Mohm at 500V.

### 3. Procedures for replacement of flat packaged ICs

#### 1. Tools to be used:

- (1) **Soldering iron** . . . . Grounded soldering iron or soldering iron with leak resistance of 10 Mohms or more.

Form of soldering iron's tip:

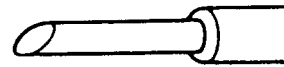


Fig. 2

- (2) **Magnifying glass** . . . for checking of finished works
- (3) **Tweezers** . . . . . for handling of IC and forming of leads
- (4) **Grounding ring** . . . . Countermeasure for electrostatic breakdown
- (5) **Nipper** . . . . . for removing defective IC
- (6) **Small brush** . . . . . for application of flux

#### 2. Work Procedures:

##### (1) Remove the defective IC

Cut all leads of the defective IC one by one using a nipper and remove the IC.

##### (2) Clean the pattern surface of the PC board.

Get rid of the remaining leads and solder.

##### (3) Check and form the leads of the new flat packaged IC to be installed.

From every lead on the new IC using a pair of tweezers, so that all of them are aligned neatly without being risen, twisted or inclined toward one side. Especially the rising portion of every lead must be formed with greatest care.

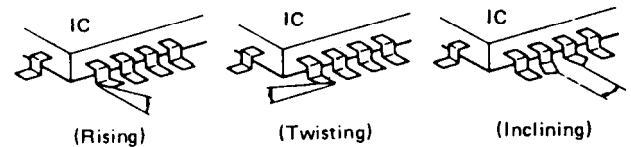


Fig. 3

##### (4) Apply flux to the PC board.

Apply flux to the pattern surface of the PC board which has been cleaned, as shown in the illustration. The area to be applied with flux is the portion of about 2.5mm in width where the IC's leads are to be soldered.

Be careful to apply minimum amount of flux required so as not to smear it on unwanted areas.

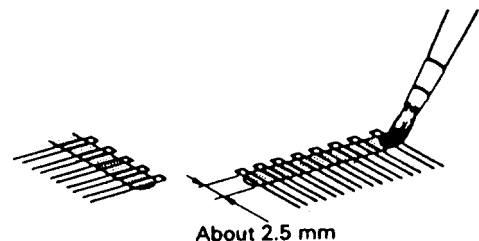


Fig. 4

**(5) Temporarily tighten the IC**

Carefully align the pattern and IC's leads, so that the IC will be temporarily tightened to the pattern on the four leads at the corners. At this time, soldering is required, but no need to apply soldering material.

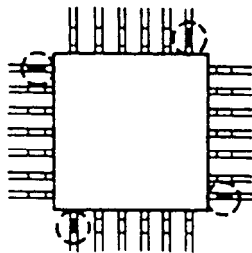


Fig. 5

**(6) Apply flux to IC's leads**

Apply flux to the areas of IC's leads where soldering is to be performed. Be careful not to smear flux on the root portion of any lead or the body of IC.

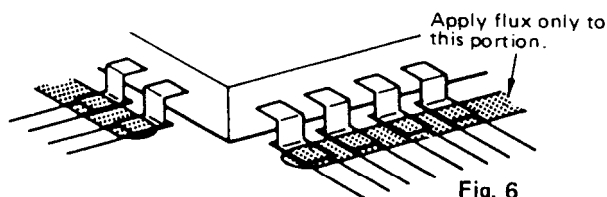


Fig. 6

**(7) Soldering**

While attaching the tip of the soldering iron to the soldering point as shown in the illustration, feed 2–5mm of soldering wire. Then, slowly move the iron in the direction indicated by the arrow in the illustration, so that the leads will be soldered to the pattern. Move the iron in the rate of approximately 1cm in 5sec. Proceed with your work while confirming a clean fillet of solder is formed on each lead, subsequent to the melting of flux.

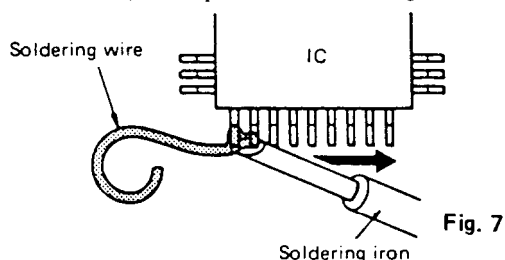


Fig. 7

**CAUTION**

- 1) If you move the iron too quickly, loose soldering is likely to result.
  - 2) Be especially careful when soldering the first lead where loose soldering is most liable to be formed.
- (8) Check the results**

When soldering of all leads is finished, check the soldered portion on every lead with a magnifying glass. A tester must not be used or checking of any soldered position

**NOTE ON COMPACT DISC****• Holding Compact Discs**

Hold Compact Discs by the edges so that you do not touch

the surface of disc. Remember that the side of the disc with the "rainbow" reflection is the side containing the audio information.

Do not attach tape or paper to the label side of the disc and always be careful not to leave fingerprints on the side that is played.

**• Storing Compact Discs**

Store Compact Discs in a location protected from direct sunlight, high heat and humidity and extremely high and low temperatures. Discs should never be left in the trunk or interior of an automobile in the sun since the temperature can become very high in such a closed environment.

Always store Compact Discs in the holders in which they were sold. Never leave a disc in the player's disc holder for a long period of time.

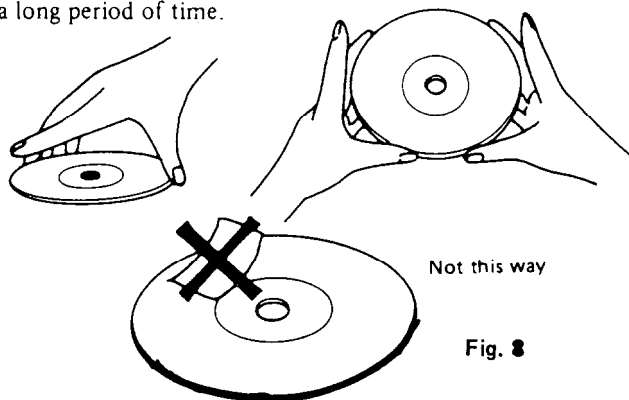


Fig. 8

**• Cleaning Compact Discs**

Before playing a disc wipe off the playing surface with a soft cloth to remove dust and other soil. Wipe the surface in straight lines from the center of the disc outward, not in a circular motion as you would with a phonograph record.

Do not use benzene, chemical cleansers or phonograph record cleaning solutions to clean Compact Discs. Also avoid static electricity prevention solutions since they can damage the surface of Compact Discs.

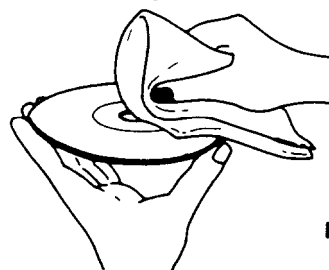


Fig. 9

**Problems Caused by Dew**

Dew can form inside a Compact player when it is brought from a cold environment into a warm room, when a room is rapidly heated and if a player is left in a humid environment.

This dew can prevent the laser pickup from reading the data contained in the pits in the disc surface. If the player does not operate properly because of dew, remove the disc and leave the player's power switch on for about one hour to remove all moisture.

## PROTECTION OF EYES FROM LASER BEAM DURING SERVICING

This set employs a laser. Therefore, be sure to follow carefully the instructions below when servicing.

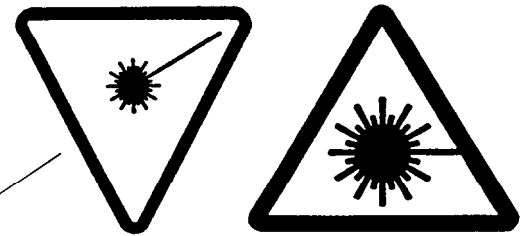
### WARNING!!

WHEN SERVICING, DO NOT APPROACH THE LASER EXIT WITH THE EYE TOO CLOSELY. IN CASE IT IS NECESSARY TO CONFIRM LASER BEAM EMISSION, BE SURE TO OBSERVE FROM A DISTANCE OF MORE THAN 30cm FROM THE SURFACE OF THE OBJECTIVE LENS ON THE OPTICAL PICK-UP BLOCK.

## LASER WARNING LABEL

The label shown below are affixed.

### 1. Warning label



**DANGER** —INVISIBLE LASER RADIATION WHEN OPEN AND INTERLOCK FAILED OR DEFEATED. AVOID DIRECT EXPOSURE TO BEAM.

**CAUTION** —HAZARDOUS LASER AND ELECTROMAGNETIC RADIATION WHEN OPEN AND INTERLOCK DEFEATED.

**ATTENTION** —RAYONNEMENT LASER ET ELECTROMAGNETIQUE DANGEREUX SI OUVERT AVEC L'ECLenchement DE SECURITE ANNULE. SN29360911

ADVARSEL: USYNLIG LASERSTRÅLING VED ÅBNING, NÅR SIKKERHEDSAF-BRYDER ER UDE AF FUNKTION. UNDGÅ UDSÆTTELSE FOR STRÅLING.

Photo 1

## 2. Certification label (UD: 120V model)

This label is located on the back panel.

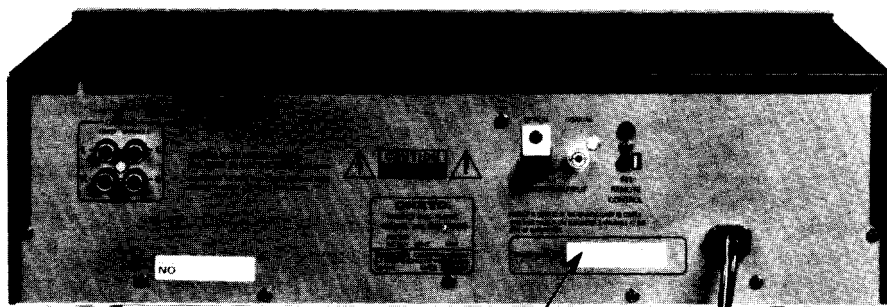


Photo 2

## 3. Class 1 label (Other models)

This label is located on the back panel.

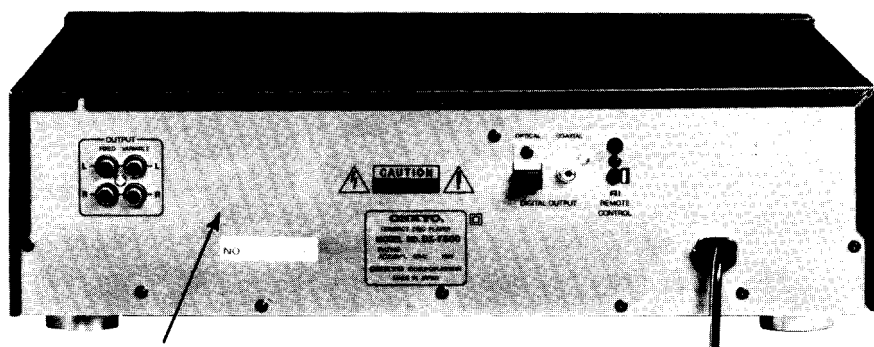


Photo 3

## ADVARSEL

"CLASS 1 LASER  
PRODUCT"

Denne mærkning er anbragt på apparatets højre side og indikerer, at apparatet arbejder med laserstråler af klasse 1, hvilket betyder, at der anvendes laserstråler af svageste klasse, og at man ikke på apparatets yderside kan blive udsat for utilsladelig kraftig stråling.

APPARATET BØR KUN ÅBNES AF FAGFOLK MED SÆRLIGT KENDSKAB TIL APPARATER MED LASERSTRÅLER!

Indvendigt i apparatet er anbragt den her gengivne advarselmærkning, som advarer imod at foretage sådanne indgreb i apparatet, at man kan komme til at udsætte sig for laserstråling.

ADVARSEL USYNLIG LASERSTRÅLING  
VED ÅBNING, NÅR SIKKERHEDSAF  
BRYDER ER UDE AF FUNKTION  
UNDGÅ UDSÆTTELSE FOR STRÅLING

VAROITUS! Laitte sisältää laserdiodin, joka lähettää (näkymätöntä) silmille vaarallista lasersäteilyä.

Fig. 10

## CAUTION ON REPLACEMENT OF PICKUP

The laser diode in the optical pick-up block is so sensitive to static electricity, surge current and etc. that the components are liable to be broken down or its reliability remarkably deteriorated.

During repair, carefully take the following precautions. (The following precautions are included in the service parts).

### PRECAUTIONS

#### 1. Ground for the work-desk.

Place a conductive sheet such as a sheet of copper (with impedance lower than  $10^6 \Omega$ ) on the work-desk and place the set on the conductive sheet so that the chassis.

#### 2. Grounding for the test equipment and tools.

Test equipments and toolings should be grounded in order that their ground level is the same the ground of the power source.

#### 3. Grounding for the human body.

Be sure to put on a wrist-strap for grounding whose other end is grounded.

Be particularly careful when the workers wear synthetic fiber clothes, or air is dry.

#### 4. Select a soldering iron that permits no leakage and have the tip of the iron well-grounded.

#### 5. Do not check the laser diode terminals with the probe of a circuit tester or oscilloscope.

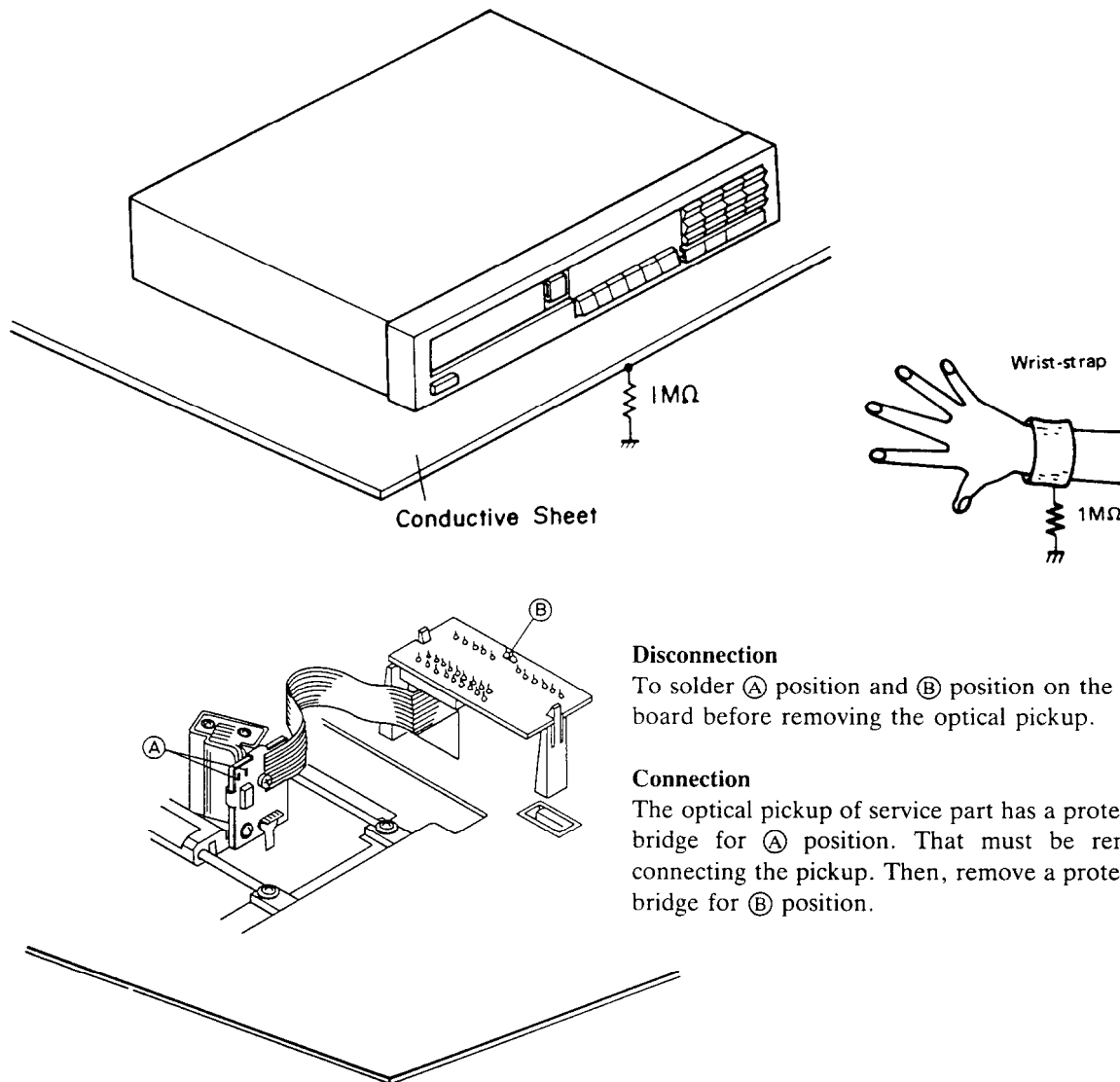


Fig. 11

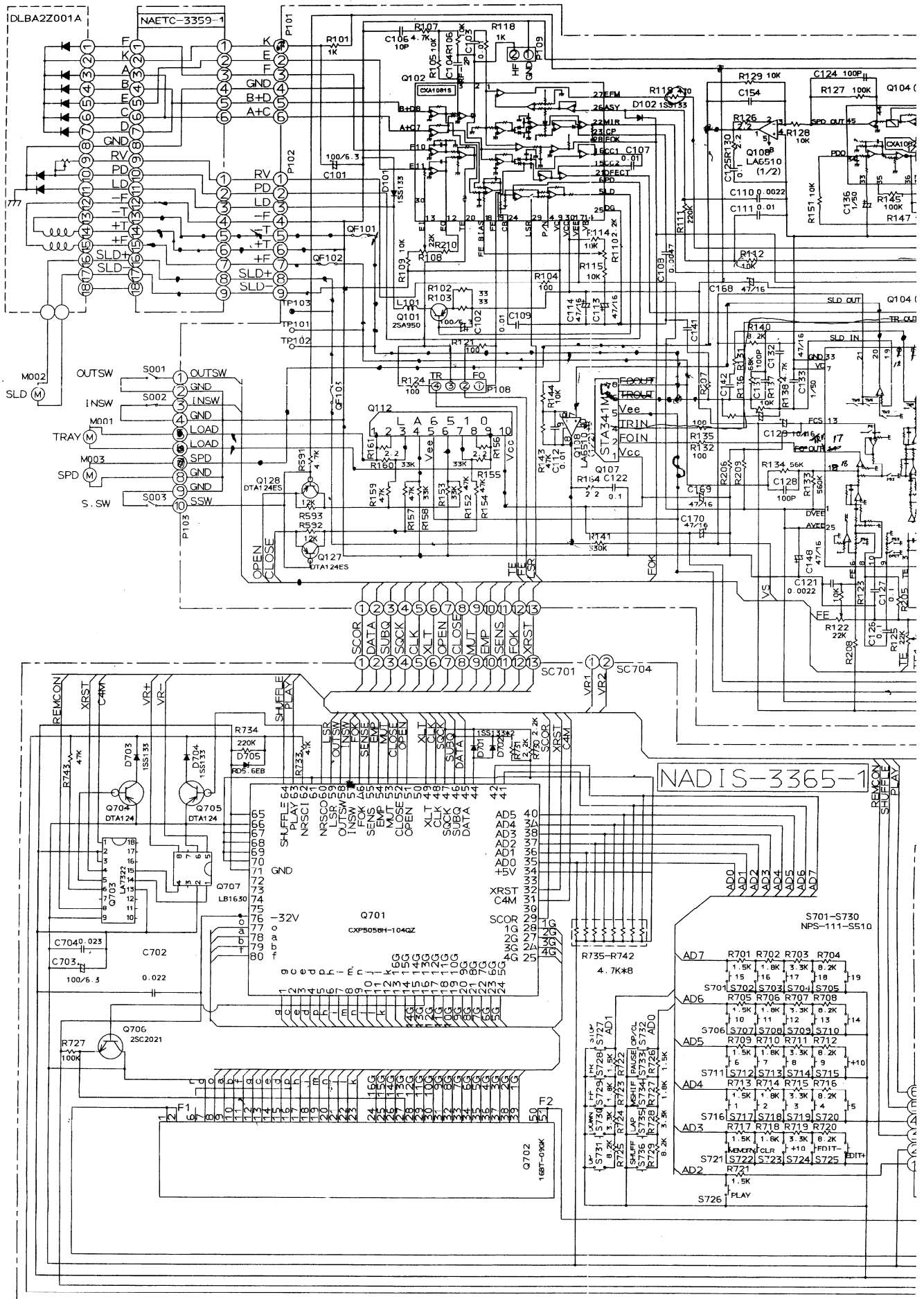
#### Disconnection

To solder (A) position and (B) position on the terminal PC board before removing the optical pickup.

#### Connection

The optical pickup of service part has a protective solder bridge for (A) position. That must be removed after connecting the pickup. Then, remove a protective solder bridge for (B) position.

SCHEMATIC DIAGRAM



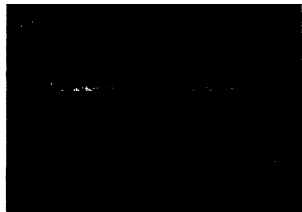
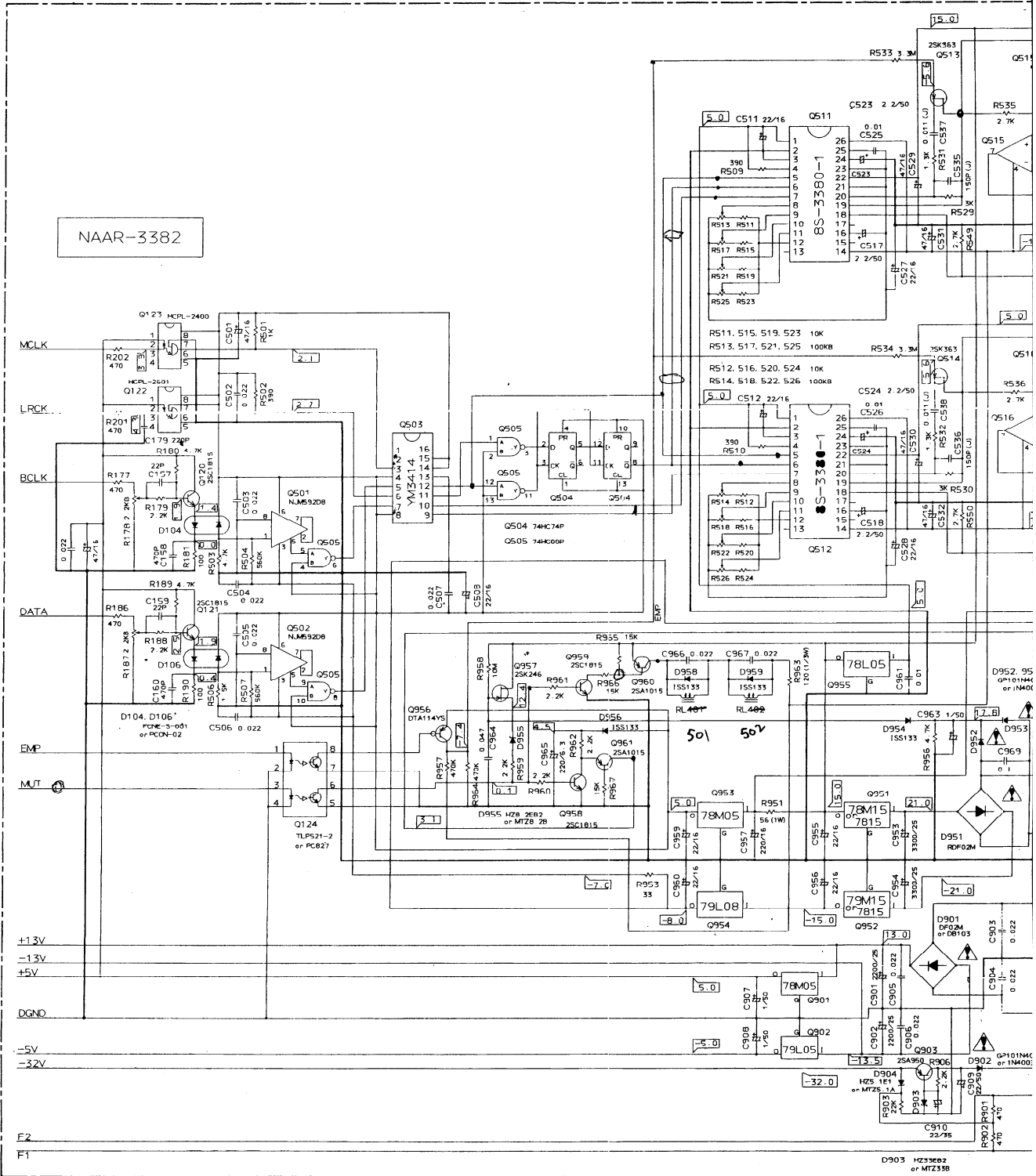
A  
B  
C  
D  
E  
F

1 2 3 4





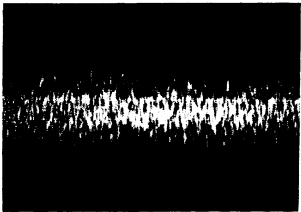
# SCHEMATIC DIAGRAM



TP RF (RF signal)  
 Vertical : 1V/div.  
 Horizontal : 1 ms/div.  
 DC, Ground: Center

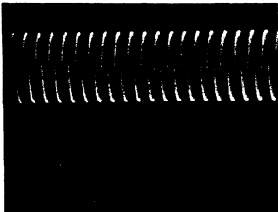
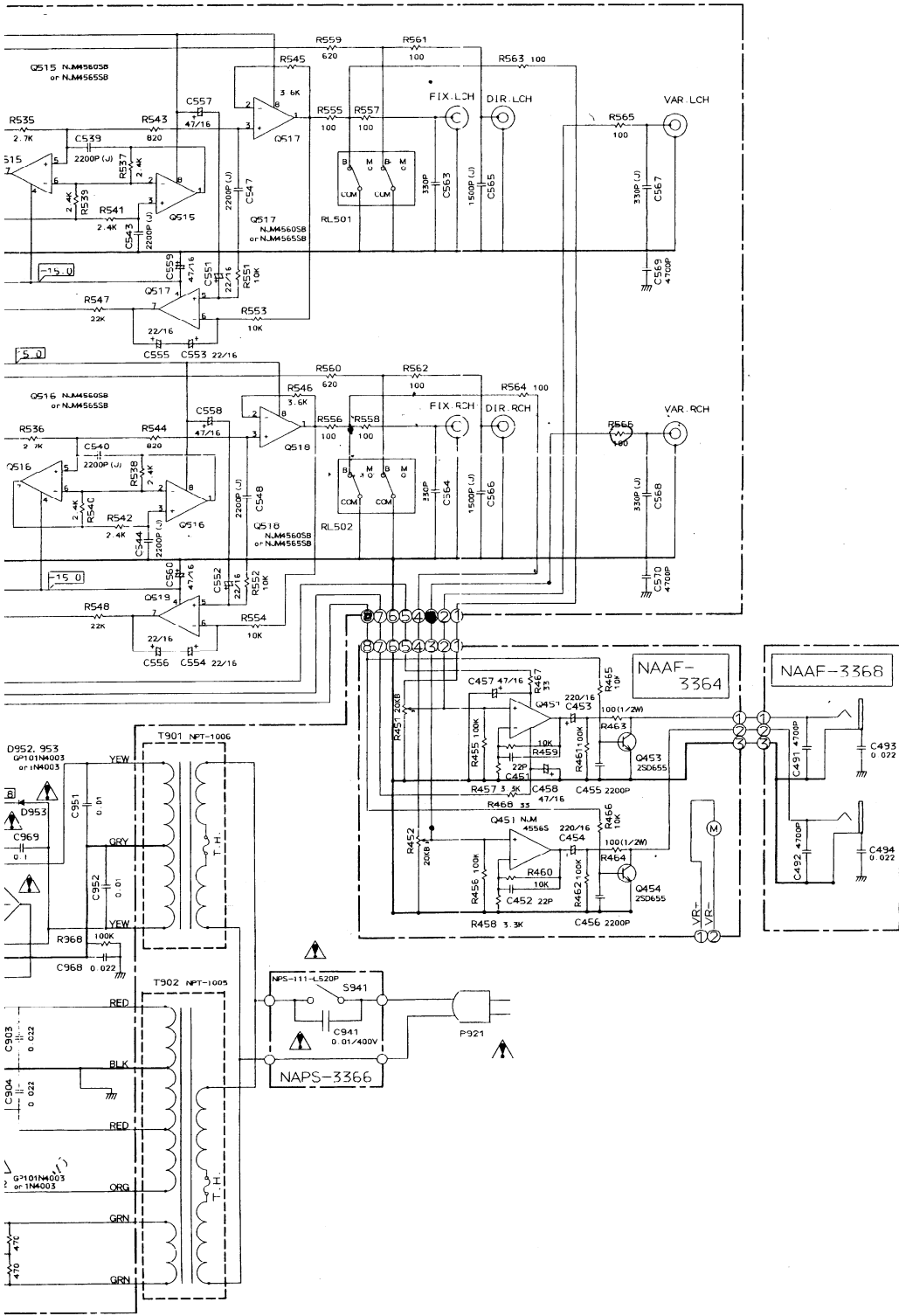


TP FO (Focus out)  
 Vertical : 0.5V/div.  
 Horizontal : 0.5 ms/div.  
 DC, Ground: Center

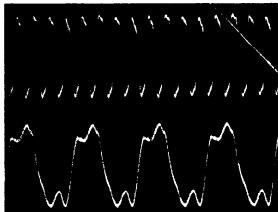


TP TO (Tracking out)  
 Vertical : 0.2V/div.  
 Horizontal : 0.5 ms/div.  
 DC, Ground: Center

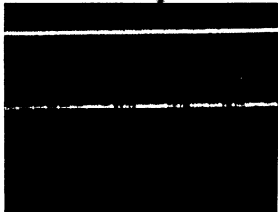
A  
B  
C  
D  
E  
F



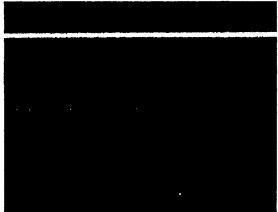
P110 PLCK  
 Vertical : 0.5V/div.  
 Horizontal : 0.2 μs/div.  
 DC, Ground: Center



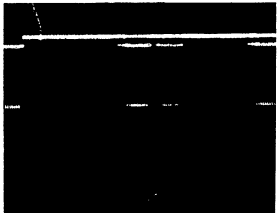
Vertical : 2V/div.  
 Horizontal : 0.1 μs/div.  
 X'tal (Q118 Pin 4)/C4M (R164)  
 AC



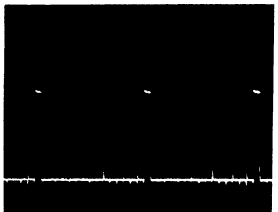
DATA (Microprocessor)  
 Vertical : 2V/div.  
 Horizontal : 0.5 ms/div.  
 DC, Ground: Center



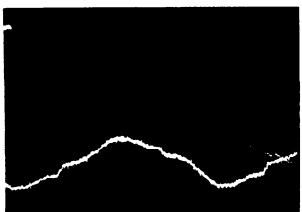
XLT  
 Vertical : 2V/div.  
 Horizontal : 0.5 ms/div.



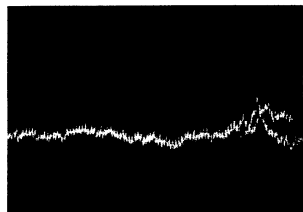
CLK  
 Vertical : 2V/div.  
 Horizontal : 50 μs/div.  
 DC, Ground: Center



Grid  
 Vertical : 10V/div.  
 Horizontal : 1 ms/div.  
 DC, Ground: Center

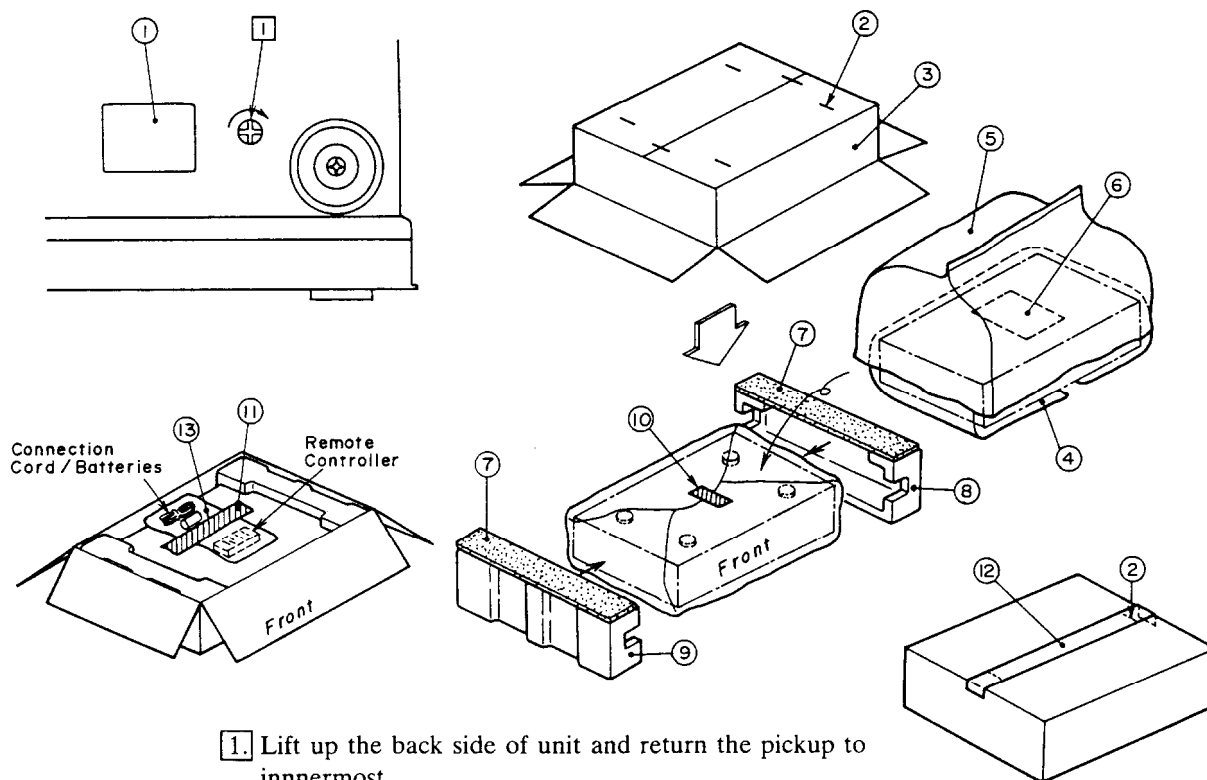


TP SLD (Slide out)  
 Vertical : 2V/div.  
 Horizontal : 20 ms/div.  
 Top : Real  
 Bottom : Storage



TP SPD (Spindle out)  
 Vertical : 1V/div.  
 Horizontal : 5 ms/div.  
 DC, Ground: Center

# PACKING VIEW



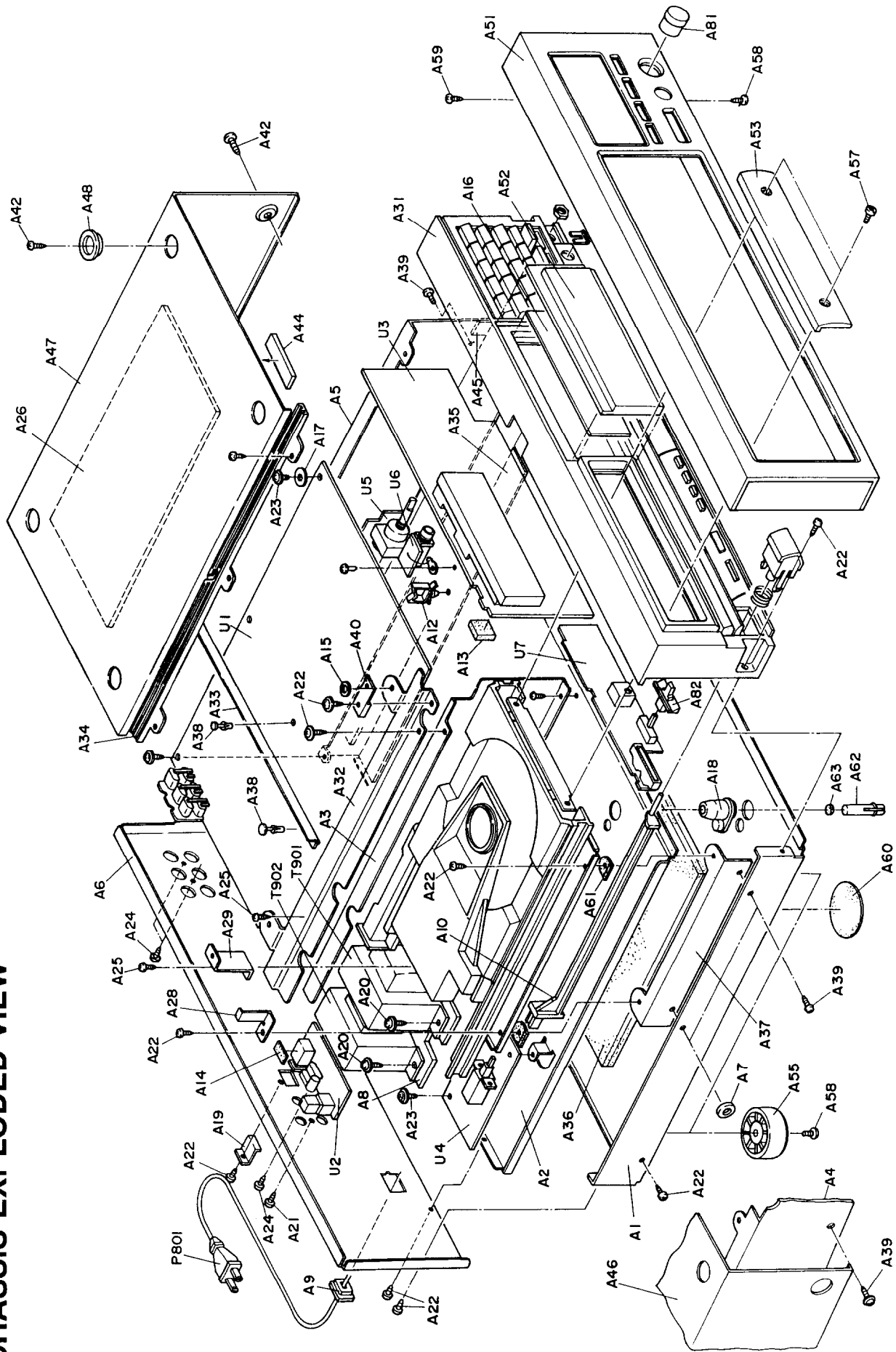
1. Lift up the back side of unit and return the pickup to innermost.

Use a screwdriver to turn the lock lever (about 90°) in the round hole in the direction of arrow. (Clockwise)

REF. NO.	PART NO.	DESCRIPTION
1	29361123	Label
2	282301	Sealing hook
3	29051759	Master carton box
	29051762A	Master carton box (PX)
4	29095012-1	500×800mm, Protection sheet
5	29100105	550×680mm, Poly-vinyl bag
6	29355153	Caution label
7	29095572	Sheet
8	29091264A	Pad L
9	29091265A	Pad R
10	261504	Adhesive tape
11	29110071	Damplon tape
12	260012	Damplon tape
13		Accessary bag ass'y
	29341301	Instruction manual (D/PX)
	29341348	Instruction manual (G/U)
	29341304	Instruction manual, Italian (G/U)
	2010166	Connection cord
	24140028	RC-122C, Remote controller
	3010054	UM-3, Two batteries
	2010169	Cord RI
	29365019	Warranty card (N)
	29365021	Warranty card (PX)
	29358002F	Service station list (N/PX)
	25055040	CV-K-2, Conversion plug (U)
	25055251	CV-CP, Conversion plug (PX)
	29100097	Poly-vinyl bag
	29091309	Pad, tray panel
	29095572	Sheet, tray panel

NOTE: (D): Only 120V model  
 (G): Only 220V/240V models  
 (U): Only worldwide model  
 (PX): Only PX model  
 (N): Only U.S.A. model

CHASSIS-EXPLODED VIEW



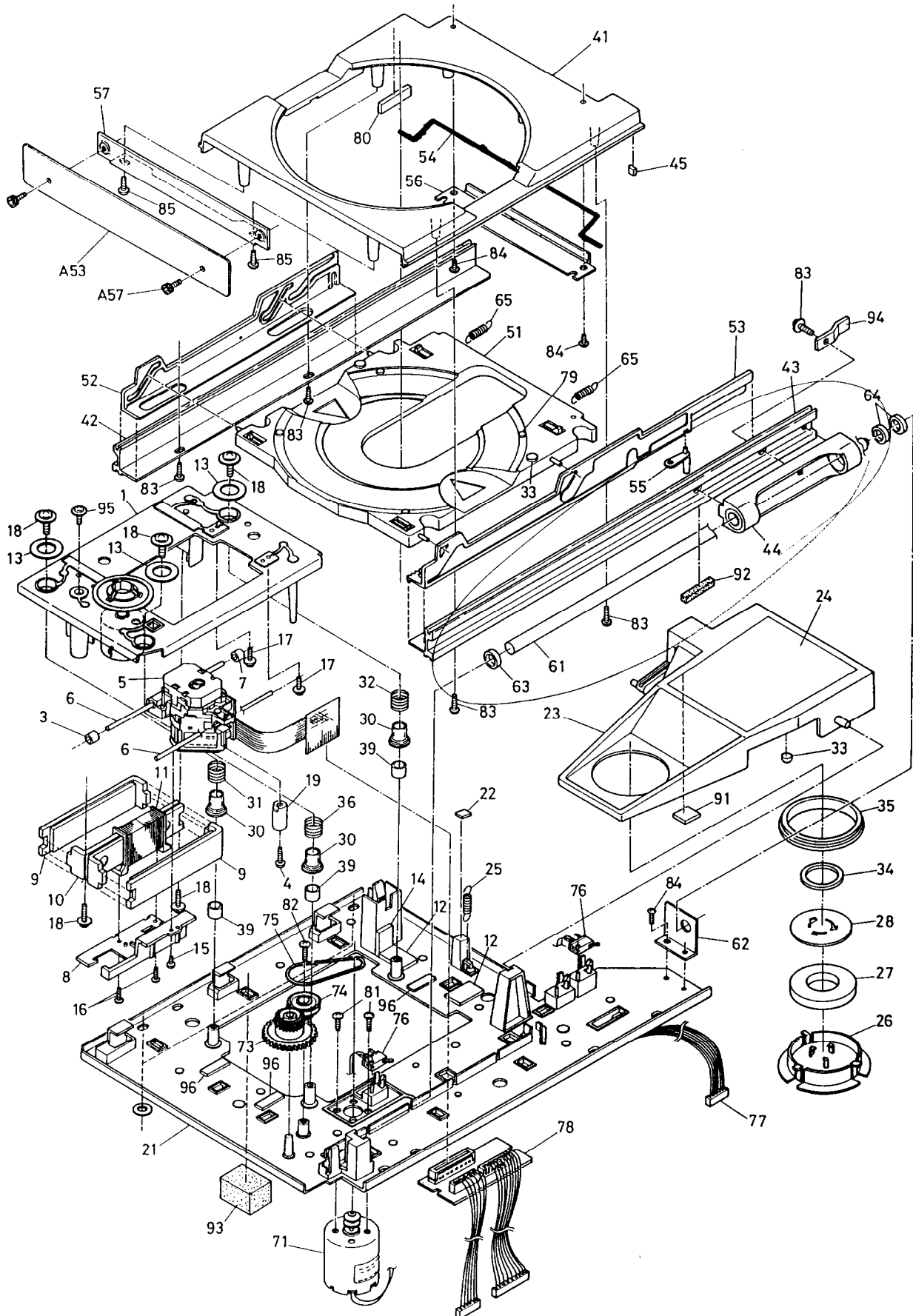
## PARTS LIST

REF. NO.	PART NO.	DESCRIPTION	REF. NO.	PART NO.	DESCRIPTION
A1	27100170A	Chassis	A61	27301187	Cushion L
A2	27100169	Chassis U	A62	27301184	Lock pin
A3	27130542	Bracket C	A63	28140918	Cushion
A4	27130544A	Bracket L	A81	28323433	Knob
A5	27130545	Bracket R	A82	28323152	Knob MODE
A6	27121167	Back panel (D)	P801	2531112A	AS-UC-4#18, Power supply cord (D/PX)
A7	27121168	Back panel (G)		253148 or	AS-CEE 250V, 2.5A, Power supply cord (G/W)
A8	27121169	Back panel (W/PX)		253150	
A9	27121206	Back panel (QA/QB)		253118	AS-SAA, Power supply cord (QA)
A10	27175011C	Leg (Cushion)		253104	Power supply cord (QB)
A11	27270214 A	Spacer	S902	25065195	NSS-1288P, Voltage selector switch (W)
A12	27300750	Strainrelief	T901	2300346	NPT-1005D, Power transformer (D)
A13	27273101	Joint, power		2300347	NPT-1005G, Power transformer (G)
A14	27300833	WS-2NS, Clamper		2300349	NPT-1005AG, Power transformer (W/PX)
A15	27270212	Spacer		2300348	NPT-1005Q, Power transformer (QA/QB)
A16	28133202	Back plate		2300350	NPT-1006D, Power transformer (D)
A17	870060	W3×15, Flat washer	T902	2300351	NPT-1006G, Power transformer (G)
A18	27267558-1	Guide		2300353	NPT-1006AG, Power transformer (W/PX)
A19	27141281	Bracket		2300352	NPT-1006Q, Power transformer (QA/QB)
A20	830440109	4TTC+10C(BC), Tapping screw		1H053582-1	NAAR-3382-1, Main circuit pc board ass'y (D)
A21	834430108	3TTS+10B(BC), Tapping screw		1H053582-1A	NAAR-3382-1A, Main circuit pc board ass'y (G/W/QA/QB/PX)
A22	834430088	3TTS+8B(BC), Tapping screw		1H053383-1	NADG-3383-1, Opto./digital output pc board ass'y
A23	831130088	3TTW+8B, Tapping screw		1H048565-1	NADIS-3365-1, Display circuit pc board ass'y
A24	834230108	3TTS+10B(Ni), Nickel screw		1H048566-1	NAPS-3366-1, Power switch pc board ass'y
A25	834430068	3TTS+6B(BC), Tapping screw		1H048567-1	NAAF-3367-1, Headphone amplifier pc board ass'y
A26	28140904	Cushion		1H048568-1	NAAF-3368-1, Headphone terminal pc board ass'y
A27	27141310	Bracket, rail		1H048569-1	NASW-3369-1, Switch pc board ass'y
A28	27141316	Bracket	U1	260208	Binder
A29	27110433	Front bracket ass'y			
A30	27130546A	Bracket CR			
A31	27130547A	Bracket PC			
A32	27273090A	Joint, cover			
A33	28140874B	Cushion			
A34	28140875A	Cushion			
A35	27130543B	Bracket L			
A36	880009	Rivert			
A37	838430088	3TTB+8B(BC), Tapping screw			
A38	27141312	Bracket			
A39	838440089	4TTB+8C(BC), Tapping screw			
A40	28140408	t3×10×36, Cushion			
A41	28140653	Cushion			
A42	28184404A	Top cover L			
A43	28184405A	Top cover R			
A44	27265155A	Decoration ring			
A45	1H053121	Front panel ass'y			
A46	28191477	Clear plate			
A47	27210987	Panel, door (Tray panel)			
A48	27175153	Leg			
A49	84643008	3HSB×8FN(BC), Special bolt			
A50	834430088	3TTS+8B(BC), Tapping screw			
A51	833430080	3TTP+8P(BC), Tapping screw			
A52	27270255	Spacer			

NOTE: (D): Only 120V model  
(G): Only 220V model  
(W): Only Worldwide model  
(PX): Only PX model  
(QA): Only Australian model  
(QB): Only British model

NOTE: THE COMPONENTS IDENTIFIED BY MARK **A** ARE CRITICAL FOR RISK OF FIRE AND ELECTRIC SHOCK. REPLACE ONLY WITH PART NUMBER SPECIFIED.

# MECHANISM-EXPLODED VIEW



## PARTS LIST

REF. NO.	PART NO.	DESCRIPTION	REF. NO.	PART NO.	DESCRIPTION
1	1H048901	Spindle motor ass'y	42	27301135	Rail L
3	27270264	Spacer	43	27301136	Rail R
4	82542010	2B+10F(BC), Binding screw	44	27301126	Guide bearing
5	24110003	<u>DLBA2Z2001A</u> , Optical pickup	45	28140892	Cushion T
6	27260286	Shaft	51	27301137B	Disc plate
7	27270264-1	Spacer	52	27301138	Cam plate L
8	27301129B	Plate	53	27301139A	Cam plate R
9	28181020	Magnet ass'y	54	27260280A	Shaft
10	27301152	York ass'y	55	27301140A	Stopper
11	24502236A	Coil	56	27301141A	Plate
12	28140912	Cushion A	57	27141275	Bracket
14	28140914	Cushion C	61	27260281A	Shaft
15	82542006	2B+6F(BC), Binding screw	62	27141274	Bracket
16	833420068	2TTP+6B(BC), Tapping screw	63	27270265A	Spacer
17	831430100	3TTW+10P(BC), Tapping screw	64	27270276	Spacer
18	801414	Special screw	65	27180418	Spring
19	27301179	Weight PU	71	<u>1H048902</u>	Disc motor ass'y
21	27100166C	Chassis L	73	27301142	Pulley gear
22	28140891	Cushion A	74	27301143A	Flat wheel
23	27301131B	Arm	75	27301162	Rubber belt
24	29360911	Label LASER 3	76	<u>25065322</u>	<u>NMS-1214, Microswitch</u>
25	27180402	Spring	77	2000888	Socket ass'y
27	28181019A	Magnet CH	78	1H048559	NAETC-3359-1, Terminal pc board ass'y
28	27301133	York CH	79	27301180	Cushion
30	27301134	Cushion rubber	81	82143004	3P+4FN(BC), Pan head screw
33	28140860	Cushion	82	831126060	2.6TTW+6P, Tapping screw
34	27270277	Spacer	83	838430088	3TTB+8B(BC), Tapping screw
35	27301172	Cushion rubber	84	834430068	3TTS+6B(BC), Tapping screw
37	27301182	Cushion L	85	834430088	3TTS+8B(BC), Tapping screw
39	28140917	Tube	91	28140908	Cushion K
41	27301124	Disc tray	92	28140909	Cushion L
			93	28140910	Cushion E
			94	27141317	Bracket, switch
			95	834440168	4TTS+16B(BC), Tapping screw
			96	28140911	Cushion P

## DISASSEMBLING PROCEDURES

### Top cover

Remove a screw holding the back panel and top cover.  
Remove the four screws holding the top cover and chassis.

### Main circuit PC board

Remove the top cover.  
Remove the eight screws holding the back panel and chassis.  
Remove a screw holding the bracket C and opto./digital output PC board.  
Remove four screws holding the main PC board and chassis.

### Tray panel

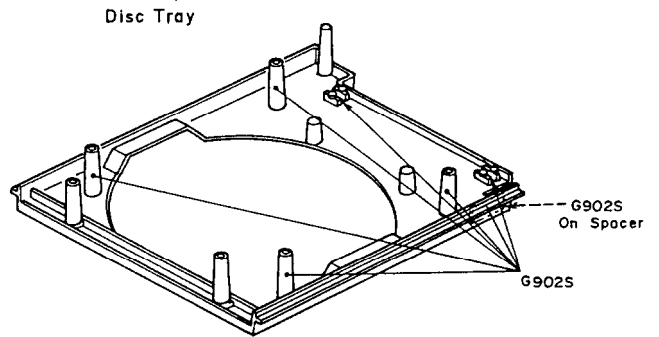
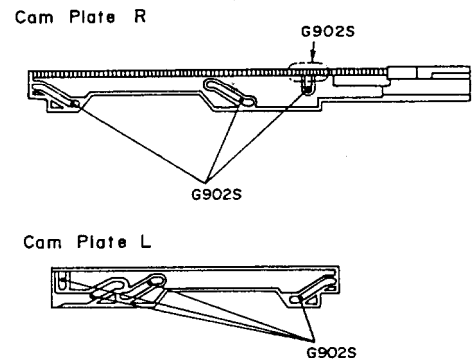
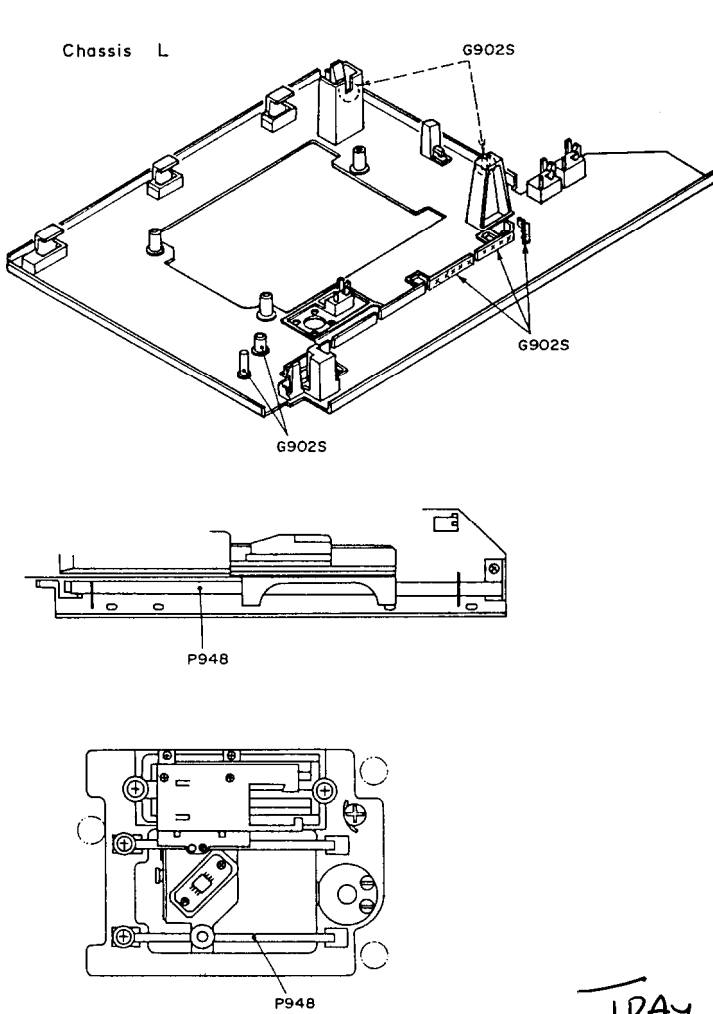
Use a hexagon wrench (2.5mm), remove the two hexagon bolt holding the tray panel and mechanical chassis.

### Mechanism ass'y

Remove the tray panel.  
Remove the four screws holding the mechanism and chassis.

**Caution:** When disconnect the sockets P101 and P102 on the main circuit PC board, solder the B point on the terminal PC board or the A point on the pickup. (Refer page 6) After remove the flexible PC board of pickup from terminal PC board, remove the terminal PC board.

# LUBRICATION



## TRAY CLAMPING PROBLEM

CHUCKING ARM ASSY DOESNT ALWAYS CHUCK FULLY

CHECK TRAY MOTOR, WHEN TRAY MOTOR IS NOT OPERATING MOTOR PINS SHOULD BE EQUAL. SMALL DC OFFSET.

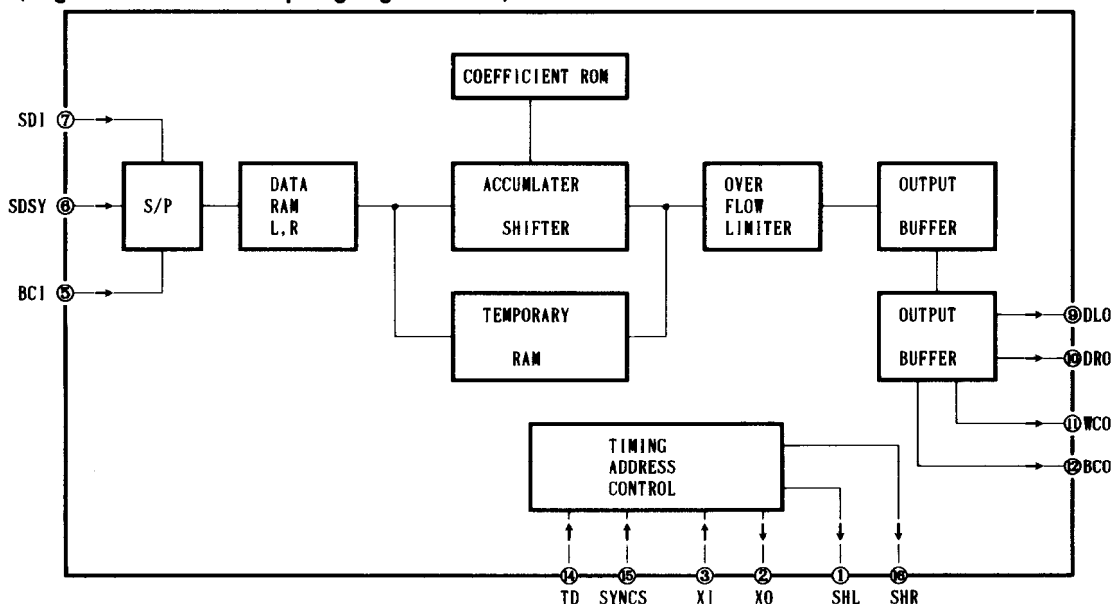
IF VOLTAGE AT MOTOR IS UNEQUAL eg  $\frac{2.6}{.2}$  MOTOR  $\frac{+}{-}$   
 CHECK Q127 AND Q128 IF DEFECTIVE OR MISSING  
 REPLACE WITH CORRECT TRANSISTOR.

1-11-95



**8S-3380-1 (DAC unit)**

1. VL: Digital section positive power supply
2. DGND: Digital ground
3. PHK: Photo coupler cathode terminal
4. PHA: Photo coupler anode terminal
5. BCLK: Bit clock input terminal
6. WCLK: Word clock input
7. DATA: Data input
8. B4: Bit 4 adjustment terminal
9. B3: Bit 3 adjustment terminal
10. B2: Bit 2 adjustment terminal
11. B1: MSB adjustment terminal
12. VPOT: Voltage output for bit adjustment
13. VCA: Analog section positive power supply
14. -VCA: Analog section negative power supply
15. SRFL: Servo filter
16. BEFL: Reference voltage filter
17. BPFL: Offset filter
18. SRVI: Super servo input
19. VOUT: DA converter voltage output
20. IOUT: DA converter current output
21. AGND: Analog section ground
22. VCA: Analog section positive power supply
23. V-12: Opto. drive servo amp. output
24. VRO: Opto. drive negative voltage output
25. VR-: Opto. drive servo amp. inversion input
26. -VCA: Analog section negative voltage

**YM3414 (Eight times over sampling digital filter)**

PIN NO.	TERMINAL	I/O	DESCRIPTION
1	SHL	O	When one DAC(TD=L):Deglitching signal of left channel (when four times) When two DAC(TD=H):Deglitching signal of left and right channels(when eight times)
2	XO	O	Connect the x'tal oscillator between XI and XO. The clock frequency is $384 \times F_s$ .
3	XI	I	
4	VDD2		+5V:Power supply terminal for x'tal oscillator and deglitching signal.
5	BCI	I	Bit clock input terminal. Clock shown L/Rch division of input data and input timing. 16 bits serial data input terminal.
6	SDSY	I	
7	SDI	I	
8	VDDI		+5V:Power supply terminal for digital signal.
9	DLO	O	When one DAC(TD=L):Output terminal for L/R channel data (When four times) When two DAC(TD=H):Output terminal for L channel data (when eight times)
10	DRO	O	R channel data output terminal. Word clock of output data DLO/DRO. Bit clock of output data.
11	WCO	O	
12	BCO	O	
13	VSS		Ground terminal
14	TD	I	1DAC/2DAC selector terminal: 1DAC at low. 2DAC at high.
15	SYNCS	I	Asynchronous input jitter absorption synchronous signal. Synchronous input at high level. SDSY inhibiting at low level.
16	SHR	O	R channel deglitching signal when one DAC.

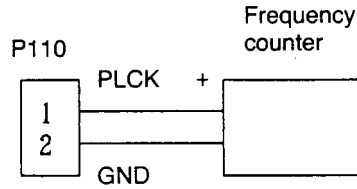
# ADJUSTMENT PROCEDURES

## Instruments required

Dual trace oscilloscope, Frequency counter, AF oscillator, Test disc (SONY YEDS-18), AC voltmeter, Jitter meter, and Socket P4(Part no. 25050138)

### 1. VCO frequency adjustment

Connect the frequency counter to terminal P110.  
 Turn the power switch to ON.(No load the disc.)  
 Adjust R147 until the frequency counter reading becomes  $4322 \pm 5\text{kHz}$ .  
 After adjustment, disconnect the frequency counter.



### 2. Focus offset adjustment

Load the test disc YEDS-18 on the tray and play the track 2.  
 Connect the oscilloscope or jitter meter to terminal P109.  
 (Oscilloscope)  
 Adjust R110 until a clear trace of waveform pattern as shown photo 1 appear on the oscilloscope.  
 When the amount of jitter is broad, set R110 to mechanical center.  
 (Jitter meter)  
 Adjust R110 until the jitter meter reading becomes minimum.(Less than 10ns.)  
 After adjustment, disconnect the oscilloscope or jitter meter.

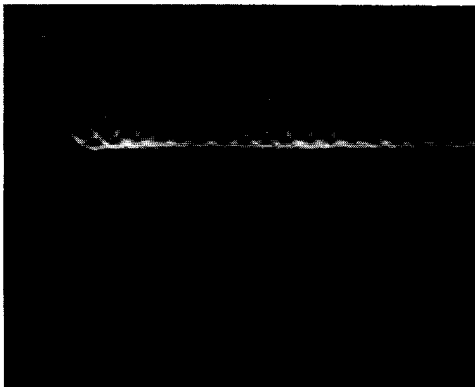
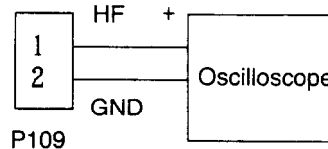
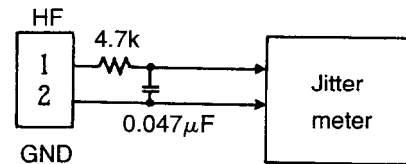


Photo 1



Oscilloscope range  
 Vertical : 0.5V/div.  
 Horizontal : 0.2  $\mu\text{s}/\text{div}$ .  
 DC, Ground: Center

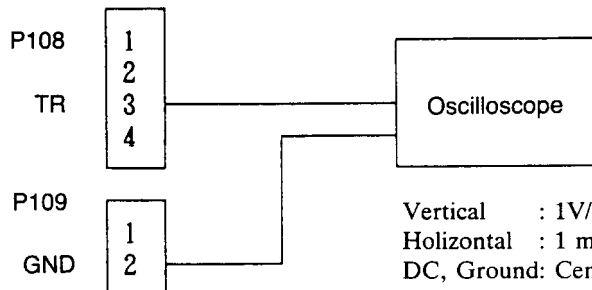


### 3. Tracking offset adjustment

Connect the short clip between TP105 and Ground of digital section.  
 Turn R125 to minimum position.(Counter clockwise)  
 Connect the oscilloscope between pin 3 (TR) of P108 and pin 2 (GND) of P109.  
 Adjust R108 until the center of tracking error signal on the oscilloscope becomes GND level.  
 Turn R125 to the mechanical center.  
 After adjustment, disconnect the oscilloscope and short clip.



Photo 2



Vertical : 1V/div.  
 Horizontal : 1 ms/div.  
 DC, Ground: Center

#### 4. Focus gain adjustment

Set the output of AF oscillator to 800Hz, 1~1.5Vp-p.

Play the track 2 of test disc.

Connect the oscilloscope and the AF oscillator as shown below.

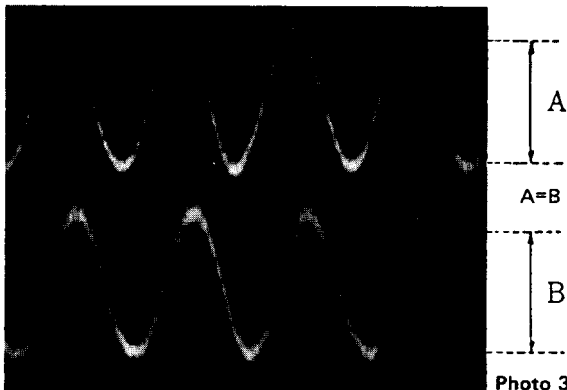
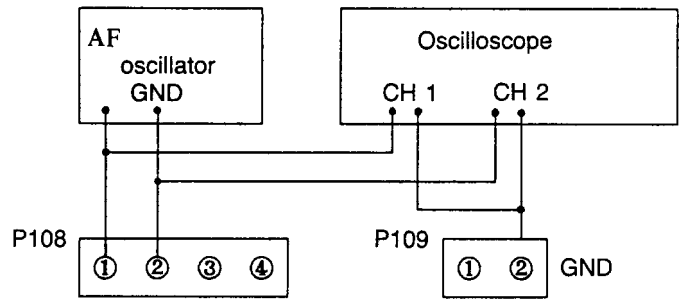


Photo 3

Adjust R122 until 800Hz components of channels 1 and 2 on oscilloscope become same level.

After adjustment, disconnect the AF oscillator and the oscilloscope.



Vertical : 0.5V/div.  
Horizontal: 0.5 ms/div.

#### 5. Tracking gain adjustment

Set the output of AF oscillator to 1.2kHz, 1~1.5Vp-p.

Play the track 2 of test disc.

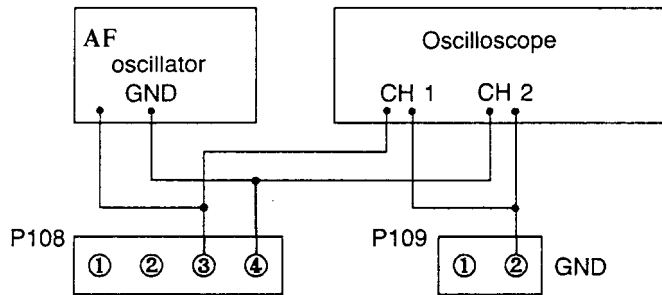
Connect the oscilloscope and the AF oscillator as shown below.



Photo 4

Adjust R125 until 1.2kHz components of channels 1 and 2 on oscilloscope become same level.

After adjustment, disconnect the AF oscillator and the oscilloscope.



Vertical : 0.5V/div.  
Horizontal: 0.2 ms/div.

#### 6. Opto. transmitter system adjustment

Connect the oscilloscope to test point TP502.

Play the track 2 of test disc.

Adjust R178 until the cross point of data waveform as shown photo 5 becomes on the top side.

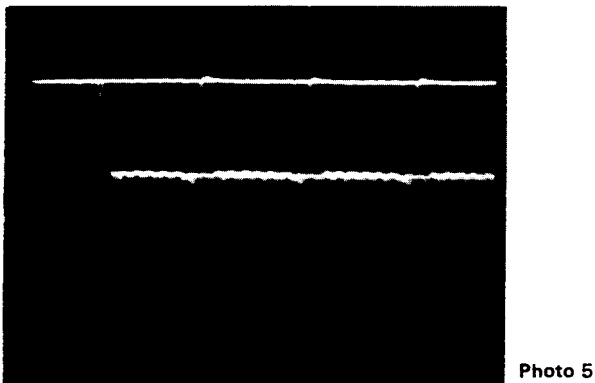
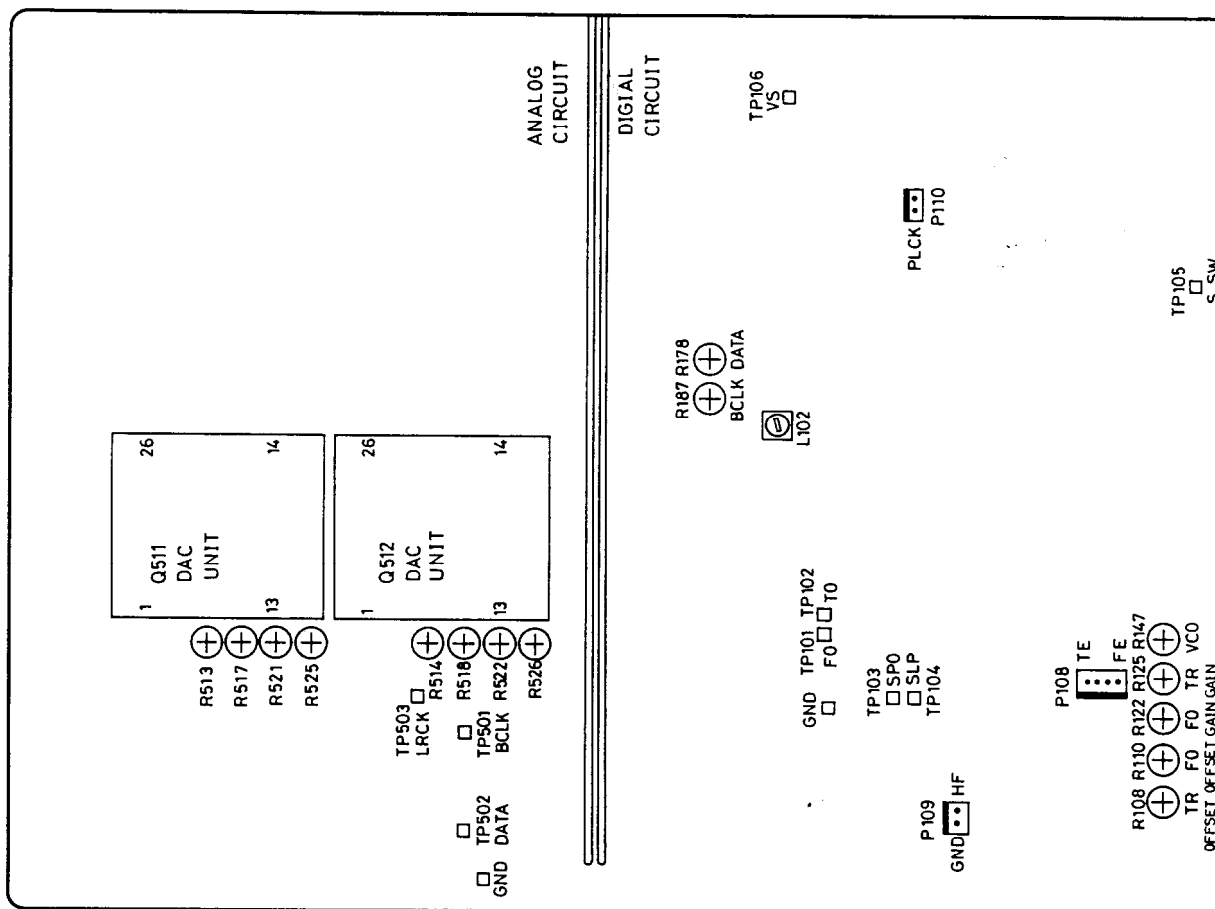


Photo 5

Vertical : 2V/div.  
Horizontal : 0.2 μs/div.  
DC, Ground: Center



### 7. BCLK adjustment

Connect the oscilloscope to test point TP501.

Play the track 2 of test disc.

Adjust R187 so that the duty ratio of the waveform is 1:1.

### 8. DA converter adjustment

Connect the distortion analyzer to the audio output (FIXED) terminals.

Play the track 2 of test disc.

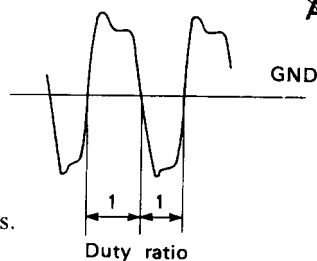
Step 1: Adjust R525/R526 so that the distortion analyzer reading is minimum.

Step 2: Adjust R521/R522 so that the distortion analyzer reading is minimum.

Step 3: Adjust R517/R518 so that the distortion analyzer reading is minimum.

Step 4: Adjust R513/R514 so that the distortion analyzer reading is minimum.

Repeat the steps 1, 2, 3 and 4 until no further adjustment is necessary.



# PRINTED CIRCUIT BOARD – PARTS LIST

## MAIN CIRCUIT PC BOARD (NAAR-3382-1/1A)

### CIRCUIT NO. PART NO. DESCRIPTION

#### ICs

Q102	22240180	CXA1081S
Q103	22240018	M51943ASL
Q104	22240181	CXA1082AS
Q107	22240168	STA341M-L
Q108	22240034	LA6510
Q109	22240129	CXD1125QZ
Q110	22240178 or 22240118	CXK5816SPS-15L or LC3517AS-15
Q112	22240034	LA6510
Q114	222956	NJM2068DD
Q115	222850381	HD14538BP
Q116	222740745	74HC74P
Q117	222740865	74HC86P
Q118	222755	74HCU04P
Q122	226027	HCPL2601
Q123	222071	HCPL2400
Q501, Q502	22240035	NJM592D8
Q503	22240176	YM3414
Q504	222740745	74HC74P
Q505	222740005	74HC00P
Q511, Q512	222077	8S-3380-1 (DAC unit)
Q515-Q518	22240207	NJM4560SB
Q901	222780052	78M05
Q902	222790053	79L05
Q951	222780155MIT or 222780154MIT	M5F78M15L or M5F7815L
Q952	222790155MIT or 222790154MIT	M5F79M15L or M5F7915L
Q953	222780052	78M05
Q954	222790083	79L08
Q955	222780053	78L05

#### Transistors

Q101	2211503 or 2211504	2SA950-O or 2SA950-Y
Q119-Q121	2211254 or	2SC1815-Y or
Q125, Q126	2211255	2SC1815-GR
Q129	221281	DTC114YS
Q513, Q514	2212524 or 2212525	2SK363-GR or 2SK363-BL
Q903	2211503 or 2211504	2SA950-O or 2SA950-Y
Q956	2213090	DTA114YS
Q957	2212304 or 2211945	2SK381-D or 2SK246-GR
Q958, Q959	2211254 or 2211255	2SC1815-Y or 2SC1815-GR
Q960, Q961	2211454 or 2211455	2SA1015-Y or 2SA1015-GR

#### Diodes

D101-D103	223163	1SS133
D901	22380018 or 223892	DB103 or DF02M
D902, D952	223880 or	GP101N4003 or
D953	223896	1N4003F
D903	224652702 or 224452702	HZ27EB2 or MTZ27B
D904	224650511 or 224450511	HZ5.1EB1 or MTZ5.1A
D951	22380013	RDF02M
D954, D956	223163	1SS133
D955	224650822 or 224450822	HZ8.2EB2 or MTZ8.2B
D958, D959	223163	1SS133

### CIRCUIT NO. PART NO. DESCRIPTION

#### Photo couplers

Q124	24120002 or 24120024	TLP521-2GB or PC827
D104, D106	24120021	FCNE-S-001G
	<b>X'tal</b>	
X101	3010112	KD6586FFB
	<b>Coils</b>	
L101	231023	NCH-1062
L102	232136 or 232143	NSRF-2046 or NSRF-2047
	<b>Capacitors</b>	
C101, C102	354721019	100 $\mu$ F, 6.3V, Elect.
C103, C107	371121034	0.01 $\mu$ F $\pm$ 5%, 50V, Mylar
C108	371124724	4700pF $\pm$ 5%, 50V, Mylar
C109	371121034	0.01 $\mu$ F $\pm$ 5%, 50V, Mylar
C110	371122224	2200pF $\pm$ 5%, 50V, Mylar
C111, C112	371121034	0.01 $\mu$ F $\pm$ 5%, 50V, Mylar
C113, C114	354721019	100 $\mu$ F, 6.3V, Elect.
C121	371122224	2200pF $\pm$ 5%, 50V, Mylar
C122	371121044	0.1 $\mu$ F $\pm$ 5%, 50V, Mylar
C123	371122234	0.022 $\mu$ F $\pm$ 5%, 50V, Mylar
C125-C127	371121044	0.1 $\mu$ F $\pm$ 5%, 50V, Mylar
C129	354741009	10 $\mu$ F, 16V, Elect.
C130	371123334	0.033 $\mu$ F $\pm$ 5%, 50V, Mylar
C132	354744709	47 $\mu$ F, 16V, Elect.
C133	354780339	3.3 $\mu$ F, 50V, Elect.
C135	371121034	0.01 $\mu$ F $\pm$ 5%, 50V, Mylar
C136	354780109	1 $\mu$ F, 50V, Elect.
C138	354744709	47 $\mu$ F, 16V, Elect.
C139	354782299	0.22 $\mu$ F, 50V, Elect.
C140	371121034	0.01 $\mu$ F $\pm$ 5%, 50V, Mylar
C142	371121044	0.1 $\mu$ F $\pm$ 5%, 50V, Mylar
C146	354780229	2.2 $\mu$ F, 50V, Elect.
C148	354721019	100 $\mu$ F, 6.3V, Elect.
C149	354781099	0.1 $\mu$ F, 50V, Elect.
C150	371122234	0.022 $\mu$ F $\pm$ 5%, 50V, Mylar
C151	371122224	2200pF $\pm$ 5%, 50V, Mylar
C152, C155	354721019	100 $\mu$ F, 6.3V, Elect.
C162	352942206	22 $\mu$ F, 16V, Non-polar elect.
C166	354744709	47 $\mu$ F, 16V, Elect.
C168-C171	354744709	47 $\mu$ F, 16V, Elect.
C173, C175	354744709	47 $\mu$ F, 16V, Elect.
C177	354744709	47 $\mu$ F, 16V, Elect.
C180	371121034	0.01 $\mu$ F $\pm$ 5%, 50V, Mylar
C501	354744709	47 $\mu$ F, 16V, Elect.
C508	354742209	22 $\mu$ F, 16V, Elect.
C511, C512	354742209	22 $\mu$ F, 16V, Elect.
C517, C518	354742209	22 $\mu$ F, 16V, Elect.
C523, C524	354722219	220 $\mu$ F, 6.3V, Elect.
C525, C526	371121034	0.01 $\mu$ F $\pm$ 5%, 50V, Mylar
C527, C528	391241017	100 $\mu$ F, 16V, Elect.
C529-C532	354742219	220 $\mu$ F, 16V, Elect.
C535, C536	372121514	150pF $\pm$ 5%, 50V, Styrol
C537, C538	373301134	0.01 $\mu$ F $\pm$ 5%, 125V, PP
C539, C540	373302224	2200pF $\pm$ 5%, 125V, PP
C543, C544	373302224	2200pF $\pm$ 5%, 125V, PP
C547, C548	373302224	2200pF $\pm$ 5%, 125V, PP
C551, C552	391242209	22 $\mu$ F, 16V, Elect.
C553-C556	391244707	47 $\mu$ F, 16V, Elect.
C557-C560	391244709	47 $\mu$ F, 16V, Elect.
C563, C564	373303314	330pF $\pm$ 5%, 125V, PP
C565, C566	373301524	1500pF $\pm$ 5%, 125V, PP
C567, C568	373303314	330pF $\pm$ 5%, 125V, PP
C569, C570	371124724	4700pF $\pm$ 5%, 50V, Mylar
C901, C902	352752229	2200 $\mu$ F, 25V, Elect.
C907, C908	354780109	1 $\mu$ F, 50V, Elect.

CIRCUIT NO.	PART NO.	DESCRIPTION
C909	354782209	22 $\mu$ F, 50V, Elect.
C910	354762209	22 $\mu$ F, 35V, Elect.
C951, C952	379121035	0.01 $\mu$ F $\pm$ 10%, 50V, Plastic
C953, C954	352753329	3300 $\mu$ F, 25V, Elect.
C955, C956	391242217	220 $\mu$ F, 16V, Elect.
C957	354742219	220 $\mu$ F, 16V, Elect.
C959, C960	354742209	22 $\mu$ F, 16V, Elect.
C961	354721019	100 $\mu$ F, 6.3V, Elect.
C963	354780109	1 $\mu$ F, 50V, Elect.
C964	371124734	0.047 $\mu$ F $\pm$ 5%, 50V, Mylar
C965	354722219	220 $\mu$ F, 6.3V, Elect.
C969	379121045	0.1 $\mu$ F $\pm$ 10%, 50V, Plastic
<b>Resistors</b>		
R108	5210066	N06HR22KBD, Semi-fixed
R110	5210060	N06HR2.2KBD, Semi-fixed
R122, R125	5210066	N06HR22KBD, Semi-fixed
R147	5210058	N06HR1KBD, Semi-fixed
R178, R187	5210060	N06HR2.2KBD, Semi-fixed
R513, R514	5210070	N06HR100KBD, Semi-fixed
R517, R518	5210070	N06HR100KBD, Semi-fixed
R521, R522	5210070	N06HR100KBD, Semi-fixed
R525, R526	5210070	N06HR100KBD, Semi-fixed
R951	441625604	56ohm, 1/2W, Metal oxide film
R958	431421065	10Mohm, 1/4W, Solid
R963	442521214	120ohm, 1/2W, Metal oxide film
<b>Plugs</b>		
P101	25055136	NPLG-6P120
P102	25055139	NPLG-9P123
P103	25055154	NPLG-10P138
P104	25055157	NPLG-13P141
P105	25055190	NPLG-9P174
P106	25055146	NPLG-2P130
P107	25055150	NPLG-6P134
P108	25055045	NPLG-4P33
P109, P110	25055038	NPLG-2P29
P402	25055152	NPLG-8P136
<b>Terminal</b>		
P401	25045240	NPJ-6PDBL114
<b>Radiators</b>		
	27160176	RAD56
	27160220	RAD51(B)
<b>Socket</b>		
SC501	2000939	NSAS-2P891
<b>Relaies</b>		
RL101, RL102	25065174	NRL-2P1A-DC1209
<b>Fuses</b>		
QF101, QF102	252112	ICPN15, IC protector (G)

NOTE:(G): Except 120V model

#### OPTO./DIGITAL OUTPUT PC BOARD (NADG-3383-1)

CIRCUIT NO.	PART NO.	DESCRIPTION
Q191	24120014	DF-1111/T, Photo coupler
P191	25045239	NPJ-1PORG-113, Terminal, Opto. output
P192	25045172	HSJ1003-01-020, Terminal RI
SC191	2000929	NSAS-12P882, Socket

#### TERMINAL PC BOARD(NAETC-3359-1)

CIRCUIT NO.	PART NO.	DESCRIPTION
P001	25050361	NSCT-18P188, Socket
SC001	2000890	NSAS-12P846, Socket
SC002	2000873	NSAS-18P829, Socket

**NOTE: THE COMPONENTS IDENTIFIED BY MARK  $\Delta$  ARE CRITICAL FOR RISK OF FIRE AND ELECTRIC SHOCK. REPLACE ONLY WITH PART NUMBER SPECIFIED.**

#### DISPLAY CIRCUIT PC BOARD(NADIS-3365-1)

CIRCUIT NO.	PART NO.	DESCRIPTION
<b>ICs</b>		
Q701	22240179	CXP5058H-104QZ
Q703	22240173	LC6527H-3722
Q707	222963	LB1630
<b>Fluorescent tube</b>		
Q702	212059	16BT-09GK
<b>Transistors</b>		
Q704, Q705	2212600	DTA124ES
Q706	2212132 or 2212133	2SC2021-R or 2SC2021-S
<b>Diodes</b>		
D701-D704	223163	1SS133
D705	224650562 or 224450562	HZ5.6EB2 or MTZ5.6B
<b>Capacitors</b>		
C701, C703	354721019	100 $\mu$ F, 6.3V, Elect.
<b>Resistors</b>		
R735-R742	49163472408	4.7kohm $\times$ 8, 1/10W, Network
<b>Switches</b>		
S701-S736	25035548	NPS-111-S510
<b>Sockets</b>		
SC701	2000891	NSAS-26P847
SC702	2000883	NSAS-18P839
SC703	2000732	NSAS-4P688
SC704	2000755	NSAS-4P711
SC705	2000892	NSAS-12P848
<b>Holder</b>		
	27190656A	Display

#### POWER SWITCH PC BOARD(NAPS-3366-1)

CIRCUIT NO.	PART NO.	DESCRIPTION
C941	3500065A	$\Delta$ DE7150FZ103PCSA, Capacitor IS
P941	25035558	$\Delta$ NPS-111-L520P, Power switch

#### HEADPHONE AMPLIFIER PC BOARD(NAAF-3367-1)

CIRCUIT NO.	PART NO.	DESCRIPTION
Q451	222887	NJM4556S, IC
Q453, Q454	2211705 or 2211706	2SD655-E or 2SD655-F, Transistors
C453, C454	354742219	220 $\mu$ F, 16V, Elect. capacitors
C455, C456	371122224	2200pF $\pm$ 5%, 50V, Mylar capacitors
C457, C458	354744709	47 $\mu$ F, 16V, Elect. capacitors
R451	5104242	N16RGM20KB30F, Variable resistor
R463, R464	442521014	100ohm, 1/2W, Metal oxide film resistors
P451	25055183	NPLG-2P167, Plug
SC451	2000917	NSAS-16P870, Socket

#### HEADPHONE TERMINAL PC BOARD(NAAF-3368-1)

CIRCUIT NO.	PART NO.	DESCRIPTION
P491	25045139	HLJ0540-01-010, Headphone terminal

#### SWITCH PC BOARD(NASW-3369-1)

CIRCUIT NO.	PART NO.	DESCRIPTION
U751	241068	BX-1407, IC
D751, D752	225142	SEL2913K, LEDs
C751	354721019	100 $\mu$ F, 6.3V, Elect. capacitor
S751	25065325	NSS-23128, Slide switch
S752-S755	25035548	NPS-111-S510, Push switches
P701	25055187	NPLG-6P171, Plug
	27190499A	Holder

BLOCK DIAGRAM

