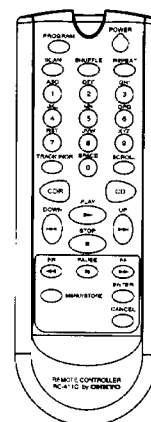
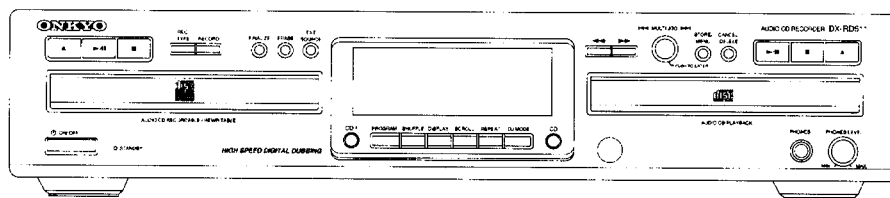


ONKYO SERVICE MANUAL

Ref NO. 3665


052000

AUDIO CD RECORDER DX-RD511



Black model
120 V AC 60Hz

SAFETY-RELATED COMPONENT WARNING!!

COMPONENTS IDENTIFIED BY MARK  ON THE SCHEMATIC DIAGRAM AND IN THE PARTS LIST ARE CRITICAL FOR RISK OF FIRE AND ELECTRIC SHOCK. REPLACE THESE COMPONENTS WITH ONKYO PARTS WHOSE PART NUMBER APPEAR AS SHOWN IN THIS MANUAL.

MAKE LEAKAGE-CURRENT OR RESISTANCE MEASUREMENTS TO DETERMINE THAT EXPOSED PARTS ARE ACCEPTABLY INSULATED FROM THE SUPPLY CIRCUIT BEFORE RETURNING THE APPLIANCE TO THE CUSTOMER.

TABLE OF CONTENTS

| | |
|----|------------------------------------|
| 1 | Cover page |
| 2 | Service procedure |
| 3 | Supplied accessories |
| 4 | Name of each part |
| 6 | Display messages |
| 8 | Chassis-exploded view |
| 10 | Packing view |
| 11 | IC Block Diagrams and Descriptions |
| 12 | Connection Diagram |
| 13 | Diagnostic software |
| 14 | Pcboard view |
| 16 | Circuit diagrams |
| 18 | Specifications |



SERVICE PROCEDURE

Perform a reset

This device employs a microprocessor to perform various functions and operations. If interference generated by an external power supply, radio waves, or other electrical source results in an accident which causes the specified operations and functions to operate abnormally.

To perform a reset, please follow the procedure below.

1. It is confirmed for the tray of CD to close.
2. The mechanical power switch is OFF.
3. The mechanical power switch is pushed while pushing **YES** and **EDIT/NO** button from the state with the power supply on.

Safety-check out

(Only U.S.A. model)

After correcting the original service problem perform the following safety check before releasing the set to the customer.

Connect the insulating-resistance tester between the plug of power supply cord and terminal GND on the back panel.

Specifications: More than 10Mohm at 500V.

PROTECTION OF EYES FROM LASER BEAM DURING SERVICING

This set employs a laser. Therefore, be sure to follow carefully the instructions below when servicing.

WARNING!!

WHEN SERVICING, DO NOT APPROACH THE LASER EXIT WITH THE EYE TOO CLOSELY. IN CASE IT IS NECESSARY TO CONFIRM LASER BEAM EMISSION, BE SURE TO OBSERVE FROM A DISTANCE OF MORE THAN 30cm FROM THE SURFACE OF THE OBJECTIVE LENS ON THE OPTICAL PICK-UP BLOCK.

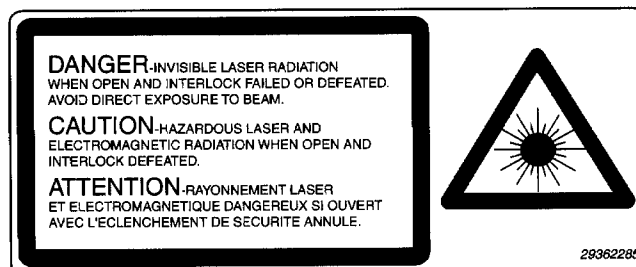
Laser Diode Properties

| | |
|--------------------|-----------------------------------|
| Material: | GaAs/GaALAs |
| Wavelength: | 778~787nm |
| Emission Duration: | continuous |
| Laser output: | MAX. 23mW |
| | PLAY 0.9mW \pm 0.05mW(Ave) |
| | CD-R(REC) 4.9mW \pm 0.11mW(Ave) |
| | CD-RW(REC) 5.6mW \pm 0.1mW(Ave) |

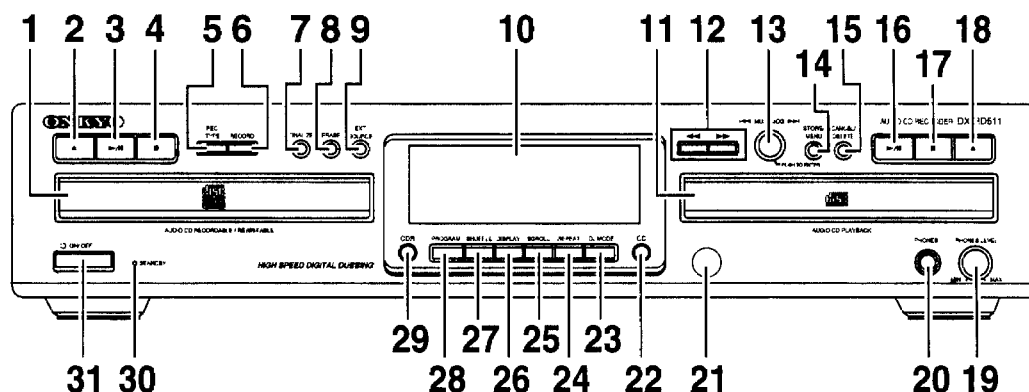
LASER WARNING LABEL

The label shown below are affixed.

1. Warning label

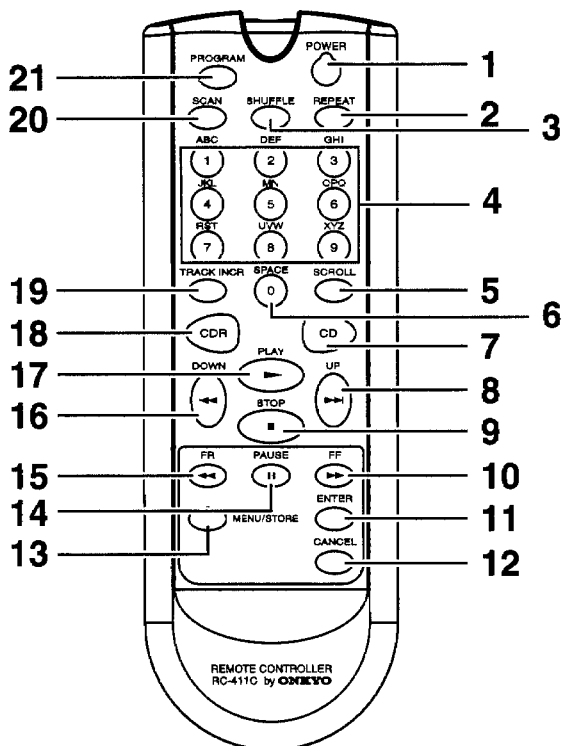


NAME OF EACH PART



Front panel of the machine

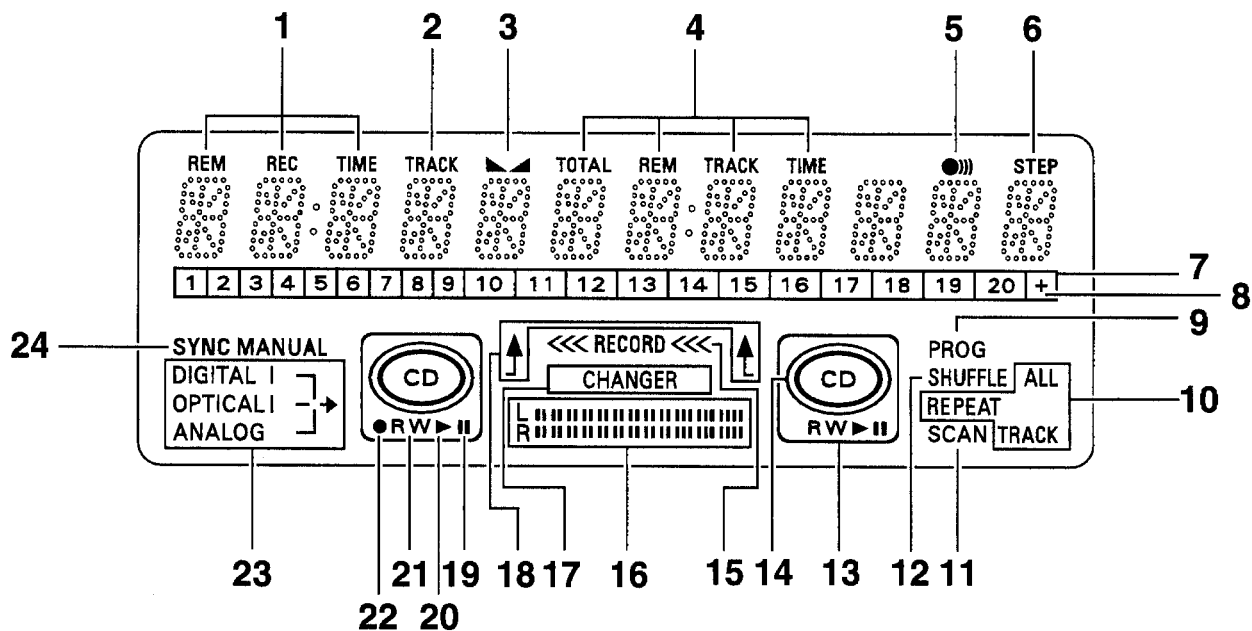
- | | |
|--|--|
| <ul style="list-style-type: none"> 1 Disc tray on the recording deck 2 ▲ (Disc tray OPEN/CLOSE) button on the recording deck 3 ►/ (PLAY/PAUSE) button on the recording deck 4 ■ (STOP) button on the recording deck 5 REC TYPE selection button 6 RECORD button 7 FINALIZE button 8 ERASE button 9 EXT SOURCE button 10 Display 11 Disc tray on the playing deck 12 ◀◀/▶▶ button 13 ◀◀ MULTI JOG ▶▶ PUSH ENTER knob 14 STORE/MENU button 15 CANCEL/DELETE button 16 ►/ (PLAY/PAUSE) button on the playing deck | <ul style="list-style-type: none"> 17 ■ (STOP) button on the playing deck 18 ▲ (Disc tray OPEN/CLOSE) button on the playing deck 19 PHONES LEVEL knob 20 PHONES (headphones) jack 21 Remote controller sensor 22 CD button Pressing this button enables the playing deck (right tray). 23 DJ MODE button 24 REPEAT button 25 SCROLL button 26 DISPLAY button 27 SHUFFLE button 28 PROGRAM button 29 CDR button Pressing this button enables the recording deck (left tray). 30 STANDBY indicator 31 ON/OFF switch |
|--|--|



Remote Controller

- 1 POWER button
- 2 REPEAT button
- 3 SHUFFLE button
- 4 Numeric/letter input button
- 5 SCROLL button
- 6 SPACE/0 (ZERO) button
- 7 CD button
- 8 ►► UP button
- 9 ■ STOP button
- 10 ►► FF (fast-forward) button
- 11 ENTER button
- 12 CANCEL button
- 13 MENU/STORE button
- 14 || PAUSE button
- 15 ◀◀ FR (fast-return) button
- 16 |◀◀ DOWN button
- 17 ► PLAY button
- 18 CDR button
- 19 TRACK INCR button
- 20 SCAN button
- 21 PROGRAM button

NAME OF EACH PART



Display

- | | |
|---|--|
| <ul style="list-style-type: none"> 1 Recording/remaining time indicator 2 Track indicator 3 Balance indicator 4 Disc/track elapsed/remaining time indicator 5 Remote-control signal received indicator 6 Step indicator 7 Track indicator 8 +20 indicator Lights up when the disc contains 21 or more tracks. 9 Program indicator 10 Repeat single/all track(s) indicator | <ul style="list-style-type: none"> 11 Scan indicator 12 Shuffle indicator 13 CD player selected indicator 14 CD indicator 15 Recording indicator 16 Recording/playback level indicator 17 Changer mode indicator 18 DJ play mode indicator 19 Pause indicator 20 Play indicator 21 CD-R/CD-RW indicator 22 Recording indicator 23 Input source indicator (DIGITAL/OPTICAL/ANALOG) 24 Recording indicator (SYNC/MANUAL) |
|---|--|

DISPLAY MESSAGE

Messages, as listed and explained here, may appear on the display for your guidance.

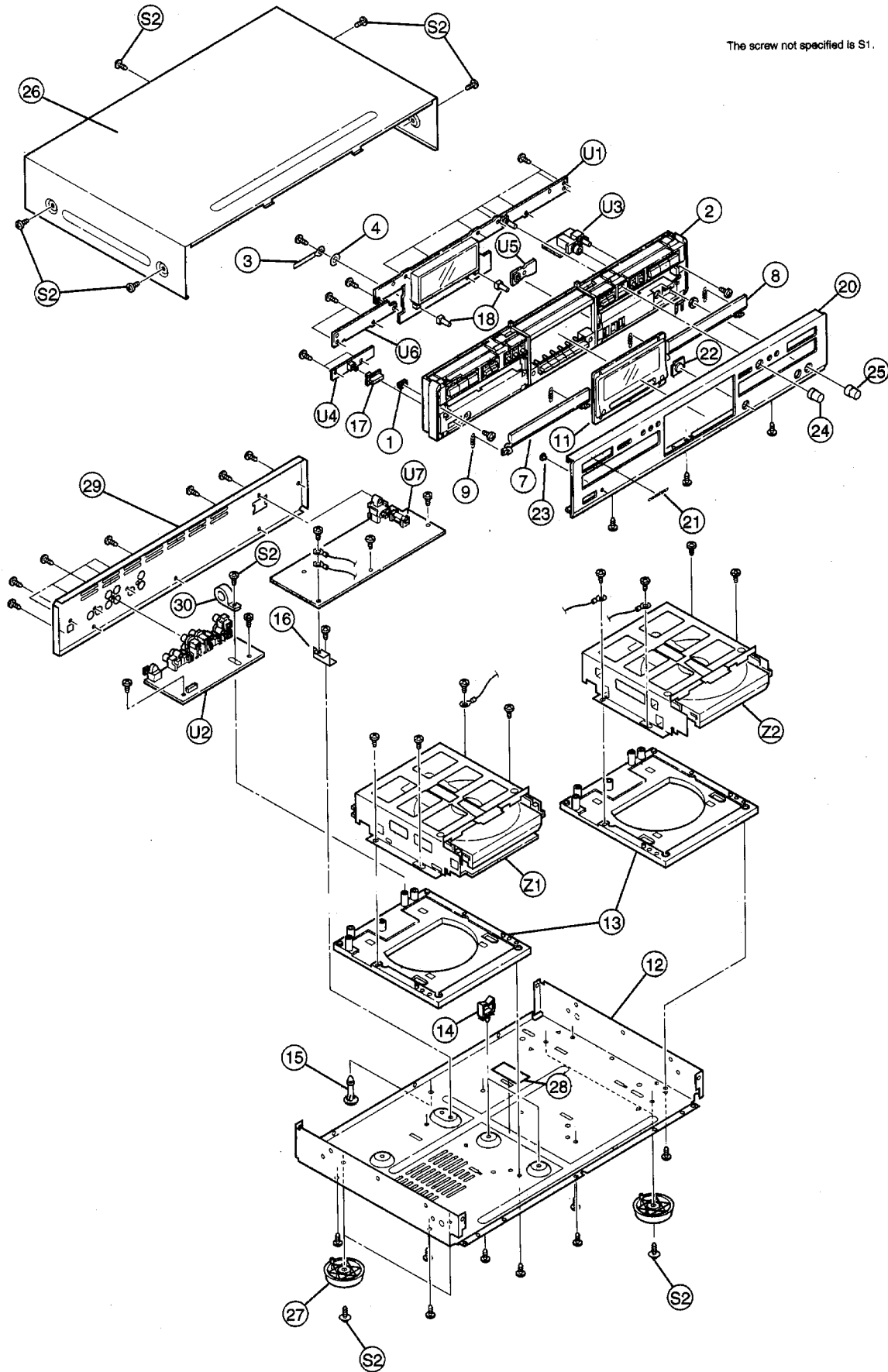
The displayed message may vary depending on the type of disc used:

CD: Audio CD R: CD-R W: CD-RW ALL: All of audio CD, CD-R, and CD-RW -: Displayed independent of disc type

| General | | |
|------------------------------------|-------------|---|
| READING | ALL | The unit is reading the information stored on the disc. The disc becomes playable as soon as the time display appears. |
| OPEN | - | The unit is opening the disc tray. |
| CLOSE | - | The unit is closing the disc tray. |
| NO DISC | - | No disc is loaded or the loaded disc is unreadable. The disc may be set upside down. |
| PROG FULL | ALL | The unit is unable to store tracks any more. The number of programmed tracks has reached 99. |
| INSERT DISC | - | No disc is loaded or the loaded disc is unplayable. See "Playing does not start" or "Recording does not start" in the Troubleshooting Guide section. |
| WRONG DISC →USE AUDIO CD | - | The loaded disc is not for audio use. It may be a CD-ROM for use with personal computers. |
| UNFINALIZED | R/W | The unit has finished unfinalizing the finalized CD-RW. |
| MEMORY xx% | R/W | This indicates what percentage of the CD-TEXT memory is used by the unfinalized disc. See also "MEMORY FULL." |
| NOT FINALIZED → SCANNING | W | A CD-RW that has not been finalized is placed in the CD tray. |
| Recording | | |
| WAIT | R/W | The unit is preparing for the next operation, such as for starting or stopping the recording. |
| UPDATE | R/W | The unit is updating the information stored on the disc after recording. This also appears during recording if writing to the disc is discontinued due to a disc failure such as a scratch. The recording stops immediately. |
| DISC FULL | R/W | The unit is unable to store tracks on disc any more. |
| DIGITAL 1 | - | Coaxial external digital input (CDR DIGITAL IN) is selected. |
| OPTICAL | - | Optical external digital input (CDR OPTICAL DIGITAL IN) is selected. |
| ANALOG | - | External analog input (CDR ANALOG IN) is selected. |
| COPY PROTECT | - | The unit is unable to record the digital input signals from the external source. |
| NOTFINALIZED | R/W | The disc in the open disc tray has not yet been finalized (CD recorder). This means that the disc is unplayable on other CD players. |
| RECORD FAST | R/W | The fast recording mode is selected, where the recording time is 1/2 of the normal recording mode but no sound is heard. |
| REC LISTEN | R/W | The normal recording mode is selected. The sound will be heard during recording. |
| MAKE CD | R/W | The automatic finalization function is selected. The disc will be finalized automatically when the recording is finished. |
| REC EXT DISC | R/W | Synchro recording from an external source is selected. |
| REC EXT MAN | R/W | Manual recording from an external source is selected. |
| xx dB | R/W | The attenuation level is shown in all recording modes whenever you rotate the MULTI JOG knob to set the recording level. |
| DOES NOT FIT | R/W | The total playback time of the CD does not fit the total recording time of the CD-R or CD-RW. |
| ANALOG REC | R/W | The unit automatically selects the analog recording mode, if the disc contains audio signals of which digital copying is prohibited. |
| ERASE TRACK | W | The track is to be erased. |
| ERASE DISC | W | The whole contents of the disc are to be erased. |
| FINALIZE | R/W | The CD-R or CD-RW is to be finalized so that it is readable on ordinary CD players. |
| FINALIZED | R/W | The CD-R or CD-RW you attempted to finalize need not be finalized because it has already been finalized. |
| CHECK INPUT | R/W | An attempt was made to record through one of the external digital input channels, but no signal has been detected. Check that the cables are connected firmly and that the external digital source is turned on and outputting digital signals. |
| xx xx ERASE | W | When a track is being erased, the time to the completion of erasure is counted down. |
| xx xx FINAL | R/W | When a disc is being finalized, the time to the completion of finalization is counted down. |
| PRESS RECORD | R/W | Press the RECORD button when this message is displayed to start recording or erasing. |
| START SOURCE | R/W | During synchro recording from an external source, start playback on it to start recording in response to the input signals. |
| FINALIZED CD | CD/R | An attempt was made to record on a finalized CD-R or ordinary CD. |
| UNFINALIZE/ PRESS ENTER | W | An attempt was made to record on a finalized CD-RW. Press the MULTI JOG knob to start unfinalizing the CD-RW. |

| Recording (continued) | | |
|-------------------------------------|------------|---|
| PROF SOURCE | R/W | "REC EXT DISC" or "REC EXT MAN" is selected, but the unit is connected to professional audio equipment. The serial copy management system (SCMS) prohibits recording from professional equipment with any consumer-product recorder including this unit. |
| TEXT PROTECT | R/W | The CD text data stored on discs cannot be copied. |
| Playback | | |
| CHANGER MODE | - | The changer mode is selected. |
| DJ MODE | - | DJ mode play is selected. |
| PROGRAM | ALL | Program play is selected. |
| ALBUM TITLE | ALL | If the disc contains album title information in the CD-TEXT format, this message appears when the SCROLL button is pressed. |
| TRACK TITLE | ALL | If the disc contains track title information in the CD-TEXT format, this message appears when the SCROLL button is pressed. |
| ALBUM ARTIST | ALL | If the disc contains album artist name information in the CD-TEXT format, this message appears when the SCROLL button is pressed. |
| TRACK ARTIST | ALL | If the disc contains track artist information in the CD-TEXT format, this message appears when the SCROLL button is pressed. |
| Others | | |
| NO AUDIO TR | CD | Some tracks include other than audio data. These tracks cannot be played back. |
| FINALIZE CD | R | Writing to a CD-R is impossible, if it has been ejected and re-inserted 96 times. Finalize the CD-R before attempting to write on it. |
| INITIALIZING | R/W | The unit is measuring the laser output level of its optical pickup for writing to the disc. Do not turn off the power until this message disappears because the unit is writing to or reading from the disc. |
| DISC RECOVER | R/W | This message appears immediately after power on if the unit has been turned off during recording or initialization. The tracks that recorded before power shutoff can be restored. The disc may be finalized automatically when recovered. (See page 29.) |
| OPC ERROR | R/W | Any disc causing this error message cannot be used because the laser output level of the optical pickup cannot be optimized for writing. |
| RECORD ERROR | R/W | This appears in the text edit mode if writing to the disc is discontinued due to a disc failure such as a scratch. The text-edit display will be restored, although the recording stops immediately. |
| DISC ERROR | R/W | Writing to or reading from the disc is not possible for some reason. This error is generally caused by dirt or scratches on discs. |
| MEMORY FULL/ FINALIZE CD | R/W | You cannot enter additional characters because the CD-TEXT memory has become full. Finalize the disc or erase the entered characters before attempting to enter additional characters. |
| PRESS DJMODE | - | The attempted operation is unavailable in the changer mode. Please select the DJ mode. |
| FIRST TIME | R/W | The memory retains some data when "MEMORY VIEW" is selected. |
| Menu Message | | |
| NO TRACKS | R/W | An attempt was made to edit text information on a disc that contains no recorded tracks. |
| TEXT EDIT | R/W | The TEXT EDIT mode is set. |
| CD ARTIST | R/W | The album artist name is to be modified or erased. |
| CD TITLE | R/W | The album title is to be modified or erased. |
| TR n ARTIST | R/W | The artist name for the track number indicated as "n" is to be modified or erased. |
| TR n TITLE | R/W | The title for the track number indicated as "n" is to be modified or erased. |
| TEXT ERASE | R/W | The TEXT ERASE mode is set. |
| ALL TEXT | R/W | The whole text is displayed. |
| ERASE OK | R/W | You can press the MULTI JOG knob to erase the entered character. |
| ERASE ALL OK | R/W | You can press the MULTI JOG knob to erase the whole text. |
| ERASE MEMORY | R/W | You can erase the text data (set in memory) on the disc that has not been finalized yet. |
| MEMORY VIEW | R/W | You can view the text data (set in memory) on the disc that has not been finalized yet. |
| MEMORY EMPTY | R/W | No text data is set (in memory). |
| AUTO TRACK | R/W | The AUTO TRACK mode is selected. |
| ON | R/W | The AUTO TRACK mode is set to "ON." |
| OFF | R/W | The AUTO TRACK mode is set to "OFF." |
| SET BALANCE | R/W | The recording balance can be adjusted by rotating the MULTI JOG knob. |
| NO TEXT | ALL | The disc contains no CD text data. |


CHASSIS-EXPLODED VIEW



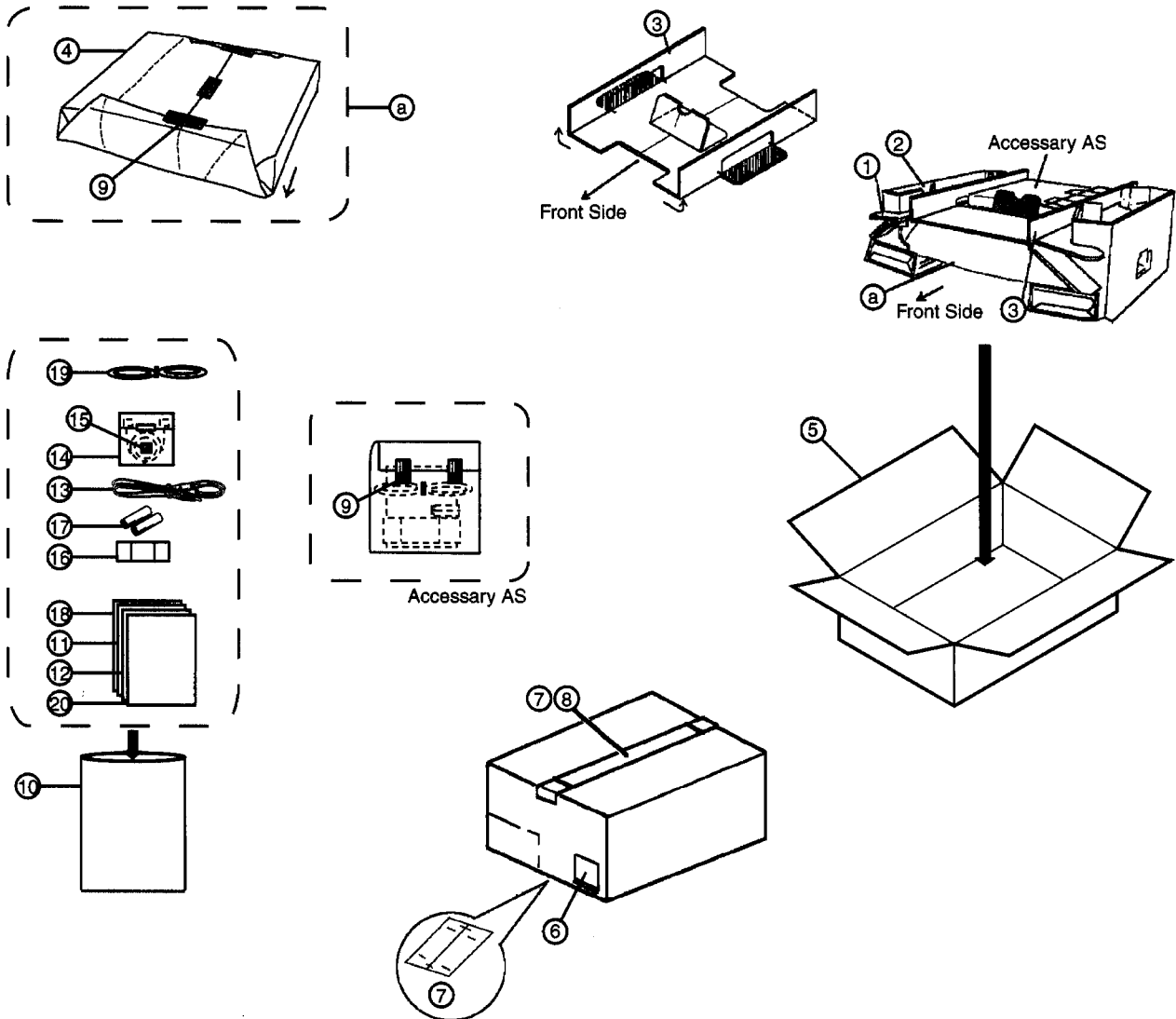
The screw not specified is S1.

CHASSIS-EXPLODED PARTS LIST

| REF. NO. | PART NO. | DESCRIPTION |
|----------|-------------------------|--|
| U1 | 1H428517-1A | NADIS-6717-1A, Display circuit pboard AS |
| U2 | 1H428518-1A | NAAF-6718-1A, Audio terminals pboard AS |
| U3 | 1H428519-1A | NAAF-6719-1A, Headphones terminal pboard AS |
| U4 | 1H428520-1A | NASW-6720-1A, Power switch circuit pboard AS |
| U5 | 1H428521-1A | NAETC-6721-1A, Remote sensor circuit pboard AS |
| U6 | 1H428522-1A | NAETC-6722-1A, CDR control button pboard AS |
| U7 | 24150008 |  PSU-CDR775-1, Power supply circuit pboard AS |
| 1 | 28141412 | Cushion |
| 2 | 27111138A | Front Bracket |
| 3 | 27255004 | CS-1U, Clip |
| 4 | 27270393 | (MARU), Spacer |
| 5 | 27190608 | UA-0, Holder |
| 7 | 28148422A | Door (Left) |
| 8 | 28148423A | Door (Right) |
| 9 | 27180576 | Spring (Door) |
| 10 | 28133390 | B Plate |
| 11 | 28191866A | Clear Plate (FL) |
| 12 | 27100379 | Chassis |
| 13 | 27191087B | Holder (M) |
| 14 | 27300243Y | WS-2W, WS Clamp |
| 15 | 27190772 | KGLS-22RF, Holder |
| 16 | 27141750 | Retainer (Pcboard) |
| 17 | 28325696 | Knob (Power) |
| 18 | 28325699 | Knob (CD) |
| 19 | 29362553 | Label (Fuse Symbol) |
| 20 | 27212144A | Front Panel |
| 21 | 28135244Y | BADGE, Badge |
| 22 | 28191869 | Clear Plate (IR) |
| 23 | 28198864 or 28198895 | Facet or Facet (1P) |
| 24 | 28325702 | Knob (AMCS) |
| 25 | 28325452Y | Knob (MIC) |
| 26 | 28184764 | Cover |
| 27 | 27175311A | Leg AS |
| 28 | 29362285 | Label |
| 29 | 27122659A | Rear Panel |
| 30 | 230910 | ESD-R-25DB, Core |
| F1 | 2046074012 | NCFC6-074012, Flat Flexible Cable |
| F2 | 2042141012 | NCFC2-141012, Flat Flexible Cable |
| F3 | 2042223012 | NCFC2-223012, Flat Flexible Cable |
| S1 | 838130088 | 3TTB+8B, Screw |
| S2 | 831430088 | 3TTW+8B(BC), Screw |
| Z1 | 24800044 | VAUR775, CD-Recorder Mechanism AS |
| Z2 | 24800045 | VAL1250, CD-Player Mechanism AS |

NOTE: THE COMPONENTS IDENTIFIED BY  MARK ARE CRITICAL FOR RISK OF FIRE AND ELECTRIC SHOCK. REPLACE ONLY WITH PART NUMBER SPECIFIED.

Packing View



REF. NO. PART NO. DESCRIPTION

Packing

| | | |
|---|-----------|----------------|
| 1 | 29091894 | Pad |
| 2 | 29091895 | Pad (S) |
| 3 | 29095872A | Sheet (ACCE) |
| 4 | 29095847 | Sheet |
| 5 | 29053513 | Carton |
| 6 | 29362523 | Label UPC AS |
| 7 | 282321 | Staple |
| 8 | 29110141 | PP Tape |
| 9 | 29110149 | Tape (CEROHAN) |

REF. NO. PART NO. DESCRIPTION

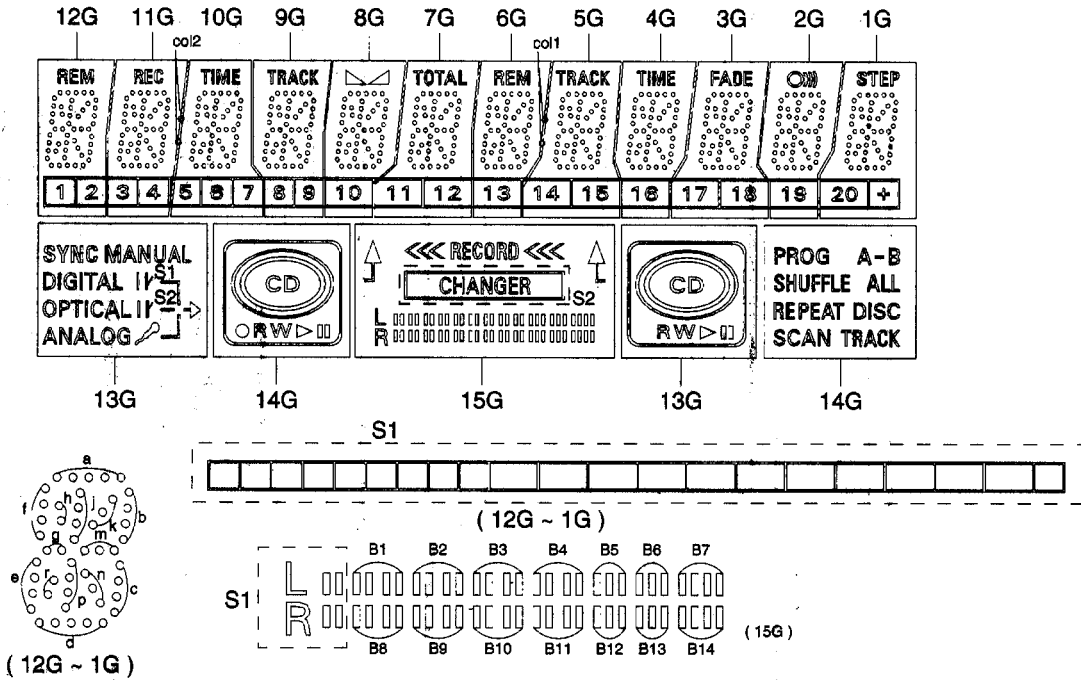
Accessory AS

| | | |
|----|------------------------|-------------------------------|
| 10 | 29100097-1A | 350*250, Poly Bag |
| 11 | 29365083 | Warranty Card |
| 12 | 29095866 | Sheet (ONKYO) |
| 13 | 2010098A or 2010244 | Pin-Cord AS or Pin-Cord AS |
| 14 | 2050039 | NCS-1P104, Cord AS |
| 15 | 29361573 | Label (PE-LD) |
| 16 | 24140411 | RC-411C, Remote Control Unit |
| 17 | 3010124 | UM-4, Battery |
| 18 | 29342803A | Instruction Manual, E |
| 19 | 253291 | AS-UC-6, AC Cord |
| 20 | 29355318 | Instruction Sheet, E |

IC Block diagrams and Description

Q603 15-BT-69GNK:FL Tube

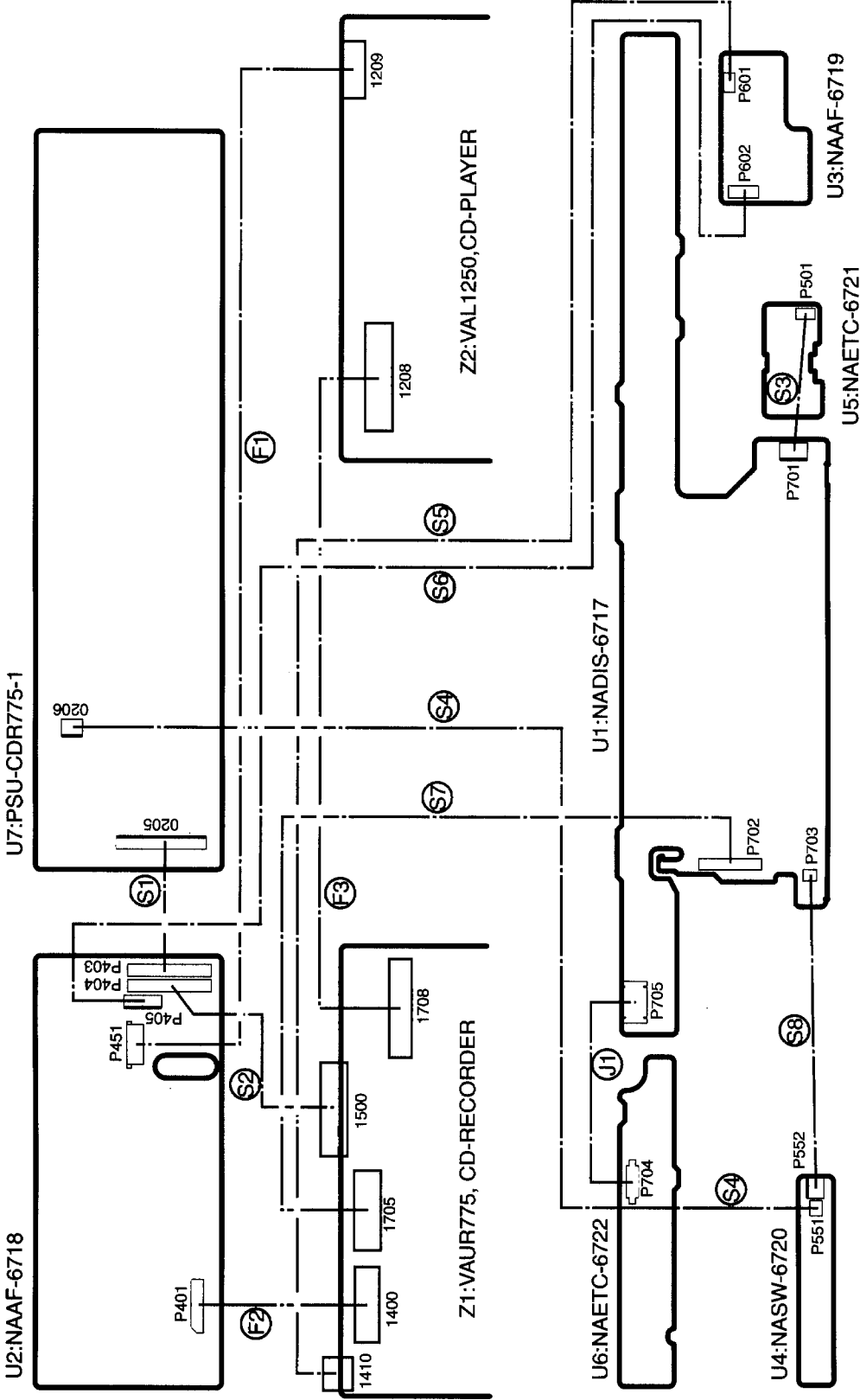
GRID ASSIGNMENT



ANODE CONNECTION

| | 15G | 14G | 13G | 12G | 11G | 10G | 9G | 8G | 7G | 6G | 5G | 4G | 3G | 2G | 1G |
|-----|--------------|---------|-----------|------|------|------|-------|------|-------|------|-------|------|------|------|------|
| P1 | B14 | - | DIGITAL I | a | a | a | a | a | a | a | a | a | a | a | a |
| P2 | B13 | TRACK | S1 | j, p | j, p | j, p | j, p | j, p | j, p | j, p | j, p | j, p | j, p | j, p | j, p |
| P3 | B12 | SCAN | OPTICAL I | h | h | h | h | h | h | h | h | h | h | h | h |
| P4 | B11 | DISC | S2 | k | k | k | k | k | k | k | k | k | k | k | k |
| P5 | B10 | REPEAT | ANALOG | b | b | b | b | b | b | b | b | b | b | b | b |
| P6 | B9 | ALL | SYNC | f | f | f | f | f | f | f | f | f | f | f | f |
| P7 | B8 | SHUFFLE | MANUAL | m | m | m | m | m | m | m | m | m | m | m | m |
| P8 | B7 | B | T | g | g | g | g | g | g | g | g | g | g | g | g |
| P9 | B6 | - | - | c | c | c | c | c | c | c | c | c | c | c | c |
| P10 | B5 | A | J | e | e | e | e | e | e | e | e | e | e | e | e |
| P11 | B4 | PROG | → | r | r | r | r | r | r | r | r | r | r | r | r |
| P12 | B3 | ○ | ↗ | n | n | n | n | n | n | n | n | n | n | n | n |
| P13 | B2 | ▶ | ▶ | d | d | d | d | d | d | d | d | d | d | d | d |
| P14 | B1 | | | REM | REC | TIME | TRACK | △ | TOTAL | REM | TRACK | TIME | FADE | ○ | STEP |
| P15 | ↑ (※) | CD | CD | 1 | 3 | 5 | 8 | 10 | 11 | 13 | 14 | 16 | 17 | 19 | 20 |
| P16 | S2 | □ | □ | 2 | 4 | 6 | 9 | - | 12 | - | 15 | - | 18 | - | + |
| P17 | ◀◀ RECORD ▶▶ | ○ | ○ | - | - | 7 | - | - | - | - | - | - | - | - | - |
| P18 | ↑ (※) | R | R | - | - | - | - | - | - | - | - | - | - | - | - |
| P19 | - | W | W | - | - | - | - | - | - | - | col1 | - | - | - | - |
| P20 | - | - | - | - | col2 | - | - | - | - | - | - | - | - | - | - |
| P21 | S1 | - | - | - | - | - | - | - | - | - | - | - | - | - | S1 |

CONNECTION DIAGRAM



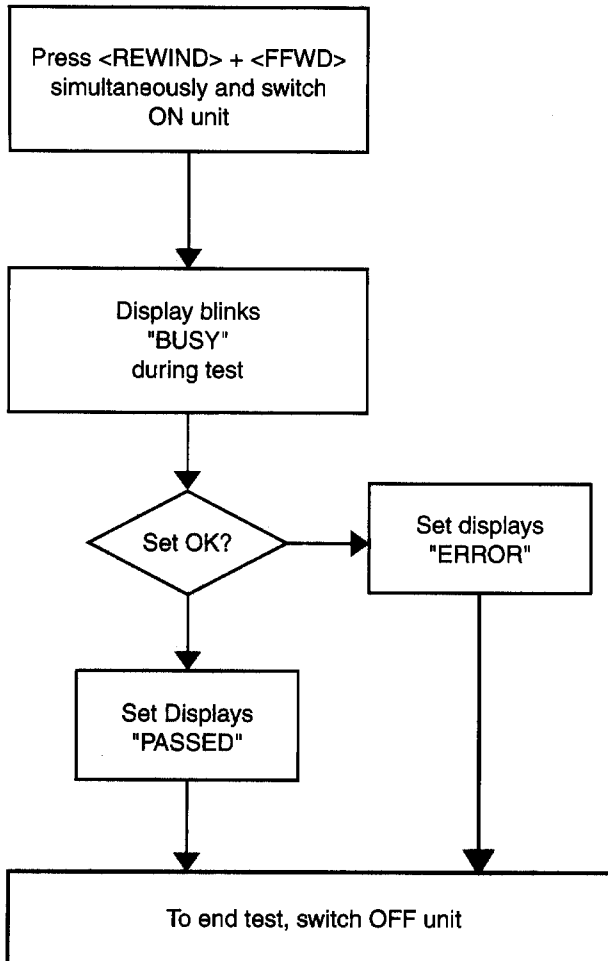
| REF. NO. | PART NO. | DESCRIPTION | REF. NO. | PART NO. | DESCRIPTION |
|----------|--------------|---------------------------------|----------|-------------|------------------------|
| F1 | 2046074012 | NCFC6-074012,FFC | S4 | 2003B290460 | NSAS-4P0770,SOCKET AS |
| F2 | 2042141012 | NCFC2-141012,FFC | S5 | 2002A390660 | NSAS-6P0761,SOCKET AS |
| F3 | 2042223012 | NCFC2-223012,FFC | S6 | 2003B290850 | NSAS-8P0771,SOCKET AS |
| J1 | 61200606B15 | JL6 200 BUL.2651#26,JUMPER LEAD | S7 | 2002A392035 | NSAS-20P0738,SOCKET AS |
| S1,S2 | 2003B292210 | NSAS-22P0769,SOCKET AS | S8 | 2002A390420 | NSAS-4P0754,SOCKET AS |
| S3 | 2006390605UL | NSAS-6P0451,SOCKET AS | | | |

DIAGNOSTIC SOFTWARES

1. Dealer mode

The purpose of the player at exhibitions, showrooms etc.. This mode disables the open/close function of the player. The dealer mode can be switched on and off pressing keys [OPEN/CLOSE] and [STOP] of the CDR player simultaneously while switching on the unit. The dealer mode is stored in the flash memory and can only be changed by executing the above actions.

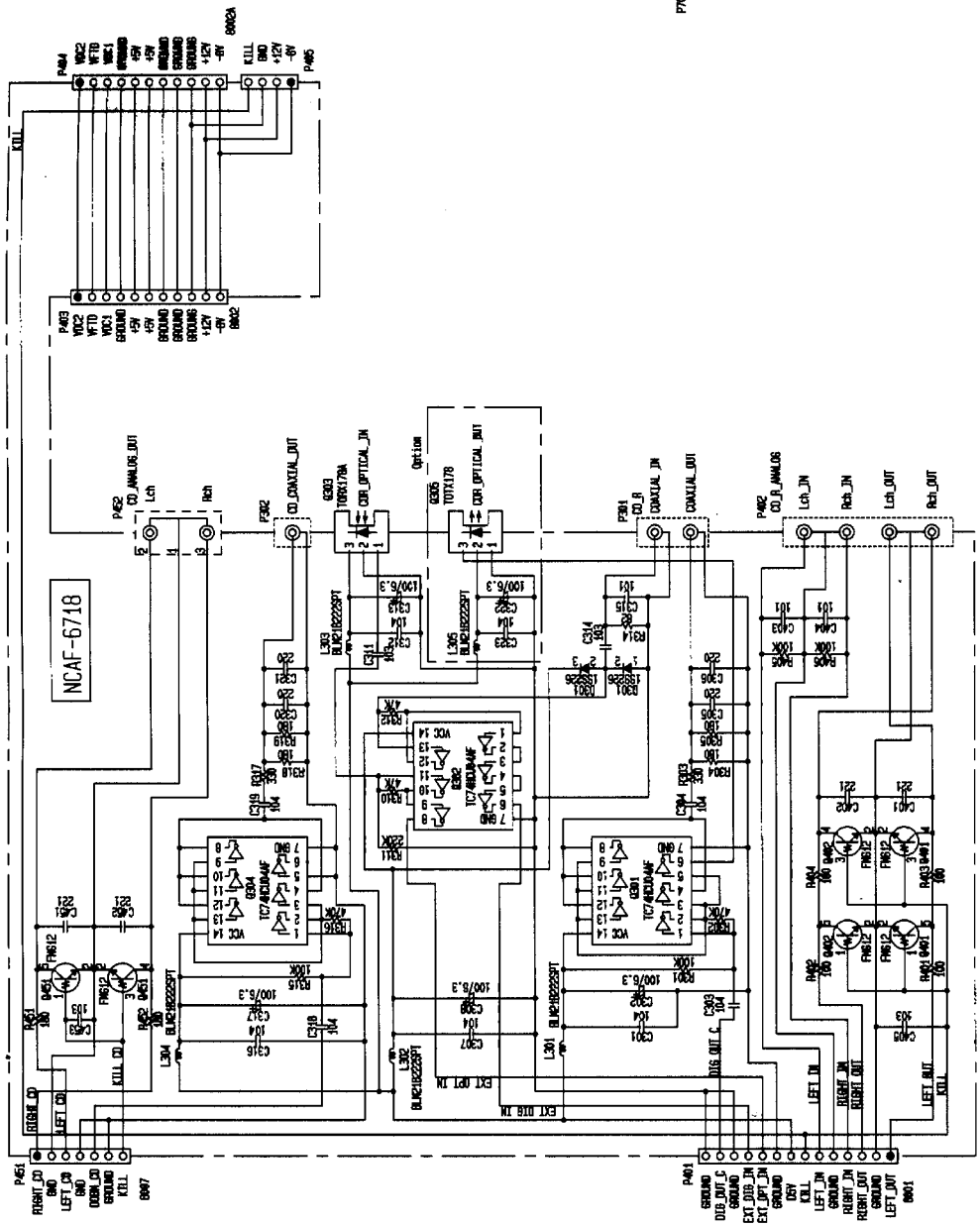
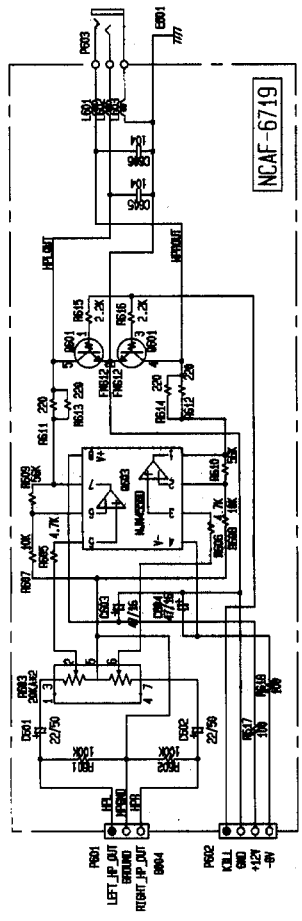
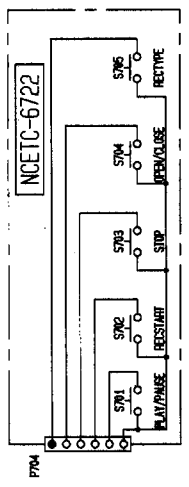
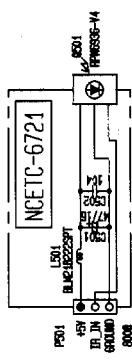
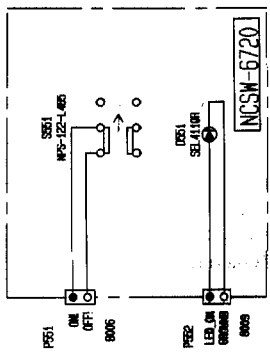
2. Diagnostics



2-1. Description

The intention of the dealer diagnostics is to give an indication of the CDR player status. An inexperienced, even nontechnical dealer will/can perform the test. Tests are executed automatically without need for external tools or disassembly of the unit. This test checks the CDR main board using the same tests as the electrical service diagnostics program. Only the result of test, "PASSED" or "ERROR", will be shown on the display. Pressing keys [F FWD] and [REWIND] simultaneously while switching on the unit, starts the test. Switching off the unit ends the

| Display circuit pc board AS (NADIS-6717-1A) | | Headphone terminal circuit pcboard AS (NAAF-6719-1A) | |
|--|---|--|---|
| CIRCUIT NO. | PART NO. DESCRIPTION | CIRCUIT NO. | PART NO. DESCRIPTION |
| D701 | Semi Conductor 224490330R2 UDZ3.3B, Zener Diode | P402 | Switch, Terminal 25045303 NPJ-4PDBL162, Pin Jack (CDR Analog IN/OUT) |
| Q701 | 22241413R3 TMP87CH74F-6851, IC | P403 | 2003B292210 NSAS-22P0769, Socket AS |
| Q702 | 212203 15-BT-69GK, Fluorescent Tube | P404 | 2003B292210 NSAS-22P0769, Socket AS |
| Q702A | 27191088 Holder (Fluorescent Tube) | P405 | 25055134 NPLG-4P118, Plug |
| Q703-Q705 | 2213143R2 or 2213144R2 2SC2712-O, Transistor or 2SC2712-Y, Transistor | P451 | 25052203 NSCT-7P2100, Socket |
| X701 | Trans Coil 3010255R2 8.00MHZ, Cera Lock | P452 | 25045371 NPJ-2PDWR214, Pin Jack (CD Analog OUT) |
| P701 | Switch, Terminal 25055367 NPLG-3P350, Plug | | |
| P702 | 2002A392055 NSAS-20P0749, Socket AS | | |
| P703 | 2002A390420 NSAS-4P0754, Socket AS | | |
| P704 | 25051090 NSCT-6P877, Wire Holder | | |
| P704A | 6J200606B15 JL6 200 BUL2651#26, Jumper Lead | | |
| P705 | 25055627 NPLG-6P589, Wire TransistorAP | | |
| S701-S708, S710-S715, S717-S723 | 25035699T NPS-111-S662, Push Switch | | |
| S709, S716 | 25035707 NPS-111-S670, Push Switch (CDR, CD Select) | | |
| S724 | 25065589 EC12E24C25, Rotary Encoder (JOG SW) | | |
| Audio terminals circuit pcboard AS (NAAF-6718-1A) | | | |
| CIRCUIT NO. | PART NO. DESCRIPTION | CIRCUIT NO. | PART NO. DESCRIPTION |
| D301 | Semi Conductor 223266R2 ISS226, Diode | R603 | 5112467 20KW, A Type, Variable Resistor (Headphone) |
| Q301, Q302, Q304 | 222740046R2TO 74HCU04(TC74HCU04F), IC | P601 | 2002A390660 NSAS-6P0761, Socket AS |
| Q303 | 24120037 TORX178B, Fiber Optic Receiving Module (CDR Optical IN) | P602 | 2003B290850 NSAS-8P0771, Socket AS |
| Q401, Q402, Q451 | 2215940R2 FMG12, Transistor | P603 | 25045255 YKB26-5009, Jack (Headphone) |
| L301-L304 | Trans Coil 230921R2 BLM21B222SPT, Choke Coil | | |
| C302, C308, C313, C317 | Capacitor 393321017T 100mF/6.3V, Electrolytic Capacitor, VX Type | | |
| P301 | Switch, Terminal 25045600 NPJ-2PDO408, Pin Jack (CDR Coaxial IN/OUT) | | |
| P302 | 25045548 NPJ-1PDOR369, Pin Jack (CD Coaxial OUT) | | |
| P401 | 25051938 NSCT-14P1725, Socket | | |



NOTE
 -THE COMPONENTS IDENTIFIED BY MARK Δ AND CRITICAL FOR SAFETY
 REPLACE ONLY WITH PART NUMBER SPECIFIED
 -VOLTAGE (OVERLINE) WITH VOLTAGES () IS DC VOLTAGE (DB INPUT SIGNAL)
 -ELECTROLYTIC CAPACITORS () ARE IN μF/RY
 -ALL CAPACITORS ARE IN P/F/RY UNLESS OTHERWISE NOTED
 -ED 300-30P 300-300P 300-300P 300-300P
 -ALL RESISTORS ARE IN OHMS UNLESS OTHERWISE NOTED
 -THE WIRE LINES ON THIS BOARD ARE THE PREFERRED SIDE OF THE PARTS.
 -CIRCUIT TO CHANGE TO CHANGE FOR IMPROVEMENT