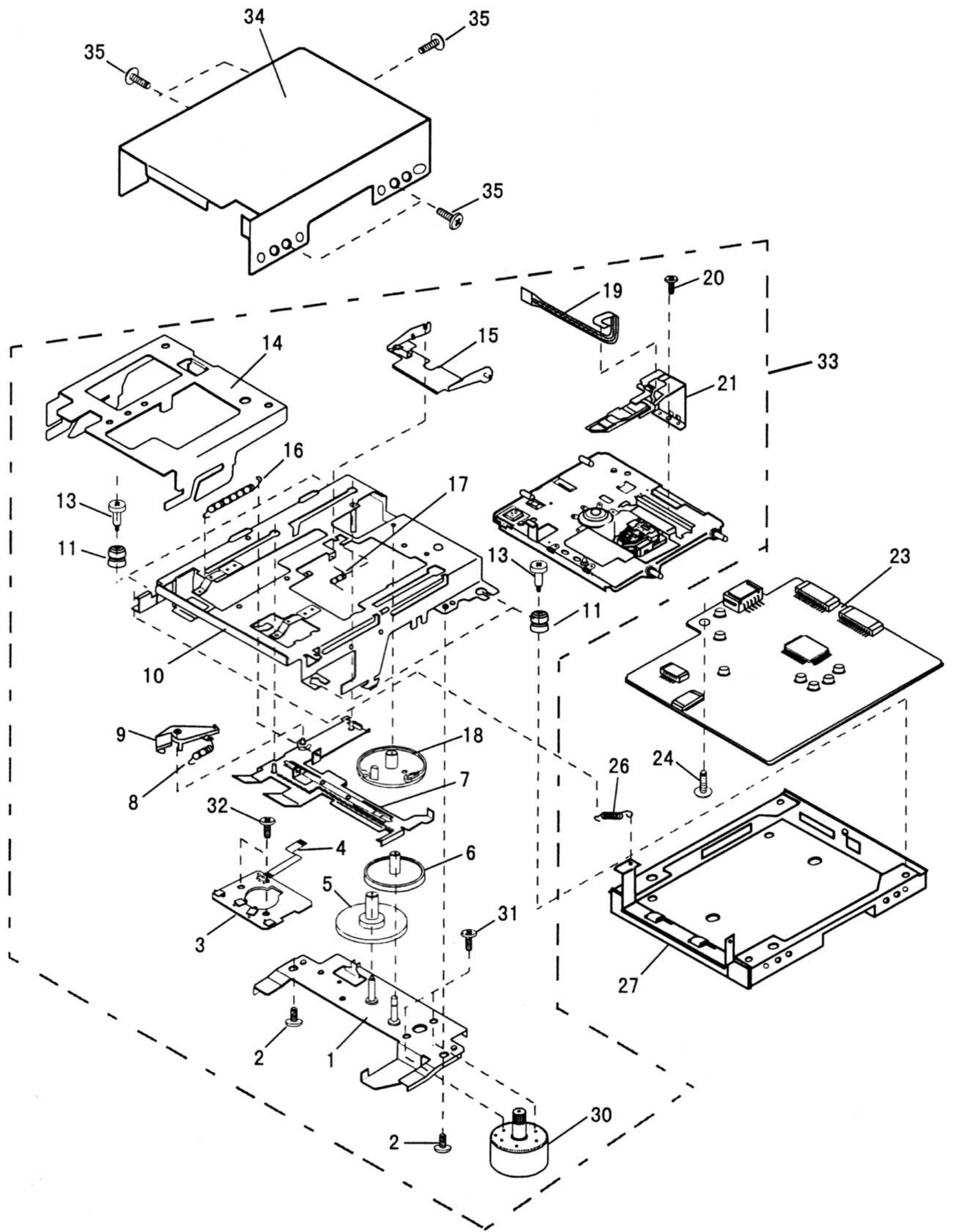


# MD MECHANISM EXPLODED VIEW

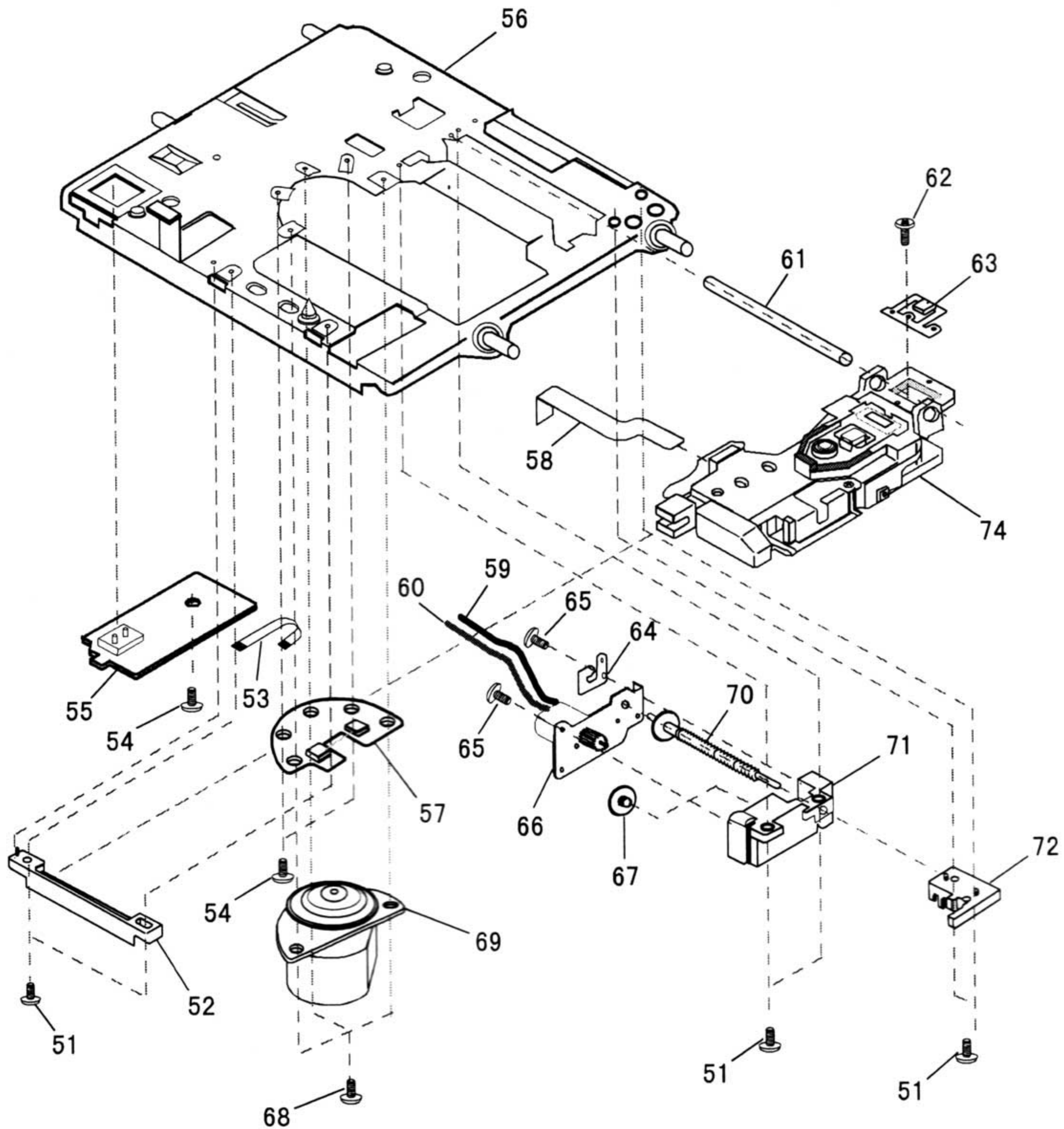


# MD MECHANISM EXPLODED VIEW PARTS LIST

NSP: No Spare parts

REF. No.	PART No.	DESCRIPTION	NOTE	REF. No.	PART No.	DESCRIPTION	NOTE
1	X2646-247-2	Motor Plate ass'y	NSP	17	1669-181-11	Head flexible pc board	
2	7685-790-09	Screw(+PTT2.6×4 Type S)		18	2627-529-01	Screw (+P1.7×2.5)	
3	1668-261-11	L-SW pc board	NSP	19	1669-181-11	Head flexible pc board	
4	1783-386-11	Flexible flat cable(6 core)		20	2627-529-01	Screw (+P1.7×2.5)	
5	2646-555-02	Gear(Relay B)		21	1500-518-11	MD Over light head	
6	2646-554-11	Gear(Relay A)		23	A4617-020-B	MD mount	NSP
7	X2646-249-1	Slot Frame ass'y		24	7685-791-09	Screw (+PTT2.6×5 Type S)	
8	2646-563-01	Spring(Slot arm), Tension coil		26	2646-545-01	Spring(Door arm), Tension coil	
9	2646-556-01	Slot Arm		27	2647-657-01	Case(Lower)	NSP
10	X2646-248-5	Load Frame ass'y	NSP	30	X2626-328-1	Loading motor ass'y	
11	2646-548-01	Insulator		31	7627-852-38	Special screw(+P1.7×1.8 Type 3)	
13	2647-337-01	Screw, Step		32	7685-780-09	Screw (+TT2×3 Type S)	
14	2646-557-02	Slide Frame	NSP	33	A4912-403-A	Loading ass'y	NSP
15	2646-559-02	Head Arm,		34	2647-619-01	Case(Upper)	NSP
16	2646-561-01	Spring, SP Tension		35	7621-259-25	Screw (+P2.6×4)	

# MD MECHANISM EXPLODED VIEW



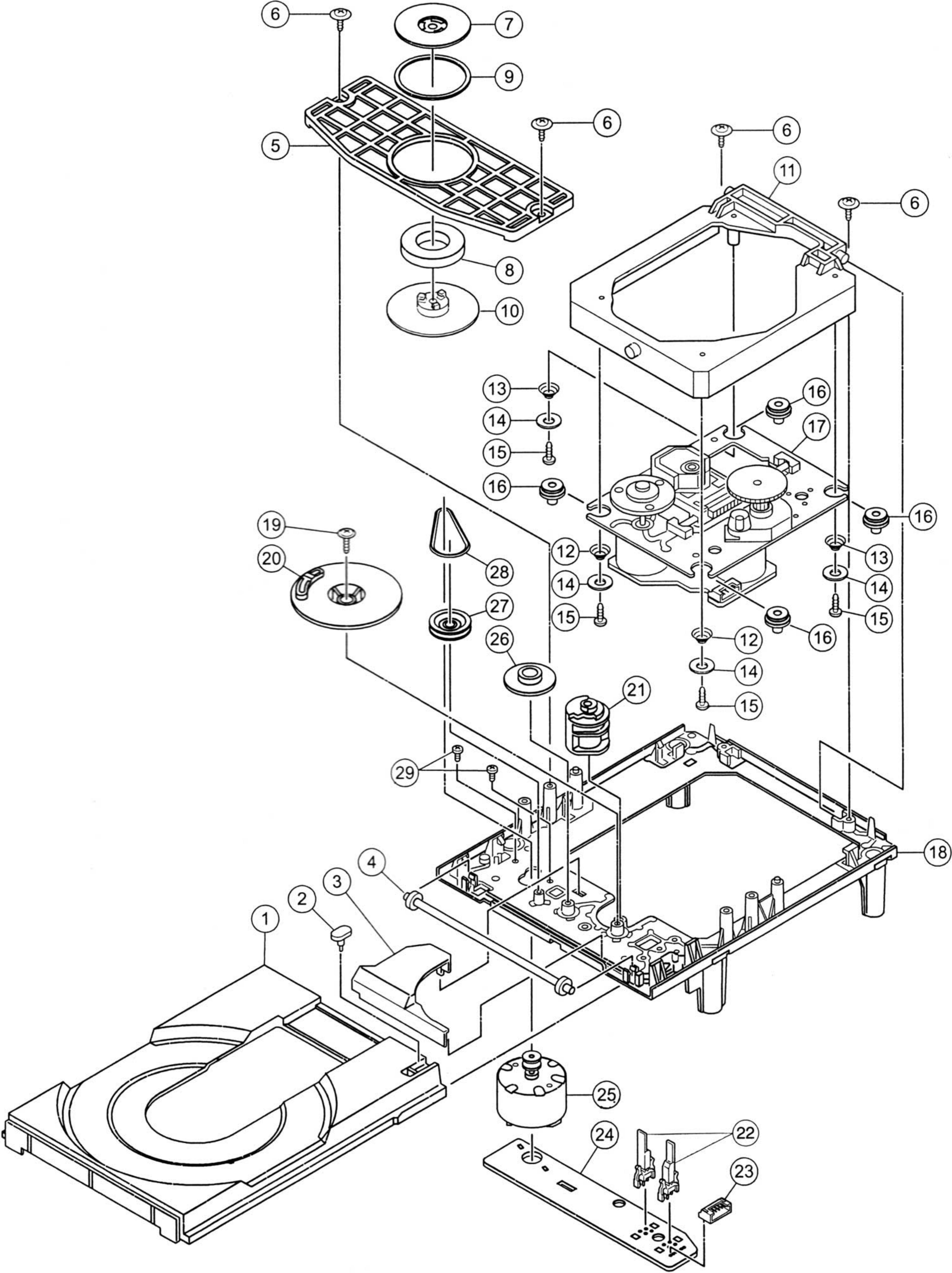
## MD MECHANISM EXPLODED VIEW PARTS LIST

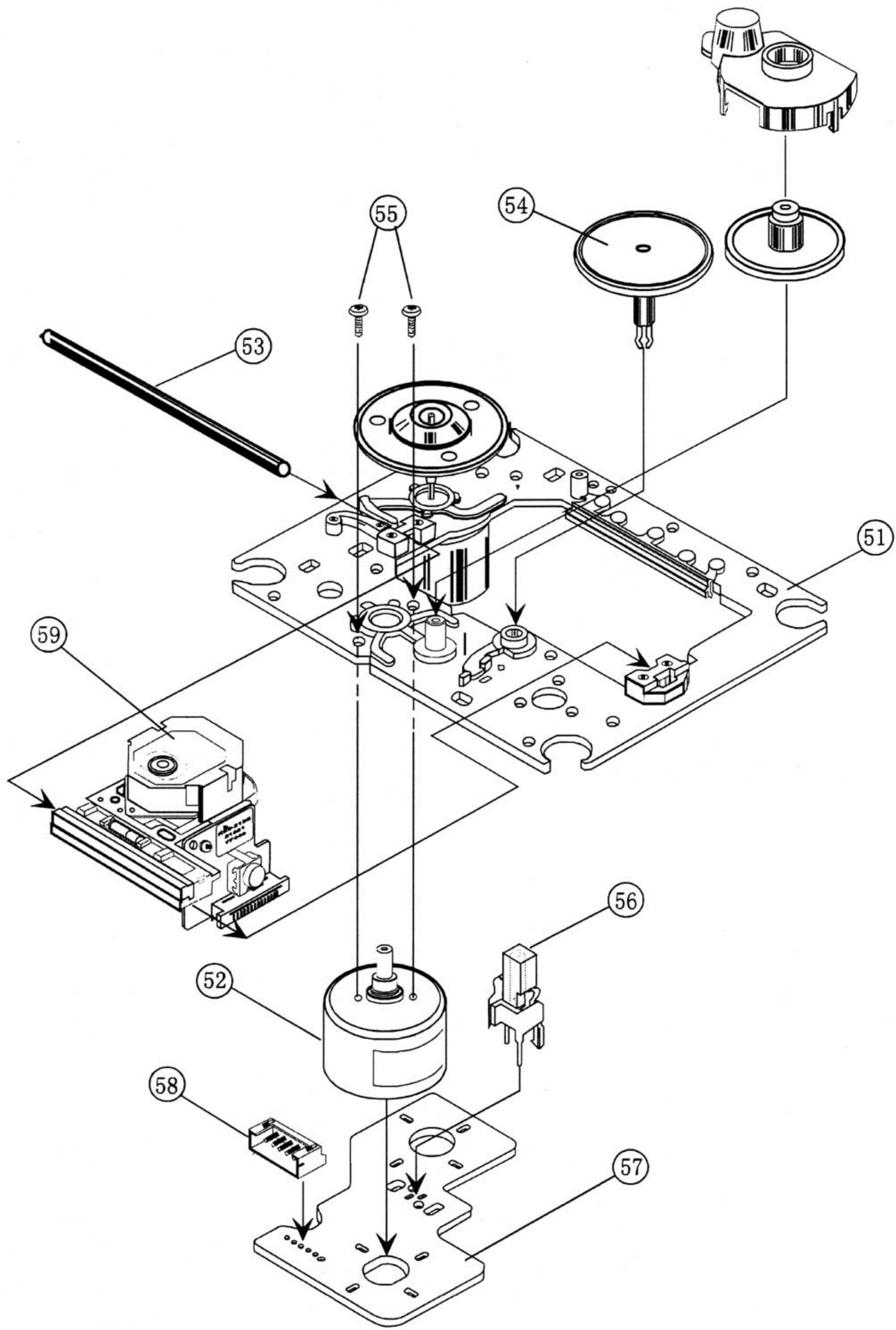
NSP: No Spare parts

REF. No.	PART No.	DESCRIPTION	NOTE
51	2627-404-01	Screw (+P1.4×3.5 Type3)	
52	2646-453-01	Sub Guide)	
53	1783-387-11	Flexible flat cable(7 core)	
54	7627-850-79	Special screw(+P1.4×1.8 Type 3)	
55	1668-262-11	D-SW pc board	NSP
56	2646-575-02	Mechanical Chassis	NSP
57	2646-566-01	Bracket, Spindle motor	
58	1669-180-11	Flexible pc board, Optical pick-up	
61	2646-452-01	Guide Shaft	
62	2627-529-01	Screw (+P1.7×2.5)	
63	2647-338-01	Rack Spring	
64	2646-567-01	Pre road Plate	

REF. No.	PART No.	DESCRIPTION	NOTE
65	2627-431-01	Special screw(1.2×3.3)	
66	X2626-329-2	Slid motor ass'y	
67	2646-571-11	Gear (MD)	
68	7627-852-18	Special screw(+P1.7×4 Type 3)	
69	X2626-327-1	Spindle motor Ass'y	
70	X2626-330-1	Lead screw Ass'y	
71	2646-574-03	Lead holder(A)	
72	2646-573-01	Lead holder(B)	
74	A4672-541-A	KMS-260A/JIN	

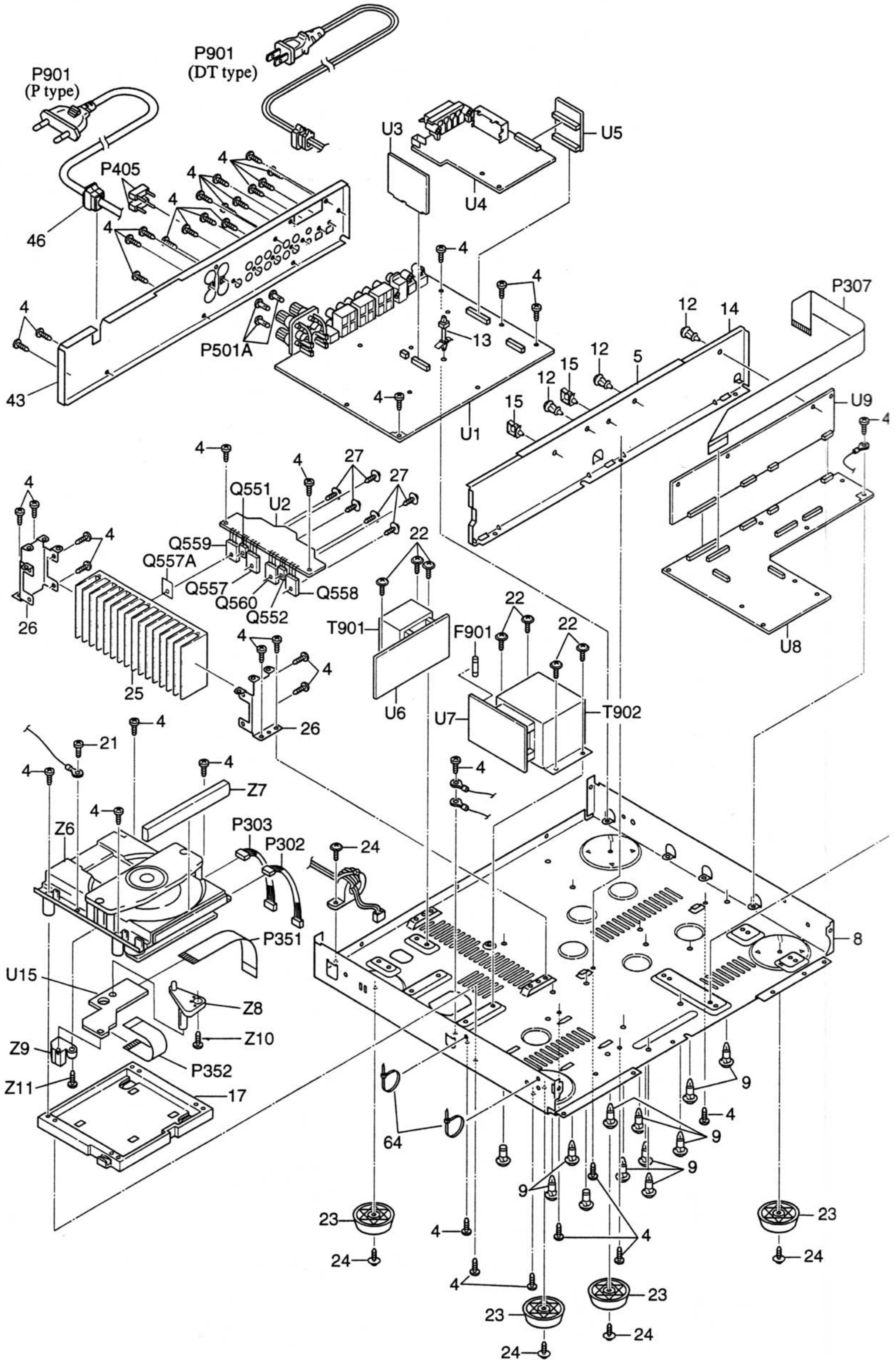
# CD MECHANISM EXPLODED VIEW

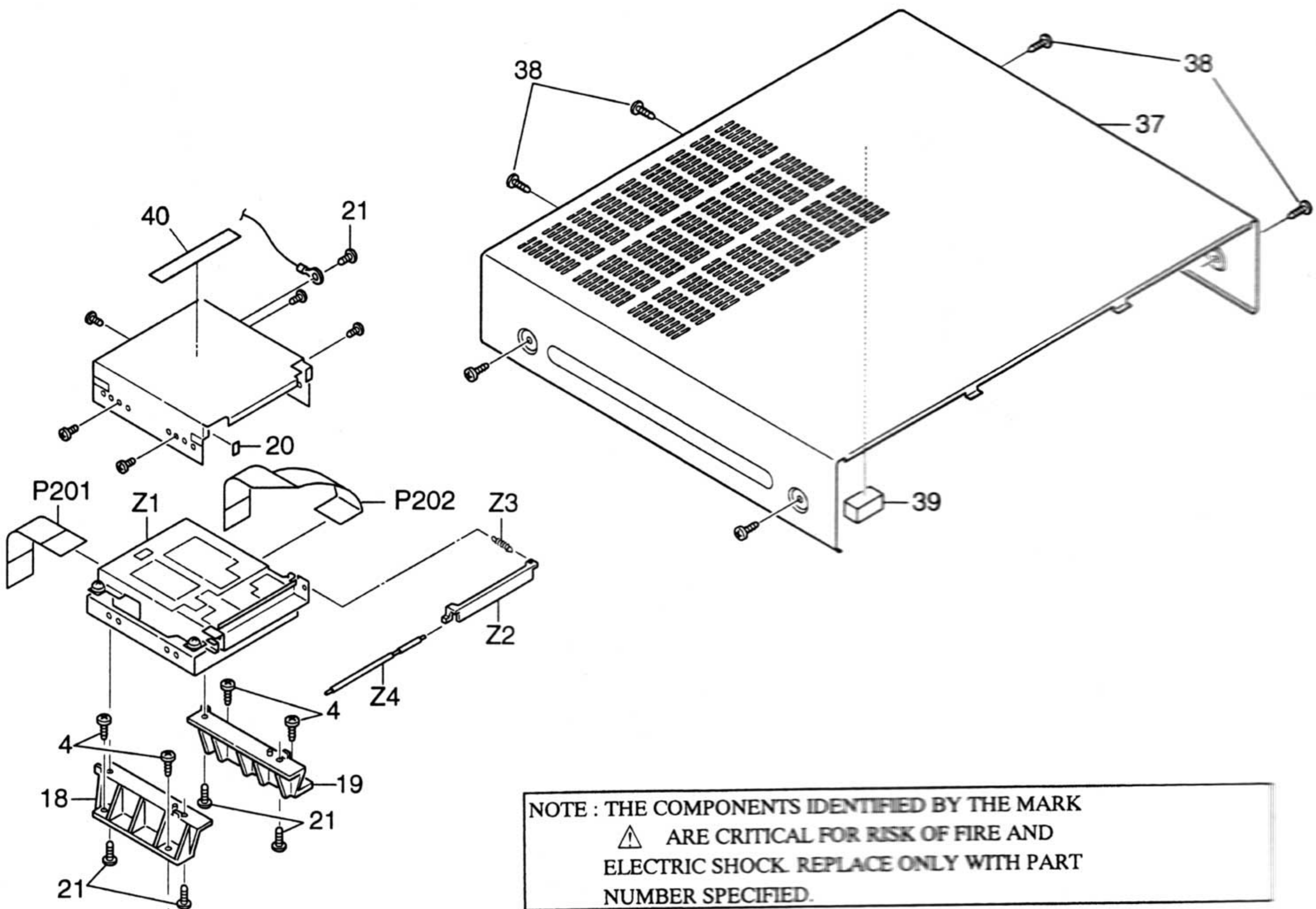





Ref.No.	Part No.	Description	Ref.No.	Part No.	Description	Ref.No.	Part No.	Description
1	2646-290-01	Tray	16	2627-234-01	Insulator	51	X2625-877-1	Motor chassois ass'y
2		Stopper	17		KSM-213CCM, Pickup drive unit	52	X2625-769-1	Motor gear ass'y
3	2625-544-01	Gear cover	18	2625-552-06	Main chassis	53	2626-908-01	Sled shaft
4	2625-535-01	Tray gear	19	3319-501-51	PTPWH2.6x16, Screw	54	2626-907-01	Gear
5	2625-546-01	Chucking plate	20	2625-547-01	Drive Gear	55		P2x3, Screw
6		PTPWH2.6x7,Screw	21	2625-545-04	Control cam	56	1572-085-11	Leaf switch
7	2625-537-01	Chucking yoke	22	1692-667-11	Leaf switch	57	1639-678-12	Motor PC board
8	1452-493-21	Magnet	23	1564-721-11	Socket	58	1564-722-11	Socket
9	2625-541-02	Damper	24	1640-523-11	Loading PC board	59	8848-483-05	KSS-213C, Pickup
10	2646-291-01	Chucking pulley	25	X2625-117-1	Loading motor ass'y			
11	2646-288-01	Sub chassis	26	2625-274-02	Midway gear			
12	2627-236-01	Coil spring (front)	27	2625-536-02	Loading pulley			
13	2627-235-01	Coil spring (back)	28	3653-387-00	LM belt			
14	2646-289-01	Washer	29		B2.6x2.5, Screw			
15		P2.6x10, Screw						

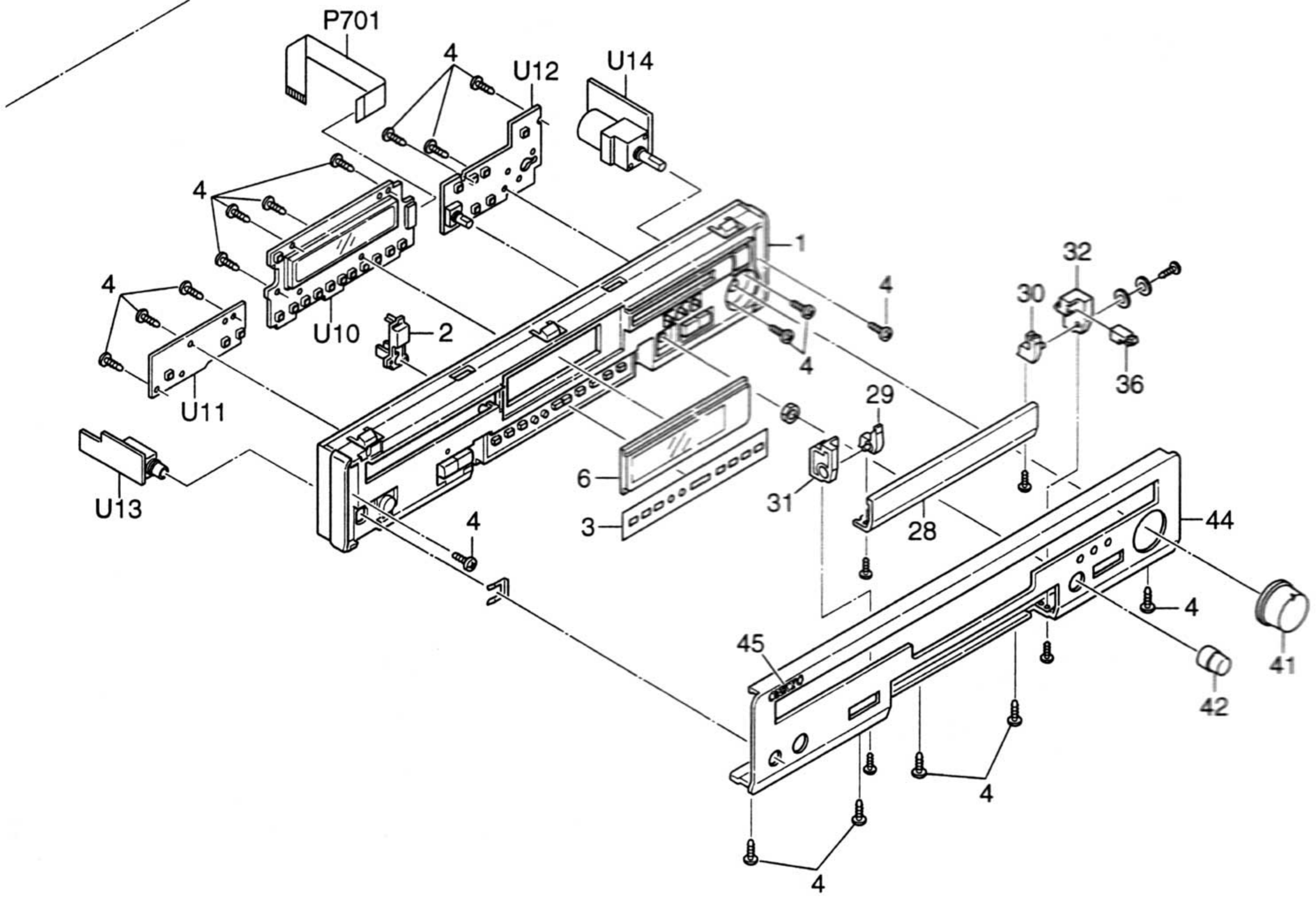
# CHASSIS-EXPLODED VIEW





NOTE : THE COMPONENTS IDENTIFIED BY THE MARK  ARE CRITICAL FOR RISK OF FIRE AND ELECTRIC SHOCK. REPLACE ONLY WITH PART NUMBER SPECIFIED.

NOTE : <P> : European model only  
<DT> : Taiwanese model only



# CHASSIS-EXPLODED VIEW PARTS LIST

REF.NO.	PART NO.	DESCRIPTION	REF.NO.	PART NO.	DESCRIPTION
1	27111114A	Front bracket	Q557A-560A	223024Y	AC238,Isolated plate
2	28325659	Knob, CD	T901	2301396	△ NPT-1363P, Power transformer<P>
3	27262637	Plate D		2301433	△ NPT-1363D, Power transformer<DT>
4	838130088	3TTB+8B, Self-tapping screw	T902	2301398	△ NPT-1364P, Power transformer<P>
5	28140837	Cushion		2301434	△ NPT-1364D, Power transformer<DT>
6	28191849A	Clear plate	U1	1A828535-1B	NAAF-6535-1B
8	27100372B	Chassis			Main circuit PC board ass'y <P>
9	27190266	KGLS-12RF,Holder		1A828535-1C	NAAF-6535-1C
10	27190965	Holder			Main circuit PC board ass'y <DT>
12	27190503A	KGLS-8RF,Holder	U2	1A828536-1B	NAAF-6536-1B
13	27190470	KGLS-18S,Holder			Power amplifier PC board ass'y <P>
14	27130823	Bracket, Shield		1A828536-1C	NAAF-6536-1C
15	27190876	LWS-2Y,Holder			Power amplifier PC board ass'y <DT>
16	28141193	Cushion	U4	1A828538-1B	NARF-6538-1B
17	27191080	Holder CD			Tuner circuit PC board ass'y <P>
18	27191078A	Holder ML		1A828538-1C	NARF-6538-1C
19	27191079	Holder MR			Tuner circuit PC board ass'y <DT>
20	28175254	Isolated plate	U5	1A828539-1B	NAETC-6539-1B,
21	838430107	3TTB+10S(BC),Self-tapping screw			Connector PC board ass'y <P>
22	830440089	4TTC+8C(BC),Self-tapping screw		1A828539-1C	NAETC-6539-1C,
23	27175380A	Leg			Connector PC board ass'y <DT>
24	831430088	3TTW+8B(BC),Self-tapping screw	U6	1A828540-1B	NAPS-6540-1B,
25	27160443	Heat sink			Power supply PC board ass'y <P>
26	27141739	Retainer H		1A828540-1C	NAPS-6540-1C,
27	801433	3SMS8W.SW+14B(BC),Special screw			Power supply PC board ass'y <DT>
28	28148407	Door	U7	1A828541-1B	NAPS-6541-1B
29	28180142B	Hinge L			Power supply PC board ass'y <P>
30	28180143B	Hinge R		1A828541-1C	NAPS-6541-1C
31	27191076B	Holder DL			Power supply PC board ass'y <DT>
32	27191077B	Holder DR	U8	1A828542-1B	NADG-6542-1B,
33	87642607	W2.6*7F(BC),Flat washer			CD & microprocessor PC board ass'y <P>
34	870148	WW-4,Wave washer		1A828542-1C	NADG-6542-1C,
35	838426088	2,6TTB+8B(BC), Self-tapping screw			CD & microprocessor PC board ass'y <DT>
36	27230025	Push latch	U9	1A828543-1B	NADG-6543-1B,
37	28184755	Top cover			DA converter PC board ass'y <P>
38	838230088	3TTB+8B(NI),Nickel screw		1A828543-1C	NADG-6543-1C,
39	28141254	Cushion			DA converter PC board ass'y <DT>
40	28141333	Cushion	U10	1A828544-1B	NADIS-6544-1B
41	28325662	Knob, Volume			Display circuit PC board ass'y <P>
42	28325160A	Knob, AMCS		1A828544-1C	NADIS-6544-1C
43	27122587	Rear panel <P>			Display circuit PC board ass'y <DT>
	27122663	Rear panel <DT>	U11	1A828545-1B	NASW-6545-1B
44	27212102	Front panel			Operation switch PC board ass'y <P>
45	28135245	Badge		1A828545-1C	NASW-6545-1C
46	27300750	△ Bushing,coad			Operation switch PC board ass'y <DT>
47	27190540-1	Holder, Clamp	U12	1A828546-1B	NASW-6546-1B
48	27301394	HL-18-0,Clamp			Operation switch PC board ass'y <P>
49	29362285	Label		1A828546-1C	NASW-6546-1C
50	28175256	Isolated plate <DT>			Operation switch PC board ass'y <DT>
51	28175257	Isolated plate <DT>	U13	1A828547-1B	NAETC-6547-1B
64	260208	Wire tie			Headphone jack PC board ass'y <P>
F901	252070	△ 1A-SE-EAK ,Fuse<P>		1A828547-1C	NAETC-6547-1C
	252148	△ 2A-TSC,Fuse<DT>			Headphone jack PC board ass'y <DT>
P201	2045261022	NCFC5-261022,Flexible cable	U14	1A828548-1B	NAETC-6548-1B
P202	2044230072	NCFC5-230072,Flexible cable			Master volume PC board ass'y <P>
P302	2009990500	NSAS-10P0654,Socket		1A828548-1C	NAETC-6548-1C
P303	20022391210	NSAS-12P0723,Socket			Master volume PC board ass'y <DT>
P307	2047193512	NCFC7-193512,Flexible cable	U15	1A828549-1B	NAETC-6549-1B
P351	2047161012	NCFC7-161012,Flexible cable			Connector PC board ass'y <P>
P352	2042161012	NCFC2-161012,Flexible cable		1A828549-1C	NAETC-6549-1C
P405	25055436	NPLG-2P418.Plug			Connector PC board ass'y <DT>
P501A	880009	NRP-345,Plastic rivet	Z1	24650031A	KMK-260BBAO, MD mechanism
P701	2045191512	NCFC5-191512,Flexible cable	Z2	24611655A	Door
P901	253237HIT	△ AS-CEE,Power supply cord <P>	Z3	24605828	Spring
	253294HDK	△ AS-UC-2#18 Power supply cord <DT>	Z4	24604139	Shaft
Q551,Q552	2212653 or 2212654	2SC3421-O or 2SC3421-Y Transistor	Z5	838430107	3TTB+10S(BC),Self-tapping screw
Q557,Q558	2202373 or 2202374 or 2202375 or 2202923 or 2202922	* 2SC4466-O or * 2SC4466-Y or * 2SC4466-P or * 2SC5196-O or * 2SC5196-R,Transistor	Z6	24800018A	NCD-170S, CD mechanism
Q559,Q560	2202363 or 2202364 or 2202365 or 2202913 or 2202912	* 2SA1693-O or * 2SA1693-Y or * 2SA1693-P or * 2SA1939-O or * 2SA1939-R,Transistor	Z7	28148405A	Door CD
			Z8	24840133	Boss PCB
			Z9	24840135	Boss PCB3
			Z10	838120080	2TTB+8P,Self-tapping screw
			Z11	838426088	2.6TTB+8B(BC),Self-tapping screw
			Z12	838430107	3TTB+10S(BC), Self-tapping screw
			Z13	838130088	3TTB+8B, Self-tapping screw

# PRINTED CIRCUIT BOARD PARTS LIST

MAIN CIRCUIT PC BOARD(NAAF-6535-1B/1C)

CIRCUIT NO.	PART NO.	DESCRIPTION	CIRCUIT NO.	PART NO.	DESCRIPTION
	<b>ICs</b>			<b>Coils</b>	
Q401	22241072	TC9273N-007	L501,L502	231176S	S-1.3C
Q402,Q403	22240191	NJM4565D-D		<b>Capacitors</b>	
Q405	22240191	NJM4565D-D	C431,C432	354742209	22 $\mu$ F,16V,Elect.
Q901	222780125JRC, 222780125MAT or 222780125NEC	NJM78M12FA, AN78M12F or MPC78M12HF	C441,C442	354742209	22 $\mu$ F,16V,Elect.
Q903	222790125JRC, 222790125MAT or 222790125NEC	NJM79M12FA, AN79M12F or MPC79M12HF	C449,C450	354742209	22 $\mu$ F,16V,Elect.
Q904,Q951	222780054JRC, 222780054MAT or 222780054NEC	NJM7805FA 7805F or MPC7805HF	C451~C454	354781599	0.15 $\mu$ F,50V,Elect.
	<b>Photo couplers</b>		C473,C474	354784709	47 $\mu$ F,50V,Elect.
Q212	24120037	TORX178A	C496,C497	374721044	0.1 $\mu$ F $\pm$ 5%,50V,Plastic
Q213	24120031	TOTX178A	C501,C502	393341007	10 $\mu$ F,16V,Elect.
	<b>Transistors</b>		C507~C510	393381017	100 $\mu$ F,50V,Elect.
Q441,Q442	2213631 or 2213632	RN1241-A or RN1241-B	C511,C512	393322217	220 $\mu$ F,6.3V,Elect.
Q462,Q467	2213090	DTA114YS	C539,C540	354744709	47 $\mu$ F,16V,Elect.
Q463,Q464	221299	DTC114TS	C547,C548	374721034	0.01 $\mu$ F $\pm$ 5%,50V,Plastic
Q481,Q482	2213631 or 2213632	RN1241-A or RN1241-B	C549	393322217	220 $\mu$ F,6.3V,Elect.
Q501~Q504	2211733	2SC1845-E	C550	393380107	1 $\mu$ F,50V,Elect.
Q505~Q508	2213284 or 2213285	2SC1740S-R or 2SC1740S-S	C555,C556	374734734	0.047 $\mu$ F $\pm$ 5%,100V,Plastic
Q509~Q514	2211354	2SA949-Y	C557,C558	374724724	4700pF $\pm$ 5%,50V,Plastic
Q515,Q516	2211634	2SC2229-Y	C591,C918	354721019	100 $\mu$ F,6.3V,Elect.
Q517,Q518	2213284 or 2213285	2SC1740S-R or 2SC1740S-S	C592	354780339	3.3 $\mu$ F,50V,Elect.
Q522,Q524	2213640	DTC123JS	C903,C904	374721044	0.1 $\mu$ F $\pm$ 5%,50V,Plastic
Q523	221281 or 2213570	DTC114YS or RN1207	C905,C906	3504207S	6800 $\mu$ F,50V,Elect.
Q591	2213354 or 2213355	2SA933S-R or 2SA933S-S	C909,C932	354741009	10 $\mu$ F,16V,Elect.
Q592	2213284 or 2213285	2SC1740S-R or 2SC1740S-S	C910,C954	374721044	0.1 $\mu$ F $\pm$ 5%,50V,Plastic
Q593	2213090 or 2213590	DTA114YS or RN2207	C912	354764709	47 $\mu$ F,35V,Elect.
Q902	2211455	2SA1015-GR	C917	354724719	470 $\mu$ F,6.3V,Elect.
Q953	221281 or 2213570	DTC114YS or RN1207	C922	393382217	220 $\mu$ F,50V,Elect.
Q957	2202705 or 2202706	2SD2394-E or 2SD2394-F	C941,C942	354741019	100 $\mu$ F,16V,Elect.
Q958	2212855	2SB1068-U	C952	354754729S	4700 $\mu$ F,25V,Elect.
	<b>Diodes</b>		C961	354741009	10 $\mu$ F,16V,Elect.
D501,D504	223163 or 223205	1SS133 or 1SS270A		<b>Resistors</b>	
D591 ,D611	223163 or 223205	1SS133 or 1SS270A	R515~R518	443528204	82 $\Omega$ $\pm$ 5%,1/2W,Metal oxide
D901	22380038	RBV602	R519,R520	443526804	68 $\Omega$ $\pm$ 5%,1/2W,Metal oxide
D917	22380035 or 22380260	GP104003E or RL1N4003	R521,R522	443528204	82 $\Omega$ $\pm$ 5%,1/2W,Metal oxide
D918	224472704	MTZJ27D	R571,R572	453530824	8.2 $\Omega$ $\pm$ 5%,1/2W,Metal
D920	224470512	MTZJ5.1B	R581~R584	443522714	270 $\Omega$ $\pm$ 5%,1/2W,Metal oxide
D923	223163 or 223205	1SS133 or 1SS270A	R585,R586	443522204	22 $\Omega$ $\pm$ 5%,1/2W,Metal oxide
D941,D942	224470512	MTZJ5.1B	R587,R588	5210259	N06HR2KBC,Trimming
D951~D954	22380035 or 22380260	GP104003E or RL1N4003	R589,R590	443522204	22 $\Omega$ $\pm$ 5%,1/2W,Metal oxide
D956,D957	223163 or 223205	1SS133 or 1SS270A	R901,R902	443621804	18 $\Omega$ $\pm$ 5%,1W,Metal oxide
D958	224472404	MTZJ24D	R921	453530224	2.2 $\Omega$ $\pm$ 5%,1/2W,Metal
			R922	443522204	22 $\Omega$ $\pm$ 5%,1/2W,Metal oxide
			R936	443622214	220 $\Omega$ $\pm$ 5%,1W,Metal oxide
				<b>Relay</b>	
			RL501	25065517 or 25065563	NRL-2P5A-DC24-098 or NRL-2P5A-DC24-129
				<b>Terminals</b>	
			P206	25045330 or 25045481	NPJ-2PDBL299 or NPJ-1PDBL382
			P401,P402	25045303 or 25045575	NPJ-4PDBL162 or NPJ-4PDRW389
			P405	25045575 or 25045303	NPJ-4PDRW389 or NPJ-2PDBL184
			P406	25045567	NPJ-4PDRW389
			P501	25060147	NTM-4PDMN075
				<b>Socket</b>	
			JL503B, JL504	25050270	NSCT-6P98
			JL901B	25050270	NSCT-6P98
			JL902B	25050267	NSCT-3P95
			P307B	25050698 or 25050851 or 25051285 or 25052215	NSCT-19P502 or NSCT-19P646 or NSCT-19P1074 or NSCT-19P2112
			P409B	25051230	NSCT-5P1020



CIRCUIT NO.	PART NO.	DESCRIPTION	CIRCUIT NO.	PART NO.	DESCRIPTION
	<b>Plugs</b>			<b>Socket</b>	
JL502B	25055626	NPLG-5P588	P408B	25051237	NSCT-12P1027
JL905B	25055624	NPLG-3P586		<b>Plug</b>	
P203A	25055441	NPLG-3P423	P409A	25055701	NPLG-5P657
P204A	25055447	NPLG-9P429			
P308A	25055443	NPLG-5P425			
P404A	25055449	NPLG-11P431			
P407A	25055805	NPLG-16P761			
P408A	25055708	NPLG-12P664			
P505A	25055147	NPLG-3P131			
P911A	25055142	NPLG-12P126			
	<b>Heat sinks</b>				
D901A	27160455	RAD-127			
Q901A,Q904A	27160444	RAD-121			
Q951A	27160445	RAD-122			
	<b>Screws</b>				
D901B	801433	3SMS8W.SW+14B(BC),Special			
D901C	838130088	3TTB+8B			
Q901B,Q904B	838430107	3TTB+10S(BC)			
Q951B	838430107	3TTB+10S(BC)			
<b>POWER AMPLIFIER CIRCUIT PC BOARD(NAAF-6536-1B/1C)</b>			<b>TUNER CIRCUIT PC BOARD(NARF-6538-1B/1C)</b>		
CIRCUIT NO.	PART NO.	DESCRIPTION	CIRCUIT NO.	PART NO.	DESCRIPTION
	<b>Transistors</b>			<b>Front end</b>	
Q553,Q554	2212653 or 2212654	2SC3421-O or 2SC3421-Y	TU001	240102	FE417-G02
Q555,Q556	2212643 or 2212644	2SA1358-O or 2SA1358-Y		<b>ICs</b>	
Q561,Q562	2211733	2SC1845-E	Q103	22241259	BA1450S
Q563,Q564	2213284 or 2213285	2SC1740S-R or 2SC1740S-S	Q131	22241076	LM7001J
Q565	2213090 or 2213590	DTA114YS or RN2207	Q161	22240191	NJM4565D-D
Q567,Q568	2211634	2SC2229-Y		<b>Transistors</b>	
Q569,Q570	2211354	2SA949-Y	Q101	2211723	2SC1923-O
	<b>Diode</b>		Q102	2210746	2SC945A-P
D503	224470512	MTZJ5.1B	Q132	2212445	2SK365-GR
	<b>Capacitors</b>		Q133,Q191	2213284	2SC1740S-R
C531,C532	393341007	10 $\mu$ F,16V,Elect.	Q134,Q162	2213510	DTA114ES
C553,C554	393341007	10 $\mu$ F,16V,Elect.	Q163,Q164	2212794	2SD1468-R
	<b>Resistors</b>			<b>Diodes</b>	
R565,R566	443528204	82 $\Omega$ $\pm$ 5%,1/2W,Metal oxide	D101	224470562	MTZJ5.6B
R567,R568	4500027	0.22 $\Omega$ $\pm$ 5%*2,2W,Metal plate	D102,D131	223163 or 223205	1SS133 or 1SS270A
	<b>Sockets</b>		D191,D192	223163 or 223205	1SS133 or 1SS270A
JL503A,JL504A	25051110	NSCT-6P897		<b>Coils</b>	
P505	2002390620	NSAS-6P0665	L101	233527 or 233529	NFIF-4118 [or NFIF-4119
	<b>Plugs</b>		L102	233383	NMC-6070
P523	25055689	NPLG-2P645	L161,L162	233484	NMC-4085
P524	25055689	NPLG-2P645		<b>Ceramic filters</b>	
			X101,X102	3010071	SFE-10.7MA5 RED
			X103	3010130	SFE10.7M2ZK
			X131	3010141 or 3010260	XTL-7.2M or HC-49/U03 7.2M
				<b>Capacitors</b>	
			C001,C104	354741019	100 $\mu$ F,16V,Elect.
			C106,C107	354780229	2.2 $\mu$ F,50V,Elect.
			C108,C141	354782299	0.22 $\mu$ F,50V,Elect.
			C109	374724734	0.047 $\mu$ F $\pm$ 5%,50V,Plastic
			C110,C138	354741009	10 $\mu$ F,16V,Elect.
			C111,C115	354780109	1 $\mu$ F,50V,Elect.
			C114	354742209	22 $\mu$ F,16V,Elect.
			C117,C136	354721019	100 $\mu$ F,6.3V,Elect.
			C139	374723334	0.033 $\mu$ F $\pm$ 5%,50V,Plastic
			C140	354780229	2.2 $\mu$ F,50V,Elect.
			C161,C162	374721034	0.01 $\mu$ F $\pm$ 5%,50V,Plastic
			C163,C164	354742209	22 $\mu$ F,16V,Elect.
			C165,C166	354742209	22 $\mu$ F,16V,Elect.
			C167,C168	374722724	2700pF $\pm$ 5%,50V,Plastic
			C170	354784799	0.47 $\mu$ F,50V,Elect.
				<b>Resistors</b>	
			R101	5210265	N06HR50KBC,Trimming
			R131	443621014	100 $\Omega$ $\pm$ 5%,1W,Metal oxide
				<b>Terminal</b>	
			P102	25060231	NTM-1PD153
				<b>Socket</b>	
			P403B	25051527	NSCT-16P1314
				<b>Plug</b>	
			TP101	25055038	NPLG-2P29
				<b>Shield plate</b>	
			TU001A	27150387	(FM)

**CONNECTOR PC BOARD(NAETC-6539-1B/1C)**

CIRCUIT NO.	PART NO.	DESCRIPTION
P403A	25055805	NPLG-16P761,Plug
P407B	25051527	NSCT-16P1314,Socket

**POWER SUPPLY CIRCUIT PC BOARD(NAPS-6540-1B/1C)**

CIRCUIT NO.	PART NO.	DESCRIPTION
<b>Transistors</b>		
Q651	2213640	DTC123JS
<b>Diodes</b>		
D955	223163 or 223205	1SS133 or 1SS270A
<b>Coils</b>		
L901	231252	NCH-3489
<b>Capacitors</b>		
C901,C902	3500077	△ DE7150F-472M
C933~C935	374721044	0.1 μ F±5%,50V,Plastic
C943	3500191	DE7150F-103M
<b>Relays</b>		
RL901	25065508 or 25065583	△ NRL-1P10A-DC12-093 or △ NRL-1P5A-DC12-139
<b>Sockets</b>		
JL901A	25051110	NSCT-6P897
JL905A	25051087	NSCT-3P874
<b>Plug</b>		
P901A	25055676	△ NPLG-2P632
<b>Covers</b>		
C901A,C902A	27301216	△ SB1925A

**POWER SUPPLY CIRCUIT PC BOARD(NAPS-6541-1B/1C)**

CIRCUIT NO.	PART NO.	DESCRIPTION
<b>Socket</b>		
JL902A	25051107	NSCT-3P894
<b>Holder</b>		
F901A	25050065	△ YSH403T
<b>Fuse label</b>		
F901B	29362525	2A/125V <DT>

**CD & MICROPROCESSOR**

**CIRCUIT PC BOARD(NADG-6542-1B/1C)**

CIRCUIT NO.	PART NO.	DESCRIPTION
<b>ICs</b>		
Q201	222740005R2TO	TC74HC00AF
Q202	22241356R3	TMP87CH40F-4E50
Q203	222740047R2TO	TC74HCT04AF
Q206	22241172R2	TC7S08FU
Q301	22241093R3	CXA1782BQ
Q302	22241247	LA6541D
Q303	22240239	TA7291S
Q701	22241355R3	MPD780058GC-086-8BT
Q905	22241210	BMR-0101D
Q991	222780055MAT, 222780055NEC or 222780055JRC	AN78M05F, MPC78M05HFor NJM78M05FA
Q992	22278033ENEC	MPC29M33HF
Q993	222780053JRC	NJM78L05A
<b>Transistors</b>		
Q204,Q205	2213090 or 2213590	DTA114YS or RN2207
Q304,Q310	2211504	2SA950-Y
Q305,Q306	2212600 or 2213580	DTA124ES or RN2203
Q311	2213160 or 2214220	DTC124ES or RN1203
Q312	2212853 or 2212855	2SB1068-K or 2SB1068-U

CIRCUIT NO.	PART NO.	DESCRIPTION
<b>Transistors</b>		
Q702,Q704	2212600 or 2213580	DTA124ES or RN2203
Q703	221282 or 2213560	DTC144ES or RN1204
<b>Diodes</b>		
D301	223234R2	1SS352
D701,D703	223234R2	1SS352
D702	224490560R2	UDZ5.6B
D704,D705	22380035 or 22380260	GP104003E or RL1N4003
D706	223234R2	1SS352
D710	22380035 or 22380260	GP104003E or RL1N4003
D750	224490560R2	UDZ5.6B
<b>Coils</b>		
L301	231237K100R2	NCH-1475
L701	231237K220R2	NCH-1477
<b>Resonator</b>		
X201	3010190	CST8.00MTW
<b>Crystal</b>		
X701	3010312	HC-49/U03 5MHz
<b>Capacitors</b>		
C206	374721054	1 μ F±5%,50V,Plastic
C301,C302	354721019	100 μ F,6.3V,Elect.
C304,C305	374721034	0.01 μ F±5%,50V,Plastic
C306,C309	374724744	0.47 μ F±5%,50V,Plastic
C307,C324	374722224	2200pF±5%,50V,Plastic
C308	374721024	1000pF±5%,50V,Plastic
C310,C311	374721044	0.1 μ F±5%,50V,Plastic
C312,C318	354780339	3.3 μ F,50V,Elect.
C313	374721044	0.1 μ F±5%,50V,Plastic
C315,C321	374721034	0.01 μ F±5%,50V,Plastic
C317	393363307	33 μ F,35V,Elect.
C320	374723334	0.033 μ F±5%,50V,Plastic
C323,C325	374721034	0.01 μ F±5%,50V,Plastic
C334,C335	354721029	1000 μ F,6.3V,Elect.
C336	354721029	1000 μ F,6.3V,Elect.
C337	354744709	47 μ F,16V,Elect.
C702	3060010	NTC-20P09,Trimmer
C704	354780229	2.2 μ F,50V,Elect.
C707	3000078	DX-5R5L104
C708,C720	354721019	100 μ F,6.3V,Elect.
C721	393384707	47 μ F,50V,Elect.
C928	354780109	1 μ F,50V,Elect.
C991,C992	354722219	220 μ F,6.3V,Elect.
C993	393321027	1000 μ F,6.3V,Elect.
C994	393324717	470 μ F,6.3V,Elect.
<b>Resistors</b>		
R312	5210263	N06HR20KBC,Trimming
R323	5210263	N06HR20KBC,Trimming
<b>Sockets</b>		
P201A	25051984	NSCT-26P1771
P202A	25051981	NSCT-23P1768
P203	2009990546	NSAS-6P0721
P307A	25050698 or 25050851 or 25052215	NSCT-19P502 or NSCT-19P646 or NSCT-19P2112
P351A	25050848 or 25052212	NSCT-16P643 or NSCT-16P2109
P701A	25051977	NSCT-19P1764
P911	2003B192425	NSAS-24P0722

CIRCUIT NO.	PART NO.	DESCRIPTION
	<b>Plugs</b>	
P207	25055702	NPLG-6P658
P208	25055804	NPLG-4P760
P302A	25055149	NPLG-5P133
P303A	25055150	NPLG-6P134
P305	25055038	NPLG-2P29
P308	2009990545A	NSAS-10P0720
P321	25055705	NPLG-9P661
P322	25055712	NPLG-20P668

#### DA CONVERTER CIRCUIT PC BOARD(NADG-6543-1B/1C)

CIRCUIT NO.	PART NO.	DESCRIPTION
	<b>ICs</b>	
Q181	22241302	BU1923
Q220,Q365	22240191	NJM4565D-D
Q223	222840521TOS	4052B(TC4052BP)
Q351	22241096R3	CXD2507AQ
Q361	22241127R2	CS4327-KS
Q363	22241172R2	TC7S08FU
	<b>Transistors</b>	
Q221,Q222	2211705 or 2211706	2SD655-E or 2SD655-F
Q362	221281 or 2213570	DTC114YS or RN1207
Q453,Q454	2211705 or 2211706	2SD655-E or 2SD655-F
	<b>Diode</b>	
D181	223234R2	1SS352
	<b>Coil</b>	
L361	231237K101R2	NCH-1481
	<b>Crystals</b>	
X351	3010308	HC-49/U0316.9344M
X181	3010321 or 3010203	HC-49/U034.332MHz or AF6146CG
	<b>Capacitors</b>	
C181	354780229	2.2 $\mu$ F,50V,Elect.
C183	354721019	100 $\mu$ F,6.3V,Elect.
C223,C224	374723924	3900pF $\pm$ 5%,50V,Plastic
C225,C226	374721524	1500pF $\pm$ 5%,50V,Plastic
C227,C228	374723624	3600pF $\pm$ 5%,50V,Plastic
C229,C230	374721824	1800pF $\pm$ 5%,50V,Plastic
C231,C232	374721824	1800pF $\pm$ 5%,50V,Plastic
C233,C234	374724714	470pF $\pm$ 5%,50V,Plastic
C235,C236	393384707	47 $\mu$ F,50V,Elect.
C237,C471	374722234	0.022 $\mu$ F $\pm$ 5%,50V,Plastic
C240,C241	393344707	47 $\mu$ F,16V,Elect.
C351	354784799	0.47 $\mu$ F,50V,Elect.
C352	374721034	0.01 $\mu$ F $\pm$ 5%,50V,Plastic
C354	374724734	0.047 $\mu$ F $\pm$ 5%,50V,Plastic
C355	374721524	1500pF $\pm$ 5%,50V,Plastic
C359	354722219	220 $\mu$ F,6.3V,Elect.
C361,C364	393322217	220 $\mu$ F,6.3V,Elect.
C365	393381017	100 $\mu$ F,50V,Elect.
C381,C382	393382207	22 $\mu$ F,50V,Elect.
C383,C384	374722224	2200pF $\pm$ 5%,50V,Plastic
C385,C386	374723924	3900pF $\pm$ 5%,50V,Plastic
C389,C390	393382207	22 $\mu$ F,50V,Elect.
	<b>Sockets</b>	
P204	2009990537	NSAS-18P0707
P207A	25051231	NSCT-6P1021
P208A	25051526	NSCT-4P1313
P321A	25051234	NSCT-9P1024
P322A	25051241	NSCT-20P1031
	<b>Plug</b>	
P304	25055045	NPLG-4P33

#### DISPLAY CIRCUIT PC BOARD(NADIS-6544-1B/1C)

CIRCUIT NO.	PART NO.	DESCRIPTION
	<b>FL tube</b>	
Q750	212191	BJ621GK
	<b>Remote Sensor</b>	
Q752	241329	PIC-26043TH2
	<b>IC</b>	
Q751	22240685R9	M66004FP
	<b>Capacitors</b>	
C755	353780479	4.7 $\mu$ F,50V,Elect.
C756	353721019	100 $\mu$ F,6.3V,Elect.
	<b>Push switches</b>	
S754~S765	25035652	NPS-111-S604
	<b>Sockets</b>	
P702	200EE290805	NSAS-8P0718
P703	200EE291010	NSAS-10P0719
P701B	25051799A	NSCT-19P1586
	<b>Holder</b>	
Q750A	27191060B	(FL)

#### OPERATION SWITCH PC BOARD(NASW-6545-1B/1C)

CIRCUIT NO.	PART NO.	DESCRIPTION
	<b>Push switch</b>	
S751~S753	25035652	NPS-111-S604

#### OPERATION SWITCH PC BOARD(NASW-6546-1B/1C)

CIRCUIT NO.	PART NO.	DESCRIPTION
	<b>Switches</b>	
S766~S771	25035652	NPS-111-S604
	<b>Rotary encoder</b>	
S750	25065507	EC11B15244

#### HEADPHONE JACK PC BOARD(NAETC-6547-1B/1C)

CIRCUIT NO.	PART NO.	DESCRIPTION
	<b>Core</b>	
L507	230906	BL02RN2-R62
	<b>Socket</b>	
JL502A	25051089	NSCT-5P876
	<b>Terminal</b>	
P502	25045514	YKB26-5005

#### MASTER VOLUME PC BOARD(NAETC-6548-1B/1C)

CIRCUIT NO.	PART NO.	DESCRIPTION
	<b>IC</b>	
Q710	22240239	TA7291S
	<b>Capacitor</b>	
C710	354744709	47 $\mu$ F,16V,Elect.
	<b>Resistor</b>	
R601	5104334Y	N16RGL100KBT25F,Variable
	<b>Socket</b>	
P404	2009990538	NSAS-22P0708

#### CD CONNECTOR PC BOARD(NAETC-6549-1B/1C)

CIRCUIT NO.	PART NO.	DESCRIPTION
	<b>Socket</b>	
P351B	25050880 or 25052249	NSCT-16P675 or NSCT-16P2146
P352A	25051796A	NSCT-16P1583