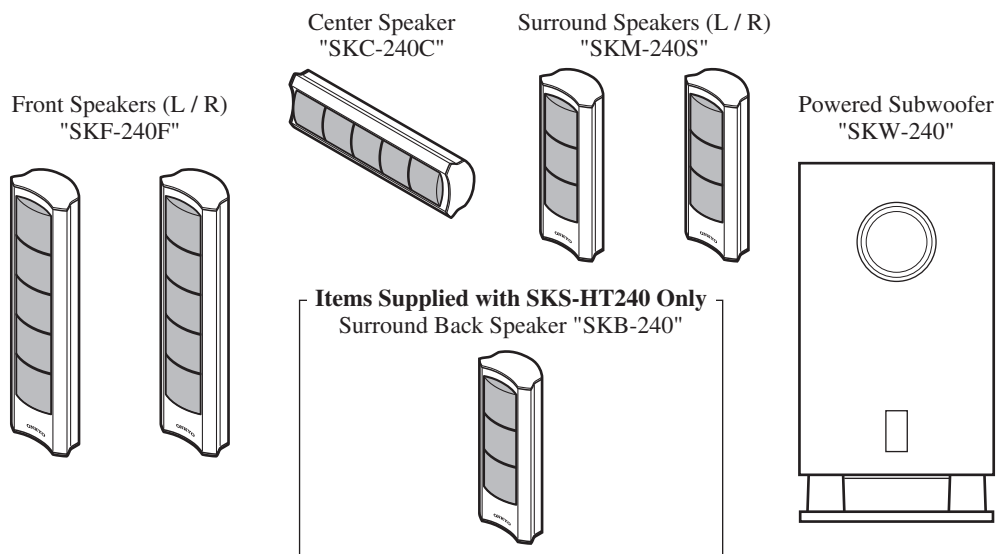


ONKYO SERVICE MANUAL

5.1-CH HOME THEATER SPEAKER PACKAGE MODEL HTP-240(S)


6.1-CH HOME THEATER SPEAKER PACKAGE MODEL SKS-HT240(S)



Silver model

SCDD	120 V AC, 60Hz
------	----------------

SAFETY-RELATED COMPONENT WARNING!!

COMPONENTS IDENTIFIED BY MARK  ON THE SCHEMATIC DIAGRAM AND IN THE PARTS LIST ARE CRITICAL FOR RISK OF FIRE AND ELECTRIC SHOCK. REPLACE THESE COMPONENTS WITH ONKYO PARTS WHOSE PART NUMBERS APPEAR AS SHOWN IN THIS MANUAL.

MAKE LEAKAGE-CURRENT OR RESISTANCE MEASUREMENTS TO DETERMINE THAT EXPOSED PARTS ARE ACCEPTABLY INSULATED FROM THE SUPPLY CIRCUIT BEFORE RETURNING THE APPLIANCE TO THE CUSTOMER.

SPECIFICATIONS

Powered Subwoofer (SKW-240)

Type :	Bass reflex with built-in power amplifier
Input sensitivity/impedance :	220 mV / 15 k ohm
Maximum output power :	150 W Dynamic
Frequency response :	27 Hz - 150 Hz
SN ratio :	70 dB
Cabinet capacity :	38.5 L
Dimensions (W x H x D) :	10-13/16" x 20-3/8" x 16-3/16" (275 x 518 x 411 mm)
Weight :	30.9 lbs. (14 kg)
Drive unit :	8" cone woofer
Power supply :	AC 120 V, 60 Hz
Power consumption :	75 W
Other :	Auto Standby function

Center Speaker (SKC-240C)

Type :	2-way bass reflex center speaker
Impedance :	8 ohm
Maximum input power :	100 W
Output sound pressure level :	82 dB/W/m
Frequency response :	65 Hz - 35 kHz
Crossover frequency :	5 kHz
Cabinet capacity :	2.6 L
Dimensions (W x H x D) :	17-5/16" x 5-1/8" x 3-9/16" (439 x 130 x 91 mm)
Weight :	5.1 lbs. (2.3 kg)
Speaker :	3-1/8" cone woofer x 2 1" balanced-dome tweeter
Other :	Magnetic shielding

Front Speaker (SKF-240F)

Type :	2-way bass reflex front speaker
Impedance :	8 ohm
Maximum input power :	100 W
Output sound pressure level :	82 dB/W/m
Frequency response :	55 Hz - 35 kHz
Crossover frequency :	5 kHz
Cabinet capacity :	3 L
Dimensions (W x H x D) :	5-1/8" x 19-11/16" x 3-9/16" (130 x 500 x 91 mm)
Weight :	5.5 lbs. (2.5 kg)
Drive unit :	3-1/8" cone woofer x 2 1" balanced-dome tweeter
Other :	Magnetic shielding

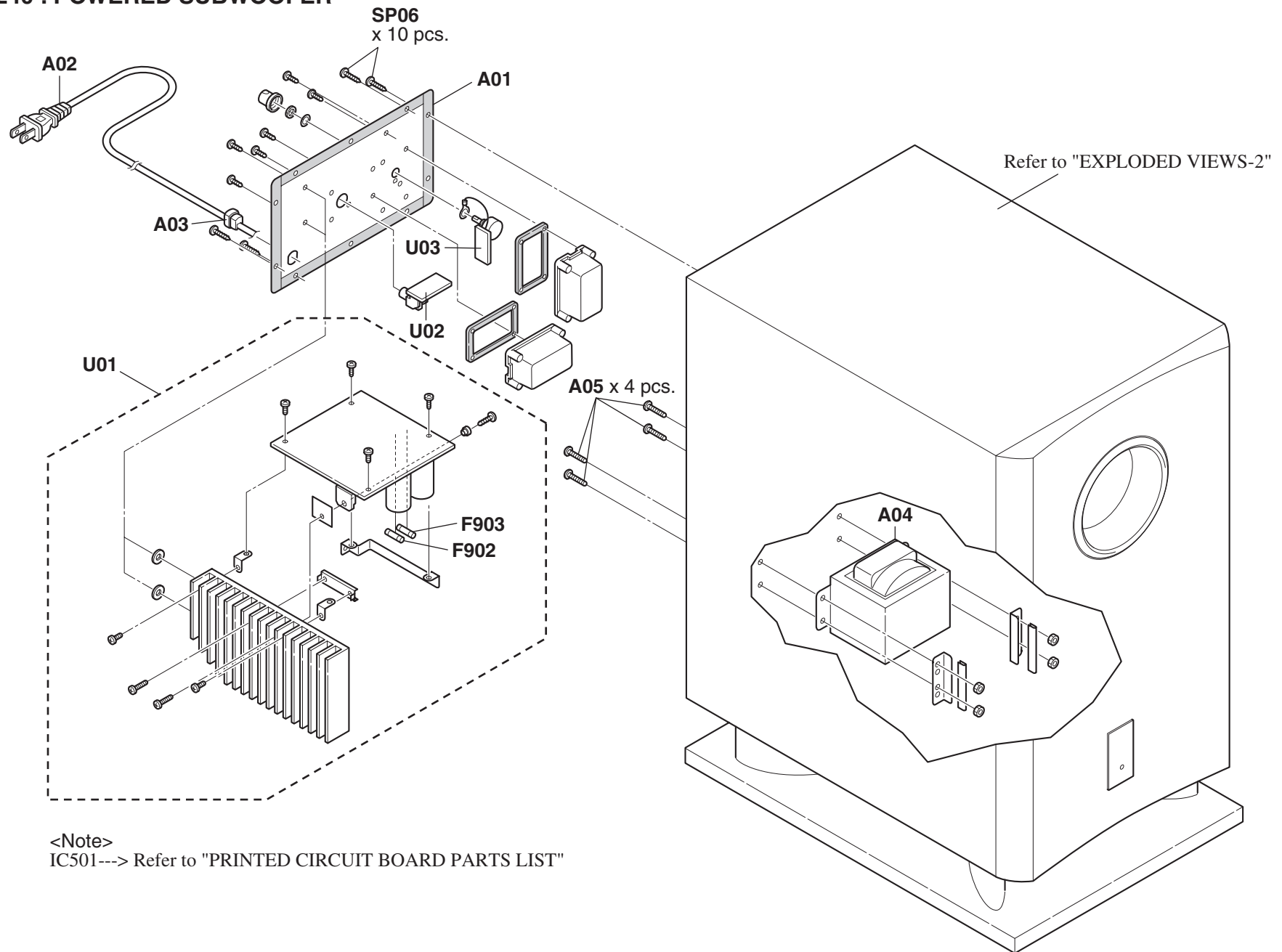
Surround Speaker (SKM-240S/SKB-240)

Type :	2-way bass reflex surround/surround back speaker
Impedance :	8 ohm
Maximum input power :	100 W
Output sound pressure level :	80 dB/W/m
Frequency response :	65 Hz - 35 kHz
Crossover frequency :	6.5 kHz
Cabinet capacity :	2 L
Dimensions (W x H x D) :	5-1/8" x 13-3/8" x 3-9/16" (130 x 340 x 91 mm)
Weight :	3.5 lbs. (1.6 kg)
Speaker :	3-1/8" cone woofer 1" balanced-dome tweeter
Other :	Magnetic shielding

Specifications and appearance are subject to change without prior notice.

EXPLODED VIEWS-1

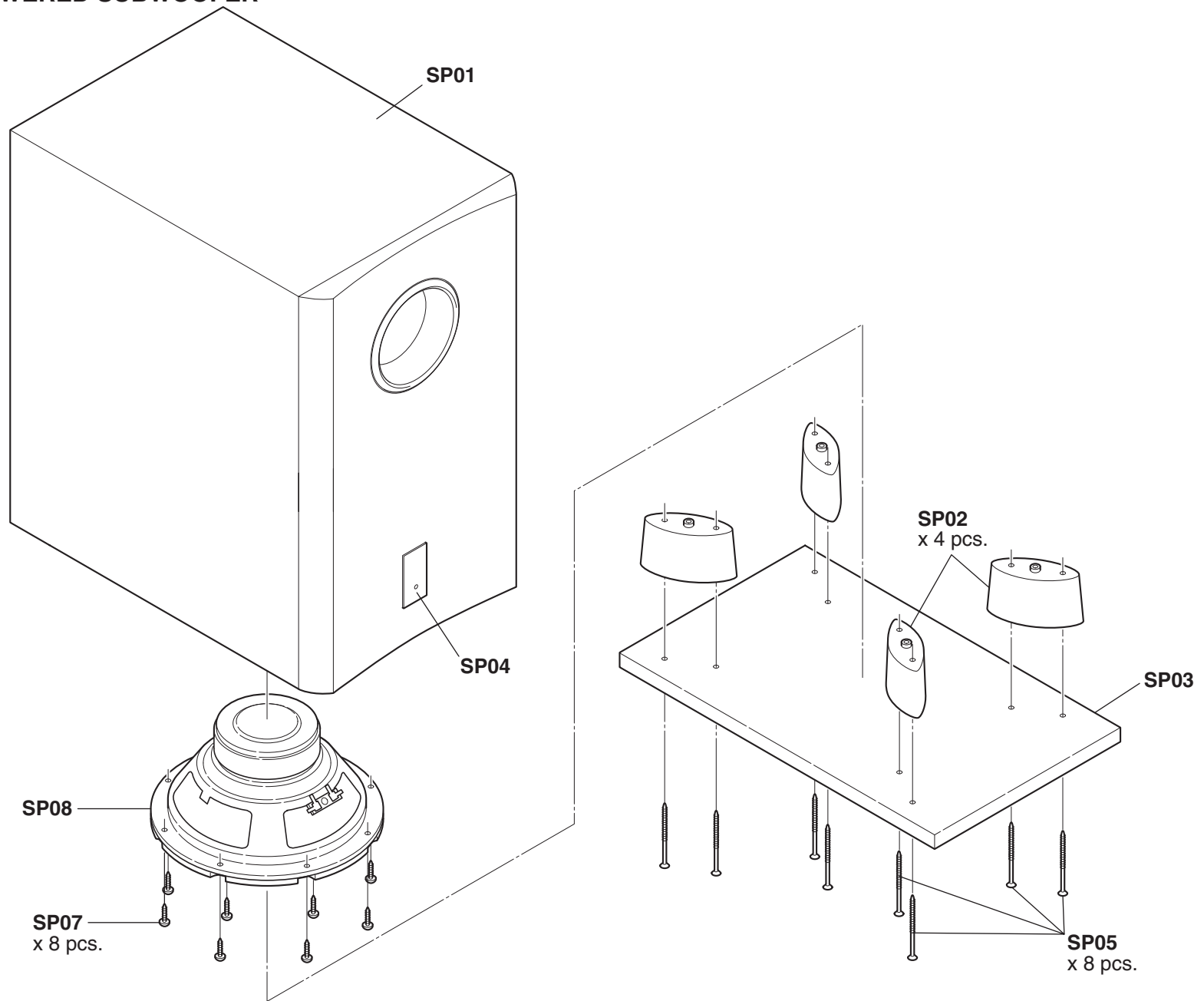
SKW-240 : POWERED SUBWOOFER



<Note>
IC501----> Refer to "PRINTED CIRCUIT BOARD PARTS LIST"

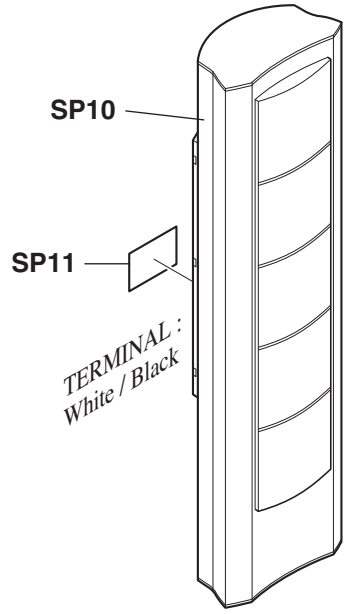
EXPLODED VIEWS-2

SKW-240 : POWERED SUBWOOFER

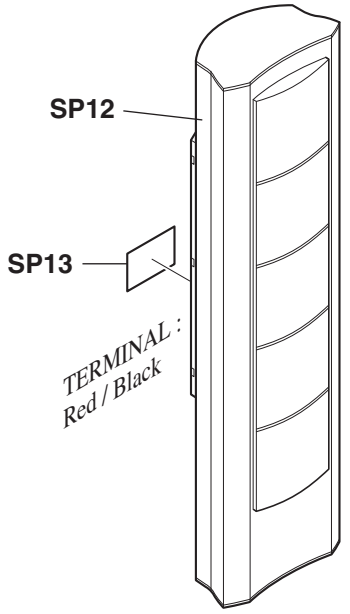


EXPLODED VIEWS-3

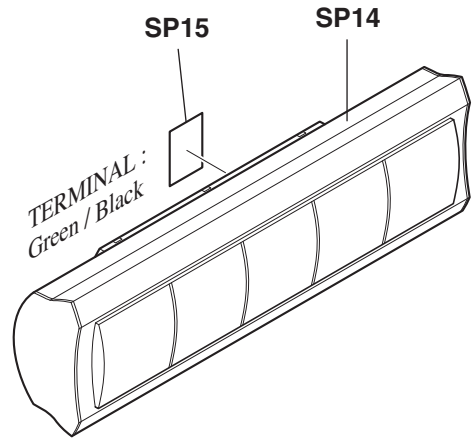
SKF-240F / SKC-240C / SKM-240S / SKB-240



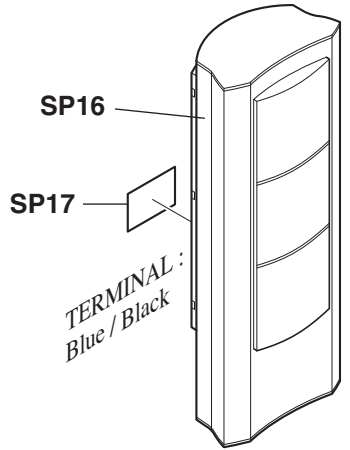
"SKF-240F (L)"



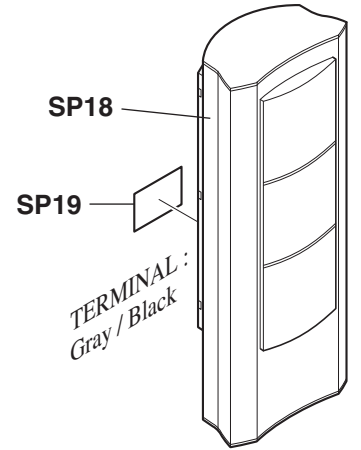
"SKF-240F (R)"



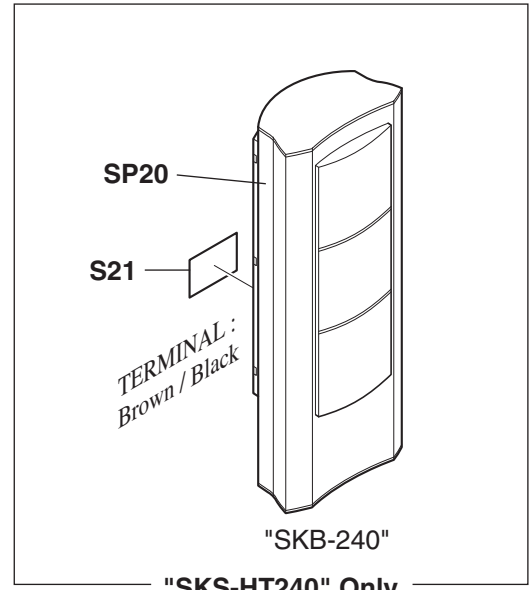
"SKC-240C"



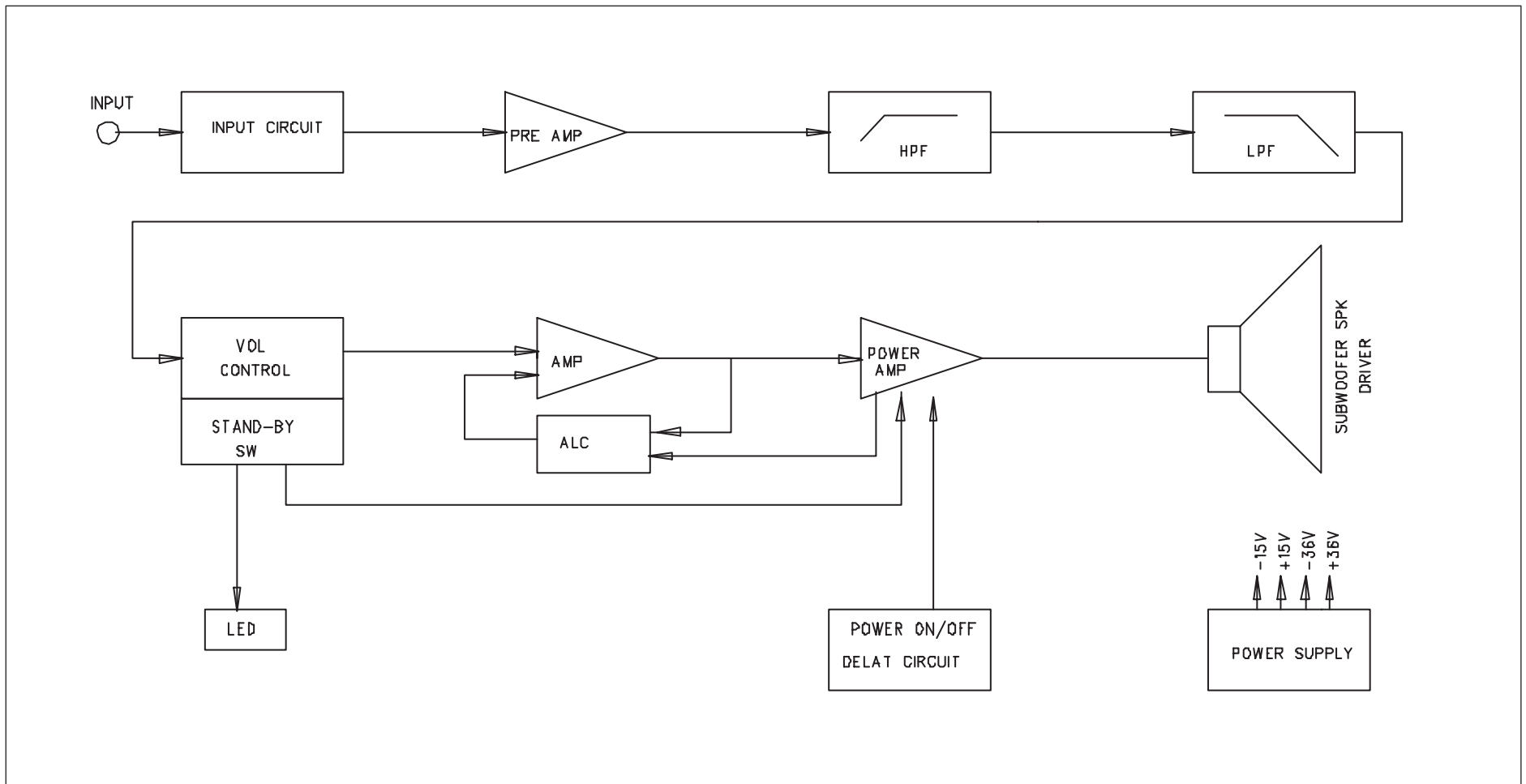
"SKM-240S (L)"



"SKM-240S (R)"



BLOCK DIAGRAM
SKW-240 : POWERED SUBWOOFER



SCHEMATIC DIAGRAM
SKW-240 : POWERED SUBWOOFER

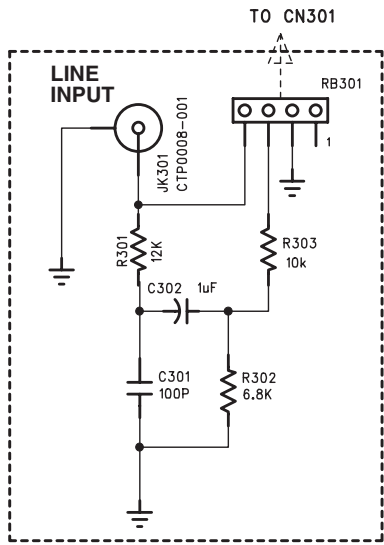
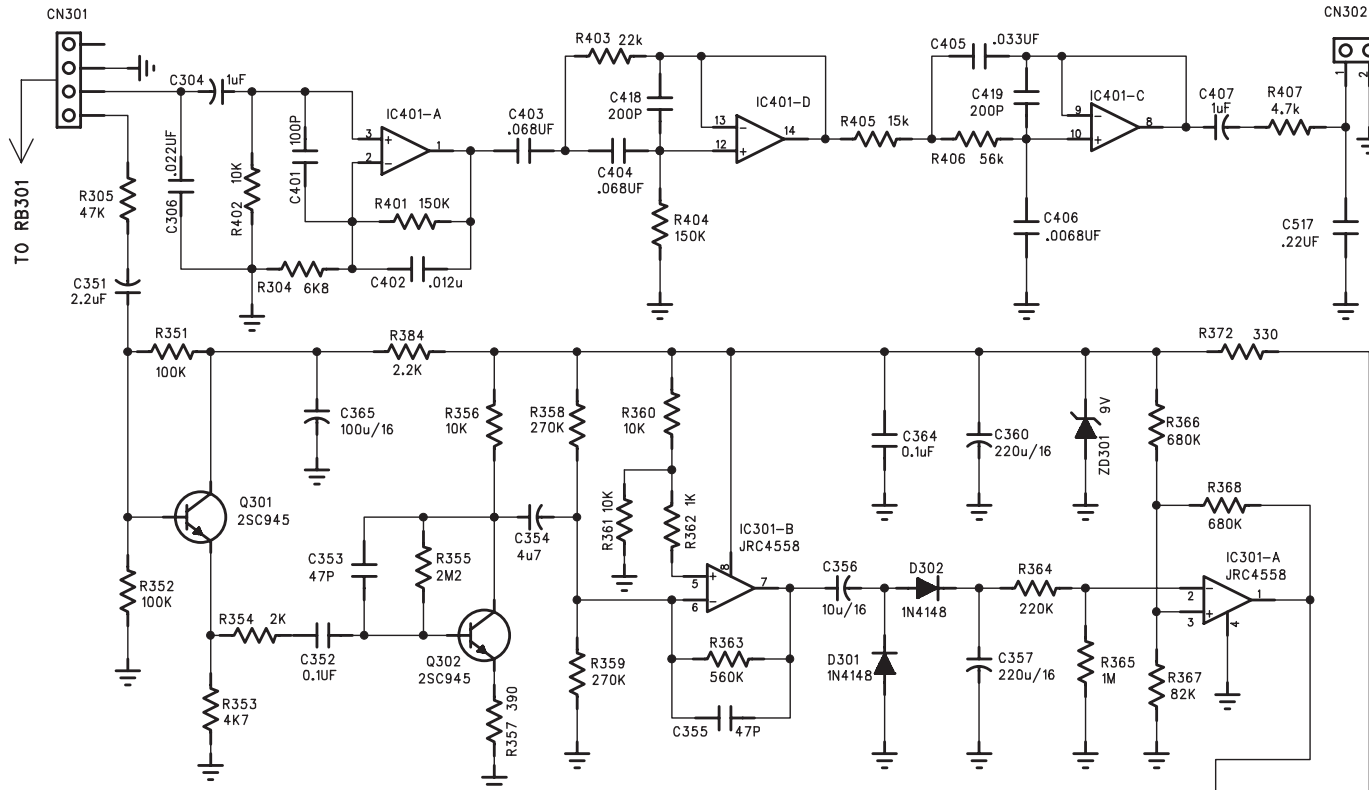
1

2

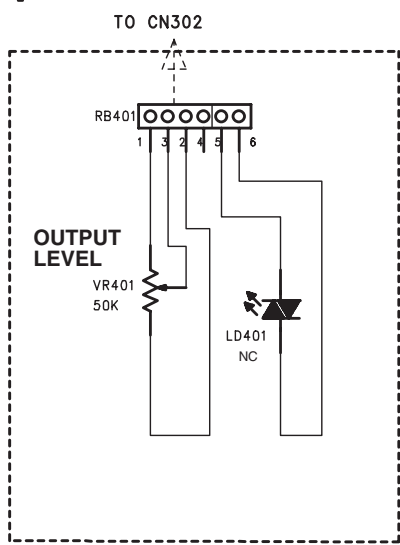
3

4

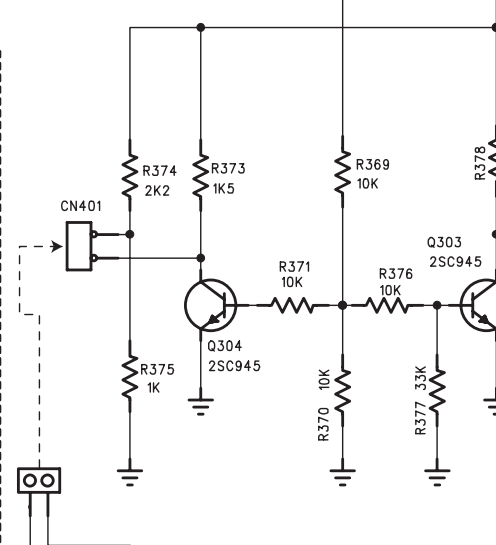
5



U02 INPUT PC BOARD



U03 VR / LED PC BOARD



U01 M...

Note :
NC = No mount of parts.

LED
RED : STANDBY MODE
GREEN : ON

AC 120V / 60Hz

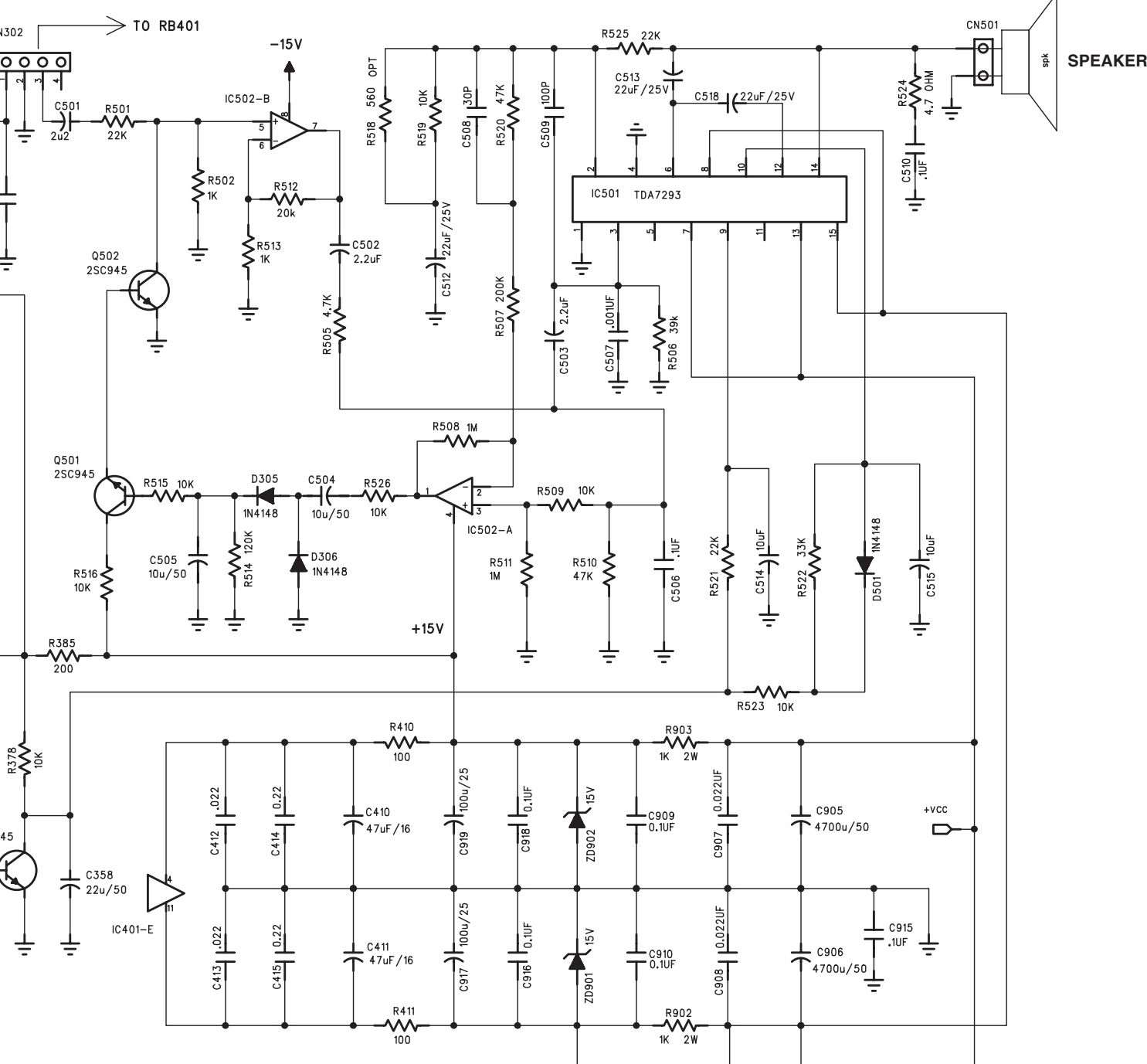
E

F

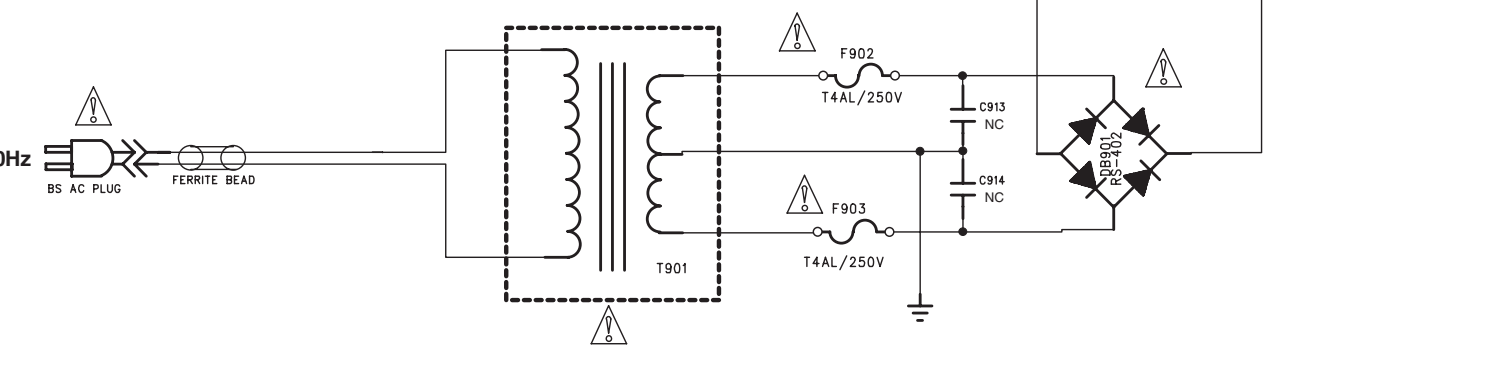
G

H

TO RB401



MAIN PC BOARD



SCHEMATIC DIAGRAM
SKW-240 : POWERED SUBWOOFER

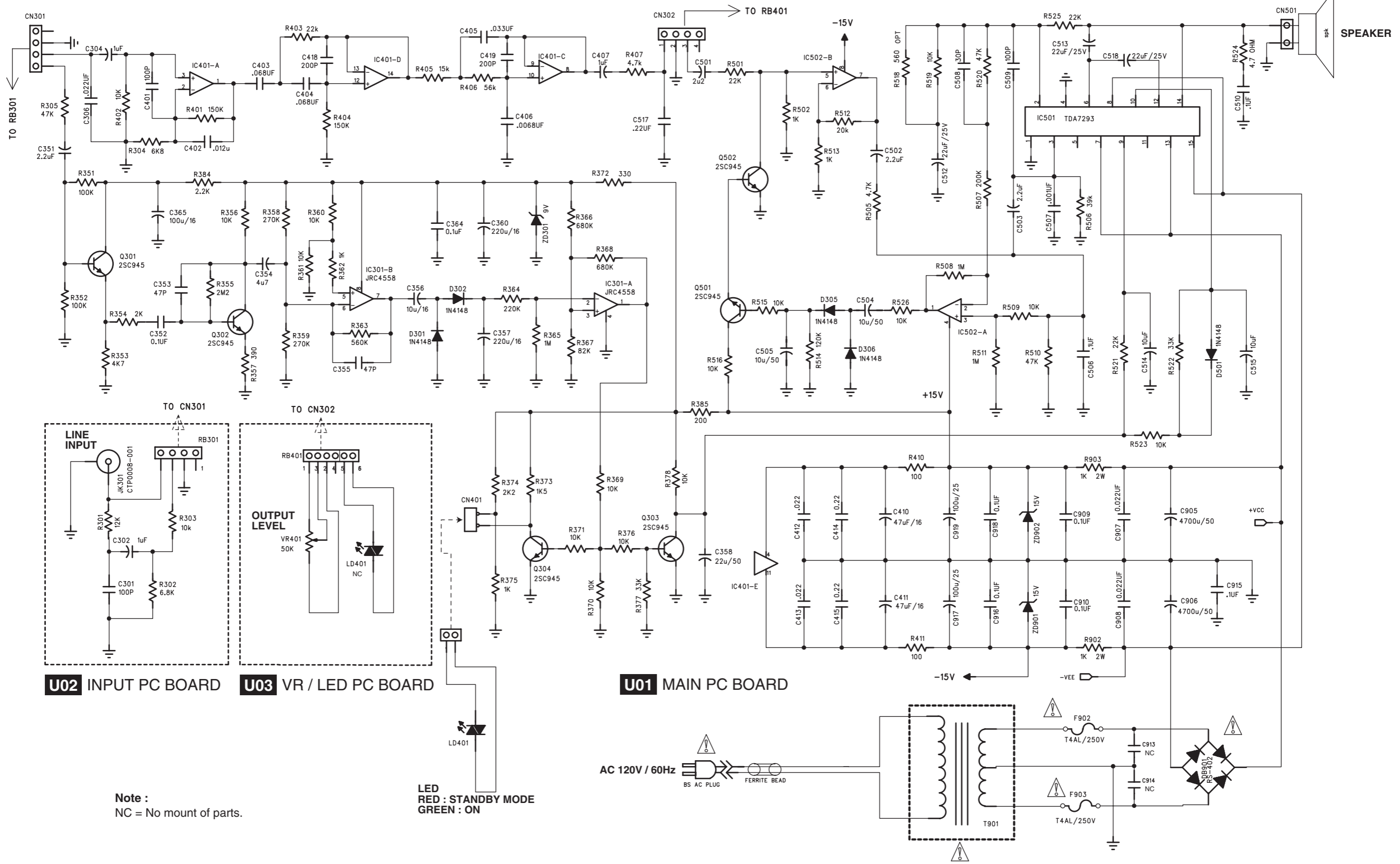
1

2

3

4

5



U02 INPUT PC BOARD

U03 VR / LED PC BOARD

U01 MAIN PC BOARD

Note :
NC = No mount of parts.

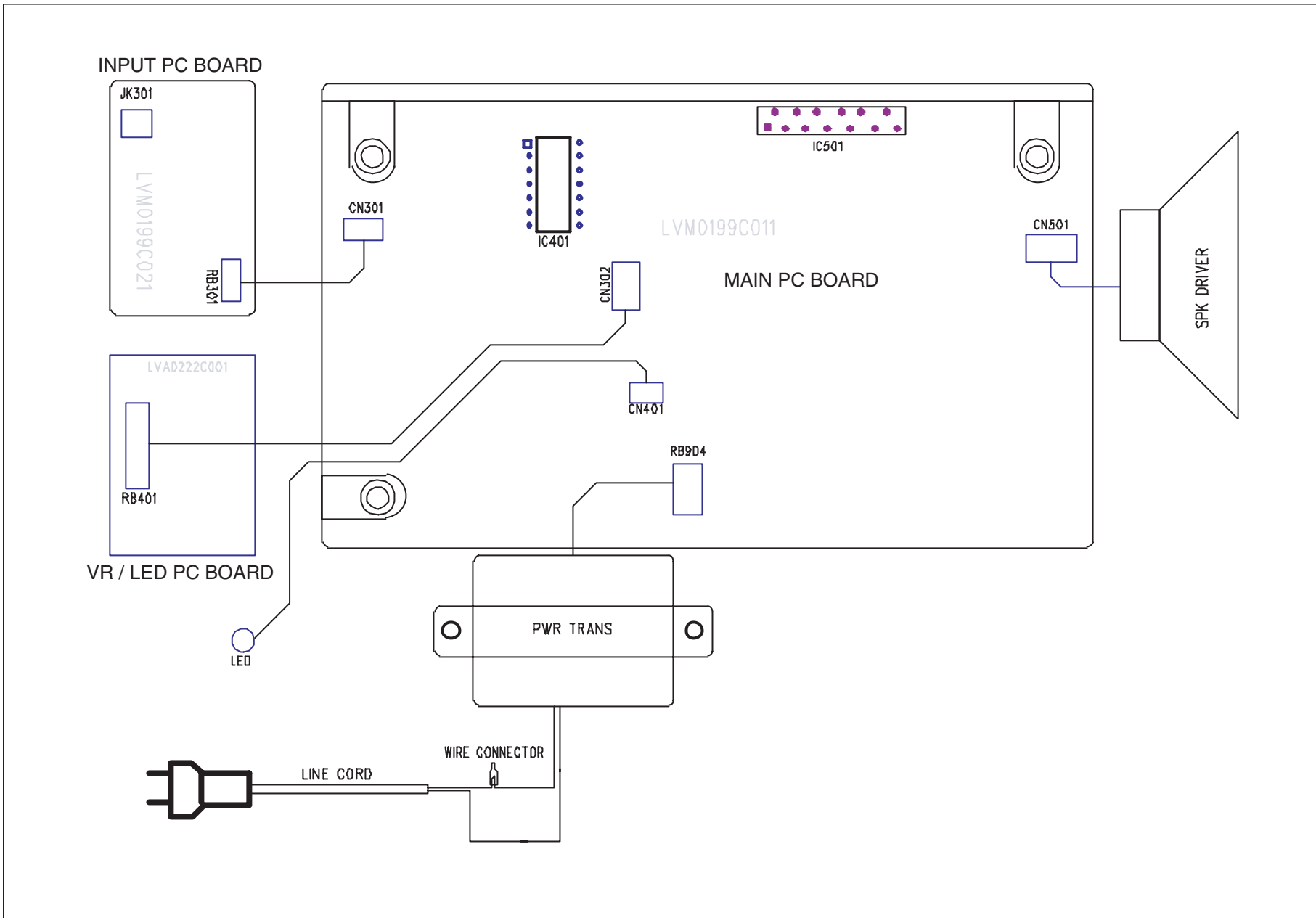
LED
RED : STANDBY MODE
GREEN : ON

AC 120V / 60Hz

SPEAKER

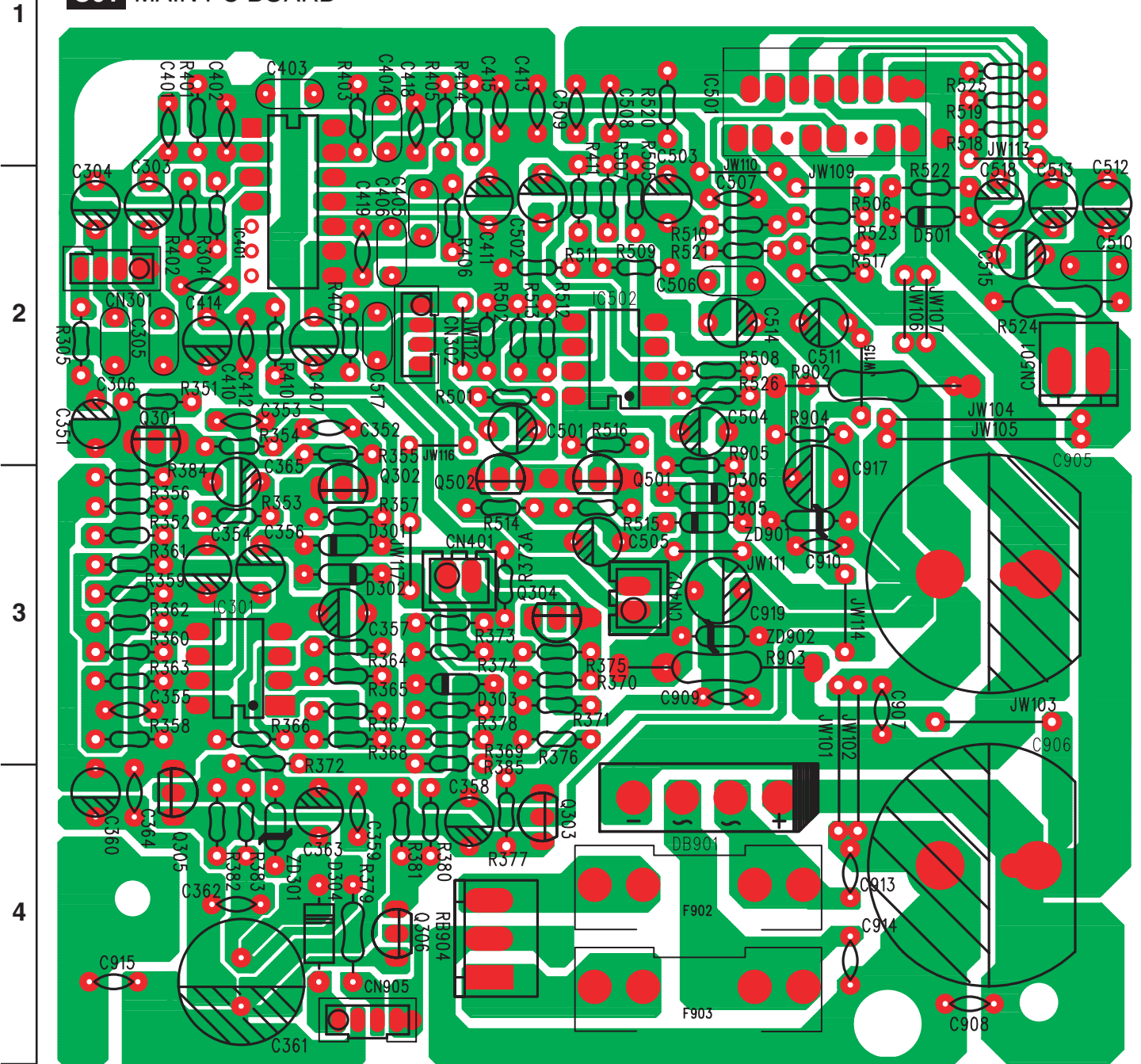
PC BOARD CONNECTION DIAGRAM

SKW-240 : POWERED SUBWOOFER

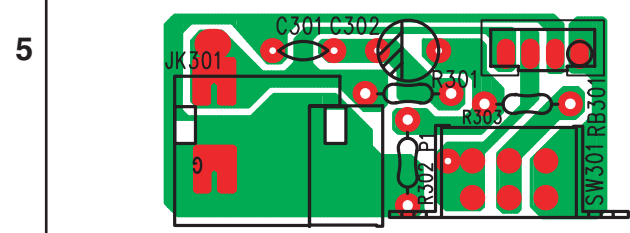


PRINTED CIRCUIT BOARD VIEW
SKW-240 : POWERED SUBWOOFER

U01 MAIN PC BOARD



U02 INPUT PC BOARD



U03 VR / LED PC BOARD

No PC board view
 Look over the actual PC board on hand

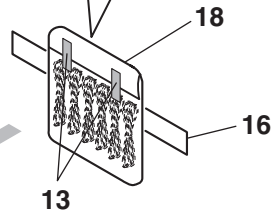
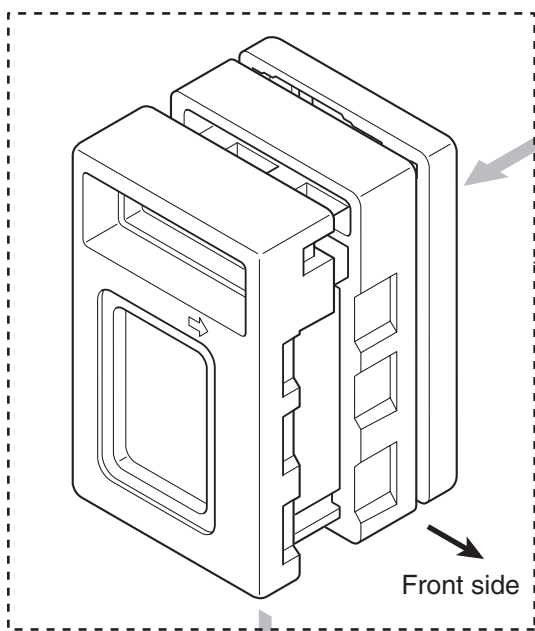
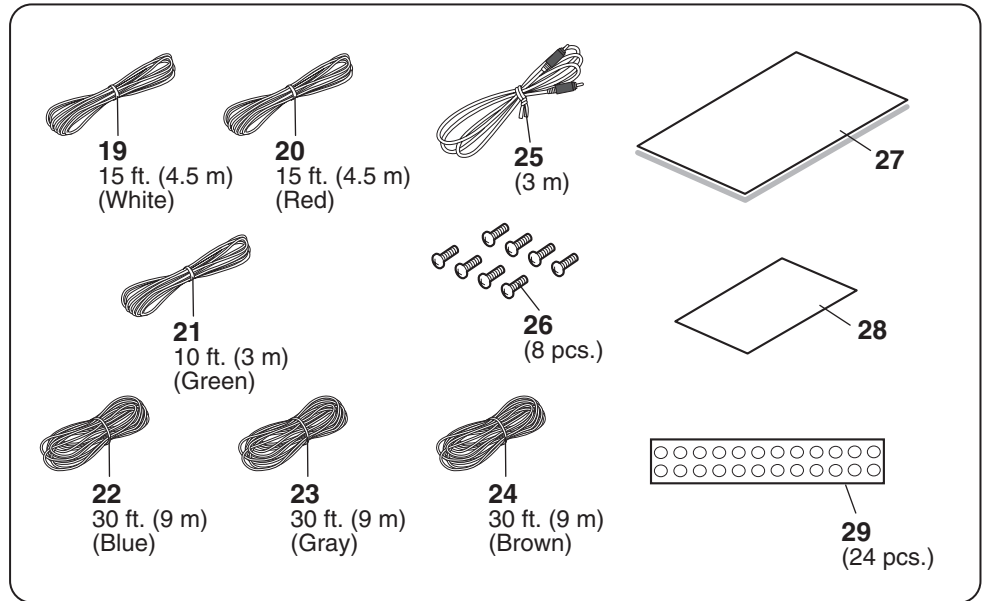
5

PACKING PROCEDURES-2

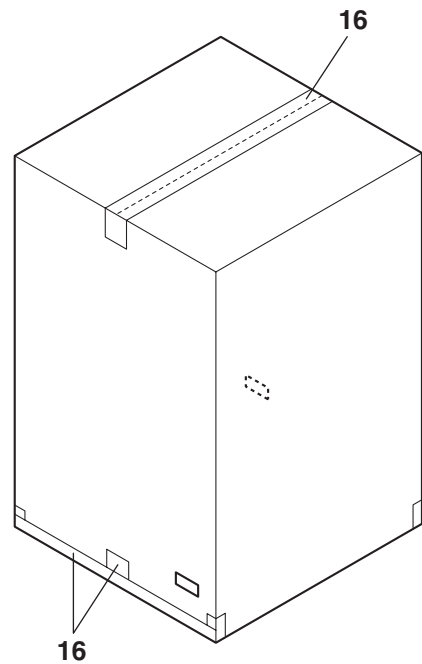
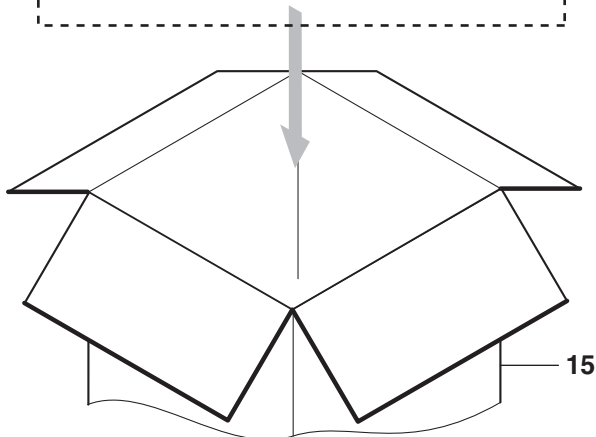
SKS-HT240 Only

<Note>

HTP-240 ---> Refer to service manual of "LS-V955"



Refer to "PACKING PROCEDURES-1"



HTP-240/SKS-HT240**EXPLODED VIEW PARTS LIST**

NOTE : THE COMPONENTS IDENTIFIED BY THE MARK
! ARE CRITICAL FOR RISK OF FIRE AND
ELECTRIC SHOCK. REPLACE ONLY WITH PART
NUMBER SPECIFIED.

REF. NO.	PART NAME	DESCRIPTION	Q'TY	PART NO. (SN)	MARK	
EXPLODED:	SKW-240 : POWERED SUBWOOFER					
EXPLODED:	SP01	CABINET ASS'Y	SKW-240	1	EVM500240-0001	
EXPLODED:	SP02	FOOT	D87.5 x D37.5 x H50 HIPS BLK	4	BPE8000040001	
EXPLODED:	SP03	BOTTOM BOARD	L403 x W275 x T15mm	1	EVT5100021503	
EXPLODED:	SP04	FRONT PLATE	SKW-240 / ONKYO	1	BPL5001090001	
EXPLODED:	SP05	WOOD SCREW	(FOR LEG)	8	HSF1400913700	
EXPLODED:	SP06	WOOD SCREW	(FOR AMPLIFIER)	10	NSR5400818141	
EXPLODED:	SP07	WOOD SCREW	(FOR WOOFER DRIVER)	8	NSR5400818141	
EXPLODED:	SP08	WOOFER SPK	20cm	1	20LA0EHC2044	
EXPLODED:	A01	REAR PANEL	"SKW-240" SPCC 190 x 120 x T2.0mm	1	GSP1000470001	
EXPLODED:	A02	AC CORD	LINE CORD 2P 1800mm BLK POLARIZE	1	VPA0040120010	!
EXPLODED:	A03	BUSHING	AC LINE BUSHING	1	DBU001002-0011	!
EXPLODED:	A04	POWER TRANSFORMER	120V / 60Hz 100W SKW100	1	TTI1120010120	!
EXPLODED:	A05	SCREW	M4.0 x P0.7 x L25mm (FOR TRANS)	4	HSD1431033250	
EXPLODED:	F902	FUSE	4A / 250V SLOW WALT	1	KSA0204000011	!
EXPLODED:	F903	FUSE	4A / 250V SLOW WALT	1	KSA0204000011	!
EXPLODED:	U01	MAIN PC BOARD ASS'Y	MAIN PC BOARD ASS'Y	1	ABE101991-0019	
EXPLODED:	<Note>					
EXPLODED:	U01 : MAIN PC BOARD ASS'Y = PCB BRACKET + HEAT SINK + ALL PARTS FOR MAIN PC BOARD					
EXPLODED:	U02	INPUT PC BOARD ASS'Y	INPUT PC BOARD ASS'Y	1	ABE101992-0019	
EXPLODED:	<Note>					
EXPLODED:	U02 : INPUT PC BOARD ASS'Y = INPUT PC BOARD with RCA JACK + CORD ASS'Y					
EXPLODED:	U03	VR / LED PC BOARD ASS'Y	VR / LED PC BOARD ASS'Y	1	ABE100222-0003	
EXPLODED:	<Note>					
EXPLODED:	U03 : VR / LED PC BOARD ASS'Y = VR / LED PC BOARD with VR / LED / CORD ASS'Y etc.					
EXPLODED:	SKF-240F : FRONT SPEAKERS (L / R)					
EXPLODED:	SP10	COMPLETE UNIT	"SKF-240F (L)"	1	ASL5M0240BM00	
EXPLODED:	SP11	BACK LABEL (L)	---	1	YLB5101322001	
EXPLODED:	SP12	COMPLETE UNIT	"SKF-240F (R)"	1	ASL5M0240BM01	
EXPLODED:	SP13	BACK LABEL (R)	---	1	YLB5101322002	
EXPLODED:	SKC-240C : CENTER SPEAKER					
EXPLODED:	SP14	COMPLETE UNIT	"SKC-240C"	1	ASL5C0240BM00	
EXPLODED:	SP15	BACK LABEL	---	1	YLB5101322003	
EXPLODED:	SKM-240S : SURROUND SPEAKERS (L/R)					
EXPLODED:	SP16	COMPLETE UNIT	"SKM-240S (L)"	1	ASL5U0240BM00	
EXPLODED:	SP17	BACK LABEL (L)	---	1	YLB5101322004	
EXPLODED:	SP18	COMPLETE UNIT	"SKM-240S (R)"	1	ASL5U0240BM01	
EXPLODED:	SP19	BACK LABEL (R)	---	1	YLB5101322005	
EXPLODED:	SKB-240 : SURROUND BACK SPEAKER					
EXPLODED:	SP20	COMPLETE UNIT	"SKB-240"	1	ASL5U0240BM02	
EXPLODED:	SP21	BACK LABEL	---	1	YLB5101322006	

HTP-240/SKS-HT240

PRINTED CIRCUIT BOARD PARTS LIST

	CIRCUIT NO.	PART NAME	DESCRIPTION	Q'TY	PART NO. (SN)	MARK
PWB	IC501	POWER IC	15PIN TDA7293	1	RHI007293-0001	
PWB	DB901	DIODE	RS402L 4A 100V	1	RHD0004020101	!

HTP-240/SKS-HT240

PACKING PROCEDURES PARTS LIST

SKS-HT240 Only

	REF. NO.	PART NAME	DESCRIPTION	Q'TY	PART NO. (SN)	MARK
PACKING	01	TOP POLYFOAM	820L x 515W x 80D	1	ITF5303780001	
PACKING	02	MIDDLE POLYFOAM	820L x 515W x 145D	1	ITF5303780003	
PACKING	03	BOTTOM POLYFOAM	820L x 515W x 200D	1	ITF5303780002	
PACKING	04	SMALL STEEL BASE	(FOR SKF-240F)	2	DHS5030230001	
PACKING	05	PE BAG	290L x 260W x 0.025T (FOR SKF BASE)	2	IVA5020010190	
PACKING	06	PLASTIC BASE	(FOR SKC-240C)	1	BP050007500AA	
PACKING	07	PE BAG	380L x 150W x 0.025T (FOR SKC BASE)	1	IVA5020010180	
PACKING	08	SOFT PE BAG	630L x 240W x 0.025T (FOR SKF)	2	IVA5080080010	
PACKING	09	SOFT PE BAG	630L x 240W x 0.025T (FOR SKC)	1	IVA5080080020	
PACKING	10	SOFT PE BAG	630L x 240W x 0.025T (FOR SKM/SKB)	3	IVA5080080030	
PACKING	11	POLY BAG	1000L x 720W x T0.015 (FOR SKW)	1	IVA8031020008	
PACKING	12	PE BAG	250L x 180W x 0.025T	1	IVA5020010130	
PACKING	13	TAPE	NITTO NO.29 W18 (Yellow)	(1)	29110149	
PACKING	15	CARTON BOX	SKS-HT240	1	ICC5004250003	
PACKING	16	PP TAPE	W50	(1)	29110071 or	
PACKING	16	PP TAPE	NITTO 3703 SUPER W50L100	(1)	29110176	
PACKING	18	POLY BAG	350 x 250	1	29100097-1A	
PACKING	19	SPEAKER CABLE	18# L=4.5m WHITE / TRANSPARENT	1	VWS3111224500	
PACKING	20	SPEAKER CABLE	18# L=4.5m RED / TRANSPARENT	1	VWS3111224501	
PACKING	21	SPEAKER CABLE	18# L=3m GREEN / TRANSPARENT	1	VWS3111223000	
PACKING	22	SPEAKER CABLE	18# L=9m BLUE / TRANSPARENT	1	VWS3111229000	
PACKING	23	SPEAKER CABLE	18# L=9m GRAY / TRANSPARENT	1	VWS311122-001	
PACKING	24	SPEAKER CABLE	18# L=9m BROWN / TRANSPARENT	1	VWS3111229002	
PACKING	25	RCA CABLE	MONO L=3m / BLACK	1	2010197	
PACKING	26	SCREW	8.5 x M5 x 5.8L	8	NSP5441331050	
PACKING	27	INSTRUCTION MANUAL	HTP-240 / SKS-HT240	1	YOM5000010081	
PACKING	28	WRNTY CARD	(ONKYO)	1	29365090B	
PACKING	29	RUBBER FOOT	7.8 x 1.0T x 24 pcs.	1	DUF5120010002	
PACKING	<Note>					
PACKING	HTP-240 ----> Refer to service manual of "LS-V955"					

ONKYO CORPORATION

Sales & Product Planning Div. : 2-1, Nisshin-cho, Neyagawa-shi, OSAKA 572-8540, JAPAN
Tel: 072-831-8023 Fax: 072-831-8124

ONKYO U.S.A. CORPORATION

18 Park Way, Upper Saddle River, N.J. 07458, U.S.A.
Tel: 201-785-2600 Fax: 201-785-2650 <http://www.onkyousa.com>

ONKYO EUROPE ELECTRONICS GmbH

Liegnitzerstrasse 6, 82194 Groebenzell, GERMANY
Tel: +49-8142-4401-0 Fax: +49-8142-4401-555 <http://www.onkyo.net>

ONKYO CHINA LIMITED

Units 2102-2107, Metroplaza Tower I, 223 Hing Fong Road, Kwai Chung,
N.T., HONG KONG Tel: 852-2429-3118 Fax: 852-2428-9039