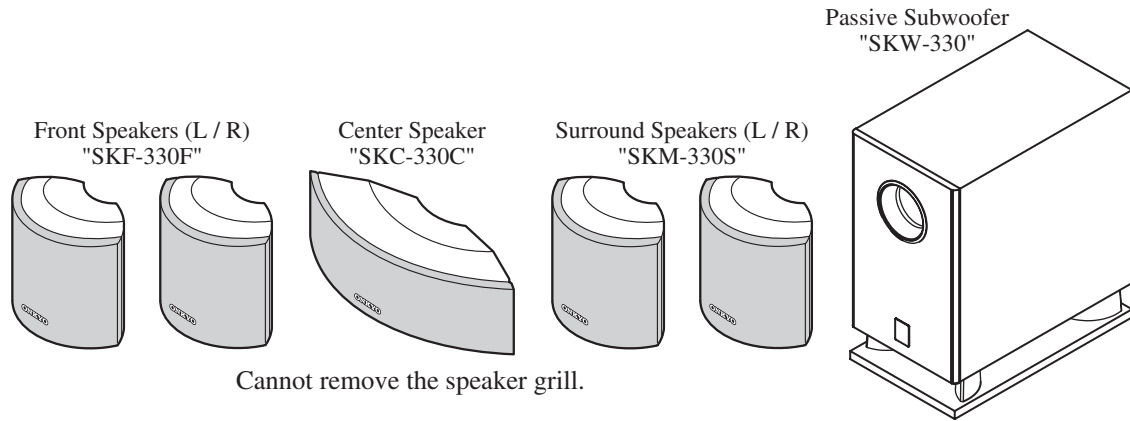


ONKYO SERVICE MANUAL

5.1-CH HOME THEATER SPEAKER PACKAGE MODEL HTP-330(S)



Silver model

S MD	S : Color	MD : USA model
S MC	S : Color	MC : Canadian model
S MT	S : Color	MT : Asian model
S MP	S : Color	MP : European model

SPECIFICATIONS

■ Passive Subwoofer (SKW-330)

Type :	Bass-reflex type
Impedance :	8 ohm
Maximum input power :	100 W
Output sound pressure level :	84 dB/m/w
Frequency response :	30 Hz - 150 Hz
Cabinet capacity :	0.91 cubic feet (26 L)
Dimensions (W x H x D) :	9-1/16" x 17-1/8" x 15-7/16" (230 x 435 x 392 mm)
Weight :	17.2 lbs. (7.8 kg)
Drivers unit :	8" (20 cm) Cone
Terminal :	Spring type color coded

■ Center Speaker (SKC-330C)

Type :	2 Way Bass-reflex
Impedance :	8 ohm
Maximum input power :	100 W
Output sound pressure level :	86 dB/W/m
Frequency response :	80 Hz - 22 kHz
Crossover frequency :	10 kHz
Cabinet capacity :	0.081 cubic feet (2.3 L)
Dimensions (W x H x D) :	14-3/16" x 5" x 5-3/16" (360 x 127 x 131 mm)
Weight :	3.5 lbs. (1.6 kg)
Drivers unit :	3-1/8" (8 cm) Cone (Woofer) x 2 3/4" (2 cm) Ceramic (Tweeter)
Terminal :	Spring type color coded
Key hole slot :	2
Threaded insert :	North American model : 1/4" screw, Depth 5/16" Other models : 5 mm screw, Depth 8 mm
Grille :	Fixed
Other :	Magnetic shielding

■ Front Speaker (SKF-330F)

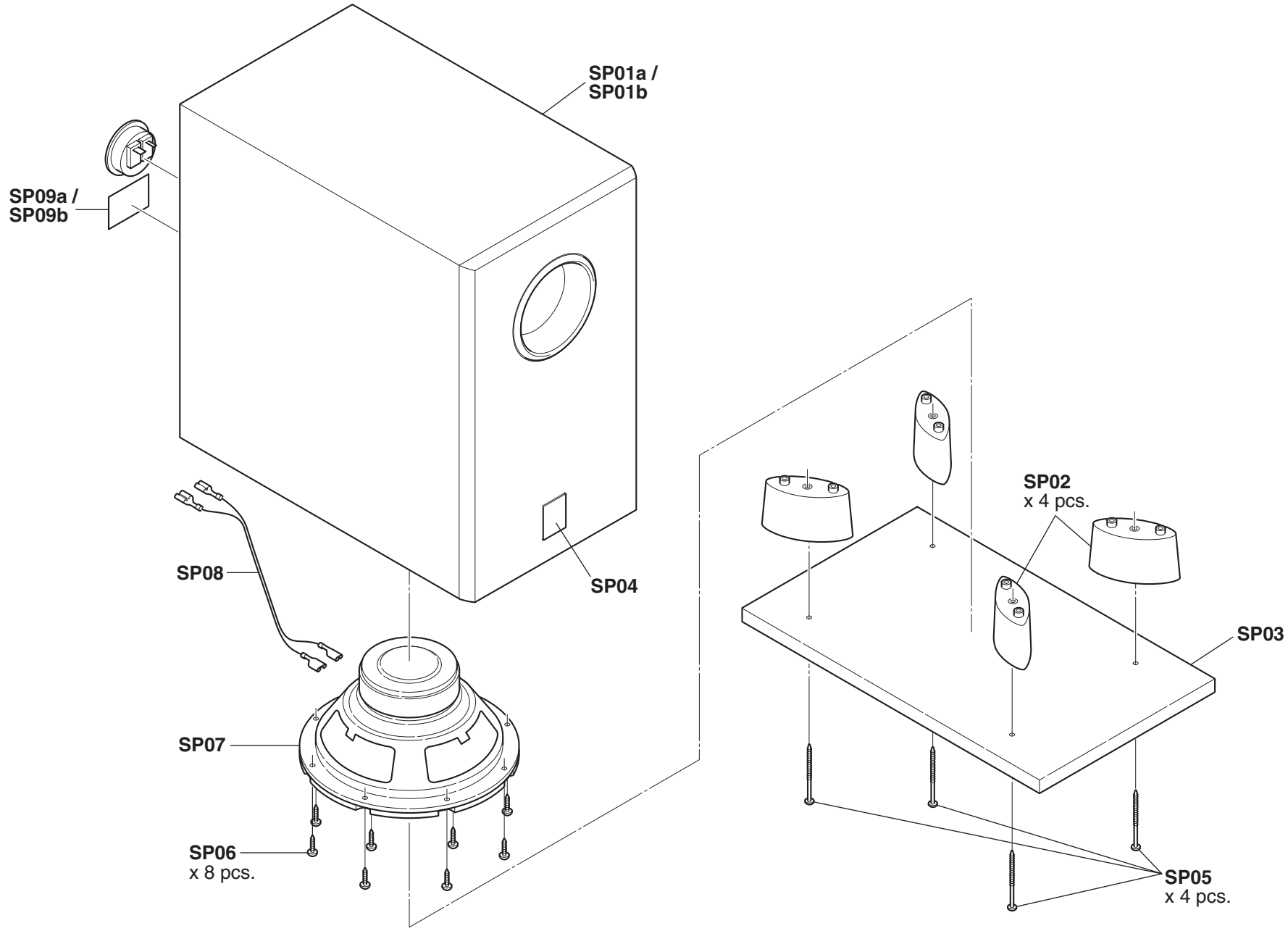
Type :	2 Way Bass-reflex
Impedance :	8 ohm
Maximum input power :	100 W
Output sound pressure level :	83 dB/W/m
Frequency response :	80 Hz - 22 kHz
Crossover frequency :	10 kHz
Cabinet capacity :	0.042 cubic feet (1.2 L)
Dimensions (W x H x D) :	5-13/16" x 7-15/16" x 4" (148 x 202 x 101 mm)
Weight :	2.0 lbs. (0.9 kg)
Drivers unit :	3-1/8" (8 cm) Cone (Woofer) 3/4" (2 cm) Ceramic (Tweeter)
Terminal :	Spring type color coded
Key hole slot :	1
Threaded insert :	North American model : 1/4" screw, Depth 5/16" Other models : 5 mm screw, Depth 8 mm
Grille :	Fixed
Other :	Magnetic shielding

■ Surround Speaker (SKM-330S)

Type :	2 Way Bass-reflex
Impedance :	8 ohm
Maximum input power :	100 W
Output sound pressure level :	82 dB/W/m
Frequency response :	80 Hz - 22 kHz
Crossover frequency :	10 kHz
Cabinet capacity :	0.042 cubic feet (1.2 L)
Dimensions (W x H x D) :	5-13/16" x 7-15/16" x 4" (148 x 202 x 101 mm)
Weight :	1.5 lbs. (0.7 kg)
Drivers unit :	3-1/8" (8 cm) Cone (Woofer) 3/4" (2 cm) Ceramic (Tweeter)
Terminal :	Spring type color coded
Key hole slot :	1
Threaded insert :	North American model : 1/4" screw, Depth 5/16" Other models : 5 mm screw, Depth 8 mm
Grille :	Fixed

Specifications and appearance are subject to change without prior notice.

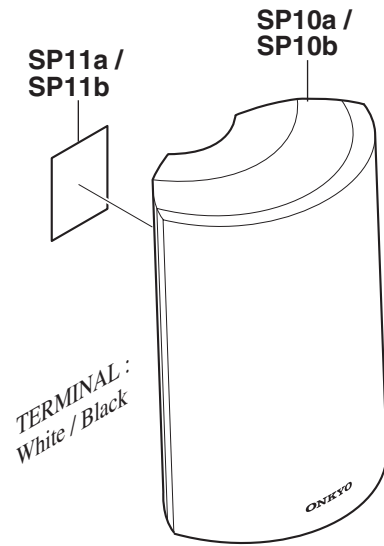
EXPLODED VIEWS-1
SKW-330 : PASSIVE SUBWOOFER



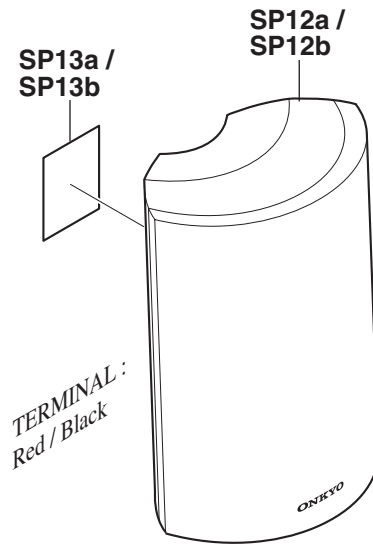
EXPLODED VIEWS-2

SKF-330F / SKC-330C / SKM-330S

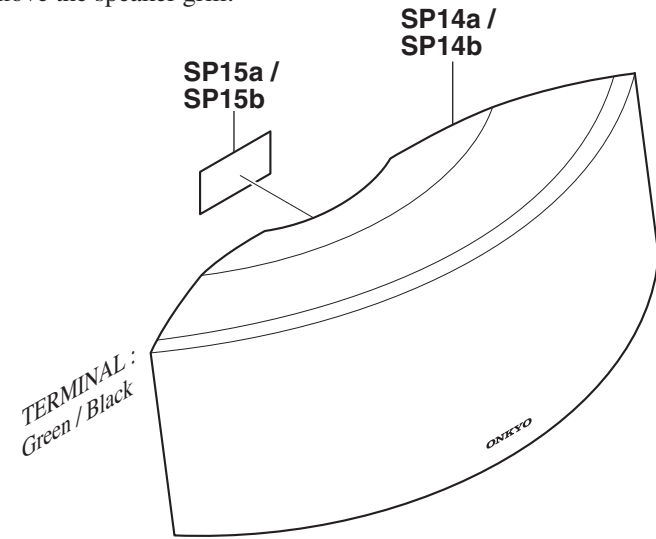
<Note>
Cannot remove the speaker grill.



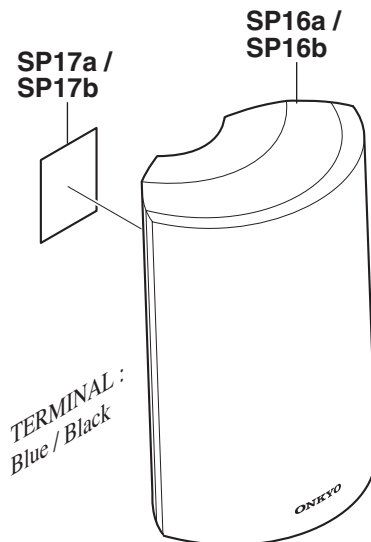
"SKF-330F (L)"



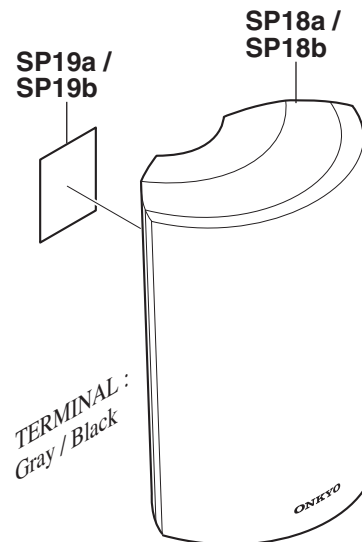
"SKF-330F (R)"



"SKC-330C"



"SKM-330S (L)"
NOT MAGNETICALLY SHIELDED



"SKM-330S (R)"
NOT MAGNETICALLY SHIELDED

<Notes>
USA and Canadian models : inch nut.
Other models : mm nut.

HTP-330

EXPLODED VIEWS PARTS LIST

<Notes>

<MD> : USA model

<MC> : Canadian model

<MT> : Asian model

<MP> : European model

	REF. NO.	PART NAME	DESCRIPTION	Q'TY	PART NO. (SN)	MARKS
EXPLODED:	SKW-330 : PASSIVE SUBWOOFER					
EXPLODED:	SP01a	CABINET ASS'Y	SKW-330	1	ANK8W330S-BM10	<MD>
EXPLODED:	SP01a	CABINET ASS'Y	SKW-330	1	ANK8W330S-BM10	<MC>
EXPLODED:	SP01a	CABINET ASS'Y	SKW-330	1	ANK8W330S-BM10	<MT>
EXPLODED:	SP01b	CABINET ASS'Y	SKW-330 / E1 GRADE	1	ANK8W330S-BM70	<MP>
EXPLODED:	SP02	PLASTIC FOOT	D87.5 x D37.5 x H50 HIPS, BLACK	4	BPE800007-00AA	
EXPLODED:	SP03	STAND BOARD	---	1	ANF810037-1510	
EXPLODED:	SP04	NAME PLATE	SKW-330 / ONKYO NAME PLATE PVC	1	BPL800157-0001	
EXPLODED:	SP05	WOOD SCREW	D8 x D4 x L75 PAN HEAD (FOR FOOT)	4	NST8550514750	
EXPLODED:	SP06	WOOD SCREW	4STT+20A (FOR SPEAKER)	8	837440204	
EXPLODED:	SP07	WOOFER SPEAKER	20cm 8ohm 50W	1	W20178B	
EXPLODED:	SP08	WIRE ASS'Y	#22, L=260	1	VWT133441-0260	
EXPLODED:	SP09a	BACK LABEL	BLACK / E2 GRADE	1	YLB810001-0054	<MD>
EXPLODED:	SP09a	BACK LABEL	BLACK / E2 GRADE	1	YLB810001-0054	<MC>
EXPLODED:	SP09a	BACK LABEL	BLACK / E2 GRADE	1	YLB810001-0054	<MT>
EXPLODED:	SP09b	BACK LABEL	GRAY / E1 GRADE	1	YLB810001-0063	<MP>
EXPLODED:	SKF-330F : FRONT SPEAKERS (L)					
EXPLODED:	SP10a	COMPLETE UNIT	"SKF-330F (S) L" / (Inch nut)	1	ASL5M0330-BM02	<MD>
EXPLODED:	SP10a	COMPLETE UNIT	"SKF-330F (S) L" / (Inch nut)	1	ASL5M0330-BM02	<MC>
EXPLODED:	SP10b	COMPLETE UNIT	"SKF-330F (S) L" / (mm nut)	1	ASL5M0330-BM01	<MT>
EXPLODED:	SP10b	COMPLETE UNIT	"SKF-330F (S) L" / (mm nut)	1	ASL5M0330-BM01	<MP>
EXPLODED:	SP11a	BACK LABEL (L)	BLACK	1	YLB510186-0008	<MD>
EXPLODED:	SP11a	BACK LABEL (L)	BLACK	1	YLB510186-0008	<MC>
EXPLODED:	SP11b	BACK LABEL (L)	GRAY	1	YLB510186-0002	<MT>
EXPLODED:	SP11b	BACK LABEL (L)	GRAY	1	YLB510186-0002	<MP>
EXPLODED:	SKF-330F : FRONT SPEAKERS (R)					
EXPLODED:	SP12a	COMPLETE UNIT	"SKF-330F (S) R" / (Inch nut)	1	ASL5M0330-BM02	<MD>
EXPLODED:	SP12a	COMPLETE UNIT	"SKF-330F (S) R" / (Inch nut)	1	ASL5M0330-BM02	<MC>
EXPLODED:	SP12b	COMPLETE UNIT	"SKF-330F (S) R" / (mm nut)	1	ASL5M0330-BM01	<MT>
EXPLODED:	SP12b	COMPLETE UNIT	"SKF-330F (S) R" / (mm nut)	1	ASL5M0330-BM01	<MP>
EXPLODED:	SP13a	BACK LABEL (R)	BLACK	1	YLB510186-0009	<MD>
EXPLODED:	SP13a	BACK LABEL (R)	BLACK	1	YLB510186-0009	<MC>
EXPLODED:	SP13b	BACK LABEL (R)	GRAY	1	YLB510186-0003	<MT>
EXPLODED:	SP13b	BACK LABEL (R)	GRAY	1	YLB510186-0003	<MP>
EXPLODED:	SKC-330C : CENTER SPEAKER					
EXPLODED:	SP14a	COMPLETE UNIT	"SKC-330C (S)" / (Inch nut)	1	ASL5C0330-BM02	<MD>
EXPLODED:	SP14a	COMPLETE UNIT	"SKC-330C (S)" / (Inch nut)	1	ASL5C0330-BM02	<MC>
EXPLODED:	SP14b	COMPLETE UNIT	"SKC-330C (S)" / (mm nut)	1	ASL5C0330-BM01	<MT>
EXPLODED:	SP14b	COMPLETE UNIT	"SKC-330C (S)" / (mm nut)	1	ASL5C0330-BM01	<MP>
EXPLODED:	SP15a	BACK LABEL	BLACK	1	YLB510186-0007	<MD>
EXPLODED:	SP15a	BACK LABEL	BLACK	1	YLB510186-0007	<MC>

EXPLODED	SP15b	BACK LABEL	GRAY	1	YLB510186-0001	<MT>
EXPLODED	SP15b	BACK LABEL	GRAY	1	YLB510186-0001	<MP>
EXPLODED	SKM-330S : SURROUND SPEAKERS (L)					
EXPLODED	SP16a	COMPLETE UNIT	"SKM-330S (S) L" / (Inch nut)	1	ASL5U0330-BM02	<MD>
EXPLODED	SP16a	COMPLETE UNIT	"SKM-330S (S) L" / (Inch nut)	1	ASL5U0330-BM02	<MC>
EXPLODED	SP16b	COMPLETE UNIT	"SKM-330S (S) L" / (mm nut)	1	ASL5U0330-BM01	<MT>
EXPLODED	SP16b	COMPLETE UNIT	"SKM-330S (S) L" / (mm nut)	1	ASL5U0330-BM01	<MP>
EXPLODED	SP17a	BACK LABEL (L)	BLACK	1	YLB510186-0011	<MD>
EXPLODED	SP17a	BACK LABEL (L)	BLACK	1	YLB510186-0011	<MC>
EXPLODED	SP17b	BACK LABEL (L)	GRAY	1	YLB510186-0005	<MT>
EXPLODED	SP17b	BACK LABEL (L)	GRAY	1	YLB510186-0005	<MP>
EXPLODED	SKM-330S : SURROUND SPEAKERS (R)					
EXPLODED	SP18a	COMPLETE UNIT	"SKM-330S (S) R" / (Inch nut)	1	ASL5U0330-BM02	<MD>
EXPLODED	SP18a	COMPLETE UNIT	"SKM-330S (S) R" / (Inch nut)	1	ASL5U0330-BM02	<MC>
EXPLODED	SP18b	COMPLETE UNIT	"SKM-330S (S) R" / (mm nut)	1	ASL5U0330-BM01	<MT>
EXPLODED	SP18b	COMPLETE UNIT	"SKM-330S (S) R" / (mm nut)	1	ASL5U0330-BM01	<MP>
EXPLODED	SP19a	BACK LABEL (R)	BLACK	1	YLB510186-0010	<MD>
EXPLODED	SP19a	BACK LABEL (R)	BLACK	1	YLB510186-0010	<MC>
EXPLODED	SP19b	BACK LABEL (R)	GRAY	1	YLB510186-0004	<MT>
EXPLODED	SP19b	BACK LABEL (R)	GRAY	1	YLB510186-0004	<MP>

ONKYO CORPORATION

Sales & Product Planning Div. : 2-1, Nisshin-cho, Neyagawa-shi, OSAKA 572-8540, JAPAN
Tel: 072-831-8023 Fax: 072-831-8124

ONKYO U.S.A. CORPORATION

18 Park Way, Upper Saddle River, N.J. 07458, U.S.A.
Tel: 201-785-2600 Fax: 201-785-2650 <http://www.us.onkyo.com/>

ONKYO EUROPE ELECTRONICS GmbH

Liegnitzerstrasse 6, 82194 Groebenzell, GERMANY
Tel: +49-8142-4401-0 Fax: +49-8142-4401-555 <http://www.eu.onkyo.com/>

ONKYO EUROPE UK Office

Suite 1, Gregories Court, Gregories Road, Beaconsfield, Buckinghamshire, HP9 1HQ
UNITED KINGDOM Tel: +44-(0)1494-681515 Fax: +44(0)-1494-680452

ONKYO CHINA LIMITED

Units 2102-2107, Metroplaza Tower I, 223 Hing Fong Road, Kwai Chung,
N.T., HONG KONG Tel: 852-2429-3118 Fax: 852-2428-9039
<http://www.ch.onkyo.com/>

