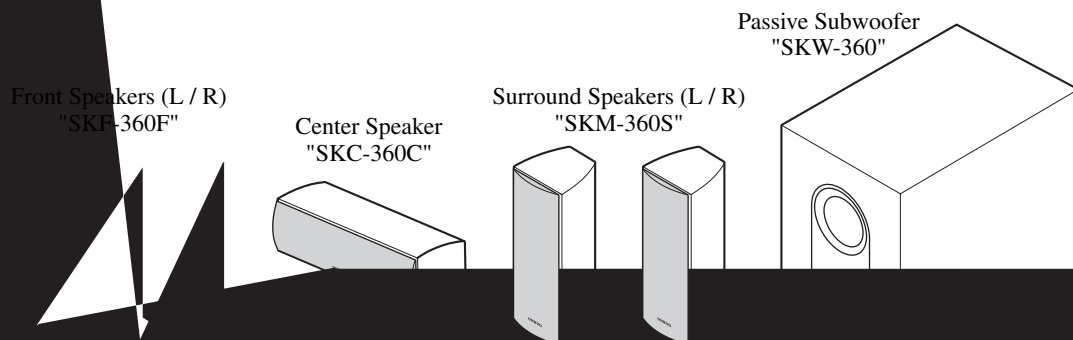


# KYGO SERVICE MANUAL

## 5.1-CH HOME THEATER SPEAKER PACKAGE MODEL HTP-360(B)/(S)

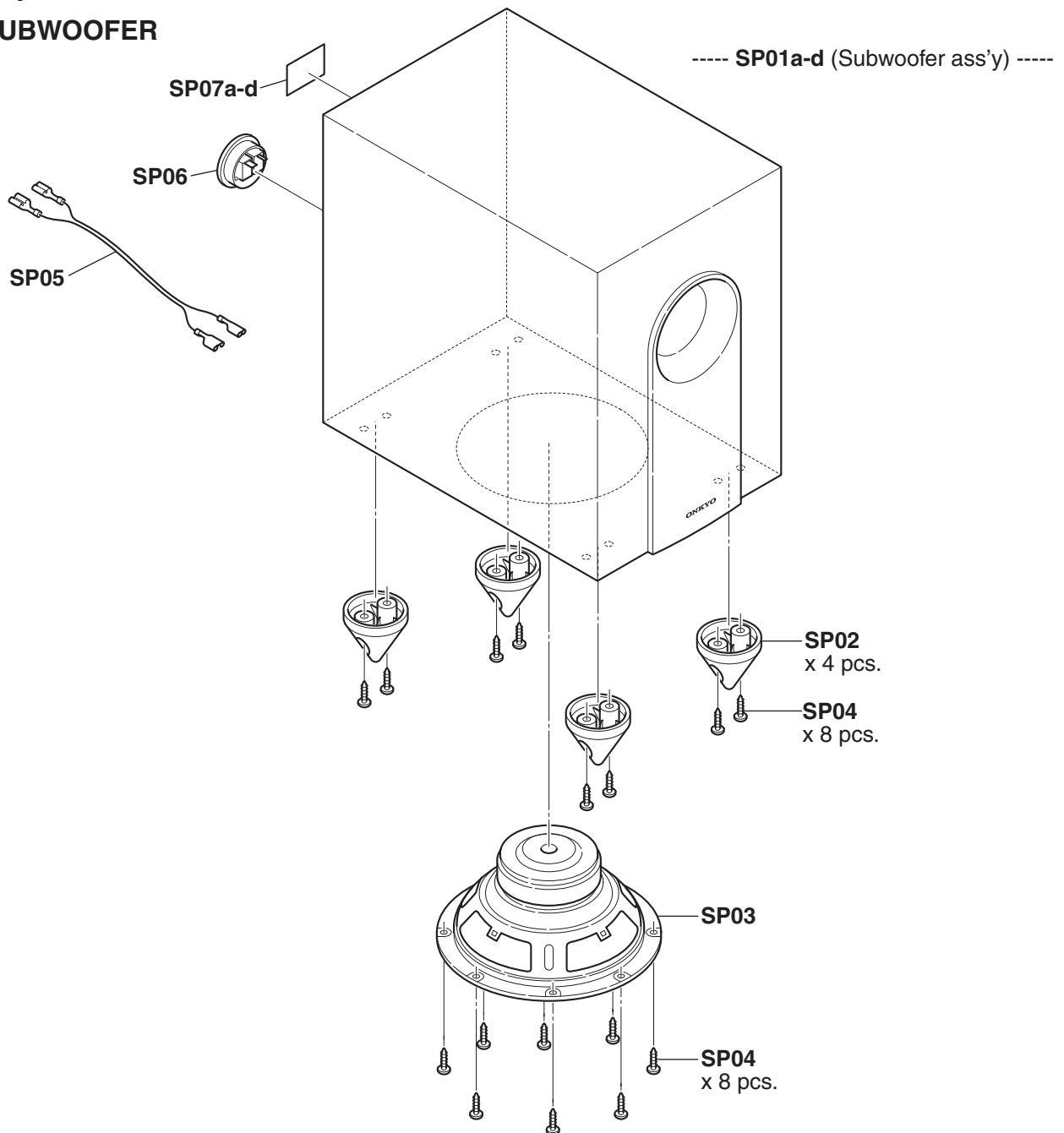


Cannot remove the speaker grill.

### Black and Silver models

| HT-S3100 | HTP-360 |                                 |
|----------|---------|---------------------------------|
| B MDD    | (B MD)  | B : Color MDD : USA model       |
| B MDC    | (B MD)  | B : Color MDC : Canadian model  |
| B MWO    | (B MO)  | B : Color MWO : Asian model     |
| S MDC    | (S MC)  | S : Color MDC : Canadian model  |
| S MWO    | (S MO)  | S : Color MWO : Asian model     |
| S MWF    | (S MO)  | S : Color MWF : Taiwanese model |

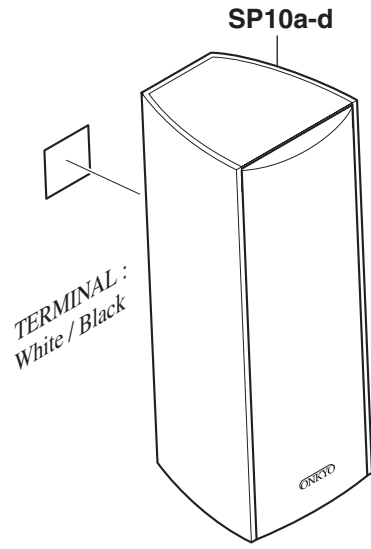
**EXPLODED VIEWS-1**  
**SKW-360 : PASSIVE SUBWOOFER**



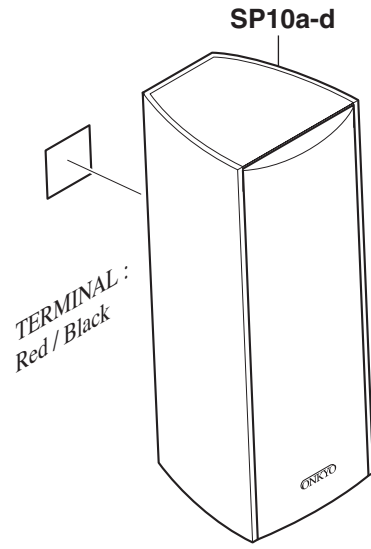
**EXPLODED VIEWS-2**

**SKF-360F / SKC-360C / SKM-360S**

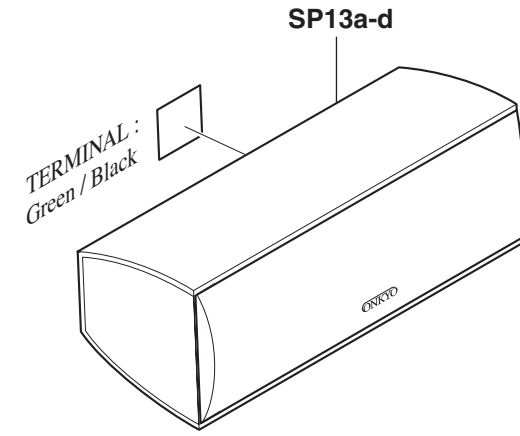
<Note>  
Cannot remove the speaker grill.



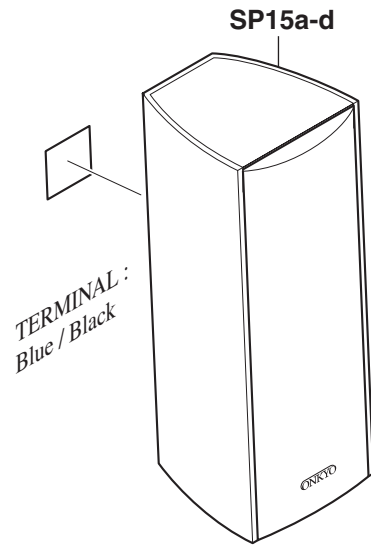
"SKF-360F (L)"



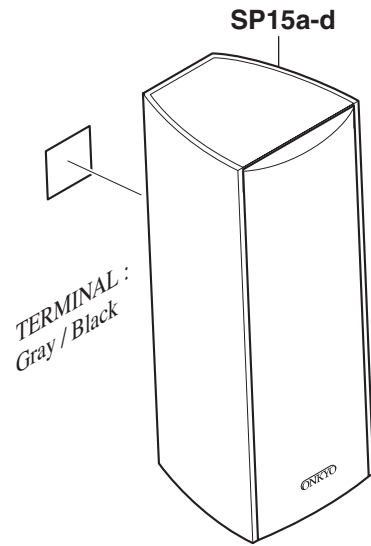
"SKF-360F (R)"



"SKC-360C"



"SKM-360S (L)"  
NOT MAGNETICALLY SHIELDED



"SKM-360S (R)"  
NOT MAGNETICALLY SHIELDED

<Notes>  
USA and Canadian models : inch nut.  
Other models : mm nut.

**HTP-360**

**EXPLODED VIEWS PARTS LIST**

**<Notes>**

(B) : Black model

(S) : Silver model

<MDD> : USA model

<MDC> : Canadian model

<MWO> : Asian model

<MWF> : Taiwanese model

| REF. NO. | PART NAME                                   | DESCRIPTION     | Q'TY | PART NO. (SN)  | REMARKS       |
|----------|---|-----------------|------|----------------|---------------|
| EXPLODED | <b>SKW-360 : PASSIVE SUBWOOFER</b>          |                 |      |                |               |
| EXPLODED | SP01a                                       | SUBWOOFER ASS'Y | 1    | ASF7131B-BM20  | (B)<MDD, MDC> |
| EXPLODED | SP01b                                       | SUBWOOFER ASS'Y | 1    | ASF7131B-BM20  | (B)<MWO>      |
| EXPLODED | SP01c                                       | SUBWOOFER ASS'Y | 1    | ASF71310-BM20  | (S)<MDC>      |
| EXPLODED | SP01d                                       | SUBWOOFER ASS'Y | 1    | ASF71310-BMWO  | (S)<MWO, MWF> |
| EXPLODED | SP02  | PLASTIC FOOT    | 4    | BRF70003-1011  |               |
| EXPLODED | SP03  | SPEAKER UNIT    | 1    | W20178H        |               |
| EXPLODED | SP04  | WOOD SCREW      | 16   | NSS72501-0801  |               |
| EXPLODED | SP05  | WIRE ASS'Y      | 1    | VWW70002-2200  |               |
| EXPLODED | SP06  | CONNECTOR       | 1    | CJC70001-0000  |               |
| EXPLODED | SP07a                                       | BACK LABEL      | 1    | YLL70002-0000  | (B)<MDD, MDC> |
| EXPLODED | SP07b                                       | BACK LABEL      | 1    | YLL70018-0000  | (B)<MWO>      |
| EXPLODED | SP07c                                       | BACK LABEL      | 1    | YLL70003-0000  | (S)<MDC>      |
| EXPLODED | SP07d                                       | BACK LABEL      | 1    | YLL70004-0000  | (S)<MWO, MWF> |
| EXPLODED | <b>SKF-360F : FRONT SPEAKERS (L)/(R)</b>    |                 |      |                |               |
| EXPLODED | SP10a                                       | COMPLETE UNIT   | 1    | ANM5TP360-BM01 | (B)<MDD, MDC> |
| EXPLODED | SP10b                                       | COMPLETE UNIT   | 1    | ANM5TP360-BM06 | (B)<MWO>      |
| EXPLODED | SP10c                                       | COMPLETE UNIT   | 1    | ANM5TP360-BM02 | (S)<MDC>      |
| EXPLODED | SP10d                                       | COMPLETE UNIT   | 1    | ANM5TP360-BM03 | (S)<MWO, MWF> |
| EXPLODED | <b>SKC-360C : CENTER SPEAKER</b>            |                 |      |                |               |
| EXPLODED | SP13a                                       | COMPLETE UNIT   | 1    | ANC5TP360-BM01 | (B)<MDD, MDC> |
| EXPLODED | SP13b                                       | COMPLETE UNIT   | 1    | ANC5TP360-BM06 | (B)<MWO>      |
| EXPLODED | SP13c                                       | COMPLETE UNIT   | 1    | ANC5TP360-BM02 | (S)<MDC>      |
| EXPLODED | SP13d                                       | COMPLETE UNIT   | 1    | ANC5TP360-BM03 | (S)<MWO, MWF> |
| EXPLODED | <b>SKM-360S : SURROUND SPEAKERS (L)/(R)</b> |                 |      |                |               |
| EXPLODED | SP15a                                       | COMPLETE UNIT   | 1    | ANU5TP360-BM01 | (B)<MDD, MDC> |

|          |                          |                       |                                   |   |                |               |
|----------|--------------------------|-----------------------|-----------------------------------|---|----------------|---------------|
| EXPLODED | SP15b                    | COMPLETE UNIT         | "SKM-360S (B) L & R" / (mm nut)   | 1 | ANU5TP360-BM06 | (B)<MWO>      |
| EXPLODED | SP15c                    | COMPLETE UNIT         | "SKM-360S (S) L & R" / (Inch nut) | 1 | ANU5TP360-BM02 | (S)<MDC>      |
| EXPLODED | SP15d                    | COMPLETE UNIT         | "SKM-360S (S) L & R" / (mm nut)   | 1 | ANU5TP360-BM03 | (S)<MWO, MWF> |
| EXPLODED | <b>SATELLITE PACKAGE</b> |                       |                                   |   |                |               |
| EXPLODED | ---                      | SATELLITE PACKAGE (B) | ---                               | 1 | ANB5TP360-BM01 | (B)<MDD, MDC> |
| EXPLODED | ---                      | SATELLITE PACKAGE (B) | ---                               | 1 | ANB5TP360-BM06 | (B)<MWO>      |
| EXPLODED | ---                      | SATELLITE PACKAGE (S) | ---                               | 1 | ANB5TP360-BM02 | (S)<MDC>      |
| EXPLODED | ---                      | SATELLITE PACKAGE (S) | ---                               | 1 | ANB5TP360-BM03 | (S)<MWO, MWF> |

**ONKYO CORPORATION**

Sales & Product Planning Div. : 2-1, Nisshin-cho, Neyagawa-shi, OSAKA 572-8540, JAPAN  
Tel: 072-831-8023 Fax: 072-831-8163

**ONKYO U.S.A. CORPORATION**

18 Park Way, Upper Saddle River, N.J. 07458, U.S.A.  
Tel: 201-785-2600 Fax: 201-785-2650 <http://www.us.onkyo.com/>

**ONKYO EUROPE ELECTRONICS GmbH**

Liegnitzerstrasse 6, 82194 Groebenzell, GERMANY  
Tel: +49-8142-4401-0 Fax: +49-8142-4401-555 <http://www.eu.onkyo.com/>

**ONKYO EUROPE UK Office**

Suite 1, Gregories Court, Gregories Road, Beaconsfield, Buckinghamshire, HP9 1HQ  
UNITED KINGDOM Tel: +44-(0)1494-681515 Fax: +44(0)-1494-680452

**ONKYO CHINA LIMITED**

Units 2102-2107, Metroplaza Tower I, 223 Hing Fong Road, Kwai Chung,  
N.T., HONG KONG Tel: 852-2429-3118 Fax: 852-2428-9039  
<http://www.ch.onkyo.com/>

