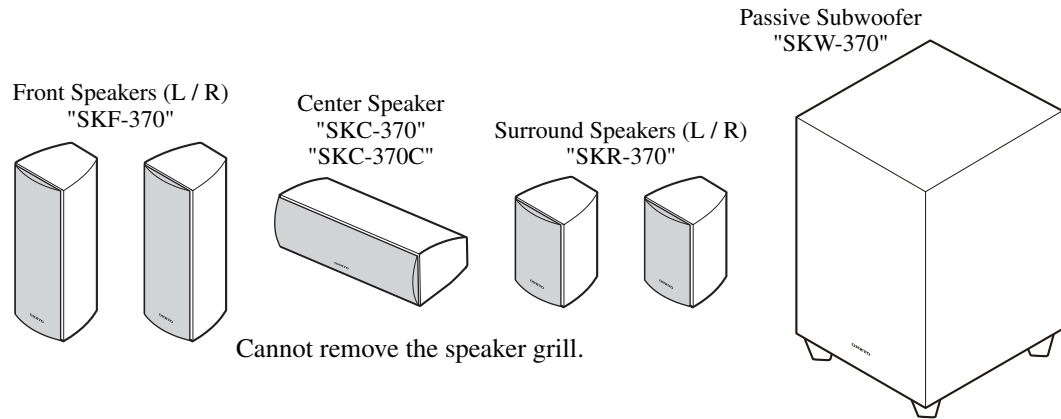


ONKYO SERVICE MANUAL

5.1-CH HOME THEATER SPEAKER PACKAGE MODEL HTP-370(B)/(S)



Black and Silver models

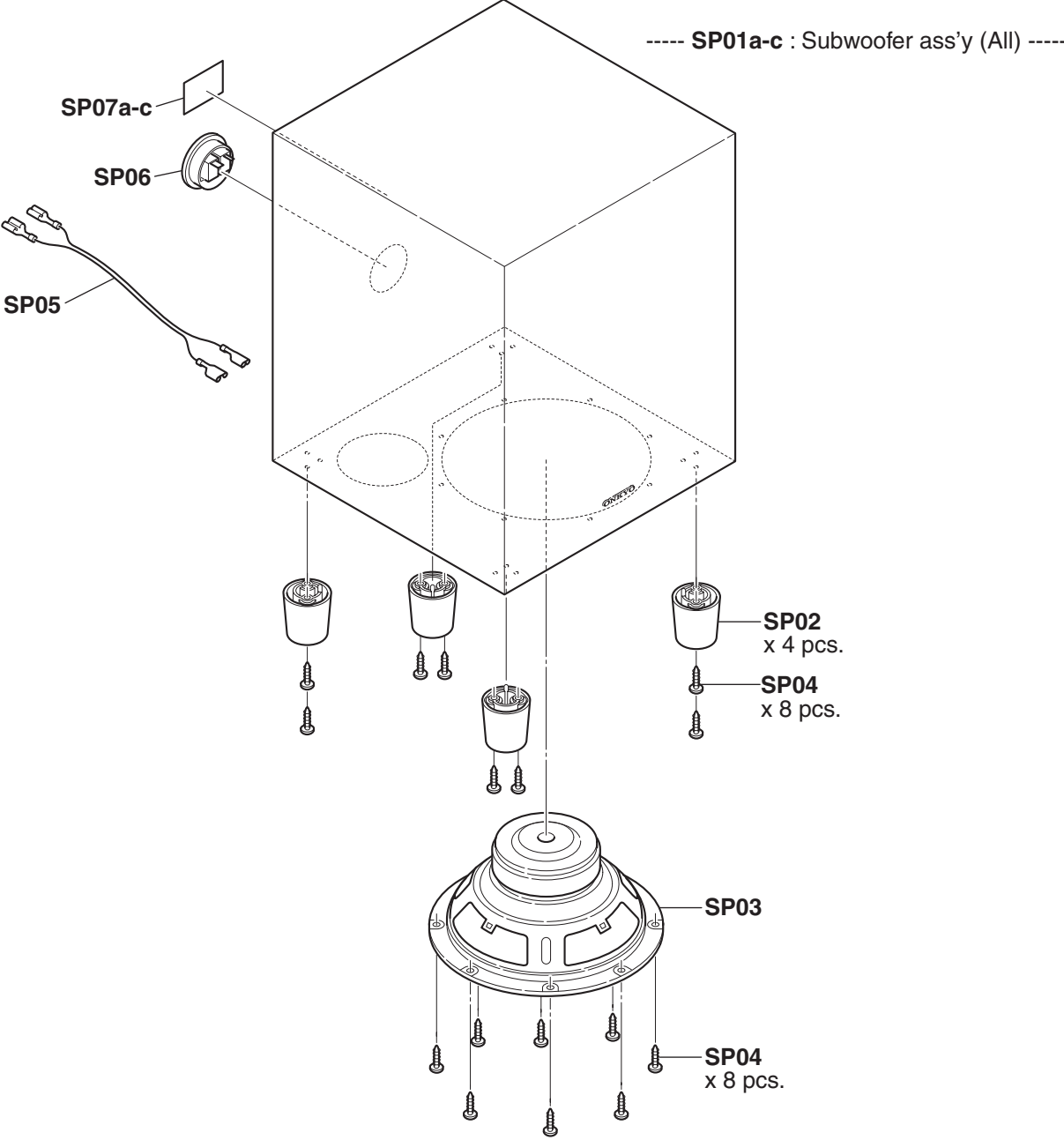
HT-S3200	HTP-370	
B MDD	B MD	B : Color MD : USA / Canadian model
B MDC	B MD	B : Color MD : USA / Canadian model
B MMO	B MO	B : Color MO : Asian model
S MMO	S MO	S : Color MO : Asian model

SERVICE NOTE

MODEL

HT-S3200(B)MDD/MDC (5.1ch Home Theater System)	HT-S3200(B)/(S)MMO (5.1ch Home Theater System)
HTP-370(B)MD (5.1ch Speaker System)	HTP-370(B)/(S)MO (5.1ch Speaker System)
<p>SKW-370 : Passive Subwoofer SKF-370 : Front Speakers <L/R> SKC-370 : Center Speaker (full-range speaker x 1) SKR-370 : Surround Speakers <L/R></p>	<p>SKW-370 : Passive Subwoofer SKF-370 : Front Speakers <L/R> SKC-370C : Center Speaker (full-range speaker x 2) SKR-370 : Surround Speakers <L/R></p>

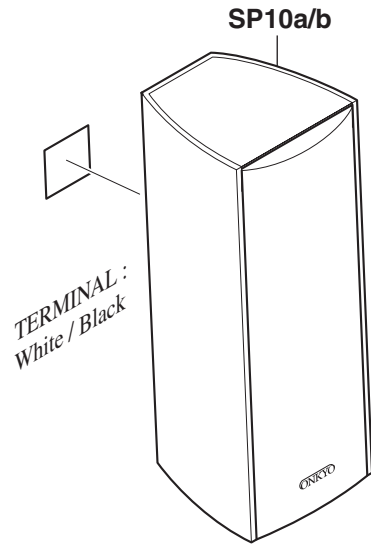
EXPLODED VIEWS-1
SKW-370 : PASSIVE SUBWOOFER



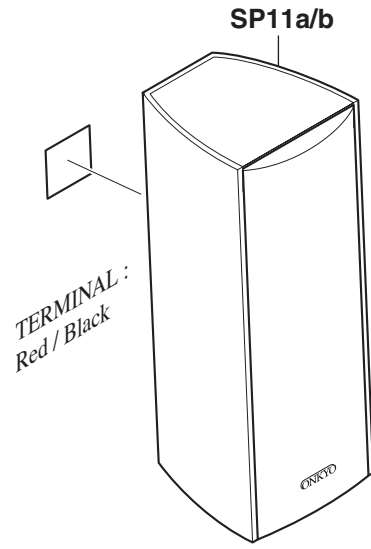
EXPLODED VIEWS-2

SKF-370, SKC-370/SKC-370C, SKR-370

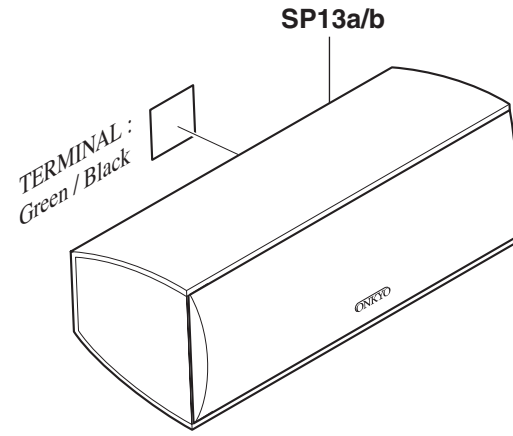
<Note>
Cannot remove the speaker grill.



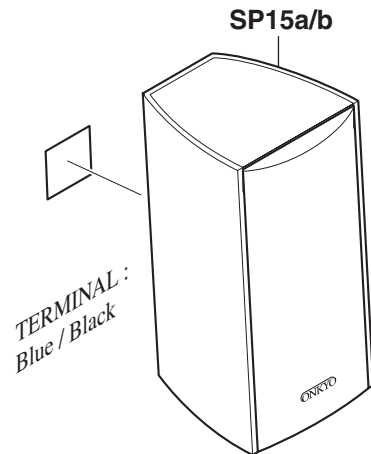
"SKF-370 <L>"



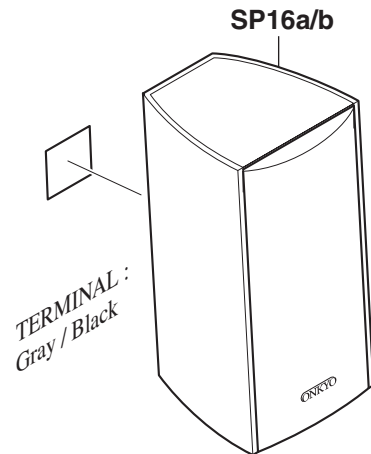
"SKF-370 <R>"



"SKC-370" / "SKC-370C"



"SKR-370 <L>"
NOT MAGNETICALLY SHIELDED



"SKR-370 <R>"
NOT MAGNETICALLY SHIELDED

EXPLODED	SP04	WOOD SCREW	4 x 25 BIND HEAD (SP UNIT/FOOT)	16	NSS72501-0801	
EXPLODED	SP05	WIRE ASS'Y	---	1	VWW70002-2200	
EXPLODED	SP06	CONNECTOR	TERMINAL : BLACK/PURPLE	1	CJC70001-0000	
EXPLODED	SP07a	BACK LABEL	(No serial number printing)	1	YLL70057-0000	(B)<MD>
EXPLODED	SP07b	BACK LABEL	(No serial number printing)	1	YLL70058-0000	(B)<MO>
EXPLODED	SP07c	BACK LABEL	(No serial number printing)	1	YLL70059-0000	(S)<MO>
EXPLODED	SKF-370 : FRONT SPEAKERS <L>					
EXPLODED	SP10a	COMPLETE UNIT	"SKF-370 (B) Lch"	1	ASF72370-BM10	(B)<MD>
EXPLODED	SP10b	COMPLETE UNIT	"SKF-370 (B) Lch"	1	ASF72370-BMO	(B)<MO>
EXPLODED	SP10c	COMPLETE UNIT	"SKF-370 (S) Lch"	1	ASF72370-SMO	(S)<MO>
EXPLODED	SKF-370 : FRONT SPEAKERS <R>					
EXPLODED	SP11a	COMPLETE UNIT	"SKF-370 (B) Rch"	1	ASF73370-BM10	(B)<MD>
EXPLODED	SP11b	COMPLETE UNIT	"SKF-370 (B) Rch"	1	ASF73370-BMO	(B)<MO>
EXPLODED	SP11c	COMPLETE UNIT	"SKF-370 (S) Rch"	1	ASF73370-SMO	(S)<MO>
EXPLODED	SKC-370 / SKC-370C : CENTER SPEAKER					
EXPLODED	SP13a	COMPLETE UNIT	"SKC-370 (B)"	1	ASF76370-BM10	(B)<MD>
EXPLODED	SP13b	COMPLETE UNIT	"SKC-370C (B)" (SP UNIT x 2)	1	ASF76370-BMO	(B)<MO>
EXPLODED	SP13c	COMPLETE UNIT	"SKC-370C (S)" (SP UNIT x 2)	1	ASF76370-SMO	(S)<MO>
EXPLODED	SKR-370 : SURROUND SPEAKERS <L>					
EXPLODED	SP15a	COMPLETE UNIT	"SKR-370 (B) Lch"	1	ASF74370-BM10	(B)<MD>
EXPLODED	SP15b	COMPLETE UNIT	"SKR-370 (B) Lch"	1	ASF74370-BMO	(B)<MO>
EXPLODED	SP15c	COMPLETE UNIT	"SKR-370 (S) Lch"	1	ASF74370-SMO	(S)<MO>

EXPLODED	SKR-370 : SURROUND SPEAKERS <R>					
EXPLODED	SP16a	COMPLETE UNIT	"SKR-370 (B) Rch"	1	ASF75370-BM10	(B)<MD>
EXPLODED	SP16b	COMPLETE UNIT	"SKR-370 (B) Rch"	1	ASF75370-BMO	(B)<MO>
EXPLODED	SP16c	COMPLETE UNIT	"SKR-370 (S) Rch"	1	ASF75370-SMO	(S)<MO>
---	SATELLITE PACKAGE					
---	---	SATELLITE PACKAGE (B)	(SKF-370 / SKC-370 / SKR-370)	1	ANS77370-BM10	(B)<MD>
---	---	SATELLITE PACKAGE (B)	(SKF-370 / SKC-370C / SKR-370)	1	ANS77370-BMMO	(B)<MO>
---	---	SATELLITE PACKAGE (S)	(SKF-370 / SKC-370C / SKR-370)	1	ANS77370-SMMO	(S)<MO>

