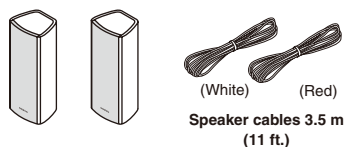
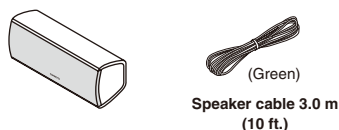
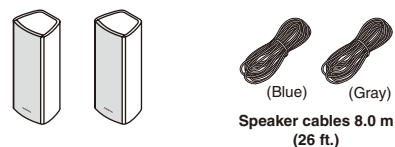
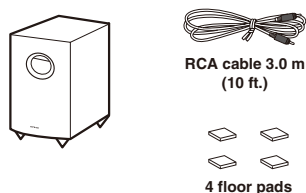



**ONKYO® SERVICE MANUAL****5.1ch Home Theater Speaker Package  
MODEL HTP-790(B)****Front speaker (SKF-680)****Center speaker (SKC-680)****Surround speaker (SKR-680)****Subwoofer (SKW-770)****Black model**

B MDC	120V AC, 60Hz
-------	---------------

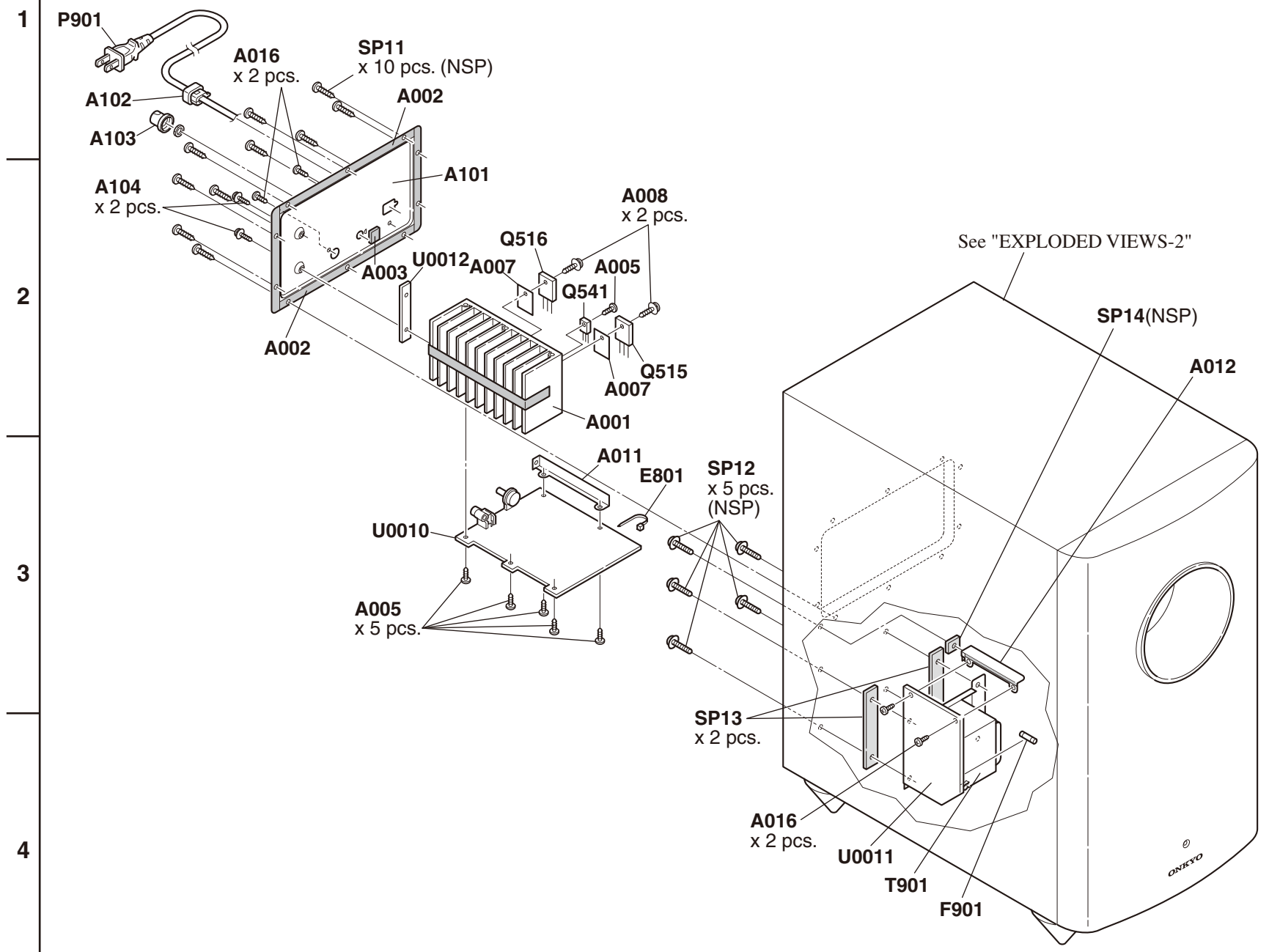
**SAFETY-RELATED COMPONENT  
WARNING!!**

COMPONENTS IDENTIFIED BY MARK  ON THE SCHEMATIC DIAGRAM AND IN THE PARTS LIST ARE CRITICAL FOR RISK OF FIRE AND ELECTRIC SHOCK. REPLACE THESE COMPONENTS WITH ONKYO PARTS WHOSE PART NUMBERS APPEAR AS SHOWN IN THIS MANUAL.

MAKE LEAKAGE-CURRENT OR RESISTANCE MEASUREMENTS TO DETERMINE THAT EXPOSED PARTS ARE ACCEPTABLY INSULATED FROM THE SUPPLY CIRCUIT BEFORE RETURNING THE APPLIANCE TO THE CUSTOMER.

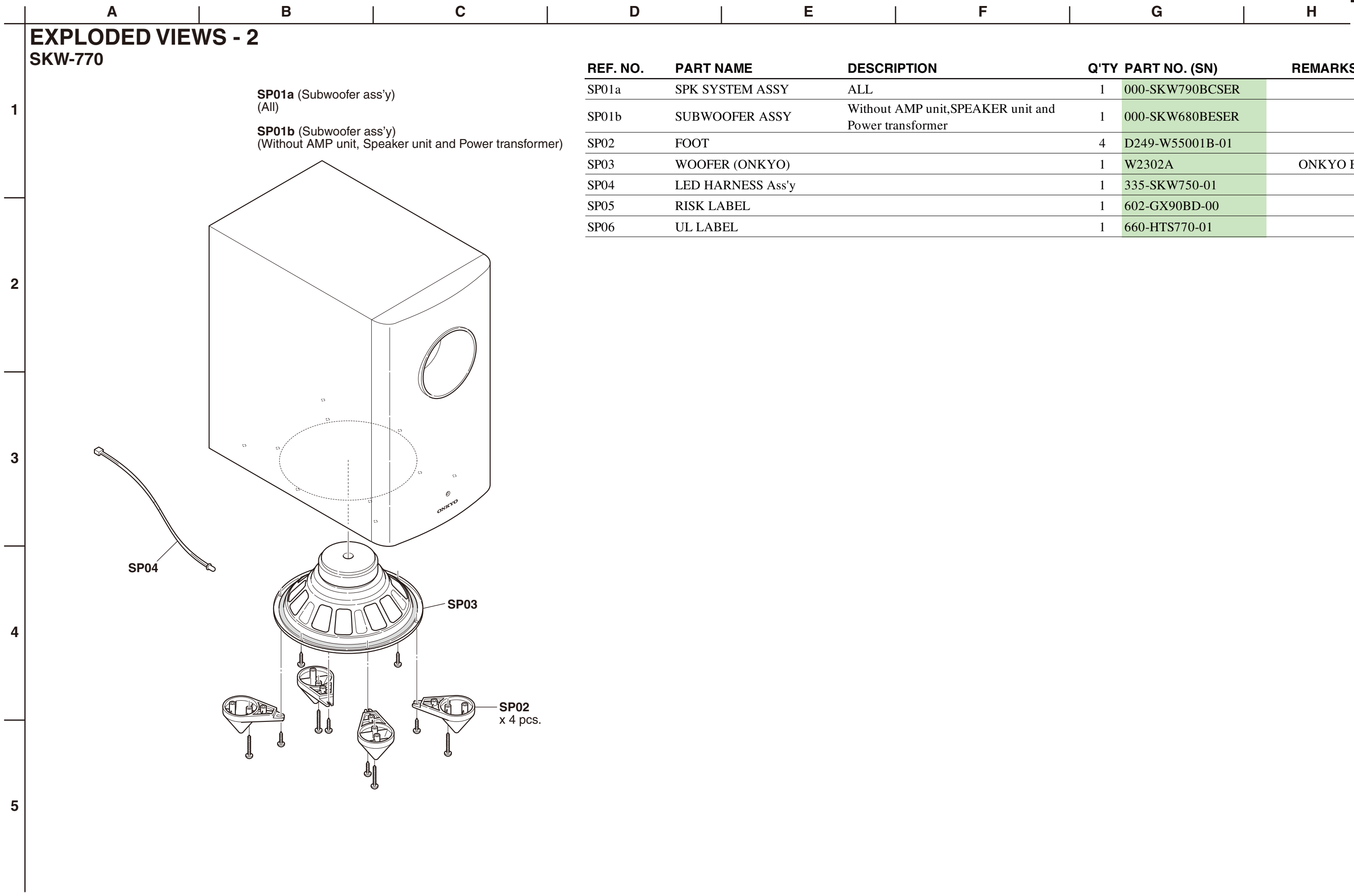
ONKYO SOUND & VISION CORPORATION  
Service Department

**EXPLODED VIEWS - 1**  
**SKW-770**



REF. NO.	PART NAME	DESCRIPTION	Q'TY	PART NO. (SN)	
<b>[SEMICONDUCTOR]</b>					
Q515	TR	2SC5359-R	1	2203082	
Q515 or	TR	2SC5359-O	(1)	2203083	
Q516	TR	2SA1987-R(Q)	1	2203072	
Q516 or	TR	2SA1987-O	(1)	2203073GR	
Q541	TR	2SC3423-Y	1	2202104	
Q541 or	TR	2SC3423-O	(1)	2202103	
<b>[CHASSIS SCREW]</b>					
A001	HEAT SINK	230	1	27160591	
A002	CUSHION	---	2	28141682	
A003	CUSHION	---	1	28141691	
A005	SCREW	3TTB+8B(3BC)	6	838430088GR	
A007	ISO SHEET	AC262	2	223025	
A008	SCREW	3SMS8W.SW+14B(CU)	2	801634	
A011	RETAINER	(PCB)	1	27142025	
A012	RETAINER	(TRANS)SKW-538	1	27142177A	
A016	SCREW	3TTB+8B(3BC)	4	838430088GR	
A101	REAR PANEL	SKW-770DAMP(MDD)(S&V)	1	27124058B	N
A102	BUSHING	S-RELIEF #2271	1	27300750	!
A103	KNOB	(VOL)	1	28326463	
A104	SCREW	3SMS8W.SW+14B(3BC)	2	801433GR	
SP13	CUSHION RUBBER PAD 19x89 T2 RUBBER		2	442-902138-00	
<b>[TRANS COIL]</b>					
T901	P TRANS	NPT-1578D	1	2301948	!
<b>[SW TRM]</b>					
F901	FUSE	5A-UL/T-233	1	252326GR	!
P901	AC CORD	AS-UC-2	1	253368BLTK	!
P901 or	AC CORD	AS-UC-2	(1)	253368AYUN	!
<b>[OTHERS]</b>					
E801	WIRE TIE	BSK-1	1	260208	
<b>[TUNER UNIT]</b>					
U001	U0010-U0012	BAAF-0491-2H *	1	1B139591-2H	
U0010	MAIN PC BOARD AS	BAAF-0491-2H	1	1B1395491-2H	
U0011	POWER SUPPLY PC BOARD AS	BAPS-0492-2H	1	1B1395492-2H	
U0012	ETC	BAETC-0498-2H	1	NSP	

**EXPLODED VIEWS - 2**  
**SKW-770**



**SP01a** (Subwoofer ass'y)  
(All)

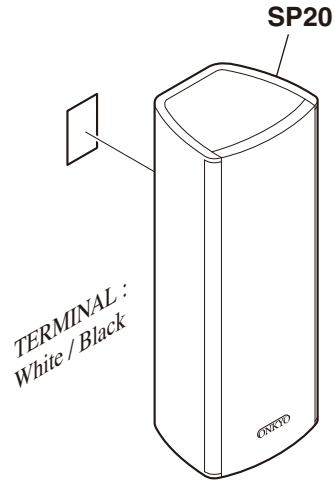
**SP01b** (Subwoofer ass'y)  
(Without AMP unit, Speaker unit and Power transformer)

REF. NO.	PART NAME	DESCRIPTION	Q'TY	PART NO. (SN)	REMARKS
SP01a	SPK SYSTEM ASSY	ALL	1	000-SKW790BCSER	
SP01b	SUBWOOFER ASSY	Without AMP unit,SPEAKER unit and Power transformer	1	000-SKW680BESER	
SP02	FOOT		4	D249-W55001B-01	
SP03	WOOFER (ONKYO)		1	W2302A	ONKYO ELECTRIC(M)
SP04	LED HARNESS Ass'y		1	335-SKW750-01	
SP05	RISK LABEL		1	602-GX90BD-00	
SP06	UL LABEL		1	660-HTS770-01	

### EXPLODED VIEWS-3

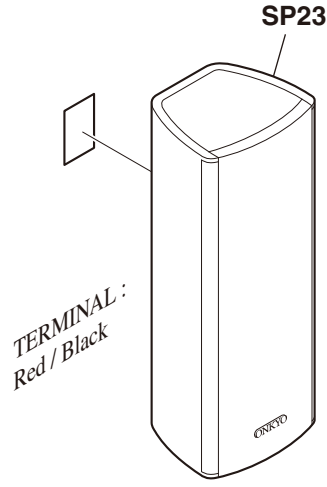
SKF-680 / SKC-680 / SKR-680

<Note>  
Cannot remove the speaker grill.

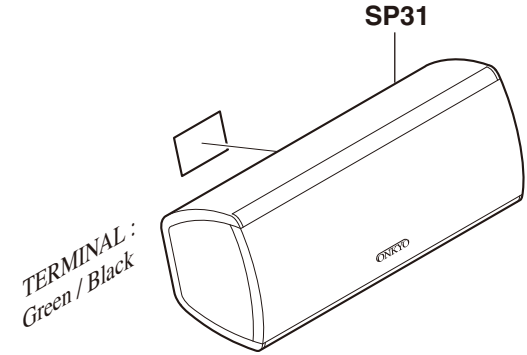


"SKF-680 <L>"

NOT MAGNETICALLY SHIELDED

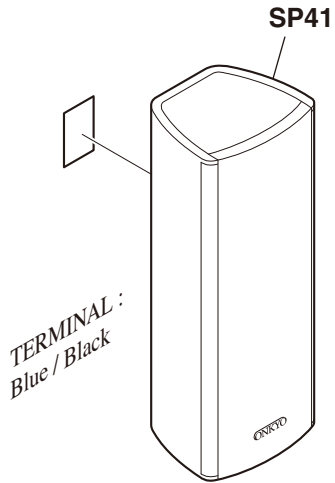


"SKF-680 <R>"



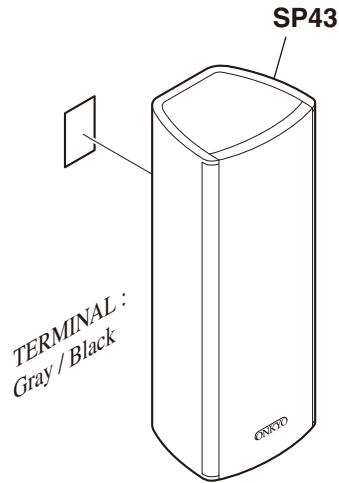
"SKC-680"

NOT MAGNETICALLY SHIELDED



"SKR-680 <L>"

NOT MAGNETICALLY SHIELDED



"SKR-680 <R>"



**HTP-790**

**<Note>**

Parts marked by **"NSP"** are generally unavailable because they are not in our Master Spare Parts List.

**NOTE : THE COMPONENTS IDENTIFIED BY THE MARK ! ARE CRITICAL FOR RISK OF FIRE AND ELECTRIC SHOCK. REPLACE ONLY WITH PART NUMBER SPECIFIED.**

**HTP-790**

**PC BOARD PARTS LIST**

<b>U001</b>	<b>U0010~U0012</b>	<b>BAAF-0491-2H *</b>	<b>1</b>	<b>1B139591-2H</b>
<b>U0010</b>	<b>MAIN PC BOARD AS</b>	<b>BAAF-0491-2H</b>	<b>1</b>	<b>1B1395491-2H</b>
<b>U0011</b>	<b>POWER SUPPLY PC BOARD AS</b>	<b>BAPS-0492-2H</b>	<b>1</b>	<b>1B1395492-2H</b>
<b>U0012</b>	<b>ETC</b>	<b>BAETC-0498-2H</b>	<b>1</b>	<b>NSP</b>

CIRCUIT NO.	PART NAME	DESCRIPTION	Q'TY	PART NO. (SN)	REMARKS
<b>[SEMI CONDUCTOR]</b>					
D501	ZENER D	MTZJ5.6B	1	224470562T	
D601	ZENER D	MTZJ3.6B	1	224470362T	
D602	ZENER D	MTZJ3.6B	1	224470362T	
D603	DIODE	ISS133	1	223163T	
D605	DIODE	ISS133	1	223163T	
D606	DIODE	ISS133	1	223163T	
D607	DIODE	ISS133	1	223163T	
D651	DIODE	ISS133	1	223163T	
D652	DIODE	ISS133	1	223163T	
D707	DIODE	ISS133	1	223163T	
D708	DIODE	ISS133	1	223163T	
D709	DIODE	ISS133	1	223163T	
D901	DIODE	D3SBA60	1	22380272F	
D901 or	DIODE	RBV402	( 1)	22380022F	

D911	DIODE	1SS133	1	223163T
D913	DIODE	1SS133	1	223163T
D917	DIODE	1SS133	1	223163T
D918	DIODE	1SS133	1	223163T
D919	DIODE	RL1N4003	1	22380260T
D920	ZENER D	MTZJ9.1B	1	224470912T
Q301	IC	NJM4558L-D	1	22240293
Q501	TR	2SC2240-BL(TPE2_F)	1	2211406T
Q502	TR	2SC2240-BL(TPE2_F)	1	2211406T
Q503	TR	2SC2240-BL(TPE2_F)	1	2211406T
Q505	TR	2SA949-O(TPE6_F)	1	2211353T
Q505 or	TR	2SA949-Y(TPE6_F)	(1)	2211354T
Q505 or	TR	KTA1024-Y	(1)	2215844T
Q506	TR	2SC2229-O(TPE6_F)	1	2211633T
Q506 or	TR	2SC2229-Y(TPE6_F)	(1)	2211634T
Q506 or	TR	KTC3206-Y	(1)	2215854T
Q507	TR	2SA949-O(TPE6_F)	1	2211353T
Q507 or	TR	2SA949-Y(TPE6_F)	(1)	2211354T
Q507 or	TR	KTA1024-Y	(1)	2215844T
Q509	TR	2SA949-O(TPE6_F)	1	2211353T
Q509 or	TR	2SA949-Y(TPE6_F)	(1)	2211354T
Q509 or	TR	KTA1024-Y	(1)	2215844T
Q510	TR	2SC2229-O(TPE6_F)	1	2211633T
Q510 or	TR	2SC2229-Y(TPE6_F)	(1)	2211634T
Q510 or	TR	KTC3206-Y	(1)	2215854T
Q513	TR	2SC5171(ONK_Q)	1	2203010
Q513 or	TR	KTD2061-Y	(1)	2203434
Q514	TR	2SA1930(ONK_Q)	1	2203000
Q514 or	TR	KTB1369-Y	(1)	2203424
Q517	TR	2SA933S-S	1	2213355T
Q517 or	TR	2SA933S-R	(1)	2213354T
Q517 or	TR	KTA1267-GR	(1)	2215995T
Q518	TR	2SC2235-Y(TPE6_F)	1	2211654T

Q519	TR	2SA965-Y(TPE6_F)	1	2211644T
Q602	TR	KRC103M	1	2215810T
Q602 or	TR	DTC124ES	(1)	2213160T
Q603	TR	2SC1740S-S	1	2213285T
Q603 or	TR	2SC1740S-R	(1)	2213284T
Q603 or	TR	KTC3199-GR	(1)	2215864T
Q604	TR	2SA933S-S	1	2213355T
Q604 or	TR	2SA933S-R	(1)	2213354T
Q604 or	TR	KTA1267-GR	(1)	2215995T
Q605	TR	2SA933S-S	1	2213355T
Q605 or	TR	2SA933S-R	(1)	2213354T
Q605 or	TR	KTA1267-GR	(1)	2215995T
Q606	TR	KRA103M	1	2215780T
Q606 or	TR	DTA124ES	(1)	2212600T
Q607	TR	2SA933S-S	1	2213355T
Q607 or	TR	2SA933S-R	(1)	2213354T
Q607 or	TR	KTA1267-GR	(1)	2215995T
Q608	TR	2SC1740S-S	1	2213285T
Q608 or	TR	2SC1740S-R	(1)	2213284T
Q608 or	TR	KTC3199-GR	(1)	2215864T
Q610	TR	2SA933S-S	1	2213355T
Q610 or	TR	2SA933S-R	(1)	2213354T
Q610 or	TR	KTA1267-GR	(1)	2215995T
Q612	TR	2SC1740S-S	1	2213285T
Q612 or	TR	2SC1740S-R	(1)	2213284T
Q612 or	TR	KTC3199-GR	(1)	2215864T
Q703	TR	2SC1740S-S	1	2213285T
Q703 or	TR	2SC1740S-R	(1)	2213284T
Q703 or	TR	KTC3199-GR	(1)	2215864T
Q704	TR	2SC1740S-S	1	2213285T
Q704 or	TR	2SC1740S-R	(1)	2213284T
Q704 or	TR	KTC3199-GR	(1)	2215864T
Q705	TR	2SA933S-S	1	2213355T



Q705 or	TR	2SA933S-R	( 1)	2213354T	
Q705 or	TR	KTA1267-GR	( 1)	2215995T	
Q706	TR	DTC123JS	1	2213640T	
Q901	TR	DTC123JS	1	2213640T	
Q902	IC	78M05AHF(MPC78M05AHF)	1	222780055NEC	
Q902 or	IC	78M05(NJM78M05FA)	( 1)	222780055JRC	
<b>[TRANS COIL]</b>					
T902	P TRANS	NPT-1520JQ	1	2301812A	!
<b>[CAPACITOR]</b>					
C301	UPZ C	2AUPZTF221JE	1	376332214T	
C302	UTSP C	CE04W50V-47M(UTSP)	1	397584707T	
C303	TF C	ECQ-V50V-223J	1	374722234T	
C501	UTSP C	CE04W50V-47M(UTSP)	1	397584707T	
C503	TF C	ECQ-V50V-474J	1	374724744T	
C504	UTSP C	CE04W25V-220M(UTSP)	1	397552217T	
C505	CERA C	CC45CH50V-020C	1	345340201T	
C506	CERA C	CC45CH50V-070D	1	345340702T	
C514	UPZ C	2AUPZTF101JE	1	376331014T	
C517	VR C	CE04W100V-22M(VR)	1	394692207T	
C519	TF C	ECQ-V50V-224J	1	374722244T	
C520	TF C	ECQ-V50V-224J	1	374722244T	
C526	VR C	CE04W100V-22M(VR)	1	394692207T	
C527	UTSP C	CE04W50V-1M(UTSP)	1	397580107T	
C528	VR C	CE04W100V-22M(VR)	1	394692207T	
C601	UTSP C	CE04W50V-10M(UTSP)	1	397581007T	
C602	UTSP C	CE04W50V-10M(UTSP)	1	397581007T	
C603	UTSP C	CE04W10V-470M(UTSP)	1	397534717T	
C604	UTSP C	CE04W50V-4.7M(UTSP)	1	397580477T	
C605	UTSP C	CE04W50V-4.7M(UTSP)	1	397580477T	
C704	UTSP C	CE04W10V-470M(UTSP)	1	397534717T	
C707	TF C	ECQ-V50V-223J	1	374722234T	
C709	TF C	ECQ-V50V-223J	1	374722234T	
C903	TF C	ECQ-V100V-104J	1	374731044T	

C904	TF C	ECQ-V100V-104J	1	374731044T	
C905	ELECT C	CE62W63V-5600M	1	3504399	
C905 or	ELECT C	CE69W63V-5600M	( 1)	3504481	
C906	ELECT C	CE62W63V-5600M	1	3504399	
C906 or	ELECT C	CE69W63V-5600M	( 1)	3504481	
C907	UTSP C	CE04W25V-220M(UTSP)	1	397552217T	
C908	UTSP C	CE04W25V-220M(UTSP)	1	397552217T	
C911	UTSK C	CE04W25V-1000M(UTSK)	1	398351027S	
C912	UTSK C	CE04W25V-1000M(UTSK)	1	398351027S	
C914	UTSK C	CE04W25V-1000M(UTSK)	1	398351027S	
C915	TF C	ECQ-V50V-224J	1	374722244T	
C916	IS C	MKP R46 103M	1	3500202S	!
C917	UTSP C	CE04W50V-22M(UTSP)	1	397582207T	
C919	TF C	ECQ-V50V-104J	1	374721044T	
C921	PLA C	MKP R46 104M	1	3800041S	
C955	TF C	ECQ-V50V-223J	1	374722234T	
<b>[RESISTOR]</b>					
R301	CARBON R	R16J-1K	1	417341024T	
R302	VARI R	N17RGL20KB15M	1	5151508	
R303	CARBON R	R16J-47K	1	417344734T	
R304	CARBON R	R16J-82K	1	417348234T	
R305	CARBON R	R16J-33K	1	417343334T	
R307	CARBON R	R16J-270	1	417342714T	
R501	CARBON R	R16J-1K	1	417341024T	
R502	CARBON R	R16J-33K	1	417343334T	
R503	CARBON R	R16J-5.6K	1	417345624T	
R504	CARBON R	R16J-2.2K	1	417342224T	
R505	NF CARBON R	R25J-1.0K	1	415471024T	
R506	NF CARBON R	R25J-1.0K	1	415471024T	
R507	CARBON R	R16J-33K	1	417343334T	
R508	NF CARBON R	R25J-47	1	415474704T	
R509	CARBON R	R16J-1K	1	417341024T	
R510	CARBON R	R16J-100K	1	417341044T	

R511	NF CARBON R	R25J-82	1	415478204T
R512	NF CARBON R	R25J-68	1	415476804T
R513	NF CARBON R	R25J-82	1	415478204T
R514	NF CARBON R	R25J-82	1	415478204T
R515	CARBON R	R16J-12K	1	417341234T
R516	CARBON R	R16J-12K	1	417341234T
R517	CARBON R	R16J-3.3K	1	417343324T
R521	CARBON R	R16J-220	1	417342214T
R522	CARBON R	R16J-220	1	417342214T
R526	METAL O R	RS1/2WBJ-82	1	443528204T
R527	CARBON R	R16J-270	1	417342714T
R528	METAL O R	RS1/2WBJ-390	1	443523914T
R531	METAL PR	RF-5EGKR22	1	4000201
R531 or	METAL PR	RGC55 0.22	( 1 )	4000132
R531 or	METAL P R	RGC55C 0.22 K	( 1 )	4000157
R531 or	METAL PR	MPR5W+5W 0R22	( 1 )	4000233
R533	METAL R	RNU1WCJ-3.3	1	453630334T
R541	NF CARBON R	R25J-820	1	415478214T
R542	CARBON R	R16J-150	1	417341514T
R543	CARBON R	R16J-180	1	417341814T
R544	TRIM R	N06HR100BC	1	5210399T
R601	CARBON R	R16J-5.6K	1	417345624T
R602	CARBON R	R16J-100K	1	417341044T
R603	CARBON R	R16J-150K	1	417341544T
R604	CARBON R	R16J-180	1	417341814T
R605	CARBON R	R16J-22	1	417342204T
R609	CARBON R	R16J-39K	1	417343934T
R610	CARBON R	R16J-560K	1	417345644T
R611	CARBON R	R16J-820K	1	417348244T
R612	CARBON R	R16J-39K	1	417343934T
R613	CARBON R	R16J-470K	1	417344744T
R614	CARBON R	R16J-120K	1	417341244T
R615	CARBON R	R16J-22K	1	417342234T

R616	CARBON R	R16J-100K	1	417341044T
R617	CARBON R	R16J-1K	1	417341024T
R619	CARBON R	R16J-22K	1	417342234T
R620	CARBON R	R16J-100K	1	417341044T
R621	CARBON R	R16J-1K	1	417341024T
R622	CARBON R	R16J-10K	1	417341034T
R623	CARBON R	R16J-22K	1	417342234T
R624	CARBON R	R16J-100K	1	417341044T
R625	CARBON R	R16J-180K	1	417341844T
R626	CARBON R	R16J-2.2M	1	417342254T
R627	CARBON R	R16J-680K	1	417346844T
R628	CARBON R	R16J-330K	1	417343344T
R630	CARBON R	R16J-10K	1	417341034T
R631	CARBON R	R16J-10K	1	417341034T
R651	METAL O R	RS1WBJ-10K	1	443621034T
R652	CARBON R	R16J-470K	1	417344744T
R653	CARBON R	R16J-680K	1	417346844T
R654	CARBON R	R16J-330K	1	417343344T
R704	CARBON R	R16J-100K	1	417341044T
R714	CARBON R	R16J-47K	1	417344734T
R715	CARBON R	R16J-10K	1	417341034T
R716	CARBON R	R16J-1K	1	417341024T
R717	CARBON R	R16J-10K	1	417341034T
R904	METAL R	RNU1/2WCJ-0.22	1	453532294T
R905	METAL R	RNU1/2WCJ-0.47	1	453534794T
R906	METAL O R	RS1/2WBJ-22	1	443522204T
R907	METAL O R	RS1/2WBJ-22	1	443522204T
R954	METAL O R	RS1/2WBJ-33	1	443523304T
R981	METAL O R	RS1WBJ-470	1	443624714T
R982	METAL O R	RS1WBJ-470	1	443624714T
R983	METAL O R	RS1WBJ-470	1	443624714T
R984	METAL O R	RS1WBJ-470	1	443624714T

[SW TRM]

E801	RETAINER	KANAGU(EARTH)	1	27141059	
F901A	FUSE HOL	NSCT-1P2506	1	25052609T	
F901Aor	FUSE HOL	NSCT-1P2031	( 1)	25052133T	
F901B	FUSE HOL	NSCT-1P2506	1	25052609T	
F901Bor	FUSE HOL	NSCT-1P2031	( 1)	25052133T	
P301	PIN JACK	NPJ-1PDB581	1	25045801	
P301 or	PIN JACK	NPJ-1PDBL382	( 1)	25045567	
P301 or	PIN JACK	NPJ-1PDB556	( 1)	25045774	
P531	PLUG	NPLG-2P29	1	25055038	
P535A	SOCKET AS	NSAS-2P1852	1	2009991188UL	
P631	PLUG	NPLG-2P29	1	25055038	
P632A	PLUG	NPLG-3P131	1	25055147	
P902A	PLUG	NPLG-2P632	1	25055676	
P903A	PLUG	NPLG-4P151	1	25055167	
P903B	SOCKET AS	NSAS-7P1834	1	20099900740UL	
P908A	SOCKET AS	NSAS-10P1152	1	2002A391040UL	
P908B	PLUG	NPLG-5P133	1	25055149	
RL901	RELAY	NRL-1P5A-DC9-179	1	25065669	!

# **ONKYO®**

## **ONKYO SOUND & VISION CORPORATION**

Technical Support, Service Dept.: 2-1, Nisshin-cho, Neyagawa-shi, OSAKA 572-8540, JAPAN  
Tel: 072-831-8023 Fax: 072-831-8163

## **ONKYO U.S.A. CORPORATION**

18 Park Way, Upper Saddle River, N.J. 07458, U.S.A.  
Tel: 800-229-1687, 201-785-2600 Fax: 201-785-2650  
<http://www.us.onkyo.com/>

## **ONKYO EUROPE ELECTRONICS GmbH**

Liegnitzerstrasse 6, 82194 Groebenzell, GERMANY  
Tel: +49-8142-4401-0 Fax: +49-8142-4401-555  
<http://www.eu.onkyo.com/>

## **ONKYO EUROPE ELECTRONICS GmbH (UK BRANCH)**

The Coach House 81A High Street, Marlow, Buckinghamshire, SL7 1AB, UK  
Tel: +44-(0)1628-473-350 Fax: +44-(0)1628-401-700

## **ONKYO CHINA LIMITED**

Unit 1033, 10/F, Star House, No 3, Salisbury Road, Tsim Sha Tsui Kowloon, Hong Kong.  
Tel: 852-2429-3118 Fax: 852-2428-9039  
<http://www.ch.onkyo.com/>