

ONKYO SERVICE MANUAL


7.1-CH HOME THEATER SPEAKER PACKAGE MODEL HTP-940(B)



Black model

B MDC	120V AC, 60Hz
B MPP	230-240V AC, 50Hz

SAFETY-RELATED COMPONENT WARNING!!

COMPONENTS IDENTIFIED BY MARK  ON THE SCHEMATIC DIAGRAM AND IN THE PARTS LIST ARE CRITICAL FOR RISK OF FIRE AND ELECTRIC SHOCK. REPLACE THESE COMPONENTS WITH ONKYO PARTS WHOSE PART NUMBERS APPEAR AS SHOWN IN THIS MANUAL.

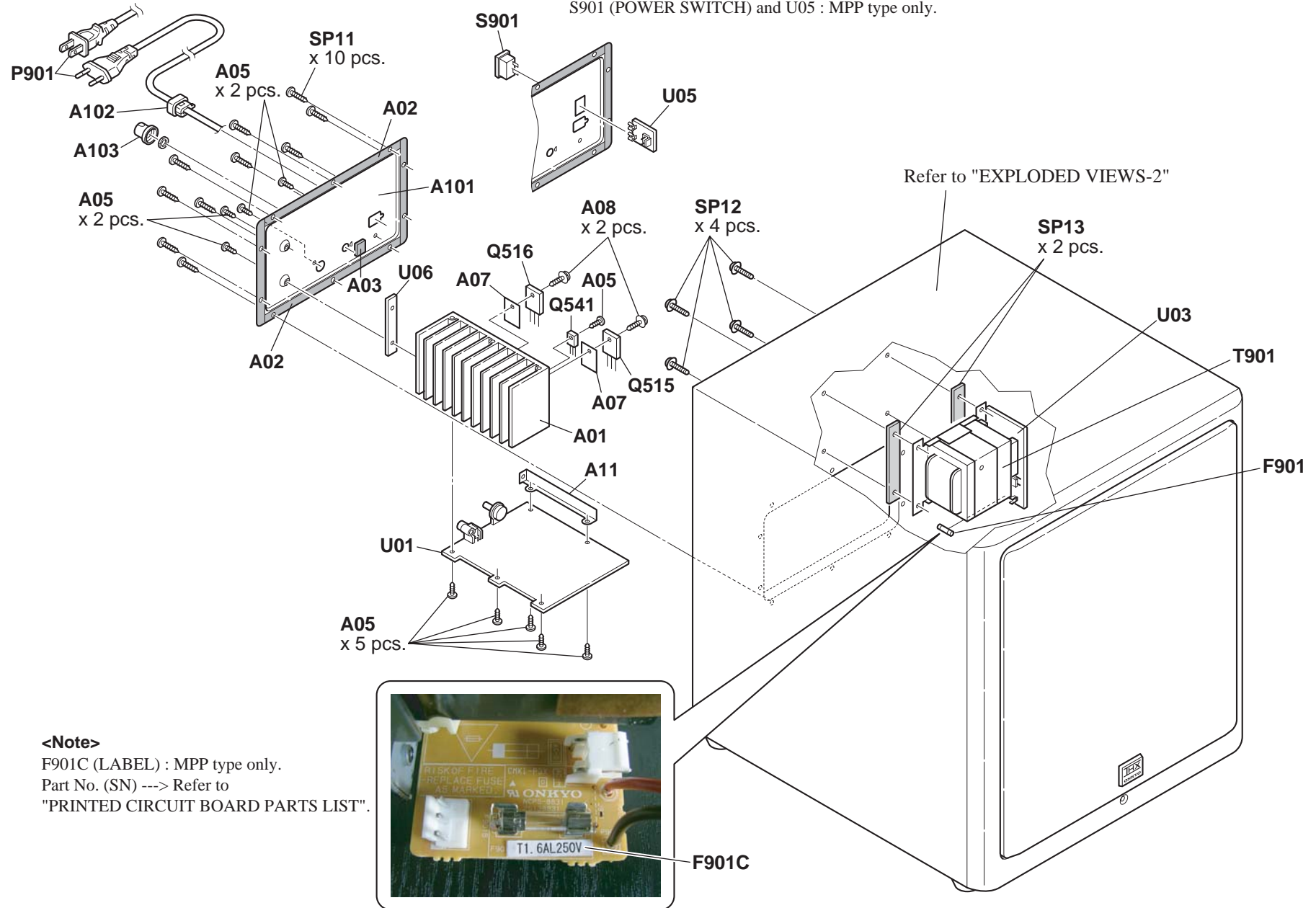
MAKE LEAKAGE-CURRENT OR RESISTANCE MEASUREMENTS TO DETERMINE THAT EXPOSED PARTS ARE ACCEPTABLY INSULATED FROM THE SUPPLY CIRCUIT BEFORE RETURNING THE APPLIANCE TO THE CUSTOMER.

EXPLODED VIEWS-1

SKW-940 : POWERED SUBWOOFER

<Note>

S901 (POWER SWITCH) and U05 : MPP type only.

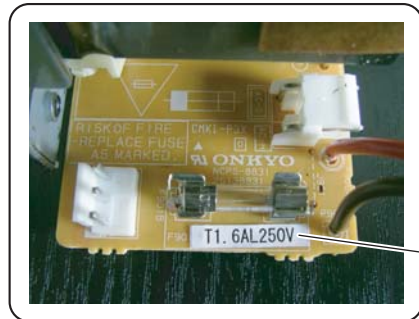


<Note>

F901C (LABEL) : MPP type only.

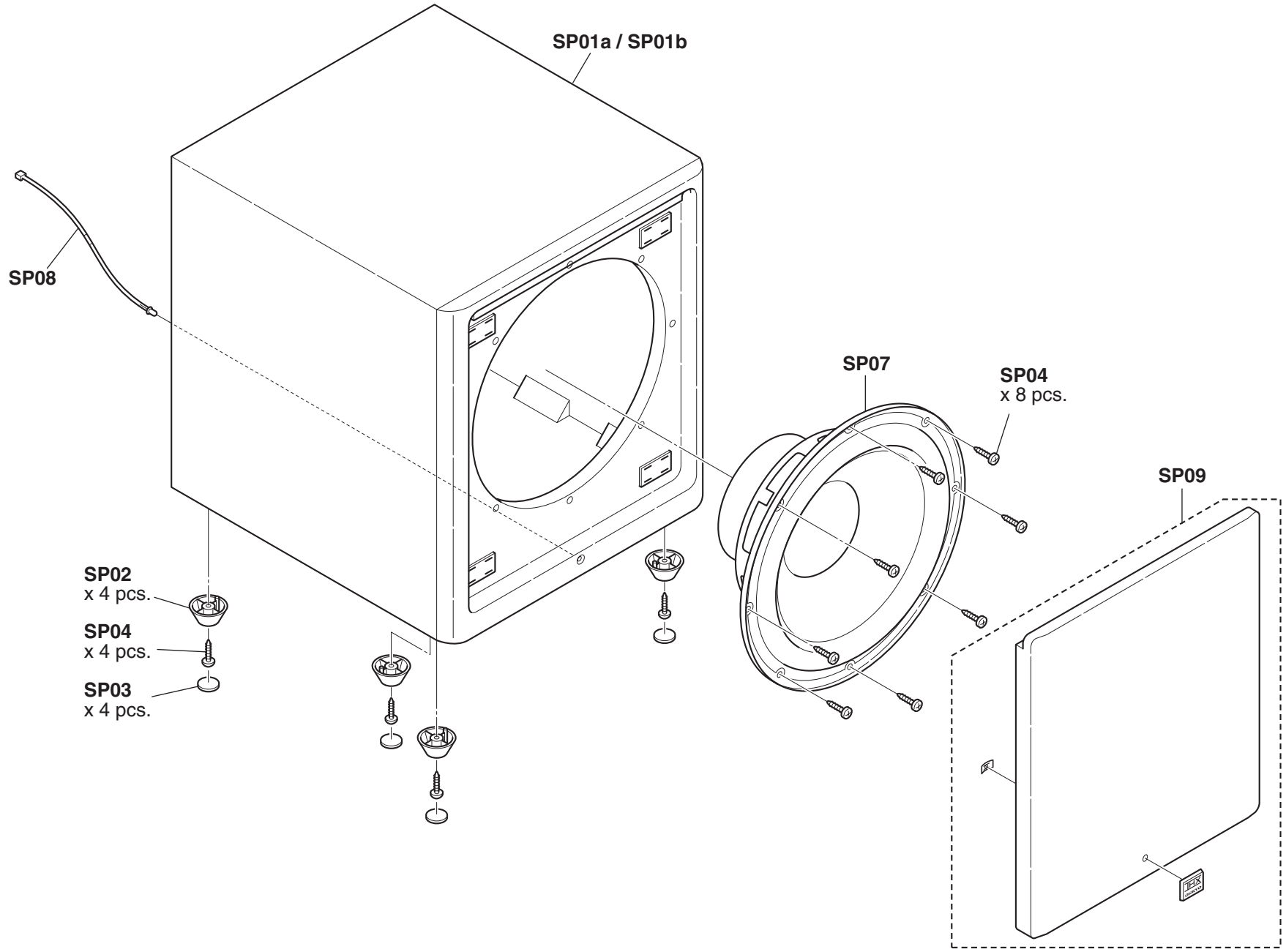
Part No. (SN) ---> Refer to

"PRINTED CIRCUIT BOARD PARTS LIST".



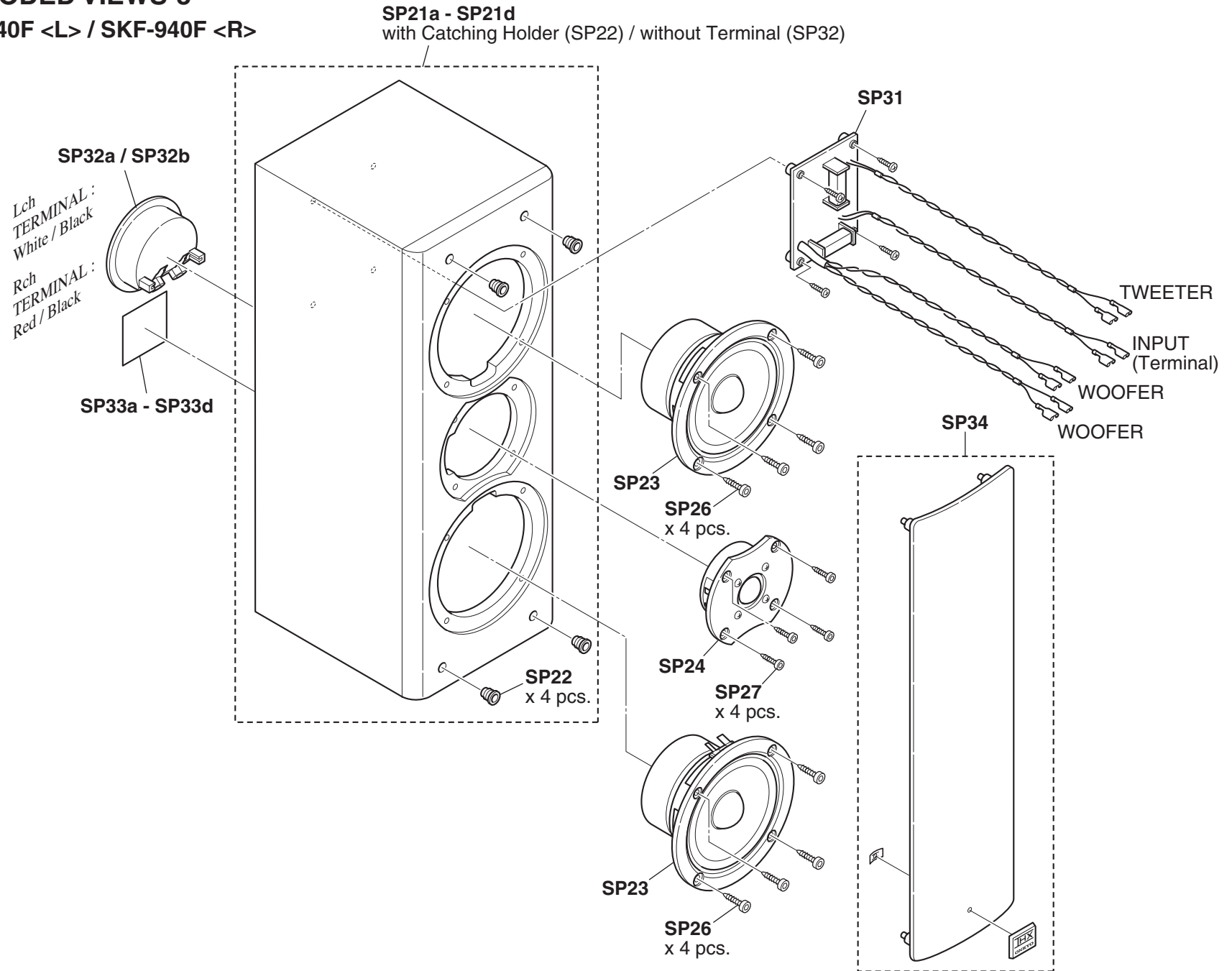
F901C

EXPLODED VIEWS-2
SKW-940 : POWERED SUBWOOFER



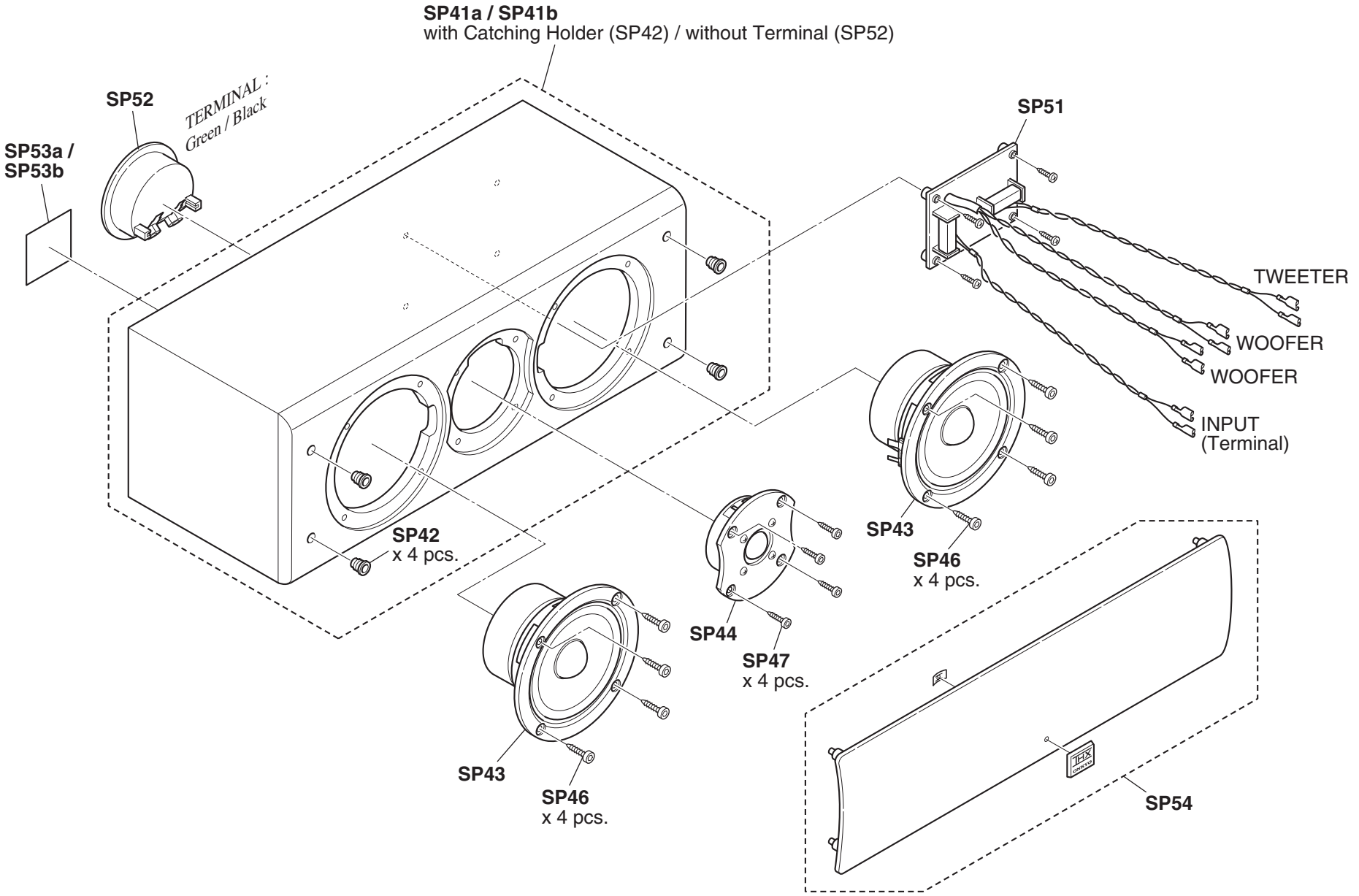
EXPLODED VIEWS-3

SKF-940F <L> / SKF-940F <R>



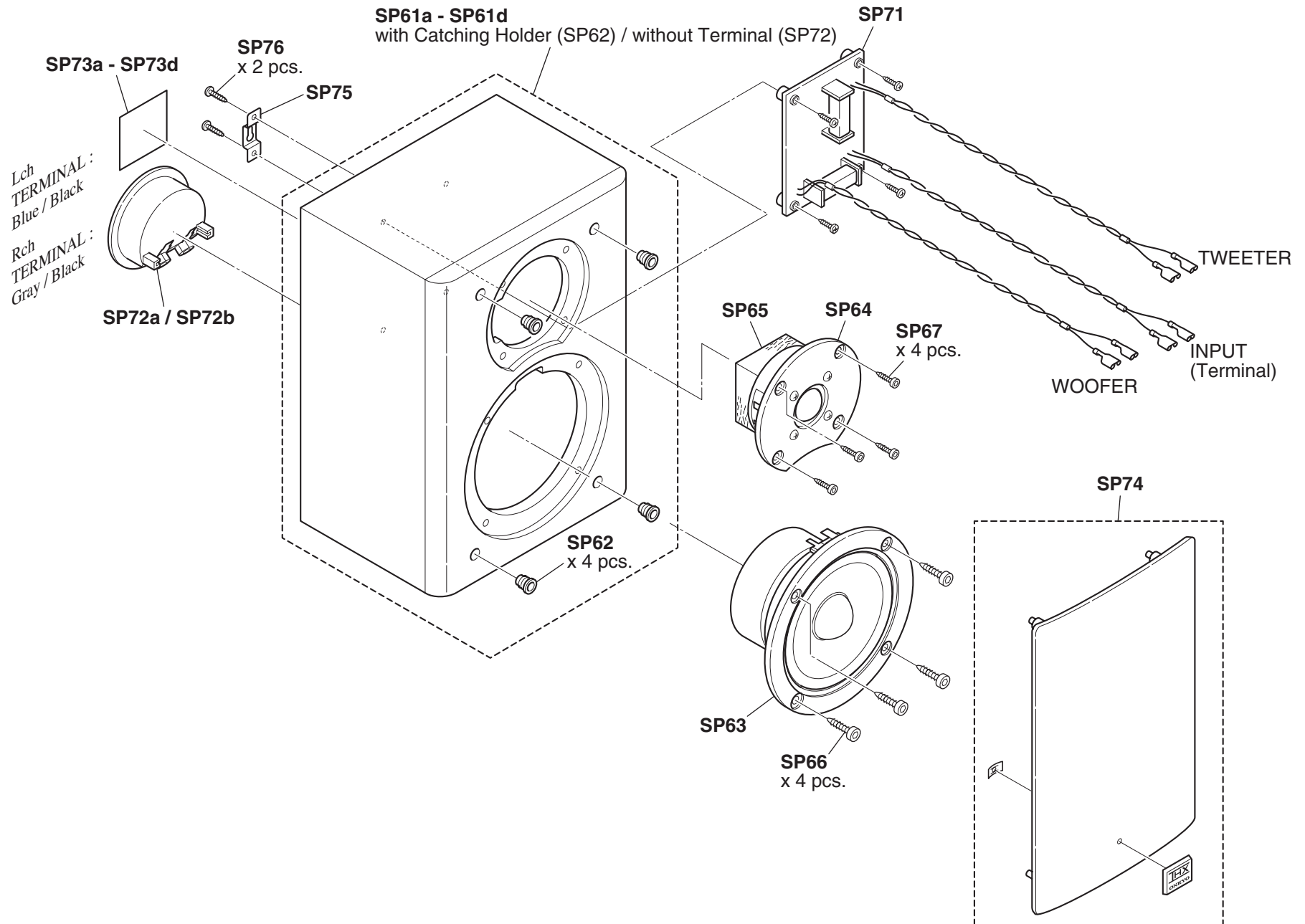
EXPLODED VIEWS-4

SKC-940C



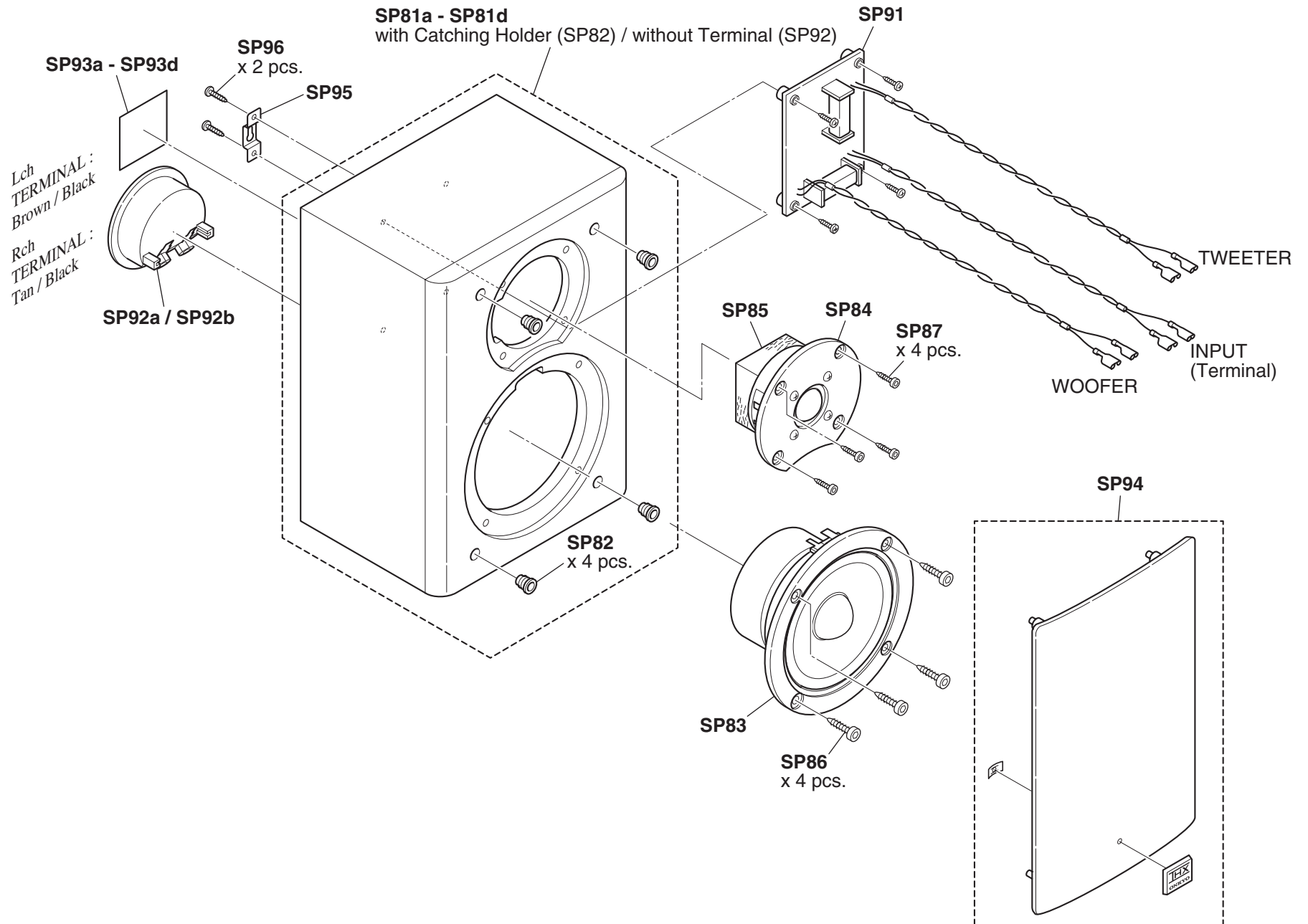
EXPLODED VIEWS-5

SKM-940S <L> / SKM-940S <R>



EXPLODED VIEWS-6

SKB-940 <L> / SKB-940 <R>



A

B

C

D

SCHEMATIC DIAGRAM SKW-940 : POWERED SUBWOOFER

U01 MAIN PC BOARD

NAAF

1

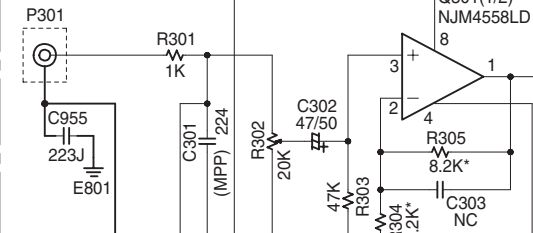
2

3

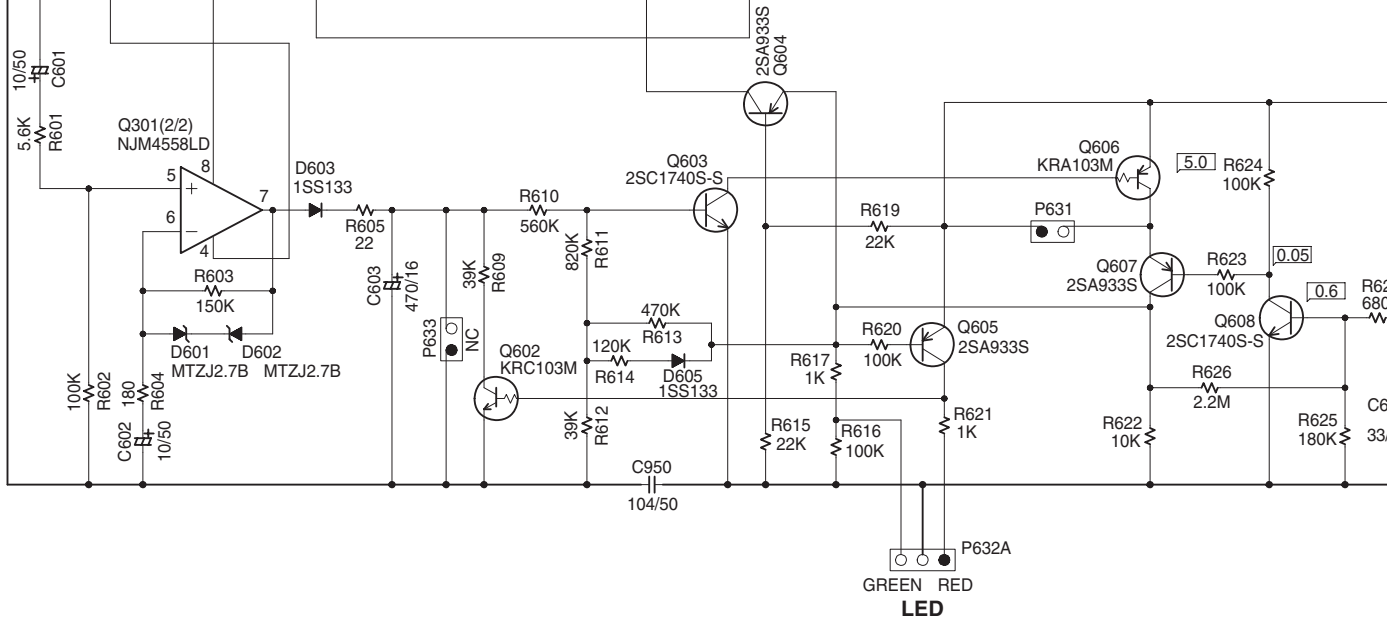
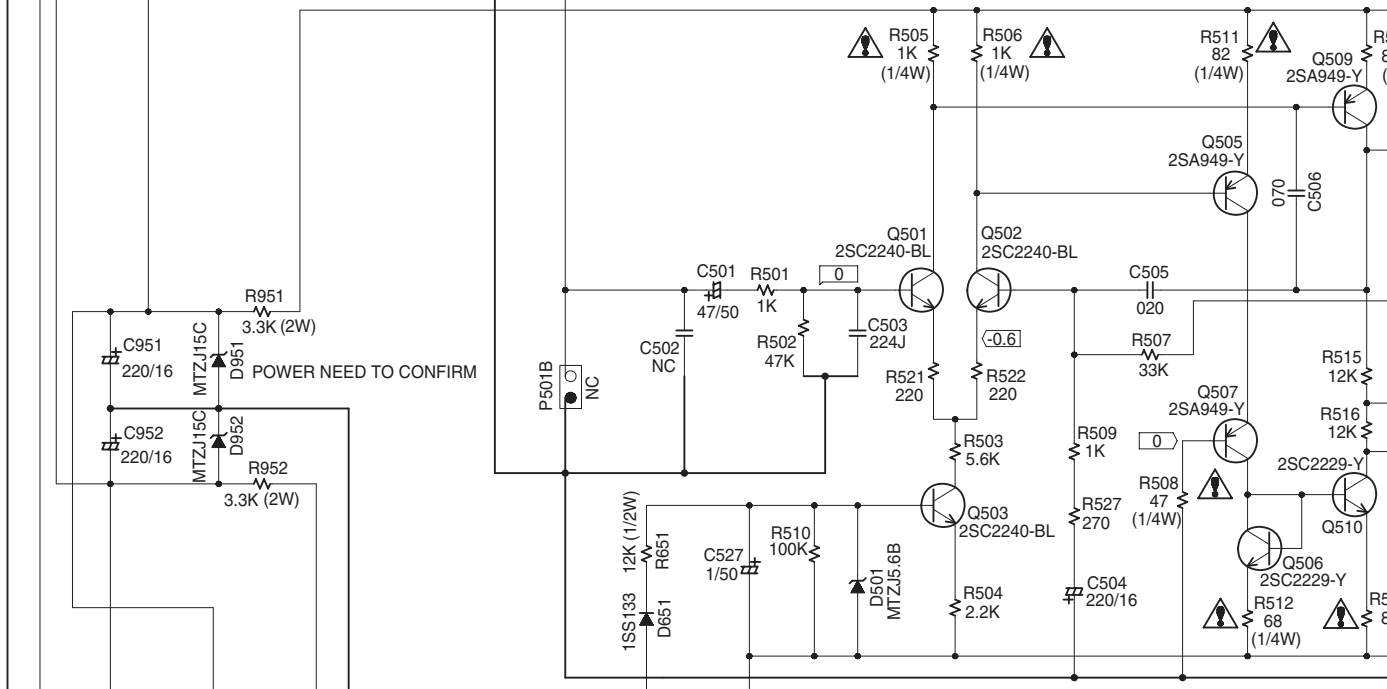
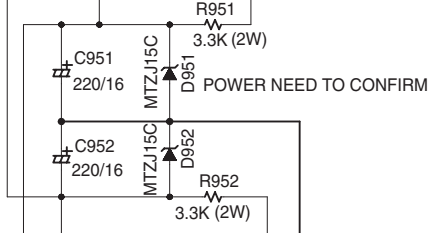
4

5

LINE INPUT




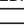


OUTPUT LEVEL



AF-8829

<Note>
NC : No mount of parts.

NOTE

- THE COMPONENTS IDENTIFIED BY MARK  ARE CRITICAL FOR SAFETY. REPLACE ONLY WITH PART NUMBER SPECIFIED.
- VOLTAGE (MEASURED WITH VOLTMETER)  IS DC VOLTAGE.(NO INPUT SIGNAL).
- ALL PNP TRANSISTORS ARE EQUIVALENT TO 2SA1015-GR UNLESS OTHERWISE NOTED.
- ALL NPN TRANSISTORS ARE EQUIVALENT TO 2SC1815-GR UNLESS OTHERWISE NOTED.
- ALL DIODES ARE EQUIVALENT TO 1SS133 UNLESS OTHERWISE NOTED.
- ELECTROLYTIC CAPACITORS () ARE IN uF/WV.
- ALL CAPACITORS ARE IN pF/50WV UNLESS OTHERWISE NOTED.
EX) 030- 3pF 330- 330pF 331- 330pF 333- 0.033uF
- ALL RESISTORS ARE IN OHMS 1/4WATTS UNLESS OTHERWISE NOTED.
- THE THICK LINES ON PC BOARD ARE THE PRINTING SIDE OF THE PARTS.
EX)  PRINTING SIDE
- CIRCUIT IS SUBJECT TO CHANGE FOR IMPROVEMENT.

CAUTION

FOR CONTINUED PROTECTION AGAINST FIRE HAZARD, REPLACE ONLY WITH FUSE OF SAME TYPE AND RATING INDICATED.



ATTENTION

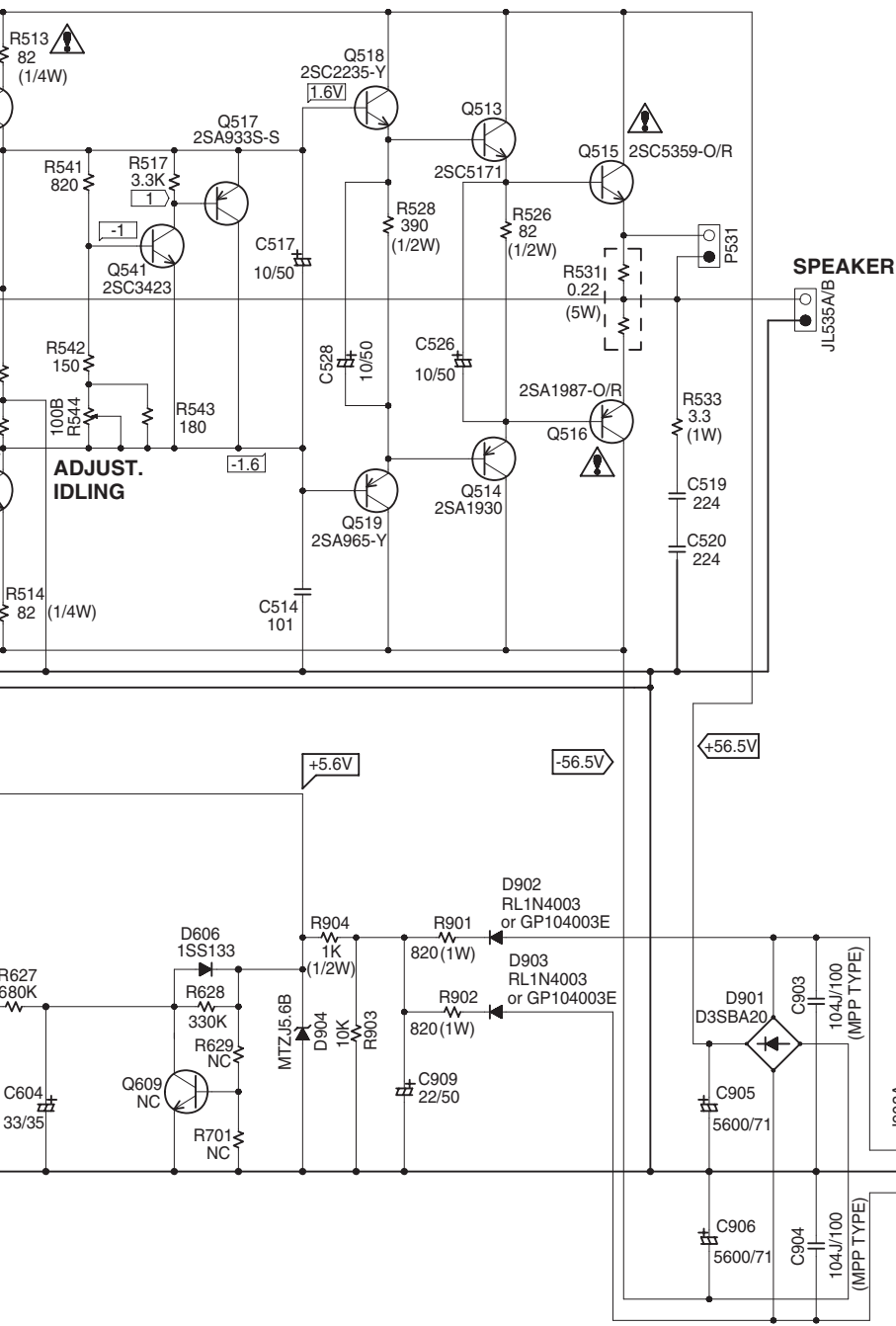
AFIN D'ASSURER UNE PROTECTION PERMANENTE CONTRE LES RISQUES D'INCENDIE, REMPLACER UNIQUEMENT PAR UN FUSIBLE DE MEME TYPE ET CALIBRATION COMME INDIQUE.



THIS SYMBOL LOCATED NEAR THE FUSE INDICATES THAT THE FUSE USED IS SLOW OPERATING TYPE FOR CONTINUED PROTECTION AGAINST FIRE HAZARD, REPLACE WITH SAME TYPE FUSE. FOR FUSE RATING REFER TO THE MARKING ADJACENT TO THE SYMBOL.

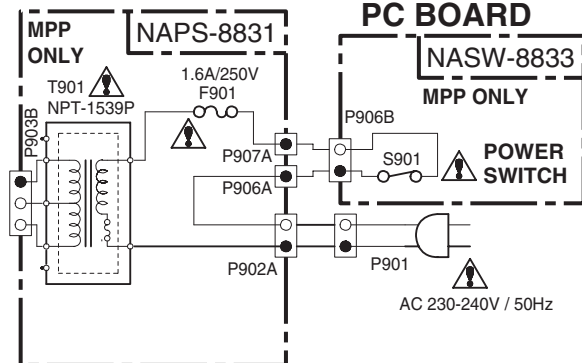


CE SYMBOLE INDIQUE QUE LE FUSIBLE UTILISE EST E LENT. POUR UNE PROTECTION PERMANENTE, N'UTILISER QUE DES FUSIBLES DE MEME TYPE. CE DERNIER EST INDIQUE LA QU LE PRESENT SYMBOLE EST APPOSE.

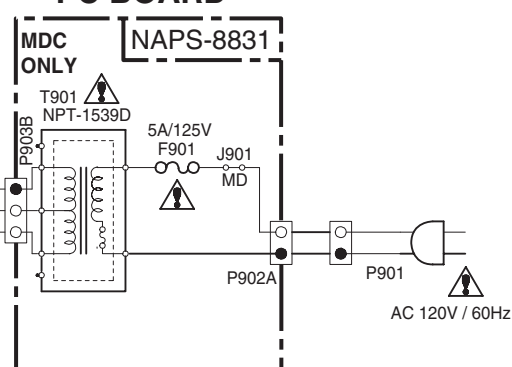


U03 POWER TRANSFORMER PC BOARD

U05 POWER SWITCH PC BOARD



U03 POWER TRANSFORMER PC BOARD



A

B

C

D

PRINTED CIRCUIT BOARD VIEWS-1

SKW-940 : POWERED SUBWOOFER

U01 MAIN PC BOARD (NAAF-8829)

Component side

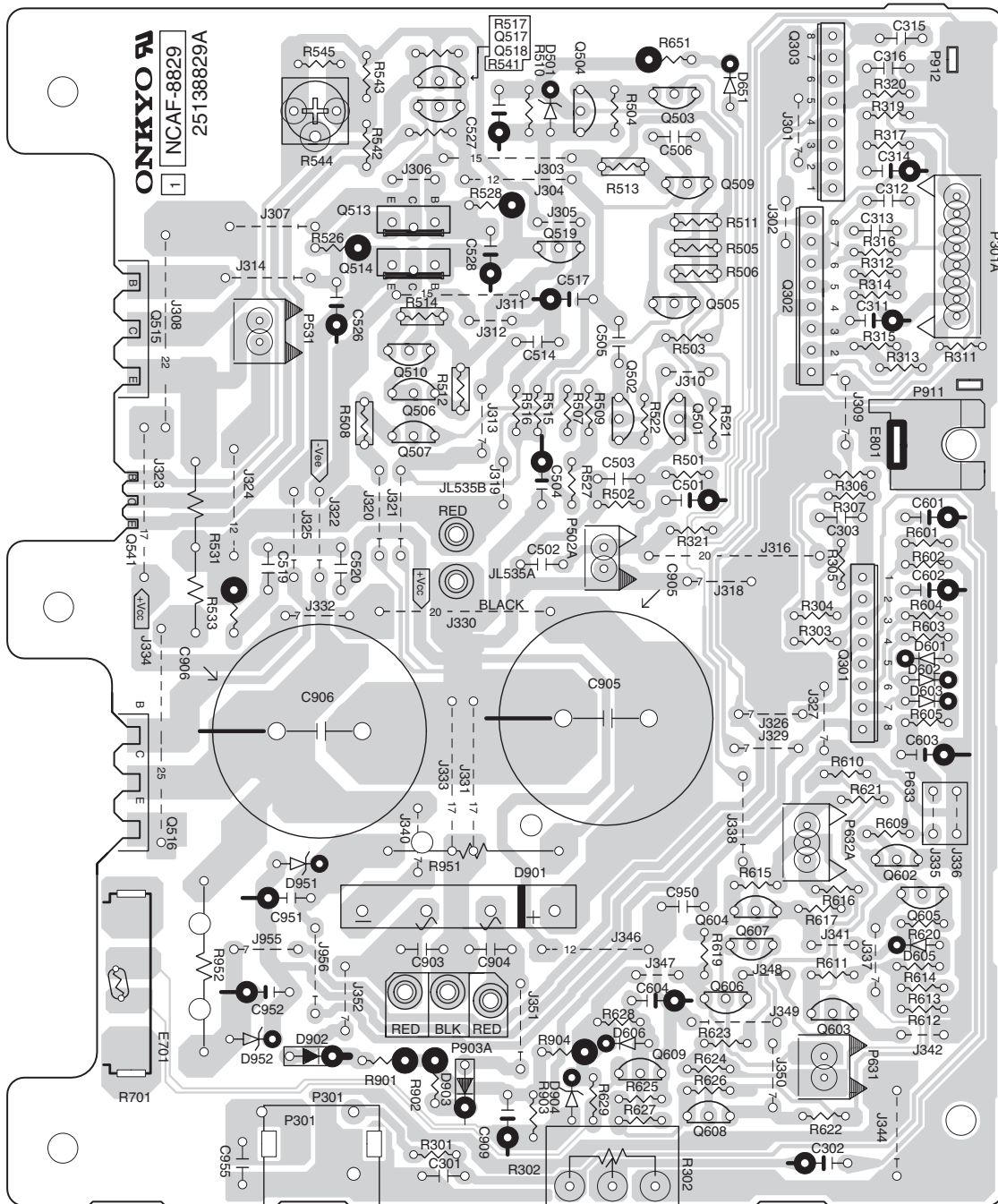
1

2

3

4

5



ADJUSTMENT PROCEDURE

SKW-940 : POWERED SUBWOOFER / ADJUSTMENT OF IDLING CURRENT

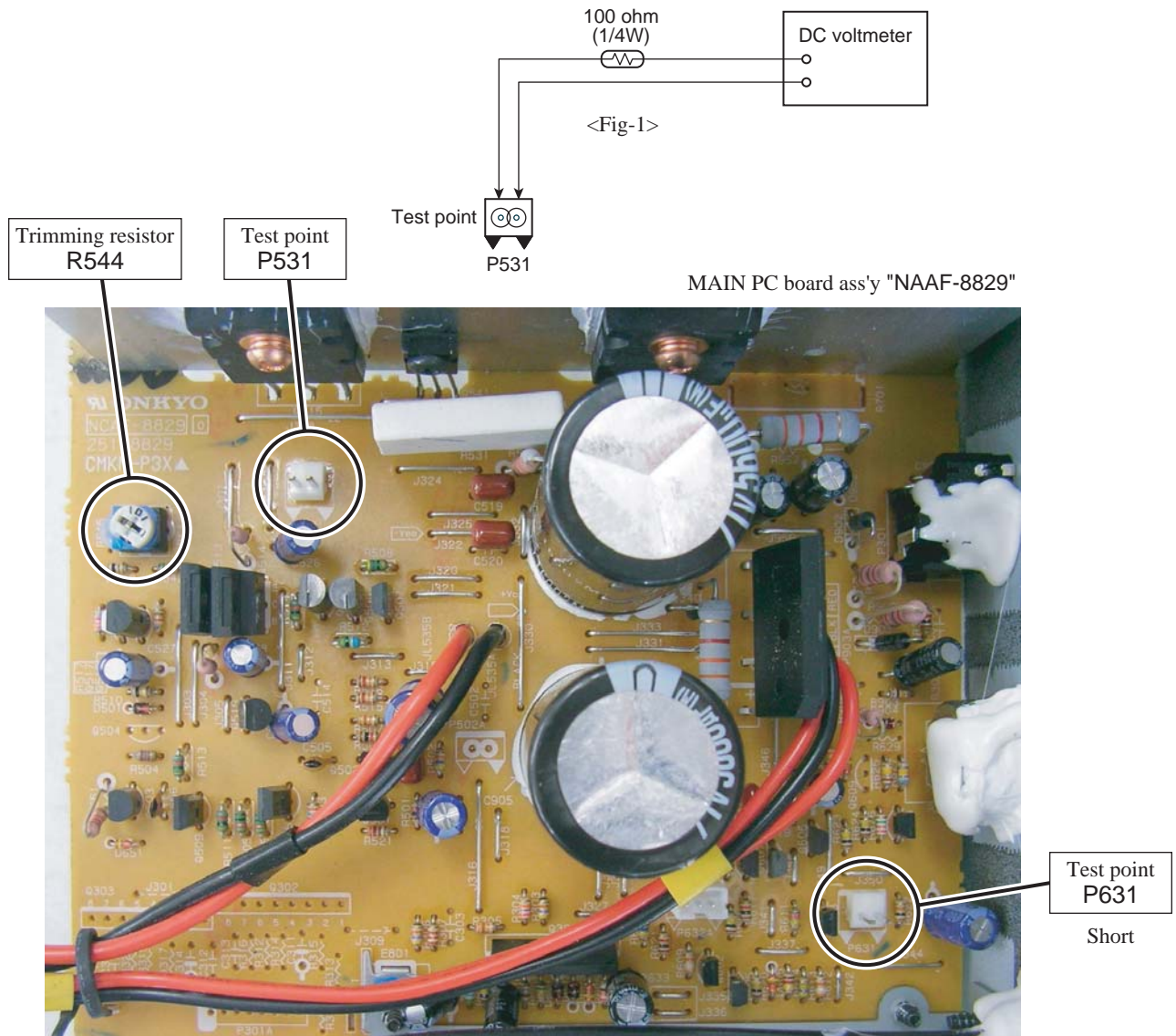
[When]

1. Exchange transistors (Q505 - Q519).
2. Exchange MAIN PC board ass'y (NAAF-8829).

[Procedure]

<Note> No speaker load and No input signal.

1. Short test point P631 for amplifier is under active mode.
2. Adjust the trimming resistor R544 so that the reading of multimeter becomes 52 ohm to 53 ohm.
3. Connect the DC voltmeter to test point P531. <Fig-1>
4. Connect the AC power cord into a wall outlet.
5. Press POWER button to turn on the unit. (MPP type only)
6. Confirm the voltage of above point after 6 minutes to 8 minutes. (Heat running)
7. When less than 3.20 mV : Readjust the trimming resistor above so that the voltage becomes 4.5 mV to 5.0 mV.
When 3.30 mV to 5.20 mV : Not necessary to adjust.
8. Press POWER button to turn off the unit. (MPP type only)
9. Disconnect the DC voltmeter.
10. Disconnect the AC power cord from a wall outlet.



HTP-940

EXPLODED VIEWS PARTS LIST

NOTE : THE COMPONENTS IDENTIFIED BY THE MARK
! ARE CRITICAL FOR RISK OF FIRE AND
ELECTRIC SHOCK. REPLACE ONLY WITH PART
NUMBER SPECIFIED.

<Notes>

<L> : Lch
<R> : Rch
<MDC> : Canadian model only
<MPP> : European model only

REF. NO.	PART NAME	DESCRIPTION	Q'TY	PART NO. (SN)	REMARKS
EXPLODED:	SKW-940 (B) : POWERED SUBWOOFER				
EXPLODED:	AMPLIFIER SECTION				
EXPLODED:	Q515	TR	2SC5359-R	1 2203082	!
EXPLODED:	Q515 or	TR	2SC5359-O	(1) 2203083	!
EXPLODED:	Q516	TR	2SA1987-R(Q)	1 2203072	!
EXPLODED:	Q516 or	TR	2SA1987-O	(1) 2203073	!
EXPLODED:	Q541	TR	2SC3423-Y	1 2202104	
EXPLODED:	Q541 or	TR	2SC3423-O	(1) 2202103	
EXPLODED:	<Note>				
EXPLODED:	When replacement the following the transistor, made from the same HFE rank as the original type.				
EXPLODED:	Q515, Q516, Q541				
EXPLODED:	A01	HEAT SINK	230	1 27160591	
EXPLODED:	A02	CUSHION	---	2 28141682	
EXPLODED:	A03	CUSHION	---	1 28141691	
EXPLODED:	A05	SCREW	3TTB+8B(3BC)	10 838430088GR	
EXPLODED:	A07	ISO SHEET	AC262	2 223025	
EXPLODED:	A08	SCREW	3SMS8W.SW+14B(CU)	2 801634	
EXPLODED:	A11	RETAINER	(PCB)	1 27142025	
EXPLODED:	A101	REAR PANEL	(MDC)	1 27123587A	<MDC>
EXPLODED:	A101	REAR PANEL	(MPP)	1 27123588A	<MPP>
EXPLODED:	A102	BUSHING	S-RELIEF #2271	1 27300750	!
EXPLODED:	A103	KNOB	(VOL)	1 28326463	
EXPLODED:	F901	FUSE	5A-UL/T-233	1 252326GR	! <MDC>
EXPLODED:	F901	FUSE	1.6A-SE-EAK IECFUSE	1 252073GR	! <MPP>
EXPLODED:	F901 or	FUSE	1.6A-SE-TL250V	(1) 252273GR	! <MPP>
EXPLODED:	P901	AC CORD	AS-UC-2	1 253333VOL	! <MDC>
EXPLODED:	P901 or	AC CORD	AS-UC-2	(1) 253368LTK	! <MDC>
EXPLODED:	P901 or	AC CORD	AS-UC-2	(1) 253368YUN	! <MDC>
EXPLODED:	P901	AC CORD	AS-CEE	1 253336VOL	! <MPP>
EXPLODED:	S901	RC SW	NRC-11007P	1 25065620	! <MPP>
EXPLODED:	T901	P TRANS	NPT-1539D	1 2301863	! <MDC>
EXPLODED:	T901	P TRANS	NPT-1539P	1 2301864	! <MPP>
EXPLODED:	U01	MAIN PC BOARD ASS'Y	NAAF-8829-1D	1 1B138529-1D	<MDC>
EXPLODED:	U01	MAIN PC BOARD ASS'Y	NAAF-8829-1C	1 1B138529-1C	<MPP>
EXPLODED:	U03	POWER TRANS. PC BOARD ASS'Y	NAPS-8831-1D	1 1B138531-1D	<MDC>
EXPLODED:	U03	POWER TRANS. PC BOARD ASS'Y	NAPS-8831-1C	1 1B138531-1C	<MPP>
EXPLODED:	U05	POWER SWITCH PC BOARD ASS'Y	NASW-8833-1C	1 1B138533-1C	<MPP>
EXPLODED:	U06	HOLDER PC BOARD	NAETC-8834	1 ---	NSP
EXPLODED:	SPEAKER SECTION (SKW-940)				
EXPLODED:	SP01a	CABINET ASS'Y	SKW-940 (B) MDC	1 000-SKW940BMDCSER	<MDC>

EXPLODED	SP01b	CABINET ASS'Y	SKW-940 (B) MPP	1	000-SKW940SMPPSER	<MPP>
EXPLODED	SP02	FOOT	(PLASTIC)	4	D249-W54001B-00	
EXPLODED	SP03	CUSHION	Dia17.5 x 2T	4	442-902133-00	
EXPLODED	SP04	WOOD SCREW	4STT + 20A (FOR SPx8 / FOOTx4)	12	837440204	
EXPLODED	SP07	WOOFER	12 inch (30cm) (FPI)	1	300-DNS4243000	
EXPLODED	SP08	LED HARNESS ASS'Y	---	1	335-SKW540-02	
EXPLODED	SP09	CLOTH FRAME ASS'Y	---	1	113-06W940-10	
EXPLODED	SP11	WOOD SCREW	4STT + 20A (FOR AMPx10)	10	837440204	
EXPLODED	SP12	SCREW	4 x 25 W12-ED BLK (FOR P-TRANS)	4	412-DE40250B1	
EXPLODED	SP13	CUSHION RUBBER PAD	14 x 89 T2 RUBBER (FOR P-TRANS)	2	442-902123-00	
EXPLODED	SKF-940F (B) <L> / <R> : FRONT SPEAKERS					
EXPLODED	---	COMPLETE UNIT	SKF-940F (B) <L> MDC	1	000-SKF940FLB	<L> <MDC>
EXPLODED	---	COMPLETE UNIT	SKF-940F (B) <L> MPP	1	000-1KF940FLB	<L> <MPP>
EXPLODED	---	COMPLETE UNIT	SKF-940F (B) <R> MDC	1	000-SKF940FRB	<R> <MDC>
EXPLODED	---	COMPLETE UNIT	SKF-940F (B) <R> MPP	1	000-1KF940FRB	<R> <MPP>
EXPLODED	SP21a	CABINET ASS'Y	SKF-940F (B) <L> MDC	1	000-SKF940FLB SER	<L> <MDC>
EXPLODED	SP21b	CABINET ASS'Y	SKF-940F (B) <L> MPP	1	000-1KF940FLB SER	<L> <MPP>
EXPLODED	SP21c	CABINET ASS'Y	SKF-940F (B) <R> MDC	1	000-SKF940FRB SER	<R> <MDC>
EXPLODED	SP21d	CABINET ASS'Y	SKF-940F (B) <R> MPP	1	000-1KF940FRB SER	<R> <MPP>
EXPLODED	SP22	CATCHING HOLDER	---	4	D230-DN3X01B-01	
EXPLODED	SP23	WOOFER	W1277C (ONKYO ELE M)	2	W1277C	
EXPLODED	SP24	TWEETER	TW3208B	1	TW3208B	
EXPLODED	SP26	SCREW	4 x 20 HEX8 AB ED (For WF)	8	411-NE4020AB2	
EXPLODED	SP27	SCREW	4 x 16 HEX7 AB ED (For TW)	4	411-NE4016AB3	
EXPLODED	SP31	CROSSOVER	NETWORK PCB ASS'Y	1	310-SKF940-00	
EXPLODED	SP32a	TERMINAL	WHITE / BLACK	1	332-H8107B-41	<L>
EXPLODED	SP32b	TERMINAL	RED / BLACK	1	332-H8107B-01	<R>
EXPLODED	SP33a	SPEC LABEL (L)	<L> <MDC>	1	600-KF940L-00	<L> <MDC>
EXPLODED	SP33b	SPEC LABEL (L)	<L> <MPP>	1	600-1F940L-00	<L> <MPP>
EXPLODED	SP33c	SPEC LABEL (R)	<R> <MDC>	1	600-KF940R-00	<R> <MDC>
EXPLODED	SP33d	SPEC LABEL (R)	<R> <MPP>	1	600-1F940R-00	<R> <MPP>
EXPLODED	SP34	CLOTH FRAME ASS'Y	(WITH GRILLE CLOTH and LOGO)	1	D201-F94001B-90	
EXPLODED	SKC-940C (B) : CENTER SPEAKER					
EXPLODED	---	COMPLETE UNIT	SKC-940C (B) MDC	1	000-SKC940CB	<MDC>
EXPLODED	---	COMPLETE UNIT	SKC-940C (B) MPP	1	000-1KC940CB	<MPP>
EXPLODED	SP41a	CABINET ASS'Y	SKC-940C (B) MDC	1	000-SKC940CBSER	<MDC>
EXPLODED	SP41b	CABINET ASS'Y	SKC-940C (B) MPP	1	000-1KC940CBSER	<MPP>
EXPLODED	SP42	CATCHING HOLDER	---	4	D230-DN3X01B-01	
EXPLODED	SP43	WOOFER	W1277C (ONKYO ELE M)	2	W1277C	
EXPLODED	SP44	TWEETER	TW3208B	1	TW3208B	
EXPLODED	SP46	SCREW	4 x 20 HEX8 AB ED (For WF)	8	411-NE4020AB2	
EXPLODED	SP47	SCREW	4 x 16 HEX7 AB ED (For TW)	4	411-NE4016AB3	
EXPLODED	SP51	CROSSOVER	NETWORK PCB ASS'Y	1	310-SKF940-00	
EXPLODED	SP52	TERMINAL	GREEN / BLACK	1	332-H8107B-31	
EXPLODED	SP53a	SPEC LABEL	<MDC>	1	600-SKC940-00	<MDC>
EXPLODED	SP53b	SPEC LABEL	<MPP>	1	600-SKC940-00	<MPP>
EXPLODED	SP54	CLOTH FRAME ASS'Y	(WITH GRILLE CLOTH and LOGO)	1	D201-C94001B-90	
EXPLODED	SKM-940S (B) <L> / <R> : SURROUND SPEAKERS					
EXPLODED	---	COMPLETE UNIT	SKM-940S (B) <L> MDC	1	000-SKM940SLB	<L> <MDC>
EXPLODED	---	COMPLETE UNIT	SKM-940S (B) <L> MPP	1	000-1KM940SLB	<L> <MPP>

EXPLODED	---	COMPLETE UNIT	SKM-940S (B) <R> MDC	1	000-SKM940SRB	<R> <MDC>
EXPLODED	---	COMPLETE UNIT	SKM-940S (B) <R> MPP	1	000-1KM940SRB	<R> <MPP>
EXPLODED	SP61a	CABINET ASS'Y	SKM-940S (B) <L> MDC	1	000-SKM940SLBSE	<L> <MDC>
EXPLODED	SP61b	CABINET ASS'Y	SKM-940S (B) <L> MPP	1	000-1KM940SLBSE	<L> <MPP>
EXPLODED	SP61c	CABINET ASS'Y	SKM-940S (B) <R> MDC	1	000-SKM940SRBSE	<R> <MDC>
EXPLODED	SP61d	CABINET ASS'Y	SKM-940S (B) <R> MPP	1	000-1KM940SRBSE	<R> <MPP>
EXPLODED	SP62	CATCHING HOLDER	---	4	D230-DN3X01B-01	
EXPLODED	SP63	WOOFER	W1367B (ONKYO ELE M)	1	W1367B	
EXPLODED	SP64	TWEETER	TW3223A	1	TW3223A	
EXPLODED	SP65	S. ABSORBER	25t x 50 x 50	1	443-925404-00	
EXPLODED	SP66	SCREW	4 x 20 HEX8 AB ED (For WF)	4	411-NE4020AB2	
EXPLODED	SP67	SCREW	4 x 16 HEX7 AB ED (For TW)	4	411-NE4016AB3	
EXPLODED	SP71	CROSSOVER	NETWORK PCB ASS'Y	1	310-SKM940-00	
EXPLODED	SP72a	TERMINAL	BLUE / BLACK	1	332-H8107B-81	<L>
EXPLODED	SP72b	TERMINAL	GRAY / BLACK	1	332-H8107B-21	<R>
EXPLODED	SP73a	SPEC LABEL (L)	<L> <MDC>	1	600-KM940L-00	<L> <MDC>
EXPLODED	SP73b	SPEC LABEL (L)	<L> <MPP>	1	600-1M940L-00	<L> <MPP>
EXPLODED	SP73c	SPEC LABEL (R)	<R> <MDC>	1	600-KM940R-00	<R> <MDC>
EXPLODED	SP73d	SPEC LABEL (R)	<R> <MPP>	1	600-1M940R-00	<R> <MPP>
EXPLODED	SP74	CLOTH FRAME ASS'Y	(WITH GRILLE CLOTH and LOGO)	1	D201-M94001B-90	
EXPLODED	SP75	METAL BRACKET	---	1	427-SKM530-00	
EXPLODED	SP76	SCREW	3.5 x 12 BIND ED	2	411-BE3512AB1	
EXPLODED	SKB-940 (B) <L> / <R> : SURROUND BACK SPEAKERS					
EXPLODED	---	COMPLETE UNIT	SKB-940 (B) <L> MDC	1	000-SKB940BLB	<L> <MDC>
EXPLODED	---	COMPLETE UNIT	SKB-940 (B) <L> MPP	1	000-1KB940BLB	<L> <MPP>
EXPLODED	---	COMPLETE UNIT	SKB-940 (B) <R> MDC	1	000-SKB940BRB	<R> <MDC>
EXPLODED	---	COMPLETE UNIT	SKB-940 (B) <R> MPP	1	000-1KB940BRB	<R> <MPP>
EXPLODED	SP81a	CABINET ASS'Y	SKB-940 (B) <L> MDC	1	000-SKB940BLBSE	<L> <MDC>
EXPLODED	SP81b	CABINET ASS'Y	SKB-940 (B) <L> MPP	1	000-1KB940BLBSE	<L> <MPP>
EXPLODED	SP81c	CABINET ASS'Y	SKB-940 (B) <R> MDC	1	000-SKB940BRBSE	<R> <MDC>
EXPLODED	SP81d	CABINET ASS'Y	SKB-940 (B) <R> MPP	1	000-1KB940BRBSE	<R> <MPP>
EXPLODED	SP82	CATCHING HOLDER	---	4	D230-DN3X01B-01	
EXPLODED	SP83	WOOFER	W1367B (ONKYO ELE M)	1	W1367B	
EXPLODED	SP84	TWEETER	TW3223A	1	TW3223A	
EXPLODED	SP85	S. ABSORBER	25t x 50 x 50	1	443-925404-00	
EXPLODED	SP86	SCREW	4 x 20 HEX8 AB ED (For WF)	4	411-NE4020AB2	
EXPLODED	SP87	SCREW	4 x 16 HEX7 AB ED (For TW)	4	411-NE4016AB3	
EXPLODED	SP91	CROSSOVER	NETWORK PCB ASS'Y	1	310-SKM940-00	
EXPLODED	SP92a	TERMINAL	BROWN / BLACK	1	332-H8107B-91	<L>
EXPLODED	SP92b	TERMINAL	TAN / BLACK	1	332-H8107B-A1	<R>
EXPLODED	SP93a	SPEC LABEL (L)	<L> <MDC>	1	600-KB940L-00	<L> <MDC>
EXPLODED	SP93b	SPEC LABEL (L)	<L> <MPP>	1	600-1B940L-00	<L> <MPP>
EXPLODED	SP93c	SPEC LABEL (R)	<R> <MDC>	1	600-KB940R-00	<R> <MDC>
EXPLODED	SP93d	SPEC LABEL (R)	<R> <MPP>	1	600-1B940R-00	<R> <MPP>
EXPLODED	SP94	CLOTH FRAME ASS'Y	(WITH GRILLE CLOTH and LOGO)	1	D201-M94001B-90	
EXPLODED	SP95	METAL BRACKET	---	1	427-SKM530-00	
EXPLODED	SP96	SCREW	3.5 x 12 BIND ED	2	411-BE3512AB1	

HTP-940

PRINTED CIRCUIT BOARD PARTS LIST

NOTE : THE COMPONENTS IDENTIFIED BY THE MARK
! ARE CRITICAL FOR RISK OF FIRE AND
ELECTRIC SHOCK. REPLACE ONLY WITH PART
NUMBER SPECIFIED.

<Notes>

<MDC> : Canadian model only

<MPP> : European model only

SKW-940

U01	MAIN PC BOARD (NAAF-8829-1C / -1D)
U03	POWER TRANS. PC BOARD (NAPS-8831-1C / -1D)
U05	POWER SWITCH PC BOARD (NASW-8833-1C)

	CIRCUIT NO.	PART NAME	DESCRIPTION	Q'TY	PART NO. (SN)	REMARKS
PWB		<Note>				
PWB		When replacement the following the transistor, made from the same HFE rank as the original type.				
PWB	Q301	IC	NJM4558L-D	1	22240293	
PWB	Q501	TR	2SC2240-BL(TPE2_F)	1	2211406T	
PWB	Q502	TR	2SC2240-BL(TPE2_F)	1	2211406T	
PWB	Q503	TR	2SC2240-BL(TPE2_F)	1	2211406T	
PWB	Q505	TR	KTA1024-Y	1	2215844T	
PWB	Q505 or	TR	2SA949-Y(TPE6_F)	(1)	2211354T	
PWB	Q505 or	TR	2SA949-O(TPE6_F)	(1)	2211353T	
PWB	Q506	TR	2SC2229-Y(TPE6_F)	1	2211634T	
PWB	Q506 or	TR	2SC2229-O(TPE6_F)	(1)	2211633T	
PWB	Q507	TR	2SA949-Y(TPE6_F)	1	2211354T	
PWB	Q507 or	TR	2SA949-O(TPE6_F)	(1)	2211353T	
PWB	Q507 or	TR	KTA1024-Y	(1)	2215844T	
PWB	Q509	TR	KTA1024-Y	1	2215844T	
PWB	Q509 or	TR	2SA949-Y(TPE6_F)	(1)	2211354T	
PWB	Q509 or	TR	2SA949-O(TPE6_F)	(1)	2211353T	
PWB	Q510	TR	KTC3206-Y	1	2215854T	
PWB	Q510 or	TR	2SC2229-Y(TPE6_F)	(1)	2211634T	
PWB	Q510 or	TR	2SC2229-O(TPE6_F)	(1)	2211633T	
PWB	Q513	TR	KTD2061-Y	1	2203434	
PWB	Q513 or	TR	2SC5171(ONK_Q)	(1)	2203010	
PWB	Q514	TR	KTB1369-Y	1	2203424	
PWB	Q514 or	TR	2SA1930(ONK_Q)	(1)	2203000	
PWB	Q517	TR	2SA933S-S	1	2213355T	
PWB	Q517 or	TR	2SA933S-R	(1)	2213354T	
PWB	Q517 or	TR	KTA1267-GR	(1)	2215995T	
PWB	Q518	TR	2SC2235-Y(TPE6_F)	1	2211654T	
PWB	Q519	TR	2SA965-Y(TPE6_F)	1	2211644T	
PWB	Q602	TR	KRC103M	1	2215810T	
PWB	Q602 or	TR	DTC124ES	(1)	2213160T	
PWB	Q603	TR	2SC1740S-S	1	2213285T	
PWB	Q603 or	TR	2SC1740S-R	(1)	2213284T	
PWB	Q603 or	TR	KTC3199-GR	(1)	2215864T	
PWB	Q604	TR	2SA933S-S	1	2213355T	
PWB	Q604 or	TR	2SA933S-R	(1)	2213354T	
PWB	Q604 or	TR	KTA1267-GR	(1)	2215995T	

PWB	Q605	TR	2SA933S-S	1	2213355T	
PWB	Q605 or	TR	2SA933S-R	(1)	2213354T	
PWB	Q605 or	TR	KTA1267-GR	(1)	2215995T	
PWB	Q606	TR	KRA103M	1	2215780T	
PWB	Q606 or	TR	DTA124ES	(1)	2212600T	
PWB	Q607	TR	2SA933S-S	1	2213355T	
PWB	Q607 or	TR	2SA933S-R	(1)	2213354T	
PWB	Q607 or	TR	KTA1267-GR	(1)	2215995T	
PWB	Q608	TR	2SC1740S-S	1	2213285T	
PWB	Q608 or	TR	2SC1740S-R	(1)	2213284T	
PWB	Q608 or	TR	KTC3199-GR	(1)	2215864T	
PWB	D501	ZENER D	MTZJ5.6B	1	224470562T	
PWB	D501 or	ZENER D	DZ-5.6BSB	(1)	224850562T	
PWB	D601	ZENER D	MTZJ2.7B	1	224470272T	
PWB	D601 or	ZENER D	DZ-2.7BSB	(1)	224850272T	
PWB	D602	ZENER D	MTZJ2.7B	1	224470272T	
PWB	D602 or	ZENER D	DZ-2.7BSB	(1)	224850272T	
PWB	D603	DIODE	1SS133	1	223163T	
PWB	D603 or	DIODE	1SS133(DS)	(1)	223280T	
PWB	D605	DIODE	1SS133	1	223163T	
PWB	D605 or	DIODE	1SS133(DS)	(1)	223280T	
PWB	D606	DIODE	1SS133	1	223163T	
PWB	D606 or	DIODE	1SS133(DS)	(1)	223280T	
PWB	D651	DIODE	1SS133	1	223163T	
PWB	D651 or	DIODE	1SS133(DS)	(1)	223280T	
PWB	D901	DIODE	D3SBA20	1	22380271F	
PWB	D902	DIODE	RL1N4003	1	22380260T	
PWB	D902 or	DIODE	GP104003E	(1)	22380035T	
PWB	D903	DIODE	RL1N4003	1	22380260T	
PWB	D903 or	DIODE	GP104003E	(1)	22380035T	
PWB	D904	ZENER D	MTZJ5.6B	1	224470562T	
PWB	D904 or	ZENER D	DZ-5.6BSB	(1)	224850562T	
PWB	D951	ZENER D	MTZJ15C	1	224471503T	
PWB	D951 or	ZENER D	DZ-15BSC	(1)	224851503T	
PWB	D952	ZENER D	MTZJ15C	1	224471503T	
PWB	D952 or	ZENER D	DZ-15BSC	(1)	224851503T	
PWB	C301	TF C	ECQ-V50V-224J	1	374722244T	<MPP>
PWB	C302	VX C	CE04W50V 47M(VX_BLK)	1	397384707T	
PWB	C501	VX C	CE04W50V 47M(VX_BLK)	1	397384707T	
PWB	C503	TF C	ECQ-V50V-224J	1	374722244T	
PWB	C504	VX C	CE04W16V-220M(VX)	1	393342217T	
PWB	C505	CERA C	CC45CH50V-020C	1	345340201T	
PWB	C506	CERA C	CC45CH50V-070D	1	345340702T	
PWB	C514	TF C	ECQ-B50V-101J	1	374721014T	
PWB	C517	VX C	CE04W50V-10M(VX)	1	393381007T	
PWB	C519	TF C	ECQ-V50V-224J	1	374722244T	
PWB	C520	TF C	ECQ-V50V-224J	1	374722244T	
PWB	C526	VX C	CE04W50V-10M(VX)	1	393381007T	
PWB	C527	VX C	CE04W50V-1M(VX_BLK)	1	397380107T	
PWB	C528	VX C	CE04W50V-10M(VX)	1	393381007T	

PWB	C601	VR C	CE04W50V-10M(VR)	1	394681007T	
PWB	C602	VR C	CE04W50V-10M(VR)	1	394681007T	
PWB	C603	VR C	CE04W10V-470M(VR)	1	394634717T	
PWB	C603 or	VX C	CE04W16V-470M(VX_BLK)	(1)	397344717T	
PWB	C604	VR C	CE04W35V-33M(VR)	1	394663307T	
PWB	C604 or	ELECT C	CE04W35V-33M	(1)	354763309T	
PWB	C903	TF C	ECQ-V100-104J	1	374731044T	<MPP>
PWB	C904	TF C	ECQ-V100-104J	1	374731044T	<MPP>
PWB	C905	ELECT C	CE62W71V5600M	1	3504444	
PWB	C906	ELECT C	CE62W71V5600M	1	3504444	
PWB	C909	VR C	CE04W50V-22M(VR)	1	394682207T	
PWB	C950	TF C	ECQ-V50V-104J	1	374721044T	
PWB	C951	VR C	CE04W16V-220M(VR)	1	394642217T	
PWB	C952	VR C	CE04W16V-220M(VR)	1	394642217T	
PWB	C955	TF C	ECQ-B50V-223J	1	374722234T	
PWB	R301	CARBON R	R16J-1K	1	417341024T	
PWB	R302	VARI R	N17RGL20KB15M	1	5151508	
PWB	R303	CARBON R	R16J-47K	1	417344734T	
PWB	R304	CARBON R	R16J-2.2K	1	417342224T	
PWB	R305	CARBON R	R16J-8.2K	1	417348224T	
PWB	R306	CARBON R	R16J-47K	1	417344734T	
PWB	R307	CARBON R	R16J-220	1	417342214T	
PWB	R501	CARBON R	R16J-1K	1	417341024T	
PWB	R502	CARBON R	R16J-47K	1	417344734T	
PWB	R503	CARBON R	R16J-5.6K	1	417345624T	
PWB	R504	CARBON R	R16J-2.2K	1	417342224T	
PWB	R505	NF CARBON R	R25J-1.0K	1	415471024T	!
PWB	R506	NF CARBON R	R25J-1.0K	1	415471024T	!
PWB	R507	CARBON R	R16J-33K	1	417343334T	
PWB	R508	NF CARBON R	R25J-47	1	415474704T	!
PWB	R509	CARBON R	R16J-1K	1	417341024T	
PWB	R510	CARBON R	R16J-100K	1	417341044T	
PWB	R511	NF CARBON R	R25J-82	1	415478204T	!
PWB	R512	NF CARBON R	R25J-68	1	415476804T	!
PWB	R513	NF CARBON R	R25J-82	1	415478204T	!
PWB	R514	NF CARBON R	R25J-82	1	415478204T	!
PWB	R515	CARBON R	R16J-12K	1	417341234T	
PWB	R516	CARBON R	R16J-12K	1	417341234T	
PWB	R517	CARBON R	R16J-3.3K	1	417343324T	
PWB	R521	CARBON R	R16J-220	1	417342214T	
PWB	R522	CARBON R	R16J-220	1	417342214T	
PWB	R526	METAL O R	RS1/2WBJ-82	1	443528204T	
PWB	R527	CARBON R	R16J-270	1	417342714T	
PWB	R528	METAL O R	RS1/2WBJ-390	1	443523914T	
PWB	R531	METAL PR	RF-5EGKR22	1	4000201	
PWB	R531 or	METAL P R	RGC55C 0.22 K	(1)	4000157	
PWB	R531 or	METAL PR	RGC55 0.22	(1)	4000132	
PWB	R533	METAL R	RNU1WCJ-3.3	1	453630334T	
PWB	R541	CARBON R	R16J-820	1	417348214T	
PWB	R542	CARBON R	R16J-150	1	417341514T	

PWB	R543	CARBON R	R16J-180	1	417341814T	
PWB	R544	TRIM R	N06HR100BC	1	5210359T	
PWB	R601	CARBON R	R16J-5.6K	1	417345624T	
PWB	R602	CARBON R	R16J-100K	1	417341044T	
PWB	R603	CARBON R	R16J-150K	1	417341544T	
PWB	R604	CARBON R	R16J-180	1	417341814T	
PWB	R605	CARBON R	R16J-22	1	417342204T	
PWB	R609	CARBON R	R16J-39K	1	417343934T	
PWB	R610	CARBON R	R16J-560K	1	417345644T	
PWB	R611	CARBON R	R16J-820K	1	417348244T	
PWB	R612	CARBON R	R16J-39K	1	417343934T	
PWB	R613	CARBON R	R16J-470K	1	417344744T	
PWB	R614	CARBON R	R16J-120K	1	417341244T	
PWB	R615	CARBON R	R16J-22K	1	417342234T	
PWB	R616	CARBON R	R16J-100K	1	417341044T	
PWB	R617	CARBON R	R16J-1K	1	417341024T	
PWB	R619	CARBON R	R16J-22K	1	417342234T	
PWB	R620	CARBON R	R16J-100K	1	417341044T	
PWB	R621	CARBON R	R16J-1K	1	417341024T	
PWB	R622	CARBON R	R16J-10K	1	417341034T	
PWB	R623	CARBON R	R16J-100K	1	417341044T	
PWB	R624	CARBON R	R16J-100K	1	417341044T	
PWB	R625	CARBON R	R16J-180K	1	417341844T	
PWB	R626	CARBON R	R16J-2.2M	1	417342254T	
PWB	R627	CARBON R	R16J-680K	1	417346844T	
PWB	R628	CARBON R	R16J-330K	1	417343344T	
PWB	R651	METAL O R	RS1/2WBJ-12K	1	443521234T	
PWB	R901	METAL O R	RS1WBJ-820	1	443628214T	
PWB	R902	METAL O R	RS1WBJ-820	1	443628214T	
PWB	R903	CARBON R	R16J-10K	1	417341034T	
PWB	R904	METAL O R	RS1/2WBJ-1K	1	443521024T	
PWB	R951	METAL O R	RS2WBJ-3.3K	1	441723324F	
PWB	R952	METAL O R	RS2WBJ-3.3K	1	441723324F	
PWB	F901A	FUSE HOL	NSCT-1P2506	1	25052609T	!
PWB	F901A or	FUSE HOL	NSCT-1P2031	(1)	25052133T	!
PWB	F901B	FUSE HOL	NSCT-1P2506	1	25052609T	!
PWB	F901B or	FUSE HOL	NSCT-1P2031	(1)	25052133T	!
PWB	F901C	LABEL	T1.6AL250V	1	29361769	<MPP>
PWB	JL535A	SOCKET AS	NSAS-2P1639	1	2009991045UL	
PWB	P301	PIN JACK	NPJ-1PDB556	1	25045774	
PWB	P301 or	PIN JACK	NPJ-1PDB581	(1)	25045801	
PWB	P531	PLUG	NPLG-2P29	1	25055038	
PWB	P631	PLUG	NPLG-2P29	1	25055038	
PWB	P632A	PLUG	NPLG-3P131	1	25055147	
PWB	P902A	PLUG	NPLG-2P632	1	25055676	!
PWB	P903A	SOCKET AS	NSAS-6P1536	1	2009990969UL	<MDC>
PWB	P903A	SOCKET AS	NSAS-6P1333	1	2009990874UL	<MPP>
PWB	P903B	PLUG	NPLG-3P150	1	25055166	
PWB	P906A	SOCKET AS	NSAS-2P1554	1	20099800430UL	!<MPP>
PWB	P906B	PLUG	NPLG-2P631	1	25055675	!<MPP>
PWB	P911	WS CLAMP	CB-71683(L=50)	1	260261	
PWB	E801	RETAINER	KANAGU(EARTH)	1	27141059	

ONKYO CORPORATION

Sales & Product Planning Div. : 2-1, Nisshin-cho, Neyagawa-shi, OSAKA 572-8540, JAPAN
Tel: 072-831-8023 Fax: 072-831-8124

ONKYO U.S.A. CORPORATION

18 Park Way, Upper Saddle River, N.J. 07458, U.S.A.
Tel: 201-785-2600 Fax: 201-785-2650 <http://www.us.onkyo.com/>

ONKYO EUROPE ELECTRONICS GmbH

Liegnitzerstrasse 6, 82194 Groebenzell, GERMANY
Tel: +49-8142-4401-0 Fax: +49-8142-4401-555 <http://www.eu.onkyo.com/>

ONKYO EUROPE UK Office

Suite 1, Gregories Court, Gregories Road, Beaconsfield, Buckinghamshire, HP9 1HQ
UNITED KINGDOM Tel: +44-(0)1494-681515 Fax: +44(0)-1494-680452

ONKYO CHINA LIMITED

Units 2102-2107, Metroplaza Tower I, 223 Hing Fong Road, Kwai Chung,
N.T., HONG KONG Tel: 852-2429-3118 Fax: 852-2428-9039
<http://www.ch.onkyo.com/>

