

ONKYO SERVICE MANUAL

Ref. No. 4236
(MDC) 072010
(MPP) 102010


7.1-CH THX CERTIFIED HOME THEATER SPEAKER PACKAGE MODEL HTP-980(B)



Black model

B MDC	120V AC, 60Hz
B MPP	230V AC, 50Hz

SAFETY-RELATED COMPONENT WARNING!!

COMPONENTS IDENTIFIED BY MARK  ON THE SCHEMATIC DIAGRAM AND IN THE PARTS LIST ARE CRITICAL FOR RISK OF FIRE AND ELECTRIC SHOCK. REPLACE THESE COMPONENTS WITH ONKYO PARTS WHOSE PART NUMBERS APPEAR AS SHOWN IN THIS MANUAL.

MAKE LEAKAGE-CURRENT OR RESISTANCE MEASUREMENTS TO DETERMINE THAT EXPOSED PARTS ARE ACCEPTABLY INSULATED FROM THE SUPPLY CIRCUIT BEFORE RETURNING THE APPLIANCE TO THE CUSTOMER.

ADJUSTMENT PROCEDURE

SKW-980 : POWERED SUBWOOFER (EuP AMP.) /

ADJUSTMENT OF IDLING CURRENT

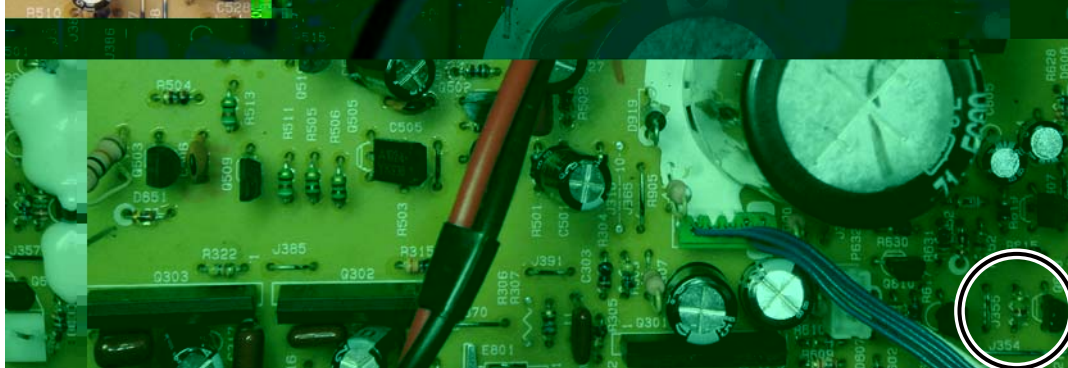
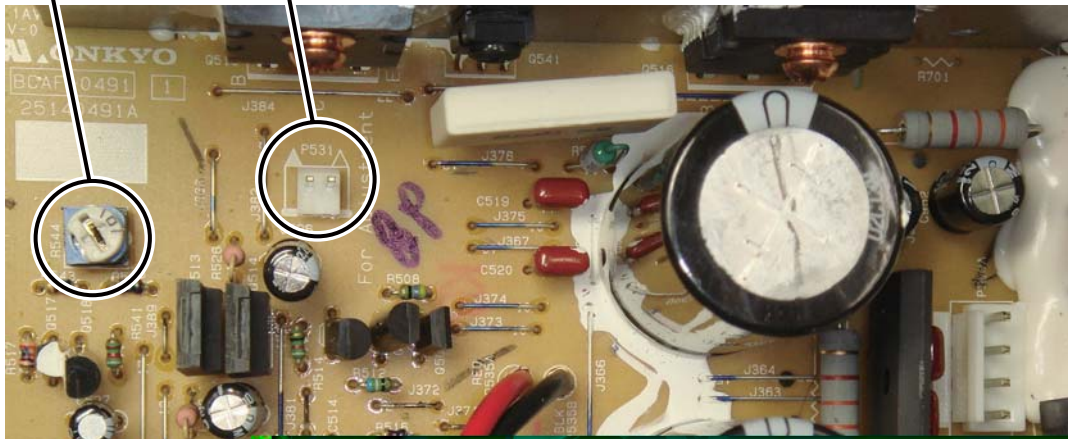
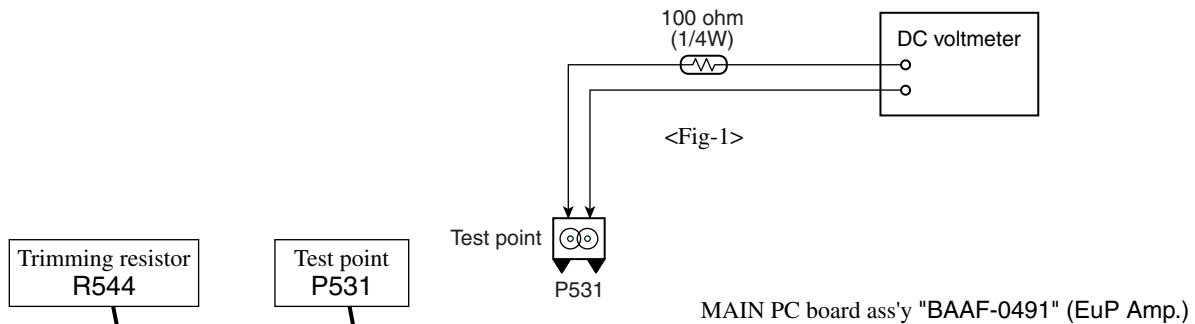
[When]

1. Exchange transistors (Q505 - Q519).
2. Exchange MAIN PC board ass'y (BAAF-0491).

[Procedure]

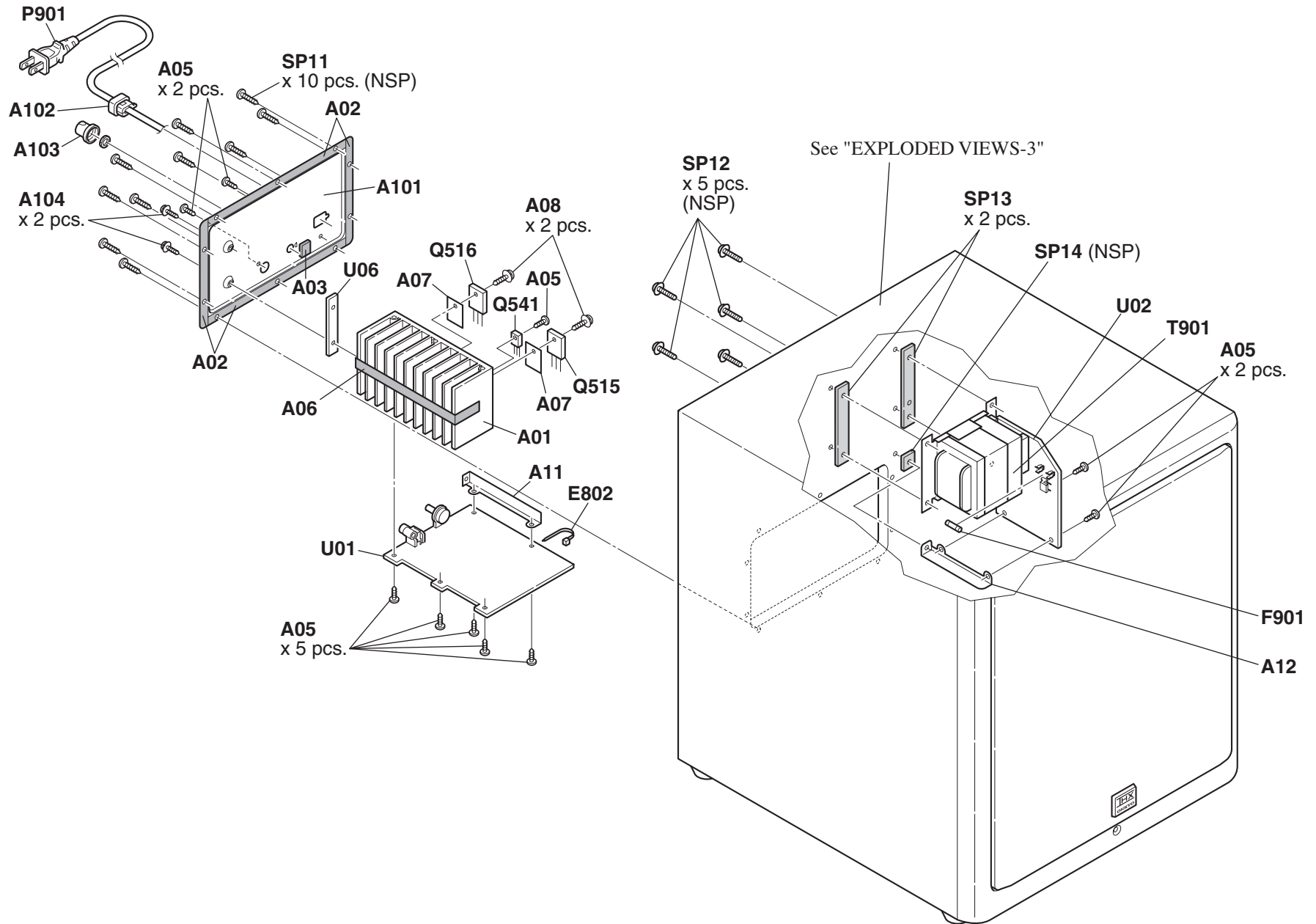
<Note> No speaker load and No input signal.

1. Short test point P631 for amplifier is under active mode.
2. Adjust the trimming resistor R544 so that the reading of multimeter becomes 52 ohm to 53 ohm.
3. Connect the DC voltmeter to test point P531. <Fig-1>
4. Connect the power cord into the AC outlet.
5. Press POWER button to turn on the unit. (MPP only)
6. Confirm the voltage of above point after 6 minutes to 8 minutes. (Heat running)
7. When less than 3.20 mV : Readjust the trimming resistor above so that the voltage becomes 4.5 mV to 5.0 mV.
 When 3.30 mV to 5.20 mV : Not necessary to adjust.
 When 5.21 mV to 10.0 mV : Readjust the trimming resistor above so that the voltage becomes 5.0 mV to 5.5 mV.
 When 10.1 mV to 20.0 mV : Readjust the trimming resistor above so that the voltage becomes 5.6 mV to 6.0 mV.
8. Disconnect the power cord from the AC outlet.
9. Disconnect the DC voltmeter.



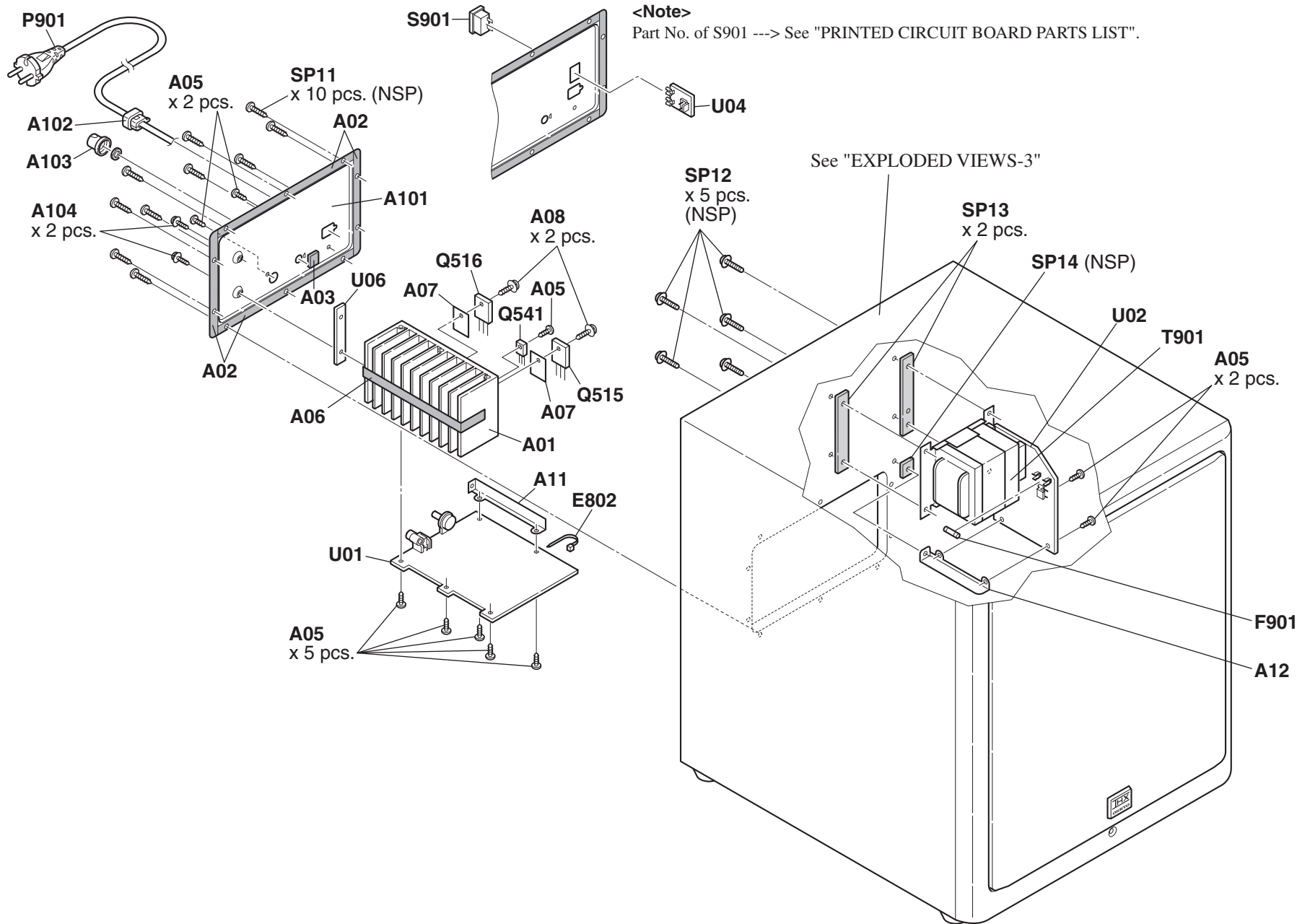
EXPLODED VIEWS-1

SKW-980 (MDC model) : POWERED SUBWOOFER (EuP Amp.)



EXPLODED VIEWS-2

SKW-938 (MPP model) : POWERED SUBWOOFER (EuP Amp.)

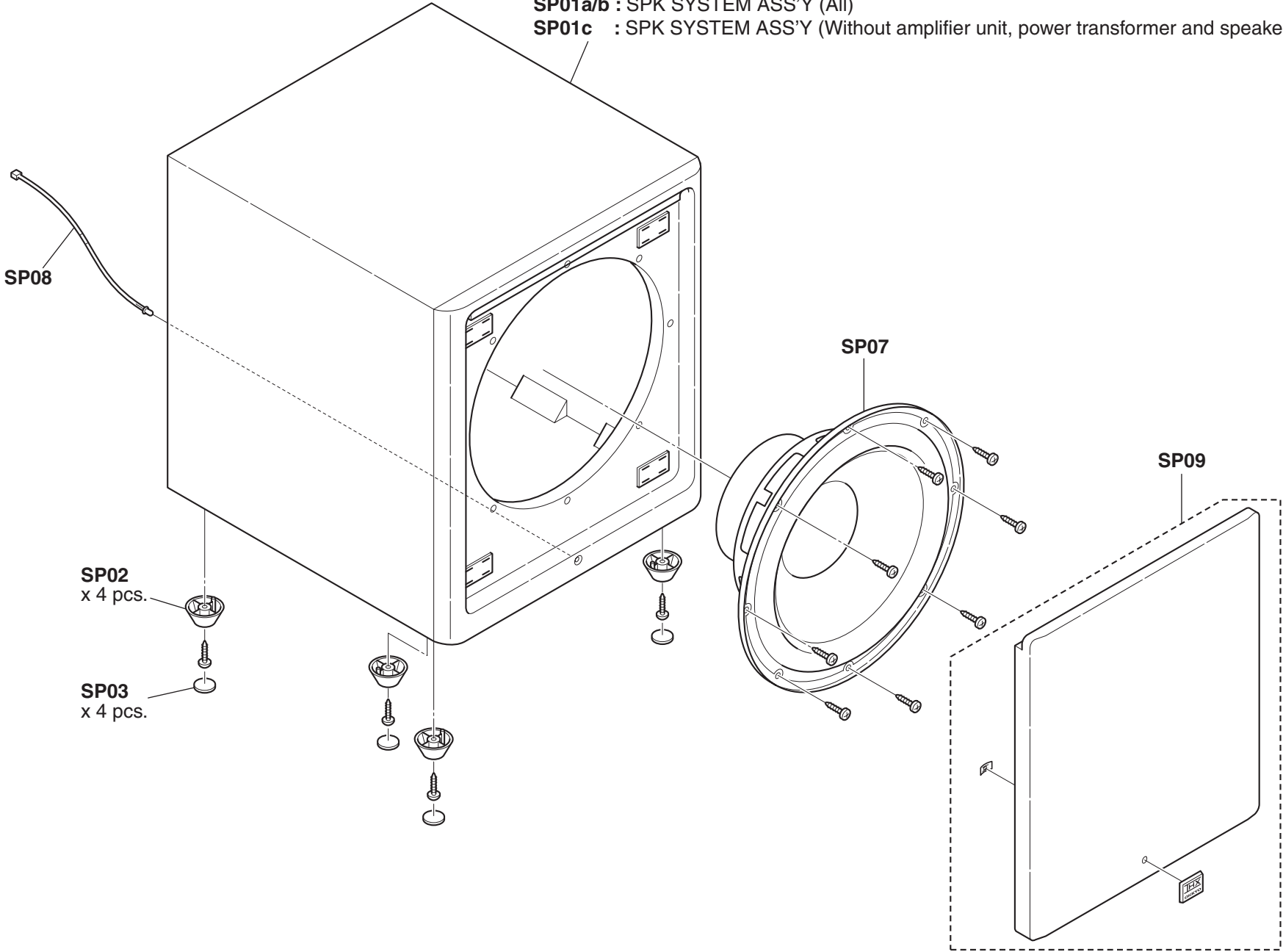


EXPLODED VIEWS-3

SKW-980 / SKW-938 : POWERED SUBWOOFER

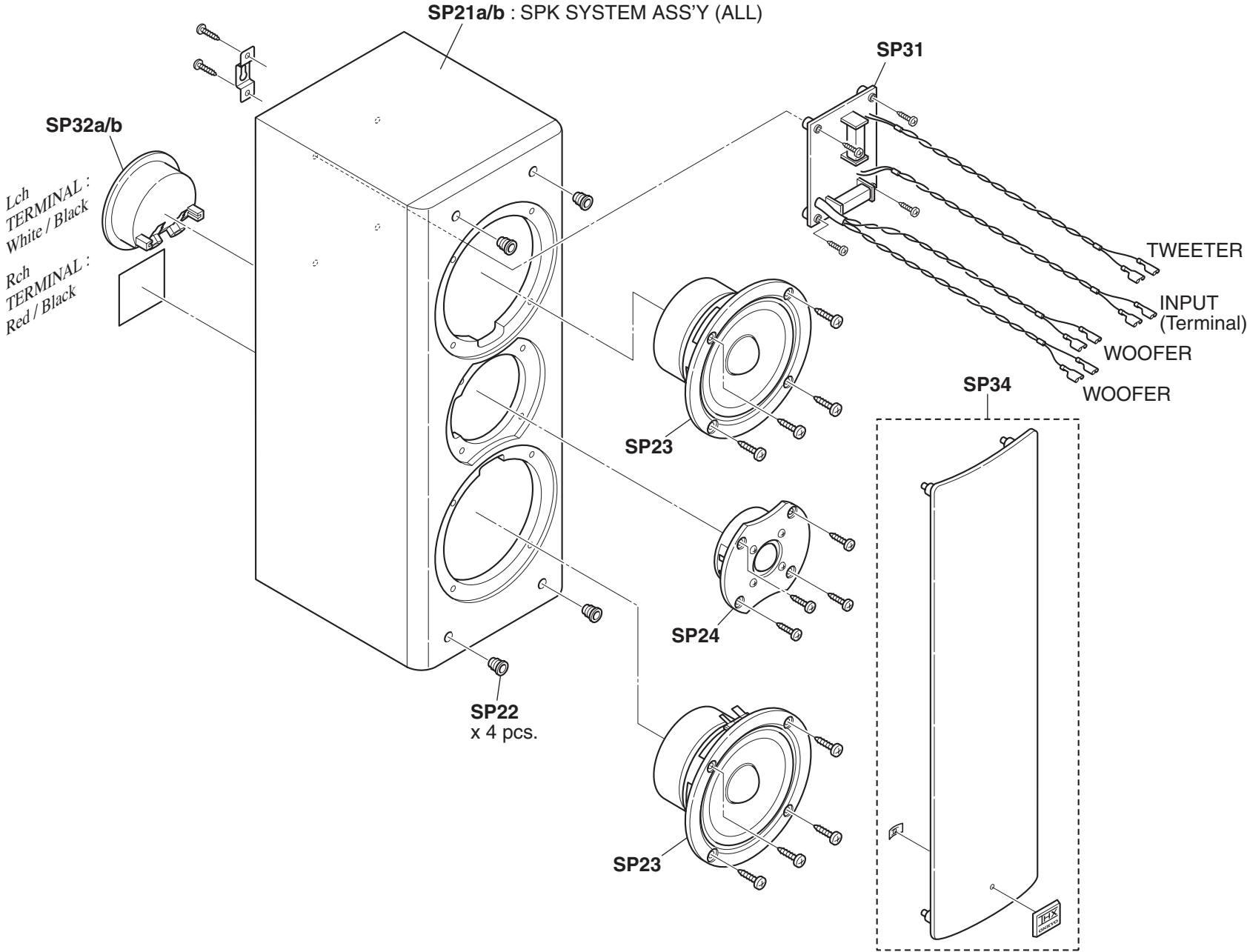
SP01a/b : SPK SYSTEM ASS'Y (All)

SP01c : SPK SYSTEM ASS'Y (Without amplifier unit, power transformer and speaker unit.)

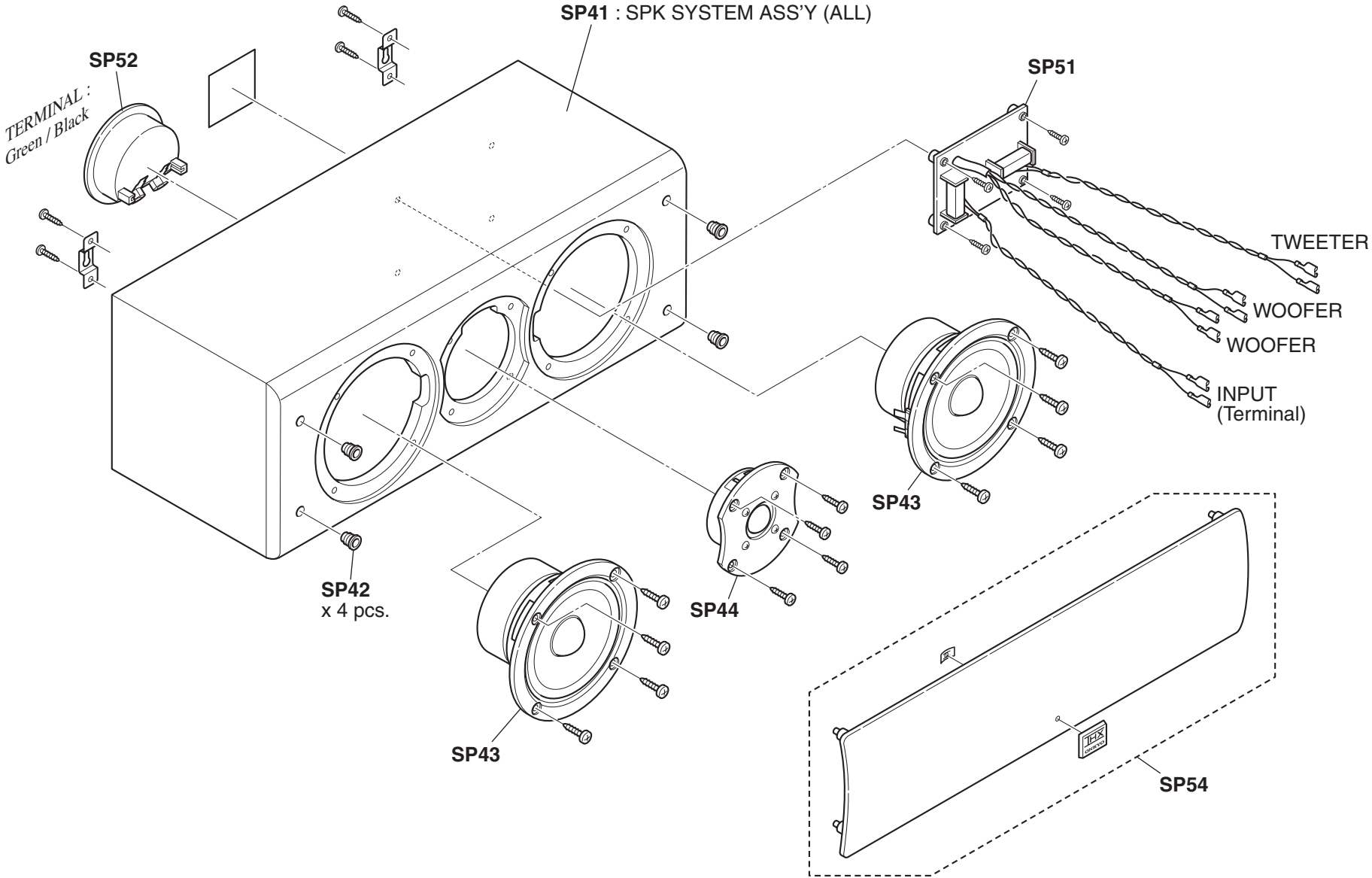


EXPLODED VIEWS-4

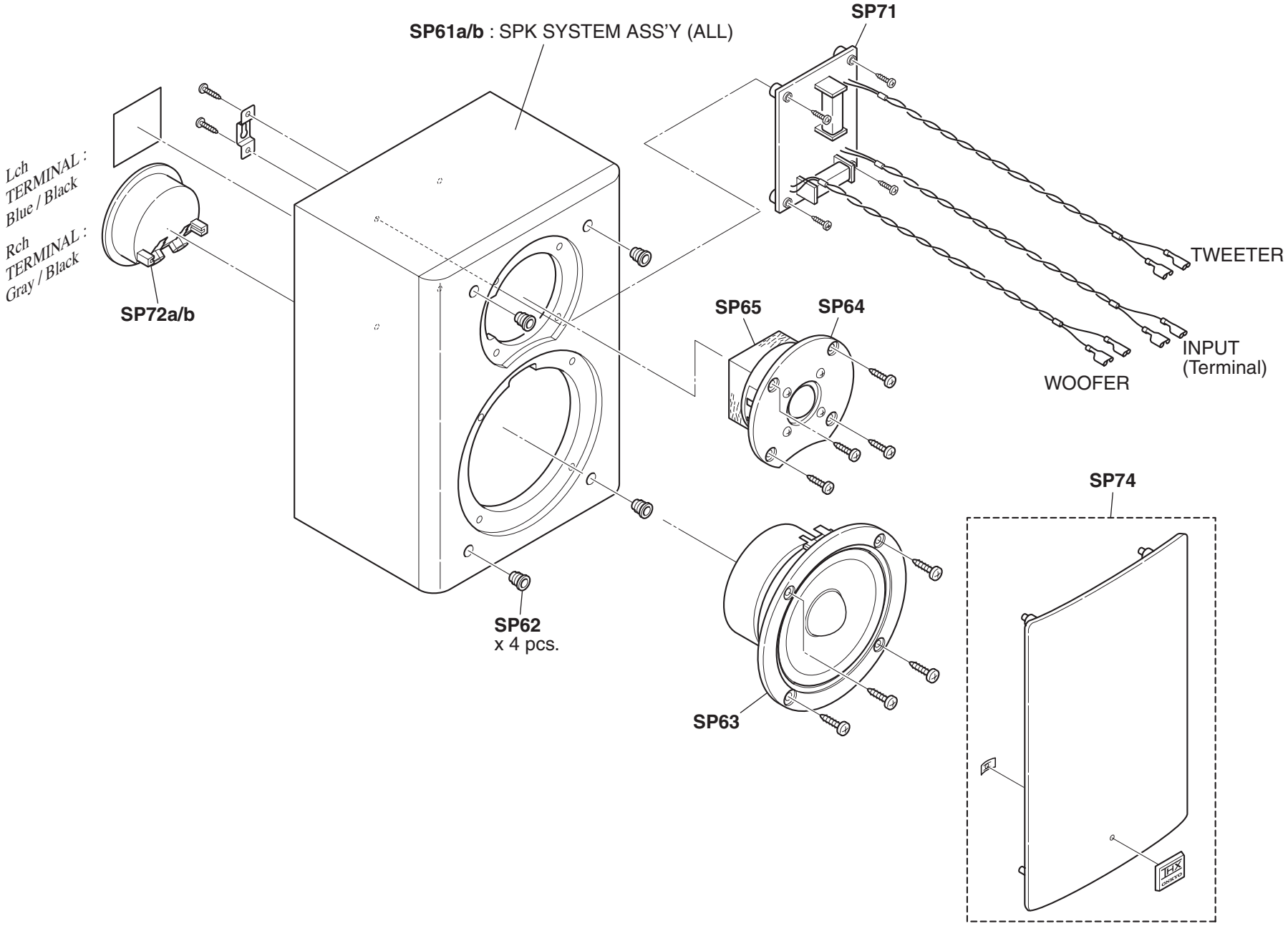
SKF-980 <L> / SKF-980 <R>



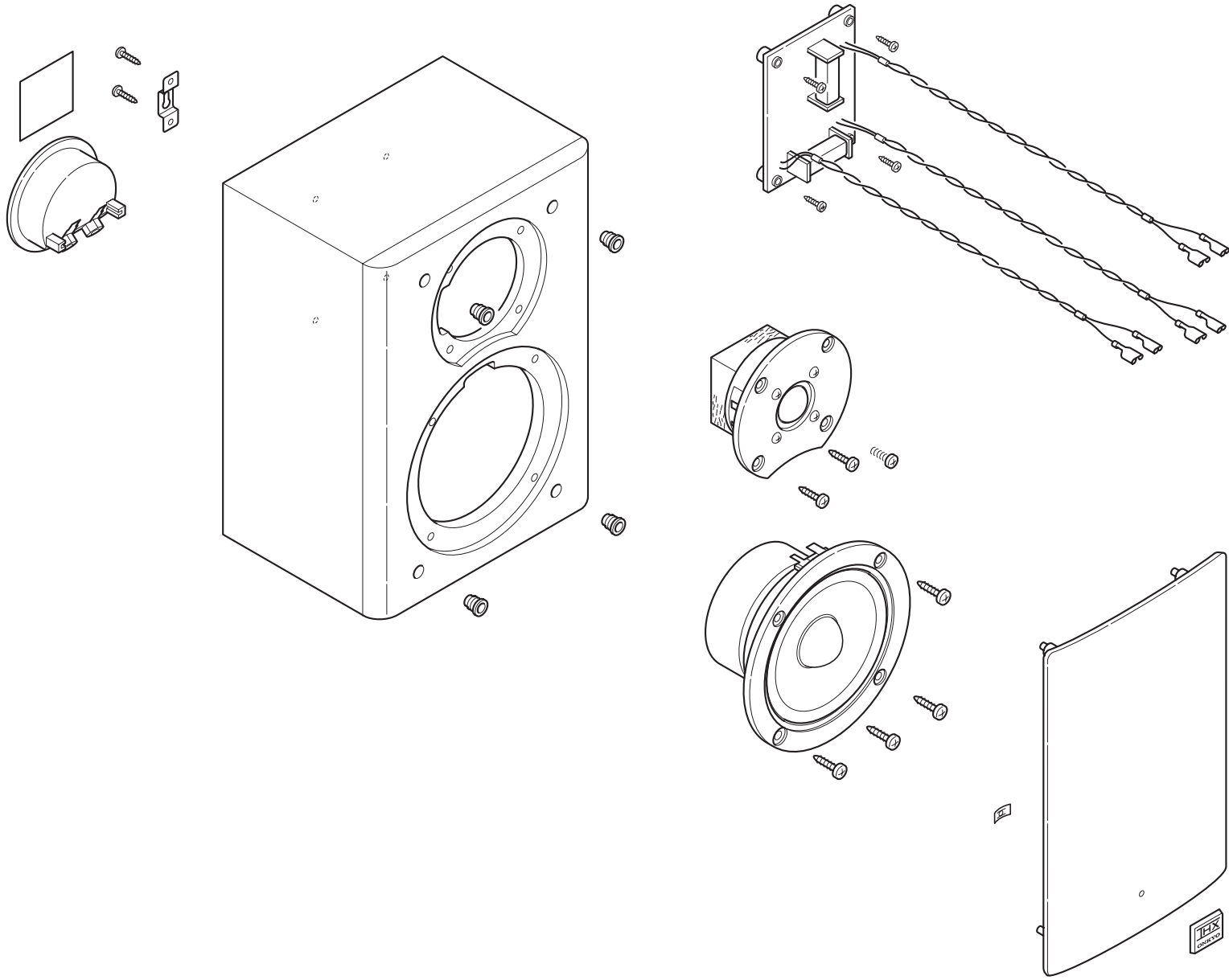
EXPLODED VIEWS-5
SKC-980



EXPLODED VIEWS-6
SKR-980 <L> / SKR-980 <R>

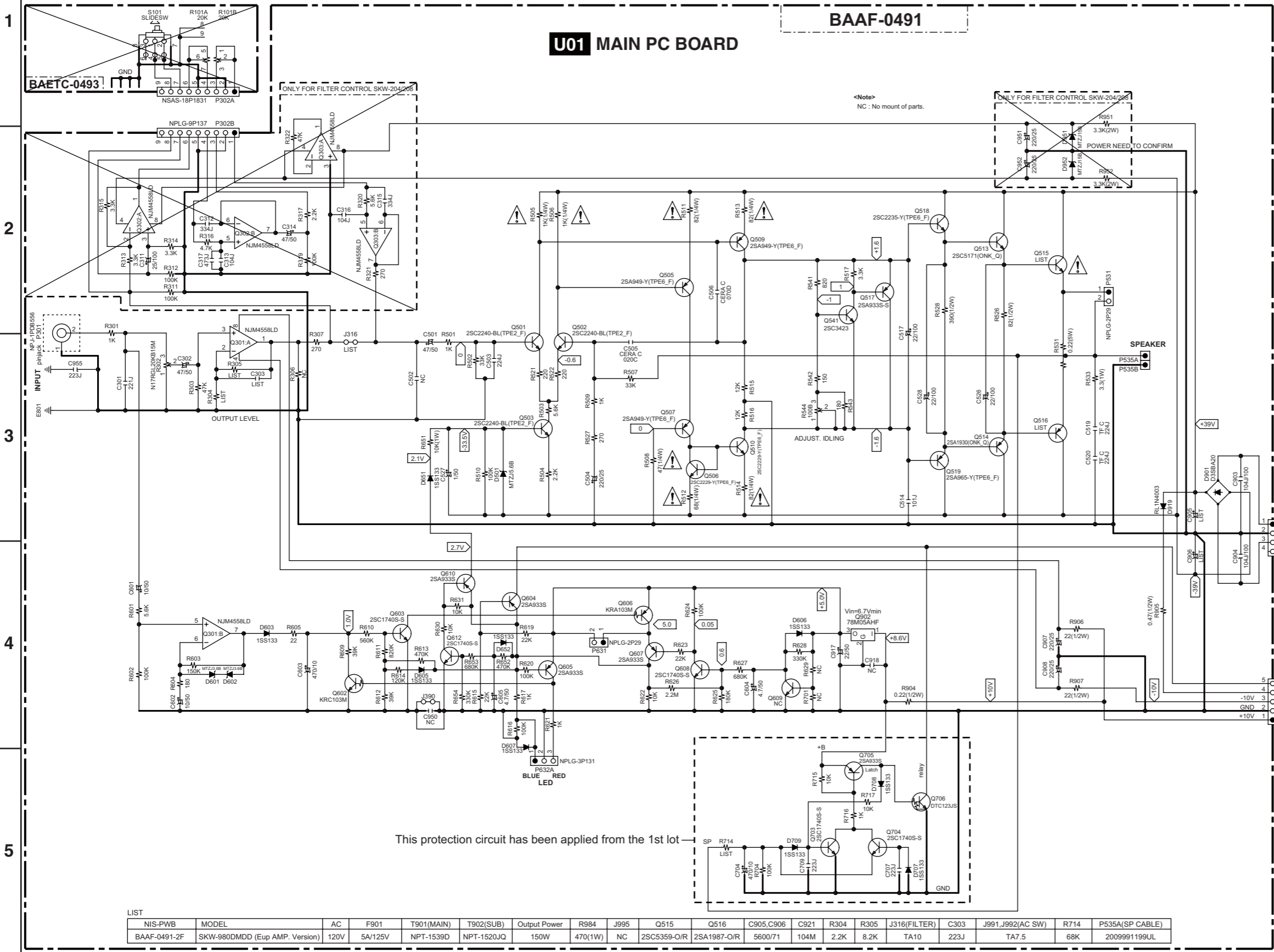


EXPLODED VIEWS-7
SKB-980 <L> / SKB-980 <R>



SCHEMATIC DIAGRAMS-1

SKW-980 (MDC model) : POWERED SUBWOOFER (EuP AMP with protection.)



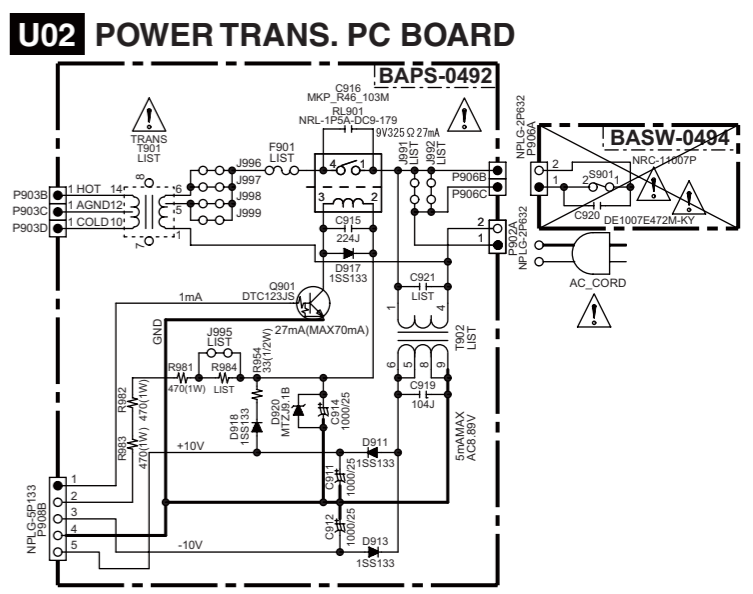
- NOTE**
- THE COMPONENTS IDENTIFIED BY MARK Δ ARE CRITICAL FOR SAFETY. REPLACE ONLY WITH PART NUMBER SPECIFIED.
 - VOLTAGE (MEASURED WITH VOLTMETER) \square IS DC VOLTAGE. (NO INPUT SIGNAL).
 - ALL PNP TRANSISTORS ARE EQUIVALENT TO 2SA1015-GR UNLESS OTHERWISE NOTED.
 - ALL NPN TRANSISTORS ARE EQUIVALENT TO 2SC1815-GR UNLESS OTHERWISE NOTED.
 - ALL DIODES ARE EQUIVALENT TO 1SS133 UNLESS OTHERWISE NOTED.
 - ELECTROLYTIC CAPACITORS (\square) ARE IN μ F/WV.
 - ALL CAPACITORS ARE IN pF/50V UNLESS OTHERWISE NOTED.
EX) 030- 3pF 330- 33pF 331- 330pF 333- 0.033 μ F
 - ALL RESISTORS ARE IN OHMS 1/4WATTS UNLESS OTHERWISE NOTED.
EX) \square PRINTING SIDE
 - CIRCUIT IS SUBJECT TO CHANGE FOR IMPROVEMENT.

CAUTION
FOR CONTINUED PROTECTION AGAINST FIRE HAZARD, REPLACE ONLY WITH FUSE OF SAME TYPE AND RATING INDICATED.

ATTENTION
AFIN D'ASSURER UNE PROTECTION PERMANENTE CONTRE LES RISQUES D'INCENDIE, REMPLACER UNIQUEMENT PAR UN FUSIBLE DE MEME TYPE ET CALIBRATION COMME INDIQUE.

THIS SYMBOL LOCATED NEAR THE FUSE INDICATES THAT THE FUSE USED IS SLOW OPERATING TYPE FOR CONTINUED PROTECTION AGAINST FIRE HAZARD, REPLACE WITH SAME TYPE FUSE. FOR FUSE RATING REFER TO THE MARKING ADJACENT TO THE SYMBOL.

CE SYMBOLE INDIQUE QUE LE FUSIBLE UTILISE EST E LENT. POUR UNE PROTECTION PERMANENTE, N'UTILISER QUE DES FUSIBLES DE MEME TYPE. CE DERNIER EST INDIQUE LA QU LE PRESENT SYMBOLE EST APPOSE.



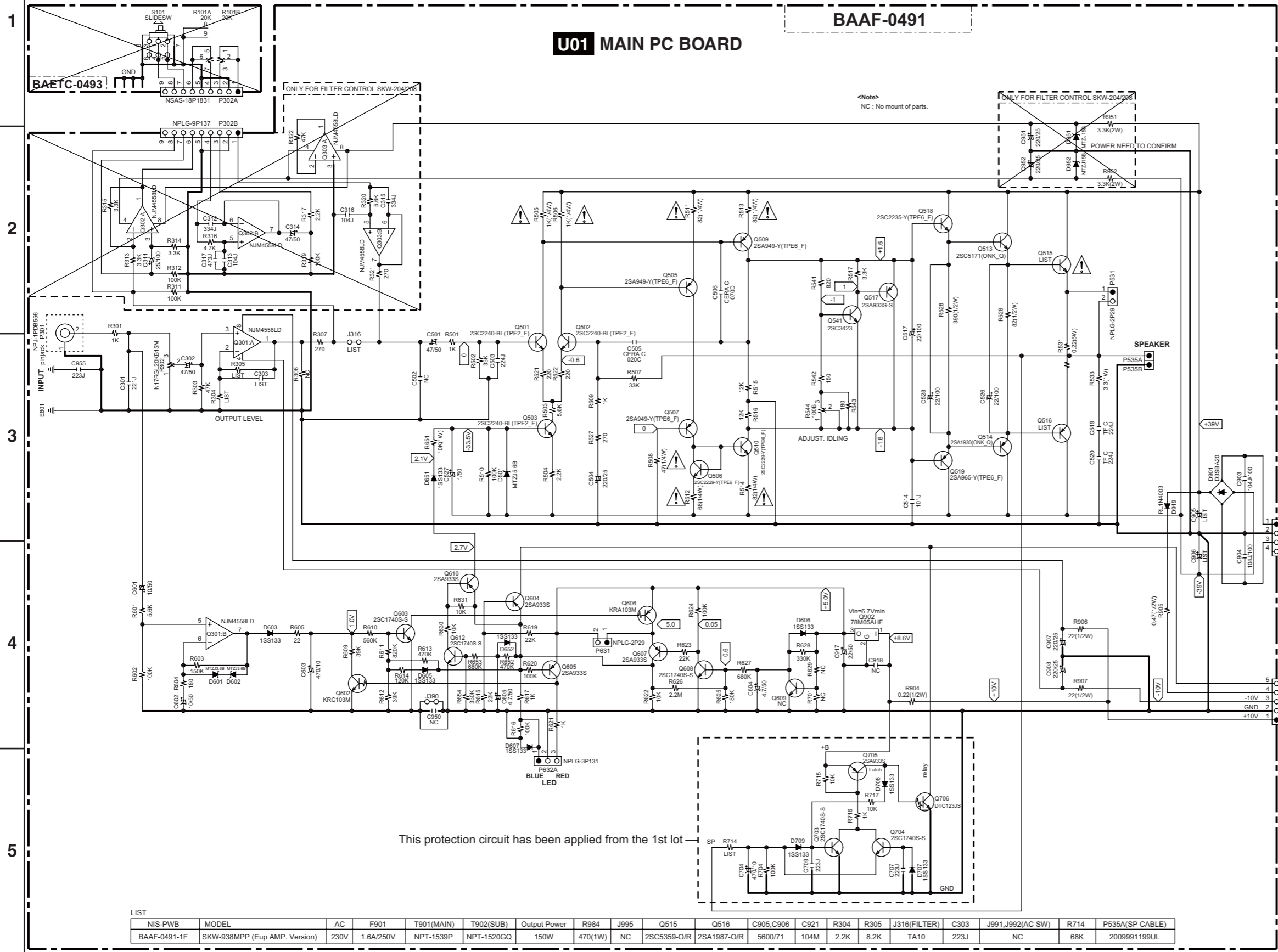
This protection circuit has been applied from the 1st lot

LIST

NIS-PWB	MODEL	AC	F901	T901(MAIN)	T902(SUB)	Output Power	R984	J995	Q515	Q516	C905,C906	C921	R304	R305	J316(FILTER)	C303	J991,J992(AC SW)	R714	P535A(SP CABLE)
BAAF-0491-2F	SKW-980DMDD (Eup AMP. Version)	120V	5A/125V	NPT-1539D	NPT-1520JQ	150W	470(1W)	NC	2SC5359-O/R	2SA1987-O/R	5600/71	104M	2.2K	8.2K	TA10	223J	TA7.5	68K	2009991199UL

SCHEMATIC DIAGRAMS-2

SKW-938 (MPP model) : POWERED SUBWOOFER (EuP AMP with protection.)



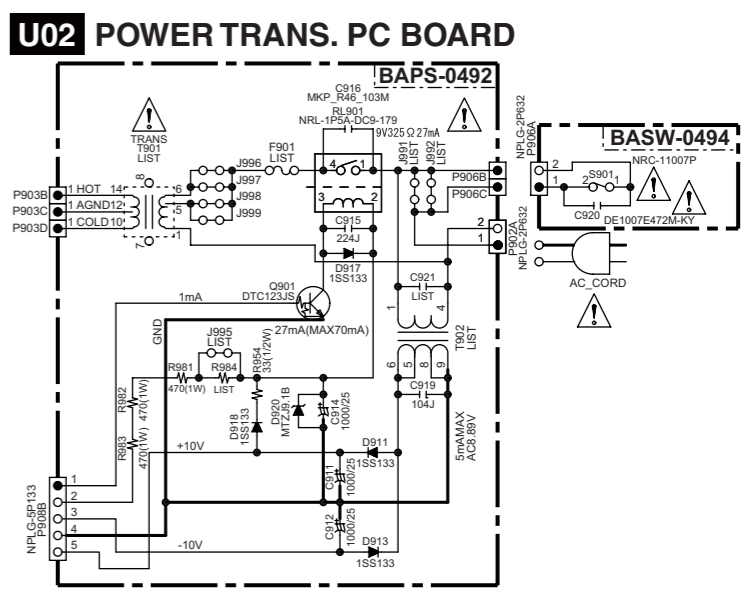
- NOTE**
- THE COMPONENTS IDENTIFIED BY MARK Δ ARE CRITICAL FOR SAFETY. REPLACE ONLY WITH PART NUMBER SPECIFIED.
 - VOLTAGE (MEASURED WITH VOLTMETER) \square IS DC VOLTAGE. (NO INPUT SIGNAL).
 - ALL PNP TRANSISTORS ARE EQUIVALENT TO 2SA1015-GR UNLESS OTHERWISE NOTED.
 - ALL NPN TRANSISTORS ARE EQUIVALENT TO 2SC1815-GR UNLESS OTHERWISE NOTED.
 - ALL DIODES ARE EQUIVALENT TO 1SS133 UNLESS OTHERWISE NOTED.
 - ELECTROLYTIC CAPACITORS (\square) ARE IN μ F/WV.
 - ALL CAPACITORS ARE IN pF/50V UNLESS OTHERWISE NOTED.
EX) 030- 3pF 330- 33pF 331- 330pF 333- 0.033 μ F
 - ALL RESISTORS ARE IN OHMS 1/4WATTS UNLESS OTHERWISE NOTED.
EX) \square PRINTING SIDE
 - CIRCUIT IS SUBJECT TO CHANGE FOR IMPROVEMENT.

CAUTION
FOR CONTINUED PROTECTION AGAINST FIRE HAZARD, REPLACE ONLY WITH FUSE OF SAME TYPE AND RATING INDICATED.

ATTENTION
AFIN D'ASSURER UNE PROTECTION PERMANENTE CONTRE LES RISQUES D'INCENDIE, REMPLACER UNIQUEMENT PAR UN FUSIBLE DE MEME TYPE ET CALIBRATION COMME INDIQUE.

THIS SYMBOL LOCATED NEAR THE FUSE INDICATES THAT THE FUSE USED IS SLOW OPERATING TYPE FOR CONTINUED PROTECTION AGAINST FIRE HAZARD, REPLACE WITH SAME TYPE FUSE. FOR FUSE RATING REFER TO THE MARKING ADJACENT TO THE SYMBOL.

CE SYMBOLE INDIQUE QUE LE FUSIBLE UTILISE EST E LENT. POUR UNE PROTECTION PERMANENTE, N'UTILISER QUE DES FUSIBLES DE MEME TYPE. CE DERNIER EST INDIQUE LA QU LE PRESENT SYMBOLE EST APPOSE.



This protection circuit has been applied from the 1st lot

LIST

NIS-PWB	MODEL	AC	F901	T901(MAIN)	T902(SUB)	Output Power	R984	J995	Q515	Q516	C905,C906	C921	R304	R305	J316(FILTER)	C303	J991,J992(AC SW)	R714	P535A(SP CABLE)
BAAF-0491-1F	SKW-938MPP (Eup AMP. Version)	230V	1.6A/250V	NPT-1539P	NPT-1520GQ	150W	470(1W)	NC	2SC5359-O/R	2SA1987-O/R	5600/71	104M	2.2K	8.2K	TA10	223J	NC	68K	2009991199UL

HTP-980

EXPLODED VIEWS PARTS LIST

NOTE : THE COMPONENTS IDENTIFIED BY THE MARK
! ARE CRITICAL FOR RISK OF FIRE AND
ELECTRIC SHOCK. REPLACE ONLY WITH PART
NUMBER SPECIFIED.

<Notes>

<L> : Lch

<R> : Rch

<MDC> : Canadian model only

<MPP> : European model only

REF. NO.	PART NAME	DESCRIPTION	Q'TY	PART NO. (SN)	REMARKS
EXPLODED	SKW-980 / SKW-938 (B) : POWERED SUBWOOFER				
EXPLODED	AMPLIFIER SECTION				
EXPLODED	[SEMI CONDUCTOR]				
EXPLODED	Q515	TR	1	2203082	!
EXPLODED	Q515 or	TR	(1)	2203083	!
EXPLODED	Q516	TR	1	2203072	!
EXPLODED	Q516 or	TR	(1)	2203073GR	!
EXPLODED	Q541	TR	1	2202104	
EXPLODED	Q541 or	TR	(1)	2202103	
EXPLODED	<Note>				
EXPLODED	When replacement the following the transistor, made from the same HFE rank as the original type.				
EXPLODED	Q515, Q516, Q541				
EXPLODED	[CHASSIS SCREW]				
EXPLODED	A01	HEAT SINK	1	27160591	
EXPLODED	A02	CUSHION	2	28141682	
EXPLODED	A03	CUSHION	1	28141691	
EXPLODED	A05	SCREW	10	838430088GR	
EXPLODED	A06	TAPE	1	29110083	
EXPLODED	A07	ISO SHEET	2	223025	
EXPLODED	A08	SCREW	2	801634	
EXPLODED	A11	RETAINER	1	27142025	
EXPLODED	A12	RETAINER	1	27142177	
EXPLODED	A101	REAR PANEL	1	27124184A	<MDC>
EXPLODED	A101	REAR PANEL	1	27124199	<MPP>
EXPLODED	A102	BUSHING	1	27300750	!
EXPLODED	A103	KNOB	1	28326463	
EXPLODED	A104	SCREW	2	801433GR	

EXPLODED	[TRANS COIL]					
EXPLODED	T901	P TRANS	NPT-1539D	1	2301863	! <MDC>
EXPLODED	T901	P TRANS	NPT-1539P	1	2301864	! <MPP>
EXPLODED	[SW TRM]					
EXPLODED	F901	FUSE	5A-UL/T-233	1	252326GR	! <MDC>
EXPLODED	F901	FUSE	1.6A-SE-EAK IECFUSE	1	252073GR	! <MPP>
EXPLODED	F901 or	FUSE	1.6A-SE-TL250V	(1)	252273GR	! <MPP>
EXPLODED	F901C	LABEL	5A/125V	1	29360462	! <MDC>
EXPLODED	P901	AC CORD	AS-UC-2	1	253368BLTK	! <MDC>
EXPLODED	P901 or	AC CORD	AS-UC-2	(1)	253368AYUN	! <MDC>
EXPLODED	P901	AC CORD	AS-CEE-2	1	253374YUN	! <MPP>
EXPLODED	P901 or	AC CORD	AS-CEE-2	(1)	253306VOL	! <MPP>
EXPLODED	[OTHERS]					
EXPLODED	E802	WIRE TIE	BSK-1	1	260208	

EXPLODED	[TUNER UNIT]					
EXPLODED	---	U01+U02+U06	BAAF-0491-2F *	(1)	1B139591-2F	<MDC>
EXPLODED	U01	MAIN PC BOARD ASS'Y	BAAF-0491-2F	1	1B1395491-2F	<MDC>
EXPLODED	U02	POWER TRANS. PC BOARD ASS'Y	BAPS-0492-2F	1	1B1395492-2F	<MDC>
EXPLODED	U06	HOLDER PC BOARD	BAETC-0498-2F	1	---	NSP
EXPLODED	---	U01+U02+U04+U06	BAAF-0491-1F *	(1)	1B249591-1F	<MPP>
EXPLODED	U01	MAIN PC BOARD ASS'Y	BAAF-0491-1F	1	1B2495491-1F	<MPP>
EXPLODED	U02	POWER TRANS. PC BOARD ASS'Y	BAPS-0492-1F	1	1B2495492-1F	<MPP>
EXPLODED	U04	POWER SWITCH PC BOARD ASS'Y	BASW-0494-1F	1	1B2495494-1F	<MPP>
EXPLODED	U06	HOLDER PC BOARD	BAETC-0498-1F	1	---	NSP
EXPLODED	SPEAKER SECTION (SKW-980 / SKW-938)					
EXPLODED	SP01a	SPK SYSTEM ASS'Y(ALL)	SKW-980 (B) MDC (Completed)	1	000-SKW980BMDCCSER	<MDC>
EXPLODED	SP01b	SPK SYSTEM ASS'Y(ALL)	SKW-938 (B) MPP (Completed)	1	000-SKW938BMPPCSER	<MPP>
EXPLODED	SP01c	SPK SYSTEM ASS'Y	SKW-980 (B) / SKW-938 (B)	1	000-SKW980BESER	
EXPLODED	<Note>					
EXPLODED	SP01c = Without amplifier unit, power transformer and speaker unit.					
EXPLODED	SP02	FOOT	(PLASTIC)	4	D249-W54001B-00	
EXPLODED	SP03	CUSHION	Dia17.5 x 2T	4	442-902133-00	
EXPLODED	SP07	WOOFER	12 inch (30cm) (FPI)	1	300-DNS4243000	
EXPLODED	SP08	LED HARNESS ASS'Y	---	1	335-SKW750-01	
EXPLODED	SP09	CLOTH FRAME ASS'Y	---	1	113-0BW980-10	
EXPLODED	SP13	CUSHION RUBBER PAD	19 x 89 T2 RUBBER (FOR P-TRANS)	2	442-902138-00	
EXPLODED	SKF-980 (B) <L> / <R> : FRONT SPEAKERS					
EXPLODED	SP21a	SPK SYSTEM ASS'Y(ALL)	SKF-980 (B) <L> MDC	1	000-SKF980LBCSER	<L>
EXPLODED	SP21b	SPK SYSTEM ASS'Y(ALL)	SKF-980 (B) <R> MDC	1	000-SKF980RBCSER	<R>
EXPLODED	SP22	CATCHING HOLDER	---	4	D230-DN3X01B-01	
EXPLODED	SP23	WOOFER	W1277C (ONKYO ELE M)	2	W1277C	
EXPLODED	SP24	TWEETER	TW3208B (ONKYO ELE M)	1	TW3208B	
EXPLODED	SP31	CROSSOVER	SKF/SKC NETWORK PCB ASS'Y	1	311-SKF940-00	
EXPLODED	SP32a	TERMINAL	WHITE / BLACK	1	332-H8107B-41	<L>
EXPLODED	SP32b	TERMINAL	RED / BLACK	1	332-H8107B-01	<R>
EXPLODED	SP34	CLOTH FRAME ASS'Y	(WITH GRILLE CLOTH and LOGO)	1	D201-F96001B-50	
EXPLODED	SKC-980 (B) : CENTER SPEAKER					
EXPLODED	SP41	SPK SYSTEM ASS'Y(ALL)	SKC-980 (B) MDC	1	000-SKC980BCSER	
EXPLODED	SP42	CATCHING HOLDER	---	4	D230-DN3X01B-01	
EXPLODED	SP43	WOOFER	W1277C (ONKYO ELE M)	2	W1277C	
EXPLODED	SP44	TWEETER	TW3208B (ONKYO ELE M)	1	TW3208B	

EXPLODED	SP51	CROSSOVER	SKF/SKC NETWORK PCB ASS'Y	1	311-SKF940-00	
EXPLODED	SP52	TERMINAL	GREEN / BLACK	1	332-H8107B-31	
EXPLODED	SP54	CLOTH FRAME ASS'Y	(WITH GRILLE CLOTH and LOGO)	1	D201-C96001B-50	
EXPLODED	SKR-980 (B) <L> / <R> : SURROUND SPEAKERS					
EXPLODED	SP61a	SPK SYSTEM ASS'Y(ALL)	SKR-980 (B) <L> MDC	1	000-SKR980LBCSER	<L>
EXPLODED	SP61b	SPK SYSTEM ASS'Y(ALL)	SKR-980 (B) <R> MDC	1	000-SKR980RBCSER	<R>
EXPLODED	SP62	CATCHING HOLDER	---	4	D230-DN3X01B-01	
EXPLODED	SP63	WOOFER	W1367B (ONKYO ELE M)	1	W1367B	
EXPLODED	SP64	TWEETER	TW3223A (ONKYO ELE M)	1	TW3223A	
EXPLODED	SP65	S. ABSORBER	25t x 50 x 50	1	443-925404-00	
EXPLODED	SP71	CROSSOVER	SKM/SKB NETWORK PCB ASS'Y	1	311-SKM940-00	
EXPLODED	SP72a	TERMINAL	BLUE / BLACK	1	332-H8107B-81	<L>
EXPLODED	SP72b	TERMINAL	GRAY / BLACK	1	332-H8107B-21	<R>
EXPLODED	SP74	CLOTH FRAME ASS'Y	(WITH GRILLE CLOTH and LOGO)	1	D201-M96001B-50	

EXPLODED	SKB-980 (B) <L> / <R> : SURROUND BACK SPEAKERS					
EXPLODED	SP81a	SPK SYSTEM ASS'Y(ALL)	SKB-980 (B) <L> MDC	1	000-SKB980LBCSER	<L>
EXPLODED	SP81b	SPK SYSTEM ASS'Y(ALL)	SKB-980 (B) <R> MDC	1	000-SKB980RBCSER	<R>
EXPLODED	SP82	CATCHING HOLDER	---	4	D230-DN3X01B-01	
EXPLODED	SP83	WOOFER	W1367B (ONKYO ELE M)	1	W1367B	
EXPLODED	SP84	TWEETER	TW3223A (ONKYO ELE M)	1	TW3223A	
EXPLODED	SP85	S. ABSORBER	25t x 50 x 50	1	443-925404-00	
EXPLODED	SP91	CROSSOVER	SKM/SKB NETWORK PCB ASSY	1	311-SKM940-00	
EXPLODED	SP92a	TERMINAL	BROWN / BLACK	1	332-H8107B-91	<L>
EXPLODED	SP92b	TERMINAL	TAN / BLACK	1	332-H8107B-A1	<R>
EXPLODED	SP94	CLOTH FRAME ASS'Y	(WITH GRILLE CLOTH and LOGO)	1	D201-M96001B-50	

HTP-980

PRINTED CIRCUIT BOARD PARTS LIST

NOTE : THE COMPONENTS IDENTIFIED BY THE MARK
! ARE CRITICAL FOR RISK OF FIRE AND
ELECTRIC SHOCK. REPLACE ONLY WITH PART
NUMBER SPECIFIED.

<Notes>

<MDC> : Canadian model only

<MPP> : European model only

SKW-980 (MDC model)

PWB	U01	MAIN PC BOARD (BAAF-0491-2F)				
PWB	U02	POWER TRANS. PC BOARD (BAPS-0492-2F)				
PWB	CIRCUIT NO.	PART NAME	DESCRIPTION	Q'TY	PART NO. (SN)	REMARKS
PWB	[SEMI CONDUCTOR]					
PWB	D501	ZENER D	MTZJ5.6B	1	224470562T	<MDC>
PWB	D601	ZENER D	MTZJ3.6B	1	224470362T	<MDC>
PWB	D602	ZENER D	MTZJ3.6B	1	224470362T	<MDC>
PWB	D603	DIODE	1SS133	1	223163T	<MDC>
PWB	D605	DIODE	1SS133	1	223163T	<MDC>
PWB	D606	DIODE	1SS133	1	223163T	<MDC>
PWB	D607	DIODE	1SS133	1	223163T	<MDC>
PWB	D651	DIODE	1SS133	1	223163T	<MDC>
PWB	D652	DIODE	1SS133	1	223163T	<MDC>
PWB	D707	DIODE	1SS133	1	223163T	<MDC>
PWB	D708	DIODE	1SS133	1	223163T	<MDC>
PWB	D709	DIODE	1SS133	1	223163T	<MDC>

PWB	D901	DIODE	D3SBA60	1	22380272F	<MDC>
PWB	D901 or	DIODE	RBV402	(1)	22380022F	<MDC>
PWB	D911	DIODE	1SS133	1	223163T	<MDC>
PWB	D913	DIODE	1SS133	1	223163T	<MDC>
PWB	D917	DIODE	1SS133	1	223163T	<MDC>
PWB	D918	DIODE	1SS133	1	223163T	<MDC>
PWB	D919	DIODE	RL1N4003	1	22380260T	<MDC>
PWB	D920	ZENER D	MTZJ9.1B	1	224470912T	<MDC>
PWB	<Note>					
PWB	When replacement the following the transistor, made from the same HFE rank as the original type.					
PWB	Q301	IC	NJM4558L-D	1	22240293	<MDC>
PWB	Q501	TR	2SC2240-BL(TPE2_F)	1	2211406T	<MDC>
PWB	Q502	TR	2SC2240-BL(TPE2_F)	1	2211406T	<MDC>
PWB	Q503	TR	2SC2240-BL(TPE2_F)	1	2211406T	<MDC>

PWB	Q505	TR	2SA949-O(TPE6_F)	1	2211353T	<MDC>
PWB	Q505 or	TR	2SA949-Y(TPE6_F)	(1)	2211354T	<MDC>
PWB	Q505 or	TR	KTA1024-Y	(1)	2215844T	<MDC>
PWB	Q506	TR	2SC2229-O(TPE6_F)	1	2211633T	<MDC>
PWB	Q506 or	TR	2SC2229-Y(TPE6_F)	(1)	2211634T	<MDC>
PWB	Q506 or	TR	KTC3206-Y	(1)	2215854T	<MDC>
PWB	Q507	TR	2SA949-O(TPE6_F)	1	2211353T	<MDC>
PWB	Q507 or	TR	2SA949-Y(TPE6_F)	(1)	2211354T	<MDC>
PWB	Q507 or	TR	KTA1024-Y	(1)	2215844T	<MDC>
PWB	Q509	TR	2SA949-O(TPE6_F)	1	2211353T	<MDC>
PWB	Q509 or	TR	2SA949-Y(TPE6_F)	(1)	2211354T	<MDC>
PWB	Q509 or	TR	KTA1024-Y	(1)	2215844T	<MDC>
PWB	Q510	TR	2SC2229-O(TPE6_F)	1	2211633T	<MDC>
PWB	Q510 or	TR	2SC2229-Y(TPE6_F)	(1)	2211634T	<MDC>
PWB	Q510 or	TR	KTC3206-Y	(1)	2215854T	<MDC>
PWB	Q513	TR	2SC5171(ONK_Q)	1	2203010	<MDC>
PWB	Q513 or	TR	KTD2061-Y	(1)	2203434	<MDC>
PWB	Q514	TR	2SA1930(ONK_Q)	1	2203000	<MDC>
PWB	Q514 or	TR	KTB1369-Y	(1)	2203424	<MDC>
PWB	Q517	TR	2SA933S-S	1	2213355T	<MDC>
PWB	Q517 or	TR	2SA933S-R	(1)	2213354T	<MDC>
PWB	Q517 or	TR	KTA1267-GR	(1)	2215995T	<MDC>
PWB	Q518	TR	2SC2235-Y(TPE6_F)	1	2211654T	<MDC>
PWB	Q519	TR	2SA965-Y(TPE6_F)	1	2211644T	<MDC>
PWB	Q602	TR	KRC103M	1	2215810T	<MDC>
PWB	Q602 or	TR	DTC124ES	(1)	2213160T	<MDC>
PWB	Q603	TR	2SC1740S-S	1	2213285T	<MDC>
PWB	Q603 or	TR	2SC1740S-R	(1)	2213284T	<MDC>
PWB	Q603 or	TR	KTC3199-GR	(1)	2215864T	<MDC>
PWB	Q604	TR	2SA933S-S	1	2213355T	<MDC>
PWB	Q604 or	TR	2SA933S-R	(1)	2213354T	<MDC>
PWB	Q604 or	TR	KTA1267-GR	(1)	2215995T	<MDC>
PWB	Q605	TR	2SA933S-S	1	2213355T	<MDC>
PWB	Q605 or	TR	2SA933S-R	(1)	2213354T	<MDC>
PWB	Q605 or	TR	KTA1267-GR	(1)	2215995T	<MDC>
PWB	Q606	TR	KRA103M	1	2215780T	<MDC>
PWB	Q606 or	TR	DTA124ES	(1)	2212600T	<MDC>

PWB	Q607	TR	2SA933S-S	1	2213355T	<MDC>
PWB	Q607 or	TR	2SA933S-R	(1)	2213354T	<MDC>
PWB	Q607 or	TR	KTA1267-GR	(1)	2215995T	<MDC>
PWB	Q608	TR	2SC1740S-S	1	2213285T	<MDC>
PWB	Q608 or	TR	2SC1740S-R	(1)	2213284T	<MDC>
PWB	Q608 or	TR	KTC3199-GR	(1)	2215864T	<MDC>
PWB	Q610	TR	2SA933S-S	1	2213355T	<MDC>
PWB	Q610 or	TR	2SA933S-R	(1)	2213354T	<MDC>
PWB	Q610 or	TR	KTA1267-GR	(1)	2215995T	<MDC>
PWB	Q612	TR	2SC1740S-S	1	2213285T	<MDC>
PWB	Q612 or	TR	2SC1740S-R	(1)	2213284T	<MDC>
PWB	Q612 or	TR	KTC3199-GR	(1)	2215864T	<MDC>
PWB	Q703	TR	2SC1740S-S	1	2213285T	<MDC>
PWB	Q703 or	TR	2SC1740S-R	(1)	2213284T	<MDC>

PWB	Q703 or	TR	KTC3199-GR	(1)	2215864T	<MDC>
PWB	Q704	TR	2SC1740S-S	1	2213285T	<MDC>
PWB	Q704 or	TR	2SC1740S-R	(1)	2213284T	<MDC>
PWB	Q704 or	TR	KTC3199-GR	(1)	2215864T	<MDC>
PWB	Q705	TR	2SA933S-S	1	2213355T	<MDC>
PWB	Q705 or	TR	2SA933S-R	(1)	2213354T	<MDC>
PWB	Q705 or	TR	KTA1267-GR	(1)	2215995T	<MDC>
PWB	Q706	TR	DTC123JS	1	2213640T	<MDC>
PWB	Q901	TR	DTC123JS	1	2213640T	<MDC>
PWB	Q902	IC	78M05AHF(MPC78M05AHF)	1	222780055NEC	<MDC>
PWB	Q902 or	IC	78M05(NJM78M05FA)	(1)	222780055JRC	<MDC>
PWB	[TRANS COIL]					
PWB	T902	P TRANS	NPT-1520JQ	1	2301812A	! <MDC>
PWB	[CAPACITOR]					
PWB	C301	UPZ C	2AUPZTF221JE	1	376332214T	<MDC>
PWB	C302	UTSP C	CE04W50V-47M(UTSP)	1	397584707T	<MDC>
PWB	C303	TF C	ECQ-V50V-223J	1	374722234T	<MDC>
PWB	C501	UTSP C	CE04W50V-47M(UTSP)	1	397584707T	<MDC>
PWB	C503	TF C	ECQ-V50V-224J	1	374722244T	<MDC>
PWB	C504	UTSP C	CE04W25V-220M(UTSP)	1	397552217T	<MDC>
PWB	C505	CERA C	CC45CH50V-020C	1	345340201T	<MDC>
PWB	C506	CERA C	CC45CH50V-070D	1	345340702T	<MDC>
PWB	C514	UPZ C	2AUPZTF101JE	1	376331014T	<MDC>
PWB	C517	VR C	CE04W100V-22M(VR)	1	394692207T	<MDC>
PWB	C519	TF C	ECQ-V50V-224J	1	374722244T	<MDC>
PWB	C520	TF C	ECQ-V50V-224J	1	374722244T	<MDC>
PWB	C526	VR C	CE04W100V-22M(VR)	1	394692207T	<MDC>
PWB	C527	UTSP C	CE04W50V-1M(UTSP)	1	397580107T	<MDC>
PWB	C528	VR C	CE04W100V-22M(VR)	1	394692207T	<MDC>
PWB	C601	UTSP C	CE04W50V-10M(UTSP)	1	397581007T	<MDC>
PWB	C602	UTSP C	CE04W50V-10M(UTSP)	1	397581007T	<MDC>
PWB	C603	UTSP C	CE04W10V-470M(UTSP)	1	397534717T	<MDC>
PWB	C604	UTSP C	CE04W50V-4.7M(UTSP)	1	397580477T	<MDC>
PWB	C605	UTSP C	CE04W50V-4.7M(UTSP)	1	397580477T	<MDC>
PWB	C704	UTSP C	CE04W10V-470M(UTSP)	1	397534717T	<MDC>
PWB	C707	TF C	ECQ-V50V-223J	1	374722234T	<MDC>
PWB	C709	TF C	ECQ-V50V-223J	1	374722234T	<MDC>

PWB	C903	TF C	ECQ-V100V-104J	1	374731044T	<MDC>
PWB	C904	TF C	ECQ-V100V-104J	1	374731044T	<MDC>
PWB	C905	ELECT C	CE62W71V5600M	1	3504444	<MDC>
PWB	C906	ELECT C	CE62W71V5600M	1	3504444	<MDC>
PWB	C907	UTSP C	CE04W25V-220M(UTSP)	1	397552217T	<MDC>
PWB	C908	UTSP C	CE04W25V-220M(UTSP)	1	397552217T	<MDC>
PWB	C911	UTSK C	CE04W25V-1000M(UTSK)	1	398351027S	<MDC>
PWB	C912	UTSK C	CE04W25V-1000M(UTSK)	1	398351027S	<MDC>
PWB	C914	UTSK C	CE04W25V-1000M(UTSK)	1	398351027S	<MDC>
PWB	C915	TF C	ECQ-V50V-224J	1	374722244T	<MDC>
PWB	C916	IS C	MKP R46 103M	1	3500202S	! <MDC>
PWB	C917	UTSP C	CE04W50V-22M(UTSP)	1	397582207T	<MDC>
PWB	C919	TF C	ECQ-V50V-104J	1	374721044T	<MDC>
PWB	C921	PLA C	MKP R46 104M	1	3800041S	! <MDC>

PWB	C955	TF C	ECQ-V50V-223J	1	374722234T	<MDC>
PWB	[RESISTOR]					
PWB	R301	CARBON R	R16J-1K	1	417341024T	<MDC>
PWB	R302	VARI R	N17RGL20KB15M	1	5151508	<MDC>
PWB	R303	CARBON R	R16J-47K	1	417344734T	<MDC>
PWB	R304	CARBON R	R16J-2.2K	1	417342224T	<MDC>
PWB	R305	CARBON R	R16J-8.2K	1	417348224T	<MDC>
PWB	R307	CARBON R	R16J-270	1	417342714T	<MDC>
PWB	R501	CARBON R	R16J-1K	1	417341024T	<MDC>
PWB	R502	CARBON R	R16J-33K	1	417343334T	<MDC>
PWB	R503	CARBON R	R16J-5.6K	1	417345624T	<MDC>
PWB	R504	CARBON R	R16J-2.2K	1	417342224T	<MDC>
PWB	R505	NF CARBON R	R25J-1.0K	1	415471024T	! <MDC>
PWB	R506	NF CARBON R	R25J-1.0K	1	415471024T	! <MDC>
PWB	R507	CARBON R	R16J-33K	1	417343334T	<MDC>
PWB	R508	NF CARBON R	R25J-47	1	415474704T	! <MDC>
PWB	R509	CARBON R	R16J-1K	1	417341024T	<MDC>
PWB	R510	CARBON R	R16J-100K	1	417341044T	<MDC>
PWB	R511	NF CARBON R	R25J-82	1	415478204T	! <MDC>
PWB	R512	NF CARBON R	R25J-68	1	415476804T	! <MDC>
PWB	R513	NF CARBON R	R25J-82	1	415478204T	! <MDC>
PWB	R514	NF CARBON R	R25J-82	1	415478204T	! <MDC>
PWB	R515	CARBON R	R16J-12K	1	417341234T	<MDC>
PWB	R516	CARBON R	R16J-12K	1	417341234T	<MDC>
PWB	R517	CARBON R	R16J-3.3K	1	417343324T	<MDC>
PWB	R521	CARBON R	R16J-220	1	417342214T	<MDC>
PWB	R522	CARBON R	R16J-220	1	417342214T	<MDC>
PWB	R526	METAL O R	RS1/2WBJ-82	1	443528204T	<MDC>
PWB	R527	CARBON R	R16J-270	1	417342714T	<MDC>
PWB	R528	METAL O R	RS1/2WBJ-390	1	443523914T	<MDC>
PWB	R531	METAL PR	RF-5EGKR22	1	4000201	<MDC>
PWB	R531 or	METAL PR	RGC55 0.22	(1)	4000132	<MDC>
PWB	R531 or	METAL P R	RGC55C 0.22 K	(1)	4000157	<MDC>
PWB	R531 or	METAL PR	MPR5W+5W 0R22	(1)	4000233	<MDC>
PWB	R533	METAL R	RNU1WCJ-3.3	1	453630334T	<MDC>
PWB	R541	NF CARBON R	R25J-820	1	415478214T	! <MDC>
PWB	R542	CARBON R	R16J-150	1	417341514T	<MDC>

PWB	R543	CARBON R	R16J-180	1	417341814T	<MDC>
PWB	R544	TRIM R	N06HR100BC	1	5210399T	<MDC>
PWB	R601	CARBON R	R16J-5.6K	1	417345624T	<MDC>
PWB	R602	CARBON R	R16J-100K	1	417341044T	<MDC>
PWB	R603	CARBON R	R16J-150K	1	417341544T	<MDC>
PWB	R604	CARBON R	R16J-180	1	417341814T	<MDC>
PWB	R605	CARBON R	R16J-22	1	417342204T	<MDC>
PWB	R609	CARBON R	R16J-39K	1	417343934T	<MDC>
PWB	R610	CARBON R	R16J-560K	1	417345644T	<MDC>
PWB	R611	CARBON R	R16J-820K	1	417348244T	<MDC>
PWB	R612	CARBON R	R16J-39K	1	417343934T	<MDC>
PWB	R613	CARBON R	R16J-470K	1	417344744T	<MDC>
PWB	R614	CARBON R	R16J-120K	1	417341244T	<MDC>
PWB	R615	CARBON R	R16J-22K	1	417342234T	<MDC>

PWB	R616	CARBON R	R16J-100K	1	417341044T	<MDC>
PWB	R617	CARBON R	R16J-1K	1	417341024T	<MDC>
PWB	R619	CARBON R	R16J-22K	1	417342234T	<MDC>
PWB	R620	CARBON R	R16J-100K	1	417341044T	<MDC>
PWB	R621	CARBON R	R16J-1K	1	417341024T	<MDC>
PWB	R622	CARBON R	R16J-10K	1	417341034T	<MDC>
PWB	R623	CARBON R	R16J-22K	1	417342234T	<MDC>
PWB	R624	CARBON R	R16J-100K	1	417341044T	<MDC>
PWB	R625	CARBON R	R16J-180K	1	417341844T	<MDC>
PWB	R626	CARBON R	R16J-2.2M	1	417342254T	<MDC>
PWB	R627	CARBON R	R16J-680K	1	417346844T	<MDC>
PWB	R628	CARBON R	R16J-330K	1	417343344T	<MDC>
PWB	R630	CARBON R	R16J-10K	1	417341034T	<MDC>
PWB	R631	CARBON R	R16J-10K	1	417341034T	<MDC>
PWB	R651	METAL O R	RS1WBJ-10K	1	443621034T	<MDC>
PWB	R652	CARBON R	R16J-470K	1	417344744T	<MDC>
PWB	R653	CARBON R	R16J-680K	1	417346844T	<MDC>
PWB	R654	CARBON R	R16J-330K	1	417343344T	<MDC>
PWB	R704	CARBON R	R16J-100K	1	417341044T	<MDC>
PWB	R714	CARBON R	R16J-68K	1	417346834T	<MDC>
PWB	R715	CARBON R	R16J-10K	1	417341034T	<MDC>
PWB	R716	CARBON R	R16J-1K	1	417341024T	<MDC>
PWB	R717	CARBON R	R16J-10K	1	417341034T	<MDC>
PWB	R904	METAL R	RNU1/2WCJ-0.22	1	453532294T	<MDC>
PWB	R905	METAL R	RNU1/2WCJ-0.47	1	453534794T	<MDC>
PWB	R906	METAL O R	RS1/2WBJ-22	1	443522204T	<MDC>
PWB	R907	METAL O R	RS1/2WBJ-22	1	443522204T	<MDC>
PWB	R954	METAL O R	RS1/2WBJ-33	1	443523304T	<MDC>
PWB	R981	METAL O R	RS1WBJ-470	1	443624714T	<MDC>
PWB	R982	METAL O R	RS1WBJ-470	1	443624714T	<MDC>
PWB	R983	METAL O R	RS1WBJ-470	1	443624714T	<MDC>
PWB	R984	METAL O R	RS1WBJ-470	1	443624714T	<MDC>
PWB	[SW TRM]					
PWB	E801	RETAINER	KANAGU(EARTH)	1	27141059	<MDC>
PWB	F901A	FUSE HOL	NSCT-1P2506	1	25052609T	! <MDC>
PWB	F901Aor	FUSE HOL	NSCT-1P2031	(1)	25052133T	! <MDC>
PWB	F901B	FUSE HOL	NSCT-1P2506	1	25052609T	! <MDC>

PWB	F901Bor	FUSE HOL	NSCT-1P2031	(1)	25052133T	!	<MDC>
PWB	P301	PIN JACK	NPJ-1PDB581	1	25045801		<MDC>
PWB	P301 or	PIN JACK	NPJ-1PDBL382	(1)	25045567		<MDC>
PWB	P301 or	PIN JACK	NPJ-1PDB556	(1)	25045774		<MDC>
PWB	P531	PLUG	NPLG-2P29	1	25055038		<MDC>
PWB	P535A	SOCKET AS	NSAS-2P1865	1	2009991199UL		<MDC>
PWB	P631	PLUG	NPLG-2P29	1	25055038		<MDC>
PWB	P632A	PLUG	NPLG-3P131	1	25055147		<MDC>
PWB	P902A	PLUG	NPLG-2P632	1	25055676	!	<MDC>
PWB	P903A	PLUG	NPLG-4P151	1	25055167		<MDC>
PWB	P903B	SOCKET AS	NSAS-7P1834	1	20099900740UL		<MDC>
PWB	P908A	SOCKET AS	NSAS-10P1152	1	2002A391040UL		<MDC>
PWB	P908B	PLUG	NPLG-5P133	1	25055149		<MDC>
PWB	RL901	RELAY	NRL-1P5A-DC9-179	1	25065669	!	<MDC>

SKW-938 (MPP model)

PWB	U01	MAIN PC BOARD (BAAF-0491-1F)
PWB	U02	POWER TRANS. PC BOARD (BAPS-0492-1F)
	U04	POWER SWITCH PC BOARD (BASW-0494-1F)

PWB	CIRCUIT NO.	PART NAME	DESCRIPTION	Q'TY	PART NO. (SN)	REMARKS
PWB	[SEMI CONDUCTOR]					
PWB	D501	ZENER D	MTZJ5.6B	1	224470562T	<MPP>
PWB	D601	ZENER D	MTZJ3.6B	1	224470362T	<MPP>
PWB	D602	ZENER D	MTZJ3.6B	1	224470362T	<MPP>
PWB	D603	DIODE	1SS133	1	223163T	<MPP>
PWB	D605	DIODE	1SS133	1	223163T	<MPP>
PWB	D606	DIODE	1SS133	1	223163T	<MPP>
PWB	D607	DIODE	1SS133	1	223163T	<MPP>
PWB	D651	DIODE	1SS133	1	223163T	<MPP>
PWB	D652	DIODE	1SS133	1	223163T	<MPP>
PWB	D707	DIODE	1SS133	1	223163T	<MPP>
PWB	D708	DIODE	1SS133	1	223163T	<MPP>
PWB	D709	DIODE	1SS133	1	223163T	<MPP>
PWB	D901	DIODE	D3SBA20	1	22380271F	<MPP>
PWB	D901 or	DIODE	RBV402	(1)	22380022F	<MPP>
PWB	D901 or	DIODE	D3SBA60	(1)	22380272F	<MPP>
PWB	D911	DIODE	1SS133	1	223163T	<MPP>
PWB	D913	DIODE	1SS133	1	223163T	<MPP>
PWB	D917	DIODE	1SS133	1	223163T	<MPP>
PWB	D918	DIODE	1SS133	1	223163T	<MPP>
PWB	D919	DIODE	RL1N4003	1	22380260T	<MPP>
PWB	D920	ZENER D	MTZJ9.1B	1	224470912T	<MPP>
PWB	<Note>					
PWB	When replacement the following the transistor, made from the same HFE rank as the original type.					
PWB	Q301	IC	NJM4558L-D	1	22240293	<MPP>
PWB	Q501	TR	2SC2240-BL(TPE2_F)	1	2211406T	<MPP>
PWB	Q502	TR	2SC2240-BL(TPE2_F)	1	2211406T	<MPP>
PWB	Q503	TR	2SC2240-BL(TPE2_F)	1	2211406T	<MPP>
PWB	Q505	TR	2SA949-O(TPE6_F)	1	2211353T	<MPP>
PWB	Q505 or	TR	2SA949-Y(TPE6_F)	(1)	2211354T	<MPP>
PWB	Q505 or	TR	KTA1024-Y	(1)	2215844T	<MPP>

PWB	Q506	TR	2SC2229-O(TPE6_F)	1	2211633T	<MPP>
PWB	Q506 or	TR	2SC2229-Y(TPE6_F)	(1)	2211634T	<MPP>
PWB	Q506 or	TR	KTC3206-Y	(1)	2215854T	<MPP>
PWB	Q507	TR	2SA949-O(TPE6_F)	1	2211353T	<MPP>
PWB	Q507 or	TR	2SA949-Y(TPE6_F)	(1)	2211354T	<MPP>
PWB	Q507 or	TR	KTA1024-Y	(1)	2215844T	<MPP>
PWB	Q509	TR	2SA949-O(TPE6_F)	1	2211353T	<MPP>
PWB	Q509 or	TR	2SA949-Y(TPE6_F)	(1)	2211354T	<MPP>
PWB	Q509 or	TR	KTA1024-Y	(1)	2215844T	<MPP>
PWB	Q510	TR	2SC2229-O(TPE6_F)	1	2211633T	<MPP>
PWB	Q510 or	TR	2SC2229-Y(TPE6_F)	(1)	2211634T	<MPP>
PWB	Q510 or	TR	KTC3206-Y	(1)	2215854T	<MPP>
PWB	Q513	TR	2SC5171(ONK_Q)	1	2203010	<MPP>
PWB	Q513 or	TR	KTD2061-Y	(1)	2203434	<MPP>

PWB	Q514	TR	2SA1930(ONK_Q)	1	2203000	<MPP>
PWB	Q514 or	TR	KTBI369-Y	(1)	2203424	<MPP>
PWB	Q517	TR	2SA933S-S	1	2213355T	<MPP>
PWB	Q517 or	TR	2SA933S-R	(1)	2213354T	<MPP>
PWB	Q517 or	TR	KTA1267-GR	(1)	2215995T	<MPP>
PWB	Q518	TR	2SC2235-Y(TPE6_F)	1	2211654T	<MPP>
PWB	Q519	TR	2SA965-Y(TPE6_F)	1	2211644T	<MPP>
PWB	Q602	TR	KRC103M	1	2215810T	<MPP>
PWB	Q602 or	TR	DTC124ES	(1)	2213160T	<MPP>
PWB	Q603	TR	2SC1740S-S	1	2213285T	<MPP>
PWB	Q603 or	TR	2SC1740S-R	(1)	2213284T	<MPP>
PWB	Q603 or	TR	KTC3199-GR	(1)	2215864T	<MPP>
PWB	Q604	TR	2SA933S-S	1	2213355T	<MPP>
PWB	Q604 or	TR	2SA933S-R	(1)	2213354T	<MPP>
PWB	Q604 or	TR	KTA1267-GR	(1)	2215995T	<MPP>
PWB	Q605	TR	2SA933S-S	1	2213355T	<MPP>
PWB	Q605 or	TR	2SA933S-R	(1)	2213354T	<MPP>
PWB	Q605 or	TR	KTA1267-GR	(1)	2215995T	<MPP>
PWB	Q606	TR	KRA103M	1	2215780T	<MPP>
PWB	Q606 or	TR	DTA124ES	(1)	2212600T	<MPP>
PWB	Q607	TR	2SA933S-S	1	2213355T	<MPP>
PWB	Q607 or	TR	2SA933S-R	(1)	2213354T	<MPP>
PWB	Q607 or	TR	KTA1267-GR	(1)	2215995T	<MPP>
PWB	Q608	TR	2SC1740S-S	1	2213285T	<MPP>
PWB	Q608 or	TR	2SC1740S-R	(1)	2213284T	<MPP>
PWB	Q608 or	TR	KTC3199-GR	(1)	2215864T	<MPP>
PWB	Q610	TR	2SA933S-S	1	2213355T	<MPP>
PWB	Q610 or	TR	2SA933S-R	(1)	2213354T	<MPP>
PWB	Q610 or	TR	KTA1267-GR	(1)	2215995T	<MPP>
PWB	Q612	TR	2SC1740S-S	1	2213285T	<MPP>
PWB	Q612 or	TR	2SC1740S-R	(1)	2213284T	<MPP>
PWB	Q612 or	TR	KTC3199-GR	(1)	2215864T	<MPP>
PWB	Q703	TR	2SC1740S-S	1	2213285T	<MPP>
PWB	Q703 or	TR	2SC1740S-R	(1)	2213284T	<MPP>
PWB	Q703 or	TR	KTC3199-GR	(1)	2215864T	<MPP>
PWB	Q704	TR	2SC1740S-S	1	2213285T	<MPP>
PWB	Q704 or	TR	2SC1740S-R	(1)	2213284T	<MPP>

PWB	Q704 or	TR	KTC3199-GR	(1)	2215864T	<MPP>
PWB	Q705	TR	2SA933S-S	1	2213355T	<MPP>
PWB	Q705 or	TR	2SA933S-R	(1)	2213354T	<MPP>
PWB	Q705 or	TR	KTA1267-GR	(1)	2215995T	<MPP>
PWB	Q706	TR	DTC123JS	1	2213640T	<MPP>
PWB	Q901	TR	DTC123JS	1	2213640T	<MPP>
PWB	Q902	IC	78M05AHF(MPC78M05AHF)	1	222780055NEC	<MPP>
PWB	Q902 or	IC	78M05(NJM78M05FA)	(1)	222780055JRC	<MPP>
PWB	[TRANS COIL]					
PWB	T902	P TRANS	NPT-1520GQ	1	2301813A	! <MPP>
PWB	[CAPACITOR]					
PWB	C301	UPZ C	2AUPZTF221JE	1	376332214T	<MPP>
PWB	C302	UTSP C	CE04W50V 47M(UTSP)	1	397584707T	<MPP>
PWB	C303	TF C	ECQ-V50V-223J	1	374722234T	<MPP>

PWB	C501	UTSP C	CE04W50V 47M(UTSP)	1	397584707T	<MPP>
PWB	C503	TF C	ECQ-V50V-224J	1	374722244T	<MPP>
PWB	C504	UTSP C	CE04W25V-220M(UTSP)	1	397552217T	<MPP>
PWB	C505	CERA C	CC45CH50V-020C	1	345340201T	<MPP>
PWB	C506	CERA C	CC45CH50V-070D	1	345340702T	<MPP>
PWB	C514	UPZ C	2AUPZTF101JE	1	376331014T	<MPP>
PWB	C517	VR C	CE04W100V-22M(VR)	1	394692207T	<MPP>
PWB	C519	TF C	ECQ-V50V-224J	1	374722244T	<MPP>
PWB	C520	TF C	ECQ-V50V-224J	1	374722244T	<MPP>
PWB	C526	VR C	CE04W100V-22M(VR)	1	394692207T	<MPP>
PWB	C527	UTSP C	CE04W50V-1M(UTSP)	1	397580107T	<MPP>
PWB	C528	VR C	CE04W100V-22M(VR)	1	394692207T	<MPP>
PWB	C601	UTSP C	CE04W50V-10M(UTSP)	1	397581007T	<MPP>
PWB	C602	UTSP C	CE04W50V-10M(UTSP)	1	397581007T	<MPP>
PWB	C603	UTSP C	CE04W10V-470M(UTSP)	1	397534717T	<MPP>
PWB	C604	UTSP C	CE04W50V-4.7M(UTSP)	1	397580477T	<MPP>
PWB	C605	UTSP C	CE04W50V-4.7M(UTSP)	1	397580477T	<MPP>
PWB	C704	UTSP C	CE04W10V-470M(UTSP)	1	397534717T	<MPP>
PWB	C707	TF C	ECQ-V50V-223J	1	374722234T	<MPP>
PWB	C709	TF C	ECQ-V50V-223J	1	374722234T	<MPP>
PWB	C903	TF C	ECQ-V100V-104J	1	374731044T	<MPP>
PWB	C904	TF C	ECQ-V100V-104J	1	374731044T	<MPP>
PWB	C905	ELECT C	CE62W71V5600M	1	3504444	<MPP>
PWB	C906	ELECT C	CE62W71V5600M	1	3504444	<MPP>
PWB	C907	UTSP C	CE04W25V-220M(UTSP)	1	397552217T	<MPP>
PWB	C908	UTSP C	CE04W25V-220M(UTSP)	1	397552217T	<MPP>
PWB	C911	UTSK C	CE04W25V-1000M(UTSK)	1	398351027S	<MPP>
PWB	C912	UTSK C	CE04W25V-1000M(UTSK)	1	398351027S	<MPP>
PWB	C914	UTSK C	CE04W25V-1000M(UTSK)	1	398351027S	<MPP>
PWB	C915	TF C	ECQ-V50V-224J	1	374722244T	<MPP>
PWB	C916	IS C	MKP R46 103M	1	3500202S	! <MPP>
PWB	C917	UTSP C	CE04W50V-22M(UTSP)	1	397582207T	<MPP>
PWB	C919	TF C	ECQ-V50V-104J	1	374721044T	<MPP>
PWB	C920	IS C	DE1007E472M-KY	1	3300063	! <MPP>
PWB	C921	PLA C	MKP R46 104M	1	3800041S	! <MPP>
PWB	C955	TF C	ECQ-V50V-223J	1	374722234T	<MPP>
PWB	[RESISTOR]					

PWB	R301	CARBON R	R16J-1K	1	417341024T	<MPP>
PWB	R302	VARI R	N17RGL20KB15M	1	5151508	<MPP>
PWB	R303	CARBON R	R16J-47K	1	417344734T	<MPP>
PWB	R304	CARBON R	R16J-2.2K	1	417342224T	<MPP>
PWB	R305	CARBON R	R16J-8.2K	1	417348224T	<MPP>
PWB	R307	CARBON R	R16J-270	1	417342714T	<MPP>
PWB	R501	CARBON R	R16J-1K	1	417341024T	<MPP>
PWB	R502	CARBON R	R16J-33K	1	417343334T	<MPP>
PWB	R503	CARBON R	R16J-5.6K	1	417345624T	<MPP>
PWB	R504	CARBON R	R16J-2.2K	1	417342224T	<MPP>
PWB	R505	NF CARBON R	R25J-1.0K	1	415471024T	! <MPP>
PWB	R506	NF CARBON R	R25J-1.0K	1	415471024T	! <MPP>
PWB	R507	CARBON R	R16J-33K	1	417343334T	<MPP>
PWB	R508	NF CARBON R	R25J-47	1	415474704T	! <MPP>

PWB	R509	CARBON R	R16J-1K	1	417341024T	<MPP>
PWB	R510	CARBON R	R16J-100K	1	417341044T	<MPP>
PWB	R511	NF CARBON R	R25J-82	1	415478204T	! <MPP>
PWB	R512	NF CARBON R	R25J-68	1	415476804T	! <MPP>
PWB	R513	NF CARBON R	R25J-82	1	415478204T	! <MPP>
PWB	R514	NF CARBON R	R25J-82	1	415478204T	! <MPP>
PWB	R515	CARBON R	R16J-12K	1	417341234T	<MPP>
PWB	R516	CARBON R	R16J-12K	1	417341234T	<MPP>
PWB	R517	CARBON R	R16J-3.3K	1	417343324T	<MPP>
PWB	R521	CARBON R	R16J-220	1	417342214T	<MPP>
PWB	R522	CARBON R	R16J-220	1	417342214T	<MPP>
PWB	R526	METAL O R	RS1/2WBJ-82	1	443528204T	<MPP>
PWB	R527	CARBON R	R16J-270	1	417342714T	<MPP>
PWB	R528	METAL O R	RS1/2WBJ-390	1	443523914T	<MPP>
PWB	R531	METAL PR	RF-5EGKR22	1	4000201	<MPP>
PWB	R531 or	METAL PR	RGC55 0.22	(1)	4000132	<MPP>
PWB	R531 or	METAL P R	RGC55C 0.22 K	(1)	4000157	<MPP>
PWB	R531 or	METAL PR	MPR5W+5W 0R22	(1)	4000233	<MPP>
PWB	R533	METAL R	RNU1WCJ-3.3	1	453630334T	<MPP>
PWB	R541	NF CARBON R	R25J-820	1	415478214T	! <MPP>
PWB	R542	CARBON R	R16J-150	1	417341514T	<MPP>
PWB	R543	CARBON R	R16J-180	1	417341814T	<MPP>
PWB	R544	TRIM R	N06HR100BC	1	5210359T	<MPP>
PWB	R544 or	TRIM R	N06HR100BC	(1)	5210399T	<MPP>
PWB	R601	CARBON R	R16J-5.6K	1	417345624T	<MPP>
PWB	R602	CARBON R	R16J-100K	1	417341044T	<MPP>
PWB	R603	CARBON R	R16J-150K	1	417341544T	<MPP>
PWB	R604	CARBON R	R16J-180	1	417341814T	<MPP>
PWB	R605	CARBON R	R16J-22	1	417342204T	<MPP>
PWB	R609	CARBON R	R16J-39K	1	417343934T	<MPP>
PWB	R610	CARBON R	R16J-560K	1	417345644T	<MPP>
PWB	R611	CARBON R	R16J-820K	1	417348244T	<MPP>
PWB	R612	CARBON R	R16J-39K	1	417343934T	<MPP>
PWB	R613	CARBON R	R16J-470K	1	417344744T	<MPP>
PWB	R614	CARBON R	R16J-120K	1	417341244T	<MPP>
PWB	R615	CARBON R	R16J-22K	1	417342234T	<MPP>
PWB	R616	CARBON R	R16J-100K	1	417341044T	<MPP>

PWB	R617	CARBON R	R16J-1K	1	417341024T	<MPP>
PWB	R619	CARBON R	R16J-22K	1	417342234T	<MPP>
PWB	R620	CARBON R	R16J-100K	1	417341044T	<MPP>
PWB	R621	CARBON R	R16J-1K	1	417341024T	<MPP>
PWB	R622	CARBON R	R16J-10K	1	417341034T	<MPP>
PWB	R623	CARBON R	R16J-22K	1	417342234T	<MPP>
PWB	R624	CARBON R	R16J-100K	1	417341044T	<MPP>
PWB	R625	CARBON R	R16J-180K	1	417341844T	<MPP>
PWB	R626	CARBON R	R16J-2.2M	1	417342254T	<MPP>
PWB	R627	CARBON R	R16J-680K	1	417346844T	<MPP>
PWB	R628	CARBON R	R16J-330K	1	417343344T	<MPP>
PWB	R630	CARBON R	R16J-10K	1	417341034T	<MPP>
PWB	R631	CARBON R	R16J-10K	1	417341034T	<MPP>
PWB	R651	METAL O R	RS1WBJ-10K	1	443621034T	<MPP>

PWB	R652	CARBON R	R16J-470K	1	417344744T	<MPP>
PWB	R653	CARBON R	R16J-680K	1	417346844T	<MPP>
PWB	R654	CARBON R	R16J-330K	1	417343344T	<MPP>
PWB	R704	CARBON R	R16J-100K	1	417341044T	<MPP>
PWB	R714	CARBON R	R16J-68K	1	417346834T	<MPP>
PWB	R715	CARBON R	R16J-10K	1	417341034T	<MPP>
PWB	R716	CARBON R	R16J-1K	1	417341024T	<MPP>
PWB	R717	CARBON R	R16J-10K	1	417341034T	<MPP>
PWB	R904	METAL R	RNU1/2WCJ-0.22	1	453532294T	<MPP>
PWB	R905	METAL R	RNU1/2WCJ-0.47	1	453534794T	<MPP>
PWB	R906	METAL O R	RS1/2WBJ-22	1	443522204T	<MPP>
PWB	R907	METAL O R	RS1/2WBJ-22	1	443522204T	<MPP>
PWB	R954	METAL O R	RS1/2WBJ-33	1	443523304T	<MPP>
PWB	R981	METAL O R	RS1WBJ-470	1	443624714T	<MPP>
PWB	R982	METAL O R	RS1WBJ-470	1	443624714T	<MPP>
PWB	R983	METAL O R	RS1WBJ-470	1	443624714T	<MPP>
PWB	R984	METAL O R	RS1WBJ-470	1	443624714T	<MPP>
PWB	[SW TRM]					
PWB	E801	RETAINER	KANAGU(EARTH)	1	27141059	<MPP>
PWB	F901A	FUSE HOL	NSCT-1P2506	1	25052609T	! <MPP>
PWB	F901Aor	FUSE HOL	NSCT-1P2031	(1)	25052133T	! <MPP>
PWB	F901B	FUSE HOL	NSCT-1P2506	1	25052609T	! <MPP>
PWB	F901Bor	FUSE HOL	NSCT-1P2031	(1)	25052133T	! <MPP>
PWB	P301	PIN JACK	NPJ-1PDB581	1	25045801	<MPP>
PWB	P301 or	PIN JACK	NPJ-1PDBL382	(1)	25045567	<MPP>
PWB	P301 or	PIN JACK	NPJ-1PDB556	(1)	25045774	<MPP>
PWB	P531	PLUG	NPLG-2P29	1	25055038	<MPP>
PWB	P535A	SOCKET AS	NSAS-2P1865	1	2009991199UL	<MPP>
PWB	P631	PLUG	NPLG-2P29	1	25055038	<MPP>
PWB	P632A	PLUG	NPLG-3P131	1	25055147	<MPP>
PWB	P902A	PLUG	NPLG-2P632	1	25055676	! <MPP>
PWB	P903A	PLUG	NPLG-4P151	1	25055167	<MPP>
PWB	P903B	SOCKET AS	NSAS-7P1834	1	20099900740UL	<MPP>
PWB	P906A	PLUG	NPLG-2P632	1	25055676	<MPP>
PWB	P906B	SOCKET AS	NSAS-2P1830	1	20099800440UL	<MPP>
PWB	P908A	SOCKET AS	NSAS-10P1152	1	2002A391040UL	<MPP>
PWB	P908B	PLUG	NPLG-5P133	1	25055149	<MPP>

PWB	RL901	RELAY	NRL-1P5A-DC9-179	1	25065669	! <MPP>
PWB	S901	RC SW	NRC-11007P	1	25065620	! <MPP>

ONKYO CORPORATION

Service Dept. Technical Support : 2-1, Nisshin-cho, Neyagawa-shi, OSAKA 572-8540, JAPAN
Tel: 072-831-8023 Fax: 072-831-8163

ONKYO U.S.A. CORPORATION

18 Park Way, Upper Saddle River, N.J. 07458, U.S.A.
Tel: 800-229-1687, 201-785-2600 Fax: 201-785-2650 <http://www.us.onkyo.com/>

ONKYO EUROPE ELECTRONICS GmbH

Liegnitzerstrasse 6, 82194 Groebenzell, GERMANY
Tel: +49-8142-4401-0 Fax: +49-8142-4401-555 <http://www.eu.onkyo.com/>

ONKYO EUROPE ELECTRONICS GmbH (UK BRANCH)

The Coach House 81A High Street, Marlow, Buckinghamshire, SL7 1AB, UK
Tel: +44-(0)1628-473-350 Fax: +44-(0)1628-401-700

ONKYO CHINA LIMITED

Unit 1&12, 9/F, Ever Gain Plaza Tower 1, 88, Container Port Road, Kwai Chung,
N.T., Hong Kong. Tel: 852-2429-3118 Fax: 852-2428-9039
<http://www.ch.onkyo.com/>

