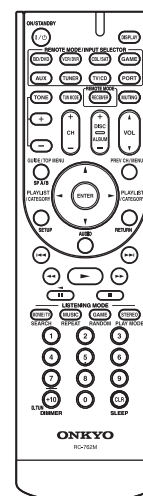
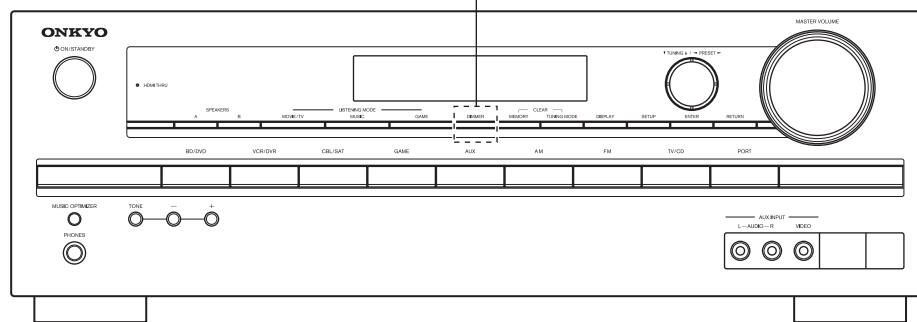


# ONKYO® SERVICE MANUAL

## AV RECEIVER MODEL HT-R390(B)

North American and Brazilian models ---> DIMMER  
European and Asian models ---> RT/PTY/TP



RC-762M

### HT-R390 for HT-S3400 Black model

|              |                      |
|--------------|----------------------|
| B MDC, B MDS | 120V AC, 60Hz        |
| B MMQ, B MMK | 220-240V AC, 50/60Hz |

### HT-R390 for HT-S3405 Black model

|       |               |
|-------|---------------|
| B MPP | 230V AC, 50Hz |
|-------|---------------|

### HT-R390 for AVX-390 Black model

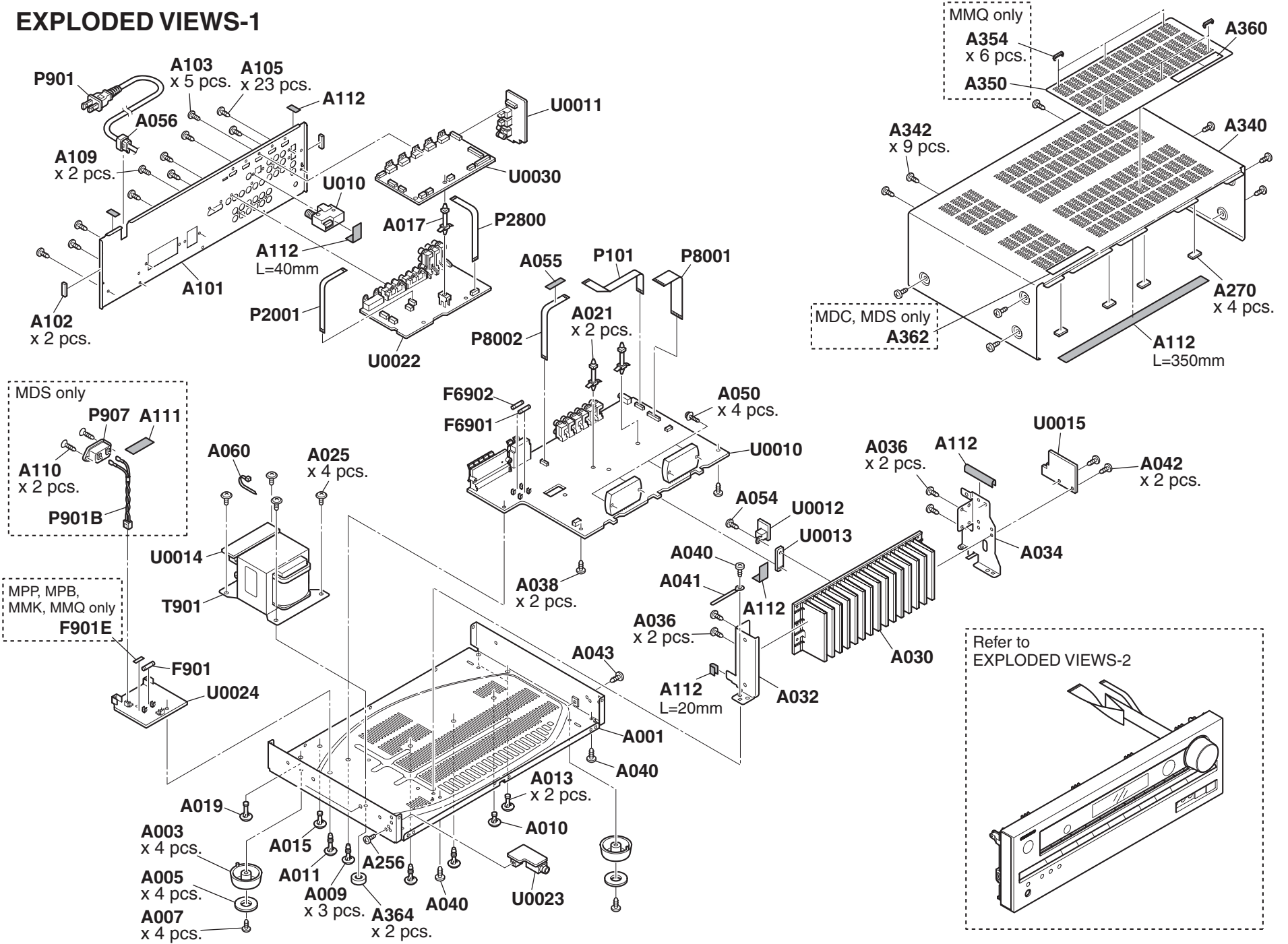
|              |               |
|--------------|---------------|
| B MPP, B MPB | 230V AC, 50Hz |
|--------------|---------------|

## SAFETY-RELATED COMPONENT WARNING!!

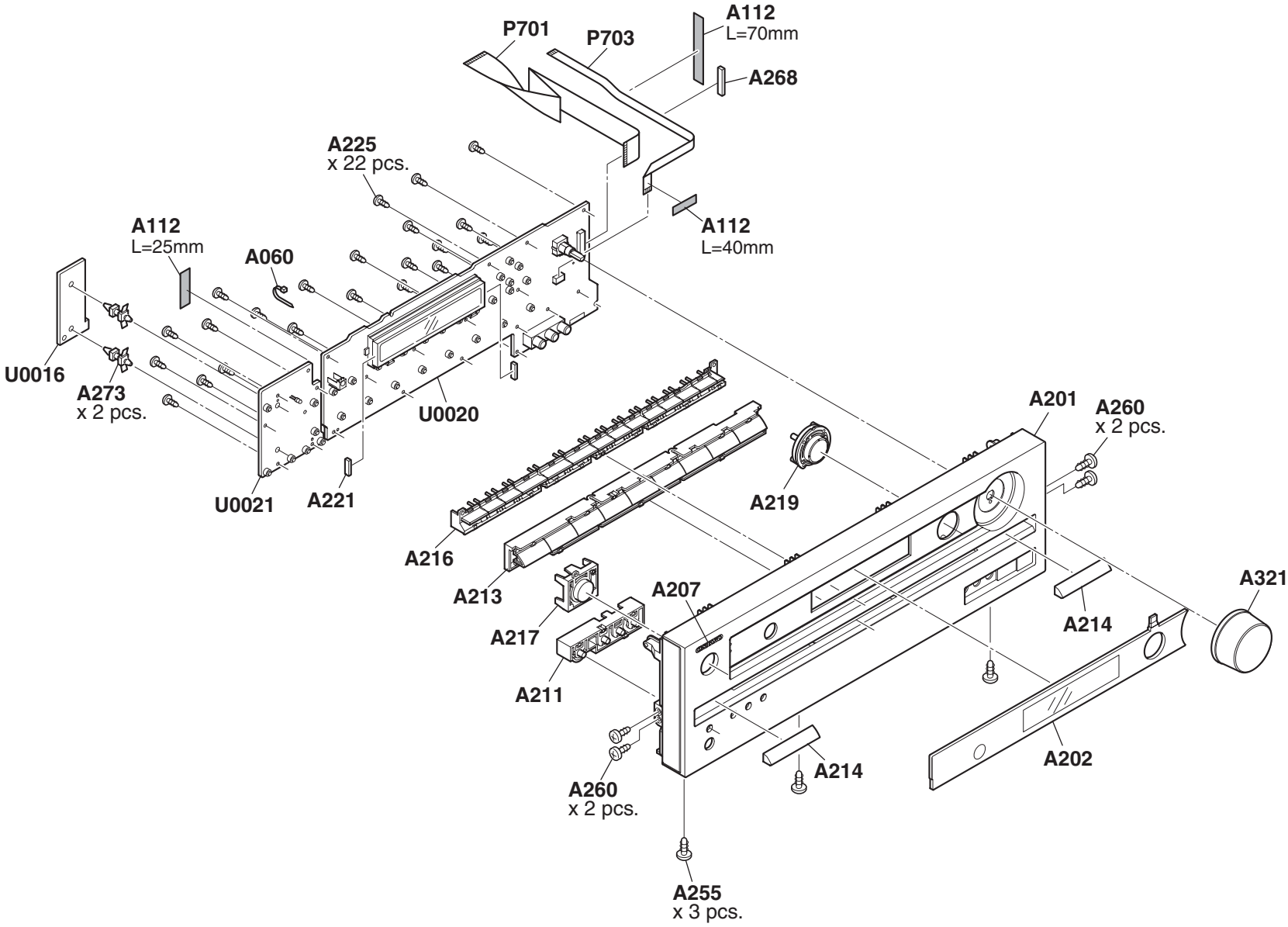
COMPONENTS IDENTIFIED BY MARK  $\triangle$  ON THE SCHEMATIC DIAGRAM AND IN THE PARTS LIST ARE CRITICAL FOR RISK OF FIRE AND ELECTRIC SHOCK. REPLACE THESE COMPONENTS WITH ONKYO PARTS WHOSE PART NUMBERS APPEAR AS SHOWN IN THIS MANUAL.

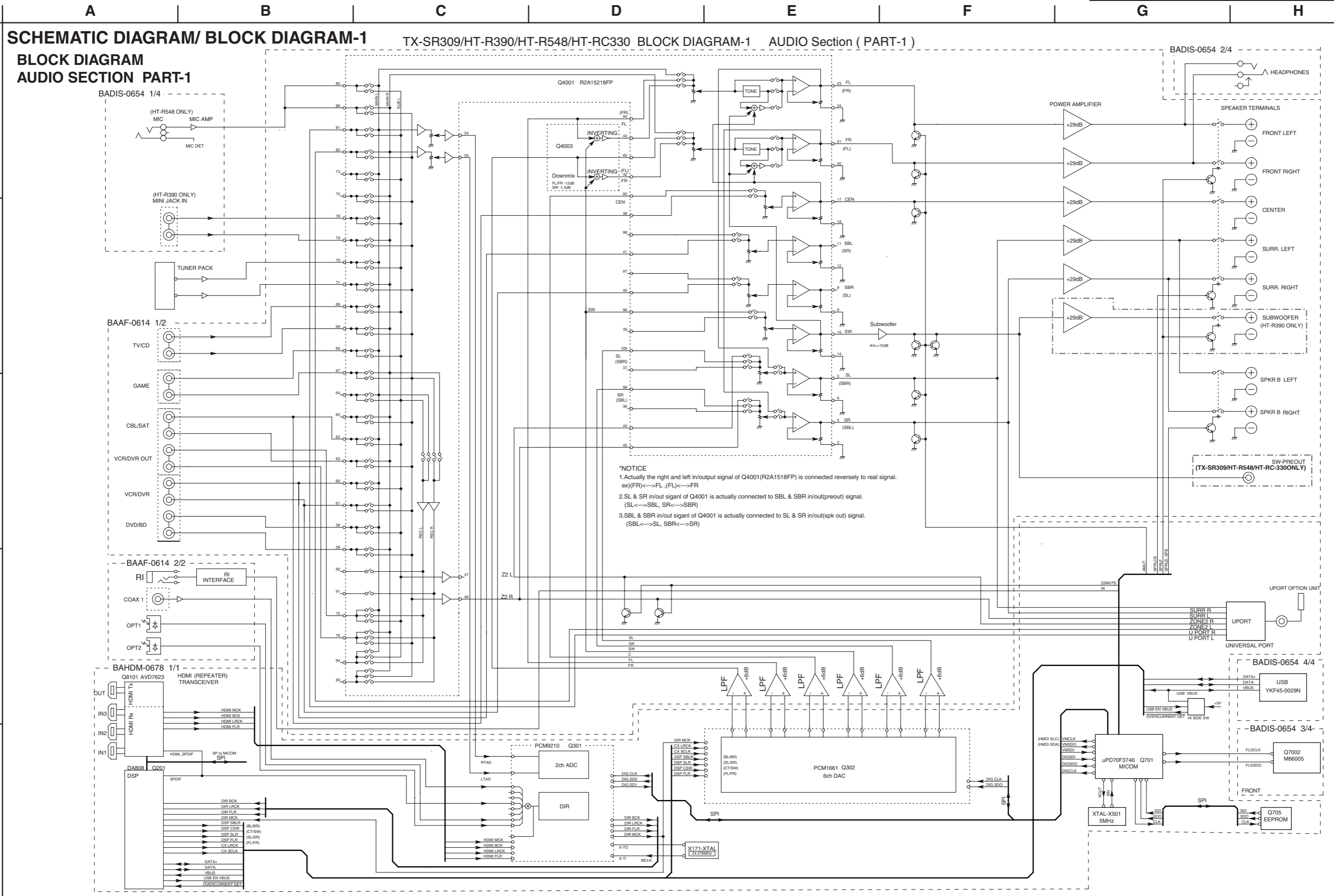
MAKE LEAKAGE-CURRENT OR RESISTANCE MEASUREMENTS TO DETERMINE THAT EXPOSED PARTS ARE ACCEPTABLY INSULATED FROM THE SUPPLY CIRCUIT BEFORE RETURNING THE APPLIANCE TO THE CUSTOMER.

EXPLODED VIEWS-1



EXPLODED VIEWS-2





1

2

3

4

5

A B C D E F G H

**SCHEMATIC DIAGRAM/ BLOCK DIAGRAM-2**

**BLOCK DIAGRAM VIDEO SECTION PART-2**

Model No. TX-SR309/509/609/TX-SA509/609/HT-R290/390/548/590/690/990/HT-RC330/360/DTR-20.3/30.3

**SCHEMATIC DIAGRAM (PART-2)**

**BLOCK DIAGRAM(VIDEO)**

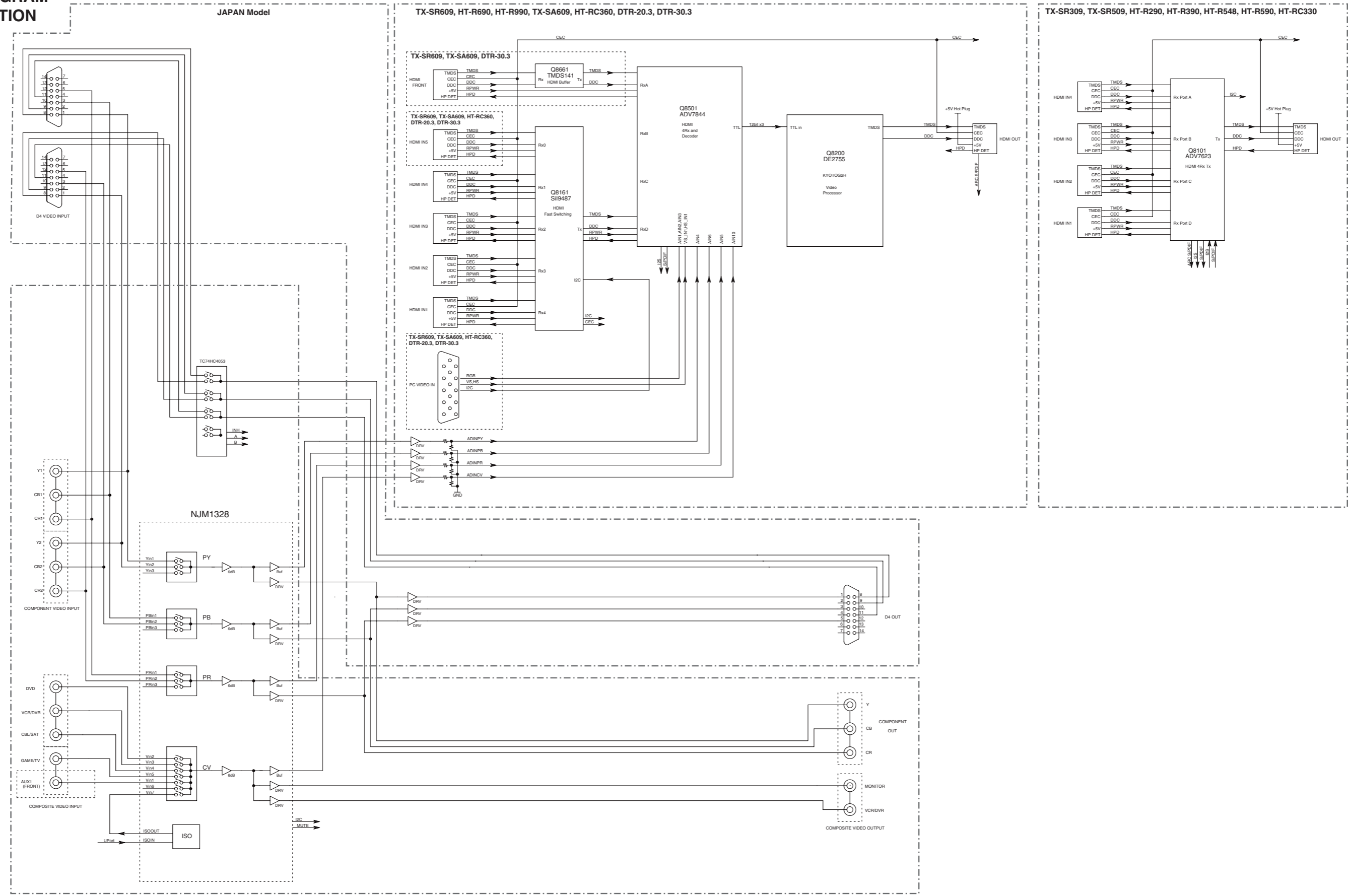
1

2

3

4

5

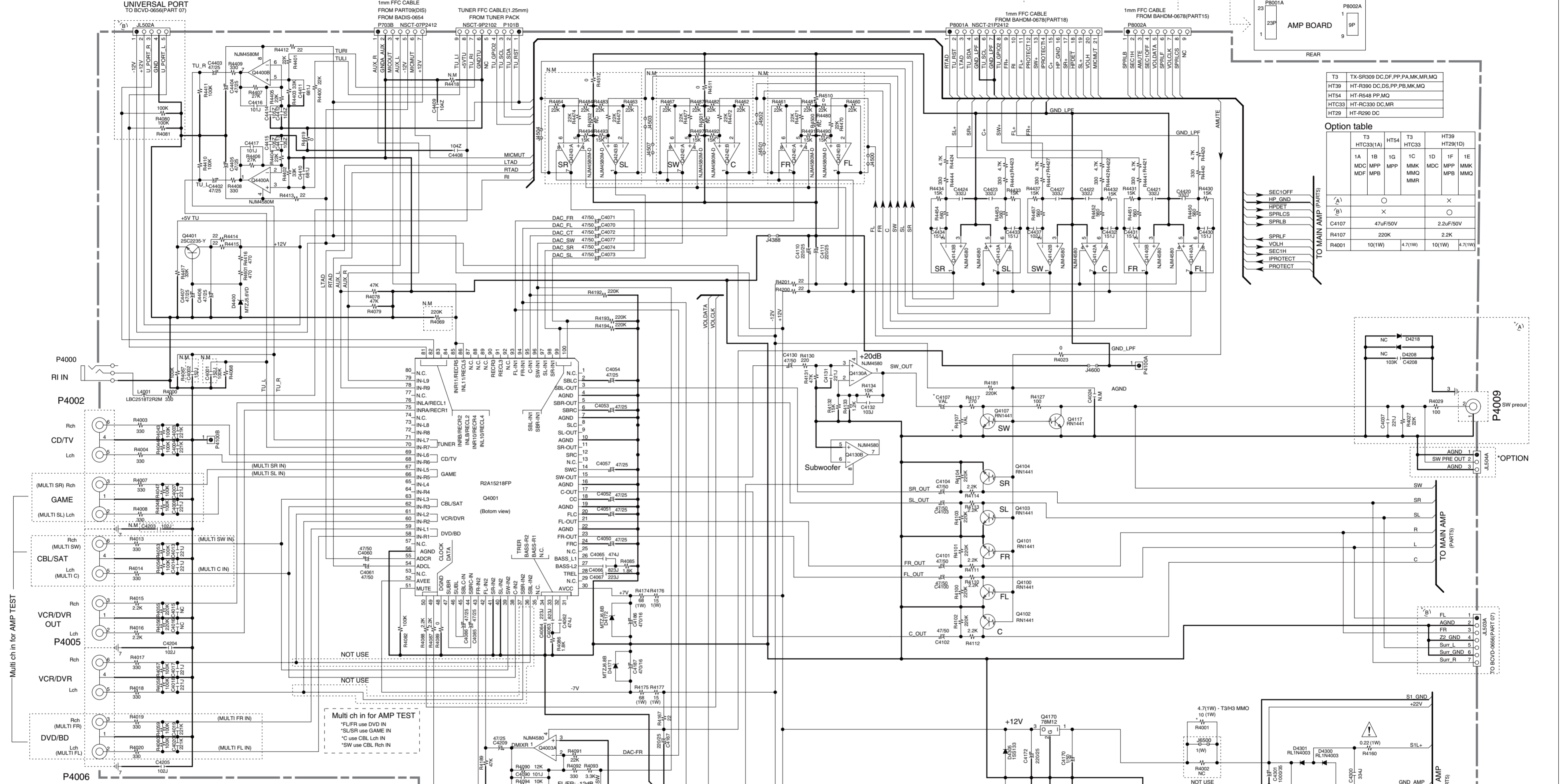


**SCHEMATIC DIAGRAM/ BLOCK DIAGRAM-3**

**AUDIO INPUT SECTION PART-3**

MODEL NO. TX-SR309/HT-R390/HT-R548/HT-RC330/HT-R290 SCHEMATIC DIAGRAM (PART-3) AUDIO INPUT

**U0010 BAAF-0614**



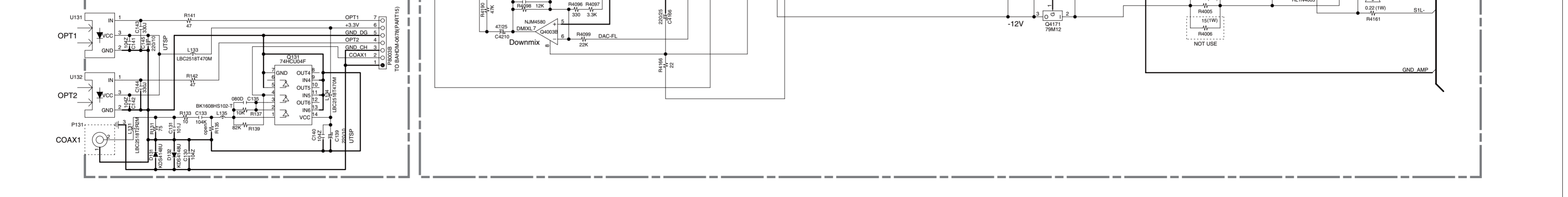
Option table

|    | T3<br>HTC33(1A) | HT54<br>HT-R548 | T3<br>HTC33 | HT39<br>HT29(1D) |
|----|-----------------|-----------------|-------------|------------------|
| 1A | MDC             | MP              | 1C          | MDC              |
| 1B | MP              | MMK             | 1D          | MP               |
| 1C | MP              | MMQ             | 1E          | MMK              |
| 1D | MP              | MMR             |             | MMQ              |

Option table (continued)

|    | T3<br>HTC33(1A) | HT54<br>HT-R548 | T3<br>HTC33 | HT39<br>HT29(1D) |
|----|-----------------|-----------------|-------------|------------------|
| A' |                 |                 |             |                  |
| B' |                 |                 |             |                  |
| C' |                 |                 |             |                  |
| D' |                 |                 |             |                  |
| E' |                 |                 |             |                  |
| F' |                 |                 |             |                  |
| G' |                 |                 |             |                  |
| H' |                 |                 |             |                  |
| I' |                 |                 |             |                  |
| J' |                 |                 |             |                  |
| K' |                 |                 |             |                  |

**U0011 BADG-0615**

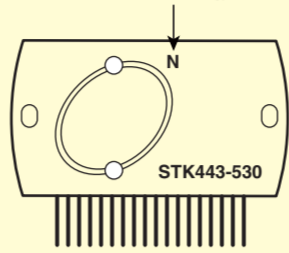


**SCHEMATIC DIAGRAM/ BLOCK DIAGRAM-4  
AMP. SECTION PART-4**

**NOTICE**  
Q6001, Q6002, Q6003 and the surrounding parts have been changed as follows in the middle of production.  
Change C6120, C6121 and C6122 at the same time when Q6001 is changed.  
Change C6123, C6124 and C6127 at the same time when Q6002 is changed.  
Change C6125 and C6126 at the same time when Q6003 is changed.

How to identify the IC

STK-443-530-E



| MODEL  | TX-SR309, HT-R548, HT-RC330  | HT-R290, HT-R390     |
|--------|------------------------------|----------------------|
| UNIT   | BAAF-0614-1A, 1B, 1C, 1G, 1H | BAAF-0614-1D, 1E, 1F |
| BEFORE | STK-443-530-E                | STK-443-530-E        |
| AFTER  | STK-443-530N-E               | STK-443-530N-E       |
| Q6001  | None                         | None                 |
| C6120  | None                         | None                 |
| C6121  | None                         | None                 |
| C6122  | None                         | None                 |
| BEFORE | STK-442-730-E                | STK-443-530-E        |
| AFTER  | STK-442-730N-E               | STK-443-530N-E       |
| Q6002  | None                         | None                 |
| C6123  | None                         | None                 |
| C6124  | None                         | None                 |
| C6127  | None                         | None                 |

**U0010  
BAAF-0614**

Notes  
THE COMPONENTS IDENTIFIED BY MARK ARE CRITICAL FOR SAFETY. REPLACEMENT MUST BE IDENTIFIED BY PART NUMBER SPECIFIED.  
VOLTAGE (MEASURED WITH VOLTMETER) IS DC VOLTAGE (NO INPUT SIGNAL IN HT-R390/HT-R390P).  
ELECTROLYTIC CAPACITORS (E) ARE IN uF/WV.  
EX: 1000µF 35V 330µF 331-330µF 333.0.035µF  
CIRCUIT IS SUBJECT TO CHANGE FOR IMPROVEMENT.  
ALL CAPACITORS ARE IN pF/50V UNLESS OTHERWISE NOTED.

**CAUTION**  
FOR CONTINUED PROTECTION AGAINST FIRE SHOCK, REPLACE ONLY WITH FUSE OF SAME TYPE AND RATING INDICATED.  
**ATTENTION**  
AFIN (DANGER) LINE PROTECTION PERMANENTLY CONTRAINDICATED. DISCONNECT FROM AC MAINS IMMEDIATELY AFTER WORKING IS COMPLETED.  
THIS SYMBOL LOCATED NEAR THE FUSE INDICATES THAT THE FUSE IS A SAFETY FUSE. FOR CONTINUED PROTECTION AGAINST FIRE SHOCK, REPLACE WITH SAME TYPE FUSE. FOR FUSE RATING REFER TO THE MARKING ADJACENT TO THE SYMBOL.  
LE FUSIBLE ADOPTÉ NE DOIT ÊTRE REMPLACÉ QUE PAR UN FUSIBLE DE MÊME TYPE. LE TYPE DE FUSIBLE À ADAPTER À LA MARQUE ADJACENTE À CE SYMBOLE.

\*Q6001/Q6002 Terminal Voltage

| PIN NO.               | Q6001/Q6002 |
|-----------------------|-------------|
| 1                     | +49V        |
| 2                     | 0V          |
| 4, 5, 6, 7            | 0V          |
| 17, 18 <sup>(1)</sup> | 0V          |
| 8                     | -46V        |
| 9                     | +46V        |
| 12                    | -45V        |
| 10, 11, 13, 14        | -0.16V      |
| 15, 16 <sup>(1)</sup> | -0.16V      |

(1) IN A FOR T3/Q6002

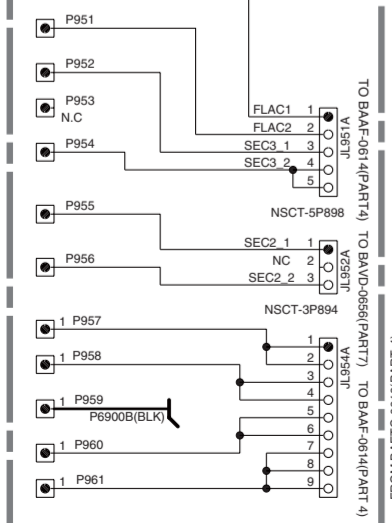
T3 TX-SR309 DC.DF.PP.PA.MK.MR.MQ  
HT39 HT-R390 DC.DS.DS.PP.PB.MK.MQ  
HT54 HT-R548 PP.PM  
HTC33 HT-RC330 DC.MR  
HT29 HT-R290 DC

| MODEL                        | Power Trans |
|------------------------------|-------------|
| T3/HTC33 1A, HT29/HT39 1D    | NPT-1603D   |
| T3 1B/HT39 1F/HT54 1G        | NPT-1603P   |
| T3/HTC33 1C, HT39 1E/HT54 1H | NPT-1603M   |

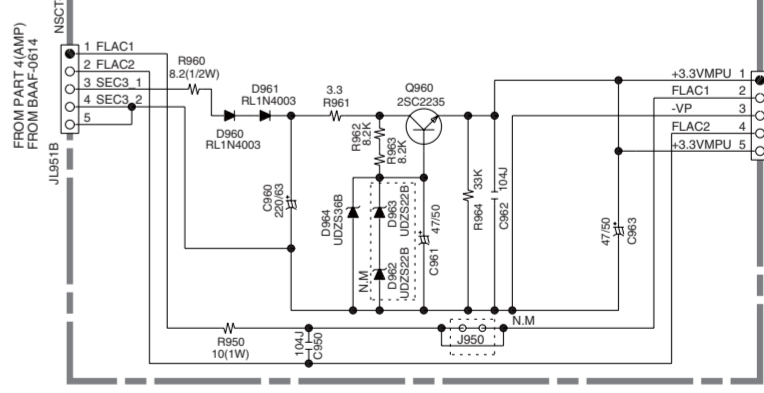
Destination table

|       | T3/HT54/HTC33 |         |         |       | HT39/HT29     |     |     |     |
|-------|---------------|---------|---------|-------|---------------|-----|-----|-----|
|       | -1A           | -1B/-1G | -1C/-1H | -1D   | -1F           | -1E | -1E | -1E |
| MDC   | MPP           | MMK     | MDC     | MDD   | MPP           | MMQ |     |     |
| MDF   | MMA           | MMR     | MDF     | MPE   | MMK           |     |     |     |
| (A)   |               |         |         |       |               |     |     |     |
| (B)   |               |         |         |       |               |     |     |     |
| (C)   |               |         |         |       |               |     |     |     |
| (D)   |               |         |         |       |               |     |     |     |
| (E)   |               |         |         |       |               |     |     |     |
| (F)   |               |         |         |       |               |     |     |     |
| (G)   |               |         |         |       |               |     |     |     |
| Q6002 | STK-442-730-E |         |         |       | STK-443-530-E |     |     |     |
| J6477 |               |         |         |       |               |     |     |     |
| P6001 | NTM-10PDM     |         |         |       | NTM-12PDM     |     |     |     |
| C6901 | 8200µ         | 8200µ   | 8200µ   | 8200µ |               |     |     |     |
| C6902 | 56V           | 63V     | 56V     | 63V   |               |     |     |     |

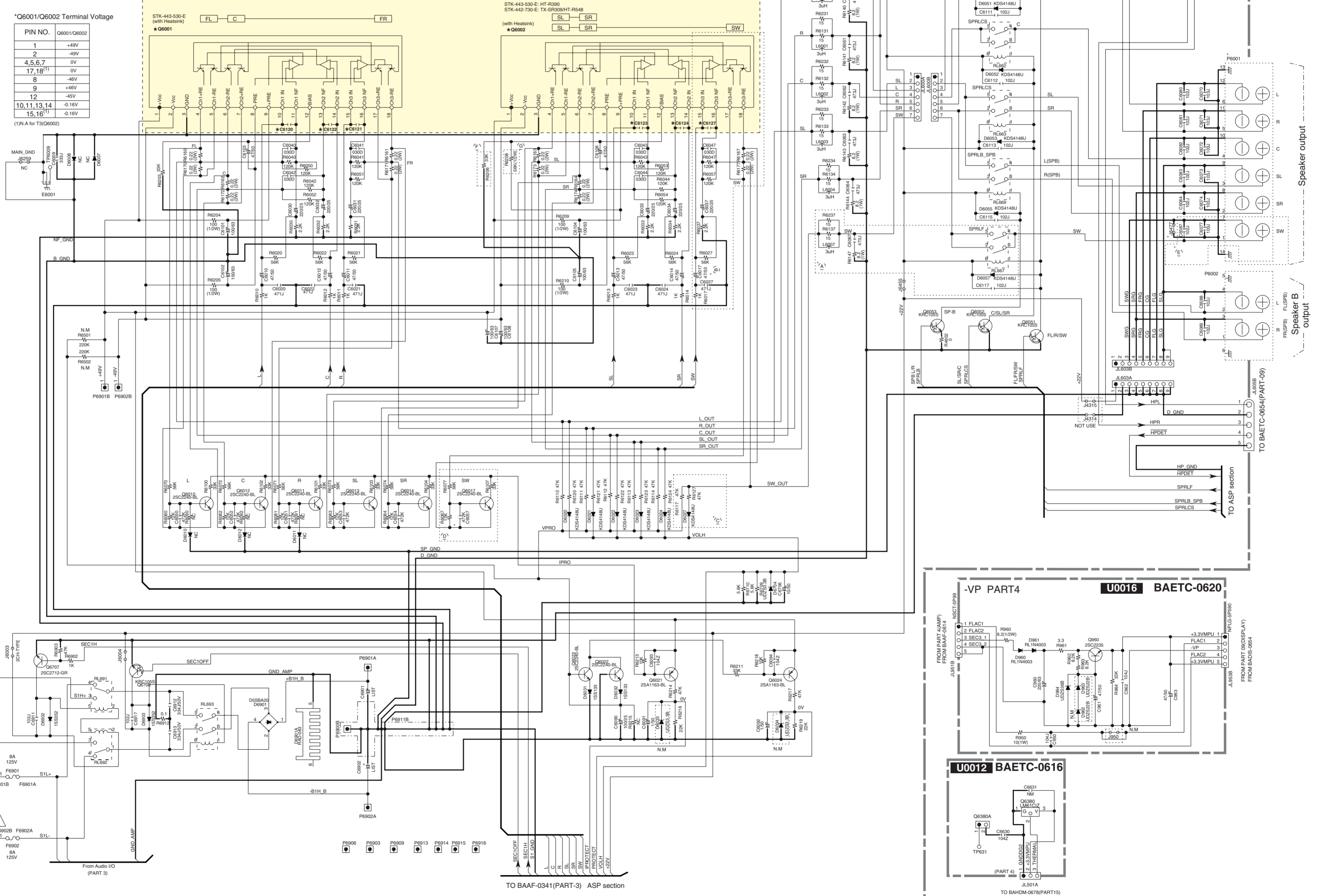
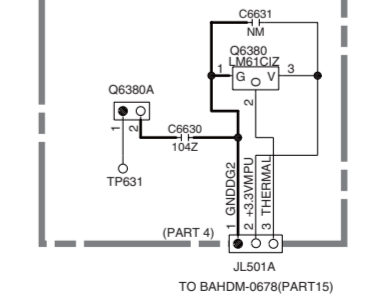
**U0014 BAETC-0618**



**U0016 BAETC-0620**



**U0012 BAETC-0616**

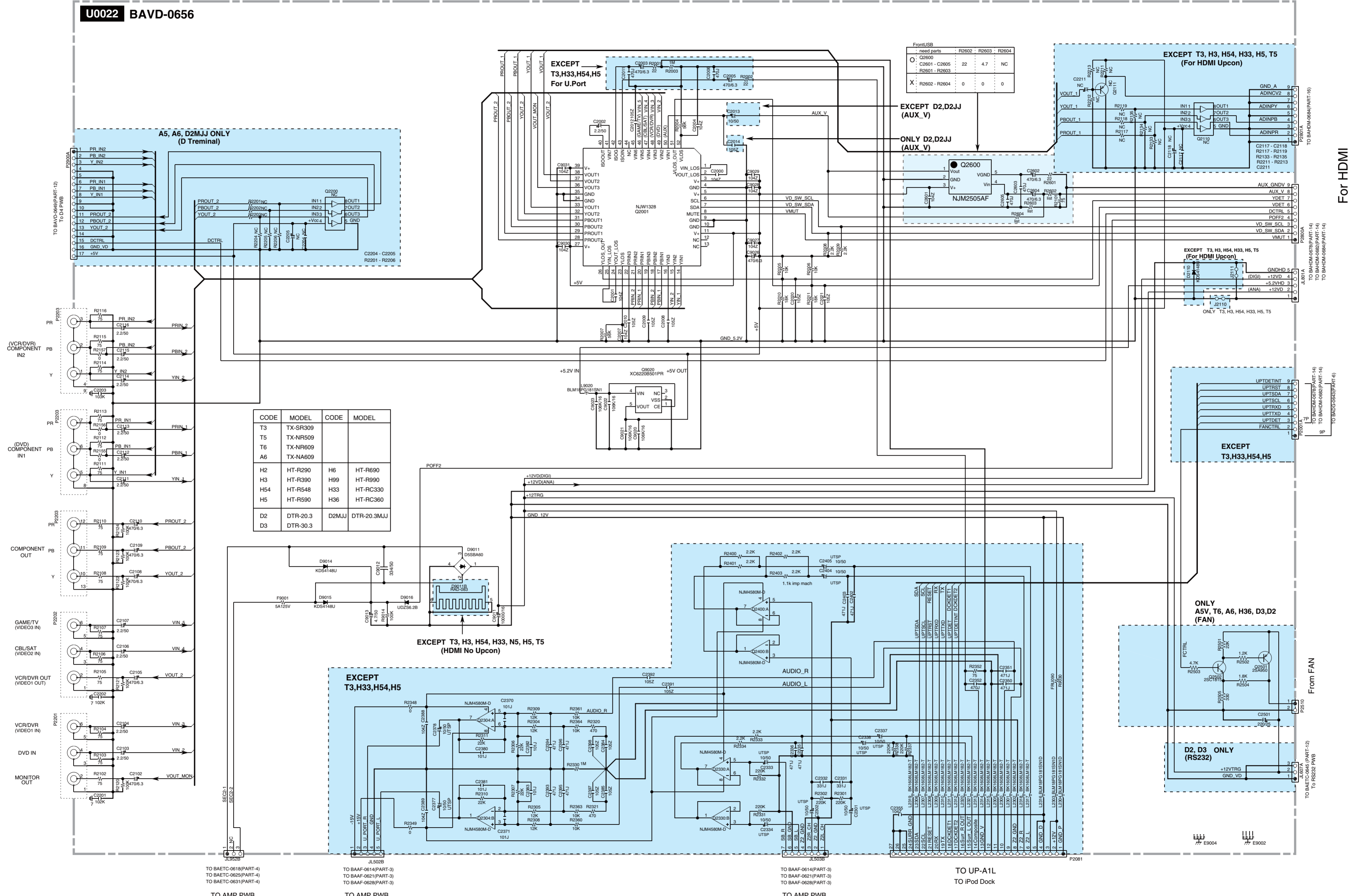


**SCHEMATIC DIAGRAM/ BLOCK DIAGRAM-7**

**VIDEO SECTION PART-7**

MODEL No. TX-SR309/ HT-R390/ HT-R548/ HT-RC330 SCHEMATIC DIAGRAM (Part-7) VIDEO SECTION

**U0022 BAVD-0656**



| CODE | MODEL    | CODE  | MODEL       |
|------|----------|-------|-------------|
| T3   | TX-SR309 |       |             |
| T5   | TX-NR509 |       |             |
| T6   | TX-NR609 |       |             |
| A6   | TX-NA609 |       |             |
| H2   | HT-R290  | H6    | HT-R690     |
| H3   | HT-R390  | H99   | HT-R990     |
| H54  | HT-R548  | H33   | HT-RC330    |
| H5   | HT-R590  | H36   | HT-RC360    |
| D2   | DTR-20.3 | D2MJJ | DTR-20.3MJJ |
| D3   | DTR-30.3 |       |             |

FrontUSB

| ○             | ○     | ○     | ○     |
|---------------|-------|-------|-------|
| C2601 - R2605 | R2602 | R2603 | R2604 |
| 22            | 4.7   | NC    |       |
| X             | 0     | 0     | 0     |

TO BAETC-0618(PART-4)  
TO BAETC-0628(PART-4)  
TO BAETC-0631(PART-4)

JL502B  
TO BAAF-0614(PART-3)  
TO BAAF-0621(PART-3)  
TO BAAF-0628(PART-3)

TO AMP PWB

TO UP-A1L  
TO iPod Dock

TO BAETC-0665(PART-12)  
TO BAETC-0665(PART-14)  
TO BAETC-0665(PART-14)

For HDMI

From FAN

1  
2  
3  
4  
5  
6  
7  
8





# SCHEMATIC DIAGRAM/ BLOCK DIAGRAM-10

## PS SECTION PART-10

Model No. TX-NR309/HT-R290/390/548/590/HT-RC330  
Schematic Diagram (Part-10) PS Section

**NOTE**

- THE COMPONENTS IDENTIFIED BY MARK ARE CRITICAL FOR SAFETY. REPLACE ONLY WITH PART NUMBER SPECIFIED.
- VOLTAGE (MEASURED WITH VOLTMETER) IS DC VOLTAGE. (NO INPUT SIGNAL)
- ELECTROLYTIC CAPACITORS ARE IN  $\mu$ F/WV.
- ALL CAPACITORS ARE IN pF/50VW UNLESS OTHERWISE NOTED.  
EX) 030  $\rightarrow$  3pF 330  $\rightarrow$  33pF 331  $\rightarrow$  330pF 333  $\rightarrow$  0.033 $\mu$ F
- ALL RESISTORS ARE IN OHMS 1/4WATTS UNLESS OTHERWISE NOTED.  
THE THICK LINES ON PC BOARD ARE THE PRINTING SIDE OF THE PARTS.  
EX) PRINTING SIDE
- CIRCUIT IS SUBJECT TO CHANGE FOR IMPROVEMENT.

**CAUTION**

FOR CONTINUED PROTECTION AGAINST FIRE HAZARD, REPLACE ONLY WITH FUSE OF SAME TYPE AND RATING INDICATED.



**ATTENTION**

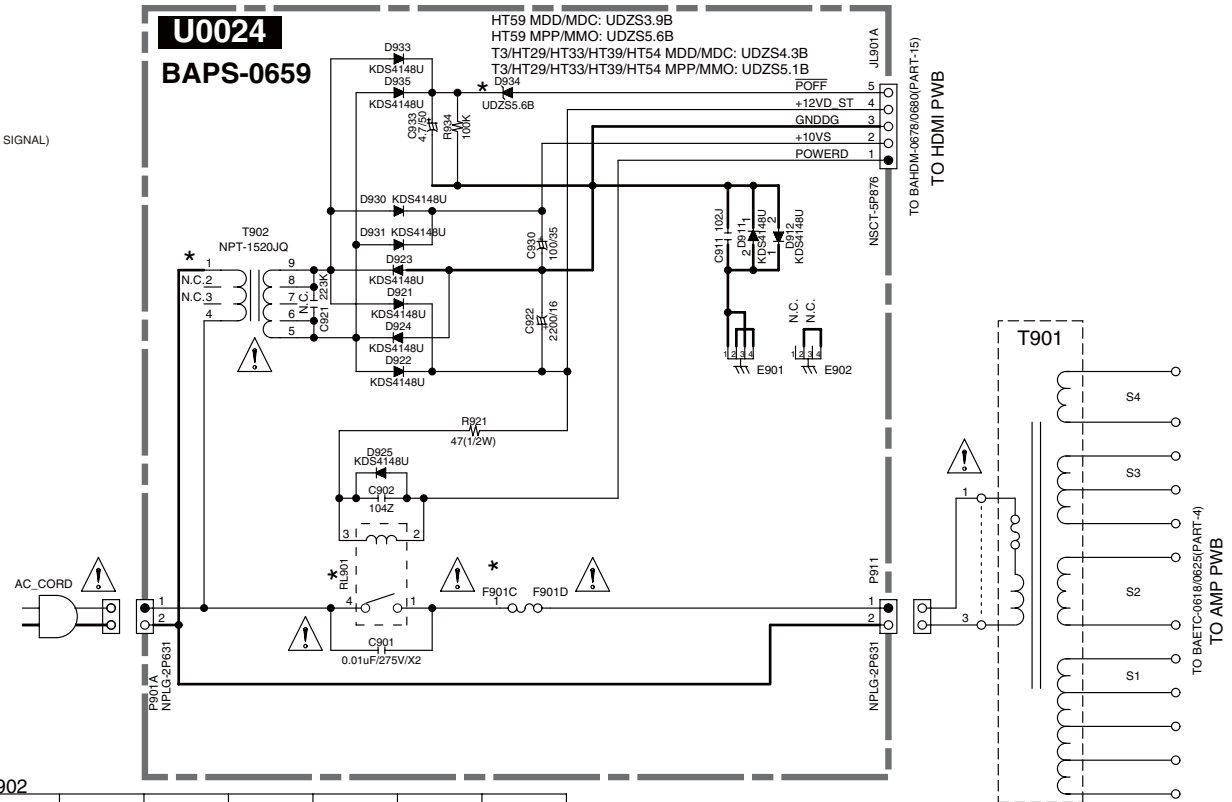
AFIN D'ASSURER UNE PROTECTION PERMANENTE CONTRE LES RISQUES D'INCENDIE, REMPLACER UNIQUEMENT PAR UN FUSIBLE DE MEME TYPE ET CALIBRATION COMME INDIQUE.



THIS SYMBOL LOCATED NEAR THE FUSE INDICATES THAT THE FUSE USED IS SLOW OPERATING TYPE FOR CONTINUED PROTECTION AGAINST FIRE FUSE HAZARD, REPLACE WITH SAME TYPE FUSE. FOR FUSE RATING REFER TO THE MAKING ADJACENT TO THE SYMBOL.



CE SYMBOLE INDIQUE QUE LE FUSIBLE UTILISE EST A LENT, E POUR UNE PROTECTION PERMANENTE, UTILISER QUE DES FUSIBLES DE MEME TYPE. CE DARNIER EST INDIQUE LA OU LE PRESENT SYMBOLE EST APPOSE.



**T902**

| TYPE | T3     | HT29   | HT33   | HT39   | HT54   | HT59   |
|------|--------|--------|--------|--------|--------|--------|
| D,F  | 1520JQ | 1520JQ | 1520JQ | 1520JQ | ---    | 1520JQ |
| P,M  | 1520GQ | ---    | 1520GQ | 1520GQ | 1520GQ | 1520GQ |

**F901**

| TYPE | T3       | HT29    | HT33     | HT39     | HT54     | HT59     |
|------|----------|---------|----------|----------|----------|----------|
| D,F  | 8A 125V  | 8A 125V | 8A 125V  | 8A 125V  | ---      | 8A 125V  |
| P,M  | T4AL250V | ---     | T4AL250V | T4AL250V | T4AL250V | T4AL250V |

**RL901**

| TYPE | T3       | HT29     | HT33     | HT39     | HT54     | HT59     |
|------|----------|----------|----------|----------|----------|----------|
| D,F  | NRL-1P5A | NRL-1P5A | NRL-1P5A | NRL-1P5A | ---      | NRL-1P5A |
| P,M  | NRL-1P5A | ---      | NRL-1P5A | NRL-1P5A | NRL-1P5A | NRL-1P5A |

| CODE | MODEL    |
|------|----------|
| T3   | TX-SR309 |
| HT29 | HT-R290  |
| HT33 | HT-RC330 |
| HT39 | HT-R390  |
| HT54 | HT-R548  |
| HT59 | HT-R590  |

| TYPE | AC              |
|------|-----------------|
| D,F  | 120V / 60HZ     |
| P,M  | 230-240V / 50HZ |

1

2

3

4

SCHEMATIC DIAGRAM/  
BLOCK DIAGRAM-14  
MPU SECTION PART-14

Model No. TX-SR309/ HT-R290/ HT-R390/ HT-R548/ HT-RC330 Schematic Diagram (Part-14) MPU Section

1

2

3

4

5

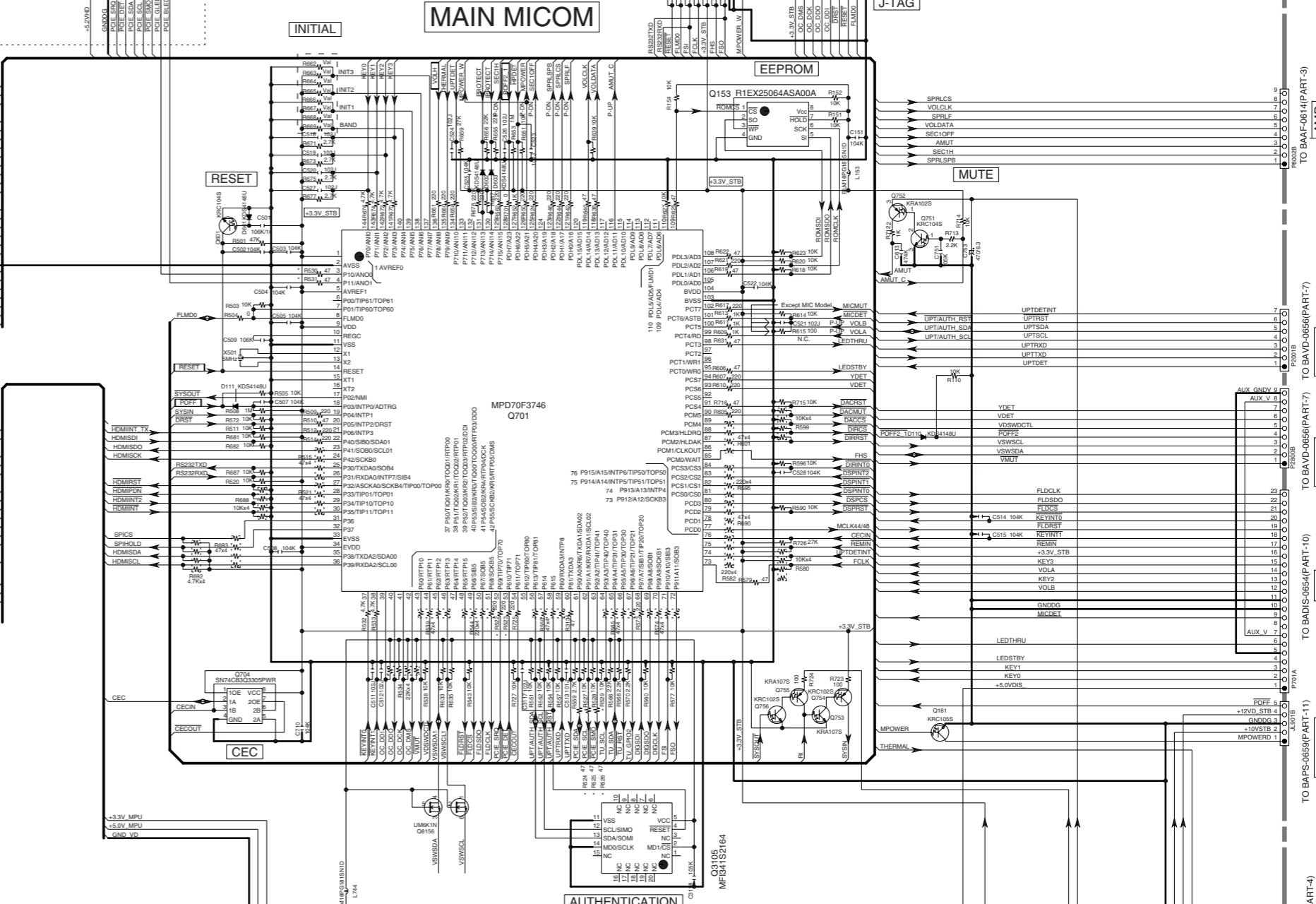
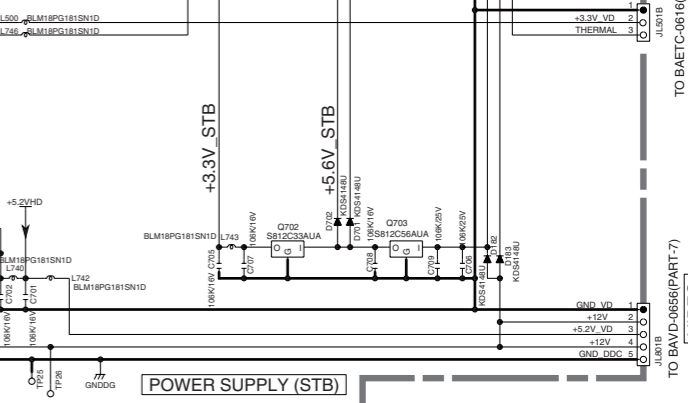
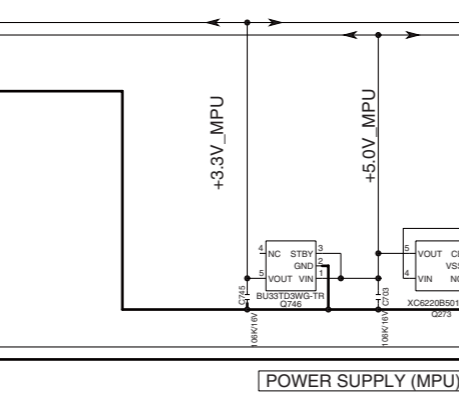
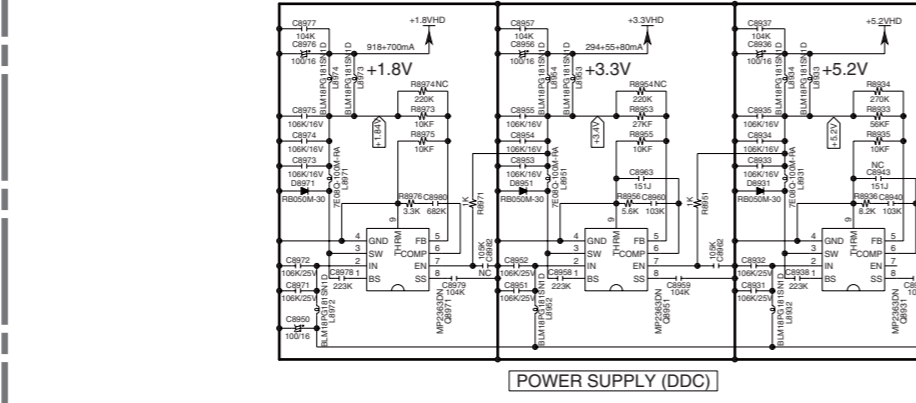
U0030 BAHDM-0678

INITIAL

| MODEL     |      | TX-R309 | HT-R290 | HT-R390 | HT-R548 | HT-RC330 | HT-R330 |
|-----------|------|---------|---------|---------|---------|----------|---------|
| DIRECTION | DC   | PP      | DC      | MC      | PP      | MC       | DC      |
|           | DF   | PA      | MC      | MC      | PP      | PP       | MR      |
| BAND      | UP   | R669    | 33K     | 10K     | 33K     | 10K      | 33K     |
|           | DOWN | R669    | 10K     | 33K     | 10K     | 33K      | 10K     |
| INT1      | UP   | R667    | NC      | NC      | NC      | NC       | NC      |
|           | DOWN | R666    | G       | G       | G       | G        | G       |
| INT2      | UP   | R665    | NC      | NC      | 33K     | 33K      | NC      |
|           | DOWN | R664    | G       | G       | 10K     | 10K      | G       |
| INT3      | UP   | R663    | NC      | NC      | NC      | 33K      | 33K     |
|           | DOWN | R662    | G       | G       | G       | 10K      | 10K     |

to DSP Section (Part: 8)

to HDMI Section (Part: 5)



AMP

VIDEO

VIDEO

DIS

STANBY

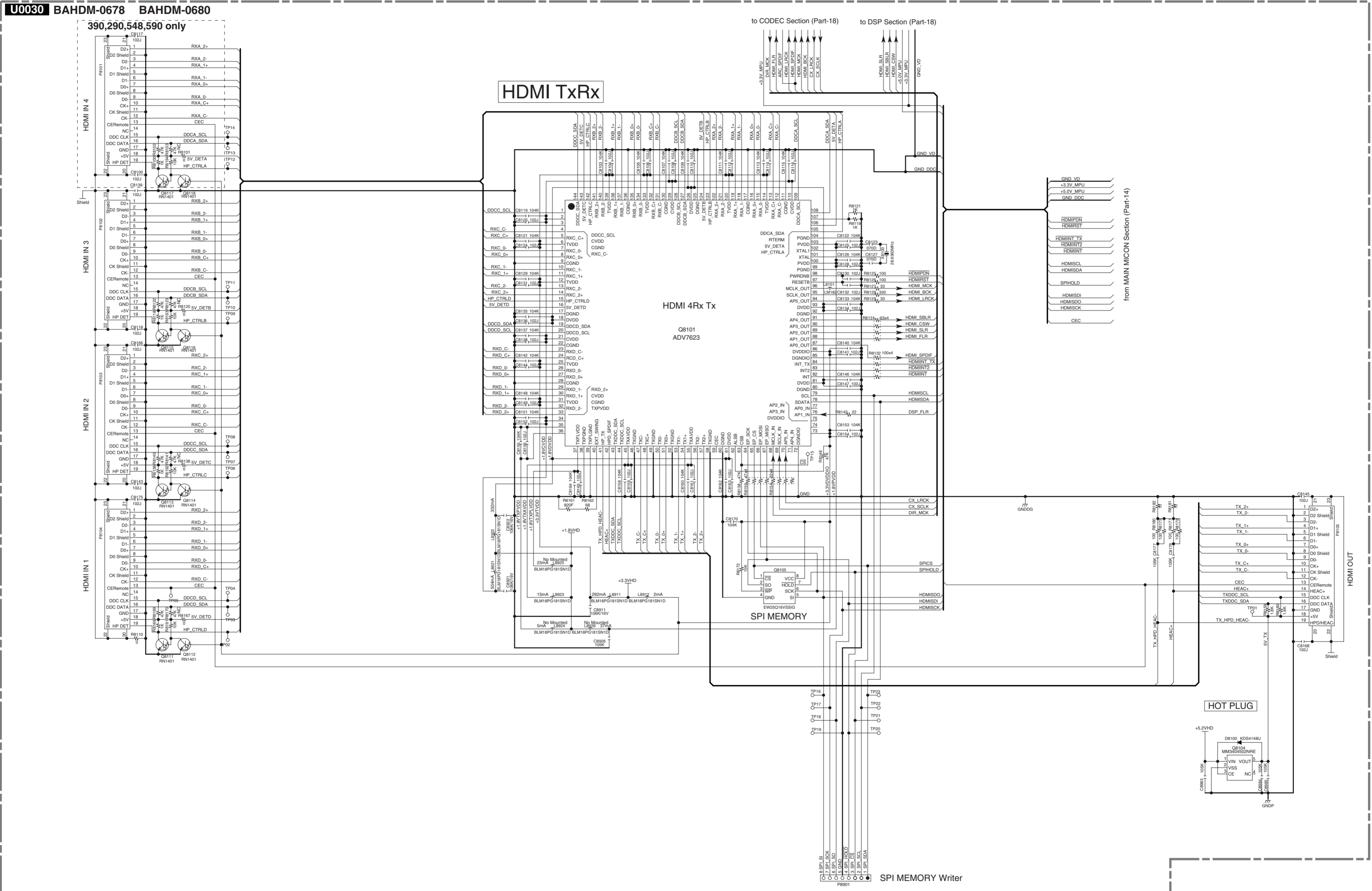
THERMAL

VIDEO

A B C D E F G H I J K  
SCHEMATIC DIAGRAM/ BLOCK DIAGRAM-15

HDMI SECTION PART-15

1  
2  
3  
4  
5  
6  
7  
8  
Nodel No. TX-SR309/ HT-R290/ HT-R390/ HT-R548/ HT-RC330/ HT-R590 Schematic Diagram (Part-15) HDMI Section

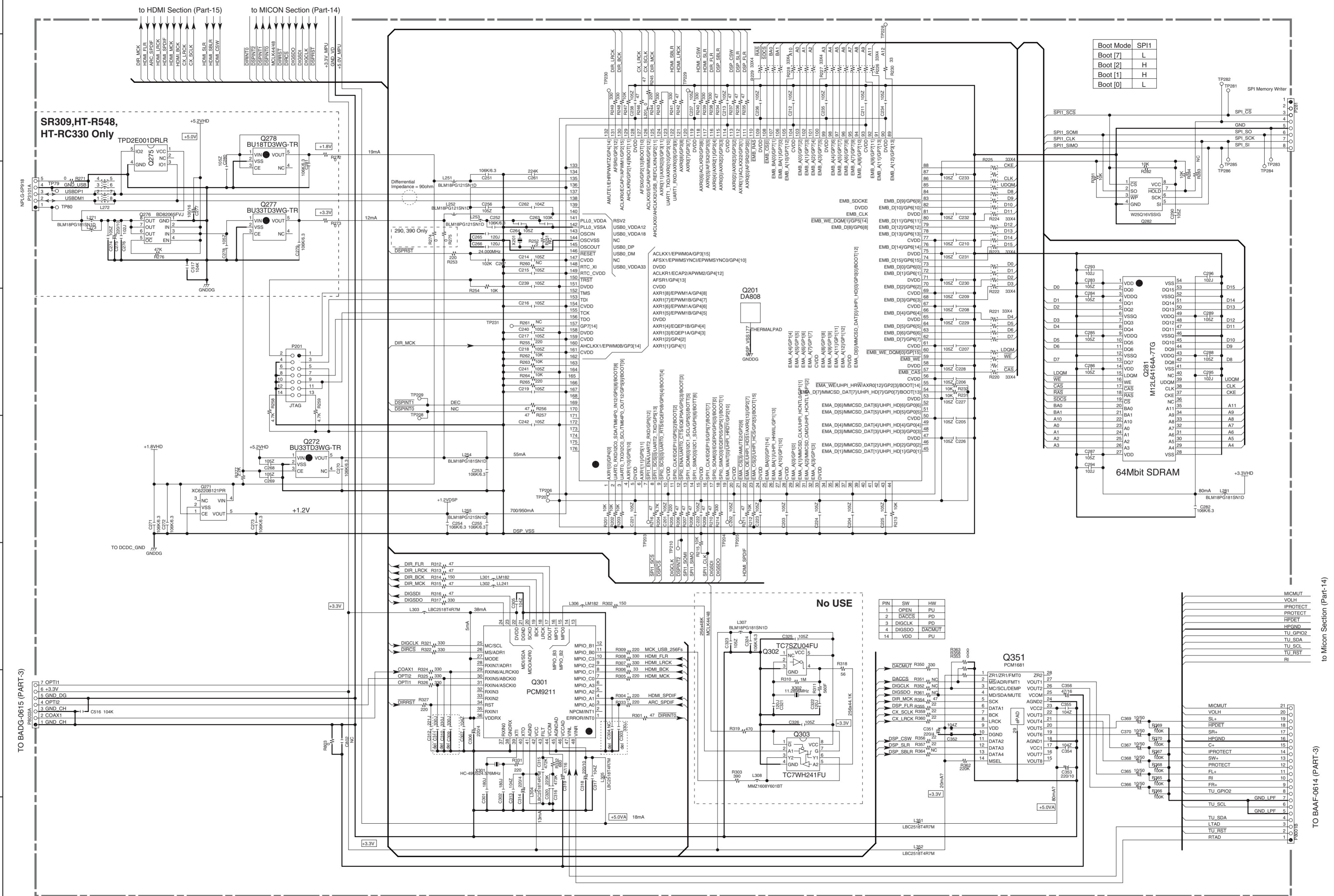


SCHEMATIC DIAGRAM/ BLOCK DIAGRAM-18

DSP/ CODEC/ DAC SECTION PART-18

U0030 BAHDM-0678

Model No. TX-SR309 / HT-R290 / HT-R390 / HT-R548 / HT-RC330 Schematic Diagram (Part-18) DSP/CODEC/DAC Section



Boot Mode SPI1

|          |   |
|----------|---|
| Boot [7] | L |
| Boot [2] | H |
| Boot [1] | H |
| Boot [0] | L |

No USE

| PIN | SW     | HW     |
|-----|--------|--------|
| 1   | OPEN   | PU     |
| 2   | DACCS  | PD     |
| 3   | DIGCLK | PD     |
| 4   | DIGSDO | DACMUT |
| 14  | VDD    | PU     |

to Micon Section (Part-14)

to BAA6-0614 (PART-3)

A

B

C

D

E

F

G

H

PRINTED CIRCUIT BOARD VIEWS-1

U001 BAAF-0614

A-side view

1

U0014  
SECONDARY WIRING  
CIRCUIT PC BOARD  
BAETC-0618

U0016  
POWER SUPPLY  
CIRCUIT PC BOARD  
BAETC-0620

2

U0012  
THERMAL SENSOR CIRCUIT  
PC BOARD  
BAETC-0616

U0013  
SPACER PC BOARD  
BAETC-0617

3

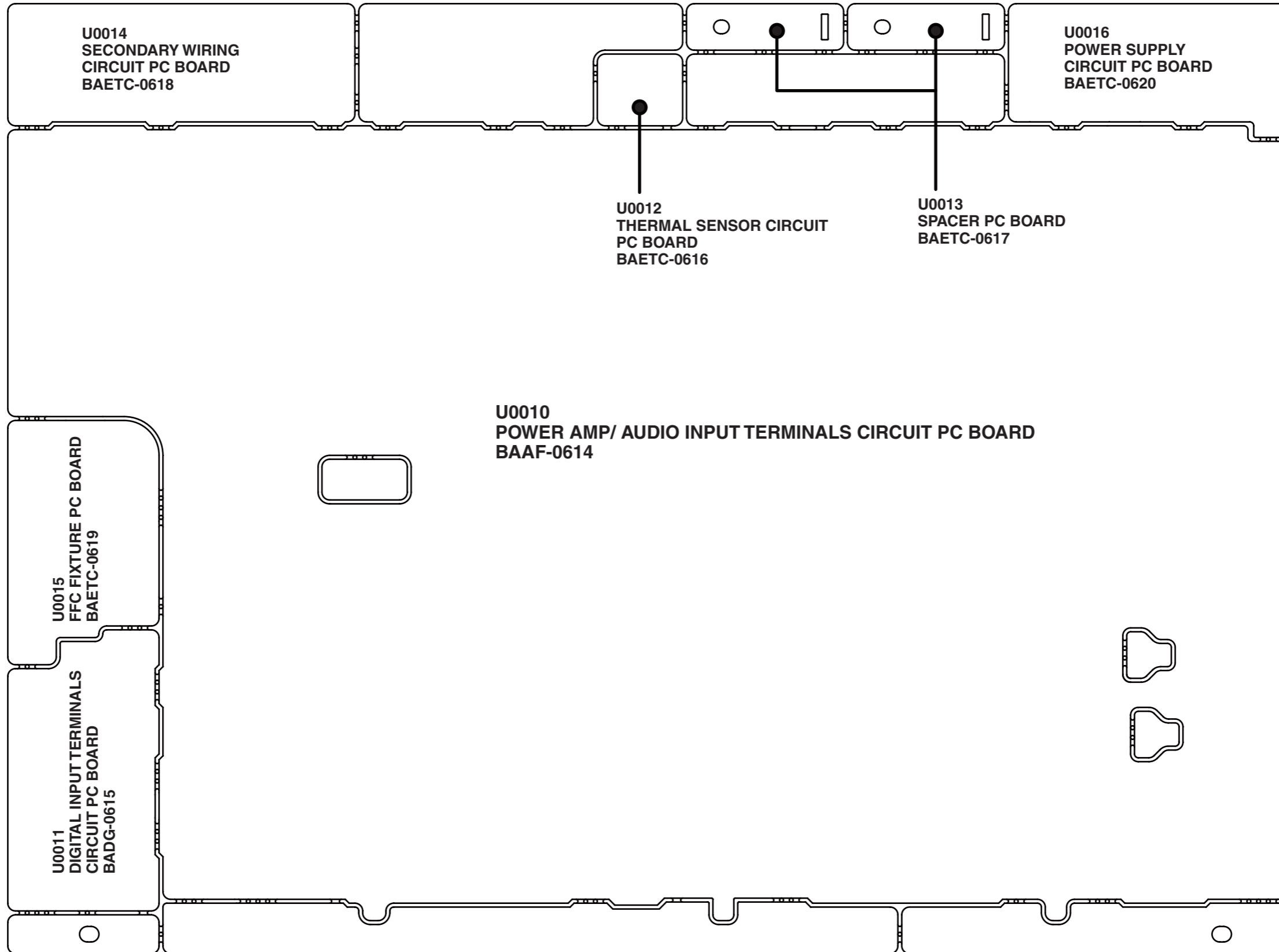
U0010  
POWER AMP/ AUDIO INPUT TERMINALS CIRCUIT PC BOARD  
BAAF-0614

U0015  
FFC FIXTURE PC BOARD  
BAETC-0619

4

U0011  
DIGITAL INPUT TERMINALS  
CIRCUIT PC BOARD  
BADG-0615

5



A B C D E F G H

PRINTED CIRCUIT BOARD VIEWS-1A

U001  
BAAF-0614  
(U0010 to U0016)  
A-side view

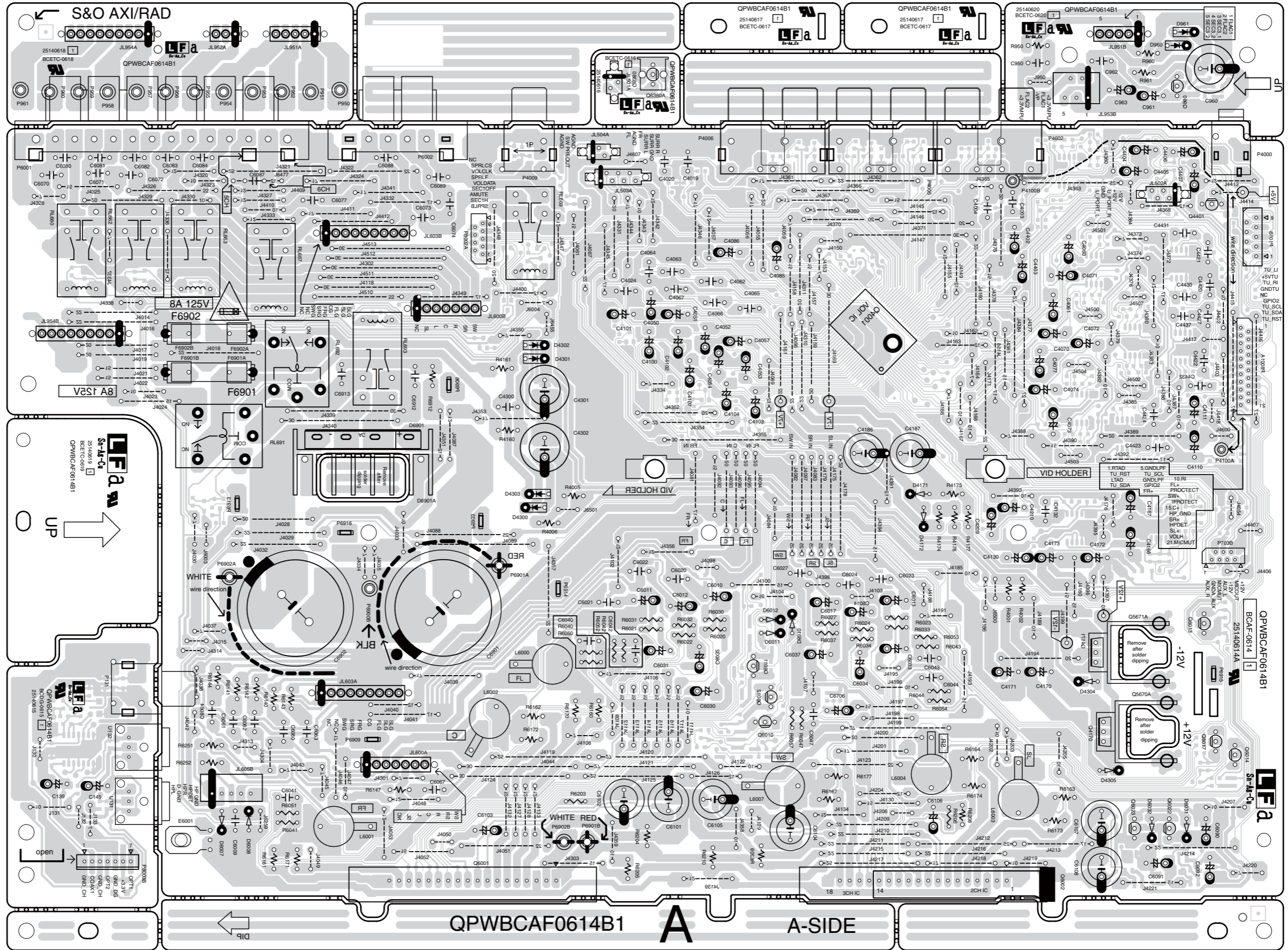
1

2

3

4

5



QPWBCAF0614B1 A A-SIDE

A B C D E F G H

PRINTED CIRCUIT BOARD VIEWS-1B

U001

BAAF-0614  
(U0010 to U0016)

B-side view

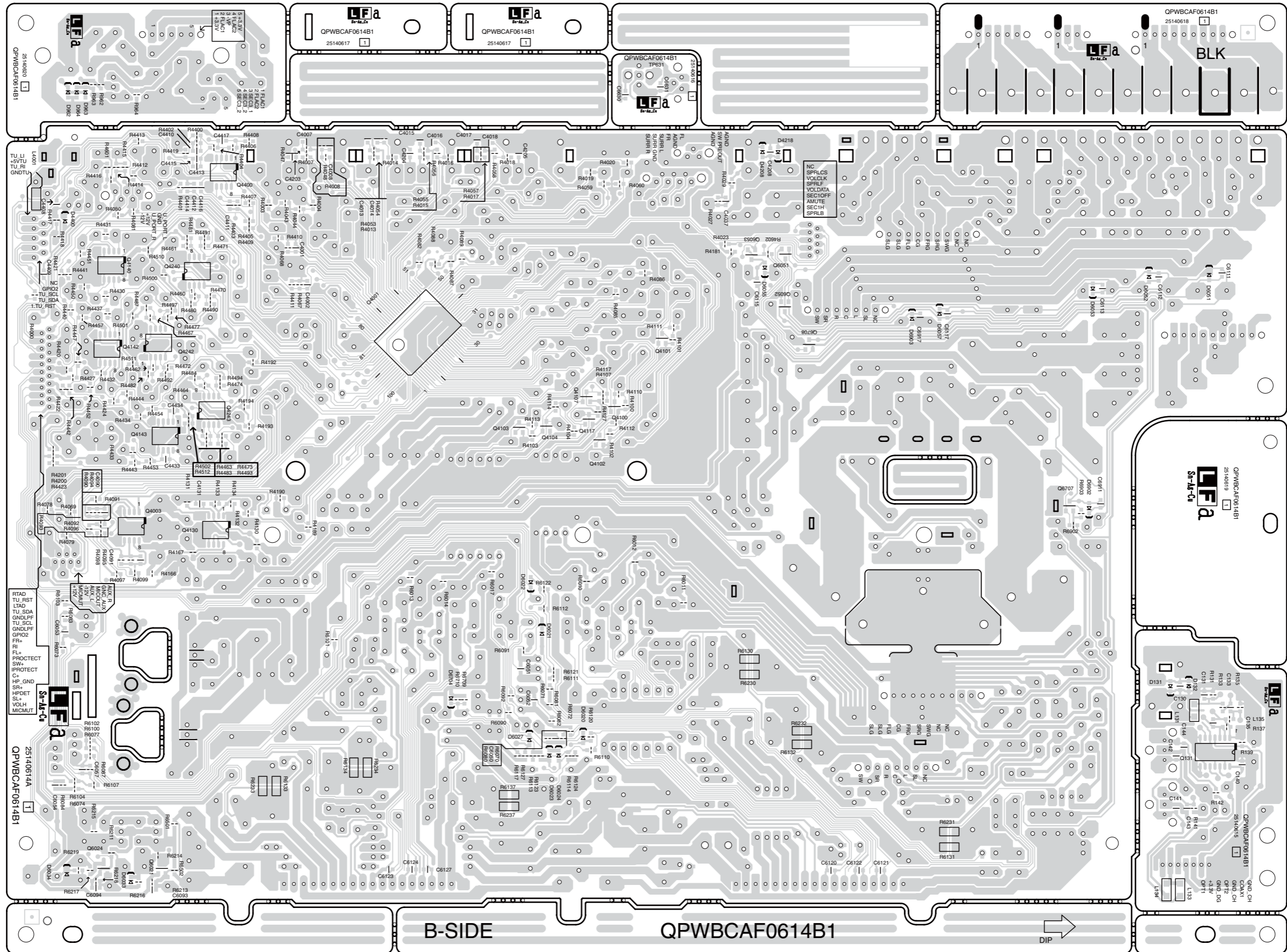
1

2

3

4

5



B-SIDE

QPWBCAF0614B1



DIP



A B C D E F G H

PRINTED CIRCUIT BOARD VIEWS-2

**U002**  
BADIS-0654  
(U0020 to U0024)  
A-side view

1

2

3

4

5

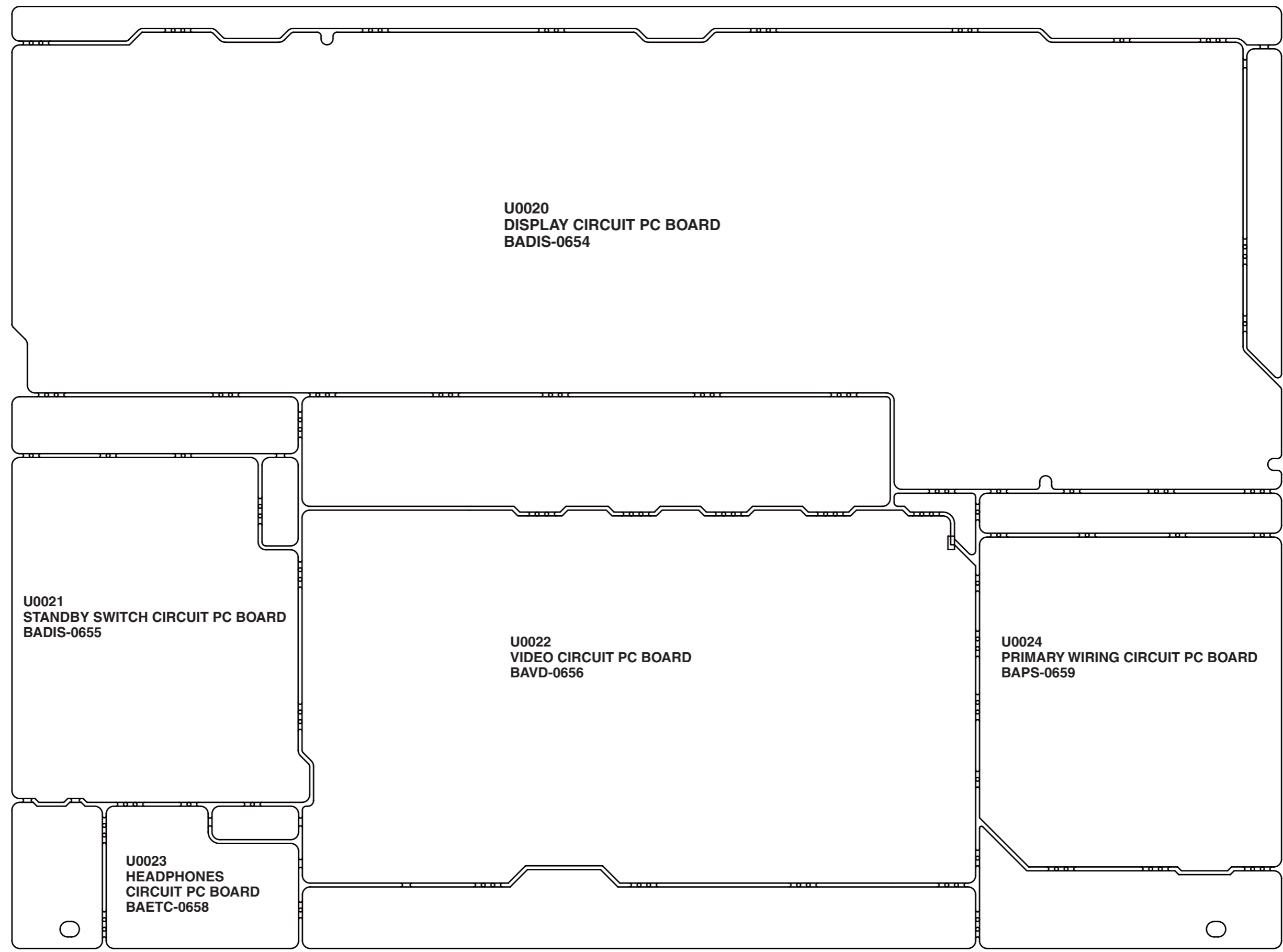
U0020  
DISPLAY CIRCUIT PC BOARD  
BADIS-0654

U0021  
STANDBY SWITCH CIRCUIT PC BOARD  
BADIS-0655

U0022  
VIDEO CIRCUIT PC BOARD  
BAVD-0656

U0024  
PRIMARY WIRING CIRCUIT PC BOARD  
BAPS-0659

U0023  
HEADPHONES  
CIRCUIT PC BOARD  
BAETC-0658



A B C D E F G H

PRINTED CIRCUIT BOARD VIEWS-2A

U002  
BADIS-0654  
(U0020 to U0024)  
A-side view

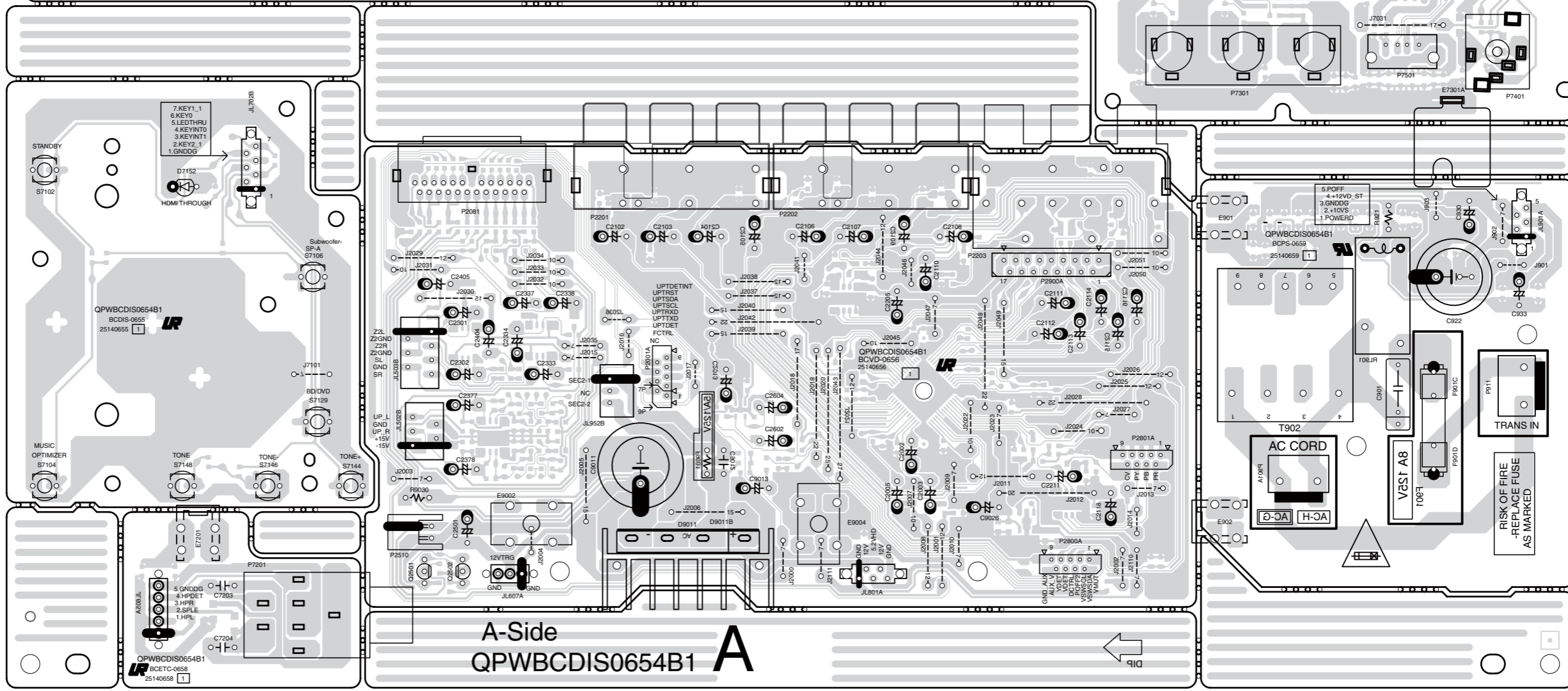
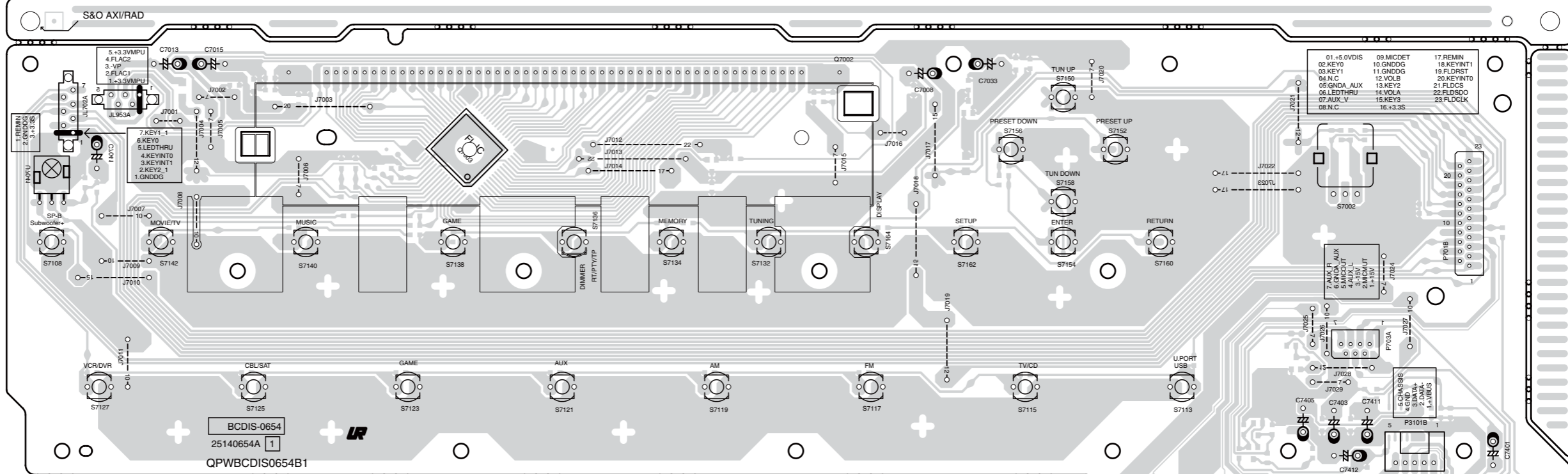
1

2

3

4

5

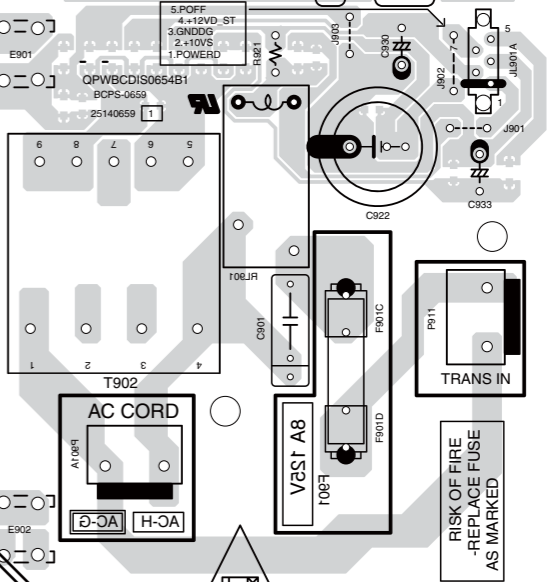


A-Side  
QPWBDCIS0654B1

A



DIP



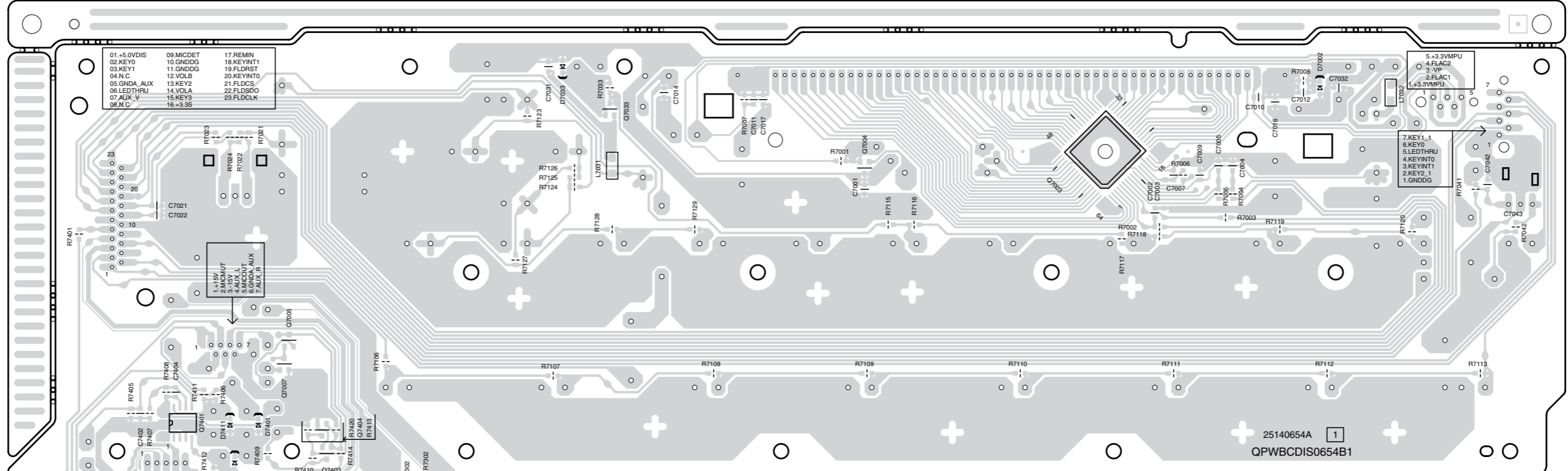
RISK OF FIRE  
-REPLACE FUSE  
AS MARKED

A B C D E F G H

PRINTED CIRCUIT BOARD VIEWS-2B

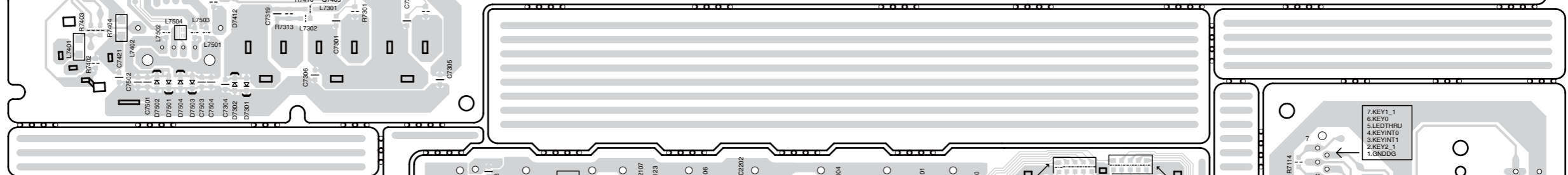
**U002**  
**BADIS-0654**  
**(U0020 to U0024)**  
**B-side view**

1

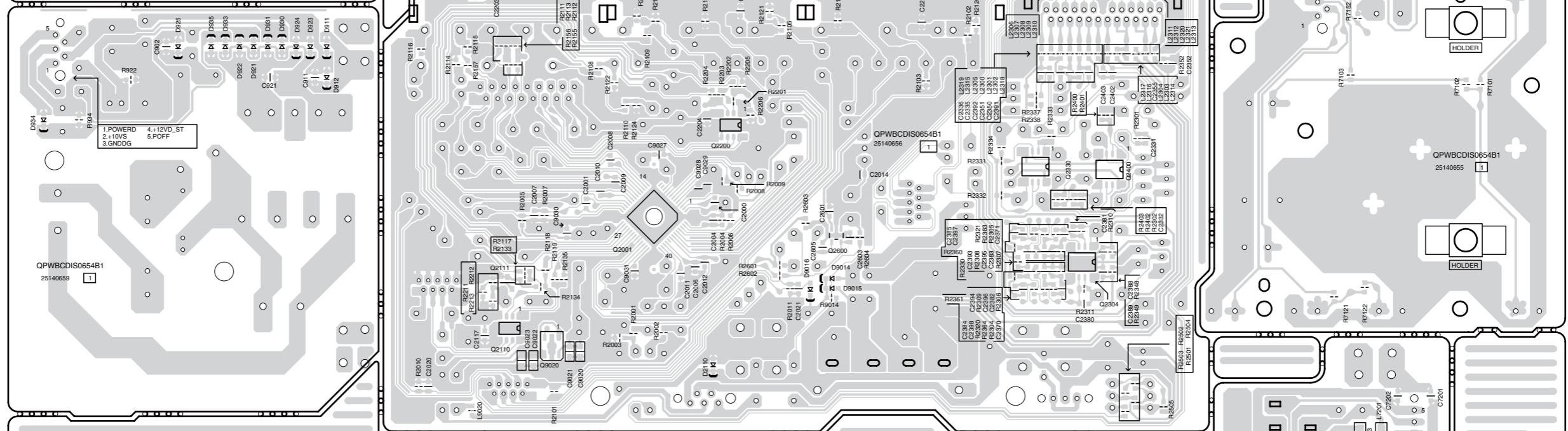


2

3



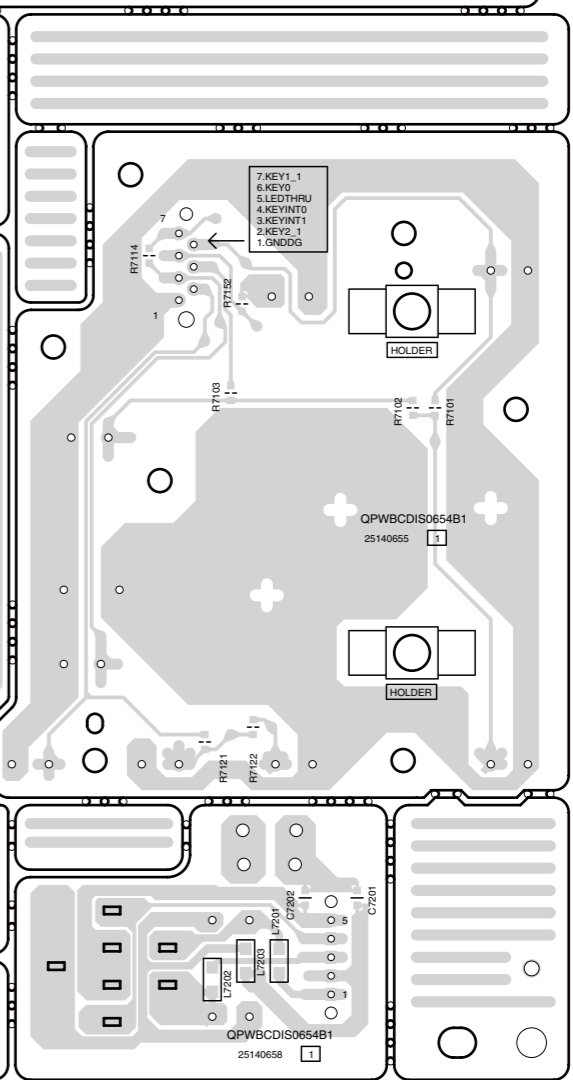
4



5

→  
 DIP

B-Side  
 QPWBCDIS0654B1



A

B

C

D

PRINTED CIRCUIT BOARD VIEWS-3

**U003** HDMI CIRCUIT PC BOARD  
BAHDM-0678

A-side view

1

2

3

4

5

U0030  
HDMI PC BOARD  
BAHDM-0678

U0030  
HDMI PC BOARD  
BAHDM-0678



A

B


C


D

PRINTED CIRCUIT BOARD VIEWS-3A

**U003** HDMI CIRCUIT PC BOARD  
BAHDM-0678 (U0030 x 2)

A-side view

 A-side pattern

 B-side pattern

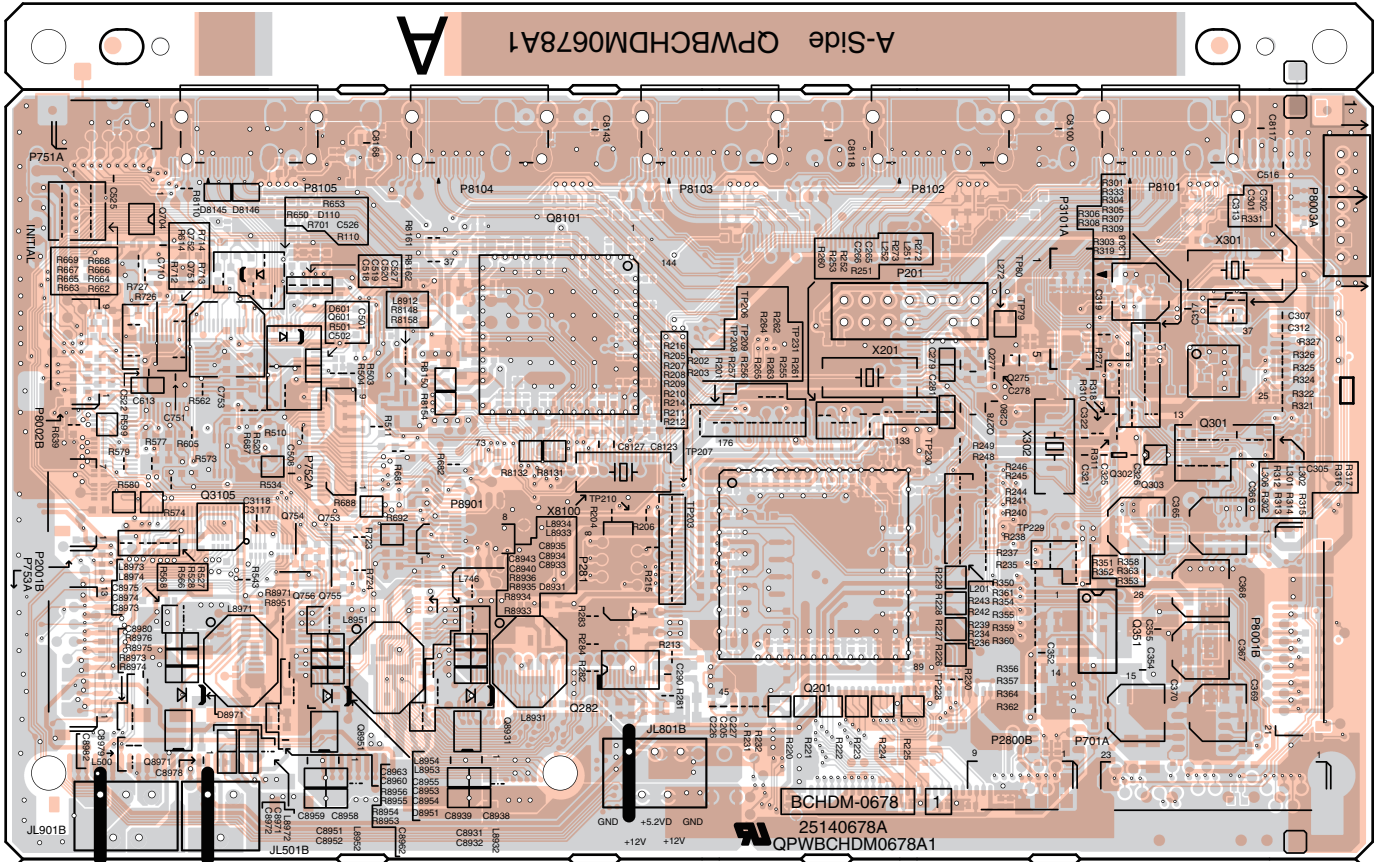
1

2

3

4

5



Same as above

A

B



C

D

PRINTED CIRCUIT BOARD VIEWS-3B

**U003** HDMI CIRCUIT PC BOARD  
BAHDM-0678 (U0030 x 2)

B-side view

 A side pattern  
 B side pattern

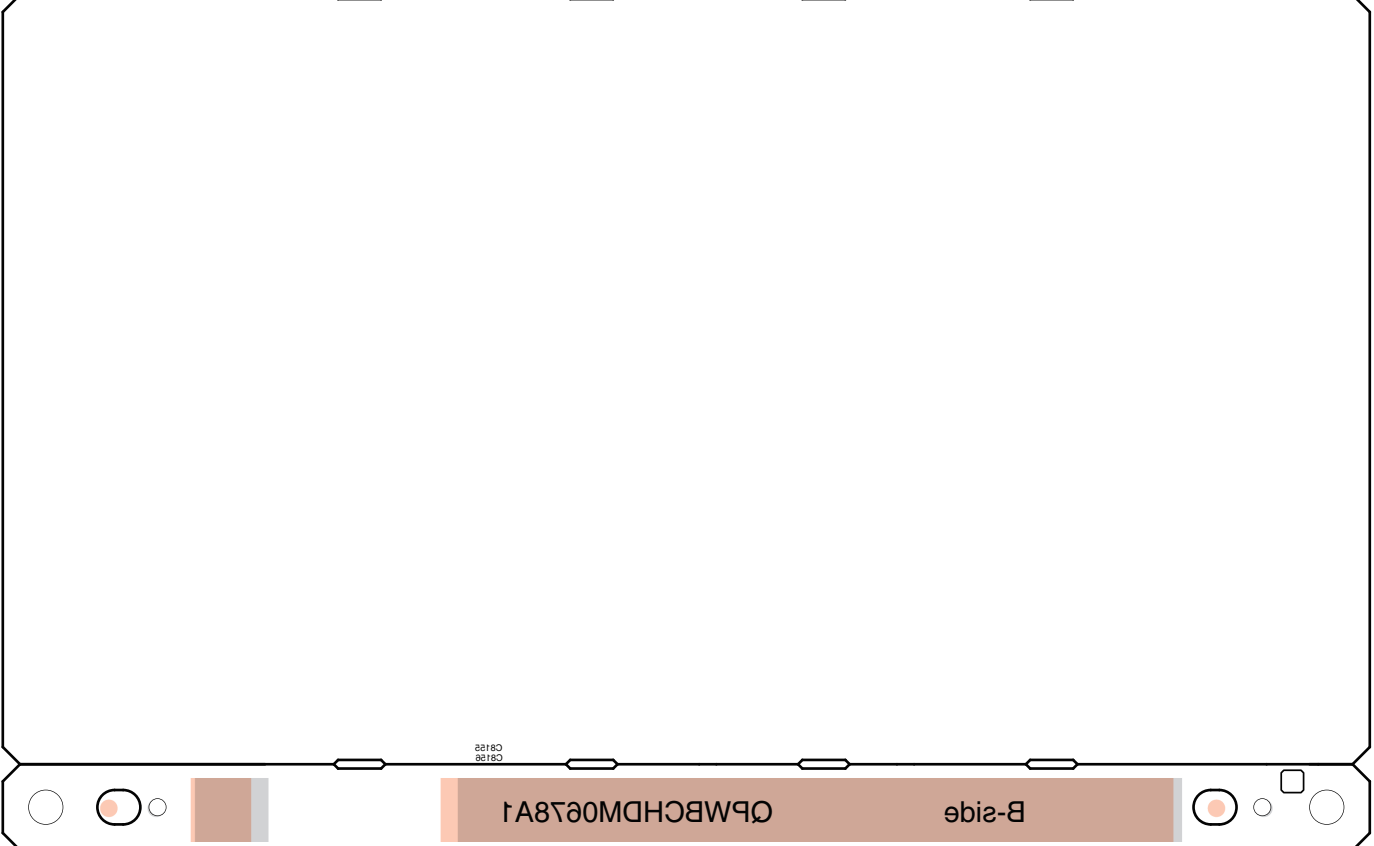
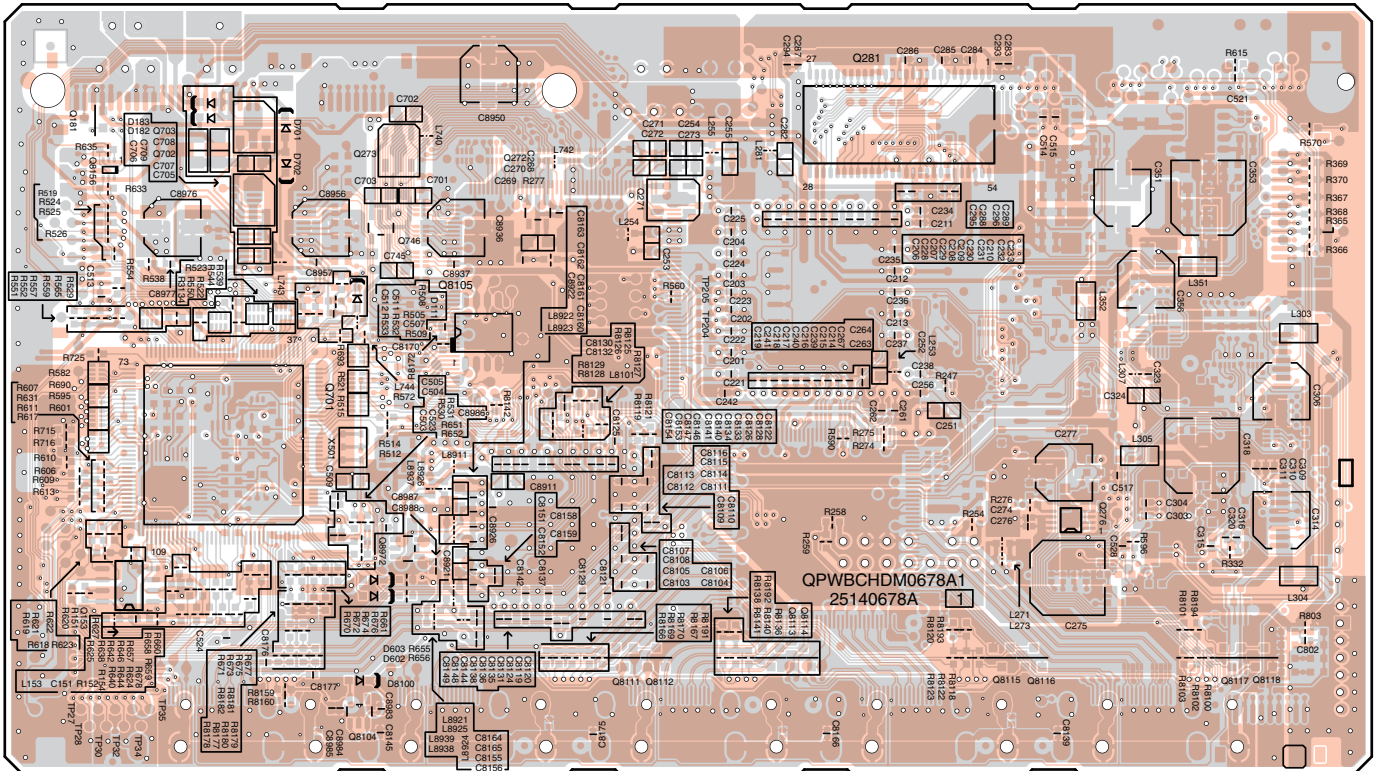
1

2

3

4

5



**HT-R390****<Note>**

Parts marked by 'NSP' are generally unavailable because they are not in our Master Spare Parts List.

**NOTE : THE COMPONENTS IDENTIFIED BY THE MARK  
! ARE CRITICAL FOR RISK OF FIRE AND  
ELECTRIC SHOCK. REPLACE ONLY WITH PART  
NUMBER SPECIFIED.**

**<Notes>**

<MDC> : 120V,Canadian model for HT-S3400  
<MMQ> : 220-240V,Hong kong model for HT-S3400  
<MMK> : 220-240V,Korean model for HT-S3400  
<MDS> : 120V, Brazilian model for HT-S3400  
<MPP\_H> : 230V,CE(European) country model for HT-S3405  
<MPP\_A> : 230V,CE(European) country model for AVX-390  
<MPB> : 230V,UK model for AVX-390

EV **EXPLODED VIEW PARTS LIST**

EV

EV **REF. NO. PART NAME DESCRIPTION Q'TY PART NO. (SN) REMARKS**EV **[CHASSIS SCREW]**

|    |      |           |                 |   |             |  |
|----|------|-----------|-----------------|---|-------------|--|
| EV | A001 | CHASSIS   | TX-SR307        | 1 | 27100532E   |  |
| EV | A003 | LEG       | (B)             | 4 | 27175464    |  |
| EV | A005 | CUSHION   | (ZUL)           | 4 | 28141877    |  |
| EV | A007 | SCREW     | 3TTB+8B(3BC)    | 4 | 838430088GR |  |
| EV | A009 | HOLDER    | KGLS-8RT        | 3 | 27190503A   |  |
| EV | A010 | HOLDER    | KGPS-8RF        | 1 | 27191044    |  |
| EV | A011 | HOLDER    | KGLS-10RT       | 1 | 27190428A   |  |
| EV | A013 | HOLDER    | KGPS-14RF       | 2 | 27190802    |  |
| EV | A015 | HOLDER    | KGPS-14RF       | 1 | 27190802    |  |
| EV | A017 | HOLDER    | KGLS-16S        | 1 | 27190607    |  |
| EV | A019 | HOLDER    | KGPS-16RF       | 1 | 27190991    |  |
| EV | A021 | HOLDER    | KGLS-22S        | 2 | 27190369    |  |
| EV | A025 | SCREW     | 4TTC+8C(3BC)    | 4 | 830440089GR |  |
| EV | A030 | HEAT SINK | 390P-2          | 1 | 27160658    |  |
| EV | A032 | RETAINER  | (HL)            | 1 | 27142159    |  |
| EV | A034 | RETAINER  | (HR)            | 1 | 27142223A   |  |
| EV | A036 | SCREW     | 3TTB+8B(3BC)    | 4 | 838430088GR |  |
| EV | A038 | SCREW     | 3TTB+8B(3BC)    | 2 | 838430088GR |  |
| EV | A040 | SCREW     | 3TTB+8B(3BC)    | 3 | 838430088GR |  |
| EV | A041 | CLIP      | CS-1U           | 1 | 27255004    |  |
| EV | A042 | SCREW     | 3TTB+8B(3BC)    | 2 | 838430088GR |  |
| EV | A043 | SCREW     | 3TTB+8B(3CM)SR  | 1 | 801637      |  |
| EV | A050 | SCREW     | 3SMS8WSW+18B3CM | 4 | 801636      |  |

|    |                  |            |                     |    |             |   |
|----|------------------|------------|---------------------|----|-------------|---|
| EV | A054             | SCREW      | 3TTB+8B(3BC)        | 1  | 838430088GR |   |
| EV | A055             | TAPE       | TAPE(CLOTH-8U)      | 1  | 29110082    |   |
| EV | A056             | BUSHING    | S-RELIEF #2271      | 1  | 27300750    | ! <MPB, MPP_H, MDC, MMK, MMQ, MPP_A>    |
| EV | A060             | WIRE TIE   | BSK-1               | 7  | 260208      |   |
| EV | A101             | REAR PANEL | 390DC               | 1  | 27124225A   | N <MDC>                                 |
| EV | A101             | REAR PANEL | 390PP               | 1  | 27124226B   | N <MPB, MPP_A, MPP_H>                   |
| EV | A101             | REAR PANEL | 390MK               | 1  | 27124227A   | N <MMK, MMQ>                            |
| EV | A101             | REAR PANEL | HTR390 DS           | 1  | 27124293A   | N <MDS>                                 |
| EV | A102             | CUSHION    | ---                 | 2  | 28141799    |   |
| EV | A103             | SCREW      | 3P+6FN(3BC)         | 5  | 82143006GR  | <MPB, MPP_A, MDC, MDS, MMK, MMQ, MPP_H> |
| EV | A105             | SCREW      | 3TTB+8B(3BC)        | 23 | 838430088GR | <MPB, MPP_A, MDC, MDS, MMK, MMQ, MPP_H> |
| EV | A109             | SCREW      | 3P+6FN(3BC)         | 2  | 82143006GR  | <MPB, MPP_A, MDC, MDS, MMK, MMQ, MPP_H> |
| EV | A110             | SCREW      | 3TTF+10B(3BC)       | 2  | 835430108GR | <MDS>                                   |
| EV | A111             | TAPE       | TAPE(CLOTH-16U)     | 1  | 29110083    | <MDS>                                   |
| EV | A112             | TAPE       | TAPE(CLOTH-16U)     | 1  | 29110083    |   |
| EV | <b>[CABINET]</b> |            |                     |    |             |   |
| EV | A201             | F PANEL    | HT-R390_C(B)DC      | 1  | 27213424A   | N <MDC, MDS>                            |
| EV | A201             | F PANEL    | HT-R390_C(B)PP      | 1  | 27213425A   | N <MPB, MPP_A, MMK, MMQ, MPP_H>         |
| EV | A202             | CLEAR PLT  | TX-SR309 MDC        | 1  | 28192334B   | <MDC, MDS>                              |
| EV | A202             | CLEAR PLT  | TX-SR309 MPP        | 1  | 28192335B   | N <MPB, MPP_A, MMK, MMQ, MPP_H>         |
| EV | A207             | BADGE      | ---                 | 1  | 28135317    |   |
| EV | A211             | KNOB       | (TONE)(B)           | 1  | 28326912    |   |
| EV | A213             | KNOB       | (INP)(B)            | 1  | 28326908B   |   |
| EV | A214             | KNOB       | (INP-LR)(B)         | 2  | 28326910B   |   |
| EV | A216             | KNOB       | (SEL)               | 1  | 28326906A   |   |
| EV | A217             | KNOB       | (STBY)(B)           | 1  | 28326904    |   |
| EV | A219             | KNOB       | (CUR)               | 1  | 28326907B   |   |
| EV | A221             | IB CUSHION | W15 x 3t TAPE       | 1  | 28141585    |   |
| EV | A225             | SCREW      | 2.6TTB+8B(3BC)      | 22 | 838426088GR |   |
| EV | A255             | SCREW      | 3TTB+8B(3BC)        | 3  | 838430088GR |   |
| EV | A256             | SCREW      | 3TTB+8B(3BC)        | 1  | 838430088GR |   |
| EV | A260             | SCREW      | 3TTB+8B(3BC)        | 4  | 838430088GR |   |
| EV | A268             | CUSHION    | 5 x 20 t=4          | 1  | 28141681    |   |
| EV | A270             | CUSHION    | (FELT) t1 x 20 x 10 | 4  | 28141859    |   |
| EV | A273             | HOLDER     | KGLS-4S             | 2  | 27190009    |   |
| EV | A321             | KNOB       | (VOL)AS(B)          | 1  | 28326914    |   |
| EV | A340             | COVER      | (B) (Bent)          | 1  | 28210089A   |   |
| EV | A340             | COVER      | (B) (Not Bent)      | 1  | 28210089AZ  |   |
| EV | A342             | SCREW      | 3TTB+8B(3BC)        | 9  | 838430088GR |   |



|    |                     |   |                |     |             |   |                               |
|----|---------------------|---|----------------|-----|-------------|---|-------------------------------|
| EV | A350                | PLATE                                     | (COVER)B       | 1   | 27262881    | N | <MMQ>                         |
| EV | A354                | HOLDER                                    | (PLATE)        | 6   | 27191337    |   | <MMQ>                         |
| EV | A360                | LABEL                                     | (COVER)        | 1   | 29390767    |   |                               |
| EV | A362                | LABEL                                     | HOOKUP-ONKYO   | 1   | 29363194    |   | <MDC, MDS>                    |
| EV | A364                | CUSHION                                   | T5 x Φ12 x 6   | 2   | 28141867    |   |                               |
| EV | <b>[TRANS COIL]</b> |   |                |     |             |   |                               |
| EV | T901                | P TRANS                                   | NPT-1603D      | 1   | 2302008     | ! | <MDC, MDS>                    |
| EV | T901                | P TRANS                                   | NPT-1603P      | 1   | 2302009     | ! | <MPB, MPP_A, MPP_H>           |
| EV | T901                | P TRANS                                   | NPT-1603M      | 1   | 2302010     | ! | <MMK, MMQ>                    |
| EV | <b>[SW TRM]</b>     |   |                |     |             |   |                               |
| EV | F6901               | FUSE                                      | 8A-T/UL-ST2    | 1   | 252261GR    | ! |                               |
| EV | F6902               | FUSE                                      | 8A-T/UL-ST2    | 1   | 252261GR    | ! |                               |
| EV | F901                | FUSE                                      | 4A-SE-EAK FUSE | 1   | 252077GR    | ! | <MPB, MPP_A, MMK, MMQ, MPP_H> |
| EV | F901                | FUSE                                      | 8A-UL/T-233    | 1   | 252329GR    | ! | <MDC, MDS>                    |
| EV | F901 or             | FUSE                                      | 8A-T/UL-ST2    | (1) | 252261GR    | ! | <MDC, MDS>                    |
| EV | F901 or             | FUSE                                      | 4A-SE-TL250V   | (1) | 252277GR    | ! | <MPB, MPP_A, MMK, MMQ, MPP_H> |
| EV | F901E               | LABEL                                     | T4AL250V       | 1   | 29361732A   |   | <MPB, MPP_A, MMK, MMQ, MPP_H> |
| EV | P101                | FFC                                       | NCFC7-091512   | 1   | 2047091512  |   |                               |
| EV | P2001               | FFC                                       | NCFC5-071012   | 1   | 2045071012  |   |                               |
| EV | P2800               | FFC                                       | NCFC5-091012   | 1   | 2045091012  |   |                               |
| EV | P701                | FFC                                       | NCFC5-232212   | 1   | 2045232212  |   |                               |
| EV | P703                | FFC                                       | NCFC5-072512   | 1   | 2045072512  |   |                               |
| EV | P8001               | FFC                                       | NCFC5-211012   | 1   | 2045211012  |   |                               |
| EV | P8002               | FFC                                       | NCFC5-091512   | 1   | 2045091512  |   |                               |
| EV | P901                | AC CORD                                   | AS-BS          | 1   | 253198LTK   | ! | <MPB, MMQ>                    |
| EV | P901                | AC CORD                                   | AS-CEE-2       | 1   | 253306VOL   | ! | <MPP_A, MMK, MPP_H>           |
| EV | P901                | AC CORD                                   | AS-UC-2        | 1   | 253368AYUN  | ! | <MDC>                         |
| EV | P901 or             | AC CORD                                   | AS-BS          | (1) | 253198VOL   | ! | <MPB>                         |
| EV | P901 or             | AC CORD                                   | AS-UC-2        | (1) | 253368BLTK  | ! | <MDC>                         |
| EV | P901 or             | AC CORD                                   | AS-CEE-2       | (1) | 253374YUN   | ! | <MPP_A, MMK, MPP_H>           |
| EV | P901B               | FASTON AS                                 | FASTON SOCKET  | 1   | 1F999026A   | ! | <MDS>                         |
| EV | P907                | AC INLET                                  | R301X2PSn      | 1   | 25053358    | ! | <MDS>                         |
| EV | <b>[TUNER UNIT]</b> |   |                |     |             |   |                               |
| EV | U001                | U0010+U0011+U0012+U0013+U0014+U0015+U0016 | BAAF-0614-1D * | 1   | 1B258514-1D | N | <MDC>                         |
| EV | U001                |   | BAAF-0614-1E * | 1   | 1B258514-1E | N | <MMQ>                         |
| EV | U001                |   | BAAF-0614-1E * | 1   | 1B258514-1E | N | <MMK>                         |
| EV | U001                |   | BAAF-0614-1D * | 1   | 1B258514-1D | N | <MDS>                         |
| EV | U001                |   | BAAF-0614-1F * | 1   | 1B258514-1F | N | <MPP_H, MPP_A>                |

|    |             |  |                       |          |                    |                      |
|----|-------------|--|-----------------------|----------|--------------------|----------------------|
| EV | <b>U001</b> |  | <b>BAAF-0614-1F *</b> | <b>1</b> | <b>1B258514-1F</b> | <b>N &lt;MPB&gt;</b> |
| EV | U0010       | Power Amp / Audio Input Terminals PC board ass'y | BAAF-0614-1D          | 1        | 1B2585614-1D       | N <MDC>              |
| EV | U0010       |  | BAAF-0614-1E          | 1        | 1B2585614-1E       | N <MMQ>              |
| EV | U0010       |  | BAAF-0614-1E          | 1        | 1B2585614-1E       | N <MMK>              |
| EV | U0010       |  | BAAF-0614-1D          | 1        | 1B2585614-1D       | N <MDS>              |
| EV | U0010       |  | BAAF-0614-1F          | 1        | 1B2585614-1F       | N <MPP_H, MPP_A>     |
| EV | U0010       |  | BAAF-0614-1F          | 1        | 1B2585614-1F       | N <MPB>              |
| EV | U0011       | Digital Input Terminals PC board ass'y           | BADG-0615-1D          | 1        | 1B2585615-1D       | N <MDC>              |
| EV | U0011       |  | BADG-0615-1E          | 1        | 1B2585615-1E       | N <MMQ>              |
| EV | U0011       |  | BADG-0615-1E          | 1        | 1B2585615-1E       | N <MMK>              |
| EV | U0011       |  | BADG-0615-1D          | 1        | 1B2585615-1D       | N <MDS>              |
| EV | U0011       |  | BADG-0615-1F          | 1        | 1B2585615-1F       | N <MPP_H, MPP_A>     |
| EV | U0011       |  | BADG-0615-1F          | 1        | 1B2585615-1F       | N <MPB>              |
| EV | U0012       | Thermal Sensor PC board ass'y                    | BAETC-0616-1D         | 1        | 1B2585616-1D       | N <MDC>              |
| EV | U0012       |  | BAETC-0616-1E         | 1        | 1B2585616-1E       | N <MMQ>              |
| EV | U0012       |  | BAETC-0616-1E         | 1        | 1B2585616-1E       | N <MMK>              |
| EV | U0012       |  | BAETC-0616-1D         | 1        | 1B2585616-1D       | N <MDS>              |
| EV | U0012       |  | BAETC-0616-1F         | 1        | 1B2585616-1F       | N <MPP_H, MPP_A>     |
| EV | U0012       |  | BAETC-0616-1F         | 1        | 1B2585616-1F       | N <MPB>              |
| EV | U0013       | Spacer PC board ass'y                            | BAETC-0617-1D         | 1        | 1B2585617-1D       | N <MDC>              |
| EV | U0013       |  | BAETC-0617-1E         | 1        | 1B2585617-1E       | N <MMQ>              |
| EV | U0013       |  | BAETC-0617-1E         | 1        | 1B2585617-1E       | N <MMK>              |
| EV | U0013       |  | BAETC-0617-1D         | 1        | 1B2585617-1D       | N <MDS>              |
| EV | U0013       |  | BAETC-0617-1F         | 1        | 1B2585617-1F       | N <MPP_H, MPP_A>     |
| EV | U0013       |  | BAETC-0617-1F         | 1        | 1B2585617-1F       | N <MPB>              |
| EV | U0014       | Terminal PC board ass'y                          | BAETC-0618-1D         | 1        | 1B2585618-1D       | N <MDC>              |
| EV | U0014       |  | BAETC-0618-1E         | 1        | 1B2585618-1E       | N <MMQ>              |
| EV | U0014       |  | BAETC-0618-1E         | 1        | 1B2585618-1E       | N <MMK>              |
| EV | U0014       |  | BAETC-0618-1D         | 1        | 1B2585618-1D       | N <MDS>              |
| EV | U0014       |  | BAETC-0618-1F         | 1        | 1B2585618-1F       | N <MPP_H, MPP_A>     |
| EV | U0014       |  | BAETC-0618-1F         | 1        | 1B2585618-1F       | N <MPB>              |
| EV | U0015       | FFC Fixture PC board ass'y                       | BAETC-0619-1D         | 1        | 1B2585619-1D       | N <MDC>              |
| EV | U0015       |  | BAETC-0619-1E         | 1        | 1B2585619-1E       | N <MMQ>              |
| EV | U0015       |  | BAETC-0619-1E         | 1        | 1B2585619-1E       | N <MMK>              |
| EV | U0015       |  | BAETC-0619-1D         | 1        | 1B2585619-1D       | N <MDS>              |
| EV | U0015       |  | BAETC-0619-1F         | 1        | 1B2585619-1F       | N <MPP_H, MPP_A>     |
| EV | U0015       |  | BAETC-0619-1F         | 1        | 1B2585619-1F       | N <MPB>              |
| EV | U0016       | Power supply PC board ass'y                      | BAETC-0620-1D         | 1        | 1B2585620-1D       | N <MDC>              |

|    |             |                                      |                        |          |                    |                               |
|----|-------------|--------------------------------------|------------------------|----------|--------------------|-------------------------------|
| EV | U0016       |                                      | BAETC-0620-1E          | 1        | 1B2585620-1E       | N <MMQ>                       |
| EV | U0016       |                                      | BAETC-0620-1E          | 1        | 1B2585620-1E       | N <MMK>                       |
| EV | U0016       |                                      | BAETC-0620-1D          | 1        | 1B2585620-1D       | N <MDS>                       |
| EV | U0016       |                                      | BAETC-0620-1F          | 1        | 1B2585620-1F       | N <MPP_H, MPP_A>              |
| EV | U0016       |                                      | BAETC-0620-1F          | 1        | 1B2585620-1F       | N <MPB>                       |
| EV | <b>U002</b> | <b>U0020+U0021+U0022+U0023+U0024</b> | <b>BADIS-0654-1C *</b> | <b>1</b> | <b>1B258554-1C</b> | <b>N &lt;MDC&gt;</b>          |
| EV | <b>U002</b> |                                      | <b>BADIS-0654-1G *</b> | <b>1</b> | <b>1B258554-1G</b> | <b>N &lt;MMQ&gt;</b>          |
| EV | <b>U002</b> |                                      | <b>BADIS-0654-1G *</b> | <b>1</b> | <b>1B258554-1G</b> | <b>N &lt;MMK&gt;</b>          |
| EV | <b>U002</b> |                                      | <b>BADIS-0654-1C *</b> | <b>1</b> | <b>1B258554-1C</b> | <b>N &lt;MDS&gt;</b>          |
| EV | <b>U002</b> |                                      | <b>BADIS-0654-1G *</b> | <b>1</b> | <b>1B258554-1G</b> | <b>N &lt;MPP_H, MPP_A&gt;</b> |
| EV | <b>U002</b> |                                      | <b>BADIS-0654-1G *</b> | <b>1</b> | <b>1B258554-1G</b> | <b>N &lt;MPB&gt;</b>          |
| EV | U0020       | Display PC board ass'y               | BADIS-0654-1C          | 1        | 1B2585654-1C       | N <MDC>                       |
| EV | U0020       |                                      | BADIS-0654-1G          | 1        | 1B2585654-1G       | N <MMQ>                       |
| EV | U0020       |                                      | BADIS-0654-1G          | 1        | 1B2585654-1G       | N <MMK>                       |
| EV | U0020       |                                      | BADIS-0654-1C          | 1        | 1B2585654-1C       | N <MDS>                       |
| EV | U0020       |                                      | BADIS-0654-1G          | 1        | 1B2585654-1G       | N <MPP_H, MPP_A>              |
| EV | U0020       |                                      | BADIS-0654-1G          | 1        | 1B2585654-1G       | N <MPB>                       |
| EV | U0021       | Standby switch PC board ass'y        | BADIS-0655-1C          | 1        | 1B2585655-1C       | N <MDC>                       |
| EV | U0021       |                                      | BADIS-0655-1G          | 1        | 1B2585655-1G       | N <MMQ>                       |
| EV | U0021       |                                      | BADIS-0655-1G          | 1        | 1B2585655-1G       | N <MMK>                       |
| EV | U0021       |                                      | BADIS-0655-1C          | 1        | 1B2585655-1C       | N <MDS>                       |
| EV | U0021       |                                      | BADIS-0655-1G          | 1        | 1B2585655-1G       | N <MPP_H, MPP_A>              |
| EV | U0021       |                                      | BADIS-0655-1G          | 1        | 1B2585655-1G       | N <MPB>                       |
| EV | U0022       | Video PC board ass'y                 | BAVD-0656-1C           | 1        | 1B2585656-1C       | N <MDC>                       |
| EV | U0022       |                                      | BAVD-0656-1G           | 1        | 1B2585656-1G       | N <MMQ>                       |
| EV | U0022       |                                      | BAVD-0656-1G           | 1        | 1B2585656-1G       | N <MMK>                       |
| EV | U0022       |                                      | BAVD-0656-1C           | 1        | 1B2585656-1C       | N <MDS>                       |
| EV | U0022       |                                      | BAVD-0656-1G           | 1        | 1B2585656-1G       | N <MPP_H, MPP_A>              |
| EV | U0022       |                                      | BAVD-0656-1G           | 1        | 1B2585656-1G       | N <MPB>                       |
| EV | U0023       | HP Jack PC board ass'y               | BAETC-0658-1C          | 1        | 1B2585658-1C       | N <MDC>                       |
| EV | U0023       |                                      | BAETC-0658-1G          | 1        | 1B2585658-1G       | N <MMQ>                       |
| EV | U0023       |                                      | BAETC-0658-1G          | 1        | 1B2585658-1G       | N <MMK>                       |
| EV | U0023       |                                      | BAETC-0658-1C          | 1        | 1B2585658-1C       | N <MDS>                       |
| EV | U0023       |                                      | BAETC-0658-1G          | 1        | 1B2585658-1G       | N <MPP_H, MPP_A>              |
| EV | U0023       |                                      | BAETC-0658-1G          | 1        | 1B2585658-1G       | N <MPB>                       |
| EV | U0024       | Primary Wiring PC board ass'y        | BAPS-0659-1C           | 1        | 1B2585659-1C       | N <MDC>                       |
| EV | U0024       |                                      | BAPS-0659-1G           | 1        | 1B2585659-1G       | N <MMQ>                       |
| EV | U0024       |                                      | BAPS-0659-1G           | 1        | 1B2585659-1G       | N <MMK>                       |
| EV | U0024       |                                      | BAPS-0659-1C           | 1        | 1B2585659-1C       | N <MDS>                       |

|    |             |                     |                        |          |                    |          |                               |
|----|-------------|---------------------|------------------------|----------|--------------------|----------|-------------------------------|
| EV | U0024       |                     | BAPS-0659-1G           | 1        | 1B2585659-1G       | N        | <MPP_H, MPP_A>                |
| EV | U0024       |                     | BAPS-0659-1G           | 1        | 1B2585659-1G       | N        | <MPB>                         |
| EV | <b>U003</b> | <b>U0030 x 2</b>    | <b>BAHDM-0678-1C *</b> | <b>1</b> | <b>1B258578-1C</b> | <b>N</b> | <b>&lt;MDC&gt;</b>            |
| EV | <b>U003</b> |                     | <b>BAHDM-0678-1D *</b> | <b>1</b> | <b>1B258578-1D</b> | <b>N</b> | <b>&lt;MMQ&gt;</b>            |
| EV | <b>U003</b> |                     | <b>BAHDM-0678-1D *</b> | <b>1</b> | <b>1B258578-1D</b> | <b>N</b> | <b>&lt;MMK&gt;</b>            |
| EV | <b>U003</b> |                     | <b>BAHDM-0678-1C *</b> | <b>1</b> | <b>1B258578-1C</b> | <b>N</b> | <b>&lt;MDS&gt;</b>            |
| EV | <b>U003</b> |                     | <b>BAHDM-0678-1E *</b> | <b>1</b> | <b>1B258578-1E</b> | <b>N</b> | <b>&lt;MPP_H, MPP_A&gt;</b>   |
| EV | <b>U003</b> |                     | <b>BAHDM-0678-1E *</b> | <b>1</b> | <b>1B258578-1E</b> | <b>N</b> | <b>&lt;MPB&gt;</b>            |
| EV | U0030       | HDMI PC board ass'y | BAHDM-0678-1C          | 1        | 1B2585678-1C       | N        | <MDC>                         |
| EV | U0030       |                     | BAHDM-0678-1D          | 1        | 1B2585678-1D       | N        | <MMQ>                         |
| EV | U0030       |                     | BAHDM-0678-1D          | 1        | 1B2585678-1D       | N        | <MMK>                         |
| EV | U0030       |                     | BAHDM-0678-1C          | 1        | 1B2585678-1C       | N        | <MDS>                         |
| EV | U0030       |                     | BAHDM-0678-1E          | 1        | 1B2585678-1E       | N        | <MPP_H, MPP_A>                |
| EV | U0030       |                     | BAHDM-0678-1E          | 1        | 1B2585678-1E       | N        | <MPB>                         |
| EV | U010        | TUNER UNIT          | KST-MW004MS1-S89S      | 1        | 240171             |          | <MDC, MDS>                    |
| EV | U010        | TUNER UNIT          | KST-MW104MS1-S89       | 1        | 240172             |          | <MPB, MPP_A, MMK, MMQ, MPP_H> |

HT-R390

### PACKING PROCEDURES PARTS LIST

| REF. NO.         | PART NAME | DESCRIPTION | Q'TY                   | PART NO. (SN) | REMARKS   |                                    |
|------------------|-----------|-------------|------------------------|---------------|-----------|------------------------------------|
| <b>[PACKING]</b> |           |             |                        |               |           |                                    |
| PV               | A601      | PAD AS      | (AS) L & R (29092579A) | 1             | NSP       | <MDC, MDS, MMK, MMQ>               |
| PV               | A601A     | PAD         | (L)                    | 1             | 29092580A | <MDC, MDS, MMK, MMQ>               |
| PV               | A601B     | PAD         | (R)                    | 1             | 29092581A | <MDC, MDS, MMK, MMQ>               |
| PV               | A601      | PAD AS      | (AS) L & R (29092582A) | 1             | NSP       | N <MPB, MPP_A, MPP_H>              |
| PV               | A601A     | PAD         | (L)                    | 1             | 29092583A | <MPB, MPP_A, MPP_H>                |
| PV               | A601B     | PAD         | (R)                    | 1             | 29092584A | <MPB, MPP_A, MPP_H>                |
| PV               | A605      | POLY BAG    | w850 x d650            | 1             | 29100245  |                                    |
| PV               | A606      | TAPE        | (SEROHAN)NITTO NO.29   | 1             | 29110149  |                                    |
| PV               | A608      | SHEET       | ---                    | 1             | 29095906  | <MPB, MPP_A, MDC, MDS, MMK, MPP_H> |
| PV               | A608      | SHEET       | T0.5 x 600 x 500       | 1             | 29096097  | <MMQ>                              |
| PV               | A611      | TAPE        | (SEROHAN)NITTO NO.29   | 1             | 29110149  |                                    |
| PV               | A704A     | LABEL       | (DES)390BMDC           | 1             | 29391476  | N <MDC>                            |
| PV               | A704A     | LABEL       | (DES)390BMMK           | 1             | 29391477  | N <MMK>                            |
| PV               | A704A     | LABEL       | (DES)390BMMQ           | 1             | 29391478  | N <MMQ>                            |
| PV               | A704A     | LABEL       | (DES)390BMPP           | 1             | 29391479  | N <MPP_H>                          |
| PV               | A704A     | LABEL       | (DES)390C2BMPP         | 1             | 29391480  | N <MPP_A>                          |
| PV               | A704A     | LABEL       | (DES)390C2BMPB         | 1             | 29391481  | N <MPB>                            |

|    |                    |            |                           |     |           |   |
|----|--------------------|------------|---------------------------|-----|-----------|---|
| PV | A704A              | LABEL      | (DES)390MDS               | 1   | 29391558  | N <MDS>                                   |
| PV | <b>[ACCESSARY]</b> |            |                           |     |           |   |
| PV | A672               | POLY BAG   | w250 x d350               | 1   | 29100250A | <MPB>                                     |
| PV | A672               | POLY BAG   | w250 x d350               | 2   | 29100250A | <MPP_A>                                   |
| PV | A672               | POLY BAG   | w250 x d350               | 1   | 29100250A | <MDC, MMK, MMQ>                           |
| PV | A672               | POLY BAG   | w250 x d350               | 2   | 29100250A | <MPP_H>                                   |
| PV | A674               | POLY BAG   | D250 x d300 x W300(t0.04) | 1   | 29100256A |   |
| PV | A676               | TAPE       | (SEROHAN)NITTO NO.29      | 1   | 29110149  |   |
| PV | A677               | TAPE       | (SEROHAN)NITTO NO.29      | 1   | 29110149  | <MPP_A, MPP_H>                            |
| PV | A678               | SHEET      | (PAD)                     | 1   | 29096131  |   |
| PV | A801               | INS MANUAL | En(HTR390)                | 1   | 29400598  | N <MPB, MPP_A, MDC, MDS, MMK, MMQ, MPP_H> |
| PV | A802               | INS MANUAL | U2EnFr(HTP-390)           | 1   | 29400629  | <MDC, MDS, MMK, MMQ>                      |
| PV | A802               | INS MANUAL | U2EnDe(HTP-344)           | 1   | 29400631  | <MPB>                                     |
| PV | A804               | INS MANUAL | FrEs(HTR390)              | 1   | 29400601  | N <MPP_A, MDC, MDS, MPP_H>                |
| PV | A805               | INS MANUAL | ItDe(HTR390)              | 1   | 29400602  | N <MPP_A, MPP_H>                          |
| PV | A806               | INS MANUAL | NISv(HTR390)              | 1   | 29400603  | N <MPP_A, MPP_H>                          |
| PV | A807               | INS MANUAL | Ct(HTS3400)               | 1   | 29400597  | N <MMQ>                                   |
| PV | A807               | INS MANUAL | U2EnDe(HTP-348)           | 1   | 29400630  | <MPP_H>                                   |
| PV | A807               | INS MANUAL | U2EnDe(HTP-344)           | 1   | 29400631  | <MPP_A>                                   |
| PV | A809               | INS MANUAL | Ar(HTS3400)               | 1   | 29400596  | N <MMQ>                                   |
| PV | A810               | INS MANUAL | Ar(QC ImportantSheet)     | 1   | 29344373B | <MMQ>                                     |
| PV | A811               | INS MANUAL | En-QSS(HTS3400)           | 1   | 29400594  | N <MDC, MDS, MMK, MMQ>                    |
| PV | A811               | INS MANUAL | En-QSS(HTS3405)           | 1   | 29400599  | N <MPP_H>                                 |
| PV | A811               | INS MANUAL | En-QSS(AVX390)            | 1   | 29400600  | N <MPB, MPP_A>                            |
| PV | A814               | INS MANUAL | DaFiNo(HTR390)            | 1   | 29400604  | N <MPP_A>                                 |
| PV | A826               | INST SHEET | U11(2010_RIHD)            | 1   | 29355782  | <MPB, MPP_A, MDC, MDS, MMK, MMQ, MPP_H>   |
| PV | A830               | INST SHEET | WEEE                      | 1   | 29355793A | <MPB, MPP_A, MPP_H>                       |
| PV | A835               | HANDBILL   | (UP-A1)US                 | 1   | 29380155A | <MDC, MDS>                                |
| PV | A835               | HANDBILL   | (UP-A1)EU                 | 1   | 29380156A | <MPB, MPP_A, MPP_H>                       |
| PV | A855               | REMO CON   | RC-762M                   | 1   | 24140762  |   |
| PV | A858               | ANT COIL   | NMA-3057                  | 1   | 232140    |   |
| PV | A859               | FM ANT AS  | Type W                    | 1   | 292191    |   |
| PV | A861               | BATTERY    | R6/AA(UM-3)               | 2   | 3010194   | <MPB, MPP_A, MMK, MMQ, MPP_H>             |
| PV | A861               | BATTERY    | R6/AA(UM-3)               | 2   | 3010506   | <MDC, MDS>                                |
| PV | A861 or            | BATTERY    | R6/AA(UM-3)               | (2) | 3010054   | <MPB, MPP_A, MDC, MDS, MMK, MMQ, MPP_H>   |
| PV | A861 or            | BATTERY    | R6/AA(UM-3)               | (2) | 3010194   | <MDC, MDS>                                |
| PV | A884               | WRNTY CARD | MGQ                       | 1   | 29365099A | <MMQ>                                     |
| PV | A885               | WRNTY CARD | (ONKYO)                   | 1   | 29365135  | <MDC, MDS>                                |

HT-R390

## U001 PC BOARD PARTS LIST

|      |              |  |                       |
|------|--------------|--|-----------------------|
| U001 | <b>U001</b>  | <b>U0010 + U0011 + U0012 + U0013 + U0014 + U0015 + U0016</b> |                       |
| U001 | <b>U0010</b> | Power Amp / Audio Input Terminals PC board                   | BAAF-0614-1D/ 1E/ 1F  |
| U001 | <b>U0011</b> | Digital Input Terminals PC board                             | BADG-0615-1D/ 1E/ 1F  |
| U001 | <b>U0012</b> | Thermal Senser PC board                                      | BAETC-0616-1D/ 1E/ 1F |
| U001 | <b>U0013</b> | Spacer PC board  | BAETC-0617-1D/ 1E/ 1F |
| U001 | <b>U0014</b> | Terminal PC board  | BAETC-0618-1D/ 1E/ 1F |
| U001 | <b>U0015</b> | FFC Fixture PC board   | BAETC-0619-1D/ 1E/ 1F |
| U001 | <b>U0016</b> | Power supply PC board  | BAETC-0620-1D/ 1E/ 1F |

| CIRCUIT NO.      | PART NAME | DESCRIPTION | Q'TY | PART NO. (SN) | REMARKS |
|------------------|-----------|-------------|------|---------------|---------|
| [SEMI CONDUCTOR] |           |             |      |               |         |
| U001             | D131      | C-DIODE     | 1    | 223303R2      | N       |
| U001             | D131 or   | C-DIODE     | ( 1) | 223283R2      |         |
| U001             | D132      | C-DIODE     | 1    | 223303R2      | N       |
| U001             | D132 or   | C-DIODE     | ( 1) | 223283R2      |         |
| U001             | D4171     | ZENER D     | 1    | 224470682T    |         |
| U001             | D4172     | ZENER D     | 1    | 224470682T    |         |
| U001             | D4300     | DIODE       | 1    | 22380260T     |         |
| U001             | D4300 or  | DIODE       | ( 1) | 22380035T     |         |
| U001             | D4301     | DIODE       | 1    | 22380260T     |         |
| U001             | D4301 or  | DIODE       | ( 1) | 22380035T     |         |
| U001             | D4302     | DIODE       | 1    | 22380260T     |         |
| U001             | D4302 or  | DIODE       | ( 1) | 22380035T     |         |
| U001             | D4303     | DIODE       | 1    | 22380260T     |         |
| U001             | D4303 or  | DIODE       | ( 1) | 22380035T     |         |
| U001             | D4304     | DIODE       | 1    | 223163T       |         |
| U001             | D4305     | DIODE       | 1    | 223163T       |         |
| U001             | D4400     | ZENER D     | 1    | 224760560R2   |         |
| U001             | D4400 or  | ZENER D     | ( 1) | 224550560R2   |         |
| U001             | D6020     | C-DIODE     | 1    | 223303R2      | N       |
| U001             | D6020 or  | C-DIODE     | ( 1) | 223234R2      |         |
| U001             | D6020 or  | C-DIODE     | ( 1) | 223269R2      |         |
| U001             | D6020 or  | C-DIODE     | ( 1) | 223279R2      |         |
| U001             | D6020 or  | C-DIODE     | ( 1) | 223283R2      |         |
| U001             | D6021     | C-DIODE     | 1    | 223303R2      | N       |
| U001             | D6021 or  | C-DIODE     | ( 1) | 223234R2      |         |

|      |          |         |           |     |          |   |
|------|----------|---------|-----------|-----|----------|---|
| U001 | D6021 or | C-DIODE | ISS355    | (1) | 223269R2 |   |
| U001 | D6021 or | C-DIODE | MA2J111   | (1) | 223279R2 |   |
| U001 | D6021 or | C-DIODE | KDS4148U  | (1) | 223283R2 |   |
| U001 | D6022    | C-DIODE | DA2J10100 | 1   | 223303R2 | N                                       |
| U001 | D6022 or | C-DIODE | ISS352    | (1) | 223234R2 |   |
| U001 | D6022 or | C-DIODE | ISS355    | (1) | 223269R2 |   |
| U001 | D6022 or | C-DIODE | MA2J111   | (1) | 223279R2 |   |
| U001 | D6022 or | C-DIODE | KDS4148U  | (1) | 223283R2 |   |
| U001 | D6023    | C-DIODE | DA2J10100 | 1   | 223303R2 | N                                       |
| U001 | D6023 or | C-DIODE | ISS352    | (1) | 223234R2 |   |
| U001 | D6023 or | C-DIODE | ISS355    | (1) | 223269R2 |   |
| U001 | D6023 or | C-DIODE | MA2J111   | (1) | 223279R2 |   |
| U001 | D6023 or | C-DIODE | KDS4148U  | (1) | 223283R2 |   |
| U001 | D6024    | C-DIODE | DA2J10100 | 1   | 223303R2 | N                                       |
| U001 | D6024 or | C-DIODE | ISS352    | (1) | 223234R2 |   |
| U001 | D6024 or | C-DIODE | ISS355    | (1) | 223269R2 |   |
| U001 | D6024 or | C-DIODE | MA2J111   | (1) | 223279R2 |   |
| U001 | D6024 or | C-DIODE | KDS4148U  | (1) | 223283R2 |   |
| U001 | D6027    | C-DIODE | DA2J10100 | 1   | 223303R2 | <MDC, MDS, MMK, MMQ, MPB, MPP_A, MPP_H> |
| U001 | D6027 or | C-DIODE | ISS352    | (1) | 223234R2 | <MDC, MDS, MMK, MMQ, MPB, MPP_A, MPP_H> |
| U001 | D6027 or | C-DIODE | ISS355    | (1) | 223269R2 | <MDC, MDS, MMK, MMQ, MPB, MPP_A, MPP_H> |
| U001 | D6027 or | C-DIODE | MA2J111   | (1) | 223279R2 | <MDC, MDS, MMK, MMQ, MPB, MPP_A, MPP_H> |
| U001 | D6027 or | C-DIODE | KDS4148U  | (1) | 223283R2 | <MDC, MDS, MMK, MMQ, MPB, MPP_A, MPP_H> |
| U001 | D6031    | DIODE   | ISS133    | 1   | 223163T  |   |
| U001 | D6032    | DIODE   | ISS133    | 1   | 223163T  |   |
| U001 | D6051    | C-DIODE | DA2J10100 | 1   | 223303R2 | N                                       |
| U001 | D6051 or | C-DIODE | ISS352    | (1) | 223234R2 |   |
| U001 | D6051 or | C-DIODE | ISS355    | (1) | 223269R2 |   |
| U001 | D6051 or | C-DIODE | MA2J111   | (1) | 223279R2 |   |
| U001 | D6051 or | C-DIODE | KDS4148U  | (1) | 223283R2 |   |
| U001 | D6052    | C-DIODE | DA2J10100 | 1   | 223303R2 | N                                       |
| U001 | D6052 or | C-DIODE | ISS352    | (1) | 223234R2 |   |
| U001 | D6052 or | C-DIODE | ISS355    | (1) | 223269R2 |   |
| U001 | D6052 or | C-DIODE | MA2J111   | (1) | 223279R2 |   |
| U001 | D6052 or | C-DIODE | KDS4148U  | (1) | 223283R2 |   |
| U001 | D6053    | C-DIODE | DA2J10100 | 1   | 223303R2 | N                                       |
| U001 | D6053 or | C-DIODE | ISS352    | (1) | 223234R2 |   |
| U001 | D6053 or | C-DIODE | ISS355    | (1) | 223269R2 |   |
| U001 | D6053 or | C-DIODE | MA2J111   | (1) | 223279R2 |   |

|      |          |           |              |      |               |   |
|------|----------|-----------|--------------|------|---------------|---|
| U001 | D6053 or | C-DIODE   | KDS4148U     | ( 1) | 223283R2      |   |
| U001 | D6055    | C-DIODE   | DA2J10100    | 1    | 223303R2      | N                                       |
| U001 | D6055 or | C-DIODE   | 1SS352       | ( 1) | 223234R2      |   |
| U001 | D6055 or | C-DIODE   | 1SS355       | ( 1) | 223269R2      |   |
| U001 | D6055 or | C-DIODE   | MA2J111      | ( 1) | 223279R2      |   |
| U001 | D6055 or | C-DIODE   | KDS4148U     | ( 1) | 223283R2      |   |
| U001 | D6057    | C-DIODE   | DA2J10100    | 1    | 223303R2      | <MDC, MDS, MMK, MMQ, MPB, MPP_A, MPP_H> |
| U001 | D6057 or | C-DIODE   | 1SS352       | ( 1) | 223234R2      | <MDC, MDS, MMK, MMQ, MPB, MPP_A, MPP_H> |
| U001 | D6057 or | C-DIODE   | 1SS355       | ( 1) | 223269R2      | <MDC, MDS, MMK, MMQ, MPB, MPP_A, MPP_H> |
| U001 | D6057 or | C-DIODE   | MA2J111      | ( 1) | 223279R2      | <MDC, MDS, MMK, MMQ, MPB, MPP_A, MPP_H> |
| U001 | D6057 or | C-DIODE   | KDS4148U     | ( 1) | 223283R2      | <MDC, MDS, MMK, MMQ, MPB, MPP_A, MPP_H> |
| U001 | D6704    | ZENER D   | DZ2J033M0L   | 1    | 224760330R2   |   |
| U001 | D6704 or | ZENER D   | UDZS3.3B     | ( 1) | 224550330R2   |   |
| U001 | D6901    | DIODE     | D5SBA60      | 1    | 22380070      |   |
| U001 | D6901A   | HEAT SINK | RAD-083      | 1    | 27160271      |   |
| U001 | D6901C   | SCREW     | 3P+10FN(3BC) | 1    | 82143010GR    |   |
| U001 | D6902    | C-DIODE   | DA2J10100    | 1    | 223303R2      | N                                       |
| U001 | D6902 or | C-DIODE   | 1SS352       | ( 1) | 223234R2      |   |
| U001 | D6902 or | C-DIODE   | 1SS355       | ( 1) | 223269R2      |   |
| U001 | D6902 or | C-DIODE   | MA2J111      | ( 1) | 223279R2      |   |
| U001 | D6902 or | C-DIODE   | KDS4148U     | ( 1) | 223283R2      |   |
| U001 | D6903    | C-DIODE   | DA2J10100    | 1    | 223303R2      | N                                       |
| U001 | D6903 or | C-DIODE   | 1SS352       | ( 1) | 223234R2      |   |
| U001 | D6903 or | C-DIODE   | 1SS355       | ( 1) | 223269R2      |   |
| U001 | D6903 or | C-DIODE   | MA2J111      | ( 1) | 223279R2      |   |
| U001 | D6903 or | C-DIODE   | KDS4148U     | ( 1) | 223283R2      |   |
| U001 | D960     | DIODE     | RL1N4003     | 1    | 22380260T     |   |
| U001 | D961     | DIODE     | RL1N4003     | 1    | 22380260T     |   |
| U001 | D964     | ZENER D   | DZ2J360M0L   | 1    | 224763600R2   |   |
| U001 | D964 or  | ZENER D   | UDZS36B      | ( 1) | 224553600R2   |   |
| U001 | Q131     | IC        | TC74HCU04AF  | 1    | 222740046R2TO |   |
| U001 | Q4001    | IC        | R2A15218FP   | 1    | 22242605R3    |   |
| U001 | Q4003    | IC        | NJM4580M-D   | 1    | 22241448R2    |   |
| U001 | Q4100    | TR        | RN1441       | 1    | 2215410R2     |   |
| U001 | Q4101    | TR        | RN1441       | 1    | 2215410R2     |   |
| U001 | Q4102    | TR        | RN1441       | 1    | 2215410R2     |   |
| U001 | Q4103    | TR        | RN1441       | 1    | 2215410R2     |   |
| U001 | Q4104    | TR        | RN1441       | 1    | 2215410R2     |   |
| U001 | Q4107    | TR        | RN1441       | 1    | 2215410R2     |   |



|      |   |           |                     |      |              |          |
|------|---|-----------|---------------------|------|--------------|----------|
| U001 | Q4117   | TR        | RN1441              | 1    | 2215410R2    |          |
| U001 | Q4130   | IC        | NJM4580M-D          | 1    | 22241448R2   |          |
| U001 | Q4140   | IC        | NJM4580M-D          | 1    | 22241448R2   |          |
| U001 | Q4142   | IC        | NJM4580M-D          | 1    | 22241448R2   |          |
| U001 | Q4143   | IC        | NJM4580M-D          | 1    | 22241448R2   |          |
| U001 | Q4170   | IC        | 78M12HF(NJM78M12FA) | 1    | 222780125JRC |          |
| U001 | Q4170 or  | IC        | 78M12(AN78M12F)     | ( 1) | 222780125MAT |          |
| U001 | Q4170 or  | IC        | MPC78M12AHF-AZ      | ( 1) | 222780125NEC |          |
| U001 | Q4170A  | HEAT-SINK | HEAT-SINK(RAD-68)   | 1    | 27160211     |          |
| U001 | Q4170B  | SCREW     | 3P+10FN(3BC)        | 1    | 82143010GR   |          |
| U001 | Q4171   | IC        | 79M12HF(NJM79M12FA) | 1    | 222790125JRC |          |
| U001 | Q4171 or  | IC        | 79M12F(AN79M12F)    | ( 1) | 222790125MAT |          |
| U001 | Q4171 or  | IC        | 79M12HF(MPC79M12HF) | ( 1) | 222790125NEC |          |
| U001 | Q4171A  | HEAT-SINK | HEAT-SINK(RAD-68)   | 1    | 27160211     |          |
| U001 | Q4171B  | SCREW     | 3P+10FN(3BC)        | 1    | 82143010GR   |          |
| U001 | Q4400   | IC        | NJM4580M-D          | 1    | 22241448R2   |          |
| U001 | Q4401   | TR        | 2SC2235-Y(TPE6_F)   | 1    | 2211654T     |          |
| U001 | <b>[NOTICE]</b>   |           |                     |      |              |          |
| U001 | Q6001, Q6002 and the surrounding parts have been changed as follows in the middle of production. Refer to SCHEMATIC-DIAGRAM-4(AMP. SECTION) |           |                     |      |              |          |
| U001 | Change C6120, C6121 and C6122 at the same time when Q6001 is changed.   |           |                     |      |              |          |
| U001 | Q6001   | IC        | STK-443-530-E       | 1    | 222148       | BEFORE   |
| U001 |   |           | ↓                   |      | ↓            |          |
| U001 |   | IC        | STK-443-530N-E      | 1    | 222152       | AFTER    |
| U001 | C6120   | C-CERA C  | CC725CH1H-101J1     | 0    | 342101014R1  | BEFORE   |
| U001 |   |           |                     | ↓    |              |          |
| U001 |   | C-CERA C  | CC725CH1H-101J1     | 1    | 342101014R1  | AFTER    |
| U001 | C6121   | C-CERA C  | CC725CH1H-101J1     | 0    | 342101014R1  | BEFORE   |
| U001 |   |           |                     | ↓    |              |          |
| U001 |   | C-CERA C  | CC725CH1H-101J1     | 1    | 342101014R1  | AFTER    |
| U001 | C6122   | C-CERA C  | CC725CH1H-101J1     | 0    | 342101014R1  | BEFORE   |
| U001 |   |           |                     | ↓    |              |          |
| U001 |   | C-CERA C  | CC725CH1H-101J1     | 1    | 342101014R1  | AFTER    |
| U001 | Change C6123, C6124 and C6127 at the same time when Q6002 is changed.   |           |                     |      |              |          |
| U001 | Q6002   | IC        | STK-443-530-E       | 1    | 222148       | N BEFORE |
| U001 |   |           | ↓                   |      | ↓            |          |
| U001 |   | IC        | STK-443-530N-E      | 1    | 222152       | AFTER    |
| U001 | C6123   | C-CERA C  | CC725CH1H-101J1     | 0    | 342101014R1  | BEFORE   |
| U001 |   |           |                     | ↓    |              |          |
| U001 |   | C-CERA C  | CC725CH1H-101J1     | 1    | 342101014R1  | AFTER    |

|      |                     |            |                     |     |              |   |
|------|---------------------|------------|---------------------|-----|--------------|---|
| U001 | C6124               | C-CERA C   | CC725CH1H-101J1     | 0   | 342101014R1  | BEFORE                                  |
| U001 |                     |            |                     | ↓   |              |   |
| U001 |                     | C-CERA C   | CC725CH1H-101J1     | 1   | 342101014R1  | AFTER                                   |
| U001 | C6127               | C-CERA C   | CC725CH1H-101J1     | 0   | 342101014R1  | BEFORE                                  |
| U001 |                     |            |                     | ↓   |              |   |
| U001 |                     | C-CERA C   | CC725CH1H-101J1     | 1   | 342101014R1  | AFTER                                   |
| U001 | Q6010               | TR         | 2SC2240-BL(TPE2_F)  | 1   | 2211406T     |   |
| U001 | Q6011               | TR         | 2SC2240-BL(TPE2_F)  | 1   | 2211406T     |   |
| U001 | Q6012               | TR         | 2SC2240-BL(TPE2_F)  | 1   | 2211406T     |   |
| U001 | Q6013               | TR         | 2SC2240-BL(TPE2_F)  | 1   | 2211406T     |   |
| U001 | Q6014               | TR         | 2SC2240-BL(TPE2_F)  | 1   | 2211406T     |   |
| U001 | Q6017               | TR         | 2SC2240-BL(TPE2_F)  | 1   | 2211406T     | <MDC, MDS, MMK, MMQ, MPB, MPP_A, MPP_H> |
| U001 | Q6021               | TR         | 2SA1163-BL(TE85L_F) | 1   | 2216756R2    |   |
| U001 | Q6022               | TR         | 2SC2240-BL(TPE2_F)  | 1   | 2211406T     |   |
| U001 | Q6023               | TR         | 2SC2240-BL(TPE2_F)  | 1   | 2211406T     |   |
| U001 | Q6024               | TR         | 2SA1163-BL(TE85L_F) | 1   | 2216756R2    |   |
| U001 | Q6051               | TR         | KRC105S             | 1   | 2217290R2    |   |
| U001 | Q6051 or            | TR         | RN1405              | (1) | 2214500R2    |   |
| U001 | Q6051 or            | TR         | DTC123JKA           | (1) | 2216690R2    |   |
| U001 | Q6052               | TR         | KRC105S             | 1   | 2217290R2    |   |
| U001 | Q6052 or            | TR         | RN1405              | (1) | 2214500R2    |   |
| U001 | Q6052 or            | TR         | DTC123JKA           | (1) | 2216690R2    |   |
| U001 | Q6053               | TR         | KRC105S             | 1   | 2217290R2    |   |
| U001 | Q6053 or            | TR         | RN1405              | (1) | 2214500R2    |   |
| U001 | Q6053 or            | TR         | DTC123JKA           | (1) | 2216690R2    |   |
| U001 | Q6380               | IC         | LM61CIZ             | 1   | 22242212     |   |
| U001 | Q6380A              | RETAINER   | (PTH)               | 1   | 27141884-1   |   |
| U001 | Q6707               | TR         | KTC3875-GR          | 1   | 2216175R2    |   |
| U001 | Q6707 or            | TR         | 2SC2712-GR          | (1) | 2213145R2    |   |
| U001 | Q6708               | TR         | KRC105S             | 1   | 2217290R2    |   |
| U001 | Q6708 or            | TR         | RN1405              | (1) | 2214500R2    |   |
| U001 | Q6708 or            | TR         | DTC123JKA           | (1) | 2216690R2    |   |
| U001 | Q960                | TR         | 2SC2235-Y(TPE6_F)   | 1   | 2211654T     |   |
| U001 | Q960 or             | TR         | 2SC2235-O(TPE6_F)   | (1) | 2211653T     |   |
| U001 | <b>[TRANS COIL]</b> |            |                     |     |              |   |
| U001 | L131                | CHOKE COIL | LBC2518T2R2M        | 1   | 231364M022R2 |   |
| U001 | L133                | CHOKE COIL | LBC2518T470M        | 1   | 231364M470R2 |   |
| U001 | L134                | CHOKE COIL | LBC2518T470M        | 1   | 231364M470R2 |   |
| U001 | L135                | EMIFIL     | BK1608HS102-T       | 1   | 230955R2     |   |

|      |                    |            |                        |   |              |   |
|------|--------------------|------------|------------------------|---|--------------|---|
| U001 | L4001              | CHOKE COIL | LBC2518T2R2M           | 1 | 231364M022R2 |   |
| U001 | L6000              | S COIL     | SC-0.8X6.0X29.5T-4RV-C | 1 | 231394AS     |   |
| U001 | L6001              | S COIL     | SC-0.8X6.0X29.5T-4RV-C | 1 | 231394AS     |   |
| U001 | L6002              | S COIL     | SC-0.8X6.0X29.5T-4RV-C | 1 | 231394AS     |   |
| U001 | L6003              | S COIL     | SC-0.8X6.0X29.5T-4RV-C | 1 | 231394AS     |   |
| U001 | L6004              | S COIL     | SC-0.8X6.0X29.5T-4RV-C | 1 | 231394AS     |   |
| U001 | L6007              | S COIL     | SC-0.8X6.0X29.5T-4RV-C | 1 | 231394AS     | <MDC, MDS, MMK, MMQ, MPB, MPP_A, MPP_H> |
| U001 | <b>[CAPACITOR]</b> |            |                        |   |              |   |
| U001 | C130               | C-CERA C   | CK725F1E-104Z1         | 1 | 332161040R1  |   |
| U001 | C131               | C-CERA C   | CC725CH1H-101J1        | 1 | 342101014R1  |   |
| U001 | C133               | C-CERA C   | CK725B1C-104K1         | 1 | 332121045R1  |   |
| U001 | C135               | C-CERA C   | CC725CH1H-080D1        | 1 | 342100802R1  |   |
| U001 | C139               | UTSP C     | CE04W10V-220M(UTSP)    | 1 | 397532217T   |   |
| U001 | C140               | C-CERA C   | CK725F1E-104Z1         | 1 | 332161040R1  |   |
| U001 | C141               | C-CERA C   | CK725F1E-104Z1         | 1 | 332161040R1  |   |
| U001 | C142               | C-CERA C   | CK725F1E-104Z1         | 1 | 332161040R1  |   |
| U001 | C143               | C-CERA C   | CC725CH1H-330J1        | 1 | 342103304R1  |   |
| U001 | C144               | C-CERA C   | CC725CH1H-330J1        | 1 | 342103304R1  |   |
| U001 | C145               | UTSP C     | CE04W10V-220M(UTSP)    | 1 | 397532217T   |   |
| U001 | C4003              | UPZ C      | 2AUPZTF221JE           | 1 | 376332214T   |   |
| U001 | C4004              | UPZ C      | 2AUPZTF221JE           | 1 | 376332214T   |   |
| U001 | C4007              | C-CERA C   | CC725CH1H-221J1        | 1 | 342102214R1  |   |
| U001 | C4008              | C-CERA C   | CC725CH1H-221J1        | 1 | 342102214R1  |   |
| U001 | C4013              | C-CERA C   | CC725CH1H-221J1        | 1 | 342102214R1  |   |
| U001 | C4014              | C-CERA C   | CC725CH1H-221J1        | 1 | 342102214R1  |   |
| U001 | C4017              | C-CERA C   | CC725CH1H-221J1        | 1 | 342102214R1  |   |
| U001 | C4018              | C-CERA C   | CC725CH1H-221J1        | 1 | 342102214R1  |   |
| U001 | C4019              | UPZ C      | 2AUPZTF221JE           | 1 | 376332214T   |   |
| U001 | C4020              | UPZ C      | 2AUPZTF221JE           | 1 | 376332214T   |   |
| U001 | C4050              | UTSP C     | CE04W25V-47M(UTSP)     | 1 | 397554707T   |   |
| U001 | C4051              | UTSP C     | CE04W25V-47M(UTSP)     | 1 | 397554707T   |   |
| U001 | C4052              | UTSP C     | CE04W25V-47M(UTSP)     | 1 | 397554707T   |   |
| U001 | C4053              | UTSP C     | CE04W25V-47M(UTSP)     | 1 | 397554707T   |   |
| U001 | C4054              | UTSP C     | CE04W25V-47M(UTSP)     | 1 | 397554707T   |   |
| U001 | C4057              | UTSP C     | CE04W25V-47M(UTSP)     | 1 | 397554707T   |   |
| U001 | C4060              | UTSP C     | CE04W50V 47M(UTSP)     | 1 | 397584707T   |   |
| U001 | C4061              | UTSP C     | CE04W50V 47M(UTSP)     | 1 | 397584707T   |   |
| U001 | C4062              | TF C       | ECQ-V50V-474J          | 1 | 374724744T   |   |
| U001 | C4063              | TF C       | ECQ-V50V-823J          | 1 | 374728234T   |   |

|      |       |          |                     |   |             |   |
|------|-------|----------|---------------------|---|-------------|---|
| U001 | C4064 | TF C     | ECQ-V50V-223J       | 1 | 374722234T  |   |
| U001 | C4065 | TF C     | ECQ-V50V-474J       | 1 | 374724744T  |   |
| U001 | C4066 | TF C     | ECQ-V50V-823J       | 1 | 374728234T  |   |
| U001 | C4067 | TF C     | ECQ-V50V-223J       | 1 | 374722234T  |   |
| U001 | C4070 | UTSP C   | CE04W50V 47M(UTSP)  | 1 | 397584707T  |   |
| U001 | C4071 | UTSP C   | CE04W50V 47M(UTSP)  | 1 | 397584707T  |   |
| U001 | C4072 | UTSP C   | CE04W50V 47M(UTSP)  | 1 | 397584707T  |   |
| U001 | C4073 | UTSP C   | CE04W50V 47M(UTSP)  | 1 | 397584707T  |   |
| U001 | C4074 | UTSP C   | CE04W50V 47M(UTSP)  | 1 | 397584707T  |   |
| U001 | C4077 | UTSP C   | CE04W50V 47M(UTSP)  | 1 | 397584707T  |   |
| U001 | C4085 | UTSP C   | CE04W25V-47M(UTSP)  | 1 | 397554707T  |   |
| U001 | C4086 | UTSP C   | CE04W25V-47M(UTSP)  | 1 | 397554707T  |   |
| U001 | C4090 | C-CERA C | CC725CH1H-101J1     | 1 | 342101014R1 |   |
| U001 | C4091 | C-CERA C | CC725CH1H-101J1     | 1 | 342101014R1 |   |
| U001 | C4100 | UTSP C   | CE04W50V 47M(UTSP)  | 1 | 397584707T  |   |
| U001 | C4101 | UTSP C   | CE04W50V 47M(UTSP)  | 1 | 397584707T  |   |
| U001 | C4102 | UTSP C   | CE04W50V 47M(UTSP)  | 1 | 397584707T  |   |
| U001 | C4103 | UTSP C   | CE04W50V 47M(UTSP)  | 1 | 397584707T  |   |
| U001 | C4104 | UTSP C   | CE04W50V 47M(UTSP)  | 1 | 397584707T  |   |
| U001 | C4107 | UTSP C   | CE04W50V-2.2M(UTSP) | 1 | 397580227T  | <MDC, MDS, MMK, MMQ, MPB, MPP_A, MPP_H> |
| U001 | C4110 | UTSP C   | CE04W25V-220M(UTSP) | 1 | 397552217T  |   |
| U001 | C4111 | UTSP C   | CE04W25V-220M(UTSP) | 1 | 397552217T  |   |
| U001 | C4130 | UTSP C   | CE04W50V 47M(UTSP)  | 1 | 397584707T  |   |
| U001 | C4131 | C-CERA C | CC725CH1H-221J1     | 1 | 342102214R1 |   |
| U001 | C4132 | TF C     | ECQ-V50V-103J       | 1 | 374721034T  |   |
| U001 | C4166 | UTSP C   | CE04W25V-220M(UTSP) | 1 | 397552217T  |   |
| U001 | C4167 | UTSP C   | CE04W25V-220M(UTSP) | 1 | 397552217T  |   |
| U001 | C4170 | UTSP C   | CE04W50V-1M(UTSP)   | 1 | 397580107T  |   |
| U001 | C4171 | UTSP C   | CE04W50V-1M(UTSP)   | 1 | 397580107T  |   |
| U001 | C4172 | UTSP C   | CE04W25V-220M(UTSP) | 1 | 397552217T  |   |
| U001 | C4173 | UTSP C   | CE04W25V-220M(UTSP) | 1 | 397552217T  |   |
| U001 | C4186 | UTSP C   | CE04W16V-470M(UTSP) | 1 | 397544717T  |   |
| U001 | C4187 | UTSP C   | CE04W16V-470M(UTSP) | 1 | 397544717T  |   |
| U001 | C4204 | C-CERA C | CC725CH1H-102J1     | 1 | 342101024R1 |   |
| U001 | C4205 | C-CERA C | CC725CH1H-102J1     | 1 | 342101024R1 |   |
| U001 | C4209 | UTSP C   | CE04W25V-47M(UTSP)  | 1 | 397554707T  |   |
| U001 | C4210 | UTSP C   | CE04W25V-47M(UTSP)  | 1 | 397554707T  |   |
| U001 | C4300 | TF C     | ECQ-V50V-334J       | 1 | 374723344T  |   |
| U001 | C4301 | VR C     | CE04W35V-1000M(VR)  | 1 | 394661027S  |   |

|      |          |          |                    |      |             |   |
|------|----------|----------|--------------------|------|-------------|---|
| U001 | C4301 or | JAMICON  | CE04W35V-1000M     | ( 1) | 398561027S  |   |
| U001 | C4302    | VR C     | CE04W35V-470M(VR)  | 1    | 394664717T  |   |
| U001 | C4302 or | JAMICON  | CE04W35V-470M      | ( 1) | 398564717T  |   |
| U001 | C4402    | UTSP C   | CE04W25V-47M(UTSP) | 1    | 397554707T  |   |
| U001 | C4403    | UTSP C   | CE04W25V-47M(UTSP) | 1    | 397554707T  |   |
| U001 | C4404    | UTSP C   | CE04W25V-47M(UTSP) | 1    | 397554707T  |   |
| U001 | C4405    | UTSP C   | CE04W25V-47M(UTSP) | 1    | 397554707T  |   |
| U001 | C4406    | UTSP C   | CE04W25V-47M(UTSP) | 1    | 397554707T  |   |
| U001 | C4407    | UTSP C   | CE04W25V-47M(UTSP) | 1    | 397554707T  |   |
| U001 | C4408    | C-CERA C | CK725F1E-104Z1     | 1    | 332161040R1 |   |
| U001 | C4409    | C-CERA C | CK725F1E-104Z1     | 1    | 332161040R1 |   |
| U001 | C4410    | C-CERA C | CC725CH1H-681J1    | 1    | 342106814R1 |   |
| U001 | C4411    | C-CERA C | CC725CH1H-681J1    | 1    | 342106814R1 |   |
| U001 | C4412    | C-CERA C | CK725F1A-105Z1     | 1    | 332181050R1 |   |
| U001 | C4413    | C-CERA C | CK725F1A-105Z1     | 1    | 332181050R1 |   |
| U001 | C4414    | C-CERA C | CK725F1A-105Z1     | 1    | 332181050R1 |   |
| U001 | C4415    | C-CERA C | CK725F1A-105Z1     | 1    | 332181050R1 |   |
| U001 | C4416    | C-CERA C | CC725CH1H-101J1    | 1    | 342101014R1 |   |
| U001 | C4417    | C-CERA C | CC725CH1H-101J1    | 1    | 342101014R1 |   |
| U001 | C4420    | MKT C    | B32529C0332J289    | 1    | 376493324T  |   |
| U001 | C4421    | MKT C    | B32529C0332J289    | 1    | 376493324T  |   |
| U001 | C4422    | MKT C    | B32529C0332J289    | 1    | 376493324T  |   |
| U001 | C4423    | MKT C    | B32529C0332J289    | 1    | 376493324T  |   |
| U001 | C4424    | MKT C    | B32529C0332J289    | 1    | 376493324T  |   |
| U001 | C4427    | TF C     | ECQ-V50V-333J      | 1    | 374723334T  |   |
| U001 | C4430    | UPZ C    | 2AUPZTF151JE       | 1    | 376331514T  |   |
| U001 | C4431    | UPZ C    | 2AUPZTF151JE       | 1    | 376331514T  |   |
| U001 | C4432    | UPZ C    | 2AUPZTF151JE       | 1    | 376331514T  |   |
| U001 | C4433    | C-CERA C | CC725CH1H-151J1    | 1    | 342101514R1 |   |
| U001 | C4434    | C-CERA C | CC725CH1H-151J1    | 1    | 342101514R1 |   |
| U001 | C4437    | MKT C    | B32529C0102J289    | 1    | 376491024T  |   |
| U001 | C6009    | TF C     | ECQ-V50V-333J      | 1    | 374723334T  |   |
| U001 | C6010    | UTSP C   | CE04W50V 47M(UTSP) | 1    | 397584707T  |   |
| U001 | C6011    | UTSP C   | CE04W50V 47M(UTSP) | 1    | 397584707T  |   |
| U001 | C6012    | UTSP C   | CE04W50V 47M(UTSP) | 1    | 397584707T  |   |
| U001 | C6013    | UTSP C   | CE04W50V 47M(UTSP) | 1    | 397584707T  |   |
| U001 | C6014    | UTSP C   | CE04W50V 47M(UTSP) | 1    | 397584707T  |   |
| U001 | C6017    | UTSP C   | CE04W50V 47M(UTSP) | 1    | 397584707T  | <MDC, MDS, MMK, MMQ, MPB, MPP_A, MPP_H> |
| U001 | C6020    | UPZ C    | 2AUPZTF471JE       | 1    | 376334714T  |   |

|      |       |          |                     |   |             |   |
|------|-------|----------|---------------------|---|-------------|---|
| U001 | C6021 | UPZ C    | 2AUPZTF471JE        | 1 | 376334714T  |   |
| U001 | C6022 | UPZ C    | 2AUPZTF471JE        | 1 | 376334714T  |   |
| U001 | C6023 | UPZ C    | 2AUPZTF471JE        | 1 | 376334714T  |   |
| U001 | C6024 | UPZ C    | 2AUPZTF471JE        | 1 | 376334714T  |   |
| U001 | C6027 | UPZ C    | 2AUPZTF471JE        | 1 | 376334714T  | <MDC, MDS, MMK, MMQ, MPB, MPP_A, MPP_H> |
| U001 | C6030 | UTSP C   | CE04W25V-220M(UTSP) | 1 | 397552217T  |   |
| U001 | C6031 | UTSP C   | CE04W25V-220M(UTSP) | 1 | 397552217T  |   |
| U001 | C6032 | UTSP C   | CE04W25V-220M(UTSP) | 1 | 397552217T  |   |
| U001 | C6033 | UTSP C   | CE04W25V-220M(UTSP) | 1 | 397552217T  |   |
| U001 | C6034 | UTSP C   | CE04W25V-220M(UTSP) | 1 | 397552217T  |   |
| U001 | C6037 | UTSP C   | CE04W25V-220M(UTSP) | 1 | 397552217T  | <MDC, MDS, MMK, MMQ, MPB, MPP_A, MPP_H> |
| U001 | C6040 | CERA C   | CC45CH50V-030D      | 1 | 345340302T  |   |
| U001 | C6041 | CERA C   | CC45CH50V-030D      | 1 | 345340302T  |   |
| U001 | C6042 | CERA C   | CC45CH50V-030D      | 1 | 345340302T  |   |
| U001 | C6043 | CERA C   | CC45CH50V-030D      | 1 | 345340302T  |   |
| U001 | C6044 | CERA C   | CC45CH50V-030D      | 1 | 345340302T  |   |
| U001 | C6047 | CERA C   | CC45CH50V-030D      | 1 | 345340302T  | <MDC, MDS, MMK, MMQ, MPB, MPP_A, MPP_H> |
| U001 | C6050 | C-CERA C | CK725B1H-472K1      | 1 | 332104725R1 |   |
| U001 | C6051 | C-CERA C | CK725B1H-472K1      | 1 | 332104725R1 |   |
| U001 | C6052 | C-CERA C | CK725B1H-472K1      | 1 | 332104725R1 |   |
| U001 | C6053 | C-CERA C | CK725B1H-472K1      | 1 | 332104725R1 |   |
| U001 | C6054 | C-CERA C | CK725B1H-472K1      | 1 | 332104725R1 |   |
| U001 | C6057 | C-CERA C | CK725B1H-472K1      | 1 | 332104725R1 | <MDC, MDS, MMK, MMQ, MPB, MPP_A, MPP_H> |
| U001 | C6060 | TF C     | ECQ-V50V-473J       | 1 | 374724734T  |   |
| U001 | C6061 | TF C     | ECQ-V50V-473J       | 1 | 374724734T  |   |
| U001 | C6062 | TF C     | ECQ-V50V-473J       | 1 | 374724734T  |   |
| U001 | C6063 | TF C     | ECQ-V50V-473J       | 1 | 374724734T  |   |
| U001 | C6064 | TF C     | ECQ-V50V-473J       | 1 | 374724734T  |   |
| U001 | C6067 | TF C     | ECQ-V50V-473J       | 1 | 374724734T  | <MDC, MDS, MMK, MMQ, MPB, MPP_A, MPP_H> |
| U001 | C6070 | TF C     | ECQ-V50V-103J       | 1 | 374721034T  |   |
| U001 | C6071 | TF C     | ECQ-V50V-103J       | 1 | 374721034T  |   |
| U001 | C6072 | TF C     | ECQ-V50V-103J       | 1 | 374721034T  |   |
| U001 | C6073 | TF C     | ECQ-V50V-103J       | 1 | 374721034T  |   |
| U001 | C6074 | TF C     | ECQ-V50V-103J       | 1 | 374721034T  |   |
| U001 | C6077 | TF C     | ECQ-V50V-103J       | 1 | 374721034T  | <MDC, MDS, MMK, MMQ, MPB, MPP_A, MPP_H> |
| U001 | C6080 | MKT C    | B32529C0102J289     | 1 | 376491024T  |   |
| U001 | C6081 | MKT C    | B32529C0102J289     | 1 | 376491024T  |   |
| U001 | C6082 | MKT C    | B32529C0102J289     | 1 | 376491024T  |   |
| U001 | C6083 | MKT C    | B32529C0102J289     | 1 | 376491024T  |   |

|      |                   |          |                     |      |             |   |
|------|-------------------|----------|---------------------|------|-------------|---|
| U001 | C6084             | MKT C    | B32529C0102J289     | 1    | 376491024T  |   |
| U001 | C6087             | MKT C    | B32529C0102J289     | 1    | 376491024T  | <MDC, MDS, MMK, MMQ, MPB, MPP_A, MPP_H> |
| U001 | C6088             | MKT C    | B32529C0102J289     | 1    | 376491024T  |   |
| U001 | C6089             | MKT C    | B32529C0102J289     | 1    | 376491024T  |   |
| U001 | C6090             | UTSP C   | CE04W25V-100M(UTSP) | 1    | 397551017T  |   |
| U001 | C6091             | UTSP C   | CE04W50V-1M(UTSP)   | 1    | 397580107T  |   |
| U001 | C6092             | UTSP C   | CE04W50V-1M(UTSP)   | 1    | 397580107T  |   |
| U001 | C6093             | C-CERA C | CK725F1E-104Z1      | 1    | 332161040R1 |   |
| U001 | C6094             | C-CERA C | CK725F1E-104Z1      | 1    | 332161040R1 |   |
| U001 | C6101             | UTSP C   | CE04W63V-100M(UTSP) | 1    | 397571017T  |   |
| U001 | C6102             | UTSP C   | CE04W63V-100M(UTSP) | 1    | 397571017T  |   |
| U001 | C6103             | UTSP C   | CE04W50V 47M(UTSP)  | 1    | 397584707T  |   |
| U001 | C6104             | UTSP C   | CE04W63V-100M(UTSP) | 1    | 397571017T  |   |
| U001 | C6105             | UTSP C   | CE04W63V-100M(UTSP) | 1    | 397571017T  |   |
| U001 | C6106             | UTSP C   | CE04W50V 47M(UTSP)  | 1    | 397584707T  |   |
| U001 | C6107             | UTSP C   | CE04W63V-100M(UTSP) | 1    | 397571017T  |   |
| U001 | C6108             | UTSP C   | CE04W63V-100M(UTSP) | 1    | 397571017T  |   |
| U001 | C6111             | C-CERA C | CC725CH1H-102J1     | 1    | 342101024R1 |   |
| U001 | C6112             | C-CERA C | CC725CH1H-102J1     | 1    | 342101024R1 |   |
| U001 | C6113             | C-CERA C | CC725CH1H-102J1     | 1    | 342101024R1 |   |
| U001 | C6115             | C-CERA C | CC725CH1H-102J1     | 1    | 342101024R1 |   |
| U001 | C6117             | C-CERA C | CC725CH1H-102J1     | 1    | 342101024R1 | <MDC, MDS, MMK, MMQ, MPB, MPP_A, MPP_H> |
| U001 | C6630             | C-CERA C | CK725F1E-104Z1      | 1    | 332161040R1 |   |
| U001 | C6706             | UTSP C   | CE04W50V-10M(UTSP)  | 1    | 397581007T  |   |
| U001 | C6901             | ELECT C  | CE69W56V-8200MB     | 1    | 3504416     | <MDC, MDS, MPB, MPP_A, MPP_H>           |
| U001 | C6901             | ELECT C  | CE69W63V-8200MB     | 1    | 3504420     | <MMK, MMQ>                              |
| U001 | C6902             | ELECT C  | CE69W56V-8200MB     | 1    | 3504416     | <MDC, MDS, MPB, MPP_A, MPP_H>           |
| U001 | C6902             | ELECT C  | CE69W63V-8200MB     | 1    | 3504420     | <MMK, MMQ>                              |
| U001 | C6911             | C-CERA C | CC725CH1H-102J1     | 1    | 342101024R1 |   |
| U001 | C6912             | TF C     | ECQ-V50V-334J       | 1    | 374723344T  |   |
| U001 | C6913             | TF C     | ECQ-V50V-334J       | 1    | 374723344T  |   |
| U001 | C6917             | C-CERA C | CC725CH1H-102J1     | 1    | 342101024R1 |   |
| U001 | C950              | TF C     | ECQ-V50V-104J       | 1    | 374721044T  |   |
| U001 | C960              | VR C     | CE04W63V-220M(VR)   | 1    | 394672217T  |   |
| U001 | C960 or           | JAMICON  | CE04W63V-220M       | ( 1) | 398572217T  |   |
| U001 | C961              | UTSP C   | CE04W50V 47M(UTSP)  | 1    | 397584707T  |   |
| U001 | C962              | TF C     | ECQ-V50V-104J       | 1    | 374721044T  |   |
| U001 | C963              | UTSP C   | CE04W50V 47M(UTSP)  | 1    | 397584707T  |   |
| U001 | <b>[RESISTOR]</b> |          |                     |      |             |   |

|      |       |            |               |   |             |                               |
|------|-------|------------|---------------|---|-------------|-------------------------------|
| U001 | R131  | C-CARBON R | RN72K1J-750JE | 1 | 435037504R1 |                               |
| U001 | R133  | C-CARBON R | RN72K1J-100JE | 1 | 435031004R1 |                               |
| U001 | R137  | C-CARBON R | RN72K1J-103JE | 1 | 435031034R1 |                               |
| U001 | R139  | C-CARBON R | RN72K1J-823JE | 1 | 435038234R1 |                               |
| U001 | R141  | C-CARBON R | RN72K1J-470JE | 1 | 435034704R1 |                               |
| U001 | R142  | C-CARBON R | RN72K1J-470JE | 1 | 435034704R1 |                               |
| U001 | R4000 | C-CARBON R | RN72K1J-331JE | 1 | 435033314R1 |                               |
| U001 | R4001 | METAL O R  | RS1WBJ-10     | 1 | 443621004T  | <MDC, MDS, MPB, MPP_A, MPP_H> |
| U001 | R4001 | METAL R    | RNU1WCJ-4.7   | 1 | 453630474T  | <MMK, MMQ>                    |
| U001 | R4003 | C-CARBON R | RN72K1J-331JE | 1 | 435033314R1 |                               |
| U001 | R4004 | C-CARBON R | RN72K1J-331JE | 1 | 435033314R1 |                               |
| U001 | R4005 | METAL O R  | RS1WBJ-15     | 1 | 443621504T  |                               |
| U001 | R4007 | C-CARBON R | RN72K1J-331JE | 1 | 435033314R1 |                               |
| U001 | R4008 | C-CARBON R | RN72K1J-331JE | 1 | 435033314R1 |                               |
| U001 | R4013 | C-CARBON R | RN72K1J-331JE | 1 | 435033314R1 |                               |
| U001 | R4014 | C-CARBON R | RN72K1J-331JE | 1 | 435033314R1 |                               |
| U001 | R4015 | C-CARBON R | RN72K1J-222JE | 1 | 435032224R1 |                               |
| U001 | R4016 | C-CARBON R | RN72K1J-222JE | 1 | 435032224R1 |                               |
| U001 | R4017 | C-CARBON R | RN72K1J-331JE | 1 | 435033314R1 |                               |
| U001 | R4018 | C-CARBON R | RN72K1J-331JE | 1 | 435033314R1 |                               |
| U001 | R4019 | C-CARBON R | RN72K1J-331JE | 1 | 435033314R1 |                               |
| U001 | R4020 | C-CARBON R | RN72K1J-331JE | 1 | 435033314R1 |                               |
| U001 | R4023 | C-CARBON R | RN72K1J-000JE | 1 | 435030004R1 |                               |
| U001 | R4043 | C-CARBON R | RN72K1J-104JE | 1 | 435031044R1 |                               |
| U001 | R4044 | C-CARBON R | RN72K1J-104JE | 1 | 435031044R1 |                               |
| U001 | R4047 | C-CARBON R | RN72K1J-104JE | 1 | 435031044R1 |                               |
| U001 | R4048 | C-CARBON R | RN72K1J-104JE | 1 | 435031044R1 |                               |
| U001 | R4053 | C-CARBON R | RN72K1J-104JE | 1 | 435031044R1 |                               |
| U001 | R4054 | C-CARBON R | RN72K1J-104JE | 1 | 435031044R1 |                               |
| U001 | R4055 | C-CARBON R | RN72K1J-224JE | 1 | 435032244R1 |                               |
| U001 | R4056 | C-CARBON R | RN72K1J-224JE | 1 | 435032244R1 |                               |
| U001 | R4057 | C-CARBON R | RN72K1J-104JE | 1 | 435031044R1 |                               |
| U001 | R4058 | C-CARBON R | RN72K1J-104JE | 1 | 435031044R1 |                               |
| U001 | R4059 | C-CARBON R | RN72K1J-104JE | 1 | 435031044R1 |                               |
| U001 | R4060 | C-CARBON R | RN72K1J-104JE | 1 | 435031044R1 |                               |
| U001 | R4067 | C-CARBON R | RN72K1J-104JE | 1 | 435031044R1 |                               |
| U001 | R4068 | C-CARBON R | RN72K1J-104JE | 1 | 435031044R1 |                               |
| U001 | R4078 | C-CARBON R | RN72K1J-473JE | 1 | 435034734R1 |                               |
| U001 | R4079 | C-CARBON R | RN72K1J-473JE | 1 | 435034734R1 |                               |



|      |       |            |               |   |             |   |
|------|-------|------------|---------------|---|-------------|---|
| U001 | R4080 | C-CARBON R | RN72K1J-104JE | 1 | 435031044R1 | <MDC, MDS, MMK, MMQ, MPB, MPP_A, MPP_H> |
| U001 | R4081 | C-CARBON R | RN72K1J-104JE | 1 | 435031044R1 | <MDC, MDS, MMK, MMQ, MPB, MPP_A, MPP_H> |
| U001 | R4082 | C-CARBON R | RN72K1J-104JE | 1 | 435031044R1 |   |
| U001 | R4085 | C-CARBON R | RN72K1J-182JE | 1 | 435031824R1 |   |
| U001 | R4086 | C-CARBON R | RN72K1J-182JE | 1 | 435031824R1 |   |
| U001 | R4087 | C-CARBON R | RN72K1J-222JE | 1 | 435032224R1 |   |
| U001 | R4088 | C-CARBON R | RN72K1J-222JE | 1 | 435032224R1 |   |
| U001 | R4089 | C-CARBON R | RN72K1J-000JE | 1 | 435030004R1 |   |
| U001 | R4090 | C-CARBON R | RN72K1J-123JE | 1 | 435031234R1 |   |
| U001 | R4091 | C-CARBON R | RN72K1J-223JE | 1 | 435032234R1 |   |
| U001 | R4092 | C-CARBON R | RN72K1J-331JE | 1 | 435033314R1 |   |
| U001 | R4093 | C-CARBON R | RN72K1J-332JE | 1 | 435033324R1 |   |
| U001 | R4094 | C-CARBON R | RN72K1J-103JE | 1 | 435031034R1 |   |
| U001 | R4095 | C-CARBON R | RN72K1J-103JE | 1 | 435031034R1 |   |
| U001 | R4096 | C-CARBON R | RN72K1J-331JE | 1 | 435033314R1 |   |
| U001 | R4097 | C-CARBON R | RN72K1J-332JE | 1 | 435033324R1 |   |
| U001 | R4098 | C-CARBON R | RN72K1J-123JE | 1 | 435031234R1 |   |
| U001 | R4099 | C-CARBON R | RN72K1J-223JE | 1 | 435032234R1 |   |
| U001 | R4100 | C-CARBON R | RN72K1J-224JE | 1 | 435032244R1 |   |
| U001 | R4101 | C-CARBON R | RN72K1J-224JE | 1 | 435032244R1 |   |
| U001 | R4102 | C-CARBON R | RN72K1J-224JE | 1 | 435032244R1 |   |
| U001 | R4103 | C-CARBON R | RN72K1J-224JE | 1 | 435032244R1 |   |
| U001 | R4104 | C-CARBON R | RN72K1J-224JE | 1 | 435032244R1 |   |
| U001 | R4107 | C-CARBON R | RN72K1J-222JE | 1 | 435032224R1 | <MDC, MDS, MMK, MMQ, MPB, MPP_A, MPP_H> |
| U001 | R4110 | C-CARBON R | RN72K1J-222JE | 1 | 435032224R1 |   |
| U001 | R4111 | C-CARBON R | RN72K1J-222JE | 1 | 435032224R1 |   |
| U001 | R4112 | C-CARBON R | RN72K1J-222JE | 1 | 435032224R1 |   |
| U001 | R4113 | C-CARBON R | RN72K1J-222JE | 1 | 435032224R1 |   |
| U001 | R4114 | C-CARBON R | RN72K1J-222JE | 1 | 435032224R1 |   |
| U001 | R4117 | C-CARBON R | RN72K1J-271JE | 1 | 435032714R1 |   |
| U001 | R4127 | C-CARBON R | RN72K1J-101JE | 1 | 435031014R1 |   |
| U001 | R4130 | C-CARBON R | RN72K1J-221JE | 1 | 435032214R1 |   |
| U001 | R4131 | C-CARBON R | RN72K1J-473JE | 1 | 435034734R1 |   |
| U001 | R4132 | C-CARBON R | RN72K1J-153JE | 1 | 435031534R1 |   |
| U001 | R4133 | C-CARBON R | RN72K1J-122JE | 1 | 435031224R1 |   |
| U001 | R4134 | C-CARBON R | RN72K1J-103JE | 1 | 435031034R1 |   |
| U001 | R4160 | METAL R    | RNU1WCJ-0.22  | 1 | 453632294T  |   |
| U001 | R4161 | METAL R    | RNU1WCJ-0.22  | 1 | 453632294T  |   |
| U001 | R4166 | C-CARBON R | RN72K1J-220JE | 1 | 435032204R1 |   |

|      |       |            |               |   |             |
|------|-------|------------|---------------|---|-------------|
| U001 | R4167 | C-CARBON R | RN72K1J-220JE | 1 | 435032204R1 |
| U001 | R4174 | METAL O R  | RS1WBJ-68     | 1 | 443626804T  |
| U001 | R4175 | METAL O R  | RS1WBJ-68     | 1 | 443626804T  |
| U001 | R4176 | METAL O R  | RS1WBJ-15     | 1 | 443621504T  |
| U001 | R4177 | METAL O R  | RS1WBJ-15     | 1 | 443621504T  |
| U001 | R4181 | C-CARBON R | RN72K1J-224JE | 1 | 435032244R1 |
| U001 | R4189 | C-CARBON R | RN72K1J-473JE | 1 | 435034734R1 |
| U001 | R4190 | C-CARBON R | RN72K1J-473JE | 1 | 435034734R1 |
| U001 | R4192 | C-CARBON R | RN72K1J-224JE | 1 | 435032244R1 |
| U001 | R4193 | C-CARBON R | RN72K1J-224JE | 1 | 435032244R1 |
| U001 | R4194 | C-CARBON R | RN72K1J-224JE | 1 | 435032244R1 |
| U001 | R4200 | C-CARBON R | RN72K1J-220JE | 1 | 435032204R1 |
| U001 | R4201 | C-CARBON R | RN72K1J-220JE | 1 | 435032204R1 |
| U001 | R4400 | C-CARBON R | RN72K1J-223JE | 1 | 435032234R1 |
| U001 | R4401 | C-CARBON R | RN72K1J-223JE | 1 | 435032234R1 |
| U001 | R4402 | C-CARBON R | RN72K1J-333JE | 1 | 435033334R1 |
| U001 | R4403 | C-CARBON R | RN72K1J-333JE | 1 | 435033334R1 |
| U001 | R4404 | C-CARBON R | RN72K1J-223JE | 1 | 435032234R1 |
| U001 | R4405 | C-CARBON R | RN72K1J-223JE | 1 | 435032234R1 |
| U001 | R4406 | C-CARBON R | RN72K1J-273JE | 1 | 435032734R1 |
| U001 | R4407 | C-CARBON R | RN72K1J-273JE | 1 | 435032734R1 |
| U001 | R4408 | C-CARBON R | RN72K1J-331JE | 1 | 435033314R1 |
| U001 | R4409 | C-CARBON R | RN72K1J-331JE | 1 | 435033314R1 |
| U001 | R4410 | C-CARBON R | RN72K1J-104JE | 1 | 435031044R1 |
| U001 | R4411 | C-CARBON R | RN72K1J-104JE | 1 | 435031044R1 |
| U001 | R4412 | C-CARBON R | RN72K1J-220JE | 1 | 435032204R1 |
| U001 | R4413 | C-CARBON R | RN72K1J-220JE | 1 | 435032204R1 |
| U001 | R4414 | C-CARBON R | RN72K1J-220JE | 1 | 435032204R1 |
| U001 | R4415 | C-CARBON R | RN72K1J-220JE | 1 | 435032204R1 |
| U001 | R4416 | C-CARBON R | RN72K1J-471JE | 1 | 435034714R1 |
| U001 | R4417 | C-CARBON R | RN72K1J-333JE | 1 | 435033334R1 |
| U001 | R4419 | C-CARBON R | RN72K1J-000JE | 1 | 435030004R1 |
| U001 | R4420 | C-CARBON R | RN72K1J-472JE | 1 | 435034724R1 |
| U001 | R4421 | C-CARBON R | RN72K1J-472JE | 1 | 435034724R1 |
| U001 | R4422 | C-CARBON R | RN72K1J-472JE | 1 | 435034724R1 |
| U001 | R4423 | C-CARBON R | RN72K1J-472JE | 1 | 435034724R1 |
| U001 | R4424 | C-CARBON R | RN72K1J-472JE | 1 | 435034724R1 |
| U001 | R4427 | C-CARBON R | RN72K1J-472JE | 1 | 435034724R1 |
| U001 | R4430 | C-CARBON R | RN72K1J-153JE | 1 | 435031534R1 |

|      |       |            |               |   |             |   |
|------|-------|------------|---------------|---|-------------|---|
| U001 | R4431 | C-CARBON R | RN72K1J-153JE | 1 | 435031534R1 |   |
| U001 | R4432 | C-CARBON R | RN72K1J-153JE | 1 | 435031534R1 |   |
| U001 | R4433 | C-CARBON R | RN72K1J-153JE | 1 | 435031534R1 |   |
| U001 | R4434 | C-CARBON R | RN72K1J-153JE | 1 | 435031534R1 |   |
| U001 | R4437 | C-CARBON R | RN72K1J-153JE | 1 | 435031534R1 |   |
| U001 | R4440 | C-CARBON R | RN72K1J-331JE | 1 | 435033314R1 |   |
| U001 | R4441 | C-CARBON R | RN72K1J-331JE | 1 | 435033314R1 |   |
| U001 | R4442 | C-CARBON R | RN72K1J-331JE | 1 | 435033314R1 |   |
| U001 | R4443 | C-CARBON R | RN72K1J-331JE | 1 | 435033314R1 |   |
| U001 | R4444 | C-CARBON R | RN72K1J-331JE | 1 | 435033314R1 |   |
| U001 | R4447 | C-CARBON R | RN72K1J-331JE | 1 | 435033314R1 |   |
| U001 | R4450 | C-CARBON R | RN72K1J-561JE | 1 | 435035614R1 |   |
| U001 | R4451 | C-CARBON R | RN72K1J-561JE | 1 | 435035614R1 |   |
| U001 | R4452 | C-CARBON R | RN72K1J-561JE | 1 | 435035614R1 |   |
| U001 | R4453 | C-CARBON R | RN72K1J-561JE | 1 | 435035614R1 |   |
| U001 | R4454 | C-CARBON R | RN72K1J-561JE | 1 | 435035614R1 |   |
| U001 | R4457 | C-CARBON R | RN72K1J-561JE | 1 | 435035614R1 |   |
| U001 | R4601 | C-CARBON R | RN72K1J-471JE | 1 | 435034714R1 |   |
| U001 | R4602 | C-CARBON R | RN72K1J-000JE | 1 | 435030004R1 |   |
| U001 | R6010 | C-CARBON R | RN72K1J-102JE | 1 | 435031024R1 |   |
| U001 | R6011 | C-CARBON R | RN72K1J-102JE | 1 | 435031024R1 |   |
| U001 | R6012 | C-CARBON R | RN72K1J-102JE | 1 | 435031024R1 |   |
| U001 | R6013 | C-CARBON R | RN72K1J-102JE | 1 | 435031024R1 |   |
| U001 | R6014 | C-CARBON R | RN72K1J-102JE | 1 | 435031024R1 |   |
| U001 | R6017 | C-CARBON R | RN72K1J-102JE | 1 | 435031024R1 | <MDC, MDS, MMK, MMQ, MPB, MPP_A, MPP_H> |
| U001 | R6020 | CARBON R   | R16J-56K      | 1 | 417345634T  |   |
| U001 | R6021 | CARBON R   | R16J-56K      | 1 | 417345634T  |   |
| U001 | R6022 | CARBON R   | R16J-56K      | 1 | 417345634T  |   |
| U001 | R6023 | CARBON R   | R16J-56K      | 1 | 417345634T  |   |
| U001 | R6024 | CARBON R   | R16J-56K      | 1 | 417345634T  |   |
| U001 | R6027 | CARBON R   | R16J-56K      | 1 | 417345634T  | <MDC, MDS, MMK, MMQ, MPB, MPP_A, MPP_H> |
| U001 | R6030 | CARBON R   | R16J-2.2K     | 1 | 417342224T  |   |
| U001 | R6031 | CARBON R   | R16J-2.2K     | 1 | 417342224T  |   |
| U001 | R6032 | CARBON R   | R16J-2.2K     | 1 | 417342224T  |   |
| U001 | R6033 | CARBON R   | R16J-2.2K     | 1 | 417342224T  |   |
| U001 | R6034 | CARBON R   | R16J-2.2K     | 1 | 417342224T  |   |
| U001 | R6037 | CARBON R   | R16J-2.2K     | 1 | 417342224T  | <MDC, MDS, MMK, MMQ, MPB, MPP_A, MPP_H> |
| U001 | R6040 | CARBON R   | R16J-120K     | 1 | 417341244T  |   |
| U001 | R6041 | CARBON R   | R16J-120K     | 1 | 417341244T  |   |

|      |       |            |               |   |             |   |
|------|-------|------------|---------------|---|-------------|---|
| U001 | R6042 | CARBON R   | R16J-120K     | 1 | 417341244T  |   |
| U001 | R6043 | CARBON R   | R16J-120K     | 1 | 417341244T  |   |
| U001 | R6044 | CARBON R   | R16J-120K     | 1 | 417341244T  |   |
| U001 | R6047 | CARBON R   | R16J-120K     | 1 | 417341244T  | <MDC, MDS, MMK, MMQ, MPB, MPP_A, MPP_H> |
| U001 | R6050 | CARBON R   | R16J-120K     | 1 | 417341244T  |   |
| U001 | R6051 | CARBON R   | R16J-120K     | 1 | 417341244T  |   |
| U001 | R6052 | CARBON R   | R16J-120K     | 1 | 417341244T  |   |
| U001 | R6053 | CARBON R   | R16J-120K     | 1 | 417341244T  |   |
| U001 | R6054 | CARBON R   | R16J-120K     | 1 | 417341244T  |   |
| U001 | R6057 | CARBON R   | R16J-120K     | 1 | 417341244T  | <MDC, MDS, MMK, MMQ, MPB, MPP_A, MPP_H> |
| U001 | R6070 | C-CARBON R | RN72K1J-563JE | 1 | 435035634R1 |   |
| U001 | R6071 | C-CARBON R | RN72K1J-563JE | 1 | 435035634R1 |   |
| U001 | R6072 | C-CARBON R | RN72K1J-563JE | 1 | 435035634R1 |   |
| U001 | R6073 | C-CARBON R | RN72K1J-563JE | 1 | 435035634R1 |   |
| U001 | R6074 | C-CARBON R | RN72K1J-563JE | 1 | 435035634R1 |   |
| U001 | R6077 | C-CARBON R | RN72K1J-563JE | 1 | 435035634R1 | <MDC, MDS, MMK, MMQ, MPB, MPP_A, MPP_H> |
| U001 | R6080 | C-CARBON R | RN72K1J-123JE | 1 | 435031234R1 |   |
| U001 | R6081 | C-CARBON R | RN72K1J-123JE | 1 | 435031234R1 |   |
| U001 | R6082 | C-CARBON R | RN72K1J-123JE | 1 | 435031234R1 |   |
| U001 | R6083 | C-CARBON R | RN72K1J-123JE | 1 | 435031234R1 |   |
| U001 | R6084 | C-CARBON R | RN72K1J-123JE | 1 | 435031234R1 |   |
| U001 | R6087 | C-CARBON R | RN72K1J-123JE | 1 | 435031234R1 | <MDC, MDS, MMK, MMQ, MPB, MPP_A, MPP_H> |
| U001 | R6100 | C-CARBON R | RN72K1J-333JE | 1 | 435033334R1 |   |
| U001 | R6101 | C-CARBON R | RN72K1J-333JE | 1 | 435033334R1 |   |
| U001 | R6102 | C-CARBON R | RN72K1J-333JE | 1 | 435033334R1 |   |
| U001 | R6103 | C-CARBON R | RN72K1J-333JE | 1 | 435033334R1 |   |
| U001 | R6104 | C-CARBON R | RN72K1J-333JE | 1 | 435033334R1 |   |
| U001 | R6107 | C-CARBON R | RN72K1J-333JE | 1 | 435033334R1 | <MDC, MDS, MMK, MMQ, MPB, MPP_A, MPP_H> |
| U001 | R6110 | C-CARBON R | RN72K1J-473JE | 1 | 435034734R1 |   |
| U001 | R6111 | C-CARBON R | RN72K1J-473JE | 1 | 435034734R1 |   |
| U001 | R6112 | C-CARBON R | RN72K1J-473JE | 1 | 435034734R1 |   |
| U001 | R6113 | C-CARBON R | RN72K1J-473JE | 1 | 435034734R1 |   |
| U001 | R6114 | C-CARBON R | RN72K1J-473JE | 1 | 435034734R1 |   |
| U001 | R6117 | C-CARBON R | RN72K1J-473JE | 1 | 435034734R1 | <MDC, MDS, MMK, MMQ, MPB, MPP_A, MPP_H> |
| U001 | R6120 | C-CARBON R | RN72K1J-473JE | 1 | 435034734R1 |   |
| U001 | R6121 | C-CARBON R | RN72K1J-473JE | 1 | 435034734R1 |   |
| U001 | R6122 | C-CARBON R | RN72K1J-473JE | 1 | 435034734R1 |   |
| U001 | R6123 | C-CARBON R | RN72K1J-473JE | 1 | 435034734R1 |   |
| U001 | R6124 | C-CARBON R | RN72K1J-473JE | 1 | 435034734R1 |   |

|      |       |            |               |   |             |   |
|------|-------|------------|---------------|---|-------------|---|
| U001 | R6127 | C-CARBON R | RN72K1J-473JE | 1 | 435034734R1 | <MDC, MDS, MMK, MMQ, MPB, MPP_A, MPP_H> |
| U001 | R6130 | C-CARBON R | RN72K2E-150JE | 1 | 435221504R1 |   |
| U001 | R6131 | C-CARBON R | RN72K2E-150JE | 1 | 435221504R1 |   |
| U001 | R6132 | C-CARBON R | RN72K2E-150JE | 1 | 435221504R1 |   |
| U001 | R6133 | C-CARBON R | RN72K2E-150JE | 1 | 435221504R1 |   |
| U001 | R6134 | C-CARBON R | RN72K2E-150JE | 1 | 435221504R1 |   |
| U001 | R6137 | C-CARBON R | RN72K2E-150JE | 1 | 435221504R1 | <MDC, MDS, MMK, MMQ, MPB, MPP_A, MPP_H> |
| U001 | R6140 | METAL R    | RNU1WCJ-8.2   | 1 | 453630824T  |   |
| U001 | R6141 | METAL R    | RNU1WCJ-8.2   | 1 | 453630824T  |   |
| U001 | R6142 | METAL R    | RNU1WCJ-8.2   | 1 | 453630824T  |   |
| U001 | R6143 | METAL R    | RNU1WCJ-8.2   | 1 | 453630824T  |   |
| U001 | R6144 | METAL R    | RNU1WCJ-8.2   | 1 | 453630824T  |   |
| U001 | R6147 | METAL R    | RNU1WCJ-8.2   | 1 | 453630824T  | <MDC, MDS, MMK, MMQ, MPB, MPP_A, MPP_H> |
| U001 | R6160 | METAL O R  | RS2WBJ-0.22   | 1 | 442722294T  | N                                       |
| U001 | R6161 | METAL O R  | RS2WBJ-0.22   | 1 | 442722294T  | N                                       |
| U001 | R6162 | METAL O R  | RS2WBJ-0.22   | 1 | 442722294T  | N                                       |
| U001 | R6163 | METAL O R  | RS2WBJ-0.22   | 1 | 442722294T  | N                                       |
| U001 | R6164 | METAL O R  | RS2WBJ-0.22   | 1 | 442722294T  | N                                       |
| U001 | R6167 | METAL O R  | RS2WBJ-0.22   | 1 | 442722294T  | <MDC, MDS, MMK, MMQ, MPB, MPP_A, MPP_H> |
| U001 | R6170 | METAL O R  | RS2WBJ-0.22   | 1 | 442722294T  | N                                       |
| U001 | R6171 | METAL O R  | RS2WBJ-0.22   | 1 | 442722294T  | N                                       |
| U001 | R6172 | METAL O R  | RS2WBJ-0.22   | 1 | 442722294T  | N                                       |
| U001 | R6173 | METAL O R  | RS2WBJ-0.22   | 1 | 442722294T  | N                                       |
| U001 | R6174 | METAL O R  | RS2WBJ-0.22   | 1 | 442722294T  | N                                       |
| U001 | R6177 | METAL O R  | RS2WBJ-0.22   | 1 | 442722294T  | <MDC, MDS, MMK, MMQ, MPB, MPP_A, MPP_H> |
| U001 | R6203 | CARBON R   | R16J-33K      | 1 | 417343334T  |   |
| U001 | R6204 | METAL O R  | RS1/2WBJ-100  | 1 | 443521014T  |   |
| U001 | R6205 | METAL O R  | RS1/2WBJ-100  | 1 | 443521014T  |   |
| U001 | R6206 | CARBON R   | R16J-33K      | 1 | 417343334T  | <MDC, MDS, MMK, MMQ, MPB, MPP_A, MPP_H> |
| U001 | R6209 | METAL O R  | RS1/2WBJ-100  | 1 | 443521014T  |   |
| U001 | R6210 | METAL O R  | RS1/2WBJ-100  | 1 | 443521014T  |   |
| U001 | R6211 | C-CARBON R | RN72K1J-333JE | 1 | 435033334R1 |   |
| U001 | R6213 | C-CARBON R | RN72K1J-103JE | 1 | 435031034R1 |   |
| U001 | R6214 | C-CARBON R | RN72K1J-473JE | 1 | 435034734R1 |   |
| U001 | R6216 | C-CARBON R | RN72K1J-223JE | 1 | 435032234R1 |   |
| U001 | R6217 | C-CARBON R | RN72K1J-473JE | 1 | 435034734R1 |   |
| U001 | R6218 | C-CARBON R | RN72K1J-103JE | 1 | 435031034R1 |   |
| U001 | R6219 | C-CARBON R | RN72K1J-223JE | 1 | 435032234R1 |   |
| U001 | R6230 | C-CARBON R | RN72K2E-150JE | 1 | 435221504R1 |   |

|      |                 |            |               |   |             |   |
|------|-----------------|------------|---------------|---|-------------|---|
| U001 | R6231           | C-CARBON R | RN72K2E-150JE | 1 | 435221504R1 |   |
| U001 | R6232           | C-CARBON R | RN72K2E-150JE | 1 | 435221504R1 |   |
| U001 | R6233           | C-CARBON R | RN72K2E-150JE | 1 | 435221504R1 |   |
| U001 | R6234           | C-CARBON R | RN72K2E-150JE | 1 | 435221504R1 |   |
| U001 | R6237           | C-CARBON R | RN72K2E-150JE | 1 | 435221504R1 | <MDC, MDS, MMK, MMQ, MPB, MPP_A, MPP_H> |
| U001 | R6251           | METAL O R  | RS1/2WBJ-390  | 1 | 443523914T  |   |
| U001 | R6252           | METAL O R  | RS1/2WBJ-390  | 1 | 443523914T  |   |
| U001 | R6709           | C-CARBON R | RN72K1J-562JE | 1 | 435035624R1 |   |
| U001 | R6710           | C-CARBON R | RN72K1J-562JE | 1 | 435035624R1 |   |
| U001 | R6902           | C-CARBON R | RN72K1J-102JE | 1 | 435031024R1 |   |
| U001 | R6903           | C-CARBON R | RN72K1J-473JE | 1 | 435034734R1 |   |
| U001 | R6912           | METAL R    | RNU1/2WCJ-0.1 | 1 | 453531094T  |   |
| U001 | R950            | METAL O R  | RS1WBJ-10     | 1 | 443621004T  |   |
| U001 | R960            | METAL R    | RNU1/2WCJ-8.2 | 1 | 453530824T  |   |
| U001 | R961            | CARBON R   | R16J-3.3      | 1 | 417340334T  |   |
| U001 | R962            | C-CARBON R | RN72K1J-822JE | 1 | 435038224R1 |   |
| U001 | R963            | C-CARBON R | RN72K1J-822JE | 1 | 435038224R1 |   |
| U001 | R964            | C-CARBON R | RN72K1J-333JE | 1 | 435033334R1 |   |
| U001 | <b>[SW TRM]</b> |            |               |   |             |   |
| U001 | E6001           | RETAINER   | MET37-0002    | 1 | 27142009T   |   |
| U001 | F6901A          | FUSE HOL   | NSCT-1P2031   | 1 | 25052133T   |   |
| U001 | F6901B          | FUSE HOL   | NSCT-1P2031   | 1 | 25052133T   |   |
| U001 | F6902A          | FUSE HOL   | NSCT-1P2031   | 1 | 25052133T   |   |
| U001 | F6902B          | FUSE HOL   | NSCT-1P2031   | 1 | 25052133T   |   |
| U001 | JL501A          | WIRE HOL   | NSCT-3P874    | 1 | 25051087    |   |
| U001 | JL502A          | WIRE HOL   | NSCT-5P876    | 1 | 25051089    | <MDC, MDS, MMK, MMQ, MPB, MPP_A, MPP_H> |
| U001 | JL503A          | WIRE HOL   | NSCT-7P878    | 1 | 25051091    | <MDC, MDS, MMK, MMQ, MPB, MPP_A, MPP_H> |
| U001 | JL600A          | WIRE HOL   | NSCT-7P898    | 1 | 25051111    |   |
| U001 | JL600B          | WIRE HOL   | NSCT-7P898    | 1 | 25051111    |   |
| U001 | JL603A          | WIRE HOL   | NSCT-9P900    | 1 | 25051113    |   |
| U001 | JL603B          | WIRE HOL   | NSCT-9P900    | 1 | 25051113    |   |
| U001 | JL605B          | SOCKET     | NSCT-5P97     | 1 | 25050269    |   |
| U001 | JL951A          | WIRE HOL   | NSCT-5P896    | 1 | 25051109    |   |
| U001 | JL951B          | WIRE HOL   | NSCT-5P896    | 1 | 25051109    |   |
| U001 | JL952A          | WIRE HOL   | NSCT-3P894    | 1 | 25051107    |   |
| U001 | JL953B          | WIRE TRAP  | NPLG-5P588    | 1 | 25055626    |   |
| U001 | JL954A          | WIRE HOL   | NSCT-9P900    | 1 | 25051113    |   |
| U001 | JL954B          | WIRE HOL   | NSCT-9P900    | 1 | 25051113    |   |
| U001 | P101B           | SOCKET     | NSCT-9P2102   | 1 | 25052205    |   |

|      |          |          |                    |      |              |   |
|------|----------|----------|--------------------|------|--------------|---|
| U001 | P131     | PIN JACK | NPJ-1PDO554        | 1    | 25045772     |   |
| U001 | P4000    | ST JACK  | MSJ-035-22         | 1    | 25045887     |   |
| U001 | P4000 or | JACK     | YKB21-5130         | ( 1) | 25045387     |   |
| U001 | P4002    | PIN JACK | NPJ-4PDWR690       | 1    | 25045922     |   |
| U001 | P4005    | PIN JACK | NPJ-4PDWWR624      | 1    | 25045845     |   |
| U001 | P4006    | PIN JACK | NPJ-4PDWWR624      | 1    | 25045845     |   |
| U001 | P6001    | TRM      | NTM-12PDML362      | 1    | 25060433     | <MDC, MDS, MMK, MMQ, MPB, MPP_A, MPP_H> |
| U001 | P6001 or | TRM      | NTM-12PDML356      | ( 1) | 25060427     | <MDC, MDS, MMK, MMQ, MPB, MPP_A, MPP_H> |
| U001 | P6002    | TRM      | NTM-4PDML364       | 1    | 25060435     |   |
| U001 | P6900    | CRIMP AS | CRIMP AS           | 1    | 20799162UL   |   |
| U001 | P6901    | CRIMP AS | CRIMP AS           | 1    | 2069925162UL |   |
| U001 | P6902    | CRIMP AS | CRIMP AS           | 1    | 2069925169UL |   |
| U001 | P6903    | WS CLAMP | CB-71683(L=50)     | 1    | 260261       |   |
| U001 | P6906    | WS CLAMP | CB-71683(L=50)     | 1    | 260261       |   |
| U001 | P6909    | WS CLAMP | CB-71683(L=50)     | 1    | 260261       |   |
| U001 | P6913    | WS CLAMP | CB-71683(L=50)     | 1    | 260261       |   |
| U001 | P6915    | WS CLAMP | CB-71683(L=50)     | 1    | 260261       |   |
| U001 | P703B    | SOCKET   | NSCT-7P2398        | 1    | 25052501     |   |
| U001 | P8001A   | SOCKET   | NSCT-21P2412       | 1    | 25052515     |   |
| U001 | P8002A   | SOCKET   | NSCT-9P2400        | 1    | 25052503     |   |
| U001 | P8003B   | PLUG     | NPLG-7P0962        | 1    | 25056012     |   |
| U001 | RL660    | RELAY    | NRL-2P5A-DC24-129  | 1    | 25065563A    |   |
| U001 | RL660 or | RELAY    | NRL-2P8A-DC24-144  | ( 1) | 25065590     |   |
| U001 | RL660 or | RELAY    | NRL-2P5A-DC24-193  | ( 1) | 25065703     |   |
| U001 | RL662    | RELAY    | NRL-2P5A-DC24-129  | 1    | 25065563A    |   |
| U001 | RL662 or | RELAY    | NRL-2P8A-DC24-144  | ( 1) | 25065590     |   |
| U001 | RL662 or | RELAY    | NRL-2P5A-DC24-193  | ( 1) | 25065703     |   |
| U001 | RL663    | RELAY    | NRL-2P5A-DC24-129  | 1    | 25065563A    |   |
| U001 | RL663 or | RELAY    | NRL-2P8A-DC24-144  | ( 1) | 25065590     |   |
| U001 | RL663 or | RELAY    | NRL-2P5A-DC24-193  | ( 1) | 25065703     |   |
| U001 | RL667    | RELAY    | NRL-2P5A-DC24-129  | 1    | 25065563A    | <MDC, MDS, MMK, MMQ, MPB, MPP_A, MPP_H> |
| U001 | RL667 or | RELAY    | NRL-2P8A-DC24-144  | ( 1) | 25065590     | <MDC, MDS, MMK, MMQ, MPB, MPP_A, MPP_H> |
| U001 | RL667 or | RELAY    | NRL-2P5A-DC24-193  | ( 1) | 25065703     | <MDC, MDS, MMK, MMQ, MPB, MPP_A, MPP_H> |
| U001 | RL669    | RELAY    | NRL-2P5A-DC24-129  | 1    | 25065563A    |   |
| U001 | RL669 or | RELAY    | NRL-2P8A-DC24-144  | ( 1) | 25065590     |   |
| U001 | RL669 or | RELAY    | NRL-2P5A-DC24-193  | ( 1) | 25065703     |   |
| U001 | RL691    | RELAY    | NRL-1P10A-DC12-196 | 1    | 25065707     |   |
| U001 | RL691 or | RELAY    | NRL-1P10A-DC12-197 | ( 1) | 25065708     |   |
| U001 | RL691 or | RELAY    | NRL-1P10A-DC12-198 | ( 1) | 25065709     |   |

|      |   |  |                      |      |             |   |
|------|---|--|----------------------|------|-------------|---|
| U001 | RL692   | RELAY  | NRL-1P10A-DC12-196   | 1    | 25065707    |   |
| U001 | RL692 or  | RELAY  | NRL-1P10A-DC12-197   | ( 1) | 25065708    |   |
| U001 | RL692 or  | RELAY  | NRL-1P10A-DC12-198   | ( 1) | 25065709    |   |
| U001 | RL693   | RELAY  | NRL-2P5A-DC24-129    | 1    | 25065563A   |   |
| U001 | <b>[TUNER UNIT]</b>   |  |                      |      |             |   |
| U001 | U131  | PHT CP                                       | JSR1165-001recieving | 1    | 24120143    |   |
| U001 | U132  | PHT CP                                       | JSR1165-001recieving | 1    | 24120143    |   |
| U002 | <b>U002</b>   | <b>U0020 + U0021 + U0022 + U0023 + U0024</b> |                      |      |             |   |
| U002 | <b>U0020</b>  | Display PC board ass'y                       | BADIS-0654-1C/ 1G    |      |             |   |
| U002 | <b>U0021</b>  | Standby switch PC board ass'y                | BADIS-0655-1C/ 1G    |      |             |   |
| U002 | <b>U0022</b>  | Video PC board ass'y                         | BAVD-0656-1C/ 1G     |      |             |   |
| U002 | <b>U0023</b>  | HP Jack PC board ass'y                       | BAETC-0658-1C/ 1G    |      |             |   |
| U002 | <b>U0024</b>  | Primary Wiring PC board ass'y                | BAPS-0659-1C/ 1G     |      |             |   |
| U002 | <b>CIRCUIT NO. PART NAME DESCRIPTION Q'TY PART NO. (SN) REMARKS</b> |  |                      |      |             |   |
| U002 | <b>[SEMI CONDUCTOR]</b>   |  |                      |      |             |   |
| U002 | D7002   | ZENER D                                      | DZ2J082M0L           | 1    | 224760820R2 |   |
| U002 | D7002 or  | ZENER D                                      | UDZS8.2B             | ( 1) | 224550820R2 |   |
| U002 | D7033   | ZENER D                                      | DZ2J039M0L           | 1    | 224760390R2 |   |
| U002 | D7033 or  | ZENER D                                      | UDZS3.9B             | ( 1) | 224550390R2 |   |
| U002 | D7152   | LED  | SLI-343Y8C-TE7       | 1    | 225490T     |   |
| U002 | D7301   | C-DIODE                                      | DA2J10100            | 1    | 223303R2    | N |
| U002 | D7301 or  | C-DIODE                                      | 1SS352               | ( 1) | 223234R2    |   |
| U002 | D7301 or  | C-DIODE                                      | 1SS355               | ( 1) | 223269R2    |   |
| U002 | D7301 or  | C-DIODE                                      | MA2J111              | ( 1) | 223279R2    |   |
| U002 | D7301 or  | C-DIODE                                      | KDS4148U             | ( 1) | 223283R2    |   |
| U002 | D7302   | C-DIODE                                      | DA2J10100            | 1    | 223303R2    | N |
| U002 | D7302 or  | C-DIODE                                      | 1SS352               | ( 1) | 223234R2    |   |
| U002 | D7302 or  | C-DIODE                                      | 1SS355               | ( 1) | 223269R2    |   |
| U002 | D7302 or  | C-DIODE                                      | MA2J111              | ( 1) | 223279R2    |   |
| U002 | D7302 or  | C-DIODE                                      | KDS4148U             | ( 1) | 223283R2    |   |
| U002 | D9011   | DIODE  | D5SBA60              | 1    | 22380070F   | N |
| U002 | D9014   | C-DIODE                                      | DA2J10100            | 1    | 223303R2    | N |
| U002 | D9014 or  | C-DIODE                                      | 1SS352               | ( 1) | 223234R2    |   |
| U002 | D9014 or  | C-DIODE                                      | 1SS355               | ( 1) | 223269R2    |   |
| U002 | D9014 or  | C-DIODE                                      | MA2J111              | ( 1) | 223279R2    |   |
| U002 | D9014 or  | C-DIODE                                      | KDS4148U             | ( 1) | 223283R2    |   |
| U002 | D9015   | C-DIODE                                      | DA2J10100            | 1    | 223303R2    | N |



|      |          |         |            |     |             |   |
|------|----------|---------|------------|-----|-------------|---|
| U002 | D9015 or | C-DIODE | 1SS352     | (1) | 223234R2    |   |
| U002 | D9015 or | C-DIODE | 1SS355     | (1) | 223269R2    |   |
| U002 | D9015 or | C-DIODE | MA2J111    | (1) | 223279R2    |   |
| U002 | D9015 or | C-DIODE | KDS4148U   | (1) | 223283R2    |   |
| U002 | D9016    | ZENER D | DZ2J062M0L | 1   | 224760620R2 |   |
| U002 | D9016 or | ZENER D | UDZS6.2B   | (1) | 224550620R2 |   |
| U002 | D911     | C-DIODE | DA2J10100  | 1   | 223303R2    | N |
| U002 | D911 or  | C-DIODE | 1SS352     | (1) | 223234R2    |   |
| U002 | D911 or  | C-DIODE | 1SS355     | (1) | 223269R2    |   |
| U002 | D911 or  | C-DIODE | MA2J111    | (1) | 223279R2    |   |
| U002 | D911 or  | C-DIODE | KDS4148U   | (1) | 223283R2    |   |
| U002 | D912     | C-DIODE | DA2J10100  | 1   | 223303R2    | N |
| U002 | D912 or  | C-DIODE | 1SS352     | (1) | 223234R2    |   |
| U002 | D912 or  | C-DIODE | 1SS355     | (1) | 223269R2    |   |
| U002 | D912 or  | C-DIODE | MA2J111    | (1) | 223279R2    |   |
| U002 | D912 or  | C-DIODE | KDS4148U   | (1) | 223283R2    |   |
| U002 | D921     | C-DIODE | DA2J10100  | 1   | 223303R2    | N |
| U002 | D921 or  | C-DIODE | 1SS352     | (1) | 223234R2    |   |
| U002 | D921 or  | C-DIODE | 1SS355     | (1) | 223269R2    |   |
| U002 | D921 or  | C-DIODE | MA2J111    | (1) | 223279R2    |   |
| U002 | D921 or  | C-DIODE | KDS4148U   | (1) | 223283R2    |   |
| U002 | D922     | C-DIODE | DA2J10100  | 1   | 223303R2    | N |
| U002 | D922 or  | C-DIODE | 1SS352     | (1) | 223234R2    |   |
| U002 | D922 or  | C-DIODE | 1SS355     | (1) | 223269R2    |   |
| U002 | D922 or  | C-DIODE | MA2J111    | (1) | 223279R2    |   |
| U002 | D922 or  | C-DIODE | KDS4148U   | (1) | 223283R2    |   |
| U002 | D923     | C-DIODE | DA2J10100  | 1   | 223303R2    | N |
| U002 | D923 or  | C-DIODE | 1SS352     | (1) | 223234R2    |   |
| U002 | D923 or  | C-DIODE | 1SS355     | (1) | 223269R2    |   |
| U002 | D923 or  | C-DIODE | MA2J111    | (1) | 223279R2    |   |
| U002 | D923 or  | C-DIODE | KDS4148U   | (1) | 223283R2    |   |
| U002 | D924     | C-DIODE | DA2J10100  | 1   | 223303R2    | N |
| U002 | D924 or  | C-DIODE | 1SS352     | (1) | 223234R2    |   |
| U002 | D924 or  | C-DIODE | 1SS355     | (1) | 223269R2    |   |
| U002 | D924 or  | C-DIODE | MA2J111    | (1) | 223279R2    |   |
| U002 | D924 or  | C-DIODE | KDS4148U   | (1) | 223283R2    |   |
| U002 | D925     | C-DIODE | DA2J10100  | 1   | 223303R2    | N |
| U002 | D925 or  | C-DIODE | 1SS352     | (1) | 223234R2    |   |
| U002 | D925 or  | C-DIODE | 1SS355     | (1) | 223269R2    |   |

|      |                     |         |                |     |             |   |
|------|---------------------|---------|----------------|-----|-------------|---|
| U002 | D925 or             | C-DIODE | MA2J111        | (1) | 223279R2    |   |
| U002 | D925 or             | C-DIODE | KDS4148U       | (1) | 223283R2    |   |
| U002 | D930                | C-DIODE | DA2J10100      | 1   | 223303R2    | N                                       |
| U002 | D930 or             | C-DIODE | 1SS352         | (1) | 223234R2    |   |
| U002 | D930 or             | C-DIODE | 1SS355         | (1) | 223269R2    |   |
| U002 | D930 or             | C-DIODE | MA2J111        | (1) | 223279R2    |   |
| U002 | D930 or             | C-DIODE | KDS4148U       | (1) | 223283R2    |   |
| U002 | D931                | C-DIODE | DA2J10100      | 1   | 223303R2    | N                                       |
| U002 | D931 or             | C-DIODE | 1SS352         | (1) | 223234R2    |   |
| U002 | D931 or             | C-DIODE | 1SS355         | (1) | 223269R2    |   |
| U002 | D931 or             | C-DIODE | MA2J111        | (1) | 223279R2    |   |
| U002 | D931 or             | C-DIODE | KDS4148U       | (1) | 223283R2    |   |
| U002 | D933                | C-DIODE | DA2J10100      | 1   | 223303R2    | N                                       |
| U002 | D933 or             | C-DIODE | 1SS352         | (1) | 223234R2    |   |
| U002 | D933 or             | C-DIODE | 1SS355         | (1) | 223269R2    |   |
| U002 | D933 or             | C-DIODE | MA2J111        | (1) | 223279R2    |   |
| U002 | D933 or             | C-DIODE | KDS4148U       | (1) | 223283R2    |   |
| U002 | D934                | ZENER D | DZ2J047M0L     | 1   | 224760470R2 | <MDC, MDS>                              |
| U002 | D934                | ZENER D | DZ2J051M0L     | 1   | 224760510R2 | <MPB, MPP_A, MMK, MMQ, MPP_H>           |
| U002 | D934 or             | ZENER D | UDZS4.7B       | (1) | 224550470R2 | <MDC, MDS>                              |
| U002 | D934 or             | ZENER D | UDZS5.1B       | (1) | 224550510R2 | <MPB, MPP_A, MMK, MMQ, MPP_H>           |
| U002 | D935                | C-DIODE | DA2J10100      | 1   | 223303R2    | N                                       |
| U002 | D935 or             | C-DIODE | 1SS352         | (1) | 223234R2    |   |
| U002 | D935 or             | C-DIODE | 1SS355         | (1) | 223269R2    |   |
| U002 | D935 or             | C-DIODE | MA2J111        | (1) | 223279R2    |   |
| U002 | D935 or             | C-DIODE | KDS4148U       | (1) | 223283R2    |   |
| U002 | Q2001               | IC      | NJW1328        | 1   | 22242691R3  | N                                       |
| U002 | Q2304               | IC      | NJM4580M-D     | 1   | 22241448R2  | <MDC, MDS, MPB, MPP_A, MMK, MMQ, MPP_H> |
| U002 | Q2330               | IC      | NJM4580M-D     | 1   | 22241448R2  | <MDC, MDS, MPB, MPP_A, MMK, MMQ, MPP_H> |
| U002 | Q2400               | IC      | NJM4580M-D     | 1   | 22241448R2  | <MDC, MDS, MPB, MPP_A, MMK, MMQ, MPP_H> |
| U002 | Q7002               | FL TUBE | 16-BT-162GNK   | 1   | 212273      |   |
| U002 | Q7002A              | HOLDER  | (FL)           | 1   | 27191222C   |   |
| U002 | Q7003               | IC      | M66005-0001AHP | 1   | 22242208R3  |   |
| U002 | Q7004               | TR      | KTC3875-GR     | 1   | 2216175R2   |   |
| U002 | Q7033               | TR      | KTC3875-GR     | 1   | 2216175R2   |   |
| U002 | Q9020               | IC      | XC6220B501PR   | 1   | 22242692R2  | N                                       |
| U002 | <b>[TRANS COIL]</b> |         |                |     |             |   |
| U002 | L2300               | EMIFIL  | BK1608LM182-T  | 1   | 230958R1    | <MDC, MDS, MPB, MPP_A, MMK, MMQ, MPP_H> |
| U002 | L2301               | EMIFIL  | BK1608LM182-T  | 1   | 230958R1    | <MDC, MDS, MPB, MPP_A, MMK, MMQ, MPP_H> |

|      |                    |            |                    |     |              |   |
|------|--------------------|------------|--------------------|-----|--------------|---|
| U002 | L2302              | EMIFIL     | BK1608LM182-T      | 1   | 230958R1     | <MDC, MDS, MPB, MPP_A, MMK, MMQ, MPP_H> |
| U002 | L2303              | CORE       | BLM18PG181SN1D     | 1   | 2350005R1    | <MDC, MDS, MPB, MPP_A, MMK, MMQ, MPP_H> |
| U002 | L2304              | CORE       | BLM18PG181SN1D     | 1   | 2350005R1    | <MDC, MDS, MPB, MPP_A, MMK, MMQ, MPP_H> |
| U002 | L2305              | EMIFIL     | BK1608LM182-T      | 1   | 230958R1     | <MDC, MDS, MPB, MPP_A, MMK, MMQ, MPP_H> |
| U002 | L2306              | EMIFIL     | BK1608LM182-T      | 1   | 230958R1     | <MDC, MDS, MPB, MPP_A, MMK, MMQ, MPP_H> |
| U002 | L2307              | EMIFIL     | BK1608LM182-T      | 1   | 230958R1     | <MDC, MDS, MPB, MPP_A, MMK, MMQ, MPP_H> |
| U002 | L2308              | EMIFIL     | BK1608LM182-T      | 1   | 230958R1     | <MDC, MDS, MPB, MPP_A, MMK, MMQ, MPP_H> |
| U002 | L2309              | EMIFIL     | BK1608LM182-T      | 1   | 230958R1     | <MDC, MDS, MPB, MPP_A, MMK, MMQ, MPP_H> |
| U002 | L2310              | EMIFIL     | BK1608LM182-T      | 1   | 230958R1     | <MDC, MDS, MPB, MPP_A, MMK, MMQ, MPP_H> |
| U002 | L2311              | EMIFIL     | BK1608LM182-T      | 1   | 230958R1     | <MDC, MDS, MPB, MPP_A, MMK, MMQ, MPP_H> |
| U002 | L2312              | EMIFIL     | BK1608LM182-T      | 1   | 230958R1     | <MDC, MDS, MPB, MPP_A, MMK, MMQ, MPP_H> |
| U002 | L2313              | EMIFIL     | BK1608LM182-T      | 1   | 230958R1     | <MDC, MDS, MPB, MPP_A, MMK, MMQ, MPP_H> |
| U002 | L2314              | EMIFIL     | BK1608LM182-T      | 1   | 230958R1     | <MDC, MDS, MPB, MPP_A, MMK, MMQ, MPP_H> |
| U002 | L2315              | EMIFIL     | BK1608LM182-T      | 1   | 230958R1     | <MDC, MDS, MPB, MPP_A, MMK, MMQ, MPP_H> |
| U002 | L2316              | CORE       | BLM18PG181SN1D     | 1   | 2350005R1    | <MDC, MDS, MPB, MPP_A, MMK, MMQ, MPP_H> |
| U002 | L2317              | EMIFIL     | BK1608LM182-T      | 1   | 230958R1     | <MDC, MDS, MPB, MPP_A, MMK, MMQ, MPP_H> |
| U002 | L2318              | EMIFIL     | BK1608LM182-T      | 1   | 230958R1     | <MDC, MDS, MPB, MPP_A, MMK, MMQ, MPP_H> |
| U002 | L2319              | EMIFIL     | BK1608LM182-T      | 1   | 230958R1     | <MDC, MDS, MPB, MPP_A, MMK, MMQ, MPP_H> |
| U002 | L2320              | EMIFIL     | BK1608LM182-T      | 1   | 230958R1     | <MDC, MDS, MPB, MPP_A, MMK, MMQ, MPP_H> |
| U002 | L2321              | EMIFIL     | BK1608LM182-T      | 1   | 230958R1     | <MDC, MDS, MPB, MPP_A, MMK, MMQ, MPP_H> |
| U002 | L7031              | CHOKE COIL | LBC2518T2R2M       | 1   | 231364M022R2 |   |
| U002 | L7032              | CHOKE COIL | LBC2518T2R2M       | 1   | 231364M022R2 |   |
| U002 | L7201              | CHOKE COIL | LBC2518T2R2M       | 1   | 231364M022R2 |   |
| U002 | L7202              | CHOKE COIL | LBC2518T2R2M       | 1   | 231364M022R2 |   |
| U002 | L7203              | CHOKE COIL | LBC2518T2R2M       | 1   | 231364M022R2 |   |
| U002 | L7301              | EMIFIL     | BK1608LM182-T      | 1   | 230958R1     |   |
| U002 | L7302              | EMIFIL     | BK1608LM182-T      | 1   | 230958R1     |   |
| U002 | L9020              | CORE       | BLM18PG181SN1D     | 1   | 2350005R1    |   |
| U002 | T902               | P TRANS    | NPT-1520JQ         | 1   | 2301812A     | ! <MDC, MDS>                            |
| U002 | T902               | P TRANS    | NPT-1520GQ         | 1   | 2301813A     | ! <MPB, MPP_A, MMK, MMQ, MPP_H>         |
| U002 | <b>[CAPACITOR]</b> |            |                    |     |              |   |
| U002 | C2000              | C-CERA C   | CK725F1E-104Z1     | 1   | 332161040R1  |   |
| U002 | C2001              | C-CERA C   | CK725F1E-104Z1     | 1   | 332161040R1  |   |
| U002 | C2002              | VR C       | CE04W50V-2.2M(VR)  | 1   | 394680227T   |   |
| U002 | C2002 or           | JAMICON    | CE04W50V-2.2M      | (1) | 398580227T   | N                                       |
| U002 | C2003              | VR C       | CE04W6.3V-470M(VR) | 1   | 394624717T   | <MDC, MDS, MPB, MPP_A, MMK, MMQ, MPP_H> |
| U002 | C2003 or           | JAMICON    | CE04W6.3V-470M     | (1) | 398524717T   | <MDC, MDS, MPB, MPP_A, MMK, MMQ, MPP_H> |
| U002 | C2004              | C-CERA C   | CK725F1E-104Z1     | 1   | 332161040R1  |   |
| U002 | C2005              | VR C       | CE04W6.3V-470M(VR) | 1   | 394624717T   | <MDC, MDS, MPB, MPP_A, MMK, MMQ, MPP_H> |

|      |          |          |                    |      |             |   |
|------|----------|----------|--------------------|------|-------------|---|
| U002 | C2005 or | JAMICON  | CE04W6.3V-470M     | ( 1) | 398524717T  | <MDC, MDS, MPB, MPP_A, MMK, MMQ, MPP_H> |
| U002 | C2006    | C-CERA C | CC725CH1H-470J1    | 1    | 342104704R1 | <MDC, MDS, MPB, MPP_A, MMK, MMQ, MPP_H> |
| U002 | C2007    | C-CERA C | CK725F1E-104Z1     | 1    | 332161040R1 |   |
| U002 | C2008    | C-CERA C | CK725F1A-105Z1     | 1    | 332181050R1 |   |
| U002 | C2009    | C-CERA C | CK725F1A-105Z1     | 1    | 332181050R1 |   |
| U002 | C2010    | C-CERA C | CK725F1A-105Z1     | 1    | 332181050R1 |   |
| U002 | C2011    | C-CERA C | CC725CH1H-470J1    | 1    | 342104704R1 | <MDC, MDS, MPB, MPP_A, MMK, MMQ, MPP_H> |
| U002 | C2012    | C-CERA C | CK725F1A-105Z1     | 1    | 332181050R1 |   |
| U002 | C2013    | VR C     | CE04W50V-10M(VR)   | 1    | 394681007T  |   |
| U002 | C2013 or | JAMICON  | CE04W50V-10M       | ( 1) | 398581007T  | N                                       |
| U002 | C2020    | C-CERA C | CK725F1A-105Z1     | 1    | 332181050R1 |   |
| U002 | C2021    | C-CERA C | CK725F1A-105Z1     | 1    | 332181050R1 |   |
| U002 | C2102    | VR C     | CE04W6.3V-470M(VR) | 1    | 394624717T  |   |
| U002 | C2102 or | JAMICON  | CE04W6.3V-470M     | ( 1) | 398524717T  | N                                       |
| U002 | C2103    | VR C     | CE04W50V-2.2M(VR)  | 1    | 394680227T  |   |
| U002 | C2103 or | JAMICON  | CE04W50V-2.2M      | ( 1) | 398580227T  | N                                       |
| U002 | C2104    | VR C     | CE04W50V-2.2M(VR)  | 1    | 394680227T  |   |
| U002 | C2104 or | JAMICON  | CE04W50V-2.2M      | ( 1) | 398580227T  | N                                       |
| U002 | C2105    | VR C     | CE04W6.3V-470M(VR) | 1    | 394624717T  |   |
| U002 | C2105 or | JAMICON  | CE04W6.3V-470M     | ( 1) | 398524717T  | N                                       |
| U002 | C2106    | VR C     | CE04W50V-2.2M(VR)  | 1    | 394680227T  |   |
| U002 | C2106 or | JAMICON  | CE04W50V-2.2M      | ( 1) | 398580227T  | N                                       |
| U002 | C2107    | VR C     | CE04W50V-2.2M(VR)  | 1    | 394680227T  |   |
| U002 | C2107 or | JAMICON  | CE04W50V-2.2M      | ( 1) | 398580227T  | N                                       |
| U002 | C2108    | VR C     | CE04W6.3V-470M(VR) | 1    | 394624717T  |   |
| U002 | C2108 or | JAMICON  | CE04W6.3V-470M     | ( 1) | 398524717T  | N                                       |
| U002 | C2109    | VR C     | CE04W6.3V-470M(VR) | 1    | 394624717T  |   |
| U002 | C2109 or | JAMICON  | CE04W6.3V-470M     | ( 1) | 398524717T  | N                                       |
| U002 | C2110    | VR C     | CE04W6.3V-470M(VR) | 1    | 394624717T  |   |
| U002 | C2110 or | JAMICON  | CE04W6.3V-470M     | ( 1) | 398524717T  | N                                       |
| U002 | C2111    | VR C     | CE04W50V-2.2M(VR)  | 1    | 394680227T  |   |
| U002 | C2111 or | JAMICON  | CE04W50V-2.2M      | ( 1) | 398580227T  | N                                       |
| U002 | C2112    | VR C     | CE04W50V-2.2M(VR)  | 1    | 394680227T  |   |
| U002 | C2112 or | JAMICON  | CE04W50V-2.2M      | ( 1) | 398580227T  | N                                       |
| U002 | C2113    | VR C     | CE04W50V-2.2M(VR)  | 1    | 394680227T  |   |
| U002 | C2113 or | JAMICON  | CE04W50V-2.2M      | ( 1) | 398580227T  | N                                       |
| U002 | C2114    | VR C     | CE04W50V-2.2M(VR)  | 1    | 394680227T  |   |
| U002 | C2114 or | JAMICON  | CE04W50V-2.2M      | ( 1) | 398580227T  | N                                       |
| U002 | C2115    | VR C     | CE04W50V-2.2M(VR)  | 1    | 394680227T  |   |

|      |          |          |                    |      |             |   |
|------|----------|----------|--------------------|------|-------------|---|
| U002 | C2115 or | JAMICON  | CE04W50V-2.2M      | ( 1) | 398580227T  | N                                       |
| U002 | C2116    | VR C     | CE04W50V-2.2M(VR)  | 1    | 394680227T  |   |
| U002 | C2116 or | JAMICON  | CE04W50V-2.2M      | ( 1) | 398580227T  | N                                       |
| U002 | C2201    | C-CERA C | CK725B1H-102K1     | 1    | 332101025R1 |   |
| U002 | C2202    | C-CERA C | CK725B1H-102K1     | 1    | 332101025R1 |   |
| U002 | C2203    | C-CERA C | CK725B1H-103K1     | 1    | 332101035R1 |   |
| U002 | C2301    | UTSP C   | CE04W50V-10M(UTSP) | 1    | 397581007T  | <MDC, MDS, MPB, MPP_A, MMK, MMQ, MPP_H> |
| U002 | C2302    | UTSP C   | CE04W50V-10M(UTSP) | 1    | 397581007T  | <MDC, MDS, MPB, MPP_A, MMK, MMQ, MPP_H> |
| U002 | C2331    | C-CERA C | CC725CH1H-331J1    | 1    | 342103314R1 | <MDC, MDS, MPB, MPP_A, MMK, MMQ, MPP_H> |
| U002 | C2332    | C-CERA C | CC725CH1H-331J1    | 1    | 342103314R1 | <MDC, MDS, MPB, MPP_A, MMK, MMQ, MPP_H> |
| U002 | C2333    | UTSP C   | CE04W50V-10M(UTSP) | 1    | 397581007T  | <MDC, MDS, MPB, MPP_A, MMK, MMQ, MPP_H> |
| U002 | C2334    | UTSP C   | CE04W50V-10M(UTSP) | 1    | 397581007T  | <MDC, MDS, MPB, MPP_A, MMK, MMQ, MPP_H> |
| U002 | C2335    | C-CERA C | CC725CH1H-471J1    | 1    | 342104714R1 | <MDC, MDS, MPB, MPP_A, MMK, MMQ, MPP_H> |
| U002 | C2336    | C-CERA C | CC725CH1H-471J1    | 1    | 342104714R1 | <MDC, MDS, MPB, MPP_A, MMK, MMQ, MPP_H> |
| U002 | C2337    | UTSP C   | CE04W50V-10M(UTSP) | 1    | 397581007T  | <MDC, MDS, MPB, MPP_A, MMK, MMQ, MPP_H> |
| U002 | C2338    | UTSP C   | CE04W50V-10M(UTSP) | 1    | 397581007T  | <MDC, MDS, MPB, MPP_A, MMK, MMQ, MPP_H> |
| U002 | C2350    | C-CERA C | CC725CH1H-471J1    | 1    | 342104714R1 | <MDC, MDS, MPB, MPP_A, MMK, MMQ, MPP_H> |
| U002 | C2351    | C-CERA C | CC725CH1H-471J1    | 1    | 342104714R1 | <MDC, MDS, MPB, MPP_A, MMK, MMQ, MPP_H> |
| U002 | C2352    | C-CERA C | CC725CH1H-470J1    | 1    | 342104704R1 | <MDC, MDS, MPB, MPP_A, MMK, MMQ, MPP_H> |
| U002 | C2355    | C-CERA C | CK725F1E-104Z1     | 1    | 332161040R1 | <MDC, MDS, MPB, MPP_A, MMK, MMQ, MPP_H> |
| U002 | C2370    | C-CERA C | CC725CH1H-101J1    | 1    | 342101014R1 | <MDC, MDS, MPB, MPP_A, MMK, MMQ, MPP_H> |
| U002 | C2371    | C-CERA C | CC725CH1H-101J1    | 1    | 342101014R1 | <MDC, MDS, MPB, MPP_A, MMK, MMQ, MPP_H> |
| U002 | C2377    | UTSP C   | CE04W50V-10M(UTSP) | 1    | 397581007T  | <MDC, MDS, MPB, MPP_A, MMK, MMQ, MPP_H> |
| U002 | C2378    | UTSP C   | CE04W50V-10M(UTSP) | 1    | 397581007T  | <MDC, MDS, MPB, MPP_A, MMK, MMQ, MPP_H> |
| U002 | C2380    | C-CERA C | CC725CH1H-101J1    | 1    | 342101014R1 | <MDC, MDS, MPB, MPP_A, MMK, MMQ, MPP_H> |
| U002 | C2381    | C-CERA C | CC725CH1H-101J1    | 1    | 342101014R1 | <MDC, MDS, MPB, MPP_A, MMK, MMQ, MPP_H> |
| U002 | C2382    | C-CERA C | CC725CH1H-101J1    | 1    | 342101014R1 | <MDC, MDS, MPB, MPP_A, MMK, MMQ, MPP_H> |
| U002 | C2383    | C-CERA C | CC725CH1H-101J1    | 1    | 342101014R1 | <MDC, MDS, MPB, MPP_A, MMK, MMQ, MPP_H> |
| U002 | C2384    | C-CERA C | CK725F1A-105Z1     | 1    | 332181050R1 | <MDC, MDS, MPB, MPP_A, MMK, MMQ, MPP_H> |
| U002 | C2385    | C-CERA C | CK725F1A-105Z1     | 1    | 332181050R1 | <MDC, MDS, MPB, MPP_A, MMK, MMQ, MPP_H> |
| U002 | C2388    | C-CERA C | CK725F1E-104Z1     | 1    | 332161040R1 | <MDC, MDS, MPB, MPP_A, MMK, MMQ, MPP_H> |
| U002 | C2389    | C-CERA C | CK725F1E-104Z1     | 1    | 332161040R1 | <MDC, MDS, MPB, MPP_A, MMK, MMQ, MPP_H> |
| U002 | C2391    | C-CERA C | CK725F1A-105Z1     | 1    | 332181050R1 | <MDC, MDS, MPB, MPP_A, MMK, MMQ, MPP_H> |
| U002 | C2392    | C-CERA C | CK725F1A-105Z1     | 1    | 332181050R1 | <MDC, MDS, MPB, MPP_A, MMK, MMQ, MPP_H> |
| U002 | C2393    | C-CERA C | CC725CH1H-471J1    | 1    | 342104714R1 | <MDC, MDS, MPB, MPP_A, MMK, MMQ, MPP_H> |
| U002 | C2394    | C-CERA C | CC725CH1H-471J1    | 1    | 342104714R1 | <MDC, MDS, MPB, MPP_A, MMK, MMQ, MPP_H> |
| U002 | C2395    | C-CERA C | CC725CH1H-471J1    | 1    | 342104714R1 | <MDC, MDS, MPB, MPP_A, MMK, MMQ, MPP_H> |
| U002 | C2396    | C-CERA C | CC725CH1H-471J1    | 1    | 342104714R1 | <MDC, MDS, MPB, MPP_A, MMK, MMQ, MPP_H> |
| U002 | C2397    | C-CERA C | CK725F1A-105Z1     | 1    | 332181050R1 | <MDC, MDS, MPB, MPP_A, MMK, MMQ, MPP_H> |

|      |       |          |                    |   |             |   |
|------|-------|----------|--------------------|---|-------------|---|
| U002 | C2398 | C-CERA C | CK725F1A-105Z1     | 1 | 332181050R1 | <MDC, MDS, MPB, MPP_A, MMK, MMQ, MPP_H> |
| U002 | C2402 | C-CERA C | CC725CH1H-471J1    | 1 | 342104714R1 | <MDC, MDS, MPB, MPP_A, MMK, MMQ, MPP_H> |
| U002 | C2403 | C-CERA C | CC725CH1H-471J1    | 1 | 342104714R1 | <MDC, MDS, MPB, MPP_A, MMK, MMQ, MPP_H> |
| U002 | C2404 | UTSP C   | CE04W50V-10M(UTSP) | 1 | 397581007T  | <MDC, MDS, MPB, MPP_A, MMK, MMQ, MPP_H> |
| U002 | C2405 | UTSP C   | CE04W50V-10M(UTSP) | 1 | 397581007T  | <MDC, MDS, MPB, MPP_A, MMK, MMQ, MPP_H> |
| U002 | C7001 | C-CERA C | CK725B1H-223K1     | 1 | 332102235R1 |   |
| U002 | C7002 | C-CERA C | CK725F1E-104Z1     | 1 | 332161040R1 |   |
| U002 | C7003 | C-CERA C | CC725CH1H-101J1    | 1 | 342101014R1 |   |
| U002 | C7004 | C-CERA C | CC725CH1H-101J1    | 1 | 342101014R1 |   |
| U002 | C7005 | C-CERA C | CC725CH1H-101J1    | 1 | 342101014R1 |   |
| U002 | C7007 | C-CERA C | CC725CH1H-101J1    | 1 | 342101014R1 |   |
| U002 | C7008 | ELECT C  | CE04W6.3V-100M(S)  | 1 | 353721019T  |   |
| U002 | C7009 | C-CERA C | CK725F1E-104Z1     | 1 | 332161040R1 |   |
| U002 | C7010 | C-CERA C | CK725B1H-223K1     | 1 | 332102235R1 |   |
| U002 | C7011 | C-CERA C | CK725B1H-223K1     | 1 | 332102235R1 |   |
| U002 | C7012 | C-CERA C | CK725B1H-223K1     | 1 | 332102235R1 |   |
| U002 | C7014 | C-CERA C | CK725B1H-223K1     | 1 | 332102235R1 |   |
| U002 | C7015 | ELECT C  | CE04W16V-47M(S)    | 1 | 353744709T  |   |
| U002 | C7016 | C-CERA C | CK725B1H-223K1     | 1 | 332102235R1 |   |
| U002 | C7017 | C-CERA C | CK725B1H-223K1     | 1 | 332102235R1 |   |
| U002 | C7021 | C-CERA C | CK725B1H-103K1     | 1 | 332101035R1 |   |
| U002 | C7022 | C-CERA C | CK725B1H-103K1     | 1 | 332101035R1 |   |
| U002 | C7031 | C-CERA C | CK725B1H-223K1     | 1 | 332102235R1 |   |
| U002 | C7032 | C-CERA C | CK725B1H-223K1     | 1 | 332102235R1 |   |
| U002 | C7033 | ELECT C  | CE04W16V-10M(S)    | 1 | 353741009T  |   |
| U002 | C7041 | ELECT C  | CE04W16V-10M(S)    | 1 | 353741009T  |   |
| U002 | C7042 | C-CERA C | CC725CH1H-102J1    | 1 | 342101024R1 |   |
| U002 | C7043 | C-CERA C | CC725CH1H-102J1    | 1 | 342101024R1 |   |
| U002 | C7201 | C-CERA C | CC725CH1H-102J1    | 1 | 342101024R1 |   |
| U002 | C7202 | C-CERA C | CK725B1H-223K1     | 1 | 332102235R1 |   |
| U002 | C7203 | MKT C    | B32529C0102J289    | 1 | 376491024T  |   |
| U002 | C7204 | MKT C    | B32529C0102J289    | 1 | 376491024T  |   |
| U002 | C7301 | C-CERA C | CC725CH1H-471J1    | 1 | 342104714R1 |   |
| U002 | C7302 | C-CERA C | CC725CH1H-471J1    | 1 | 342104714R1 |   |
| U002 | C7304 | C-CERA C | CK725F1E-104Z1     | 1 | 332161040R1 |   |
| U002 | C7305 | C-CERA C | CK725F1E-104Z1     | 1 | 332161040R1 |   |
| U002 | C7306 | C-CERA C | CK725F1E-104Z1     | 1 | 332161040R1 |   |
| U002 | C7319 | C-CERA C | CC725CH1H-470J1    | 1 | 342104704R1 |   |
| U002 | C901  | IS C     | LE103-C3.5         | 1 | 3800042S    | !                                       |

|      |                   |            |                     |      |             |   |
|------|-------------------|------------|---------------------|------|-------------|---|
| U002 | C901 or           | IS C       | ECQU2A103MLC        | ( 1) | 3800039S    | !                                       |
| U002 | C9011             | VR C       | CE04W16V-1000M(VR)  | 1    | 394641037S  |   |
| U002 | C9012             | TF C       | ECQ-V50V-334J       | 1    | 374723344T  |   |
| U002 | C9013             | VR C       | CE04W50V-4.7M(VR)   | 1    | 394680477T  |   |
| U002 | C9013 or          | JAMICON    | CE04W50V-4.7M       | ( 1) | 398580477T  | N                                       |
| U002 | C902              | C-CERA C   | CK725F1E-104Z1      | 1    | 332161040R1 |   |
| U002 | C9020             | C-CERA C   | CK732B16V-106K      | 1    | 332071065R2 | N                                       |
| U002 | C9021             | C-CERA C   | CK732B16V-106K      | 1    | 332071065R2 | N                                       |
| U002 | C9022             | C-CERA C   | CK732B16V-106K      | 1    | 332071065R2 | N                                       |
| U002 | C9023             | C-CERA C   | CK732B16V-106K      | 1    | 332071065R2 | N                                       |
| U002 | C9026             | VR C       | CE04W6.3V-470M(VR)  | 1    | 394624717T  |   |
| U002 | C9026 or          | JAMICON    | CE04W6.3V-470M      | ( 1) | 398524717T  | N                                       |
| U002 | C9027             | C-CERA C   | CK725F1E-104Z1      | 1    | 332161040R1 |   |
| U002 | C9028             | C-CERA C   | CK725F1E-104Z1      | 1    | 332161040R1 |   |
| U002 | C9029             | C-CERA C   | CK725F1E-104Z1      | 1    | 332161040R1 |   |
| U002 | C9030             | C-CERA C   | CK725F1E-104Z1      | 1    | 332161040R1 |   |
| U002 | C9031             | C-CERA C   | CK725F1E-104Z1      | 1    | 332161040R1 |   |
| U002 | C911              | C-CERA C   | CC725CH1H-102J1     | 1    | 342101024R1 |   |
| U002 | C921              | C-CERA C   | CK725B1H-223K1      | 1    | 332102235R1 |   |
| U002 | C922              | VR C       | CE04W16V-2200M(VR)  | 1    | 394642227S  |   |
| U002 | C922 or           | JAMICON    | CE04W16V-2200M      | ( 1) | 398542227S  |   |
| U002 | C930              | VR C       | CE04W16V-470M(VR)   | 1    | 394644717T  |   |
| U002 | C930 or           | JAMICON    | CE04W16V-470M       | ( 1) | 398544717T  |   |
| U002 | C933              | UTSP C     | CE04W50V-4.7M(UTSP) | 1    | 397580477T  |   |
| U002 | <b>[RESISTOR]</b> |            |                     |      |             |   |
| U002 | R2001             | C-CARBON R | RN72K1J-220JE       | 1    | 435032204R1 | <MDC, MDS, MPB, MPP_A, MMK, MMQ, MPP_H> |
| U002 | R2002             | C-CARBON R | RN72K1J-220JE       | 1    | 435032204R1 | <MDC, MDS, MPB, MPP_A, MMK, MMQ, MPP_H> |
| U002 | R2003             | C-CARBON R | RN72K1J-105JE       | 1    | 435031054R1 | <MDC, MDS, MPB, MPP_A, MMK, MMQ, MPP_H> |
| U002 | R2004             | C-CARBON R | RN72K1J-563JE       | 1    | 435035634R1 |   |
| U002 | R2005             | C-CARBON R | RN72K1J-103JE       | 1    | 435031034R1 |   |
| U002 | R2006             | C-CARBON R | RN72K1J-103JE       | 1    | 435031034R1 |   |
| U002 | R2007             | C-CARBON R | RN72K1J-563JE       | 1    | 435035634R1 |   |
| U002 | R2008             | C-CARBON R | RN72K1J-222JE       | 1    | 435032224R1 |   |
| U002 | R2009             | C-CARBON R | RN72K1J-222JE       | 1    | 435032224R1 |   |
| U002 | R2010             | C-CARBON R | RN72K1J-183JE       | 1    | 435031834R1 |   |
| U002 | R2011             | C-CARBON R | RN72K1J-183JE       | 1    | 435031834R1 |   |
| U002 | R2101             | C-CARBON R | RN72K1J-750JE       | 1    | 435037504R1 |   |
| U002 | R2102             | C-CARBON R | RN72K1J-750JE       | 1    | 435037504R1 |   |
| U002 | R2103             | C-CARBON R | RN72K1J-750JE       | 1    | 435037504R1 |   |

|      |       |            |               |   |             |   |
|------|-------|------------|---------------|---|-------------|---|
| U002 | R2104 | C-CARBON R | RN72K1J-750JE | 1 | 435037504R1 |   |
| U002 | R2105 | C-CARBON R | RN72K1J-750JE | 1 | 435037504R1 |   |
| U002 | R2106 | C-CARBON R | RN72K1J-750JE | 1 | 435037504R1 |   |
| U002 | R2107 | C-CARBON R | RN72K1J-750JE | 1 | 435037504R1 |   |
| U002 | R2108 | C-CARBON R | RN72K1J-750JE | 1 | 435037504R1 |   |
| U002 | R2109 | C-CARBON R | RN72K1J-750JE | 1 | 435037504R1 |   |
| U002 | R2110 | C-CARBON R | RN72K1J-750JE | 1 | 435037504R1 |   |
| U002 | R2111 | C-CARBON R | RN72K1J-750JE | 1 | 435037504R1 |   |
| U002 | R2112 | C-CARBON R | RN72K1J-750JE | 1 | 435037504R1 |   |
| U002 | R2113 | C-CARBON R | RN72K1J-750JE | 1 | 435037504R1 |   |
| U002 | R2114 | C-CARBON R | RN72K1J-750JE | 1 | 435037504R1 |   |
| U002 | R2115 | C-CARBON R | RN72K1J-750JE | 1 | 435037504R1 |   |
| U002 | R2116 | C-CARBON R | RN72K1J-750JE | 1 | 435037504R1 |   |
| U002 | R2120 | C-CARBON R | RN72K1J-104JE | 1 | 435031044R1 |   |
| U002 | R2121 | C-CARBON R | RN72K1J-104JE | 1 | 435031044R1 |   |
| U002 | R2122 | C-CARBON R | RN72K1J-104JE | 1 | 435031044R1 |   |
| U002 | R2123 | C-CARBON R | RN72K1J-104JE | 1 | 435031044R1 |   |
| U002 | R2124 | C-CARBON R | RN72K1J-104JE | 1 | 435031044R1 |   |
| U002 | R2155 | C-CARBON R | RN72K1J-000JE | 1 | 435030004R1 |   |
| U002 | R2156 | C-CARBON R | RN72K1J-000JE | 1 | 435030004R1 |   |
| U002 | R2157 | C-CARBON R | RN72K1J-000JE | 1 | 435030004R1 |   |
| U002 | R2301 | C-CARBON R | RN72K1J-224JE | 1 | 435032244R1 | <MDC, MDS, MPB, MPP_A, MMK, MMQ, MPP_H> |
| U002 | R2302 | C-CARBON R | RN72K1J-224JE | 1 | 435032244R1 | <MDC, MDS, MPB, MPP_A, MMK, MMQ, MPP_H> |
| U002 | R2304 | C-CARBON R | RN72K1J-123JE | 1 | 435031234R1 | <MDC, MDS, MPB, MPP_A, MMK, MMQ, MPP_H> |
| U002 | R2305 | C-CARBON R | RN72K1J-123JE | 1 | 435031234R1 | <MDC, MDS, MPB, MPP_A, MMK, MMQ, MPP_H> |
| U002 | R2306 | C-CARBON R | RN72K1J-223JE | 1 | 435032234R1 | <MDC, MDS, MPB, MPP_A, MMK, MMQ, MPP_H> |
| U002 | R2307 | C-CARBON R | RN72K1J-223JE | 1 | 435032234R1 | <MDC, MDS, MPB, MPP_A, MMK, MMQ, MPP_H> |
| U002 | R2308 | C-CARBON R | RN72K1J-123JE | 1 | 435031234R1 | <MDC, MDS, MPB, MPP_A, MMK, MMQ, MPP_H> |
| U002 | R2309 | C-CARBON R | RN72K1J-123JE | 1 | 435031234R1 | <MDC, MDS, MPB, MPP_A, MMK, MMQ, MPP_H> |
| U002 | R2310 | C-CARBON R | RN72K1J-223JE | 1 | 435032234R1 | <MDC, MDS, MPB, MPP_A, MMK, MMQ, MPP_H> |
| U002 | R2311 | C-CARBON R | RN72K1J-223JE | 1 | 435032234R1 | <MDC, MDS, MPB, MPP_A, MMK, MMQ, MPP_H> |
| U002 | R2320 | C-CARBON R | RN72K1J-471JE | 1 | 435034714R1 | <MDC, MDS, MPB, MPP_A, MMK, MMQ, MPP_H> |
| U002 | R2321 | C-CARBON R | RN72K1J-471JE | 1 | 435034714R1 | <MDC, MDS, MPB, MPP_A, MMK, MMQ, MPP_H> |
| U002 | R2330 | C-CARBON R | RN72K1J-105JE | 1 | 435031054R1 | <MDC, MDS, MPB, MPP_A, MMK, MMQ, MPP_H> |
| U002 | R2331 | C-CARBON R | RN72K1J-224JE | 1 | 435032244R1 | <MDC, MDS, MPB, MPP_A, MMK, MMQ, MPP_H> |
| U002 | R2332 | C-CARBON R | RN72K1J-224JE | 1 | 435032244R1 | <MDC, MDS, MPB, MPP_A, MMK, MMQ, MPP_H> |
| U002 | R2333 | C-CARBON R | RN72K1J-222JE | 1 | 435032224R1 | <MDC, MDS, MPB, MPP_A, MMK, MMQ, MPP_H> |
| U002 | R2334 | C-CARBON R | RN72K1J-222JE | 1 | 435032224R1 | <MDC, MDS, MPB, MPP_A, MMK, MMQ, MPP_H> |
| U002 | R2337 | C-CARBON R | RN72K1J-224JE | 1 | 435032244R1 | <MDC, MDS, MPB, MPP_A, MMK, MMQ, MPP_H> |



|      |       |            |               |   |             |   |
|------|-------|------------|---------------|---|-------------|---|
| U002 | R2338 | C-CARBON R | RN72K1J-224JE | 1 | 435032244R1 | <MDC, MDS, MPB, MPP_A, MMK, MMQ, MPP_H> |
| U002 | R2348 | C-CARBON R | RN72K1J-000JE | 1 | 435030004R1 | <MDC, MDS, MPB, MPP_A, MMK, MMQ, MPP_H> |
| U002 | R2349 | C-CARBON R | RN72K1J-000JE | 1 | 435030004R1 | <MDC, MDS, MPB, MPP_A, MMK, MMQ, MPP_H> |
| U002 | R2352 | C-CARBON R | RN72K1J-750JE | 1 | 435037504R1 | <MDC, MDS, MPB, MPP_A, MMK, MMQ, MPP_H> |
| U002 | R2360 | C-CARBON R | RN72K1J-103JE | 1 | 435031034R1 | <MDC, MDS, MPB, MPP_A, MMK, MMQ, MPP_H> |
| U002 | R2361 | C-CARBON R | RN72K1J-103JE | 1 | 435031034R1 | <MDC, MDS, MPB, MPP_A, MMK, MMQ, MPP_H> |
| U002 | R2363 | C-CARBON R | RN72K1J-103JE | 1 | 435031034R1 | <MDC, MDS, MPB, MPP_A, MMK, MMQ, MPP_H> |
| U002 | R2364 | C-CARBON R | RN72K1J-103JE | 1 | 435031034R1 | <MDC, MDS, MPB, MPP_A, MMK, MMQ, MPP_H> |
| U002 | R2400 | C-CARBON R | RN72K1J-222JE | 1 | 435032224R1 | <MDC, MDS, MPB, MPP_A, MMK, MMQ, MPP_H> |
| U002 | R2401 | C-CARBON R | RN72K1J-222JE | 1 | 435032224R1 | <MDC, MDS, MPB, MPP_A, MMK, MMQ, MPP_H> |
| U002 | R2402 | C-CARBON R | RN72K1J-222JE | 1 | 435032224R1 | <MDC, MDS, MPB, MPP_A, MMK, MMQ, MPP_H> |
| U002 | R2403 | C-CARBON R | RN72K1J-222JE | 1 | 435032224R1 | <MDC, MDS, MPB, MPP_A, MMK, MMQ, MPP_H> |
| U002 | R2602 | C-CARBON R | RN72K1J-000JE | 1 | 435030004R1 | <MDC, MDS, MPB, MPP_A, MMK, MMQ, MPP_H> |
| U002 | R2603 | C-CARBON R | RN72K1J-000JE | 1 | 435030004R1 | <MDC, MDS, MPB, MPP_A, MMK, MMQ, MPP_H> |
| U002 | R2604 | C-CARBON R | RN72K1J-000JE | 1 | 435030004R1 | <MDC, MDS, MPB, MPP_A, MMK, MMQ, MPP_H> |
| U002 | R7001 | C-CARBON R | RN72K1J-103JE | 1 | 435031034R1 |   |
| U002 | R7002 | C-CARBON R | RN72K1J-332JE | 1 | 435033324R1 |   |
| U002 | R7003 | C-CARBON R | RN72K1J-332JE | 1 | 435033324R1 |   |
| U002 | R7004 | C-CARBON R | RN72K1J-221JE | 1 | 435032214R1 |   |
| U002 | R7005 | C-CARBON R | RN72K1J-221JE | 1 | 435032214R1 |   |
| U002 | R7006 | C-CARBON R | RN72K1J-103JE | 1 | 435031034R1 |   |
| U002 | R7007 | C-CARBON R | RN72K1J-221JE | 1 | 435032214R1 |   |
| U002 | R7008 | C-CARBON R | RN72K1J-221JE | 1 | 435032214R1 |   |
| U002 | R7021 | C-CARBON R | RN72K1J-103JE | 1 | 435031034R1 |   |
| U002 | R7022 | C-CARBON R | RN72K1J-103JE | 1 | 435031034R1 |   |
| U002 | R7023 | C-CARBON R | RN72K1J-103JE | 1 | 435031034R1 |   |
| U002 | R7024 | C-CARBON R | RN72K1J-103JE | 1 | 435031034R1 |   |
| U002 | R7033 | C-CARBON R | RN72K1J-820JE | 1 | 435038204R1 |   |
| U002 | R7041 | C-CARBON R | RN72K1J-101JE | 1 | 435031014R1 |   |
| U002 | R7042 | C-CARBON R | RN72K1J-102JE | 1 | 435031024R1 |   |
| U002 | R7101 | C-CARBON R | RN72K1J-271JE | 1 | 435032714R1 |   |
| U002 | R7102 | C-CARBON R | RN72K1J-331JE | 1 | 435033314R1 |   |
| U002 | R7103 | C-CARBON R | RN72K1J-471JE | 1 | 435034714R1 |   |
| U002 | R7106 | C-CARBON R | RN72K1J-271JE | 1 | 435032714R1 |   |
| U002 | R7107 | C-CARBON R | RN72K1J-331JE | 1 | 435033314R1 |   |
| U002 | R7108 | C-CARBON R | RN72K1J-471JE | 1 | 435034714R1 |   |
| U002 | R7109 | C-CARBON R | RN72K1J-561JE | 1 | 435035614R1 |   |
| U002 | R7110 | C-CARBON R | RN72K1J-821JE | 1 | 435038214R1 |   |
| U002 | R7111 | C-CARBON R | RN72K1J-122JE | 1 | 435031224R1 |   |

|      |                 |                |               |   |             |   |
|------|-----------------|----------------|---------------|---|-------------|---|
| U002 | R7112           | C-CARBON R     | RN72K1J-222JE | 1 | 435032224R1 |   |
| U002 | R7113           | C-CARBON R     | RN72K1J-392JE | 1 | 435033924R1 |   |
| U002 | R7114           | C-CARBON R     | RN72K1J-123JE | 1 | 435031234R1 |   |
| U002 | R7115           | C-CARBON R     | RN72K1J-271JE | 1 | 435032714R1 |   |
| U002 | R7116           | C-CARBON R     | RN72K1J-331JE | 1 | 435033314R1 |   |
| U002 | R7117           | C-CARBON R     | RN72K1J-471JE | 1 | 435034714R1 |   |
| U002 | R7118           | C-CARBON R     | RN72K1J-561JE | 1 | 435035614R1 |   |
| U002 | R7119           | C-CARBON R     | RN72K1J-821JE | 1 | 435038214R1 |   |
| U002 | R7120           | C-CARBON R     | RN72K1J-122JE | 1 | 435031224R1 |   |
| U002 | R7121           | C-CARBON R     | RN72K1J-222JE | 1 | 435032224R1 |   |
| U002 | R7122           | C-CARBON R     | RN72K1J-392JE | 1 | 435033924R1 |   |
| U002 | R7123           | C-CARBON R     | RN72K1J-271JE | 1 | 435032714R1 |   |
| U002 | R7124           | C-CARBON R     | RN72K1J-331JE | 1 | 435033314R1 |   |
| U002 | R7125           | C-CARBON R     | RN72K1J-471JE | 1 | 435034714R1 |   |
| U002 | R7126           | C-CARBON R     | RN72K1J-561JE | 1 | 435035614R1 |   |
| U002 | R7127           | C-CARBON R     | RN72K1J-821JE | 1 | 435038214R1 |   |
| U002 | R7128           | C-CARBON R     | RN72K1J-122JE | 1 | 435031224R1 |   |
| U002 | R7129           | C-CARBON R     | RN72K1J-222JE | 1 | 435032224R1 |   |
| U002 | R7152           | C-CARBON R     | RN72K1J-222JE | 1 | 435032224R1 |   |
| U002 | R7301           | C-CARBON R     | RN72K1J-331JE | 1 | 435033314R1 |   |
| U002 | R7302           | C-CARBON R     | RN72K1J-331JE | 1 | 435033314R1 |   |
| U002 | R9014           | C-CARBON R     | RN72K1J-104JE | 1 | 435031044R1 |   |
| U002 | R9030           | THERMISTOR     | FUSB090F      | 1 | 4000252T    | <MDC, MDS, MPB, MPP_A, MMK, MMQ, MPP_H> |
| U002 | R921            | METAL O R      | RS1/2WBJ-47   | 1 | 443524704T  |   |
| U002 | R922            | C-CARBON R     | RN72K1J-823JE | 1 | 435038234R1 | <MDC, MDS>                              |
| U002 | R934            | C-CARBON R     | RN72K1J-104JE | 1 | 435031044R1 |   |
| U002 | <b>[SW TRM]</b> |                |               |   |             |   |
| U002 | E7201           | TRM-423(SCREW) | NEJITANSI ST3 | 1 | 25060495    |   |
| U002 | E7301A          | RETAINER       | (GND)         | 1 | 27142222A   | N                                       |
| U002 | E9004           | RETAINER       | (JOINT)       | 1 | 27142069    |   |
| U002 | E901            | TRM-423(SCREW) | NEJITANSI ST3 | 1 | 25060495    |   |
| U002 | E902            | TRM-423(SCREW) | NEJITANSI ST3 | 1 | 25060495    |   |
| U002 | F9001           | FUSE           | 5A-UL-125V    | 1 | 252385T     |   |
| U002 | F901C           | FUSE HOL       | NSCT-1P2031   | 1 | 25052133T   |   |
| U002 | F901D           | FUSE HOL       | NSCT-1P2031   | 1 | 25052133T   |   |
| U002 | F901E           | LABEL          | T4AL250V      | 1 | 29361732A   | < MPB, MPP_A, MMK, MMQ, MPP_H>          |
| U002 | JL502B          | WIRE TRAP      | NPLG-5P588    | 1 | 25055626    | <MDC, MDS, MPB, MPP_A, MMK, MMQ, MPP_H> |
| U002 | JL503B          | WIRE TRAP      | NPLG-7P590    | 1 | 25055628    | <MDC, MDS, MPB, MPP_A, MMK, MMQ, MPP_H> |
| U002 | JL605A          | WIRE HOL       | NSCT-5P896    | 1 | 25051109    |   |

|      |          |          |                      |      |           |   |
|------|----------|----------|----------------------|------|-----------|---|
| U002 | JL702A   | WIRE HOL | NSCT-7P878           | 1    | 25051091  |   |
| U002 | JL702B   | WIRE HOL | NSCT-7P878           | 1    | 25051091  |   |
| U002 | JL801A   | WIRE HOL | NSCT-5P876           | 1    | 25051089  |   |
| U002 | JL901A   | WIRE HOL | NSCT-5P876           | 1    | 25051089  |   |
| U002 | JL952B   | SOCKET   | NSCT-3P95            | 1    | 25050267  |   |
| U002 | JL953A   | WIRE HOL | NSCT-5P876           | 1    | 25051089  |   |
| U002 | P2001A   | SOCKET   | NSCT-7P2398          | 1    | 25052501  | <MDC, MDS, MPB, MPP_A, MMK, MMQ, MPP_H> |
| U002 | P2081    | SOCKET   | NNA1-01-006          | 1    | 25053357  | <MDC, MDS, MPB, MPP_A, MMK, MMQ, MPP_H> |
| U002 | P2201    | PIN JACK | NPJ-3PDYYYY560       | 1    | 25045778  |   |
| U002 | P2202    | PIN JACK | NPJ-3PDYYYY560       | 1    | 25045778  |   |
| U002 | P2203    | PIN JACK | NPJ-9PDGLRGLRGLR563  | 1    | 25045781  |   |
| U002 | P2800A   | SOCKET   | NSCT-9P2400          | 1    | 25052503  |   |
| U002 | P701B    | SOCKET   | NSCT-23P2441         | 1    | 25052544  |   |
| U002 | P703A    | SOCKET   | NSCT-7P2425          | 1    | 25052528  |   |
| U002 | P7201    | ST JACK  | MSJ-064-05A SR       | 1    | 25045783  |   |
| U002 | P7201 or | ST JACK  | YKB21-5005           | ( 1) | 25045724  |   |
| U002 | P7301    | PIN JACK | NPJ-3PDB720          | 1    | 25045957  |   |
| U002 | P901A    | PLUG     | NPLG-2P631           | 1    | 25055675  | !                                       |
| U002 | P901Aor  | PLUG     | 1-1123724-2          | ( 1) | 25056402  | !                                       |
| U002 | P911     | PLUG     | NPLG-2P631           | 1    | 25055675  | !                                       |
| U002 | P911 or  | PLUG     | 1-1123724-2          | ( 1) | 25056402  | !                                       |
| U002 | RL901    | RELAY    | NRL-1P5A-DC9-179     | 1    | 25065669  | !                                       |
| U002 | RL901 or | RELAY    | NRL-1P10A-DC9-188    | ( 1) | 25065693  | !                                       |
| U002 | S7002    | R ENCODE | EC12E2425WITH WASHER | 1    | 25065655W |   |
| U002 | S7102    | PUSH SW  | NPS-111-S681         | 1    | 25035718T |   |
| U002 | S7104    | PUSH SW  | NPS-111-S681         | 1    | 25035718T |   |
| U002 | S7106    | PUSH SW  | NPS-111-S681         | 1    | 25035718T |   |
| U002 | S7108    | PUSH SW  | NPS-111-S681         | 1    | 25035718T |   |
| U002 | S7113    | PUSH SW  | NPS-111-S681         | 1    | 25035718T |   |
| U002 | S7115    | PUSH SW  | NPS-111-S681         | 1    | 25035718T |   |
| U002 | S7117    | PUSH SW  | NPS-111-S681         | 1    | 25035718T |   |
| U002 | S7119    | PUSH SW  | NPS-111-S681         | 1    | 25035718T |   |
| U002 | S7121    | PUSH SW  | NPS-111-S681         | 1    | 25035718T |   |
| U002 | S7123    | PUSH SW  | NPS-111-S681         | 1    | 25035718T |   |
| U002 | S7125    | PUSH SW  | NPS-111-S681         | 1    | 25035718T |   |
| U002 | S7127    | PUSH SW  | NPS-111-S681         | 1    | 25035718T |   |
| U002 | S7129    | PUSH SW  | NPS-111-S681         | 1    | 25035718T |   |
| U002 | S7132    | PUSH SW  | NPS-111-S681         | 1    | 25035718T |   |
| U002 | S7134    | PUSH SW  | NPS-111-S681         | 1    | 25035718T |   |

|      |       |         |              |   |           |
|------|-------|---------|--------------|---|-----------|
| U002 | S7136 | PUSH SW | NPS-111-S681 | 1 | 25035718T |
| U002 | S7138 | PUSH SW | NPS-111-S681 | 1 | 25035718T |
| U002 | S7140 | PUSH SW | NPS-111-S681 | 1 | 25035718T |
| U002 | S7142 | PUSH SW | NPS-111-S681 | 1 | 25035718T |
| U002 | S7144 | PUSH SW | NPS-111-S681 | 1 | 25035718T |
| U002 | S7146 | PUSH SW | NPS-111-S681 | 1 | 25035718T |
| U002 | S7148 | PUSH SW | NPS-111-S681 | 1 | 25035718T |
| U002 | S7150 | PUSH SW | NPS-111-S681 | 1 | 25035718T |
| U002 | S7152 | PUSH SW | NPS-111-S681 | 1 | 25035718T |
| U002 | S7154 | PUSH SW | NPS-111-S681 | 1 | 25035718T |
| U002 | S7156 | PUSH SW | NPS-111-S681 | 1 | 25035718T |
| U002 | S7158 | PUSH SW | NPS-111-S681 | 1 | 25035718T |
| U002 | S7160 | PUSH SW | NPS-111-S681 | 1 | 25035718T |
| U002 | S7162 | PUSH SW | NPS-111-S681 | 1 | 25035718T |
| U002 | S7164 | PUSH SW | NPS-111-S681 | 1 | 25035718T |

## U002 [TUNER UNIT]

|      |       |           |             |   |          |
|------|-------|-----------|-------------|---|----------|
| U002 | U7041 | REMO SENS | KSM-603TE5B | 1 | 24130019 |
|------|-------|-----------|-------------|---|----------|

U003 **U003** U0030 x 2 pcs.U003 **U0030** HDMI PC board BAHDM-0678-1C/ 1D/ 1E

U003

| CIRCUIT NO. | PART NAME | DESCRIPTION | Q'TY | PART NO. (SN) | REMARKS |
|-------------|-----------|-------------|------|---------------|---------|
|-------------|-----------|-------------|------|---------------|---------|

## U003 [SEMI CONDUCTOR]

|      |         |         |           |     |          |   |
|------|---------|---------|-----------|-----|----------|---|
| U003 | D110    | C-DIODE | DA2J10100 | 1   | 223303R2 | N |
| U003 | D110 or | C-DIODE | 1SS352    | (1) | 223234R2 |   |
| U003 | D110 or | C-DIODE | 1SS355    | (1) | 223269R2 |   |
| U003 | D110 or | C-DIODE | MA2J111   | (1) | 223279R2 |   |
| U003 | D110 or | C-DIODE | KDS4148U  | (1) | 223283R2 |   |
| U003 | D111    | C-DIODE | DA2J10100 | 1   | 223303R2 | N |
| U003 | D111 or | C-DIODE | 1SS352    | (1) | 223234R2 |   |
| U003 | D111 or | C-DIODE | 1SS355    | (1) | 223269R2 |   |
| U003 | D111 or | C-DIODE | MA2J111   | (1) | 223279R2 |   |
| U003 | D111 or | C-DIODE | KDS4148U  | (1) | 223283R2 |   |
| U003 | D182    | C-DIODE | DA2J10100 | 1   | 223303R2 | N |
| U003 | D182 or | C-DIODE | 1SS352    | (1) | 223234R2 |   |
| U003 | D182 or | C-DIODE | 1SS355    | (1) | 223269R2 |   |
| U003 | D182 or | C-DIODE | MA2J111   | (1) | 223279R2 |   |
| U003 | D182 or | C-DIODE | KDS4148U  | (1) | 223283R2 |   |
| U003 | D183    | C-DIODE | DA2J10100 | 1   | 223303R2 | N |

|      |          |         |            |      |            |   |
|------|----------|---------|------------|------|------------|---|
| U003 | D183 or  | C-DIODE | 1SS352     | ( 1) | 223234R2   |   |
| U003 | D183 or  | C-DIODE | 1SS355     | ( 1) | 223269R2   |   |
| U003 | D183 or  | C-DIODE | MA2J111    | ( 1) | 223279R2   |   |
| U003 | D183 or  | C-DIODE | KDS4148U   | ( 1) | 223283R2   |   |
| U003 | D601     | C-DIODE | DA2J10100  | 1    | 223303R2   | N |
| U003 | D601 or  | C-DIODE | 1SS352     | ( 1) | 223234R2   |   |
| U003 | D601 or  | C-DIODE | 1SS355     | ( 1) | 223269R2   |   |
| U003 | D601 or  | C-DIODE | MA2J111    | ( 1) | 223279R2   |   |
| U003 | D601 or  | C-DIODE | KDS4148U   | ( 1) | 223283R2   |   |
| U003 | D602     | C-DIODE | DA2J10100  | 1    | 223303R2   | N |
| U003 | D602 or  | C-DIODE | 1SS352     | ( 1) | 223234R2   |   |
| U003 | D602 or  | C-DIODE | 1SS355     | ( 1) | 223269R2   |   |
| U003 | D602 or  | C-DIODE | MA2J111    | ( 1) | 223279R2   |   |
| U003 | D602 or  | C-DIODE | KDS4148U   | ( 1) | 223283R2   |   |
| U003 | D603     | C-DIODE | DA2J10100  | 1    | 223303R2   | N |
| U003 | D603 or  | C-DIODE | 1SS352     | ( 1) | 223234R2   |   |
| U003 | D603 or  | C-DIODE | 1SS355     | ( 1) | 223269R2   |   |
| U003 | D603 or  | C-DIODE | MA2J111    | ( 1) | 223279R2   |   |
| U003 | D603 or  | C-DIODE | KDS4148U   | ( 1) | 223283R2   |   |
| U003 | D701     | C-DIODE | DA2J10100  | 1    | 223303R2   | N |
| U003 | D701 or  | C-DIODE | 1SS352     | ( 1) | 223234R2   |   |
| U003 | D701 or  | C-DIODE | 1SS355     | ( 1) | 223269R2   |   |
| U003 | D701 or  | C-DIODE | MA2J111    | ( 1) | 223279R2   |   |
| U003 | D701 or  | C-DIODE | KDS4148U   | ( 1) | 223283R2   |   |
| U003 | D702     | C-DIODE | DA2J10100  | 1    | 223303R2   | N |
| U003 | D702 or  | C-DIODE | 1SS352     | ( 1) | 223234R2   |   |
| U003 | D702 or  | C-DIODE | 1SS355     | ( 1) | 223269R2   |   |
| U003 | D702 or  | C-DIODE | MA2J111    | ( 1) | 223279R2   |   |
| U003 | D702 or  | C-DIODE | KDS4148U   | ( 1) | 223283R2   |   |
| U003 | D8100    | C-DIODE | DA2J10100  | 1    | 223303R2   | N |
| U003 | D8100 or | C-DIODE | 1SS352     | ( 1) | 223234R2   |   |
| U003 | D8100 or | C-DIODE | 1SS355     | ( 1) | 223269R2   |   |
| U003 | D8100 or | C-DIODE | MA2J111    | ( 1) | 223279R2   |   |
| U003 | D8100 or | C-DIODE | KDS4148U   | ( 1) | 223283R2   |   |
| U003 | D8145    | ESD D   | AOZ8804ADI | 1    | 225502R2   |   |
| U003 | D8146    | ESD D   | AOZ8804ADI | 1    | 225502R2   |   |
| U003 | D8931    | DIODE   | RB050M-30  | 1    | 22380367R2 |   |
| U003 | D8951    | DIODE   | RB050M-30  | 1    | 22380367R2 |   |
| U003 | D8971    | DIODE   | RB050M-30  | 1    | 22380367R2 |   |

|      |          |                                |                           |      |                 |   |
|------|----------|--------------------------------|---------------------------|------|-----------------|---|
| U003 | Q153     | IC                             | RIEX25064ASA00A           | 1    | 22242581R2      |   |
| U003 | Q181     | TR                             | KRC105S                   | 1    | 2217290R2       |   |
| U003 | Q181 or  | TR                             | RN1405                    | ( 1) | 2214500R2       |   |
| U003 | Q201     | IC                             | D808K013BPTP              | 1    | 22242693R3      | N |
| U003 | Q271     | IC                             | XC6220B121PR              | 1    | 22242626R2      |   |
| U003 | Q272     | IC                             | BU33TD3WG-TR              | 1    | 22242715R2      |   |
| U003 | Q273     | IC                             | XC6220B501PR              | 1    | 22242692R2      | N |
| U003 | Q281     | IC                             | K4S641632N-LC60           | 1    | 22242603R2      |   |
| U003 | Q281 or  | IC                             | EM638165TS-7G             | ( 1) | 22242607R2      |   |
| U003 | Q282     | IC (DSP)                       | W25Q16CVSSIG(0406)        | 1    | 222W0118R204066 |   |
| U003 | Q301     | IC                             | PCM9211PTR                | 1    | 22242703R2      |   |
| U003 | Q351     | IC                             | PCM1681PWPR               | 1    | 22242697R2      | N |
| U003 | Q601     | TR                             | KRC104S                   | 1    | 2216210R2       |   |
| U003 | Q601 or  | TR                             | RN1404                    | ( 1) | 2214490R2       |   |
| U003 | Q701     | IC (MAIN MICROPROCESSOR )      | MPD70F3746GJ-GAE-AX(0459) | 1    | 222W0079R304590 |   |
| U003 | Q702     | IC                             | S-812C33AUA-C2N           | 1    | 22242222R2      |   |
| U003 | Q703     | IC                             | S-812C56AUA-C3K           | 1    | 22242207R2      |   |
| U003 | Q704     | IC                             | SN74CB3Q3305PWR           | 1    | 22242258R2      |   |
| U003 | Q746     | IC                             | BU33TD3WG-TR              | 1    | 22242715R2      |   |
| U003 | Q751     | TR                             | KRC104S                   | 1    | 2216210R2       |   |
| U003 | Q751 or  | TR                             | RN1404                    | ( 1) | 2214490R2       |   |
| U003 | Q752     | TR                             | KRA102S                   | 1    | 2216220R2       |   |
| U003 | Q752 or  | TR                             | RN2402                    | ( 1) | 2214530R2       |   |
| U003 | Q753     | TR                             | KRA107S                   | 1    | 2216350R2       |   |
| U003 | Q753 or  | TR                             | RN2407(TE85L_F)           | ( 1) | 2216360R2       |   |
| U003 | Q754     | TR                             | KRC102S                   | 1    | 2216190R2       |   |
| U003 | Q754 or  | TR                             | RN1402                    | ( 1) | 2214470R2       |   |
| U003 | Q755     | TR                             | KRA107S                   | 1    | 2216350R2       |   |
| U003 | Q755 or  | TR                             | RN2407(TE85L_F)           | ( 1) | 2216360R2       |   |
| U003 | Q756     | TR                             | KRC102S                   | 1    | 2216190R2       |   |
| U003 | Q756 or  | TR                             | RN1402                    | ( 1) | 2214470R2       |   |
| U003 | Q8101    | IC                             | ADV7623                   | 1    | 22242625R3      |   |
| U003 | Q8104    | IC                             | MM3404A50NRE              | 1    | 22242701R2      | N |
| U003 | Q8105    | IC (HDMI/VIDEO MICROPROCESSOR) | W25Q16CVSSIG(0407)        | 1    | 222W0118R204075 |   |
| U003 | Q8111    | TR                             | KRC101S                   | 1    | 2216330R2       |   |
| U003 | Q8111 or | TR                             | RN1401(TE85L_F)           | ( 1) | 2214460R2       |   |
| U003 | Q8112    | TR                             | KRC101S                   | 1    | 2216330R2       |   |
| U003 | Q8112 or | TR                             | RN1401(TE85L_F)           | ( 1) | 2214460R2       |   |
| U003 | Q8113    | TR                             | KRC101S                   | 1    | 2216330R2       |   |

|      |                     |            |                 |      |              |   |
|------|---------------------|------------|-----------------|------|--------------|---|
| U003 | Q8113 or            | TR         | RN1401(TE85L_F) | ( 1) | 2214460R2    |   |
| U003 | Q8114               | TR         | KRC101S         | 1    | 2216330R2    |   |
| U003 | Q8114 or            | TR         | RN1401(TE85L_F) | ( 1) | 2214460R2    |   |
| U003 | Q8115               | TR         | KRC101S         | 1    | 2216330R2    |   |
| U003 | Q8115 or            | TR         | RN1401(TE85L_F) | ( 1) | 2214460R2    |   |
| U003 | Q8116               | TR         | KRC101S         | 1    | 2216330R2    |   |
| U003 | Q8116 or            | TR         | RN1401(TE85L_F) | ( 1) | 2214460R2    |   |
| U003 | Q8117               | TR         | KRC101S         | 1    | 2216330R2    | <MDC, MDS, MMK, MMQ, MPB, MPP_A, MPP_H> |
| U003 | Q8117 or            | TR         | RN1401(TE85L_F) | ( 1) | 2214460R2    | <MDC, MDS, MMK, MMQ, MPB, MPP_A, MPP_H> |
| U003 | Q8118               | TR         | KRC101S         | 1    | 2216330R2    | <MDC, MDS, MMK, MMQ, MPB, MPP_A, MPP_H> |
| U003 | Q8118 or            | TR         | RN1401(TE85L_F) | ( 1) | 2214460R2    | <MDC, MDS, MMK, MMQ, MPB, MPP_A, MPP_H> |
| U003 | Q8156               | TR ARRAY   | UM6K1N          | 1    | 226066R2     |   |
| U003 | Q8931               | IC         | MP2363DN-LF-Z   | 1    | 22242627R2   |   |
| U003 | Q8951               | IC         | MP2363DN-LF-Z   | 1    | 22242627R2   |   |
| U003 | Q8971               | IC         | MP2363DN-LF-Z   | 1    | 22242627R2   |   |
| U003 | Q8972               | IC         | BU18TD3WG-TR    | 1    | 22242716R2   |   |
| U003 | <b>[TRANS COIL]</b> |            |                 |      |              |   |
| U003 | L153                | CORE       | BLM18PG181SN1D  | 1    | 2350005R1    |   |
| U003 | L201                | C-CARBON R | RN72K1J-000JE   | 1    | 435030004R1  |   |
| U003 | L251                | CORE       | BLM18PG121SN1D  | 1    | 2350006R1    | <MDC, MDS, MMK, MMQ, MPB, MPP_A, MPP_H> |
| U003 | L252                | CORE       | BLM18PG121SN1D  | 1    | 2350006R1    | <MDC, MDS, MMK, MMQ, MPB, MPP_A, MPP_H> |
| U003 | L253                | CORE       | BLM18PG121SN1D  | 1    | 2350006R1    |   |
| U003 | L254                | CORE       | BLM18PG181SN1D  | 1    | 2350005R1    |   |
| U003 | L255                | CORE       | BLM18PG121SN1D  | 1    | 2350006R1    |   |
| U003 | L281                | CORE       | BLM18PG181SN1D  | 1    | 2350005R1    |   |
| U003 | L301                | EMIFIL     | BK1608LM182-T   | 1    | 230958R1     |   |
| U003 | L302                | EMIFIL     | BK1608LL241-T   | 1    | 230959R1     |   |
| U003 | L303                | CHOKE COIL | LBC2518T4R7M    | 1    | 231364M047R2 |   |
| U003 | L304                | CHOKE COIL | LBC2518T4R7M    | 1    | 231364M047R2 |   |
| U003 | L305                | CHOKE COIL | LBC2518T4R7M    | 1    | 231364M047R2 |   |
| U003 | L351                | CHOKE COIL | LBC2518T4R7M    | 1    | 231364M047R2 |   |
| U003 | L352                | CHOKE COIL | LBC2518T4R7M    | 1    | 231364M047R2 |   |
| U003 | L500                | CORE       | BLM18PG181SN1D  | 1    | 2350005R1    |   |
| U003 | L740                | CORE       | BLM18PG181SN1D  | 1    | 2350005R1    |   |
| U003 | L742                | CORE       | BLM18PG181SN1D  | 1    | 2350005R1    |   |
| U003 | L743                | CORE       | BLM18PG181SN1D  | 1    | 2350005R1    |   |
| U003 | L744                | CORE       | BLM18PG181SN1D  | 1    | 2350005R1    |   |
| U003 | L746                | CORE       | BLM18PG181SN1D  | 1    | 2350005R1    |   |
| U003 | L8101               | EMIFIL     | BK1608LM182-T   | 1    | 230958R1     |   |

|      |                    |            |                           |      |              |   |
|------|--------------------|------------|---------------------------|------|--------------|---|
| U003 | L8911              | CORE       | BLM18PG181SN1D            | 1    | 2350005R1    |   |
| U003 | L8912              | CORE       | BLM18PG181SN1D            | 1    | 2350005R1    |   |
| U003 | L8921              | CORE       | BLM18PG181SN1D            | 1    | 2350005R1    |   |
| U003 | L8922              | CORE       | BLM18PG181SN1D            | 1    | 2350005R1    |   |
| U003 | L8923              | CORE       | BLM18PG181SN1D            | 1    | 2350005R1    |   |
| U003 | L8931              | CHOKE COIL | CDRH8D43_100              | 1    | 231371P100R2 |   |
| U003 | L8931 or           | CHOKE COIL | 0182-7E08Q-100M-RA        | ( 1) | 231396M100R2 |   |
| U003 | L8931 or           | CHOKE COIL | SWRH8D43C-100MT           | ( 1) | 231445M100R2 | N |
| U003 | L8932              | CORE       | BLM18PG181SN1D            | 1    | 2350005R1    |   |
| U003 | L8933              | CORE       | BLM18PG181SN1D            | 1    | 2350005R1    |   |
| U003 | L8934              | CORE       | BLM18PG181SN1D            | 1    | 2350005R1    |   |
| U003 | L8937              | CORE       | BLM18PG181SN1D            | 1    | 2350005R1    |   |
| U003 | L8938              | CORE       | BLM18PG181SN1D            | 1    | 2350005R1    |   |
| U003 | L8939              | CORE       | BLM18PG181SN1D            | 1    | 2350005R1    |   |
| U003 | L8951              | CHOKE COIL | CDRH8D43_100              | 1    | 231371P100R2 |   |
| U003 | L8951 or           | CHOKE COIL | 0182-7E08Q-100M-RA        | ( 1) | 231396M100R2 |   |
| U003 | L8951 or           | CHOKE COIL | SWRH8D43C-100MT           | ( 1) | 231445M100R2 | N |
| U003 | L8952              | CORE       | BLM18PG181SN1D            | 1    | 2350005R1    |   |
| U003 | L8953              | CORE       | BLM18PG181SN1D            | 1    | 2350005R1    |   |
| U003 | L8954              | CORE       | BLM18PG181SN1D            | 1    | 2350005R1    |   |
| U003 | L8971              | CHOKE COIL | CDRH8D43_100              | 1    | 231371P100R2 |   |
| U003 | L8971 or           | CHOKE COIL | 0182-7E08Q-100M-RA        | ( 1) | 231396M100R2 |   |
| U003 | L8971 or           | CHOKE COIL | SWRH8D43C-100MT           | ( 1) | 231445M100R2 | N |
| U003 | L8972              | CORE       | BLM18PG181SN1D            | 1    | 2350005R1    |   |
| U003 | L8973              | CORE       | BLM18PG181SN1D            | 1    | 2350005R1    |   |
| U003 | L8974              | CORE       | BLM18PG181SN1D            | 1    | 2350005R1    |   |
| U003 | X201               | CRYSTAL    | HC-49SMD24.000MHz         | 1    | 3010479R2    |   |
| U003 | X301               | CRYSTAL    | HC-49SMD24.576MHz+/-50ppm | 1    | 3010494R2    |   |
| U003 | X501               | CERA LOCK  | CSTCR5M00G53-B0           | 1    | 3010356R2    |   |
| U003 | X8100              | CRYSTAL    | HC-49USSMD28.6363MHz      | 1    | 3010491R2    |   |
| U003 | <b>[CAPACITOR]</b> |            |                           |      |              |   |
| U003 | C151               | C-CERA C   | CK725B1C-104K0            | 1    | 332011045R1  |   |
| U003 | C201               | C-CERA C   | CK725B1A-105K0            | 1    | 332001055R1  |   |
| U003 | C202               | C-CERA C   | CK725B1A-105K0            | 1    | 332001055R1  |   |
| U003 | C203               | C-CERA C   | CK725B1A-105K0            | 1    | 332001055R1  |   |
| U003 | C204               | C-CERA C   | CK725B1A-105K0            | 1    | 332001055R1  |   |
| U003 | C205               | C-CERA C   | CK725B1A-105K0            | 1    | 332001055R1  |   |
| U003 | C206               | C-CERA C   | CK725B1A-105K0            | 1    | 332001055R1  |   |
| U003 | C207               | C-CERA C   | CK725B1A-105K0            | 1    | 332001055R1  |   |



|      |      |          |                |   |             |   |
|------|------|----------|----------------|---|-------------|---|
| U003 | C208 | C-CERA C | CK725B1A-105K0 | 1 | 332001055R1 |   |
| U003 | C209 | C-CERA C | CK725B1A-105K0 | 1 | 332001055R1 |   |
| U003 | C210 | C-CERA C | CK725B1A-105K0 | 1 | 332001055R1 |   |
| U003 | C211 | C-CERA C | CK725B1A-105K0 | 1 | 332001055R1 |   |
| U003 | C212 | C-CERA C | CK725B1A-105K0 | 1 | 332001055R1 |   |
| U003 | C213 | C-CERA C | CK725B1A-105K0 | 1 | 332001055R1 |   |
| U003 | C214 | C-CERA C | CK725B1A-105K0 | 1 | 332001055R1 |   |
| U003 | C215 | C-CERA C | CK725B1A-105K0 | 1 | 332001055R1 |   |
| U003 | C216 | C-CERA C | CK725B1A-105K0 | 1 | 332001055R1 |   |
| U003 | C217 | C-CERA C | CK725B1A-105K0 | 1 | 332001055R1 |   |
| U003 | C218 | C-CERA C | CK725B1A-105K0 | 1 | 332001055R1 |   |
| U003 | C219 | C-CERA C | CK725B1A-105K0 | 1 | 332001055R1 |   |
| U003 | C221 | C-CERA C | CK725B1A-105K0 | 1 | 332001055R1 |   |
| U003 | C222 | C-CERA C | CK725B1A-105K0 | 1 | 332001055R1 |   |
| U003 | C223 | C-CERA C | CK725B1A-105K0 | 1 | 332001055R1 |   |
| U003 | C224 | C-CERA C | CK725B1A-105K0 | 1 | 332001055R1 |   |
| U003 | C225 | C-CERA C | CK725B1A-105K0 | 1 | 332001055R1 |   |
| U003 | C226 | C-CERA C | CK725B1A-105K0 | 1 | 332001055R1 |   |
| U003 | C227 | C-CERA C | CK725B1A-105K0 | 1 | 332001055R1 |   |
| U003 | C228 | C-CERA C | CK725B1A-105K0 | 1 | 332001055R1 |   |
| U003 | C229 | C-CERA C | CK725B1A-105K0 | 1 | 332001055R1 |   |
| U003 | C230 | C-CERA C | CK725B1A-105K0 | 1 | 332001055R1 |   |
| U003 | C231 | C-CERA C | CK725B1A-105K0 | 1 | 332001055R1 |   |
| U003 | C232 | C-CERA C | CK725B1A-105K0 | 1 | 332001055R1 |   |
| U003 | C233 | C-CERA C | CK725B1A-105K0 | 1 | 332001055R1 |   |
| U003 | C234 | C-CERA C | CK725B1A-105K0 | 1 | 332001055R1 |   |
| U003 | C235 | C-CERA C | CK725B1A-105K0 | 1 | 332001055R1 |   |
| U003 | C236 | C-CERA C | CK725B1A-105K0 | 1 | 332001055R1 |   |
| U003 | C237 | C-CERA C | CK725B1A-105K0 | 1 | 332001055R1 |   |
| U003 | C238 | C-CERA C | CK725B1A-105K0 | 1 | 332001055R1 |   |
| U003 | C239 | C-CERA C | CK725B1A-105K0 | 1 | 332001055R1 |   |
| U003 | C240 | C-CERA C | CK725B1A-105K0 | 1 | 332001055R1 |   |
| U003 | C241 | C-CERA C | CK725B1A-105K0 | 1 | 332001055R1 |   |
| U003 | C242 | C-CERA C | CK725B1A-105K0 | 1 | 332001055R1 |   |
| U003 | C251 | C-CERA C | CK732B16V-106K | 1 | 332071065R2 | <MDC, MDS, MMK, MMQ, MPB, MPP_A, MPP_H> |
| U003 | C252 | C-CERA C | CK732B16V-106K | 1 | 332071065R2 | N                                       |
| U003 | C253 | C-CERA C | CK732B16V-106K | 1 | 332071065R2 | N                                       |
| U003 | C254 | C-CERA C | CK732B16V-106K | 1 | 332071065R2 | N                                       |
| U003 | C255 | C-CERA C | CK732B16V-106K | 1 | 332071065R2 | N                                       |

|      |       |              |                 |   |             |   |
|------|-------|--------------|-----------------|---|-------------|---|
| U003 | C256  | C-CERA C     | CK725B1A-105K0  | 1 | 332001055R1 |   |
| U003 | C261  | C-CERA C     | CK725B1A-224K0  | 1 | 332002245R1 |   |
| U003 | C262  | C-CERA C     | CK725B1C-104K0  | 1 | 332011045R1 | <MDC, MDS, MMK, MMQ, MPB, MPP_A, MPP_H> |
| U003 | C263  | C-CERA C     | CK725B1C-103K0  | 1 | 332011035R1 |   |
| U003 | C264  | C-CERA C     | CK725B1A-105K0  | 1 | 332001055R1 |   |
| U003 | C265  | C-CERA C     | CC725CH1H-120J0 | 1 | 342031204R1 | N                                       |
| U003 | C266  | C-CERA C     | CC725CH1H-120J0 | 1 | 342031204R1 | N                                       |
| U003 | C267  | C-CERA C     | CK725B1H-102K0  | 1 | 332031025R1 |   |
| U003 | C268  | C-CERA C     | CK725B1A-105K0  | 1 | 332001055R1 |   |
| U003 | C269  | C-CERA C     | CK725B1A-105K0  | 1 | 332001055R1 |   |
| U003 | C270  | C-CERA C     | CK732B16V-106K  | 1 | 332071065R2 | N                                       |
| U003 | C271  | C-CERA C     | CK732B16V-106K  | 1 | 332071065R2 | N                                       |
| U003 | C272  | C-CERA C     | CK732B16V-106K  | 1 | 332071065R2 | N                                       |
| U003 | C273  | C-CERA C     | CK732B16V-106K  | 1 | 332071065R2 | N                                       |
| U003 | C282  | C-CERA C     | CK732B16V-106K  | 1 | 332071065R2 | N                                       |
| U003 | C283  | C-CERA C     | CK725B1A-105K0  | 1 | 332001055R1 |   |
| U003 | C284  | C-CERA C     | CK725B1A-105K0  | 1 | 332001055R1 |   |
| U003 | C285  | C-CERA C     | CK725B1A-105K0  | 1 | 332001055R1 |   |
| U003 | C286  | C-CERA C     | CK725B1A-105K0  | 1 | 332001055R1 |   |
| U003 | C287  | C-CERA C     | CK725B1A-105K0  | 1 | 332001055R1 |   |
| U003 | C288  | C-CERA C     | CK725B1A-105K0  | 1 | 332001055R1 |   |
| U003 | C289  | C-CERA C     | CK725B1A-105K0  | 1 | 332001055R1 |   |
| U003 | C290  | C-CERA C     | CK725B1A-105K0  | 1 | 332001055R1 |   |
| U003 | C293  | C-CERA C     | CK725B1H-102K0  | 1 | 332031025R1 |   |
| U003 | C294  | C-CERA C     | CK725B1H-102K0  | 1 | 332031025R1 |   |
| U003 | C295  | C-CERA C     | CK725B1H-102K0  | 1 | 332031025R1 |   |
| U003 | C296  | C-CERA C     | CK725B1H-102K0  | 1 | 332031025R1 |   |
| U003 | C301  | C-CERA C     | CC725CH1H-180J0 | 1 | 342031804R1 |   |
| U003 | C302  | C-CERA C     | CC725CH1H-180J0 | 1 | 342031804R1 |   |
| U003 | C305  | C-CERA C     | CK725B1C-104K0  | 1 | 332011045R1 |   |
| U003 | C306  | CHIP ELECT C | CEWX4V-220M     | 1 | 3981G2217R2 |   |
| U003 | C307  | C-CERA C     | CK725B1C-104K0  | 1 | 332011045R1 |   |
| U003 | C3117 | C-CERA C     | CK725B1H-102K0  | 1 | 332031025R1 |   |
| U003 | C312  | C-CERA C     | CC725CH1H-221J0 | 1 | 342032214R1 | N                                       |
| U003 | C313  | C-CERA C     | CK725B1C-104K0  | 1 | 332011045R1 |   |
| U003 | C314  | CHIP ELECT C | CEWX4V-220M     | 1 | 3981G2217R2 |   |
| U003 | C315  | C-CERA C     | CK725B1H-472K0  | 1 | 332034725R1 |   |
| U003 | C316  | C-CERA C     | CK725B1C-473K0  | 1 | 332014735R1 | N                                       |
| U003 | C317  | C-CERA C     | CK725B1C-104K0  | 1 | 332011045R1 |   |

|      |      |              |                 |   |             |   |
|------|------|--------------|-----------------|---|-------------|---|
| U003 | C318 | CHIP ELECT C | CEWX10V-220M    | 1 | 398132217R2 |   |
| U003 | C319 | CHIP ELECT C | CEWX16V-47M     | 1 | 398144707R2 |   |
| U003 | C320 | C-CERA C     | CK725B1E-223K0  | 1 | 33202235R1  | N                                       |
| U003 | C351 | CHIP ELECT C | CEWX4V-220M     | 1 | 3981G2217R2 |   |
| U003 | C352 | C-CERA C     | CK725B1C-104K0  | 1 | 332011045R1 |   |
| U003 | C353 | CHIP ELECT C | CEWX10V-220M    | 1 | 398132217R2 |   |
| U003 | C354 | C-CERA C     | CK725B1C-104K0  | 1 | 332011045R1 |   |
| U003 | C355 | C-CERA C     | CK725B1C-104K0  | 1 | 332011045R1 |   |
| U003 | C356 | CHIP ELECT C | CEWX16V-47M     | 1 | 398144707R2 |   |
| U003 | C365 | CHIP ELECT C | CEWX50V-10M     | 1 | 398181007R2 |   |
| U003 | C366 | CHIP ELECT C | CEWX50V-10M     | 1 | 398181007R2 |   |
| U003 | C367 | CHIP ELECT C | CEWX50V-10M     | 1 | 398181007R2 |   |
| U003 | C368 | CHIP ELECT C | CEWX50V-10M     | 1 | 398181007R2 |   |
| U003 | C369 | CHIP ELECT C | CEWX50V-10M     | 1 | 398181007R2 |   |
| U003 | C370 | CHIP ELECT C | CEWX50V-10M     | 1 | 398181007R2 |   |
| U003 | C501 | C-CERA C     | CK732B16V-106K  | 1 | 332071065R2 | N                                       |
| U003 | C502 | C-CERA C     | CK725B1C-104K0  | 1 | 332011045R1 |   |
| U003 | C503 | C-CERA C     | CK725B1C-104K0  | 1 | 332011045R1 |   |
| U003 | C504 | C-CERA C     | CK725B1C-104K0  | 1 | 332011045R1 |   |
| U003 | C505 | C-CERA C     | CK725B1C-104K0  | 1 | 332011045R1 |   |
| U003 | C507 | C-CERA C     | CK725B1C-104K0  | 1 | 332011045R1 |   |
| U003 | C508 | C-CERA C     | CK725B1C-104K0  | 1 | 332011045R1 |   |
| U003 | C509 | C-CERA C     | CK732B16V-106K  | 1 | 332071065R2 | N                                       |
| U003 | C511 | C-CERA C     | CK725B1H-102K0  | 1 | 332031025R1 |   |
| U003 | C512 | C-CERA C     | CK725B1H-102K0  | 1 | 332031025R1 |   |
| U003 | C513 | C-CERA C     | CC725CH1H-101J0 | 1 | 342031014R1 | <MDC, MDS, MMK, MMQ, MPB, MPP_A, MPP_H> |
| U003 | C514 | C-CERA C     | CK725B1C-104K0  | 1 | 332011045R1 |   |
| U003 | C515 | C-CERA C     | CK725B1C-104K0  | 1 | 332011045R1 |   |
| U003 | C516 | C-CERA C     | CK725B1C-104K0  | 1 | 332011045R1 |   |
| U003 | C517 | C-CERA C     | CK725B1C-104K0  | 1 | 332011045R1 |   |
| U003 | C518 | C-CERA C     | CK725B1H-102K0  | 1 | 332031025R1 |   |
| U003 | C519 | C-CERA C     | CK725B1H-102K0  | 1 | 332031025R1 |   |
| U003 | C520 | C-CERA C     | CK725B1H-102K0  | 1 | 332031025R1 |   |
| U003 | C521 | C-CERA C     | CK725B1H-102K0  | 1 | 332031025R1 | <MDC, MDS, MMK, MMQ, MPB, MPP_A, MPP_H> |
| U003 | C522 | C-CERA C     | CK725B1C-104K0  | 1 | 332011045R1 |   |
| U003 | C523 | C-CERA C     | CK725B1H-102K0  | 1 | 332031025R1 |   |
| U003 | C524 | C-CERA C     | CK725B1H-102K0  | 1 | 332031025R1 |   |
| U003 | C525 | C-CERA C     | CK725B1C-104K0  | 1 | 332011045R1 |   |
| U003 | C526 | C-CERA C     | CK725B1H-102K0  | 1 | 332031025R1 |   |

|      |       |              |                 |   |             |   |
|------|-------|--------------|-----------------|---|-------------|---|
| U003 | C527  | C-CERA C     | CK725B1H-102K0  | 1 | 332031025R1 |   |
| U003 | C528  | C-CERA C     | CK725B1C-104K0  | 1 | 332011045R1 |   |
| U003 | C613  | C-CERA C     | CK732B1C-474K   | 1 | 337394745R1 |   |
| U003 | C701  | C-CERA C     | CK732B16V-106K  | 1 | 332071065R2 | N                                       |
| U003 | C702  | C-CERA C     | CK732B16V-106K  | 1 | 332071065R2 | N                                       |
| U003 | C703  | C-CERA C     | CK732B16V-106K  | 1 | 332071065R2 | N                                       |
| U003 | C705  | C-CERA C     | CK732B16V-106K  | 1 | 332071065R2 | N                                       |
| U003 | C706  | C-CERA C     | CK725B1E-106K   | 1 | 332221065R2 |   |
| U003 | C707  | C-CERA C     | CK732B16V-106K  | 1 | 332071065R2 | N                                       |
| U003 | C708  | C-CERA C     | CK732B16V-106K  | 1 | 332071065R2 | N                                       |
| U003 | C709  | C-CERA C     | CK725B1E-106K   | 1 | 332221065R2 |   |
| U003 | C710  | C-CERA C     | CK725B1C-104K0  | 1 | 332011045R1 |   |
| U003 | C745  | C-CERA C     | CK732B16V-106K  | 1 | 332071065R2 | N                                       |
| U003 | C751  | C-CERA C     | CK725B1A-105K0  | 1 | 332001055R1 |   |
| U003 | C753  | CHIP ELECT C | CEWT6.3V-470M   | 1 | 395724717R2 |   |
| U003 | C8100 | C-CERA C     | CK725B1H-102K0  | 1 | 332031025R1 | <MDC, MDS, MMK, MMQ, MPB, MPP_A, MPP_H> |
| U003 | C8103 | C-CERA C     | CK725B1C-104K0  | 1 | 332011045R1 |   |
| U003 | C8104 | C-CERA C     | CK725B1H-102K0  | 1 | 332031025R1 |   |
| U003 | C8105 | C-CERA C     | CK725B1C-104K0  | 1 | 332011045R1 |   |
| U003 | C8106 | C-CERA C     | CK725B1H-102K0  | 1 | 332031025R1 |   |
| U003 | C8107 | C-CERA C     | CK725B1C-104K0  | 1 | 332011045R1 |   |
| U003 | C8108 | C-CERA C     | CK725B1H-102K0  | 1 | 332031025R1 |   |
| U003 | C8109 | C-CERA C     | CK725B1C-104K0  | 1 | 332011045R1 |   |
| U003 | C8110 | C-CERA C     | CK725B1H-102K0  | 1 | 332031025R1 |   |
| U003 | C8111 | C-CERA C     | CK725B1C-104K0  | 1 | 332011045R1 |   |
| U003 | C8112 | C-CERA C     | CK725B1H-102K0  | 1 | 332031025R1 |   |
| U003 | C8113 | C-CERA C     | CK725B1C-104K0  | 1 | 332011045R1 |   |
| U003 | C8114 | C-CERA C     | CK725B1H-102K0  | 1 | 332031025R1 |   |
| U003 | C8115 | C-CERA C     | CK725B1C-104K0  | 1 | 332011045R1 |   |
| U003 | C8116 | C-CERA C     | CK725B1H-102K0  | 1 | 332031025R1 |   |
| U003 | C8117 | C-CERA C     | CK725B1H-102K0  | 1 | 332031025R1 | <MDC, MDS, MMK, MMQ, MPB, MPP_A, MPP_H> |
| U003 | C8118 | C-CERA C     | CK725B1H-102K0  | 1 | 332031025R1 |   |
| U003 | C8119 | C-CERA C     | CK725B1C-104K0  | 1 | 332011045R1 |   |
| U003 | C8120 | C-CERA C     | CK725B1H-102K0  | 1 | 332031025R1 |   |
| U003 | C8121 | C-CERA C     | CK725B1C-104K0  | 1 | 332011045R1 |   |
| U003 | C8122 | C-CERA C     | CK725B1C-104K0  | 1 | 332011045R1 |   |
| U003 | C8123 | CERA C       | CC725CH1H-070C0 | 1 | 342030701R1 | N                                       |
| U003 | C8124 | C-CERA C     | CK725B1H-102K0  | 1 | 332031025R1 |   |
| U003 | C8125 | C-CERA C     | CK725B1H-102K0  | 1 | 332031025R1 |   |

|      |       |          |                 |   |             |   |
|------|-------|----------|-----------------|---|-------------|---|
| U003 | C8126 | C-CERA C | CK725B1C-104K0  | 1 | 332011045R1 |   |
| U003 | C8127 | CERA C   | CC725CH1H-070K0 | 1 | 342030701R1 | N |
| U003 | C8128 | C-CERA C | CK725B1H-102K0  | 1 | 332031025R1 |   |
| U003 | C8129 | C-CERA C | CK725B1C-104K0  | 1 | 332011045R1 |   |
| U003 | C8130 | C-CERA C | CK725B1H-102K0  | 1 | 332031025R1 |   |
| U003 | C8131 | C-CERA C | CK725B1H-102K0  | 1 | 332031025R1 |   |
| U003 | C8132 | C-CERA C | CK725B1H-102K0  | 1 | 332031025R1 |   |
| U003 | C8133 | C-CERA C | CK725B1C-104K0  | 1 | 332011045R1 |   |
| U003 | C8134 | C-CERA C | CK725B1H-102K0  | 1 | 332031025R1 |   |
| U003 | C8135 | C-CERA C | CK725B1C-104K0  | 1 | 332011045R1 |   |
| U003 | C8136 | C-CERA C | CK725B1H-102K0  | 1 | 332031025R1 |   |
| U003 | C8137 | C-CERA C | CK725B1C-104K0  | 1 | 332011045R1 |   |
| U003 | C8138 | C-CERA C | CK725B1H-102K0  | 1 | 332031025R1 |   |
| U003 | C8139 | C-CERA C | CK725B1H-102K0  | 1 | 332031025R1 |   |
| U003 | C8140 | C-CERA C | CK725B1C-104K0  | 1 | 332011045R1 |   |
| U003 | C8141 | C-CERA C | CK725B1H-102K0  | 1 | 332031025R1 |   |
| U003 | C8142 | C-CERA C | CK725B1C-104K0  | 1 | 332011045R1 |   |
| U003 | C8143 | C-CERA C | CK725B1H-102K0  | 1 | 332031025R1 |   |
| U003 | C8144 | C-CERA C | CK725B1H-102K0  | 1 | 332031025R1 |   |
| U003 | C8145 | C-CERA C | CK725B1H-102K0  | 1 | 332031025R1 |   |
| U003 | C8146 | C-CERA C | CK725B1C-104K0  | 1 | 332011045R1 |   |
| U003 | C8147 | C-CERA C | CK725B1H-102K0  | 1 | 332031025R1 |   |
| U003 | C8148 | C-CERA C | CK725B1C-104K0  | 1 | 332011045R1 |   |
| U003 | C8149 | C-CERA C | CK725B1H-102K0  | 1 | 332031025R1 |   |
| U003 | C8151 | C-CERA C | CK725B1C-104K0  | 1 | 332011045R1 |   |
| U003 | C8152 | C-CERA C | CK725B1H-102K0  | 1 | 332031025R1 |   |
| U003 | C8153 | C-CERA C | CK725B1C-104K0  | 1 | 332011045R1 |   |
| U003 | C8154 | C-CERA C | CK725B1H-102K0  | 1 | 332031025R1 |   |
| U003 | C8155 | C-CERA C | CK725B1C-104K0  | 1 | 332011045R1 |   |
| U003 | C8156 | C-CERA C | CK725B1H-102K0  | 1 | 332031025R1 |   |
| U003 | C8158 | C-CERA C | CK725B1C-104K0  | 1 | 332011045R1 |   |
| U003 | C8159 | C-CERA C | CK725B1H-102K0  | 1 | 332031025R1 |   |
| U003 | C8160 | C-CERA C | CK725B1C-104K0  | 1 | 332011045R1 |   |
| U003 | C8161 | C-CERA C | CK725B1H-102K0  | 1 | 332031025R1 |   |
| U003 | C8162 | C-CERA C | CK725B1C-104K0  | 1 | 332011045R1 |   |
| U003 | C8163 | C-CERA C | CK725B1H-102K0  | 1 | 332031025R1 |   |
| U003 | C8164 | C-CERA C | CK725B1C-104K0  | 1 | 332011045R1 |   |
| U003 | C8165 | C-CERA C | CK725B1H-102K0  | 1 | 332031025R1 |   |
| U003 | C8166 | C-CERA C | CK725B1H-102K0  | 1 | 332031025R1 |   |

|      |       |              |                 |   |             |   |
|------|-------|--------------|-----------------|---|-------------|---|
| U003 | C8168 | C-CERA C     | CK725B1H-102K0  | 1 | 332031025R1 |   |
| U003 | C8170 | C-CERA C     | CK725B1C-104K0  | 1 | 332011045R1 |   |
| U003 | C8175 | C-CERA C     | CK725B1H-102K0  | 1 | 332031025R1 |   |
| U003 | C8176 | C-CERA C     | CK725B1A-105K0  | 1 | 332001055R1 |   |
| U003 | C8177 | C-CERA C     | CK725B1A-105K0  | 1 | 332001055R1 |   |
| U003 | C8911 | C-CERA C     | CK732B16V-106K  | 1 | 332071065R2 | N |
| U003 | C8921 | C-CERA C     | CK732B16V-106K  | 1 | 332071065R2 | N |
| U003 | C8922 | C-CERA C     | CK732B16V-106K  | 1 | 332071065R2 | N |
| U003 | C8926 | C-CERA C     | CK725B1A-105K0  | 1 | 332001055R1 |   |
| U003 | C8931 | C-CERA C     | CK725B1E-106K   | 1 | 332221065R2 |   |
| U003 | C8932 | C-CERA C     | CK725B1E-106K   | 1 | 332221065R2 |   |
| U003 | C8933 | C-CERA C     | CK732B16V-106K  | 1 | 332071065R2 | N |
| U003 | C8934 | C-CERA C     | CK732B16V-106K  | 1 | 332071065R2 | N |
| U003 | C8935 | C-CERA C     | CK732B16V-106K  | 1 | 332071065R2 | N |
| U003 | C8936 | CHIP ELECT C | CEWX16V-100M    | 1 | 398141017R2 |   |
| U003 | C8937 | C-CERA C     | CK725B1C-104K0  | 1 | 332011045R1 |   |
| U003 | C8938 | C-CERA C     | CK725B1E-223K0  | 1 | 332022235R1 | N |
| U003 | C8939 | C-CERA C     | CK725B1C-104K0  | 1 | 332011045R1 |   |
| U003 | C8940 | C-CERA C     | CK725B1E-103K0  | 1 | 332021035R1 |   |
| U003 | C8943 | C-CERA C     | CC725CH1H-151J0 | 1 | 342031514R1 | N |
| U003 | C8950 | CHIP ELECT C | CEWX16V-100M    | 1 | 398141017R2 |   |
| U003 | C8951 | C-CERA C     | CK725B1E-106K   | 1 | 332221065R2 |   |
| U003 | C8952 | C-CERA C     | CK725B1E-106K   | 1 | 332221065R2 |   |
| U003 | C8953 | C-CERA C     | CK732B16V-106K  | 1 | 332071065R2 | N |
| U003 | C8954 | C-CERA C     | CK732B16V-106K  | 1 | 332071065R2 | N |
| U003 | C8955 | C-CERA C     | CK732B16V-106K  | 1 | 332071065R2 | N |
| U003 | C8956 | CHIP ELECT C | CEWX16V-100M    | 1 | 398141017R2 |   |
| U003 | C8957 | C-CERA C     | CK725B1C-104K0  | 1 | 332011045R1 |   |
| U003 | C8958 | C-CERA C     | CK725B1E-223K0  | 1 | 332022235R1 | N |
| U003 | C8959 | C-CERA C     | CK725B1C-104K0  | 1 | 332011045R1 |   |
| U003 | C8960 | C-CERA C     | CK725B1E-103K0  | 1 | 332021035R1 |   |
| U003 | C8963 | C-CERA C     | CC725CH1H-151J0 | 1 | 342031514R1 | N |
| U003 | C8971 | C-CERA C     | CK725B1E-106K   | 1 | 332221065R2 |   |
| U003 | C8972 | C-CERA C     | CK725B1E-106K   | 1 | 332221065R2 |   |
| U003 | C8973 | C-CERA C     | CK732B16V-106K  | 1 | 332071065R2 | N |
| U003 | C8974 | C-CERA C     | CK732B16V-106K  | 1 | 332071065R2 | N |
| U003 | C8975 | C-CERA C     | CK732B16V-106K  | 1 | 332071065R2 | N |
| U003 | C8976 | CHIP ELECT C | CEWX16V-100M    | 1 | 398141017R2 |   |
| U003 | C8977 | C-CERA C     | CK725B1C-104K0  | 1 | 332011045R1 |   |

|      |                   |            |                |   |               |   |
|------|-------------------|------------|----------------|---|---------------|---|
| U003 | C8978             | C-CERA C   | CK725B1E-223K0 | 1 | 332022235R1   | N |
| U003 | C8979             | C-CERA C   | CK725B1C-104K0 | 1 | 332011045R1   |   |
| U003 | C8980             | C-CERA C   | CK725B1E-682K0 | 1 | 332026825R1   | N |
| U003 | C8983             | C-CERA C   | CK725B1A-105K0 | 1 | 332001055R1   |   |
| U003 | C8984             | C-CERA C   | CK725B1A-105K0 | 1 | 332001055R1   |   |
| U003 | C8985             | C-CERA C   | CK725B1A-105K0 | 1 | 332001055R1   |   |
| U003 | C8986             | C-CERA C   | CK725B1A-105K0 | 1 | 332001055R1   |   |
| U003 | C8987             | C-CERA C   | CK725B1A-105K0 | 1 | 332001055R1   |   |
| U003 | C8988             | C-CERA C   | CK725B1A-105K0 | 1 | 332001055R1   |   |
| U003 | <b>[RESISTOR]</b> |            |                |   |               |   |
| U003 | R110              | C-CARBON R | RN72K1J-103JE  | 1 | 435031034R1   |   |
| U003 | R151              | C-CARBON R | RN72K1J-103JE  | 1 | 435031034R1   |   |
| U003 | R152              | C-CARBON R | RN72K1J-103JE  | 1 | 435031034R1   |   |
| U003 | R154              | C-CARBON R | RN72K1J-103JE  | 1 | 435031034R1   |   |
| U003 | R201              | C-CARBON R | RN72K1J-103JE  | 1 | 435031034R1   |   |
| U003 | R202              | C-CARBON R | RN72K1J-103JE  | 1 | 435031034R1   |   |
| U003 | R203              | C-CARBON R | RN72K1J-103JE  | 1 | 435031034R1   |   |
| U003 | R204              | C-CARBON R | RN72K1J-472JE  | 1 | 435034724R1   |   |
| U003 | R205              | C-CARBON R | RN72K1J-221JE  | 1 | 435032214R1   |   |
| U003 | R206              | C-CARBON R | RN72K1J-470JE  | 1 | 435034704R1   |   |
| U003 | R207              | C-CARBON R | RN72K1J-470JE  | 1 | 435034704R1   |   |
| U003 | R208              | C-CARBON R | RN72K1J-470JE  | 1 | 435034704R1   |   |
| U003 | R209              | C-CARBON R | RN72K1J-470JE  | 1 | 435034704R1   |   |
| U003 | R210              | C-CARBON R | RN72K1J-470JE  | 1 | 435034704R1   |   |
| U003 | R211              | C-CARBON R | RN72K1J-470JE  | 1 | 435034704R1   |   |
| U003 | R212              | C-CARBON R | RN72K1J-103JE  | 1 | 435031034R1   |   |
| U003 | R213              | C-CARBON R | RN72K1J-103JE  | 1 | 435031034R1   |   |
| U003 | R214              | C-CARBON R | RN72K1J-331JE  | 1 | 435033314R1   |   |
| U003 | R215              | C-CARBON R | RN72K1J-103JE  | 1 | 435031034R1   |   |
| U003 | R216              | C-CARBON R | RN72K1J-470JE  | 1 | 435034704R1   |   |
| U003 | R220              | C-R NET    | RM7LJ330X04    | 1 | 43484733004R2 |   |
| U003 | R221              | C-R NET    | RM7LJ330X04    | 1 | 43484733004R2 |   |
| U003 | R222              | C-R NET    | RM7LJ330X04    | 1 | 43484733004R2 |   |
| U003 | R223              | C-R NET    | RM7LJ330X04    | 1 | 43484733004R2 |   |
| U003 | R224              | C-R NET    | RM7LJ330X04    | 1 | 43484733004R2 |   |
| U003 | R225              | C-R NET    | RM7LJ330X04    | 1 | 43484733004R2 |   |
| U003 | R226              | C-R NET    | RM7LJ330X04    | 1 | 43484733004R2 |   |
| U003 | R227              | C-R NET    | RM7LJ330X04    | 1 | 43484733004R2 |   |
| U003 | R228              | C-R NET    | RM7LJ330X04    | 1 | 43484733004R2 |   |

|      |      |            |               |   |               |   |
|------|------|------------|---------------|---|---------------|---|
| U003 | R229 | C-R NET    | RM7LJ330X04   | 1 | 43484733004R2 |   |
| U003 | R230 | C-CARBON R | RN72K1J-330JE | 1 | 435033304R1   |   |
| U003 | R231 | C-CARBON R | RN72K1J-103JE | 1 | 435031034R1   |   |
| U003 | R232 | C-CARBON R | RN72K1J-103JE | 1 | 435031034R1   |   |
| U003 | R235 | C-CARBON R | RN72K1J-470JE | 1 | 435034704R1   |   |
| U003 | R236 | C-CARBON R | RN72K1J-470JE | 1 | 435034704R1   |   |
| U003 | R237 | C-CARBON R | RN72K1J-470JE | 1 | 435034704R1   |   |
| U003 | R238 | C-CARBON R | RN72K1J-331JE | 1 | 435033314R1   |   |
| U003 | R239 | C-CARBON R | RN72K1J-331JE | 1 | 435033314R1   |   |
| U003 | R240 | C-CARBON R | RN72K1J-331JE | 1 | 435033314R1   |   |
| U003 | R241 | C-CARBON R | RN72K1J-331JE | 1 | 435033314R1   |   |
| U003 | R242 | C-CARBON R | RN72K1J-470JE | 1 | 435034704R1   |   |
| U003 | R243 | C-CARBON R | RN72K1J-331JE | 1 | 435033314R1   |   |
| U003 | R244 | C-CARBON R | RN72K1J-221JE | 1 | 435032214R1   |   |
| U003 | R245 | C-CARBON R | RN72K1J-470JE | 1 | 435034704R1   |   |
| U003 | R246 | C-CARBON R | RN72K1J-470JE | 1 | 435034704R1   |   |
| U003 | R247 | C-CARBON R | RN72K1J-103JE | 1 | 435031034R1   |   |
| U003 | R248 | C-CARBON R | RN72K1J-331JE | 1 | 435033314R1   |   |
| U003 | R249 | C-CARBON R | RN72K1J-331JE | 1 | 435033314R1   |   |
| U003 | R252 | C-CARBON R | RN72K1J-000JE | 1 | 435030004R1   |   |
| U003 | R253 | C-CARBON R | RN72K1J-221JE | 1 | 435032214R1   |   |
| U003 | R254 | C-CARBON R | RN72K1J-103JE | 1 | 435031034R1   |   |
| U003 | R255 | C-CARBON R | RN72K1J-221JE | 1 | 435032214R1   |   |
| U003 | R256 | C-CARBON R | RN72K1J-470JE | 1 | 435034704R1   |   |
| U003 | R257 | C-CARBON R | RN72K1J-470JE | 1 | 435034704R1   |   |
| U003 | R262 | C-CARBON R | RN72K1J-103JE | 1 | 435031034R1   |   |
| U003 | R263 | C-CARBON R | RN72K1J-103JE | 1 | 435031034R1   |   |
| U003 | R264 | C-CARBON R | RN72K1J-103JE | 1 | 435031034R1   |   |
| U003 | R265 | C-CARBON R | RN72K1J-221JE | 1 | 435032214R1   |   |
| U003 | R274 | C-CARBON R | RN72K1J-000JE | 1 | 435030004R1   | <MDC, MDS, MMK, MMQ, MPB, MPP_A, MPP_H> |
| U003 | R275 | C-CARBON R | RN72K1J-000JE | 1 | 435030004R1   | <MDC, MDS, MMK, MMQ, MPB, MPP_A, MPP_H> |
| U003 | R277 | C-CARBON R | RN72K1J-222JE | 1 | 435032224R1   |   |
| U003 | R281 | C-CARBON R | RN72K1J-103JE | 1 | 435031034R1   |   |
| U003 | R282 | C-CARBON R | RN72K1J-103JE | 1 | 435031034R1   |   |
| U003 | R284 | C-CARBON R | RN72K1J-103JE | 1 | 435031034R1   |   |
| U003 | R301 | C-CARBON R | RN72K1J-470JE | 1 | 435034704R1   |   |
| U003 | R304 | C-CARBON R | RN72K1J-221JE | 1 | 435032214R1   |   |
| U003 | R305 | C-CARBON R | RN72K1J-221JE | 1 | 435032214R1   |   |
| U003 | R306 | C-CARBON R | RN72K1J-330JE | 1 | 435033304R1   |   |



|      |       |            |               |   |             |   |
|------|-------|------------|---------------|---|-------------|---|
| U003 | R307  | C-CARBON R | RN72K1J-331JE | 1 | 435033314R1 |   |
| U003 | R308  | C-CARBON R | RN72K1J-331JE | 1 | 435033314R1 |   |
| U003 | R312  | C-CARBON R | RN72K1J-470JE | 1 | 435034704R1 |   |
| U003 | R313  | C-CARBON R | RN72K1J-470JE | 1 | 435034704R1 |   |
| U003 | R3134 | C-CARBON R | RN72K1J-470JE | 1 | 435034704R1 | <MDC, MDS, MMK, MMQ, MPB, MPP_A, MPP_H> |
| U003 | R314  | C-CARBON R | RN72K1J-151JE | 1 | 435031514R1 |   |
| U003 | R315  | C-CARBON R | RN72K1J-470JE | 1 | 435034704R1 |   |
| U003 | R316  | C-CARBON R | RN72K1J-470JE | 1 | 435034704R1 |   |
| U003 | R317  | C-CARBON R | RN72K1J-331JE | 1 | 435033314R1 |   |
| U003 | R321  | C-CARBON R | RN72K1J-331JE | 1 | 435033314R1 |   |
| U003 | R322  | C-CARBON R | RN72K1J-331JE | 1 | 435033314R1 |   |
| U003 | R324  | C-CARBON R | RN72K1J-331JE | 1 | 435033314R1 |   |
| U003 | R325  | C-CARBON R | RN72K1J-331JE | 1 | 435033314R1 |   |
| U003 | R326  | C-CARBON R | RN72K1J-331JE | 1 | 435033314R1 |   |
| U003 | R327  | C-CARBON R | RN72K1J-221JE | 1 | 435032214R1 |   |
| U003 | R331  | C-CARBON R | RN72K1J-221JE | 1 | 435032214R1 |   |
| U003 | R332  | C-CARBON R | RN72K1J-681JE | 1 | 435036814R1 |   |
| U003 | R333  | C-CARBON R | RN72K1J-221JE | 1 | 435032214R1 |   |
| U003 | R351  | C-CARBON R | RN72K1J-331JE | 1 | 435033314R1 |   |
| U003 | R352  | C-CARBON R | RN72K1J-331JE | 1 | 435033314R1 |   |
| U003 | R354  | C-CARBON R | RN72K1J-470JE | 1 | 435034704R1 |   |
| U003 | R355  | C-CARBON R | RN72K1J-220JE | 1 | 435032204R1 |   |
| U003 | R356  | C-CARBON R | RN72K1J-220JE | 1 | 435032204R1 |   |
| U003 | R357  | C-CARBON R | RN72K1J-220JE | 1 | 435032204R1 |   |
| U003 | R359  | C-CARBON R | RN72K1J-220JE | 1 | 435032204R1 |   |
| U003 | R360  | C-CARBON R | RN72K1J-220JE | 1 | 435032204R1 |   |
| U003 | R361  | C-CARBON R | RN72K1J-331JE | 1 | 435033314R1 |   |
| U003 | R362  | C-CARBON R | RN72K1J-000JE | 1 | 435030004R1 |   |
| U003 | R365  | C-CARBON R | RN72K1J-104JE | 1 | 435031044R1 |   |
| U003 | R366  | C-CARBON R | RN72K1J-104JE | 1 | 435031044R1 |   |
| U003 | R367  | C-CARBON R | RN72K1J-104JE | 1 | 435031044R1 |   |
| U003 | R368  | C-CARBON R | RN72K1J-104JE | 1 | 435031044R1 |   |
| U003 | R369  | C-CARBON R | RN72K1J-104JE | 1 | 435031044R1 |   |
| U003 | R370  | C-CARBON R | RN72K1J-104JE | 1 | 435031044R1 |   |
| U003 | R501  | C-CARBON R | RN72K1J-473JE | 1 | 435034734R1 |   |
| U003 | R503  | C-CARBON R | RN72K1J-103JE | 1 | 435031034R1 |   |
| U003 | R504  | C-CARBON R | RN72K1J-000JE | 1 | 435030004R1 |   |
| U003 | R505  | C-CARBON R | RN72K1J-103JE | 1 | 435031034R1 |   |
| U003 | R508  | C-CARBON R | RN72K1J-105JE | 1 | 435031054R1 |   |

|      |      |            |               |   |               |   |
|------|------|------------|---------------|---|---------------|---|
| U003 | R509 | C-CARBON R | RN72K1J-221JE | 1 | 435032214R1   |   |
| U003 | R510 | C-CARBON R | RN72K1J-470JE | 1 | 435034704R1   |   |
| U003 | R511 | C-CARBON R | RN72K1J-103JE | 1 | 435031034R1   |   |
| U003 | R512 | C-CARBON R | RN72K1J-221JE | 1 | 435032214R1   |   |
| U003 | R514 | C-CARBON R | RN72K1J-221JE | 1 | 435032214R1   |   |
| U003 | R515 | C-R NET    | RM7LJ470X04   | 1 | 43484747004R2 |   |
| U003 | R520 | C-CARBON R | RN72K1J-103JE | 1 | 435031034R1   |   |
| U003 | R521 | C-R NET    | RM7LJ470X04   | 1 | 43484747004R2 |   |
| U003 | R532 | C-CARBON R | RN72K1J-472JE | 1 | 435034724R1   |   |
| U003 | R533 | C-CARBON R | RN72K1J-472JE | 1 | 435034724R1   |   |
| U003 | R534 | C-R NET    | RM7LJ103X04   | 1 | 43484710304R2 |   |
| U003 | R538 | C-CARBON R | RN72K1J-103JE | 1 | 435031034R1   |   |
| U003 | R539 | C-R NET    | RM7LJ470X04   | 1 | 43484747004R2 |   |
| U003 | R543 | C-CARBON R | RN72K1J-103JE | 1 | 435031034R1   |   |
| U003 | R544 | C-R NET    | RM7LJ221X04   | 1 | 43484722104R2 |   |
| U003 | R550 | C-R NET    | RM7LJ470X04   | 1 | 43484747004R2 |   |
| U003 | R551 | C-CARBON R | RN72K1J-103JE | 1 | 435031034R1   |   |
| U003 | R552 | C-CARBON R | RN72K1J-103JE | 1 | 435031034R1   |   |
| U003 | R554 | C-CARBON R | RN72K1J-103JE | 1 | 435031034R1   |   |
| U003 | R557 | C-CARBON R | RN72K1J-103JE | 1 | 435031034R1   | <MDC, MDS, MMK, MMQ, MPB, MPP_A, MPP_H> |
| U003 | R559 | C-CARBON R | RN72K1J-272JE | 1 | 435032724R1   | <MDC, MDS, MMK, MMQ, MPB, MPP_A, MPP_H> |
| U003 | R560 | C-CARBON R | RN72K1J-103JE | 1 | 435031034R1   |   |
| U003 | R562 | C-CARBON R | RN72K1J-221JE | 1 | 435032214R1   |   |
| U003 | R565 | C-R NET    | RM7LJ470X04   | 1 | 43484747004R2 |   |
| U003 | R566 | C-CARBON R | RN72K1J-103JE | 1 | 435031034R1   |   |
| U003 | R568 | C-CARBON R | RN72K1J-103JE | 1 | 435031034R1   |   |
| U003 | R570 | C-CARBON R | RN72K1J-103JE | 1 | 435031034R1   |   |
| U003 | R572 | C-CARBON R | RN72K1J-103JE | 1 | 435031034R1   |   |
| U003 | R573 | C-CARBON R | RN72K1J-221JE | 1 | 435032214R1   |   |
| U003 | R574 | C-R NET    | RM7LJ470X04   | 1 | 43484747004R2 |   |
| U003 | R577 | C-CARBON R | RN72K1J-103JE | 1 | 435031034R1   |   |
| U003 | R579 | C-CARBON R | RN72K1J-470JE | 1 | 435034704R1   |   |
| U003 | R580 | C-R NET    | RM7LJ103X04   | 1 | 43484710304R2 |   |
| U003 | R582 | C-R NET    | RM7LJ221X04   | 1 | 43484722104R2 |   |
| U003 | R590 | C-CARBON R | RN72K1J-103JE | 1 | 435031034R1   |   |
| U003 | R595 | C-R NET    | RM7LJ221X04   | 1 | 43484722104R2 |   |
| U003 | R596 | C-CARBON R | RN72K1J-103JE | 1 | 435031034R1   |   |
| U003 | R599 | C-R NET    | RM7LJ103X04   | 1 | 43484710304R2 |   |
| U003 | R601 | C-R NET    | RM7LJ470X04   | 1 | 43484747004R2 |   |

|      |      |            |               |   |             |   |
|------|------|------------|---------------|---|-------------|---|
| U003 | R605 | C-CARBON R | RN72K1J-221JE | 1 | 435032214R1 |   |
| U003 | R606 | C-CARBON R | RN72K1J-470JE | 1 | 435034704R1 |   |
| U003 | R607 | C-CARBON R | RN72K1J-221JE | 1 | 435032214R1 |   |
| U003 | R609 | C-CARBON R | RN72K1J-102JE | 1 | 435031024R1 |   |
| U003 | R610 | C-CARBON R | RN72K1J-221JE | 1 | 435032214R1 |   |
| U003 | R611 | C-CARBON R | RN72K1J-102JE | 1 | 435031024R1 |   |
| U003 | R613 | C-CARBON R | RN72K1J-102JE | 1 | 435031024R1 |   |
| U003 | R614 | C-CARBON R | RN72K1J-103JE | 1 | 435031034R1 |   |
| U003 | R615 | C-CARBON R | RN72K1J-101JE | 1 | 435031014R1 | <MDC, MDS, MMK, MMQ, MPB, MPP_A, MPP_H> |
| U003 | R617 | C-CARBON R | RN72K1J-221JE | 1 | 435032214R1 |   |
| U003 | R618 | C-CARBON R | RN72K1J-103JE | 1 | 435031034R1 |   |
| U003 | R619 | C-CARBON R | RN72K1J-470JE | 1 | 435034704R1 |   |
| U003 | R620 | C-CARBON R | RN72K1J-103JE | 1 | 435031034R1 |   |
| U003 | R621 | C-CARBON R | RN72K1J-221JE | 1 | 435032214R1 |   |
| U003 | R622 | C-CARBON R | RN72K1J-470JE | 1 | 435034704R1 |   |
| U003 | R623 | C-CARBON R | RN72K1J-103JE | 1 | 435031034R1 |   |
| U003 | R624 | C-CARBON R | RN72K1J-221JE | 1 | 435032214R1 |   |
| U003 | R625 | C-CARBON R | RN72K1J-470JE | 1 | 435034704R1 |   |
| U003 | R627 | C-CARBON R | RN72K1J-103JE | 1 | 435031034R1 |   |
| U003 | R631 | C-CARBON R | RN72K1J-470JE | 1 | 435034704R1 |   |
| U003 | R633 | C-CARBON R | RN72K1J-103JE | 1 | 435031034R1 |   |
| U003 | R635 | C-CARBON R | RN72K1J-103JE | 1 | 435031034R1 |   |
| U003 | R638 | C-CARBON R | RN72K1J-470JE | 1 | 435034704R1 |   |
| U003 | R639 | C-CARBON R | RN72K1J-103JE | 1 | 435031034R1 |   |
| U003 | R640 | C-CARBON R | RN72K1J-470JE | 1 | 435034704R1 |   |
| U003 | R642 | C-CARBON R | RN72K1J-221JE | 1 | 435032214R1 |   |
| U003 | R644 | C-CARBON R | RN72K1J-221JE | 1 | 435032214R1 |   |
| U003 | R646 | C-CARBON R | RN72K1J-221JE | 1 | 435032214R1 |   |
| U003 | R650 | C-CARBON R | RN72K1J-221JE | 1 | 435032214R1 |   |
| U003 | R651 | C-CARBON R | RN72K1J-103JE | 1 | 435031034R1 |   |
| U003 | R652 | C-CARBON R | RN72K1J-102JE | 1 | 435031024R1 |   |
| U003 | R653 | C-CARBON R | RN72K1J-105JE | 1 | 435031054R1 |   |
| U003 | R655 | C-CARBON R | RN72K1J-223JE | 1 | 435032234R1 |   |
| U003 | R656 | C-CARBON R | RN72K1J-223JE | 1 | 435032234R1 |   |
| U003 | R657 | C-CARBON R | RN72K1J-224JE | 1 | 435032244R1 |   |
| U003 | R658 | C-CARBON R | RN72K1J-221JE | 1 | 435032214R1 |   |
| U003 | R659 | C-CARBON R | RN72K1J-273JE | 1 | 435032734R1 |   |
| U003 | R660 | C-CARBON R | RN72K1J-221JE | 1 | 435032214R1 |   |
| U003 | R661 | C-CARBON R | RN72K1J-221JE | 1 | 435032214R1 |   |

|      |       |            |               |   |               |   |
|------|-------|------------|---------------|---|---------------|---|
| U003 | R662  | C-CARBON R | RN72K1J-000JE | 1 | 435030004R1   | <MDC, MDS, MMK, MMQ>                    |
| U003 | R662  | C-CARBON R | RN72K1J-103JE | 1 | 435031034R1   | <MPB, MPP_A, MPP_H>                     |
| U003 | R663  | C-CARBON R | RN72K1J-333JE | 1 | 435033334R1   | <MPB, MPP_A, MPP_H>                     |
| U003 | R664  | C-CARBON R | RN72K1J-103JE | 1 | 435031034R1   | <MDC, MDS, MMK, MMQ, MPB, MPP_A, MPP_H> |
| U003 | R665  | C-CARBON R | RN72K1J-333JE | 1 | 435033334R1   | <MDC, MDS, MMK, MMQ, MPB, MPP_A, MPP_H> |
| U003 | R666  | C-CARBON R | RN72K1J-000JE | 1 | 435030004R1   | <MDC, MDS, MMK, MMQ, MPB, MPP_A, MPP_H> |
| U003 | R668  | C-CARBON R | RN72K1J-103JE | 1 | 435031034R1   | <MDC, MDS>                              |
| U003 | R669  | C-CARBON R | RN72K1J-103JE | 1 | 435031034R1   | <MMK, MMQ, MPB, MPP_A, MPP_H>           |
| U003 | R669  | C-CARBON R | RN72K1J-333JE | 1 | 435033334R1   | <MDC, MDS>                              |
| U003 | R670  | C-CARBON R | RN72K1J-472JE | 1 | 435034724R1   |   |
| U003 | R671  | C-CARBON R | RN72K1J-272JE | 1 | 435032724R1   |   |
| U003 | R672  | C-CARBON R | RN72K1J-472JE | 1 | 435034724R1   |   |
| U003 | R673  | C-CARBON R | RN72K1J-272JE | 1 | 435032724R1   |   |
| U003 | R674  | C-CARBON R | RN72K1J-472JE | 1 | 435034724R1   |   |
| U003 | R675  | C-CARBON R | RN72K1J-272JE | 1 | 435032724R1   |   |
| U003 | R676  | C-CARBON R | RN72K1J-472JE | 1 | 435034724R1   |   |
| U003 | R677  | C-CARBON R | RN72K1J-272JE | 1 | 435032724R1   |   |
| U003 | R678  | C-CARBON R | RN72K1J-224JE | 1 | 435032244R1   |   |
| U003 | R681  | C-CARBON R | RN72K1J-103JE | 1 | 435031034R1   |   |
| U003 | R682  | C-CARBON R | RN72K1J-103JE | 1 | 435031034R1   |   |
| U003 | R687  | C-CARBON R | RN72K1J-103JE | 1 | 435031034R1   |   |
| U003 | R688  | C-R NET    | RM7LJ103X04   | 1 | 43484710304R2 |   |
| U003 | R690  | C-R NET    | RM7LJ470X04   | 1 | 43484747004R2 |   |
| U003 | R692  | C-R NET    | RM7LJ472X04   | 1 | 43484747204R2 |   |
| U003 | R693  | C-R NET    | RM7LJ470X04   | 1 | 43484747004R2 |   |
| U003 | R701  | C-CARBON R | RN72K1J-000JE | 1 | 435030004R1   |   |
| U003 | R712  | C-CARBON R | RN72K1J-102JE | 1 | 435031024R1   |   |
| U003 | R713  | C-CARBON R | RN72K1J-222JE | 1 | 435032224R1   |   |
| U003 | R714  | C-CARBON R | RN72K1J-103JE | 1 | 435031034R1   |   |
| U003 | R715  | C-CARBON R | RN72K1J-103JE | 1 | 435031034R1   |   |
| U003 | R716  | C-CARBON R | RN72K1J-470JE | 1 | 435034704R1   |   |
| U003 | R723  | C-CARBON R | RN72K1J-101JE | 1 | 435031014R1   |   |
| U003 | R724  | C-CARBON R | RN72K1J-101JE | 1 | 435031014R1   |   |
| U003 | R725  | C-CARBON R | RN72K1J-221JE | 1 | 435032214R1   |   |
| U003 | R726  | C-CARBON R | RN72K1J-273JE | 1 | 435032734R1   |   |
| U003 | R727  | C-CARBON R | RN72K1J-103JE | 1 | 435031034R1   |   |
| U003 | R803  | C-CARBON R | RN72K1J-000JE | 1 | 435030004R1   |   |
| U003 | R8100 | C-CARBON R | RN72K1J-102JE | 1 | 435031024R1   | <MDC, MDS, MMK, MMQ, MPB, MPP_A, MPP_H> |
| U003 | R8101 | C-CARBON R | RN72K1J-000JE | 1 | 435030004R1   | <MDC, MDS, MMK, MMQ, MPB, MPP_A, MPP_H> |

|      |       |            |               |   |               |   |
|------|-------|------------|---------------|---|---------------|---|
| U003 | R8102 | C-CARBON R | RN72K1J-473JE | 1 | 435034734R1   | <MDC, MDS, MMK, MMQ, MPB, MPP_A, MPP_H> |
| U003 | R8118 | C-CARBON R | RN72K1J-102JE | 1 | 435031024R1   |   |
| U003 | R8119 | C-CARBON R | RN72K1J-102JE | 1 | 435031024R1   |   |
| U003 | R8120 | C-CARBON R | RN72K1J-000JE | 1 | 435030004R1   |   |
| U003 | R8121 | C-CARBON R | RN72K1J-102JE | 1 | 435031024R1   |   |
| U003 | R8122 | C-CARBON R | RN72K1J-473JE | 1 | 435034734R1   |   |
| U003 | R8125 | C-CARBON R | RN72K1J-101JE | 1 | 435031014R1   |   |
| U003 | R8126 | C-CARBON R | RN72K1J-101JE | 1 | 435031014R1   |   |
| U003 | R8127 | C-CARBON R | RN72K1J-330JE | 1 | 435033304R1   |   |
| U003 | R8128 | C-CARBON R | RN72K1J-331JE | 1 | 435033314R1   |   |
| U003 | R8129 | C-CARBON R | RN72K1J-330JE | 1 | 435033304R1   |   |
| U003 | R8131 | C-R NET    | RM7LJ330X04   | 1 | 43484733004R2 |   |
| U003 | R8132 | C-R NET    | RM7LJ101X04   | 1 | 43484710104R2 |   |
| U003 | R8136 | C-CARBON R | RN72K1J-102JE | 1 | 435031024R1   |   |
| U003 | R8138 | C-CARBON R | RN72K1J-000JE | 1 | 435030004R1   |   |
| U003 | R8140 | C-CARBON R | RN72K1J-473JE | 1 | 435034734R1   |   |
| U003 | R8142 | C-CARBON R | RN72K1J-220JE | 1 | 435032204R1   |   |
| U003 | R8148 | C-CARBON R | RN72K1J-473JE | 1 | 435034734R1   |   |
| U003 | R8150 | C-R NET    | RM7LJ470X04   | 1 | 43484747004R2 |   |
| U003 | R8154 | C-R NET    | RM7LJ220X04   | 1 | 43484722004R2 |   |
| U003 | R8158 | C-CARBON R | RN72K1J-473JE | 1 | 435034734R1   |   |
| U003 | R8159 | C-CARBON R | RN72K1J-182JE | 1 | 435031824R1   |   |
| U003 | R8160 | C-CARBON R | RN72K1J-182JE | 1 | 435031824R1   |   |
| U003 | R8161 | C-CARBON R | RN72K1J-821FE | 1 | 435038212R1   |   |
| U003 | R8162 | C-CARBON R | RN72K1J-680JE | 1 | 435036804R1   |   |
| U003 | R8166 | C-CARBON R | RN72K1J-102JE | 1 | 435031024R1   |   |
| U003 | R8167 | C-CARBON R | RN72K1J-000JE | 1 | 435030004R1   |   |
| U003 | R8169 | C-CARBON R | RN72K1J-473JE | 1 | 435034734R1   |   |
| U003 | R8172 | C-CARBON R | RN72K1J-103JE | 1 | 435031034R1   |   |
| U003 | R8177 | C-CARBON R | RN72K1J-101JE | 1 | 435031014R1   |   |
| U003 | R8178 | C-CARBON R | RN72K1J-101JE | 1 | 435031014R1   |   |
| U003 | R8179 | C-CARBON R | RN72K1J-101JE | 1 | 435031014R1   |   |
| U003 | R8180 | C-CARBON R | RN72K1J-101JE | 1 | 435031014R1   |   |
| U003 | R8181 | C-CARBON R | RN72K1J-100JE | 1 | 435031004R1   |   |
| U003 | R8182 | C-CARBON R | RN72K1J-100JE | 1 | 435031004R1   |   |
| U003 | R8191 | C-CARBON R | RN72K1J-103JE | 1 | 435031034R1   |   |
| U003 | R8192 | C-CARBON R | RN72K1J-103JE | 1 | 435031034R1   |   |
| U003 | R8193 | C-CARBON R | RN72K1J-103JE | 1 | 435031034R1   |   |
| U003 | R8194 | C-CARBON R | RN72K1J-103JE | 1 | 435031034R1   | <MDC, MDS,MMK, MMQ, MPB, MPP_A, MPP_H>  |

|      |          |            |                  |     |             |   |
|------|----------|------------|------------------|-----|-------------|---|
| U003 | R8933    | C-CARBON R | RN72K1J-563FE    | 1   | 435035632R1 |   |
| U003 | R8934    | C-CARBON R | RN72K1J-274JE    | 1   | 435032744R1 |   |
| U003 | R8935    | C-CARBON R | RN72K1J-103FE    | 1   | 435031032R1 |   |
| U003 | R8936    | C-CARBON R | RN72K1J-822JE    | 1   | 435038224R1 |   |
| U003 | R8951    | C-CARBON R | RN72K1J-103JE    | 1   | 435031034R1 |   |
| U003 | R8953    | C-CARBON R | RN72K1J-273FE    | 1   | 435032732R1 |   |
| U003 | R8955    | C-CARBON R | RN72K1J-103FE    | 1   | 435031032R1 |   |
| U003 | R8956    | C-CARBON R | RN72K1J-562JE    | 1   | 435035624R1 |   |
| U003 | R8971    | C-CARBON R | RN72K1J-102JE    | 1   | 435031024R1 |   |
| U003 | R8973    | C-CARBON R | RN72K1J-103FE    | 1   | 435031032R1 |   |
| U003 | R8975    | C-CARBON R | RN72K1J-103FE    | 1   | 435031032R1 |   |
| U003 | R8976    | C-CARBON R | RN72K1J-332JE    | 1   | 435033324R1 |   |
| U003 | [SW TRM] |            |                  |     |             |   |
| U003 | JL501B   | WIRE TRAP  | NPLG-3P586       | 1   | 25055624    |   |
| U003 | JL801B   | WIRE TRAP  | NPLG-5P588       | 1   | 25055626    |   |
| U003 | JL901B   | WIRE TRAP  | NPLG-5P588       | 1   | 25055626    |   |
| U003 | P2001B   | SOCKET     | IMSA-9618S-07A   | 1   | 25053332R2  | <MDC, MDS, MMK, MMQ, MPB, MPP_A, MPP_H> |
| U003 | P2001Bor | SOCKET     | 07FMN-SMT-A-TF   | (1) | 25052824R2  | <MDC, MDS, MMK, MMQ, MPB, MPP_A, MPP_H> |
| U003 | P2800B   | SOCKET     | IMSA-9618S-09A   | 1   | 25053334R2  |   |
| U003 | P2800Bor | SOCKET     | 09FMN-SMT-A-TF   | (1) | 25052826R2  |   |
| U003 | P281     | SOCKET     | NSCT-8P2471      | 1   | 25052574R2  |   |
| U003 | P701A    | SOCKET     | IMSA-9618S-23A   | 1   | 25053348R2  | N                                       |
| U003 | P701Aor  | SOCKET     | 23FMN-SMT-A-TF   | (1) | 25052840R2  |   |
| U003 | P751A    | SOCKET     | IMSA-9618S-09A   | 1   | 25053334R2  |   |
| U003 | P751Aor  | SOCKET     | 09FMN-SMT-A-TF   | (1) | 25052826R2  |   |
| U003 | P752A    | SOCKET     | NSCT-9P2472      | 1   | 25052575R2  |   |
| U003 | P8001B   | SOCKET     | IMSA-9618S-21A   | 1   | 25053346R2  | N                                       |
| U003 | P8001Bor | SOCKET     | 21FMN-SMT-A-TF   | (1) | 25052838R2  |   |
| U003 | P8002B   | SOCKET     | IMSA-9618S-09A   | 1   | 25053334R2  |   |
| U003 | P8002Bor | SOCKET     | 09FMN-SMT-A-TF   | (1) | 25052826R2  |   |
| U003 | P8003A   | SOCKET     | NSCT-7P2187      | 1   | 25052290    |   |
| U003 | P8101    | SOCKET     | TCX3400-111387   | 1   | 25053406R3  | <MDC, MDS, MMK, MMQ, MPB, MPP_A, MPP_H> |
| U003 | P8101 or | SOCKET     | YKF45-7037V      | (1) | 25053253R3  | <MDC, MDS, MMK, MMQ, MPB, MPP_A, MPP_H> |
| U003 | P8101 or | SOCKET     | HDMI(47266-4101) | (1) | 25053389R3  | <MDC, MDS, MMK, MMQ, MPB, MPP_A, MPP_H> |
| U003 | P8101 or | SOCKET     | 061-043-079      | (1) | 25053407R3  | <MDC, MDS, MMK, MMQ, MPB, MPP_A, MPP_H> |
| U003 | P8102    | SOCKET     | TCX3400-111387   | 1   | 25053406R3  | N                                       |
| U003 | P8102 or | SOCKET     | YKF45-7037V      | (1) | 25053253R3  |   |
| U003 | P8102 or | SOCKET     | HDMI(47266-4101) | (1) | 25053389R3  |   |
| U003 | P8102 or | SOCKET     | 061-043-079      | (1) | 25053407R3  | N                                       |

|      |          |        |                  |      |            |   |
|------|----------|--------|------------------|------|------------|---|
| U003 | P8103    | SOCKET | TCX3400-111387   | 1    | 25053406R3 | N |
| U003 | P8103 or | SOCKET | YKF45-7037V      | ( 1) | 25053253R3 |   |
| U003 | P8103 or | SOCKET | HDMI(47266-4101) | ( 1) | 25053389R3 |   |
| U003 | P8103 or | SOCKET | 061-043-079      | ( 1) | 25053407R3 | N |
| U003 | P8104    | SOCKET | TCX3400-111387   | 1    | 25053406R3 | N |
| U003 | P8104 or | SOCKET | YKF45-7037V      | ( 1) | 25053253R3 |   |
| U003 | P8104 or | SOCKET | HDMI(47266-4101) | ( 1) | 25053389R3 |   |
| U003 | P8104 or | SOCKET | 061-043-079      | ( 1) | 25053407R3 | N |
| U003 | P8105    | SOCKET | TCX3400-111387   | 1    | 25053406R3 | N |
| U003 | P8105 or | SOCKET | YKF45-7037V      | ( 1) | 25053253R3 |   |
| U003 | P8105 or | SOCKET | HDMI(47266-4101) | ( 1) | 25053389R3 |   |
| U003 | P8105 or | SOCKET | 061-043-079      | ( 1) | 25053407R3 | N |
| U003 | P8901    | SOCKET | NSCT-8P2471      | 1    | 25052574R2 |   |

# ONKYO

## ONKYO SOUND & VISION CORPORATION

Technical Support, Service Dept.: 2-1, Nisshin-cho, Neyagawa-shi, OSAKA 572-8540, JAPAN  
Tel: 072-831-8023 Fax: 072-831-8163

## ONKYO U.S.A. CORPORATION

18 Park Way, Upper Saddle River, N.J. 07458, U.S.A.  
Tel: 800-229-1687, 201-785-2600 Fax: 201-785-2650  
<http://www.us.onkyo.com/>

## ONKYO EUROPE ELECTRONICS GmbH

Liegnitzerstrasse 6, 82194 Groebenzell, GERMANY  
Tel: +49-8142-4401-0 Fax: +49-8142-4401-555  
<http://www.eu.onkyo.com/>

## ONKYO EUROPE ELECTRONICS GmbH (UK BRANCH)

The Coach House 81A High Street, Marlow, Buckinghamshire, SL7 1AB, UK  
Tel: +44-(0)1628-473-350 Fax: +44-(0)1628-401-700

## ONKYO CHINA LIMITED

Unit 1033, 10/F, Star House, No 3, Salisbury Road, Tsim Sha Tsui Kowloon, Hong Kong.  
Tel: 852-2429-3118 Fax: 852-2428-9039  
<http://www.ch.onkyo.com/>