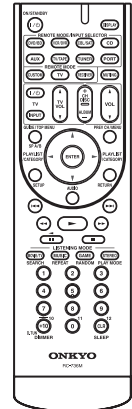
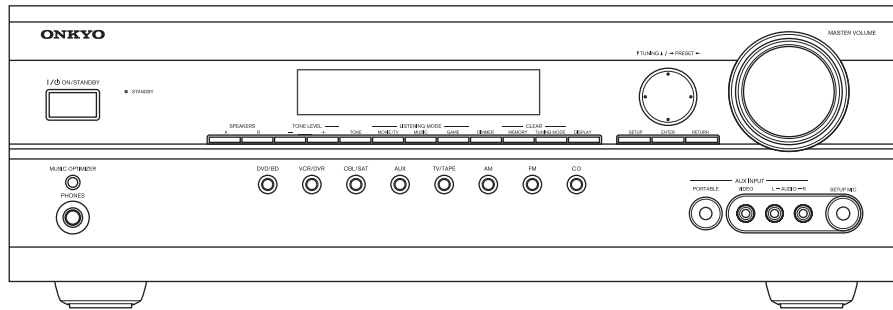


ONKYO SERVICE MANUAL

AV RECEIVER MODEL HT-R570




RC-736M

HT-R570 For HT-S5200 Black and Silver models

B MDC, S MDC, B MDD, S MDD	120V AC, 60Hz
----------------------------	---------------

SAFETY-RELATED COMPONENT WARNING!!

COMPONENTS IDENTIFIED BY MARK  ON THE SCHEMATIC DIAGRAM AND IN THE PARTS LIST ARE CRITICAL FOR RISK OF FIRE AND ELECTRIC SHOCK. REPLACE THESE COMPONENTS WITH ONKYO PARTS WHOSE PART NUMBERS APPEAR AS SHOWN IN THIS MANUAL.

MAKE LEAKAGE-CURRENT OR RESISTANCE MEASUREMENTS TO DETERMINE THAT EXPOSED PARTS ARE ACCEPTABLY INSULATED FROM THE SUPPLY CIRCUIT BEFORE RETURNING THE APPLIANCE TO THE CUSTOMER.

A B C D E F G H

EXPLODED VIEWS-1

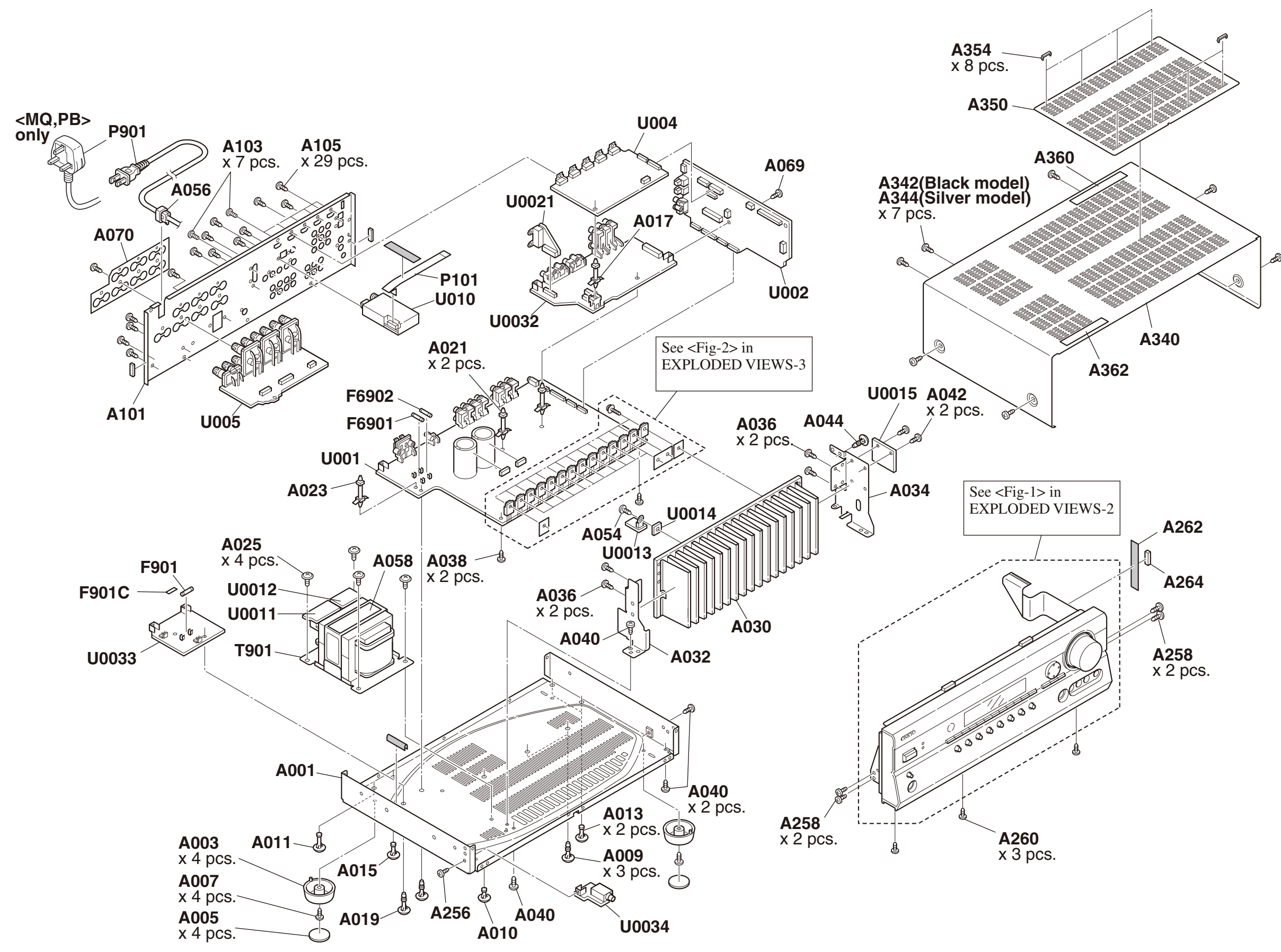
1

2

3

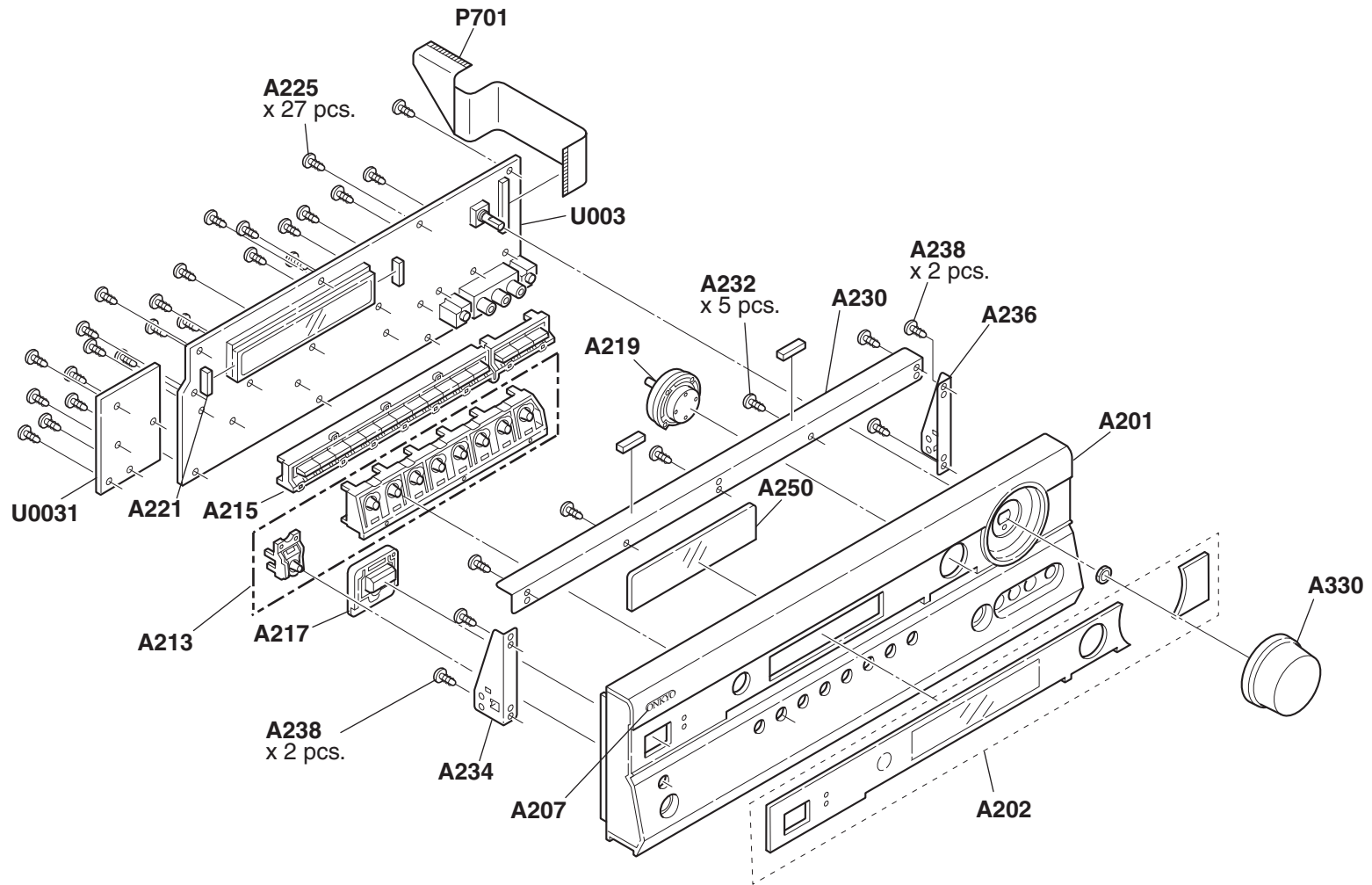
4

5



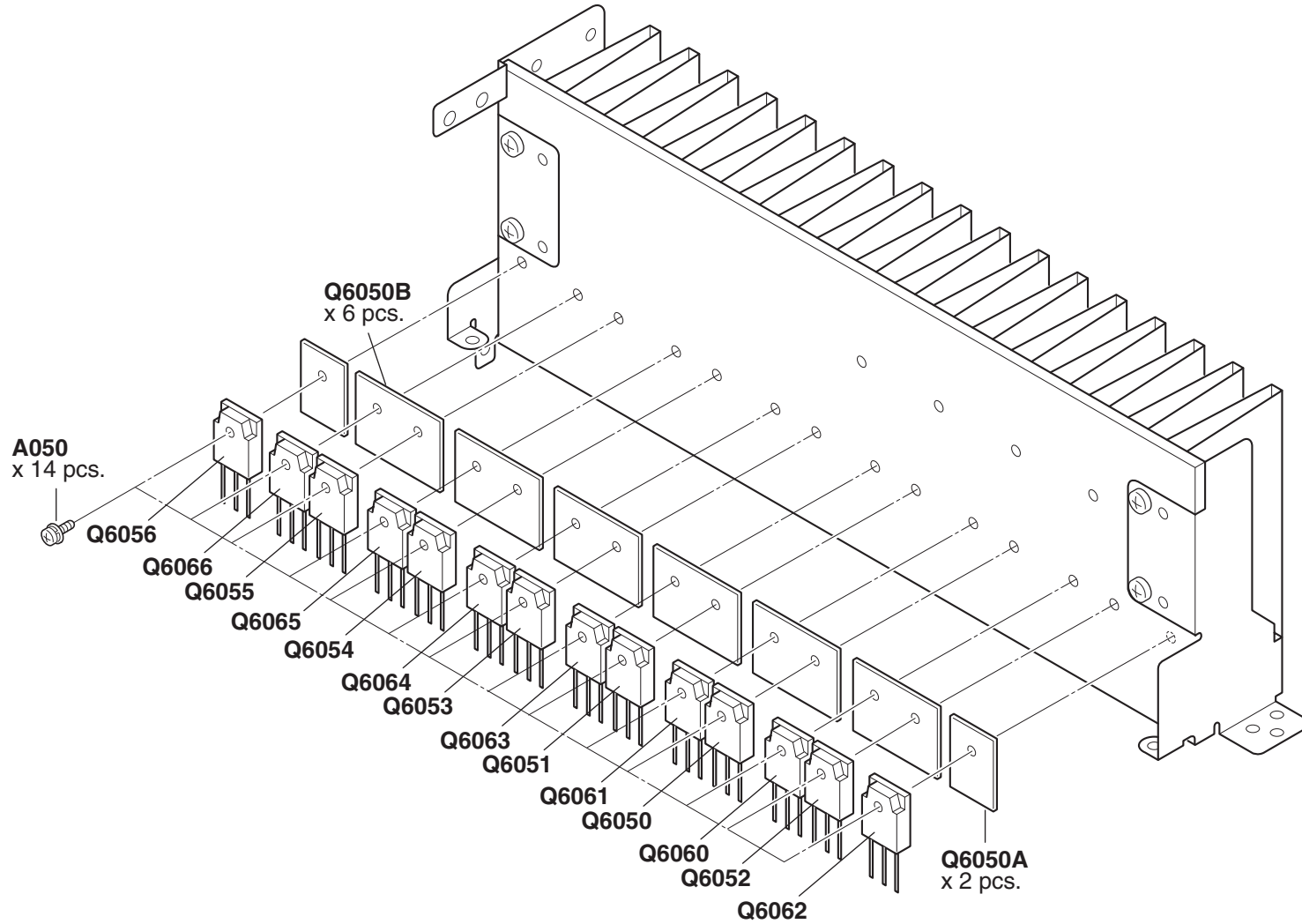
EXPLODED VIEWS-2

<Fig-1>



EXPLODED VIEWS-3

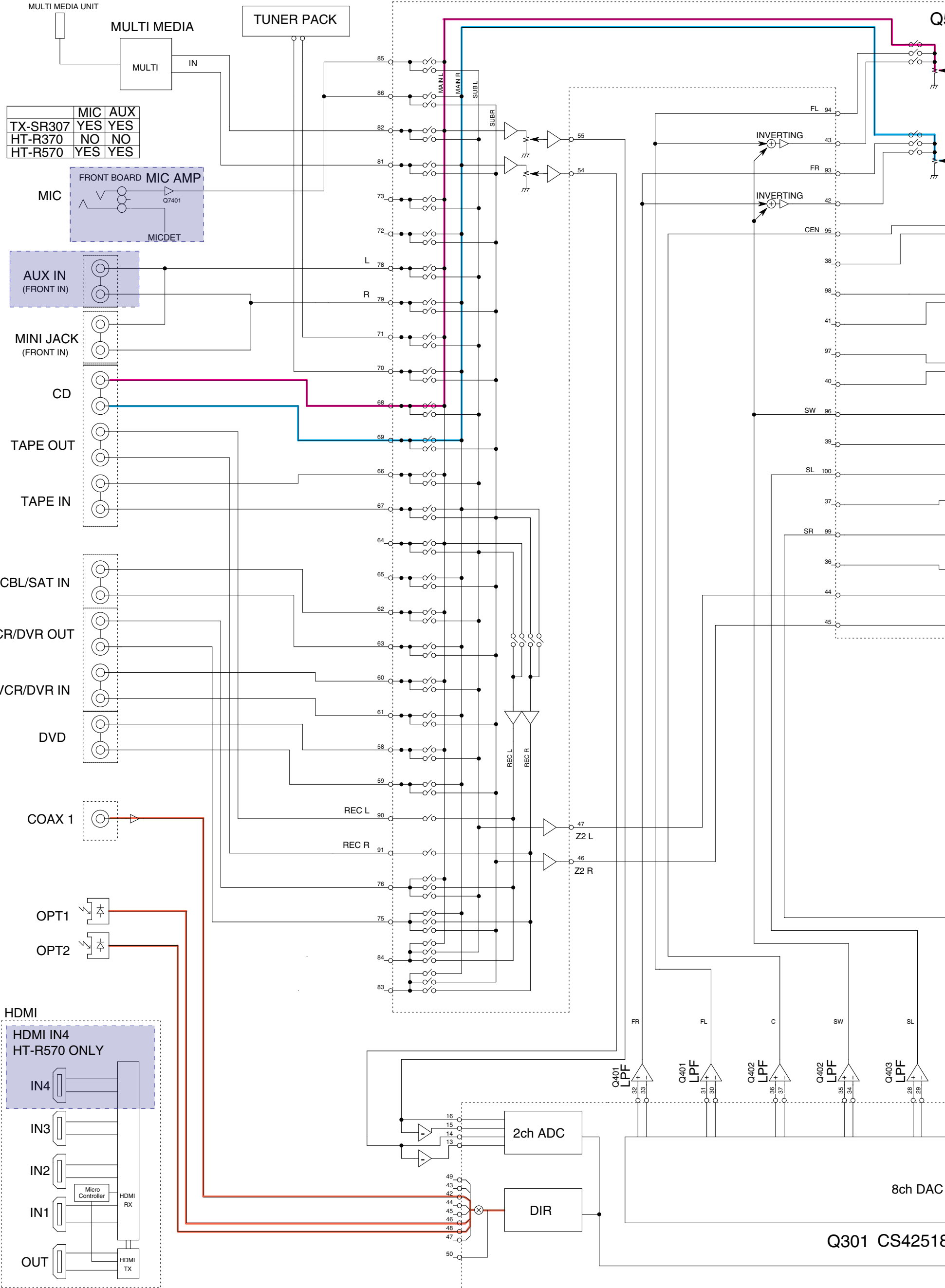
<Fig-2>



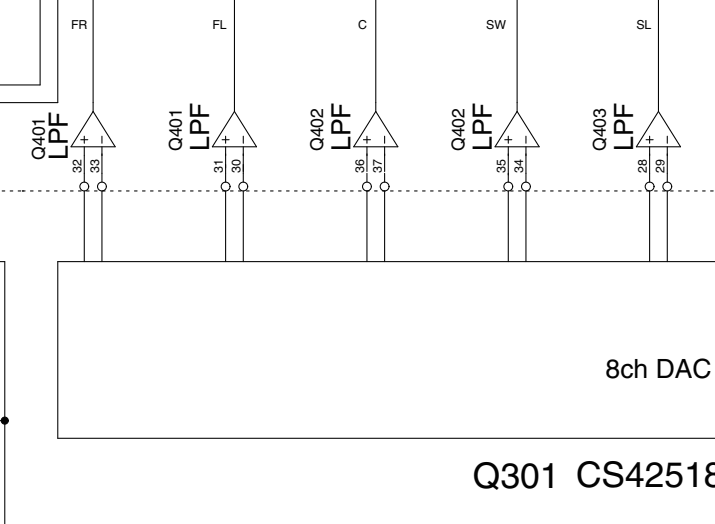
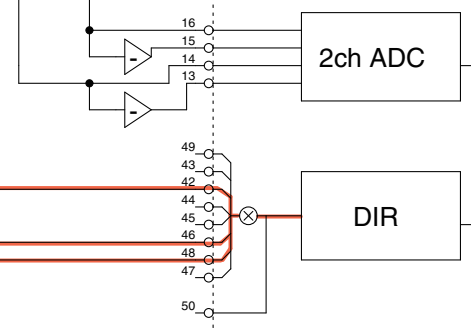
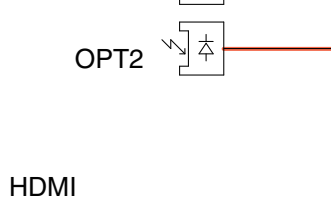
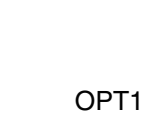
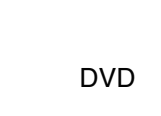
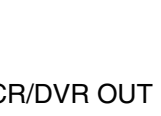
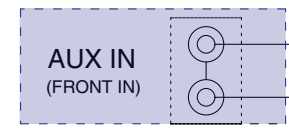
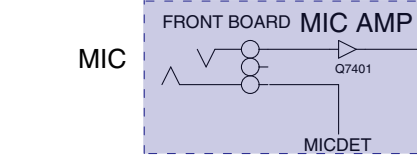
BLOCK DIAGRAMS-1(PART-1)
AUDIO SECTION

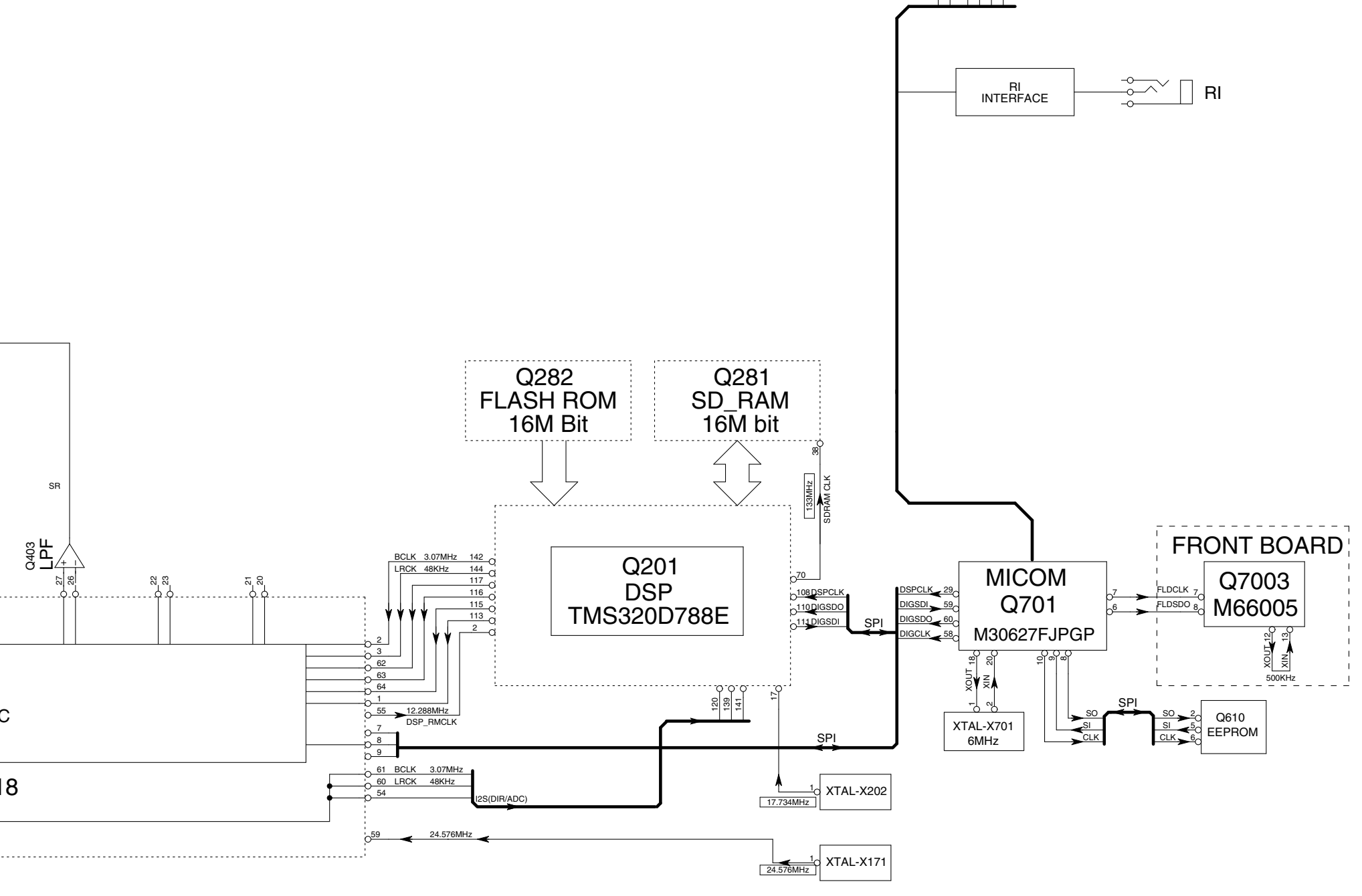
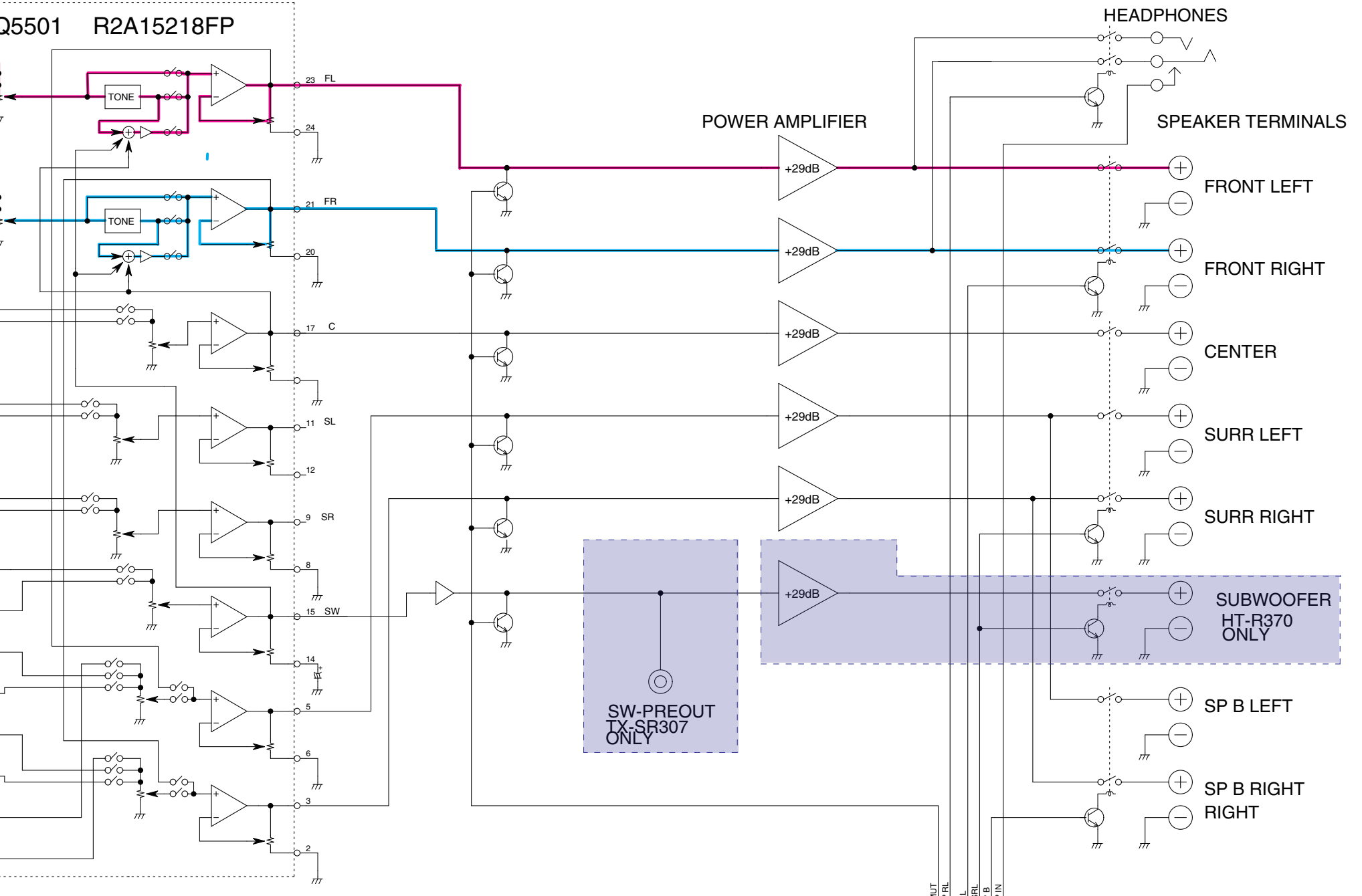
— AUDIO ANALOG SIGNAL
— FRONT L
— FRONT R
— AUDIO DIGITAL SIGNAL

1
2
3
4
5
6
7
8



	MIC	AUX
TX-SR307	YES	YES
HT-R370	NO	NO
HT-R570	YES	YES





A

B

C

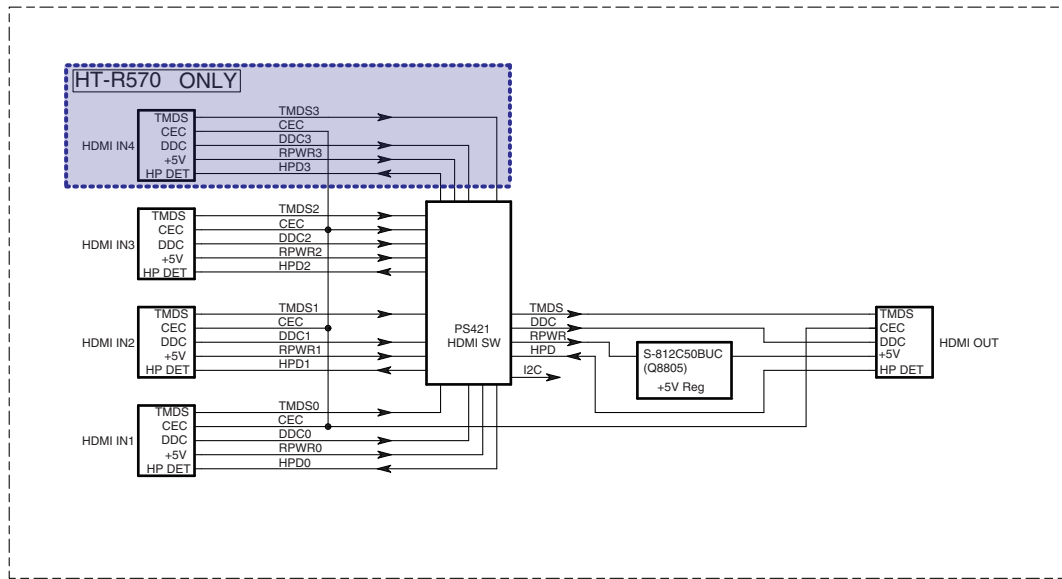
D

BLOCK DIAGRAMS-2_1 (PART-2_1)

VIDEO SECTION

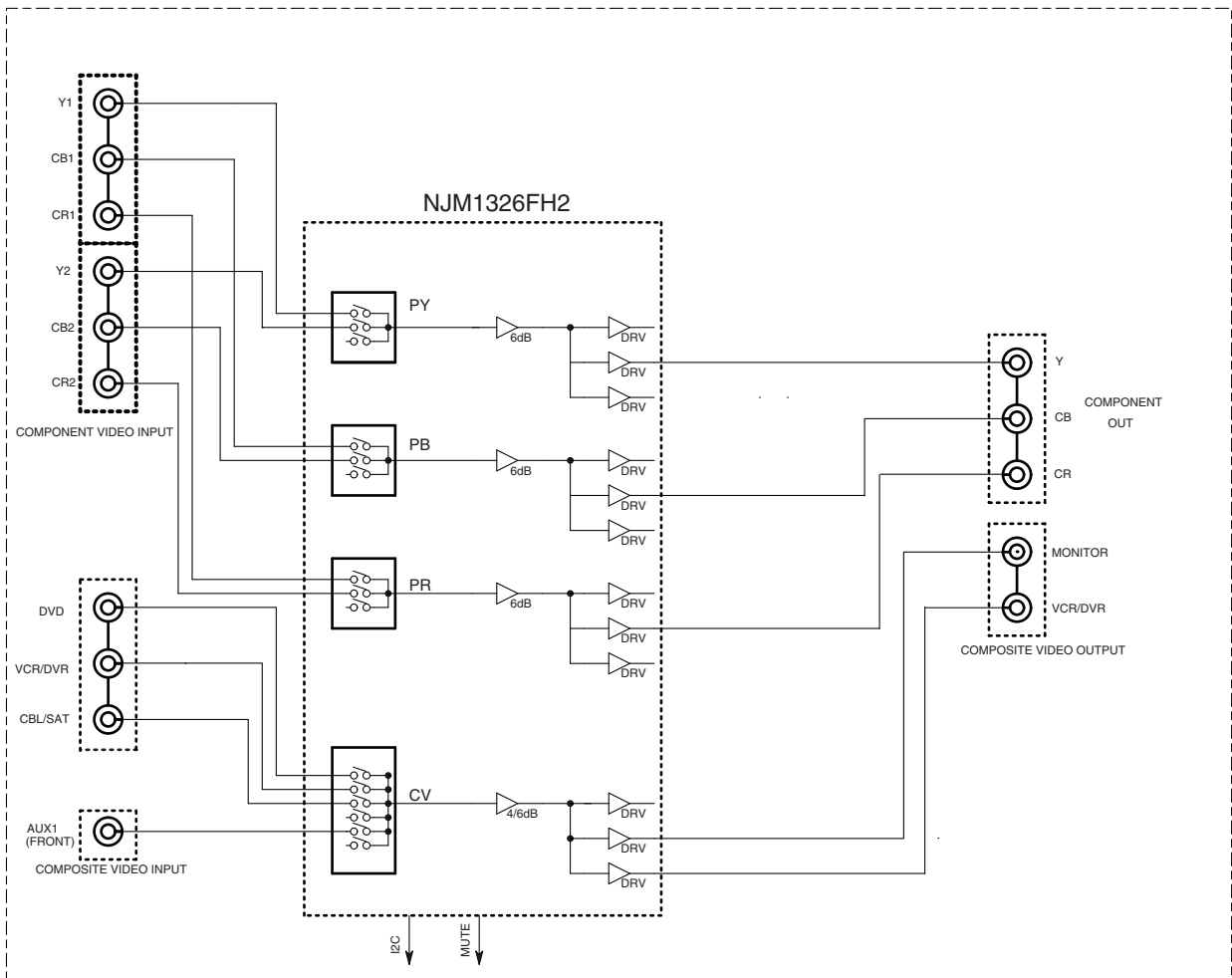
VIDEO SECTION

1



2

3



4

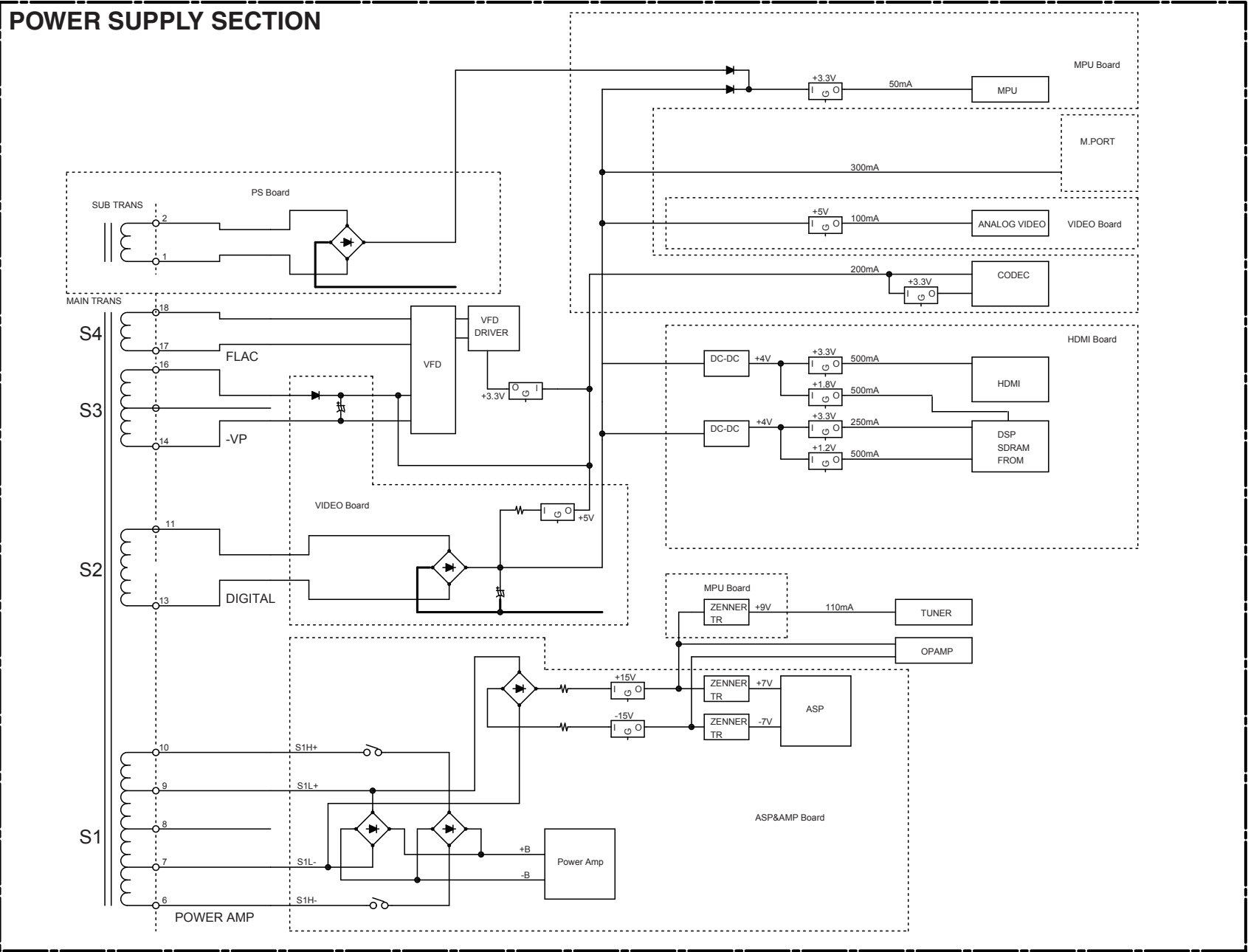
5

BLOCK DIAGRAMS-2_2 (PART-2_2)
POWER SUPPLY SECTION

1
2
3
4

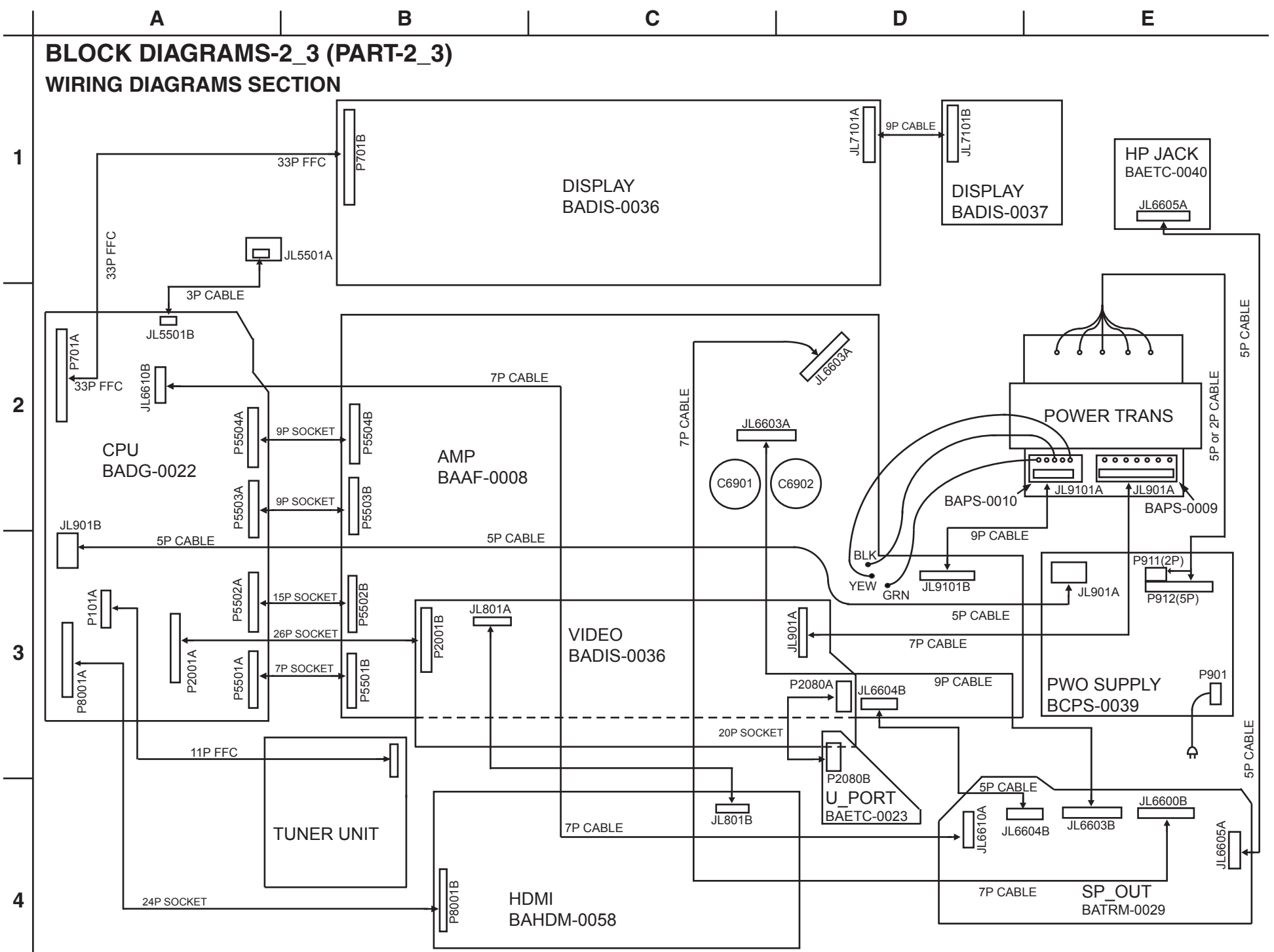
A B C D E

POWER SUPPLY SECTION



BLOCK DIAGRAMS-2_3 (PART-2_3)

WIRING DIAGRAMS SECTION



SCHEMATIC DIAGRAMS-1(PART-3)
AUDIO INPUT SECTION

AUDIO ANALOG SIGNAL
FRONT L
FRONT R

<Note> 1. NC = No mount of parts.
2. PART-x : XY is short for Schematic Diagrams-x and each sockets location, X = A to E, Y = 1 to 4.

1
2
3
4
5
6
7
8

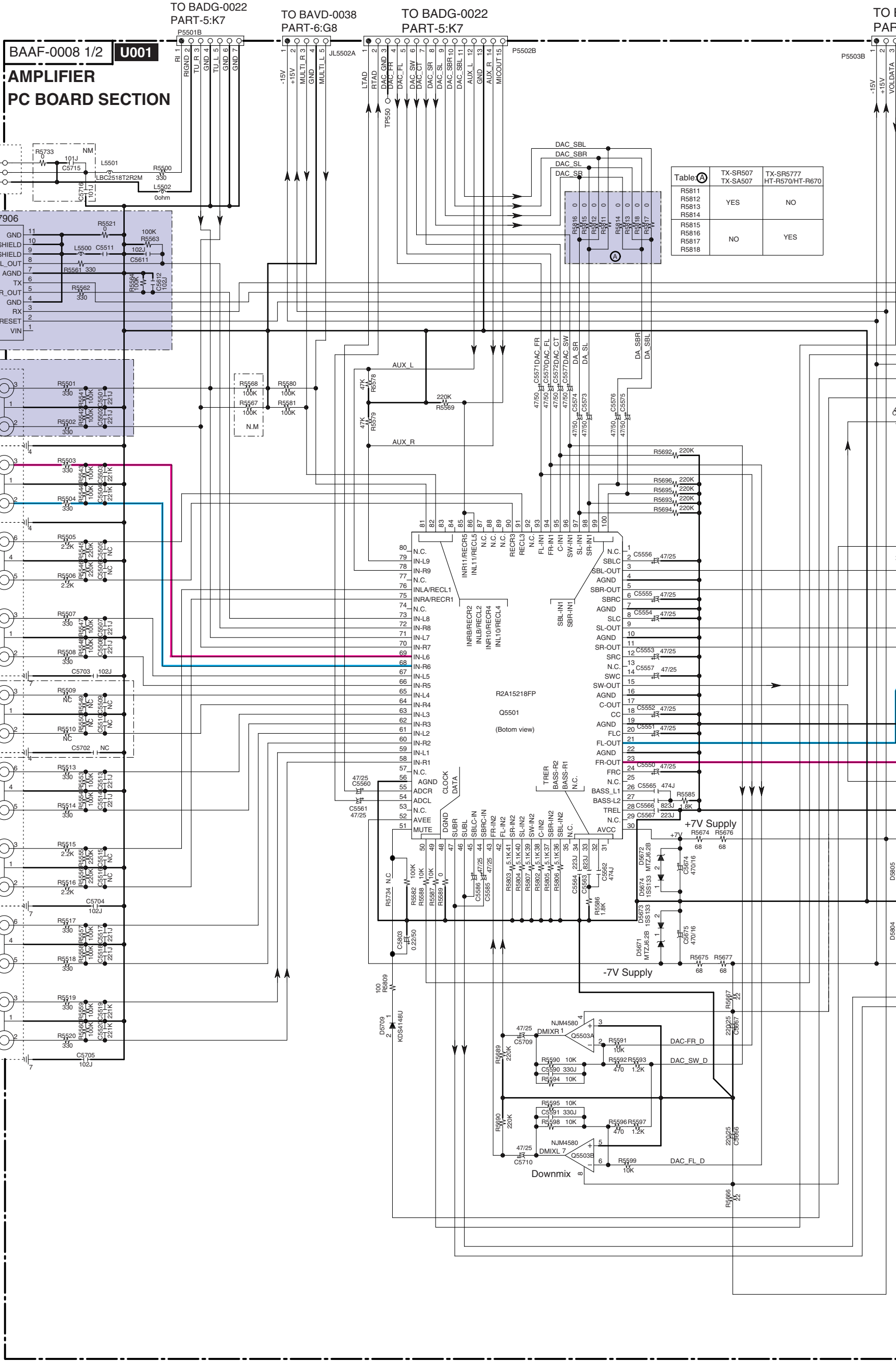


Table A

	TX-SR507 TX-SA507	TX-SR5777 HT-R570/HT-R670
R5811	YES	NO
R5812	YES	NO
R5813	YES	NO
R5814	YES	NO
R5815	NO	YES
R5816	NO	YES
R5817	NO	YES
R5818	NO	YES

SCHEMATIC DIAGRAMS-2(PART-4)
PWOER AMPLIFIER SECTION

BAAF-0008_2/2

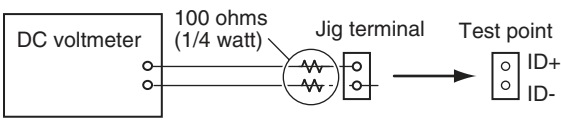
U001 POWER AMPLIFIER PC BOARD

IDLING CURRENT L/R/C
Test point: TP6080/TP6081/TP6082
Adjustment point: R6040/R6041/R6042

after power ON	2.5mV	Adjustment v
after 4-6 minutes	9-11mV	

1 IDLING CURRENT ADJUSTMENT

1. No load and No signa
2. Connect the dc voltmeter to test points, using two 100 ohm resistors between the poles of the jig terminal and the dc voltmeter terminals.



Power Tr	TX-SR507		TX-SA507
	OTHER	MPP	
Q6050 Q6051 Q6052	MN130S or 2SC5918	2SC5198	
Q6053 Q6054 Q6055 Q6056	MN130S or 2SC5918 or KTC5242A	2SC5198 or KTC5242A	
Q6060 Q6061 Q6062	MP130S or 2SA1941	2SA1941	
Q6063 Q6064 Q6065 Q6066	MP130S or 2SA1941 or KTA1962A	2SA1941 or KTA1962A	

Driver Tr	
Q6030 Q6031 Q6032	2SC5171 or 2SC5993
Q6033 Q6034 Q6035 Q6036	2SC5171 or KTD2061
Q6040 Q6041 Q6042	2SA1930 or 2SA2140
Q6043 Q6044 Q6045 Q6046	2SA1930 or KTB1369

3

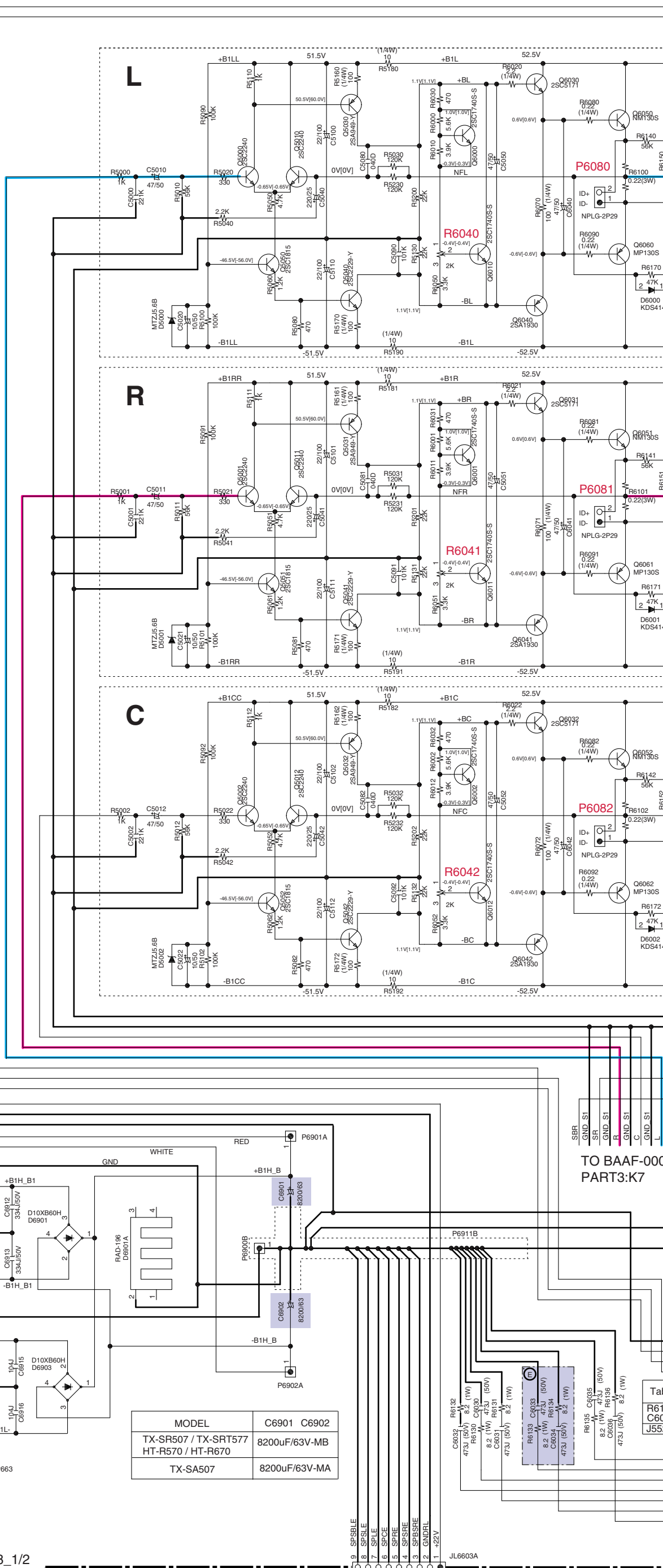
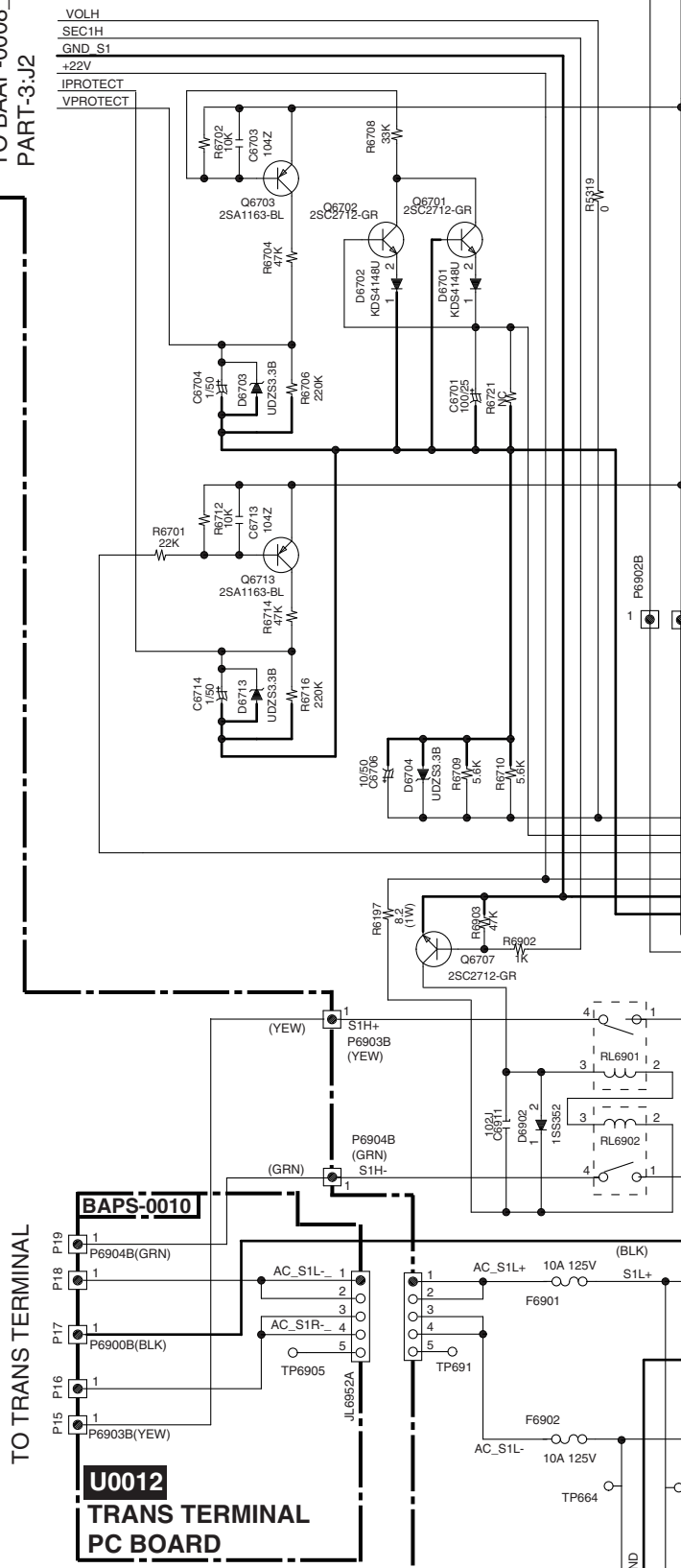
4 TO BAAF-0008_1/2
PART-3:J2

5

6

7

8



AUDIO ANALOG SIGNAL
FRONT L
FRONT R

<Note> 1. NC = No mount of parts.
2. PART-x: XY is short for Schematic Diagrams-x and each sockets location, X = A to E, Y = 1 to 4.

TO TRANS TERMINAL

U0012 TRANS TERMINAL PC BOARD

TO BAAF-0008_1/2
PART-3:H8

MODEL	C6901	C6902
TX-SR507 / TX-SRT577	8200uF/63V-MB	
HT-R570 / HT-R670		8200uF/63V-MA
TX-SA507		

TO BAAF-0008_1
PART3:K7

TO BATRM-0029 PART 7:G1

Table: C

R6133/R6134	8.2 (1W)
C6033/C6034	J5521/J5522

TP6082
041/R6042

nt value
V
mV

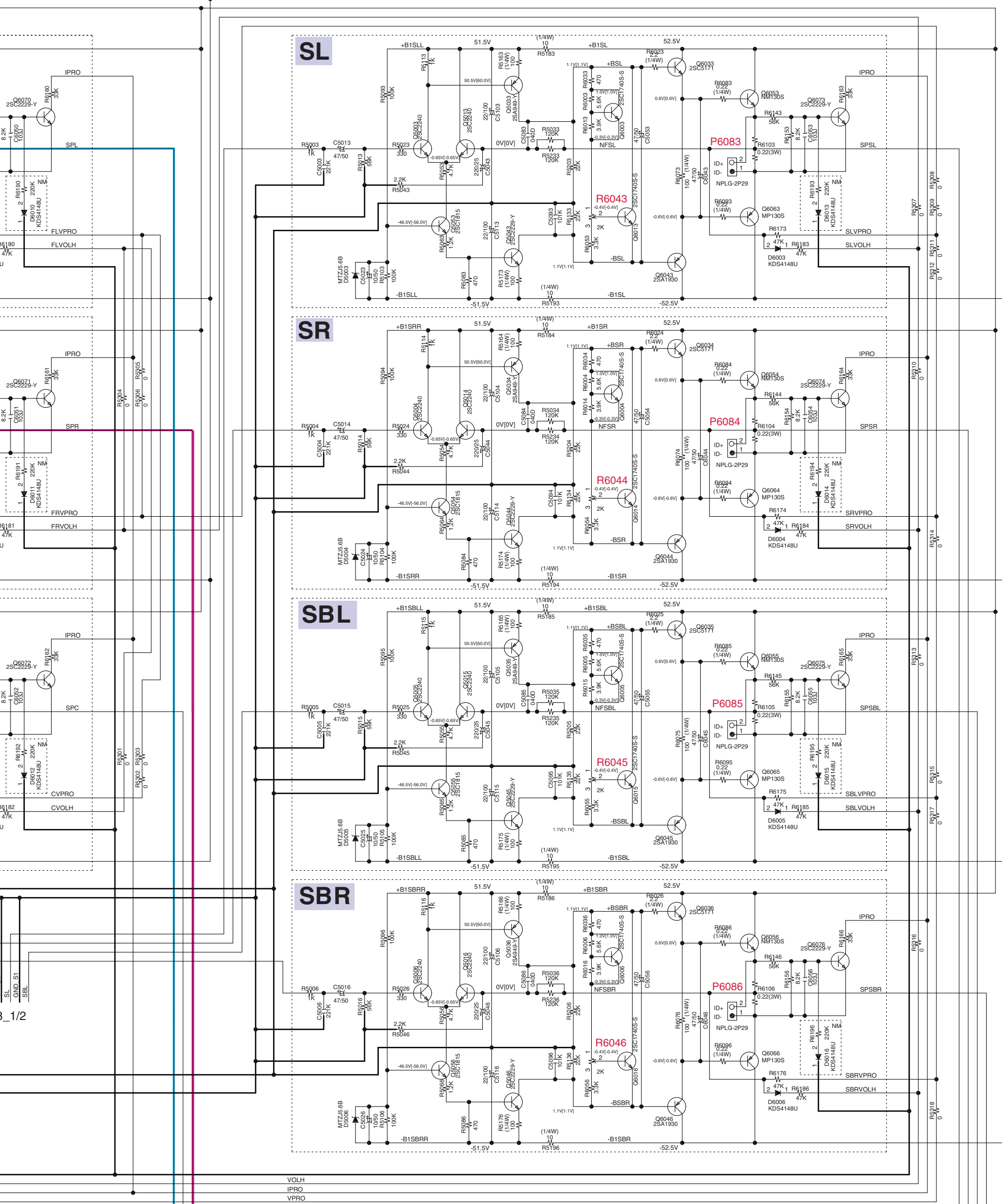
AMPLIFIER CHANNEL

	SL	SR	SBL	SBR
TX-SR577/HT-R570/HT-R670	YES	YES	YES	YES
TX-SR507/TX-SA507	NO	NO	SL	SR

IDLING CURRENT:SL/SR/SBL/SBR

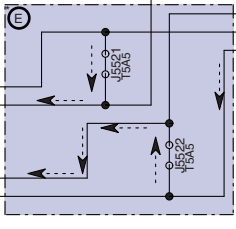
Test point:TP6083/TP6084/TP6083/TP6086
Adjustment point:R6043/R6044/R6043/R6044

	Adjustment value
after power ON	1.5mV
after 4-6 minutes	6-8mV



	TX-SR507	TX-S577
	TX-SA507	HT-R570/HT-R670
3/R6134	NO	YES
3/C6034	NO	NO
J5522	YES	NO

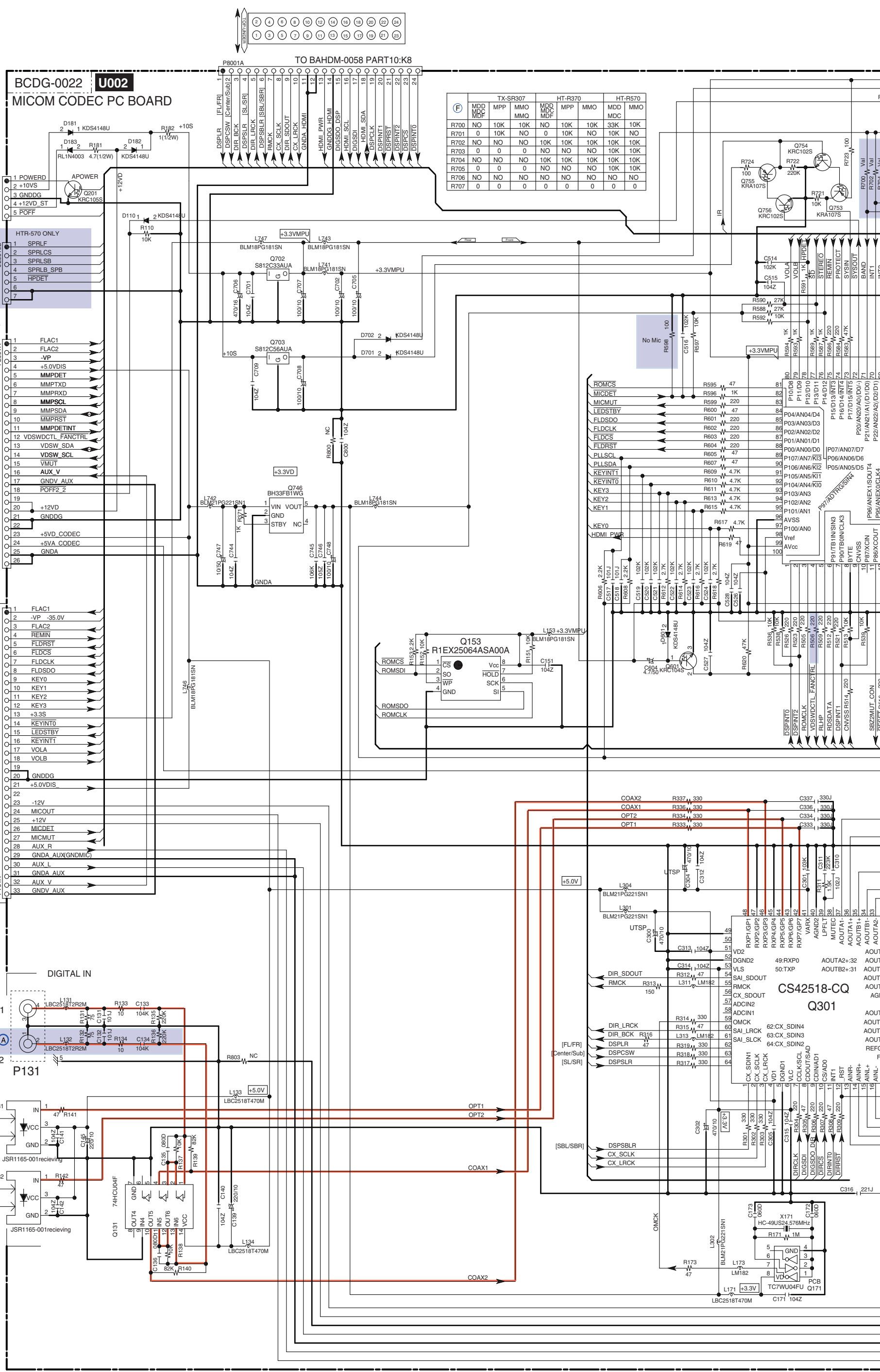
- 1. SPSBL
- 2. SPSL
- 3. SPL
- 4. SPC
- 5. SPSR
- 6. SPSR
- 7. SPSBR



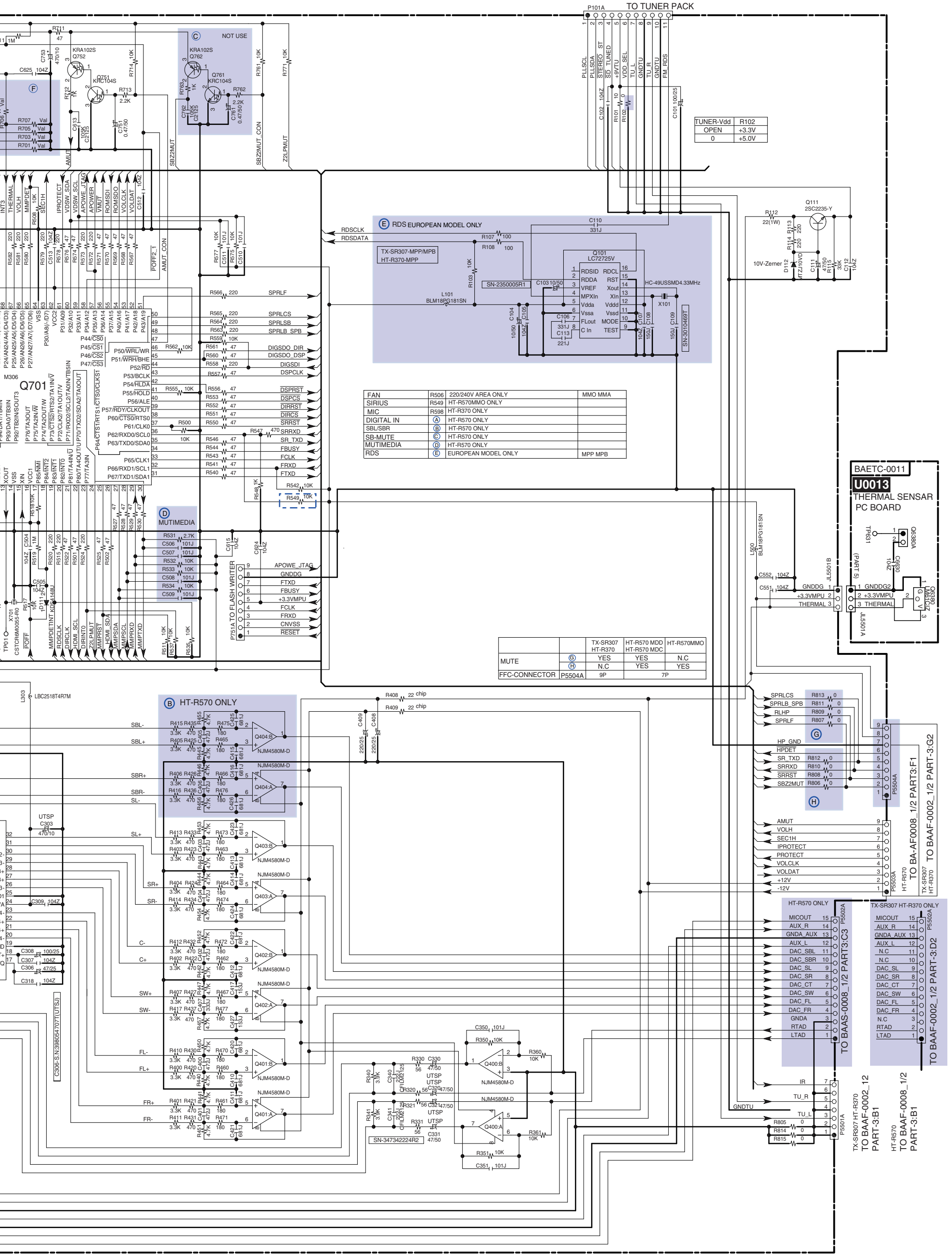
SCHEMATIC DIAGRAMS-3 (PART-5) MICOM CODEC SECTION

<Note>
1. NC = No mount of parts.
2. PART-X : XY is short for Schematic Diagrams-x and each sockets location, X = A to K, Y = 1 to 7.

1
2
3
4
5
6
7
8



AUDIO DIGITAL SIGNAL



TUNER-Vdd	R102
OPEN	+3.3V
0	+5.0V

FAN	R506	220/240V AREA ONLY		
SIRIUS	R549	HT-R570MMO ONLY		MMO MMA
MIC	R598	HT-R370 ONLY		
DIGITAL IN	(A)	HT-R570 ONLY		
SBL/SBR	(B)	HT-R570 ONLY		
SB-MUTE	(C)	HT-R570 ONLY		
MULTIMEDIA	(D)	HT-R570 ONLY		
RTMEDIA	(E)	EUROPEAN MODEL ONLY		MPP MPB

		TX-SR307 HT-R370	HT-R570 MDD HT-R570 MDC	HT-R570MMO
MUTE	(G)	YES	YES	N.C
	(H)	N.C	YES	YES
FFC-CONNECTOR	P5504A	9P		7P

(D) MULTIMEDIA

(B) HT-R570 ONLY

(E) RDS EUROPEAN MODEL ONLY

BAETC-0011 U0013 THERMAL SENSOR PC BOARD

TO BA-AF0008_1/2 PART3:F1

TO BAAS-0008_1/2 PART3:C3

TO BA-AF0008_1/2 PART-3:D2

TO BA-AF0008_1/2 PART-3:B1

TO BA-AF0008_1/2 PART-3:A1

(G)

(H)

HT-R570 ONLY

TX-SR307 HT-R370 ONLY

HT-R570

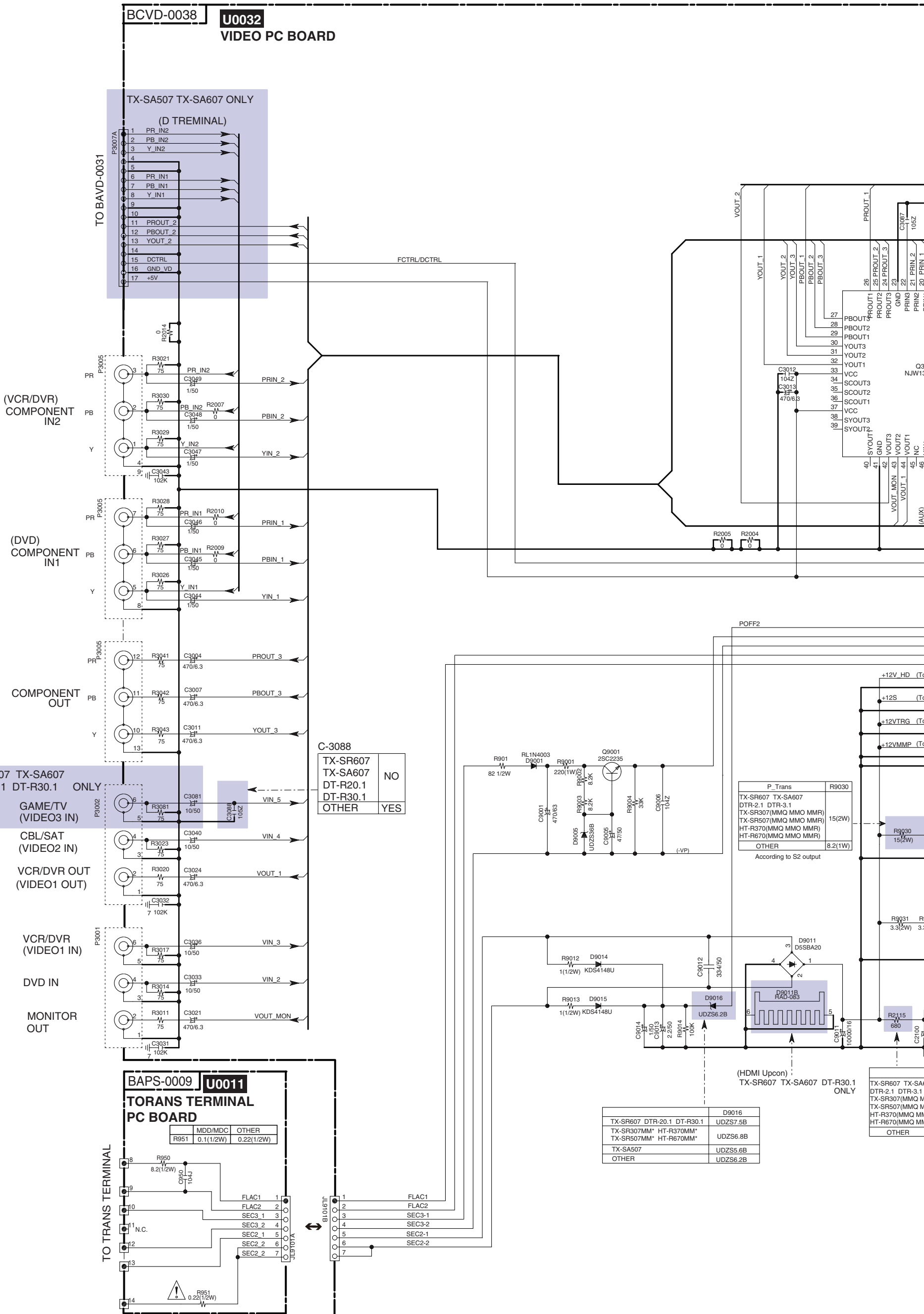
HT-R570

HT-R570

SCHEMATIC DIAGRAMS-4 (PART-6)
VIDEO/UNIVERSAL PORT SECTION

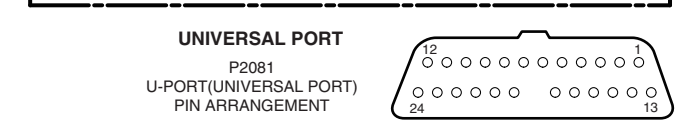
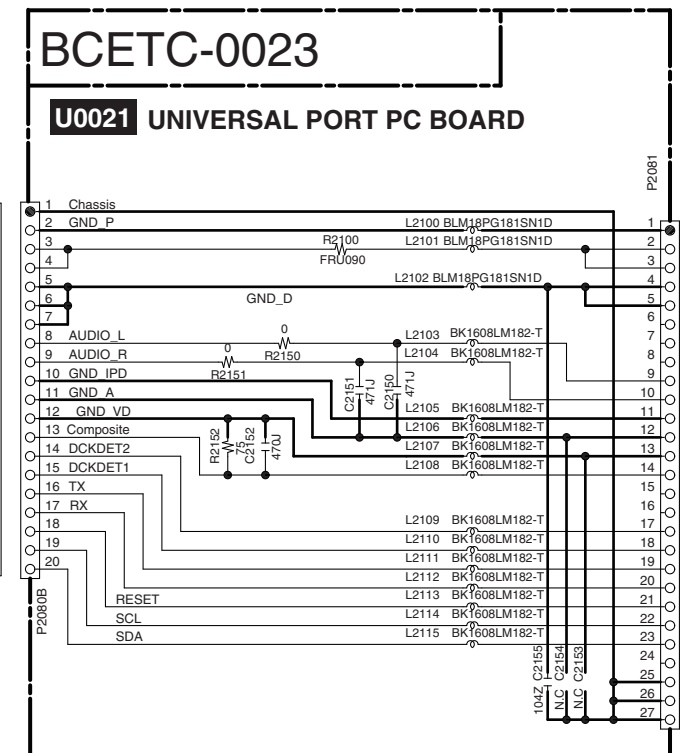
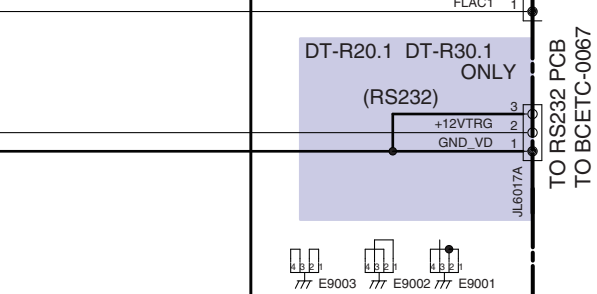
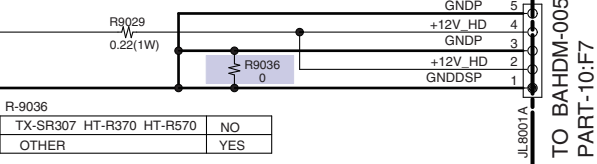
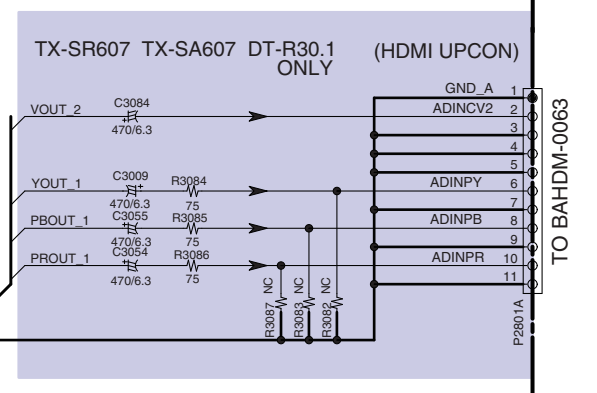
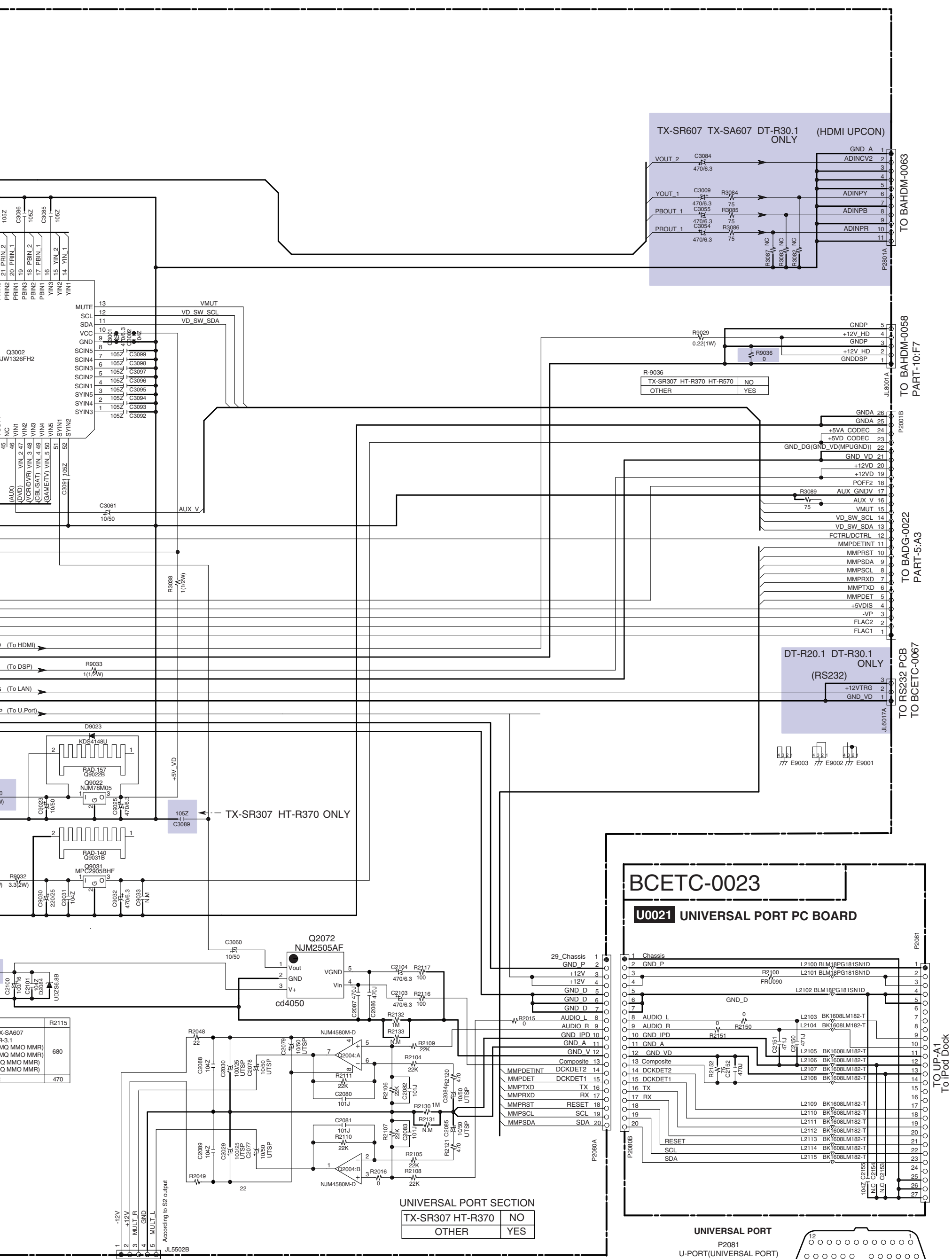
<Note>

1. NC = No mount of parts.
2. PART-x : XY is short for Schematic Diagrams-x and each sockets location, X = A to K, Y = 1 to 7.



1
2
3
4
5
6
7
8

A B C D E



TO BAHDM-0063

TO BAHDM-0058 PART-10:F7

TO BADG-0022 PART-5:A3

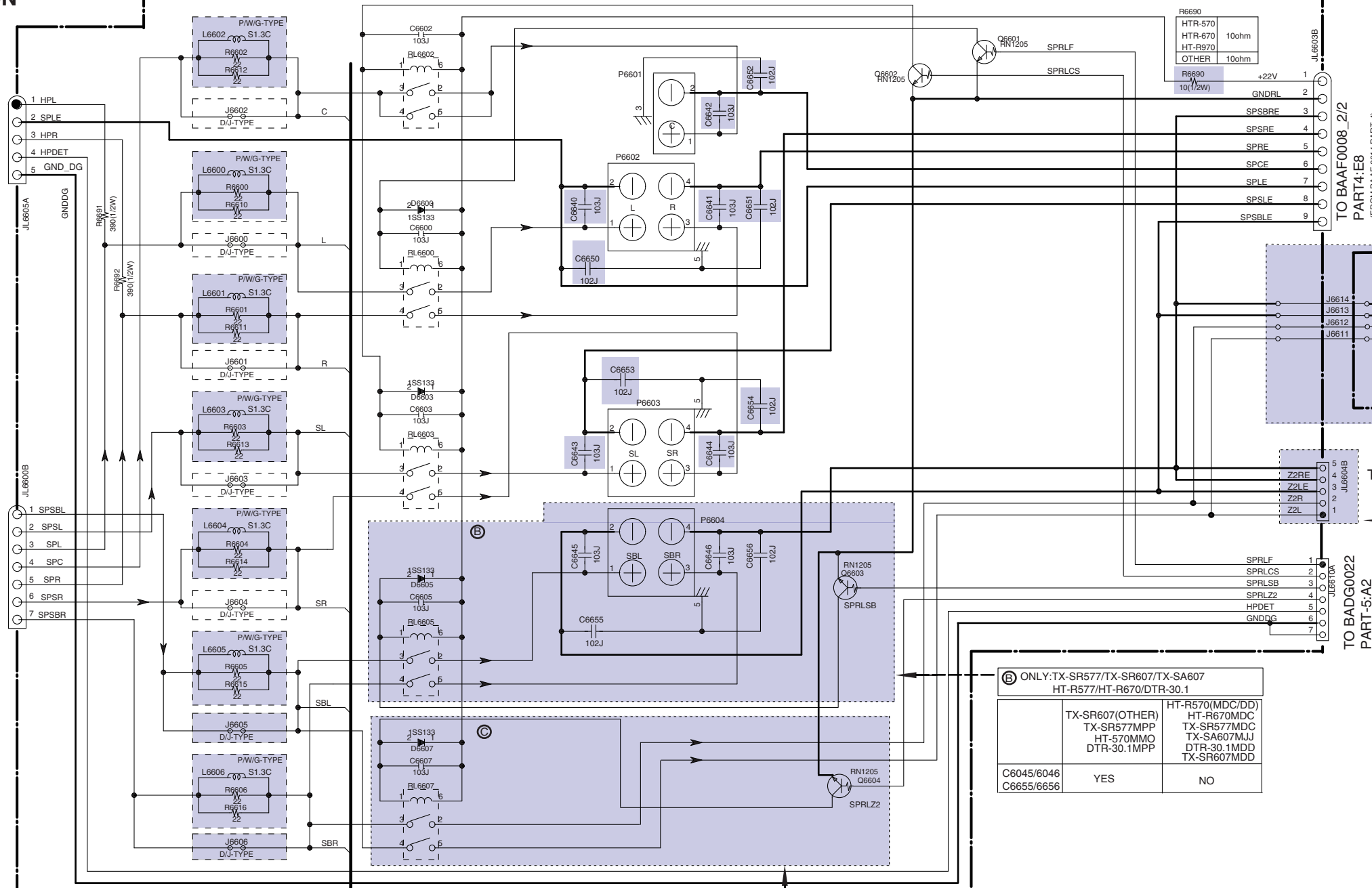
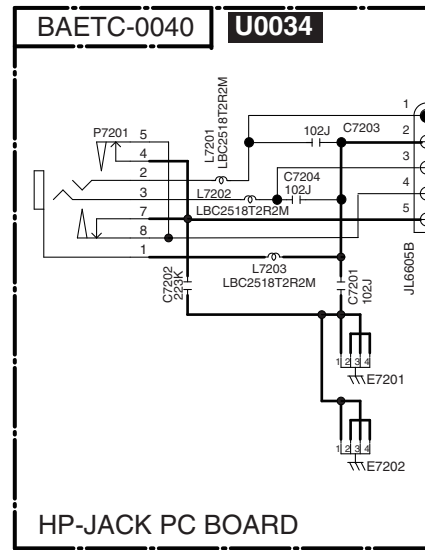
TO RS232 PCB TO BCETC-0067

TO UP-A1 To iPod Dock

TO BCAF-0008 TO BCAF-0014

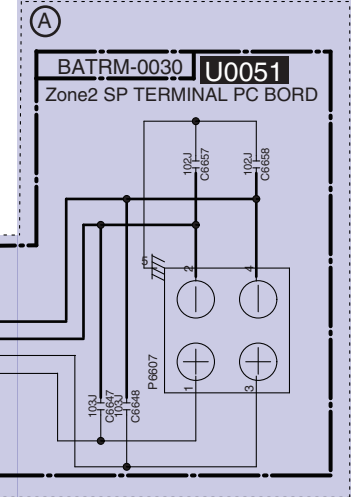
SCHEMATIC DIAGRAMS-5(PART-7)
SPEAKER TERMINAL SECTION

BATRM-0029 U005 SPEAKER TERMINAL PC BOARD



(A) NTRM-0030
ONLY: TX-SR607/TX-SA607/DTR-30.1

	TX-SA607	TX-SR607/DTR-30.1	
		MDC/MDC	OTHER
C6647/C6648		NO	YES
C6657/C6658			



TO BAAF-0008 PART4
BAAF-0014 PART4

JL6604B
ONLY: TX-SR507/TX-SR577/TX-SR607MDD
HT-R570/HT-R670

(B) ONLY:TX-SR577/TX-SR607/TX-SA607
HT-R577/HT-R670/DTR-30.1

	TX-SR607(OTHER)	HT-R570(MDC/DD)
	TX-SR577MPP	TX-R670MDC
	HT-570MMO	TX-SR577MDC
	DTR-30.1MPP	TX-SA607MJJ
		DTR-30.1MDD
		TX-SR607MDD
C6045/6046	YES	NO
C6655/6656		

(C) ONLY:TX-SR507/TX-SR577/TX-SR607
HT-R570/HT-R670/DTR-30.1

(D) ONLY:TX-SR607/TX-SA607
DTR-20.1/DTR-30.1

	TX-SA607	DTR-20.1
	TX-SR607	DTR-30.1
C6035/6036	YES	NO
R6135/6136		

	R6600	
	R6601	
	R6602	
	R6603	
	R6604	
	R6610	
	R6611	
	L6600	
	R6612	
	L6601	
	R6613	
	L6602	
	R6614	
	L6603	
	R6605	
	L6604	
	R6606	
	L6605	
	R6615	
	L6606	
	R6616	
	J6605	
	J6606	
TX-SR507(MDC/MDD)		YES
HT-R570(MDC/DD)		
HT-R670MDC	NO	
TX-SR577MDC		
TX-SA607MJJ		
DTR-30.1MDD		NO
TX-SR607MDD		
TX-SR507(OTHER)		
TX-SR607(OTHER)	YES	
TX-SR577MPP		
HT-570MMO		
DTR-30.1MPP		
TX-SA507MJJ	NO	
DTR-20.1MDD		

<Note> 1. NC = No mount of parts.
2. PART-x : XY is short for Schematic Diagrams-x and each sockets location, X = A to E, Y = 1 to 4.

SCHEMATIC DIAGRAMS-7_1 (PART-9_1)
DISPLAY SECTION

<Note>

1. NC = No mount of parts.
2. PART-x : XY is short for Schematic Diagrams-x and each sockets location, X = A to K, Y = 1 to 7.

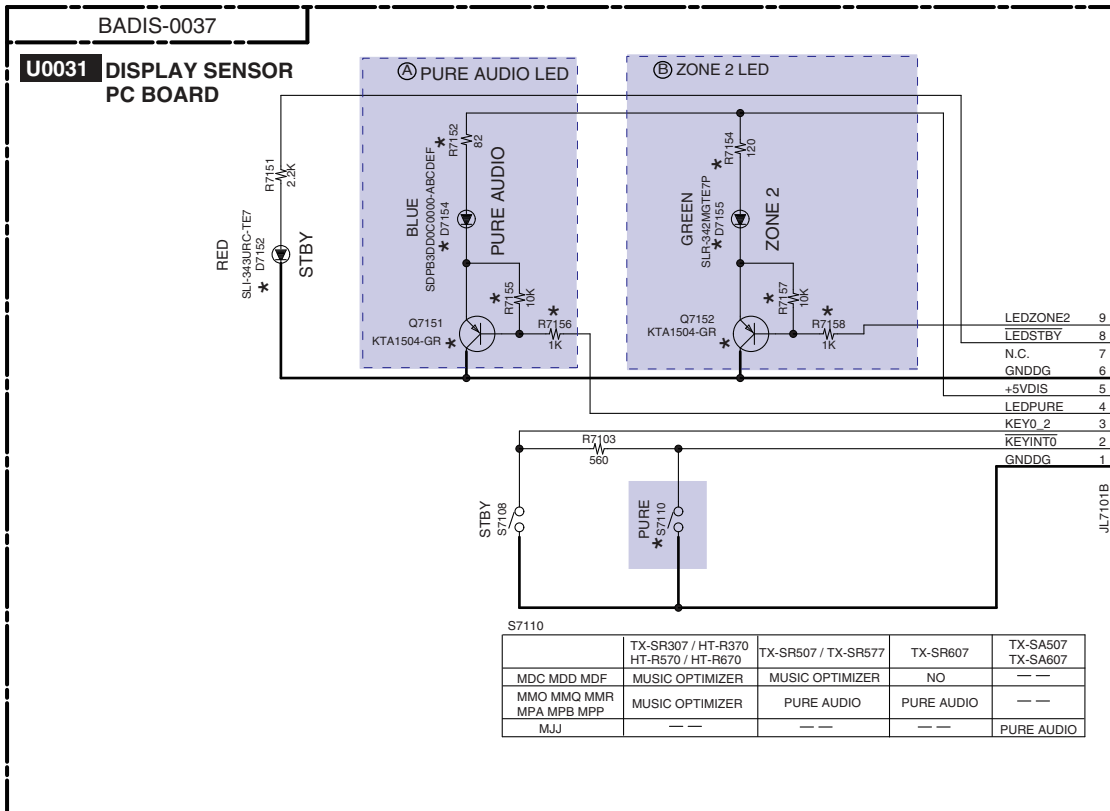
1
2
3
4
5
6
7
8

Ⓐ PURE AUDIO

	TX-SR307 / HT-R370 HT-R570 / HT-R670	TX-SR507 / TX-SR577	TX-SR607	TX-SA507 TX-SA607
MDC MDD MDF	NO	NO	NO	---
MMO MMQ MMR MPA MPB MPP	NO	YES	YES	---
MJJ	---	---	---	YES

Ⓑ ZONE 2 LED

	TX-SR507 TX-SR577 TX-SR607	YES
OTHER	NO	NO

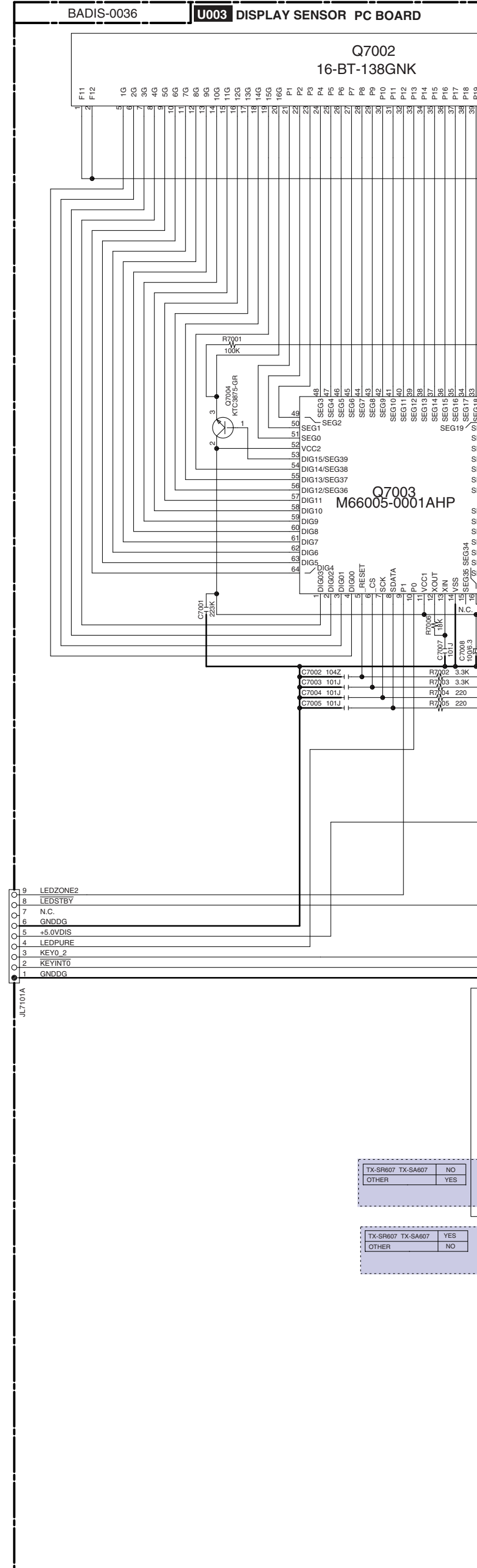


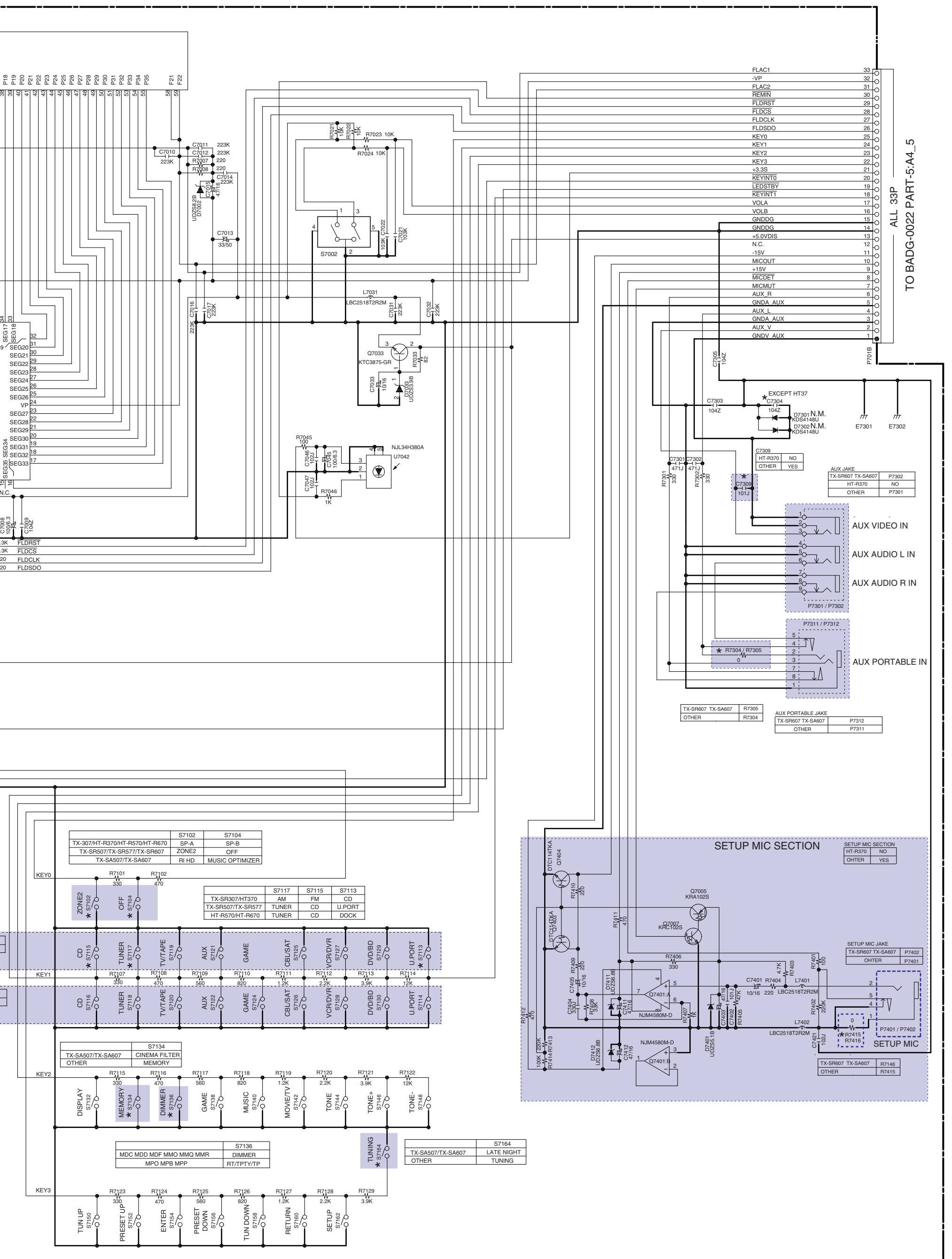
S7110

	TX-SR307 / HT-R370 HT-R570 / HT-R670	TX-SR507 / TX-SR577	TX-SR607	TX-SA507 TX-SA607
MDC MDD MDF	MUSIC OPTIMIZER	MUSIC OPTIMIZER	NO	---
MMO MMQ MMR MPA MPB MPP	MUSIC OPTIMIZER	PURE AUDIO	PURE AUDIO	---
MJJ	---	---	---	PURE AUDIO

TX-SR607 TX-SA607	NO
OTHER	YES

TX-SR607 TX-SA607	YES
OTHER	NO





ALL 33P TO BADG-0022 PART-5:A4_5

TX-307/HT-R370/HT-R570/HT-R670	S7102	S7104
TX-SR507/TX-SR577/TX-SR607	SP-A	SP-B
TX-SA507/TX-SA607	ZONE2	OFF
	RI HD	MUSIC OPTIMIZER

	S7117	S7115	S7113
TX-SR307/HT370	AM	FM	CD
TX-SR507/TX-SR577	TUNER	CD	U.PORT
HT-R570/HT-R670	TUNER	CD	DOCK

	S7134
TX-SA507/TX-SA607	CINEMA FILTER
OTHER	MEMORY

	S7164
TX-SA507/TX-SA607	LATE NIGHT
OTHER	TUNING

TX-SR607	TX-SA607	R7305
OTHER		R7304

AUX PORTABLE JAKE	
TX-SR607	TX-SA607
OTHER	P7311

AUX JAKE	
TX-SR607	TX-SA607
HT-R370	NO
OTHER	P7301

SETUP MIC SECTION	
HT-R370	NO
OTHER	YES

SETUP MIC JAKE	
TX-SR607	TX-SA607
OTHER	P7401

TX-SR607	TX-SA607
OTHER	R7415

A

B

C

D

E

SCHEMATIC DIAGRAMS-7_2 (PART-9_2)

<Note> 1. NC = No mount of parts.
2. PART-x : XY is short for Schematic Diagrams-x and each sockets location, X = A to E, Y = 1 to 4.

PWOER SUPPLY SECTION

NOTE

- THE COMPONENTS IDENTIFIED BY MARK ARE CRITICAL FOR SAFETY. REPLACE ONLY WITH PART NUMBER SPECIFIED.
- VOLTAGE (MEASURED WITH VOLTMETER) IS DC VOLTAGE.(NO INPUT SIGNAL).
- ELECTROLYTIC CAPACITORS () ARE IN uF/WV.
- ALL CAPACITORS ARE IN pF/50V UNLESS OTHERWISE NOTED.
EX) 030- 3pF 330- 33pF 331- 330pF 333- 0.033uF
- CIRCUIT IS SUBJECT TO CHANGE FOR IMPROVEMENT.

CAUTION

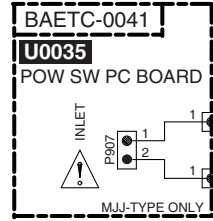
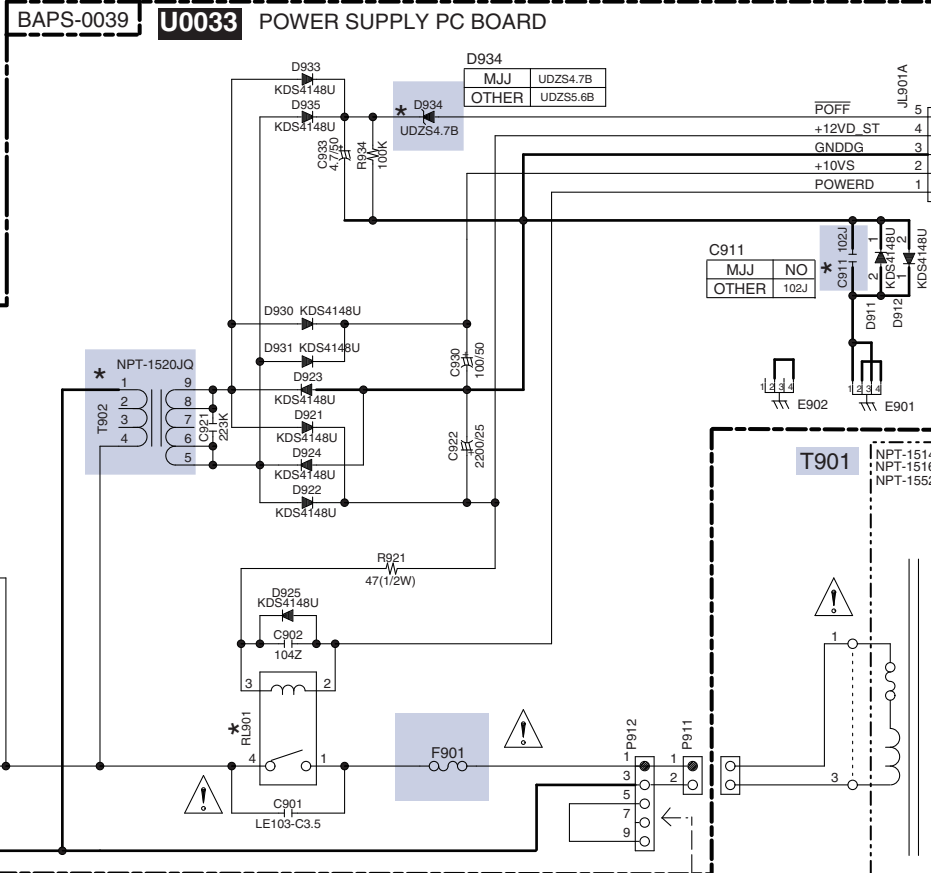


FOR CONTINUED PROTECTION AGAINST FIRE HAZARD, REPLACE ONLY WITH FUSE OF SAME TYPE AND RATING INDICATED.

ATTENTION



AFIN D'ASSURER UNE PROTECTION PERMANENTE CONTRE LES RISQUES D'INCENDIE, REMPLACER UNIQUEMENT PAR UN FUSIBLE DE MEME TYPE ET CALIBRATION COMME INDIQUE.



TYPE	AC
MDD MDC MDF	120V / 60HZ
MPR MPB MPA	230-240V / 50HZ
MMO MMR MMQ	100V / 50/60HZ
MJJ	---

T902	TX-SR307 / 507 /577 / 607 HT-R370 / 670	HT-570	TX-SA507 / 607
MDD MDC MDF	NPT-1520JQ	NPT-1520JQ	---
MPR MPB MPA	NPT-1520GQ	---	---
MMO MMR MMQ	---	---	NPT-1520JQ
MJJ	---	---	---

F901	TX-SR307 / 507 /577 / 607 HT-R370 / 670	HT-570	TX-SA507 / 607
MDD MDC MDF	8A 125V	8A 125V	---
MPR MPB MPA	T4AL250V	---	---
MMO MMR MMQ	---	---	---
MJJ	---	---	12A 125V

T901	TX-SR307 HT-R370	TX-SR507 / TX-SR577 / TX-SA507 HT-R570 / HT-R670	TX-SR607 TX-SA607
MDD MDC MDF	NPT-1514D	NPT-1516D	NPT-1552D
MPA	NPT-1514DQ	NPT-1516DQ	NPT-1552DQ
MPB MPP	NPT-1514P	NPT-1516P	NPT-1552P
MJJ	---	NPT-1516J	NPT-1552J



THIS SYMBOL LOCATED NEAR THE FUSE INDICATES THAT THE FUSE USED IS SLOW OPERATING TYPE FOR CONTINUED PROTECTION AGAINST FIRE FUSE HAZARD, REPLACE WITH SAME TYPE FUSE. FOR FUSE RATING REFER TO THE MAKING ADJACENT TO THE SYMBOL.



CE SYMBOLE INDIQUE QUE LE FUSIBLE UTILISE EST A LENT, E POUR UNE PROTECTION PERMANENTE.UTILISER QUE DES FUSIBLES DE MEME TYPE. CE DARNIER EST INDIQUE LA QU LE PRESENT SYMBOLE EST APPOSE.

TO BADG-0022
PART5:A2

TO BADG-0022
PART-6:A8

TO BAPS-0010
PART-4:-A8

1

2

3

4

SCHEMATIC DIAGRAMS-8 (PART-10)

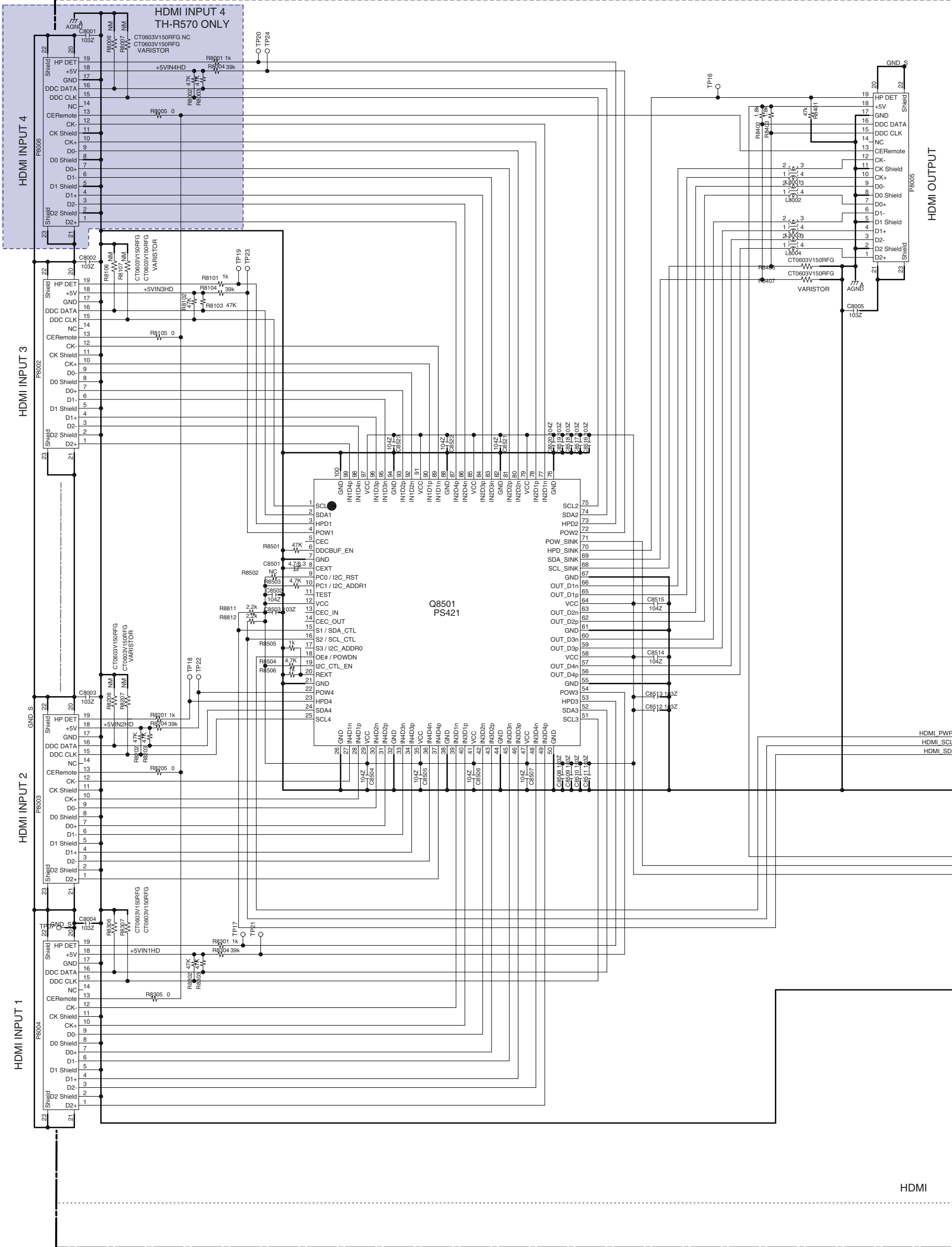
HDMI DSP SECTION

<Note>

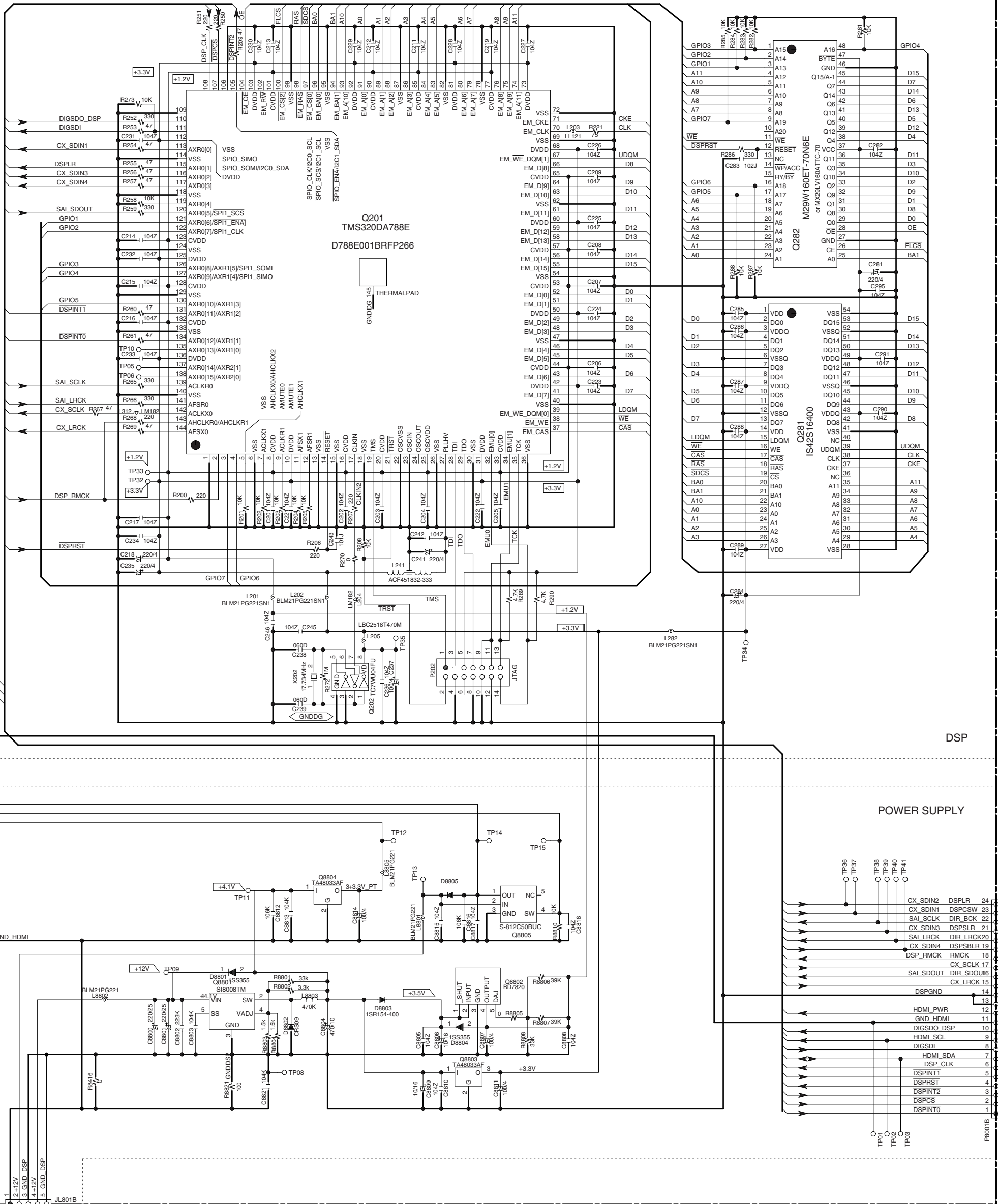
- 1. NC = No mount of parts.
- 2. PART-x : XY is short for Schematic Diagrams-x and each sockets location, X = A to K, Y = 1 to 7.

1
2
3
4
5
6
7
8

BCHDM-0058 U004
HDMI DSP PC BOARD



HDMI



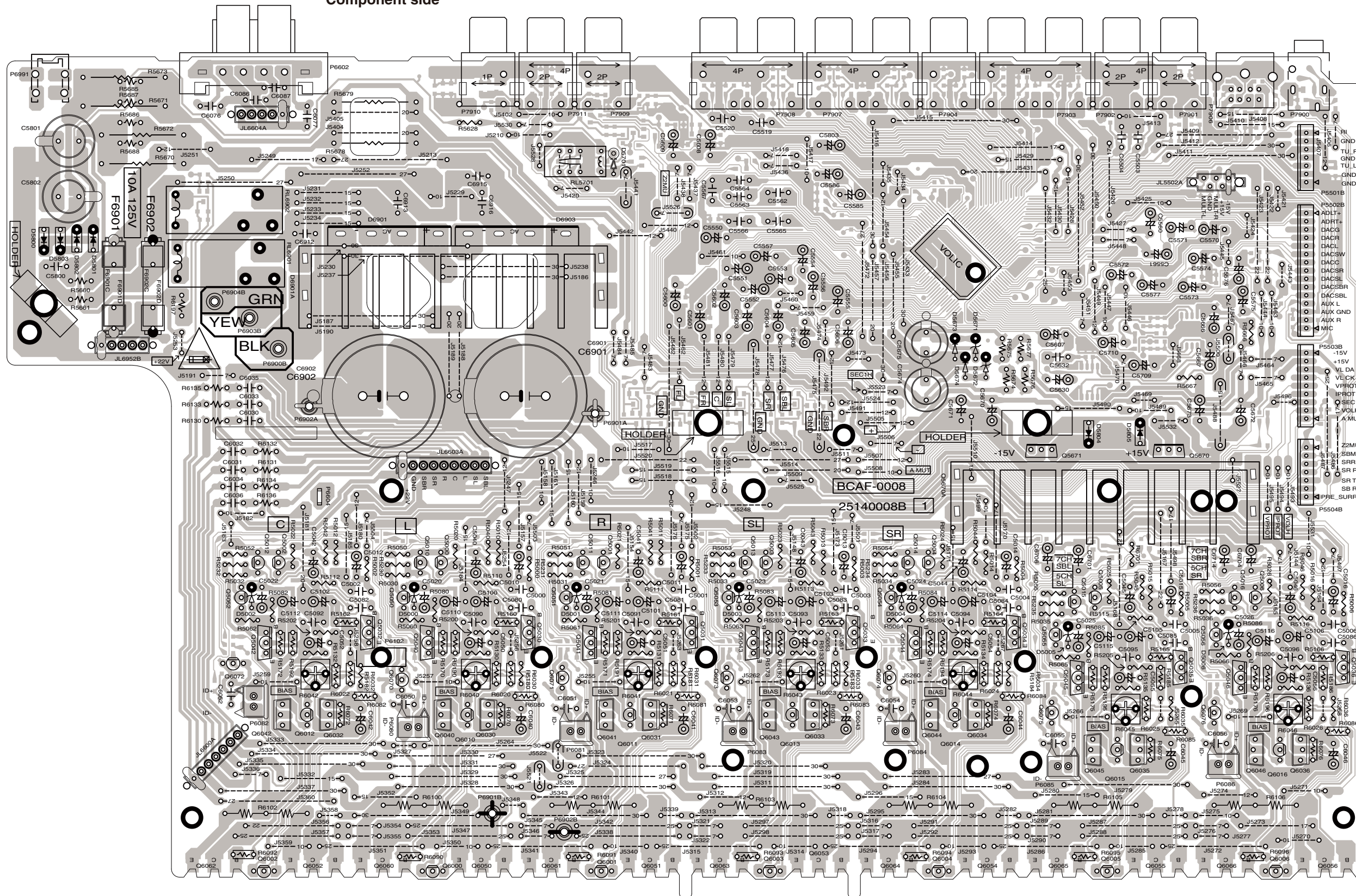
A B C D E F G H

PRINTED CIRCUIT BOARD VIEWS-2 / U001

1

U001 INPUT SELECTOR / VOLUME / POWER AMP. PC BOARD
(BAAF-0008)

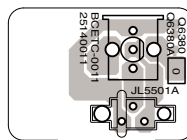
Component side



2

U0013 THERMAL SENSOR
(BAETC-0011)

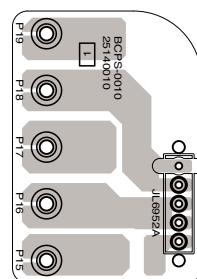
Component side



3

U0012 TRANS 2ND TERMINAL
(BAPS-0010)

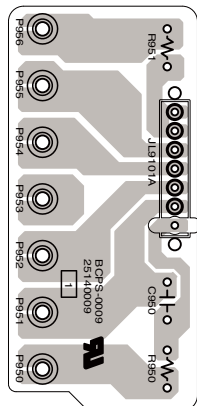
Component side



4

U0011 TRANS 2ND TERMINAL
(BAPS-0009)

Component side



5

A B C D E F G H

PRINTED CIRCUIT BOARD VIEWS-3 / U001

U001 INPUT SELECTOR / VOLUME / POWER AMP. PC BOARD
(BAAF-0008)

Soldering side

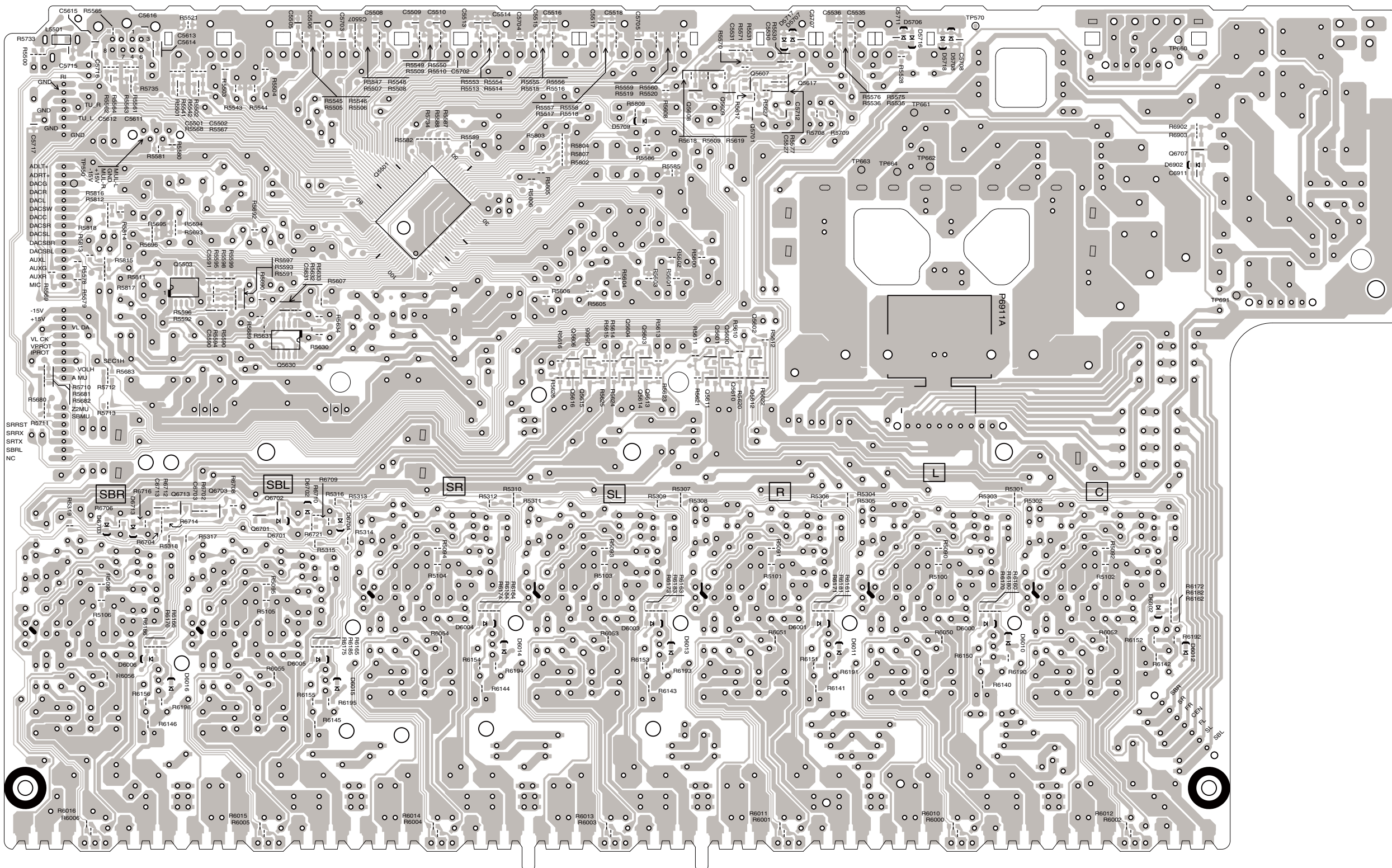
1

2

3

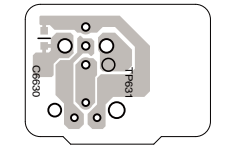
4

5



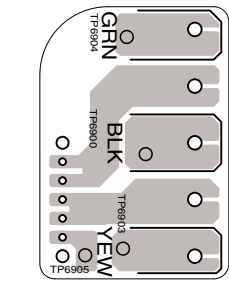
U0013 THERMAL SENSOR
(BAETC-0011)

Soldering side



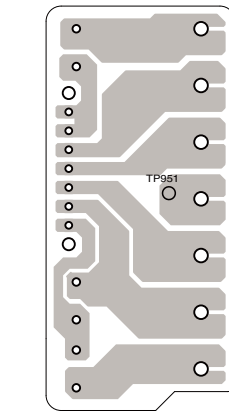
U0012 TRANS 2ND TERMINAL
(BAPS-0010)

Soldering side



U0011 TRANS 2ND TERMINAL
(BAPS-0009)

Soldering side



A B C D E F G H

PRINTED CIRCUIT BOARD VIEWS-3

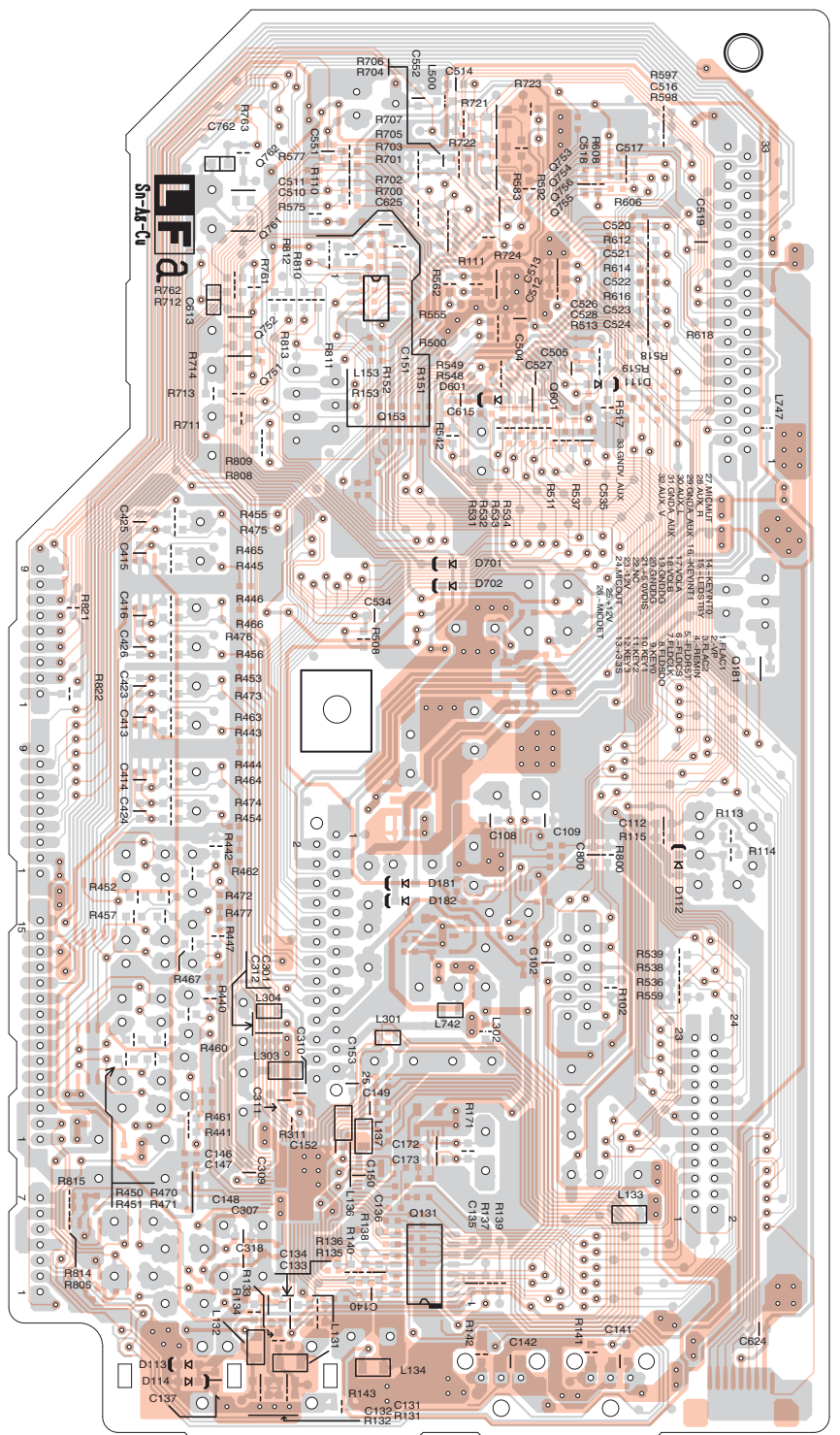
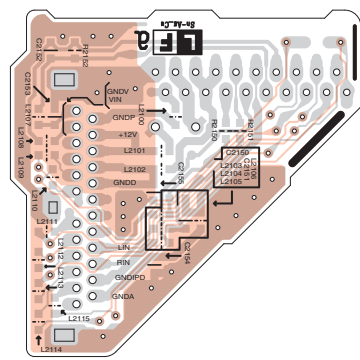
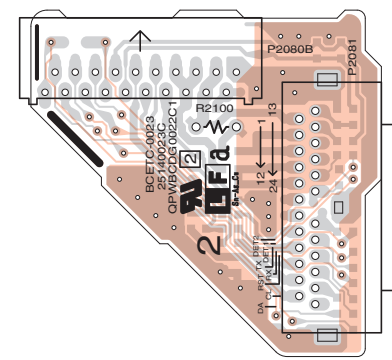
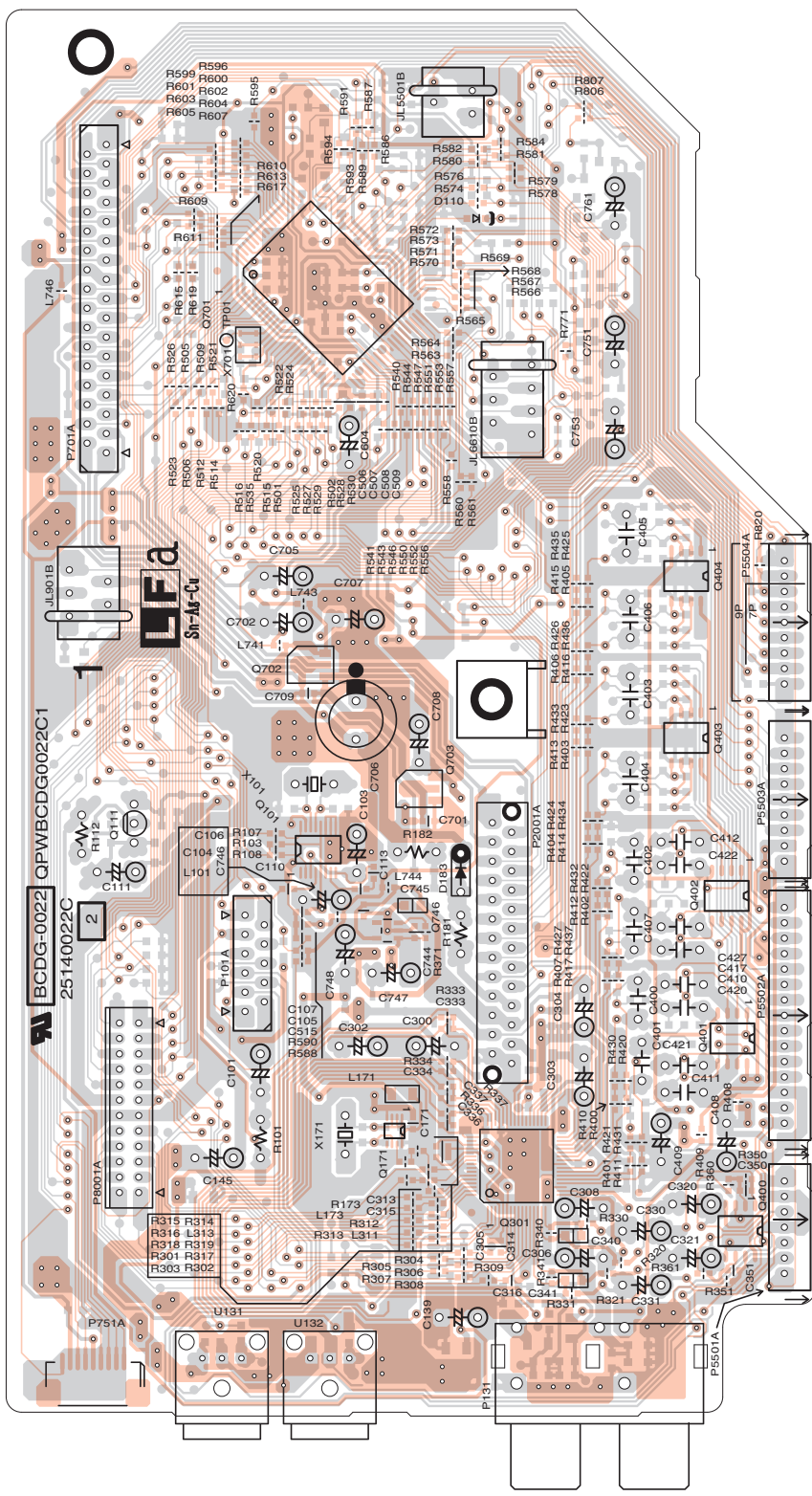
U002 MICROPROCESSOR/CODEC PC BOARD (BADG-0022) Side-A

U0021 UNIVERSAL PORT PC BOARD (BAETC-0023) Side-A

U0021 UNIVERSAL PORT PC BOARD (BAETC-0023) Side-B

U002 MICROPROCESSOR/CODEC PC BOARD (BADG-0022) Side-B

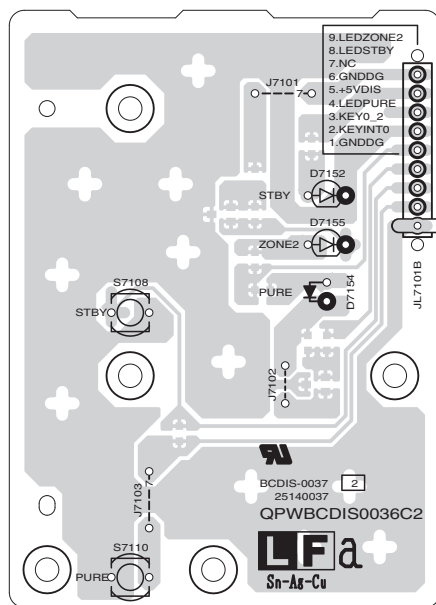
1
2
3
4
5



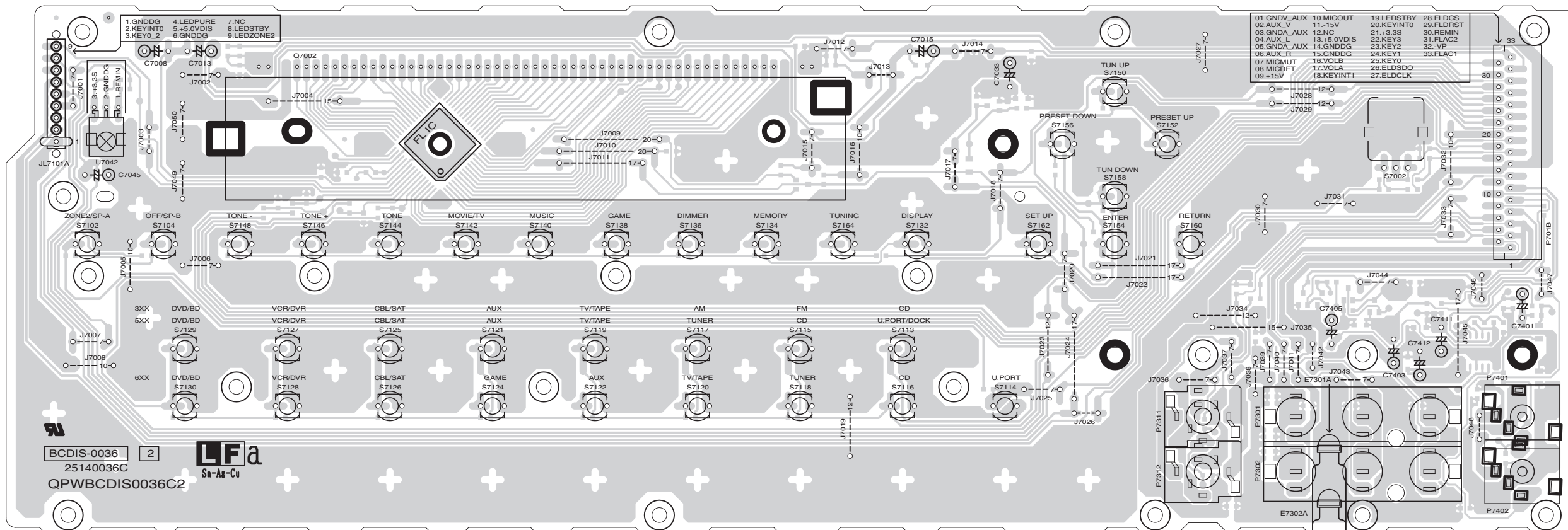
A B C D E F G H

PRINTED CIRCUIT BOARD VIEWS-4

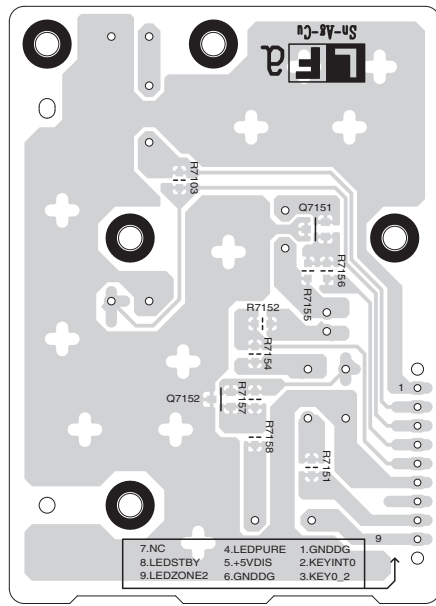
U0031 DISPLAY PC BOARD (BADIS-0037) Component side



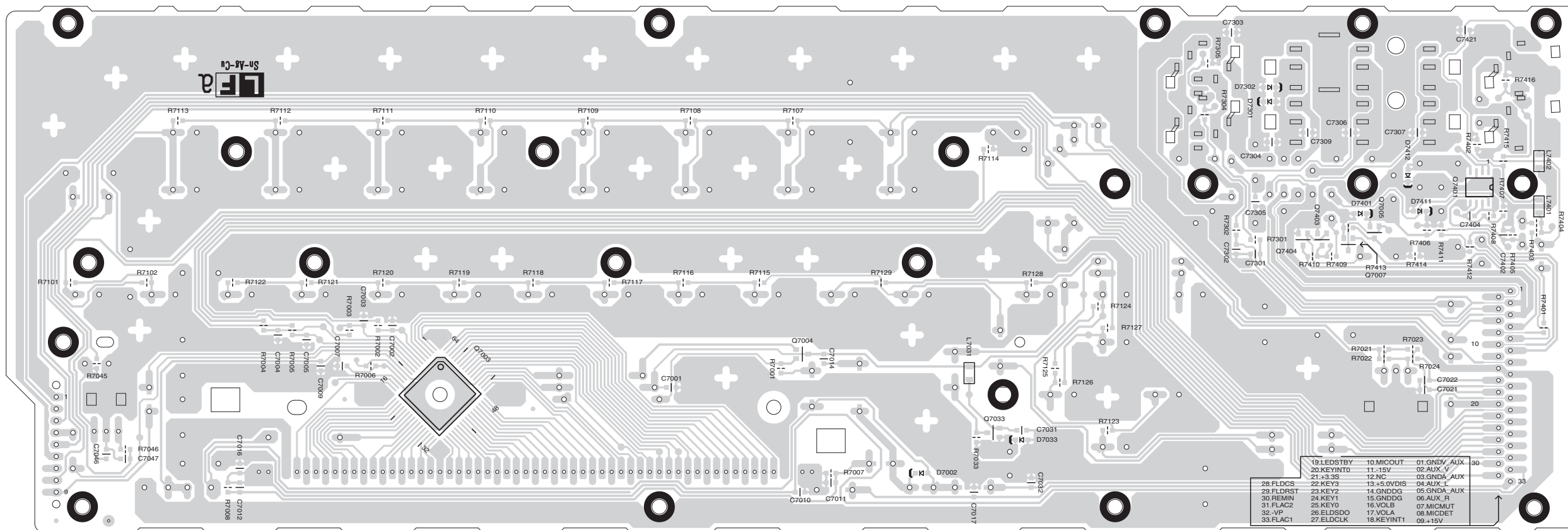
U003 DISPLAY PC BOARD (BADIS-0036) Component side



U0031 DISPLAY PC BOARD (BADIS-0037) Soldering side



U003 DISPLAY PC BOARD (BADIS-0036) Soldering side



1

2

3

4

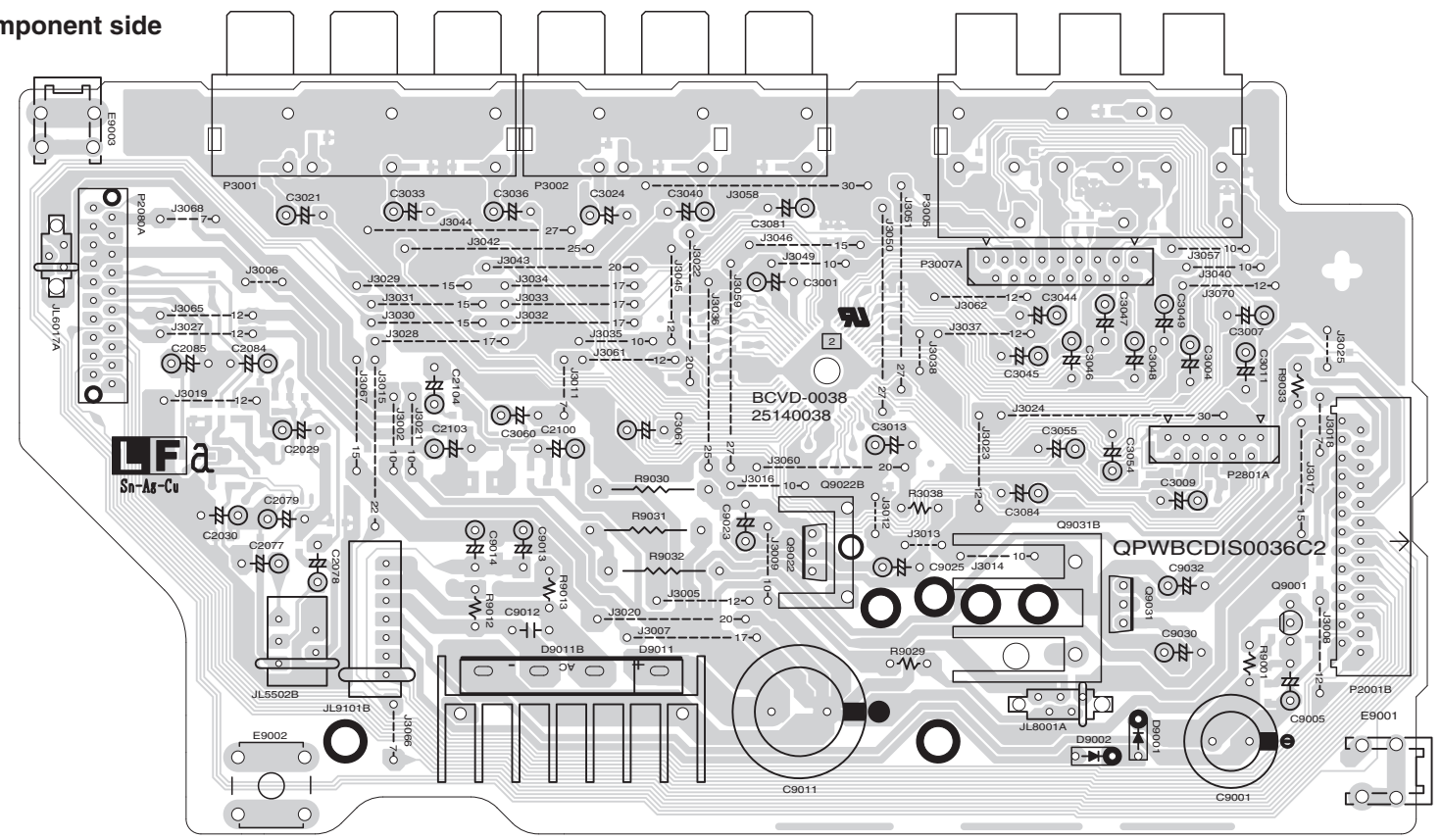
5

A B C D E F G H

PRINTED CIRCUIT BOARD VIEWS-5

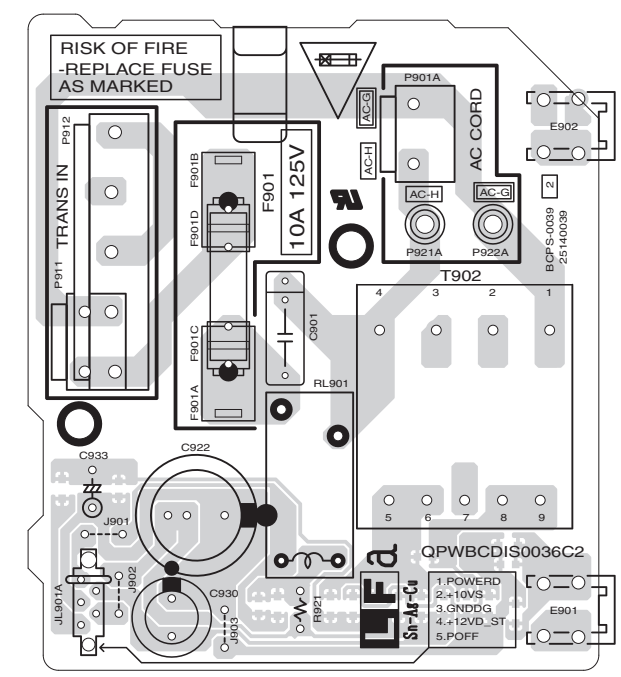
U0032 VIDEO PC BOARD (BAVD-0038)

Component side



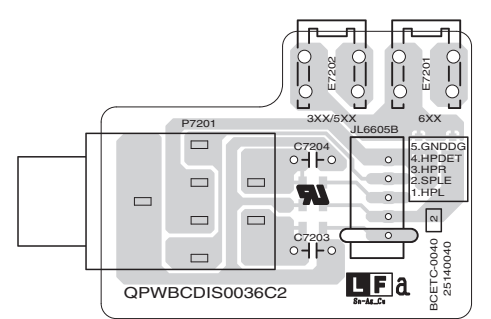
U0033 POWER SUPPLY PC BOARD (BAPS-0039)

Component side



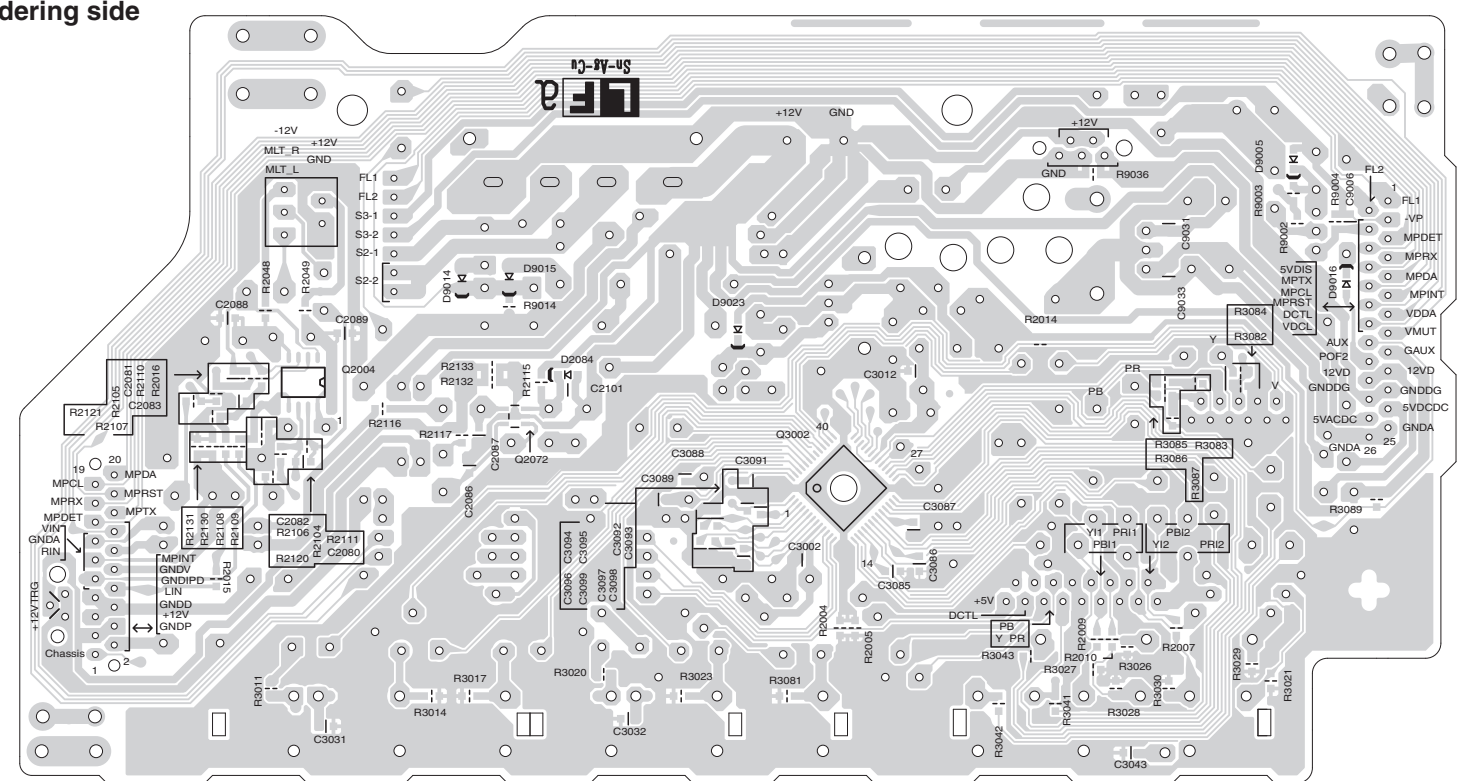
U0034 HP JACK PC BOARD (BAETC-0040)

Component side



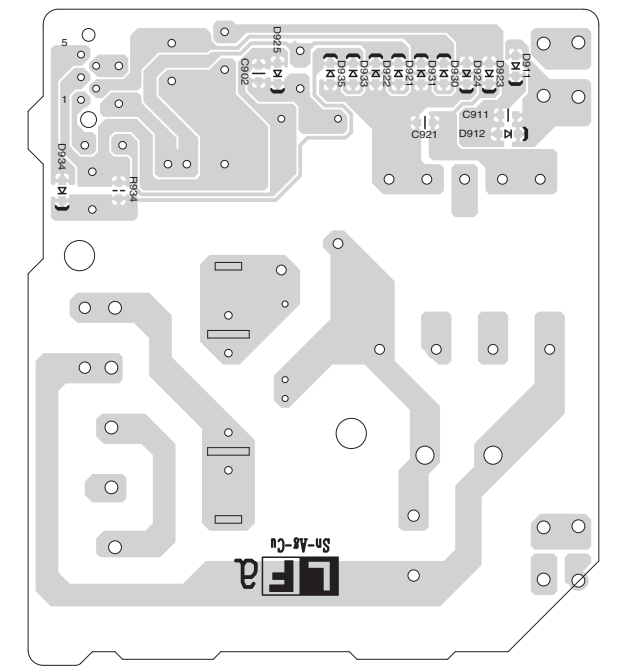
U0032 VIDEO PC BOARD (BAVD-0038)

Soldering side



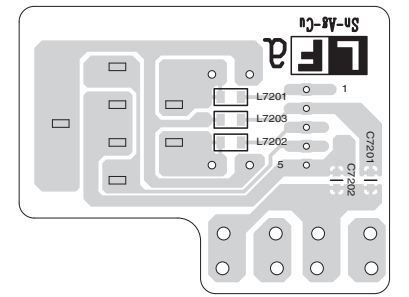
U0033 POWER SUPPLY PC BOARD (BAPS-0039)

Soldering side



U0034 HP JACK PC BOARD (BAETC-0040)

Soldering side



1

2

3

4

5

A B C D E F G H

PRINTED CIRCUIT BOARD VIEWS-6

U004 HDMI PC BOARD (BAHDM-0058)

Side-A

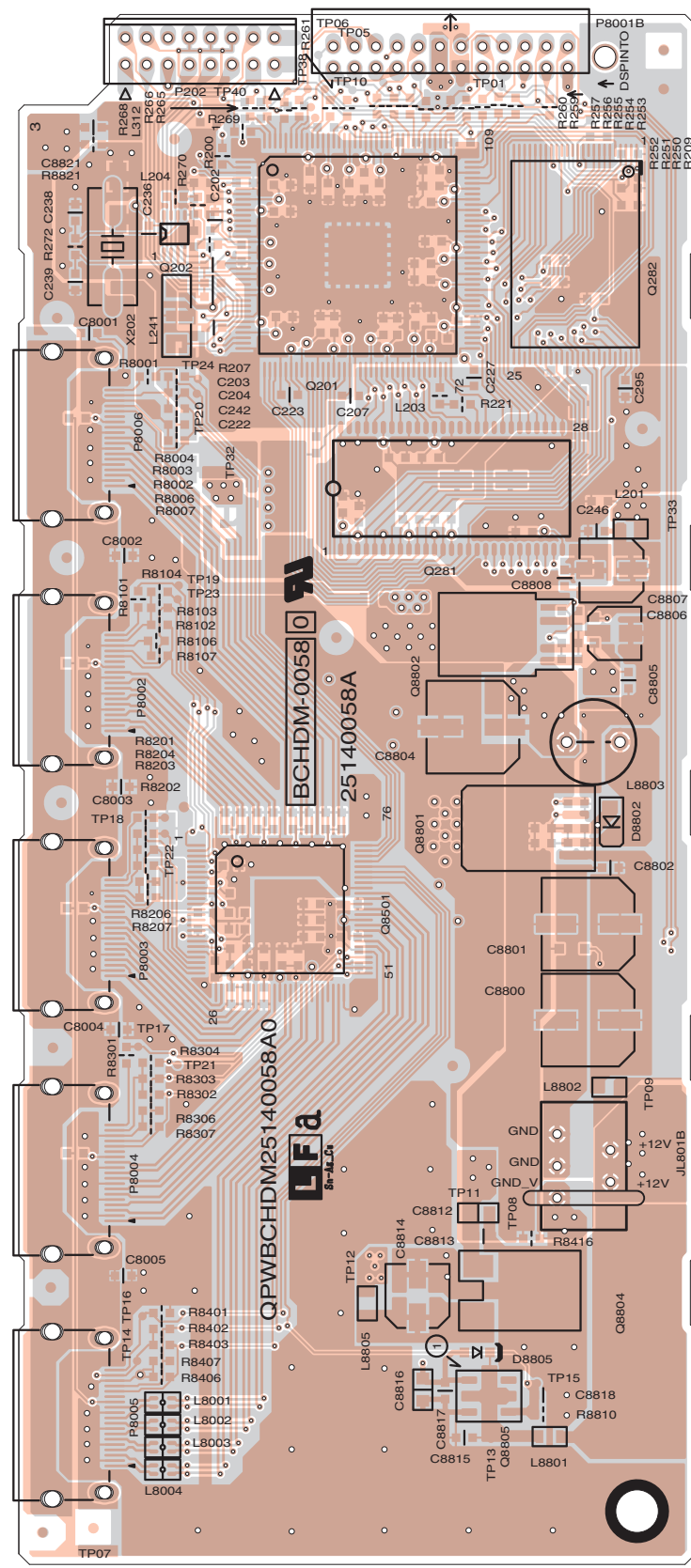
1

2

3

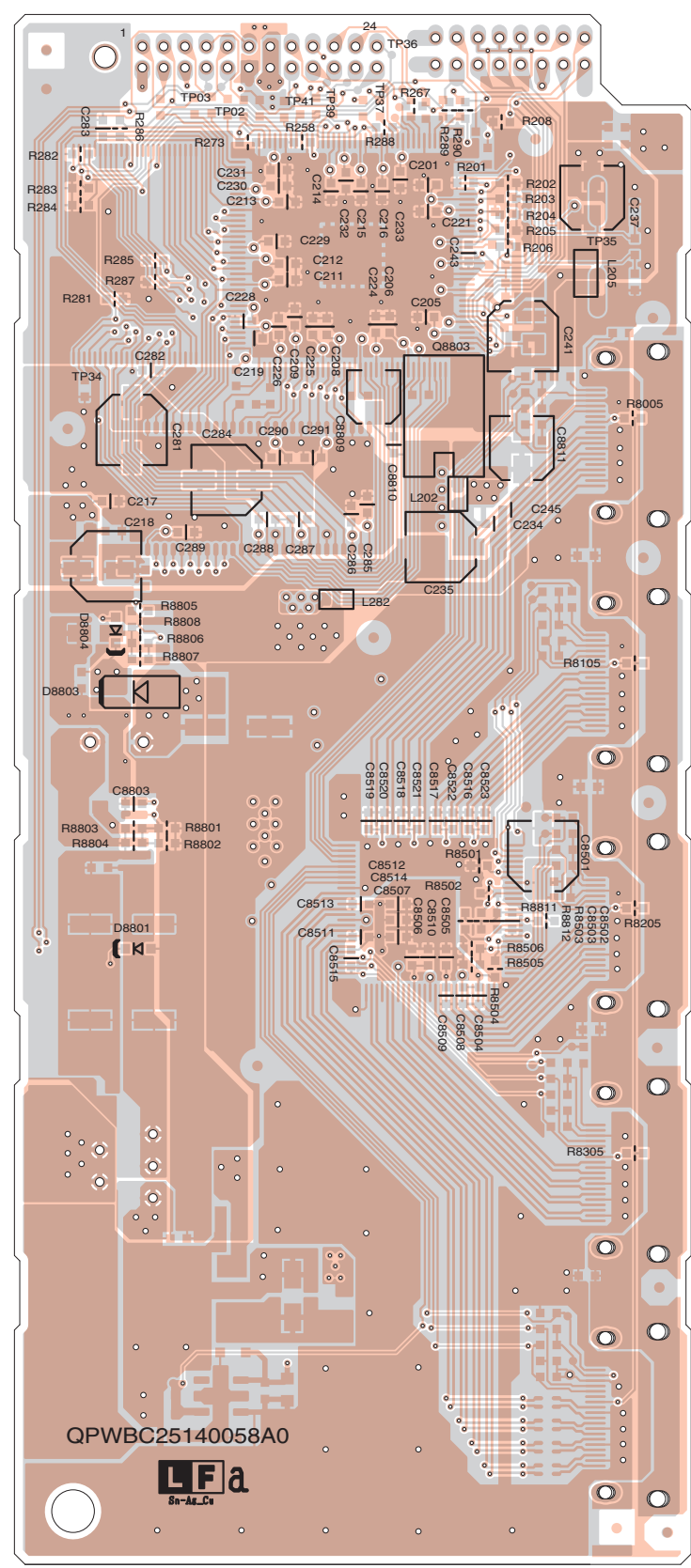
4

5



U004 HDMI PC BOARD (BAHDM-0058)

Side-B

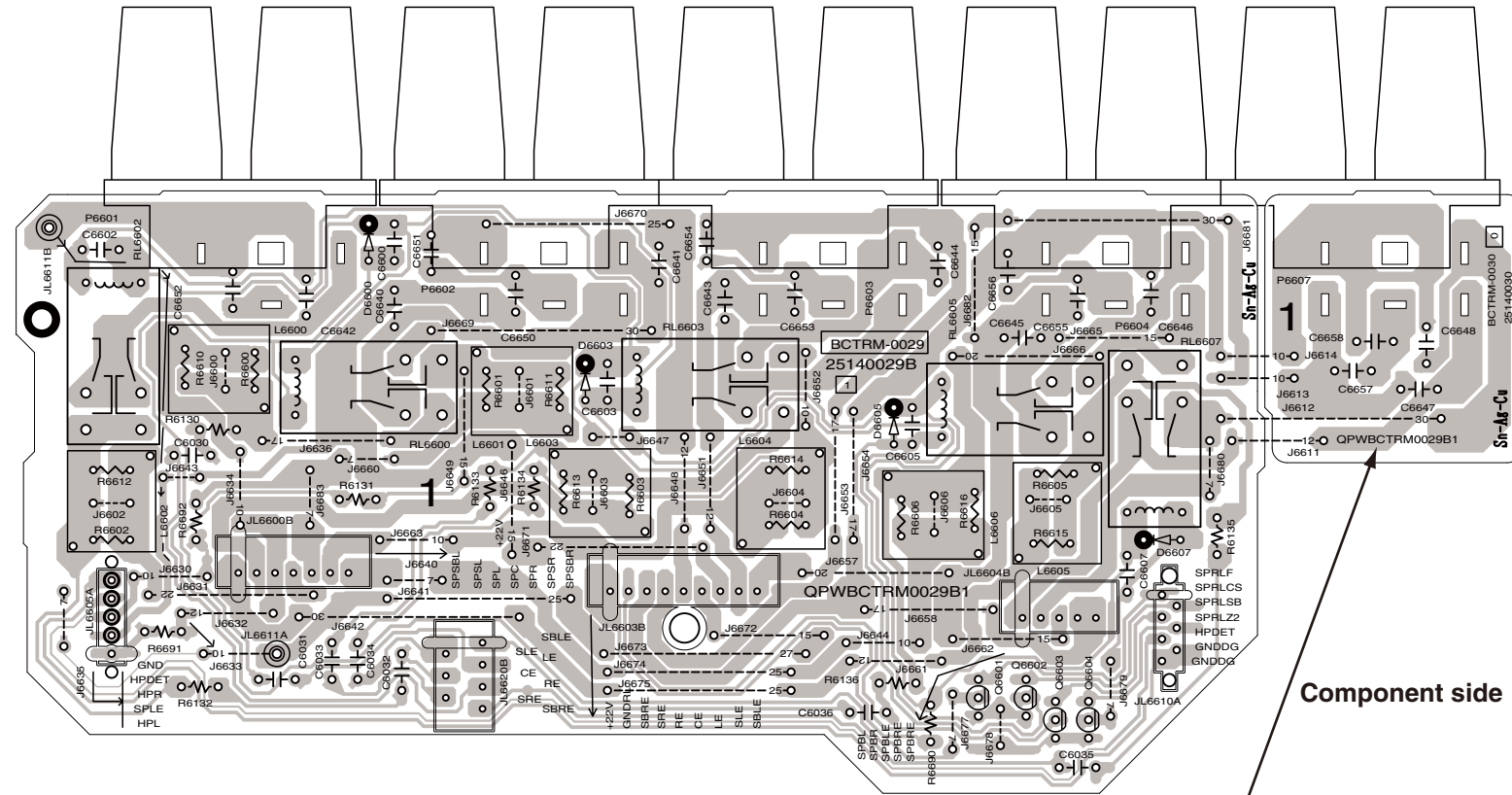


A B C D E F G H

PRINTED CIRCUIT BOARD VIEWS-7 / U005

U005 SP TERMINAL PC BOARD
(BATRM-0029)

Component side

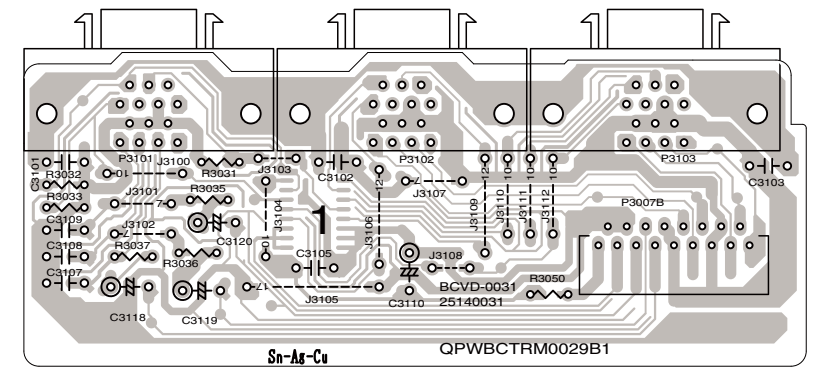


Component side

U0052 D4 TERMINAL PC BOARD
(BAVD-0031)

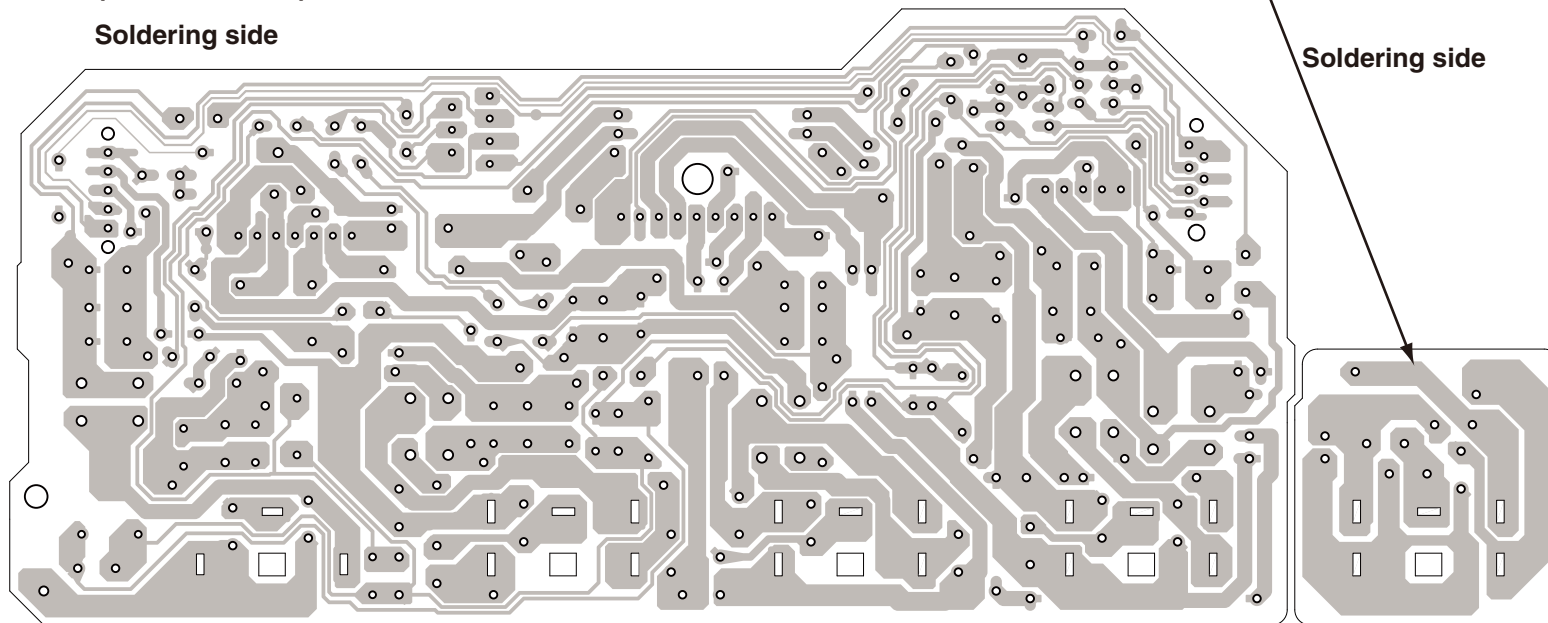
Unused in HT-R570 TX-SA507/607 only

Component side



U005 SP TERMINAL PC BOARD
(BATRM-0029)

Soldering side



Soldering side

U0051 FRONT HIGH L/R SP TERMINAL PC BOARD
(BATRM-0030)

Unused in HT-R570

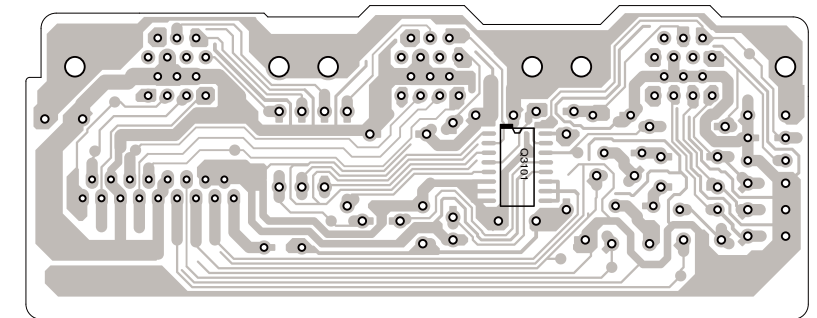
TX-SR607 <MO,MQ,PA,PB,PP,MR>, TX-SA607 only

Soldering side

U0052 D4 TERMINAL PC BOARD
(BAVD-0031)

Unused in HT-R570 TX-SA507/607 only

Soldering side



1

2

3

4

5

HT-R570

<Note>

Parts marked by "NSP" are generally unavailable because they are not in our Master Spare Parts List.

<Notes>

** : Black model**

<S> : Silver model

<DC> : 120V,Canadian model

<DD> : 120V,USA model

EXPLODED VIEW PARTS LIST

REF. NO.	PART NAME	DESCRIPTION	Q'TY	PART NO. (SN)	REMARKS
[TUNER UNIT]					
EXPLODED:U001	AF-AS AMPLIFIER PC BOARD	BAAF-0008-1E	1	1B232508-1E	N
EXPLODED:U0011	TRANS.SEL.TERMINAL PC BOARD	BAPS-0009-1E	{1}	1B232509-1E	N NSP included in "AF-AS"
EXPLODED:U0012	TRANS.SEL.TERMINAL PC BOARD	BAPS-0010-1E	{1}	1B232510-1E	N NSP included in "AF-AS"
EXPLODED:U0013	THERMAL SENSOR PC BOARD	BAETC-0011-1E	{1}	1B232511-1E	N NSP included in "AF-AS"
EXPLODED:U0014	ETC PC BOARD	BAETC-0012-1E	{1}	1B232512-1E	N NSP included in "AF-AS"
EXPLODED:U002	DG-AS CPU/CODEC PC BOARD	BADG-0022-1K	1	1B232522-1K	N Order please do at 2 units
EXPLODED:U0021	UNIVERSAL PORT PC BOARD	BAETC-0023-1K	{1}	1B232523-1K	N NSP included in "DG-AS"
EXPLODED:U003	DIS-AS DISPLAY PC BOARD	BADIS-0036-1M	1	1B232536-1M	N
EXPLODED:U0031	DISPLAY PC BOARD	BADIS-0037-1M	{1}	1B232537-1M	N NSP included in "DIS-AS"
EXPLODED:U0032	VIDEO PC BOARD	BAVD-0038-1M	{1}	1B232538-1M	N NSP included in "DIS-AS"
EXPLODED:U0033	POWER SUPPLY PC BOARD	BAPS-0039-1M	{1}	1B232539-1M	N NSP included in "DIS-AS"
EXPLODED:U0034	HP LACK PC BOARD	BAETC-0040-1M	{1}	1B232540-1M	N NSP included in "DIS-AS"
EXPLODED:U004	HDM-AS HDMI PC BOARD	BAHDM-0058-1B	1	1B232558-1B	Order please do at 4units
EXPLODED:U005	TRM-AS SPEAKERS TERMINAL PC BOARD	BATRM-0029-1D	1	1B232529-1D	N Order please do at 2 units
EXPLODED:U010	TUNER UNIT	FAEH06-A01US	1	240166	
[SEMI CONDUCTOR]					
EXPLODED:Q6050	TR	2SC5198-O	1	2203063	
EXPLODED:Q6050 or	TR	2SC4468-O	(1)	2202523	
EXPLODED:Q6050 or	TR	2SC4468-Y	(1)	2202524	
EXPLODED:Q6050 or	TR	2SC4468-P	(1)	2202526	
EXPLODED:Q6050 or	TR	2SC5198-R	(1)	2203062	
EXPLODED:Q6050 or	TR	MN130S-O	(1)	2203663	

EXPLODED:	Q6050 or	TR	MN130S-Y	(1)	2203664		
EXPLODED:	Q6050 or	TR	MN130S-P	(1)	2203666		
EXPLODED:	Q6050A	ISO SHEET	AC238	2	223024		
EXPLODED:	Q6050B	ISO SHEET	ISO SHEET	6	223050		
EXPLODED:	Q6051	TR	2SC5198-O	1	2203063		
EXPLODED:	Q6051 or	TR	2SC4468-O	(1)	2202523		
EXPLODED:	Q6051 or	TR	2SC4468-Y	(1)	2202524		
EXPLODED:	Q6051 or	TR	2SC4468-P	(1)	2202526		
EXPLODED:	Q6051 or	TR	2SC5198-R	(1)	2203062		
EXPLODED:	Q6051 or	TR	MN130S-O	(1)	2203663		
EXPLODED:	Q6051 or	TR	MN130S-Y	(1)	2203664		
EXPLODED:	Q6051 or	TR	MN130S-P	(1)	2203666		
EXPLODED:	Q6052	TR	2SC5198-O	1	2203063		
EXPLODED:	Q6052 or	TR	2SC4468-O	(1)	2202523		
EXPLODED:	Q6052 or	TR	2SC4468-Y	(1)	2202524		
EXPLODED:	Q6052 or	TR	2SC4468-P	(1)	2202526		
EXPLODED:	Q6052 or	TR	2SC5198-R	(1)	2203062		
EXPLODED:	Q6052 or	TR	MN130S-O	(1)	2203663		
EXPLODED:	Q6052 or	TR	MN130S-Y	(1)	2203664		
EXPLODED:	Q6052 or	TR	MN130S-P	(1)	2203666		
EXPLODED:	Q6053	TR	2SC5198-O	1	2203063		
EXPLODED:	Q6053 or	TR	2SC4468-O	(1)	2202523		
EXPLODED:	Q6053 or	TR	2SC4468-Y	(1)	2202524		
EXPLODED:	Q6053 or	TR	2SC4468-P	(1)	2202526		
EXPLODED:	Q6053 or	TR	2SC5198-R	(1)	2203062		
EXPLODED:	Q6053 or	TR	MN130S-O	(1)	2203663		
EXPLODED:	Q6053 or	TR	MN130S-Y	(1)	2203664		
EXPLODED:	Q6053 or	TR	MN130S-P	(1)	2203666		
EXPLODED:	Q6053 or	TR	KTC5242A-R	(1)	2203952		
EXPLODED:	Q6053 or	TR	KTC5242A-O	(1)	2203953		
EXPLODED:	Q6054	TR	2SC5198-O	1	2203063		
EXPLODED:	Q6054 or	TR	2SC4468-O	(1)	2202523		
EXPLODED:	Q6054 or	TR	2SC4468-Y	(1)	2202524		
EXPLODED:	Q6054 or	TR	2SC4468-P	(1)	2202526		
EXPLODED:	Q6054 or	TR	2SC5198-R	(1)	2203062		
EXPLODED:	Q6054 or	TR	MN130S-O	(1)	2203663		
EXPLODED:	Q6054 or	TR	MN130S-Y	(1)	2203664		
EXPLODED:	Q6054 or	TR	MN130S-P	(1)	2203666		
EXPLODED:	Q6054 or	TR	KTC5242A-R	(1)	2203952		

EXPLODED:	Q6054 or	TR	KTC5242A-O	(1)	2203953		
EXPLODED:	Q6055	TR	2SC5198-O	1	2203063		
EXPLODED:	Q6055 or	TR	2SC4468-O	(1)	2202523		
EXPLODED:	Q6055 or	TR	2SC4468-Y	(1)	2202524		
EXPLODED:	Q6055 or	TR	2SC4468-P	(1)	2202526		
EXPLODED:	Q6055 or	TR	2SC5198-R	(1)	2203062		
EXPLODED:	Q6055 or	TR	MN130S-O	(1)	2203663		
EXPLODED:	Q6055 or	TR	MN130S-Y	(1)	2203664		
EXPLODED:	Q6055 or	TR	MN130S-P	(1)	2203666		
EXPLODED:	Q6055 or	TR	KTC5242A-R	(1)	2203952		
EXPLODED:	Q6055 or	TR	KTC5242A-O	(1)	2203953		
EXPLODED:	Q6056	TR	2SC5198-O	1	2203063		
EXPLODED:	Q6056 or	TR	2SC4468-O	(1)	2202523		
EXPLODED:	Q6056 or	TR	2SC4468-Y	(1)	2202524		
EXPLODED:	Q6056 or	TR	2SC4468-P	(1)	2202526		
EXPLODED:	Q6056 or	TR	2SC5198-R	(1)	2203062		
EXPLODED:	Q6056 or	TR	MN130S-O	(1)	2203663		
EXPLODED:	Q6056 or	TR	MN130S-Y	(1)	2203664		
EXPLODED:	Q6056 or	TR	MN130S-P	(1)	2203666		
EXPLODED:	Q6056 or	TR	KTC5242A-R	(1)	2203952		
EXPLODED:	Q6056 or	TR	KTC5242A-O	(1)	2203953		
EXPLODED:	Q6060	TR	2SA1941-O	1	2203053		
EXPLODED:	Q6060 or	TR	2SA1695-O	(1)	2202513		
EXPLODED:	Q6060 or	TR	2SA1695-Y	(1)	2202514		
EXPLODED:	Q6060 or	TR	2SA1695-P	(1)	2202516		
EXPLODED:	Q6060 or	TR	2SA1941-R	(1)	2203052		
EXPLODED:	Q6060 or	TR	MP130S-O	(1)	2203673		
EXPLODED:	Q6060 or	TR	MP130S-Y	(1)	2203674		
EXPLODED:	Q6060 or	TR	MP130S-P	(1)	2203676		
EXPLODED:	Q6061	TR	2SA1941-O	1	2203053		
EXPLODED:	Q6061 or	TR	2SA1695-O	(1)	2202513		
EXPLODED:	Q6061 or	TR	2SA1695-Y	(1)	2202514		
EXPLODED:	Q6061 or	TR	2SA1695-P	(1)	2202516		
EXPLODED:	Q6061 or	TR	2SA1941-R	(1)	2203052		
EXPLODED:	Q6061 or	TR	MP130S-O	(1)	2203673		
EXPLODED:	Q6061 or	TR	MP130S-Y	(1)	2203674		
EXPLODED:	Q6061 or	TR	MP130S-P	(1)	2203676		
EXPLODED:	Q6062	TR	2SA1941-O	1	2203053		
EXPLODED:	Q6062 or	TR	2SA1695-O	(1)	2202513		

EXPLODED:	Q6062 or	TR	2SA1695-Y	(1)	2202514		
EXPLODED:	Q6062 or	TR	2SA1695-P	(1)	2202516		
EXPLODED:	Q6062 or	TR	2SA1941-R	(1)	2203052		
EXPLODED:	Q6062 or	TR	MP130S-O	(1)	2203673		
EXPLODED:	Q6062 or	TR	MP130S-Y	(1)	2203674		
EXPLODED:	Q6062 or	TR	MP130S-P	(1)	2203676		
EXPLODED:	Q6063	TR	2SA1941-O	1	2203053		
EXPLODED:	Q6063 or	TR	2SA1695-O	(1)	2202513		
EXPLODED:	Q6063 or	TR	2SA1695-Y	(1)	2202514		
EXPLODED:	Q6063 or	TR	2SA1695-P	(1)	2202516		
EXPLODED:	Q6063 or	TR	2SA1941-R	(1)	2203052		
EXPLODED:	Q6063 or	TR	MP130S-O	(1)	2203673		
EXPLODED:	Q6063 or	TR	MP130S-Y	(1)	2203674		
EXPLODED:	Q6063 or	TR	MP130S-P	(1)	2203676		
EXPLODED:	Q6063 or	TR	KTA1962A-R	(1)	2203942		
EXPLODED:	Q6063 or	TR	KTA1962A-O	(1)	2203943		
EXPLODED:	Q6064	TR	2SA1941-O	1	2203053		
EXPLODED:	Q6064 or	TR	2SA1695-O	(1)	2202513		
EXPLODED:	Q6064 or	TR	2SA1695-Y	(1)	2202514		
EXPLODED:	Q6064 or	TR	2SA1695-P	(1)	2202516		
EXPLODED:	Q6064 or	TR	2SA1941-R	(1)	2203052		
EXPLODED:	Q6064 or	TR	MP130S-O	(1)	2203673		
EXPLODED:	Q6064 or	TR	MP130S-Y	(1)	2203674		
EXPLODED:	Q6064 or	TR	MP130S-P	(1)	2203676		
EXPLODED:	Q6064 or	TR	KTA1962A-R	(1)	2203942		
EXPLODED:	Q6064 or	TR	KTA1962A-O	(1)	2203943		
EXPLODED:	Q6065	TR	2SA1941-O	1	2203053		
EXPLODED:	Q6065 or	TR	2SA1695-O	(1)	2202513		
EXPLODED:	Q6065 or	TR	2SA1695-Y	(1)	2202514		
EXPLODED:	Q6065 or	TR	2SA1695-P	(1)	2202516		
EXPLODED:	Q6065 or	TR	2SA1941-R	(1)	2203052		
EXPLODED:	Q6065 or	TR	MP130S-O	(1)	2203673		
EXPLODED:	Q6065 or	TR	MP130S-Y	(1)	2203674		
EXPLODED:	Q6065 or	TR	MP130S-P	(1)	2203676		
EXPLODED:	Q6065 or	TR	KTA1962A-R	(1)	2203942		
EXPLODED:	Q6065 or	TR	KTA1962A-O	(1)	2203943		
EXPLODED:	Q6066	TR	2SA1941-O	1	2203053		
EXPLODED:	Q6066 or	TR	2SA1695-O	(1)	2202513		
EXPLODED:	Q6066 or	TR	2SA1695-Y	(1)	2202514		

EXPLODED:	Q6066 or	TR	2SA1695-P	(1)	2202516	
EXPLODED:	Q6066 or	TR	2SA1941-R	(1)	2203052	
EXPLODED:	Q6066 or	TR	MP130S-O	(1)	2203673	
EXPLODED:	Q6066 or	TR	MP130S-Y	(1)	2203674	
EXPLODED:	Q6066 or	TR	MP130S-P	(1)	2203676	
EXPLODED:	Q6066 or	TR	KTA1962A-R	(1)	2203942	
EXPLODED:	Q6066 or	TR	KTA1962A-O	(1)	2203943	
	[TRANS COIL]					
EXPLODED:	T901	P TRANS	NPT-1516D	1	2301798	
	[SW TRM]					
EXPLODED:	F6901	FUSE	10A-UL/T-233	1	252330GR	
EXPLODED:	F6901 or	FUSE	10A-T/UL-ST2	(1)	252333GR	
EXPLODED:	F6902	FUSE	10A-UL/T-233	1	252330GR	
EXPLODED:	F6902 or	FUSE	10A-T/UL-ST2	(1)	252333GR	
EXPLODED:	F901	FUSE	8A-UL/T-233	1	252329GR	
EXPLODED:	F901 or	FUSE	8A-T/UL-ST2	(1)	252261GR	
EXPLODED:	P101	FFC	NCFC7-111512	1	2047111512	
EXPLODED:	P701	FFC	NCFC7-332012	1	2047332012	
EXPLODED:	P901	AC CORD	AS-UC-2	1	253368AYUN	
EXPLODED:	P901 or	AC CORD	AS-UC-2	(1)	253368BLTK	
	[CHASSIS SCREW]					
EXPLODED:	A001	CHASSIS	TX-SR507	1	27100533B	N
EXPLODED:	A003	BOTTOM LEG	---	4	27175432C	
EXPLODED:	A005	CUSHION	---	4	28141664	
EXPLODED:	A007	SCREW	3TTB+8B(3CM)SR	4	801637	
EXPLODED:	A009	HOLDER	KGLS-8RT	3	27190503A	
EXPLODED:	A010	HOLDER	KGPS-8RF	1	27191044	
EXPLODED:	A011	HOLDER	KGLS-10RT	1	27190428A	
EXPLODED:	A013	HOLDER	KGPS-14RF	2	27190802	
EXPLODED:	A015	HOLDER	KGPS-14RF	1	27190802	
EXPLODED:	A019	HOLDER	KGPS-16RF	1	27190991	
EXPLODED:	A021	HOLDER	KGLS-22S	2	27190369	
EXPLODED:	A023	HOLDER	KGLS-22S	1	27190369	
EXPLODED:	A025	SCREW	4TTC+8C(3BC)	4	830440089GR	
EXPLODED:	A030	HEAT SINK	507	1	27160633	
EXPLODED:	A032	RETAINER	(HL)	1	27142138A	
EXPLODED:	A034	RETAINER	(HR)	1	27142139A	
EXPLODED:	A036	SCREW	3TTB+8B(3CM)SR	4	801637	
EXPLODED:	A038	SCREW	3TTB+8B(3CM)SR	2	801637	

EXPLODED	A040	SCREW	3TTB+8B(3CM)SR	4	801637		
EXPLODED	A042	SCREW	3TTB+8B(3CM)SR	2	801637		
EXPLODED	A044	HOLDER	KGLS-8RT	1	27190503A		
EXPLODED	A050	SCREW	3SMS8W.SW+14B(CU)	14	801634		NSP
EXPLODED	A054	SCREW	3TTB+8B(3CM)SR	1	801637		NSP
EXPLODED	A056	BUSHING	S-RELIEF #2271	1	27300750		
EXPLODED	A058	LABEL	(PT)	1	29363379-1		
EXPLODED	A060	WIRE TIE	BINDER(CLAMPER)UL	3	260258		
EXPLODED	A062	WIRE TIE	BSK-1	3	260208		
EXPLODED	A069	SCREW	3TTB+8B(3BC)	1	838430088GR		NSP
EXPLODED	A070	LABEL	(SP)570	1	29390690		N
EXPLODED	A101	REAR PANEL	570DD	1	27123981A		N
EXPLODED	A102	CUSHION	---	2	28141799		
EXPLODED	A103	SCREW	3P+6FN(3BC)	8	82143006GR		NSP
EXPLODED	A105	SCREW	3TTB+8B(3BC)	29	838430088GR		NSP
	[CABINET]						
EXPLODED	A201	F PANEL	570(B)DD	1	27213213C		N <BDC, BDD>
EXPLODED	A201	F PANEL	570(S)DC	1	27213214C		N <SDC>
EXPLODED	A202	CLEAR PLT	(AS)307D	1	28192260		
EXPLODED	A207	BADGE	BADGE	1	28135244		
EXPLODED	A207	BADGE	---	1	28135298		<S>
EXPLODED	A213	KNOB	(INP)	1	28326666		
EXPLODED	A213	KNOB	(INP)	1	28326667		<S>
EXPLODED	A215	KNOB	(SEL)	1	28326665		
EXPLODED	A217	KNOB	(STNBY)	1	28326663		
EXPLODED	A219	KNOB	(CUR)	1	28326664A		
EXPLODED	A221	IB CUSHION	W15*3t TAPE	1	28141585		
EXPLODED	A225	SCREW	2.6TTB+8B(3BC)	27	838426088GR		
EXPLODED	A230	RETAINER	(U)	1	27142135A		
EXPLODED	A232	SCREW	2.6TTB+8B(3BC)	5	838426088GR		NSP
EXPLODED	A234	RETAINER	(L)	1	27142133A		
EXPLODED	A236	RETAINER	(R)	1	27142134A		
EXPLODED	A238	SCREW	2.6TTB+8B(3BC)	4	838426088GR		NSP
EXPLODED	A250	B PLATE	---	1	28133425		
EXPLODED	A250	B PLATE	---	1	28133426		<S>
EXPLODED	A254	WIRE TIE	BSK-1	8	260208		
EXPLODED	A256	SCREW	3TTB+8B(3CM)SR	1	801637		NSP
EXPLODED	A258	SCREW	3TTB+8B(3CM)SR	4	801637		NSP
EXPLODED	A260	SCREW	3TTB+8B(3BC)	3	838430088GR		NSP

EXPLODED:	A262	TAPE	TAPE(CLOTH-16U)	1	29110083	
EXPLODED:	A264	CUSHION	---	3	28141681	
EXPLODED:	A330	KNOB	(VOL) BLACK	1	28326514	
EXPLODED:	A330	KNOB	(VOL)N(S)	1	28326669	<S>
EXPLODED:	A340	COVER	(B) (Bent)	1	28210031	
EXPLODED:	A340	COVER	(S) (Bent)	1	28210032	<S>
EXPLODED:	A340	COVER	(B) (Not Bent)	1	28210031Z	
EXPLODED:	A340	COVER	(S) (Not Bent)	1	28210032Z	<S>
EXPLODED:	A342	SCREW	3TTB+8B(3BC)	7	838430088GR	
EXPLODED:	A344	SCREW	3TTB+8B(3CM)SR	7	801637	<S>
EXPLODED:	A350	PLATE	(COVER)	1	27262834A	<BDC, BDD>
EXPLODED:	A350	PLATE	(COVER)	1	27262835A	<SDC>
EXPLODED:	A354	HOLDER	(PLATE)	8	27191337	<BDC, BDD>
EXPLODED:	A354	HOLDER	(PLATE)	8	27191333A	<SDC>
EXPLODED:	A360	LABEL	(COVER)	1	29390767	
EXPLODED:	A362	LABEL	HOOKUP-ONKYO	1	29363194	

HT-R570

PC BOARD PARTS LIST

- U001** AMPLIFIER PC BOARD (BAAF-0008-1E)
- U0011** TRANS.SEL.TERMINAL PC BOARD (BAPS-0009-1E)
- U0012** TRANS.SEL.TERMINAL PC BOARD (BAPS-0010-1E)
- U0013** THERMAL SENSOR PC BOARD (BAETC-0011E)
- U00014** ETC PC BOARD (BAETC-0012-1E)

CIRCUIT. NO.	PART NAME	DESCRIPTION	Q'TY	PART NO. (SN)	REMARKS
--------------	-----------	-------------	------	---------------	---------

[SEMI CONDUCTOR]

PCB-1	D5000	ZENER D	MTZJ5.6B	1	224470562T	
PCB-1	D5001	ZENER D	MTZJ5.6B	1	224470562T	
PCB-1	D5002	ZENER D	MTZJ5.6B	1	224470562T	
PCB-1	D5003	ZENER D	MTZJ5.6B	1	224470562T	<1E>
PCB-1	D5004	ZENER D	MTZJ5.6B	1	224470562T	<1E>
PCB-1	D5005	ZENER D	MTZJ5.6B	1	224470562T	
PCB-1	D5006	ZENER D	MTZJ5.6B	1	224470562T	
PCB-1	D5671	ZENER D	MTZJ6.2B	1	224470622T	

PCB-1	D5672	ZENER D	MTZJ6.2B	1	224470622T	
PCB-1	D5673	DIODE	1SS133	1	223163T	
PCB-1	D5674	DIODE	1SS133	1	223163T	
PCB-1	D5708	C-DIODE	KDS4148U	1	223283R2	
PCB-1	D5708 or	C-DIODE	1SS352	(1)	223234R2	
PCB-1	D5708 or	C-DIODE	MA2J111	(1)	223279R2	
PCB-1	D5718	C-DIODE	KDS4148U	1	223283R2	
PCB-1	D5718 or	C-DIODE	1SS352	(1)	223234R2	
PCB-1	D5718 or	C-DIODE	MA2J111	(1)	223279R2	
PCB-1	D5800	DIODE	RL1N4003	1	22380260T	
PCB-1	D5801	DIODE	RL1N4003	1	22380260T	
PCB-1	D5802	DIODE	RL1N4003	1	22380260T	
PCB-1	D5803	DIODE	RL1N4003	1	22380260T	
PCB-1	D5804	DIODE	RL1N4003	1	22380260T	
PCB-1	D5805	DIODE	RL1N4003	1	22380260T	
PCB-1	D6000	C-DIODE	KDS4148U	1	223283R2	
PCB-1	D6000 or	C-DIODE	1SS352	(1)	223234R2	
PCB-1	D6000 or	C-DIODE	MA2J111	(1)	223279R2	
PCB-1	D6001	C-DIODE	KDS4148U	1	223283R2	
PCB-1	D6001 or	C-DIODE	1SS352	(1)	223234R2	
PCB-1	D6001 or	C-DIODE	MA2J111	(1)	223279R2	
PCB-1	D6002	C-DIODE	KDS4148U	1	223283R2	
PCB-1	D6002 or	C-DIODE	1SS352	(1)	223234R2	
PCB-1	D6002 or	C-DIODE	MA2J111	(1)	223279R2	
PCB-1	D6003	C-DIODE	KDS4148U	1	223283R2	<1E>
PCB-1	D6003 or	C-DIODE	1SS352	(1)	223234R2	<1E>
PCB-1	D6003 or	C-DIODE	MA2J111	(1)	223279R2	<1E>
PCB-1	D6004	C-DIODE	KDS4148U	1	223283R2	<1E>
PCB-1	D6004 or	C-DIODE	1SS352	(1)	223234R2	<1E>
PCB-1	D6004 or	C-DIODE	MA2J111	(1)	223279R2	<1E>
PCB-1	D6005	C-DIODE	KDS4148U	1	223283R2	
PCB-1	D6005 or	C-DIODE	1SS352	(1)	223234R2	
PCB-1	D6005 or	C-DIODE	MA2J111	(1)	223279R2	
PCB-1	D6006	C-DIODE	KDS4148U	1	223283R2	
PCB-1	D6006 or	C-DIODE	1SS352	(1)	223234R2	
PCB-1	D6006 or	C-DIODE	MA2J111	(1)	223279R2	
PCB-1	D6701	C-DIODE	KDS4148U	1	223283R2	
PCB-1	D6701 or	C-DIODE	1SS352	(1)	223234R2	
PCB-1	D6701 or	C-DIODE	MA2J111	(1)	223279R2	

PCB-1	D6702	C-DIODE	KDS4148U	1	223283R2	
PCB-1	D6702 or	C-DIODE	1SS352	(1)	223234R2	
PCB-1	D6702 or	C-DIODE	MA2J111	(1)	223279R2	
PCB-1	D6703	ZENER D	UDZS3.3B	1	224550330R2	
PCB-1	D6704	ZENER D	UDZS3.3B	1	224550330R2	
PCB-1	D6713	ZENER D	UDZS3.3B	1	224550330R2	
PCB-1	D6901	DIODE	D10XB60H	1	22380337	
PCB-1	D6901A	HEAT SINK	RAD-196	1	27160545	
PCB-1	D6901C	SCREW	3P+10FN(3BC)	2	82143010GR	
PCB-1	D6902	C-DIODE	KDS4148U	1	223283R2	
PCB-1	D6902 or	C-DIODE	1SS352	(1)	223234R2	
PCB-1	D6902 or	C-DIODE	MA2J111	(1)	223279R2	
PCB-1	D6903	DIODE	D10XB60H	1	22380337	
PCB-1	Q5000	TR	2SC2240-BL(TPE2_F)	1	2211406T	
PCB-1	Q5001	TR	2SC2240-BL(TPE2_F)	1	2211406T	
PCB-1	Q5002	TR	2SC2240-BL(TPE2_F)	1	2211406T	
PCB-1	Q5003	TR	2SC2240-BL(TPE2_F)	1	2211406T	<1E>
PCB-1	Q5004	TR	2SC2240-BL(TPE2_F)	1	2211406T	<1E>
PCB-1	Q5005	TR	2SC2240-BL(TPE2_F)	1	2211406T	
PCB-1	Q5006	TR	2SC2240-BL(TPE2_F)	1	2211406T	
PCB-1	Q5010	TR	2SC2240-BL(TPE2_F)	1	2211406T	
PCB-1	Q5011	TR	2SC2240-BL(TPE2_F)	1	2211406T	
PCB-1	Q5012	TR	2SC2240-BL(TPE2_F)	1	2211406T	
PCB-1	Q5013	TR	2SC2240-BL(TPE2_F)	1	2211406T	<1E>
PCB-1	Q5014	TR	2SC2240-BL(TPE2_F)	1	2211406T	<1E>
PCB-1	Q5015	TR	2SC2240-BL(TPE2_F)	1	2211406T	
PCB-1	Q5016	TR	2SC2240-BL(TPE2_F)	1	2211406T	
PCB-1	Q5030	TR	2SA949-Y(TPE6_F)	1	2211354T	<1E>
PCB-1	Q5031	TR	2SA949-Y(TPE6_F)	1	2211354T	<1E>
PCB-1	Q5032	TR	2SA949-Y(TPE6_F)	1	2211354T	<1E>
PCB-1	Q5033	TR	2SA949-Y(TPE6_F)	1	2211354T	<1E>
PCB-1	Q5034	TR	2SA949-Y(TPE6_F)	1	2211354T	<1E>
PCB-1	Q5035	TR	2SA949-Y(TPE6_F)	1	2211354T	<1E>
PCB-1	Q5036	TR	2SA949-Y(TPE6_F)	1	2211354T	<1E>
PCB-1	Q5040	TR	2SC2229-Y(TPE6_F)	1	2211634T	<1E>
PCB-1	Q5041	TR	2SC2229-Y(TPE6_F)	1	2211634T	<1E>
PCB-1	Q5042	TR	2SC2229-Y(TPE6_F)	1	2211634T	<1E>
PCB-1	Q5043	TR	2SC2229-Y(TPE6_F)	1	2211634T	<1E>
PCB-1	Q5044	TR	2SC2229-Y(TPE6_F)	1	2211634T	<1E>

PCB-1	Q5045	TR	2SC2229-Y(TPE6_F)	1	2211634T	<1E>
PCB-1	Q5046	TR	2SC2229-Y(TPE6_F)	1	2211634T	<1E>
PCB-1	Q5050	TR	2SC1815-GR	1	2211255T	
PCB-1	Q5051	TR	2SC1815-GR	1	2211255T	
PCB-1	Q5052	TR	2SC1815-GR	1	2211255T	
PCB-1	Q5053	TR	2SC1815-GR	1	2211255T	<1E>
PCB-1	Q5054	TR	2SC1815-GR	1	2211255T	<1E>
PCB-1	Q5055	TR	2SC1815-GR	1	2211255T	
PCB-1	Q5056	TR	2SC1815-GR	1	2211255T	
PCB-1	Q5501	IC	R2A15218FP	1	22242605R3	N
PCB-1	Q5503	IC	NJM4580M-D	1	22241448R2	
PCB-1	Q5600	TR	RN1441	1	2215410R2	
PCB-1	Q5601	TR	RN1441	1	2215410R2	
PCB-1	Q5602	TR	RN1441	1	2215410R2	
PCB-1	Q5603	TR	RN1441	1	2215410R2	
PCB-1	Q5604	TR	RN1441	1	2215410R2	
PCB-1	Q5605	TR	RN1441	1	2215410R2	
PCB-1	Q5606	TR	RN1441	1	2215410R2	
PCB-1	Q5607	TR	RN1441	1	2215410R2	
PCB-1	Q5617	TR	RN1441	1	2215410R2	
PCB-1	Q5630	IC	NJM4580M-D	1	22241448R2	
PCB-1	Q5670	IC	78M15HF(NJM78M15FA)	1	222780155JRC	
PCB-1	Q5670 or	IC	UPC78M15AHF-AZ	(1)	222780155NEC	
PCB-1	Q5670A	HEAT SINK	RAD-196	1	27160545	
PCB-1	Q5670B	SCREW	3P+10FN(3BC)	1	82143010GR	
PCB-1	Q5671	IC	79M15HF(NJM79M15FA)	1	222790155JRC	
PCB-1	Q5671 or	IC	UPC79M15HF-AZ	(1)	222790155NEC	
PCB-1	Q5671B	SCREW	3P+10FN(3BC)	1	82143010GR	
PCB-1	Q6000	TR	2SC1740S-S	1	2213285T	
PCB-1	Q6001	TR	2SC1740S-S	1	2213285T	
PCB-1	Q6002	TR	2SC1740S-S	1	2213285T	
PCB-1	Q6003	TR	2SC1740S-S	1	2213285T	<1E>
PCB-1	Q6004	TR	2SC1740S-S	1	2213285T	<1E>
PCB-1	Q6005	TR	2SC1740S-S	1	2213285T	
PCB-1	Q6006	TR	2SC1740S-S	1	2213285T	
PCB-1	Q6010	TR	2SC1740S-S	1	2213285T	
PCB-1	Q6011	TR	2SC1740S-S	1	2213285T	
PCB-1	Q6012	TR	2SC1740S-S	1	2213285T	
PCB-1	Q6013	TR	2SC1740S-S	1	2213285T	<1E>

PCB-1	Q6014	TR	2SC1740S-S	1	2213285T	<1E>
PCB-1	Q6015	TR	2SC1740S-S	1	2213285T	
PCB-1	Q6016	TR	2SC1740S-S	1	2213285T	
PCB-1	Q6030	TR	2SC5171(ONK_Q)	1	2203010	<1E>
PCB-1	Q6030 or	TR	2SC5993-Q_P	(1)	2217161	<1E>
PCB-1	Q6031	TR	2SC5171(ONK_Q)	1	2203010	<1E>
PCB-1	Q6031 or	TR	2SC5993-Q_P	(1)	2217161	<1E>
PCB-1	Q6032	TR	2SC5171(ONK_Q)	1	2203010	<1E>
PCB-1	Q6032 or	TR	2SC5993-Q_P	(1)	2217161	<1E>
PCB-1	Q6033	TR	2SC5171(ONK_Q)	1	2203010	<1E>
PCB-1	Q6033 or	TR	2SC5993-Q_P	(1)	2217161	<1E>
PCB-1	Q6034	TR	2SC5171(ONK_Q)	1	2203010	<1E>
PCB-1	Q6034 or	TR	2SC5993-Q_P	(1)	2217161	<1E>
PCB-1	Q6035	TR	2SC5171(ONK_Q)	1	2203010	<1E>
PCB-1	Q6035 or	TR	2SC5993-Q_P	(1)	2217161	<1E>
PCB-1	Q6036	TR	2SC5171(ONK_Q)	1	2203010	<1E>
PCB-1	Q6036 or	TR	2SC5993-Q_P	(1)	2217161	<1E>
PCB-1	Q6040	TR	2SA1930(ONK_Q)	1	2203000	<1E>
PCB-1	Q6040 or	TR	2SA2140-Q_P	(1)	2217151	<1E>
PCB-1	Q6041	TR	2SA1930(ONK_Q)	1	2203000	<1E>
PCB-1	Q6041 or	TR	2SA2140-Q_P	(1)	2217151	<1E>
PCB-1	Q6042	TR	2SA1930(ONK_Q)	1	2203000	<1E>
PCB-1	Q6042 or	TR	2SA2140-Q_P	(1)	2217151	<1E>
PCB-1	Q6043	TR	2SA1930(ONK_Q)	1	2203000	<1E>
PCB-1	Q6043 or	TR	2SA2140-Q_P	(1)	2217151	<1E>
PCB-1	Q6044	TR	2SA1930(ONK_Q)	1	2203000	<1E>
PCB-1	Q6044 or	TR	2SA2140-Q_P	(1)	2217151	<1E>
PCB-1	Q6045	TR	2SA1930(ONK_Q)	1	2203000	<1E>
PCB-1	Q6045 or	TR	2SA2140-Q_P	(1)	2217151	<1E>
PCB-1	Q6046	TR	2SA1930(ONK_Q)	1	2203000	<1E>
PCB-1	Q6046 or	TR	2SA2140-Q_P	(1)	2217151	<1E>
PCB-1	Q6070	TR	2SC2229-Y(TPE6_F)	1	2211634T	
PCB-1	Q6071	TR	2SC2229-Y(TPE6_F)	1	2211634T	
PCB-1	Q6072	TR	2SC2229-Y(TPE6_F)	1	2211634T	
PCB-1	Q6073	TR	2SC2229-Y(TPE6_F)	1	2211634T	<1E>
PCB-1	Q6074	TR	2SC2229-Y(TPE6_F)	1	2211634T	<1E>
PCB-1	Q6075	TR	2SC2229-Y(TPE6_F)	1	2211634T	
PCB-1	Q6076	TR	2SC2229-Y(TPE6_F)	1	2211634T	
PCB-1	Q6380	IC	LM61CIZ	1	22242212	

PCB-1	Q6380A	RETAINER	(PTH)	1	27141884-1	
PCB-1	Q6701	TR	2SC2712-GR	1	2213145R2	
PCB-1	Q6701 or	TR	KTC3875-GR	(1)	2216175R2	
PCB-1	Q6702	TR	2SC2712-GR	1	2213145R2	
PCB-1	Q6702 or	TR	KTC3875-GR	(1)	2216175R2	
PCB-1	Q6703	TR	2SA1163-BL(TE85L_F)	1	2216756R2	
PCB-1	Q6707	TR	2SC2712-GR	1	2213145R2	
PCB-1	Q6707 or	TR	KTC3875-GR	(1)	2216175R2	
PCB-1	Q6713	TR	2SA1163-BL(TE85L_F)	1	2216756R2	
	[TRANS COIL]					
PCB-1	L5501	CHOKO COIL	LBC2518T2R2M	1	231364M022R2	
	[CAPACITOR]					
PCB-1	C5000	UPZ C	2AUPZTF221JE	1	376332214T	
PCB-1	C5001	UPZ C	2AUPZTF221JE	1	376332214T	
PCB-1	C5002	UPZ C	2AUPZTF221JE	1	376332214T	
PCB-1	C5003	UPZ C	2AUPZTF221JE	1	376332214T	<1E>
PCB-1	C5004	UPZ C	2AUPZTF221JE	1	376332214T	<1E>
PCB-1	C5005	UPZ C	2AUPZTF221JE	1	376332214T	
PCB-1	C5006	UPZ C	2AUPZTF221JE	1	376332214T	
PCB-1	C5010	UTSP C	CE04W50V 47M(UTSP)	1	397584707T	
PCB-1	C5011	UTSP C	CE04W50V 47M(UTSP)	1	397584707T	
PCB-1	C5012	UTSP C	CE04W50V 47M(UTSP)	1	397584707T	
PCB-1	C5013	UTSP C	CE04W50V 47M(UTSP)	1	397584707T	<1E>
PCB-1	C5014	UTSP C	CE04W50V 47M(UTSP)	1	397584707T	<1E>
PCB-1	C5015	UTSP C	CE04W50V 47M(UTSP)	1	397584707T	
PCB-1	C5016	UTSP C	CE04W50V 47M(UTSP)	1	397584707T	
PCB-1	C5020	UTSP C	CE04W50V-10M(UTSP)	1	397581007T	
PCB-1	C5021	UTSP C	CE04W50V-10M(UTSP)	1	397581007T	
PCB-1	C5022	UTSP C	CE04W50V-10M(UTSP)	1	397581007T	
PCB-1	C5023	UTSP C	CE04W50V-10M(UTSP)	1	397581007T	<1E>
PCB-1	C5024	UTSP C	CE04W50V-10M(UTSP)	1	397581007T	<1E>
PCB-1	C5025	UTSP C	CE04W50V-10M(UTSP)	1	397581007T	
PCB-1	C5026	UTSP C	CE04W50V-10M(UTSP)	1	397581007T	
PCB-1	C5040	UTSP C	CE04W25V-220M(UTSP)	1	397552217T	
PCB-1	C5041	UTSP C	CE04W25V-220M(UTSP)	1	397552217T	
PCB-1	C5042	UTSP C	CE04W25V-220M(UTSP)	1	397552217T	
PCB-1	C5043	UTSP C	CE04W25V-220M(UTSP)	1	397552217T	<1E>
PCB-1	C5044	UTSP C	CE04W25V-220M(UTSP)	1	397552217T	<1E>
PCB-1	C5045	UTSP C	CE04W25V-220M(UTSP)	1	397552217T	

PCB-1	C5046	UTSP C	CE04W25V-220M(UTSP)	1	397552217T	
PCB-1	C5050	UTSP C	CE04W50V 47M(UTSP)	1	397584707T	
PCB-1	C5051	UTSP C	CE04W50V 47M(UTSP)	1	397584707T	
PCB-1	C5052	UTSP C	CE04W50V 47M(UTSP)	1	397584707T	
PCB-1	C5053	UTSP C	CE04W50V 47M(UTSP)	1	397584707T	<1E>
PCB-1	C5054	UTSP C	CE04W50V 47M(UTSP)	1	397584707T	<1E>
PCB-1	C5055	UTSP C	CE04W50V 47M(UTSP)	1	397584707T	
PCB-1	C5056	UTSP C	CE04W50V 47M(UTSP)	1	397584707T	
PCB-1	C5080	CERA C	CC45SL50V-040C	1	345020401T	
PCB-1	C5081	CERA C	CC45SL50V-040C	1	345020401T	
PCB-1	C5082	CERA C	CC45SL50V-040C	1	345020401T	
PCB-1	C5083	CERA C	CC45SL50V-040C	1	345020401T	<1E>
PCB-1	C5084	CERA C	CC45SL50V-040C	1	345020401T	<1E>
PCB-1	C5085	CERA C	CC45SL50V-040C	1	345020401T	
PCB-1	C5086	CERA C	CC45SL50V-040C	1	345020401T	
PCB-1	C5090	UPZ C	2AUPZTF101JE	1	376331014T	
PCB-1	C5091	UPZ C	2AUPZTF101JE	1	376331014T	
PCB-1	C5092	UPZ C	2AUPZTF101JE	1	376331014T	
PCB-1	C5093	UPZ C	2AUPZTF101JE	1	376331014T	<1E>
PCB-1	C5094	UPZ C	2AUPZTF101JE	1	376331014T	<1E>
PCB-1	C5095	UPZ C	2AUPZTF101JE	1	376331014T	
PCB-1	C5096	UPZ C	2AUPZTF101JE	1	376331014T	
PCB-1	C5100	VR C	CE04W100V-22M(VR)	1	394692207T	
PCB-1	C5101	VR C	CE04W100V-22M(VR)	1	394692207T	
PCB-1	C5102	VR C	CE04W100V-22M(VR)	1	394692207T	
PCB-1	C5103	VR C	CE04W100V-22M(VR)	1	394692207T	<1E>
PCB-1	C5104	VR C	CE04W100V-22M(VR)	1	394692207T	<1E>
PCB-1	C5105	VR C	CE04W100V-22M(VR)	1	394692207T	
PCB-1	C5106	VR C	CE04W100V-22M(VR)	1	394692207T	
PCB-1	C5110	VR C	CE04W100V-22M(VR)	1	394692207T	
PCB-1	C5111	VR C	CE04W100V-22M(VR)	1	394692207T	
PCB-1	C5112	VR C	CE04W100V-22M(VR)	1	394692207T	
PCB-1	C5113	VR C	CE04W100V-22M(VR)	1	394692207T	<1E>
PCB-1	C5114	VR C	CE04W100V-22M(VR)	1	394692207T	<1E>
PCB-1	C5115	VR C	CE04W100V-22M(VR)	1	394692207T	
PCB-1	C5116	VR C	CE04W100V-22M(VR)	1	394692207T	
PCB-1	C5503	UPZ C	2AUPZTF221JE	1	376332214T	
PCB-1	C5504	UPZ C	2AUPZTF221JE	1	376332214T	
PCB-1	C5507	C-CERA C	CC725CH1H-221J1	1	342102214R1	

PCB-1	C5508	C-CERA C	CC725CH1H-221J1	1	342102214R1		
PCB-1	C5513	C-CERA C	CC725CH1H-221J1	1	342102214R1		
PCB-1	C5514	C-CERA C	CC725CH1H-221J1	1	342102214R1		
PCB-1	C5517	C-CERA C	CC725CH1H-221J1	1	342102214R1		
PCB-1	C5518	C-CERA C	CC725CH1H-221J1	1	342102214R1		
PCB-1	C5519	UPZ C	2AUPZTF221JE	1	376332214T		
PCB-1	C5520	UPZ C	2AUPZTF221JE	1	376332214T		
PCB-1	C5527	C-CERA C	CC725CH1H-221J1	1	342102214R1		
PCB-1	C5550	UTSP C	CE04W25V-47M(UTSP)	1	397554707T		
PCB-1	C5551	UTSP C	CE04W25V-47M(UTSP)	1	397554707T		
PCB-1	C5552	UTSP C	CE04W25V-47M(UTSP)	1	397554707T		
PCB-1	C5553	UTSP C	CE04W25V-47M(UTSP)	1	397554707T		
PCB-1	C5554	UTSP C	CE04W25V-47M(UTSP)	1	397554707T		
PCB-1	C5555	UTSP C	CE04W25V-47M(UTSP)	1	397554707T		
PCB-1	C5556	UTSP C	CE04W25V-47M(UTSP)	1	397554707T		
PCB-1	C5557	UTSP C	CE04W25V-47M(UTSP)	1	397554707T		
PCB-1	C5560	UTSP C	CE04W25V-47M(UTSP)	1	397554707T		
PCB-1	C5561	UTSP C	CE04W25V-47M(UTSP)	1	397554707T		
PCB-1	C5562	TF C	ECQ-V50V-474J	1	374724744T		
PCB-1	C5563	TF C	ECQ-V50V-823J	1	374728234T		
PCB-1	C5564	TF C	ECQ-V50V-223J	1	374722234T		
PCB-1	C5565	TF C	ECQ-V50V-474J	1	374724744T		
PCB-1	C5566	TF C	ECQ-V50V-823J	1	374728234T		
PCB-1	C5567	TF C	ECQ-V50V-223J	1	374722234T		
PCB-1	C5570	UTSP C	CE04W50V 47M(UTSP)	1	397584707T		
PCB-1	C5571	UTSP C	CE04W50V 47M(UTSP)	1	397584707T		
PCB-1	C5572	UTSP C	CE04W50V 47M(UTSP)	1	397584707T		
PCB-1	C5573	UTSP C	CE04W50V 47M(UTSP)	1	397584707T		
PCB-1	C5574	UTSP C	CE04W50V 47M(UTSP)	1	397584707T		
PCB-1	C5575	UTSP C	CE04W50V 47M(UTSP)	1	397584707T		
PCB-1	C5576	UTSP C	CE04W50V 47M(UTSP)	1	397584707T		
PCB-1	C5577	UTSP C	CE04W50V 47M(UTSP)	1	397584707T		
PCB-1	C5585	UTSP C	CE04W25V-47M(UTSP)	1	397554707T		
PCB-1	C5586	UTSP C	CE04W25V-47M(UTSP)	1	397554707T		
PCB-1	C5590	C-CERA C	CC725CH1H-330J1	1	342103304R1		
PCB-1	C5591	C-CERA C	CC725CH1H-330J1	1	342103304R1		
PCB-1	C5600	UTSP C	CE04W50V 47M(UTSP)	1	397584707T		
PCB-1	C5601	UTSP C	CE04W50V 47M(UTSP)	1	397584707T		
PCB-1	C5602	UTSP C	CE04W50V 47M(UTSP)	1	397584707T		

PCB-1	C5603	UTSP C	CE04W50V 47M(UTSP)	1	397584707T	
PCB-1	C5604	UTSP C	CE04W50V 47M(UTSP)	1	397584707T	
PCB-1	C5605	UTSP C	CE04W50V 47M(UTSP)	1	397584707T	
PCB-1	C5606	UTSP C	CE04W50V 47M(UTSP)	1	397584707T	
PCB-1	C5607	UTSP C	CE04W25V-100M(UTSP)	1	397551017T	
PCB-1	C5611	C-CERA C	CC725CH1H-152J1	1	342101524R1	<1E>
PCB-1	C5612	C-CERA C	CC725CH1H-152J1	1	342101524R1	<1E>
PCB-1	C5616	C-CERA C	CK725F1H-104Z1	1	332151040R1	<1E>
PCB-1	C5630	UTSP C	CE04W50V 47M(UTSP)	1	397584707T	
PCB-1	C5631	C-CERA C	CC725CH1H-221J1	1	342102214R1	
PCB-1	C5632	TF C	ECQ-V50V-103J	1	374721034T	
PCB-1	C5666	UTSP C	CE04W25V-220M(UTSP)	1	397552217T	
PCB-1	C5667	UTSP C	CE04W25V-220M(UTSP)	1	397552217T	
PCB-1	C5670	UTSP C	CE04W50V-10M(UTSP)	1	397581007T	
PCB-1	C5671	UTSP C	CE04W50V-10M(UTSP)	1	397581007T	
PCB-1	C5672	UTSP C	CE04W25V-220M(UTSP)	1	397552217T	
PCB-1	C5673	UTSP C	CE04W25V-220M(UTSP)	1	397552217T	
PCB-1	C5674	UTSP C	CE04W16V-470M(UTSP)	1	397544717T	
PCB-1	C5675	UTSP C	CE04W16V-470M(UTSP)	1	397544717T	
PCB-1	C5703	C-CERA C	CC725CH1H-102J1	1	342101024R1	
PCB-1	C5704	C-CERA C	CC725CH1H-102J1	1	342101024R1	
PCB-1	C5705	C-CERA C	CC725CH1H-102J1	1	342101024R1	
PCB-1	C5708	C-CERA C	CC725CH1H-102J1	1	342101024R1	
PCB-1	C5709	UTSP C	CE04W25V-47M(UTSP)	1	397554707T	
PCB-1	C5710	UTSP C	CE04W25V-47M(UTSP)	1	397554707T	
PCB-1	C5800	TF C	ECQ-V50V-334J	1	374723344T	
PCB-1	C5801	VR C	CE04W35V-1000M(VR)	1	394661027S	
PCB-1	C5802	VR C	CE04W35V-470M(VR)	1	394664717T	
PCB-1	C6030	TF C	ECQ-V50V-473J	1	374724734T	
PCB-1	C6031	TF C	ECQ-V50V-473J	1	374724734T	
PCB-1	C6032	TF C	ECQ-V50V-473J	1	374724734T	
PCB-1	C6033	TF C	ECQ-V50V-473J	1	374724734T	<1E>
PCB-1	C6034	TF C	ECQ-V50V-473J	1	374724734T	<1E>
PCB-1	C6035	TF C	ECQ-V50V-473J	1	374724734T	
PCB-1	C6036	TF C	ECQ-V50V-473J	1	374724734T	
PCB-1	C6040	UTSP C	CE04W50V 47M(UTSP)	1	397584707T	
PCB-1	C6041	UTSP C	CE04W50V 47M(UTSP)	1	397584707T	
PCB-1	C6042	UTSP C	CE04W50V 47M(UTSP)	1	397584707T	
PCB-1	C6043	UTSP C	CE04W50V 47M(UTSP)	1	397584707T	<1E>

PCB-1	C6044	UTSP C	CE04W50V 47M(UTSP)	1	397584707T	<1E>
PCB-1	C6045	UTSP C	CE04W50V 47M(UTSP)	1	397584707T	
PCB-1	C6046	UTSP C	CE04W50V 47M(UTSP)	1	397584707T	
PCB-1	C6050	TF C	ECQ-V50V-103J	1	374721034T	
PCB-1	C6051	TF C	ECQ-V50V-103J	1	374721034T	
PCB-1	C6052	TF C	ECQ-V50V-103J	1	374721034T	
PCB-1	C6053	TF C	ECQ-V50V-103J	1	374721034T	<1E>
PCB-1	C6054	TF C	ECQ-V50V-103J	1	374721034T	<1E>
PCB-1	C6055	TF C	ECQ-V50V-103J	1	374721034T	
PCB-1	C6056	TF C	ECQ-V50V-103J	1	374721034T	
PCB-1	C6630	C-CERA C	CK725F1E-104Z1	1	332161040R1	
PCB-1	C6701	UTSP C	CE04W25V-100M(UTSP)	1	397551017T	
PCB-1	C6703	C-CERA C	CK725F1H-104Z1	1	332151040R1	
PCB-1	C6704	UTSP C	CE04W50V-1M(UTSP)	1	397580107T	
PCB-1	C6706	UTSP C	CE04W50V-10M(UTSP)	1	397581007T	
PCB-1	C6713	C-CERA C	CK725F1E-104Z1	1	332161040R1	
PCB-1	C6714	UTSP C	CE04W50V-1M(UTSP)	1	397580107T	
PCB-1	C6901	ELECT C	CE69W63V-8200MB	1	3504420	<1E>
PCB-1	C6901A	IB CUSHION	W15*3t TAPE	1	28141585	
PCB-1	C6902	ELECT C	CE69W63V-8200MB	1	3504420	<1E>
PCB-1	C6902A	IB CUSHION	W15*3t TAPE	1	28141585	
PCB-1	C6911	C-CERA C	CC725CH1H-102J1	1	342101024R1	
PCB-1	C6912	TF C	ECQ-V50V-334J	1	374723344T	
PCB-1	C6913	TF C	ECQ-V50V-334J	1	374723344T	
PCB-1	C6915	TF C	ECQ-V50V-104J	1	374721044T	
PCB-1	C6916	TF C	ECQ-V50V-104J	1	374721044T	
PCB-1	C950	TF C	ECQ-V50V-104J	1	374721044T	
	[RESISTOR]					
PCB-1	R5000	CARBON R	R16J-1K	1	417341024T	
PCB-1	R5001	CARBON R	R16J-1K	1	417341024T	
PCB-1	R5002	CARBON R	R16J-1K	1	417341024T	
PCB-1	R5003	CARBON R	R16J-1K	1	417341024T	<1E>
PCB-1	R5004	CARBON R	R16J-1K	1	417341024T	<1E>
PCB-1	R5005	CARBON R	R16J-1K	1	417341024T	
PCB-1	R5006	CARBON R	R16J-1K	1	417341024T	
PCB-1	R5010	CARBON R	R16J-56K	1	417345634T	
PCB-1	R5011	CARBON R	R16J-56K	1	417345634T	
PCB-1	R5012	CARBON R	R16J-56K	1	417345634T	
PCB-1	R5013	CARBON R	R16J-56K	1	417345634T	<1E>

PCB-1	R5014	CARBON R	R16J-56K	1	417345634T	<1E>
PCB-1	R5015	CARBON R	R16J-56K	1	417345634T	
PCB-1	R5016	CARBON R	R16J-56K	1	417345634T	
PCB-1	R5020	CARBON R	R16J-330	1	417343314T	
PCB-1	R5021	CARBON R	R16J-330	1	417343314T	
PCB-1	R5022	CARBON R	R16J-330	1	417343314T	
PCB-1	R5023	CARBON R	R16J-330	1	417343314T	<1E>
PCB-1	R5024	CARBON R	R16J-330	1	417343314T	<1E>
PCB-1	R5025	CARBON R	R16J-330	1	417343314T	
PCB-1	R5026	CARBON R	R16J-330	1	417343314T	
PCB-1	R5030	CARBON R	R16J-120K	1	417341244T	
PCB-1	R5031	CARBON R	R16J-120K	1	417341244T	
PCB-1	R5032	CARBON R	R16J-120K	1	417341244T	
PCB-1	R5033	CARBON R	R16J-120K	1	417341244T	<1E>
PCB-1	R5034	CARBON R	R16J-120K	1	417341244T	<1E>
PCB-1	R5035	CARBON R	R16J-120K	1	417341244T	
PCB-1	R5036	CARBON R	R16J-120K	1	417341244T	
PCB-1	R5040	CARBON R	R16J-2.2K	1	417342224T	
PCB-1	R5041	CARBON R	R16J-2.2K	1	417342224T	
PCB-1	R5042	CARBON R	R16J-2.2K	1	417342224T	
PCB-1	R5043	CARBON R	R16J-2.2K	1	417342224T	<1E>
PCB-1	R5044	CARBON R	R16J-2.2K	1	417342224T	<1E>
PCB-1	R5045	CARBON R	R16J-2.2K	1	417342224T	
PCB-1	R5046	CARBON R	R16J-2.2K	1	417342224T	
PCB-1	R5050	CARBON R	R16J-4.7K	1	417344724T	
PCB-1	R5051	CARBON R	R16J-4.7K	1	417344724T	
PCB-1	R5052	CARBON R	R16J-4.7K	1	417344724T	
PCB-1	R5053	CARBON R	R16J-4.7K	1	417344724T	<1E>
PCB-1	R5054	CARBON R	R16J-4.7K	1	417344724T	<1E>
PCB-1	R5055	CARBON R	R16J-4.7K	1	417344724T	
PCB-1	R5056	CARBON R	R16J-4.7K	1	417344724T	
PCB-1	R5060	CARBON R	R16J-1.2K	1	417341224T	
PCB-1	R5061	CARBON R	R16J-1.2K	1	417341224T	
PCB-1	R5062	CARBON R	R16J-1.2K	1	417341224T	
PCB-1	R5063	CARBON R	R16J-1.2K	1	417341224T	<1E>
PCB-1	R5064	CARBON R	R16J-1.2K	1	417341224T	<1E>
PCB-1	R5065	CARBON R	R16J-1.2K	1	417341224T	
PCB-1	R5066	CARBON R	R16J-1.2K	1	417341224T	
PCB-1	R5080	CARBON R	R16J-470	1	417344714T	

PCB-1	R5081	CARBON R	R16J-470	1	417344714T	
PCB-1	R5082	CARBON R	R16J-470	1	417344714T	
PCB-1	R5083	CARBON R	R16J-470	1	417344714T	<1E>
PCB-1	R5084	CARBON R	R16J-470	1	417344714T	<1E>
PCB-1	R5085	CARBON R	R16J-470	1	417344714T	
PCB-1	R5086	CARBON R	R16J-470	1	417344714T	
PCB-1	R5090	C-CARBON R	RN72K1J-104JE	1	435031044R1	
PCB-1	R5091	C-CARBON R	RN72K1J-104JE	1	435031044R1	
PCB-1	R5092	C-CARBON R	RN72K1J-104JE	1	435031044R1	
PCB-1	R5093	C-CARBON R	RN72K1J-104JE	1	435031044R1	<1E>
PCB-1	R5094	C-CARBON R	RN72K1J-104JE	1	435031044R1	<1E>
PCB-1	R5095	C-CARBON R	RN72K1J-104JE	1	435031044R1	
PCB-1	R5096	C-CARBON R	RN72K1J-104JE	1	435031044R1	
PCB-1	R5100	C-CARBON R	RN72K1J-104JE	1	435031044R1	
PCB-1	R5101	C-CARBON R	RN72K1J-104JE	1	435031044R1	
PCB-1	R5102	C-CARBON R	RN72K1J-104JE	1	435031044R1	
PCB-1	R5103	C-CARBON R	RN72K1J-104JE	1	435031044R1	<1E>
PCB-1	R5104	C-CARBON R	RN72K1J-104JE	1	435031044R1	<1E>
PCB-1	R5105	C-CARBON R	RN72K1J-104JE	1	435031044R1	
PCB-1	R5106	C-CARBON R	RN72K1J-104JE	1	435031044R1	
PCB-1	R5110	CARBON R	R16J-1K	1	417341024T	
PCB-1	R5111	CARBON R	R16J-1K	1	417341024T	
PCB-1	R5112	CARBON R	R16J-1K	1	417341024T	
PCB-1	R5113	CARBON R	R16J-1K	1	417341024T	<1E>
PCB-1	R5114	CARBON R	R16J-1K	1	417341024T	<1E>
PCB-1	R5115	CARBON R	R16J-1K	1	417341024T	
PCB-1	R5116	CARBON R	R16J-1K	1	417341024T	
PCB-1	R5130	CARBON R	R16J-22K	1	417342234T	
PCB-1	R5131	CARBON R	R16J-22K	1	417342234T	
PCB-1	R5132	CARBON R	R16J-22K	1	417342234T	
PCB-1	R5133	CARBON R	R16J-22K	1	417342234T	<1E>
PCB-1	R5134	CARBON R	R16J-22K	1	417342234T	<1E>
PCB-1	R5135	CARBON R	R16J-22K	1	417342234T	
PCB-1	R5136	CARBON R	R16J-22K	1	417342234T	
PCB-1	R5160	NF CARBON R	R25J-100	1	415471014T	
PCB-1	R5161	NF CARBON R	R25J-100	1	415471014T	
PCB-1	R5162	NF CARBON R	R25J-100	1	415471014T	
PCB-1	R5163	NF CARBON R	R25J-100	1	415471014T	<1E>
PCB-1	R5164	NF CARBON R	R25J-100	1	415471014T	<1E>

PCB-1	R5165	NF CARBON R	R25J-100	1	415471014T		
PCB-1	R5166	NF CARBON R	R25J-100	1	415471014T		
PCB-1	R5170	NF CARBON R	R25J-100	1	415471014T		
PCB-1	R5171	NF CARBON R	R25J-100	1	415471014T		
PCB-1	R5172	NF CARBON R	R25J-100	1	415471014T		
PCB-1	R5173	NF CARBON R	R25J-100	1	415471014T	<1E>	
PCB-1	R5174	NF CARBON R	R25J-100	1	415471014T	<1E>	
PCB-1	R5175	NF CARBON R	R25J-100	1	415471014T		
PCB-1	R5176	NF CARBON R	R25J-100	1	415471014T		
PCB-1	R5180	NF CARBON R	R25J-10	1	415471004T		
PCB-1	R5181	NF CARBON R	R25J-10	1	415471004T		
PCB-1	R5182	NF CARBON R	R25J-10	1	415471004T		
PCB-1	R5183	NF CARBON R	R25J-10	1	415471004T	<1E>	
PCB-1	R5184	NF CARBON R	R25J-10	1	415471004T	<1E>	
PCB-1	R5185	NF CARBON R	R25J-10	1	415471004T		
PCB-1	R5186	NF CARBON R	R25J-10	1	415471004T		
PCB-1	R5190	NF CARBON R	R25J-10	1	415471004T		
PCB-1	R5191	NF CARBON R	R25J-10	1	415471004T		
PCB-1	R5192	NF CARBON R	R25J-10	1	415471004T		
PCB-1	R5193	NF CARBON R	R25J-10	1	415471004T	<1E>	
PCB-1	R5194	NF CARBON R	R25J-10	1	415471004T	<1E>	
PCB-1	R5195	NF CARBON R	R25J-10	1	415471004T		
PCB-1	R5196	NF CARBON R	R25J-10	1	415471004T		
PCB-1	R5200	CARBON R	R16J-22K	1	417342234T		
PCB-1	R5201	CARBON R	R16J-22K	1	417342234T		
PCB-1	R5202	CARBON R	R16J-22K	1	417342234T		
PCB-1	R5203	CARBON R	R16J-22K	1	417342234T	<1E>	
PCB-1	R5204	CARBON R	R16J-22K	1	417342234T	<1E>	
PCB-1	R5205	CARBON R	R16J-22K	1	417342234T		
PCB-1	R5206	CARBON R	R16J-22K	1	417342234T		
PCB-1	R5230	CARBON R	R16J-120K	1	417341244T		
PCB-1	R5231	CARBON R	R16J-120K	1	417341244T		
PCB-1	R5232	CARBON R	R16J-120K	1	417341244T		
PCB-1	R5233	CARBON R	R16J-120K	1	417341244T	<1E>	
PCB-1	R5234	CARBON R	R16J-120K	1	417341244T	<1E>	
PCB-1	R5235	CARBON R	R16J-120K	1	417341244T		
PCB-1	R5236	CARBON R	R16J-120K	1	417341244T		
PCB-1	R5301	C-CARBON R	RN72K1J-000JE	1	435030004R1		
PCB-1	R5302	C-CARBON R	RN72K1J-000JE	1	435030004R1		

PCB-1	R5303	C-CARBON R	RN72K1J-000JE	1	435030004R1	
PCB-1	R5304	C-CARBON R	RN72K1J-000JE	1	435030004R1	
PCB-1	R5305	C-CARBON R	RN72K1J-000JE	1	435030004R1	
PCB-1	R5306	C-CARBON R	RN72K1J-000JE	1	435030004R1	
PCB-1	R5307	C-CARBON R	RN72K1J-000JE	1	435030004R1	
PCB-1	R5308	C-CARBON R	RN72K1J-000JE	1	435030004R1	
PCB-1	R5309	C-CARBON R	RN72K1J-000JE	1	435030004R1	
PCB-1	R5310	C-CARBON R	RN72K1J-000JE	1	435030004R1	
PCB-1	R5311	C-CARBON R	RN72K1J-000JE	1	435030004R1	
PCB-1	R5312	C-CARBON R	RN72K1J-000JE	1	435030004R1	
PCB-1	R5313	C-CARBON R	RN72K1J-000JE	1	435030004R1	
PCB-1	R5314	C-CARBON R	RN72K1J-000JE	1	435030004R1	
PCB-1	R5315	C-CARBON R	RN72K1J-000JE	1	435030004R1	
PCB-1	R5316	C-CARBON R	RN72K1J-000JE	1	435030004R1	
PCB-1	R5317	C-CARBON R	RN72K1J-000JE	1	435030004R1	
PCB-1	R5318	C-CARBON R	RN72K1J-000JE	1	435030004R1	
PCB-1	R5319	C-CARBON R	RN72K1J-000JE	1	435030004R1	
PCB-1	R5500	C-CARBON R	RN72K1J-331JE	1	435033314R1	
PCB-1	R5503	C-CARBON R	RN72K1J-331JE	1	435033314R1	
PCB-1	R5504	C-CARBON R	RN72K1J-331JE	1	435033314R1	
PCB-1	R5505	C-CARBON R	RN72K1J-222JE	1	435032224R1	
PCB-1	R5506	C-CARBON R	RN72K1J-222JE	1	435032224R1	
PCB-1	R5507	C-CARBON R	RN72K1J-331JE	1	435033314R1	
PCB-1	R5508	C-CARBON R	RN72K1J-331JE	1	435033314R1	
PCB-1	R5513	C-CARBON R	RN72K1J-331JE	1	435033314R1	
PCB-1	R5514	C-CARBON R	RN72K1J-331JE	1	435033314R1	
PCB-1	R5515	C-CARBON R	RN72K1J-222JE	1	435032224R1	
PCB-1	R5516	C-CARBON R	RN72K1J-222JE	1	435032224R1	
PCB-1	R5517	C-CARBON R	RN72K1J-331JE	1	435033314R1	
PCB-1	R5518	C-CARBON R	RN72K1J-331JE	1	435033314R1	
PCB-1	R5519	C-CARBON R	RN72K1J-331JE	1	435033314R1	
PCB-1	R5520	C-CARBON R	RN72K1J-331JE	1	435033314R1	
PCB-1	R5521	C-CARBON R	RN72K1J-000JE	1	435030004R1	<1E>
PCB-1	R5528	C-CARBON R	RN72K1J-101JE	1	435031014R1	
PCB-1	R5543	C-CARBON R	RN72K1J-104JE	1	435031044R1	
PCB-1	R5544	C-CARBON R	RN72K1J-104JE	1	435031044R1	
PCB-1	R5545	C-CARBON R	RN72K1J-224JE	1	435032244R1	
PCB-1	R5546	C-CARBON R	RN72K1J-224JE	1	435032244R1	
PCB-1	R5547	C-CARBON R	RN72K1J-104JE	1	435031044R1	

PCB-1	R5548	C-CARBON R	RN72K1J-104JE	1	435031044R1	
PCB-1	R5553	C-CARBON R	RN72K1J-104JE	1	435031044R1	
PCB-1	R5554	C-CARBON R	RN72K1J-104JE	1	435031044R1	
PCB-1	R5555	C-CARBON R	RN72K1J-224JE	1	435032244R1	
PCB-1	R5556	C-CARBON R	RN72K1J-224JE	1	435032244R1	
PCB-1	R5557	C-CARBON R	RN72K1J-104JE	1	435031044R1	
PCB-1	R5558	C-CARBON R	RN72K1J-104JE	1	435031044R1	
PCB-1	R5559	C-CARBON R	RN72K1J-104JE	1	435031044R1	
PCB-1	R5560	C-CARBON R	RN72K1J-104JE	1	435031044R1	
PCB-1	R5561	C-CARBON R	RN72K1J-152JE	1	435031524R1	<1E>
PCB-1	R5562	C-CARBON R	RN72K1J-152JE	1	435031524R1	<1E>
PCB-1	R5563	C-CARBON R	RN72K1J-104JE	1	435031044R1	<1E>
PCB-1	R5564	C-CARBON R	RN72K1J-104JE	1	435031044R1	<1E>
PCB-1	R5565	C-CARBON R	RN72K1J-000JE	1	435030004R1	<1E>
PCB-1	R5567	C-CARBON R	RN72K1J-473JE	1	435034734R1	<1E>
PCB-1	R5568	C-CARBON R	RN72K1J-473JE	1	435034734R1	<1E>
PCB-1	R5569	C-CARBON R	RN72K1J-224JE	1	435032244R1	
PCB-1	R5577	C-CARBON R	RN72K1J-223JE	1	435032234R1	
PCB-1	R5578	C-CARBON R	RN72K1J-473JE	1	435034734R1	
PCB-1	R5579	C-CARBON R	RN72K1J-473JE	1	435034734R1	
PCB-1	R5580	C-CARBON R	RN72K1J-104JE	1	435031044R1	
PCB-1	R5581	C-CARBON R	RN72K1J-104JE	1	435031044R1	
PCB-1	R5582	C-CARBON R	RN72K1J-104JE	1	435031044R1	
PCB-1	R5585	C-CARBON R	RN72K1J-182JE	1	435031824R1	
PCB-1	R5586	C-CARBON R	RN72K1J-182JE	1	435031824R1	
PCB-1	R5587	C-CARBON R	RN72K1J-103JE	1	435031034R1	
PCB-1	R5588	C-CARBON R	RN72K1J-103JE	1	435031034R1	
PCB-1	R5589	C-CARBON R	RN72K1J-000JE	1	435030004R1	
PCB-1	R5590	C-CARBON R	RN72K1J-103JE	1	435031034R1	
PCB-1	R5591	C-CARBON R	RN72K1J-103JE	1	435031034R1	
PCB-1	R5592	C-CARBON R	RN72K1J-471JE	1	435034714R1	
PCB-1	R5593	C-CARBON R	RN72K1J-122JE	1	435031224R1	
PCB-1	R5594	C-CARBON R	RN72K1J-103JE	1	435031034R1	
PCB-1	R5595	C-CARBON R	RN72K1J-103JE	1	435031034R1	
PCB-1	R5596	C-CARBON R	RN72K1J-471JE	1	435034714R1	
PCB-1	R5597	C-CARBON R	RN72K1J-122JE	1	435031224R1	
PCB-1	R5598	C-CARBON R	RN72K1J-103JE	1	435031034R1	
PCB-1	R5599	C-CARBON R	RN72K1J-103JE	1	435031034R1	
PCB-1	R5600	C-CARBON R	RN72K1J-224JE	1	435032244R1	

PCB-1	R5601	C-CARBON R	RN72K1J-224JE	1	435032244R1	
PCB-1	R5602	C-CARBON R	RN72K1J-224JE	1	435032244R1	
PCB-1	R5603	C-CARBON R	RN72K1J-224JE	1	435032244R1	
PCB-1	R5604	C-CARBON R	RN72K1J-224JE	1	435032244R1	
PCB-1	R5605	C-CARBON R	RN72K1J-224JE	1	435032244R1	
PCB-1	R5606	C-CARBON R	RN72K1J-224JE	1	435032244R1	
PCB-1	R5607	C-CARBON R	RN72K1J-224JE	1	435032244R1	
PCB-1	R5610	C-CARBON R	RN72K1J-222JE	1	435032224R1	
PCB-1	R5611	C-CARBON R	RN72K1J-222JE	1	435032224R1	
PCB-1	R5612	C-CARBON R	RN72K1J-222JE	1	435032224R1	
PCB-1	R5613	C-CARBON R	RN72K1J-222JE	1	435032224R1	<1E>
PCB-1	R5614	C-CARBON R	RN72K1J-222JE	1	435032224R1	<1E>
PCB-1	R5615	C-CARBON R	RN72K1J-222JE	1	435032224R1	
PCB-1	R5616	C-CARBON R	RN72K1J-222JE	1	435032224R1	
PCB-1	R5617	C-CARBON R	RN72K1J-271JE	1	435032714R1	
PCB-1	R5620	C-CARBON R	RN72K1J-000JE	1	435030004R1	
PCB-1	R5621	C-CARBON R	RN72K1J-000JE	1	435030004R1	
PCB-1	R5622	C-CARBON R	RN72K1J-000JE	1	435030004R1	
PCB-1	R5623	C-CARBON R	RN72K1J-000JE	1	435030004R1	<1E>
PCB-1	R5624	C-CARBON R	RN72K1J-000JE	1	435030004R1	<1E>
PCB-1	R5625	C-CARBON R	RN72K1J-000JE	1	435030004R1	
PCB-1	R5626	C-CARBON R	RN72K1J-000JE	1	435030004R1	
PCB-1	R5627	C-CARBON R	RN72K1J-101JE	1	435031014R1	
PCB-1	R5630	C-CARBON R	RN72K1J-221JE	1	435032214R1	
PCB-1	R5631	C-CARBON R	RN72K1J-473JE	1	435034734R1	
PCB-1	R5632	C-CARBON R	RN72K1J-153JE	1	435031534R1	
PCB-1	R5633	C-CARBON R	RN72K1J-122JE	1	435031224R1	
PCB-1	R5634	C-CARBON R	RN72K1J-103JE	1	435031034R1	
PCB-1	R5660	METAL R	RNU1WCJ-0.22	1	453632294T	
PCB-1	R5661	METAL R	RNU1WCJ-0.22	1	453632294T	
PCB-1	R5666	CARBON R	R16J-22	1	417342204T	
PCB-1	R5667	CARBON R	R16J-22	1	417342204T	
PCB-1	R5670	METAL O R	RS2WBJ-10	1	441721004F	
PCB-1	R5671	METAL O R	RS2WBJ-27	1	441722704F	
PCB-1	R5672	METAL O R	RS2WBJ-10	1	441721004F	
PCB-1	R5673	METAL O R	RS2WBJ-27	1	441722704F	
PCB-1	R5674	METAL O R	RS1WBJ-68	1	443626804T	
PCB-1	R5675	METAL O R	RS1WBJ-68	1	443626804T	
PCB-1	R5676	METAL O R	RS1WBJ-68	1	443626804T	

PCB-1	R5677	METAL O R	RS1WBJ-68	1	443626804T	
PCB-1	R5681	C-CARBON R	RN72K1J-224JE	1	435032244R1	
PCB-1	R5689	C-CARBON R	RN72K1J-224JE	1	435032244R1	
PCB-1	R5690	C-CARBON R	RN72K1J-224JE	1	435032244R1	
PCB-1	R5692	C-CARBON R	RN72K1J-224JE	1	435032244R1	
PCB-1	R5693	C-CARBON R	RN72K1J-224JE	1	435032244R1	
PCB-1	R5694	C-CARBON R	RN72K1J-224JE	1	435032244R1	
PCB-1	R5695	C-CARBON R	RN72K1J-224JE	1	435032244R1	
PCB-1	R5696	C-CARBON R	RN72K1J-224JE	1	435032244R1	
PCB-1	R5710	C-CARBON R	RN72K1J-000JE	1	435030004R1	<1E>
PCB-1	R5713	C-CARBON R	RN72K1J-000JE	1	435030004R1	<1E>
PCB-1	R5735	C-CARBON R	RN72K1J-000JE	1	435030004R1	
PCB-1	R5802	C-CARBON R	RN72K1J-512JE	1	435035124R1	
PCB-1	R5803	C-CARBON R	RN72K1J-512JE	1	435035124R1	
PCB-1	R5804	C-CARBON R	RN72K1J-512JE	1	435035124R1	
PCB-1	R5805	C-CARBON R	RN72K1J-512JE	1	435035124R1	
PCB-1	R5806	C-CARBON R	RN72K1J-512JE	1	435035124R1	
PCB-1	R5807	C-CARBON R	RN72K1J-512JE	1	435035124R1	
PCB-1	R5815	C-CARBON R	RN72K1J-000JE	1	435030004R1	<1E>
PCB-1	R5816	C-CARBON R	RN72K1J-000JE	1	435030004R1	<1E>
PCB-1	R5817	C-CARBON R	RN72K1J-000JE	1	435030004R1	<1E>
PCB-1	R5818	C-CARBON R	RN72K1J-000JE	1	435030004R1	<1E>
PCB-1	R6000	C-CARBON R	RN72K1J-562JE	1	435035624R1	
PCB-1	R6001	C-CARBON R	RN72K1J-562JE	1	435035624R1	
PCB-1	R6002	C-CARBON R	RN72K1J-562JE	1	435035624R1	
PCB-1	R6003	C-CARBON R	RN72K1J-562JE	1	435035624R1	<1E>
PCB-1	R6004	C-CARBON R	RN72K1J-562JE	1	435035624R1	<1E>
PCB-1	R6005	C-CARBON R	RN72K1J-562JE	1	435035624R1	
PCB-1	R6006	C-CARBON R	RN72K1J-562JE	1	435035624R1	
PCB-1	R6010	C-CARBON R	RN72K1J-392JE	1	435033924R1	
PCB-1	R6011	C-CARBON R	RN72K1J-392JE	1	435033924R1	
PCB-1	R6012	C-CARBON R	RN72K1J-392JE	1	435033924R1	
PCB-1	R6013	C-CARBON R	RN72K1J-392JE	1	435033924R1	<1E>
PCB-1	R6014	C-CARBON R	RN72K1J-392JE	1	435033924R1	<1E>
PCB-1	R6015	C-CARBON R	RN72K1J-392JE	1	435033924R1	
PCB-1	R6016	C-CARBON R	RN72K1J-392JE	1	435033924R1	
PCB-1	R6020	NF CARBON R	R25J-2.2	1	415470224T	
PCB-1	R6021	NF CARBON R	R25J-2.2	1	415470224T	
PCB-1	R6022	NF CARBON R	R25J-2.2	1	415470224T	

PCB-1	R6023	NF CARBON R	R25J-2.2	1	415470224T	<1E>
PCB-1	R6024	NF CARBON R	R25J-2.2	1	415470224T	<1E>
PCB-1	R6025	NF CARBON R	R25J-2.2	1	415470224T	
PCB-1	R6026	NF CARBON R	R25J-2.2	1	415470224T	
PCB-1	R6030	CARBON R	R16J-470	1	417344714T	
PCB-1	R6031	CARBON R	R16J-470	1	417344714T	
PCB-1	R6032	CARBON R	R16J-470	1	417344714T	
PCB-1	R6033	CARBON R	R16J-470	1	417344714T	<1E>
PCB-1	R6034	CARBON R	R16J-470	1	417344714T	<1E>
PCB-1	R6035	CARBON R	R16J-470	1	417344714T	
PCB-1	R6036	CARBON R	R16J-470	1	417344714T	
PCB-1	R6040	TRIM R	N06HR2KBC	1	5210390T	
PCB-1	R6041	TRIM R	N06HR2KBC	1	5210390T	
PCB-1	R6042	TRIM R	N06HR2KBC	1	5210390T	
PCB-1	R6043	TRIM R	N06HR2KBC	1	5210390T	<1E>
PCB-1	R6044	TRIM R	N06HR2KBC	1	5210390T	<1E>
PCB-1	R6045	TRIM R	N06HR2KBC	1	5210390T	
PCB-1	R6046	TRIM R	N06HR2KBC	1	5210390T	
PCB-1	R6050	C-CARBON R	RN72K1J-332JE	1	435033324R1	
PCB-1	R6051	C-CARBON R	RN72K1J-332JE	1	435033324R1	
PCB-1	R6052	C-CARBON R	RN72K1J-332JE	1	435033324R1	
PCB-1	R6053	C-CARBON R	RN72K1J-332JE	1	435033324R1	<1E>
PCB-1	R6054	C-CARBON R	RN72K1J-332JE	1	435033324R1	<1E>
PCB-1	R6055	C-CARBON R	RN72K1J-332JE	1	435033324R1	
PCB-1	R6056	C-CARBON R	RN72K1J-332JE	1	435033324R1	
PCB-1	R6070	NF CARBON R	R25J-100	1	415471014T	
PCB-1	R6071	NF CARBON R	R25J-100	1	415471014T	
PCB-1	R6072	NF CARBON R	R25J-100	1	415471014T	
PCB-1	R6073	NF CARBON R	R25J-100	1	415471014T	<1E>
PCB-1	R6074	NF CARBON R	R25J-100	1	415471014T	<1E>
PCB-1	R6075	NF CARBON R	R25J-100	1	415471014T	
PCB-1	R6076	NF CARBON R	R25J-100	1	415471014T	
PCB-1	R6080	NF CARBON R	R25J-0.22	1	415472294T	
PCB-1	R6081	NF CARBON R	R25J-0.22	1	415472294T	
PCB-1	R6082	NF CARBON R	R25J-0.22	1	415472294T	
PCB-1	R6083	NF CARBON R	R25J-0.22	1	415472294T	<1E>
PCB-1	R6084	NF CARBON R	R25J-0.22	1	415472294T	<1E>
PCB-1	R6085	NF CARBON R	R25J-0.22	1	415472294T	
PCB-1	R6086	NF CARBON R	R25J-0.22	1	415472294T	

PCB-1	R6090	NF CARBON R	R25J-0.22	1	415472294T	
PCB-1	R6091	NF CARBON R	R25J-0.22	1	415472294T	
PCB-1	R6092	NF CARBON R	R25J-0.22	1	415472294T	
PCB-1	R6093	NF CARBON R	R25J-0.22	1	415472294T	<1E>
PCB-1	R6094	NF CARBON R	R25J-0.22	1	415472294T	<1E>
PCB-1	R6095	NF CARBON R	R25J-0.22	1	415472294T	
PCB-1	R6096	NF CARBON R	R25J-0.22	1	415472294T	
PCB-1	R6100	METAL PR	MPR2W+2W 0R22	1	4000234	
PCB-1	R6101	METAL PR	MPR2W+2W 0R22	1	4000234	
PCB-1	R6102	METAL PR	MPR2W+2W 0R22	1	4000234	
PCB-1	R6103	METAL PR	MPR2W+2W 0R22	1	4000234	<1E>
PCB-1	R6104	METAL PR	MPR2W+2W 0R22	1	4000234	<1E>
PCB-1	R6105	METAL PR	MPR2W+2W 0R22	1	4000234	
PCB-1	R6106	METAL PR	MPR2W+2W 0R22	1	4000234	
PCB-1	R6130	METAL R	RNU1WCJ-8.2	1	453630824T	
PCB-1	R6131	METAL R	RNU1WCJ-8.2	1	453630824T	
PCB-1	R6132	METAL R	RNU1WCJ-8.2	1	453630824T	
PCB-1	R6133	METAL R	RNU1WCJ-8.2	1	453630824T	<1E>
PCB-1	R6134	METAL R	RNU1WCJ-8.2	1	453630824T	<1E>
PCB-1	R6135	METAL R	RNU1WCJ-8.2	1	453630824T	
PCB-1	R6136	METAL R	RNU1WCJ-8.2	1	453630824T	
PCB-1	R6140	C-CARBON R	RN72K1J-563JE	1	435035634R1	
PCB-1	R6141	C-CARBON R	RN72K1J-563JE	1	435035634R1	
PCB-1	R6142	C-CARBON R	RN72K1J-563JE	1	435035634R1	
PCB-1	R6143	C-CARBON R	RN72K1J-563JE	1	435035634R1	<1E>
PCB-1	R6144	C-CARBON R	RN72K1J-563JE	1	435035634R1	<1E>
PCB-1	R6145	C-CARBON R	RN72K1J-563JE	1	435035634R1	
PCB-1	R6146	C-CARBON R	RN72K1J-563JE	1	435035634R1	
PCB-1	R6150	C-CARBON R	RN72K1J-103JE	1	435031034R1	
PCB-1	R6151	C-CARBON R	RN72K1J-103JE	1	435031034R1	
PCB-1	R6152	C-CARBON R	RN72K1J-103JE	1	435031034R1	
PCB-1	R6153	C-CARBON R	RN72K1J-103JE	1	435031034R1	<1E>
PCB-1	R6154	C-CARBON R	RN72K1J-103JE	1	435031034R1	<1E>
PCB-1	R6155	C-CARBON R	RN72K1J-103JE	1	435031034R1	
PCB-1	R6156	C-CARBON R	RN72K1J-103JE	1	435031034R1	
PCB-1	R6160	C-CARBON R	RN72K1J-333JE	1	435033334R1	
PCB-1	R6161	C-CARBON R	RN72K1J-333JE	1	435033334R1	
PCB-1	R6162	C-CARBON R	RN72K1J-333JE	1	435033334R1	
PCB-1	R6163	C-CARBON R	RN72K1J-333JE	1	435033334R1	<1E>

PCB-1	R6164	C-CARBON R	RN72K1J-333JE	1	435033334R1	<1E>
PCB-1	R6165	C-CARBON R	RN72K1J-333JE	1	435033334R1	
PCB-1	R6166	C-CARBON R	RN72K1J-333JE	1	435033334R1	
PCB-1	R6170	C-CARBON R	RN72K1J-473JE	1	435034734R1	
PCB-1	R6171	C-CARBON R	RN72K1J-473JE	1	435034734R1	
PCB-1	R6172	C-CARBON R	RN72K1J-473JE	1	435034734R1	
PCB-1	R6173	C-CARBON R	RN72K1J-473JE	1	435034734R1	<1E>
PCB-1	R6174	C-CARBON R	RN72K1J-473JE	1	435034734R1	<1E>
PCB-1	R6175	C-CARBON R	RN72K1J-473JE	1	435034734R1	
PCB-1	R6176	C-CARBON R	RN72K1J-473JE	1	435034734R1	
PCB-1	R6180	C-CARBON R	RN72K1J-473JE	1	435034734R1	
PCB-1	R6181	C-CARBON R	RN72K1J-473JE	1	435034734R1	
PCB-1	R6182	C-CARBON R	RN72K1J-473JE	1	435034734R1	
PCB-1	R6183	C-CARBON R	RN72K1J-473JE	1	435034734R1	<1E>
PCB-1	R6184	C-CARBON R	RN72K1J-473JE	1	435034734R1	<1E>
PCB-1	R6185	C-CARBON R	RN72K1J-473JE	1	435034734R1	
PCB-1	R6186	C-CARBON R	RN72K1J-473JE	1	435034734R1	
PCB-1	R6197	METAL R	RNU1WCJ-8.2	1	453630824T	
PCB-1	R6701	CARBON R	R16J-22K	1	417342234T	
PCB-1	R6702	C-CARBON R	RN72K1J-103JE	1	435031034R1	
PCB-1	R6704	C-CARBON R	RN72K1J-473JE	1	435034734R1	
PCB-1	R6706	C-CARBON R	RN72K1J-224JE	1	435032244R1	
PCB-1	R6708	C-CARBON R	RN72K1J-333JE	1	435033334R1	
PCB-1	R6709	C-CARBON R	RN72K1J-562JE	1	435035624R1	
PCB-1	R6710	C-CARBON R	RN72K1J-562JE	1	435035624R1	
PCB-1	R6712	C-CARBON R	RN72K1J-103JE	1	435031034R1	
PCB-1	R6714	C-CARBON R	RN72K1J-473JE	1	435034734R1	
PCB-1	R6716	C-CARBON R	RN72K1J-224JE	1	435032244R1	
PCB-1	R6902	C-CARBON R	RN72K1J-102JE	1	435031024R1	
PCB-1	R6903	C-CARBON R	RN72K1J-473JE	1	435034734R1	
PCB-1	R950	METAL R	RNU1/2WCJ-8.2	1	453530824T	
PCB-1	R951	METAL R	RNU1/2WCJ-0.1	1	453531094T	<1E>
	[SW TRM]					
PCB-1	F6901C	FUSE HOL	NSCT-1P2031	1	25052133T	
PCB-1	F6901D	FUSE HOL	NSCT-1P2031	1	25052133T	
PCB-1	F6902C	FUSE HOL	NSCT-1P2031	1	25052133T	
PCB-1	F6902D	FUSE HOL	NSCT-1P2031	1	25052133T	
PCB-1	JL5501A	WIRE HOL	NSCT-3P874	1	25051087	
PCB-1	JL5502A	WIRE HOL	NSCT-5P876	1	25051089	

PCB-1	JL6600A	WIRE HOL	NSCT-7P898	1	25051111		
PCB-1	JL6603A	WIRE HOL	NSCT-9P900	1	25051113		
PCB-1	JL6604A	WIRE HOL	NSCT-5P896	1	25051109		<1E>
PCB-1	JL6952A	WIRE HOL	NSCT-5P896	1	25051109		
PCB-1	JL6952B	WIRE HOL	NSCT-5P896	1	25051109		
PCB-1	JL9101A	WIRE HOL	NSCT-7P898	1	25051111		
PCB-1	P001	PWB	BCAF-0008	1	25140008B	N	
PCB-1	P5501B	PLUG	NPLG-7P0962	1	25056012		
PCB-1	P5502B	PLUG	NPLG-15P0970	1	25056020		
PCB-1	P5503B	PLUG	NPLG-9P0964	1	25056014		
PCB-1	P5504B	PLUG	NPLG-7P0962	1	25056012		
PCB-1	P6080	PLUG	NPLG-2P29	1	25055038		
PCB-1	P6081	PLUG	NPLG-2P29	1	25055038		
PCB-1	P6082	PLUG	NPLG-2P29	1	25055038		
PCB-1	P6083	PLUG	NPLG-2P29	1	25055038		<1E>
PCB-1	P6084	PLUG	NPLG-2P29	1	25055038		<1E>
PCB-1	P6085	PLUG	NPLG-2P29	1	25055038		
PCB-1	P6086	PLUG	NPLG-2P29	1	25055038		
PCB-1	P6102	HOLDER	(CRAMP) UA-0 V0	1	27190608-1		
PCB-1	P6602	TRM	NTM-4PDML422	1	25060494		<1E>
PCB-1	P6604	WS CLAMP	CB-71683(L=50)	1	260261		
PCB-1	P6900	CRIMP AS	CRIMP AS	1	20799165UL		
PCB-1	P6901	CRIMP AS	CRIMP AS	1	2069925202UL		
PCB-1	P6902	CRIMP AS	CRIMP AS	1	2069925189UL		
PCB-1	P6903	CRIMP AS	UL1015#18SIN-SVH 200 YEL	1	20799172UL		
PCB-1	P6904	CRIMP AS	CRIMP AS	1	20799164UL		
PCB-1	P6911A	RETAINER	(BUS)	1	27142022		
PCB-1	P6991	TRM-423(SCREW)	NEJITANSI ST3	1	25060495		
PCB-1	P7900	ST JACK	MSJ-035-22	1	25045887		
PCB-1	P7900 or	JACK	YKB21-5130	(1)	25045387		
PCB-1	P7902	PIN JACK	NPJ-2PDWR595	1	25045815		<1E>
PCB-1	P7903	PIN JACK	NPJ-4PDWWR624	1	25045845		
PCB-1	P7903 or	PIN JACK	NPJ-4PDBL162	(1)	25045303		
PCB-1	P7906	SOCKET	2MJ-3516-002	1	25053355	N	<1E>
PCB-1	P7907	PIN JACK	NPJ-4PDWWR624	1	25045845		
PCB-1	P7907 or	PIN JACK	NPJ-4PDBL162	(1)	25045303		
PCB-1	P7908	PIN JACK	NPJ-4PDWWR624	1	25045845		
PCB-1	P7908 or	PIN JACK	NPJ-4PDBL162	(1)	25045303		
PCB-1	P7910	PIN JACK	NPJ-1PDP555	1	25045773		

PCB-1	RL6901	RELAY	NRL-1P10A-DC12-140	1	25065584		
PCB-1	RL6901 or	RELAY	NRL-1P10A-DC12-143	(1)	25065588		
PCB-1	RL6902	RELAY	NRL-1P10A-DC12-140	1	25065584		
PCB-1	RL6902 or	RELAY	NRL-1P10A-DC12-143	(1)	25065588		

U002 CPU/CODEC PC BOARD (BADG-0022-1K)
U00021 UNIVERSAL PORT PC BOARD (BAETC-0023-1K)

CIRCUIT. NO.	PART NAME	DESCRIPTION	Q'TY	PART NO. (SN)	REMARKS	
[TUNER UNIT]						
PCB-2	U131	PHT CP	JSR1165-001recieving	1	24120143	
PCB-2	U131 or	PHT CP	GP1FAV51RK0F	(1)	24120129	
PCB-2	U132	PHT CP	JSR1165-001recieving	1	24120143	
PCB-2	U132 or	PHT CP	GP1FAV51RK0F	(1)	24120129	
[SEMI CONDUCTOR]						
PCB-2	D110	C-DIODE	KDS4148U	1	223283R2	
PCB-2	D110 or	C-DIODE	1SS352	(1)	223234R2	
PCB-2	D110 or	C-DIODE	MA2J111	(1)	223279R2	
PCB-2	D111	C-DIODE	KDS4148U	1	223283R2	
PCB-2	D111 or	C-DIODE	1SS352	(1)	223234R2	
PCB-2	D111 or	C-DIODE	MA2J111	(1)	223279R2	
PCB-2	D112	ZENER D	UDZS10B	1	224551000R2	
PCB-2	D113	C-DIODE	KDS4148U	1	223283R2	
PCB-2	D114	C-DIODE	KDS4148U	1	223283R2	
PCB-2	D181	C-DIODE	KDS4148U	1	223283R2	
PCB-2	D181 or	C-DIODE	1SS352	(1)	223234R2	
PCB-2	D181 or	C-DIODE	MA2J111	(1)	223279R2	
PCB-2	D182	C-DIODE	KDS4148U	1	223283R2	
PCB-2	D182 or	C-DIODE	1SS352	(1)	223234R2	
PCB-2	D182 or	C-DIODE	MA2J111	(1)	223279R2	
PCB-2	D183	DIODE	RL1N4003	1	22380260T	
PCB-2	D601	C-DIODE	KDS4148U	1	223283R2	
PCB-2	D601 or	C-DIODE	1SS352	(1)	223234R2	
PCB-2	D601 or	C-DIODE	MA2J111	(1)	223279R2	
PCB-2	D701	C-DIODE	KDS4148U	1	223283R2	
PCB-2	D701 or	C-DIODE	1SS352	(1)	223234R2	
PCB-2	D701 or	C-DIODE	MA2J111	(1)	223279R2	
PCB-2	D702	C-DIODE	KDS4148U	1	223283R2	

PCB-2	D702 or	C-DIODE	1SS352	(1)	223234R2	
PCB-2	D702 or	C-DIODE	MA2J111	(1)	223279R2	
PCB-2	Q111	TR	2SC2235-Y(TPE6_F)	1	2211654T	
PCB-2	Q131	IC	74HCU04F	1	222740046R2	
PCB-2	Q131 or	IC	TC74HCU04AF	(1)	222740046R2TO	
PCB-2	Q153	IC	R1EX25064ASA00A	1	22242581R2	
PCB-2	Q171	IC	TC7WU04FU(TE12L_F)	1	22240935R2	
PCB-2	Q181	TR	KRC105S	1	2217290R2	
PCB-2	Q181 or	TR	RN1405	(1)	2214500R2	
PCB-2	Q301	IC	CS42518-CQZR-D	1	22242229R2	
PCB-2	Q400	IC	NJM4580M-D	1	22241448R2	
PCB-2	Q401	IC	NJM4580M-D	1	22241448R2	
PCB-2	Q402	IC	NJM4580M-D	1	22241448R2	
PCB-2	Q403	IC	NJM4580M-D	1	22241448R2	
PCB-2	Q404	IC	NJM4580M-D	1	22241448R2	<1K>
PCB-2	Q601	TR	KRC104S	1	2216210R2	
PCB-2	Q601 or	TR	RN1404	(1)	2214490R2	
PCB-2	Q701	IC	M30624MHP-481FP	1	22242615R3	<1K>
PCB-2	Q702	IC	S-812C33AUA-C2N	1	22242222R2	
PCB-2	Q703	IC	S-812C56AUA-C3K	1	22242207R2	
PCB-2	Q746	IC	BH33FB1WG-TR	1	22242585R2	
PCB-2	Q751	TR	KRC104S	1	2216210R2	
PCB-2	Q751 or	TR	RN1404	(1)	2214490R2	
PCB-2	Q752	TR	KRA102S	1	2216220R2	
PCB-2	Q752 or	TR	RN2402	(1)	2214530R2	
PCB-2	Q753	TR	KRA107S	1	2216350R2	
PCB-2	Q753 or	TR	RN2407(TE85L_F)	(1)	2216360R2	
PCB-2	Q754	TR	KRC102S	1	2216190R2	
PCB-2	Q754 or	TR	RN1402	(1)	2214470R2	
PCB-2	Q755	TR	KRA107S	1	2216350R2	
PCB-2	Q755 or	TR	RN2407(TE85L_F)	(1)	2216360R2	
PCB-2	Q756	TR	KRC102S	1	2216190R2	
PCB-2	Q756 or	TR	RN1402	(1)	2214470R2	
	[TRANS COIL]					
PCB-2	L131	CHOKE COIL	LBC2518T2R2M	1	231364M022R2	
PCB-2	L132	CHOKE COIL	LBC2518T2R2M	1	231364M022R2	<1K>
PCB-2	L133	CHOKE COIL	LBC2518T470M	1	231364M470R2	
PCB-2	L134	CHOKE COIL	LBC2518T470M	1	231364M470R2	
PCB-2	L136	CHOKE COIL	LBC2518T4R7M	1	231364M047R2	

PCB-2	L137	CHOKE COIL	LBC2518T4R7M	1	231364M047R2	
PCB-2	L153	CORE	BLM18PG181SN1D	1	2350005R1	
PCB-2	L171	CHOKE COIL	LBC2518T470M	1	231364M470R2	
PCB-2	L173	EMIFIL	BK1608LM182-T	1	230958R1	
PCB-2	L2100	CORE	BLM18PG181SN1D	1	2350005R1	<1K>
PCB-2	L2101	CORE	BLM18PG181SN1D	1	2350005R1	<1K>
PCB-2	L2102	CORE	BLM18PG181SN1D	1	2350005R1	<1K>
PCB-2	L2103	EMIFIL	BK1608LM182-T	1	230958R1	<1K>
PCB-2	L2104	EMIFIL	BK1608LM182-T	1	230958R1	<1K>
PCB-2	L2105	EMIFIL	BK1608LM182-T	1	230958R1	<1K>
PCB-2	L2106	EMIFIL	BK1608LM182-T	1	230958R1	<1K>
PCB-2	L2107	EMIFIL	BK1608LM182-T	1	230958R1	<1K>
PCB-2	L2108	EMIFIL	BK1608LM182-T	1	230958R1	<1K>
PCB-2	L2109	EMIFIL	BK1608LM182-T	1	230958R1	<1K>
PCB-2	L2110	EMIFIL	BK1608LM182-T	1	230958R1	<1K>
PCB-2	L2111	EMIFIL	BK1608LM182-T	1	230958R1	<1K>
PCB-2	L2112	EMIFIL	BK1608LM182-T	1	230958R1	<1K>
PCB-2	L2113	EMIFIL	BK1608LM182-T	1	230958R1	<1K>
PCB-2	L2114	EMIFIL	BK1608LM182-T	1	230958R1	<1K>
PCB-2	L2115	EMIFIL	BK1608LM182-T	1	230958R1	<1K>
PCB-2	L301	CHOKE COIL	BLM21PG221SN1	1	230949R2	
PCB-2	L302	CORE	BLM18PG181SN1D	1	2350005R1	
PCB-2	L303	CHOKE COIL	LBC2518T4R7M	1	231364M047R2	
PCB-2	L304	CHOKE COIL	BLM21PG221SN1	1	230949R2	
PCB-2	L311	EMIFIL	BK1608LM182-T	1	230958R1	
PCB-2	L313	EMIFIL	BK1608LM182-T	1	230958R1	
PCB-2	L500	CORE	BLM18PG181SN1D	1	2350005R1	
PCB-2	L741	CORE	BLM18PG181SN1D	1	2350005R1	
PCB-2	L742	CHOKE COIL	BLM21PG221SN1	1	230949R2	
PCB-2	L743	CORE	BLM18PG181SN1D	1	2350005R1	
PCB-2	L744	CORE	BLM18PG181SN1D	1	2350005R1	
PCB-2	L746	CORE	BLM18PG181SN1D	1	2350005R1	
PCB-2	L747	CORE	BLM18PG181SN1D	1	2350005R1	
	[CAPACITOR]					
PCB-2	C101	UTSP C	CE04W25V-100M(UTSP)	1	397551017T	
PCB-2	C102	C-CERA C	CK725F1E-104Z1	1	332161040R1	
PCB-2	C111	UTSP C	CE04W50V 47M(UTSP)	1	397584707T	
PCB-2	C112	C-CERA C	CK725F1E-104Z1	1	332161040R1	
PCB-2	C131	C-CERA C	CC725CH1H-101J1	1	342101014R1	

PCB-2	C132	C-CERA C	CC725CH1H-101J1	1	342101014R1	<1K>
PCB-2	C133	C-CERA C	CK725B1C-104K1	1	332121045R1	
PCB-2	C134	C-CERA C	CK725B1C-104K1	1	332121045R1	<1K>
PCB-2	C135	C-CERA C	CC725CH1H-080D1	1	342100802R1	
PCB-2	C136	C-CERA C	CC725CH1H-080D1	1	342100802R1	<1K>
PCB-2	C137	C-CERA C	CK725F1E-104Z1	1	332161040R1	
PCB-2	C139	UTSP C	CE04W10V-220M(UTSP)	1	397532217T	
PCB-2	C140	C-CERA C	CK725F1E-104Z1	1	332161040R1	
PCB-2	C141	C-CERA C	CK725F1E-104Z1	1	332161040R1	
PCB-2	C142	C-CERA C	CK725F1E-104Z1	1	332161040R1	
PCB-2	C145	UTSP C	CE04W10V-220M(UTSP)	1	397532217T	
PCB-2	C147	C-CERA C	CK725F1E-104Z1	1	332161040R1	
PCB-2	C148	C-CERA C	CK725B1H-103K1	1	332101035R1	
PCB-2	C149	C-CERA C	CK725F1E-104Z1	1	332161040R1	
PCB-2	C150	C-CERA C	CK725F1E-104Z1	1	332161040R1	
PCB-2	C151	C-CERA C	CK725F1E-104Z1	1	332161040R1	
PCB-2	C152	C-CERA C	CK725F1E-104Z1	1	332161040R1	
PCB-2	C153	C-CERA C	CK725F1E-104Z1	1	332161040R1	
PCB-2	C171	C-CERA C	CK725F1E-104Z1	1	332161040R1	
PCB-2	C172	C-CERA C	CC725CH1H-060D1	1	342100602R1	
PCB-2	C173	C-CERA C	CC725CH1H-060D1	1	342100602R1	
PCB-2	C2150	C-CERA C	CC725CH1H-471J1	1	342104714R1	<1K>
PCB-2	C2151	C-CERA C	CC725CH1H-471J1	1	342104714R1	<1K>
PCB-2	C2152	C-CERA C	CC725CH1H-470J1	1	342104704R1	<1K>
PCB-2	C2155	C-CERA C	CK725F1E-104Z1	1	332161040R1	<1K>
PCB-2	C300	UTSP C	CE04W10V-470M(UTSP)	1	397534717T	
PCB-2	C301	C-CERA C	CK725B1H-103K1	1	332101035R1	
PCB-2	C302	UTSP C	CE04W10V-470M(UTSP)	1	397534717T	
PCB-2	C303	UTSP C	CE04W10V-470M(UTSP)	1	397534717T	
PCB-2	C304	UTSP C	CE04W10V-470M(UTSP)	1	397534717T	
PCB-2	C305	C-CERA C	CK725F1E-104Z1	1	332161040R1	
PCB-2	C306	UTSJ C	CE04W25V-47M(UTSJ)	1	398054707T	
PCB-2	C307	C-CERA C	CK725F1E-104Z1	1	332161040R1	
PCB-2	C308	UTSP C	CE04W25V-100M(UTSP)	1	397551017T	
PCB-2	C309	C-CERA C	CK725F1E-104Z1	1	332161040R1	
PCB-2	C310	C-CERA C	CC725CH1H-102J1	1	342101024R1	
PCB-2	C311	C-CERA C	CK725B1H-223K1	1	332102235R1	
PCB-2	C312	C-CERA C	CK725F1E-104Z1	1	332161040R1	
PCB-2	C313	C-CERA C	CK725F1E-104Z1	1	332161040R1	

PCB-2	C314	C-CERA C	CK725F1E-104Z1	1	332161040R1	
PCB-2	C315	C-CERA C	CK725F1E-104Z1	1	332161040R1	
PCB-2	C316	C-CERA C	CC725CH1H-221J1	1	342102214R1	
PCB-2	C318	C-CERA C	CK725F1E-104Z1	1	332161040R1	
PCB-2	C320	UTSP C	CE04W50V 47M(UTSP)	1	397584707T	
PCB-2	C321	UTSP C	CE04W50V 47M(UTSP)	1	397584707T	
PCB-2	C330	UTSP C	CE04W50V 47M(UTSP)	1	397584707T	
PCB-2	C331	UTSP C	CE04W50V 47M(UTSP)	1	397584707T	
PCB-2	C333	C-CERA C	CC725CH1H-330J1	1	342103304R1	
PCB-2	C334	C-CERA C	CC725CH1H-330J1	1	342103304R1	
PCB-2	C336	C-CERA C	CC725CH1H-330J1	1	342103304R1	
PCB-2	C337	C-CERA C	CC725CH1H-330J1	1	342103304R1	
PCB-2	C340	C-CERA C	CC732CH1H-222J	1	347342224R2	
PCB-2	C341	C-CERA C	CC732CH1H-222J	1	347342224R2	
PCB-2	C350	C-CERA C	CC725CH1H-101J1	1	342101014R1	
PCB-2	C351	C-CERA C	CC725CH1H-101J1	1	342101014R1	
PCB-2	C400	MKT C	B32529C0472J289	1	376494724T	
PCB-2	C401	MKT C	B32529C0472J289	1	376494724T	
PCB-2	C402	MKT C	B32529C0472J289	1	376494724T	
PCB-2	C403	MKT C	B32529C0472J289	1	376494724T	
PCB-2	C404	MKT C	B32529C0472J289	1	376494724T	
PCB-2	C405	MKT C	B32529C0472J289	1	376494724T	<1K>
PCB-2	C406	MKT C	B32529C0472J289	1	376494724T	<1K>
PCB-2	C407	TF C	ECQ-V50V-333J	1	374723334T	
PCB-2	C408	UTSP C	CE04W25V-220M(UTSP)	1	397552217T	
PCB-2	C409	UTSP C	CE04W25V-220M(UTSP)	1	397552217T	
PCB-2	C410	UPZ C	2AUPZTF681JE	1	376336814T	N
PCB-2	C411	UPZ C	2AUPZTF681JE	1	376336814T	N
PCB-2	C412	UPZ C	2AUPZTF681JE	1	376336814T	N
PCB-2	C413	C-CERA C	CC725CH1H-681J1	1	342106814R1	
PCB-2	C414	C-CERA C	CC725CH1H-681J1	1	342106814R1	
PCB-2	C415	C-CERA C	CC725CH1H-681J1	1	342106814R1	<1K>
PCB-2	C416	C-CERA C	CC725CH1H-681J1	1	342106814R1	<1K>
PCB-2	C417	TF C	ECQ-V50V-153J	1	374721534T	
PCB-2	C420	UPZ C	2AUPZTF681JE	1	376336814T	N
PCB-2	C421	UPZ C	2AUPZTF681JE	1	376336814T	N
PCB-2	C422	UPZ C	2AUPZTF681JE	1	376336814T	N
PCB-2	C423	C-CERA C	CC725CH1H-681J1	1	342106814R1	
PCB-2	C424	C-CERA C	CC725CH1H-681J1	1	342106814R1	

PCB-2	C425	C-CERA C	CC725CH1H-681J1	1	342106814R1	<1K>
PCB-2	C426	C-CERA C	CC725CH1H-681J1	1	342106814R1	<1K>
PCB-2	C427	TF C	ECQ-V50V-153J	1	374721534T	
PCB-2	C504	C-CERA C	CK725F1E-104Z1	1	332161040R1	
PCB-2	C505	C-CERA C	CK725F1E-104Z1	1	332161040R1	
PCB-2	C506	C-CERA C	CC725CH1H-101J1	1	342101014R1	<1K>
PCB-2	C507	C-CERA C	CC725CH1H-101J1	1	342101014R1	<1K>
PCB-2	C508	C-CERA C	CC725CH1H-101J1	1	342101014R1	<1K>
PCB-2	C509	C-CERA C	CC725CH1H-101J1	1	342101014R1	<1K>
PCB-2	C510	C-CERA C	CC725CH1H-101J1	1	342101014R1	
PCB-2	C511	C-CERA C	CC725CH1H-101J1	1	342101014R1	
PCB-2	C512	C-CERA C	CK725F1E-104Z1	1	332161040R1	
PCB-2	C513	C-CERA C	CK725F1E-104Z1	1	332161040R1	
PCB-2	C514	C-CERA C	CK725B1H-102K1	1	332101025R1	
PCB-2	C515	C-CERA C	CK725F1E-104Z1	1	332161040R1	
PCB-2	C516	C-CERA C	CK725B1H-102K1	1	332101025R1	
PCB-2	C517	C-CERA C	CC725CH1H-101J1	1	342101014R1	
PCB-2	C518	C-CERA C	CC725CH1H-101J1	1	342101014R1	
PCB-2	C519	C-CERA C	CK725B1H-102K1	1	332101025R1	
PCB-2	C520	C-CERA C	CK725B1H-102K1	1	332101025R1	
PCB-2	C521	C-CERA C	CK725B1H-102K1	1	332101025R1	
PCB-2	C522	C-CERA C	CK725B1H-102K1	1	332101025R1	
PCB-2	C523	C-CERA C	CK725B1H-102K1	1	332101025R1	
PCB-2	C524	C-CERA C	CK725B1H-102K1	1	332101025R1	
PCB-2	C526	C-CERA C	CK725F1E-104Z1	1	332161040R1	
PCB-2	C527	C-CERA C	CK725F1E-104Z1	1	332161040R1	
PCB-2	C528	C-CERA C	CK725F1E-104Z1	1	332161040R1	
PCB-2	C534	C-CERA C	CK725B1H-102K1	1	332101025R1	
PCB-2	C535	C-CERA C	CK725B1H-102K1	1	332101025R1	
PCB-2	C551	C-CERA C	CK725F1E-104Z1	1	332161040R1	
PCB-2	C552	C-CERA C	CK725F1E-104Z1	1	332161040R1	
PCB-2	C604	UTSP C	CE04W50V-4.7M(UTSP)	1	397580477T	
PCB-2	C613	C-CERA C	CK732B1A-105K	1	337361055R2	
PCB-2	C615	C-CERA C	CK725F1E-104Z1	1	332161040R1	
PCB-2	C624	C-CERA C	CK725F1E-104Z1	1	332161040R1	
PCB-2	C625	C-CERA C	CK725F1E-104Z1	1	332161040R1	
PCB-2	C701	C-CERA C	CK725F1E-104Z1	1	332161040R1	
PCB-2	C702	UTSP C	CE04W10V-100M(UTSP)	1	397531017T	
PCB-2	C705	UTSP C	CE04W10V-100M(UTSP)	1	397531017T	

PCB-2	C706	UTSP C	CE04W16V-470M(UTSP)	1	397544717T	
PCB-2	C707	UTSP C	CE04W10V-100M(UTSP)	1	397531017T	
PCB-2	C708	UTSP C	CE04W10V-100M(UTSP)	1	397531017T	
PCB-2	C709	C-CERA C	CK725F1E-104Z1	1	332161040R1	
PCB-2	C744	C-CERA C	CK725F1E-104Z1	1	332161040R1	
PCB-2	C745	C-CERA C	CK725B0J-106K	1	332091065R2	
PCB-2	C747	UTSP C	CE04W50V-10M(UTSP)	1	397581007T	
PCB-2	C751	UTSP C	CE04W50V-0.47M(UTSP)	1	397584797T	
PCB-2	C753	UTSP C	CE04W10V-470M(UTSP)	1	397534717T	
PCB-2	C800	C-CERA C	CK725F1E-104Z1	1	332161040R1	
PCB-2	X171	CRYSTAL	HC-49US24.576MHz	1	3010423T	
PCB-2	X171 or	CRYSTAL	HC-49/U03-24.576M	(1)	3010314T	
PCB-2	X701	CERA LOCK	CSTCR6M0055-R0	1	3010397R2	
	[RESISTOR]					
PCB-2	R101	METAL O R	RS1/2WBJ-10	1	443521004T	
PCB-2	R110	C-CARBON R	RN72K1J-103JE	1	435031034R1	
PCB-2	R111	C-CARBON R	RN72K1J-105JE	1	435031054R1	
PCB-2	R112	METAL O R	RS1WBJ-22	1	443622204T	
PCB-2	R113	C-CARBON R	RN72K1J-221JE	1	435032214R1	
PCB-2	R114	C-CARBON R	RN72K1J-221JE	1	435032214R1	
PCB-2	R115	C-CARBON R	RN72K1J-333JE	1	435033334R1	
PCB-2	R131	C-CARBON R	RN72K1J-750JE	1	435037504R1	
PCB-2	R132	C-CARBON R	RN72K1J-750JE	1	435037504R1	<1K>
PCB-2	R133	C-CARBON R	RN72K1J-100JE	1	435031004R1	
PCB-2	R134	C-CARBON R	RN72K1J-100JE	1	435031004R1	<1K>
PCB-2	R135	C-CARBON R	RN72K1J-224JE	1	435032244R1	
PCB-2	R136	C-CARBON R	RN72K1J-224JE	1	435032244R1	<1K>
PCB-2	R137	C-CARBON R	RN72K1J-103JE	1	435031034R1	
PCB-2	R138	C-CARBON R	RN72K1J-103JE	1	435031034R1	<1K>
PCB-2	R139	C-CARBON R	RN72K1J-823JE	1	435038234R1	
PCB-2	R140	C-CARBON R	RN72K1J-823JE	1	435038234R1	<1K>
PCB-2	R141	C-CARBON R	RN72K1J-470JE	1	435034704R1	
PCB-2	R142	C-CARBON R	RN72K1J-470JE	1	435034704R1	
PCB-2	R143	C-CARBON R	RN72K1J-000JE	1	435030004R1	
PCB-2	R151	C-CARBON R	RN72K1J-103JE	1	435031034R1	
PCB-2	R152	C-CARBON R	RN72K1J-103JE	1	435031034R1	
PCB-2	R153	C-CARBON R	RN72K1J-222JE	1	435032224R1	
PCB-2	R171	C-CARBON R	RN72K1J-105JE	1	435031054R1	
PCB-2	R173	C-CARBON R	RN72K1J-151JE	1	435031514R1	

PCB-2	R181	METAL R	RNU1/2WCJ-4.7	1	453530474T	
PCB-2	R182	METAL R	RNU1/2WCJ-1	1	453530104T	
PCB-2	R2100	THERMISTOR	FUSB090F	1	4000252T	<1K>
PCB-2	R2150	C-CARBON R	RN72K1J-000JE	1	435030004R1	<1K>
PCB-2	R2151	C-CARBON R	RN72K1J-000JE	1	435030004R1	<1K>
PCB-2	R2152	C-CARBON R	RN72K1J-750JE	1	435037504R1	<1K>
PCB-2	R301	C-CARBON R	RN72K1J-331JE	1	435033314R1	
PCB-2	R302	C-CARBON R	RN72K1J-331JE	1	435033314R1	
PCB-2	R303	C-CARBON R	RN72K1J-331JE	1	435033314R1	
PCB-2	R304	C-CARBON R	RN72K1J-221JE	1	435032214R1	
PCB-2	R305	C-CARBON R	RN72K1J-470JE	1	435034704R1	
PCB-2	R306	C-CARBON R	RN72K1J-221JE	1	435032214R1	
PCB-2	R307	C-CARBON R	RN72K1J-221JE	1	435032214R1	
PCB-2	R308	C-CARBON R	RN72K1J-470JE	1	435034704R1	
PCB-2	R309	C-CARBON R	RN72K1J-221JE	1	435032214R1	
PCB-2	R311	C-CARBON R	RN72K1J-152JE	1	435031524R1	
PCB-2	R312	C-CARBON R	RN72K1J-470JE	1	435034704R1	
PCB-2	R313	C-CARBON R	RN72K1J-151JE	1	435031514R1	
PCB-2	R314	C-CARBON R	RN72K1J-221JE	1	435032214R1	
PCB-2	R315	C-CARBON R	RN72K1J-470JE	1	435034704R1	
PCB-2	R316	C-CARBON R	RN72K1J-151JE	1	435031514R1	
PCB-2	R317	C-CARBON R	RN72K1J-331JE	1	435033314R1	
PCB-2	R318	C-CARBON R	RN72K1J-331JE	1	435033314R1	
PCB-2	R319	C-CARBON R	RN72K1J-331JE	1	435033314R1	
PCB-2	R320	C-CARBON R	RN72K1J-560JE	1	435035604R1	
PCB-2	R321	C-CARBON R	RN72K1J-560JE	1	435035604R1	
PCB-2	R330	C-CARBON R	RN72K1J-560JE	1	435035604R1	
PCB-2	R331	C-CARBON R	RN72K1J-560JE	1	435035604R1	
PCB-2	R333	C-CARBON R	RN72K1J-331JE	1	435033314R1	
PCB-2	R334	C-CARBON R	RN72K1J-331JE	1	435033314R1	
PCB-2	R336	C-CARBON R	RN72K1J-331JE	1	435033314R1	
PCB-2	R337	C-CARBON R	RN72K1J-331JE	1	435033314R1	
PCB-2	R340	C-CARBON R	RN72K1J-392JE	1	435033924R1	
PCB-2	R341	C-CARBON R	RN72K1J-392JE	1	435033924R1	
PCB-2	R350	C-CARBON R	RN72K1J-103JE	1	435031034R1	
PCB-2	R351	C-CARBON R	RN72K1J-103JE	1	435031034R1	
PCB-2	R360	C-CARBON R	RN72K1J-103JE	1	435031034R1	
PCB-2	R361	C-CARBON R	RN72K1J-103JE	1	435031034R1	
PCB-2	R371	C-CARBON R	RN72K1J-102JE	1	435031024R1	

PCB-2	R400	C-CARBON R	RN72K1J-332JE	1	435033324R1	
PCB-2	R401	C-CARBON R	RN72K1J-332JE	1	435033324R1	
PCB-2	R402	C-CARBON R	RN72K1J-332JE	1	435033324R1	
PCB-2	R403	C-CARBON R	RN72K1J-332JE	1	435033324R1	
PCB-2	R404	C-CARBON R	RN72K1J-332JE	1	435033324R1	
PCB-2	R405	C-CARBON R	RN72K1J-332JE	1	435033324R1	<1K>
PCB-2	R406	C-CARBON R	RN72K1J-332JE	1	435033324R1	<1K>
PCB-2	R407	C-CARBON R	RN72K1J-332JE	1	435033324R1	
PCB-2	R408	C-CARBON R	RN72K1J-220JE	1	435032204R1	
PCB-2	R409	C-CARBON R	RN72K1J-220JE	1	435032204R1	
PCB-2	R410	C-CARBON R	RN72K1J-332JE	1	435033324R1	
PCB-2	R411	C-CARBON R	RN72K1J-332JE	1	435033324R1	
PCB-2	R412	C-CARBON R	RN72K1J-332JE	1	435033324R1	
PCB-2	R413	C-CARBON R	RN72K1J-332JE	1	435033324R1	
PCB-2	R414	C-CARBON R	RN72K1J-332JE	1	435033324R1	
PCB-2	R415	C-CARBON R	RN72K1J-332JE	1	435033324R1	<1K>
PCB-2	R416	C-CARBON R	RN72K1J-332JE	1	435033324R1	<1K>
PCB-2	R417	C-CARBON R	RN72K1J-332JE	1	435033324R1	
PCB-2	R420	C-CARBON R	RN72K1J-471JE	1	435034714R1	
PCB-2	R421	C-CARBON R	RN72K1J-471JE	1	435034714R1	
PCB-2	R422	C-CARBON R	RN72K1J-471JE	1	435034714R1	
PCB-2	R423	C-CARBON R	RN72K1J-471JE	1	435034714R1	
PCB-2	R424	C-CARBON R	RN72K1J-471JE	1	435034714R1	
PCB-2	R425	C-CARBON R	RN72K1J-471JE	1	435034714R1	<1K>
PCB-2	R426	C-CARBON R	RN72K1J-471JE	1	435034714R1	<1K>
PCB-2	R427	C-CARBON R	RN72K1J-471JE	1	435034714R1	
PCB-2	R430	C-CARBON R	RN72K1J-471JE	1	435034714R1	
PCB-2	R431	C-CARBON R	RN72K1J-471JE	1	435034714R1	
PCB-2	R432	C-CARBON R	RN72K1J-471JE	1	435034714R1	
PCB-2	R433	C-CARBON R	RN72K1J-471JE	1	435034714R1	
PCB-2	R434	C-CARBON R	RN72K1J-471JE	1	435034714R1	
PCB-2	R435	C-CARBON R	RN72K1J-471JE	1	435034714R1	<1K>
PCB-2	R436	C-CARBON R	RN72K1J-471JE	1	435034714R1	<1K>
PCB-2	R437	C-CARBON R	RN72K1J-471JE	1	435034714R1	
PCB-2	R440	C-CARBON R	RN72K1J-472JE	1	435034724R1	
PCB-2	R441	C-CARBON R	RN72K1J-472JE	1	435034724R1	
PCB-2	R442	C-CARBON R	RN72K1J-472JE	1	435034724R1	
PCB-2	R443	C-CARBON R	RN72K1J-472JE	1	435034724R1	
PCB-2	R444	C-CARBON R	RN72K1J-472JE	1	435034724R1	

PCB-2	R445	C-CARBON R	RN72K1J-472JE	1	435034724R1	<1K>
PCB-2	R446	C-CARBON R	RN72K1J-472JE	1	435034724R1	<1K>
PCB-2	R447	C-CARBON R	RN72K1J-472JE	1	435034724R1	
PCB-2	R450	C-CARBON R	RN72K1J-472JE	1	435034724R1	
PCB-2	R451	C-CARBON R	RN72K1J-472JE	1	435034724R1	
PCB-2	R452	C-CARBON R	RN72K1J-472JE	1	435034724R1	
PCB-2	R453	C-CARBON R	RN72K1J-472JE	1	435034724R1	
PCB-2	R454	C-CARBON R	RN72K1J-472JE	1	435034724R1	
PCB-2	R455	C-CARBON R	RN72K1J-472JE	1	435034724R1	<1K>
PCB-2	R456	C-CARBON R	RN72K1J-472JE	1	435034724R1	<1K>
PCB-2	R457	C-CARBON R	RN72K1J-472JE	1	435034724R1	
PCB-2	R460	C-CARBON R	RN72K1J-181JE	1	435031814R1	
PCB-2	R461	C-CARBON R	RN72K1J-181JE	1	435031814R1	
PCB-2	R462	C-CARBON R	RN72K1J-181JE	1	435031814R1	
PCB-2	R463	C-CARBON R	RN72K1J-181JE	1	435031814R1	
PCB-2	R464	C-CARBON R	RN72K1J-181JE	1	435031814R1	
PCB-2	R465	C-CARBON R	RN72K1J-181JE	1	435031814R1	<1K>
PCB-2	R466	C-CARBON R	RN72K1J-181JE	1	435031814R1	<1K>
PCB-2	R467	C-CARBON R	RN72K1J-181JE	1	435031814R1	
PCB-2	R470	C-CARBON R	RN72K1J-181JE	1	435031814R1	
PCB-2	R471	C-CARBON R	RN72K1J-181JE	1	435031814R1	
PCB-2	R472	C-CARBON R	RN72K1J-181JE	1	435031814R1	
PCB-2	R473	C-CARBON R	RN72K1J-181JE	1	435031814R1	
PCB-2	R474	C-CARBON R	RN72K1J-181JE	1	435031814R1	
PCB-2	R475	C-CARBON R	RN72K1J-181JE	1	435031814R1	<1K>
PCB-2	R476	C-CARBON R	RN72K1J-181JE	1	435031814R1	<1K>
PCB-2	R477	C-CARBON R	RN72K1J-181JE	1	435031814R1	
PCB-2	R500	C-CARBON R	RN72K1J-103JE	1	435031034R1	
PCB-2	R501	C-CARBON R	RN72K1J-470JE	1	435034704R1	
PCB-2	R502	C-CARBON R	RN72K1J-470JE	1	435034704R1	
PCB-2	R505	C-CARBON R	RN72K1J-221JE	1	435032214R1	
PCB-2	R508	C-CARBON R	RN72K1J-273JE	1	435032734R1	
PCB-2	R511	C-CARBON R	RN72K1J-103JE	1	435031034R1	
PCB-2	R512	C-CARBON R	RN72K1J-221JE	1	435032214R1	
PCB-2	R513	C-CARBON R	RN72K1J-103JE	1	435031034R1	
PCB-2	R514	C-CARBON R	RN72K1J-221JE	1	435032214R1	
PCB-2	R515	C-CARBON R	RN72K1J-221JE	1	435032214R1	
PCB-2	R516	C-CARBON R	RN72K1J-221JE	1	435032214R1	
PCB-2	R517	C-CARBON R	RN72K1J-103JE	1	435031034R1	

PCB-2	R518	C-CARBON R	RN72K1J-103JE	1	435031034R1	
PCB-2	R519	C-CARBON R	RN72K1J-105JE	1	435031054R1	
PCB-2	R520	C-CARBON R	RN72K1J-221JE	1	435032214R1	
PCB-2	R521	C-CARBON R	RN72K1J-221JE	1	435032214R1	
PCB-2	R522	C-CARBON R	RN72K1J-470JE	1	435034704R1	
PCB-2	R523	C-CARBON R	RN72K1J-221JE	1	435032214R1	
PCB-2	R524	C-CARBON R	RN72K1J-221JE	1	435032214R1	
PCB-2	R525	C-CARBON R	RN72K1J-470JE	1	435034704R1	
PCB-2	R526	C-CARBON R	RN72K1J-221JE	1	435032214R1	
PCB-2	R527	C-CARBON R	RN72K1J-470JE	1	435034704R1	
PCB-2	R528	C-CARBON R	RN72K1J-470JE	1	435034704R1	
PCB-2	R529	C-CARBON R	RN72K1J-470JE	1	435034704R1	
PCB-2	R530	C-CARBON R	RN72K1J-470JE	1	435034704R1	
PCB-2	R531	C-CARBON R	RN72K1J-272JE	1	435032724R1	<1K>
PCB-2	R532	C-CARBON R	RN72K1J-103JE	1	435031034R1	<1K>
PCB-2	R533	C-CARBON R	RN72K1J-103JE	1	435031034R1	<1K>
PCB-2	R534	C-CARBON R	RN72K1J-103JE	1	435031034R1	<1K>
PCB-2	R535	C-CARBON R	RN72K1J-273JE	1	435032734R1	
PCB-2	R536	C-CARBON R	RN72K1J-103JE	1	435031034R1	
PCB-2	R537	C-CARBON R	RN72K1J-103JE	1	435031034R1	
PCB-2	R538	C-CARBON R	RN72K1J-103JE	1	435031034R1	
PCB-2	R539	C-CARBON R	RN72K1J-103JE	1	435031034R1	
PCB-2	R540	C-CARBON R	RN72K1J-470JE	1	435034704R1	
PCB-2	R541	C-CARBON R	RN72K1J-470JE	1	435034704R1	
PCB-2	R542	C-CARBON R	RN72K1J-103JE	1	435031034R1	
PCB-2	R543	C-CARBON R	RN72K1J-470JE	1	435034704R1	
PCB-2	R544	C-CARBON R	RN72K1J-470JE	1	435034704R1	
PCB-2	R546	C-CARBON R	RN72K1J-470JE	1	435034704R1	
PCB-2	R547	C-CARBON R	RN72K1J-471JE	1	435034714R1	
PCB-2	R548	C-CARBON R	RN72K1J-102JE	1	435031024R1	
PCB-2	R549	C-CARBON R	RN72K1J-103JE	1	435031034R1	<1K>
PCB-2	R550	C-CARBON R	RN72K1J-470JE	1	435034704R1	
PCB-2	R551	C-CARBON R	RN72K1J-470JE	1	435034704R1	
PCB-2	R552	C-CARBON R	RN72K1J-470JE	1	435034704R1	
PCB-2	R553	C-CARBON R	RN72K1J-470JE	1	435034704R1	
PCB-2	R555	C-CARBON R	RN72K1J-103JE	1	435031034R1	
PCB-2	R556	C-CARBON R	RN72K1J-470JE	1	435034704R1	
PCB-2	R557	C-CARBON R	RN72K1J-470JE	1	435034704R1	
PCB-2	R558	C-CARBON R	RN72K1J-221JE	1	435032214R1	

PCB-2	R559	C-CARBON R	RN72K1J-103JE	1	435031034R1		
PCB-2	R560	C-CARBON R	RN72K1J-470JE	1	435034704R1		
PCB-2	R561	C-CARBON R	RN72K1J-470JE	1	435034704R1		
PCB-2	R562	C-CARBON R	RN72K1J-103JE	1	435031034R1		
PCB-2	R563	C-CARBON R	RN72K1J-221JE	1	435032214R1		
PCB-2	R564	C-CARBON R	RN72K1J-221JE	1	435032214R1		
PCB-2	R565	C-CARBON R	RN72K1J-221JE	1	435032214R1		
PCB-2	R566	C-CARBON R	RN72K1J-221JE	1	435032214R1		
PCB-2	R567	C-CARBON R	RN72K1J-470JE	1	435034704R1		
PCB-2	R568	C-CARBON R	RN72K1J-470JE	1	435034704R1		
PCB-2	R569	C-CARBON R	RN72K1J-470JE	1	435034704R1		
PCB-2	R570	C-CARBON R	RN72K1J-470JE	1	435034704R1		
PCB-2	R571	C-CARBON R	RN72K1J-470JE	1	435034704R1		
PCB-2	R572	C-CARBON R	RN72K1J-221JE	1	435032214R1		
PCB-2	R573	C-CARBON R	RN72K1J-221JE	1	435032214R1		
PCB-2	R574	C-CARBON R	RN72K1J-470JE	1	435034704R1		
PCB-2	R575	C-CARBON R	RN72K1J-103JE	1	435031034R1		
PCB-2	R576	C-CARBON R	RN72K1J-470JE	1	435034704R1		
PCB-2	R577	C-CARBON R	RN72K1J-103JE	1	435031034R1		
PCB-2	R578	C-CARBON R	RN72K1J-221JE	1	435032214R1		
PCB-2	R579	C-CARBON R	RN72K1J-221JE	1	435032214R1		
PCB-2	R580	C-CARBON R	RN72K1J-221JE	1	435032214R1		
PCB-2	R581	C-CARBON R	RN72K1J-221JE	1	435032214R1		
PCB-2	R582	C-CARBON R	RN72K1J-221JE	1	435032214R1		
PCB-2	R583	C-CARBON R	RN72K1J-473JE	1	435034734R1		
PCB-2	R584	C-CARBON R	RN72K1J-221JE	1	435032214R1		
PCB-2	R586	C-CARBON R	RN72K1J-221JE	1	435032214R1		
PCB-2	R587	C-CARBON R	RN72K1J-102JE	1	435031024R1		
PCB-2	R588	C-CARBON R	RN72K1J-273JE	1	435032734R1		
PCB-2	R589	C-CARBON R	RN72K1J-102JE	1	435031024R1		
PCB-2	R590	C-CARBON R	RN72K1J-273JE	1	435032734R1		
PCB-2	R591	C-CARBON R	RN72K1J-102JE	1	435031024R1		
PCB-2	R592	C-CARBON R	RN72K1J-103JE	1	435031034R1		
PCB-2	R593	C-CARBON R	RN72K1J-102JE	1	435031024R1		
PCB-2	R594	C-CARBON R	RN72K1J-102JE	1	435031024R1		
PCB-2	R595	C-CARBON R	RN72K1J-470JE	1	435034704R1		
PCB-2	R596	C-CARBON R	RN72K1J-102JE	1	435031024R1		
PCB-2	R597	C-CARBON R	RN72K1J-103JE	1	435031034R1		
PCB-2	R599	C-CARBON R	RN72K1J-221JE	1	435032214R1		

PCB-2	R600	C-CARBON R	RN72K1J-470JE	1	435034704R1	
PCB-2	R601	C-CARBON R	RN72K1J-221JE	1	435032214R1	
PCB-2	R602	C-CARBON R	RN72K1J-221JE	1	435032214R1	
PCB-2	R603	C-CARBON R	RN72K1J-221JE	1	435032214R1	
PCB-2	R604	C-CARBON R	RN72K1J-221JE	1	435032214R1	
PCB-2	R605	C-CARBON R	RN72K1J-470JE	1	435034704R1	
PCB-2	R606	C-CARBON R	RN72K1J-222JE	1	435032224R1	
PCB-2	R607	C-CARBON R	RN72K1J-470JE	1	435034704R1	
PCB-2	R608	C-CARBON R	RN72K1J-222JE	1	435032224R1	
PCB-2	R609	C-CARBON R	RN72K1J-472JE	1	435034724R1	
PCB-2	R610	C-CARBON R	RN72K1J-472JE	1	435034724R1	
PCB-2	R611	C-CARBON R	RN72K1J-472JE	1	435034724R1	
PCB-2	R612	C-CARBON R	RN72K1J-272JE	1	435032724R1	
PCB-2	R613	C-CARBON R	RN72K1J-472JE	1	435034724R1	
PCB-2	R614	C-CARBON R	RN72K1J-272JE	1	435032724R1	
PCB-2	R615	C-CARBON R	RN72K1J-472JE	1	435034724R1	
PCB-2	R616	C-CARBON R	RN72K1J-272JE	1	435032724R1	
PCB-2	R617	C-CARBON R	RN72K1J-472JE	1	435034724R1	
PCB-2	R618	C-CARBON R	RN72K1J-272JE	1	435032724R1	
PCB-2	R619	C-CARBON R	RN72K1J-470JE	1	435034704R1	
PCB-2	R620	C-CARBON R	RN72K1J-473JE	1	435034734R1	
PCB-2	R700	C-CARBON R	RN72K1J-333JE	1	435033334R1	<1K>
PCB-2	R701	C-CARBON R	RN72K1J-103JE	1	435031034R1	<1K>
PCB-2	R702	C-CARBON R	RN72K1J-103JE	1	435031034R1	<1K>
PCB-2	R703	C-CARBON R	RN72K1J-103JE	1	435031034R1	<1K>
PCB-2	R704	C-CARBON R	RN72K1J-103JE	1	435031034R1	<1K>
PCB-2	R705	C-CARBON R	RN72K1J-103JE	1	435031034R1	<1K>
PCB-2	R707	C-CARBON R	RN72K1J-000JE	1	435030004R1	<1K>
PCB-2	R711	C-CARBON R	RN72K1J-470JE	1	435034704R1	
PCB-2	R712	C-CARBON R	RN72K1J-102JE	1	435031024R1	
PCB-2	R713	C-CARBON R	RN72K1J-222JE	1	435032224R1	
PCB-2	R714	C-CARBON R	RN72K1J-103JE	1	435031034R1	
PCB-2	R721	C-CARBON R	RN72K1J-103JE	1	435031034R1	
PCB-2	R722	C-CARBON R	RN72K1J-224JE	1	435032244R1	
PCB-2	R723	C-CARBON R	RN72K1J-101JE	1	435031014R1	
PCB-2	R724	C-CARBON R	RN72K1J-101JE	1	435031014R1	
PCB-2	R761	C-CARBON R	RN72K1J-103JE	1	435031034R1	
PCB-2	R771	C-CARBON R	RN72K1J-103JE	1	435031034R1	
PCB-2	R805	C-CARBON R	RN72K1J-000JE	1	435030004R1	

PCB-2	R808	C-CARBON R	RN72K1J-000JE	1	435030004R1	<1K>
PCB-2	R810	C-CARBON R	RN72K1J-000JE	1	435030004R1	<1K>
PCB-2	R812	C-CARBON R	RN72K1J-000JE	1	435030004R1	<1K>
PCB-2	R814	C-CARBON R	RN72K1J-000JE	1	435030004R1	
PCB-2	R815	C-CARBON R	RN72K1J-000JE	1	435030004R1	
[SW TRM]						
PCB-2	JL5501B	WIRE TRAP	NPLG-3P586	1	25055624	<1K>
PCB-2	JL6610B	WIRE TRAP	NPLG-7P590	1	25055628	<1K>
PCB-2	JL901B	WIRE TRAP	NPLG-5P588	1	25055626	
PCB-2	P002	PWB	BCDG-0022	1	25140022C	N
PCB-2	P101A	SOCKET	NSCT-11P2104	1	25052207	
PCB-2	P131	PIN JACK	NPJ-2PDO0626	1	25045847	<1K>
PCB-2	P131 or	PIN JACK	NPJ-2PDO445	(1)	25045640	<1K>
PCB-2	P2001A	SOCKET	IMSA-9142S-26A	1	25053235	
PCB-2	P2080B	PLUG	IMSA-9142B-20A	1	25056600	<1K>
PCB-2	P2081	SOCKET	NNA1-01-006	1	25053357	N <1K>
PCB-2	P5501A	SOCKET	NSCT-7P2187	1	25052290	
PCB-2	P5502A	SOCKET	NSCT-15P2195	1	25052298	
PCB-2	P5503A	SOCKET	NSCT-9P2189	1	25052292	
PCB-2	P5504A	SOCKET	NSCT-7P2187	1	25052290	<1K>
PCB-2	P701A	SOCKET	NSCT-33P2126	1	25052229	<1K>
PCB-2	P751A	SOCKET	IMSA-9618S-09A	1	25053334R2	
PCB-2	P8001A	PLUG	IMSA-9111B-24	1	25056625	

- U003** DISPLAY PC BOARD (BADIS-0036-1M)
- U00031** DISPLAY PC BOARD (BADIS-003741M)
- U00032** VIDEO PC BOARD (BAVD-0038-1M)
- U00033** POWER SUPPLY PC BOARD (BAPS-0039-1M)
- U00034** HPJACK PC BOARD (BAETC-0040-1M)

CIRCUIT. NO.	PART NAME	DESCRIPTION	Q'TY	PART NO. (SN)	REMARKS
[TUNER UNIT]					
PCB-3	U7042	REMO SENS	1	241365	
[SEMI CONDUCTOR]					
PCB-3	D2084	ZENER D	1	224550680R2	<1M>
PCB-3	D7002	ZENER D	1	224550820R2	
PCB-3	D7033	ZENER D	1	224550390R2	

PCB-3	D7152	LED	SLI-343URC-TE7	1	225449T	
PCB-3	D7301	C-DIODE	KDS4148U	1	223283R2	<1M>
PCB-3	D7301 or	C-DIODE	1SS352	(1)	223234R2	<1M>
PCB-3	D7301 or	C-DIODE	MA2J111	(1)	223279R2	<1M>
PCB-3	D7302	C-DIODE	KDS4148U	1	223283R2	<1M>
PCB-3	D7302 or	C-DIODE	1SS352	(1)	223234R2	<1M>
PCB-3	D7302 or	C-DIODE	MA2J111	(1)	223279R2	<1M>
PCB-3	D7401	ZENER D	UDZS5.1B	1	224550510R2	<1M>
PCB-3	D7411	ZENER D	UDZS6.8B	1	224550680R2	<1M>
PCB-3	D7412	ZENER D	UDZS6.8B	1	224550680R2	<1M>
PCB-3	D9001	DIODE	RL1N4003	1	22380260T	
PCB-3	D9005	ZENER D	UDZS36B	1	224553600R2	
PCB-3	D9011	DIODE	D5SBA20	1	22380130F	<1M>
PCB-3	D9014	C-DIODE	KDS4148U	1	223283R2	
PCB-3	D9014 or	C-DIODE	1SS352	(1)	223234R2	
PCB-3	D9014 or	C-DIODE	MA2J111	(1)	223279R2	
PCB-3	D9015	C-DIODE	KDS4148U	1	223283R2	
PCB-3	D9015 or	C-DIODE	1SS352	(1)	223234R2	
PCB-3	D9015 or	C-DIODE	MA2J111	(1)	223279R2	
PCB-3	D9016	ZENER D	UDZS6.2B	1	224550620R2	<1M>
PCB-3	D9023	C-DIODE	KDS4148U	1	223283R2	
PCB-3	D9023 or	C-DIODE	1SS352	(1)	223234R2	
PCB-3	D9023 or	C-DIODE	MA2J111	(1)	223279R2	
PCB-3	D911	C-DIODE	KDS4148U	1	223283R2	
PCB-3	D911 or	C-DIODE	1SS352	(1)	223234R2	
PCB-3	D911 or	C-DIODE	MA2J111	(1)	223279R2	
PCB-3	D912	C-DIODE	KDS4148U	1	223283R2	
PCB-3	D912 or	C-DIODE	1SS352	(1)	223234R2	
PCB-3	D912 or	C-DIODE	MA2J111	(1)	223279R2	
PCB-3	D921	C-DIODE	KDS4148U	1	223283R2	
PCB-3	D921 or	C-DIODE	1SS352	(1)	223234R2	
PCB-3	D921 or	C-DIODE	MA2J111	(1)	223279R2	
PCB-3	D922	C-DIODE	KDS4148U	1	223283R2	
PCB-3	D922 or	C-DIODE	1SS352	(1)	223234R2	
PCB-3	D922 or	C-DIODE	MA2J111	(1)	223279R2	
PCB-3	D923	C-DIODE	KDS4148U	1	223283R2	
PCB-3	D923 or	C-DIODE	1SS352	(1)	223234R2	
PCB-3	D923 or	C-DIODE	MA2J111	(1)	223279R2	
PCB-3	D924	C-DIODE	KDS4148U	1	223283R2	

PCB-3	D924 or	C-DIODE	1SS352	(1)	223234R2	
PCB-3	D924 or	C-DIODE	MA2J111	(1)	223279R2	
PCB-3	D925	C-DIODE	KDS4148U	1	223283R2	
PCB-3	D925 or	C-DIODE	1SS352	(1)	223234R2	
PCB-3	D925 or	C-DIODE	MA2J111	(1)	223279R2	
PCB-3	D930	C-DIODE	KDS4148U	1	223283R2	
PCB-3	D930 or	C-DIODE	1SS352	(1)	223234R2	
PCB-3	D930 or	C-DIODE	MA2J111	(1)	223279R2	
PCB-3	D931	C-DIODE	KDS4148U	1	223283R2	
PCB-3	D931 or	C-DIODE	1SS352	(1)	223234R2	
PCB-3	D931 or	C-DIODE	MA2J111	(1)	223279R2	
PCB-3	D933	C-DIODE	KDS4148U	1	223283R2	
PCB-3	D933 or	C-DIODE	1SS352	(1)	223234R2	
PCB-3	D933 or	C-DIODE	MA2J111	(1)	223279R2	
PCB-3	D934	ZENER D	UDZS5.6B	1	224550560R2	<1M>
PCB-3	D935	C-DIODE	KDS4148U	1	223283R2	
PCB-3	D935 or	C-DIODE	1SS352	(1)	223234R2	
PCB-3	D935 or	C-DIODE	MA2J111	(1)	223279R2	
PCB-3	Q2004	IC	NJM4580M-D	1	22241448R2	<1M>
PCB-3	Q2072	IC	NJM2505AF	1	22242490R2	<1M>
PCB-3	Q3002	IC	NJW1326FH2	1	22242583R3	N
PCB-3	Q7002	FL TUBE	16-BT-138GNK	1	212268	
PCB-3	Q7002A	HOLDER	(FL)	1	27191222C	
PCB-3	Q7003	IC	M66005-0001AHP	1	22242208R3	
PCB-3	Q7004	TR	KTC3875-GR	1	2216175R2	
PCB-3	Q7005	TR	KRA102S	1	2216220R2	<1M>
PCB-3	Q7007	TR	KRC102S	1	2216190R2	<1M>
PCB-3	Q7033	TR	KTC3875-GR	1	2216175R2	
PCB-3	Q7401	IC	NJM4580M-D	1	22241448R2	<1M>
PCB-3	Q7403	TR	DTC114TKA	1	2216670R2	<1M>
PCB-3	Q7404	TR	DTC114TKA	1	2216670R2	<1M>
PCB-3	Q9001	TR	2SC2235-Y(TPE6_F)	1	2211654T	
PCB-3	Q9001 or	TR	2SC2235-O(TPE6_F)	(1)	2211653T	
PCB-3	Q9022	IC	78M05(NJM78M05FA)	1	222780055JRC	
PCB-3	Q9022 or	IC	78M05AHF(MPC78M05AHF)	(1)	222780055NEC	
PCB-3	Q9022A	SCREW	3P+10FN(3BC)	1	82143010GR	
PCB-3	Q9022B	HEAT SINK	RAD-157	1	27160491	
PCB-3	Q9031	IC	MPC2905BHF	1	22278005DBNE	
PCB-3	Q9031A	SCREW	3P+10FN(3BC)	1	82143010GR	

PCB-3	Q9031B	HEAT SINK	RAD-140	1	27160471	
	[TRANS COIL]					
PCB-3	L7031	CHOKE COIL	LBC2518T2R2M	1	231364M022R2	
PCB-3	L7201	CHOKE COIL	LBC2518T2R2M	1	231364M022R2	
PCB-3	L7202	CHOKE COIL	LBC2518T2R2M	1	231364M022R2	
PCB-3	L7203	CHOKE COIL	LBC2518T2R2M	1	231364M022R2	
PCB-3	L7401	CHOKE COIL	LBC2518T2R2M	1	231364M022R2	<1M>
PCB-3	L7402	CHOKE COIL	LBC2518T2R2M	1	231364M022R2	<1M>
PCB-3	T902	P TRANS	NPT-1520JQ	1	2301812A	<1M>
	[CAPACITOR]					
PCB-3	C2029	UTSP C	CE04W25V-100M(UTSP)	1	397551017T	<1M>
PCB-3	C2030	UTSP C	CE04W25V-100M(UTSP)	1	397551017T	<1M>
PCB-3	C2077	UTSP C	CE04W50V-10M(UTSP)	1	397581007T	<1M>
PCB-3	C2078	UTSP C	CE04W50V-10M(UTSP)	1	397581007T	<1M>
PCB-3	C2079	UTSP C	CE04W50V-10M(UTSP)	1	397581007T	<1M>
PCB-3	C2080	C-CERA C	CC725CH1H-101J1	1	342101014R1	<1M>
PCB-3	C2081	C-CERA C	CC725CH1H-101J1	1	342101014R1	<1M>
PCB-3	C2082	C-CERA C	CC725CH1H-101J1	1	342101014R1	<1M>
PCB-3	C2083	C-CERA C	CC725CH1H-101J1	1	342101014R1	<1M>
PCB-3	C2084	UTSP C	CE04W50V-10M(UTSP)	1	397581007T	<1M>
PCB-3	C2085	UTSP C	CE04W50V-10M(UTSP)	1	397581007T	<1M>
PCB-3	C2086	C-CERA C	CC725CH1H-470J1	1	342104704R1	<1M>
PCB-3	C2087	C-CERA C	CC725CH1H-470J1	1	342104704R1	<1M>
PCB-3	C2088	C-CERA C	CK725F1E-104Z1	1	332161040R1	<1M>
PCB-3	C2089	C-CERA C	CK725F1E-104Z1	1	332161040R1	<1M>
PCB-3	C2100	VR C	CE04W16V-100M(VR)	1	394641017T	<1M>
PCB-3	C2101	C-CERA C	CK725F1E-104Z1	1	332161040R1	<1M>
PCB-3	C2103	VR C	CE04W6.3V-470M(VR)	1	394624717T	<1M>
PCB-3	C2104	VR C	CE04W6.3V-470M(VR)	1	394624717T	<1M>
PCB-3	C3001	VR C	CE04W6.3V-470M(VR)	1	394624717T	
PCB-3	C3002	C-CERA C	CK725F1E-104Z1	1	332161040R1	
PCB-3	C3004	VR C	CE04W6.3V-470M(VR)	1	394624717T	
PCB-3	C3007	VR C	CE04W6.3V-470M(VR)	1	394624717T	
PCB-3	C3011	VR C	CE04W6.3V-470M(VR)	1	394624717T	
PCB-3	C3012	C-CERA C	CK725F1E-104Z1	1	332161040R1	
PCB-3	C3013	VR C	CE04W6.3V-470M(VR)	1	394624717T	
PCB-3	C3021	VR C	CE04W6.3V-470M(VR)	1	394624717T	
PCB-3	C3024	VR C	CE04W6.3V-470M(VR)	1	394624717T	
PCB-3	C3031	C-CERA C	CK725B1H-102K1	1	332101025R1	

PCB-3	C3032	C-CERA C	CK725B1H-102K1	1	332101025R1	
PCB-3	C3033	VR C	CE04W50V-10M(VR)	1	394681007T	
PCB-3	C3036	VR C	CE04W50V-10M(VR)	1	394681007T	
PCB-3	C3040	VR C	CE04W50V-10M(VR)	1	394681007T	
PCB-3	C3043	C-CERA C	CK725B1H-102K1	1	332101025R1	
PCB-3	C3044	VR C	CE04W50V-1M(VR)	1	394680107T	
PCB-3	C3045	VR C	CE04W50V-1M(VR)	1	394680107T	
PCB-3	C3046	VR C	CE04W50V-1M(VR)	1	394680107T	
PCB-3	C3047	VR C	CE04W50V-1M(VR)	1	394680107T	
PCB-3	C3048	VR C	CE04W50V-1M(VR)	1	394680107T	
PCB-3	C3049	VR C	CE04W50V-1M(VR)	1	394680107T	
PCB-3	C3060	VR C	CE04W50V-10M(VR)	1	394681007T	<1M>
PCB-3	C3061	VR C	CE04W50V-10M(VR)	1	394681007T	
PCB-3	C3085	C-CERA C	CK725F1A-105Z1	1	332181050R1	
PCB-3	C3086	C-CERA C	CK725F1A-105Z1	1	332181050R1	
PCB-3	C3087	C-CERA C	CK725F1A-105Z1	1	332181050R1	
PCB-3	C3088	C-CERA C	CK725F1A-105Z1	1	332181050R1	<1M>
PCB-3	C3091	C-CERA C	CK725F1A-105Z1	1	332181050R1	
PCB-3	C3092	C-CERA C	CK725F1A-105Z1	1	332181050R1	
PCB-3	C3093	C-CERA C	CK725F1A-105Z1	1	332181050R1	
PCB-3	C3094	C-CERA C	CK725F1A-105Z1	1	332181050R1	
PCB-3	C3095	C-CERA C	CK725F1A-105Z1	1	332181050R1	
PCB-3	C3096	C-CERA C	CK725F1A-105Z1	1	332181050R1	
PCB-3	C3097	C-CERA C	CK725F1A-105Z1	1	332181050R1	
PCB-3	C3098	C-CERA C	CK725F1A-105Z1	1	332181050R1	
PCB-3	C3099	C-CERA C	CK725F1A-105Z1	1	332181050R1	
PCB-3	C7001	C-CERA C	CK725B1H-223K1	1	332102235R1	
PCB-3	C7002	C-CERA C	CK725F1E-104Z1	1	332161040R1	
PCB-3	C7003	C-CERA C	CC725CH1H-101J1	1	342101014R1	
PCB-3	C7004	C-CERA C	CC725CH1H-101J1	1	342101014R1	
PCB-3	C7005	C-CERA C	CC725CH1H-101J1	1	342101014R1	
PCB-3	C7007	C-CERA C	CC725CH1H-101J1	1	342101014R1	
PCB-3	C7008	ELECT C	CE04W6.3V-100M	1	355721019T	
PCB-3	C7009	C-CERA C	CK725F1E-104Z1	1	332161040R1	
PCB-3	C7010	C-CERA C	CK725B1H-223K1	1	332102235R1	
PCB-3	C7011	C-CERA C	CK725B1H-223K1	1	332102235R1	
PCB-3	C7012	C-CERA C	CK725B1H-223K1	1	332102235R1	
PCB-3	C7013	ELECT C	CE04W50V-33M	1	355783309T	
PCB-3	C7014	C-CERA C	CK725B1H-223K1	1	332102235R1	

PCB-3	C7015	ELECT C	CE04W16V-47M(S)	1	353744709T	
PCB-3	C7016	C-CERA C	CK725B1H-223K1	1	332102235R1	
PCB-3	C7017	C-CERA C	CK725B1H-223K1	1	332102235R1	
PCB-3	C7021	C-CERA C	CK725B1H-103K1	1	332101035R1	
PCB-3	C7022	C-CERA C	CK725B1H-103K1	1	332101035R1	
PCB-3	C7031	C-CERA C	CK725B1H-223K1	1	332102235R1	
PCB-3	C7032	C-CERA C	CK725B1H-223K1	1	332102235R1	
PCB-3	C7033	ELECT C	CE04W16V-10M(S)	1	353741009T	
PCB-3	C7045	ELECT C	CE04W6.3V-100M(S)	1	353721019T	
PCB-3	C7046	C-CERA C	CC725CH1H-102J1	1	342101024R1	
PCB-3	C7047	C-CERA C	CC725CH1H-102J1	1	342101024R1	
PCB-3	C7201	C-CERA C	CC725CH1H-102J1	1	342101024R1	
PCB-3	C7202	C-CERA C	CK725B1H-223K1	1	332102235R1	<1M>
PCB-3	C7203	MKT C	B32529C0102J289	1	376491024T	<1M>
PCB-3	C7204	MKT C	B32529C0102J289	1	376491024T	<1M>
PCB-3	C7301	C-CERA C	CC725CH1H-471J1	1	342104714R1	
PCB-3	C7302	C-CERA C	CC725CH1H-471J1	1	342104714R1	
PCB-3	C7303	C-CERA C	CK725F1E-104Z1	1	332161040R1	
PCB-3	C7304	C-CERA C	CK725F1E-104Z1	1	332161040R1	<1M>
PCB-3	C7305	C-CERA C	CK725F1E-104Z1	1	332161040R1	
PCB-3	C7309	C-CERA C	CC725CH1H-101J1	1	342101014R1	<1M>
PCB-3	C7401	ELECT C	CE04W16V-10M(S)	1	353741009T	<1M>
PCB-3	C7402	C-CERA C	CC725CH1H-101J1	1	342101014R1	<1M>
PCB-3	C7403	ELECT C	CE04W16V-47M(S)	1	353744709T	<1M>
PCB-3	C7404	C-CERA C	CC725CH1H-330J1	1	342103304R1	<1M>
PCB-3	C7405	ELECT C	CE04W16V-10M(S)	1	353741009T	<1M>
PCB-3	C7411	ELECT C	CE04W16V-47M(S)	1	353744709T	<1M>
PCB-3	C7412	ELECT C	CE04W16V-47M(S)	1	353744709T	<1M>
PCB-3	C7421	C-CERA C	CC725CH1H-102J1	1	342101024R1	<1M>
PCB-3	C9001	VR C	CE04W63V-470M(VR)	1	394674717S	
PCB-3	C9005	VR C	CE04W50V-47M(VR)	1	394684707T	
PCB-3	C9006	C-CERA C	CK725F1E-104Z1	1	332161040R1	
PCB-3	C901	IS C	LE103-C3.5	1	3800042S	
PCB-3	C901 or	IS C	ECQU2A103MLC	(1)	3800039S	
PCB-3	C9011	VR C	CE04W16V-10000M(VR)	1	394641037S	
PCB-3	C9012	TF C	ECQ-V50V-334J	1	374723344T	
PCB-3	C9013	VR C	CE04W50V-2.2M(VR)	1	394680227T	
PCB-3	C9014	VR C	CE04W50V-1M(VR)	1	394680107T	
PCB-3	C902	C-CERA C	CK725F1E-104Z1	1	332161040R1	

PCB-3	C9023	VR C	CE04W50V-10M(VR)	1	394681007T	
PCB-3	C9025	VR C	CE04W6.3V-470M(VR)	1	394624717T	
PCB-3	C9030	VR C	CE04W25V-220M(VR)	1	394652217T	
PCB-3	C9031	C-CERA C	CK725F1E-104Z1	1	332161040R1	
PCB-3	C9032	VR C	CE04W6.3V-470M(VR)	1	394624717T	
PCB-3	C911	C-CERA C	CC725CH1H-102J1	1	342101024R1	<1M>
PCB-3	C921	C-CERA C	CK725B1H-223K1	1	332102235R1	
PCB-3	C922	VR C	CE04W25V-2200M(VR)	1	394652227S	
PCB-3	C930	UTSP C	CE04W50V-100M(UTSP)	1	397581017T	
PCB-3	C933	UTSP C	CE04W50V-4.7M(UTSP)	1	397580477T	
	[RESISTOR]					
PCB-3	R2004	C-CARBON R	RN72K1J-000JE	1	435030004R1	
PCB-3	R2005	C-CARBON R	RN72K1J-000JE	1	435030004R1	
PCB-3	R2007	C-CARBON R	RN72K1J-000JE	1	435030004R1	
PCB-3	R2009	C-CARBON R	RN72K1J-000JE	1	435030004R1	
PCB-3	R2010	C-CARBON R	RN72K1J-000JE	1	435030004R1	
PCB-3	R2014	C-CARBON R	RN72K1J-000JE	1	435030004R1	
PCB-3	R2015	C-CARBON R	RN72K1J-000JE	1	435030004R1	<1M>
PCB-3	R2016	C-CARBON R	RN72K1J-000JE	1	435030004R1	<1M>
PCB-3	R2048	C-CARBON R	RN72K1J-220JE	1	435032204R1	<1M>
PCB-3	R2049	C-CARBON R	RN72K1J-220JE	1	435032204R1	<1M>
PCB-3	R2104	C-CARBON R	RN72K1J-223JE	1	435032234R1	<1M>
PCB-3	R2105	C-CARBON R	RN72K1J-223JE	1	435032234R1	<1M>
PCB-3	R2106	C-CARBON R	RN72K1J-223JE	1	435032234R1	<1M>
PCB-3	R2107	C-CARBON R	RN72K1J-223JE	1	435032234R1	<1M>
PCB-3	R2108	C-CARBON R	RN72K1J-223JE	1	435032234R1	<1M>
PCB-3	R2109	C-CARBON R	RN72K1J-223JE	1	435032234R1	<1M>
PCB-3	R2110	C-CARBON R	RN72K1J-223JE	1	435032234R1	<1M>
PCB-3	R2111	C-CARBON R	RN72K1J-223JE	1	435032234R1	<1M>
PCB-3	R2115	C-CARBON R	RN72K1J-471JE	1	435034714R1	<1M>
PCB-3	R2116	C-CARBON R	RN72K1J-220JE	1	435032204R1	<1M>
PCB-3	R2117	C-CARBON R	RN72K1J-220JE	1	435032204R1	<1M>
PCB-3	R2120	C-CARBON R	RN72K1J-471JE	1	435034714R1	<1M>
PCB-3	R2121	C-CARBON R	RN72K1J-471JE	1	435034714R1	<1M>
PCB-3	R2130	C-CARBON R	RN72K1J-105JE	1	435031054R1	<1M>
PCB-3	R2132	C-CARBON R	RN72K1J-105JE	1	435031054R1	<1M>
PCB-3	R3011	C-CARBON R	RN72K1J-750JE	1	435037504R1	
PCB-3	R3014	C-CARBON R	RN72K1J-750JE	1	435037504R1	
PCB-3	R3017	C-CARBON R	RN72K1J-750JE	1	435037504R1	

PCB-3	R3020	C-CARBON R	RN72K1J-750JE	1	435037504R1		
PCB-3	R3021	C-CARBON R	RN72K1J-750JE	1	435037504R1		
PCB-3	R3023	C-CARBON R	RN72K1J-750JE	1	435037504R1		
PCB-3	R3026	C-CARBON R	RN72K1J-750JE	1	435037504R1		
PCB-3	R3027	C-CARBON R	RN72K1J-750JE	1	435037504R1		
PCB-3	R3028	C-CARBON R	RN72K1J-750JE	1	435037504R1		
PCB-3	R3029	C-CARBON R	RN72K1J-750JE	1	435037504R1		
PCB-3	R3030	C-CARBON R	RN72K1J-750JE	1	435037504R1		
PCB-3	R3038	METAL R	RNU1/2WCJ-1	1	453530104T		
PCB-3	R3041	C-CARBON R	RN72K1J-750JE	1	435037504R1		
PCB-3	R3042	C-CARBON R	RN72K1J-750JE	1	435037504R1		
PCB-3	R3043	C-CARBON R	RN72K1J-750JE	1	435037504R1		
PCB-3	R3089	C-CARBON R	RN72K1J-750JE	1	435037504R1		
PCB-3	R7001	C-CARBON R	RN72K1J-103JE	1	435031034R1		
PCB-3	R7002	C-CARBON R	RN72K1J-332JE	1	435033324R1		
PCB-3	R7003	C-CARBON R	RN72K1J-332JE	1	435033324R1		
PCB-3	R7004	C-CARBON R	RN72K1J-221JE	1	435032214R1		
PCB-3	R7005	C-CARBON R	RN72K1J-221JE	1	435032214R1		
PCB-3	R7006	C-CARBON R	RN72K1J-103JE	1	435031034R1		
PCB-3	R7007	C-CARBON R	RN72K1J-221JE	1	435032214R1		
PCB-3	R7008	C-CARBON R	RN72K1J-221JE	1	435032214R1		
PCB-3	R7021	C-CARBON R	RN72K1J-103JE	1	435031034R1		
PCB-3	R7022	C-CARBON R	RN72K1J-103JE	1	435031034R1		
PCB-3	R7023	C-CARBON R	RN72K1J-103JE	1	435031034R1		
PCB-3	R7024	C-CARBON R	RN72K1J-103JE	1	435031034R1		
PCB-3	R7033	C-CARBON R	RN72K1J-820JE	1	435038204R1		
PCB-3	R7045	C-CARBON R	RN72K1J-101JE	1	435031014R1		
PCB-3	R7046	C-CARBON R	RN72K1J-102JE	1	435031024R1		
PCB-3	R7101	C-CARBON R	RN72K1J-331JE	1	435033314R1		
PCB-3	R7102	C-CARBON R	RN72K1J-471JE	1	435034714R1		
PCB-3	R7103	C-CARBON R	RN72K1J-561JE	1	435035614R1		
PCB-3	R7107	C-CARBON R	RN72K1J-331JE	1	435033314R1		
PCB-3	R7108	C-CARBON R	RN72K1J-471JE	1	435034714R1		
PCB-3	R7109	C-CARBON R	RN72K1J-561JE	1	435035614R1		
PCB-3	R7110	C-CARBON R	RN72K1J-821JE	1	435038214R1		
PCB-3	R7111	C-CARBON R	RN72K1J-122JE	1	435031224R1		
PCB-3	R7112	C-CARBON R	RN72K1J-222JE	1	435032224R1		
PCB-3	R7113	C-CARBON R	RN72K1J-392JE	1	435033924R1		
PCB-3	R7114	C-CARBON R	RN72K1J-123JE	1	435031234R1		

PCB-3	R7115	C-CARBON R	RN72K1J-331JE	1	435033314R1	
PCB-3	R7116	C-CARBON R	RN72K1J-471JE	1	435034714R1	
PCB-3	R7117	C-CARBON R	RN72K1J-561JE	1	435035614R1	
PCB-3	R7118	C-CARBON R	RN72K1J-821JE	1	435038214R1	
PCB-3	R7119	C-CARBON R	RN72K1J-122JE	1	435031224R1	
PCB-3	R7120	C-CARBON R	RN72K1J-222JE	1	435032224R1	
PCB-3	R7121	C-CARBON R	RN72K1J-392JE	1	435033924R1	
PCB-3	R7122	C-CARBON R	RN72K1J-123JE	1	435031234R1	
PCB-3	R7123	C-CARBON R	RN72K1J-331JE	1	435033314R1	
PCB-3	R7124	C-CARBON R	RN72K1J-471JE	1	435034714R1	
PCB-3	R7125	C-CARBON R	RN72K1J-561JE	1	435035614R1	
PCB-3	R7126	C-CARBON R	RN72K1J-821JE	1	435038214R1	
PCB-3	R7127	C-CARBON R	RN72K1J-122JE	1	435031224R1	
PCB-3	R7128	C-CARBON R	RN72K1J-222JE	1	435032224R1	
PCB-3	R7129	C-CARBON R	RN72K1J-392JE	1	435033924R1	
PCB-3	R7151	C-CARBON R	RN72K1J-222JE	1	435032224R1	
PCB-3	R7301	C-CARBON R	RN72K1J-331JE	1	435033314R1	
PCB-3	R7302	C-CARBON R	RN72K1J-331JE	1	435033314R1	
PCB-3	R7304	C-CARBON R	RN72K1J-000JE	1	435030004R1	<1M>
PCB-3	R7401	C-CARBON R	RN72K1J-101JE	1	435031014R1	<1M>
PCB-3	R7402	C-CARBON R	RN72K1J-224JE	1	435032244R1	<1M>
PCB-3	R7403	C-CARBON R	RN72K1J-472JE	1	435034724R1	<1M>
PCB-3	R7404	C-CARBON R	RN72K1J-221JE	1	435032214R1	<1M>
PCB-3	R7405	C-CARBON R	RN72K1J-473JE	1	435034734R1	<1M>
PCB-3	R7406	C-CARBON R	RN72K1J-331JE	1	435033314R1	<1M>
PCB-3	R7407	C-CARBON R	RN72K1J-102JE	1	435031024R1	<1M>
PCB-3	R7408	C-CARBON R	RN72K1J-333JE	1	435033334R1	<1M>
PCB-3	R7409	C-CARBON R	RN72K1J-221JE	1	435032214R1	<1M>
PCB-3	R7410	C-CARBON R	RN72K1J-221JE	1	435032214R1	<1M>
PCB-3	R7411	C-CARBON R	RN72K1J-471JE	1	435034714R1	<1M>
PCB-3	R7412	C-CARBON R	RN72K1J-471JE	1	435034714R1	<1M>
PCB-3	R7413	C-CARBON R	RN72K1J-224JE	1	435032244R1	<1M>
PCB-3	R7414	C-CARBON R	RN72K1J-104JE	1	435031044R1	<1M>
PCB-3	R7415	C-CARBON R	RN72K1J-000JE	1	435030004R1	<1M>
PCB-3	R9001	METAL O R	RS1WBJ-220	1	443622214T	
PCB-3	R9002	C-CARBON R	RN72K1J-822JE	1	435038224R1	
PCB-3	R9003	C-CARBON R	RN72K1J-822JE	1	435038224R1	
PCB-3	R9004	C-CARBON R	RN72K1J-333JE	1	435033334R1	
PCB-3	R9010	METAL O R	RS1/2WBJ-82	1	443528204T	<1M>

PCB-3	R9012	METAL R	RNU1/2WCJ-1	1	453530104T	
PCB-3	R9013	METAL R	RNU1/2WCJ-1	1	453530104T	
PCB-3	R9014	C-CARBON R	RN72K1J-104JE	1	435031044R1	
PCB-3	R9029	METAL R	RNU1WCJ-0.22	1	453632294T	
PCB-3	R9030	METAL O R	RS1WBJ-8.2	1	441620824F	<1M>
PCB-3	R9031	METAL R	RNU2WCJ-3.3	1	452730334F	
PCB-3	R9032	METAL R	RNU2WCJ-3.3	1	452730334F	
PCB-3	R9033	METAL R	RNU1/2WCJ-1	1	453530104T	
PCB-3	R921	METAL O R	RS1/2WBJ-47	1	443524704T	
PCB-3	R934	C-CARBON R	RN72K1J-104JE	1	435031044R1	
	[SW TRM]					
PCB-3	E7202	TRM-423(SCREW)	NEJITANSI ST3	1	25060495	<1M>
PCB-3	E7301A	RETAINER	(EARTH)	1	27142136A	<1M>
PCB-3	E9001	TRM-423(SCREW)	NEJITANSI ST3	1	25060495	
PCB-3	E9003	TRM-423(SCREW)	NEJITANSI ST3	1	25060495	
PCB-3	E901	TRM-423(SCREW)	NEJITANSI ST3	1	25060495	
PCB-3	E902	TRM-423(SCREW)	NEJITANSI ST3	1	25060495	
PCB-3	F901C	FUSE HOL	NSCT-1P2031	1	25052133T	<1M>
PCB-3	F901D	FUSE HOL	NSCT-1P2031	1	25052133T	<1M>
PCB-3	F901E	LABEL	LABEL	1	29360842	<1M>
PCB-3	JL5502B	WIRE TRAP	NPLG-5P588	1	25055626	<1M>
PCB-3	JL6605B	SOCKET	NSCT-5P97	1	25050269	
PCB-3	JL7101A	WIRE HOL	NSCT-9P900	1	25051113	
PCB-3	JL7101B	WIRE HOL	NSCT-9P900	1	25051113	
PCB-3	JL8001A	WIRE HOL	NSCT-5P876	1	25051089	
PCB-3	JL901A	WIRE HOL	NSCT-5P876	1	25051089	
PCB-3	JL9101B	SOCKET	NSCT-7P99	1	25050271	
PCB-3	P002	PWB	BCDIS-0036	1	25140036D	N
PCB-3	P2001B	PLUG	IMSA-9142B-26A	1	25056603	
PCB-3	P2080A	SOCKET	IMSA-9142S-20A	1	25053232	<1M>
PCB-3	P3001	PIN JACK	NPJ-3PDYYY560	1	25045778	
PCB-3	P3002	PIN JACK	NPJ-2PDYY679	1	25045911	<1M>
PCB-3	P3005	PIN JACK	NPJ-9PDGLRGLRGLR563	1	25045781	
PCB-3	P3005 or	PIN JACK	NPJ-9PDGLR519	(1)	25045731	
PCB-3	P701B	SOCKET	NSCT-33P2163	1	25052266	
PCB-3	P7201	ST JACK	MSJ-064-05A SR	1	25045783	
PCB-3	P7201 or	ST JACK	YKB21-5005	(1)	25045724	
PCB-3	P7301	PIN JACK	NPJ-3PDB693	1	25045925	<1M>
PCB-3	P7311	ST JACK	MSJ-035-05A BAG SR LF	1	25045927	<1M>

PCB-3	P7401	ST JACK	MSJ-035-05C B AG SR type	1	25045879	<1M>
PCB-3	P901A	PLUG	NPLG-2P631	1	25055675	<1M>
PCB-3	P901Aor	PLUG	1-1123724-2	(1)	25056402	<1M>
PCB-3	P911	PLUG	NPLG-2P631	1	25055675	<1M>
PCB-3	P911 or	PLUG	1-1123724-2	(1)	25056402	<1M>
PCB-3	RL901	RELAY	NRL-1P5A-DC9-179	1	25065669	<1M>
PCB-3	S7002	R ENCODE	EC12E2425WITH WASHER	1	25065655W	
PCB-3	S7102	PUSH SW	NPS-111-S681	1	25035718T	
PCB-3	S7104	PUSH SW	NPS-111-S681	1	25035718T	
PCB-3	S7108	PUSH SW	NPS-111-S681	1	25035718T	
PCB-3	S7110	PUSH SW	NPS-111-S681	1	25035718T	<1M>
PCB-3	S7113	PUSH SW	NPS-111-S681	1	25035718T	<1M>
PCB-3	S7115	PUSH SW	NPS-111-S681	1	25035718T	<1M>
PCB-3	S7117	PUSH SW	NPS-111-S681	1	25035718T	<1M>
PCB-3	S7119	PUSH SW	NPS-111-S681	1	25035718T	<1M>
PCB-3	S7121	PUSH SW	NPS-111-S681	1	25035718T	<1M>
PCB-3	S7125	PUSH SW	NPS-111-S681	1	25035718T	<1M>
PCB-3	S7127	PUSH SW	NPS-111-S681	1	25035718T	<1M>
PCB-3	S7129	PUSH SW	NPS-111-S681	1	25035718T	<1M>
PCB-3	S7132	PUSH SW	NPS-111-S681	1	25035718T	
PCB-3	S7134	PUSH SW	NPS-111-S681	1	25035718T	
PCB-3	S7136	PUSH SW	NPS-111-S681	1	25035718T	
PCB-3	S7138	PUSH SW	NPS-111-S681	1	25035718T	
PCB-3	S7140	PUSH SW	NPS-111-S681	1	25035718T	
PCB-3	S7142	PUSH SW	NPS-111-S681	1	25035718T	
PCB-3	S7144	PUSH SW	NPS-111-S681	1	25035718T	
PCB-3	S7146	PUSH SW	NPS-111-S681	1	25035718T	
PCB-3	S7148	PUSH SW	NPS-111-S681	1	25035718T	
PCB-3	S7150	PUSH SW	NPS-111-S681	1	25035718T	
PCB-3	S7152	PUSH SW	NPS-111-S681	1	25035718T	
PCB-3	S7154	PUSH SW	NPS-111-S681	1	25035718T	
PCB-3	S7156	PUSH SW	NPS-111-S681	1	25035718T	
PCB-3	S7158	PUSH SW	NPS-111-S681	1	25035718T	
PCB-3	S7160	PUSH SW	NPS-111-S681	1	25035718T	
PCB-3	S7162	PUSH SW	NPS-111-S681	1	25035718T	
PCB-3	S7164	PUSH SW	NPS-111-S681	1	25035718T	
PCB-3						

U004

HDMI PC BOARD (BAHDM-0058-1B)

CIRCUIT. NO.	PART NAME	DESCRIPTION	Q'TY	PART NO. (SN)	REMARKS
[SEMI CONDUCTOR]					
PCB-4	D8801	C-DIODE	1	223269R2	
PCB-4	D8801 or	C-DIODE	(1)	223234R2	
PCB-4	D8801 or	C-DIODE	(1)	223279R2	
PCB-4	D8801 or	C-DIODE	(1)	223283R2	
PCB-4	D8802	C-DIODE	1	223274R2	
PCB-4	D8803	C-DIODE	1	22380284R2	
PCB-4	D8804	C-DIODE	1	223269R2	
PCB-4	D8804 or	C-DIODE	(1)	223234R2	
PCB-4	D8804 or	C-DIODE	(1)	223279R2	
PCB-4	D8804 or	C-DIODE	(1)	223283R2	
PCB-4	D8805	C-DIODE	1	223269R2	
PCB-4	D8805 or	C-DIODE	(1)	223234R2	
PCB-4	D8805 or	C-DIODE	(1)	223279R2	
PCB-4	D8805 or	C-DIODE	(1)	223283R2	
PCB-4	Q201	IC	1	22242502R3	
PCB-4	Q202	IC	1	22240935R2	
PCB-4	Q281	IC	1	22242462R2	
PCB-4	Q281 or	IC	(1)	22242603R2	
PCB-4	Q281 or	IC	(1)	22242607R2	N
PCB-4	Q282	IC	1	222W0069R303316	
PCB-4	Q282 or	IC	(1)	222W0063R303316	
PCB-4	Q282 or	IC	(1)	222W0100R303316	
PCB-4	Q282 or	IC	(1)	222W0101R303316	
PCB-4	Q8501	IC	1	22242579R3	
PCB-4	Q8801	IC	1	22242323R2	
PCB-4	Q8802	IC	1	22242300R2	
PCB-4	Q8803	IC	1	22278033DBR2TO	
PCB-4	Q8804	IC	1	22278033DBR2TO	
PCB-4	Q8805	IC	1	22242407R2	
[TRANS COIL]					
PCB-4	L201	CHOKE COIL	1	230949R2	
PCB-4	L202	CHOKE COIL	1	230949R2	
PCB-4	L203	C-CARBON R	1	435030004R1	
PCB-4	L204	EMIFIL	1	230958R1	
PCB-4	L205	CHOKE COIL	1	231364M470R2	

PCB-4	L241	EMIFIL	ACF451832-333-T	1	230978R2		
PCB-4	L282	CHOKE COIL	BLM21PG221SN1	1	230949R2		
PCB-4	L312	EMIFIL	BK1608LM182-T	1	230958R1		
PCB-4	L8001	C-R NET	MNR12E0APJ000	1	43464900002R2		
PCB-4	L8002	C-R NET	MNR12E0APJ000	1	43464900002R2		
PCB-4	L8003	C-R NET	MNR12E0APJ000	1	43464900002R2		
PCB-4	L8004	C-R NET	MNR12E0APJ000	1	43464900002R2		
PCB-4	L8801	CHOKE COIL	BLM21PG221SN1	1	230949R2		
PCB-4	L8802	CHOKE COIL	BLM21PG221SN1	1	230949R2		
PCB-4	L8803	CHOKE COIL	NCH-2541	1	231363K470A		
PCB-4	L8803 or	COIL	0182-7310-470K-RB	(1)	231389		
PCB-4	L8805	CHOKE COIL	BLM21PG221SN1	1	230949R2		
PCB-4	X202	CRYSTAL	HC-49USSMD17.734MHz	1	3010442R2		
	[CAPACITOR]						
PCB-4	C201	C-CERA C	CK725F1E-104Z1	1	332161040R1		
PCB-4	C202	C-CERA C	CK725F1E-104Z1	1	332161040R1		
PCB-4	C203	C-CERA C	CK725F1E-104Z1	1	332161040R1		
PCB-4	C204	C-CERA C	CK725F1E-104Z1	1	332161040R1		
PCB-4	C205	C-CERA C	CK725F1E-104Z1	1	332161040R1		
PCB-4	C206	C-CERA C	CK725F1E-104Z1	1	332161040R1		
PCB-4	C207	C-CERA C	CK725F1E-104Z1	1	332161040R1		
PCB-4	C208	C-CERA C	CK725F1E-104Z1	1	332161040R1		
PCB-4	C209	C-CERA C	CK725F1E-104Z1	1	332161040R1		
PCB-4	C211	C-CERA C	CK725F1E-104Z1	1	332161040R1		
PCB-4	C212	C-CERA C	CK725F1E-104Z1	1	332161040R1		
PCB-4	C213	C-CERA C	CK725F1E-104Z1	1	332161040R1		
PCB-4	C214	C-CERA C	CK725F1E-104Z1	1	332161040R1		
PCB-4	C215	C-CERA C	CK725F1E-104Z1	1	332161040R1		
PCB-4	C216	C-CERA C	CK725F1E-104Z1	1	332161040R1		
PCB-4	C217	C-CERA C	CK725F1E-104Z1	1	332161040R1		
PCB-4	C218	CHIP ELECT C	CEWX4V-220M	1	3981G2217R2		
PCB-4	C219	C-CERA C	CK725F1E-104Z1	1	332161040R1		
PCB-4	C221	C-CERA C	CK725F1E-104Z1	1	332161040R1		
PCB-4	C222	C-CERA C	CK725F1E-104Z1	1	332161040R1		
PCB-4	C223	C-CERA C	CK725F1E-104Z1	1	332161040R1		
PCB-4	C224	C-CERA C	CK725F1E-104Z1	1	332161040R1		
PCB-4	C225	C-CERA C	CK725F1E-104Z1	1	332161040R1		
PCB-4	C226	C-CERA C	CK725F1E-104Z1	1	332161040R1		
PCB-4	C227	C-CERA C	CK725F1E-104Z1	1	332161040R1		

PCB-4	C228	C-CERA C	CK725F1E-104Z1	1	332161040R1	
PCB-4	C229	C-CERA C	CK725F1E-104Z1	1	332161040R1	
PCB-4	C230	C-CERA C	CK725F1E-104Z1	1	332161040R1	
PCB-4	C231	C-CERA C	CK725F1E-104Z1	1	332161040R1	
PCB-4	C232	C-CERA C	CK725F1E-104Z1	1	332161040R1	
PCB-4	C233	C-CERA C	CK725F1E-104Z1	1	332161040R1	
PCB-4	C234	C-CERA C	CK725F1E-104Z1	1	332161040R1	
PCB-4	C235	CHIP ELECT C	CEWX4V-220M	1	3981G2217R2	
PCB-4	C236	C-CERA C	CK725F1E-104Z1	1	332161040R1	
PCB-4	C237	CHIP ELECT C	CEWX4V-100M	1	3981G1017R2	
PCB-4	C238	C-CERA C	CC725CH1H-060D1	1	342100602R1	
PCB-4	C239	C-CERA C	CC725CH1H-060D1	1	342100602R1	
PCB-4	C241	CHIP ELECT C	CEWX4V-220M	1	3981G2217R2	
PCB-4	C242	C-CERA C	CK725F1E-104Z1	1	332161040R1	
PCB-4	C243	C-CERA C	CC725CH1H-101J1	1	342101014R1	
PCB-4	C245	C-CERA C	CK725F1E-104Z1	1	332161040R1	
PCB-4	C246	C-CERA C	CK725F1E-104Z1	1	332161040R1	
PCB-4	C281	CHIP ELECT C	CEWX4V-220M	1	3981G2217R2	
PCB-4	C282	C-CERA C	CK725F1E-104Z1	1	332161040R1	
PCB-4	C283	C-CERA C	CC725CH1H-102J1	1	342101024R1	
PCB-4	C284	CHIP ELECT C	CEWX4V-220M	1	3981G2217R2	
PCB-4	C285	C-CERA C	CK725F1E-104Z1	1	332161040R1	
PCB-4	C286	C-CERA C	CK725F1E-104Z1	1	332161040R1	
PCB-4	C287	C-CERA C	CK725F1E-104Z1	1	332161040R1	
PCB-4	C288	C-CERA C	CK725F1E-104Z1	1	332161040R1	
PCB-4	C289	C-CERA C	CK725F1E-104Z1	1	332161040R1	
PCB-4	C290	C-CERA C	CK725F1E-104Z1	1	332161040R1	
PCB-4	C291	C-CERA C	CK725F1E-104Z1	1	332161040R1	
PCB-4	C295	C-CERA C	CK725F1E-104Z1	1	332161040R1	
PCB-4	C8001	C-CERA C	CK725B1H-103K1	1	332101035R1	<1B>
PCB-4	C8002	C-CERA C	CK725B1H-103K1	1	332101035R1	
PCB-4	C8003	C-CERA C	CK725B1H-103K1	1	332101035R1	
PCB-4	C8004	C-CERA C	CK725B1H-103K1	1	332101035R1	
PCB-4	C8005	C-CERA C	CK725F1E-104Z1	1	332161040R1	
PCB-4	C8501	CHIP ELECT C	CEWX50V-4.7M	1	398180477R2	
PCB-4	C8502	C-CERA C	CK725F1E-104Z1	1	332161040R1	
PCB-4	C8503	C-CERA C	CK725B1H-103K1	1	332101035R1	
PCB-4	C8504	C-CERA C	CK725F1E-104Z1	1	332161040R1	
PCB-4	C8505	C-CERA C	CK725F1E-104Z1	1	332161040R1	

PCB-4	C8506	C-CERA C	CK725F1E-104Z1	1	332161040R1		
PCB-4	C8507	C-CERA C	CK725F1E-104Z1	1	332161040R1		
PCB-4	C8508	C-CERA C	CK725B1H-103K1	1	332101035R1		
PCB-4	C8509	C-CERA C	CK725B1H-103K1	1	332101035R1		
PCB-4	C8510	C-CERA C	CK725B1H-103K1	1	332101035R1		
PCB-4	C8511	C-CERA C	CK725B1H-103K1	1	332101035R1		
PCB-4	C8512	C-CERA C	CK725B1H-103K1	1	332101035R1		
PCB-4	C8513	C-CERA C	CK725B1H-103K1	1	332101035R1		
PCB-4	C8514	C-CERA C	CK725F1E-104Z1	1	332161040R1		
PCB-4	C8515	C-CERA C	CK725F1E-104Z1	1	332161040R1		
PCB-4	C8516	C-CERA C	CK725B1H-103K1	1	332101035R1		
PCB-4	C8517	C-CERA C	CK725B1H-103K1	1	332101035R1		
PCB-4	C8518	C-CERA C	CK725B1H-103K1	1	332101035R1		
PCB-4	C8519	C-CERA C	CK725B1H-103K1	1	332101035R1		
PCB-4	C8520	C-CERA C	CK725F1E-104Z1	1	332161040R1		
PCB-4	C8521	C-CERA C	CK725F1E-104Z1	1	332161040R1		
PCB-4	C8522	C-CERA C	CK725F1E-104Z1	1	332161040R1		
PCB-4	C8523	C-CERA C	CK725F1E-104Z1	1	332161040R1		
PCB-4	C8800	CD C	UCD1E221MNL1GS	1	396652217R2		
PCB-4	C8801	CD C	UCD1E221MNL1GS	1	396652217R2		
PCB-4	C8802	C-CERA C	CK725B1H-223K1	1	332102235R1		
PCB-4	C8803	C-CERA C	CK725F1E-104Z1	1	332161040R1		
PCB-4	C8804	CHIP ELECT C	CEWT10V-470M	1	395734717R2		
PCB-4	C8805	C-CERA C	CK725F1E-104Z1	1	332161040R1		
PCB-4	C8806	CHIP ELECT C	CEWX16V-10M	1	398141007R2		
PCB-4	C8807	CHIP ELECT C	CEWX4V-100M	1	3981G1017R2		
PCB-4	C8808	C-CERA C	CK725F1E-104Z1	1	332161040R1		
PCB-4	C8809	CHIP ELECT C	CEWX16V-10M	1	398141007R2		
PCB-4	C8810	C-CERA C	CK725F1E-104Z1	1	332161040R1		
PCB-4	C8811	CHIP ELECT C	CEWX4V-100M	1	3981G1017R2		
PCB-4	C8812	C-CERA C	CK725B0J-106K	1	332091065R2		
PCB-4	C8813	C-CERA C	CK725F1E-104Z1	1	332161040R1		
PCB-4	C8814	CHIP ELECT C	CEWX4V-100M	1	3981G1017R2		
PCB-4	C8815	C-CERA C	CK725F1E-104Z1	1	332161040R1		
PCB-4	C8816	C-CERA C	CK725B0J-106K	1	332091065R2		
PCB-4	C8817	C-CERA C	CK725F1E-104Z1	1	332161040R1		
PCB-4	C8818	C-CERA C	CK725F1E-104Z1	1	332161040R1		
PCB-4	C8821	C-CERA C	CK725F1E-104Z1	1	332161040R1		
	[RESISTOR]						

PCB-4	R200	C-CARBON R	RN72K1J-221JE	1	435032214R1		
PCB-4	R201	C-CARBON R	RN72K1J-103JE	1	435031034R1		
PCB-4	R202	C-CARBON R	RN72K1J-103JE	1	435031034R1		
PCB-4	R203	C-CARBON R	RN72K1J-103JE	1	435031034R1		
PCB-4	R204	C-CARBON R	RN72K1J-103JE	1	435031034R1		
PCB-4	R205	C-CARBON R	RN72K1J-103JE	1	435031034R1		
PCB-4	R206	C-CARBON R	RN72K1J-221JE	1	435032214R1		
PCB-4	R207	C-CARBON R	RN72K1J-221JE	1	435032214R1		
PCB-4	R208	C-CARBON R	RN72K1J-103JE	1	435031034R1		
PCB-4	R209	C-CARBON R	RN72K1J-470JE	1	435034704R1		
PCB-4	R221	C-CARBON R	RN72K1J-750JE	1	435037504R1		
PCB-4	R250	C-CARBON R	RN72K1J-221JE	1	435032214R1		
PCB-4	R251	C-CARBON R	RN72K1J-221JE	1	435032214R1		
PCB-4	R252	C-CARBON R	RN72K1J-331JE	1	435033314R1		
PCB-4	R253	C-CARBON R	RN72K1J-470JE	1	435034704R1		
PCB-4	R254	C-CARBON R	RN72K1J-470JE	1	435034704R1		
PCB-4	R255	C-CARBON R	RN72K1J-470JE	1	435034704R1		
PCB-4	R256	C-CARBON R	RN72K1J-470JE	1	435034704R1		
PCB-4	R257	C-CARBON R	RN72K1J-470JE	1	435034704R1		
PCB-4	R258	C-CARBON R	RN72K1J-103JE	1	435031034R1		
PCB-4	R259	C-CARBON R	RN72K1J-331JE	1	435033314R1		
PCB-4	R260	C-CARBON R	RN72K1J-470JE	1	435034704R1		
PCB-4	R261	C-CARBON R	RN72K1J-470JE	1	435034704R1		
PCB-4	R265	C-CARBON R	RN72K1J-331JE	1	435033314R1		
PCB-4	R266	C-CARBON R	RN72K1J-331JE	1	435033314R1		
PCB-4	R267	C-CARBON R	RN72K1J-470JE	1	435034704R1		
PCB-4	R268	C-CARBON R	RN72K1J-221JE	1	435032214R1		
PCB-4	R269	C-CARBON R	RN72K1J-470JE	1	435034704R1		
PCB-4	R270	C-CARBON R	RN72K1J-000JE	1	435030004R1		
PCB-4	R272	C-CARBON R	RN72K1J-105JE	1	435031054R1		
PCB-4	R273	C-CARBON R	RN72K1J-103JE	1	435031034R1		
PCB-4	R281	C-CARBON R	RN72K1J-103JE	1	435031034R1		
PCB-4	R282	C-CARBON R	RN72K1J-103JE	1	435031034R1		
PCB-4	R283	C-CARBON R	RN72K1J-103JE	1	435031034R1		
PCB-4	R284	C-CARBON R	RN72K1J-103JE	1	435031034R1		
PCB-4	R285	C-CARBON R	RN72K1J-103JE	1	435031034R1		
PCB-4	R286	C-CARBON R	RN72K1J-331JE	1	435033314R1		
PCB-4	R287	C-CARBON R	RN72K1J-103JE	1	435031034R1		
PCB-4	R288	C-CARBON R	RN72K1J-103JE	1	435031034R1		

PCB-4	R289	C-CARBON R	RN72K1J-472JE	1	435034724R1	
PCB-4	R290	C-CARBON R	RN72K1J-472JE	1	435034724R1	
PCB-4	R8001	C-CARBON R	RN72K1J-102JE	1	435031024R1	<1B>
PCB-4	R8002	C-CARBON R	RN72K1J-473JE	1	435034734R1	<1B>
PCB-4	R8003	C-CARBON R	RN72K1J-473JE	1	435034734R1	<1B>
PCB-4	R8004	C-CARBON R	RN72K1J-393JE	1	435033934R1	<1B>
PCB-4	R8005	C-CARBON R	RN72K1J-000JE	1	435030004R1	<1B>
PCB-4	R8101	C-CARBON R	RN72K1J-102JE	1	435031024R1	
PCB-4	R8102	C-CARBON R	RN72K1J-473JE	1	435034734R1	
PCB-4	R8103	C-CARBON R	RN72K1J-473JE	1	435034734R1	
PCB-4	R8104	C-CARBON R	RN72K1J-393JE	1	435033934R1	
PCB-4	R8105	C-CARBON R	RN72K1J-000JE	1	435030004R1	
PCB-4	R8201	C-CARBON R	RN72K1J-102JE	1	435031024R1	
PCB-4	R8202	C-CARBON R	RN72K1J-473JE	1	435034734R1	
PCB-4	R8203	C-CARBON R	RN72K1J-473JE	1	435034734R1	
PCB-4	R8204	C-CARBON R	RN72K1J-393JE	1	435033934R1	
PCB-4	R8205	C-CARBON R	RN72K1J-000JE	1	435030004R1	
PCB-4	R8301	C-CARBON R	RN72K1J-102JE	1	435031024R1	
PCB-4	R8302	C-CARBON R	RN72K1J-473JE	1	435034734R1	
PCB-4	R8303	C-CARBON R	RN72K1J-473JE	1	435034734R1	
PCB-4	R8304	C-CARBON R	RN72K1J-393JE	1	435033934R1	
PCB-4	R8305	C-CARBON R	RN72K1J-000JE	1	435030004R1	
PCB-4	R8401	C-CARBON R	RN72K1J-473JE	1	435034734R1	
PCB-4	R8402	C-CARBON R	RN72K1J-182JE	1	435031824R1	
PCB-4	R8403	C-CARBON R	RN72K1J-182JE	1	435031824R1	
PCB-4	R8416	C-CARBON R	RN72K1J-000JE	1	435030004R1	
PCB-4	R8501	C-CARBON R	RN72K1J-473JE	1	435034734R1	
PCB-4	R8503	C-CARBON R	RN72K1J-472JE	1	435034724R1	
PCB-4	R8504	C-CARBON R	RN72K1J-472JE	1	435034724R1	
PCB-4	R8505	C-CARBON R	RN72K1J-102JE	1	435031024R1	
PCB-4	R8506	C-CARBON R	RN72K1J-102JE	1	435031024R1	
PCB-4	R8801	C-CARBON R	RN72K1J-333JE	1	435033334R1	
PCB-4	R8802	C-CARBON R	RN72K1J-332JE	1	435033324R1	
PCB-4	R8803	C-CARBON R	RN72K1J-152JE	1	435031524R1	
PCB-4	R8804	C-CARBON R	RN72K1J-152JE	1	435031524R1	
PCB-4	R8805	C-CARBON R	RN72K1J-000JE	1	435030004R1	
PCB-4	R8806	C-CARBON R	RN72K1J-393JE	1	435033934R1	
PCB-4	R8807	C-CARBON R	RN72K1J-393JE	1	435033934R1	
PCB-4	R8808	C-CARBON R	RN72K1J-333JE	1	435033334R1	

PCB-4	R8810	C-CARBON R	RN72K1J-103JE	1	435031034R1	
PCB-4	R8811	C-CARBON R	RN72K1J-222JE	1	435032224R1	
PCB-4	R8812	C-CARBON R	RN72K1J-222JE	1	435032224R1	
PCB-4	R8821	C-CARBON R	RN72K1J-101JE	1	435031014R1	
	[SW TRM]					
PCB-4	JL801B	WIRE TRAP	NPLG-5P588	1	25055626	
PCB-4	P202	PLUG	IMSA-9111B-16	1	25056620	
PCB-4	P8001B	SOCKET	IMSA-9111S-24L	1	25053259	
PCB-4	P8002	SOCKET	YKF45-7037V	1	25053253R3	
PCB-4	P8003	SOCKET	YKF45-7037V	1	25053253R3	
PCB-4	P8004	SOCKET	YKF45-7037V	1	25053253R3	
PCB-4	P8005	SOCKET	YKF45-7037V	1	25053253R3	
PCB-4	P8006	SOCKET	YKF45-7037V	1	25053253R3	<1B>
	U005	SPEAKERS TERMINAL PC BOARD (BATRM-0029-1D)				
	CIRCUIT. NO.	PART NAME	DESCRIPTION	Q'TY	PART NO. (SN)	REMARKS
	[SEMI CONDUCTOR]					
PCB-5	D6600	DIODE	1SS133	1	223163T	
PCB-5	D6603	DIODE	1SS133	1	223163T	
PCB-5	D6605	DIODE	1SS133	1	223163T	<1D>
PCB-5	D6607	DIODE	1SS133	1	223163T	<1D>
PCB-5	Q6601	TR	KRC105M	1	2215830T	
PCB-5	Q6601 or	TR	RN1205	(1)	2214660T	
PCB-5	Q6602	TR	KRC105M	1	2215830T	
PCB-5	Q6602 or	TR	RN1205	(1)	2214660T	
PCB-5	Q6603	TR	KRC105M	1	2215830T	<1D>
PCB-5	Q6603 or	TR	RN1205	(1)	2214660T	<1D>
PCB-5	Q6604	TR	KRC105M	1	2215830T	<1D>
PCB-5	Q6604 or	TR	RN1205	(1)	2214660T	<1D>
	[CAPACITOR]					
PCB-5	C6600	TF C	ECQ-V50V-103J	1	374721034T	
PCB-5	C6602	TF C	ECQ-V50V-103J	1	374721034T	
PCB-5	C6603	TF C	ECQ-V50V-103J	1	374721034T	
PCB-5	C6605	TF C	ECQ-V50V-103J	1	374721034T	<1D>
PCB-5	C6607	TF C	ECQ-V50V-103J	1	374721034T	<1D>
	[RESISTOR]					

PCB-5	R6690	METAL O R	RS1/2WBJ-10	1	443521004T	<1D>
PCB-5	R6691	METAL O R	RS1/2WBJ-390	1	443523914T	
PCB-5	R6692	METAL O R	RS1/2WBJ-390	1	443523914T	
	[SW TRM]					
PCB-5	JL6600B	SOCKET	NSCT-7P99	1	25050271	
PCB-5	JL6603B	SOCKET	NSCT-9P101	1	25050273	
PCB-5	JL6604B	SOCKET	NSCT-5P97	1	25050269	<1D>
PCB-5	JL6605A	WIRE HOL	NSCT-5P896	1	25051109	
PCB-5	JL6610A	WIRE HOL	NSCT-7P878	1	25051091	
PCB-5	P003	PWB	BCTRM-0029	1	25140029B	N
PCB-5	P6601	TRM	NTM-2PDMCR400	1	25060472	
PCB-5	P6602	TRM	NTM-4PDMNRR420	1	25060492	
PCB-5	P6603	TRM	NTM-4PDMNRR420	1	25060492	
PCB-5	P6604	TRM	NTM-4PDMNRR420	1	25060492	<1D>
PCB-5	RL6600	RELAY	NRL-2P5A-DC24-129	1	25065563A	
PCB-5	RL6600 or	RELAY	NRL-2P5A-DC24-193	(1)	25065703	
PCB-5	RL6602	RELAY	NRL-2P5A-DC24-129	1	25065563A	<1D>
PCB-5	RL6602 or	RELAY	NRL-2P5A-DC24-193	(1)	25065703	<1D>
PCB-5	RL6603	RELAY	NRL-2P5A-DC24-129	1	25065563A	
PCB-5	RL6603 or	RELAY	NRL-2P5A-DC24-193	(1)	25065703	
PCB-5	RL6605	RELAY	NRL-2P5A-DC24-129	1	25065563A	<1D>
PCB-5	RL6605 or	RELAY	NRL-2P5A-DC24-193	(1)	25065703	<1D>
PCB-5	RL6607	RELAY	NRL-2P5A-DC24-129	1	25065563A	<1D>
PCB-5	RL6607 or	RELAY	NRL-2P5A-DC24-193	(1)	25065703	<1D>

ONKYO CORPORATION

Service Dept. Technical Support : 2-1, Nisshin-cho, Neyagawa-shi, OSAKA 572-8540, JAPAN
Tel: 072-831-8023 Fax: 072-831-8163

ONKYO U.S.A. CORPORATION

18 Park Way, Upper Saddle River, N.J. 07458, U.S.A.
Tel: 201-785-2600 Fax: 201-785-2650 <http://www.us.onkyo.com/>

ONKYO EUROPE ELECTRONICS GmbH (DUISBURG OFFICE)

Hafennr.7602, Logport Office-Center, Bliersheimerstr.80B, 47229 Duisburg, Germany
Tel: +49-2065-90198-00 Fax: +49-2065-90198-40 <http://www.eu.onkyo.com/>

ONKYO EUROPE UK Office

Suite 1, Gregories Court, Gregories Road, Beaconsfield, Buckinghamshire, HP9 1HQ
UNITED KINGDOM Tel: +44-(0)1494-681515 Fax: +44(0)-1494-680452

ONKYO CHINA LIMITED

Units 2102-2107, Metroplaza Tower I, 223 Hing Fong Road, Kwai Chung,
N.T., HONG KONG Tel: 852-2429-3118 Fax: 852-2428-9039
<http://www.ch.onkyo.com/>

