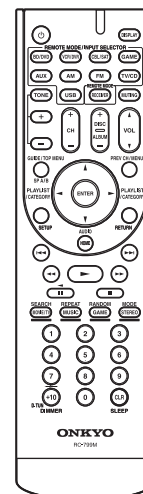
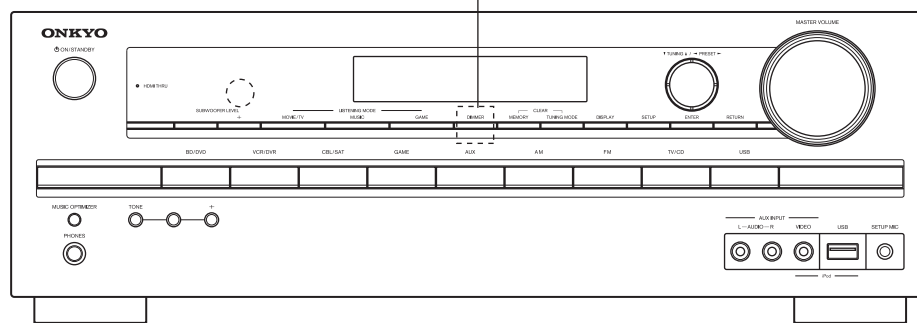


ONKYO® SERVICE MANUAL

AV RECEIVER MODEL HT-R590(B)

(North American and Brazilian models) ---> DIMMER
(Asian models) ---> RT/TPY/TP



RC-779M

HT-R590 for HT-S5400 Black model

B MDD, B MDC	120V AC, 60Hz
B MDS	120V AC, 60Hz
B MMQ, B MMK	220-240V AC, 50/60Hz

HT-R590 for HT-S6400 Black model

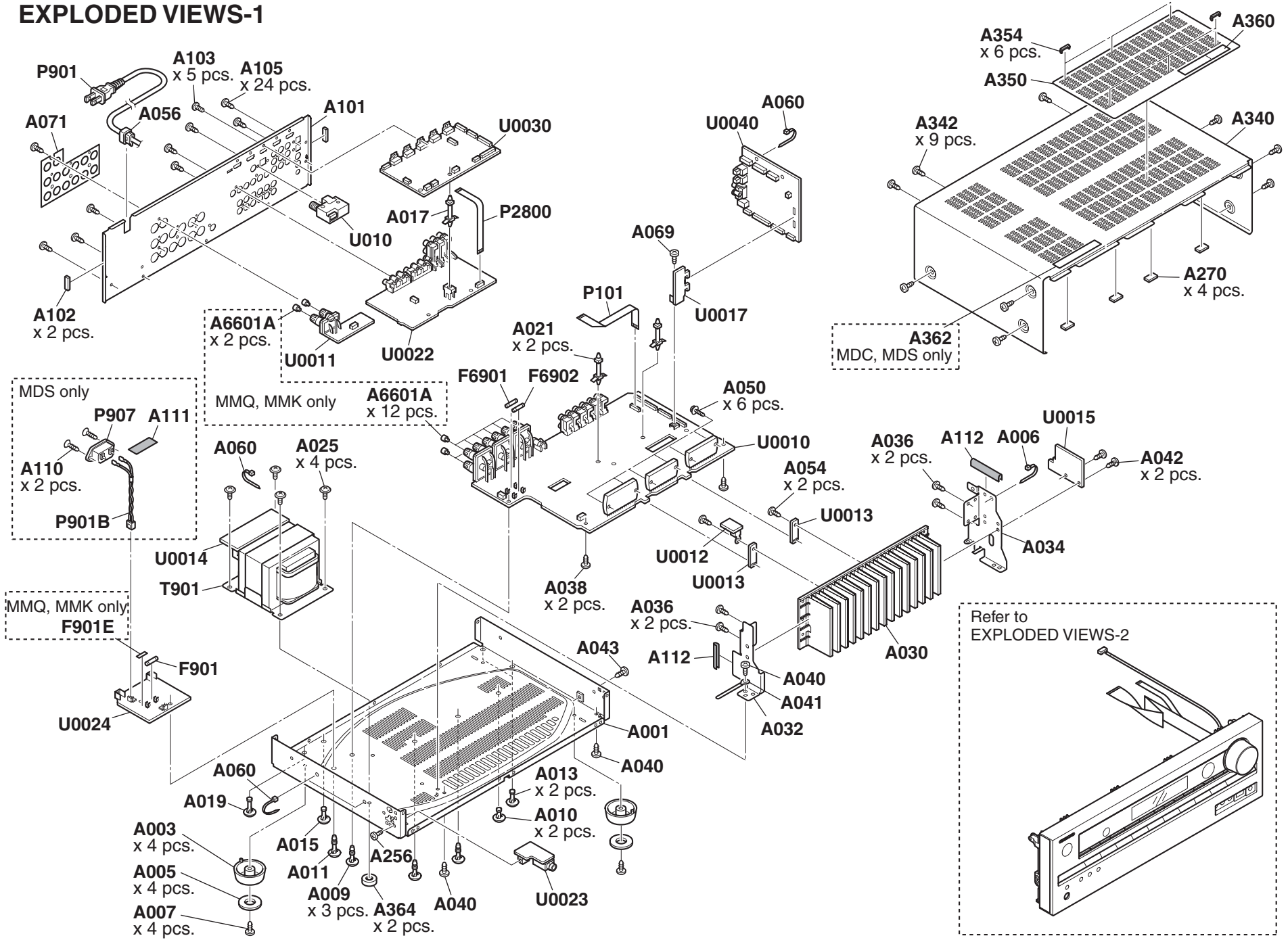
B MDC	120V AC, 60Hz
-------	---------------

SAFETY-RELATED COMPONENT WARNING!!

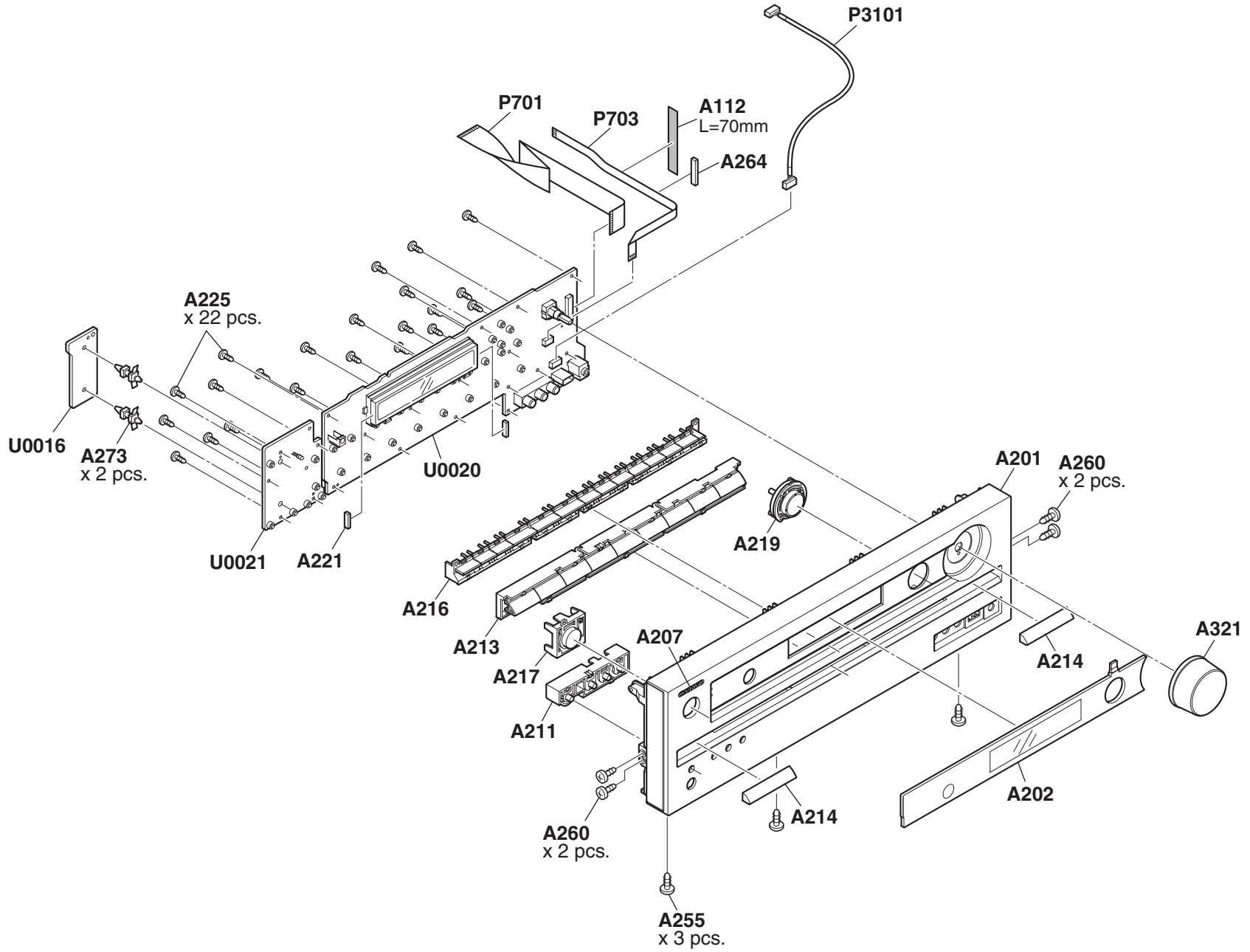
COMPONENTS IDENTIFIED BY MARK \triangle ON THE SCHEMATIC DIAGRAM AND IN THE PARTS LIST ARE CRITICAL FOR RISK OF FIRE AND ELECTRIC SHOCK. REPLACE THESE COMPONENTS WITH ONKYO PARTS WHOSE PART NUMBERS APPEAR AS SHOWN IN THIS MANUAL.

MAKE LEAKAGE-CURRENT OR RESISTANCE MEASUREMENTS TO DETERMINE THAT EXPOSED PARTS ARE ACCEPTABLY INSULATED FROM THE SUPPLY CIRCUIT BEFORE RETURNING THE APPLIANCE TO THE CUSTOMER.

EXPLODED VIEWS-1



EXPLODED VIEWS-2



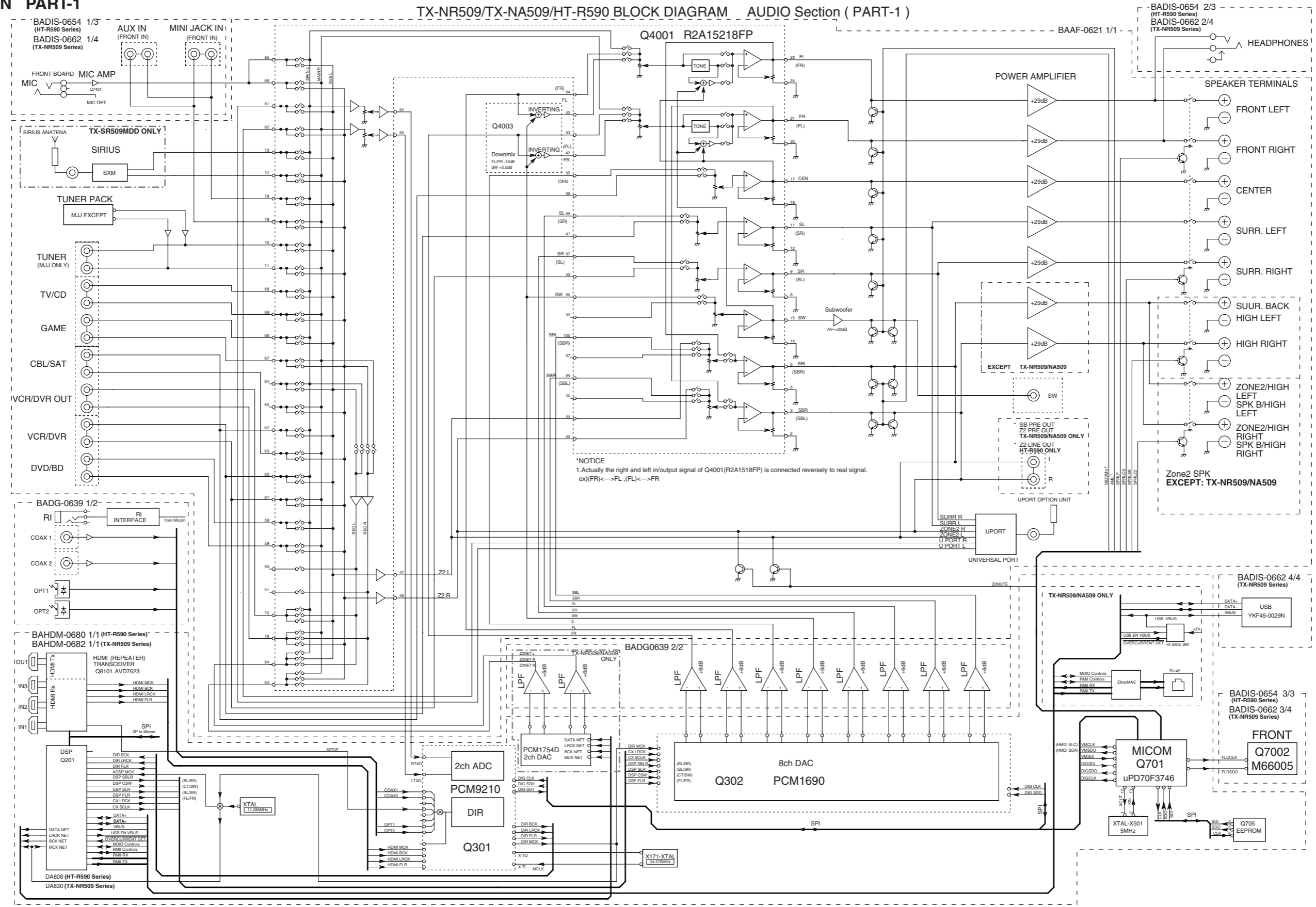
SCHEMATIC DIAGRAM/ BLOCK DIAGRAM-1

BLOCK DIAGRAM

AUDIO SECTION PART-1

TX-NR509/TX-NA509/HT-R590 BLOCK DIAGRAM AUDIO Section (PART-1)

1
2
3
4
5



*NOTICE
1. Actually the right and left in/output signal of Q4001(R2A15218FP) is connected reversely to real signal.
ex) (FR) <-> FL, (FL) <-> FR

Zone2 SPK
EXCEPT: TX-NR509/NA509

FRONT
Q7002
M66005

Q705
EEPROM

SCHEMATIC DIAGRAM/ BLOCK DIAGRAM-2

BLOCK DIAGRAM VIDEO SECTION PART-2

Model No. TX-SR309/509/609/TX-SA509/609/HT-R290/390/548/590/690/990/HT-RC330/360/DTR-20.3/30.3

SCHEMATIC DIAGRAM (PART-2)

BLOCK DIAGRAM(VIDEO)

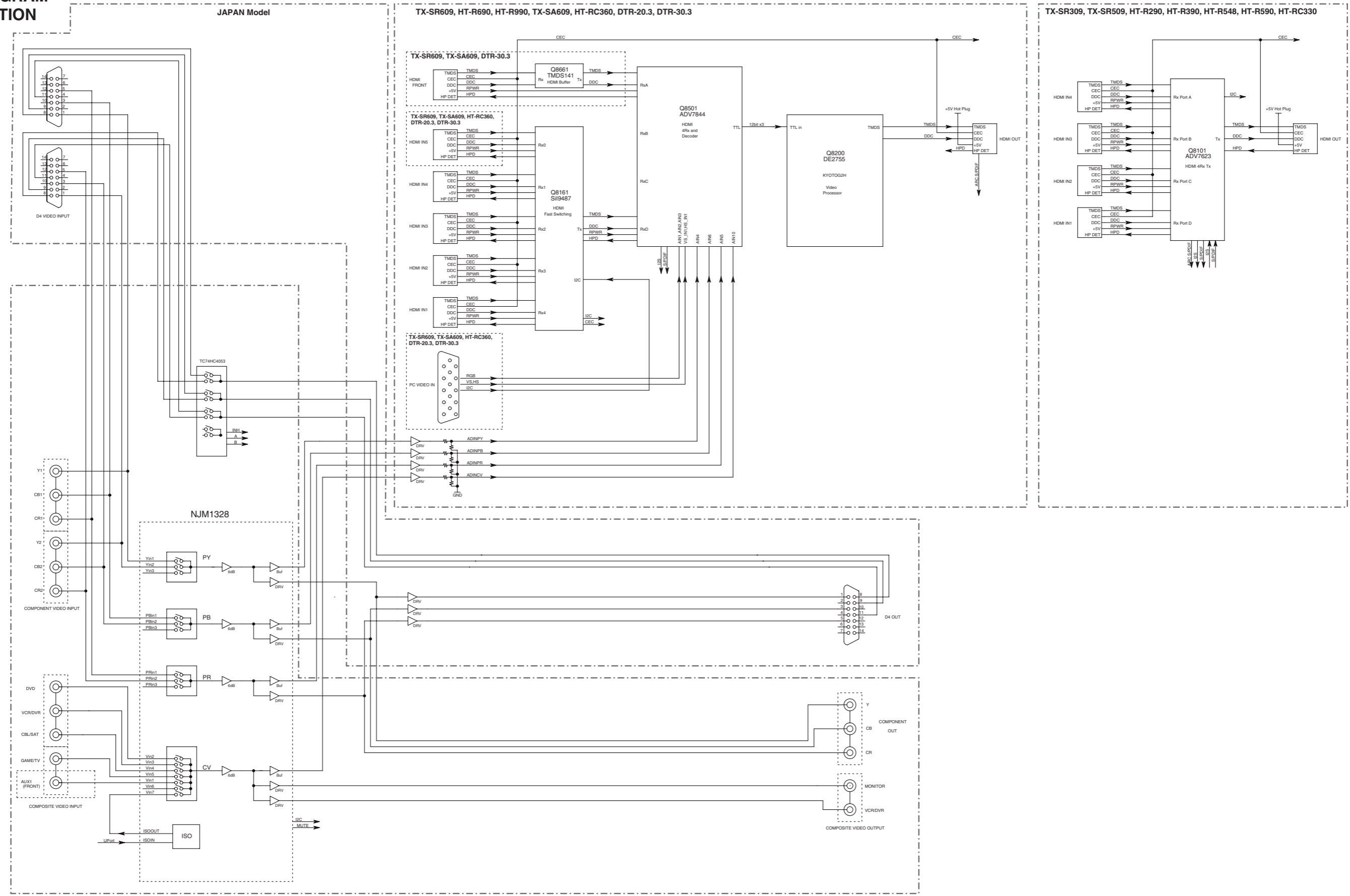
1

2

3

4

5



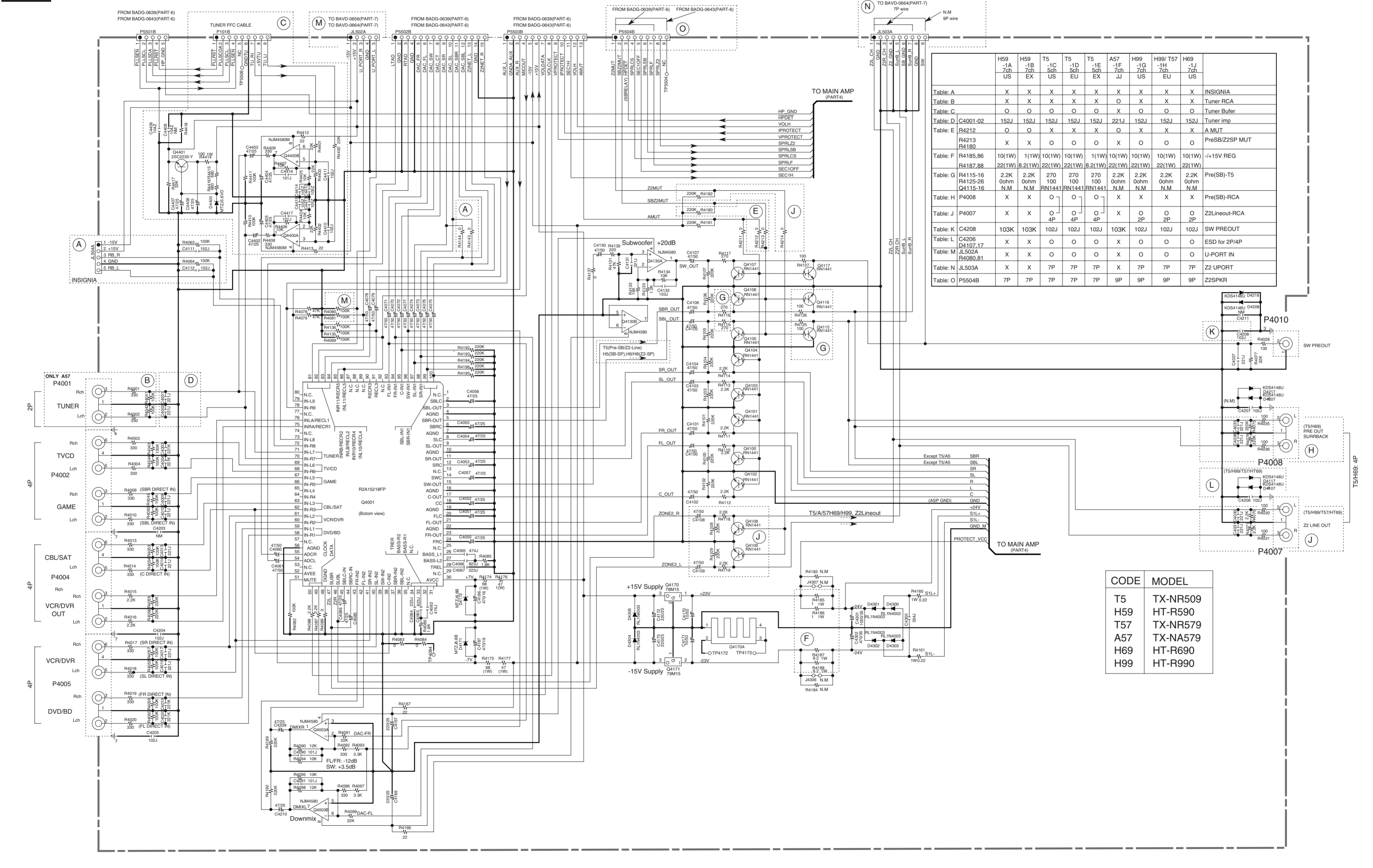
SCHEMATIC DIAGRAM/ BLOCK DIAGRAM-3
AUDIO INPUT SECTION PART-3

MODEL NO. TX-NR509/ TX-NR579/ TX-NA579/ HT-R590/ HT-R690/ HT-R990

SCHEMATIC DIAGRAM (PART-3)

AUDIO INPUT

U0010 BAAF-0621



	H59 -1A 7ch US	H59 -1B 7ch EX	T5 -1C 5ch US	T5 -1D 5ch EU	T5 -1E 5ch EX	A57 -1F 7ch J	H99 -1G 7ch US	H99/ T57 -1H 7ch EU	H69 -1J 7ch US	
Table A	X	X	X	X	X	X	X	X	X	INSIGNIA
Table B	X	X	X	X	X	X	X	X	X	Tuner RCA
Table C	O	O	O	O	O	X	O	O	O	Tuner Buffer
Table D	C4001-02	152J	152J	152J	152J	221J	152J	152J	152J	Tuner Buf
Table E	R4212	O	O	X	X	X	O	X	X	A MUT
Table F	R4213 R4180	X	X	O	O	O	O	O	O	PreSB/Z2SP MUT
Table G	R4185,86 R4187,88	10(1W) 22(1W)	1(1W) 8.2(1W)	10(1W) 22(1W)	1(1W) 8.2(1W)	10(1W) 22(1W)	10(1W) 22(1W)	10(1W) 22(1W)	10(1W) 22(1W)	-1/15V REG
Table H	R4115-16 R4125-26 Q4115-16	2.2K 0ohm N.M.	2.2K 0ohm N.M.	270 100 RN1441	270 100 RN1441	270 100 RN1441	2.2K 0ohm N.M.	2.2K 0ohm N.M.	2.2K 0ohm N.M.	Pre(SB)-T5
Table I	P4008	X	X	O	O	X	X	X	X	Pre(SB)-RCA
Table J	P4007	X	X	O	O	X	O	O	O	Z2Lineout-RCA
Table K	C4208	103K	103K	102J	102J	102J	103K	102J	102J	SW PREOUT
Table L	C4206 D4107.17	X	X	O	O	O	X	O	O	ESD for 2P/4P
Table M	C4206 R4080,81	X	X	O	O	O	X	O	O	U-PORT IN
Table N	JL503A	X	X	7P	7P	7P	X	7P	7P	Z2 UPORT
Table O	P5504B	7P	7P	7P	7P	7P	9P	9P	9P	Z2SPKR

CODE	MODEL
T5	TX-NR509
H59	HT-R590
T57	TX-NR579
A57	TX-NA579
H69	HT-R690
H99	HT-R990

SCHEMATIC DIAGRAM/ BLOCK DIAGRAM-4

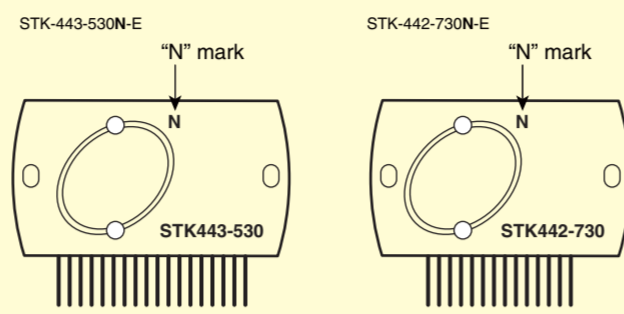
AMP. SECTION PART-4

NOTICE

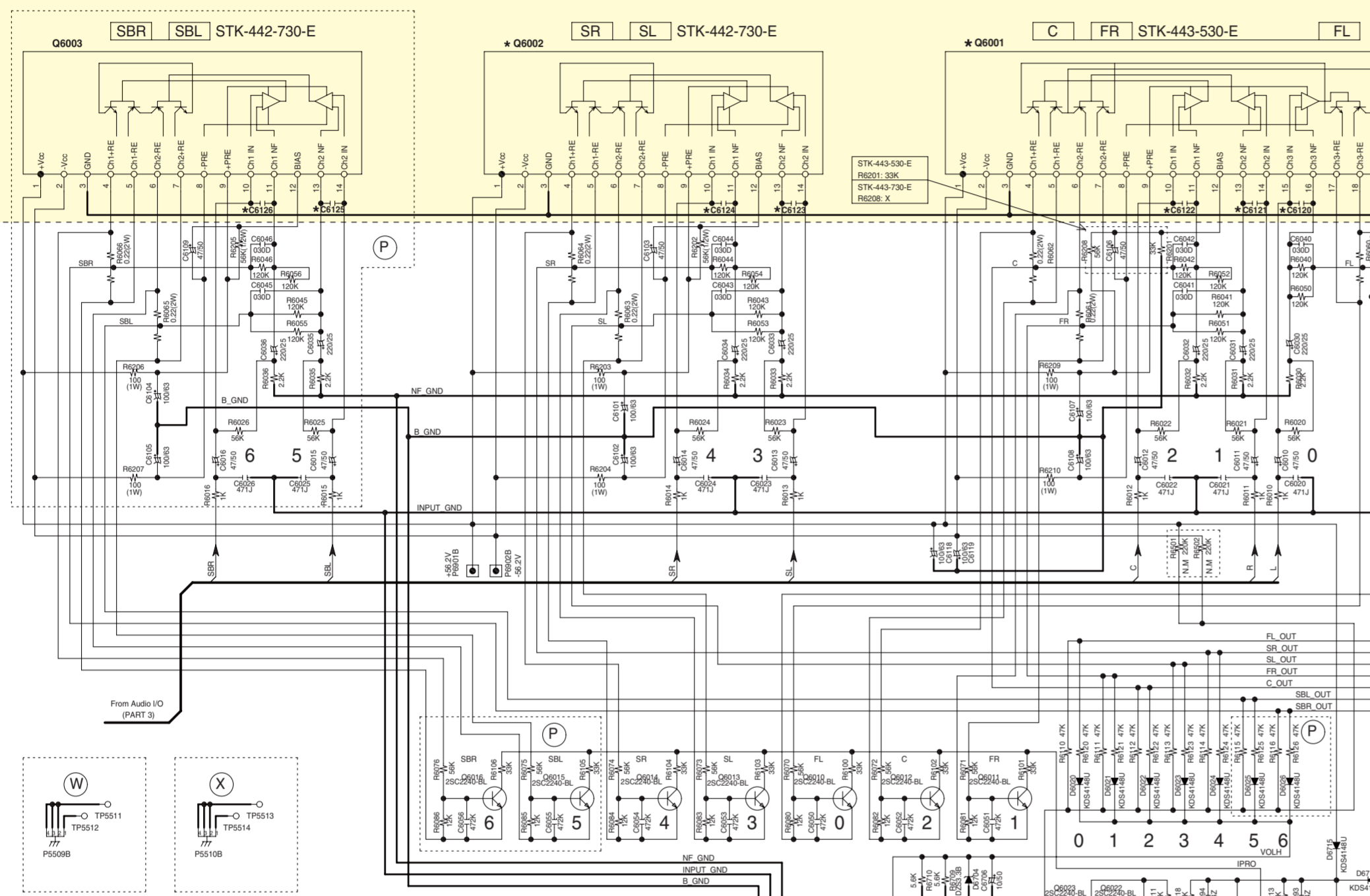
Q6001, Q6002, Q6003 and the surrounding parts have been changed as follows in the middle of production. Change C6120, C6121 and C6122 at the same time when Q6001 is changed. Change C6123 and C6124 at the same time when Q6002 is changed. Change C6125 and C6126 at the same time when Q6003 is changed.

Table with 4 columns: MODEL, UNIT, BEFORE, AFTER. Rows list component changes for models TX-NR579, TX-NA579, HT-R590, HT-R690, HT-R990 and TX-NR509, HT-R648.

How to identify the IC

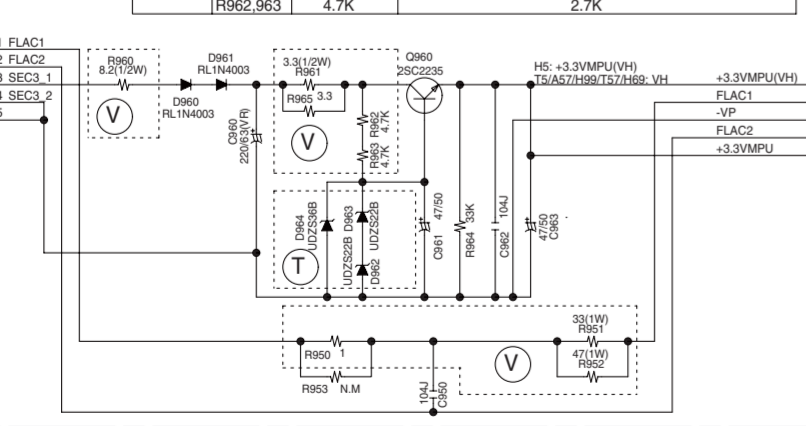


U0010 BAAF-0621



U0016 BAPS-0627

Table with 2 columns: Table T, Table V. Rows list power ratings for various speaker outputs across different models.



U0014 BAETC-0625

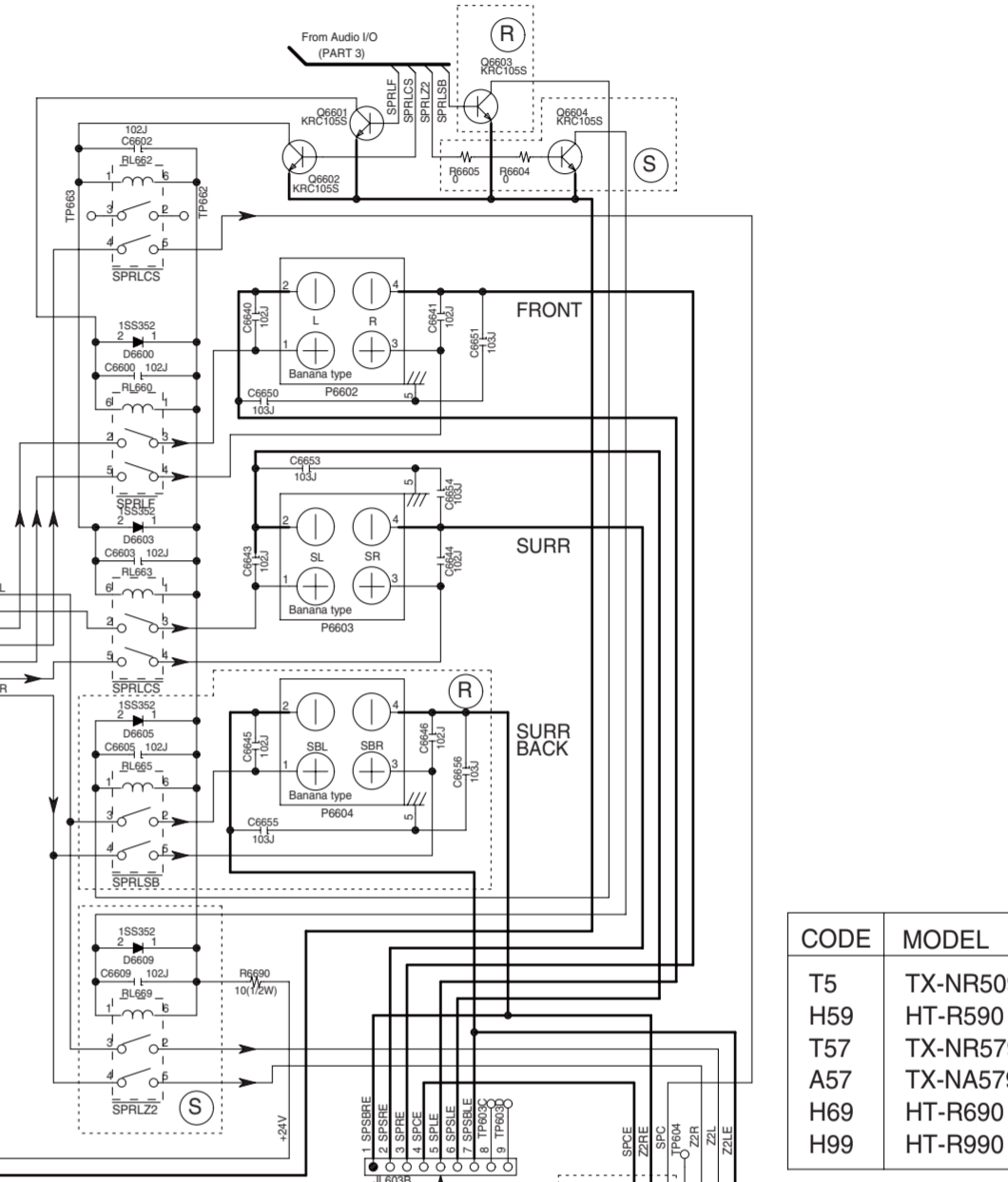
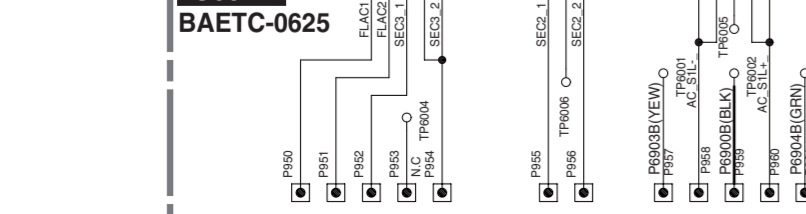
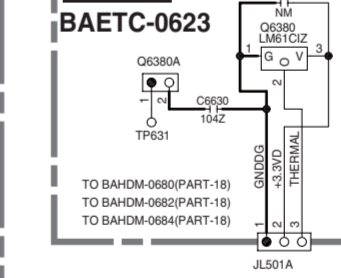
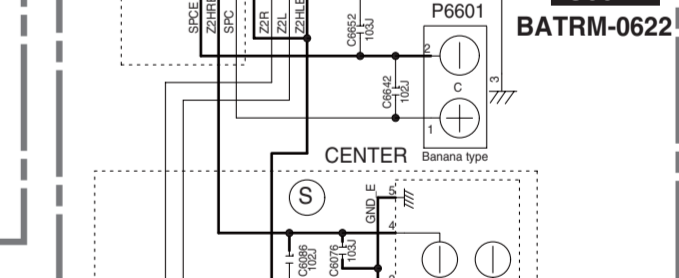


Table with 2 columns: CODE, MODEL. Lists model numbers for codes T5, H59, T57, A57, H69, H99.

U0012 BAETC-0623



U0011 BATRM-0622



U0017 BAETC-0764

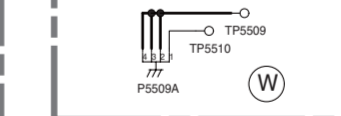
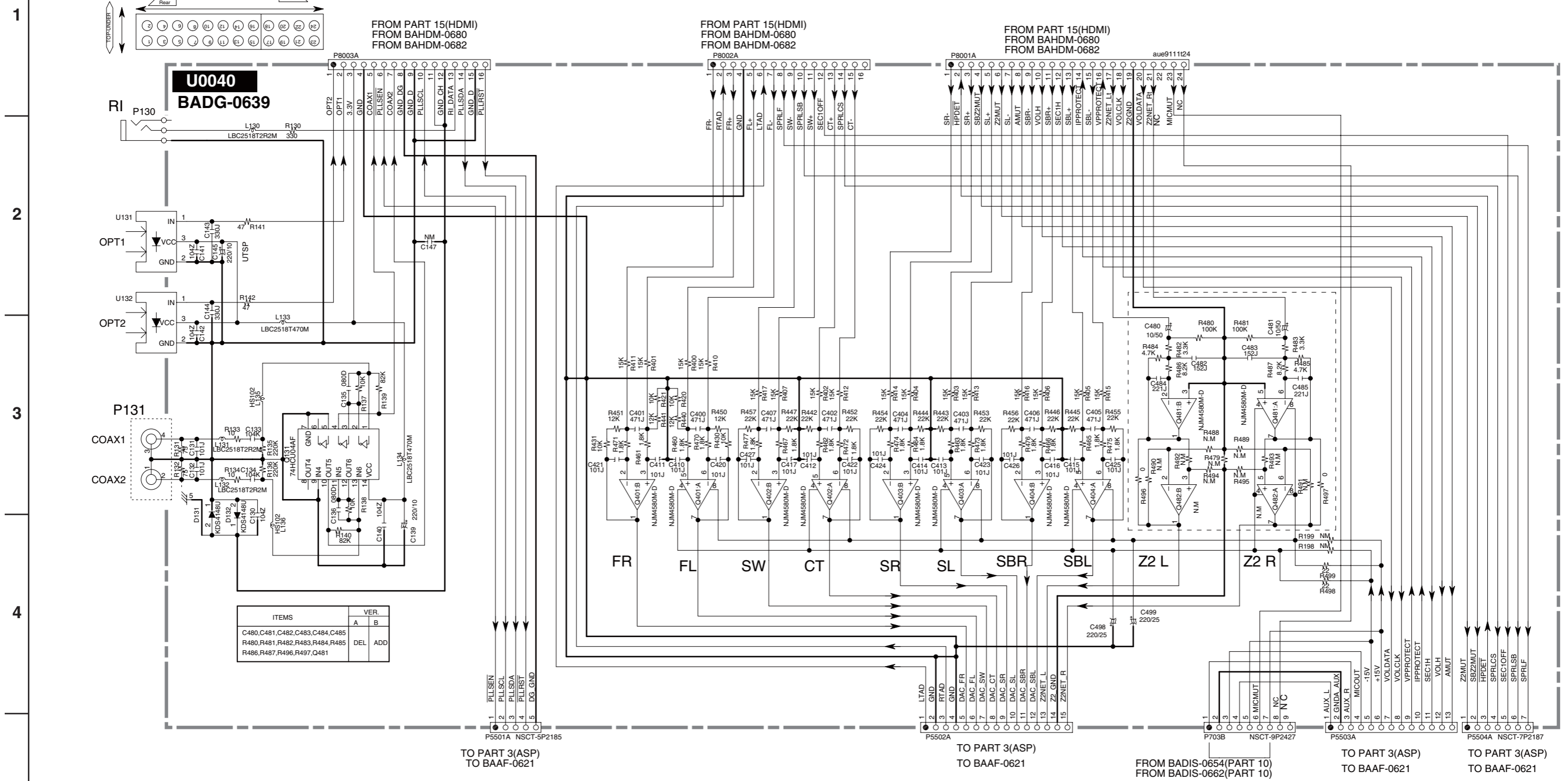


Table with 12 columns: H59 -1A, H59 -1B, T5 -1C, T5 -1D, T5 -1E, A57 -1F, H99 -1G, H99/T57 -1H, H69 -1J, Insignia 5ch. Rows include Table P, Table R, Table S, Table W, and Table X.

SCHEMATIC DIAGRAM/ BLOCK DIAGRAM-6
DG_A SECTION PART-6

HT-R590/TX-NR509 Schematic Diagram (Part-6) DG_A Section



ITEMS	VER.	
	A	B
C480,C481,C482,C483,C484,C485	DEL	ADD
R480,R481,R482,R483,R484,R485	DEL	ADD
R486,R487,R496,R497,Q481	DEL	ADD

1
2
3
4
5

TO PART 3(ASP)
TO BAAF-0621

TO PART 3(ASP)
TO BAAF-0621

FROM BADIS-0654(PART 10)
FROM BADIS-0662(PART 10)

TO PART 3(ASP)
TO BAAF-0621

TO PART 3(ASP)
TO BAAF-0621

SCHEMATIC DIAGRAM/ BLOCK DIAGRAM-7

**VIDEO SECTION
PART-7**

MODEL No. TX-NR509/ TX-NA509/ HT-R590/ HT-R690/ HT-R990/TX-NR609/ TX-NA609/ HT-RC360/ DTR-20.3/ DTR-30.3 SCHEMATIC DIAGRAM(Part-7) VIDEO SECTION

U0021 BAVD-0664

U0022 BAVD-0672

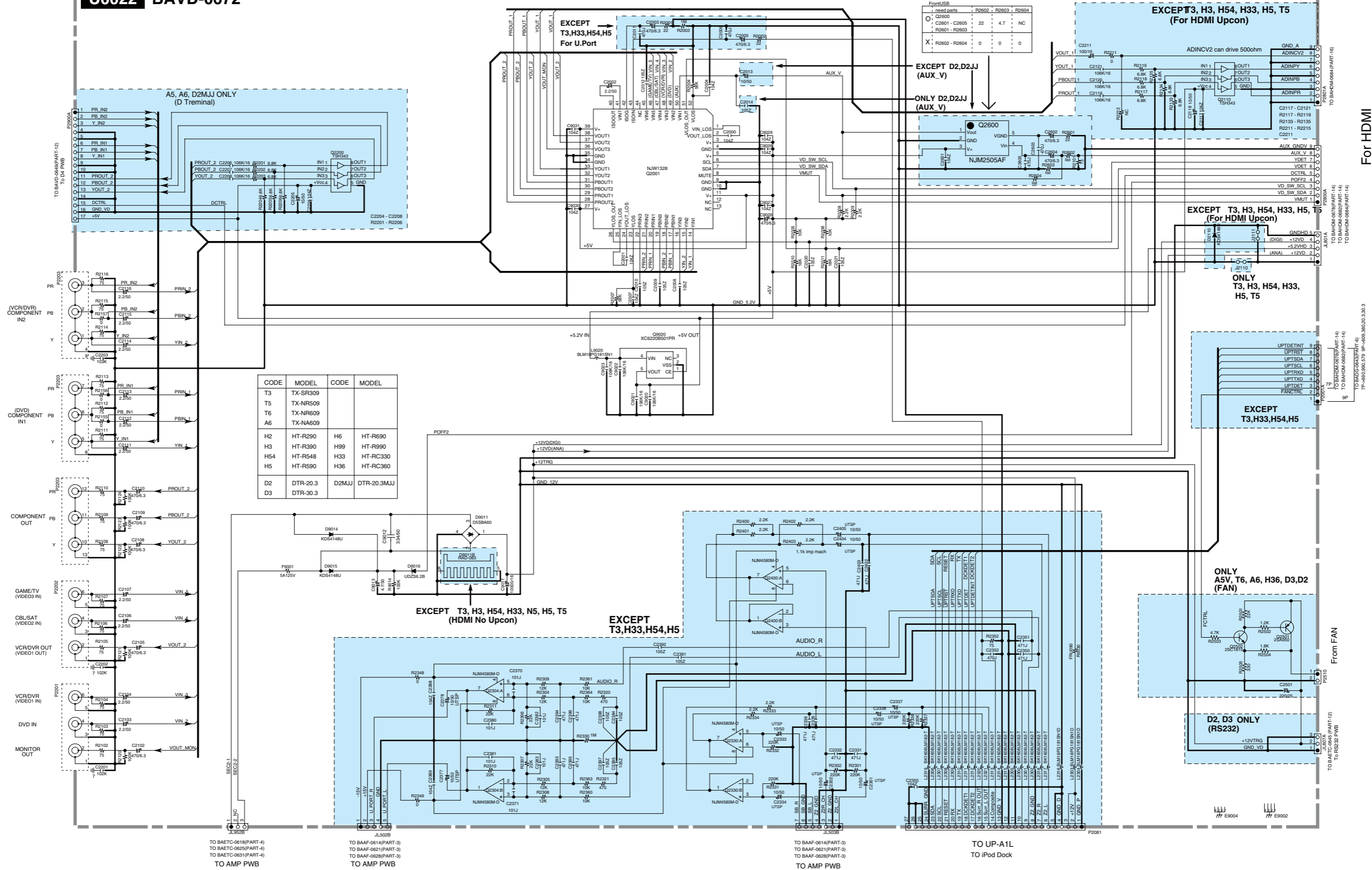
1

2

3

4

5



For HDMI

From FAN

TO BAETC-0618(PART-3)
TO BAETC-0625(PART-4)
TO BAETC-0631(PART-4)
TO AMP PWB

TO BAAF-0614(PART-3)
TO BAAF-0621(PART-3)
TO BAAF-0628(PART-3)
TO AMP PWB

TO BAAF-0614(PART-3)
TO BAAF-0621(PART-3)
TO BAAF-0628(PART-3)
TO AMP PWB

TO UP-A1L
TO iPod Dock

TO BAETC-0645(PART-12)
TO RS232 PWB

TO BAND04-0628(PART-4)
TO BAND04-0629(PART-4)
TO BAND04-0630(PART-4)
TO BAND04-0631(PART-4)
7P-090900.079 9P-06030620.130.3

SCHEMATIC DIAGRAM/ BLOCK DIAGRAM-9
DISPLAY SECTION PART-9

Model No. TX-NR309/HT-R290/390/548/590/HT-RC330 Schematic Diagram (Part-9) Display Section

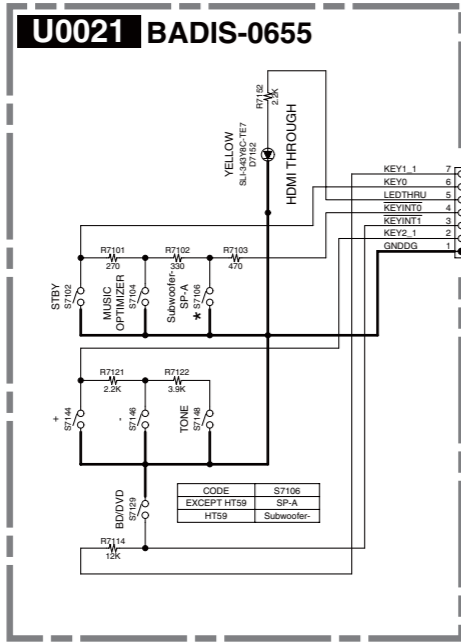
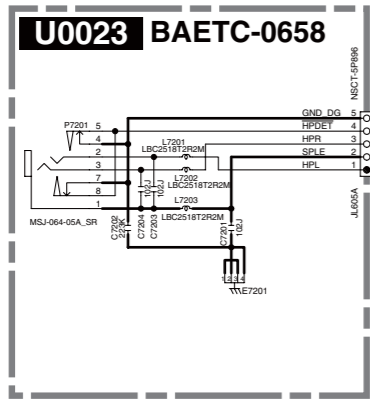
1

2

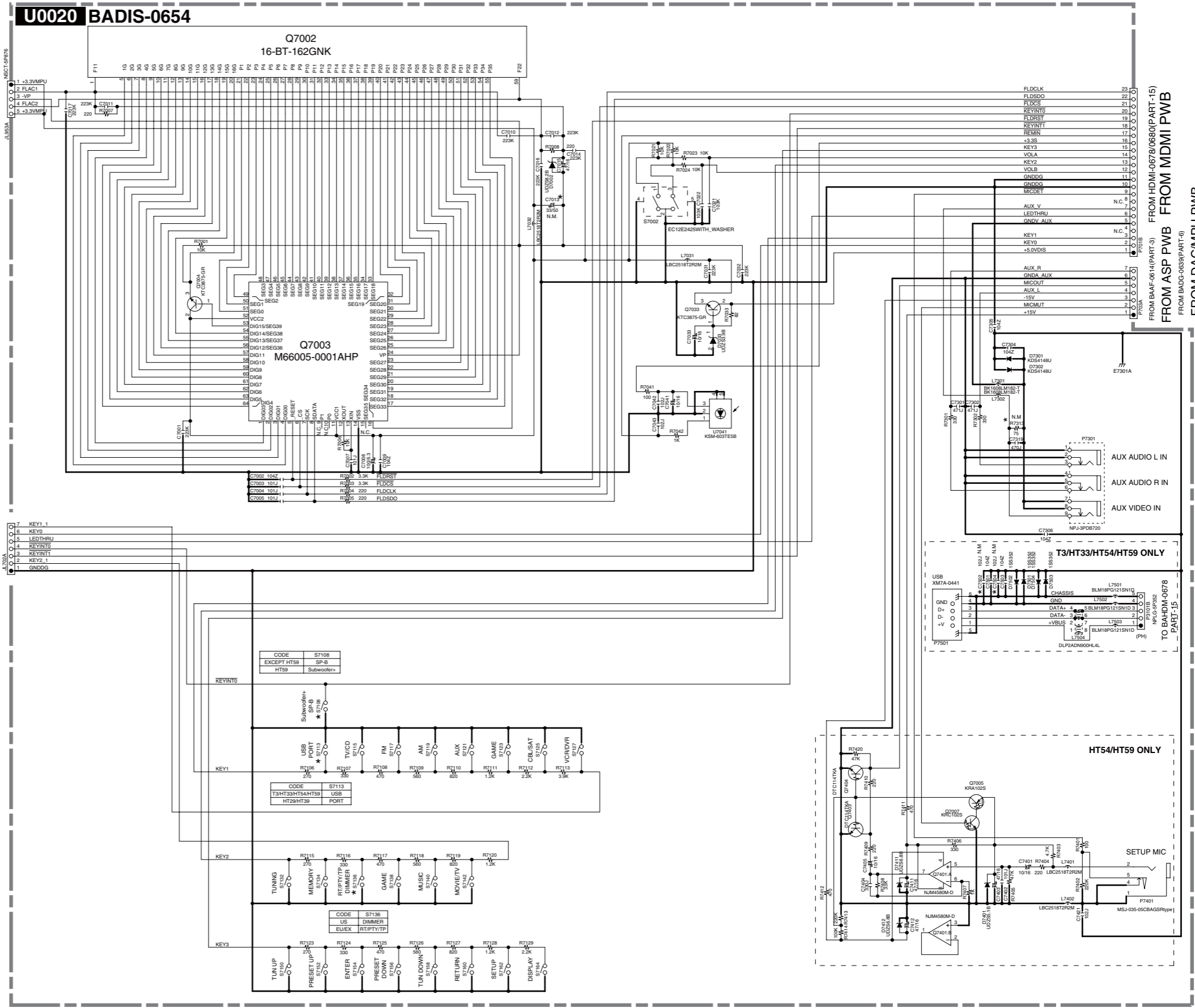
3

4

5



CODE	MODEL
T3	TX-SR309
HT29	HT-R290
HT33	HT-RC330
HT39	HT-R390
HT54	HT-R548
HT59	HT-R590



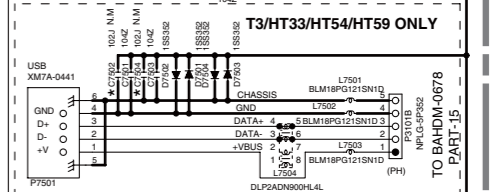
FROM AMP PWB
FROM BAAF-0614/0621 (PART-4)

FROM SP_OUT PWB
FROM BATRM-0647 (PART-8)

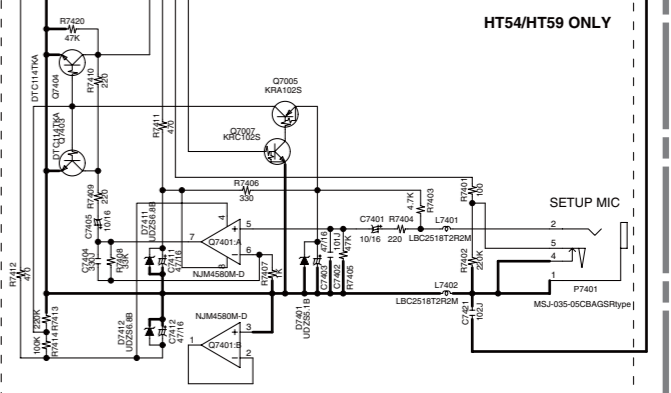
FROM HDMI-0678/0680 (PART-15)
FROM ASP PWB FROM MDMI PWB
FROM BAAF-0614 (PART-3)

FROM DAC/MPU PWB
FROM BADG-0638 (PART-5)

AUX AUDIO L IN
AUX AUDIO R IN
AUX VIDEO IN



HT54/HT59 ONLY



SCHEMATIC DIAGRAM/ BLOCK DIAGRAM-10

PS SECTION PART-10

Model No. TX-NR309/HT-R290/390/548/590/HT-RC330
Schematic Diagram (Part-10) PS Section

NOTE

- THE COMPONENTS IDENTIFIED BY MARK ARE CRITICAL FOR SAFETY. REPLACE ONLY WITH PART NUMBER SPECIFIED.
- VOLTAGE (MEASURED WITH VOLTMETER) IS DC VOLTAGE. (NO INPUT SIGNAL)
- ELECTROLYTIC CAPACITORS ARE IN μ F/WV.
- ALL CAPACITORS ARE IN pF/50VW UNLESS OTHERWISE NOTED.
EX) 030 \rightarrow 3pF 330 \rightarrow 33pF 331 \rightarrow 330pF 333 \rightarrow 0.033 μ F
- ALL RESISTORS ARE IN OHMS 1/4WATTS UNLESS OTHERWISE NOTED.
THE THICK LINES ON PC BOARD ARE THE PRINTING SIDE OF THE PARTS.
EX) PRINTING SIDE
- CIRCUIT IS SUBJECT TO CHANGE FOR IMPROVEMENT.

CAUTION

FOR CONTINUED PROTECTION AGAINST FIRE HAZARD, REPLACE ONLY WITH FUSE OF SAME TYPE AND RATING INDICATED.



ATTENTION

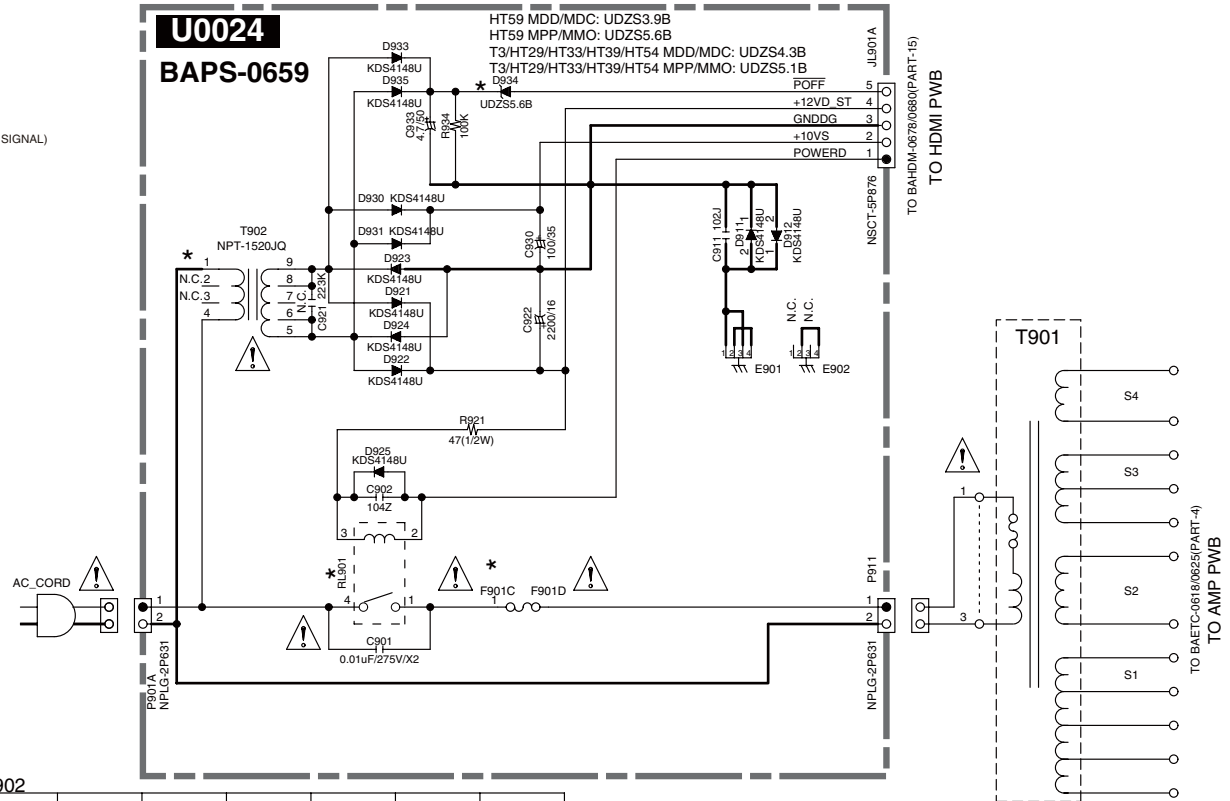
AFIN D'ASSURER UNE PROTECTION PERMANENTE CONTRE LES RISQUES D'INCENDIE, REMPLACER UNIQUEMENT PAR UN FUSIBLE DE MEME TYPE ET CALIBRATION COMME INDIQUE.



THIS SYMBOL LOCATED NEAR THE FUSE INDICATES THAT THE FUSE USED IS SLOW OPERATING TYPE FOR CONTINUED PROTECTION AGAINST FIRE FUSE HAZARD, REPLACE WITH SAME TYPE FUSE. FOR FUSE RATING REFER TO THE MAKING ADJACENT TO THE SYMBOL.



CE SYMBOLE INDIQUE QUE LE FUSIBLE UTILISE EST A LENT, E POUR UNE PROTECTION PERMANENTE, UTILISER QUE DES FUSIBLES DE MEME TYPE. CE DERNIER EST INDIQUE LA OU LE PRESENT SYMBOLE EST APPOSE.



T902

TYPE	T3	HT29	HT33	HT39	HT54	HT59
D,F	1520JQ	1520JQ	1520JQ	1520JQ	---	1520JQ
P,M	1520GQ	---	1520GQ	1520GQ	1520GQ	1520GQ

F901

TYPE	T3	HT29	HT33	HT39	HT54	HT59
D,F	8A 125V	8A 125V	8A 125V	8A 125V	---	8A 125V
P,M	T4AL250V	---	T4AL250V	T4AL250V	T4AL250V	T4AL250V

RL901

TYPE	T3	HT29	HT33	HT39	HT54	HT59
D,F	NRL-1P5A	NRL-1P5A	NRL-1P5A	NRL-1P5A	---	NRL-1P5A
P,M	NRL-1P5A	---	NRL-1P5A	NRL-1P5A	NRL-1P5A	NRL-1P5A

1

2

3

4

**SCHEMATIC DIAGRAM/
BLOCK DIAGRAM-14
MPU SECTION PART-14**

Model No. HT-R590 Schematic Diagram (Part-14) MPU Section

U0030 BAHDM-0680

MPU INITIAL SETTING VALUE

MODEL		HT-R590	
VERSION	DC	MQ	MR
	0	0	0
		E	L
BAND	UP	R669	33K 10K
	DOWN	R668	10K NC
INIT1	UP	R667	NC NC
	DOWN	R666	0 0
INIT2	UP	R665	33K 33K
	DOWN	R664	10K 10K
INIT3	UP	R663	10K 10K
	DOWN	R662	NC NC

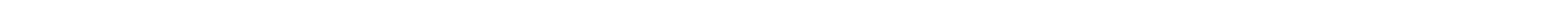
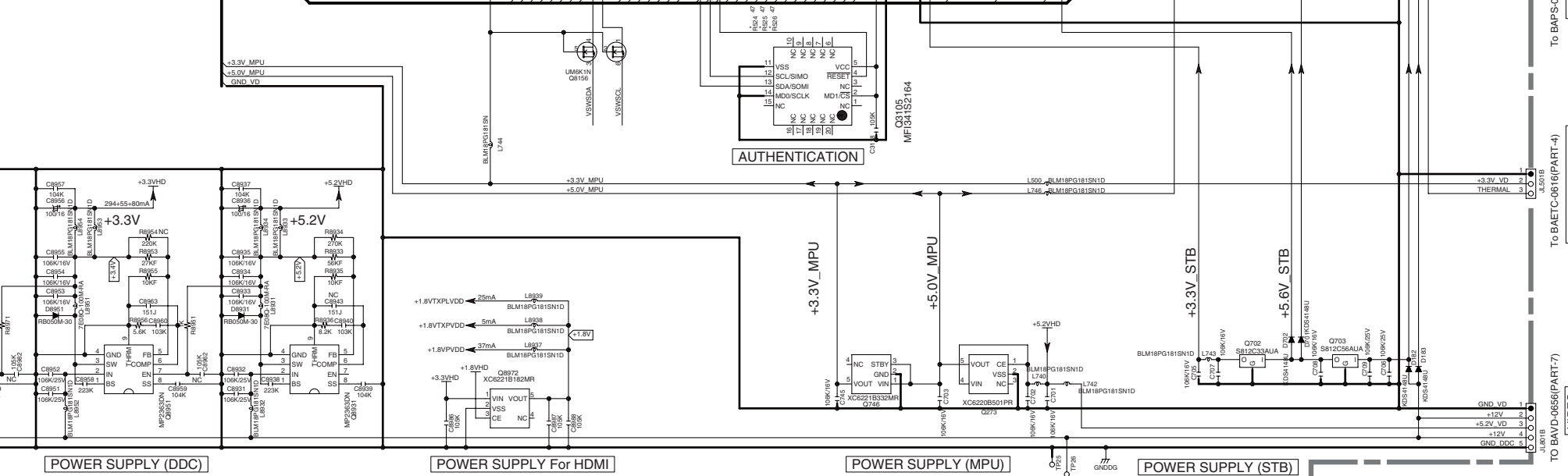
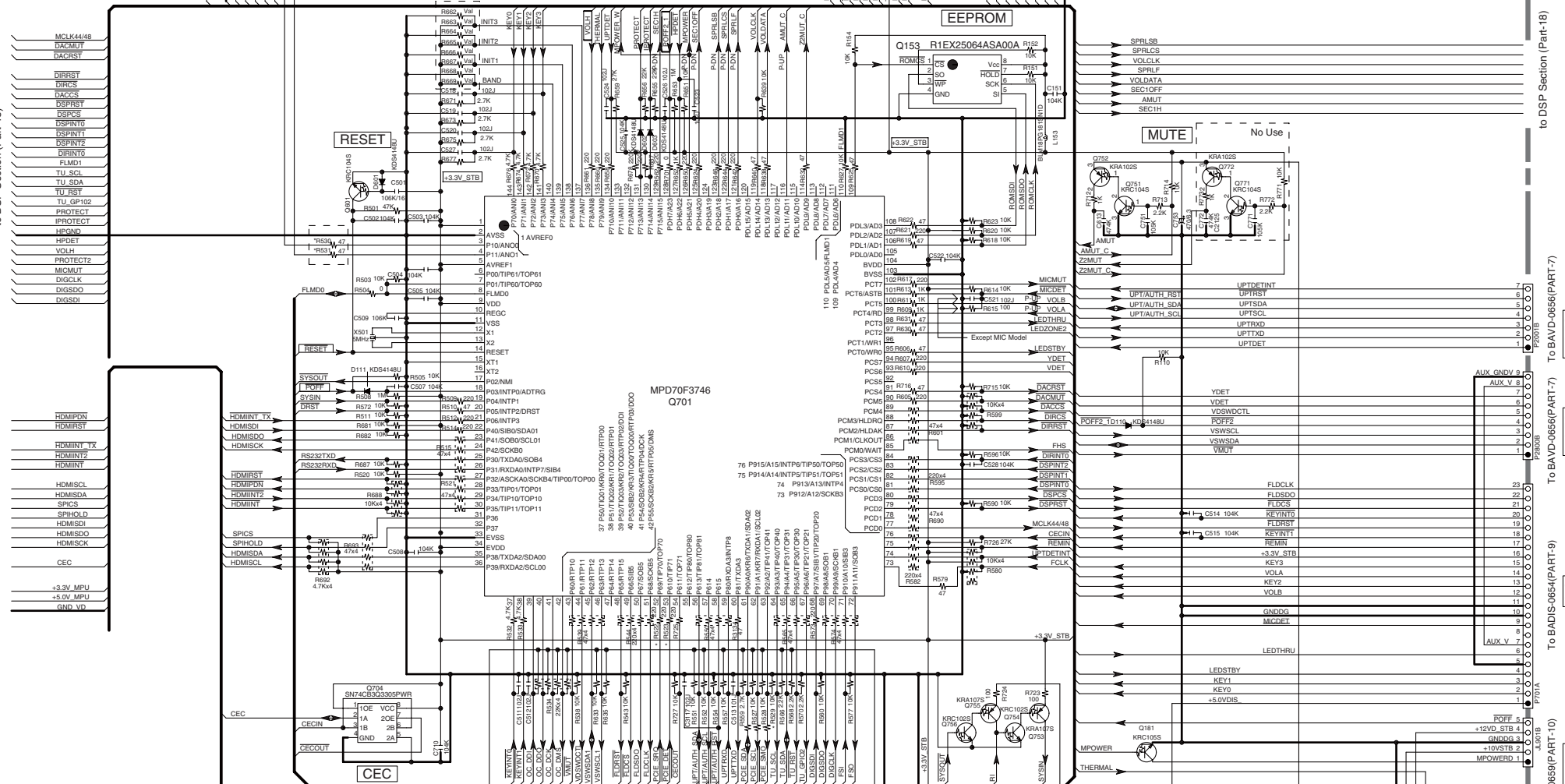
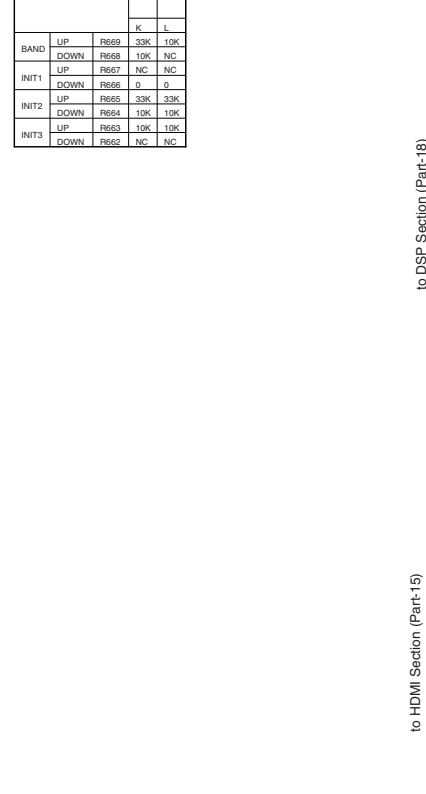
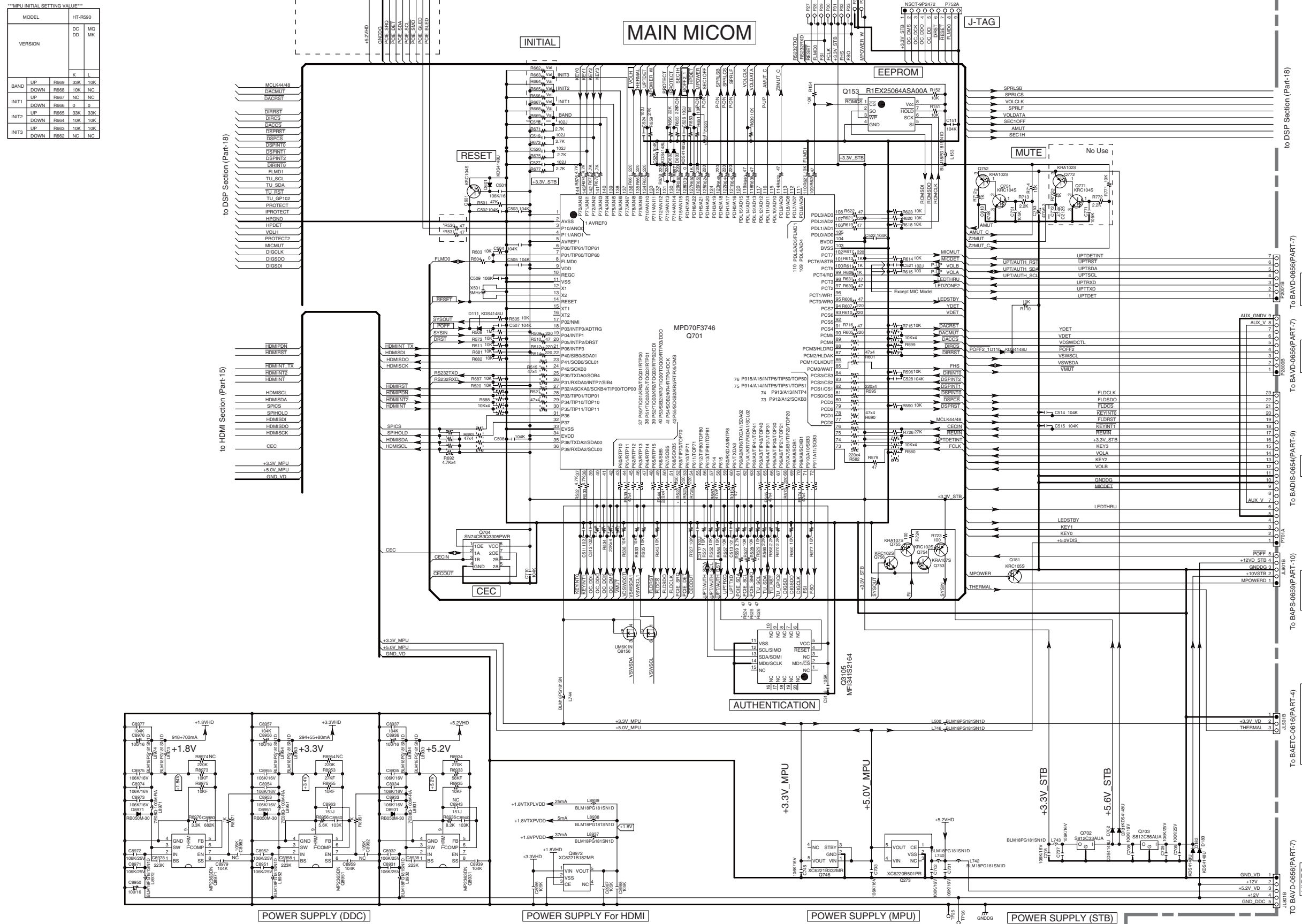
1

2

3

4

5



to DSP Section (Part-18)
VIDEO
VIDEO
DIS
STANBY
THERMAL DETECT
VIDEO

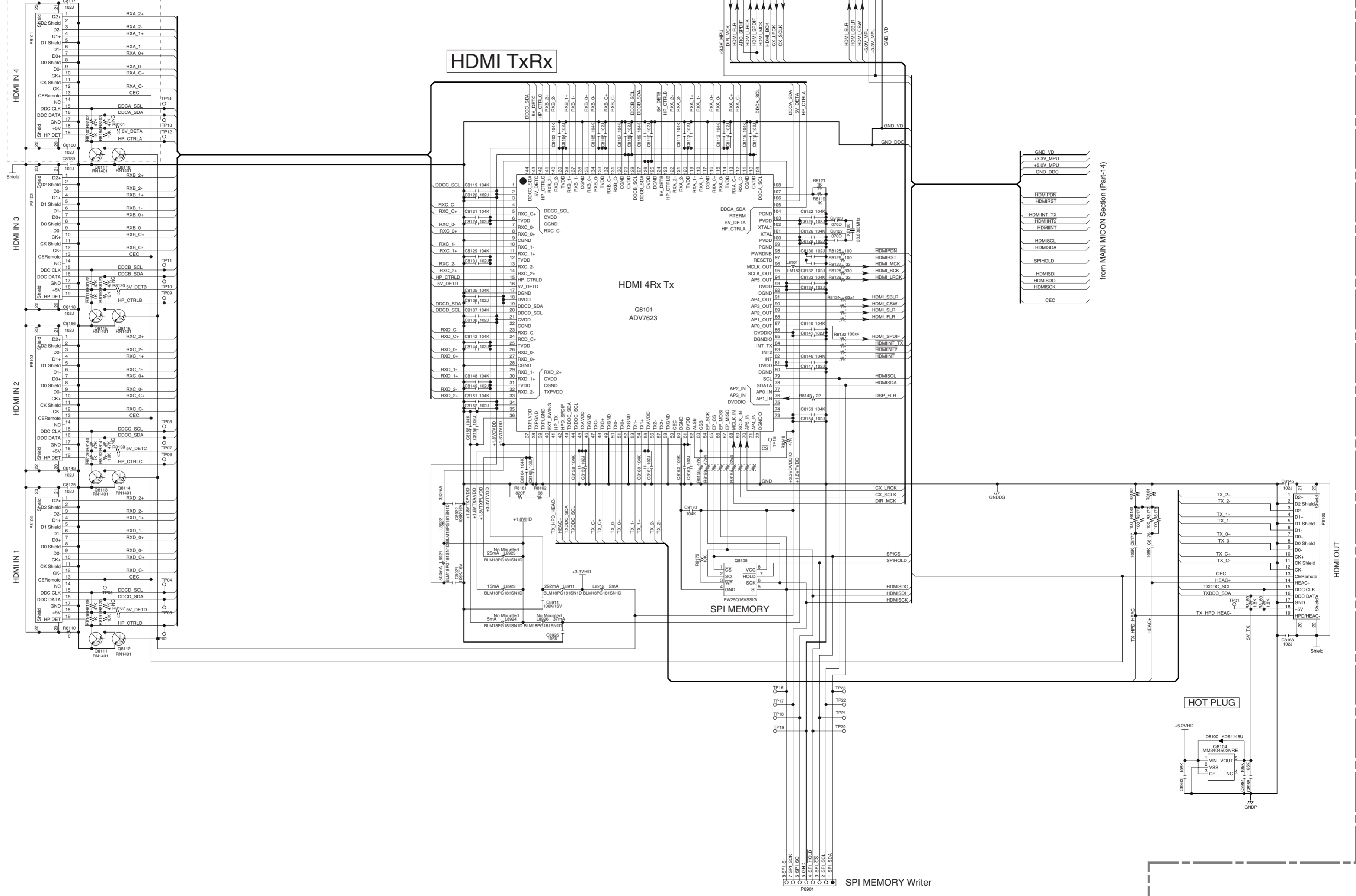
SCHEMATIC DIAGRAM/ BLOCK DIAGRAM-15

HDMI SECTION PART-15

Model No. TX-SR309/ HT-R290/ HT-R390/ HT-R548/ HT-RC330/ HT-R590 Schematic Diagram (Part-15) HDMI Section

U0030 BAHDM-0678 BAHDM-0680

390,290,548,590 only



SPI MEMORY Writer

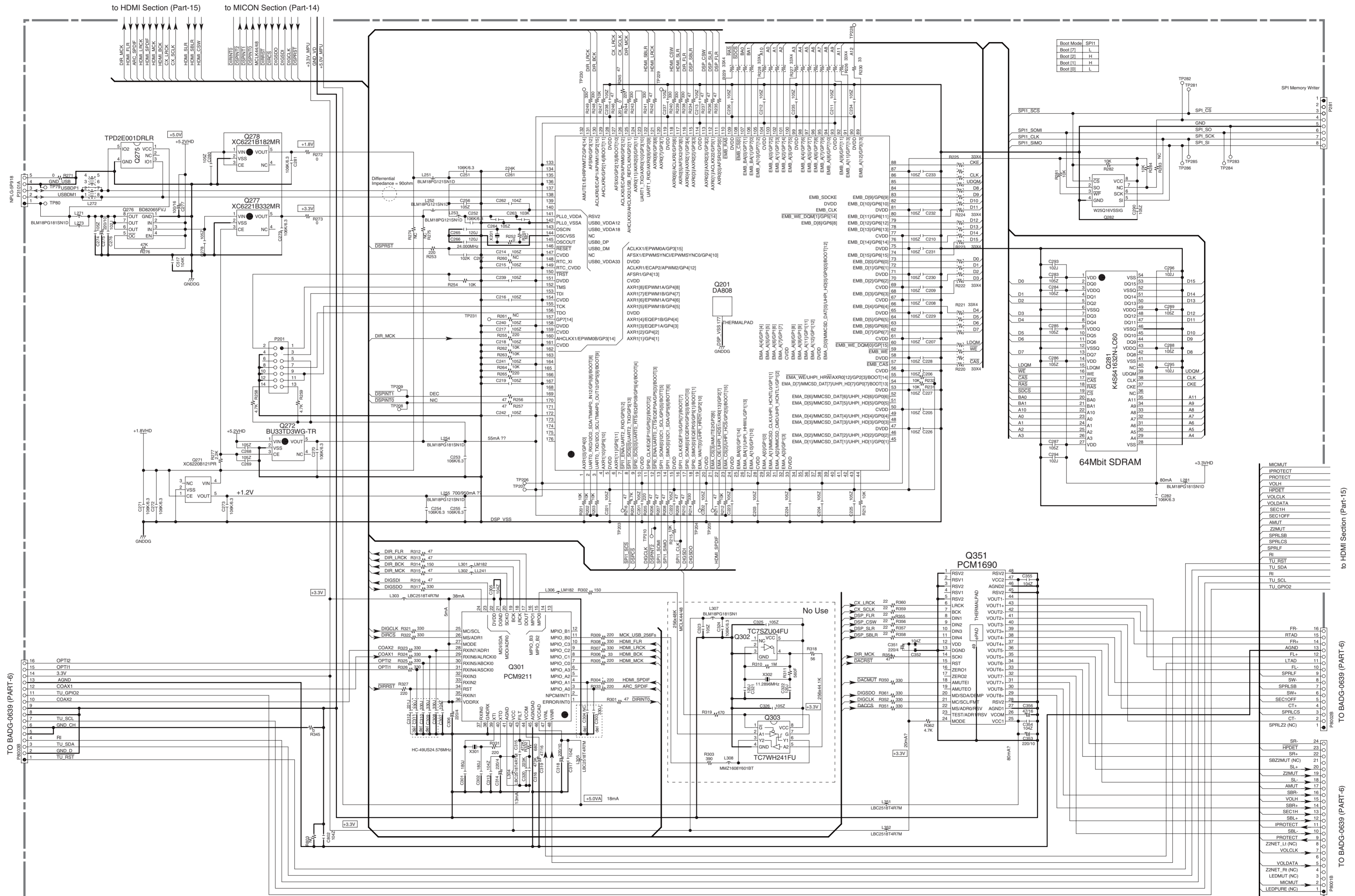
HOT PLUG

1
2
3
4
5
6
7
8

SCHEMATIC DIAGRAM/ BLOCK DIAGRAM-18
DSP/ CODEC/ DAC SECTION
PART-18

U0040 BAHDM-0680

Model No. HT-R590 Schematic Diagram (Part-18) DSP/CODEC/DAC Section



to HDMI Section (Part-15)

TO BADG-0639 (PART-6)

TO BADG-0639 (PART-6)

P8001B

A B C D E F G H

PRINTED CIRCUIT BOARD VIEWS-1

U001
BAAF-0621
(U0010 to U0017)
A-side view

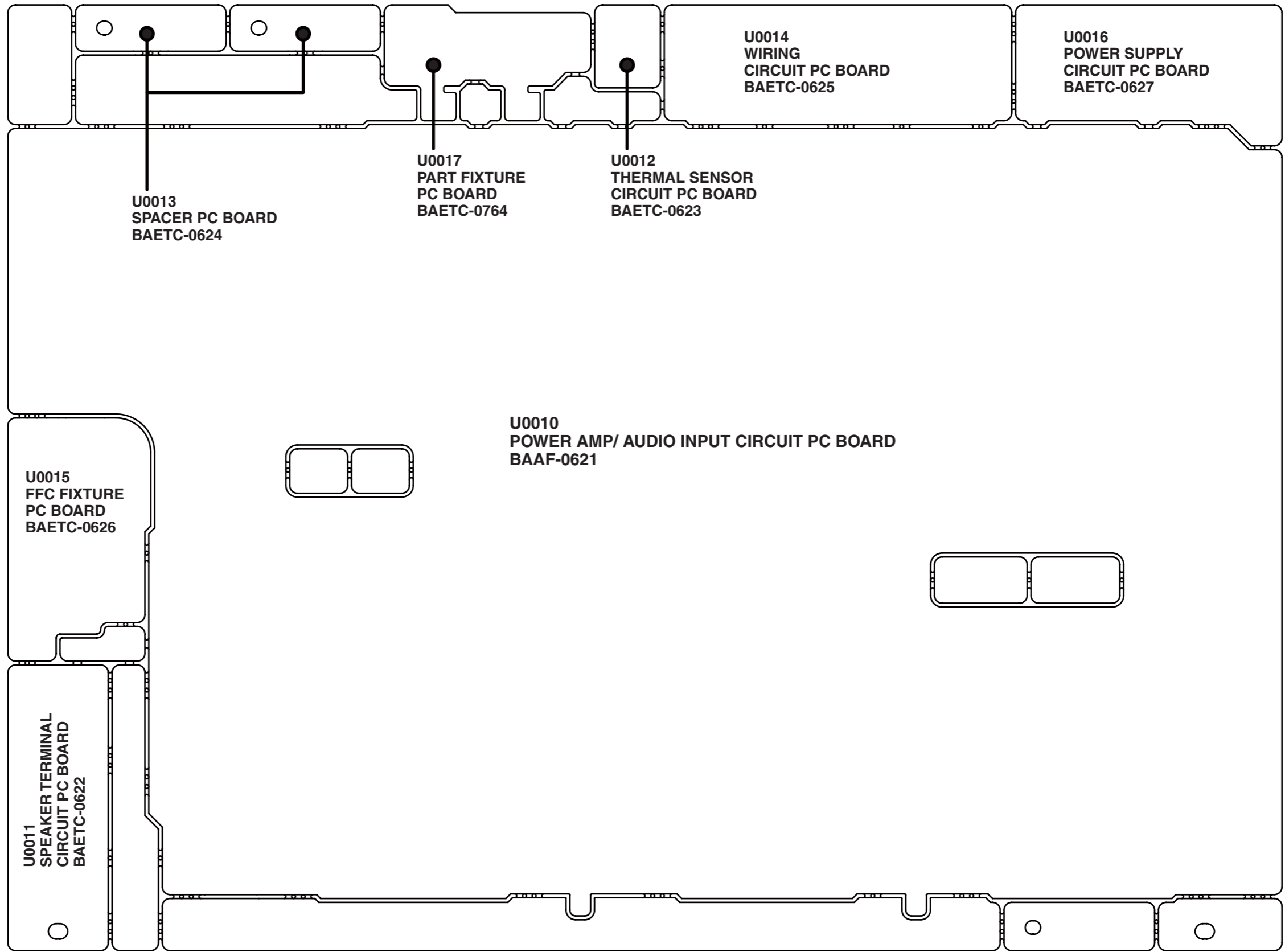
1

2

3

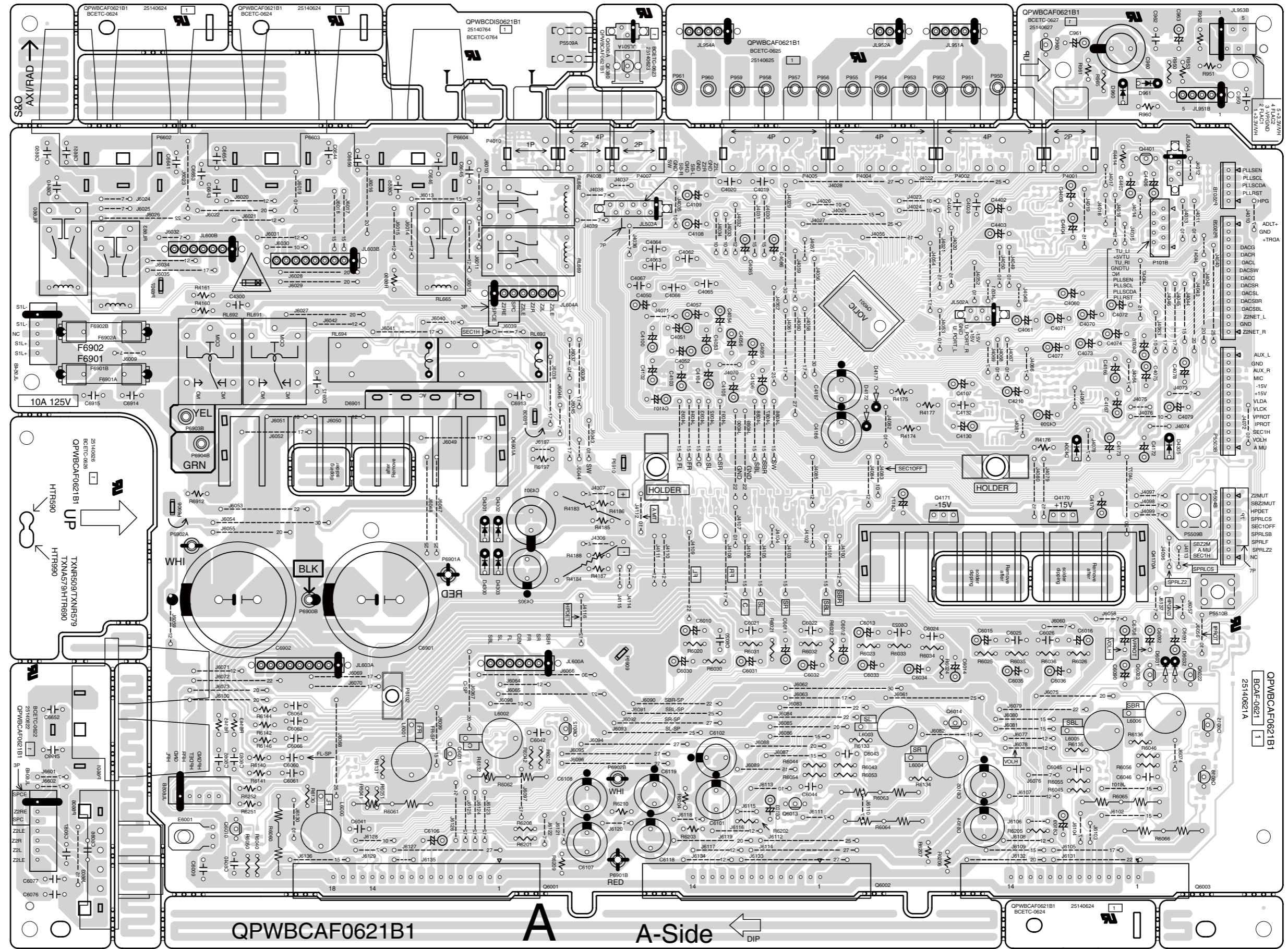
4

5



A B C D E F G H
PRINTED CIRCUIT BOARD VIEWS-1A

U001
BAAF-0621
 (U0010 to U0017)
A-side view



1

2

3

4

5

QPWBCAF0621B1

A

A-Side

DIP

QPWBCAF0621B1
 BCET-0621A
 25140621A

QPWBCAF0621B1
 BCET-0624
 25140624

A B C D E F G H

PRINTED CIRCUIT BOARD VIEWS-1B

U001
BAAF-0621
(U0010 to U0017)
B-side view

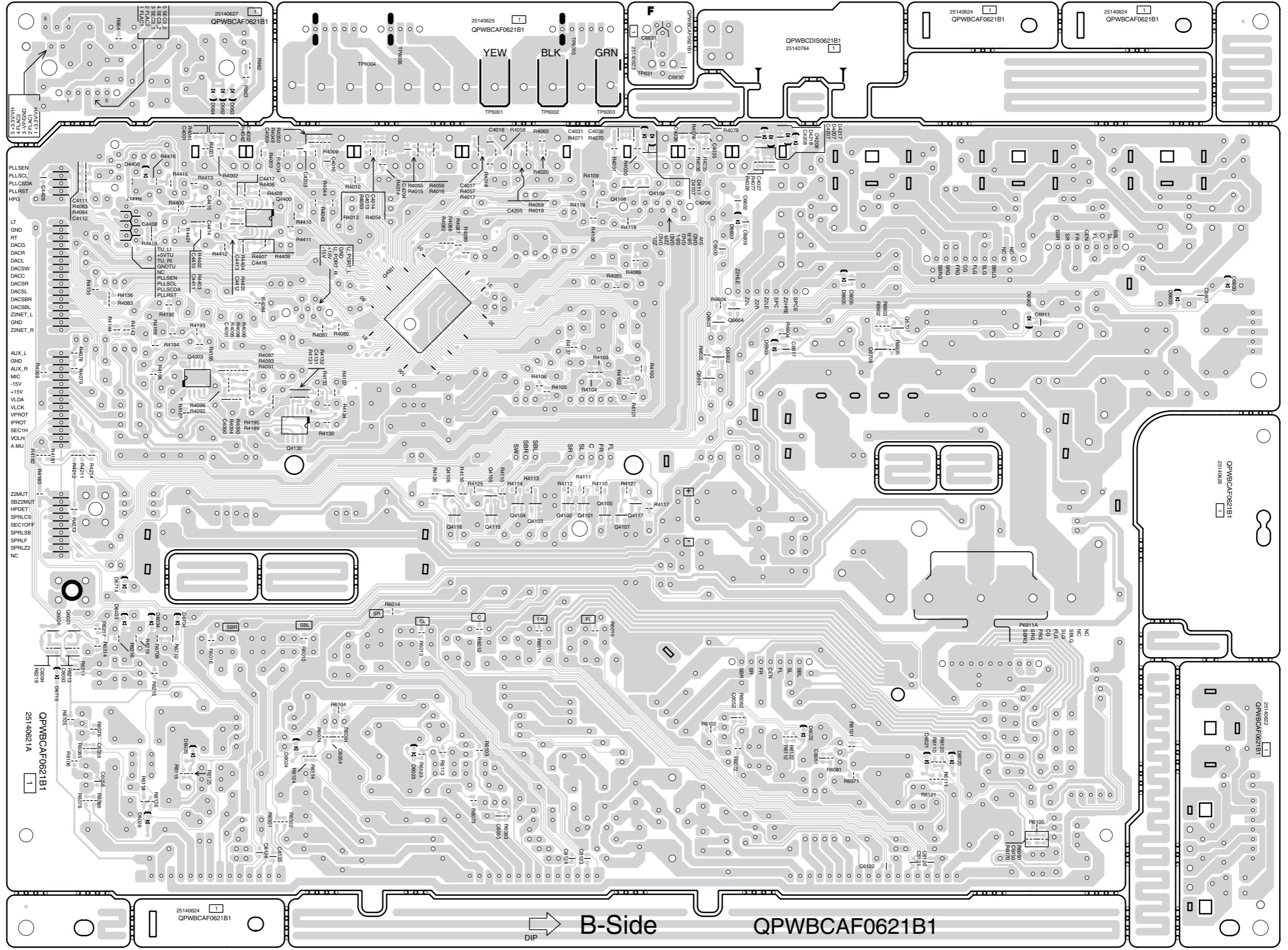
1

2

3

4

5



DIP → B-Side

QPWBCAF0621B1

A B C D E F G H

PRINTED CIRCUIT BOARD VIEWS-2

U002
BADIS-0654
(U0020 to U0024)
A-side view

1

2

3

4

5

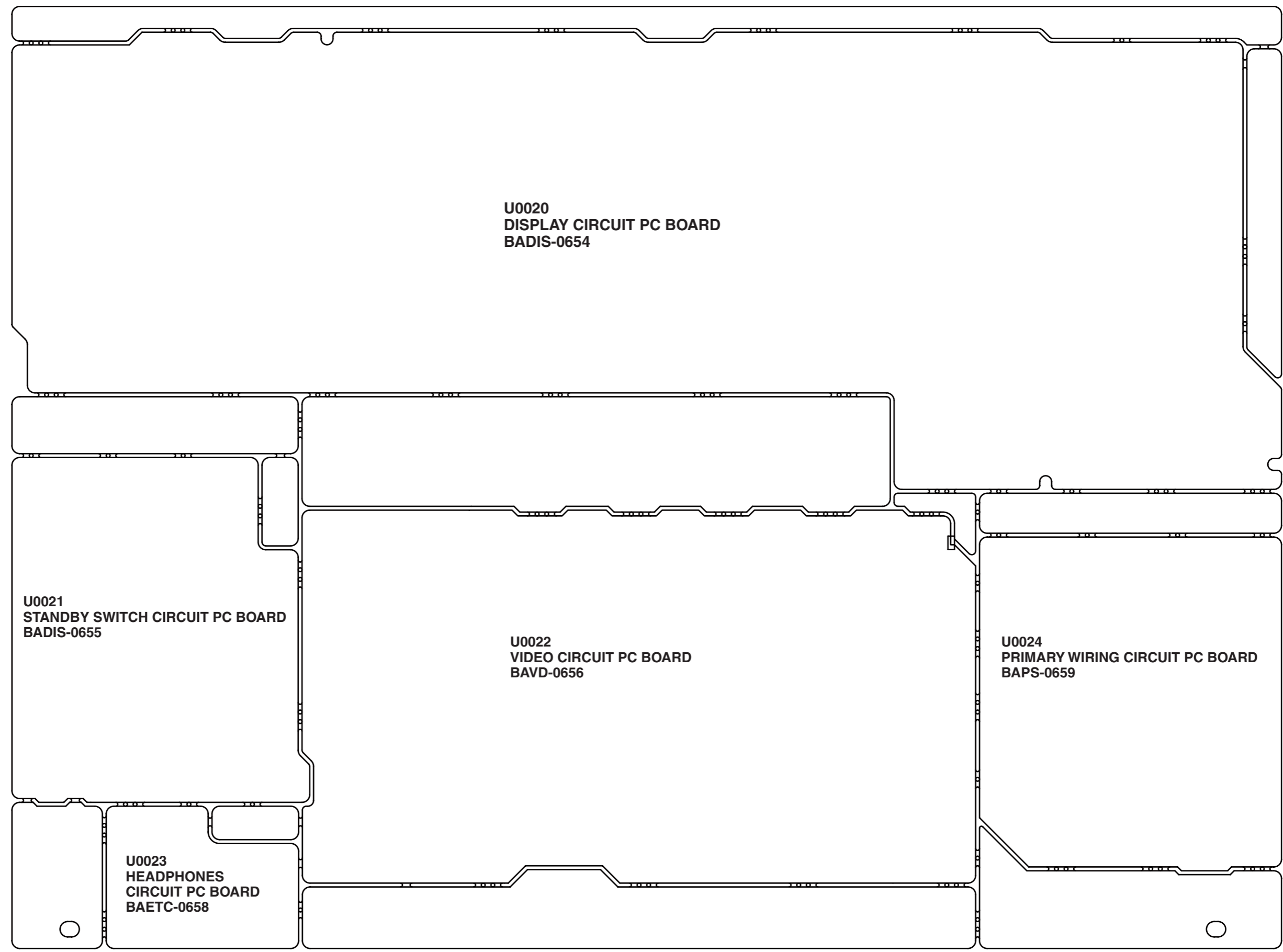
U0020
DISPLAY CIRCUIT PC BOARD
BADIS-0654

U0021
STANDBY SWITCH CIRCUIT PC BOARD
BADIS-0655

U0022
VIDEO CIRCUIT PC BOARD
BAVD-0656

U0024
PRIMARY WIRING CIRCUIT PC BOARD
BAPS-0659

U0023
HEADPHONES
CIRCUIT PC BOARD
BAETC-0658



A B C D E F G H

PRINTED CIRCUIT BOARD VIEWS-2A

U002
BADIS-0654
(U0020 to U0024)
A-side view

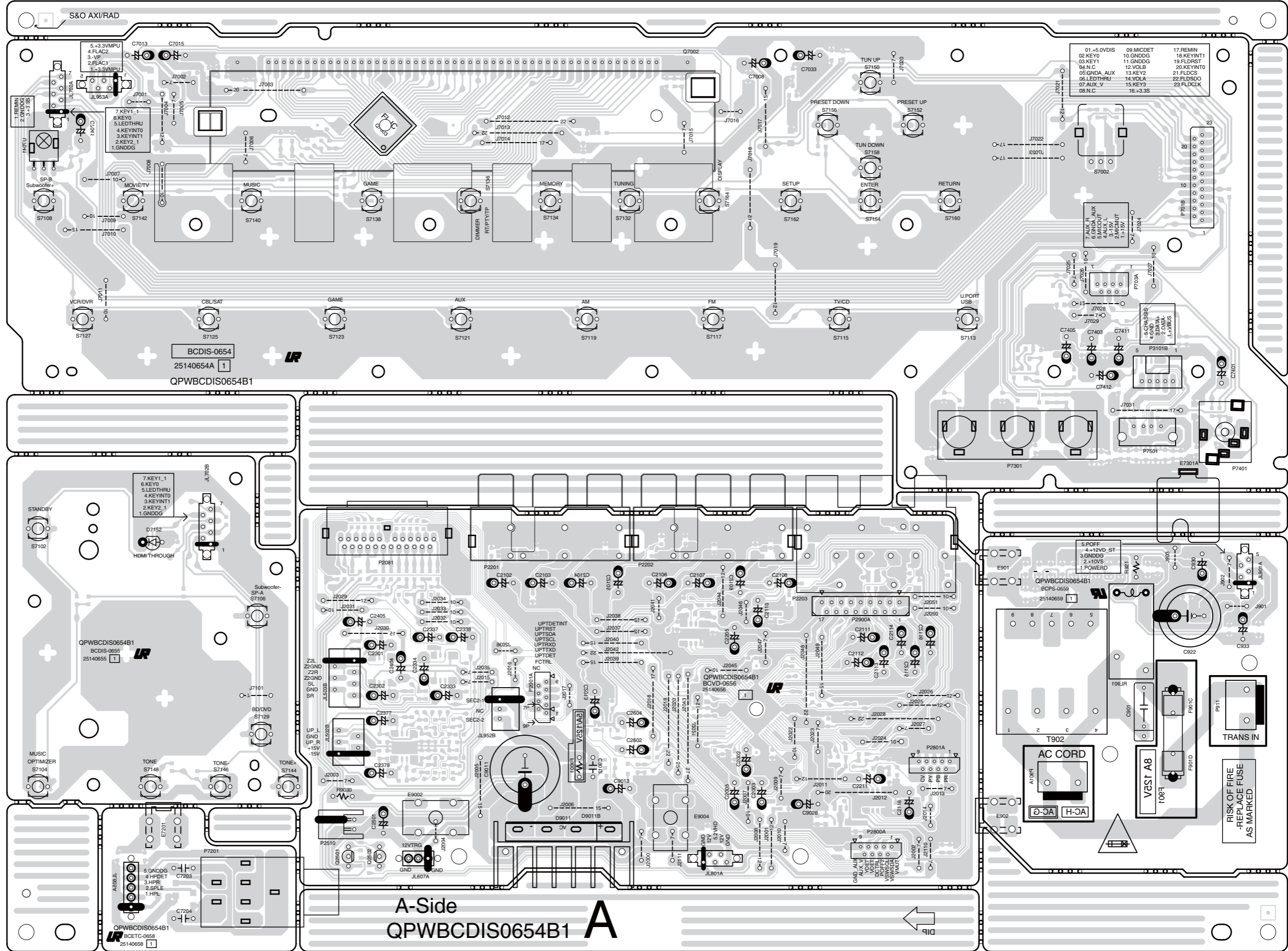
1

2

3

4

5



A-Side
 QPWBADIS0654B1 **A**



DIP

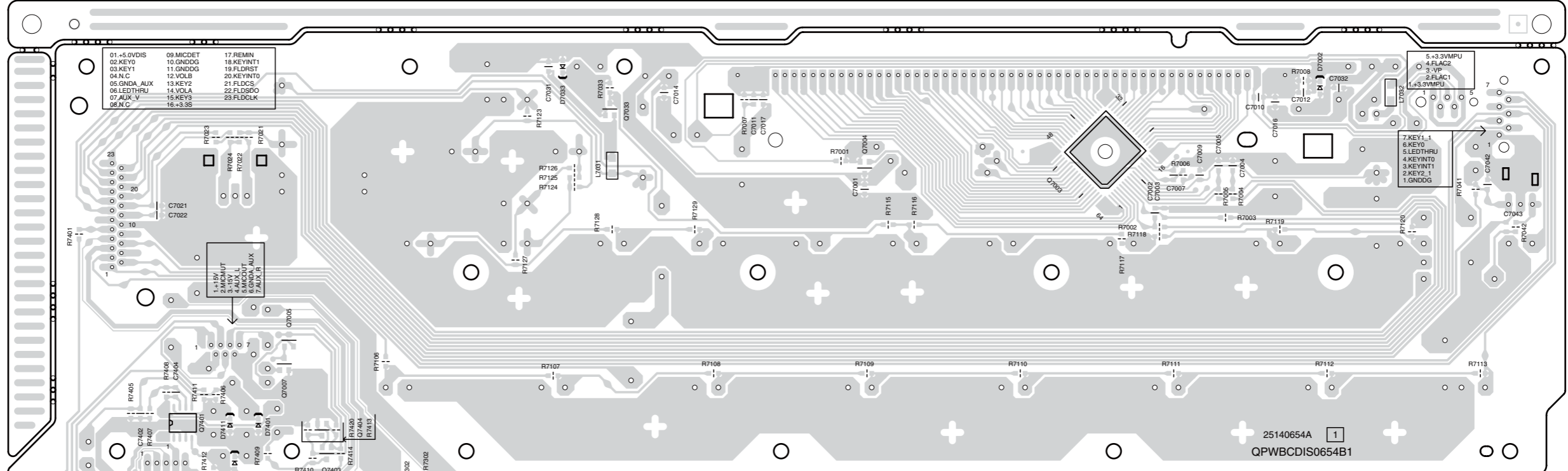
RISK OF FIRE
 -REPLACE FUSE
 AS MARKED

A B C D E F G H

PRINTED CIRCUIT BOARD VIEWS-2B

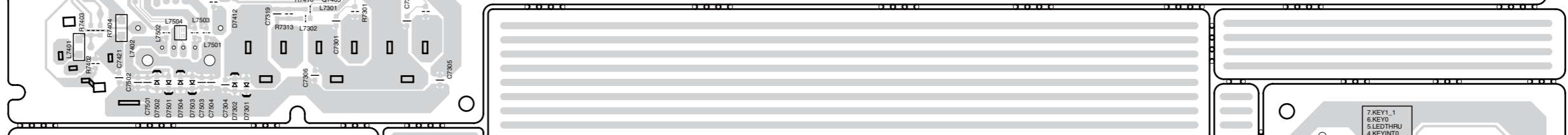
U002
BADIS-0654
(U0020 to U0024)
B-side view

1

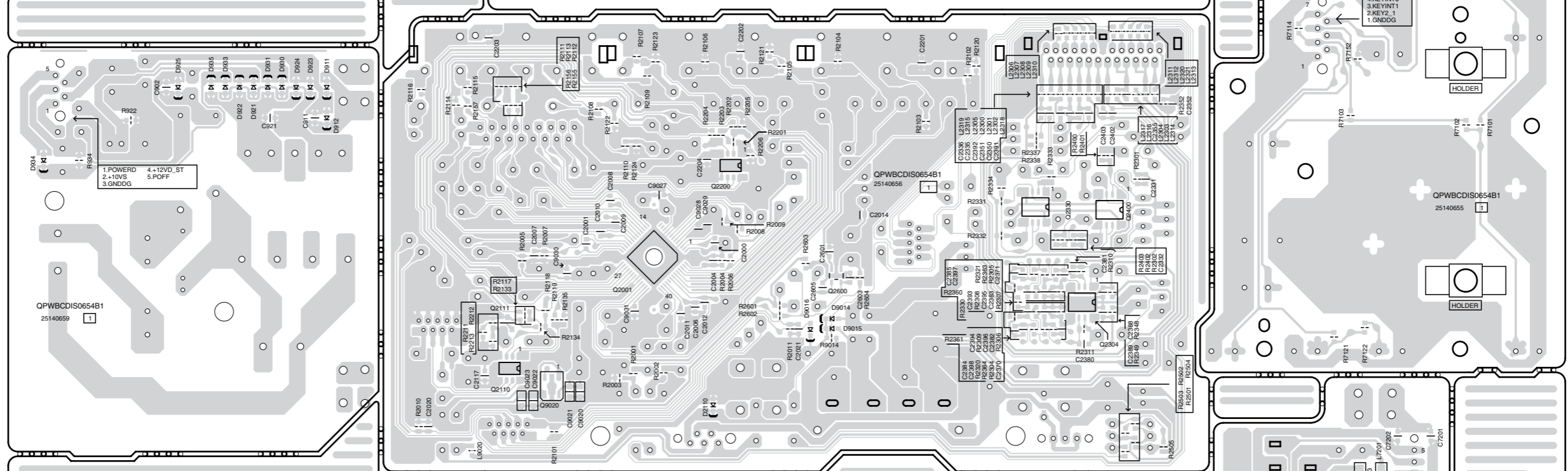


2

3



4



5



B-Side
QPWBCDIS0654B1

QPWBCDIS0654B1
25140658

A

B

C

D

PRINTED CIRCUIT BOARD VIEWS-3

U003 HDMI CIRCUIT PC BOARD
BAHDM-0680
A-side view

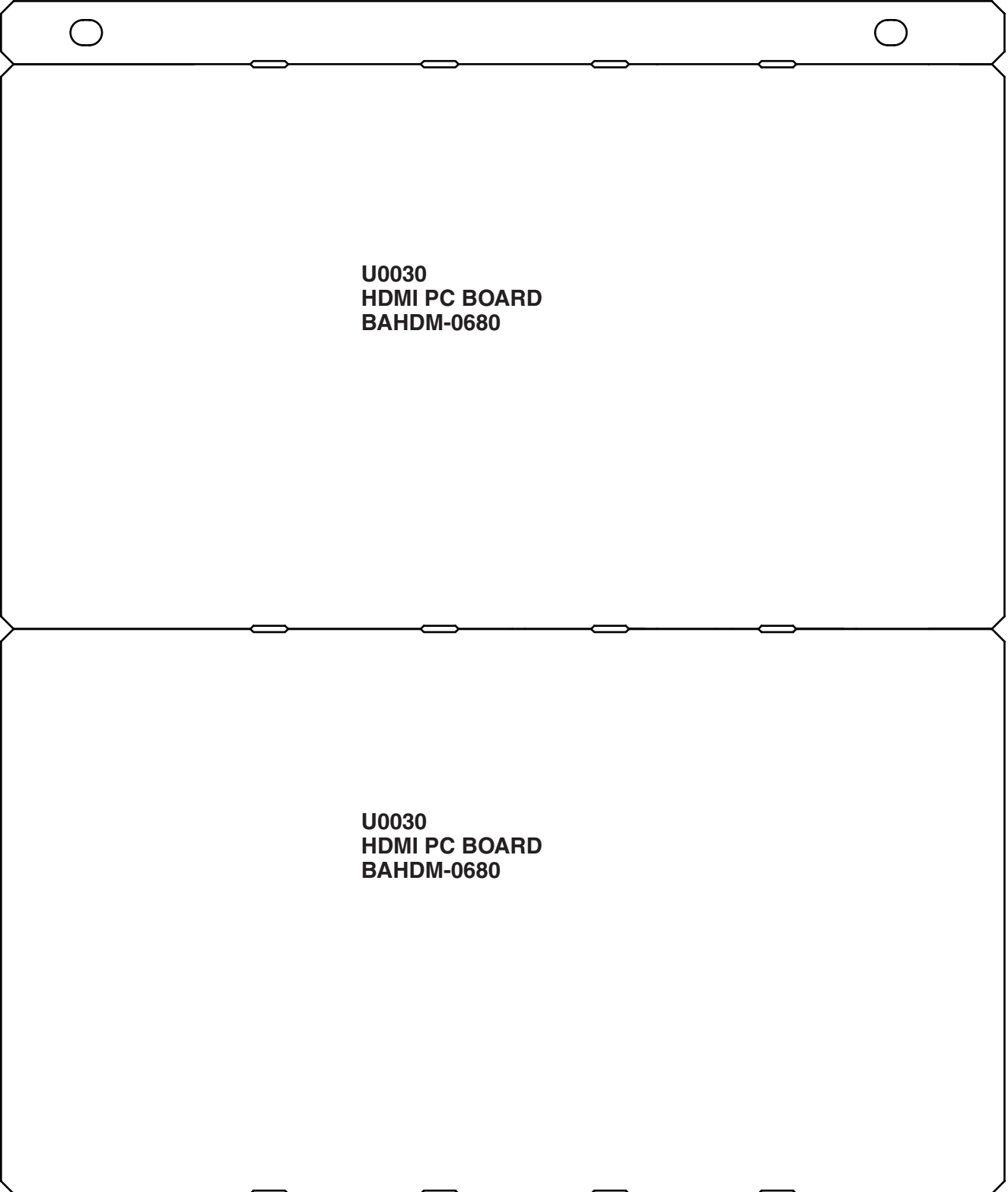
1

2

3

4

5



A

B

C

D

PRINTED CIRCUIT BOARD VIEWS-3A

U003 HDMI CIRCUIT PC BOARD BAHDM-0680 (U0030 x 2)

A-side view

A-side pattern
 B-side pattern

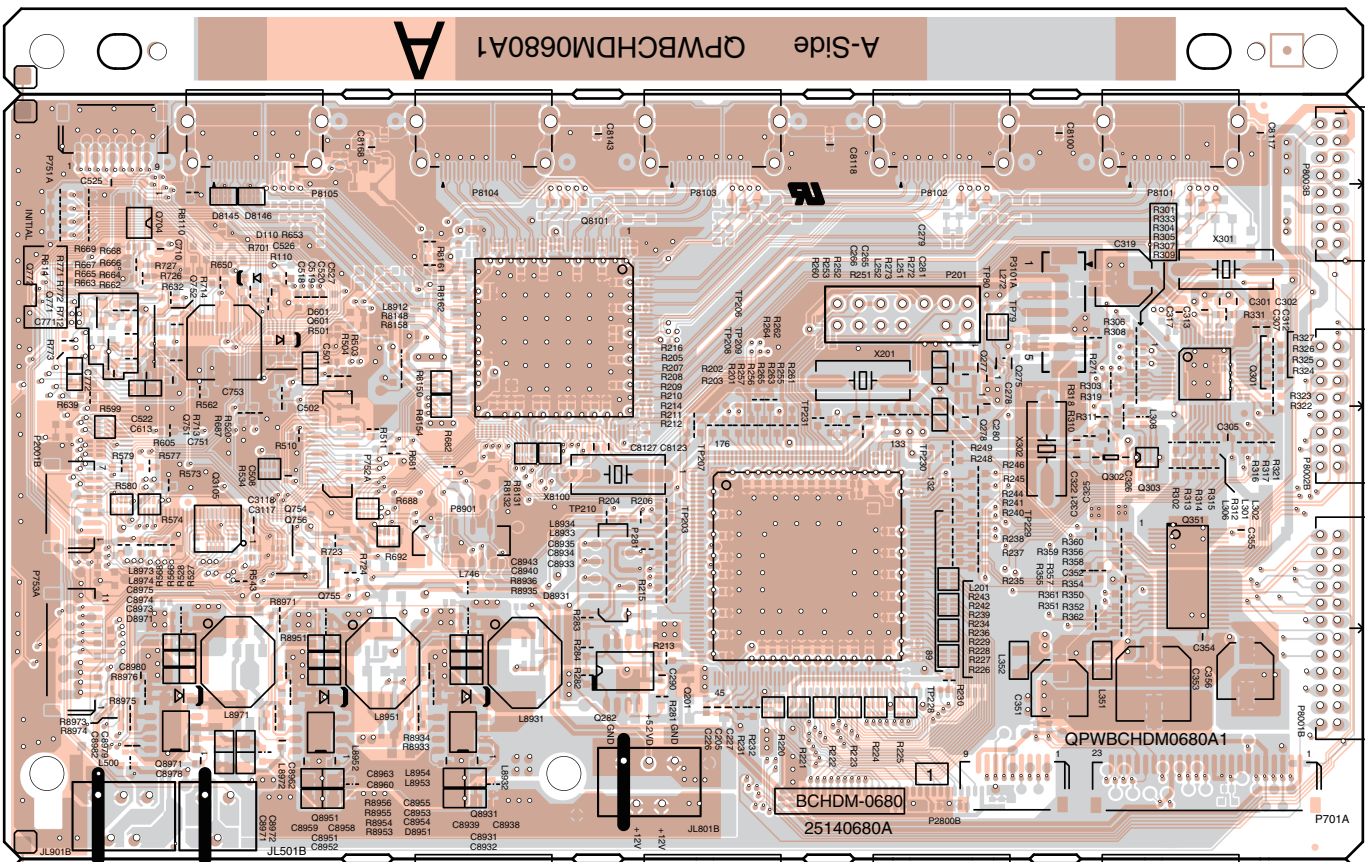
1

2

3

4

5



Same as above

A

B

C

D

PRINTED CIRCUIT BOARD VIEWS-3B

U003 HDMI CIRCUI PC BOARD
BAHDM-0680 (U0030 x 2)

B-side view

A-side pattern
 B-side pattern

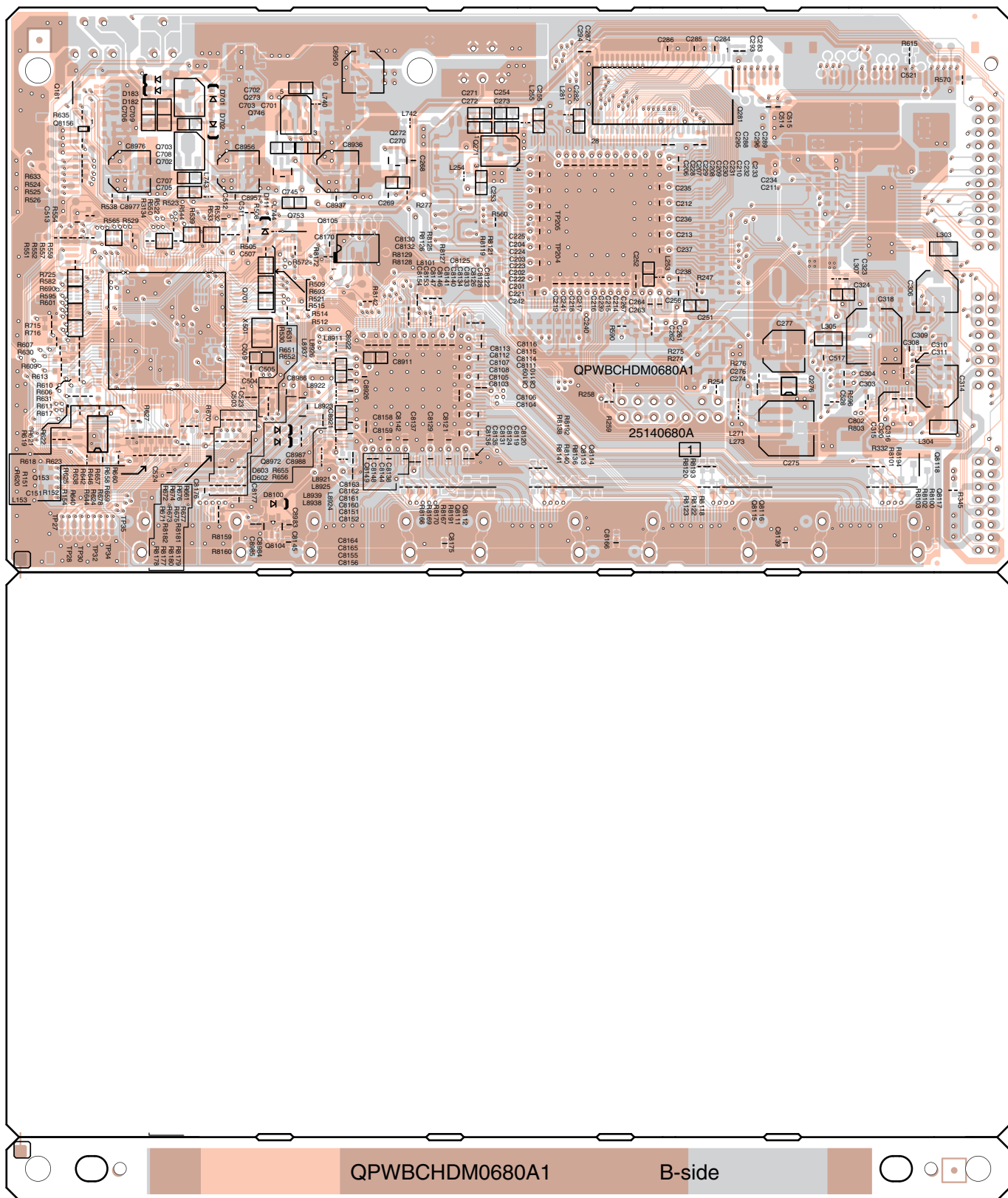
1

2

3

4

5



QPWBCHDM0680A1

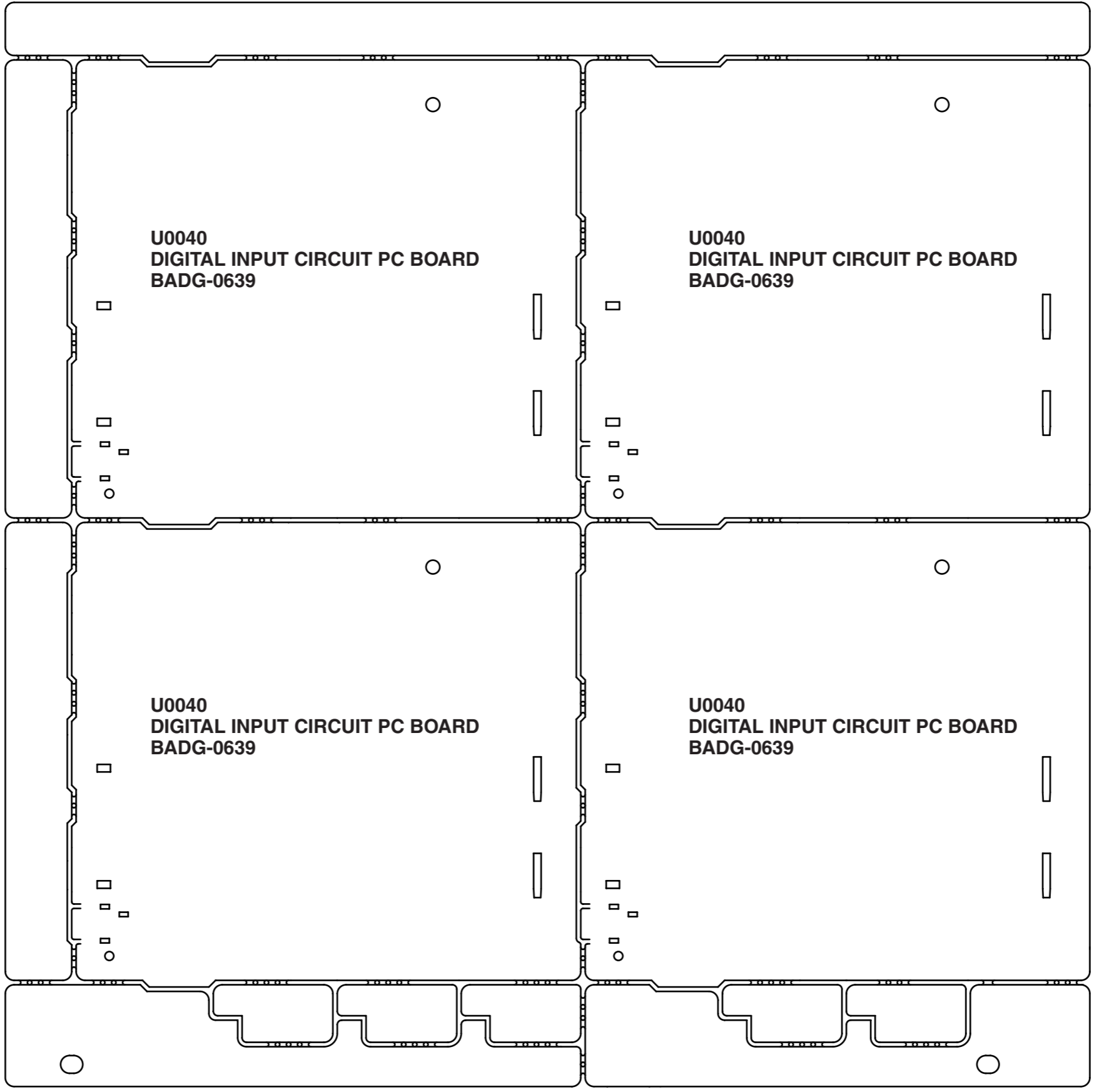
B-side

A B C D E F G H

PRINTED CIRCUIT BOARD VIEWS-4

U004 DIGITAL INPUT TERMINAL
CIRCUIT PC BOARD
BADG-0639
A-side view

1
2
3
4
5

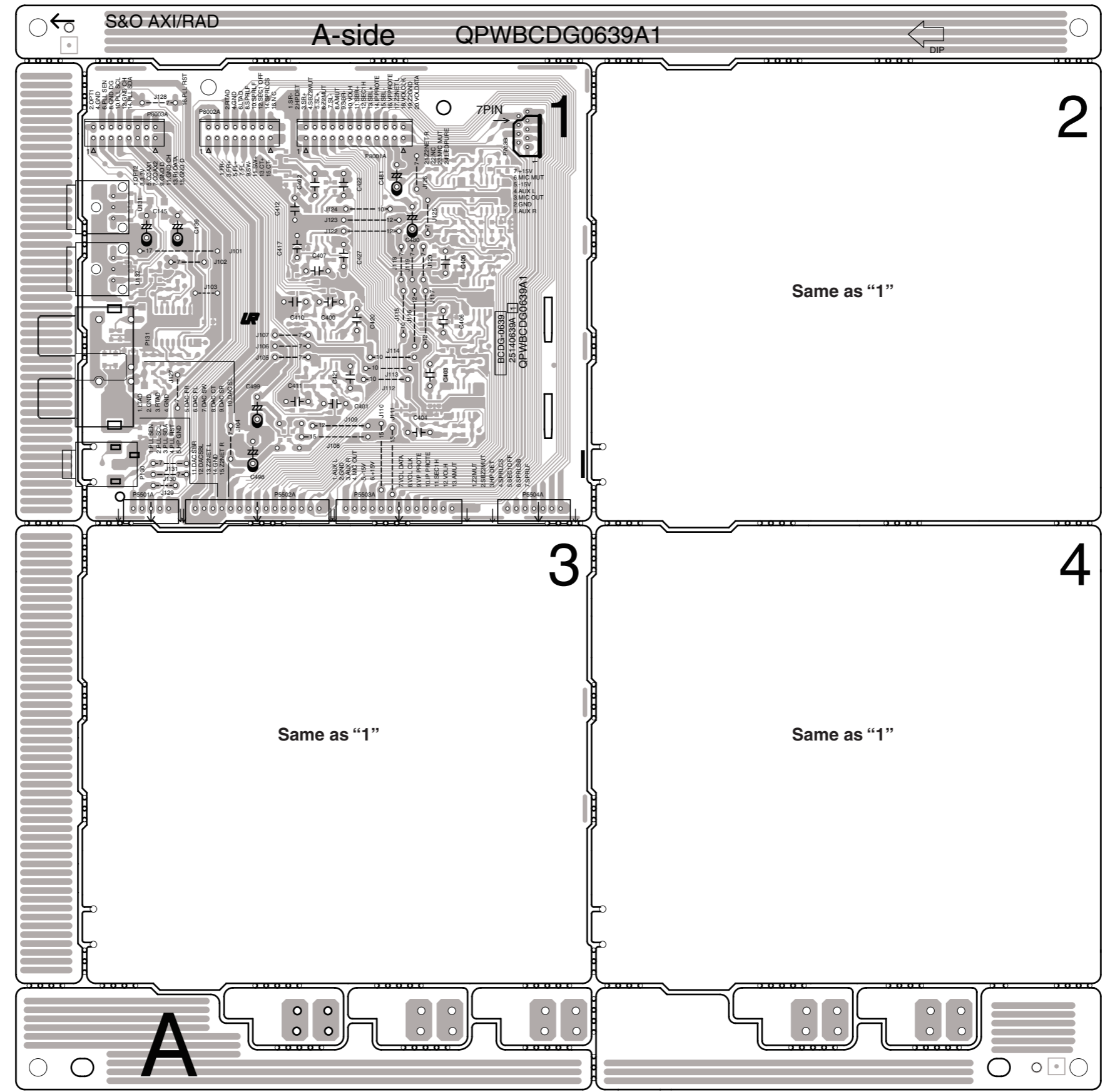


A B C D E F G H

PRINTED CIRCUIT BOARD VIEWS-4A

U004 DIGITAL INPUT TERMINAL
CIRCUIT PC BOARD
BADG-0639

A-side view



1

2

3

4

5

2

3

4

A

A B C D E F G H

PRINTED CIRCUIT BOARD VIEWS-4B

U004 DIGITAL INPUT TERMINAL
CIRCUIT PC BOARD
BADG-0639
B-side view

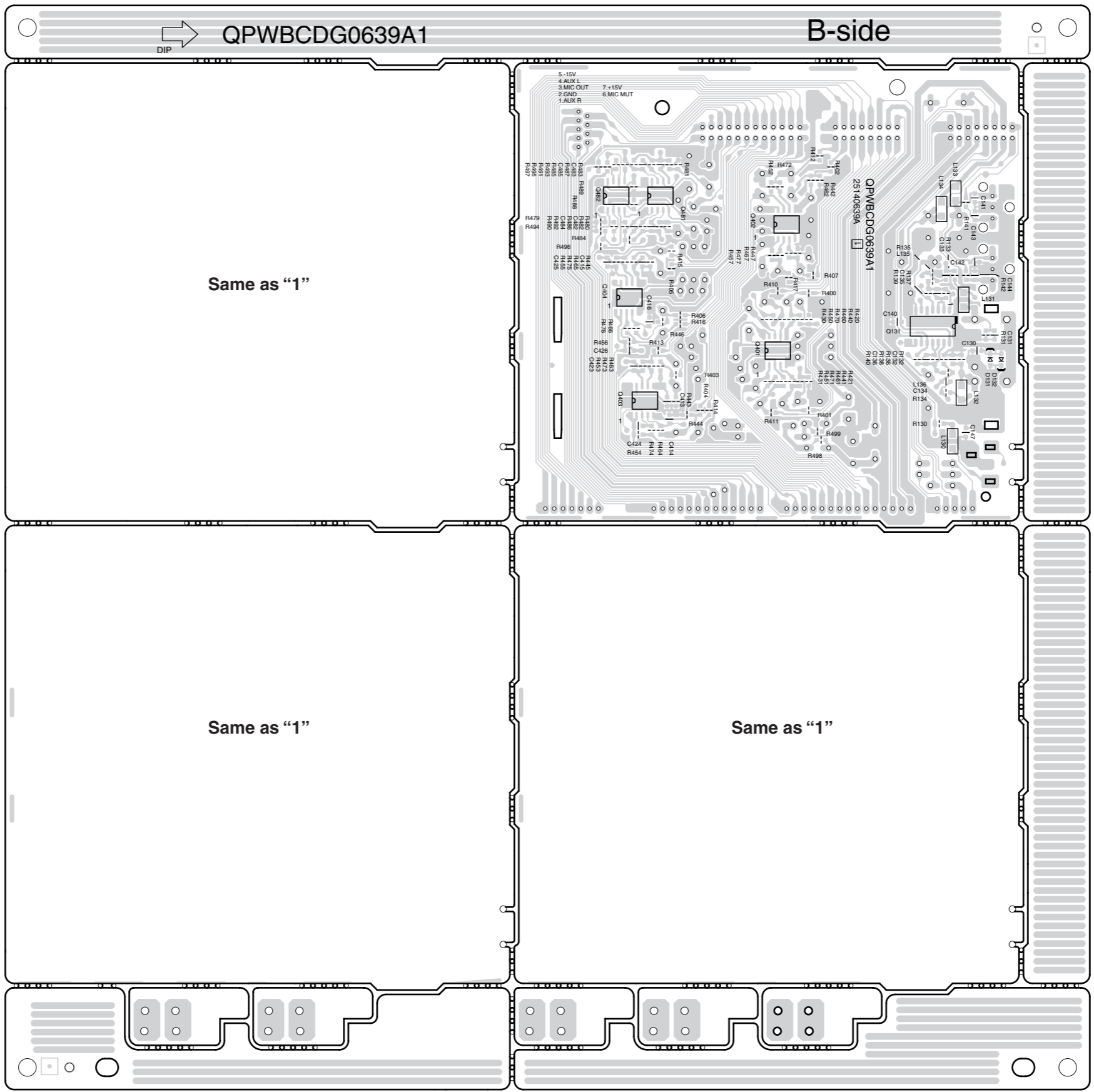
1

2

3

4

5



HT-R590

<Note>

Parts marked by "NSP" are generally unavailable because they are not in our Master Spare Parts List.

NOTE : THE COMPONENTS IDENTIFIED BY THE MARK
! ARE CRITICAL FOR RISK OF FIRE AND
ELECTRIC SHOCK. REPLACE ONLY WITH PART
NUMBER SPECIFIED.

<Notes>

<MDD> : 120V, USA model

<MDC_5400> : 120V, Canadian model for HT-S5400

<MDC_6400> : 120V, Canadian model for HT-S6400

<MMQ> : 220-240V, Hong kong model

<MMK> : 220-240V, Korean model

<MDS> : 120V, Brazilian model

EV EXPLODED VIEW PARTS LIST

EV	REF. NO.	PART NAME	DESCRIPTION	Q'TY	PART NO. (SN)	REMARKS
EV		[CHASSIS SCREW]				
EV	A001	CHASSIS	HT-R590	1	27100564A	N
EV	A003	LEG	(B)	4	27175464	
EV	A005	CUSHION	(ZUL)	4	28141877	
EV	A007	SCREW	3TTB+8B(3BC)	4	838430088GR	
EV	A009	HOLDER	KGLS-8RT	3	27190503A	
EV	A010	HOLDER	KGPS-8RF	1	27191044	
EV	A011	HOLDER	KGLS-10RT	1	27190428A	
EV	A013	HOLDER	KGPS-14RF	2	27190802	
EV	A015	HOLDER	KGPS-14RF	1	27190802	
EV	A017	HOLDER	KGLS-16S	1	27190607	
EV	A019	HOLDER	KGPS-16RF	2	27190991	
EV	A021	HOLDER	KGLS-22S	2	27190369	
EV	A025	SCREW	4TTC+8C(3BC)	4	830440089GR	
EV	A030	HEAT SINK	509	1	27160656	N
EV	A032	RETAINER	(HL)	1	27142159	
EV	A034	RETAINER	(HR)	1	27142223A	
EV	A036	SCREW	3TTB+8B(3BC)	4	838430088GR	
EV	A038	SCREW	3TTB+8B(3BC)	2	838430088GR	
EV	A040	SCREW	3TTB+8B(3BC)	3	838430088GR	
EV	A041	CLIP	CS-1U	2	27255004	
EV	A042	SCREW	3TTB+8B(3BC)	2	838430088GR	
EV	A043	SCREW	3TTB+8B(3CM)SR	1	801637	
EV	A050	SCREW	3SMS8WSW+18B3CM	6	801636	
EV	A054	SCREW	3TTB+8B(3BC)	2	838430088GR	

EV	A056	BUSHING	S-RELIEF #2271	1	27300750	!	<MDC, MDD, MMK, MMQ>
EV	A060	WIRE TIE	BSK-1	10	260208		
EV	A069	SCREW	3TTB+8B(3BC)	2	838430088GR		
EV	A071	LABEL	(SP)590	1	29391418	N	<MDC, MDD, MDS, MMK, MMQ>
EV	A081	IB CUSHION	W15 x 3t TAPE	1	28141585		
EV	A101	REAR PANEL	590DD	1	27124255A	N	<MDC, MDD>
EV	A101	REAR PANEL	590MK	1	27124256A	N	<MMK, MMQ>
EV	A101	REAR PANEL	HTR590 DS	1	27124294A	N	<MDS>
EV	A102	CUSHION	---	2	28141799		
EV	A103	SCREW	3P+6FN(3BC)	5	82143006GR		<MDC, MDD, MDS, MMK, MMQ>
EV	A105	SCREW	3TTB+8B(3BC)	24	838430088GR		<MDC, MDD, MDS, MMK, MMQ>
EV	A110	SCREW	3TTF+10B(3BC)	2	835430108GR		<MDS>
EV	A111	TAPE	TAPE(CLOTH-16U)	1	29110083		<MDS>
EV	A112	TAPE	TAPE(CLOTH-16U)	1	29110083		
EV	[CABINET]						
EV	A201	F PANEL	HT-R590_C(B)DC	1	27213429A	N	<MDC, MDD, MDS>
EV	A201	F PANEL	HT-R590_C(B)MQ	1	27213430A	N	<MMK, MMQ>
EV	A202	CLEAR PLT	HT-R590_C MDC	1	28192336B	N	<MDC, MDD, MDS>
EV	A202	CLEAR PLT	HT-R590_C MMQ	1	28192337B	N	<MMK, MMQ>
EV	A207	BADGE	---	1	28135317		
EV	A211	KNOB	(TONE)(B)	1	28326912		
EV	A213	KNOB	(INP)(B)	1	28326908B		
EV	A214	KNOB	(INP-LR)(B)	2	28326910B		
EV	A216	KNOB	(SEL)	1	28326906A		
EV	A217	KNOB	(STBY)(B)	1	28326904		
EV	A219	KNOB	(CUR)	1	28326907B		
EV	A221	IB CUSHION	W15 x 3t TAPE	1	28141585		
EV	A225	SCREW	2.6TTB+8B(3BC)	22	838426088GR		
EV	A255	SCREW	3TTB+8B(3BC)	3	838430088GR		
EV	A256	SCREW	3TTB+8B(3BC)	1	838430088GR		
EV	A260	SCREW	3TTB+8B(3BC)	4	838430088GR		
EV	A264	CUSHION	---	1	28141681		
EV	A270	CUSHION	(FELT)t1x20x10	4	28141859		
EV	A273	HOLDER	KGLS-4S	2	27190009		
EV	A321	KNOB	(VOL)AS(B)	1	28326914		
EV	A340	COVER	(B) (Bent)	1	28210089A		
EV	A340	COVER	(B) (Not Bent)	1	28210089AZ		
EV	A342	SCREW	3TTB+8B(3BC)	9	838430088GR		
EV	A350	PLATE	(COVER)B	1	27262881		<MDC, MDD, MDS, MMK, MMQ>

EV	A354	HOLDER	(PLATE)	6	27191337	<MDC, MDD, MDS, MMK, MMQ>
EV	A360	LABEL	(COVER)	1	29390767	
EV	A362	LABEL	HOOKUP-ONKYO	1	29363194	<MDC, MDD, MDS>
EV	A364	CUSHION	T5 x Φ12 x 6	2	28141867	
EV	[TRANS COIL]					
EV	T901	P TRANS	NPT-1604D	1	2302012	! <MDC, MDD, MDS>
EV	T901	P TRANS	NPT-1604M	1	2302014	! <MMK, MMQ>
EV	[SW TRM]					
EV	F6901	FUSE	10A-UL/T-233	1	252330GR	!
EV	F6901 or	FUSE	10A-T/UL-ST2	(1)	252333GR	!
EV	F6902	FUSE	10A-UL/T-233	1	252330GR	!
EV	F6902 or	FUSE	10A-T/UL-ST2	(1)	252333GR	!
EV	F901	FUSE	4A-SE-EAK	1	252077GR	! <MMK, MMQ>
EV	F901	FUSE	8A-UL/T-233	1	252329GR	! <MDC, MDD, MDS>
EV	F901 or	FUSE	8A-T/UL-ST2	(1)	252261GR	! <MDC, MDD, MDS>
EV	F901 or	FUSE	4A-SE-TL250V	(1)	252277GR	! <MMK, MMQ>
EV	F901E	LABEL	T4AL250V	1	29361732A	<MMK, MMQ>
EV	P101	FFC	NCFC7-091512	1	2047091512	
EV	P2800	FFC	NCFC5-091012	1	2045091012	
EV	P3101	SOCKET AS	NSAS-10P1924	1	2009991224UL	
EV	P6601A	P RIVET	JB-407A-C	14	880052	<MMK, MMQ>
EV	P701	FFC	NCFC5-232212	1	2045232212	N
EV	P703	FFC	NCFC5-072512	1	2045072512	N
EV	P901	AC CORD	AS-BS	1	253198LTK	! <MMQ>
EV	P901	AC CORD	AS-CEE-2	1	253306VOL	! <MMK>
EV	P901	AC CORD	AS-UC-2	1	253368AYUN	! <MDC, MDD>
EV	P901 or	AC CORD	AS-UC-2	(1)	253368BLTK	! <MDC, MDD>
EV	P901 or	AC CORD	AS-CEE-2	(1)	253374YUN	! <MMK>
EV	P901B	FASTON AS	FASTON SOCKET	1	1F999026A	! <MDS>
EV	P907	AC INLET	R301X2PSn	1	25053358	! <MDS>
EV	[TUNER UNIT]					
EV	U001	U0010 + U0011 + U0012 + U0013 + U0014 + U0015 + U0016 + U0017	BAAF-0621-1A *	1	1B258521-1A	N <MDD, MDC, MDS>
EV	U001		BAAF-0621-1B *	1	1B258521-1B	N <MMK, MMQ>
EV	U0010	Power Amp /Audio Input Terminals PC board ass'y	BAAF-0621-1A	1	1B2585621-1A	N <MDD, MDC, MDS>
EV	U0010		BAAF-0621-1B	1	1B2585621-1B	N <MMK, MMQ>
EV	U0011	Center Speaker Terminal PC Board ass'y	BATRM-0622-1A	1	1B2585622-1A	N <MDD, MDC, MDS>
EV	U0011		BATRM-0622-1B	1	1B2585622-1B	N <MMK, MMQ>

EV	U0012	Thermal Senser PC board ass'y	BAETC-0623-1A	1	1B2585623-1A	N <MDD, MDC, MDS>
EV	U0012		BAETC-0623-1B	1	1B2585623-1B	N <MMK, MMQ>
EV	U0013	Spacer PC board ass'y	BAETC-0624-1A	1	1B2585624-1A	N <MDD, MDC, MDS>
EV	U0013		BAETC-0624-1B	1	1B2585624-1B	N <MMK, MMQ>
EV	U0014	Terminal PC board ass'y	BAETC-0625-1A	1	1B2585625-1A	N <MDD, MDC, MDS>
EV	U0014		BAETC-0625-1B	1	1B2585625-1B	N <MMK, MMQ>
EV	U0015	FFC Fixture PC board ass'y	BAETC-0626-1A	1	1B2585626-1A	N <MDD, MDC, MDS>
EV	U0015		BAETC-0626-1B	1	1B2585626-1B	N <MMK, MMQ>
EV	U0016	Power supply PC board ass'y	BAETC-0627-1A	1	1B2585627-1A	N <MDD, MDC, MDS>
EV	U0016		BAETC-0627-1B	1	1B2585627-1B	N <MMK, MMQ>
EV	U0017	Part Fixture PC board ass'y	BAETC-0764-1A	1	1B2585764-1A	N <MDD, MDC, MDS>
EV	U0017		BAETC-0764-1B	1	1B2585764-1B	N <MMK, MMQ>
EV	U002	U0020+U0021+U0022+U0023+U0024	BADIS-0654-1E *	1	1B258554-1E	N <MDD, MDC, MDS>
EV	U002		BADIS-0654-1F *	1	1B258554-1F	N <MMK, MMQ>
EV	U0020	Display PC board assy	BADIS-0654-1E	1	1B2585654-1E	N <MDD, MDC, MDS>
EV	U0020		BADIS-0654-1F	1	1B2585654-1F	N <MMK, MMQ>
EV	U0021	Standby switch PC board ass'y	BADIS-0655-1E	1	1B2585655-1E	N <MDD, MDC, MDS>
EV	U0021		BADIS-0655-1F	1	1B2585655-1F	N <MMK, MMQ>
EV	U0022	Video PC board ass'y	BAVD-0656-1E	1	1B2585656-1E	N <MDD, MDC, MDS>
EV	U0022		BAVD-0656-1F	1	1B2585656-1F	N <MMK, MMQ>
EV	U0023	HP jack PC board ass'y	BAETC-0658-1E	1	1B2585658-1E	N <MDD, MDC, MDS>
EV	U0023		BAETC-0658-1F	1	1B2585658-1F	N <MMK, MMQ>
EV	U0024	Power supply PC board ass'y	BAPS-0659-1E	1	1B2585659-1E	N <MDD, MDC, MDS>
EV	U0024		BAPS-0659-1F	1	1B2585659-1F	N <MMK, MMQ>
EV	U003	U0030 x 2 pcs.	BAHDM-0680-1A *	1	1B258580-1A	N <MDD, MDC, MDS>
EV	U003		BAHDM-0680-1B *	1	1B258580-1B	N <MMK, MMQ>
EV	U0030	HDMI PC board ass'y	BAHDM-0680-1A	1	1B2585680-1A	N <MDD, MDC, MDS>
EV	U0030		BAHDM-0680-1B	1	1B2585680-1B	N <MMK, MMQ>
EV	U004	U0040 x 4 pcs.	BADG-0639-1A *	1	1B258539-1A	N
EV	U0040	Digital Input Terminals PC board ass'y	BADG-0639-1A *	1	1B2585639-1A	N
EV	U010	TUNER UNIT	KST-MW004MS1-S89S	1	240171	<MDC, MDD, MDS>
EV	U010	TUNER UNIT	KST-MW104MS1-S89	1	240172	<MMK, MMQ>

HT-R590

PV **PACKING PROCEDURES PARTS LIST**

PV	REF. NO.	PART NAME	DESCRIPTION	Q'TY	PART NO. (SN)	REMARKS
PV		[PACKING]				
PV	A601	PAD AS	(AS) HTR390 L & R	1	29092582A	<MDC, MDD, MDS, MMK, MMQ>

PV	A601A	PAD	(L)	1	29092583A	<MDC, MDD, MDS, MMK, MMQ>
PV	A601B	PAD	(R)	1	29092584A	<MDC, MDD, MDS, MMK, MMQ>
PV	A605	POLY BAG	w850 x d650	1	29100245	
PV	A606	TAPE	(SEROHAN)NITTO NO.29	1	29110149	
PV	A608	SHEET	T0.5 x 600 x 500	1	29096097	<MDC, MDD, MDS, MMK, MMQ>
PV	A611	TAPE	(SEROHAN)NITTO NO.29	1	29110149	
PV	A704A	LABEL	(DES)590BMDD	1	29391517	N <MDD>
PV	A704A	LABEL	(DES)590BMDC	1	29391518	N <MDC_5400>
PV	A704A	LABEL	(DES)590C2BMDC	1	29391709	N <MDC_6400>
PV	A704A	LABEL	(DES)590BMMK	1	29391519	N <MMK>
PV	A704A	LABEL	(DES)590BMMQ	1	29391520	N <MMQ>
PV	A704A	LABEL	(DES)590MDS	1	29391559	N <MDS>
PV	[ACCESSORY]					
PV	A672	POLY BAG	w250 x d350	1	29100250A	<MDC, MDD, MMK, MMQ>
PV	A673	POLY BAG	---	1	29100225A	<MDC, MDD, MDS, MMK, MMQ>
PV	A674	POLY BAG	D250 x d300 x W300(t0.04)	1	29100256A	
PV	A676	TAPE	(SEROHAN)NITTO NO.29	1	29110149	
PV	A678	SHEET	(PAD)	1	29096131	N
PV	A679	TAPE	(SEROHAN)NITTO NO.29	1	29110149	<MDC, MDD, MDS, MMK, MMQ>
PV	A680	PP TAPE	W50 SBT-70	1	29110200	
PV	A801	INS MANUAL	U8(HTP-770)	1	29400119	<MMQ>
PV	A801	INS MANUAL	En(HTR590)	1	29400621	N
PV	A801	INS MANUAL	U3EnFrEs(HTP-390/590/790/890)	1	29400753	<MDC, MDD, MDS, MMK>
PV	A802	INS MANUAL	U2EnFr(HTP-590)	1	29400633	N <MDD, MDS, MMK, MMQ>
PV	A802	INS MANUAL	U2EnFr(HTP-590)	1	29400633	N <MDC_5400>
PV	A802	INS MANUAL	U3EnFrEs(SKS-HT690)	1	29400785	N <MDC_6400>
PV	A804	INS MANUAL	FrEs(HTR590)	1	29400624	N <MDC, MDS>
PV	A807	INS MANUAL	Ct(HTR590)	1	29400626	N <MMQ>
PV	A809	INS MANUAL	Ar(HTR590)	1	29400625	N <MMQ>
PV	A810	INS MANUAL	Ar(QC ImportantSheet)	1	29344373B	<MMQ>
PV	A811	INS MANUAL	En-QSS(HTR590)	1	29400623	N <MDD, MDS, MMK, MMQ>
PV	A811	INS MANUAL	En-QSS(HTR590)	1	29400623	N <MDC_5400>
PV	A811	INS MANUAL	En-QSS(HT-S6400)	1	29400660	N <MDC_6400>
PV	A826	INST SHEET	U11(2010_RIHD)	1	29355782	
PV	A841	INST SHEET	(TX-SR309_USB)	1	29355830	
PV	A843	INST SHEET	(TX-SR309_HP)	1	29355831	
PV	A855	REMO CON	RC-799M	1	24140799	
PV	A856	MIC	MIC-7000	1	245044	
PV	A858	ANT COIL	NMA-3057	1	232140	

PV	A859	FM ANT AS	Type W	1	292191	
PV	A861	BATTERY	R6/AA(UM-3)	2	3010194	<MMK, MMQ>
PV	A861	BATTERY	R6/AA(UM-3)	2	3010506	<MDC, MDD, MDS>
PV	A861 or	BATTERY	R6/AA(UM-3)	(2)	3010054	<MDC, MDD, MDS, MMK, MMQ>
PV	A861 or	BATTERY	R6/AA(UM-3)	(2)	3010194	<MDC, MDD, MDS>
PV	A884	WRNTY CARD	MGQ	1	29365099A	<MMQ>
PV	A885	WRNTY CARD	(ONKYO)	1	29365135	<MDC, MDD, MDS>

HT-R590

U001 PC BOARD PARTS LIST

U001	U001	U0010 + U0011 + U0012 + U0013 + U0014 + U0015 + U0016 + U0017		
U001	U0010	Power Amp / Audio Input Terminals PC board	BAAF-0621-1A/ 1B	
U001	U0011	Center Speaker Terminal PC Board	BATRM-0622-1A/ 1B	
U001	U0012	Thermal Senser PC board	BAETC-0623-1A/ 1B	
U001	U0013	Spacer PC board	BAETC-0624-1A/ 1B	
U001	U0014	Terminal PC board	BAETC-0625-1A/ 1B	
U001	U0015	FFC Fixture PC board	BAETC-0626-1A/ 1B	
U001	U0016	Power supply PC board	BAETC-0627-1A/ 1B	
U001	U0017	Part Fixture PC board	BAETC-0764-1A/ 1B	

CIRCUIT NO.	PART NAME	DESCRIPTION	Q'TY	PART NO. (SN)	REMARKS
U001	[SEMI CONDUCTOR]				
U001	D4171	ZENER D	1	224470682T	
U001	D4172	ZENER D	1	224470682T	
U001	D4208	C-DIODE	1	223303R2	
U001	D4208 or	C-DIODE	(1)	223234R2	
U001	D4208 or	C-DIODE	(1)	223269R2	
U001	D4208 or	C-DIODE	(1)	223279R2	
U001	D4208 or	C-DIODE	(1)	223283R2	
U001	D4218	C-DIODE	1	223303R2	
U001	D4218 or	C-DIODE	(1)	223234R2	
U001	D4218 or	C-DIODE	(1)	223269R2	
U001	D4218 or	C-DIODE	(1)	223279R2	
U001	D4218 or	C-DIODE	(1)	223283R2	
U001	D4300	DIODE	1	22380260T	
U001	D4300 or	DIODE	(1)	22380035T	
U001	D4301	DIODE	1	22380260T	
U001	D4301 or	DIODE	(1)	22380035T	

U001	D4302	DIODE	RL1N4003	1	22380260T	
U001	D4302 or	DIODE	GP104003E	(1)	22380035T	
U001	D4303	DIODE	RL1N4003	1	22380260T	
U001	D4303 or	DIODE	GP104003E	(1)	22380035T	
U001	D4304	DIODE	RL1N4003	1	22380260T	
U001	D4304 or	DIODE	GP104003E	(1)	22380035T	
U001	D4305	DIODE	RL1N4003	1	22380260T	
U001	D4305 or	DIODE	GP104003E	(1)	22380035T	
U001	D4400	ZENER D	DZ2J056M0L	1	224760560R2	N <MDC, MDD, MDS, MMK, MMQ>
U001	D4400 or	ZENER D	UDZS5.6B	(1)	224550560R2	<MDC, MDD, MDS, MMK, MMQ>
U001	D6020	C-DIODE	DA2J10100	1	223303R2	
U001	D6020 or	C-DIODE	1SS352	(1)	223234R2	
U001	D6020 or	C-DIODE	1SS355	(1)	223269R2	
U001	D6020 or	C-DIODE	MA2J111	(1)	223279R2	
U001	D6020 or	C-DIODE	KDS4148U	(1)	223283R2	
U001	D6021	C-DIODE	DA2J10100	1	223303R2	
U001	D6021 or	C-DIODE	1SS352	(1)	223234R2	
U001	D6021 or	C-DIODE	1SS355	(1)	223269R2	
U001	D6021 or	C-DIODE	MA2J111	(1)	223279R2	
U001	D6021 or	C-DIODE	KDS4148U	(1)	223283R2	
U001	D6022	C-DIODE	DA2J10100	1	223303R2	
U001	D6022 or	C-DIODE	1SS352	(1)	223234R2	
U001	D6022 or	C-DIODE	1SS355	(1)	223269R2	
U001	D6022 or	C-DIODE	MA2J111	(1)	223279R2	
U001	D6022 or	C-DIODE	KDS4148U	(1)	223283R2	
U001	D6023	C-DIODE	DA2J10100	1	223303R2	
U001	D6023 or	C-DIODE	1SS352	(1)	223234R2	
U001	D6023 or	C-DIODE	1SS355	(1)	223269R2	
U001	D6023 or	C-DIODE	MA2J111	(1)	223279R2	
U001	D6023 or	C-DIODE	KDS4148U	(1)	223283R2	
U001	D6024	C-DIODE	DA2J10100	1	223303R2	
U001	D6024 or	C-DIODE	1SS352	(1)	223234R2	
U001	D6024 or	C-DIODE	1SS355	(1)	223269R2	
U001	D6024 or	C-DIODE	MA2J111	(1)	223279R2	
U001	D6024 or	C-DIODE	KDS4148U	(1)	223283R2	
U001	D6025	C-DIODE	DA2J10100	1	223303R2	<MDC, MDD, MDS, MMK, MMQ>
U001	D6025 or	C-DIODE	1SS352	(1)	223234R2	<MDC, MDD, MDS, MMK, MMQ>
U001	D6025 or	C-DIODE	1SS355	(1)	223269R2	<MDC, MDD, MDS, MMK, MMQ>
U001	D6025 or	C-DIODE	MA2J111	(1)	223279R2	<MDC, MDD, MDS, MMK, MMQ>

U001	D6025 or	C-DIODE	KDS4148U	(1)	223283R2	<MDC, MDD, MDS, MMK, MMQ>
U001	D6026	C-DIODE	DA2J10100	1	223303R2	<MDC, MDD, MDS, MMK, MMQ>
U001	D6026 or	C-DIODE	1SS352	(1)	223234R2	<MDC, MDD, MDS, MMK, MMQ>
U001	D6026 or	C-DIODE	1SS355	(1)	223269R2	<MDC, MDD, MDS, MMK, MMQ>
U001	D6026 or	C-DIODE	MA2J111	(1)	223279R2	<MDC, MDD, MDS, MMK, MMQ>
U001	D6026 or	C-DIODE	KDS4148U	(1)	223283R2	<MDC, MDD, MDS, MMK, MMQ>
U001	D6031	DIODE	1SS133	1	223163T	
U001	D6032	DIODE	1SS133	1	223163T	
U001	D6600	C-DIODE	DA2J10100	1	223303R2	
U001	D6600 or	C-DIODE	1SS352	(1)	223234R2	
U001	D6600 or	C-DIODE	1SS355	(1)	223269R2	
U001	D6600 or	C-DIODE	MA2J111	(1)	223279R2	
U001	D6600 or	C-DIODE	KDS4148U	(1)	223283R2	
U001	D6603	C-DIODE	DA2J10100	1	223303R2	
U001	D6603 or	C-DIODE	1SS352	(1)	223234R2	
U001	D6603 or	C-DIODE	1SS355	(1)	223269R2	
U001	D6603 or	C-DIODE	MA2J111	(1)	223279R2	
U001	D6603 or	C-DIODE	KDS4148U	(1)	223283R2	
U001	D6605	C-DIODE	DA2J10100	1	223303R2	<MDC, MDD, MDS, MMK, MMQ>
U001	D6605 or	C-DIODE	1SS352	(1)	223234R2	<MDC, MDD, MDS, MMK, MMQ>
U001	D6605 or	C-DIODE	1SS355	(1)	223269R2	<MDC, MDD, MDS, MMK, MMQ>
U001	D6605 or	C-DIODE	MA2J111	(1)	223279R2	<MDC, MDD, MDS, MMK, MMQ>
U001	D6605 or	C-DIODE	KDS4148U	(1)	223283R2	<MDC, MDD, MDS, MMK, MMQ>
U001	D6704	ZENER D	DZ2J033M0L	1	224760330R2	N
U001	D6704 or	ZENER D	UDZS3.3B	(1)	224550330R2	
U001	D6714	C-DIODE	DA2J10100	1	223303R2	
U001	D6714 or	C-DIODE	1SS352	(1)	223234R2	
U001	D6714 or	C-DIODE	1SS355	(1)	223269R2	
U001	D6714 or	C-DIODE	MA2J111	(1)	223279R2	
U001	D6714 or	C-DIODE	KDS4148U	(1)	223283R2	
U001	D6715	C-DIODE	DA2J10100	1	223303R2	
U001	D6715 or	C-DIODE	1SS352	(1)	223234R2	
U001	D6715 or	C-DIODE	1SS355	(1)	223269R2	
U001	D6715 or	C-DIODE	MA2J111	(1)	223279R2	
U001	D6715 or	C-DIODE	KDS4148U	(1)	223283R2	
U001	D6901	DIODE	D10XB60H	1	22380337	
U001	D6901A	HEAT SINK	RAD-196	1	27160545	
U001	D6901D	SCREW	3P+10FN(3BC)	1	82143010GR	
U001	D6902	C-DIODE	DA2J10100	1	223303R2	

U001	D6902 or	C-DIODE	1SS352	(1)	223234R2	
U001	D6902 or	C-DIODE	1SS355	(1)	223269R2	
U001	D6902 or	C-DIODE	MA2J111	(1)	223279R2	
U001	D6902 or	C-DIODE	KDS4148U	(1)	223283R2	
U001	D6903	C-DIODE	DA2J10100	1	223303R2	
U001	D6903 or	C-DIODE	1SS352	(1)	223234R2	
U001	D6903 or	C-DIODE	1SS355	(1)	223269R2	
U001	D6903 or	C-DIODE	MA2J111	(1)	223279R2	
U001	D6903 or	C-DIODE	KDS4148U	(1)	223283R2	
U001	D960	DIODE	RL1N4003	1	22380260T	
U001	D961	DIODE	RL1N4003	1	22380260T	
U001	D964	ZENER D	DZ2J360M0L	1	224763600R2	N <MDC, MDD, MDS, MMK, MMQ>
U001	D964 or	ZENER D	UDZS36B	(1)	224553600R2	<MDC, MDD, MDS, MMK, MMQ>
U001	Q4001	IC	R2A15218FP	1	22242605R3	
U001	Q4003	IC	NJM4580M-D	1	22241448R2	
U001	Q4100	TR	RN1441	1	2215410R2	
U001	Q4101	TR	RN1441	1	2215410R2	
U001	Q4102	TR	RN1441	1	2215410R2	
U001	Q4103	TR	RN1441	1	2215410R2	
U001	Q4104	TR	RN1441	1	2215410R2	
U001	Q4105	TR	RN1441	1	2215410R2	
U001	Q4106	TR	RN1441	1	2215410R2	
U001	Q4107	TR	RN1441	1	2215410R2	
U001	Q4117	TR	RN1441	1	2215410R2	
U001	Q4130	IC	NJM4580M-D	1	22241448R2	
U001	Q4170	IC	78M15HF(NJM78M15FA)	1	222780155JRC	
U001	Q4170 or	IC	UPC78M15AHF-AZ	(1)	222780155NEC	
U001	Q4170A	HEAT SINK	RAD-196	1	27160545	
U001	Q4170B	SCREW	3P+10FN(3BC)	1	82143010GR	
U001	Q4171	IC	79M15HF(NJM79M15FA)	1	222790155JRC	
U001	Q4171 or	IC	UPC79M15HF-AZ	(1)	222790155NEC	
U001	Q4171B	SCREW	3P+10FN(3BC)	1	82143010GR	
U001	Q4400	IC	NJM4580M-D	1	22241448R2	<MDC, MDD, MDS, MMK, MMQ>
U001	Q4401	TR	2SC2235-Y(TPE6_F)	1	2211654T	<MDC, MDD, MDS, MMK, MMQ>
U001	[NOTICE]					
U001	Q6001, Q6002, Q6003 and the surrounding parts have been changed as follows in the middle of production. Refer to SCHEMATIC-DIAGRAM-4(AMP. SECTION)					
U001	Change C6120, C6121 and C6122 at the same time when Q6001 is changed.					
U001	Q6001	IC	STK-443-530-E	1	222148	BEFORE
U001			↓		↓	

U001		IC	STK-443-530N-E	1	222152	AFTER
U001	C6120	C-CERA C	CC725CH1H-101J1	0	342101014R1	BEFORE
U001				↓		
U001		C-CERA C	CC725CH1H-101J1	1	342101014R1	AFTER
U001	C6121	C-CERA C	CC725CH1H-101J1	0	342101014R1	BEFORE
U001				↓		
U001		C-CERA C	CC725CH1H-101J1	1	342101014R1	AFTER
U001	C6122	C-CERA C	CC725CH1H-101J1	0	342101014R1	BEFORE
U001				↓		
U001		C-CERA C	CC725CH1H-101J1	1	342101014R1	AFTER
U001	Change C6123 and C6124 at the same time when Q6002 is changed.					
U001	Q6002	IC	STK-442-730-E	1	222150	N BEFORE
U001			↓		↓	
U001		IC	STK-442-730N-E	1	222153	AFTER
U001	C6123	C-CERA C	CC725CH1H-561J1	0	342105614R1	BEFORE
U001				↓		
U001		C-CERA C	CC725CH1H-561J1	1	342105614R1	AFTER
U001	C6124	C-CERA C	CC725CH1H-561J1	0	342105614R1	BEFORE
U001				↓		
U001		C-CERA C	CC725CH1H-561J1	1	342105614R1	AFTER
U001	Change C6125 and C6126 at the same time when Q6003 is changed.					
U001	Q6003	IC	STK-442-730-E	1	222150	N BEFORE
U001			↓		↓	
U001		IC	STK-442-730N-E	1	222153	AFTER
U001	C6125	C-CERA C	CC725CH1H-561J1	0	342105614R1	BEFORE
U001				↓		
U001		C-CERA C	CC725CH1H-561J1	1	342105614R1	AFTER
U001	C6126	C-CERA C	CC725CH1H-561J1	0	342105614R1	BEFORE
U001				↓		
U001		C-CERA C	CC725CH1H-561J1	1	342105614R1	AFTER
U001	Q6010	TR	2SC2240-BL(TPE2_F)	1	2211406T	
U001	Q6011	TR	2SC2240-BL(TPE2_F)	1	2211406T	
U001	Q6012	TR	2SC2240-BL(TPE2_F)	1	2211406T	
U001	Q6013	TR	2SC2240-BL(TPE2_F)	1	2211406T	
U001	Q6014	TR	2SC2240-BL(TPE2_F)	1	2211406T	
U001	Q6015	TR	2SC2240-BL(TPE2_F)	1	2211406T	<MDC, MDD, MDS, MMK, MMQ>
U001	Q6016	TR	2SC2240-BL(TPE2_F)	1	2211406T	<MDC, MDD, MDS, MMK, MMQ>
U001	Q6021	TR	2SA1163-BL(TE85L_F)	1	2216756R2	
U001	Q6022	TR	2SC2240-BL(TPE2_F)	1	2211406T	

U001	Q6023	TR	2SC2240-BL(TPE2_F)	1	2211406T	
U001	Q6024	TR	2SA1163-BL(TE85L_F)	1	2216756R2	
U001	Q6380	IC	LM61CIZ	1	22242212	
U001	Q6380A	RETAINER	(PTH)	1	27141884-1	
U001	Q6601	TR	KRC105S	1	2217290R2	
U001	Q6601 or	TR	DTC123JKA	(1)	2216690R2	
U001	Q6602	TR	KRC105S	1	2217290R2	
U001	Q6602 or	TR	DTC123JKA	(1)	2216690R2	
U001	Q6603	TR	KRC105S	1	2217290R2	<MDC, MDD, MDS, MMK, MMQ>
U001	Q6603 or	TR	DTC123JKA	(1)	2216690R2	<MDC, MDD, MDS, MMK, MMQ>
U001	Q6707	TR	KTC3875-GR	1	2216175R2	
U001	Q6707 or	TR	2SC2712-GR	(1)	2213145R2	
U001	Q6708	TR	KTC3875-GR	1	2216175R2	
U001	Q6708 or	TR	2SC2712-GR	(1)	2213145R2	
U001	Q960	TR	2SC2235-Y(TPE6_F)	1	2211654T	
U001	Q960 or	TR	2SC2235-O(TPE6_F)	(1)	2211653T	
U001	[TRANS COIL]					
U001	L6000	S COIL	SC-0.8X6.0X29.5T-4RV-C	1	231394AS	
U001	L6001	S COIL	SC-0.8X6.0X29.5T-4RV-C	1	231394AS	
U001	L6002	S COIL	SC-0.8X6.0X29.5T-4RV-C	1	231394AS	
U001	L6003	S COIL	SC-0.8X6.0X29.5T-4RV-C	1	231394AS	
U001	L6004	S COIL	SC-0.8X6.0X29.5T-4RV-C	1	231394AS	
U001	L6005	S COIL	SC-0.8X6.0X29.5T-4RV-C	1	231394AS	<MDC, MDD, MDS, MMK, MMQ>
U001	L6006	S COIL	SC-0.8X6.0X29.5T-4RV-C	1	231394AS	<MDC, MDD, MDS, MMK, MMQ>
U001	[CAPACITOR]					
U001	C4001	C-CERA C	CC725CH1H-152J1	1	342101524R1	<MDC, MDD, MDS, MMK, MMQ>
U001	C4002	C-CERA C	CC725CH1H-152J1	1	342101524R1	<MDC, MDD, MDS, MMK, MMQ>
U001	C4003	UPZ C	2AUPZTF221JE	1	376332214T	
U001	C4004	UPZ C	2AUPZTF221JE	1	376332214T	
U001	C4009	C-CERA C	CC725CH1H-221J1	1	342102214R1	
U001	C4010	C-CERA C	CC725CH1H-221J1	1	342102214R1	
U001	C4013	C-CERA C	CC725CH1H-221J1	1	342102214R1	
U001	C4014	C-CERA C	CC725CH1H-221J1	1	342102214R1	
U001	C4017	C-CERA C	CC725CH1H-221J1	1	342102214R1	
U001	C4018	C-CERA C	CC725CH1H-221J1	1	342102214R1	
U001	C4019	UPZ C	2AUPZTF221JE	1	376332214T	
U001	C4020	UPZ C	2AUPZTF221JE	1	376332214T	
U001	C4027	C-CERA C	CC725CH1H-221J1	1	342102214R1	
U001	C4050	UTSP C	CE04W25V-47M(UTSP)	1	397554707T	

U001	C4051	UTSP C	CE04W25V-47M(UTSP)	1	397554707T	
U001	C4052	UTSP C	CE04W25V-47M(UTSP)	1	397554707T	
U001	C4053	UTSP C	CE04W25V-47M(UTSP)	1	397554707T	
U001	C4054	UTSP C	CE04W25V-47M(UTSP)	1	397554707T	
U001	C4055	UTSP C	CE04W25V-47M(UTSP)	1	397554707T	
U001	C4056	UTSP C	CE04W25V-47M(UTSP)	1	397554707T	
U001	C4057	UTSP C	CE04W25V-47M(UTSP)	1	397554707T	
U001	C4060	UTSP C	CE04W50V 47M(UTSP)	1	397584707T	
U001	C4061	UTSP C	CE04W50V 47M(UTSP)	1	397584707T	
U001	C4062	TF C	ECQ-V50V-474J	1	374724744T	
U001	C4063	TF C	ECQ-V50V-823J	1	374728234T	
U001	C4064	TF C	ECQ-V50V-223J	1	374722234T	
U001	C4065	TF C	ECQ-V50V-474J	1	374724744T	
U001	C4066	TF C	ECQ-V50V-823J	1	374728234T	
U001	C4067	TF C	ECQ-V50V-223J	1	374722234T	
U001	C4070	UTSP C	CE04W50V 47M(UTSP)	1	397584707T	
U001	C4071	UTSP C	CE04W50V 47M(UTSP)	1	397584707T	
U001	C4072	UTSP C	CE04W50V 47M(UTSP)	1	397584707T	
U001	C4073	UTSP C	CE04W50V 47M(UTSP)	1	397584707T	
U001	C4074	UTSP C	CE04W50V 47M(UTSP)	1	397584707T	
U001	C4075	UTSP C	CE04W50V 47M(UTSP)	1	397584707T	<MDC, MDD, MDS, MMK, MMQ>
U001	C4076	UTSP C	CE04W50V 47M(UTSP)	1	397584707T	<MDC, MDD, MDS, MMK, MMQ>
U001	C4077	UTSP C	CE04W50V 47M(UTSP)	1	397584707T	
U001	C4078	UTSP C	CE04W50V 47M(UTSP)	1	397584707T	
U001	C4079	UTSP C	CE04W50V 47M(UTSP)	1	397584707T	
U001	C4085	UTSP C	CE04W25V-47M(UTSP)	1	397554707T	
U001	C4086	UTSP C	CE04W25V-47M(UTSP)	1	397554707T	
U001	C4090	C-CERA C	CC725CH1H-101J1	1	342101014R1	
U001	C4091	C-CERA C	CC725CH1H-101J1	1	342101014R1	
U001	C4100	UTSP C	CE04W50V 47M(UTSP)	1	397584707T	
U001	C4101	UTSP C	CE04W50V 47M(UTSP)	1	397584707T	
U001	C4102	UTSP C	CE04W50V 47M(UTSP)	1	397584707T	
U001	C4103	UTSP C	CE04W50V 47M(UTSP)	1	397584707T	
U001	C4104	UTSP C	CE04W50V 47M(UTSP)	1	397584707T	
U001	C4105	UTSP C	CE04W50V 47M(UTSP)	1	397584707T	
U001	C4106	UTSP C	CE04W50V 47M(UTSP)	1	397584707T	
U001	C4107	UTSP C	CE04W50V 47M(UTSP)	1	397584707T	
U001	C4130	UTSP C	CE04W50V 47M(UTSP)	1	397584707T	
U001	C4131	C-CERA C	CC725CH1H-221J1	1	342102214R1	

U001	C4132	TF C	ECQ-V50V-103J	1	374721034T	
U001	C4166	UTSP C	CE04W25V-220M(UTSP)	1	397552217T	
U001	C4167	UTSP C	CE04W25V-220M(UTSP)	1	397552217T	
U001	C4170	UTSP C	CE04W50V-10M(UTSP)	1	397581007T	
U001	C4171	UTSP C	CE04W50V-10M(UTSP)	1	397581007T	
U001	C4172	UTSP C	CE04W25V-220M(UTSP)	1	397552217T	
U001	C4173	UTSP C	CE04W25V-220M(UTSP)	1	397552217T	
U001	C4186	UTSP C	CE04W16V-470M(UTSP)	1	397544717T	
U001	C4187	UTSP C	CE04W16V-470M(UTSP)	1	397544717T	
U001	C4204	C-CERA C	CC725CH1H-102J1	1	342101024R1	
U001	C4205	C-CERA C	CC725CH1H-102J1	1	342101024R1	
U001	C4208	C-CERA C	CK725B1H-103K1	1	332101035R1	<MDC, MDD, MDS, MMK, MMQ>
U001	C4209	UTSP C	CE04W25V-47M(UTSP)	1	397554707T	
U001	C4210	UTSP C	CE04W25V-47M(UTSP)	1	397554707T	
U001	C4300	TF C	ECQ-V50V-334J	1	374723344T	
U001	C4301	VR C	CE04W35V-1000M(VR)	1	394661027S	
U001	C4301 or	JAMICON	CE04W35V-1000M	(1)	398561027S	
U001	C4302	VR C	CE04W35V-470M(VR)	1	394664717T	
U001	C4302 or	JAMICON	CE04W35V-470M	(1)	398564717T	N
U001	C4402	UTSP C	CE04W25V-47M(UTSP)	1	397554707T	<MDC, MDD, MDS, MMK, MMQ>
U001	C4403	UTSP C	CE04W25V-47M(UTSP)	1	397554707T	<MDC, MDD, MDS, MMK, MMQ>
U001	C4404	UTSP C	CE04W25V-47M(UTSP)	1	397554707T	<MDC, MDD, MDS, MMK, MMQ>
U001	C4405	UTSP C	CE04W25V-47M(UTSP)	1	397554707T	<MDC, MDD, MDS, MMK, MMQ>
U001	C4406	UTSP C	CE04W25V-47M(UTSP)	1	397554707T	<MDC, MDD, MDS, MMK, MMQ>
U001	C4407	UTSP C	CE04W25V-47M(UTSP)	1	397554707T	<MDC, MDD, MDS, MMK, MMQ>
U001	C4408	C-CERA C	CK725F1E-104Z1	1	332161040R1	<MDC, MDD, MDS, MMK, MMQ>
U001	C4409	C-CERA C	CK725F1E-104Z1	1	332161040R1	<MDC, MDD, MDS, MMK, MMQ>
U001	C4410	C-CERA C	CC725CH1H-681J1	1	342106814R1	<MDC, MDD, MDS, MMK, MMQ>
U001	C4411	C-CERA C	CC725CH1H-681J1	1	342106814R1	<MDC, MDD, MDS, MMK, MMQ>
U001	C4412	C-CERA C	CK725F1A-105Z1	1	332181050R1	<MDC, MDD, MDS, MMK, MMQ>
U001	C4413	C-CERA C	CK725F1A-105Z1	1	332181050R1	<MDC, MDD, MDS, MMK, MMQ>
U001	C4414	C-CERA C	CK725F1A-105Z1	1	332181050R1	<MDC, MDD, MDS, MMK, MMQ>
U001	C4415	C-CERA C	CK725F1A-105Z1	1	332181050R1	<MDC, MDD, MDS, MMK, MMQ>
U001	C4416	C-CERA C	CC725CH1H-101J1	1	342101014R1	<MDC, MDD, MDS, MMK, MMQ>
U001	C4417	C-CERA C	CC725CH1H-101J1	1	342101014R1	<MDC, MDD, MDS, MMK, MMQ>
U001	C6009	TF C	ECQ-V50V-333J	1	374723334T	
U001	C6010	UTSP C	CE04W50V 47M(UTSP)	1	397584707T	
U001	C6011	UTSP C	CE04W50V 47M(UTSP)	1	397584707T	
U001	C6012	UTSP C	CE04W50V 47M(UTSP)	1	397584707T	

U001	C6013	UTSP C	CE04W50V 47M(UTSP)	1	397584707T	
U001	C6014	UTSP C	CE04W50V 47M(UTSP)	1	397584707T	
U001	C6015	UTSP C	CE04W50V 47M(UTSP)	1	397584707T	<MDC, MDD, MDS, MMK, MMQ>
U001	C6016	UTSP C	CE04W50V 47M(UTSP)	1	397584707T	<MDC, MDD, MDS, MMK, MMQ>
U001	C6020	UPZ C	2AUPZTF471JE	1	376334714T	
U001	C6021	UPZ C	2AUPZTF471JE	1	376334714T	
U001	C6022	UPZ C	2AUPZTF471JE	1	376334714T	
U001	C6023	UPZ C	2AUPZTF471JE	1	376334714T	
U001	C6024	UPZ C	2AUPZTF471JE	1	376334714T	
U001	C6025	UPZ C	2AUPZTF471JE	1	376334714T	<MDC, MDD, MDS, MMK, MMQ>
U001	C6026	UPZ C	2AUPZTF471JE	1	376334714T	<MDC, MDD, MDS, MMK, MMQ>
U001	C6030	UTSP C	CE04W25V-220M(UTSP)	1	397552217T	
U001	C6031	UTSP C	CE04W25V-220M(UTSP)	1	397552217T	
U001	C6032	UTSP C	CE04W25V-220M(UTSP)	1	397552217T	
U001	C6033	UTSP C	CE04W25V-220M(UTSP)	1	397552217T	
U001	C6034	UTSP C	CE04W25V-220M(UTSP)	1	397552217T	
U001	C6035	UTSP C	CE04W25V-220M(UTSP)	1	397552217T	<MDC, MDD, MDS, MMK, MMQ>
U001	C6036	UTSP C	CE04W25V-220M(UTSP)	1	397552217T	<MDC, MDD, MDS, MMK, MMQ>
U001	C6040	CERA C	CC45CH50V-030D	1	345340302T	
U001	C6041	CERA C	CC45CH50V-030D	1	345340302T	
U001	C6042	CERA C	CC45CH50V-030D	1	345340302T	
U001	C6043	CERA C	CC45CH50V-030D	1	345340302T	
U001	C6044	CERA C	CC45CH50V-030D	1	345340302T	
U001	C6045	CERA C	CC45CH50V-030D	1	345340302T	<MDC, MDD, MDS, MMK, MMQ>
U001	C6046	CERA C	CC45CH50V-030D	1	345340302T	<MDC, MDD, MDS, MMK, MMQ>
U001	C6050	C-CERA C	CK725B1H-472K1	1	332104725R1	
U001	C6051	C-CERA C	CK725B1H-472K1	1	332104725R1	
U001	C6052	C-CERA C	CK725B1H-472K1	1	332104725R1	
U001	C6053	C-CERA C	CK725B1H-472K1	1	332104725R1	
U001	C6054	C-CERA C	CK725B1H-472K1	1	332104725R1	
U001	C6055	C-CERA C	CK725B1H-472K1	1	332104725R1	<MDC, MDD, MDS, MMK, MMQ>
U001	C6056	C-CERA C	CK725B1H-472K1	1	332104725R1	<MDC, MDD, MDS, MMK, MMQ>
U001	C6060	TF C	ECQ-V50V-473J	1	374724734T	
U001	C6061	TF C	ECQ-V50V-473J	1	374724734T	
U001	C6062	TF C	ECQ-V50V-473J	1	374724734T	
U001	C6063	TF C	ECQ-V50V-473J	1	374724734T	
U001	C6064	TF C	ECQ-V50V-473J	1	374724734T	
U001	C6065	TF C	ECQ-V50V-473J	1	374724734T	<MDC, MDD, MDS, MMK, MMQ>
U001	C6066	TF C	ECQ-V50V-473J	1	374724734T	<MDC, MDD, MDS, MMK, MMQ>

U001	C6090	UTSP C	CE04W25V-100M(UTSP)	1	397551017T	
U001	C6091	UTSP C	CE04W50V-1M(UTSP)	1	397580107T	
U001	C6092	UTSP C	CE04W50V-1M(UTSP)	1	397580107T	
U001	C6093	C-CERA C	CK725F1E-104Z1	1	332161040R1	
U001	C6094	C-CERA C	CK725F1E-104Z1	1	332161040R1	
U001	C6101	UTSP C	CE04W63V-100M(UTSP)	1	397571017T	
U001	C6102	UTSP C	CE04W63V-100M(UTSP)	1	397571017T	
U001	C6103	UTSP C	CE04W50V 47M(UTSP)	1	397584707T	
U001	C6104	UTSP C	CE04W63V-100M(UTSP)	1	397571017T	<MDC, MDD, MDS, MMK, MMQ>
U001	C6105	UTSP C	CE04W63V-100M(UTSP)	1	397571017T	<MDC, MDD, MDS, MMK, MMQ>
U001	C6106	UTSP C	CE04W50V 47M(UTSP)	1	397584707T	
U001	C6107	UTSP C	CE04W63V-100M(UTSP)	1	397571017T	
U001	C6108	UTSP C	CE04W63V-100M(UTSP)	1	397571017T	
U001	C6109	UTSP C	CE04W50V 47M(UTSP)	1	397584707T	<MDC, MDD, MDS, MMK, MMQ>
U001	C6118	UTSP C	CE04W63V-100M(UTSP)	1	397571017T	
U001	C6119	UTSP C	CE04W63V-100M(UTSP)	1	397571017T	
U001	C6600	C-CERA C	CC725CH1H-102J1	1	342101024R1	
U001	C6602	C-CERA C	CC725CH1H-102J1	1	342101024R1	
U001	C6603	C-CERA C	CC725CH1H-102J1	1	342101024R1	
U001	C6605	C-CERA C	CC725CH1H-102J1	1	342101024R1	<MDC, MDD, MDS, MMK, MMQ>
U001	C6630	C-CERA C	CK725F1E-104Z1	1	332161040R1	
U001	C6640	MKT C	B32529C0102J289	1	376491024T	<MDC, MDD, MDS, MMK, MMQ>
U001	C6641	MKT C	B32529C0102J289	1	376491024T	<MDC, MDD, MDS, MMK, MMQ>
U001	C6642	MKT C	B32529C0102J289	1	376491024T	<MDC, MDD, MDS, MMK, MMQ>
U001	C6643	MKT C	B32529C0102J289	1	376491024T	<MDC, MDD, MDS, MMK, MMQ>
U001	C6644	MKT C	B32529C0102J289	1	376491024T	<MDC, MDD, MDS, MMK, MMQ>
U001	C6645	MKT C	B32529C0102J289	1	376491024T	<MDC, MDD, MDS, MMK, MMQ>
U001	C6646	MKT C	B32529C0102J289	1	376491024T	<MDC, MDD, MDS, MMK, MMQ>
U001	C6650	TF C	ECQ-V50V-103J	1	374721034T	
U001	C6651	TF C	ECQ-V50V-103J	1	374721034T	
U001	C6652	TF C	ECQ-V50V-103J	1	374721034T	
U001	C6653	TF C	ECQ-V50V-103J	1	374721034T	
U001	C6654	TF C	ECQ-V50V-103J	1	374721034T	
U001	C6655	TF C	ECQ-V50V-103J	1	374721034T	<MDC, MDD, MDS, MMK, MMQ>
U001	C6656	TF C	ECQ-V50V-103J	1	374721034T	<MDC, MDD, MDS, MMK, MMQ>
U001	C6706	UTSP C	CE04W50V-10M(UTSP)	1	397581007T	
U001	C6901	ELECT C	CE69W63V-8200MB	1	3504420	<MDC, MDD, MDS, MMK, MMQ>
U001	C6902	ELECT C	CE69W63V-8200MB	1	3504420	<MDC, MDD, MDS, MMK, MMQ>
U001	C6911	C-CERA C	CC725CH1H-102J1	1	342101024R1	

U001	C6912	TF C	ECQ-V50V-334J	1	374723344T	
U001	C6913	TF C	ECQ-V50V-334J	1	374723344T	
U001	C6917	C-CERA C	CC725CH1H-102J1	1	342101024R1	
U001	C950	TF C	ECQ-V50V-104J	1	374721044T	
U001	C960	VR C	CE04W63V-220M(VR)	1	394672217T	
U001	C960 or	JAMICON	CE04W63V-220M	(1)	398572217T	
U001	C961	UTSP C	CE04W50V 47M(UTSP)	1	397584707T	
U001	C962	TF C	ECQ-V50V-104J	1	374721044T	
U001	C963	UTSP C	CE04W50V 47M(UTSP)	1	397584707T	
U001	[RESISTOR]					
U001	R4003	C-CARBON R	RN72K1J-331JE	1	435033314R1	
U001	R4004	C-CARBON R	RN72K1J-331JE	1	435033314R1	
U001	R4009	C-CARBON R	RN72K1J-331JE	1	435033314R1	
U001	R4010	C-CARBON R	RN72K1J-331JE	1	435033314R1	
U001	R4013	C-CARBON R	RN72K1J-331JE	1	435033314R1	
U001	R4014	C-CARBON R	RN72K1J-331JE	1	435033314R1	
U001	R4015	C-CARBON R	RN72K1J-222JE	1	435032224R1	
U001	R4016	C-CARBON R	RN72K1J-222JE	1	435032224R1	
U001	R4017	C-CARBON R	RN72K1J-331JE	1	435033314R1	
U001	R4018	C-CARBON R	RN72K1J-331JE	1	435033314R1	
U001	R4019	C-CARBON R	RN72K1J-331JE	1	435033314R1	
U001	R4020	C-CARBON R	RN72K1J-331JE	1	435033314R1	
U001	R4028	C-CARBON R	RN72K1J-101JE	1	435031014R1	
U001	R4041	C-CARBON R	RN72K1J-104JE	1	435031044R1	<MDC, MDD, MDS, MMK, MMQ>
U001	R4042	C-CARBON R	RN72K1J-104JE	1	435031044R1	<MDC, MDD, MDS, MMK, MMQ>
U001	R4043	C-CARBON R	RN72K1J-104JE	1	435031044R1	
U001	R4044	C-CARBON R	RN72K1J-104JE	1	435031044R1	
U001	R4049	C-CARBON R	RN72K1J-104JE	1	435031044R1	
U001	R4050	C-CARBON R	RN72K1J-104JE	1	435031044R1	
U001	R4053	C-CARBON R	RN72K1J-104JE	1	435031044R1	
U001	R4054	C-CARBON R	RN72K1J-104JE	1	435031044R1	
U001	R4055	C-CARBON R	RN72K1J-224JE	1	435032244R1	
U001	R4056	C-CARBON R	RN72K1J-224JE	1	435032244R1	
U001	R4057	C-CARBON R	RN72K1J-104JE	1	435031044R1	
U001	R4058	C-CARBON R	RN72K1J-104JE	1	435031044R1	
U001	R4059	C-CARBON R	RN72K1J-104JE	1	435031044R1	
U001	R4060	C-CARBON R	RN72K1J-104JE	1	435031044R1	
U001	R4069	C-CARBON R	RN72K1J-104JE	1	435031044R1	
U001	R4077	C-CARBON R	RN72K1J-223JE	1	435032234R1	

U001	R4078	C-CARBON R	RN72K1J-473JE	1	435034734R1	
U001	R4079	C-CARBON R	RN72K1J-473JE	1	435034734R1	
U001	R4082	C-CARBON R	RN72K1J-104JE	1	435031044R1	
U001	R4083	C-CARBON R	RN72K1J-000JE	1	435030004R1	
U001	R4084	C-CARBON R	RN72K1J-000JE	1	435030004R1	
U001	R4085	C-CARBON R	RN72K1J-182JE	1	435031824R1	
U001	R4086	C-CARBON R	RN72K1J-182JE	1	435031824R1	
U001	R4087	C-CARBON R	RN72K1J-222JE	1	435032224R1	
U001	R4088	C-CARBON R	RN72K1J-222JE	1	435032224R1	
U001	R4089	C-CARBON R	RN72K1J-000JE	1	435030004R1	
U001	R4090	C-CARBON R	RN72K1J-123JE	1	435031234R1	
U001	R4091	C-CARBON R	RN72K1J-223JE	1	435032234R1	
U001	R4092	C-CARBON R	RN72K1J-331JE	1	435033314R1	
U001	R4093	C-CARBON R	RN72K1J-332JE	1	435033324R1	
U001	R4094	C-CARBON R	RN72K1J-103JE	1	435031034R1	
U001	R4095	C-CARBON R	RN72K1J-103JE	1	435031034R1	
U001	R4096	C-CARBON R	RN72K1J-331JE	1	435033314R1	
U001	R4097	C-CARBON R	RN72K1J-332JE	1	435033324R1	
U001	R4098	C-CARBON R	RN72K1J-123JE	1	435031234R1	
U001	R4099	C-CARBON R	RN72K1J-223JE	1	435032234R1	
U001	R4100	C-CARBON R	RN72K1J-224JE	1	435032244R1	
U001	R4101	C-CARBON R	RN72K1J-224JE	1	435032244R1	
U001	R4102	C-CARBON R	RN72K1J-224JE	1	435032244R1	
U001	R4103	C-CARBON R	RN72K1J-224JE	1	435032244R1	
U001	R4104	C-CARBON R	RN72K1J-224JE	1	435032244R1	
U001	R4105	C-CARBON R	RN72K1J-224JE	1	435032244R1	
U001	R4106	C-CARBON R	RN72K1J-224JE	1	435032244R1	
U001	R4107	C-CARBON R	RN72K1J-224JE	1	435032244R1	
U001	R4110	C-CARBON R	RN72K1J-222JE	1	435032224R1	
U001	R4111	C-CARBON R	RN72K1J-222JE	1	435032224R1	
U001	R4112	C-CARBON R	RN72K1J-222JE	1	435032224R1	
U001	R4113	C-CARBON R	RN72K1J-222JE	1	435032224R1	
U001	R4114	C-CARBON R	RN72K1J-222JE	1	435032224R1	
U001	R4115	C-CARBON R	RN72K1J-222JE	1	435032224R1	<MDC, MDD, MDS, MMK, MMQ>
U001	R4116	C-CARBON R	RN72K1J-222JE	1	435032224R1	<MDC, MDD, MDS, MMK, MMQ>
U001	R4117	C-CARBON R	RN72K1J-271JE	1	435032714R1	
U001	R4125	C-CARBON R	RN72K1J-000JE	1	435030004R1	<MDC, MDD, MDS, MMK, MMQ>
U001	R4126	C-CARBON R	RN72K1J-000JE	1	435030004R1	<MDC, MDD, MDS, MMK, MMQ>
U001	R4127	C-CARBON R	RN72K1J-101JE	1	435031014R1	

U001	R4130	C-CARBON R	RN72K1J-221JE	1	435032214R1	
U001	R4131	C-CARBON R	RN72K1J-473JE	1	435034734R1	
U001	R4132	C-CARBON R	RN72K1J-153JE	1	435031534R1	
U001	R4133	C-CARBON R	RN72K1J-122JE	1	435031224R1	
U001	R4134	C-CARBON R	RN72K1J-103JE	1	435031034R1	
U001	R4135	C-CARBON R	RN72K1J-104JE	1	435031044R1	
U001	R4136	C-CARBON R	RN72K1J-104JE	1	435031044R1	
U001	R4137	C-CARBON R	RN72K1J-000JE	1	435030004R1	
U001	R4160	METAL R	RNU1WCJ-0.22	1	453632294T	
U001	R4161	METAL R	RNU1WCJ-0.22	1	453632294T	
U001	R4166	C-CARBON R	RN72K1J-220JE	1	435032204R1	
U001	R4167	C-CARBON R	RN72K1J-220JE	1	435032204R1	
U001	R4174	METAL O R	RS1WBJ-68	1	443626804T	
U001	R4175	METAL O R	RS1WBJ-68	1	443626804T	
U001	R4176	METAL O R	RS1WBJ-47	1	443624704T	
U001	R4177	METAL O R	RS1WBJ-47	1	443624704T	
U001	R4181	C-CARBON R	RN72K1J-224JE	1	435032244R1	
U001	R4185	METAL O R	RS1WBJ-10	1	443621004T	<MDC, MDD, MDS>
U001	R4185	METAL R	RNU1WCJ-1	1	453630104T	<MMK, MMQ>
U001	R4186	METAL O R	RS1WBJ-10	1	443621004T	<MDC, MDD, MDS>
U001	R4186	METAL R	RNU1WCJ-1	1	453630104T	<MMK, MMQ>
U001	R4187	METAL O R	RS1WBJ-22	1	443622204T	<MDC, MDD, MDS>
U001	R4187	METAL R	RNU1WCJ-8.2	1	453630824T	<MMK, MMQ>
U001	R4188	METAL O R	RS1WBJ-22	1	443622204T	<MDC, MDD, MDS>
U001	R4188	METAL R	RNU1WCJ-8.2	1	453630824T	<MMK, MMQ>
U001	R4189	C-CARBON R	RN72K1J-224JE	1	435032244R1	
U001	R4190	C-CARBON R	RN72K1J-224JE	1	435032244R1	
U001	R4192	C-CARBON R	RN72K1J-224JE	1	435032244R1	
U001	R4193	C-CARBON R	RN72K1J-224JE	1	435032244R1	
U001	R4194	C-CARBON R	RN72K1J-224JE	1	435032244R1	
U001	R4195	C-CARBON R	RN72K1J-224JE	1	435032244R1	
U001	R4196	C-CARBON R	RN72K1J-224JE	1	435032244R1	
U001	R4211	C-CARBON R	RN72K1J-000JE	1	435030004R1	
U001	R4212	C-CARBON R	RN72K1J-000JE	1	435030004R1	<MDC, MDD, MDS, MMK, MMQ>
U001	R4400	C-CARBON R	RN72K1J-223JE	1	435032234R1	<MDC, MDD, MDS, MMK, MMQ>
U001	R4401	C-CARBON R	RN72K1J-223JE	1	435032234R1	<MDC, MDD, MDS, MMK, MMQ>
U001	R4402	C-CARBON R	RN72K1J-333JE	1	435033334R1	<MDC, MDD, MDS, MMK, MMQ>
U001	R4403	C-CARBON R	RN72K1J-333JE	1	435033334R1	<MDC, MDD, MDS, MMK, MMQ>
U001	R4404	C-CARBON R	RN72K1J-223JE	1	435032234R1	<MDC, MDD, MDS, MMK, MMQ>

U001	R4405	C-CARBON R	RN72K1J-223JE	1	435032234R1	<MDC, MDD, MDS, MMK, MMQ>
U001	R4406	C-CARBON R	RN72K1J-273JE	1	435032734R1	<MDC, MDD, MDS, MMK, MMQ>
U001	R4407	C-CARBON R	RN72K1J-273JE	1	435032734R1	<MDC, MDD, MDS, MMK, MMQ>
U001	R4408	C-CARBON R	RN72K1J-331JE	1	435033314R1	<MDC, MDD, MDS, MMK, MMQ>
U001	R4409	C-CARBON R	RN72K1J-331JE	1	435033314R1	<MDC, MDD, MDS, MMK, MMQ>
U001	R4410	C-CARBON R	RN72K1J-104JE	1	435031044R1	<MDC, MDD, MDS, MMK, MMQ>
U001	R4411	C-CARBON R	RN72K1J-104JE	1	435031044R1	<MDC, MDD, MDS, MMK, MMQ>
U001	R4412	C-CARBON R	RN72K1J-220JE	1	435032204R1	<MDC, MDD, MDS, MMK, MMQ>
U001	R4413	C-CARBON R	RN72K1J-220JE	1	435032204R1	<MDC, MDD, MDS, MMK, MMQ>
U001	R4414	METAL O R	RS1WBJ-100	1	443621014T	<MDC, MDD, MDS, MMK, MMQ>
U001	R4415	C-CARBON R	RN72K1J-681JE	1	435036814R1	<MDC, MDD, MDS, MMK, MMQ>
U001	R4416	C-CARBON R	RN72K1J-681JE	1	435036814R1	<MDC, MDD, MDS, MMK, MMQ>
U001	R4417	C-CARBON R	RN72K1J-333JE	1	435033334R1	<MDC, MDD, MDS, MMK, MMQ>
U001	R6010	C-CARBON R	RN72K1J-102JE	1	435031024R1	
U001	R6011	C-CARBON R	RN72K1J-102JE	1	435031024R1	
U001	R6012	C-CARBON R	RN72K1J-102JE	1	435031024R1	
U001	R6013	C-CARBON R	RN72K1J-102JE	1	435031024R1	
U001	R6014	C-CARBON R	RN72K1J-102JE	1	435031024R1	
U001	R6015	C-CARBON R	RN72K1J-102JE	1	435031024R1	<MDC, MDD, MDS, MMK, MMQ>
U001	R6016	C-CARBON R	RN72K1J-102JE	1	435031024R1	<MDC, MDD, MDS, MMK, MMQ>
U001	R6020	CARBON R	R16J-56K	1	417345634T	
U001	R6021	CARBON R	R16J-56K	1	417345634T	
U001	R6022	CARBON R	R16J-56K	1	417345634T	
U001	R6023	CARBON R	R16J-56K	1	417345634T	
U001	R6024	CARBON R	R16J-56K	1	417345634T	
U001	R6025	CARBON R	R16J-56K	1	417345634T	<MDC, MDD, MDS, MMK, MMQ>
U001	R6026	CARBON R	R16J-56K	1	417345634T	<MDC, MDD, MDS, MMK, MMQ>
U001	R6030	CARBON R	R16J-2.2K	1	417342224T	
U001	R6031	CARBON R	R16J-2.2K	1	417342224T	
U001	R6032	CARBON R	R16J-2.2K	1	417342224T	
U001	R6033	CARBON R	R16J-2.2K	1	417342224T	
U001	R6034	CARBON R	R16J-2.2K	1	417342224T	
U001	R6035	CARBON R	R16J-2.2K	1	417342224T	<MDC, MDD, MDS, MMK, MMQ>
U001	R6036	CARBON R	R16J-2.2K	1	417342224T	<MDC, MDD, MDS, MMK, MMQ>
U001	R6040	CARBON R	R16J-120K	1	417341244T	
U001	R6041	CARBON R	R16J-120K	1	417341244T	
U001	R6042	CARBON R	R16J-120K	1	417341244T	
U001	R6043	CARBON R	R16J-120K	1	417341244T	
U001	R6044	CARBON R	R16J-120K	1	417341244T	

U001	R6045	CARBON R	R16J-120K	1	417341244T	<MDC, MDD, MDS, MMK, MMQ>
U001	R6046	CARBON R	R16J-120K	1	417341244T	<MDC, MDD, MDS, MMK, MMQ>
U001	R6050	CARBON R	R16J-120K	1	417341244T	
U001	R6051	CARBON R	R16J-120K	1	417341244T	
U001	R6052	CARBON R	R16J-120K	1	417341244T	
U001	R6053	CARBON R	R16J-120K	1	417341244T	
U001	R6054	CARBON R	R16J-120K	1	417341244T	
U001	R6055	CARBON R	R16J-120K	1	417341244T	<MDC, MDD, MDS, MMK, MMQ>
U001	R6056	CARBON R	R16J-120K	1	417341244T	<MDC, MDD, MDS, MMK, MMQ>
U001	R6060	METAL PR	MPR2W+2W 0R22	1	4000234	
U001	R6060 or	METAL P R	RF-2EGPJR22	(1)	4000243	
U001	R6061	METAL PR	MPR2W+2W 0R22	1	4000234	
U001	R6061 or	METAL P R	RF-2EGPJR22	(1)	4000243	
U001	R6062	METAL PR	MPR2W+2W 0R22	1	4000234	
U001	R6062 or	METAL P R	RF-2EGPJR22	(1)	4000243	
U001	R6063	METAL PR	MPR2W+2W 0R22	1	4000234	
U001	R6063 or	METAL P R	RF-2EGPJR22	(1)	4000243	
U001	R6064	METAL PR	MPR2W+2W 0R22	1	4000234	
U001	R6064 or	METAL P R	RF-2EGPJR22	(1)	4000243	
U001	R6065	METAL PR	MPR2W+2W 0R22	1	4000234	<MDC, MDD, MDS, MMK, MMQ>
U001	R6065 or	METAL P R	RF-2EGPJR22	(1)	4000243	<MDC, MDD, MDS, MMK, MMQ>
U001	R6066	METAL PR	MPR2W+2W 0R22	1	4000234	<MDC, MDD, MDS, MMK, MMQ>
U001	R6066 or	METAL P R	RF-2EGPJR22	(1)	4000243	<MDC, MDD, MDS, MMK, MMQ>
U001	R6070	C-CARBON R	RN72K1J-563JE	1	435035634R1	
U001	R6071	C-CARBON R	RN72K1J-563JE	1	435035634R1	
U001	R6072	C-CARBON R	RN72K1J-563JE	1	435035634R1	
U001	R6073	C-CARBON R	RN72K1J-563JE	1	435035634R1	
U001	R6074	C-CARBON R	RN72K1J-563JE	1	435035634R1	
U001	R6075	C-CARBON R	RN72K1J-563JE	1	435035634R1	<MDC, MDD, MDS, MMK, MMQ>
U001	R6076	C-CARBON R	RN72K1J-563JE	1	435035634R1	<MDC, MDD, MDS, MMK, MMQ>
U001	R6080	C-CARBON R	RN72K1J-123JE	1	435031234R1	
U001	R6081	C-CARBON R	RN72K1J-123JE	1	435031234R1	
U001	R6082	C-CARBON R	RN72K1J-123JE	1	435031234R1	
U001	R6083	C-CARBON R	RN72K1J-123JE	1	435031234R1	
U001	R6084	C-CARBON R	RN72K1J-123JE	1	435031234R1	
U001	R6085	C-CARBON R	RN72K1J-123JE	1	435031234R1	<MDC, MDD, MDS, MMK, MMQ>
U001	R6086	C-CARBON R	RN72K1J-123JE	1	435031234R1	<MDC, MDD, MDS, MMK, MMQ>
U001	R6100	C-CARBON R	RN72K1J-333JE	1	435033334R1	
U001	R6101	C-CARBON R	RN72K1J-333JE	1	435033334R1	

U001	R6102	C-CARBON R	RN72K1J-333JE	1	435033334R1	
U001	R6103	C-CARBON R	RN72K1J-333JE	1	435033334R1	
U001	R6104	C-CARBON R	RN72K1J-333JE	1	435033334R1	
U001	R6105	C-CARBON R	RN72K1J-333JE	1	435033334R1	<MDC, MDD, MDS, MMK, MMQ>
U001	R6106	C-CARBON R	RN72K1J-333JE	1	435033334R1	<MDC, MDD, MDS, MMK, MMQ>
U001	R6110	C-CARBON R	RN72K1J-473JE	1	435034734R1	
U001	R6111	C-CARBON R	RN72K1J-473JE	1	435034734R1	
U001	R6112	C-CARBON R	RN72K1J-473JE	1	435034734R1	
U001	R6113	C-CARBON R	RN72K1J-473JE	1	435034734R1	
U001	R6114	C-CARBON R	RN72K1J-473JE	1	435034734R1	
U001	R6115	C-CARBON R	RN72K1J-473JE	1	435034734R1	<MDC, MDD, MDS, MMK, MMQ>
U001	R6116	C-CARBON R	RN72K1J-473JE	1	435034734R1	<MDC, MDD, MDS, MMK, MMQ>
U001	R6120	C-CARBON R	RN72K1J-473JE	1	435034734R1	
U001	R6121	C-CARBON R	RN72K1J-473JE	1	435034734R1	
U001	R6122	C-CARBON R	RN72K1J-473JE	1	435034734R1	
U001	R6123	C-CARBON R	RN72K1J-473JE	1	435034734R1	
U001	R6124	C-CARBON R	RN72K1J-473JE	1	435034734R1	
U001	R6125	C-CARBON R	RN72K1J-473JE	1	435034734R1	<MDC, MDD, MDS, MMK, MMQ>
U001	R6126	C-CARBON R	RN72K1J-473JE	1	435034734R1	<MDC, MDD, MDS, MMK, MMQ>
U001	R6130	CARBON R	R16J-4.7	1	417340474T	
U001	R6131	CARBON R	R16J-4.7	1	417340474T	
U001	R6132	CARBON R	R16J-4.7	1	417340474T	
U001	R6133	CARBON R	R16J-4.7	1	417340474T	
U001	R6134	CARBON R	R16J-4.7	1	417340474T	
U001	R6135	CARBON R	R16J-4.7	1	417340474T	<MDC, MDD, MDS, MMK, MMQ>
U001	R6136	CARBON R	R16J-4.7	1	417340474T	<MDC, MDD, MDS, MMK, MMQ>
U001	R6140	METAL R	RNU1WCJ-8.2	1	453630824T	
U001	R6141	METAL R	RNU1WCJ-8.2	1	453630824T	
U001	R6142	METAL R	RNU1WCJ-8.2	1	453630824T	
U001	R6143	METAL R	RNU1WCJ-8.2	1	453630824T	
U001	R6144	METAL R	RNU1WCJ-8.2	1	453630824T	
U001	R6145	METAL R	RNU1WCJ-8.2	1	453630824T	<MDC, MDD, MDS, MMK, MMQ>
U001	R6146	METAL R	RNU1WCJ-8.2	1	453630824T	<MDC, MDD, MDS, MMK, MMQ>
U001	R6201	CARBON R	R16J-33K	1	417343334T	
U001	R6202	METAL O R	RS1/2WBJ-56K	1	443525634T	
U001	R6203	METAL O R	RS1WBJ-100	1	443621014T	
U001	R6204	METAL O R	RS1WBJ-100	1	443621014T	
U001	R6205	METAL O R	RS1/2WBJ-56K	1	443525634T	<MDC, MDD, MDS, MMK, MMQ>
U001	R6206	METAL O R	RS1WBJ-100	1	443621014T	<MDC, MDD, MDS, MMK, MMQ>

U001	R6207	METAL O R	RS1WBJ-100	1	443621014T	<MDC, MDD, MDS, MMK, MMQ>
U001	R6209	METAL O R	RS1WBJ-100	1	443621014T	
U001	R6210	METAL O R	RS1WBJ-100	1	443621014T	
U001	R6211	C-CARBON R	RN72K1J-333JE	1	435033334R1	
U001	R6213	C-CARBON R	RN72K1J-103JE	1	435031034R1	
U001	R6214	C-CARBON R	RN72K1J-473JE	1	435034734R1	
U001	R6216	C-CARBON R	RN72K1J-223JE	1	435032234R1	
U001	R6217	C-CARBON R	RN72K1J-473JE	1	435034734R1	
U001	R6218	C-CARBON R	RN72K1J-103JE	1	435031034R1	
U001	R6219	C-CARBON R	RN72K1J-223JE	1	435032234R1	
U001	R6251	METAL O R	RS1/2WBJ-390	1	443523914T	
U001	R6252	METAL O R	RS1/2WBJ-390	1	443523914T	
U001	R6690	METAL O R	RS1/2WBJ-10	1	443521004T	
U001	R6709	C-CARBON R	RN72K1J-562JE	1	435035624R1	
U001	R6710	C-CARBON R	RN72K1J-562JE	1	435035624R1	
U001	R6902	C-CARBON R	RN72K1J-102JE	1	435031024R1	
U001	R6903	C-CARBON R	RN72K1J-473JE	1	435034734R1	
U001	R6904	C-CARBON R	RN72K1J-102JE	1	435031024R1	
U001	R6905	C-CARBON R	RN72K1J-473JE	1	435034734R1	
U001	R6912	METAL R	RNU1/2WCJ-0.1	1	453531094T	
U001	R950	CARBON R	R16J-1	1	417340104T	<MDC, MDD, MDS, MMK, MMQ>
U001	R951	METAL O R	RS1WBJ-33	1	443623304T	<MDC, MDD, MDS, MMK, MMQ>
U001	R952	METAL O R	RS1WBJ-47	1	443624704T	<MDC, MDD, MDS, MMK, MMQ>
U001	R960	METAL R	RNU1/2WCJ-8.2	1	453530824T	<MDC, MDD, MDS, MMK, MMQ>
U001	R961	METAL R	RNU1/2WCJ-3.3	1	453530334T	<MDC, MDD, MDS, MMK, MMQ>
U001	R962	C-CARBON R	RN72K1J-472JE	1	435034724R1	<MDC, MDD, MDS, MMK, MMQ>
U001	R963	C-CARBON R	RN72K1J-472JE	1	435034724R1	<MDC, MDD, MDS, MMK, MMQ>
U001	R964	C-CARBON R	RN72K1J-333JE	1	435033334R1	
U001	[SW TRM]					
U001	E6001	RETAINER	MET37-0002	1	27142009T	
U001	F6901A	FUSE HOL	NSCT-1P2031	1	25052133T	!
U001	F6901B	FUSE HOL	NSCT-1P2031	1	25052133T	!
U001	F6902A	FUSE HOL	NSCT-1P2031	1	25052133T	!
U001	F6902B	FUSE HOL	NSCT-1P2031	1	25052133T	!
U001	JL501A	WIRE HOL	NSCT-3P874	1	25051087	
U001	JL600A	WIRE HOL	NSCT-7P898	1	25051111	
U001	JL600B	WIRE HOL	NSCT-7P898	1	25051111	
U001	JL603A	WIRE HOL	NSCT-9P900	1	25051113	
U001	JL603B	WIRE HOL	NSCT-9P900	1	25051113	

U001	JL604A	WIRE HOL	NSCT-7P898	1	25051111	
U001	JL604B	SOCKET	NSCT-3P95	1	25050267	<MDC, MDD, MDS, MMK, MMQ>
U001	JL605B	SOCKET	NSCT-5P97	1	25050269	
U001	JL951A	WIRE HOL	NSCT-5P896	1	25051109	
U001	JL951B	WIRE HOL	NSCT-5P896	1	25051109	
U001	JL952A	WIRE HOL	NSCT-3P894	1	25051107	
U001	JL953B	WIRE TRAP	NPLG-5P588	1	25055626	
U001	JL954A	WIRE HOL	NSCT-5P896	1	25051109	
U001	JL954B	SOCKET	NSCT-5P97	1	25050269	
U001	P101B	SOCKET	NSCT-9P2102	1	25052205	<MDC, MDD, MDS, MMK, MMQ>
U001	P4002	PIN JACK	NPJ-4PDWR690	1	25045922	
U001	P4004	PIN JACK	NPJ-4PDWRR624	1	25045845	
U001	P4005	PIN JACK	NPJ-4PDWRR624	1	25045845	
U001	P4010	PIN JACK	NPJ-1PDP555	1	25045773	
U001	P5501B	PLUG	NPLG-5P0960	1	25056010	
U001	P5502B	PLUG	NPLG-15P0970	1	25056020	
U001	P5503B	PLUG	NPLG-13P0968	1	25056018	
U001	P5504B	PLUG	NPLG-7P0962	1	25056012	<MDC, MDD, MDS, MMK, MMQ>
U001	P5509A	TRM	NTM-1P233(M1969)	1	25060302	<MDC, MDD, MDS, MMK, MMQ>
U001	P5509B	TRM	NTM-1P232(M1700)	1	25060301	<MDC, MDD, MDS, MMK, MMQ>
U001	P6102	HOLDER	(CRAMP) UA-0 V0	1	27190608-1	
U001	P6601	TRM	NTM-2PDMCR400	1	25060472	
U001	P6602	TRM	NTM-4PDMNRR420	1	25060492	
U001	P6603	TRM	NTM-4PDMNRR420	1	25060492	
U001	P6604	TRM	NTM-4PDMNRR420	1	25060492	<MDC, MDD, MDS, MMK, MMQ>
U001	P6900	CRIMP AS	CRIMP AS	1	20799165UL	
U001	P6901	CRIMP AS	CRIMP AS	1	2069925202UL	
U001	P6902	CRIMP AS	CRIMP AS	1	2069925189UL	
U001	P6903	CRIMP AS	CRIMP AS	1	20799163UL	
U001	P6904	CRIMP AS	CRIMP AS	1	20799164UL	
U001	P6906	WS CLAMP	CB-71683(L=50)	1	260261	
U001	P6908	WS CLAMP	CB-71683(L=50)	1	260261	
U001	P6909	WS CLAMP	CB-71683(L=50)	1	260261	
U001	P6911A	RETAINER	(BUS-D)TX-SR606	1	27142100	
U001	RL660	RELAY	NRL-2P5A-DC24-129	1	25065563A	
U001	RL660 or	RELAY	NRL-2P8A-DC24-144	(1)	25065590	
U001	RL660 or	RELAY	NRL-2P5A-DC24-193	(1)	25065703	
U001	RL662	RELAY	NRL-2P5A-DC24-129	1	25065563A	
U001	RL662 or	RELAY	NRL-2P8A-DC24-144	(1)	25065590	

U001	RL662 or	RELAY	NRL-2P5A-DC24-193	(1)	25065703	
U001	RL663	RELAY	NRL-2P5A-DC24-129	1	25065563A	
U001	RL663 or	RELAY	NRL-2P5A-DC24-193	(1)	25065703	
U001	RL665	RELAY	NRL-2P5A-DC24-129	1	25065563A	<MDC, MDD, MDS, MMK, MMQ>
U001	RL665 or	RELAY	NRL-2P8A-DC24-144	(1)	25065590	<MDC, MDD, MDS, MMK, MMQ>
U001	RL665 or	RELAY	NRL-2P5A-DC24-193	(1)	25065703	<MDC, MDD, MDS, MMK, MMQ>
U001	RL691	RELAY	NRL-1P10A-DC12-196	1	25065707	
U001	RL691 or	RELAY	NRL-1P10A-DC12-197	(1)	25065708	
U001	RL691 or	RELAY	NRL-1P10A-DC12-198	(1)	25065709	
U001	RL692	RELAY	NRL-1P10A-DC12-196	1	25065707	
U001	RL692 or	RELAY	NRL-1P10A-DC12-197	(1)	25065708	
U001	RL692 or	RELAY	NRL-1P10A-DC12-198	(1)	25065709	
U001	RL693	RELAY	NRL-1P10A-DC12-140	1	25065584	
U001	RL693 or	RELAY	NRL-1P10A-DC12-143	(1)	25065588	
U001	RL694	RELAY	NRL-1P10A-DC12-140	1	25065584	
U001	RL694 or	RELAY	NRL-1P10A-DC12-143	(1)	25065588	
U002	U002	U0020 + U0021 + U0022 + U0023 + U0024				
U002	U0020	Display PC board	BADIS-0654-1E/ 1F			
U002	U0021	Standby switch PC board	BADIS-0655-1E/ 1F			
U002	U0022	Video PC board	BAVD-0656-1E/ 1F			
U002	U0023	HP Jack PC board	BAETC-0658-1E/ 1F			
U002	U0024	Power supply PC board	BAPS-0659-1E/ 1F			
U002						
U002	CIRCUIT NO.	PART NAME	DESCRIPTION	Q'TY	PART NO. (SN)	REMARKS
U002	[SEMI CONDUCTOR]					
U002	D7002	ZENER D	DZ2J082M0L	1	224760820R2	
U002	D7002 or	ZENER D	UDZS8.2B	(1)	224550820R2	
U002	D7033	ZENER D	DZ2J039M0L	1	224760390R2	
U002	D7033 or	ZENER D	UDZS3.9B	(1)	224550390R2	
U002	D7152	LED	SLI-343Y8C-TE7	1	225490T	
U002	D7301	C-DIODE	DA2J10100	1	223303R2	N
U002	D7301 or	C-DIODE	1SS352	(1)	223234R2	
U002	D7301 or	C-DIODE	1SS355	(1)	223269R2	
U002	D7301 or	C-DIODE	MA2J111	(1)	223279R2	
U002	D7301 or	C-DIODE	KDS4148U	(1)	223283R2	
U002	D7302	C-DIODE	DA2J10100	1	223303R2	N
U002	D7302 or	C-DIODE	1SS352	(1)	223234R2	
U002	D7302 or	C-DIODE	1SS355	(1)	223269R2	

U002	D7302 or	C-DIODE	MA2J111	(1)	223279R2	
U002	D7302 or	C-DIODE	KDS4148U	(1)	223283R2	
U002	D7401	ZENER D	DZ2J051M0L	1	224760510R2	<MDC, MDD, MDS, MMK, MMQ>
U002	D7401 or	ZENER D	UDZS5.1B	(1)	224550510R2	<MDC, MDD, MDS, MMK, MMQ>
U002	D7411	ZENER D	DZ2J068M0L	1	224760680R2	<MDC, MDD, MDS, MMK, MMQ>
U002	D7411 or	ZENER D	UDZS6.8B	(1)	224550680R2	<MDC, MDD, MDS, MMK, MMQ>
U002	D7412	ZENER D	DZ2J068M0L	1	224760680R2	<MDC, MDD, MDS, MMK, MMQ>
U002	D7412 or	ZENER D	UDZS6.8B	(1)	224550680R2	<MDC, MDD, MDS, MMK, MMQ>
U002	D7501	C-DIODE	DA2J10100	1	223303R2	<MDC, MDD, MDS, MMK, MMQ>
U002	D7501 or	C-DIODE	1SS352	(1)	223234R2	<MDC, MDD, MDS, MMK, MMQ>
U002	D7501 or	C-DIODE	1SS355	(1)	223269R2	<MDC, MDD, MDS, MMK, MMQ>
U002	D7501 or	C-DIODE	MA2J111	(1)	223279R2	<MDC, MDD, MDS, MMK, MMQ>
U002	D7501 or	C-DIODE	KDS4148U	(1)	223283R2	<MDC, MDD, MDS, MMK, MMQ>
U002	D7502	C-DIODE	DA2J10100	1	223303R2	<MDC, MDD, MDS, MMK, MMQ>
U002	D7502 or	C-DIODE	1SS352	(1)	223234R2	<MDC, MDD, MDS, MMK, MMQ>
U002	D7502 or	C-DIODE	1SS355	(1)	223269R2	<MDC, MDD, MDS, MMK, MMQ>
U002	D7502 or	C-DIODE	MA2J111	(1)	223279R2	<MDC, MDD, MDS, MMK, MMQ>
U002	D7502 or	C-DIODE	KDS4148U	(1)	223283R2	<MDC, MDD, MDS, MMK, MMQ>
U002	D7503	C-DIODE	DA2J10100	1	223303R2	<MDC, MDD, MDS, MMK, MMQ>
U002	D7503 or	C-DIODE	1SS352	(1)	223234R2	<MDC, MDD, MDS, MMK, MMQ>
U002	D7503 or	C-DIODE	1SS355	(1)	223269R2	<MDC, MDD, MDS, MMK, MMQ>
U002	D7503 or	C-DIODE	MA2J111	(1)	223279R2	<MDC, MDD, MDS, MMK, MMQ>
U002	D7503 or	C-DIODE	KDS4148U	(1)	223283R2	<MDC, MDD, MDS, MMK, MMQ>
U002	D7504	C-DIODE	DA2J10100	1	223303R2	<MDC, MDD, MDS, MMK, MMQ>
U002	D7504 or	C-DIODE	1SS352	(1)	223234R2	<MDC, MDD, MDS, MMK, MMQ>
U002	D7504 or	C-DIODE	1SS355	(1)	223269R2	<MDC, MDD, MDS, MMK, MMQ>
U002	D7504 or	C-DIODE	MA2J111	(1)	223279R2	<MDC, MDD, MDS, MMK, MMQ>
U002	D7504 or	C-DIODE	KDS4148U	(1)	223283R2	<MDC, MDD, MDS, MMK, MMQ>
U002	D9011	DIODE	D5SBA60	1	22380070F	N
U002	D9014	C-DIODE	DA2J10100	1	223303R2	N
U002	D9014 or	C-DIODE	1SS352	(1)	223234R2	
U002	D9014 or	C-DIODE	1SS355	(1)	223269R2	
U002	D9014 or	C-DIODE	MA2J111	(1)	223279R2	
U002	D9014 or	C-DIODE	KDS4148U	(1)	223283R2	
U002	D9015	C-DIODE	DA2J10100	1	223303R2	N
U002	D9015 or	C-DIODE	1SS352	(1)	223234R2	
U002	D9015 or	C-DIODE	1SS355	(1)	223269R2	
U002	D9015 or	C-DIODE	MA2J111	(1)	223279R2	
U002	D9015 or	C-DIODE	KDS4148U	(1)	223283R2	

U002	D9016	ZENER D	DZ2J062M0L	1	224760620R2	
U002	D9016 or	ZENER D	UDZS6.2B	(1)	224550620R2	
U002	D911	C-DIODE	DA2J10100	1	223303R2	N
U002	D911 or	C-DIODE	1SS352	(1)	223234R2	
U002	D911 or	C-DIODE	1SS355	(1)	223269R2	
U002	D911 or	C-DIODE	MA2J111	(1)	223279R2	
U002	D911 or	C-DIODE	KDS4148U	(1)	223283R2	
U002	D912	C-DIODE	DA2J10100	1	223303R2	N
U002	D912 or	C-DIODE	1SS352	(1)	223234R2	
U002	D912 or	C-DIODE	1SS355	(1)	223269R2	
U002	D912 or	C-DIODE	MA2J111	(1)	223279R2	
U002	D912 or	C-DIODE	KDS4148U	(1)	223283R2	
U002	D921	C-DIODE	DA2J10100	1	223303R2	N
U002	D921 or	C-DIODE	1SS352	(1)	223234R2	
U002	D921 or	C-DIODE	1SS355	(1)	223269R2	
U002	D921 or	C-DIODE	MA2J111	(1)	223279R2	
U002	D921 or	C-DIODE	KDS4148U	(1)	223283R2	
U002	D922	C-DIODE	DA2J10100	1	223303R2	N
U002	D922 or	C-DIODE	1SS352	(1)	223234R2	
U002	D922 or	C-DIODE	1SS355	(1)	223269R2	
U002	D922 or	C-DIODE	MA2J111	(1)	223279R2	
U002	D922 or	C-DIODE	KDS4148U	(1)	223283R2	
U002	D923	C-DIODE	DA2J10100	1	223303R2	N
U002	D923 or	C-DIODE	1SS352	(1)	223234R2	
U002	D923 or	C-DIODE	1SS355	(1)	223269R2	
U002	D923 or	C-DIODE	MA2J111	(1)	223279R2	
U002	D923 or	C-DIODE	KDS4148U	(1)	223283R2	
U002	D924	C-DIODE	DA2J10100	1	223303R2	N
U002	D924 or	C-DIODE	1SS352	(1)	223234R2	
U002	D924 or	C-DIODE	1SS355	(1)	223269R2	
U002	D924 or	C-DIODE	MA2J111	(1)	223279R2	
U002	D924 or	C-DIODE	KDS4148U	(1)	223283R2	
U002	D925	C-DIODE	DA2J10100	1	223303R2	N
U002	D925 or	C-DIODE	1SS352	(1)	223234R2	
U002	D925 or	C-DIODE	1SS355	(1)	223269R2	
U002	D925 or	C-DIODE	MA2J111	(1)	223279R2	
U002	D925 or	C-DIODE	KDS4148U	(1)	223283R2	
U002	D930	C-DIODE	DA2J10100	1	223303R2	N
U002	D930 or	C-DIODE	1SS352	(1)	223234R2	

U002	D930 or	C-DIODE	ISS355	(1)	223269R2	
U002	D930 or	C-DIODE	MA2J111	(1)	223279R2	
U002	D930 or	C-DIODE	KDS4148U	(1)	223283R2	
U002	D931	C-DIODE	DA2J10100	1	223303R2	N
U002	D931 or	C-DIODE	ISS352	(1)	223234R2	
U002	D931 or	C-DIODE	ISS355	(1)	223269R2	
U002	D931 or	C-DIODE	MA2J111	(1)	223279R2	
U002	D931 or	C-DIODE	KDS4148U	(1)	223283R2	
U002	D933	C-DIODE	DA2J10100	1	223303R2	N
U002	D933 or	C-DIODE	ISS352	(1)	223234R2	
U002	D933 or	C-DIODE	ISS355	(1)	223269R2	
U002	D933 or	C-DIODE	MA2J111	(1)	223279R2	
U002	D933 or	C-DIODE	KDS4148U	(1)	223283R2	
U002	D934	ZENER D	DZ2J047M0L	1	224760470R2	<MDC, MDD, MDS>
U002	D934	ZENER D	DZ2J051M0L	1	224760510R2	<MMK, MMQ>
U002	D934 or	ZENER D	UDZS4.7B	(1)	224550470R2	<MDC, MDD, MDS>
U002	D934 or	ZENER D	UDZS5.1B	(1)	224550510R2	<MMK, MMQ>
U002	D935	C-DIODE	DA2J10100	1	223303R2	N
U002	D935 or	C-DIODE	ISS352	(1)	223234R2	
U002	D935 or	C-DIODE	ISS355	(1)	223269R2	
U002	D935 or	C-DIODE	MA2J111	(1)	223279R2	
U002	D935 or	C-DIODE	KDS4148U	(1)	223283R2	
U002	Q2001	IC	NJW1328	1	22242691R3	N
U002	Q2600	IC	NJM2505AF	1	22242490R2	<MDC, MDD, MDS, MMK, MMQ>
U002	Q2600 or	IC	BH7673G-TR	(1)	22242661R2	<MDC, MDD, MDS, MMK, MMQ>
U002	Q7002	FL TUBE	16-BT-162GNK	1	212273	
U002	Q7002A	HOLDER	(FL)	1	27191222C	
U002	Q7003	IC	M66005-0001AHP	1	22242208R3	
U002	Q7004	TR	KTC3875-GR	1	2216175R2	
U002	Q7005	TR	KRA102S	1	2216220R2	<MDC, MDD, MDS, MMK, MMQ>
U002	Q7007	TR	KRC102S	1	2216190R2	<MDC, MDD, MDS, MMK, MMQ>
U002	Q7033	TR	KTC3875-GR	1	2216175R2	
U002	Q7401	IC	NJM4580M-D	1	22241448R2	<MDC, MDD, MDS, MMK, MMQ>
U002	Q7403	TR	DTC114TKA	1	2216670R2	<MDC, MDD, MDS, MMK, MMQ>
U002	Q7404	TR	DTC114TKA	1	2216670R2	<MDC, MDD, MDS, MMK, MMQ>
U002	Q9020	IC	XC6220B501PR	1	22242692R2	N
U002	[TRANS COIL]					
U002	L7031	CHOKE COIL	LBC2518T2R2M	1	231364M022R2	
U002	L7032	CHOKE COIL	LBC2518T2R2M	1	231364M022R2	

U002	L7201	CHOKE COIL	LBC2518T2R2M	1	231364M022R2	
U002	L7202	CHOKE COIL	LBC2518T2R2M	1	231364M022R2	
U002	L7203	CHOKE COIL	LBC2518T2R2M	1	231364M022R2	
U002	L7301	EMIFIL	BK1608LM182-T	1	230958R1	
U002	L7302	EMIFIL	BK1608LM182-T	1	230958R1	
U002	L7401	CHOKE COIL	LBC2518T2R2M	1	231364M022R2	<MDC, MDD, MDS, MMK, MMQ>
U002	L7402	CHOKE COIL	LBC2518T2R2M	1	231364M022R2	<MDC, MDD, MDS, MMK, MMQ>
U002	L7501	CORE	BLM18PG121SN1D	1	2350006R1	<MDC, MDD, MDS, MMK, MMQ>
U002	L7502	CORE	BLM18PG121SN1D	1	2350006R1	<MDC, MDD, MDS, MMK, MMQ>
U002	L7503	CORE	BLM18PG121SN1D	1	2350006R1	<MDC, MDD, MDS, MMK, MMQ>
U002	L9020	CORE	BLM18PG181SN1D	1	2350005R1	
U002	T902	P TRANS	NPT-1520JQ	1	2301812A	! <MDC, MDD, MDS>
U002	T902	P TRANS	NPT-1520GQ	1	2301813A	! <MMK, MMQ>
U002	[CAPACITOR]					
U002	C2000	C-CERA C	CK725F1E-104Z1	1	332161040R1	
U002	C2001	C-CERA C	CK725F1E-104Z1	1	332161040R1	
U002	C2002	VR C	CE04W50V-2.2M(VR)	1	394680227T	
U002	C2002 or	JAMICON	CE04W50V-2.2M	(1)	398580227T	N
U002	C2004	C-CERA C	CK725F1E-104Z1	1	332161040R1	
U002	C2006	C-CERA C	CK725F1A-105Z1	1	332181050R1	<MDC, MDD, MDS, MMK, MMQ>
U002	C2007	C-CERA C	CK725F1E-104Z1	1	332161040R1	
U002	C2008	C-CERA C	CK725F1A-105Z1	1	332181050R1	
U002	C2009	C-CERA C	CK725F1A-105Z1	1	332181050R1	
U002	C2010	C-CERA C	CK725F1A-105Z1	1	332181050R1	
U002	C2011	C-CERA C	CK725F1A-105Z1	1	332181050R1	<MDC, MDD, MDS, MMK, MMQ>
U002	C2012	C-CERA C	CK725F1A-105Z1	1	332181050R1	
U002	C2013	VR C	CE04W50V-10M(VR)	1	394681007T	
U002	C2013 or	JAMICON	CE04W50V-10M	(1)	398581007T	N
U002	C2020	C-CERA C	CK725F1A-105Z1	1	332181050R1	
U002	C2021	C-CERA C	CK725F1A-105Z1	1	332181050R1	
U002	C2102	VR C	CE04W6.3V-470M(VR)	1	394624717T	
U002	C2102 or	JAMICON	CE04W6.3V-470M	(1)	398524717T	N
U002	C2103	VR C	CE04W50V-2.2M(VR)	1	394680227T	
U002	C2103 or	JAMICON	CE04W50V-2.2M	(1)	398580227T	N
U002	C2104	VR C	CE04W50V-2.2M(VR)	1	394680227T	
U002	C2104 or	JAMICON	CE04W50V-2.2M	(1)	398580227T	N
U002	C2105	VR C	CE04W6.3V-470M(VR)	1	394624717T	
U002	C2105 or	JAMICON	CE04W6.3V-470M	(1)	398524717T	N
U002	C2106	VR C	CE04W50V-2.2M(VR)	1	394680227T	

U002	C2106 or	JAMICON	CE04W50V-2.2M	(1)	398580227T	N
U002	C2107	VR C	CE04W50V-2.2M(VR)	1	394680227T	
U002	C2107 or	JAMICON	CE04W50V-2.2M	(1)	398580227T	N
U002	C2108	VR C	CE04W6.3V-470M(VR)	1	394624717T	
U002	C2108 or	JAMICON	CE04W6.3V-470M	(1)	398524717T	N
U002	C2109	VR C	CE04W6.3V-470M(VR)	1	394624717T	
U002	C2109 or	JAMICON	CE04W6.3V-470M	(1)	398524717T	N
U002	C2110	VR C	CE04W6.3V-470M(VR)	1	394624717T	
U002	C2110 or	JAMICON	CE04W6.3V-470M	(1)	398524717T	N
U002	C2111	VR C	CE04W50V-2.2M(VR)	1	394680227T	
U002	C2111 or	JAMICON	CE04W50V-2.2M	(1)	398580227T	N
U002	C2112	VR C	CE04W50V-2.2M(VR)	1	394680227T	
U002	C2112 or	JAMICON	CE04W50V-2.2M	(1)	398580227T	N
U002	C2113	VR C	CE04W50V-2.2M(VR)	1	394680227T	
U002	C2113 or	JAMICON	CE04W50V-2.2M	(1)	398580227T	N
U002	C2114	VR C	CE04W50V-2.2M(VR)	1	394680227T	
U002	C2114 or	JAMICON	CE04W50V-2.2M	(1)	398580227T	N
U002	C2115	VR C	CE04W50V-2.2M(VR)	1	394680227T	
U002	C2115 or	JAMICON	CE04W50V-2.2M	(1)	398580227T	N
U002	C2116	VR C	CE04W50V-2.2M(VR)	1	394680227T	
U002	C2116 or	JAMICON	CE04W50V-2.2M	(1)	398580227T	N
U002	C2201	C-CERA C	CK725B1H-102K1	1	332101025R1	
U002	C2202	C-CERA C	CK725B1H-102K1	1	332101025R1	
U002	C2203	C-CERA C	CK725B1H-103K1	1	332101035R1	
U002	C2601	C-CERA C	CK725F1E-104Z1	1	332161040R1	<MDC, MDD, MDS, MMK, MMQ>
U002	C2602	VR C	CE04W6.3V-470M(VR)	1	394624717T	<MDC, MDD, MDS, MMK, MMQ>
U002	C2602 or	JAMICON	CE04W6.3V-470M	(1)	398524717T	<MDC, MDD, MDS, MMK, MMQ>
U002	C2603	C-CERA C	CC725CH1H-470J1	1	342104704R1	<MDC, MDD, MDS, MMK, MMQ>
U002	C2604	VR C	CE04W6.3V-470M(VR)	1	394624717T	<MDC, MDD, MDS, MMK, MMQ>
U002	C2604 or	JAMICON	CE04W6.3V-470M	(1)	398524717T	<MDC, MDD, MDS, MMK, MMQ>
U002	C2605	C-CERA C	CC725CH1H-470J1	1	342104704R1	<MDC, MDD, MDS, MMK, MMQ>
U002	C7001	C-CERA C	CK725B1H-223K1	1	332102235R1	
U002	C7002	C-CERA C	CK725F1E-104Z1	1	332161040R1	
U002	C7003	C-CERA C	CC725CH1H-101J1	1	342101014R1	
U002	C7004	C-CERA C	CC725CH1H-101J1	1	342101014R1	
U002	C7005	C-CERA C	CC725CH1H-101J1	1	342101014R1	
U002	C7007	C-CERA C	CC725CH1H-101J1	1	342101014R1	
U002	C7008	ELECT C	CE04W6.3V-100M(S)	1	353721019T	
U002	C7009	C-CERA C	CK725F1E-104Z1	1	332161040R1	

U002	C7010	C-CERA C	CK725B1H-223K1	1	332102235R1	
U002	C7011	C-CERA C	CK725B1H-223K1	1	332102235R1	
U002	C7012	C-CERA C	CK725B1H-223K1	1	332102235R1	
U002	C7014	C-CERA C	CK725B1H-223K1	1	332102235R1	
U002	C7015	ELECT C	CE04W16V-47M(S)	1	353744709T	
U002	C7016	C-CERA C	CK725B1H-223K1	1	332102235R1	
U002	C7017	C-CERA C	CK725B1H-223K1	1	332102235R1	
U002	C7021	C-CERA C	CK725B1H-103K1	1	332101035R1	
U002	C7022	C-CERA C	CK725B1H-103K1	1	332101035R1	
U002	C7031	C-CERA C	CK725B1H-223K1	1	332102235R1	
U002	C7032	C-CERA C	CK725B1H-223K1	1	332102235R1	
U002	C7033	ELECT C	CE04W16V-10M(S)	1	353741009T	
U002	C7041	ELECT C	CE04W16V-10M(S)	1	353741009T	
U002	C7042	C-CERA C	CC725CH1H-102J1	1	342101024R1	
U002	C7043	C-CERA C	CC725CH1H-102J1	1	342101024R1	
U002	C7201	C-CERA C	CC725CH1H-102J1	1	342101024R1	
U002	C7202	C-CERA C	CK725B1H-223K1	1	332102235R1	
U002	C7203	MKT C	B32529C0102J289	1	376491024T	
U002	C7204	MKT C	B32529C0102J289	1	376491024T	
U002	C7301	C-CERA C	CC725CH1H-471J1	1	342104714R1	
U002	C7302	C-CERA C	CC725CH1H-471J1	1	342104714R1	
U002	C7304	C-CERA C	CK725F1E-104Z1	1	332161040R1	
U002	C7305	C-CERA C	CK725F1E-104Z1	1	332161040R1	
U002	C7306	C-CERA C	CK725F1E-104Z1	1	332161040R1	
U002	C7319	C-CERA C	CC725CH1H-470J1	1	342104704R1	
U002	C7401	ELECT C	CE04W16V-10M(S)	1	353741009T	<MDC, MDD, MDS, MMK, MMQ>
U002	C7402	C-CERA C	CC725CH1H-101J1	1	342101014R1	<MDC, MDD, MDS, MMK, MMQ>
U002	C7403	ELECT C	CE04W16V-47M(S)	1	353744709T	<MDC, MDD, MDS, MMK, MMQ>
U002	C7404	C-CERA C	CC725CH1H-330J1	1	342103304R1	<MDC, MDD, MDS, MMK, MMQ>
U002	C7405	ELECT C	CE04W16V-10M(S)	1	353741009T	<MDC, MDD, MDS, MMK, MMQ>
U002	C7411	ELECT C	CE04W16V-47M(S)	1	353744709T	<MDC, MDD, MDS, MMK, MMQ>
U002	C7412	ELECT C	CE04W16V-47M(S)	1	353744709T	<MDC, MDD, MDS, MMK, MMQ>
U002	C7421	C-CERA C	CC725CH1H-102J1	1	342101024R1	<MDC, MDD, MDS, MMK, MMQ>
U002	C7501	C-CERA C	CK725F1E-104Z1	1	332161040R1	<MDC, MDD, MDS, MMK, MMQ>
U002	C7503	C-CERA C	CK725F1E-104Z1	1	332161040R1	<MDC, MDD, MDS, MMK, MMQ>
U002	C901	IS C	LE103-C3.5	1	3800042S	!
U002	C901 or	IS C	ECQU2A103MLC	(1)	3800039S	!
U002	C9011	VR C	CE04W16V-10000M(VR)	1	394641037S	
U002	C9012	TF C	ECQ-V50V-334J	1	374723344T	

U002	C9013	VR C	CE04W50V-4.7M(VR)	1	394680477T	
U002	C9013 or	JAMICON	CE04W50V-4.7M	(1)	398580477T	N
U002	C902	C-CERA C	CK725F1E-104Z1	1	332161040R1	
U002	C9020	C-CERA C	CK732B16V-106K	1	332071065R2	N
U002	C9021	C-CERA C	CK732B16V-106K	1	332071065R2	N
U002	C9022	C-CERA C	CK732B16V-106K	1	332071065R2	N
U002	C9023	C-CERA C	CK732B16V-106K	1	332071065R2	N
U002	C9026	VR C	CE04W6.3V-470M(VR)	1	394624717T	
U002	C9026 or	JAMICON	CE04W6.3V-470M	(1)	398524717T	N
U002	C9027	C-CERA C	CK725F1E-104Z1	1	332161040R1	
U002	C9028	C-CERA C	CK725F1E-104Z1	1	332161040R1	
U002	C9029	C-CERA C	CK725F1E-104Z1	1	332161040R1	
U002	C9030	C-CERA C	CK725F1E-104Z1	1	332161040R1	
U002	C9031	C-CERA C	CK725F1E-104Z1	1	332161040R1	
U002	C911	C-CERA C	CC725CH1H-102J1	1	342101024R1	
U002	C921	C-CERA C	CK725B1H-223K1	1	332102235R1	
U002	C922	VR C	CE04W16V-2200M(VR)	1	394642227S	
U002	C922 or	JAMICON	CE04W16V-2200M	(1)	398542227S	
U002	C930	VR C	CE04W16V-470M(VR)	1	394644717T	
U002	C930 or	JAMICON	CE04W16V-470M	(1)	398544717T	
U002	C933	UTSP C	CE04W50V-4.7M(UTSP)	1	397580477T	
U002	[RESISTOR]					
U002	R2004	C-CARBON R	RN72K1J-563JE	1	435035634R1	
U002	R2005	C-CARBON R	RN72K1J-103JE	1	435031034R1	
U002	R2006	C-CARBON R	RN72K1J-103JE	1	435031034R1	
U002	R2007	C-CARBON R	RN72K1J-563JE	1	435035634R1	
U002	R2008	C-CARBON R	RN72K1J-222JE	1	435032224R1	
U002	R2009	C-CARBON R	RN72K1J-222JE	1	435032224R1	
U002	R2010	C-CARBON R	RN72K1J-183JE	1	435031834R1	
U002	R2011	C-CARBON R	RN72K1J-183JE	1	435031834R1	
U002	R2101	C-CARBON R	RN72K1J-750JE	1	435037504R1	
U002	R2102	C-CARBON R	RN72K1J-750JE	1	435037504R1	
U002	R2103	C-CARBON R	RN72K1J-750JE	1	435037504R1	
U002	R2104	C-CARBON R	RN72K1J-750JE	1	435037504R1	
U002	R2105	C-CARBON R	RN72K1J-750JE	1	435037504R1	
U002	R2106	C-CARBON R	RN72K1J-750JE	1	435037504R1	
U002	R2107	C-CARBON R	RN72K1J-750JE	1	435037504R1	
U002	R2108	C-CARBON R	RN72K1J-750JE	1	435037504R1	
U002	R2109	C-CARBON R	RN72K1J-750JE	1	435037504R1	

U002	R2110	C-CARBON R	RN72K1J-750JE	1	435037504R1	
U002	R2111	C-CARBON R	RN72K1J-750JE	1	435037504R1	
U002	R2112	C-CARBON R	RN72K1J-750JE	1	435037504R1	
U002	R2113	C-CARBON R	RN72K1J-750JE	1	435037504R1	
U002	R2114	C-CARBON R	RN72K1J-750JE	1	435037504R1	
U002	R2115	C-CARBON R	RN72K1J-750JE	1	435037504R1	
U002	R2116	C-CARBON R	RN72K1J-750JE	1	435037504R1	
U002	R2120	C-CARBON R	RN72K1J-104JE	1	435031044R1	
U002	R2121	C-CARBON R	RN72K1J-104JE	1	435031044R1	
U002	R2122	C-CARBON R	RN72K1J-104JE	1	435031044R1	
U002	R2123	C-CARBON R	RN72K1J-104JE	1	435031044R1	
U002	R2124	C-CARBON R	RN72K1J-104JE	1	435031044R1	
U002	R2155	C-CARBON R	RN72K1J-000JE	1	435030004R1	
U002	R2156	C-CARBON R	RN72K1J-000JE	1	435030004R1	
U002	R2157	C-CARBON R	RN72K1J-000JE	1	435030004R1	
U002	R2601	C-CARBON R	RN72K1J-220JE	1	435032204R1	<MDC, MDD, MDS, MMK, MMQ>
U002	R2602	C-CARBON R	RN72K1J-220JE	1	435032204R1	<MDC, MDD, MDS, MMK, MMQ>
U002	R2603	C-CARBON R	RN72K1J-047JE	1	435030474R1	<MDC, MDD, MDS, MMK, MMQ>
U002	R7001	C-CARBON R	RN72K1J-103JE	1	435031034R1	
U002	R7002	C-CARBON R	RN72K1J-332JE	1	435033324R1	
U002	R7003	C-CARBON R	RN72K1J-332JE	1	435033324R1	
U002	R7004	C-CARBON R	RN72K1J-221JE	1	435032214R1	
U002	R7005	C-CARBON R	RN72K1J-221JE	1	435032214R1	
U002	R7006	C-CARBON R	RN72K1J-103JE	1	435031034R1	
U002	R7007	C-CARBON R	RN72K1J-221JE	1	435032214R1	
U002	R7008	C-CARBON R	RN72K1J-221JE	1	435032214R1	
U002	R7021	C-CARBON R	RN72K1J-103JE	1	435031034R1	
U002	R7022	C-CARBON R	RN72K1J-103JE	1	435031034R1	
U002	R7023	C-CARBON R	RN72K1J-103JE	1	435031034R1	
U002	R7024	C-CARBON R	RN72K1J-103JE	1	435031034R1	
U002	R7033	C-CARBON R	RN72K1J-820JE	1	435038204R1	
U002	R7041	C-CARBON R	RN72K1J-101JE	1	435031014R1	
U002	R7042	C-CARBON R	RN72K1J-102JE	1	435031024R1	
U002	R7101	C-CARBON R	RN72K1J-271JE	1	435032714R1	
U002	R7102	C-CARBON R	RN72K1J-331JE	1	435033314R1	
U002	R7103	C-CARBON R	RN72K1J-471JE	1	435034714R1	
U002	R7106	C-CARBON R	RN72K1J-271JE	1	435032714R1	
U002	R7107	C-CARBON R	RN72K1J-331JE	1	435033314R1	
U002	R7108	C-CARBON R	RN72K1J-471JE	1	435034714R1	

U002	R7109	C-CARBON R	RN72K1J-561JE	1	435035614R1	
U002	R7110	C-CARBON R	RN72K1J-821JE	1	435038214R1	
U002	R7111	C-CARBON R	RN72K1J-122JE	1	435031224R1	
U002	R7112	C-CARBON R	RN72K1J-222JE	1	435032224R1	
U002	R7113	C-CARBON R	RN72K1J-392JE	1	435033924R1	
U002	R7114	C-CARBON R	RN72K1J-123JE	1	435031234R1	
U002	R7115	C-CARBON R	RN72K1J-271JE	1	435032714R1	
U002	R7116	C-CARBON R	RN72K1J-331JE	1	435033314R1	
U002	R7117	C-CARBON R	RN72K1J-471JE	1	435034714R1	
U002	R7118	C-CARBON R	RN72K1J-561JE	1	435035614R1	
U002	R7119	C-CARBON R	RN72K1J-821JE	1	435038214R1	
U002	R7120	C-CARBON R	RN72K1J-122JE	1	435031224R1	
U002	R7121	C-CARBON R	RN72K1J-222JE	1	435032224R1	
U002	R7122	C-CARBON R	RN72K1J-392JE	1	435033924R1	
U002	R7123	C-CARBON R	RN72K1J-271JE	1	435032714R1	
U002	R7124	C-CARBON R	RN72K1J-331JE	1	435033314R1	
U002	R7125	C-CARBON R	RN72K1J-471JE	1	435034714R1	
U002	R7126	C-CARBON R	RN72K1J-561JE	1	435035614R1	
U002	R7127	C-CARBON R	RN72K1J-821JE	1	435038214R1	
U002	R7128	C-CARBON R	RN72K1J-122JE	1	435031224R1	
U002	R7129	C-CARBON R	RN72K1J-222JE	1	435032224R1	
U002	R7152	C-CARBON R	RN72K1J-222JE	1	435032224R1	
U002	R7301	C-CARBON R	RN72K1J-331JE	1	435033314R1	
U002	R7302	C-CARBON R	RN72K1J-331JE	1	435033314R1	
U002	R7401	C-CARBON R	RN72K1J-101JE	1	435031014R1	<MDC, MDD, MDS, MMK, MMQ>
U002	R7402	C-CARBON R	RN72K1J-224JE	1	435032244R1	<MDC, MDD, MDS, MMK, MMQ>
U002	R7403	C-CARBON R	RN72K1J-472JE	1	435034724R1	<MDC, MDD, MDS, MMK, MMQ>
U002	R7404	C-CARBON R	RN72K1J-221JE	1	435032214R1	<MDC, MDD, MDS, MMK, MMQ>
U002	R7405	C-CARBON R	RN72K1J-473JE	1	435034734R1	<MDC, MDD, MDS, MMK, MMQ>
U002	R7406	C-CARBON R	RN72K1J-331JE	1	435033314R1	<MDC, MDD, MDS, MMK, MMQ>
U002	R7407	C-CARBON R	RN72K1J-102JE	1	435031024R1	<MDC, MDD, MDS, MMK, MMQ>
U002	R7408	C-CARBON R	RN72K1J-333JE	1	435033334R1	<MDC, MDD, MDS, MMK, MMQ>
U002	R7409	C-CARBON R	RN72K1J-221JE	1	435032214R1	<MDC, MDD, MDS, MMK, MMQ>
U002	R7410	C-CARBON R	RN72K1J-221JE	1	435032214R1	<MDC, MDD, MDS, MMK, MMQ>
U002	R7411	C-CARBON R	RN72K1J-471JE	1	435034714R1	<MDC, MDD, MDS, MMK, MMQ>
U002	R7412	C-CARBON R	RN72K1J-471JE	1	435034714R1	<MDC, MDD, MDS, MMK, MMQ>
U002	R7413	C-CARBON R	RN72K1J-224JE	1	435032244R1	<MDC, MDD, MDS, MMK, MMQ>
U002	R7414	C-CARBON R	RN72K1J-104JE	1	435031044R1	<MDC, MDD, MDS, MMK, MMQ>
U002	R7420	C-CARBON R	RN72K1J-473JE	1	435034734R1	<MDC, MDD, MDS, MMK, MMQ>

U002	R9014	C-CARBON R	RN72K1J-104JE	1	435031044R1	
U002	R921	METAL O R	RS1/2WBJ-47	1	443524704T	
U002	R922	C-CARBON R	RN72K1J-823JE	1	435038234R1	<MDC, MDD, MDS>
U002	R934	C-CARBON R	RN72K1J-104JE	1	435031044R1	
U002	[SW TRM]					
U002	E7201	TRM-423(SCREW)	NEJITANSI ST3	1	25060495	
U002	E7301A	RETAINER	(GND)	1	27142222A	N
U002	E9004	RETAINER	(JOINT)	1	27142069	
U002	E901	TRM-423(SCREW)	NEJITANSI ST3	1	25060495	
U002	E902	TRM-423(SCREW)	NEJITANSI ST3	1	25060495	
U002	F9001	FUSE	5A-UL-125V	1	252385T	!
U002	F901C	FUSE HOL	NSCT-1P2031	1	25052133T	!
U002	F901D	FUSE HOL	NSCT-1P2031	1	25052133T	!
U002	F901E	LABEL	T4AL250V	1	29361732A	<MMK, MMQ>
U002	JL605A	WIRE HOL	NSCT-5P896	1	25051109	
U002	JL702A	WIRE HOL	NSCT-7P878	1	25051091	
U002	JL702B	WIRE HOL	NSCT-7P878	1	25051091	
U002	JL801A	WIRE HOL	NSCT-5P876	1	25051089	
U002	JL901A	WIRE HOL	NSCT-5P876	1	25051089	
U002	JL952B	SOCKET	NSCT-3P95	1	25050267	
U002	JL953A	WIRE HOL	NSCT-5P876	1	25051089	
U002	P2201	PIN JACK	NPJ-3PDYYYY560	1	25045778	
U002	P2202	PIN JACK	NPJ-3PDYYYY560	1	25045778	
U002	P2203	PIN JACK	NPJ-9PDGLRGLRGLR563	1	25045781	
U002	P2800A	SOCKET	NSCT-9P2400	1	25052503	
U002	P3101B	PLUG	NPLG-5P352	1	25055369	<MDC, MDD, MDS, MMK, MMQ>
U002	P701B	SOCKET	NSCT-23P2441	1	25052544	
U002	P703A	SOCKET	NSCT-7P2425	1	25052528	
U002	P7201	ST JACK	MSJ-064-05A SR	1	25045783	
U002	P7301	PIN JACK	NPJ-3PDB720	1	25045957	
U002	P7401	ST JACK	MSJ-035-05C B AG SR type	1	25045879	<MDC, MDD, MDS, MMK, MMQ>
U002	P7501	SOCKET	000010211-00027	1	25053411	<MDC, MDD, MDS, MMK, MMQ>
U002	P901A	PLUG	NPLG-2P631	1	25055675	!
U002	P901Aor	PLUG	1-1123724-2	(1)	25056402	!
U002	P911	PLUG	NPLG-2P631	1	25055675	!
U002	P911 or	PLUG	1-1123724-2	(1)	25056402	!
U002	RL901	RELAY	NRL-1P5A-DC9-179	1	25065669	!
U002	RL901 or	RELAY	NRL-1P10A-DC9-188	(1)	25065693	!
U002	S7002	R ENCODE	EC12E2425WITH WASHER	1	25065655W	

U002	S7102	PUSH SW	NPS-111-S681	1	25035718T	
U002	S7104	PUSH SW	NPS-111-S681	1	25035718T	
U002	S7106	PUSH SW	NPS-111-S681	1	25035718T	
U002	S7108	PUSH SW	NPS-111-S681	1	25035718T	
U002	S7113	PUSH SW	NPS-111-S681	1	25035718T	
U002	S7115	PUSH SW	NPS-111-S681	1	25035718T	
U002	S7117	PUSH SW	NPS-111-S681	1	25035718T	
U002	S7119	PUSH SW	NPS-111-S681	1	25035718T	
U002	S7121	PUSH SW	NPS-111-S681	1	25035718T	
U002	S7123	PUSH SW	NPS-111-S681	1	25035718T	
U002	S7125	PUSH SW	NPS-111-S681	1	25035718T	
U002	S7127	PUSH SW	NPS-111-S681	1	25035718T	
U002	S7129	PUSH SW	NPS-111-S681	1	25035718T	
U002	S7132	PUSH SW	NPS-111-S681	1	25035718T	
U002	S7134	PUSH SW	NPS-111-S681	1	25035718T	
U002	S7136	PUSH SW	NPS-111-S681	1	25035718T	
U002	S7138	PUSH SW	NPS-111-S681	1	25035718T	
U002	S7140	PUSH SW	NPS-111-S681	1	25035718T	
U002	S7142	PUSH SW	NPS-111-S681	1	25035718T	
U002	S7144	PUSH SW	NPS-111-S681	1	25035718T	
U002	S7146	PUSH SW	NPS-111-S681	1	25035718T	
U002	S7148	PUSH SW	NPS-111-S681	1	25035718T	
U002	S7150	PUSH SW	NPS-111-S681	1	25035718T	
U002	S7152	PUSH SW	NPS-111-S681	1	25035718T	
U002	S7154	PUSH SW	NPS-111-S681	1	25035718T	
U002	S7156	PUSH SW	NPS-111-S681	1	25035718T	
U002	S7158	PUSH SW	NPS-111-S681	1	25035718T	
U002	S7160	PUSH SW	NPS-111-S681	1	25035718T	
U002	S7162	PUSH SW	NPS-111-S681	1	25035718T	
U002	S7164	PUSH SW	NPS-111-S681	1	25035718T	
U002	[TUNER UNIT]					
U002	U7041	REMO SENS	KSM-603TE5B	1	24130019	
U003	U003	U0030 x 2 pcs.				
U003	U0030	HDMI PC board	BAHDM-0680-1A/ 1B			
U003						
U003	CIRCUIT NO.	PART NAME	DESCRIPTION	Q'TY	PART NO. (SN)	REMARKS
U003	[SEMI CONDUCTOR]					
U003	D110	C-DIODE	DA2J10100	1	223303R2	

U003	D110 or	C-DIODE	1SS352	(1)	223234R2
U003	D110 or	C-DIODE	1SS355	(1)	223269R2
U003	D110 or	C-DIODE	MA2J111	(1)	223279R2
U003	D110 or	C-DIODE	KDS4148U	(1)	223283R2
U003	D111	C-DIODE	DA2J10100	1	223303R2
U003	D111 or	C-DIODE	1SS352	(1)	223234R2
U003	D111 or	C-DIODE	1SS355	(1)	223269R2
U003	D111 or	C-DIODE	MA2J111	(1)	223279R2
U003	D111 or	C-DIODE	KDS4148U	(1)	223283R2
U003	D182	C-DIODE	DA2J10100	1	223303R2
U003	D182 or	C-DIODE	1SS352	(1)	223234R2
U003	D182 or	C-DIODE	1SS355	(1)	223269R2
U003	D182 or	C-DIODE	MA2J111	(1)	223279R2
U003	D182 or	C-DIODE	KDS4148U	(1)	223283R2
U003	D183	C-DIODE	DA2J10100	1	223303R2
U003	D183 or	C-DIODE	1SS352	(1)	223234R2
U003	D183 or	C-DIODE	1SS355	(1)	223269R2
U003	D183 or	C-DIODE	MA2J111	(1)	223279R2
U003	D183 or	C-DIODE	KDS4148U	(1)	223283R2
U003	D601	C-DIODE	DA2J10100	1	223303R2
U003	D601 or	C-DIODE	1SS352	(1)	223234R2
U003	D601 or	C-DIODE	1SS355	(1)	223269R2
U003	D601 or	C-DIODE	MA2J111	(1)	223279R2
U003	D601 or	C-DIODE	KDS4148U	(1)	223283R2
U003	D602	C-DIODE	DA2J10100	1	223303R2
U003	D602 or	C-DIODE	1SS352	(1)	223234R2
U003	D602 or	C-DIODE	1SS355	(1)	223269R2
U003	D602 or	C-DIODE	MA2J111	(1)	223279R2
U003	D602 or	C-DIODE	KDS4148U	(1)	223283R2
U003	D603	C-DIODE	DA2J10100	1	223303R2
U003	D603 or	C-DIODE	1SS352	(1)	223234R2
U003	D603 or	C-DIODE	1SS355	(1)	223269R2
U003	D603 or	C-DIODE	MA2J111	(1)	223279R2
U003	D603 or	C-DIODE	KDS4148U	(1)	223283R2
U003	D701	C-DIODE	DA2J10100	1	223303R2
U003	D701 or	C-DIODE	1SS352	(1)	223234R2
U003	D701 or	C-DIODE	1SS355	(1)	223269R2
U003	D701 or	C-DIODE	MA2J111	(1)	223279R2
U003	D701 or	C-DIODE	KDS4148U	(1)	223283R2

U003	D702	C-DIODE	DA2J10100	1	223303R2	
U003	D702 or	C-DIODE	1SS352	(1)	223234R2	
U003	D702 or	C-DIODE	1SS355	(1)	223269R2	
U003	D702 or	C-DIODE	MA2J111	(1)	223279R2	
U003	D702 or	C-DIODE	KDS4148U	(1)	223283R2	
U003	D8100	C-DIODE	DA2J10100	1	223303R2	
U003	D8100 or	C-DIODE	1SS352	(1)	223234R2	
U003	D8100 or	C-DIODE	1SS355	(1)	223269R2	
U003	D8100 or	C-DIODE	MA2J111	(1)	223279R2	
U003	D8100 or	C-DIODE	KDS4148U	(1)	223283R2	
U003	D8145	ESD D	AOZ8804ADI	1	225502R2	
U003	D8146	ESD D	AOZ8804ADI	1	225502R2	
U003	D8931	DIODE	RB050M-30	1	22380367R2	
U003	D8951	DIODE	RB050M-30	1	22380367R2	
U003	D8971	DIODE	RB050M-30	1	22380367R2	
U003	Q153	IC	R1EX25064ASA00A	1	22242581R2	
U003	Q181	TR	KRC105S	1	2217290R2	
U003	Q181 or	TR	RN1405	(1)	2214500R2	
U003	Q201	IC	D808K013BPTP	1	22242693R3	
U003	Q271	IC	XC6220B121PR	1	22242626R2	
U003	Q272	IC	BU33TD3WG-TR	1	22242715R2	
U003	Q273	IC	XC6220B501PR	1	22242692R2	
U003	Q275	IC	TPD2E001DRLR	1	22242589R2	
U003	Q276	IC	BD82065FVJ	1	22242718R2	
U003	Q277	IC	BU33TD3WG-TR	1	22242715R2	
U003	Q278	IC	BU18TD3WG-TR	1	22242716R2	
U003	Q281	IC	K4S641632N-LC60	1	22242603R2	
U003	Q281 or	IC	EM638165TS-7G	(1)	22242607R2	
U003	Q282	IC (DSP)	W25Q16CVSSIG(0406)	1	222W0118R204066	N
U003	Q301	IC	PCM9211PTR	1	22242703R2	
U003	Q3105	IC	MFI341S2164	1	22242594R2	
U003	Q351	IC	PCM1690DCAR	1	22242599R2	
U003	Q601	TR	KRC104S	1	2216210R2	
U003	Q601 or	TR	RN1404	(1)	2214490R2	
U003	Q701	IC(MAIN MICROPROCESSOR)	MPD70F3746GJ-GAE-AX(0405)	1	222W0079R304050	
U003	Q702	IC	S-812C33AUA-C2N	1	22242222R2	
U003	Q703	IC	S-812C56AUA-C3K	1	22242207R2	
U003	Q704	IC	SN74CB3Q3305PWR	1	22242258R2	
U003	Q746	IC	BU33TD3WG-TR	1	22242715R2	

U003	Q751	TR	KRC104S	1	2216210R2	
U003	Q751 or	TR	RN1404	(1)	2214490R2	
U003	Q752	TR	KRA102S	1	2216220R2	
U003	Q752 or	TR	RN2402	(1)	2214530R2	
U003	Q753	TR	KRA107S	1	2216350R2	
U003	Q753 or	TR	RN2407(TE85L_F)	(1)	2216360R2	
U003	Q754	TR	KRC102S	1	2216190R2	
U003	Q754 or	TR	RN1402	(1)	2214470R2	
U003	Q755	TR	KRA107S	1	2216350R2	
U003	Q755 or	TR	RN2407(TE85L_F)	(1)	2216360R2	
U003	Q756	TR	KRC102S	1	2216190R2	
U003	Q756 or	TR	RN1402	(1)	2214470R2	
U003	Q8101	IC	ADV7623	1	22242625R3	
U003	Q8104	IC	MM3404A50NRE	1	22242701R2	
U003	Q8105	IC(HDMI/VIDEO)	W25Q16CVSSIG(0407)	1	222W0118R204075	N
U003	Q8111	TR	KRC101S	1	2216330R2	
U003	Q8111 or	TR	RN1401(TE85L_F)	(1)	2214460R2	
U003	Q8112	TR	KRC101S	1	2216330R2	
U003	Q8112 or	TR	RN1401(TE85L_F)	(1)	2214460R2	
U003	Q8113	TR	KRC101S	1	2216330R2	
U003	Q8113 or	TR	RN1401(TE85L_F)	(1)	2214460R2	
U003	Q8114	TR	KRC101S	1	2216330R2	
U003	Q8114 or	TR	RN1401(TE85L_F)	(1)	2214460R2	
U003	Q8115	TR	KRC101S	1	2216330R2	
U003	Q8115 or	TR	RN1401(TE85L_F)	(1)	2214460R2	
U003	Q8116	TR	KRC101S	1	2216330R2	
U003	Q8116 or	TR	RN1401(TE85L_F)	(1)	2214460R2	
U003	Q8117	TR	KRC101S	1	2216330R2	
U003	Q8117 or	TR	RN1401(TE85L_F)	(1)	2214460R2	
U003	Q8118	TR	KRC101S	1	2216330R2	
U003	Q8118 or	TR	RN1401(TE85L_F)	(1)	2214460R2	
U003	Q8156	TR ARRAY	UM6K1N	1	226066R2	
U003	Q8931	IC	MP2363DN-LF-Z	1	22242627R2	
U003	Q8951	IC	MP2363DN-LF-Z	1	22242627R2	
U003	Q8971	IC	MP2363DN-LF-Z	1	22242627R2	
U003	Q8972	IC	BU18TD3WG-TR	1	22242716R2	
U003	[TRANS COIL]					
U003	L153	CORE	BLM18PG181SN1D	1	2350005R1	
U003	L201	C-CARBON R	RN72K1J-000JE	1	435030004R1	

U003	L251	CORE	BLM18PG121SN1D	1	2350006R1
U003	L252	CORE	BLM18PG121SN1D	1	2350006R1
U003	L253	CORE	BLM18PG121SN1D	1	2350006R1
U003	L254	CORE	BLM18PG181SN1D	1	2350005R1
U003	L255	CORE	BLM18PG121SN1D	1	2350006R1
U003	L271	CORE	BLM18PG181SN1D	1	2350005R1
U003	L273	CORE	BLM18PG181SN1D	1	2350005R1
U003	L281	CORE	BLM18PG181SN1D	1	2350005R1
U003	L301	EMIFIL	BK1608LM182-T	1	230958R1
U003	L302	EMIFIL	BK1608LL241-T	1	230959R1
U003	L303	CHOKE COIL	LBC2518T4R7M	1	231364M047R2
U003	L304	CHOKE COIL	LBC2518T4R7M	1	231364M047R2
U003	L305	CHOKE COIL	LBC2518T4R7M	1	231364M047R2
U003	L351	CHOKE COIL	LBC2518T4R7M	1	231364M047R2
U003	L352	CHOKE COIL	LBC2518T4R7M	1	231364M047R2
U003	L500	CORE	BLM18PG181SN1D	1	2350005R1
U003	L740	CORE	BLM18PG181SN1D	1	2350005R1
U003	L742	CORE	BLM18PG181SN1D	1	2350005R1
U003	L743	CORE	BLM18PG181SN1D	1	2350005R1
U003	L744	CORE	BLM18PG181SN1D	1	2350005R1
U003	L746	CORE	BLM18PG181SN1D	1	2350005R1
U003	L8101	EMIFIL	BK1608LM182-T	1	230958R1
U003	L8911	CORE	BLM18PG181SN1D	1	2350005R1
U003	L8912	CORE	BLM18PG181SN1D	1	2350005R1
U003	L8921	CORE	BLM18PG181SN1D	1	2350005R1
U003	L8922	CORE	BLM18PG181SN1D	1	2350005R1
U003	L8923	CORE	BLM18PG181SN1D	1	2350005R1
U003	L8931	CHOKE COIL	CDRH8D43_100	1	231371P100R2
U003	L8931 or	CHOKE COIL	0182-7E08Q-100M-RA	(1)	231396M100R2
U003	L8932	CORE	BLM18PG181SN1D	1	2350005R1
U003	L8933	CORE	BLM18PG181SN1D	1	2350005R1
U003	L8934	CORE	BLM18PG181SN1D	1	2350005R1
U003	L8937	CORE	BLM18PG181SN1D	1	2350005R1
U003	L8938	CORE	BLM18PG181SN1D	1	2350005R1
U003	L8939	CORE	BLM18PG181SN1D	1	2350005R1
U003	L8951	CHOKE COIL	CDRH8D43_100	1	231371P100R2
U003	L8951 or	CHOKE COIL	0182-7E08Q-100M-RA	(1)	231396M100R2
U003	L8952	CORE	BLM18PG181SN1D	1	2350005R1
U003	L8953	CORE	BLM18PG181SN1D	1	2350005R1

U003	L8954	CORE	BLM18PG181SN1D	1	2350005R1
U003	L8971	CHOKE COIL	CDRH8D43_100	1	231371P100R2
U003	L8971 or	CHOKE COIL	0182-7E08Q-100M-RA	(1)	231396M100R2
U003	L8972	CORE	BLM18PG181SN1D	1	2350005R1
U003	L8973	CORE	BLM18PG181SN1D	1	2350005R1
U003	L8974	CORE	BLM18PG181SN1D	1	2350005R1
U003	X201	CRYSTAL	HC-49SMD24.000MHz	1	3010479R2
U003	X301	CRYSTAL	HC-49SMD24.576MHz+/-50ppm	1	3010494R2
U003	X501	CERA LOCK	CSTCR5M00G53-B0	1	3010356R2
U003	X8100	CRYSTAL	HC-49USSMD28.6363MHz	1	3010491R2
U003	[CAPACITOR]				
U003	C151	C-CERA C	CK725B1C-104K0	1	332011045R1
U003	C201	C-CERA C	CK725B1A-105K0	1	332001055R1
U003	C202	C-CERA C	CK725B1A-105K0	1	332001055R1
U003	C203	C-CERA C	CK725B1A-105K0	1	332001055R1
U003	C204	C-CERA C	CK725B1A-105K0	1	332001055R1
U003	C205	C-CERA C	CK725B1A-105K0	1	332001055R1
U003	C206	C-CERA C	CK725B1A-105K0	1	332001055R1
U003	C207	C-CERA C	CK725B1A-105K0	1	332001055R1
U003	C208	C-CERA C	CK725B1A-105K0	1	332001055R1
U003	C209	C-CERA C	CK725B1A-105K0	1	332001055R1
U003	C210	C-CERA C	CK725B1A-105K0	1	332001055R1
U003	C211	C-CERA C	CK725B1A-105K0	1	332001055R1
U003	C212	C-CERA C	CK725B1A-105K0	1	332001055R1
U003	C213	C-CERA C	CK725B1A-105K0	1	332001055R1
U003	C214	C-CERA C	CK725B1A-105K0	1	332001055R1
U003	C215	C-CERA C	CK725B1A-105K0	1	332001055R1
U003	C216	C-CERA C	CK725B1A-105K0	1	332001055R1
U003	C217	C-CERA C	CK725B1A-105K0	1	332001055R1
U003	C218	C-CERA C	CK725B1A-105K0	1	332001055R1
U003	C219	C-CERA C	CK725B1A-105K0	1	332001055R1
U003	C221	C-CERA C	CK725B1A-105K0	1	332001055R1
U003	C222	C-CERA C	CK725B1A-105K0	1	332001055R1
U003	C223	C-CERA C	CK725B1A-105K0	1	332001055R1
U003	C224	C-CERA C	CK725B1A-105K0	1	332001055R1
U003	C225	C-CERA C	CK725B1A-105K0	1	332001055R1
U003	C226	C-CERA C	CK725B1A-105K0	1	332001055R1
U003	C227	C-CERA C	CK725B1A-105K0	1	332001055R1
U003	C228	C-CERA C	CK725B1A-105K0	1	332001055R1

U003	C229	C-CERA C	CK725B1A-105K0	1	332001055R1
U003	C230	C-CERA C	CK725B1A-105K0	1	332001055R1
U003	C231	C-CERA C	CK725B1A-105K0	1	332001055R1
U003	C232	C-CERA C	CK725B1A-105K0	1	332001055R1
U003	C233	C-CERA C	CK725B1A-105K0	1	332001055R1
U003	C234	C-CERA C	CK725B1A-105K0	1	332001055R1
U003	C235	C-CERA C	CK725B1A-105K0	1	332001055R1
U003	C236	C-CERA C	CK725B1A-105K0	1	332001055R1
U003	C237	C-CERA C	CK725B1A-105K0	1	332001055R1
U003	C238	C-CERA C	CK725B1A-105K0	1	332001055R1
U003	C239	C-CERA C	CK725B1A-105K0	1	332001055R1
U003	C240	C-CERA C	CK725B1A-105K0	1	332001055R1
U003	C241	C-CERA C	CK725B1A-105K0	1	332001055R1
U003	C242	C-CERA C	CK725B1A-105K0	1	332001055R1
U003	C251	C-CERA C	CK732B16V-106K	1	332071065R2
U003	C252	C-CERA C	CK732B16V-106K	1	332071065R2
U003	C253	C-CERA C	CK732B16V-106K	1	332071065R2
U003	C254	C-CERA C	CK732B16V-106K	1	332071065R2
U003	C255	C-CERA C	CK732B16V-106K	1	332071065R2
U003	C256	C-CERA C	CK725B1A-105K0	1	332001055R1
U003	C261	C-CERA C	CK725B1A-224K0	1	332002245R1
U003	C262	C-CERA C	CK725B1C-104K0	1	332011045R1
U003	C263	C-CERA C	CK725B1H-103K0	1	332031035R1
U003	C264	C-CERA C	CK725B1A-105K0	1	332001055R1
U003	C265	C-CERA C	CC725CH1H-120J0	1	342031204R1
U003	C266	C-CERA C	CC725CH1H-120J0	1	342031204R1
U003	C267	C-CERA C	CK725B1H-102K0	1	332031025R1
U003	C268	C-CERA C	CK725B1A-105K0	1	332001055R1
U003	C269	C-CERA C	CK725B1A-105K0	1	332001055R1
U003	C270	C-CERA C	CK732B16V-106K	1	332071065R2
U003	C271	C-CERA C	CK732B16V-106K	1	332071065R2
U003	C272	C-CERA C	CK732B16V-106K	1	332071065R2
U003	C273	C-CERA C	CK732B16V-106K	1	332071065R2
U003	C274	C-CERA C	CK725B1A-105K0	1	332001055R1
U003	C275	CHIP ELECT C	CEWX10V-220M	1	398132217R2
U003	C276	C-CERA C	CK725B1H-102K0	1	332031025R1
U003	C277	CHIP ELECT C	CEWX16V-100M	1	398141017R2
U003	C278	C-CERA C	CK725B1A-105K0	1	332001055R1
U003	C279	C-CERA C	CK732B16V-106K	1	332071065R2

U003	C280	C-CERA C	CK725B1A-105K0	1	332001055R1	
U003	C281	C-CERA C	CK732B16V-106K	1	332071065R2	
U003	C282	C-CERA C	CK732B16V-106K	1	332071065R2	
U003	C283	C-CERA C	CK725B1A-105K0	1	332001055R1	
U003	C284	C-CERA C	CK725B1A-105K0	1	332001055R1	
U003	C285	C-CERA C	CK725B1A-105K0	1	332001055R1	
U003	C286	C-CERA C	CK725B1A-105K0	1	332001055R1	
U003	C287	C-CERA C	CK725B1A-105K0	1	332001055R1	
U003	C288	C-CERA C	CK725B1A-105K0	1	332001055R1	
U003	C289	C-CERA C	CK725B1A-105K0	1	332001055R1	
U003	C290	C-CERA C	CK725B1A-105K0	1	332001055R1	
U003	C293	C-CERA C	CK725B1H-102K0	1	332031025R1	
U003	C294	C-CERA C	CK725B1H-102K0	1	332031025R1	
U003	C295	C-CERA C	CK725B1H-102K0	1	332031025R1	
U003	C296	C-CERA C	CK725B1H-102K0	1	332031025R1	
U003	C301	C-CERA C	CC725CH1H-180J0	1	342031804R1	
U003	C302	C-CERA C	CC725CH1H-180J0	1	342031804R1	
U003	C305	C-CERA C	CK725B1C-104K0	1	332011045R1	
U003	C306	CHIP ELECT C	CEWX4V-220M	1	3981G2217R2	
U003	C307	C-CERA C	CK725B1C-104K0	1	332011045R1	
U003	C3117	C-CERA C	CK725B1H-102K0	1	332031025R1	
U003	C3118	C-CERA C	CK725B1A-105K0	1	332001055R1	
U003	C312	C-CERA C	CC725CH1H-221J0	1	342032214R1	
U003	C313	C-CERA C	CK725B1C-104K0	1	332011045R1	
U003	C314	CHIP ELECT C	CEWX4V-220M	1	3981G2217R2	
U003	C315	C-CERA C	CK725B1H-472K0	1	332034725R1	
U003	C316	C-CERA C	CK725B1C-473K0	1	332014735R1	
U003	C317	C-CERA C	CK725B1C-104K0	1	332011045R1	
U003	C318	CHIP ELECT C	CEWX10V-220M	1	398132217R2	
U003	C319	CHIP ELECT C	CEWX16V-47M	1	398144707R2	
U003	C320	C-CERA C	CK725B1H-223K0	1	332032235R1	N
U003	C351	CHIP ELECT C	CEWX4V-220M	1	3981G2217R2	
U003	C352	C-CERA C	CK725B1C-104K0	1	332011045R1	
U003	C353	CHIP ELECT C	CEWX10V-220M	1	398132217R2	
U003	C354	C-CERA C	CK725B1C-104K0	1	332011045R1	
U003	C355	C-CERA C	CK725B1C-104K0	1	332011045R1	
U003	C356	CHIP ELECT C	CEWX16V-47M	1	398144707R2	
U003	C501	C-CERA C	CK732B16V-106K	1	332071065R2	
U003	C502	C-CERA C	CK725B1C-104K0	1	332011045R1	

U003	C503	C-CERA C	CK725B1C-104K0	1	332011045R1
U003	C504	C-CERA C	CK725B1C-104K0	1	332011045R1
U003	C505	C-CERA C	CK725B1C-104K0	1	332011045R1
U003	C507	C-CERA C	CK725B1C-104K0	1	332011045R1
U003	C508	C-CERA C	CK725B1C-104K0	1	332011045R1
U003	C509	C-CERA C	CK732B16V-106K	1	332071065R2
U003	C511	C-CERA C	CK725B1H-102K0	1	332031025R1
U003	C512	C-CERA C	CK725B1H-102K0	1	332031025R1
U003	C513	C-CERA C	CC725CH1H-101J0	1	342031014R1
U003	C514	C-CERA C	CK725B1C-104K0	1	332011045R1
U003	C515	C-CERA C	CK725B1C-104K0	1	332011045R1
U003	C517	C-CERA C	CK725B1C-104K0	1	332011045R1
U003	C518	C-CERA C	CK725B1H-102K0	1	332031025R1
U003	C519	C-CERA C	CK725B1H-102K0	1	332031025R1
U003	C520	C-CERA C	CK725B1H-102K0	1	332031025R1
U003	C522	C-CERA C	CK725B1C-104K0	1	332011045R1
U003	C523	C-CERA C	CK725B1H-102K0	1	332031025R1
U003	C524	C-CERA C	CK725B1H-102K0	1	332031025R1
U003	C525	C-CERA C	CK725B1C-104K0	1	332011045R1
U003	C526	C-CERA C	CK725B1H-102K0	1	332031025R1
U003	C527	C-CERA C	CK725B1H-102K0	1	332031025R1
U003	C528	C-CERA C	CK725B1C-104K0	1	332011045R1
U003	C613	C-CERA C	CK732B1C-474K	1	337394745R1
U003	C701	C-CERA C	CK732B16V-106K	1	332071065R2
U003	C702	C-CERA C	CK732B16V-106K	1	332071065R2
U003	C703	C-CERA C	CK732B16V-106K	1	332071065R2
U003	C705	C-CERA C	CK732B16V-106K	1	332071065R2
U003	C706	C-CERA C	CK725B1E-106K	1	332221065R2
U003	C707	C-CERA C	CK732B16V-106K	1	332071065R2
U003	C708	C-CERA C	CK732B16V-106K	1	332071065R2
U003	C709	C-CERA C	CK725B1E-106K	1	332221065R2
U003	C710	C-CERA C	CK725B1C-104K0	1	332011045R1
U003	C745	C-CERA C	CK732B16V-106K	1	332071065R2
U003	C751	C-CERA C	CK725B1A-105K0	1	332001055R1
U003	C753	CHIP ELECT C	CEWT6.3V-470M	1	395724717R2
U003	C802	C-CERA C	CK725B1C-104K0	1	332011045R1
U003	C8100	C-CERA C	CK725B1H-102K0	1	332031025R1
U003	C8103	C-CERA C	CK725B1C-104K0	1	332011045R1
U003	C8104	C-CERA C	CK725B1H-102K0	1	332031025R1

U003	C8105	C-CERA C	CK725B1C-104K0	1	332011045R1
U003	C8106	C-CERA C	CK725B1H-102K0	1	332031025R1
U003	C8107	C-CERA C	CK725B1C-104K0	1	332011045R1
U003	C8108	C-CERA C	CK725B1H-102K0	1	332031025R1
U003	C8109	C-CERA C	CK725B1C-104K0	1	332011045R1
U003	C8110	C-CERA C	CK725B1H-102K0	1	332031025R1
U003	C8111	C-CERA C	CK725B1C-104K0	1	332011045R1
U003	C8112	C-CERA C	CK725B1H-102K0	1	332031025R1
U003	C8113	C-CERA C	CK725B1C-104K0	1	332011045R1
U003	C8114	C-CERA C	CK725B1H-102K0	1	332031025R1
U003	C8115	C-CERA C	CK725B1C-104K0	1	332011045R1
U003	C8116	C-CERA C	CK725B1H-102K0	1	332031025R1
U003	C8117	C-CERA C	CK725B1H-102K0	1	332031025R1
U003	C8118	C-CERA C	CK725B1H-102K0	1	332031025R1
U003	C8119	C-CERA C	CK725B1C-104K0	1	332011045R1
U003	C8120	C-CERA C	CK725B1H-102K0	1	332031025R1
U003	C8121	C-CERA C	CK725B1C-104K0	1	332011045R1
U003	C8122	C-CERA C	CK725B1C-104K0	1	332011045R1
U003	C8123	CERA C	CC725CH1H-070C0	1	342030701R1
U003	C8124	C-CERA C	CK725B1H-102K0	1	332031025R1
U003	C8125	C-CERA C	CK725B1H-102K0	1	332031025R1
U003	C8126	C-CERA C	CK725B1C-104K0	1	332011045R1
U003	C8127	CERA C	CC725CH1H-070C0	1	342030701R1
U003	C8128	C-CERA C	CK725B1H-102K0	1	332031025R1
U003	C8129	C-CERA C	CK725B1C-104K0	1	332011045R1
U003	C8130	C-CERA C	CK725B1H-102K0	1	332031025R1
U003	C8131	C-CERA C	CK725B1H-102K0	1	332031025R1
U003	C8132	C-CERA C	CK725B1H-102K0	1	332031025R1
U003	C8133	C-CERA C	CK725B1C-104K0	1	332011045R1
U003	C8134	C-CERA C	CK725B1H-102K0	1	332031025R1
U003	C8135	C-CERA C	CK725B1C-104K0	1	332011045R1
U003	C8136	C-CERA C	CK725B1H-102K0	1	332031025R1
U003	C8137	C-CERA C	CK725B1C-104K0	1	332011045R1
U003	C8138	C-CERA C	CK725B1H-102K0	1	332031025R1
U003	C8139	C-CERA C	CK725B1H-102K0	1	332031025R1
U003	C8140	C-CERA C	CK725B1C-104K0	1	332011045R1
U003	C8141	C-CERA C	CK725B1H-102K0	1	332031025R1
U003	C8142	C-CERA C	CK725B1C-104K0	1	332011045R1
U003	C8143	C-CERA C	CK725B1H-102K0	1	332031025R1

U003	C8144	C-CERA C	CK725B1H-102K0	1	332031025R1
U003	C8145	C-CERA C	CK725B1H-102K0	1	332031025R1
U003	C8146	C-CERA C	CK725B1C-104K0	1	332011045R1
U003	C8147	C-CERA C	CK725B1H-102K0	1	332031025R1
U003	C8148	C-CERA C	CK725B1C-104K0	1	332011045R1
U003	C8149	C-CERA C	CK725B1H-102K0	1	332031025R1
U003	C8151	C-CERA C	CK725B1C-104K0	1	332011045R1
U003	C8152	C-CERA C	CK725B1H-102K0	1	332031025R1
U003	C8153	C-CERA C	CK725B1C-104K0	1	332011045R1
U003	C8154	C-CERA C	CK725B1H-102K0	1	332031025R1
U003	C8155	C-CERA C	CK725B1C-104K0	1	332011045R1
U003	C8156	C-CERA C	CK725B1H-102K0	1	332031025R1
U003	C8158	C-CERA C	CK725B1C-104K0	1	332011045R1
U003	C8159	C-CERA C	CK725B1H-102K0	1	332031025R1
U003	C8160	C-CERA C	CK725B1C-104K0	1	332011045R1
U003	C8161	C-CERA C	CK725B1H-102K0	1	332031025R1
U003	C8162	C-CERA C	CK725B1C-104K0	1	332011045R1
U003	C8163	C-CERA C	CK725B1H-102K0	1	332031025R1
U003	C8164	C-CERA C	CK725B1C-104K0	1	332011045R1
U003	C8165	C-CERA C	CK725B1H-102K0	1	332031025R1
U003	C8166	C-CERA C	CK725B1H-102K0	1	332031025R1
U003	C8168	C-CERA C	CK725B1H-102K0	1	332031025R1
U003	C8170	C-CERA C	CK725B1C-104K0	1	332011045R1
U003	C8175	C-CERA C	CK725B1H-102K0	1	332031025R1
U003	C8176	C-CERA C	CK725B1A-105K0	1	332001055R1
U003	C8177	C-CERA C	CK725B1A-105K0	1	332001055R1
U003	C8911	C-CERA C	CK732B16V-106K	1	332071065R2
U003	C8921	C-CERA C	CK732B16V-106K	1	332071065R2
U003	C8922	C-CERA C	CK732B16V-106K	1	332071065R2
U003	C8926	C-CERA C	CK725B1A-105K0	1	332001055R1
U003	C8931	C-CERA C	CK725B1E-106K	1	332221065R2
U003	C8932	C-CERA C	CK725B1E-106K	1	332221065R2
U003	C8933	C-CERA C	CK732B16V-106K	1	332071065R2
U003	C8934	C-CERA C	CK732B16V-106K	1	332071065R2
U003	C8935	C-CERA C	CK732B16V-106K	1	332071065R2
U003	C8936	CHIP ELECT C	CEWX16V-100M	1	398141017R2
U003	C8937	C-CERA C	CK725B1C-104K0	1	332011045R1
U003	C8938	C-CERA C	CK725B1E-223K0	1	332022235R1
U003	C8939	C-CERA C	CK725B1C-104K0	1	332011045R1

U003	C8940	C-CERA C	CK725B1E-103K0	1	332021035R1
U003	C8943	C-CERA C	CC725CH1H-151J0	1	342031514R1
U003	C8950	CHIP ELECT C	CEWX16V-100M	1	398141017R2
U003	C8951	C-CERA C	CK725B1E-106K	1	332221065R2
U003	C8952	C-CERA C	CK725B1E-106K	1	332221065R2
U003	C8953	C-CERA C	CK732B16V-106K	1	332071065R2
U003	C8954	C-CERA C	CK732B16V-106K	1	332071065R2
U003	C8955	C-CERA C	CK732B16V-106K	1	332071065R2
U003	C8956	CHIP ELECT C	CEWX16V-100M	1	398141017R2
U003	C8957	C-CERA C	CK725B1C-104K0	1	332011045R1
U003	C8958	C-CERA C	CK725B1E-223K0	1	332022235R1
U003	C8959	C-CERA C	CK725B1C-104K0	1	332011045R1
U003	C8960	C-CERA C	CK725B1E-103K0	1	332021035R1
U003	C8962	C-CERA C	CK725B1A-105K0	1	332001055R1
U003	C8963	C-CERA C	CC725CH1H-151J0	1	342031514R1
U003	C8971	C-CERA C	CK725B1E-106K	1	332221065R2
U003	C8972	C-CERA C	CK725B1E-106K	1	332221065R2
U003	C8973	C-CERA C	CK732B16V-106K	1	332071065R2
U003	C8974	C-CERA C	CK732B16V-106K	1	332071065R2
U003	C8975	C-CERA C	CK732B16V-106K	1	332071065R2
U003	C8976	CHIP ELECT C	CEWX16V-100M	1	398141017R2
U003	C8977	C-CERA C	CK725B1C-104K0	1	332011045R1
U003	C8978	C-CERA C	CK725B1E-223K0	1	332022235R1
U003	C8979	C-CERA C	CK725B1C-104K0	1	332011045R1
U003	C8980	C-CERA C	CK725B1E-682K0	1	332026825R1
U003	C8983	C-CERA C	CK725B1A-105K0	1	332001055R1
U003	C8984	C-CERA C	CK725B1A-105K0	1	332001055R1
U003	C8985	C-CERA C	CK725B1A-105K0	1	332001055R1
U003	C8986	C-CERA C	CK725B1A-105K0	1	332001055R1
U003	C8987	C-CERA C	CK725B1A-105K0	1	332001055R1
U003	C8988	C-CERA C	CK725B1A-105K0	1	332001055R1
U003	[RESISTOR]				
U003	R110	C-CARBON R	RN72K1J-103JE	1	435031034R1
U003	R151	C-CARBON R	RN72K1J-103JE	1	435031034R1
U003	R152	C-CARBON R	RN72K1J-103JE	1	435031034R1
U003	R154	C-CARBON R	RN72K1J-103JE	1	435031034R1
U003	R201	C-CARBON R	RN72K1J-103JE	1	435031034R1
U003	R202	C-CARBON R	RN72K1J-103JE	1	435031034R1
U003	R203	C-CARBON R	RN72K1J-103JE	1	435031034R1

U003	R204	C-CARBON R	RN72K1J-472JE	1	435034724R1
U003	R205	C-CARBON R	RN72K1J-221JE	1	435032214R1
U003	R206	C-CARBON R	RN72K1J-470JE	1	435034704R1
U003	R207	C-CARBON R	RN72K1J-470JE	1	435034704R1
U003	R208	C-CARBON R	RN72K1J-470JE	1	435034704R1
U003	R209	C-CARBON R	RN72K1J-470JE	1	435034704R1
U003	R210	C-CARBON R	RN72K1J-470JE	1	435034704R1
U003	R211	C-CARBON R	RN72K1J-470JE	1	435034704R1
U003	R212	C-CARBON R	RN72K1J-103JE	1	435031034R1
U003	R213	C-CARBON R	RN72K1J-103JE	1	435031034R1
U003	R214	C-CARBON R	RN72K1J-331JE	1	435033314R1
U003	R215	C-CARBON R	RN72K1J-103JE	1	435031034R1
U003	R216	C-CARBON R	RN72K1J-470JE	1	435034704R1
U003	R220	C-R NET	RM7LJ330X04	1	43484733004R2
U003	R221	C-R NET	RM7LJ330X04	1	43484733004R2
U003	R222	C-R NET	RM7LJ330X04	1	43484733004R2
U003	R223	C-R NET	RM7LJ330X04	1	43484733004R2
U003	R224	C-R NET	RM7LJ330X04	1	43484733004R2
U003	R225	C-R NET	RM7LJ330X04	1	43484733004R2
U003	R226	C-R NET	RM7LJ330X04	1	43484733004R2
U003	R227	C-R NET	RM7LJ330X04	1	43484733004R2
U003	R228	C-R NET	RM7LJ330X04	1	43484733004R2
U003	R229	C-R NET	RM7LJ330X04	1	43484733004R2
U003	R230	C-CARBON R	RN72K1J-330JE	1	435033304R1
U003	R231	C-CARBON R	RN72K1J-103JE	1	435031034R1
U003	R232	C-CARBON R	RN72K1J-103JE	1	435031034R1
U003	R234	C-CARBON R	RN72K1J-470JE	1	435034704R1
U003	R235	C-CARBON R	RN72K1J-470JE	1	435034704R1
U003	R236	C-CARBON R	RN72K1J-470JE	1	435034704R1
U003	R237	C-CARBON R	RN72K1J-470JE	1	435034704R1
U003	R238	C-CARBON R	RN72K1J-331JE	1	435033314R1
U003	R239	C-CARBON R	RN72K1J-331JE	1	435033314R1
U003	R240	C-CARBON R	RN72K1J-331JE	1	435033314R1
U003	R241	C-CARBON R	RN72K1J-331JE	1	435033314R1
U003	R242	C-CARBON R	RN72K1J-470JE	1	435034704R1
U003	R243	C-CARBON R	RN72K1J-331JE	1	435033314R1
U003	R244	C-CARBON R	RN72K1J-221JE	1	435032214R1
U003	R245	C-CARBON R	RN72K1J-470JE	1	435034704R1
U003	R246	C-CARBON R	RN72K1J-470JE	1	435034704R1

U003	R247	C-CARBON R	RN72K1J-103JE	1	435031034R1
U003	R248	C-CARBON R	RN72K1J-331JE	1	435033314R1
U003	R249	C-CARBON R	RN72K1J-331JE	1	435033314R1
U003	R252	C-CARBON R	RN72K1J-000JE	1	435030004R1
U003	R253	C-CARBON R	RN72K1J-221JE	1	435032214R1
U003	R254	C-CARBON R	RN72K1J-103JE	1	435031034R1
U003	R255	C-CARBON R	RN72K1J-221JE	1	435032214R1
U003	R256	C-CARBON R	RN72K1J-470JE	1	435034704R1
U003	R257	C-CARBON R	RN72K1J-470JE	1	435034704R1
U003	R262	C-CARBON R	RN72K1J-103JE	1	435031034R1
U003	R263	C-CARBON R	RN72K1J-103JE	1	435031034R1
U003	R264	C-CARBON R	RN72K1J-103JE	1	435031034R1
U003	R265	C-CARBON R	RN72K1J-221JE	1	435032214R1
U003	R271	C-CARBON R	RN72K1J-000JE	1	435030004R1
U003	R272	C-CARBON R	RN72K1J-000JE	1	435030004R1
U003	R273	C-CARBON R	RN72K1J-000JE	1	435030004R1
U003	R276	C-CARBON R	RN72K1J-473JE	1	435034734R1
U003	R277	C-CARBON R	RN72K1J-222JE	1	435032224R1
U003	R281	C-CARBON R	RN72K1J-103JE	1	435031034R1
U003	R282	C-CARBON R	RN72K1J-103JE	1	435031034R1
U003	R284	C-CARBON R	RN72K1J-103JE	1	435031034R1
U003	R301	C-CARBON R	RN72K1J-470JE	1	435034704R1
U003	R304	C-CARBON R	RN72K1J-221JE	1	435032214R1
U003	R305	C-CARBON R	RN72K1J-221JE	1	435032214R1
U003	R306	C-CARBON R	RN72K1J-330JE	1	435033304R1
U003	R307	C-CARBON R	RN72K1J-331JE	1	435033314R1
U003	R308	C-CARBON R	RN72K1J-331JE	1	435033314R1
U003	R312	C-CARBON R	RN72K1J-470JE	1	435034704R1
U003	R313	C-CARBON R	RN72K1J-470JE	1	435034704R1
U003	R3134	C-CARBON R	RN72K1J-470JE	1	435034704R1
U003	R314	C-CARBON R	RN72K1J-151JE	1	435031514R1
U003	R315	C-CARBON R	RN72K1J-470JE	1	435034704R1
U003	R316	C-CARBON R	RN72K1J-470JE	1	435034704R1
U003	R317	C-CARBON R	RN72K1J-331JE	1	435033314R1
U003	R321	C-CARBON R	RN72K1J-331JE	1	435033314R1
U003	R322	C-CARBON R	RN72K1J-331JE	1	435033314R1
U003	R323	C-CARBON R	RN72K1J-331JE	1	435033314R1
U003	R324	C-CARBON R	RN72K1J-331JE	1	435033314R1
U003	R325	C-CARBON R	RN72K1J-331JE	1	435033314R1

U003	R326	C-CARBON R	RN72K1J-331JE	1	435033314R1	
U003	R327	C-CARBON R	RN72K1J-221JE	1	435032214R1	
U003	R331	C-CARBON R	RN72K1J-221JE	1	435032214R1	
U003	R332	C-CARBON R	RN72K1J-681JE	1	435036814R1	
U003	R333	C-CARBON R	RN72K1J-221JE	1	435032214R1	
U003	R345	C-CARBON R	RN72K1J-000JE	1	435030004R1	
U003	R350	C-CARBON R	RN72K1J-331JE	1	435033314R1	
U003	R351	C-CARBON R	RN72K1J-331JE	1	435033314R1	
U003	R352	C-CARBON R	RN72K1J-331JE	1	435033314R1	
U003	R354	C-CARBON R	RN72K1J-470JE	1	435034704R1	
U003	R355	C-CARBON R	RN72K1J-220JE	1	435032204R1	
U003	R356	C-CARBON R	RN72K1J-220JE	1	435032204R1	
U003	R357	C-CARBON R	RN72K1J-220JE	1	435032204R1	
U003	R358	C-CARBON R	RN72K1J-220JE	1	435032204R1	
U003	R359	C-CARBON R	RN72K1J-220JE	1	435032204R1	
U003	R360	C-CARBON R	RN72K1J-220JE	1	435032204R1	
U003	R361	C-CARBON R	RN72K1J-331JE	1	435033314R1	
U003	R362	C-CARBON R	RN72K1J-472JE	1	435034724R1	
U003	R501	C-CARBON R	RN72K1J-473JE	1	435034734R1	
U003	R503	C-CARBON R	RN72K1J-103JE	1	435031034R1	
U003	R504	C-CARBON R	RN72K1J-000JE	1	435030004R1	
U003	R505	C-CARBON R	RN72K1J-103JE	1	435031034R1	
U003	R508	C-CARBON R	RN72K1J-105JE	1	435031054R1	
U003	R509	C-CARBON R	RN72K1J-221JE	1	435032214R1	
U003	R510	C-CARBON R	RN72K1J-470JE	1	435034704R1	
U003	R511	C-CARBON R	RN72K1J-103JE	1	435031034R1	
U003	R512	C-CARBON R	RN72K1J-221JE	1	435032214R1	
U003	R514	C-CARBON R	RN72K1J-221JE	1	435032214R1	
U003	R515	C-R NET	RM7LJ470X04	1	43484747004R2	
U003	R520	C-CARBON R	RN72K1J-103JE	1	435031034R1	
U003	R521	C-R NET	RM7LJ470X04	1	43484747004R2	
U003	R532	C-CARBON R	RN72K1J-472JE	1	435034724R1	
U003	R533	C-CARBON R	RN72K1J-472JE	1	435034724R1	
U003	R534	C-R NET	RM7LJ223X04	1	43484722304R2	N
U003	R538	C-CARBON R	RN72K1J-103JE	1	435031034R1	
U003	R539	C-R NET	RM7LJ470X04	1	43484747004R2	
U003	R543	C-CARBON R	RN72K1J-103JE	1	435031034R1	
U003	R544	C-R NET	RM7LJ221X04	1	43484722104R2	
U003	R550	C-R NET	RM7LJ470X04	1	43484747004R2	

U003	R551	C-CARBON R	RN72K1J-103JE	1	435031034R1
U003	R552	C-CARBON R	RN72K1J-103JE	1	435031034R1
U003	R554	C-CARBON R	RN72K1J-103JE	1	435031034R1
U003	R557	C-CARBON R	RN72K1J-103JE	1	435031034R1
U003	R559	C-CARBON R	RN72K1J-272JE	1	435032724R1
U003	R560	C-CARBON R	RN72K1J-103JE	1	435031034R1
U003	R562	C-CARBON R	RN72K1J-221JE	1	435032214R1
U003	R565	C-R NET	RM7LJ470X04	1	43484747004R2
U003	R566	C-CARBON R	RN72K1J-103JE	1	435031034R1
U003	R568	C-CARBON R	RN72K1J-103JE	1	435031034R1
U003	R570	C-CARBON R	RN72K1J-103JE	1	435031034R1
U003	R572	C-CARBON R	RN72K1J-103JE	1	435031034R1
U003	R573	C-CARBON R	RN72K1J-221JE	1	435032214R1
U003	R574	C-R NET	RM7LJ470X04	1	43484747004R2
U003	R577	C-CARBON R	RN72K1J-103JE	1	435031034R1
U003	R579	C-CARBON R	RN72K1J-470JE	1	435034704R1
U003	R580	C-R NET	RM7LJ103X04	1	43484710304R2
U003	R582	C-R NET	RM7LJ221X04	1	43484722104R2
U003	R590	C-CARBON R	RN72K1J-103JE	1	435031034R1
U003	R595	C-R NET	RM7LJ221X04	1	43484722104R2
U003	R596	C-CARBON R	RN72K1J-103JE	1	435031034R1
U003	R599	C-R NET	RM7LJ103X04	1	43484710304R2
U003	R601	C-R NET	RM7LJ470X04	1	43484747004R2
U003	R605	C-CARBON R	RN72K1J-221JE	1	435032214R1
U003	R606	C-CARBON R	RN72K1J-470JE	1	435034704R1
U003	R607	C-CARBON R	RN72K1J-221JE	1	435032214R1
U003	R609	C-CARBON R	RN72K1J-102JE	1	435031024R1
U003	R610	C-CARBON R	RN72K1J-221JE	1	435032214R1
U003	R611	C-CARBON R	RN72K1J-102JE	1	435031024R1
U003	R613	C-CARBON R	RN72K1J-102JE	1	435031024R1
U003	R614	C-CARBON R	RN72K1J-103JE	1	435031034R1
U003	R617	C-CARBON R	RN72K1J-221JE	1	435032214R1
U003	R618	C-CARBON R	RN72K1J-103JE	1	435031034R1
U003	R619	C-CARBON R	RN72K1J-470JE	1	435034704R1
U003	R620	C-CARBON R	RN72K1J-103JE	1	435031034R1
U003	R621	C-CARBON R	RN72K1J-221JE	1	435032214R1
U003	R622	C-CARBON R	RN72K1J-470JE	1	435034704R1
U003	R623	C-CARBON R	RN72K1J-103JE	1	435031034R1
U003	R624	C-CARBON R	RN72K1J-221JE	1	435032214R1

U003	R625	C-CARBON R	RN72K1J-470JE	1	435034704R1	
U003	R627	C-CARBON R	RN72K1J-103JE	1	435031034R1	
U003	R630	C-CARBON R	RN72K1J-470JE	1	435034704R1	
U003	R631	C-CARBON R	RN72K1J-470JE	1	435034704R1	
U003	R633	C-CARBON R	RN72K1J-103JE	1	435031034R1	
U003	R635	C-CARBON R	RN72K1J-103JE	1	435031034R1	
U003	R638	C-CARBON R	RN72K1J-470JE	1	435034704R1	
U003	R639	C-CARBON R	RN72K1J-103JE	1	435031034R1	
U003	R640	C-CARBON R	RN72K1J-470JE	1	435034704R1	
U003	R642	C-CARBON R	RN72K1J-221JE	1	435032214R1	
U003	R644	C-CARBON R	RN72K1J-221JE	1	435032214R1	
U003	R646	C-CARBON R	RN72K1J-221JE	1	435032214R1	
U003	R650	C-CARBON R	RN72K1J-221JE	1	435032214R1	
U003	R651	C-CARBON R	RN72K1J-103JE	1	435031034R1	
U003	R652	C-CARBON R	RN72K1J-102JE	1	435031024R1	
U003	R653	C-CARBON R	RN72K1J-105JE	1	435031054R1	
U003	R655	C-CARBON R	RN72K1J-223JE	1	435032234R1	
U003	R656	C-CARBON R	RN72K1J-223JE	1	435032234R1	
U003	R657	C-CARBON R	RN72K1J-224JE	1	435032244R1	
U003	R658	C-CARBON R	RN72K1J-221JE	1	435032214R1	
U003	R659	C-CARBON R	RN72K1J-273JE	1	435032734R1	
U003	R660	C-CARBON R	RN72K1J-221JE	1	435032214R1	
U003	R661	C-CARBON R	RN72K1J-221JE	1	435032214R1	
U003	R663	C-CARBON R	RN72K1J-103JE	1	435031034R1	<MDC, MDD, MDS, MMK, MMQ>
U003	R664	C-CARBON R	RN72K1J-103JE	1	435031034R1	<MDC, MDD, MDS, MMK, MMQ>
U003	R665	C-CARBON R	RN72K1J-333JE	1	435033334R1	<MDC, MDD, MDS, MMK, MMQ>
U003	R666	C-CARBON R	RN72K1J-000JE	1	435030004R1	<MDC, MDD, MDS, MMK, MMQ>
U003	R668	C-CARBON R	RN72K1J-103JE	1	435031034R1	<MDC, MDD, MDS>
U003	R669	C-CARBON R	RN72K1J-103JE	1	435031034R1	<MMK, MMQ>
U003	R669	C-CARBON R	RN72K1J-333JE	1	435033334R1	<MDC, MDD, MDS>
U003	R670	C-CARBON R	RN72K1J-472JE	1	435034724R1	
U003	R671	C-CARBON R	RN72K1J-272JE	1	435032724R1	
U003	R672	C-CARBON R	RN72K1J-472JE	1	435034724R1	
U003	R673	C-CARBON R	RN72K1J-272JE	1	435032724R1	
U003	R674	C-CARBON R	RN72K1J-472JE	1	435034724R1	
U003	R675	C-CARBON R	RN72K1J-272JE	1	435032724R1	
U003	R676	C-CARBON R	RN72K1J-472JE	1	435034724R1	
U003	R677	C-CARBON R	RN72K1J-272JE	1	435032724R1	
U003	R678	C-CARBON R	RN72K1J-224JE	1	435032244R1	

U003	R681	C-CARBON R	RN72K1J-103JE	1	435031034R1
U003	R682	C-CARBON R	RN72K1J-103JE	1	435031034R1
U003	R687	C-CARBON R	RN72K1J-103JE	1	435031034R1
U003	R688	C-R NET	RM7LJ103X04	1	43484710304R2
U003	R690	C-R NET	RM7LJ470X04	1	43484747004R2
U003	R692	C-R NET	RM7LJ472X04	1	43484747204R2
U003	R693	C-R NET	RM7LJ470X04	1	43484747004R2
U003	R701	C-CARBON R	RN72K1J-000JE	1	435030004R1
U003	R712	C-CARBON R	RN72K1J-102JE	1	435031024R1
U003	R713	C-CARBON R	RN72K1J-222JE	1	435032224R1
U003	R714	C-CARBON R	RN72K1J-103JE	1	435031034R1
U003	R715	C-CARBON R	RN72K1J-103JE	1	435031034R1
U003	R716	C-CARBON R	RN72K1J-470JE	1	435034704R1
U003	R723	C-CARBON R	RN72K1J-101JE	1	435031014R1
U003	R724	C-CARBON R	RN72K1J-101JE	1	435031014R1
U003	R725	C-CARBON R	RN72K1J-221JE	1	435032214R1
U003	R726	C-CARBON R	RN72K1J-273JE	1	435032734R1
U003	R727	C-CARBON R	RN72K1J-103JE	1	435031034R1
U003	R8100	C-CARBON R	RN72K1J-102JE	1	435031024R1
U003	R8101	C-CARBON R	RN72K1J-000JE	1	435030004R1
U003	R8102	C-CARBON R	RN72K1J-473JE	1	435034734R1
U003	R8103	C-CARBON R	RN72K1J-473JE	1	435034734R1
U003	R8118	C-CARBON R	RN72K1J-102JE	1	435031024R1
U003	R8119	C-CARBON R	RN72K1J-102JE	1	435031024R1
U003	R8120	C-CARBON R	RN72K1J-000JE	1	435030004R1
U003	R8121	C-CARBON R	RN72K1J-102JE	1	435031024R1
U003	R8122	C-CARBON R	RN72K1J-473JE	1	435034734R1
U003	R8123	C-CARBON R	RN72K1J-473JE	1	435034734R1
U003	R8125	C-CARBON R	RN72K1J-101JE	1	435031014R1
U003	R8126	C-CARBON R	RN72K1J-101JE	1	435031014R1
U003	R8127	C-CARBON R	RN72K1J-330JE	1	435033304R1
U003	R8128	C-CARBON R	RN72K1J-331JE	1	435033314R1
U003	R8129	C-CARBON R	RN72K1J-330JE	1	435033304R1
U003	R8131	C-R NET	RM7LJ330X04	1	43484733004R2
U003	R8132	C-R NET	RM7LJ101X04	1	43484710104R2
U003	R8136	C-CARBON R	RN72K1J-102JE	1	435031024R1
U003	R8138	C-CARBON R	RN72K1J-000JE	1	435030004R1
U003	R8140	C-CARBON R	RN72K1J-473JE	1	435034734R1
U003	R8141	C-CARBON R	RN72K1J-473JE	1	435034734R1

U003	R8142	C-CARBON R	RN72K1J-220JE	1	435032204R1
U003	R8148	C-CARBON R	RN72K1J-473JE	1	435034734R1
U003	R8150	C-R NET	RM7LJ470X04	1	43484747004R2
U003	R8154	C-R NET	RM7LJ220X04	1	43484722004R2
U003	R8158	C-CARBON R	RN72K1J-473JE	1	435034734R1
U003	R8159	C-CARBON R	RN72K1J-182JE	1	435031824R1
U003	R8160	C-CARBON R	RN72K1J-182JE	1	435031824R1
U003	R8161	C-CARBON R	RN72K1J-821FE	1	435038212R1
U003	R8162	C-CARBON R	RN72K1J-680JE	1	435036804R1
U003	R8166	C-CARBON R	RN72K1J-102JE	1	435031024R1
U003	R8167	C-CARBON R	RN72K1J-000JE	1	435030004R1
U003	R8169	C-CARBON R	RN72K1J-473JE	1	435034734R1
U003	R8170	C-CARBON R	RN72K1J-473JE	1	435034734R1
U003	R8172	C-CARBON R	RN72K1J-103JE	1	435031034R1
U003	R8177	C-CARBON R	RN72K1J-101JE	1	435031014R1
U003	R8178	C-CARBON R	RN72K1J-101JE	1	435031014R1
U003	R8179	C-CARBON R	RN72K1J-101JE	1	435031014R1
U003	R8180	C-CARBON R	RN72K1J-101JE	1	435031014R1
U003	R8181	C-CARBON R	RN72K1J-100JE	1	435031004R1
U003	R8182	C-CARBON R	RN72K1J-100JE	1	435031004R1
U003	R8191	C-CARBON R	RN72K1J-103JE	1	435031034R1
U003	R8192	C-CARBON R	RN72K1J-103JE	1	435031034R1
U003	R8193	C-CARBON R	RN72K1J-103JE	1	435031034R1
U003	R8194	C-CARBON R	RN72K1J-103JE	1	435031034R1
U003	R8933	C-CARBON R	RN72K1J-563FE	1	435035632R1
U003	R8934	C-CARBON R	RN72K1J-274JE	1	435032744R1
U003	R8935	C-CARBON R	RN72K1J-103FE	1	435031032R1
U003	R8936	C-CARBON R	RN72K1J-822JE	1	435038224R1
U003	R8951	C-CARBON R	RN72K1J-103JE	1	435031034R1
U003	R8953	C-CARBON R	RN72K1J-273FE	1	435032732R1
U003	R8955	C-CARBON R	RN72K1J-103FE	1	435031032R1
U003	R8956	C-CARBON R	RN72K1J-562JE	1	435035624R1
U003	R8971	C-CARBON R	RN72K1J-102JE	1	435031024R1
U003	R8973	C-CARBON R	RN72K1J-103FE	1	435031032R1
U003	R8975	C-CARBON R	RN72K1J-103FE	1	435031032R1
U003	R8976	C-CARBON R	RN72K1J-332JE	1	435033324R1
U003	[SW TRM]				
U003	JL501B	WIRE TRAP	NPLG-3P586	1	25055624
U003	JL801B	WIRE TRAP	NPLG-5P588	1	25055626

U003	JL901B	WIRE TRAP	NPLG-5P588	1	25055626	
U003	P2800B	SOCKET	IMSA-9618S-09A	1	25053334R2	
U003	P2800Bor	SOCKET	09FMN-SMT-A-TF	(1)	25052826R2	
U003	P281	SOCKET	NSCT-8P2471	1	25052574R2	
U003	P3101A	PLUG	NPLG-5P918	1	25055965R2	
U003	P701A	SOCKET	IMSA-9618S-23A	1	25053348R2	
U003	P701Aor	SOCKET	23FMN-SMT-A-TF	(1)	25052840R2	
U003	P751A	SOCKET	IMSA-9618S-09A	1	25053334R2	
U003	P751Aor	SOCKET	09FMN-SMT-A-TF	(1)	25052826R2	
U003	P752A	SOCKET	NSCT-9P2472	1	25052575R2	
U003	P8001B	SOCKET	IMSA-9111S-24L	1	25053259	
U003	P8002B	SOCKET	IMSA-9111S-16L	1	25053258	
U003	P8003B	SOCKET	IMSA-9111S-16L	1	25053258	
U003	P8101	SOCKET	TCX3400-111387	1	25053406R3	
U003	P8101 or	SOCKET	YKF45-7037V	(1)	25053253R3	
U003	P8101 or	SOCKET	HDMI(47266-4101)	(1)	25053389R3	
U003	P8101 or	SOCKET	061-043-079	(1)	25053407R3	
U003	P8102	SOCKET	TCX3400-111387	1	25053406R3	
U003	P8102 or	SOCKET	YKF45-7037V	(1)	25053253R3	
U003	P8102 or	SOCKET	HDMI(47266-4101)	(1)	25053389R3	
U003	P8102 or	SOCKET	061-043-079	(1)	25053407R3	
U003	P8103	SOCKET	TCX3400-111387	1	25053406R3	
U003	P8103 or	SOCKET	YKF45-7037V	(1)	25053253R3	
U003	P8103 or	SOCKET	HDMI(47266-4101)	(1)	25053389R3	
U003	P8103 or	SOCKET	061-043-079	(1)	25053407R3	
U003	P8104	SOCKET	TCX3400-111387	1	25053406R3	
U003	P8104 or	SOCKET	YKF45-7037V	(1)	25053253R3	
U003	P8104 or	SOCKET	HDMI(47266-4101)	(1)	25053389R3	
U003	P8104 or	SOCKET	061-043-079	(1)	25053407R3	
U003	P8105	SOCKET	TCX3400-111387	1	25053406R3	
U003	P8105 or	SOCKET	YKF45-7037V	(1)	25053253R3	
U003	P8105 or	SOCKET	HDMI(47266-4101)	(1)	25053389R3	
U003	P8105 or	SOCKET	061-043-079	(1)	25053407R3	
U003	P8901	SOCKET	NSCT-8P2471	1	25052574R2	

U004 **U004** U0040 x 4 pcs.

U004 **U0040** Digital Input Terminals PC board BADG-0639-1A

U004

U004 **CIRCUIT NO. PART NAME DESCRIPTION Q'TY PART NO. (SN) REMARKS**

[SEMI CONDUCTOR]					
U004	D131	C-DIODE	DA2J10100	1	223303R2
U004	D131 or	C-DIODE	1SS352	(1)	223234R2
U004	D131 or	C-DIODE	1SS355	(1)	223269R2
U004	D131 or	C-DIODE	MA2J111	(1)	223279R2
U004	D131 or	C-DIODE	KDS4148U	(1)	223283R2
U004	D132	C-DIODE	DA2J10100	1	223303R2
U004	D132 or	C-DIODE	1SS352	(1)	223234R2
U004	D132 or	C-DIODE	1SS355	(1)	223269R2
U004	D132 or	C-DIODE	MA2J111	(1)	223279R2
U004	D132 or	C-DIODE	KDS4148U	(1)	223283R2
U004	Q131	IC	TC74HCU04AF	1	222740046R2TO
U004	Q401	IC	NJM4580M-D	1	22241448R2
U004	Q402	IC	NJM4580M-D	1	22241448R2
U004	Q403	IC	NJM4580M-D	1	22241448R2
U004	Q404	IC	NJM4580M-D	1	22241448R2
[TRANS COIL]					
U004	L130	CHOKE COIL	LBC2518T2R2M	1	231364M022R2
U004	L131	CHOKE COIL	LBC2518T2R2M	1	231364M022R2
U004	L132	CHOKE COIL	LBC2518T2R2M	1	231364M022R2
U004	L133	CHOKE COIL	LBC2518T470M	1	231364M470R2
U004	L134	CHOKE COIL	LBC2518T470M	1	231364M470R2
U004	L135	EMIFIL	BK1608HS102-T	1	230955R2
U004	L136	EMIFIL	BK1608HS102-T	1	230955R2
[CAPACITOR]					
U004	C130	C-CERA C	CK725F1E-104Z1	1	332161040R1
U004	C131	C-CERA C	CC725CH1H-101J1	1	342101014R1
U004	C132	C-CERA C	CC725CH1H-101J1	1	342101014R1
U004	C133	C-CERA C	CK725B1C-104K1	1	332121045R1
U004	C134	C-CERA C	CK725B1C-104K1	1	332121045R1
U004	C135	C-CERA C	CC725CH1H-080D1	1	342100802R1
U004	C136	C-CERA C	CC725CH1H-080D1	1	342100802R1
U004	C139	UTSP C	CE04W10V-220M(UTSP)	1	397532217T
U004	C140	C-CERA C	CK725F1E-104Z1	1	332161040R1
U004	C141	C-CERA C	CK725F1E-104Z1	1	332161040R1
U004	C142	C-CERA C	CK725F1E-104Z1	1	332161040R1
U004	C143	C-CERA C	CC725CH1H-330J1	1	342103304R1
U004	C144	C-CERA C	CC725CH1H-330J1	1	342103304R1
U004	C145	UTSP C	CE04W10V-220M(UTSP)	1	397532217T

U004	C400	UPZ C	2AUPZTF471JE	1	376334714T
U004	C401	UPZ C	2AUPZTF471JE	1	376334714T
U004	C402	UPZ C	2AUPZTF471JE	1	376334714T
U004	C403	UPZ C	2AUPZTF471JE	1	376334714T
U004	C404	UPZ C	2AUPZTF471JE	1	376334714T
U004	C405	UPZ C	2AUPZTF471JE	1	376334714T
U004	C406	UPZ C	2AUPZTF471JE	1	376334714T
U004	C407	UPZ C	2AUPZTF471JE	1	376334714T
U004	C410	UPZ C	2AUPZTF101JE	1	376331014T
U004	C411	UPZ C	2AUPZTF101JE	1	376331014T
U004	C412	UPZ C	2AUPZTF101JE	1	376331014T
U004	C413	C-CERA C	CC725CH1H-101J1	1	342101014R1
U004	C414	C-CERA C	CC725CH1H-101J1	1	342101014R1
U004	C415	C-CERA C	CC725CH1H-101J1	1	342101014R1
U004	C416	C-CERA C	CC725CH1H-101J1	1	342101014R1
U004	C417	UPZ C	2AUPZTF101JE	1	376331014T
U004	C420	UPZ C	2AUPZTF101JE	1	376331014T
U004	C421	UPZ C	2AUPZTF101JE	1	376331014T
U004	C422	UPZ C	2AUPZTF101JE	1	376331014T
U004	C423	C-CERA C	CC725CH1H-101J1	1	342101014R1
U004	C424	C-CERA C	CC725CH1H-101J1	1	342101014R1
U004	C425	C-CERA C	CC725CH1H-101J1	1	342101014R1
U004	C426	C-CERA C	CC725CH1H-101J1	1	342101014R1
U004	C427	UPZ C	2AUPZTF101JE	1	376331014T
U004	C498	UTSP C	CE04W25V-220M(UTSP)	1	397552217T
U004	C499	UTSP C	CE04W25V-220M(UTSP)	1	397552217T
U004	[RESISTOR]				
U004	R130	C-CARBON R	RN72K1J-331JE	1	435033314R1
U004	R131	C-CARBON R	RN72K1J-750JE	1	435037504R1
U004	R132	C-CARBON R	RN72K1J-750JE	1	435037504R1
U004	R133	C-CARBON R	RN72K1J-100JE	1	435031004R1
U004	R134	C-CARBON R	RN72K1J-100JE	1	435031004R1
U004	R135	C-CARBON R	RN72K1J-224JE	1	435032244R1
U004	R136	C-CARBON R	RN72K1J-224JE	1	435032244R1
U004	R137	C-CARBON R	RN72K1J-103JE	1	435031034R1
U004	R138	C-CARBON R	RN72K1J-103JE	1	435031034R1
U004	R139	C-CARBON R	RN72K1J-823JE	1	435038234R1
U004	R140	C-CARBON R	RN72K1J-823JE	1	435038234R1
U004	R141	C-CARBON R	RN72K1J-470JE	1	435034704R1

U004	R142	C-CARBON R	RN72K1J-470JE	1	435034704R1
U004	R400	C-CARBON R	RN72K1J-153JE	1	435031534R1
U004	R401	C-CARBON R	RN72K1J-153JE	1	435031534R1
U004	R402	C-CARBON R	RN72K1J-153JE	1	435031534R1
U004	R403	C-CARBON R	RN72K1J-153JE	1	435031534R1
U004	R404	C-CARBON R	RN72K1J-153JE	1	435031534R1
U004	R405	C-CARBON R	RN72K1J-153JE	1	435031534R1
U004	R406	C-CARBON R	RN72K1J-153JE	1	435031534R1
U004	R407	C-CARBON R	RN72K1J-153JE	1	435031534R1
U004	R410	C-CARBON R	RN72K1J-153JE	1	435031534R1
U004	R411	C-CARBON R	RN72K1J-153JE	1	435031534R1
U004	R412	C-CARBON R	RN72K1J-153JE	1	435031534R1
U004	R413	C-CARBON R	RN72K1J-153JE	1	435031534R1
U004	R414	C-CARBON R	RN72K1J-153JE	1	435031534R1
U004	R415	C-CARBON R	RN72K1J-153JE	1	435031534R1
U004	R416	C-CARBON R	RN72K1J-153JE	1	435031534R1
U004	R417	C-CARBON R	RN72K1J-153JE	1	435031534R1
U004	R420	C-CARBON R	RN72K1J-103JE	1	435031034R1
U004	R421	C-CARBON R	RN72K1J-103JE	1	435031034R1
U004	R430	C-CARBON R	RN72K1J-103JE	1	435031034R1
U004	R431	C-CARBON R	RN72K1J-103JE	1	435031034R1
U004	R440	C-CARBON R	RN72K1J-123JE	1	435031234R1
U004	R441	C-CARBON R	RN72K1J-123JE	1	435031234R1
U004	R442	C-CARBON R	RN72K1J-223JE	1	435032234R1
U004	R443	C-CARBON R	RN72K1J-223JE	1	435032234R1
U004	R444	C-CARBON R	RN72K1J-223JE	1	435032234R1
U004	R445	C-CARBON R	RN72K1J-223JE	1	435032234R1
U004	R446	C-CARBON R	RN72K1J-223JE	1	435032234R1
U004	R447	C-CARBON R	RN72K1J-223JE	1	435032234R1
U004	R450	C-CARBON R	RN72K1J-123JE	1	435031234R1
U004	R451	C-CARBON R	RN72K1J-123JE	1	435031234R1
U004	R452	C-CARBON R	RN72K1J-223JE	1	435032234R1
U004	R453	C-CARBON R	RN72K1J-223JE	1	435032234R1
U004	R454	C-CARBON R	RN72K1J-223JE	1	435032234R1
U004	R455	C-CARBON R	RN72K1J-223JE	1	435032234R1
U004	R456	C-CARBON R	RN72K1J-223JE	1	435032234R1
U004	R457	C-CARBON R	RN72K1J-223JE	1	435032234R1
U004	R460	C-CARBON R	RN72K1J-182JE	1	435031824R1
U004	R461	C-CARBON R	RN72K1J-182JE	1	435031824R1

U004	R462	C-CARBON R	RN72K1J-182JE	1	435031824R1	
U004	R463	C-CARBON R	RN72K1J-182JE	1	435031824R1	
U004	R464	C-CARBON R	RN72K1J-182JE	1	435031824R1	
U004	R465	C-CARBON R	RN72K1J-182JE	1	435031824R1	
U004	R466	C-CARBON R	RN72K1J-182JE	1	435031824R1	
U004	R467	C-CARBON R	RN72K1J-182JE	1	435031824R1	
U004	R470	C-CARBON R	RN72K1J-182JE	1	435031824R1	
U004	R471	C-CARBON R	RN72K1J-182JE	1	435031824R1	
U004	R472	C-CARBON R	RN72K1J-182JE	1	435031824R1	
U004	R473	C-CARBON R	RN72K1J-182JE	1	435031824R1	
U004	R474	C-CARBON R	RN72K1J-182JE	1	435031824R1	
U004	R475	C-CARBON R	RN72K1J-182JE	1	435031824R1	
U004	R476	C-CARBON R	RN72K1J-182JE	1	435031824R1	
U004	R477	C-CARBON R	RN72K1J-182JE	1	435031824R1	
U004	R498	C-CARBON R	RN72K1J-220JE	1	435032204R1	
U004	R499	C-CARBON R	RN72K1J-220JE	1	435032204R1	
U004	[SW TRM]					
U004	P130	ST JACK	MSJ-035-22	1	25045887	
U004	P130 or	JACK	YKB21-5130	(1)	25045387	
U004	P131	PIN JACK	NPJ-2PDOO626	1	25045847	
U004	P5501A	SOCKET	NSCT-5P2185	1	25052288	
U004	P5502A	SOCKET	NSCT-15P2195	1	25052298	
U004	P5503A	SOCKET	NSCT-13P2193	1	25052296	
U004	P5504A	SOCKET	NSCT-7P2187	1	25052290	
U004	P703B	SOCKET	NSCT-7P2425	1	25052528	<MDC, MDD, MDS, MMK, MMQ>
U004	P8001A	PLUG	IMSA-9111B-24	1	25056625	
U004	P8002A	PLUG	IMSA-9111B-16	1	25056620	
U004	P8003A	PLUG	IMSA-9111B-16	1	25056620	
U004	[TUNER UNIT]					
U004	U131	PHT CP	JSR1165-001recieving	1	24120143	
U004	U132	PHT CP	JSR1165-001recieving	1	24120143	

ONKYO

ONKYO SOUND & VISION CORPORATION

Technical Support, Service Dept.: 2-1, Nisshin-cho, Neyagawa-shi, OSAKA 572-8540, JAPAN
Tel: 072-831-8023 Fax: 072-831-8163

ONKYO U.S.A. CORPORATION

18 Park Way, Upper Saddle River, N.J. 07458, U.S.A.
Tel: 800-229-1687, 201-785-2600 Fax: 201-785-2650
<http://www.us.onkyo.com/>

ONKYO EUROPE ELECTRONICS GmbH

Liegnitzerstrasse 6, 82194 Groebenzell, GERMANY
Tel: +49-8142-4401-0 Fax: +49-8142-4401-555
<http://www.eu.onkyo.com/>

ONKYO EUROPE ELECTRONICS GmbH (UK BRANCH)

The Coach House 81A High Street, Marlow, Buckinghamshire, SL7 1AB, UK
Tel: +44-(0)1628-473-350 Fax: +44-(0)1628-401-700

ONKYO CHINA LIMITED

Unit 1033, 10/F, Star House, No 3, Salisbury Road, Tsim Sha Tsui Kowloon, Hong Kong.
Tel: 852-2429-3118 Fax: 852-2428-9039
<http://www.ch.onkyo.com/>