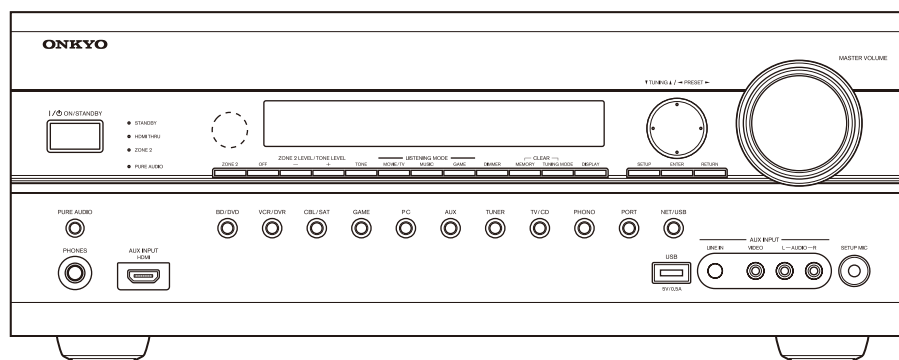


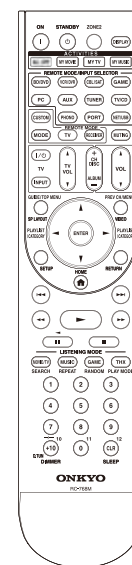
# ONKYO SERVICE MANUAL

## AV RECEIVER MODEL HT-RC270(B)




Black model

B MDC	120V AC, 60Hz
-------	---------------



RC-768M


### SAFETY-RELATED COMPONENT WARNING!!

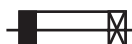
COMPONENTS IDENTIFIED BY MARK  ON THE SCHEMATIC DIAGRAM AND IN THE PARTS LIST ARE CRITICAL FOR RISK OF FIRE AND ELECTRIC SHOCK. REPLACE THESE COMPONENTS WITH ONKYO PARTS WHOSE PART NUMBERS APPEAR AS SHOWN IN THIS MANUAL.

MAKE LEAKAGE-CURRENT OR RESISTANCE MEASUREMENTS TO DETERMINE THAT EXPOSED PARTS ARE ACCEPTABLY INSULATED FROM THE SUPPLY CIRCUIT BEFORE RETURNING THE APPLIANCE TO THE CUSTOMER.

## SERVICE PROCEDURE-1

### 1. Replacing the fuses

 This symbol located near the fuse indicates that the fuse used is slow operating type, For continued protection against fire hazard, replace with same type fuse, For fuse rating, refer to the marking adjacent to the symbol.

 Ce symbole indique que le fusible utilise est e lent. Pour une protection permanente, n'utiliser que des fusibles de meme type. Ce dernier est indique la qu le present symbol est apposre.

REF NO.	PART NAME	DESCRIPTION	PART NO.	REMARKS
F2000	FUSE	4A-UL/T-233	252325GR	!
F2000 or	FUSE	4A-T/UL-ST2	252257GR	!
F2001	FUSE	2A-UL/T-233	252320GR	!
F2001 or	FUSE	2A-T/UL-ST2	252253GR	!
F6901	FUSE	15A-TUL-250V	252303GR	!
F6901 or	FUSE	15A-UL/T-314	252197GR	!
F6902	FUSE	15A-TUL-250V	252303GR	!
F6902 or	FUSE	15A-UL/T-314	252197GR	!
F901	FUSE	10A-UL-ST6 N1	252382GR	!

### 2. Safety check out

(U.S.A. model only)

After correcting the original service problem, perform the following safety check before releasing the unit to the customer.

Leakage current Check

Measure the leakage current to a known earth ground (water pipe or conduct etc.) by connecting a leakage current tester between the earth ground and exposed metal parts of the unit (input/output ground terminals, screw heads or metal overlays etc.). Plug the power supply cord directly into a 120Vac 60Hz wall socket and turn ON/STANDBY button on.

Any current measured must not exceed 0.5mA.

### 3. Memory Backup

This model uses a EE-PROM IC in order to retain radio presets and other settings. So, memory contents will be kept eternally with no care.

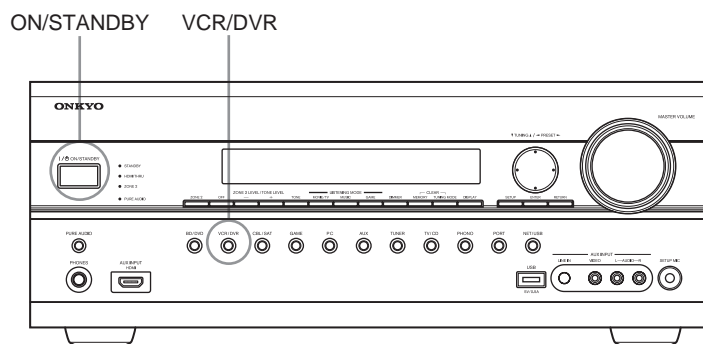
### 4. To initialize the unit

1. ON/STANDBY (Power On)

2. VCR/DVR + ON/STANDBY.

 → Stand-by

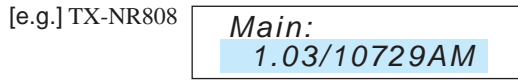
Preset memory and each mode stored in the memory, are initialized and will return to the factory settings.



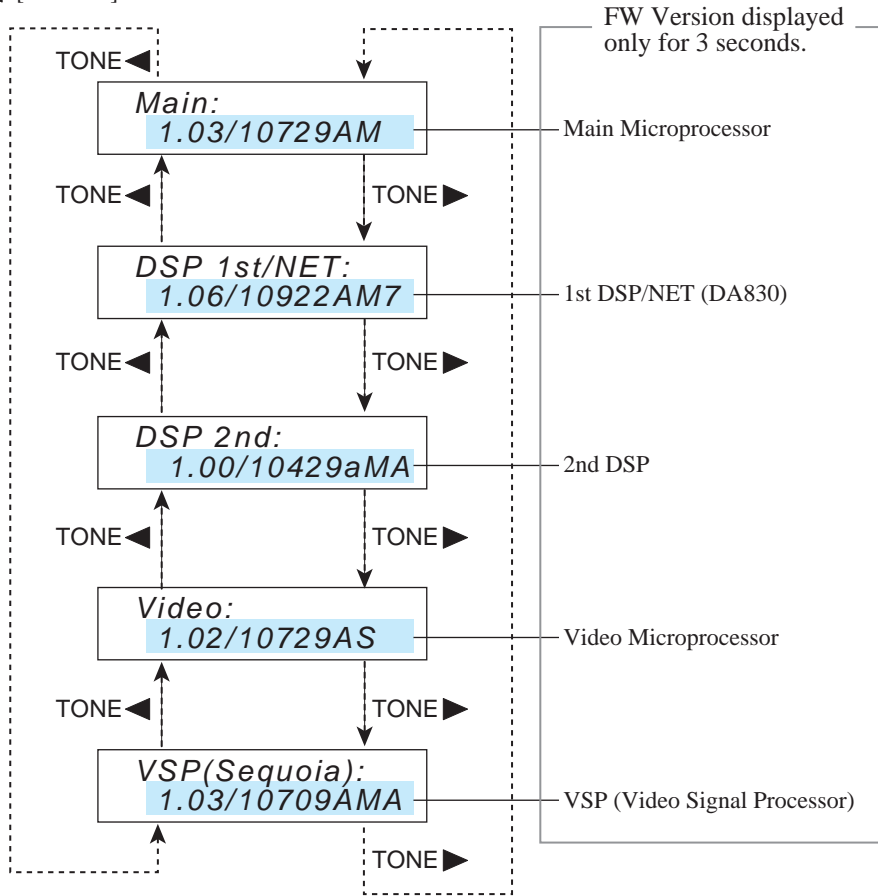
## SERVICE PROCEDURE-2

### 5. To check version of Microprocessor, DSP and Video FW(Firmware)

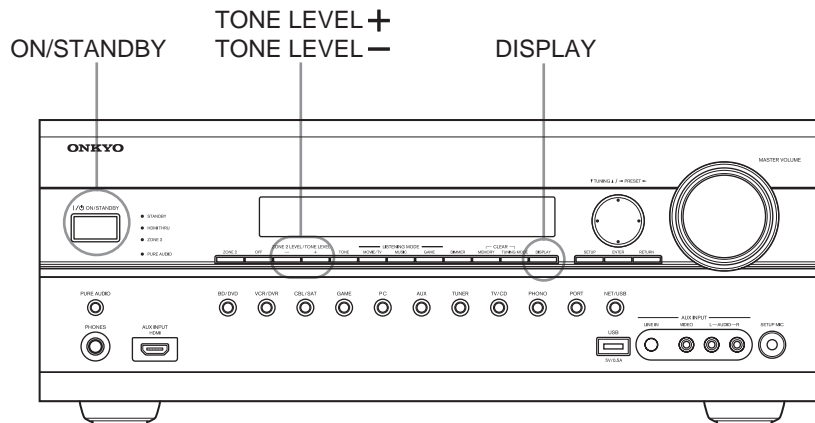
- 1. ON/STANDBY (Power On)
- 2. DISPLAY + ON/STANDBY.



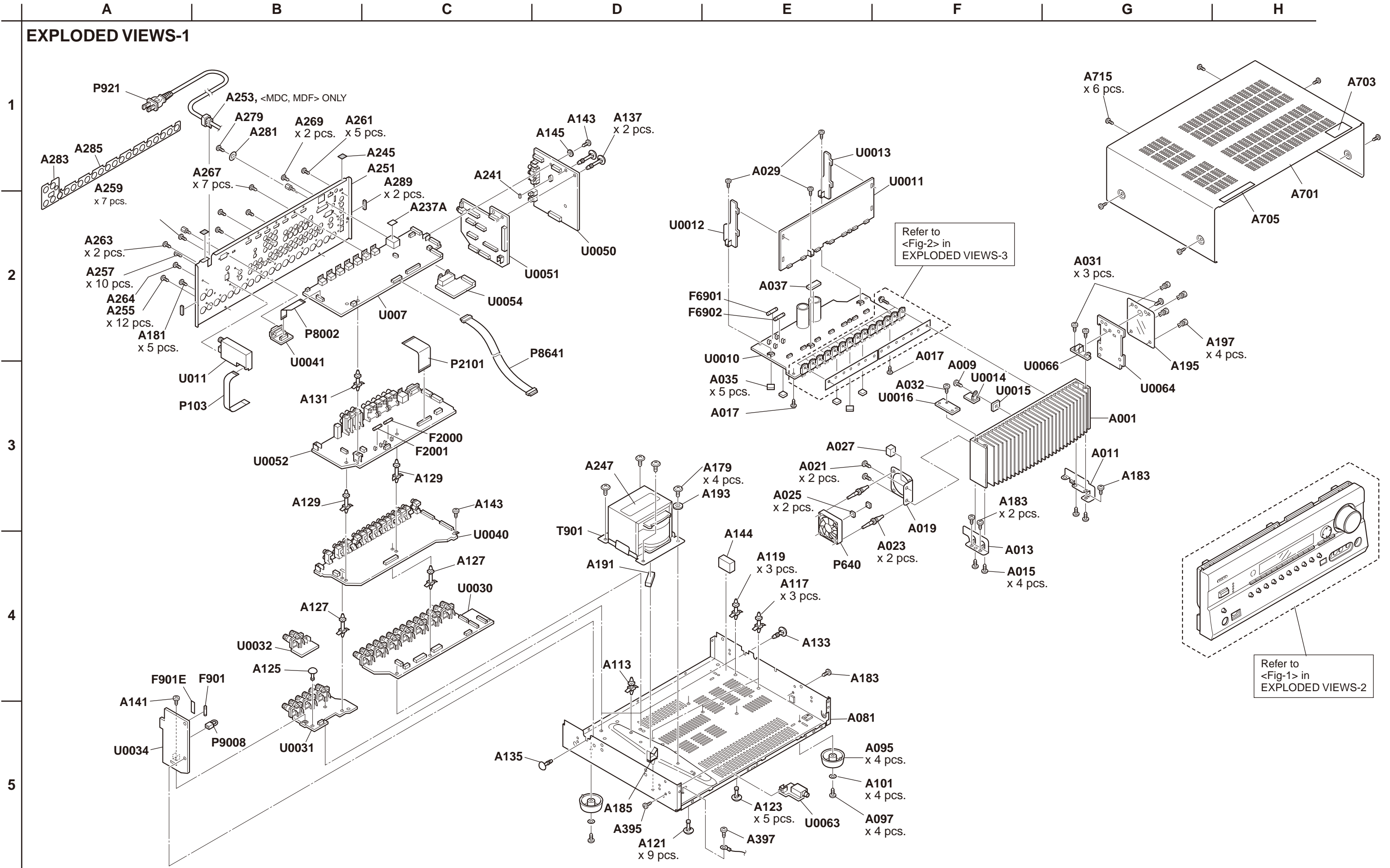
- 3. TONE ► [Tone +] ---> Forward [ ] : DTR-40.2/ 50.2, DHC-40.2
- TONE ◀ [Tone -] ---> Reversed.



- 4. ON/STANDBY (Power Off).



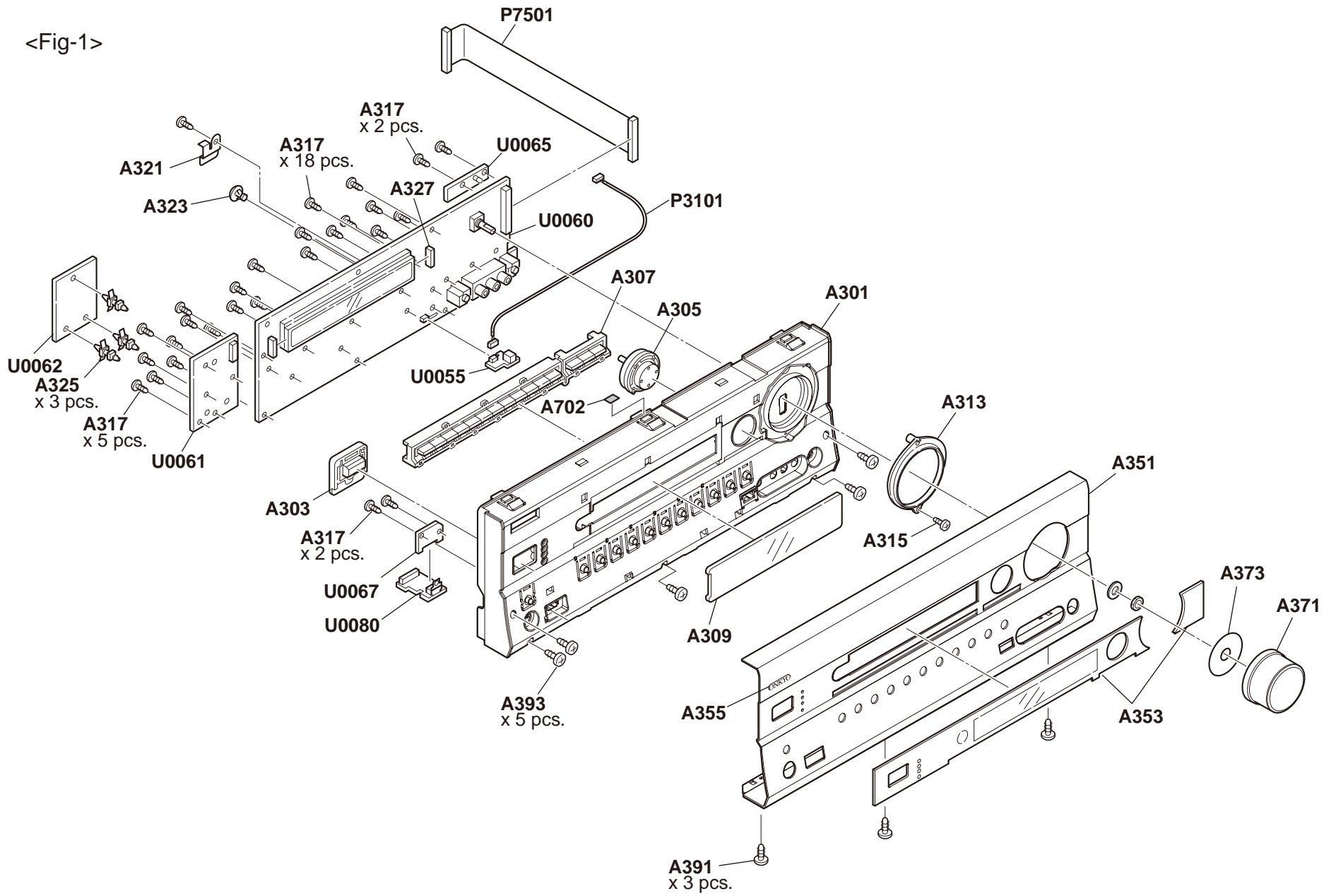
EXPLODED VIEWS-1





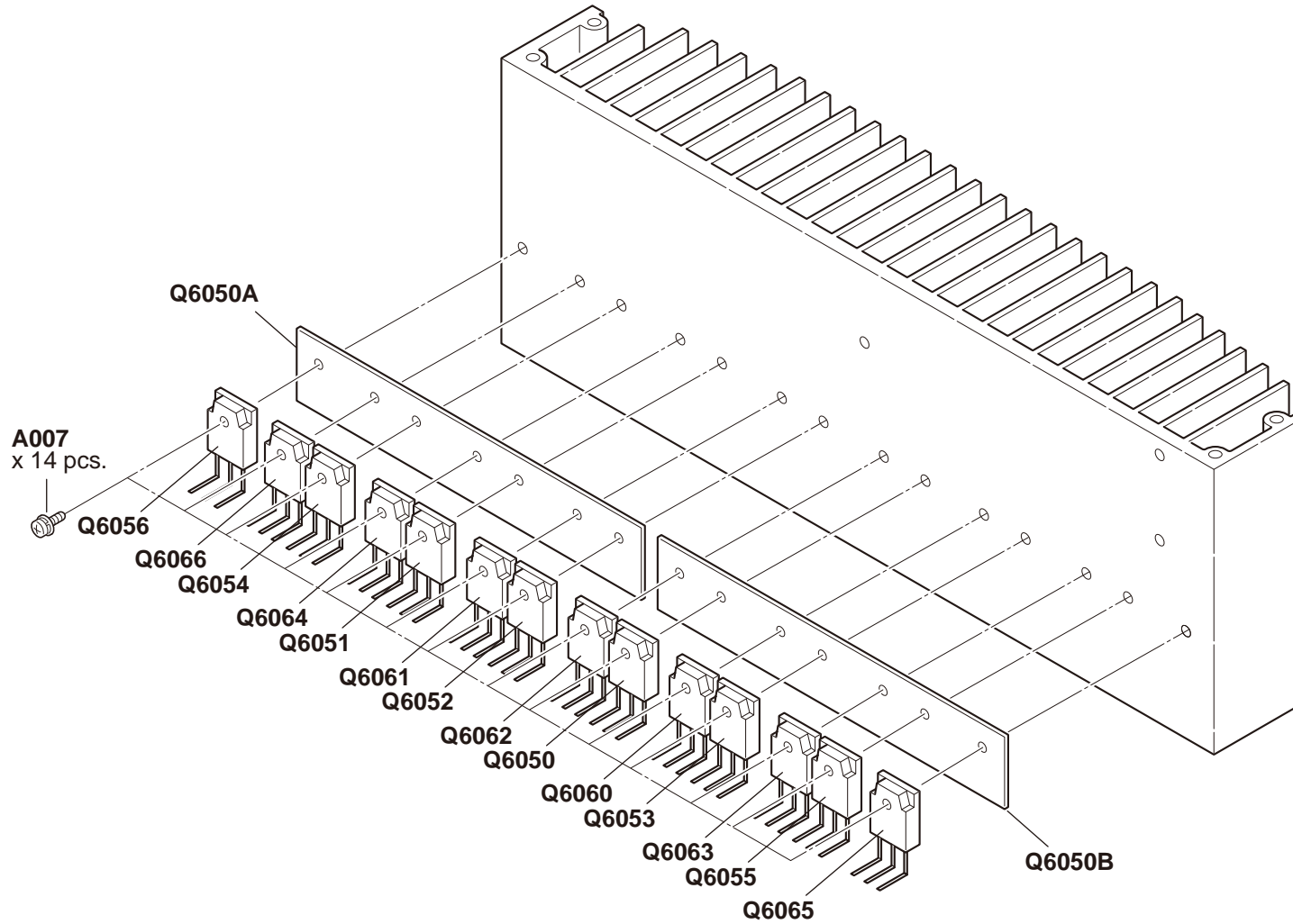
EXPLODED VIEWS-2

<Fig-1>

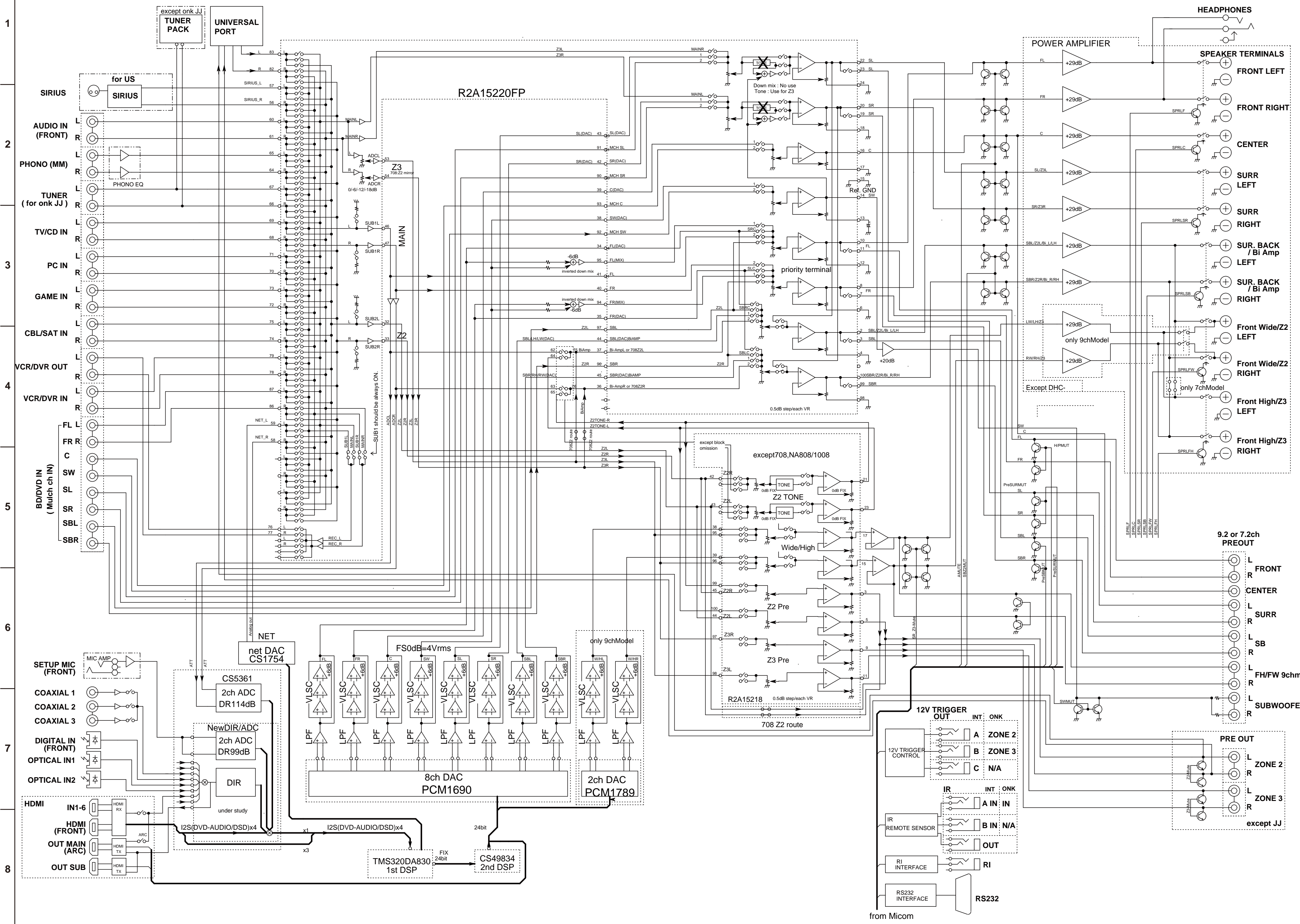


### EXPLODED VIEWS-3

<Fig-2>



SCHEMATIC DIAGRAMS - 1  
BLOCK DIAGRAM AUDIO SECTION



1  
2  
3  
4  
5  
6  
7  
8

A

B

C

D

E

F

G

H

I

J

K

except onk JJ  
TUNER PACK

UNIVERSAL PORT

R2A15220FP

POWER AMPLIFIER

HEADPHONES

SPEAKER TERMINALS

FRONT LEFT

FRONT RIGHT

CENTER

SURR LEFT

SURR RIGHT

SUR. BACK / Bi Amp LEFT

SUR. BACK / Bi Amp RIGHT

Front Wide/Z2 LEFT

Front Wide/Z2 RIGHT

Front High/Z3 LEFT

Front High/Z3 RIGHT

9.2 or 7.2ch PREOUT

L FRONT

R CENTER

L SURR

R SB

L FH/FW 9chmodel

R SUBWOOFER

L ZONE 2

R ZONE 3

L ZONE 2

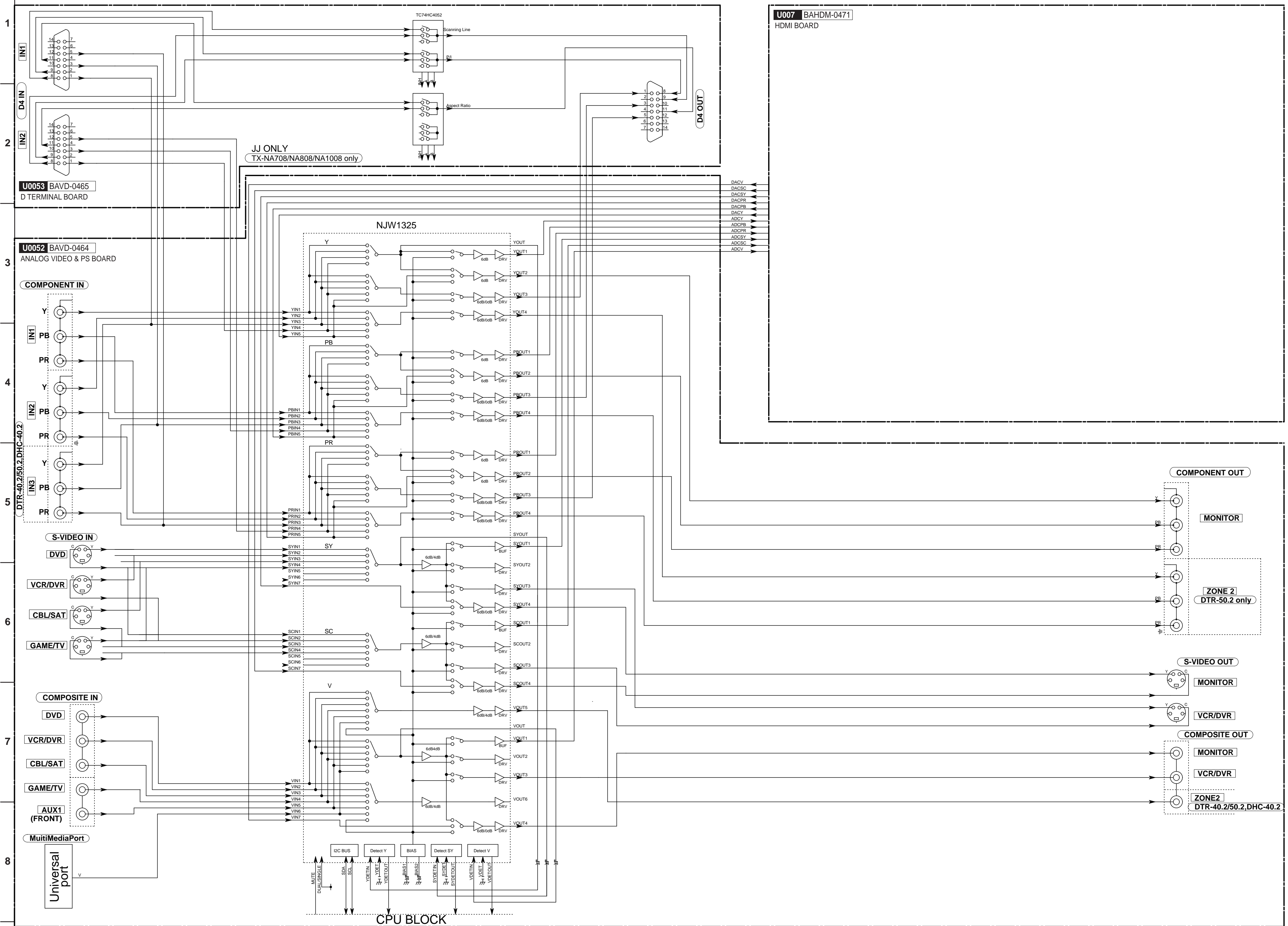
R ZONE 3

except JJ

from Micom

A B C D E F G H I J K

SCHEMATIC DIAGRAMS - 2  
BLOCK DIAGRAM VIDEO SECTION



1  
2  
3  
4  
5  
6  
7  
8

JJ ONLY  
TX-NA708/NA808/NA1008 only

U007 BAHDM-0471  
HDMI BOARD

DTR-40.2/50.2, DHC-40.2

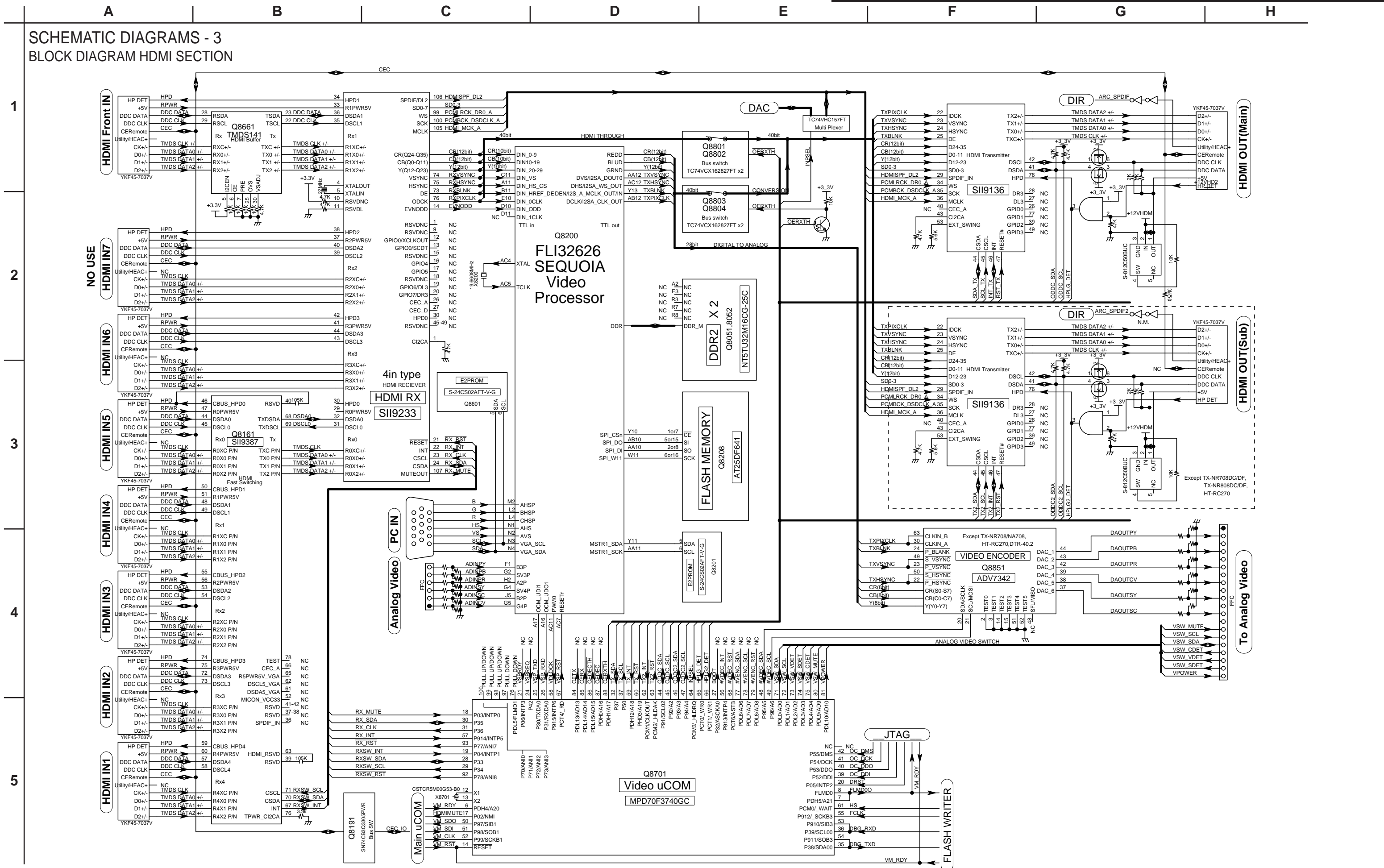
ZONE 2  
DTR-50.2 only

ZONE 2  
DTR-40.2/50.2, DHC-40.2

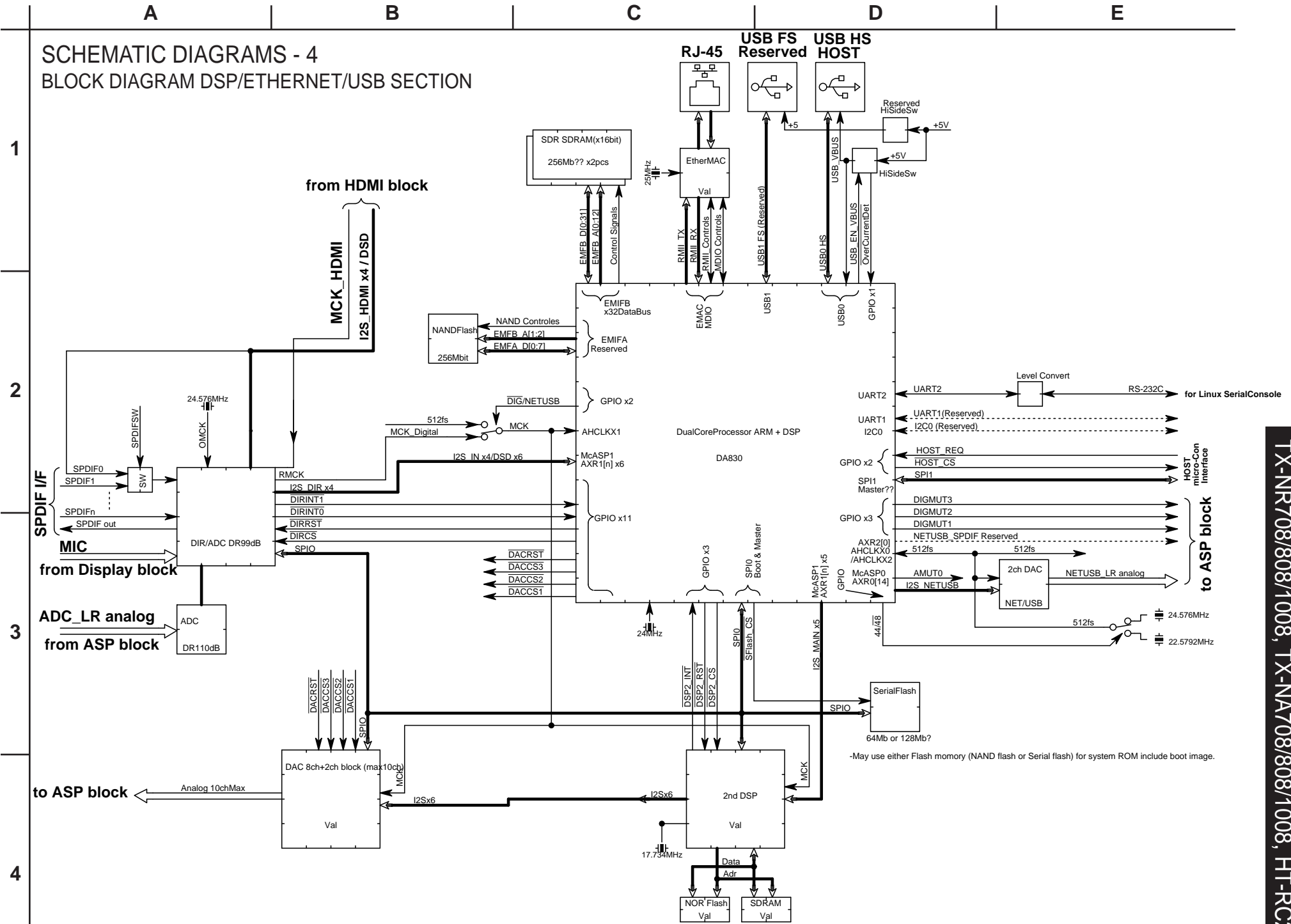
CPU BLOCK



SCHEMATIC DIAGRAMS - 3  
BLOCK DIAGRAM HDMI SECTION



SCHEMATIC DIAGRAMS - 4  
BLOCK DIAGRAM DSP/ETHERNET/USB SECTION





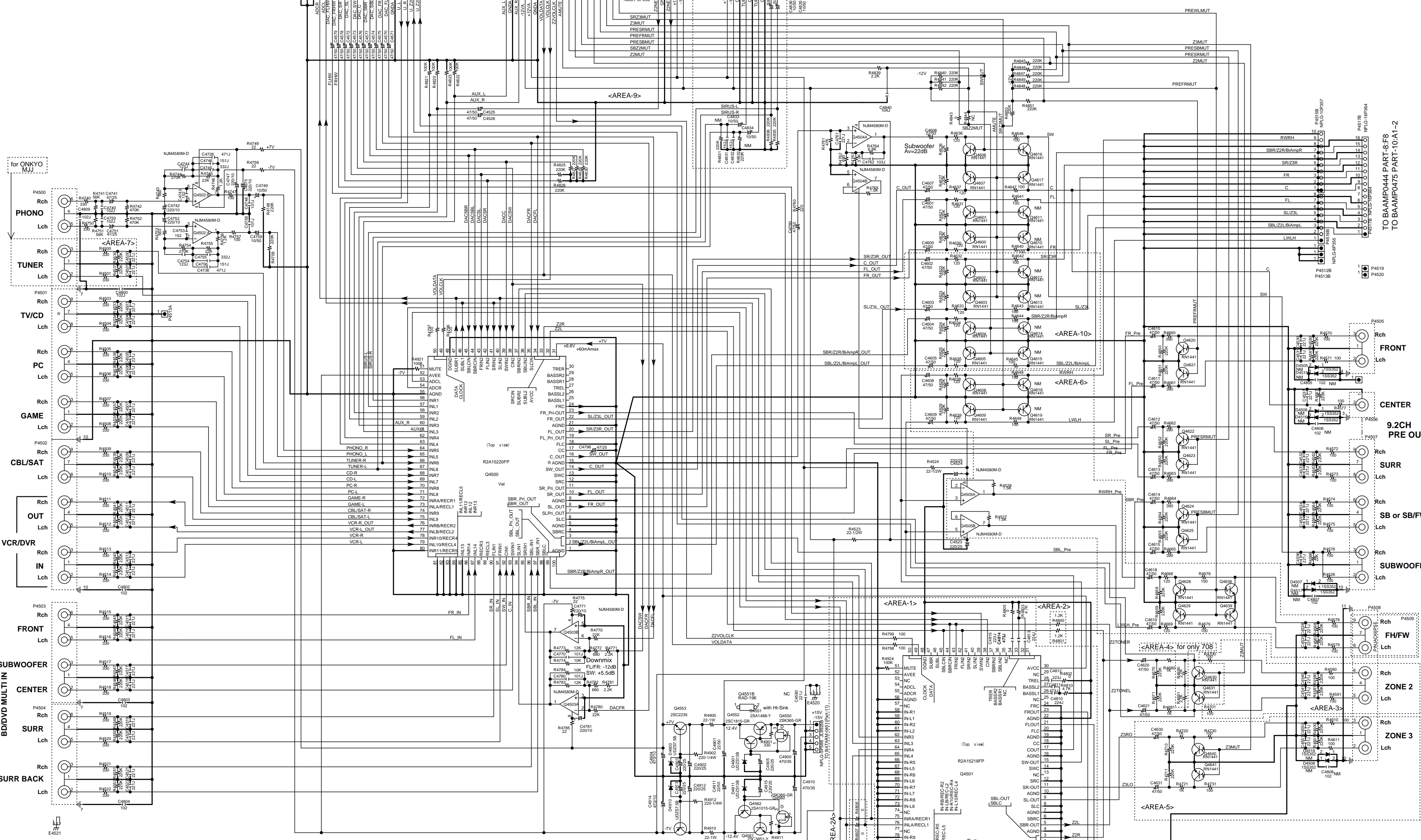
SCHEMATIC DIAGRAMS - 5  
AUDIO INPUT/OUTPUT SECTION

NOTE:  
XY in "SCHEMATIC-a / PART-b:XY" indicates the target location of the plug or socket, X=A to E/H/K, Y=1 to 4/5/8.

**U004** BAASP-0458  
AMP. (AUDIO IN/OUT) BOARD

1  
2  
3  
4  
5  
6  
7  
8

TO BACPU-0463 PART-14:K3-5  
TO BAHDM-0471 PART-20:A4  
TO BAVD-0464 PART-12:I2



	P4500	P4501/P4502	P4503/P4504	P4505	P4506	P4507	P4508	2Z/23 IC	NON 2Z/23 IC	NON 2Z/23 IC	NON 2Z/23 IC	2Z OUT	WHL/ WHR	Tuner	SIRIUS	Z2 OUT	Z3 OUT	WHL/ WHR	O = mount	--- = no mount
708 without JJ,RC270	ALL	S 2ch	S 6ch	S 4ch	S 2ch	S 1ch	S 6ch	---	---	---	---	---	---	---	---	---	---	---	---	---
708 JJ	MJJ	S 4ch	S 6ch	S 4ch	S 2ch	S 1ch	S 6ch	---	---	---	---	---	---	---	---	---	---	---	---	---
DTR-40.2	ALL	G 2ch	G 6ch	G 4ch	G 2ch	G 1ch	G 6ch	---	---	---	---	---	---	---	---	---	---	---	---	---
DHC-40.2	ALL	G 2ch	G 6ch	G 4ch	G 2ch	G 1ch	G 6ch	---	---	---	---	---	---	---	---	---	---	---	---	---
808 without JJ	ALL	S 2ch	S 6ch	S 4ch	S 2ch	S 1ch	S 6ch	---	---	---	---	---	---	---	---	---	---	---	---	---
808 JJ	MJJ	S 4ch	S 6ch	S 4ch	S 2ch	S 1ch	S 6ch	---	---	---	---	---	---	---	---	---	---	---	---	---
50.2	ALL	G 2ch	G 6ch	G 4ch	G 2ch	G 1ch	G 6ch	---	---	---	---	---	---	---	---	---	---	---	---	---
1008 without JJ	ALL	S 2ch	S 6ch	S 4ch	S 2ch	S 1ch	S 6ch	---	---	---	---	---	---	---	---	---	---	---	---	---
1008 JJ	MJJ	S 2ch	S 6ch	S 4ch	S 2ch	S 1ch	S 6ch	---	---	---	---	---	---	---	---	---	---	---	---	---

TO BAAMP0444 PART-8:F8  
TO BAAMP0475 PART-10:A1-2

FRONT  
Lch

CENTER  
9.2CH  
PRE OUT  
Rch  
Lch

SURR  
SB or SB/FW  
Lch

SUBWOOFER  
Lch

FH/FW  
Lch

ZONE 2  
Rch  
Lch

ZONE 3  
Rch  
Lch



SCHEMATIC DIAGRAMS - 6  
AMP (VOLTAGE AMP) SECTION

NOTE:  
XY in "SCHEMATIC-a / PART-b:XY" indicates the target location of the plug or socket, X=A to E/H/K, Y=1 to 4/5/8.

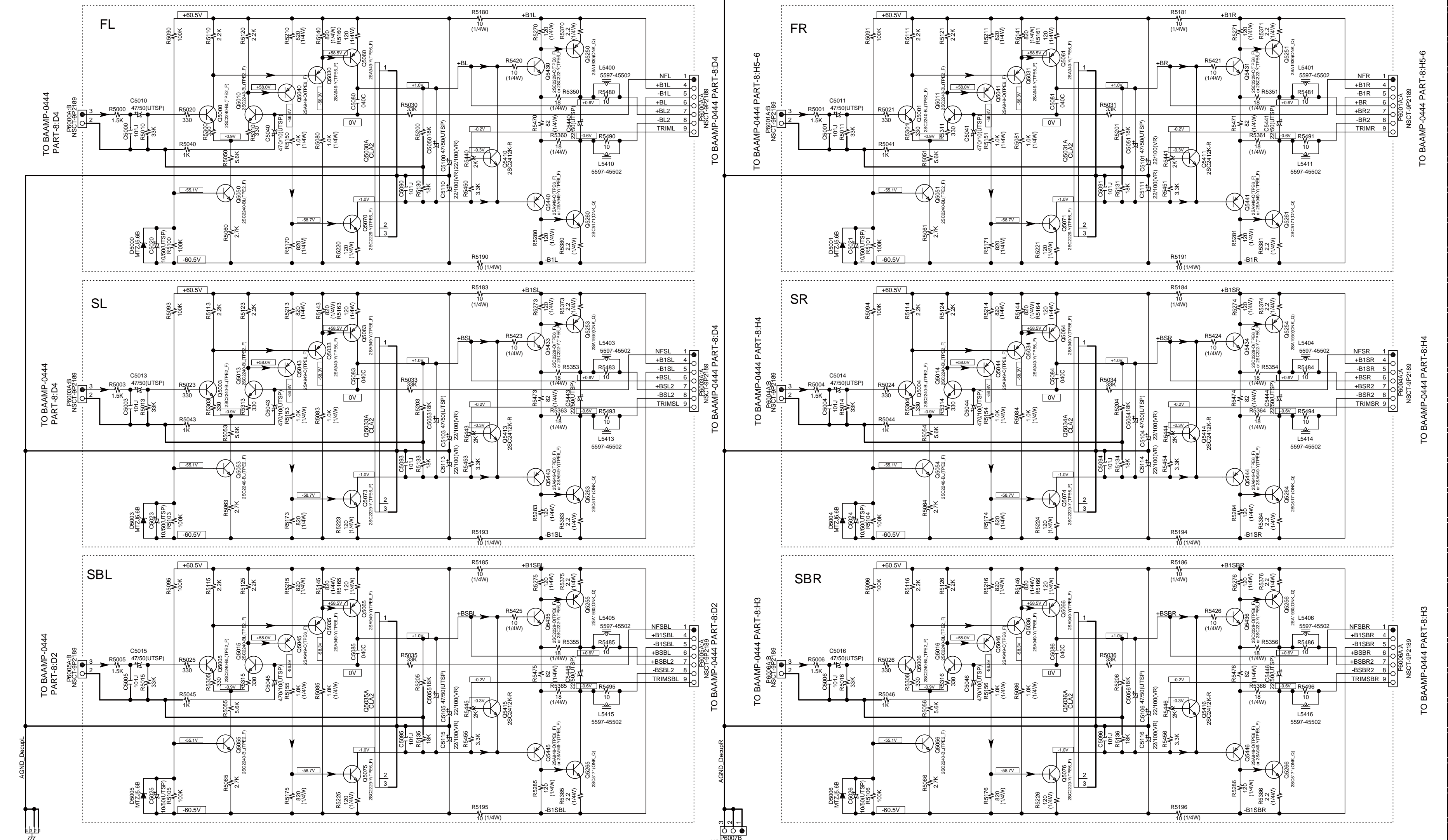
**U0011** BACLA-0445  
POWER AMP. BOARD

- NOTE**
- THE COMPONENTS IDENTIFIED BY MARK  $\Delta$  ARE CRITICAL FOR SAFETY.
  - REPLACE ONLY WITH PART NUMBER SPECIFIED.
  - BOLD VOLTAGE (MEASURED WITH VOLTMETER) IS DC VOLTAGE, (NO INPUT SIGNAL).
  - ALL PNP TRANSISTORS ARE EQUIVALENT TO 2SA1015-GR UNLESS OTHERWISE NOTED.
  - ALL NPN TRANSISTORS ARE EQUIVALENT TO 2SC1815-GR UNLESS OTHERWISE NOTED.
  - ALL DIODES ARE EQUIVALENT TO 1S8133 UNLESS OTHERWISE NOTED.
  - ELECTROLYTIC CAPACITORS (  $\Delta$  ) ARE IN  $\mu$ F/W.
  - ALL CAPACITORS ARE IN pF/60WV UNLESS OTHERWISE NOTED.
  - EX) 030-3pF, 330-33pF, 331-330pF, 333-0.033uF.
  - ALL RESISTORS ARE IN OHMS 1/4 WATT UNLESS OTHERWISE NOTED.
  - THE THICK LINES ON PCB BOARD ARE THE PRINTING SIDE OF THE PARTS.
  - EX)  $\Delta$  PRINTING SIDE
  - "NM" AND "NC" ARE SHORT FOR "NOT MOUNTED" AND "NOT CONNECTED", WHICH MEANS NO PART IS MOUNTED ON WIRING PATTERN OF PCB.
  - CIRCUIT IS SUBJECT TO CHANGE FOR IMPROVEMENT.

**LOADING CURRENT ADJUSTMENT**

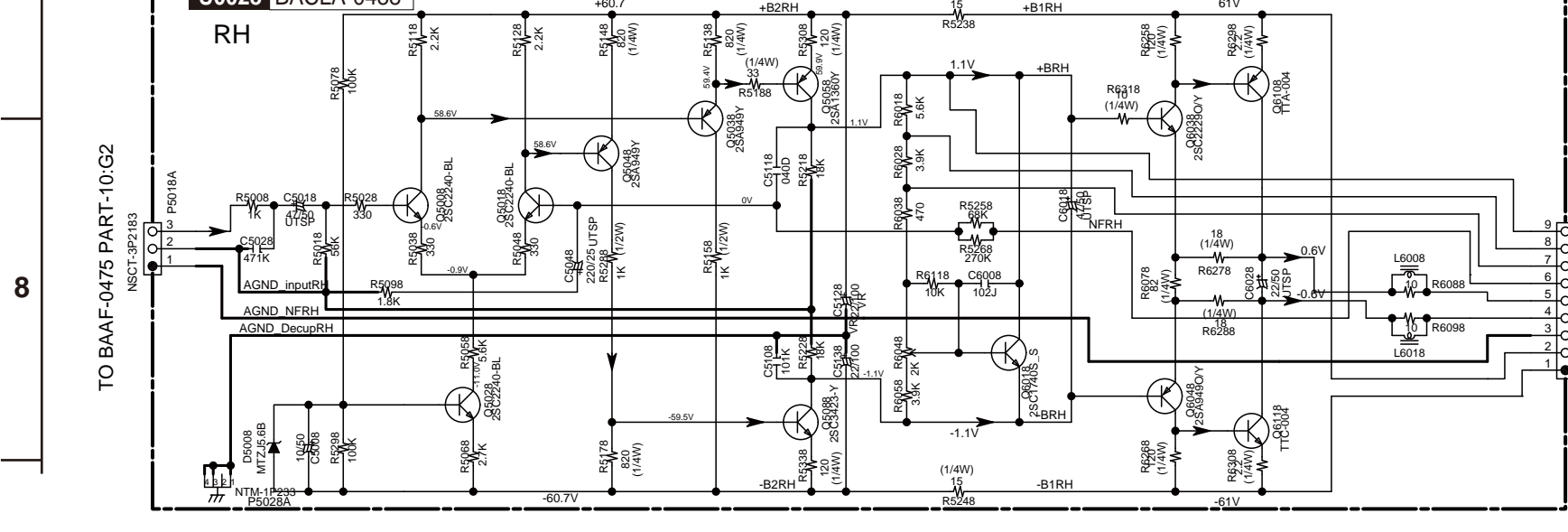
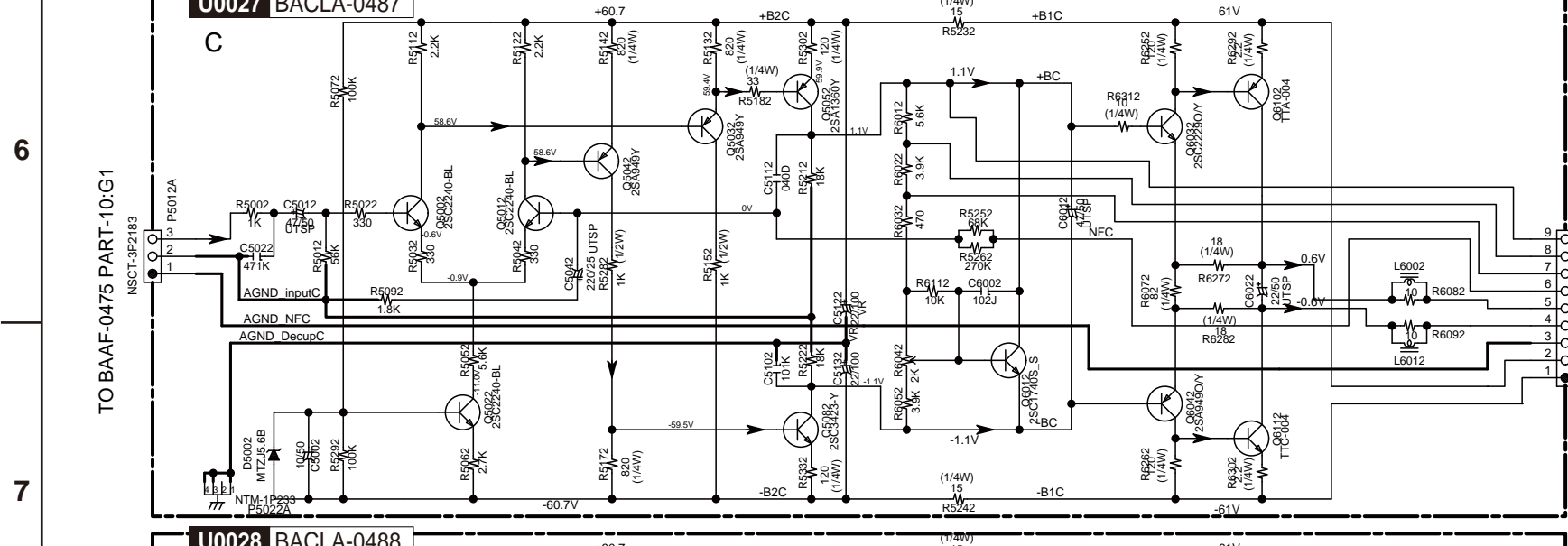
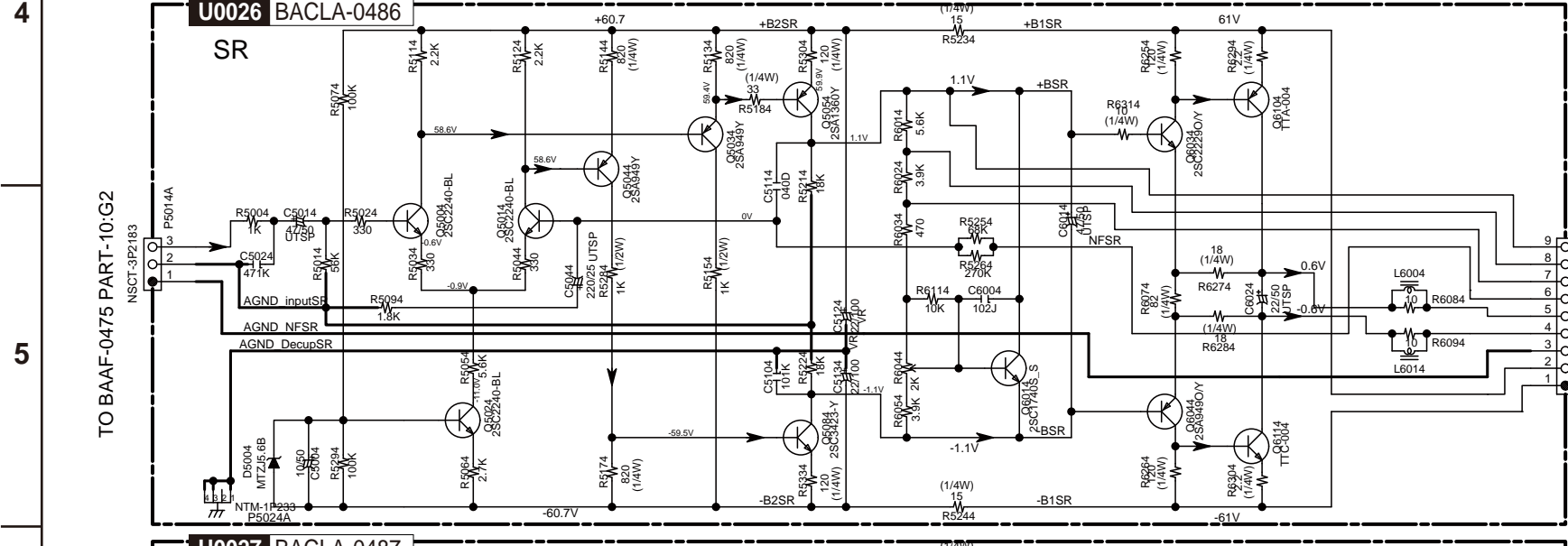
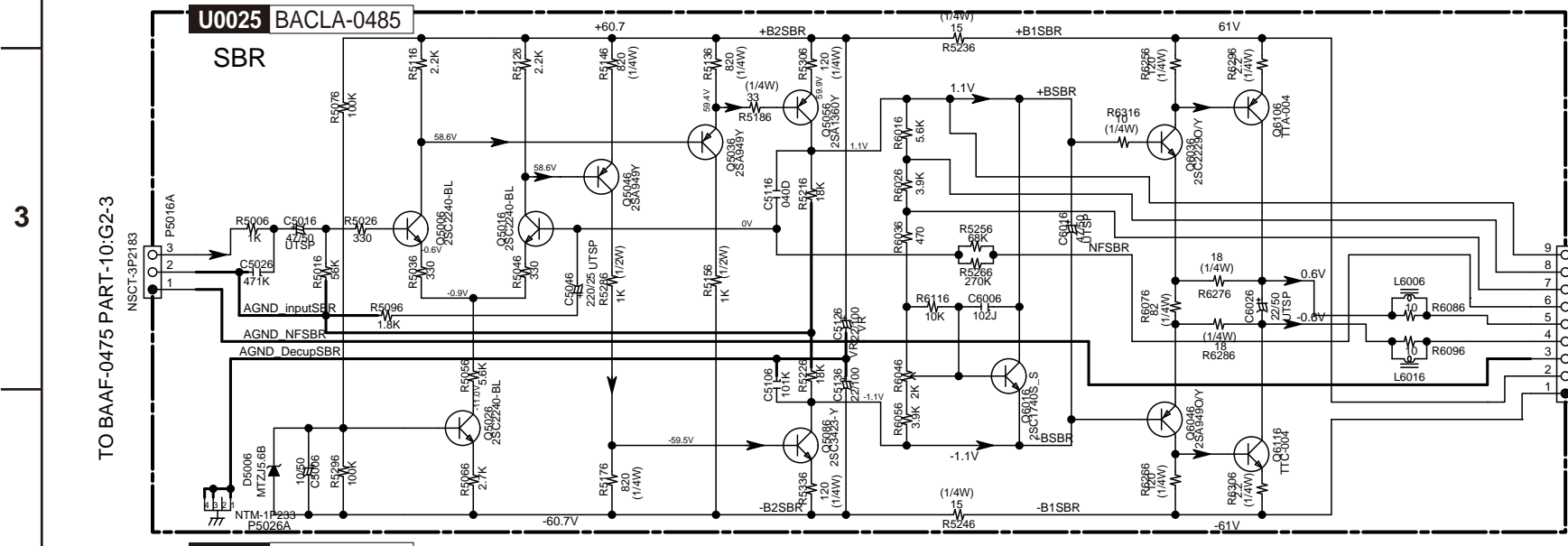
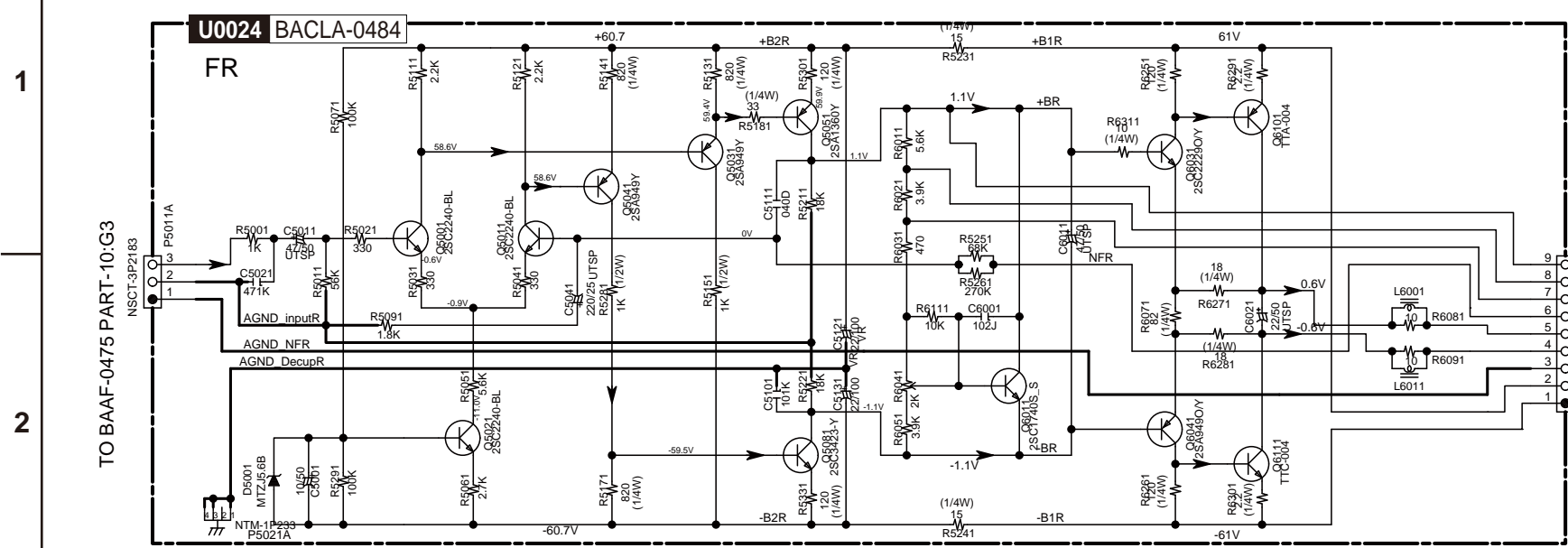
- Wait for 4-6 minutes after power on. (Heat running)
- Re-adjust the trimming resistors according to the following values.

Adjustment point	Measured value	Re-adjustment value
R5440 - R5446	In case below 4 mV	4 mV
	In case 4 - 6 mV	No re-adjustment
	In case over 6mV	6 mV





SCHEMATIC DIAGRAMS - 7  
AMP (VOLTAGE AMP) SECTION



TO BAAMP-0474 PART-9:D2

TO BAAMP-0474 PART-9:D7

TO BAAMP-0474 PART-9:D5

TO BAAMP-0474 PART-9:A7

TO BAAMP-0474 PART-9:D4

NOTE:  
XY in "SCHEMATIC-a / PART-b:XY" indicates the target location of the plug or socket, X=A to E/H/K, Y=1 to 4/5/6.

Circuit number is different, but as for the circuit being the same, there is compatibility. If you will exchange these pc board assembly, re-adjust the idling current.

U0024(BACLA-0484, FR ch)  
U0025(BACLA-0485, SBR ch)  
U0026(BACLA-0486, SR ch)  
U0027(BACLA-0487, C ch)  
U0028(BACLA-0488, RH ch, TX-NR1008/NA1008 only)

Circuit number is different, but as for the circuit being the same, there is compatibility. If you will exchange these pc board assembly, re-adjust the idling current.

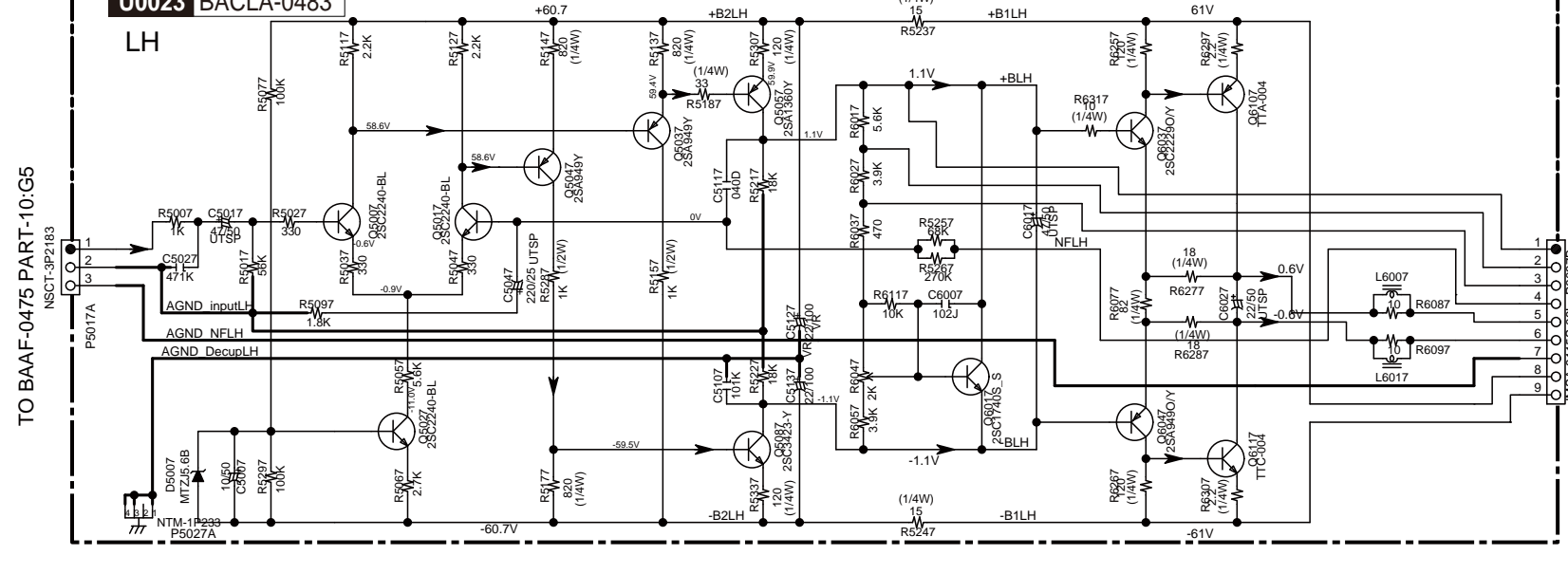
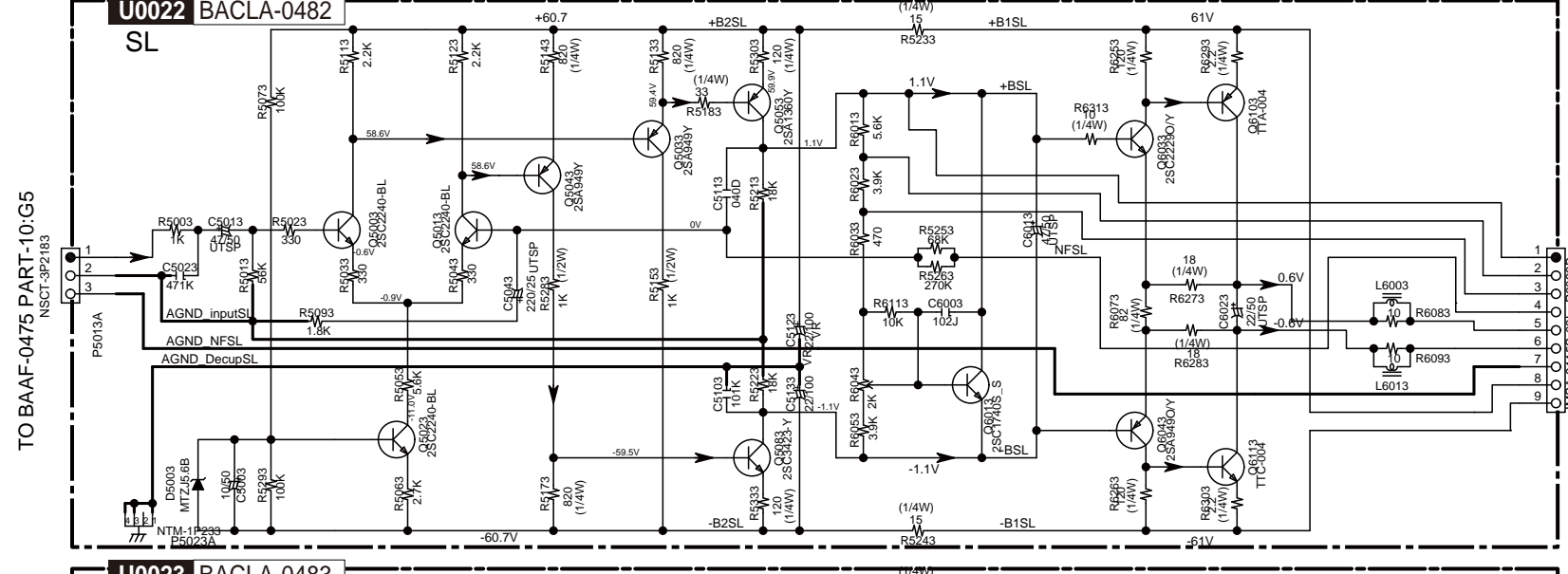
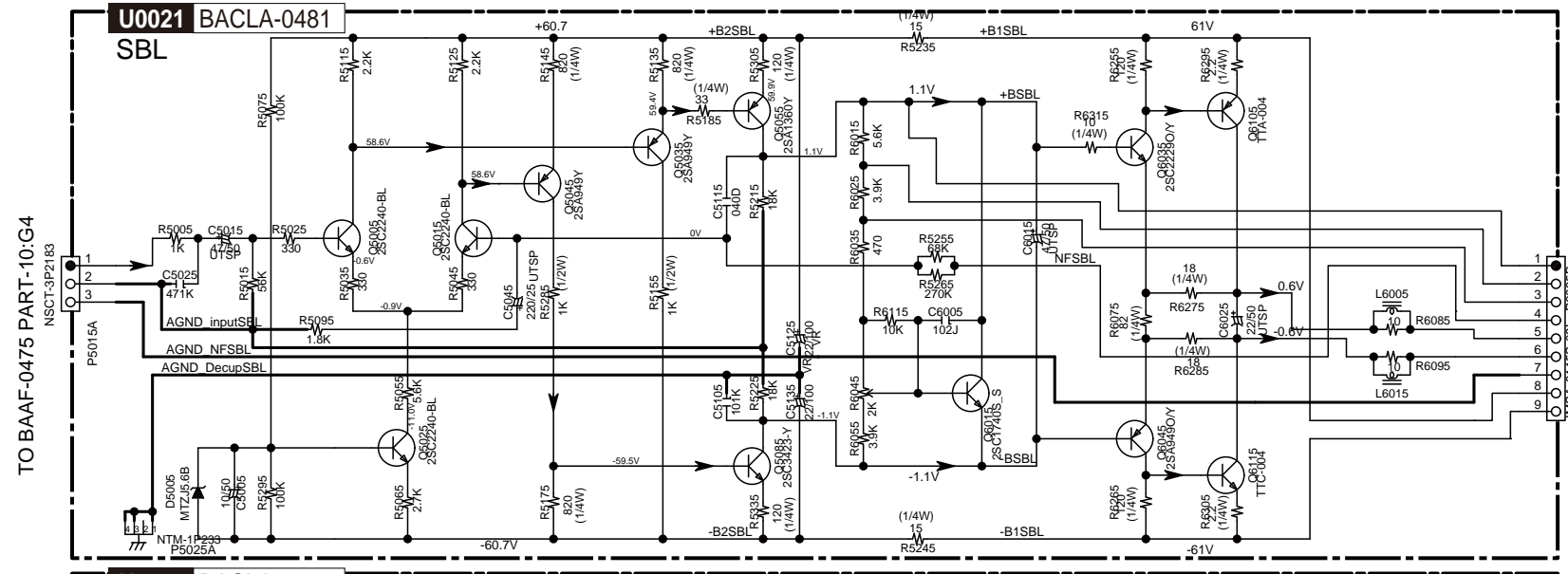
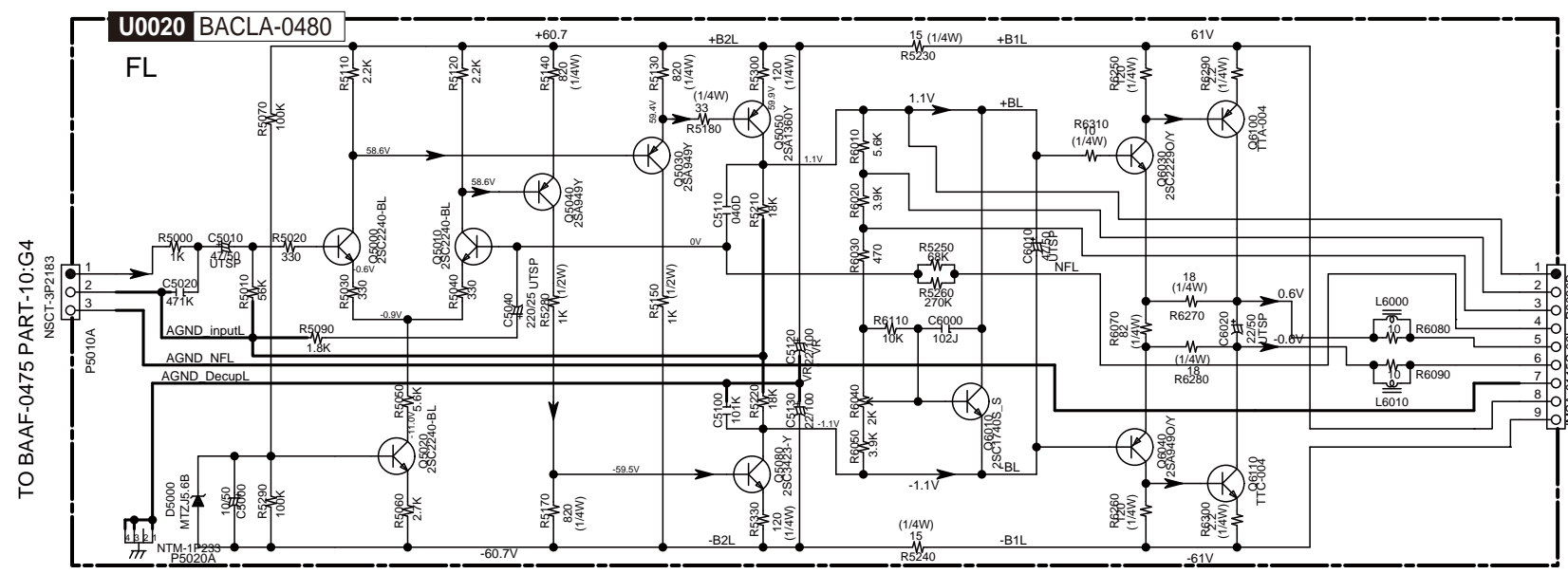
U0020(BACLA-0480, FL ch)  
U0021(BACLA-0481, SBL ch)  
U0022(BACLA-0482, SL ch)  
U0023(BACLA-0483, LH ch, TX-NR1008/NA1008 only)

IDLING CURRENT ADJUSTMENT

- Wait for 4 - 6 minutes after power on. (Heat running)
- Re-adjust the trimming resistors according to the following values.

Adjustment point	Measured value	Re-adjustment value
R6040 - R6048	In case below 4 mV	4 mV
	In case 4 - 6 mV	No re-adjustment
	In case over 6mV	6 mV

- NOTE
- THE COMPONENTS IDENTIFIED BY MARK  $\Delta$  ARE CRITICAL FOR SAFETY.
  - REPLACE ONLY WITH PART NUMBER SPECIFIED.
  - BOLD VOLTAGE MEASURED WITH VOLTMETER IS DC VOLTAGE (NO INPUT SIGNAL).
  - ALL PNP TRANSISTORS ARE EQUIVALENT TO 2SA1015-GR UNLESS OTHERWISE NOTED.
  - ALL NPN TRANSISTORS ARE EQUIVALENT TO 2SC1815-GR UNLESS OTHERWISE NOTED.
  - ALL DIODES ARE EQUIVALENT TO 1S5133 UNLESS OTHERWISE NOTED.
  - ELECTROLYTIC CAPACITORS (  $\text{E}$  ) ARE IN  $\mu\text{F}$ .
  - ALL CAPACITORS ARE IN  $\text{pF}$  UNLESS OTHERWISE NOTED.
  - EX) 030-3pF, 330-33pF, 331-330pF, 333-0.033uF
  - ALL RESISTORS ARE IN OHMS 1/6 WATT UNLESS OTHERWISE NOTED.
  - THE THICK LINES ON PC BOARD ARE THE PRINTING SIDE OF THE PARTS.
  - EX)  $\text{D}$   $\text{D}$  — PRINTING SIDE
  - "NM" AND "NC" ARE SHORT FOR "NOT MOUNTED" AND "NOT CONNECTED", WHICH MEANS NO PART IS MOUNTED ON WIRING PATTERN OF PCB.
  - CIRCUIT IS SUBJECT TO CHANGE FOR IMPROVEMENT.



TO BAAMP-0474 PART-9:H2

TO BAAMP-0474 PART-9:H7

TO BAAMP-0474 PART-9:H5

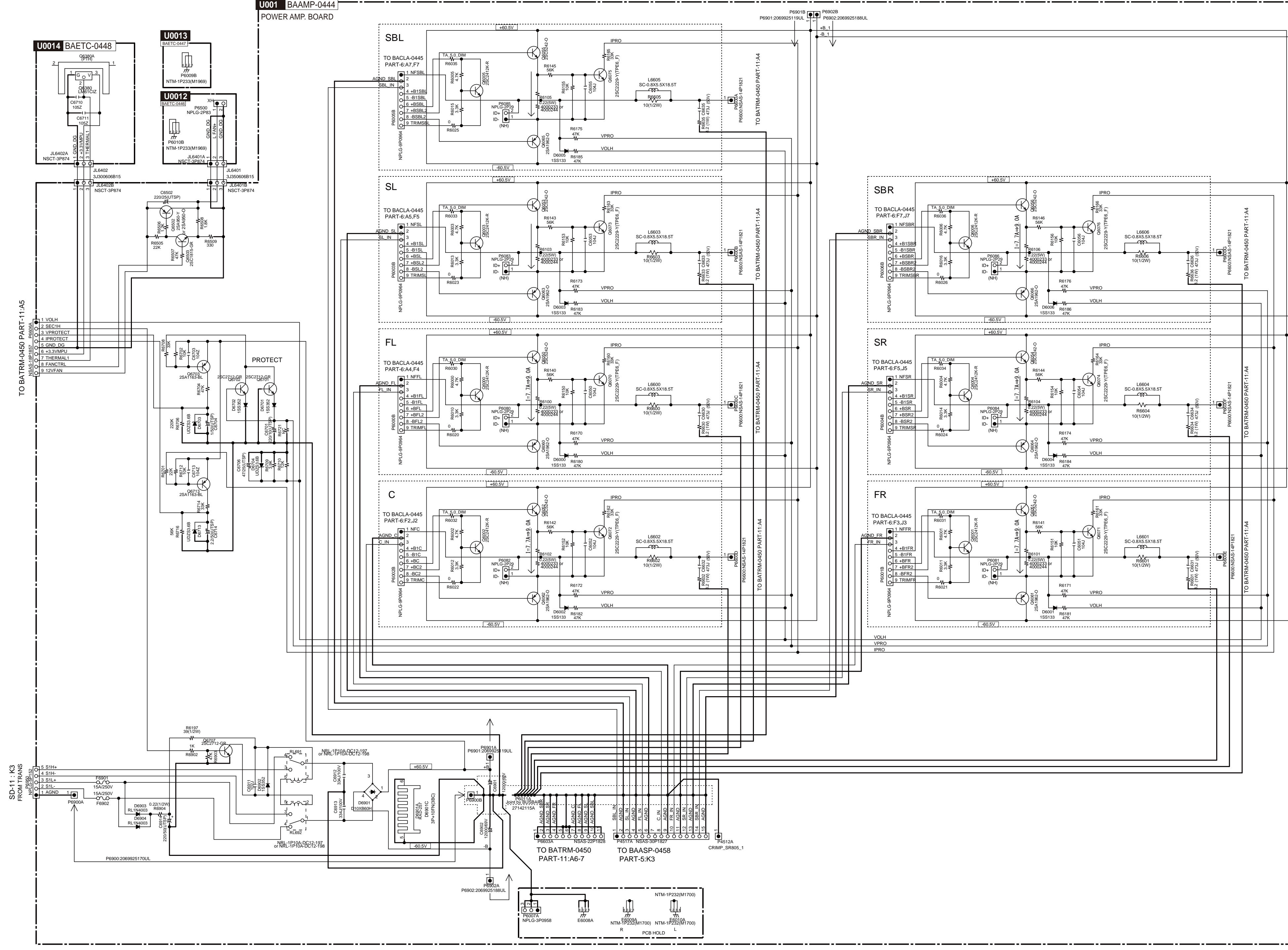
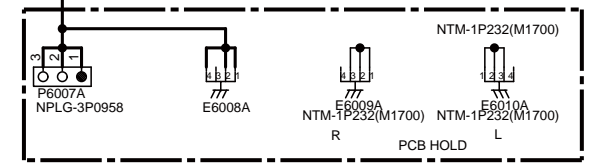
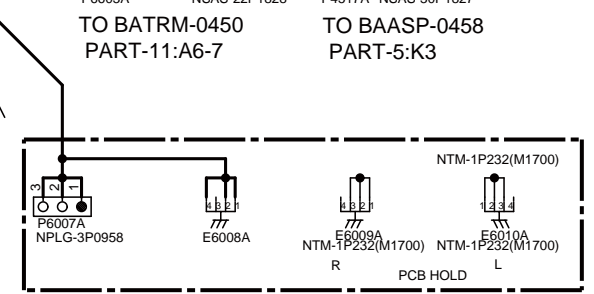
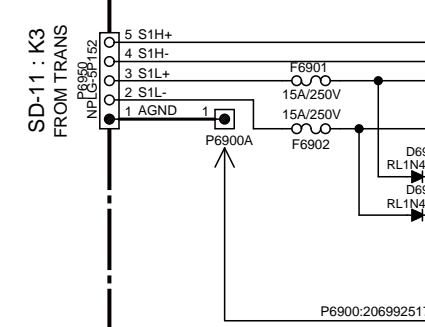
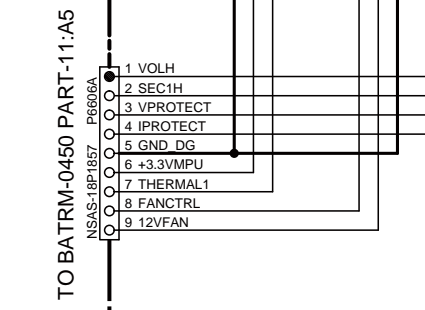
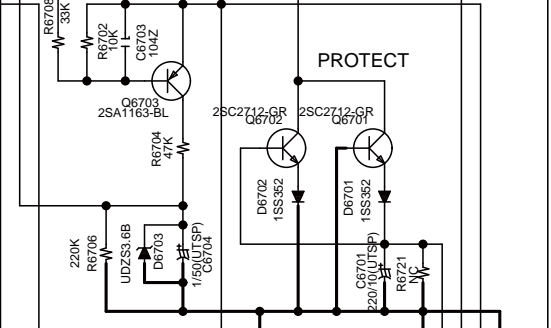
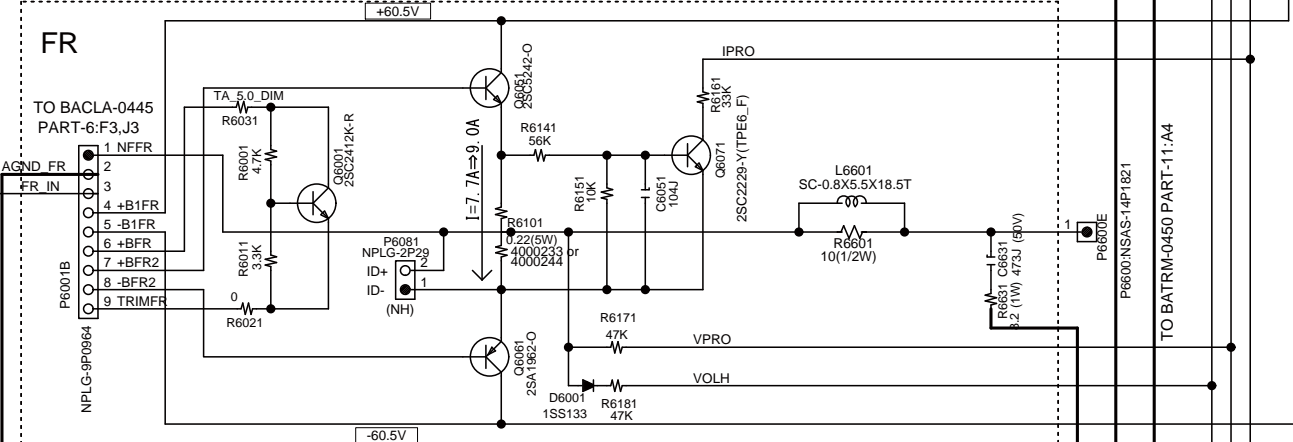
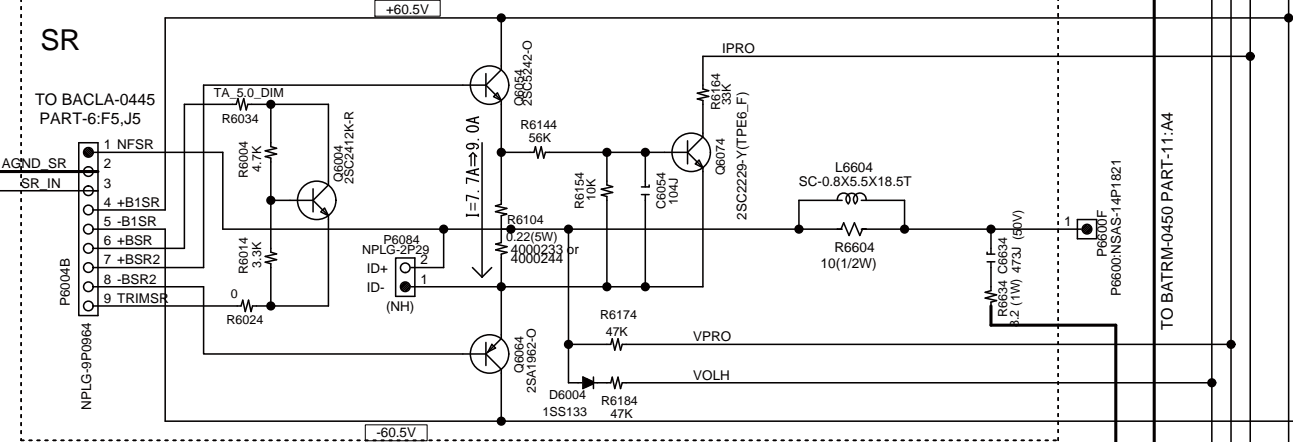
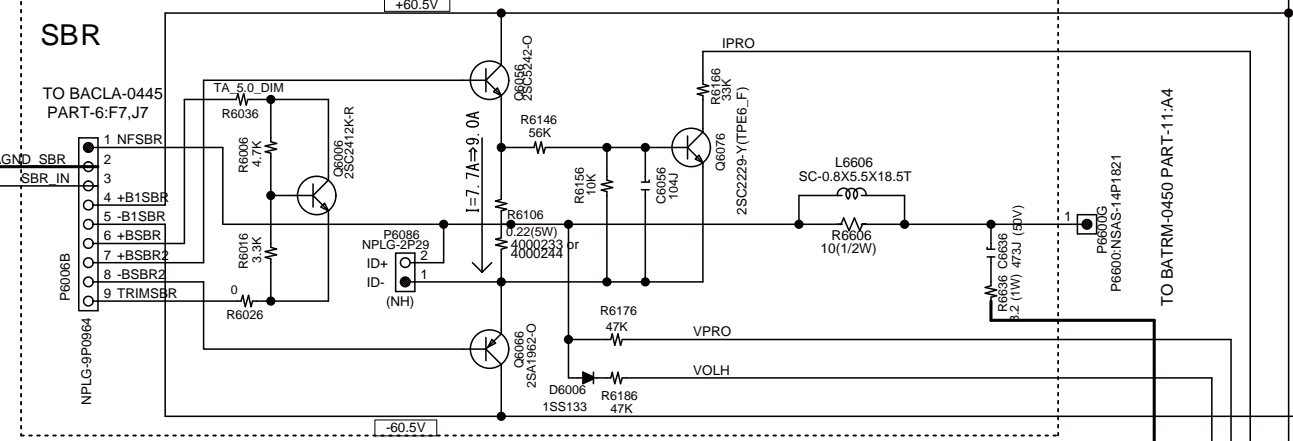
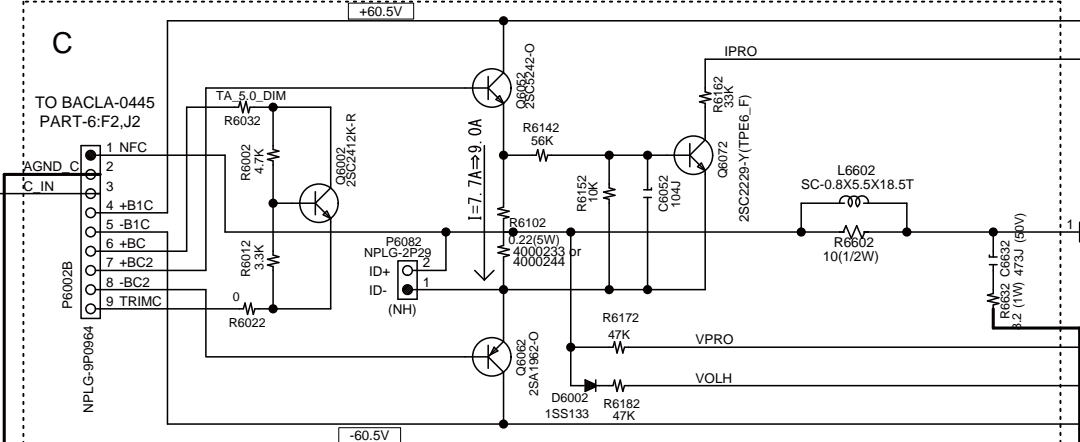
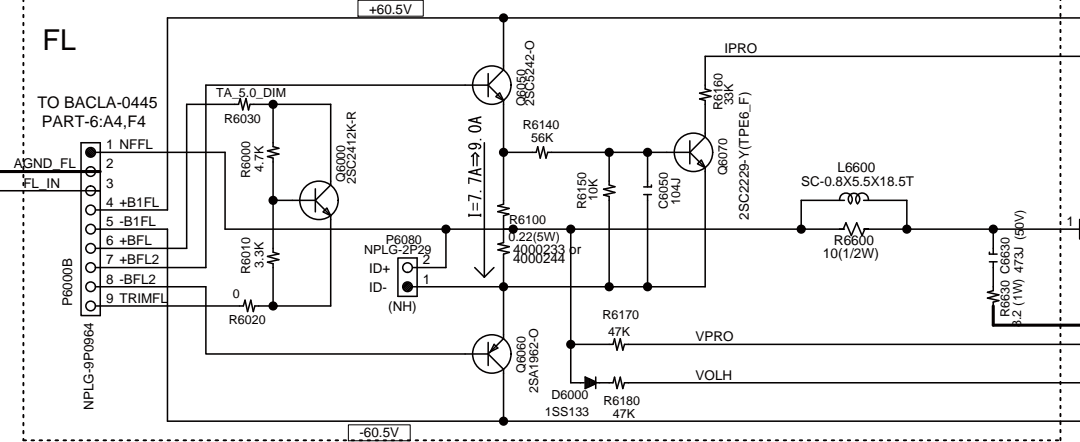
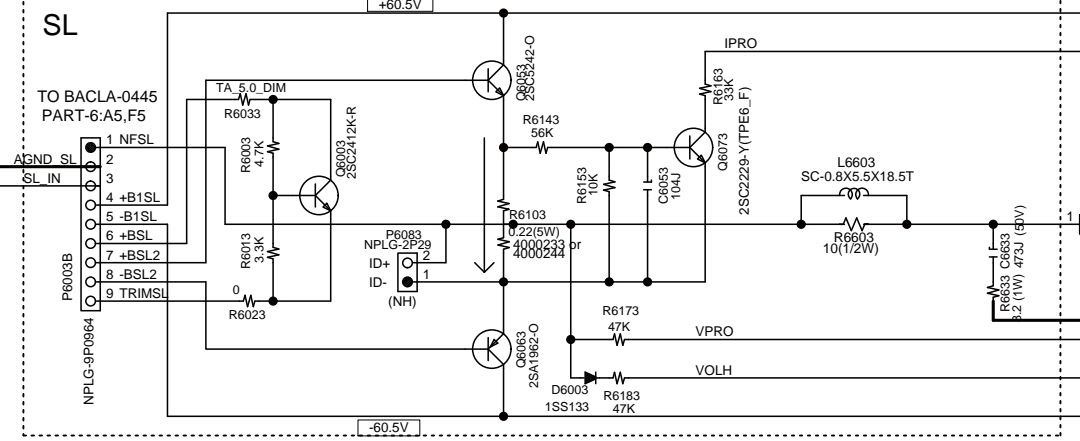
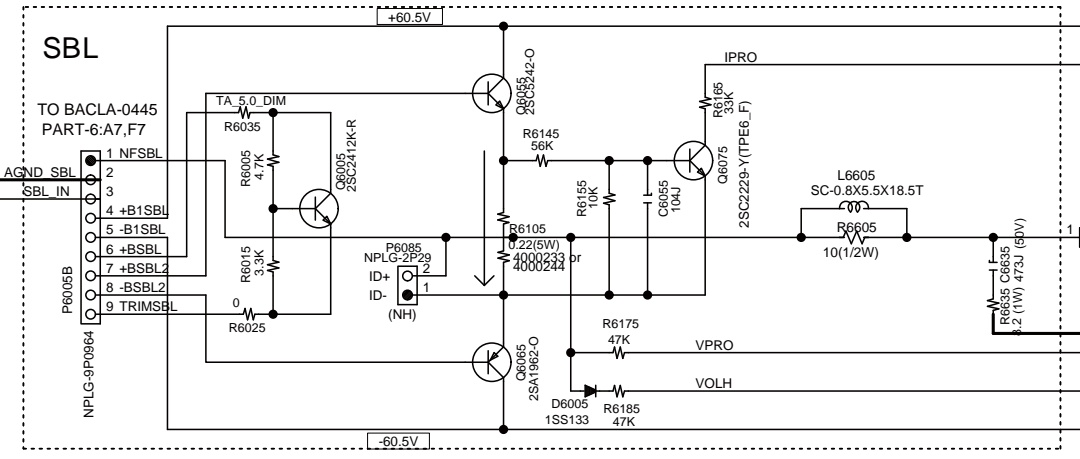
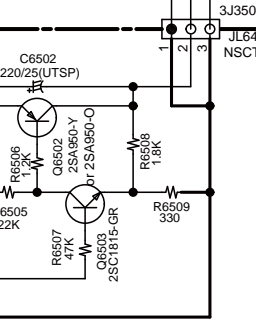
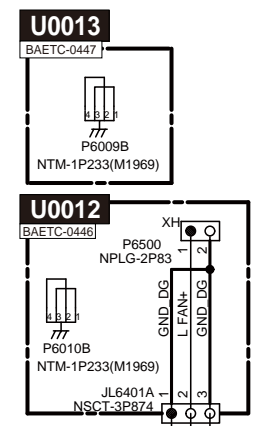
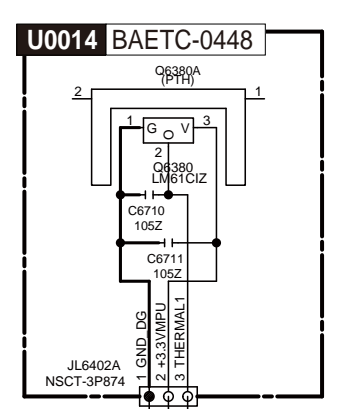
TO BAAMP-0474 PART-9:H4



SCHEMATIC DIAGRAMS - 8  
POWER AMP (FINAL STAGE) SECTION

NOTE:  
XY in "SCHEMATIC-a / PART-b:XY" indicates the target  
location of the plug or socket, X=A to E/H/K, Y=1 to 4/5/8.

U001 BAAMP-0444  
POWER AMP. BOARD

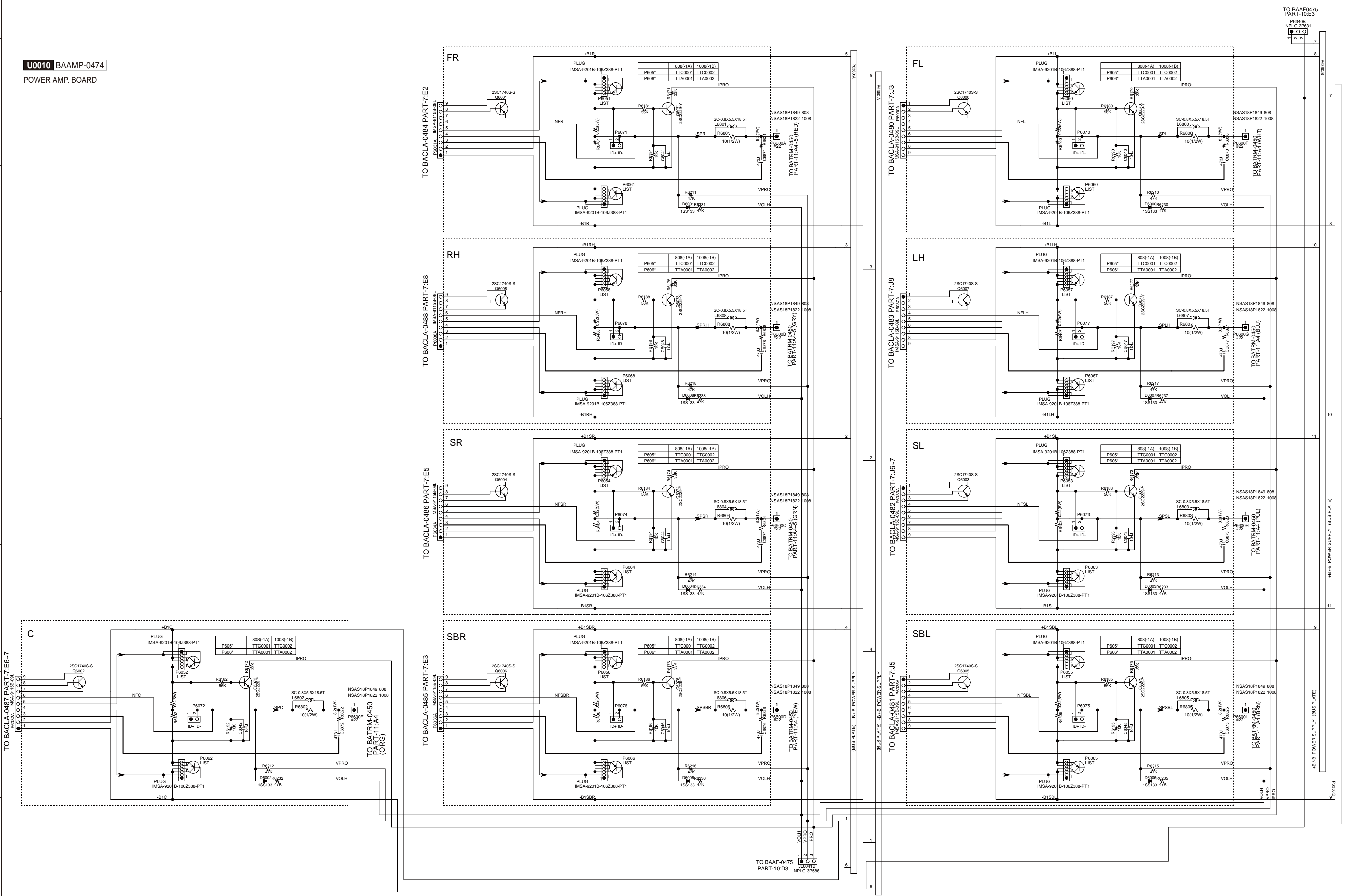


SCHEMATIC DIAGRAMS - 9  
POWER AMP (FINAL STAGE) SECTION

NOTE:  
XY in "SCHEMATIC-a / PART-b:XY" indicates the target  
location of the plug or socket, X=A to E/H/K, Y=1 to 4/5/8.

U0010 BAAMP-0474  
POWER AMP. BOARD

1  
2  
3  
4  
5  
6  
7  
8

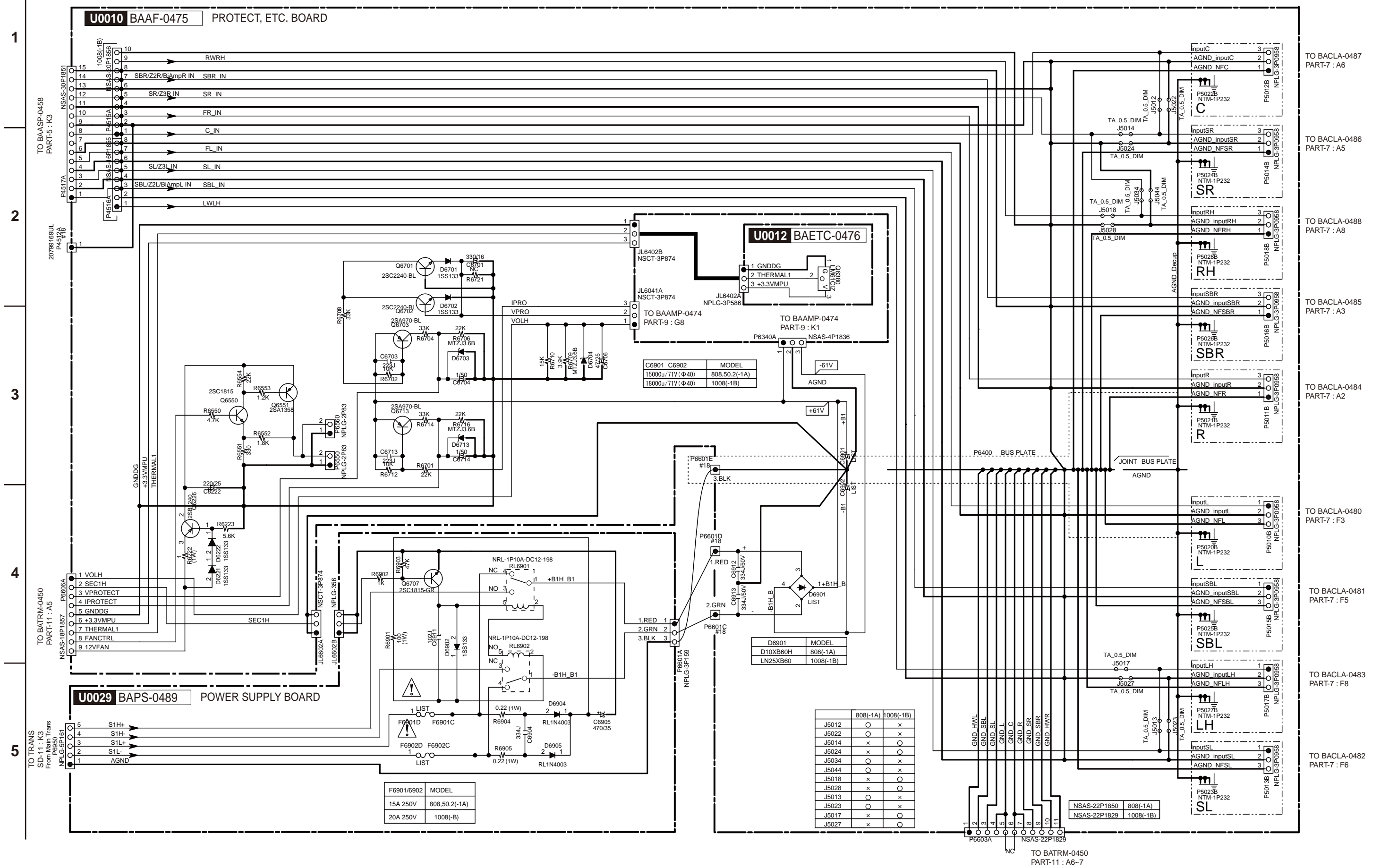


TO BAAF0475  
PART-10:E3  
P63408  
NPLG-3P561

+B1B POWER SUPPLY (BUS PLATE)  
+B1B POWER SUPPLY (BUS PLATE)  
+B1B POWER SUPPLY (BUS PLATE)

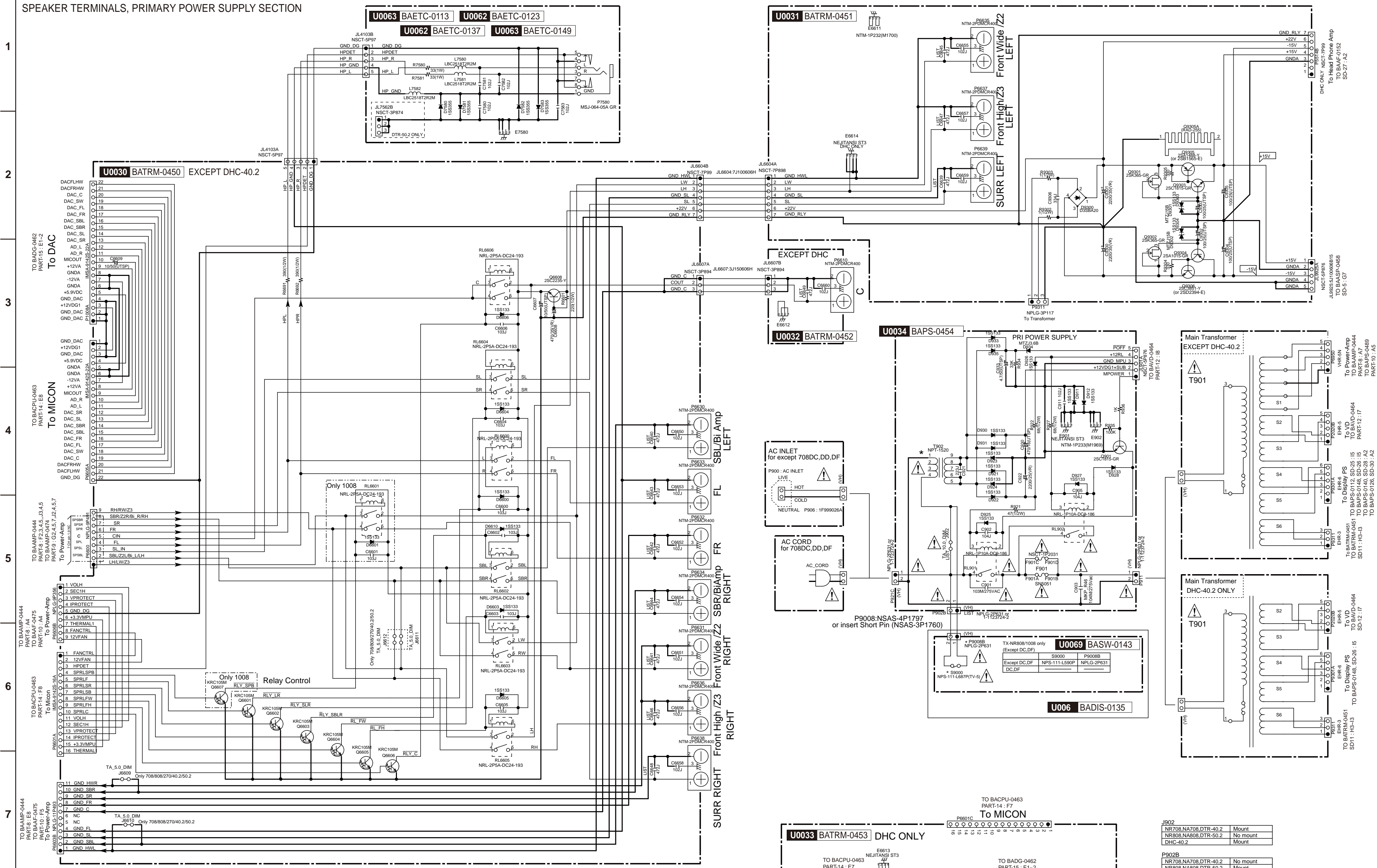
TO BAAF-0475  
PART-10:D3  
L6041B  
NPLG-3P566

SCHEMATIC DIAGRAMS - 10  
AMP (POWER SUPPLY, PROTECT, ETC.) SECTION





**SCHEMATIC DIAGRAMS - 11**  
**SPEAKER TERMINALS, PRIMARY POWER SUPPLY SECTION**



1  
2  
3  
4  
5  
6  
7  
8

**To DAC**  
 DACFLHW, DACFRHW, DAC.C, DAC\_SW, DAC\_FL, DAC\_FR, DAC\_SBL, DAC\_SBR, DAC\_SL, DAC\_SR, AD.L, AD.R, MICOUT, +12VA, -12VA, GND\_A, +5.9VDC, +12VDG1, GND\_DAC, GND\_DAC, GND\_DAC, +12VDG1, GND\_DAC, +5.9VDC, GND\_A, GND\_A, -12VA, +12VA, AD.L, AD.R, MICOUT, DAC.SR, DAC\_SL, DAC\_SBL, DAC\_SBR, DAC\_FL, DAC\_FR, DAC\_SW, DAC.C, DACFRHW, DACFLHW, GND\_DG

**To MICON**  
 MICONA, MICONB, MICONC, MICOND, MICON\_E, MICON\_F, MICON\_G, MICON\_H, MICON\_I, MICON\_J, MICON\_K, MICON\_L, MICON\_M, MICON\_N, MICON\_O, MICON\_P, MICON\_Q, MICON\_R, MICON\_S, MICON\_T, MICON\_U, MICON\_V, MICON\_W, MICON\_X, MICON\_Y, MICON\_Z

**To Power-Amp**  
 PAMP1, PAMP2, PAMP3, PAMP4, PAMP5, PAMP6, PAMP7, PAMP8, PAMP9, PAMP10, PAMP11, PAMP12, PAMP13, PAMP14, PAMP15, PAMP16, PAMP17, PAMP18, PAMP19, PAMP20, PAMP21, PAMP22, PAMP23, PAMP24, PAMP25, PAMP26, PAMP27, PAMP28, PAMP29, PAMP30, PAMP31, PAMP32, PAMP33, PAMP34, PAMP35, PAMP36, PAMP37, PAMP38, PAMP39, PAMP40, PAMP41, PAMP42, PAMP43, PAMP44, PAMP45, PAMP46, PAMP47, PAMP48, PAMP49, PAMP50, PAMP51, PAMP52, PAMP53, PAMP54, PAMP55, PAMP56, PAMP57, PAMP58, PAMP59, PAMP60, PAMP61, PAMP62, PAMP63, PAMP64, PAMP65, PAMP66, PAMP67, PAMP68, PAMP69, PAMP70, PAMP71, PAMP72, PAMP73, PAMP74, PAMP75, PAMP76, PAMP77, PAMP78, PAMP79, PAMP80, PAMP81, PAMP82, PAMP83, PAMP84, PAMP85, PAMP86, PAMP87, PAMP88, PAMP89, PAMP90, PAMP91, PAMP92, PAMP93, PAMP94, PAMP95, PAMP96, PAMP97, PAMP98, PAMP99, PAMP100

**Relay Control**  
 RLY\_LR, RLY\_SLR, RLY\_SBLR, RLY\_SBR, RLY\_C, RLY\_FH, RLY\_FL, RLY\_FR, RLY\_FR

TYPE	T7	A7	T8	A8	T10	A10	D4
D	NC	NC	NC	NC	NC	NC	NC
J	NC	NC	NC	NC	NC	NC	NC
M	472J	NC	472J	NC	472J	NC	NC

CODE	MODEL
T7	TX-NR-708, DTR-40.2, HT-RC270
A7	TX-NA708
T8	TX-NR808, DTR-50.2
A8	TX-NA808
T10	TX-NR1008
A10	TX-NA1008
D4	DHC-40.2

**CAUTION**  
 FOR CONTINUED PROTECTION AGAINST FIRE HAZARD, REPLACE ONLY WITH FUSE OF SAME TYPE AND RATING INDICATED.

**ATTENTION**  
 Afin d'assurer une protection permanente contre les risques d'incendie, remplacer uniquement par un fusible de même type et de calibration comme indiqué.

THIS SYMBOL LOCATED NEAR THE FUSE INDICATES THAT THE FUSE USED IS SLOW OPERATING TYPE FOR CONTINUED PROTECTION AGAINST FIRE HAZARD. REPLACE WITH SAME TYPE FUSE. FOR FUSE RATING REFER TO THE MAKING ADJACENT TO THE SYMBOL.

CE SYMBOLE INDIQUE QUE LE FUSIBLE UTILISE EST A LENT. E POUR UNE PROTECTION PERMANENTE, UTILISER UN FUSIBLE DE MEME TYPE. CE DERNIER EST INDIQUE LA QU LE PRESENT SYMBOLE EST APPOSE.

THE COMPONENTS IDENTIFIED BY MARK ARE CRITICAL FOR SAFETY. REPLACE ONLY WITH PART NUMBER SPECIFIED. \* VOLTAGE (MEASURED WITH WOLMETER) IS DC VOLTAGE. (NO INPUT SIGNAL).

ELECTROLYTIC CAPACITORS (E) ARE IN  $\mu F/V$ .

ALL CAPACITORS ARE IN  $\mu F/50V$  UNLESS OTHERWISE NOTED.  
 EX: 010-30 $\mu$ F 330-33 $\mu$ F 331-330 $\mu$ F 333-0.033  $\mu$ F

CIRCUIT IS SUBJECT TO CHANGE FOR IMPROVEMENT.

J902

NR708,NA708,DTR-40.2	Mount
NR808,NA808,DTR-50.2	No mount
DHC-40.2	Mount

P902B

NR708,NA708,DTR-40.2	No mount
NR808,NA808,DTR-50.2	Mount
DHC-40.2	No mount

F901

TYPE	T7	A7	T8 / T10	A8 / A10	D4
D	10A 125V	---	12A 125V	---	5A 125V
J	10A 125V	10A 125V	15A 125V	15A 125V	---
M	TSAL250V	---	T6.3AL250V	---	---

T901

TYPE	T7	A7	T8 / T10	A8 / A10	D4
D	NPT-1594D	---	NPT-1593D	---	NPT-1595D
J	---	NPT-1594J	---	NPT-1593J	---
M	NPT-1594M	---	NPT-1593M	---	---

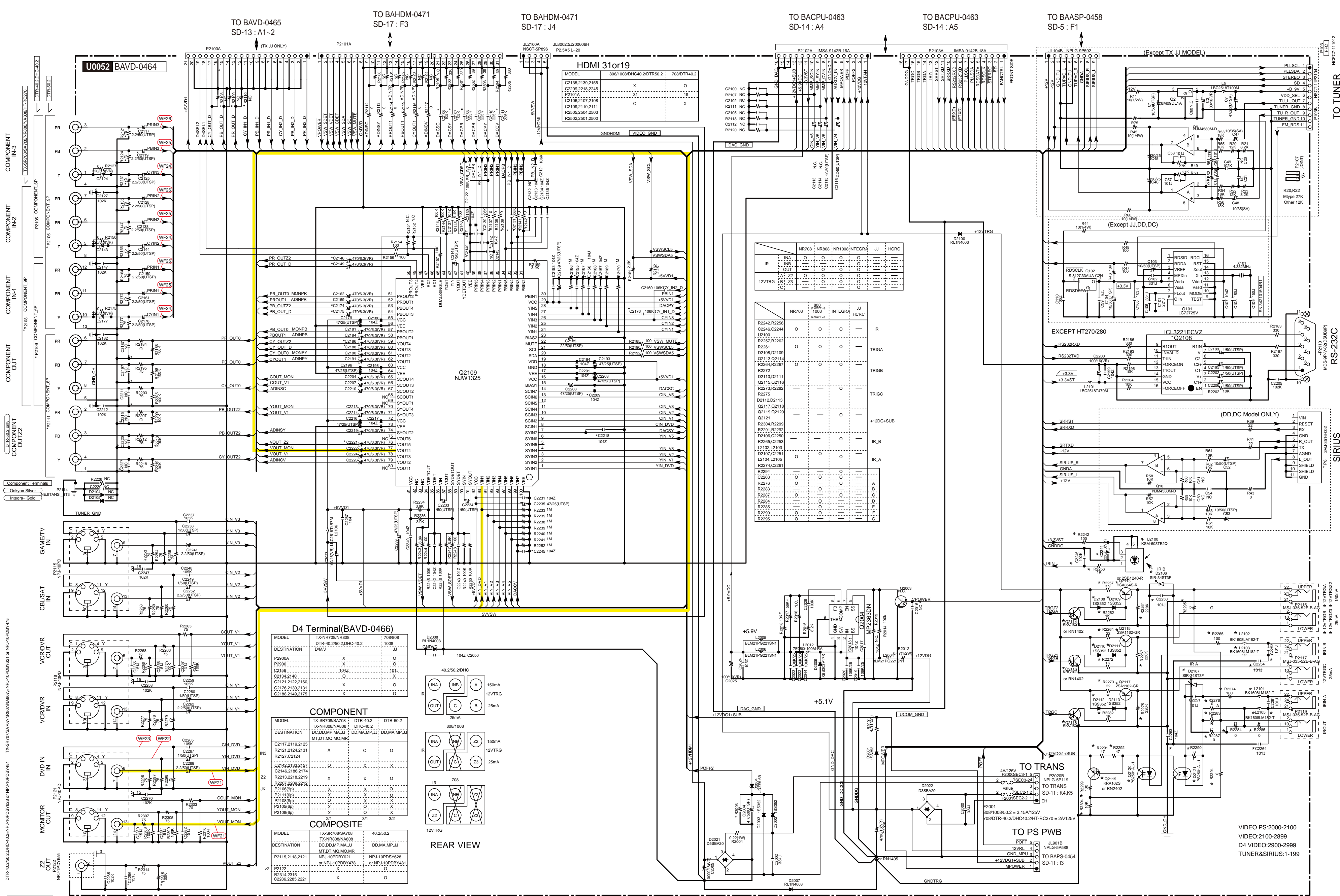
T902

TYPE	T7	A7	T8 / T10	A8 / A10	D4
D	NPT-1520JG	---	NPT-1520JG	---	NPT-1520JG
J	---	NPT-1520J	---	NPT-1520J	---
M	NPT-1520GM	---	NPT-1520GG	---	---



SCHEMATIC DIAGRAMS - 12  
ANALOG VIDEO, POWER SUPPLY SECTION

1  
2  
3  
4  
5  
6  
7  
8



Component Terminals

Only Silver	○
Integrate Gold	●

Composite Terminals

Only Silver	○
Integrate Gold	●

D4 Terminal(BAVD-0466)

MODEL	TX-NR708/NR808	TX-NA708/NA808	708/808
DESTINATION	DTR-40.2/50.2/DHC-40.2	DTR-40.2	1008
	DMAJ		
P2809A	X		O
P2809B		X	O
C2196			X
C2194,2195,2197			X
C2191,2192,2198			X
C2176,2190,2131			X
C2188,2149,2175			X

COMPONENT

MODEL	TX-SR708/SA708	DTR-40.2	DTR-50.2
DESTINATION <td>TX-NR808/NA808</td> <td>DHC-40.2</td> <td>DHC-50.2</td>	TX-NR808/NA808	DHC-40.2	DHC-50.2
	DD.MA.MP.JJ	DD.MA.MP.JJ	DD.MA.MP.JJ
	MT.DT.MC.MC.NR		
C2117,2119,2125	X	O	O
R2121,2124,2131			X
R2127,C2124			X
C2142,2133,2197			X
C2146,2182,2174			X
R2213,2218,2219		X	X
R2207,2209,2212		X	X
P2109(9)	X	O	O
P2111(9)	X	O	O
P2108(9)	X	O	O
P2105(9)	X	O	O
P2109(6)	X	O	O

COMPOSITE

MODEL	TX-SR708/SA708	40.2/50.2
DESTINATION <td>TX-NR808/NA808</td> <td>DD.MA.MP.JJ</td>	TX-NR808/NA808	DD.MA.MP.JJ
	TC.DD.MP.MA.JJ	DD.MA.MP.JJ
	MT.DT.MC.MC.NR	
P2115,2118,2121	X	O
P2122		X
R2314,2315		X
C2286,2285,2221		O

REAR VIEW

HDMI 31or19

MODEL	808/1008/DHC40.2/DTR50.2	708/DTR40.2
C2135,2139,2105	X	O
C2009,2218,2245		X
P2101A		X
C2106,2107,2102		X
C2109,2110,2111		X
R2505,2504,2503		X
R2502,2501,2500		X

	NR708	808	1008	INTEGRA	JJ	HCRC	
R2242,R2256							IR
C2246,C2244							TRIGA
L2100							TRIGB
R2257,R2262							TRIGC
R2261							+12DG+SUB
D2106,D2109							IR_B
C2113,Q2114							IR_A
R2254,R2267							
R2272							
D2110,D2111							
C2115,Q2116							
R2273,R2282							
R2275							
D2112,D2113							
Q2117,Q2118							
Q2119,Q2120							
Q2121							
R2284,R2299							
R2291,R2292							
D2106,C2250							
R2265,C2253							
D2102,L2105							
D2107,C2251							
L2104,L2105							
R2274,C2281							
R2294							
C2265							
R2276							
R2295							
R2297							
R2298							
R2299							
R2299							

VIDEO PS:2000-2100  
VIDEO:2100-2899  
D4 VIDEO:2900-2999  
TUNER&SIRIUS:1-199

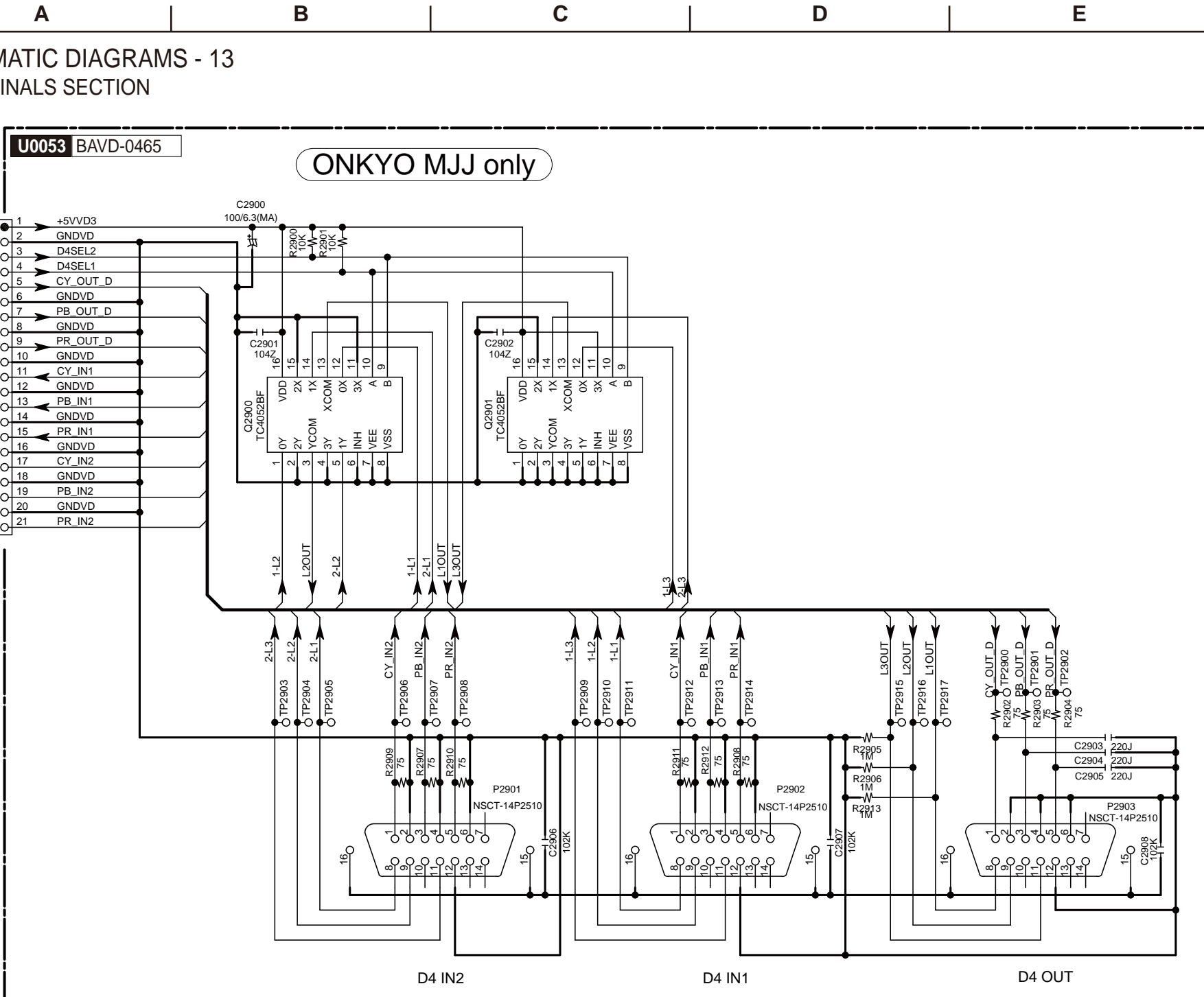
SCHEMATIC DIAGRAMS - 13  
D TERMINALS SECTION

1

2

3

4



TO BAVD-0464  
SD-12 : B1~C1  
P2100B

J0053 BAVD-0465

ONKYO MJJ only

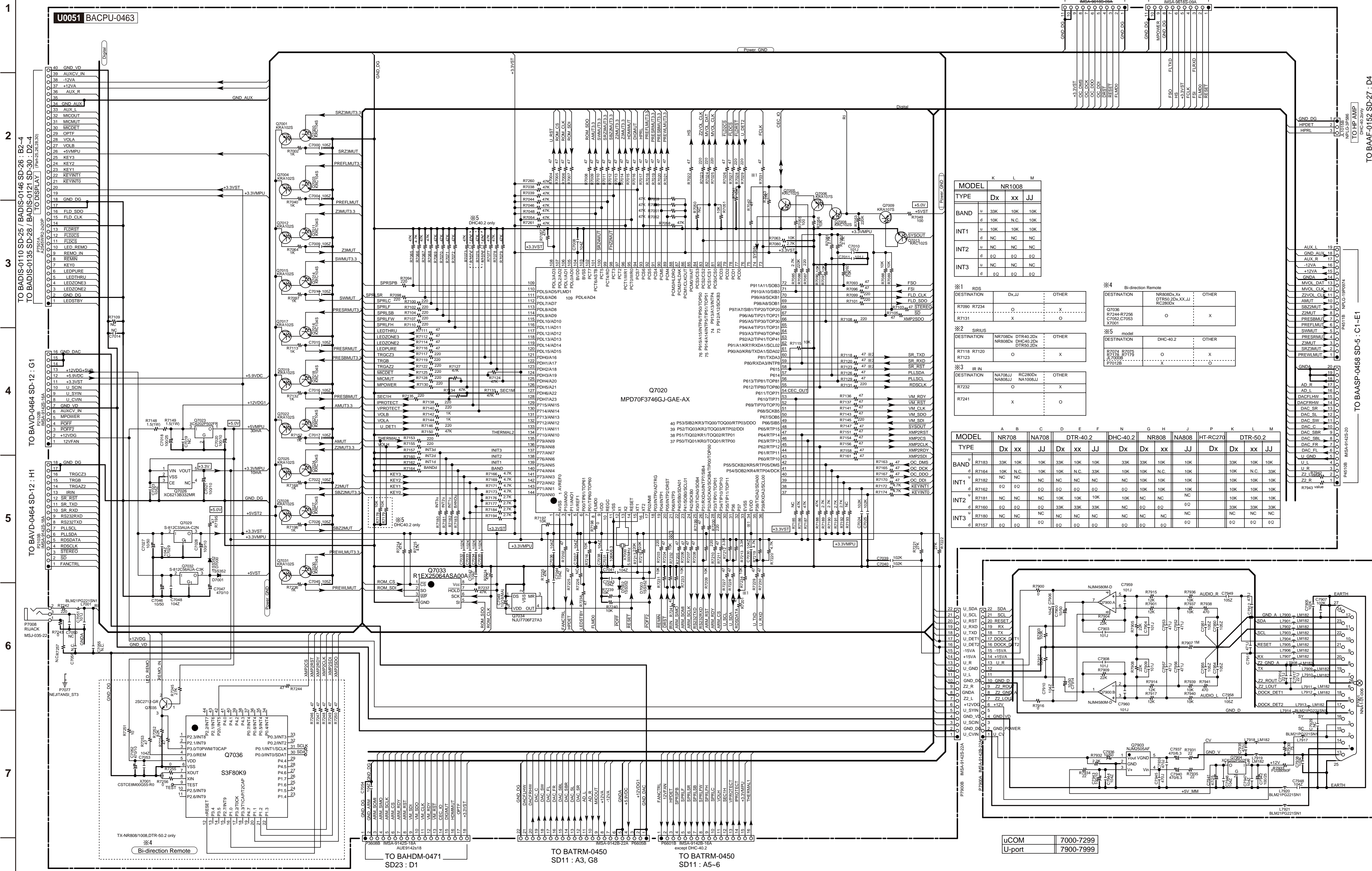
D4 IN2

D4 IN1

D4 OUT



SCHEMATIC DIAGRAMS - 14  
MAIN MICROPROCESSOR SECTION



MODEL	K	L	M	
TYPE	Dx	xx	JJ	
BAND	v	33K	10K	10K
INT1	d	10K	NC	10K
INT2	d	10K	NC	10K
INT3	d	10K	NC	10K

MODEL	NR708	NA708	DTR-40.2	DHC-40.2	NR808	NA808	HT-RC270	DTR-50.2
TYPE	Dx	xx	JJ	Dx	xx	JJ	Dx	Dx
BAND	R7183	33K	10K	10K	33K	10K	10K	33K
INT1	R7184	10K	NC	10K	10K	NC	10K	10K
INT2	R7185	NC	NC	NC	NC	NC	NC	NC
INT3	R7186	0.0	0.0	0.0	0.0	0.0	0.0	0.0

MODEL	NR708	NA708	DTR-40.2	DHC-40.2	NR808	NA808	HT-RC270	DTR-50.2
TYPE	Dx	xx	JJ	Dx	xx	JJ	Dx	Dx
BAND	R7183	33K	10K	10K	33K	10K	10K	33K
INT1	R7184	10K	NC	10K	10K	NC	10K	10K
INT2	R7185	NC	NC	NC	NC	NC	NC	NC
INT3	R7186	0.0	0.0	0.0	0.0	0.0	0.0	0.0

MODEL	NR708	NA708	DTR-40.2	DHC-40.2	NR808	NA808	HT-RC270	DTR-50.2
TYPE	Dx	xx	JJ	Dx	xx	JJ	Dx	Dx
BAND	R7183	33K	10K	10K	33K	10K	10K	33K
INT1	R7184	10K	NC	10K	10K	NC	10K	10K
INT2	R7185	NC	NC	NC	NC	NC	NC	NC
INT3	R7186	0.0	0.0	0.0	0.0	0.0	0.0	0.0

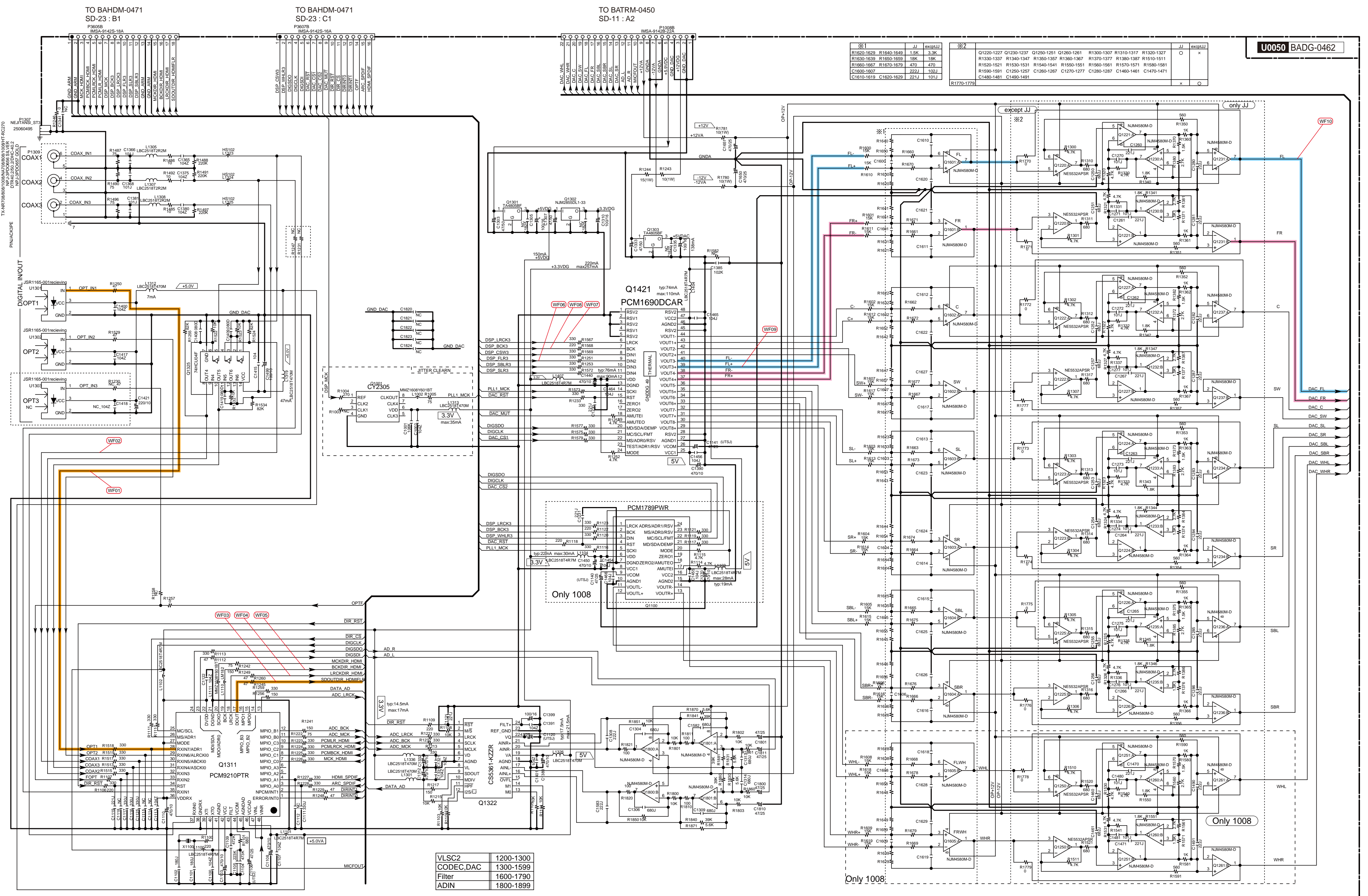
MODEL	NR708	NA708	DTR-40.2	DHC-40.2	NR808	NA808	HT-RC270	DTR-50.2
TYPE	Dx	xx	JJ	Dx	xx	JJ	Dx	Dx
BAND	R7183	33K	10K	10K	33K	10K	10K	33K
INT1	R7184	10K	NC	10K	10K	NC	10K	10K
INT2	R7185	NC	NC	NC	NC	NC	NC	NC
INT3	R7186	0.0	0.0	0.0	0.0	0.0	0.0	0.0

uCOM 7000-7299  
U-port 7900-7999



SCHEMATIC DIAGRAMS - 15  
DAC/DIR/ADC/VLSC2 SECTION

1  
2  
3  
4  
5  
6  
7  
8



X1	JJ	EXCEPT JJ
R1600-1629	R1640-1649	1.5K 3.3K
R1630-1639	R1650-1659	1.8K 470
R1660-1667	R1670-1679	470 470
C1610-1619	C1620-1629	221J 101J

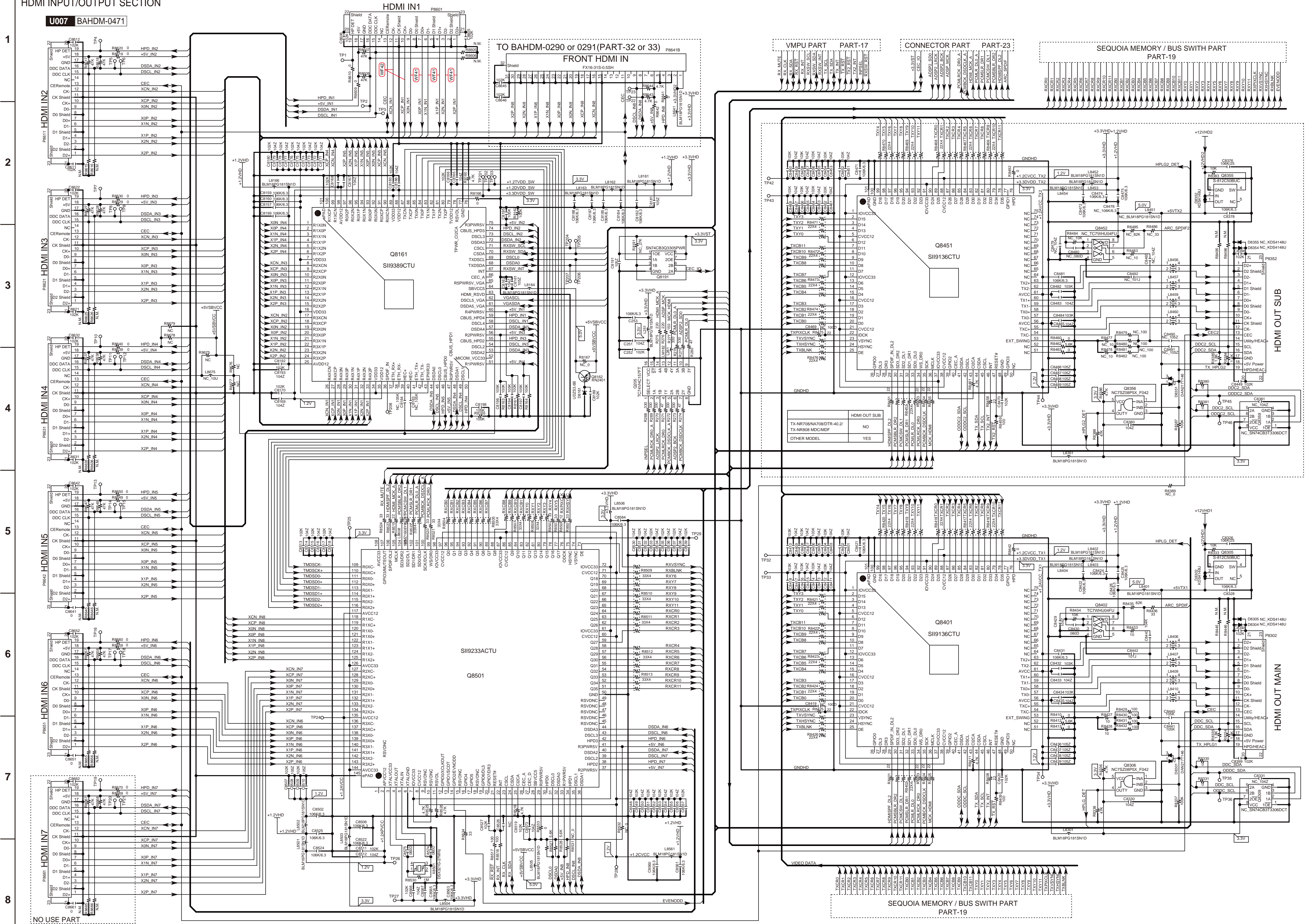
  

X2	JJ	EXCEPT JJ
Q1220-1227	Q1230-1237	Q1240-1247
R1300-1307	R1310-1317	R1320-1327
R1330-1337	R1340-1347	R1350-1357
R1360-1367	R1370-1377	R1380-1387
R1390-1397	R1400-1407	R1410-1417
R1420-1427	R1430-1437	R1440-1447
R1450-1457	R1460-1467	R1470-1477
R1480-1487	R1490-1497	R1500-1507
R1510-1517	R1520-1527	R1530-1537
R1540-1547	R1550-1557	R1560-1567
R1570-1577	R1580-1587	R1590-1597
R1600-1607	R1610-1617	R1620-1627
R1630-1637	R1640-1647	R1650-1657
R1660-1667	R1670-1677	R1680-1687
R1690-1697	R1700-1707	R1710-1717
R1720-1727	R1730-1737	R1740-1747
R1750-1757	R1760-1767	R1770-1777
R1780-1787	R1790-1797	R1800-1807
R1810-1817	R1820-1827	R1830-1837
R1840-1847	R1850-1857	R1860-1867
R1870-1877	R1880-1887	R1890-1897
R1900-1907	R1910-1917	R1920-1927
R1930-1937	R1940-1947	R1950-1957
R1960-1967	R1970-1977	R1980-1987
R1990-1997	R2000-2007	R2010-2017
R2020-2027	R2030-2037	R2040-2047
R2050-2057	R2060-2067	R2070-2077
R2080-2087	R2090-2097	R2100-2107
R2110-2117	R2120-2127	R2130-2137
R2140-2147	R2150-2157	R2160-2167
R2170-2177	R2180-2187	R2190-2197
R2200-2207	R2210-2217	R2220-2227
R2230-2237	R2240-2247	R2250-2257
R2260-2267	R2270-2277	R2280-2287
R2290-2297	R2300-2307	R2310-2317
R2320-2327	R2330-2337	R2340-2347
R2350-2357	R2360-2367	R2370-2377
R2380-2387	R2390-2397	R2400-2407
R2410-2417	R2420-2427	R2430-2437
R2440-2447	R2450-2457	R2460-2467
R2470-2477	R2480-2487	R2490-2497
R2500-2507	R2510-2517	R2520-2527
R2530-2537	R2540-2547	R2550-2557
R2560-2567	R2570-2577	R2580-2587
R2590-2597	R2600-2607	R2610-2617
R2620-2627	R2630-2637	R2640-2647
R2650-2657	R2660-2667	R2670-2677
R2680-2687	R2690-2697	R2700-2707
R2710-2717	R2720-2727	R2730-2737
R2740-2747	R2750-2757	R2760-2767
R2770-2777	R2780-2787	R2790-2797
R2800-2807	R2810-2817	R2820-2827
R2830-2837	R2840-2847	R2850-2857
R2860-2867	R2870-2877	R2880-2887
R2890-2897	R2900-2907	R2910-2917
R2920-2927	R2930-2937	R2940-2947
R2950-2957	R2960-2967	R2970-2977
R2980-2987	R2990-2997	R3000-3007

VLSC2	1200-1300
CODEC_DAC	1300-1599
Filter	1600-1790
ADIN	1800-1899



SCHEMATIC DIAGRAMS - 16  
HDMI INPUT/OUTPUT SECTION

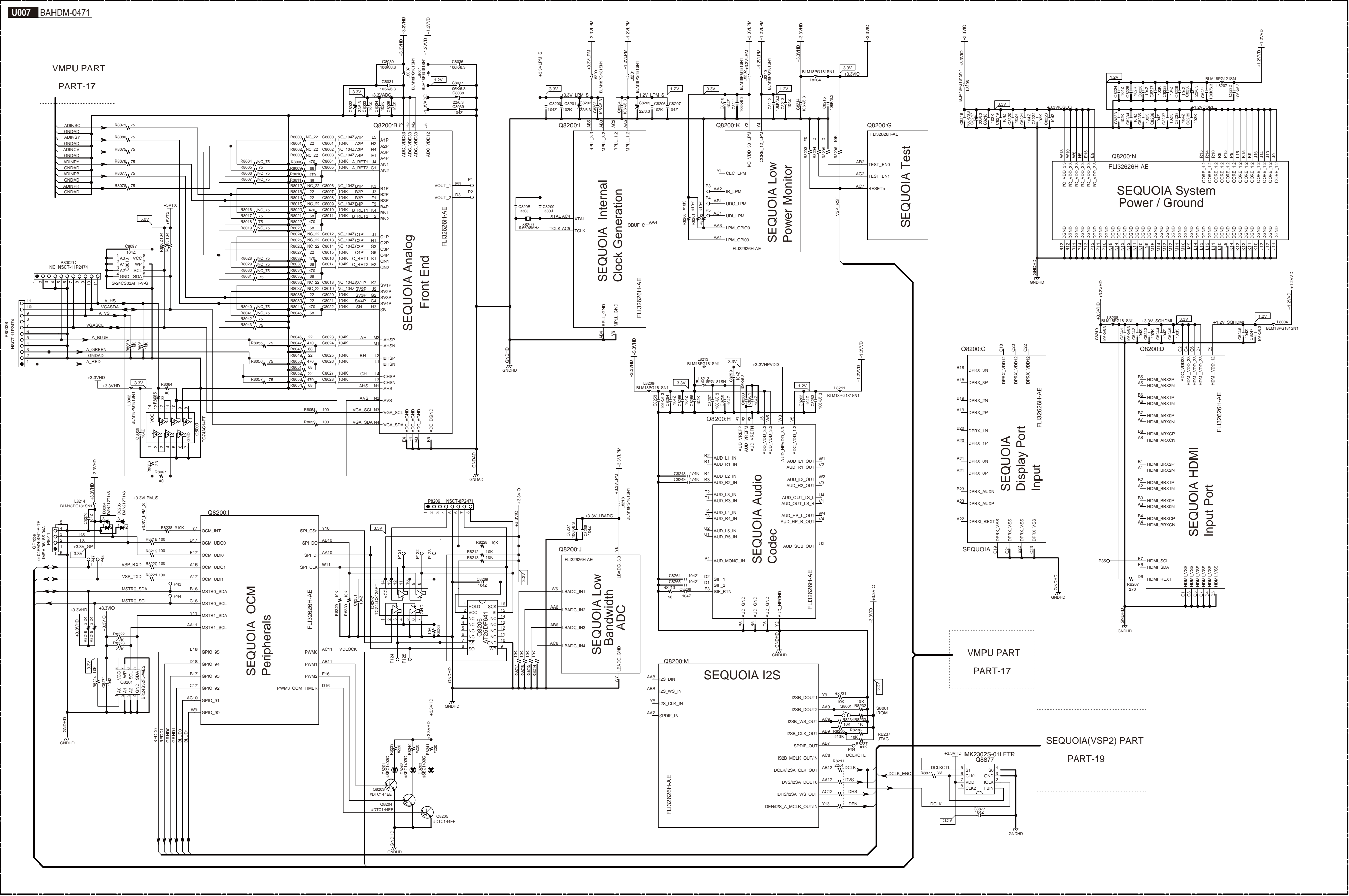






SCHEMATIC DIAGRAMS - 18  
VSP SECTION (PART 1/2)

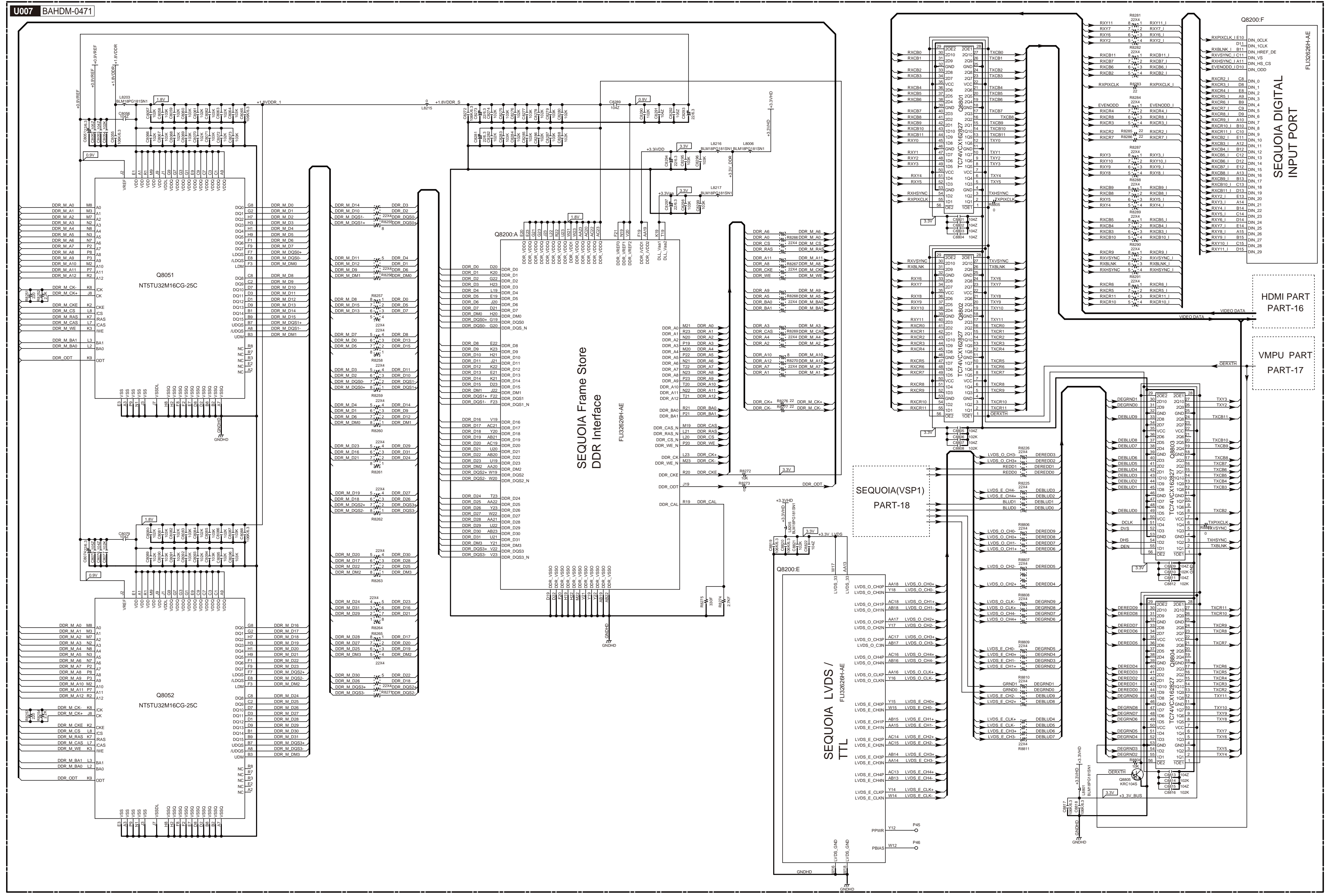
1  
2  
3  
4  
5  
6  
7  
8





SCHEMATIC DIAGRAMS - 19  
VSP SECTION (PART 2/2)

1  
2  
3  
4  
5  
6  
7  
8



SCHEMATIC DIAGRAMS - 20  
DSP/AUDIO/GPIO SECTION

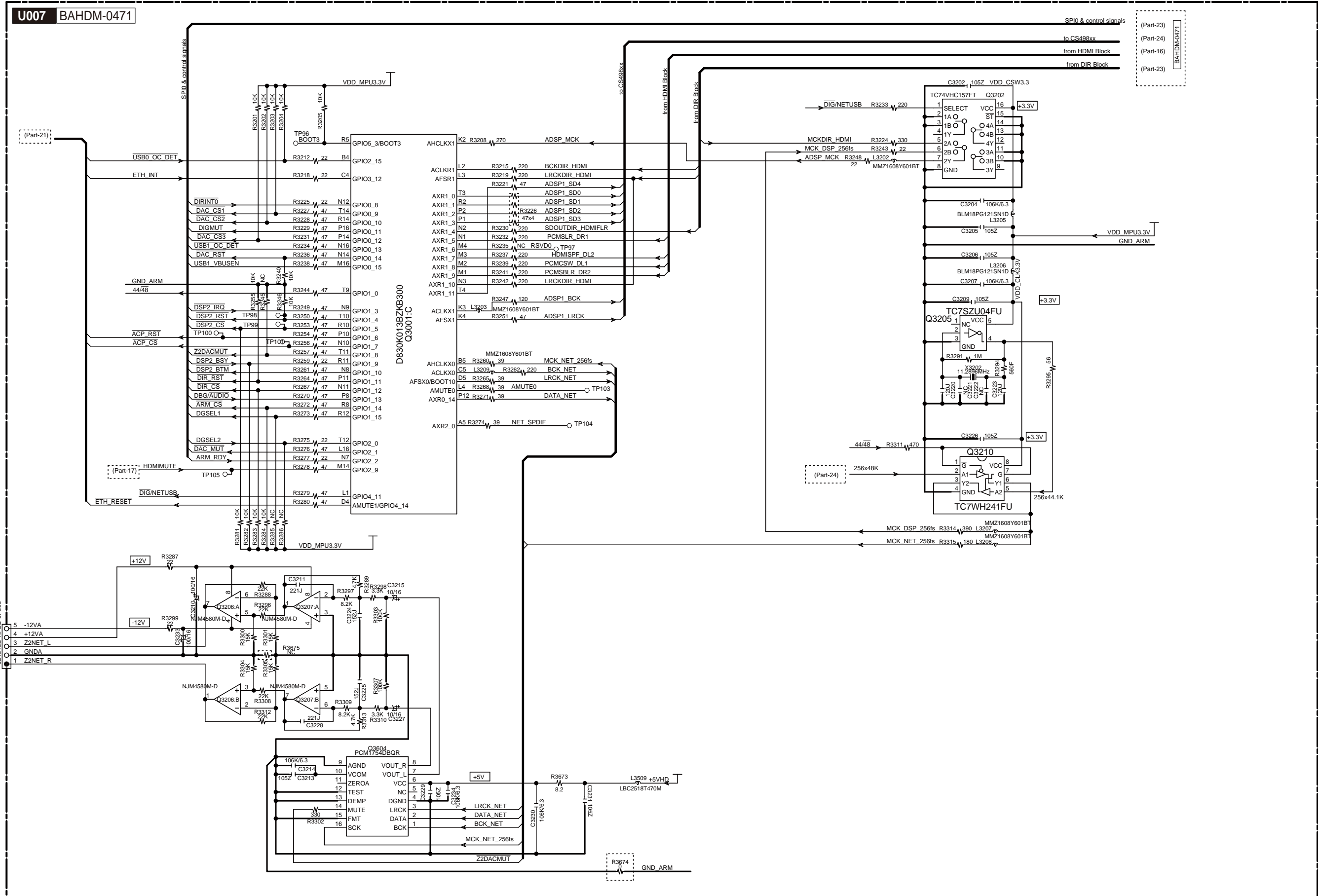
1

2

3

4

5



TO BAASP-0458  
SD-5: E1-F1  
JUL45198.NPLG-9P588

SCHEMATIC DIAGRAMS - 21  
NET/USB POWER SECTION

1

U007 BAHDM-0471

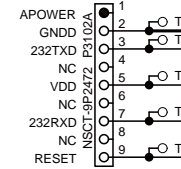
R3115 or R3116	BOOT2
R3111 or R3112	BOOT5
R3109 or R3110	BOOT6
R3107 or R3108	BOOT7

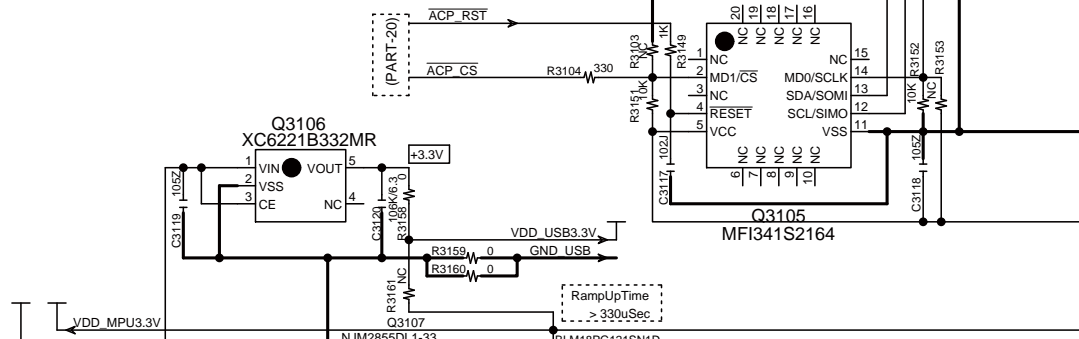
Boot Opt.	NAND	UART1	SPI0
BOOT7	L	H	L
BOOT1	H	H	L
BOOT0	H	H	L
BOOT3	H	L	H
BOOT2	H	L	H

BOOT3 is always pulled up.

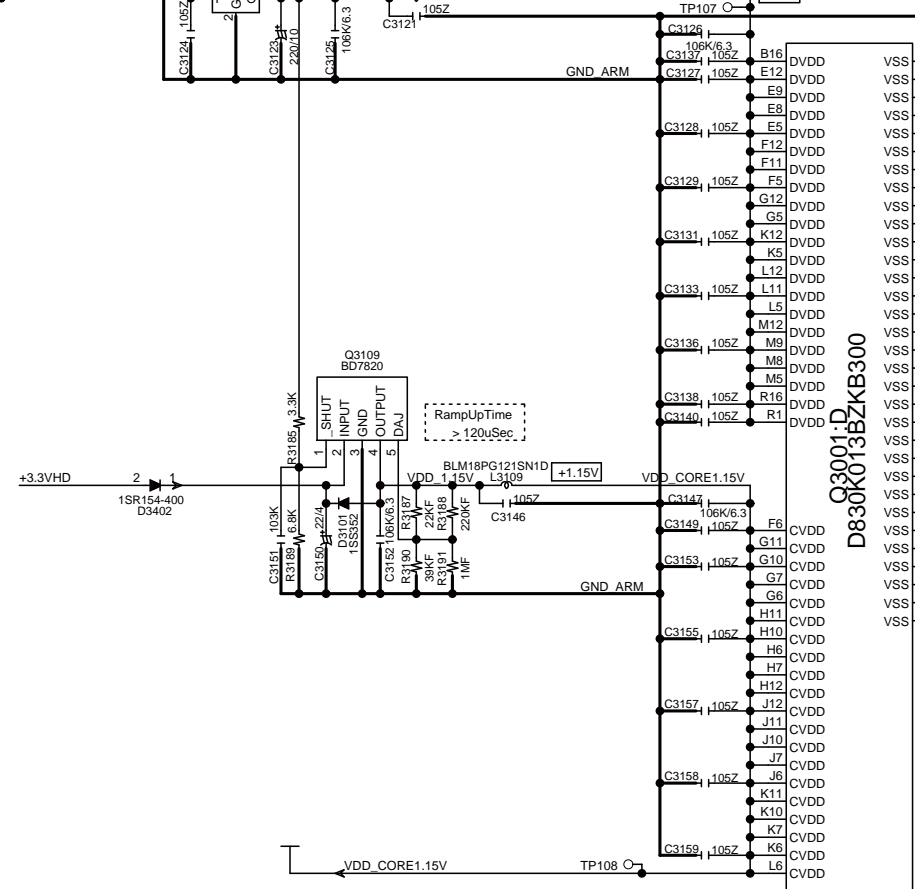
2



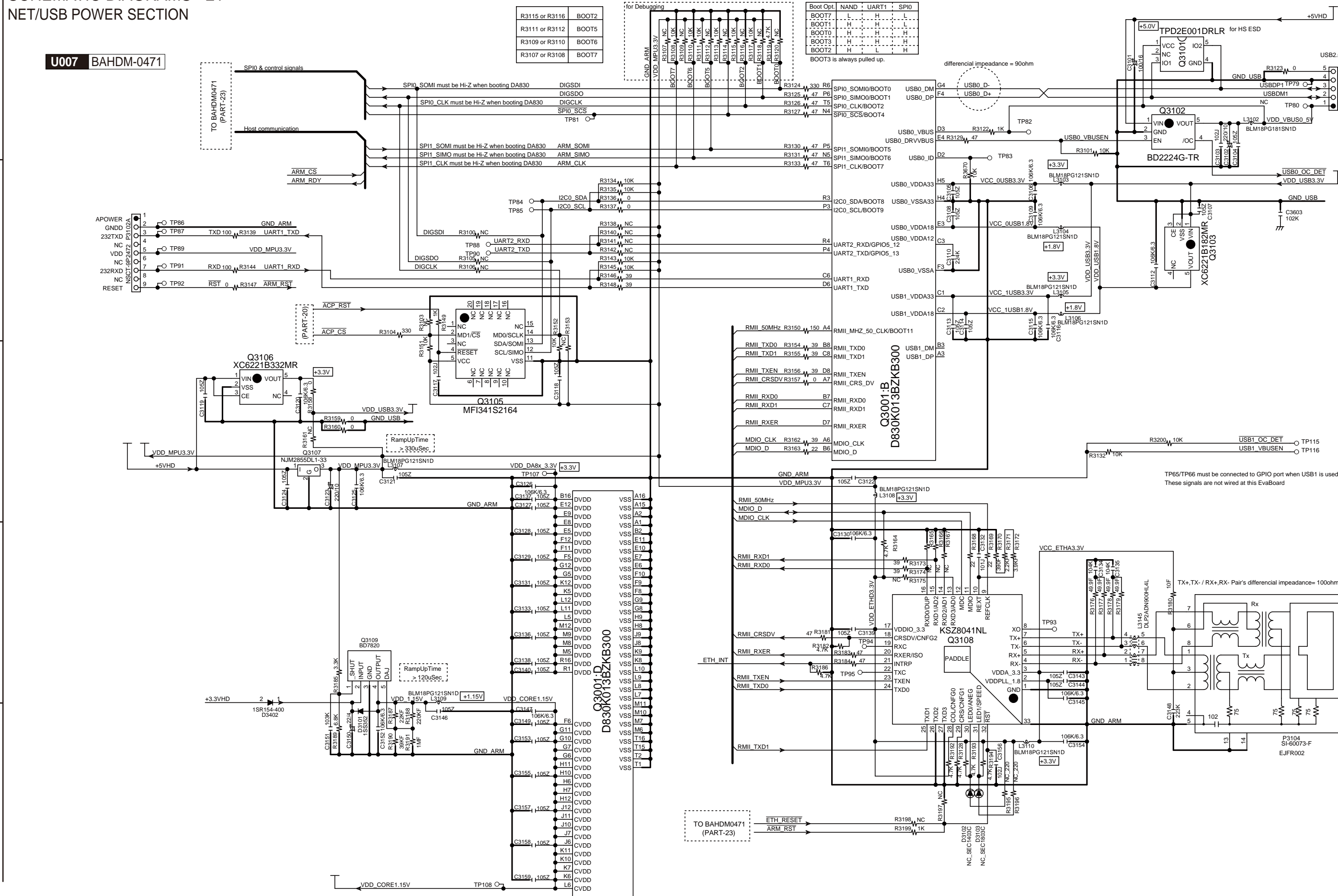
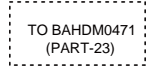
3



4



5



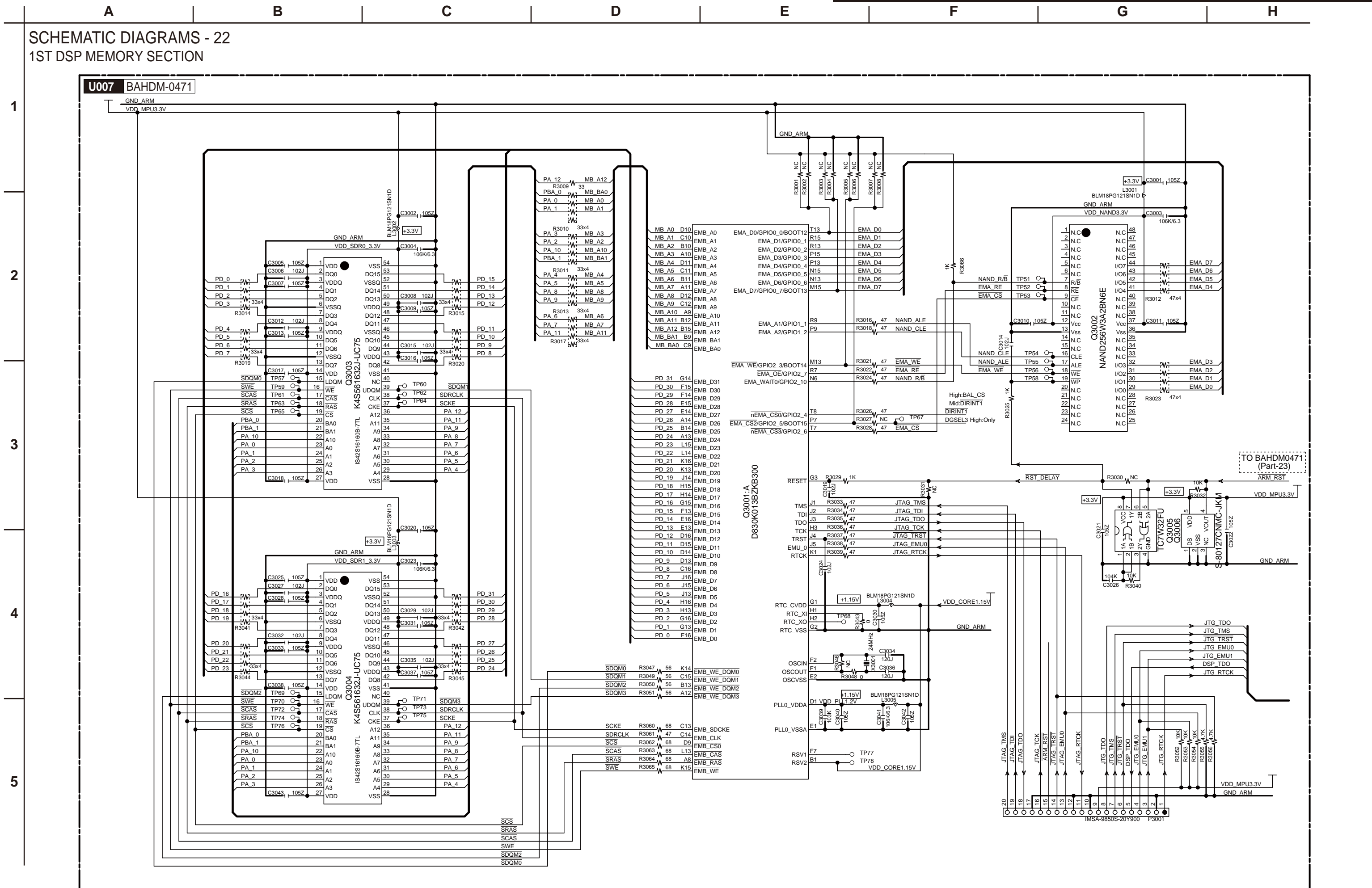
TO BAETC-0468  
SD-32 : B4  
TO BAETC-0469  
SD-32 : E4

TP65/TP66 must be connected to GPIO port when USB1 is used. These signals are not wired at this EvaBoard

TX+, TX- / RX+, RX- Pair's differential impedance= 100ohm

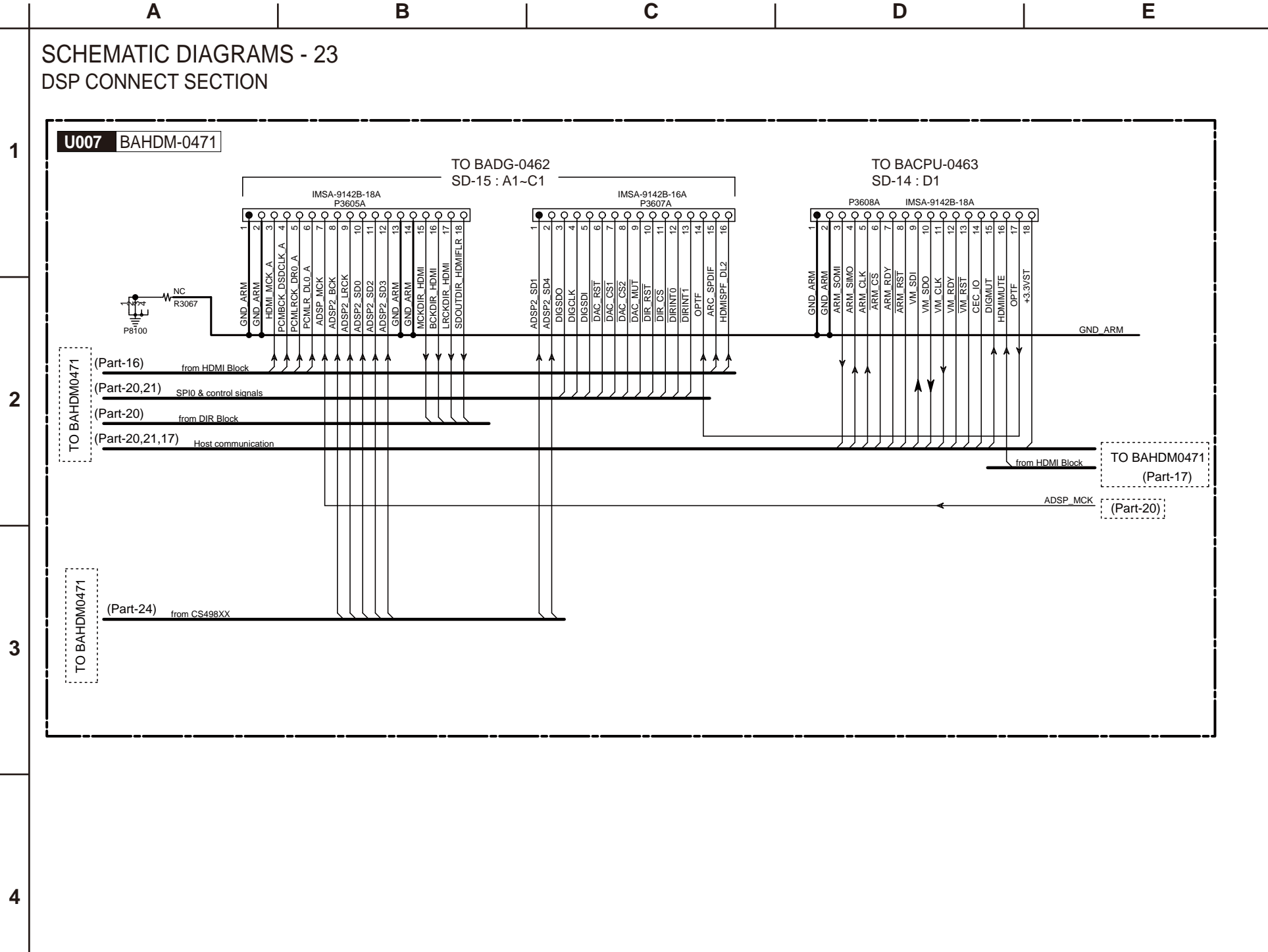


SCHEMATIC DIAGRAMS - 22  
1ST DSP MEMORY SECTION

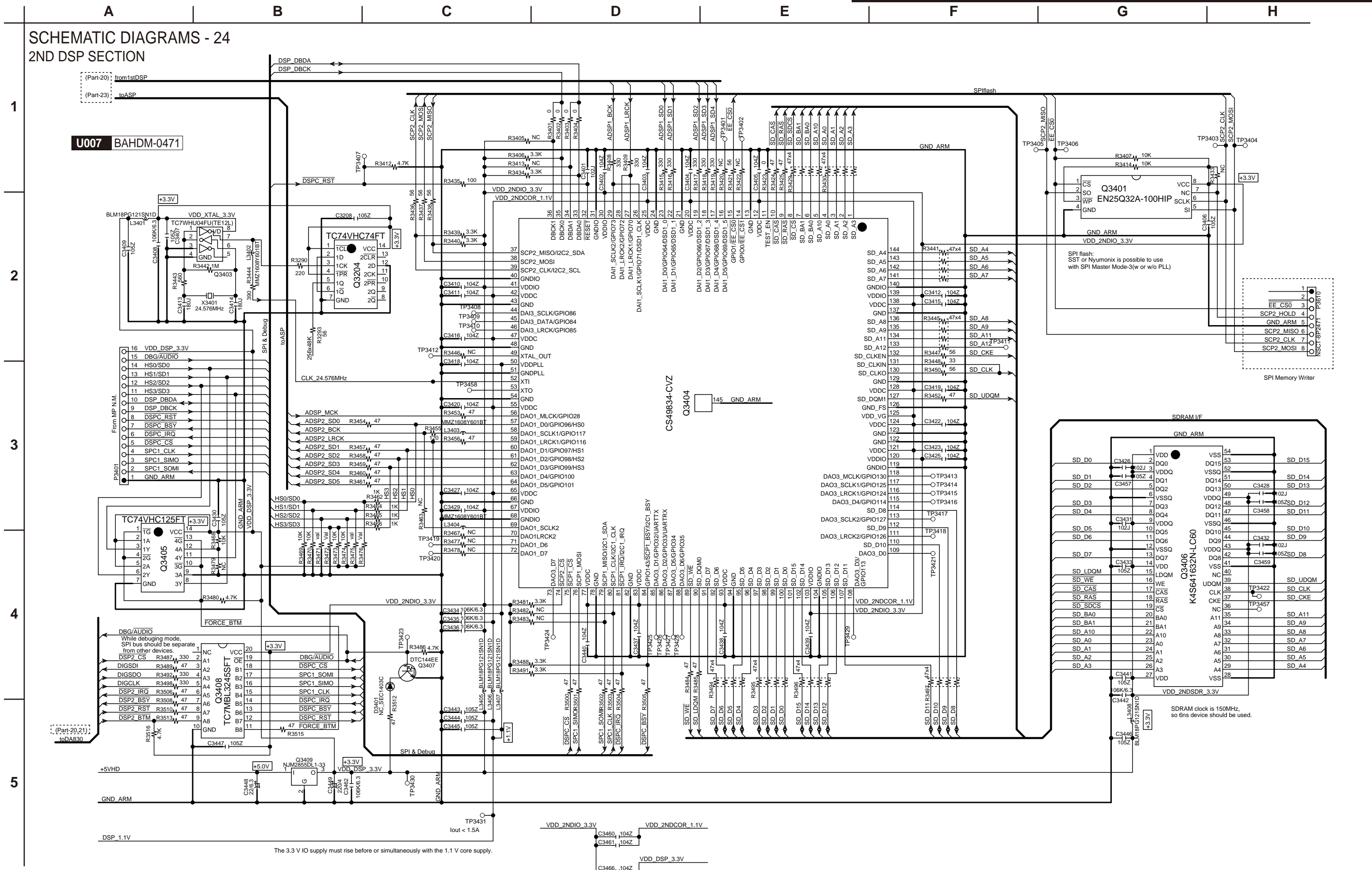




SCHEMATIC DIAGRAMS - 23  
DSP CONNECT SECTION

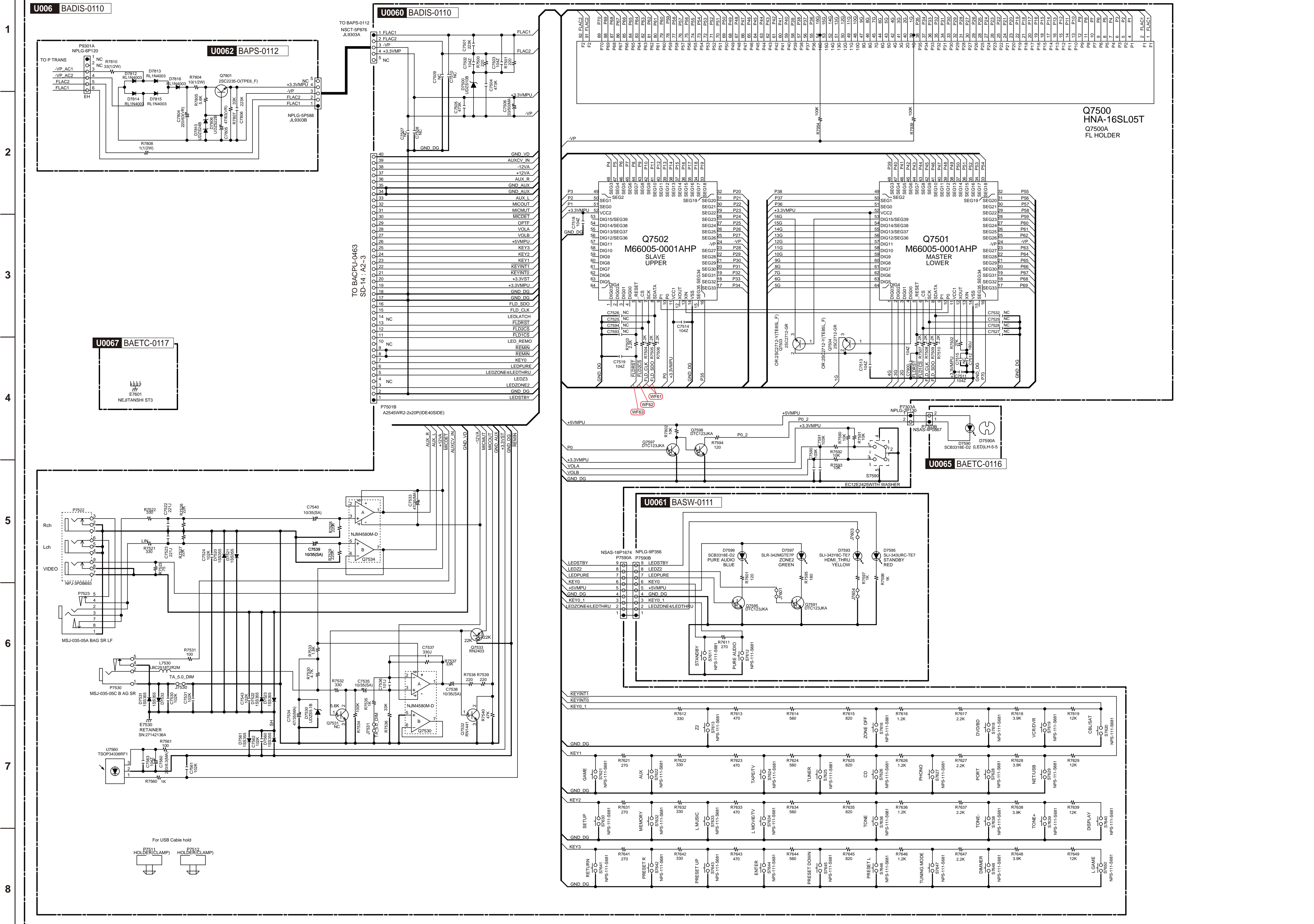


SCHEMATIC DIAGRAMS - 24  
2ND DSP SECTION



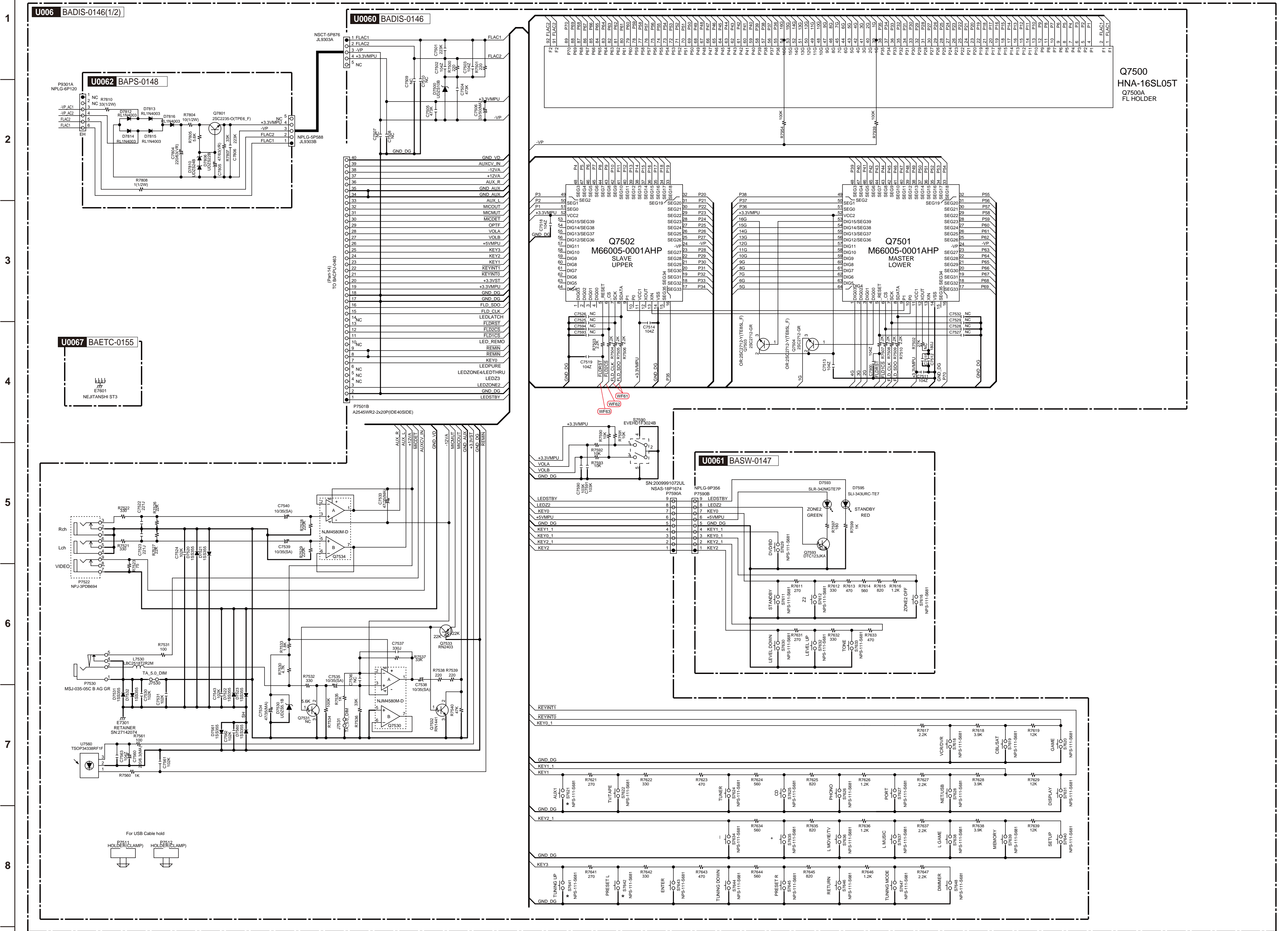
for bypassing high frequency current of power plane

SCHEMATIC DIAGRAMS - 25  
DISP SECTION





SCHEMATIC DIAGRAMS - 26  
DISPLAY SECTION



A

B

C

D

E

# SCHEMATIC DIAGRAMS - 27

## HEAD PHONE AMP SECTION

1

2

3

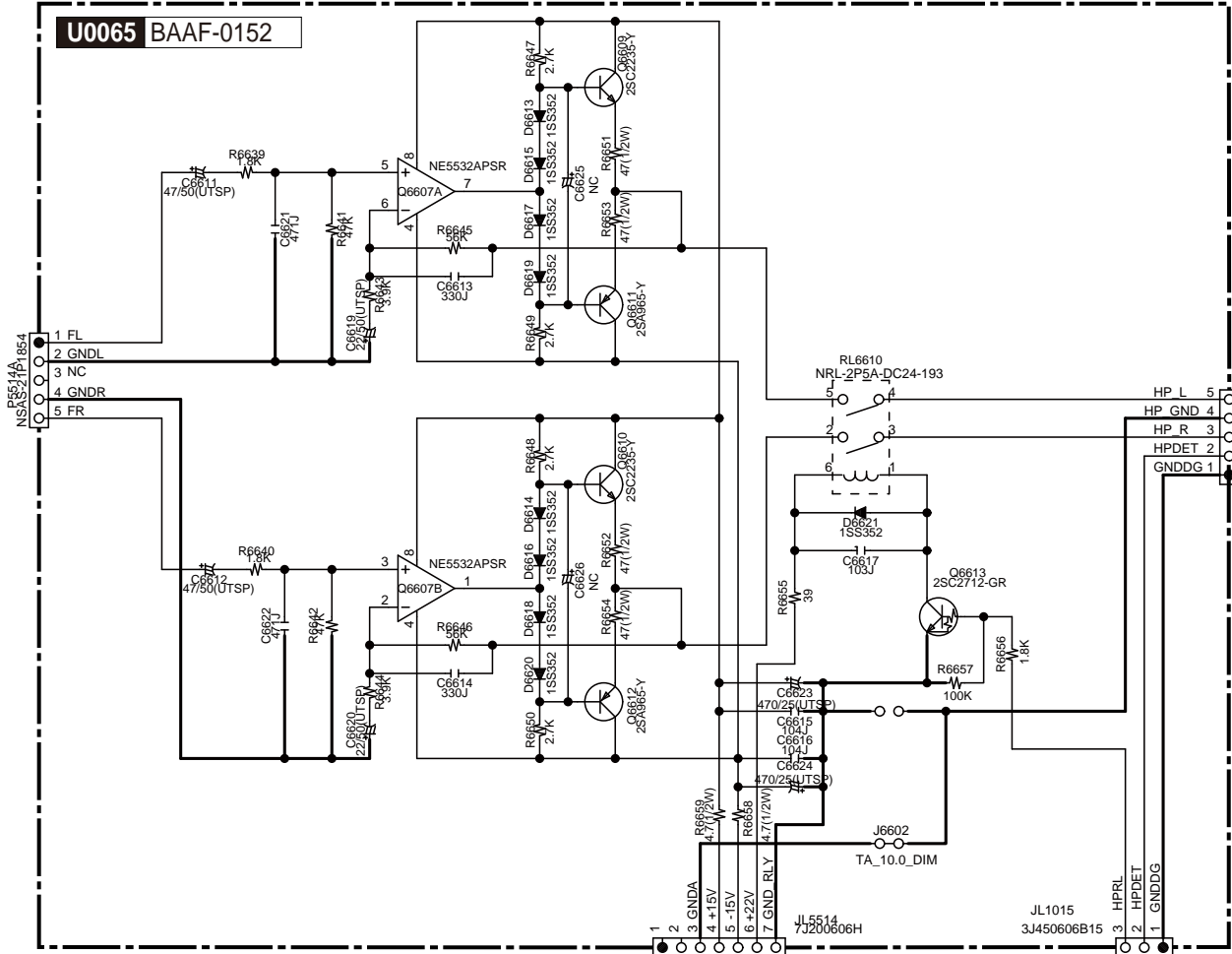
4

**U006** BADIS-0146

**U0065** BAAF-0152

TO BAASP-0458  
SD-5 : K3

- 1 FL
- 2 GNDL
- 3 NC
- 4 GNDR
- 5 FR



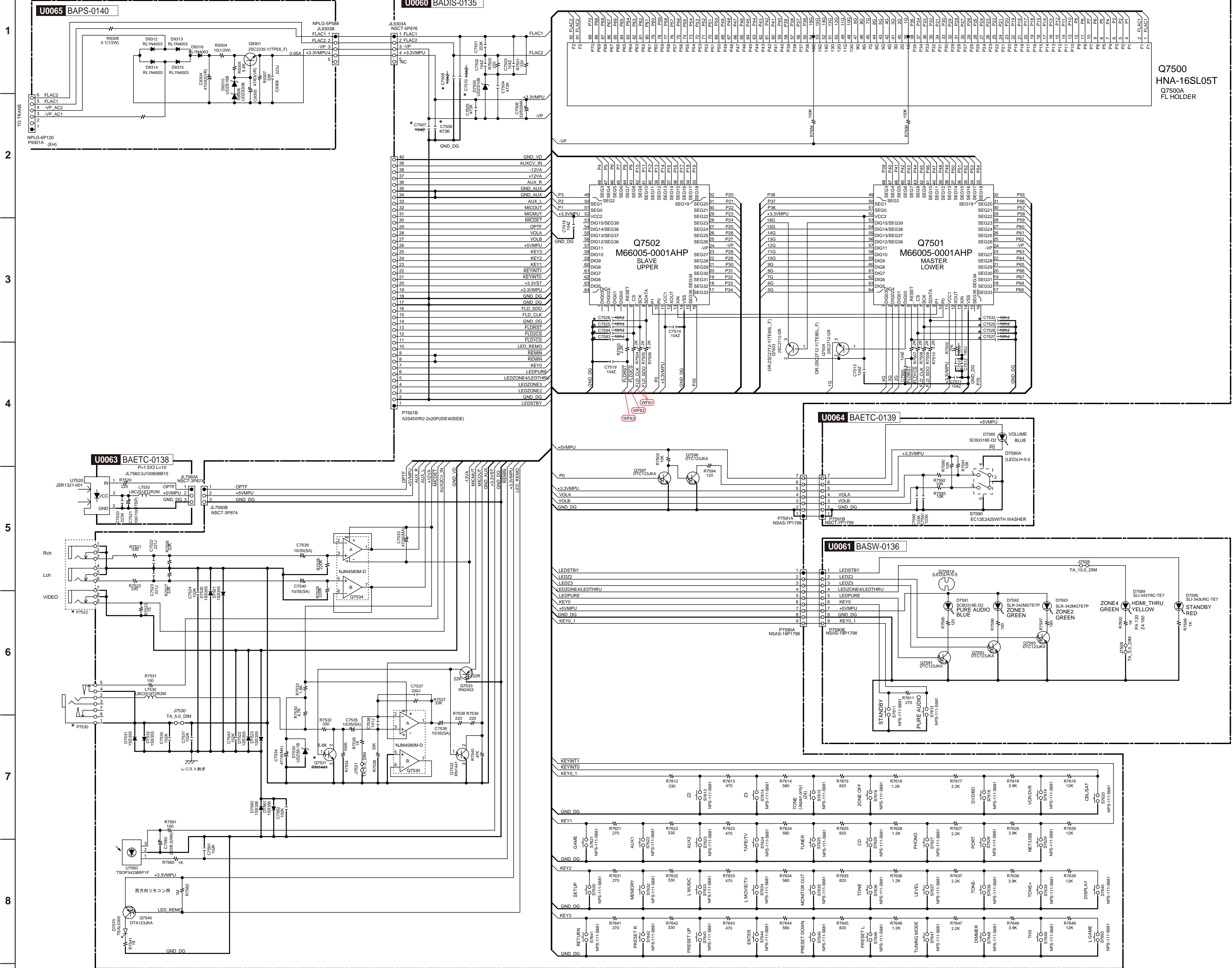
TO BATRM-0451  
SD-11 : K1

TO BACPU-0463  
SD-14 : K2

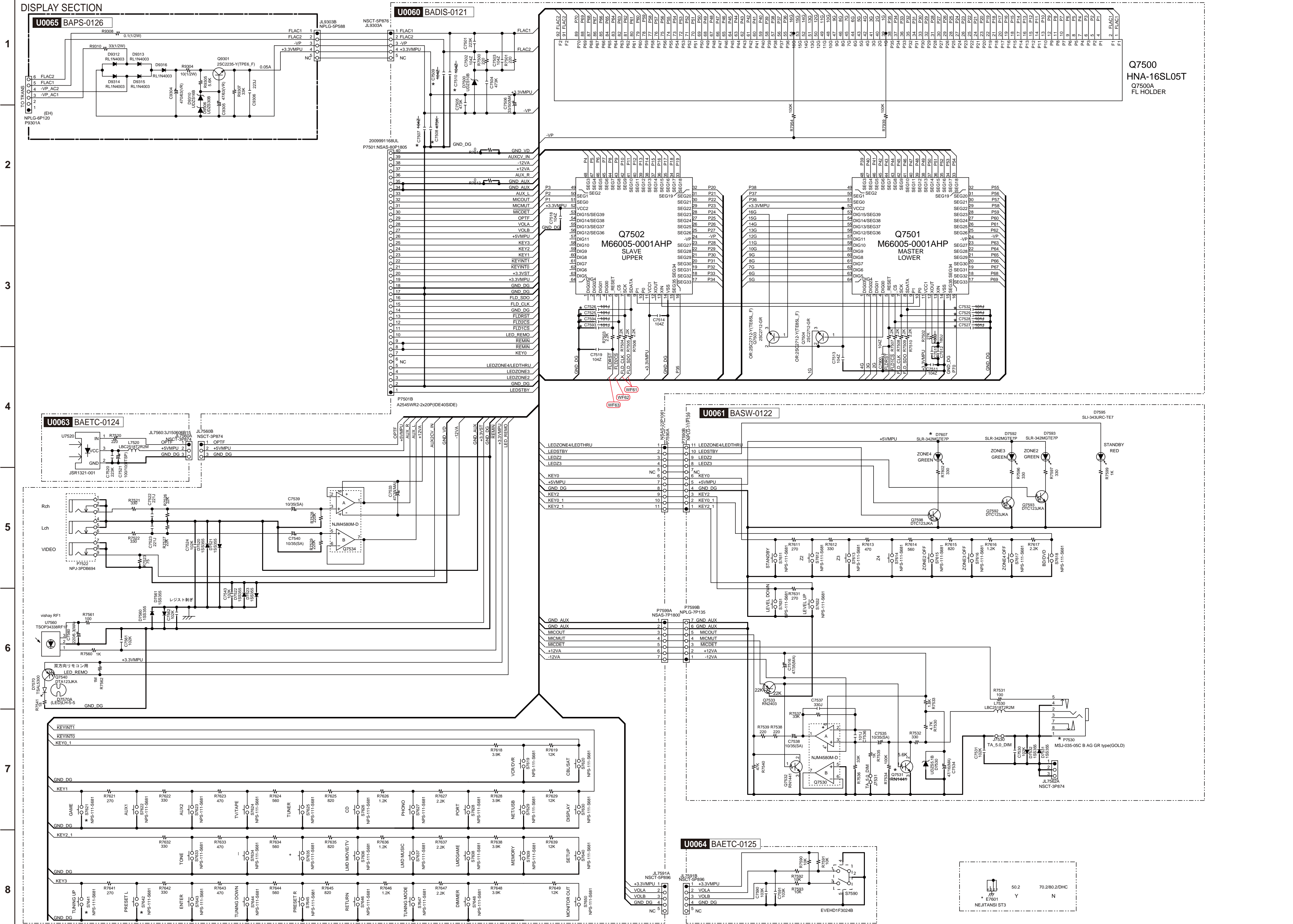
TO BAETC-0149  
SD-26 : I6



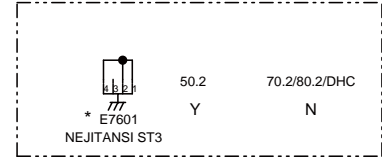
SCHEMATIC DIAGRAMS - 28  
DISPLAY SECTION



SCHEMATIC DIAGRAMS - 30  
DISPLAY SECTION



Q7500  
HNA-16SL05T  
Q7500A  
FL HOLDER

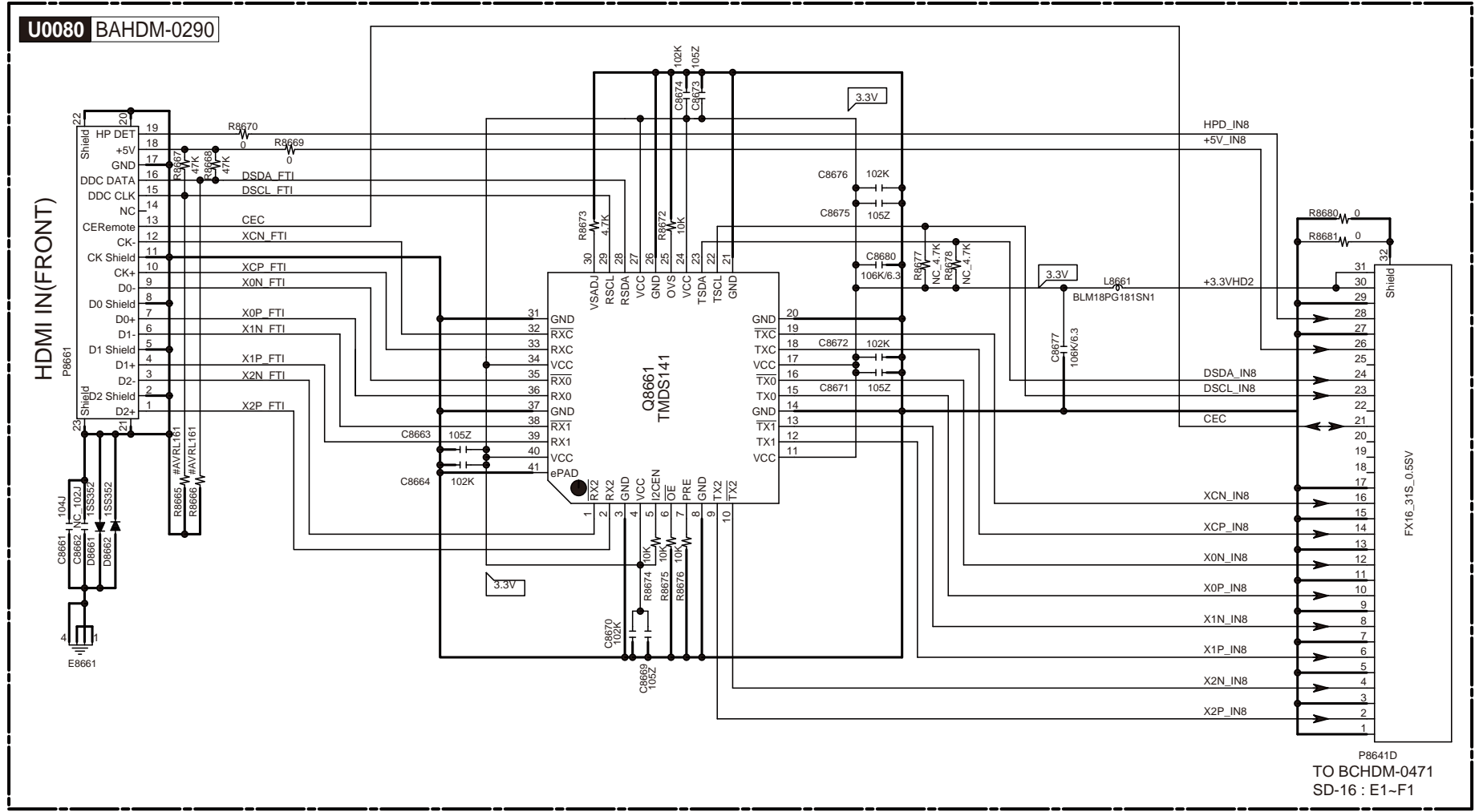


A B C D E  
 SCHEMATIC DIAGRAMS - 32  
 FRONT HDMI SECTION

1

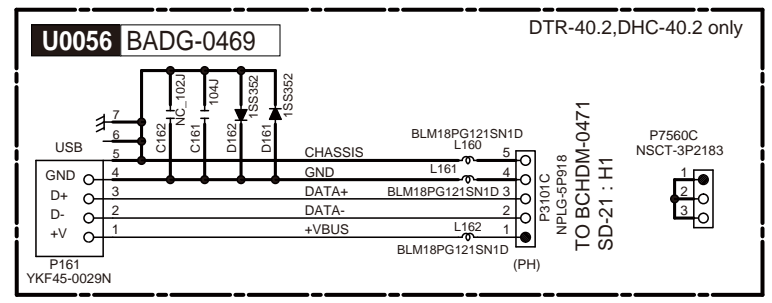
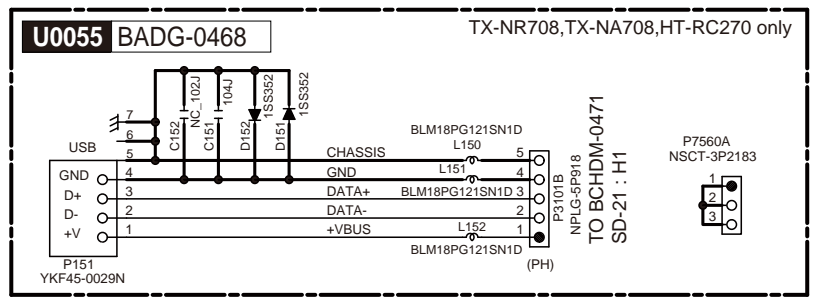
2

3

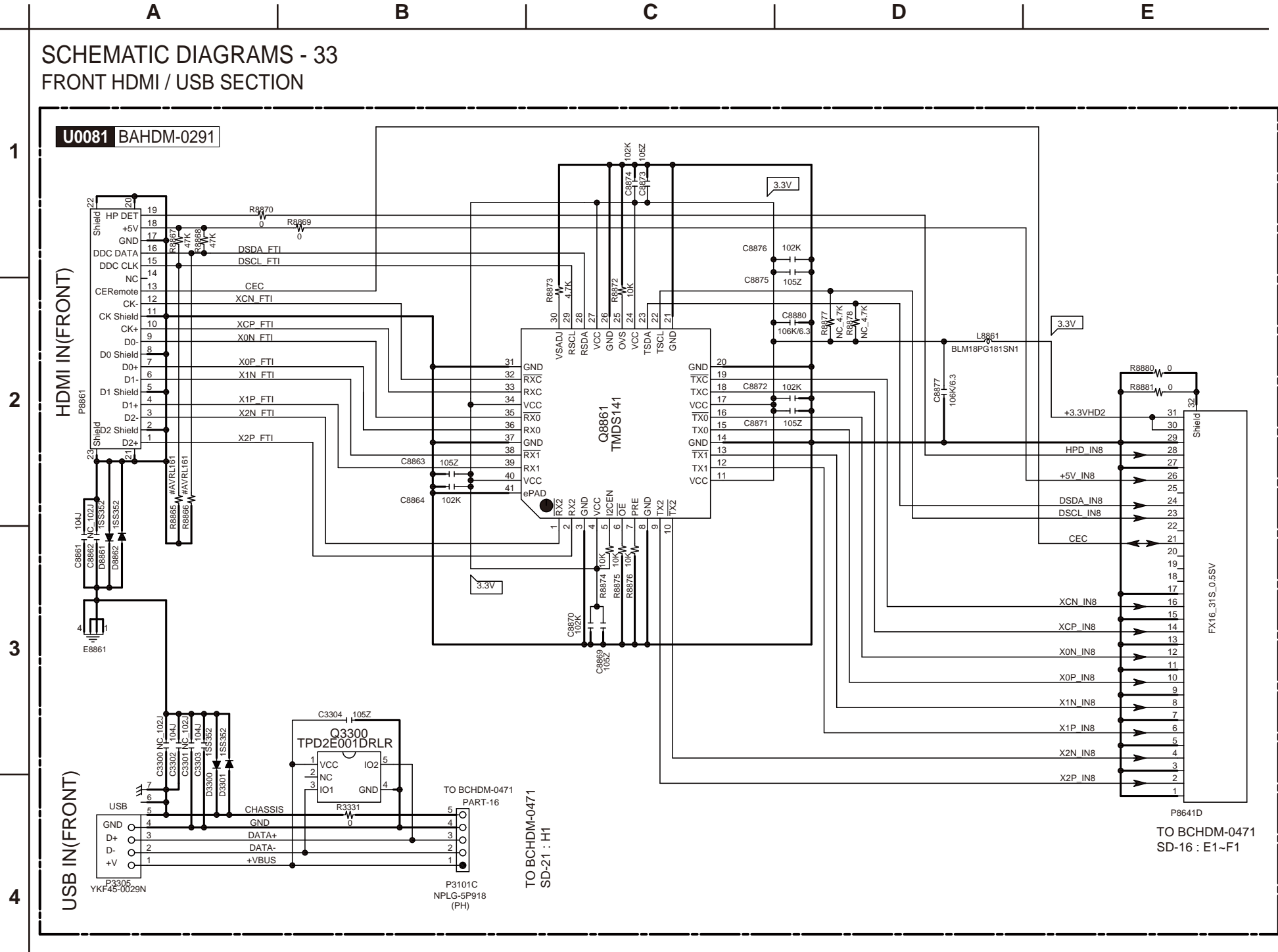


P8641D  
 TO BCHDM-0471  
 SD-16 : E1-F1

4



SCHEMATIC DIAGRAMS - 33  
FRONT HDMI / USB SECTION



U0081 BAHDM-0291

HDMI IN(FRONT)

USB IN(FRONT)

TO BCHDM-0471  
SD-16 : E1-F1



**SCHEMATIC DIAGRAMS-34  
WAVEFORM SECTION**

1

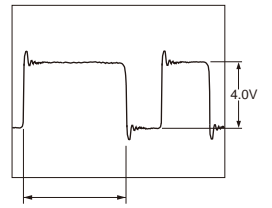
**Digital Audio Waveform Part (SD-15)**

**NOTE:**  
1. (WF01) is short for (Waveform01)  
2. Refer to SCHEMATIC DIAGRAM-3 / PART-5 for the location of each waveform in the circuit.  
3. XY in "PART-b:XY" indicates each measurement point location, X=A to E/H/K, Y=1 to 4/5/8.

**LR CLOCK (SAI\_LRCK, CX\_LRCK)**  
Fs=48kHz : DVD, Clock width=20.8us  
Fs=44.1kHz : CD, Clock width=22.7us

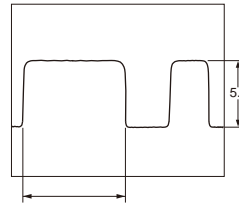
**BIT CLOCK (SAI\_SLCK, CX\_SLCK)**  
64Fs=3072kHz : DVD, Clock width=325ns  
64Fs=2822.4kHz : CD, Clock width=354ns

(WF01) OPT1



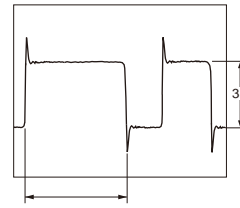
Duty varies according to audio data

(WF02) COAX1



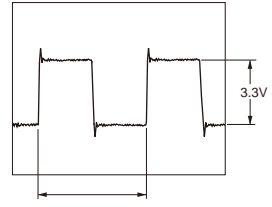
Duty always varies according to audio data

(WF03) SDOUTDIR HDMIFLR

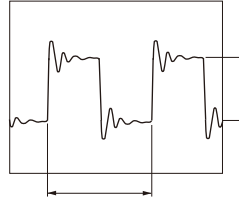


Duty varies according to audio data

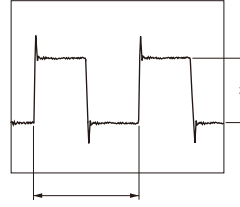
(WF04) LRCKDIR HDMI



(WF05) BCKDIR HDMI

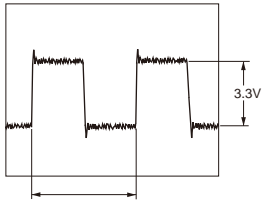


(WF06) DSP FLR3

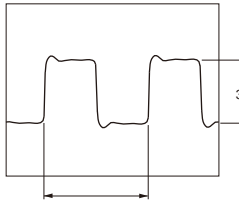


Front L/R audio data

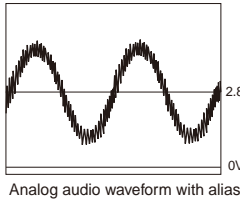
(WF07) DSP LRCK3



(WF08) DSP BCK3

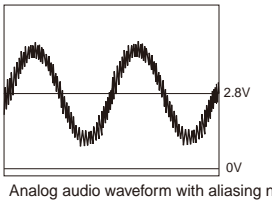


(WF09) FL+



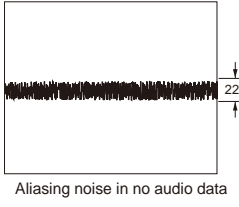
Analog audio waveform with aliasing noise

(WF10) DAC\_FL



Analog audio waveform with aliasing noise

(WF10) DAC\_FL



Aliasing noise in no audio data

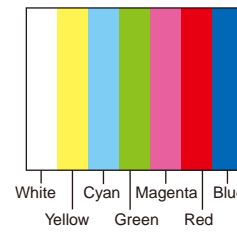
2

3

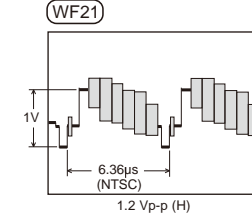
4

5

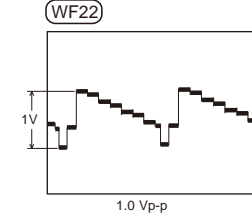
**Video source color and pattern**



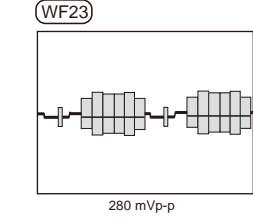
**Composite waveform (WF21)**



**S-Video Y waveform (WF22)**



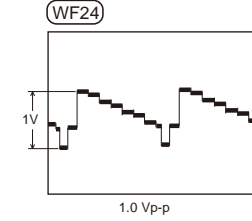
**S-Video C waveform (WF23)**



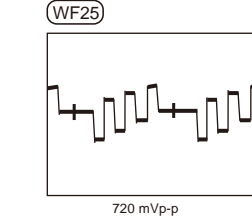
**NOTE:**

- (WF21) is short for (Waveform21)
- Refer to SCHEMATIC DIAGRAM-4/PART-6 for the location of each waveform on circuit.
- XY in "PART-x:XY" indicates each socket's location, X=A to E/H/K, Y=1 to 4/5/8.
- In the case that video outputs are not connected to video devices, video signal output levels are doubled.

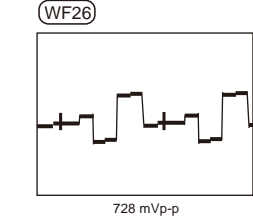
**Component Y waveform (WF24)**



**Component PB waveform (WF25)**

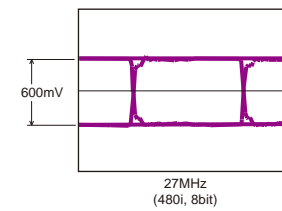
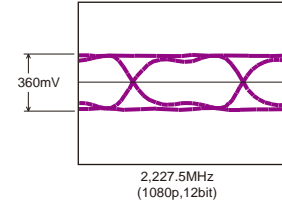


**Component PR waveform (WF26)**



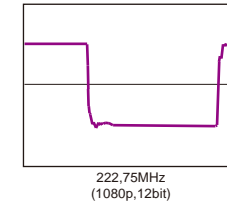
**HDMI Waveform Part (SD16)**

**HDMI D0,D1,D2 waveform (WF41) PART-11:B3, H4**



D0,D1,D2 Eye-pattern waveform, frequency and level vary according to video resolution, aspect and profile. Waveforms above are examples.

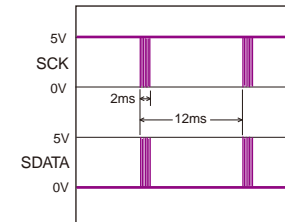
**HDMI CK waveform (WF42) PART-11:B3, H4**



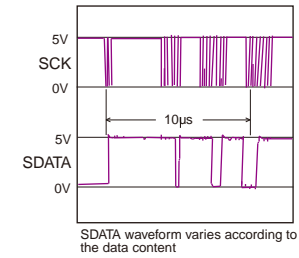
CK waveform, frequency and level differ according to video resolution, aspect and profile. D0,D1,D2 are just CK x10.

**FL Driver IC Control Waveform Part (SD25,26,28,30)**

**SCK/SDATA waveform (WF61) PART-9:F4/D4**

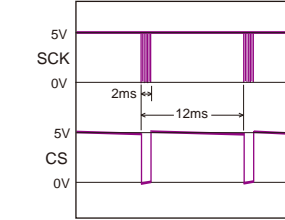


**SCK/SDATA waveform (WF61) PART-9:F4/D4**

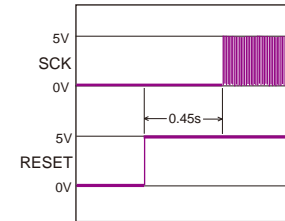


SDATA waveform varies according to the data content

**SCK/CS waveform (WF62) PART-9:F4/D4**

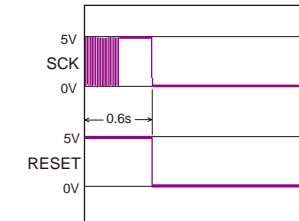


**SCK/RESET waveform (WF63) PART-9:F4/D4**



When power on

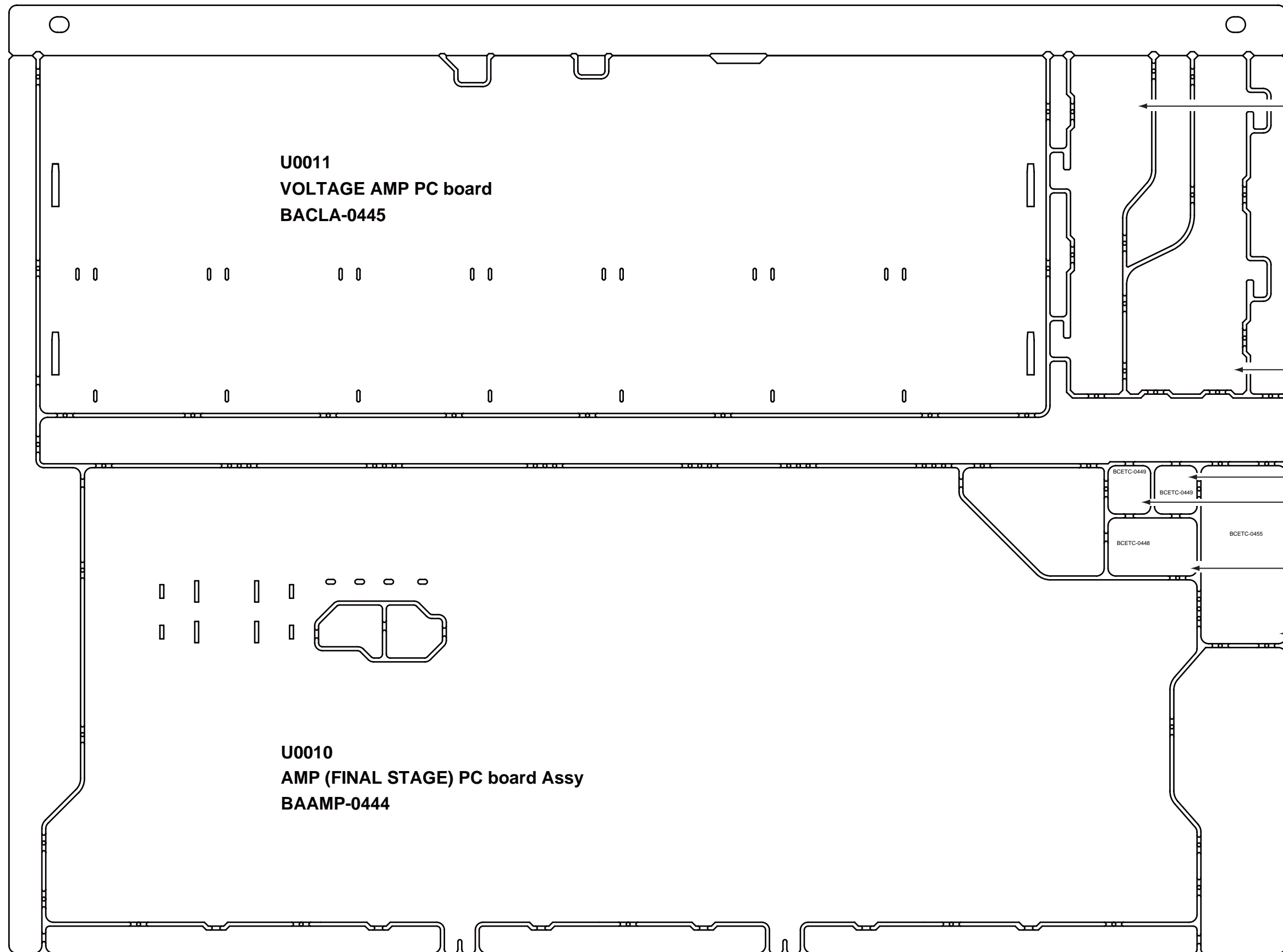
**SCK/RESET waveform (WF63) PART-9:F4/D4**



When power off

PRINTED CIRCUIT BOARD VIEW-1-1

**U001**  
POWER AMP BOARD  
BAAMP-0444



**U0011**  
VOLTAGE AMP PC board  
BACLA-0445

**U0013**  
AMP HOLD PC board  
BAETC-0447

**U0012**  
AMP HOLD PC board  
BAETC-0446

**U0015**  
Thermal PCB hold PC board  
BAETC-0449

**U0014**  
Thermal PC board  
BAETC-0448

**U0016**  
HOLD FRONT HDMI CABLE PC board  
BAETC-0455

**U0010**  
AMP (FINAL STAGE) PC board Assy  
BAAMP-0444

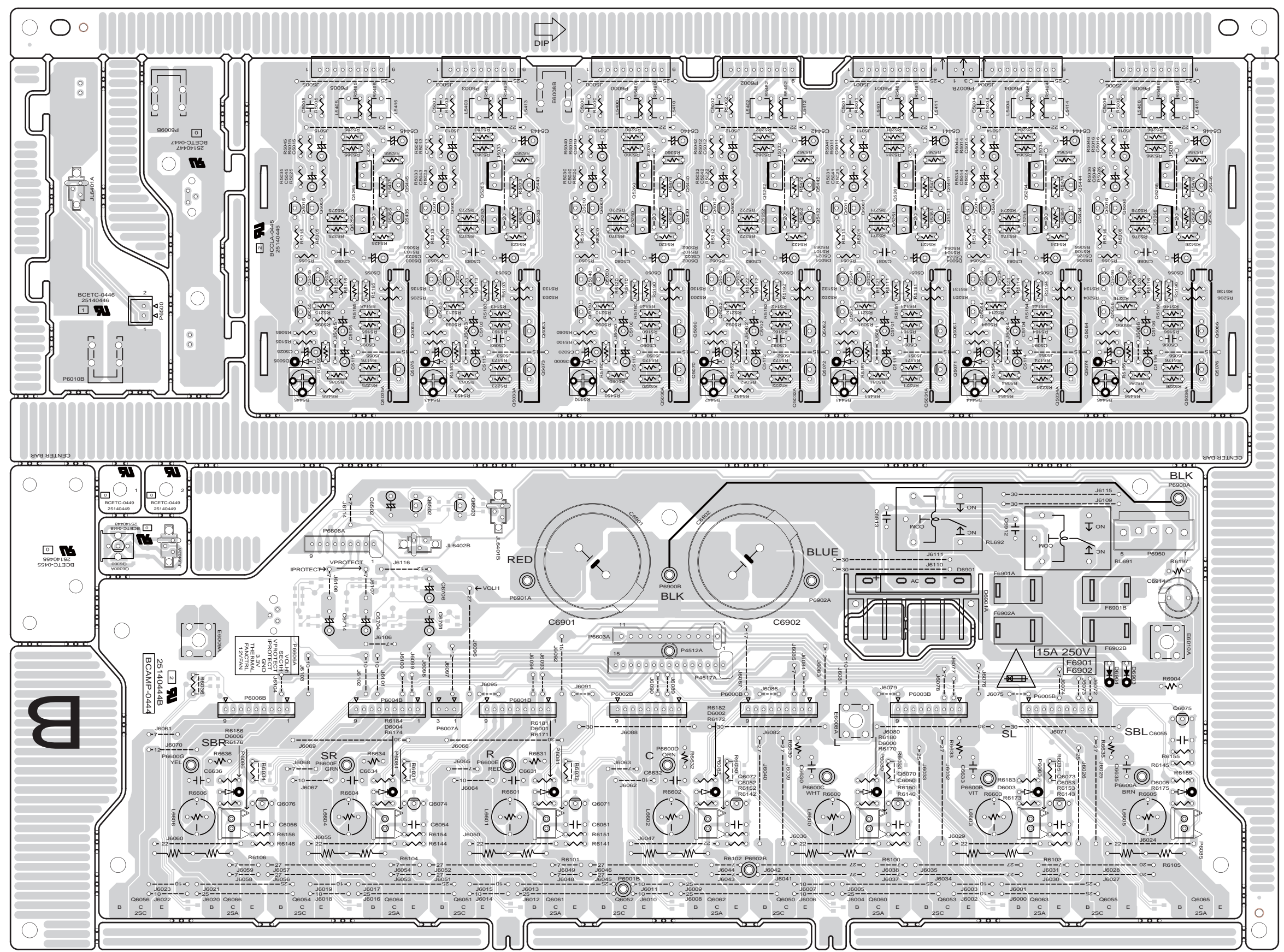
BCETC-0449  
BCETC-0449  
BCETC-0448  
BCETC-0455

A B C D E F G H

PRINTED CIRCUIT BOARD VIEW-1-2

U001  
Power AMP. board  
BAAMP-0444

1  
  
2  
  
3  
  
4  
  
5



A side view from B side



PRINTED CIRCUIT BOARD VIEW-1-3

**U001**  
Power AMP. board  
BAAMP-0444

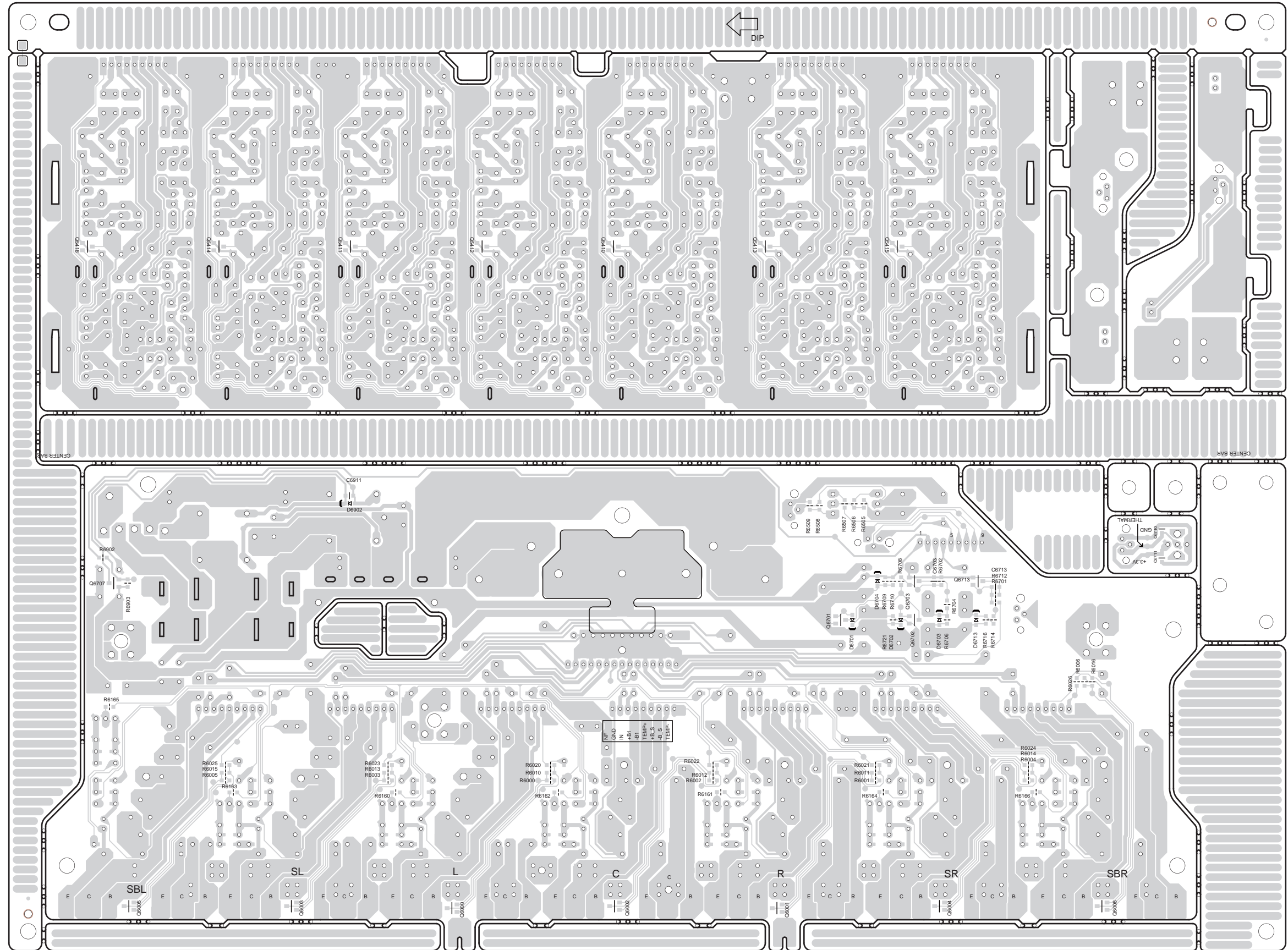
1

2

3

4

5

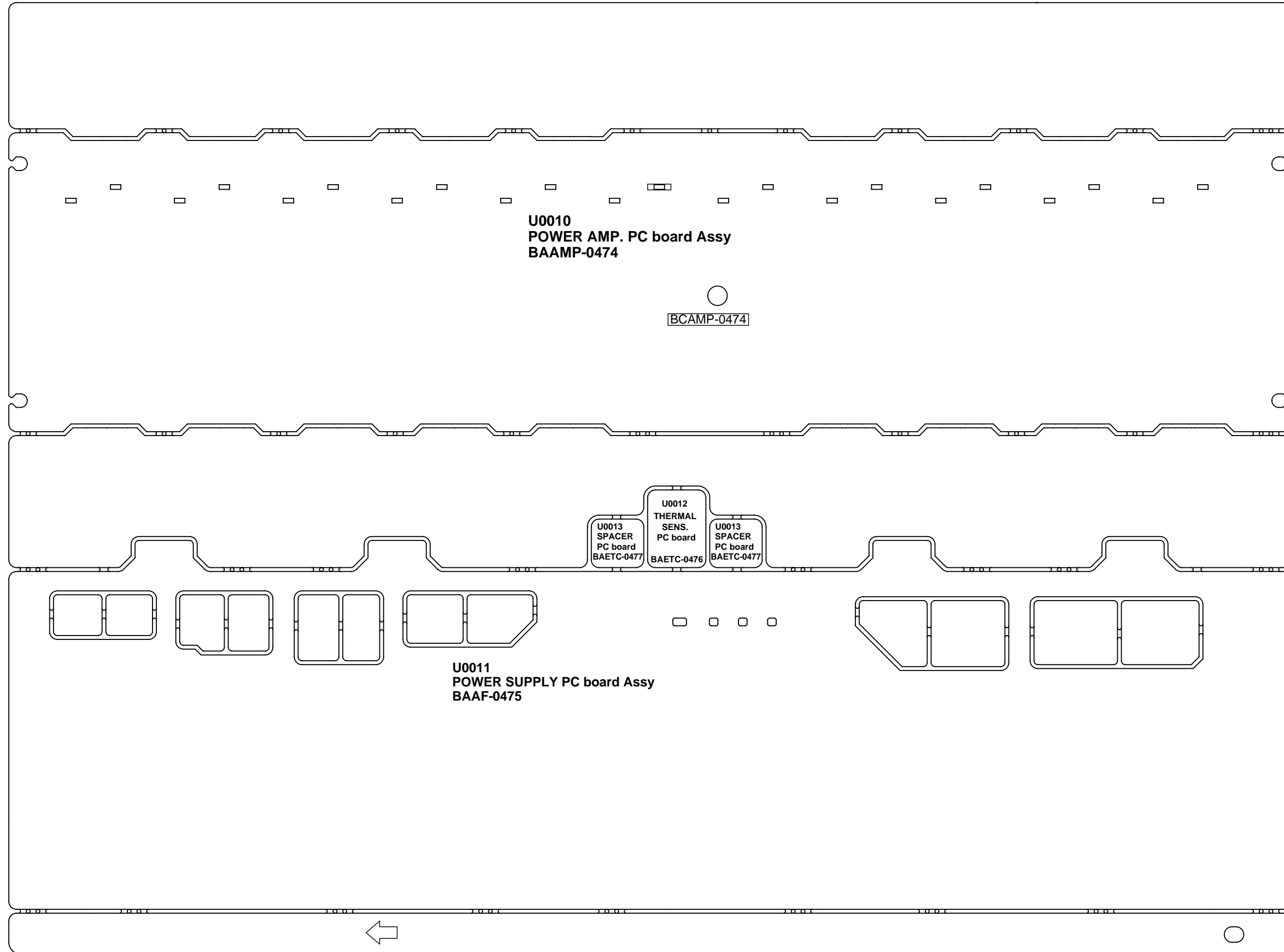


B side view from A side

PRINTED CIRCUIT BOARD VIEW-1-1

**U001**

Power AMP board  
BAAMP-0474



**U0010**  
POWER AMP. PC board Assy  
BAAMP-0474

BCAMP-0474

**U0012**  
THERMAL  
SENS.  
PC board  
BAETC-0476

**U0013**  
SPACER  
PC board  
BAETC-0477

**U0013**  
SPACER  
PC board  
BAETC-0477

**U0011**  
POWER SUPPLY PC board Assy  
BAAF-0475



A B C D E F G H

PRINTED CIRCUIT BOARD VIEW-1-2

**U001**  
Power AMP board  
BAAMP-0474

1

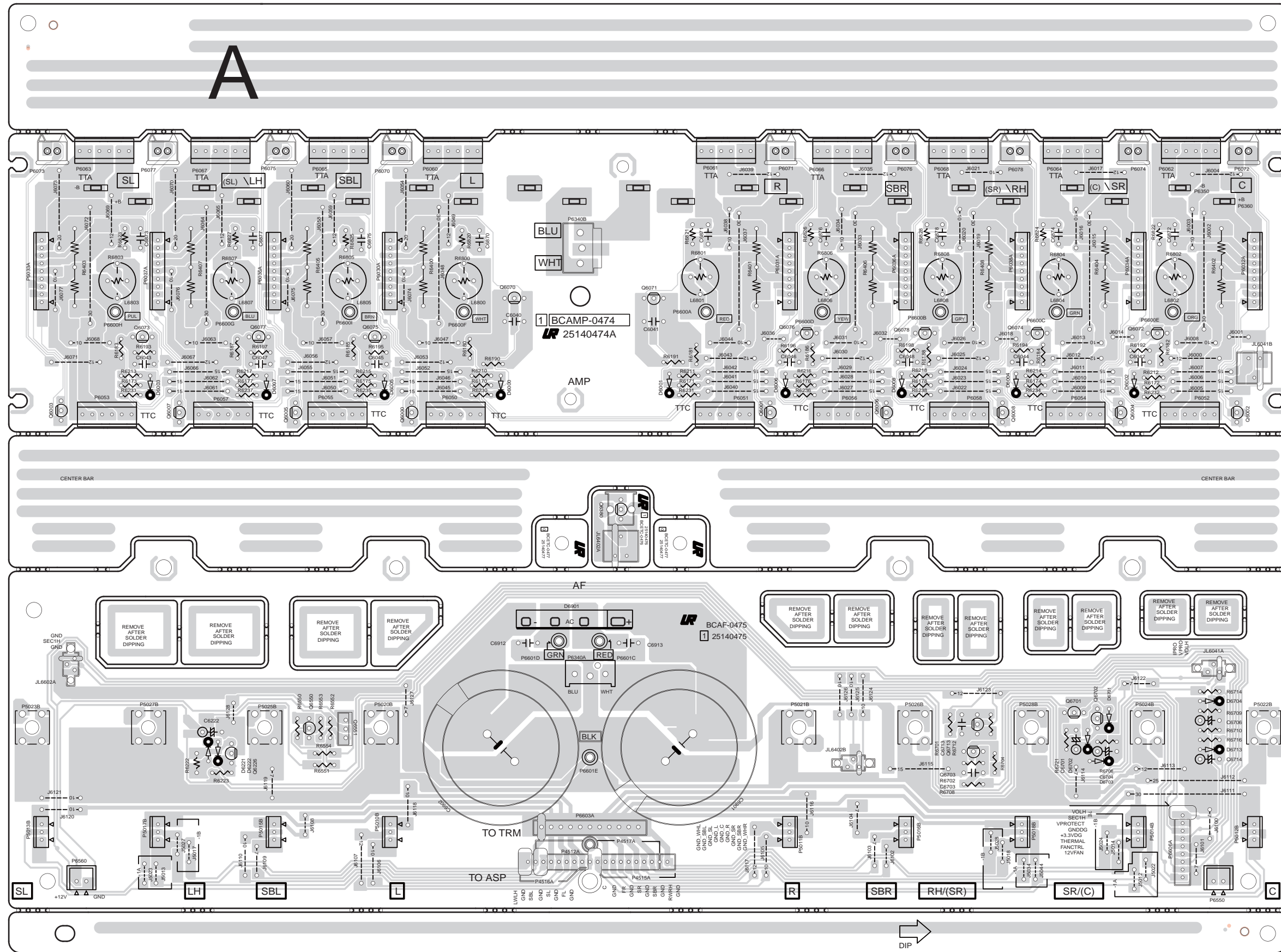
A

2

3

4

5

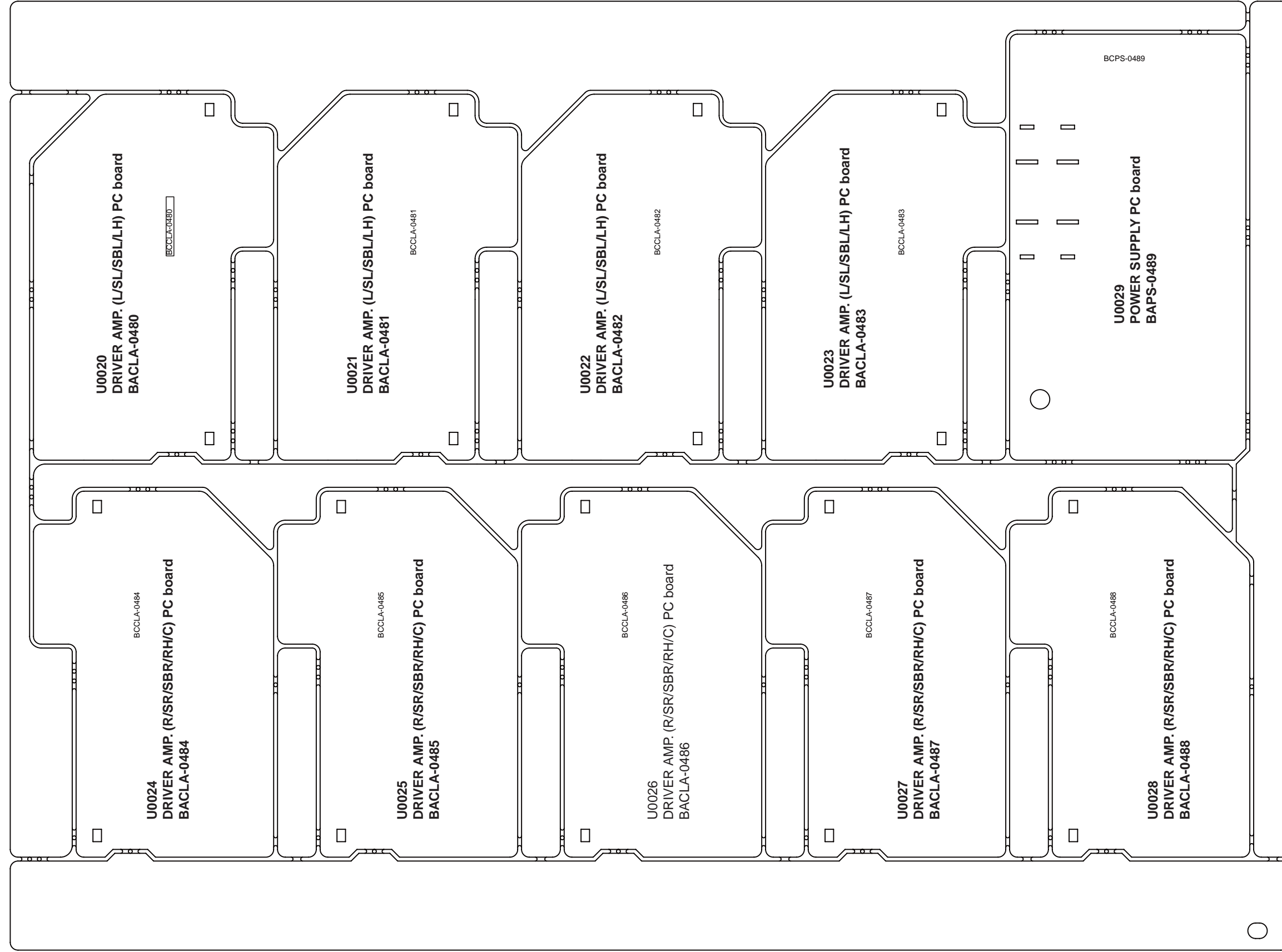


Soldering side view



## PRINTED CIRCUIT BOARD VIEW-2-1

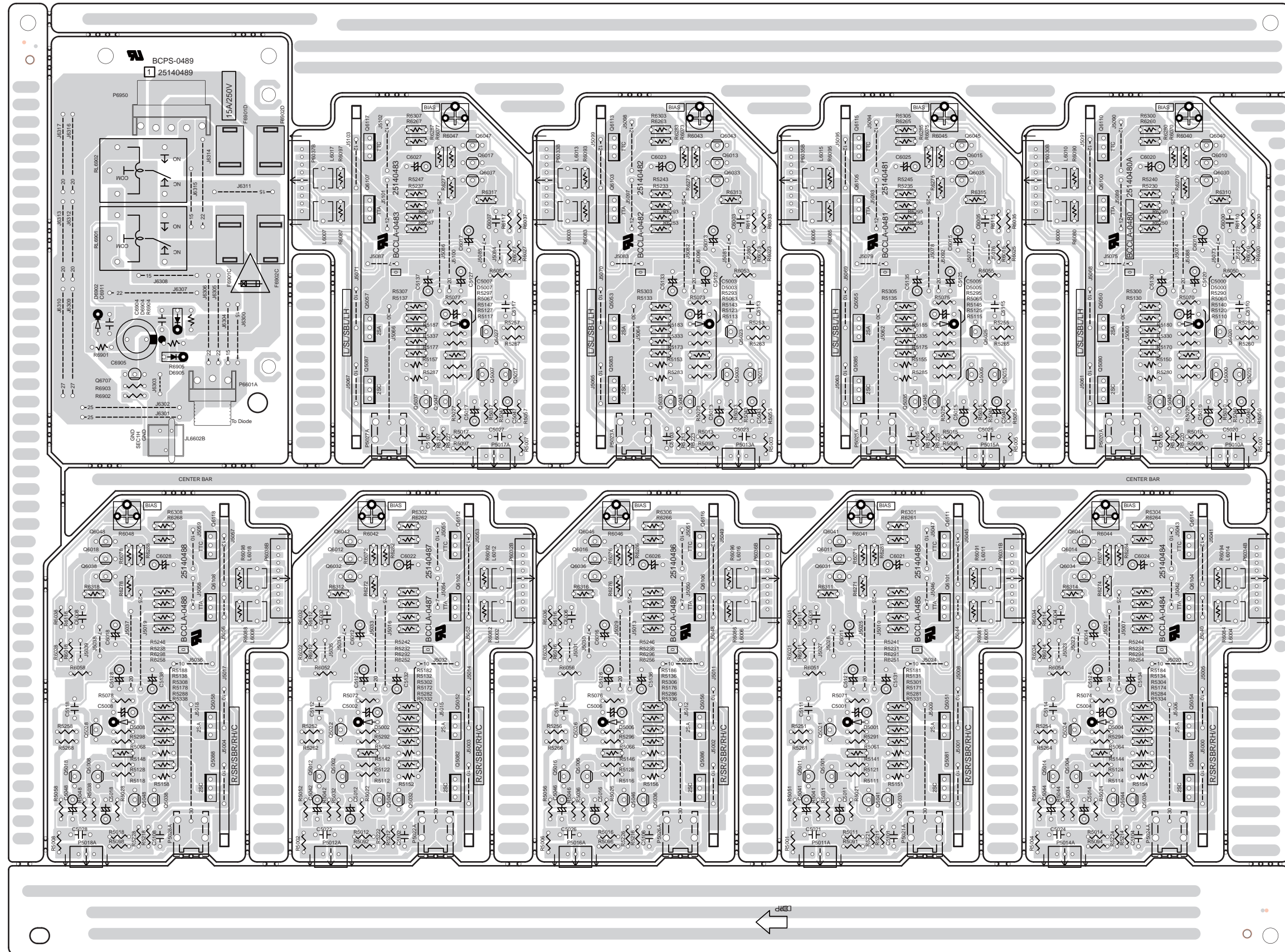
U002

Driver AMP board  
BACLA-0480

PRINTED CIRCUIT BOARD VIEW-2-2

U002

Driver AMP board  
BACLA-0480

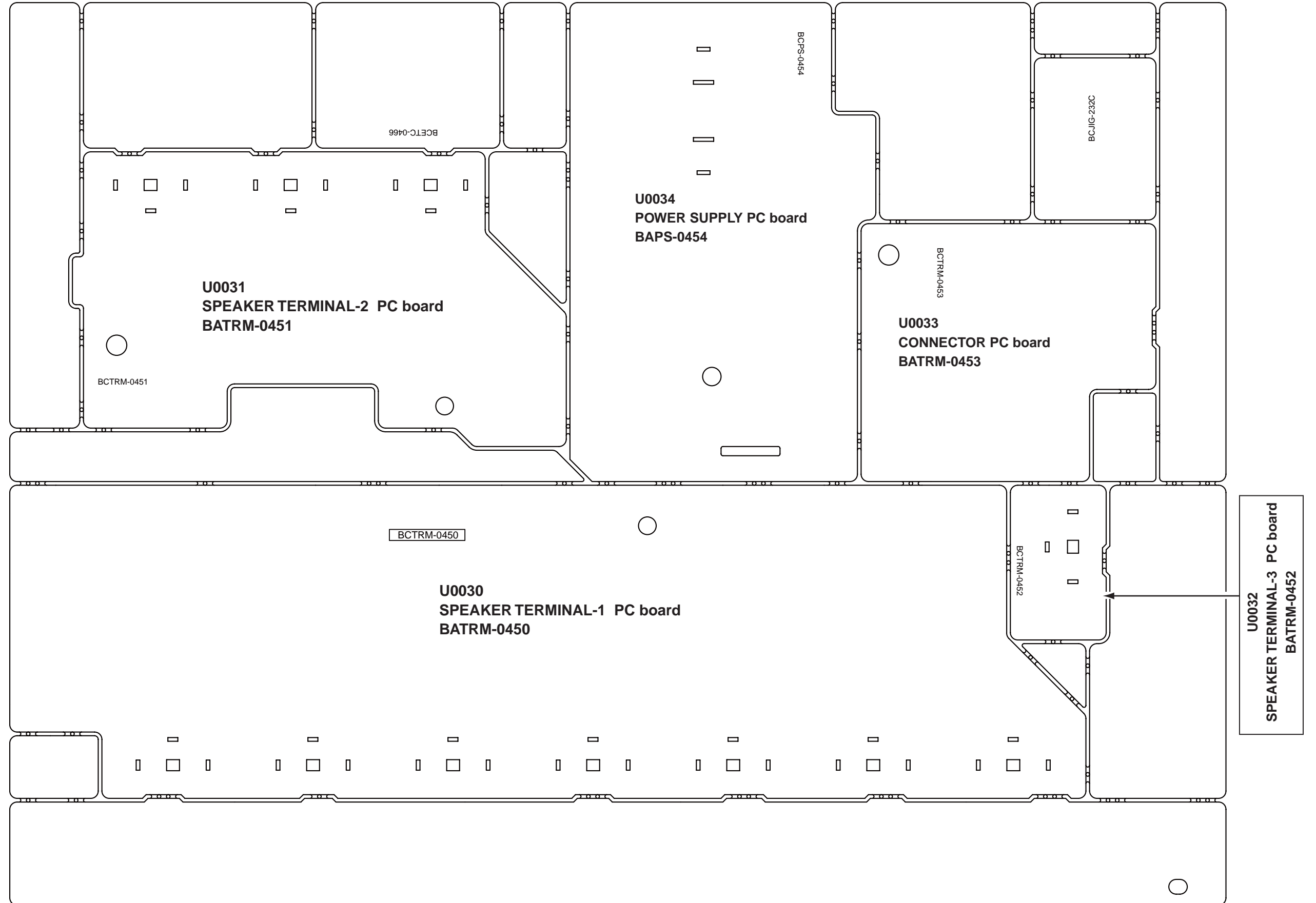


A side view from B side



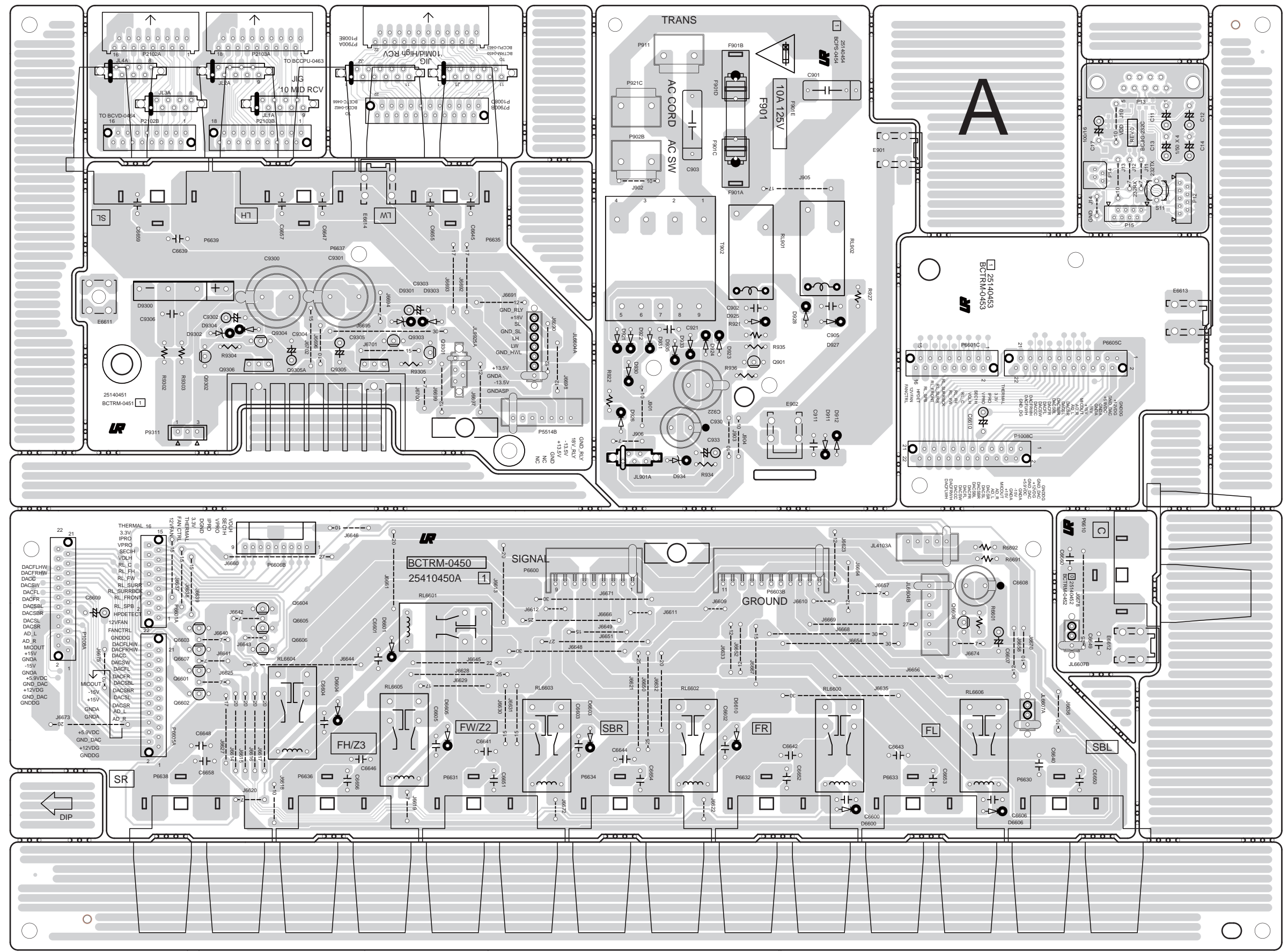
PRINTED CIRCUIT BOARD VIEW-3-1

**U003**  
Speaker Terminal board  
BATRM-0450



PRINTED CIRCUIT BOARD VIEW-3-2

**U003**  
Speaker Terminal board  
BATRM-0450



B side view from A side

PRINTED CIRCUIT BOARD VIEW-3-3

**U003**  
**Speaker Terminal board**  
**BATRM-0450**

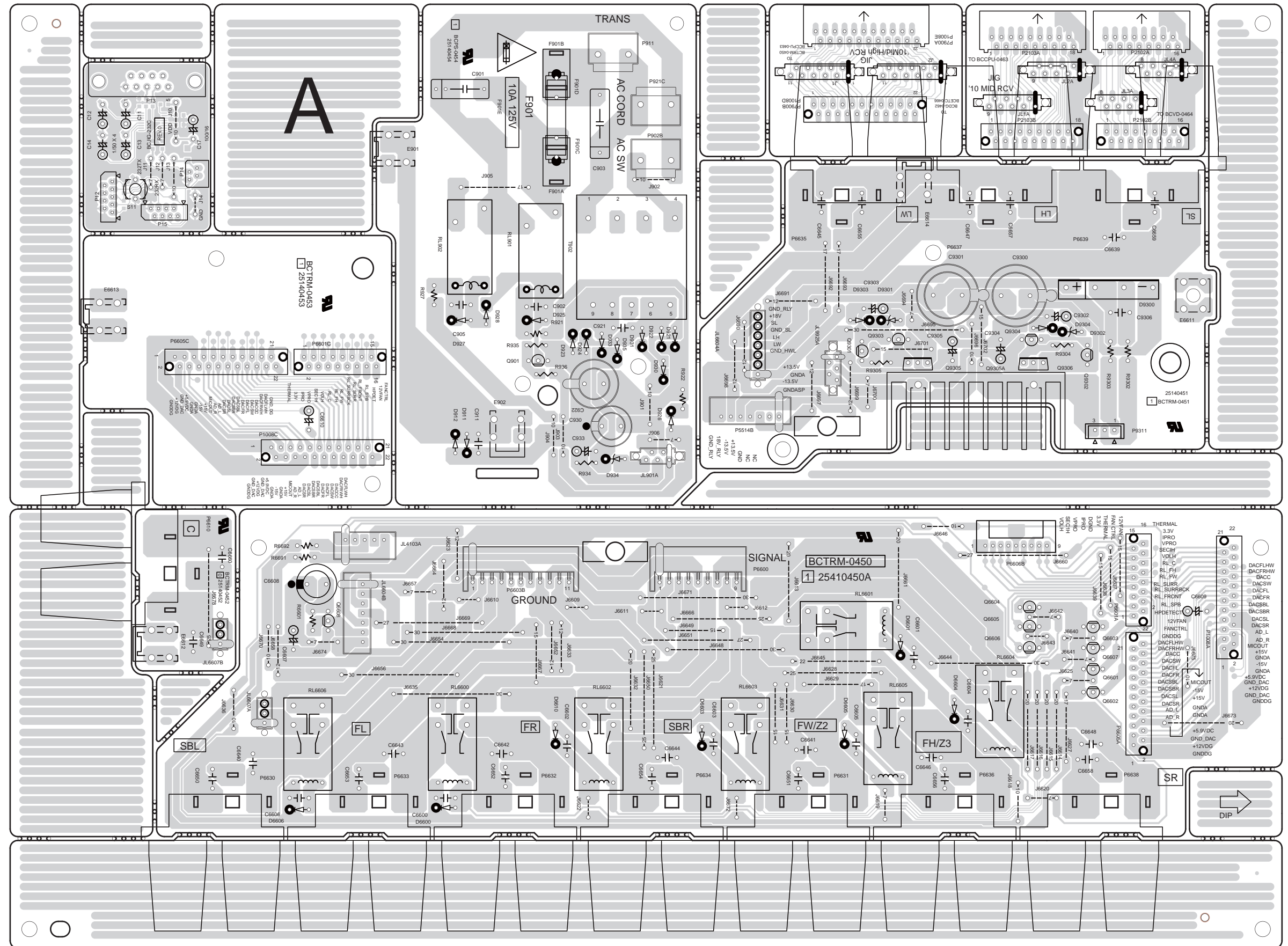
1

2

3

4

5



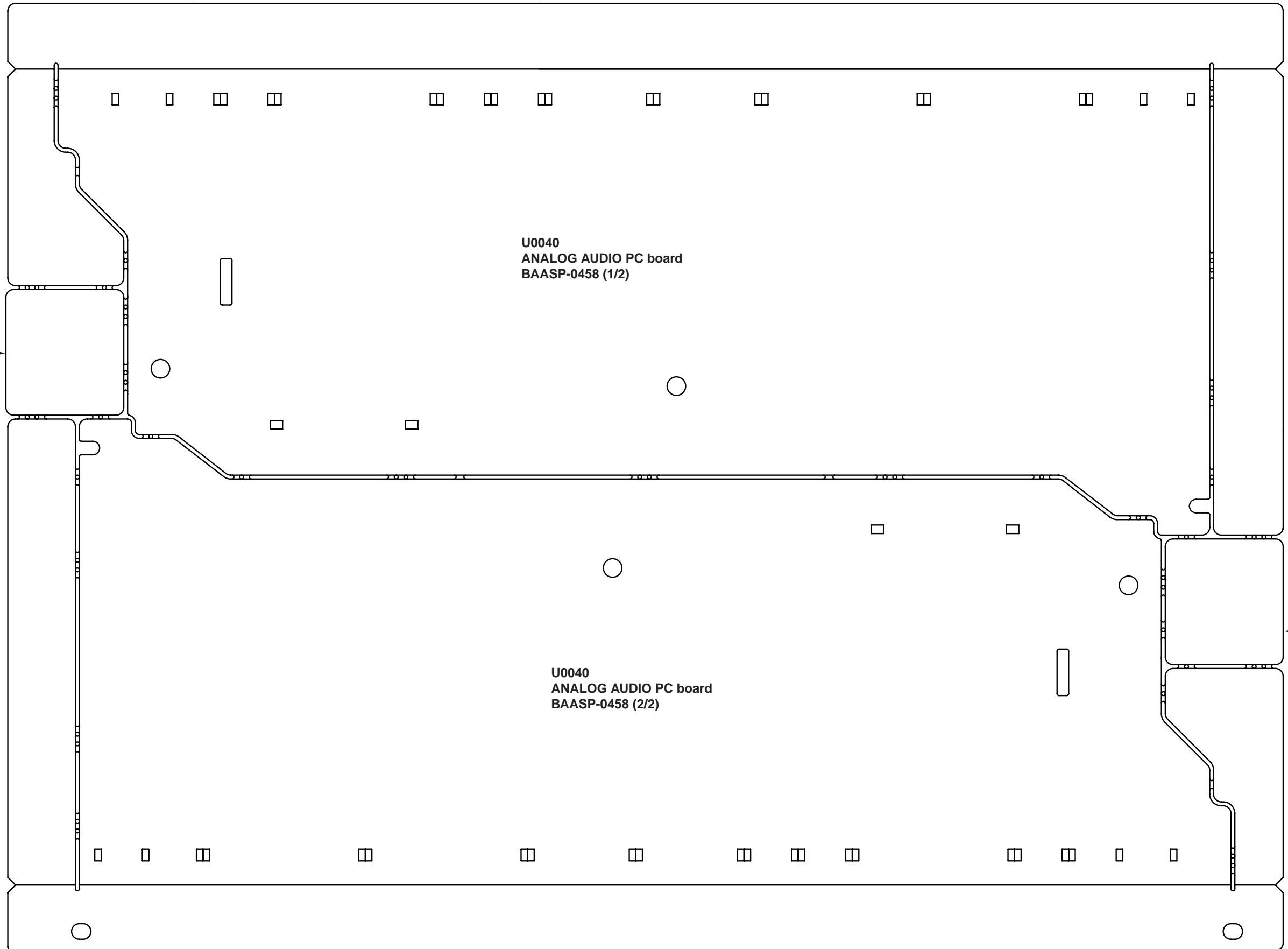
A side view from B side



PRINTED CIRCUIT BOARD VIEW-4-1

**U004**

AMP (Audio IN/OUT)  
PC board  
BAASP-0458



U0041  
D-SUB TERMINAL PC board  
BAETC-0459 (1/2)

U0040  
ANALOG AUDIO PC board  
BAASP-0458 (1/2)

U0040  
ANALOG AUDIO PC board  
BAASP-0458 (2/2)

U0041  
D-SUB TERMINAL PC board  
BAETC-0459 (2/2)

A B C D E F G H

PRINTED CIRCUIT BOARD VIEW-4-2

U004

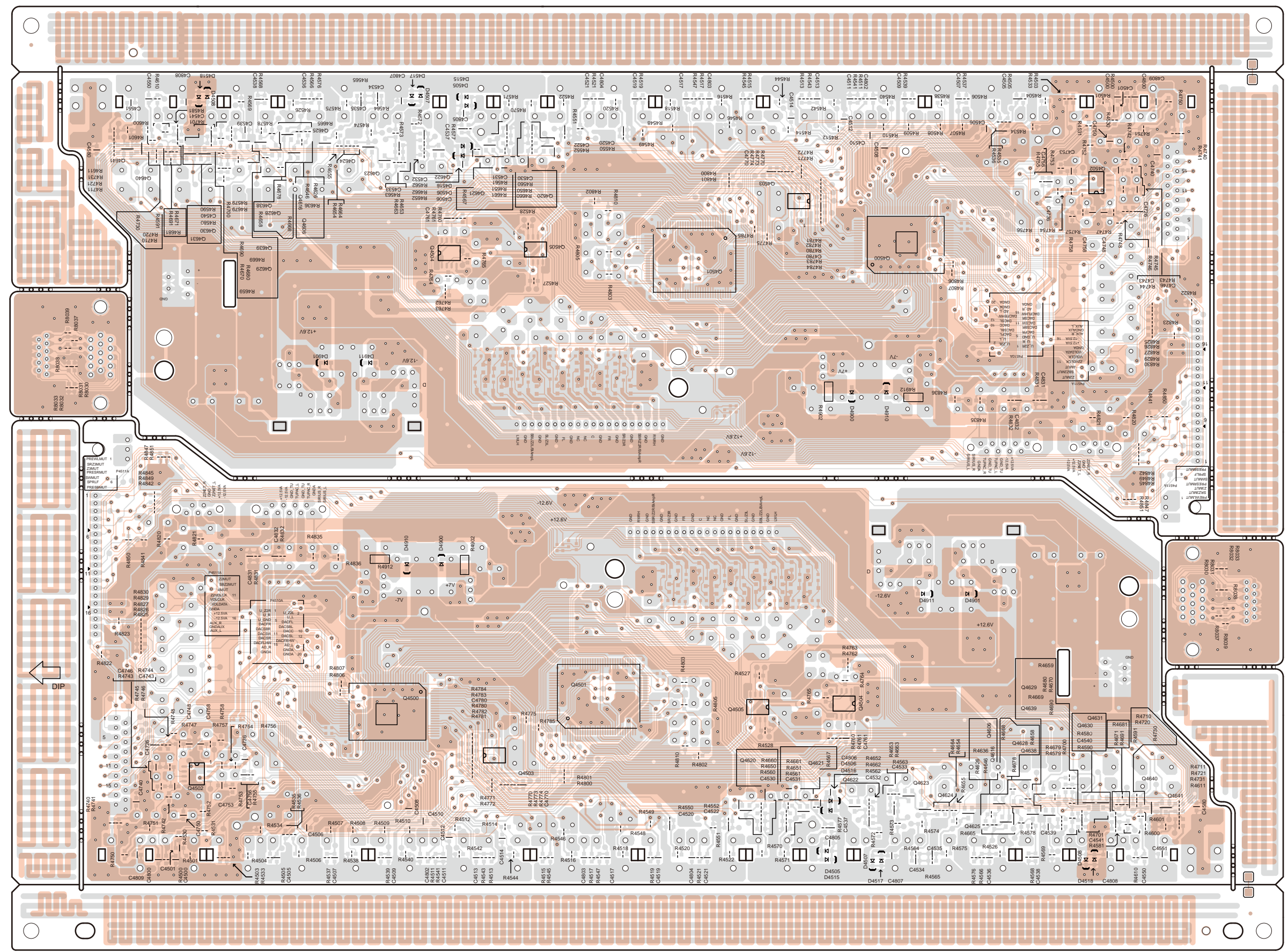
1 AMP (Audio IN/OUT)  
PC board  
BAASP-0458

2

3

4

5



A side pattern  
B side pattern

B side view from A side



A B C D E F G H

PRINTED CIRCUIT BOARD VIEW-4-3

U004

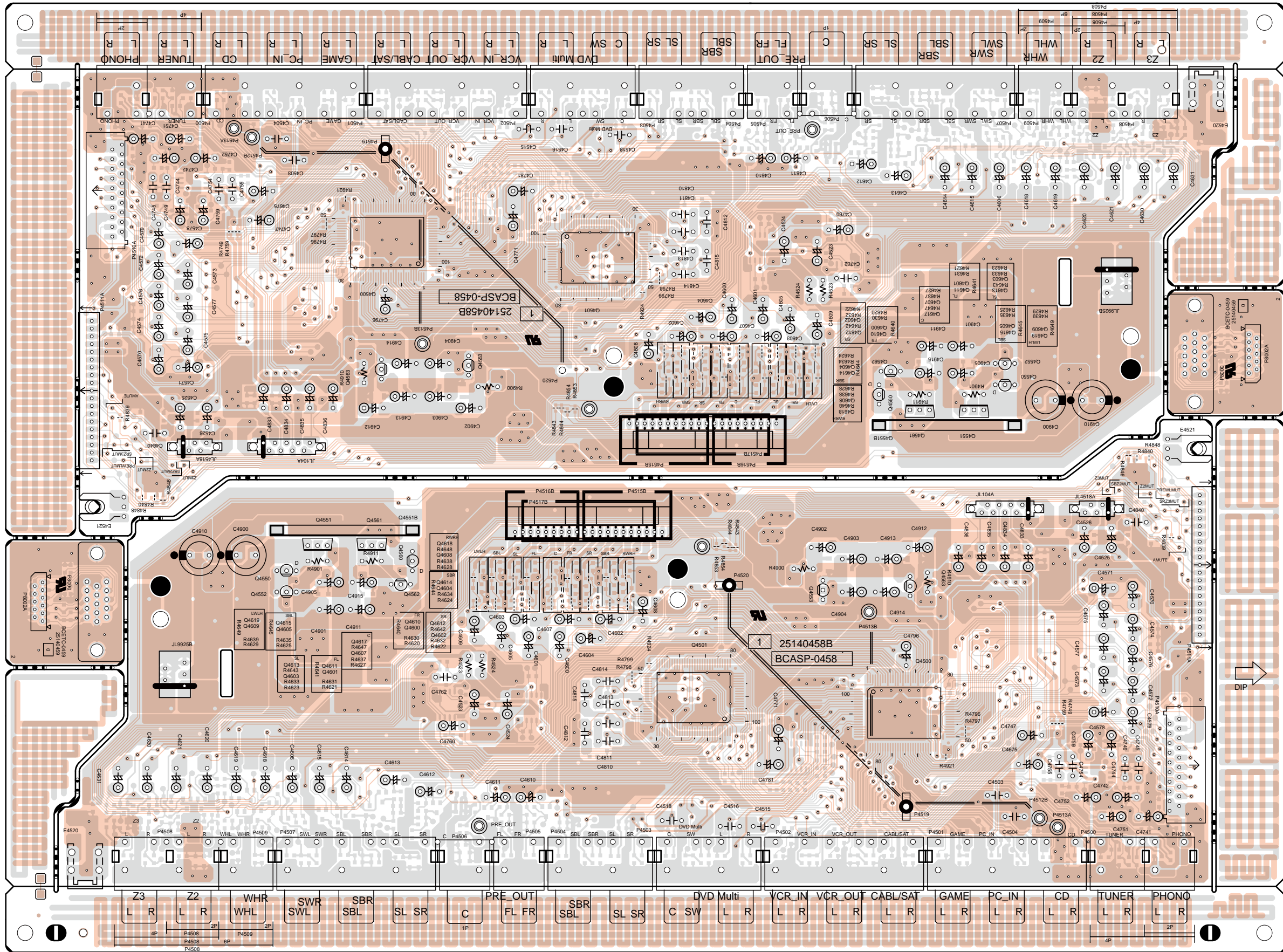
1 AMP (Audio IN/OUT)  
PC board  
BAASP-0458

2

3

4

5



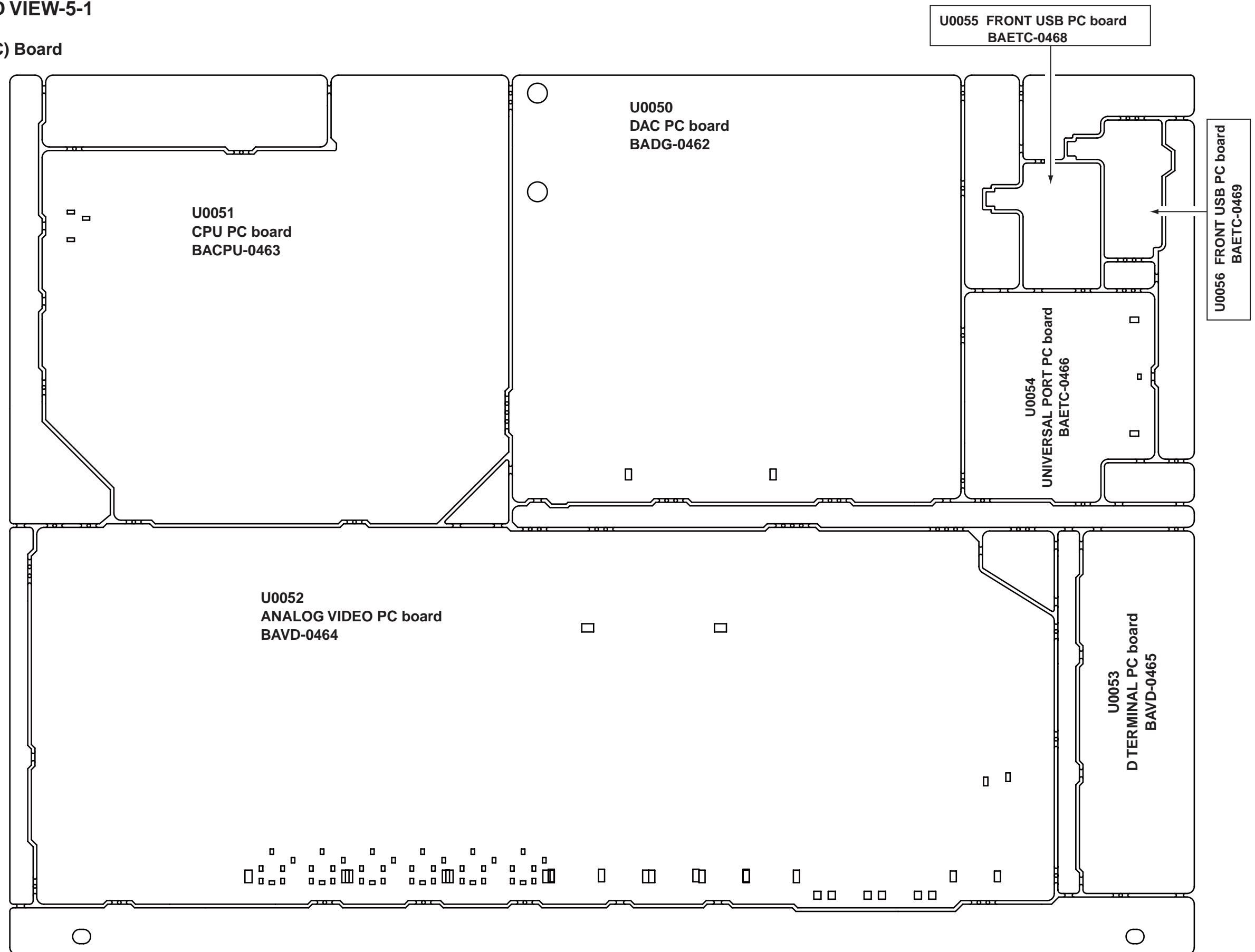
A side view from B side

A side pattern  
B side pattern



PRINTED CIRCUIT BOARD VIEW-5-1

**U005** Digital (Main CPU/DAC) Board  
BADG-0462



A B C D E F G H

PRINTED CIRCUIT BOARD VIEW-5-2

**U005** Digital (Main CPU/DAC) Board  
BADG-0462

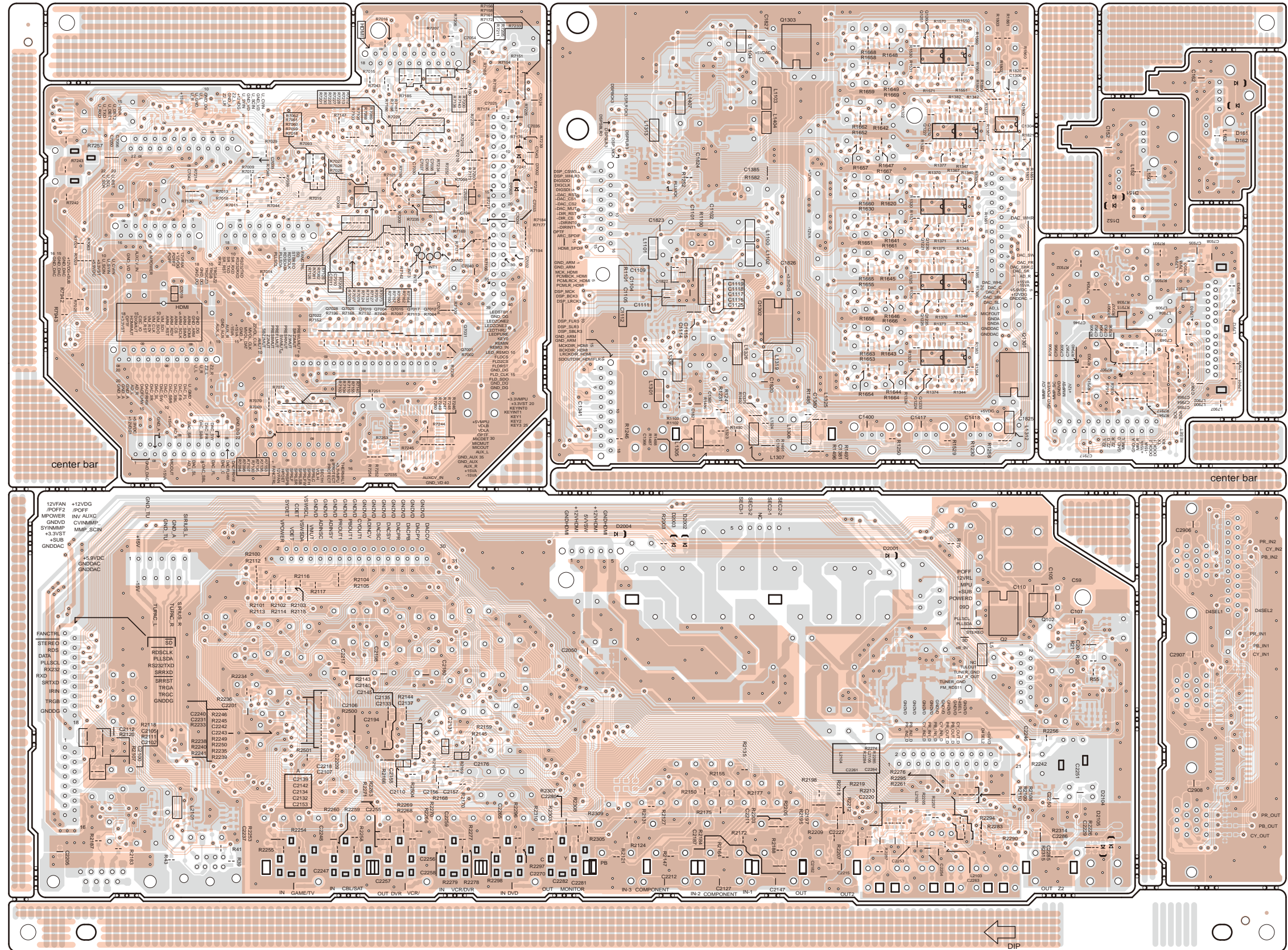
1

2

3

4

5



■ A side pattern  
■ B side pattern

B side view from A side



A B C D E F G H

PRINTED CIRCUIT VIEW-5-3

**U005**

**Digital (Main CPU/DAC) Board  
BADG-0462**

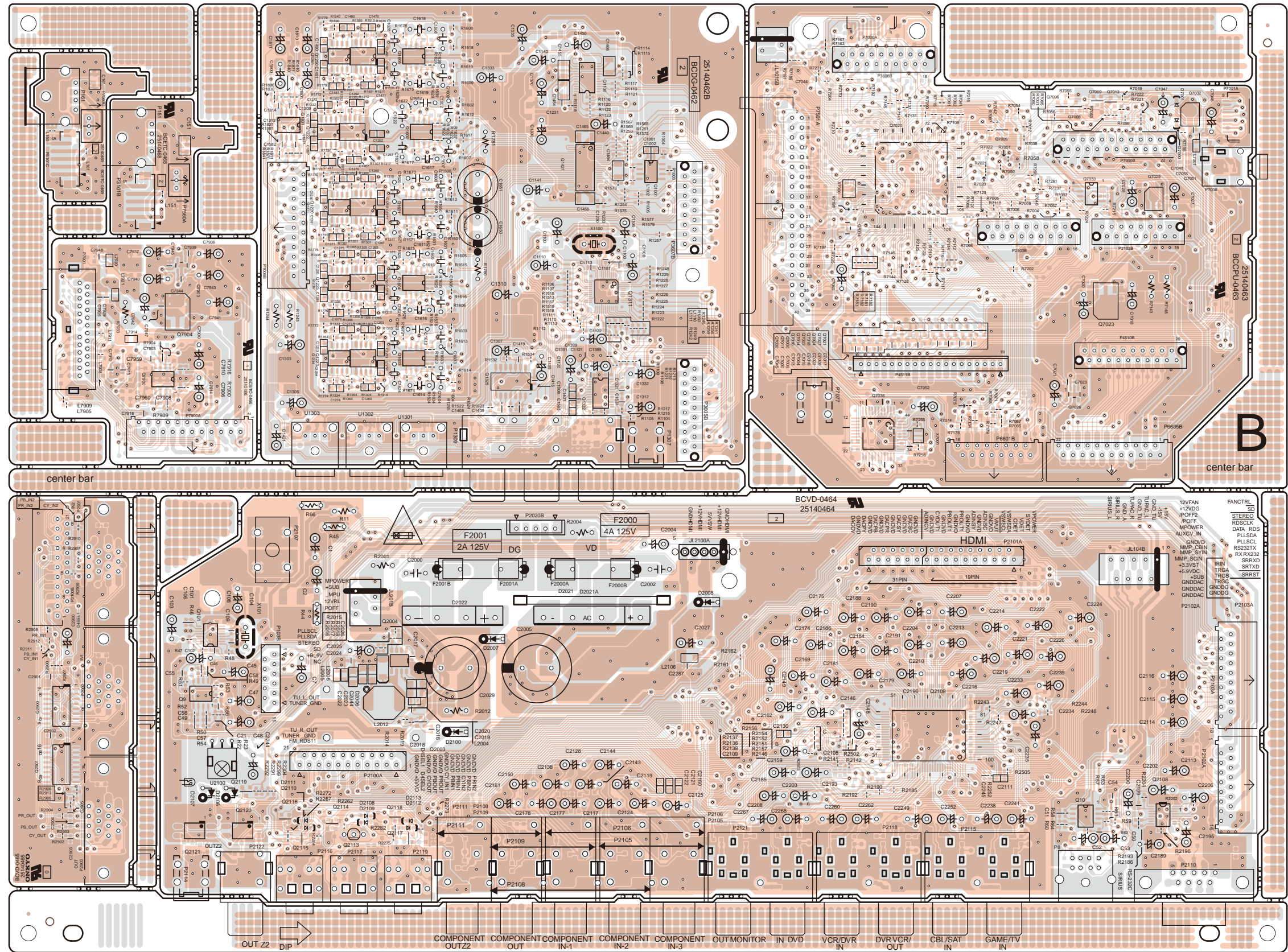
1

2

3

4

5



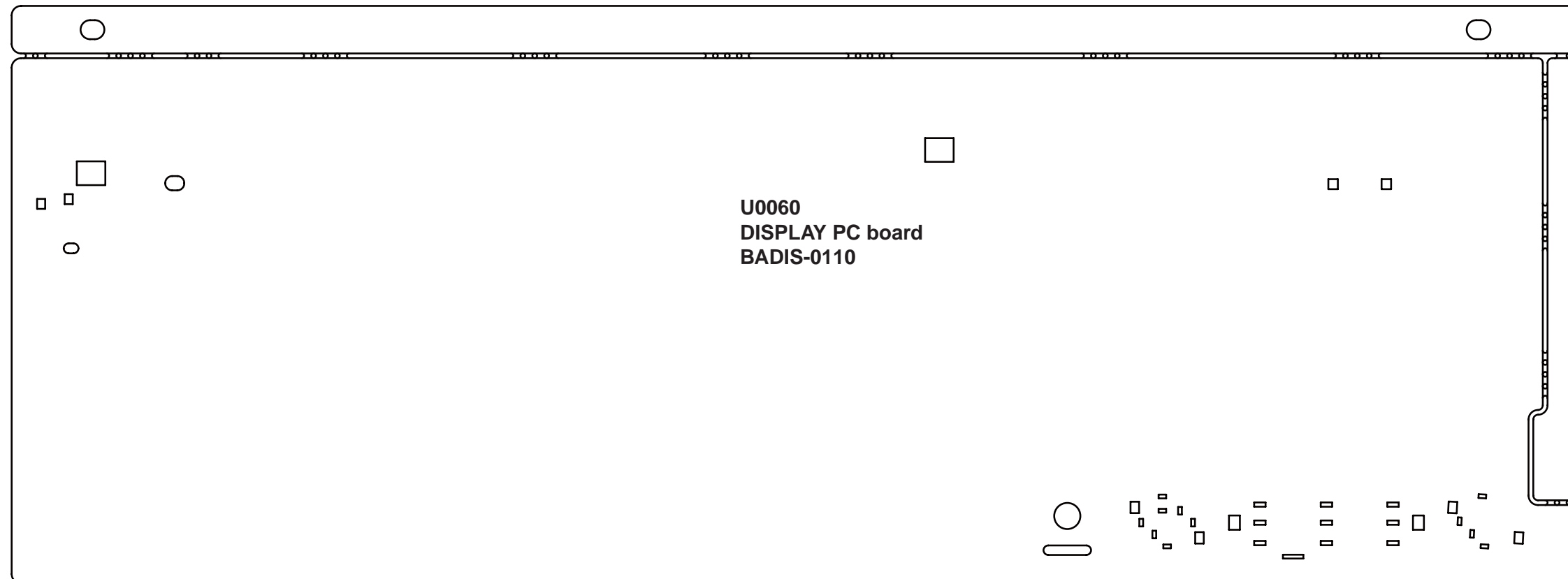
A side pattern  
B side pattern

A side view from B side



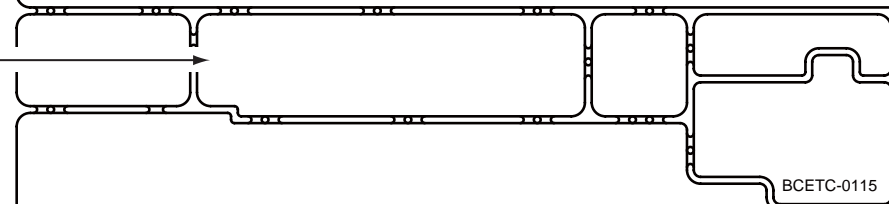
PRINTED CIRCUIT BOARD VIEW-6-1

**U006** DISPLAY PC BOARD  
BADIS-0110



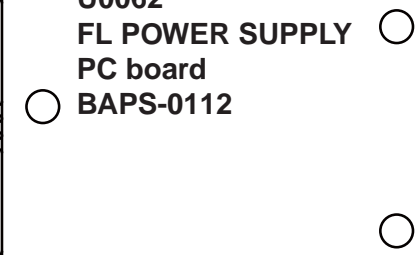
**U0060**  
DISPLAY PC board  
BADIS-0110

**U0065**  
VOLUME LED PC board  
BAETC-0116

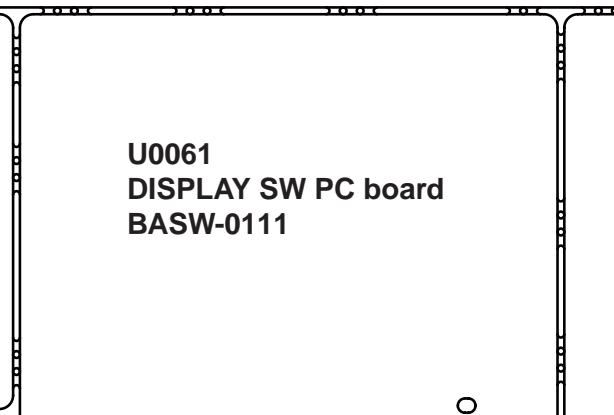


BCETC-0115

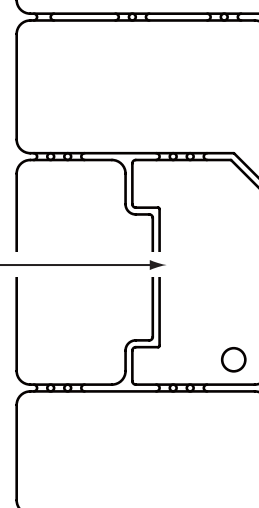
**U0062**  
FL POWER SUPPLY  
PC board  
BAPS-0112



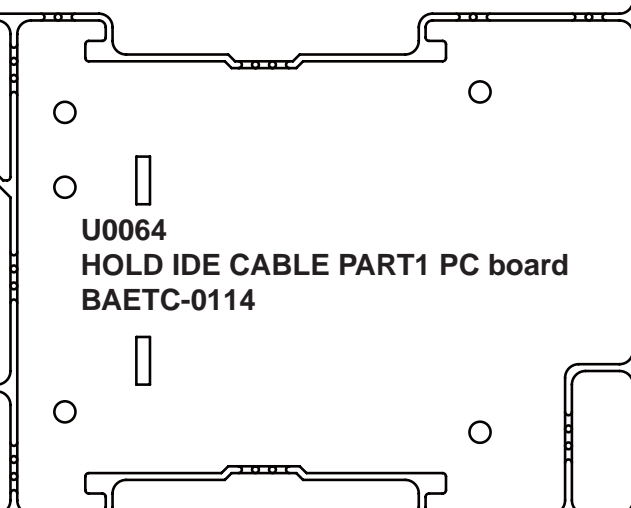
**U0061**  
DISPLAY SW PC board  
BASW-0111



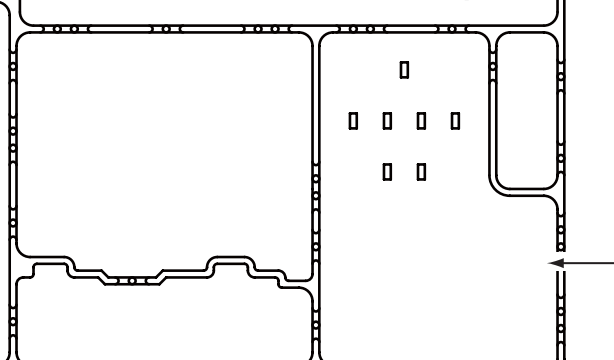
**U0067**  
HOLD FRONT HDMI TERMINAL  
PC board  
BAETC-0118



**U0064**  
HOLD IDE CABLE PART1 PC board  
BAETC-0114



**U0063**  
HEADPHONE TERMINAL PC board  
BAETC-0113



**U0066** HOLD IDE CABLE PART2 PC board  
BAETC-0117



A B C D E F G H

PRINTED CIRCUIT BOARD VIEW-6-2

**U006** DISPLAY PC BOARD  
BADIS-0110

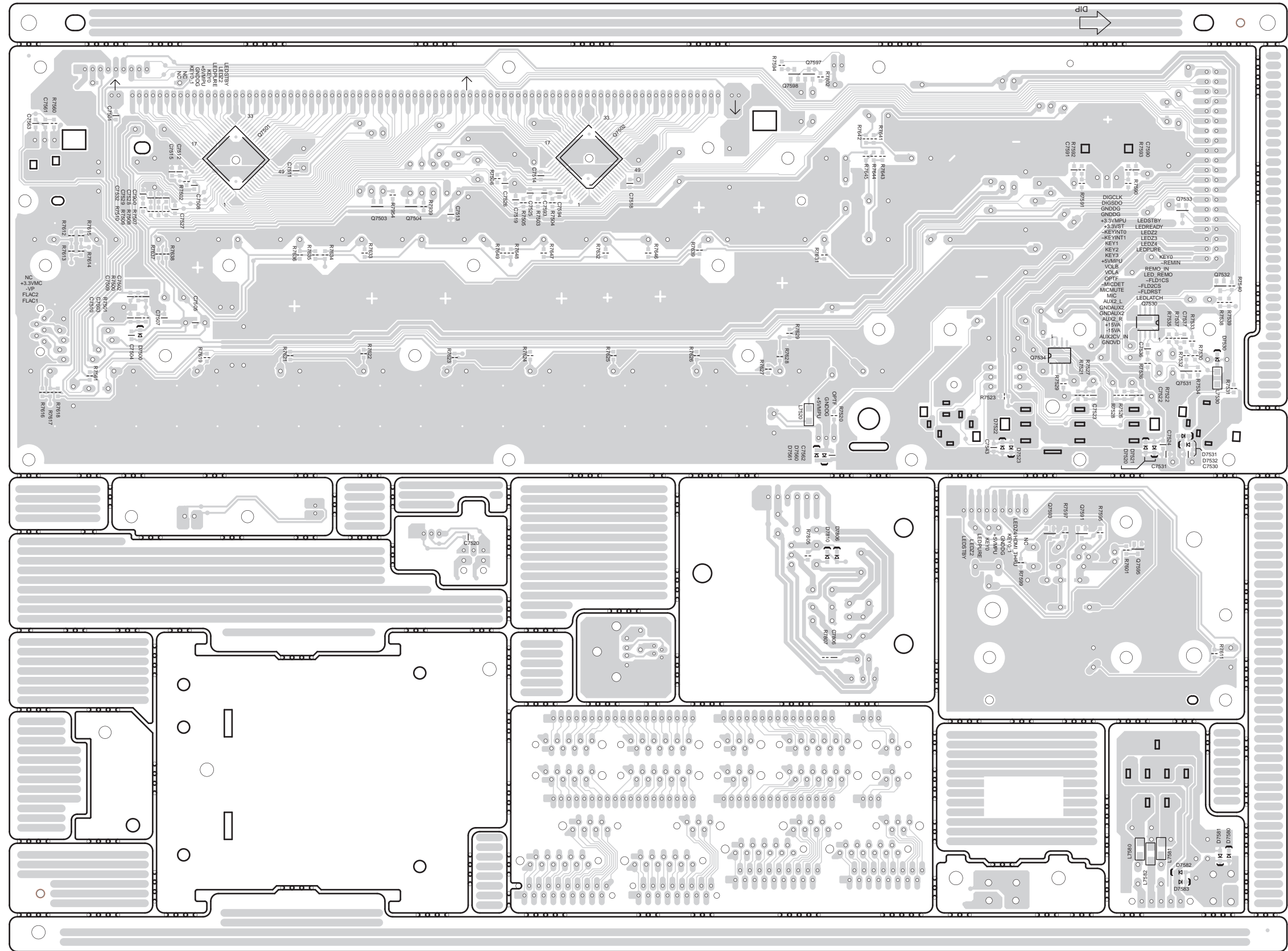
1

2

3

4

5



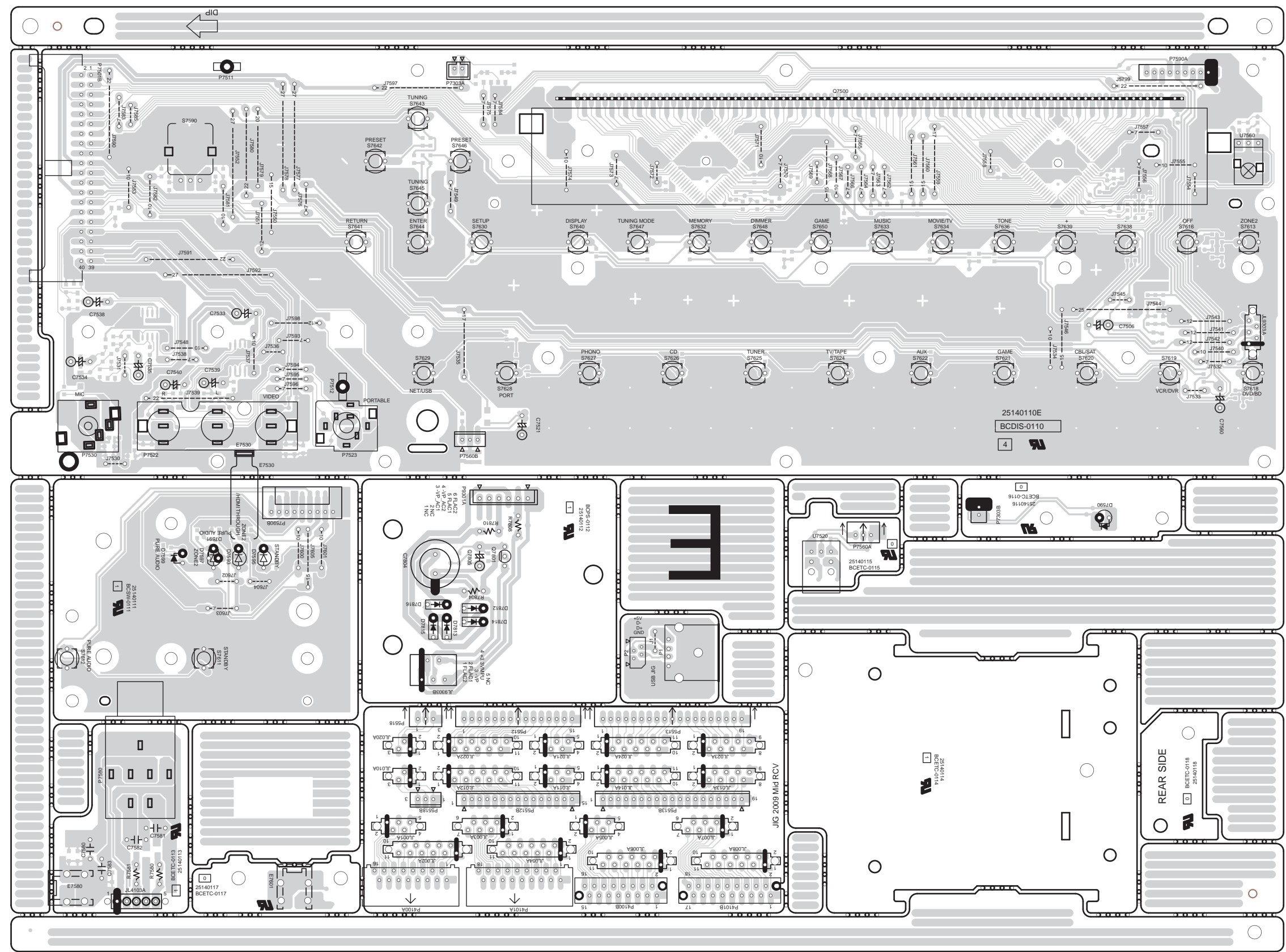
A side view

A B C D E F G H

PRINTED CIRCUIT BOARD VIEW-6-3

U006 DISPLAY PC BOARD  
BADIS-0110

1  
2  
3  
4  
5



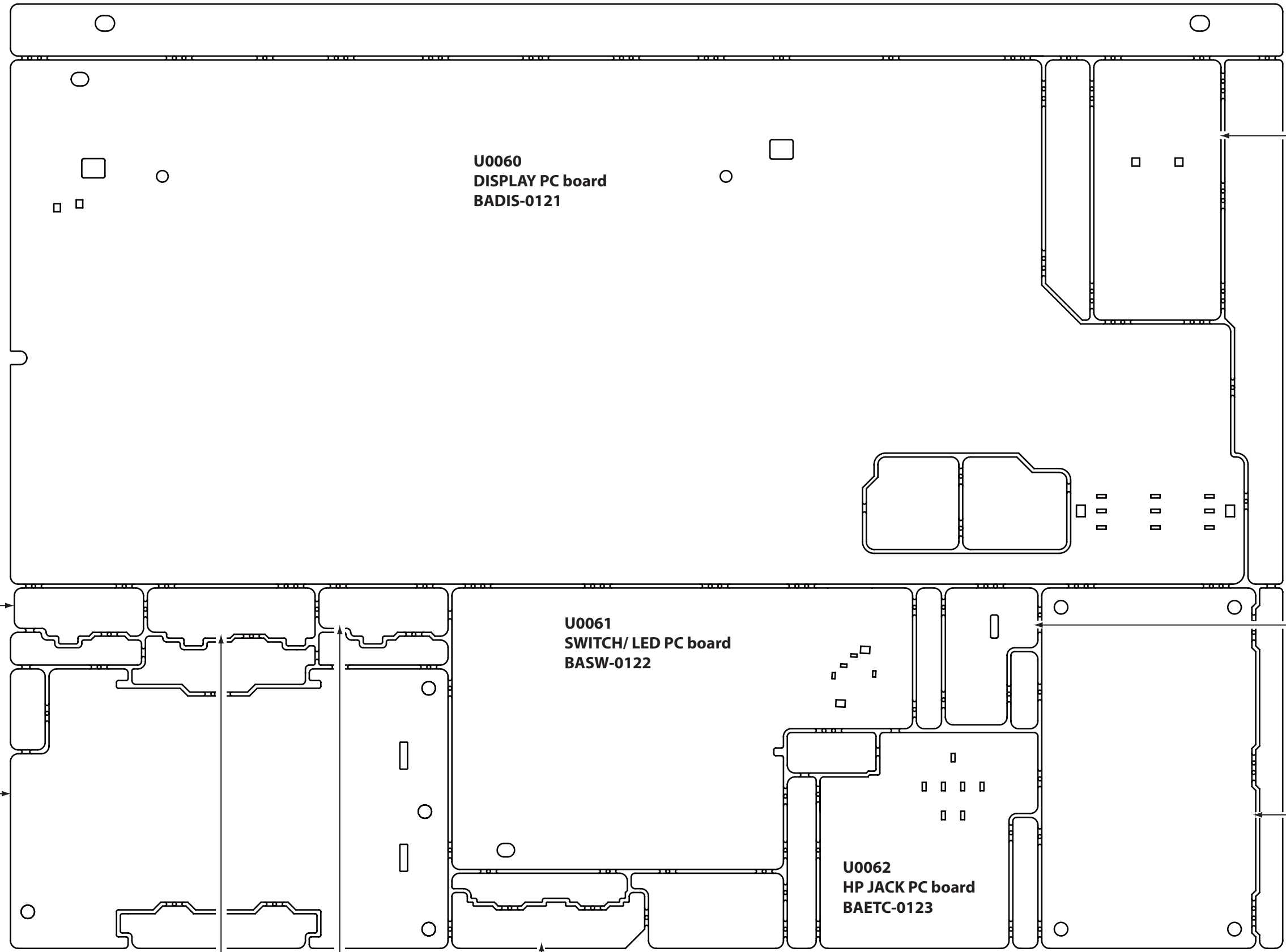
B side view

REAR SIDE  
BCETC-018  
25140118



PRINTED CIRCUIT BOARD VIEW-6-1

**U006**  
DISPLAY PC BOARD  
BADIS-0121



U0060  
DISPLAY PC board  
BADIS-0121

U0064  
VOLUME (ROT ENCODER)  
PC board  
BAETC-0125

U0066  
HOLDER PC board  
BAETC-0127

U0063  
FRONT OPT TERMINAL  
PC board  
BAETC-0124

U0069  
HOLDER PC board  
BAETC-0130

U0061  
SWITCH/ LED PC board  
BASW-0122

U0065  
POWER SUPPLY PC board  
BAPS-0126

U0062  
HP JACK PC board  
BAETC-0123

U0068  
HOLDER PC board  
BAETC-0129

U0066  
HOLDER PC board  
BAETC-0127

U0067  
HOLDER PC board  
BAETC-0128

A

B

C

D

E

F

G

H

PRINTED CIRCUIT BOARD VIEW-6-2

U006

DISPLAY PC BOARD  
BADIS-0121

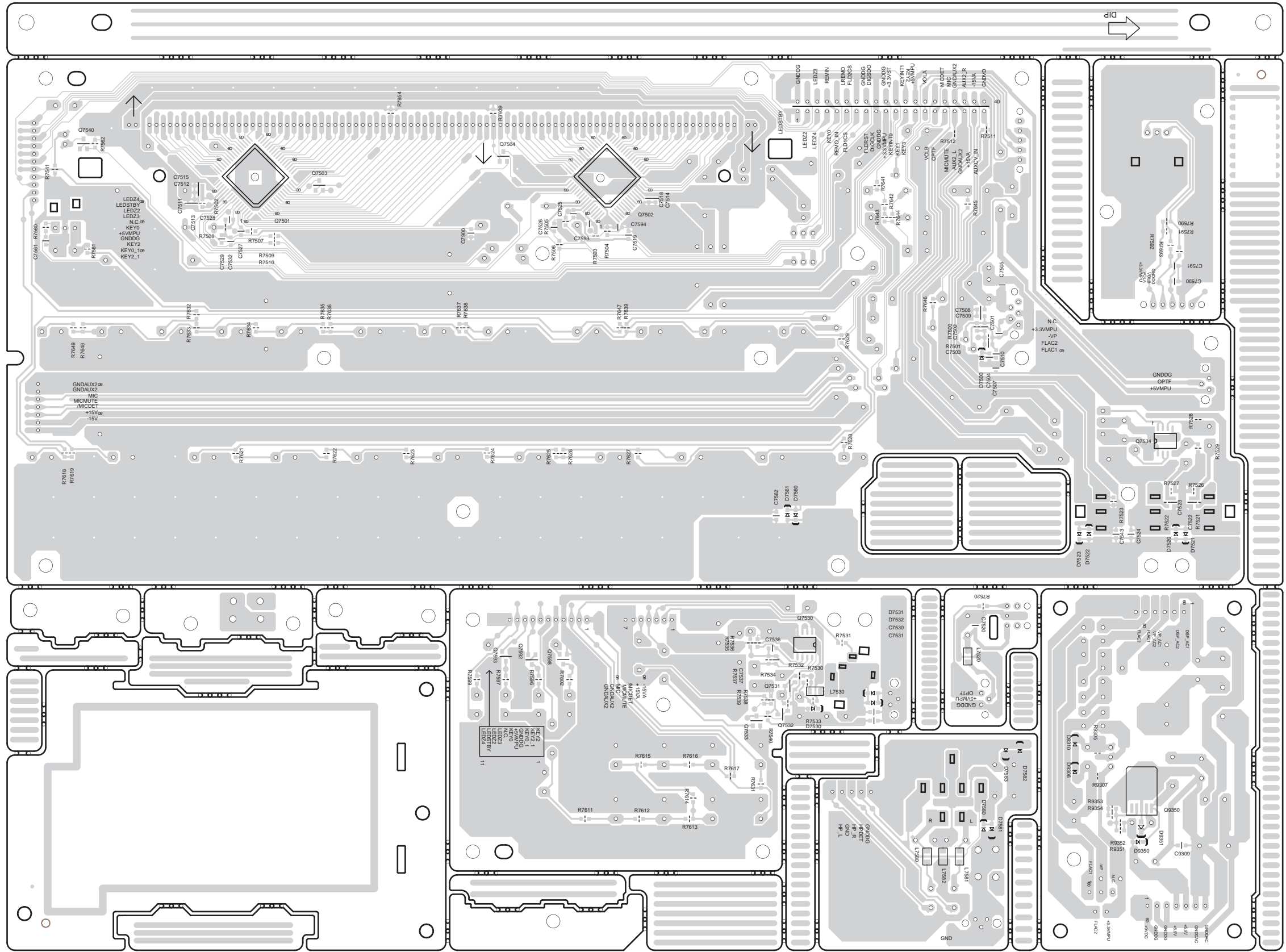
1

2

3

4

5



B side view from A side

A B C D E F G H

PRINTED CIRCUIT BOARD VIEW-6-3

U006  
DISPLAY PC BOARD  
BADIS-0121

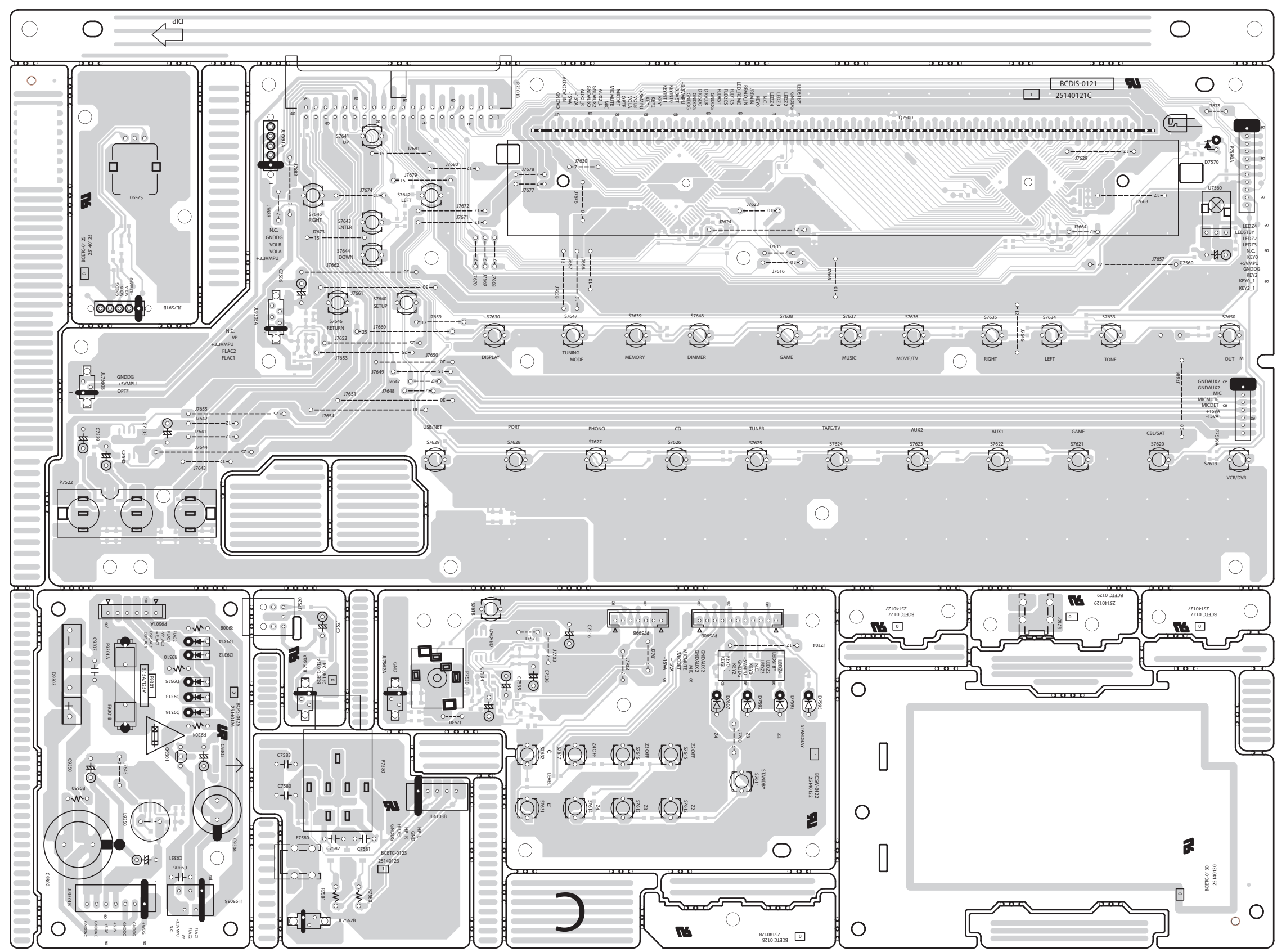
1

2

3

4

5



A side view from B side



A B C D E F G H

PRINTED CIRCUIT BOARD VIEW-6-1

**U006**  
**DISPLAY PC BOARD**  
**BADIS-0135**

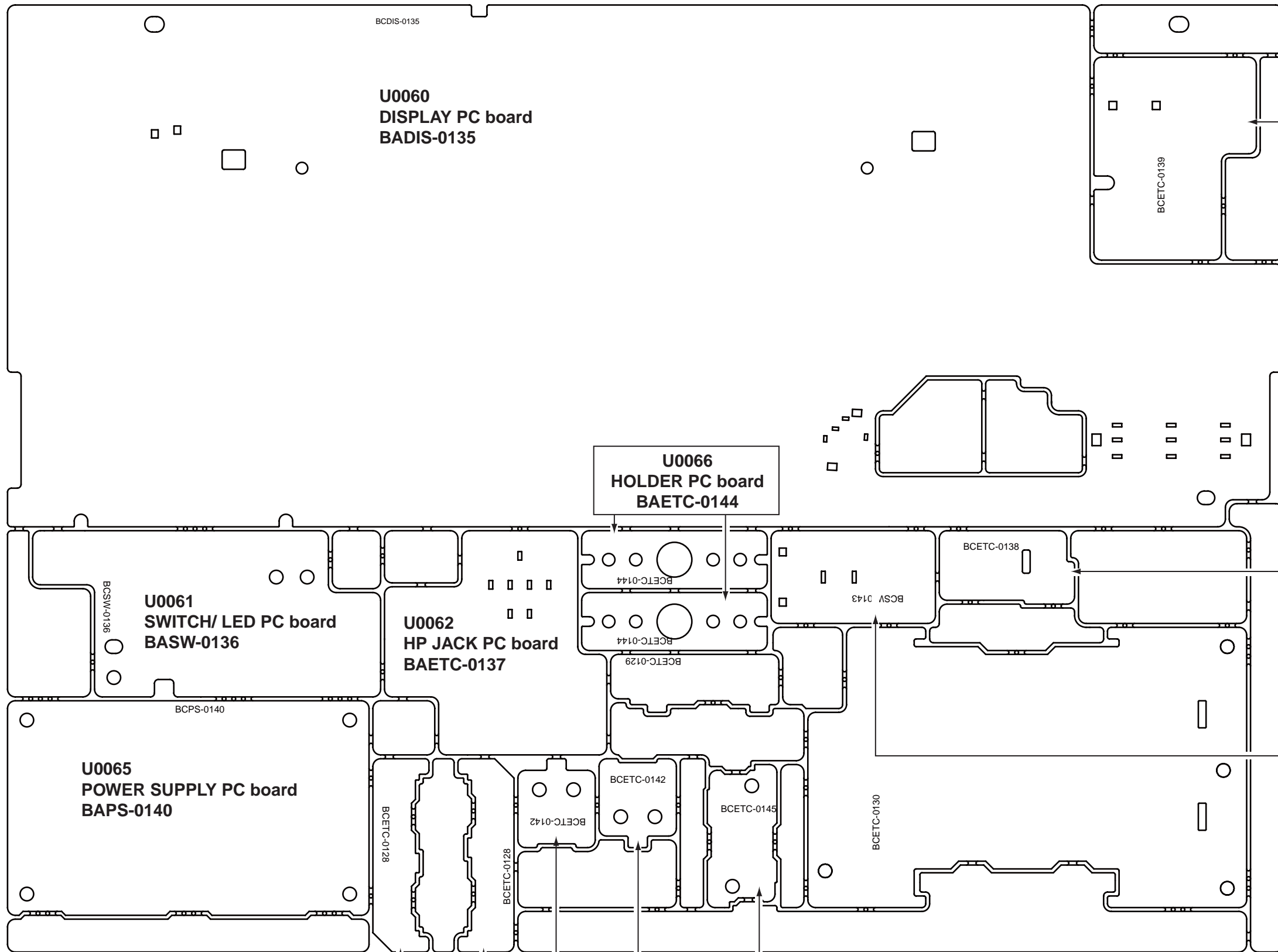
1

2

3

4

5



**U0060**  
**DISPLAY PC board**  
**BADIS-0135**

**U0064**  
**VOLUME (ROT ENCODER)**  
**PC board**  
**BAETC-0139**

**U0066**  
**HOLDER PC board**  
**BAETC-0144**

**U0061**  
**SWITCH/ LED PC board**  
**BASW-0136**

**U0062**  
**HP JACK PC board**  
**BAETC-0137**

**U0063**  
**FRONT OPT TERMINAL**  
**PC board**  
**BAETC-0138**

**U0065**  
**POWER SUPPLY PC board**  
**BAPS-0140**

**U0069**  
**POWER SWITCH PC board**  
**BASW-0143**

**U00610**  
**HOLDER PC board**  
**BAETC-0128**

**U0068**  
**HOLDER PC board**  
**BAETC-0142**

**U0067**  
**HOLDER PC board**  
**BAETC-0145**

A B C D E F G H

PRINTED CIRCUIT BOARD VIEW-6-2

**U006**  
**DISPLAY PC BOARD**  
**BADIS-0135**

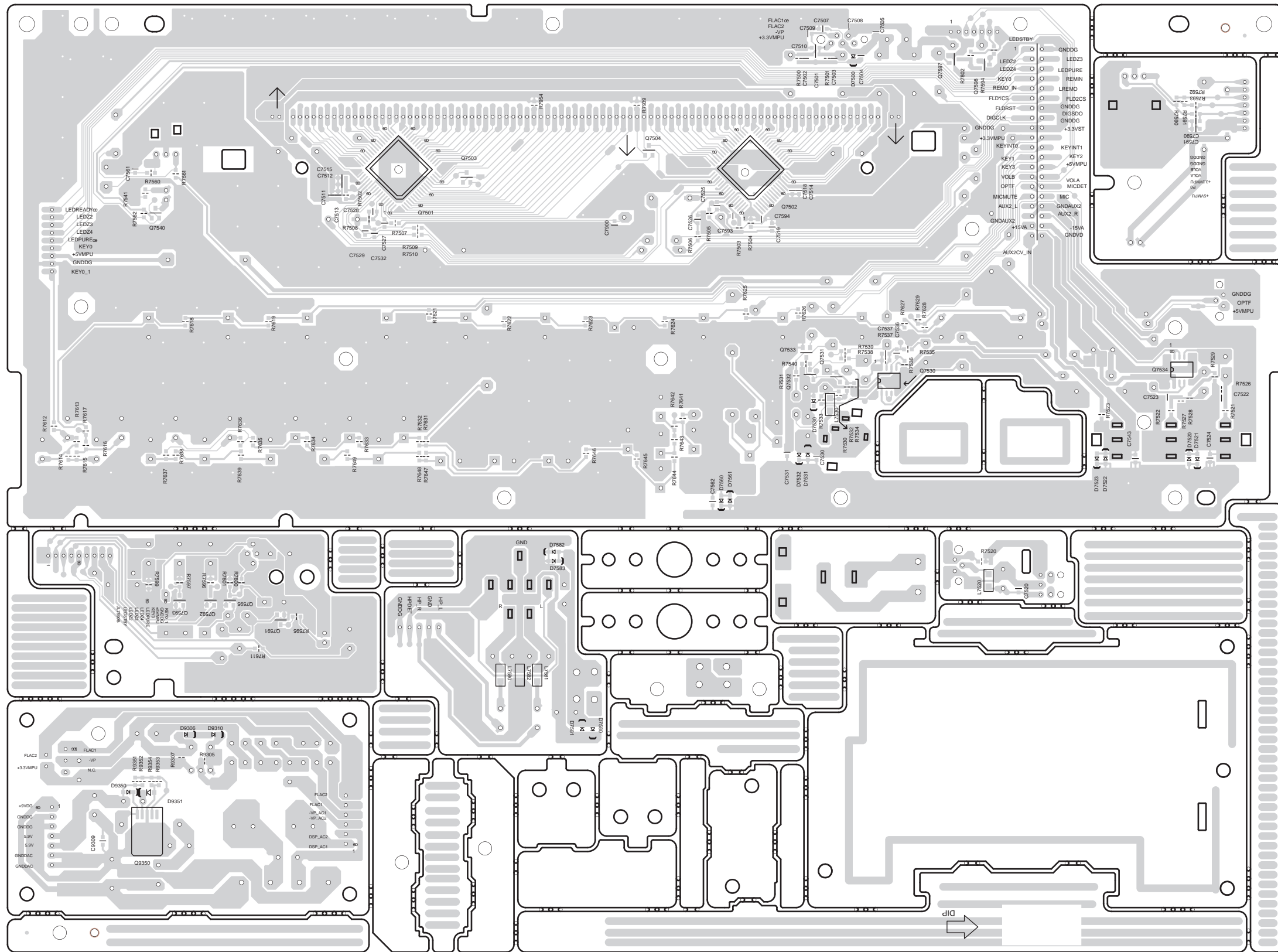
1

2

3

4

5



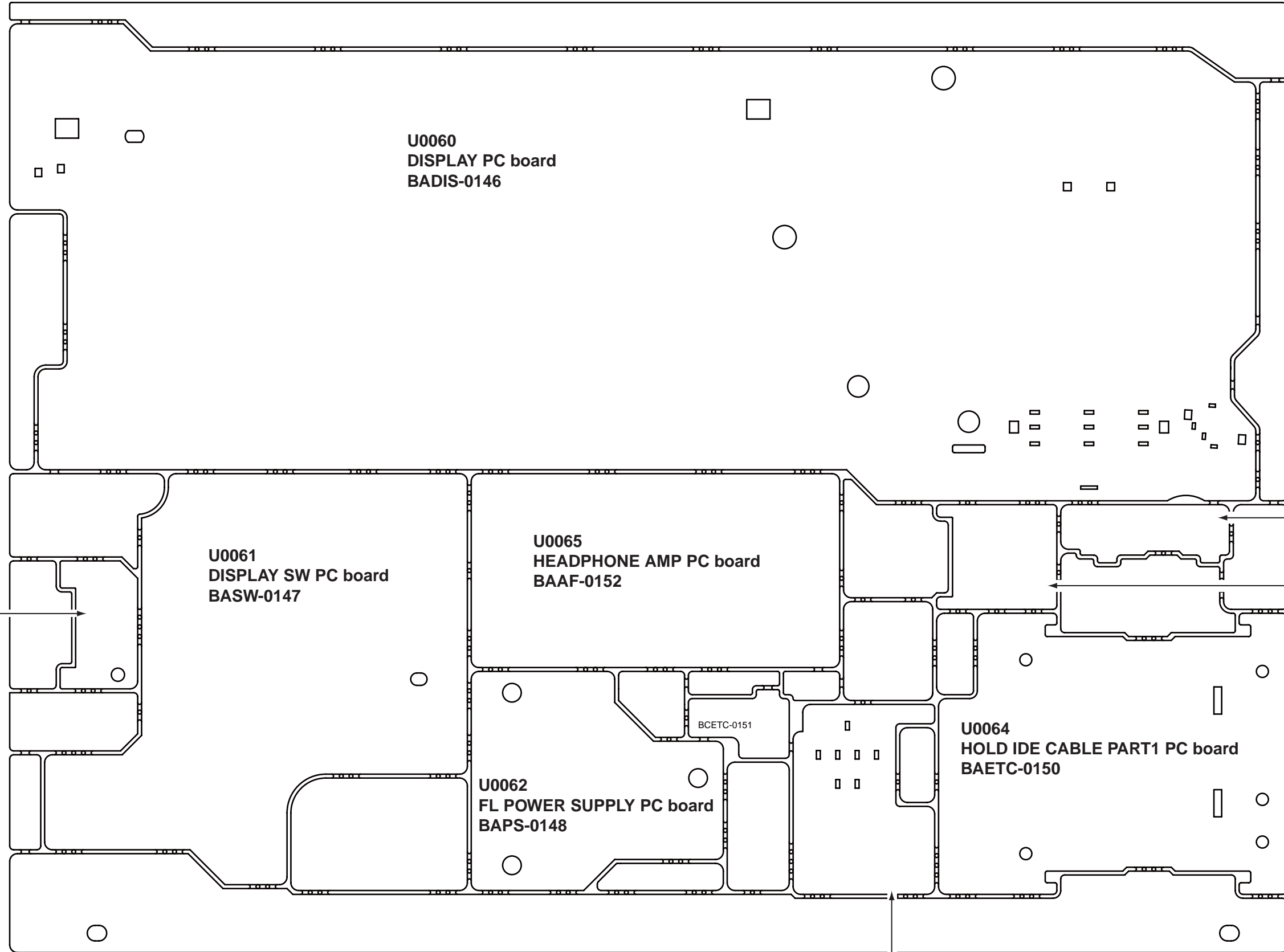
B side view from A side





PRINTED CIRCUIT BOARD VIEW-6-1

**U006**  
DISPLAY BOARD  
BADIS-0146



U0060  
DISPLAY PC board  
BADIS-0146

U0061  
DISPLAY SW PC board  
BASW-0147

U0065  
HEADPHONE AMP PC board  
BAAF-0152

U0062  
FL POWER SUPPLY PC board  
BAPS-0148

BCETC-0151

U0064  
HOLD IDE CABLE PART1 PC board  
BAETC-0150

U0067  
HOLD IDE CABLE PART2  
PC board  
BAETC-0155

U0068  
HOLD HEADPHONE  
TERMINAL  
PC board  
BAETC-0156

U0066  
HOLD FRONT HDMI  
TERMINAL PC board  
BAETC-0154

U0063 HEADPHONE TERMINAL PC board  
BAETC-0149

A

B

C

D

E

F

G

H

# PRINTED CIRCUIT BOARD VIEW-6-2

**U006**  
**DISPLAY BOARD**  
**BADIS-0146**

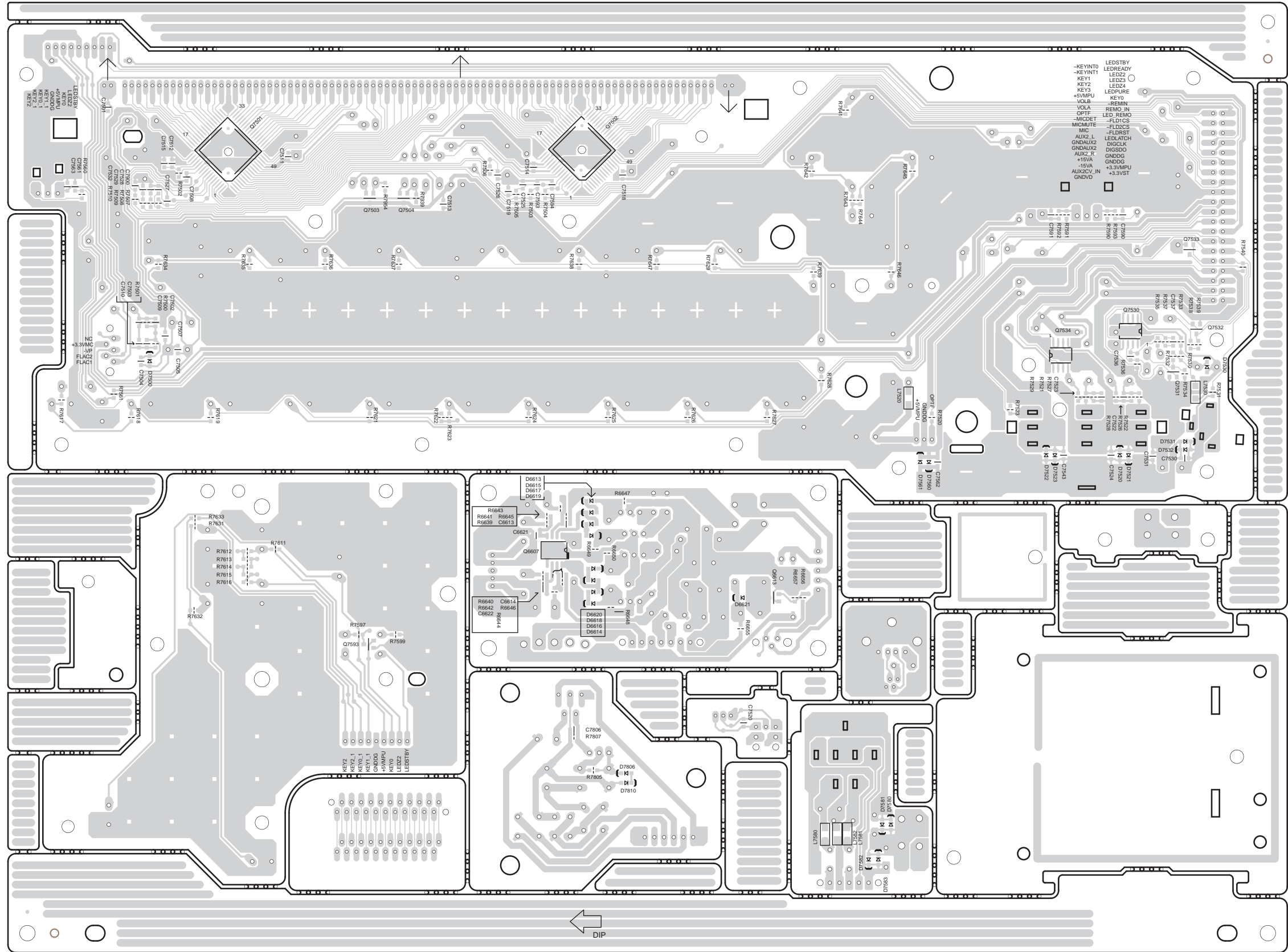
1

2

3

4

5



B side view from A side

PRINTED CIRCUIT BOARD VIEW-6-3

**U006**  
**DISPLAY BOARD**  
**BADIS-0146**

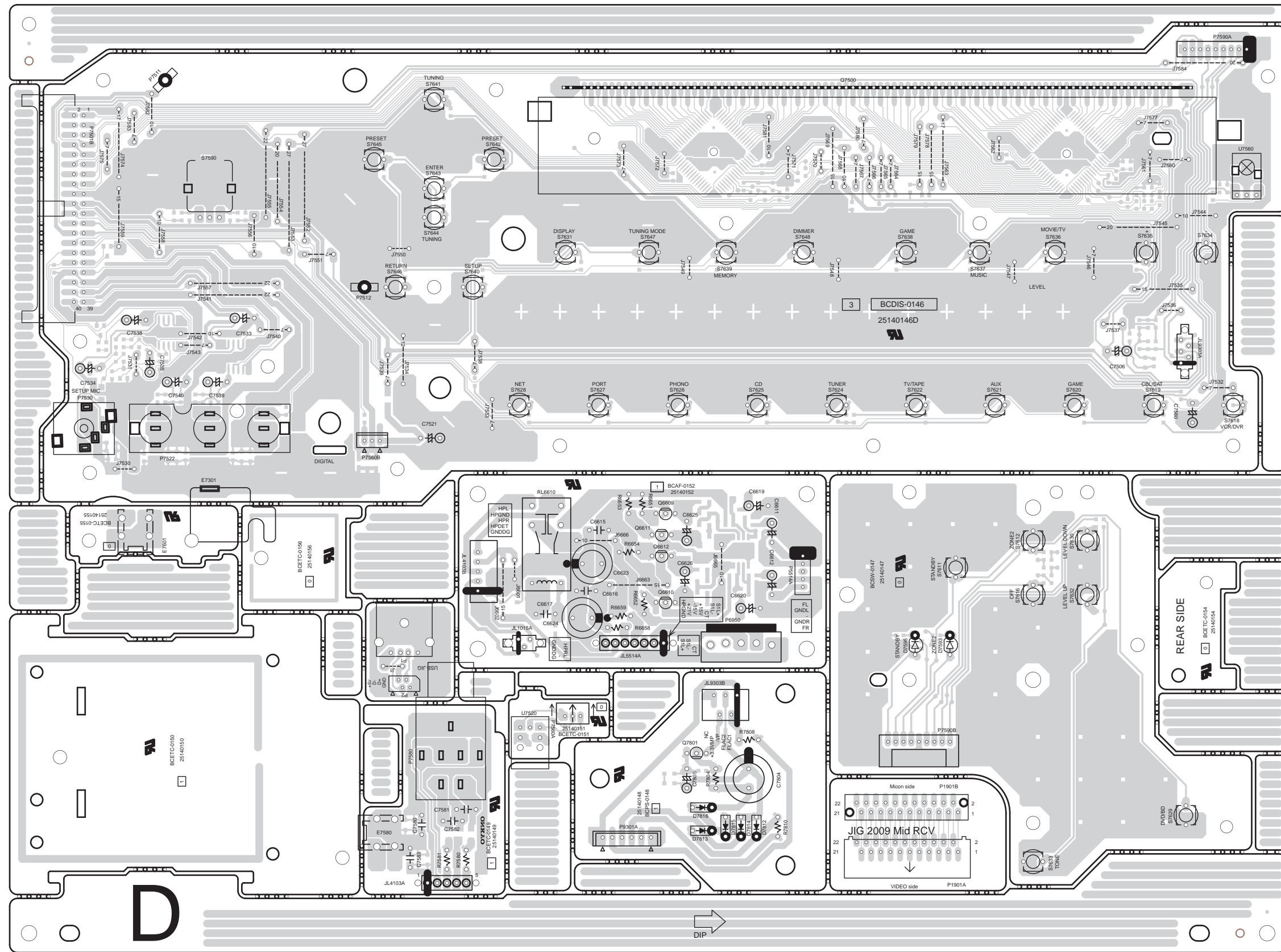
1

2

3

4

5



A side view from B side



A B C D E F G H

PRINTED CIRCUIT BOARD VIEW-7-1

U007 HDMI board BAHDM-0471

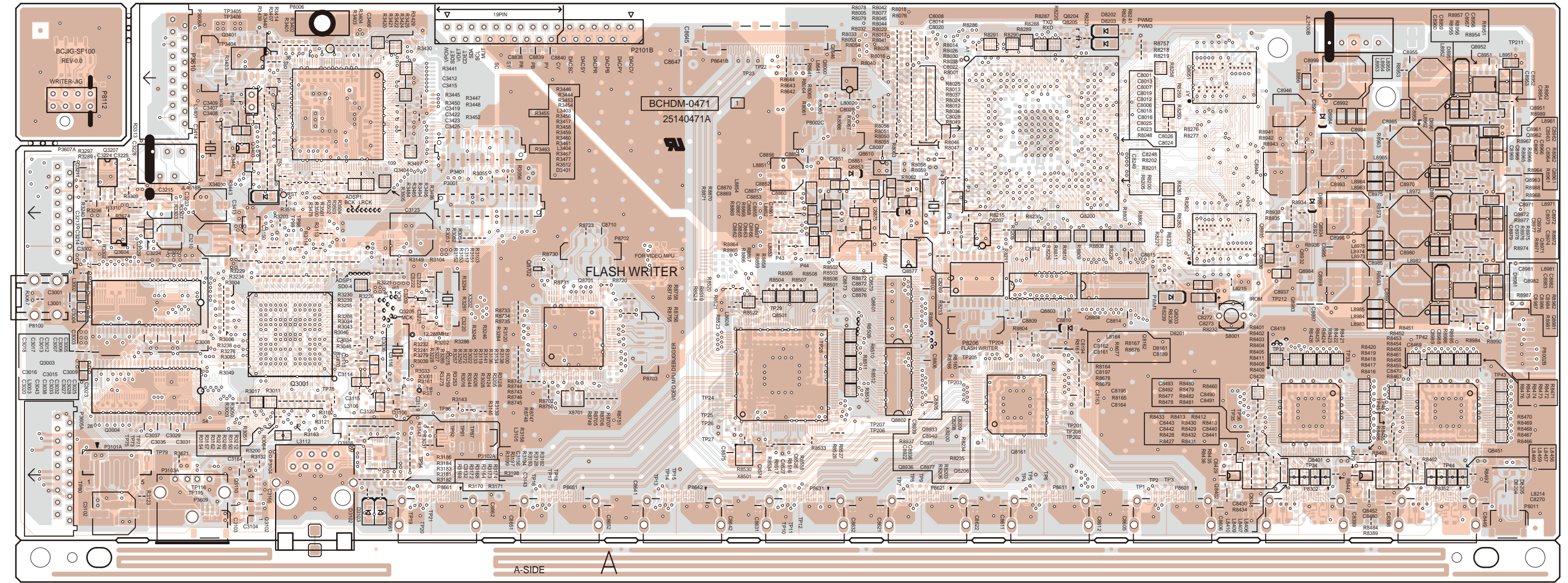
1

2

3

4

5



A side view

A side pattern  
 B side pattern



PRINTED CIRCUIT BOARD VIEW-7-2

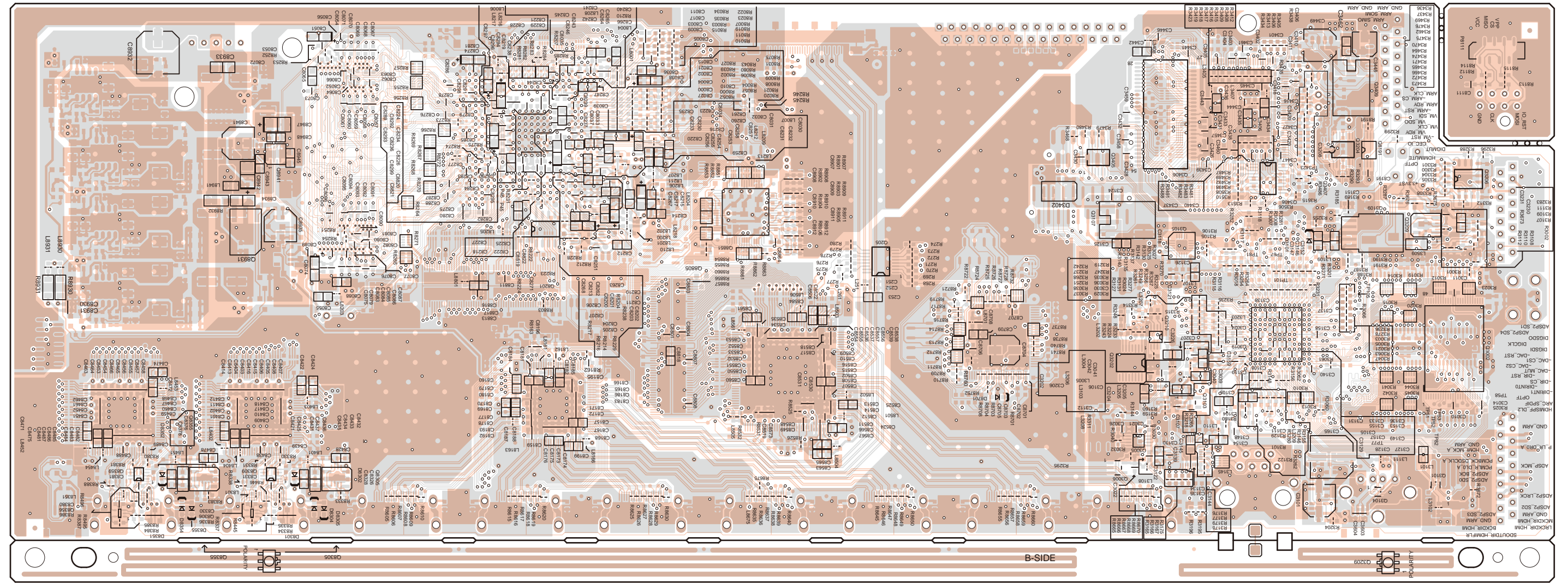
U007 HDMI board BAHDM-0471

1

2

3

4



B side view

- A side pattern
- B side pattern

5



PRINTED CIRCUIT BOARD VIEW-7-2

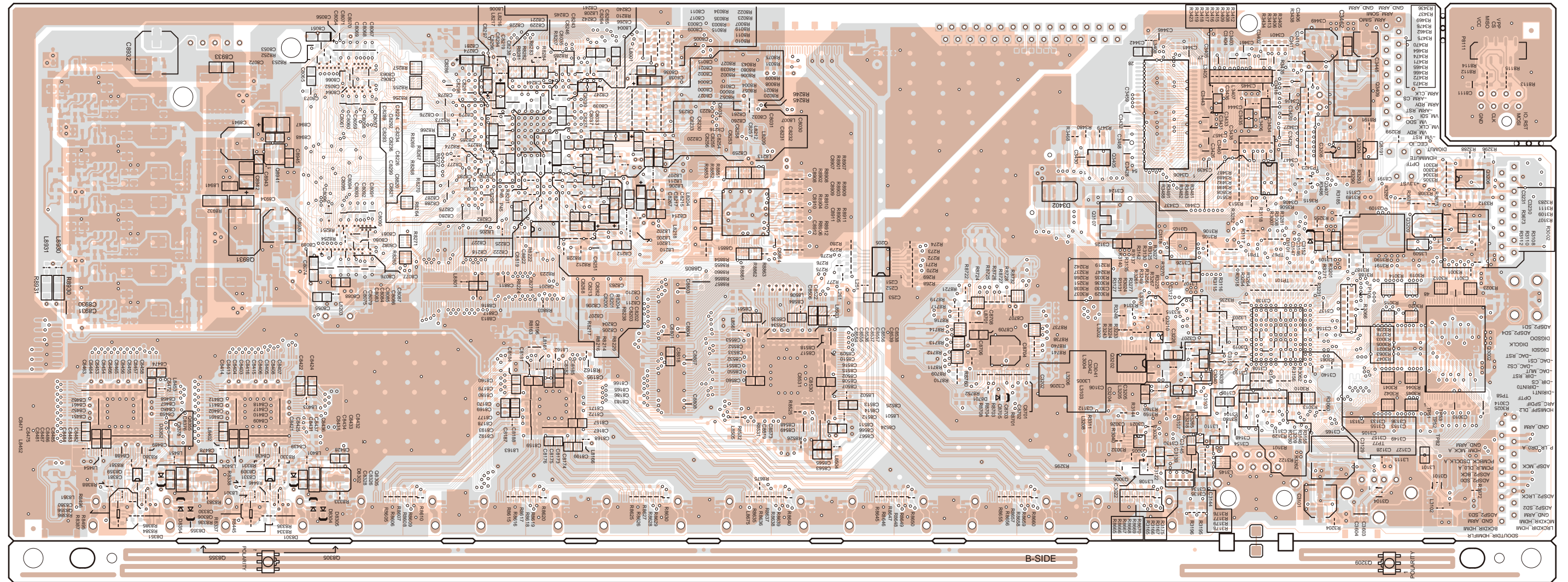
U007 HDMI board BAHDM-0471

1

2

3

4



B side view

■ A side pattern  
■ B side pattern

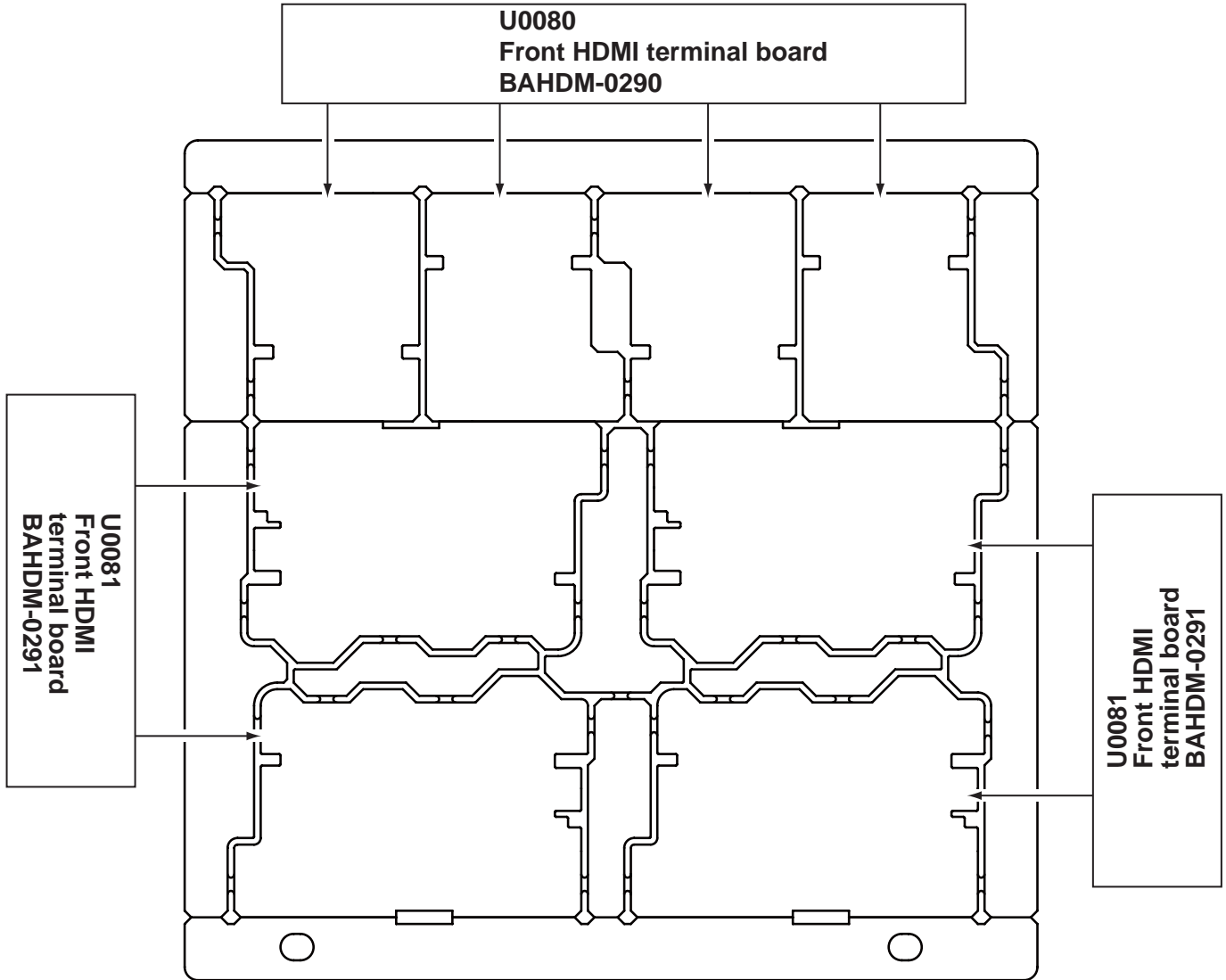
5



# PRINTED CIRCUIT BOARD VIEW-8-1

**U008**

**FRONT HDMI  
TERMINAL BOARD  
BAHDM-0290**





HT-RC270

## &lt;Note&gt;

Parts marked by "NSP" are generally unavailable because they are not in our Master Spare Parts List.

**NOTE : THE COMPONENTS IDENTIFIED BY THE MARK  
! ARE CRITICAL FOR RISK OF FIRE AND  
ELECTRIC SHOCK. REPLACE ONLY WITH PART  
NUMBER SPECIFIED.**

**EXPLODED VIEW PARTS LIST**

REF. NO.	PART NAME	DESCRIPTION	Q'TY	PART NO. (SN)	REMARKS
<b>[SEMI CONDUCTOR]</b>					
Q6050	TR	2SC5242-O	1	2202843	
Q6050 or	TR	2SC5242-R	(1)	2202842	
Q6050A	ISO SHEET	(NR708_3.5CH)	1	223056	
Q6050B	ISO SHEET	(NR708_3.5CH)	1	223056	
Q6051	TR	2SC5242-O	1	2202843	
Q6051 or	TR	2SC5242-R	(1)	2202842	
Q6052	TR	2SC5242-O	1	2202843	
Q6052 or	TR	2SC5242-R	(1)	2202842	
Q6053	TR	2SC5242-O	1	2202843	
Q6053 or	TR	2SC5242-R	(1)	2202842	
Q6054	TR	2SC5242-O	1	2202843	
Q6054 or	TR	2SC5242-R	(1)	2202842	
Q6055	TR	2SC5242-O	1	2202843	
Q6055 or	TR	2SC5242-R	(1)	2202842	
Q6056	TR	2SC5242-O	1	2202843	
Q6056 or	TR	2SC5242-R	(1)	2202842	
Q6060	TR	2SA1962-O	1	2202833	
Q6060 or	TR	2SA1962-R	(1)	2202832	
Q6061	TR	2SA1962-O	1	2202833	
Q6061 or	TR	2SA1962-R	(1)	2202832	



Q6062	TR	2SA1962-O	1	2202833
Q6062 or	TR	2SA1962-R	(1)	2202832
Q6063	TR	2SA1962-O	1	2202833
Q6063 or	TR	2SA1962-R	(1)	2202832
Q6064	TR	2SA1962-O	1	2202833
Q6064 or	TR	2SA1962-R	(1)	2202832
Q6065	TR	2SA1962-O	1	2202833
Q6065 or	TR	2SA1962-R	(1)	2202832
Q6066	TR	2SA1962-O	1	2202833
Q6066 or	TR	2SA1962-R	(1)	2202832
<b>[CHASSIS SCREW]</b>				
A001	HEAT SINK	---	1	27160648
A007	SCREW	3SMS8W.SW+14B(CU)	14	801634
A009	SCREW	3TTB+8B(3CM)SR	1	801637
A011	RETAINER	(HT-R7)	1	27142114A
A013	RETAINER	(HT-L)	1	27142182
A015	SCREW	3TTB+8B(3CM)SR	4	801637
A017	SCREW	3TTB+8B(3CM)SR	2	801637
A019	BRACKET	(FAN-S)	1	27131047
A021	SCREW	3TTB+8B(3CM)SR	2	801637
A023	BUSHING	(FAN-S)	2	28170090
A025	CUSHION	---	2	28141783
A027	CUSHION	T10*10*10EPT	1	28141813
A029	SCREW	3TTB+8B(3CM)SR	3	801637
A031	SCREW	3TTB+8B(3CM)SR	3	801637
A032	SCREW	3TTB+8B(3CM)SR	2	801637
A035	CUSHION	---	5	28141783
A037	IB CUSHION	W15*3t TAPE	1	28141585
A039	WIRE TIE	BSK-1	5	260208
A081	CHASSIS	TX-NR708	1	27100549
A095	BOTTOM LEG	TX-SR506	4	27175441A
A097	SCREW	3TTB+10B(3BC)	4	838430108GR
A101	WASHER	W3*8F(3CM)	4	87613008GR

A113	HOLDER	KGLS-4S	1	27190009	
A117	HOLDER	HOLDER KGLS-8S	3	27190480	
A119	HOLDER	HOLDER KGLS-8S	3	27190480	
A121	HOLDER	KGPS-14RF	3	27190802	
A123	HOLDER	KGPS-14RF	5	27190802	
A125	HOLDER	KGPS-14RF	1	27190802	
A127	HOLDER	HOLDER KGLS-18S	2	27190470	
A129	HOLDER	HOLDER KGLS-18S	2	27190470	
A131	HOLDER	KGLS-14S	1	27190164	
A133	HOLDER	KGLS-10RT	1	27190428A	
A135	HOLDER	KGLS-12RT	1	27190266	
A137	HOLDER	KGLS-22RT	2	27190772	
A141	SCREW	3TTB+8B(3CM)SR	1	801637	
A143	SCREW	3TTB+8B(3CM)SR	2	801637	
A144	CUSHION	T15*30*10	1	28141802	
A145	SPACER	t0.5xφ8xφ3.2フロソ	1	27270438	
A179	SCREW	4TTC+8C(3BC)	4	830440089GR	
A181	SCREW	3TTB+8B(3BC)	5	838430088GR	
A183	SCREW	3TTB+8B(3CM)SR	4	801637	
A185	CLAMP	WS-2NS	1	27300833	
A191	CUSHION	T10*30*10EPT	1	28141822	
A193	SPACER	---	1	27270439	
A195	ISO PLT	(HS-R)	1	28175340	
A197	RIVET	P-RIVET NRP-345	4	880009	
A237A	LABEL	(E-CON)	{ 1 }	29364978	
A239	CUSHION	(BUTYL)	1	28141748	
A241	CUSHION	(BUTYL)	1	28141748	
A245	TAPE	TAPE(CLOTH-8U)	1	29110082	
A247	LABEL	(PT)	1	29363379-1	
A249	WIRE TIE	BSK-1	8	260208	
A251	REAR PANEL	HTRC270DC	1	27124135A	N
A253	BUSHING	S-RELIEF #2271	1	27300750	
A255	SCREW	3TTB+8B(3BC)	12	838430088GR	

A257	SCREW	3TTB+8B(3BC)	10	838430088GR	
A259	SCREW	3TTB+8B(3BC)	6	838430088GR	
A261	SCREW	3TTB+8B(3BC)	5	838430088GR	
A263	SCREW	3TTB+8B(3BC)	2	838430088GR	
A264	SCREW	3TTB+8B(3BC)	1	838430088GR	
A267	SCREW	3P+6FN(3BC)	6	82143006GR	
A269	SCREW	3P+6FN(3BC)	2	82143006GR	
A279	SCREW	3TTB+8B(3CM)SR	1	801637	
A281	WASHER	W3*10F(3BC)	1	87643010GR	
A283	LABEL	(SP1)	1	29390790	
A285	LABEL	(SP2)	1	29390791	
A289	CUSHION	---	2	28141799	
<b>[CABINET]</b>					
A301	F BRACKET	(B)	1	27111578A	N
A303	KNOB	(STNBY)	1	28326663A	
A305	KNOB	(CUR)	1	28326664A	
A307	KNOB	(SEL)	1	28326665	
A309	B PLATE	(B)	1	28133428	
A313	FACET	(VOL)	1	28200039	
A315	SCREW	3TTB+8B(3CM)SR	1	801637	
A317	SCREW	2.6TTB+8B(3BC)	27	838426088GR	
A321	RETAINER	(USB)TX	1	27142199	N
A323	HOLDER	KGPS-10RF	1	27190813	
A325	HOLDER	KGLS-4S	3	27190009	
A327	IB CUSHION	W15*3t TAPE	1	28141585	
A351	F PANEL	270(B)DC	1	27213378A	N
A353	CLEAR PLT	(AS)708D	1	28192298	N
A355	BADGE	BADGE	1	28135244	
A371	KNOB	(VOL)AS RC260	1	28326831	N
A373	CUSHION	t0.9*Φ48	1	28141824	
A391	SCREW	3TTB+8B(3BC)	3	838430088GR	
A393	SCREW	3TTB+8B(3CM)SR	5	801637	
A395	SCREW	3TTB+8B(3CM)SR	1	801637	



A397	SCREW		3TTB+8B(3CM)SR	1	801637	
A701	COVER		(B) (Bent)	1	28184972	
A701	COVER		(B) (Not Bent)	1	28184972Z	
A702	TAPE		TAPE(CLOTH-8U)	1	29110082	
A703	LABEL		(COVER)	1	29364123	
A705	LABEL		HOOKUP-ONKYO	1	29363194	
A715	SCREW		3TTB+8B(3BC)	6	838430088GR	
<b>[TRANS COIL]</b>						
T901	P TRANS		NPT-1594D	1	2301990	!
<b>[SW TRM]</b>						
F2000	FUSE		4A-UL/T-233	1	252325GR	!
F2000 or	FUSE		4A-T/UL-ST2	(1)	252257GR	!
F2001	FUSE		2A-UL/T-233	1	252320GR	!
F2001 or	FUSE		2A-T/UL-ST2	(1)	252253GR	!
F6901	FUSE		15A-TUL-250V	1	252303GR	!
F6901 or	FUSE		15A-UL/T-314	(1)	252197GR	!
F6902	FUSE		15A-TUL-250V	1	252303GR	!
F6902 or	FUSE		15A-UL/T-314	(1)	252197GR	!
F901	FUSE		10A-UL-ST6 N1	1	252382GR	!
P103	FFC		NCFC7-111012	1	2047111012	
P2101	FFC		NCFC7-191012	1	2047191012	
P3101	SOCKET AS		NSAS-10P1813	1	2009991173UL	
P640	FAN		D05X-12TL	1	24502317	
P7501	SOCKET AS		NSAS-80P1804	1	2009991167UL	
P8002	FFC		NCFC5-110512	1	2045110512	
P8641	FFC		NCFCD-31008	1	204D31008	
P9008	SOCKET AS		NSAS-3P1760	1	2009991127UL	
P921	AC CORD		AS-UC-2	1	253368AYUN	!
P921 or	AC CORD		AS-UC-2	(1)	253368BLTK	!
<b>[TUNER UNIT]</b>						
<b>U001</b>	<b>U0010-U0016</b>		<b>BAAMP-0444-1A *</b>	<b>1</b>	<b>1B248544-1A</b>	<b>N</b>
U0010	AMP (FINAL STAGE) PC BOARD AS		BAAMP-0444-1A	1	1B2485444-1A	N
U0011	VOLTAGE AMP PC BOARD AS		BACLA-0445-1A	1	1B2485445-1A	N

U0012	AMP HOLD PC BOARD AS	BAETC-0446-1A	1	1B2485446-1A	N
U0013	AMP HOLD PC BOARD AS	BAETC-0447-1A	1	1B2485447-1A	N
U0014	THERMAL PC BOARD AS	BAETC-0448-1A	1	1B2485448-1A	N
U0015	THERMAL PCB HOLD PC BOARD AS	BAETC-0449-1A	1	1B2485449-1A	N
U0016	HOLD FRONT HDMI CABLE PC BOARD AS	BAETC-0455-1A	1	1B2485455-1A	N
<b>U003</b>	<b>U0030~U0033</b>	<b>BATRM-0450-1A *</b>	<b>1</b>	<b>1B248550-1A</b>	<b>N</b>
U0030	SPEAKER TERMINAL_1 PC BOARD AS	BATRM-0450-1A	1	1B2485450-1A	N
U0031	SPEAKER TERMINAL_2 PC BOARD AS	BATRM-0451-1A	1	1B2485451-1A	N
U0032	SPEAKER TERMINAL_3 PC BOARD AS	BATRM-0452-1A	1	1B2485452-1A	N
U0034	POWER SUPPLY PC BOARD AS	BAPS-0454-1A	1	1B2485454-1A	N
<b>U004</b>	<b>U0040~U0041</b>	<b>BAASP-0458-1A *</b>	<b>1</b>	<b>1B248558-1A</b>	<b>N</b>
U0040	ANALOG AUDIO PC BOARD AS	BAASP-0458-1A	1	1B2485458-1A	N
U0041	D-SUB TERMINAL PC BOARD AS	BAETC-0459-1A	1	1B2485459-1A	N
<b>U005</b>	<b>U0050~U0054</b>	<b>BADG-0462-1H *</b>	<b>1</b>	<b>1B248562-1H</b>	<b>N</b>
U0050	DAC PC BOARD AS	BADG-0462-1H	1	1B2485462-1H	N
U0051	CPU PC BOARD AS	BACPU-0463-1H	1	1B2485463-1H	N
U0052	ANALOG VIDEO PC BOARD AS	BAVD-0464-1H	1	1B2485464-1H	N
U0053	UNIVERSAL PORT PC BOARD AS	BAETC-0466-1H	1	1B2485466-1H	N
U0054	FRONT USB PC BOARD AS	BADG-0468-1H	1	1B2485468-1H	N
<b>U006</b>	<b>U0060~U0067</b>	<b>BADIS-0110-1F *</b>	<b>1</b>	<b>1B234510-1F</b>	<b>N</b>
U0060	DISPLAY PC BOARD AS	BADIS-0110-1F	1	1B2345110-1F	N
U0061	DISPLAY SW PC BOARD AS	BASW-0111-1F	1	1B2345111-1F	N
U0062	FL POWER SUPPLY PC BOARD AS	BAPS-0112-1F	1	1B2345112-1F	N
U0063	HEADPHONE TERMINAL PC BOARD AS	BAETC-0113-1F	1	1B2345113-1F	N
U0064	HOLD IDE CABLE PART1 PC BOARD AS	BAETC-0114-1F	1	1B2345114-1F	N
U0065	VOLUME LED PC BOARD AS	BAETC-0116-1F	1	1B2345116-1F	N
U0066	HOLD IDE CABLE PART2 PC BOARD AS	BAETC-0117-1F	1	1B2345117-1F	N
U0067	HOLD FRONT HDMI TERMINAL PC BOARD AS	BAETC-0118-1F	1	1B2345118-1F	N
<b>U007</b>	<b>HDMI PC BOARD AS</b>	<b>BAHDM-0471-1A</b>	<b>1</b>	<b>1B248571-1A</b>	<b>N</b>
<b>U0080</b>	<b>FRONT HDMI TERMINAL PC BOARD AS</b>	<b>BAHDM-0290-1A</b>	<b>1</b>	<b>1B234590-1A</b>	
U011	TUNER UNIT	FAEH06-A01US	1	240166	

PACKING PROCEDURES PARTS LIST					HT-RC270
REF. NO.	PART NAME	DESCRIPTION	Q'TY	PART NO. (SN)	REMARKS
<b>[PACKING]</b>					
A721	LABEL	(WIN7)	1	29391024	
A751	PAD	ASTXSR707	1	29092462A	
A755	SHEET	(PAD)	1	29096065A	
A781	SHEET	1300*650	1	29095966	
A789	TAPE	(SEROHAN)NITTO NO.29	1	29110149	
A791	POLY BAG	w250xd350	1	29100250A	
A793	TAPE	(SEROHAN)NITTO NO.29	1	29110149	
A793	PP TAPE	W50 SBT-70	1	29110200	
A801	CARTON	HTRC270MDC	1	29055141B	N
A811A	UPC LABEL	HTRC270BMDC	{ 1 }	29391194	N
<b>[ACCESSARY]</b>					
A1035	INS MANUAL	En(HT-RC270/280)	1	29400352	N
A1036	INS MANUAL	U2FrEs(HT-RC270/280)	1	29400353	N
A1037	INS MANUAL	En(QSS_HT-RC270/280)	1	29400354	N
A1100	INS MANUAL	U9(2010_Prepro)	1	29400269	
A1101	HANDBILL	(UP-A1)US	1	29380155A	
A1104	INST SHEET	U11(2010_RIHD)	1	29355782	
A1109	INS MANUAL	U2JaEn(SW_Lice_708-5008)	1	29400366	
A1110	INS MANUAL	U3EnFrEs(InternetRadio_ONK)	1	29400367	N
A1113	INST SHEET	U11(2010M/H_A.P.D.)	1	29355790	
A1120	INST SHEET	U3EnFrEs(FW_Update_270)	1	29355801	N
A851	POLY BAG	D250xd300xW300(t0.04)	1	29100256A	
A855	TAPE	(SEROHAN)NITTO NO.29	1	29110149	
A861	LABEL	(SPCABLE)2009	1	29390881	
A881	WRNTY CARD	(ONKYO)	1	29365135	
A990	REMO CON	RC-768M	1	24140768	
A991	BATTERY	R6/AA(UM-3)	2	3010194	
A992	MIC	MIC-7000	1	245044	



A993	ANT COIL	NMA-3057	1	232140
A994	FM ANT AS	Type W	1	292191

**HT-RC270**

**PC BOARD PARTS LIST**

<b>U001</b>	<b>U0010~U0016</b>	<b>BAAMP-0444-1A *</b>	<b>1</b>	<b>1B248544-1A</b>	<b>N</b>
<b>U0010</b>	<b>AMP (FINAL STAGE) PC BOARD AS</b>	<b>BAAMP-0444-1A</b>	<b>1</b>	<b>1B2485444-1A</b>	<b>N</b>
<b>U0011</b>	<b>VOLTAGE AMP PC BOARD AS</b>	<b>BACLA-0445-1A</b>	<b>1</b>	<b>1B2485445-1A</b>	<b>N</b>
<b>U0012</b>	<b>AMP HOLD PC BOARD AS</b>	<b>BAETC-0446-1A</b>	<b>1</b>	<b>1B2485446-1A</b>	<b>N</b>
<b>U0013</b>	<b>AMP HOLD PC BOARD AS</b>	<b>BAETC-0447-1A</b>	<b>1</b>	<b>1B2485447-1A</b>	<b>N</b>
<b>U0014</b>	<b>THERMAL PC BOARD AS</b>	<b>BAETC-0448-1A</b>	<b>1</b>	<b>1B2485448-1A</b>	<b>N</b>
<b>U0015</b>	<b>THERMAL PCB HOLD PC BOARD AS</b>	<b>BAETC-0449-1A</b>	<b>1</b>	<b>1B2485449-1A</b>	<b>N</b>
<b>U0016</b>	<b>HOLD FRONT HDMI CABLE PC BOARD AS</b>	<b>BAETC-0455-1A</b>	<b>1</b>	<b>1B2485455-1A</b>	<b>N</b>

CIRCUIT NO.	PART NAME	DESCRIPTION	Q'TY	PART NO. (SN)	REMARKS
<b>[SEMI CONDUCTOR]</b>					
D5000	ZENER D	MTZJ5.6B	1	224470562T	
D5001	ZENER D	MTZJ5.6B	1	224470562T	
D5002	ZENER D	MTZJ5.6B	1	224470562T	
D5003	ZENER D	MTZJ5.6B	1	224470562T	
D5004	ZENER D	MTZJ5.6B	1	224470562T	
D5005	ZENER D	MTZJ5.6B	1	224470562T	
D5006	ZENER D	MTZJ5.6B	1	224470562T	
D6000	DIODE	ISS133	1	223163T	
D6001	DIODE	ISS133	1	223163T	
D6002	DIODE	ISS133	1	223163T	
D6003	DIODE	ISS133	1	223163T	
D6004	DIODE	ISS133	1	223163T	
D6005	DIODE	ISS133	1	223163T	
D6006	DIODE	ISS133	1	223163T	
D6701	C-DIODE	ISS352	1	223234R2	

D6701 or	C-DIODE	1SS355	(1)	223269R2	
D6701 or	C-DIODE	KDS4148U	(1)	223283R2	
D6701 or	C-DIODE	MA2J1110GL	(1)	223302R2	
D6702	C-DIODE	1SS352	1	223234R2	
D6702 or	C-DIODE	1SS355	(1)	223269R2	
D6702 or	C-DIODE	KDS4148U	(1)	223283R2	
D6702 or	C-DIODE	MA2J1110GL	(1)	223302R2	
D6703	ZENER D	UDZS3.6B	1	224550360R2	
D6704	ZENER D	UDZS3.6B	1	224550360R2	
D6713	ZENER D	UDZS3.6B	1	224550360R2	
D6901	DIODE	D10XB60H	1	22380337	
D6901A	HEAT SINK	RAD-257	1	27160651	N
D6901C	SCREW	3P+10FN(3BC)	1	82143010GR	
D6902	C-DIODE	1SS352	1	223234R2	
D6902 or	C-DIODE	1SS355	(1)	223269R2	
D6902 or	C-DIODE	KDS4148U	(1)	223283R2	
D6902 or	C-DIODE	MA2J1110GL	(1)	223302R2	
D6903	DIODE	RL1N4003	1	22380260T	
D6904	DIODE	RL1N4003	1	22380260T	
Q5000	TR	2SC2240-BL(TPE2_F)	1	2211406T	
Q5001	TR	2SC2240-BL(TPE2_F)	1	2211406T	
Q5002	TR	2SC2240-BL(TPE2_F)	1	2211406T	
Q5003	TR	2SC2240-BL(TPE2_F)	1	2211406T	
Q5004	TR	2SC2240-BL(TPE2_F)	1	2211406T	
Q5005	TR	2SC2240-BL(TPE2_F)	1	2211406T	
Q5006	TR	2SC2240-BL(TPE2_F)	1	2211406T	
Q5010	TR	2SC2240-BL(TPE2_F)	1	2211406T	
Q5011	TR	2SC2240-BL(TPE2_F)	1	2211406T	
Q5012	TR	2SC2240-BL(TPE2_F)	1	2211406T	
Q5013	TR	2SC2240-BL(TPE2_F)	1	2211406T	
Q5014	TR	2SC2240-BL(TPE2_F)	1	2211406T	
Q5015	TR	2SC2240-BL(TPE2_F)	1	2211406T	
Q5016	TR	2SC2240-BL(TPE2_F)	1	2211406T	

Q5030	TR	2SA949-Y(TPE6_F)	1	2211354T
Q5030A	RETAINER	(CLA2)	1	27142140
Q5031	TR	2SA949-Y(TPE6_F)	1	2211354T
Q5031A	RETAINER	(CLA2)	1	27142140
Q5032	TR	2SA949-Y(TPE6_F)	1	2211354T
Q5032A	RETAINER	(CLA2)	1	27142140
Q5033	TR	2SA949-Y(TPE6_F)	1	2211354T
Q5033A	RETAINER	(CLA2)	1	27142140
Q5034	TR	2SA949-Y(TPE6_F)	1	2211354T
Q5034A	RETAINER	(CLA2)	1	27142140
Q5035	TR	2SA949-Y(TPE6_F)	1	2211354T
Q5035A	RETAINER	(CLA2)	1	27142140
Q5036	TR	2SA949-Y(TPE6_F)	1	2211354T
Q5036A	RETAINER	(CLA2)	1	27142140
Q5040	TR	2SA949-Y(TPE6_F)	1	2211354T
Q5041	TR	2SA949-Y(TPE6_F)	1	2211354T
Q5042	TR	2SA949-Y(TPE6_F)	1	2211354T
Q5043	TR	2SA949-Y(TPE6_F)	1	2211354T
Q5044	TR	2SA949-Y(TPE6_F)	1	2211354T
Q5045	TR	2SA949-Y(TPE6_F)	1	2211354T
Q5046	TR	2SA949-Y(TPE6_F)	1	2211354T
Q5050	TR	2SC2240-BL(TPE2_F)	1	2211406T
Q5051	TR	2SC2240-BL(TPE2_F)	1	2211406T
Q5052	TR	2SC2240-BL(TPE2_F)	1	2211406T
Q5053	TR	2SC2240-BL(TPE2_F)	1	2211406T
Q5054	TR	2SC2240-BL(TPE2_F)	1	2211406T
Q5055	TR	2SC2240-BL(TPE2_F)	1	2211406T
Q5056	TR	2SC2240-BL(TPE2_F)	1	2211406T
Q5060	TR	2SA949-Y(TPE6_F)	1	2211354T
Q5061	TR	2SA949-Y(TPE6_F)	1	2211354T
Q5062	TR	2SA949-Y(TPE6_F)	1	2211354T
Q5063	TR	2SA949-Y(TPE6_F)	1	2211354T
Q5064	TR	2SA949-Y(TPE6_F)	1	2211354T



Q5065	TR	2SA949-Y(TPE6_F)	1	2211354T
Q5066	TR	2SA949-Y(TPE6_F)	1	2211354T
Q5070	TR	2SC2229-Y(TPE6_F)	1	2211634T
Q5071	TR	2SC2229-Y(TPE6_F)	1	2211634T
Q5072	TR	2SC2229-Y(TPE6_F)	1	2211634T
Q5073	TR	2SC2229-Y(TPE6_F)	1	2211634T
Q5074	TR	2SC2229-Y(TPE6_F)	1	2211634T
Q5075	TR	2SC2229-Y(TPE6_F)	1	2211634T
Q5076	TR	2SC2229-Y(TPE6_F)	1	2211634T
Q5250	TR	2SA1930(ONK_Q)	1	2203000
Q5251	TR	2SA1930(ONK_Q)	1	2203000
Q5252	TR	2SA1930(ONK_Q)	1	2203000
Q5253	TR	2SA1930(ONK_Q)	1	2203000
Q5254	TR	2SA1930(ONK_Q)	1	2203000
Q5255	TR	2SA1930(ONK_Q)	1	2203000
Q5256	TR	2SA1930(ONK_Q)	1	2203000
Q5260	TR	2SC5171(ONK_Q)	1	2203010
Q5261	TR	2SC5171(ONK_Q)	1	2203010
Q5262	TR	2SC5171(ONK_Q)	1	2203010
Q5263	TR	2SC5171(ONK_Q)	1	2203010
Q5264	TR	2SC5171(ONK_Q)	1	2203010
Q5265	TR	2SC5171(ONK_Q)	1	2203010
Q5266	TR	2SC5171(ONK_Q)	1	2203010
Q5410	TR	2SC2412K-R	1	2214653R2
Q5411	TR	2SC2412K-R	1	2214653R2
Q5412	TR	2SC2412K-R	1	2214653R2
Q5413	TR	2SC2412K-R	1	2214653R2
Q5414	TR	2SC2412K-R	1	2214653R2
Q5415	TR	2SC2412K-R	1	2214653R2
Q5416	TR	2SC2412K-R	1	2214653R2
Q5430	TR	2SC2229-Y(TPE6_F)	1	2211634T
Q5430 or	TR	2SC2229-O(TPE6_F)	(1)	2211633T
Q5431	TR	2SC2229-Y(TPE6_F)	1	2211634T

Q5431 or	TR	2SC2229-O(TPE6_F)	(1)	2211633T
Q5432	TR	2SC2229-Y(TPE6_F)	1	2211634T
Q5432 or	TR	2SC2229-O(TPE6_F)	(1)	2211633T
Q5433	TR	2SC2229-Y(TPE6_F)	1	2211634T
Q5433 or	TR	2SC2229-O(TPE6_F)	(1)	2211633T
Q5434	TR	2SC2229-Y(TPE6_F)	1	2211634T
Q5434 or	TR	2SC2229-O(TPE6_F)	(1)	2211633T
Q5435	TR	2SC2229-Y(TPE6_F)	1	2211634T
Q5435 or	TR	2SC2229-O(TPE6_F)	(1)	2211633T
Q5436	TR	2SC2229-Y(TPE6_F)	1	2211634T
Q5436 or	TR	2SC2229-O(TPE6_F)	(1)	2211633T
Q5440	TR	2SA949-O(TPE6_F)	1	2211353T
Q5440 or	TR	2SA949-Y(TPE6_F)	(1)	2211354T
Q5441	TR	2SA949-O(TPE6_F)	1	2211353T
Q5441 or	TR	2SA949-Y(TPE6_F)	(1)	2211354T
Q5442	TR	2SA949-O(TPE6_F)	1	2211353T
Q5442 or	TR	2SA949-Y(TPE6_F)	(1)	2211354T
Q5443	TR	2SA949-O(TPE6_F)	1	2211353T
Q5443 or	TR	2SA949-Y(TPE6_F)	(1)	2211354T
Q5444	TR	2SA949-O(TPE6_F)	1	2211353T
Q5444 or	TR	2SA949-Y(TPE6_F)	(1)	2211354T
Q5445	TR	2SA949-O(TPE6_F)	1	2211353T
Q5445 or	TR	2SA949-Y(TPE6_F)	(1)	2211354T
Q5446	TR	2SA949-O(TPE6_F)	1	2211353T
Q5446 or	TR	2SA949-Y(TPE6_F)	(1)	2211354T
Q6000	TR	2SC2412K-R	1	2214653R2
Q6001	TR	2SC2412K-R	1	2214653R2
Q6002	TR	2SC2412K-R	1	2214653R2
Q6003	TR	2SC2412K-R	1	2214653R2
Q6004	TR	2SC2412K-R	1	2214653R2
Q6005	TR	2SC2412K-R	1	2214653R2
Q6006	TR	2SC2412K-R	1	2214653R2
Q6070	TR	2SC2229-Y(TPE6_F)	1	2211634T

Q6071	TR	2SC2229-Y(TPE6_F)	1	2211634T
Q6072	TR	2SC2229-Y(TPE6_F)	1	2211634T
Q6073	TR	2SC2229-Y(TPE6_F)	1	2211634T
Q6074	TR	2SC2229-Y(TPE6_F)	1	2211634T
Q6075	TR	2SC2229-Y(TPE6_F)	1	2211634T
Q6076	TR	2SC2229-Y(TPE6_F)	1	2211634T
Q6380	IC	LM61CIZ	1	22242212
Q6380A	RETAINER	(PTH)	1	27141884-1
Q6502	TR	2SA950-Y	1	2211504T
Q6503	TR	2SC1815-GR	1	2211255T
Q6701	TR	2SC2712-GR	1	2213145R2
Q6702	TR	2SC2712-GR	1	2213145R2
Q6703	TR	2SA1163-BL(TE85L_F)	1	2216756R2
Q6707	TR	2SC2712-GR	1	2213145R2
Q6713	TR	2SA1163-BL(TE85L_F)	1	2216756R2
<b>[TRANS COIL]</b>				
L5400	FR CORE	*	1	5597-45502
L5401	FR CORE	*	1	5597-45502
L5402	FR CORE	*	1	5597-45502
L5403	FR CORE	*	1	5597-45502
L5404	FR CORE	*	1	5597-45502
L5405	FR CORE	*	1	5597-45502
L5406	FR CORE	*	1	5597-45502
L5410	FR CORE	*	1	5597-45502
L5411	FR CORE	*	1	5597-45502
L5412	FR CORE	*	1	5597-45502
L5413	FR CORE	*	1	5597-45502
L5414	FR CORE	*	1	5597-45502
L5415	FR CORE	*	1	5597-45502
L5416	FR CORE	*	1	5597-45502
L6600	S-COIL	SC-0.8X5.5X18.5T	1	231431S
L6601	S-COIL	SC-0.8X5.5X18.5T	1	231431S
L6602	S-COIL	SC-0.8X5.5X18.5T	1	231431S



L6603	S-COIL	SC-0.8X5.5X18.5T	1	231431S
L6604	S-COIL	SC-0.8X5.5X18.5T	1	231431S
L6605	S-COIL	SC-0.8X5.5X18.5T	1	231431S
L6606	S-COIL	SC-0.8X5.5X18.5T	1	231431S
<b>[CAPACITOR]</b>				
C5000	UPZ C	2AUPZTF101JE	1	376331014T
C5001	UPZ C	2AUPZTF101JE	1	376331014T
C5002	UPZ C	2AUPZTF101JE	1	376331014T
C5003	UPZ C	2AUPZTF101JE	1	376331014T
C5004	UPZ C	2AUPZTF101JE	1	376331014T
C5005	UPZ C	2AUPZTF101JE	1	376331014T
C5006	UPZ C	2AUPZTF101JE	1	376331014T
C5010	UTSP C	CE04W50V-47M(UTSP)	1	397584707T
C5011	UTSP C	CE04W50V-47M(UTSP)	1	397584707T
C5012	UTSP C	CE04W50V-47M(UTSP)	1	397584707T
C5013	UTSP C	CE04W50V-47M(UTSP)	1	397584707T
C5014	UTSP C	CE04W50V-47M(UTSP)	1	397584707T
C5015	UTSP C	CE04W50V-47M(UTSP)	1	397584707T
C5016	UTSP C	CE04W50V-47M(UTSP)	1	397584707T
C5020	UTSP C	CE04W50V-10M(UTSP)	1	397581007T
C5021	UTSP C	CE04W50V-10M(UTSP)	1	397581007T
C5022	UTSP C	CE04W50V-10M(UTSP)	1	397581007T
C5023	UTSP C	CE04W50V-10M(UTSP)	1	397581007T
C5024	UTSP C	CE04W50V-10M(UTSP)	1	397581007T
C5025	UTSP C	CE04W50V-10M(UTSP)	1	397581007T
C5026	UTSP C	CE04W50V-10M(UTSP)	1	397581007T
C5040	UTSP C	CE04W10V-470M(UTSP)	1	397534717T
C5041	UTSP C	CE04W10V-470M(UTSP)	1	397534717T
C5042	UTSP C	CE04W10V-470M(UTSP)	1	397534717T
C5043	UTSP C	CE04W10V-470M(UTSP)	1	397534717T
C5044	UTSP C	CE04W10V-470M(UTSP)	1	397534717T
C5045	UTSP C	CE04W10V-470M(UTSP)	1	397534717T
C5046	UTSP C	CE04W10V-470M(UTSP)	1	397534717T

C5050	UTSP C	CE04W50V 47M(UTSP)	1	397584707T
C5051	UTSP C	CE04W50V 47M(UTSP)	1	397584707T
C5052	UTSP C	CE04W50V 47M(UTSP)	1	397584707T
C5053	UTSP C	CE04W50V 47M(UTSP)	1	397584707T
C5054	UTSP C	CE04W50V 47M(UTSP)	1	397584707T
C5055	UTSP C	CE04W50V 47M(UTSP)	1	397584707T
C5056	UTSP C	CE04W50V 47M(UTSP)	1	397584707T
C5080	CERA C	CC45SL50V-040C	1	345020401T
C5081	CERA C	CC45SL50V-040C	1	345020401T
C5082	CERA C	CC45SL50V-040C	1	345020401T
C5083	CERA C	CC45SL50V-040C	1	345020401T
C5084	CERA C	CC45SL50V-040C	1	345020401T
C5085	CERA C	CC45SL50V-040C	1	345020401T
C5086	CERA C	CC45SL50V-040C	1	345020401T
C5090	UPZ C	2AUPZTF101JE	1	376331014T
C5091	UPZ C	2AUPZTF101JE	1	376331014T
C5092	UPZ C	2AUPZTF101JE	1	376331014T
C5093	UPZ C	2AUPZTF101JE	1	376331014T
C5094	UPZ C	2AUPZTF101JE	1	376331014T
C5095	UPZ C	2AUPZTF101JE	1	376331014T
C5096	UPZ C	2AUPZTF101JE	1	376331014T
C5100	VR C	CE04W100V-22M(VR)	1	394692207T
C5101	VR C	CE04W100V-22M(VR)	1	394692207T
C5102	VR C	CE04W100V-22M(VR)	1	394692207T
C5103	VR C	CE04W100V-22M(VR)	1	394692207T
C5104	VR C	CE04W100V-22M(VR)	1	394692207T
C5105	VR C	CE04W100V-22M(VR)	1	394692207T
C5106	VR C	CE04W100V-22M(VR)	1	394692207T
C5110	VR C	CE04W100V-22M(VR)	1	394692207T
C5111	VR C	CE04W100V-22M(VR)	1	394692207T
C5112	VR C	CE04W100V-22M(VR)	1	394692207T
C5113	VR C	CE04W100V-22M(VR)	1	394692207T
C5114	VR C	CE04W100V-22M(VR)	1	394692207T

C5115	VR C	CE04W100V-22M(VR)	1	394692207T	
C5116	VR C	CE04W100V-22M(VR)	1	394692207T	
C5440	UTSP C	CE04W50V-22M(UTSP)	1	397582207T	
C5441	UTSP C	CE04W50V-22M(UTSP)	1	397582207T	
C5442	UTSP C	CE04W50V-22M(UTSP)	1	397582207T	
C5443	UTSP C	CE04W50V-22M(UTSP)	1	397582207T	
C5444	UTSP C	CE04W50V-22M(UTSP)	1	397582207T	
C5445	UTSP C	CE04W50V-22M(UTSP)	1	397582207T	
C5446	UTSP C	CE04W50V-22M(UTSP)	1	397582207T	
C6050	TF C	ECQ-V50V-104J	1	374721044T	
C6051	TF C	ECQ-V50V-104J	1	374721044T	
C6052	TF C	ECQ-V50V-104J	1	374721044T	
C6053	TF C	ECQ-V50V-104J	1	374721044T	
C6054	TF C	ECQ-V50V-104J	1	374721044T	
C6055	TF C	ECQ-V50V-104J	1	374721044T	
C6056	TF C	ECQ-V50V-104J	1	374721044T	
C6502	UTSP C	CE04W25V-220M(UTSP)	1	397552217T	
C6630	TF C	ECQ-V50V-473J	1	374724734T	
C6631	TF C	ECQ-V50V-473J	1	374724734T	
C6632	TF C	ECQ-V50V-473J	1	374724734T	
C6633	TF C	ECQ-V50V-473J	1	374724734T	
C6634	TF C	ECQ-V50V-473J	1	374724734T	
C6635	TF C	ECQ-V50V-473J	1	374724734T	
C6636	TF C	ECQ-V50V-473J	1	374724734T	
C6701	UTSP C	CE04W10V-220M(UTSP)	1	397532217T	
C6703	C-CERA C	CK725F1E-104Z1	1	332161040R1	
C6704	UTSP C	CE04W50V-1M(UTSP)	1	397580107T	
C6706	UTSP C	CE04W25V-47M(UTSP)	1	397554707T	
C6710	C-CERA C	CK725F1A-105Z1	1	332181050R1	
C6713	C-CERA C	CK725F1E-104Z1	1	332161040R1	
C6714	UTSP C	CE04W50V-2.2M(UTSP)	1	397580227T	
C6901	ELECT C	CE69W69V-12000M	1	3504472	N
C6902	ELECT C	CE69W69V-12000M	1	3504472	N



C6911	C-CERA C	CC725CH1H-102J1	1	342101024R1
C6912	TF C	ECQ-V100V-334J	1	374733344T
C6913	TF C	ECQ-V100V-334J	1	374733344T
C6914	UTSP C	CE04W50V-220M(UTSP)	1	397582217T
<b>[RESISTOR]</b>				
R5000	CARBON R	R16J-1.5K	1	417341524T
R5001	CARBON R	R16J-1.5K	1	417341524T
R5002	CARBON R	R16J-1.5K	1	417341524T
R5003	CARBON R	R16J-1.5K	1	417341524T
R5004	CARBON R	R16J-1.5K	1	417341524T
R5005	CARBON R	R16J-1.5K	1	417341524T
R5006	CARBON R	R16J-1.5K	1	417341524T
R5010	CARBON R	R16J-33K	1	417343334T
R5011	CARBON R	R16J-33K	1	417343334T
R5012	CARBON R	R16J-33K	1	417343334T
R5013	CARBON R	R16J-33K	1	417343334T
R5014	CARBON R	R16J-33K	1	417343334T
R5015	CARBON R	R16J-33K	1	417343334T
R5016	CARBON R	R16J-33K	1	417343334T
R5020	CARBON R	R16J-330	1	417343314T
R5021	CARBON R	R16J-330	1	417343314T
R5022	CARBON R	R16J-330	1	417343314T
R5023	CARBON R	R16J-330	1	417343314T
R5024	CARBON R	R16J-330	1	417343314T
R5025	CARBON R	R16J-330	1	417343314T
R5026	CARBON R	R16J-330	1	417343314T
R5030	CARBON R	R16J-33K	1	417343334T
R5031	CARBON R	R16J-33K	1	417343334T
R5032	CARBON R	R16J-33K	1	417343334T
R5033	CARBON R	R16J-33K	1	417343334T
R5034	CARBON R	R16J-33K	1	417343334T
R5035	CARBON R	R16J-33K	1	417343334T
R5036	CARBON R	R16J-33K	1	417343334T

R5040	CARBON R	R16J-1K	1	417341024T
R5041	CARBON R	R16J-1K	1	417341024T
R5042	CARBON R	R16J-1K	1	417341024T
R5043	CARBON R	R16J-1K	1	417341024T
R5044	CARBON R	R16J-1K	1	417341024T
R5045	CARBON R	R16J-1K	1	417341024T
R5046	CARBON R	R16J-1K	1	417341024T
R5050	CARBON R	R16J-5.6K	1	417345624T
R5051	CARBON R	R16J-5.6K	1	417345624T
R5052	CARBON R	R16J-5.6K	1	417345624T
R5053	CARBON R	R16J-5.6K	1	417345624T
R5054	CARBON R	R16J-5.6K	1	417345624T
R5055	CARBON R	R16J-5.6K	1	417345624T
R5056	CARBON R	R16J-5.6K	1	417345624T
R5060	CARBON R	R16J-2.7K	1	417342724T
R5061	CARBON R	R16J-2.7K	1	417342724T
R5062	CARBON R	R16J-2.7K	1	417342724T
R5063	CARBON R	R16J-2.7K	1	417342724T
R5064	CARBON R	R16J-2.7K	1	417342724T
R5065	CARBON R	R16J-2.7K	1	417342724T
R5066	CARBON R	R16J-2.7K	1	417342724T
R5080	NF CARBON R	R25J-1.0K	1	415471024T
R5081	NF CARBON R	R25J-1.0K	1	415471024T
R5082	NF CARBON R	R25J-1.0K	1	415471024T
R5083	NF CARBON R	R25J-1.0K	1	415471024T
R5084	NF CARBON R	R25J-1.0K	1	415471024T
R5085	NF CARBON R	R25J-1.0K	1	415471024T
R5086	NF CARBON R	R25J-1.0K	1	415471024T
R5090	CARBON R	R16J-100K	1	417341044T
R5091	CARBON R	R16J-100K	1	417341044T
R5092	CARBON R	R16J-100K	1	417341044T
R5093	CARBON R	R16J-100K	1	417341044T
R5094	CARBON R	R16J-100K	1	417341044T

R5095	CARBON R	R16J-100K	1	417341044T
R5096	CARBON R	R16J-100K	1	417341044T
R5100	CARBON R	R16J-100K	1	417341044T
R5101	CARBON R	R16J-100K	1	417341044T
R5102	CARBON R	R16J-100K	1	417341044T
R5103	CARBON R	R16J-100K	1	417341044T
R5104	CARBON R	R16J-100K	1	417341044T
R5105	CARBON R	R16J-100K	1	417341044T
R5106	CARBON R	R16J-100K	1	417341044T
R5110	CARBON R	R16J-2.2K	1	417342224T
R5111	CARBON R	R16J-2.2K	1	417342224T
R5112	CARBON R	R16J-2.2K	1	417342224T
R5113	CARBON R	R16J-2.2K	1	417342224T
R5114	CARBON R	R16J-2.2K	1	417342224T
R5115	CARBON R	R16J-2.2K	1	417342224T
R5116	CARBON R	R16J-2.2K	1	417342224T
R5120	CARBON R	R16J-2.2K	1	417342224T
R5121	CARBON R	R16J-2.2K	1	417342224T
R5122	CARBON R	R16J-2.2K	1	417342224T
R5123	CARBON R	R16J-2.2K	1	417342224T
R5124	CARBON R	R16J-2.2K	1	417342224T
R5125	CARBON R	R16J-2.2K	1	417342224T
R5126	CARBON R	R16J-2.2K	1	417342224T
R5130	CARBON R	R16J-18K	1	417341834T
R5131	CARBON R	R16J-18K	1	417341834T
R5132	CARBON R	R16J-18K	1	417341834T
R5133	CARBON R	R16J-18K	1	417341834T
R5134	CARBON R	R16J-18K	1	417341834T
R5135	CARBON R	R16J-18K	1	417341834T
R5136	CARBON R	R16J-18K	1	417341834T
R5140	NF CARBON R	R25J-820	1	415478214T
R5141	NF CARBON R	R25J-820	1	415478214T
R5142	NF CARBON R	R25J-820	1	415478214T



R5143	NF CARBON R	R25J-820	1	415478214T
R5144	NF CARBON R	R25J-820	1	415478214T
R5145	NF CARBON R	R25J-820	1	415478214T
R5146	NF CARBON R	R25J-820	1	415478214T
R5150	NF CARBON R	R25J-1.0K	1	415471024T
R5151	NF CARBON R	R25J-1.0K	1	415471024T
R5152	NF CARBON R	R25J-1.0K	1	415471024T
R5153	NF CARBON R	R25J-1.0K	1	415471024T
R5154	NF CARBON R	R25J-1.0K	1	415471024T
R5155	NF CARBON R	R25J-1.0K	1	415471024T
R5156	NF CARBON R	R25J-1.0K	1	415471024T
R5160	NF CARBON R	R25J-120	1	415471214T
R5161	NF CARBON R	R25J-120	1	415471214T
R5162	NF CARBON R	R25J-120	1	415471214T
R5163	NF CARBON R	R25J-120	1	415471214T
R5164	NF CARBON R	R25J-120	1	415471214T
R5165	NF CARBON R	R25J-120	1	415471214T
R5166	NF CARBON R	R25J-120	1	415471214T
R5170	NF CARBON R	R25J-820	1	415478214T
R5171	NF CARBON R	R25J-820	1	415478214T
R5172	NF CARBON R	R25J-820	1	415478214T
R5173	NF CARBON R	R25J-820	1	415478214T
R5174	NF CARBON R	R25J-820	1	415478214T
R5175	NF CARBON R	R25J-820	1	415478214T
R5176	NF CARBON R	R25J-820	1	415478214T
R5180	NF CARBON R	R25J-10	1	415471004T
R5181	NF CARBON R	R25J-10	1	415471004T
R5182	NF CARBON R	R25J-10	1	415471004T
R5183	NF CARBON R	R25J-10	1	415471004T
R5184	NF CARBON R	R25J-10	1	415471004T
R5185	NF CARBON R	R25J-10	1	415471004T
R5186	NF CARBON R	R25J-10	1	415471004T
R5190	NF CARBON R	R25J-10	1	415471004T

R5191	NF CARBON R	R25J-10	1	415471004T
R5192	NF CARBON R	R25J-10	1	415471004T
R5193	NF CARBON R	R25J-10	1	415471004T
R5194	NF CARBON R	R25J-10	1	415471004T
R5195	NF CARBON R	R25J-10	1	415471004T
R5196	NF CARBON R	R25J-10	1	415471004T
R5200	CARBON R	R16J-18K	1	417341834T
R5201	CARBON R	R16J-18K	1	417341834T
R5202	CARBON R	R16J-18K	1	417341834T
R5203	CARBON R	R16J-18K	1	417341834T
R5204	CARBON R	R16J-18K	1	417341834T
R5205	CARBON R	R16J-18K	1	417341834T
R5206	CARBON R	R16J-18K	1	417341834T
R5210	NF CARBON R	R25J-820	1	415478214T
R5211	NF CARBON R	R25J-820	1	415478214T
R5212	NF CARBON R	R25J-820	1	415478214T
R5213	NF CARBON R	R25J-820	1	415478214T
R5214	NF CARBON R	R25J-820	1	415478214T
R5215	NF CARBON R	R25J-820	1	415478214T
R5216	NF CARBON R	R25J-820	1	415478214T
R5220	NF CARBON R	R25J-120	1	415471214T
R5221	NF CARBON R	R25J-120	1	415471214T
R5222	NF CARBON R	R25J-120	1	415471214T
R5223	NF CARBON R	R25J-120	1	415471214T
R5224	NF CARBON R	R25J-120	1	415471214T
R5225	NF CARBON R	R25J-120	1	415471214T
R5226	NF CARBON R	R25J-120	1	415471214T
R5270	NF CARBON R	R25J-120	1	415471214T
R5271	NF CARBON R	R25J-120	1	415471214T
R5272	NF CARBON R	R25J-120	1	415471214T
R5273	NF CARBON R	R25J-120	1	415471214T
R5274	NF CARBON R	R25J-120	1	415471214T
R5275	NF CARBON R	R25J-120	1	415471214T

R5276	NF CARBON R	R25J-120	1	415471214T
R5280	NF CARBON R	R25J-120	1	415471214T
R5281	NF CARBON R	R25J-120	1	415471214T
R5282	NF CARBON R	R25J-120	1	415471214T
R5283	NF CARBON R	R25J-120	1	415471214T
R5284	NF CARBON R	R25J-120	1	415471214T
R5285	NF CARBON R	R25J-120	1	415471214T
R5286	NF CARBON R	R25J-120	1	415471214T
R5300	CARBON R	R16J-330	1	417343314T
R5301	CARBON R	R16J-330	1	417343314T
R5302	CARBON R	R16J-330	1	417343314T
R5303	CARBON R	R16J-330	1	417343314T
R5304	CARBON R	R16J-330	1	417343314T
R5305	CARBON R	R16J-330	1	417343314T
R5306	CARBON R	R16J-330	1	417343314T
R5310	CARBON R	R16J-330	1	417343314T
R5311	CARBON R	R16J-330	1	417343314T
R5312	CARBON R	R16J-330	1	417343314T
R5313	CARBON R	R16J-330	1	417343314T
R5314	CARBON R	R16J-330	1	417343314T
R5315	CARBON R	R16J-330	1	417343314T
R5316	CARBON R	R16J-330	1	417343314T
R5350	NF CARBON R	R25J-18	1	415471804T
R5351	NF CARBON R	R25J-18	1	415471804T
R5352	NF CARBON R	R25J-18	1	415471804T
R5353	NF CARBON R	R25J-18	1	415471804T
R5354	NF CARBON R	R25J-18	1	415471804T
R5355	NF CARBON R	R25J-18	1	415471804T
R5356	NF CARBON R	R25J-18	1	415471804T
R5360	NF CARBON R	R25J-18	1	415471804T
R5361	NF CARBON R	R25J-18	1	415471804T
R5362	NF CARBON R	R25J-18	1	415471804T
R5363	NF CARBON R	R25J-18	1	415471804T

R5364	NF CARBON R	R25J-18	1	415471804T
R5365	NF CARBON R	R25J-18	1	415471804T
R5366	NF CARBON R	R25J-18	1	415471804T
R5370	NF CARBON R	R25J-2.2	1	415470224T
R5371	NF CARBON R	R25J-2.2	1	415470224T
R5372	NF CARBON R	R25J-2.2	1	415470224T
R5373	NF CARBON R	R25J-2.2	1	415470224T
R5374	NF CARBON R	R25J-2.2	1	415470224T
R5375	NF CARBON R	R25J-2.2	1	415470224T
R5376	NF CARBON R	R25J-2.2	1	415470224T
R5380	NF CARBON R	R25J-2.2	1	415470224T
R5381	NF CARBON R	R25J-2.2	1	415470224T
R5382	NF CARBON R	R25J-2.2	1	415470224T
R5383	NF CARBON R	R25J-2.2	1	415470224T
R5384	NF CARBON R	R25J-2.2	1	415470224T
R5385	NF CARBON R	R25J-2.2	1	415470224T
R5386	NF CARBON R	R25J-2.2	1	415470224T
R5420	NF CARBON R	R25J-10	1	415471004T
R5421	NF CARBON R	R25J-10	1	415471004T
R5422	NF CARBON R	R25J-10	1	415471004T
R5423	NF CARBON R	R25J-10	1	415471004T
R5424	NF CARBON R	R25J-10	1	415471004T
R5425	NF CARBON R	R25J-10	1	415471004T
R5426	NF CARBON R	R25J-10	1	415471004T
R5440	TRIM R	N06HR2KBB	1	5211402T
R5441	TRIM R	N06HR2KBB	1	5211402T
R5442	TRIM R	N06HR2KBB	1	5211402T
R5443	TRIM R	N06HR2KBB	1	5211402T
R5444	TRIM R	N06HR2KBB	1	5211402T
R5445	TRIM R	N06HR2KBB	1	5211402T
R5446	TRIM R	N06HR2KBB	1	5211402T
R5450	CARBON R	R16J-3.3K	1	417343324T
R5451	CARBON R	R16J-3.3K	1	417343324T



R5452	CARBON R	R16J-3.3K	1	417343324T
R5453	CARBON R	R16J-3.3K	1	417343324T
R5454	CARBON R	R16J-3.3K	1	417343324T
R5455	CARBON R	R16J-3.3K	1	417343324T
R5456	CARBON R	R16J-3.3K	1	417343324T
R5470	NF CARBON R	R25J-82	1	415478204T
R5471	NF CARBON R	R25J-82	1	415478204T
R5472	NF CARBON R	R25J-82	1	415478204T
R5473	NF CARBON R	R25J-82	1	415478204T
R5474	NF CARBON R	R25J-82	1	415478204T
R5475	NF CARBON R	R25J-82	1	415478204T
R5476	NF CARBON R	R25J-82	1	415478204T
R5480	CARBON R	R16J-10	1	417341004T
R5481	CARBON R	R16J-10	1	417341004T
R5482	CARBON R	R16J-10	1	417341004T
R5483	CARBON R	R16J-10	1	417341004T
R5484	CARBON R	R16J-10	1	417341004T
R5485	CARBON R	R16J-10	1	417341004T
R5486	CARBON R	R16J-10	1	417341004T
R5490	CARBON R	R16J-10	1	417341004T
R5491	CARBON R	R16J-10	1	417341004T
R5492	CARBON R	R16J-10	1	417341004T
R5493	CARBON R	R16J-10	1	417341004T
R5494	CARBON R	R16J-10	1	417341004T
R5495	CARBON R	R16J-10	1	417341004T
R5496	CARBON R	R16J-10	1	417341004T
R6000	C-CARBON R	RN72K1J-472JE	1	435034724R1
R6001	C-CARBON R	RN72K1J-472JE	1	435034724R1
R6002	C-CARBON R	RN72K1J-472JE	1	435034724R1
R6003	C-CARBON R	RN72K1J-472JE	1	435034724R1
R6004	C-CARBON R	RN72K1J-472JE	1	435034724R1
R6005	C-CARBON R	RN72K1J-472JE	1	435034724R1
R6006	C-CARBON R	RN72K1J-472JE	1	435034724R1

R6010	C-CARBON R	RN72K1J-332JE	1	435033324R1	
R6011	C-CARBON R	RN72K1J-332JE	1	435033324R1	
R6012	C-CARBON R	RN72K1J-332JE	1	435033324R1	
R6013	C-CARBON R	RN72K1J-332JE	1	435033324R1	
R6014	C-CARBON R	RN72K1J-332JE	1	435033324R1	
R6015	C-CARBON R	RN72K1J-332JE	1	435033324R1	
R6016	C-CARBON R	RN72K1J-332JE	1	435033324R1	
R6020	C-CARBON R	RN72K1J-000JE	1	435030004R1	
R6021	C-CARBON R	RN72K1J-000JE	1	435030004R1	
R6022	C-CARBON R	RN72K1J-000JE	1	435030004R1	
R6023	C-CARBON R	RN72K1J-000JE	1	435030004R1	
R6024	C-CARBON R	RN72K1J-000JE	1	435030004R1	
R6025	C-CARBON R	RN72K1J-000JE	1	435030004R1	
R6026	C-CARBON R	RN72K1J-000JE	1	435030004R1	
R6100	METAL PR	MPR5W+5W 0R22	1	4000233	
R6100 or	METAL P R	RF-5EGPJR22	(1)	4000244	N
R6101	METAL PR	MPR5W+5W 0R22	1	4000233	
R6101 or	METAL P R	RF-5EGPJR22	(1)	4000244	N
R6102	METAL PR	MPR5W+5W 0R22	1	4000233	
R6102 or	METAL P R	RF-5EGPJR22	(1)	4000244	N
R6103	METAL PR	MPR5W+5W 0R22	1	4000233	
R6103 or	METAL P R	RF-5EGPJR22	(1)	4000244	N
R6104	METAL PR	MPR5W+5W 0R22	1	4000233	
R6104 or	METAL P R	RF-5EGPJR22	(1)	4000244	N
R6105	METAL PR	MPR5W+5W 0R22	1	4000233	
R6105 or	METAL P R	RF-5EGPJR22	(1)	4000244	N
R6106	METAL PR	MPR5W+5W 0R22	1	4000233	
R6106 or	METAL P R	RF-5EGPJR22	(1)	4000244	N
R6140	CARBON R	R16J-56K	1	417345634T	
R6141	CARBON R	R16J-56K	1	417345634T	
R6142	CARBON R	R16J-56K	1	417345634T	
R6143	CARBON R	R16J-56K	1	417345634T	
R6144	CARBON R	R16J-56K	1	417345634T	

R6145	CARBON R	R16J-56K	1	417345634T
R6146	CARBON R	R16J-56K	1	417345634T
R6150	CARBON R	R16J-10K	1	417341034T
R6151	CARBON R	R16J-10K	1	417341034T
R6152	CARBON R	R16J-10K	1	417341034T
R6153	CARBON R	R16J-10K	1	417341034T
R6154	CARBON R	R16J-10K	1	417341034T
R6155	CARBON R	R16J-10K	1	417341034T
R6156	CARBON R	R16J-10K	1	417341034T
R6160	C-CARBON R	RN72K1J-333JE	1	435033334R1
R6161	C-CARBON R	RN72K1J-333JE	1	435033334R1
R6162	C-CARBON R	RN72K1J-333JE	1	435033334R1
R6163	C-CARBON R	RN72K1J-333JE	1	435033334R1
R6164	C-CARBON R	RN72K1J-333JE	1	435033334R1
R6165	C-CARBON R	RN72K1J-333JE	1	435033334R1
R6166	C-CARBON R	RN72K1J-333JE	1	435033334R1
R6170	CARBON R	R16J-47K	1	417344734T
R6171	CARBON R	R16J-47K	1	417344734T
R6172	CARBON R	R16J-47K	1	417344734T
R6173	CARBON R	R16J-47K	1	417344734T
R6174	CARBON R	R16J-47K	1	417344734T
R6175	CARBON R	R16J-47K	1	417344734T
R6176	CARBON R	R16J-47K	1	417344734T
R6180	CARBON R	R16J-47K	1	417344734T
R6181	CARBON R	R16J-47K	1	417344734T
R6182	CARBON R	R16J-47K	1	417344734T
R6183	CARBON R	R16J-47K	1	417344734T
R6184	CARBON R	R16J-47K	1	417344734T
R6185	CARBON R	R16J-47K	1	417344734T
R6186	CARBON R	R16J-47K	1	417344734T
R6197	METAL O R	RS1/2WBJ-39	1	443523904T
R6505	C-CARBON R	RN72K1J-223JE	1	435032234R1
R6506	C-CARBON R	RN72K1J-122JE	1	435031224R1

R6507	C-CARBON R	RN72K1J-473JE	1	435034734R1
R6508	C-CARBON R	RN72K1J-182JE	1	435031824R1
R6509	C-CARBON R	RN72K1J-331JE	1	435033314R1
R6600	METAL O R	RS1/2WBJ-10	1	443521004T
R6601	METAL O R	RS1/2WBJ-10	1	443521004T
R6602	METAL O R	RS1/2WBJ-10	1	443521004T
R6603	METAL O R	RS1/2WBJ-10	1	443521004T
R6604	METAL O R	RS1/2WBJ-10	1	443521004T
R6605	METAL O R	RS1/2WBJ-10	1	443521004T
R6606	METAL O R	RS1/2WBJ-10	1	443521004T
R6630	METAL R	RNU1WCJ-8.2	1	453630824T
R6631	METAL R	RNU1WCJ-8.2	1	453630824T
R6632	METAL R	RNU1WCJ-8.2	1	453630824T
R6633	METAL R	RNU1WCJ-8.2	1	453630824T
R6634	METAL R	RNU1WCJ-8.2	1	453630824T
R6635	METAL R	RNU1WCJ-8.2	1	453630824T
R6636	METAL R	RNU1WCJ-8.2	1	453630824T
R6701	C-CARBON R	RN72K1J-223JE	1	435032234R1
R6702	C-CARBON R	RN72K1J-103JE	1	435031034R1
R6704	C-CARBON R	RN72K1J-473JE	1	435034734R1
R6706	C-CARBON R	RN72K1J-224JE	1	435032244R1
R6708	C-CARBON R	RN72K1J-333JE	1	435033334R1
R6709	C-CARBON R	RN72K1J-392JE	1	435033924R1
R6710	C-CARBON R	RN72K1J-123JE	1	435031234R1
R6712	C-CARBON R	RN72K1J-103JE	1	435031034R1
R6714	C-CARBON R	RN72K1J-333JE	1	435033334R1
R6716	C-CARBON R	RN72K1J-563JE	1	435035634R1
R6902	C-CARBON R	RN72K1J-102JE	1	435031024R1
R6903	C-CARBON R	RN72K1J-473JE	1	435034734R1
R6904	METAL R	RNU1/2WCJ-0.22	1	453532294T
<b>[SW TRM]</b>				
E6008A	TRM	NTM-1P232(M1700)	1	25060301
E6008B	TRM	NTM-1P233(M1969)	1	25060302



E6009A	TRM	NTM-1P232(M1700)	1	25060301
E6010A	TRM	NTM-1P232(M1700)	1	25060301
F6901A	FUSE HOLDER	SN5051	1	250113
F6901B	FUSE HOLDER	SN5051	1	250113
F6902A	FUSE HOLDER	SN5051	1	250113
F6902B	FUSE HOLDER	SN5051	1	250113
JL6401A	WIRE HOL	NSCT-3P874	1	25051087
JL6401B	WIRE HOL	NSCT-3P874	1	25051087
JL6402A	WIRE HOL	NSCT-3P874	1	25051087
JL6402B	WIRE HOL	NSCT-3P874	1	25051087
P4512A	CRIMP AS	CRIMP SR805_1	1	20799169UL
P4517A	SOCKET AS	NSAS-30P1827	1	2009991179UL
P6000	SOCKET	NSCT-9P2189	1	25052292
P6000B	PLUG	NPLG-9P0964	1	25056014
P6001	SOCKET	NSCT-9P2189	1	25052292
P6001B	PLUG	NPLG-9P0964	1	25056014
P6002	SOCKET	NSCT-9P2189	1	25052292
P6002B	PLUG	NPLG-9P0964	1	25056014
P6003	SOCKET	NSCT-9P2189	1	25052292
P6003B	PLUG	NPLG-9P0964	1	25056014
P6004	SOCKET	NSCT-9P2189	1	25052292
P6004B	PLUG	NPLG-9P0964	1	25056014
P6005	SOCKET	NSCT-9P2189	1	25052292
P6005B	PLUG	NPLG-9P0964	1	25056014
P6006	SOCKET	NSCT-9P2189	1	25052292
P6006B	PLUG	NPLG-9P0964	1	25056014
P6007A	PLUG	NPLG-3P0958	1	25056008
P6007B	SOCKET	NSCT-3P2183	1	25052286
P6009B	TRM	NTM-1P233(M1969)	1	25060302
P6010B	TRM	NTM-1P233(M1969)	1	25060302
P6011A	RETAINER	(BUS-D)	1	27142115A
P6080	PLUG	NPLG-2P29	1	25055038
P6081	PLUG	NPLG-2P29	1	25055038

P6082	PLUG	NPLG-2P29	1	25055038	
P6083	PLUG	NPLG-2P29	1	25055038	
P6084	PLUG	NPLG-2P29	1	25055038	
P6085	PLUG	NPLG-2P29	1	25055038	
P6086	PLUG	NPLG-2P29	1	25055038	
P6500	PLUG	NPLG-2P83	1	25055099	
P6600	SOCKET AS	NSAS-14P1821	1	2009991176UL	
P6603A	SOCKET AS	NSAS-22P1828	1	2009991180UL	
P6606A	SOCKET AS	NSAS-18P1857	1	20099911815UL	
P6900	CRIMP AS	CRIMP AS	1	2069925170UL	
P6901	CRIMP AS	CRIMP AS	1	2069925119UL	
P6902	CRIMP AS	CRIMP AS	1	2069925188UL	
P6950	PLUG	NPLG-5P152	1	25055168	
RL691	RELAY	NRL-1P10A-DC12-197	1	25065708	
RL691 or	RELAY	NRL-1P10A-DC12-198	(1)	25065709	N
RL692	RELAY	NRL-1P10A-DC12-197	1	25065708	
RL692 or	RELAY	NRL-1P10A-DC12-198	(1)	25065709	N

				HT-RC270	
<b>PC BOARD PARTS LIST</b>					
<b>U003</b>	<b>U0030-U0033</b>	<b>BATRM-0450-1A *</b>	<b>1</b>	<b>1B248550-1A</b>	<b>N</b>
<b>U0030</b>	<b>SPEAKER TERMINAL_1 PC BOARD AS</b>	<b>BATRM-0450-1A</b>	<b>1</b>	<b>1B2485450-1A</b>	<b>N</b>
<b>U0031</b>	<b>SPEAKER TERMINAL_2 PC BOARD AS</b>	<b>BATRM-0451-1A</b>	<b>1</b>	<b>1B2485451-1A</b>	<b>N</b>
<b>U0032</b>	<b>SPEAKER TERMINAL_3 PC BOARD AS</b>	<b>BATRM-0452-1A</b>	<b>1</b>	<b>1B2485452-1A</b>	<b>N</b>
<b>U0033</b>	<b>POWER SUPPLY PC BOARD AS</b>	<b>BAPS-0454-1A</b>	<b>1</b>	<b>1B2485454-1A</b>	<b>N</b>

CIRCUIT NO.	PART NAME	DESCRIPTION	Q'TY	PART NO. (SN)	REMARKS
<b>[SEMI CONDUCTOR]</b>					
D6600	DIODE	ISS133	1	223163T	
D6603	DIODE	ISS133	1	223163T	
D6604	DIODE	ISS133	1	223163T	

D6605	DIODE	ISS133	1	223163T
D6606	DIODE	ISS133	1	223163T
D6610	DIODE	ISS133	1	223163T
D911	DIODE	ISS133	1	223163T
D912	DIODE	ISS133	1	223163T
D921	DIODE	ISS133	1	223163T
D922	DIODE	ISS133	1	223163T
D923	DIODE	ISS133	1	223163T
D924	DIODE	ISS133	1	223163T
D925	DIODE	ISS133	1	223163T
D926	DIODE	ISS133	1	223163T
D930	DIODE	ISS133	1	223163T
D9300	DIODE	D3SBA20	1	22380271F
D9300 or	DIODE	RBV402	(1)	22380022F
D9301	ZENER D	MTZJ15B	1	224471502T
D9302	ZENER D	MTZJ15B	1	224471502T
D9303	DIODE	ISS133	1	223163T
D9304	DIODE	ISS133	1	223163T
D931	DIODE	ISS133	1	223163T
D933	DIODE	ISS133	1	223163T
D934	ZENER D	MTZJ3.6B	1	224470362T
D935	DIODE	ISS133	1	223163T
Q6601	TR	KRC105M	1	2215830T
Q6601 or	TR	DTC123JS	(1)	2213640T
Q6602	TR	KRC105M	1	2215830T
Q6602 or	TR	DTC123JS	(1)	2213640T
Q6603	TR	KRC105M	1	2215830T
Q6603 or	TR	DTC123JS	(1)	2213640T
Q6604	TR	KRC105M	1	2215830T
Q6604 or	TR	DTC123JS	(1)	2213640T
Q6605	TR	KRC105M	1	2215830T
Q6605 or	TR	DTC123JS	(1)	2213640T
Q6606	TR	KRC105M	1	2215830T

Q6606 or	TR	DTC123JS	(1)	2213640T	
Q6608	TR	2SC2235-Y(TPE6_F)	1	2211654T	
Q901	TR	2SC1815-GR	1	2211255T	
Q901 or	TR	2SC1815-Y	(1)	2211254T	
Q9301	TR	2SK365-GR	1	2212445T	
Q9302	TR	2SK365-GR	1	2212445T	
Q9303	TR	2SC1815-GR	1	2211255T	
Q9303 or	TR	2SC1815-Y	(1)	2211254T	
Q9304	TR	2SA1015-GR	1	2211455T	
Q9304 or	TR	2SA1015-Y	(1)	2211454T	
Q9305	TR	2SA1488-Y	1	2203394	
Q9305 or	TR	2SB1565-E	(1)	2202715	
Q9305A	HEAT SINK	(RAD-255)	1	27160647	N
Q9305B	SCREW	3P+10FN(3BC)	2	82143010GR	
Q9306	TR	2SC3851-Y	1	2203384	
Q9306 or	TR	2SD2394-E	(1)	2202705	
<b>[TRANS COIL]</b>					
T902	P TRANS	NPT-1520JQ	1	2301812A	
T902	P TRANS	NPT-1520GQ	1	2301813A	
<b>[CAPACITOR]</b>					
C6600	TF C	ECQ-V50V-103J	1	374721034T	
C6602	TF C	ECQ-V50V-103J	1	374721034T	
C6603	TF C	ECQ-V50V-103J	1	374721034T	
C6604	TF C	ECQ-V50V-103J	1	374721034T	
C6605	TF C	ECQ-V50V-103J	1	374721034T	
C6606	TF C	ECQ-V50V-103J	1	374721034T	
C6607	UTSP C	CE04W50V-10M(UTSP)	1	397581007T	
C6608	VR C	CE04W35V-470M(VR)	1	394664717T	
C6609	UTSP C	CE04W50V-10M(UTSP)	1	397581007T	
C6639	MKT C	B32529C0472J289	1	376494724T	
C6640	MKT C	B32529C0472J289	1	376494724T	
C6641	MKT C	B32529C0472J289	1	376494724T	
C6642	MKT C	B32529C0472J289	1	376494724T	



C6643	MKT C	B32529C0472J289	1	376494724T	
C6644	MKT C	B32529C0472J289	1	376494724T	
C6645	MKT C	B32529C0472J289	1	376494724T	
C6646	MKT C	B32529C0472J289	1	376494724T	
C6647	MKT C	B32529C0472J289	1	376494724T	
C6648	MKT C	B32529C0472J289	1	376494724T	
C6649	MKT C	B32529C0472J289	1	376494724T	
C6650	MKT C	B32529C0102J289	1	376491024T	
C6651	MKT C	B32529C0102J289	1	376491024T	
C6652	MKT C	B32529C0102J289	1	376491024T	
C6653	MKT C	B32529C0102J289	1	376491024T	
C6654	MKT C	B32529C0102J289	1	376491024T	
C6655	MKT C	B32529C0102J289	1	376491024T	
C6656	MKT C	B32529C0102J289	1	376491024T	
C6657	MKT C	B32529C0102J289	1	376491024T	
C6658	MKT C	B32529C0102J289	1	376491024T	
C6659	MKT C	B32529C0102J289	1	376491024T	
C6660	MKT C	B32529C0102J289	1	376491024T	
C901	IS C	ECQU2A103MLC	1	3800039S	!
C901 or	IS C	RE275V-103M	(1)	3500196S	!
C901 or	IS C	LE103-C3.5	(1)	3800042S	!
C902	TF C	ECQ-V50V-104J	1	374721044T	
C903	PLA C	MKP R46 104M	1	3800041S	
C911	MKT C	B32529C0102J289	1	376491024T	
C921	TF C	ECQ-V50V-223J	1	374722234T	
C922	VR C	CE04W25V-2200M(VR)	1	394652227S	
C930	UTSP C	CE04W16V-470M(UTSP)	1	397544717T	
C9300	VR C	CE04W35V-2200M(VR)	1	394662227S	
C9301	VR C	CE04W35V-2200M(VR)	1	394662227S	
C9302	UTSP C	CE04W25V-100M(UTSP)	1	397551017T	
C9303	UTSP C	CE04W25V-100M(UTSP)	1	397551017T	
C9304	UTSP C	CE04W25V-100M(UTSP)	1	397551017T	
C9305	UTSP C	CE04W25V-100M(UTSP)	1	397551017T	

C9306	TF C	ECQ-V50V-334J	1	374723344T
C933	UTSP C	CE04W50V-4.7M(UTSP)	1	397580477T
<b>[RESISTOR]</b>				
R6601	METAL O R	RS1/2WBJ-220	1	443522214T
R6691	METAL O R	RS1/2WBJ-390	1	443523914T
R6692	METAL O R	RS1/2WBJ-390	1	443523914T
R921	METAL O R	RS1/2WBJ-47	1	443524704T
R922	METAL O R	RS1/2WBJ-68	1	443526804T
R9302	METAL R	RNU1/2WCJ-1	1	453530104T
R9303	METAL R	RNU1/2WCJ-1	1	453530104T
R9304	CARBON R	R16J-330	1	417343314T
R9305	CARBON R	R16J-330	1	417343314T
R934	CARBON R	R16J-33K	1	417343334T
R935	CARBON R	R16J-100K	1	417341044T
R936	CARBON R	R16J-1K	1	417341024T
<b>[SW TRM]</b>				
E6611	TRM	NTM-1P232(M1700)	1	25060301
E6612	TRM-423(SCREW)	NEJITANSI ST3	1	25060495
E901	TRM-423(SCREW)	NEJITANSI ST3	1	25060495
E902	TRM	NTM-1P233(M1969)	1	25060302
F901A	FUSE HOLDER	SN5051	1	250113
F901B	FUSE HOLDER	SN5051	1	250113
F901C	FUSE HOL	NSCT-1P2031	1	25052133T
F901D	FUSE HOL	NSCT-1P2031	1	25052133T
JL4103A	SOCKET	NSCT-5P97	1	25050269
JL6604A	WIRE HOL	NSCT-7P898	1	25051111
JL6604B	SOCKET	NSCT-7P99	1	25050271
JL6607A	WIRE HOL	NSCT-3P894	1	25051107
JL6607B	WIRE HOL	NSCT-3P894	1	25051107
JL901A	WIRE HOL	NSCT-5P876	1	25051089
JL9925A	WIRE HOL	NSCT-5P876	1	25051089
P1008A	SOCKET	IMSA-9142S-22A	1	25053233
P6600	PLUG	NPLG-9P491	1	25055516

P6601A	SOCKET	IMSA-9142S-16A	1	25053230	
P6603B	PLUG	NPLG-11P493	1	25055518	
P6605A	SOCKET	IMSA-9142S-22A	1	25053233	
P6606B	PLUG	NPLG-9P356	1	25055373	
P6610	TRM	NTM-2PDMCR400	1	25060472	
P6630	TRM	NTM-2PDMCR400	1	25060472	
P6631	TRM	NTM-2PDMCR400	1	25060472	
P6632	TRM	NTM-2PDMCR400	1	25060472	
P6633	TRM	NTM-2PDMCR400	1	25060472	
P6634	TRM	NTM-2PDMCR400	1	25060472	
P6635	TRM	NTM-2PDMCR400	1	25060472	
P6636	TRM	NTM-2PDMCR400	1	25060472	
P6637	TRM	NTM-2PDMCR400	1	25060472	
P6638	TRM	NTM-2PDMCR400	1	25060472	
P6639	TRM	NTM-2PDMCR400	1	25060472	
P902B	PLUG	NPLG-2P631	1	25055675	
P902Bor	PLUG	1-1123724-2	(1)	25056402	
P911	PLUG	NPLG-2P631	1	25055675	
P911 or	PLUG	1-1123724-2	(1)	25056402	
P921C	PLUG	NPLG-2P631	1	25055675	
P921Cor	PLUG	1-1123724-2	(1)	25056402	
P9311	PLUG	NPLG-3P117	1	25055133	
RL6600	RELAY	NRL-2P5A-DC24-193	1	25065703	
RL6602	RELAY	NRL-2P5A-DC24-193	1	25065703	
RL6603	RELAY	NRL-2P5A-DC24-193	1	25065703	
RL6604	RELAY	NRL-2P5A-DC24-193	1	25065703	
RL6605	RELAY	NRL-2P5A-DC24-193	1	25065703	
RL6606	RELAY	NRL-2P5A-DC24-193	1	25065703	
RL901	RELAY	NRL-1P10A-DC9-186	1	25065683	!

HT-RC270

PC BOARD PARTS LIST

<b>U004</b>	<b>U0040~U0041</b>	<b>BAASP-0458-1A *</b>	<b>1</b>	<b>1B248558-1A</b>	<b>N</b>
<b>U0040</b>	<b>ANALOG AUDIO PC BOARD AS</b>	<b>BAASP-0458-1A</b>	<b>1</b>	<b>1B2485458-1A</b>	<b>N</b>
<b>U0041</b>	<b>D-SUB TERMINAL PC BOARD AS</b>	<b>BAETC-0459-1A</b>	<b>1</b>	<b>1B2485459-1A</b>	<b>N</b>

CIRCUIT NO.	PART NAME	DESCRIPTION	Q'TY	PART NO. (SN)	REMARKS
<b>[SEMI CONDUCTOR]</b>					
D4505	C-DIODE	KDS4148U	1	223283R2	
D4505 or	C-DIODE	1SS352	(1)	223234R2	
D4505 or	C-DIODE	MA2J1110GL	(1)	223302R2	
D4506	C-DIODE	KDS4148U	1	223283R2	
D4506 or	C-DIODE	1SS352	(1)	223234R2	
D4506 or	C-DIODE	MA2J1110GL	(1)	223302R2	
D4507	C-DIODE	KDS4148U	1	223283R2	
D4507 or	C-DIODE	1SS352	(1)	223234R2	
D4507 or	C-DIODE	MA2J1110GL	(1)	223302R2	
D4508	C-DIODE	KDS4148U	1	223283R2	
D4508 or	C-DIODE	1SS352	(1)	223234R2	
D4508 or	C-DIODE	MA2J1110GL	(1)	223302R2	
D4515	C-DIODE	KDS4148U	1	223283R2	
D4515 or	C-DIODE	1SS352	(1)	223234R2	
D4515 or	C-DIODE	MA2J1110GL	(1)	223302R2	
D4516	C-DIODE	KDS4148U	1	223283R2	
D4516 or	C-DIODE	1SS352	(1)	223234R2	
D4516 or	C-DIODE	MA2J1110GL	(1)	223302R2	
D4517	C-DIODE	KDS4148U	1	223283R2	
D4517 or	C-DIODE	1SS352	(1)	223234R2	
D4517 or	C-DIODE	MA2J1110GL	(1)	223302R2	
D4518	C-DIODE	KDS4148U	1	223283R2	
D4518 or	C-DIODE	1SS352	(1)	223234R2	
D4518 or	C-DIODE	MA2J1110GL	(1)	223302R2	
D4900	ZENER D	UDZS7.5B	1	224550750R2	
D4901	ZENER D	UDZS13B	1	224551300R2	



D4910	ZENER D	UDZS7.5B	1	224550750R2
D4911	ZENER D	UDZS13B	1	224551300R2
Q4500	IC	R2A15220FP	1	22242600R3
Q4502	IC	NJM4580M-D	1	22241448R2
Q4503	IC	NJM4580M-D	1	22241448R2
Q4504	IC	NJM4580M-D	1	22241448R2
Q4550	TR	2SK365-GR	1	2212445T
Q4551	TR	2SA1488-Y	1	2203394
Q4552	TR	2SC1815-GR	1	2211255T
Q4553	TR	2SC2235-Y(TPE6_F)	1	2211654T
Q4560	TR	2SK365-GR	1	2212445T
Q4561	TR	2SC3851-Y	1	2203384
Q4562	TR	2SA1015-GR	1	2211455T
Q4563	TR	2SA965-Y(TPE6_F)	1	2211644T
Q4600	TR	RN1441	1	2215410R2
Q4601	TR	RN1441	1	2215410R2
Q4602	TR	RN1441	1	2215410R2
Q4603	TR	RN1441	1	2215410R2
Q4604	TR	RN1441	1	2215410R2
Q4605	TR	RN1441	1	2215410R2
Q4606	TR	RN1441	1	2215410R2
Q4607	TR	RN1441	1	2215410R2
Q4616	TR	RN1441	1	2215410R2
Q4617	TR	RN1441	1	2215410R2
Q4620	TR	RN1441	1	2215410R2
Q4621	TR	RN1441	1	2215410R2
Q4622	TR	RN1441	1	2215410R2
Q4623	TR	RN1441	1	2215410R2
Q4624	TR	RN1441	1	2215410R2
Q4625	TR	RN1441	1	2215410R2
Q4630	TR	RN1441	1	2215410R2
Q4631	TR	RN1441	1	2215410R2
<b>[CHASSIS SCREW]</b>				

P4520	HOLDER	HOLDER(CLAMP)	1	27190540-1
<b>[CAPACITOR]</b>				
C4503	UPZ C	2AUPZTF221JE	1	376332214T
C4504	UPZ C	2AUPZTF221JE	1	376332214T
C4505	C-CERA C	CC725CH1H-221J1	1	342102214R1
C4506	C-CERA C	CC725CH1H-221J1	1	342102214R1
C4507	C-CERA C	CC725CH1H-221J1	1	342102214R1
C4508	C-CERA C	CC725CH1H-221J1	1	342102214R1
C4509	C-CERA C	CC725CH1H-221J1	1	342102214R1
C4510	C-CERA C	CC725CH1H-221J1	1	342102214R1
C4511	C-CERA C	CC725CH1H-221J1	1	342102214R1
C4512	C-CERA C	CC725CH1H-221J1	1	342102214R1
C4513	C-CERA C	CC725CH1H-221J1	1	342102214R1
C4514	C-CERA C	CC725CH1H-221J1	1	342102214R1
C4515	UPZ C	2AUPZTF221JE	1	376332214T
C4516	UPZ C	2AUPZTF221JE	1	376332214T
C4517	C-CERA C	CC725CH1H-221J1	1	342102214R1
C4518	UPZ C	2AUPZTF221JE	1	376332214T
C4519	C-CERA C	CC725CH1H-221J1	1	342102214R1
C4520	C-CERA C	CC725CH1H-221J1	1	342102214R1
C4521	C-CERA C	CC725CH1H-221J1	1	342102214R1
C4522	C-CERA C	CC725CH1H-221J1	1	342102214R1
C4523	UTSP C	CE04W25V-220M(UTSP)	1	397552217T
C4524	UTSP C	CE04W25V-220M(UTSP)	1	397552217T
C4525	UTSP C	CE04W50V 47M(UTSP)	1	397584707T
C4526	UTSP C	CE04W50V 47M(UTSP)	1	397584707T
C4530	C-CERA C	CC725CH1H-221J1	1	342102214R1
C4531	C-CERA C	CC725CH1H-221J1	1	342102214R1
C4532	C-CERA C	CC725CH1H-221J1	1	342102214R1
C4533	C-CERA C	CC725CH1H-221J1	1	342102214R1
C4534	C-CERA C	CC725CH1H-221J1	1	342102214R1
C4535	C-CERA C	CC725CH1H-221J1	1	342102214R1
C4536	C-CERA C	CC725CH1H-221J1	1	342102214R1

C4537	C-CERA C	CC725CH1H-221J1	1	342102214R1
C4540	C-CERA C	CC725CH1H-221J1	1	342102214R1
C4541	C-CERA C	CC725CH1H-221J1	1	342102214R1
C4570	UTSP C	CE04W50V 47M(UTSP)	1	397584707T
C4571	UTSP C	CE04W50V 47M(UTSP)	1	397584707T
C4572	UTSP C	CE04W50V 47M(UTSP)	1	397584707T
C4573	UTSP C	CE04W50V 47M(UTSP)	1	397584707T
C4574	UTSP C	CE04W50V 47M(UTSP)	1	397584707T
C4575	UTSP C	CE04W50V 47M(UTSP)	1	397584707T
C4576	UTSP C	CE04W50V 47M(UTSP)	1	397584707T
C4577	UTSP C	CE04W50V 47M(UTSP)	1	397584707T
C4600	UTSP C	CE04W50V 47M(UTSP)	1	397584707T
C4601	UTSP C	CE04W50V 47M(UTSP)	1	397584707T
C4602	UTSP C	CE04W50V 47M(UTSP)	1	397584707T
C4603	UTSP C	CE04W50V 47M(UTSP)	1	397584707T
C4604	UTSP C	CE04W50V 47M(UTSP)	1	397584707T
C4605	UTSP C	CE04W50V 47M(UTSP)	1	397584707T
C4606	UTSP C	CE04W50V-22M(UTSP)	1	397582207T
C4607	UTSP C	CE04W50V 47M(UTSP)	1	397584707T
C4610	UTSP C	CE04W50V 47M(UTSP)	1	397584707T
C4611	UTSP C	CE04W50V 47M(UTSP)	1	397584707T
C4612	UTSP C	CE04W50V 47M(UTSP)	1	397584707T
C4613	UTSP C	CE04W50V 47M(UTSP)	1	397584707T
C4614	UTSP C	CE04W50V 47M(UTSP)	1	397584707T
C4615	UTSP C	CE04W50V 47M(UTSP)	1	397584707T
C4620	UTSP C	CE04W50V 47M(UTSP)	1	397584707T
C4621	UTSP C	CE04W50V 47M(UTSP)	1	397584707T
C4675	UTSP C	CE04W10V-220M(UTSP)	1	397532217T
C4726	C-CERA C	CC725CH1H-471J1	1	342104714R1
C4736	C-CERA C	CC725CH1H-471J1	1	342104714R1
C4740	C-CERA C	CC725CH1H-102J1	1	342101024R1
C4741	UTSP C	CE04W25V-47M(UTSP)	1	397554707T
C4742	UTSP C	CE04W10V-220M(UTSP)	1	397532217T

C4743	C-CERA C	CK725B1H-152K1	1	332101525R1
C4744	TF C	ECQ-V50V-123J	1	374721234T
C4745	MKT C	B32529C0332J289	1	376493324T
C4746	C-CERA C	CC725CH1H-151J1	1	342101514R1
C4747	UTSP C	CE04W10V-220M(UTSP)	1	397532217T
C4748	C-CERA C	CC725CH1H-101J1	1	342101014R1
C4749	UTSP C	CE04W50V-10M(UTSP)	1	397581007T
C4750	C-CERA C	CC725CH1H-102J1	1	342101024R1
C4751	UTSP C	CE04W25V-47M(UTSP)	1	397554707T
C4752	UTSP C	CE04W10V-220M(UTSP)	1	397532217T
C4753	C-CERA C	CK725B1H-152K1	1	332101525R1
C4754	TF C	ECQ-V50V-123J	1	374721234T
C4755	MKT C	B32529C0332J289	1	376493324T
C4756	C-CERA C	CC725CH1H-151J1	1	342101514R1
C4758	C-CERA C	CC725CH1H-101J1	1	342101014R1
C4759	UTSP C	CE04W50V-10M(UTSP)	1	397581007T
C4760	UTSP C	CE04W25V-47M(UTSP)	1	397554707T
C4761	C-CERA C	CC725CH1H-221J1	1	342102214R1
C4762	TF C	ECQ-V50V-103J	1	374721034T
C4770	C-CERA C	CC725CH1H-101J1	1	342101014R1
C4771	UTSP C	CE04W10V-220M(UTSP)	1	397532217T
C4780	C-CERA C	CC725CH1H-101J1	1	342101014R1
C4781	UTSP C	CE04W10V-220M(UTSP)	1	397532217T
C4796	UTSP C	CE04W25V-47M(UTSP)	1	397554707T
C4800	C-CERA C	CC725CH1H-102J1	1	342101024R1
C4802	C-CERA C	CC725CH1H-102J1	1	342101024R1
C4803	C-CERA C	CC725CH1H-102J1	1	342101024R1
C4804	C-CERA C	CC725CH1H-102J1	1	342101024R1
C4805	C-CERA C	CC725CH1H-102J1	1	342101024R1
C4806	C-CERA C	CC725CH1H-102J1	1	342101024R1
C4807	C-CERA C	CC725CH1H-102J1	1	342101024R1
C4808	C-CERA C	CC725CH1H-102J1	1	342101024R1
C4809	C-CERA C	CC725CH1H-102J1	1	342101024R1



C4833	UTSP C	CE04W50V-10M(UTSP)	1	397581007T
C4834	UTSP C	CE04W50V-10M(UTSP)	1	397581007T
C4835	UTSP C	CE04W50V-10M(UTSP)	1	397581007T
C4836	UTSP C	CE04W50V-10M(UTSP)	1	397581007T
C4840	TF C	ECQ-V50V-104J	1	374721044T
C4900	VR C	CE04W35V-470M(VR)	1	394664717T
C4901	UTSP C	CE04W50V-22M(UTSP)	1	397582207T
C4902	UTSP C	CE04W25V-220M(UTSP)	1	397552217T
C4903	UTSP C	CE04W25V-220M(UTSP)	1	397552217T
C4904	UTSP C	CE04W25V-220M(UTSP)	1	397552217T
C4905	UTSP C	CE04W25V-220M(UTSP)	1	397552217T
C4910	VR C	CE04W35V-470M(VR)	1	394664717T
C4911	UTSP C	CE04W50V-22M(UTSP)	1	397582207T
C4912	UTSP C	CE04W25V-220M(UTSP)	1	397552217T
C4913	UTSP C	CE04W25V-220M(UTSP)	1	397552217T
C4914	UTSP C	CE04W10V-470M(UTSP)	1	397534717T
C4915	UTSP C	CE04W25V-220M(UTSP)	1	397552217T
<b>[RESISTOR]</b>				
R4503	C-CARBON R	RN72K1J-331JE	1	435033314R1
R4504	C-CARBON R	RN72K1J-331JE	1	435033314R1
R4505	C-CARBON R	RN72K1J-331JE	1	435033314R1
R4506	C-CARBON R	RN72K1J-331JE	1	435033314R1
R4507	C-CARBON R	RN72K1J-331JE	1	435033314R1
R4508	C-CARBON R	RN72K1J-331JE	1	435033314R1
R4509	C-CARBON R	RN72K1J-331JE	1	435033314R1
R4510	C-CARBON R	RN72K1J-331JE	1	435033314R1
R4511	C-CARBON R	RN72K1J-331JE	1	435033314R1
R4512	C-CARBON R	RN72K1J-331JE	1	435033314R1
R4513	C-CARBON R	RN72K1J-331JE	1	435033314R1
R4514	C-CARBON R	RN72K1J-331JE	1	435033314R1
R4515	C-CARBON R	RN72K1J-331JE	1	435033314R1
R4516	C-CARBON R	RN72K1J-331JE	1	435033314R1
R4517	C-CARBON R	RN72K1J-331JE	1	435033314R1

R4518	C-CARBON R	RN72K1J-331JE	1	435033314R1
R4519	C-CARBON R	RN72K1J-331JE	1	435033314R1
R4520	C-CARBON R	RN72K1J-331JE	1	435033314R1
R4521	C-CARBON R	RN72K1J-331JE	1	435033314R1
R4522	C-CARBON R	RN72K1J-331JE	1	435033314R1
R4523	METAL O R	RS1/2WBJ-22	1	443522204T
R4524	METAL O R	RS1/2WBJ-22	1	443522204T
R4526	C-CARBON R	RN72K1J-101JE	1	435031014R1
R4533	C-CARBON R	RN72K1J-224JE	1	435032244R1
R4534	C-CARBON R	RN72K1J-224JE	1	435032244R1
R4535	C-CARBON R	RN72K1J-224JE	1	435032244R1
R4536	C-CARBON R	RN72K1J-224JE	1	435032244R1
R4537	C-CARBON R	RN72K1J-224JE	1	435032244R1
R4538	C-CARBON R	RN72K1J-224JE	1	435032244R1
R4539	C-CARBON R	RN72K1J-224JE	1	435032244R1
R4540	C-CARBON R	RN72K1J-224JE	1	435032244R1
R4541	C-CARBON R	RN72K1J-224JE	1	435032244R1
R4542	C-CARBON R	RN72K1J-224JE	1	435032244R1
R4543	C-CARBON R	RN72K1J-224JE	1	435032244R1
R4544	C-CARBON R	RN72K1J-224JE	1	435032244R1
R4545	C-CARBON R	RN72K1J-224JE	1	435032244R1
R4546	C-CARBON R	RN72K1J-224JE	1	435032244R1
R4547	C-CARBON R	RN72K1J-224JE	1	435032244R1
R4548	C-CARBON R	RN72K1J-224JE	1	435032244R1
R4549	C-CARBON R	RN72K1J-224JE	1	435032244R1
R4550	C-CARBON R	RN72K1J-224JE	1	435032244R1
R4551	C-CARBON R	RN72K1J-224JE	1	435032244R1
R4552	C-CARBON R	RN72K1J-224JE	1	435032244R1
R4560	C-CARBON R	RN72K1J-224JE	1	435032244R1
R4561	C-CARBON R	RN72K1J-224JE	1	435032244R1
R4562	C-CARBON R	RN72K1J-224JE	1	435032244R1
R4563	C-CARBON R	RN72K1J-224JE	1	435032244R1
R4564	C-CARBON R	RN72K1J-224JE	1	435032244R1

R4565	C-CARBON R	RN72K1J-224JE	1	435032244R1
R4566	C-CARBON R	RN72K1J-223JE	1	435032234R1
R4567	C-CARBON R	RN72K1J-224JE	1	435032244R1
R4570	C-CARBON R	RN72K1J-101JE	1	435031014R1
R4571	C-CARBON R	RN72K1J-101JE	1	435031014R1
R4572	C-CARBON R	RN72K1J-101JE	1	435031014R1
R4573	C-CARBON R	RN72K1J-101JE	1	435031014R1
R4574	C-CARBON R	RN72K1J-101JE	1	435031014R1
R4575	C-CARBON R	RN72K1J-101JE	1	435031014R1
R4576	C-CARBON R	RN72K1J-101JE	1	435031014R1
R4577	C-CARBON R	RN72K1J-101JE	1	435031014R1
R4580	C-CARBON R	RN72K1J-224JE	1	435032244R1
R4581	C-CARBON R	RN72K1J-224JE	1	435032244R1
R4590	C-CARBON R	RN72K1J-101JE	1	435031014R1
R4591	C-CARBON R	RN72K1J-101JE	1	435031014R1
R4620	C-CARBON R	RN72K1J-224JE	1	435032244R1
R4621	C-CARBON R	RN72K1J-224JE	1	435032244R1
R4622	C-CARBON R	RN72K1J-224JE	1	435032244R1
R4623	C-CARBON R	RN72K1J-224JE	1	435032244R1
R4624	C-CARBON R	RN72K1J-224JE	1	435032244R1
R4625	C-CARBON R	RN72K1J-224JE	1	435032244R1
R4626	C-CARBON R	RN72K1J-223JE	1	435032234R1
R4627	C-CARBON R	RN72K1J-224JE	1	435032244R1
R4630	C-CARBON R	RN72K1J-121JE	1	435031214R1
R4631	C-CARBON R	RN72K1J-121JE	1	435031214R1
R4632	C-CARBON R	RN72K1J-121JE	1	435031214R1
R4633	C-CARBON R	RN72K1J-121JE	1	435031214R1
R4634	C-CARBON R	RN72K1J-121JE	1	435031214R1
R4635	C-CARBON R	RN72K1J-121JE	1	435031214R1
R4636	C-CARBON R	RN72K1J-121JE	1	435031214R1
R4637	C-CARBON R	RN72K1J-121JE	1	435031214R1
R4640	C-CARBON R	RN72K1J-101JE	1	435031014R1
R4641	C-CARBON R	RN72K1J-101JE	1	435031014R1

R4642	C-CARBON R	RN72K1J-101JE	1	435031014R1
R4643	C-CARBON R	RN72K1J-101JE	1	435031014R1
R4644	C-CARBON R	RN72K1J-101JE	1	435031014R1
R4645	C-CARBON R	RN72K1J-101JE	1	435031014R1
R4646	C-CARBON R	RN72K1J-101JE	1	435031014R1
R4647	C-CARBON R	RN72K1J-101JE	1	435031014R1
R4650	C-CARBON R	RN72K1J-224JE	1	435032244R1
R4651	C-CARBON R	RN72K1J-224JE	1	435032244R1
R4652	C-CARBON R	RN72K1J-224JE	1	435032244R1
R4653	C-CARBON R	RN72K1J-224JE	1	435032244R1
R4654	C-CARBON R	RN72K1J-224JE	1	435032244R1
R4655	C-CARBON R	RN72K1J-224JE	1	435032244R1
R4660	C-CARBON R	RN72K1J-391JE	1	435033914R1
R4661	C-CARBON R	RN72K1J-391JE	1	435033914R1
R4662	C-CARBON R	RN72K1J-391JE	1	435033914R1
R4663	C-CARBON R	RN72K1J-391JE	1	435033914R1
R4664	C-CARBON R	RN72K1J-391JE	1	435033914R1
R4665	C-CARBON R	RN72K1J-391JE	1	435033914R1
R4670	C-CARBON R	RN72K1J-224JE	1	435032244R1
R4671	C-CARBON R	RN72K1J-224JE	1	435032244R1
R4680	C-CARBON R	RN72K1J-102JE	1	435031024R1
R4681	C-CARBON R	RN72K1J-102JE	1	435031024R1
R4690	C-CARBON R	RN72K1J-222JE	1	435032224R1
R4691	C-CARBON R	RN72K1J-222JE	1	435032224R1
R4700	C-CARBON R	RN72K1J-101JE	1	435031014R1
R4701	C-CARBON R	RN72K1J-101JE	1	435031014R1
R4740	C-CARBON R	RN72K1J-331JE	1	435033314R1
R4741	C-CARBON R	RN72K1J-563JE	1	435035634R1
R4742	C-CARBON R	RN72K1J-474JE	1	435034744R1
R4743	C-CARBON R	RN72K1J-561JE	1	435035614R1
R4744	C-CARBON R	RN72K1J-274JE	1	435032744R1
R4745	C-CARBON R	RN72K1J-223JE	1	435032234R1
R4746	C-CARBON R	RN72K1J-122JE	1	435031224R1



R4747	C-CARBON R	RN72K1J-101JE	1	435031014R1
R4748	C-CARBON R	RN72K1J-224JE	1	435032244R1
R4749	C-CARBON R	RN72K1J-220JE	1	435032204R1
R4750	C-CARBON R	RN72K1J-331JE	1	435033314R1
R4751	C-CARBON R	RN72K1J-563JE	1	435035634R1
R4752	C-CARBON R	RN72K1J-474JE	1	435034744R1
R4753	C-CARBON R	RN72K1J-561JE	1	435035614R1
R4754	C-CARBON R	RN72K1J-274JE	1	435032744R1
R4755	C-CARBON R	RN72K1J-223JE	1	435032234R1
R4756	C-CARBON R	RN72K1J-122JE	1	435031224R1
R4757	C-CARBON R	RN72K1J-101JE	1	435031014R1
R4758	C-CARBON R	RN72K1J-224JE	1	435032244R1
R4759	C-CARBON R	RN72K1J-220JE	1	435032204R1
R4760	C-CARBON R	RN72K1J-221JE	1	435032214R1
R4761	C-CARBON R	RN72K1J-473JE	1	435034734R1
R4762	C-CARBON R	RN72K1J-681JE	1	435036814R1
R4763	C-CARBON R	RN72K1J-392JE	1	435033924R1
R4764	C-CARBON R	RN72K1J-682JE	1	435036824R1
R4765	C-CARBON R	RN72K1J-152JE	1	435031524R1
R4770	C-CARBON R	RN72K1J-223JE	1	435032234R1
R4771	C-CARBON R	RN72K1J-222JE	1	435032224R1
R4772	C-CARBON R	RN72K1J-681JE	1	435036814R1
R4773	C-CARBON R	RN72K1J-123JE	1	435031234R1
R4774	C-CARBON R	RN72K1J-103JE	1	435031034R1
R4775	C-CARBON R	RN72K1J-220JE	1	435032204R1
R4780	C-CARBON R	RN72K1J-223JE	1	435032234R1
R4781	C-CARBON R	RN72K1J-222JE	1	435032224R1
R4782	C-CARBON R	RN72K1J-681JE	1	435036814R1
R4783	C-CARBON R	RN72K1J-123JE	1	435031234R1
R4784	C-CARBON R	RN72K1J-103JE	1	435031034R1
R4785	C-CARBON R	RN72K1J-220JE	1	435032204R1
R4796	C-CARBON R	RN72K1J-101JE	1	435031014R1
R4797	C-CARBON R	RN72K1J-101JE	1	435031014R1

R4800	C-CARBON R	RN72K1J-122JE	1	435031224R1
R4801	C-CARBON R	RN72K1J-122JE	1	435031224R1
R4806	C-CARBON R	RN72K1J-000JE	1	435030004R1
R4807	C-CARBON R	RN72K1J-000JE	1	435030004R1
R4820	C-CARBON R	RN72K1J-104JE	1	435031044R1
R4821	C-CARBON R	RN72K1J-104JE	1	435031044R1
R4822	C-CARBON R	RN72K1J-104JE	1	435031044R1
R4823	C-CARBON R	RN72K1J-104JE	1	435031044R1
R4825	C-CARBON R	RN72K1J-224JE	1	435032244R1
R4826	C-CARBON R	RN72K1J-224JE	1	435032244R1
R4827	C-CARBON R	RN72K1J-224JE	1	435032244R1
R4829	C-CARBON R	RN72K1J-224JE	1	435032244R1
R4830	C-CARBON R	RN72K1J-224JE	1	435032244R1
R4831	C-CARBON R	RN72K1J-224JE	1	435032244R1
R4832	C-CARBON R	RN72K1J-224JE	1	435032244R1
R4835	C-CARBON R	RN72K1J-224JE	1	435032244R1
R4836	C-CARBON R	RN72K1J-224JE	1	435032244R1
R4839	C-CARBON R	RN72K1J-222JE	1	435032224R1
R4840	C-CARBON R	RN72K1J-224JE	1	435032244R1
R4841	C-CARBON R	RN72K1J-224JE	1	435032244R1
R4842	C-CARBON R	RN72K1J-224JE	1	435032244R1
R4843	C-CARBON R	RN72K1J-000JE	1	435030004R1
R4845	C-CARBON R	RN72K1J-224JE	1	435032244R1
R4846	C-CARBON R	RN72K1J-224JE	1	435032244R1
R4847	C-CARBON R	RN72K1J-224JE	1	435032244R1
R4850	C-CARBON R	RN72K1J-224JE	1	435032244R1
R4851	C-CARBON R	RN72K1J-224JE	1	435032244R1
R4853	C-CARBON R	RN72K1J-000JE	1	435030004R1
R4854	C-CARBON R	RN72K1J-000JE	1	435030004R1
R4900	METAL O R	RS1WBJ-22	1	443622204T
R4901	METAL O R	RS1/2WBJ-330	1	443523314T
R4902	C-CARBON R	RN72K2E-221JE	1	435222214R1
R4910	METAL O R	RS1WBJ-22	1	443622204T

R4911	METAL O R	RS1/2WBJ-330	1	443523314T	
R4912	C-CARBON R	RN72K2E-221JE	1	435222214R1	
R4921	C-CARBON R	RN72K1J-104JE	1	435031044R1	
R8030	C-CARBON R	RN72K1J-105JE	1	435031054R1	
R8031	C-CARBON R	RN72K1J-105JE	1	435031054R1	
R8032	C-CARBON R	RN72K1J-105JE	1	435031054R1	
R8033	C-CARBON R	RN72K1J-105JE	1	435031054R1	
<b>[SW TRM]</b>					
E4520	TRM-423(SCREW)	NEJITANSI ST3	1	25060495	
E4521	RETAINER	MET37-0002	1	27142009T	
JL104A	WIRE HOL	NSCT-9P880	1	25051093	
JL4518A	WIRE HOL	NSCT-5P876	1	25051089	
JL9925B	WIRE TRAP	NPLG-5P588	1	25055626	
P4500	PIN JACK	NPJ-2PDWR558	1	25045776	
P4501	PIN JACK	NPJ-6PDBL159	1	25045300	
P4502	PIN JACK	NPJ-6PDBL159	1	25045300	
P4503	PIN JACK	NPJ-4PDGPRW661	1	25045890	
P4504	PIN JACK	NPJ-4PDELNT662	1	25045891	
P4505	PIN JACK	NPJ-2PDWR558	1	25045776	
P4506	PIN JACK	NPJ-1PDG713	1	25045950	N
P4507	PIN JACK	NPJ-6PDLENT701	1	25045935	
P4508	PIN JACK	NPJ-2PDWR558	1	25045776	
P4510A	PLUG	IMSA-9142B-20A	1	25056600	
P4511A	SOCKET	NSCT-19P2199	1	25052302	
P4512B	CRIMP AS	CRIMP SR805_2	1	20799170UL	
P4513	CRIMP AS	CRIMP AS	1	2069925120UL	
P4517B	PLUG	S16B-PH-K-S	1	25056667	N
P4519	HOLDER	HOLDER(CLAMP)	1	27190540-1	
P8000	SOCKET	MDS-15P-V02(DSUB15)	1	25053362	
P8002	SOCKET	NSCT-11P2402	1	25052505	
Q4551A	SCREW	3P+10FN(3BC)	1	82143010GR	
Q4551B	HEAT SINK	RAD-177	1	27160517	
Q4561A	SCREW	3P+10FN(3BC)	1	82143010GR	

## PC BOARD PARTS LIST

HT-RC270

U005	U0050-U0054	BADG-0462-1H *	1	1B248562-1H	N
U0050	DAC PC BOARD AS	BADG-0462-1H	1	1B2485462-1H	N
U0051	CPU PC BOARD AS	BACPU-0463-1H	1	1B2485463-1H	N
U0052	ANALOG VIDEO PC BOARD AS	BAVD-0464-1H	1	1B2485464-1H	N
U0053	UNIVERSAL PORT PC BOARD AS	BAETC-0466-1H	1	1B2485466-1H	N
U0054	FRONT USB PC BOARD AS	BADG-0468-1H	1	1B2485468-1H	N

CIRCUIT NO.	PART NAME	DESCRIPTION	Q'TY	PART NO. (SN)	REMARKS
<b>[SEMI CONDUCTOR]</b>					
D151	C-DIODE	KDS4148U	1	223283R2	
D151 or	C-DIODE	1SS352	(1)	223234R2	
D151 or	C-DIODE	MA2J111	(1)	223279R2	
D152	C-DIODE	KDS4148U	1	223283R2	
D152 or	C-DIODE	1SS352	(1)	223234R2	
D152 or	C-DIODE	MA2J111	(1)	223279R2	
D2001	C-DIODE	KDS4148U	1	223283R2	
D2001 or	C-DIODE	1SS352	(1)	223234R2	
D2001 or	C-DIODE	MA2J111	(1)	223279R2	
D2002	C-DIODE	KDS4148U	1	223283R2	
D2002 or	C-DIODE	1SS352	(1)	223234R2	
D2002 or	C-DIODE	MA2J111	(1)	223279R2	
D2003	C-DIODE	KDS4148U	1	223283R2	
D2003 or	C-DIODE	1SS352	(1)	223234R2	
D2003 or	C-DIODE	MA2J111	(1)	223279R2	
D2004	ZENER D	UDZS5.6B	1	224550560R2	
D2004 or	ZENER D	MAZ8056-M	(1)	224750562R2	
D2006	DIODE	XBS303V17R	1	22380365R2	
D2007	DIODE	RL1N4003	1	22380260T	



D2008	DIODE	RL1N4003	1	22380260T	
D2021	DIODE	D5SBA20	1	22380130	
D2022	DIODE	D3SBA20	1	22380271F	
D2022 or	DIODE	RBV402	(1)	22380022F	
D7000	C-DIODE	KDS4148U	1	223283R2	
D7000 or	C-DIODE	1SS352	(1)	223234R2	
D7000 or	C-DIODE	MA2J111	(1)	223279R2	
D7001	C-DIODE	KDS4148U	1	223283R2	
D7001 or	C-DIODE	1SS352	(1)	223234R2	
D7001 or	C-DIODE	MA2J111	(1)	223279R2	
D7002	C-DIODE	KDS4148U	1	223283R2	
D7002 or	C-DIODE	1SS352	(1)	223234R2	
D7002 or	C-DIODE	MA2J111	(1)	223279R2	
D7003	C-DIODE	KDS4148U	1	223283R2	
D7003 or	C-DIODE	1SS352	(1)	223234R2	
D7003 or	C-DIODE	MA2J111	(1)	223279R2	
Q1001	IC	CY2305SXC-1T	1	22242573R2	
Q1001 or	IC	CY2305ESXC-1T	(1)	22242638R2	
Q1301	IC	TA4805BF(TE16L_NQ)	1	22278005DBR2TO	
Q1302	IC	NJM2855DL1-33	1	22278033QR2JR	N
Q1303	IC	TA4805BF(TE16L_NQ)	1	22278005DBR2TO	
Q1311	IC	PCM9210PTR	1	22242629R2	
Q1322	IC	CS5361-KZZR	1	22242646R2	N
Q1325	IC	74HCU04F	1	222740046R2	
Q1421	IC	PCM1690DCAR	1	22242599R2	
Q1601	IC	NJM4580M-D	1	22241448R2	
Q1602	IC	NJM4580M-D	1	22241448R2	
Q1603	IC	NJM4580M-D	1	22241448R2	
Q1604	IC	NJM4580M-D	1	22241448R2	
Q1800	IC	NJM4580M-D	1	22241448R2	
Q1801	IC	NJM4580M-D	1	22241448R2	
Q2	IC	78M09HF(NJM78M09DL1A)	1	222780095R2JR	
Q2004	IC	MP2363DN-LF-Z	1	22242627R2	

Q2109	IC	NJW1325	1	22242596R3
Q7000	TR	KRC104S	1	2216210R2
Q7000 or	TR	RN1404	(1)	2214490R2
Q7001	TR	KRA102S	1	2216220R2
Q7001 or	TR	RN2402	(1)	2214530R2
Q7003	TR	KRC104S	1	2216210R2
Q7003 or	TR	RN1404	(1)	2214490R2
Q7004	TR	KRA102S	1	2216220R2
Q7004 or	TR	RN2402	(1)	2214530R2
Q7005	TR	KRC102S	1	2216190R2
Q7005 or	TR	RN1402	(1)	2214470R2
Q7006	TR	KRA107S	1	2216350R2
Q7006 or	TR	RN2407(TE85L_F)	(1)	2216360R2
Q7008	TR	KRC102S	1	2216190R2
Q7008 or	TR	RN1402	(1)	2214470R2
Q7009	TR	KRA107S	1	2216350R2
Q7009 or	TR	RN2407(TE85L_F)	(1)	2216360R2
Q7011	TR	KRC104S	1	2216210R2
Q7011 or	TR	RN1404	(1)	2214490R2
Q7012	TR	KRA102S	1	2216220R2
Q7012 or	TR	RN2402	(1)	2214530R2
Q7013	TR	KRC102S	1	2216190R2
Q7013 or	TR	RN1402	(1)	2214470R2
Q7014	TR	KRC104S	1	2216210R2
Q7014 or	TR	RN1404	(1)	2214490R2
Q7015	TR	KRA102S	1	2216220R2
Q7015 or	TR	RN2402	(1)	2214530R2
Q7016	TR	KRC104S	1	2216210R2
Q7016 or	TR	RN1404	(1)	2214490R2
Q7017	TR	KRA102S	1	2216220R2
Q7017 or	TR	RN2402	(1)	2214530R2
Q7018	TR	KRC104S	1	2216210R2
Q7018 or	TR	RN1404	(1)	2214490R2

Q7019	TR	KRA102S	1	2216220R2
Q7019 or	TR	RN2402	(1)	2214530R2
Q7020	IC	MPD70F3746GJ-GAE-AX	1	222W0079R3
Q7021	TR	KRC104S	1	2216210R2
Q7021 or	TR	RN1404	(1)	2214490R2
Q7022	TR	KRA102S	1	2216220R2
Q7022 or	TR	RN2402	(1)	2214530R2
Q7023	IC	XC6202P502FR	1	22242331R2
Q7024	TR	KRC104S	1	2216210R2
Q7024 or	TR	RN1404	(1)	2214490R2
Q7025	TR	KRA102S	1	2216220R2
Q7025 or	TR	RN2402	(1)	2214530R2
Q7026	IC	XC6213B332MR	1	22242277R2
Q7027	TR	KRC104S	1	2216210R2
Q7027 or	TR	RN1404	(1)	2214490R2
Q7028	TR	KRA102S	1	2216220R2
Q7028 or	TR	RN2402	(1)	2214530R2
Q7029	IC	S-812C33AUA-C2N	1	22242222R2
Q7030	TR	KRC104S	1	2216210R2
Q7030 or	TR	RN1404	(1)	2214490R2
Q7031	TR	KRA102S	1	2216220R2
Q7031 or	TR	RN2402	(1)	2214530R2
Q7032	IC	S-812C56AUA-C3K	1	22242207R2
Q7033	IC	R1EX25064ASA00A	1	22242581R2
Q7034	IC	NJU7706F27A3	1	22242614R2
Q7900	IC	NJM4580M-D	1	22241448R2
Q7903	IC	NJM2505AF	1	22242490R2
Q7903 or	IC	BH7673G-TR	(1)	22242661R2
Q7904	IC	XC6202P502FR	1	22242331R2
Q9	IC	NJM4580M-D	1	22241448R2
<b>[TRANS COIL]</b>				
L1002	CORE	MMZ1608Y601BT	1	2350004R1
L1100	CHOKE COIL	LBC2518T4R7M	1	231364M047R2

L1101	CHOKE COIL	LBC2518T4R7M	1	231364M047R2
L1102	CHOKE COIL	LBC2518T4R7M	1	231364M047R2
L1110	EMIFIL	BK1608LM182-T	1	230958R1
L1111	CORE	MMZ1608Y601BT	1	2350004R1
L1301	CHOKE COIL	LBC2518T470M	1	231364M470R2
L1305	CHOKE COIL	LBC2518T2R2M	1	231364M022R2
L1307	CHOKE COIL	LBC2518T2R2M	1	231364M022R2
L1308	CHOKE COIL	LBC2518T2R2M	1	231364M022R2
L1312	CHOKE COIL	LBC2518T470M	1	231364M470R2
L1313	CHOKE COIL	LBC2518T470M	1	231364M470R2
L1319	CHOKE COIL	LBC2518T470M	1	231364M470R2
L1323	EMIFIL	BK1608HS102-T	1	230955R2
L1324	EMIFIL	BK1608HS102-T	1	230955R2
L1325	EMIFIL	BK1608HS102-T	1	230955R2
L1326	CHOKE COIL	LBC2518T470M	1	231364M470R2
L1336	CHOKE COIL	LBC2518T470M	1	231364M470R2
L1404	CHOKE COIL	LBC2518T4R7M	1	231364M047R2
L1407	CHOKE COIL	LBC2518T4R7M	1	231364M047R2
L150	CORE	BLM18PG121SN1D	1	2350006R1
L151	CORE	BLM18PG121SN1D	1	2350006R1
L152	CORE	BLM18PG121SN1D	1	2350006R1
L2004	CHOKE COIL	BLM21PG221SN1	1	230949R2
L2005	CHOKE COIL	BLM21PG221SN1	1	230949R2
L2006	CHOKE COIL	BLM21PG221SN1	1	230949R2
L2012	CHOKE COIL	0182-7E08Q-100M-RA	1	231396M100R2
L2106	CHOKE COIL	LBC2518T4R7M	1	231364M047R2
L5	CHOKE COIL	LBC2518T100M	1	231364M100R2
L7001	CHOKE COIL	BLM21PG221SN1	1	230949R2
L7900	EMIFIL	BK1608LM182-T	1	230958R1
L7901	EMIFIL	BK1608LM182-T	1	230958R1
L7902	EMIFIL	BK1608LM182-T	1	230958R1
L7903	EMIFIL	BK1608LM182-T	1	230958R1
L7904	EMIFIL	BK1608LM182-T	1	230958R1



L7905	EMIFIL	BK1608LM182-T	1	230958R1
L7906	EMIFIL	BK1608LM182-T	1	230958R1
L7907	EMIFIL	BK1608LM182-T	1	230958R1
L7908	EMIFIL	BK1608LM182-T	1	230958R1
L7909	EMIFIL	BK1608LM182-T	1	230958R1
L7910	EMIFIL	BK1608LM182-T	1	230958R1
L7911	EMIFIL	BK1608LM182-T	1	230958R1
L7912	EMIFIL	BK1608LM182-T	1	230958R1
L7913	EMIFIL	BK1608LM182-T	1	230958R1
L7914	CHOKE COIL	BLM21PG221SN1	1	230949R2
L7917	CHOKE COIL	BLM21PG221SN1	1	230949R2
L7918	EMIFIL	BK1608LM182-T	1	230958R1
L7919	EMIFIL	BK1608LM182-T	1	230958R1
L7920	CHOKE COIL	BLM21PG221SN1	1	230949R2
L7921	CHOKE COIL	BLM21PG221SN1	1	230949R2
X1100	CRYSTAL	HC-49US24.576MHz	1	3010490T
X7000	CERA LOCK	CSTCR5M00G53-B0	1	3010356R2
<b>[CAPACITOR]</b>				
C1	UTSP C	CE04W50V-10M(UTSP)	1	397581007T
C1001	C-CERA C	CK725B0J-106K	1	332091065R2
C1002	C-CERA C	CK725F1E-104Z1	1	332161040R1
C1100	C-CERA C	CK725F1E-104Z1	1	332161040R1
C1101	C-CERA C	CC725CH1H-180J1	1	342101804R1
C1102	C-CERA C	CC725CH1H-180J1	1	342101804R1
C1103	UTSP C	CE04W10V-470M(UTSP)	1	397534717T
C1104	C-CERA C	CK725B1H-473K1	1	332104735R1
C1105	C-CERA C	CK725B1H-223K1	1	332102235R1
C1106	UTSJ C	CE04W25V-47M(UTSJ)	1	398054707AT
C1107	C-CERA C	CK725F1E-104Z1	1	332161040R1
C1108	UTSP C	CE04W10V-470M(UTSP)	1	397534717T
C1109	C-CERA C	CK725B1H-472K1	1	332104725R1
C1110	UTSP C	CE04W10V-470M(UTSP)	1	397534717T
C1111	C-CERA C	CC725CH1H-330J1	1	342103304R1

C1113	C-CERA C	CK725F1E-104Z1	1	332161040R1
C1116	C-CERA C	CC725CH1H-330J1	1	342103304R1
C1117	C-CERA C	CC725CH1H-330J1	1	342103304R1
C1119	C-CERA C	CC725CH1H-221J1	1	342102214R1
C1120	UTSJ C	CE04W25V-47M(UTSJ)	1	398054707AT
C1121	C-CERA C	CC725CH1H-221J1	1	342102214R1
C1122	C-CERA C	CK725F1E-104Z1	1	332161040R1
C1125	C-CERA C	CC725CH1H-330J1	1	342103304R1
C1141	UTSJ C	CE04W25V-47M(UTSJ)	1	398054707AT
C1230	C-CERA C	CC725CH1H-221J1	1	342102214R1
C1303	UTSP C	CE04W50V 47M(UTSP)	1	397584707T
C1304	C-CERA C	CC725CH1H-680J1	1	342106804R1
C1305	VR C	CE04W16V-100M(VR)	1	394641017T
C1306	C-CERA C	CC725CH1H-680J1	1	342106804R1
C1307	UTSP C	CE04W50V 47M(UTSP)	1	397584707T
C1308	C-FILM C	ECHU50V-222J	1	373022224R2
C1309	C-CERA C	CC725CH1H-680J1	1	342106804R1
C1310	VR C	CE04W16V-100M(VR)	1	394641017T
C1312	UTSP C	CE04W10V-470M(UTSP)	1	397534717T
C1313	C-CERA C	CC725CH1H-680J1	1	342106804R1
C1314	C-CERA C	CC725CH1H-680J1	1	342106804R1
C1321	C-CERA C	CK725F1E-104Z1	1	332161040R1
C1331	C-CERA C	CK725F1E-104Z1	1	332161040R1
C1332	UTSP C	CE04W10V-470M(UTSP)	1	397534717T
C1333	UTSP C	CE04W50V 47M(UTSP)	1	397584707T
C1335	VR C	CE04W16V-100M(VR)	1	394641017T
C1365	C-CERA C	CK725F1E-104Z1	1	332161040R1
C1366	C-CERA C	CC725CH1H-101J1	1	342101014R1
C1368	C-CERA C	CC725CH1H-101J1	1	342101014R1
C1375	C-CERA C	CK725F1E-104Z1	1	332161040R1
C1380	C-CERA C	CK725F1E-104Z1	1	332161040R1
C1381	C-CERA C	CC725CH1H-101J1	1	342101014R1
C1385	C-CERA C	CK725B1H-102K1	1	332101025R1

C1389	UTSP C	CE04W10V-470M(UTSP)	1	397534717T
C1390	UTSP C	CE04W10V-470M(UTSP)	1	397534717T
C1391	C-CERA C	CK725F1E-104Z1	1	332161040R1
C1399	VR C	CE04W16V-100M(VR)	1	394641017T
C1400	C-CERA C	CK725F1E-104Z1	1	332161040R1
C1401	C-CERA C	CK725F1E-104Z1	1	332161040R1
C1408	C-CERA C	CC725CH1H-080D1	1	342100802R1
C1409	C-CERA C	CC725CH1H-080D1	1	342100802R1
C1415	C-CERA C	CK725F1E-104Z1	1	332161040R1
C1417	C-CERA C	CK725F1E-104Z1	1	332161040R1
C1419	C-CERA C	CC725CH1H-080D1	1	342100802R1
C1421	UTSP C	CE04W10V-220M(UTSP)	1	397532217T
C1440	UTSP C	CE04W10V-470M(UTSP)	1	397534717T
C1456	C-FILM C	ECHU16V-104J	1	373041044R2
C1464	C-FILM C	ECHU16V-104J	1	373041044R2
C1465	C-FILM C	ECHU16V-104J	1	373041044R2
C1499	UTSP C	CE04W10V-100M(UTSP)	1	397531017T
C151	C-FILM C	ECHU16V-104J	1	373041044R2
C1582	C-CERA C	CC725CH1H-680J1	1	342106804R1
C1583	C-FILM C	ECHU50V-222J	1	373022224R2
C1600	MKT C	B32529C0102J289	1	376491024T
C1601	MKT C	B32529C0102J289	1	376491024T
C1602	MKT C	B32529C0102J289	1	376491024T
C1603	MKT C	B32529C0102J289	1	376491024T
C1604	MKT C	B32529C0102J289	1	376491024T
C1605	MKT C	B32529C0102J289	1	376491024T
C1606	MKT C	B32529C0102J289	1	376491024T
C1607	MKT C	B32529C0102J289	1	376491024T
C1610	UPZ C	2AUPZTF101JE	1	376331014T
C1611	UPZ C	2AUPZTF101JE	1	376331014T
C1612	UPZ C	2AUPZTF101JE	1	376331014T
C1613	UPZ C	2AUPZTF101JE	1	376331014T
C1614	UPZ C	2AUPZTF101JE	1	376331014T

C1615	UPZ C	2AUPZTF101JE	1	376331014T
C1616	UPZ C	2AUPZTF101JE	1	376331014T
C1617	UPZ C	2AUPZTF101JE	1	376331014T
C1620	UPZ C	2AUPZTF101JE	1	376331014T
C1621	UPZ C	2AUPZTF101JE	1	376331014T
C1622	UPZ C	2AUPZTF101JE	1	376331014T
C1623	UPZ C	2AUPZTF101JE	1	376331014T
C1624	UPZ C	2AUPZTF101JE	1	376331014T
C1625	UPZ C	2AUPZTF101JE	1	376331014T
C1626	UPZ C	2AUPZTF101JE	1	376331014T
C1627	UPZ C	2AUPZTF101JE	1	376331014T
C1650	UTSP C	CE04W25V-470M(UTSP)	1	397554717T
C1651	UTSP C	CE04W25V-470M(UTSP)	1	397554717T
C1800	UTSP C	CE04W25V-47M(UTSP)	1	397554707T
C1801	UTSP C	CE04W25V-47M(UTSP)	1	397554707T
C1810	UTSP C	CE04W25V-47M(UTSP)	1	397554707T
C1811	UTSP C	CE04W25V-47M(UTSP)	1	397554707T
C2	VR C	CE04W16V-100M(VR)	1	394641017T
C2000	TF C	ECQ-V50V-334J	1	374723344T
C2002	TF C	ECQ-V50V-334J	1	374723344T
C2004	UTSP C	CE04W50V-4.7M(UTSP)	1	397580477T
C2005	ELECT C	CE04W18V-10000M(VZ)	1	3945H1037S
C2017	C-CERA C	CK725F1E-104Z1	1	332161040R1
C2018	C-CERA C	CK725F1E-104Z1	1	332161040R1
C2019	C-CERA C	CK725B1E-106K	1	332221065R2
C2020	C-CERA C	CK725B1E-106K	1	332221065R2
C2022	C-CERA C	CK725B1E-106K	1	332221065R2
C2023	C-CERA C	CK725B1E-106K	1	332221065R2
C2024	C-CERA C	CK725F1A-105Z1	1	332181050R1
C2025	VR C	CE04W16V-100M(VR)	1	394641017T
C2026	C-CERA C	CK725B1H-103K1	1	332101035R1
C2027	VR C	CE04W16V-100M(VR)	1	394641017T
C2029	VR C	CE04W16V-4700M(VR)	1	394644727S



C2044	C-CERA C	CK725B1E-106K	1	332221065R2
C2115	UTSP C	CE04W50V-10M(UTSP)	1	397581007T
C2116	UTSP C	CE04W50V-2.2M(UTSP)	1	397580227T
C2127	C-CERA C	CK725B1H-102K1	1	332101025R1
C2128	UTSP C	CE04W50V-2.2M(UTSP)	1	397580227T
C2137	C-CERA C	CK725F1E-104Z1	1	332161040R1
C2138	UTSP C	CE04W50V-2.2M(UTSP)	1	397580227T
C2144	UTSP C	CE04W50V-2.2M(UTSP)	1	397580227T
C2147	C-CERA C	CK725B1H-102K1	1	332101025R1
C2148	UTSP C	CE04W50V-1M(UTSP)	1	397580107T
C2150	UTSP C	CE04W50V-2.2M(UTSP)	1	397580227T
C2153	C-CERA C	CK725F1E-104Z1	1	332161040R1
C2159	UTSP C	CE04W25V-47M(UTSP)	1	397554707T
C2161	UTSP C	CE04W50V-2.2M(UTSP)	1	397580227T
C2162	VR C	CE04W6.3V-470M(VR)	1	394624717T
C2169	VR C	CE04W6.3V-470M(VR)	1	394624717T
C2178	UTSP C	CE04W50V-2.2M(UTSP)	1	397580227T
C2179	UTSP C	CE04W25V-47M(UTSP)	1	397554707T
C2180	C-CERA C	CK725F1E-104Z1	1	332161040R1
C2181	VR C	CE04W6.3V-470M(VR)	1	394624717T
C2182	C-CERA C	CK725B1H-102K1	1	332101025R1
C2184	VR C	CE04W6.3V-470M(VR)	1	394624717T
C2185	UTSP C	CE04W50V-2.2M(UTSP)	1	397582207T
C2190	VR C	CE04W6.3V-470M(VR)	1	394624717T
C2191	VR C	CE04W6.3V-470M(VR)	1	394624717T
C2193	UTSP C	CE04W25V-47M(UTSP)	1	397554707T
C2194	C-CERA C	CK725F1E-104Z1	1	332161040R1
C2196	UTSP C	CE04W25V-47M(UTSP)	1	397554707T
C2198	C-CERA C	CK725F1E-104Z1	1	332161040R1
C2201	C-CERA C	CK725F1E-104Z1	1	332161040R1
C2203	UTSP C	CE04W25V-47M(UTSP)	1	397554707T
C2204	VR C	CE04W6.3V-470M(VR)	1	394624717T
C2207	VR C	CE04W6.3V-470M(VR)	1	394624717T

C2208	UTSP C	CE04W25V-47M(UTSP)	1	397554707T
C2210	VR C	CE04W6.3V-470M(VR)	1	394624717T
C2212	C-CERA C	CK725B1H-102K1	1	332101025R1
C2213	VR C	CE04W6.3V-470M(VR)	1	394624717T
C2214	VR C	CE04W6.3V-470M(VR)	1	394624717T
C2216	UTSP C	CE04W25V-47M(UTSP)	1	397554707T
C2217	C-CERA C	CK725F1E-104Z1	1	332161040R1
C2219	VR C	CE04W6.3V-470M(VR)	1	394624717T
C2222	VR C	CE04W6.3V-470M(VR)	1	394624717T
C2224	VR C	CE04W6.3V-470M(VR)	1	394624717T
C2226	VR C	CE04W6.3V-470M(VR)	1	394624717T
C2231	C-CERA C	CK725F1E-104Z1	1	332161040R1
C2233	UTSP C	CE04W50V-1M(UTSP)	1	397580107T
C2234	UTSP C	CE04W50V-1M(UTSP)	1	397580107T
C2235	UTSP C	CE04W25V-47M(UTSP)	1	397554707T
C2237	C-CERA C	CK725B1A-105K1	1	332131055R1
C2238	UTSP C	CE04W50V-1M(UTSP)	1	397580107T
C2239	UTSP C	CE04W25V-47M(UTSP)	1	397554707T
C2240	C-CERA C	CK725F1E-104Z1	1	332161040R1
C2241	UTSP C	CE04W50V-2.2M(UTSP)	1	397580227T
C2242	C-CERA C	CK725F1E-104Z1	1	332161040R1
C2243	C-CERA C	CK725F1E-104Z1	1	332161040R1
C2247	C-CERA C	CK725B1H-102K1	1	332101025R1
C2248	C-CERA C	CK725B1A-105K1	1	332131055R1
C2249	UTSP C	CE04W50V-1M(UTSP)	1	397580107T
C2252	UTSP C	CE04W50V-2.2M(UTSP)	1	397580227T
C2255	C-CERA C	CC725CH1H-151J1	1	342101514R1
C2256	C-CERA C	CC725CH1H-151J1	1	342101514R1
C2257	C-CERA C	CC725CH1H-151J1	1	342101514R1
C2258	C-CERA C	CK725B1H-102K1	1	332101025R1
C2259	C-CERA C	CK725B1A-105K1	1	332131055R1
C2260	UTSP C	CE04W50V-1M(UTSP)	1	397580107T
C2262	UTSP C	CE04W50V-2.2M(UTSP)	1	397580227T

C2265	C-CERA C	CK725B1A-105K1	1	332131055R1
C2267	UTSP C	CE04W50V-1M(UTSP)	1	397580107T
C2268	UTSP C	CE04W50V-2.2M(UTSP)	1	397580227T
C2270	C-CERA C	CK725B1H-102K1	1	332101025R1
C2280	C-CERA C	CC725CH1H-151J1	1	342101514R1
C2281	C-CERA C	CC725CH1H-151J1	1	342101514R1
C2282	C-CERA C	CC725CH1H-151J1	1	342101514R1
C2287	C-CERA C	CK725F1E-104Z1	1	332161040R1
C45	UTSP C	CE04W25V-220M(UTSP)	1	397552217T
C46	UTSP C	CE04W25V-220M(UTSP)	1	397552217T
C47	ELECT C	CE04W35V-10M(S)	1	353761009T
C48	ELECT C	CE04W35V-10M(S)	1	353761009T
C49	C-CERA C	CK725B1H-102K1	1	332101025R1
C55	C-CERA C	CC725CH1H-101J1	1	342101014R1
C56	C-CERA C	CC725CH1H-101J1	1	342101014R1
C57	C-CERA C	CC725CH1H-101J1	1	342101014R1
C58	C-CERA C	CC725CH1H-101J1	1	342101014R1
C7	UTSP C	CE04W25V-47M(UTSP)	1	397554707T
C7000	C-CERA C	CK725F1A-105Z1	1	332181050R1
C7004	C-CERA C	CK725F1A-105Z1	1	332181050R1
C7008	C-CERA C	CK725F1E-104Z1	1	332161040R1
C7009	C-CERA C	CK725F1A-105Z1	1	332181050R1
C7010	C-CERA C	CC725CH1H-101J1	1	342101014R1
C7011	C-CERA C	CC725CH1H-101J1	1	342101014R1
C7013	C-CERA C	CK725F1A-105Z1	1	332181050R1
C7015	C-CERA C	CK725F1A-105Z1	1	332181050R1
C7016	C-CERA C	CK725F1A-105Z1	1	332181050R1
C7017	C-CERA C	CK725F1A-105Z1	1	332181050R1
C7018	UTSP C	CE04W25V-100M(UTSP)	1	397551017T
C7020	UTSP C	CE04W10V-100M(UTSP)	1	397531017T
C7021	UTSP C	CE04W10V-100M(UTSP)	1	397531017T
C7022	C-CERA C	CK725F1A-105Z1	1	332181050R1
C7023	C-CERA C	CK725F1A-105Z1	1	332181050R1

C7024	C-CERA C	CK725B1H-102K1	1	332101025R1
C7025	C-CERA C	CK725B1H-102K1	1	332101025R1
C7026	C-CERA C	CK725F1A-105Z1	1	332181050R1
C7027	UTSP C	CE04W50V-10M(UTSP)	1	397581007T
C7028	UTSP C	CE04W10V-100M(UTSP)	1	397531017T
C7029	C-CERA C	CK725F1E-104Z1	1	332161040R1
C7030	C-CERA C	CK725F1E-104Z1	1	332161040R1
C7031	C-CERA C	CK725B0J-106K	1	332091065R2
C7032	C-CERA C	CK725B1H-102K1	1	332101025R1
C7033	C-CERA C	CK725B1H-102K1	1	332101025R1
C7034	C-CERA C	CK725B1H-102K1	1	332101025R1
C7035	C-CERA C	CK725B1H-102K1	1	332101025R1
C7036	C-CERA C	CK725F1E-104Z1	1	332161040R1
C7037	C-CERA C	CK725F1E-104Z1	1	332161040R1
C7038	C-CERA C	CK725F1E-104Z1	1	332161040R1
C7039	C-CERA C	CK725B1H-102K1	1	332101025R1
C7040	C-CERA C	CK725B1H-102K1	1	332101025R1
C7041	C-CERA C	CK725F1E-104Z1	1	332161040R1
C7042	C-CERA C	CK725F1E-104Z1	1	332161040R1
C7043	C-CERA C	CK725F1E-104Z1	1	332161040R1
C7044	C-CERA C	CK725F1E-104Z1	1	332161040R1
C7045	C-CERA C	CK725F1A-105Z1	1	332181050R1
C7046	UTSP C	CE04W50V-10M(UTSP)	1	397581007T
C7047	UTSP C	CE04W10V-470M(UTSP)	1	397534717T
C7048	C-CERA C	CK725F1E-104Z1	1	332161040R1
C7049	ELECT C	CE04W16V-10M	1	355741009T
C7051	C-CERA C	CC725CH1H-101J1	1	342101014R1
C7054	C-CERA C	CK725F1E-104Z1	1	332161040R1
C7900	UTSP C	CE04W50V-10M(UTSP)	1	397581007T
C7903	C-CERA C	CC725CH1H-101J1	1	342101014R1
C7904	C-CERA C	CC725CH1H-101J1	1	342101014R1
C7905	C-CERA C	CK725B1H-102K1	1	332101025R1
C7906	C-CERA C	CK725F1E-104Z1	1	332161040R1

C7907	C-CERA C	CK725B1H-102K1	1	332101025R1
C7908	C-CERA C	CC725CH1H-101J1	1	342101014R1
C7909	C-CERA C	CC725CH1H-101J1	1	342101014R1
C7910	C-CERA C	CK725F1E-104Z1	1	332161040R1
C7912	C-CERA C	CC725CH1H-471J1	1	342104714R1
C7914	UTSP C	CE04W50V-10M(UTSP)	1	397581007T
C7915	C-CERA C	CC725CH1H-471J1	1	342104714R1
C7916	C-CERA C	CC725CH1H-221J1	1	342102214R1
C7917	C-CERA C	CC725CH1H-221J1	1	342102214R1
C7935	C-CERA C	CC725CH1H-470J1	1	342104704R1
C7936	UTSP C	CE04W50V-10M(UTSP)	1	397581007T
C7937	VR C	CE04W6.3V-470M(VR)	1	394624717T
C7938	C-CERA C	CK725B1H-102K1	1	332101025R1
C7939	C-CERA C	CC725CH1H-470J1	1	342104704R1
C7940	VR C	CE04W6.3V-470M(VR)	1	394624717T
C7941	UTSP C	CE04W25V-47M(UTSP)	1	397554707T
C7942	UTSP C	CE04W25V-100M(UTSP)	1	397551017T
C7943	UTSP C	CE04W10V-100M(UTSP)	1	397531017T
C7944	C-CERA C	CK725F1E-104Z1	1	332161040R1
C7945	C-CERA C	CC725CH1H-470J1	1	342104704R1
C7946	C-CERA C	CK725F1E-104Z1	1	332161040R1
C7947	C-CERA C	CK725F1E-104Z1	1	332161040R1
C7948	C-CERA C	CK725F1E-104Z1	1	332161040R1
C7949	C-CERA C	CK725F1A-105Z1	1	332181050R1
C7950	C-CERA C	CK725F1A-105Z1	1	332181050R1
C7951	C-CERA C	CK725F1A-105Z1	1	332181050R1
C7952	C-CERA C	CC725CH1H-471J1	1	342104714R1
C7953	C-CERA C	CC725CH1H-471J1	1	342104714R1
C7954	C-CERA C	CK725F1A-105Z1	1	332181050R1
C7955	C-CERA C	CK725F1A-105Z1	1	332181050R1
C7956	C-CERA C	CC725CH1H-471J1	1	342104714R1
C7957	C-CERA C	CC725CH1H-471J1	1	342104714R1
C7958	C-CERA C	CK725F1A-105Z1	1	332181050R1



C7959	C-CERA C	CC725CH1H-101J1	1	342101014R1
C7960	C-CERA C	CC725CH1H-101J1	1	342101014R1
<b>[RESISTOR]</b>				
R1004	C-CARBON R	RN72K1J-271JE	1	435032714R1
R1005	C-CARBON R	RN72K1J-750JE	1	435037504R1
R11	METAL O R	RS1/2WBJ-10	1	443521004T
R1100	C-CARBON R	RN72K1J-221JE	1	435032214R1
R1101	C-CARBON R	RN72K1J-681JE	1	435036814R1
R1102	C-CARBON R	RN72K1J-103JE	1	435031034R1
R1103	C-CARBON R	RN72K1J-103JE	1	435031034R1
R1104	C-CARBON R	RN72K1J-103JE	1	435031034R1
R1105	C-CARBON R	RN72K1J-103JE	1	435031034R1
R1106	C-CARBON R	RN72K1J-221JE	1	435032214R1
R1107	C-CARBON R	RN72K1J-331JE	1	435033314R1
R1108	C-CARBON R	RN72K1J-103JE	1	435031034R1
R1109	C-CARBON R	RN72K1J-221JE	1	435032214R1
R1110	C-CARBON R	RN72K1J-331JE	1	435033314R1
R1111	C-CARBON R	RN72K1J-331JE	1	435033314R1
R1112	C-CARBON R	RN72K1J-470JE	1	435034704R1
R1113	C-CARBON R	RN72K1J-331JE	1	435033314R1
R1213	C-CARBON R	RN72K1J-331JE	1	435033314R1
R1215	C-CARBON R	RN72K1J-103JE	1	435031034R1
R1217	C-CARBON R	RN72K1J-151JE	1	435031514R1
R1221	C-CARBON R	RN72K1J-331JE	1	435033314R1
R1222	C-CARBON R	RN72K1J-750JE	1	435037504R1
R1223	C-CARBON R	RN72K1J-331JE	1	435033314R1
R1224	C-CARBON R	RN72K1J-331JE	1	435033314R1
R1225	C-CARBON R	RN72K1J-331JE	1	435033314R1
R1226	C-CARBON R	RN72K1J-331JE	1	435033314R1
R1227	C-CARBON R	RN72K1J-331JE	1	435033314R1
R1228	C-CARBON R	RN72K1J-331JE	1	435033314R1
R1229	C-CARBON R	RN72K1J-470JE	1	435034704R1
R1232	C-CARBON R	RN72K1J-331JE	1	435033314R1

R1233	C-CARBON R	RN72K1J-331JE	1	435033314R1
R1241	C-CARBON R	RN72K1J-151JE	1	435031514R1
R1242	C-CARBON R	RN72K1J-750JE	1	435037504R1
R1243	METAL O R	RS1WBJ-10	1	443621004T
R1244	METAL O R	RS1WBJ-15	1	443621504T
R1245	C-CARBON R	RN72K1J-470JE	1	435034704R1
R1246	C-CARBON R	RN72K1J-000JE	1	435030004R1
R1248	C-CARBON R	RN72K1J-470JE	1	435034704R1
R1249	C-CARBON R	RN72K1J-151JE	1	435031514R1
R1250	C-CARBON R	RN72K1J-470JE	1	435034704R1
R1251	C-CARBON R	RN72K1J-331JE	1	435033314R1
R1252	C-CARBON R	RN72K1J-472JE	1	435034724R1
R1253	C-CARBON R	RN72K1J-331JE	1	435033314R1
R1254	C-CARBON R	RN72K1J-472JE	1	435034724R1
R1255	C-CARBON R	RN72K1J-823JE	1	435038234R1
R1256	C-CARBON R	RN72K1J-151JE	1	435031514R1
R1257	C-CARBON R	RN72K1J-000JE	1	435030004R1
R1259	C-CARBON R	RN72K1J-331JE	1	435033314R1
R1260	C-CARBON R	RN72K1J-470JE	1	435034704R1
R1485	C-CARBON R	RN72K1J-100JE	1	435031004R1
R1486	C-CARBON R	RN72K1J-100JE	1	435031004R1
R1487	C-CARBON R	RN72K1J-750JE	1	435037504R1
R1488	C-CARBON R	RN72K1J-224JE	1	435032244R1
R1490	C-CARBON R	RN72K1J-750JE	1	435037504R1
R1491	C-CARBON R	RN72K1J-224JE	1	435032244R1
R1492	C-CARBON R	RN72K1J-100JE	1	435031004R1
R1496	C-CARBON R	RN72K1J-750JE	1	435037504R1
R1497	C-CARBON R	RN72K1J-224JE	1	435032244R1
R1513	C-CARBON R	RN72K1J-331JE	1	435033314R1
R1515	C-CARBON R	RN72K1J-331JE	1	435033314R1
R1517	C-CARBON R	RN72K1J-331JE	1	435033314R1
R1518	C-CARBON R	RN72K1J-331JE	1	435033314R1
R1519	C-CARBON R	RN72K1J-331JE	1	435033314R1

R1522	C-CARBON R	RN72K1J-103JE	1	435031034R1
R1523	C-CARBON R	RN72K1J-103JE	1	435031034R1
R1524	C-CARBON R	RN72K1J-823JE	1	435038234R1
R1529	C-CARBON R	RN72K1J-470JE	1	435034704R1
R1532	C-CARBON R	RN72K1J-103JE	1	435031034R1
R1534	C-CARBON R	RN72K1J-823JE	1	435038234R1
R1567	C-CARBON R	RN72K1J-331JE	1	435033314R1
R1568	C-CARBON R	RN72K1J-221JE	1	435032214R1
R1569	C-CARBON R	RN72K1J-331JE	1	435033314R1
R1572	C-CARBON R	RN72K1J-331JE	1	435033314R1
R1573	C-CARBON R	RN72K1J-331JE	1	435033314R1
R1575	C-CARBON R	RN72K1J-331JE	1	435033314R1
R1577	C-CARBON R	RN72K1J-331JE	1	435033314R1
R1579	C-CARBON R	RN72K1J-331JE	1	435033314R1
R1600	C-CARBON R	RN72K1J-153JE	1	435031534R1
R1601	C-CARBON R	RN72K1J-153JE	1	435031534R1
R1602	C-CARBON R	RN72K1J-153JE	1	435031534R1
R1603	C-CARBON R	RN72K1J-153JE	1	435031534R1
R1604	C-CARBON R	RN72K1J-153JE	1	435031534R1
R1605	C-CARBON R	RN72K1J-153JE	1	435031534R1
R1606	C-CARBON R	RN72K1J-153JE	1	435031534R1
R1607	C-CARBON R	RN72K1J-153JE	1	435031534R1
R1610	C-CARBON R	RN72K1J-153JE	1	435031534R1
R1611	C-CARBON R	RN72K1J-153JE	1	435031534R1
R1612	C-CARBON R	RN72K1J-153JE	1	435031534R1
R1613	C-CARBON R	RN72K1J-153JE	1	435031534R1
R1614	C-CARBON R	RN72K1J-153JE	1	435031534R1
R1615	C-CARBON R	RN72K1J-153JE	1	435031534R1
R1616	C-CARBON R	RN72K1J-153JE	1	435031534R1
R1617	C-CARBON R	RN72K1J-153JE	1	435031534R1
R1620	C-CARBON R	RN72K1J-332JE	1	435033324R1
R1621	C-CARBON R	RN72K1J-332JE	1	435033324R1
R1622	C-CARBON R	RN72K1J-332JE	1	435033324R1

R1623	C-CARBON R	RN72K1J-332JE	1	435033324R1
R1624	C-CARBON R	RN72K1J-332JE	1	435033324R1
R1625	C-CARBON R	RN72K1J-332JE	1	435033324R1
R1626	C-CARBON R	RN72K1J-332JE	1	435033324R1
R1627	C-CARBON R	RN72K1J-332JE	1	435033324R1
R1630	C-CARBON R	RN72K1J-183JE	1	435031834R1
R1631	C-CARBON R	RN72K1J-183JE	1	435031834R1
R1632	C-CARBON R	RN72K1J-183JE	1	435031834R1
R1633	C-CARBON R	RN72K1J-183JE	1	435031834R1
R1634	C-CARBON R	RN72K1J-183JE	1	435031834R1
R1635	C-CARBON R	RN72K1J-183JE	1	435031834R1
R1636	C-CARBON R	RN72K1J-183JE	1	435031834R1
R1637	C-CARBON R	RN72K1J-183JE	1	435031834R1
R1640	C-CARBON R	RN72K1J-332JE	1	435033324R1
R1641	C-CARBON R	RN72K1J-332JE	1	435033324R1
R1642	C-CARBON R	RN72K1J-332JE	1	435033324R1
R1643	C-CARBON R	RN72K1J-332JE	1	435033324R1
R1644	C-CARBON R	RN72K1J-332JE	1	435033324R1
R1645	C-CARBON R	RN72K1J-332JE	1	435033324R1
R1646	C-CARBON R	RN72K1J-332JE	1	435033324R1
R1647	C-CARBON R	RN72K1J-332JE	1	435033324R1
R1650	C-CARBON R	RN72K1J-183JE	1	435031834R1
R1651	C-CARBON R	RN72K1J-183JE	1	435031834R1
R1652	C-CARBON R	RN72K1J-183JE	1	435031834R1
R1653	C-CARBON R	RN72K1J-183JE	1	435031834R1
R1654	C-CARBON R	RN72K1J-183JE	1	435031834R1
R1655	C-CARBON R	RN72K1J-183JE	1	435031834R1
R1656	C-CARBON R	RN72K1J-183JE	1	435031834R1
R1657	C-CARBON R	RN72K1J-183JE	1	435031834R1
R1660	C-CARBON R	RN72K1J-471JE	1	435034714R1
R1661	C-CARBON R	RN72K1J-471JE	1	435034714R1
R1662	C-CARBON R	RN72K1J-471JE	1	435034714R1
R1663	C-CARBON R	RN72K1J-471JE	1	435034714R1

R1664	C-CARBON R	RN72K1J-471JE	1	435034714R1
R1665	C-CARBON R	RN72K1J-471JE	1	435034714R1
R1666	C-CARBON R	RN72K1J-471JE	1	435034714R1
R1667	C-CARBON R	RN72K1J-471JE	1	435034714R1
R1670	C-CARBON R	RN72K1J-471JE	1	435034714R1
R1671	C-CARBON R	RN72K1J-471JE	1	435034714R1
R1672	C-CARBON R	RN72K1J-471JE	1	435034714R1
R1673	C-CARBON R	RN72K1J-471JE	1	435034714R1
R1674	C-CARBON R	RN72K1J-471JE	1	435034714R1
R1675	C-CARBON R	RN72K1J-471JE	1	435034714R1
R1676	C-CARBON R	RN72K1J-471JE	1	435034714R1
R1677	C-CARBON R	RN72K1J-471JE	1	435034714R1
R1770	C-CARBON R	RN72K1J-000JE	1	435030004R1
R1771	C-CARBON R	RN72K1J-000JE	1	435030004R1
R1772	C-CARBON R	RN72K1J-000JE	1	435030004R1
R1773	C-CARBON R	RN72K1J-000JE	1	435030004R1
R1774	C-CARBON R	RN72K1J-000JE	1	435030004R1
R1775	C-CARBON R	RN72K1J-000JE	1	435030004R1
R1776	C-CARBON R	RN72K1J-000JE	1	435030004R1
R1777	C-CARBON R	RN72K1J-000JE	1	435030004R1
R1778	C-CARBON R	RN72K1J-000JE	1	435030004R1
R1779	C-CARBON R	RN72K1J-000JE	1	435030004R1
R1780	METAL O R	RS1WBJ-10	1	443621004T
R1781	METAL O R	RS1WBJ-10	1	443621004T
R1800	C-CARBON R	RN72K1J-103JE	1	435031034R1
R1801	C-CARBON R	RN72K1J-103JE	1	435031034R1
R1802	C-CARBON R	RN72K1J-103JE	1	435031034R1
R1803	C-CARBON R	RN72K1J-103JE	1	435031034R1
R1810	C-CARBON R	RN72K1J-101JE	1	435031014R1
R1811	C-CARBON R	RN72K1J-101JE	1	435031014R1
R1820	C-CARBON R	RN72K1J-101JE	1	435031014R1
R1821	C-CARBON R	RN72K1J-101JE	1	435031014R1
R1830	C-CARBON R	RN72K1J-562JE	1	435035624R1



R1831	C-CARBON R	RN72K1J-562JE	1	435035624R1
R1840	C-CARBON R	RN72K1J-393JE	1	435033934R1
R1841	C-CARBON R	RN72K1J-393JE	1	435033934R1
R1850	C-CARBON R	RN72K1J-103JE	1	435031034R1
R1851	C-CARBON R	RN72K1J-103JE	1	435031034R1
R1860	C-CARBON R	RN72K1J-103JE	1	435031034R1
R1861	C-CARBON R	RN72K1J-103JE	1	435031034R1
R1870	C-CARBON R	RN72K1J-562JE	1	435035624R1
R1871	C-CARBON R	RN72K1J-562JE	1	435035624R1
R1880	C-CARBON R	RN72K1J-393JE	1	435033934R1
R1881	C-CARBON R	RN72K1J-393JE	1	435033934R1
R20	C-CARBON R	RN72K1J-123JE	1	435031234R1
R2001	METAL R	RNU1/2WCJ-4.7	1	453530474T
R2003	C-CARBON R	RN72K1J-682JE	1	435036824R1
R2004	METAL R	RNU1WCJ-0.22	1	453632294T
R2012	METAL R	RNU1/2WCJ-0.47	1	453534794T
R2015	C-CARBON R	RN72K1J-822JE	1	435038224R1
R2017	C-CARBON R	RN72K1J-563FE	1	435035632R1
R2018	C-CARBON R	RN72K1J-103FE	1	435031032R1
R21	C-CARBON R	RN72K1J-822JE	1	435038224R1
R2112	C-CARBON R	RN72K1J-000JE	1	435030004R1
R2113	C-CARBON R	RN72K1J-000JE	1	435030004R1
R2114	C-CARBON R	RN72K1J-000JE	1	435030004R1
R2115	C-CARBON R	RN72K1J-000JE	1	435030004R1
R2116	C-CARBON R	RN72K1J-000JE	1	435030004R1
R2117	C-CARBON R	RN72K1J-000JE	1	435030004R1
R2135	C-CARBON R	RN72K1J-750JE	1	435037504R1
R2138	C-CARBON R	RN72K1J-000JE	1	435030004R1
R2139	C-CARBON R	RN72K1J-000JE	1	435030004R1
R2142	C-CARBON R	RN72K1J-000JE	1	435030004R1
R2143	C-CARBON R	RN72K1J-104JE	1	435031044R1
R2144	C-CARBON R	RN72K1J-104JE	1	435031044R1
R2145	C-CARBON R	RN72K1J-682JE	1	435036824R1

R2146	C-CARBON R	RN72K1J-101JE	1	435031014R1
R2147	C-CARBON R	RN72K1J-750JE	1	435037504R1
R2150	C-CARBON R	RN72K1J-000JE	1	435030004R1
R2154	C-CARBON R	RN72K1J-101JE	1	435031014R1
R2155	C-CARBON R	RN72K1J-750JE	1	435037504R1
R2156	C-CARBON R	RN72K1J-101JE	1	435031014R1
R2157	C-CARBON R	RN72K1J-103JE	1	435031034R1
R2159	C-CARBON R	RN72K1J-392JE	1	435033924R1
R2161	C-CARBON R	RN72K1J-222JE	1	435032224R1
R2162	C-CARBON R	RN72K1J-222JE	1	435032224R1
R2164	C-CARBON R	RN72K1J-750JE	1	435037504R1
R2166	C-CARBON R	RN72K1J-105JE	1	435031054R1
R2167	C-CARBON R	RN72K1J-105JE	1	435031054R1
R2168	C-CARBON R	RN72K1J-105JE	1	435031054R1
R2169	C-CARBON R	RN72K1J-105JE	1	435031054R1
R2170	C-CARBON R	RN72K1J-105JE	1	435031054R1
R2172	C-CARBON R	RN72K1J-750JE	1	435037504R1
R2175	C-CARBON R	RN72K1J-000JE	1	435030004R1
R2177	C-CARBON R	RN72K1J-750JE	1	435037504R1
R2184	C-CARBON R	RN72K1J-750JE	1	435037504R1
R2185	C-CARBON R	RN72K1J-101JE	1	435031014R1
R2188	C-CARBON R	RN72K1J-104JE	1	435031044R1
R2190	C-CARBON R	RN72K1J-101JE	1	435031014R1
R2192	C-CARBON R	RN72K1J-101JE	1	435031014R1
R2195	C-CARBON R	RN72K1J-750JE	1	435037504R1
R2198	C-CARBON R	RN72K1J-104JE	1	435031044R1
R22	C-CARBON R	RN72K1J-123JE	1	435031234R1
R2203	C-CARBON R	RN72K1J-750JE	1	435037504R1
R2205	C-CARBON R	RN72K1J-104JE	1	435031044R1
R2233	C-CARBON R	RN72K1J-105JE	1	435031054R1
R2234	C-CARBON R	RN72K1J-392JE	1	435033924R1
R2235	C-CARBON R	RN72K1J-105JE	1	435031054R1
R2236	C-CARBON R	RN72K1J-392JE	1	435033924R1

R2238	C-CARBON R	RN72K1J-105JE	1	435031054R1
R2239	C-CARBON R	RN72K1J-105JE	1	435031054R1
R2240	C-CARBON R	RN72K1J-105JE	1	435031054R1
R2241	C-CARBON R	RN72K1J-105JE	1	435031054R1
R2243	C-CARBON R	RN72K1J-682JE	1	435036824R1
R2244	C-CARBON R	RN72K1J-101JE	1	435031014R1
R2245	C-CARBON R	RN72K1J-104JE	1	435031044R1
R2246	C-CARBON R	RN72K1J-104JE	1	435031044R1
R2247	C-CARBON R	RN72K1J-682JE	1	435036824R1
R2248	C-CARBON R	RN72K1J-101JE	1	435031014R1
R2249	C-CARBON R	RN72K1J-104JE	1	435031044R1
R2250	C-CARBON R	RN72K1J-104JE	1	435031044R1
R2252	C-CARBON R	RN72K1J-105JE	1	435031054R1
R2253	C-CARBON R	RN72K1J-750JE	1	435037504R1
R2254	C-CARBON R	RN72K1J-750JE	1	435037504R1
R2255	C-CARBON R	RN72K1J-750JE	1	435037504R1
R2258	C-CARBON R	RN72K1J-750JE	1	435037504R1
R2259	C-CARBON R	RN72K1J-750JE	1	435037504R1
R2260	C-CARBON R	RN72K1J-750JE	1	435037504R1
R2263	C-CARBON R	RN72K1J-750JE	1	435037504R1
R2266	C-CARBON R	RN72K1J-750JE	1	435037504R1
R2268	C-CARBON R	RN72K1J-750JE	1	435037504R1
R2269	C-CARBON R	RN72K1J-104JE	1	435031044R1
R2270	C-CARBON R	RN72K1J-104JE	1	435031044R1
R2271	C-CARBON R	RN72K1J-104JE	1	435031044R1
R2277	C-CARBON R	RN72K1J-750JE	1	435037504R1
R2278	C-CARBON R	RN72K1J-750JE	1	435037504R1
R2279	C-CARBON R	RN72K1J-750JE	1	435037504R1
R2296	C-CARBON R	RN72K1J-750JE	1	435037504R1
R2297	C-CARBON R	RN72K1J-750JE	1	435037504R1
R2298	C-CARBON R	RN72K1J-750JE	1	435037504R1
R23	C-CARBON R	RN72K1J-822JE	1	435038224R1
R2303	C-CARBON R	RN72K1J-750JE	1	435037504R1

R2305	C-CARBON R	RN72K1J-750JE	1	435037504R1
R2307	C-CARBON R	RN72K1J-750JE	1	435037504R1
R2308	C-CARBON R	RN72K1J-104JE	1	435031044R1
R2309	C-CARBON R	RN72K1J-104JE	1	435031044R1
R2310	C-CARBON R	RN72K1J-104JE	1	435031044R1
R45	NF CARBON R	R25J-10	1	415471004T
R49	C-CARBON R	RN72K1J-273JE	1	435032734R1
R50	C-CARBON R	RN72K1J-273JE	1	435032734R1
R51	C-CARBON R	RN72K1J-273JE	1	435032734R1
R52	C-CARBON R	RN72K1J-273JE	1	435032734R1
R53	C-CARBON R	RN72K1J-183JE	1	435031834R1
R54	C-CARBON R	RN72K1J-183JE	1	435031834R1
R55	C-CARBON R	RN72K1J-183JE	1	435031834R1
R56	C-CARBON R	RN72K1J-183JE	1	435031834R1
R66	NF CARBON R	R25J-10	1	415471004T
R7002	C-CARBON R	RN72K1J-102JE	1	435031024R1
R7004	C-CARBON R	RN72K1J-470JE	1	435034704R1
R7005	C-CARBON R	RN72K1J-470JE	1	435034704R1
R7006	C-CARBON R	RN72K1J-470JE	1	435034704R1
R7007	C-CARBON R	RN72K1J-470JE	1	435034704R1
R7008	C-CARBON R	RN72K1J-470JE	1	435034704R1
R7009	C-CARBON R	RN72K1J-470JE	1	435034704R1
R7010	C-CARBON R	RN72K1J-470JE	1	435034704R1
R7011	C-CARBON R	RN72K1J-470JE	1	435034704R1
R7012	C-CARBON R	RN72K1J-470JE	1	435034704R1
R7013	C-CARBON R	RN72K1J-470JE	1	435034704R1
R7014	C-CARBON R	RN72K1J-470JE	1	435034704R1
R7015	C-CARBON R	RN72K1J-470JE	1	435034704R1
R7016	C-CARBON R	RN72K1J-470JE	1	435034704R1
R7017	C-CARBON R	RN72K1J-470JE	1	435034704R1
R7018	C-CARBON R	RN72K1J-470JE	1	435034704R1
R7019	C-CARBON R	RN72K1J-470JE	1	435034704R1
R7020	C-CARBON R	RN72K1J-470JE	1	435034704R1

R7021	C-CARBON R	RN72K1J-470JE	1	435034704R1
R7022	C-CARBON R	RN72K1J-470JE	1	435034704R1
R7023	C-CARBON R	RN72K1J-221JE	1	435032214R1
R7024	C-CARBON R	RN72K1J-221JE	1	435032214R1
R7025	C-CARBON R	RN72K1J-221JE	1	435032214R1
R7026	C-CARBON R	RN72K1J-470JE	1	435034704R1
R7027	C-CARBON R	RN72K1J-470JE	1	435034704R1
R7028	C-CARBON R	RN72K1J-221JE	1	435032214R1
R7029	C-CARBON R	RN72K1J-221JE	1	435032214R1
R7031	C-CARBON R	RN72K1J-470JE	1	435034704R1
R7038	C-CARBON R	RN72K1J-473JE	1	435034734R1
R7039	C-CARBON R	RN72K1J-473JE	1	435034734R1
R7040	C-CARBON R	RN72K1J-102JE	1	435031024R1
R7041	C-CARBON R	RN72K1J-103JE	1	435031034R1
R7042	C-CARBON R	RN72K1J-470JE	1	435034704R1
R7043	C-CARBON R	RN72K1J-273JE	1	435032734R1
R7044	C-CARBON R	RN72K1J-473JE	1	435034734R1
R7046	C-CARBON R	RN72K1J-473JE	1	435034734R1
R7048	C-CARBON R	RN72K1J-473JE	1	435034734R1
R7049	C-CARBON R	RN72K1J-101JE	1	435031014R1
R7051	C-CARBON R	RN72K1J-103JE	1	435031034R1
R7053	C-CARBON R	RN72K1J-224JE	1	435032244R1
R7054	C-CARBON R	RN72K1J-473JE	1	435034734R1
R7055	C-CARBON R	RN72K1J-101JE	1	435031014R1
R7056	C-CARBON R	RN72K1J-103JE	1	435031034R1
R7057	C-CARBON R	RN72K1J-473JE	1	435034734R1
R7058	C-CARBON R	RN72K1J-473JE	1	435034734R1
R7059	C-CARBON R	RN72K1J-473JE	1	435034734R1
R7060	C-CARBON R	RN72K1J-473JE	1	435034734R1
R7061	C-CARBON R	RN72K1J-473JE	1	435034734R1
R7062	C-CARBON R	RN72K1J-473JE	1	435034734R1
R7063	C-CARBON R	RN72K1J-103JE	1	435031034R1
R7064	C-CARBON R	RN72K1J-102JE	1	435031024R1



R7065	C-CARBON R	RN72K1J-473JE	1	435034734R1
R7066	C-CARBON R	RN72K1J-472JE	1	435034724R1
R7067	C-CARBON R	RN72K1J-473JE	1	435034734R1
R7068	C-CARBON R	RN72K1J-473JE	1	435034734R1
R7069	C-CARBON R	RN72K1J-473JE	1	435034734R1
R7070	C-CARBON R	RN72K1J-473JE	1	435034734R1
R7071	C-CARBON R	RN72K1J-473JE	1	435034734R1
R7072	C-CARBON R	RN72K1J-473JE	1	435034734R1
R7073	C-CARBON R	RN72K1J-473JE	1	435034734R1
R7076	C-CARBON R	RN72K1J-473JE	1	435034734R1
R7077	C-CARBON R	RN72K1J-473JE	1	435034734R1
R7078	C-CARBON R	RN72K1J-473JE	1	435034734R1
R7079	C-CARBON R	RN72K1J-473JE	1	435034734R1
R7080	C-CARBON R	RN72K1J-272JE	1	435032724R1
R7081	C-CARBON R	RN72K1J-272JE	1	435032724R1
R7082	C-CARBON R	RN72K1J-272JE	1	435032724R1
R7085	C-CARBON R	RN72K1J-272JE	1	435032724R1
R7086	C-CARBON R	RN72K1J-224JE	1	435032244R1
R7087	C-CARBON R	RN72K1J-221JE	1	435032214R1
R7088	C-CARBON R	RN72K1J-103JE	1	435031034R1
R7089	C-CARBON R	RN72K1J-103JE	1	435031034R1
R7090	C-CARBON R	RN72K1J-103JE	1	435031034R1
R7091	C-CARBON R	RN72K1J-103JE	1	435031034R1
R7092	C-CARBON R	RN72K1J-103JE	1	435031034R1
R7093	C-CARBON R	RN72K1J-470JE	1	435034704R1
R7094	C-CARBON R	RN72K1J-221JE	1	435032214R1
R7096	C-CARBON R	RN72K1J-470JE	1	435034704R1
R7097	C-CARBON R	RN72K1J-102JE	1	435031024R1
R7098	C-CARBON R	RN72K1J-221JE	1	435032214R1
R7099	C-CARBON R	RN72K1J-221JE	1	435032214R1
R7100	C-CARBON R	RN72K1J-221JE	1	435032214R1
R7101	C-CARBON R	RN72K1J-221JE	1	435032214R1
R7102	C-CARBON R	RN72K1J-221JE	1	435032214R1

R7103	C-CARBON R	RN72K1J-470JE	1	435034704R1
R7104	C-CARBON R	RN72K1J-221JE	1	435032214R1
R7105	C-CARBON R	RN72K1J-470JE	1	435034704R1
R7107	C-CARBON R	RN72K1J-221JE	1	435032214R1
R7108	C-CARBON R	RN72K1J-221JE	1	435032214R1
R7110	C-CARBON R	RN72K1J-221JE	1	435032214R1
R7111	C-CARBON R	RN72K1J-470JE	1	435034704R1
R7113	C-CARBON R	RN72K1J-102JE	1	435031024R1
R7114	C-CARBON R	RN72K1J-470JE	1	435034704R1
R7115	C-CARBON R	RN72K1J-103JE	1	435031034R1
R7116	C-CARBON R	RN72K1J-470JE	1	435034704R1
R7117	C-CARBON R	RN72K1J-221JE	1	435032214R1
R7119	C-CARBON R	RN72K1J-221JE	1	435032214R1
R7122	C-CARBON R	RN72K1J-221JE	1	435032214R1
R7124	C-CARBON R	RN72K1J-473JE	1	435034734R1
R7125	C-CARBON R	RN72K1J-221JE	1	435032214R1
R7126	C-CARBON R	RN72K1J-470JE	1	435034704R1
R7127	C-CARBON R	RN72K1J-473JE	1	435034734R1
R7128	C-CARBON R	RN72K1J-221JE	1	435032214R1
R7129	C-CARBON R	RN72K1J-470JE	1	435034704R1
R7130	C-CARBON R	RN72K1J-221JE	1	435032214R1
R7132	C-CARBON R	RN72K1J-102JE	1	435031024R1
R7133	C-CARBON R	RN72K1J-473JE	1	435034734R1
R7134	C-CARBON R	RN72K1J-473JE	1	435034734R1
R7135	C-CARBON R	RN72K1J-221JE	1	435032214R1
R7136	C-CARBON R	RN72K1J-470JE	1	435034704R1
R7137	C-CARBON R	RN72K1J-470JE	1	435034704R1
R7138	C-CARBON R	RN72K1J-221JE	1	435032214R1
R7140	C-CARBON R	RN72K1J-221JE	1	435032214R1
R7141	C-CARBON R	RN72K1J-470JE	1	435034704R1
R7142	C-CARBON R	RN72K1J-102JE	1	435031024R1
R7143	C-CARBON R	RN72K1J-470JE	1	435034704R1
R7144	C-CARBON R	RN72K1J-102JE	1	435031024R1

R7145	C-CARBON R	RN72K1J-221JE	1	435032214R1
R7146	C-CARBON R	RN72K1J-221JE	1	435032214R1
R7147	C-CARBON R	RN72K1J-470JE	1	435034704R1
R7148	METAL R	RNU1WCJ-1.5	1	453630154T
R7149	METAL R	RNU1WCJ-1.5	1	453630154T
R7150	C-CARBON R	RN72K1J-473JE	1	435034734R1
R7151	C-CARBON R	RN72K1J-470JE	1	435034704R1
R7152	C-CARBON R	RN72K1J-102JE	1	435031024R1
R7153	C-CARBON R	RN72K1J-221JE	1	435032214R1
R7154	C-CARBON R	RN72K1J-470JE	1	435034704R1
R7155	C-CARBON R	RN72K1J-221JE	1	435032214R1
R7156	C-CARBON R	RN72K1J-470JE	1	435034704R1
R7157	C-CARBON R	RN72K1J-000JE	1	435030004R1
R7158	C-CARBON R	RN72K1J-470JE	1	435034704R1
R7160	C-CARBON R	RN72K1J-103JE	1	435031034R1
R7161	C-CARBON R	RN72K1J-470JE	1	435034704R1
R7162	C-CARBON R	RN72K1J-000JE	1	435030004R1
R7163	C-CARBON R	RN72K1J-470JE	1	435034704R1
R7164	C-CARBON R	RN72K1J-000JE	1	435030004R1
R7165	C-CARBON R	RN72K1J-470JE	1	435034704R1
R7166	C-CARBON R	RN72K1J-472JE	1	435034724R1
R7167	C-CARBON R	RN72K1J-470JE	1	435034704R1
R7168	C-CARBON R	RN72K1J-102JE	1	435031024R1
R7169	C-CARBON R	RN72K1J-472JE	1	435034724R1
R7170	C-CARBON R	RN72K1J-470JE	1	435034704R1
R7171	C-CARBON R	RN72K1J-472JE	1	435034724R1
R7172	C-CARBON R	RN72K1J-472JE	1	435034724R1
R7173	C-CARBON R	RN72K1J-472JE	1	435034724R1
R7174	C-CARBON R	RN72K1J-472JE	1	435034724R1
R7176	C-CARBON R	RN72K1J-272JE	1	435032724R1
R7177	C-CARBON R	RN72K1J-272JE	1	435032724R1
R7181	C-CARBON R	RN72K1J-333JE	1	435033334R1
R7184	C-CARBON R	RN72K1J-272JE	1	435032724R1

R7186	C-CARBON R	RN72K1J-473JE	1	435034734R1
R7187	C-CARBON R	RN72K1J-473JE	1	435034734R1
R7188	C-CARBON R	RN72K1J-473JE	1	435034734R1
R7189	C-CARBON R	RN72K1J-272JE	1	435032724R1
R7190	C-CARBON R	RN72K1J-272JE	1	435032724R1
R7191	C-CARBON R	RN72K1J-272JE	1	435032724R1
R7192	C-CARBON R	RN72K1J-272JE	1	435032724R1
R7194	C-CARBON R	RN72K1J-272JE	1	435032724R1
R7195	C-CARBON R	RN72K1J-470JE	1	435034704R1
R7196	C-CARBON R	RN72K1J-102JE	1	435031024R1
R7197	C-CARBON R	RN72K1J-103JE	1	435031034R1
R7198	C-CARBON R	RN72K1J-000JE	1	435030004R1
R7199	C-CARBON R	RN72K1J-470JE	1	435034704R1
R7200	C-CARBON R	RN72K1J-221JE	1	435032214R1
R7202	C-CARBON R	RN72K1J-470JE	1	435034704R1
R7203	C-CARBON R	RN72K1J-221JE	1	435032214R1
R7204	C-CARBON R	RN72K1J-470JE	1	435034704R1
R7205	C-CARBON R	RN72K1J-470JE	1	435034704R1
R7206	C-CARBON R	RN72K1J-470JE	1	435034704R1
R7207	C-CARBON R	RN72K1J-470JE	1	435034704R1
R7209	C-CARBON R	RN72K1J-103JE	1	435031034R1
R7210	C-CARBON R	RN72K1J-221JE	1	435032214R1
R7211	C-CARBON R	RN72K1J-470JE	1	435034704R1
R7212	C-CARBON R	RN72K1J-332JE	1	435033324R1
R7213	C-CARBON R	RN72K1J-332JE	1	435033324R1
R7214	C-CARBON R	RN72K1J-473JE	1	435034734R1
R7215	C-CARBON R	RN72K1J-473JE	1	435034734R1
R7216	C-CARBON R	RN72K1J-103JE	1	435031034R1
R7217	C-CARBON R	RN72K1J-224JE	1	435032244R1
R7218	C-CARBON R	RN72K1J-224JE	1	435032244R1
R7219	C-CARBON R	RN72K1J-472JE	1	435034724R1
R7220	C-CARBON R	RN72K1J-472JE	1	435034724R1
R7221	C-CARBON R	RN72K1J-273JE	1	435032734R1

R7222	C-CARBON R	RN72K1J-273JE	1	435032734R1
R7224	C-CARBON R	RN72K1J-473JE	1	435034734R1
R7225	C-CARBON R	RN72K1J-470JE	1	435034704R1
R7227	C-CARBON R	RN72K1J-470JE	1	435034704R1
R7228	C-CARBON R	RN72K1J-470JE	1	435034704R1
R7229	C-CARBON R	RN72K1J-470JE	1	435034704R1
R7230	C-CARBON R	RN72K1J-470JE	1	435034704R1
R7231	C-CARBON R	RN72K1J-103JE	1	435031034R1
R7232	C-CARBON R	RN72K1J-103JE	1	435031034R1
R7233	C-CARBON R	RN72K1J-103JE	1	435031034R1
R7234	C-CARBON R	RN72K1J-103JE	1	435031034R1
R7235	C-CARBON R	RN72K1J-473JE	1	435034734R1
R7236	C-CARBON R	RN72K1J-102JE	1	435031024R1
R7237	C-CARBON R	RN72K1J-473JE	1	435034734R1
R7238	C-CARBON R	RN72K1J-470JE	1	435034704R1
R7239	C-CARBON R	RN72K1J-103JE	1	435031034R1
R7240	C-CARBON R	RN72K1J-103JE	1	435031034R1
R7242	C-CARBON R	RN72K1J-221JE	1	435032214R1
R7243	C-CARBON R	RN72K1J-000JE	1	435030004R1
R7260	C-CARBON R	RN72K1J-473JE	1	435034734R1
R7261	C-CARBON R	RN72K1J-473JE	1	435034734R1
R7900	C-CARBON R	RN72K1J-000JE	1	435030004R1
R7901	C-CARBON R	RN72K1J-123JE	1	435031234R1
R7903	C-CARBON R	RN72K1J-104JE	1	435031044R1
R7904	C-CARBON R	RN72K1J-223JE	1	435032234R1
R7905	C-CARBON R	RN72K1J-223JE	1	435032234R1
R7907	C-CARBON R	RN72K1J-105JE	1	435031054R1
R7908	C-CARBON R	RN72K1J-223JE	1	435032234R1
R7909	C-CARBON R	RN72K1J-223JE	1	435032234R1
R7912	C-CARBON R	RN72K1J-104JE	1	435031044R1
R7914	C-CARBON R	RN72K1J-123JE	1	435031234R1
R7915	C-CARBON R	RN72K1J-123JE	1	435031234R1
R7916	C-CARBON R	RN72K1J-000JE	1	435030004R1



R7917	C-CARBON R	RN72K1J-123JE	1	435031234R1
R7930	C-CARBON R	RN72K1J-750JE	1	435037504R1
R7931	C-CARBON R	RN72K1J-220JE	1	435032204R1
R7932	C-CARBON R	RN72K1J-222JE	1	435032224R1
R7933	THERMISTOR	FUSB090F	1	4000252T
R7934	C-CARBON R	RN72K1J-220JE	1	435032204R1
R7935	C-CARBON R	RN72K1J-220JE	1	435032204R1
R7936	C-CARBON R	RN72K1J-103JE	1	435031034R1
R7937	C-CARBON R	RN72K1J-103JE	1	435031034R1
R7938	C-CARBON R	RN72K1J-471JE	1	435034714R1
R7939	C-CARBON R	RN72K1J-103JE	1	435031034R1
R7940	C-CARBON R	RN72K1J-103JE	1	435031034R1
R7941	C-CARBON R	RN72K1J-471JE	1	435034714R1
R7942	C-CARBON R	RN72K1J-000JE	1	435030004R1
R7943	C-CARBON R	RN72K1J-000JE	1	435030004R1
<b>[SW TRM]</b>				
D2021A	HEAT SINK	(S3)	1	27160357
D2021B	SCREW	3P+10FN(3BC)	1	82143010GR
F2000A	FUSE HOL	NSCT-1P2031	1	25052133T
F2000B	FUSE HOL	NSCT-1P2031	1	25052133T
F2001A	FUSE HOL	NSCT-1P2031	1	25052133T
F2001B	FUSE HOL	NSCT-1P2031	1	25052133T
JL104B	WIRE TRAP	NPLG-9P592	1	25055630
JL2100A	WIRE HOL	NSCT-5P896	1	25051109
JL901B	WIRE TRAP	NPLG-5P588	1	25055626
P1008B	PLUG	IMSA-9142B-22A	1	25056601
P103B	SOCKET	NSCT-11P2104	1	25052207
P1307	TRM-423(SCREW)	NEJITANSI ST3	1	25060495
P1309	PIN JACK	NPJ-3PDO656	1	25045884
P1309 or	PIN JACK	NPJ-3PDO465	( 1)	25045666
P151	SOCKET	YKF45-0029N	1	25053242
P2020B	PLUG	NPLG-5P119	1	25055135
P2101A	SOCKET	NSCT-19P2112	1	25052215

P2102A	PLUG	IMSA-9142B-16A	1	25056598
P2102B	SOCKET	IMSA-9142S-16A	1	25053230
P2103A	PLUG	IMSA-9142B-18A	1	25056599
P2103B	SOCKET	IMSA-9142S-18A	1	25053231
P2107	RETAINER	(JOINT)	1	27142069
P2108	PIN JACK	NPJ-9PDGLRGLRGLR563	1	25045781
P2108 or	PIN JACK	NPJ-9PDGLR519	(1)	25045731
P2114	TRM-423(SCREW)	NEJITANSI ST3	1	25060495
P2115	PIN JACK	NPJ-10PDBY621	1	25045842
P2115 or	PIN JACK	NPJ-10PDBY478	(1)	25045681
P2118	PIN JACK	NPJ-10PDBY621	1	25045842
P2118 or	PIN JACK	NPJ-10PDBY478	(1)	25045681
P2121	PIN JACK	NPJ-10PDBY621	1	25045842
P2121 or	PIN JACK	NPJ-10PDBY478	(1)	25045681
P3101B	PLUG	NPLG-5P918	1	25055965R2
P3605B	SOCKET	IMSA-9142S-18A	1	25053231
P3607B	SOCKET	IMSA-9142S-16A	1	25053230
P3608B	SOCKET	IMSA-9142S-18A	1	25053231
P4510B	SOCKET	IMSA-9142S-20A	1	25053232
P4511B	PLUG	NPLG-19P0974	1	25056024
P6601B	PLUG	IMSA-9142B-16A	1	25056598
P6605B	PLUG	IMSA-9142B-22A	1	25056601
P7001A	SOCKET	IMSA-9618S-09A	1	25053334R2
P7008	ST JACK	MSJ-035-22	1	25045887
P7077	TRM-423(SCREW)	NEJITANSI ST3	1	25060495
P7501A	PLUG	A2545WR2-2x20P(IDE40SIDE)	1	25056643
P7560A	SOCKET	NSCT-3P2183	1	25052286
P7900A	PLUG	IMSA-9142B-22A	1	25056601
P7900B	SOCKET	IMSA-9142S-22A	1	25053233
P7901	SOCKET	NNA1-01-006	1	25053357
<b>[TUNER UNIT]</b>				
U1301	PHT CP	JSR1165-001recieving	1	24120143
U1302	PHT CP	JSR1165-001recieving	1	24120143

## PC BOARD PARTS LIST

HT-RC270

U006	U0060-U0067	BADIS-0110-1F *	1	1B234510-1F	N
U0060	DISPLAY PC BOARD AS	BADIS-0110-1F	1	1B2485110-1F	N
U0061	DISPLAY SW PC BOARD AS	BASW-0111-1F	1	1B2485111-1F	
U0062	FL POWER SUPPLY PC BOARD AS	BAPS-0112-1F	1	1B2485112-1F	
U0063	HEADPHONE TERMINAL PC BOARD AS	BAETC-0113-1F	1	1B2485113-1F	
U0064	HOLD IDE CABLE PART1 PC BOARD AS	BAETC-0114-1F	1	1B2485114-1F	
U0065	VOLUME LED PC BOARD AS	BAETC-0116-1F	1	1B2485116-1F	
U0066	HOLD IDE CABLE PART2 PC BOARD AS	BAETC-0117-1F	1	1B2485117-1F	
U0067	HOLD FRONT HDMI TERMINAL PC BOARD AS	BAETC-0118-1F	1	1B2485118-1F	

CIRCUIT NO.	PART NAME	DESCRIPTION	Q'TY	PART NO. (SN)	REMARKS
<b>[SEMI CONDUCTOR]</b>					
D7500	ZENER D	UDZS10B	1	224551000R2	
D7520	C-DIODE	1SS355	1	223269R2	
D7520 or	C-DIODE	1SS352	(1)	223234R2	
D7520 or	C-DIODE	MA2J111	(1)	223279R2	
D7520 or	C-DIODE	KDS4148U	(1)	223283R2	
D7521	C-DIODE	1SS355	1	223269R2	
D7521 or	C-DIODE	1SS352	(1)	223234R2	
D7521 or	C-DIODE	MA2J111	(1)	223279R2	
D7521 or	C-DIODE	KDS4148U	(1)	223283R2	
D7522	C-DIODE	1SS355	1	223269R2	
D7522 or	C-DIODE	1SS352	(1)	223234R2	
D7522 or	C-DIODE	MA2J111	(1)	223279R2	
D7522 or	C-DIODE	KDS4148U	(1)	223283R2	
D7523	C-DIODE	1SS355	1	223269R2	
D7523 or	C-DIODE	1SS352	(1)	223234R2	
D7523 or	C-DIODE	MA2J111	(1)	223279R2	

D7523 or	C-DIODE	KDS4148U	(1)	223283R2
D7530	ZENER D	UDZS5.1B	1	224550510R2
D7531	C-DIODE	1SS355	1	223269R2
D7531 or	C-DIODE	1SS352	(1)	223234R2
D7531 or	C-DIODE	MA2J111	(1)	223279R2
D7531 or	C-DIODE	KDS4148U	(1)	223283R2
D7532	C-DIODE	1SS355	1	223269R2
D7532 or	C-DIODE	1SS352	(1)	223234R2
D7532 or	C-DIODE	MA2J111	(1)	223279R2
D7532 or	C-DIODE	KDS4148U	(1)	223283R2
D7560	C-DIODE	1SS355	1	223269R2
D7560 or	C-DIODE	1SS352	(1)	223234R2
D7560 or	C-DIODE	MA2J111	(1)	223279R2
D7560 or	C-DIODE	KDS4148U	(1)	223283R2
D7561	C-DIODE	1SS355	1	223269R2
D7561 or	C-DIODE	1SS352	(1)	223234R2
D7561 or	C-DIODE	MA2J111	(1)	223279R2
D7561 or	C-DIODE	KDS4148U	(1)	223283R2
D7580	C-DIODE	1SS355	1	223269R2
D7580 or	C-DIODE	1SS352	(1)	223234R2
D7580 or	C-DIODE	MA2J111	(1)	223279R2
D7580 or	C-DIODE	KDS4148U	(1)	223283R2
D7581	C-DIODE	1SS355	1	223269R2
D7581 or	C-DIODE	1SS352	(1)	223234R2
D7581 or	C-DIODE	MA2J111	(1)	223279R2
D7581 or	C-DIODE	KDS4148U	(1)	223283R2
D7582	C-DIODE	1SS355	1	223269R2
D7582 or	C-DIODE	1SS352	(1)	223234R2
D7582 or	C-DIODE	MA2J111	(1)	223279R2
D7582 or	C-DIODE	KDS4148U	(1)	223283R2
D7583	C-DIODE	1SS355	1	223269R2
D7583 or	C-DIODE	1SS352	(1)	223234R2
D7583 or	C-DIODE	MA2J111	(1)	223279R2

D7583 or	C-DIODE	KDS4148U	( 1)	223283R2	
D7590	LED	SCB3318E-D2	1	225487	
D7590A	HOLDER	(LED)LH-5-5	1	27191312	
D7593	LED	SLI-343Y8C-TE7	1	225490T	
D7595	LED	SLI-343URC-TE7	1	225449T	
D7597	LED	SLR-342MGTE7P	1	225455T	
D7599	LED	SCB3318E-D2	1	225487	
D7599A	HOLDER	(LED)LH-5-5	1	27191312	
D7806	ZENER D	UDZS22B	1	224552200R2	
D7810	ZENER D	UDZS24B	1	224552400R2	
D7812	DIODE	RL1N4003	1	22380260T	
D7813	DIODE	RL1N4003	1	22380260T	
D7814	DIODE	RL1N4003	1	22380260T	
D7815	DIODE	RL1N4003	1	22380260T	
D7816	DIODE	RL1N4003	1	22380260T	
Q7500	FL TUBE	HNA-16SL05T	1	212271A	N
Q7500A	HOLDER	(FL)	1	27191303	
Q7501	IC	M66005-0001AHP	1	22242208R3	
Q7502	IC	M66005-0001AHP	1	22242208R3	
Q7503	TR	2SC2712-GR	1	2213145R2	
Q7504	TR	2SC2712-GR	1	2213145R2	
Q7530	IC	NJM4580M-D	1	22241448R2	
Q7532	TR	RN1441	1	2215410R2	
Q7533	TR	RN2403	1	2214540R2	
Q7533 or	TR	KRA103S	( 1)	2216230R2	
Q7534	IC	NJM4580M-D	1	22241448R2	
Q7591	TR	DTC123JKA	1	2216690R2	
Q7595	TR	DTC123JKA	1	2216690R2	
Q7597	TR	DTC123JKA	1	2216690R2	
Q7598	TR	DTC123JKA	1	2216690R2	
Q7801	TR	2SC2235-O(TPE6_F)	1	2211653T	
Q7801 or	TR	2SC2235-Y(TPE6_F)	( 1)	2211654T	
[TRANS COIL]					



L7530	CHOKE COIL	LBC2518T2R2M	1	231364M022R2
L7580	CHOKE COIL	LBC2518T2R2M	1	231364M022R2
L7581	CHOKE COIL	LBC2518T2R2M	1	231364M022R2
L7582	CHOKE COIL	LBC2518T2R2M	1	231364M022R2
<b>[CAPACITOR]</b>				
C7501	C-CERA C	CK725B1H-223K1	1	332102235R1
C7502	C-CERA C	CK725F1E-104Z1	1	332161040R1
C7503	C-CERA C	CK725F1E-104Z1	1	332161040R1
C7504	C-CERA C	CK725B1H-473K1	1	332104735R1
C7505	C-CERA C	CK725B1H-473K1	1	332104735R1
C7506	ELECT C	CE04W50V-33M	1	355783309T
C7511	C-CERA C	CK725F1E-104Z1	1	332161040R1
C7512	C-CERA C	CC725CH1H-180J1	1	342101804R1
C7513	C-CERA C	CK725F1E-104Z1	1	332161040R1
C7514	C-CERA C	CK725F1E-104Z1	1	332161040R1
C7518	C-CERA C	CK725F1E-104Z1	1	332161040R1
C7519	C-CERA C	CK725F1E-104Z1	1	332161040R1
C7522	C-CERA C	CC725CH1H-221J1	1	342102214R1
C7523	C-CERA C	CC725CH1H-221J1	1	342102214R1
C7524	C-CERA C	CK725B1H-102K1	1	332101025R1
C7530	C-CERA C	CK725B1H-102K1	1	332101025R1
C7531	C-CERA C	CK725B1H-102K1	1	332101025R1
C7533	ELECT C	CE04W35V-47M	1	355764709T
C7534	ELECT C	CE04W35V-47M	1	355764709T
C7535	ELECT C	CE04W35V-10M(S)	1	353761009T
C7537	C-CERA C	CC725CH1H-330J1	1	342103304R1
C7538	ELECT C	CE04W35V-10M(S)	1	353761009T
C7539	ELECT C	CE04W35V-10M(S)	1	353761009T
C7540	ELECT C	CE04W35V-10M(S)	1	353761009T
C7543	C-CERA C	CK725B1H-102K1	1	332101025R1
C7560	ELECT C	CE04W6.3V-220M	1	355722219T
C7561	C-CERA C	CK725B1H-102K1	1	332101025R1
C7562	C-CERA C	CK725B1H-102K1	1	332101025R1

C7563	C-CERA C	CK725F1E-104Z1	1	332161040R1
C7580	MKT C	B32529C0102J289	1	376491024T
C7581	MKT C	B32529C0102J289	1	376491024T
C7582	MKT C	B32529C0102J289	1	376491024T
C7583	MKT C	B32529C0102J289	1	376491024T
C7590	C-CERA C	CK725B1H-103K1	1	332101035R1
C7591	C-CERA C	CK725B1H-103K1	1	332101035R1
C7804	VR C	CE04W63V-220M(VR)	1	394672217T
C7805	VR C	CE04W63V-47M(VR)	1	394674707T
C7806	C-CERA C	CK725B1H-223K1	1	332102235R1
C7900	C-CERA C	CK725F1E-104Z1	1	332161040R1
<b>[RESISTOR]</b>				
R7500	C-CARBON R	RN72K1J-221JE	1	435032214R1
R7501	C-CARBON R	RN72K1J-221JE	1	435032214R1
R7502	C-CARBON R	RN72K1J-273JE	1	435032734R1
R7503	C-CARBON R	RN72K1J-222JE	1	435032224R1
R7504	C-CARBON R	RN72K1J-222JE	1	435032224R1
R7505	C-CARBON R	RN72K1J-222JE	1	435032224R1
R7506	C-CARBON R	RN72K1J-222JE	1	435032224R1
R7507	C-CARBON R	RN72K1J-222JE	1	435032224R1
R7508	C-CARBON R	RN72K1J-222JE	1	435032224R1
R7509	C-CARBON R	RN72K1J-222JE	1	435032224R1
R7510	C-CARBON R	RN72K1J-222JE	1	435032224R1
R7521	C-CARBON R	RN72K1J-331JE	1	435033314R1
R7522	C-CARBON R	RN72K1J-331JE	1	435033314R1
R7523	C-CARBON R	RN72K1J-750JE	1	435037504R1
R7526	C-CARBON R	RN72K1J-223JE	1	435032234R1
R7527	C-CARBON R	RN72K1J-223JE	1	435032234R1
R7528	C-CARBON R	RN72K1J-224JE	1	435032244R1
R7529	C-CARBON R	RN72K1J-224JE	1	435032244R1
R7530	C-CARBON R	RN72K1J-472JE	1	435034724R1
R7531	C-CARBON R	RN72K1J-101JE	1	435031014R1
R7532	C-CARBON R	RN72K1J-331JE	1	435033314R1

R7533	C-CARBON R	RN72K1J-182JE	1	435031824R1
R7534	C-CARBON R	RN72K1J-104JE	1	435031044R1
R7535	C-CARBON R	RN72K1J-102JE	1	435031024R1
R7536	C-CARBON R	RN72K1J-333JE	1	435033334R1
R7537	C-CARBON R	RN72K1J-333JE	1	435033334R1
R7538	C-CARBON R	RN72K1J-221JE	1	435032214R1
R7539	C-CARBON R	RN72K1J-221JE	1	435032214R1
R7540	C-CARBON R	RN72K1J-473JE	1	435034734R1
R7560	C-CARBON R	RN72K1J-102JE	1	435031024R1
R7561	C-CARBON R	RN72K1J-101JE	1	435031014R1
R7580	METAL O R	RS1WBJ-33	1	443623304T
R7581	METAL O R	RS1WBJ-33	1	443623304T
R7590	C-CARBON R	RN72K1J-103JE	1	435031034R1
R7591	C-CARBON R	RN72K1J-103JE	1	435031034R1
R7592	C-CARBON R	RN72K1J-103JE	1	435031034R1
R7593	C-CARBON R	RN72K1J-103JE	1	435031034R1
R7594	C-CARBON R	RN72K1J-121JE	1	435031214R1
R7595	C-CARBON R	RN72K1J-181JE	1	435031814R1
R7597	C-CARBON R	RN72K1J-102JE	1	435031024R1
R7599	C-CARBON R	RN72K1J-102JE	1	435031024R1
R7601	C-CARBON R	RN72K1J-121JE	1	435031214R1
R7611	C-CARBON R	RN72K1J-271JE	1	435032714R1
R7612	C-CARBON R	RN72K1J-331JE	1	435033314R1
R7613	C-CARBON R	RN72K1J-471JE	1	435034714R1
R7614	C-CARBON R	RN72K1J-561JE	1	435035614R1
R7615	C-CARBON R	RN72K1J-821JE	1	435038214R1
R7616	C-CARBON R	RN72K1J-122JE	1	435031224R1
R7617	C-CARBON R	RN72K1J-222JE	1	435032224R1
R7618	C-CARBON R	RN72K1J-392JE	1	435033924R1
R7619	C-CARBON R	RN72K1J-123JE	1	435031234R1
R7621	C-CARBON R	RN72K1J-271JE	1	435032714R1
R7622	C-CARBON R	RN72K1J-331JE	1	435033314R1
R7623	C-CARBON R	RN72K1J-471JE	1	435034714R1

R7624	C-CARBON R	RN72K1J-561JE	1	435035614R1
R7625	C-CARBON R	RN72K1J-821JE	1	435038214R1
R7626	C-CARBON R	RN72K1J-122JE	1	435031224R1
R7627	C-CARBON R	RN72K1J-222JE	1	435032224R1
R7628	C-CARBON R	RN72K1J-392JE	1	435033924R1
R7629	C-CARBON R	RN72K1J-123JE	1	435031234R1
R7631	C-CARBON R	RN72K1J-271JE	1	435032714R1
R7632	C-CARBON R	RN72K1J-331JE	1	435033314R1
R7633	C-CARBON R	RN72K1J-471JE	1	435034714R1
R7634	C-CARBON R	RN72K1J-561JE	1	435035614R1
R7635	C-CARBON R	RN72K1J-821JE	1	435038214R1
R7636	C-CARBON R	RN72K1J-122JE	1	435031224R1
R7637	C-CARBON R	RN72K1J-222JE	1	435032224R1
R7638	C-CARBON R	RN72K1J-392JE	1	435033924R1
R7639	C-CARBON R	RN72K1J-123JE	1	435031234R1
R7641	C-CARBON R	RN72K1J-271JE	1	435032714R1
R7642	C-CARBON R	RN72K1J-331JE	1	435033314R1
R7643	C-CARBON R	RN72K1J-471JE	1	435034714R1
R7644	C-CARBON R	RN72K1J-561JE	1	435035614R1
R7645	C-CARBON R	RN72K1J-821JE	1	435038214R1
R7646	C-CARBON R	RN72K1J-122JE	1	435031224R1
R7647	C-CARBON R	RN72K1J-222JE	1	435032224R1
R7648	C-CARBON R	RN72K1J-392JE	1	435033924R1
R7649	C-CARBON R	RN72K1J-123JE	1	435031234R1
R7802	C-CARBON R	RN72K1J-103JE	1	435031034R1
R7804	METAL O R	RS1/2WBJ-10	1	443521004T
R7805	C-CARBON R	RN72K1J-562JE	1	435035624R1
R7807	C-CARBON R	RN72K1J-333JE	1	435033334R1
R7808	METAL R	RNU1/2WCJ-1	1	453530104T
R7810	METAL O R	RS1/2WBJ-33	1	443523304T
R7939	C-CARBON R	RN72K1J-104JE	1	435031044R1
R7954	C-CARBON R	RN72K1J-104JE	1	435031044R1
[SW TRM]				

E7530	RETAINER	(EARTH)	1	27142136B	
E7580	TRM-423(SCREW)	NEJITANSI ST3	1	25060495	
E7601	TRM-423(SCREW)	NEJITANSI ST3	1	25060495	
JL4103A	WIRE HOL	NSCT-5P896	1	25051109	
JL9303A	WIRE HOL	NSCT-5P876	1	25051089	
JL9303B	WIRE TRAP	NPLG-5P588	1	25055626	
P7303A	PLUG	NPLG-2P130	1	25055146	
P7303B	SOCKET AS	NSAS-4P0867	1	2002E390415	
P7501B	PLUG	A2545WR2-2x20P(IDE40SIDE)	1	25056643	N
P7511	HOLDER	HOLDER(CLAMP)	1	27190540-1	
P7512	HOLDER	HOLDER(CLAMP)	1	27190540-1	
P7522	PIN JACK	NPJ-3PDB693	1	25045925	
P7523	ST JACK	MSJ-035-05A BAG SR LF	1	25045927	N
P7530	ST JACK	MSJ-035-05C B AG SR type	1	25045879	
P7560B	PLUG	NPLG-3P0958	1	25056008	
P7580	ST JACK	MSJ-064-05A SR	1	25045783	
P7590A	SOCKET AS	NSAS-18P1674	1	2009991072UL	
P7590B	PLUG	NPLG-9P356	1	25055373	
P9301A	PLUG	NPLG-6P120	1	25055136	
S7590	R ENCODE	EC12E2425WITH WASHER	1	25065655W	
S7611	PUSH SW	NPS-111-S681	1	25035718T	
S7611 or	PUSH SW	NPS-111-S677	(1)	25035714T	
S7612	PUSH SW	NPS-111-S681	1	25035718T	
S7612 or	PUSH SW	NPS-111-S677	(1)	25035714T	
S7613	PUSH SW	NPS-111-S681	1	25035718T	
S7613 or	PUSH SW	NPS-111-S677	(1)	25035714T	
S7616	PUSH SW	NPS-111-S681	1	25035718T	
S7616 or	PUSH SW	NPS-111-S677	(1)	25035714T	
S7618	PUSH SW	NPS-111-S681	1	25035718T	
S7618 or	PUSH SW	NPS-111-S677	(1)	25035714T	
S7619	PUSH SW	NPS-111-S681	1	25035718T	
S7619 or	PUSH SW	NPS-111-S677	(1)	25035714T	
S7620	PUSH SW	NPS-111-S681	1	25035718T	



S7620 or	PUSH SW	NPS-111-S677	(1)	25035714T
S7621	PUSH SW	NPS-111-S681	1	25035718T
S7621 or	PUSH SW	NPS-111-S677	(1)	25035714T
S7622	PUSH SW	NPS-111-S681	1	25035718T
S7622 or	PUSH SW	NPS-111-S677	(1)	25035714T
S7624	PUSH SW	NPS-111-S681	1	25035718T
S7624 or	PUSH SW	NPS-111-S677	(1)	25035714T
S7625	PUSH SW	NPS-111-S681	1	25035718T
S7625 or	PUSH SW	NPS-111-S677	(1)	25035714T
S7626	PUSH SW	NPS-111-S681	1	25035718T
S7626 or	PUSH SW	NPS-111-S677	(1)	25035714T
S7627	PUSH SW	NPS-111-S681	1	25035718T
S7627 or	PUSH SW	NPS-111-S677	(1)	25035714T
S7628	PUSH SW	NPS-111-S681	1	25035718T
S7628 or	PUSH SW	NPS-111-S677	(1)	25035714T
S7629	PUSH SW	NPS-111-S681	1	25035718T
S7629 or	PUSH SW	NPS-111-S677	(1)	25035714T
S7630	PUSH SW	NPS-111-S681	1	25035718T
S7630 or	PUSH SW	NPS-111-S677	(1)	25035714T
S7632	PUSH SW	NPS-111-S681	1	25035718T
S7632 or	PUSH SW	NPS-111-S677	(1)	25035714T
S7633	PUSH SW	NPS-111-S681	1	25035718T
S7633 or	PUSH SW	NPS-111-S677	(1)	25035714T
S7634	PUSH SW	NPS-111-S681	1	25035718T
S7634 or	PUSH SW	NPS-111-S677	(1)	25035714T
S7636	PUSH SW	NPS-111-S681	1	25035718T
S7636 or	PUSH SW	NPS-111-S677	(1)	25035714T
S7638	PUSH SW	NPS-111-S681	1	25035718T
S7638 or	PUSH SW	NPS-111-S677	(1)	25035714T
S7639	PUSH SW	NPS-111-S681	1	25035718T
S7639 or	PUSH SW	NPS-111-S677	(1)	25035714T
S7640	PUSH SW	NPS-111-S681	1	25035718T
S7640 or	PUSH SW	NPS-111-S677	(1)	25035714T

S7641	PUSH SW	NPS-111-S681	1	25035718T
S7641 or	PUSH SW	NPS-111-S677	(1)	25035714T
S7642	PUSH SW	NPS-111-S681	1	25035718T
S7642 or	PUSH SW	NPS-111-S677	(1)	25035714T
S7643	PUSH SW	NPS-111-S681	1	25035718T
S7643 or	PUSH SW	NPS-111-S677	(1)	25035714T
S7644	PUSH SW	NPS-111-S681	1	25035718T
S7644 or	PUSH SW	NPS-111-S677	(1)	25035714T
S7645	PUSH SW	NPS-111-S681	1	25035718T
S7645 or	PUSH SW	NPS-111-S677	(1)	25035714T
S7646	PUSH SW	NPS-111-S681	1	25035718T
S7646 or	PUSH SW	NPS-111-S677	(1)	25035714T
S7647	PUSH SW	NPS-111-S681	1	25035718T
S7647 or	PUSH SW	NPS-111-S677	(1)	25035714T
S7648	PUSH SW	NPS-111-S681	1	25035718T
S7648 or	PUSH SW	NPS-111-S677	(1)	25035714T
S7650	PUSH SW	NPS-111-S681	1	25035718T
S7650 or	PUSH SW	NPS-111-S677	(1)	25035714T

[TUNER UNIT]

U7560	REMO SENS	TSOP34338RF1F	1	24130017
-------	-----------	---------------	---	----------

**PC BOARD PARTS LIST** **HT-RC270**

<b>U007</b>	<b>HDMI PC BOARD AS</b>	<b>BAHDM-0471-1A</b>	<b>1</b>	<b>1B248571-1A</b>	<b>N</b>
-------------	-------------------------	----------------------	----------	--------------------	----------

CIRCUIT NO.	PART NAME	DESCRIPTION	Q'TY	PART NO. (SN)	REMARKS
-------------	-----------	-------------	------	---------------	---------

[SEMI CONDUCTOR]

D3101	C-DIODE	KDS4148U	1	223283R2	
D3101 or	C-DIODE	1SS352	(1)	223234R2	
D3101 or	C-DIODE	MA2J111	(1)	223279R2	
D3402	C-DIODE	ISR154-400	1	22380284R2	

D8161	ZENER D	UDZS3.6B	1	224550360R2	
D8204	DIODE	DAN217T146	1	223285R2	
D8205	DIODE	DAN217T146	1	223285R2	
D8301	DIODE	DAN217T146	1	223285R2	
D8302	C-DIODE	KDS4148U	1	223283R2	
D8302 or	C-DIODE	1SS352	(1)	223234R2	
D8302 or	C-DIODE	MA2J111	(1)	223279R2	
D8701	C-DIODE	KDS4148U	1	223283R2	
D8701 or	C-DIODE	1SS352	(1)	223234R2	
D8701 or	C-DIODE	MA2J111	(1)	223279R2	
D8931	C-DIODE	KDS4148U	1	223283R2	
D8931 or	C-DIODE	1SS352	(1)	223234R2	
D8931 or	C-DIODE	MA2J111	(1)	223279R2	
D8951	DIODE	XBS303V17R	1	22380365R2	
D8961	DIODE	XBS303V17R	1	22380365R2	
D8971	DIODE	XBS303V17R	1	22380365R2	
D8981	DIODE	XBS303V17R	1	22380365R2	
D8983	C-DIODE	KDS4148U	1	223283R2	
D8983 or	C-DIODE	1SS352	(1)	223234R2	
D8983 or	C-DIODE	MA2J111	(1)	223279R2	
D8984	C-DIODE	KDS4148U	1	223283R2	
D8984 or	C-DIODE	1SS352	(1)	223234R2	
D8984 or	C-DIODE	MA2J111	(1)	223279R2	
Q205	IC	TC74VHC157FT	1	22274157ER2TO	
Q3001	IC	D830K013BZKB300Z	1	22242662R3	N
Q3002	IC	NAND256W3A2BN6E	1	222W0092R3	
Q3003	IC	IS42S16160C-7TL	1	22242592R3	
Q3003 or	IC	K4S561632J-UC75	(1)	22242524AR3	
Q3004	IC	IS42S16160C-7TL	1	22242592R3	
Q3004 or	IC	K4S561632J-UC75	(1)	22242524AR3	
Q3005	IC	TC7W32FU	1	22241162R2	
Q3006	IC	S-80127CNMC-JKM-T2	1	22241642R2	
Q3101	IC	TPD2E001DRLR	1	22242589R2	

Q3102	IC	BD2224G-TR	1	22242672R2	N
Q3103	IC	XC6221B182MR	1	22242632R2	N
Q3103 or	IC	BH18LB1WG-TR	(1)	22242562R2	
Q3105	IC	MFI341S2164	1	22242594R2	
Q3106	IC	XC6221B332MR	1	22242633R2	
Q3106 or	IC	BH33FB1WG-TR	(1)	22242585R2	
Q3107	IC	NJM2855DL1-33	1	22278033QR2JR	N
Q3108	IC	KSZ8041NL	1	22242591R2	
Q3109	IC	BD7820	1	22242300R2	
Q3202	IC	TC74VHC157FT	1	22274157ER2TO	
Q3204	IC	TC74VHC74FT (EKJ)	1	22274074E1R2TO	
Q3204 or	IC	TC74VHC74FT	(1)	22274074ER2TO	
Q3205	IC	TC7SZU04FU	1	22242512R2TO	
Q3206	IC	NJM4580M-D	1	22241448R2	
Q3207	IC	NJM4580M-D	1	22241448R2	
Q3210	IC	TC7WH241FU(TE12L_F)	1	22242076R2TO	
Q3401	IC	EN25Q32A-100HIP	1	222W0112R2	N
Q3403	IC	TC7WHU04FU(TE12L)	1	22242231R2	
Q3404	IC	CS49834A-CQZ	1	22242639R3	
Q3405	IC	TC74VHC125FT	1	22274125ER2TO	
Q3406	IC	K4S641632N-LC60	1	22242603R2	
Q3407	TR	DTC144EE	1	2216390R2	
Q3407 or	TR	KRC404E	(1)	2216450R2	
Q3408	IC	TC7MBL3245SFT	1	22242539R2TO	
Q3409	IC	NJM2855DL1-33	1	22278033QR2JR	N
Q3604	IC	PCM1754DBQR	1	22242598R2	
Q8000	IC	TC74AC14FT	1	22242217R2	
Q8051	IC	NT5TU32M16CG-25C	1	22242635R3	
Q8052	IC	NT5TU32M16CG-25C	1	22242635R3	
Q8161	IC	SIH9389CTU	1	22242628R3	
Q8162	TR	RN2401(TE85L_F)	1	2214520R2	
Q8191	IC	SN74CB3Q3305PWR	1	22242258R2	
Q8200	IC	FLI32626H-AE	1	22242634R3	

Q8201	IC	BR24S32FJ-WE2	1	22242569R2
Q8201 or	IC	24LC32A-I/SN	(1)	22242521R2
Q8201 or	IC	M24C32-WMN6TP	(1)	22242644R2
Q8206	IC	AT25DF641-S3H-T	1	222W0110R2
Q8207	IC	TC74LCX125FT(EL_K)	1	22274125BR2TO
Q8305	IC	S-812C50BUC-C5ET2G	1	22242407R2
Q8306	IC	NC7SZ08P5X_F042	1	22242482R2
Q8306 or	IC	TC7SZ08FU(TE85L_F)	(1)	22242071R2TO
Q8401	IC	SI9136CTU	1	22242630R3
Q8402	IC	TC7WHU04FU(TE12L)	1	22242231R2
Q8501	IC	SI9233ACTU	1	22242582R3
Q8610	IC	S-24CS02AFT-V-G	1	22242360R2
Q8610 or	IC	BR24L02FV-W	(1)	22242069R2
Q8701	IC	MPD70F3740GC-UEC-AX	1	222W0096R3
Q8702	TR ARRAY	UM6K1N	1	226066R2
Q8801	IC	TC74VCX162827	1	22242395R2
Q8802	IC	TC74VCX162827	1	22242395R2
Q8803	IC	TC74VCX162827	1	22242395R2
Q8804	IC	TC74VCX162827	1	22242395R2
Q8805	TR	KRC104S	1	2216210R2
Q8805 or	TR	RN1404	(1)	2214490R2
Q8931	IC	XC6202P502FR	1	22242331R2
Q8932	IC	XC6221B332MR	1	22242633R2
Q8932 or	IC	BH33FB1WG-TR	(1)	22242585R2
Q8933	IC	XC6221B122MR	1	22242631R2
Q8934	TR	KRC104S	1	2216210R2
Q8934 or	TR	RN1404	(1)	2214490R2
Q8935	TR	2SC2712-GR	1	2213145R2
Q8936	TR	KRC104S	1	2216210R2
Q8936 or	TR	RN1404	(1)	2214490R2
Q8941	IC	CM3202-02DE	1	22242641R2
Q8951	TR	KRC104S	1	2216210R2
Q8951 or	TR	RN1404	(1)	2214490R2



Q8952	IC	MP2363DN-LF-Z	1	22242627R2
Q8961	TR	KRC104S	1	2216210R2
Q8961 or	TR	RN1404	(1)	2214490R2
Q8962	IC	MP2363DN-LF-Z	1	22242627R2
Q8963	TR	2SC2712-GR	1	2213145R2
Q8971	TR	KRC104S	1	2216210R2
Q8971 or	TR	RN1404	(1)	2214490R2
Q8972	IC	MP2363DN-LF-Z	1	22242627R2
Q8981	TR	KRC104S	1	2216210R2
Q8981 or	TR	RN1404	(1)	2214490R2
Q8982	IC	MP2363DN-LF-Z	1	22242627R2
Q8983	TR	KRC104S	1	2216210R2
Q8983 or	TR	RN1404	(1)	2214490R2
Q8984	TR	KRC104S	1	2216210R2
Q8984 or	TR	RN1404	(1)	2214490R2
<b>[TRANS COIL]</b>				
L251	CORE	BLM18PG181SN1D	1	2350005R1
L261	EMIFIL	BK1608LM182-T	1	230958R1
L3001	CORE	BLM18PG121SN1D	1	2350006R1
L3002	CORE	BLM18PG121SN1D	1	2350006R1
L3003	CORE	BLM18PG121SN1D	1	2350006R1
L3004	CORE	BLM18PG121SN1D	1	2350006R1
L3005	CORE	BLM18PG121SN1D	1	2350006R1
L3102	CORE	BLM18PG181SN1D	1	2350005R1
L3103	CORE	BLM18PG121SN1D	1	2350006R1
L3104	CORE	BLM18PG121SN1D	1	2350006R1
L3105	CORE	BLM18PG121SN1D	1	2350006R1
L3106	CORE	BLM18PG121SN1D	1	2350006R1
L3107	CORE	BLM18PG121SN1D	1	2350006R1
L3108	CORE	BLM18PG121SN1D	1	2350006R1
L3109	CORE	BLM18PG121SN1D	1	2350006R1
L3110	CORE	BLM18PG121SN1D	1	2350006R1
L3145	CORE	DLP2ADN900HL4L	1	230990R2

L3202	CORE	MMZ1608Y601BT	1	2350004R1
L3203	CORE	MMZ1608Y601BT	1	2350004R1
L3205	CORE	BLM18PG121SN1D	1	2350006R1
L3206	CORE	BLM18PG121SN1D	1	2350006R1
L3207	CORE	MMZ1608Y601BT	1	2350004R1
L3208	CORE	MMZ1608Y601BT	1	2350004R1
L3209	CORE	MMZ1608Y601BT	1	2350004R1
L3401	CORE	BLM18PG121SN1D	1	2350006R1
L3402	CORE	MMZ1608Y601BT	1	2350004R1
L3403	CORE	MMZ1608Y601BT	1	2350004R1
L3404	CORE	MMZ1608Y601BT	1	2350004R1
L3405	CORE	BLM18PG121SN1D	1	2350006R1
L3406	CORE	BLM18PG121SN1D	1	2350006R1
L3407	CORE	BLM18PG121SN1D	1	2350006R1
L3408	CORE	BLM18PG121SN1D	1	2350006R1
L3509	CHOKE COIL	LBC2518T470M	1	231364M470R2
L8001	CORE	BLM18PG181SN1D	1	2350005R1
L8002	CORE	BLM18PG181SN1D	1	2350005R1
L8004	CORE	BLM18PG181SN1D	1	2350005R1
L8006	CORE	BLM18PG181SN1D	1	2350005R1
L8007	CORE	BLM18PG181SN1D	1	2350005R1
L8161	CORE	BLM18PG181SN1D	1	2350005R1
L8162	CORE	BLM18PG181SN1D	1	2350005R1
L8163	CORE	BLM18PG181SN1D	1	2350005R1
L8164	CORE	BLM18PG181SN1D	1	2350005R1
L8166	CORE	BLM18PG181SN1D	1	2350005R1
L8200	CORE	BLM18PG181SN1D	1	2350005R1
L8201	CORE	BLM18PG181SN1D	1	2350005R1
L8202	CORE	BLM18PG181SN1D	1	2350005R1
L8203	CORE	BLM18PG181SN1D	1	2350005R1
L8204	CORE	BLM18PG181SN1D	1	2350005R1
L8205	CORE	BLM18PG181SN1D	1	2350005R1
L8206	CORE	BLM18PG181SN1D	1	2350005R1

L8207	CORE	BLM18PG121SN1D	1	2350006R1
L8208	CORE	BLM18PG181SN1D	1	2350005R1
L8209	CORE	BLM18PG181SN1D	1	2350005R1
L8210	CORE	BLM18PG181SN1D	1	2350005R1
L8211	CORE	BLM18PG181SN1D	1	2350005R1
L8212	CORE	BLM18PG181SN1D	1	2350005R1
L8213	CORE	BLM18PG181SN1D	1	2350005R1
L8214	CORE	BLM18PG181SN1D	1	2350005R1
L8215	C-CARBON R	RN72K1J-000JE	1	435030004R1
L8216	CORE	BLM18PG181SN1D	1	2350005R1
L8217	CORE	BLM18PG181SN1D	1	2350005R1
L8218	CORE	BLM18PG181SN1D	1	2350005R1
L8301	CORE	BLM18PG181SN1D	1	2350005R1
L8401	CORE	BLM18PG181SN1D	1	2350005R1
L8402	CORE	BLM18PG181SN1D	1	2350005R1
L8403	CORE	BLM18PG181SN1D	1	2350005R1
L8404	CORE	BLM18PG181SN1D	1	2350005R1
L8406	C-R NET	MNR12E0APJ000	1	43464900002R2
L8407	C-R NET	MNR12E0APJ000	1	43464900002R2
L8409	C-R NET	MNR12E0APJ000	1	43464900002R2
L8410	C-R NET	MNR12E0APJ000	1	43464900002R2
L8501	CORE	BLM18PG181SN1D	1	2350005R1
L8502	CORE	BLM18PG181SN1D	1	2350005R1
L8503	CORE	BLM18PG181SN1D	1	2350005R1
L8504	CORE	BLM18PG181SN1D	1	2350005R1
L8505	CORE	BLM18PG181SN1D	1	2350005R1
L8506	CORE	BLM18PG181SN1D	1	2350005R1
L8561	CORE	BLM18PG181SN1D	1	2350005R1
L8608	CORE	MMZ1608Y601BT	1	2350004R1
L8641	CORE	BLM18PG181SN1D	1	2350005R1
L8701	CORE	BLM18PG181SN1D	1	2350005R1
L8801	CORE	BLM18PG181SN1D	1	2350005R1
L8930	CORE	BLM18PG181SN1D	1	2350005R1

L8931	CORE	BLM18PG181SN1D	1	2350005R1	
L8941	CHOKE COIL	BLM21PG221SN1	1	230949R2	
L8951	CHOKE COIL	BLM21PG221SN1	1	230949R2	
L8952	CHOKE COIL	0182-7E08Q-100M-RA	1	231396M100R2	
L8953	CHOKE COIL	BLM21PG221SN1	1	230949R2	
L8954	CHOKE COIL	BLM21PG221SN1	1	230949R2	
L8955	CHOKE COIL	BLM21PG221SN1	1	230949R2	
L8956	CHOKE COIL	BLM21PG221SN1	1	230949R2	
L8961	CHOKE COIL	BLM21PG221SN1	1	230949R2	
L8962	CHOKE COIL	0182-7E08Q-100M-RA	1	231396M100R2	
L8963	CHOKE COIL	BLM21PG221SN1	1	230949R2	
L8964	CHOKE COIL	BLM21PG221SN1	1	230949R2	
L8965	CHOKE COIL	BLM21PG221SN1	1	230949R2	
L8971	CHOKE COIL	BLM21PG221SN1	1	230949R2	
L8972	CHOKE COIL	0182-7E08Q-100M-RA	1	231396M100R2	
L8973	CHOKE COIL	BLM21PG221SN1	1	230949R2	
L8974	CHOKE COIL	BLM21PG221SN1	1	230949R2	
L8975	CHOKE COIL	BLM21PG221SN1	1	230949R2	
L8981	CHOKE COIL	BLM21PG221SN1	1	230949R2	
L8982	CHOKE COIL	0182-7E08Q-100M-RA	1	231396M100R2	
L8983	CHOKE COIL	BLM21PG221SN1	1	230949R2	
L8984	CHOKE COIL	BLM21PG221SN1	1	230949R2	
L8985	CHOKE COIL	BLM21PG221SN1	1	230949R2	
X3001	CRYSTAL	HC-49SMD24.000MHz	1	3010479R2	
X3202	CRYSTAL	HC-49SMD11.2896MHz	1	3010480R2	
X3401	CRYSTAL	HC-49SMD24.576MHz+/-50ppm	1	3010494R2	N
X8200	CRYSTAL	HC-49USSMD19.6608MHz	1	3010489R2	
X8501	CRYSTAL	DSX321G-27MHz	1	3010487R2	
X8701	CERA LOCK	CSTCR5M00G53-B0	1	3010356R2	
<b>[CAPACITOR]</b>					
C251	C-CERA C	CK725F1E-104Z1	1	332161040R1	
C252	C-CERA C	CK725B1H-102K1	1	332101025R1	
C253	C-CERA C	CK725B0J-106K	1	332091065R2	

C3001	C-CERA C	CK725F1A-105Z1	1	332181050R1
C3002	C-CERA C	CK725F1A-105Z1	1	332181050R1
C3003	C-CERA C	CK725B0J-106K	1	332091065R2
C3004	C-CERA C	CK725B0J-106K	1	332091065R2
C3005	C-CERA C	CK725F1A-105Z1	1	332181050R1
C3006	C-CERA C	CC725CH1H-102J1	1	342101024R1
C3007	C-CERA C	CK725F1A-105Z1	1	332181050R1
C3008	C-CERA C	CC725CH1H-102J1	1	342101024R1
C3009	C-CERA C	CK725F1A-105Z1	1	332181050R1
C3010	C-CERA C	CK725F1A-105Z1	1	332181050R1
C3011	C-CERA C	CK725F1A-105Z1	1	332181050R1
C3012	C-CERA C	CC725CH1H-102J1	1	342101024R1
C3013	C-CERA C	CK725F1A-105Z1	1	332181050R1
C3014	C-CERA C	CC725CH1H-102J1	1	342101024R1
C3015	C-CERA C	CC725CH1H-102J1	1	342101024R1
C3016	C-CERA C	CK725F1A-105Z1	1	332181050R1
C3017	C-CERA C	CK725F1A-105Z1	1	332181050R1
C3018	C-CERA C	CK725F1A-105Z1	1	332181050R1
C3019	C-CERA C	CC725CH1H-102J1	1	342101024R1
C3020	C-CERA C	CK725F1A-105Z1	1	332181050R1
C3021	C-CERA C	CK725F1A-105Z1	1	332181050R1
C3022	C-CERA C	CK725F1A-105Z1	1	332181050R1
C3023	C-CERA C	CK725B0J-106K	1	332091065R2
C3024	C-CERA C	CC725CH1H-102J1	1	342101024R1
C3025	C-CERA C	CK725F1A-105Z1	1	332181050R1
C3026	C-CERA C	CK725B1C-104K1	1	332121045R1
C3027	C-CERA C	CC725CH1H-102J1	1	342101024R1
C3028	C-CERA C	CK725F1A-105Z1	1	332181050R1
C3029	C-CERA C	CC725CH1H-102J1	1	342101024R1
C3030	C-CERA C	CK725F1A-105Z1	1	332181050R1
C3031	C-CERA C	CK725F1A-105Z1	1	332181050R1
C3032	C-CERA C	CC725CH1H-102J1	1	342101024R1
C3033	C-CERA C	CK725F1A-105Z1	1	332181050R1



C3034	C-CERA C	CC725CH1H-120J1	1	342101204R1
C3035	C-CERA C	CC725CH1H-102J1	1	342101024R1
C3036	C-CERA C	CC725CH1H-120J1	1	342101204R1
C3037	C-CERA C	CK725F1A-105Z1	1	332181050R1
C3038	C-CERA C	CK725F1A-105Z1	1	332181050R1
C3039	C-CERA C	CK725B1H-103K1	1	332101035R1
C3040	C-CERA C	CK725F1A-105Z1	1	332181050R1
C3041	C-CERA C	CK725B0J-106K	1	332091065R2
C3042	C-CERA C	CK725F1A-105Z1	1	332181050R1
C3043	C-CERA C	CK725F1A-105Z1	1	332181050R1
C3101	CHIP ELECT C	CEWX16V-100M	1	398141017R2
C3102	CHIP ELECT C	CEWX10V-220M	1	398132217R2
C3104	C-CERA C	CK725F1A-105Z1	1	332181050R1
C3105	C-CERA C	CK725F1A-105Z1	1	332181050R1
C3106	C-CERA C	CK725B0J-106K	1	332091065R2
C3107	C-CERA C	CK725F1A-105Z1	1	332181050R1
C3108	C-CERA C	CK725F1A-105Z1	1	332181050R1
C3109	C-CERA C	CK725B0J-106K	1	332091065R2
C3110	C-CERA C	CK725B1A-224K1	1	332132245R1
C3112	C-CERA C	CK725B0J-106K	1	332091065R2
C3113	C-CERA C	CK725F1A-105Z1	1	332181050R1
C3114	C-CERA C	CK725F1A-105Z1	1	332181050R1
C3115	C-CERA C	CK725B0J-106K	1	332091065R2
C3116	C-CERA C	CK725B0J-106K	1	332091065R2
C3117	C-CERA C	CC725CH1H-102J1	1	342101024R1
C3118	C-CERA C	CK725F1A-105Z1	1	332181050R1
C3119	C-CERA C	CK725F1A-105Z1	1	332181050R1
C3120	C-CERA C	CK725B0J-106K	1	332091065R2
C3121	C-CERA C	CK725F1A-105Z1	1	332181050R1
C3122	C-CERA C	CK725F1A-105Z1	1	332181050R1
C3123	CHIP ELECT C	CEWX10V-220M	1	398132217R2
C3124	C-CERA C	CK725F1A-105Z1	1	332181050R1
C3125	C-CERA C	CK725B0J-106K	1	332091065R2

C3126	C-CERA C	CK725B0J-106K	1	332091065R2
C3127	C-CERA C	CK725F1A-105Z1	1	332181050R1
C3128	C-CERA C	CK725F1A-105Z1	1	332181050R1
C3129	C-CERA C	CK725F1A-105Z1	1	332181050R1
C3130	C-CERA C	CK725B0J-106K	1	332091065R2
C3131	C-CERA C	CK725F1A-105Z1	1	332181050R1
C3132	C-CERA C	CC725CH1H-101J1	1	342101014R1
C3133	C-CERA C	CK725F1A-105Z1	1	332181050R1
C3134	C-CERA C	CK725B1C-104K1	1	332121045R1
C3135	C-CERA C	CK725B1C-104K1	1	332121045R1
C3136	C-CERA C	CK725F1A-105Z1	1	332181050R1
C3137	C-CERA C	CK725F1A-105Z1	1	332181050R1
C3138	C-CERA C	CK725F1A-105Z1	1	332181050R1
C3139	C-CERA C	CK725F1A-105Z1	1	332181050R1
C3140	C-CERA C	CK725F1A-105Z1	1	332181050R1
C3143	C-CERA C	CK725F1A-105Z1	1	332181050R1
C3144	C-CERA C	CK725F1A-105Z1	1	332181050R1
C3145	C-CERA C	CK725B0J-106K	1	332091065R2
C3146	C-CERA C	CK725F1A-105Z1	1	332181050R1
C3147	C-CERA C	CK725B0J-106K	1	332091065R2
C3148	C-CERA C	CK725B1H-223K1	1	332102235R1
C3149	C-CERA C	CK725F1A-105Z1	1	332181050R1
C3150	CHIP ELECT C	CEWX4V-22M	1	3981G2207R2
C3151	C-CERA C	CK725B1H-103K1	1	332101035R1
C3152	C-CERA C	CK725B0J-106K	1	332091065R2
C3153	C-CERA C	CK725F1A-105Z1	1	332181050R1
C3154	C-CERA C	CK725B0J-106K	1	332091065R2
C3155	C-CERA C	CK725F1A-105Z1	1	332181050R1
C3156	C-CERA C	CC725CH1H-102J1	1	342101024R1
C3157	C-CERA C	CK725F1A-105Z1	1	332181050R1
C3158	C-CERA C	CK725F1A-105Z1	1	332181050R1
C3159	C-CERA C	CK725F1A-105Z1	1	332181050R1
C3202	C-CERA C	CK725F1A-105Z1	1	332181050R1

C3204	C-CERA C	CK725B0J-106K	1	332091065R2
C3205	C-CERA C	CK725F1A-105Z1	1	332181050R1
C3206	C-CERA C	CK725F1A-105Z1	1	332181050R1
C3207	C-CERA C	CK725B0J-106K	1	332091065R2
C3208	C-CERA C	CK725F1A-105Z1	1	332181050R1
C3209	C-CERA C	CK725F1A-105Z1	1	332181050R1
C3210	CHIP ELECT C	CEWX16V-100M	1	398141017R2
C3211	C-CERA C	CC725CH1H-221J1	1	342102214R1
C3213	C-CERA C	CK725F1A-105Z1	1	332181050R1
C3214	C-CERA C	CK725B0J-106K	1	332091065R2
C3215	CHIP ELECT C	CEWX16V-10M	1	398141007R2
C3220	C-CERA C	CC725CH1H-120J1	1	342101204R1
C3223	C-CERA C	CC725CH1H-120J1	1	342101204R1
C3224	C-CERA C	CC725CH1H-152J1	1	342101524R1
C3225	C-CERA C	CC725CH1H-152J1	1	342101524R1
C3226	C-CERA C	CK725F1A-105Z1	1	332181050R1
C3227	CHIP ELECT C	CEWX16V-10M	1	398141007R2
C3228	C-CERA C	CC725CH1H-221J1	1	342102214R1
C3229	C-CERA C	CK725F1A-105Z1	1	332181050R1
C3230	C-CERA C	CK725B0J-106K	1	332091065R2
C3231	C-CERA C	CK725F1A-105Z1	1	332181050R1
C3233	CHIP ELECT C	CEWX16V-100M	1	398141017R2
C3234	C-CERA C	CK725B0J-106K	1	332091065R2
C3401	C-CERA C	CC725CH1H-102J1	1	342101024R1
C3402	C-CERA C	CK725F1E-104Z1	1	332161040R1
C3403	C-CERA C	CK725F1E-104Z1	1	332161040R1
C3404	C-CERA C	CK725F1E-104Z1	1	332161040R1
C3405	C-CERA C	CK725F1E-104Z1	1	332161040R1
C3406	C-CERA C	CK725F1A-105Z1	1	332181050R1
C3407	C-CERA C	CK725F1A-105Z1	1	332181050R1
C3408	C-CERA C	CK725B0J-106K	1	332091065R2
C3409	C-CERA C	CK725F1A-105Z1	1	332181050R1
C3410	C-CERA C	CK725F1E-104Z1	1	332161040R1

C3411	C-CERA C	CK725F1E-104Z1	1	332161040R1
C3412	C-CERA C	CK725F1E-104Z1	1	332161040R1
C3413	C-CERA C	CC725CH1H-180J1	1	342101804R1
C3414	C-CERA C	CC725CH1H-180J1	1	342101804R1
C3415	C-CERA C	CK725F1E-104Z1	1	332161040R1
C3416	C-CERA C	CK725F1E-104Z1	1	332161040R1
C3418	C-CERA C	CK725F1E-104Z1	1	332161040R1
C3419	C-CERA C	CK725F1E-104Z1	1	332161040R1
C3420	C-CERA C	CK725F1E-104Z1	1	332161040R1
C3422	C-CERA C	CK725F1E-104Z1	1	332161040R1
C3423	C-CERA C	CK725F1E-104Z1	1	332161040R1
C3425	C-CERA C	CK725F1E-104Z1	1	332161040R1
C3426	C-CERA C	CC725CH1H-102J1	1	342101024R1
C3427	C-CERA C	CK725F1E-104Z1	1	332161040R1
C3428	C-CERA C	CC725CH1H-102J1	1	342101024R1
C3429	C-CERA C	CK725F1E-104Z1	1	332161040R1
C3430	C-CERA C	CK725F1A-105Z1	1	332181050R1
C3431	C-CERA C	CC725CH1H-102J1	1	342101024R1
C3432	C-CERA C	CC725CH1H-102J1	1	342101024R1
C3433	C-CERA C	CK725F1A-105Z1	1	332181050R1
C3434	C-CERA C	CK725B0J-106K	1	332091065R2
C3435	C-CERA C	CK725B0J-106K	1	332091065R2
C3436	C-CERA C	CK725B0J-106K	1	332091065R2
C3437	C-CERA C	CK725F1E-104Z1	1	332161040R1
C3438	C-CERA C	CK725F1E-104Z1	1	332161040R1
C3439	C-CERA C	CK725F1E-104Z1	1	332161040R1
C3440	C-CERA C	CK725F1E-104Z1	1	332161040R1
C3441	C-CERA C	CK725F1A-105Z1	1	332181050R1
C3442	C-CERA C	CK725B0J-106K	1	332091065R2
C3443	C-CERA C	CK725F1A-105Z1	1	332181050R1
C3444	C-CERA C	CK725F1A-105Z1	1	332181050R1
C3445	C-CERA C	CK725F1A-105Z1	1	332181050R1
C3446	C-CERA C	CK725F1A-105Z1	1	332181050R1

C3447	C-CERA C	CK725F1A-105Z1	1	332181050R1
C3448	CHIP ELECT C	CEWX6.3V-22M	1	398122207R2
C3449	CHIP ELECT C	CEWX4V-220M	1	3981G2217R2
C3457	C-CERA C	CK725F1A-105Z1	1	332181050R1
C3458	C-CERA C	CK725F1A-105Z1	1	332181050R1
C3459	C-CERA C	CK725F1A-105Z1	1	332181050R1
C3460	C-CERA C	CK725F1E-104Z1	1	332161040R1
C3461	C-CERA C	CK725F1E-104Z1	1	332161040R1
C3462	C-CERA C	CK725B0J-106K	1	332091065R2
C3466	C-CERA C	CK725F1E-104Z1	1	332161040R1
C3603	C-CERA C	CK725B1H-102K1	1	332101025R1
C8001	C-CERA C	CK725B1C-104K1	1	332121045R1
C8004	C-CERA C	CK725B1C-104K1	1	332121045R1
C8005	C-CERA C	CK725B1C-104K1	1	332121045R1
C8007	C-CERA C	CK725B1C-104K1	1	332121045R1
C8008	C-CERA C	CK725B1C-104K1	1	332121045R1
C8010	C-CERA C	CK725B1C-104K1	1	332121045R1
C8011	C-CERA C	CK725B1C-104K1	1	332121045R1
C8015	C-CERA C	CK725B1C-104K1	1	332121045R1
C8016	C-CERA C	CK725B1C-104K1	1	332121045R1
C8017	C-CERA C	CK725B1C-104K1	1	332121045R1
C8020	C-CERA C	CK725B1C-104K1	1	332121045R1
C8021	C-CERA C	CK725B1C-104K1	1	332121045R1
C8022	C-CERA C	CK725B1C-104K1	1	332121045R1
C8023	C-CERA C	CK725B1C-104K1	1	332121045R1
C8024	C-CERA C	CK725B1C-104K1	1	332121045R1
C8025	C-CERA C	CK725B1C-104K1	1	332121045R1
C8026	C-CERA C	CK725B1C-104K1	1	332121045R1
C8027	C-CERA C	CK725B1C-104K1	1	332121045R1
C8028	C-CERA C	CK725B1C-104K1	1	332121045R1
C8029	C-CERA C	CK725F1E-104Z1	1	332161040R1
C8030	C-CERA C	CK725B0J-106K	1	332091065R2
C8031	C-CERA C	CK725B0J-106K	1	332091065R2



C8032	CHIP TANTAL	TEESVA0J226M8R	1	398422207R2	N
C8032 or	CHIP TANTAL	F93-6.3V-22M	(1)	395522207R2	
C8032 or	CHIP TANTAL	TCSCS0J226MAAR	(1)	396522207R2	
C8033	C-CERA C	CK725F1E-104Z1	1	332161040R1	
C8034	C-CERA C	CK725B1H-102K1	1	332101025R1	
C8035	C-CERA C	CK725F1E-104Z1	1	332161040R1	
C8036	C-CERA C	CK725B0J-106K	1	332091065R2	
C8037	C-CERA C	CK725B0J-106K	1	332091065R2	
C8038	CHIP TANTAL	TEESVA0J226M8R	1	398422207R2	N
C8038 or	CHIP TANTAL	F93-6.3V-22M	(1)	395522207R2	
C8038 or	CHIP TANTAL	TCSCS0J226MAAR	(1)	396522207R2	
C8039	C-CERA C	CK725F1E-104Z1	1	332161040R1	
C8051	CHIP TANTAL	TEESVA0J226M8R	1	398422207R2	N
C8051 or	CHIP TANTAL	F93-6.3V-22M	(1)	395522207R2	
C8051 or	CHIP TANTAL	TCSCS0J226MAAR	(1)	396522207R2	
C8052	C-CERA C	CK725F1A-105Z1	1	332181050R1	
C8053	C-CERA C	CK725F1E-104Z1	1	332161040R1	
C8054	C-CERA C	CK725B1H-102K1	1	332101025R1	
C8055	C-CERA C	CK725B0J-106K	1	332091065R2	
C8056	C-CERA C	CK725F1E-104Z1	1	332161040R1	
C8057	C-CERA C	CK725B1H-102K1	1	332101025R1	
C8058	C-CERA C	CK725B1H-103K1	1	332101035R1	
C8059	C-CERA C	CK725B1H-102K1	1	332101025R1	
C8060	C-CERA C	CK725B1H-103K1	1	332101035R1	
C8061	C-CERA C	CK725B1H-102K1	1	332101025R1	
C8062	C-CERA C	CK725B1H-103K1	1	332101035R1	
C8063	C-CERA C	CK725B1H-102K1	1	332101025R1	
C8064	C-CERA C	CK725B1H-103K1	1	332101035R1	
C8065	C-CERA C	CK725B0J-106K	1	332091065R2	
C8066	C-CERA C	CK725B1H-102K1	1	332101025R1	
C8067	C-CERA C	CK725B1H-103K1	1	332101035R1	
C8068	C-CERA C	CK725B1H-102K1	1	332101025R1	
C8069	C-CERA C	CK725B1H-103K1	1	332101035R1	

C8070	C-CERA C	CK725B1H-102K1	1	332101025R1	
C8071	C-CERA C	CK725B1H-103K1	1	332101035R1	
C8072	C-CERA C	CK725B1H-102K1	1	332101025R1	
C8073	C-CERA C	CK725B1H-103K1	1	332101035R1	
C8074	CHIP TANTAL	TEESVA0J226M8R	1	398422207R2	N
C8074 or	CHIP TANTAL	F93-6.3V-22M	(1)	395522207R2	
C8074 or	CHIP TANTAL	TCSCS0J226MAAR	(1)	396522207R2	
C8075	C-CERA C	CK725F1A-105Z1	1	332181050R1	
C8076	C-CERA C	CK725F1E-104Z1	1	332161040R1	
C8077	C-CERA C	CK725B1H-102K1	1	332101025R1	
C8079	C-CERA C	CK725F1E-104Z1	1	332161040R1	
C8080	C-CERA C	CK725B1H-102K1	1	332101025R1	
C8081	C-CERA C	CK725B1H-103K1	1	332101035R1	
C8082	C-CERA C	CK725B1H-102K1	1	332101025R1	
C8083	C-CERA C	CK725B1H-103K1	1	332101035R1	
C8084	C-CERA C	CK725B1H-102K1	1	332101025R1	
C8085	C-CERA C	CK725B1H-103K1	1	332101035R1	
C8086	C-CERA C	CK725B1H-102K1	1	332101025R1	
C8087	C-CERA C	CK725B1H-103K1	1	332101035R1	
C8088	C-CERA C	CK725B0J-106K	1	332091065R2	
C8089	C-CERA C	CK725B1H-102K1	1	332101025R1	
C8090	C-CERA C	CK725B1H-103K1	1	332101035R1	
C8091	C-CERA C	CK725B1H-102K1	1	332101025R1	
C8092	C-CERA C	CK725B1H-103K1	1	332101035R1	
C8093	C-CERA C	CK725B1H-102K1	1	332101025R1	
C8094	C-CERA C	CK725B1H-103K1	1	332101035R1	
C8095	C-CERA C	CK725B1H-102K1	1	332101025R1	
C8096	C-CERA C	CK725B1H-103K1	1	332101035R1	
C8097	C-CERA C	CK725F1E-104Z1	1	332161040R1	
C8157	C-CERA C	CK725B0J-106K	1	332091065R2	
C8159	C-CERA C	CK725B0J-106K	1	332091065R2	
C8160	C-CERA C	CK725B0J-106K	1	332091065R2	
C8161	C-CERA C	CK725F1A-105Z1	1	332181050R1	

C8162	C-CERA C	CK725F1E-104Z1	1	332161040R1
C8165	C-CERA C	CK725F1E-104Z1	1	332161040R1
C8166	C-CERA C	CK725B1H-102K1	1	332101025R1
C8167	C-CERA C	CK725F1E-104Z1	1	332161040R1
C8168	C-CERA C	CK725B1H-102K1	1	332101025R1
C8169	C-CERA C	CK725F1E-104Z1	1	332161040R1
C8170	C-CERA C	CK725B1H-102K1	1	332101025R1
C8171	C-CERA C	CK725F1E-104Z1	1	332161040R1
C8172	C-CERA C	CK725B1H-102K1	1	332101025R1
C8173	C-CERA C	CK725F1E-104Z1	1	332161040R1
C8174	C-CERA C	CK725B1H-102K1	1	332101025R1
C8175	C-CERA C	CK725F1E-104Z1	1	332161040R1
C8176	C-CERA C	CK725B1H-102K1	1	332101025R1
C8177	C-CERA C	CK725F1E-104Z1	1	332161040R1
C8178	C-CERA C	CK725B1H-102K1	1	332101025R1
C8179	C-CERA C	CK725F1E-104Z1	1	332161040R1
C8180	C-CERA C	CK725B1H-102K1	1	332101025R1
C8181	C-CERA C	CK725F1A-105Z1	1	332181050R1
C8182	C-CERA C	CK725B0J-106K	1	332091065R2
C8183	C-CERA C	CK725B1H-102K1	1	332101025R1
C8184	C-CERA C	CK725B0J-106K	1	332091065R2
C8185	C-CERA C	CK725B0J-106K	1	332091065R2
C8186	C-CERA C	CK725F1E-104Z1	1	332161040R1
C8187	C-CERA C	CK725B0J-106K	1	332091065R2
C8188	C-CERA C	CK725B0J-106K	1	332091065R2
C8189	C-CERA C	CK725B1H-102K1	1	332101025R1
C8191	C-CERA C	CK725F1A-105Z1	1	332181050R1
C8192	C-CERA C	CK725B1H-102K1	1	332101025R1
C8193	C-CERA C	CK725F1E-104Z1	1	332161040R1
C8194	C-CERA C	CK725B1A-105K1	1	332131055R1
C8195	C-CERA C	CK725B1A-105K1	1	332131055R1
C8196	C-CERA C	CK725B1A-105K1	1	332131055R1
C8197	C-CERA C	CK725B1A-105K1	1	332131055R1

C8198	C-CERA C	CK725B1A-105K1	1	332131055R1	
C8199	C-CERA C	CK725B0J-106K	1	332091065R2	
C8200	C-CERA C	CK725F1E-104Z1	1	332161040R1	
C8201	C-CERA C	CK725B1H-102K1	1	332101025R1	
C8202	CHIP TANTAL	TEESVA0J226M8R	1	398422207R2	N
C8202 or	CHIP TANTAL	F93-6.3V-22M	(1)	395522207R2	
C8202 or	CHIP TANTAL	TCSCS0J226MAAR	(1)	396522207R2	
C8203	C-CERA C	CK725B0J-106K	1	332091065R2	
C8204	C-CERA C	CK725B0J-106K	1	332091065R2	
C8205	CHIP TANTAL	TEESVA0J226M8R	1	398422207R2	N
C8205 or	CHIP TANTAL	F93-6.3V-22M	(1)	395522207R2	
C8205 or	CHIP TANTAL	TCSCS0J226MAAR	(1)	396522207R2	
C8206	C-CERA C	CK725B1H-102K1	1	332101025R1	
C8207	C-CERA C	CK725F1E-104Z1	1	332161040R1	
C8208	C-CERA C	CC725CH1H-330J1	1	342103304R1	
C8209	C-CERA C	CC725CH1H-330J1	1	342103304R1	
C8210	C-CERA C	CK725F1E-104Z1	1	332161040R1	
C8211	C-CERA C	CK725B0J-106K	1	332091065R2	
C8212	C-CERA C	CK725B0J-106K	1	332091065R2	
C8213	C-CERA C	CK725F1E-104Z1	1	332161040R1	
C8214	C-CERA C	CK725B0J-106K	1	332091065R2	
C8215	C-CERA C	CK725B0J-106K	1	332091065R2	
C8216	C-CERA C	CK725B0J-106K	1	332091065R2	
C8217	CHIP TANTAL	TEESVA0J226M8R	1	398422207R2	N
C8217 or	CHIP TANTAL	F93-6.3V-22M	(1)	395522207R2	
C8217 or	CHIP TANTAL	TCSCS0J226MAAR	(1)	396522207R2	
C8218	C-CERA C	CK725B1H-102K1	1	332101025R1	
C8219	C-CERA C	CK725F1E-104Z1	1	332161040R1	
C8220	C-CERA C	CK725B1H-102K1	1	332101025R1	
C8221	C-CERA C	CK725F1E-104Z1	1	332161040R1	
C8222	C-CERA C	CK725B1H-102K1	1	332101025R1	
C8223	C-CERA C	CK725F1E-104Z1	1	332161040R1	
C8224	C-CERA C	CK725F1E-104Z1	1	332161040R1	

C8225	C-CERA C	CK725B1H-102K1	1	332101025R1	
C8226	C-CERA C	CK725F1E-104Z1	1	332161040R1	
C8227	C-CERA C	CK725B1H-102K1	1	332101025R1	
C8228	C-CERA C	CK725F1E-104Z1	1	332161040R1	
C8229	C-CERA C	CK725F1E-104Z1	1	332161040R1	
C8230	CHIP TANTAL	TEESVA0J226M8R	1	398422207R2	N
C8230 or	CHIP TANTAL	F93-6.3V-22M	(1)	395522207R2	
C8230 or	CHIP TANTAL	TCSCS0J226MAAR	(1)	396522207R2	
C8231	C-CERA C	CK725B0J-106K	1	332091065R2	
C8232	C-CERA C	CK725B0J-106K	1	332091065R2	
C8233	C-CERA C	CK725B1H-102K1	1	332101025R1	
C8234	C-CERA C	CK725F1E-104Z1	1	332161040R1	
C8235	C-CERA C	CK725B1H-102K1	1	332101025R1	
C8236	C-CERA C	CK725F1E-104Z1	1	332161040R1	
C8237	C-CERA C	CK725B1H-102K1	1	332101025R1	
C8238	C-CERA C	CK725F1E-104Z1	1	332161040R1	
C8239	C-CERA C	CK725B1H-102K1	1	332101025R1	
C8240	C-CERA C	CK725B0J-106K	1	332091065R2	
C8241	C-CERA C	CK725B0J-106K	1	332091065R2	
C8242	C-CERA C	CK725F1E-104Z1	1	332161040R1	
C8243	C-CERA C	CK725B1H-102K1	1	332101025R1	
C8244	C-CERA C	CK725F1E-104Z1	1	332161040R1	
C8245	C-CERA C	CK725B1H-102K1	1	332101025R1	
C8246	C-CERA C	CK725F1E-104Z1	1	332161040R1	
C8247	C-CERA C	CK725B0J-106K	1	332091065R2	
C8248	C-CERA C	CK725B1A-474K1	1	332134745R1	
C8249	C-CERA C	CK725B1A-474K1	1	332134745R1	
C8251	C-CERA C	CK725F1E-104Z1	1	332161040R1	
C8253	C-CERA C	CK725B0J-106K	1	332091065R2	
C8254	C-CERA C	CK725F1E-104Z1	1	332161040R1	
C8255	C-CERA C	CK725F1E-104Z1	1	332161040R1	
C8256	C-CERA C	CK725B1H-102K1	1	332101025R1	
C8257	C-CERA C	CK725B0J-106K	1	332091065R2	



C8258	C-CERA C	CK725F1E-104Z1	1	332161040R1	
C8259	C-CERA C	CK725F1E-104Z1	1	332161040R1	
C8260	C-CERA C	CK725B0J-106K	1	332091065R2	
C8261	C-CERA C	CK725F1E-104Z1	1	332161040R1	
C8262	C-CERA C	CK725F1E-104Z1	1	332161040R1	
C8263	C-CERA C	CK725B0J-106K	1	332091065R2	
C8264	C-CERA C	CK725F1E-104Z1	1	332161040R1	
C8265	C-CERA C	CK725F1E-104Z1	1	332161040R1	
C8266	C-CERA C	CK725F1E-104Z1	1	332161040R1	
C8267	C-CERA C	CK725B0J-106K	1	332091065R2	
C8268	C-CERA C	CK725F1E-104Z1	1	332161040R1	
C8269	C-CERA C	CK725F1E-104Z1	1	332161040R1	
C8270	C-CERA C	CK725F1E-104Z1	1	332161040R1	
C8271	C-CERA C	CK725F1E-104Z1	1	332161040R1	
C8272	C-CERA C	CK725B0J-106K	1	332091065R2	
C8273	CHIP TANTAL	TEESVA0J226M8R	1	398422207R2	N
C8273 or	CHIP TANTAL	F93-6.3V-22M	(1)	395522207R2	
C8273 or	CHIP TANTAL	TCSCS0J226MAAR	(1)	396522207R2	
C8274	C-CERA C	CK725B1H-102K1	1	332101025R1	
C8275	C-CERA C	CK725B1H-103K1	1	332101035R1	
C8276	C-CERA C	CK725B1H-102K1	1	332101025R1	
C8277	C-CERA C	CK725B1H-103K1	1	332101035R1	
C8278	C-CERA C	CK725B1H-102K1	1	332101025R1	
C8279	C-CERA C	CK725B1H-103K1	1	332101035R1	
C8280	C-CERA C	CK725B1H-102K1	1	332101025R1	
C8281	CHIP TANTAL	TEESVA0J226M8R	1	398422207R2	N
C8281 or	CHIP TANTAL	F93-6.3V-22M	(1)	395522207R2	
C8281 or	CHIP TANTAL	TCSCS0J226MAAR	(1)	396522207R2	
C8282	C-CERA C	CK725B1H-102K1	1	332101025R1	
C8283	C-CERA C	CK725B1H-103K1	1	332101035R1	
C8284	C-CERA C	CK725B1H-102K1	1	332101025R1	
C8285	C-CERA C	CK725B1H-103K1	1	332101035R1	
C8286	C-CERA C	CK725B1H-102K1	1	332101025R1	

C8287	C-CERA C	CK725B1H-103K1	1	332101035R1	
C8288	C-CERA C	CK725B1H-102K1	1	332101025R1	
C8289	C-CERA C	CK725F1E-104Z1	1	332161040R1	
C8290	C-CERA C	CK725B1H-102K1	1	332101025R1	
C8291	C-CERA C	CK725F1E-104Z1	1	332161040R1	
C8292	C-CERA C	CK725F1A-105Z1	1	332181050R1	
C8293	CHIP TANTAL	TEESVA0J226M8R	1	398422207R2	N
C8293 or	CHIP TANTAL	F93-6.3V-22M	(1)	395522207R2	
C8293 or	CHIP TANTAL	TCSCS0J226MAAR	(1)	396522207R2	
C8294	CHIP TANTAL	TEESVA0J226M8R	1	398422207R2	N
C8294 or	CHIP TANTAL	F93-6.3V-22M	(1)	395522207R2	
C8294 or	CHIP TANTAL	TCSCS0J226MAAR	(1)	396522207R2	
C8295	C-CERA C	CK725B1H-103K1	1	332101035R1	
C8296	C-CERA C	CK725B1H-103K1	1	332101035R1	
C8297	CHIP TANTAL	TEESVA0J226M8R	1	398422207R2	N
C8297 or	CHIP TANTAL	F93-6.3V-22M	(1)	395522207R2	
C8297 or	CHIP TANTAL	TCSCS0J226MAAR	(1)	396522207R2	
C8298	C-CERA C	CK725B1H-103K1	1	332101035R1	
C8299	C-CERA C	CK725B1H-103K1	1	332101035R1	
C8326	C-CERA C	CK725B1E-106K	1	332221065R2	
C8328	C-CERA C	CK725B0J-106K	1	332091065R2	
C8330	C-CERA C	CK725F1E-104Z1	1	332161040R1	
C8348	C-CERA C	CK725B1H-102K1	1	332101025R1	
C8399	C-CERA C	CK725B1H-102K1	1	332101025R1	
C8401	C-CERA C	CK725F1E-104Z1	1	332161040R1	
C8402	C-CERA C	CK725B1H-103K1	1	332101035R1	
C8403	C-CERA C	CK725F1E-104Z1	1	332161040R1	
C8404	C-CERA C	CK725B1H-103K1	1	332101035R1	
C8405	C-CERA C	CK725F1E-104Z1	1	332161040R1	
C8406	C-CERA C	CK725B1H-103K1	1	332101035R1	
C8407	C-CERA C	CK725F1E-104Z1	1	332161040R1	
C8408	C-CERA C	CK725B1H-103K1	1	332101035R1	
C8409	C-CERA C	CK725F1E-104Z1	1	332161040R1	

C8410	C-CERA C	CK725B1H-103K1	1	332101035R1
C8411	C-CERA C	CK725F1E-104Z1	1	332161040R1
C8412	C-CERA C	CK725B1H-103K1	1	332101035R1
C8413	C-CERA C	CK725F1E-104Z1	1	332161040R1
C8414	C-CERA C	CK725B1H-103K1	1	332101035R1
C8415	C-CERA C	CK725F1E-104Z1	1	332161040R1
C8416	C-CERA C	CK725B1H-103K1	1	332101035R1
C8417	C-CERA C	CK725F1E-104Z1	1	332161040R1
C8418	C-CERA C	CK725B1H-103K1	1	332101035R1
C8420	C-CERA C	CK725B1H-102K1	1	332101025R1
C8421	C-CERA C	CK725B0J-106K	1	332091065R2
C8422	C-CERA C	CK725B0J-106K	1	332091065R2
C8424	C-CERA C	CK725B0J-106K	1	332091065R2
C8425	C-CERA C	CK725B0J-106K	1	332091065R2
C8428	C-CERA C	CK725B0J-106K	1	332091065R2
C8429	C-CERA C	CK725F1E-104Z1	1	332161040R1
C8430	C-CERA C	CC725CH1H-080D1	1	342100802R1
C8431	C-CERA C	CK725B0J-106K	1	332091065R2
C8432	C-CERA C	CK725B1H-103K1	1	332101035R1
C8433	C-CERA C	CK725F1E-104Z1	1	332161040R1
C8434	C-CERA C	CK725B1H-103K1	1	332101035R1
C8435	C-CERA C	CK725F1E-104Z1	1	332161040R1
C8436	C-CERA C	CK725F1A-105Z1	1	332181050R1
C8437	C-CERA C	CK725F1A-105Z1	1	332181050R1
C8438	C-CERA C	CK725F1A-105Z1	1	332181050R1
C8439	C-CERA C	CK725F1A-105Z1	1	332181050R1
C8440	C-CERA C	CK725B1A-105K1	1	332131055R1
C8441	C-CERA C	CK725B1A-105K1	1	332131055R1
C8442	C-CERA C	CC725CH1H-101J1	1	342101014R1
C8443	C-CERA C	CK725B1C-104K1	1	332121045R1
C8502	C-CERA C	CK725B0J-106K	1	332091065R2
C8506	C-CERA C	CK725B0J-106K	1	332091065R2
C8507	C-CERA C	CK725B1H-102K1	1	332101025R1

C8508	C-CERA C	CK725F1A-105Z1	1	332181050R1
C8509	C-CERA C	CK725B1H-102K1	1	332101025R1
C8510	C-CERA C	CK725F1A-105Z1	1	332181050R1
C8511	C-CERA C	CK725B1H-102K1	1	332101025R1
C8512	C-CERA C	CK725F1E-104Z1	1	332161040R1
C8513	C-CERA C	CK725B1H-102K1	1	332101025R1
C8514	C-CERA C	CK725F1E-104Z1	1	332161040R1
C8515	C-CERA C	CK725B1H-102K1	1	332101025R1
C8516	C-CERA C	CK725F1E-104Z1	1	332161040R1
C8517	C-CERA C	CK725B1H-102K1	1	332101025R1
C8518	C-CERA C	CK725F1E-104Z1	1	332161040R1
C8519	C-CERA C	CK725B1H-102K1	1	332101025R1
C8522	C-CERA C	CK725B0J-106K	1	332091065R2
C8524	C-CERA C	CK725B0J-106K	1	332091065R2
C8525	C-CERA C	CK725B0J-106K	1	332091065R2
C8527	C-CERA C	CK725B1H-102K1	1	332101025R1
C8530	C-CERA C	CK725F1E-104Z1	1	332161040R1
C8531	C-CERA C	CK725B1H-102K1	1	332101025R1
C8532	C-CERA C	CK725F1E-104Z1	1	332161040R1
C8533	C-CERA C	CK725B1H-102K1	1	332101025R1
C8534	C-CERA C	CK725F1E-104Z1	1	332161040R1
C8535	C-CERA C	CK725B1H-102K1	1	332101025R1
C8536	C-CERA C	CK725F1E-104Z1	1	332161040R1
C8537	C-CERA C	CK725B1H-102K1	1	332101025R1
C8538	C-CERA C	CK725F1E-104Z1	1	332161040R1
C8539	C-CERA C	CK725B1H-102K1	1	332101025R1
C8548	C-CERA C	CK725F1E-104Z1	1	332161040R1
C8549	C-CERA C	CK725B1H-102K1	1	332101025R1
C8550	C-CERA C	CK725F1E-104Z1	1	332161040R1
C8551	C-CERA C	CK725B1H-102K1	1	332101025R1
C8552	C-CERA C	CK725F1E-104Z1	1	332161040R1
C8553	C-CERA C	CK725B1H-102K1	1	332101025R1
C8554	C-CERA C	CK725F1E-104Z1	1	332161040R1

C8555	C-CERA C	CK725B1H-102K1	1	332101025R1
C8556	C-CERA C	CK725F1E-104Z1	1	332161040R1
C8557	C-CERA C	CK725B1H-102K1	1	332101025R1
C8560	C-CERA C	CK725B0J-106K	1	332091065R2
C8561	C-CERA C	CK725B0J-106K	1	332091065R2
C8563	C-CERA C	CK725B0J-106K	1	332091065R2
C8565	C-CERA C	CK725B0J-106K	1	332091065R2
C8566	C-CERA C	CK725B1H-102K1	1	332101025R1
C8567	C-CERA C	CK725F1E-104Z1	1	332161040R1
C8573	C-CERA C	CK725F1E-104Z1	1	332161040R1
C8574	C-CERA C	CC725CH1H-060D1	1	342100602R1
C8575	C-CERA C	CC725CH1H-060D1	1	342100602R1
C8584	C-CERA C	CK725B0J-106K	1	332091065R2
C8605	C-CERA C	CK725B1H-102K1	1	332101025R1
C8606	C-CERA C	CK725B1H-102K1	1	332101025R1
C8611	C-CERA C	CK725B1H-102K1	1	332101025R1
C8612	C-CERA C	CK725B1H-102K1	1	332101025R1
C8621	C-CERA C	CK725B1H-102K1	1	332101025R1
C8622	C-CERA C	CK725B1H-102K1	1	332101025R1
C8631	C-CERA C	CK725B1H-102K1	1	332101025R1
C8632	C-CERA C	CK725B1H-102K1	1	332101025R1
C8641	C-CARBON R	RN72K1J-000JE	1	435030004R1
C8642	C-CERA C	CK725B1H-102K1	1	332101025R1
C8645	C-CERA C	CK725B1H-102K1	1	332101025R1
C8646	C-CERA C	CK725B1H-102K1	1	332101025R1
C8647	C-CERA C	CK725F1E-104Z1	1	332161040R1
C8651	C-CARBON R	RN72K1J-000JE	1	435030004R1
C8652	C-CERA C	CK725B1H-102K1	1	332101025R1
C8701	C-CERA C	CK725F1A-105Z1	1	332181050R1
C8702	C-CERA C	CK725F1A-105Z1	1	332181050R1
C8703	C-CERA C	CK725F1A-105Z1	1	332181050R1
C8704	CHIP ELECT C	CEWX50V-4.7M	1	398180477R2
C8705	C-CERA C	CK725F1A-105Z1	1	332181050R1

C8706	C-CERA C	CK725F1A-105Z1	1	332181050R1
C8707	C-CERA C	CK725F1A-105Z1	1	332181050R1
C8708	C-CERA C	CK725F1A-105Z1	1	332181050R1
C8709	C-CERA C	CK725B0J-106K	1	332091065R2
C8710	C-CERA C	CK725F1A-105Z1	1	332181050R1
C8801	C-CERA C	CK725F1E-104Z1	1	332161040R1
C8802	C-CERA C	CK725F1E-104Z1	1	332161040R1
C8803	C-CERA C	CK725F1E-104Z1	1	332161040R1
C8804	C-CERA C	CK725F1E-104Z1	1	332161040R1
C8805	C-CERA C	CK725F1E-104Z1	1	332161040R1
C8806	C-CERA C	CK725B1H-102K1	1	332101025R1
C8807	C-CERA C	CK725F1E-104Z1	1	332161040R1
C8808	C-CERA C	CK725B1H-102K1	1	332101025R1
C8809	C-CERA C	CK725F1E-104Z1	1	332161040R1
C8810	C-CERA C	CK725B1H-102K1	1	332101025R1
C8811	C-CERA C	CK725F1E-104Z1	1	332161040R1
C8812	C-CERA C	CK725B1H-102K1	1	332101025R1
C8813	C-CERA C	CK725F1E-104Z1	1	332161040R1
C8814	C-CERA C	CK725B1H-102K1	1	332101025R1
C8815	C-CERA C	CK725F1E-104Z1	1	332161040R1
C8816	C-CERA C	CK725B1H-102K1	1	332101025R1
C8817	C-CERA C	CK725B0J-106K	1	332091065R2
C8818	C-CERA C	CK725B0J-106K	1	332091065R2
C8819	C-CERA C	CK725B0J-106K	1	332091065R2
C8820	C-CERA C	CK725B0J-106K	1	332091065R2
C8821	C-CERA C	CK725B1H-102K1	1	332101025R1
C8822	C-CERA C	CK725F1E-104Z1	1	332161040R1
C8921	C-CERA C	CK725B0J-106K	1	332091065R2
C8922	C-CERA C	CK725B1A-474K1	1	332134745R1
C8930	C-CERA C	CK725F1E-104Z1	1	332161040R1
C8931	C-CERA C	CK725F1E-104Z1	1	332161040R1
C8932	CHIP ELECT C	CEWX25V-100M	1	398151017R2
C8933	C-CERA C	CK725B1E-106K	1	332221065R2



C8934	C-CERA C	CK725B1E-106K	1	332221065R2	
C8935	CHIP ELECT C	CEWX16V-100M	1	398141017R2	
C8936	C-CERA C	CK725B0J-106K	1	332091065R2	
C8937	C-CERA C	CK725B0J-106K	1	332091065R2	
C8938	C-CERA C	CK725B1C-104K1	1	332121045R1	
C8939	C-CERA C	CK725B0J-106K	1	332091065R2	
C8940	C-CERA C	CK725B0J-106K	1	332091065R2	
C8942	CHIP TANTAL	TEESVB20J107M8R	1	398421017R2	N
C8942 or	CHIP TANTAL	F93-6.3V-100M	(1)	395521017R2	
C8942 or	CHIP TANTAL	TCSCS0J107MBAR	(1)	396521017R2	
C8943	C-CERA C	CK725B0J-106K	1	332091065R2	
C8945	C-CERA C	CK725B0J-106K	1	332091065R2	
C8947	CHIP TANTAL	TEESVB20J107M8R	1	398421017R2	N
C8947 or	CHIP TANTAL	F93-6.3V-100M	(1)	395521017R2	
C8947 or	CHIP TANTAL	TCSCS0J107MBAR	(1)	396521017R2	
C8948	C-CERA C	CK725B0J-106K	1	332091065R2	
C8951	C-CERA C	CK725B1C-104K1	1	332121045R1	
C8952	C-CERA C	CK725B1E-106K	1	332221065R2	
C8953	C-CERA C	CK725B1E-106K	1	332221065R2	
C8954	C-CERA C	CK725B1C-104K1	1	332121045R1	
C8956	C-CERA C	CK725B1H-103K1	1	332101035R1	
C8958	C-CERA C	CK725B0J-106K	1	332091065R2	
C8959	C-CERA C	CK725B0J-106K	1	332091065R2	
C8960	C-CERA C	CK725B0J-106K	1	332091065R2	
C8961	C-CERA C	CK725B1C-104K1	1	332121045R1	
C8962	C-CERA C	CK725B1E-106K	1	332221065R2	
C8963	C-CERA C	CK725B1E-106K	1	332221065R2	
C8964	C-CERA C	CK725B1C-104K1	1	332121045R1	
C8966	C-CERA C	CK725B1H-103K1	1	332101035R1	
C8967	C-CERA C	CC725CH1H-151J1	1	342101514R1	
C8968	C-CERA C	CK725B0J-106K	1	332091065R2	
C8969	C-CERA C	CK725B0J-106K	1	332091065R2	
C8970	C-CERA C	CK725B0J-106K	1	332091065R2	

C8971	C-CERA C	CK725B1C-104K1	1	332121045R1
C8972	C-CERA C	CK725B1E-106K	1	332221065R2
C8973	C-CERA C	CK725B1E-106K	1	332221065R2
C8974	C-CERA C	CK725B1C-104K1	1	332121045R1
C8976	C-CERA C	CK725B1H-223K1	1	332102235R1
C8977	C-CERA C	CC725CH1H-331J1	1	342103314R1
C8978	C-CERA C	CK725B0J-106K	1	332091065R2
C8979	C-CERA C	CK725B0J-106K	1	332091065R2
C8980	C-CERA C	CK725B0J-106K	1	332091065R2
C8981	C-CERA C	CK725B1C-104K1	1	332121045R1
C8982	C-CERA C	CK725B1E-106K	1	332221065R2
C8983	C-CERA C	CK725B1E-106K	1	332221065R2
C8984	C-CERA C	CK725B1C-104K1	1	332121045R1
C8986	C-CERA C	CK725B1H-223K1	1	332102235R1
C8987	C-CERA C	CC725CH1H-331J1	1	342103314R1
C8988	C-CERA C	CK725B0J-106K	1	332091065R2
C8989	C-CERA C	CK725B0J-106K	1	332091065R2
C8990	C-CERA C	CK725B0J-106K	1	332091065R2
C8991	C-CERA C	CK725F1A-105Z1	1	332181050R1
C8992	CHIP ELECT C	CEWX10V-220M	1	398132217R2
C8993	C-CERA C	CK725F1A-105Z1	1	332181050R1
C8994	CHIP ELECT C	CEWX10V-220M	1	398132217R2
C8995	C-CERA C	CK725F1A-105Z1	1	332181050R1
C8996	CHIP ELECT C	CEWX10V-220M	1	398132217R2
C8997	C-CERA C	CK725F1A-105Z1	1	332181050R1
C8998	CHIP ELECT C	CEWX10V-220M	1	398132217R2
C8999	C-CERA C	CK725F1A-105Z1	1	332181050R1
<b>[RESISTOR]</b>				
R268	C-CARBON R	RN72K1J-331JE	1	435033314R1
R269	C-CARBON R	RN72K1J-331JE	1	435033314R1
R270	C-CARBON R	RN72K1J-331JE	1	435033314R1
R271	C-CARBON R	RN72K1J-470JE	1	435034704R1
R272	C-CARBON R	RN72K1J-331JE	1	435033314R1

R273	C-CARBON R	RN72K1J-331JE	1	435033314R1
R274	C-CARBON R	RN72K1J-470JE	1	435034704R1
R275	C-CARBON R	RN72K1J-221JE	1	435032214R1
R276	C-CARBON R	RN72K1J-221JE	1	435032214R1
R277	C-CARBON R	RN72K1J-151JE	1	435031514R1
R278	C-CARBON R	RN72K1J-331JE	1	435033314R1
R279	C-CARBON R	RN72K1J-331JE	1	435033314R1
R280	C-CARBON R	RN72K1J-470JE	1	435034704R1
R3009	C-CARBON R	RN72K1J-330JE	1	435033304R1
R3010	C-R NET	RM7LJ330X04	1	43484733004R2
R3011	C-R NET	RM7LJ330X04	1	43484733004R2
R3012	C-R NET	RM7LJ470X04	1	43484747004R2
R3013	C-R NET	RM7LJ330X04	1	43484733004R2
R3014	C-R NET	RM7LJ330X04	1	43484733004R2
R3015	C-R NET	RM7LJ330X04	1	43484733004R2
R3016	C-CARBON R	RN72K1J-470JE	1	435034704R1
R3017	C-R NET	RM7LJ330X04	1	43484733004R2
R3018	C-CARBON R	RN72K1J-470JE	1	435034704R1
R3019	C-R NET	RM7LJ330X04	1	43484733004R2
R3020	C-R NET	RM7LJ330X04	1	43484733004R2
R3021	C-CARBON R	RN72K1J-470JE	1	435034704R1
R3022	C-CARBON R	RN72K1J-470JE	1	435034704R1
R3023	C-R NET	RM7LJ470X04	1	43484747004R2
R3024	C-CARBON R	RN72K1J-470JE	1	435034704R1
R3025	C-CARBON R	RN72K1J-102JE	1	435031024R1
R3026	C-CARBON R	RN72K1J-470JE	1	435034704R1
R3028	C-CARBON R	RN72K1J-470JE	1	435034704R1
R3029	C-CARBON R	RN72K1J-102JE	1	435031024R1
R3032	C-CARBON R	RN72K1J-103JE	1	435031034R1
R3033	C-CARBON R	RN72K1J-470JE	1	435034704R1
R3034	C-CARBON R	RN72K1J-470JE	1	435034704R1
R3035	C-CARBON R	RN72K1J-470JE	1	435034704R1
R3036	C-CARBON R	RN72K1J-470JE	1	435034704R1

R3037	C-CARBON R	RN72K1J-470JE	1	435034704R1
R3038	C-CARBON R	RN72K1J-470JE	1	435034704R1
R3039	C-CARBON R	RN72K1J-470JE	1	435034704R1
R3040	C-CARBON R	RN72K1J-103JE	1	435031034R1
R3041	C-R NET	RM7LJ330X04	1	43484733004R2
R3042	C-R NET	RM7LJ330X04	1	43484733004R2
R3043	C-CARBON R	RN72K1J-000JE	1	435030004R1
R3044	C-R NET	RM7LJ330X04	1	43484733004R2
R3045	C-R NET	RM7LJ330X04	1	43484733004R2
R3047	C-CARBON R	RN72K1J-560JE	1	435035604R1
R3048	C-CARBON R	RN72K1J-000JE	1	435030004R1
R3049	C-CARBON R	RN72K1J-560JE	1	435035604R1
R3050	C-CARBON R	RN72K1J-560JE	1	435035604R1
R3051	C-CARBON R	RN72K1J-560JE	1	435035604R1
R3052	C-CARBON R	RN72K1J-103JE	1	435031034R1
R3053	C-CARBON R	RN72K1J-103JE	1	435031034R1
R3054	C-CARBON R	RN72K1J-103JE	1	435031034R1
R3055	C-CARBON R	RN72K1J-472JE	1	435034724R1
R3056	C-CARBON R	RN72K1J-472JE	1	435034724R1
R3060	C-CARBON R	RN72K1J-680JE	1	435036804R1
R3061	C-CARBON R	RN72K1J-470JE	1	435034704R1
R3062	C-CARBON R	RN72K1J-680JE	1	435036804R1
R3063	C-CARBON R	RN72K1J-680JE	1	435036804R1
R3064	C-CARBON R	RN72K1J-680JE	1	435036804R1
R3065	C-CARBON R	RN72K1J-680JE	1	435036804R1
R3066	C-CARBON R	RN72K1J-102JE	1	435031024R1
R3101	C-CARBON R	RN72K1J-103JE	1	435031034R1
R3104	C-CARBON R	RN72K1J-331JE	1	435033314R1
R3108	C-CARBON R	RN72K1J-103JE	1	435031034R1
R3110	C-CARBON R	RN72K1J-103JE	1	435031034R1
R3111	C-CARBON R	RN72K1J-103JE	1	435031034R1
R3113	C-CARBON R	RN72K1J-103JE	1	435031034R1
R3115	C-CARBON R	RN72K1J-103JE	1	435031034R1

R3117	C-CARBON R	RN72K1J-103JE	1	435031034R1
R3119	C-CARBON R	RN72K1J-472JE	1	435034724R1
R3122	C-CARBON R	RN72K1J-102JE	1	435031024R1
R3123	C-CARBON R	RN72K1J-000JE	1	435030004R1
R3124	C-CARBON R	RN72K1J-331JE	1	435033314R1
R3125	C-CARBON R	RN72K1J-470JE	1	435034704R1
R3126	C-CARBON R	RN72K1J-470JE	1	435034704R1
R3127	C-CARBON R	RN72K1J-470JE	1	435034704R1
R3128	C-CARBON R	RN72K1J-472JE	1	435034724R1
R3129	C-CARBON R	RN72K1J-470JE	1	435034704R1
R3130	C-CARBON R	RN72K1J-470JE	1	435034704R1
R3131	C-CARBON R	RN72K1J-470JE	1	435034704R1
R3132	C-CARBON R	RN72K1J-103JE	1	435031034R1
R3133	C-CARBON R	RN72K1J-470JE	1	435034704R1
R3134	C-CARBON R	RN72K1J-103JE	1	435031034R1
R3135	C-CARBON R	RN72K1J-103JE	1	435031034R1
R3136	C-CARBON R	RN72K1J-000JE	1	435030004R1
R3137	C-CARBON R	RN72K1J-000JE	1	435030004R1
R3139	C-CARBON R	RN72K1J-101JE	1	435031014R1
R3143	C-CARBON R	RN72K1J-103JE	1	435031034R1
R3144	C-CARBON R	RN72K1J-101JE	1	435031014R1
R3145	C-CARBON R	RN72K1J-103JE	1	435031034R1
R3146	C-CARBON R	RN72K1J-390JE	1	435033904R1
R3147	C-CARBON R	RN72K1J-000JE	1	435030004R1
R3148	C-CARBON R	RN72K1J-390JE	1	435033904R1
R3149	C-CARBON R	RN72K1J-102JE	1	435031024R1
R3150	C-CARBON R	RN72K1J-151JE	1	435031514R1
R3151	C-CARBON R	RN72K1J-103JE	1	435031034R1
R3152	C-CARBON R	RN72K1J-103JE	1	435031034R1
R3154	C-CARBON R	RN72K1J-390JE	1	435033904R1
R3155	C-CARBON R	RN72K1J-390JE	1	435033904R1
R3156	C-CARBON R	RN72K1J-390JE	1	435033904R1
R3157	C-CARBON R	RN72K1J-000JE	1	435030004R1

R3158	C-CARBON R	RN72K1J-000JE	1	435030004R1
R3159	C-CARBON R	RN72K1J-000JE	1	435030004R1
R3160	C-CARBON R	RN72K1J-000JE	1	435030004R1
R3162	C-CARBON R	RN72K1J-390JE	1	435033904R1
R3163	C-CARBON R	RN72K1J-220JE	1	435032204R1
R3164	C-CARBON R	RN72K1J-472JE	1	435034724R1
R3168	C-CARBON R	RN72K1J-220JE	1	435032204R1
R3169	C-CARBON R	RN72K1J-220JE	1	435032204R1
R3170	C-CARBON R	RN72K1J-391FE	1	435033912R1
R3171	C-CARBON R	RN72K1J-222FE	1	435032222R1
R3172	C-CARBON R	RN72K1J-392FE	1	435033922R1
R3173	C-CARBON R	RN72K1J-390JE	1	435033904R1
R3174	C-CARBON R	RN72K1J-390JE	1	435033904R1
R3176	C-CARBON R	MCR03EZPF49R9(49.9_1%)	1	4100037R2
R3177	C-CARBON R	MCR03EZPF49R9(49.9_1%)	1	4100037R2
R3178	C-CARBON R	MCR03EZPF49R9(49.9_1%)	1	4100037R2
R3179	C-CARBON R	MCR03EZPF49R9(49.9_1%)	1	4100037R2
R3180	C-CARBON R	RN72K1J-100FE	1	435031002R1
R3181	C-CARBON R	RN72K1J-470JE	1	435034704R1
R3182	C-CARBON R	RN72K1J-472JE	1	435034724R1
R3183	C-CARBON R	RN72K1J-470JE	1	435034704R1
R3184	C-CARBON R	RN72K1J-470JE	1	435034704R1
R3185	C-CARBON R	RN72K1J-332FE	1	435033322R1
R3186	C-CARBON R	RN72K1J-472JE	1	435034724R1
R3187	C-CARBON R	RN72K1J-223FE	1	435032232R1
R3188	C-CARBON R	RN72K1J-224FE	1	435032242R1
R3189	C-CARBON R	RN72K1J-682FE	1	435036822R1
R3190	C-CARBON R	RN72K1J-393FE	1	435033932R1
R3191	C-CARBON R	RN72K1J-105FE	1	435031052R1
R3192	C-CARBON R	RN72K1J-472JE	1	435034724R1
R3193	C-CARBON R	RN72K1J-472JE	1	435034724R1
R3194	C-CARBON R	RN72K1J-472JE	1	435034724R1
R3199	C-CARBON R	RN72K1J-102JE	1	435031024R1



R3200	C-CARBON R	RN72K1J-103JE	1	435031034R1
R3201	C-CARBON R	RN72K1J-103JE	1	435031034R1
R3202	C-CARBON R	RN72K1J-103JE	1	435031034R1
R3203	C-CARBON R	RN72K1J-103JE	1	435031034R1
R3204	C-CARBON R	RN72K1J-103JE	1	435031034R1
R3205	C-CARBON R	RN72K1J-103JE	1	435031034R1
R3208	C-CARBON R	RN72K1J-271JE	1	435032714R1
R3212	C-CARBON R	RN72K1J-220JE	1	435032204R1
R3215	C-CARBON R	RN72K1J-221JE	1	435032214R1
R3218	C-CARBON R	RN72K1J-220JE	1	435032204R1
R3219	C-CARBON R	RN72K1J-221JE	1	435032214R1
R3221	C-CARBON R	RN72K1J-470JE	1	435034704R1
R3224	C-CARBON R	RN72K1J-331JE	1	435033314R1
R3225	C-CARBON R	RN72K1J-220JE	1	435032204R1
R3226	C-R NET	RM7LJ470X04	1	43484747004R2
R3227	C-CARBON R	RN72K1J-470JE	1	435034704R1
R3228	C-CARBON R	RN72K1J-470JE	1	435034704R1
R3229	C-CARBON R	RN72K1J-470JE	1	435034704R1
R3230	C-CARBON R	RN72K1J-221JE	1	435032214R1
R3231	C-CARBON R	RN72K1J-470JE	1	435034704R1
R3232	C-CARBON R	RN72K1J-221JE	1	435032214R1
R3233	C-CARBON R	RN72K1J-221JE	1	435032214R1
R3234	C-CARBON R	RN72K1J-470JE	1	435034704R1
R3236	C-CARBON R	RN72K1J-470JE	1	435034704R1
R3237	C-CARBON R	RN72K1J-221JE	1	435032214R1
R3238	C-CARBON R	RN72K1J-470JE	1	435034704R1
R3239	C-CARBON R	RN72K1J-221JE	1	435032214R1
R3240	C-CARBON R	RN72K1J-103JE	1	435031034R1
R3241	C-CARBON R	RN72K1J-221JE	1	435032214R1
R3242	C-CARBON R	RN72K1J-221JE	1	435032214R1
R3243	C-CARBON R	RN72K1J-220JE	1	435032204R1
R3244	C-CARBON R	RN72K1J-470JE	1	435034704R1
R3246	C-CARBON R	RN72K1J-103JE	1	435031034R1

R3247	C-CARBON R	RN72K1J-121JE	1	435031214R1
R3248	C-CARBON R	RN72K1J-220JE	1	435032204R1
R3249	C-CARBON R	RN72K1J-470JE	1	435034704R1
R3250	C-CARBON R	RN72K1J-470JE	1	435034704R1
R3251	C-CARBON R	RN72K1J-470JE	1	435034704R1
R3253	C-CARBON R	RN72K1J-470JE	1	435034704R1
R3254	C-CARBON R	RN72K1J-470JE	1	435034704R1
R3255	C-CARBON R	RN72K1J-103JE	1	435031034R1
R3256	C-CARBON R	RN72K1J-470JE	1	435034704R1
R3257	C-CARBON R	RN72K1J-470JE	1	435034704R1
R3259	C-CARBON R	RN72K1J-220JE	1	435032204R1
R3260	C-CARBON R	RN72K1J-390JE	1	435033904R1
R3261	C-CARBON R	RN72K1J-470JE	1	435034704R1
R3262	C-CARBON R	RN72K1J-221JE	1	435032214R1
R3264	C-CARBON R	RN72K1J-470JE	1	435034704R1
R3265	C-CARBON R	RN72K1J-390JE	1	435033904R1
R3267	C-CARBON R	RN72K1J-470JE	1	435034704R1
R3268	C-CARBON R	RN72K1J-390JE	1	435033904R1
R3270	C-CARBON R	RN72K1J-470JE	1	435034704R1
R3271	C-CARBON R	RN72K1J-390JE	1	435033904R1
R3272	C-CARBON R	RN72K1J-470JE	1	435034704R1
R3273	C-CARBON R	RN72K1J-470JE	1	435034704R1
R3274	C-CARBON R	RN72K1J-390JE	1	435033904R1
R3275	C-CARBON R	RN72K1J-220JE	1	435032204R1
R3276	C-CARBON R	RN72K1J-470JE	1	435034704R1
R3277	C-CARBON R	RN72K1J-220JE	1	435032204R1
R3278	C-CARBON R	RN72K1J-470JE	1	435034704R1
R3279	C-CARBON R	RN72K1J-470JE	1	435034704R1
R3280	C-CARBON R	RN72K1J-470JE	1	435034704R1
R3281	C-CARBON R	RN72K1J-103JE	1	435031034R1
R3282	C-CARBON R	RN72K1J-103JE	1	435031034R1
R3283	C-CARBON R	RN72K1J-103JE	1	435031034R1
R3284	C-CARBON R	RN72K1J-103JE	1	435031034R1

R3287	C-CARBON R	RN72K1J-220JE	1	435032204R1
R3288	C-CARBON R	RN72K1J-223JE	1	435032234R1
R3289	C-CARBON R	RN72K1J-472JE	1	435034724R1
R3290	C-CARBON R	RN72K1J-221JE	1	435032214R1
R3291	C-CARBON R	RN72K1J-105JE	1	435031054R1
R3293	C-CARBON R	RN72K1J-560JE	1	435035604R1
R3294	C-CARBON R	RN72K1J-561FE	1	435035612R1
R3295	C-CARBON R	RN72K1J-560JE	1	435035604R1
R3296	C-CARBON R	RN72K1J-223JE	1	435032234R1
R3297	C-CARBON R	RN72K1J-822JE	1	435038224R1
R3298	C-CARBON R	RN72K1J-332JE	1	435033324R1
R3299	C-CARBON R	RN72K1J-220JE	1	435032204R1
R3300	C-CARBON R	RN72K1J-153JE	1	435031534R1
R3301	C-CARBON R	RN72K1J-153JE	1	435031534R1
R3302	C-CARBON R	RN72K1J-331JE	1	435033314R1
R3303	C-CARBON R	RN72K1J-104JE	1	435031044R1
R3304	C-CARBON R	RN72K1J-153JE	1	435031534R1
R3305	C-CARBON R	RN72K1J-153JE	1	435031534R1
R3307	C-CARBON R	RN72K1J-104JE	1	435031044R1
R3308	C-CARBON R	RN72K1J-223JE	1	435032234R1
R3309	C-CARBON R	RN72K1J-822JE	1	435038224R1
R3310	C-CARBON R	RN72K1J-332JE	1	435033324R1
R3311	C-CARBON R	RN72K1J-471JE	1	435034714R1
R3312	C-CARBON R	RN72K1J-223JE	1	435032234R1
R3313	C-CARBON R	RN72K1J-472JE	1	435034724R1
R3314	C-CARBON R	RN72K1J-391JE	1	435033914R1
R3315	C-CARBON R	RN72K1J-750JE	1	435037504R1
R3401	C-CARBON R	RN72K1J-000JE	1	435030004R1
R3402	C-CARBON R	RN72K1J-000JE	1	435030004R1
R3403	C-CARBON R	RN72K1J-000JE	1	435030004R1
R3404	C-CARBON R	RN72K1J-000JE	1	435030004R1
R3406	C-CARBON R	RN72K1J-332JE	1	435033324R1
R3407	C-CARBON R	RN72K1J-103JE	1	435031034R1

R3408	C-CARBON R	RN72K1J-331JE	1	435033314R1
R3409	C-CARBON R	RN72K1J-331JE	1	435033314R1
R3412	C-CARBON R	RN72K1J-472JE	1	435034724R1
R3414	C-CARBON R	RN72K1J-103JE	1	435031034R1
R3415	C-CARBON R	RN72K1J-331JE	1	435033314R1
R3416	C-CARBON R	RN72K1J-331JE	1	435033314R1
R3417	C-CARBON R	RN72K1J-331JE	1	435033314R1
R3418	C-CARBON R	RN72K1J-331JE	1	435033314R1
R3419	C-CARBON R	RN72K1J-331JE	1	435033314R1
R3421	C-CARBON R	RN72K1J-560JE	1	435035604R1
R3423	C-CARBON R	RN72K1J-000JE	1	435030004R1
R3424	C-CARBON R	RN72K1J-470JE	1	435034704R1
R3425	C-CARBON R	RN72K1J-470JE	1	435034704R1
R3429	C-R NET	RM7LJ470X04	1	43484747004R2
R3430	C-R NET	RM7LJ470X04	1	43484747004R2
R3434	C-CARBON R	RN72K1J-332JE	1	435033324R1
R3435	C-CARBON R	RN72K1J-101JE	1	435031014R1
R3436	C-CARBON R	RN72K1J-560JE	1	435035604R1
R3437	C-CARBON R	RN72K1J-560JE	1	435035604R1
R3438	C-CARBON R	RN72K1J-560JE	1	435035604R1
R3439	C-CARBON R	RN72K1J-332JE	1	435033324R1
R3440	C-CARBON R	RN72K1J-332JE	1	435033324R1
R3441	C-R NET	RM7LJ470X04	1	43484747004R2
R3442	C-CARBON R	RN72K1J-105JE	1	435031054R1
R3443	C-CARBON R	RN72K1J-561JE	1	435035614R1
R3444	C-CARBON R	RN72K1J-391JE	1	435033914R1
R3445	C-R NET	RM7LJ470X04	1	43484747004R2
R3447	C-CARBON R	RN72K1J-560JE	1	435035604R1
R3448	C-CARBON R	RN72K1J-330JE	1	435033304R1
R3450	C-CARBON R	RN72K1J-560JE	1	435035604R1
R3452	C-CARBON R	RN72K1J-470JE	1	435034704R1
R3453	C-CARBON R	RN72K1J-470JE	1	435034704R1
R3454	C-CARBON R	RN72K1J-470JE	1	435034704R1

R3455	C-CARBON R	RN72K1J-121JE	1	435031214R1
R3456	C-CARBON R	RN72K1J-470JE	1	435034704R1
R3457	C-CARBON R	RN72K1J-470JE	1	435034704R1
R3458	C-CARBON R	RN72K1J-470JE	1	435034704R1
R3459	C-CARBON R	RN72K1J-470JE	1	435034704R1
R3460	C-CARBON R	RN72K1J-470JE	1	435034704R1
R3461	C-CARBON R	RN72K1J-470JE	1	435034704R1
R3462	C-CARBON R	RN72K1J-102JE	1	435031024R1
R3464	C-CARBON R	RN72K1J-102JE	1	435031024R1
R3465	C-CARBON R	RN72K1J-102JE	1	435031024R1
R3466	C-CARBON R	RN72K1J-102JE	1	435031024R1
R3468	C-CARBON R	RN72K1J-103JE	1	435031034R1
R3469	C-CARBON R	RN72K1J-103JE	1	435031034R1
R3470	C-CARBON R	RN72K1J-103JE	1	435031034R1
R3473	C-CARBON R	RN72K1J-103JE	1	435031034R1
R3474	C-CARBON R	RN72K1J-103JE	1	435031034R1
R3480	C-CARBON R	RN72K1J-472JE	1	435034724R1
R3481	C-CARBON R	RN72K1J-332JE	1	435033324R1
R3484	C-CARBON R	RN72K1J-470JE	1	435034704R1
R3485	C-CARBON R	RN72K1J-470JE	1	435034704R1
R3486	C-CARBON R	RN72K1J-472JE	1	435034724R1
R3487	C-CARBON R	RN72K1J-331JE	1	435033314R1
R3488	C-CARBON R	RN72K1J-332JE	1	435033324R1
R3489	C-CARBON R	RN72K1J-470JE	1	435034704R1
R3491	C-CARBON R	RN72K1J-332JE	1	435033324R1
R3492	C-CARBON R	RN72K1J-331JE	1	435033314R1
R3494	C-R NET	RM7LJ470X04	1	43484747004R2
R3495	C-R NET	RM7LJ470X04	1	43484747004R2
R3496	C-R NET	RM7LJ470X04	1	43484747004R2
R3497	C-R NET	RM7LJ470X04	1	43484747004R2
R3498	C-CARBON R	RN72K1J-331JE	1	435033314R1
R3500	C-CARBON R	RN72K1J-470JE	1	435034704R1
R3501	C-CARBON R	RN72K1J-470JE	1	435034704R1

R3502	C-CARBON R	RN72K1J-470JE	1	435034704R1
R3503	C-CARBON R	RN72K1J-470JE	1	435034704R1
R3504	C-CARBON R	RN72K1J-470JE	1	435034704R1
R3505	C-CARBON R	RN72K1J-470JE	1	435034704R1
R3506	C-CARBON R	RN72K1J-470JE	1	435034704R1
R3508	C-CARBON R	RN72K1J-470JE	1	435034704R1
R3510	C-CARBON R	RN72K1J-470JE	1	435034704R1
R3512	C-CARBON R	RN72K1J-470JE	1	435034704R1
R3513	C-CARBON R	RN72K1J-470JE	1	435034704R1
R3515	C-CARBON R	RN72K1J-470JE	1	435034704R1
R3516	C-CARBON R	RN72K1J-472JE	1	435034724R1
R3670	C-CARBON R	RN72K1J-103JE	1	435031034R1
R3671	C-CARBON R	RN72K1J-000JE	1	435030004R1
R3673	C-CARBON R	RN72K1J-082JE	1	435030824R1
R3674	C-CARBON R	RN72K1J-000JE	1	435030004R1
R8001	C-CARBON R	RN72K1J-220JE	1	435032204R1
R8005	C-CARBON R	RN72K1J-750JE	1	435037504R1
R8008	C-CARBON R	RN72K1J-471JE	1	435034714R1
R8009	C-CARBON R	RN72K1J-680JE	1	435036804R1
R8010	C-CARBON R	RN72K1J-471JE	1	435034714R1
R8011	C-CARBON R	RN72K1J-680JE	1	435036804R1
R8013	C-CARBON R	RN72K1J-220JE	1	435032204R1
R8014	C-CARBON R	RN72K1J-220JE	1	435032204R1
R8017	C-CARBON R	RN72K1J-750JE	1	435037504R1
R8018	C-CARBON R	RN72K1J-750JE	1	435037504R1
R8020	C-CARBON R	RN72K1J-471JE	1	435034714R1
R8021	C-CARBON R	RN72K1J-680JE	1	435036804R1
R8022	C-CARBON R	RN72K1J-471JE	1	435034714R1
R8023	C-CARBON R	RN72K1J-680JE	1	435036804R1
R8027	C-CARBON R	RN72K1J-220JE	1	435032204R1
R8031	C-CARBON R	RN72K1J-750JE	1	435037504R1
R8032	C-CARBON R	RN72K1J-471JE	1	435034714R1
R8033	C-CARBON R	RN72K1J-680JE	1	435036804R1



R8034	C-CARBON R	RN72K1J-471JE	1	435034714R1
R8035	C-CARBON R	RN72K1J-680JE	1	435036804R1
R8038	C-CARBON R	RN72K1J-220JE	1	435032204R1
R8039	C-CARBON R	RN72K1J-220JE	1	435032204R1
R8042	C-CARBON R	RN72K1J-750JE	1	435037504R1
R8043	C-CARBON R	RN72K1J-750JE	1	435037504R1
R8044	C-CARBON R	RN72K1J-471JE	1	435034714R1
R8045	C-CARBON R	RN72K1J-680JE	1	435036804R1
R8046	C-CARBON R	RN72K1J-220JE	1	435032204R1
R8047	C-CARBON R	RN72K1J-471JE	1	435034714R1
R8048	C-CARBON R	RN72K1J-680JE	1	435036804R1
R8049	C-CARBON R	RN72K1J-220JE	1	435032204R1
R8050	C-CARBON R	RN72K1J-471JE	1	435034714R1
R8051	C-CARBON R	RN72K1J-680JE	1	435036804R1
R8052	C-CARBON R	RN72K1J-220JE	1	435032204R1
R8053	C-CARBON R	RN72K1J-471JE	1	435034714R1
R8054	C-CARBON R	RN72K1J-680JE	1	435036804R1
R8055	C-CARBON R	RN72K1J-750JE	1	435037504R1
R8056	C-CARBON R	RN72K1J-750JE	1	435037504R1
R8057	C-CARBON R	RN72K1J-750JE	1	435037504R1
R8058	C-CARBON R	RN72K1J-101JE	1	435031014R1
R8059	C-CARBON R	RN72K1J-101JE	1	435031014R1
R8060	C-CARBON R	RN72K1J-103JE	1	435031034R1
R8061	C-CARBON R	RN72K1J-103JE	1	435031034R1
R8062	C-CARBON R	RN72K1J-103JE	1	435031034R1
R8063	C-CARBON R	RN72K1J-103JE	1	435031034R1
R8065	C-CARBON R	RN72K1J-330JE	1	435033304R1
R8066	C-CARBON R	RN72K1J-330JE	1	435033304R1
R8075	C-CARBON R	RN72K1J-750JE	1	435037504R1
R8076	C-CARBON R	RN72K1J-750JE	1	435037504R1
R8077	C-CARBON R	RN72K1J-750JE	1	435037504R1
R8078	C-CARBON R	RN72K1J-750JE	1	435037504R1
R8079	C-CARBON R	RN72K1J-750JE	1	435037504R1

R8080	C-CARBON R	RN72K1J-750JE	1	435037504R1
R8160	C-CARBON R	RN72K1J-472JE	1	435034724R1
R8161	C-CARBON R	RN72K1J-104JE	1	435031044R1
R8162	C-CARBON R	RN72K1J-104JE	1	435031044R1
R8163	C-CARBON R	RN72K1J-104JE	1	435031044R1
R8164	C-CARBON R	RN72K1J-104JE	1	435031044R1
R8165	C-CARBON R	RN72K1J-104JE	1	435031044R1
R8166	C-CARBON R	RN72K1J-000JE	1	435030004R1
R8204	C-CARBON R	RN72K1J-000JE	1	435030004R1
R8205	C-CARBON R	RN72K1J-000JE	1	435030004R1
R8206	C-CARBON R	RN72K1J-103JE	1	435031034R1
R8207	C-CARBON R	RN72K1J-271JE	1	435032714R1
R8208	C-CARBON R	RN72K1J-103JE	1	435031034R1
R8210	C-CARBON R	RN72K1J-560JE	1	435035604R1
R8211	C-R NET	RM7LJ220X04	1	43484722004R2
R8212	C-CARBON R	RN72K1J-103JE	1	435031034R1
R8213	C-CARBON R	RN72K1J-103JE	1	435031034R1
R8214	C-CARBON R	RN72K1J-103JE	1	435031034R1
R8215	C-CARBON R	RN72K1J-103JE	1	435031034R1
R8216	C-CARBON R	RN72K1J-103JE	1	435031034R1
R8217	C-CARBON R	RN72K1J-103JE	1	435031034R1
R8218	C-CARBON R	RN72K1J-101JE	1	435031014R1
R8219	C-CARBON R	RN72K1J-101JE	1	435031014R1
R8220	C-CARBON R	RN72K1J-101JE	1	435031014R1
R8221	C-CARBON R	RN72K1J-101JE	1	435031014R1
R8222	C-CARBON R	RN72K1J-272JE	1	435032724R1
R8223	C-CARBON R	RN72K1J-272JE	1	435032724R1
R8224	C-CARBON R	RN72K1J-103JE	1	435031034R1
R8225	C-R NET	RM7LJ220X04	1	43484722004R2
R8226	C-R NET	RM7LJ220X04	1	43484722004R2
R8228	C-CARBON R	RN72K1J-103JE	1	435031034R1
R8229	C-CARBON R	RN72K1J-103JE	1	435031034R1
R8230	C-CARBON R	RN72K1J-103JE	1	435031034R1

R8231	C-CARBON R	RN72K1J-103JE	1	435031034R1
R8232	C-CARBON R	RN72K1J-103JE	1	435031034R1
R8233	C-CARBON R	RN72K1J-102JE	1	435031024R1
R8234	C-CARBON R	RN72K1J-103JE	1	435031034R1
R8236	C-CARBON R	RN72K1J-103JE	1	435031034R1
R8245	C-CARBON R	RN72K1J-222JE	1	435032224R1
R8246	C-CARBON R	RN72K1J-222JE	1	435032224R1
R8251	C-CARBON R	RN72K1J-221JE	1	435032214R1
R8252	C-CARBON R	RN72K1J-222JE	1	435032224R1
R8253	C-CARBON R	RN72K1J-221JE	1	435032214R1
R8254	C-CARBON R	RN72K1J-222JE	1	435032224R1
R8255	C-R NET	RM7LJ220X04	1	43484722004R2
R8256	C-R NET	RM7LJ220X04	1	43484722004R2
R8257	C-R NET	RM7LJ220X04	1	43484722004R2
R8258	C-R NET	RM7LJ220X04	1	43484722004R2
R8259	C-R NET	RM7LJ220X04	1	43484722004R2
R8260	C-R NET	RM7LJ220X04	1	43484722004R2
R8261	C-R NET	RM7LJ220X04	1	43484722004R2
R8262	C-R NET	RM7LJ220X04	1	43484722004R2
R8263	C-R NET	RM7LJ220X04	1	43484722004R2
R8264	C-R NET	RM7LJ220X04	1	43484722004R2
R8265	C-R NET	RM7LJ220X04	1	43484722004R2
R8266	C-R NET	RM7LJ220X04	1	43484722004R2
R8267	C-R NET	RM7LJ220X04	1	43484722004R2
R8268	C-R NET	RM7LJ220X04	1	43484722004R2
R8269	C-R NET	RM7LJ220X04	1	43484722004R2
R8270	C-R NET	RM7LJ220X04	1	43484722004R2
R8271	C-R NET	RM7LJ220X04	1	43484722004R2
R8272	C-CARBON R	RN72K1J-103JE	1	435031034R1
R8273	C-CARBON R	RN72K1J-000JE	1	435030004R1
R8274	C-CARBON R	RN72K1J-272FE	1	435032722R1
R8275	C-CARBON R	RN72K1J-331FE	1	435033312R1
R8276	C-CARBON R	RN72K1J-220JE	1	435032204R1

R8277	C-CARBON R	RN72K1J-220JE	1	435032204R1
R8281	C-R NET	RM7LJ220X04	1	43484722004R2
R8282	C-R NET	RM7LJ220X04	1	43484722004R2
R8283	C-CARBON R	RN72K1J-220JE	1	435032204R1
R8284	C-R NET	RM7LJ220X04	1	43484722004R2
R8285	C-CARBON R	RN72K1J-220JE	1	435032204R1
R8286	C-CARBON R	RN72K1J-220JE	1	435032204R1
R8287	C-R NET	RM7LJ220X04	1	43484722004R2
R8288	C-R NET	RM7LJ220X04	1	43484722004R2
R8289	C-R NET	RM7LJ220X04	1	43484722004R2
R8290	C-R NET	RM7LJ220X04	1	43484722004R2
R8291	C-R NET	RM7LJ220X04	1	43484722004R2
R8330	C-CARBON R	RN72K1J-000JE	1	435030004R1
R8331	C-CARBON R	RN72K1J-000JE	1	435030004R1
R8333	C-CARBON R	RN72K1J-103JE	1	435031034R1
R8334	C-CARBON R	RN72K1J-182JE	1	435031824R1
R8335	C-CARBON R	RN72K1J-182JE	1	435031824R1
R8336	C-CARBON R	RN72K1J-472JE	1	435034724R1
R8337	C-CARBON R	RN72K1J-104JE	1	435031044R1
R8338	C-CARBON R	RN72K1J-473JE	1	435034734R1
R8401	C-CARBON R	RN72K1J-220JE	1	435032204R1
R8402	C-R NET	RM7LJ220X04	1	43484722004R2
R8403	C-CARBON R	RN72K1J-220JE	1	435032204R1
R8404	C-CARBON R	RN72K1J-220JE	1	435032204R1
R8405	C-CARBON R	RN72K1J-220JE	1	435032204R1
R8408	C-CARBON R	RN72K1J-220JE	1	435032204R1
R8409	C-CARBON R	RN72K1J-101JE	1	435031014R1
R8410	C-CARBON R	RN72K1J-000JE	1	435030004R1
R8411	C-CARBON R	RN72K1J-472JE	1	435034724R1
R8412	C-CARBON R	RN72K1J-562JE	1	435035624R1
R8413	C-CARBON R	RN72K1J-000JE	1	435030004R1
R8416	C-R NET	RM7LJ220X04	1	43484722004R2
R8417	C-R NET	RM7LJ220X04	1	43484722004R2

R8418	C-R NET	RM7LJ220X04	1	43484722004R2
R8419	C-R NET	RM7LJ220X04	1	43484722004R2
R8420	C-R NET	RM7LJ220X04	1	43484722004R2
R8421	C-R NET	RM7LJ220X04	1	43484722004R2
R8422	C-R NET	RM7LJ220X04	1	43484722004R2
R8423	C-R NET	RM7LJ220X04	1	43484722004R2
R8424	C-R NET	RM7LJ220X04	1	43484722004R2
R8425	C-CARBON R	RN72K1J-220JE	1	435032204R1
R8426	C-R NET	RM7LJ220X04	1	43484722004R2
R8427	C-CARBON R	RN72K1J-100JE	1	435031004R1
R8428	C-CARBON R	RN72K1J-100JE	1	435031004R1
R8429	C-CARBON R	RN72K1J-101JE	1	435031014R1
R8430	C-CARBON R	RN72K1J-101JE	1	435031014R1
R8431	C-CARBON R	RN72K1J-101JE	1	435031014R1
R8432	C-CARBON R	RN72K1J-101JE	1	435031014R1
R8433	C-CARBON R	RN72K1J-100JE	1	435031004R1
R8434	C-CARBON R	RN72K1J-103JE	1	435031034R1
R8435	C-CARBON R	RN72K1J-823JE	1	435038234R1
R8436	C-CARBON R	RN72K1J-330JE	1	435033304R1
R8442	C-CARBON R	RN72K1J-000JE	1	435030004R1
R8501	C-CARBON R	RN72K1J-330JE	1	435033304R1
R8502	C-CARBON R	RN72K1J-330JE	1	435033304R1
R8503	C-CARBON R	RN72K1J-330JE	1	435033304R1
R8504	C-R NET	RM7LJ330X04	1	43484733004R2
R8505	C-R NET	RM7LJ330X04	1	43484733004R2
R8506	C-CARBON R	RN72K1J-120JE	1	435031204R1
R8507	C-R NET	RM7LJ330X04	1	43484733004R2
R8508	C-R NET	RM7LJ330X04	1	43484733004R2
R8509	C-R NET	RM7LJ330X04	1	43484733004R2
R8510	C-R NET	RM7LJ330X04	1	43484733004R2
R8511	C-R NET	RM7LJ330X04	1	43484733004R2
R8512	C-R NET	RM7LJ330X04	1	43484733004R2
R8513	C-R NET	RM7LJ330X04	1	43484733004R2

R8516	C-CARBON R	RN72K1J-101JE	1	435031014R1
R8517	C-CARBON R	RN72K1J-101JE	1	435031014R1
R8518	C-CARBON R	RN72K1J-472JE	1	435034724R1
R8519	C-CARBON R	RN72K1J-220JE	1	435032204R1
R8520	C-CARBON R	RN72K1J-330JE	1	435033304R1
R8521	C-CARBON R	RN72K1J-330JE	1	435033304R1
R8522	C-R NET	RM7LJ330X04	1	43484733004R2
R8523	C-CARBON R	RN72K1J-330JE	1	435033304R1
R8524	C-CARBON R	RN72K1J-330JE	1	435033304R1
R8525	C-CARBON R	RN72K1J-472JE	1	435034724R1
R8526	C-CARBON R	RN72K1J-472JE	1	435034724R1
R8527	C-CARBON R	RN72K1J-562JE	1	435035624R1
R8528	C-CARBON R	RN72K1J-562JE	1	435035624R1
R8530	C-CARBON R	RN72K1J-105JE	1	435031054R1
R8533	C-CARBON R	RN72K1J-000JE	1	435030004R1
R8534	C-CARBON R	RN72K1J-330JE	1	435033304R1
R8607	C-CARBON R	RN72K1J-473JE	1	435034734R1
R8608	C-CARBON R	RN72K1J-473JE	1	435034734R1
R8609	C-CARBON R	RN72K1J-000JE	1	435030004R1
R8610	C-CARBON R	RN72K1J-000JE	1	435030004R1
R8617	C-CARBON R	RN72K1J-473JE	1	435034734R1
R8618	C-CARBON R	RN72K1J-473JE	1	435034734R1
R8619	C-CARBON R	RN72K1J-000JE	1	435030004R1
R8620	C-CARBON R	RN72K1J-000JE	1	435030004R1
R8627	C-CARBON R	RN72K1J-473JE	1	435034734R1
R8628	C-CARBON R	RN72K1J-473JE	1	435034734R1
R8629	C-CARBON R	RN72K1J-000JE	1	435030004R1
R8630	C-CARBON R	RN72K1J-000JE	1	435030004R1
R8637	C-CARBON R	RN72K1J-473JE	1	435034734R1
R8638	C-CARBON R	RN72K1J-473JE	1	435034734R1
R8639	C-CARBON R	RN72K1J-000JE	1	435030004R1
R8640	C-CARBON R	RN72K1J-000JE	1	435030004R1
R8641	C-CARBON R	RN72K1J-000JE	1	435030004R1



R8642	C-CARBON R	RN72K1J-000JE	1	435030004R1
R8643	C-CARBON R	RN72K1J-472JE	1	435034724R1
R8644	C-CARBON R	RN72K1J-472JE	1	435034724R1
R8647	C-CARBON R	RN72K1J-473JE	1	435034734R1
R8648	C-CARBON R	RN72K1J-473JE	1	435034734R1
R8649	C-CARBON R	RN72K1J-000JE	1	435030004R1
R8650	C-CARBON R	RN72K1J-000JE	1	435030004R1
R8657	C-CARBON R	RN72K1J-473JE	1	435034734R1
R8658	C-CARBON R	RN72K1J-473JE	1	435034734R1
R8659	C-CARBON R	RN72K1J-000JE	1	435030004R1
R8660	C-CARBON R	RN72K1J-000JE	1	435030004R1
R8701	C-CARBON R	RN72K1J-103JE	1	435031034R1
R8702	C-CARBON R	RN72K1J-103JE	1	435031034R1
R8703	C-CARBON R	RN72K1J-103JE	1	435031034R1
R8704	C-CARBON R	RN72K1J-103JE	1	435031034R1
R8705	C-CARBON R	RN72K1J-220JE	1	435032204R1
R8706	C-CARBON R	RN72K1J-220JE	1	435032204R1
R8707	C-CARBON R	RN72K1J-220JE	1	435032204R1
R8708	C-CARBON R	RN72K1J-103JE	1	435031034R1
R8709	C-CARBON R	RN72K1J-103JE	1	435031034R1
R8710	C-CARBON R	RN72K1J-103JE	1	435031034R1
R8711	C-CARBON R	RN72K1J-222JE	1	435032224R1
R8712	C-R NET	RM7LJ222X04	1	43484722204R2
R8713	C-R NET	RM7LJ222X04	1	43484722204R2
R8714	C-R NET	RM7LJ222X04	1	43484722204R2
R8718	C-CARBON R	RN72K1J-220JE	1	435032204R1
R8719	C-CARBON R	RN72K1J-103JE	1	435031034R1
R8720	C-CARBON R	RN72K1J-220JE	1	435032204R1
R8721	C-CARBON R	RN72K1J-220JE	1	435032204R1
R8722	C-CARBON R	RN72K1J-103JE	1	435031034R1
R8723	C-CARBON R	RN72K1J-103JE	1	435031034R1
R8724	C-R NET	RM7LJ103X04	1	43484710304R2
R8726	C-CARBON R	RN72K1J-103JE	1	435031034R1

R8730	C-CARBON R	RN72K1J-222JE	1	435032224R1
R8731	C-CARBON R	RN72K1J-222JE	1	435032224R1
R8733	C-CARBON R	RN72K1J-103JE	1	435031034R1
R8738	C-CARBON R	RN72K1J-103JE	1	435031034R1
R8742	C-CARBON R	RN72K1J-103JE	1	435031034R1
R8743	C-CARBON R	RN72K1J-103JE	1	435031034R1
R8746	C-CARBON R	RN72K1J-103JE	1	435031034R1
R8747	C-CARBON R	RN72K1J-103JE	1	435031034R1
R8749	C-CARBON R	RN72K1J-220JE	1	435032204R1
R8750	C-CARBON R	RN72K1J-000JE	1	435030004R1
R8751	C-CARBON R	RN72K1J-000JE	1	435030004R1
R8752	C-CARBON R	RN72K1J-000JE	1	435030004R1
R8755	C-CARBON R	RN72K1J-101JE	1	435031014R1
R8756	C-CARBON R	RN72K1J-101JE	1	435031014R1
R8757	C-CARBON R	RN72K1J-103JE	1	435031034R1
R8758	C-CARBON R	RN72K1J-103JE	1	435031034R1
R8760	C-CARBON R	RN72K1J-103JE	1	435031034R1
R8803	C-CARBON R	RN72K1J-000JE	1	435030004R1
R8804	C-CARBON R	RN72K1J-103JE	1	435031034R1
R8805	C-CARBON R	RN72K1J-000JE	1	435030004R1
R8806	C-R NET	RM7LJ220X04	1	43484722004R2
R8807	C-R NET	RM7LJ220X04	1	43484722004R2
R8808	C-R NET	RM7LJ220X04	1	43484722004R2
R8809	C-R NET	RM7LJ220X04	1	43484722004R2
R8810	C-R NET	RM7LJ220X04	1	43484722004R2
R8811	C-R NET	RM7LJ220X04	1	43484722004R2
R8930	C-CARBON R	RN72K2E-470JE	1	435224704R1
R8931	C-CARBON R	RN72K2E-470JE	1	435224704R1
R8932	C-CARBON R	RN72K2E-470JE	1	435224704R1
R8933	C-CARBON R	RN72K1J-393JE	1	435033934R1
R8934	C-CARBON R	RN72K1J-473JE	1	435034734R1
R8935	C-CARBON R	RN72K1J-152JE	1	435031524R1
R8936	C-CARBON R	RN72K1J-563JE	1	435035634R1

R8937	C-CARBON R	RN72K1J-473JE	1	435034734R1
R8941	C-CARBON R	RN72K1J-683JE	1	435036834R1
R8942	C-CARBON R	RN72K1J-472JE	1	435034724R1
R8943	C-CARBON R	RN72K1J-103JE	1	435031034R1
R8951	C-CARBON R	RN72K1J-103JE	1	435031034R1
R8952	C-CARBON R	RN72K1J-682JE	1	435036824R1
R8954	C-CARBON R	RN72K1J-822JE	1	435038224R1
R8955	C-CARBON R	RN72K1J-563FE	1	435035632R1
R8956	C-CARBON R	RN72K1J-274FE	1	435032742R1
R8957	C-CARBON R	RN72K1J-103FE	1	435031032R1
R8961	C-CARBON R	RN72K1J-103JE	1	435031034R1
R8962	C-CARBON R	RN72K1J-822JE	1	435038224R1
R8964	C-CARBON R	RN72K1J-562JE	1	435035624R1
R8965	C-CARBON R	RN72K1J-273FE	1	435032732R1
R8966	C-CARBON R	RN72K1J-824FE	1	435038242R1
R8967	C-CARBON R	RN72K1J-103FE	1	435031032R1
R8968	C-CARBON R	RN72K1J-472FE	1	435034722R1
R8971	C-CARBON R	RN72K1J-103JE	1	435031034R1
R8972	C-CARBON R	RN72K1J-562JE	1	435035624R1
R8974	C-CARBON R	RN72K1J-182JE	1	435031824R1
R8975	C-CARBON R	RN72K1J-392FE	1	435033922R1
R8976	C-CARBON R	RN72K1J-563FE	1	435035632R1
R8977	C-CARBON R	RN72K1J-103FE	1	435031032R1
R8981	C-CARBON R	RN72K1J-103JE	1	435031034R1
R8982	C-CARBON R	RN72K1J-562JE	1	435035624R1
R8984	C-CARBON R	RN72K1J-182JE	1	435031824R1
R8985	C-CARBON R	RN72K1J-222FE	1	435032222R1
R8986	C-CARBON R	RN72K1J-183FE	1	435031832R1
R8987	C-CARBON R	RN72K1J-103FE	1	435031032R1
R8988	C-CARBON R	RN72K1J-103JE	1	435031034R1
R8989	C-CARBON R	RN72K1J-103JE	1	435031034R1
R8990	C-CARBON R	RN72K1J-103JE	1	435031034R1
[SW TRM]				

JL2100B	SOCKET	NSCT-5P97	1	25050269
JL4518B	WIRE TRAP	NPLG-5P588	1	25055626
P2101B	SOCKET	NSCT-19P2112	1	25052215
P3001	SOCKET(B to B)	IMSA-9850S-20Y900	1	25052813R2
P3101A	PLUG	NPLG-5P918	1	25055965R2
P3102A	SOCKET	NSCT-9P2472	1	25052575R2
P3104	SOCKET	EJFR0002	1	25056668
P3104 or	SOCKET	SI-60073-F	(1)	25053307
P3401	SOCKET(B to B)	IMSA-9850S-16Y900	1	25052811R2
P3605A	PLUG	IMSA-9142B-18A	1	25056599
P3607A	PLUG	IMSA-9142B-16A	1	25056598
P3608A	PLUG	IMSA-9142B-18A	1	25056599
P3610	SOCKET	NSCT-8P2471	1	25052574R2
P8002B	SOCKET	NSCT-11P2474	1	25052577R2
P8011	SOCKET	IMSA-9618S-04A	1	25053329R2
P8011 or	SOCKET	04FMN-SMT-A-TF	(1)	25052821R2
P8100	TRM-423(SCREW)	NEJITANSI ST3	1	25060495
P8206	SOCKET	NSCT-8P2471	1	25052574R2
P8302	SOCKET	YKF45-7037V	1	25053253R3
P8302 or	SOCKET	HDMI(47266-4101)	(1)	25053389R3
P8601	SOCKET	YKF45-7037V	1	25053253R3
P8601 or	SOCKET	HDMI(47266-4101)	(1)	25053389R3
P8611	SOCKET	YKF45-7037V	1	25053253R3
P8611 or	SOCKET	HDMI(47266-4101)	(1)	25053389R3
P8621	SOCKET	YKF45-7037V	1	25053253R3
P8621 or	SOCKET	HDMI(47266-4101)	(1)	25053389R3
P8631	SOCKET	YKF45-7037V	1	25053253R3
P8631 or	SOCKET	HDMI(47266-4101)	(1)	25053389R3
P8641B	SOCKET	FX16-31S-0.5SH	1	25053365R2
P8642	SOCKET	YKF45-7037V	1	25053253R3
P8642 or	SOCKET	HDMI(47266-4101)	(1)	25053389R3
P8651	SOCKET	YKF45-7037V	1	25053253R3
P8651 or	SOCKET	HDMI(47266-4101)	(1)	25053389R3

P8702	SOCKET	NSCT-9P2472	1	25052575R2	
				<b>HT-RC270</b>	
<b>PC BOARD PARTS LIST</b>					
<b>U008</b>	<b>FRONT HDMI TERMINAL PC BOARD AS</b>	<b>BAHDM-0290-1A</b>	<b>1</b>	<b>1B234590-1A</b>	
CIRCUIT NO.	PART NAME	DESCRIPTION	Q'TY	PART NO. (SN)	REMARKS
<b>[SEMI CONDUCTOR]</b>					
D8661	C-DIODE	KDS4148U	1	223283R2	
D8661 or	C-DIODE	1SS352	(1)	223234R2	
D8662	C-DIODE	KDS4148U	1	223283R2	
D8662 or	C-DIODE	1SS352	(1)	223234R2	
Q8661	IC	TMDS141RHARG4	1	22242586R2	
<b>[TRANS COIL]</b>					
L8661	CORE	BLM18PG181SN1D	1	2350005R1	
<b>[CAPACITOR]</b>					
C8661	C-FILM C	ECHU16V-104J	1	373041044R2	
C8663	C-CERA C	CK725F1A-105Z1	1	332181050R1	
C8664	C-CERA C	CK725B1H-102K1	1	332101025R1	
C8669	C-CERA C	CK725F1A-105Z1	1	332181050R1	
C8670	C-CERA C	CK725B1H-102K1	1	332101025R1	
C8671	C-CERA C	CK725F1A-105Z1	1	332181050R1	
C8672	C-CERA C	CK725B1H-102K1	1	332101025R1	
C8673	C-CERA C	CK725F1A-105Z1	1	332181050R1	
C8674	C-CERA C	CK725B1H-102K1	1	332101025R1	
C8675	C-CERA C	CK725F1A-105Z1	1	332181050R1	
C8676	C-CERA C	CK725B1H-102K1	1	332101025R1	
C8677	C-CERA C	CK725B0J-106K	1	332091065R2	
C8680	C-CERA C	CK725B0J-106K	1	332091065R2	
<b>[RESISTOR]</b>					
R8667	C-CARBON R	RN72K1J-473JE	1	435034734R1	

R8668	C-CARBON R	RN72K1J-473JE	1	435034734R1
R8669	C-CARBON R	RN72K1J-000JE	1	435030004R1
R8670	C-CARBON R	RN72K1J-000JE	1	435030004R1
R8672	C-CARBON R	RN72K1J-103JE	1	435031034R1
R8673	C-CARBON R	RN72K1J-472JE	1	435034724R1
R8674	C-CARBON R	RN72K1J-103JE	1	435031034R1
R8675	C-CARBON R	RN72K1J-103JE	1	435031034R1
R8676	C-CARBON R	RN72K1J-103JE	1	435031034R1
R8680	C-CARBON R	RN72K1J-000JE	1	435030004R1
R8681	C-CARBON R	RN72K1J-000JE	1	435030004R1
<b>[SW TRM]</b>				
P8641C	SOCKET	FX16-31S-0.5SV	1	25053354R2
P8661	SOCKET	YKF45-7037V	1	25053253R3
P8663	CRIMP AS	CRIMP AS DX730	1	2063925100UL



---

**ONKYO CORPORATION**

Service Dept. Technical Support : 2-1, Nisshin-cho, Neyagawa-shi, OSAKA 572-8540, JAPAN  
Tel: 072-831-8023 Fax: 072-831-8163

**ONKYO U.S.A. CORPORATION**

18 Park Way, Upper Saddle River, N.J. 07458, U.S.A.  
Tel: 800-229-1687, 201-785-2600 Fax: 201-785-2650 <http://www.us.onkyo.com/>

**ONKYO EUROPE ELECTRONICS GmbH**

Liegnitzerstrasse 6, 82194 Groebenzell, GERMANY  
Tel: +49-8142-4401-0 Fax: +49-8142-4401-555 <http://www.eu.onkyo.com/>

**ONKYO EUROPE ELECTRONICS GmbH (UK BRANCH)**

The Coach House 81A High Street, Marlow, Buckinghamshire, SL7 1AB, UK  
Tel: +44-(0)1628-473-350 Fax: +44-(0)1628-401-700

**ONKYO CHINA LIMITED**

Unit 1&12, 9/F, Ever Gain Plaza Tower 1, 88, Container Port Road, Kwai Chung,  
N.T., Hong Kong. Tel: 852-2429-3118 Fax: 852-2428-9039  
<http://www.ch.onkyo.com/>

