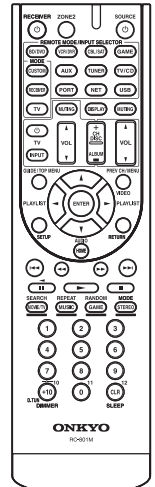
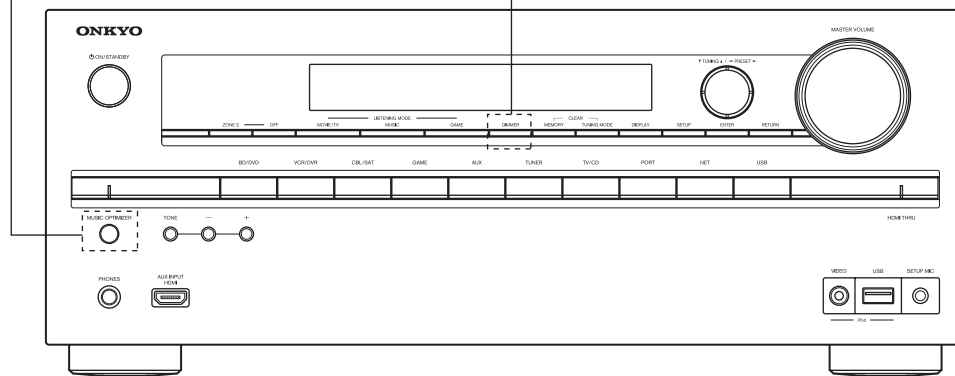


# ONKYO® SERVICE MANUAL

## AV RECEIVER MODEL HT-RC360(B)

(Chinese models) ----&gt; PURE AUDIO

(Chinese models) ----&gt; RT/TPY/TP



RC-801M

B MDC	120V AC, 60Hz
B MMR	220-240V AC, 50/60Hz

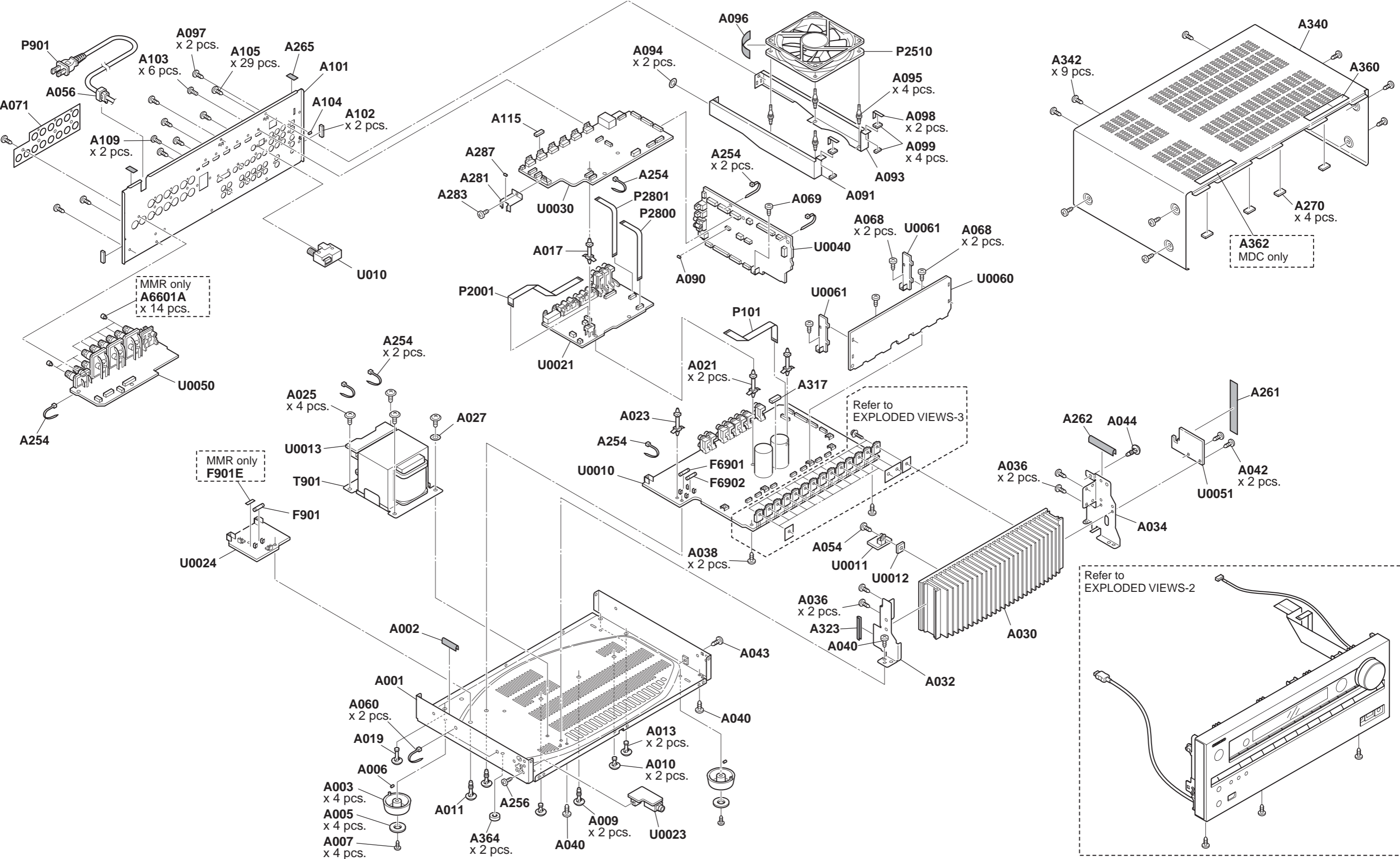
### SAFETY-RELATED COMPONENT WARNING!!

COMPONENTS IDENTIFIED BY MARK  $\triangle$  ON THE SCHEMATIC DIAGRAM AND IN THE PARTS LIST ARE CRITICAL FOR RISK OF FIRE AND ELECTRIC SHOCK. REPLACE THESE COMPONENTS WITH ONKYO PARTS WHOSE PART NUMBERS APPEAR AS SHOWN IN THIS MANUAL.

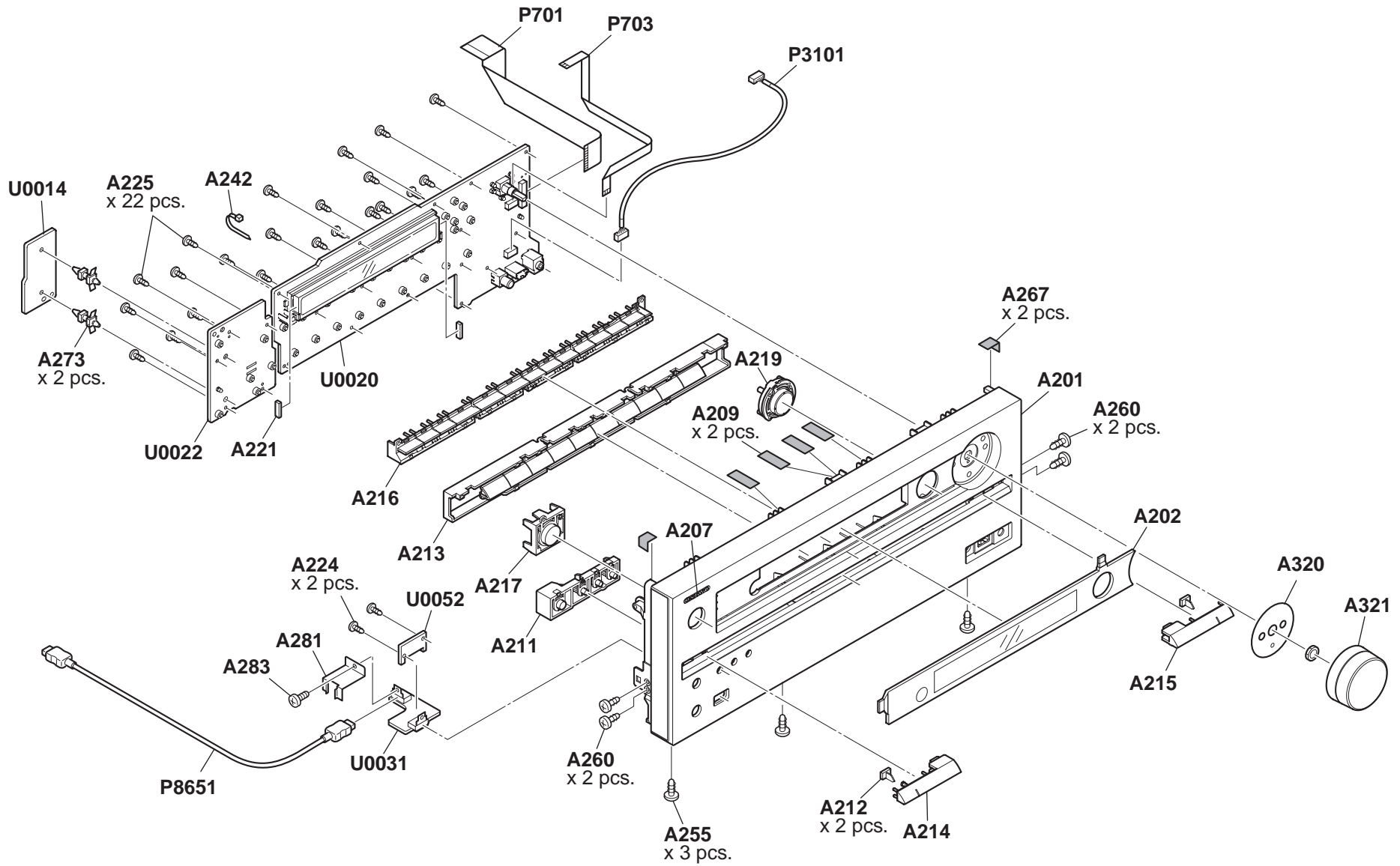
MAKE LEAKAGE-CURRENT OR RESISTANCE MEASUREMENTS TO DETERMINE THAT EXPOSED PARTS ARE ACCEPTABLY INSULATED FROM THE SUPPLY CIRCUIT BEFORE RETURNING THE APPLIANCE TO THE CUSTOMER.

ONKYO SOUND & VISION CORPORATION  
Service Department

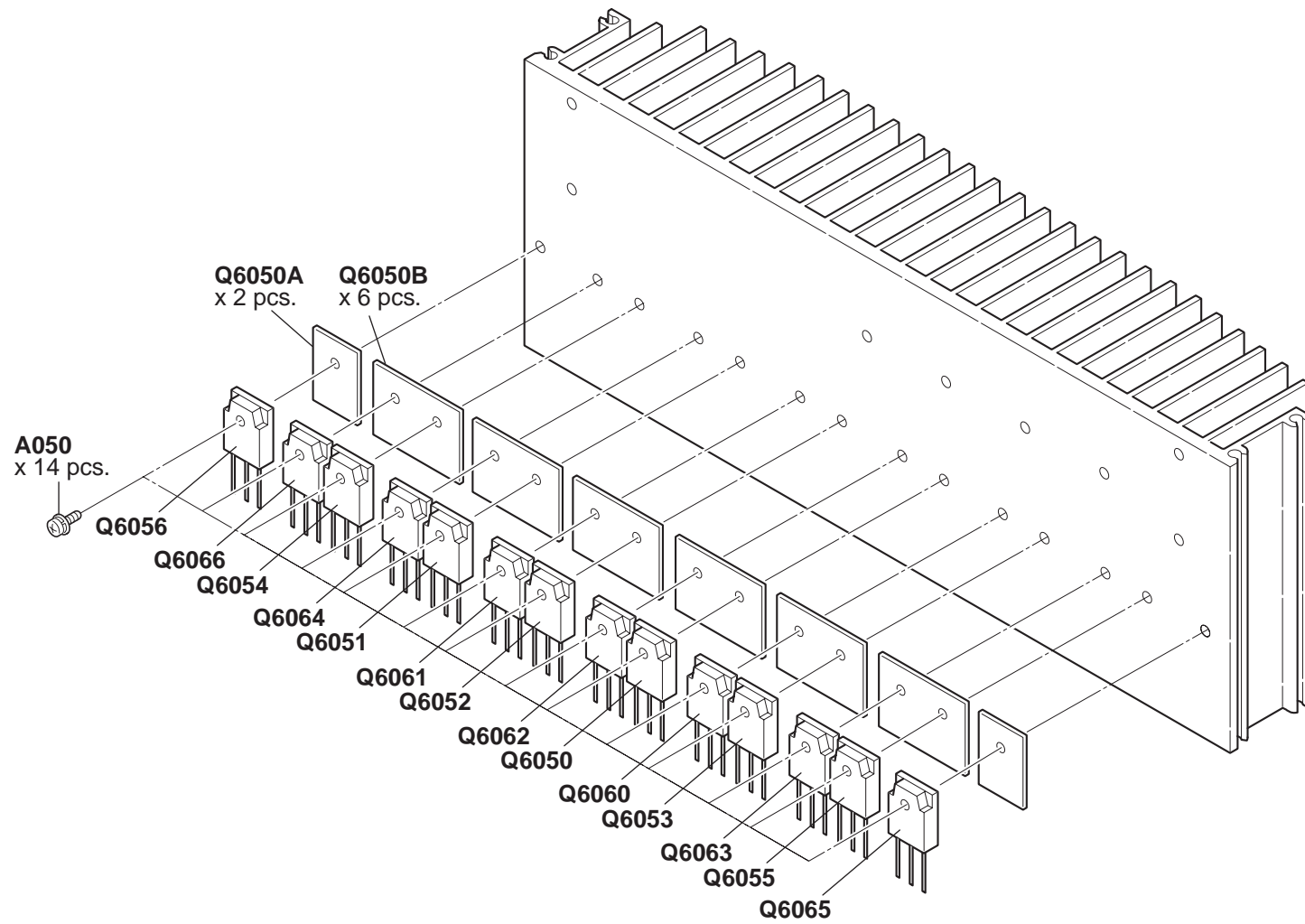
EXPLODED VIEWS-1



EXPLODED VIEWS-2



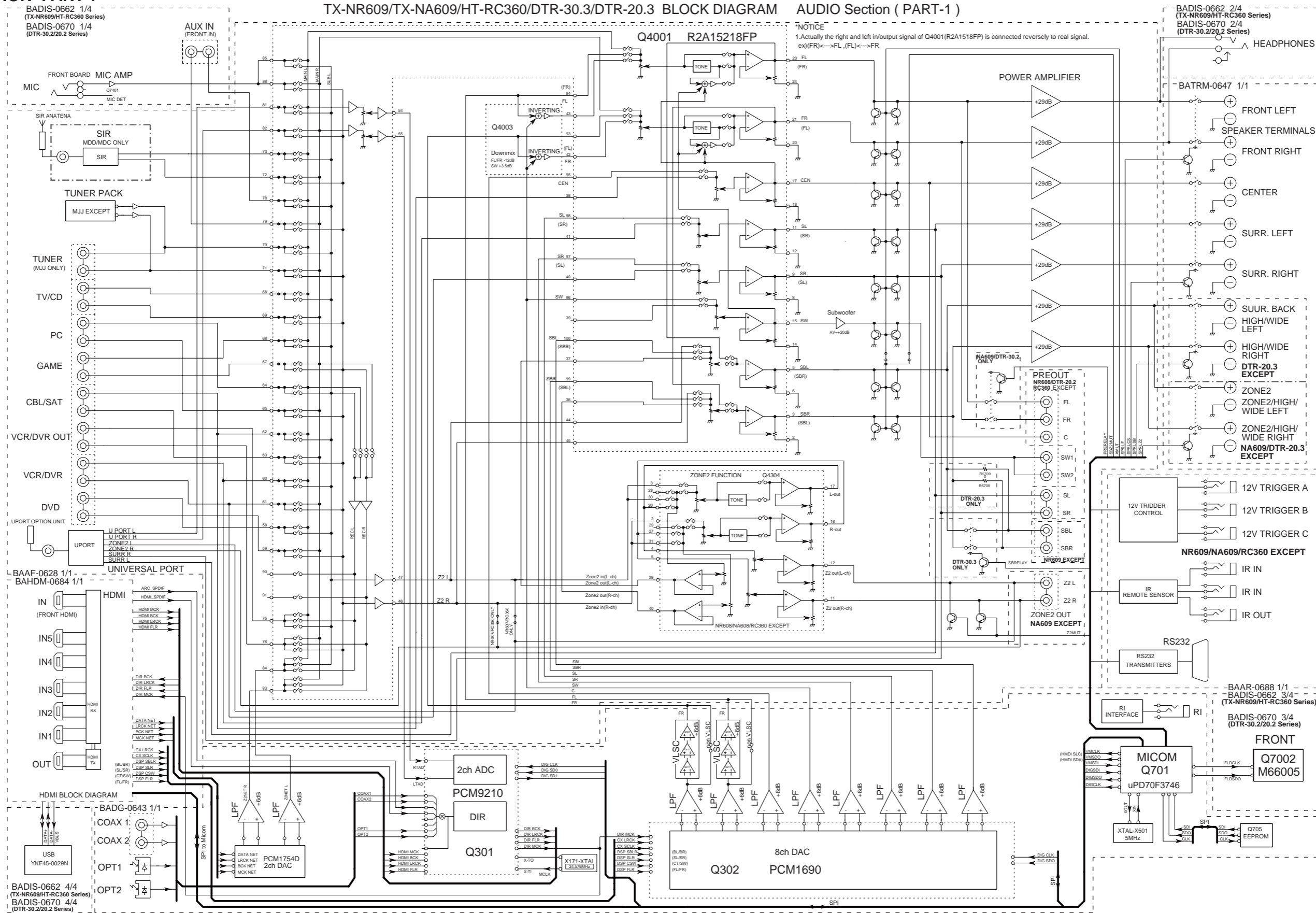
### EXPLODED VIEWS-3



**SCHEMATIC DIAGRAM/ BLOCK DIAGRAM-1**  
**BLOCK DIAGRA**  
**AUDIO SECTION PART-1**

TX-NR609/TX-NA609/HT-RC360/DTR-30.3/DTR-20.3 BLOCK DIAGRAM AUDIO Section ( PART-1 )

1  
2  
3  
4  
5



BADIS-0662 1/4  
(TX-NR609/HT-RC360 Series)  
 BADIS-0670 1/4  
(DTR-30.2/20.2 Series)

BAAF-0628 1/1  
 BAHDM-0684 1/1

BADG-0643 1/1

BADIS-0662 4/4  
(TX-NR609/HT-RC360 Series)  
 BADIS-0670 4/4  
(DTR-30.2/20.2 Series)

BADIS-0662 2/4  
(TX-NR609/HT-RC360 Series)  
 BADIS-0670 2/4  
(DTR-30.2/20.2 Series)

BAAR-0688 1/1  
 BADIS-0662 3/4  
(TX-NR609/HT-RC360 Series)

BADIS-0670 3/4  
(DTR-30.2/20.2 Series)

**NOTICE**  
 1. Actually the right and left in/output signal of Q4001(R2A15218FP) is connected reversely to real signal.  
 ex) (FR) <-> FL, (FL) <-> FR

- HEADPHONES
- BATRM-0647 1/1
- FRONT LEFT SPEAKER TERMINALS
- FRONT RIGHT
- CENTER
- SURR. LEFT
- SURR. RIGHT
- SUUR. BACK HIGH/WIDE LEFT
- HIGH/WIDE RIGHT
- DTR-20.3 EXCEPT
- ZONE2 ZONE2/HIGH/WIDE LEFT
- ZONE2/HIGH/WIDE RIGHT
- NA609/DTR-20.3 EXCEPT
- 12V TRIGGER A
- 12V TRIGGER B
- 12V TRIGGER C
- NR609/NA609/RC360 EXCEPT
- IR IN
- IR IN
- IR OUT
- RS232 TRANSMITTERS
- RS232
- RI INTERFACE
- RI
- FRONT
- Q7002 M66005
- Q705 EEPROM

**SCHEMATIC DIAGRAM/ BLOCK DIAGRAM-2**

**BLOCK DIAGRAM  
VIDEO SECTION  
PART-2**

Model No. TX-SR309/509/609/TX-SA509/609/HT-R290/390/548/590/690/990/HT-RC330/360/DTR-20.3/30.3 SCHEMATIC DIAGRAM (PART-2) BLOCK DIAGRAM(VIDEO)

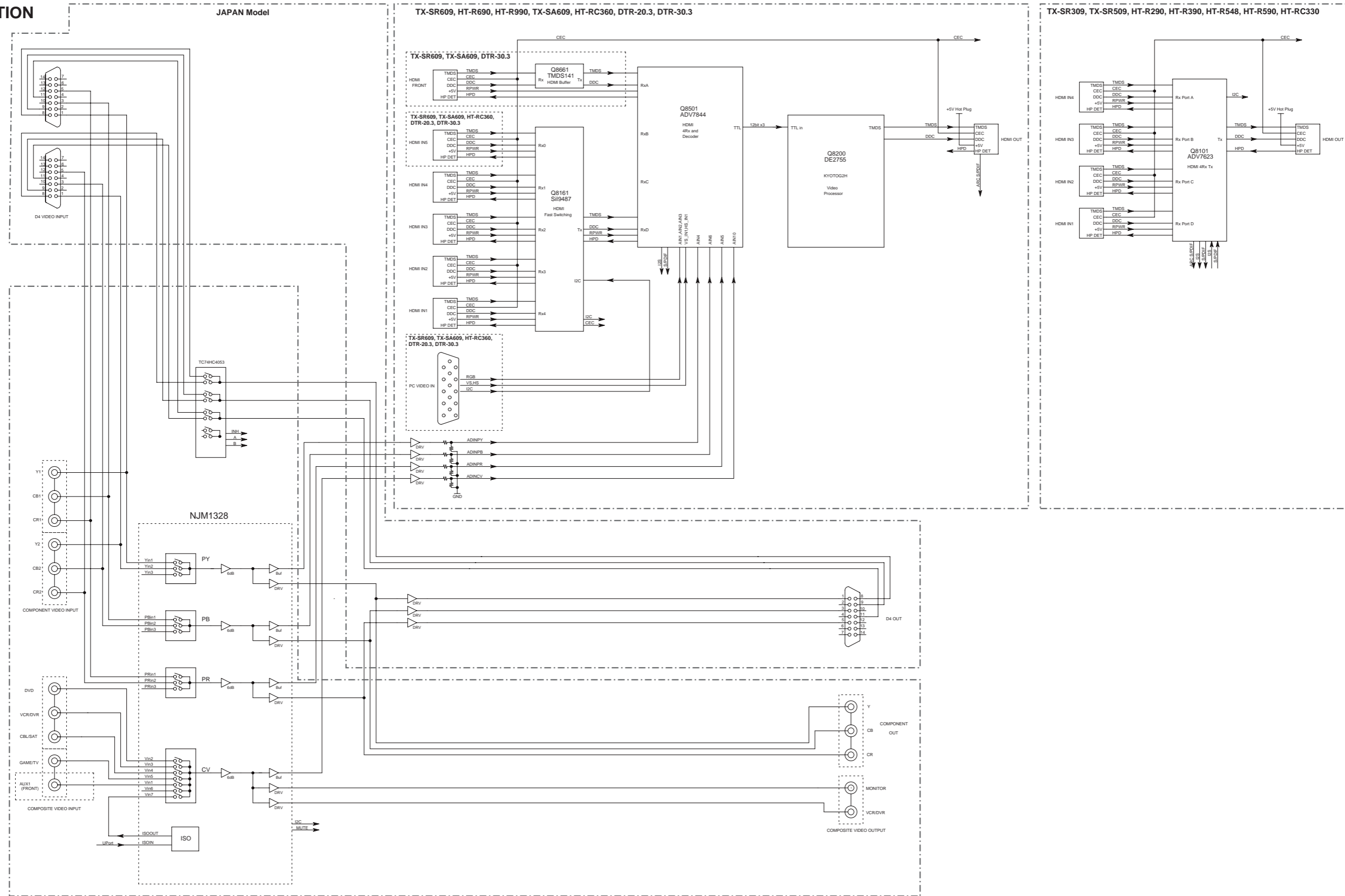
1

2

3

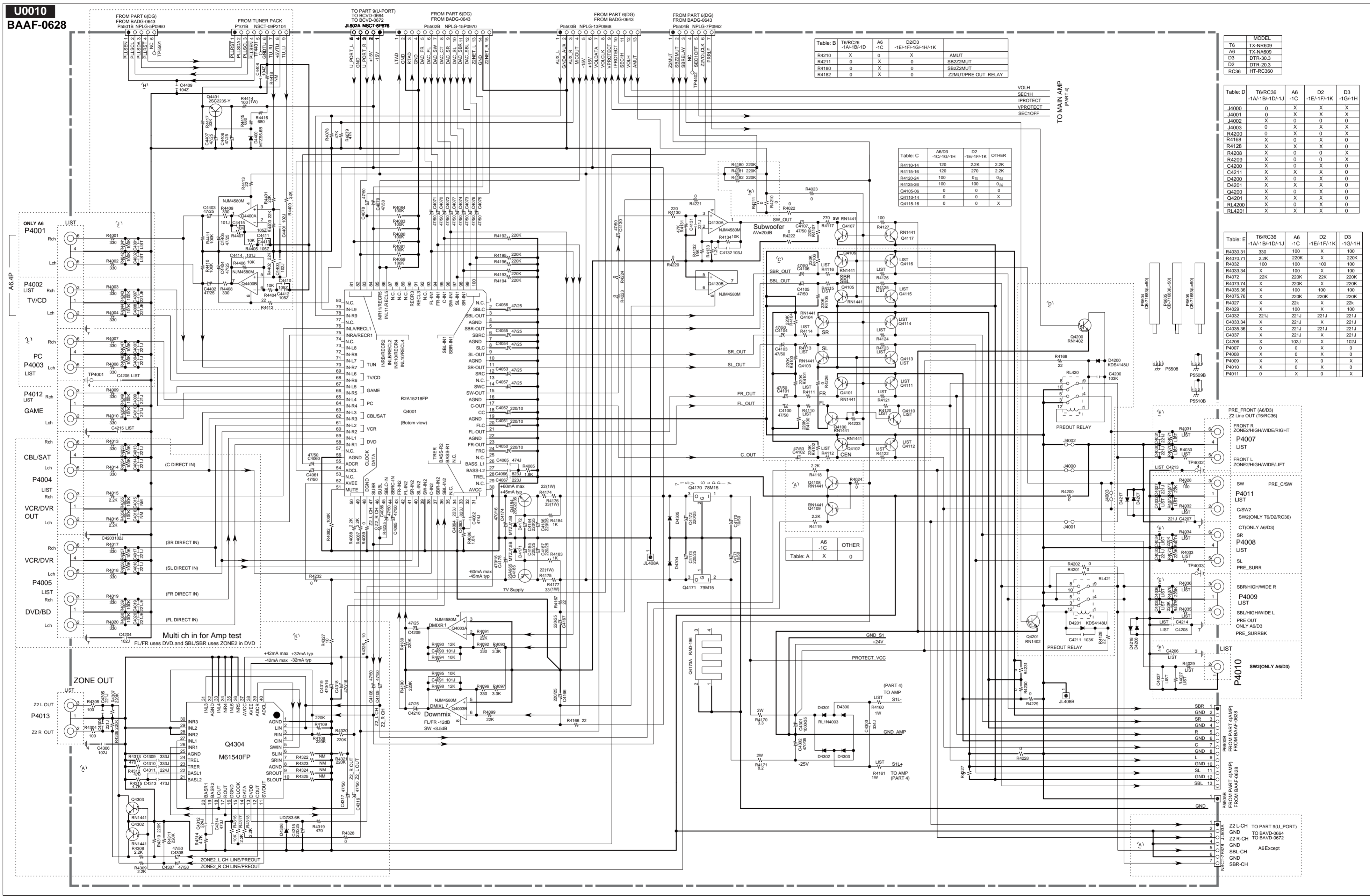
4

5



SCHEMATIC DIAGRAM/ BLOCK DIAGRAM-3  
AUDIO INPUT SECTION PART-3

MODEL NO. TX-NR609/NA609/HT-RC360/DTR-20.3/DTR-30.3 SCHEMATIC DIAGRAM (PART-3) AUDIO INPUT



U0010  
BAAF-0628

ONLY A6  
P4001

P4002 LIST

PC  
P4003 LIST

P4012 LIST

CBL/SAT  
P4004 LIST

VCR/DVR  
OUT  
P4005 LIST

VCR/DVR  
P4008 LIST

DVD/BD  
P4009 LIST

ZONE OUT  
P4013 LIST

	T6	A6	RC36	D2	D3		
Table: H	-1A	-1B	-1C	-1D	-1J	-1K	TUNER PACK
Table: A	X	X	X	X	X	X	ZONE2 PREOUT
Table: L	0	0	0	X	X	0	PC INPUT
Table: M	2.2	0.22	2.2	2.2	0.22	2.2	1W

	A6	OTHER
R4001-02	0	X
R4041-42	0	X
C4001-02	221J	152J
P4001	0	X
P4002	X	0

	T6/RC36	A6	D2	D3
R4210	X	0	X	AMUT
R4211	0	X	0	SB222MUT
R4180	0	X	0	SB222MUT
R4182	0	X	0	Z2MUT/PRE OUT RELAY

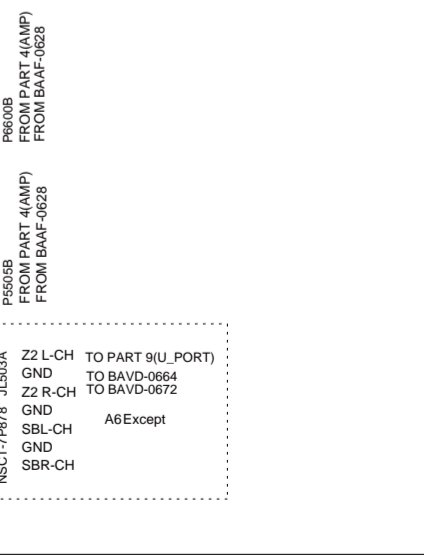
	A6/D3	-1C/-1G/-1H	-1E/-1F/-1K	OTHER
R4110-14	120	2.2K	2.2K	
R4115-16	120	270	2.2K	
R4120-24	100	0.1K	0.1K	
R4125-26	100	100	0.1K	
Q4105-08	0	0	0	X
Q4110-14	0	0	0	X
Q4115-16	0	0	0	X

	T6	TX-NR609
A6	0	X
D3	0	X
D2	0	X
RC36	0	X

	T6/RC36	A6	D2	D3
J4000	0	X	X	X
J4001	0	X	X	X
J4002	0	X	0	0
J4003	0	X	X	X
R4200	0	X	0	X
R4168	X	0	X	0
R4128	X	X	X	0
R4208	X	0	0	X
R4209	X	0	0	X
C4200	X	0	X	0
C4211	X	X	X	0
D4200	X	0	X	0
D4201	X	X	X	0
Q4200	X	0	X	0
Q4201	X	X	X	0
RL4200	X	0	X	0
RL4201	X	X	X	0

	T6/RC36	A6	D2	D3
R4030-31	330	100	X	100
R4070-71	2.2K	220K	X	220K
R4032	100	100	100	100
R4033-34	X	100	X	100
R4072	22K	220K	22K	220K
R4073-74	X	220K	X	220K
R4035-36	X	100	100	100
R4075-76	X	220K	220K	220K
R4027	X	22K	X	22K
R4029	X	100	X	100
C4032	221J	221J	221J	221J
C4033-34	X	221J	X	221J
C4035-36	X	221J	221J	221J
C4037	X	221J	X	221J
C4206	X	102J	X	102J
P4007	0	0	X	0
P4008	X	0	X	0
P4009	X	X	0	X
P4010	X	0	X	0
P4011	0	X	0	X

	A6	OTHER
-1C	X	0



1  
2  
3  
4  
5  
6  
7  
8

SCHEMATIC DIAGRAM/ BLOCK DIAGRAM-4  
AMP. SECTION PART-4

1 MODEL NO. TX-NR609/NA609/HT-RC360/DTR-20.3/DTR-30.3 SCHEMATIC DIAGRAM (PART-4) AMP SECTION

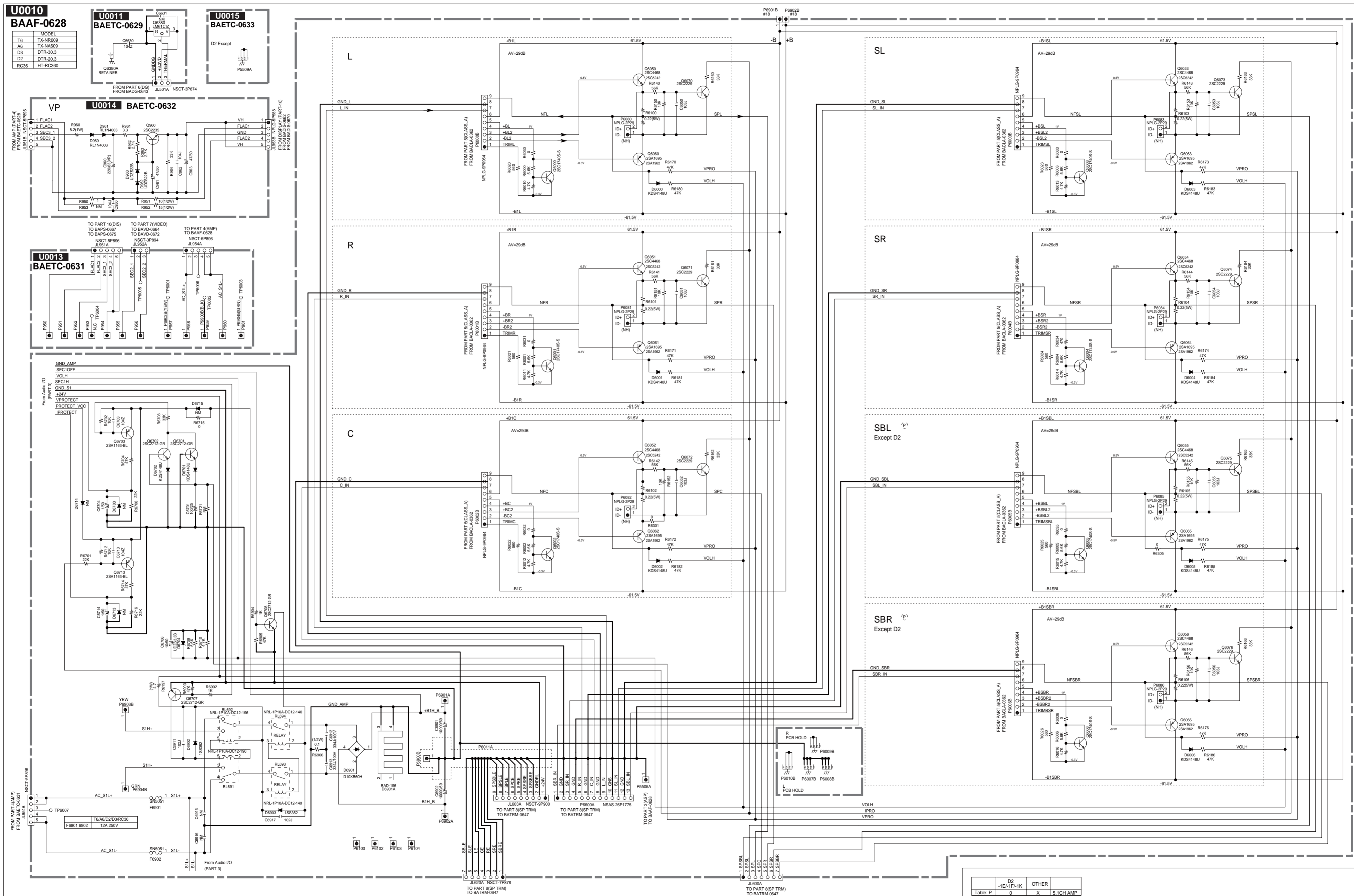


Table: P	D2	OTHER
	0	X
		5.1GH AMP



# SCHEMATIC DIAGRAM/ BLOCK DIAGRAM-5

## AMP. (Input stage) SECTION

### PART-5

Model No. TX-SR609, TX-SA609, HT-RC360, DTR-20.3, DTR-30.3

SCHEMATIC DIAGRAM (Part-5)

AMP(input stage) SECTION

U0060

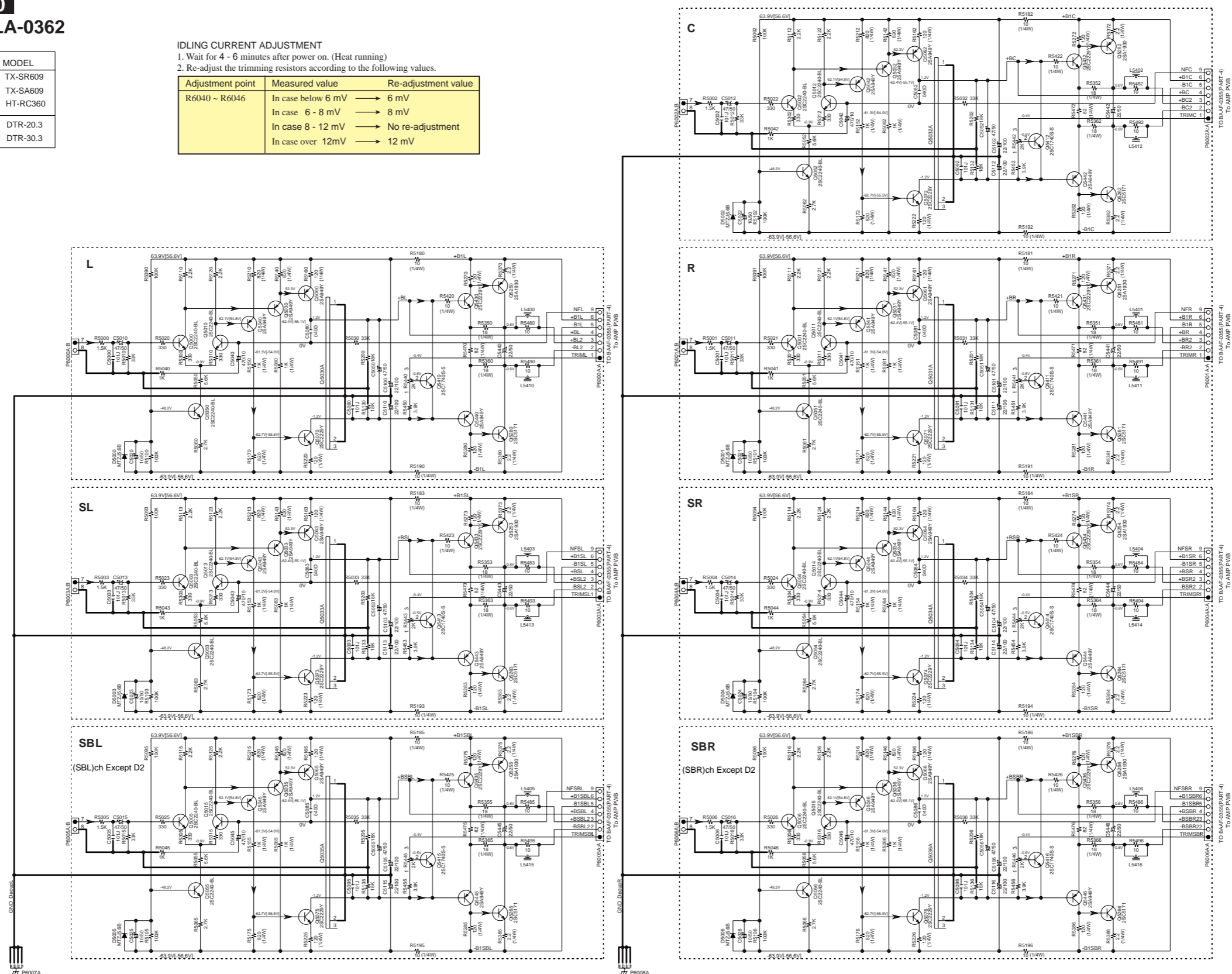
BACLA-0362

CODE	MODEL
T6	TX-SR609
A6	TX-SA609
H26	HT-RC360
D2	DTR-20.3
D3	DTR-30.3

## IDLING CURRENT ADJUSTMENT

1. Wait for 4 - 6 minutes after power on. (Heat running)
2. Re-adjust the trimming resistors according to the following values.

Adjustment point	Measured value	Re-adjustment value
R6040 ~ R6046	In case below 6 mV	→ 6 mV
	In case 6 - 8 mV	→ 8 mV
	In case 8 - 12 mV	→ No re-adjustment
	In case over 12mV	→ 12 mV



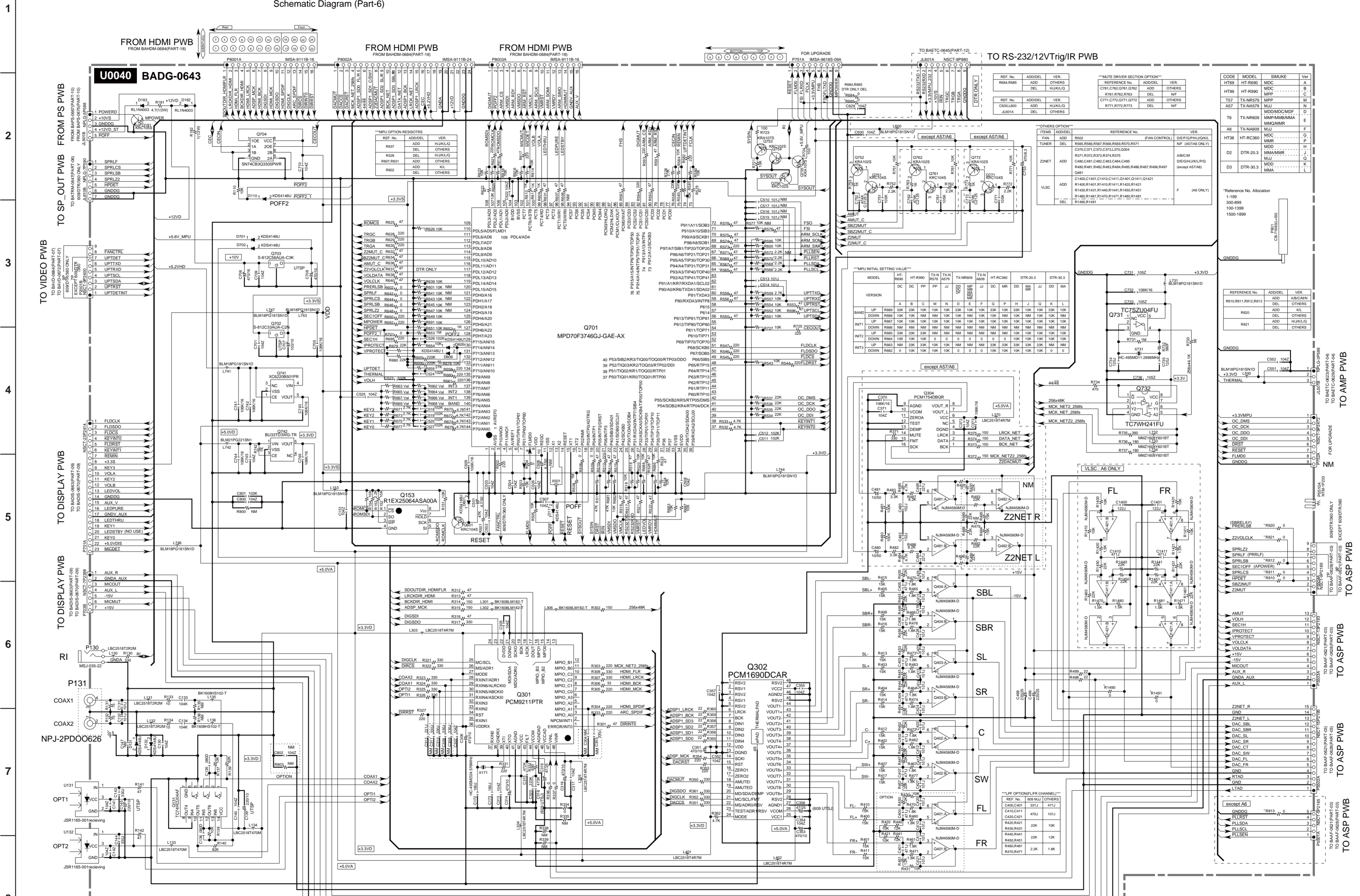
BACLA-0362

SCHEMATIC DIAGRAM/ BLOCK DIAGRAM-6

DIGITAL IN/ DAC/ MPU SECTION PART-6

TX-NR579/TX-NA579/TX-NR609/TX-NA609/DTR-20.3/DTR-30.3/HT-R690/HT-R990/HT-RC360 Schematic Diagram (Part-6)

DIGITAL IN/DAC/MPU SECTION



REFERENCE No. ADDDEL VER

HT69	HT-R690	MDC	A
HT99	HT-R990	MDC	B
T57	TX-NR579	MPP	C
A57	TX-NA579	MJ	N
T6	TX-NR609	MDC/MDCMDF	D
A6	TX-NA609	MJ	E
HT36	HT-RC360	MDC	G
D2	DTR-20.3	MDC	H
D3	DTR-30.3	MDC	K

REFERENCE No. ADDDEL VER

R100	R100	ADD	AB/C/M/N
R20		DEL	OTHERS
R21		DEL	OTHERS

REFERENCE No. ADDDEL VER

R100	R100	ADD	AB/C/M/N
R20		DEL	OTHERS
R21		DEL	OTHERS

REFERENCE No. ADDDEL VER

R100	R100	ADD	AB/C/M/N
R20		DEL	OTHERS
R21		DEL	OTHERS

REFERENCE No. ADDDEL VER

R100	R100	ADD	AB/C/M/N
R20		DEL	OTHERS
R21		DEL	OTHERS

REFERENCE No. ADDDEL VER

R100	R100	ADD	AB/C/M/N
R20		DEL	OTHERS
R21		DEL	OTHERS

REFERENCE No. ADDDEL VER

R100	R100	ADD	AB/C/M/N
R20		DEL	OTHERS
R21		DEL	OTHERS

REFERENCE No. ADDDEL VER

R100	R100	ADD	AB/C/M/N
R20		DEL	OTHERS
R21		DEL	OTHERS

REFERENCE No. ADDDEL VER

R100	R100	ADD	AB/C/M/N
R20		DEL	OTHERS
R21		DEL	OTHERS

REFERENCE No. ADDDEL VER

R100	R100	ADD	AB/C/M/N
R20		DEL	OTHERS
R21		DEL	OTHERS

SCHEMATIC DIAGRAM/ BLOCK DIAGRAM-7

VIDEO SECTION  
PART-7

MODEL No. TX-NR509/ TX-NA509/ HT-R590/ HT-R690/ HT-R990/TX-NR609/ TX-NA609/ HT-RC360/ DTR-20.3/ DTR-30.3 SCHEMATIC DIAGRAM(Part-7) VIDEO SECTION

**U0021** BAVD-0664  
**U0022** BAVD-0672

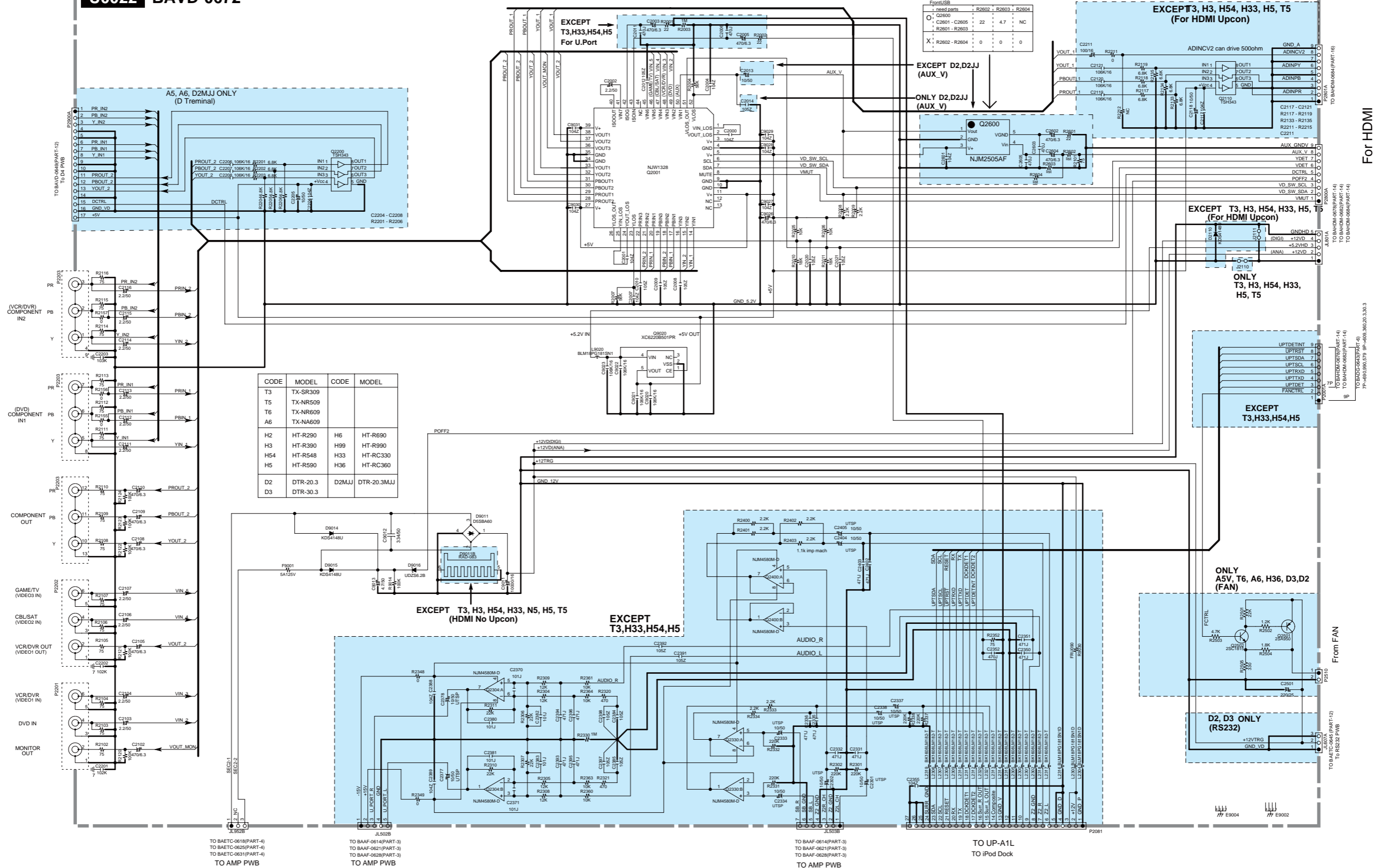
1

2

3

4

5



FrontUSB  
need parts

O	Q2600		
X	C2601 - C2605	22	4.7
	R2601 - R2603		
X	R2602 - R2604	0	0

For HDMI

TO BAETC-0618(PART-12)  
TO BAETC-0625(PART-4)  
TO BAETC-0631(PART-14)  
TO BAETC-0633(PART-6)  
7P-490.090.079 (P-460.360.0.3.3.3)

TO BAETC-0618(PART-4)  
TO BAETC-0625(PART-4)  
TO BAETC-0631(PART-4)  
TO AMP PWB

TO BAAF-0614(PART-3)  
TO BAAF-0621(PART-3)  
TO BAAF-0628(PART-3)  
TO AMP PWB

TO BAAF-0614(PART-3)  
TO BAAF-0621(PART-3)  
TO BAAF-0628(PART-3)  
TO AMP PWB

TO UP-A1L  
TO iPod Dock

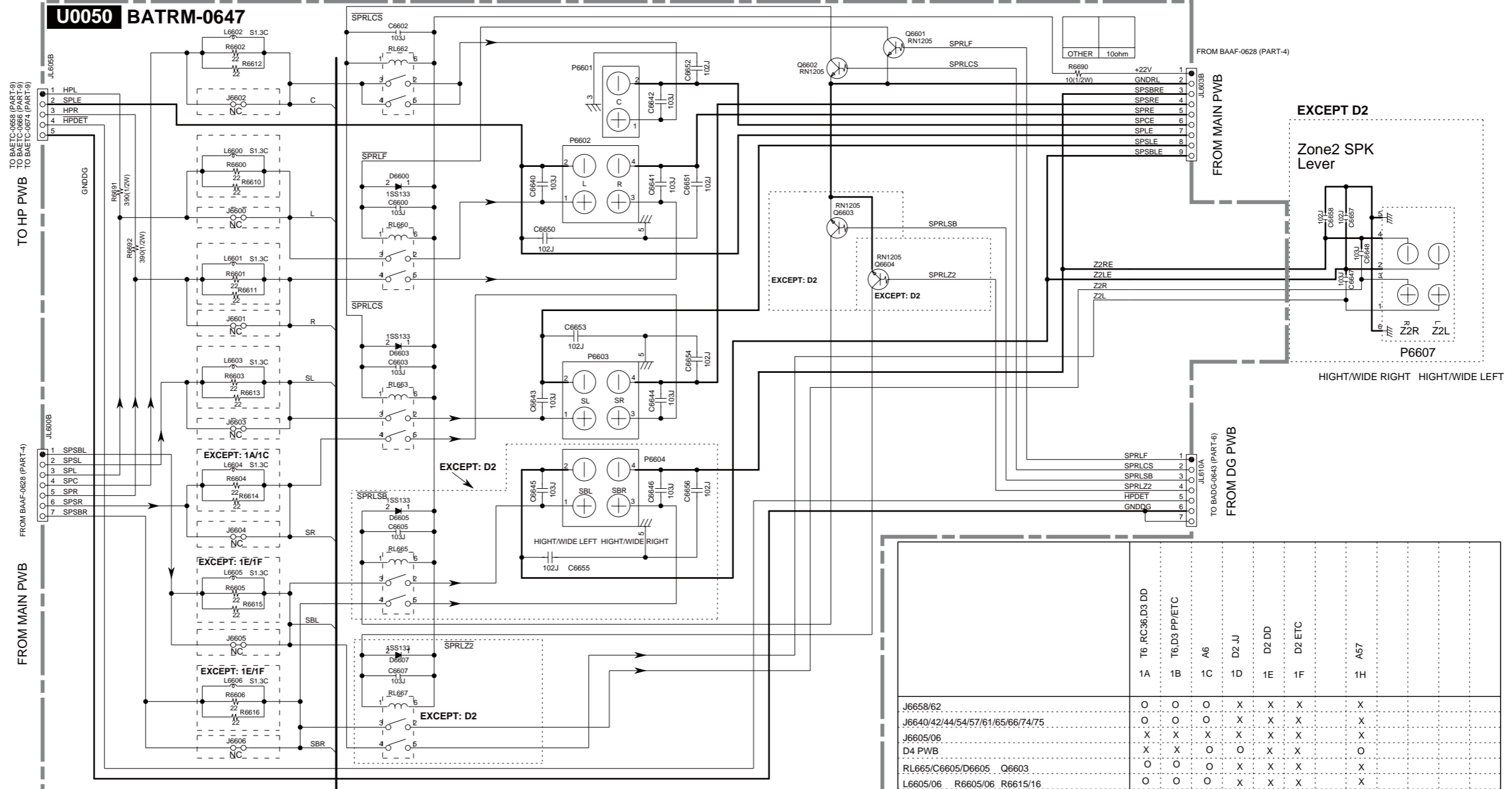
From FAN

TO BAETC-0645(PART-12)  
TO RS232 PWB

**SCHEMATIC DIAGRAM/ BLOCK DIAGRAM-8**  
**SPEAKER OUT SECTION**  
**PART-8**

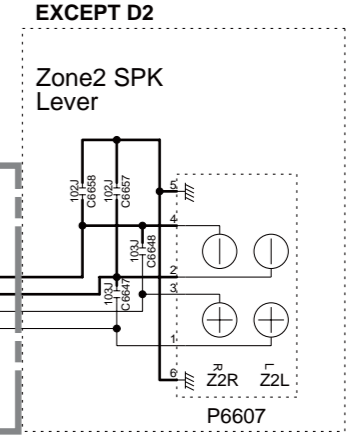
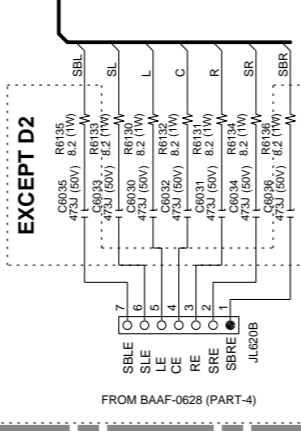
MODEL No. TX-NR609/NA609/HT-RC360/DTR-20.3/30.3

SCHEMATIC DIAGRAM (PART-8) SP-OUT SECTION



CODE	MODEL	CODE	MODEL
T6	TX-NR609	RC36	HT-RC360
A6	TX-NA609	D2	DTR-20.3
A57	TX-NA579	D3	DTR-30.3

ONLY: T6/A6/D2/D3/HT36



	T6 ,RC36,D3,DD	T6,D3,PP/ET/C	A6	D2,JU	D2,DD	D2,ETC	A57
	1A	1B	1C	1D	1E	1F	1H
J6658/62	O	O	O	X	X	X	X
J6640/42/44/54/57/61/65/66/74/75	O	O	O	X	X	X	X
J6605/06	X	X	O	X	X	X	O
D4 PWB	X	X	O	O	X	X	O
RL665/C6605/D6605 Q6603	O	O	O	X	X	X	X
L6605/06 R6605/06 R6615/16	O	O	O	X	X	X	X
RL667/C6607/D6607 Q6604	O	O	O	X	X	X	X
P6604	O	O	O	X	X	X	X
P6607	O	O	X	X	X	X	X
C6647/48/57/58	X	O	X	X	X	X	X
C6640-44 C6650-54	X	O	X	X	X	O	X
C6645/46 C6655/56	X	O	X	X	X	X	X
C6030-34 R6130-34	O	O	O	O	O	O	X
JL620B	O	O	O	O	O	O	X
C6035/36 R6135/36	O	O	O	X	X	X	X
J6600-04	X	X	X	X	X	X	X
L6600-04 R6600-04 R6610-14	O	O	O	O	O	O	X
J6611/12/81/82	O	O	X	X	X	X	X

1

2

3

4

5

**SCHEMATIC DIAGRAM/ BLOCK DIAGRAM-9**

**DISPLAY SECTION PART-9**

Model No. TX-NR509/609/HT-R690/990/HT-RC360 Schematic Diagram (Part-9) Display Section

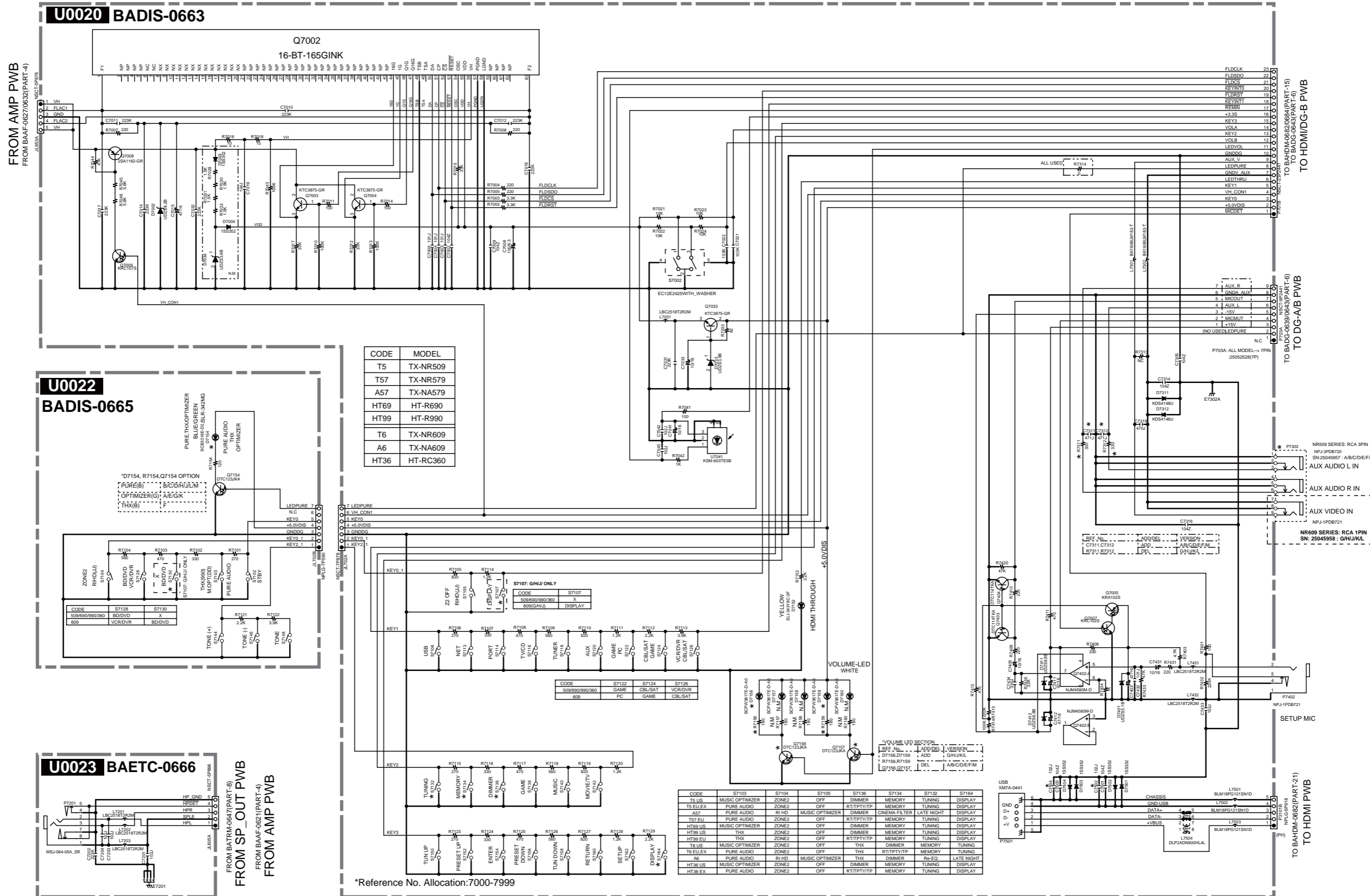
1

2

3

4

5



FROM AMP PWB  
FROM BAAF-0627/0632(PART-4)

FROM BATHM-0627(PART-8)  
FROM BAAF-0621(PART-4)  
FROM AMP PWB

TO BAHDM-0682/0684(PART-15)  
TO BADG-0643(PART-6)

TO BADG-0639/0643(PART-6)  
TO DG-A/B PWB

AUX AUDIO L IN  
AUX AUDIO R IN  
AUX VIDEO IN

TO BAHDM-0682(PART-21)  
TO HDMI PWB

A

B

C

D


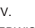
E

# SCHEMATIC DIAGRAM/ BLOCK DIAGRAM-10

## POWER SUPPLY SECTION PART-10

Model No. TX-NR509/609/HT-R690/990/HT-RC360  
Schematic Diagram (Part-10) PS Section

- 印は火災、感電の危険に関与する部品の為、必ず指定部品を使用の事。
  - 電圧表示は無信号時に測定した直流電圧を示す。(単位V、入力抵抗100kΩ/V以上の電圧計)
- 記入なき電解コンデンサの単位はμF/50Vである。
  - 記入なきコンデンサの単位はpF/50Vである。
  - 例 030→3pF 330→33pF 331→330pF 333→0.033μF
- 本配線図は基本配線図につき性能改善等により予告なく変更する事がある。

- \* THE COMPONENTS IDENTIFIED BY MARK  ARE CRITICAL FOR SAFETY. REPLACE ONLY WITH PART NUMBER SPECIFIED.
- \* VOLTAGE (MEASURED WITH VOLT METER) IS DC VOLTAGE. (NO INPUT SIGNAL)
- \* ELECTROLYTIC CAPACITORS () ARE IN μF/V.
- \* ALL CAPACITORS ARE IN pF/50V UNLESS OTHERWISE NOTED.
- EX) 030→3pF 330→33pF 331→330pF 333→0.033μF
- \* CIRCUIT IS SUBJECT TO CHANGE FOR IMPROVEMENT.

### CAUTION

FOR CONTINUED PROTECTION AGAINST FIRE HAZARD, REPLACE ONLY WITH FUSE OF SAME TYPE AND RATING INDICATED.



### ATTENTION

AFIN D'ASSURER UNE PROTECTION PERMANENTE CONTRE LES RISQUES D'INCENDIE, REMPLACER UNIQUEMENT PAR UN FUSIBLE DE MEME TYPE ET CALIBRATION COMME INDIQUE.



THIS SYMBOL LOCATED NEAR THE FUSE INDICATES THAT THE FUSE USED IS SLOW OPERATING TYPE FOR CONTINUED PROTECTION AGAINST FIRE HAZARD. REPLACE WITH SAME TYPE FUSE. FOR FUSE RATING REFER TO THE MAKING ADJACENT TO THE SYMBOL.



CE SYMBOLE INDIQUE QUE LE FUSIBLE UTILISE EST A LENT, E POUR UNE PROTECTION PERMANENTE. N'UTILISER QUE DES FUSIBLES DE MEME TYPE. CE DERNIER EST INDIQUE LA QU LE PRESENT SYMBOLE EST APPOSE.

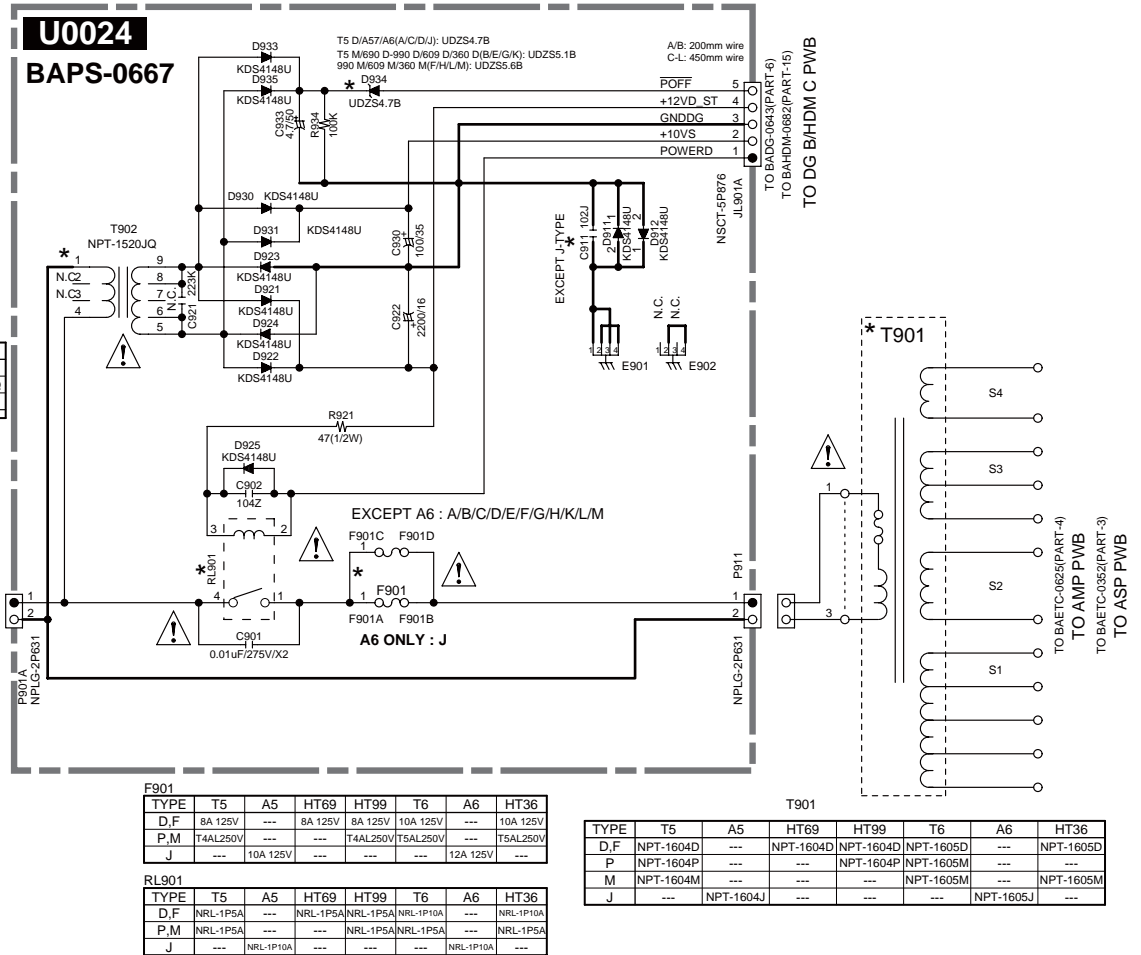
		T902		
		T5	A5	HT69
D,F	NPT-1520JQ	---	---	NPT-1520JQ
P,M	NPT-1520GQ	---	---	NPT-1520GQ
J	---	NPT-1520JQ	---	---

		T6	A6	HT36
D,F	NPT-1520JQ	---	---	NPT-1520JQ
P,M	NPT-1520GQ	---	---	NPT-1520GQ
J	---	NPT-1520JQ	---	---

CODE	MODEL
T5	TX-NR509
	TX-NR579
A5	TX-NA579
HT69	HT-R690
HT99	HT-R990
T6	TX-NR609
A6	TX-NA609
HT36	HT-RC360

TYPE	AC
D,F	120V / 60HZ
P,M	230-240V / 50HZ
J	100V / 50/60HZ



1

2

3

4

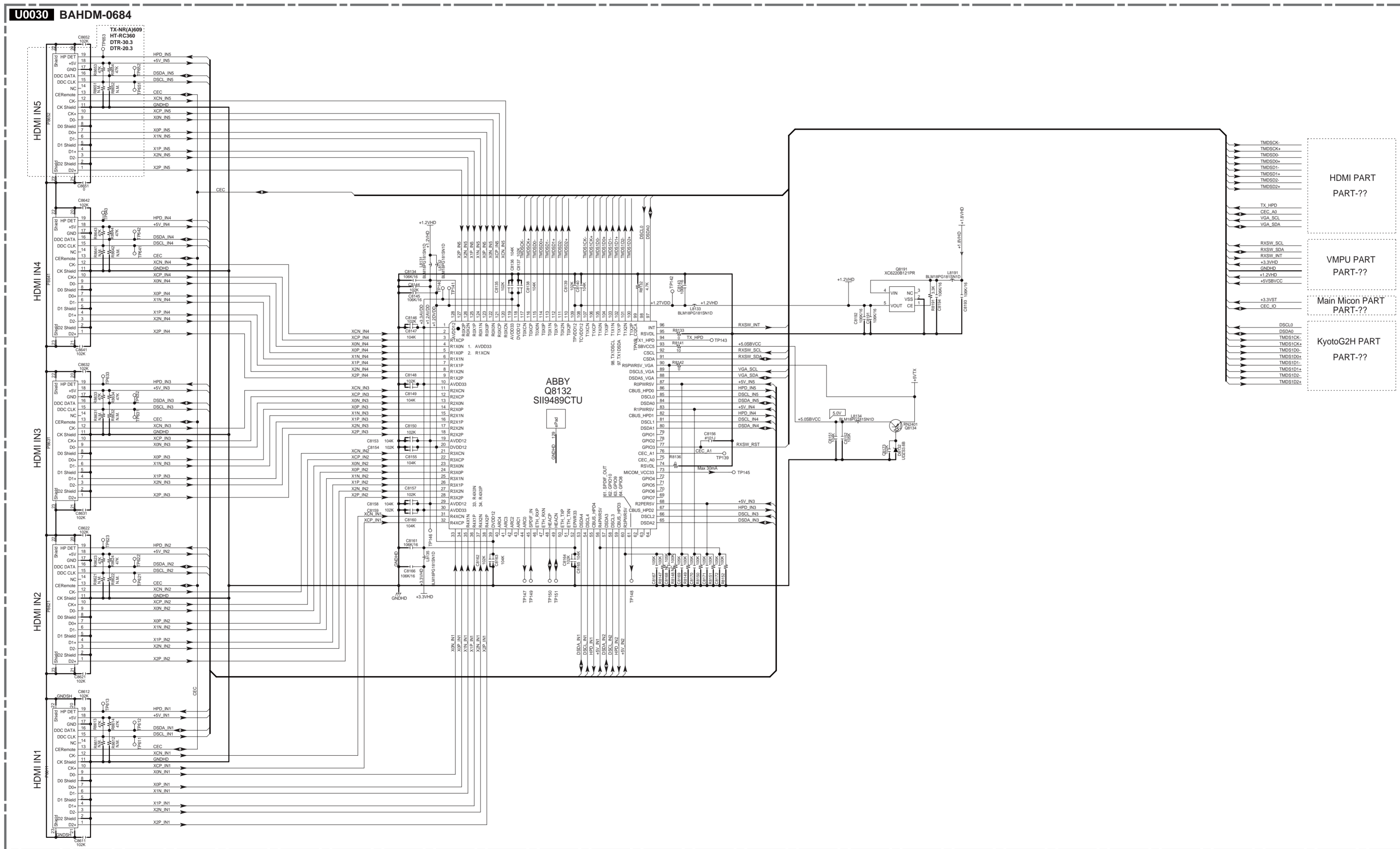


SCHEMATIC DIAGRAM/ BLOCK DIAGRAM-15

HDMI INPUT SWITCH SECTION  
PART-15

Model No. TX-NR(A)579, TX-NR(A)609, HT-RC360, DTR-20.3, DTR-30.3

SCHEMATIC DIAGRAM (PART-15)  
HDMI INPUT SWITCH SECTION



1  
2  
3  
4  
5  
6  
7  
8



SCHEMATIC DIAGRAM/ BLOCK DIAGRAM-16

HDMI SECTION PART-16

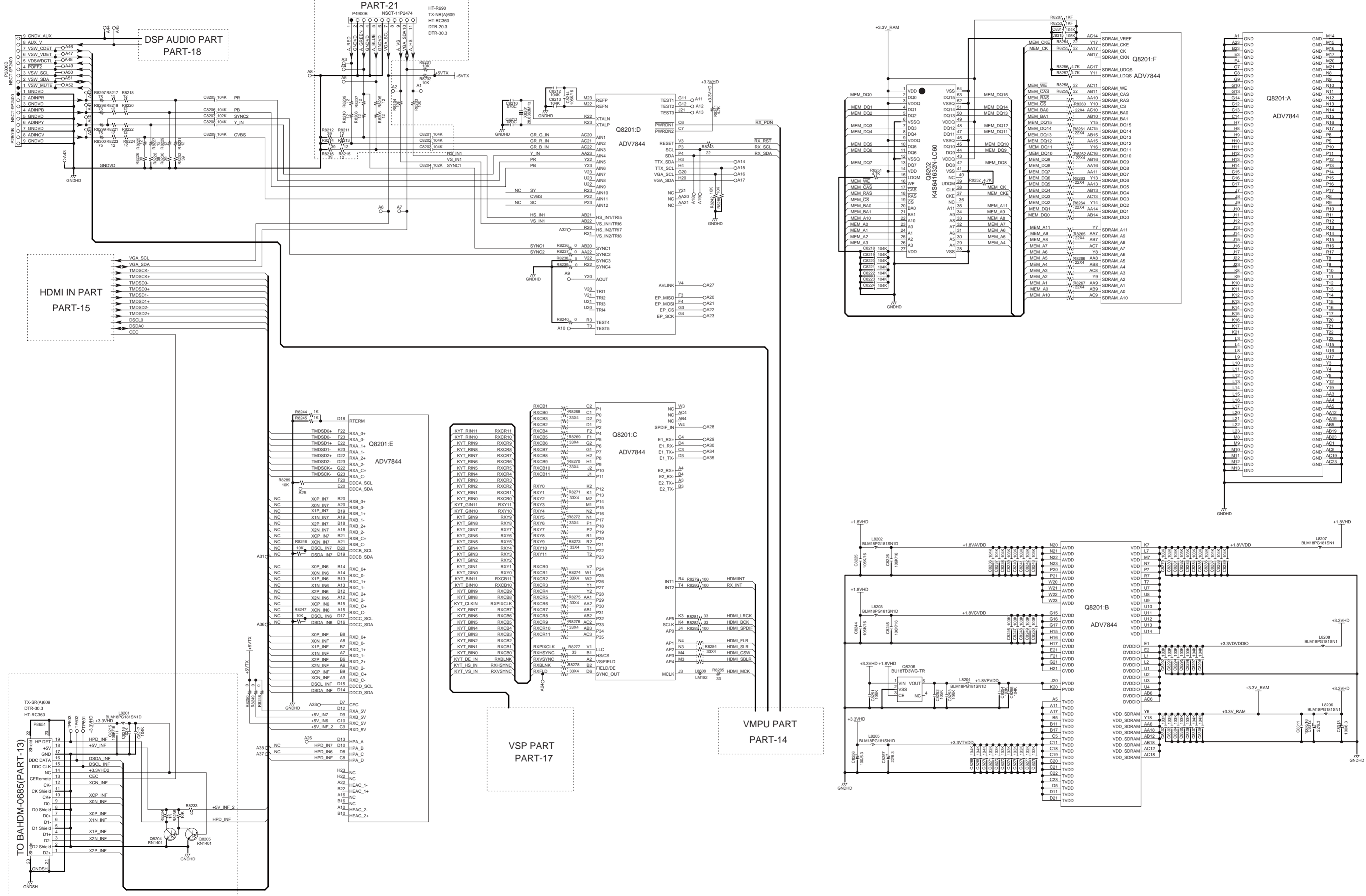
Model No. TX-NR(A)579, TX-NR(A)609, HT-RC360, DTR-20.3, DTR-30.3  
Schematic Diagram (Part-16) HDMI Section

U0030

BAHDM-0684

DSP AUDIO PART  
PART-18

DSUB(PC) PART  
PART-21



HDMI IN PART  
PART-15

Q8201:D  
ADV7844

Q8201:C  
ADV7844

Q8201:E  
ADV7844

Q8201:F  
ADV7844

Q8201:A  
ADV7844

Q8201:B  
ADV7844

VMPU PART  
PART-14

VSP PART  
PART-17

Q8201:A  
ADV7844

Q8201:B  
ADV7844

Q8201:C  
ADV7844

Q8201:D  
ADV7844

Q8201:E  
ADV7844

Q8201:F  
ADV7844

VMPU PART  
PART-14

VSP PART  
PART-17

1

2

3

4

5

6

7

8

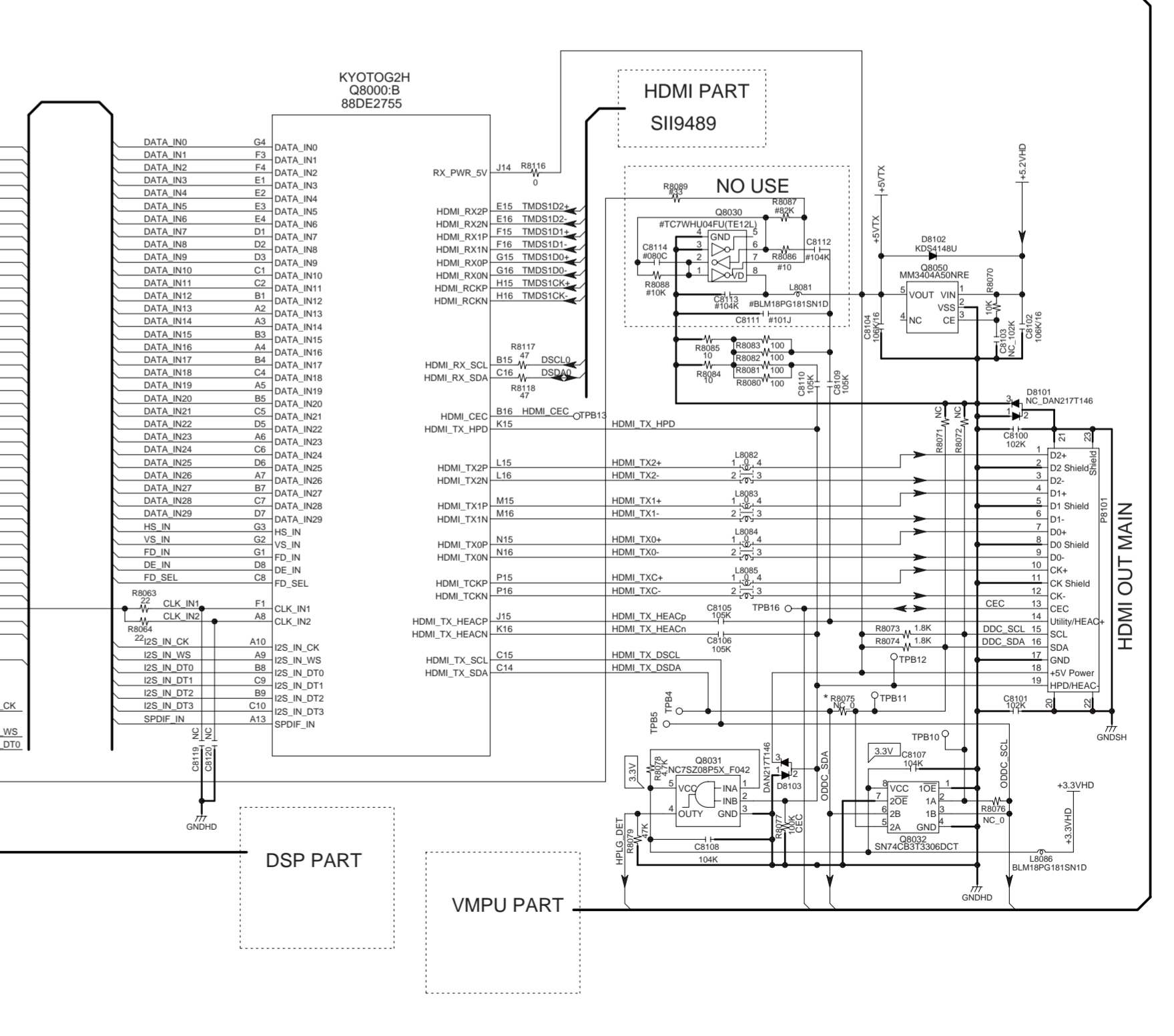
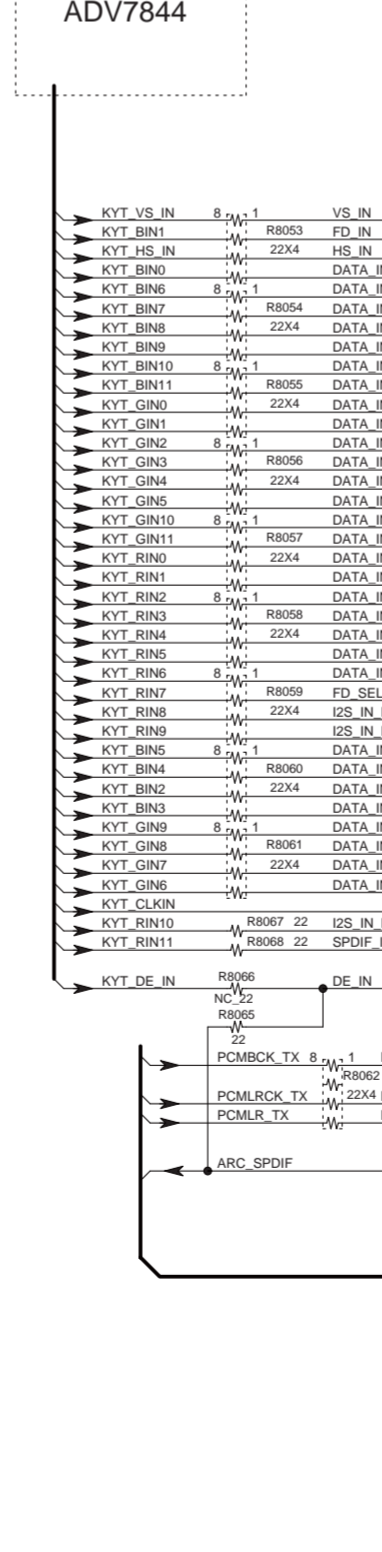
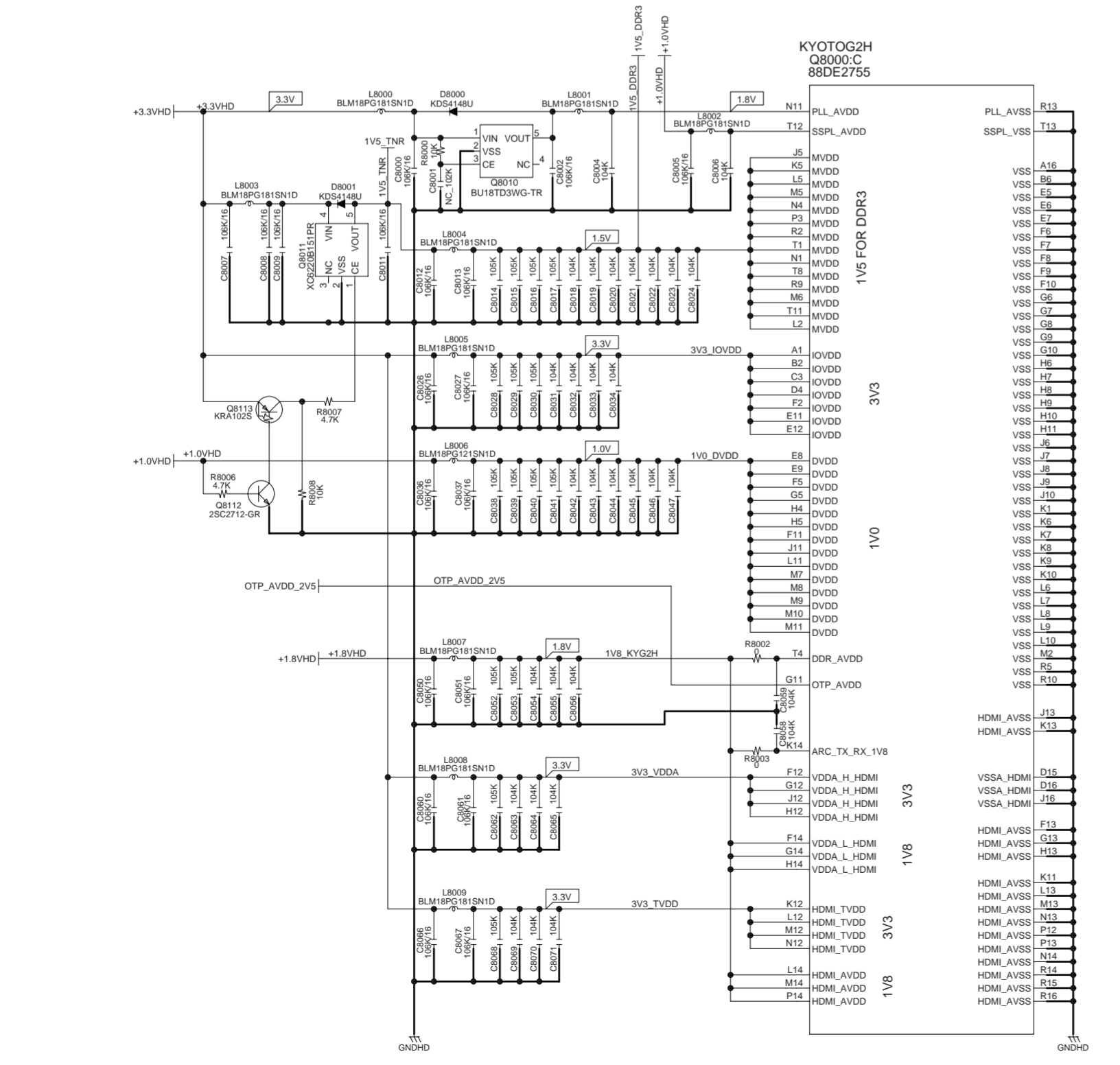
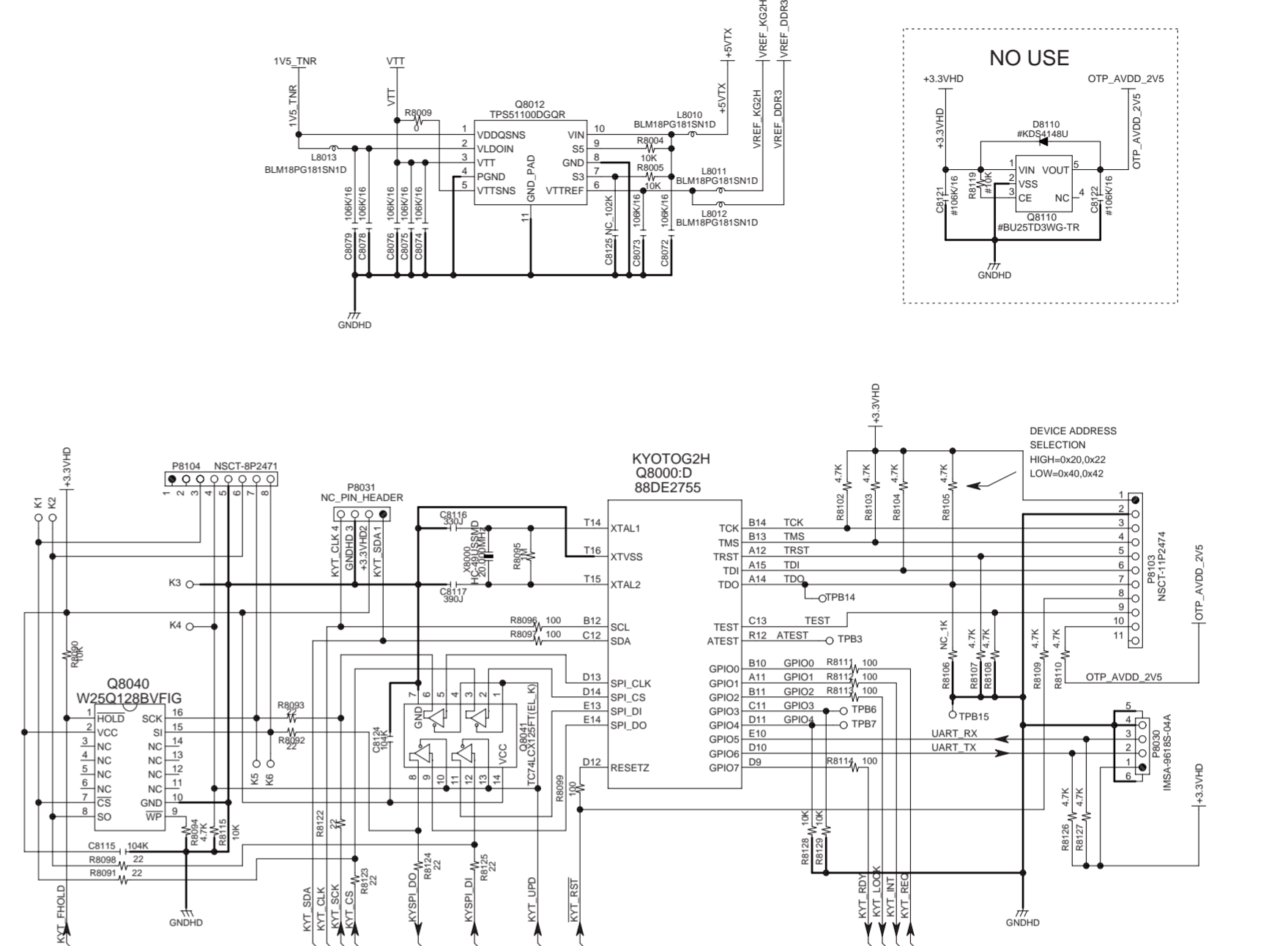
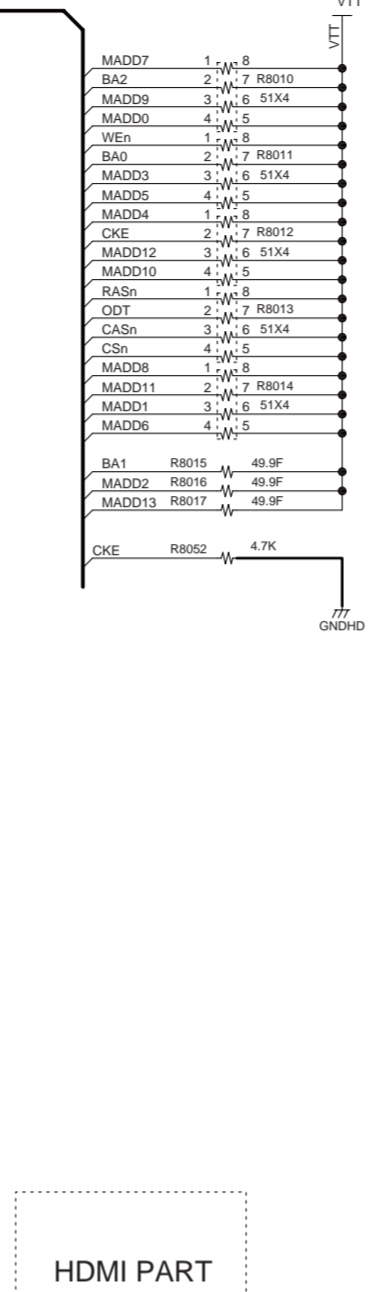
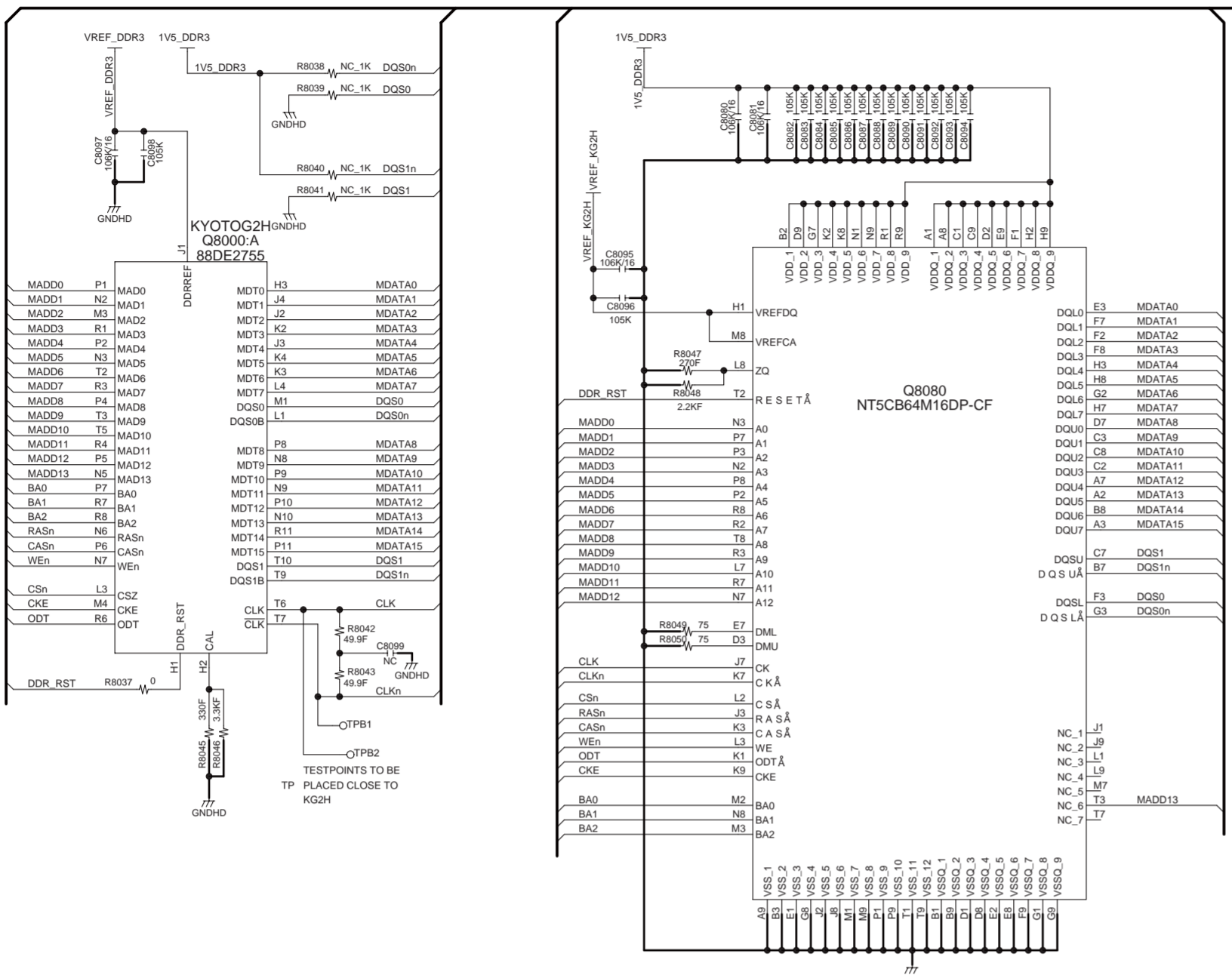
TO BAHDM-0685(PART-13)

SCHEMATIC DIAGRAM/ BLOCK DIAGRAM-17  
VIDEO PROCESSOR SECTION  
PART-17

U0030 BAHDM-0684

Model No. TX-NR(A)579, TX-NR(A)609, HT-RC360, DTR-20.3, DTR-30.3 SCHEMATIC DIAGRAM (PART-17) VIDEO PROCESSOR SECTION

1  
2  
3  
4  
5  
6  
7  
8



DSP PART

VMPU PART

HDMI OUT MAIN

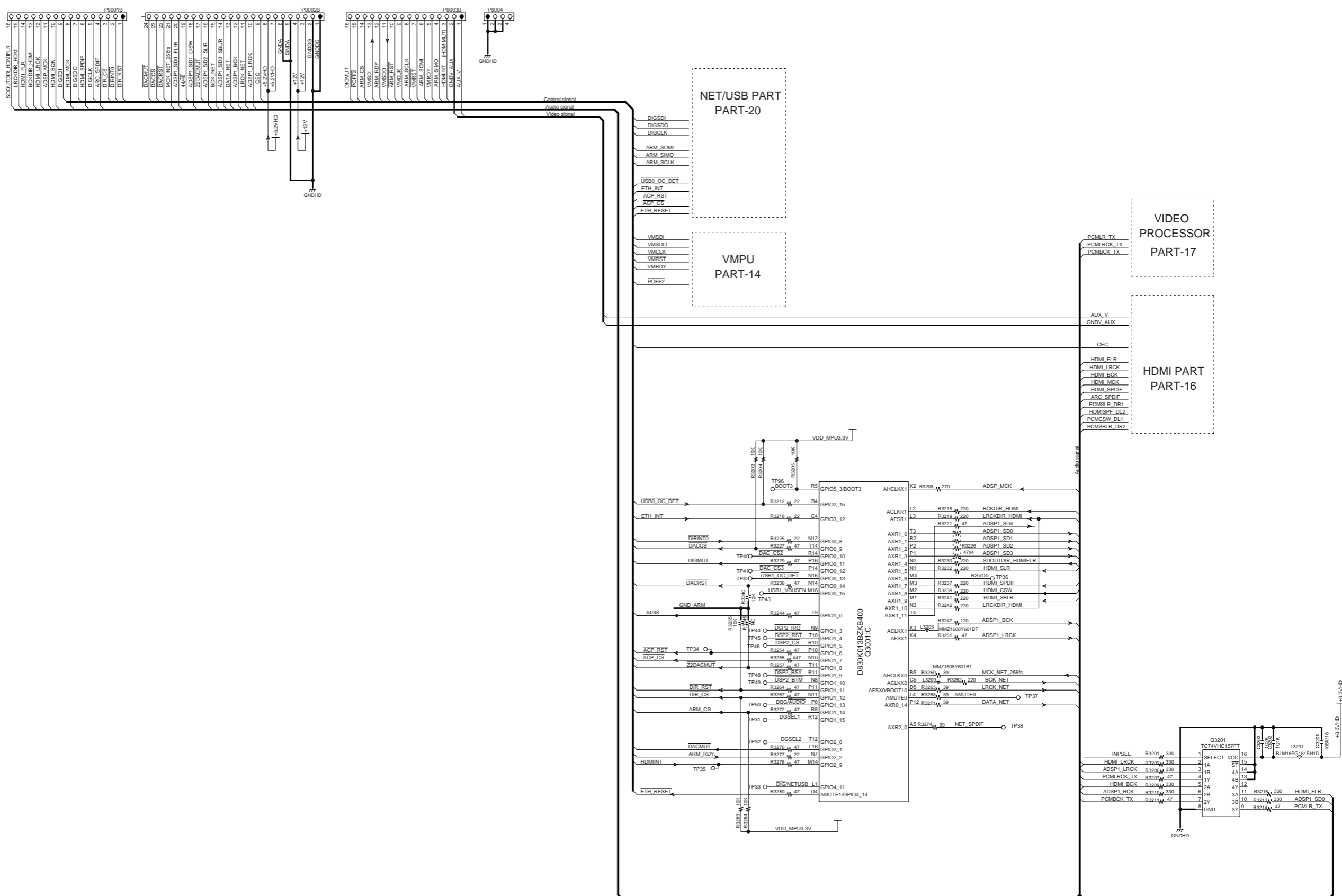
**SCHEMATIC DIAGRAM/ BLOCK DIAGRAM-18**

**DSP AUDIO SECTION PART-18**

**U0040 BAHDM-0684**

**DIR/DAC/MPU PART PART-6**

Model No.  
TX-NR(A)579,TX-NR(A)609,HT-RC360,DTR-20.3,DTR-30.3,HT-R690,HT-R990  
SCHEMATIC DIAGRAM (Part-18) DSP AUDIO SECTION



SCHEMATIC DIAGRAM/ BLOCK DIAGRAM-19

DSP MEMORY SECTION  
PART-19

Model No. TX-NR(A)579, TX-NR(A)609, HT-RC360, DTR-20.3, DTR-30.3 SCHEMATIC DIAGRAM (PART-19) DSP Memory Section

U0030 BAHDM-0684

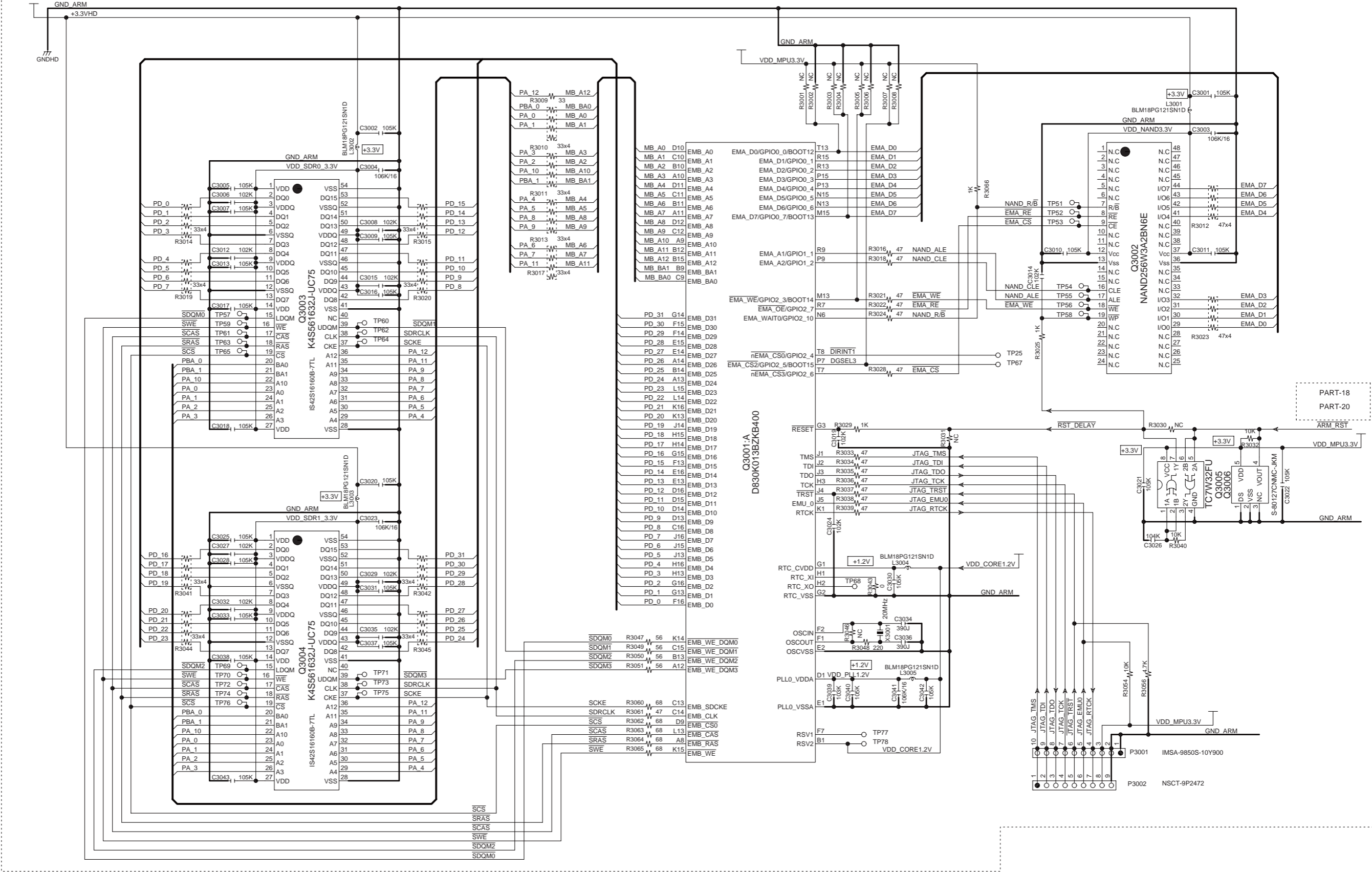
1

2

3

4

5



PART-18  
PART-20

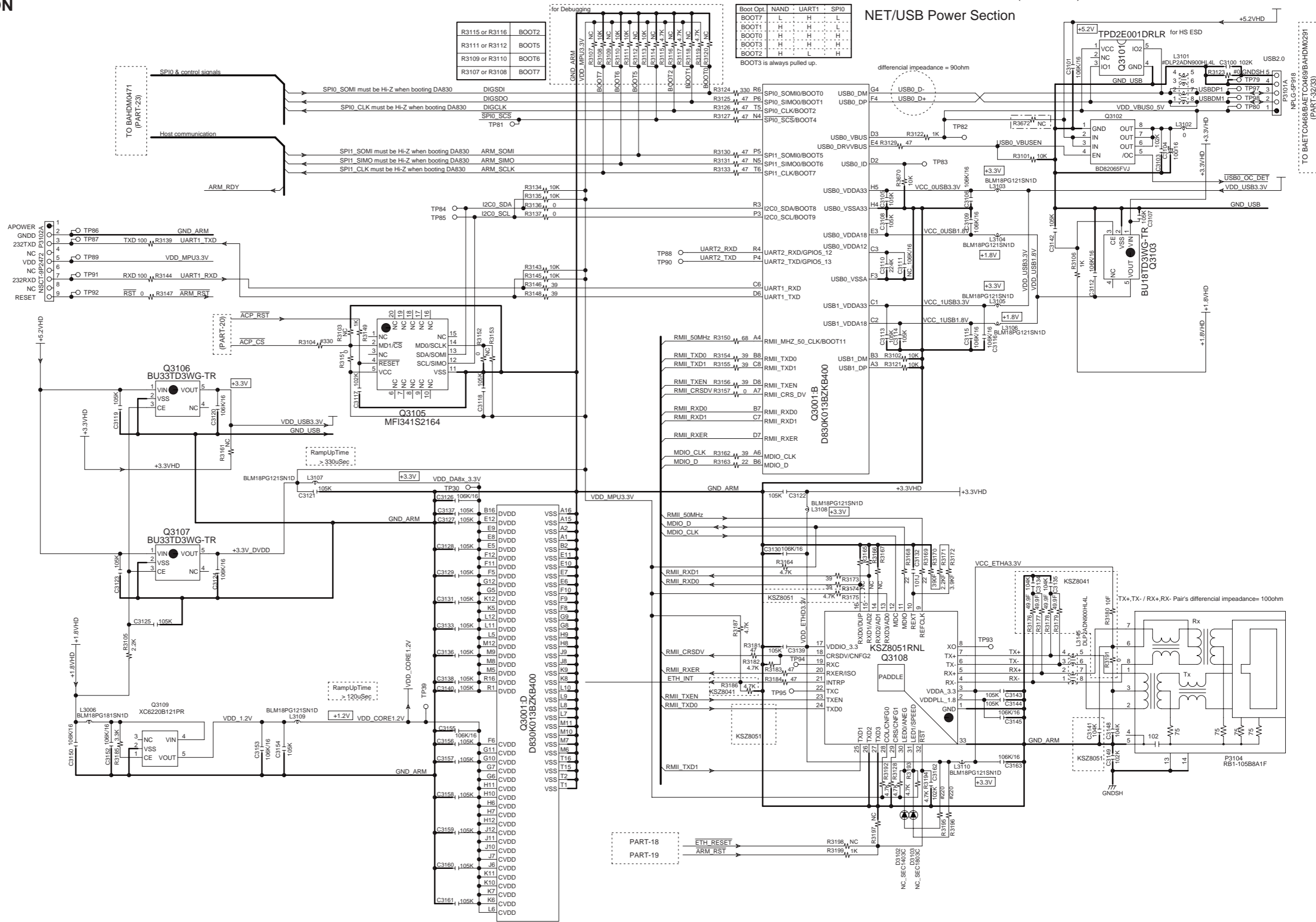
P3001 IMSA-9850S-10Y900  
P3002 NSCT-9P2472

**SCHEMATIC DIAGRAM/ BLOCK DIAGRAM-20**  
**NET/ USB POWER SECTION**  
**PART-20**

Model No. TX-NR(A)579, TX-NR(A)609, HT-RC360, DTR-20.3, DTR-30.3

**SCHEMATIC DIAGRAM (PART-20)**  
**NET/USB Power Section**

**U0030 BAHDM-0684**



1

2

3

4

5

A B C D E F G H

PRINTED CIRCUIT BOARD VIEWS-1

**U001**  
BAAF-0628  
(U0010 to U0015)  
A-side view

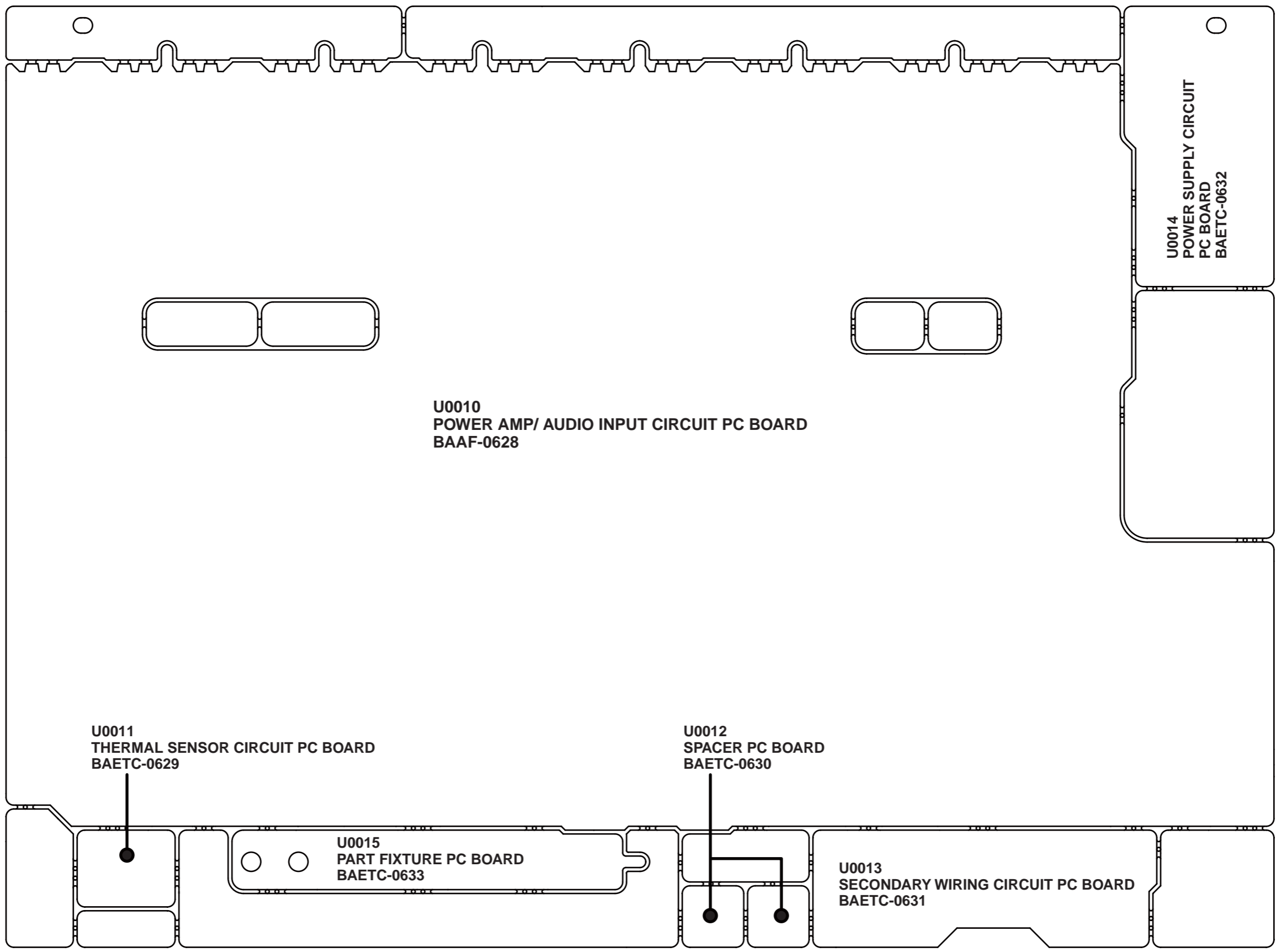
1

2

3

4

5



U0010  
POWER AMP/ AUDIO INPUT CIRCUIT PC BOARD  
BAAF-0628

U0014  
POWER SUPPLY CIRCUIT  
PC BOARD  
BAETC-0632

U0011  
THERMAL SENSOR CIRCUIT PC BOARD  
BAETC-0629

U0012  
SPACER PC BOARD  
BAETC-0630

U0015  
PART FIXTURE PC BOARD  
BAETC-0633

U0013  
SECONDARY WIRING CIRCUIT PC BOARD  
BAETC-0631

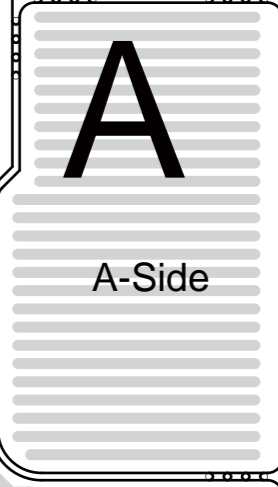
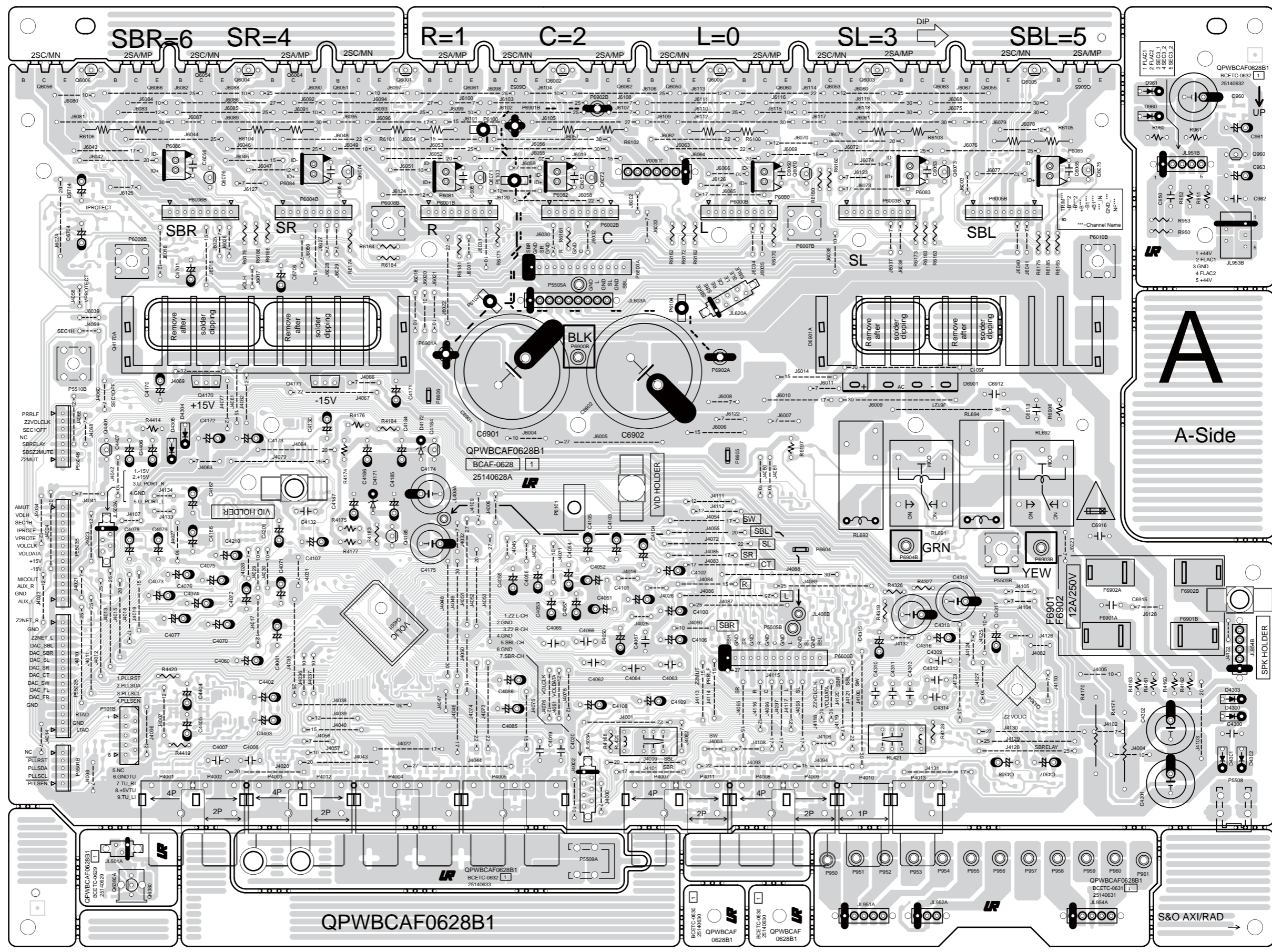
A B C D E F G H

PRINTED CIRCUIT BOARD VIEWS-1A

**U001**  
**BAAF-0628**  
**(U0010 to U0015)**

A-side view

1  
2  
3  
4  
5



A-Side

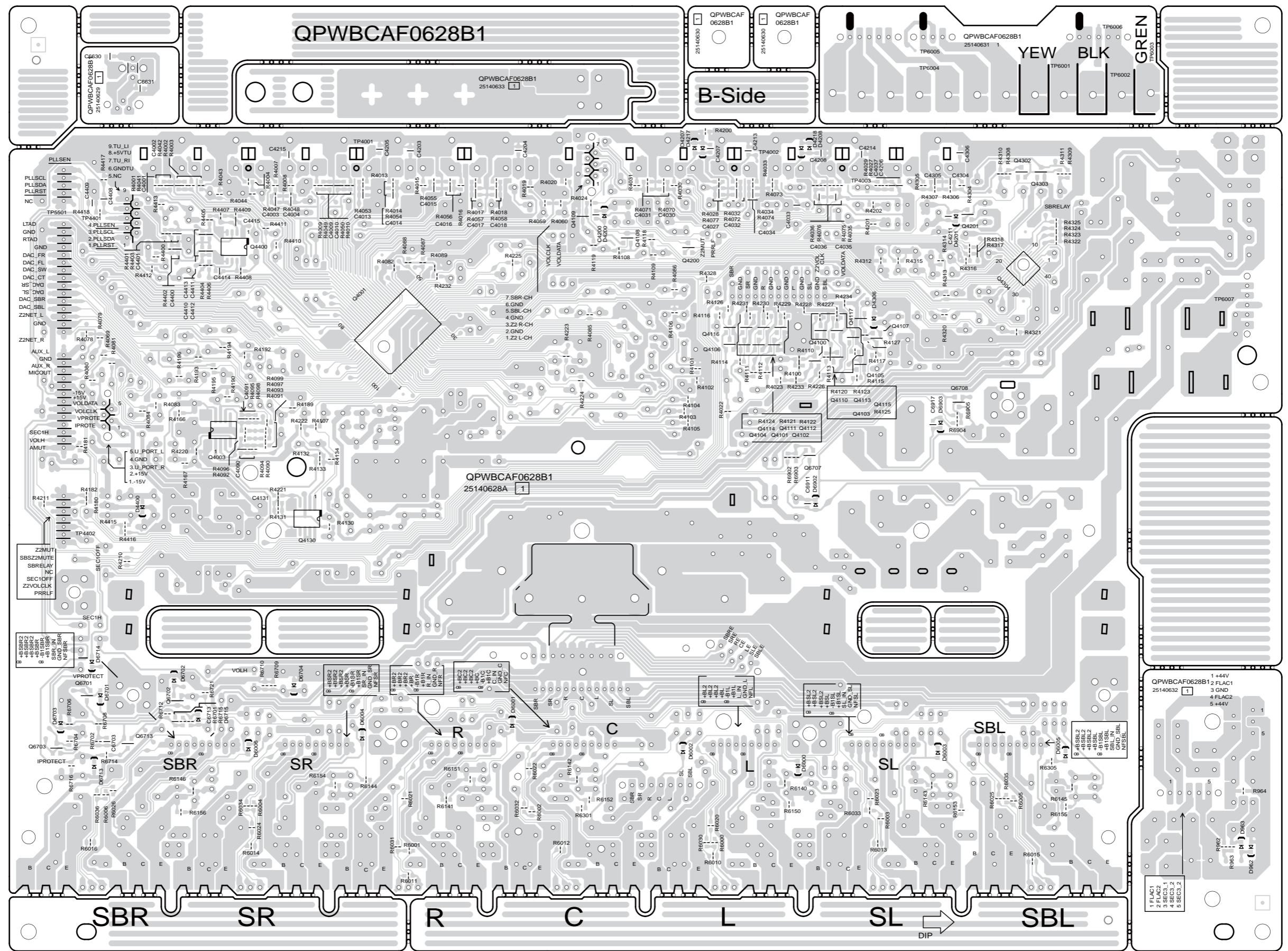
QPWBCAF0628B1

S&O AXI/RAD

A B C D E F G H

PRINTED CIRCUIT BOARD VIEWS-1B

**U001**  
**BAAF-0628**  
**(U0010 to U0015)**  
**B-side view**



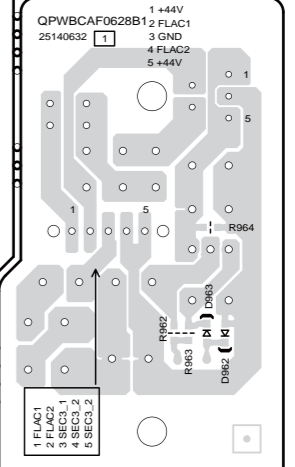
1

2

3

4

5





A

B

C

D

E

F

G

H

PRINTED CIRCUIT BOARD VIEWS-2

**U002**

BADIS-0663  
(U0020 to U0024)

A-side view

1

2

3

4

5

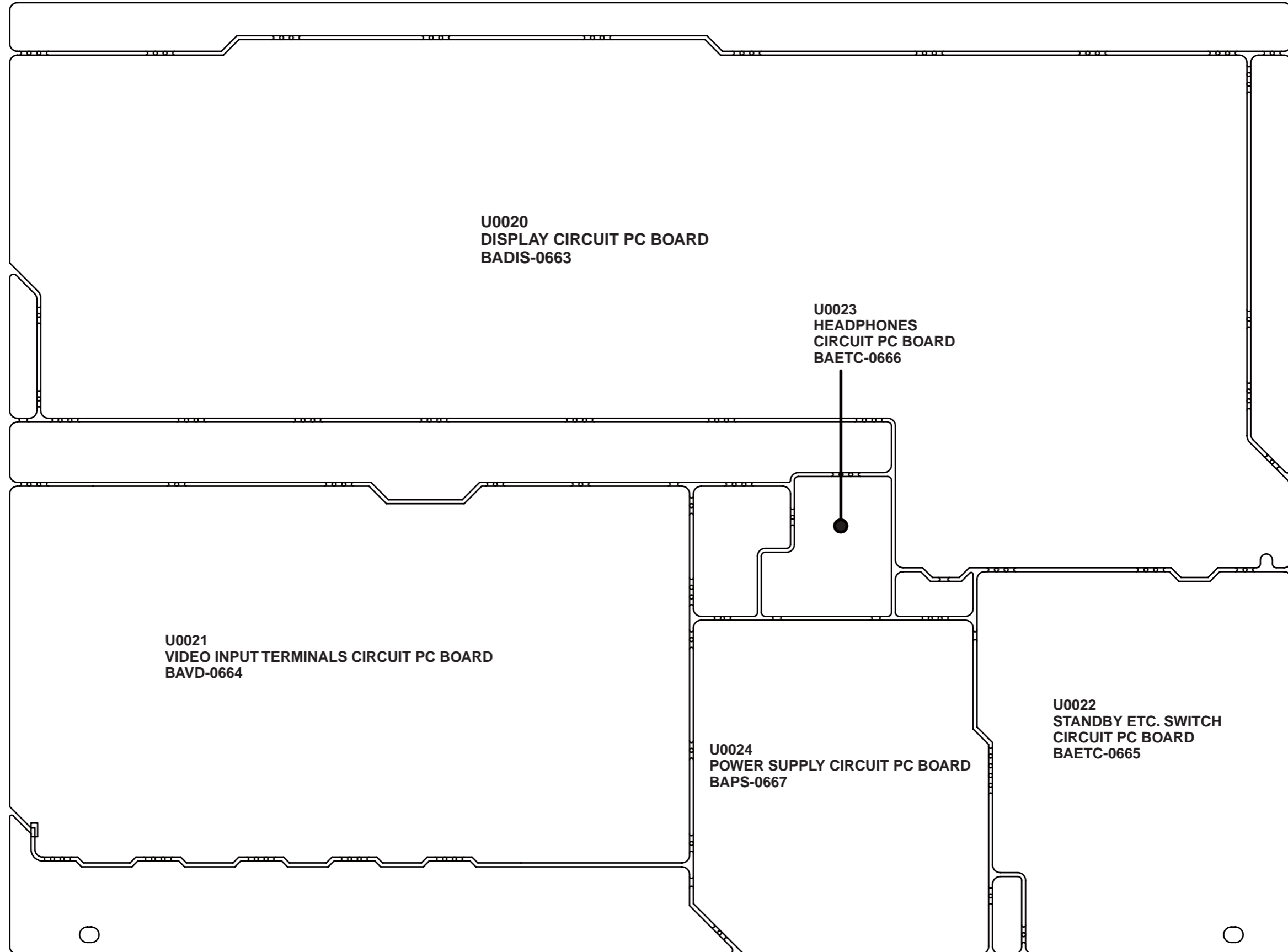
U0020  
DISPLAY CIRCUIT PC BOARD  
BADIS-0663

U0023  
HEADPHONES  
CIRCUIT PC BOARD  
BAETC-0666

U0021  
VIDEO INPUT TERMINALS CIRCUIT PC BOARD  
BAVD-0664

U0024  
POWER SUPPLY CIRCUIT PC BOARD  
BAPS-0667

U0022  
STANDBY ETC. SWITCH  
CIRCUIT PC BOARD  
BAETC-0665



A B C D E F G H

PRINTED CIRCUIT BOARD VIEWS-2A

**U002**  
**BADIS-0663**  
**(U0020 to U0024)**  
**A-side view**

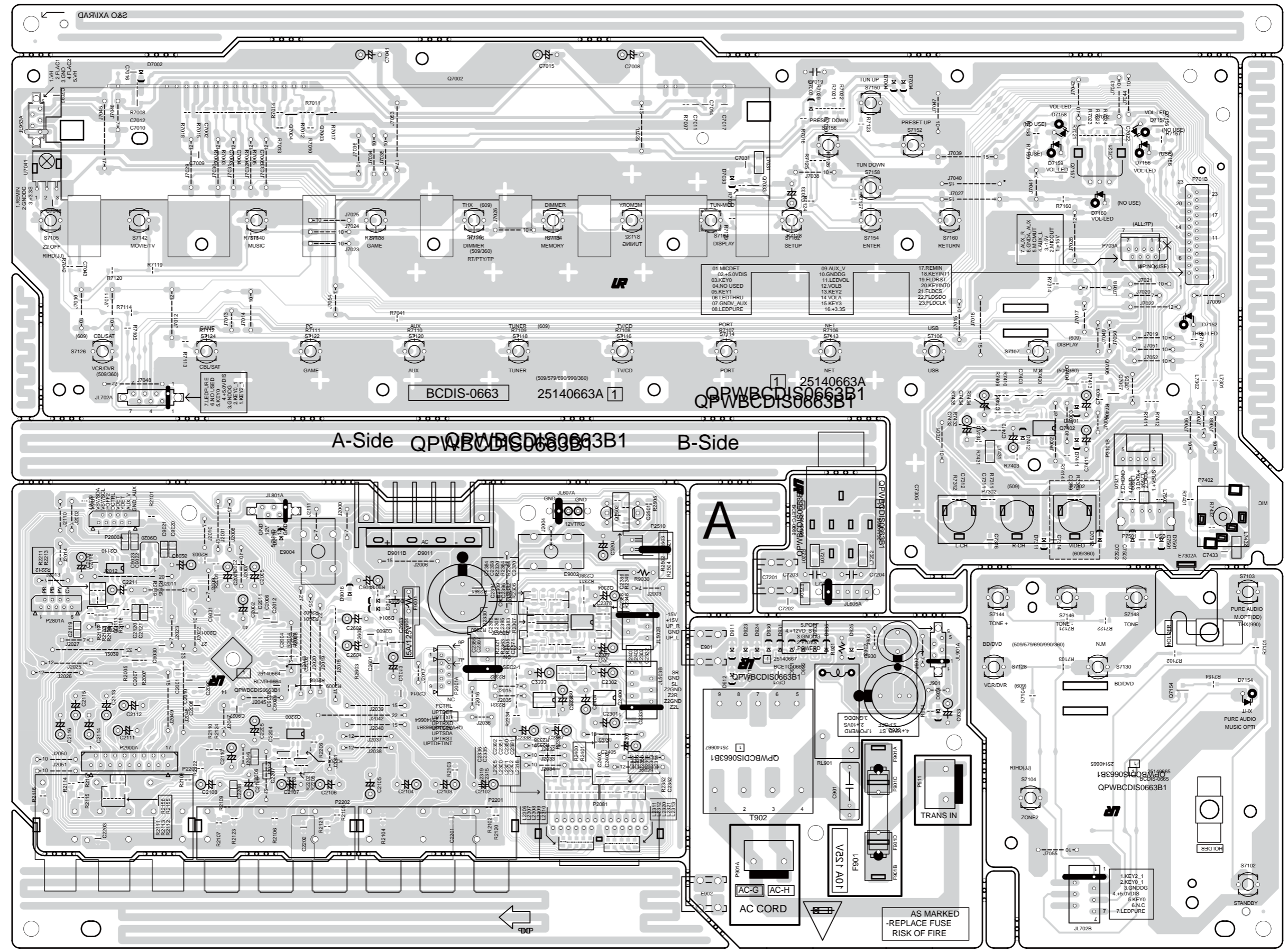
1

2

3

4

5



A-Side QPWBCDIS0663B1 B-Side

25140663A  
QPWBCDIS0663B1

QPWBCDIS0663B1

QPWBCDIS0663B1

QPWBCDIS0663B1

QPWBCDIS0663B1

QPWBCDIS0663B1

A B C D E F G H

PRINTED CIRCUIT BOARD VIEWS-2B

U002

BADIS-0663  
(U0020 to U0024)

B-side view

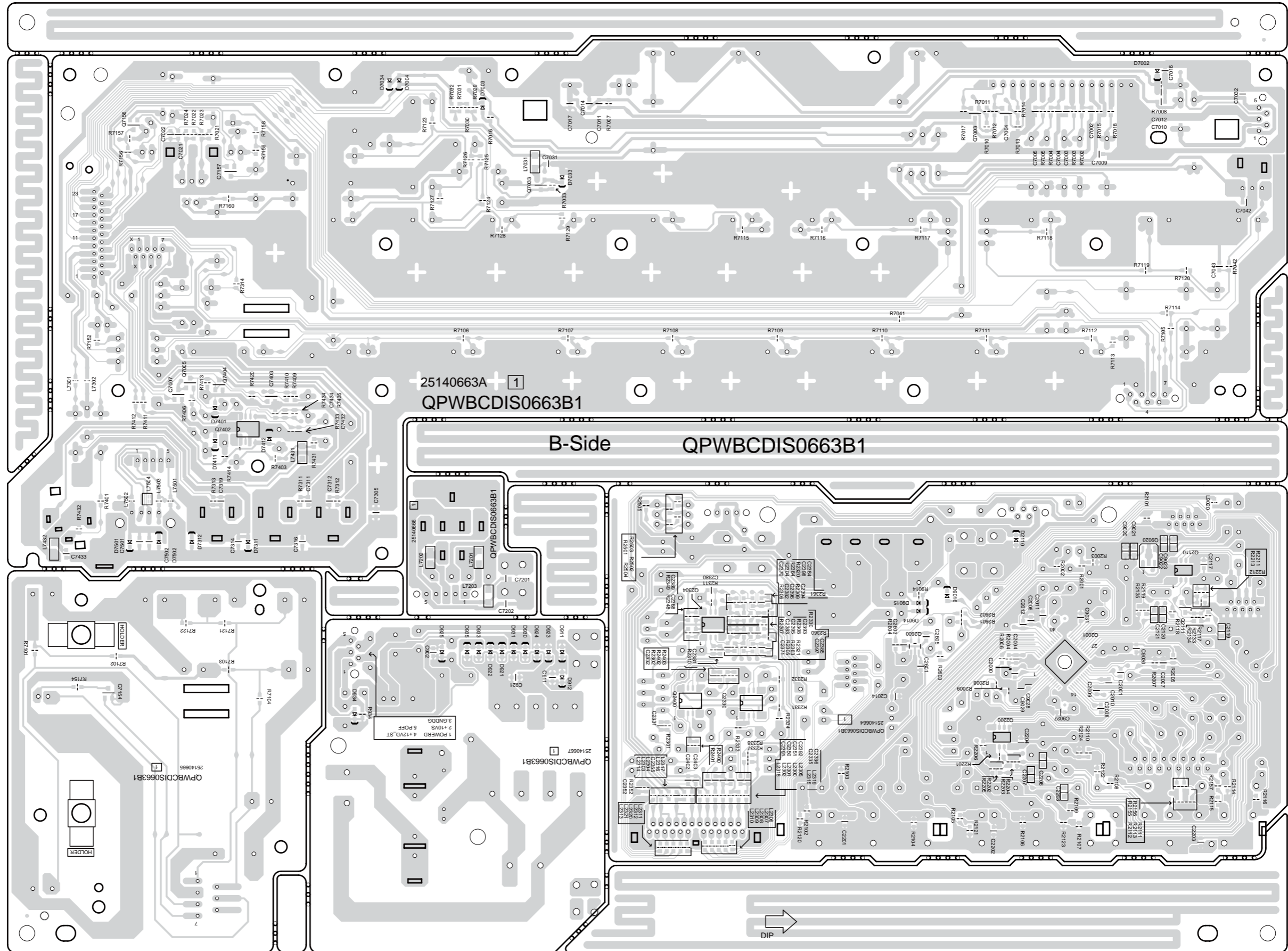
1

2

3

4

5



A

B

C

D

E

F

G

H

PRINTED CIRCUIT BOARD VIEWS-3

**U003** HDMI CIRCUIT PC BOARD BAHDM-0684

A-side view

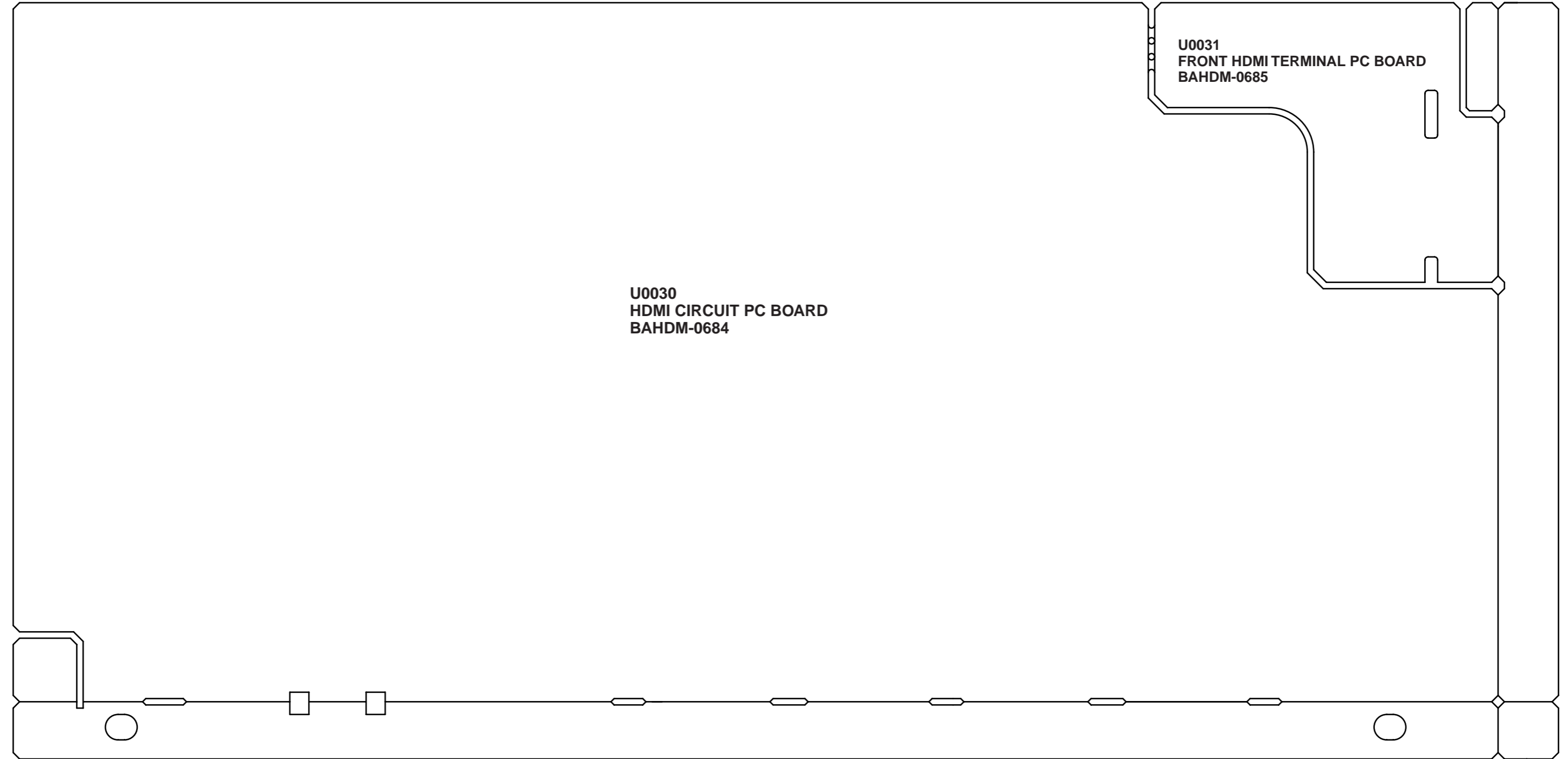
1

2

3

4

5



**U0031**  
FRONT HDMI TERMINAL PC BOARD  
BAHDM-0685

**U0030**  
HDMI CIRCUIT PC BOARD  
BAHDM-0684

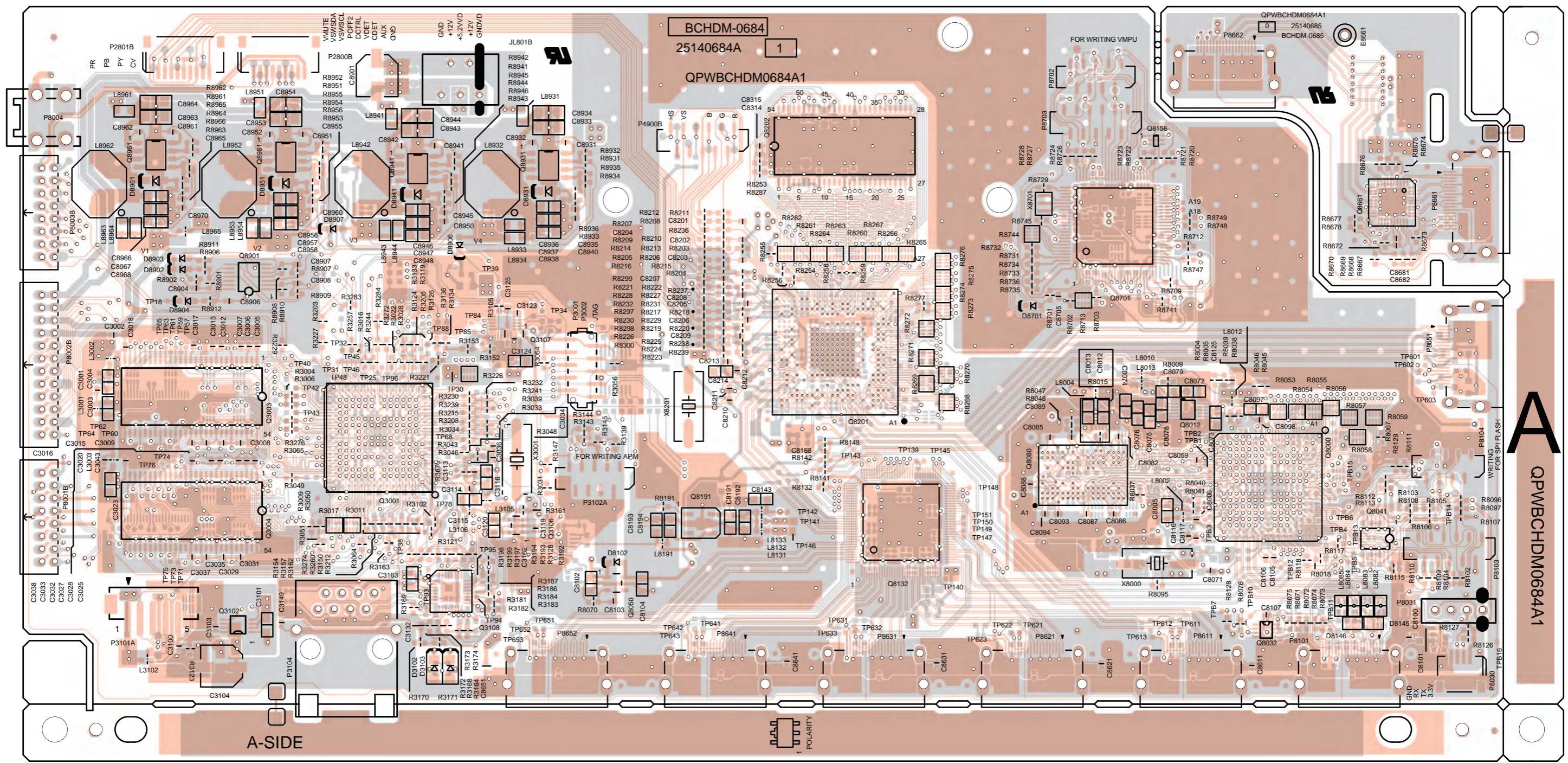
A B C D E F G H

PRINTED CIRCUIT BOARD VIEWS-3A

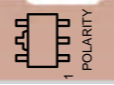
U003 HDMI CIRCUIT PC BOARD BAHDM-0684

1  
2  
3  
4  
5

A-side view  
A-side pattern  
B-side pattern



A  
QPWCHDM0684A1



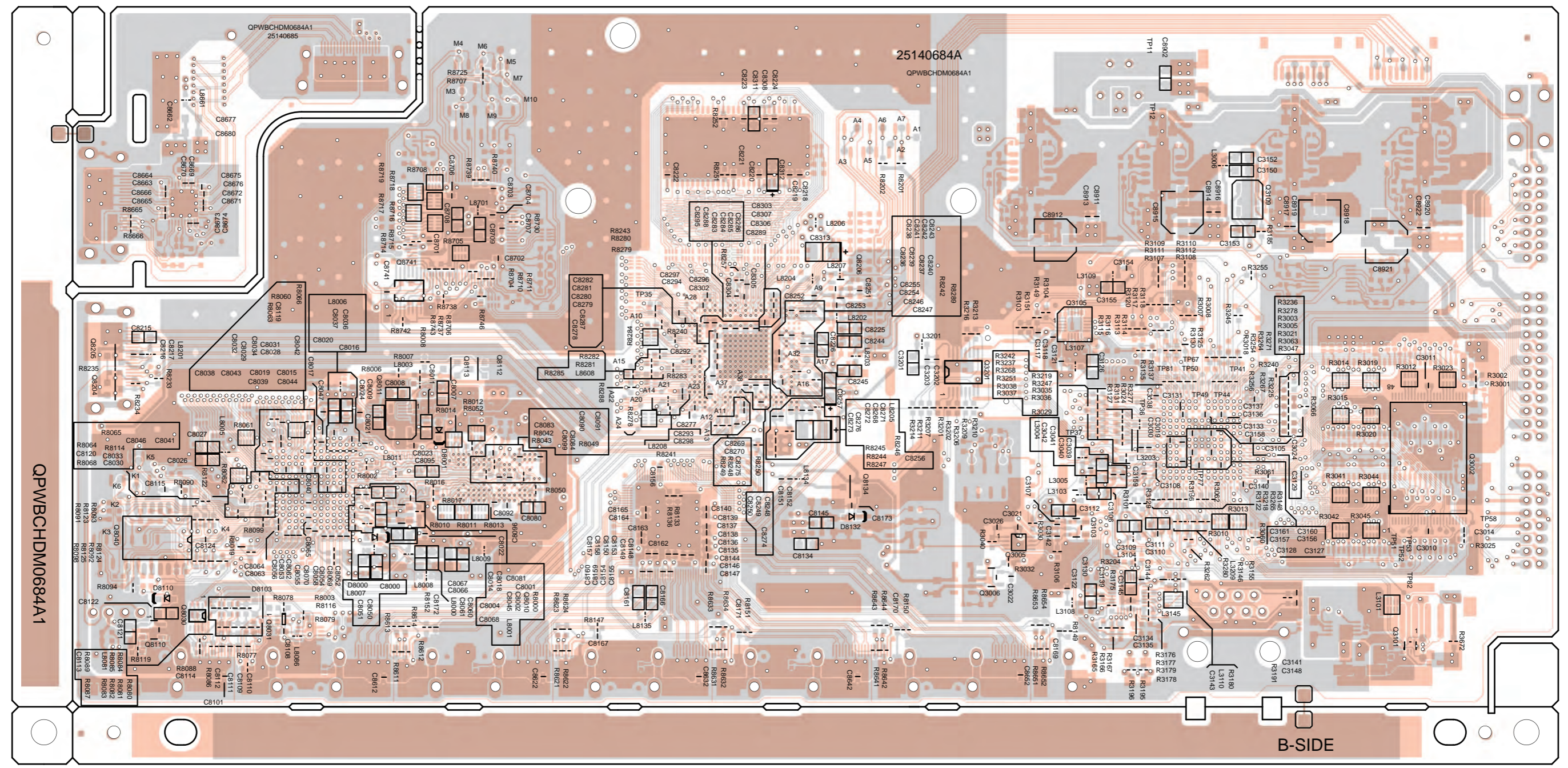
A B C D E F G H

PRINTED CIRCUIT BOARD VIEWS-3B

U003 HDMI CIRCUIT PC BOARD BAHDM-0684

B-side view  
A-side pattern  
B-side pattern

1  
2  
3  
4  
5



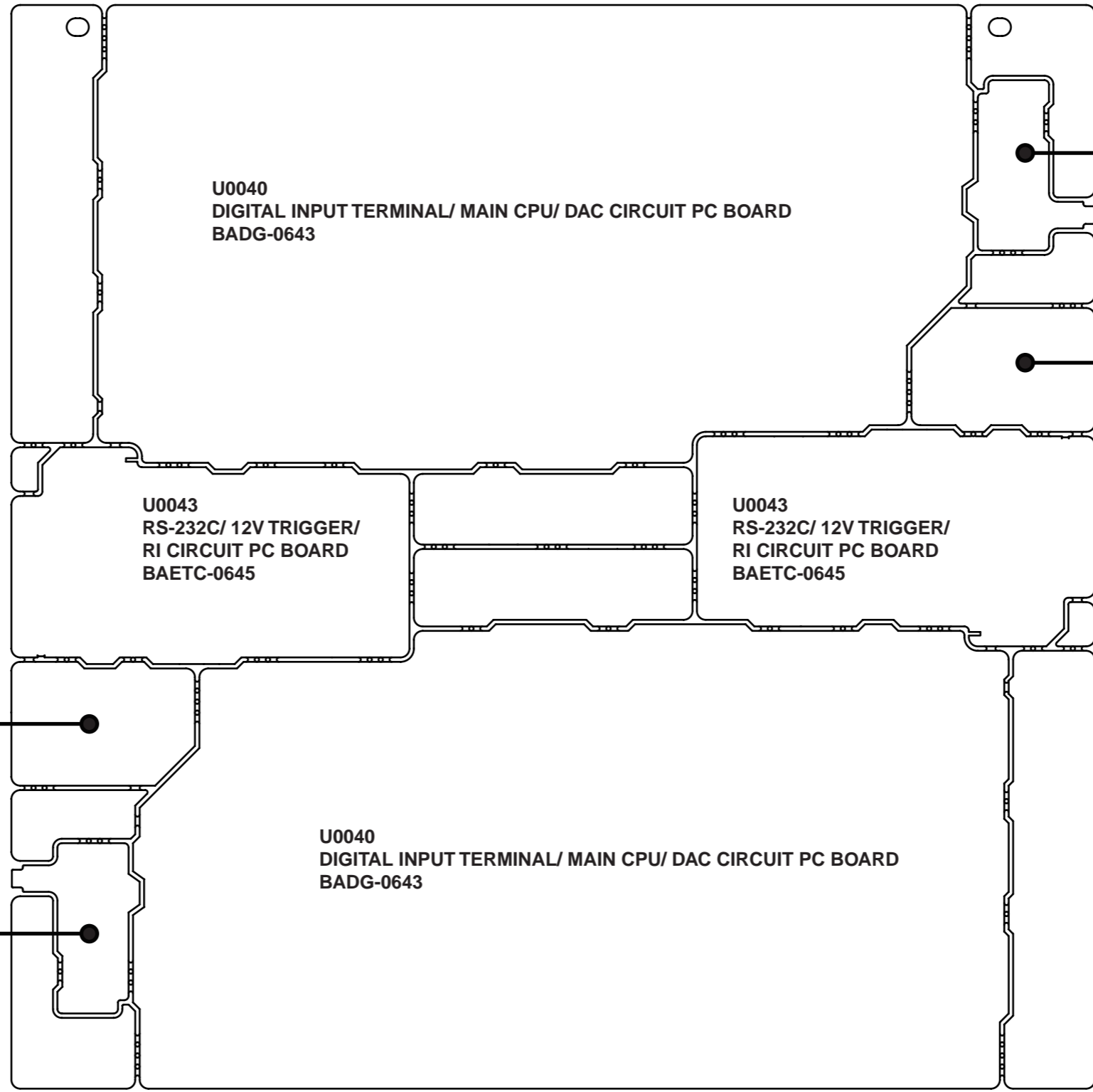
B-SIDE

A B C D E F G H

PRINTED CIRCUIT BOARD VIEWS-4

**U004** BADG-0643  
(U0040 to U0043)  
A-side view

1  
2  
3  
4  
5



U0040  
DIGITAL INPUT TERMINAL/ MAIN CPU/ DAC CIRCUIT PC BOARD  
BADG-0643

U0042  
USB TERMINAL CIRCUIT PC BOARD  
BAETC-0644

U0041  
D-SUB INPUT TERMINAL CIRCUIT PC BOARD  
BAETC-0646

U0043  
RS-232C/ 12V TRIGGER/  
RI CIRCUIT PC BOARD  
BAETC-0645

U0043  
RS-232C/ 12V TRIGGER/  
RI CIRCUIT PC BOARD  
BAETC-0645

U0041  
D-SUB INPUT TERMINAL CIRCUIT PC BOARD  
BAETC-0646


U0040  
DIGITAL INPUT TERMINAL/ MAIN CPU/ DAC CIRCUIT PC BOARD  
BADG-0643


U0042  
USB TERMINAL CIRCUIT PC BOARD  
BAETC-0644

A B C D E F G H

PRINTED CIRCUIT BOARD VIEWS-4A

**U004** BADG-0643  
(U0040 to U0043)  
A-side view

 A side pattern

 B side pattern

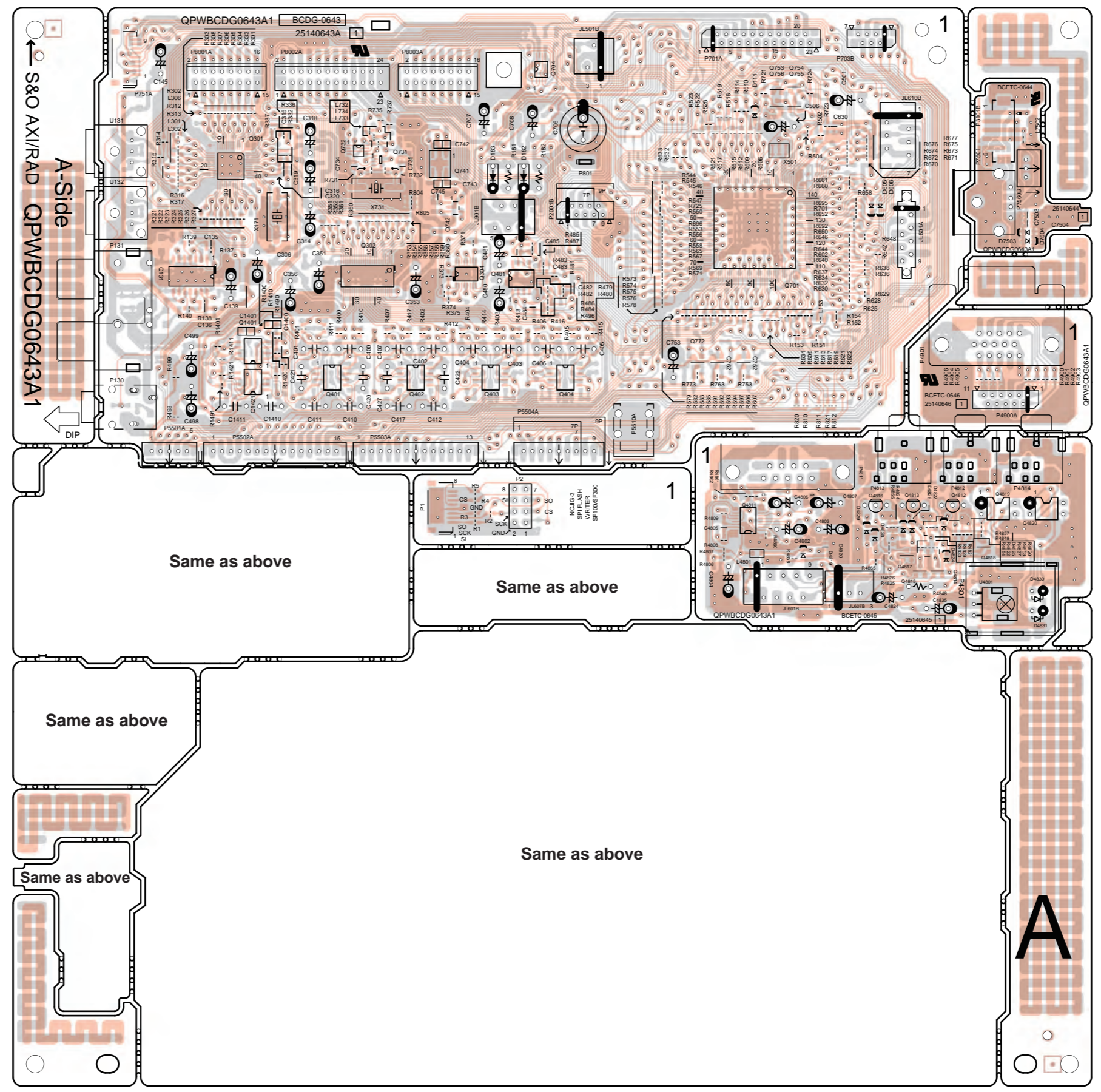
1

2

3

4

5





A B C D E F G H

PRINTED CIRCUIT BOARD VIEWS-4B

**U004** BADG-0643  
(U0040 to U0043)

B-side view  
 A side pattern  
 B side pattern

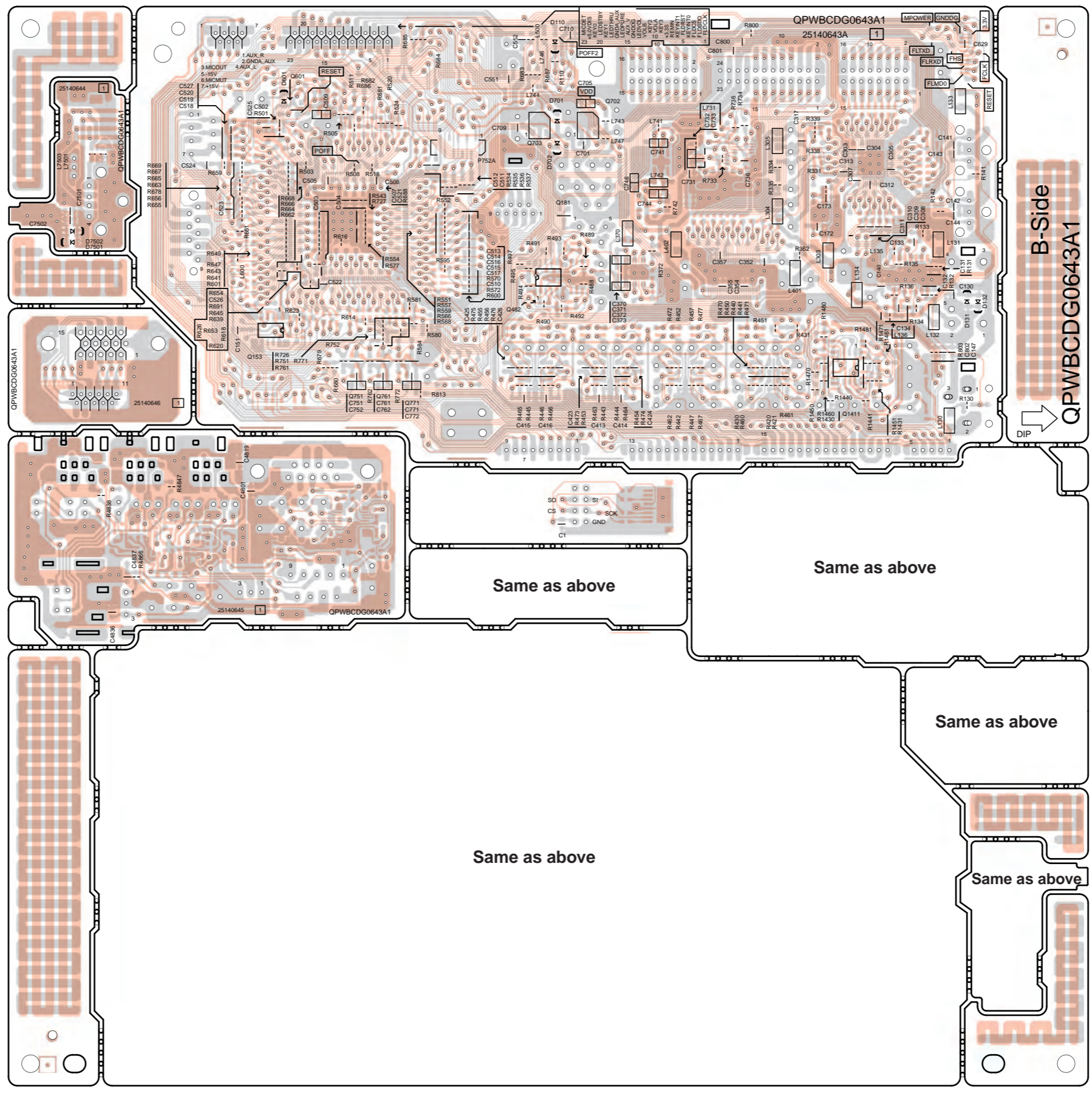
1

2

3

4

5



B-Side  
QPWBCDG0643A1  
DIP

A

B

C

D

E

F

G

H

PRINTED CIRCUIT BOARD VIEWS-5

**U005** BATRM-0647  
(U0050 to U0053)

A-side view

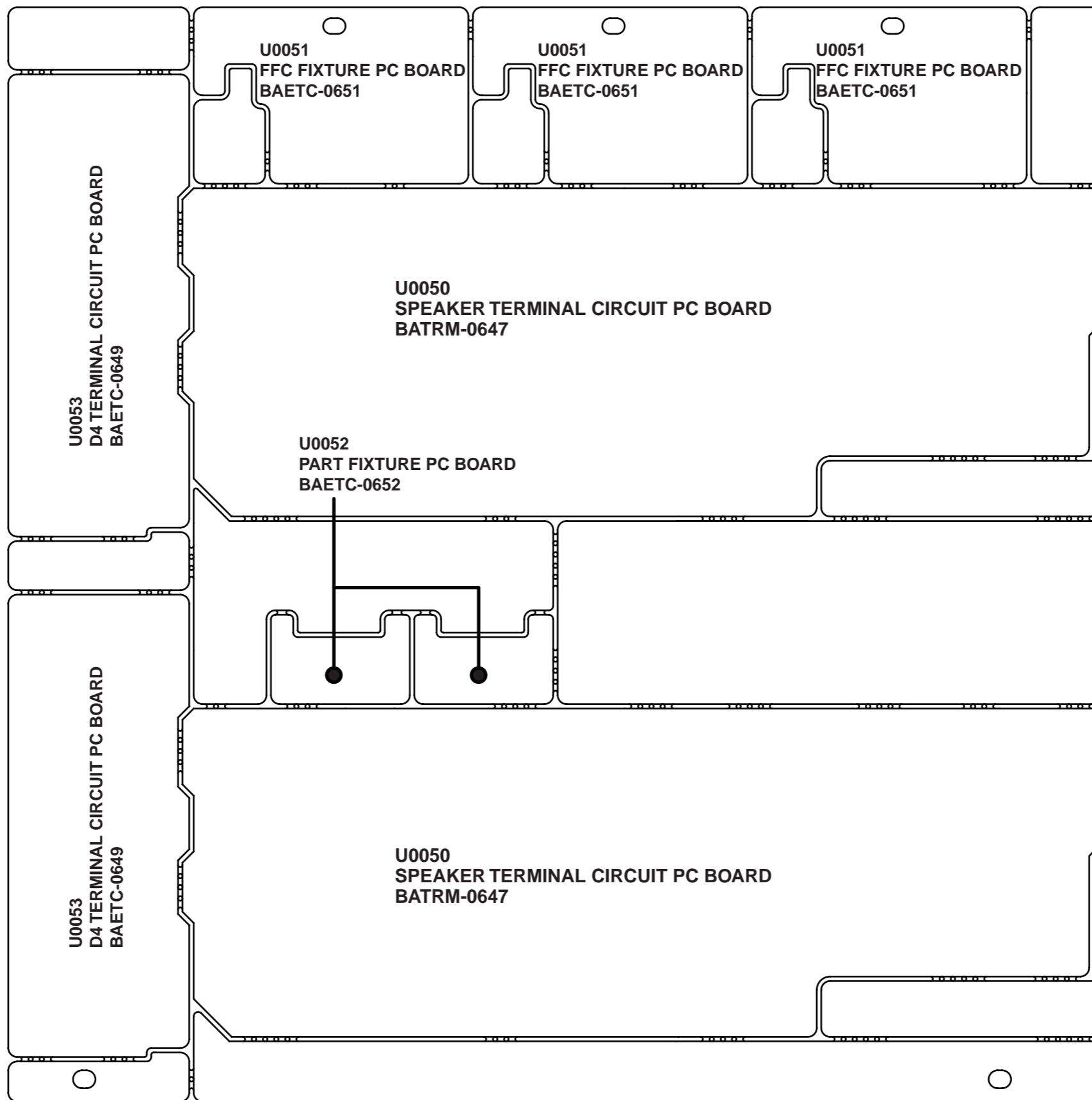
1

2

3

4

5

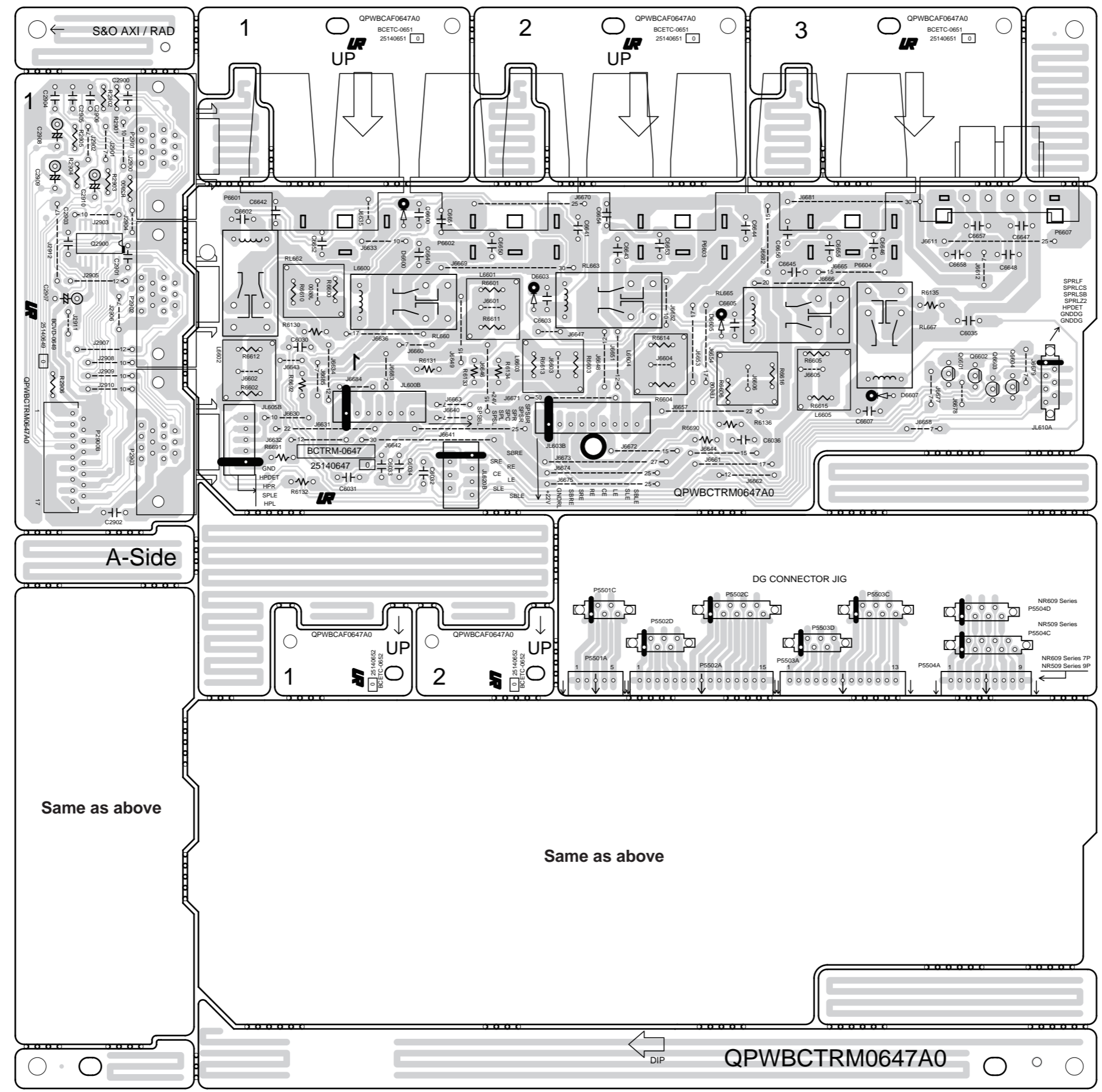


A B C D E F G H

PRINTED CIRCUIT BOARD VIEWS-5A

**U005** BATRM-0647  
(U0050 to U0053)  
A-side view

1  
  
  
2  
  
  
3  
  
  
4  
  
  
5



A-Side

Same as above

Same as above

QPWBCTRM0647A0

A

B

C

D

E

F

G

H

PRINTED CIRCUIT BOARD VIEWS-6

**U006**

BACLA-0362  
(U0060 to U0061)

A-side view

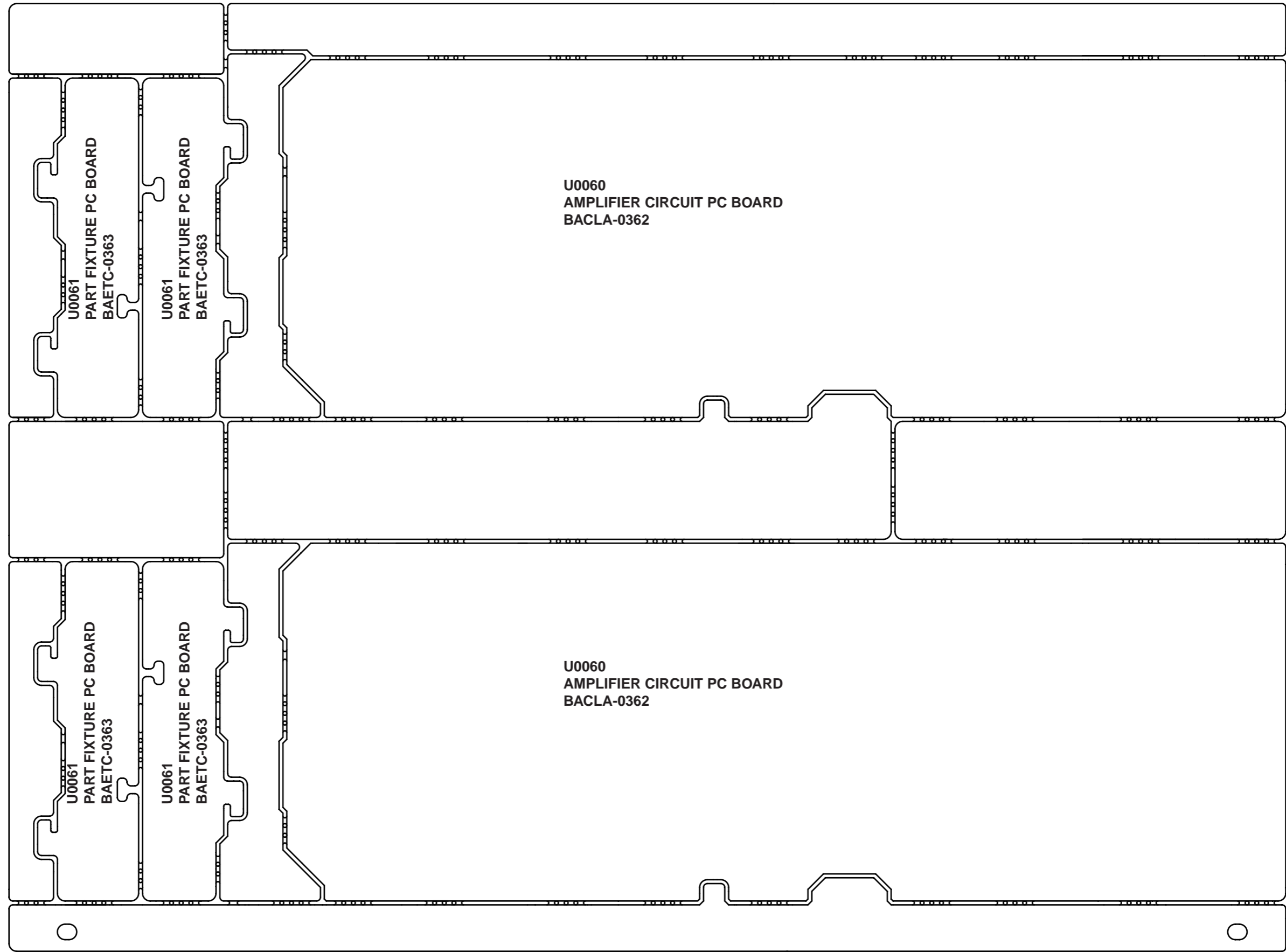
1

2

3

4

5



U0060  
AMPLIFIER CIRCUIT PC BOARD  
BACLA-0362

U0060  
AMPLIFIER CIRCUIT PC BOARD  
BACLA-0362

U0061  
PART FIXTURE PC BOARD  
BAETC-0363

U0061  
PART FIXTURE PC BOARD  
BAETC-0363

U0061  
PART FIXTURE PC BOARD  
BAETC-0363

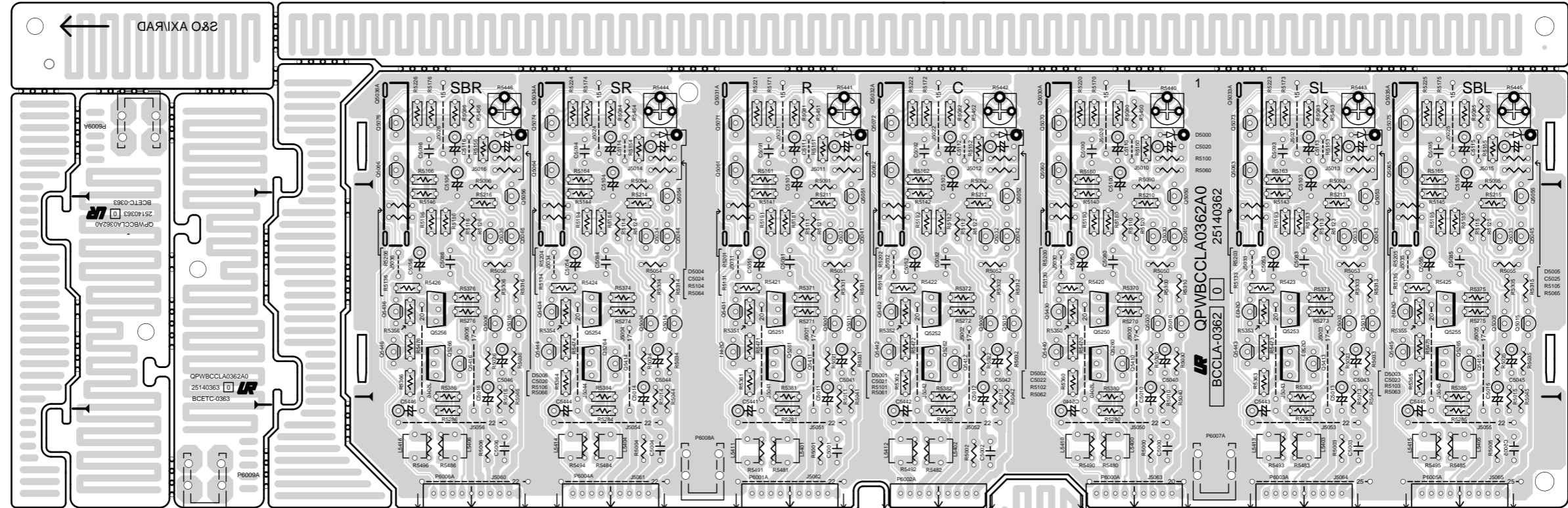
U0061  
PART FIXTURE PC BOARD  
BAETC-0363

A B C D E F G H

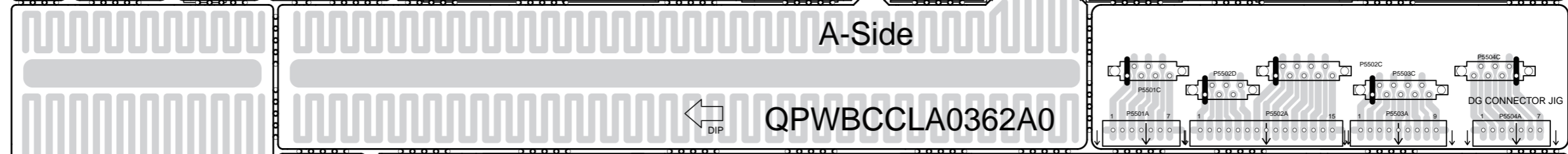
PRINTED CIRCUIT BOARD VIEWS-6A

**U006**  
**BACLA-0362**  
**(U0060 to U0061)**  
**A-side view**

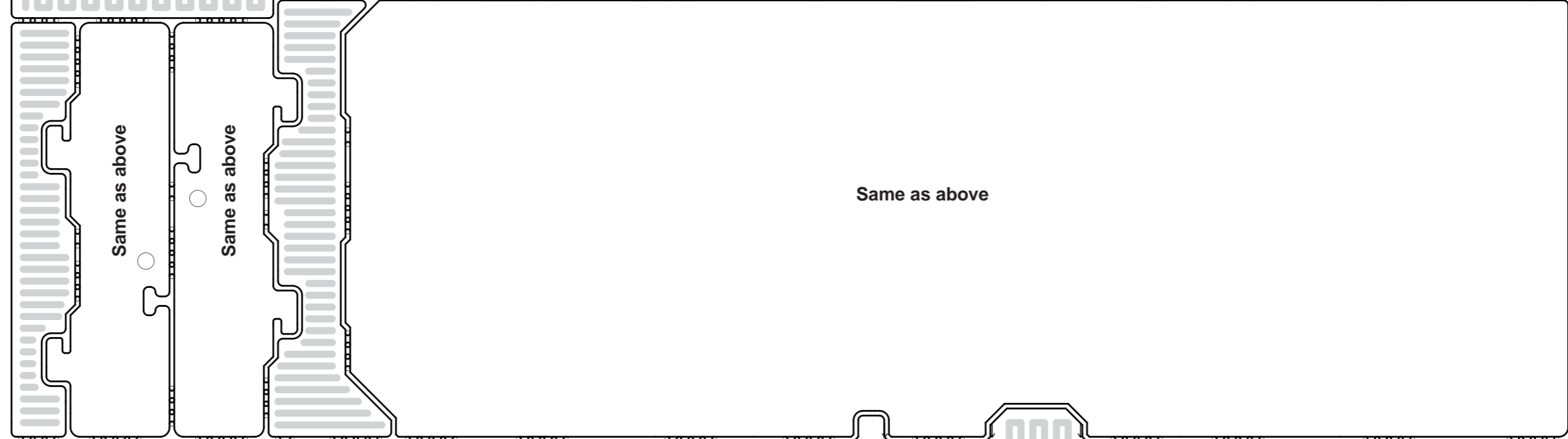
1



2



3



4

5

**HT-RC360**
**<Note>**

Parts marked by "NSP" are generally unavailable because they are not in our Master Spare Parts List.

**NOTE : THE COMPONENTS IDENTIFIED BY THE MARK  
! ARE CRITICAL FOR RISK OF FIRE AND  
ELECTRIC SHOCK. REPLACE ONLY WITH PART  
NUMBER SPECIFIED.**

**<Notes>**

<MDC> : 120V,Canadian model

<MMR> : 220-240V,Chinese model

**EXPLODED VIEW PARTS LIST**

REF. NO.	PART NAME	DESCRIPTION	Q'TY	PART NO. (SN)	REMARKS
<b>[SEMI CONDUCTOR]</b>					
Q6050	TR	2SC4468-P	1	2202526	<MDC, MMR>
Q6050 or	TR	2SC4468-O	(1)	2202523	<MDC, MMR>
Q6050 or	TR	2SC4468-Y	(1)	2202524	<MDC, MMR>
Q6050A	ISO SHEET	AC238	2	223024	<MDC, MMR>
Q6050B	ISO SHEET	ISO SHEET	6	223050	<MDC, MMR>
Q6051	TR	2SC4468-P	1	2202526	<MDC, MMR>
Q6051 or	TR	2SC4468-O	(1)	2202523	<MDC, MMR>
Q6051 or	TR	2SC4468-Y	(1)	2202524	<MDC, MMR>
Q6052	TR	2SC4468-P	1	2202526	<MDC, MMR>
Q6052 or	TR	2SC4468-O	(1)	2202523	<MDC, MMR>
Q6052 or	TR	2SC4468-Y	(1)	2202524	<MDC, MMR>
Q6053	TR	2SC4468-P	1	2202526	<MDC, MMR>
Q6053 or	TR	2SC4468-O	(1)	2202523	<MDC, MMR>
Q6053 or	TR	2SC4468-Y	(1)	2202524	<MDC, MMR>
Q6054	TR	2SC4468-P	1	2202526	<MDC, MMR>
Q6054 or	TR	2SC4468-O	(1)	2202523	<MDC, MMR>
Q6054 or	TR	2SC4468-Y	(1)	2202524	<MDC, MMR>
Q6055	TR	2SC4468-P	1	2202526	<MDC, MMR>
Q6055 or	TR	2SC4468-O	(1)	2202523	<MDC, MMR>
Q6055 or	TR	2SC4468-Y	(1)	2202524	<MDC, MMR>
Q6056	TR	2SC4468-P	1	2202526	<MDC, MMR>
Q6056 or	TR	2SC4468-O	(1)	2202523	<MDC, MMR>
Q6056 or	TR	2SC4468-Y	(1)	2202524	<MDC, MMR>
Q6060	TR	2SA1695-P	1	2202516	<MDC, MMR>
Q6060 or	TR	2SA1695-O	(1)	2202513	<MDC, MMR>

EV	Q6060 or	TR	2SA1695-Y	( 1)	2202514	<MDC, MMR>
EV	Q6061	TR	2SA1695-P	1	2202516	<MDC, MMR>
EV	Q6061 or	TR	2SA1695-O	( 1)	2202513	<MDC, MMR>
EV	Q6061 or	TR	2SA1695-Y	( 1)	2202514	<MDC, MMR>
EV	Q6062	TR	2SA1695-P	1	2202516	<MDC, MMR>
EV	Q6062 or	TR	2SA1695-O	( 1)	2202513	<MDC, MMR>
EV	Q6062 or	TR	2SA1695-Y	( 1)	2202514	<MDC, MMR>
EV	Q6063	TR	2SA1695-P	1	2202516	<MDC, MMR>
EV	Q6063 or	TR	2SA1695-O	( 1)	2202513	<MDC, MMR>
EV	Q6063 or	TR	2SA1695-Y	( 1)	2202514	<MDC, MMR>
EV	Q6064	TR	2SA1695-P	1	2202516	<MDC, MMR>
EV	Q6064 or	TR	2SA1695-O	( 1)	2202513	<MDC, MMR>
EV	Q6064 or	TR	2SA1695-Y	( 1)	2202514	<MDC, MMR>
EV	Q6065	TR	2SA1695-P	1	2202516	<MDC, MMR>
EV	Q6065 or	TR	2SA1695-O	( 1)	2202513	<MDC, MMR>
EV	Q6065 or	TR	2SA1695-Y	( 1)	2202514	<MDC, MMR>
EV	Q6066	TR	2SA1695-P	1	2202516	<MDC, MMR>
EV	Q6066 or	TR	2SA1695-O	( 1)	2202513	<MDC, MMR>
EV	Q6066 or	TR	2SA1695-Y	( 1)	2202514	<MDC, MMR>
EV	<b>[CHASSIS SCREW]</b>					
EV	A001	CHASSIS	TX-SR507	1	27100533D	
EV	A002	TAPE	TAPE(CLOTH-16U)	1	29110083	
EV	A003	LEG	(B)	4	27175464	
EV	A005	CUSHION	(ZUL)	4	28141877	
EV	A006	CUSHION	(BUTYL)	1	28141748	
EV	A007	SCREW	3TTB+8B(3BC)	4	838430088GR	
EV	A009	HOLDER	KGLS-8RT	2	27190503A	
EV	A010	HOLDER	KGPS-8RF	2	27191044	
EV	A011	HOLDER	KGLS-10RT	1	27190428A	
EV	A013	HOLDER	KGPS-14RF	2	27190802	
EV	A016	HOLDER	MPS-08-0	1	27191361	
EV	A017	HOLDER	KGLS-16S	1	27190607	
EV	A019	HOLDER	KGPS-16RF	1	27190991	
EV	A021	HOLDER	KGLS-22S	2	27190369	
EV	A023	HOLDER	KGLS-22S	1	27190369	
EV	A025	SCREW	4TTC+8C(3BC)	4	830440089GR	
EV	A027	SPACER	---	1	27270439	
EV	A030	HEAT SINK	251	1	27160630B	
EV	A032	RETAINER	(HL)	1	27142138A	

EV	A034	RETAINER	(HR)	1	27142223A	
EV	A036	SCREW	3TTB+8B(3BC)	4	838430088GR	
EV	A038	SCREW	3TTB+8B(3BC)	2	838430088GR	
EV	A040	SCREW	3TTB+8B(3BC)	3	838430088GR	
EV	A042	SCREW	3TTB+8B(3BC)	2	838430088GR	
EV	A043	SCREW	3TTB+8B(3CM)SR	1	801637	
EV	A044	HOLDER	KGLS-8RT	1	27190503A	
EV	A050	SCREW	3SMS8W.SW+14B(CU)	14	801634	
EV	A054	SCREW	3TTB+8B(3BC)	1	838430088GR	
EV	A056	BUSHING	S-RELIEF #2271	1	27300750	!
EV	A060	WIRE TIE	BSK-1	2	260208	
EV	A068	SCREW	3TTB+8B(3BC)	4	838430088GR	
EV	A069	SCREW	3TTB+8B(3BC)	2	838430088GR	
EV	A071	LABEL	(SP)609	1	29391541	<MDC, MMR>
EV	A090	CUSHION	(BUTYL)	1	28141748	
EV	A091	BRACKET	(FAN-L)	1	27131077	
EV	A093	BRACKET	(FAN-R)	1	27131078	
EV	A094	CUSHION	(FELT)	2	28141793	
EV	A095	BUSHING	(FAN-L)	4	28170091A	
EV	A096	TAPE	TAPE(CLOTH-16U)	1	29110083	
EV	A097	SCREW	3TTB+8B(3BC)	2	838430088GR	
EV	A098	Cu TAPE	(30x5)	2	29110210	
EV	A099	CUSHION	(FELT)t2 x 13 x 5	4	28141858	N
EV	A100	CUSHION	(t0.35 x 100 x 10)	2	28141878	N
EV	A100 or	CUSHION	(t0.35 x 100 x 10)V	( 2)	28141885	N
EV	A101	REAR PANEL	HTRC360DC	1	27124234B	N <MDC>
EV	A101	REAR PANEL	HTRC360MR	1	27124244B	N <MMR>
EV	A102	CUSHION	---	2	28141799	
EV	A103	SCREW	3P+6FN(3BC)	6	82143006GR	<MDC, MMR>
EV	A104	CUSHION	(BUTYL)	1	28141748	
EV	A105	SCREW	3TTB+8B(3BC)	28	838430088GR	<MDC, MMR>
EV	A109	SCREW	3P+6FN(3BC)	2	82143006GR	<MDC, MMR>
EV	A112	TAPE	TAPE(CLOTH-8U)	1	29110082	
EV	A113	TAPE	TAPE(CLOTH-8U)	1	29110082	
EV	A115	CUSHION	(BUTYL)	1	28141748	
EV	<b>[CABINET]</b>					
EV	A201	F PANEL	HT-RC360(B)DC	1	27213445B	N <MDC>
EV	A201	F PANEL	HT-RC360(B)MR	1	27213446B	N <MMR>
EV	A202	CLEAR PLT	TX-NR509 MDC	1	28192338B	<MDC>



EV	A202	CLEAR PLT	TX-NR509 MPP	1	28192339B	N <MMR>
EV	A207	BADGE	---	1	28135317	
EV	A209	SPACER	(PC)t0.3 x 25 x 4	4	27270546	N
EV	A211	KNOB	(TONE)(B)	1	28326918	
EV	A212	FACET	---	2	28200054	
EV	A213	KNOB	(INP)(B)	1	28326916A	
EV	A214	KNOB	(INP-L)(B)	1	28326920B	
EV	A215	KNOB	(INP-R)(B)	1	28326936B	
EV	A216	KNOB	(SEL)	1	28326906A	
EV	A217	KNOB	(STBY)(B)	1	28326904	
EV	A219	KNOB	(CUR)	1	28326907B	
EV	A221	IB CUSHION	W15 x 3t TAPE	1	28141585	
EV	A224	SCREW	2.6TTB+8B(3BC)	2	838426088GR	
EV	A225	SCREW	2.6TTB+8B(3BC)	22	838426088GR	
EV	A242	WIRE TIE	BSK-1	2	260208	
EV	A254	WIRE TIE	BSK-1	10	260208	
EV	A255	SCREW	3TTB+8B(3BC)	3	838430088GR	
EV	A256	SCREW	3TTB+8B(3BC)	1	838430088GR	
EV	A260	SCREW	3TTB+8B(3BC)	4	838430088GR	
EV	A261	TAPE	TAPE(CLOTH-16U)	1	29110083	
EV	A262	TAPE	TAPE(CLOTH-16U)	1	29110083	
EV	A265	TAPE	TAPE(CLOTH-8U)	1	29110082	
EV	A267	CUSHION	---	1	28141681	
EV	A268	CUSHION	---	2	28141681	
EV	A269	TAPE	TAPE(CLOTH-8U)	1	29110082	
EV	A270	CUSHION	(FELT)t1 x 20 x 10	2	28141859	
EV	A271	TAPE	TAPE(CLOTH-16U)	1	29110083	
EV	A273	HOLDER	KGLS-4S	2	27190009	
EV	A281	RETAINER	(HDMI)	2	27142172	
EV	A283	SCREW	3P+6FN(3BC)	2	82143006GR	
EV	A285	TAPE	TAPE(CLOTH-16U)	2	29110083	
EV	A287	CUSHION	(BUTYL)	1	28141748	
EV	A317	IB CUSHION	W15 x 3t TAPE	1	28141585	
EV	A320	FACET	(VOL)	1	28200059	
EV	A321	KNOB	(VOL)AS(B)	1	28326960B	N
EV	A340	COVER	(B) (Bent)	1	28210087A	
EV	A340	COVER	(B) (Not Bent)	1	28210087AZ	
EV	A342	SCREW	3TTB+8B(3BC)	9	838430088GR	
EV	A344	TAPE	TAPE(CLOTH-8U)	1	29110082	

EV	A360	LABEL	(COVER)	1	29390767	
EV	A362	LABEL	HOOKUP-ONKYO	1	29363194	<MDC>
EV	A364	CUSHION	T5 x Φ12 x 6	2	28141867	
EV	<b>[TRANS COIL]</b>					
EV	T901	P TRANS	NPT-1605M	1	2302017	! <MMR>
EV	T901	P TRANS	NPT-1605D	1	2302016A	! <MDC>
EV	<b>[SW TRM]</b>					
EV	F6901	FUSE	12A-TUL-250V	1	252301GR	!
EV	F6902	FUSE	12A-TUL-250V	1	252301GR	!
EV	F901	FUSE	5A-SE-EAK FUSE	1	252078GR	! <MMR>
EV	F901	FUSE	10A-UL/T-233	1	252330GR	! <MDC>
EV	F901 or	FUSE	5A-SE-TL250V	(1)	252278GR	! <MMR>
EV	F901 or	FUSE	10A-T/UL-ST2	(1)	252333GR	! <MDC>
EV	F901E	LABEL	T5AL250V	1	29361938	<MMR>
EV	P101	FFC	NCFC7-091512	1	2047091512	
EV	P2001	FFC	NCFC5-092012	1	2045092012	
EV	P2510	FAN	4710KL-04W-B10-EA2	1	24502332	
EV	P2800	FFC	NCFC5-091012	1	2045091012	
EV	P2801	FFC	NCFC5-091012	1	2045091012	
EV	P3101	SOCKET AS	NSAS-10P1924	1	2009991224UL	
EV	P6601A	P RIVET	JB-407A-C	14	880052	<MMR>
EV	P701	FFC	NCFC5-232012	1	2045232012	
EV	P703	FFC	NCFC5-072012	1	2045072012	
EV	P8651	CORD AS	HDMI 0.45M	1	2010490	
EV	P8651 or	CORD AS	HDMI 0.45M	(1)	2010488	
EV	P901	AC CORD	AS-CCC	1	253355VOL	<MMR>
EV	P901	AC CORD	AS-UC-2	1	253368AYUN	<MDC>
EV	P901 or	AC CORD	AS-UC-2	(1)	253368BLTK	<MDC>
EV	<b>[TUNER UNIT]</b>					
EV	<b>U001</b>	<b>U0010 + U0011 + U0012 + U0013 + U0014</b>	<b>BAAF-0628-1D *</b>	<b>1</b>	<b>1B258528-1D</b>	<b>N &lt;MDC&gt;</b>
EV	<b>U001</b>		<b>BAAF-0628-1J *</b>	<b>1</b>	<b>1B258528-1J</b>	<b>N &lt;MMR&gt;</b>
EV	U0010	Power Amp / Audio Input Terminals PC board ass'y	BAAF-0628-1D	1	1B2585628-1D	N <MDC>
EV	U0010		BAAF-0628-1J	1	1B2585628-1J	N <MMR>
EV	U0011	Thermal Senser PC board ass'y	BAETC-0629-1D	1	1B2585629-1D	N <MDC>
EV	U0011		BAETC-0629-1J	1	1B2585629-1J	N <MMR>
EV	U0012	Spacer PC board ass'y	BAETC-0630-1D	1	1B2585630-1D	N <MDC>

EV	U0012		BAETC-0630-1J	1	1B2585630-1J	N <MMR>
EV	U0013	Terminal PC board ass'y	BAETC-0631-1D	1	1B2585631-1D	N <MDC>
EV	U0013		BAETC-0631-1J	1	1B2585631-1J	N <MMR>
EV	U0014	Power supply PC board ass'y	BAETC-0632-1D	1	1B2585632-1D	N <MDC>
EV	U0014		BAETC-0632-1J	1	1B2585632-1J	N <MMR>
EV	<b>U002</b>	<b>U0020 + U0021 + U0022 + U0023 + U0024</b>	<b>BADIS-0663-1K *</b>	<b>1</b>	<b>1B258563-1K</b>	<b>N &lt;MDC&gt;</b>
EV	<b>U002</b>		<b>BADIS-0663-1L *</b>	<b>1</b>	<b>1B258563-1L</b>	<b>N &lt;MMR&gt;</b>
EV	U0020	Display PC board ass'y	BADIS-0663-1K	1	1B2585663-1K	N <MDC>
EV	U0020		BADIS-0663-1L	1	1B2585663-1L	N <MMR>
EV	U0021	Video Input Terminals PC board ass'y	BAVD-0664-1K	1	1B2585664-1K	N <MDC>
EV	U0021		BAVD-0664-1L	1	1B2585664-1L	N <MMR>
EV	U0022	Standby Switch PC board ass'y	BAETC-0665-1K	1	1B2585665-1K	N <MDC>
EV	U0022		BAETC-0665-1L	1	1B2585665-1L	N <MMR>
EV	U0023	HP Jack PC board ass'y	BAETC-0666-1K	1	1B2585666-1K	N <MDC>
EV	U0023		BAETC-0666-1L	1	1B2585666-1L	N <MMR>
EV	U0024	Power Supply PC board ass'y	BAPS-0667-1K	1	1B2585667-1K	N <MDC>
EV	U0024		BAPS-0667-1L	1	1B2585667-1L	N <MMR>
EV	<b>U003</b>	<b>U0030 + U0031</b>	<b>BAHDM-0684-1C *</b>	<b>1</b>	<b>1B258584-1C</b>	<b>N &lt;MDC&gt;</b>
EV	<b>U003</b>		<b>BAHDM-0684-1C *</b>	<b>1</b>	<b>1B258584-1C</b>	<b>N &lt;MMR&gt;</b>
EV	U0030	HDMI PC board ass'y	BAHDM-0684-1C	1	1B2585684-1C	N <MDC>
EV	U0030		BAHDM-0684-1C	1	1B2585684-1C	N <MMR>
EV	U0031	Font HDMI PC board ass'y	BAHDM-0685-1C	1	1B2585685-1C	N <MDC>
EV	U0031		BAHDM-0685-1C	1	1B2585685-1C	N <MMR>
EV	<b>U004</b>	<b>U0040 x 2</b>	<b>BADG-0643-1G *</b>	<b>1</b>	<b>1B258543-1G</b>	<b>N &lt;MDC&gt;</b>
EV	<b>U004</b>		<b>BADG-0643-1P *</b>	<b>1</b>	<b>1B258543-1P</b>	<b>N &lt;MMR&gt;</b>
EV	U0040	Digital input/ Main CPU/ DAC PC board ass'y	BADG-0643-1G	1	1B2585643-1G	N <MDC>
EV	U0040		BADG-0643-1P	1	1B2585643-1P	N <MMR>
EV	<b>U005</b>	<b>U0050 + U0051 + U0052</b>	<b>BATRM-0647-1A *</b>	<b>1</b>	<b>1B258547-1A</b>	<b>N &lt;MDC&gt;</b>
EV	<b>U005</b>		<b>BATRM-0647-1B *</b>	<b>1</b>	<b>1B258547-1B</b>	<b>N &lt;MMR&gt;</b>
EV	U0050	Speaker Terminals PC board ass'y	BATRM-0647-1A	1	1B2585647-1A	N <MDC>
EV	U0050		BATRM-0647-1B	1	1B2585647-1B	N <MMR>
EV	U0051	FFC Fixture PC board ass'y	BAETC-0651-1A	1	1B2585651-1A	N <MDC>
EV	U0051		BAETC-0651-1B	1	1B2585651-1B	N <MMR>
EV	U0052	Part Fixture PC board ass'y	BAETC-0652-1A	1	1B2585652-1A	N <MDC>
EV	U0052		BAETC-0652-1B	1	1B2585652-1B	N <MMR>
EV	<b>U006</b>	<b>U0060 + U0061</b>	<b>BACLA-0362-2A *</b>	<b>1</b>	<b>1B258562-2A</b>	<b>N &lt;MDC&gt;</b>

EV	U006		BACLA-0362-2A *	1	1B258562-2A	N <MMR>
EV	U0060	Amplifier PC board ass'y	BACLA-0362-2A	1	1B2585362-2A	N <MDC>
EV	U0060		BACLA-0362-2A	1	1B2585362-2A	N <MMR>
EV	U0061	Part Fixture PC board ass'y	BAETC-0363-2A	1	1B2585363-2A	N <MDC>
EV	U0061		BAETC-0363-2A	1	1B2585363-2A	N <MMR>
EV	U010	TUNER UNIT	KST-MW004MS1-S89S	1	240171	<MDC>
EV	U010	TUNER UNIT	KST-MW104MS1-S89	1	240172	<MMR>

## HT-RC360

## PACKING PROCEDURES PARTS LIST

PV	REF. NO.	PART NAME	DESCRIPTION	Q'TY	PART NO. (SN)	REMARKS
PV	<b>[PACKING]</b>					
PV	A601	PAD AS	(AS) 609 L & R (29092610)	1	NSP	N
PV	A601A	PAD	(L)	1	29092611	N
PV	A601B	PAD	(R)	1	29092612	N
PV	A605	POLY BAG	w850 x d650	1	29100245	
PV	A606	TAPE	(SEROHAN)NITTO NO.29	1	29110149	
PV	A608	SHEET	---	1	29095906	
PV	A610	SHEET	(PAD)	1	29096095	
PV	A611	TAPE	(SEROHAN)NITTO NO.29	1	29110149	
PV	A701	CARTON	HT-RC360DC	1	29055211	N <MDC>
PV	A701	CARTON	HT-RC360	1	29055212	N <MMR>
PV	A704A	UPC LABEL	HT-RC360BMDC	1	29391507	N <MDC>
PV	A704A	EAN LABEL	HT-RC360BMMR	1	29391508	N <MMR>
PV	A707	LABEL	(CHINA)	1	29390952A	N <MMR>
PV	A760	PP TAPE	W50 SBT-70	1	29110200	
PV	<b>[ACCESSORY]</b>					
PV	A673	POLY BAG	---	1	29100225A	<MDC, MMR>
PV	A674	POLY BAG	D250 x d300 x W300(t0.04)	1	29100256A	
PV	A676	TAPE	(SEROHAN)NITTO NO.29	1	29110149	
PV	A801	INS MANUAL	En(HT-RC360)	1	29400649	N <MDC>
PV	A802	INS MANUAL	FrEs(HT-RC360)	1	29400651	N <MDC>
PV	A806	INS MANUAL	Cs(HT-RC360)	1	29400653	N <MMR>
PV	A811	INS MANUAL	En-QSS(HT-RC360)	1	29400650	N <MDC>
PV	A812	INS MANUAL	Cs-QSS(HT-RC360)	1	29400652	N <MMR>
PV	A815	INS MANUAL	JaEn(SW_License_509-5009)	1	29400575	
PV	A826	INST SHEET	U11(2010_RIHD)	1	29355782	

PV	A827	INS MANUAL	EnFrEs(InternetRadio_609~5009)	1	29400795	<MDC>
PV	A833	INST SHEET	CHINA ROHS	1	29355616B	<MMR>
PV	A835	HANDBILL	(UP-A1)US	1	29380155A	<MDC>
PV	A840	INS MANUAL	U9(2011_Prepro)	1	29400572	
PV	A847	INST SHEET	(TX-NR609)	1	29355834	N
PV	A855	REMO CON	RC-801M	1	24140801	
PV	A856	MIC	MIC-7000	1	245044	
PV	A858	ANT COIL	NMA-3057	1	232140	
PV	A859	FM ANT AS	Type W	1	292191	
PV	A860	LABEL	(SPCABLE)2009	1	29390881	
PV	A861	BATTERY	R6/AA(UM-3)	2	3010506	<MDC>
PV	A861 or	BATTERY	R6/AA(UM-3)	(2)	3010054	<MDC>
PV	A861 or	BATTERY	R6/AA(UM-3)	(2)	3010194	<MDC>
PV	A883	WRNTY CARD	(ONKYO-CH)	1	29365098C	N <MMR>
PV	A885	WRNTY CARD	(ONKYO)	1	29365135	<MDC>

## HT-RC360

## U001 PC BOARD PARTS LIST

U001

U001 **U001** U0010 + U0011 + U0012 + U0013 + U0014

U001	<b>U0010</b>	Power Amp / Audio Input Terminals PC board ass'y	BAAF-0628-1D/ 1J
U001	<b>U0011</b>	Thermal Senser PC board ass'y	BAETC-0629-1D/ 1J
U001	<b>U0012</b>	Spacer PC board ass'y	BAETC-0630-1D/ 1J
U001	<b>U0013</b>	Terminal PC board ass'y	BAETC-0631-1D/ 1J
U001	<b>U0014</b>	Power supply PC board ass'y	BAETC-0632-1D/ 1J

U001

CIRCUIT NO.	PART NAME	DESCRIPTION	Q'TY	PART NO. (SN)	REMARKS
U001	<b>[SEMI CONDUCTOR]</b>				
U001	D4171	ZENER D	1	224470752T	
U001	D4172	ZENER D	1	224470752T	
U001	D4207	C-DIODE	1	223303R2	<MDC, MMR>
U001	D4207 or	C-DIODE	(1)	223234R2	<MDC, MMR>
U001	D4207 or	C-DIODE	(1)	223269R2	<MDC, MMR>
U001	D4207 or	C-DIODE	(1)	223279R2	<MDC, MMR>
U001	D4207 or	C-DIODE	(1)	223283R2	<MDC, MMR>
U001	D4217	C-DIODE	1	223303R2	<MDC, MMR>
U001	D4217 or	C-DIODE	(1)	223234R2	<MDC, MMR>
U001	D4217 or	C-DIODE	(1)	223269R2	<MDC, MMR>

U001	D4217 or	C-DIODE	MA2J111	(1)	223279R2	<MDC, MMR>
U001	D4217 or	C-DIODE	KDS4148U	(1)	223283R2	<MDC, MMR>
U001	D4300	DIODE	RL1N4003	1	22380260T	
U001	D4301	DIODE	RL1N4003	1	22380260T	
U001	D4302	DIODE	RL1N4003	1	22380260T	
U001	D4303	DIODE	RL1N4003	1	22380260T	
U001	D4304	DIODE	RL1N4003	1	22380260T	
U001	D4305	DIODE	RL1N4003	1	22380260T	
U001	D4400	ZENER D	DZ2J056M0L	1	224760560R2	<MDC, MMR>
U001	D4400 or	ZENER D	UDZS5.6B	(1)	224550560R2	<MDC, MMR>
U001	D6000	C-DIODE	DA2J10100	1	223303R2	
U001	D6000 or	C-DIODE	ISS352	(1)	223234R2	
U001	D6000 or	C-DIODE	ISS355	(1)	223269R2	
U001	D6000 or	C-DIODE	MA2J111	(1)	223279R2	
U001	D6000 or	C-DIODE	KDS4148U	(1)	223283R2	
U001	D6001	C-DIODE	DA2J10100	1	223303R2	
U001	D6001 or	C-DIODE	ISS352	(1)	223234R2	
U001	D6001 or	C-DIODE	ISS355	(1)	223269R2	
U001	D6001 or	C-DIODE	MA2J111	(1)	223279R2	
U001	D6001 or	C-DIODE	KDS4148U	(1)	223283R2	
U001	D6002	C-DIODE	DA2J10100	1	223303R2	
U001	D6002 or	C-DIODE	ISS352	(1)	223234R2	
U001	D6002 or	C-DIODE	ISS355	(1)	223269R2	
U001	D6002 or	C-DIODE	MA2J111	(1)	223279R2	
U001	D6002 or	C-DIODE	KDS4148U	(1)	223283R2	
U001	D6003	C-DIODE	DA2J10100	1	223303R2	
U001	D6003 or	C-DIODE	ISS352	(1)	223234R2	
U001	D6003 or	C-DIODE	ISS355	(1)	223269R2	
U001	D6003 or	C-DIODE	MA2J111	(1)	223279R2	
U001	D6003 or	C-DIODE	KDS4148U	(1)	223283R2	
U001	D6004	C-DIODE	DA2J10100	1	223303R2	
U001	D6004 or	C-DIODE	ISS352	(1)	223234R2	
U001	D6004 or	C-DIODE	ISS355	(1)	223269R2	
U001	D6004 or	C-DIODE	MA2J111	(1)	223279R2	
U001	D6004 or	C-DIODE	KDS4148U	(1)	223283R2	
U001	D6005	C-DIODE	DA2J10100	1	223303R2	<MDC, MMR>
U001	D6005 or	C-DIODE	ISS352	(1)	223234R2	<MDC, MMR>
U001	D6005 or	C-DIODE	ISS355	(1)	223269R2	<MDC, MMR>
U001	D6005 or	C-DIODE	MA2J111	(1)	223279R2	<MDC, MMR>

U001	D6005 or	C-DIODE	KDS4148U	(1)	223283R2	<MDC, MMR>
U001	D6006	C-DIODE	DA2J10100	1	223303R2	<MDC, MMR>
U001	D6006 or	C-DIODE	1SS352	(1)	223234R2	<MDC, MMR>
U001	D6006 or	C-DIODE	1SS355	(1)	223269R2	<MDC, MMR>
U001	D6006 or	C-DIODE	MA2J111	(1)	223279R2	<MDC, MMR>
U001	D6006 or	C-DIODE	KDS4148U	(1)	223283R2	<MDC, MMR>
U001	D6701	C-DIODE	DA2J10100	1	223303R2	
U001	D6701 or	C-DIODE	1SS352	(1)	223234R2	
U001	D6701 or	C-DIODE	1SS355	(1)	223269R2	
U001	D6701 or	C-DIODE	MA2J111	(1)	223279R2	
U001	D6701 or	C-DIODE	KDS4148U	(1)	223283R2	
U001	D6702	C-DIODE	DA2J10100	1	223303R2	
U001	D6702 or	C-DIODE	1SS352	(1)	223234R2	
U001	D6702 or	C-DIODE	1SS355	(1)	223269R2	
U001	D6702 or	C-DIODE	MA2J111	(1)	223279R2	
U001	D6702 or	C-DIODE	KDS4148U	(1)	223283R2	
U001	D6704	ZENER D	DZ2J033M0L	1	224760330R2	
U001	D6704 or	ZENER D	UDZS3.3B	(1)	224550330R2	
U001	D6901	DIODE	D10XB60H	1	22380337	
U001	D6901A	HEAT SINK	RAD-196	1	27160545	
U001	D6901C	SCREW	3P+10FN(3BC)	1	82143010GR	
U001	D6902	C-DIODE	DA2J10100	1	223303R2	
U001	D6902 or	C-DIODE	1SS352	(1)	223234R2	
U001	D6902 or	C-DIODE	1SS355	(1)	223269R2	
U001	D6902 or	C-DIODE	MA2J111	(1)	223279R2	
U001	D6902 or	C-DIODE	KDS4148U	(1)	223283R2	
U001	D6903	C-DIODE	DA2J10100	1	223303R2	
U001	D6903 or	C-DIODE	1SS352	(1)	223234R2	
U001	D6903 or	C-DIODE	1SS355	(1)	223269R2	
U001	D6903 or	C-DIODE	MA2J111	(1)	223279R2	
U001	D6903 or	C-DIODE	KDS4148U	(1)	223283R2	
U001	D960	DIODE	RL1N4003	1	22380260T	
U001	D961	DIODE	RL1N4003	1	22380260T	
U001	D962	ZENER D	DZ2J220M0L	1	224762200R2	
U001	D962 or	ZENER D	UDZS22B	(1)	224552200R2	
U001	D963	ZENER D	DZ2J220M0L	1	224762200R2	
U001	D963 or	ZENER D	UDZS22B	(1)	224552200R2	
U001	Q4001	IC	R2A15218FP	1	22242605R3	
U001	Q4003	IC	NJM4580M-D	1	22241448R2	

U001	Q4100	TR	RN1441	1	2215410R2	
U001	Q4101	TR	RN1441	1	2215410R2	
U001	Q4102	TR	RN1441	1	2215410R2	
U001	Q4103	TR	RN1441	1	2215410R2	
U001	Q4104	TR	RN1441	1	2215410R2	
U001	Q4105	TR	RN1441	1	2215410R2	
U001	Q4106	TR	RN1441	1	2215410R2	
U001	Q4107	TR	RN1441	1	2215410R2	
U001	Q4108	TR	RN1441	1	2215410R2	<MDC, MMR>
U001	Q4109	TR	RN1441	1	2215410R2	<MDC, MMR>
U001	Q4117	TR	RN1441	1	2215410R2	
U001	Q4130	IC	NJM4580M-D	1	22241448R2	
U001	Q4170	IC	78M15HF(NJM78M15FA)	1	222780155JRC	
U001	Q4170 or	IC	UPC78M15AHF-AZ	( 1)	222780155NEC	
U001	Q4170A	HEAT SINK	RAD-196	1	27160545	
U001	Q4170B	SCREW	3P+10FN(3BC)	1	82143010GR	
U001	Q4171	IC	79M15HF(NJM79M15FA)	1	222790155JRC	
U001	Q4171 or	IC	UPC79M15HF-AZ	( 1)	222790155NEC	
U001	Q4171B	SCREW	3P+10FN(3BC)	1	82143010GR	
U001	Q4184	TR	2SC2235-Y(TPE6_F)	1	2211654T	
U001	Q4185	TR	2SA965-O(TPE6_F)	1	2211643T	
U001	Q4400	IC	NJM4580M-D	1	22241448R2	<MDC, MMR>
U001	Q4401	TR	2SC2235-Y(TPE6_F)	1	2211654T	<MDC, MMR>
U001	Q4401 or	TR	2SC2235-O(TPE6_F)	( 1)	2211653T	<MDC, MMR>
U001	Q6000	TR	2SC1740S-S	1	2213285T	
U001	Q6001	TR	2SC1740S-S	1	2213285T	
U001	Q6002	TR	2SC1740S-S	1	2213285T	
U001	Q6003	TR	2SC1740S-S	1	2213285T	
U001	Q6004	TR	2SC1740S-S	1	2213285T	
U001	Q6005	TR	2SC1740S-S	1	2213285T	<MDC, MMR>
U001	Q6006	TR	2SC1740S-S	1	2213285T	<MDC, MMR>
U001	Q6070	TR	2SC2229-Y(TPE6_F)	1	2211634T	
U001	Q6071	TR	2SC2229-Y(TPE6_F)	1	2211634T	
U001	Q6072	TR	2SC2229-Y(TPE6_F)	1	2211634T	
U001	Q6073	TR	2SC2229-Y(TPE6_F)	1	2211634T	
U001	Q6074	TR	2SC2229-Y(TPE6_F)	1	2211634T	
U001	Q6075	TR	2SC2229-Y(TPE6_F)	1	2211634T	<MDC, MMR>
U001	Q6076	TR	2SC2229-Y(TPE6_F)	1	2211634T	<MDC, MMR>
U001	Q6380	IC	LM61CIZ	1	22242212	



U001	Q6380A	RETAINER	(PTH)	1	27141884-1	
U001	Q6701	TR	2SC2712-GR	1	2213145R2	
U001	Q6701 or	TR	KTC3875-GR	(1)	2216175R2	
U001	Q6702	TR	2SC2712-GR	1	2213145R2	
U001	Q6702 or	TR	KTC3875-GR	(1)	2216175R2	
U001	Q6703	TR	2SA1163-BL(TE85L_F)	1	2216756R2	
U001	Q6707	TR	2SC2712-GR	1	2213145R2	
U001	Q6707 or	TR	KTC3875-GR	(1)	2216175R2	
U001	Q6708	TR	2SC2712-GR	1	2213145R2	
U001	Q6708 or	TR	KTC3875-GR	(1)	2216175R2	
U001	Q6713	TR	2SA1163-BL(TE85L_F)	1	2216756R2	
U001	Q960	TR	2SC2235-Y(TPE6_F)	1	2211654T	
U001	Q960 or	TR	2SC2235-O(TPE6_F)	(1)	2211653T	
U001	<b>[CAPACITOR]</b>					
U001	C4001	C-CERA C	CC725CH1H-152J1	1	342101524R1	<MDC, MMR>
U001	C4002	C-CERA C	CC725CH1H-152J1	1	342101524R1	<MDC, MMR>
U001	C4007	UPZ C	2AUPZTF221JE	1	376332214T	
U001	C4008	UPZ C	2AUPZTF221JE	1	376332214T	
U001	C4009	C-CERA C	CC725CH1H-221J1	1	342102214R1	
U001	C4010	C-CERA C	CC725CH1H-221J1	1	342102214R1	
U001	C4013	C-CERA C	CC725CH1H-221J1	1	342102214R1	
U001	C4014	C-CERA C	CC725CH1H-221J1	1	342102214R1	
U001	C4017	C-CERA C	CC725CH1H-221J1	1	342102214R1	
U001	C4018	C-CERA C	CC725CH1H-221J1	1	342102214R1	
U001	C4019	UPZ C	2AUPZTF221JE	1	376332214T	
U001	C4020	UPZ C	2AUPZTF221JE	1	376332214T	
U001	C4027	C-CERA C	CC725CH1H-221J1	1	342102214R1	
U001	C4030	C-CERA C	CC725CH1H-221J1	1	342102214R1	<MDC, MMR>
U001	C4031	C-CERA C	CC725CH1H-221J1	1	342102214R1	<MDC, MMR>
U001	C4032	C-CERA C	CC725CH1H-221J1	1	342102214R1	
U001	C4050	UTSP C	CE04W10V-220M(UTSP)	1	397532217T	
U001	C4051	UTSP C	CE04W10V-220M(UTSP)	1	397532217T	
U001	C4052	UTSP C	CE04W10V-220M(UTSP)	1	397532217T	
U001	C4053	UTSP C	CE04W25V-47M(UTSP)	1	397554707T	
U001	C4054	UTSP C	CE04W25V-47M(UTSP)	1	397554707T	
U001	C4055	UTSP C	CE04W25V-47M(UTSP)	1	397554707T	
U001	C4056	UTSP C	CE04W25V-47M(UTSP)	1	397554707T	
U001	C4057	UTSP C	CE04W25V-47M(UTSP)	1	397554707T	
U001	C4060	UTSP C	CE04W50V 47M(UTSP)	1	397584707T	

U001	C4061	UTSP C	CE04W50V 47M(UTSP)	1	397584707T	
U001	C4062	TF C	ECQ-V50V-474J	1	374724744T	
U001	C4063	TF C	ECQ-V50V-823J	1	374728234T	
U001	C4064	TF C	ECQ-V50V-223J	1	374722234T	
U001	C4065	TF C	ECQ-V50V-474J	1	374724744T	
U001	C4066	TF C	ECQ-V50V-823J	1	374728234T	
U001	C4067	TF C	ECQ-V50V-223J	1	374722234T	
U001	C4070	UTSP C	CE04W50V 47M(UTSP)	1	397584707T	
U001	C4071	UTSP C	CE04W50V 47M(UTSP)	1	397584707T	
U001	C4072	UTSP C	CE04W50V 47M(UTSP)	1	397584707T	
U001	C4073	UTSP C	CE04W50V 47M(UTSP)	1	397584707T	
U001	C4074	UTSP C	CE04W50V 47M(UTSP)	1	397584707T	
U001	C4075	UTSP C	CE04W50V 47M(UTSP)	1	397584707T	
U001	C4076	UTSP C	CE04W50V 47M(UTSP)	1	397584707T	
U001	C4077	UTSP C	CE04W50V 47M(UTSP)	1	397584707T	
U001	C4078	UTSP C	CE04W50V 47M(UTSP)	1	397584707T	<MDC, MMR>
U001	C4079	UTSP C	CE04W50V 47M(UTSP)	1	397584707T	<MDC, MMR>
U001	C4085	UTSP C	CE04W50V 47M(UTSP)	1	397584707T	
U001	C4086	UTSP C	CE04W50V 47M(UTSP)	1	397584707T	
U001	C4090	C-CERA C	CC725CH1H-101J1	1	342101014R1	
U001	C4091	C-CERA C	CC725CH1H-101J1	1	342101014R1	
U001	C4100	UTSP C	CE04W50V 47M(UTSP)	1	397584707T	
U001	C4101	UTSP C	CE04W50V 47M(UTSP)	1	397584707T	
U001	C4102	UTSP C	CE04W50V 47M(UTSP)	1	397584707T	
U001	C4103	UTSP C	CE04W50V 47M(UTSP)	1	397584707T	
U001	C4104	UTSP C	CE04W50V 47M(UTSP)	1	397584707T	
U001	C4105	UTSP C	CE04W50V 47M(UTSP)	1	397584707T	
U001	C4106	UTSP C	CE04W50V 47M(UTSP)	1	397584707T	
U001	C4107	UTSP C	CE04W50V 47M(UTSP)	1	397584707T	
U001	C4108	UTSP C	CE04W50V 47M(UTSP)	1	397584707T	
U001	C4109	UTSP C	CE04W50V 47M(UTSP)	1	397584707T	
U001	C4130	UTSP C	CE04W50V 47M(UTSP)	1	397584707T	
U001	C4131	C-CERA C	CC725CH1H-221J1	1	342102214R1	
U001	C4132	TF C	ECQ-V50V-103J	1	374721034T	
U001	C4166	UTSP C	CE04W25V-220M(UTSP)	1	397552217T	
U001	C4167	UTSP C	CE04W25V-220M(UTSP)	1	397552217T	
U001	C4170	UTSP C	CE04W50V-10M(UTSP)	1	397581007T	
U001	C4171	UTSP C	CE04W50V-10M(UTSP)	1	397581007T	
U001	C4172	UTSP C	CE04W25V-220M(UTSP)	1	397552217T	

U001	C4173	UTSP C	CE04W25V-220M(UTSP)	1	397552217T	
U001	C4174	UTSP C	CE04W16V-470M(UTSP)	1	397544717T	
U001	C4175	UTSP C	CE04W16V-470M(UTSP)	1	397544717T	
U001	C4184	UTSP C	CE04W25V-220M(UTSP)	1	397552217T	
U001	C4185	UTSP C	CE04W25V-220M(UTSP)	1	397552217T	
U001	C4186	UTSP C	CE04W25V-220M(UTSP)	1	397552217T	
U001	C4187	UTSP C	CE04W25V-220M(UTSP)	1	397552217T	
U001	C4203	C-CERA C	CC725CH1H-102J1	1	342101024R1	
U001	C4204	C-CERA C	CC725CH1H-102J1	1	342101024R1	
U001	C4205	C-CERA C	CC725CH1H-102J1	1	342101024R1	<MDC, MMR>
U001	C4207	C-CERA C	CC725CH1H-221J1	1	342102214R1	<MDC, MMR>
U001	C4209	UTSP C	CE04W25V-47M(UTSP)	1	397554707T	
U001	C4210	UTSP C	CE04W25V-47M(UTSP)	1	397554707T	
U001	C4300	TF C	ECQ-V50V-334J	1	374723344T	
U001	C4301	VR C	CE04W35V-1000M(VR)	1	394661027S	
U001	C4302	VR C	CE04W35V-470M(VR)	1	394664717T	
U001	C4400	C-CERA C	CC725CH1H-681J1	1	342106814R1	<MDC, MMR>
U001	C4401	C-CERA C	CC725CH1H-681J1	1	342106814R1	<MDC, MMR>
U001	C4402	UTSP C	CE04W25V-47M(UTSP)	1	397554707T	<MDC, MMR>
U001	C4403	UTSP C	CE04W25V-47M(UTSP)	1	397554707T	<MDC, MMR>
U001	C4404	UTSP C	CE04W25V-47M(UTSP)	1	397554707T	<MDC, MMR>
U001	C4405	UTSP C	CE04W25V-47M(UTSP)	1	397554707T	<MDC, MMR>
U001	C4406	UTSP C	CE04W25V-47M(UTSP)	1	397554707T	<MDC, MMR>
U001	C4407	UTSP C	CE04W25V-47M(UTSP)	1	397554707T	<MDC, MMR>
U001	C4408	C-CERA C	CK725F1E-104Z1	1	332161040R1	<MDC, MMR>
U001	C4409	C-CERA C	CK725F1E-104Z1	1	332161040R1	<MDC, MMR>
U001	C4410	C-CERA C	CK725F1A-105Z1	1	332181050R1	<MDC, MMR>
U001	C4411	C-CERA C	CK725F1A-105Z1	1	332181050R1	<MDC, MMR>
U001	C4412	C-CERA C	CK725F1A-105Z1	1	332181050R1	<MDC, MMR>
U001	C4413	C-CERA C	CK725F1A-105Z1	1	332181050R1	<MDC, MMR>
U001	C4414	C-CERA C	CC725CH1H-101J1	1	342101014R1	<MDC, MMR>
U001	C4415	C-CERA C	CC725CH1H-101J1	1	342101014R1	<MDC, MMR>
U001	C6050	TF C	ECQ-V50V-103J	1	374721034T	
U001	C6051	TF C	ECQ-V50V-103J	1	374721034T	
U001	C6052	TF C	ECQ-V50V-103J	1	374721034T	
U001	C6053	TF C	ECQ-V50V-103J	1	374721034T	
U001	C6054	TF C	ECQ-V50V-103J	1	374721034T	
U001	C6055	TF C	ECQ-V50V-103J	1	374721034T	<MDC, MMR>
U001	C6056	TF C	ECQ-V50V-103J	1	374721034T	<MDC, MMR>

U001	C6630	C-CERA C	CK725F1E-104Z1	1	332161040R1	
U001	C6701	UTSP C	CE04W25V-100M(UTSP)	1	397551017T	
U001	C6703	C-CERA C	CK725F1H-104Z1	1	332151040R1	
U001	C6704	UTSP C	CE04W50V-1M(UTSP)	1	397580107T	
U001	C6706	UTSP C	CE04W50V-10M(UTSP)	1	397581007T	
U001	C6713	C-CERA C	CK725F1H-104Z1	1	332151040R1	
U001	C6714	UTSP C	CE04W50V-1M(UTSP)	1	397580107T	
U001	C6901	ELECT C	CE69W69V-10000MA	1	3504425	
U001	C6901A	IB CUSHION	W15*3t TAPE	1	28141585	
U001	C6902	ELECT C	CE69W69V-10000MA	1	3504425	
U001	C6911	C-CERA C	CC725CH1H-102J1	1	342101024R1	
U001	C6912	TF C	ECQ-V100V-334J	1	374733344T	
U001	C6913	TF C	ECQ-V100V-334J	1	374733344T	
U001	C6917	C-CERA C	CC725CH1H-102J1	1	342101024R1	
U001	C950	TF C	ECQ-V50V-104J	1	374721044T	
U001	C960	VR C	CE04W63V-220M(VR)	1	394672217T	
U001	C961	UTSP C	CE04W50V 47M(UTSP)	1	397584707T	
U001	C962	TF C	ECQ-V50V-104J	1	374721044T	
U001	C963	UTSP C	CE04W50V 47M(UTSP)	1	397584707T	
U001	<b>[RESISTOR]</b>					
U001	R4003	C-CARBON R	RN72K1J-331JE	1	435033314R1	
U001	R4004	C-CARBON R	RN72K1J-331JE	1	435033314R1	
U001	R4009	C-CARBON R	RN72K1J-331JE	1	435033314R1	
U001	R4010	C-CARBON R	RN72K1J-331JE	1	435033314R1	
U001	R4013	C-CARBON R	RN72K1J-331JE	1	435033314R1	
U001	R4014	C-CARBON R	RN72K1J-331JE	1	435033314R1	
U001	R4015	C-CARBON R	RN72K1J-222JE	1	435032224R1	
U001	R4016	C-CARBON R	RN72K1J-222JE	1	435032224R1	
U001	R4017	C-CARBON R	RN72K1J-331JE	1	435033314R1	
U001	R4018	C-CARBON R	RN72K1J-331JE	1	435033314R1	
U001	R4019	C-CARBON R	RN72K1J-331JE	1	435033314R1	
U001	R4020	C-CARBON R	RN72K1J-331JE	1	435033314R1	
U001	R4022	C-CARBON R	RN72K1J-000JE	1	435030004R1	
U001	R4023	C-CARBON R	RN72K1J-000JE	1	435030004R1	
U001	R4024	C-CARBON R	RN72K1J-000JE	1	435030004R1	<MDC, MMR>
U001	R4028	C-CARBON R	RN72K1J-101JE	1	435031014R1	
U001	R4030	C-CARBON R	RN72K1J-331JE	1	435033314R1	<MDC, MMR>
U001	R4031	C-CARBON R	RN72K1J-331JE	1	435033314R1	<MDC, MMR>
U001	R4032	C-CARBON R	RN72K1J-101JE	1	435031014R1	

U001	R4043	C-CARBON R	RN72K1J-104JE	1	435031044R1	
U001	R4044	C-CARBON R	RN72K1J-104JE	1	435031044R1	
U001	R4049	C-CARBON R	RN72K1J-104JE	1	435031044R1	
U001	R4050	C-CARBON R	RN72K1J-104JE	1	435031044R1	
U001	R4053	C-CARBON R	RN72K1J-104JE	1	435031044R1	
U001	R4054	C-CARBON R	RN72K1J-104JE	1	435031044R1	
U001	R4055	C-CARBON R	RN72K1J-104JE	1	435031044R1	
U001	R4056	C-CARBON R	RN72K1J-104JE	1	435031044R1	
U001	R4057	C-CARBON R	RN72K1J-104JE	1	435031044R1	
U001	R4058	C-CARBON R	RN72K1J-104JE	1	435031044R1	
U001	R4059	C-CARBON R	RN72K1J-104JE	1	435031044R1	
U001	R4060	C-CARBON R	RN72K1J-104JE	1	435031044R1	
U001	R4069	C-CARBON R	RN72K1J-104JE	1	435031044R1	
U001	R4070	C-CARBON R	RN72K1J-222JE	1	435032224R1	<MDC, MMR>
U001	R4071	C-CARBON R	RN72K1J-222JE	1	435032224R1	<MDC, MMR>
U001	R4072	C-CARBON R	RN72K1J-223JE	1	435032234R1	<MDC, MMR>
U001	R4077	C-CARBON R	RN72K1J-223JE	1	435032234R1	
U001	R4078	C-CARBON R	RN72K1J-473JE	1	435034734R1	
U001	R4079	C-CARBON R	RN72K1J-473JE	1	435034734R1	
U001	R4080	C-CARBON R	RN72K1J-104JE	1	435031044R1	
U001	R4081	C-CARBON R	RN72K1J-104JE	1	435031044R1	
U001	R4082	C-CARBON R	RN72K1J-104JE	1	435031044R1	
U001	R4083	C-CARBON R	RN72K1J-104JE	1	435031044R1	<MDC, MMR>
U001	R4084	C-CARBON R	RN72K1J-104JE	1	435031044R1	<MDC, MMR>
U001	R4085	C-CARBON R	RN72K1J-182JE	1	435031824R1	
U001	R4086	C-CARBON R	RN72K1J-182JE	1	435031824R1	
U001	R4087	C-CARBON R	RN72K1J-222JE	1	435032224R1	
U001	R4088	C-CARBON R	RN72K1J-222JE	1	435032224R1	
U001	R4089	C-CARBON R	RN72K1J-000JE	1	435030004R1	
U001	R4090	C-CARBON R	RN72K1J-123JE	1	435031234R1	
U001	R4091	C-CARBON R	RN72K1J-223JE	1	435032234R1	
U001	R4092	C-CARBON R	RN72K1J-331JE	1	435033314R1	
U001	R4093	C-CARBON R	RN72K1J-332JE	1	435033324R1	
U001	R4094	C-CARBON R	RN72K1J-103JE	1	435031034R1	
U001	R4095	C-CARBON R	RN72K1J-103JE	1	435031034R1	
U001	R4096	C-CARBON R	RN72K1J-331JE	1	435033314R1	
U001	R4097	C-CARBON R	RN72K1J-332JE	1	435033324R1	
U001	R4098	C-CARBON R	RN72K1J-123JE	1	435031234R1	
U001	R4099	C-CARBON R	RN72K1J-223JE	1	435032234R1	

U001	R4100	C-CARBON R	RN72K1J-224JE	1	435032244R1	
U001	R4101	C-CARBON R	RN72K1J-224JE	1	435032244R1	
U001	R4102	C-CARBON R	RN72K1J-224JE	1	435032244R1	
U001	R4103	C-CARBON R	RN72K1J-224JE	1	435032244R1	
U001	R4104	C-CARBON R	RN72K1J-224JE	1	435032244R1	
U001	R4105	C-CARBON R	RN72K1J-224JE	1	435032244R1	
U001	R4106	C-CARBON R	RN72K1J-224JE	1	435032244R1	
U001	R4107	C-CARBON R	RN72K1J-224JE	1	435032244R1	
U001	R4108	C-CARBON R	RN72K1J-224JE	1	435032244R1	
U001	R4109	C-CARBON R	RN72K1J-224JE	1	435032244R1	
U001	R4110	C-CARBON R	RN72K1J-222JE	1	435032224R1	<MDC, MMR>
U001	R4111	C-CARBON R	RN72K1J-222JE	1	435032224R1	<MDC, MMR>
U001	R4112	C-CARBON R	RN72K1J-222JE	1	435032224R1	<MDC, MMR>
U001	R4113	C-CARBON R	RN72K1J-222JE	1	435032224R1	<MDC, MMR>
U001	R4114	C-CARBON R	RN72K1J-222JE	1	435032224R1	<MDC, MMR>
U001	R4115	C-CARBON R	RN72K1J-222JE	1	435032224R1	<MDC, MMR>
U001	R4116	C-CARBON R	RN72K1J-222JE	1	435032224R1	<MDC, MMR>
U001	R4117	C-CARBON R	RN72K1J-271JE	1	435032714R1	
U001	R4118	C-CARBON R	RN72K1J-222JE	1	435032224R1	<MDC, MMR>
U001	R4119	C-CARBON R	RN72K1J-222JE	1	435032224R1	<MDC, MMR>
U001	R4120	C-CARBON R	RN72K1J-000JE	1	435030004R1	<MDC, MMR>
U001	R4121	C-CARBON R	RN72K1J-000JE	1	435030004R1	<MDC, MMR>
U001	R4122	C-CARBON R	RN72K1J-000JE	1	435030004R1	<MDC, MMR>
U001	R4123	C-CARBON R	RN72K1J-000JE	1	435030004R1	<MDC, MMR>
U001	R4124	C-CARBON R	RN72K1J-000JE	1	435030004R1	<MDC, MMR>
U001	R4125	C-CARBON R	RN72K1J-000JE	1	435030004R1	<MDC, MMR>
U001	R4126	C-CARBON R	RN72K1J-000JE	1	435030004R1	<MDC, MMR>
U001	R4127	C-CARBON R	RN72K1J-101JE	1	435031014R1	
U001	R4130	C-CARBON R	RN72K1J-221JE	1	435032214R1	
U001	R4131	C-CARBON R	RN72K1J-473JE	1	435034734R1	
U001	R4132	C-CARBON R	RN72K1J-153JE	1	435031534R1	
U001	R4133	C-CARBON R	RN72K1J-122JE	1	435031224R1	
U001	R4134	C-CARBON R	RN72K1J-103JE	1	435031034R1	
U001	R4160	METAL R	RNU1WCJ-3.3	1	453630334T	<MDC>
U001	R4160	METAL R	RNU1WCJ-0.47	1	453634794T	<MMR>
U001	R4161	METAL R	RNU1WCJ-3.3	1	453630334T	<MDC>
U001	R4161	METAL R	RNU1WCJ-0.47	1	453634794T	<MMR>
U001	R4162	METAL R	RNU1WCJ-3.3	1	453630334T	<MDC>
U001	R4162	METAL R	RNU1WCJ-0.47	1	453634794T	<MMR>

U001	R4163	METAL R	RNU1WCJ-3.3	1	453630334T	<MDC>
U001	R4163	METAL R	RNU1WCJ-0.47	1	453634794T	<MMR>
U001	R4166	C-CARBON R	RN72K1J-220JE	1	435032204R1	
U001	R4167	C-CARBON R	RN72K1J-220JE	1	435032204R1	
U001	R4170	METAL O R	RS2WBJ-3.3	1	441720334F	
U001	R4171	METAL O R	RS2WBJ-8.2	1	441720824F	
U001	R4174	METAL O R	RS1WBJ-22	1	443622204T	
U001	R4175	METAL O R	RS1WBJ-22	1	443622204T	
U001	R4176	METAL O R	RS1WBJ-33	1	443623304T	
U001	R4177	METAL O R	RS1WBJ-33	1	443623304T	
U001	R4180	C-CARBON R	RN72K1J-224JE	1	435032244R1	<MDC, MMR>
U001	R4181	C-CARBON R	RN72K1J-224JE	1	435032244R1	
U001	R4182	C-CARBON R	RN72K1J-224JE	1	435032244R1	<MDC, MMR>
U001	R4183	CARBON R	R16J-1K	1	417341024T	
U001	R4184	CARBON R	R16J-1K	1	417341024T	
U001	R4189	C-CARBON R	RN72K1J-224JE	1	435032244R1	
U001	R4190	C-CARBON R	RN72K1J-224JE	1	435032244R1	
U001	R4192	C-CARBON R	RN72K1J-224JE	1	435032244R1	
U001	R4193	C-CARBON R	RN72K1J-224JE	1	435032244R1	
U001	R4194	C-CARBON R	RN72K1J-224JE	1	435032244R1	
U001	R4195	C-CARBON R	RN72K1J-224JE	1	435032244R1	
U001	R4196	C-CARBON R	RN72K1J-224JE	1	435032244R1	
U001	R4201	C-CARBON R	RN72K1J-000JE	1	435030004R1	<MDC, MMR>
U001	R4202	C-CARBON R	RN72K1J-000JE	1	435030004R1	<MDC, MMR>
U001	R4211	C-CARBON R	RN72K1J-000JE	1	435030004R1	<MDC, MMR>
U001	R4220	C-CARBON R	RN72K1J-000JE	1	435030004R1	
U001	R4221	C-CARBON R	RN72K1J-000JE	1	435030004R1	
U001	R4222	C-CARBON R	RN72K1J-000JE	1	435030004R1	
U001	R4223	C-CARBON R	RN72K1J-000JE	1	435030004R1	
U001	R4224	C-CARBON R	RN72K1J-000JE	1	435030004R1	
U001	R4225	C-CARBON R	RN72K1J-000JE	1	435030004R1	
U001	R4226	C-CARBON R	RN72K1J-000JE	1	435030004R1	
U001	R4227	C-CARBON R	RN72K1J-000JE	1	435030004R1	
U001	R4228	C-CARBON R	RN72K1J-000JE	1	435030004R1	
U001	R4229	C-CARBON R	RN72K1J-000JE	1	435030004R1	
U001	R4230	C-CARBON R	RN72K1J-000JE	1	435030004R1	
U001	R4231	C-CARBON R	RN72K1J-000JE	1	435030004R1	
U001	R4232	C-CARBON R	RN72K1J-000JE	1	435030004R1	
U001	R4233	C-CARBON R	RN72K1J-000JE	1	435030004R1	

U001	R4234	C-CARBON R	RN72K1J-000JE	1	435030004R1	
U001	R4400	C-CARBON R	RN72K1J-223JE	1	435032234R1	<MDC, MMR>
U001	R4401	C-CARBON R	RN72K1J-223JE	1	435032234R1	<MDC, MMR>
U001	R4402	C-CARBON R	RN72K1J-333JE	1	435033334R1	<MDC, MMR>
U001	R4403	C-CARBON R	RN72K1J-333JE	1	435033334R1	<MDC, MMR>
U001	R4404	C-CARBON R	RN72K1J-223JE	1	435032234R1	<MDC, MMR>
U001	R4405	C-CARBON R	RN72K1J-223JE	1	435032234R1	<MDC, MMR>
U001	R4406	C-CARBON R	RN72K1J-273JE	1	435032734R1	<MDC, MMR>
U001	R4407	C-CARBON R	RN72K1J-273JE	1	435032734R1	<MDC, MMR>
U001	R4408	C-CARBON R	RN72K1J-331JE	1	435033314R1	<MDC, MMR>
U001	R4409	C-CARBON R	RN72K1J-331JE	1	435033314R1	<MDC, MMR>
U001	R4410	C-CARBON R	RN72K1J-104JE	1	435031044R1	<MDC, MMR>
U001	R4411	C-CARBON R	RN72K1J-104JE	1	435031044R1	<MDC, MMR>
U001	R4412	C-CARBON R	RN72K1J-220JE	1	435032204R1	<MDC, MMR>
U001	R4413	C-CARBON R	RN72K1J-220JE	1	435032204R1	<MDC, MMR>
U001	R4414	METAL O R	RS1WBJ-100	1	443621014T	<MDC, MMR>
U001	R4415	C-CARBON R	RN72K1J-681JE	1	435036814R1	<MDC, MMR>
U001	R4416	C-CARBON R	RN72K1J-681JE	1	435036814R1	<MDC, MMR>
U001	R4417	C-CARBON R	RN72K1J-333JE	1	435033334R1	<MDC, MMR>
U001	R6000	C-CARBON R	RN72K1J-562JE	1	435035624R1	
U001	R6001	C-CARBON R	RN72K1J-562JE	1	435035624R1	
U001	R6002	C-CARBON R	RN72K1J-562JE	1	435035624R1	
U001	R6003	C-CARBON R	RN72K1J-562JE	1	435035624R1	
U001	R6004	C-CARBON R	RN72K1J-562JE	1	435035624R1	
U001	R6005	C-CARBON R	RN72K1J-562JE	1	435035624R1	<MDC, MMR>
U001	R6006	C-CARBON R	RN72K1J-562JE	1	435035624R1	<MDC, MMR>
U001	R6010	C-CARBON R	RN72K1J-472JE	1	435034724R1	
U001	R6011	C-CARBON R	RN72K1J-472JE	1	435034724R1	
U001	R6012	C-CARBON R	RN72K1J-472JE	1	435034724R1	
U001	R6013	C-CARBON R	RN72K1J-472JE	1	435034724R1	
U001	R6014	C-CARBON R	RN72K1J-472JE	1	435034724R1	
U001	R6015	C-CARBON R	RN72K1J-472JE	1	435034724R1	<MDC, MMR>
U001	R6016	C-CARBON R	RN72K1J-472JE	1	435034724R1	<MDC, MMR>
U001	R6020	C-CARBON R	RN72K1J-561JE	1	435035614R1	
U001	R6021	C-CARBON R	RN72K1J-561JE	1	435035614R1	
U001	R6022	C-CARBON R	RN72K1J-561JE	1	435035614R1	
U001	R6023	C-CARBON R	RN72K1J-561JE	1	435035614R1	
U001	R6024	C-CARBON R	RN72K1J-561JE	1	435035614R1	
U001	R6025	C-CARBON R	RN72K1J-561JE	1	435035614R1	<MDC, MMR>



U001	R6026	C-CARBON R	RN72K1J-561JE	1	435035614R1	<MDC, MMR>
U001	R6030	C-CARBON R	RN72K1J-000JE	1	435030004R1	
U001	R6031	C-CARBON R	RN72K1J-000JE	1	435030004R1	
U001	R6032	C-CARBON R	RN72K1J-000JE	1	435030004R1	
U001	R6033	C-CARBON R	RN72K1J-000JE	1	435030004R1	
U001	R6034	C-CARBON R	RN72K1J-000JE	1	435030004R1	
U001	R6035	C-CARBON R	RN72K1J-000JE	1	435030004R1	<MDC, MMR>
U001	R6036	C-CARBON R	RN72K1J-000JE	1	435030004R1	<MDC, MMR>
U001	R6100	METAL PR	MPR5W+5W 0R22	1	4000233	
U001	R6100 or	METAL P R	RF-5EGPJR22	( 1)	4000244	
U001	R6101	METAL PR	MPR5W+5W 0R22	1	4000233	
U001	R6101 or	METAL P R	RF-5EGPJR22	( 1)	4000244	
U001	R6102	METAL PR	MPR5W+5W 0R22	1	4000233	
U001	R6102 or	METAL P R	RF-5EGPJR22	( 1)	4000244	
U001	R6103	METAL PR	MPR5W+5W 0R22	1	4000233	
U001	R6103 or	METAL P R	RF-5EGPJR22	( 1)	4000244	
U001	R6104	METAL PR	MPR5W+5W 0R22	1	4000233	
U001	R6104 or	METAL P R	RF-5EGPJR22	( 1)	4000244	
U001	R6105	METAL PR	MPR5W+5W 0R22	1	4000233	<MDC, MMR>
U001	R6105 or	METAL P R	RF-5EGPJR22	( 1)	4000244	<MDC, MMR>
U001	R6106	METAL PR	MPR5W+5W 0R22	1	4000233	<MDC, MMR>
U001	R6106 or	METAL P R	RF-5EGPJR22	( 1)	4000244	<MDC, MMR>
U001	R6140	C-CARBON R	RN72K1J-563JE	1	435035634R1	
U001	R6141	C-CARBON R	RN72K1J-563JE	1	435035634R1	
U001	R6142	C-CARBON R	RN72K1J-563JE	1	435035634R1	
U001	R6143	C-CARBON R	RN72K1J-563JE	1	435035634R1	
U001	R6144	C-CARBON R	RN72K1J-563JE	1	435035634R1	
U001	R6145	C-CARBON R	RN72K1J-563JE	1	435035634R1	<MDC, MMR>
U001	R6146	C-CARBON R	RN72K1J-563JE	1	435035634R1	<MDC, MMR>
U001	R6150	C-CARBON R	RN72K1J-103JE	1	435031034R1	
U001	R6151	C-CARBON R	RN72K1J-103JE	1	435031034R1	
U001	R6152	C-CARBON R	RN72K1J-103JE	1	435031034R1	
U001	R6153	C-CARBON R	RN72K1J-103JE	1	435031034R1	
U001	R6154	C-CARBON R	RN72K1J-103JE	1	435031034R1	
U001	R6155	C-CARBON R	RN72K1J-103JE	1	435031034R1	<MDC, MMR>
U001	R6156	C-CARBON R	RN72K1J-103JE	1	435031034R1	<MDC, MMR>
U001	R6160	CARBON R	R16J-33K	1	417343334T	
U001	R6161	CARBON R	R16J-33K	1	417343334T	
U001	R6162	CARBON R	R16J-33K	1	417343334T	

U001	R6163	CARBON R	R16J-33K	1	417343334T	
U001	R6164	CARBON R	R16J-33K	1	417343334T	
U001	R6165	CARBON R	R16J-33K	1	417343334T	<MDC, MMR>
U001	R6166	CARBON R	R16J-33K	1	417343334T	<MDC, MMR>
U001	R6170	CARBON R	R16J-47K	1	417344734T	
U001	R6171	CARBON R	R16J-47K	1	417344734T	
U001	R6172	CARBON R	R16J-47K	1	417344734T	
U001	R6173	CARBON R	R16J-47K	1	417344734T	
U001	R6174	CARBON R	R16J-47K	1	417344734T	
U001	R6175	CARBON R	R16J-47K	1	417344734T	<MDC, MMR>
U001	R6176	CARBON R	R16J-47K	1	417344734T	<MDC, MMR>
U001	R6180	CARBON R	R16J-47K	1	417344734T	
U001	R6181	CARBON R	R16J-47K	1	417344734T	
U001	R6182	CARBON R	R16J-47K	1	417344734T	
U001	R6183	CARBON R	R16J-47K	1	417344734T	
U001	R6184	CARBON R	R16J-47K	1	417344734T	
U001	R6185	CARBON R	R16J-47K	1	417344734T	<MDC, MMR>
U001	R6186	CARBON R	R16J-47K	1	417344734T	<MDC, MMR>
U001	R6197	METAL R	RNU1WCJ-8.2	1	453630824T	
U001	R6301	C-CARBON R	RN72K1J-000JE	1	435030004R1	
U001	R6305	C-CARBON R	RN72K1J-000JE	1	435030004R1	
U001	R6701	C-CARBON R	RN72K1J-223JE	1	435032234R1	
U001	R6702	C-CARBON R	RN72K1J-103JE	1	435031034R1	
U001	R6704	C-CARBON R	RN72K1J-473JE	1	435034734R1	
U001	R6706	C-CARBON R	RN72K1J-223JE	1	435032234R1	
U001	R6708	C-CARBON R	RN72K1J-333JE	1	435033334R1	
U001	R6709	C-CARBON R	RN72K1J-562JE	1	435035624R1	
U001	R6710	C-CARBON R	RN72K1J-472JE	1	435034724R1	
U001	R6712	C-CARBON R	RN72K1J-103JE	1	435031034R1	
U001	R6714	C-CARBON R	RN72K1J-473JE	1	435034734R1	
U001	R6715	C-CARBON R	RN72K1J-000JE	1	435030004R1	
U001	R6716	C-CARBON R	RN72K1J-223JE	1	435032234R1	
U001	R6902	C-CARBON R	RN72K1J-102JE	1	435031024R1	
U001	R6903	C-CARBON R	RN72K1J-473JE	1	435034734R1	
U001	R6904	C-CARBON R	RN72K1J-102JE	1	435031024R1	
U001	R6905	C-CARBON R	RN72K1J-473JE	1	435034734R1	
U001	R6906	METAL R	RNU1/2WCJ-0.1	1	453531094T	
U001	R950	CARBON R	R16J-1	1	417340104T	
U001	R951	METAL O R	RS1/2WBJ-10	1	443521004T	

U001	R952	METAL O R	RS1/2WBJ-15	1	443521504T	
U001	R960	METAL R	RNU1WCJ-8.2	1	453630824T	
U001	R961	CARBON R	R16J-3.3	1	417340334T	
U001	R962	C-CARBON R	RN72K1J-272JE	1	435032724R1	
U001	R963	C-CARBON R	RN72K1J-272JE	1	435032724R1	
U001	R964	C-CARBON R	RN72K1J-333JE	1	435033334R1	
U001	[SW TRM]					
U001	F6901A	FUSE HOLDER	SN5051	1	250113	!
U001	F6901B	FUSE HOLDER	SN5051	1	250113	!
U001	F6902A	FUSE HOLDER	SN5051	1	250113	!
U001	F6902B	FUSE HOLDER	SN5051	1	250113	!
U001	JL501A	WIRE HOL	NSCT-3P874	1	25051087	
U001	JL502A	WIRE HOL	NSCT-5P876	1	25051089	
U001	JL503A	WIRE HOL	NSCT-7P878	1	25051091	<MDC, MMR>
U001	JL600A	WIRE HOL	NSCT-7P898	1	25051111	
U001	JL603A	WIRE HOL	NSCT-9P900	1	25051113	
U001	JL620A	WIRE HOL	NSCT-7P878	1	25051091	
U001	JL951A	WIRE HOL	NSCT-5P896	1	25051109	
U001	JL951B	WIRE HOL	NSCT-5P896	1	25051109	
U001	JL952A	WIRE HOL	NSCT-3P894	1	25051107	
U001	JL953B	WIRE TRAP	NPLG-5P588	1	25055626	
U001	JL954A	WIRE HOL	NSCT-5P896	1	25051109	
U001	JL954B	WIRE HOL	NSCT-5P896	1	25051109	
U001	P101B	SOCKET	NSCT-9P2102	1	25052205	<MDC, MMR>
U001	P4002	PIN JACK	NPJ-2PDWR595	1	25045815	<MDC, MMR>
U001	P4004	PIN JACK	NPJ-4PDWWR624	1	25045845	<MDC, MMR>
U001	P4005	PIN JACK	NPJ-4PDWWR624	1	25045845	<MDC, MMR>
U001	P4007	PIN JACK	NPJ-4PDWRP682	1	25045914	<MDC, MMR>
U001	P4012	PIN JACK	NPJ-2PDWR558	1	25045776	<MDC, MMR>
U001	P5501B	PLUG	NPLG-5P0960	1	25056010	<MDC, MMR>
U001	P5502B	PLUG	NPLG-15P0970	1	25056020	
U001	P5503B	PLUG	NPLG-13P0968	1	25056018	
U001	P5504B	PLUG	NPLG-7P0962	1	25056012	
U001	P5505	CRIMP AS	CRIMP AS	1	2069955200UL	
U001	P5508	TRM-423(SCREW)	NEJITANSI ST3	1	25060495	
U001	P5510B	TRM	NTM-1P232(M1700)	1	25060301	
U001	P6000B	PLUG	NPLG-9P0964	1	25056014	
U001	P6001B	PLUG	NPLG-9P0964	1	25056014	
U001	P6002B	PLUG	NPLG-9P0964	1	25056014	

U001	P6003B	PLUG	NPLG-9P0964	1	25056014	
U001	P6004B	PLUG	NPLG-9P0964	1	25056014	
U001	P6005B	PLUG	NPLG-9P0964	1	25056014	<MDC, MMR>
U001	P6006B	PLUG	NPLG-9P0964	1	25056014	<MDC, MMR>
U001	P6007B	TRM	NTM-1P232(M1700)	1	25060301	
U001	P6008B	TRM	NTM-1P232(M1700)	1	25060301	
U001	P6009B	TRM	NTM-1P232(M1700)	1	25060301	
U001	P6010B	TRM	NTM-1P232(M1700)	1	25060301	
U001	P6011A	RETAINER	(BUS-D)TX-SR606	1	27142100	
U001	P6080	PLUG	NPLG-2P29	1	25055038	
U001	P6081	PLUG	NPLG-2P29	1	25055038	
U001	P6082	PLUG	NPLG-2P29	1	25055038	
U001	P6083	PLUG	NPLG-2P29	1	25055038	
U001	P6084	PLUG	NPLG-2P29	1	25055038	
U001	P6085	PLUG	NPLG-2P29	1	25055038	<MDC, MMR>
U001	P6086	PLUG	NPLG-2P29	1	25055038	<MDC, MMR>
U001	P6100	HOLDER	HOLDER(CLAMP)	1	27190540-1	
U001	P6101	HOLDER	(CRAMP) UA-0 V0	1	27190608-1	
U001	P6102	HOLDER	HOLDER(CLAMP)	1	27190540-1	
U001	P6103	HOLDER	HOLDER(CLAMP)	1	27190540-1	
U001	P6104	HOLDER	HOLDER(CLAMP)	1	27190540-1	
U001	P6600A	SOCKET AS	NSAS-26P1775	1	2009991135UL	
U001	P6605	WS CLAMP	CB-71683(L=50)	1	260261	
U001	P6606	WS CLAMP	CB-71683(L=50)	1	260261	
U001	P6900	CRIMP AS	UL1015#18SIN-SVH 300 BLK	1	20799177UL	
U001	P6901	CRIMP AS	CRIMP AS	1	2069925119UL	
U001	P6902	CRIMP AS	CRIMP AS	1	2069925188UL	
U001	P6903	CRIMP AS	UL1015#18SIN-SVH 200 YEL	1	20799172UL	
U001	P6904	CRIMP AS	UL1015#18SIN-SVH 200 GRN	1	20799173UL	
U001	RL691	RELAY	NRL-1P10A-DC12-196	1	25065707	
U001	RL691 or	RELAY	NRL-1P10A-DC12-197	( 1)	25065708	
U001	RL691 or	RELAY	NRL-1P10A-DC12-198	( 1)	25065709	
U001	RL692	RELAY	NRL-1P10A-DC12-196	1	25065707	
U001	RL692 or	RELAY	NRL-1P10A-DC12-197	( 1)	25065708	
U001	RL692 or	RELAY	NRL-1P10A-DC12-198	( 1)	25065709	
U001	RL693	RELAY	NRL-1P10A-DC12-140	1	25065584	
U001	RL693 or	RELAY	NRL-1P10A-DC12-143	( 1)	25065588	
U001	RL694	RELAY	NRL-1P10A-DC12-140	1	25065584	
U001	RL694 or	RELAY	NRL-1P10A-DC12-143	( 1)	25065588	

U002	<b>U002</b>	<b>U0020 + U0021 + U0022 + U0023 + U0024</b>	
U002	<b>U0020</b>	Display PC board ass'y	BADIS-0663-1K/ 1L
U002	<b>U0021</b>	Video Input Terminal PC board ass'y	BAVD-0664-1K/ 1L
U002	<b>U0022</b>	Standby Switch PC board ass'y	BAETC-0665-1K/ 1L
U002	<b>U0023</b>	HP Jack PC board ass'y	BAETC-0666-1K/ 1L
U002	<b>U0024</b>	Power Supply PC board ass'y	BAPS-0667-1K/ 1L

CIRCUIT NO.	PART NAME	DESCRIPTION	Q'TY	PART NO. (SN)	REMARKS
U002	<b>[SEMI CONDUCTOR]</b>				
U002	D2110	C-DIODE	1	223303R2	<MDC, MMR>
U002	D2110 or	C-DIODE	(1)	223234R2	<MDC, MMR>
U002	D2110 or	C-DIODE	(1)	223269R2	<MDC, MMR>
U002	D2110 or	C-DIODE	(1)	223279R2	<MDC, MMR>
U002	D2110 or	C-DIODE	(1)	223283R2	<MDC, MMR>
U002	D2201	C-DIODE	1	223303R2	<MDC, MMR>
U002	D2201 or	C-DIODE	(1)	223234R2	<MDC, MMR>
U002	D2201 or	C-DIODE	(1)	223269R2	<MDC, MMR>
U002	D2201 or	C-DIODE	(1)	223279R2	<MDC, MMR>
U002	D2201 or	C-DIODE	(1)	223283R2	<MDC, MMR>
U002	D2202	C-DIODE	1	223303R2	<MDC, MMR>
U002	D2202 or	C-DIODE	(1)	223234R2	<MDC, MMR>
U002	D2202 or	C-DIODE	(1)	223269R2	<MDC, MMR>
U002	D2202 or	C-DIODE	(1)	223279R2	<MDC, MMR>
U002	D2202 or	C-DIODE	(1)	223283R2	<MDC, MMR>
U002	D7002	ZENER D	1	224760820R2	N
U002	D7002 or	ZENER D	(1)	224550820R2	
U002	D7033	ZENER D	1	224760390R2	N
U002	D7033 or	ZENER D	(1)	224550390R2	
U002	D7152	LED	1	225491	
U002	D7154	LED	1	225365	<MDC>
U002	D7154	LED	1	225487	<MMR>
U002	D7156	LED	1	225500	<MDC, MMR>
U002	D7156A	HOLDER	1	27191312	<MDC, MMR>
U002	D7159	LED	1	225500	<MDC, MMR>
U002	D7159A	HOLDER	1	27191312	<MDC, MMR>
U002	D7311	C-DIODE	1	223303R2	
U002	D7311 or	C-DIODE	(1)	223234R2	
U002	D7311 or	C-DIODE	(1)	223269R2	

U002	D7311 or	C-DIODE	MA2J111	(1)	223279R2	
U002	D7311 or	C-DIODE	KDS4148U	(1)	223283R2	
U002	D7312	C-DIODE	DA2J10100	1	223303R2	
U002	D7312 or	C-DIODE	1SS352	(1)	223234R2	
U002	D7312 or	C-DIODE	1SS355	(1)	223269R2	
U002	D7312 or	C-DIODE	MA2J111	(1)	223279R2	
U002	D7312 or	C-DIODE	KDS4148U	(1)	223283R2	
U002	D7401	ZENER D	DZ2J051M0L	1	224760510R2	N
U002	D7401 or	ZENER D	UDZS5.1B	(1)	224550510R2	
U002	D7411	ZENER D	DZ2J068M0L	1	224760680R2	N
U002	D7411 or	ZENER D	UDZS6.8B	(1)	224550680R2	
U002	D7412	ZENER D	DZ2J068M0L	1	224760680R2	N
U002	D7412 or	ZENER D	UDZS6.8B	(1)	224550680R2	
U002	D7501	C-DIODE	DA2J10100	1	223303R2	
U002	D7501 or	C-DIODE	1SS352	(1)	223234R2	
U002	D7501 or	C-DIODE	1SS355	(1)	223269R2	
U002	D7501 or	C-DIODE	MA2J111	(1)	223279R2	
U002	D7501 or	C-DIODE	KDS4148U	(1)	223283R2	
U002	D7502	C-DIODE	DA2J10100	1	223303R2	
U002	D7502 or	C-DIODE	1SS352	(1)	223234R2	
U002	D7502 or	C-DIODE	1SS355	(1)	223269R2	
U002	D7502 or	C-DIODE	MA2J111	(1)	223279R2	
U002	D7502 or	C-DIODE	KDS4148U	(1)	223283R2	
U002	D7503	C-DIODE	DA2J10100	1	223303R2	
U002	D7503 or	C-DIODE	1SS352	(1)	223234R2	
U002	D7503 or	C-DIODE	1SS355	(1)	223269R2	
U002	D7503 or	C-DIODE	MA2J111	(1)	223279R2	
U002	D7503 or	C-DIODE	KDS4148U	(1)	223283R2	
U002	D7504	C-DIODE	DA2J10100	1	223303R2	
U002	D7504 or	C-DIODE	1SS352	(1)	223234R2	
U002	D7504 or	C-DIODE	1SS355	(1)	223269R2	
U002	D7504 or	C-DIODE	MA2J111	(1)	223279R2	
U002	D7504 or	C-DIODE	KDS4148U	(1)	223283R2	
U002	D9011	DIODE	D5SBA60	1	22380070	<MDC, MMR>
U002	D9011A	SCREW	3P+10FN(3BC)	1	82143010GR	<MDC, MMR>
U002	D9011B	HEAT SINK	RAD-083	1	27160271	<MDC, MMR>
U002	D9014	C-DIODE	DA2J10100	1	223303R2	
U002	D9014 or	C-DIODE	1SS352	(1)	223234R2	
U002	D9014 or	C-DIODE	1SS355	(1)	223269R2	

U002	D9014 or	C-DIODE	MA2J111	( 1)	223279R2	
U002	D9014 or	C-DIODE	KDS4148U	( 1)	223283R2	
U002	D9015	C-DIODE	DA2J10100	1	223303R2	
U002	D9015 or	C-DIODE	1SS352	( 1)	223234R2	
U002	D9015 or	C-DIODE	1SS355	( 1)	223269R2	
U002	D9015 or	C-DIODE	MA2J111	( 1)	223279R2	
U002	D9015 or	C-DIODE	KDS4148U	( 1)	223283R2	
U002	D9016	ZENER D	DZ2J062M0L	1	224760620R2	N
U002	D9016 or	ZENER D	UDZS6.2B	( 1)	224550620R2	
U002	D911	C-DIODE	DA2J10100	1	223303R2	
U002	D911 or	C-DIODE	1SS352	( 1)	223234R2	
U002	D911 or	C-DIODE	1SS355	( 1)	223269R2	
U002	D911 or	C-DIODE	MA2J111	( 1)	223279R2	
U002	D911 or	C-DIODE	KDS4148U	( 1)	223283R2	
U002	D912	C-DIODE	DA2J10100	1	223303R2	
U002	D912 or	C-DIODE	1SS352	( 1)	223234R2	
U002	D912 or	C-DIODE	1SS355	( 1)	223269R2	
U002	D912 or	C-DIODE	MA2J111	( 1)	223279R2	
U002	D912 or	C-DIODE	KDS4148U	( 1)	223283R2	
U002	D921	C-DIODE	DA2J10100	1	223303R2	
U002	D921 or	C-DIODE	1SS352	( 1)	223234R2	
U002	D921 or	C-DIODE	1SS355	( 1)	223269R2	
U002	D921 or	C-DIODE	MA2J111	( 1)	223279R2	
U002	D921 or	C-DIODE	KDS4148U	( 1)	223283R2	
U002	D922	C-DIODE	DA2J10100	1	223303R2	
U002	D922 or	C-DIODE	1SS352	( 1)	223234R2	
U002	D922 or	C-DIODE	1SS355	( 1)	223269R2	
U002	D922 or	C-DIODE	MA2J111	( 1)	223279R2	
U002	D922 or	C-DIODE	KDS4148U	( 1)	223283R2	
U002	D923	C-DIODE	DA2J10100	1	223303R2	
U002	D923 or	C-DIODE	1SS352	( 1)	223234R2	
U002	D923 or	C-DIODE	1SS355	( 1)	223269R2	
U002	D923 or	C-DIODE	MA2J111	( 1)	223279R2	
U002	D923 or	C-DIODE	KDS4148U	( 1)	223283R2	
U002	D924	C-DIODE	DA2J10100	1	223303R2	
U002	D924 or	C-DIODE	1SS352	( 1)	223234R2	
U002	D924 or	C-DIODE	1SS355	( 1)	223269R2	
U002	D924 or	C-DIODE	MA2J111	( 1)	223279R2	
U002	D924 or	C-DIODE	KDS4148U	( 1)	223283R2	

U002	D925	C-DIODE	DA2J10100	1	223303R2	
U002	D925 or	C-DIODE	1SS352	(1)	223234R2	
U002	D925 or	C-DIODE	1SS355	(1)	223269R2	
U002	D925 or	C-DIODE	MA2J111	(1)	223279R2	
U002	D925 or	C-DIODE	KDS4148U	(1)	223283R2	
U002	D930	C-DIODE	DA2J10100	1	223303R2	
U002	D930 or	C-DIODE	1SS352	(1)	223234R2	
U002	D930 or	C-DIODE	1SS355	(1)	223269R2	
U002	D930 or	C-DIODE	MA2J111	(1)	223279R2	
U002	D930 or	C-DIODE	KDS4148U	(1)	223283R2	
U002	D931	C-DIODE	DA2J10100	1	223303R2	
U002	D931 or	C-DIODE	1SS352	(1)	223234R2	
U002	D931 or	C-DIODE	1SS355	(1)	223269R2	
U002	D931 or	C-DIODE	MA2J111	(1)	223279R2	
U002	D931 or	C-DIODE	KDS4148U	(1)	223283R2	
U002	D933	C-DIODE	DA2J10100	1	223303R2	
U002	D933 or	C-DIODE	1SS352	(1)	223234R2	
U002	D933 or	C-DIODE	1SS355	(1)	223269R2	
U002	D933 or	C-DIODE	MA2J111	(1)	223279R2	
U002	D933 or	C-DIODE	KDS4148U	(1)	223283R2	
U002	D934	ZENER D	DZ2J051M0L	1	224760510R2	<MDC>
U002	D934	ZENER D	DZ2J056M0L	1	224760560R2	<MMR>
U002	D934 or	ZENER D	UDZS5.1B	(1)	224550510R2	<MDC>
U002	D934 or	ZENER D	UDZS5.6B	(1)	224550560R2	<MMR>
U002	D935	C-DIODE	DA2J10100	1	223303R2	
U002	D935 or	C-DIODE	1SS352	(1)	223234R2	
U002	D935 or	C-DIODE	1SS355	(1)	223269R2	
U002	D935 or	C-DIODE	MA2J111	(1)	223279R2	
U002	D935 or	C-DIODE	KDS4148U	(1)	223283R2	
U002	Q2001	IC	NJW1328	1	22242691R3	
U002	Q2110	IC	TSH343IDT	1	22242702R2	<MDC, MMR>
U002	Q2304	IC	NJM4580M-D	1	22241448R2	
U002	Q2330	IC	NJM4580M-D	1	22241448R2	<MDC, MMR>
U002	Q2400	IC	NJM4580M-D	1	22241448R2	<MDC, MMR>
U002	Q2501	TR	2SA950-Y	1	2211504T	<MDC, MMR>
U002	Q2502	TR	2SC1815-GR	1	2211255T	<MDC, MMR>
U002	Q2600	IC	NJM2505AF	1	22242490R2	
U002	Q2600 or	IC	BH7673G-TR	(1)	22242661R2	
U002	Q7002	FL TUBE	16-BT-165GINK	1	212276	N



U002	Q7002A	HOLDER	(FL)	1	27191303	
U002	Q7003	TR	KTC3875-GR	1	2216175R2	
U002	Q7004	TR	KTC3875-GR	1	2216175R2	
U002	Q7005	TR	KRA102S	1	2216220R2	
U002	Q7007	TR	KRC102S	1	2216190R2	
U002	Q7008	TR	2SA1162-GR	1	2214375R2	
U002	Q7009	TR	KRC107S	1	2216340R2	
U002	Q7033	TR	KTC3875-GR	1	2216175R2	
U002	Q7154	TR	DTC123JKA	1	2216690R2	
U002	Q7156	TR	DTC123JKA	1	2216690R2	<MDC, MMR>
U002	Q7157	TR	DTC123JKA	1	2216690R2	<MDC, MMR>
U002	Q7402	IC	NJM4580M-D	1	22241448R2	
U002	Q7403	TR	DTC114TKA	1	2216670R2	
U002	Q7404	TR	DTC114TKA	1	2216670R2	
U002	Q9020	IC	XC6220B501PR	1	22242692R2	
U002	<b>[TRANS COIL]</b>					
U002	L2300	EMIFIL	BK1608LM182-T	1	230958R1	
U002	L2301	EMIFIL	BK1608LM182-T	1	230958R1	
U002	L2302	EMIFIL	BK1608LM182-T	1	230958R1	<MDC, MMR>
U002	L2303	CORE	BLM18PG181SN1D	1	2350005R1	
U002	L2304	CORE	BLM18PG181SN1D	1	2350005R1	
U002	L2305	EMIFIL	BK1608LM182-T	1	230958R1	
U002	L2306	EMIFIL	BK1608LM182-T	1	230958R1	
U002	L2307	EMIFIL	BK1608LM182-T	1	230958R1	
U002	L2308	EMIFIL	BK1608LM182-T	1	230958R1	
U002	L2309	EMIFIL	BK1608LM182-T	1	230958R1	
U002	L2310	EMIFIL	BK1608LM182-T	1	230958R1	
U002	L2311	EMIFIL	BK1608LM182-T	1	230958R1	
U002	L2312	EMIFIL	BK1608LM182-T	1	230958R1	
U002	L2313	EMIFIL	BK1608LM182-T	1	230958R1	
U002	L2314	EMIFIL	BK1608LM182-T	1	230958R1	
U002	L2315	EMIFIL	BK1608LM182-T	1	230958R1	
U002	L2316	CORE	BLM18PG181SN1D	1	2350005R1	
U002	L2317	EMIFIL	BK1608LM182-T	1	230958R1	<MDC, MMR>
U002	L2318	EMIFIL	BK1608LM182-T	1	230958R1	<MDC, MMR>
U002	L2319	EMIFIL	BK1608LM182-T	1	230958R1	<MDC, MMR>
U002	L2320	EMIFIL	BK1608LM182-T	1	230958R1	<MDC, MMR>
U002	L2321	EMIFIL	BK1608LM182-T	1	230958R1	<MDC, MMR>
U002	L7031	CHOKE COIL	LBC2518T2R2M	1	231364M022R2	

U002	L7201	CHOKE COIL	LBC2518T2R2M	1	231364M022R2	
U002	L7202	CHOKE COIL	LBC2518T2R2M	1	231364M022R2	
U002	L7203	CHOKE COIL	LBC2518T2R2M	1	231364M022R2	
U002	L7301	EMIFIL	BK1608LM182-T	1	230958R1	
U002	L7302	EMIFIL	BK1608LM182-T	1	230958R1	
U002	L7431	CHOKE COIL	LBC2518T2R2M	1	231364M022R2	
U002	L7432	CHOKE COIL	LBC2518T2R2M	1	231364M022R2	
U002	L7501	CORE	BLM18PG121SN1D	1	2350006R1	
U002	L7502	CORE	BLM18PG121SN1D	1	2350006R1	
U002	L7503	CORE	BLM18PG121SN1D	1	2350006R1	
U002	L9020	CORE	BLM18PG181SN1D	1	2350005R1	
U002	T902	P TRANS	NPT-1520JQ	1	2301812A	! <MDC>
U002	T902	P TRANS	NPT-1520GQ	1	2301813A	! <MMR>
U002	<b>[CAPACITOR]</b>					
U002	C2000	C-CERA C	CK725F1E-104Z1	1	332161040R1	
U002	C2001	C-CERA C	CK725F1E-104Z1	1	332161040R1	
U002	C2002	VR C	CE04W50V-2.2M(VR)	1	394680227T	
U002	C2002 or	JAMICON	CE04W50V-2.2M	( 1)	398580227T	
U002	C2003	VR C	CE04W6.3V-470M(VR)	1	394624717T	
U002	C2003 or	JAMICON	CE04W6.3V-470M	( 1)	398524717T	
U002	C2004	C-CERA C	CK725F1E-104Z1	1	332161040R1	
U002	C2005	VR C	CE04W6.3V-470M(VR)	1	394624717T	
U002	C2005 or	JAMICON	CE04W6.3V-470M	( 1)	398524717T	
U002	C2006	C-CERA C	CC725CH1H-470J1	1	342104704R1	
U002	C2007	C-CERA C	CK725F1E-104Z1	1	332161040R1	
U002	C2008	C-CERA C	CK725F1A-105Z1	1	332181050R1	
U002	C2009	C-CERA C	CK725F1A-105Z1	1	332181050R1	
U002	C2010	C-CERA C	CK725F1A-105Z1	1	332181050R1	
U002	C2011	C-CERA C	CC725CH1H-470J1	1	342104704R1	
U002	C2012	C-CERA C	CK725F1A-105Z1	1	332181050R1	
U002	C2013	VR C	CE04W50V-10M(VR)	1	394681007T	
U002	C2013 or	JAMICON	CE04W50V-10M	( 1)	398581007T	
U002	C2020	C-CERA C	CK725F1A-105Z1	1	332181050R1	
U002	C2021	C-CERA C	CK725F1A-105Z1	1	332181050R1	
U002	C2102	VR C	CE04W6.3V-470M(VR)	1	394624717T	
U002	C2102 or	JAMICON	CE04W6.3V-470M	( 1)	398524717T	
U002	C2103	VR C	CE04W50V-2.2M(VR)	1	394680227T	
U002	C2103 or	JAMICON	CE04W50V-2.2M	( 1)	398580227T	
U002	C2104	VR C	CE04W50V-2.2M(VR)	1	394680227T	

U002	C2104 or	JAMICON	CE04W50V-2.2M	( 1)	398580227T	
U002	C2105	VR C	CE04W6.3V-470M(VR)	1	394624717T	
U002	C2105 or	JAMICON	CE04W6.3V-470M	( 1)	398524717T	
U002	C2106	VR C	CE04W50V-2.2M(VR)	1	394680227T	
U002	C2106 or	JAMICON	CE04W50V-2.2M	( 1)	398580227T	
U002	C2107	VR C	CE04W50V-2.2M(VR)	1	394680227T	
U002	C2107 or	JAMICON	CE04W50V-2.2M	( 1)	398580227T	
U002	C2108	VR C	CE04W6.3V-470M(VR)	1	394624717T	
U002	C2108 or	JAMICON	CE04W6.3V-470M	( 1)	398524717T	
U002	C2109	VR C	CE04W6.3V-470M(VR)	1	394624717T	
U002	C2109 or	JAMICON	CE04W6.3V-470M	( 1)	398524717T	
U002	C2110	VR C	CE04W6.3V-470M(VR)	1	394624717T	
U002	C2110 or	JAMICON	CE04W6.3V-470M	( 1)	398524717T	
U002	C2111	VR C	CE04W50V-2.2M(VR)	1	394680227T	
U002	C2111 or	JAMICON	CE04W50V-2.2M	( 1)	398580227T	
U002	C2112	VR C	CE04W50V-2.2M(VR)	1	394680227T	
U002	C2112 or	JAMICON	CE04W50V-2.2M	( 1)	398580227T	
U002	C2113	VR C	CE04W50V-2.2M(VR)	1	394680227T	
U002	C2113 or	JAMICON	CE04W50V-2.2M	( 1)	398580227T	
U002	C2114	VR C	CE04W50V-2.2M(VR)	1	394680227T	
U002	C2114 or	JAMICON	CE04W50V-2.2M	( 1)	398580227T	
U002	C2115	VR C	CE04W50V-2.2M(VR)	1	394680227T	
U002	C2115 or	JAMICON	CE04W50V-2.2M	( 1)	398580227T	
U002	C2116	VR C	CE04W50V-2.2M(VR)	1	394680227T	
U002	C2116 or	JAMICON	CE04W50V-2.2M	( 1)	398580227T	
U002	C2117	C-CERA C	CK725F1E-104Z1	1	332161040R1	<MDC, MMR>
U002	C2118	VR C	CE04W50V-10M(VR)	1	394681007T	<MDC, MMR>
U002	C2118 or	JAMICON	CE04W50V-10M	( 1)	398581007T	<MDC, MMR>
U002	C2119	C-CERA C	CK732B16V-106K	1	332071065R2	<MDC, MMR>
U002	C2120	C-CERA C	CK732B16V-106K	1	332071065R2	<MDC, MMR>
U002	C2121	C-CERA C	CK732B16V-106K	1	332071065R2	<MDC, MMR>
U002	C2201	C-CERA C	CK725B1H-102K1	1	332101025R1	
U002	C2202	C-CERA C	CK725B1H-102K1	1	332101025R1	
U002	C2203	C-CERA C	CK725B1H-103K1	1	332101035R1	
U002	C2209	C-CERA C	CK725B1H-102K1	1	332101025R1	<MDC, MMR>
U002	C2211	VR C	CE04W16V-100M(VR)	1	394641017T	<MDC, MMR>
U002	C2211 or	JAMICON	CE04W16V-100M	( 1)	398541017T	<MDC, MMR>
U002	C2301	UTSP C	CE04W50V-10M(UTSP)	1	397581007T	<MDC, MMR>
U002	C2302	UTSP C	CE04W50V-10M(UTSP)	1	397581007T	<MDC, MMR>

U002	C2331	C-CERA C	CC725CH1H-471J1	1	342104714R1	<MDC, MMR>
U002	C2332	C-CERA C	CC725CH1H-471J1	1	342104714R1	<MDC, MMR>
U002	C2333	UTSP C	CE04W50V-10M(UTSP)	1	397581007T	<MDC, MMR>
U002	C2334	UTSP C	CE04W50V-10M(UTSP)	1	397581007T	<MDC, MMR>
U002	C2335	C-CERA C	CC725CH1H-471J1	1	342104714R1	<MDC, MMR>
U002	C2336	C-CERA C	CC725CH1H-471J1	1	342104714R1	<MDC, MMR>
U002	C2337	UTSP C	CE04W50V-10M(UTSP)	1	397581007T	<MDC, MMR>
U002	C2338	UTSP C	CE04W50V-10M(UTSP)	1	397581007T	<MDC, MMR>
U002	C2350	C-CERA C	CC725CH1H-471J1	1	342104714R1	
U002	C2351	C-CERA C	CC725CH1H-471J1	1	342104714R1	
U002	C2352	C-CERA C	CC725CH1H-470J1	1	342104704R1	
U002	C2355	C-CERA C	CK725F1E-104Z1	1	332161040R1	
U002	C2370	C-CERA C	CC725CH1H-101J1	1	342101014R1	
U002	C2371	C-CERA C	CC725CH1H-101J1	1	342101014R1	
U002	C2377	UTSP C	CE04W50V-10M(UTSP)	1	397581007T	
U002	C2378	UTSP C	CE04W50V-10M(UTSP)	1	397581007T	
U002	C2380	C-CERA C	CC725CH1H-101J1	1	342101014R1	
U002	C2381	C-CERA C	CC725CH1H-101J1	1	342101014R1	
U002	C2382	C-CERA C	CC725CH1H-101J1	1	342101014R1	
U002	C2383	C-CERA C	CC725CH1H-101J1	1	342101014R1	
U002	C2384	C-CERA C	CK725F1A-105Z1	1	332181050R1	
U002	C2385	C-CERA C	CK725F1A-105Z1	1	332181050R1	
U002	C2388	C-CERA C	CK725F1E-104Z1	1	332161040R1	
U002	C2389	C-CERA C	CK725F1E-104Z1	1	332161040R1	
U002	C2391	C-CERA C	CK725F1A-105Z1	1	332181050R1	
U002	C2392	C-CERA C	CK725F1A-105Z1	1	332181050R1	
U002	C2393	C-CERA C	CC725CH1H-471J1	1	342104714R1	
U002	C2394	C-CERA C	CC725CH1H-471J1	1	342104714R1	
U002	C2395	C-CERA C	CC725CH1H-471J1	1	342104714R1	
U002	C2396	C-CERA C	CC725CH1H-471J1	1	342104714R1	
U002	C2397	C-CERA C	CK725F1A-105Z1	1	332181050R1	
U002	C2398	C-CERA C	CK725F1A-105Z1	1	332181050R1	
U002	C2402	C-CERA C	CC725CH1H-471J1	1	342104714R1	<MDC, MMR>
U002	C2403	C-CERA C	CC725CH1H-471J1	1	342104714R1	<MDC, MMR>
U002	C2404	UTSP C	CE04W50V-10M(UTSP)	1	397581007T	<MDC, MMR>
U002	C2405	UTSP C	CE04W50V-10M(UTSP)	1	397581007T	<MDC, MMR>
U002	C2501	VR C	CE04W25V-220M(VR)	1	394652217T	<MDC, MMR>
U002	C2501 or	JAMICON	CE04W25V-220M	( 1)	398552217T	<MDC, MMR>
U002	C2601	C-CERA C	CK725F1E-104Z1	1	332161040R1	

U002	C2602	VR C	CE04W6.3V-470M(VR)	1	394624717T
U002	C2602 or	JAMICON	CE04W6.3V-470M	( 1)	398524717T
U002	C2603	C-CERA C	CC725CH1H-470J1	1	342104704R1
U002	C2604	VR C	CE04W6.3V-470M(VR)	1	394624717T
U002	C2604 or	JAMICON	CE04W6.3V-470M	( 1)	398524717T
U002	C2605	C-CERA C	CC725CH1H-470J1	1	342104704R1
U002	C7002	C-CERA C	CK725F1E-104Z1	1	332161040R1
U002	C7003	C-CERA C	CC725CH1H-101J1	1	342101014R1
U002	C7004	C-CERA C	CC725CH1H-101J1	1	342101014R1
U002	C7005	C-CERA C	CC725CH1H-101J1	1	342101014R1
U002	C7008	ELECT C	CE04W6.3V-100M(S)	1	353721019T
U002	C7009	C-CERA C	CK725F1E-104Z1	1	332161040R1
U002	C7010	C-CERA C	CK725B1H-223K1	1	332102235R1
U002	C7011	C-CERA C	CK725B1H-223K1	1	332102235R1
U002	C7012	C-CERA C	CK725B1H-223K1	1	332102235R1
U002	C7014	C-CERA C	CK725B1H-223K1	1	332102235R1
U002	C7015	ELECT C	CE04W16V-47M(S)	1	353744709T
U002	C7016	C-CERA C	CK725B1H-223K1	1	332102235R1
U002	C7017	C-CERA C	CK725B1H-223K1	1	332102235R1
U002	C7019	TF C	ECQ-V50V-104J	1	374721044T
U002	C7021	C-CERA C	CK725B1H-103K1	1	332101035R1
U002	C7022	C-CERA C	CK725B1H-103K1	1	332101035R1
U002	C7031	C-CERA C	CK725B1H-223K1	1	332102235R1
U002	C7032	C-CERA C	CK725B1H-223K1	1	332102235R1
U002	C7033	ELECT C	CE04W16V-10M(S)	1	353741009T
U002	C7041	ELECT C	CE04W16V-10M(S)	1	353741009T
U002	C7042	C-CERA C	CC725CH1H-102J1	1	342101024R1
U002	C7043	C-CERA C	CC725CH1H-102J1	1	342101024R1
U002	C7201	C-CERA C	CC725CH1H-102J1	1	342101024R1
U002	C7202	C-CERA C	CK725B1H-223K1	1	332102235R1
U002	C7203	MKT C	B32529C0102J289	1	376491024T
U002	C7204	MKT C	B32529C0102J289	1	376491024T
U002	C7305	C-CERA C	CK725F1E-104Z1	1	332161040R1
U002	C7314	C-CERA C	CK725F1E-104Z1	1	332161040R1
U002	C7316	C-CERA C	CK725F1E-104Z1	1	332161040R1
U002	C7319	C-CERA C	CC725CH1H-470J1	1	342104704R1
U002	C7403	ELECT C	CE04W16V-47M(S)	1	353744709T
U002	C7405	ELECT C	CE04W16V-10M(S)	1	353741009T
U002	C7411	ELECT C	CE04W16V-47M(S)	1	353744709T

U002	C7412	ELECT C	CE04W16V-47M(S)	1	353744709T	
U002	C7431	ELECT C	CE04W16V-10M(S)	1	353741009T	
U002	C7432	C-CERA C	CC725CH1H-101J1	1	342101014R1	
U002	C7433	C-CERA C	CC725CH1H-102J1	1	342101024R1	
U002	C7434	C-CERA C	CC725CH1H-330J1	1	342103304R1	
U002	C7501	C-CERA C	CK725F1E-104Z1	1	332161040R1	
U002	C7503	C-CERA C	CK725F1E-104Z1	1	332161040R1	
U002	C901	IS C	LE103-C3.5	1	3800042S	!
U002	C901 or	IS C	ECQU2A103MLC	( 1)	3800039S	!
U002	C9011	VR C	CE04W16V-10000M(VR)	1	394641037S	
U002	C9012	TF C	ECQ-V50V-334J	1	374723344T	
U002	C9013	VR C	CE04W50V-4.7M(VR)	1	394680477T	
U002	C9013 or	JAMICON	CE04W50V-4.7M	( 1)	398580477T	
U002	C902	C-CERA C	CK725F1E-104Z1	1	332161040R1	
U002	C9020	C-CERA C	CK732B16V-106K	1	332071065R2	
U002	C9021	C-CERA C	CK732B16V-106K	1	332071065R2	
U002	C9022	C-CERA C	CK732B16V-106K	1	332071065R2	
U002	C9023	C-CERA C	CK732B16V-106K	1	332071065R2	
U002	C9026	VR C	CE04W6.3V-470M(VR)	1	394624717T	
U002	C9026 or	JAMICON	CE04W6.3V-470M	( 1)	398524717T	
U002	C9027	C-CERA C	CK725F1E-104Z1	1	332161040R1	
U002	C9028	C-CERA C	CK725F1E-104Z1	1	332161040R1	
U002	C9029	C-CERA C	CK725F1E-104Z1	1	332161040R1	
U002	C9030	C-CERA C	CK725F1E-104Z1	1	332161040R1	
U002	C9031	C-CERA C	CK725F1E-104Z1	1	332161040R1	
U002	C911	C-CERA C	CC725CH1H-102J1	1	342101024R1	<MDC, MMR>
U002	C921	C-CERA C	CK725B1H-223K1	1	332102235R1	
U002	C922	VR C	CE04W16V-2200M(VR)	1	394642227S	
U002	C922 or	JAMICON	CE04W16V-2200M	( 1)	398542227S	N
U002	C930	VR C	CE04W16V-100M(VR)	1	394641017T	<MDC, MMR>
U002	C930 or	JAMICON	CE04W16V-100M	( 1)	398541017T	<MDC, MMR>
U002	C933	UTSP C	CE04W50V-4.7M(UTSP)	1	397580477T	
U002	<b>[RESISTOR]</b>					
U002	R2001	C-CARBON R	RN72K1J-220JE	1	435032204R1	
U002	R2002	C-CARBON R	RN72K1J-220JE	1	435032204R1	
U002	R2003	C-CARBON R	RN72K1J-105JE	1	435031054R1	
U002	R2004	C-CARBON R	RN72K1J-563JE	1	435035634R1	
U002	R2005	C-CARBON R	RN72K1J-103JE	1	435031034R1	
U002	R2006	C-CARBON R	RN72K1J-103JE	1	435031034R1	

U002	R2007	C-CARBON R	RN72K1J-563JE	1	435035634R1	
U002	R2008	C-CARBON R	RN72K1J-222JE	1	435032224R1	
U002	R2009	C-CARBON R	RN72K1J-222JE	1	435032224R1	
U002	R2010	C-CARBON R	RN72K1J-183JE	1	435031834R1	
U002	R2011	C-CARBON R	RN72K1J-183JE	1	435031834R1	
U002	R2101	C-CARBON R	RN72K1J-750JE	1	435037504R1	
U002	R2102	C-CARBON R	RN72K1J-750JE	1	435037504R1	
U002	R2103	C-CARBON R	RN72K1J-750JE	1	435037504R1	
U002	R2104	C-CARBON R	RN72K1J-750JE	1	435037504R1	
U002	R2105	C-CARBON R	RN72K1J-750JE	1	435037504R1	
U002	R2106	C-CARBON R	RN72K1J-750JE	1	435037504R1	
U002	R2107	C-CARBON R	RN72K1J-750JE	1	435037504R1	
U002	R2108	C-CARBON R	RN72K1J-750JE	1	435037504R1	
U002	R2109	C-CARBON R	RN72K1J-750JE	1	435037504R1	
U002	R2110	C-CARBON R	RN72K1J-750JE	1	435037504R1	
U002	R2111	C-CARBON R	RN72K1J-750JE	1	435037504R1	
U002	R2112	C-CARBON R	RN72K1J-750JE	1	435037504R1	
U002	R2113	C-CARBON R	RN72K1J-750JE	1	435037504R1	
U002	R2114	C-CARBON R	RN72K1J-750JE	1	435037504R1	
U002	R2115	C-CARBON R	RN72K1J-750JE	1	435037504R1	
U002	R2116	C-CARBON R	RN72K1J-750JE	1	435037504R1	
U002	R2117	C-CARBON R	RN72K1J-682JE	1	435036824R1	<MDC, MMR>
U002	R2118	C-CARBON R	RN72K1J-682JE	1	435036824R1	<MDC, MMR>
U002	R2119	C-CARBON R	RN72K1J-682JE	1	435036824R1	<MDC, MMR>
U002	R2120	C-CARBON R	RN72K1J-104JE	1	435031044R1	
U002	R2121	C-CARBON R	RN72K1J-104JE	1	435031044R1	
U002	R2122	C-CARBON R	RN72K1J-104JE	1	435031044R1	
U002	R2123	C-CARBON R	RN72K1J-104JE	1	435031044R1	
U002	R2124	C-CARBON R	RN72K1J-104JE	1	435031044R1	
U002	R2133	C-CARBON R	RN72K1J-682JE	1	435036824R1	<MDC, MMR>
U002	R2134	C-CARBON R	RN72K1J-682JE	1	435036824R1	<MDC, MMR>
U002	R2135	C-CARBON R	RN72K1J-682JE	1	435036824R1	<MDC, MMR>
U002	R2155	C-CARBON R	RN72K1J-000JE	1	435030004R1	
U002	R2156	C-CARBON R	RN72K1J-000JE	1	435030004R1	
U002	R2157	C-CARBON R	RN72K1J-000JE	1	435030004R1	
U002	R2211	C-CARBON R	RN72K1J-000JE	1	435030004R1	<MDC, MMR>
U002	R2251	CARBON R	R16J-100K	1	417341044T	<MDC, MMR>
U002	R2301	C-CARBON R	RN72K1J-224JE	1	435032244R1	<MDC, MMR>
U002	R2302	C-CARBON R	RN72K1J-224JE	1	435032244R1	<MDC, MMR>

U002	R2304	C-CARBON R	RN72K1J-123JE	1	435031234R1	
U002	R2305	C-CARBON R	RN72K1J-123JE	1	435031234R1	
U002	R2306	C-CARBON R	RN72K1J-223JE	1	435032234R1	
U002	R2307	C-CARBON R	RN72K1J-223JE	1	435032234R1	
U002	R2308	C-CARBON R	RN72K1J-123JE	1	435031234R1	
U002	R2309	C-CARBON R	RN72K1J-123JE	1	435031234R1	
U002	R2310	C-CARBON R	RN72K1J-223JE	1	435032234R1	
U002	R2311	C-CARBON R	RN72K1J-223JE	1	435032234R1	
U002	R2320	C-CARBON R	RN72K1J-471JE	1	435034714R1	
U002	R2321	C-CARBON R	RN72K1J-471JE	1	435034714R1	
U002	R2330	C-CARBON R	RN72K1J-105JE	1	435031054R1	
U002	R2331	C-CARBON R	RN72K1J-224JE	1	435032244R1	<MDC, MMR>
U002	R2332	C-CARBON R	RN72K1J-224JE	1	435032244R1	<MDC, MMR>
U002	R2333	C-CARBON R	RN72K1J-222JE	1	435032224R1	<MDC, MMR>
U002	R2334	C-CARBON R	RN72K1J-222JE	1	435032224R1	<MDC, MMR>
U002	R2337	C-CARBON R	RN72K1J-224JE	1	435032244R1	<MDC, MMR>
U002	R2338	C-CARBON R	RN72K1J-224JE	1	435032244R1	<MDC, MMR>
U002	R2348	C-CARBON R	RN72K1J-000JE	1	435030004R1	
U002	R2349	C-CARBON R	RN72K1J-000JE	1	435030004R1	
U002	R2352	C-CARBON R	RN72K1J-750JE	1	435037504R1	
U002	R2360	C-CARBON R	RN72K1J-103JE	1	435031034R1	
U002	R2361	C-CARBON R	RN72K1J-103JE	1	435031034R1	
U002	R2363	C-CARBON R	RN72K1J-103JE	1	435031034R1	
U002	R2364	C-CARBON R	RN72K1J-103JE	1	435031034R1	
U002	R2400	C-CARBON R	RN72K1J-222FE	1	435032222R1	<MDC, MMR>
U002	R2401	C-CARBON R	RN72K1J-222FE	1	435032222R1	<MDC, MMR>
U002	R2402	C-CARBON R	RN72K1J-222FE	1	435032222R1	<MDC, MMR>
U002	R2403	C-CARBON R	RN72K1J-222FE	1	435032222R1	<MDC, MMR>
U002	R2501	C-CARBON R	RN72K1J-223JE	1	435032234R1	<MDC, MMR>
U002	R2502	C-CARBON R	RN72K1J-122JE	1	435031224R1	<MDC, MMR>
U002	R2503	C-CARBON R	RN72K1J-472JE	1	435034724R1	<MDC, MMR>
U002	R2504	C-CARBON R	RN72K1J-182JE	1	435031824R1	<MDC, MMR>
U002	R2505	C-CARBON R	RN72K1J-331JE	1	435033314R1	<MDC, MMR>
U002	R2601	C-CARBON R	RN72K1J-220JE	1	435032204R1	
U002	R2602	C-CARBON R	RN72K1J-220JE	1	435032204R1	
U002	R2603	C-CARBON R	RN72K1J-047JE	1	435030474R1	
U002	R7002	C-CARBON R	RN72K1J-332JE	1	435033324R1	
U002	R7003	C-CARBON R	RN72K1J-332JE	1	435033324R1	
U002	R7004	C-CARBON R	RN72K1J-221JE	1	435032214R1	



U002	R7005	C-CARBON R	RN72K1J-221JE	1	435032214R1
U002	R7007	C-CARBON R	RN72K1J-221JE	1	435032214R1
U002	R7008	C-CARBON R	RN72K1J-221JE	1	435032214R1
U002	R7010	C-CARBON R	RN72K1J-104JE	1	435031044R1
U002	R7011	C-CARBON R	RN72K1J-101JE	1	435031014R1
U002	R7012	C-CARBON R	RN72K1J-333JE	1	435033334R1
U002	R7013	C-CARBON R	RN72K1J-104JE	1	435031044R1
U002	R7014	C-CARBON R	RN72K1J-101JE	1	435031014R1
U002	R7015	C-CARBON R	RN72K1J-333JE	1	435033334R1
U002	R7016	C-CARBON R	RN72K1J-100JE	1	435031004R1
U002	R7017	C-CARBON R	RN72K1J-333JE	1	435033334R1
U002	R7018	C-CARBON R	RN72K1J-100JE	1	435031004R1
U002	R7021	C-CARBON R	RN72K1J-103JE	1	435031034R1
U002	R7022	C-CARBON R	RN72K1J-103JE	1	435031034R1
U002	R7023	C-CARBON R	RN72K1J-103JE	1	435031034R1
U002	R7024	C-CARBON R	RN72K1J-103JE	1	435031034R1
U002	R7033	C-CARBON R	RN72K1J-820JE	1	435038204R1
U002	R7041	C-CARBON R	RN72K1J-101JE	1	435031014R1
U002	R7042	C-CARBON R	RN72K1J-102JE	1	435031024R1
U002	R7043	C-CARBON R	RN72K1J-104JE	1	435031044R1
U002	R7044	C-CARBON R	RN72K1J-473JE	1	435034734R1
U002	R7045	C-CARBON R	RN72K1J-562JE	1	435035624R1
U002	R7046	C-CARBON R	RN72K1J-562JE	1	435035624R1
U002	R7101	C-CARBON R	RN72K1J-271JE	1	435032714R1
U002	R7102	C-CARBON R	RN72K1J-331JE	1	435033314R1
U002	R7103	C-CARBON R	RN72K1J-471JE	1	435034714R1
U002	R7104	C-CARBON R	RN72K1J-561JE	1	435035614R1
U002	R7105	C-CARBON R	RN72K1J-821JE	1	435038214R1
U002	R7106	C-CARBON R	RN72K1J-271JE	1	435032714R1
U002	R7107	C-CARBON R	RN72K1J-331JE	1	435033314R1
U002	R7108	C-CARBON R	RN72K1J-471JE	1	435034714R1
U002	R7109	C-CARBON R	RN72K1J-561JE	1	435035614R1
U002	R7110	C-CARBON R	RN72K1J-821JE	1	435038214R1
U002	R7111	C-CARBON R	RN72K1J-122JE	1	435031224R1
U002	R7112	C-CARBON R	RN72K1J-222JE	1	435032224R1
U002	R7113	C-CARBON R	RN72K1J-392JE	1	435033924R1
U002	R7114	C-CARBON R	RN72K1J-122JE	1	435031224R1
U002	R7115	C-CARBON R	RN72K1J-271JE	1	435032714R1
U002	R7116	C-CARBON R	RN72K1J-331JE	1	435033314R1

U002	R7117	C-CARBON R	RN72K1J-471JE	1	435034714R1	
U002	R7118	C-CARBON R	RN72K1J-561JE	1	435035614R1	
U002	R7119	C-CARBON R	RN72K1J-821JE	1	435038214R1	
U002	R7120	C-CARBON R	RN72K1J-122JE	1	435031224R1	
U002	R7121	C-CARBON R	RN72K1J-222JE	1	435032224R1	
U002	R7122	C-CARBON R	RN72K1J-392JE	1	435033924R1	
U002	R7123	C-CARBON R	RN72K1J-271JE	1	435032714R1	
U002	R7124	C-CARBON R	RN72K1J-331JE	1	435033314R1	
U002	R7125	C-CARBON R	RN72K1J-471JE	1	435034714R1	
U002	R7126	C-CARBON R	RN72K1J-561JE	1	435035614R1	
U002	R7127	C-CARBON R	RN72K1J-821JE	1	435038214R1	
U002	R7128	C-CARBON R	RN72K1J-122JE	1	435031224R1	
U002	R7129	C-CARBON R	RN72K1J-222JE	1	435032224R1	
U002	R7152	C-CARBON R	RN72K1J-222JE	1	435032224R1	
U002	R7154	C-CARBON R	RN72K1J-121JE	1	435031214R1	<MDC>
U002	R7154	C-CARBON R	RN72K1J-272JE	1	435032724R1	<MMR>
U002	R7156	C-CARBON R	RN72K1J-181JE	1	435031814R1	<MDC, MMR>
U002	R7159	C-CARBON R	RN72K1J-181JE	1	435031814R1	<MDC, MMR>
U002	R7314	C-CARBON R	RN72K1J-000JE	1	435030004R1	
U002	R7401	C-CARBON R	RN72K1J-101JE	1	435031014R1	
U002	R7403	C-CARBON R	RN72K1J-472JE	1	435034724R1	
U002	R7406	C-CARBON R	RN72K1J-331JE	1	435033314R1	
U002	R7409	C-CARBON R	RN72K1J-221JE	1	435032214R1	
U002	R7410	C-CARBON R	RN72K1J-221JE	1	435032214R1	
U002	R7411	C-CARBON R	RN72K1J-471JE	1	435034714R1	
U002	R7412	C-CARBON R	RN72K1J-471JE	1	435034714R1	
U002	R7413	C-CARBON R	RN72K1J-224JE	1	435032244R1	
U002	R7414	C-CARBON R	RN72K1J-104JE	1	435031044R1	
U002	R7420	C-CARBON R	RN72K1J-473JE	1	435034734R1	
U002	R7431	C-CARBON R	RN72K1J-221JE	1	435032214R1	
U002	R7432	C-CARBON R	RN72K1J-224JE	1	435032244R1	
U002	R7433	C-CARBON R	RN72K1J-473JE	1	435034734R1	
U002	R7434	C-CARBON R	RN72K1J-102JE	1	435031024R1	
U002	R7435	C-CARBON R	RN72K1J-333JE	1	435033334R1	
U002	R9014	C-CARBON R	RN72K1J-104JE	1	435031044R1	
U002	R9030	THERMISTOR	FUSB090F	1	4000252T	
U002	R921	METAL O R	RS1/2WBJ-47	1	443524704T	
U002	R922	C-CARBON R	RN72K1J-823JE	1	435038234R1	<MDC>
U002	R934	C-CARBON R	RN72K1J-104JE	1	435031044R1	

U002	[SW TRM]					
U002	E7201	TRM-423(SCREW)	NEJITANSI ST3	1	25060495	
U002	E7302A	RETAINER	(GND)	1	27142222A	
U002	E9002	RETAINER	(JOINT)	1	27142069	
U002	E901	TRM-423(SCREW)	NEJITANSI ST3	1	25060495	
U002	E902	TRM-423(SCREW)	NEJITANSI ST3	1	25060495	
U002	F9001	FUSE	5A-UL-125V	1	252385T	!
U002	F901C	FUSE HOL	NSCT-1P2031	1	25052133T	! <MDC, MMR>
U002	F901D	FUSE HOL	NSCT-1P2031	1	25052133T	! <MDC, MMR>
U002	F901E	LABEL	T5AL250V	1	29361938	<MMR>
U002	JL502B	WIRE TRAP	NPLG-5P588	1	25055626	
U002	JL503B	WIRE TRAP	NPLG-7P590	1	25055628	<MDC, MMR>
U002	JL605A	WIRE HOL	NSCT-5P896	1	25051109	
U002	JL702A	WIRE HOL	NSCT-7P878	1	25051091	
U002	JL702B	WIRE TRAP	NPLG-7P590	1	25055628	
U002	JL801A	WIRE HOL	NSCT-5P876	1	25051089	
U002	JL901A	WIRE HOL	NSCT-5P876	1	25051089	
U002	JL952B	SOCKET	NSCT-3P95	1	25050267	
U002	JL953A	WIRE HOL	NSCT-5P876	1	25051089	
U002	P2001A	SOCKET	NSCT-9P2400	1	25052503	<MDC, MMR>
U002	P2081	SOCKET	NNA1-01-006	1	25053357	
U002	P2201	PIN JACK	NPJ-3PDYYYY560	1	25045778	
U002	P2202	PIN JACK	NPJ-3PDYYYY560	1	25045778	
U002	P2203	PIN JACK	NPJ-9PDGLRGLRGLR563	1	25045781	
U002	P2510	PLUG	NPLG-2P568	1	25055600	<MDC, MMR>
U002	P2800A	SOCKET	NSCT-9P2400	1	25052503	
U002	P2801A	SOCKET	NSCT-9P2400	1	25052503	<MDC, MMR>
U002	P3101B	PLUG	NPLG-5P352	1	25055369	
U002	P701B	SOCKET	NSCT-23P2441	1	25052544	
U002	P703A	SOCKET	NSCT-7P2425	1	25052528	
U002	P7201	ST JACK	MSJ-064-05A SR	1	25045783	
U002	P7302	PIN JACK	NPJ-1PDB736	1	25045979	<MDC, MMR>
U002	P7402	ST JACK	MSJ-035-05C B AG SR type	1	25045879	
U002	P7501	SOCKET	000010211-00027	1	25053411	
U002	P901A	PLUG	NPLG-2P631	1	25055675	
U002	P911	PLUG	NPLG-2P631	1	25055675	
U002	RL901	RELAY	NRL-1P5A-DC9-179	1	25065669	! <MMR>
U002	RL901	RELAY	NRL-1P10A-DC9-186	1	25065683	! <MDC>
U002	RL901 or	RELAY	NRL-1P10A-DC9-188	( 1)	25065693	! <MDC, MMR>

U002	S7002	R ENCODE	EC12E2425WITH WASHER	1	25065655W
U002	S7102	PUSH SW	NPS-111-S681	1	25035718T
U002	S7103	PUSH SW	NPS-111-S681	1	25035718T
U002	S7104	PUSH SW	NPS-111-S681	1	25035718T
U002	S7105	PUSH SW	NPS-111-S681	1	25035718T
U002	S7106	PUSH SW	NPS-111-S681	1	25035718T
U002	S7113	PUSH SW	NPS-111-S681	1	25035718T
U002	S7114	PUSH SW	NPS-111-S681	1	25035718T
U002	S7116	PUSH SW	NPS-111-S681	1	25035718T
U002	S7118	PUSH SW	NPS-111-S681	1	25035718T
U002	S7120	PUSH SW	NPS-111-S681	1	25035718T
U002	S7122	PUSH SW	NPS-111-S681	1	25035718T
U002	S7124	PUSH SW	NPS-111-S681	1	25035718T
U002	S7126	PUSH SW	NPS-111-S681	1	25035718T
U002	S7128	PUSH SW	NPS-111-S681	1	25035718T
U002	S7132	PUSH SW	NPS-111-S681	1	25035718T
U002	S7134	PUSH SW	NPS-111-S681	1	25035718T
U002	S7136	PUSH SW	NPS-111-S681	1	25035718T
U002	S7138	PUSH SW	NPS-111-S681	1	25035718T
U002	S7140	PUSH SW	NPS-111-S681	1	25035718T
U002	S7142	PUSH SW	NPS-111-S681	1	25035718T
U002	S7144	PUSH SW	NPS-111-S681	1	25035718T
U002	S7146	PUSH SW	NPS-111-S681	1	25035718T
U002	S7148	PUSH SW	NPS-111-S681	1	25035718T
U002	S7150	PUSH SW	NPS-111-S681	1	25035718T
U002	S7152	PUSH SW	NPS-111-S681	1	25035718T
U002	S7154	PUSH SW	NPS-111-S681	1	25035718T
U002	S7156	PUSH SW	NPS-111-S681	1	25035718T
U002	S7158	PUSH SW	NPS-111-S681	1	25035718T
U002	S7160	PUSH SW	NPS-111-S681	1	25035718T
U002	S7162	PUSH SW	NPS-111-S681	1	25035718T
U002	S7164	PUSH SW	NPS-111-S681	1	25035718T
U002	<b>[TUNER UNIT]</b>				
U002	U7041	REMO SENS	KSM-603TE5B	1	24130019
U003	<b>U003</b>	<b>U0030 + U0031</b>			
U003	<b>U0030</b>	HDMI PC board ass'y	BAHDM-0684-1C		
U003	<b>U0031</b>	Font HDMI PC board ass'y	BAHDM-0685-1C		
U003					

U003	CIRCUIT NO.	PART NAME	DESCRIPTION	Q'TY	PART NO. (SN)	REMARKS
U003	<b>[SEMI CONDUCTOR]</b>					
U003	D8000	C-DIODE	DA2J10100	1	223303R2	
U003	D8000 or	C-DIODE	1SS352	(1)	223234R2	
U003	D8000 or	C-DIODE	1SS355	(1)	223269R2	
U003	D8000 or	C-DIODE	MA2J111	(1)	223279R2	
U003	D8000 or	C-DIODE	KDS4148U	(1)	223283R2	
U003	D8001	C-DIODE	DA2J10100	1	223303R2	
U003	D8001 or	C-DIODE	1SS352	(1)	223234R2	
U003	D8001 or	C-DIODE	1SS355	(1)	223269R2	
U003	D8001 or	C-DIODE	MA2J111	(1)	223279R2	
U003	D8001 or	C-DIODE	KDS4148U	(1)	223283R2	
U003	D8102	C-DIODE	DA2J10100	1	223303R2	
U003	D8102 or	C-DIODE	1SS352	(1)	223234R2	
U003	D8102 or	C-DIODE	1SS355	(1)	223269R2	
U003	D8102 or	C-DIODE	MA2J111	(1)	223279R2	
U003	D8102 or	C-DIODE	KDS4148U	(1)	223283R2	
U003	D8132	ZENER D	DZ2J036M0L	1	224760360R2	
U003	D8132 or	ZENER D	UDZS3.6B	(1)	224550360R2	
U003	D8145	ESD D	AOZ8804ADI	1	225502R2	
U003	D8146	ESD D	AOZ8804ADI	1	225502R2	
U003	D8701	C-DIODE	DA2J10100	1	223303R2	
U003	D8701 or	C-DIODE	1SS352	(1)	223234R2	
U003	D8701 or	C-DIODE	1SS355	(1)	223269R2	
U003	D8701 or	C-DIODE	MA2J111	(1)	223279R2	
U003	D8701 or	C-DIODE	KDS4148U	(1)	223283R2	
U003	D8902	C-DIODE	DA2J10100	1	223303R2	
U003	D8902 or	C-DIODE	1SS352	(1)	223234R2	
U003	D8902 or	C-DIODE	1SS355	(1)	223269R2	
U003	D8902 or	C-DIODE	MA2J111	(1)	223279R2	
U003	D8902 or	C-DIODE	KDS4148U	(1)	223283R2	
U003	D8903	C-DIODE	DA2J10100	1	223303R2	
U003	D8903 or	C-DIODE	1SS352	(1)	223234R2	
U003	D8903 or	C-DIODE	1SS355	(1)	223269R2	
U003	D8903 or	C-DIODE	MA2J111	(1)	223279R2	
U003	D8903 or	C-DIODE	KDS4148U	(1)	223283R2	
U003	D8904	C-DIODE	DA2J10100	1	223303R2	
U003	D8904 or	C-DIODE	1SS352	(1)	223234R2	
U003	D8904 or	C-DIODE	1SS355	(1)	223269R2	

U003	D8904 or	C-DIODE	MA2J111	(1)	223279R2	
U003	D8904 or	C-DIODE	KDS4148U	(1)	223283R2	
U003	D8906	C-DIODE	DA2J10100	1	223303R2	
U003	D8906 or	C-DIODE	1SS352	(1)	223234R2	
U003	D8906 or	C-DIODE	1SS355	(1)	223269R2	
U003	D8906 or	C-DIODE	MA2J111	(1)	223279R2	
U003	D8906 or	C-DIODE	KDS4148U	(1)	223283R2	
U003	D8907	C-DIODE	DA2J10100	1	223303R2	
U003	D8907 or	C-DIODE	1SS352	(1)	223234R2	
U003	D8907 or	C-DIODE	1SS355	(1)	223269R2	
U003	D8907 or	C-DIODE	MA2J111	(1)	223279R2	
U003	D8907 or	C-DIODE	KDS4148U	(1)	223283R2	
U003	D8931	DIODE	RB050M-30	1	22380367R2	
U003	D8941	DIODE	RB050M-30	1	22380367R2	
U003	D8951	DIODE	RB050M-30	1	22380367R2	
U003	D8961	DIODE	RB050M-30	1	22380367R2	
U003	Q3001	IC	D830K013BZKB400Z	1	22242694R3	
U003	Q3002	IC(DSP)	NAND256W3A2BN6E(0412)	1	222W0092R304126	
U003	Q3003	IC	IS42S16160C-7TL	1	22242592R3	
U003	Q3004	IC	IS42S16160C-7TL	1	22242592R3	
U003	Q3005	IC	TC7W32FU	1	22241162R2	
U003	Q3006	IC	S-80127CNMC-JKM-T2	1	22241642R2	
U003	Q3102	IC	BD82065FVJ	1	22242718R2	
U003	Q3103	IC	BU18TD3WG-TR	1	22242716R2	
U003	Q3105	IC	MFI341S2164	1	22242594R2	
U003	Q3106	IC	BU33TD3WG-TR	1	22242715R2	
U003	Q3107	IC	BU33TD3WG-TR	1	22242715R2	
U003	Q3108	IC	KSZ8051RNL	1	22242723R2	
U003	Q3109	IC	XC6220B121PR	1	22242626R2	
U003	Q3201	IC	TC74VHC157FT	1	22274157ER2TO	
U003	Q8000	IC	88DE2755B0-BIF2C000	1	22242752R3	N
U003	Q8010	IC	BU18TD3WG-TR	1	22242716R2	
U003	Q8011	IC	XC6220B151PR	1	22242704R2	N
U003	Q8012	IC	TPS51100DGQR	1	22242711R2	N
U003	Q8030	IC	TC7WHU04FU(TE12L)	1	22242231R2	
U003	Q8031	IC	NC7SZ08P5X_F042	1	22242482R2	
U003	Q8032	IC	SN74CB3T3306DCT	1	22242454R2	
U003	Q8040	IC(VSP)	W25Q128BVF1G(0414)	1	222W0116R20414A	N
U003	Q8041	IC	TC74LCX125FT(EL_K)	1	22274125BR2TO	

U003	Q8050	IC	MM3404A50NRE	1	22242701R2	
U003	Q8080	IC	NT5CB64M16DP-CF	1	22242736R3	N
U003	Q8112	TR	2SC2712-GR	1	2213145R2	
U003	Q8113	TR	KRA102S	1	2216220R2	
U003	Q8113 or	TR	RN2402	(1)	2214530R2	
U003	Q8132	IC	SII9489CTU	1	22242705R3	N
U003	Q8134	TR	RN2401(TE85L_F)	1	2214520R2	
U003	Q8156	TR ARRAY	UM6K1N	1	226066R2	
U003	Q8191	IC	XC6220B121PR	1	22242626R2	
U003	Q8201	IC	ADV7844	1	22242696R3	
U003	Q8202	IC	K4S641632N-LC60	1	22242603R2	
U003	Q8202 or	IC	EM638165TS-7G	(1)	22242607R2	
U003	Q8204	TR	KRC101S	1	2216330R2	<MDC, MMR>
U003	Q8204 or	TR	RN1401(TE85L_F)	(1)	2214460R2	<MDC, MMR>
U003	Q8205	TR	KRC101S	1	2216330R2	<MDC, MMR>
U003	Q8205 or	TR	RN1401(TE85L_F)	(1)	2214460R2	<MDC, MMR>
U003	Q8206	IC	BU18TD3WG-TR	1	22242716R2	
U003	Q8661	IC	TMDS141RHARG4	1	22242586R2	<MDC, MMR>
U003	Q8701	IC(HDMI/VIDEO)	TMPM361F10FG(0413)	1	222W0115R304135	
U003	Q8901	IC	TC74VHCT08AFT	1	22274008GR2TO	
U003	Q8901 or	IC	TC74VHCT08AFT (EKJ)	(1)	22274008G1R2TO	
U003	Q8931	IC	MP2363DN-LF-Z	1	22242627R2	
U003	Q8941	IC	MP2363DN-LF-Z	1	22242627R2	
U003	Q8951	IC	MP2363DN-LF-Z	1	22242627R2	
U003	Q8961	IC	MP2363DN-LF-Z	1	22242627R2	
U003	<b>[TRANS COIL]</b>					
U003	L3001	CORE	BLM18PG121SN1D	1	2350006R1	
U003	L3002	CORE	BLM18PG121SN1D	1	2350006R1	
U003	L3003	CORE	BLM18PG121SN1D	1	2350006R1	
U003	L3004	CORE	BLM18PG121SN1D	1	2350006R1	
U003	L3005	CORE	BLM18PG121SN1D	1	2350006R1	
U003	L3006	CORE	BLM18PG181SN1D	1	2350005R1	
U003	L3101	CORE	DLP2ADN900HL4L	1	230990R2	
U003	L3102	C-CARBON R	RN72K1J-000JE	1	435030004R1	
U003	L3103	CORE	BLM18PG121SN1D	1	2350006R1	
U003	L3104	CORE	BLM18PG121SN1D	1	2350006R1	
U003	L3105	CORE	BLM18PG121SN1D	1	2350006R1	
U003	L3106	CORE	BLM18PG121SN1D	1	2350006R1	
U003	L3107	CORE	BLM18PG121SN1D	1	2350006R1	

U003	L3108	CORE	BLM18PG121SN1D	1	2350006R1	
U003	L3109	CORE	BLM18PG121SN1D	1	2350006R1	
U003	L3110	CORE	BLM18PG121SN1D	1	2350006R1	
U003	L3145	CORE	DLP2ADN900HL4L	1	230990R2	
U003	L3201	CORE	BLM18PG181SN1D	1	2350005R1	
U003	L3203	CORE	MMZ1608Y601BT	1	2350004R1	
U003	L3209	CORE	MMZ1608Y601BT	1	2350004R1	
U003	L8000	CORE	BLM18PG181SN1D	1	2350005R1	
U003	L8001	CORE	BLM18PG181SN1D	1	2350005R1	
U003	L8002	CORE	BLM18PG181SN1D	1	2350005R1	
U003	L8003	CORE	BLM18PG181SN1D	1	2350005R1	
U003	L8004	CORE	BLM18PG181SN1D	1	2350005R1	
U003	L8005	CORE	BLM18PG181SN1D	1	2350005R1	
U003	L8006	CORE	BLM18PG121SN1D	1	2350006R1	
U003	L8007	CORE	BLM18PG181SN1D	1	2350005R1	
U003	L8008	CORE	BLM18PG181SN1D	1	2350005R1	
U003	L8009	CORE	BLM18PG181SN1D	1	2350005R1	
U003	L8010	CORE	BLM18PG181SN1D	1	2350005R1	
U003	L8011	CORE	BLM18PG181SN1D	1	2350005R1	
U003	L8012	CORE	BLM18PG181SN1D	1	2350005R1	
U003	L8013	CORE	BLM18PG181SN1D	1	2350005R1	
U003	L8081	CORE	BLM18PG181SN1D	1	2350005R1	
U003	L8082	C-R NET	MNR12E0APJ000	1	43464900002R2	
U003	L8083	C-R NET	MNR12E0APJ000	1	43464900002R2	
U003	L8084	C-R NET	MNR12E0APJ000	1	43464900002R2	
U003	L8085	C-R NET	MNR12E0APJ000	1	43464900002R2	
U003	L8086	CORE	BLM18PG181SN1D	1	2350005R1	
U003	L8131	CORE	BLM18PG181SN1D	1	2350005R1	
U003	L8132	CORE	BLM18PG181SN1D	1	2350005R1	
U003	L8133	CORE	BLM18PG181SN1D	1	2350005R1	
U003	L8134	CORE	BLM18PG181SN1D	1	2350005R1	
U003	L8135	CORE	BLM18PG181SN1D	1	2350005R1	
U003	L8191	CORE	BLM18PG181SN1D	1	2350005R1	
U003	L8201	CORE	BLM18PG181SN1D	1	2350005R1	<MDC, MMR>
U003	L8202	CORE	BLM18PG181SN1D	1	2350005R1	
U003	L8203	CORE	BLM18PG181SN1D	1	2350005R1	
U003	L8204	CORE	BLM18PG181SN1D	1	2350005R1	
U003	L8205	CORE	BLM18PG181SN1D	1	2350005R1	
U003	L8206	CORE	BLM18PG181SN1D	1	2350005R1	



U003	L8207	CORE	BLM18PG181SN1D	1	2350005R1	
U003	L8208	CORE	BLM18PG181SN1D	1	2350005R1	
U003	L8608	EMIFIL	BK1608LM182-T	1	230958R1	
U003	L8661	CORE	BLM18PG181SN1D	1	2350005R1	<MDC, MMR>
U003	L8701	CORE	BLM18PG181SN1D	1	2350005R1	
U003	L8931	CHOKE COIL	BLM21PG221SN1	1	230949R2	
U003	L8932	CHOKE COIL	CDRH8D43_100	1	231371P100R2	
U003	L8932 or	CHOKE COIL	0182-7E08Q-100M-RA	(1)	231396M100R2	
U003	L8932 or	CHOKE COIL	SWRH8D43C-100MT	(1)	231445M100R2	
U003	L8933	CHOKE COIL	BLM21PG221SN1	1	230949R2	
U003	L8934	CHOKE COIL	BLM21PG221SN1	1	230949R2	
U003	L8941	CHOKE COIL	BLM21PG221SN1	1	230949R2	
U003	L8942	CHOKE COIL	CDRH8D43_100	1	231371P100R2	
U003	L8942 or	CHOKE COIL	0182-7E08Q-100M-RA	(1)	231396M100R2	
U003	L8942 or	CHOKE COIL	SWRH8D43C-100MT	(1)	231445M100R2	
U003	L8943	CHOKE COIL	BLM21PG221SN1	1	230949R2	
U003	L8944	CHOKE COIL	BLM21PG221SN1	1	230949R2	
U003	L8951	CHOKE COIL	BLM21PG221SN1	1	230949R2	
U003	L8952	CHOKE COIL	CDRH8D43_100	1	231371P100R2	
U003	L8952 or	CHOKE COIL	0182-7E08Q-100M-RA	(1)	231396M100R2	
U003	L8952 or	CHOKE COIL	SWRH8D43C-100MT	(1)	231445M100R2	
U003	L8953	CHOKE COIL	BLM21PG221SN1	1	230949R2	
U003	L8954	CHOKE COIL	BLM21PG221SN1	1	230949R2	
U003	L8961	CHOKE COIL	BLM21PG221SN1	1	230949R2	
U003	L8962	CHOKE COIL	CDRH8D43_100	1	231371P100R2	
U003	L8962 or	CHOKE COIL	0182-7E08Q-100M-RA	(1)	231396M100R2	
U003	L8962 or	CHOKE COIL	SWRH8D43C-100MT	(1)	231445M100R2	
U003	L8963	CHOKE COIL	BLM21PG221SN1	1	230949R2	
U003	L8964	CHOKE COIL	BLM21PG221SN1	1	230949R2	
U003	L8965	CORE	BLM18PG181SN1D	1	2350005R1	
U003	X3001	CRYSTAL	HC-49USSMD20.000MHz	1	3010504R2	N
U003	X8000	CRYSTAL	HC-49USSMD20.000MHz	1	3010504R2	N
U003	X8201	CRYSTAL	HC-49USSMD28.6363MHz	1	3010491R2	
U003	X8701	CERA LOCK	CSTCE8M00G55-R0	1	3010416R2	
U003	<b>[CAPACITOR]</b>					
U003	C3001	C-CERA C	CK725B1A-105K0	1	332001055R1	
U003	C3002	C-CERA C	CK725B1A-105K0	1	332001055R1	
U003	C3003	C-CERA C	CK732B16V-106K	1	332071065R2	
U003	C3004	C-CERA C	CK732B16V-106K	1	332071065R2	

U003	C3005	C-CERA C	CK725B1A-105K0	1	332001055R1
U003	C3006	C-CERA C	CK725B1H-102K0	1	332031025R1
U003	C3007	C-CERA C	CK725B1A-105K0	1	332001055R1
U003	C3008	C-CERA C	CK725B1H-102K0	1	332031025R1
U003	C3009	C-CERA C	CK725B1A-105K0	1	332001055R1
U003	C3010	C-CERA C	CK725B1A-105K0	1	332001055R1
U003	C3011	C-CERA C	CK725B1A-105K0	1	332001055R1
U003	C3012	C-CERA C	CK725B1H-102K0	1	332031025R1
U003	C3013	C-CERA C	CK725B1A-105K0	1	332001055R1
U003	C3014	C-CERA C	CK725B1H-102K0	1	332031025R1
U003	C3015	C-CERA C	CK725B1H-102K0	1	332031025R1
U003	C3016	C-CERA C	CK725B1A-105K0	1	332001055R1
U003	C3017	C-CERA C	CK725B1A-105K0	1	332001055R1
U003	C3018	C-CERA C	CK725B1A-105K0	1	332001055R1
U003	C3019	C-CERA C	CK725B1H-102K0	1	332031025R1
U003	C3020	C-CERA C	CK725B1A-105K0	1	332001055R1
U003	C3021	C-CERA C	CK725B1A-105K0	1	332001055R1
U003	C3022	C-CERA C	CK725B1A-105K0	1	332001055R1
U003	C3023	C-CERA C	CK732B16V-106K	1	332071065R2
U003	C3024	C-CERA C	CK725B1H-102K0	1	332031025R1
U003	C3025	C-CERA C	CK725B1A-105K0	1	332001055R1
U003	C3026	C-CERA C	CK725B1C-104K0	1	332011045R1
U003	C3027	C-CERA C	CK725B1H-102K0	1	332031025R1
U003	C3028	C-CERA C	CK725B1A-105K0	1	332001055R1
U003	C3029	C-CERA C	CK725B1H-102K0	1	332031025R1
U003	C3030	C-CERA C	CK725B1A-105K0	1	332001055R1
U003	C3031	C-CERA C	CK725B1A-105K0	1	332001055R1
U003	C3032	C-CERA C	CK725B1H-102K0	1	332031025R1
U003	C3033	C-CERA C	CK725B1A-105K0	1	332001055R1
U003	C3034	C-CERA C	CC725CH1H-390J0	1	342033904R1
U003	C3035	C-CERA C	CK725B1H-102K0	1	332031025R1
U003	C3036	C-CERA C	CC725CH1H-390J0	1	342033904R1
U003	C3037	C-CERA C	CK725B1A-105K0	1	332001055R1
U003	C3038	C-CERA C	CK725B1A-105K0	1	332001055R1
U003	C3039	C-CERA C	CK725B1H-103K0	1	332031035R1
U003	C3040	C-CERA C	CK725B1A-105K0	1	332001055R1
U003	C3041	C-CERA C	CK732B16V-106K	1	332071065R2
U003	C3042	C-CERA C	CK725B1A-105K0	1	332001055R1
U003	C3043	C-CERA C	CK725B1A-105K0	1	332001055R1

U003	C3100	C-CERA C	CK725B1H-102K0	1	332031025R1
U003	C3101	C-CERA C	CK732B16V-106K	1	332071065R2
U003	C3103	C-CERA C	CK725B1H-102K0	1	332031025R1
U003	C3104	CHIP ELECT C	CEWX16V-100M	1	398141017R2
U003	C3105	C-CERA C	CK725B1A-105K0	1	332001055R1
U003	C3106	C-CERA C	CK732B16V-106K	1	332071065R2
U003	C3107	C-CERA C	CK725B1A-105K0	1	332001055R1
U003	C3108	C-CERA C	CK725B1A-105K0	1	332001055R1
U003	C3109	C-CERA C	CK732B16V-106K	1	332071065R2
U003	C3110	C-CERA C	CK725B1A-224K0	1	332002245R1
U003	C3112	C-CERA C	CK732B16V-106K	1	332071065R2
U003	C3113	C-CERA C	CK725B1A-105K0	1	332001055R1
U003	C3114	C-CERA C	CK725B1A-105K0	1	332001055R1
U003	C3115	C-CERA C	CK732B16V-106K	1	332071065R2
U003	C3116	C-CERA C	CK732B16V-106K	1	332071065R2
U003	C3117	C-CERA C	CK725B1H-102K0	1	332031025R1
U003	C3118	C-CERA C	CK725B1A-105K0	1	332001055R1
U003	C3119	C-CERA C	CK725B1A-105K0	1	332001055R1
U003	C3120	C-CERA C	CK732B16V-106K	1	332071065R2
U003	C3121	C-CERA C	CK725B1A-105K0	1	332001055R1
U003	C3122	C-CERA C	CK725B1A-105K0	1	332001055R1
U003	C3123	C-CERA C	CK725B1A-105K0	1	332001055R1
U003	C3124	C-CERA C	CK732B16V-106K	1	332071065R2
U003	C3125	C-CERA C	CK725B1A-105K0	1	332001055R1
U003	C3126	C-CERA C	CK732B16V-106K	1	332071065R2
U003	C3127	C-CERA C	CK725B1A-105K0	1	332001055R1
U003	C3128	C-CERA C	CK725B1A-105K0	1	332001055R1
U003	C3129	C-CERA C	CK725B1A-105K0	1	332001055R1
U003	C3130	C-CERA C	CK732B16V-106K	1	332071065R2
U003	C3131	C-CERA C	CK725B1A-105K0	1	332001055R1
U003	C3132	C-CERA C	CC725CH1H-101J0	1	342031014R1
U003	C3133	C-CERA C	CK725B1A-105K0	1	332001055R1
U003	C3136	C-CERA C	CK725B1A-105K0	1	332001055R1
U003	C3137	C-CERA C	CK725B1A-105K0	1	332001055R1
U003	C3138	C-CERA C	CK725B1A-105K0	1	332001055R1
U003	C3139	C-CERA C	CK725B1A-105K0	1	332001055R1
U003	C3140	C-CERA C	CK725B1A-105K0	1	332001055R1
U003	C3141	C-CERA C	CK725B1C-104K0	1	332011045R1
U003	C3142	C-CERA C	CK725B1A-105K0	1	332001055R1

U003	C3143	C-CERA C	CK725B1A-105K0	1	332001055R1
U003	C3144	C-CERA C	CK725B1A-105K0	1	332001055R1
U003	C3145	C-CERA C	CK732B16V-106K	1	332071065R2
U003	C3148	C-CERA C	CK725B1C-104K0	1	332011045R1
U003	C3149	C-CERA C	CK725B1H-102K0	1	332031025R1
U003	C3150	C-CERA C	CK732B16V-106K	1	332071065R2
U003	C3152	C-CERA C	CK732B16V-106K	1	332071065R2
U003	C3153	C-CERA C	CK732B16V-106K	1	332071065R2
U003	C3154	C-CERA C	CK725B1A-105K0	1	332001055R1
U003	C3155	C-CERA C	CK732B16V-106K	1	332071065R2
U003	C3156	C-CERA C	CK725B1A-105K0	1	332001055R1
U003	C3157	C-CERA C	CK725B1A-105K0	1	332001055R1
U003	C3158	C-CERA C	CK725B1A-105K0	1	332001055R1
U003	C3159	C-CERA C	CK725B1A-105K0	1	332001055R1
U003	C3160	C-CERA C	CK725B1A-105K0	1	332001055R1
U003	C3161	C-CERA C	CK725B1A-105K0	1	332001055R1
U003	C3162	C-CERA C	CK725B1H-102K0	1	332031025R1
U003	C3163	C-CERA C	CK732B16V-106K	1	332071065R2
U003	C3201	C-CERA C	CK732B16V-106K	1	332071065R2
U003	C3202	C-CERA C	CK725B1C-104K0	1	332011045R1
U003	C3203	C-CERA C	CK725B1H-102K0	1	332031025R1
U003	C8000	C-CERA C	CK732B16V-106K	1	332071065R2
U003	C8002	C-CERA C	CK732B16V-106K	1	332071065R2
U003	C8004	C-CERA C	CK725B1C-104K0	1	332011045R1
U003	C8005	C-CERA C	CK732B16V-106K	1	332071065R2
U003	C8006	C-CERA C	CK725B1C-104K0	1	332011045R1
U003	C8007	C-CERA C	CK732B16V-106K	1	332071065R2
U003	C8008	C-CERA C	CK732B16V-106K	1	332071065R2
U003	C8009	C-CERA C	CK732B16V-106K	1	332071065R2
U003	C8011	C-CERA C	CK732B16V-106K	1	332071065R2
U003	C8012	C-CERA C	CK732B16V-106K	1	332071065R2
U003	C8013	C-CERA C	CK732B16V-106K	1	332071065R2
U003	C8014	C-CERA C	CK725B1A-105K0	1	332001055R1
U003	C8015	C-CERA C	CK725B1A-105K0	1	332001055R1
U003	C8016	C-CERA C	CK725B1A-105K0	1	332001055R1
U003	C8017	C-CERA C	CK725B1A-105K0	1	332001055R1
U003	C8018	C-CERA C	CK725B1C-104K0	1	332011045R1
U003	C8019	C-CERA C	CK725B1C-104K0	1	332011045R1
U003	C8020	C-CERA C	CK725B1C-104K0	1	332011045R1

U003	C8021	C-CERA C	CK725B1C-104K0	1	332011045R1
U003	C8022	C-CERA C	CK725B1C-104K0	1	332011045R1
U003	C8023	C-CERA C	CK725B1C-104K0	1	332011045R1
U003	C8024	C-CERA C	CK725B1C-104K0	1	332011045R1
U003	C8026	C-CERA C	CK732B16V-106K	1	332071065R2
U003	C8027	C-CERA C	CK732B16V-106K	1	332071065R2
U003	C8028	C-CERA C	CK725B1A-105K0	1	332001055R1
U003	C8029	C-CERA C	CK725B1A-105K0	1	332001055R1
U003	C8030	C-CERA C	CK725B1A-105K0	1	332001055R1
U003	C8031	C-CERA C	CK725B1C-104K0	1	332011045R1
U003	C8032	C-CERA C	CK725B1C-104K0	1	332011045R1
U003	C8033	C-CERA C	CK725B1C-104K0	1	332011045R1
U003	C8034	C-CERA C	CK725B1C-104K0	1	332011045R1
U003	C8036	C-CERA C	CK732B16V-106K	1	332071065R2
U003	C8037	C-CERA C	CK732B16V-106K	1	332071065R2
U003	C8038	C-CERA C	CK725B1A-105K0	1	332001055R1
U003	C8039	C-CERA C	CK725B1A-105K0	1	332001055R1
U003	C8040	C-CERA C	CK725B1A-105K0	1	332001055R1
U003	C8041	C-CERA C	CK725B1A-105K0	1	332001055R1
U003	C8042	C-CERA C	CK725B1C-104K0	1	332011045R1
U003	C8043	C-CERA C	CK725B1C-104K0	1	332011045R1
U003	C8044	C-CERA C	CK725B1C-104K0	1	332011045R1
U003	C8045	C-CERA C	CK725B1C-104K0	1	332011045R1
U003	C8046	C-CERA C	CK725B1C-104K0	1	332011045R1
U003	C8047	C-CERA C	CK725B1C-104K0	1	332011045R1
U003	C8050	C-CERA C	CK732B16V-106K	1	332071065R2
U003	C8051	C-CERA C	CK732B16V-106K	1	332071065R2
U003	C8052	C-CERA C	CK725B1A-105K0	1	332001055R1
U003	C8053	C-CERA C	CK725B1A-105K0	1	332001055R1
U003	C8054	C-CERA C	CK725B1C-104K0	1	332011045R1
U003	C8055	C-CERA C	CK725B1C-104K0	1	332011045R1
U003	C8056	C-CERA C	CK725B1C-104K0	1	332011045R1
U003	C8058	C-CERA C	CK725B1C-104K0	1	332011045R1
U003	C8059	C-CERA C	CK725B1C-104K0	1	332011045R1
U003	C8060	C-CERA C	CK732B16V-106K	1	332071065R2
U003	C8061	C-CERA C	CK732B16V-106K	1	332071065R2
U003	C8062	C-CERA C	CK725B1A-105K0	1	332001055R1
U003	C8063	C-CERA C	CK725B1C-104K0	1	332011045R1
U003	C8064	C-CERA C	CK725B1C-104K0	1	332011045R1

U003	C8065	C-CERA C	CK725B1C-104K0	1	332011045R1
U003	C8066	C-CERA C	CK732B16V-106K	1	332071065R2
U003	C8067	C-CERA C	CK732B16V-106K	1	332071065R2
U003	C8068	C-CERA C	CK725B1A-105K0	1	332001055R1
U003	C8069	C-CERA C	CK725B1C-104K0	1	332011045R1
U003	C8070	C-CERA C	CK725B1C-104K0	1	332011045R1
U003	C8071	C-CERA C	CK725B1C-104K0	1	332011045R1
U003	C8072	C-CERA C	CK732B16V-106K	1	332071065R2
U003	C8073	C-CERA C	CK732B16V-106K	1	332071065R2
U003	C8074	C-CERA C	CK732B16V-106K	1	332071065R2
U003	C8075	C-CERA C	CK732B16V-106K	1	332071065R2
U003	C8076	C-CERA C	CK732B16V-106K	1	332071065R2
U003	C8078	C-CERA C	CK732B16V-106K	1	332071065R2
U003	C8079	C-CERA C	CK732B16V-106K	1	332071065R2
U003	C8080	C-CERA C	CK732B16V-106K	1	332071065R2
U003	C8081	C-CERA C	CK732B16V-106K	1	332071065R2
U003	C8082	C-CERA C	CK725B1A-105K0	1	332001055R1
U003	C8083	C-CERA C	CK725B1A-105K0	1	332001055R1
U003	C8084	C-CERA C	CK725B1A-105K0	1	332001055R1
U003	C8085	C-CERA C	CK725B1A-105K0	1	332001055R1
U003	C8086	C-CERA C	CK725B1A-105K0	1	332001055R1
U003	C8087	C-CERA C	CK725B1A-105K0	1	332001055R1
U003	C8088	C-CERA C	CK725B1A-105K0	1	332001055R1
U003	C8089	C-CERA C	CK725B1A-105K0	1	332001055R1
U003	C8090	C-CERA C	CK725B1A-105K0	1	332001055R1
U003	C8091	C-CERA C	CK725B1A-105K0	1	332001055R1
U003	C8092	C-CERA C	CK725B1A-105K0	1	332001055R1
U003	C8093	C-CERA C	CK725B1A-105K0	1	332001055R1
U003	C8094	C-CERA C	CK725B1A-105K0	1	332001055R1
U003	C8095	C-CERA C	CK732B16V-106K	1	332071065R2
U003	C8096	C-CERA C	CK725B1A-105K0	1	332001055R1
U003	C8097	C-CERA C	CK732B16V-106K	1	332071065R2
U003	C8098	C-CERA C	CK725B1A-105K0	1	332001055R1
U003	C8100	C-CERA C	CK725B1H-102K0	1	332031025R1
U003	C8101	C-CERA C	CK725B1H-102K0	1	332031025R1
U003	C8102	C-CERA C	CK732B16V-106K	1	332071065R2
U003	C8104	C-CERA C	CK732B16V-106K	1	332071065R2
U003	C8105	C-CERA C	CK725B1A-105K0	1	332001055R1
U003	C8106	C-CERA C	CK725B1A-105K0	1	332001055R1

U003	C8107	C-CERA C	CK725B1C-104K0	1	332011045R1
U003	C8108	C-CERA C	CK725B1C-104K0	1	332011045R1
U003	C8109	C-CERA C	CK725B1A-105K0	1	332001055R1
U003	C8110	C-CERA C	CK725B1A-105K0	1	332001055R1
U003	C8111	C-CERA C	CC725CH1H-101J0	1	342031014R1
U003	C8112	C-CERA C	CK725B1C-104K0	1	332011045R1
U003	C8113	C-CERA C	CK725B1C-104K0	1	332011045R1
U003	C8114	C-CERA C	CC725CH1H-080C0	1	342030801R1
U003	C8115	C-CERA C	CK725B1C-104K0	1	332011045R1
U003	C8116	C-CERA C	CC725CH1H-330J0	1	342033304R1
U003	C8117	C-CERA C	CC725CH1H-390J0	1	342033904R1
U003	C8124	C-CERA C	CK725B1C-104K0	1	332011045R1
U003	C8134	C-CERA C	CK732B16V-106K	1	332071065R2
U003	C8135	C-CERA C	CK725B1H-102K0	1	332031025R1
U003	C8136	C-CERA C	CK725B1C-104K0	1	332011045R1
U003	C8137	C-CERA C	CK725B1H-102K0	1	332031025R1
U003	C8138	C-CERA C	CK725B1C-104K0	1	332011045R1
U003	C8139	C-CERA C	CK725B1H-102K0	1	332031025R1
U003	C8140	C-CERA C	CK725B1C-104K0	1	332011045R1
U003	C8143	C-CERA C	CK732B16V-106K	1	332071065R2
U003	C8144	C-CERA C	CK725B1H-102K0	1	332031025R1
U003	C8145	C-CERA C	CK732B16V-106K	1	332071065R2
U003	C8146	C-CERA C	CK725B1H-102K0	1	332031025R1
U003	C8147	C-CERA C	CK725B1C-104K0	1	332011045R1
U003	C8148	C-CERA C	CK725B1H-102K0	1	332031025R1
U003	C8149	C-CERA C	CK725B1C-104K0	1	332011045R1
U003	C8150	C-CERA C	CK725B1H-102K0	1	332031025R1
U003	C8151	C-CERA C	CK725B1C-104K0	1	332011045R1
U003	C8152	C-CERA C	CK725B1A-105K0	1	332001055R1
U003	C8153	C-CERA C	CK725B1C-104K0	1	332011045R1
U003	C8154	C-CERA C	CK725B1H-102K0	1	332031025R1
U003	C8155	C-CERA C	CK725B1C-104K0	1	332011045R1
U003	C8157	C-CERA C	CK725B1H-102K0	1	332031025R1
U003	C8158	C-CERA C	CK725B1C-104K0	1	332011045R1
U003	C8159	C-CERA C	CK725B1H-102K0	1	332031025R1
U003	C8160	C-CERA C	CK725B1C-104K0	1	332011045R1
U003	C8161	C-CERA C	CK732B16V-106K	1	332071065R2
U003	C8162	C-CERA C	CK725B1H-102K0	1	332031025R1
U003	C8163	C-CERA C	CK725B1C-104K0	1	332011045R1

U003	C8164	C-CERA C	CK725B1H-102K0	1	332031025R1
U003	C8165	C-CERA C	CK725B1C-104K0	1	332011045R1
U003	C8166	C-CERA C	CK732B16V-106K	1	332071065R2
U003	C8167	C-CERA C	CK725B1A-105K0	1	332001055R1
U003	C8169	C-CERA C	CK725B1A-105K0	1	332001055R1
U003	C8170	C-CERA C	CK725B1A-105K0	1	332001055R1
U003	C8171	C-CERA C	CK725B1A-105K0	1	332001055R1
U003	C8172	C-CERA C	CK725B1A-105K0	1	332001055R1
U003	C8173	C-CERA C	CK725B1H-102K0	1	332031025R1
U003	C8191	C-CERA C	CK732B16V-106K	1	332071065R2
U003	C8192	C-CERA C	CK732B16V-106K	1	332071065R2
U003	C8193	C-CERA C	CK732B16V-106K	1	332071065R2
U003	C8194	C-CERA C	CK732B16V-106K	1	332071065R2
U003	C8204	C-CERA C	CK725B1H-102K0	1	332031025R1
U003	C8205	C-CERA C	CK725B1C-104K0	1	332011045R1
U003	C8206	C-CERA C	CK725B1C-104K0	1	332011045R1
U003	C8207	C-CERA C	CK725B1H-102K0	1	332031025R1
U003	C8208	C-CERA C	CK725B1C-104K0	1	332011045R1
U003	C8209	C-CERA C	CK725B1C-104K0	1	332011045R1
U003	C8210	CERA C	CC725CH1H-070C0	1	342030701R1
U003	C8211	C-CERA C	CC725CH1H-080C0	1	342030801R1
U003	C8212	C-CERA C	CK725B1C-104K0	1	332011045R1
U003	C8213	C-CERA C	CK725B1C-104K0	1	332011045R1
U003	C8214	C-CERA C	CK732B16V-106K	1	332071065R2
U003	C8218	C-CERA C	CK725B1C-104K0	1	332011045R1
U003	C8219	C-CERA C	CK725B1C-104K0	1	332011045R1
U003	C8220	C-CERA C	CK725B1C-104K0	1	332011045R1
U003	C8221	C-CERA C	CK725B1C-104K0	1	332011045R1
U003	C8222	C-CERA C	CK725B1C-104K0	1	332011045R1
U003	C8223	C-CERA C	CK725B1C-104K0	1	332011045R1
U003	C8224	C-CERA C	CK725B1C-104K0	1	332011045R1
U003	C8225	C-CERA C	CK732B16V-106K	1	332071065R2
U003	C8226	C-CERA C	CK732B16V-106K	1	332071065R2
U003	C8236	C-CERA C	CK725B1C-104K0	1	332011045R1
U003	C8237	C-CERA C	CK725B1C-104K0	1	332011045R1
U003	C8238	C-CERA C	CK725B1C-104K0	1	332011045R1
U003	C8239	C-CERA C	CK725B1H-103K0	1	332031035R1
U003	C8240	C-CERA C	CK725B1H-103K0	1	332031035R1
U003	C8241	C-CERA C	CK725B1H-103K0	1	332031035R1



U003	C8242	C-CERA C	CK725B1H-103K0	1	332031035R1
U003	C8243	C-CERA C	CK725B1H-103K0	1	332031035R1
U003	C8244	C-CERA C	CK732B16V-106K	1	332071065R2
U003	C8245	C-CERA C	CK732B16V-106K	1	332071065R2
U003	C8246	C-CERA C	CK725B1H-103K0	1	332031035R1
U003	C8247	C-CERA C	CK725B1H-103K0	1	332031035R1
U003	C8248	C-CERA C	CK725B1H-103K0	1	332031035R1
U003	C8249	C-CERA C	CK725B1H-103K0	1	332031035R1
U003	C8250	C-CERA C	CK725B1H-103K0	1	332031035R1
U003	C8251	C-CERA C	CK725B1A-105K0	1	332001055R1
U003	C8252	C-CERA C	CK725B1A-105K0	1	332001055R1
U003	C8253	C-CERA C	CK725B1A-105K0	1	332001055R1
U003	C8254	C-CERA C	CK725B1H-103K0	1	332031035R1
U003	C8255	C-CERA C	CK725B1C-104K0	1	332011045R1
U003	C8256	CHIP TANTAL	TCSCS0J107MBAR	1	396521017R2
U003	C8256 or	CHIP TANTAL	F93-6.3V-100M	( 1)	395521017R2
U003	C8256 or	CHIP TANTAL	TEESVB20J107M8R	( 1)	398421017R2
U003	C8257	CHIP TANTAL	TCSCS0J226MAAR	1	396522207R2
U003	C8257 or	CHIP TANTAL	F93-6.3V-22M	( 1)	395522207R2
U003	C8257 or	CHIP TANTAL	TEESVA0J226M8R	( 1)	398422207R2
U003	C8268	C-CERA C	CK725B1C-104K0	1	332011045R1
U003	C8269	C-CERA C	CK725B1C-104K0	1	332011045R1
U003	C8270	C-CERA C	CK725B1C-104K0	1	332011045R1
U003	C8271	C-CERA C	CK725B1H-103K0	1	332031035R1
U003	C8272	C-CERA C	CK725B1H-103K0	1	332031035R1
U003	C8273	C-CERA C	CK725B1H-103K0	1	332031035R1
U003	C8274	C-CERA C	CK725B1H-103K0	1	332031035R1
U003	C8275	C-CERA C	CK725B1H-103K0	1	332031035R1
U003	C8276	C-CERA C	CK725B1H-103K0	1	332031035R1
U003	C8277	C-CERA C	CK725B1H-103K0	1	332031035R1
U003	C8278	C-CERA C	CK725B1H-103K0	1	332031035R1
U003	C8279	C-CERA C	CK725B1H-103K0	1	332031035R1
U003	C8280	C-CERA C	CK725B1H-103K0	1	332031035R1
U003	C8281	C-CERA C	CK725B1H-103K0	1	332031035R1
U003	C8282	C-CERA C	CK725B1H-103K0	1	332031035R1
U003	C8283	C-CERA C	CK725B1H-103K0	1	332031035R1
U003	C8284	C-CERA C	CK725B1H-103K0	1	332031035R1
U003	C8285	C-CERA C	CK725B1H-103K0	1	332031035R1
U003	C8286	C-CERA C	CK725B1H-103K0	1	332031035R1

U003	C8287	C-CERA C	CK725B1C-104K0	1	332011045R1	
U003	C8288	C-CERA C	CK725B1C-104K0	1	332011045R1	
U003	C8289	C-CERA C	CK725B1C-104K0	1	332011045R1	
U003	C8292	C-CERA C	CK725B1H-103K0	1	332031035R1	
U003	C8293	C-CERA C	CK725B1H-103K0	1	332031035R1	
U003	C8294	C-CERA C	CK725B1H-103K0	1	332031035R1	
U003	C8295	C-CERA C	CK725B1H-103K0	1	332031035R1	
U003	C8296	C-CERA C	CK725B1H-103K0	1	332031035R1	
U003	C8297	C-CERA C	CK725B1C-104K0	1	332011045R1	
U003	C8298	C-CERA C	CK725B1C-104K0	1	332011045R1	
U003	C8302	C-CERA C	CK725B1H-103K0	1	332031035R1	
U003	C8303	C-CERA C	CK725B1H-103K0	1	332031035R1	
U003	C8304	C-CERA C	CK725B1H-103K0	1	332031035R1	
U003	C8305	C-CERA C	CK725B1H-103K0	1	332031035R1	
U003	C8306	C-CERA C	CK725B1H-103K0	1	332031035R1	
U003	C8307	C-CERA C	CK725B1C-104K0	1	332011045R1	
U003	C8308	C-CERA C	CK725B1C-104K0	1	332011045R1	
U003	C8311	C-CERA C	CK732B16V-106K	1	332071065R2	
U003	C8312	CHIP TANTAL	TCSCS0J226MAAR	1	396522207R2	
U003	C8312 or	CHIP TANTAL	F93-6.3V-22M	(1)	395522207R2	
U003	C8312 or	CHIP TANTAL	TEESVA0J226M8R	(1)	398422207R2	
U003	C8313	CHIP TANTAL	TCSCS0J107MBAR	1	396521017R2	
U003	C8313 or	CHIP TANTAL	F93-6.3V-100M	(1)	395521017R2	
U003	C8313 or	CHIP TANTAL	TEESVB20J107M8R	(1)	398421017R2	
U003	C8314	C-CERA C	CK725B1C-104K0	1	332011045R1	
U003	C8315	C-CERA C	CK725B1A-105K0	1	332001055R1	
U003	C8611	C-CERA C	CK725B1H-102K0	1	332031025R1	
U003	C8612	C-CERA C	CK725B1H-102K0	1	332031025R1	
U003	C8621	C-CERA C	CK725B1H-102K0	1	332031025R1	
U003	C8622	C-CERA C	CK725B1H-102K0	1	332031025R1	
U003	C8631	C-CERA C	CK725B1H-102K0	1	332031025R1	
U003	C8632	C-CERA C	CK725B1H-102K0	1	332031025R1	
U003	C8641	C-CERA C	CK725B1H-102K0	1	332031025R1	
U003	C8642	C-CERA C	CK725B1H-102K0	1	332031025R1	
U003	C8651	C-CARBON R	RN72K1J-000JE	1	435030004R1	
U003	C8652	C-CERA C	CK725B1H-102K0	1	332031025R1	
U003	C8663	C-CERA C	CK725B1C-104K0	1	332011045R1	<MDC, MMR>
U003	C8664	C-CERA C	CK725B1H-102K0	1	332031025R1	<MDC, MMR>
U003	C8665	C-CERA C	CK725B1C-104K0	1	332011045R1	<MDC, MMR>

U003	C8666	C-CERA C	CK725B1H-102K0	1	332031025R1	<MDC, MMR>
U003	C8669	C-CERA C	CK725B1C-104K0	1	332011045R1	<MDC, MMR>
U003	C8670	C-CERA C	CK725B1H-102K0	1	332031025R1	<MDC, MMR>
U003	C8671	C-CERA C	CK725B1C-104K0	1	332011045R1	<MDC, MMR>
U003	C8672	C-CERA C	CK725B1H-102K0	1	332031025R1	<MDC, MMR>
U003	C8673	C-CERA C	CK725B1C-104K0	1	332011045R1	<MDC, MMR>
U003	C8674	C-CERA C	CK725B1H-102K0	1	332031025R1	<MDC, MMR>
U003	C8675	C-CERA C	CK725B1C-104K0	1	332011045R1	<MDC, MMR>
U003	C8676	C-CERA C	CK725B1H-102K0	1	332031025R1	<MDC, MMR>
U003	C8677	C-CERA C	CK732B16V-106K	1	332071065R2	<MDC, MMR>
U003	C8680	C-CERA C	CK732B16V-106K	1	332071065R2	<MDC, MMR>
U003	C8681	C-CERA C	CK725B1C-104K0	1	332011045R1	<MDC, MMR>
U003	C8682	C-CERA C	CK725B1H-102K0	1	332031025R1	<MDC, MMR>
U003	C8701	C-CERA C	CK725B1C-104K0	1	332011045R1	
U003	C8702	C-CERA C	CK725B1C-104K0	1	332011045R1	
U003	C8703	C-CERA C	CK725B1C-104K0	1	332011045R1	
U003	C8704	C-CERA C	CK725B1C-104K0	1	332011045R1	
U003	C8705	C-CERA C	CK725B1A-105K0	1	332001055R1	
U003	C8706	C-CERA C	CK725B1C-104K0	1	332011045R1	
U003	C8707	C-CERA C	CK725B1C-104K0	1	332011045R1	
U003	C8708	C-CERA C	CK732B16V-106K	1	332071065R2	
U003	C8709	C-CERA C	CK732B16V-106K	1	332071065R2	
U003	C8901	CHIP ELECT C	CEWX16V-100M	1	398141017R2	
U003	C8902	C-CERA C	CK732B16V-106K	1	332071065R2	
U003	C8904	C-CERA C	CK725B1A-105K0	1	332001055R1	
U003	C8906	C-CERA C	CK725B1C-104K0	1	332011045R1	
U003	C8907	C-CERA C	CK725B1A-105K0	1	332001055R1	
U003	C8908	C-CERA C	CK725B1A-105K0	1	332001055R1	
U003	C8911	C-CERA C	CK725B1C-104K0	1	332011045R1	
U003	C8912	CHIP ELECT C	CEWX16V-100M	1	398141017R2	
U003	C8913	C-CERA C	CK725B1A-105K0	1	332001055R1	
U003	C8914	C-CERA C	CK725B1C-104K0	1	332011045R1	
U003	C8915	CHIP ELECT C	CEWX16V-100M	1	398141017R2	
U003	C8916	C-CERA C	CK725B1A-105K0	1	332001055R1	
U003	C8917	C-CERA C	CK725B1C-104K0	1	332011045R1	
U003	C8918	CHIP ELECT C	CEWX16V-100M	1	398141017R2	
U003	C8919	C-CERA C	CK725B1A-105K0	1	332001055R1	
U003	C8920	C-CERA C	CK725B1C-104K0	1	332011045R1	
U003	C8921	CHIP ELECT C	CEWX16V-100M	1	398141017R2	

U003	C8922	C-CERA C	CK725B1A-105K0	1	332001055R1
U003	C8931	C-CERA C	CK725B1C-104K0	1	332011045R1
U003	C8932	C-CERA C	CK725B1C-104K0	1	332011045R1
U003	C8933	C-CERA C	CK725B1E-106K	1	332221065R2
U003	C8934	C-CERA C	CK725B1E-106K	1	332221065R2
U003	C8935	C-CERA C	CK725B1H-223K0	1	332032235R1
U003	C8936	C-CERA C	CK732B16V-106K	1	332071065R2
U003	C8937	C-CERA C	CK732B16V-106K	1	332071065R2
U003	C8938	C-CERA C	CK732B16V-106K	1	332071065R2
U003	C8940	C-CERA C	CC725CH1H-331J0	1	342033314R1
U003	C8941	C-CERA C	CK725B1C-104K0	1	332011045R1
U003	C8942	C-CERA C	CK725B1C-104K0	1	332011045R1
U003	C8943	C-CERA C	CK725B1E-106K	1	332221065R2
U003	C8944	C-CERA C	CK725B1E-106K	1	332221065R2
U003	C8945	C-CERA C	CK725B1E-682K0	1	332026825R1
U003	C8946	C-CERA C	CK732B16V-106K	1	332071065R2
U003	C8947	C-CERA C	CK732B16V-106K	1	332071065R2
U003	C8948	C-CERA C	CK732B16V-106K	1	332071065R2
U003	C8951	C-CERA C	CK725B1C-104K0	1	332011045R1
U003	C8952	C-CERA C	CK725B1C-104K0	1	332011045R1
U003	C8953	C-CERA C	CK725B1E-106K	1	332221065R2
U003	C8954	C-CERA C	CK725B1E-106K	1	332221065R2
U003	C8955	C-CERA C	CK725B1H-103K0	1	332031035R1
U003	C8956	C-CERA C	CK732B16V-106K	1	332071065R2
U003	C8957	C-CERA C	CK732B16V-106K	1	332071065R2
U003	C8958	C-CERA C	CK732B16V-106K	1	332071065R2
U003	C8960	C-CERA C	CC725CH1H-151J0	1	342031514R1
U003	C8961	C-CERA C	CK725B1C-104K0	1	332011045R1
U003	C8962	C-CERA C	CK725B1C-104K0	1	332011045R1
U003	C8963	C-CERA C	CK725B1E-106K	1	332221065R2
U003	C8964	C-CERA C	CK725B1E-106K	1	332221065R2
U003	C8965	C-CERA C	CK725B1H-103K0	1	332031035R1
U003	C8966	C-CERA C	CK732B16V-106K	1	332071065R2
U003	C8967	C-CERA C	CK732B16V-106K	1	332071065R2
U003	C8968	C-CERA C	CK732B16V-106K	1	332071065R2
U003	<b>[RESISTOR]</b>				
U003	R3009	C-CARBON R	RN72K1J-330JE	1	435033304R1
U003	R3010	C-R NET	RM7LJ330X04	1	43484733004R2
U003	R3011	C-R NET	RM7LJ330X04	1	43484733004R2

U003	R3012	C-R NET	RM7LJ470X04	1	43484747004R2
U003	R3013	C-R NET	RM7LJ330X04	1	43484733004R2
U003	R3014	C-R NET	RM7LJ330X04	1	43484733004R2
U003	R3015	C-R NET	RM7LJ330X04	1	43484733004R2
U003	R3016	C-CARBON R	RN72K1J-470JE	1	435034704R1
U003	R3017	C-R NET	RM7LJ330X04	1	43484733004R2
U003	R3018	C-CARBON R	RN72K1J-470JE	1	435034704R1
U003	R3019	C-R NET	RM7LJ330X04	1	43484733004R2
U003	R3020	C-R NET	RM7LJ330X04	1	43484733004R2
U003	R3021	C-CARBON R	RN72K1J-470JE	1	435034704R1
U003	R3022	C-CARBON R	RN72K1J-470JE	1	435034704R1
U003	R3023	C-R NET	RM7LJ470X04	1	43484747004R2
U003	R3024	C-CARBON R	RN72K1J-470JE	1	435034704R1
U003	R3025	C-CARBON R	RN72K1J-102JE	1	435031024R1
U003	R3028	C-CARBON R	RN72K1J-470JE	1	435034704R1
U003	R3029	C-CARBON R	RN72K1J-102JE	1	435031024R1
U003	R3032	C-CARBON R	RN72K1J-103JE	1	435031034R1
U003	R3033	C-CARBON R	RN72K1J-470JE	1	435034704R1
U003	R3034	C-CARBON R	RN72K1J-470JE	1	435034704R1
U003	R3035	C-CARBON R	RN72K1J-470JE	1	435034704R1
U003	R3036	C-CARBON R	RN72K1J-470JE	1	435034704R1
U003	R3037	C-CARBON R	RN72K1J-470JE	1	435034704R1
U003	R3038	C-CARBON R	RN72K1J-470JE	1	435034704R1
U003	R3039	C-CARBON R	RN72K1J-470JE	1	435034704R1
U003	R3040	C-CARBON R	RN72K1J-103JE	1	435031034R1
U003	R3041	C-R NET	RM7LJ330X04	1	43484733004R2
U003	R3042	C-R NET	RM7LJ330X04	1	43484733004R2
U003	R3043	C-CARBON R	RN72K1J-000JE	1	435030004R1
U003	R3044	C-R NET	RM7LJ330X04	1	43484733004R2
U003	R3045	C-R NET	RM7LJ330X04	1	43484733004R2
U003	R3047	C-CARBON R	RN72K1J-560JE	1	435035604R1
U003	R3048	C-CARBON R	RN72K1J-221JE	1	435032214R1
U003	R3049	C-CARBON R	RN72K1J-560JE	1	435035604R1
U003	R3050	C-CARBON R	RN72K1J-560JE	1	435035604R1
U003	R3051	C-CARBON R	RN72K1J-560JE	1	435035604R1
U003	R3054	C-CARBON R	RN72K1J-103JE	1	435031034R1
U003	R3056	C-CARBON R	RN72K1J-472JE	1	435034724R1
U003	R3060	C-CARBON R	RN72K1J-680JE	1	435036804R1
U003	R3061	C-CARBON R	RN72K1J-470JE	1	435034704R1

U003	R3062	C-CARBON R	RN72K1J-680JE	1	435036804R1
U003	R3063	C-CARBON R	RN72K1J-680JE	1	435036804R1
U003	R3064	C-CARBON R	RN72K1J-680JE	1	435036804R1
U003	R3065	C-CARBON R	RN72K1J-680JE	1	435036804R1
U003	R3066	C-CARBON R	RN72K1J-102JE	1	435031024R1
U003	R3101	C-CARBON R	RN72K1J-103JE	1	435031034R1
U003	R3102	C-CARBON R	RN72K1J-103JE	1	435031034R1
U003	R3105	C-CARBON R	RN72K1J-222JE	1	435032224R1
U003	R3106	C-CARBON R	RN72K1J-102JE	1	435031024R1
U003	R3108	C-CARBON R	RN72K1J-103JE	1	435031034R1
U003	R3110	C-CARBON R	RN72K1J-103JE	1	435031034R1
U003	R3111	C-CARBON R	RN72K1J-103JE	1	435031034R1
U003	R3113	C-CARBON R	RN72K1J-103JE	1	435031034R1
U003	R3115	C-CARBON R	RN72K1J-332JE	1	435033324R1
U003	R3117	C-CARBON R	RN72K1J-332JE	1	435033324R1
U003	R3119	C-CARBON R	RN72K1J-332JE	1	435033324R1
U003	R3121	C-CARBON R	RN72K1J-103JE	1	435031034R1
U003	R3122	C-CARBON R	RN72K1J-102JE	1	435031024R1
U003	R3123	C-CERA C	CK725F1E-104Z1	1	332161040R1
U003	R3124	C-CARBON R	RN72K1J-331JE	1	435033314R1
U003	R3125	C-CARBON R	RN72K1J-470JE	1	435034704R1
U003	R3126	C-CARBON R	RN72K1J-470JE	1	435034704R1
U003	R3127	C-CARBON R	RN72K1J-470JE	1	435034704R1
U003	R3128	C-CARBON R	RN72K1J-472JE	1	435034724R1
U003	R3129	C-CARBON R	RN72K1J-470JE	1	435034704R1
U003	R3130	C-CARBON R	RN72K1J-470JE	1	435034704R1
U003	R3131	C-CARBON R	RN72K1J-470JE	1	435034704R1
U003	R3133	C-CARBON R	RN72K1J-470JE	1	435034704R1
U003	R3134	C-CARBON R	RN72K1J-103JE	1	435031034R1
U003	R3135	C-CARBON R	RN72K1J-103JE	1	435031034R1
U003	R3136	C-CARBON R	RN72K1J-000JE	1	435030004R1
U003	R3137	C-CARBON R	RN72K1J-000JE	1	435030004R1
U003	R3139	C-CARBON R	RN72K1J-101JE	1	435031014R1
U003	R3143	C-CARBON R	RN72K1J-392JE	1	435033924R1
U003	R3144	C-CARBON R	RN72K1J-101JE	1	435031014R1
U003	R3145	C-CARBON R	RN72K1J-392JE	1	435033924R1
U003	R3146	C-CARBON R	RN72K1J-390JE	1	435033904R1
U003	R3147	C-CARBON R	RN72K1J-000JE	1	435030004R1
U003	R3148	C-CARBON R	RN72K1J-390JE	1	435033904R1

U003	R3149	C-CARBON R	RN72K1J-102JE	1	435031024R1
U003	R3150	C-CARBON R	RN72K1J-680JE	1	435036804R1
U003	R3151	C-CARBON R	RN72K1J-000JE	1	435030004R1
U003	R3152	C-CARBON R	RN72K1J-000JE	1	435030004R1
U003	R3154	C-CARBON R	RN72K1J-390JE	1	435033904R1
U003	R3155	C-CARBON R	RN72K1J-390JE	1	435033904R1
U003	R3156	C-CARBON R	RN72K1J-390JE	1	435033904R1
U003	R3157	C-CARBON R	RN72K1J-000JE	1	435030004R1
U003	R3162	C-CARBON R	RN72K1J-390JE	1	435033904R1
U003	R3163	C-CARBON R	RN72K1J-220JE	1	435032204R1
U003	R3164	C-CARBON R	RN72K1J-472JE	1	435034724R1
U003	R3168	C-CARBON R	RN72K1J-220JE	1	435032204R1
U003	R3169	C-CARBON R	RN72K1J-220JE	1	435032204R1
U003	R3170	C-CARBON R	RN72K1J-391FE	1	435033912R1
U003	R3171	C-CARBON R	RN72K1J-222FE	1	435032222R1
U003	R3172	C-CARBON R	RN72K1J-392FE	1	435033922R1
U003	R3173	C-CARBON R	RN72K1J-390JE	1	435033904R1
U003	R3174	C-CARBON R	RN72K1J-390JE	1	435033904R1
U003	R3175	C-CARBON R	RN72K1J-472JE	1	435034724R1
U003	R3181	C-CARBON R	RN72K1J-470JE	1	435034704R1
U003	R3182	C-CARBON R	RN72K1J-472JE	1	435034724R1
U003	R3183	C-CARBON R	RN72K1J-470JE	1	435034704R1
U003	R3184	C-CARBON R	RN72K1J-470JE	1	435034704R1
U003	R3185	C-CARBON R	RN72K1J-332JE	1	435033324R1
U003	R3187	C-CARBON R	RN72K1J-472JE	1	435034724R1
U003	R3192	C-CARBON R	RN72K1J-472JE	1	435034724R1
U003	R3193	C-CARBON R	RN72K1J-472JE	1	435034724R1
U003	R3194	C-CARBON R	RN72K1J-472JE	1	435034724R1
U003	R3199	C-CARBON R	RN72K1J-102JE	1	435031024R1
U003	R3201	C-CARBON R	RN72K1J-331JE	1	435033314R1
U003	R3202	C-CARBON R	RN72K1J-331JE	1	435033314R1
U003	R3203	C-CARBON R	RN72K1J-103JE	1	435031034R1
U003	R3204	C-CARBON R	RN72K1J-103JE	1	435031034R1
U003	R3205	C-CARBON R	RN72K1J-103JE	1	435031034R1
U003	R3206	C-CARBON R	RN72K1J-331JE	1	435033314R1
U003	R3207	C-CARBON R	RN72K1J-470JE	1	435034704R1
U003	R3208	C-CARBON R	RN72K1J-271JE	1	435032714R1
U003	R3209	C-CARBON R	RN72K1J-331JE	1	435033314R1
U003	R3210	C-CARBON R	RN72K1J-331JE	1	435033314R1

U003	R3211	C-CARBON R	RN72K1J-470JE	1	435034704R1
U003	R3212	C-CARBON R	RN72K1J-220JE	1	435032204R1
U003	R3213	C-CARBON R	RN72K1J-331JE	1	435033314R1
U003	R3214	C-CARBON R	RN72K1J-470JE	1	435034704R1
U003	R3215	C-CARBON R	RN72K1J-221JE	1	435032214R1
U003	R3216	C-CARBON R	RN72K1J-331JE	1	435033314R1
U003	R3218	C-CARBON R	RN72K1J-220JE	1	435032204R1
U003	R3219	C-CARBON R	RN72K1J-221JE	1	435032214R1
U003	R3221	C-CARBON R	RN72K1J-470JE	1	435034704R1
U003	R3225	C-CARBON R	RN72K1J-220JE	1	435032204R1
U003	R3226	C-R NET	RM7LJ470X04	1	43484747004R2
U003	R3227	C-CARBON R	RN72K1J-470JE	1	435034704R1
U003	R3229	C-CARBON R	RN72K1J-470JE	1	435034704R1
U003	R3230	C-CARBON R	RN72K1J-221JE	1	435032214R1
U003	R3232	C-CARBON R	RN72K1J-221JE	1	435032214R1
U003	R3236	C-CARBON R	RN72K1J-470JE	1	435034704R1
U003	R3237	C-CARBON R	RN72K1J-221JE	1	435032214R1
U003	R3239	C-CARBON R	RN72K1J-221JE	1	435032214R1
U003	R3240	C-CARBON R	RN72K1J-103JE	1	435031034R1
U003	R3241	C-CARBON R	RN72K1J-221JE	1	435032214R1
U003	R3242	C-CARBON R	RN72K1J-221JE	1	435032214R1
U003	R3244	C-CARBON R	RN72K1J-470JE	1	435034704R1
U003	R3247	C-CARBON R	RN72K1J-121JE	1	435031214R1
U003	R3251	C-CARBON R	RN72K1J-470JE	1	435034704R1
U003	R3254	C-CARBON R	RN72K1J-470JE	1	435034704R1
U003	R3255	C-CARBON R	RN72K1J-103JE	1	435031034R1
U003	R3257	C-CARBON R	RN72K1J-470JE	1	435034704R1
U003	R3260	C-CARBON R	RN72K1J-390JE	1	435033904R1
U003	R3262	C-CARBON R	RN72K1J-221JE	1	435032214R1
U003	R3264	C-CARBON R	RN72K1J-470JE	1	435034704R1
U003	R3265	C-CARBON R	RN72K1J-390JE	1	435033904R1
U003	R3267	C-CARBON R	RN72K1J-470JE	1	435034704R1
U003	R3268	C-CARBON R	RN72K1J-390JE	1	435033904R1
U003	R3271	C-CARBON R	RN72K1J-390JE	1	435033904R1
U003	R3272	C-CARBON R	RN72K1J-470JE	1	435034704R1
U003	R3274	C-CARBON R	RN72K1J-390JE	1	435033904R1
U003	R3276	C-CARBON R	RN72K1J-470JE	1	435034704R1
U003	R3277	C-CARBON R	RN72K1J-220JE	1	435032204R1
U003	R3278	C-CARBON R	RN72K1J-470JE	1	435034704R1



U003	R3280	C-CARBON R	RN72K1J-470JE	1	435034704R1	
U003	R3283	C-CARBON R	RN72K1J-103JE	1	435031034R1	
U003	R3284	C-CARBON R	RN72K1J-103JE	1	435031034R1	
U003	R3670	C-CARBON R	RN72K1J-103JE	1	435031034R1	
U003	R8000	C-CARBON R	RN72K1J-103JE	1	435031034R1	
U003	R8003	C-CARBON R	RN72K1J-000JE	1	435030004R1	
U003	R8004	C-CARBON R	RN72K1J-103JE	1	435031034R1	
U003	R8005	C-CARBON R	RN72K1J-103JE	1	435031034R1	
U003	R8006	C-CARBON R	RN72K1J-472JE	1	435034724R1	
U003	R8007	C-CARBON R	RN72K1J-472JE	1	435034724R1	
U003	R8008	C-CARBON R	RN72K1J-103JE	1	435031034R1	
U003	R8009	C-CARBON R	RN72K1J-000JE	1	435030004R1	
U003	R8010	C-R NET	RM7LJ510X04	1	43484751004R2	N
U003	R8011	C-R NET	RM7LJ510X04	1	43484751004R2	N
U003	R8012	C-R NET	RM7LJ510X04	1	43484751004R2	N
U003	R8013	C-R NET	RM7LJ510X04	1	43484751004R2	N
U003	R8014	C-R NET	RM7LJ510X04	1	43484751004R2	N
U003	R8015	C-CARBON R	MCR03EZPF49R9(49.9_1%)	1	4100037R2	
U003	R8016	C-CARBON R	MCR03EZPF49R9(49.9_1%)	1	4100037R2	
U003	R8017	C-CARBON R	MCR03EZPF49R9(49.9_1%)	1	4100037R2	
U003	R8018	C-CARBON R	RN72K1J-000JE	1	435030004R1	
U003	R8019	C-CARBON R	RN72K1J-000JE	1	435030004R1	
U003	R8037	C-CARBON R	RN72K1J-000JE	1	435030004R1	
U003	R8042	C-CARBON R	MCR03EZPF49R9(49.9_1%)	1	4100037R2	
U003	R8043	C-CARBON R	MCR03EZPF49R9(49.9_1%)	1	4100037R2	
U003	R8045	C-CARBON R	RN72K1J-331FE	1	435033312R1	
U003	R8046	C-CARBON R	RN72K1J-332FE	1	435033322R1	
U003	R8047	C-CARBON R	RN72K1J-271FE	1	435032712R1	
U003	R8048	C-CARBON R	RN72K1J-222FE	1	435032222R1	
U003	R8049	C-CARBON R	RN72K1J-750JE	1	435037504R1	
U003	R8050	C-CARBON R	RN72K1J-750JE	1	435037504R1	
U003	R8052	C-CARBON R	RN72K1J-472JE	1	435034724R1	
U003	R8053	C-R NET	RM7LJ220X04	1	43484722004R2	
U003	R8054	C-R NET	RM7LJ220X04	1	43484722004R2	
U003	R8055	C-R NET	RM7LJ220X04	1	43484722004R2	
U003	R8056	C-R NET	RM7LJ220X04	1	43484722004R2	
U003	R8057	C-R NET	RM7LJ220X04	1	43484722004R2	
U003	R8058	C-R NET	RM7LJ220X04	1	43484722004R2	
U003	R8059	C-R NET	RM7LJ220X04	1	43484722004R2	

U003	R8060	C-R NET	RM7LJ220X04	1	43484722004R2
U003	R8061	C-R NET	RM7LJ220X04	1	43484722004R2
U003	R8062	C-R NET	RM7LJ220X04	1	43484722004R2
U003	R8063	C-CARBON R	RN72K1J-220JE	1	435032204R1
U003	R8064	C-CARBON R	RN72K1J-220JE	1	435032204R1
U003	R8067	C-CARBON R	RN72K1J-220JE	1	435032204R1
U003	R8068	C-CARBON R	RN72K1J-220JE	1	435032204R1
U003	R8070	C-CARBON R	RN72K1J-103JE	1	435031034R1
U003	R8073	C-CARBON R	RN72K1J-182JE	1	435031824R1
U003	R8074	C-CARBON R	RN72K1J-182JE	1	435031824R1
U003	R8077	C-CARBON R	RN72K1J-104JE	1	435031044R1
U003	R8078	C-CARBON R	RN72K1J-472JE	1	435034724R1
U003	R8079	C-CARBON R	RN72K1J-473JE	1	435034734R1
U003	R8080	C-CARBON R	RN72K1J-101JE	1	435031014R1
U003	R8081	C-CARBON R	RN72K1J-101JE	1	435031014R1
U003	R8082	C-CARBON R	RN72K1J-101JE	1	435031014R1
U003	R8083	C-CARBON R	RN72K1J-101JE	1	435031014R1
U003	R8084	C-CARBON R	RN72K1J-100JE	1	435031004R1
U003	R8085	C-CARBON R	RN72K1J-100JE	1	435031004R1
U003	R8086	C-CARBON R	RN72K1J-100JE	1	435031004R1
U003	R8087	C-CARBON R	RN72K1J-823JE	1	435038234R1
U003	R8088	C-CARBON R	RN72K1J-103JE	1	435031034R1
U003	R8089	C-CARBON R	RN72K1J-330JE	1	435033304R1
U003	R8090	C-CARBON R	RN72K1J-103JE	1	435031034R1
U003	R8091	C-CARBON R	RN72K1J-220JE	1	435032204R1
U003	R8092	C-CARBON R	RN72K1J-220JE	1	435032204R1
U003	R8093	C-CARBON R	RN72K1J-220JE	1	435032204R1
U003	R8094	C-CARBON R	RN72K1J-472JE	1	435034724R1
U003	R8095	C-CARBON R	RN72K1J-105JE	1	435031054R1
U003	R8096	C-CARBON R	RN72K1J-101JE	1	435031014R1
U003	R8097	C-CARBON R	RN72K1J-101JE	1	435031014R1
U003	R8098	C-CARBON R	RN72K1J-220JE	1	435032204R1
U003	R8099	C-CARBON R	RN72K1J-101JE	1	435031014R1
U003	R8102	C-CARBON R	RN72K1J-472JE	1	435034724R1
U003	R8103	C-CARBON R	RN72K1J-472JE	1	435034724R1
U003	R8104	C-CARBON R	RN72K1J-472JE	1	435034724R1
U003	R8105	C-CARBON R	RN72K1J-472JE	1	435034724R1
U003	R8107	C-CARBON R	RN72K1J-472JE	1	435034724R1
U003	R8108	C-CARBON R	RN72K1J-472JE	1	435034724R1

U003	R8109	C-CARBON R	RN72K1J-472JE	1	435034724R1
U003	R8110	C-CARBON R	RN72K1J-472JE	1	435034724R1
U003	R8111	C-CARBON R	RN72K1J-101JE	1	435031014R1
U003	R8112	C-CARBON R	RN72K1J-101JE	1	435031014R1
U003	R8113	C-CARBON R	RN72K1J-101JE	1	435031014R1
U003	R8114	C-CARBON R	RN72K1J-101JE	1	435031014R1
U003	R8115	C-CARBON R	RN72K1J-103JE	1	435031034R1
U003	R8116	C-CARBON R	RN72K1J-000JE	1	435030004R1
U003	R8117	C-CARBON R	RN72K1J-470JE	1	435034704R1
U003	R8118	C-CARBON R	RN72K1J-470JE	1	435034704R1
U003	R8122	C-CARBON R	RN72K1J-220JE	1	435032204R1
U003	R8123	C-CARBON R	RN72K1J-220JE	1	435032204R1
U003	R8124	C-CARBON R	RN72K1J-220JE	1	435032204R1
U003	R8125	C-CARBON R	RN72K1J-220JE	1	435032204R1
U003	R8126	C-CARBON R	RN72K1J-472JE	1	435034724R1
U003	R8127	C-CARBON R	RN72K1J-472JE	1	435034724R1
U003	R8128	C-CARBON R	RN72K1J-103JE	1	435031034R1
U003	R8129	C-CARBON R	RN72K1J-103JE	1	435031034R1
U003	R8132	C-CARBON R	RN72K1J-472JE	1	435034724R1
U003	R8133	C-CARBON R	RN72K1J-000JE	1	435030004R1
U003	R8136	C-CARBON R	RN72K1J-000JE	1	435030004R1
U003	R8141	C-CARBON R	RN72K1J-100JE	1	435031004R1
U003	R8142	C-CARBON R	RN72K1J-000JE	1	435030004R1
U003	R8147	C-CARBON R	RN72K1J-104JE	1	435031044R1
U003	R8149	C-CARBON R	RN72K1J-104JE	1	435031044R1
U003	R8150	C-CARBON R	RN72K1J-104JE	1	435031044R1
U003	R8151	C-CARBON R	RN72K1J-104JE	1	435031044R1
U003	R8152	C-CARBON R	RN72K1J-104JE	1	435031044R1
U003	R8191	C-CARBON R	RN72K1J-332JE	1	435033324R1
U003	R8201	C-CARBON R	RN72K1J-103JE	1	435031034R1
U003	R8202	C-CARBON R	RN72K1J-103JE	1	435031034R1
U003	R8203	C-CARBON R	RN72K1J-101JE	1	435031014R1
U003	R8204	C-CARBON R	RN72K1J-101JE	1	435031014R1
U003	R8217	C-CARBON R	RN72K1J-120JE	1	435031204R1
U003	R8218	C-CARBON R	RN72K1J-120JE	1	435031204R1
U003	R8219	C-CARBON R	RN72K1J-120JE	1	435031204R1
U003	R8220	C-CARBON R	RN72K1J-120JE	1	435031204R1
U003	R8221	C-CARBON R	RN72K1J-120JE	1	435031204R1
U003	R8222	C-CARBON R	RN72K1J-120JE	1	435031204R1

U003	R8223	C-CARBON R	RN72K1J-820JE	1	435038204R1	
U003	R8224	C-CARBON R	RN72K1J-120JE	1	435031204R1	
U003	R8225	C-CARBON R	RN72K1J-120JE	1	435031204R1	
U003	R8226	C-CARBON R	RN72K1J-391JE	1	435033914R1	
U003	R8227	C-CARBON R	RN72K1J-120JE	1	435031204R1	
U003	R8228	C-CARBON R	RN72K1J-390JE	1	435033904R1	
U003	R8229	C-CARBON R	RN72K1J-120JE	1	435031204R1	
U003	R8230	C-CARBON R	RN72K1J-390JE	1	435033904R1	
U003	R8231	C-CARBON R	RN72K1J-120JE	1	435031204R1	
U003	R8232	C-CARBON R	RN72K1J-390JE	1	435033904R1	
U003	R8233	C-CARBON R	RN72K1J-000JE	1	435030004R1	<MDC, MMR>
U003	R8234	C-CARBON R	RN72K1J-102JE	1	435031024R1	<MDC, MMR>
U003	R8235	C-CARBON R	RN72K1J-103JE	1	435031034R1	<MDC, MMR>
U003	R8236	C-CARBON R	RN72K1J-000JE	1	435030004R1	
U003	R8237	C-CARBON R	RN72K1J-000JE	1	435030004R1	
U003	R8238	C-CARBON R	RN72K1J-000JE	1	435030004R1	
U003	R8239	C-CARBON R	RN72K1J-000JE	1	435030004R1	
U003	R8240	C-CARBON R	RN72K1J-000JE	1	435030004R1	
U003	R8241	C-CARBON R	RN72K1J-472JE	1	435034724R1	
U003	R8242	C-CARBON R	RN72K1J-103JE	1	435031034R1	
U003	R8243	C-CARBON R	RN72K1J-220JE	1	435032204R1	
U003	R8244	C-CARBON R	RN72K1J-102JE	1	435031024R1	
U003	R8245	C-CARBON R	RN72K1J-102JE	1	435031024R1	
U003	R8246	C-CARBON R	RN72K1J-103JE	1	435031034R1	
U003	R8247	C-CARBON R	RN72K1J-103JE	1	435031034R1	
U003	R8248	C-CARBON R	RN72K1J-000JE	1	435030004R1	
U003	R8249	C-CARBON R	RN72K1J-000JE	1	435030004R1	
U003	R8250	C-CARBON R	RN72K1J-000JE	1	435030004R1	
U003	R8251	C-CARBON R	RN72K1J-472JE	1	435034724R1	
U003	R8252	C-CARBON R	RN72K1J-472JE	1	435034724R1	
U003	R8253	C-CARBON R	RN72K1J-102FE	1	435031022R1	
U003	R8254	C-CARBON R	RN72K1J-220JE	1	435032204R1	
U003	R8255	C-CARBON R	RN72K1J-220JE	1	435032204R1	
U003	R8256	C-CARBON R	RN72K1J-472JE	1	435034724R1	
U003	R8257	C-CARBON R	RN72K1J-472JE	1	435034724R1	
U003	R8258	C-CARBON R	RN72K1J-220JE	1	435032204R1	
U003	R8259	C-CARBON R	RN72K1J-220JE	1	435032204R1	
U003	R8260	C-R NET	RM7LJ220X04	1	43484722004R2	
U003	R8261	C-R NET	RM7LJ220X04	1	43484722004R2	

U003	R8262	C-R NET	RM7LJ220X04	1	43484722004R2
U003	R8263	C-R NET	RM7LJ220X04	1	43484722004R2
U003	R8264	C-R NET	RM7LJ220X04	1	43484722004R2
U003	R8265	C-R NET	RM7LJ220X04	1	43484722004R2
U003	R8266	C-R NET	RM7LJ220X04	1	43484722004R2
U003	R8267	C-R NET	RM7LJ220X04	1	43484722004R2
U003	R8268	C-R NET	RM7LJ330X04	1	43484733004R2
U003	R8269	C-R NET	RM7LJ330X04	1	43484733004R2
U003	R8270	C-R NET	RM7LJ330X04	1	43484733004R2
U003	R8271	C-R NET	RM7LJ330X04	1	43484733004R2
U003	R8272	C-R NET	RM7LJ330X04	1	43484733004R2
U003	R8273	C-R NET	RM7LJ330X04	1	43484733004R2
U003	R8274	C-R NET	RM7LJ330X04	1	43484733004R2
U003	R8275	C-R NET	RM7LJ330X04	1	43484733004R2
U003	R8276	C-R NET	RM7LJ330X04	1	43484733004R2
U003	R8277	C-CARBON R	RN72K1J-330JE	1	435033304R1
U003	R8278	C-R NET	RM7LJ330X04	1	43484733004R2
U003	R8279	C-CARBON R	RN72K1J-101JE	1	435031014R1
U003	R8280	C-CARBON R	RN72K1J-101JE	1	435031014R1
U003	R8281	C-CARBON R	RN72K1J-330JE	1	435033304R1
U003	R8282	C-CARBON R	RN72K1J-330JE	1	435033304R1
U003	R8283	C-CARBON R	RN72K1J-101JE	1	435031014R1
U003	R8284	C-R NET	RM7LJ330X04	1	43484733004R2
U003	R8285	C-CARBON R	RN72K1J-330JE	1	435033304R1
U003	R8287	C-CARBON R	RN72K1J-102FE	1	435031022R1
U003	R8288	C-CARBON R	RN72K1J-103FE	1	435031032R1
U003	R8289	C-CARBON R	RN72K1J-103FE	1	435031032R1
U003	R8297	C-CARBON R	RN72K1J-750JE	1	435037504R1
U003	R8298	C-CARBON R	RN72K1J-750JE	1	435037504R1
U003	R8299	C-CARBON R	RN72K1J-750JE	1	435037504R1
U003	R8300	C-CARBON R	RN72K1J-681JE	1	435036814R1
U003	R8613	C-CARBON R	RN72K1J-473JE	1	435034734R1
U003	R8614	C-CARBON R	RN72K1J-473JE	1	435034734R1
U003	R8623	C-CARBON R	RN72K1J-473JE	1	435034734R1
U003	R8624	C-CARBON R	RN72K1J-473JE	1	435034734R1
U003	R8633	C-CARBON R	RN72K1J-473JE	1	435034734R1
U003	R8634	C-CARBON R	RN72K1J-473JE	1	435034734R1
U003	R8643	C-CARBON R	RN72K1J-473JE	1	435034734R1
U003	R8644	C-CARBON R	RN72K1J-473JE	1	435034734R1

U003	R8653	C-CARBON R	RN72K1J-473JE	1	435034734R1	<MDC, MMR>
U003	R8654	C-CARBON R	RN72K1J-473JE	1	435034734R1	<MDC, MMR>
U003	R8667	C-CARBON R	RN72K1J-473JE	1	435034734R1	<MDC, MMR>
U003	R8668	C-CARBON R	RN72K1J-473JE	1	435034734R1	<MDC, MMR>
U003	R8669	C-CARBON R	RN72K1J-000JE	1	435030004R1	<MDC, MMR>
U003	R8670	C-CARBON R	RN72K1J-000JE	1	435030004R1	<MDC, MMR>
U003	R8672	C-CARBON R	RN72K1J-103JE	1	435031034R1	<MDC, MMR>
U003	R8673	C-CARBON R	RN72K1J-472JE	1	435034724R1	<MDC, MMR>
U003	R8674	C-CARBON R	RN72K1J-103JE	1	435031034R1	<MDC, MMR>
U003	R8675	C-CARBON R	RN72K1J-103JE	1	435031034R1	<MDC, MMR>
U003	R8676	C-CARBON R	RN72K1J-103JE	1	435031034R1	<MDC, MMR>
U003	R8677	C-CARBON R	RN72K1J-472JE	1	435034724R1	<MDC, MMR>
U003	R8678	C-CARBON R	RN72K1J-472JE	1	435034724R1	<MDC, MMR>
U003	R8701	C-CARBON R	RN72K1J-103JE	1	435031034R1	
U003	R8702	C-CARBON R	RN72K1J-000JE	1	435030004R1	
U003	R8703	C-CARBON R	RN72K1J-220JE	1	435032204R1	
U003	R8704	C-CARBON R	RN72K1J-103JE	1	435031034R1	
U003	R8705	C-R NET	RM7LJ103X04	1	43484710304R2	
U003	R8706	C-CARBON R	RN72K1J-103JE	1	435031034R1	
U003	R8707	C-CARBON R	RN72K1J-103JE	1	435031034R1	
U003	R8708	C-R NET	RM7LJ103X04	1	43484710304R2	
U003	R8709	C-CARBON R	RN72K1J-220JE	1	435032204R1	
U003	R8710	C-CARBON R	RN72K1J-222JE	1	435032224R1	
U003	R8711	C-CARBON R	RN72K1J-222JE	1	435032224R1	
U003	R8712	C-CARBON R	RN72K1J-103JE	1	435031034R1	
U003	R8713	C-R NET	RM7LJ220X04	1	43484722004R2	
U003	R8714	C-CARBON R	RN72K1J-222JE	1	435032224R1	
U003	R8715	C-CARBON R	RN72K1J-222JE	1	435032224R1	
U003	R8716	C-R NET	RM7LJ222X04	1	43484722204R2	
U003	R8717	C-R NET	RM7LJ222X04	1	43484722204R2	
U003	R8718	C-R NET	RM7LJ103X04	1	43484710304R2	
U003	R8719	C-R NET	RM7LJ103X04	1	43484710304R2	
U003	R8720	C-CARBON R	RN72K1J-220JE	1	435032204R1	
U003	R8721	C-CARBON R	RN72K1J-103JE	1	435031034R1	
U003	R8722	C-CARBON R	RN72K1J-222JE	1	435032224R1	
U003	R8723	C-CARBON R	RN72K1J-222JE	1	435032224R1	
U003	R8725	C-CARBON R	RN72K1J-103JE	1	435031034R1	
U003	R8728	C-CARBON R	RN72K1J-103JE	1	435031034R1	
U003	R8729	C-CARBON R	RN72K1J-000JE	1	435030004R1	

U003	R8730	C-CARBON R	RN72K1J-103JE	1	435031034R1
U003	R8732	C-CARBON R	RN72K1J-103JE	1	435031034R1
U003	R8734	C-CARBON R	RN72K1J-103JE	1	435031034R1
U003	R8736	C-CARBON R	RN72K1J-103JE	1	435031034R1
U003	R8737	C-CARBON R	RN72K1J-222JE	1	435032224R1
U003	R8738	C-CARBON R	RN72K1J-222JE	1	435032224R1
U003	R8739	C-CARBON R	RN72K1J-472JE	1	435034724R1
U003	R8740	C-CARBON R	RN72K1J-472JE	1	435034724R1
U003	R8742	C-CARBON R	RN72K1J-000JE	1	435030004R1
U003	R8743	C-CARBON R	RN72K1J-000JE	1	435030004R1
U003	R8744	C-R NET	RM7LJ103X04	1	43484710304R2
U003	R8745	C-CARBON R	RN72K1J-103JE	1	435031034R1
U003	R8746	C-CARBON R	RN72K1J-103JE	1	435031034R1
U003	R8747	C-CARBON R	RN72K1J-220JE	1	435032204R1
U003	R8748	C-CARBON R	RN72K1J-470JE	1	435034704R1
U003	R8749	C-CARBON R	RN72K1J-470JE	1	435034704R1
U003	R8901	C-CARBON R	RN72K1J-103JE	1	435031034R1
U003	R8902	C-CARBON R	RN72K1J-393JE	1	435033934R1
U003	R8906	C-CARBON R	RN72K1J-272JE	1	435032724R1
U003	R8907	C-CARBON R	RN72K1J-223JE	1	435032234R1
U003	R8908	C-CARBON R	RN72K1J-103JE	1	435031034R1
U003	R8909	C-CARBON R	RN72K1J-334JE	1	435033344R1
U003	R8910	C-CARBON R	RN72K1J-103JE	1	435031034R1
U003	R8911	C-CARBON R	RN72K1J-682JE	1	435036824R1
U003	R8912	C-CARBON R	RN72K1J-104JE	1	435031044R1
U003	R8931	C-CARBON R	RN72K1J-102JE	1	435031024R1
U003	R8932	C-CARBON R	RN72K1J-104JE	1	435031044R1
U003	R8933	C-CARBON R	RN72K1J-182JE	1	435031824R1
U003	R8934	C-CARBON R	RN72K1J-272FE	1	435032722R1
U003	R8935	C-CARBON R	RN72K1J-563FE	1	435035632R1
U003	R8936	C-CARBON R	RN72K1J-103FE	1	435031032R1
U003	R8941	C-CARBON R	RN72K1J-102JE	1	435031024R1
U003	R8942	C-CARBON R	RN72K1J-104JE	1	435031044R1
U003	R8943	C-CARBON R	RN72K1J-332JE	1	435033324R1
U003	R8945	C-CARBON R	RN72K1J-103FE	1	435031032R1
U003	R8946	C-CARBON R	RN72K1J-103FE	1	435031032R1
U003	R8951	C-CARBON R	RN72K1J-102JE	1	435031024R1
U003	R8952	C-CARBON R	RN72K1J-104JE	1	435031044R1
U003	R8953	C-CARBON R	RN72K1J-562JE	1	435035624R1

U003	R8954	C-CARBON R	RN72K1J-273FE	1	435032732R1
U003	R8955	C-CARBON R	RN72K1J-824FE	1	435038242R1
U003	R8956	C-CARBON R	RN72K1J-103FE	1	435031032R1
U003	R8963	C-CARBON R	RN72K1J-822JE	1	435038224R1
U003	R8964	C-CARBON R	RN72K1J-563FE	1	435035632R1
U003	R8965	C-CARBON R	RN72K1J-274FE	1	435032742R1
U003	R8966	C-CARBON R	RN72K1J-103FE	1	435031032R1
U003	<b>[SW TRM]</b>				
U003	JL801B	WIRE TRAP	NPLG-5P588	1	25055626
U003	P2800B	SOCKET	IMSA-9618S-09A	1	25053334R2
U003	P2800Bor	SOCKET	09FMN-SMT-A-TF	( 1)	25052826R2
U003	P2801B	SOCKET	IMSA-9618S-09A	1	25053334R2
U003	P2801Bor	SOCKET	09FMN-SMT-A-TF	( 1)	25052826R2
U003	P3101A	PLUG	NPLG-5P918	1	25055965R2
U003	P3102A	SOCKET	NSCT-9P2472	1	25052575R2
U003	P3104	SOCKET	RB1-105B8A1F	1	25053409
U003	P3104 or	SOCKET	SI-60073-F	( 1)	25053307
U003	P3104 or	SOCKET	EJFR0002	( 1)	25056668
U003	P8001B	SOCKET	IMSA-9111S-16L	1	25053258
U003	P8002B	SOCKET	IMSA-9111S-24L	1	25053259
U003	P8003B	SOCKET	IMSA-9111S-16L	1	25053258
U003	P8030	SOCKET	IMSA-9618S-04A	1	25053329R2
U003	P8030 or	SOCKET	04FMN-SMT-A-TF	( 1)	25052821R2
U003	P8101	SOCKET	TCX3400-111387	1	25053406R3
U003	P8101 or	SOCKET	YKF45-7037V	( 1)	25053253R3
U003	P8101 or	SOCKET	HDMI(47266-4101)	( 1)	25053389R3
U003	P8101 or	SOCKET	061-043-079	( 1)	25053407R3
U003	P8104	SOCKET	NSCT-8P2471	1	25052574R2
U003	P8611	SOCKET	TCX3400-111387	1	25053406R3
U003	P8611 or	SOCKET	YKF45-7037V	( 1)	25053253R3
U003	P8611 or	SOCKET	HDMI(47266-4101)	( 1)	25053389R3
U003	P8611 or	SOCKET	061-043-079	( 1)	25053407R3
U003	P8621	SOCKET	TCX3400-111387	1	25053406R3
U003	P8621 or	SOCKET	YKF45-7037V	( 1)	25053253R3
U003	P8621 or	SOCKET	HDMI(47266-4101)	( 1)	25053389R3
U003	P8621 or	SOCKET	061-043-079	( 1)	25053407R3
U003	P8631	SOCKET	TCX3400-111387	1	25053406R3
U003	P8631 or	SOCKET	YKF45-7037V	( 1)	25053253R3
U003	P8631 or	SOCKET	HDMI(47266-4101)	( 1)	25053389R3



U003	P8631 or	SOCKET	061-043-079	(1)	25053407R3	
U003	P8641	SOCKET	TCX3400-111387	1	25053406R3	
U003	P8641 or	SOCKET	YKF45-7037V	(1)	25053253R3	
U003	P8641 or	SOCKET	HDMI(47266-4101)	(1)	25053389R3	
U003	P8641 or	SOCKET	061-043-079	(1)	25053407R3	
U003	P8651	SOCKET	TCX3400-111387	1	25053406R3	<MDC, MMR>
U003	P8651 or	SOCKET	YKF45-7037V	(1)	25053253R3	<MDC, MMR>
U003	P8651 or	SOCKET	HDMI(47266-4101)	(1)	25053389R3	<MDC, MMR>
U003	P8651 or	SOCKET	061-043-079	(1)	25053407R3	<MDC, MMR>
U003	P8652	SOCKET	TCX3400-111387	1	25053406R3	<MDC, MMR>
U003	P8652 or	SOCKET	YKF45-7037V	(1)	25053253R3	<MDC, MMR>
U003	P8652 or	SOCKET	HDMI(47266-4101)	(1)	25053389R3	<MDC, MMR>
U003	P8652 or	SOCKET	061-043-079	(1)	25053407R3	<MDC, MMR>
U003	P8661	SOCKET	TCX3400-111387	1	25053406R3	<MDC, MMR>
U003	P8661 or	SOCKET	YKF45-7037V	(1)	25053253R3	<MDC, MMR>
U003	P8661 or	SOCKET	HDMI(47266-4101)	(1)	25053389R3	<MDC, MMR>
U003	P8661 or	SOCKET	061-043-079	(1)	25053407R3	<MDC, MMR>
U003	P8662	SOCKET	TCX3400-111387	1	25053406R3	<MDC, MMR>
U003	P8662 or	SOCKET	YKF45-7037V	(1)	25053253R3	<MDC, MMR>
U003	P8662 or	SOCKET	HDMI(47266-4101)	(1)	25053389R3	<MDC, MMR>
U003	P8662 or	SOCKET	061-043-079	(1)	25053407R3	<MDC, MMR>
U003	P8702	SOCKET	NSCT-9P2472	1	25052575R2	
U004	<b>U004</b>	<b>U0040 x 2</b>				
U004	<b>U0040</b>	Digital input/ Main CPU/ DAC PC board ass'y	BADG-0643-1G/ 1P			
U004						
U004	<b>CIRCUIT NO.</b>	<b>PART NAME</b>	<b>DESCRIPTION</b>	<b>Q'TY</b>	<b>PART NO. (SN)</b>	<b>REMARKS</b>
U004	<b>[SEMI CONDUCTOR]</b>					
U004	D110	C-DIODE	DA2J10100	1	223303R2	
U004	D110 or	C-DIODE	1SS352	(1)	223234R2	
U004	D110 or	C-DIODE	1SS355	(1)	223269R2	
U004	D110 or	C-DIODE	MA2J111	(1)	223279R2	
U004	D110 or	C-DIODE	KDS4148U	(1)	223283R2	
U004	D111	C-DIODE	DA2J10100	1	223303R2	
U004	D111 or	C-DIODE	1SS352	(1)	223234R2	
U004	D111 or	C-DIODE	1SS355	(1)	223269R2	
U004	D111 or	C-DIODE	MA2J111	(1)	223279R2	
U004	D111 or	C-DIODE	KDS4148U	(1)	223283R2	

U004	D131	C-DIODE	DA2J10100	1	223303R2
U004	D131 or	C-DIODE	1SS352	(1)	223234R2
U004	D131 or	C-DIODE	1SS355	(1)	223269R2
U004	D131 or	C-DIODE	MA2J111	(1)	223279R2
U004	D131 or	C-DIODE	KDS4148U	(1)	223283R2
U004	D132	C-DIODE	DA2J10100	1	223303R2
U004	D132 or	C-DIODE	1SS352	(1)	223234R2
U004	D132 or	C-DIODE	1SS355	(1)	223269R2
U004	D132 or	C-DIODE	MA2J111	(1)	223279R2
U004	D132 or	C-DIODE	KDS4148U	(1)	223283R2
U004	D182	DIODE	RL1N4003	1	22380260T
U004	D183	DIODE	RL1N4003	1	22380260T
U004	D601	C-DIODE	DA2J10100	1	223303R2
U004	D601 or	C-DIODE	1SS352	(1)	223234R2
U004	D601 or	C-DIODE	1SS355	(1)	223269R2
U004	D601 or	C-DIODE	MA2J111	(1)	223279R2
U004	D601 or	C-DIODE	KDS4148U	(1)	223283R2
U004	D605	C-DIODE	DA2J10100	1	223303R2
U004	D605 or	C-DIODE	1SS352	(1)	223234R2
U004	D605 or	C-DIODE	1SS355	(1)	223269R2
U004	D605 or	C-DIODE	MA2J111	(1)	223279R2
U004	D605 or	C-DIODE	KDS4148U	(1)	223283R2
U004	D606	C-DIODE	DA2J10100	1	223303R2
U004	D606 or	C-DIODE	1SS352	(1)	223234R2
U004	D606 or	C-DIODE	1SS355	(1)	223269R2
U004	D606 or	C-DIODE	MA2J111	(1)	223279R2
U004	D606 or	C-DIODE	KDS4148U	(1)	223283R2
U004	D701	C-DIODE	DA2J10100	1	223303R2
U004	D701 or	C-DIODE	1SS352	(1)	223234R2
U004	D701 or	C-DIODE	1SS355	(1)	223269R2
U004	D701 or	C-DIODE	MA2J111	(1)	223279R2
U004	D701 or	C-DIODE	KDS4148U	(1)	223283R2
U004	D702	C-DIODE	DA2J10100	1	223303R2
U004	D702 or	C-DIODE	1SS352	(1)	223234R2
U004	D702 or	C-DIODE	1SS355	(1)	223269R2
U004	D702 or	C-DIODE	MA2J111	(1)	223279R2
U004	D702 or	C-DIODE	KDS4148U	(1)	223283R2
U004	Q131	IC	TC74HCU04AF	1	222740046R2TO
U004	Q131 or	IC	74HCU04F	(1)	222740046R2

U004	Q153	IC	RIEX25064ASA00A	1	22242581R2	
U004	Q153 or	IC	M95640-WMN6TP	( 1)	22242643R2	
U004	Q181	TR	KRC105S	1	2217290R2	
U004	Q181 or	TR	RN1405	( 1)	2214500R2	
U004	Q301	IC	PCM9211PTR	1	22242703R2	
U004	Q302	IC	PCM1690DCAR	1	22242599R2	
U004	Q304	IC	PCM1754DBQR	1	22242598R2	<MDC, MMR>
U004	Q401	IC	NJM4580M-D	1	22241448R2	
U004	Q402	IC	NJM4580M-D	1	22241448R2	
U004	Q403	IC	NJM4580M-D	1	22241448R2	
U004	Q404	IC	NJM4580M-D	1	22241448R2	
U004	Q481	IC	NJM4580M-D	1	22241448R2	<MDC, MMR>
U004	Q601	TR	KRC104S	1	2216210R2	
U004	Q601 or	TR	RN1404	( 1)	2214490R2	
U004	Q701	IC(MAIN MICROPROCESSOR)	MPD70F3746GJ-GAE-AX(0411)	1	222W0079R304110	
U004	Q702	IC	S-812C33AUA-C2N	1	22242222R2	
U004	Q703	IC	S-812C56AUA-C3K	1	22242207R2	
U004	Q704	IC	SN74CB3Q3305PWR	1	22242258R2	
U004	Q731	IC	TC7SZU04FU	1	22242512R2TO	
U004	Q732	IC	TC7WH241FU(TE12L_F)	1	22242076R2TO	
U004	Q741	IC	XC6220B501PR	1	22242692R2	
U004	Q742	IC	BU33TD3WG-TR	1	22242715R2	
U004	Q751	TR	KRC104S	1	2216210R2	
U004	Q751 or	TR	RN1404	( 1)	2214490R2	
U004	Q752	TR	KRA102S	1	2216220R2	
U004	Q752 or	TR	RN2402	( 1)	2214530R2	
U004	Q753	TR	KRA107S	1	2216350R2	
U004	Q753 or	TR	RN2407(TE85L_F)	( 1)	2216360R2	
U004	Q754	TR	KRC102S	1	2216190R2	
U004	Q754 or	TR	RN1402	( 1)	2214470R2	
U004	Q755	TR	KRA107S	1	2216350R2	
U004	Q755 or	TR	RN2407(TE85L_F)	( 1)	2216360R2	
U004	Q756	TR	KRC102S	1	2216190R2	
U004	Q756 or	TR	RN1402	( 1)	2214470R2	
U004	Q761	TR	KRC104S	1	2216210R2	<MDC, MMR>
U004	Q761 or	TR	RN1404	( 1)	2214490R2	<MDC, MMR>
U004	Q762	TR	KRA102S	1	2216220R2	<MDC, MMR>
U004	Q762 or	TR	RN2402	( 1)	2214530R2	<MDC, MMR>
U004	Q771	TR	KRC104S	1	2216210R2	<MDC, MMR>

U004	Q771 or	TR	RN1404	( 1)	2214490R2	<MDC, MMR>
U004	Q772	TR	KRA102S	1	2216220R2	<MDC, MMR>
U004	Q772 or	TR	RN2402	( 1)	2214530R2	<MDC, MMR>
U004	<b>[TRANS COIL]</b>					
U004	L130	CHOKE COIL	LBC2518T2R2M	1	231364M022R2	
U004	L131	CHOKE COIL	LBC2518T2R2M	1	231364M022R2	
U004	L132	CHOKE COIL	LBC2518T2R2M	1	231364M022R2	
U004	L133	CHOKE COIL	LBC2518T470M	1	231364M470R2	
U004	L134	CHOKE COIL	LBC2518T470M	1	231364M470R2	
U004	L135	EMIFIL	BK1608HS102-T	1	230955R2	
U004	L136	EMIFIL	BK1608HS102-T	1	230955R2	
U004	L153	CORE	BLM18PG181SN1D	1	2350005R1	
U004	L301	EMIFIL	BK1608LM182-T	1	230958R1	
U004	L302	EMIFIL	BK1608LM182-T	1	230958R1	
U004	L303	CHOKE COIL	LBC2518T4R7M	1	231364M047R2	
U004	L304	CHOKE COIL	LBC2518T4R7M	1	231364M047R2	
U004	L305	CHOKE COIL	LBC2518T4R7M	1	231364M047R2	
U004	L306	EMIFIL	BK1608LM182-T	1	230958R1	
U004	L370	CHOKE COIL	LBC2518T4R7M	1	231364M047R2	<MDC, MMR>
U004	L401	CHOKE COIL	LBC2518T4R7M	1	231364M047R2	
U004	L402	CHOKE COIL	LBC2518T4R7M	1	231364M047R2	
U004	L500	CORE	BLM18PG181SN1D	1	2350005R1	
U004	L731	CORE	BLM18PG181SN1D	1	2350005R1	
U004	L732	CORE	MMZ1608Y601BT	1	2350004R1	
U004	L733	EMIFIL	BK1608LL241-T	1	230959R1	
U004	L734	CORE	MMZ1608Y601BT	1	2350004R1	
U004	L741	CORE	BLM18PG181SN1D	1	2350005R1	
U004	L742	CHOKE COIL	BLM21PG221SN1	1	230949R2	
U004	L743	CORE	BLM18PG181SN1D	1	2350005R1	
U004	L744	CORE	BLM18PG181SN1D	1	2350005R1	
U004	L746	CORE	BLM18PG181SN1D	1	2350005R1	
U004	L747	CORE	BLM18PG181SN1D	1	2350005R1	
U004	X171	CRYSTAL	HC-49SMD24.576MHz+/-50ppm	1	3010494R2	
U004	X501	CERA LOCK	CSTCR5M00G53-B0	1	3010356R2	
U004	X731	CRYSTAL	HC-49SMD11.2896MHz	1	3010480R2	
U004	<b>[CAPACITOR]</b>					
U004	C130	C-CERA C	CK725F1E-104Z1	1	332161040R1	
U004	C131	C-CERA C	CC725CH1H-101J1	1	342101014R1	
U004	C132	C-CERA C	CC725CH1H-101J1	1	342101014R1	

U004	C133	C-CERA C	CK725B1C-104K1	1	332121045R1	
U004	C134	C-CERA C	CK725B1C-104K1	1	332121045R1	
U004	C135	C-CERA C	CC725CH1H-080D1	1	342100802R1	
U004	C136	C-CERA C	CC725CH1H-080D1	1	342100802R1	
U004	C139	UTSP C	CE04W10V-220M(UTSP)	1	397532217T	
U004	C140	C-CERA C	CK725F1E-104Z1	1	332161040R1	
U004	C141	C-CERA C	CK725F1E-104Z1	1	332161040R1	
U004	C142	C-CERA C	CK725F1E-104Z1	1	332161040R1	
U004	C143	C-CERA C	CC725CH1H-330J1	1	342103304R1	
U004	C144	C-CERA C	CC725CH1H-330J1	1	342103304R1	
U004	C145	UTSP C	CE04W10V-220M(UTSP)	1	397532217T	
U004	C151	C-CERA C	CK725F1E-104Z1	1	332161040R1	
U004	C172	C-CERA C	CC725CH1H-180J1	1	342101804R1	
U004	C173	C-CERA C	CC725CH1H-180J1	1	342101804R1	
U004	C305	C-CERA C	CK725F1E-104Z1	1	332161040R1	
U004	C306	UTSP C	CE04W10V-470M(UTSP)	1	397534717T	
U004	C307	C-CERA C	CK725F1E-104Z1	1	332161040R1	
U004	C312	C-CERA C	CK725B1H-102K1	1	332101025R1	
U004	C313	C-CERA C	CK725F1E-104Z1	1	332161040R1	
U004	C314	UTSP C	CE04W10V-470M(UTSP)	1	397534717T	
U004	C315	C-CERA C	CK725B1H-472K1	1	332104725R1	
U004	C316	C-CERA C	CK725B1H-473K1	1	332104735R1	
U004	C317	C-CERA C	CK725F1E-104Z1	1	332161040R1	
U004	C318	UTSP C	CE04W10V-470M(UTSP)	1	397534717T	
U004	C319	UTSJ C	CE04W25V-47M(UTSJ)	1	398054707AT	
U004	C320	C-CERA C	CK725B1H-223K1	1	332102235R1	
U004	C351	UTSP C	CE04W10V-470M(UTSP)	1	397534717T	
U004	C352	C-CERA C	CK725F1E-104Z1	1	332161040R1	
U004	C353	UTSP C	CE04W10V-470M(UTSP)	1	397534717T	
U004	C354	C-CERA C	CK725F1E-104Z1	1	332161040R1	
U004	C355	C-CERA C	CK725F1E-104Z1	1	332161040R1	
U004	C356	UTSJ C	CE04W25V-47M(UTSJ)	1	398054707AT	
U004	C357	C-CERA C	CK725F1E-104Z1	1	332161040R1	
U004	C370	C-CERA C	CK732B16V-106K	1	332071065R2	<MDC, MMR>
U004	C371	C-CERA C	CK725F1E-104Z1	1	332161040R1	<MDC, MMR>
U004	C372	C-CERA C	CK725F1E-104Z1	1	332161040R1	<MDC, MMR>
U004	C373	C-CERA C	CK732B16V-106K	1	332071065R2	<MDC, MMR>
U004	C400	UPZ C	2AUPZTF471JE	1	376334714T	<MDC, MMR>
U004	C401	UPZ C	2AUPZTF471JE	1	376334714T	<MDC, MMR>

U004	C402	UPZ C	2AUPZTF471JE	1	376334714T	
U004	C403	UPZ C	2AUPZTF471JE	1	376334714T	
U004	C404	UPZ C	2AUPZTF471JE	1	376334714T	
U004	C405	UPZ C	2AUPZTF471JE	1	376334714T	
U004	C406	UPZ C	2AUPZTF471JE	1	376334714T	
U004	C407	UPZ C	2AUPZTF471JE	1	376334714T	
U004	C410	UPZ C	2AUPZTF101JE	1	376331014T	<MDC, MMR>
U004	C411	UPZ C	2AUPZTF101JE	1	376331014T	<MDC, MMR>
U004	C412	UPZ C	2AUPZTF101JE	1	376331014T	
U004	C413	C-CERA C	CC725CH1H-101J1	1	342101014R1	
U004	C414	C-CERA C	CC725CH1H-101J1	1	342101014R1	
U004	C415	C-CERA C	CC725CH1H-101J1	1	342101014R1	
U004	C416	C-CERA C	CC725CH1H-101J1	1	342101014R1	
U004	C417	UPZ C	2AUPZTF101JE	1	376331014T	
U004	C420	UPZ C	2AUPZTF101JE	1	376331014T	<MDC, MMR>
U004	C421	UPZ C	2AUPZTF101JE	1	376331014T	<MDC, MMR>
U004	C422	UPZ C	2AUPZTF101JE	1	376331014T	
U004	C423	C-CERA C	CC725CH1H-101J1	1	342101014R1	
U004	C424	C-CERA C	CC725CH1H-101J1	1	342101014R1	
U004	C425	C-CERA C	CC725CH1H-101J1	1	342101014R1	
U004	C426	C-CERA C	CC725CH1H-101J1	1	342101014R1	
U004	C427	UPZ C	2AUPZTF101JE	1	376331014T	
U004	C480	UTSP C	CE04W50V-10M(UTSP)	1	397581007T	<MDC, MMR>
U004	C481	UTSP C	CE04W50V-10M(UTSP)	1	397581007T	<MDC, MMR>
U004	C482	C-CERA C	CC725CH1H-152J1	1	342101524R1	<MDC, MMR>
U004	C483	C-CERA C	CC725CH1H-152J1	1	342101524R1	<MDC, MMR>
U004	C484	C-CERA C	CC725CH1H-221J1	1	342102214R1	<MDC, MMR>
U004	C485	C-CERA C	CC725CH1H-221J1	1	342102214R1	<MDC, MMR>
U004	C498	UTSP C	CE04W25V-220M(UTSP)	1	397552217T	
U004	C499	UTSP C	CE04W25V-220M(UTSP)	1	397552217T	
U004	C501	UTSP C	CE04W50V-4.7M(UTSP)	1	397580477T	
U004	C502	C-CERA C	CK725F1E-104Z1	1	332161040R1	
U004	C503	C-CERA C	CK725F1E-104Z1	1	332161040R1	
U004	C504	C-CERA C	CK725F1E-104Z1	1	332161040R1	
U004	C505	C-CERA C	CK725F1E-104Z1	1	332161040R1	
U004	C507	C-CERA C	CK725F1E-104Z1	1	332161040R1	
U004	C508	C-CERA C	CK725F1E-104Z1	1	332161040R1	
U004	C509	C-CERA C	CK732B16V-106K	1	332071065R2	
U004	C511	C-CERA C	CK725B1H-102K1	1	332101025R1	

U004	C512	C-CERA C	CK725B1H-102K1	1	332101025R1
U004	C513	C-CERA C	CC725CH1H-101J1	1	342101014R1
U004	C514	C-CERA C	CC725CH1H-101J1	1	342101014R1
U004	C518	C-CERA C	CK725B1H-102K1	1	332101025R1
U004	C519	C-CERA C	CK725B1H-102K1	1	332101025R1
U004	C520	C-CERA C	CK725B1H-102K1	1	332101025R1
U004	C521	C-CERA C	CC725CH1H-221J1	1	342102214R1
U004	C522	C-CERA C	CK725F1E-104Z1	1	332161040R1
U004	C523	C-CERA C	CK725B1H-102K1	1	332101025R1
U004	C524	C-CERA C	CK725B1H-102K1	1	332101025R1
U004	C525	C-CERA C	CK725F1E-104Z1	1	332161040R1
U004	C526	C-CERA C	CK725B1H-102K1	1	332101025R1
U004	C527	C-CERA C	CK725B1H-102K1	1	332101025R1
U004	C551	C-CERA C	CK725F1E-104Z1	1	332161040R1
U004	C552	C-CERA C	CK725F1E-104Z1	1	332161040R1
U004	C629	C-CERA C	CK725F1E-104Z1	1	332161040R1
U004	C701	C-CERA C	CK725F1E-104Z1	1	332161040R1
U004	C705	C-CERA C	CK732B16V-106K	1	332071065R2
U004	C706	UTSP C	CE04W16V-470M(UTSP)	1	397544717T
U004	C707	UTSP C	CE04W10V-100M(UTSP)	1	397531017T
U004	C708	UTSP C	CE04W10V-470M(UTSP)	1	397534717T
U004	C709	C-CERA C	CK725F1E-104Z1	1	332161040R1
U004	C710	C-CERA C	CK725F1E-104Z1	1	332161040R1
U004	C731	C-CERA C	CK725F1A-105Z1	1	332181050R1
U004	C732	C-CERA C	CK732B16V-106K	1	332071065R2
U004	C733	C-CERA C	CK725F1A-105Z1	1	332181050R1
U004	C734	C-CERA C	CC725CH1H-120J1	1	342101204R1
U004	C735	C-CERA C	CC725CH1H-120J1	1	342101204R1
U004	C736	C-CERA C	CK725F1A-105Z1	1	332181050R1
U004	C741	C-CERA C	CK732B16V-106K	1	332071065R2
U004	C742	C-CERA C	CK732B16V-106K	1	332071065R2
U004	C743	C-CERA C	CK732B16V-106K	1	332071065R2
U004	C744	C-CERA C	CK732B16V-106K	1	332071065R2
U004	C745	C-CERA C	CK725F1E-104Z1	1	332161040R1
U004	C746	C-CERA C	CK732B16V-106K	1	332071065R2
U004	C751	C-CERA C	CK725B1A-105K1	1	332131055R1
U004	C752	C-CERA C	CK732B1C-474K	1	337394745R1
U004	C753	VR C	CE04W6.3V-470M(VR)	1	394624717T
U004	C761	C-CERA C	CK725B1A-105K1	1	332131055R1

&lt;MDC, MMR&gt;

U004	C762	C-CERA C	CK732B1C-474K	1	337394745R1	<MDC, MMR>
U004	C771	C-CERA C	CK725B1A-105K1	1	332131055R1	<MDC, MMR>
U004	C772	C-CERA C	CK732B1C-474K	1	337394745R1	<MDC, MMR>
U004	C800	C-CERA C	CK725F1E-104Z1	1	332161040R1	
U004	C801	C-CERA C	CK725B1H-103K1	1	332101035R1	
U004	<b>[RESISTOR]</b>					
U004	R110	C-CARBON R	RN72K1J-103JE	1	435031034R1	
U004	R130	C-CARBON R	RN72K1J-331JE	1	435033314R1	
U004	R131	C-CARBON R	RN72K1J-750JE	1	435037504R1	
U004	R132	C-CARBON R	RN72K1J-750JE	1	435037504R1	
U004	R133	C-CARBON R	RN72K1J-100JE	1	435031004R1	
U004	R134	C-CARBON R	RN72K1J-100JE	1	435031004R1	
U004	R137	C-CARBON R	RN72K1J-103JE	1	435031034R1	
U004	R138	C-CARBON R	RN72K1J-103JE	1	435031034R1	
U004	R139	C-CARBON R	RN72K1J-823JE	1	435038234R1	
U004	R140	C-CARBON R	RN72K1J-823JE	1	435038234R1	
U004	R141	C-CARBON R	RN72K1J-470JE	1	435034704R1	
U004	R142	C-CARBON R	RN72K1J-470JE	1	435034704R1	
U004	R1490	C-CARBON R	RN72K1J-000JE	1	435030004R1	<MDC, MMR>
U004	R1491	C-CARBON R	RN72K1J-000JE	1	435030004R1	<MDC, MMR>
U004	R151	C-CARBON R	RN72K1J-103JE	1	435031034R1	
U004	R152	C-CARBON R	RN72K1J-103JE	1	435031034R1	
U004	R153	C-CARBON R	RN72K1J-222JE	1	435032224R1	
U004	R154	C-CARBON R	RN72K1J-103JE	1	435031034R1	
U004	R181	METAL R	RNU1/2WCJ-4.7	1	453530474T	
U004	R182	METAL R	RNU1/2WCJ-1	1	453530104T	
U004	R301	C-CARBON R	RN72K1J-470JE	1	435034704R1	
U004	R302	C-CARBON R	RN72K1J-151JE	1	435031514R1	
U004	R303	C-CARBON R	RN72K1J-221JE	1	435032214R1	
U004	R304	C-CARBON R	RN72K1J-221JE	1	435032214R1	
U004	R305	C-CARBON R	RN72K1J-221JE	1	435032214R1	
U004	R306	C-CARBON R	RN72K1J-330JE	1	435033304R1	
U004	R307	C-CARBON R	RN72K1J-331JE	1	435033314R1	
U004	R308	C-CARBON R	RN72K1J-331JE	1	435033314R1	
U004	R312	C-CARBON R	RN72K1J-470JE	1	435034704R1	
U004	R313	C-CARBON R	RN72K1J-470JE	1	435034704R1	
U004	R314	C-CARBON R	RN72K1J-151JE	1	435031514R1	
U004	R315	C-CARBON R	RN72K1J-151JE	1	435031514R1	
U004	R316	C-CARBON R	RN72K1J-470JE	1	435034704R1	



U004	R317	C-CARBON R	RN72K1J-331JE	1	435033314R1	
U004	R321	C-CARBON R	RN72K1J-331JE	1	435033314R1	
U004	R322	C-CARBON R	RN72K1J-331JE	1	435033314R1	
U004	R323	C-CARBON R	RN72K1J-331JE	1	435033314R1	
U004	R324	C-CARBON R	RN72K1J-331JE	1	435033314R1	
U004	R325	C-CARBON R	RN72K1J-331JE	1	435033314R1	
U004	R326	C-CARBON R	RN72K1J-331JE	1	435033314R1	
U004	R327	C-CARBON R	RN72K1J-221JE	1	435032214R1	
U004	R331	C-CARBON R	RN72K1J-221JE	1	435032214R1	
U004	R332	C-CARBON R	RN72K1J-681JE	1	435036814R1	
U004	R333	C-CARBON R	RN72K1J-221JE	1	435032214R1	
U004	R334	C-CARBON R	RN72K1J-000JE	1	435030004R1	
U004	R336	C-CARBON R	RN72K1J-000JE	1	435030004R1	
U004	R337	C-CARBON R	RN72K1J-000JE	1	435030004R1	
U004	R350	C-CARBON R	RN72K1J-331JE	1	435033314R1	
U004	R351	C-CARBON R	RN72K1J-331JE	1	435033314R1	
U004	R352	C-CARBON R	RN72K1J-331JE	1	435033314R1	
U004	R353	C-CARBON R	RN72K1J-221JE	1	435032214R1	
U004	R354	C-CARBON R	RN72K1J-221JE	1	435032214R1	
U004	R355	C-CARBON R	RN72K1J-220JE	1	435032204R1	
U004	R356	C-CARBON R	RN72K1J-220JE	1	435032204R1	
U004	R357	C-CARBON R	RN72K1J-220JE	1	435032204R1	
U004	R358	C-CARBON R	RN72K1J-220JE	1	435032204R1	
U004	R359	C-CARBON R	RN72K1J-220JE	1	435032204R1	
U004	R360	C-CARBON R	RN72K1J-220JE	1	435032204R1	
U004	R361	C-CARBON R	RN72K1J-331JE	1	435033314R1	
U004	R362	C-CARBON R	RN72K1J-472JE	1	435034724R1	
U004	R371	C-CARBON R	RN72K1J-331JE	1	435033314R1	<MDC, MMR>
U004	R372	C-CARBON R	RN72K1J-151JE	1	435031514R1	<MDC, MMR>
U004	R373	C-CARBON R	RN72K1J-151JE	1	435031514R1	<MDC, MMR>
U004	R374	C-CARBON R	RN72K1J-151JE	1	435031514R1	<MDC, MMR>
U004	R375	C-CARBON R	RN72K1J-151JE	1	435031514R1	<MDC, MMR>
U004	R400	C-CARBON R	RN72K1J-153JE	1	435031534R1	
U004	R401	C-CARBON R	RN72K1J-153JE	1	435031534R1	
U004	R402	C-CARBON R	RN72K1J-153JE	1	435031534R1	
U004	R403	C-CARBON R	RN72K1J-153JE	1	435031534R1	
U004	R404	C-CARBON R	RN72K1J-153JE	1	435031534R1	
U004	R405	C-CARBON R	RN72K1J-153JE	1	435031534R1	
U004	R406	C-CARBON R	RN72K1J-153JE	1	435031534R1	

U004	R407	C-CARBON R	RN72K1J-153JE	1	435031534R1	
U004	R410	C-CARBON R	RN72K1J-153JE	1	435031534R1	
U004	R411	C-CARBON R	RN72K1J-153JE	1	435031534R1	
U004	R412	C-CARBON R	RN72K1J-153JE	1	435031534R1	
U004	R413	C-CARBON R	RN72K1J-153JE	1	435031534R1	
U004	R414	C-CARBON R	RN72K1J-153JE	1	435031534R1	
U004	R415	C-CARBON R	RN72K1J-153JE	1	435031534R1	
U004	R416	C-CARBON R	RN72K1J-153JE	1	435031534R1	
U004	R417	C-CARBON R	RN72K1J-153JE	1	435031534R1	
U004	R420	C-CARBON R	RN72K1J-103JE	1	435031034R1	<MDC, MMR>
U004	R421	C-CARBON R	RN72K1J-103JE	1	435031034R1	<MDC, MMR>
U004	R430	C-CARBON R	RN72K1J-103JE	1	435031034R1	<MDC, MMR>
U004	R431	C-CARBON R	RN72K1J-103JE	1	435031034R1	<MDC, MMR>
U004	R440	C-CARBON R	RN72K1J-123JE	1	435031234R1	<MDC, MMR>
U004	R441	C-CARBON R	RN72K1J-123JE	1	435031234R1	<MDC, MMR>
U004	R442	C-CARBON R	RN72K1J-223JE	1	435032234R1	
U004	R443	C-CARBON R	RN72K1J-223JE	1	435032234R1	
U004	R444	C-CARBON R	RN72K1J-223JE	1	435032234R1	
U004	R445	C-CARBON R	RN72K1J-223JE	1	435032234R1	
U004	R446	C-CARBON R	RN72K1J-223JE	1	435032234R1	
U004	R447	C-CARBON R	RN72K1J-223JE	1	435032234R1	
U004	R450	C-CARBON R	RN72K1J-123JE	1	435031234R1	<MDC, MMR>
U004	R451	C-CARBON R	RN72K1J-123JE	1	435031234R1	<MDC, MMR>
U004	R452	C-CARBON R	RN72K1J-223JE	1	435032234R1	
U004	R453	C-CARBON R	RN72K1J-223JE	1	435032234R1	
U004	R454	C-CARBON R	RN72K1J-223JE	1	435032234R1	
U004	R455	C-CARBON R	RN72K1J-223JE	1	435032234R1	
U004	R456	C-CARBON R	RN72K1J-223JE	1	435032234R1	
U004	R457	C-CARBON R	RN72K1J-223JE	1	435032234R1	
U004	R460	C-CARBON R	RN72K1J-182JE	1	435031824R1	<MDC, MMR>
U004	R461	C-CARBON R	RN72K1J-182JE	1	435031824R1	<MDC, MMR>
U004	R462	C-CARBON R	RN72K1J-182JE	1	435031824R1	
U004	R463	C-CARBON R	RN72K1J-182JE	1	435031824R1	
U004	R464	C-CARBON R	RN72K1J-182JE	1	435031824R1	
U004	R465	C-CARBON R	RN72K1J-182JE	1	435031824R1	
U004	R466	C-CARBON R	RN72K1J-182JE	1	435031824R1	
U004	R467	C-CARBON R	RN72K1J-182JE	1	435031824R1	
U004	R470	C-CARBON R	RN72K1J-182JE	1	435031824R1	<MDC, MMR>
U004	R471	C-CARBON R	RN72K1J-182JE	1	435031824R1	<MDC, MMR>

U004	R472	C-CARBON R	RN72K1J-182JE	1	435031824R1	
U004	R473	C-CARBON R	RN72K1J-182JE	1	435031824R1	
U004	R474	C-CARBON R	RN72K1J-182JE	1	435031824R1	
U004	R475	C-CARBON R	RN72K1J-182JE	1	435031824R1	
U004	R476	C-CARBON R	RN72K1J-182JE	1	435031824R1	
U004	R477	C-CARBON R	RN72K1J-182JE	1	435031824R1	
U004	R480	C-CARBON R	RN72K1J-104JE	1	435031044R1	<MDC, MMR>
U004	R481	C-CARBON R	RN72K1J-104JE	1	435031044R1	<MDC, MMR>
U004	R482	C-CARBON R	RN72K1J-332JE	1	435033324R1	<MDC, MMR>
U004	R483	C-CARBON R	RN72K1J-332JE	1	435033324R1	<MDC, MMR>
U004	R484	C-CARBON R	RN72K1J-472JE	1	435034724R1	<MDC, MMR>
U004	R485	C-CARBON R	RN72K1J-472JE	1	435034724R1	<MDC, MMR>
U004	R486	C-CARBON R	RN72K1J-822JE	1	435038224R1	<MDC, MMR>
U004	R487	C-CARBON R	RN72K1J-822JE	1	435038224R1	<MDC, MMR>
U004	R496	C-CARBON R	RN72K1J-000JE	1	435030004R1	<MDC, MMR>
U004	R497	C-CARBON R	RN72K1J-000JE	1	435030004R1	<MDC, MMR>
U004	R498	C-CARBON R	RN72K1J-220JE	1	435032204R1	
U004	R499	C-CARBON R	RN72K1J-220JE	1	435032204R1	
U004	R501	C-CARBON R	RN72K1J-473JE	1	435034734R1	
U004	R502	C-CARBON R	RN72K1J-221JE	1	435032214R1	<MDC, MMR>
U004	R503	C-CARBON R	RN72K1J-103JE	1	435031034R1	
U004	R504	C-CARBON R	RN72K1J-000JE	1	435030004R1	
U004	R505	C-CARBON R	RN72K1J-103JE	1	435031034R1	
U004	R506	C-CARBON R	RN72K1J-000JE	1	435030004R1	
U004	R508	C-CARBON R	RN72K1J-105JE	1	435031054R1	
U004	R509	C-CARBON R	RN72K1J-000JE	1	435030004R1	
U004	R510	C-CARBON R	RN72K1J-470JE	1	435034704R1	
U004	R511	C-CARBON R	RN72K1J-473JE	1	435034734R1	
U004	R512	C-CARBON R	RN72K1J-221JE	1	435032214R1	
U004	R514	C-CARBON R	RN72K1J-470JE	1	435034704R1	
U004	R515	C-CARBON R	RN72K1J-470JE	1	435034704R1	
U004	R516	C-CARBON R	RN72K1J-470JE	1	435034704R1	
U004	R517	C-CARBON R	RN72K1J-470JE	1	435034704R1	
U004	R518	C-CARBON R	RN72K1J-103JE	1	435031034R1	
U004	R519	C-CARBON R	RN72K1J-470JE	1	435034704R1	
U004	R520	C-CARBON R	RN72K1J-103JE	1	435031034R1	
U004	R521	C-CARBON R	RN72K1J-470JE	1	435034704R1	
U004	R522	C-CARBON R	RN72K1J-470JE	1	435034704R1	
U004	R523	C-CARBON R	RN72K1J-470JE	1	435034704R1	

U004	R524	C-CARBON R	RN72K1J-103JE	1	435031034R1	
U004	R528	C-CARBON R	RN72K1J-470JE	1	435034704R1	<MDC, MMR>
U004	R532	C-CARBON R	RN72K1J-472JE	1	435034724R1	
U004	R533	C-CARBON R	RN72K1J-472JE	1	435034724R1	
U004	R534	C-CARBON R	RN72K1J-223JE	1	435032234R1	
U004	R535	C-CARBON R	RN72K1J-223JE	1	435032234R1	
U004	R536	C-CARBON R	RN72K1J-223JE	1	435032234R1	
U004	R537	C-CARBON R	RN72K1J-223JE	1	435032234R1	
U004	R543	C-CARBON R	RN72K1J-103JE	1	435031034R1	
U004	R544	C-CARBON R	RN72K1J-221JE	1	435032214R1	
U004	R545	C-CARBON R	RN72K1J-221JE	1	435032214R1	
U004	R546	C-CARBON R	RN72K1J-221JE	1	435032214R1	
U004	R547	C-CARBON R	RN72K1J-221JE	1	435032214R1	
U004	R550	C-CARBON R	RN72K1J-470JE	1	435034704R1	
U004	R551	C-CARBON R	RN72K1J-103JE	1	435031034R1	
U004	R552	C-CARBON R	RN72K1J-103JE	1	435031034R1	
U004	R553	C-CARBON R	RN72K1J-470JE	1	435034704R1	
U004	R554	C-CARBON R	RN72K1J-103JE	1	435031034R1	
U004	R556	C-CARBON R	RN72K1J-470JE	1	435034704R1	
U004	R557	C-CARBON R	RN72K1J-103JE	1	435031034R1	
U004	R558	C-CARBON R	RN72K1J-470JE	1	435034704R1	
U004	R559	C-CARBON R	RN72K1J-272JE	1	435032724R1	
U004	R565	C-CARBON R	RN72K1J-470JE	1	435034704R1	<MDC, MMR>
U004	R566	C-CARBON R	RN72K1J-103JE	1	435031034R1	<MDC, MMR>
U004	R567	C-CARBON R	RN72K1J-470JE	1	435034704R1	<MDC, MMR>
U004	R568	C-CARBON R	RN72K1J-103JE	1	435031034R1	<MDC, MMR>
U004	R569	C-CARBON R	RN72K1J-470JE	1	435034704R1	<MDC, MMR>
U004	R570	C-CARBON R	RN72K1J-103JE	1	435031034R1	<MDC, MMR>
U004	R571	C-CARBON R	RN72K1J-470JE	1	435034704R1	<MDC, MMR>
U004	R573	C-CARBON R	RN72K1J-221JE	1	435032214R1	
U004	R574	C-CARBON R	RN72K1J-470JE	1	435034704R1	
U004	R575	C-CARBON R	RN72K1J-470JE	1	435034704R1	
U004	R576	C-CARBON R	RN72K1J-470JE	1	435034704R1	
U004	R578	C-CARBON R	RN72K1J-470JE	1	435034704R1	
U004	R579	C-CARBON R	RN72K1J-470JE	1	435034704R1	
U004	R580	C-CARBON R	RN72K1J-103JE	1	435031034R1	
U004	R581	C-CARBON R	RN72K1J-103JE	1	435031034R1	
U004	R582	C-CARBON R	RN72K1J-221JE	1	435032214R1	
U004	R583	C-CARBON R	RN72K1J-221JE	1	435032214R1	

U004	R584	C-CARBON R	RN72K1J-103JE	1	435031034R1	
U004	R585	C-CARBON R	RN72K1J-221JE	1	435032214R1	
U004	R591	C-CARBON R	RN72K1J-470JE	1	435034704R1	
U004	R592	C-CARBON R	RN72K1J-470JE	1	435034704R1	
U004	R593	C-CARBON R	RN72K1J-221JE	1	435032214R1	
U004	R594	C-CARBON R	RN72K1J-221JE	1	435032214R1	
U004	R595	C-CARBON R	RN72K1J-103JE	1	435031034R1	
U004	R597	C-CARBON R	RN72K1J-470JE	1	435034704R1	
U004	R600	C-CARBON R	RN72K1J-103JE	1	435031034R1	
U004	R606	C-CARBON R	RN72K1J-470JE	1	435034704R1	
U004	R607	C-CARBON R	RN72K1J-470JE	1	435034704R1	<MDC, MMR>
U004	R609	C-CARBON R	RN72K1J-102JE	1	435031024R1	
U004	R611	C-CARBON R	RN72K1J-102JE	1	435031024R1	
U004	R613	C-CARBON R	RN72K1J-102JE	1	435031024R1	
U004	R614	C-CARBON R	RN72K1J-103JE	1	435031034R1	
U004	R616	C-CARBON R	RN72K1J-103JE	1	435031034R1	
U004	R617	C-CARBON R	RN72K1J-221JE	1	435032214R1	
U004	R618	C-CARBON R	RN72K1J-103JE	1	435031034R1	
U004	R619	C-CARBON R	RN72K1J-470JE	1	435034704R1	
U004	R620	C-CARBON R	RN72K1J-103JE	1	435031034R1	
U004	R621	C-CARBON R	RN72K1J-221JE	1	435032214R1	
U004	R622	C-CARBON R	RN72K1J-470JE	1	435034704R1	
U004	R623	C-CARBON R	RN72K1J-103JE	1	435031034R1	
U004	R625	C-CARBON R	RN72K1J-470JE	1	435034704R1	
U004	R626	C-CARBON R	RN72K1J-103JE	1	435031034R1	
U004	R628	C-CARBON R	RN72K1J-221JE	1	435032214R1	
U004	R629	C-CARBON R	RN72K1J-221JE	1	435032214R1	
U004	R630	C-CARBON R	RN72K1J-221JE	1	435032214R1	
U004	R631	C-CARBON R	RN72K1J-470JE	1	435034704R1	<MDC, MMR>
U004	R632	C-CARBON R	RN72K1J-470JE	1	435034704R1	
U004	R634	C-CARBON R	RN72K1J-470JE	1	435034704R1	
U004	R636	C-CARBON R	RN72K1J-470JE	1	435034704R1	
U004	R638	C-CARBON R	RN72K1J-470JE	1	435034704R1	
U004	R639	C-CARBON R	RN72K1J-103JE	1	435031034R1	
U004	R640	C-CARBON R	RN72K1J-470JE	1	435034704R1	
U004	R642	C-CARBON R	RN72K1J-000JE	1	435030004R1	
U004	R644	C-CARBON R	RN72K1J-000JE	1	435030004R1	
U004	R646	C-CARBON R	RN72K1J-000JE	1	435030004R1	
U004	R648	C-CARBON R	RN72K1J-000JE	1	435030004R1	

U004	R649	C-CARBON R	RN72K1J-103JE	1	435031034R1	
U004	R650	C-CARBON R	RN72K1J-221JE	1	435032214R1	
U004	R651	C-CARBON R	RN72K1J-103JE	1	435031034R1	
U004	R652	C-CARBON R	RN72K1J-102JE	1	435031024R1	
U004	R653	C-CARBON R	RN72K1J-105JE	1	435031054R1	
U004	R654	C-CARBON R	RN72K1J-103JE	1	435031034R1	
U004	R655	C-CARBON R	RN72K1J-224JE	1	435032244R1	
U004	R656	C-CARBON R	RN72K1J-224JE	1	435032244R1	
U004	R658	C-CARBON R	RN72K1J-221JE	1	435032214R1	
U004	R659	C-CARBON R	RN72K1J-273JE	1	435032734R1	
U004	R660	C-CARBON R	RN72K1J-221JE	1	435032214R1	
U004	R661	C-CARBON R	RN72K1J-221JE	1	435032214R1	
U004	R662	C-CARBON R	RN72K1J-103JE	1	435031034R1	<MDC, MMR>
U004	R663	C-CARBON R	RN72K1J-333JE	1	435033334R1	<MDC, MMR>
U004	R664	C-CARBON R	RN72K1J-000JE	1	435030004R1	<MDC, MMR>
U004	R667	C-CARBON R	RN72K1J-103JE	1	435031034R1	
U004	R668	C-CARBON R	RN72K1J-103JE	1	435031034R1	<MDC>
U004	R669	C-CARBON R	RN72K1J-103JE	1	435031034R1	<MMR>
U004	R669	C-CARBON R	RN72K1J-333JE	1	435033334R1	<MDC>
U004	R670	C-CARBON R	RN72K1J-472JE	1	435034724R1	
U004	R671	C-CARBON R	RN72K1J-272JE	1	435032724R1	
U004	R672	C-CARBON R	RN72K1J-472JE	1	435034724R1	
U004	R673	C-CARBON R	RN72K1J-272JE	1	435032724R1	
U004	R674	C-CARBON R	RN72K1J-472JE	1	435034724R1	
U004	R675	C-CARBON R	RN72K1J-272JE	1	435032724R1	
U004	R676	C-CARBON R	RN72K1J-472JE	1	435034724R1	
U004	R677	C-CARBON R	RN72K1J-272JE	1	435032724R1	
U004	R678	C-CARBON R	RN72K1J-103JE	1	435031034R1	
U004	R679	C-CARBON R	RN72K1J-223JE	1	435032234R1	
U004	R680	C-CARBON R	RN72K1J-223JE	1	435032234R1	
U004	R681	C-CARBON R	RN72K1J-473JE	1	435034734R1	
U004	R682	C-CARBON R	RN72K1J-103JE	1	435031034R1	
U004	R683	C-CARBON R	RN72K1J-103JE	1	435031034R1	
U004	R684	C-CARBON R	RN72K1J-000JE	1	435030004R1	<MDC, MMR>
U004	R685	C-CARBON R	RN72K1J-000JE	1	435030004R1	<MDC, MMR>
U004	R686	C-CARBON R	RN72K1J-103JE	1	435031034R1	
U004	R687	C-CARBON R	RN72K1J-103JE	1	435031034R1	
U004	R688	C-CARBON R	RN72K1J-103JE	1	435031034R1	
U004	R691	C-CARBON R	RN72K1J-103JE	1	435031034R1	

U004	R692	C-CARBON R	RN72K1J-221JE	1	435032214R1	
U004	R695	C-CARBON R	RN72K1J-221JE	1	435032214R1	
U004	R696	C-CARBON R	RN72K1J-470JE	1	435034704R1	
U004	R701	C-CARBON R	RN72K1J-000JE	1	435030004R1	
U004	R721	C-CARBON R	RN72K1J-103JE	1	435031034R1	
U004	R723	C-CARBON R	RN72K1J-101JE	1	435031014R1	
U004	R724	C-CARBON R	RN72K1J-101JE	1	435031014R1	
U004	R725	C-CARBON R	RN72K1J-221JE	1	435032214R1	
U004	R726	C-CARBON R	RN72K1J-273JE	1	435032734R1	
U004	R727	C-CARBON R	RN72K1J-103JE	1	435031034R1	
U004	R731	C-CARBON R	RN72K1J-105JE	1	435031054R1	
U004	R732	C-CARBON R	RN72K1J-561FE	1	435035612R1	
U004	R733	C-CARBON R	RN72K1J-560JE	1	435035604R1	
U004	R734	C-CARBON R	RN72K1J-471JE	1	435034714R1	
U004	R735	C-CARBON R	RN72K1J-391JE	1	435033914R1	
U004	R736	C-CARBON R	RN72K1J-181JE	1	435031814R1	
U004	R737	C-CARBON R	RN72K1J-181JE	1	435031814R1	
U004	R742	C-CARBON R	RN72K1J-102JE	1	435031024R1	
U004	R751	C-CARBON R	RN72K1J-103JE	1	435031034R1	
U004	R752	C-CARBON R	RN72K1J-222JE	1	435032224R1	
U004	R753	C-CARBON R	RN72K1J-102JE	1	435031024R1	
U004	R761	C-CARBON R	RN72K1J-103JE	1	435031034R1	<MDC, MMR>
U004	R762	C-CARBON R	RN72K1J-222JE	1	435032224R1	<MDC, MMR>
U004	R763	C-CARBON R	RN72K1J-102JE	1	435031024R1	<MDC, MMR>
U004	R771	C-CARBON R	RN72K1J-103JE	1	435031034R1	<MDC, MMR>
U004	R772	C-CARBON R	RN72K1J-222JE	1	435032224R1	<MDC, MMR>
U004	R773	C-CARBON R	RN72K1J-102JE	1	435031024R1	<MDC, MMR>
U004	<b>[SW TRM]</b>					
U004	JL501B	WIRE TRAP	NPLG-3P586	1	25055624	
U004	JL610B	WIRE TRAP	NPLG-7P590	1	25055628	<MDC, MMR>
U004	JL901B	WIRE TRAP	NPLG-5P588	1	25055626	
U004	P130	ST JACK	MSJ-035-22	1	25045887	
U004	P130 or	JACK	YKB21-5130	( 1)	25045387	
U004	P131	PIN JACK	NPJ-2PDOO626	1	25045847	<MDC, MMR>
U004	P131 or	PIN JACK	NPJ-2PDO445	( 1)	25045640	<MDC, MMR>
U004	P2001B	SOCKET	NSCT-9P2400	1	25052503	<MDC, MMR>
U004	P5501A	SOCKET	NSCT-5P2185	1	25052288	<MDC, MMR>
U004	P5502A	SOCKET	NSCT-15P2195	1	25052298	
U004	P5503A	SOCKET	NSCT-13P2193	1	25052296	

U004	P5504A	SOCKET	NSCT-7P2187	1	25052290	<MDC, MMR>
U004	P5510A	TRM	NTM-1P233(M1969)	1	25060302	
U004	P701A	SOCKET	NSCT-23P2414	1	25052517	N
U004	P703B	SOCKET	NSCT-7P2398	1	25052501	
U004	P751A	SOCKET	IMSA-9618S-09A	1	25053334R2	
U004	P8001A	PLUG	IMSA-9111B-16	1	25056620	
U004	P8002A	PLUG	IMSA-9111B-24	1	25056625	
U004	P8003A	PLUG	IMSA-9111B-16	1	25056620	
U004	P801	WS CLAMP	CB-71683(L=50)	1	260261	<MDC, MMR>
U004	<b>[TUNER UNIT]</b>					
U004	U131	PHT CP	JSR1165-001recieving	1	24120143	
U004	U132	PHT CP	JSR1165-001recieving	1	24120143	
U005	<b>U005</b>	<b>U0050 + U0051 + U0052</b>				
U005	<b>U0050</b>	Speaker Terminals PC board ass'y	BATRM-0647-1A/ 1B			
U005	<b>U0051</b>	FFC Fixture PC board ass'y	BAETC-0651-1A/ 1B			
U005	<b>U0052</b>	Part Fixture PC board ass'y	BAETC-0652-1A/ 1B			
U005						
U005	<b>CIRCUIT NO.</b>	<b>PART NAME</b>	<b>DESCRIPTION</b>	<b>Q'TY</b>	<b>PART NO. (SN)</b>	<b>REMARKS</b>
U005	<b>[SEMI CONDUCTOR]</b>					
U005	D6600	DIODE	ISS133	1	223163T	<MDC, MMR>
U005	D6603	DIODE	ISS133	1	223163T	<MDC, MMR>
U005	D6605	DIODE	ISS133	1	223163T	<MDC, MMR>
U005	D6607	DIODE	ISS133	1	223163T	<MDC, MMR>
U005	Q6601	TR	KRC105M	1	2215830T	<MDC, MMR>
U005	Q6601 or	TR	RN1205	( 1)	2214660T	<MDC, MMR>
U005	Q6602	TR	KRC105M	1	2215830T	<MDC, MMR>
U005	Q6602 or	TR	RN1205	( 1)	2214660T	<MDC, MMR>
U005	Q6603	TR	KRC105M	1	2215830T	<MDC, MMR>
U005	Q6603 or	TR	RN1205	( 1)	2214660T	<MDC, MMR>
U005	Q6604	TR	KRC105M	1	2215830T	<MDC, MMR>
U005	Q6604 or	TR	RN1205	( 1)	2214660T	<MDC, MMR>
U005	<b>[TRANS COIL]</b>					
U005	L6600	S COIL	SC-0.8X11.5X12.5T-6.5L	1	231393S	<MDC, MMR>
U005	L6601	S COIL	SC-0.8X11.5X12.5T-6.5L	1	231393S	<MDC, MMR>
U005	L6602	S COIL	SC-0.8X11.5X12.5T-6.5L	1	231393S	<MDC, MMR>
U005	L6603	S COIL	SC-0.8X11.5X12.5T-6.5L	1	231393S	<MDC, MMR>
U005	L6604	S COIL	SC-0.8X11.5X12.5T-6.5L	1	231393S	<MDC, MMR>
U005	L6605	S COIL	SC-0.8X11.5X12.5T-6.5L	1	231393S	<MDC, MMR>



U005	L6606	S COIL	SC-0.8X11.5X12.5T-6.5L	1	231393S	<MDC, MMR>
U005	<b>[CAPACITOR]</b>					
U005	C6030	TF C	ECQ-V50V-473J	1	374724734T	<MDC, MMR>
U005	C6031	TF C	ECQ-V50V-473J	1	374724734T	<MDC, MMR>
U005	C6032	TF C	ECQ-V50V-473J	1	374724734T	<MDC, MMR>
U005	C6033	TF C	ECQ-V50V-473J	1	374724734T	<MDC, MMR>
U005	C6034	TF C	ECQ-V50V-473J	1	374724734T	<MDC, MMR>
U005	C6035	TF C	ECQ-V50V-473J	1	374724734T	<MDC, MMR>
U005	C6036	TF C	ECQ-V50V-473J	1	374724734T	<MDC, MMR>
U005	C6600	TF C	ECQ-V50V-103J	1	374721034T	<MDC, MMR>
U005	C6602	TF C	ECQ-V50V-103J	1	374721034T	<MDC, MMR>
U005	C6603	TF C	ECQ-V50V-103J	1	374721034T	<MDC, MMR>
U005	C6605	TF C	ECQ-V50V-103J	1	374721034T	<MDC, MMR>
U005	C6607	TF C	ECQ-V50V-103J	1	374721034T	<MDC, MMR>
U005	C6640	TF C	ECQ-V50V-103J	1	374721034T	<MMR>
U005	C6641	TF C	ECQ-V50V-103J	1	374721034T	<MMR>
U005	C6642	TF C	ECQ-V50V-103J	1	374721034T	<MMR>
U005	C6643	TF C	ECQ-V50V-103J	1	374721034T	<MMR>
U005	C6644	TF C	ECQ-V50V-103J	1	374721034T	<MMR>
U005	C6645	TF C	ECQ-V50V-103J	1	374721034T	<MMR>
U005	C6646	TF C	ECQ-V50V-103J	1	374721034T	<MMR>
U005	C6647	TF C	ECQ-V50V-103J	1	374721034T	<MMR>
U005	C6648	TF C	ECQ-V50V-103J	1	374721034T	<MMR>
U005	C6650	MKT C	B32529C0102J289	1	376491024T	<MMR>
U005	C6651	MKT C	B32529C0102J289	1	376491024T	<MMR>
U005	C6652	MKT C	B32529C0102J289	1	376491024T	<MMR>
U005	C6653	MKT C	B32529C0102J289	1	376491024T	<MMR>
U005	C6654	MKT C	B32529C0102J289	1	376491024T	<MMR>
U005	C6655	MKT C	B32529C0102J289	1	376491024T	<MMR>
U005	C6656	MKT C	B32529C0102J289	1	376491024T	<MMR>
U005	C6657	MKT C	B32529C0102J289	1	376491024T	<MMR>
U005	C6658	MKT C	B32529C0102J289	1	376491024T	<MMR>
U005	<b>[RESISTOR]</b>					
U005	R6130	METAL R	RNU1WCJ-8.2	1	453630824T	<MDC, MMR>
U005	R6131	METAL R	RNU1WCJ-8.2	1	453630824T	<MDC, MMR>
U005	R6132	METAL R	RNU1WCJ-8.2	1	453630824T	<MDC, MMR>
U005	R6133	METAL R	RNU1WCJ-8.2	1	453630824T	<MDC, MMR>
U005	R6134	METAL R	RNU1WCJ-8.2	1	453630824T	<MDC, MMR>
U005	R6135	METAL R	RNU1WCJ-8.2	1	453630824T	<MDC, MMR>

U005	R6136	METAL R	RNU1WCJ-8.2	1	453630824T	<MDC, MMR>
U005	R6600	CARBON R	R16J-22	1	417342204T	<MDC, MMR>
U005	R6601	CARBON R	R16J-22	1	417342204T	<MDC, MMR>
U005	R6602	CARBON R	R16J-22	1	417342204T	<MDC, MMR>
U005	R6603	CARBON R	R16J-22	1	417342204T	<MDC, MMR>
U005	R6604	CARBON R	R16J-22	1	417342204T	<MDC, MMR>
U005	R6605	CARBON R	R16J-22	1	417342204T	<MDC, MMR>
U005	R6606	CARBON R	R16J-22	1	417342204T	<MDC, MMR>
U005	R6610	CARBON R	R16J-22	1	417342204T	<MDC, MMR>
U005	R6611	CARBON R	R16J-22	1	417342204T	<MDC, MMR>
U005	R6612	CARBON R	R16J-22	1	417342204T	<MDC, MMR>
U005	R6613	CARBON R	R16J-22	1	417342204T	<MDC, MMR>
U005	R6614	CARBON R	R16J-22	1	417342204T	<MDC, MMR>
U005	R6615	CARBON R	R16J-22	1	417342204T	<MDC, MMR>
U005	R6616	CARBON R	R16J-22	1	417342204T	<MDC, MMR>
U005	R6690	METAL O R	RS1/2WBJ-10	1	443521004T	<MDC, MMR>
U005	R6691	METAL O R	RS1/2WBJ-390	1	443523914T	<MDC, MMR>
U005	R6692	METAL O R	RS1/2WBJ-390	1	443523914T	<MDC, MMR>
U005	[SW TRM]					
U005	JL600B	SOCKET	NSCT-7P99	1	25050271	<MDC, MMR>
U005	JL603B	SOCKET	NSCT-9P101	1	25050273	<MDC, MMR>
U005	JL605B	SOCKET	NSCT-5P97	1	25050269	<MDC, MMR>
U005	JL610A	WIRE HOL	NSCT-7P878	1	25051091	<MDC, MMR>
U005	JL620B	WIRE TRAP	NPLG-7P590	1	25055628	<MDC, MMR>
U005	P6601	TRM	NTM-2PDMCR400	1	25060472	<MDC, MMR>
U005	P6602	TRM	NTM-4PDMNRR420	1	25060492	<MDC, MMR>
U005	P6603	TRM	NTM-4PDMNRR420	1	25060492	<MDC, MMR>
U005	P6604	TRM	NTM-4PDMNRR420	1	25060492	<MDC, MMR>
U005	P6607	TRM	NTM-4PDML422	1	25060494	<MDC, MMR>
U005	RL660	RELAY	NRL-2P5A-DC24-129	1	25065563A	<MDC, MMR>
U005	RL660 or	RELAY	NRL-2P5A-DC24-193	(1)	25065703	<MDC, MMR>
U005	RL662	RELAY	NRL-2P5A-DC24-129	1	25065563A	<MDC, MMR>
U005	RL662 or	RELAY	NRL-2P5A-DC24-193	(1)	25065703	<MDC, MMR>
U005	RL663	RELAY	NRL-2P5A-DC24-129	1	25065563A	<MDC, MMR>
U005	RL663 or	RELAY	NRL-2P5A-DC24-193	(1)	25065703	<MDC, MMR>
U005	RL665	RELAY	NRL-2P5A-DC24-129	1	25065563A	<MDC, MMR>
U005	RL665 or	RELAY	NRL-2P5A-DC24-193	(1)	25065703	<MDC, MMR>
U005	RL667	RELAY	NRL-2P5A-DC24-129	1	25065563A	<MDC, MMR>
U005	RL667 or	RELAY	NRL-2P5A-DC24-193	(1)	25065703	<MDC, MMR>

U006	<b>U006</b>	<b>U0060 + U0061</b>	
U006	<b>U0060</b>	Amplifier PC board ass'y	BACLA-0362-2A
U006	<b>U0061</b>	Part Fixture PC board ass'y	BAETC-0363-2A

U006

CIRCUIT NO.	PART NAME	DESCRIPTION	Q'TY	PART NO. (SN)	REMARKS
<b>[SEMI CONDUCTOR]</b>					
U006	D5000	ZENER D	1	224470562T	
U006	D5001	ZENER D	1	224470562T	
U006	D5002	ZENER D	1	224470562T	
U006	D5003	ZENER D	1	224470562T	
U006	D5004	ZENER D	1	224470562T	
U006	D5005	ZENER D	1	224470562T	<MDC, MMR>
U006	D5006	ZENER D	1	224470562T	<MDC, MMR>
U006	Q5000	TR	1	2211406T	
U006	Q5001	TR	1	2211406T	
U006	Q5002	TR	1	2211406T	
U006	Q5003	TR	1	2211406T	
U006	Q5004	TR	1	2211406T	
U006	Q5005	TR	1	2211406T	<MDC, MMR>
U006	Q5006	TR	1	2211406T	<MDC, MMR>
U006	Q5010	TR	1	2211406T	
U006	Q5011	TR	1	2211406T	
U006	Q5012	TR	1	2211406T	
U006	Q5013	TR	1	2211406T	
U006	Q5014	TR	1	2211406T	
U006	Q5015	TR	1	2211406T	<MDC, MMR>
U006	Q5016	TR	1	2211406T	<MDC, MMR>
U006	Q5030	TR	1	2211354T	
U006	Q5030A	RETAINER	1	27142140A	
U006	Q5031	TR	1	2211354T	
U006	Q5031A	RETAINER	1	27142140A	
U006	Q5032	TR	1	2211354T	
U006	Q5032A	RETAINER	1	27142140A	
U006	Q5033	TR	1	2211354T	
U006	Q5033A	RETAINER	1	27142140A	
U006	Q5034	TR	1	2211354T	
U006	Q5034A	RETAINER	1	27142140A	
U006	Q5035	TR	1	2211354T	<MDC, MMR>

U006	Q5035A	RETAINER	(CLA2)	1	27142140A	<MDC, MMR>
U006	Q5036	TR	2SA949-Y(TPE6_F)	1	2211354T	<MDC, MMR>
U006	Q5036A	RETAINER	(CLA2)	1	27142140A	<MDC, MMR>
U006	Q5040	TR	2SA949-Y(TPE6_F)	1	2211354T	
U006	Q5041	TR	2SA949-Y(TPE6_F)	1	2211354T	
U006	Q5042	TR	2SA949-Y(TPE6_F)	1	2211354T	
U006	Q5043	TR	2SA949-Y(TPE6_F)	1	2211354T	
U006	Q5044	TR	2SA949-Y(TPE6_F)	1	2211354T	
U006	Q5045	TR	2SA949-Y(TPE6_F)	1	2211354T	<MDC, MMR>
U006	Q5046	TR	2SA949-Y(TPE6_F)	1	2211354T	<MDC, MMR>
U006	Q5050	TR	2SC2240-BL(TPE2_F)	1	2211406T	
U006	Q5051	TR	2SC2240-BL(TPE2_F)	1	2211406T	
U006	Q5052	TR	2SC2240-BL(TPE2_F)	1	2211406T	
U006	Q5053	TR	2SC2240-BL(TPE2_F)	1	2211406T	
U006	Q5054	TR	2SC2240-BL(TPE2_F)	1	2211406T	
U006	Q5055	TR	2SC2240-BL(TPE2_F)	1	2211406T	<MDC, MMR>
U006	Q5056	TR	2SC2240-BL(TPE2_F)	1	2211406T	<MDC, MMR>
U006	Q5060	TR	2SA949-Y(TPE6_F)	1	2211354T	
U006	Q5061	TR	2SA949-Y(TPE6_F)	1	2211354T	
U006	Q5062	TR	2SA949-Y(TPE6_F)	1	2211354T	
U006	Q5063	TR	2SA949-Y(TPE6_F)	1	2211354T	
U006	Q5064	TR	2SA949-Y(TPE6_F)	1	2211354T	
U006	Q5065	TR	2SA949-Y(TPE6_F)	1	2211354T	<MDC, MMR>
U006	Q5066	TR	2SA949-Y(TPE6_F)	1	2211354T	<MDC, MMR>
U006	Q5070	TR	2SC2229-Y(TPE6_F)	1	2211634T	
U006	Q5071	TR	2SC2229-Y(TPE6_F)	1	2211634T	
U006	Q5072	TR	2SC2229-Y(TPE6_F)	1	2211634T	
U006	Q5073	TR	2SC2229-Y(TPE6_F)	1	2211634T	
U006	Q5074	TR	2SC2229-Y(TPE6_F)	1	2211634T	
U006	Q5075	TR	2SC2229-Y(TPE6_F)	1	2211634T	<MDC, MMR>
U006	Q5076	TR	2SC2229-Y(TPE6_F)	1	2211634T	<MDC, MMR>
U006	Q5250	TR	2SA1930(ONK_Q)	1	2203000	
U006	Q5251	TR	2SA1930(ONK_Q)	1	2203000	
U006	Q5252	TR	2SA1930(ONK_Q)	1	2203000	
U006	Q5253	TR	2SA1930(ONK_Q)	1	2203000	
U006	Q5254	TR	2SA1930(ONK_Q)	1	2203000	
U006	Q5255	TR	2SA1930(ONK_Q)	1	2203000	<MDC, MMR>
U006	Q5256	TR	2SA1930(ONK_Q)	1	2203000	<MDC, MMR>
U006	Q5260	TR	2SC5171(ONK_Q)	1	2203010	

U006	Q5261	TR	2SC5171(ONK_Q)	1	2203010	
U006	Q5262	TR	2SC5171(ONK_Q)	1	2203010	
U006	Q5263	TR	2SC5171(ONK_Q)	1	2203010	
U006	Q5264	TR	2SC5171(ONK_Q)	1	2203010	
U006	Q5265	TR	2SC5171(ONK_Q)	1	2203010	<MDC, MMR>
U006	Q5266	TR	2SC5171(ONK_Q)	1	2203010	<MDC, MMR>
U006	Q5410	TR	2SC1740S-S	1	2213285T	
U006	Q5411	TR	2SC1740S-S	1	2213285T	
U006	Q5412	TR	2SC1740S-S	1	2213285T	
U006	Q5413	TR	2SC1740S-S	1	2213285T	
U006	Q5414	TR	2SC1740S-S	1	2213285T	
U006	Q5415	TR	2SC1740S-S	1	2213285T	<MDC, MMR>
U006	Q5416	TR	2SC1740S-S	1	2213285T	<MDC, MMR>
U006	Q5430	TR	2SC2229-Y(TPE6_F)	1	2211634T	
U006	Q5430 or	TR	2SC2229-O(TPE6_F)	(1)	2211633T	
U006	Q5431	TR	2SC2229-Y(TPE6_F)	1	2211634T	
U006	Q5431 or	TR	2SC2229-O(TPE6_F)	(1)	2211633T	
U006	Q5432	TR	2SC2229-Y(TPE6_F)	1	2211634T	
U006	Q5432 or	TR	2SC2229-O(TPE6_F)	(1)	2211633T	
U006	Q5433	TR	2SC2229-Y(TPE6_F)	1	2211634T	
U006	Q5433 or	TR	2SC2229-O(TPE6_F)	(1)	2211633T	
U006	Q5434	TR	2SC2229-Y(TPE6_F)	1	2211634T	
U006	Q5434 or	TR	2SC2229-O(TPE6_F)	(1)	2211633T	
U006	Q5435	TR	2SC2229-Y(TPE6_F)	1	2211634T	<MDC, MMR>
U006	Q5435 or	TR	2SC2229-O(TPE6_F)	(1)	2211633T	<MDC, MMR>
U006	Q5436	TR	2SC2229-Y(TPE6_F)	1	2211634T	<MDC, MMR>
U006	Q5436 or	TR	2SC2229-O(TPE6_F)	(1)	2211633T	<MDC, MMR>
U006	Q5440	TR	2SA949-Y(TPE6_F)	1	2211354T	
U006	Q5440 or	TR	2SA949-O(TPE6_F)	(1)	2211353T	
U006	Q5441	TR	2SA949-Y(TPE6_F)	1	2211354T	
U006	Q5441 or	TR	2SA949-O(TPE6_F)	(1)	2211353T	
U006	Q5442	TR	2SA949-Y(TPE6_F)	1	2211354T	
U006	Q5442 or	TR	2SA949-O(TPE6_F)	(1)	2211353T	
U006	Q5443	TR	2SA949-Y(TPE6_F)	1	2211354T	
U006	Q5443 or	TR	2SA949-O(TPE6_F)	(1)	2211353T	
U006	Q5444	TR	2SA949-Y(TPE6_F)	1	2211354T	
U006	Q5444 or	TR	2SA949-O(TPE6_F)	(1)	2211353T	
U006	Q5445	TR	2SA949-Y(TPE6_F)	1	2211354T	<MDC, MMR>
U006	Q5445 or	TR	2SA949-O(TPE6_F)	(1)	2211353T	<MDC, MMR>

U006	Q5446	TR	2SA949-Y(TPE6_F)	1	2211354T	<MDC, MMR>
U006	Q5446 or	TR	2SA949-O(TPE6_F)	( 1)	2211353T	<MDC, MMR>
U006	<b>[TRANS COIL]</b>					
U006	L5400	FR CORE	---	1	5597-45502	
U006	L5401	FR CORE	---	1	5597-45502	
U006	L5402	FR CORE	---	1	5597-45502	
U006	L5403	FR CORE	---	1	5597-45502	
U006	L5404	FR CORE	---	1	5597-45502	
U006	L5405	FR CORE	---	1	5597-45502	<MDC, MMR>
U006	L5406	FR CORE	---	1	5597-45502	<MDC, MMR>
U006	L5410	FR CORE	---	1	5597-45502	
U006	L5411	FR CORE	---	1	5597-45502	
U006	L5412	FR CORE	---	1	5597-45502	
U006	L5413	FR CORE	---	1	5597-45502	
U006	L5414	FR CORE	---	1	5597-45502	
U006	L5415	FR CORE	---	1	5597-45502	<MDC, MMR>
U006	L5416	FR CORE	---	1	5597-45502	<MDC, MMR>
U006	<b>[CAPACITOR]</b>					
U006	C5000	UPZ C	2AUPZTF101JE	1	376331014T	
U006	C5001	UPZ C	2AUPZTF101JE	1	376331014T	
U006	C5002	UPZ C	2AUPZTF101JE	1	376331014T	
U006	C5003	UPZ C	2AUPZTF101JE	1	376331014T	
U006	C5004	UPZ C	2AUPZTF101JE	1	376331014T	
U006	C5005	UPZ C	2AUPZTF101JE	1	376331014T	<MDC, MMR>
U006	C5006	UPZ C	2AUPZTF101JE	1	376331014T	<MDC, MMR>
U006	C5010	UTSP C	CE04W50V-47M(UTSP)	1	397584707T	
U006	C5011	UTSP C	CE04W50V-47M(UTSP)	1	397584707T	
U006	C5012	UTSP C	CE04W50V-47M(UTSP)	1	397584707T	
U006	C5013	UTSP C	CE04W50V-47M(UTSP)	1	397584707T	
U006	C5014	UTSP C	CE04W50V-47M(UTSP)	1	397584707T	
U006	C5015	UTSP C	CE04W50V-47M(UTSP)	1	397584707T	<MDC, MMR>
U006	C5016	UTSP C	CE04W50V-47M(UTSP)	1	397584707T	<MDC, MMR>
U006	C5020	UTSP C	CE04W50V-10M(UTSP)	1	397581007T	
U006	C5021	UTSP C	CE04W50V-10M(UTSP)	1	397581007T	
U006	C5022	UTSP C	CE04W50V-10M(UTSP)	1	397581007T	
U006	C5023	UTSP C	CE04W50V-10M(UTSP)	1	397581007T	
U006	C5024	UTSP C	CE04W50V-10M(UTSP)	1	397581007T	
U006	C5025	UTSP C	CE04W50V-10M(UTSP)	1	397581007T	<MDC, MMR>
U006	C5026	UTSP C	CE04W50V-10M(UTSP)	1	397581007T	<MDC, MMR>

U006	C5040	UTSP C	CE04W10V-470M(UTSP)	1	397534717T	
U006	C5041	UTSP C	CE04W10V-470M(UTSP)	1	397534717T	
U006	C5042	UTSP C	CE04W10V-470M(UTSP)	1	397534717T	
U006	C5043	UTSP C	CE04W10V-470M(UTSP)	1	397534717T	
U006	C5044	UTSP C	CE04W10V-470M(UTSP)	1	397534717T	
U006	C5045	UTSP C	CE04W10V-470M(UTSP)	1	397534717T	<MDC, MMR>
U006	C5046	UTSP C	CE04W10V-470M(UTSP)	1	397534717T	<MDC, MMR>
U006	C5050	UTSP C	CE04W50V 47M(UTSP)	1	397584707T	
U006	C5051	UTSP C	CE04W50V 47M(UTSP)	1	397584707T	
U006	C5052	UTSP C	CE04W50V 47M(UTSP)	1	397584707T	
U006	C5053	UTSP C	CE04W50V 47M(UTSP)	1	397584707T	
U006	C5054	UTSP C	CE04W50V 47M(UTSP)	1	397584707T	
U006	C5055	UTSP C	CE04W50V 47M(UTSP)	1	397584707T	<MDC, MMR>
U006	C5056	UTSP C	CE04W50V 47M(UTSP)	1	397584707T	<MDC, MMR>
U006	C5080	CERA C	CC45SL50V-040C	1	345020401T	
U006	C5081	CERA C	CC45SL50V-040C	1	345020401T	
U006	C5082	CERA C	CC45SL50V-040C	1	345020401T	
U006	C5083	CERA C	CC45SL50V-040C	1	345020401T	
U006	C5084	CERA C	CC45SL50V-040C	1	345020401T	
U006	C5085	CERA C	CC45SL50V-040C	1	345020401T	<MDC, MMR>
U006	C5086	CERA C	CC45SL50V-040C	1	345020401T	<MDC, MMR>
U006	C5090	UPZ C	2AUPZTF101JE	1	376331014T	
U006	C5091	UPZ C	2AUPZTF101JE	1	376331014T	
U006	C5092	UPZ C	2AUPZTF101JE	1	376331014T	
U006	C5093	UPZ C	2AUPZTF101JE	1	376331014T	
U006	C5094	UPZ C	2AUPZTF101JE	1	376331014T	
U006	C5095	UPZ C	2AUPZTF101JE	1	376331014T	<MDC, MMR>
U006	C5096	UPZ C	2AUPZTF101JE	1	376331014T	<MDC, MMR>
U006	C5100	VR C	CE04W100V-22M(VR)	1	394692207T	
U006	C5101	VR C	CE04W100V-22M(VR)	1	394692207T	
U006	C5102	VR C	CE04W100V-22M(VR)	1	394692207T	
U006	C5103	VR C	CE04W100V-22M(VR)	1	394692207T	
U006	C5104	VR C	CE04W100V-22M(VR)	1	394692207T	
U006	C5105	VR C	CE04W100V-22M(VR)	1	394692207T	<MDC, MMR>
U006	C5106	VR C	CE04W100V-22M(VR)	1	394692207T	<MDC, MMR>
U006	C5110	VR C	CE04W100V-22M(VR)	1	394692207T	
U006	C5111	VR C	CE04W100V-22M(VR)	1	394692207T	
U006	C5112	VR C	CE04W100V-22M(VR)	1	394692207T	
U006	C5113	VR C	CE04W100V-22M(VR)	1	394692207T	

U006	C5114	VR C	CE04W100V-22M(VR)	1	394692207T	
U006	C5115	VR C	CE04W100V-22M(VR)	1	394692207T	<MDC, MMR>
U006	C5116	VR C	CE04W100V-22M(VR)	1	394692207T	<MDC, MMR>
U006	C5440	UTSP C	CE04W50V-22M(UTSP)	1	397582207T	
U006	C5441	UTSP C	CE04W50V-22M(UTSP)	1	397582207T	
U006	C5442	UTSP C	CE04W50V-22M(UTSP)	1	397582207T	
U006	C5443	UTSP C	CE04W50V-22M(UTSP)	1	397582207T	
U006	C5444	UTSP C	CE04W50V-22M(UTSP)	1	397582207T	
U006	C5445	UTSP C	CE04W50V-22M(UTSP)	1	397582207T	<MDC, MMR>
U006	C5446	UTSP C	CE04W50V-22M(UTSP)	1	397582207T	<MDC, MMR>
U006	<b>[RESISTOR]</b>					
U006	R5000	CARBON R	R16J-1.5K	1	417341524T	
U006	R5001	CARBON R	R16J-1.5K	1	417341524T	
U006	R5002	CARBON R	R16J-1.5K	1	417341524T	
U006	R5003	CARBON R	R16J-1.5K	1	417341524T	
U006	R5004	CARBON R	R16J-1.5K	1	417341524T	
U006	R5005	CARBON R	R16J-1.5K	1	417341524T	<MDC, MMR>
U006	R5006	CARBON R	R16J-1.5K	1	417341524T	<MDC, MMR>
U006	R5010	CARBON R	R16J-33K	1	417343334T	
U006	R5011	CARBON R	R16J-33K	1	417343334T	
U006	R5012	CARBON R	R16J-33K	1	417343334T	
U006	R5013	CARBON R	R16J-33K	1	417343334T	
U006	R5014	CARBON R	R16J-33K	1	417343334T	
U006	R5015	CARBON R	R16J-33K	1	417343334T	<MDC, MMR>
U006	R5016	CARBON R	R16J-33K	1	417343334T	<MDC, MMR>
U006	R5020	CARBON R	R16J-330	1	417343314T	
U006	R5021	CARBON R	R16J-330	1	417343314T	
U006	R5022	CARBON R	R16J-330	1	417343314T	
U006	R5023	CARBON R	R16J-330	1	417343314T	
U006	R5024	CARBON R	R16J-330	1	417343314T	
U006	R5025	CARBON R	R16J-330	1	417343314T	<MDC, MMR>
U006	R5026	CARBON R	R16J-330	1	417343314T	<MDC, MMR>
U006	R5030	CARBON R	R16J-33K	1	417343334T	
U006	R5031	CARBON R	R16J-33K	1	417343334T	
U006	R5032	CARBON R	R16J-33K	1	417343334T	
U006	R5033	CARBON R	R16J-33K	1	417343334T	
U006	R5034	CARBON R	R16J-33K	1	417343334T	
U006	R5035	CARBON R	R16J-33K	1	417343334T	<MDC, MMR>
U006	R5036	CARBON R	R16J-33K	1	417343334T	<MDC, MMR>



U006	R5040	CARBON R	R16J-1K	1	417341024T	
U006	R5041	CARBON R	R16J-1K	1	417341024T	
U006	R5042	CARBON R	R16J-1K	1	417341024T	
U006	R5043	CARBON R	R16J-1K	1	417341024T	
U006	R5044	CARBON R	R16J-1K	1	417341024T	
U006	R5045	CARBON R	R16J-1K	1	417341024T	<MDC, MMR>
U006	R5046	CARBON R	R16J-1K	1	417341024T	<MDC, MMR>
U006	R5050	CARBON R	R16J-5.6K	1	417345624T	
U006	R5051	CARBON R	R16J-5.6K	1	417345624T	
U006	R5052	CARBON R	R16J-5.6K	1	417345624T	
U006	R5053	CARBON R	R16J-5.6K	1	417345624T	
U006	R5054	CARBON R	R16J-5.6K	1	417345624T	
U006	R5055	CARBON R	R16J-5.6K	1	417345624T	<MDC, MMR>
U006	R5056	CARBON R	R16J-5.6K	1	417345624T	<MDC, MMR>
U006	R5060	CARBON R	R16J-2.7K	1	417342724T	
U006	R5061	CARBON R	R16J-2.7K	1	417342724T	
U006	R5062	CARBON R	R16J-2.7K	1	417342724T	
U006	R5063	CARBON R	R16J-2.7K	1	417342724T	
U006	R5064	CARBON R	R16J-2.7K	1	417342724T	
U006	R5065	CARBON R	R16J-2.7K	1	417342724T	<MDC, MMR>
U006	R5066	CARBON R	R16J-2.7K	1	417342724T	<MDC, MMR>
U006	R5080	NF CARBON R	R25J-1.0K	1	415471024T	
U006	R5081	NF CARBON R	R25J-1.0K	1	415471024T	
U006	R5082	NF CARBON R	R25J-1.0K	1	415471024T	
U006	R5083	NF CARBON R	R25J-1.0K	1	415471024T	
U006	R5084	NF CARBON R	R25J-1.0K	1	415471024T	
U006	R5085	NF CARBON R	R25J-1.0K	1	415471024T	<MDC, MMR>
U006	R5086	NF CARBON R	R25J-1.0K	1	415471024T	<MDC, MMR>
U006	R5090	CARBON R	R16J-100K	1	417341044T	
U006	R5091	CARBON R	R16J-100K	1	417341044T	
U006	R5092	CARBON R	R16J-100K	1	417341044T	
U006	R5093	CARBON R	R16J-100K	1	417341044T	
U006	R5094	CARBON R	R16J-100K	1	417341044T	
U006	R5095	CARBON R	R16J-100K	1	417341044T	<MDC, MMR>
U006	R5096	CARBON R	R16J-100K	1	417341044T	<MDC, MMR>
U006	R5100	CARBON R	R16J-100K	1	417341044T	
U006	R5101	CARBON R	R16J-100K	1	417341044T	
U006	R5102	CARBON R	R16J-100K	1	417341044T	
U006	R5103	CARBON R	R16J-100K	1	417341044T	

U006	R5104	CARBON R	R16J-100K	1	417341044T	
U006	R5105	CARBON R	R16J-100K	1	417341044T	<MDC, MMR>
U006	R5106	CARBON R	R16J-100K	1	417341044T	<MDC, MMR>
U006	R5110	CARBON R	R16J-2.2K	1	417342224T	
U006	R5111	CARBON R	R16J-2.2K	1	417342224T	
U006	R5112	CARBON R	R16J-2.2K	1	417342224T	
U006	R5113	CARBON R	R16J-2.2K	1	417342224T	
U006	R5114	CARBON R	R16J-2.2K	1	417342224T	
U006	R5115	CARBON R	R16J-2.2K	1	417342224T	<MDC, MMR>
U006	R5116	CARBON R	R16J-2.2K	1	417342224T	<MDC, MMR>
U006	R5120	CARBON R	R16J-2.2K	1	417342224T	
U006	R5121	CARBON R	R16J-2.2K	1	417342224T	
U006	R5122	CARBON R	R16J-2.2K	1	417342224T	
U006	R5123	CARBON R	R16J-2.2K	1	417342224T	
U006	R5124	CARBON R	R16J-2.2K	1	417342224T	
U006	R5125	CARBON R	R16J-2.2K	1	417342224T	<MDC, MMR>
U006	R5126	CARBON R	R16J-2.2K	1	417342224T	<MDC, MMR>
U006	R5130	CARBON R	R16J-18K	1	417341834T	
U006	R5131	CARBON R	R16J-18K	1	417341834T	
U006	R5132	CARBON R	R16J-18K	1	417341834T	
U006	R5133	CARBON R	R16J-18K	1	417341834T	
U006	R5134	CARBON R	R16J-18K	1	417341834T	
U006	R5135	CARBON R	R16J-18K	1	417341834T	<MDC, MMR>
U006	R5136	CARBON R	R16J-18K	1	417341834T	<MDC, MMR>
U006	R5140	NF CARBON R	R25J-820	1	415478214T	
U006	R5141	NF CARBON R	R25J-820	1	415478214T	
U006	R5142	NF CARBON R	R25J-820	1	415478214T	
U006	R5143	NF CARBON R	R25J-820	1	415478214T	
U006	R5144	NF CARBON R	R25J-820	1	415478214T	
U006	R5145	NF CARBON R	R25J-820	1	415478214T	<MDC, MMR>
U006	R5146	NF CARBON R	R25J-820	1	415478214T	<MDC, MMR>
U006	R5150	NF CARBON R	R25J-1.0K	1	415471024T	
U006	R5151	NF CARBON R	R25J-1.0K	1	415471024T	
U006	R5152	NF CARBON R	R25J-1.0K	1	415471024T	
U006	R5153	NF CARBON R	R25J-1.0K	1	415471024T	
U006	R5154	NF CARBON R	R25J-1.0K	1	415471024T	
U006	R5155	NF CARBON R	R25J-1.0K	1	415471024T	<MDC, MMR>
U006	R5156	NF CARBON R	R25J-1.0K	1	415471024T	<MDC, MMR>
U006	R5160	NF CARBON R	R25J-120	1	415471214T	

U006	R5161	NF CARBON R	R25J-120	1	415471214T	
U006	R5162	NF CARBON R	R25J-120	1	415471214T	
U006	R5163	NF CARBON R	R25J-120	1	415471214T	
U006	R5164	NF CARBON R	R25J-120	1	415471214T	
U006	R5165	NF CARBON R	R25J-120	1	415471214T	<MDC, MMR>
U006	R5166	NF CARBON R	R25J-120	1	415471214T	<MDC, MMR>
U006	R5170	NF CARBON R	R25J-820	1	415478214T	
U006	R5171	NF CARBON R	R25J-820	1	415478214T	
U006	R5172	NF CARBON R	R25J-820	1	415478214T	
U006	R5173	NF CARBON R	R25J-820	1	415478214T	
U006	R5174	NF CARBON R	R25J-820	1	415478214T	
U006	R5175	NF CARBON R	R25J-820	1	415478214T	<MDC, MMR>
U006	R5176	NF CARBON R	R25J-820	1	415478214T	<MDC, MMR>
U006	R5180	NF CARBON R	R25J-10	1	415471004T	
U006	R5181	NF CARBON R	R25J-10	1	415471004T	
U006	R5182	NF CARBON R	R25J-10	1	415471004T	
U006	R5183	NF CARBON R	R25J-10	1	415471004T	
U006	R5184	NF CARBON R	R25J-10	1	415471004T	
U006	R5185	NF CARBON R	R25J-10	1	415471004T	<MDC, MMR>
U006	R5186	NF CARBON R	R25J-10	1	415471004T	<MDC, MMR>
U006	R5190	NF CARBON R	R25J-10	1	415471004T	
U006	R5191	NF CARBON R	R25J-10	1	415471004T	
U006	R5192	NF CARBON R	R25J-10	1	415471004T	
U006	R5193	NF CARBON R	R25J-10	1	415471004T	
U006	R5194	NF CARBON R	R25J-10	1	415471004T	
U006	R5195	NF CARBON R	R25J-10	1	415471004T	<MDC, MMR>
U006	R5196	NF CARBON R	R25J-10	1	415471004T	<MDC, MMR>
U006	R5200	CARBON R	R16J-18K	1	417341834T	
U006	R5201	CARBON R	R16J-18K	1	417341834T	
U006	R5202	CARBON R	R16J-18K	1	417341834T	
U006	R5203	CARBON R	R16J-18K	1	417341834T	
U006	R5204	CARBON R	R16J-18K	1	417341834T	
U006	R5205	CARBON R	R16J-18K	1	417341834T	<MDC, MMR>
U006	R5206	CARBON R	R16J-18K	1	417341834T	<MDC, MMR>
U006	R5210	NF CARBON R	R25J-820	1	415478214T	
U006	R5211	NF CARBON R	R25J-820	1	415478214T	
U006	R5212	NF CARBON R	R25J-820	1	415478214T	
U006	R5213	NF CARBON R	R25J-820	1	415478214T	
U006	R5214	NF CARBON R	R25J-820	1	415478214T	

U006	R5215	NF CARBON R	R25J-820	1	415478214T	<MDC, MMR>
U006	R5216	NF CARBON R	R25J-820	1	415478214T	<MDC, MMR>
U006	R5220	NF CARBON R	R25J-120	1	415471214T	
U006	R5221	NF CARBON R	R25J-120	1	415471214T	
U006	R5222	NF CARBON R	R25J-120	1	415471214T	
U006	R5223	NF CARBON R	R25J-120	1	415471214T	
U006	R5224	NF CARBON R	R25J-120	1	415471214T	
U006	R5225	NF CARBON R	R25J-120	1	415471214T	<MDC, MMR>
U006	R5226	NF CARBON R	R25J-120	1	415471214T	<MDC, MMR>
U006	R5270	NF CARBON R	R25J-120	1	415471214T	
U006	R5271	NF CARBON R	R25J-120	1	415471214T	
U006	R5272	NF CARBON R	R25J-120	1	415471214T	
U006	R5273	NF CARBON R	R25J-120	1	415471214T	
U006	R5274	NF CARBON R	R25J-120	1	415471214T	
U006	R5275	NF CARBON R	R25J-120	1	415471214T	<MDC, MMR>
U006	R5276	NF CARBON R	R25J-120	1	415471214T	<MDC, MMR>
U006	R5280	NF CARBON R	R25J-120	1	415471214T	
U006	R5281	NF CARBON R	R25J-120	1	415471214T	
U006	R5282	NF CARBON R	R25J-120	1	415471214T	
U006	R5283	NF CARBON R	R25J-120	1	415471214T	
U006	R5284	NF CARBON R	R25J-120	1	415471214T	
U006	R5285	NF CARBON R	R25J-120	1	415471214T	<MDC, MMR>
U006	R5286	NF CARBON R	R25J-120	1	415471214T	<MDC, MMR>
U006	R5300	CARBON R	R16J-330	1	417343314T	
U006	R5301	CARBON R	R16J-330	1	417343314T	
U006	R5302	CARBON R	R16J-330	1	417343314T	
U006	R5303	CARBON R	R16J-330	1	417343314T	
U006	R5304	CARBON R	R16J-330	1	417343314T	
U006	R5305	CARBON R	R16J-330	1	417343314T	<MDC, MMR>
U006	R5306	CARBON R	R16J-330	1	417343314T	<MDC, MMR>
U006	R5310	CARBON R	R16J-330	1	417343314T	
U006	R5311	CARBON R	R16J-330	1	417343314T	
U006	R5312	CARBON R	R16J-330	1	417343314T	
U006	R5313	CARBON R	R16J-330	1	417343314T	
U006	R5314	CARBON R	R16J-330	1	417343314T	
U006	R5315	CARBON R	R16J-330	1	417343314T	<MDC, MMR>
U006	R5316	CARBON R	R16J-330	1	417343314T	<MDC, MMR>
U006	R5350	NF CARBON R	R25J-18	1	415471804T	
U006	R5351	NF CARBON R	R25J-18	1	415471804T	

U006	R5352	NF CARBON R	R25J-18	1	415471804T	
U006	R5353	NF CARBON R	R25J-18	1	415471804T	
U006	R5354	NF CARBON R	R25J-18	1	415471804T	
U006	R5355	NF CARBON R	R25J-18	1	415471804T	<MDC, MMR>
U006	R5356	NF CARBON R	R25J-18	1	415471804T	<MDC, MMR>
U006	R5360	NF CARBON R	R25J-18	1	415471804T	
U006	R5361	NF CARBON R	R25J-18	1	415471804T	
U006	R5362	NF CARBON R	R25J-18	1	415471804T	
U006	R5363	NF CARBON R	R25J-18	1	415471804T	
U006	R5364	NF CARBON R	R25J-18	1	415471804T	
U006	R5365	NF CARBON R	R25J-18	1	415471804T	<MDC, MMR>
U006	R5366	NF CARBON R	R25J-18	1	415471804T	<MDC, MMR>
U006	R5370	NF CARBON R	R25J-2.2	1	415470224T	
U006	R5371	NF CARBON R	R25J-2.2	1	415470224T	
U006	R5372	NF CARBON R	R25J-2.2	1	415470224T	
U006	R5373	NF CARBON R	R25J-2.2	1	415470224T	
U006	R5374	NF CARBON R	R25J-2.2	1	415470224T	
U006	R5375	NF CARBON R	R25J-2.2	1	415470224T	<MDC, MMR>
U006	R5376	NF CARBON R	R25J-2.2	1	415470224T	<MDC, MMR>
U006	R5380	NF CARBON R	R25J-2.2	1	415470224T	
U006	R5381	NF CARBON R	R25J-2.2	1	415470224T	
U006	R5382	NF CARBON R	R25J-2.2	1	415470224T	
U006	R5383	NF CARBON R	R25J-2.2	1	415470224T	
U006	R5384	NF CARBON R	R25J-2.2	1	415470224T	
U006	R5385	NF CARBON R	R25J-2.2	1	415470224T	<MDC, MMR>
U006	R5386	NF CARBON R	R25J-2.2	1	415470224T	<MDC, MMR>
U006	R5420	NF CARBON R	R25J-10	1	415471004T	
U006	R5421	NF CARBON R	R25J-10	1	415471004T	
U006	R5422	NF CARBON R	R25J-10	1	415471004T	
U006	R5423	NF CARBON R	R25J-10	1	415471004T	
U006	R5424	NF CARBON R	R25J-10	1	415471004T	
U006	R5425	NF CARBON R	R25J-10	1	415471004T	<MDC, MMR>
U006	R5426	NF CARBON R	R25J-10	1	415471004T	<MDC, MMR>
U006	R5440	TRIM R	N06HR2KBB	1	5211402T	
U006	R5441	TRIM R	N06HR2KBB	1	5211402T	
U006	R5442	TRIM R	N06HR2KBB	1	5211402T	
U006	R5443	TRIM R	N06HR2KBB	1	5211402T	
U006	R5444	TRIM R	N06HR2KBB	1	5211402T	
U006	R5445	TRIM R	N06HR2KBB	1	5211402T	<MDC, MMR>

U006	R5446	TRIM R	N06HR2KBB	1	5211402T	<MDC, MMR>
U006	R5450	CARBON R	R16J-3.3K	1	417343324T	
U006	R5451	CARBON R	R16J-3.3K	1	417343324T	
U006	R5452	CARBON R	R16J-3.3K	1	417343324T	
U006	R5453	CARBON R	R16J-3.3K	1	417343324T	
U006	R5454	CARBON R	R16J-3.3K	1	417343324T	
U006	R5455	CARBON R	R16J-3.3K	1	417343324T	<MDC, MMR>
U006	R5456	CARBON R	R16J-3.3K	1	417343324T	<MDC, MMR>
U006	R5470	NF CARBON R	R25J-82	1	415478204T	
U006	R5471	NF CARBON R	R25J-82	1	415478204T	
U006	R5472	NF CARBON R	R25J-82	1	415478204T	
U006	R5473	NF CARBON R	R25J-82	1	415478204T	
U006	R5474	NF CARBON R	R25J-82	1	415478204T	
U006	R5475	NF CARBON R	R25J-82	1	415478204T	<MDC, MMR>
U006	R5476	NF CARBON R	R25J-82	1	415478204T	<MDC, MMR>
U006	R5480	CARBON R	R16J-10	1	417341004T	
U006	R5481	CARBON R	R16J-10	1	417341004T	
U006	R5482	CARBON R	R16J-10	1	417341004T	
U006	R5483	CARBON R	R16J-10	1	417341004T	
U006	R5484	CARBON R	R16J-10	1	417341004T	
U006	R5485	CARBON R	R16J-10	1	417341004T	<MDC, MMR>
U006	R5486	CARBON R	R16J-10	1	417341004T	<MDC, MMR>
U006	R5490	CARBON R	R16J-10	1	417341004T	
U006	R5491	CARBON R	R16J-10	1	417341004T	
U006	R5492	CARBON R	R16J-10	1	417341004T	
U006	R5493	CARBON R	R16J-10	1	417341004T	
U006	R5494	CARBON R	R16J-10	1	417341004T	
U006	R5495	CARBON R	R16J-10	1	417341004T	<MDC, MMR>
U006	R5496	CARBON R	R16J-10	1	417341004T	<MDC, MMR>
U006	<b>[SW TRM]</b>					
U006	P6000A	SOCKET	NSCT-9P2189	1	25052292	
U006	P6001A	SOCKET	NSCT-9P2189	1	25052292	
U006	P6002A	SOCKET	NSCT-9P2189	1	25052292	
U006	P6003A	SOCKET	NSCT-9P2189	1	25052292	
U006	P6004A	SOCKET	NSCT-9P2189	1	25052292	
U006	P6005A	SOCKET	NSCT-9P2189	1	25052292	<MDC, MMR>
U006	P6006A	SOCKET	NSCT-9P2189	1	25052292	<MDC, MMR>
U006	P6007A	TRM	NTM-1P233(M1969)	1	25060302	
U006	P6008A	TRM	NTM-1P233(M1969)	1	25060302	

U006	P6009A	TRM	NTM-1P233(M1969)	1	25060302	<MDC, MMR>
U006	P6010A	TRM	NTM-1P233(M1969)	1	25060302	<MDC, MMR>

# ONKYO

## ONKYO SOUND & VISION CORPORATION

Technical Support, Service Dept.: 2-1, Nisshin-cho, Neyagawa-shi, OSAKA 572-8540, JAPAN  
Tel: 072-831-8023 Fax: 072-831-8163

## ONKYO U.S.A. CORPORATION

18 Park Way, Upper Saddle River, N.J. 07458, U.S.A.  
Tel: 800-229-1687, 201-785-2600 Fax: 201-785-2650  
<http://www.us.onkyo.com/>

## ONKYO EUROPE ELECTRONICS GmbH

Liegnitzerstrasse 6, 82194 Groebenzell, GERMANY  
Tel: +49-8142-4401-0 Fax: +49-8142-4401-555  
<http://www.eu.onkyo.com/>

## ONKYO EUROPE ELECTRONICS GmbH (UK BRANCH)

The Coach House 81A High Street, Marlow, Buckinghamshire, SL7 1AB, UK  
Tel: +44-(0)1628-473-350 Fax: +44-(0)1628-401-700

## ONKYO CHINA LIMITED

Unit 1033, 10/F, Star House, No 3, Salisbury Road, Tsim Sha Tsui Kowloon, Hong Kong.  
Tel: 852-2429-3118 Fax: 852-2428-9039  
<http://www.ch.onkyo.com/>