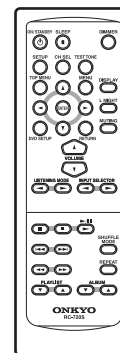


ONKYO SERVICE MANUAL

DIGITAL SURROUND SYSTEM MODEL HTX-22HDX(B)



HDMI® V1.4a
RIHD




RC-720S

Black model

B MPP	230V AC, 50Hz
B MDC	120V AC, 60Hz

SAFETY-RELATED COMPONENT WARNING!!

COMPONENTS IDENTIFIED BY MARK  ON THE SCHEMATIC DIAGRAM AND IN THE PARTS LIST ARE CRITICAL FOR RISK OF FIRE AND ELECTRIC SHOCK. REPLACE THESE COMPONENTS WITH ONKYO PARTS WHOSE PART NUMBERS APPEAR AS SHOWN IN THIS MANUAL.

MAKE LEAKAGE-CURRENT OR RESISTANCE MEASUREMENTS TO DETERMINE THAT EXPOSED PARTS ARE ACCEPTABLY INSULATED FROM THE SUPPLY CIRCUIT BEFORE RETURNING THE APPLIANCE TO THE CUSTOMER.

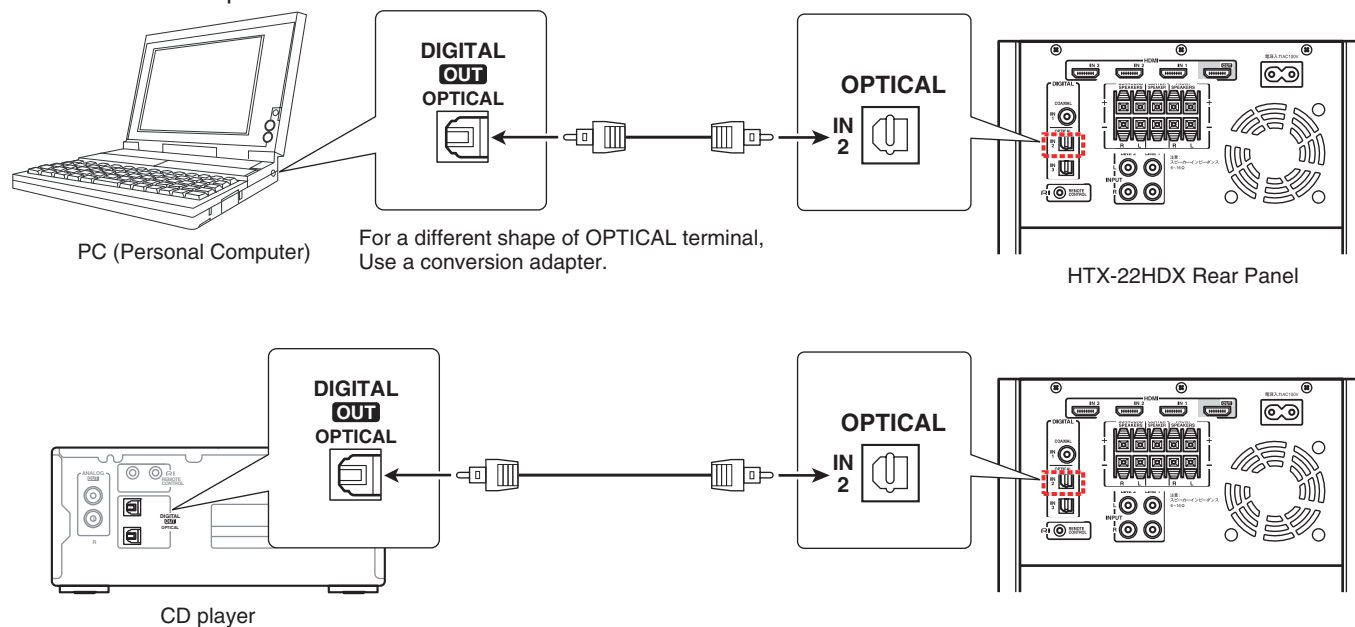
FIRMWARE UPDATE-1

DSP Update procedure

[Preparation]

1. PC (Personal Computer) which can play back wav files and output digital audio signal at 44.1 kHz (sampling frequency).
2. Software: Given wav-formatted FW Store it in the PC in advance (PC Update) or burn a CD-R with it as a music disc (CD Update).
3. Connection: DIGITAL (OPTICAL/COAXIAL) OUTPUT of PC/CD Player --> DIGITAL (OPTICAL/COAXIAL) INPUT of HTX-22HDX.

Connection Example



* PC needs to be able to handle wav files and output digital audio signal at Sampling Frequency 44.1 kHz.

* For wav-compatible PCs which do not output audio signal at the above specification, use a commercially-available USB-AUDIO interface unit. e.g. Onkyo-made ND-S1

* Set Sampling frequency to 44.1 kHz and also set Volume to Maximum.
For further information, please see Owner's manual of your PC.

* Instead of PC, CD players with DIGITAL output terminal can be used.

Note: CD players need to output digital audio signal at 44.1 kHz of Sampling frequency.

Some CD players and DVD players are not suitable for update because they process audio signal to output.
Burn a CD-R as music disc.

FIRMWARE UPDATE-2

DSP Update procedure

[Procedure]

1. Set MASTER VOLUME value to 10.
2. Hold down [INPUT] button and then press [ON/STANDBY] button.
Main FW version will be displayed.

Main1.01/10326AB

* It depends on the version.

3. Press [LISTENING MODE] button.
DSP FW version will be displayed.

D:1.00/10218aDX

* It depends on the version.

4. Press [LISTENING MODE] button.
Check Sum will be displayed.

ChsumM:98E1708B

* It depends on the version.

5. Press [INPUT] button.

TOTAL / AUTO

↑
* Pressing [LISTENING MODE] button changes AUTO ---> COAX1 ---> OPT1 ---> AUTO

6. Press [INPUT] button. (No change)

TOTAL / AUTO

7. Press [LISTENING MODE] button.

DSP / AUTO

↑
* TOTAL ---> DSP ---> MAIN ---> DSP ----> MAIN

8. Press [INPUT] button.

S/PDIF Update..

9. PC upgrade: Play back the wav file stored in your PC.
CD upgrade: Play back the FW CD-R with the connected CD player.
After playback ends (about 19 seconds.), writing will start. It takes about 25 seconds.
<NOTE> Make sure that "PCM" is shown before starting playback.

About 19 seconds later, the message will change from S/PDIF Update.. to Writing...

When "Writing..." will not be shown, the output music data is not correct.

Check the connection and settings.

S/PDIF Update..

* Playback starts
(Playback time: about 19 seconds.)

↓
Writing...

↓ (about 25 seconds.)

Complete!

↓
Clear

↓
Standby mode

<NOTE>

1. "Writing" will not be shown even more than about 19 seconds passed after starting playback, audio signal does not output at Sampling frequency: 44.1kHz.
Check the connection and settings and try again.
When another try results in failure again, use the other update method.
2. DURING FW UPGRADE,
DO NOT TURN OFF THE UNIT. DO NOT REMOVE ANY CONNECTIONS.
These operation will not allow FW Upgrade any more, and the whole board or IC will need replacing.

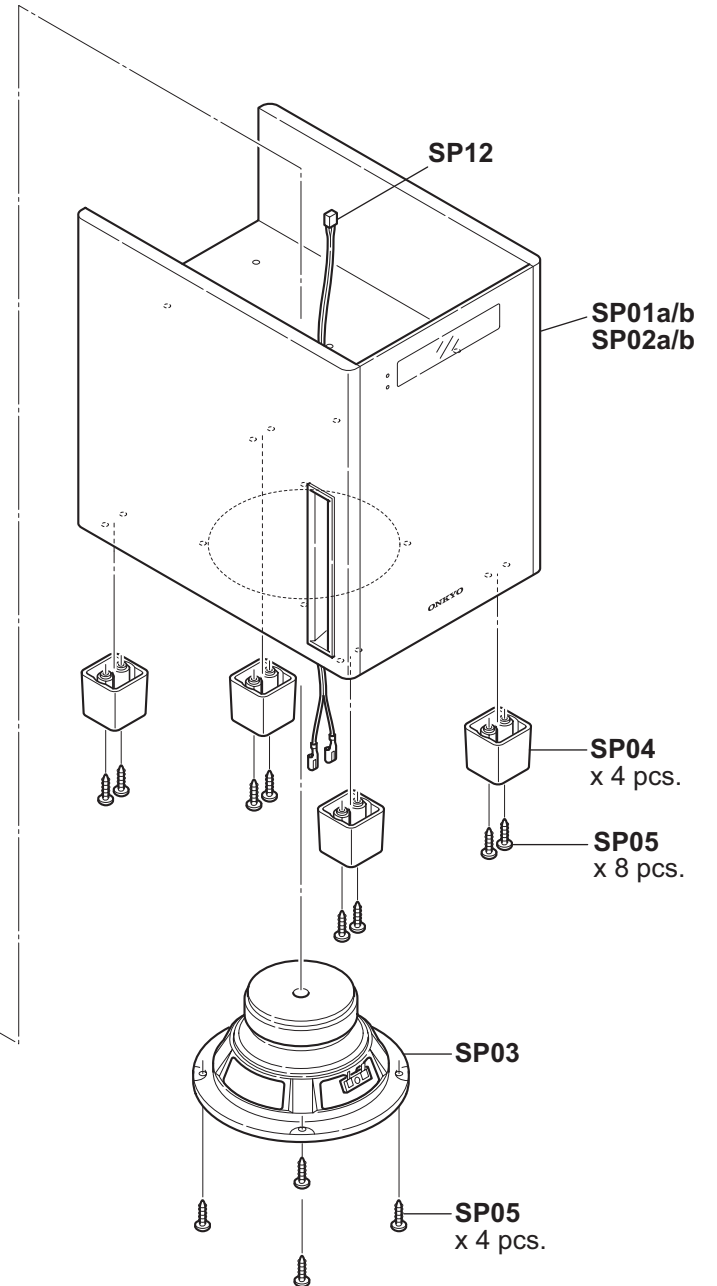
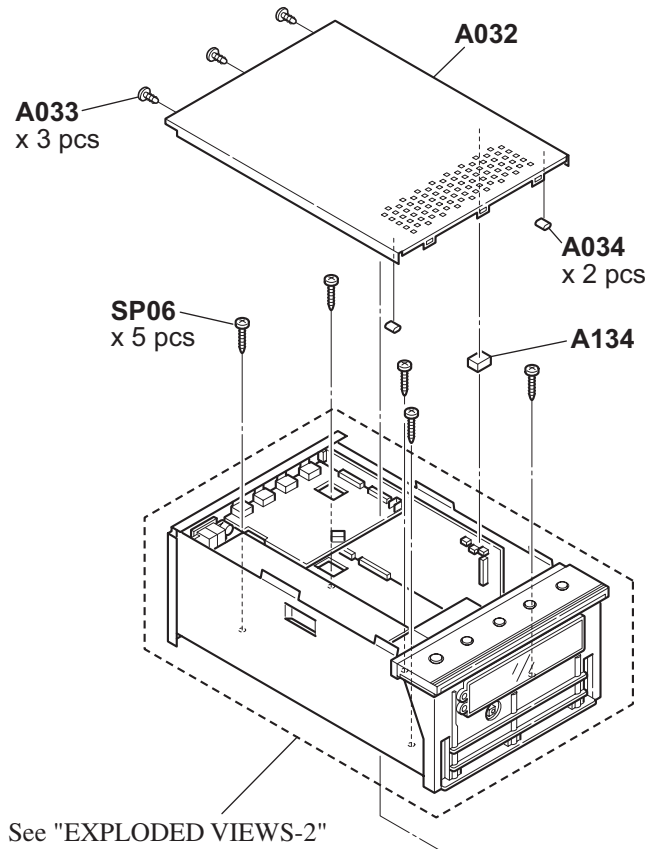
10. Turn on the unit and confirm the new version number.

EXPLODED VIEWS-1 OVERALL / SPEAKER SECTION



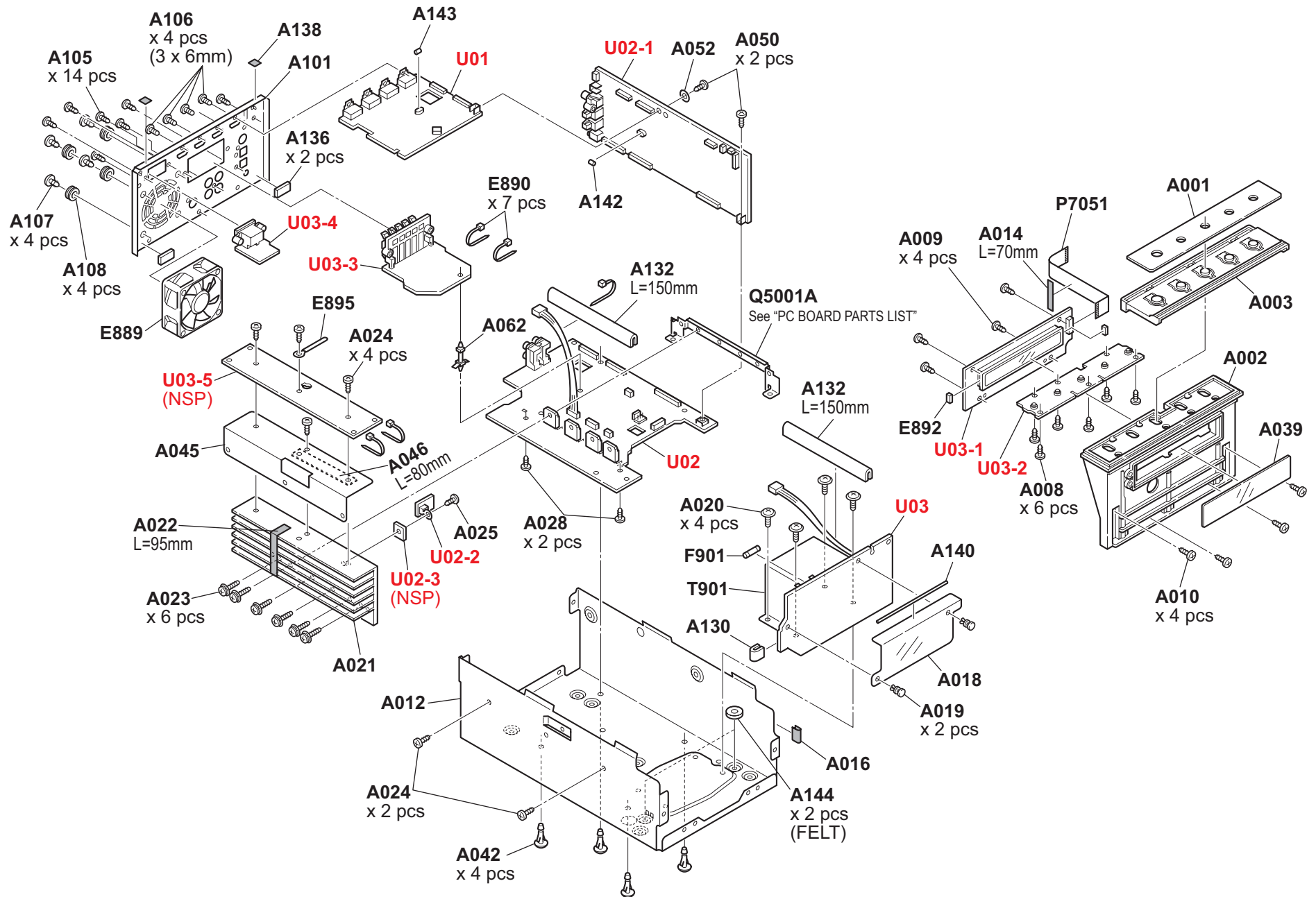
---Rear---

SP15a/b



EXPLODED VIEWS-2

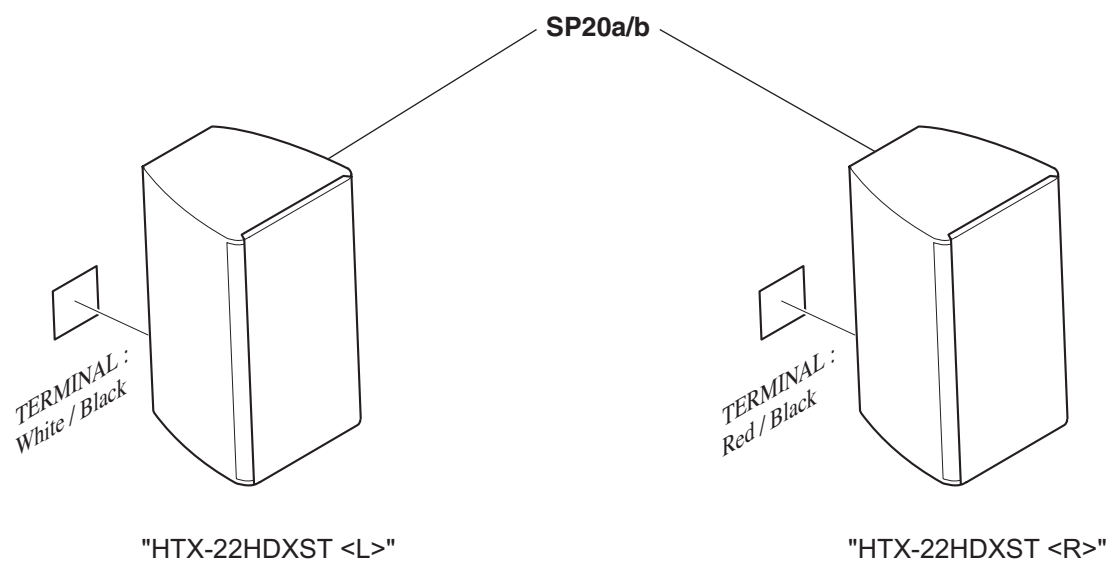
AMPLIFIER SECTION



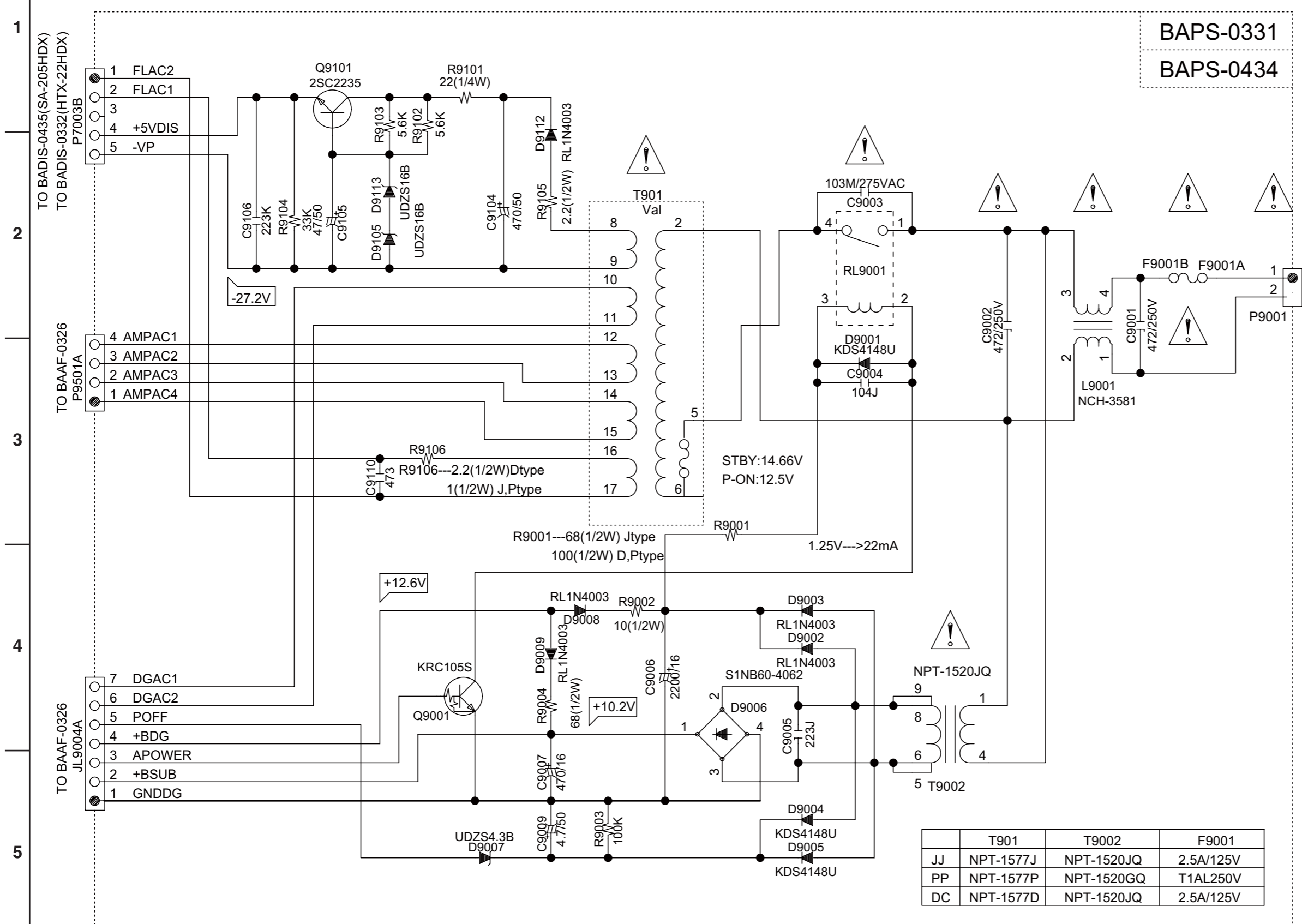
EXPLODED VIEWS-3

HTX-22HDXST <L / R>

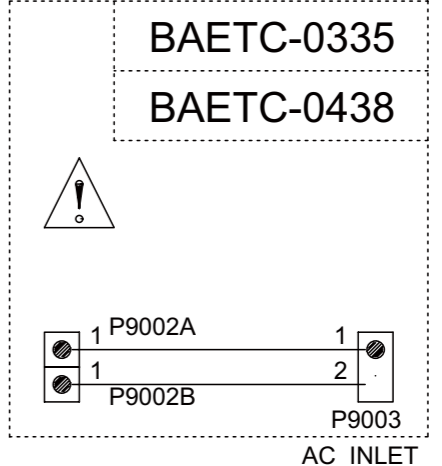
<Note>
Cannot remove the speaker grill.



SCHEMATIC DIAGRAMS - 1/8
POWER SUPPLY SECTION



BAPS-0331
BAPS-0434



JJ: AC100V/50Hz /60Hz
PP: AC230V/50Hz
DC: AC120V/60Hz

- NOTE**
- THE COMPONENTS IDENTIFIED BY MARK ARE CRITICAL FOR SAFETY. REPLACE ONLY WITH PART NUMBER SPECIFIED.
 - VOLTAGE (MEASURED WITH VOLTMETER) IS DC VOLTAGE. (NO INPUT SIGNAL).
 - ALL PNP TRANSISTORS ARE EQUIVALENT TO 2SA1015-GR UNLESS OTHERWISE NOTED.
 - ALL NPN TRANSISTORS ARE EQUIVALENT TO 2SC1815-GR UNLESS OTHERWISE NOTED.
 - ALL DIODES ARE EQUIVALENT TO 1SS133 UNLESS OTHERWISE NOTED.
 - ELECTROLYTIC CAPACITORS () ARE IN uF/VV.
 - ALL CAPACITORS ARE IN pF/50V UNLESS OTHERWISE NOTED.
EX) 030- 3pF 330- 33pF 331- 330pF 333- 0.033uF
 - ALL RESISTORS ARE IN OHMS 1/4WATTS UNLESS OTHERWISE NOTED.
 - THE THICK LINES ON PC BOARD ARE THE PRINTING SIDE OF THE PARTS.
EX) PRINTING SIDE
 - CIRCUIT IS SUBJECT TO CHANGE FOR IMPROVEMENT.

CAUTION
FOR CONTINUED PROTECTION AGAINST FIRE HAZARD, REPLACE ONLY WITH FUSE OF SAME TYPE AND RATING INDICATED.

ATTENTION
AFIN D'ASSURER UNE PROTECTION PERMANENTE CONTRE LES RISQUES D'INCENDIE, REMPLACER UNIQUEMENT PAR UN FUSIBLE DE MEME TYPE ET CALIBRATION COMME INDIQUE.

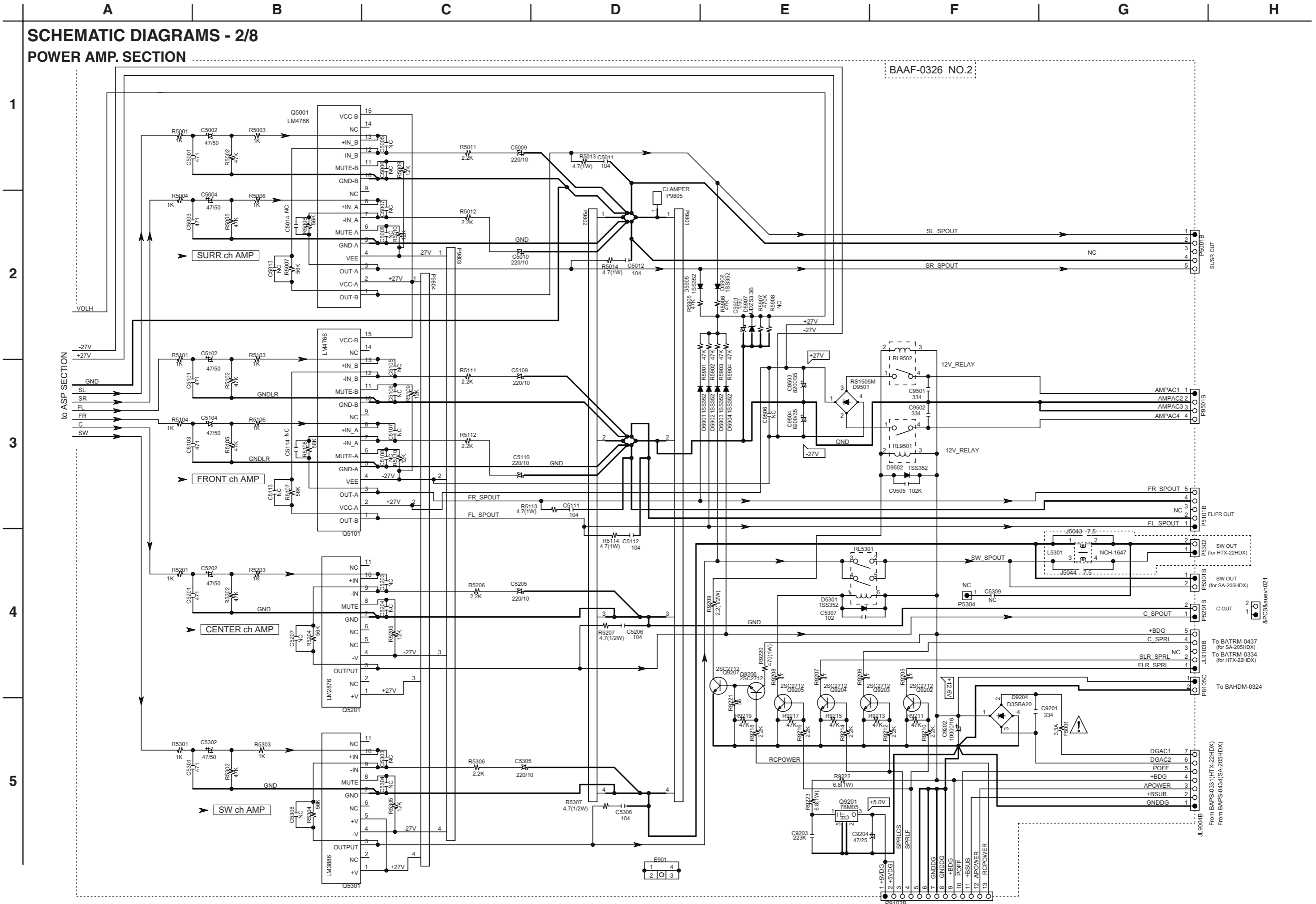
THIS SYMBOL LOCATED NEAR THE FUSE INDICATES THAT THE FUSE USED IS SLOW OPERATING TYPE FOR CONTINUED PROTECTION AGAINST FIRE HAZARD. REPLACE WITH SAME TYPE FUSE. FOR FUSE RATING REFER TO THE MARKING ADJACENT TO THE SYMBOL.

CE SYMBOLE INDIQUE QUE LE FUSIBLE UTILISE EST LENT. POUR UNE PROTECTION PERMANENTE, N'UTILISER QUE DES FUSIBLES DE MEME TYPE. CE DERNIER EST INDIQUE LA OU LE PRESENT SYMBOLE EST APPOSE.

	T901	T9002	F9001
JJ	NPT-1577J	NPT-1520JQ	2.5A/125V
PP	NPT-1577P	NPT-1520GQ	T1AL250V
DC	NPT-1577D	NPT-1520JQ	2.5A/125V

SCHEMATIC DIAGRAMS - 2/8

POWER AMP. SECTION



BAAF-0326 NO.2

1

2

3

4

5

From BAPS-0331(HTX-22HDX)
 From BAPS-0434(SA-205HDX)
 & PCB&auv/021

To BATRM-0437
 (for SA-205HDX)
 To BATRM-0334
 (for HTX-22HDX)

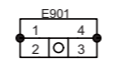
To BAHDM-0324

SW OUT
 (for HTX-22HDX)

AMPAC1 1
 AMPAC2 2
 AMPAC3 3
 AMPAC4 4

SL SPOUT
 SR SPOUT
 NC

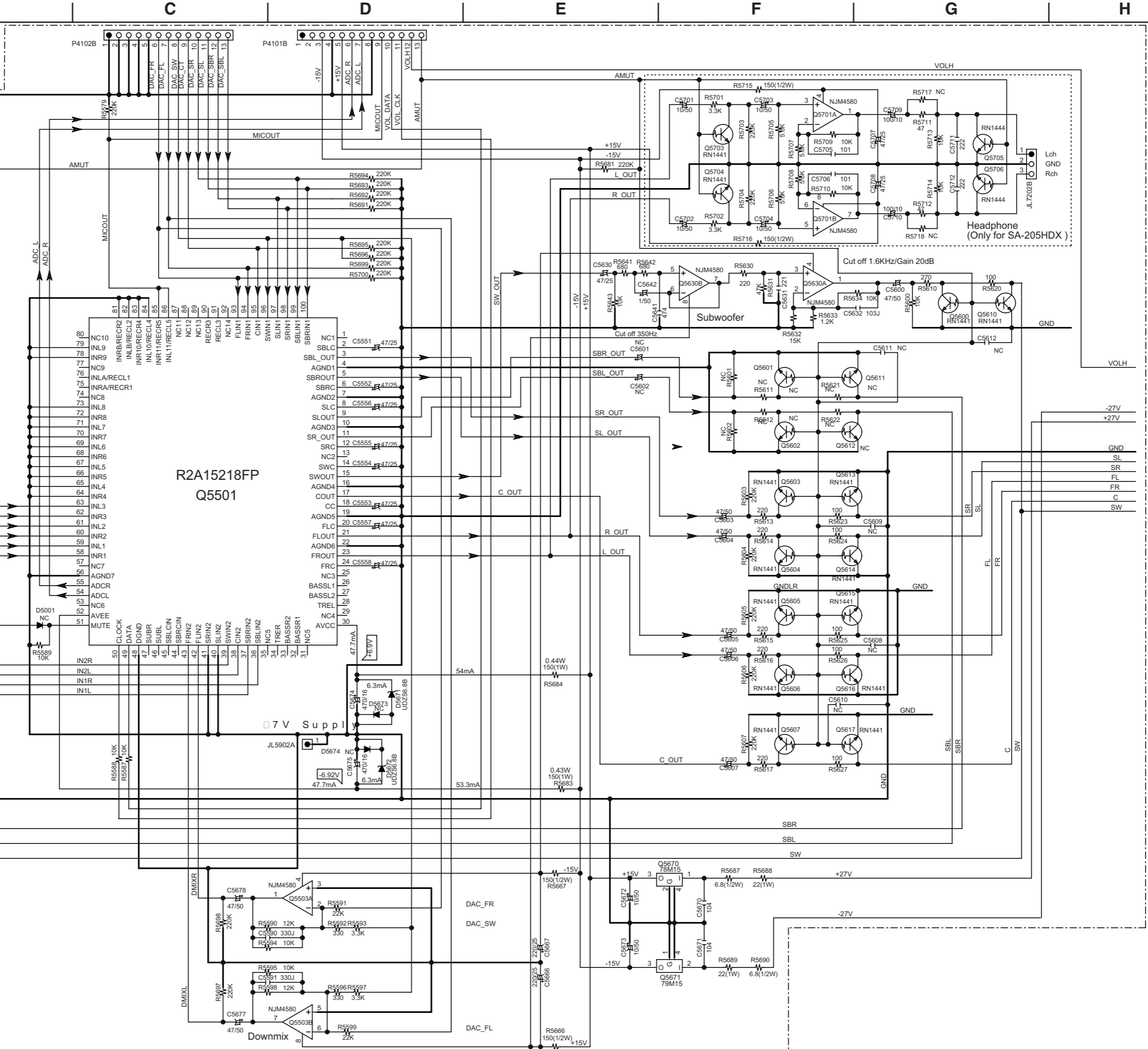
P5001B
 P5101B
 P5301B
 P5301B
 P5105C
 P9103B
 P9105C
 P9102B



to ASP SECTION

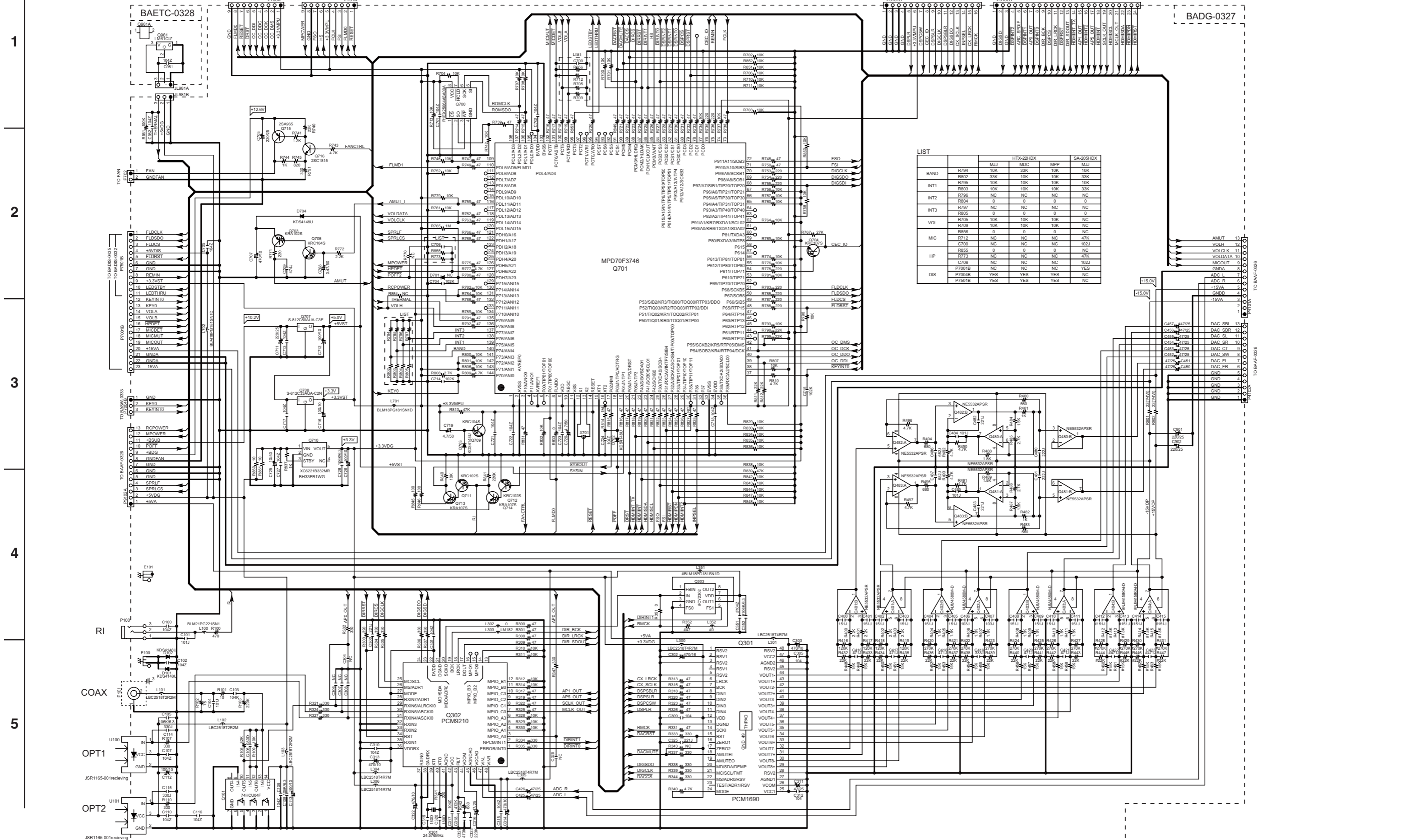
SCHEMATIC DIAGRAMS - 3/8 AUDIO SIGNAL PROCESSOR SECTION

1
2
3
4
5



to MAIN AMP SECTION

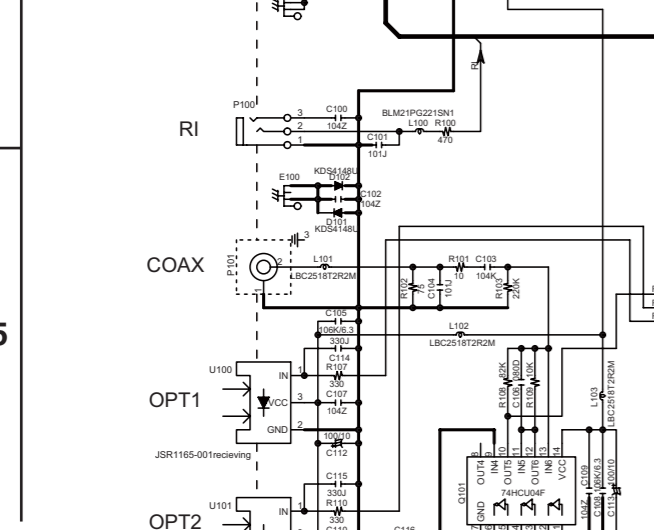
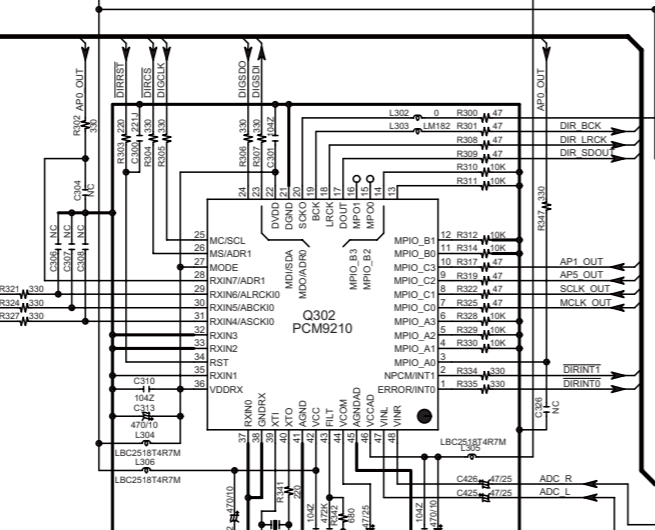
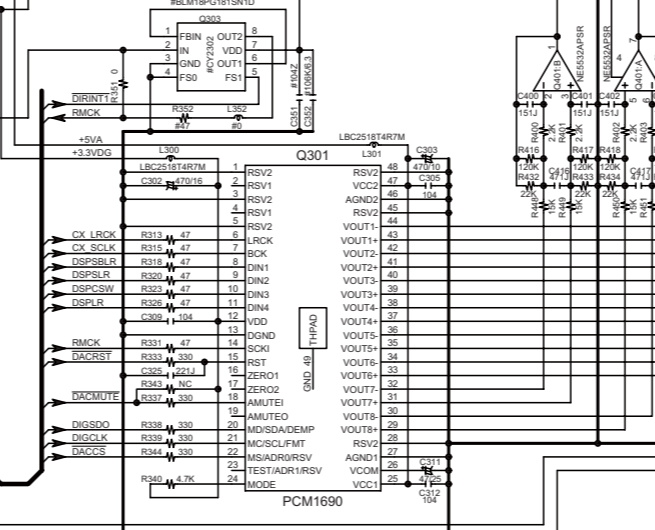
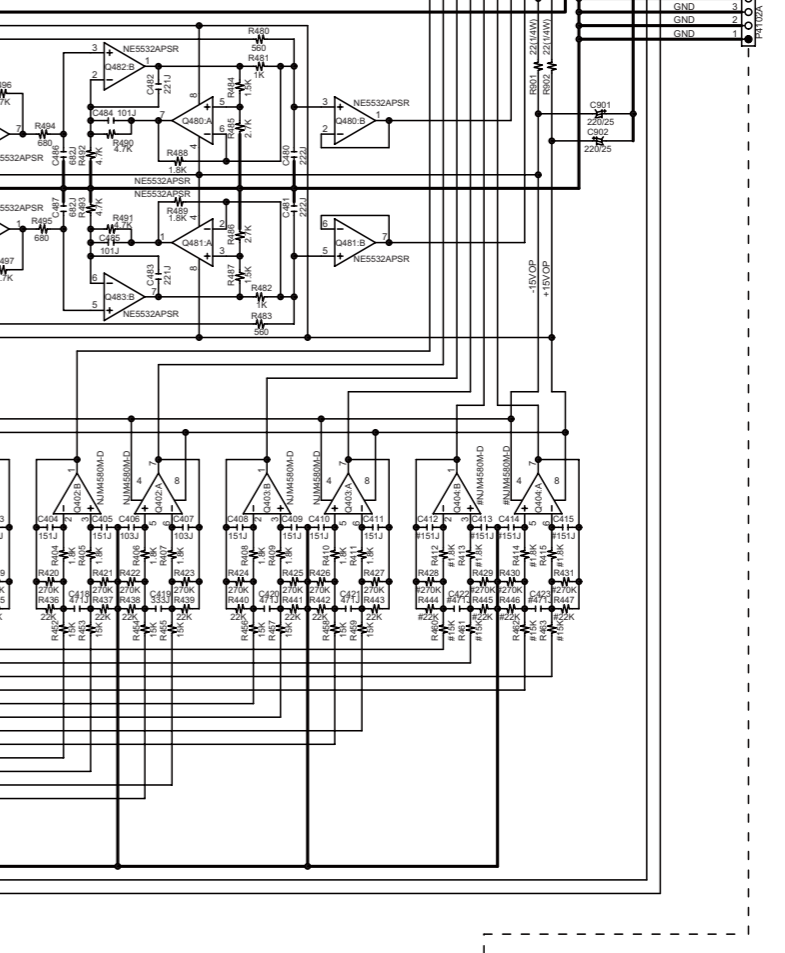
SCHEMATIC DIAGRAMS - 4/8 MICROPROCESSOR SECTION



LIST

BAND	MJJ	MDC	MPP	MJJ
R794	10K	33K	10K	10K
R802	33K	10K	10K	33K
R795	10K	10K	10K	10K
R803	10K	10K	10K	33K
R796	NC	NC	NC	NC
R804	0	0	0	0
R797	NC	NC	NC	NC
R805	0	0	0	0
R705	10K	10K	10K	NC
R709	10K	10K	10K	NC
R806	0	0	0	NC
R712	NC	NC	NC	47K
C700	NC	NC	NC	102J
R855	0	0	0	NC
R773	NC	NC	NC	47K
C706	NC	NC	NC	102J
F700B	NC	NC	NC	YES
P700AB	YES	YES	YES	NC
F750B	YES	YES	YES	NC

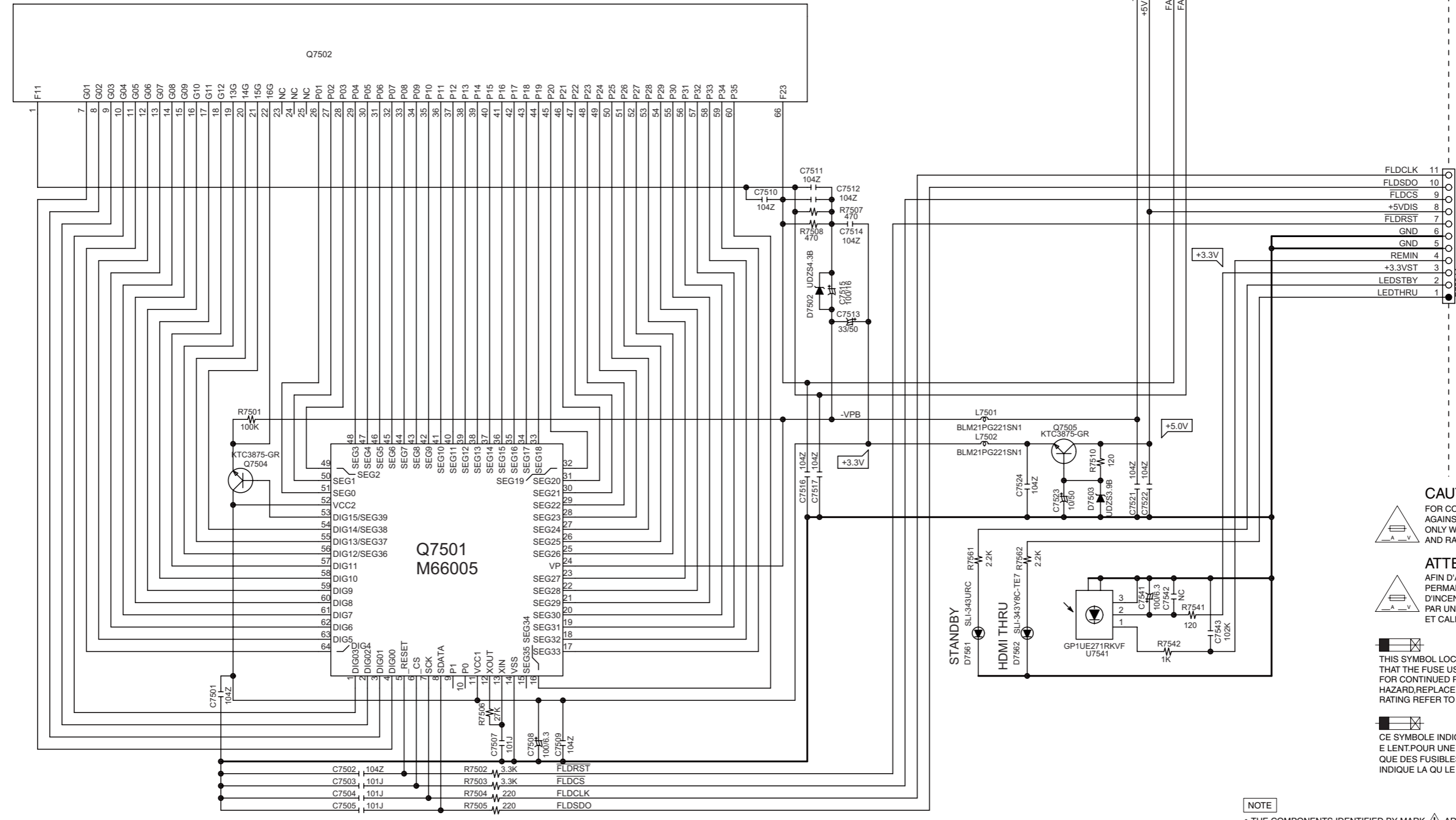
AMUT	13
VOLH	12
VOLCLK	11
MICOUT	10
FLDSDO	9
GNDA	8
ADC_R	7
ADC_L	6
GNDD	5
+15VA	4
GNDD	3
-15VA	2
GNDD	1
DAC_SEL	13
DAC_SBR	12
DAC_SR	11
DAC_SR	10
DAC_CT	9
DAC_SW	8
DAC_FL	7
DAC_FR	6
GNDD	5
GNDD	4
GNDD	3
GNDD	2
GNDD	1



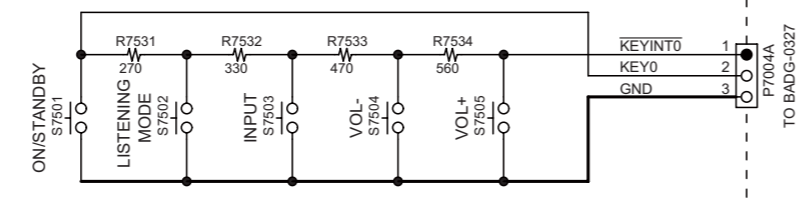
SCHEMATIC DIAGRAMS - 5.1/8
DISPLAY SECTION (HTX-22HDX)

1
2
3
4
5

BADIS-0332



BASW-0333



CAUTION
FOR CONTINUED PROTECTION AGAINST FIRE HAZARD, REPLACE ONLY WITH FUSE OF SAME TYPE AND RATING INDICATED.

ATTENTION
AFIN D'ASSURER UNE PROTECTION PERMANENTE CONTRE LES RISQUES D'INCENDIE, REMPLACER UNIQUEMENT PAR UN FUSIBLE DE MEME TYPE ET CALIBRATION COMME INDIQUE.

THIS SYMBOL LOCATED NEAR THE FUSE INDICATES THAT THE FUSE USED IS SLOW OPERATING TYPE FOR CONTINUED PROTECTION AGAINST FIRE HAZARD, REPLACE WITH SAME TYPE FUSE. FOR FUSE RATING REFER TO THE MARKING ADJACENT TO THE SYMBOL.

CE SYMBOLE INDIQUE QUE LE FUSIBLE UTILISE EST LENT. POUR UNE PROTECTION PERMANENTE, N'UTILISER QUE DES FUSIBLES DE MEME TYPE. CE DERNIER EST INDIQUE LA QU LE PRESENT SYMBOLE EST APPOSE.

- NOTE**
- THE COMPONENTS IDENTIFIED BY MARK ARE CRITICAL FOR SAFETY. REPLACE ONLY WITH PART NUMBER SPECIFIED.
 - VOLTAGE (MEASURED WITH VOLTMETER) IS DC VOLTAGE. (NO INPUT SIGNAL).
 - ALL PNP TRANSISTORS ARE EQUIVALENT TO 2SA1015-GR UNLESS OTHERWISE NOTED.
 - ALL NPN TRANSISTORS ARE EQUIVALENT TO 2SC1815-GR UNLESS OTHERWISE NOTED.
 - ALL DIODES ARE EQUIVALENT TO 1S5133 UNLESS OTHERWISE NOTED.
 - ELECTROLYTIC CAPACITORS () ARE IN uF/MV.
 - ALL CAPACITORS ARE IN pF/50WV UNLESS OTHERWISE NOTED.
 - EX) 030- 3pF 330- 33pF 331- 330pF 333- 0.033uF
 - ALL RESISTORS ARE IN OHMS 1/4WATTS UNLESS OTHERWISE NOTED.
 - THE THICK LINES ON PC BOARD ARE THE PRINTING SIDE OF THE PARTS.
 - EX) PRINTING SIDE
 - CIRCUIT IS SUBJECT TO CHANGE FOR IMPROVEMENT.

SCHEMATIC DIAGRAMS - 6/8

DSP SECTION

1

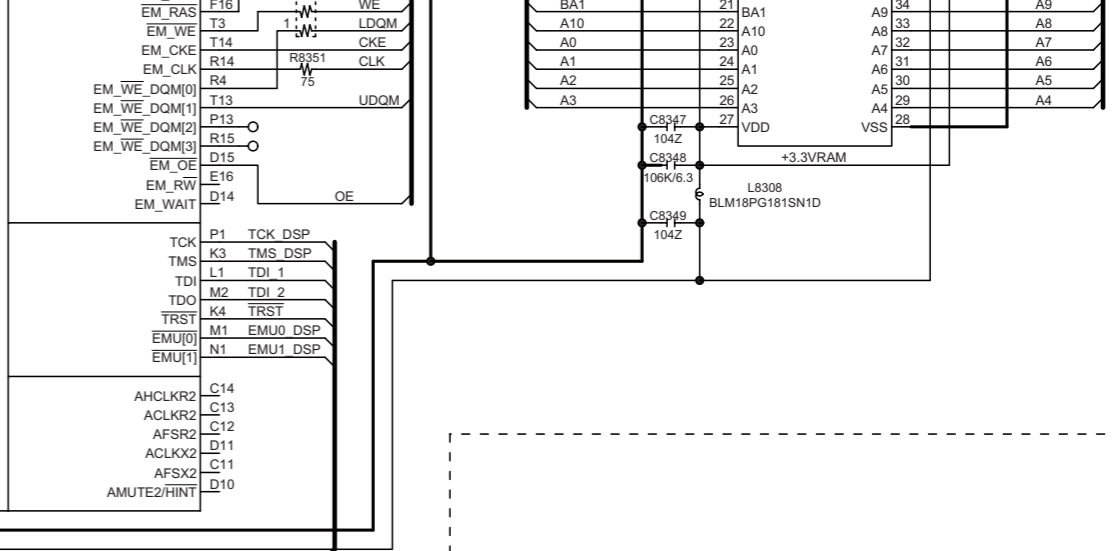
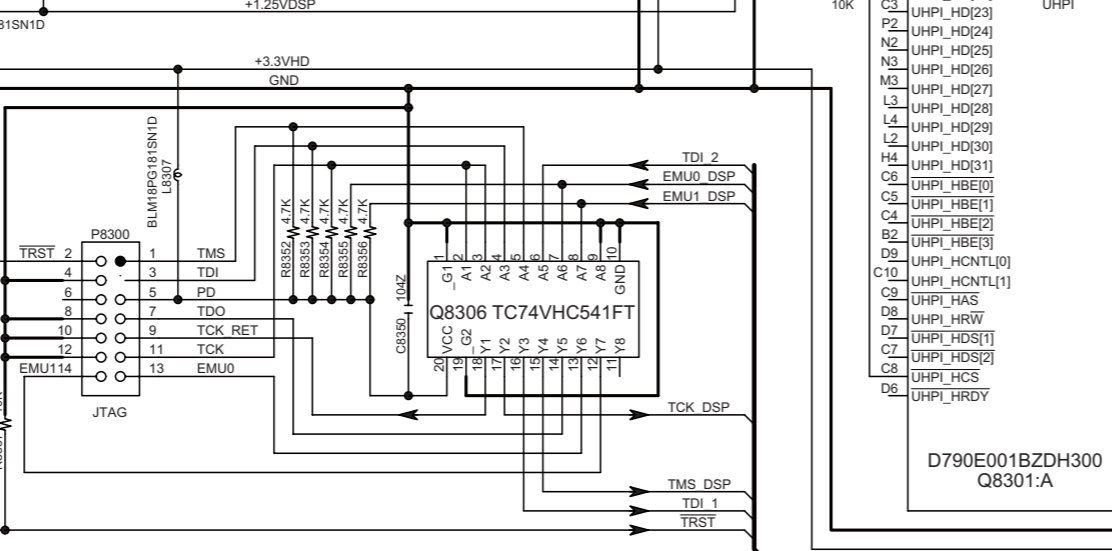
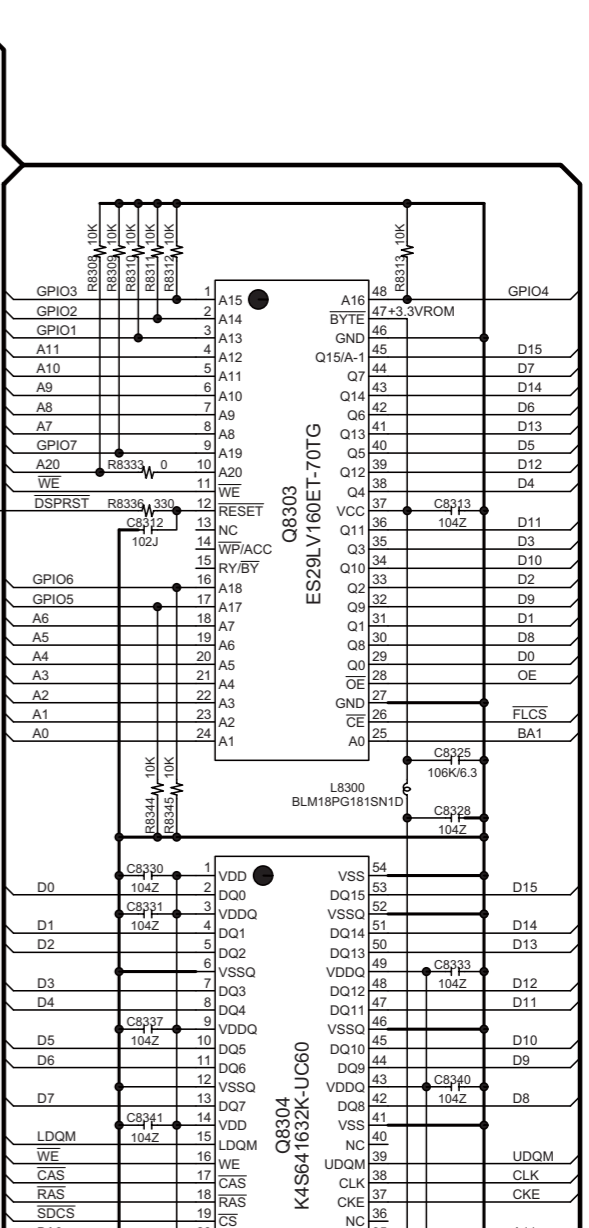
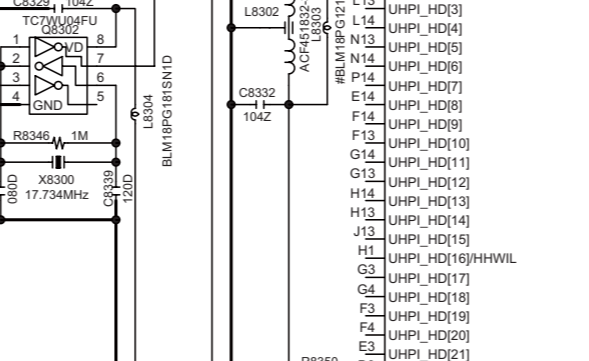
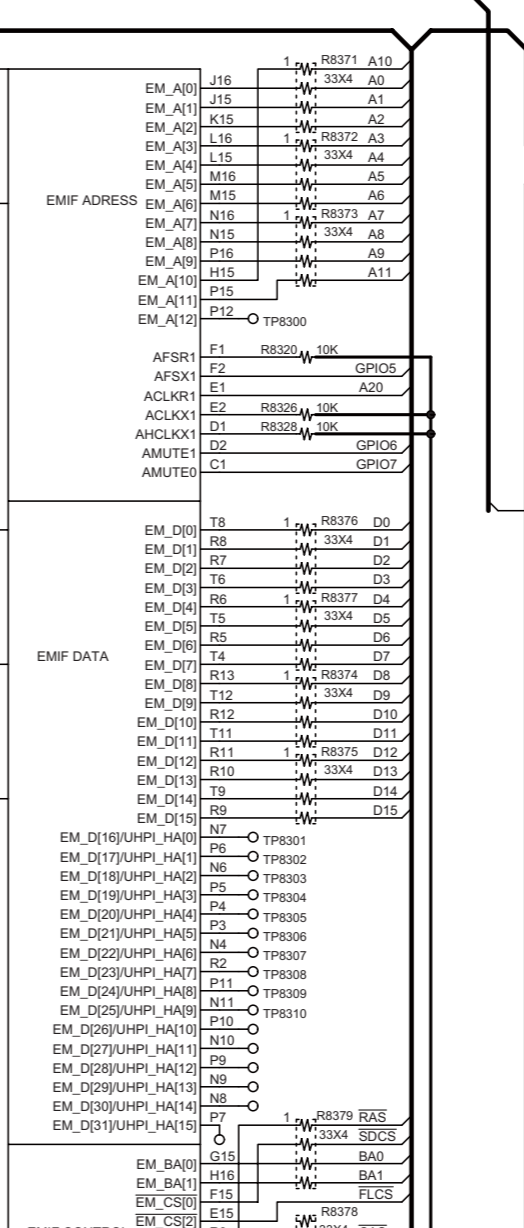
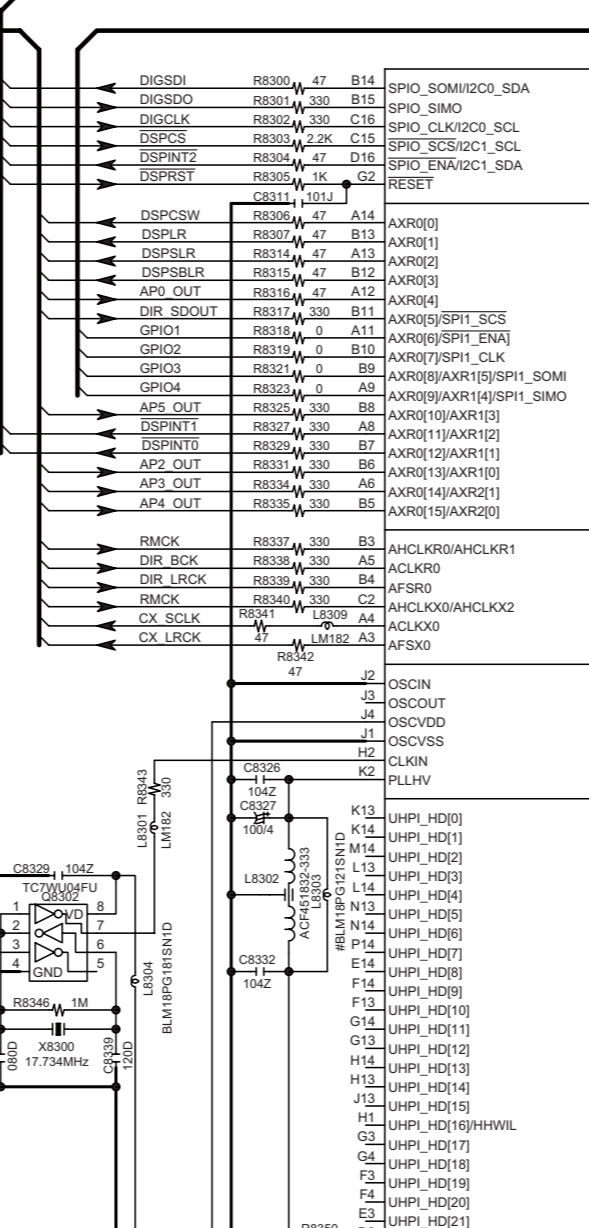
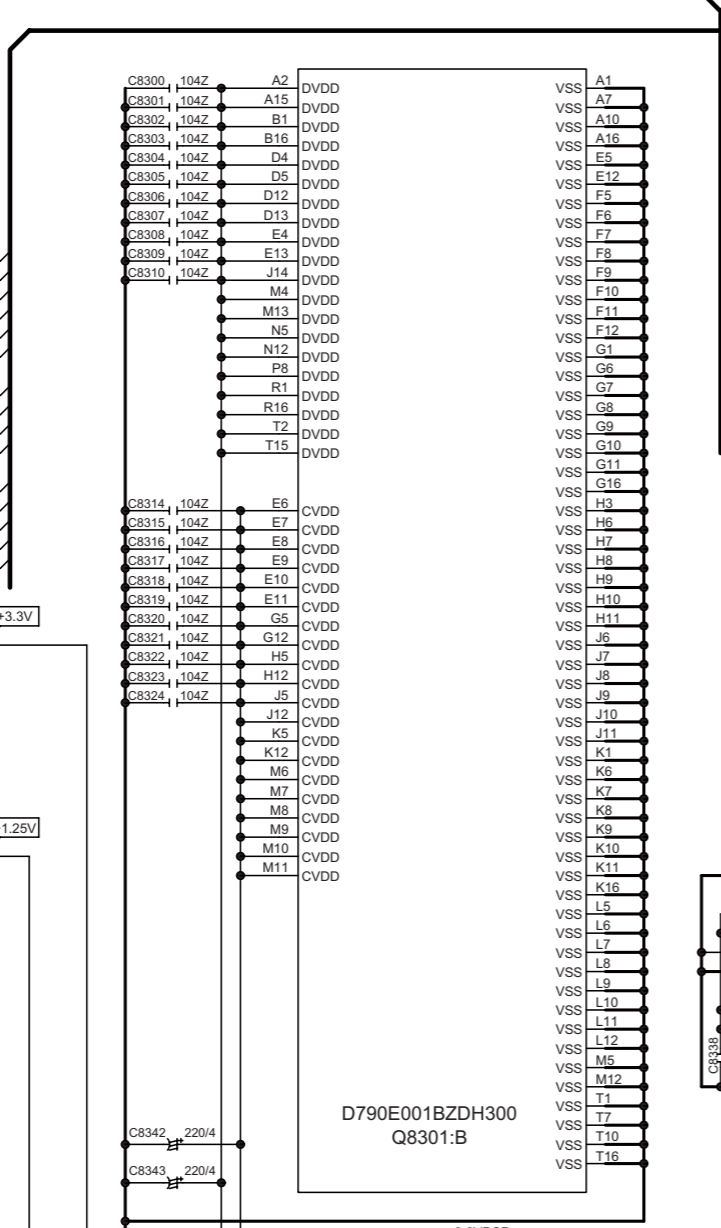
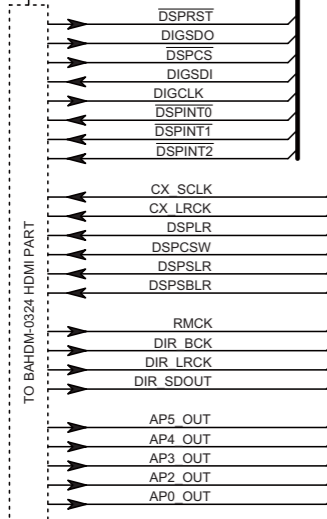
2

3

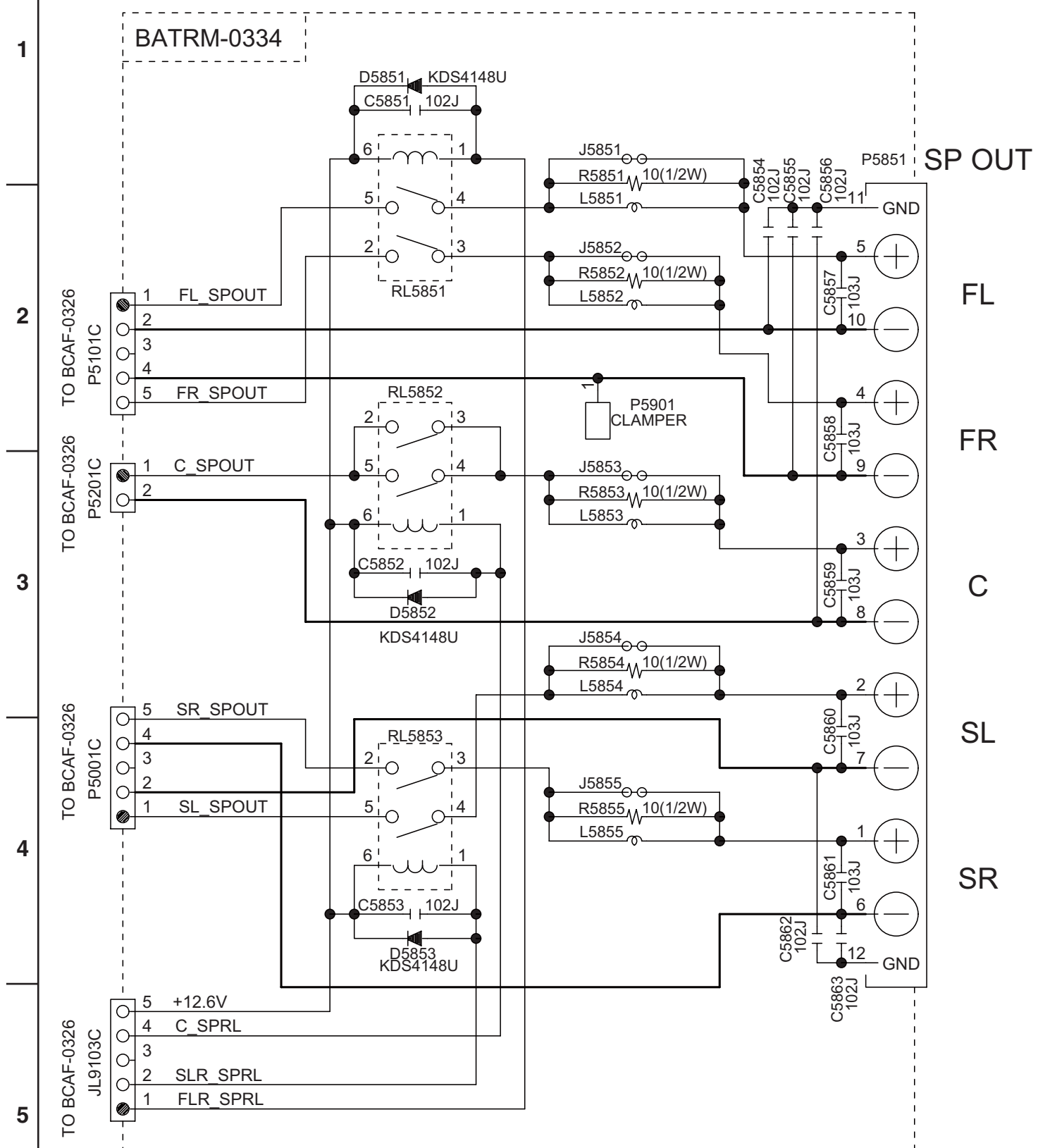
4

5

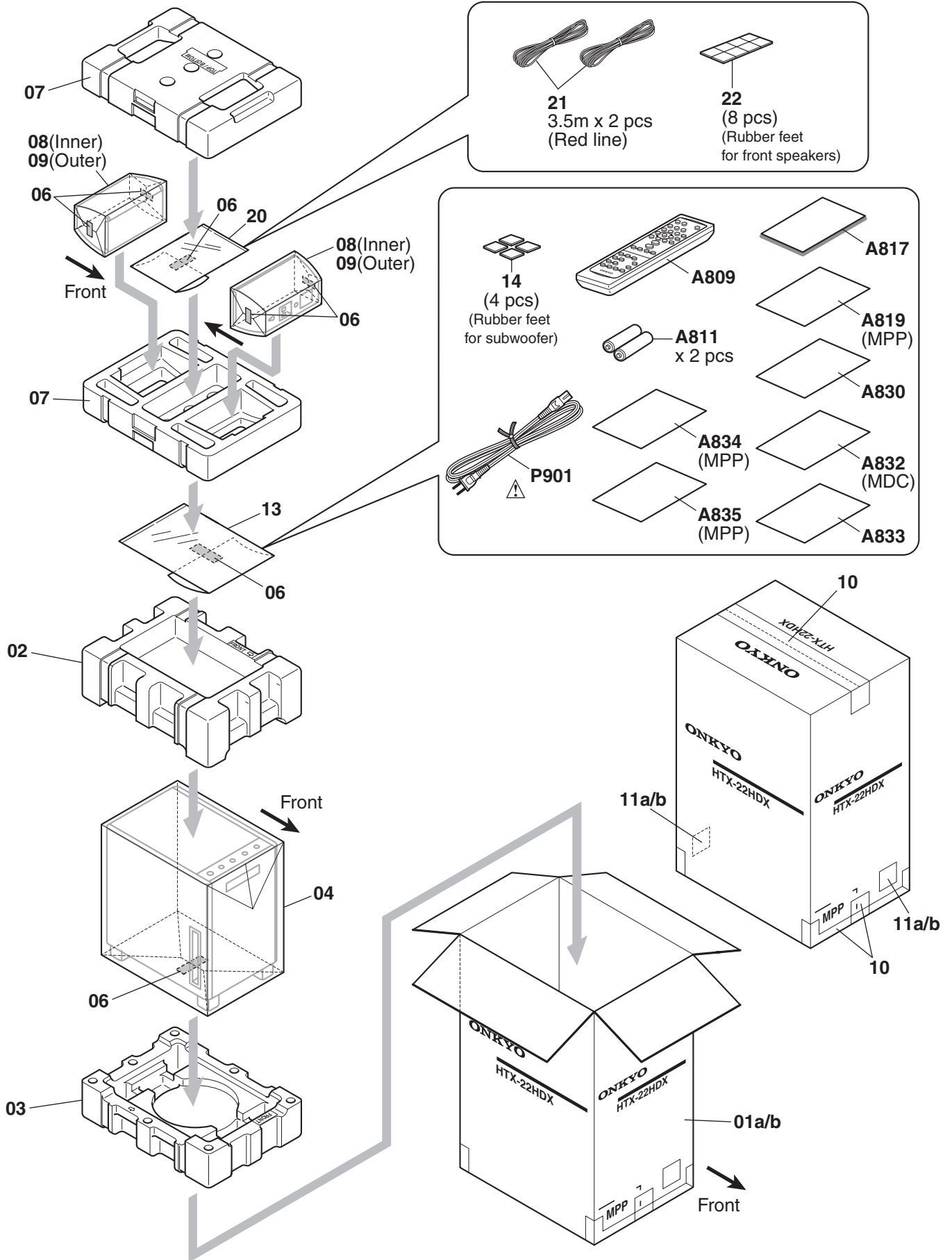
BAHDM-0324



SCHEMATIC DIAGRAMS - 8.1/8
SPEAKER TERMINAL SECTION



PACKING PROCEDURE



HTX-22HDX

<Note>

Parts marked by "NSP" are generally unavailable because they are not in our Master Spare Parts List.

**NOTE : THE COMPONENTS IDENTIFIED BY THE MARK
! ARE CRITICAL FOR RISK OF FIRE AND
ELECTRIC SHOCK. REPLACE ONLY WITH PART
NUMBER SPECIFIED.**

<Notes>

<MPP> : European model only

<MDC> : Canadian model only

EXPLODED VIEW PARTS LIST

AMPLIFIER SECTION

REF. NO.	PART NAME	DESCRIPTION	Q'TY	PART NO. (SN)	REMARKS
EXPLODED	[CHASSIS SCREW]				
EXPLODED	A001	CLEAR PLT		MDC/MPP	1 28192295 N
EXPLODED	A002	F BRACKET		---	1 27111573A N <MPP>
EXPLODED	A002	F BRACKET		MDC	1 27111588 N <MDC>
EXPLODED	A003	KNOB		(TOP)	1 28326815A N
EXPLODED	A008	SCREW		3TTB+8B(3BC)	6 838430088GR
EXPLODED	A009	SCREW		3TTB+8B(3BC)	4 838430088GR
EXPLODED	A010	SCREW		3TTB+8B(3BC)	4 838430088GR
EXPLODED	A012	CHASSIS		---	1 27100520B N
EXPLODED	A014	TAPE		TAPE(CLOTH-8U)	1 29110082
EXPLODED	A016	CUSHION		20x20xt0.5	1 28141465GR
EXPLODED	A018	SHLD PLT		(F)	1 27150529A N
EXPLODED	A019	RIVET		P-RIVET NRP-345	2 880009
EXPLODED	A020	SCREW		4TTC+8C(3BC)	4 830440089GR
EXPLODED	A021	HEAT SINK		---	1 27160644
EXPLODED	A022	TAPE		TAPE(CLOTH-8U)	1 29110082
EXPLODED	A023	SCREW		3SMS8W.SW+14B(CU)	6 801634
EXPLODED	A024	SCREW		3TTB+8B(3BC)	6 838430088GR
EXPLODED	A025	SCREW		3TTB+8B(3BC)	1 838430088GR
EXPLODED	A028	SCREW		3TTB+8B(3BC)	2 838430088GR
EXPLODED	A032	COVER		---	1 28210053A N
EXPLODED	A033	SCREW		3TTB+8B(3BC)	3 838430088GR
EXPLODED	A034	CUSHION		---	2 28141765

EXPLODED	A039	B PLATE	DHS-8.8	1	28133433	
EXPLODED	A042	HOLDER	KGLS-10RT	4	27190428A	
EXPLODED	A045	RETAINER	(H)	1	27142173	N
EXPLODED	A046	TAPE	TAPE(CLOTH-8U)	1	29110082	
EXPLODED	A050	SCREW	3TTB+8B(3BC)	2	838430088GR	
EXPLODED	A052	SPACER	(Dia6-3-1.0)	1	27270492	
EXPLODED	A062	HOLDER	HOLDER KGLS-18S	1	27190470	
EXPLODED	A101	REAR PANEL	MPP	1	27124117A	N <MPP>
EXPLODED	A101	REAR PANEL	MDC	1	27124118B	N <MDC>
EXPLODED	A105	SCREW	3TTB+8B(3BC)	14	838430088GR	
EXPLODED	A106	SCREW	3P+6FN(3BC)	4	82143006GR	
EXPLODED	A107	SCREW	(FAN)	4	801643A	
EXPLODED	A108	BUSHING	(FAN)	4	28170089A	
EXPLODED	A130	CUSHION	(tr)	1	28141786	
EXPLODED	A132	CUSHION	(t5x150x40)	2	28141781	
EXPLODED	A134	CUSHION	(t8x15x10)	1	28141782	
EXPLODED	A136	CUSHION	(18x10x4)	2	28141836	N
EXPLODED	A138	TAPE	TAPE(CLOTH-8U)	1	29110082	
EXPLODED	A140	CUSHION	(BUTYL)	1	28141748	
EXPLODED	A142	CUSHION	(BUTYL)	1	28141748	
EXPLODED	A143	CUSHION	(BUTYL)	1	28141748	
EXPLODED	A144	CUSHION	(FELT)	2	28141793	
EXPLODED	A150	LABEL	POP	1	NSP	N NSP

EXPLODED	[TRANS COIL]					
EXPLODED	T901	P TRANS	NPT-1577P	1	2301947	! <MPP>
EXPLODED	T901	P TRANS	NPT-1577D	1	2301985	N ! <MDC>
EXPLODED	[SW TRM]					
EXPLODED	E889	FAN	9S0612H405	1	24502329	
EXPLODED	F901	FUSE	1A-SE-EAK FUSE	1	252070GR	! <MPP>
EXPLODED	F901 or	FUSE	1A-SE-TL250V	(1)	252271GR	! <MPP>
EXPLODED	F901	FUSE	2.5A-UL/T-233	1	252321GR	! <MDC>
EXPLODED	F901 or	FUSE	2.5A-T/UL-ST2	(1)	252254GR	! <MDC>
EXPLODED	P7501	FFC	NCFC7-111512	1	2047111512	
EXPLODED	[OTHER]					
EXPLODED	E890	WIRE TIE	BSK-1	7	260208	
EXPLODED	E892	IB CUSHION	W15*3t TAPE	1	28141585	
EXPLODED	E895	CLIP	CS-1U	1	27255004	
EXPLODED	[TUNER UNIT]					
EXPLODED	U01	HDMI PC board ass'y	BAHDM-0324-1A *	1	1B246524-1A	N
EXPLODED	U02	AMPLIFIER PC board ass'y	BAAF-0326-1B *	1	1B246526-1B	N <MPP>
EXPLODED	U02	AMPLIFIER PC board ass'y	BAAF-0326-1D *	1	1B246526-1D	N <MDC>
EXPLODED	U02-1	MICROPROCESSOR PC board ass'y	BADG-0327-1B	1	1B246527-1B	N <MPP>
EXPLODED	U02-1	MICROPROCESSOR PC board ass'y	BADG-0327-1D	1	1B246527-1D	N <MDC>
EXPLODED	U02-2	THERMAL SENSOR PC board ass'y	BAETC-0328-1B	1	1B246528-1B	N <MPP>
EXPLODED	U02-2	THERMAL SENSOR PC board ass'y	BAETC-0328-1D	1	1B246528-1D	N <MDC>
EXPLODED	U02-3	HOLDER PC board	BAETC-0329-1B	1	1B246529-1B	N <MPP>
EXPLODED	U02-3	HOLDER PC board	BAETC-0329-1D	1	1B246529-1D	N <MDC>
EXPLODED	U03	POWER TRANS. PC board ass'y	BAPS-0331-1B *	1	1B246531-1B	N <MPP>
EXPLODED	U03	POWER TRANS. PC board ass'y	BAPS-0331-1C *	1	1B246531-1C	N <MDC>
EXPLODED	U03-1	DISPLAY PC board ass'y	BADIS-0332-1B	1	1B246532-1B	N <MPP>
EXPLODED	U03-1	DISPLAY PC board ass'y	BADIS-0332-1C	1	1B246532-1C	N <MDC>
EXPLODED	U03-2	SWITCH PC board ass'y	BASW-0333-1B	1	1B246533-1B	N <MPP>
EXPLODED	U03-2	SWITCH PC board ass'y	BASW-0333-1C	1	1B246533-1C	N <MDC>
EXPLODED	U03-3	SPEAKER TERMINAL PC board ass'y	BATRM-0334-1B	1	1B246534-1B	N <MPP>
EXPLODED	U03-3	SPEAKER TERMINAL PC board ass'y	BATRM-0334-1C	1	1B246534-1C	N <MDC>
EXPLODED	U03-4	AC INLET PC board ass'y	BAETC-0335-1B	1	1B246535-1B	N <MPP>
EXPLODED	U03-4	AC INLET PC board ass'y	BAETC-0335-1C	1	1B246535-1C	N <MDC>
EXPLODED	U03-5	HOLDER PC board	BAETC-0336-1B	1	1B246536-1B	N <MPP>
EXPLODED	U03-5	HOLDER PC board	BAETC-0336-1C	1	1B246536-1C	N <MDC>
EXPLODED	[SPEAKER SECTION]					

EXPLODED	REF. NO.	PART NAME	DESCRIPTION	Q'TY	PART NO. (SN)	REMARKS
EXPLODED	SP01a	COMPLETE UNIT	ALL (With AMP UNIT / With SPEAKER UNIT)	1	000-HTX22HDXBMPPCSER	N <MPP>
EXPLODED	SP01b	COMPLETE UNIT	ALL (With AMP UNIT / With SPEAKER UNIT)	1	000-HTX22HDXBMDCCSER	N <MDC>
EXPLODED	SP02a	COMPLETED ASS'Y	Without AMP UNIT (With SPEAKER UNIT)	1	000-HTX22HDXBMPPESER	N <MPP>
EXPLODED	SP02b	CABINET ASS'Y	Without AMP UNIT (With SPEAKER UNIT)	1	000-HTX22HDXBMDCESER	N <MDC>
EXPLODED	SP03	WOOFER UNIT	WF / 16cm 3ohm	1	300-DX22HDX1600	
EXPLODED	SP04	FOOT	---	4	D243-TX2201B-00	
EXPLODED	SP05	SCREW	BIND HEAD 4 x 25mm (SP UNIT/FOOT)	12	411-BE4025AB1	
EXPLODED	SP06	SCREW	BIND HEAD 4 x 20mm (AMP)	5	411-BE4020AB1	
EXPLODED	SP12	NETWORK ASS'Y	UNIT-AMP L=500	1	310-X22HDX-11	
EXPLODED	SP15a	SPEC LABEL	MPP	1	600-HDXMPP-00	N
EXPLODED	SP15b	SPEC LABEL	MDC	1	600-HDXMDC-00	N
EXPLODED	SP16	UL LABEL	---	1	660-HTS770-00	<MDC>
EXPLODED	SP20a	SPEAKER ASS'Y	HTX-22HDX ST (B)MP	1	ANM1SX22H-BM70	N <MPP>
EXPLODED	SP20b	SPEAKER ASS'Y	HTX-22HDX ST (B)MC	1	ANM1SX22H-BM10	N <MDC>

HTX-22HDX

PRINTED CIRCUIT BOARD PARTS LIST

PWB1	CIRCUIT NO.	PART NAME	DESCRIPTION	Q'TY	PART NO. (SN)	REMARKS
	U01	HDMI PC board (BAHDM-0324-1A *)				
PWB1	[SEMI CONDUCTOR]					
PWB1	D8100	DIODE	XBS303V17R	1	22380365R2	

PWB1	D8101	DIODE	XBS303V17R	1	22380365R2	
PWB1	D8102	C-DIODE	KDS4148U	1	223283R2	
PWB1	D8102 or	C-DIODE	1SS352	(1)	223234R2	
PWB1	D8102 or	C-DIODE	1SS355	(1)	223269R2	
PWB1	D8102 or	C-DIODE	MA2J111	(1)	223279R2	
PWB1	Q8101	IC	ADV7623	1	22242625R3	
PWB1	Q8102	IC	MP2363DN-LF-Z	1	22242627R2	
PWB1	Q8103	IC	MP2363DN-LF-Z	1	22242627R2	
PWB1	Q8104	IC	SN74CB3Q3305PWR	1	22242258R2	
PWB1	Q8106	IC	EN25Q32A-100HIP	1	222W0112R2	
PWB1	Q8107	IC	S-812C50BUC-C5ET2G	1	22242407R2	
PWB1	Q8261	TR	DTC123JKA	1	2216690R2	
PWB1	Q8262	TR	DTC123JKA	1	2216690R2	
PWB1	Q8263	TR	DTC123JKA	1	2216690R2	
PWB1	Q8264	TR	DTC123JKA	1	2216690R2	
PWB1	Q8265	TR	DTC123JKA	1	2216690R2	
PWB1	Q8266	TR	DTC123JKA	1	2216690R2	
PWB1	Q8301	IC	D790E001BZDH300Z	1	22242514R3	
PWB1	Q8302	IC	TC7WU04FU(TE12L_F)	1	22240935R2	
PWB1	Q8303	IC	ES29LV160ET-70TG	1	222W0069R3	
PWB1	Q8303 or	IC	S29AL016J70TFI010	(1)	222W0100R3	
PWB1	Q8303 or	IC	ES29LV160FT-70T	(1)	222W0101R3	
PWB1	Q8303 or	IC	MX29LV160DTTI-7	(1)	222W0104R3	
PWB1	Q8304	IC	K4S641632K-UC60	1	22242462R2	
PWB1	Q8304 or	IC	K4S641632N-LC60	(1)	22242603R2	
PWB1	Q8304 or	IC	EM638165TS-7G	(1)	22242607R2	
PWB1	Q8306	IC	TC74VHC541FT(EKJ)	1	22274541E1R2TO	
PWB1	Q8307	IC	XC6220B12BPR	1	22242642R2	N
PWB1	Q8501	IC	XC6221B182MR	1	22242632R2	
PWB1	[TRANS COIL]					
PWB1	L8101	CORE	BLM18PG181SN1D	1	2350005R1	
PWB1	L8102	CORE	BLM18PG181SN1D	1	2350005R1	
PWB1	L8103	CORE	BLM18PG181SN1D	1	2350005R1	
PWB1	L8104	CHOKE COIL	0182-7E08Q-100M-RA	1	231396M100R2	
PWB1	L8105	C-CARBON R	RN72K1J-000JE	1	435030004R1	
PWB1	L8106	CORE	BLM18PG181SN1D	1	2350005R1	
PWB1	L8107	CORE	BLM18PG181SN1D	1	2350005R1	

PWB1	L8108	CORE	BLM18PG181SN1D	1	2350005R1
PWB1	L8109	CHOKE COIL	0182-7E08Q-100M-RA	1	231396M100R2
PWB1	L8110	C-R NET	MNR12E0APJ000	1	43464900002R2
PWB1	L8111	C-R NET	MNR12E0APJ000	1	43464900002R2
PWB1	L8112	C-R NET	MNR12E0APJ000	1	43464900002R2
PWB1	L8113	C-R NET	MNR12E0APJ000	1	43464900002R2
PWB1	L8114	CORE	BLM18PG181SN1D	1	2350005R1
PWB1	L8116	CORE	BLM18PG181SN1D	1	2350005R1
PWB1	L8118	CORE	BLM18PG181SN1D	1	2350005R1
PWB1	L8120	CORE	BLM18PG181SN1D	1	2350005R1
PWB1	L8121	CORE	BLM18PG181SN1D	1	2350005R1
PWB1	L8300	CORE	BLM18PG181SN1D	1	2350005R1
PWB1	L8301	EMIFIL	BK1608LM182-T	1	230958R1
PWB1	L8302	EMIFIL	ACF451832-333-T	1	230978R2
PWB1	L8304	CORE	BLM18PG181SN1D	1	2350005R1
PWB1	L8305	CORE	BLM18PG181SN1D	1	2350005R1
PWB1	L8306	CHOKE COIL	BLM21PG221SN1	1	230949R2
PWB1	L8307	CORE	BLM18PG181SN1D	1	2350005R1
PWB1	L8308	CORE	BLM18PG181SN1D	1	2350005R1
PWB1	L8309	EMIFIL	BK1608LM182-T	1	230958R1
PWB1	L8501	CORE	BLM18PG181SN1D	1	2350005R1
PWB1	L8502	CORE	BLM18PG181SN1D	1	2350005R1
PWB1	L8503	CORE	BLM18PG181SN1D	1	2350005R1

PWB1	X8100	CRYSTAL	HC-49USSMD28.6363MHz	1	3010491R2
PWB1	X8300	CRYSTAL	HC-49USSMD17.734MHz	1	3010488R2
PWB1	[CAPACITOR]				
PWB1	C8100	C-CERA C	CK725B1H-102K1	1	332101025R1
PWB1	C8103	C-CERA C	CK725F1E-104Z1	1	332161040R1
PWB1	C8104	C-CERA C	CK725B1H-103K1	1	332101035R1
PWB1	C8105	C-CERA C	CK725F1E-104Z1	1	332161040R1
PWB1	C8106	C-CERA C	CK725B1H-103K1	1	332101035R1
PWB1	C8107	C-CERA C	CK725F1E-104Z1	1	332161040R1
PWB1	C8108	C-CERA C	CK725B1H-103K1	1	332101035R1
PWB1	C8109	C-CERA C	CK725F1E-104Z1	1	332161040R1
PWB1	C8110	C-CERA C	CK725B1H-103K1	1	332101035R1
PWB1	C8111	C-CERA C	CK725F1E-104Z1	1	332161040R1
PWB1	C8112	C-CERA C	CK725B1H-103K1	1	332101035R1
PWB1	C8113	C-CERA C	CK725F1E-104Z1	1	332161040R1
PWB1	C8114	C-CERA C	CK725B1H-103K1	1	332101035R1
PWB1	C8115	C-CERA C	CK725F1E-104Z1	1	332161040R1
PWB1	C8116	C-CERA C	CK725B1H-103K1	1	332101035R1
PWB1	C8117	C-CERA C	CK725B1H-102K1	1	332101025R1
PWB1	C8118	C-CERA C	CK725B1H-102K1	1	332101025R1
PWB1	C8119	C-CERA C	CK725F1E-104Z1	1	332161040R1
PWB1	C8120	C-CERA C	CK725B1H-103K1	1	332101035R1
PWB1	C8121	C-CERA C	CK725F1E-104Z1	1	332161040R1
PWB1	C8122	C-CERA C	CK725F1E-104Z1	1	332161040R1
PWB1	C8123	C-CERA C	CC725CH1H-070D1	1	342100702R1
PWB1	C8124	C-CERA C	CK725B1H-103K1	1	332101035R1
PWB1	C8125	C-CERA C	CK725B1H-103K1	1	332101035R1
PWB1	C8126	C-CERA C	CK725B1H-223K1	1	332102235R1
PWB1	C8127	C-CERA C	CK725F1E-104Z1	1	332161040R1
PWB1	C8128	C-CERA C	CK725B1H-103K1	1	332101035R1
PWB1	C8129	C-CERA C	CC725CH1H-080D1	1	342100802R1
PWB1	C8130	C-CERA C	CK725B1H-103K1	1	332101035R1
PWB1	C8131	C-CERA C	CK725B1E-106K	1	332221065R2
PWB1	C8132	C-CERA C	CK725B1E-106K	1	332221065R2
PWB1	C8133	CHIP ELECT C	CEWX4V-220M	1	3981G2217R2
PWB1	C8134	C-CERA C	CK725F1E-104Z1	1	332161040R1
PWB1	C8135	C-CERA C	CK725B1H-102K1	1	332101025R1

PWB1	C8136	C-CERA C	CK725F1E-104Z1	1	332161040R1
PWB1	C8137	C-CERA C	CC725CH1H-151J1	1	342101514R1
PWB1	C8138	C-CERA C	CK725F1E-104Z1	1	332161040R1
PWB1	C8139	C-CERA C	CK725B0J-106K	1	332091065R2
PWB1	C8140	C-CERA C	CK725B0J-106K	1	332091065R2
PWB1	C8141	C-CERA C	CK725B0J-106K	1	332091065R2
PWB1	C8142	C-CERA C	CK725B1H-103K1	1	332101035R1
PWB1	C8143	C-CERA C	CK725B1H-102K1	1	332101025R1
PWB1	C8144	C-CERA C	CK725F1E-104Z1	1	332161040R1
PWB1	C8145	C-CERA C	CK725B1H-103K1	1	332101035R1
PWB1	C8146	C-CERA C	CK725F1E-104Z1	1	332161040R1
PWB1	C8147	C-CERA C	CK725B1H-103K1	1	332101035R1
PWB1	C8148	C-CERA C	CK725F1E-104Z1	1	332161040R1
PWB1	C8149	C-CERA C	CK725B1H-223K1	1	332102235R1
PWB1	C8150	C-CERA C	CK725B1H-103K1	1	332101035R1
PWB1	C8151	C-CERA C	CK725B1H-682K1	1	332106825R1
PWB1	C8152	C-CERA C	CK725B1H-102K1	1	332101025R1
PWB1	C8153	C-CERA C	CK725F1E-104Z1	1	332161040R1
PWB1	C8154	CHIP ELECT C	CEWX16V-100M	1	398141017R2
PWB1	C8155	C-CERA C	CK725B1H-103K1	1	332101035R1
PWB1	C8156	C-CERA C	CK725B1E-106K	1	332221065R2
PWB1	C8157	C-CERA C	CK725B1E-106K	1	332221065R2
PWB1	C8158	C-CERA C	CK725F1E-104Z1	1	332161040R1

PWB1	C8159	CHIP ELECT C	CEWX4V-220M	1	3981G2217R2
PWB1	C8160	C-CERA C	CK725F1E-104Z1	1	332161040R1
PWB1	C8161	C-CERA C	CK725F1E-104Z1	1	332161040R1
PWB1	C8163	C-CERA C	CK725F1A-105Z1	1	332181050R1
PWB1	C8164	C-CERA C	CK725B0J-106K	1	332091065R2
PWB1	C8165	C-CERA C	CK725B0J-106K	1	332091065R2
PWB1	C8166	C-CERA C	CK725B0J-106K	1	332091065R2
PWB1	C8168	C-CERA C	CK725B1H-103K1	1	332101035R1
PWB1	C8169	C-CERA C	CK725F1E-104Z1	1	332161040R1
PWB1	C8170	C-CERA C	CK725B1H-103K1	1	332101035R1
PWB1	C8171	C-CERA C	CK725B1H-102K1	1	332101025R1
PWB1	C8172	C-CERA C	CK725F1E-104Z1	1	332161040R1
PWB1	C8173	C-CERA C	CK725B1H-103K1	1	332101035R1
PWB1	C8174	C-CERA C	CK725F1E-104Z1	1	332161040R1
PWB1	C8175	C-CERA C	CK725F1E-104Z1	1	332161040R1
PWB1	C8176	C-CERA C	CK725B1H-103K1	1	332101035R1
PWB1	C8177	C-CERA C	CK725F1E-104Z1	1	332161040R1
PWB1	C8178	C-CERA C	CK725B1H-103K1	1	332101035R1
PWB1	C8179	C-CERA C	CK725F1E-104Z1	1	332161040R1
PWB1	C8180	C-CERA C	CK725B1H-103K1	1	332101035R1
PWB1	C8182	C-CERA C	CK725F1E-104Z1	1	332161040R1
PWB1	C8183	C-CERA C	CK725B1H-103K1	1	332101035R1
PWB1	C8184	C-CERA C	CK725F1E-104Z1	1	332161040R1
PWB1	C8185	C-CERA C	CK725B1H-103K1	1	332101035R1
PWB1	C8186	C-CERA C	CK725F1E-104Z1	1	332161040R1
PWB1	C8187	C-CERA C	CK725B1H-103K1	1	332101035R1
PWB1	C8188	C-CERA C	CK725F1E-104Z1	1	332161040R1
PWB1	C8189	C-CERA C	CK725B1H-103K1	1	332101035R1
PWB1	C8192	C-CERA C	CK725B1H-102K1	1	332101025R1
PWB1	C8193	C-CERA C	CK725B0J-106K	1	332091065R2
PWB1	C8194	C-CERA C	CK725B1H-102K1	1	332101025R1
PWB1	C8195	C-CERA C	CK725B0J-106K	1	332091065R2
PWB1	C8196	C-CERA C	CK732B1A-105K	1	337361055R2
PWB1	C8197	C-CERA C	CK725F1E-104Z1	1	332161040R1
PWB1	C8198	C-CERA C	CK732B1A-105K	1	337361055R2
PWB1	C8201	C-CERA C	CK725B0J-106K	1	332091065R2
PWB1	C8202	C-CERA C	CK725F1E-104Z1	1	332161040R1

PWB1	C8205	C-CERA C	CK725F1E-104Z1	1	332161040R1
PWB1	C8208	C-CERA C	CK725B0J-106K	1	332091065R2
PWB1	C8209	C-CERA C	CK725B0J-106K	1	332091065R2
PWB1	C8210	C-CERA C	CK725B0J-106K	1	332091065R2
PWB1	C8211	C-CERA C	CK725B0J-106K	1	332091065R2
PWB1	C8212	C-CERA C	CK725B0J-106K	1	332091065R2
PWB1	C8213	C-CERA C	CK725B0J-106K	1	332091065R2
PWB1	C8216	C-CERA C	CK725B0J-106K	1	332091065R2
PWB1	C8217	C-CERA C	CK725B0J-106K	1	332091065R2
PWB1	C8218	C-CERA C	CK725B1H-102K1	1	332101025R1
PWB1	C8300	C-CERA C	CK725F1E-104Z1	1	332161040R1
PWB1	C8301	C-CERA C	CK725F1E-104Z1	1	332161040R1
PWB1	C8302	C-CERA C	CK725F1E-104Z1	1	332161040R1
PWB1	C8303	C-CERA C	CK725F1E-104Z1	1	332161040R1
PWB1	C8304	C-CERA C	CK725F1E-104Z1	1	332161040R1
PWB1	C8305	C-CERA C	CK725F1E-104Z1	1	332161040R1
PWB1	C8306	C-CERA C	CK725F1E-104Z1	1	332161040R1
PWB1	C8307	C-CERA C	CK725F1E-104Z1	1	332161040R1
PWB1	C8308	C-CERA C	CK725F1E-104Z1	1	332161040R1
PWB1	C8309	C-CERA C	CK725F1E-104Z1	1	332161040R1
PWB1	C8310	C-CERA C	CK725F1E-104Z1	1	332161040R1
PWB1	C8311	C-CERA C	CC725CH1H-101J1	1	342101014R1
PWB1	C8312	C-CERA C	CC725CH1H-102J1	1	342101024R1

PWB1	C8313	C-CERA C	CK725F1E-104Z1	1	332161040R1
PWB1	C8314	C-CERA C	CK725F1E-104Z1	1	332161040R1
PWB1	C8315	C-CERA C	CK725F1E-104Z1	1	332161040R1
PWB1	C8316	C-CERA C	CK725F1E-104Z1	1	332161040R1
PWB1	C8317	C-CERA C	CK725F1E-104Z1	1	332161040R1
PWB1	C8318	C-CERA C	CK725F1E-104Z1	1	332161040R1
PWB1	C8319	C-CERA C	CK725F1E-104Z1	1	332161040R1
PWB1	C8320	C-CERA C	CK725F1E-104Z1	1	332161040R1
PWB1	C8321	C-CERA C	CK725F1E-104Z1	1	332161040R1
PWB1	C8322	C-CERA C	CK725F1E-104Z1	1	332161040R1
PWB1	C8323	C-CERA C	CK725F1E-104Z1	1	332161040R1
PWB1	C8324	C-CERA C	CK725F1E-104Z1	1	332161040R1
PWB1	C8325	C-CERA C	CK725B0J-106K	1	332091065R2
PWB1	C8326	C-CERA C	CK725F1E-104Z1	1	332161040R1
PWB1	C8327	CHIP ELECT C	CEWX4V-100M	1	3981G1017R2
PWB1	C8328	C-CERA C	CK725F1E-104Z1	1	332161040R1
PWB1	C8329	C-CERA C	CK725F1E-104Z1	1	332161040R1
PWB1	C8330	C-CERA C	CK725F1E-104Z1	1	332161040R1
PWB1	C8331	C-CERA C	CK725F1E-104Z1	1	332161040R1
PWB1	C8332	C-CERA C	CK725F1E-104Z1	1	332161040R1
PWB1	C8333	C-CERA C	CK725F1E-104Z1	1	332161040R1
PWB1	C8334	C-CERA C	CK725B0J-106K	1	332091065R2
PWB1	C8335	C-CERA C	CK725B0J-106K	1	332091065R2
PWB1	C8336	C-CERA C	CK725B0J-106K	1	332091065R2
PWB1	C8337	C-CERA C	CK725F1E-104Z1	1	332161040R1
PWB1	C8338	C-CERA C	CC725CH1H-080D1	1	342100802R1
PWB1	C8339	C-CERA C	CC725CH1H-120J1	1	342101204R1
PWB1	C8340	C-CERA C	CK725F1E-104Z1	1	332161040R1
PWB1	C8341	C-CERA C	CK725F1E-104Z1	1	332161040R1
PWB1	C8342	CHIP ELECT C	CEWX4V-220M	1	3981G2217R2
PWB1	C8343	CHIP ELECT C	CEWX4V-220M	1	3981G2217R2
PWB1	C8347	C-CERA C	CK725F1E-104Z1	1	332161040R1
PWB1	C8348	C-CERA C	CK725B0J-106K	1	332091065R2
PWB1	C8349	C-CERA C	CK725F1E-104Z1	1	332161040R1
PWB1	C8350	C-CERA C	CK725F1E-104Z1	1	332161040R1
PWB1	C8501	C-CERA C	CK725F1A-105Z1	1	332181050R1
PWB1	C8502	C-CERA C	CK725F1A-105Z1	1	332181050R1

PWB1	C8503	C-CERA C	CK725F1A-105Z1	1	332181050R1
PWB1	[RESISTOR]				
PWB1	R8100	C-CARBON R	RN72K1J-102JE	1	435031024R1
PWB1	R8101	C-CARBON R	RN72K1J-000JE	1	435030004R1
PWB1	R8102	C-CARBON R	RN72K1J-473JE	1	435034734R1
PWB1	R8118	C-CARBON R	RN72K1J-102JE	1	435031024R1
PWB1	R8119	C-CARBON R	RN72K1J-102JE	1	435031024R1
PWB1	R8120	C-CARBON R	RN72K1J-000JE	1	435030004R1
PWB1	R8121	C-CARBON R	RN72K1J-102JE	1	435031024R1
PWB1	R8122	C-CARBON R	RN72K1J-473JE	1	435034734R1
PWB1	R8125	C-CARBON R	RN72K1J-684JE	1	435036844R1
PWB1	R8126	C-CARBON R	RN72K1J-273FE	1	435032732R1
PWB1	R8127	C-CARBON R	RN72K1J-103FE	1	435031032R1
PWB1	R8129	C-CARBON R	RN72K1J-103JE	1	435031034R1
PWB1	R8130	C-CARBON R	RN72K1J-101JE	1	435031014R1
PWB1	R8131	C-CARBON R	RN72K1J-562JE	1	435035624R1
PWB1	R8132	C-CARBON R	RN72K1J-101JE	1	435031014R1
PWB1	R8133	C-CARBON R	RN72K1J-330JE	1	435033304R1
PWB1	R8134	C-CARBON R	RN72K1J-330JE	1	435033304R1
PWB1	R8135	C-CARBON R	RN72K1J-330JE	1	435033304R1
PWB1	R8136	C-CARBON R	RN72K1J-103JE	1	435031034R1
PWB1	R8137	C-CARBON R	RN72K1J-152JE	1	435031524R1
PWB1	R8138	C-R NET	RM7LJ330X04	1	43484733004R2

PWB1	R8139	C-CARBON R	RN72K1J-684JE	1	435036844R1
PWB1	R8140	C-CARBON R	RN72K1J-103FE	1	435031032R1
PWB1	R8141	C-CARBON R	RN72K1J-103FE	1	435031032R1
PWB1	R8143	C-CARBON R	RN72K1J-330JE	1	435033304R1
PWB1	R8144	C-CARBON R	RN72K1J-103JE	1	435031034R1
PWB1	R8145	C-CARBON R	RN72K1J-332JE	1	435033324R1
PWB1	R8146	C-CARBON R	RN72K1J-101JE	1	435031014R1
PWB1	R8147	C-CARBON R	RN72K1J-101JE	1	435031014R1
PWB1	R8149	C-CARBON R	RN72K1J-101JE	1	435031014R1
PWB1	R8151	C-CARBON R	RN72K1J-103JE	1	435031034R1
PWB1	R8154	C-CARBON R	RN72K1J-220JE	1	435032204R1
PWB1	R8155	C-R NET	RM7LJ220X04	1	43484722004R2
PWB1	R8156	C-CARBON R	RN72K1J-472JE	1	435034724R1
PWB1	R8157	C-CARBON R	RN72K1J-472JE	1	435034724R1
PWB1	R8158	C-CARBON R	RN72K1J-103JE	1	435031034R1
PWB1	R8160	C-CARBON R	RN72K1J-473JE	1	435034734R1
PWB1	R8162	C-CARBON R	RN72K1J-470JE	1	435034704R1
PWB1	R8163	C-CARBON R	RN72K1J-470JE	1	435034704R1
PWB1	R8164	C-CARBON R	RN72K1J-470JE	1	435034704R1
PWB1	R8165	C-CARBON R	RN72K1J-470JE	1	435034704R1
PWB1	R8166	C-CARBON R	RN72K1J-220JE	1	435032204R1
PWB1	R8167	C-CARBON R	RN72K1J-220JE	1	435032204R1
PWB1	R8168	C-CARBON R	RN72K1J-220JE	1	435032204R1
PWB1	R8170	C-CARBON R	RN72K1J-473JE	1	435034734R1
PWB1	R8171	C-CARBON R	RN72K1J-182JE	1	435031824R1
PWB1	R8172	C-CARBON R	RN72K1J-182JE	1	435031824R1
PWB1	R8173	C-CARBON R	RN72K1J-821FE	1	435038212R1
PWB1	R8174	C-CARBON R	RN72K1J-680JE	1	435036804R1
PWB1	R8176	C-CARBON R	RN72K1J-473JE	1	435034734R1
PWB1	R8177	C-CARBON R	RN72K1J-102JE	1	435031024R1
PWB1	R8178	C-CARBON R	RN72K1J-000JE	1	435030004R1
PWB1	R8179	C-CARBON R	RN72K1J-100JE	1	435031004R1
PWB1	R8180	C-CARBON R	RN72K1J-101JE	1	435031014R1
PWB1	R8181	C-CARBON R	RN72K2E-470JE	1	435224704R1
PWB1	R8182	C-CARBON R	RN72K1J-473JE	1	435034734R1
PWB1	R8184	C-CARBON R	RN72K1J-101JE	1	435031014R1
PWB1	R8185	C-CARBON R	RN72K1J-101JE	1	435031014R1

PWB1	R8187	C-CARBON R	RN72K1J-103JE	1	435031034R1
PWB1	R8188	C-CARBON R	RN72K1J-100JE	1	435031004R1
PWB1	R8189	C-CARBON R	RN72K1J-101JE	1	435031014R1
PWB1	R8191	C-CARBON R	RN72K1J-103JE	1	435031034R1
PWB1	R8195	C-CARBON R	RN72K1J-221JE	1	435032214R1
PWB1	R8203	C-CARBON R	RN72K1J-103JE	1	435031034R1
PWB1	R8205	C-CARBON R	RN72K1J-000JE	1	435030004R1
PWB1	R8207	C-CARBON R	RN72K1J-103JE	1	435031034R1
PWB1	R8208	C-CARBON R	RN72K1J-000JE	1	435030004R1
PWB1	R8209	C-CARBON R	RN72K1J-000JE	1	435030004R1
PWB1	R8210	C-CARBON R	RN72K1J-102JE	1	435031024R1
PWB1	R8261	C-CARBON R	RN72K1J-103JE	1	435031034R1
PWB1	R8263	C-CARBON R	RN72K1J-103JE	1	435031034R1
PWB1	R8265	C-CARBON R	RN72K1J-103JE	1	435031034R1
PWB1	R8300	C-CARBON R	RN72K1J-470JE	1	435034704R1
PWB1	R8301	C-CARBON R	RN72K1J-331JE	1	435033314R1
PWB1	R8302	C-CARBON R	RN72K1J-331JE	1	435033314R1
PWB1	R8303	C-CARBON R	RN72K1J-222JE	1	435032224R1
PWB1	R8304	C-CARBON R	RN72K1J-470JE	1	435034704R1
PWB1	R8305	C-CARBON R	RN72K1J-102JE	1	435031024R1
PWB1	R8306	C-CARBON R	RN72K1J-470JE	1	435034704R1
PWB1	R8307	C-CARBON R	RN72K1J-470JE	1	435034704R1
PWB1	R8308	C-CARBON R	RN72K1J-103JE	1	435031034R1

PWB1	R8309	C-CARBON R	RN72K1J-103JE	1	435031034R1
PWB1	R8310	C-CARBON R	RN72K1J-103JE	1	435031034R1
PWB1	R8311	C-CARBON R	RN72K1J-103JE	1	435031034R1
PWB1	R8312	C-CARBON R	RN72K1J-103JE	1	435031034R1
PWB1	R8313	C-CARBON R	RN72K1J-103JE	1	435031034R1
PWB1	R8314	C-CARBON R	RN72K1J-470JE	1	435034704R1
PWB1	R8315	C-CARBON R	RN72K1J-470JE	1	435034704R1
PWB1	R8316	C-CARBON R	RN72K1J-470JE	1	435034704R1
PWB1	R8317	C-CARBON R	RN72K1J-331JE	1	435033314R1
PWB1	R8318	C-CARBON R	RN72K1J-000JE	1	435030004R1
PWB1	R8319	C-CARBON R	RN72K1J-000JE	1	435030004R1
PWB1	R8320	C-CARBON R	RN72K1J-103JE	1	435031034R1
PWB1	R8321	C-CARBON R	RN72K1J-000JE	1	435030004R1
PWB1	R8323	C-CARBON R	RN72K1J-000JE	1	435030004R1
PWB1	R8325	C-CARBON R	RN72K1J-331JE	1	435033314R1
PWB1	R8326	C-CARBON R	RN72K1J-103JE	1	435031034R1
PWB1	R8327	C-CARBON R	RN72K1J-331JE	1	435033314R1
PWB1	R8328	C-CARBON R	RN72K1J-103JE	1	435031034R1
PWB1	R8329	C-CARBON R	RN72K1J-331JE	1	435033314R1
PWB1	R8331	C-CARBON R	RN72K1J-331JE	1	435033314R1
PWB1	R8333	C-CARBON R	RN72K1J-000JE	1	435030004R1
PWB1	R8334	C-CARBON R	RN72K1J-331JE	1	435033314R1
PWB1	R8335	C-CARBON R	RN72K1J-331JE	1	435033314R1
PWB1	R8336	C-CARBON R	RN72K1J-331JE	1	435033314R1
PWB1	R8337	C-CARBON R	RN72K1J-331JE	1	435033314R1
PWB1	R8338	C-CARBON R	RN72K1J-331JE	1	435033314R1
PWB1	R8339	C-CARBON R	RN72K1J-331JE	1	435033314R1
PWB1	R8340	C-CARBON R	RN72K1J-331JE	1	435033314R1
PWB1	R8341	C-CARBON R	RN72K1J-470JE	1	435034704R1
PWB1	R8342	C-CARBON R	RN72K1J-470JE	1	435034704R1
PWB1	R8343	C-CARBON R	RN72K1J-331JE	1	435033314R1
PWB1	R8344	C-CARBON R	RN72K1J-103JE	1	435031034R1
PWB1	R8345	C-CARBON R	RN72K1J-103JE	1	435031034R1
PWB1	R8346	C-CARBON R	RN72K1J-105JE	1	435031054R1
PWB1	R8350	C-CARBON R	RN72K1J-103JE	1	435031034R1
PWB1	R8351	C-CARBON R	RN72K1J-750JE	1	435037504R1
PWB1	R8352	C-CARBON R	RN72K1J-472JE	1	435034724R1

PWB1	R8353	C-CARBON R	RN72K1J-472JE	1	435034724R1	
PWB1	R8354	C-CARBON R	RN72K1J-472JE	1	435034724R1	
PWB1	R8355	C-CARBON R	RN72K1J-472JE	1	435034724R1	
PWB1	R8356	C-CARBON R	RN72K1J-472JE	1	435034724R1	
PWB1	R8357	C-CARBON R	RN72K1J-103JE	1	435031034R1	
PWB1	R8371	C-R NET	RM7LJ330X04	1	43484733004R2	
PWB1	R8372	C-R NET	RM7LJ330X04	1	43484733004R2	
PWB1	R8373	C-R NET	RM7LJ330X04	1	43484733004R2	
PWB1	R8374	C-R NET	RM7LJ330X04	1	43484733004R2	
PWB1	R8375	C-R NET	RM7LJ330X04	1	43484733004R2	
PWB1	R8376	C-R NET	RM7LJ330X04	1	43484733004R2	
PWB1	R8377	C-R NET	RM7LJ330X04	1	43484733004R2	
PWB1	R8378	C-R NET	RM7LJ330X04	1	43484733004R2	
PWB1	R8379	C-R NET	RM7LJ330X04	1	43484733004R2	
PWB1	[SW TRM]					
PWB1	E8301	TRM-423(SCREW)	NEJITANSI ST3	1	25060495	
PWB1	P8101A	SOCKET	IMSA-9111S-16L	1	25053258	
PWB1	P8102A	SOCKET	IMSA-9111S-24L	1	25053259	
PWB1	P8103	SOCKET	YKF45-7037V	1	25053253R3	
PWB1	P8103 or	SOCKET	HDMI(47266-4101)	(1)	25053389R3	N
PWB1	P8104	SOCKET	YKF45-7037V	1	25053253R3	
PWB1	P8104 or	SOCKET	HDMI(47266-4101)	(1)	25053389R3	N
PWB1	P8105B	PLUG	NPLG-2P349	1	25055366	

PWB1	P8107	SOCKET	YKF45-7037V	1	25053253R3	
PWB1	P8107 or	SOCKET	HDMI(47266-4101)	(1)	25053389R3	N
PWB1	P8108	SOCKET	YKF45-7037V	1	25053253R3	
PWB1	P8108 or	SOCKET	HDMI(47266-4101)	(1)	25053389R3	N
PWB1	P8191	SOCKET	NSCT-8P2471	1	25052574R2	
PWB2	U02	AMPLIFIER PC board (BAAF-0326-1B / -1D)				
PWB2	U02-1	MICROPROCESSOR PC board (BADG-0327-1B / -1D)				
PWB2	U02-2	THERMAL SENSOR PC board (BAETC-0328-1B / -1D)				
PWB2	U02-3	HOLDER PC board (BAETC-0329-1B / -1D)				
PWB2	CIRCUIT NO.	PART NAME	DESCRIPTION	Q'TY	PART NO. (SN)	REMARKS
PWB2	[SEMI CONDUCTOR]					
PWB2	D101	C-DIODE	KDS4148U	1	223283R2	
PWB2	D101 or	C-DIODE	1SS352	(1)	223234R2	
PWB2	D101 or	C-DIODE	1SS355	(1)	223269R2	
PWB2	D101 or	C-DIODE	MA2J111	(1)	223279R2	
PWB2	D102	C-DIODE	KDS4148U	1	223283R2	
PWB2	D102 or	C-DIODE	1SS352	(1)	223234R2	
PWB2	D102 or	C-DIODE	1SS355	(1)	223269R2	
PWB2	D102 or	C-DIODE	MA2J111	(1)	223279R2	
PWB2	D5301	C-DIODE	KDS4148U	1	223283R2	
PWB2	D5301 or	C-DIODE	1SS352	(1)	223234R2	
PWB2	D5301 or	C-DIODE	1SS355	(1)	223269R2	
PWB2	D5301 or	C-DIODE	MA2J111	(1)	223279R2	
PWB2	D5671	ZENER D	MAZ8068-M	1	224750682R2	
PWB2	D5671 or	ZENER D	UDZS6.8B	(1)	224550680R2	
PWB2	D5672	ZENER D	MAZ8068-M	1	224750682R2	
PWB2	D5672 or	ZENER D	UDZS6.8B	(1)	224550680R2	
PWB2	D5901	C-DIODE	KDS4148U	1	223283R2	
PWB2	D5901 or	C-DIODE	1SS352	(1)	223234R2	
PWB2	D5901 or	C-DIODE	1SS355	(1)	223269R2	
PWB2	D5901 or	C-DIODE	MA2J111	(1)	223279R2	
PWB2	D5902	C-DIODE	KDS4148U	1	223283R2	
PWB2	D5902 or	C-DIODE	1SS352	(1)	223234R2	
PWB2	D5902 or	C-DIODE	1SS355	(1)	223269R2	
PWB2	D5902 or	C-DIODE	MA2J111	(1)	223279R2	
PWB2	D5903	C-DIODE	KDS4148U	1	223283R2	

PWB2	D5903 or	C-DIODE	1SS352	(1)	223234R2
PWB2	D5903 or	C-DIODE	1SS355	(1)	223269R2
PWB2	D5903 or	C-DIODE	MA2J111	(1)	223279R2
PWB2	D5904	C-DIODE	KDS4148U	1	223283R2
PWB2	D5904 or	C-DIODE	1SS352	(1)	223234R2
PWB2	D5904 or	C-DIODE	1SS355	(1)	223269R2
PWB2	D5904 or	C-DIODE	MA2J111	(1)	223279R2
PWB2	D5905	C-DIODE	KDS4148U	1	223283R2
PWB2	D5905 or	C-DIODE	1SS352	(1)	223234R2
PWB2	D5905 or	C-DIODE	1SS355	(1)	223269R2
PWB2	D5905 or	C-DIODE	MA2J111	(1)	223279R2
PWB2	D5906	C-DIODE	KDS4148U	1	223283R2
PWB2	D5906 or	C-DIODE	1SS352	(1)	223234R2
PWB2	D5906 or	C-DIODE	1SS355	(1)	223269R2
PWB2	D5906 or	C-DIODE	MA2J111	(1)	223279R2
PWB2	D5907	ZENER D	UDZS3.3B	1	224550330R2
PWB2	D702	C-DIODE	KDS4148U	1	223283R2
PWB2	D702 or	C-DIODE	1SS352	(1)	223234R2
PWB2	D702 or	C-DIODE	1SS355	(1)	223269R2
PWB2	D702 or	C-DIODE	MA2J111	(1)	223279R2
PWB2	D703	C-DIODE	KDS4148U	1	223283R2
PWB2	D703 or	C-DIODE	1SS352	(1)	223234R2
PWB2	D703 or	C-DIODE	1SS355	(1)	223269R2

PWB2	D703 or	C-DIODE	MA2J111	(1)	223279R2
PWB2	D704	C-DIODE	KDS4148U	1	223283R2
PWB2	D704 or	C-DIODE	1SS352	(1)	223234R2
PWB2	D704 or	C-DIODE	1SS355	(1)	223269R2
PWB2	D704 or	C-DIODE	MA2J111	(1)	223279R2
PWB2	D9204	DIODE	D3SBA20	1	22380271F
PWB2	D9204 or	DIODE	RBV402	(1)	22380022F
PWB2	D9204A	HEAT-SINK	HEAT-SINK(DX-200)	1	27160166
PWB2	D9204B	SCREW	3P+10FN(3BC)	1	82143010GR
PWB2	D9501	DIODE	RS1505M	1	22380308
PWB2	D9501A	HEAT SINK	RAD-135	1	27160465
PWB2	D9501B	SCREW	3TTB+8B(3BC)	1	838430088GR
PWB2	D9502	C-DIODE	KDS4148U	1	223283R2
PWB2	D9502 or	C-DIODE	1SS352	(1)	223234R2
PWB2	D9502 or	C-DIODE	1SS355	(1)	223269R2
PWB2	D9502 or	C-DIODE	MA2J111	(1)	223279R2
PWB2	Q101	IC	74HCU04F	1	222740046R2
PWB2	Q101 or	IC	TC74HCU04AF	(1)	222740046R2TO
PWB2	Q301	IC	PCM1690DCAR	1	22242599R2
PWB2	Q302	IC	PCM9210PTR	1	22242629R2
PWB2	Q401	IC	NE5532APSR	1	22242283R2
PWB2	Q402	IC	NJM4580M-D	1	22241448R2
PWB2	Q403	IC	NJM4580M-D	1	22241448R2
PWB2	Q480	IC	NE5532APSR	1	22242283R2
PWB2	Q481	IC	NE5532APSR	1	22242283R2
PWB2	Q482	IC	NE5532APSR	1	22242283R2
PWB2	Q483	IC	NE5532APSR	1	22242283R2
PWB2	Q5001	IC	LM4766TF	1	22241927
PWB2	Q5001A	RETAINER	(IC)	1	27142109A
PWB2	Q5101	IC	LM4766TF	1	22241927
PWB2	Q5201	IC	LM2876TF	1	22241928
PWB2	Q5301	IC	LM3886TF	1	22242166
PWB2	Q5501	IC	R2A15218FP	1	22242605R3
PWB2	Q5503	IC	NJM4580M-D	1	22241448R2
PWB2	Q5600	TR	RN1441	1	2215410R2
PWB2	Q5603	TR	RN1441	1	2215410R2
PWB2	Q5604	TR	RN1441	1	2215410R2

PWB2	Q5605	TR	RN1441	1	2215410R2
PWB2	Q5606	TR	RN1441	1	2215410R2
PWB2	Q5607	TR	RN1441	1	2215410R2
PWB2	Q5610	TR	RN1441	1	2215410R2
PWB2	Q5613	TR	RN1441	1	2215410R2
PWB2	Q5614	TR	RN1441	1	2215410R2
PWB2	Q5615	TR	RN1441	1	2215410R2
PWB2	Q5616	TR	RN1441	1	2215410R2
PWB2	Q5617	TR	RN1441	1	2215410R2
PWB2	Q5630	IC	NJM4580M-D	1	22241448R2
PWB2	Q5670	IC	78M15HF(NJM78M15FA)	1	222780155JRC
PWB2	Q5670 or	IC	UPC78M15AHF-AZ	(1)	222780155NEC
PWB2	Q5670A	HEAT SINK	HEAT-SINK(RAD-078)	1	27160229
PWB2	Q5670B	SCREW	3P+6FN(3BC)	1	82143006GR
PWB2	Q5671	IC	79M15HF(NJM79M15FA)	1	222790155JRC
PWB2	Q5671 or	IC	UPC79M15HF-AZ	(1)	222790155NEC
PWB2	Q5671A	HEAT SINK	HEAT-SINK(RAD-078)	1	27160229
PWB2	Q5671B	SCREW	3P+6FN(3BC)	1	82143006GR
PWB2	Q700	IC	R1EX25064ASA00A	1	22242581R2
PWB2	Q701	IC	MPD70F3746GJ-GAE-AX	1	222W0079R3
PWB2	Q703	TR	KRA102S	1	2216220R2
PWB2	Q703 or	TR	RN2402	(1)	2214530R2
PWB2	Q704	TR	KRC107S	1	2216340R2

PWB2	Q704 or	TR	RN1407	(1)	2216260R2
PWB2	Q705	TR	KRC104S	1	2216210R2
PWB2	Q705 or	TR	RN1404	(1)	2214490R2
PWB2	Q707	IC	S-812C50AUA-C3E	1	22242240R2
PWB2	Q708	IC	S-812C33AUA-C2N	1	22242222R2
PWB2	Q709	TR	KRC104S	1	2216210R2
PWB2	Q709 or	TR	RN1404	(1)	2214490R2
PWB2	Q710	IC	XC6221B332MR	1	22242633R2
PWB2	Q711	TR	KRC102S	1	2216190R2
PWB2	Q711 or	TR	RN1402	(1)	2214470R2
PWB2	Q712	TR	KRC102S	1	2216190R2
PWB2	Q712 or	TR	RN1402	(1)	2214470R2
PWB2	Q713	TR	KRA107S	1	2216350R2
PWB2	Q713 or	TR	RN2407(TE85L_F)	(1)	2216360R2
PWB2	Q714	TR	KRA107S	1	2216350R2
PWB2	Q714 or	TR	RN2407(TE85L_F)	(1)	2216360R2
PWB2	Q715	TR	2SA965-Y(TPE6_F)	1	2211644T
PWB2	Q716	TR	2SC1815-GR	1	2211255T
PWB2	Q9201	IC	78M05(NJM78M05FA)	1	222780055JRC
PWB2	Q9201 or	IC	78M05AHF(MPC78M05AHF)	(1)	222780055NEC
PWB2	Q9201A	HEAT SINK	HEAT-SINK(RAD-078)	1	27160229
PWB2	Q9201B	SCREW	3P+6FN(3BC)	1	82143006GR
PWB2	Q9202	TR	2SC2712-GR	1	2213145R2
PWB2	Q9202 or	TR	KTC3875-GR	(1)	2216175R2
PWB2	Q9203	TR	2SC2712-GR	1	2213145R2
PWB2	Q9203 or	TR	KTC3875-GR	(1)	2216175R2
PWB2	Q9204	TR	2SC2712-GR	1	2213145R2
PWB2	Q9204 or	TR	KTC3875-GR	(1)	2216175R2
PWB2	Q9205	TR	2SC2712-GR	1	2213145R2
PWB2	Q9205 or	TR	KTC3875-GR	(1)	2216175R2
PWB2	Q9206	TR	2SC2712-GR	1	2213145R2
PWB2	Q9206 or	TR	KTC3875-GR	(1)	2216175R2
PWB2	Q9207	TR	2SC2712-GR	1	2213145R2
PWB2	Q9207 or	TR	KTC3875-GR	(1)	2216175R2
PWB2	Q981	IC	LM61CIZ	1	22242212
PWB2	Q981A	RETAINER	(PTH)	1	27141884-1
PWB2	[TRANS COIL]				

PWB2	L100	CHOKE COIL	BLM21PG221SN1	1	230949R2
PWB2	L101	CHOKE COIL	LBC2518T2R2M	1	231364M022R2
PWB2	L102	CHOKE COIL	LBC2518T2R2M	1	231364M022R2
PWB2	L103	CHOKE COIL	LBC2518T2R2M	1	231364M022R2
PWB2	L300	CHOKE COIL	LBC2518T4R7M	1	231364M047R2
PWB2	L301	CHOKE COIL	LBC2518T4R7M	1	231364M047R2
PWB2	L302	C-CARBON R	RN72K1J-000JE	1	435030004R1
PWB2	L303	EMIFIL	BK1608LM182-T	1	230958R1
PWB2	L304	CHOKE COIL	LBC2518T4R7M	1	231364M047R2
PWB2	L305	CHOKE COIL	LBC2518T4R7M	1	231364M047R2
PWB2	L306	CHOKE COIL	LBC2518T4R7M	1	231364M047R2
PWB2	L5301	CHOKE COIL	NCH-1647	1	231350
PWB2	L701	CORE	BLM18PG181SN1D	1	2350005R1
PWB2	L702	CORE	BLM18PG181SN1D	1	2350005R1
PWB2	X301	CRYSTAL	HC-49US24.576MHz	1	3010490T
PWB2	X701	CERA LOCK	CSTCR5M00G53-B0	1	3010356R2
PWB2	[CAPACITOR]				
PWB2	C100	C-CERA C	CK725F1E-104Z1	1	332161040R1
PWB2	C101	C-CERA C	CC725CH1H-101J1	1	342101014R1
PWB2	C102	C-CERA C	CK725F1E-104Z1	1	332161040R1
PWB2	C103	C-CERA C	CK725B1C-104K1	1	332121045R1
PWB2	C104	C-CERA C	CC725CH1H-101J1	1	342101014R1
PWB2	C105	C-CERA C	CK725B0J-106K	1	332091065R2

PWB2	C106	C-CERA C	CC725CH1H-080D1	1	342100802R1
PWB2	C107	C-CERA C	CK725F1E-104Z1	1	332161040R1
PWB2	C108	C-CERA C	CK725B0J-106K	1	332091065R2
PWB2	C109	C-CERA C	CK725F1E-104Z1	1	332161040R1
PWB2	C110	C-CERA C	CK725F1E-104Z1	1	332161040R1
PWB2	C112	UTSP C	CE04W10V-100M(UTSP)	1	397531017T
PWB2	C113	UTSP C	CE04W10V-100M(UTSP)	1	397531017T
PWB2	C114	C-CERA C	CC725CH1H-330J1	1	342103304R1
PWB2	C115	C-CERA C	CC725CH1H-330J1	1	342103304R1
PWB2	C116	C-CERA C	CK725F1E-104Z1	1	332161040R1
PWB2	C300	C-CERA C	CC725CH1H-221J1	1	342102214R1
PWB2	C301	C-CERA C	CK725F1E-104Z1	1	332161040R1
PWB2	C302	UTSP C	CE04W16V-470M(UTSP)	1	397544717T
PWB2	C303	UTSP C	CE04W10V-470M(UTSP)	1	397534717T
PWB2	C305	C-CERA C	CK725F1E-104Z1	1	332161040R1
PWB2	C309	C-CERA C	CK725F1E-104Z1	1	332161040R1
PWB2	C310	C-CERA C	CK725F1E-104Z1	1	332161040R1
PWB2	C311	UTSJ C	CE04W25V-47M(UTSJ)	1	398054707AT
PWB2	C312	C-CERA C	CK725F1E-104Z1	1	332161040R1
PWB2	C313	UTSP C	CE04W10V-470M(UTSP)	1	397534717T
PWB2	C314	UTSP C	CE04W10V-470M(UTSP)	1	397534717T
PWB2	C315	C-CERA C	CK725F1E-104Z1	1	332161040R1
PWB2	C316	UTSJ C	CE04W25V-47M(UTSJ)	1	398054707AT
PWB2	C317	C-CERA C	CK725F1E-104Z1	1	332161040R1
PWB2	C318	C-CERA C	CK725B1H-472K1	1	332104725R1
PWB2	C319	C-CERA C	CC725CH1H-180J1	1	342101804R1
PWB2	C320	C-CERA C	CC725CH1H-180J1	1	342101804R1
PWB2	C321	C-CERA C	CK725B1H-473K1	1	332104735R1
PWB2	C322	UTSP C	CE04W10V-470M(UTSP)	1	397534717T
PWB2	C323	C-CERA C	CK725B1H-223K1	1	332102235R1
PWB2	C325	C-CERA C	CC725CH1H-221J1	1	342102214R1
PWB2	C400	UPZ C	2AUPZTF151JE	1	376331514T
PWB2	C401	UPZ C	2AUPZTF151JE	1	376331514T
PWB2	C402	UPZ C	2AUPZTF151JE	1	376331514T
PWB2	C403	UPZ C	2AUPZTF151JE	1	376331514T
PWB2	C404	UPZ C	2AUPZTF151JE	1	376331514T
PWB2	C405	UPZ C	2AUPZTF151JE	1	376331514T

PWB2	C406	TF C	ECQ-V50V-103J	1	374721034T
PWB2	C407	TF C	ECQ-V50V-103J	1	374721034T
PWB2	C408	UPZ C	2AUPZTF151JE	1	376331514T
PWB2	C409	UPZ C	2AUPZTF151JE	1	376331514T
PWB2	C410	UPZ C	2AUPZTF151JE	1	376331514T
PWB2	C411	UPZ C	2AUPZTF151JE	1	376331514T
PWB2	C416	UPZ C	2AUPZTF471JE	1	376334714T
PWB2	C417	UPZ C	2AUPZTF471JE	1	376334714T
PWB2	C418	UPZ C	2AUPZTF471JE	1	376334714T
PWB2	C419	TF C	ECQ-V50V-333J	1	374723334T
PWB2	C420	UPZ C	2AUPZTF471JE	1	376334714T
PWB2	C421	UPZ C	2AUPZTF471JE	1	376334714T
PWB2	C425	UTSP C	CE04W25V-47M(UTSP)	1	397554707T
PWB2	C426	UTSP C	CE04W25V-47M(UTSP)	1	397554707T
PWB2	C450	UTSP C	CE04W25V-47M(UTSP)	1	397554707T
PWB2	C451	UTSP C	CE04W25V-47M(UTSP)	1	397554707T
PWB2	C452	UTSP C	CE04W25V-47M(UTSP)	1	397554707T
PWB2	C453	UTSP C	CE04W25V-47M(UTSP)	1	397554707T
PWB2	C454	UTSP C	CE04W25V-47M(UTSP)	1	397554707T
PWB2	C455	UTSP C	CE04W25V-47M(UTSP)	1	397554707T
PWB2	C480	MKT C	B32529C0222J289	1	376492224T
PWB2	C481	MKT C	B32529C0222J289	1	376492224T
PWB2	C482	UPZ C	2AUPZTF221JE	1	376332214T

PWB2	C483	UPZ C	2AUPZTF221JE	1	376332214T
PWB2	C484	UPZ C	2AUPZTF101JE	1	376331014T
PWB2	C485	UPZ C	2AUPZTF101JE	1	376331014T
PWB2	C486	MKT C	B32529C0682J289	1	376496824T
PWB2	C487	MKT C	B32529C0682J289	1	376496824T
PWB2	C5001	UPZ C	2AUPZTF471JE	1	376334714T
PWB2	C5002	UTSP C	CE04W50V-47M(UTSP)	1	397584707T
PWB2	C5003	UPZ C	2AUPZTF471JE	1	376334714T
PWB2	C5004	UTSP C	CE04W50V-47M(UTSP)	1	397584707T
PWB2	C5009	UTSP C	CE04W10V-220M(UTSP)	1	397532217T
PWB2	C5010	UTSP C	CE04W10V-220M(UTSP)	1	397532217T
PWB2	C5011	TF C	ECQ-V50V-104J	1	374721044T
PWB2	C5012	TF C	ECQ-V50V-104J	1	374721044T
PWB2	C5101	UPZ C	2AUPZTF471JE	1	376334714T
PWB2	C5102	UTSP C	CE04W50V-47M(UTSP)	1	397584707T
PWB2	C5103	UPZ C	2AUPZTF471JE	1	376334714T
PWB2	C5104	UTSP C	CE04W50V-47M(UTSP)	1	397584707T
PWB2	C5109	UTSP C	CE04W10V-220M(UTSP)	1	397532217T
PWB2	C5110	UTSP C	CE04W10V-220M(UTSP)	1	397532217T
PWB2	C5111	TF C	ECQ-V50V-104J	1	374721044T
PWB2	C5112	TF C	ECQ-V50V-104J	1	374721044T
PWB2	C5201	UPZ C	2AUPZTF471JE	1	376334714T
PWB2	C5202	UTSP C	CE04W50V-47M(UTSP)	1	397584707T
PWB2	C5205	UTSP C	CE04W10V-220M(UTSP)	1	397532217T
PWB2	C5206	TF C	ECQ-V50V-104J	1	374721044T
PWB2	C5301	UPZ C	2AUPZTF471JE	1	376334714T
PWB2	C5302	UTSP C	CE04W50V-47M(UTSP)	1	397584707T
PWB2	C5305	UTSP C	CE04W10V-220M(UTSP)	1	397532217T
PWB2	C5306	TF C	ECQ-V50V-104J	1	374721044T
PWB2	C5307	C-CERA C	CC725CH1H-102J1	1	342101024R1
PWB2	C5503	C-CERA C	CC725CH1H-221J1	1	342102214R1
PWB2	C5504	C-CERA C	CC725CH1H-221J1	1	342102214R1
PWB2	C5505	C-CERA C	CC725CH1H-221J1	1	342102214R1
PWB2	C5506	C-CERA C	CC725CH1H-221J1	1	342102214R1
PWB2	C5551	UTSP C	CE04W25V-47M(UTSP)	1	397554707T
PWB2	C5552	UTSP C	CE04W25V-47M(UTSP)	1	397554707T
PWB2	C5553	UTSP C	CE04W25V-47M(UTSP)	1	397554707T

PWB2	C5554	UTSP C	CE04W25V-47M(UTSP)	1	397554707T
PWB2	C5555	UTSP C	CE04W25V-47M(UTSP)	1	397554707T
PWB2	C5556	UTSP C	CE04W25V-47M(UTSP)	1	397554707T
PWB2	C5557	UTSP C	CE04W25V-47M(UTSP)	1	397554707T
PWB2	C5558	UTSP C	CE04W25V-47M(UTSP)	1	397554707T
PWB2	C5590	C-CERA C	CC725CH1H-330J1	1	342103304R1
PWB2	C5591	C-CERA C	CC725CH1H-330J1	1	342103304R1
PWB2	C5600	UTSP C	CE04W50V 47M(UTSP)	1	397584707T
PWB2	C5603	UTSP C	CE04W50V 47M(UTSP)	1	397584707T
PWB2	C5604	UTSP C	CE04W50V 47M(UTSP)	1	397584707T
PWB2	C5605	UTSP C	CE04W50V 47M(UTSP)	1	397584707T
PWB2	C5606	UTSP C	CE04W50V 47M(UTSP)	1	397584707T
PWB2	C5607	UTSP C	CE04W50V 47M(UTSP)	1	397584707T
PWB2	C5630	UTSP C	CE04W25V-47M(UTSP)	1	397554707T
PWB2	C5631	UPZ C	2AUPZTF221JE	1	376332214T
PWB2	C5632	C-FILM C	ECHU16V-103J	1	373041034R2
PWB2	C5641	TF C	ECQ-V50V-474J	1	374724744T
PWB2	C5642	UTSP C	CE04W50V-1M(UTSP)	1	397580107T
PWB2	C5666	UTSP C	CE04W25V-220M(UTSP)	1	397552217T
PWB2	C5667	UTSP C	CE04W25V-220M(UTSP)	1	397552217T
PWB2	C5670	C-CERA C	CK725F1H-104Z1	1	332151040R1
PWB2	C5671	C-CERA C	CK725F1H-104Z1	1	332151040R1
PWB2	C5672	UTSP C	CE04W50V-10M(UTSP)	1	397581007T

PWB2	C5673	UTSP C	CE04W50V-10M(UTSP)	1	397581007T
PWB2	C5674	UTSP C	CE04W16V-470M(UTSP)	1	397544717T
PWB2	C5675	UTSP C	CE04W16V-470M(UTSP)	1	397544717T
PWB2	C5677	UTSP C	CE04W50V-47M(UTSP)	1	397584707T
PWB2	C5678	UTSP C	CE04W50V-47M(UTSP)	1	397584707T
PWB2	C5901	UTSP C	CE04W50V-1M(UTSP)	1	397580107T
PWB2	C701	C-CERA C	CK725F1E-104Z1	1	332161040R1
PWB2	C702	C-CERA C	CK725F1E-104Z1	1	332161040R1
PWB2	C703	UTSP C	CE04W25V-220M(UTSP)	1	397552217T
PWB2	C704	C-CERA C	CK725B1H-102K1	1	332101025R1
PWB2	C705	C-CERA C	CK725F1E-104Z1	1	332161040R1
PWB2	C707	UTSP C	CE04W10V-470M(UTSP)	1	397534717T
PWB2	C708	UTSP C	CE04W50V-0.47M(UTSP)	1	397584797T
PWB2	C709	TF C	ECQ-V50V-474J	1	374724744T
PWB2	C711	UTSP C	CE04W25V-220M(UTSP)	1	397552217T
PWB2	C712	UTSP C	CE04W10V-100M(UTSP)	1	397531017T
PWB2	C713	C-CERA C	CK725F1E-104Z1	1	332161040R1
PWB2	C714	C-CERA C	CK725B1H-102K1	1	332101025R1
PWB2	C715	C-CERA C	CK725B1H-102K1	1	332101025R1
PWB2	C716	UTSP C	CE04W10V-100M(UTSP)	1	397531017T
PWB2	C717	C-CERA C	CK725F1E-104Z1	1	332161040R1
PWB2	C718	C-CERA C	CK725F1E-104Z1	1	332161040R1
PWB2	C719	UTSP C	CE04W50V-4.7M(UTSP)	1	397580477T
PWB2	C720	UTSP C	CE04W50V-4.7M(UTSP)	1	397580477T
PWB2	C721	C-CERA C	CK725F1E-104Z1	1	332161040R1
PWB2	C722	C-CERA C	CK725F1E-104Z1	1	332161040R1
PWB2	C723	C-CERA C	CK725F1E-104Z1	1	332161040R1
PWB2	C724	C-CERA C	CK725F1E-104Z1	1	332161040R1
PWB2	C725	UTSP C	CE04W50V-10M(UTSP)	1	397581007T
PWB2	C726	UTSP C	CE04W10V-100M(UTSP)	1	397531017T
PWB2	C727	C-CERA C	CK725F1E-104Z1	1	332161040R1
PWB2	C728	C-CERA C	CK725B0J-106K	1	332091065R2
PWB2	C901	UTSP C	CE04W25V-220M(UTSP)	1	397552217T
PWB2	C902	UTSP C	CE04W25V-220M(UTSP)	1	397552217T
PWB2	C9201	TF C	ECQ-V50V-334J	1	374723344T
PWB2	C9202	VR C	CE04W16V-10000M(VR)	1	394641037S
PWB2	C9203	C-CERA C	CK725B1H-223K1	1	332102235R1

PWB2	C9204	UTSP C	CE04W25V-47M(UTSP)	1	397554707T
PWB2	C9501	TF C	ECQ-V50V-334J	1	374723344T
PWB2	C9502	TF C	ECQ-V50V-334J	1	374723344T
PWB2	C9503	ELECT C	CE69W35V-8200M	1	3504465
PWB2	C9504	ELECT C	CE69W35V-8200M	1	3504465
PWB2	C9505	C-CERA C	CK725B1H-102K1	1	332101025R1
PWB2	C981	C-CERA C	CK725F1E-104Z1	1	332161040R1
PWB2	C982	C-CERA C	CK725F1E-104Z1	1	332161040R1
PWB2	[RESISTOR]				
PWB2	F5001	FUSE	3.5A-UL/T-251	1	252370T
PWB2	R100	C-CARBON R	RN72K1J-471JE	1	435034714R1
PWB2	R101	C-CARBON R	RN72K1J-100JE	1	435031004R1
PWB2	R102	C-CARBON R	RN72K1J-750JE	1	435037504R1
PWB2	R103	C-CARBON R	RN72K1J-224JE	1	435032244R1
PWB2	R107	C-CARBON R	RN72K1J-331JE	1	435033314R1
PWB2	R108	C-CARBON R	RN72K1J-823JE	1	435038234R1
PWB2	R109	C-CARBON R	RN72K1J-103JE	1	435031034R1
PWB2	R110	C-CARBON R	RN72K1J-331JE	1	435033314R1
PWB2	R300	C-CARBON R	RN72K1J-470JE	1	435034704R1
PWB2	R301	C-CARBON R	RN72K1J-470JE	1	435034704R1
PWB2	R302	C-CARBON R	RN72K1J-331JE	1	435033314R1
PWB2	R303	C-CARBON R	RN72K1J-221JE	1	435032214R1
PWB2	R304	C-CARBON R	RN72K1J-331JE	1	435033314R1

PWB2	R305	C-CARBON R	RN72K1J-331JE	1	435033314R1
PWB2	R306	C-CARBON R	RN72K1J-331JE	1	435033314R1
PWB2	R307	C-CARBON R	RN72K1J-331JE	1	435033314R1
PWB2	R308	C-CARBON R	RN72K1J-470JE	1	435034704R1
PWB2	R309	C-CARBON R	RN72K1J-470JE	1	435034704R1
PWB2	R310	C-CARBON R	RN72K1J-103JE	1	435031034R1
PWB2	R311	C-CARBON R	RN72K1J-103JE	1	435031034R1
PWB2	R312	C-CARBON R	RN72K1J-103JE	1	435031034R1
PWB2	R313	C-CARBON R	RN72K1J-470JE	1	435034704R1
PWB2	R314	C-CARBON R	RN72K1J-103JE	1	435031034R1
PWB2	R315	C-CARBON R	RN72K1J-470JE	1	435034704R1
PWB2	R317	C-CARBON R	RN72K1J-470JE	1	435034704R1
PWB2	R318	C-CARBON R	RN72K1J-470JE	1	435034704R1
PWB2	R319	C-CARBON R	RN72K1J-470JE	1	435034704R1
PWB2	R320	C-CARBON R	RN72K1J-470JE	1	435034704R1
PWB2	R321	C-CARBON R	RN72K1J-331JE	1	435033314R1
PWB2	R322	C-CARBON R	RN72K1J-470JE	1	435034704R1
PWB2	R323	C-CARBON R	RN72K1J-470JE	1	435034704R1
PWB2	R324	C-CARBON R	RN72K1J-331JE	1	435033314R1
PWB2	R325	C-CARBON R	RN72K1J-470JE	1	435034704R1
PWB2	R326	C-CARBON R	RN72K1J-470JE	1	435034704R1
PWB2	R327	C-CARBON R	RN72K1J-331JE	1	435033314R1
PWB2	R328	C-CARBON R	RN72K1J-103JE	1	435031034R1
PWB2	R329	C-CARBON R	RN72K1J-103JE	1	435031034R1
PWB2	R330	C-CARBON R	RN72K1J-103JE	1	435031034R1
PWB2	R331	C-CARBON R	RN72K1J-470JE	1	435034704R1
PWB2	R333	C-CARBON R	RN72K1J-331JE	1	435033314R1
PWB2	R334	C-CARBON R	RN72K1J-331JE	1	435033314R1
PWB2	R335	C-CARBON R	RN72K1J-331JE	1	435033314R1
PWB2	R337	C-CARBON R	RN72K1J-331JE	1	435033314R1
PWB2	R338	C-CARBON R	RN72K1J-331JE	1	435033314R1
PWB2	R339	C-CARBON R	RN72K1J-331JE	1	435033314R1
PWB2	R340	C-CARBON R	RN72K1J-472JE	1	435034724R1
PWB2	R341	C-CARBON R	RN72K1J-221JE	1	435032214R1
PWB2	R342	C-CARBON R	RN72K1J-681JE	1	435036814R1
PWB2	R344	C-CARBON R	RN72K1J-331JE	1	435033314R1
PWB2	R347	C-CARBON R	RN72K1J-331JE	1	435033314R1

PWB2	R351	C-CARBON R	RN72K1J-000JE	1	435030004R1
PWB2	R400	C-CARBON R	RN72K1J-222JE	1	435032224R1
PWB2	R401	C-CARBON R	RN72K1J-222JE	1	435032224R1
PWB2	R402	C-CARBON R	RN72K1J-222JE	1	435032224R1
PWB2	R403	C-CARBON R	RN72K1J-222JE	1	435032224R1
PWB2	R404	C-CARBON R	RN72K1J-182JE	1	435031824R1
PWB2	R405	C-CARBON R	RN72K1J-182JE	1	435031824R1
PWB2	R406	C-CARBON R	RN72K1J-182JE	1	435031824R1
PWB2	R407	C-CARBON R	RN72K1J-182JE	1	435031824R1
PWB2	R408	C-CARBON R	RN72K1J-182JE	1	435031824R1
PWB2	R409	C-CARBON R	RN72K1J-182JE	1	435031824R1
PWB2	R410	C-CARBON R	RN72K1J-182JE	1	435031824R1
PWB2	R411	C-CARBON R	RN72K1J-182JE	1	435031824R1
PWB2	R416	C-CARBON R	RN72K1J-124JE	1	435031244R1
PWB2	R417	C-CARBON R	RN72K1J-124JE	1	435031244R1
PWB2	R418	C-CARBON R	RN72K1J-124JE	1	435031244R1
PWB2	R419	C-CARBON R	RN72K1J-124JE	1	435031244R1
PWB2	R420	C-CARBON R	RN72K1J-274JE	1	435032744R1
PWB2	R421	C-CARBON R	RN72K1J-274JE	1	435032744R1
PWB2	R422	C-CARBON R	RN72K1J-274JE	1	435032744R1
PWB2	R423	C-CARBON R	RN72K1J-274JE	1	435032744R1
PWB2	R424	C-CARBON R	RN72K1J-274JE	1	435032744R1
PWB2	R425	C-CARBON R	RN72K1J-274JE	1	435032744R1

PWB2	R426	C-CARBON R	RN72K1J-274JE	1	435032744R1
PWB2	R427	C-CARBON R	RN72K1J-274JE	1	435032744R1
PWB2	R432	C-CARBON R	RN72K1J-223JE	1	435032234R1
PWB2	R433	C-CARBON R	RN72K1J-223JE	1	435032234R1
PWB2	R434	C-CARBON R	RN72K1J-223JE	1	435032234R1
PWB2	R435	C-CARBON R	RN72K1J-223JE	1	435032234R1
PWB2	R436	C-CARBON R	RN72K1J-223JE	1	435032234R1
PWB2	R437	C-CARBON R	RN72K1J-223JE	1	435032234R1
PWB2	R438	C-CARBON R	RN72K1J-223JE	1	435032234R1
PWB2	R439	C-CARBON R	RN72K1J-223JE	1	435032234R1
PWB2	R440	C-CARBON R	RN72K1J-223JE	1	435032234R1
PWB2	R441	C-CARBON R	RN72K1J-223JE	1	435032234R1
PWB2	R442	C-CARBON R	RN72K1J-223JE	1	435032234R1
PWB2	R443	C-CARBON R	RN72K1J-223JE	1	435032234R1
PWB2	R448	C-CARBON R	RN72K1J-153JE	1	435031534R1
PWB2	R449	C-CARBON R	RN72K1J-153JE	1	435031534R1
PWB2	R450	C-CARBON R	RN72K1J-153JE	1	435031534R1
PWB2	R451	C-CARBON R	RN72K1J-153JE	1	435031534R1
PWB2	R452	C-CARBON R	RN72K1J-153JE	1	435031534R1
PWB2	R453	C-CARBON R	RN72K1J-153JE	1	435031534R1
PWB2	R454	C-CARBON R	RN72K1J-153JE	1	435031534R1
PWB2	R455	C-CARBON R	RN72K1J-153JE	1	435031534R1
PWB2	R456	C-CARBON R	RN72K1J-153JE	1	435031534R1
PWB2	R457	C-CARBON R	RN72K1J-153JE	1	435031534R1
PWB2	R458	C-CARBON R	RN72K1J-153JE	1	435031534R1
PWB2	R459	C-CARBON R	RN72K1J-153JE	1	435031534R1
PWB2	R480	C-CARBON R	RN72K1J-561JE	1	435035614R1
PWB2	R481	C-CARBON R	RN72K1J-102JE	1	435031024R1
PWB2	R482	C-CARBON R	RN72K1J-102JE	1	435031024R1
PWB2	R483	C-CARBON R	RN72K1J-561JE	1	435035614R1
PWB2	R484	C-CARBON R	RN72K1J-152JE	1	435031524R1
PWB2	R485	C-CARBON R	RN72K1J-272JE	1	435032724R1
PWB2	R486	C-CARBON R	RN72K1J-272JE	1	435032724R1
PWB2	R487	C-CARBON R	RN72K1J-152JE	1	435031524R1
PWB2	R488	C-CARBON R	RN72K1J-182JE	1	435031824R1
PWB2	R489	C-CARBON R	RN72K1J-182JE	1	435031824R1
PWB2	R490	C-CARBON R	RN72K1J-472JE	1	435034724R1

PWB2	R491	C-CARBON R	RN72K1J-472JE	1	435034724R1
PWB2	R492	C-CARBON R	RN72K1J-472JE	1	435034724R1
PWB2	R493	C-CARBON R	RN72K1J-472JE	1	435034724R1
PWB2	R494	C-CARBON R	RN72K1J-681JE	1	435036814R1
PWB2	R495	C-CARBON R	RN72K1J-681JE	1	435036814R1
PWB2	R496	C-CARBON R	RN72K1J-472JE	1	435034724R1
PWB2	R497	C-CARBON R	RN72K1J-472JE	1	435034724R1
PWB2	R5001	C-CARBON R	RN72K1J-102JE	1	435031024R1
PWB2	R5002	C-CARBON R	RN72K1J-473JE	1	435034734R1
PWB2	R5003	C-CARBON R	RN72K1J-102JE	1	435031024R1
PWB2	R5004	C-CARBON R	RN72K1J-102JE	1	435031024R1
PWB2	R5005	C-CARBON R	RN72K1J-473JE	1	435034734R1
PWB2	R5006	C-CARBON R	RN72K1J-102JE	1	435031024R1
PWB2	R5007	C-CARBON R	RN72K1J-563JE	1	435035634R1
PWB2	R5008	C-CARBON R	RN72K1J-563JE	1	435035634R1
PWB2	R5009	C-CARBON R	RN72K1J-123JE	1	435031234R1
PWB2	R5010	C-CARBON R	RN72K1J-123JE	1	435031234R1
PWB2	R5011	C-CARBON R	RN72K1J-222JE	1	435032224R1
PWB2	R5012	C-CARBON R	RN72K1J-222JE	1	435032224R1
PWB2	R5013	C-CARBON R	RN72K3A-047JE	1	435320474R2
PWB2	R5014	C-CARBON R	RN72K3A-047JE	1	435320474R2
PWB2	R5101	C-CARBON R	RN72K1J-102JE	1	435031024R1
PWB2	R5102	C-CARBON R	RN72K1J-473JE	1	435034734R1

PWB2	R5103	C-CARBON R	RN72K1J-102JE	1	435031024R1
PWB2	R5104	C-CARBON R	RN72K1J-102JE	1	435031024R1
PWB2	R5105	C-CARBON R	RN72K1J-473JE	1	435034734R1
PWB2	R5106	C-CARBON R	RN72K1J-102JE	1	435031024R1
PWB2	R5107	C-CARBON R	RN72K1J-563JE	1	435035634R1
PWB2	R5108	C-CARBON R	RN72K1J-563JE	1	435035634R1
PWB2	R5109	C-CARBON R	RN72K1J-123JE	1	435031234R1
PWB2	R5110	C-CARBON R	RN72K1J-123JE	1	435031234R1
PWB2	R5111	C-CARBON R	RN72K1J-222JE	1	435032224R1
PWB2	R5112	C-CARBON R	RN72K1J-222JE	1	435032224R1
PWB2	R5113	C-CARBON R	RN72K3A-047JE	1	435320474R2
PWB2	R5114	C-CARBON R	RN72K3A-047JE	1	435320474R2
PWB2	R5201	C-CARBON R	RN72K1J-102JE	1	435031024R1
PWB2	R5202	C-CARBON R	RN72K1J-473JE	1	435034734R1
PWB2	R5203	C-CARBON R	RN72K1J-102JE	1	435031024R1
PWB2	R5204	C-CARBON R	RN72K1J-563JE	1	435035634R1
PWB2	R5205	C-CARBON R	RN72K1J-123JE	1	435031234R1
PWB2	R5206	C-CARBON R	RN72K1J-222JE	1	435032224R1
PWB2	R5207	METAL R	RNU1/2WCJ-4.7	1	453530474T
PWB2	R5301	C-CARBON R	RN72K1J-102JE	1	435031024R1
PWB2	R5302	C-CARBON R	RN72K1J-473JE	1	435034734R1
PWB2	R5303	C-CARBON R	RN72K1J-102JE	1	435031024R1
PWB2	R5304	C-CARBON R	RN72K1J-563JE	1	435035634R1
PWB2	R5305	C-CARBON R	RN72K1J-123JE	1	435031234R1
PWB2	R5306	C-CARBON R	RN72K1J-222JE	1	435032224R1
PWB2	R5307	METAL R	RNU1/2WCJ-4.7	1	453530474T
PWB2	R5503	C-CARBON R	RN72K1J-331JE	1	435033314R1
PWB2	R5504	C-CARBON R	RN72K1J-331JE	1	435033314R1
PWB2	R5505	C-CARBON R	RN72K1J-331JE	1	435033314R1
PWB2	R5506	C-CARBON R	RN72K1J-331JE	1	435033314R1
PWB2	R5541	C-CARBON R	RN72K1J-000JE	1	435030004R1
PWB2	R5542	C-CARBON R	RN72K1J-000JE	1	435030004R1
PWB2	R5543	C-CARBON R	RN72K1J-224JE	1	435032244R1
PWB2	R5544	C-CARBON R	RN72K1J-224JE	1	435032244R1
PWB2	R5545	C-CARBON R	RN72K1J-224JE	1	435032244R1
PWB2	R5546	C-CARBON R	RN72K1J-224JE	1	435032244R1
PWB2	R5579	C-CARBON R	RN72K1J-224JE	1	435032244R1

PWB2	R5587	C-CARBON R	RN72K1J-103JE	1	435031034R1
PWB2	R5588	C-CARBON R	RN72K1J-103JE	1	435031034R1
PWB2	R5589	C-CARBON R	RN72K1J-103JE	1	435031034R1
PWB2	R5590	C-CARBON R	RN72K1J-123JE	1	435031234R1
PWB2	R5591	C-CARBON R	RN72K1J-223JE	1	435032234R1
PWB2	R5592	C-CARBON R	RN72K1J-331JE	1	435033314R1
PWB2	R5593	C-CARBON R	RN72K1J-332JE	1	435033324R1
PWB2	R5594	C-CARBON R	RN72K1J-103JE	1	435031034R1
PWB2	R5595	C-CARBON R	RN72K1J-103JE	1	435031034R1
PWB2	R5596	C-CARBON R	RN72K1J-331JE	1	435033314R1
PWB2	R5597	C-CARBON R	RN72K1J-332JE	1	435033324R1
PWB2	R5598	C-CARBON R	RN72K1J-123JE	1	435031234R1
PWB2	R5599	C-CARBON R	RN72K1J-223JE	1	435032234R1
PWB2	R5600	C-CARBON R	RN72K1J-103JE	1	435031034R1
PWB2	R5603	C-CARBON R	RN72K1J-224JE	1	435032244R1
PWB2	R5604	C-CARBON R	RN72K1J-224JE	1	435032244R1
PWB2	R5605	C-CARBON R	RN72K1J-224JE	1	435032244R1
PWB2	R5606	C-CARBON R	RN72K1J-224JE	1	435032244R1
PWB2	R5607	C-CARBON R	RN72K1J-224JE	1	435032244R1
PWB2	R5610	C-CARBON R	RN72K1J-271JE	1	435032714R1
PWB2	R5613	C-CARBON R	RN72K1J-221JE	1	435032214R1
PWB2	R5614	C-CARBON R	RN72K1J-221JE	1	435032214R1
PWB2	R5615	C-CARBON R	RN72K1J-221JE	1	435032214R1

PWB2	R5616	C-CARBON R	RN72K1J-221JE	1	435032214R1
PWB2	R5617	C-CARBON R	RN72K1J-221JE	1	435032214R1
PWB2	R5620	C-CARBON R	RN72K1J-101JE	1	435031014R1
PWB2	R5623	C-CARBON R	RN72K1J-101JE	1	435031014R1
PWB2	R5624	C-CARBON R	RN72K1J-101JE	1	435031014R1
PWB2	R5625	C-CARBON R	RN72K1J-101JE	1	435031014R1
PWB2	R5626	C-CARBON R	RN72K1J-101JE	1	435031014R1
PWB2	R5627	C-CARBON R	RN72K1J-101JE	1	435031014R1
PWB2	R5630	C-CARBON R	RN72K1J-221JE	1	435032214R1
PWB2	R5631	C-CARBON R	RN72K1J-473JE	1	435034734R1
PWB2	R5632	C-CARBON R	RN72K1J-153JE	1	435031534R1
PWB2	R5633	C-CARBON R	RN72K1J-122JE	1	435031224R1
PWB2	R5634	C-CARBON R	RN72K1J-103JE	1	435031034R1
PWB2	R5641	C-CARBON R	RN72K1J-681JE	1	435036814R1
PWB2	R5642	C-CARBON R	RN72K1J-681JE	1	435036814R1
PWB2	R5643	C-CARBON R	RN72K1J-103JE	1	435031034R1
PWB2	R5666	METAL O R	RS1/2WBJ-150	1	443521514T
PWB2	R5667	METAL O R	RS1/2WBJ-150	1	443521514T
PWB2	R5681	C-CARBON R	RN72K1J-224JE	1	435032244R1
PWB2	R5683	METAL O R	RS1WBJ-150	1	443621514T
PWB2	R5684	METAL O R	RS1WBJ-150	1	443621514T
PWB2	R5687	METAL R	RNU1/2WCJ-6.8	1	453530684T
PWB2	R5688	METAL O R	RS1WBJ-22	1	443622204T
PWB2	R5689	METAL O R	RS1WBJ-22	1	443622204T
PWB2	R5690	METAL R	RNU1/2WCJ-6.8	1	453530684T
PWB2	R5691	C-CARBON R	RN72K1J-224JE	1	435032244R1
PWB2	R5692	C-CARBON R	RN72K1J-224JE	1	435032244R1
PWB2	R5693	C-CARBON R	RN72K1J-224JE	1	435032244R1
PWB2	R5694	C-CARBON R	RN72K1J-224JE	1	435032244R1
PWB2	R5695	C-CARBON R	RN72K1J-224JE	1	435032244R1
PWB2	R5696	C-CARBON R	RN72K1J-224JE	1	435032244R1
PWB2	R5697	C-CARBON R	RN72K1J-224JE	1	435032244R1
PWB2	R5698	C-CARBON R	RN72K1J-224JE	1	435032244R1
PWB2	R5699	C-CARBON R	RN72K1J-224JE	1	435032244R1
PWB2	R5700	C-CARBON R	RN72K1J-224JE	1	435032244R1
PWB2	R5901	C-CARBON R	RN72K1J-473JE	1	435034734R1
PWB2	R5902	C-CARBON R	RN72K1J-473JE	1	435034734R1

PWB2	R5903	C-CARBON R	RN72K1J-473JE	1	435034734R1
PWB2	R5904	C-CARBON R	RN72K1J-473JE	1	435034734R1
PWB2	R5905	C-CARBON R	RN72K1J-473JE	1	435034734R1
PWB2	R5906	C-CARBON R	RN72K1J-473JE	1	435034734R1
PWB2	R5907	C-CARBON R	RN72K1J-474JE	1	435034744R1
PWB2	R700	C-CARBON R	RN72K1J-103JE	1	435031034R1
PWB2	R701	C-CARBON R	RN72K1J-103JE	1	435031034R1
PWB2	R702	C-CARBON R	RN72K1J-103JE	1	435031034R1
PWB2	R703	C-CARBON R	RN72K1J-103JE	1	435031034R1
PWB2	R704	C-CARBON R	RN72K1J-103JE	1	435031034R1
PWB2	R705	C-CARBON R	RN72K1J-223JE	1	435032234R1
PWB2	R706	C-CARBON R	RN72K1J-103JE	1	435031034R1
PWB2	R707	C-CARBON R	RN72K1J-103JE	1	435031034R1
PWB2	R708	C-CARBON R	RN72K1J-103JE	1	435031034R1
PWB2	R709	C-CARBON R	RN72K1J-223JE	1	435032234R1
PWB2	R710	C-CARBON R	RN72K1J-103JE	1	435031034R1
PWB2	R711	C-CARBON R	RN72K1J-103JE	1	435031034R1
PWB2	R713	C-CARBON R	RN72K1J-103JE	1	435031034R1
PWB2	R714	C-CARBON R	RN72K1J-470JE	1	435034704R1
PWB2	R715	C-CARBON R	RN72K1J-470JE	1	435034704R1
PWB2	R716	C-CARBON R	RN72K1J-470JE	1	435034704R1
PWB2	R717	C-CARBON R	RN72K1J-470JE	1	435034704R1
PWB2	R718	C-CARBON R	RN72K1J-470JE	1	435034704R1

PWB2	R719	C-CARBON R	RN72K1J-470JE	1	435034704R1
PWB2	R720	C-CARBON R	RN72K1J-470JE	1	435034704R1
PWB2	R721	C-CARBON R	RN72K1J-470JE	1	435034704R1
PWB2	R722	C-CARBON R	RN72K1J-470JE	1	435034704R1
PWB2	R723	C-CARBON R	RN72K1J-470JE	1	435034704R1
PWB2	R724	C-CARBON R	RN72K1J-470JE	1	435034704R1
PWB2	R725	C-CARBON R	RN72K1J-470JE	1	435034704R1
PWB2	R726	C-CARBON R	RN72K1J-470JE	1	435034704R1
PWB2	R727	C-CARBON R	RN72K1J-470JE	1	435034704R1
PWB2	R728	C-CARBON R	RN72K1J-470JE	1	435034704R1
PWB2	R729	C-CARBON R	RN72K1J-470JE	1	435034704R1
PWB2	R730	C-CARBON R	RN72K1J-470JE	1	435034704R1
PWB2	R731	C-CARBON R	RN72K1J-470JE	1	435034704R1
PWB2	R732	C-CARBON R	RN72K1J-470JE	1	435034704R1
PWB2	R733	C-CARBON R	RN72K1J-470JE	1	435034704R1
PWB2	R734	C-CARBON R	RN72K1J-103JE	1	435031034R1
PWB2	R735	C-CARBON R	RN72K1J-221JE	1	435032214R1
PWB2	R736	C-CARBON R	RN72K1J-221JE	1	435032214R1
PWB2	R737	C-CARBON R	RN72K1J-103JE	1	435031034R1
PWB2	R738	C-CARBON R	RN72K1J-470JE	1	435034704R1
PWB2	R739	C-CARBON R	RN72K1J-470JE	1	435034704R1
PWB2	R740	C-CARBON R	RN72K1J-223JE	1	435032234R1
PWB2	R741	C-CARBON R	RN72K1J-122JE	1	435031224R1
PWB2	R742	C-CARBON R	RN72K1J-103JE	1	435031034R1
PWB2	R743	C-CARBON R	RN72K1J-472JE	1	435034724R1
PWB2	R744	C-CARBON R	RN72K1J-102JE	1	435031024R1
PWB2	R745	C-CARBON R	RN72K1J-821JE	1	435038214R1
PWB2	R746	C-CARBON R	RN72K1J-103JE	1	435031034R1
PWB2	R747	C-CARBON R	RN72K1J-470JE	1	435034704R1
PWB2	R748	C-CARBON R	RN72K1J-470JE	1	435034704R1
PWB2	R749	C-CARBON R	RN72K1J-470JE	1	435034704R1
PWB2	R750	C-CARBON R	RN72K1J-470JE	1	435034704R1
PWB2	R751	C-CARBON R	RN72K1J-331JE	1	435033314R1
PWB2	R752	C-CARBON R	RN72K1J-103JE	1	435031034R1
PWB2	R753	C-CARBON R	RN72K1J-221JE	1	435032214R1
PWB2	R754	C-CARBON R	RN72K1J-221JE	1	435032214R1
PWB2	R755	C-CARBON R	RN72K1J-221JE	1	435032214R1

PWB2	R756	C-CARBON R	RN72K1J-103JE	1	435031034R1
PWB2	R757	C-CARBON R	RN72K1J-103JE	1	435031034R1
PWB2	R758	C-CARBON R	RN72K1J-103JE	1	435031034R1
PWB2	R759	C-CARBON R	RN72K1J-470JE	1	435034704R1
PWB2	R760	C-CARBON R	RN72K1J-103JE	1	435031034R1
PWB2	R761	C-CARBON R	RN72K1J-103JE	1	435031034R1
PWB2	R762	C-CARBON R	RN72K1J-470JE	1	435034704R1
PWB2	R763	C-CARBON R	RN72K1J-470JE	1	435034704R1
PWB2	R764	C-CARBON R	RN72K1J-103JE	1	435031034R1
PWB2	R765	C-CARBON R	RN72K1J-105JE	1	435031054R1
PWB2	R766	C-CARBON R	RN72K1J-470JE	1	435034704R1
PWB2	R767	C-CARBON R	RN72K1J-273JE	1	435032734R1
PWB2	R768	C-CARBON R	RN72K1J-470JE	1	435034704R1
PWB2	R769	C-CARBON R	RN72K1J-103JE	1	435031034R1
PWB2	R771	C-CARBON R	RN72K1J-221JE	1	435032214R1
PWB2	R772	C-CARBON R	RN72K1J-222JE	1	435032224R1
PWB2	R774	C-CARBON R	RN72K1J-103JE	1	435031034R1
PWB2	R775	C-CARBON R	RN72K1J-470JE	1	435034704R1
PWB2	R776	C-CARBON R	RN72K1J-103JE	1	435031034R1
PWB2	R777	C-CARBON R	RN72K1J-472JE	1	435034724R1
PWB2	R778	C-CARBON R	RN72K1J-221JE	1	435032214R1
PWB2	R779	C-CARBON R	RN72K1J-103JE	1	435031034R1
PWB2	R780	C-CARBON R	RN72K1J-470JE	1	435034704R1

PWB2	R781	C-CARBON R	RN72K1J-103JE	1	435031034R1	
PWB2	R782	C-CARBON R	RN72K1J-103JE	1	435031034R1	
PWB2	R783	C-CARBON R	RN72K1J-221JE	1	435032214R1	
PWB2	R784	C-CARBON R	RN72K1J-103JE	1	435031034R1	
PWB2	R785	C-CARBON R	RN72K1J-221JE	1	435032214R1	
PWB2	R786	C-CARBON R	RN72K1J-470JE	1	435034704R1	
PWB2	R787	C-CARBON R	RN72K1J-221JE	1	435032214R1	
PWB2	R788	C-CARBON R	RN72K1J-221JE	1	435032214R1	
PWB2	R789	C-CARBON R	RN72K1J-103JE	1	435031034R1	
PWB2	R790	C-CARBON R	RN72K1J-103JE	1	435031034R1	
PWB2	R791	C-CARBON R	RN72K1J-470JE	1	435034704R1	
PWB2	R792	C-CARBON R	RN72K1J-470JE	1	435034704R1	
PWB2	R793	C-CARBON R	RN72K1J-103JE	1	435031034R1	
PWB2	R794	C-CARBON R	RN72K1J-103JE	1	435031034R1	<MPP>
PWB2	R794	C-CARBON R	RN72K1J-333JE	1	435033334R1	<MDC>
PWB2	R795	C-CARBON R	RN72K1J-103JE	1	435031034R1	
PWB2	R798	C-CARBON R	RN72K1J-223JE	1	435032234R1	
PWB2	R799	C-CARBON R	RN72K1J-223JE	1	435032234R1	
PWB2	R800	C-CARBON R	RN72K1J-103JE	1	435031034R1	
PWB2	R801	C-CARBON R	RN72K1J-103JE	1	435031034R1	
PWB2	R802	C-CARBON R	RN72K1J-103JE	1	435031034R1	
PWB2	R803	C-CARBON R	RN72K1J-103JE	1	435031034R1	
PWB2	R804	C-CARBON R	RN72K1J-000JE	1	435030004R1	
PWB2	R805	C-CARBON R	RN72K1J-000JE	1	435030004R1	
PWB2	R806	C-CARBON R	RN72K1J-103JE	1	435031034R1	
PWB2	R807	C-CARBON R	RN72K1J-103JE	1	435031034R1	
PWB2	R808	C-CARBON R	RN72K1J-272JE	1	435032724R1	
PWB2	R809	C-CARBON R	RN72K1J-472JE	1	435034724R1	
PWB2	R810	C-CARBON R	RN72K1J-472JE	1	435034724R1	
PWB2	R811	C-CARBON R	RN72K1J-223JE	1	435032234R1	
PWB2	R812	C-CARBON R	RN72K1J-223JE	1	435032234R1	
PWB2	R813	C-CARBON R	RN72K1J-473JE	1	435034734R1	
PWB2	R814	C-CARBON R	RN72K1J-105JE	1	435031054R1	
PWB2	R815	C-CARBON R	RN72K1J-470JE	1	435034704R1	
PWB2	R816	C-CARBON R	RN72K1J-470JE	1	435034704R1	
PWB2	R817	C-CARBON R	RN72K1J-470JE	1	435034704R1	
PWB2	R818	C-CARBON R	RN72K1J-470JE	1	435034704R1	

PWB2	R819	C-CARBON R	RN72K1J-470JE	1	435034704R1
PWB2	R820	C-CARBON R	RN72K1J-470JE	1	435034704R1
PWB2	R821	C-CARBON R	RN72K1J-470JE	1	435034704R1
PWB2	R822	C-CARBON R	RN72K1J-470JE	1	435034704R1
PWB2	R823	C-CARBON R	RN72K1J-470JE	1	435034704R1
PWB2	R824	C-CARBON R	RN72K1J-470JE	1	435034704R1
PWB2	R825	C-CARBON R	RN72K1J-470JE	1	435034704R1
PWB2	R826	C-CARBON R	RN72K1J-470JE	1	435034704R1
PWB2	R828	C-CARBON R	RN72K1J-470JE	1	435034704R1
PWB2	R829	C-CARBON R	RN72K1J-103JE	1	435031034R1
PWB2	R830	C-CARBON R	RN72K1J-103JE	1	435031034R1
PWB2	R831	C-CARBON R	RN72K1J-470JE	1	435034704R1
PWB2	R832	C-CARBON R	RN72K1J-103JE	1	435031034R1
PWB2	R833	C-CARBON R	RN72K1J-000JE	1	435030004R1
PWB2	R834	C-CARBON R	RN72K1J-103JE	1	435031034R1
PWB2	R835	C-CARBON R	RN72K1J-103JE	1	435031034R1
PWB2	R836	C-CARBON R	RN72K1J-103JE	1	435031034R1
PWB2	R837	C-CARBON R	RN72K1J-102JE	1	435031024R1
PWB2	R838	C-CARBON R	RN72K1J-103JE	1	435031034R1
PWB2	R839	C-CARBON R	RN72K1J-473JE	1	435034734R1
PWB2	R840	C-CARBON R	RN72K1J-103JE	1	435031034R1
PWB2	R841	C-CARBON R	RN72K1J-224JE	1	435032244R1
PWB2	R842	C-CARBON R	RN72K1J-103JE	1	435031034R1

PWB2	R843	C-CARBON R	RN72K1J-103JE	1	435031034R1
PWB2	R844	C-CARBON R	RN72K1J-103JE	1	435031034R1
PWB2	R845	C-CARBON R	RN72K1J-101JE	1	435031014R1
PWB2	R846	C-CARBON R	RN72K1J-101JE	1	435031014R1
PWB2	R847	C-CARBON R	RN72K1J-103JE	1	435031034R1
PWB2	R848	C-CARBON R	RN72K1J-103JE	1	435031034R1
PWB2	R849	C-CARBON R	RN72K1J-470JE	1	435034704R1
PWB2	R850	C-CARBON R	RN72K1J-103JE	1	435031034R1
PWB2	R851	C-CARBON R	RN72K1J-103JE	1	435031034R1
PWB2	R852	C-CARBON R	RN72K1J-103JE	1	435031034R1
PWB2	R853	C-CARBON R	RN72K1J-470JE	1	435034704R1
PWB2	R855	C-CARBON R	RN72K1J-000JE	1	435030004R1
PWB2	R856	C-CARBON R	RN72K1J-000JE	1	435030004R1
PWB2	R860	C-CARBON R	RN72K2E-100JE	1	435221004R1
PWB2	R861	C-CARBON R	RN72K2E-100JE	1	435221004R1
PWB2	R901	METAL R	RNU1/4WJ-22	1	4500183T
PWB2	R902	METAL R	RNU1/4WJ-22	1	4500183T
PWB2	R9205	METAL O R	RS1/2WBJ-47	1	443524704T
PWB2	R9206	METAL O R	RS1/2WBJ-47	1	443524704T
PWB2	R9207	METAL O R	RS1/2WBJ-47	1	443524704T
PWB2	R9208	METAL O R	RS1/2WBJ-47	1	443524704T
PWB2	R9209	METAL R	RNU1/2WCJ-2.2	1	453530224T
PWB2	R9210	C-CARBON R	RN72K1J-222JE	1	435032224R1
PWB2	R9211	C-CARBON R	RN72K1J-473JE	1	435034734R1
PWB2	R9212	C-CARBON R	RN72K1J-222JE	1	435032224R1
PWB2	R9213	C-CARBON R	RN72K1J-473JE	1	435034734R1
PWB2	R9214	C-CARBON R	RN72K1J-222JE	1	435032224R1
PWB2	R9215	C-CARBON R	RN72K1J-473JE	1	435034734R1
PWB2	R9216	C-CARBON R	RN72K1J-222JE	1	435032224R1
PWB2	R9217	C-CARBON R	RN72K1J-473JE	1	435034734R1
PWB2	R9218	C-CARBON R	RN72K1J-222JE	1	435032224R1
PWB2	R9219	C-CARBON R	RN72K1J-473JE	1	435034734R1
PWB2	R9220	METAL O R	RS1WBJ-470	1	443624714T
PWB2	R9221	C-CARBON R	RN72K1J-560JE	1	435035604R1
PWB2	R9222	METAL R	RNU1WCJ-6.8	1	453630684T
PWB2	R9223	METAL R	RNU1WCJ-6.8	1	453630684T
PWB2	R981	C-CARBON R	RN72K1J-104JE	1	435031044R1

PWB2	[SW TRM]				
PWB2	E100	TRM-423(SCREW)	NEJITANSI ST3	1	25060495
PWB2	E101	TRM	NTM-1P233(M1969)	1	25060302
PWB2	E901	TRM	NTM-1P232(M1700)	1	25060301
PWB2	JL9004B	SOCKET	NSCT-7P99	1	25050271
PWB2	JL9103B	WIRE TRAP	NPLG-5P588	1	25055626
PWB2	JL981A	WIRE HOL	NSCT-3P874	1	25051087
PWB2	JL981B	WIRE TRAP	NPLG-3P586	1	25055624
PWB2	P100	ST JACK	LGY2502-0200FC	1	25045696
PWB2	P101	PIN JACK	NPJ-1PDBL291	1	25045473
PWB2	P4101A	SOCKET	NSCT-13P2193	1	25052296
PWB2	P4101B	PLUG	NPLG-13P0968	1	25056018
PWB2	P4102A	SOCKET	NSCT-13P2193	1	25052296
PWB2	P4102B	PLUG	NPLG-13P0968	1	25056018
PWB2	P5001B	SOCKET AS	NSAS-10P1744	1	2009991120BUL
PWB2	P5101B	PLUG	NPLG-5P119	1	25055135
PWB2	P5201B	PLUG	NPLG-2P116	1	25055132
PWB2	P5302	PLUG	NPLG-2P149	1	25055165
PWB2	P5902	PIN JACK	NPJ-4PDWR690	1	25045922
PWB2	P7004B	PLUG	NPLG-3P131	1	25055147
PWB2	P701A	SOCKET	IMSA-9618S-09A	1	25053334R2
PWB2	P702	PLUG	NPLG-2P83	1	25055099
PWB2	P7501B	SOCKET	NSCT-11P2104	1	25052207

PWB2	P8101B	PLUG	IMSA-9111B-16	1	25056620	
PWB2	P8102B	PLUG	IMSA-9111B-24	1	25056625	
PWB2	P8105C	SOCKET AS	NSAS-4P1777	1	2009991137UL	
PWB2	P9102A	SOCKET	NSCT-13P2193	1	25052296	
PWB2	P9102B	PLUG	NPLG-13P0968	1	25056018	
PWB2	P9501B	PLUG	NPLG-4P151	1	25055167	
PWB2	P9801	RETAINER	(BUS)	1	27142108	
PWB2	P9802	RETAINER	(BUS)	1	27142108	
PWB2	P9803	RETAINER	(BUS)	1	27142108	
PWB2	P9804	RETAINER	(BUS)	1	27142108	
PWB2	RL5301	RELAY	NRL-2P5A-DC09-163	1	25065635	
PWB2	RL5301 or	RELAY	NRL-2P5A-DC9-141	(1)	25065585	
PWB2	RL9501	RELAY	NRL-1P10A-DC12-140	1	25065584	
PWB2	RL9502	RELAY	NRL-1P10A-DC12-140	1	25065584	
PWB2	[TUNER UNIT]					
PWB2	U100	PHT CP	JSR1165-00recieving	1	24120143	
PWB2	U101	PHT CP	JSR1165-00recieving	1	24120143	
PWB3	U03	POWER TRANS. PC board (BAPS-0331-1B / -1C)				
PWB3	U03-1	DISPLAY PC board (BADIS-0332-1B / -1C)				
PWB3	U03-2	SWITCH PC board (BASW-0333-1B / -1C)				
PWB3	U03-3	SPEAKER TERMINAL PC board (BATRM-0334-1B / -1C)				
PWB3	U03-4	AC INLET PC board (BAETC-0335-1B / -1C)				
PWB3	U03-5	HOLDER PC board (BAETC-0336-1B / -1C)				
PWB3	CIRCUIT NO.	PART NAME	DESCRIPTION	Q'TY	PART NO. (SN)	REMARKS
PWB3	[SEMI CONDUCTOR]					
PWB3	D5851	C-DIODE	KDS4148U	1	223283R2	
PWB3	D5851 or	C-DIODE	1SS352	(1)	223234R2	
PWB3	D5851 or	C-DIODE	MA2J111	(1)	223279R2	
PWB3	D5852	C-DIODE	KDS4148U	1	223283R2	
PWB3	D5852 or	C-DIODE	1SS352	(1)	223234R2	
PWB3	D5852 or	C-DIODE	MA2J111	(1)	223279R2	
PWB3	D5853	C-DIODE	KDS4148U	1	223283R2	
PWB3	D5853 or	C-DIODE	1SS352	(1)	223234R2	
PWB3	D5853 or	C-DIODE	MA2J111	(1)	223279R2	
PWB3	D7502	ZENER D	UDZS4.3B	1	224550430R2	
PWB3	D7502 or	ZENER D	MAZ8043-M	(1)	224750432R2	

PWB3	D7503	ZENER D	UDZS3.9B	1	224550390R2
PWB3	D7561	LED	SLI-343URC-TE7	1	225449T
PWB3	D7562	LED	SLI-343Y8C-TE7	1	225490T
PWB3	D9001	C-DIODE	KDS4148U	1	223283R2
PWB3	D9001 or	C-DIODE	1SS352	(1)	223234R2
PWB3	D9001 or	C-DIODE	MA2J111	(1)	223279R2
PWB3	D9002	DIODE	RL1N4003	1	22380260T
PWB3	D9003	DIODE	RL1N4003	1	22380260T
PWB3	D9004	C-DIODE	KDS4148U	1	223283R2
PWB3	D9004 or	C-DIODE	1SS352	(1)	223234R2
PWB3	D9004 or	C-DIODE	MA2J111	(1)	223279R2
PWB3	D9005	C-DIODE	KDS4148U	1	223283R2
PWB3	D9005 or	C-DIODE	1SS352	(1)	223234R2
PWB3	D9005 or	C-DIODE	MA2J111	(1)	223279R2
PWB3	D9006	C-DIODE	S1NB60-4062	1	22380318R2
PWB3	D9007	ZENER D	UDZS4.3B	1	224550430R2
PWB3	D9007 or	ZENER D	MAZ8043-M	(1)	224750432R2
PWB3	D9008	DIODE	RL1N4003	1	22380260T
PWB3	D9009	DIODE	RL1N4003	1	22380260T
PWB3	D9105	ZENER D	UDZS16B	1	224551600R2
PWB3	D9105 or	ZENER D	MAZ8160-M	(1)	224751602R2
PWB3	D9112	DIODE	RL1N4003	1	22380260T
PWB3	D9113	ZENER D	UDZS16B	1	224551600R2

PWB3	D9113 or	ZENER D	MAZ8160-M	(1)	224751602R2	
PWB3	Q7501	IC	M66005-0001AHP	1	22242208R3	
PWB3	Q7502	FL TUBE	16-ST-97GNK	1	212270	
PWB3	Q7502A	HOLDER	(FL)	1	27191281	
PWB3	Q7504	TR	KTC3875-GR	1	2216175R2	
PWB3	Q7504 or	TR	2SC2712-GR	(1)	2213145R2	
PWB3	Q7505	TR	KTC3875-GR	1	2216175R2	
PWB3	Q7505 or	TR	2SC2712-GR	(1)	2213145R2	
PWB3	Q9001	TR	KRC105S	1	2217290R2	
PWB3	Q9001 or	TR	RN1405	(1)	2214500R2	
PWB3	Q9101	TR	2SC2235-Y(TPE6_F)	1	2211654T	
PWB3	[CHASSIS SCREW]					
PWB3	A9001	F SPEC SHT	Fテイカクシ	1	29361584	<MPP>
PWB3	[TRANS COIL]					
PWB3	L5851	S COIL	SC-0.8X11.5X12.5T-6.5L	1	231393S	
PWB3	L5852	S COIL	SC-0.8X11.5X12.5T-6.5L	1	231393S	
PWB3	L5853	S COIL	SC-0.8X11.5X12.5T-6.5L	1	231393S	
PWB3	L5854	S COIL	SC-0.8X11.5X12.5T-6.5L	1	231393S	
PWB3	L5855	S COIL	SC-0.8X11.5X12.5T-6.5L	1	231393S	
PWB3	L7501	CHOKE COIL	BLM21PG221SN1	1	230949R2	
PWB3	L7502	CHOKE COIL	BLM21PG221SN1	1	230949R2	
PWB3	L9001	CHOKE COIL	NCH-3581	1	231301	
PWB3	L9001 or	CHOKE COIL	NCH-3584	(1)	231305	<MPP>
PWB3	T9002	P TRANS	NPT-1520GQ	1	2301813A	<MPP>
PWB3	T9002	P TRANS	NPT-1520JQ	1	2301812A	<MDC>
PWB3	[CAPACITOR]					
PWB3	C5851	C-CERA C	CC725CH1H-102J1	1	342101024R1	
PWB3	C5852	C-CERA C	CC725CH1H-102J1	1	342101024R1	
PWB3	C5853	C-CERA C	CC725CH1H-102J1	1	342101024R1	
PWB3	C5854	MKT C	B32529C0102J289	1	376491024T	
PWB3	C5855	MKT C	B32529C0102J289	1	376491024T	
PWB3	C5856	MKT C	B32529C0102J289	1	376491024T	
PWB3	C5857	TF C	ECQ-V50V-103J	1	374721034T	
PWB3	C5858	TF C	ECQ-V50V-103J	1	374721034T	
PWB3	C5859	TF C	ECQ-V50V-103J	1	374721034T	
PWB3	C5860	TF C	ECQ-V50V-103J	1	374721034T	
PWB3	C5861	TF C	ECQ-V50V-103J	1	374721034T	

PWB3	C5862	MKT C	B32529C0102J289	1	376491024T
PWB3	C5863	MKT C	B32529C0102J289	1	376491024T
PWB3	C7501	C-CERA C	CK725F1E-104Z1	1	332161040R1
PWB3	C7502	C-CERA C	CK725F1E-104Z1	1	332161040R1
PWB3	C7503	C-CERA C	CC725CH1H-101J1	1	342101014R1
PWB3	C7504	C-CERA C	CC725CH1H-101J1	1	342101014R1
PWB3	C7505	C-CERA C	CC725CH1H-101J1	1	342101014R1
PWB3	C7507	C-CERA C	CC725CH1H-101J1	1	342101014R1
PWB3	C7508	ELECT C	CE04W6.3V-100M	1	355721019T
PWB3	C7509	C-CERA C	CK725F1E-104Z1	1	332161040R1
PWB3	C7510	C-CERA C	CK725F1E-104Z1	1	332161040R1
PWB3	C7511	C-CERA C	CK725F1E-104Z1	1	332161040R1
PWB3	C7512	C-CERA C	CK725F1E-104Z1	1	332161040R1
PWB3	C7513	ELECT C	CE04W50V-33M	1	355783309T
PWB3	C7514	C-CERA C	CK725F1E-104Z1	1	332161040R1
PWB3	C7515	ELECT C	CE04W16V-100M	1	355741019T
PWB3	C7516	C-CERA C	CK725F1E-104Z1	1	332161040R1
PWB3	C7517	C-CERA C	CK725F1E-104Z1	1	332161040R1
PWB3	C7521	C-CERA C	CK725F1E-104Z1	1	332161040R1
PWB3	C7522	C-CERA C	CK725F1E-104Z1	1	332161040R1
PWB3	C7523	ELECT C	CE04W50V-10M	1	355781009T
PWB3	C7524	C-CERA C	CK725F1E-104Z1	1	332161040R1
PWB3	C7541	ELECT C	CE04W6.3V-100M	1	355721019T

PWB3	C7543	C-CERA C	CK725B1H-102K1	1	332101025R1
PWB3	C9001	IS C	DE1007E472M-KY	1	3300063
PWB3	C9002	IS C	DE1007E472M-KY	1	3300063
PWB3	C9003	IS C	MKP R46 103M	1	3500202S
PWB3	C9004	TF C	ECQ-V50V-104J	1	374721044T
PWB3	C9005	TF C	ECQ-V50V-223J	1	374722234T
PWB3	C9006	VR C	CE04W16V-2200M(VR)	1	394642227S
PWB3	C9007	VR C	CE04W16V-470M(VR)	1	394644717T
PWB3	C9009	UTSP C	CE04W50V-4.7M(UTSP)	1	397580477T
PWB3	C9104	VR C	CE04W50V-470M(VR)	1	394684717S
PWB3	C9105	UTSP C	CE04W50V 47M(UTSP)	1	397584707T
PWB3	C9106	C-CERA C	CK725B1H-223K1	1	332102235R1
PWB3	C9110	TF C	ECQ-V50V-473J	1	374724734T
PWB3	[RESISTOR]				
PWB3	R5851	METAL O R	RS1/2WBJ-10	1	443521004T
PWB3	R5852	METAL O R	RS1/2WBJ-10	1	443521004T
PWB3	R5853	METAL O R	RS1/2WBJ-10	1	443521004T
PWB3	R5854	METAL O R	RS1/2WBJ-10	1	443521004T
PWB3	R5855	METAL O R	RS1/2WBJ-10	1	443521004T
PWB3	R7501	C-CARBON R	RN72K1J-104JE	1	435031044R1
PWB3	R7502	C-CARBON R	RN72K1J-332JE	1	435033324R1
PWB3	R7503	C-CARBON R	RN72K1J-332JE	1	435033324R1
PWB3	R7504	C-CARBON R	RN72K1J-221JE	1	435032214R1
PWB3	R7505	C-CARBON R	RN72K1J-221JE	1	435032214R1
PWB3	R7506	C-CARBON R	RN72K1J-273JE	1	435032734R1
PWB3	R7507	C-CARBON R	RN72K1J-471JE	1	435034714R1
PWB3	R7508	C-CARBON R	RN72K1J-471JE	1	435034714R1
PWB3	R7510	C-CARBON R	RN72K1J-121JE	1	435031214R1
PWB3	R7531	C-CARBON R	RN72K1J-271JE	1	435032714R1
PWB3	R7532	C-CARBON R	RN72K1J-331JE	1	435033314R1
PWB3	R7533	C-CARBON R	RN72K1J-471JE	1	435034714R1
PWB3	R7534	C-CARBON R	RN72K1J-561JE	1	435035614R1
PWB3	R7541	C-CARBON R	RN72K1J-121JE	1	435031214R1
PWB3	R7542	C-CARBON R	RN72K1J-102JE	1	435031024R1
PWB3	R7561	C-CARBON R	RN72K1J-222JE	1	435032224R1
PWB3	R7562	C-CARBON R	RN72K1J-222JE	1	435032224R1
PWB3	R9001	METAL O R	RS1/2WBJ-100	1	443521014T

PWB3	R9002	METAL O R	RS1/2WBJ-10	1	443521004T	
PWB3	R9003	C-CARBON R	RN72K1J-104JE	1	435031044R1	
PWB3	R9004	METAL O R	RS1/2WBJ-68	1	443526804T	
PWB3	R9101	METAL R	RNU1/4WJ-22	1	4500183T	
PWB3	R9102	C-CARBON R	RN72K1J-562JE	1	435035624R1	
PWB3	R9103	C-CARBON R	RN72K1J-562JE	1	435035624R1	
PWB3	R9104	C-CARBON R	RN72K1J-333JE	1	435033334R1	
PWB3	R9105	METAL R	RNU1/2WCJ-2.2	1	453530224T	
PWB3	R9106	METAL R	RNU1/2WCJ-1	1	453530104T	<MPP>
PWB3	R9106	METAL R	RNU1/2WCJ-2.2	1	453530224T	<MDC>
PWB3	[SW TRM]					
PWB3	F9001A	FUSE HOL	NSCT-1P2031	1	25052133T	
PWB3	F9001B	FUSE HOL	NSCT-1P2031	1	25052133T	
PWB3	JL9004A	WIRE HOL	NSCT-7P898	1	25051111	
PWB3	JL9103C	WIRE HOL	NSCT-5P876	1	25051089	
PWB3	P5001C	PLUG	NPLG-5P119	1	25055135	
PWB3	P5101C	SOCKET AS	NSAS-10P1858	1	2009991192UL	N
PWB3	P5201C	SOCKET AS	NSAS-4P1743	1	2009991119AUL	
PWB3	P5851	TRM	NTM-10PDML363	1	25060434	
PWB3	P7003A	SOCKET AS	NSAS-10P1847	1	2002E321008UL	N
PWB3	P7003B	PLUG	NPLG-5P352	1	25055369	
PWB3	P7004A	SOCKET AS	NSAS-6P1848	1	2002E390615UL	N
PWB3	P7501A	SOCKET	NSCT-11P2141	1	25052244	

PWB3	P9001	PLUG	NPLG-2P631	1	25055675	
PWB3	P9002	SOCKET AS	NSAS-4P1746	1	2009991121UL	
PWB3	P9003	AC INLET	CCT2302-0381F	1	25053269	<MPP>
PWB3	P9003	AC INLET	CCT2302-0382F	1	25053367	N <MDC>
PWB3	P9501A	SOCKET AS	NSAS-8P1778	1	2009991138UL	
PWB3	P9802	HOLDER	(CRAMP) UA-0 V0	1	27190608-1	
PWB3	RL5851	RELAY	NRL-2P5A-DC09-163	1	25065635	
PWB3	RL5851 or	RELAY	NRL-2P5A-DC9-141	(1)	25065585	
PWB3	RL5852	RELAY	NRL-2P5A-DC09-163	1	25065635	
PWB3	RL5852 or	RELAY	NRL-2P5A-DC9-141	(1)	25065585	
PWB3	RL5853	RELAY	NRL-2P5A-DC09-163	1	25065635	
PWB3	RL5853 or	RELAY	NRL-2P5A-DC9-141	(1)	25065585	
PWB3	RL9001	RELAY	NRL-1P5A-DC9-179	1	25065669	
PWB3	S7501	PUSH SW	NPS-111-S681	1	25035718T	
PWB3	S7502	PUSH SW	NPS-111-S681	1	25035718T	
PWB3	S7503	PUSH SW	NPS-111-S681	1	25035718T	
PWB3	S7504	PUSH SW	NPS-111-S681	1	25035718T	
PWB3	S7505	PUSH SW	NPS-111-S681	1	25035718T	
PWB3	[TUNER UNIT]					
PWB3	U7541	REMO SENS	GPIUE271RKVF	1	24130016	

HTX-22HDX

PACKING PROCEDURE PARTS LIST

	REF. NO.	PART NAME	DESCRIPTION	Q'TY	PART NO. (SN)	REMARKS
PACKING	01a	CARTON BOX	HTX-22HDX(B)MPP	1	730-HDXMPP-10	<MPP>
PACKING	01b	CARTON BOX	HTX-22HDX(B)MDC	1	730-HDXMDC-10	<MDC>
PACKING	02	POLYFOAM	(TOP)	1	720-22HDXT-00	
PACKING	03	POLYFOAM	(BOTTOM)	1	720-22HDXB-00	
PACKING	04	MIRAMAT BAG	600 x 550 x 0.5t (HTX-22HDX)	1	710-250191-10	
PACKING	06	TAPE	NITTO NO.29 W18 (Yellow)	(1)	29110149	
PACKING	07	POLYFOAM	(TOP/BOTTOM)(For front speaker)	2	IVW70002-1101	
PACKING	08	NON-WOOVEN SHEET	(For front speaker)	2	IVM70007-1000	
PACKING	09	MIRAMAT BAG	(For front speaker)	2	IVA5080160020	
PACKING	10	PP TAPE	W50	(1)	29110071 or	
PACKING	10 or	PP TAPE	W48 OPP TAPE	(1)	29110148 or	
PACKING	10 or	PP TAPE	NITTO 3703 SUPER W50L100	(1)	29110176	

PACKING	11a	EAN LABEL	MPP (No Serial Number printing)	(1)	605-HDXMPP-00	<MPP>
PACKING	11b	UPC LABEL	MDC (No Serial Number printing)	(1)	605-HDXMDC-00	<MDC>
PACKING	13	POLY BAG	w250 x d350	1	29100250A	
PACKING	14	FOOT (PORON)	LEG CUSHION (15 x 15 x 1.5t / 4pcs.)	1	441-915105-00	
PACKING	20	POLY BAG	w250 x d240	1	29100251A	
PACKING	21	SPEAKER CABLE	#20 3.5m RED LINE	2	VWW70026-0002	
PACKING	22	RUBBER FOOT AS	7 x 7 x 0.8 / 8pcs. (For front speaker)	1	DUS70002-0001	
PACKING	A809	REMO CON	RC-720S	1	24140720	
PACKING	A811	BATTERY	R6/AA(UM-3)	2	3010054	
PACKING	A811 or	BATTERY	R6/AA(UM-3)	(2)	3010194	
PACKING	A817	INS MANUAL	En(HTX-22HDX)	1	29400185	N
PACKING	A819	INST SHEET	WEEE	1	29355793	<MPP>
PACKING	A830	INST SHEET	U11(2010_RIHD)	1	29355782	
PACKING	A832	WRNTY CARD	(ONKYO)	1	29365135	<MDC>
PACKING	A833	INS MANUAL	Fr(HTX-22HDX)	1	29400187	N
PACKING	A834	INS MANUAL	U2Delr(HTX-22HDX)	1	29400186	N <MPP>
PACKING	A835	INST SHEET	U4(HTX-22HDX APD)	1	29355789	N <MPP>
PACKING	P901	AC CORD	AS-UC-2	1	253296AVOL	N ! <MDC>
PACKING	P901	AC CORD	AS-CEE	1	253299VOL	! <MPP>
PACKING	P901 or	AC CORD	AS-CEE	(1)	253299LTK	! <MPP>

ONKYO CORPORATION

Service Dept. Technical Support : 2-1, Nisshin-cho, Neyagawa-shi, OSAKA 572-8540, JAPAN
Tel: 072-831-8023 Fax: 072-831-8163

ONKYO U.S.A. CORPORATION

18 Park Way, Upper Saddle River, N.J. 07458, U.S.A.
Tel: 800-229-1687, 201-785-2600 Fax: 201-785-2650 <http://www.us.onkyo.com/>

ONKYO EUROPE ELECTRONICS GmbH

Liegnitzerstrasse 6, 82194 Groebenzell, GERMANY
Tel: +49-8142-4401-0 Fax: +49-8142-4401-555 <http://www.eu.onkyo.com/>

ONKYO EUROPE ELECTRONICS GmbH (UK BRANCH)

The Coach House 81A High Street, Marlow, Buckinghamshire, SL7 1AB, UK
Tel: +44-(0)1628-473-350 Fax: +44-(0)1628-401-700

ONKYO CHINA LIMITED

Unit 1&12, 9/F, Ever Gain Plaza Tower 1, 88, Container Port Road, Kwai Chung,
N.T., Hong Kong. Tel: 852-2429-3118 Fax: 852-2428-9039
<http://www.ch.onkyo.com/>