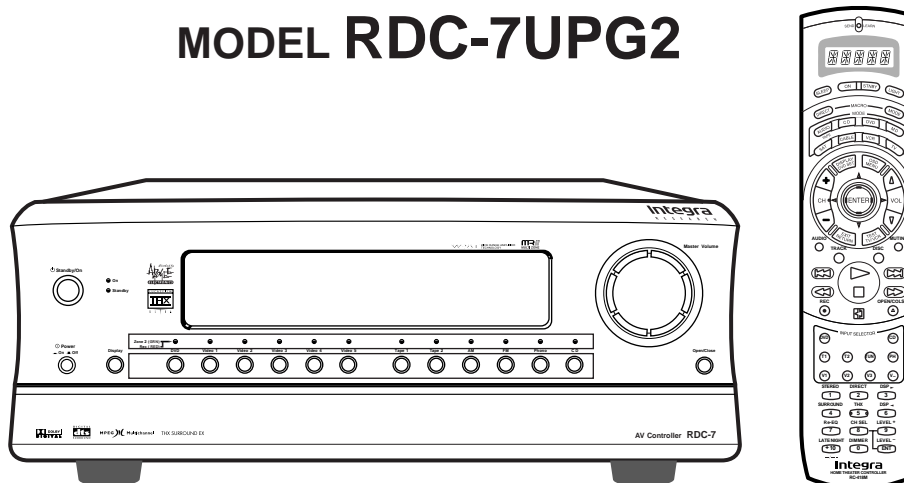


Integra SERVICE MANUAL

R E S E A R C H

Jun, 2002

AV CONTROLLER MODEL RDC-7UPG2



Silver model

UDD, UDT	120V AC, 60Hz
UPP, UPT	230 -240V AC, 50Hz
UGT	220 - 230V AC, 50Hz

SAFETY-RELATED COMPONENT WARNING!!

COMPONENTS IDENTIFIED BY MARK \triangle ON THE SCHEMATIC DIAGRAM AND IN THE PARTS LIST ARE CRITICAL FOR RISK OF FIRE AND ELECTRIC SHOCK. REPLACE THESE COMPONENTS WITH ONKYO PARTS WHOSE PART NUMBERS APPEAR AS SHOWN IN THIS MANUAL.

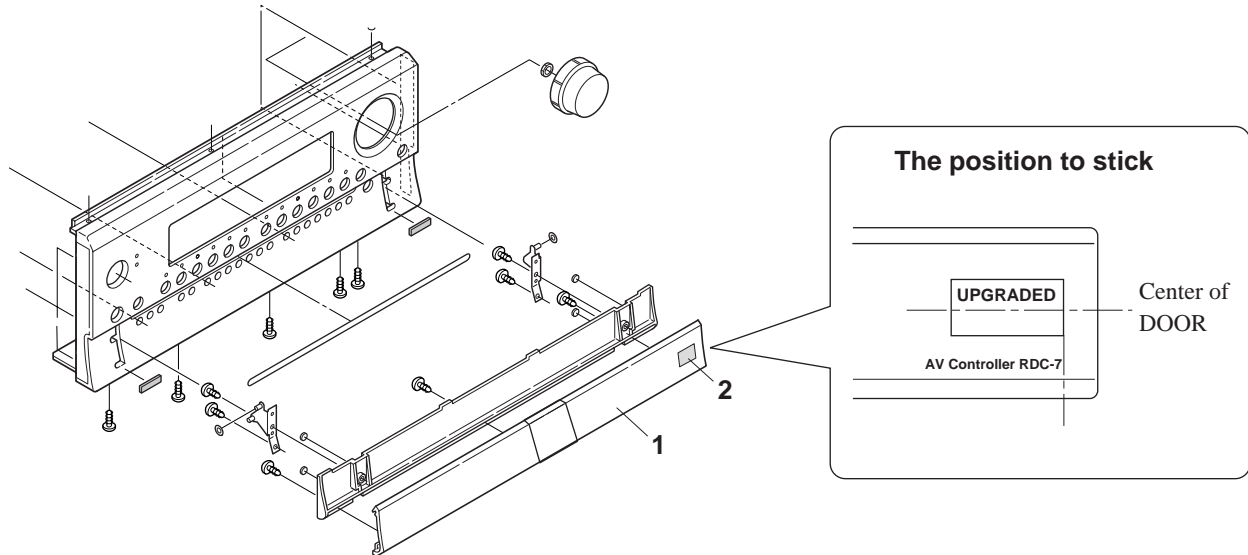
MAKE LEAKAGE-CURRENT OR RESISTANCE MEASUREMENTS TO DETERMINE THAT EXPOSED PARTS ARE ACCEPTABLY INSULATED FROM THE SUPPLY CIRCUIT BEFORE RETURNING THE APPLIANCE TO THE CUSTOMER.

EXPLODED VIEW

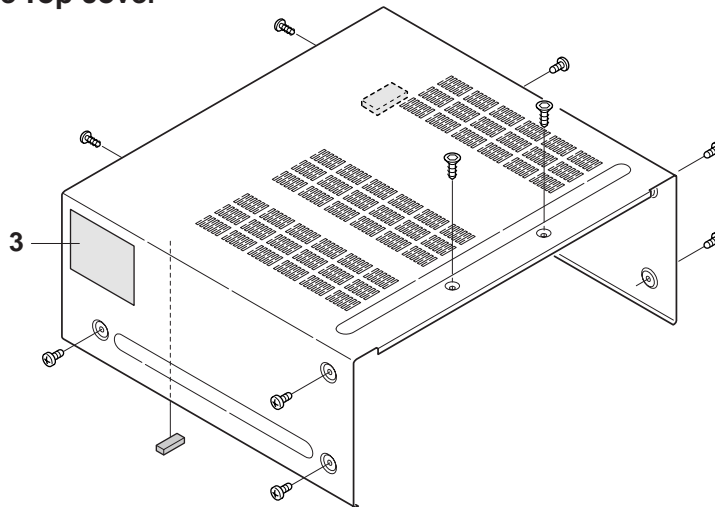
Indicated **only the parts which are an addition and change** from RDC-7 with the model change to RDC-7UPG2.

Please refer to RDC-7 service manual (No.3653 printed matter only) about the other parts.

1 DOOR and LABEL



2 Label on the Top cover



PARTS LIST

REF NO.	NAME	DESCRIPTION	PARTS NO.	QT'Y
1	DOOR	---	28148512	1
2	LABEL	UPGS	29363154	1
3	LABEL	---	29363164	1

A

B

C

D

SCHEMATIC DIAGRAMS-1 DSP SECTION (In case PC board "B" version)

1

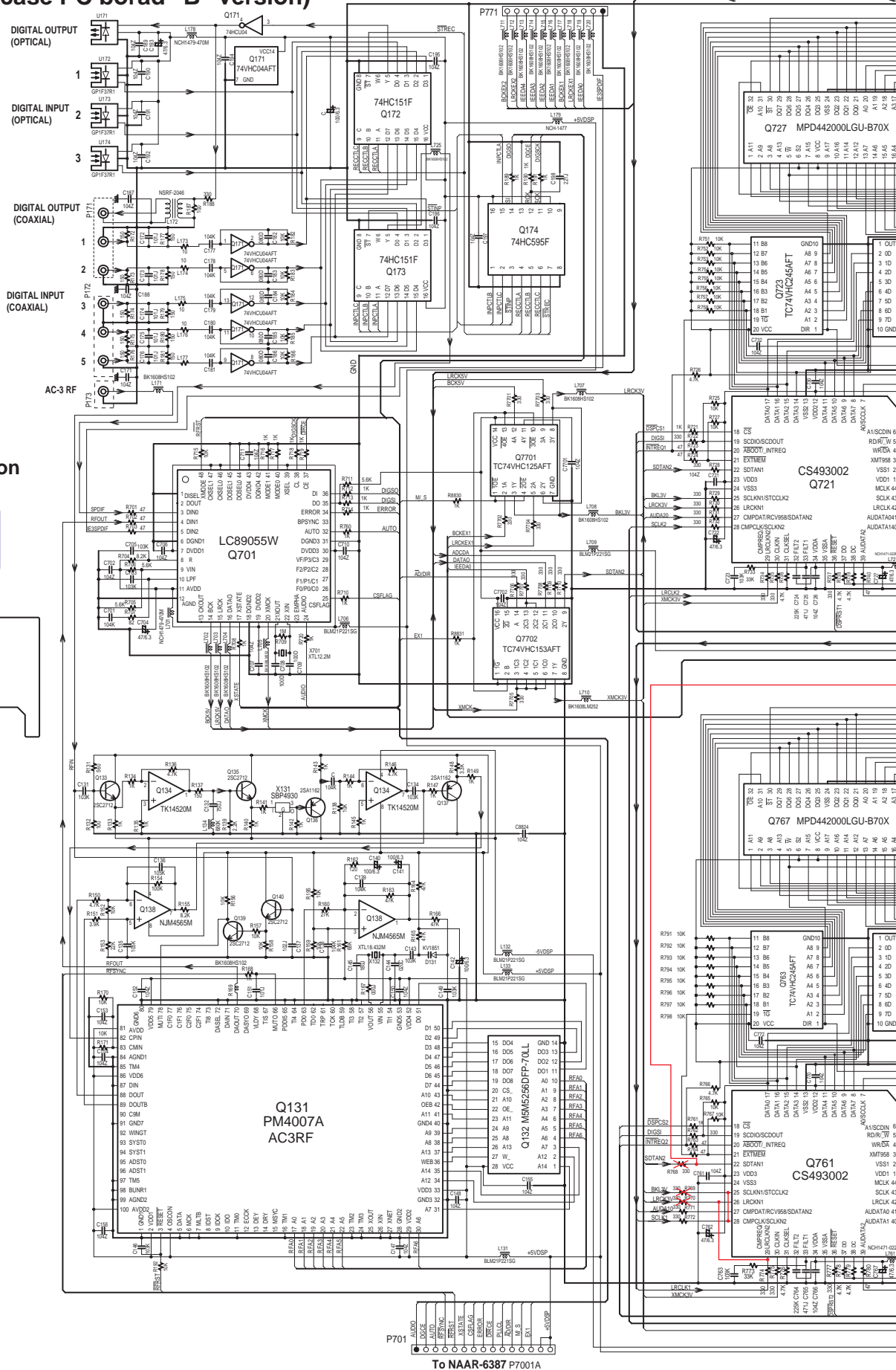
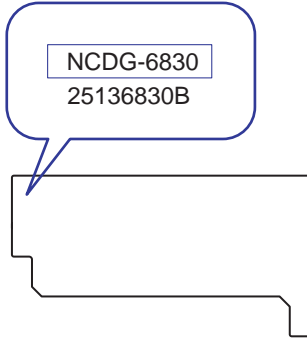
2

3

4

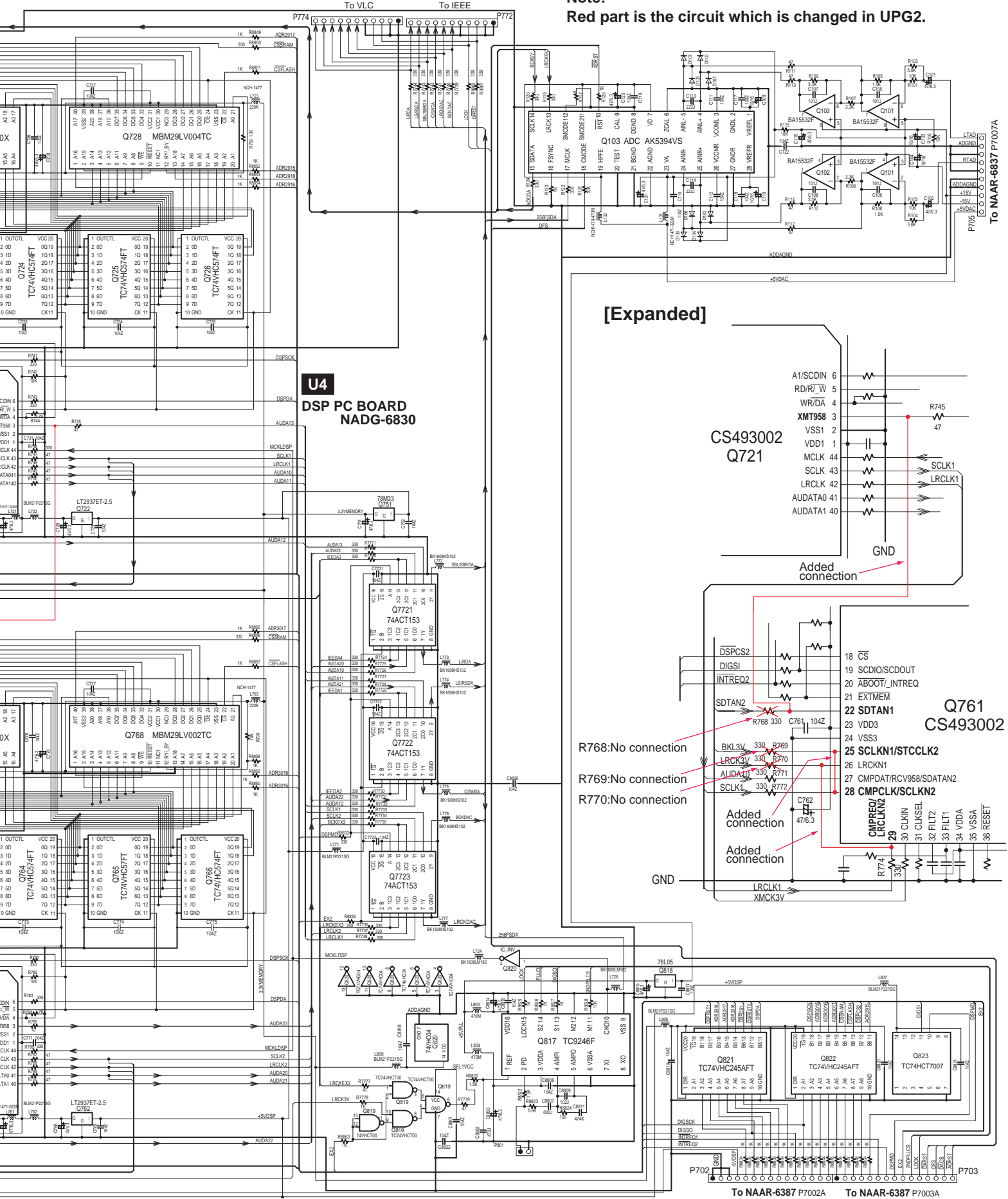
5

In case
PC board "B" version



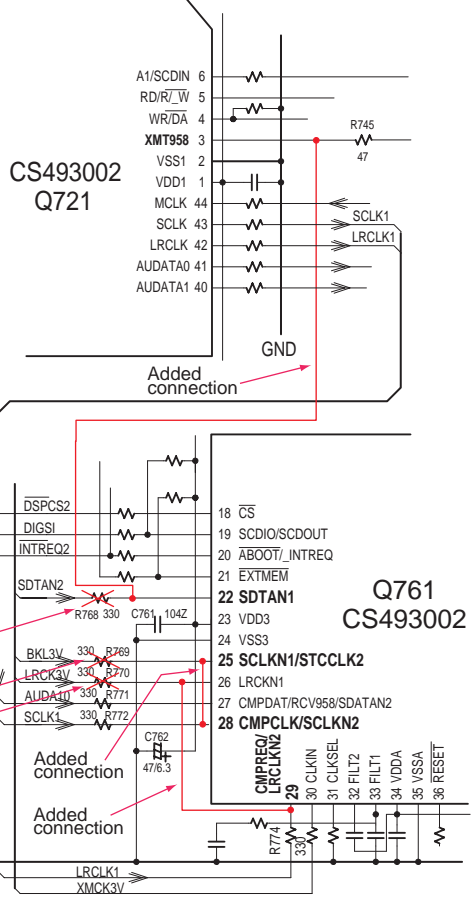
To NAAR-6387 P701A

Note: Red part is the circuit which is changed in UPG2.



U4 DSP PC BOARD NADG-6830

[Expanded]



R768: No connection
R769: No connection
R770: No connection

A

B

C

D

SCHEMATIC DIAGRAMS-2

DSP SECTION (In case PC board "C" version)

1

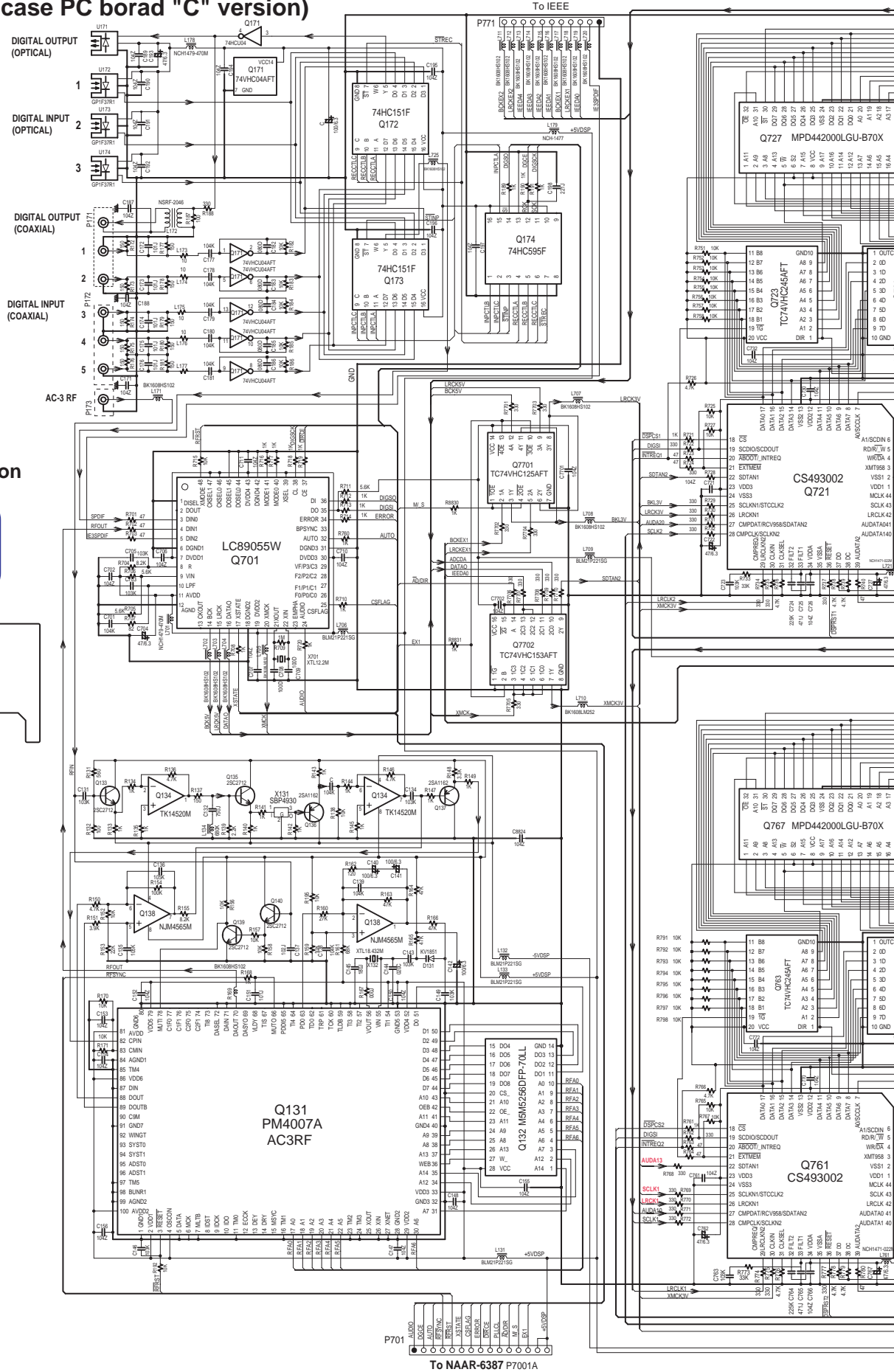
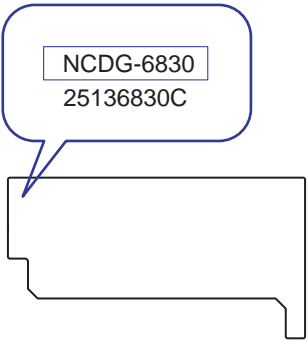
2

3

4

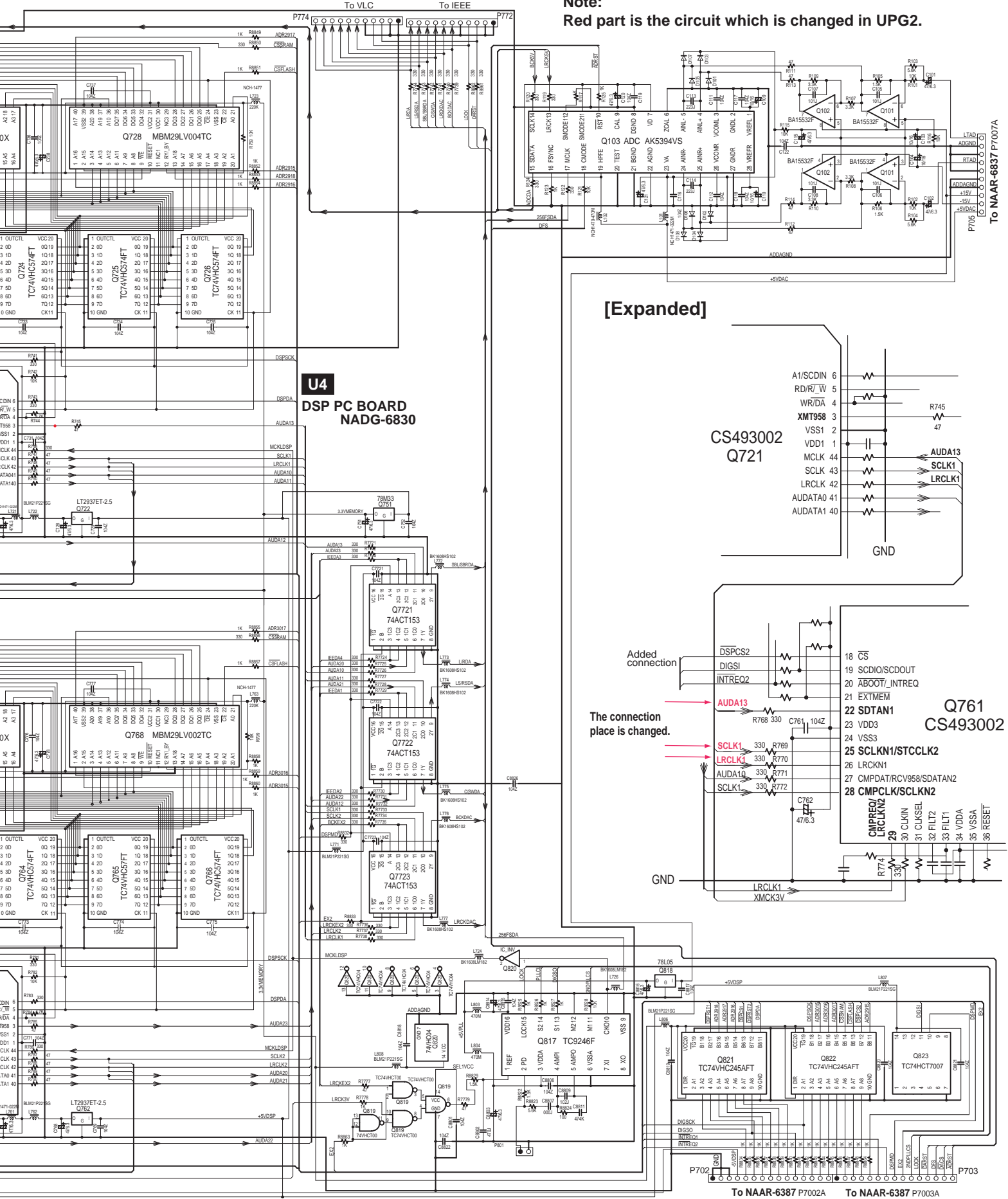
5

In case PC board "C" version



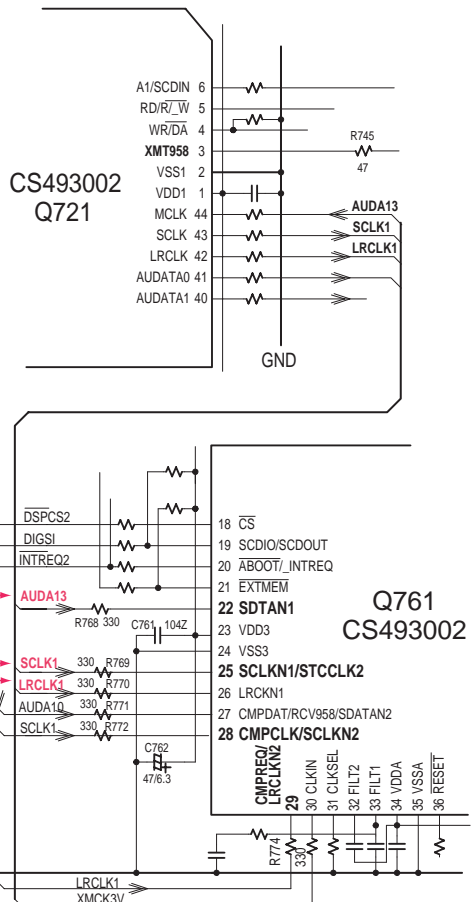
To NAAR-6387 P701A

Note: Red part is the circuit which is changed in UPG2.



U4 DSP PC BOARD NADG-6830

[Expanded]

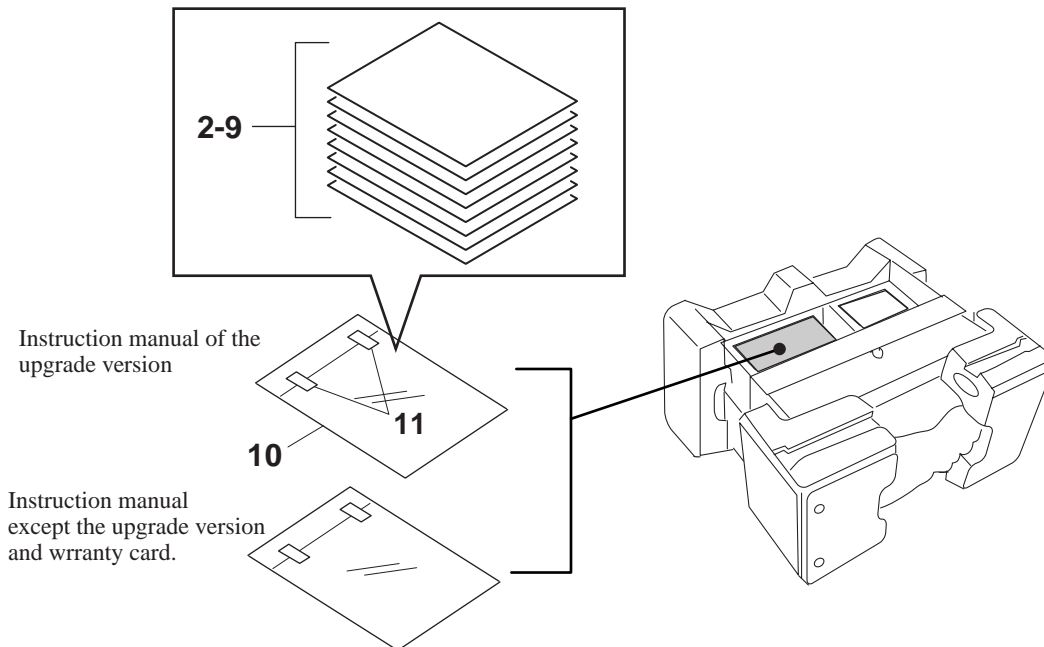


PACKING VIEW

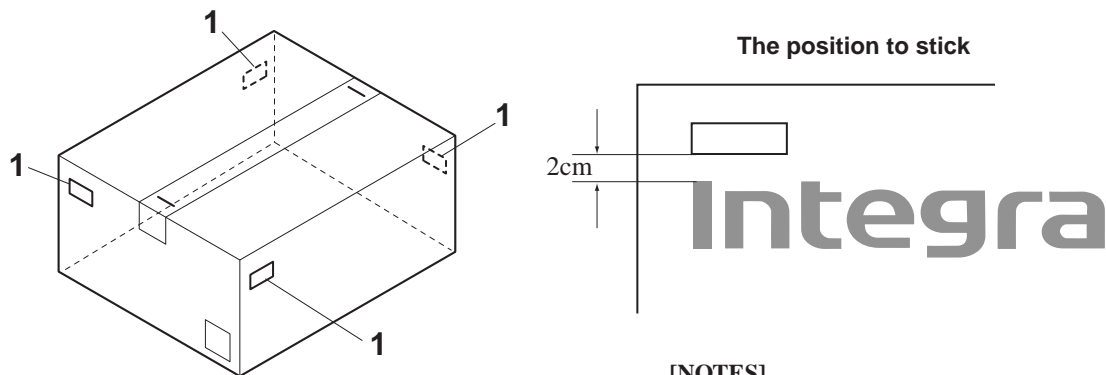
Indicated **only the parts which are an addition and change** from RDC-7 with the model change to RDC-7UPG2.

Please refer to RDC-7 service manual (No.3653 printed matter only) about the other parts.

1 Instruction manuals



1 Label on carton box



[NOTES]

- UPP: European model only
- UPT: Asian model [AC230-240V] only
- UGT: Asian model [AC220V] only
- UDT: Asian model [AC120V] only

PARTS LIST

REF NO.	NAME	DESCRIPTION	PARTS NO.	QT'Y	REMARKS
1	LABEL	UPGC	29363155	4	
2	INS MANUAL	E(UPG2)	29343353	1	
3	INS MANUAL	F(UPG2)	29343354	1	UPP
4	INS MANUAL	S(UPG2)	29343355	1	UPP
5	INS MANUAL	I(UPG2)	29343356	1	UPP
6	INS MANUAL	G(UPG2)	29343357	1	UPP
7	INS MANUAL	D(UPG2)	29343358	1	UPP
8	INS MANUAL	SW(UPG2)	29343359	1	UPP
9	INS MANUAL	CT(UPG2)	29343360	1	UDT, UPT, UGT
10	POLY BAG	350 x 250	29100097-1A	1	
11	TAPE	NO.29	29110149	2	

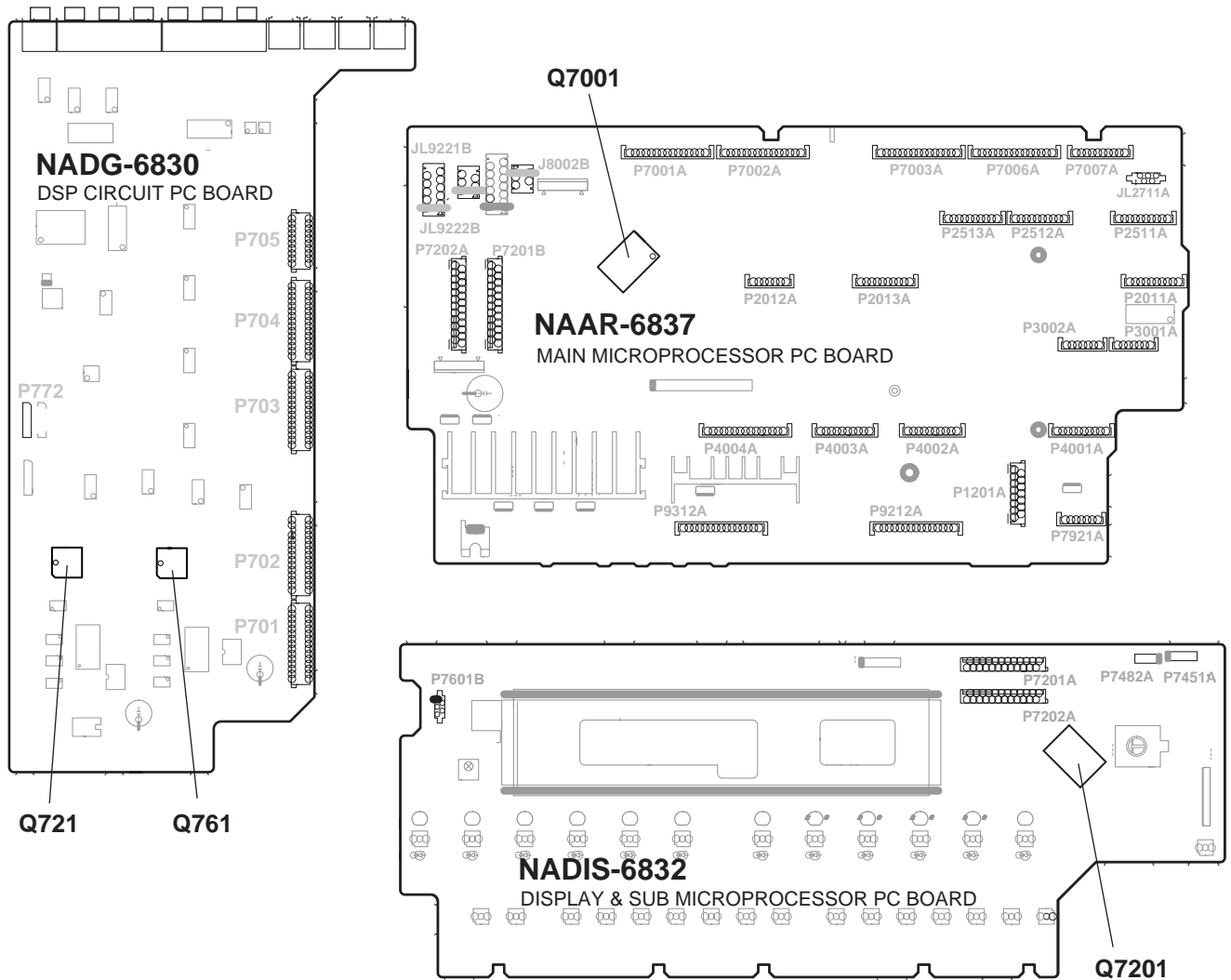
DIFFERENCE OF PARTS ON PC BOARD MICROPROCESSORS AND DSP IC

There are parts with which a program is different by RDC-7 and RDC-7UPG2.
It is the microcomputers and DSP IC which are shown below.

[NOTES]

**UNIT does not operate normally at IC of versions other than the following .
This information is a thing as of November 20, 2002.**

REF NO.	DESCRIPTION	FUNCTION	VERSION	
			RDC-7	RDC-7UPG2
Q7001	M30624FGFP	MAIN MICROPROCESSOR	00918MA(Ver1.15)	02917MA(Ver3.09)
Q7201	M30624FGFP	SUB MICROPROCESSOR	00918SA(Ver1.15)	00917SA(Ver3.09)
Q721	CS493002	1st DSP	1457-00223A	1457-02612A
Q761	CS493002	2sd DSP	1457-00223A	1458-02612A



Integra Research Division of

ONKYO CORPORATION

Sales & Product Planning Div. : 2-1, Nisshin-cho, Neyagawa-shi, OSAKA 572-8540, JAPAN
Tel: 072-831-8111 Fax: 072-833-5222 <http://www.onkyo.co.jp/>

Integra Research Division of

ONKYO U.S.A. CORPORATION

18 Park Way, Upper Saddle River, N.J. 07458, U.S.A.
Tel: 201-785-2600 Fax: 201-785-2650 E-mail: integra@onkyousa.com <http://www.integraresearch.com>

ONKYO EUROPE ELECTRONICS GmbH

Industriestrasse 20, 82110 Germering, GERMANY
Tel: 089-849-320 Fax: 089-849-3265 E-mail: info@onkyo.de

ONKYO CHINA LIMITED

Units 2102-2107, Metroplaza Tower I, 223 Hing Fong Road, Kwai Chung,
N.T., HONG KONG Tel: 852-2429-3118 Fax: 852-2428-9039