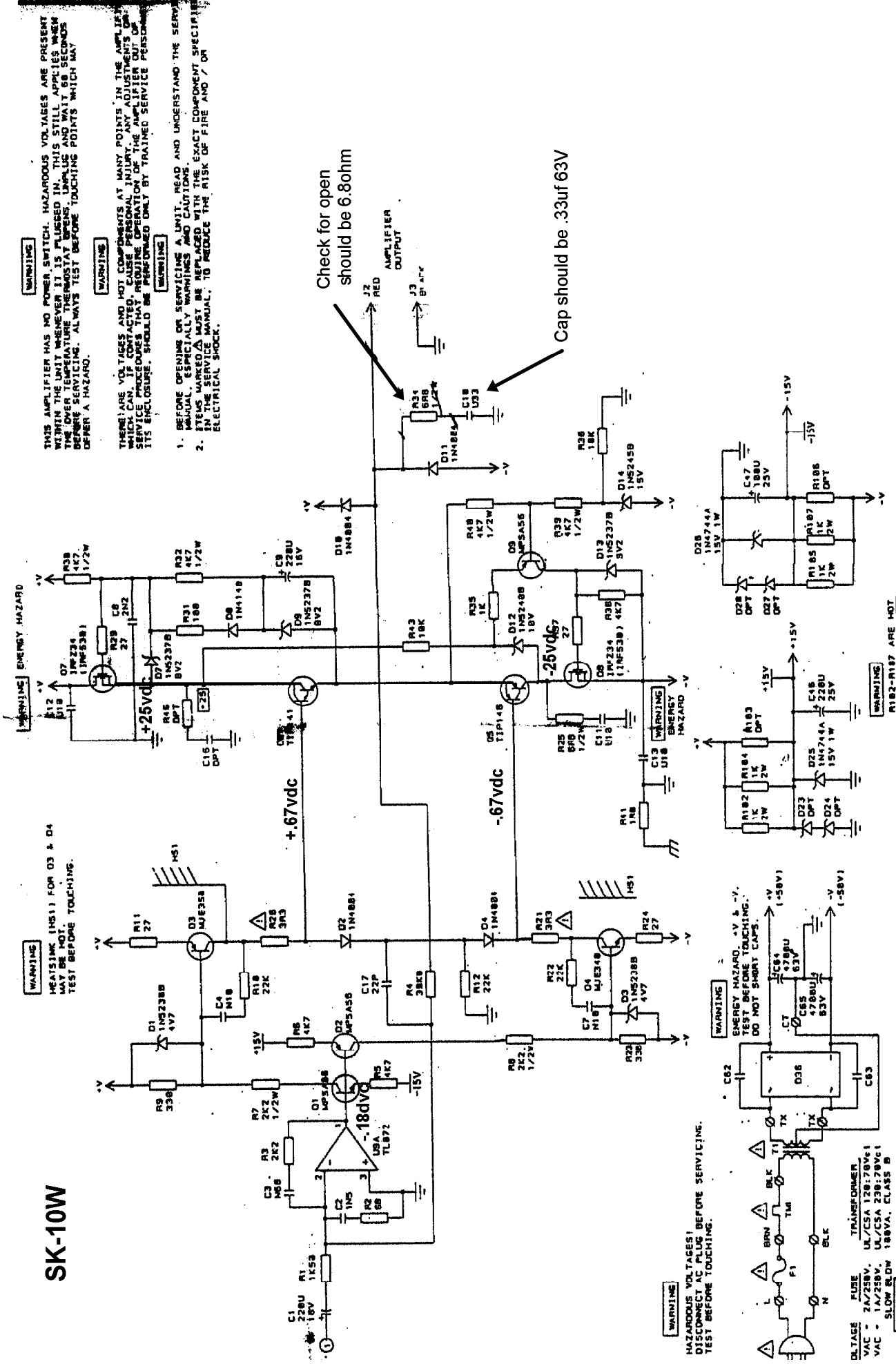


SK-10W



WARNING
THIS AMPLIFIER HAS NO POWER SWITCH. HAZARDOUS VOLTAGES ARE PRESENT WITHIN THE UNIT WHENEVER IT IS PLUGGED IN. THIS STILL APPLIES WHEN THE OVER TEMPERATURE THERMOSTAT OPENS. UNPLUG AND WAIT 60 SECONDS BEFORE SERVICING. ALWAYS TEST BEFORE TOUCHING POINTS WHICH MAY OFFER A HAZARD.

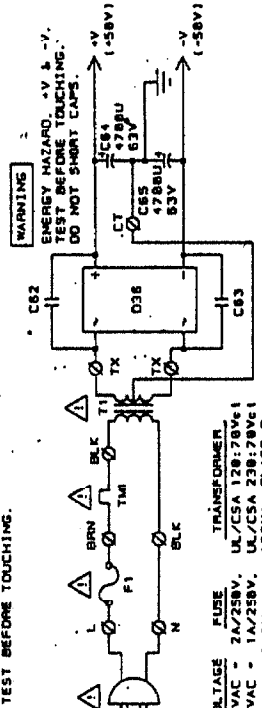
WARNING
THERE ARE VOLTAGES AND HOT COMPONENTS AT MANY POINTS IN THE SK-10W WHICH CAN BE CONTACTED. CAUSE PERSONNEL TO BE AWARE OF THE AMPLIFIER OUT OF ITS ENCLOSURE. SHOULD BE PERFORMED ONLY BY TRAINED SERVICE PERSONNEL.

1. BEFORE OPENING OR SERVICING A UNIT, READ AND UNDERSTAND THE SERVICE MANUAL, ESPECIALLY WARNINGS AND CAUTIONS.
2. ITEMS MARKED Δ MUST BE REPLACED WITH THE EXACT COMPONENT SPECIFIED IN THE SERVICE MANUAL, TO REDUCE THE RISK OF FIRE AND / OR ELECTRICAL SHOCK.

Check for open
should be 6.8ohm

Cap should be .33uf 63V

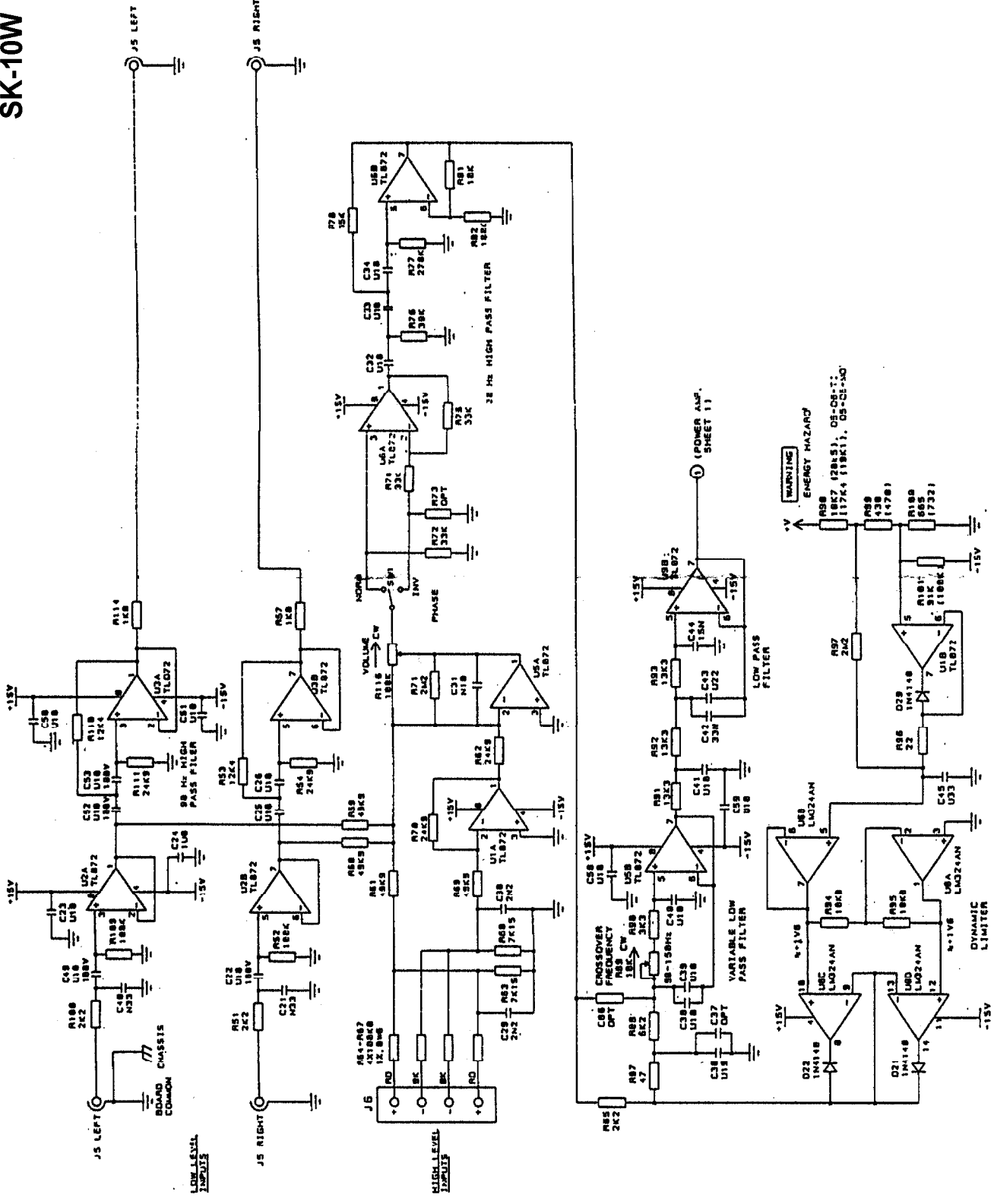
WARNING
HAZARDOUS VOLTAGES!
DISCONNECT AC PLUG BEFORE SERVICING.
TEST BEFORE TOUCHING.



WARNING
REDUCE THE RISK OF FIRE. REPLACE FUSE WITH
AND UL APPROVED ONE OF THE SAME TYPE AND RATING.

WARNING
R182-R187 ARE HOT

SK-10W



SK-10W

Thermostat



WARNING

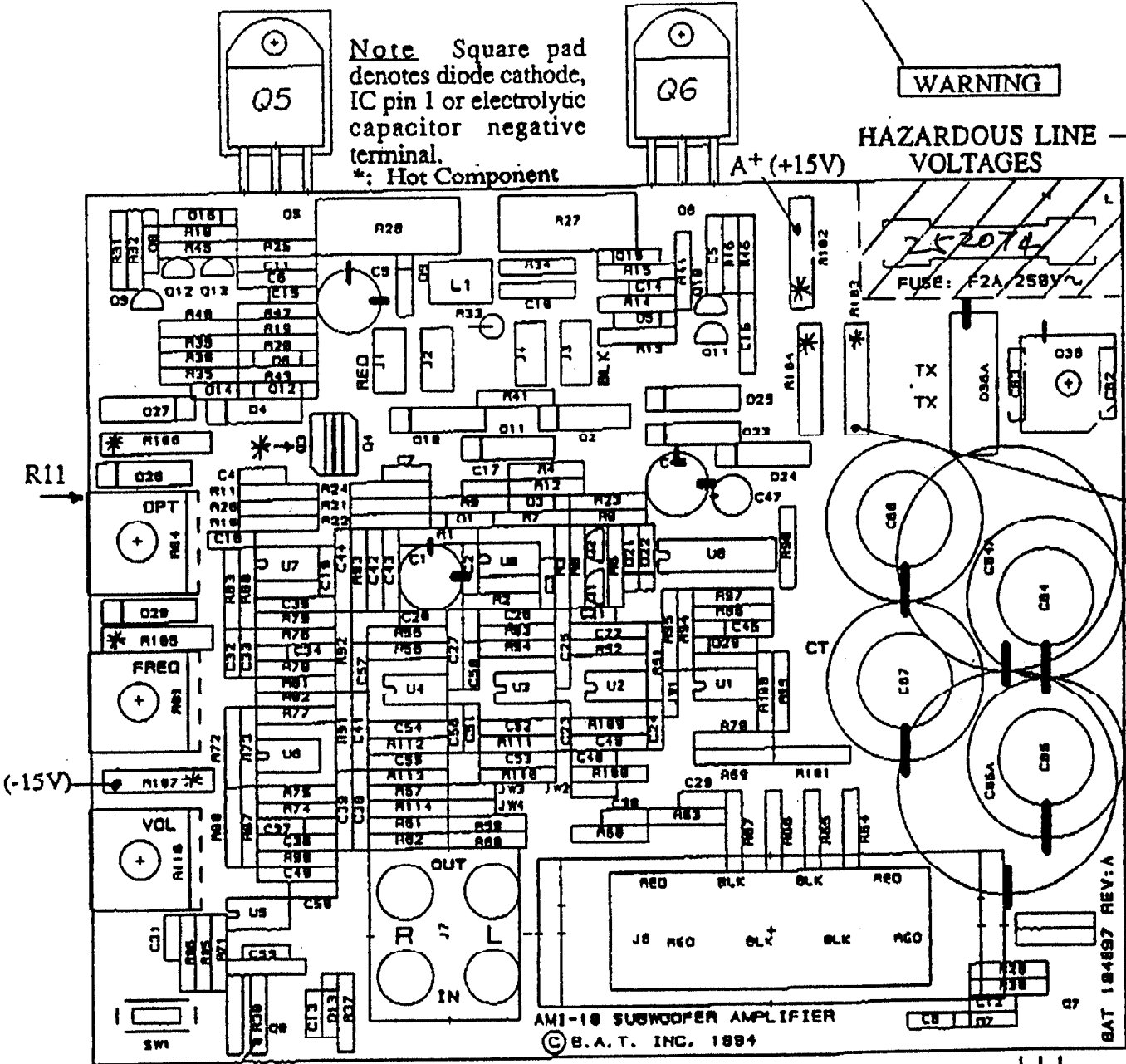
Note Square pad denotes diode cathode, IC pin 1 or electrolytic capacitor negative terminal.
*: Hot Component

HAZARDOUS LINE VOLTAGES

A+ (+15V)



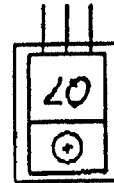
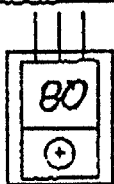
+V
40V to 50



COMPONENT LOCATOR
BAT #104897 Rev:A

WARNING

-V
-40V to -50V



There are voltages and hot components at many parts in the amplifier which can, if contacted, cause personal injury. Any adjustments or service procedures that require operation of the amplifier out of its enclosure should be performed only by trained service personnel. Read service manual before opening.

SK-10W

PARTS LIST

Ref Location	Number	Description
1)	252074	2A-SE-EAK FUSE
2)	0MSK10W	INSTRUCTION MANUAL
3)	SK10W	INSTRUCTION MANUAL SK10W
4)	SK10WPCB	MAIN PCB BOARD
5)	D2,D4	1N4004
6)	D8,D21,D22,D29	1N4148
7)	D25,D26	1N4744A
8)	D1,D2	1N5230B
9)	D7,D9,D13	1N5237B
10)	D12	1N5240B
11)	D14 -----	1N5245B
12)		.33uf 63V
13)		63V 4700 MF
14)	D36 -----	DII41MB102
15)		FUSE AGC 2A 250V SK10W
16)		N.L.A. AS OF 12-15-97
17)		GRILLE
18)	Q7,Q8 -----	USE SKIRF530
19)	Q7,Q8 -----	IRF530 / IRF234 / IR9513
20)		SPEAKER TERMINAL
21)		RCA SOCKETS
22)		KNOB
23)		LINE CORD
24)	U8 -----	LM324AN
25)	Q4 -----	MJE340
26)	Q3 -----	MJE350
27)	Q1 -----	MPSA06
28)	Q2,Q9	MPSA56
29)		CARTON SK10W (PACKAGING)
30)		100K OHM LINEAR TAPER
31)		10K OHMS LINEAR TAPER
32)		PHASE SWITCH
33)		POWER TRANSFORMER
34)	Q6 -----	TIP141 (TIP142)
35)	Q5 -----	TIP146 (TIP147)
36)	U1,U2,U3,U5,U6,U9	TLO72CP (LF353N)
37)		THERMOSTAT
38)		W-1018PL
39)		S.M. SK10W