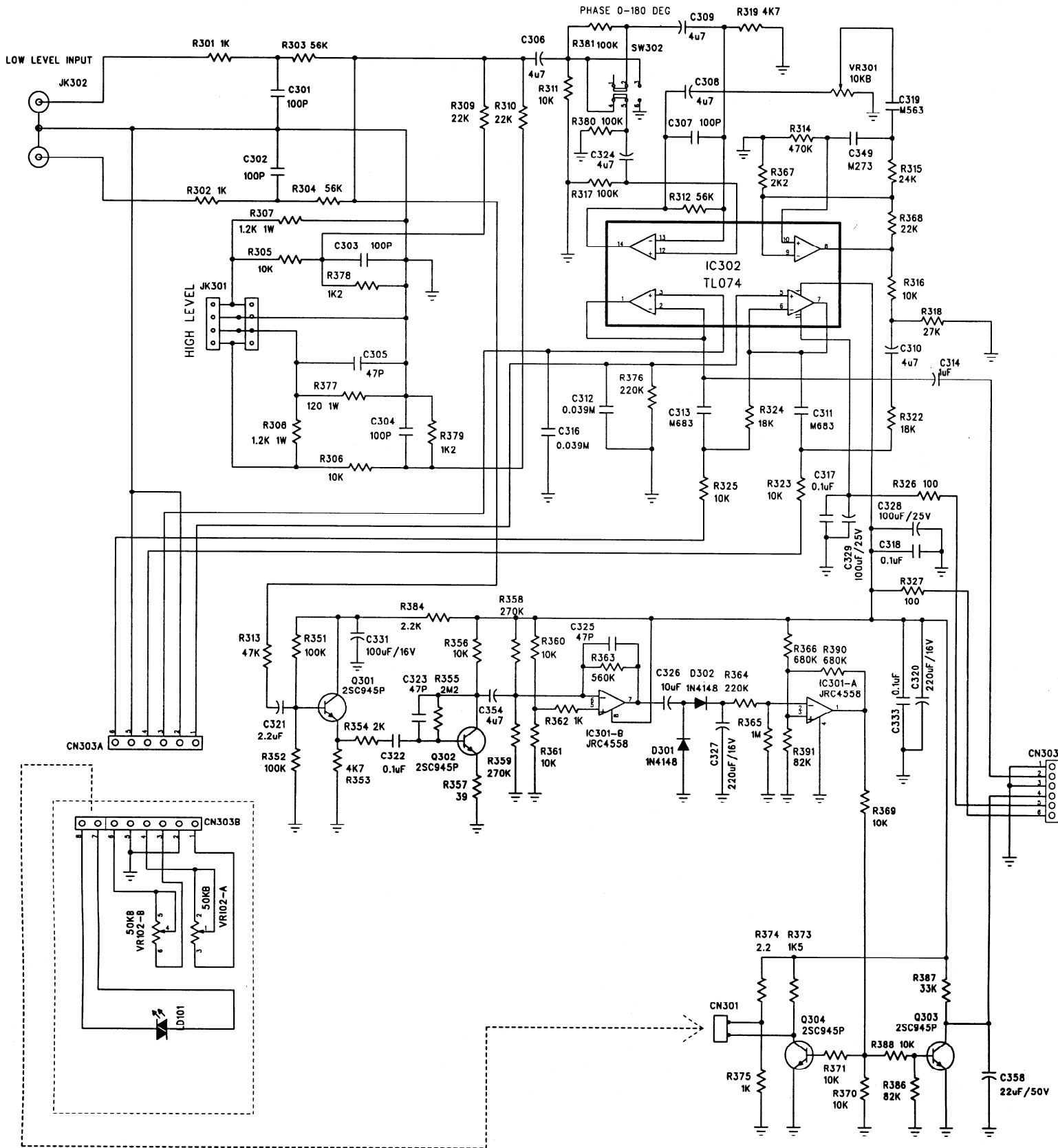


SKW-110



REVISION RECORD			
LTR	ECO NO.	APPROVED:	DATE:

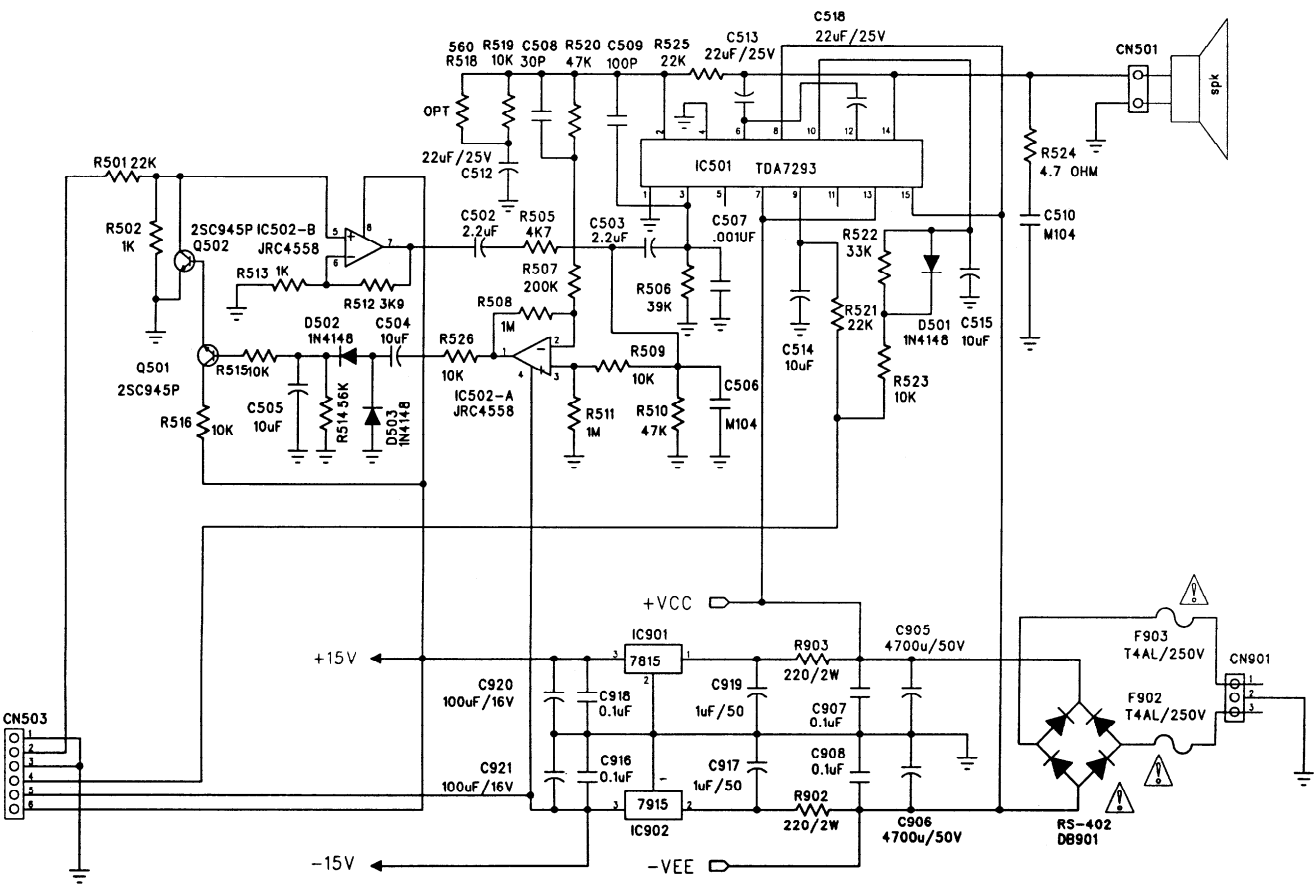
SKW-110

D

C

B

A



COMPANY: EASTWAY			
TITLE: SKW-110 SCHEMATIC			
DRAWN: YSLEE	DATED: 25/07/02	CODE:	SIZE:
CHECKED:	DATED:	DRAWING NO.:	REV.:
QUALITY CONTROL:	DATED:	SCALE:	
RELEASED:	DATED:	SHEET: 1 OF 1	