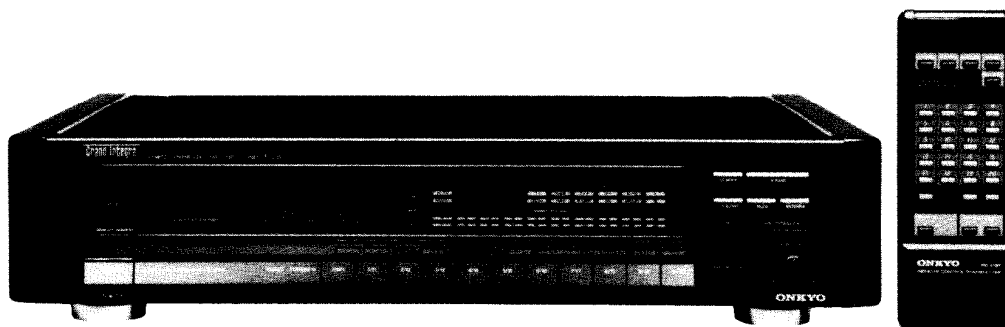


ONKYO SERVICE MANUAL**SYNTHESIZED
FM STEREO TUNER****MODEL T-G10**

UD, UDN, UDC

120V AC, 60Hz

SAFETY-RELATED COMPONENT WARNING!!

COMPONENTS IDENTIFIED BY MARK \triangle ON THE SCHEMATIC DIAGRAM AND IN THE PARTS LIST ARE CRITICAL FOR RISK OF FIRE AND ELECTRIC SHOCK. REPLACE THESE COMPONENTS WITH ONKYO PARTS WHOSE PARTS NUMBERS APPEAR AS SHOWN IN THIS MANUAL.

MAKE LEAKAGE-CURRENT OR RESISTANCE MEASUREMENTS TO DETERMINE THAT EXPOSED PARTS ARE ACCEPTABLY INSULATED FROM THE SUPPLY CIRCUIT BEFORE RETURNING THE APPLIANCE TO THE CUSTOMER.

TABLE OF CONTENTS

Specifications	2
Service procedures	2
Exploded view	4
Parts list	5
Circuit descriptions	6
IC block diagram	12
Block diagram	17
Adjustment procedures	18
Pc board view	
Main circuit	21
Digital/Display circuit	25
Switch pc boards	27
Pc board-parts list	23
Packing view	28

ONKYO
AUDIO COMPONENTS

SPECIFICATIONS

Tuning Range:	87.5 – 108.0MHz (AUTO MODE 50kHz steps, MANUAL MODE 25kHz steps)
Usable Sensitivity:	Mono: 0.8 μ V (S/N 26dB, 40kHz Dev.) DIN Stereo: 20.0 μ V, (S/N 46dB, 40kHz Dev.) DIN
50dB Quieting Sensitivity:	Mono: 15.8dBf, 1.7 μ V Stereo: 37.2dBf, 20 μ V
Capture Ratio:	1.0dB
Image Rejection Ratio:	100dB
IF Rejection Ratio:	100dB
Signal-to-Noise Ratio:	Mono: 95dB (IHF) Stereo: 85dB (IHF)
Selectivity:	80dB (\pm 300kHz, IF: super narrow)

AM Suppression Ratio:	60dB
Total Harmonic Distortion:	Mono: 0.009% (IF: wide) Stereo: 0.02% (IF: wide)
Frequency Response:	30 – 15,000Hz (+0.5dB, –1.0dB)
Stereo Separation:	55dB at 1kHz (IF: wide) 33dB at 70 – 10,000Hz (IF: wide)
Output Voltage:	0 – 1.5V
Dimensions (W \times H \times D):	465 \times 103 \times 387mm 18-5/16" \times 4-1/16" \times 15-1/4"
Weight:	8.5kg, 18.7lbs.

Specifications and features are subject to change without notice.

SERVICE PROCEDURES

1. Replacing the lamp

This unit uses the lamp listed below.

Circuit no.	Parts no.	Description
Q754	210064A	PL 6.3V, 250mA, Dial plate illumination

2. Safety-check out (D model)

After correcting the original service problem, perform the following safety check before releasing the set to the customer:

Connect the insulating-resistance tester between the plug of power supply cable and tapping screw holding the back panel and top cover.

Specification: 3.3M Ω \pm 10% at 500V

3. Memory Preservation

This unit does not require memory preservation batteries. A built-in memory power back-up system preserves contents of the memory during power failures and even when the unit is unplugged. The unit must be plugged in and the power switch turned on and off once in order to charge the back-up system. Note that since this is not a permanent memory, the power switch must be turned on and off a few times each month to keep the back-up system operable. The period of time during which memory contents are preserved after power has last been turned off varies depending on climate and the location and placement of the unit. On the average, memory contents are protected over a period of 3 to 4 weeks (a minimum of 2 weeks) after the last time power has been turned off. This period is shorter when the unit is exposed to very high humidity or used in an area with an extremely humid climate.

4. Procedures for replacement of flat packaged ICs

1. Tools to be used:

- (1) **Soldering iron** Grounded soldering iron or soldering iron with leak resistance of 10 Mohms or more.

Form of soldering iron's tip:

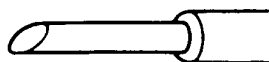


Fig. 1

- (2) **Magnifying glass** . . . for checking of finished works
- (3) **Tweezers** for handling of IC and forming of leads
- (4) **Grounding ring** Countermeasure for electrostatic breakdown
- (5) **Nipper** for removing defective IC
- (6) **Small brush** for application of flux

2. Work Procedures:

(1) **Remove the defective IC**

Cut all leads of the defective IC one by one using a nipper and remove the IC.

(2) **Clean the pattern surface of the PC board.**

Get rid of the remaining leads and solder.

(3) **Check and form the leads of the new flat packaged IC to be installed.**

From every lead on the new IC using a pair of tweezers, so that all of them are aligned neatly without being risen, twisted or inclined toward one side. Especially the rising portion of every lead must be formed with greatest care.

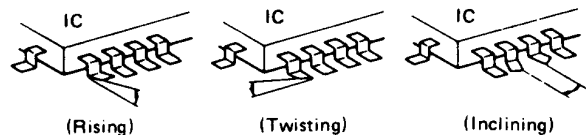


Fig. 2

(4) **Apply flux to the PC board.**

Apply flux to the pattern surface of the PC board which has been cleaned, as shown in the illustration. The area to be applied with flux is the portion of about 2.5mm in width where the IC's leads are to be soldered.

Be careful to apply minimum amount of flux required so as not to smear it on unwanted areas.

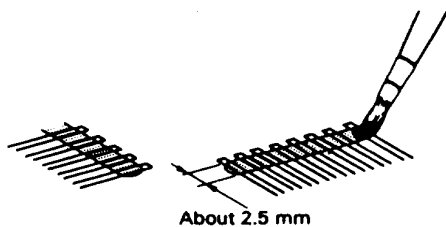


Fig. 3

(5) **Temporarily tighten the IC**

Carefully align the pattern and IC's leads, so that the IC will be temporarily tightened to the pattern on the four leads at the corners. At this time, soldering is required, but no need to apply soldering material.

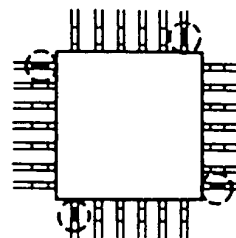


Fig. 4

(6) **Apply flux to IC's leads**

Apply flux to the areas of IC's leads where soldering is to be performed. Be careful not to smear flux on the root portion of any lead or the body of IC.

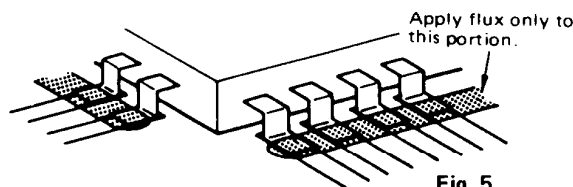


Fig. 5

(7) **Soldering**

While attaching the tip of the soldering iron to the soldering point as shown in the illustration, feed 2-5mm of soldering wire. Then, slowly move the iron in the direction indicated by the arrow in the illustration, so that the leads will be soldered to the pattern. Move the iron in the rate of approximately 1cm in 5sec. Proceed with your work while confirming a clean fillet of solder is formed on each lead, subsequent to the melting of flux.

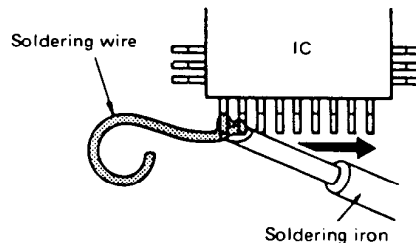


Fig. 6

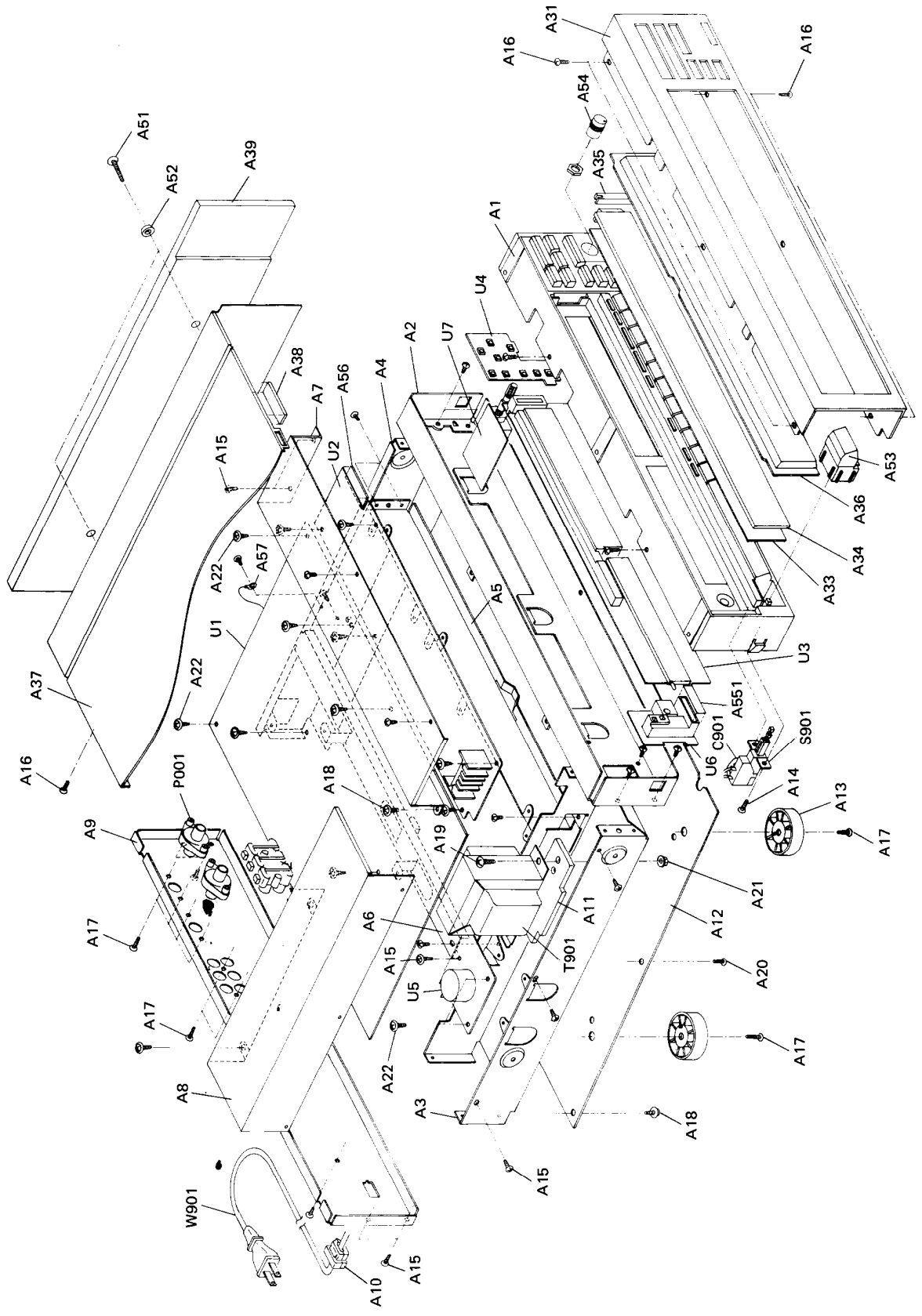
CAUTION

- 1) If you move the iron too quickly, loose soldering is likely to result.
- 2) Be especially careful when soldering the first lead where loose soldering is most liable to be formed.

(8) **Check the results**

When soldering of all leads is finished, check the soldered portion on every lead with a magnifying glass. A tester must not be used or checking of any soldered position

EXPLODED VIEW



PARTS LIST

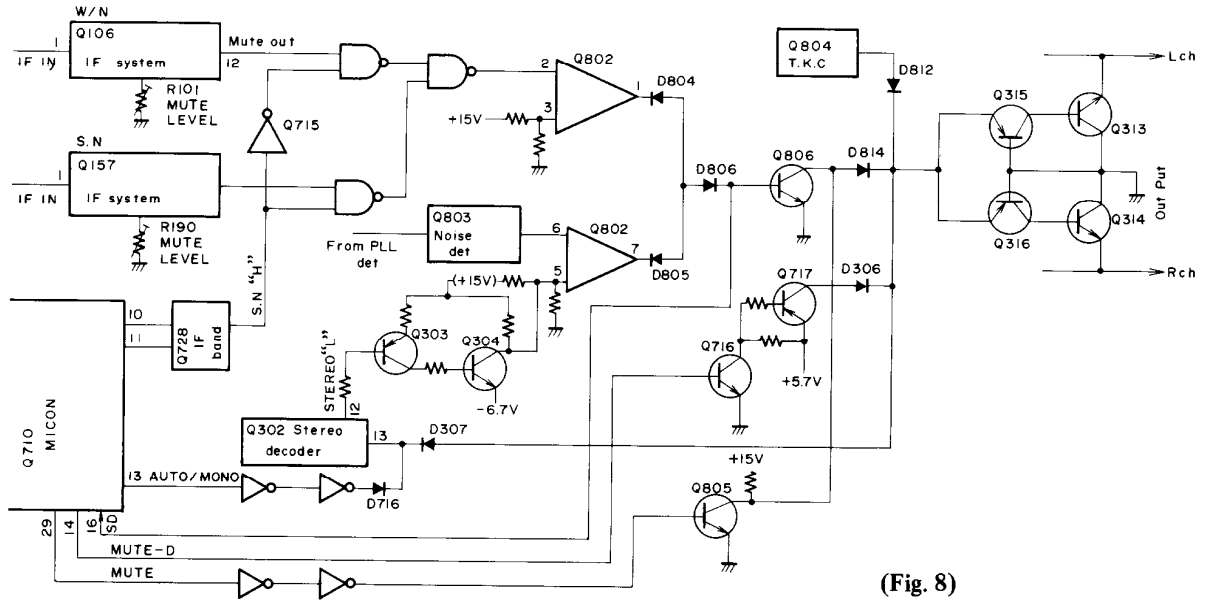
REF. NO.	PART NO.	DESCRIPTION	REF. NO.	PART NO.	DESCRIPTION
A1	27110375B	Front bracket ass'y	A51	836440353	4STV+35CQ(BC), Special screw
A2	27110377A	Front bracket RE	A52	870086	Special washer
A3	27115228A	Side bracket L	A53	28323145A	Knob POWER
A4	27115229B	Side bracket R	A54	28323031-1	Knob TONE
A5	27130498	Bracket FR	A55	28199172	Film
A6	27130499	Bracket RE	A56	28175144	Insulated plate
A7	27225085B	Shield cover FR	A57	223004-1	Terminal
A8	27225086-1A	Shield cover PT	A58	27270274	Spacer
A9	27121172A	Back panel	C901	3500065A	△ 0.01μF, AC400V/125V, Capacitor IS
A10	27300750	△ Strainrelief	C901a	27300601	△ SB-1925, Cover for C901
A11	27270214A	Spacer	P001	25060112	NTM-1PDMR046, Antenna terminal
A12	27170242C	Bottom board	P904	25065123	△ NPS-1258P, Voltage selector switch (W/PX)
A13	27175152	Leg	S901	25035571	△ NPS-111-L533P, Power switch
A14	833430080	3TTP+8P(BC), Tapping screw	T901	2300260	△ NPT-973D, Power transformer
A15	834430068	3TTS+6B(BC), Tapping screw	U1	1A069590-1	NARF-3090-1, Main circuit pc board ass'y
A16	838430088	3TTS+8B(BC), Tapping screw	U2	1A069591-1	NADG-3091-1, Digital circuit pc board ass'y
A17	834430108	3TTS+10B(BC), Tapping screw	U3	1A069592-1	NADIS-3092-1, Display circuit pc board ass'y
A18	831430088	3TTW+8B(BC), Tapping screw	U4	1A069593-1	NASW-3093-1, Operation switch pc board ass'y
A19	838440129	4TTB+12C(BC), Tapping screw	U5	1A069594-1	NASW-3094-1, Power supply circuit pc board ass'y
A20	801230	3STS+8BQ(BC), Tapping screw	U6	1A069596-1	NAETC-3096-1, Remote control circuit pc board ass'y
A21	86414010	FWN4 X 10FN, Flange nut	U7	1A069597-1	NAETC-3097-1, Output volume pc board ass'y
A22	831130088	3TTW+8B, Tapping screw	W901	253123,	△ AS-UC-6#18, Power supply cord
A31	1A104121	Front panel ass'y		253136,	
A33	28135125A	Badge		253140 or	
A34	28133188B	Back plate		253146	
A35	28130247A	Dial plate			
A36	27267513	Guide, dial plate			
A37	28191436B	Clear plate			
A38	28184318A	Top cover			
A39	28140020	Cushion			
	1A104602	Side panel R ass'y			

C/R-20

NOTE: THE COMPONENTS IDENTIFIED BY MARK **△** ARE CRITICAL FOR RISK OF FIRE AND ELECTRIC SHOCK. REPLACE ONLY WITH PART NUMBER SPECIFIED.

CIRCUIT DESCRIPTIONS

1. Muting circuit



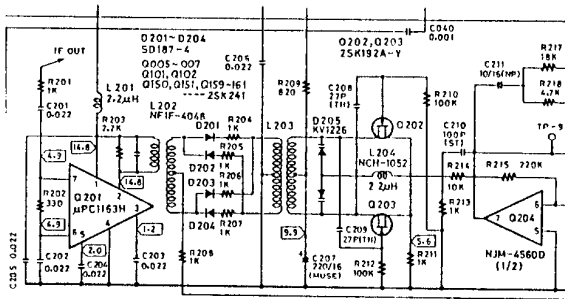
(Fig. 8)

In Q106 and Q157 FM IF system IC, the muting IF level (determined by pin 15 semi-fixed resistor) detector circuit and zero cross detector circuit are built in. At the time of tuning, this output at pin 12 becomes 0V. The Q715 NAND gate is the selector gate circuit for SUPER NARROW and WIDE/NARROW muting.

At the time of AUTO TUNING if a broadcast station is picked up, pin 12 of Q106 goes to low level and Pin 2 of Q802 goes low. Also, at the same time, when noise is not

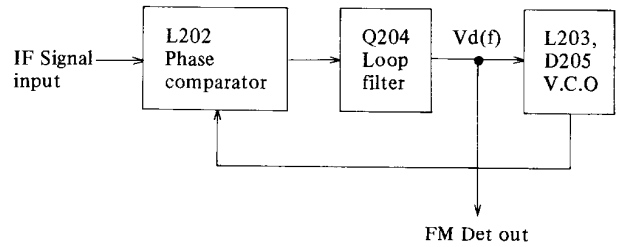
included in the detected signal, pin 6 of Q802 goes low. Because of that, output pins 1 and 7 of Q802 have +12V, the anode side of D806 has +5V, pin 16 SD terminal of the Q710 microcomputer goes high, and the automatic tuning is completed. In addition, at the same time Q806 goes ON, Q313~Q316 are in cutoff state, and the signal is output. When the Q805 transistor muting switch is OFF (when the FM MUTE indicator is extinguished), the muting is forced to the open condition.

2. PLL detector circuit



(Fig. 9)

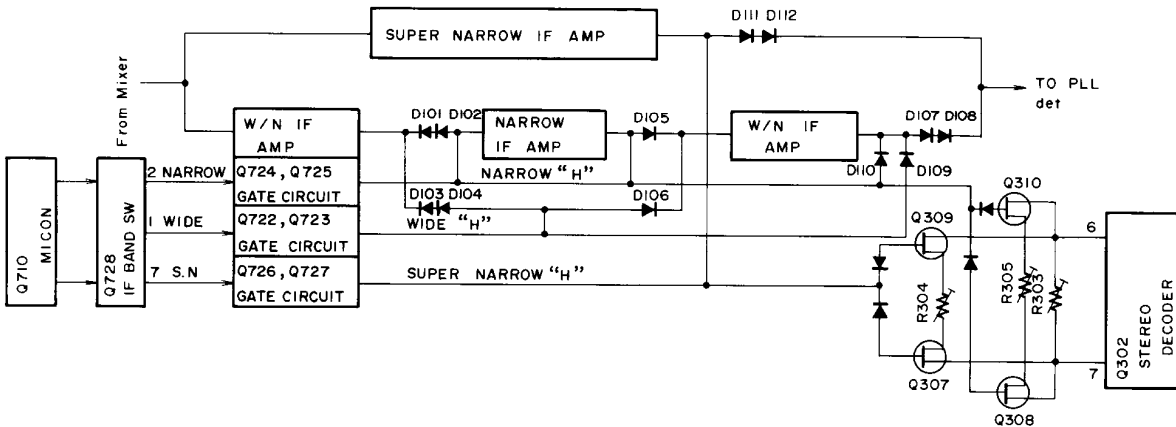
In this device, in order to have a high S/N and low percentage of distortion, a PLL (phase locked loop) detector is used. Because the PLL detector is a closed loop detector, noise generated within the loop is suppressed, and it is an extremely good S/N detector. With L203 and D205 as a 10.7MHz voltage controlled oscillator, and with L202, and D201~D204 as a single phase comparator, the single phase error portion of the



(Fig. 10)

FM IF waveform and 10.7MHz voltage controlled oscillator signal are output at the center point of the secondary side of L202, passed through the loop filter, and the composite signal is then taken out. Also, when the 10.7MHz intermediate frequency is transferred, the amount of variation is compensated by the D205 variable capacitor diode, and the output error of the single phase comparator is always set to a zero level.

3. IF band selection circuit



(Fig. 11)

At the A/D input signal pin 63 of Q710, when the SD terminal goes low, automatically the IF band is determined. At the time of NARROW selection, the output of pin 10 goes H, and at the time of SUPER NARROW, pin 11 goes H. In Q728, at the band selection switch, pins 1, 2, and 7 respectively go high for WIDE, NARROW, and SUPER NARROW.

– Wide operation –

Q722 and Q723 go ON, the collector voltage of Q723 becomes essentially +B2, D103, D104, and D106 go ON, and the IF signal passes through D103, D104, and D106.

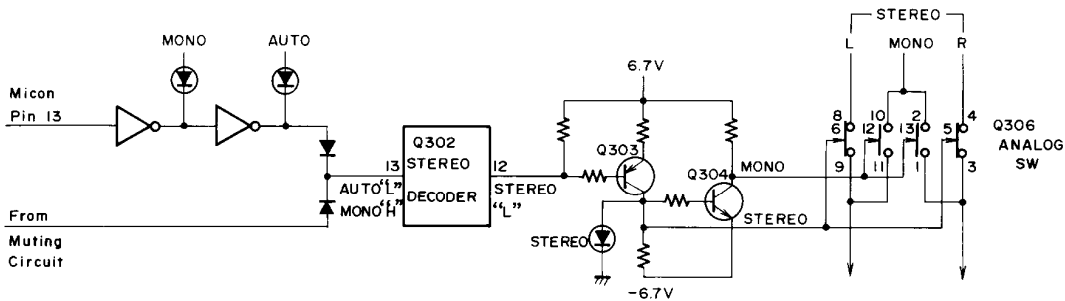
– Narrow operation –

Q724 and Q725 go ON, D102, D101, and D105 go ON, and the IF signal passes through NARROW amplifier Q104. Also, at the time of WIDE, in order to change to maximum operation, Q308 and Q310 are turned ON, and with R305, compensation of operation is carried out.

– Super Narrow operation –

Q726 and Q727 turn ON, D111 and D112 diodes go ON, and the signal passed through the super narrow IF amplifier is output in the PLL detector circuit. Also, for the alignment of narrow, Q307 and Q309 go ON, and separation is compensated by R304.

4. Stereo switch circuit



(Fig. 12)

When a stereo broadcast is received, pin 12 of Q302 goes “L”, Q303 goes ON, the collector voltage becomes H, and the stereo indicator lights. Also, pins 5 and 6 of the Q306 analog switch go H, conduction occurs between 3~4 pins and 8~9 pins, and at the Q302 stereo decoder, the L and R divided signal is output. In addition, at the

time of monaural broadcast reception, and when the MODE switch is in the MONO position, pin 12 goes H, and because Q303 and Q304 are in the cutoff condition, pins 12 and 13 of Q306 go to high level, conduction takes place between pins 10~11 and 1~2, and the detected signal passes through the AF amplifier to be output.

5. Explanation of PLL synthesizer and controller IC

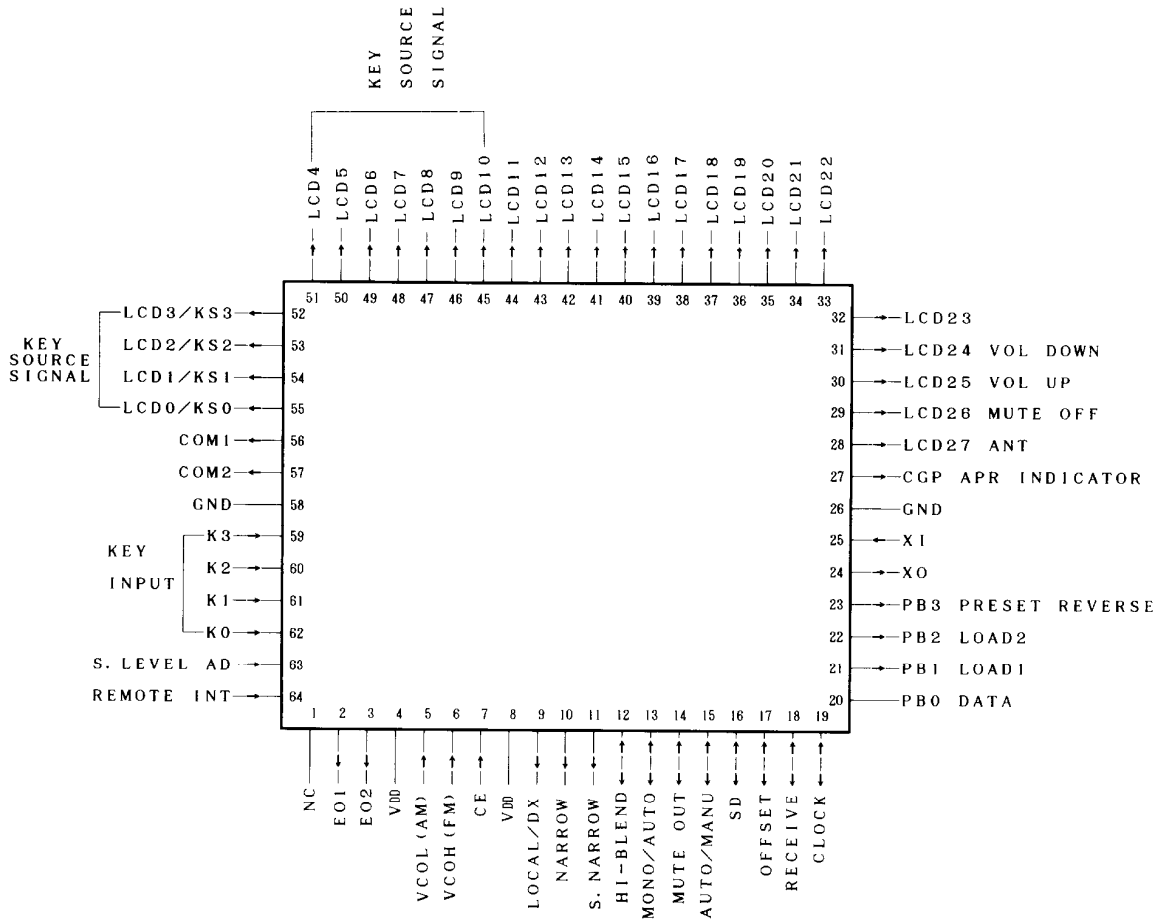
5-1. APR function (Automatic Precision Reception)

On the FM band, if there is a high level input at the SD terminal, depending upon the station signal level, there will be optimum reception function, and the output (Refer table 1) will automatically be changed.

ANT	RF	IF	AUTO/MONO	HI-BLEND
A	LOCAL	WIDE	AUTO	OFF
B	DX	NARROW SUPER NARROW	MONO	ON

Table 1 Changeover key means of APR execution.

5-2. Terminal connection



Pin No.	Symbol	Description
1	NC	No connection.
2	E01	Charge pump output of the phase detector which constitutes the PLL. High level is output when the divided oscillation frequency is higher than the reference frequency. In the opposite case, Low level is output. Floating occurs when the frequencies match. The output is applied to the variable capacitor diode in the local oscillation circuit of FM through the low pass filter Q701, Q702 and Q703. The output from both terminals is the same, but only E01 is used.
3	E02	Same as above.
4	VDD	This is the device power source terminal. At the time of operation, the supply is 5V. The internal data memory (RAM) is maintained by means of the C712 super capacitor.
5	VCOL (AM)	AM local oscillation signal input terminal. Not used.

Pin No.	Symbol	Description
6	VCOL (FM)	At the FM local oscillation signal input terminal, there is direct input passage through the buffer.
7	CE	Chip enable input terminal. Device selection signal terminal. Normal operation at the high level and Memory preservation at the low level.
8	VDD	Device power source terminal.
9	LOCAL/DX	This is the output terminal for RF, either Local or DX. It is "H" for DX.
10	NARROW	This is the output terminal for IF, either Narrow or Wide. It is "H" for Narrow.
11	SUPER NARROW	This is the output terminal for IF, either Super Narrow or Wide. It is "H" for Super Narrow.
12	HI-BLEND	This terminal is for Hi-blend output ON or OFF. ON is "H".
13	MONO/AUTO	In the reception mode, the output terminal is either Auto or Mono. It is "H" for Mono.
14	MUTE OUT	The muting output terminal operates with the following modes. Power source ON, MANUAL/AUTO UP/DOWN, PRESET MEMORY call out, ANTENNA, RF, IF, AUTO/MONO, at time of MUTING selection, when the PROGRAM DISPLAY key is pushed, AUTO MEMORY time.
15	AUTO/MONO	This is the output terminal for Auto or Manual in the tuning mode. It is "H" for Auto.
16	SD	Station detection signal input terminal. "H" when active.
17	OFFSET	Offset output terminal when the signal input level is large. "H" when active.
18	RECEIVE	Indication output terminal when be received the code from remote control.
19	CLOCK	Clock signal output terminal to μ PD6320GC.
20	DATA	Data signal output terminal to μ PD6320GC.
21	LOAD1	Load signal output terminal to μ PD6320GC.
22	LOAD2	Load signal output terminal to μ PD6320GC.
23	PRESET	This is the output terminal for Shift indicator, either 1-10 or 11-20. 11-20 is "H".
24	XO	Connect to the 4.5MHz crystal oscillator.
25	XI	
26	GND	Ground terminal.
27	APR	APR indication terminal.
28	ANT	This is the output terminal for ANT, either A or B. It is "H" for B.
29	LCD26/PL2	This is the out terminal for Muting of weak input, either ON or OFF. It is "H" for OFF.
30	VOL UP	Volume UP signal output terminal from remote control. Active high.
31	VOL DOWN	Volume DOWN signal output terminal from remote control. Active high.
32-44	LCD23-11	No connection.
45-55	LCD10/KS10 LCD0/KS0	These are the output terminals for key return signal source. "H" when active.
56, 57	COM1, COM2	Not used.
58	GND	Ground terminal.
59	K3	These are the input terminal for key return signal source and diode matrix.
60	K2	
61	K1	
62	K0	
63	SLEVEL	Station signal level input terminal.
64	REMOTE	System code input terminal from remote control. Active at the leading edge.

5-3. Explanation of momentary key

Input \ Output		59	60	61	62
		K3	K2	K1	K0
55	LCD0		PRESET SCAN	AUTO MEMORY	AUTO/MENU
54	LCD1	HI-BLEND	AUTO/MONO	IF	RF
53	LCD2	ANT	SIGNAL DISPLAY	TUNING LEVEL	MEMORY
52	LCD3	M4/M14	M3/M13	M2/M12	M1/M11
51	LCD4	M8/M18	M7/M17	M6/M16	M5/M15
50	LCD5		PRESET REVERSE	M10/M20	M9/M19
49	LCD6	AM	FM	UP	DOWN
48	LCD7		PROGRAM DISPLAY	APR	PROGRAM
47	LCD8	REM10	DISPLAY	AM1	AM0
46	LCD9	PRESET16	FM ONLY	FM1	FM0
45	LCD10	SYSTEM	ANTA	ANTAPRD	ANTMEMO

AUTO/MANUAL

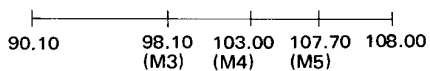
Selector key for AUTO TUNING/MANUAL TUNING
Causes reversal of AUTO/MANU.
“H” when AUTO.

AUTO MEMORY

When the AUTO MEMORY key is pushed, “MEMORY” is displayed for 5 seconds, and during this, if the PRESET STATION key is pushed, AUTO SCANNING begins. The SD signal is above the tuning level preset from memory for that station.

At this time the APR data is also stored in memory. If the station key is pushed within 5 seconds, the memory display is cleared, and the condition for memory possibility is cancelled.

Example: A 90.10MHz signal is being received. The AUTO MEMORY key is pushed, and if within 5 seconds key M3 is pushed, continuous UP feed is carried out, and if a station is received, the M3 preset channel display is executed. If there is a 1 second stop, the UP operation starts again. In the manner shown below, the data is stored in memory for M4 and successive positions in sequence up to 108.00MHz, and when scanning is completed, at the final memory station call out, the automatic memory operation is completed.



At frequencies above 90.10MHz, when there are no broadcast stations, if the data of M2 is called out, the automatic memory operation stops. In the case of starting from M1, the lower limit frequency of 87.50MHz is called out and the operation stops.

PRESET SCAN

Every 5 seconds the preset memory data is received with a sawtooth mode in the up direction. At this time, the preset station display (FL tube and LED) blinks at 1Hz. If at that time there is preset reception, after the next preset, if there is no preset reception, scanning occurs from M1.

If, during the above operation, any key is pushed, the scan stops, and that key's operation is carried out. When the PRESET SCAN key is pushed, the operation is cancelled.

RF

With the RF selector key, the LOCAL/DX output can be reversed.

The level is “H” when in DX.

TUNING LEVEL – Tuning level selector key

When this key is pushed, after the display of about 1.5 seconds, the present tuning level (when RF=LOCAL, a value of 10dB) the display returns to the original value.

During the tuning level display, if the TUNING LEVEL key is pushed, the display will appear for about another 1.5 seconds. Also, during this display, the TUNING output goes “H”. During this interval, when another key is pushed, the display returns, and that key's operation is carried out.

UP/DOWN – Receiving channel UP/DOWN key

(I) Manual tuning mode

Each time the UP(DOWN) key is pushed, the frequency is raised (lowred) one step.

Also, if the key is pushed continuously for more

than 0.5 second, up to the time the key is released, continuous stepping will be carried out at about 80msec/step (in the FM band with 25kHz step, at about 50msec/step).

(II) Auto tuning mode

When the UP(DOWN) key is pushed, continuous feeding is carried out. At that time, APR functions, and the conditions required for AUTO TUNING steps are carried out.

The scanning speed is about 100msec/step.

During scanning, if the same direction UP/DOWN key is pushed, the scanning continues, and when any other key is pushed, the scanning stops, and that key's operation is carried out.

PROGRAM – Program mode setting key

When the program mode is ON, at the time of power being turned ON, the preset memory (M1-M5) is called out in sequence. (After M5, the sequence is repeated starting again with M1.)

APR – APR execution key

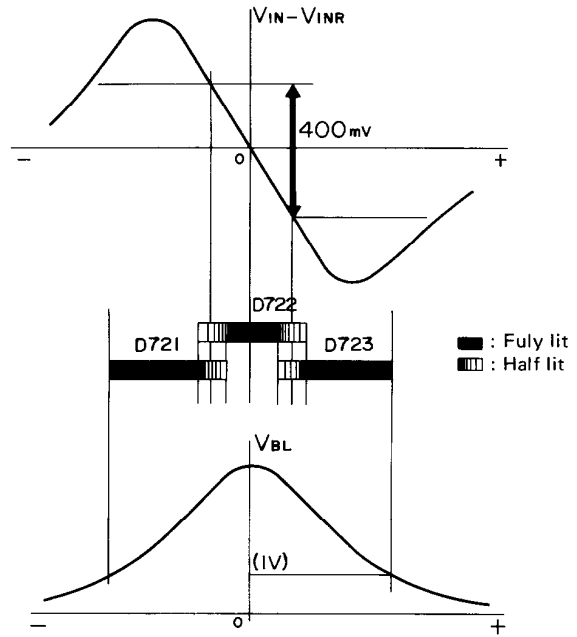
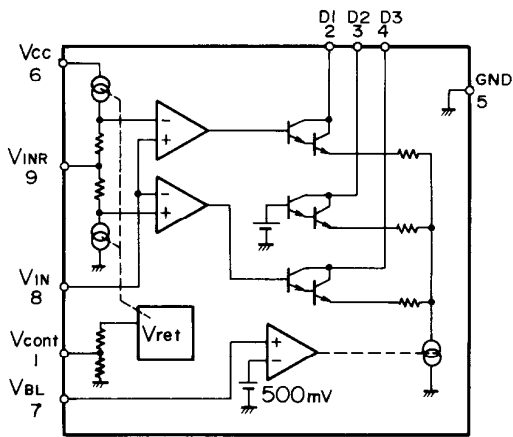
Each time this key is pushed, the APR is executed one time.

PROGRAM DISPLAY

In the program mode, this key is used in order to confirm the next preset memory to be called out. Accordingly, this is used only in the program mode.

If this key is pushed while in the program mode, the preset memory to be called will be called when CE next goes from "L" to "H".

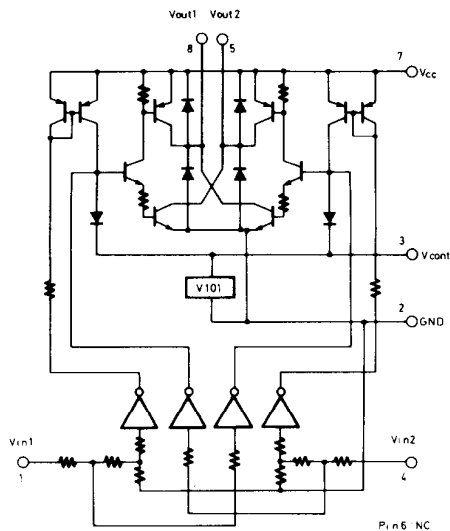
LB1450 (Tuning indicator drive)



(Fig. 14)

As shown in the figure 14, the difference between the AFC output terminal pin 7 of the Q157 FM IF system IC and standard voltage terminal pin 10 becomes an S-curve characteristic. Using this characteristic, the TUNING indicator is caused to light.

LB1630 (Motor drive)



Truth Table

Vin 1	Vin 2	Vout 1	Vout 2	Motor
H	L	H	L	Clockwise
L	H	L	H	Counter-clockwise
H	H	OFF	OFF	Stop
L	L	OFF	OFF	Stop

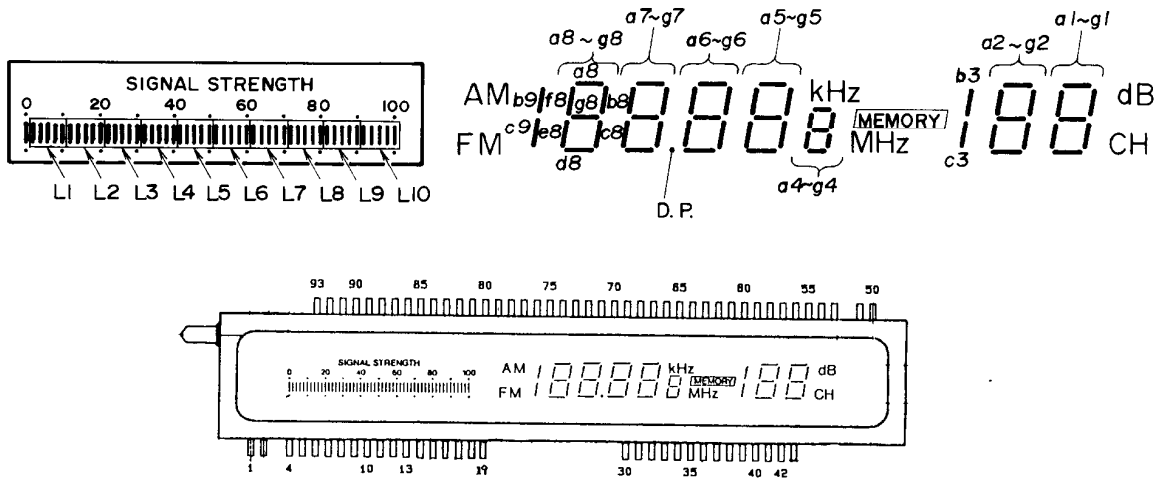
LA7910 (Band switch)

Truth Table

Input		Output			
Pin 3	Pin 4	Pin 1	Pin 2	Pin 7	Pin 8
L	L	H	Z	Z	Z
H	L	Z	H	Z	Z
L	H	Z	Z	H	Z
H	H	Z	Z	Z	H

1. Output terminal
2. Output terminal
3. Input terminal
4. Input terminal
5. Ground terminal
6. Vcc2
7. Output terminal
8. Output terminal
9. Vcc1

FIP12AMW7S (Fluorescent indicator tube)



Terminal connection (Lower)

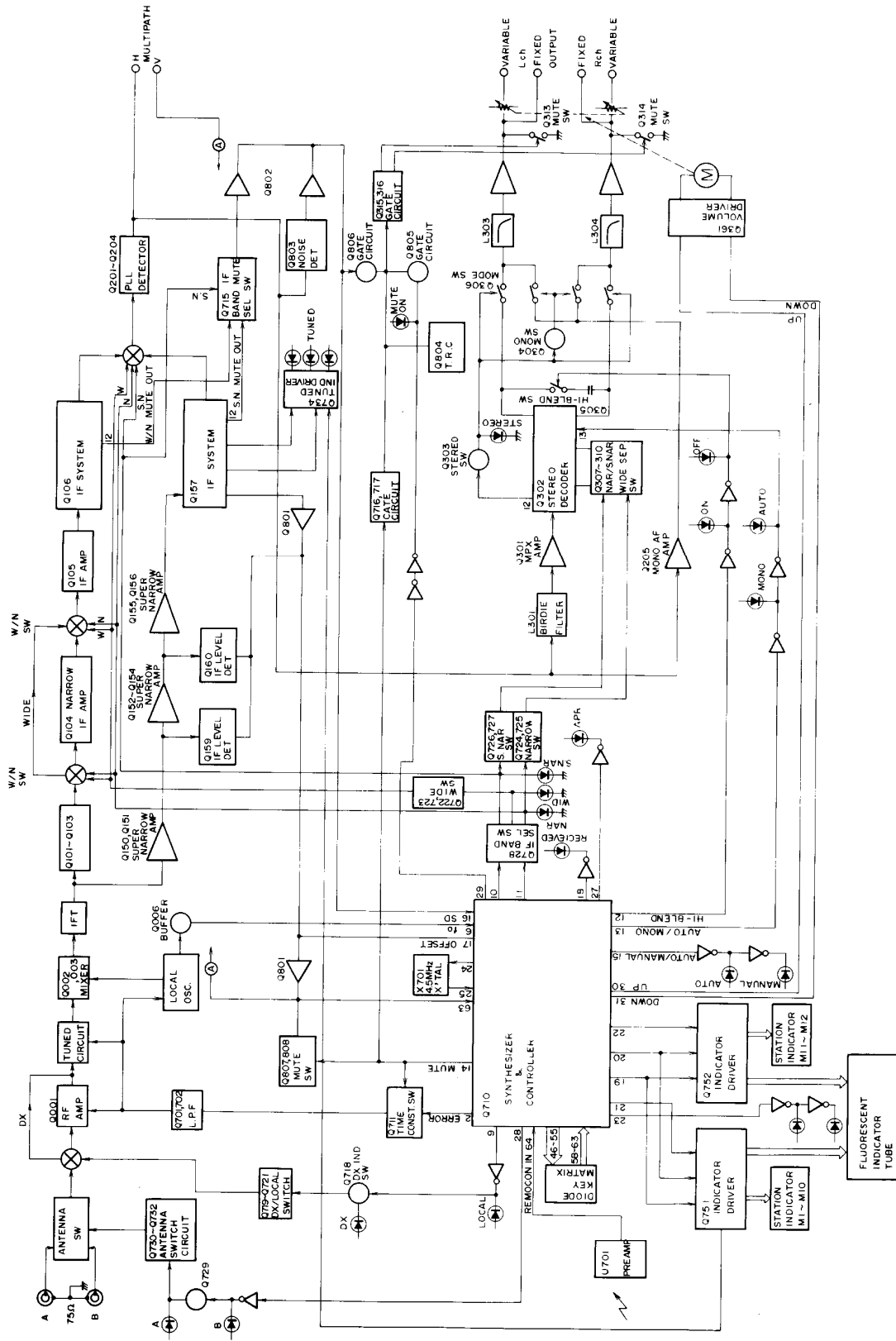
Terminal No.	1	2	4	5	6	7	8	9	10	11	12	13	14	15	16	17
Electrode	F	F	G	dB	CH	*Z	*FM	b9 c9	e8	d8	c8	G	e7	d7	c7	c6
Terminal No.	18	19	30	31	32	33	34	35	36	37	38	39	40	41	42	43
Electrode	d6	e6	e5	d5	c5	g4	a4 c4 d4 f4	b4 e4	b3 c3	G	e2	d2	c2	e1	d1	c1

(Upper)

Terminal No.	50	51	53	54	55	56	57	58	59	60	61	62	63	64	65	66
Electrode	F	F	G	b1	a1	f1	g1	b2	a2	f2	g2	G	b5	a5	f5	g5
Terminal No.	67	68	69	70	71	72	73	74	75	76	77	78	79	80	81	82
Electrode	b6	a6	f6	G	g6	b7	a7	f7	g7	b8	a8	G	f8	g8	*AM	a11
Terminal No.	83	84	85	86	87	88	89	90	91	92	93					
Electrode	L10	L9	L8	G	L7	L6	L5	L4	L3	L2	L1					

F: Filament G: Grid Z: MEMORY FM: FM, D. P., MHz AM: AM, kHz

BLOCK DIAGRAM



ADJUSTMENT PROCEDURES

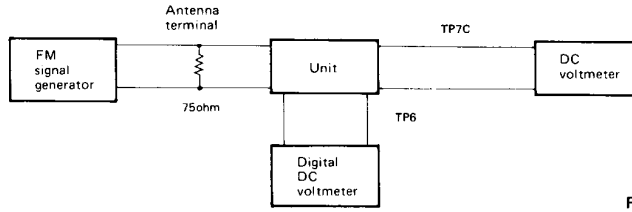


Fig. 1

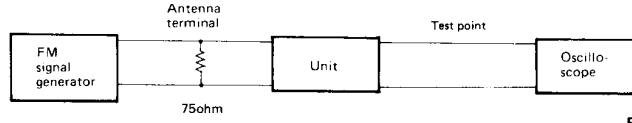


Fig. 2

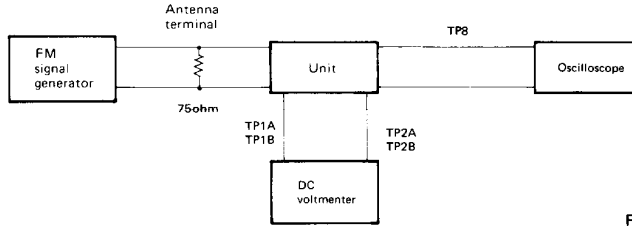


Fig. 3

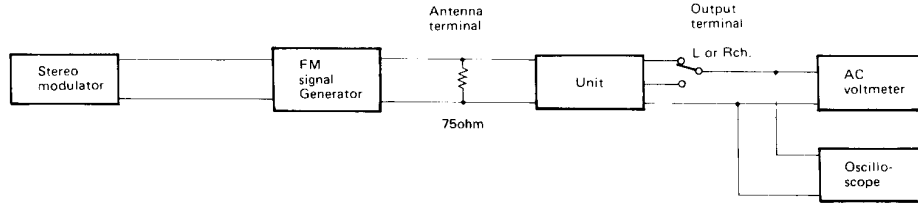
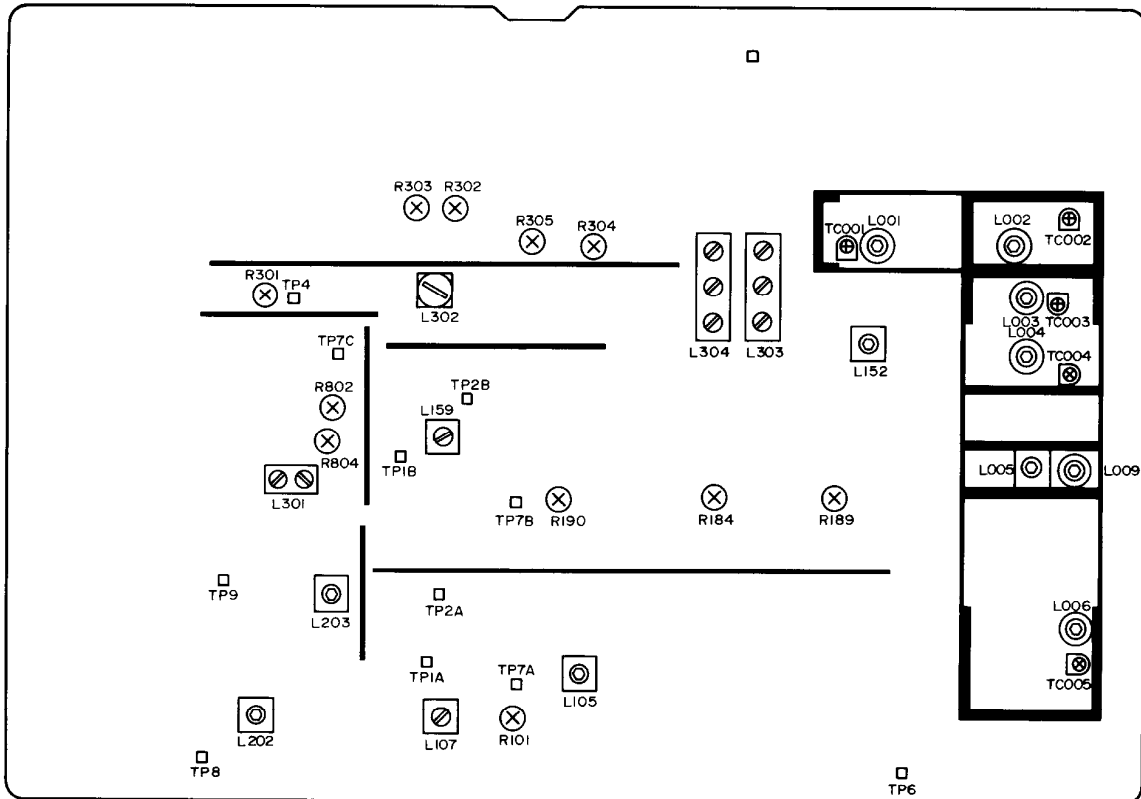
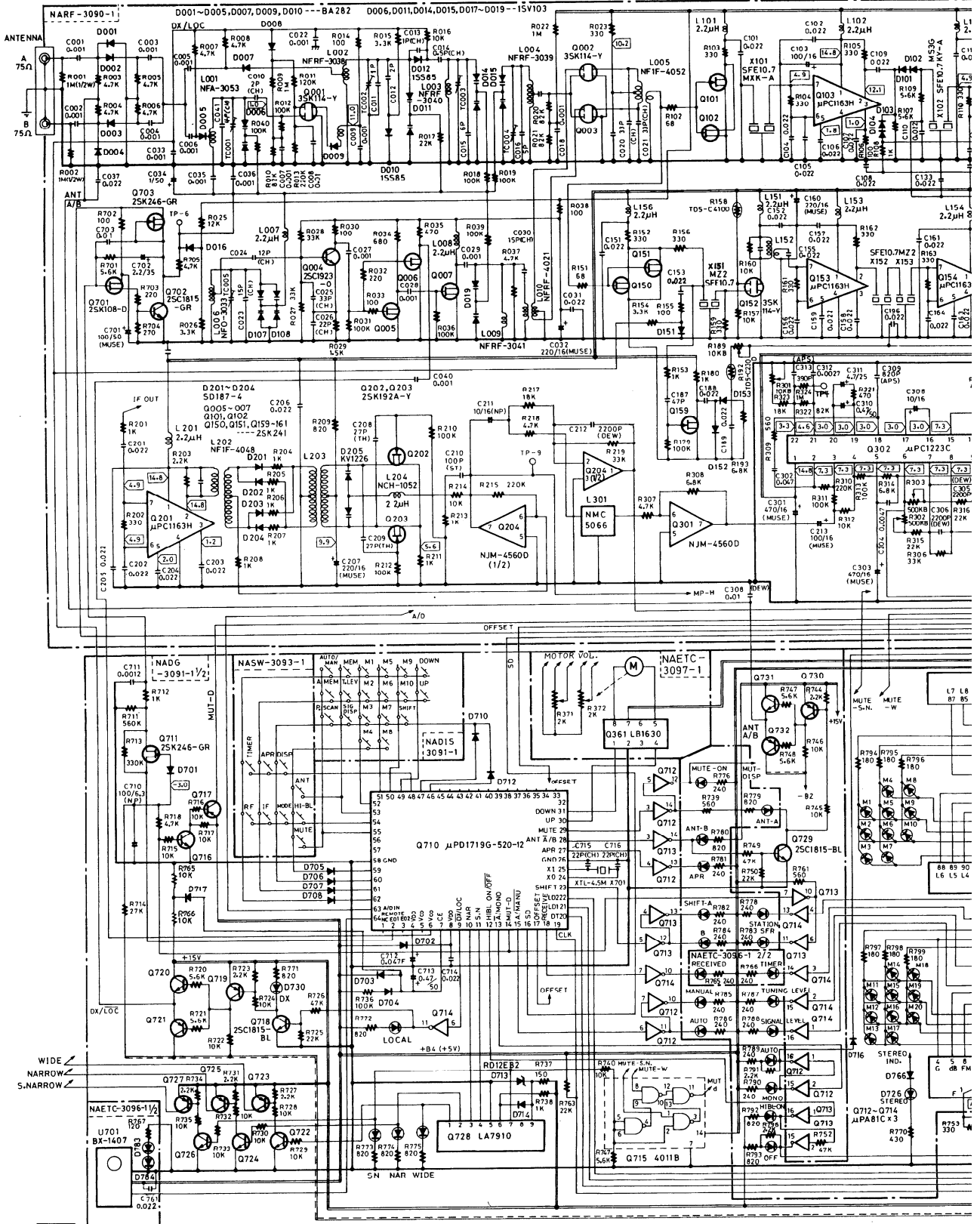


Fig. 4



SCHEMATIC DIAGRAM

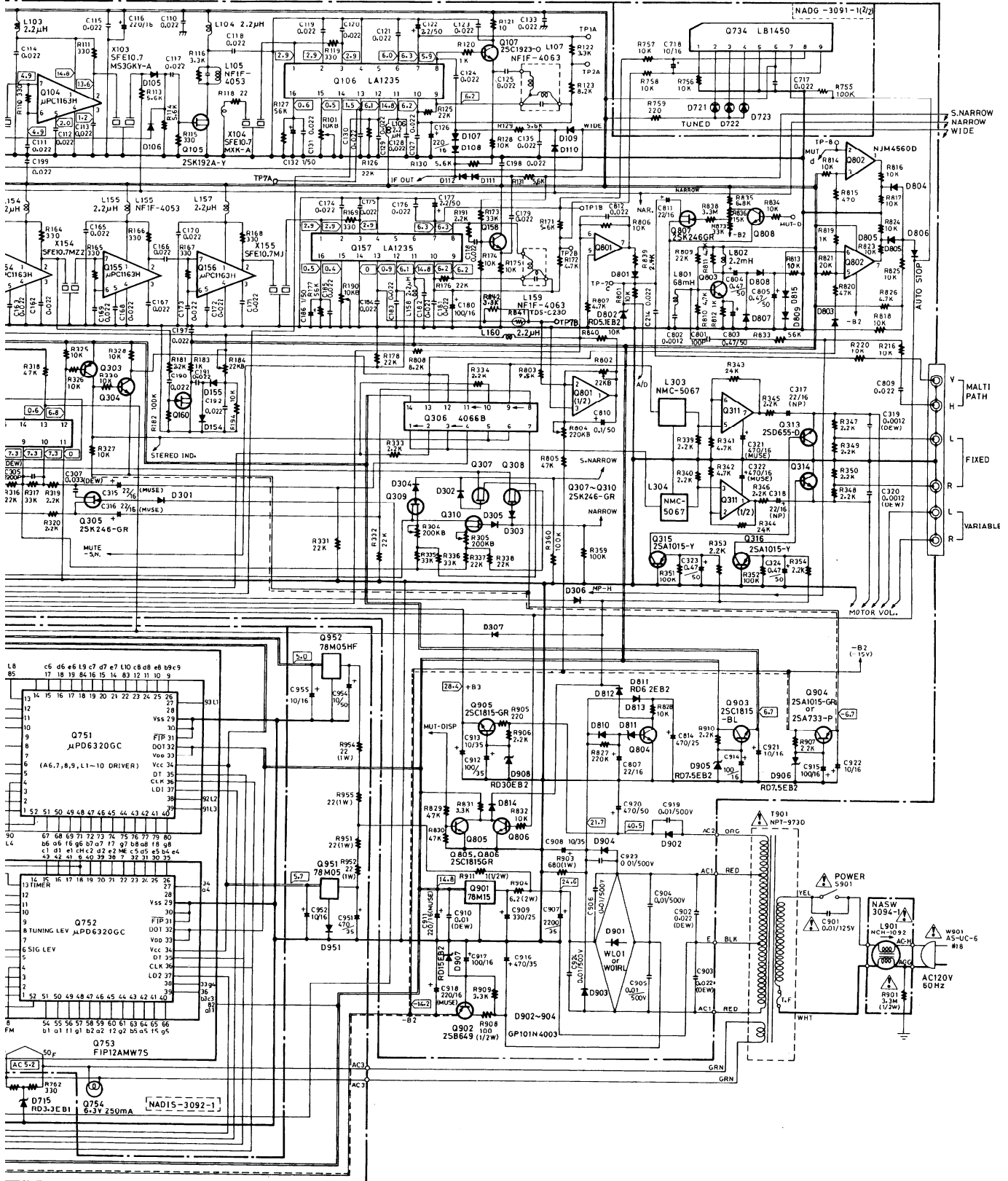


- NOTES**
- THE COMPONENTS IDENTIFIED BY MARK Δ ARE CRITICAL FOR SAFETY. REPLACE ONLY WITH PART NUMBER SPECIFIED.
 - VOLTAGE (MEASURED WITH V.T.V.M.) \square V IS DC VOLTAGE (NO INPUT SIGNAL).
 - ELECTROLYTIC CAPACITORS ARE IN μ F UNLESS OTHERWISE NOTED.
 - ALL CAPACITORS ARE IN P.F. UNLESS OTHERWISE NOTED.
 - ALL RESISTORS ARE IN OHMS 1/4 WATTS UNLESS OTHERWISE NOTED.
 - ALL DIODES ARE IS243, IS246, US100 or IS133 UNLESS OTHERWISE NOTED.
 - CIRCUIT IS SUBJECT TO CHANGE FOR IMPROVEMENT.

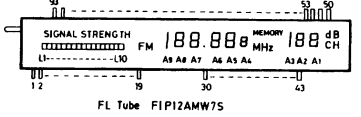
LED : D721~724, 727, 728, 730, 731, 733, 735, 737, 739, 740~755
 D725, 726, 729, 732, 734, 736, 738, 781, 782, 784
 D781 -----SEL2413C (GREEN)
 SEL2913K (ORANGE)
 SEL2413C (GREEN)
 SEL2913K (ORANGE)

TIMER	STATION	NUM.	LOC.	SEL.	AUTO	STEREO	APR	WIDE	HIL	OFF	AUTO	ANT-A	LOCAL
785	783	784	785	724	726	728	723	725	727	729	731	733	735
781	721	722	723	725	727	729	731	733	735	737	739	741	743
741	743	744	745	747	749	751	753	755	757	759	761	763	765
747	753	754	755	756	757	758	759	760	761	762	763	764	765

A
B
C
D
E
F
G
H



• ALL NPN TRANSISTORS ARE 25C1815-GR or 25C945A-P UNLESS OTHERWISE NOTED.
 • ALL PNP TRANSISTORS ARE 25A1015-GR or 25A733-P UNLESS OTHERWISE NOTED.



FL Tube FIPI2AMW75

Item	Step	Connection of instrument	FM SG output	Stereo modulator output	Tuned frequency	Output indicator	Adjustment point	Adjust for	Remarks
Front End adjustment	1	Fig. 1			108.000MHz	Digital DC voltmeter	TC005	24.0 ± 0.2V	Repeat the steps 1 and 2 until no further adjustment is necessary. IF Band: Super Narrow
	2				87.500MHz		L006	4.0 ± 0.1V	
	3				108MHz 1kHz, 75kHz devi. 10dB/ μV (15.2dBf)		TC001, TC002, TC003, TC004	Maximum	
	4				87.5MHz 1kHz, 75kHz devi. 10dB/ μV (15.2dBf)		L001, L002, L003, L004	Maximum	
	5						L005, L009	Maximum	
IF adjustment of wide & narrow		Fig. 2 TP7A	99MHz 1kHz, 75kHz devi. 10dB/ μV (15.2dBf)		99.000MHz	Oscilloscope DC: 500mV	L105	Maximum	IF Band: Wide
		Fig. 2 TP7C	99MHz 1kHz, 75kHz devi. 10dB/ μV (15.2dBf)		99.000MHz	Oscilloscope DC: 500mV	L152	Maximum	IF Band: Super Narrow
Muting adjustment of wide and narrow	1	Fig. 3 TP1A, 2A	99MHz 1kHz, 75kHz devi. 80dB/ μV (65dBf)		99.000MHz	DC voltmeter	L107	0V	IF Band: Wide
	2		99MHz 12dB/ μV (17.5dBf)		99.000MHz	Oscilloscope	R101	Variable point.	
Muting adjustment of super narrow	1	Fig. 3 TP1B, 2B	99MHz 1kHz, 75kHz devi. 60dB/ μV (65dBf)		99.000MHz	DC voltmeter	L159	0V	IF Band: Super Narrow
	2		99MHz 12dB/ μV (17.5dBf)		99.000MHz	Oscilloscope	R190	Variable point.	
PLL detector adjustment		Fig. 2 TP-9	99MHz 1kHz, 75kHz devi. 80dB/ μV (85dBf)		99.000MHz	DC voltmeter (TP-9)	L203	0±0.1V	IF band: Wide RF: DX
VCO		Connect the frequency counter to TP4	99MHz 1kHz, 75kHz devi. 80dB/ μV (85dBf)		99.000MHz	Frequency counter	R301	76kHz ± 76Hz	Use the high impedance probe (10:1).
Separation	1	Fig. 4	99MHz Ext. modulation 80dB/ μV (85dBf)	L channel	99.000MHz	AC voltmeter or Oscilloscope	R303	Output of right channel becomes minimum	IF band: Wide.
	R channel					R302	Output of left channel becomes minimum		
	L channel					R305	Separation of L and R are same and maximum.		
Signal indicator level adjustment	3		99MHz Ext. modulation 80dB/ μV (85dBf)	R channel	99.000MHz	AC voltmeter or oscilloscope	R304	Separation of L and R are same and maximum.	IF band: Super narrow
	1		99MHz, 0dB/μV		99.000MHz		R804	5 (dBf)	Before adjustment, turn the semi-fixed resistors R802 and R804 fully clockwise. Proceed to adjustment during press the signal button.
	2		99MHz, 35dB/μV		99.000MHz		R802	40 (dBf)	
	3		80dB/μV		99.000MHz	SIGNAL indicator	R184	85 (dBf)	
4		100dB/μV		99.000MHz		R189	105 (dBf)		

PRINTED CIRCUIT BOARD-PARTS LIST**MAIN CIRCUIT PC BOARD (NARF-3090-1)**

CIRCUIT NO.	PART NO.	DESCRIPTION	CIRCUIT NO.	PART NO.	DESCRIPTION
	ICS				
Q103, Q104	222474	µPC1163H, RF amp	D301-D307	223163	1SS133
Q106, Q157	222680	LA1235, IF system	D801	223163	1SS133
Q153-Q156	222474	µPC1163H, RF amp	D802	2239452 or 224650512	RD5. 1EB2 or HZ5. 1EB2
Q201	222474	µPC1163H, RF amp	D803-D810	223163	1SS133
Q204, Q301	222579	NJM4560D, Op amp	D811	2239492 or 224650622	RD6. 2EB2 or HZ6. 2EB2
Q302	222732	µPC1223C, Stereo decoder	D812-D815	223163	1SS133
Q306	222840661	4066B, Analog switch	D901	223862 or 223890	WL01 or W01RL
Q311	222579	NJM4560D, Op amp	D902-D904	223880	GP101N4003
Q801, Q802	222579	NJM4560D, Op amp	D905, D906	2239532 or 224650752	RD7. 5EB2 or HZ7. 5EB2
Q901	222780151NEC 223848	78M15, Regulator GP08B	D907	2239672 or 224651502	RD15EB2 or HZ15EB2
	TRANSISTORS		D908	2239812 or 224653002	RD30EB2 or HZ30EB2
Q001-Q003	2212514	3SK114-Y		COILS	
Q004	2211723	2SC1923-O	L001	233321	NFA-3053
Q005-Q007	2212195	2SK241-GR	L002	233322	NFRF-3038
Q101, Q102	2212195	2SK241-GR	L003	233324	NFRF-3040
Q105	2212274	2SK192A-Y	L004	233323	NFRF-3039
Q107	2211723	2SC1923-O	L006	233325	NFO-3033
Q150, Q151	2212195	2SK241-GR	L007, L008	233359	NCH-2163
Q152	2212514	3SK114-Y	L009	233326	NFRF-3041
Q158, Q304	2211255 or 2210746	2SC1815-GR or 2SC945A-P	L010	233212	NFRF-4021
Q159, Q160	2212195 or 2212194	2SK241-GR or 2SK241-Y	L101-L104	233359	NCH-2163
Q202, Q203	2212274	2SK192A-Y	L105	233318	NFIF-4053
Q303	2211455 or 2210803	2SA1015-GR or 2SA733-P	L106	233359	NCH-2163
Q305	2211945	2SK246-GR	L107	233378	NFIF-4063
Q307-Q310	2211945	2SK246-GR	L151	233359	NCH-2163
Q313, Q314	2211704 or 2211705	2SD655-D or 2SD655-E	L152	233318	NFIF-4053
Q315, Q316	2211454	2SA1015-Y	L153-L158	233359	NCH-2163
Q701	2212294	2SK108-D	L159	233378	NFIF-4063
Q702	2211255	2SC1815-GR	L160	233365	NCH-2169
Q703	2211945	2SK246-GR	L201	233359	NCH-2163
Q803	2211255	2SC1815-GR	L202	233296	NFIF-4048
Q804	2211256	2SC1815-BL	L203	233297	NFIF-4049
Q805, Q806	2211255	2SC1815-GR	L204	233365	NCH-2169
Q807	2211945	2SK246-GR	L301	233379	NMC-5066
Q808	2211255 or 2210746	2SC1815-GR or 2SC945A-P	L303, L304	233380	NMC-5067
Q902	2200792 or 2200793	2SB649-B or 2SB649-C	L801	231087	NCH-2135
Q903	2211256	2SC1815-BL	L802	231081	NCH-2129
Q904	2211455 or 2210803	2SA1015-GR or 2SA733-P		TRANSFORMER	
Q905	2211255	2SC1815-GR	L005	233317	NFIF-4052
	DIODES			CERAMIC FILTERS	
D001-D005	223165	BA282	X101, X104	3010085	SFE-10.7MXK-A
D006	223154	1SV103	X102	3010131	SFE-10.7MX2K-A
D007	223165	BA282	X103	3010086	SFE-10.7MS3G-A
D008	223163	1SS133	X151-X154	3010130	SFE-10.7M2K-A
D009, D010	223165	BA282	X155	3010132	SFE-10.7MJK-A
D011	223154	1SV103			
D012, D013	223149	1SS85			
D014, D015	223154	1SV103			
D016	223163	1SS133			
D017-D019	223154	1SV103			
D101-D112	223163	1SS133			
D151	223165 or 223149	BA282 or 1SS85			
D152-D155	223163	1SS133			
D201-D204	223170	SD187-4			
D205	223136	KV1226			

CIRCUIT NO.	PART NO.	DESCRIPTION	CIRCUIT NO.	PART NO.	DESCRIPTION
	CAPACITORS			RESISTORS	
C032	391242217	220 μ F, 16V, Elect.	R001, R002	431521055	1Mohm, 1/2W, Solid
C034	354780109	1 μ F, 50V, Elect.	R101	5210064	N06HR10KBD, Semi-fixed
C038	379121034	0.01 μ F \pm 5%, 50V, Plastic	R184	5210066	N06HR22KBD, Semi-fixed
TC001-TC004	3060020	NTC-2P17, Trimmer	R189, R190	5210064	N06HR10KBD, Semi-fixed
TC005	3069017	NTC-10P15, Trimmer	R301	5210064	N06HR10KBD, Semi-fixed
C103	354741019	100 μ F, 16V, Elect.	R302, R303	5210074	N06HR470KBD, Semi-fixed
C116	391242217	220 μ F, 16V, Elect.	R304, R305	5210072	N06HR220KBD, Semi-fixed
C122	354780229	2.2 μ F, 50V, Elect.	R802	5210066	N06HR22KBD, Semi-fixed
C126	354742219	220 μ F, 16V, Elect.	R804	5210072	N06HR220KBD, Semi-fixed
C132	354780109	1 μ F, 50V, Elect.	R903	441626814	680ohm, 1W, Metal oxide film
C134	354741019	100 μ F, 16V, Elect.	R904	441720624	6.2ohm, 2W, Metal oxide film
C137, C138	379122225	2, 200 \pm 10%, 50V, Plastic	R908	442521014	100ohm, 1/2W, Metal oxide film
C160	391242217	220 μ F, 16V, Elect.	R911	442520104	1ohm, 1/2W, Metal oxide film
C177	354780229	2.2 μ F, 50V, Elect.			
C180	354741019	100 μ F, 16V, Elect.			THERMISTORS
C186	354780109	1 μ F, 50V, Elect.	R158	4000102	TD5-C410D
C207	391242217	220 μ F, 16V, Elect.	R192, R841	4000099	TD5-C230D
C210	372121014	100pF \pm 5%, 50V, Styrene			
C211	352941006	10 μ F, 16V, Non-polar Elect.			TERMINALS
C212	379122224	2,200pF \pm 5%, 50V, Plastic	P902		
C213	391241017	100 μ F, 16V, Elect.	P903	25045182	NPJ-2PDBL72, Multipath
C301	391244717	470 μ F, 16V, Elect.			
C302	379124734	0.047 μ F \pm 5%, 50V, Plastic			SOCKETS
C303	391244717	470 μ F, 16V, Elect.	P001, P004	25050272	NSCT-8P100
C304	379124724	4,700pF \pm 5%, 50V, Plastic	P002	25050268	NSCT-4P96
C305, C306	379122224	2,200pF \pm 5%, 50V, Plastic	P003	25050267	NSCT-3P95
C307	379123334	0.033 μ F \pm 5%, 50V, Plastic	JL015	25050270	NSCT-6P98
C308	354741009	10 μ F, 16V, Elect.			
C309	370138214	820pF \pm 5%, 100V, APS			CABLES
C310	354784799	0.47 μ F, 50V, Elect.		2010102	Antenna
C311	354750479	4.7 μ F, 25V, Elect.			
C312	379122724	2,700pF \pm 5%, 50V, Plastic			RADIATOR
C313	370133914	390pF \pm 5%, 100V, APS		27160221	RAD-74
C315, C316	391242207	22 μ F, 16V, Elect.			
C317, C318	352942206	22 μ F, 16V, Non-polar elect.			SHIELD CASE
C319, C320	379121224	1,200pF \pm 5%, 50V, Plastic		27301031A	Tuned/Local osc circuit
C321, C322	391244717	470 μ F, 16V, Elect.		27301032A	Center
C323, C324	354784799	0.47 μ F, 50V, Elect.		27301033A	RF circuit
C701	391281017	100 μ F, 50V, Elect.			
C702	395160227	2.2 μ F, 35V, Tantal			BUSSES
C703	379121034	0.01 μ F \pm 5%, 50V, Plastic		27160213	Large
C803-C805	354784799	0.47 μ F, 50V, Elect.		27160214	Middle
C807	354742209	22 μ F, 16V, Elect.		27160215	Small
C808	354754719	470 μ F, 25V, Elect.			
C810	354781099	0.1 μ F, 50V, Elect.			
C811	354742209	22 μ F, 16V, Elect.			
C814	354754719	470 μ F, 25V, Elect.			
C902, C903	379122234	0.022 μ F \pm 5%, 50V, Plastic			
C904-C906	335251039	0.01 μ F, 500V, Ceramic			
C907	354762229	2,200 μ F, 35V, Elect.			
C908	354761009	10 μ F, 35V, Elect.			
C909	354753319	330 μ F, 25V, Elect.			
C910	379121034	0.01 μ F \pm 5%, 50V, Plastic			
C911	391242217	220 μ F, 16V, Elect.			
C912	354761019	100 μ F, 35V, Elect.			
C913	354761009	10 μ F, 35V, Elect.			
C914, C915	354741019	100 μ F, 16V, Elect.			
C916	354764719	470 μ F, 35V, Elect.			
C917	354741019	100 μ F, 16V, Elect.			
C918	391242217	220 μ F, 16V, Elect.			
C920	354784719	470 μ F, 50V, Elect.			
C921, C922	354741009	10 μ F, 16V, Elect.			
C923, C924	335251039	0.01 μ F, 500V, Ceramic			

PRINTED CIRCUIT BOARD-PARTS LIST

DIGITAL CIRCUIT PC BOARD (NADG-3091-1)

CIRCUIT NO.	PART NO.	DESCRIPTION	CIRCUIT NO.	PART NO.	DESCRIPTION
	ICS			DIODES	
Q710	22240106	μ PD1719G-520-12, Micon	D701-D709	223163	1SS133
Q712-Q714	222807	μ PA81C, Buffer	D711, D714	223163	1SS133
Q715	222840111	4011B, NAND gate	D713	2239632 or	RD12EB2 or
Q728	222992	LA7910, Band switch		224651202	HZ12EB2
Q733	22240107	LB1450, Tuning indicator drive	D715	2241291	RD3.3EB1
Q951	222780052	78M05, Regulator	D716-D718	223163	1SS133
Q952	222780055	78M05HF, Regulator	D951	223163	1SS133
	TRANSISTORS			X'TAL	
Q711	2211945	2SK246-GR	X701	3010091	XTL-4.5M
Q716, Q718	2211255 or	2SC1815-GR or		CAPACITORS	
Q720, Q722	2210746	2SC945A-P		352921016	100 μ F, 6.3V, Non-polar elect.
Q724, Q726	2211255 or	2SC1815-GR or	C710	371121225	1,200pF \pm 10%, 50V, Mylar
Q729, Q731	2210746	2SC945A-P	C711	3020027,	
Q717, Q719	2211455 or	2SA1015-GR or	C712	3000057 or	0.047F, 5.5V, Super
Q721, Q723	2210803	2SA733-P		3000050	
Q725, Q727	2211455 or	2SA1015-GR or	C713	354784799	0.47 μ F, 50V, Elect.
Q730, Q732	2210803	2SA733-P	C718	354741009	10 μ F, 16V, Elect.

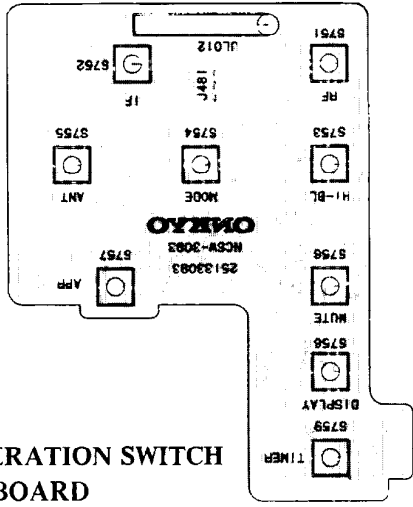
CIRCUIT NO.	PART NO.	DESCRIPTION
C951	354764719	470 μ F, 35V, Elect.
C952, C955	354741009	10 μ F, 16V, Elect.
C954	354781009	10 μ F, 50V, Elect.
	RESISTORS	
R951, R952 R954, R955	441622204	22ohm, 1W, Metal oxide film
	RADIATOR	
	27160209	RAD-67

DISPLAY CIRCUIT PC BOARD (NADG-3092-1)

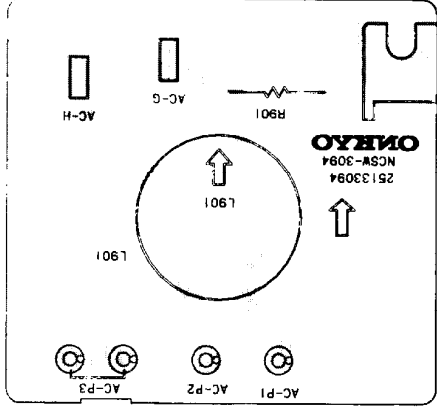
CIRCUIT NO.	PART NO.	DESCRIPTION
		ICS
Q751, Q752	2227701	μ PD6320GC
	FLUORESCENT TUBE	
Q753	212048	FIP12AMW7S
	LAMP	
Q754	210064A	PL6.3V, 250mA

CIRCUIT NO.	PART NO.	DESCRIPTION
		L.E.DS
D721-D724	225137CG,	SEL2413ECG,
D727, D728	225137DG or	SEL2413EDG or
D730, D731	225137DY	SEL2413EDY
D733, D735	225137CG,	SEL2413ECG,
D737	225137DG or	SEL2413EDG or
D739-D765	225137DY	SEL2413EDY
D725, D726	225142	SEL2913K
D729, D732	225142	SEL2913K
D734, D736	225142	SEL2913K
D738	225142	SEL2913K

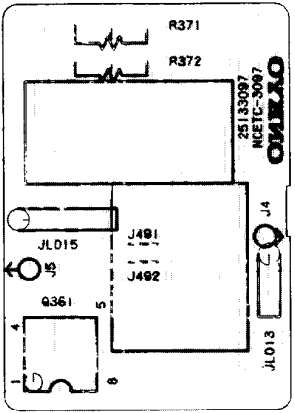
	DIODE	
D766	223163	1SS133
	SWITCHES	
S701-S719	25035548	NPS-111-S510
	HOLDERS	
	27190561A	L.E.D
	27190500	Lamp



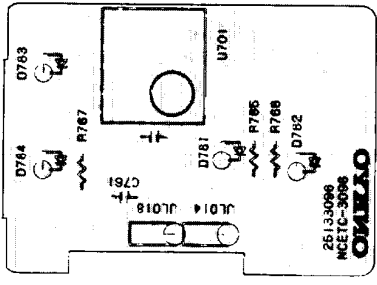
OPERATION SWITCH PC BOARD



POWER SUPPLY CIRCUIT PC BOARD



OUTPUT VOLUME PC BOARD



REMOTE CONTROL CIRCUIT PC BOARD

OPERATION SWITCH PC BOARD (NASW-3093-1)

CIRCUIT NO.	PART NO.	DESCRIPTION
S751-S759	25035548	NPS-111-S510, Push switches

POWER SUPPLY CIRCUIT PC BOARD (NASW-3094-1)

CIRCUIT NO.	PART NO.	DESCRIPTION
R901	431523355	3.3Mohm, 1/2W, Solid resistor
L901	231051	NCH-1092, Choke coil

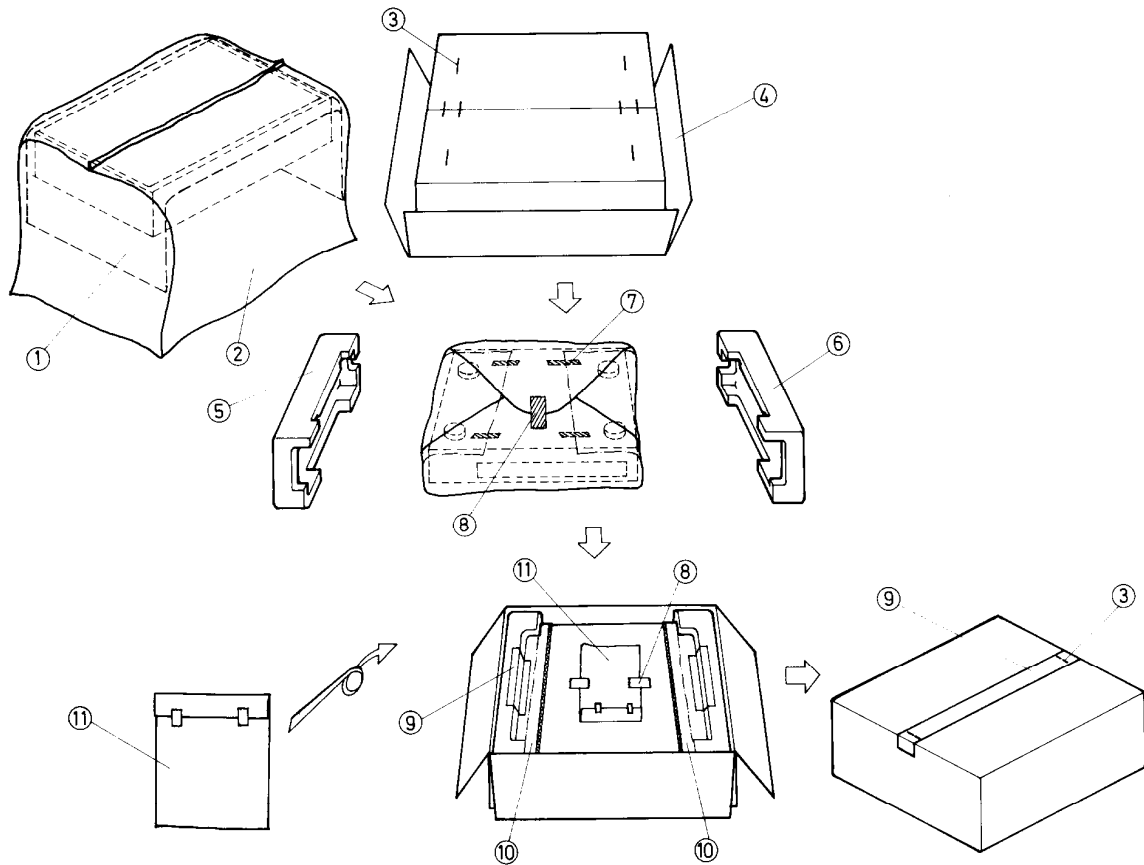
REMOTE CONTROL CIRCUIT PC BOARD (NAETC-3096-1)

CIRCUIT NO.	PART NO.	DESCRIPTION
U701	241068	BX-1407, IC, Remote control receiver section
D781	225141	SEL2213C, L.E.D
D782-D784	225142	SEL2913K, L.E.Ds
	27190562A	Holder, L.F.D

OUTPUT VOLUME PC BOARD (NAETC-3097-1)

CIRCUIT NO.	PART NO.	DESCRIPTION
Q361	222963	LB1630, IC, motor driver
R371	5104211	N16RGL2KA30, Variable resistor, Volume

PACKING VIEW



REF. NO.	PART NO.	DESCRIPTION
1	29095318	500 × 800mm, Protection sheet
2	29100038A	720 × 950mm, Poly-vinyl bag
3	282301	Sealing hook
4	29051763	Master carton box
5	29091197	Pad R
6	29091196	Pad L
7	262037	200mm, Drafting tape
8	261504	30mm, Tape
9	260012	100cm, Dampson tape
10	29095491	Sheet P
11	Accessory bag ass'y	
	2010097	Connection cord
	24140013	RC-113T, Remote control unit
	25060123	Two adaptors for FM antenna
	290264A	FM antenna
	29341313	Instruction manual
	3010054	UM3, Two batteries
	29365019	Warranty card
	29358002E	Service station list
	29100097	250 × 350mm, Poly-vinyl bag

ONKYO CORPORATION

International Division: No.24 Mori Bldg., 23-5, 3-chome, Nishi-Shinbashi, Minato-ku, Tokyo, Japan
 Telex: 2423551 ONKYO J. Phone: 03-432-6981

ONKYO U.S.A. CORPORATION

200 Williams Drive, Ramsey, N.J. 07446 Tel. 201-825-7950

ONKYO DEUTSCHLAND GMBH, ELECTRONICS

8034 München-Germering, Industriestrasse 18, West Germany. Telex: 521726 Telefon: (089)-84-3071