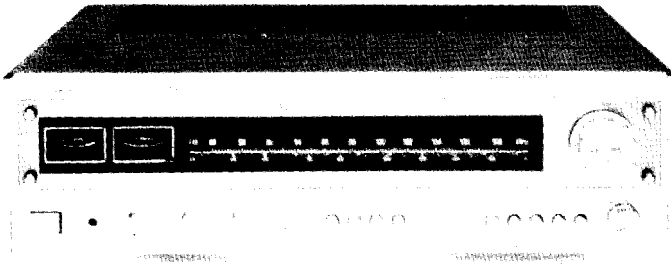


ONKYO® SERVICE MANUAL

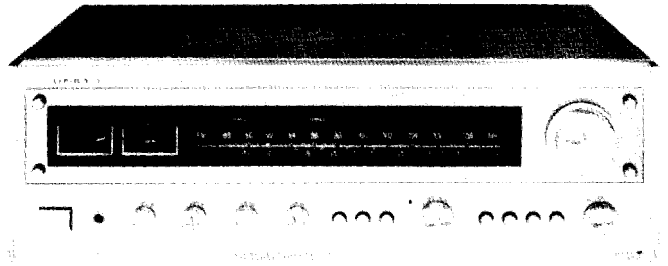
QUARTZ LOCKED

STEREO RECEIVER TX-4500



SERVO LOCKED

STEREO RECEIVER TX-2500



INDEX

Item	Page	
	TX-4500	TX-2500
Specifications	2	3
Circuit Description	3	
Block Diagram	7	8
Component Location	9	9
Packing Procedure	10	10
Alignment Procedure	11	11
Chassis Layout	16	15
Parts List	17	25
Circuit Diagram	19	27
Front End Board View	24	32
Dial Cord Arrangement	24	32
Service Procedure	33	33

ONKYO®
AUDIO COMPONENTS

SPECIFICATIONS

MODEL TX-4500 QUARTZ LOCKED STEREO RECEIVER

Power Supply Rating	AC 120 Volts 60 Hz	Tilt (sag)	better than 5% at 50 Hz.
Controls	POWER SPEAKERS (OFF, A, B, C, A + B, A + C) SELECTOR (AM, FM AUTO, PHONO 1, PHONO 2) TAPE MONITOR 1, 2, & 3 TUNING, VOLUME, BALANCE, TREBLE, BASS, DOLBY FM ADAPTOR, FM MUTING/LOCK, LOUDNESS, MODE, FILTER HIGH & LOW	Sensitivity and Impedance	PHONO-1/2: 2.5mV, 50 kohms Tape Play -1/2/3: 150 mV 50 kohms. TAPE REC -1/2/3: 150 mV 50 kohms DOLBY OUT : 150mV 50 kohms DOLBY IN : 580mV 50 kohms PRE OUT : 1 V 3 kohms MAIN IN : 1 V 100 kohms
Antennas	FM: 300Ω balanced, 75Ω unbalanced AM: Built in ferrite core antenna and external terminal	Phono Overload	200 mV RMS 1 kHz 0.1%
Outputs	SPEAKER A, B, & C, HEADPHONES TAPE REC OUT 1, 2, & 3, FM DOLBY OUT, PRE OUT, FM 4CH OUT	Bass Control	±10 dB at 100 Hz
Inputs	PHONO 1 & 2, TAPE PLAY 1, 2 & 3, DOLBY IN, MAIN IN FM AND AM ANTENNA	Treble Control	±10 dB at 10 kHz
Dimensions	21-3/16" W × 6-7/16" H × 16-15/16" D (max) 583 mm W × 163 mm H × 430 mm D	Signal to Noise Ratio	PHONO: 65 dB (IHF C NETWORK) TAPE: 80 dB (IHF C NETWORK)
Weight	36.5 lbs. 16.6 kg	Filters	High: 6 kHz (6 dB/oct) Low: 100 Hz (6 dB/oct)
Cabinet	Walnut grained vinyl over lauan plywood	Tuner Section	
Semiconductors	1 FET, 70 transistors, 8 ICs, 59 diodes	Tuning Range	FM: 88-108 MHz AM: 530-1605 kHz
Amplifier Section		Usable Sensitivity	FM: Mono 1.8μV (10.3 dBf) Stereo 5μV (19.2 dBf) FM: Mono 4μV (17.2 dBf) Stereo 40μV (37.2 dBf)
Power Output	65 watts per channel, min. RMS, at 4 ohms both channels driven from 20 Hz to 20 kHz, with no more than 0.1% total harmonic distortion. 55 watts per channel, min. RMS, at 8 ohms both channels driven, from 20 Hz to 20 kHz, with no more than 0.1% total harmonic distortion. 75 watts per channel, min. RMS, at 4 ohms both channels driven 1 kHz, 0.1% THD. 60 watts per channel, min. RMS, at 8 ohms, both channels driven, 1 kHz, 0.1% THD	50 dB Quieting Sensitivity	
Total Harmonic Distortion	0.1% at rated power 0.08% at 1 watts output	Intermediate Frequency	FM: 10.7 MHz AM: 455 kHz
IM Distortion	0.3% at rated power 0.1% at 1 watts output	Capture Ratio	FM: 1.5 dB
Damping Factor	50 (8 ohms 1 kHz 10 watts)	Image Rejection Ratio	FM: 70 dB AM: 40 dB
Frequency Response	15-30,000 Hz (±1 dB) 2-80,000 Hz (±1 dB at main amplifier)	IF Rejection Ratio	FM: 100 dB AM: 40 dB
		Signal to Noise Ratio	FM: 70 dB (mono) 65 dB (stereo) AM: 40 dB
		Alternate Channel att.	FM: 70 dB
		AM Suppression Ratio	FM: 50 dB
		Harmonic Distortion	FM: 0.2% (mono) 0.4% (stereo) AM: 0.8%
		Frequency Response	FM: 30-15,000Hz +0.5, -2 dB
		Stereo Separation	FM: 40 dB at 1 kHz 30 dB at 100-10,000Hz
		Muting Level	FM: 4μV (17.2 dBf)
		Stereo Lamp Level	FM: 4μV (17.2 dBf)
		Quartz Lock Level	FM: 4μV (17.2 dBf)
		Tuning Meters	Signal Strength & Center Tuning

Specifications and features are subject to change without notice for improvement.

SPECIFICATIONS

MODEL TX-2500 SERVO LOCKED STEREO RECEIVER

Amplifier section

Power Output	27 watts per channel, min. RMS, at 8 ohms, both channels driven, from 40 Hz to 20 kHz, with no more than 0.5% total harmonic distortion. 34 watts per channel, min. RMS, at 4 ohms, both channels driven, from 40 Hz to 20 kHz, with no more than 0.5% total harmonic distortion. (30 watts per channel, min. RMS, at 8 ohms both channels driven, 1 kHz, 0.5% THD.) (40 watts per channel, min. RMS, at 4 ohms both channels driven, 1 kHz, 0.5% THD.)
Total Harmonic Distortion	0.5% at rated power
IM Distortion	0.2% at 1 watt output 0.5% at rated power 0.3% at 1 watt output
Damping Factor	40 (8 ohms 1 kHz 10 watts)
Frequency Response	20 – 30,000 Hz (± 1 dB) 2 – 60,000 Hz (± 1 dB at power amplifier)
Tilt (sag)	better than 5% at 50 Hz.
Sensitivity and Impedance	PHONO: 2.5 mV 50 kohms TAPE PLAY: 150 mV 50 kohms TAPE REC: 150 mV 50 kohms DOLBY OUT: 150 mV 50 kohms DOLBY IN: 580 mV 50 kohms

Phono Overload	150 mV RMS 1 kHz 0.5% THD
Bass Control	± 10 dB at 100 Hz
Treble Control	± 10 dB at 10 kHz
Signal-to-Noise Ratio	PHONO: 65 dB (IHF C NETWORK) TAPE: 80 dB (IHF C NETWORK)
Filter	6 kHz

Tuner section

Tuning Range	FM: 88 – 108 MHz AM: 530 – 1605 kHz
Usable Sensitivity	FM mono: 2 μ V (11.2 dBf) FM stereo: 5 μ V (19.2 dBf) AM: 25 μ V
50 dB Quieting Sensitivity	FM mono: 4 μ V (17.2 dBf) FM stereo: 40 μ V (37.2 dBf)
Intermediate Frequency	FM: 10.7 MHz AM: 455 kHz
Capture Ratio	FM: 2 dB
Image Rejection	FM: 45 dB AM: 40 dB
IF Rejection	FM: 80 dB AM: 30 dB
Signal-to-Noise Ratio	FM mono: 65 dB FM stereo: 60 dB AM: 40 dB
Alternate Channel att.	FM: 60 dB
AM Suppression	FM: 50 dB
Harmonic Distortion	FM mono: 0.2% AM: 0.8% FM stereo: 0.4%
Frequency Response	FM: 30 – 15,000Hz +0.5, -2 dB
Stereo Separation	FM: 37 dB at 1 kHz 30 dB at 100 – 10,000 Hz
Muting Level	FM: 4 μ V (17.2 dBf)
Stereo Lamp Level	FM: 4 μ V (17.2 dBf)
Locking Level	FM: 4 μ V (17.2 dBf)
Tuning Meter	Signal Strength & Center Tuning

Specifications and features are subject to change without notice.

CIRCUIT DESCRIPTION

1. Tuning Knob

Touch of the tuning knob causes the ham to be initiated, which, in turn, is amplified at Q 126, followed by rectification at D 119, and 120, while the transistor of Q 135 allows passage thereby causing the signal for the local oscillation frequency regulation to drop to the earth, thus leading to a perfect tuning.

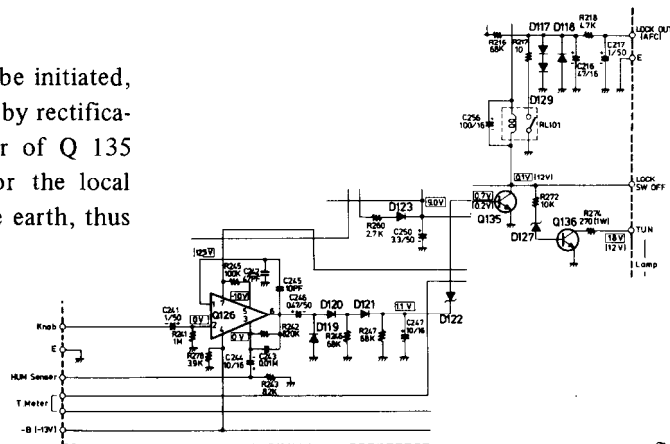


fig-1

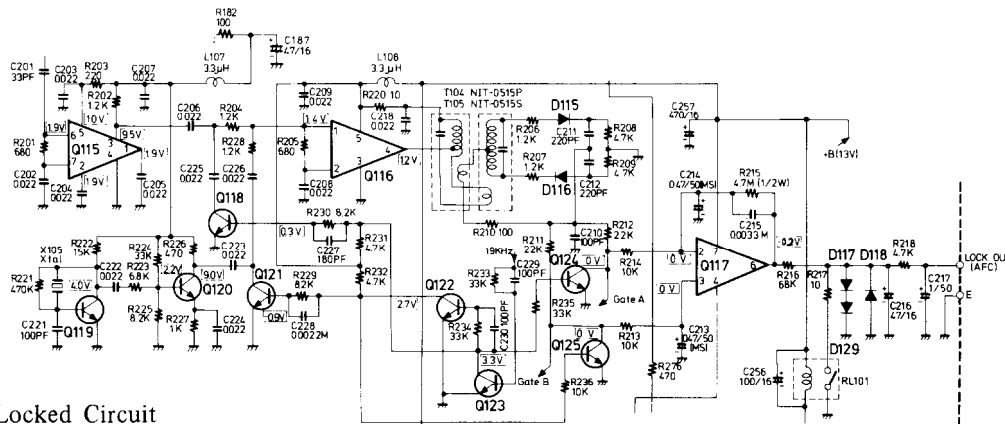


fig-2

2. Quartz Locked Circuit

The IF component of the quadrature detector output of Q 102 and the quartz oscillation signal at 10.7 MHz of Q 119 are detected with the cycle of 19 KHz, and the variance of the detected output is amplified with the DC voltage being imparted to the variable capacitance diode at the front end. In this way, the local oscillation frequency is regulated.

(Circuit Performance)

Q 123 is set to ON-OFF motions with the rectangular waves at 19 KHz inducted from No. 10 terminal of Q 103 of MPX IC at the cycle of 19 KHz.

In case Q 123 is set to ON position, Q 118 and 124 are turned OFF, and the IF signal is amplified by Q 116, detected at T 104 and 105 and added to No. 2 terminal of Q 117.

Q 122, on the other hand, is turned OFF as Q 123 is set to ON position, with Q 121 and 125 being also turned ON to cause the quartz oscillation signal (10.7 MHz) to precipitate to the earth. Conversely, when the Q 123 is turned OFF, the switching transistors (Q 118, 121 – 125) perform functions in complete reversal to the above, with the quartz oscillation signal amplified by Q 116, detected in turn at T 104 and 105, added to No. 3 terminal of Q 117, resulting in the fall of the IF component to the earth.

The preceding performance repeats itself at 19 KHz, amplifying the input variance (between the IF signal and the quartz oscillation signal) with the OP amplifier of Q 117, which is then caused to pass the low-pass filter, to be imparted to the variable capacitance diode. In this manner, the local oscillation frequency is regulated.

The deviation from center of the detector transformers T 104 and T 105 will be registered alike with both transformers and will have no relationship whatsoever with the AFC input.

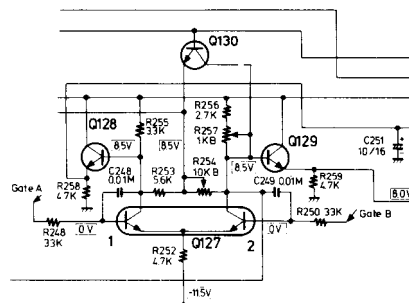


fig-3

3. Tuning Meter Circuit

The IF signal and the quartz signal detected at the 19 KHz cycle are added to the bases 1 and 2 of Q 127. Since the voltage at the bases 1 and 2 of Q 127 are equal to each other at the time of tuning, the voltage at the bases of Q 128 and 129 (OV) will also be equivalent to each other, thereby causing the T-meter to point to the center.

In the event the IF frequency is on a higher level than the quartz frequency, the T-meter is caused to swing to the left as the voltage at the base 1 of Q 127 is higher in this case than that at the base 2, and at the same time, same at the base of Q 128 is registered at a lower level than at the base of Q 129. Incidentally, R 257 and R 254 are the semi-fixed volume designed to regulate the T-meter center and the breadth of the same, respectively. In addition, Q 130 is designed to avert any error in performance by shortcircuiting the T-meter at the time of detuning.

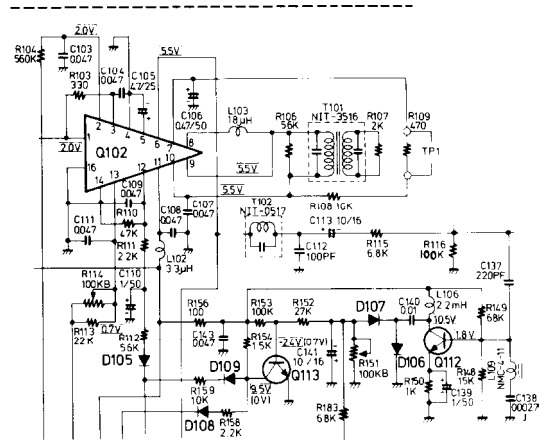
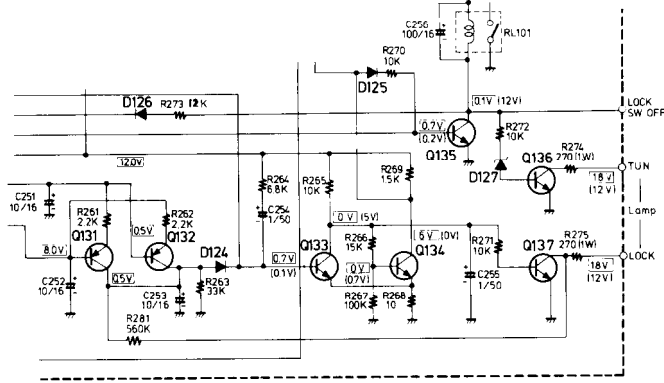


fig-4

4. Muting Circuit

The muting circuit is operated through utilization of functions of the IF carrier, the 0-point detection (variance in detected waves between IF and Quartz) and the noise component.

(At time of tuning)

For reasons that the base potential of Q 128 and 129 is in the state of 0V in terms of direct current as can be noted from the description given of the T-Meter Circuit at the time of tuning, the emitter potential of Q 128 and 129 is rendered equal to each other. As for Q 131 and 132, these are cut off to cause 0V output to be brought forth. At the same time, the IF carrier portion, at the time of tuning, is at a lower level in voltage than the standard level for the Schmitt trigger of Q 133 and 134 as muting regulating output inside the quadrature detector IC. For this reason, Q 133 is turned OFF while Q 137 is turned ON, which, in turn, causes Q 109 and 110 to be turned OFF.

(At time of detuning)

When the voltage of the 0-point (the variance in output between the IF detector and quartz detector) has turned positive or negative, if it come to stay on the plus side, for instance, the base potential of Q 128 is caused to drop, that of Q 129 to pick up, with Q 132 and 133 being turned ON. Again Q 109 and 102 are turned ON at the same time, with the signal being caused to drop to the earth. Again, simultaneously, Q 133 is turned ON, Q 134 OFF, Q 135 ON, causing the AFC circuit to be closed. In addition, the IF carrier portion, too, is caused to act upon Q 133, turning Q 133 ON.

Again, the L 106 resonance point is arranged at a higher level as the noise portion enters into the Q 112 base, so that Q 112 may act on the noise amplifier, causing the Q 113 to be turned OFF. This passes through D 109 and is added to the base of Q 131. It also passes through D 105, causing the transistor of Q 130 to be turned ON, and thus, causing, in turn, the meter circuit to be shortcircuited, thus ensuring against any error in performance.

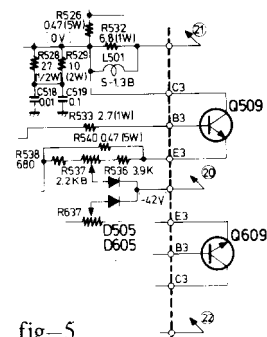
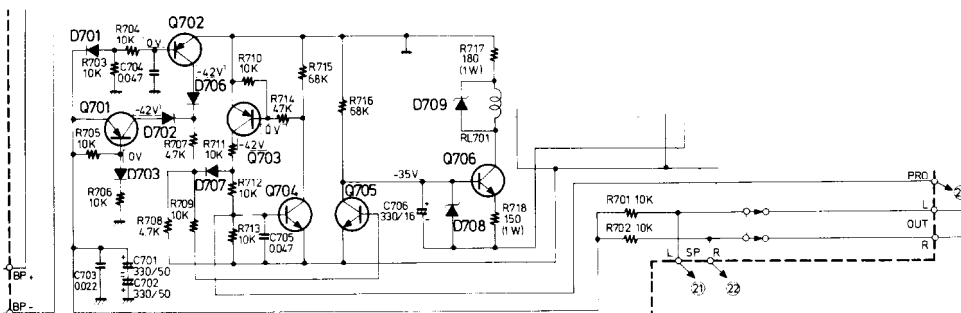


fig-5

5. The Explanation of Protection Circuit

1. Steady function

While the B voltage is supplied to the protection circuit as the power source switch is turned on, it is so designed as to allow a lag of almost 4 seconds in the time required for the relay to be turned ON, by means of the time-constant circuit set to motion by R 716 and 706 so that a drop in the output may be prevented of the main circuit in the unsteady state.

In the steady state, transistors of Q 701 to Q 705 are cut off, so much so that the voltage at both ends of C 706 is caused to register a value of 6 by the function of R 720 and D 709, causing the transistor of Q 706 and the delay to be turned ON, bringing forth the output.

Again, D 709 is designed so as to keep both ends of the relay coil from being brought under the pressure of abnormal voltage. In addition, IS 1554 between the base collectors for respective transistors is designed to thwart inverse current.

2. Detection of abnormal voltage

As the equivalent of 2 or more is generated at the center line of the main amplifier, there is a mixing between the right side and the left side at R 701 and 702, with the alternate current portion being cut off at C 701 and 702. In the case that the direct current generated here is negative, the current, passing through D 701, is broken up into partial pressure, acting on the base of the transistor at Q 702, which, in turn, causes Q 702 to open up allowing the current to pass through in the sequence of D 706 — R 707 — R 708.

As a result, the portion of voltage generated by R 708 is caused to be reinforced to Q 705, rendering the transistor to be turned ON. This, in turn, causes the voltage of the collector at Q 705 to fall, thus making the base potential of Q 706 go deeper into the negative side and turning the Q 706 OFF. This in turn causes the relay to be turned OFF, and also, the output circuit to be cut off.

In the event the base potential is on the positive side, the similar function takes place within the loop of Q 721 — D 202 — R 707 — R 708.

By eliminating a cause or causes for DC generation at the center line, the relay is caused to turn ON by the function staged in reverse order of the description given, causing the proper function to start automatically.

3. Detection of abnormal current

When the abnormal current is generated on the driver stage (power stage) of the main amplifier, the voltage is detected by the collector resistance and added subsequently to semi-solid resistance R 537 and 637 which are designed for current detection in the protection circuit. (The semi-solid resistance is set to function with the adequate flow of current causing the protection circuit to start operating. Refer to the Chapter dealing with Adjustment.) By the voltage reaching Q 704 by way of D 536 and D 636, Q 704 is caused to be turned ON while R 705 witnesses a voltage drop, resulting in Q 703 being turned ON.

As a result, the current flows in the sequence of Q 703 — R 711 — D 707 — R 708, and by the voltage generated at R 708, Q 705 is turned ON while Q 706 is turned OFF, causing the relay, in turn, to be turned OFF, thereby cutting off the output circuit. By the voltage added to the base of Q 704 through R 713, on the other hand, Q 704 is turned ON and on account of this, the lock circuit is set to work by Q 704 and Q 703, causing the relay to be kept in the OFF state.

In the event a large current flows into the transistor of the main circuit, the said circuit is caused to start functioning, locking up the amplifier output in the OFF state. For this reason, it is necessary for the power source to be cut off before setting out to remove the cause for abnormal current. Turning the power source back on will set off the normal function. It should be noted that turning the lock circuit on immediately after the power source was turned OFF will not lead to a spontaneous release of the lock-up, and therefore, it must be assured that the lock circuit is turned ON a few seconds after the power source has been turned OFF.

TX-4500 BLOCK DIAGRAM

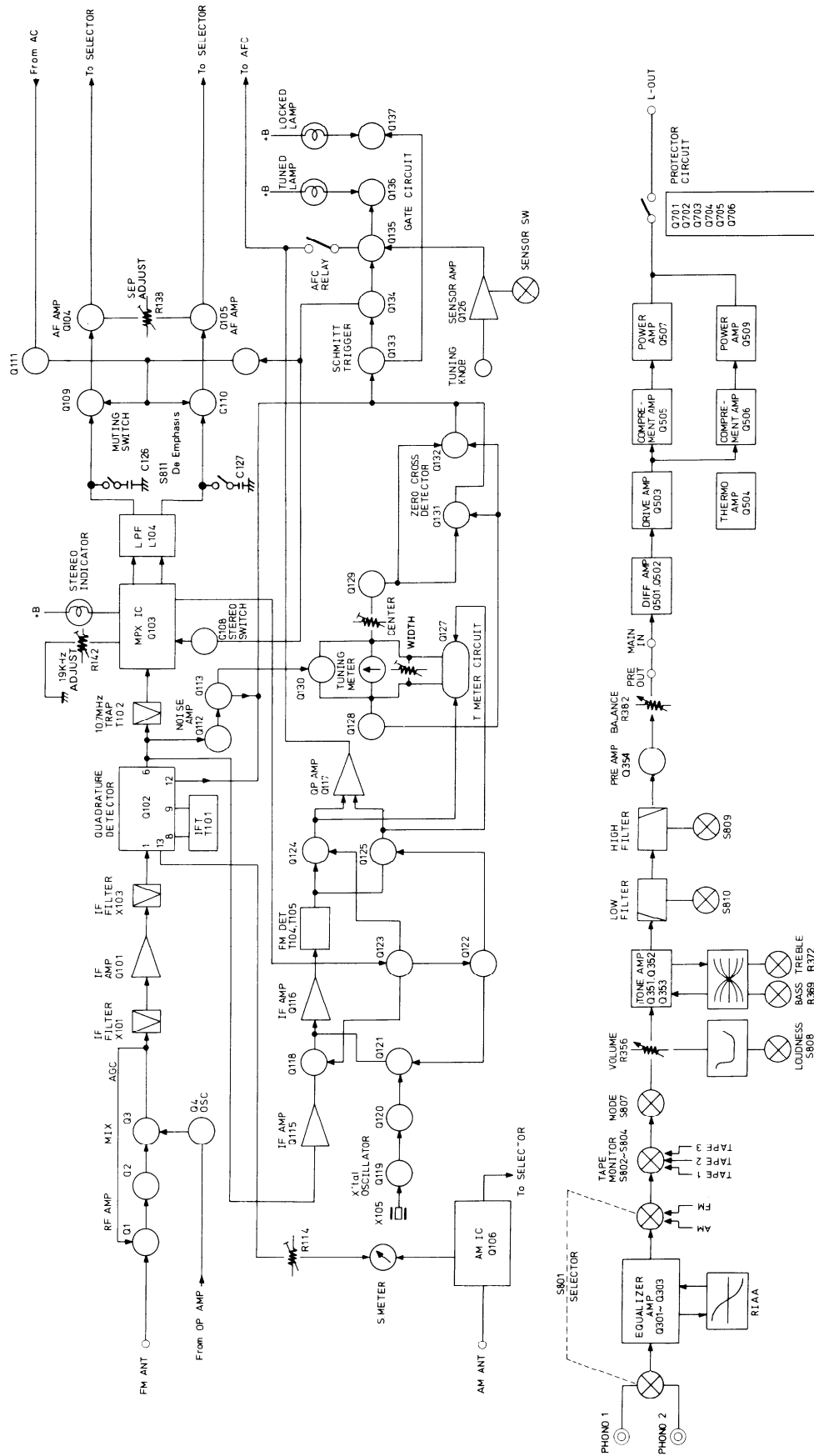
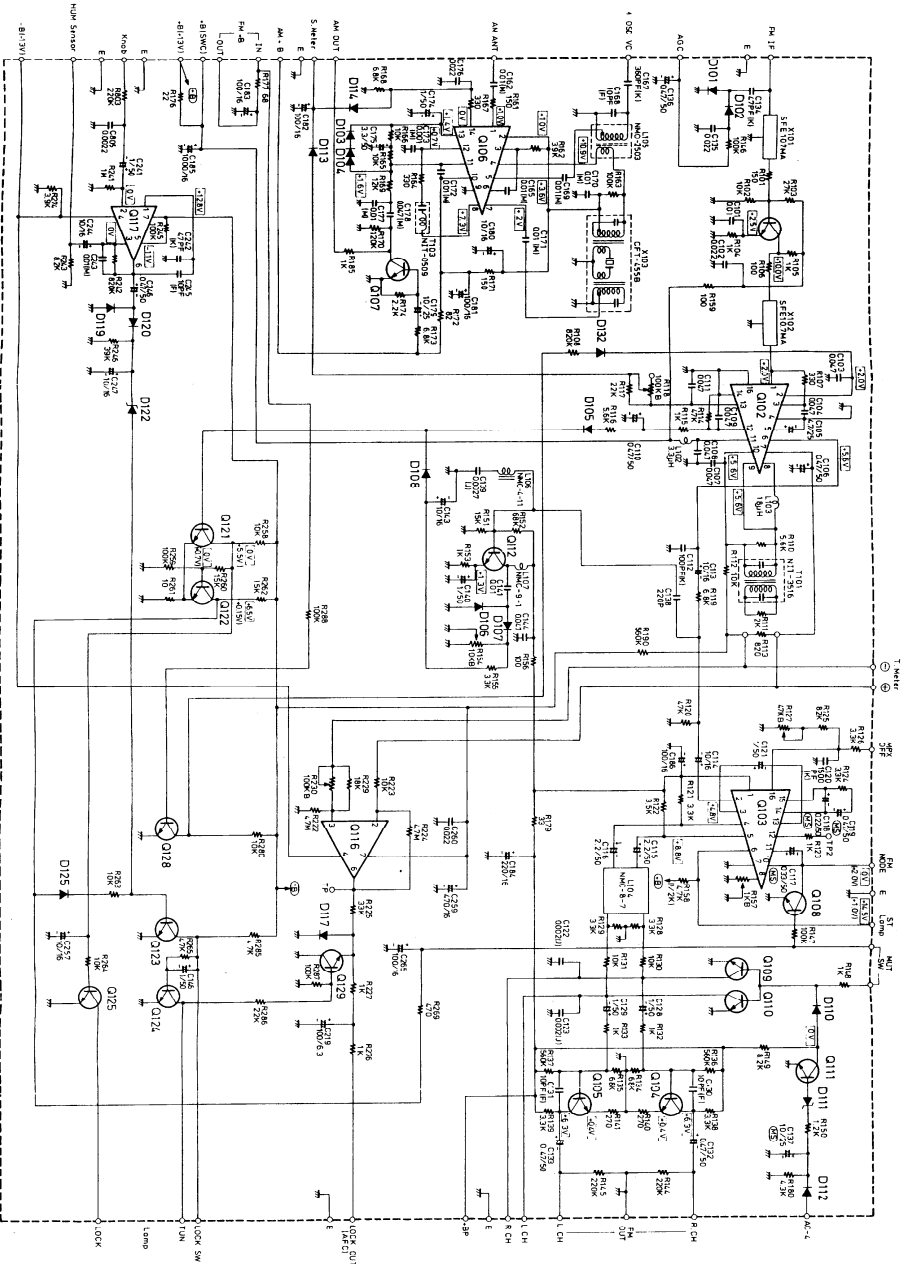


fig-6

**TX-2500
FM/AM SCHEMATIC DIAGRAM(Change Parts)
NAIMX-345**



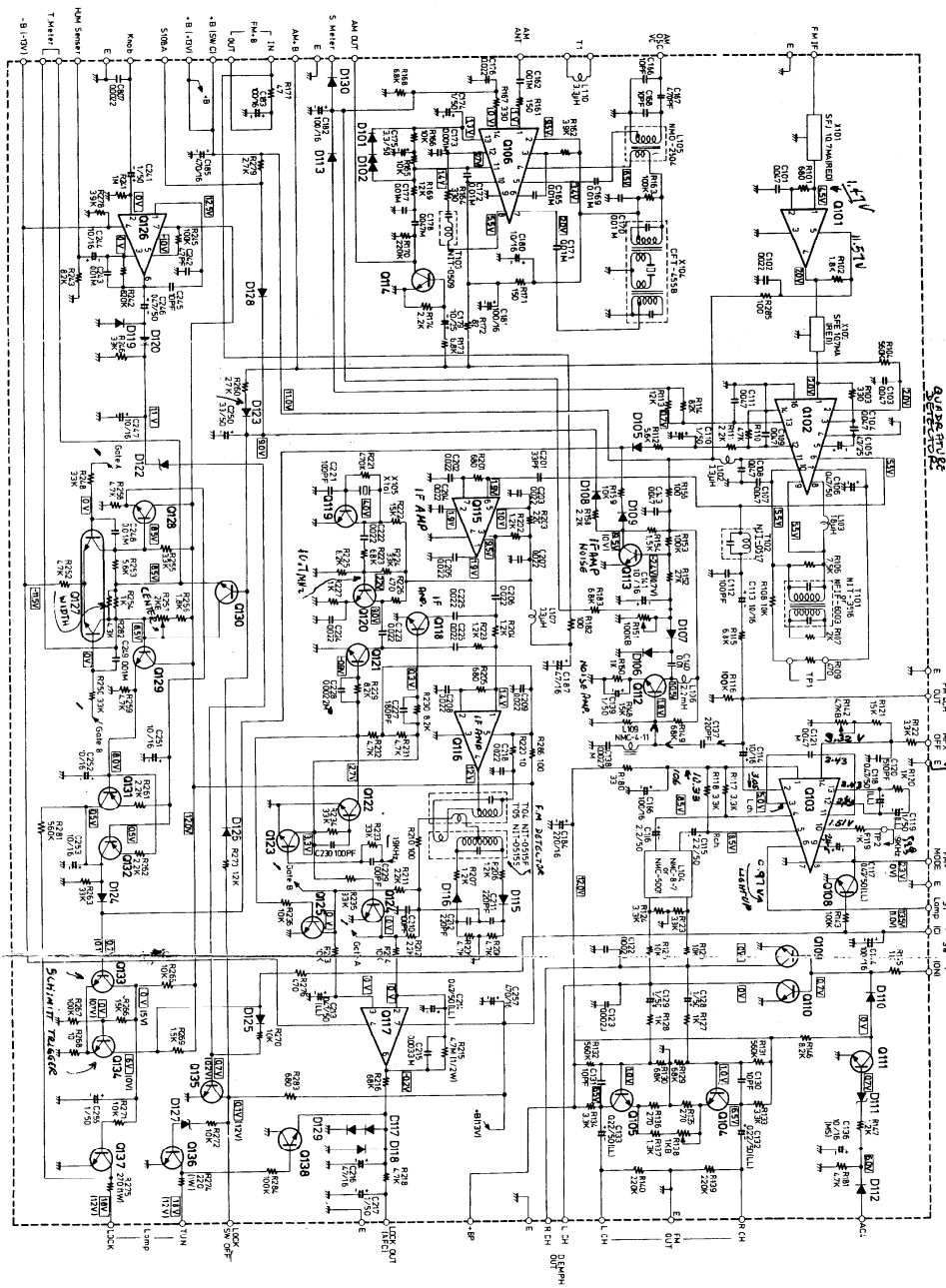
NOTES
ALL RESISTORS ARE IN OHMS, 1/4WATT UNLESS OTHERWISE NOTED.
ALL CAPACITORS ARE IN μ F, 500V UNLESS OTHERWISE NOTED.
ELECTROLYTIC CAPACITORS ($\text{---} \text{||} \text{---}$) ARE IN μ F/WV.
VOLTAGE (MEASURED WITH V.T.V.M.)
DC VOLTAGE (FM STEREO)
PUT "X" MARK AT THE BACK OF SERIAL NUMBER AFTER A CHANGE.

- SERVO LOCKED CIRCUIT ALIGNMENT**
1. Set MUTING switch to off.
 2. Set the radio dial to center needle deflection on tuning meter when the FM program source is received.
 3. Set MUTING switch to on.
 4. Adjust R230 to center needle deflection on tuning meter.

FM/AM PC BOARD(NAIMX-345)-PARTS LIST

CIRCUIT NO.	STOCK NO.	DESCRIPTION
TRANSISTORS		
Q101	2210113	2SC380(O), FM/IF Amp.
Q104, Q105	2210156	2SC1312 (Q), Audio Amp.
Q107, Q111	2210046-1 or 2210045	2SC737 (BL) or Transition Killer
Q108	Same as above	Same as above Mono-ST. Switch
Q109, Q110	2210244 or 2210943 or 2210086	2SC735 (Y) or Muting
Q112	2210244 or 2210943 or 2210086	2SC733 (BD), Noise Amp.
Q121, Q122	2210244 or 2210943	2SC1317 (R) or Schmitt Trigger
Q123	Same as above	Gate Circuit
Q124	Same as above	Tuned Lamp Switch
Q125	2210085	Loaded Lamp Switch
Q128	2210085	2SC733 (GR), AFC Switch
Q129	2210085	2SC733 (GR), AFC Switch
ICs		
Q102	222421	HA-1137 Quadrature Det.
Q103	222449	LA-3350 MPX
Q106	222418	HA-1151 AM
Q116	222424	TA-7504S OP Amp.
Q117	222423	TA-7156F Hum Sensor Amp.
DIODES		
D101, D106, D102	2231031	10N66(N)PM
D107, D108, D110, D113, D114, D119, D120	223105	1S155S
D103, D105, D117, D125, D137	4000022	VD-1212, Varistor
D104	223945 or 224012	RD5.1EB or WZ-052
D111	223943 or 224011	RD4.7EB or YZ-047
D122		
COILS		
L102	223105 or 223024	NCCH1005 or NCCH1501
L103	223074	NCCH1506
L104	223032 or 223104	NMC-8-7 or NMC-5001
L105	223104	NMC-5013
L106	223018	NMC-4-11
L107	223031	NMC-9-1
TRANSFORMERS		
T101	223101 or 223083	NFI-P-6003 or NIT-3116
T103	223041	NIT-0509
CERAMIC FILTERS		
X101, X102	3010007, 3010006 or 3010012	SFE10.7MA (Blue) SFE10.7MA (Red) SFE10.7MA (Orange) CFZ-4E5B
VARIABLE RESISTOR		
R118	5225013	R-HK100K3P
R127	5225019	R-H4, K/B3M
R154	5225017	R-HK100K3P
R157	5225024	N10HR1KBD
R230	5225013	R-HK100K3P

**TX-4500
FM/AM SCHEMATIC DIAGRAM(Change Parts)
N1AIMX-337**



- Q101, Q116..... 7A7060P
- Q102..... HA1137P
- Q103..... HA1137P
- Q104, Q105..... 2SC1312(F)
- Q106..... HA1151
- Q108, Q111, Q114..... 2SC945(O)
- Q109, Q110, Q113, Q115..... 2SC735(V)
- Q112, Q113, Q118, Q121..... 2SC1317(F) or 2SC735(V)
- Q117, Q118, Q121..... 2SC733(B)
- Q119, Q120..... 7A7061AP
- Q122..... 2SC736
- Q123..... 2SC736
- Q124..... 7A7188P
- Q125..... 2SC1583(B)
- Q126..... 2SC1583(B)
- Q127..... 2SC1583(B)
- Q128..... ZS4728(F)

- DI01, DI05, DI10, DI18..... 1S1555
- DI02, DI25, DI28..... V0122
- DI07, Q109..... V0122
- DI12, DI17, DI19, DI20..... 1N60
- DI23, DI26, DI28..... WZ051 or R051 EB
- DI24..... WZ051 or R051 EB
- DI25..... WZ051 or R051 EB
- DI27..... WZ051 or R051 EB
- DI28..... WZ051 or R051 EB

NOTES
 ALL CAPACITORS ARE IN PPM UNLESS OTHERWISE NOTED
 ALL RESISTORS ARE IN OHMS UNLESS OTHERWISE NOTED
 ELECTROLYTIC CAPACITORS (EMF) ARE IN μ F MV
 VOLTAGE MEASURED WITH INPUT SIGNAL
 V DC VOLTAGE IF STEREO
 PUT "V" MARK AT THE BACK OF SERIAL NUMBER AFTER A CHANGE

FM/AM PC BOARD(N1AIMX-337)-PARTS LIST

CIRCUIT NO.	PART NO.	DESCRIPTION
ICs		
Q101, 116	7232407	7A-7060P
Q102	2224211	HA-1137W
Q103	2224213	HA-1137W
Q106	2224401	HA-1151
Q115	2224402	HA-1151P
Q117	2224924	7A-7061AP
Q126	2224923	7A-7504S
		TA-7130P
		2.5D
Transistors		
Q104, 105	2210136	2SC1312(F)
Q108, 111, 114	2210046-1 or	2SC732(B)
	2210045	2SC732(GR)
Q109, 110, 118, 130,	2210243 or	2SC1317(F)
121-125, 133-138	2210244 or	2SC735(Y)
Q112, 113, 128, 129	2210086	2SC733(B)
Q119, 120	2210123	2SC380(O)
Q127	2210707	2SC1583(G)
Q131, 132	2210416	2SA726(F)
Diodes		
DI01, 105, 110, 118, 124,	223105	1S1555
125, 128, 112, 113,		
DI06-109, 112, 113,	2231031	1N60 FM
115-117, 119, 120, 122,		
126, 129, 130		
DI11	223945	R051EB
DI22	224012 or	WZ-052
	223943 or	R047EB
	224011	Y2-047
DI27	R051EB or	R051EB
	223928	WZ-061
Variator		
DI02	4000022	V01212
Coils		
L102, 110	233105	NCCH1005
L103	233024 or	NCCH1501
	233074	NCCH1506
L104	233104	NMC-8-7
	233032 or	NMC-8-7
L105	232042	NMC2504
L106	233031	NMC-9-1
L107	233024	NCCH1501
L109	233018	NMC-4-11
Transformers		
T101	233083 or	NIT-3S16
	233101	NIF-603
T102	233084	NIT-0S17
T103	233041	NIT-0S19
T104	233078	NIT-0S19P
T105	233079	NIT-0S15S
Ceramic Filters		
X101	3010018	SF10.7M(ARED)
X103	3010006	SF10.7M(ARED)
X104	3010012	CFT-455B
Crystal Oscillator		
X105	3010015	XTL-16.7M
Variable Resistors		
R138	5225018	R-HK1K33P
R142	5225019	N10HR4.7KBD
R151	5225016	R-HK100K33M
R257	5225055	N10HR2KBC

COMPONENT LOCATION

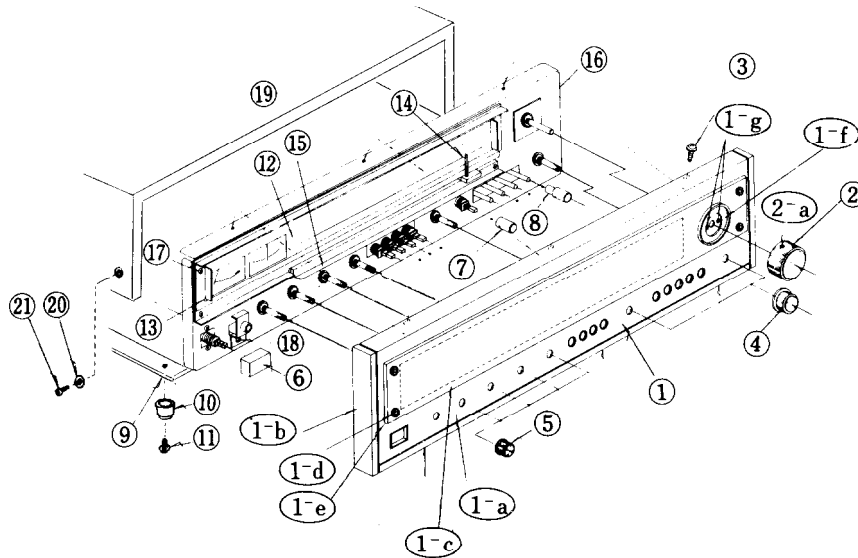
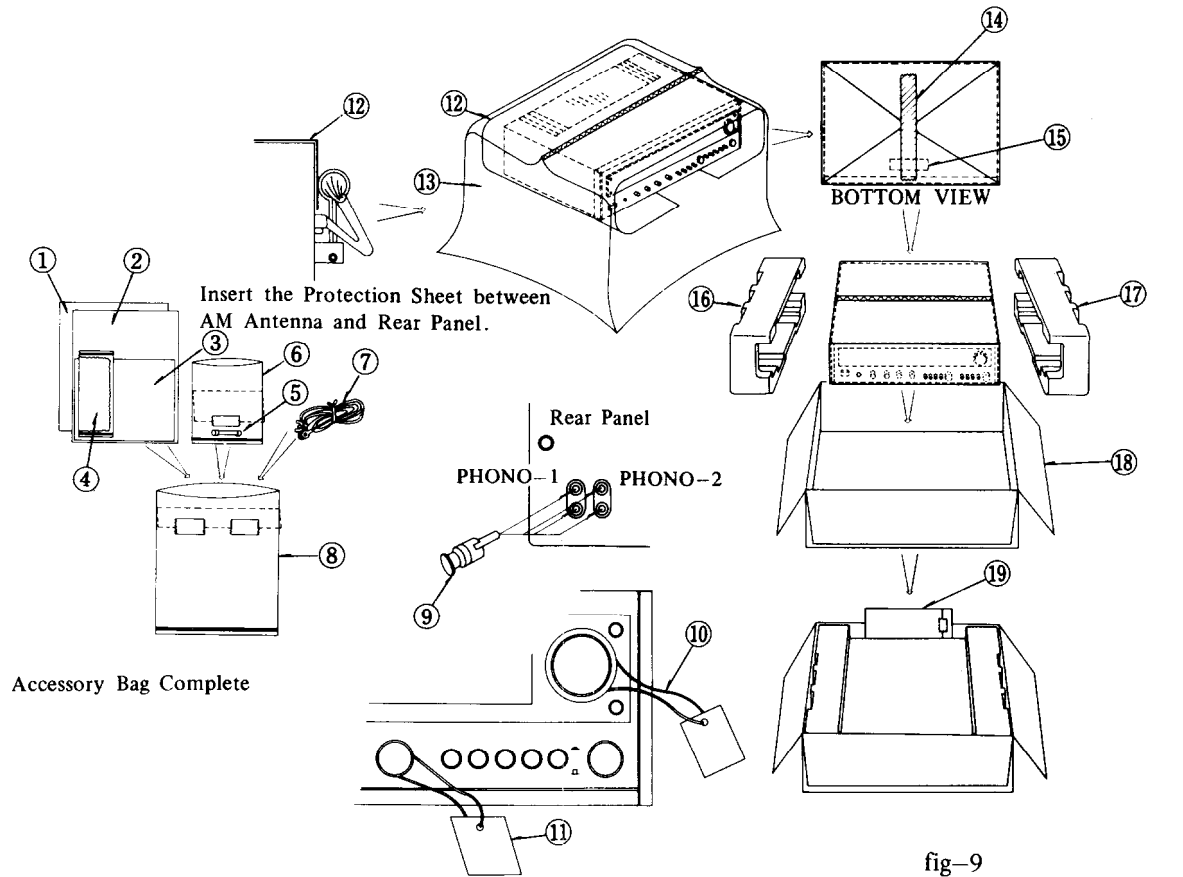


fig-8

ITEM	DESCRIPTION	TX-4500 STOCK NO.	Q'TY	TX-2500 STOCK NO.	Q'TY
1	Front Panel Ass'y	13829121	1	13809121	1
1-a	Front Panel	27210045	1	27210046	1
1-b	End Cap	28125032	2	28125032	2
1-c	Dial Glass	28191007	1	28191008	1
1-d	Spacer	27270014	4	27270014	4
1-e	Decorative Screw	27300038	4	27300038	4
1-f	Tuning Ring	27265003	1	27265003	1
1-g	Tapping Screw 3STS+6BQ	834130062	2	834130062	2
2	Tuning Knob	28320136	1	28320136	1
2-a	Enamel Screw		(1)		(1)
3	Tapping Screw	831130082	6	831130062	6
4	Volume Knob	28320132	2	28320132	2
5	Tone Knob	28320131	4	28320131	4
6	Power Knob	28320130	1	28320130	1
7	Push Button A	28320133	5	28320133	4
8	Push Button B	28320134	4	28320134	3
9	Bottom Board	27170013A	1	27170014A	1
10	Rubber Cushion	280889	4	280889	4
11	Tapping Screw 3STS+16BQ	831130162	4	831130162	4
12	Dial Plate	28130032A	1	28130034	1
13	Bracket-Dial Plate	27240006	1	27240007	1
14	Pointer Ass'y	13829133	1	13829133	1
15	Pointer Rail	27300035	1	27300036	1
16	Bracket-Front	27110023B	1	27110024B	1
17	Tapping Screw 3STS+10BQ	834180102	4	834130102	4
18	Bracket-Headphone	27140090A	1	27140090	1
19	Amp. Box	28110057A	1	28110058B	1
20	Washer 4-12BS-Ni	870040	4	870040	4
21	Screw 4MS+15BS-Ni	82374015	4	82374015	4

PACKING PROCEDURE



ITEM	DESCRIPTION	TX-4500		TX-2500	
		STOCK NO.	Q'TY	STOCK NO.	Q'TY
1	Instruction Manual	29340125	1	29340127	1
2	Caution Card-W	29355036-1	1	29355036-1	1
3	Warranty Card	293036-1	1	293036-1	1
4	Silicon Cloth	292017-2	1	292017-2	1
5	Fuse 3A(ST-2)	NONE		252005	1
	3A(SS-2)	NONE		252006	1
	4A(ST-2)	252038	1	NONE	
6	Poly Bag 80X150	29100002	1	29100002	1
7	FM Antenna Ass'y	292064	1	292064	1
8	Poly Bag 350X250	29100006A	1	29100006A	1
9	Shorted Pin PO-107	250153	4	250153	2
10	Tag-Sensor	29355039	1	29355039	1
11	Tag-Cabinet Composition	29380004	1	29380004	1
12	Sheet 500X1200	290093	1	290093	1
13	Poly Bag 720X1020	29100020	1	29100020	1
14	Adhesive Tape W30	261504	40cm	261504	40cm
15	Caution Card	293041	1	293041	1
16	Pad-Side (Left)	29090116A	1	29090116A	1
17	Pad-Side (Right)	29090115A	1	29090115A	1
18	Master Carton Box	29050054	1	29050060	1
19	Accessory Bag Complete (1-2, 4-8)	13829119	1		1

ALIGNMENT PROCEDURE

INSTRUMENTS REQUIRED

1. DC Ammeter
2. DC Voltmeter
3. AM/FM Sweep Generator
4. AM/FM Signal Generator
5. Vacuum Tube Voltage Meter (VTVM) AC, DC
6. Oscilloscope
7. Monitorscope
8. Distortion Analyzer
9. Stereo Modulator
10. Frequency Counter
11. CR Oscillator

GENERAL ALIGNMENT CONDITIONS

1. Signal input should be kept as low as possible.
2. Standard modulation is 400Hz 30% (AM), 400Hz 100% (FM MONO), pilot 10% sub and main 90% (FM STEREO).
3. Standard knob position
 SPEAKERS..... A VOLUME..... Maximum
 BASS, TREBLE & BALANCE.....Center
 LOW & HIGH FILTER.....OFF
 MODE..... STEREO
 LOUDNESS..... OFF
 MUTING LOCK & DOLBY ADAPTOR..... OFF
 TAPE 1, 2, 3..... OFF (SOURCE)

CENTER VOLTAGE ADJUSTMENT

Connect a 8-ohm load resistor across the SPEAKER terminals.
 Connect the DC Voltmeter between CT and E terminal.

TX-4500

Adjust the voltage to $0 \pm 20\text{mV}$ with R504. (Left channel)
 Adjust the voltage to $0 \pm 20\text{mV}$ with R604. (Right channel)

TX-2500

Adjust the voltage to $0 \pm 40\text{mV}$ with R504. (Left channel)
 Adjust the voltage to $0 \pm 40\text{mV}$ with R604. (Right channel)
 NOTE: Adjust after switching on for 10 minutes.

IDLING CURRENT ADJUSTMENT

Connect the DC Voltmeter between ID and CT terminal.

TX-4500

Adjust the voltage to $20 \pm 5\text{mV}$ with R518. (Left channel)
 Adjust the voltage to $20 \pm 5\text{mV}$ with R618. (Right channel)

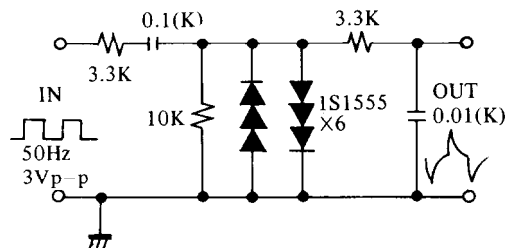
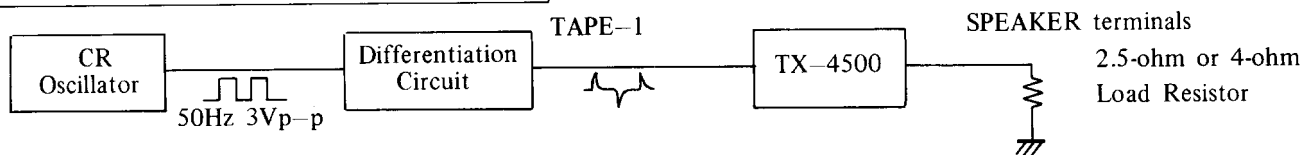
TX-2500

Adjust the voltage to $20 \pm 5\text{mV}$ with R514. (Left channel)
 Adjust the voltage to $20 \pm 5\text{mV}$ with R614. (Right channel)

NOTE: Adjust after switching on for 10 minutes.

Open load VOLUME..... Minimum TAPE MONITOR-1..... ON

PROTECTIVE CIRCUIT ADJUSTMENT



Load Resistor	CR Oscillator	Relay	Adjust
4-ohm, 100W	50Hz 3Vp-p	ON	R537 (Left channel)
2.5-ohm, 100W		OFF	R637 (Right channel)

NOTE: VOLUME.....Maximum
 TAPE MONITOR-1.....ON

fig-10 Differentiation Circuit

ATTACHMENT OF DIAL POINTER

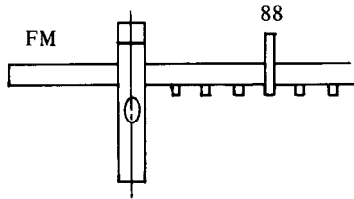
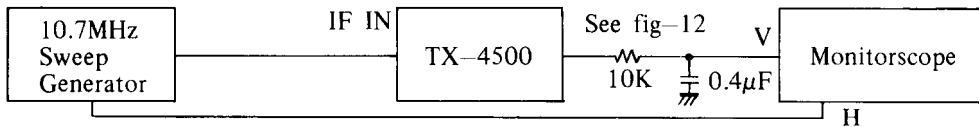


fig-11

1. Close the variable capacitor completely.
2. Set the radio dial pointer to zero (0) on dial scale and install the dial pointer ass'y.

QUARTZ LOCKED CIRCUIT ALIGNMENT

Set SELECTOR switch to FM.



10.7MHz Sweep	Adjustment	Adjustment for
10.7MHz	T104, 105	Maximum symmetrical response fig-13

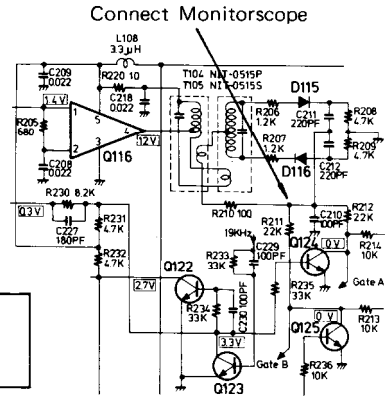


fig-12

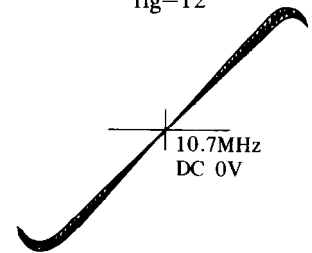
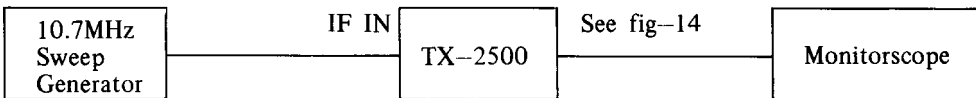


fig-13

SERVO LOCKED CIRCUIT ALIGNMENT



10.7MHz Sweep	Adjust	Adjustment for
10.7MHz	T102, T104	Maximum symmetrical response fig-13

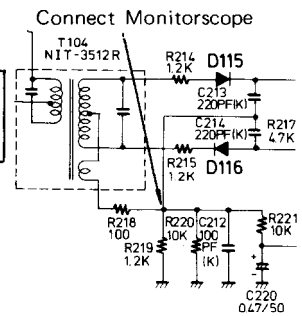
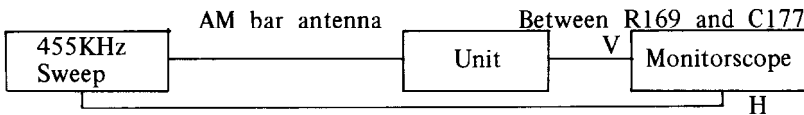


fig-14

AM IF ALIGNMENT



Set Radio Dial	Adjust	Adjust for	Remarks
Upper end	X104 (TX-4500) X103 (TX-2500)	Maximum symmetrical response	Usually not necessary to adjust

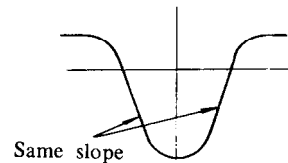
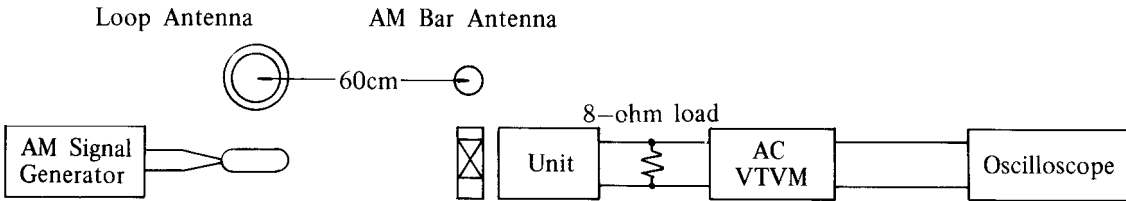


fig-15

AM RF ALIGNMENT

Confirm start point of dial pointer before alignment.



Connect AC VTVM across LEFT SPEAKER terminals.

Step	AM Signal Generator	Dial to set	Adjust		AC VTVM reading	Remarks
			TX-4500	TX-2500		
1	515KHz 400Hz 30% mod.	515KHz Lower end	L105 NMO-2504	L105 NMO-2503	Maximum	(Repeat step 1 and 2 as necessary)
2	1680KHz 400Hz 30% mod.	1680KHz Upper end	TC-5	TC-4	Maximum	
3	600KHz 400Hz 30% mod.	600KHz	L001 NMA-2521	L001 NMA-2520	Maximum	(Repeat step 3 and 4 as necessary)
4	1400KHz 400Hz 30% mod.	1400KHz	TC-2	TC-2	Maximum	

FM FRONT END ALIGNMENT

Set SELECTOR switch to FM.

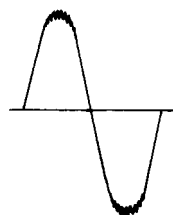
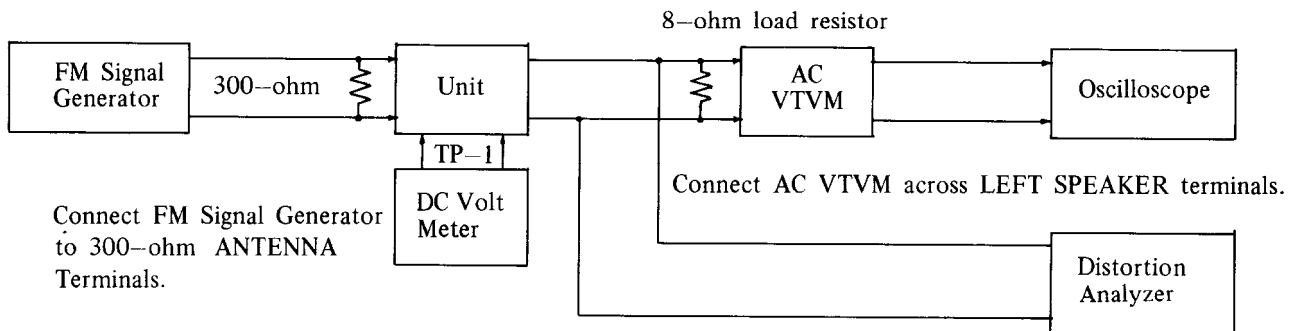
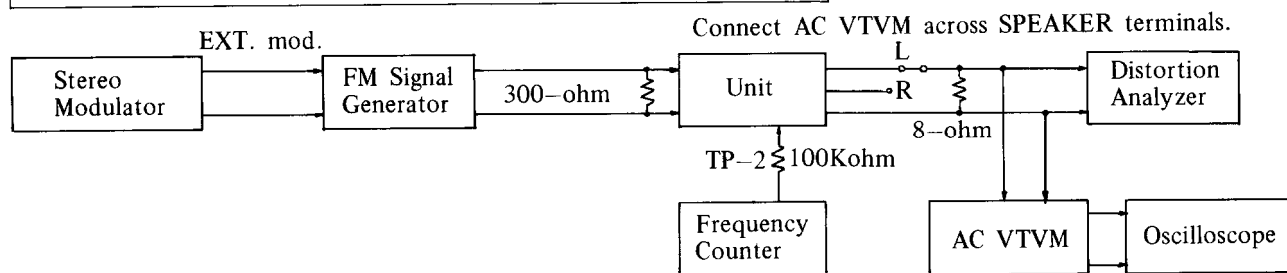


fig-16

Step	FM Signal Generator	Dial to set	Adjust		Output Indicator	Adjust for	Remarks
			TX-4500	TX-2500			
1	No Signal	Quiet Point	T101 Bottom	T101 Bottom	DC Volt Meter	0mV	
2	98MHz 400Hz 100% mod. 60dB	98MHz	T101 Top	T101 Top	Distortion Analyzer	Minimum Distortion	Set the output voltage to 3V with VOLUME.
3	Repeat step 1 and 2 as necessary.						
4	98MHz 400Hz 100% mod. 60dB	98MHz	R257		TUNING Meter	Center	
5	90MHz 400Hz 100% mod. 60dB	90MHz	OSC Coil L0	OSC Coil L5	DC Volt Meter	0mV	
6	106MHz 400Hz 100% mod. 60dB	106MHz	OSC Trimmer TC5(TC 0)	OSC Trimmer TC5	Same as above	0mV	
7	Repeat step 5 and 6 as necessary.						
8	90MHz 400Hz 100% mod.	90MHz	L1(LA) L2(LR1) L3(LR2)	L1 L2	AC VTVM or Oscilloscope	Maximum	Set FM Signal Generator level as low as possible. fig-16
9	106MHz 400Hz 100% mod.	106MHz	TC1(TCA) TC3(TCR1) TC4(TCR2)	TC1 TC3	Same as above	Maximum	
10	Repeat step 8 and 9 as necessary						
11	98 MHz 400Hz 100% mod.	98MHz	IF Core Top and Bottom L5	IF Core L4	AC VTVM or Oscilloscope	Maximum	

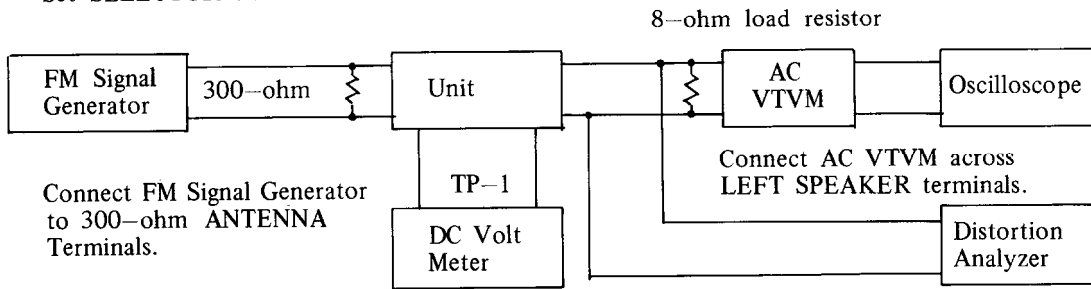
FM MONO DISTORTION AND MULTIPLEX ALIGNMENT



Alignment	Step	FM Signal Generator	Stereo Modulator	Dial to set	Adjust		Output Indicator	Adjust for	Remarks
					TX-4500	TX-2500			
Mono Distortion		98MHz 400Hz 100% mod. 60dB	—————	98MHz	T101 Bottom	T101 Bottom	Distortion Analyzer	Minimum	
19KHz	1	98MHz 400Hz 100% mod. 60dB	—————	98MHz	R142	R127	Frequency Counter	19000±19Hz	
	2	STEREO INDICATOR should light up when stereo program is being received.							
Multiplex	1	98MHz EXT. Mod.	Pilot Sig. 10% Main & Sub Sig. 1KHz Lch 90%	98MHz	R138	R157	AC VTVM Right ch.	Minimum	Repeat step 1 & 2 as necessary
	2	Same as above	Pilot Sig. 10% Main & Sub Sig. 1KHz Rch 90%	98MHz	R138	R157	AC VTVM Left ch.	Minimum	

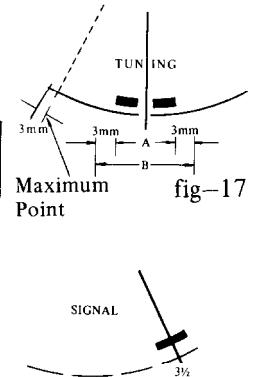
FM TUNING METER, STRENGTH METER AND MUTING ADJUSTMENT

Set SELECTOR switch to FM.



Connect FM Signal Generator to 300-ohm ANTENNA Terminals.

Connect AC VTVM across LEFT SPEAKER terminals.



Set TUNING dial pointer and FM Signal Generator Frequency (no mod.) to 98MHz.
Confirm LOCKED LAMP should light up.

fig-18

Adjustment	FM Signal Generator	Dial to set	Adjust	Output Indicator	Adjust for	Remarks
TUNING METER	98MHz 60dB no mod.		R254(width) R257(center)	TUNING METER	fig-17	TX-4500
STRENGTH METER	98MHz 400Hz 100% mod. 70dB	98MHz	R114 (TX-4500) R118 (TX-2500)	STRENGTH METER	fig-18	
MUTING	1 98MHz 400Hz 100% mod. 12dB	98MHz	R151 (TX-4500)	Oscilloscope or AC VTVM	signal	Repeat step 1 & 2.
	2 11dB		R154 (TX-2500)		no signal and noise	

CHASSIS LAYOUT

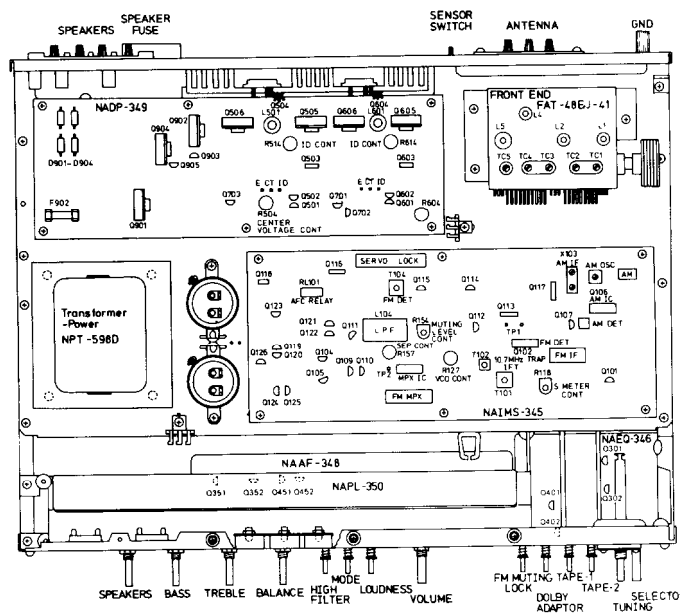


fig-19
TX-2500
TOP VIEW

CHASSIS LAYOUT

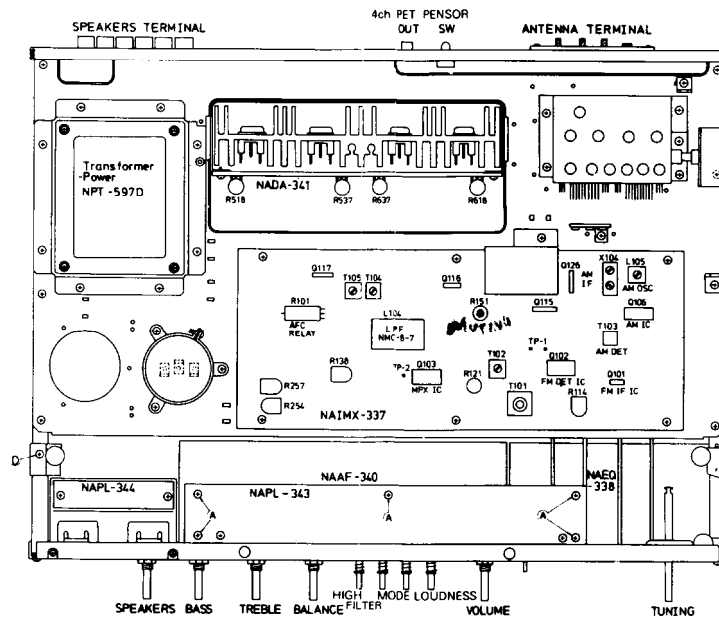


fig-20
TX-4500
TOP VIEW

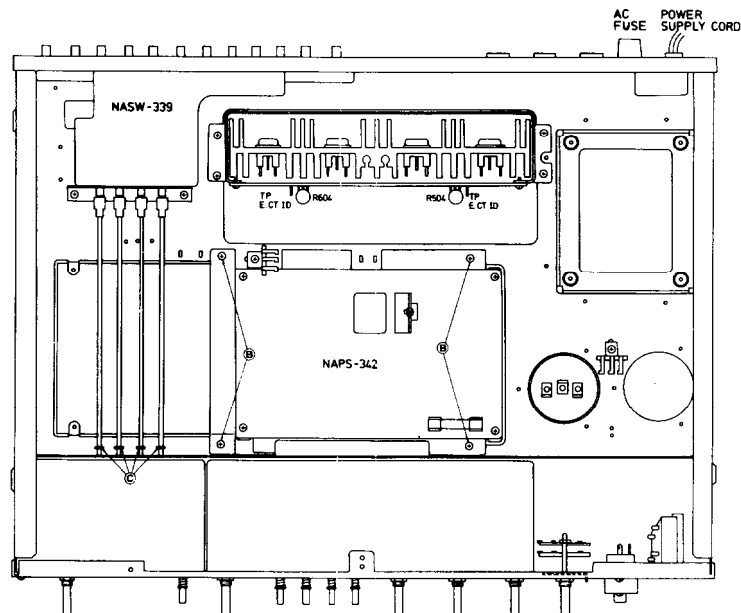


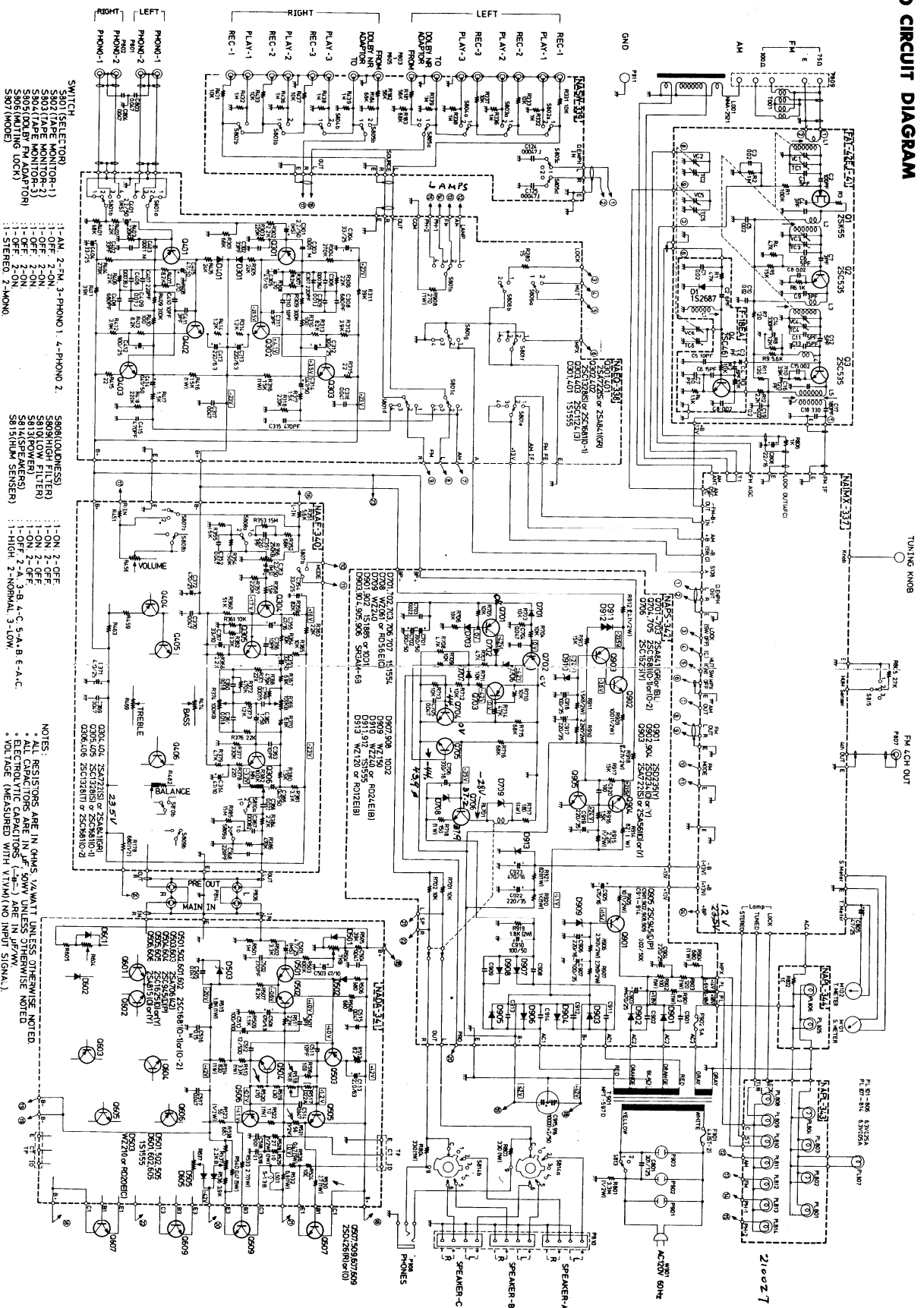
fig-21
TX-4500
BOTTOM VIEW

- Replacing of the pilot lamp requires release of 5 tapping screws on (A).
- Checking of the PC board of NAIMX-337 calls for removal of 4 tapping screws of (B).
- When replacing the push SW(TAPE MONI (AUX) 1 - 3, DOLBY), arrange for release of (C) E ring first.
- Adjustment in tension of the dial cord requires easing of tapping screw (D) to allow for sliding in position of metal fittings.

TX-4500 PARTS LIST

PARTS NO.	DESCRIPTION	SPECIFICATIONS	QTY	STOCK NO.	REMARKS
U1	Front Elm	FAT-2EJ-41	1	240035	
U2	Printed Circuit Board Assy	NAMX-337	1	1829237	Tuner Section
U3	Printed Circuit Board Assy	NAMX-338	1	1829238	Equalizer Section
U4	Printed Circuit Board Assy	NASW-339	1	1829239	Switch Section
U5	Printed Circuit Board Assy	NAMF-540	1	1829540	Tone Section
U6	Printed Circuit Board Assy	NADA-341	1	1829541	Driver Section
U7	Printed Circuit Board Assy	NAPB-342	1	1829542	Power Supply Section
U8	Printed Circuit Board Assy	NAPL-343	1	1829543	PIA Lamp Section
U9	Printed Circuit Board Assy	NAPM-344	1	1829544	PIA Lamp Section
U10	Printed Circuit Board Assy	NAPN-345	1	1829545	Using same file rank
U11	Transistor	2N3638 (O) or (O)	4	220101	
F1007	Lamp-PIA1	6.750.65AN-3	1	210115	Power
F1008	Transformer-Power	NFT-357D	1	210134	
F1009	Transformer-BLN	NBN-357	1	210135	
F1010	Coil-Antenna	NMA-3531	1	210136	
C301	Capacitor-EL	UL125 V103M	1	310493	
C302	Capacitor-Elect	CE04W25V470JF	1	31754701	
C303	Capacitor-Elect	CE04W16V470JF	1	31742201	
C304	Capacitor-Elect	CE2B50V1000X25-L	1	31742201	
R301	Resistor-Metal Oxide Film	R31WB1300m	2	41162134	Power Source
R302	Switch-Push	NFS1111NA	1	21035021	Speakers
R303	Switch-Slide	NBS-226-30Y	1	21035028	Speaker
R304	PNM Jack	NTM-4WPBL-EI	1	210170	PHONE
R305	PNM Jack	NTM-1WPBL-EI	1	210169	PRE. MAIN
R306	PNM Jack	NTM-1100-H	1	210256	4 Channel Out
R307	Terminal	NTM-3PDM1	1	21045018	Antenna
R308	Terminal	NTM-12PDM1	1	21040008	Speakers
R309	Terminal	NTM-3PDM1	1	2104665	Speakers
R310	Terminal	NTM-3PDM1	1	2104665	Speakers
R311	Terminal	NTM-3PDM1	1	2104665	Speakers
R312	Terminal	NTM-3PDM1	1	2104665	Speakers
R313	Terminal	NTM-3PDM1	1	2104665	Speakers
R314	Terminal	NTM-3PDM1	1	2104665	Speakers
R315	Terminal	NTM-3PDM1	1	2104665	Speakers
R316	Terminal	NTM-3PDM1	1	2104665	Speakers
R317	Terminal	NTM-3PDM1	1	2104665	Speakers
R318	Terminal	NTM-3PDM1	1	2104665	Speakers
R319	Terminal	NTM-3PDM1	1	2104665	Speakers
R320	Terminal	NTM-3PDM1	1	2104665	Speakers
R321	Terminal	NTM-3PDM1	1	2104665	Speakers
R322	Terminal	NTM-3PDM1	1	2104665	Speakers
R323	Terminal	NTM-3PDM1	1	2104665	Speakers
R324	Terminal	NTM-3PDM1	1	2104665	Speakers
R325	Terminal	NTM-3PDM1	1	2104665	Speakers
R326	Terminal	NTM-3PDM1	1	2104665	Speakers
R327	Terminal	NTM-3PDM1	1	2104665	Speakers
R328	Terminal	NTM-3PDM1	1	2104665	Speakers
R329	Terminal	NTM-3PDM1	1	2104665	Speakers
R330	Terminal	NTM-3PDM1	1	2104665	Speakers
R331	Terminal	NTM-3PDM1	1	2104665	Speakers
R332	Terminal	NTM-3PDM1	1	2104665	Speakers
R333	Terminal	NTM-3PDM1	1	2104665	Speakers
R334	Terminal	NTM-3PDM1	1	2104665	Speakers
R335	Terminal	NTM-3PDM1	1	2104665	Speakers
R336	Terminal	NTM-3PDM1	1	2104665	Speakers
R337	Terminal	NTM-3PDM1	1	2104665	Speakers
R338	Terminal	NTM-3PDM1	1	2104665	Speakers
R339	Terminal	NTM-3PDM1	1	2104665	Speakers
R340	Terminal	NTM-3PDM1	1	2104665	Speakers
R341	Terminal	NTM-3PDM1	1	2104665	Speakers
R342	Terminal	NTM-3PDM1	1	2104665	Speakers
R343	Terminal	NTM-3PDM1	1	2104665	Speakers
R344	Terminal	NTM-3PDM1	1	2104665	Speakers
R345	Terminal	NTM-3PDM1	1	2104665	Speakers
R346	Terminal	NTM-3PDM1	1	2104665	Speakers
R347	Terminal	NTM-3PDM1	1	2104665	Speakers
R348	Terminal	NTM-3PDM1	1	2104665	Speakers
R349	Terminal	NTM-3PDM1	1	2104665	Speakers
R350	Terminal	NTM-3PDM1	1	2104665	Speakers
R351	Terminal	NTM-3PDM1	1	2104665	Speakers
R352	Terminal	NTM-3PDM1	1	2104665	Speakers
R353	Terminal	NTM-3PDM1	1	2104665	Speakers
R354	Terminal	NTM-3PDM1	1	2104665	Speakers
R355	Terminal	NTM-3PDM1	1	2104665	Speakers
R356	Terminal	NTM-3PDM1	1	2104665	Speakers
R357	Terminal	NTM-3PDM1	1	2104665	Speakers
R358	Terminal	NTM-3PDM1	1	2104665	Speakers
R359	Terminal	NTM-3PDM1	1	2104665	Speakers
R360	Terminal	NTM-3PDM1	1	2104665	Speakers
R361	Terminal	NTM-3PDM1	1	2104665	Speakers
R362	Terminal	NTM-3PDM1	1	2104665	Speakers
R363	Terminal	NTM-3PDM1	1	2104665	Speakers
R364	Terminal	NTM-3PDM1	1	2104665	Speakers
R365	Terminal	NTM-3PDM1	1	2104665	Speakers
R366	Terminal	NTM-3PDM1	1	2104665	Speakers
R367	Terminal	NTM-3PDM1	1	2104665	Speakers
R368	Terminal	NTM-3PDM1	1	2104665	Speakers
R369	Terminal	NTM-3PDM1	1	2104665	Speakers
R370	Terminal	NTM-3PDM1	1	2104665	Speakers
R371	Terminal	NTM-3PDM1	1	2104665	Speakers
R372	Terminal	NTM-3PDM1	1	2104665	Speakers
R373	Terminal	NTM-3PDM1	1	2104665	Speakers
R374	Terminal	NTM-3PDM1	1	2104665	Speakers
R375	Terminal	NTM-3PDM1	1	2104665	Speakers
R376	Terminal	NTM-3PDM1	1	2104665	Speakers
R377	Terminal	NTM-3PDM1	1	2104665	Speakers
R378	Terminal	NTM-3PDM1	1	2104665	Speakers
R379	Terminal	NTM-3PDM1	1	2104665	Speakers
R380	Terminal	NTM-3PDM1	1	2104665	Speakers
R381	Terminal	NTM-3PDM1	1	2104665	Speakers
R382	Terminal	NTM-3PDM1	1	2104665	Speakers
R383	Terminal	NTM-3PDM1	1	2104665	Speakers
R384	Terminal	NTM-3PDM1	1	2104665	Speakers
R385	Terminal	NTM-3PDM1	1	2104665	Speakers
R386	Terminal	NTM-3PDM1	1	2104665	Speakers
R387	Terminal	NTM-3PDM1	1	2104665	Speakers
R388	Terminal	NTM-3PDM1	1	2104665	Speakers
R389	Terminal	NTM-3PDM1	1	2104665	Speakers
R390	Terminal	NTM-3PDM1	1	2104665	Speakers
R391	Terminal	NTM-3PDM1	1	2104665	Speakers
R392	Terminal	NTM-3PDM1	1	2104665	Speakers
R393	Terminal	NTM-3PDM1	1	2104665	Speakers
R394	Terminal	NTM-3PDM1	1	2104665	Speakers
R395	Terminal	NTM-3PDM1	1	2104665	Speakers
R396	Terminal	NTM-3PDM1	1	2104665	Speakers
R397	Terminal	NTM-3PDM1	1	2104665	Speakers
R398	Terminal	NTM-3PDM1	1	2104665	Speakers
R399	Terminal	NTM-3PDM1	1	2104665	Speakers
R400	Terminal	NTM-3PDM1	1	2104665	Speakers
R401	Terminal	NTM-3PDM1	1	2104665	Speakers
R402	Terminal	NTM-3PDM1	1	2104665	Speakers
R403	Terminal	NTM-3PDM1	1	2104665	Speakers
R404	Terminal	NTM-3PDM1	1	2104665	Speakers
R405	Terminal	NTM-3PDM1	1	2104665	Speakers
R406	Terminal	NTM-3PDM1	1	2104665	Speakers
R407	Terminal	NTM-3PDM1	1	2104665	Speakers
R408	Terminal	NTM-3PDM1	1	2104665	Speakers
R409	Terminal	NTM-3PDM1	1	2104665	Speakers
R410	Terminal	NTM-3PDM1	1	2104665	Speakers
R411	Terminal	NTM-3PDM1	1	2104665	Speakers
R412	Terminal	NTM-3PDM1	1	2104665	Speakers
R413	Terminal	NTM-3PDM1	1	2104665	Speakers
R414	Terminal	NTM-3PDM1	1	2104665	Speakers
R415	Terminal	NTM-3PDM1	1	2104665	Speakers
R416	Terminal	NTM-3PDM1	1	2104665	Speakers
R417	Terminal	NTM-3PDM1	1	2104665	Speakers
R418	Terminal	NTM-3PDM1	1	2104665	Speakers
R419	Terminal	NTM-3PDM1	1	2104665	Speakers
R420	Terminal	NTM-3PDM1	1	2104665	Speakers
R421	Terminal	NTM-3PDM1	1	2104665	Speakers
R422	Terminal	NTM-3PDM1	1	2104665	Speakers
R423	Terminal	NTM-3PDM1	1	2104665	Speakers
R424	Terminal	NTM-3PDM1	1	2104665	Speakers
R425	Terminal	NTM-3PDM1	1	2104665	Speakers
R426	Terminal	NTM-3PDM1	1	2104665	Speakers
R427	Terminal	NTM-3PDM1	1	2104665	Speakers
R428	Terminal	NTM-3PDM1	1	2104665	Speakers
R429	Terminal	NTM-3PDM1	1	2104665	Speakers
R430	Terminal	NTM-3PDM1	1	2104665	Speakers
R431	Terminal	NTM-3PDM1	1	2104665	Speakers
R432	Terminal	NTM-3PDM1	1	2104665	Speakers
R433	Terminal	NTM-3PDM1	1	2104665	Speakers
R434	Terminal	NTM-3PDM1	1	2104665	Speakers
R435	Terminal	NTM-3PDM1	1	2104665	Speakers
R436	Terminal	NTM-3PDM1	1	2104665	Speakers
R437	Terminal	NTM-3PDM1	1	2104665	Speakers
R438	Terminal	NTM-3PDM1	1	2104665	Speakers
R439	Terminal	NTM-3PDM1	1	2104665	Speakers
R440	Terminal	NTM-3PDM1	1	2104665	Speakers
R441	Terminal	NTM-3PDM1	1	2104665	Speakers
R442	Terminal	NTM-3PDM1	1	2104665	Speakers
R443	Terminal	NTM-3PDM1	1	2104665	Speakers
R444	Terminal	NTM-3PDM1	1	2104665	Speakers
R445	Terminal	NTM-3PDM1	1	2104665	Speakers
R446	Terminal	NTM-3PDM1	1	2104665	Speakers
R447	Terminal	NTM-3PDM1	1	2104665	Speakers
R448	Terminal	NTM-3PDM1	1	2104665	Speakers
R449	Terminal	NTM-3PDM1	1	2104665	Speakers
R450	Terminal	NTM-3PDM1	1	2104665	Speakers
R451	Terminal	NTM-3PDM1	1	2104665	Speakers
R452	Terminal	NTM-3PDM1	1	2104665	Speakers
R453	Terminal	NTM-3PDM1	1	2104665	Speakers
R454	Terminal	NTM-3PDM1	1	2104665	Speakers
R455	Terminal	NTM-3PDM1	1	2104665	Speakers
R456	Terminal	NTM-3PDM1	1	2104665	Speakers
R457	Terminal	NTM-3PDM1	1	2104665	Speakers
R458	Terminal	NTM-3PDM1	1	2104665	Speakers
R459	Terminal	NTM-3PDM1	1	2104665	Speakers
R460	Terminal	NTM-3PDM1	1	2104665	Speakers
R461	Terminal	NTM-3PDM1	1	2104665	Speakers
R462	Terminal	NTM-3PDM1	1	2104665	Speakers
R463	Terminal	NTM-3PDM1	1	2104665	Speakers
R464	Terminal	NTM-3PDM1	1	2104665	Speakers
R465	Terminal	NTM-3PDM1	1	2104665	Speakers
R466	Terminal	NTM-3PDM1	1	2104665	Speakers
R467	Terminal	NTM-3PDM1	1	2104665	Speakers
R468	Terminal	NTM-3PDM1	1	2104665	Speakers
R469	Terminal	NTM-3PDM1	1	2104665	Speakers
R470	Terminal	NTM-3PDM1	1	2104665	Speakers
R471	Terminal	NTM-3PDM1	1	2104665	Speakers

TX-4500 CIRCUIT DIAGRAM



- SWITCH**
- 5801 (SELECTION)
 - 5802 (TYPE MONITOR-1)
 - 5803 (TYPE MONITOR-2)
 - 5804 (TYPE MONITOR-3)
 - 5805 (TYPE MONITOR-4)
 - 5806 (FM ADAPTOR)
 - 5807 (JITTING LOCK)
 - 5807 (MODE)

- 1- AM, 2-FM, 3-PHONO 1, 4-PHONO 2
- 1-OFF, 2-ON
- 1-OFF, 2-ON
- 1-OFF, 2-ON
- 1-OFF, 2-ON
- 1-OFF, 2-ON
- 1-OFF, 2-ON
- 1-STEREO, 2-MONO

- RELAY/RELAYS**
- 5808 (HIGH FILTER)
 - 5809 (LOW FILTER)
 - 5810 (POWER)
 - 5811 (POWER)
 - 5812 (SENSER)

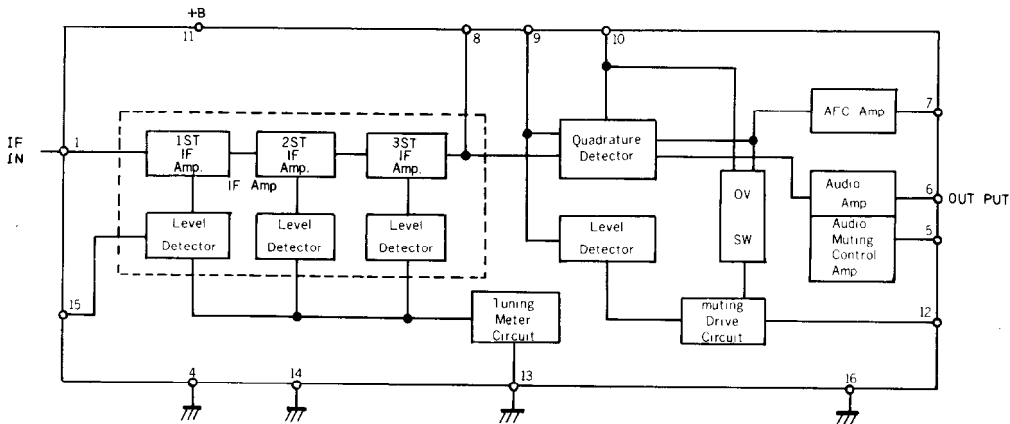
- 1-ON, 2-OFF
- 1-ON, 2-OFF
- 1-ON, 2-OFF
- 1-ON, 2-OFF
- 1-DIFF, 2-NORMAL, 3-LOW

- NOTES:**
- * ALL RESISTORS ARE IN OHMS UNLESS OTHERWISE NOTED
 - * ALL CAPACITORS ARE IN μF UNLESS OTHERWISE NOTED
 - * ELECTROLYTIC CAPACITORS (-) ARE IN JFWM
 - * VOLTAGE (MEASURED WITH VIVIM) (NO INPUT SIGNAL)

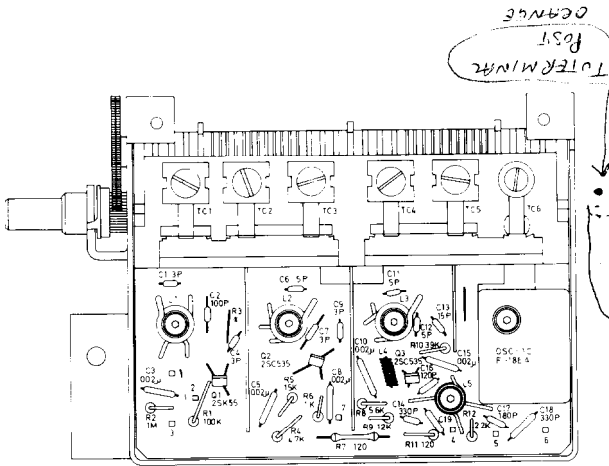
NAIMX-337 PARTS LIST

PARTS NO.	DESCRIPTION	SPECIFICATIONS	QTY	STOCK NO.	REMARKS
Q101, Q116	IC	TA-7060P	2	222407	FM IF Amp
Q102	IC	HA-1137W	1	222421	FM DET
Q103	IC	HA-1156	1	222419	FM MPX
Q106	IC	HA-1151	1	222418	AM
Q115	IC	TA-7061AP	1	222402	FM IF Amp
Q117	IC	TA-7504S	1	222424	OP Amp
Q126	IC	TA-7136P	1	222423	Sensor Amp
Q104, Q105	Transistor	2SC1312(F)	2	2210136	
Q108, Q111, Q114	Transistor	2SC945 (L) Q1	3	2210745	
Q109, Q110, Q118, Q121, Q125 Q130, Q131, Q137	Transistor	2SC735(Y) or 2SC1317(R)	14	2210244 or 2210943	
Q112, Q113, Q128, Q129	Transistor	2SC733(BL)	4	2210086	
Q119, Q120	Transistor	2SC380(O)	2	2210123	
Q127	Transistor	2SC1583(G)	1	2210707	
Q131, Q132	Transistor	2SA726(F)	2	2210416	
D101, D105, D116, D118, D121 D124, D125, D128	Diode-Silicon	1S1555	8	223105	
D102	Varistor	VD1212	1	4000022	
D103, D104, D106, D109, D112, D117 D119, D120, D123, D126, D129	Diode-Germanium	1N60 (N) FM	16	2231031	
D111	Diode-Silicon	RD5.1EB or WZ-052	1	223945 or 224012	
D122	Diode-Silicon	RD4.7EB or YZ047	1	223943 or 224011	
D127	Diode-Silicon	RD5.6EC or WZ-061	1	223948 or 223928	
L101, L102, L107, L108, L110	Choke Coil	NCCB-1501	5	233204	3.3μH
L103	Choke Coil	NCCB-1506	1	233074	
L104	Coil-MPX	NMC-8-7	1	233032	Low Pass Filter
L105	Coil-OSC	NMO-2504	1	232042	AM OSC
L106	Coil-MPX	NMC-9-1	1	233031	2.2μH
L109	Coil-MPX	NMC-4-11	1	233018	
T101	Transformer-IF	NIT-3516	1	233083	Quadrature Detector
T102	Transformer-IF	NIT-0517	1	233084	10.7MHz Trap
T103	Transformer-IF	NIT-0509	1	232041	AM DET
T104	Transformer-IF	NIT-0515P	1	233078	FM DET
T105	Transformer-IF	NIT-0515S	1	233079	FM DET
X101	Ceramic Filter	SFJ10.7MA	1	3010018	(RED)
X103	Ceramic Filter	SFE10.7MA	1	3010006	(RED)
X104	Ceramic Filter	CFT-455B	1	3010012	
X105	Crystal Oscillator	XTL-10.7M	1	3010015	
C105	Capacitor-Elect.	CE04W25V4.7S	1	352750471	
C106, C132, C133, C135, C246	Capacitor-Elect.	CE04W50V0.47S	5	352784791	
C134, C117, C241, C110, C128 C129, C139, C254, C255	Capacitor-Elect.	CE04W50V1S	9	352780101	
C113, C114, C141, C180, C244 C247, C253	Capacitor-Elect.	CE04W16V10S	7	352741001	
C115, C116	Capacitor-Elect.	CE04W50V2.2S	2	352780221	
C175, C250	Capacitor-Elect.	CE04W50V3.3S	2	352780331	
C179, C251, C252	Capacitor-Elect.	CE04W25V10S	3	352751001	
C181, C182, C183, C186, C256	Capacitor-Elect.	CE04W16V100S	5	352741011	
C184	Capacitor-Elect.	CE04W16V220S	1	352742211	
C185	Capacitor-Elect.	CE04W16V1000S	1	352741021	
C187, C216	Capacitor-Elect.	CE04W16V47S	2	352744701	
C257	Capacitor-Elect.	CE04W16V470S	1	352744711	
C117, C118	Capacitor-MS	MS04C50V0.47M	2	392084797	
C119	Capacitor-MS	MS04C50V1M	1	392080107	
C136	Capacitor-MS	MS04C16V10M	1	3920410007	
C121, C178	Capacitor-DE	DE93M50V473M	2	374124737	
C213, C214	Capacitor-MS or Capacitor-LR	MS04C50V0.47M or LR04B50V0.47S	2	392084797 or 392684791	
R114	Resistor-Semi Fixed	R-HK100KB3P	1	5225013	
R138, R257	Resistor-Semi Fixed	R-HK1KB3P	2	5225018	
R142	Resistor-Semi Fixed	R-HK4.7KBD	1	5225019	
R151	Resistor-Semi Fixed	R-HK100KB3M	1	5225016	
R254	Resistor-Semi Fixed	R-HK10KB3P	1	5225017	
R274, R275	Resistor-Metal Oxide Film	RS1WBJ270	2	441622714	
RL101	Relay	L-13	1	25065026	AFC

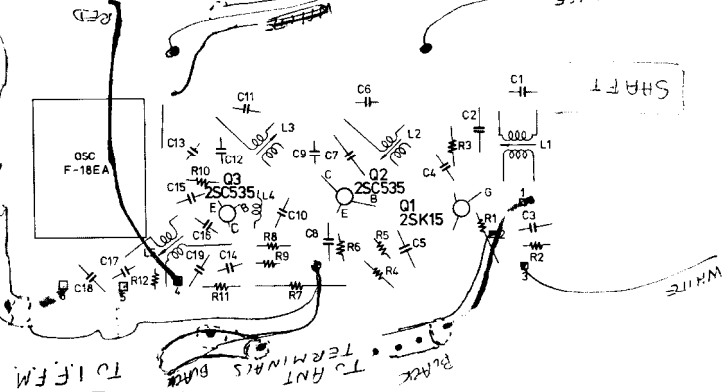
HA-1137W BLOCK DIAGRAM



FM FRONT END BOARD VIEW
FAT-42EJ-41(TX-4500)
TOP VIEW



BOTTOM VIEW

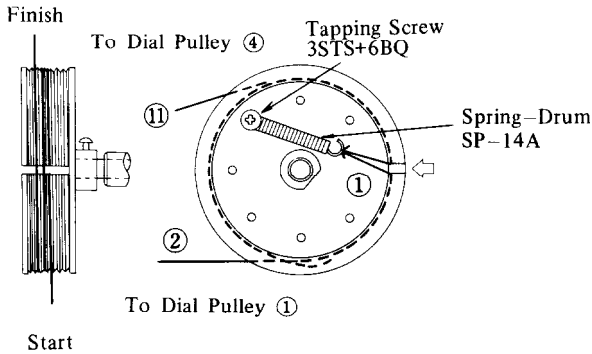


Terminals

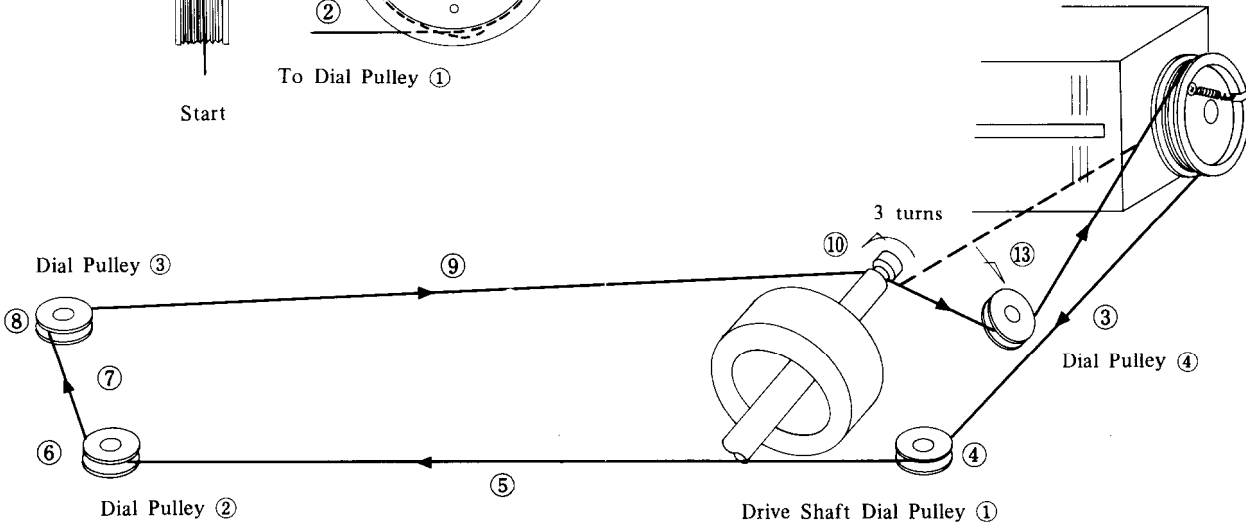
- 1. ANT (75-ohm)
- 2. ANT (E)
- 3. AGC
- 4. +B (12V)
- 5. IF OUT
- 6. AFC
- 7. E
- 8. AM. RF
- 9. AM. OSC

PARTS NO.	DESCRIPTION	SPECIFICATIONS	Q'TY	STOCK NO.	REMARKS
Q1	Transistor (FET)	2SK55(D)	1	2210954	RF Amp.
Q2	Transistor	2SC535(B)	1	2210882	RF Amp.
Q3	Transistor	2SC535(B)	1	2210882	Mixer
	OSC Block	F-18EA	1	222009	

DIAL CORD ARRANGEMENT



1. Close the variable capacitor complete and tie dial cord to the spring of the drum.
2. Thread dial cord in the direction of arrow from ① to ⑨ and wind dial cord three turns around the tuning shaft clockwise.
3. Thread dial cord in the direction of arrow from ⑩ to ⑫.
4. Thread dial cord to the dial pulley ④.

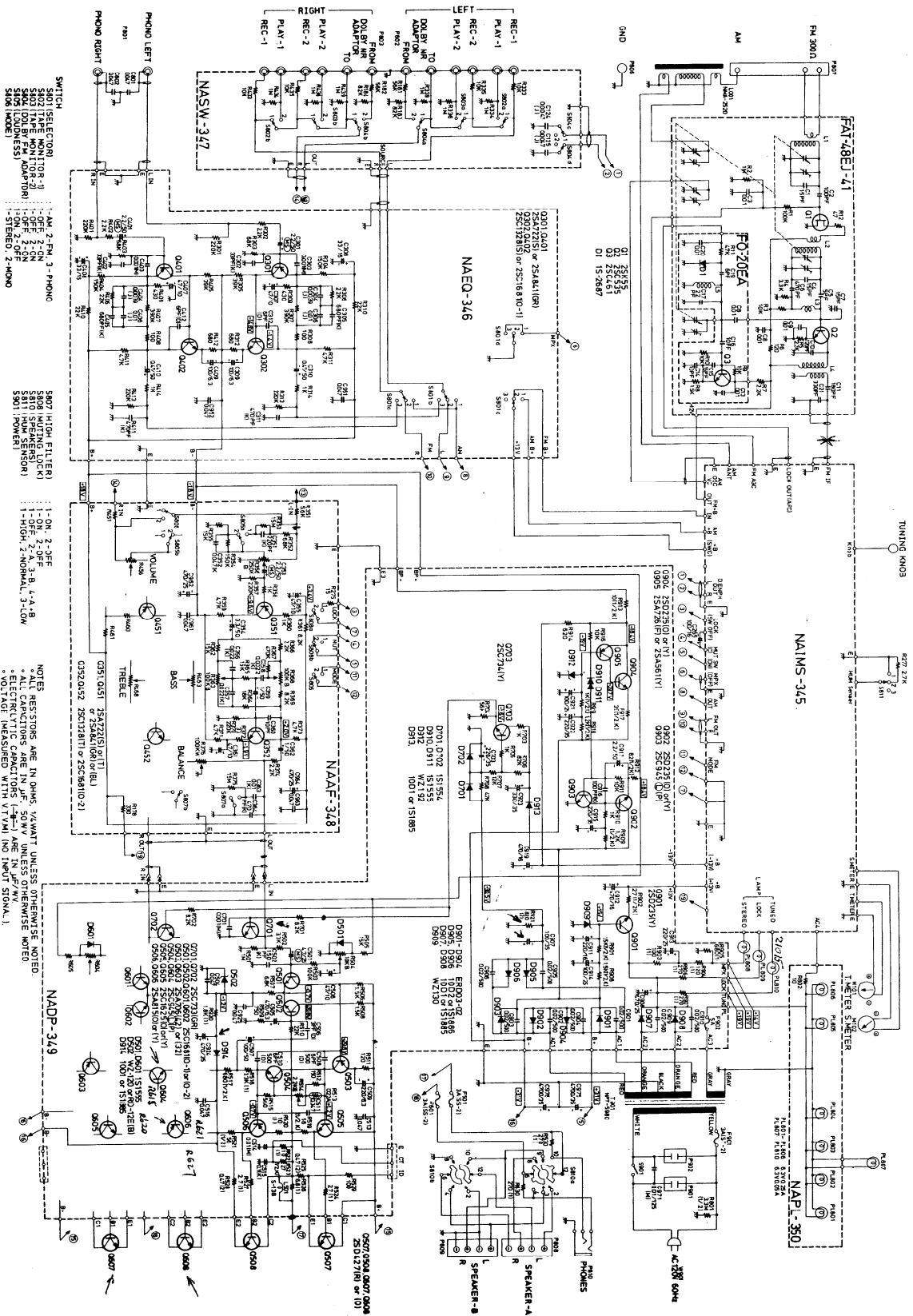


TX-2500 PARTS LIST

PARTS NO.	DESCRIPTION	SPECIFICATIONS	Q'TY	STOCK NO.	REMARKS
	FM Front End	FAT-48EJ-41	1	240036	
	Printed Circuit Board Ass'y	NAIMS-345	1	13809545	Tuner Ass'y
	Printed Circuit Board Ass'y	NAEQ-346	1	13809546	Equalizer Ass'y
	Printed Circuit Board Ass'y	NASW-347	1	13809547	Switch Ass'y
	Printed Circuit Board Ass'y	NAAF-348	1	13809548	Tone Ass'y
	Printed Circuit Board Ass'y	NADP-349	1	13809549	Driver Ass'y
	Printed Circuit Board Ass'y	NAPL-350	1	13809550	Pilot Lamp Ass'y
Q507, Q508, Q607, Q608	Transistor	2SD427(R) or 2SD427(O)	4	2200372 or 2200373	Use same hfe rank.
PL807-PL810	Pilot Lamp	6.3V0.05AW3	4	210015	Dial illumination
T901	Transformer-Power	NPT-598D	1	230156	
L001	Coil-Antenna	NMA-2520	1	232054	AM BAR ANTENNA
C971	Capacitor-UL	UL125V10000pF	1	3504012	
C975, C976	Capacitor-Elect.	CE62W35V4700μF	2	3504081	
C265	Capacitor-Elect.	CE04W16V100μF	1	352741011	
R530, R630	Resistor-Metal Oxide Film	RS1WB127ohm	2	441622714	
S901	Switch-Push	NPS-111LN5	1	25035025	Power Source
S810	Switch-Rotary	NRS-244-30Y	1	25030059	SPEAKERS
S811	Switch-Slide	NSS-2327	1	25065016	HUM SENSOR
P801	Pin Jack	NTM-2WPHL-E1	1	250170	Phono
P807	Terminal	NTM-3WPUN1	1	25060020	Antenna
P808, P809	Terminal-Speaker	NTM-4WPUN1	2	25060001A	
P810	Jack-Stereo Headphone	LJ-100-H	1	25045018	
P901, P902	Socket-AC	S-16432	2	25050008A	
W901	Power Supply Cord	AS-UC	1	253072	
F901	Fuse	ST-2 3A	1	252005	Power Source
F901a	Fuse Holder	S-N1301	1	250080	
F501, F601	Fuse	SS-2 3A	2	252006	Speaker
F601a	Fuse Holder		1	25050004	with COVER
M101	Tuning Indicator	NIND-0250S52	1	243053	Strength
M102	Tuning Indicator	NIND-0500S55	1	243056	Tuning
Q507a, Q607a Q508a, Q608a	Socket-Transistor	M1614	4	250249	
	Binder	SKB-1	20	260208	
A001	Chassis		1	27100014B	
A003	Dial Drum		1	27200019	
A004	Spring-Drum	SP-14A	1	273803	
A005	Dial Cord			273903	
A007	Shaft-Push Switch		3	27260005	
A009	Joint		3	28320135	Push Switch
A032	Bracket-Dial Pulley (R)		1	27140084	
A033	Bracket-Dial Pulley (L)		2	27140083	
A034	Dial Pulley	DP-16N	4	27185002	
A040	Bracket-Front		1	27110024B	
A041	Drive Shaft		1	27205005	
A073	Back Panel		1	27120040	
A074	Bracket-Antenna		1	27140091	
A075	Holder-Antenna	1	1	27190015A	
A078	Heat Sink		1	27160016A	
A301	Amp. Box Ass'y		1	28110058B	
A302	Screw	4MS+15BS-Ni	4	82374015	
A303	Washer	4X12BS-N	4	870040	
((NAEQ-346))					
Q301, Q401	Transistor	2SA722(S) or 2SA841(GR)	2	2210915 or 2210665	
Q302, Q402	Transistor	2SC1328(S) or 2SC1681(O-1)	2	2210925 or 2210670	
C301, C401	Capacitor-LR or Capacitor-MS	LR04B50V2.2μF or MS04C50V2.2μF	2	392680221 or 392080227	
C307, C407	Capacitor-Elect.	CE04W10V47μF	2	352734701	
C308, C408	Capacitor-Elect.	CE04W16V33μF	2	352743301	
C309, C409	Capacitor-Elect.	CE04W6.3V100μF	2	352721011	
C310, C410	Capacitor Elect.	CE04W50V0.47μF	2	352784791	
S801	Switch-Rotary	NRS-163-30K	1	25030060	SELECTOR
((NASW-347))					
P802, P803	Pin Jack	NTM-6PBL-E1	2	25045019	
S802-S804	Switch-Push	NPS-122X2-142LA	1	25035031	T. MONI & DOLBY
((NAAF-348))					
Q351, Q451	Transistor	2SA841(GR)	2	2210665	
		2SA841(BL)		2210666	
		2SA722(S)		2210915	or
		2SA722(T)		2210916	or
Q352, Q452	Transistor	2SC1681(O-2)	2	2210671	or
		2SC1328(T)		2210926	or

PARTS NO.	DESCRIPTION	SPECIFICATIONS	Q'TY	STOCK NO.	REMARKS
C352, C452	Capacitor-DE	DE93M50V0.047μF	2	374124735	
C353, C453	Capacitor- LR Capacitor- MS	LR04B50V2.2μF MS04C50V2.2μF	2	392680221 392080227	
C354, C454	Capacitor-Elect.	CE04W50V3.3μF	2	352780331	
C355, C455	Capacitor-Elect.	CE04W10V47μF	2	352734701	
C361,C461,C359,C369	Capacitor-Elect.	CE04W50V1μF	4	352780101	
C962, C964	Capacitor-Elect.	CE04W25V470μF	2	352754711	
R356, R456	Resistor-Variable	N24RGP250KBT30.41C	1	5172042	VOLUME
R363,R463,R368,R468	Resistor-Variable	N16RGM100KB30.11C	2	5104036	TONE
R376, R476	Resistor-Variable	N16RL100KW30C	1	5104035	BALANCE
S805-S807	Switch-Push	NPS-122X3LA	1	25035032	LOW & HI FILTER,DOLBY
S808	Switch-Push	NPS-122LA7	1	25035029	MUTING
((NADP-349))					
Q501,Q502,Q601,Q602	Transistor	2SC1681(O) 1) 2SC1681(O) 2)	4	2210670 or 2210671	Using same hfe rank
Q503, Q603	Transistor	2SA706(42) or (32)	2	2200033 or 2200034	
Q504, Q604, Q903	Transistor	2SC945 L (P)	3	2210743	
Q505, Q605	Transistor	2SC1625(O) or 2SC1625(Y)	2	2200393 or 2200394	Using same hfe rank
Q506, Q606	Transistor	2SA815(O) or 2SA815(Y)	2	2200403 or 2200404	Using same hfe rank
Q701, Q702	Transistor	2SC733(GR)	2	2210085	
Q703	Transistor	2SC734(Y)	1	2210064	
Q901	Transistor	2SD235(Y)	1	2200014	
Q902, Q904	Transistor	2SD235(O) or (Y)	2	2200013 or 2200014	
Q905	Transistor	2SA726(F) or 2SA561(Y)	1	2210416 or 2210074	
D501, D601, D910, D911	Diode-Silicon	1S1555	4	223105	
D502	Diode-Zener	WZ-120 or RD12E(B)	1	223910 or 223963	
D901-D904	Diode-Silicon	ERD03-02	4	223832	
D905, D906	Diode-Silicon	10D2	2	223805	
D907, D908, D913, D914	Diode-Silicon	10D1 or 1S1885	4	223801 or 223802	
D909	Diode-Zener	WZ-130	1	223924	
D912	Diode-Zener	WZ-192	1	223927	
D701, D702	Diode-Silicon	1S1554	2	223106	
L501, L601	Coil-S	S-1.3B	2	231001	
C501, C601	Capacitor MS or LR	MS04C25V4.7μF or LR04B25V4.7μF	2	392650471 or 392050477	
C503, C603	Capacitor-Elect.	CE04W10V47μF	2	352734701	
C505, C605	Capacitor-Elect.	CE04W6.3V470μF	2	352724711	
C507, C607	Capacitor-Elect.	CE04W50V100μF	2	352781011	
C509, C609	Capacitor-Elect.	CE04W6.3V220μF	2	352722211	
C515, C615	Capacitor-DE	DE93M50V0.1μF	2	374121045	
C703, C915, C923	Capacitor-Elect.	CE04W35V220μF	3	352762211	
C907	Capacitor-Elect.	CE04W35V100μF	1	352761011	
C908	Capacitor-Elect.	CE04W25V470μF	1	352754711	
C911	Capacitor-Elect.	CE04W16V220μF	1	352742211	
C912, C919	Capacitor-Elect.	CE04W16V470μF	2	352744711	
C913	Capacitor-Elect.	CE04W25V220μF	1	352752211	
C914, C921	Capacitor-Elect.	CE04W25V100μF	2	352751011	
C917	Capacitor-Elect.	CE04W50V2.2μF	1	352780221	
C924	Capacitor-Elect.	CE04W35V470μF	1	352764711	
R504, R604	Resistor-Semi Fixed	R-HK4.7KB3M	2	5225019	Center Voltage
R513, R613	Thermistor	D-22A	2	4000003	
R514, R614	Resistor-Semi Fixed	R-HK2.2KB3M	2	5225005	Idling Current
R516, R616	Resistor-Metal Oxide Film	RS1WBJ3.3Kohm	2	441623324	
R520, R522, R620, R622	Resistor-Metal Film	RNU1WCJ10ohm	4	451631004	
R524, R527, R624, R627	Resistor-Metal Film	RNU1WCJ2.7ohm	4	451630274	
R525, R528, R625, R628	Resistor-Metal Film	RNU2WCJ0.47ohm	4	451734794	
RQ526, RQ626	Resistor-Metal Film	RNU1WCJ6.8ohm	2	451630684	
R903	Resistor-Metal Oxide Film	RS1WBJ100ohm	1	441621014	
R904	Resistor-Metal Oxide Film	RS1WBJ120ohm	1	441621214	
R905	Resistor-Metal Oxide Film	RS1WBJ680ohm	1	441626814	
R906, R907	Resistor-Metal Oxide Film	RS1WBJ270ohm	2	441622714	
R920	Resistor-Metal Oxide Film	RS1WBJ1.8Kohm	1	441621824	
R921	Resistor-Metal Oxide Film	RS2WBJ820ohm	1	441728214	
	Radiator	RAD 01	7	270187-1	
F902	Fuse	5A-T	1	252020	
F902a	Fuse Holder	SN5051	2	250113	
((NAPL-350))					
PL801-PL806	Pilot Lamp	6.3V0.25A	6	210026	
	Fuse Holder	SN5051	12	250113	

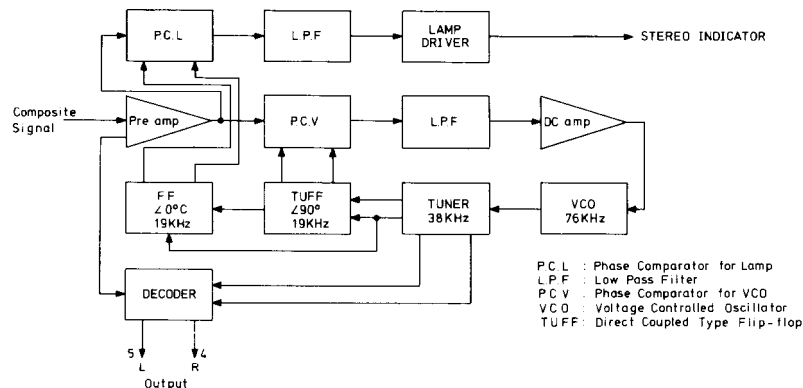
TX-2500 CIRCUIT DIAGRAM



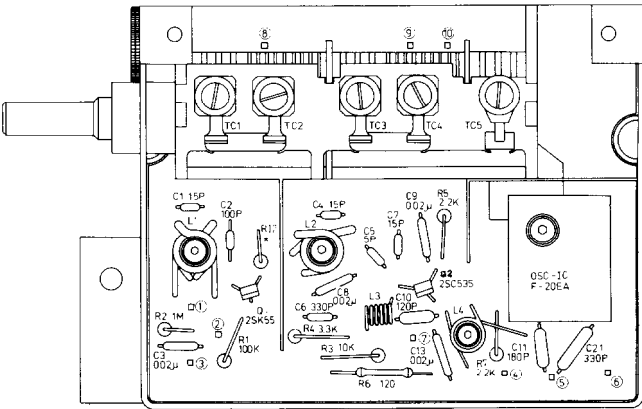
NAIMS-345 PARTS LIST

PARTS NO.	DESCRIPTION	SPECIFICATIONS	Q'TY	STOCK NO.	REMARKS
Q101, Q114, Q115	Transistor	2SC380(O)	3	2210123	
Q104, Q105	Transistor	2SC1312(F)	2	2210136	
Q107, Q108, Q111	Transistor	2SC945(Q)Q	3	2210745	
Q109, Q110, Q121-Q126	Transistor	2SC1317(R) or 2SC735(Y)	8	2210943 or 2210244	
Q112	Transistor	2SC733(BL)	1	2210086	
Q118	Transistor	2SC1583(G)	1	2210707	Twin transistor
Q119, Q120	Transistor	2SA726(F)	2	2210416	
Q102	IC	HA-1137	1	222421	Quadrature Detector
Q103	IC	LA-3350	1	222449	MPX IC
Q106	IC	HA-1151	1	222418	AM IC
Q113	IC	TA-7061AP	1	222402	FM IF IC
Q116	IC	TA-7504S	1	222424	OP Amp
Q117	IC	TA-7136P	1	222423	Sensor Amp
D101, D102, D110, D106, D108 D112-D116, D119, D120, D123	Diode-Germanium	1N60 (Q) FM	14	2231031	
D103, D105, D117, D118, D121 D124, D125	Diode-Silicon	1S1555	7	223105	
D104, D109, D128	Varistor	VD1212	3	4000022	
D111	Diode-Zener	RD5.1EB or WZ-052	1	223945 or 224012	
D122	Diode-Zener	RD4.7EB or YZ-047	1	223943 or 224011	
D127	Diode-Zener	RD5.6EC or WZ-061	1	223948 or 223928	
L101, L102, L108	Choke Coil	NCCB-1501 (3.3μH)	3	233024	
L103	Choke Coil	NCCB-1506 (18μH)	1	233074	
L104	MPX Coil	NMC-8-7	1	233032	Low Pass Filter
L105	OSC Coil	NMO-2503	1	232013	AM OSC Coil
L106	MPX Coil	NMC-4-11	1	233018	
L107	MPX Coil	NMC-9-1	1	233031	
T101	Transformer-IF	NIT-3516	1	233083	FM DET
T102	Transformer-IF	NIT-0517	1	233084	10.7MHz Trap
T103	Transformer-IF	NIT-0509	1	232041	AM DET
T104	Transformer-IF	NIT-3512R	1	233075	FM DET
X101, X102	Ceramic Filter	SFE10.7MA(BLUE, RED or ORANGE)	2	3010007, 3010006 or 3010008	FM IF Filter
X103	Ceramic Filter	CFT-455B	1	3010012	AM IF Filter
C105	Capacitor-Elect.	CE04W25V4.7μF	1	352750471	
C106, C132, C133, C136, C220, C246	Capacitor-Elect.	CE04W50V0.47μF	6	352784791	
C110, C121, C118, C237, C128 C139, C241, C140, C174, C156	Capacitor-Elect.	CE04W50V1μF	10	352780101	
C112, C114, C247, C253, C145 C246, C252, C254	Capacitor-Elect.	CE04W16V10μF	8	352741001	
C115, C116	Capacitor-Elect.	CE04W50V2.2μF	2	352780221	
C175	Capacitor-Elect.	CE04W50V3.3μF	1	352780331	
C179, C263	Capacitor-Elect.	CE04W25V10μF	2	352751001	
C180	Capacitor-Elect.	CE04W16V10μF	1	352741001	
C181, C182, C258, C183, C186	Capacitor-Elect.	CE04W16V100μF	5	352741011	
C184	Capacitor-Elect.	CE04W16V220μF	1	352742211	
C185	Capacitor-Elect.	CE04W16V1000μF	1	352741021	
C218	Capacitor-Elect.	CE04W16V47μF	1	352744701	
C221	Capacitor-Elect.	CE04W25V47μF	1	352754701	
C259	Capacitor-Elect.	CE04W16V470μF	1	352744711	
C117	Capacitor-MS	MS04C50V0.33μF	1	392083397	
C118	Capacitor-MS	MS04C50V0.22μF	1	392082297	
C137	Capacitor-MS	MS04C25V10μF	1	392051007	
C119, C216	Capacitor-MS or LR	MS04C50V0.47μF or LR04B50V0.47μF	2	392084797 or 392684791	
C178	Capacitor-DE	DE93M50V47000μF	1	374124737	
C250	Capacitor-DE	DE93M50V220000μF	1	374122247	
R118	Resistor-Semi Fixed	R-HK100KB3P	1	5225013	STRENGTH METER
R127	Resistor-Semi Fixed	R-H4.7KB3M	1	5225019	
R154	Resistor-Semi Fixed	R-HK10KB3P	1	5225017	MUTING LEVEL
R157	Resistor-Semi Fixed	N10HR1KBD	1	5225024	SEPARATION
PL101	Relay	L-13	1	25065026	AFC

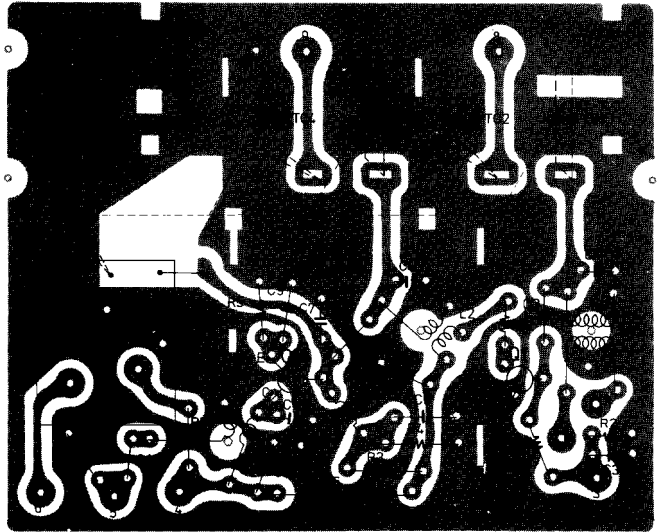
LA-3350 BLOCK DIAGRAM



**FRONT END BOARD VIEW
FAT-48EJ-41(TX-2500)
TOP VIEW**



BOTTOM VIEW

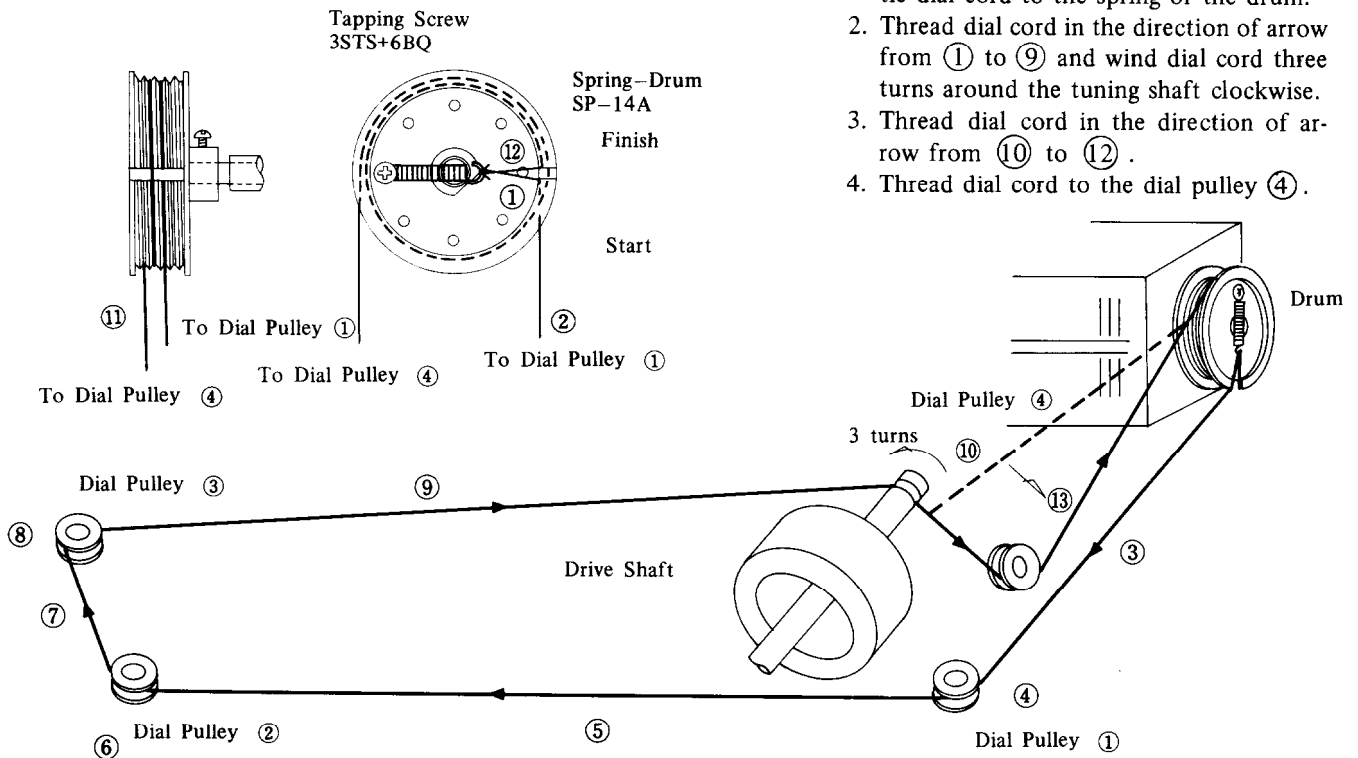


PARTS NO.	DESCRIPTION	SPECIFICATIONS	STOCK NO.	REMARKS
Q1	Transistor (FET)	2SK55(D)	2210954	RF Amp.
Q2	Transistor	2SC535(B)	2210882	Mixer
	OSC Block	FO-20EA		

Terminals

- 1. ANT (300-ohm)
- 2. ANT (300-ohm)
- 3. AGC
- 4. +B
- 5. IF OUT (600-ohm)
- 6. AFC
- 7. FM. E
- 8. AM. RF
- 9. AM. OSC
- 10. AM. E

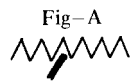
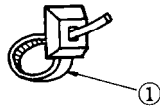
DIAL CORD ARRANGEMENT



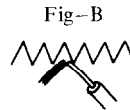
1. Close the variable capacitor complete and tie dial cord to the spring of the drum.
2. Thread dial cord in the direction of arrow from ① to ⑨ and wind dial cord three turns around the tuning shaft clockwise.
3. Thread dial cord in the direction of arrow from ⑩ to ⑫.
4. Thread dial cord to the dial pulley ④.

SERVICE PROCEDURE

RELEASING BINDER



the state in which it stays



a small driver or a fine pin

fig- 29

A little space opens up in between the teeth as the part (1) is pressed slightly in the same direction as in tightening, as shown in fig-29, the binder can come off with the driver or pin having the pointed end being pushed up in the direction as shown by the arrow.

USEING SENSOR SWITCH

While the sensor SW is ordinarily set to LOW position when the unit is delivered, there may be occasions when the sensitivity of the inductive ham detection device is lessened as one of the coaxial cables is earthed with the aerial in joint use. Only in this or similar case is the sensor SW allowed to be brought to HIGH position.

REMOVING TUNING KNOB

Being fixed in position on the shaft with the 4 mm enamel screw, the tuning knob should be taken off by the use of a hexagonal driver.