

ONKYO SERVICE MANUAL

QUARTZ SYNTHESIZED TUNER AMPLIFIER MODEL TX-8210 MODEL TX-8210R



Black and Silver models

BMD, BMDN	120V AC, 60Hz
BMP, SMP	230V AC, 50Hz
BMW	120V or 220V AC, 50/60Hz

SAFETY-RELATED COMPONENT WARNING!!
COMPONENTS IDENTIFIED BY MARK Δ ON THE SCHEMATIC DIAGRAM AND IN THE PARTS LIST ARE CRITICAL FOR RISK OF FIRE AND ELECTRIC SHOCK. REPLACE THESE COMPONENTS WITH ONKYO PARTS WHOSE PART NUMBERS APPEAR AS SHOWN IN THIS MANUAL.

MAKE LEAKAGE-CURRENT OR RESISTANCE MEASUREMENTS TO DETERMINE THAT EXPOSED PARTS ARE ACCEPTABLY INSULATED FROM THE SUPPLY CIRCUIT BEFORE RETURNING THE APPLIANCE TO THE CUSTOMER.

TABLE OF CONTENTS

- Specifications..... 2
- Service procedures..... 3
- Exploded view..... 4
- Parts list..... 5
- Block diagrams..... 6
- Microprocessor-connection diagram..... 8
- Microprocessor terminal descriptions..... 9
- IC block diagrams and descriptions..... 10
- Adjustment procedures..... 14
- Pc board view from soldering side..... 17
- Schematic diagram..... 19
- Pc board view from soldering side..... 23
- Printed circuit board-parts list..... 25
- Packing view..... 28



SPECIFICATIONS

AMPLIFIER SECTION

Power Output:	48 watts per channel min. RMS. at 8 ohms, both channels driven, from 40 Hz to 20,000 Hz, with no more than 0.3% total harmonic distortion.
	Dynamic power output:
	2 × 105 watts at 3 ohms
	2 × 80 watts at 4 ohms
	2 × 60 watts at 8 ohms
	Continuous power output:
	2 × 60 watts at 4 ohms 1 kHz (DIN)
	2 × 50 watts at 8 ohms 1 kHz (DIN)
Total Harmonic Distortion:	0.3 % at rated power
	0.1 % at 30 watts output
IM Distortion (FRONT):	0.3% at rated power
	0.1 % at 30 watts output
Damping Factor (FRONT):	50 at 8 ohms
Input sensitivities and impedance:	Phono: 2.5 mV/50 kohms CD/Tape play: 150 mV/50 kohms
Output level and impedance:	Tape rec: 150 mV/3.5 kohms
Phono Overload:	120 mV RMS. at 1,000 Hz, 0.2% THD.
Frequency Response:	20 to 30,000 Hz, +/-1 dB
RIAA Deviation:	20 to 20,000 Hz, +/-0.8 dB
Tone Control:	BASS: +/-10 dB at 100 Hz TREBLE: +/-10 dB at 10,000 Hz
Signal to Noise Ratio:	PHONO: 80 dB (IHF A, 5 mV input) CD/TAPE: 100 dB (IHF A)
Muting:	-∞ dB

TUNER SECTION

FM:	
Tuning Range:	European and worldwide models: 87.50 — 108.00 MHz (50 kHz steps) U.S.A. and Canadian models: 87.50 — 108.00 MHz (100 kHz steps)
Usable Sensitivity:	Mono: 12.4 dBf, 1.2 μV (75 ohms IHF) 1.2 μV (75 ohm DIN) Stereo: 19.2 dBf, 2.5 μV (75 ohms IHF) 2.5 μV (75 ohm DIN)
50dB Quieting Sensitivity:	Mono: 18.2 dBf, 2.2 μV (75 ohms) Stereo: 38.2 dBf, 22.0 μV (75 ohms)
Capture Ratio:	1.5 dB
Image Rejection Ratio:	U.S.A. & Canadian models: 40 dB Other area models: 85 dB
IF Rejection Ratio:	90 dB
Signal-to-Noise Ratio:	Mono: 70 dB, IHF Stereo: 65 dB, IHF
Alternate Channel Attenuation (+/- 400 kHz):	Mono 55 dB, IHF 50 dB DIN (+/-300 kHz 40 kHz Devi.)
Selectivity:	50 dB
AM Suppression Ratio:	50 dB
Total Harmonic Distortion:	Mono: 0.15% Stereo: 0.30%
Frequency Response:	30 — 15,000 Hz +/-1.5 dB
Stereo Separation:	40 dB at 1,000 Hz/30 dB at 100 — 10,000 Hz
Muting Level:	17.2 dBf, 2.0 μV (75 ohms)

AM:

Tuning Range:	European models 522 — 1,611 kHz (9 kHz steps) U.S.A. & Canadian models 530 — 1,710 kHz (10 kHz steps) Worldwide models 531 — 1,602 kHz (9 kHz steps) 530 — 1,710 kHz (10 kHz steps)
Usable Sensitivity:	30 μV
Image Rejection Ratio:	40 dB
IF Rejection Ratio:	40 dB
Signal-to-Noise Ratio:	40 dB
Total Harmonic Distortion:	0.8%


GENERAL


Power Supply (TX-8210):	U.S.A. & Canadian models AC120 V, 60 Hz Worldwide models 120 and 220 V switchable, 50/60 Hz
(TX-8210R):	European models: AC230 V, 50 Hz
Dimensions (W × H × D):	455 × 120 × 316 mm 17-15/16" × 4-3/4" × 12-7/16"
Mass:	7.0 kg (15.4 lbs)

Specifications and features are subject to change without notice.

SERVICE PROCEDURES

1. Replacing the fuses

 This symbol located near the fuse indicates that the fuse used is fast operating type. For continued protection against fire hazard, replace with same type fuse. For fuse rating refer to the marking adjacent to the symbol.

 Ce symbole indique que le fusible utilise est a rapide. Pour une protection permanente, n'utiliser que des fusibles de meme type. Ce dernier est indique la qu le present symbol est appose.

CIRCUIT NO.	PART NO.	DESCRIPTION
F901	252163Y	4A-UL/T-237, Primary <D/W>
F902	252073	1.6A-SE-EAK, Primary <P/W>
F903	252073	1.6A-SE-EAK, Primary <P>

NOTE: <D> :120V model only
<P> :230V model only
<W>:Worldwide model only

2. To Initialize the unit

This device employs a microprocessor to perform various functions and operations. If interference generated by an external power supply, radio wave, or other electrical source results in accident which causes the specified operations and functions to operate abnormally.

To perform a result, please follow the procedure below.

1. Push STAND-BY button while pressing down CD button, then pull the power cord off within 5 seconds of the display "TEST-" on FL Tube. By this procedure, "CLEAR" will be displayed and all memories will be initialized.

3. Safety-check out

(Only U.S.A. model)

After correcting the original service problem, perform the following safety check before releasing the set to the customer.

Connect the insulating-resistance tester between the plug of power supply cord and the screw on the back panel.

Specifications: 3.3 Mohm \pm 10% at 500V.

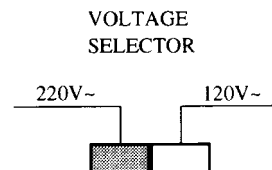
4. Change of voltage

Worldwide models are equipment with a voltage selector to conform with local power supplies. This switch is located on the back panel.

Be sure to set this switch to match the voltage of the power supply in your area before turning the power switch on.

This switch is set to 220V at the factory. Voltage is changed by

sliding the groove in the switch with the screwdriver to the right or left. Confirm that the switch has been moved all the way to the right or left before turning the power switch on.



5. Memory preservation

This unit does not require memory preservation batteries.

A built-in memory power back-up system preserves contents of the memory during power failures and even when the unit is unplugged.

The unit must be plugged in and the power switch turned on and off once in order to charge the back-up system. Note that since this is not a permanent memory, the power switch must be turned on and off a few times each month the keep the back-up system operative.

The period of the time during which memory contents are preserved after power has last been turned off varies depending on climate and placement of the unit. On the average, memory contents are protected over a period of 3 to 4 weeks (a minimum of 2 weeks) after the last time power has been turned off. This period is shorted when the unit is exposed to very high humidity or used in an area with an extremely humid climate.

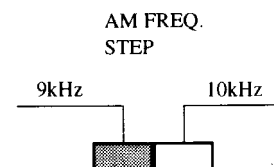
6. Setting the tuning step frequency

Worldwide models are equipped with a step band selector switch. This switch is located on the back panel. This switch is set to 9 kHz at the factory, but may have to be reset to 10 kHz depending on the area where the unit is used.

AM band step

Europe: 9 kHz

U.S.A.: 10 kHz

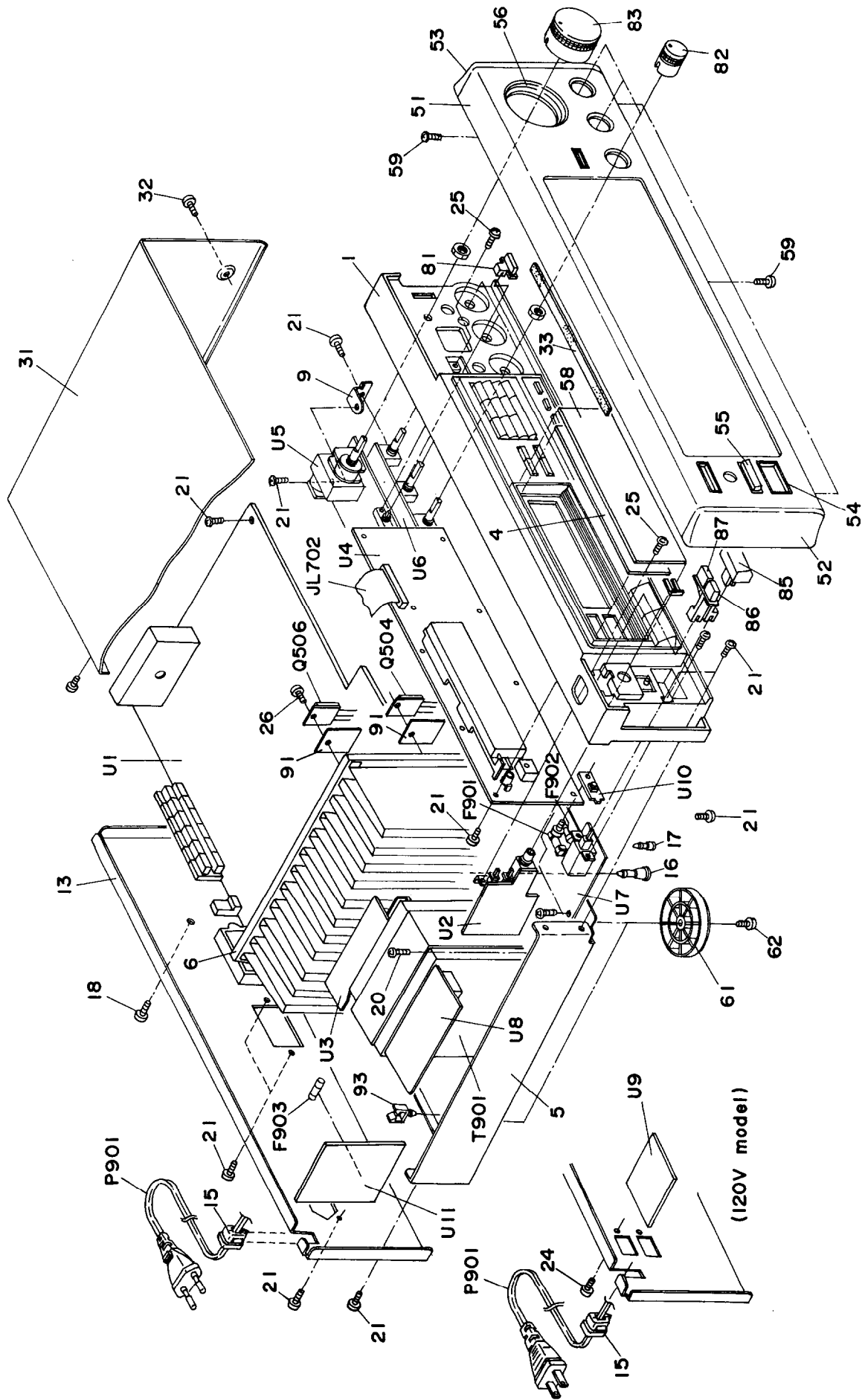


7. Changing the band step

With the exception of the worldwide models, a tuning step selector switch is not provided. When you change the band step, change the parts as shown below.

FM	To 100kHz	To 50kHz
AM	To 10kHz	To 9kHz
R705	3kohm	Open
R706	Open	47kohm

EXPLODED VIEW



PARTS LIST

REF. NO.	PART NO.	DESCRIPTION	REF. NO.	PART NO.	DESCRIPTION	REF. NO.	PART NO.	DESCRIPTION
1	27110845Y	Front bracket ass'y <D/A/W> 	59	833430080	3TTP+8R(BC),Self-tapping screw	T901	2301109Y	▲ NPT-1242D,Power transformer <D>
	27110843Y	Front bracket ass'y <P> 	61	27175292	Leg		2301110Y	▲ NPT-1242P,Power transformer <P/A>
	27110844Y	Front bracket ass'y <S>	62	838130088	3TTB+8B,Self-tapping screw		2301111Y	▲ NPT-1242DC,Power transformer <W>
4	28133337Y	Back plate	81	28324162Y	Knob, Loudness 	U1	1A585533-1Y	NAAR-5433-1, Main circuit pc board ass'y <D>
5	27100297BY	Chassis		28325097Y	Knob, Loudness <S>		1A588533-1AY	NAAR-5433-1A, Main circuit pc board ass'y <P>
6	27160352AY	Radiator	82	28324150-1B	Knob, Level —		1A585533-1BY	NAAR-5433-1B, Main circuit pc board ass'y <W>
9	27141443Y	Bracket PC		28325096	Knob, Level <S>		1A585533-1CY	NAAR-5433-1C, Main circuit pc board ass'y <A>
13	27122021BY	Rear panel <D>	83	28325074	Knob, Volume 	U2	1A585534-1Y	NAETC-5434-1, Headphone terminal pc board ass'y <D>
	27122022AY	Rear panel <P>		28325075	Knob, Volume <S>		1A588534-1AY	NAETC-5434-1A, Headphone terminal pc board ass'y <P/A/W>
	27122024AY	Rear panel <W>	85	28324140	Knob,Power 	U3	1A585535-1Y	NAETC-5435-1, Secondary terminal pc board ass'y <D>
	27122065AY	Rear panel <A>		28324974Y	Knob,Power <S>		1A588535-1AY	NAETC-5435-1A, Secondary terminal pc board ass'y <P/A/W>
15	27300750	▲ Bushing, cord	86	28324170	Knob, Speaker A 	U4	1A585537-1Y	NADIS-5437-1, Display circuit pc board ass'y <D>
16	27190428-1	LSR-10R,Holder		28325098Y	Knob, Speaker A <S>		1A588537-1AY	NADIS-5437-1A, Display circuit pc board ass'y <P>
17	27190524-1	LSR-14R,Holder	87	23824171	Knob, Speaker B 		1A585537-1BY	NADIS-5437-1B, Display circuit pc board ass'y <W>
18	834230108	3TTS+10B(N), Nickel screw		23825099Y	Knob, Speaker B <S>	U5	1A585537-1CY	NADIS-5437-1C, Display circuit pc board ass'y <A>
20	830440089	4TTC+8C(BC),Self-tapping screw	91	223021	▲ Isolation sheet		1A585538-1Y	NAAF-5438-1, Volume circuit pc board ass'y
21	838130088	3TTB+8B,Self-tapping screw	93	240220Y	Clamp	U6	1A585539-1Y	NAAF-5439-1, Tone control circuit pc board ass'y <D>
25	838430107	3TTB+10S(BC),Self-tapping screw	P901	252163Y	▲ 4A-UL/T-237,Primary fuse <D/W>		1A588539-1AY	NAAF-5439-1A, Tone control circuit pc board ass'y <P/A/W>
26	801433	3SMS8W,SW+14B(BC),Special screw	P902	2522073	▲ 1.6A-SE-EAK,Primary fuse <P/W/A>	U7	1A585540-1Y	NAPS-5440-1, Power supply pc board ass'y <D>
31	28184595Y	Top cover 	F903	252073	▲ 1.6A-SE-EAK,AC outlet fuse <P>		1A588540-1AY	NAPS-5440-1A, Power supply pc board ass'y <P>
	28184596Y	Top cover <S>	IL702	2047211512Y	▲ NCFCT-211512,Flexible flat cable		1A585540-1BY	NAPS-5440-1B, Power supply pc board ass'y <W>
32	838430088	3TTB+8B(BC),Self-tapping screw 	P901	253192HIT	▲ AS-UC-6 #18, Power supply cord <D> —	U8	1A585540-1CY	NAPS-5440-1C, Power supply pc board ass'y <A>
33	838230088	3TTB+8B(N),Self-tapping screw <S>		253193HIT	▲ AS-CEE, Power supply cord <P/W>	U8	1A585541-1Y	NAETC-5441-1, Primary terminal pc board ass'y
	28140680	0.5 X 8 X 180,Cushion		253197HIT	▲ AS-SAA, Power supply cord <A>	U9	1A585542-1Y	NAETC-5442-1, AC outlet pc board ass'y <D>
51	1A585121Y	Front panel ass'y <D/A> 	P902	25060044	Terminal GND	U10	1A585545-1Y	NAETC-5445-1, Power switch pc board ass'y
	1A588121Y	Front panel ass'y <P> 	P904	25050904	▲ NSCT-2P697, AC outlet <A>	U11	1A588543-1Y	NAETC-5443-1, AC outlet pc board ass'y <P/W>
	1A589121Y	Front panel ass'y <S>	Q503,Q504	2202492,	2SA11264N-R,	U12	1A585544-1Y	NASW-5444-1, Voltage selector switch pc board ass'y <W>
52	28125226-6Y	End cap L 		2202493,	2SA1264N-O,			
	28125279Y	End cap L <S>		2202243,	2SA1694-O,			
53	28125227-6Y	End cap R 		2202244 or	2SA1694-Y or			
	28125280Y	End cap R <S>		2202246	2SA1694-P,Power amplifier transistor			
54	27267693Y	Guide, power 	Q505,Q506	2202502,	2SC3812N-R,			
	27267856Y	Guide, power <S>		2202503,	2SC3812N-O,			
55	28324179Y	Knob 		2202253,	2SC4467-O,			
	28325100Y	Knob <S>		2202254 or	2SC4467-Y or			
56	27267694Y	Guide, volume 		2202256	2SC4467-P,Power amplifier transistor			
	27267857Y	Guide, volume <S>						
58	28191720Y	Clear plate						

NOTE: THE COMPONENTS IDENTIFIED BY MARK ▲ ARE CRITICAL FOR RISK OF FIRE AND ELECTRIC SHOCK, REPLACE ONLY WITH PART NUMBER SPECIFIED.

NOTE: :Black model only

<S>:Silver model only

<D>:120 V model only

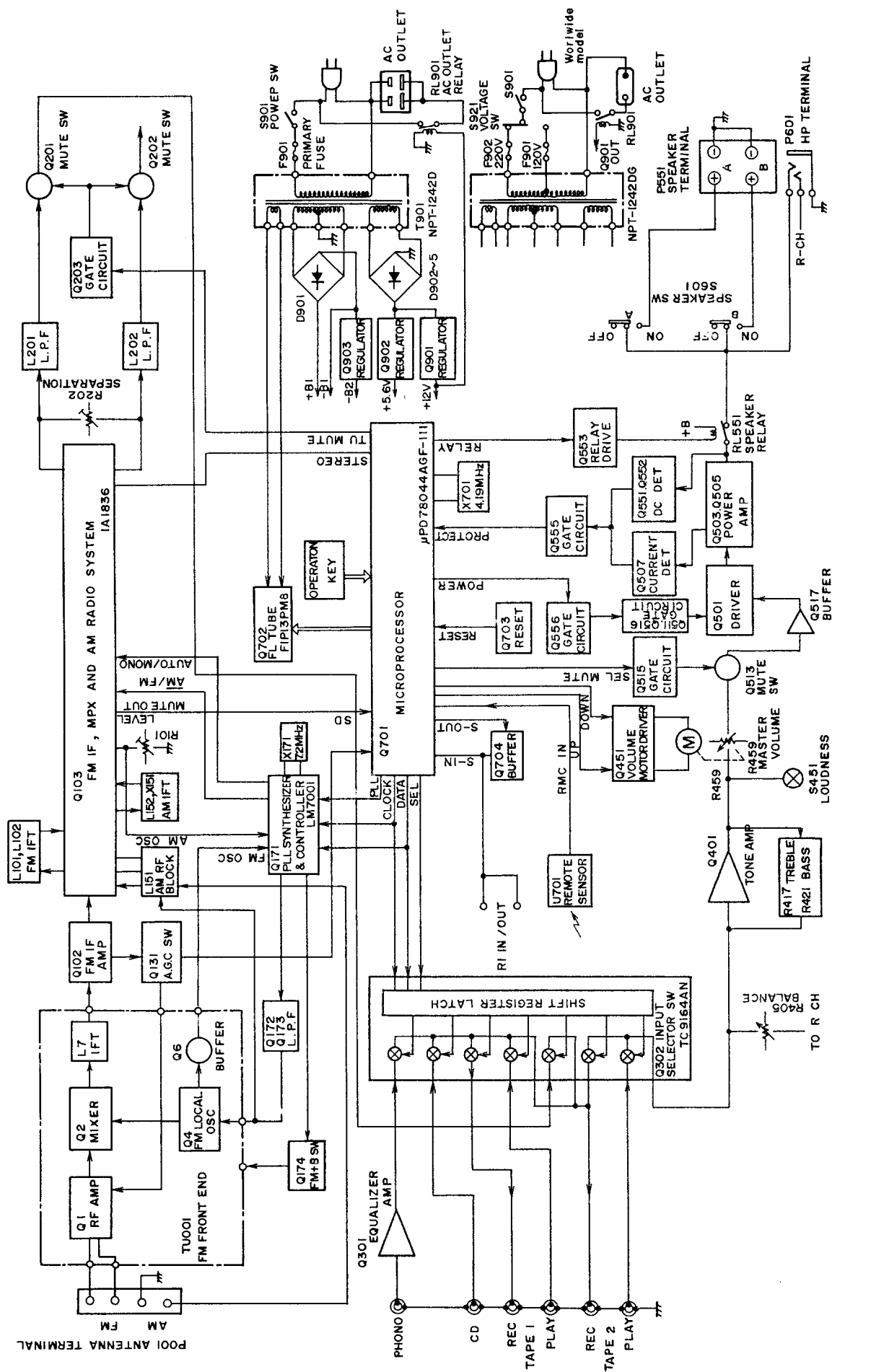
<P>:230 V model only

<W>:Worldwide model only

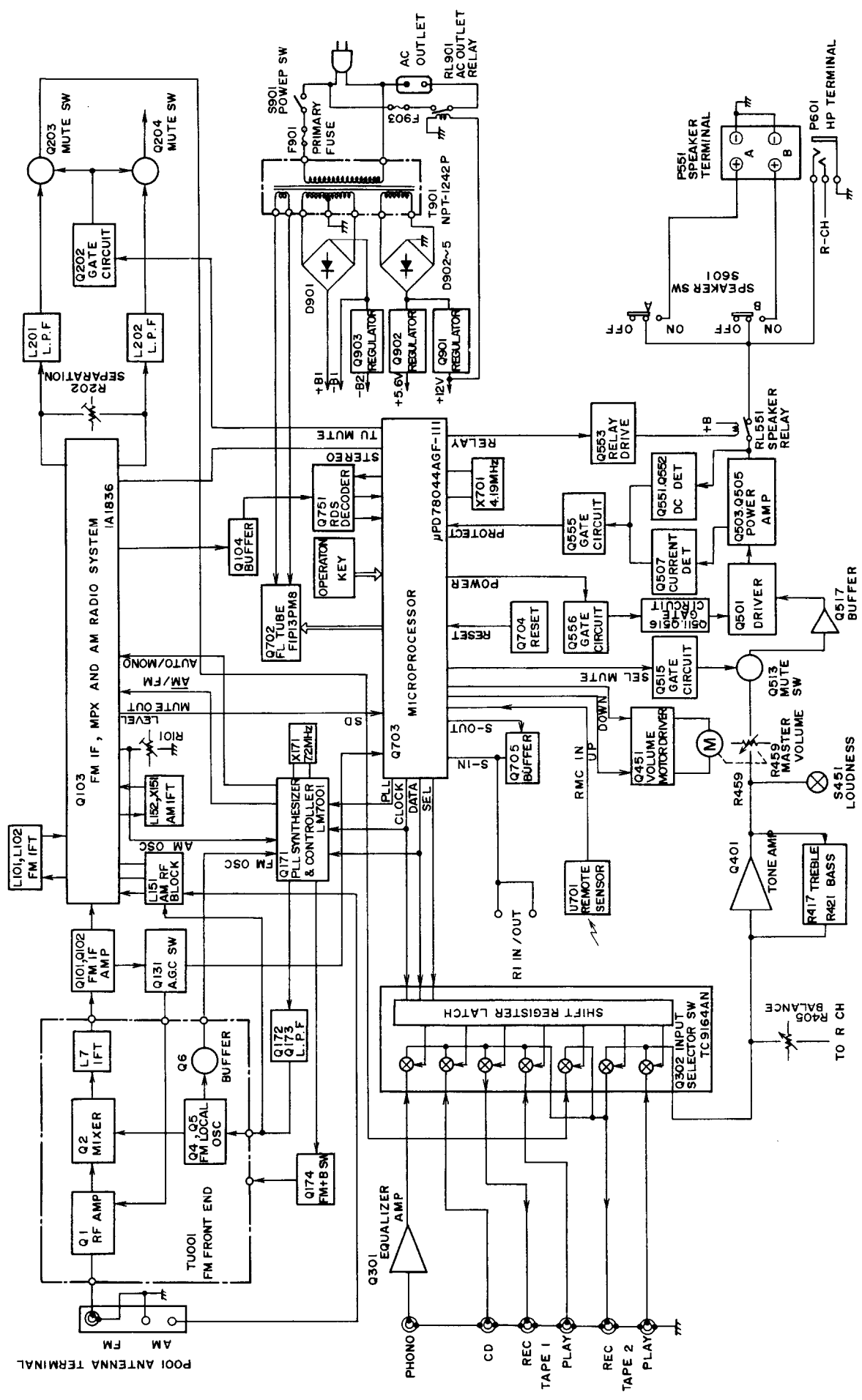
<A>:Australian model only

BLOCK DIAGRAM

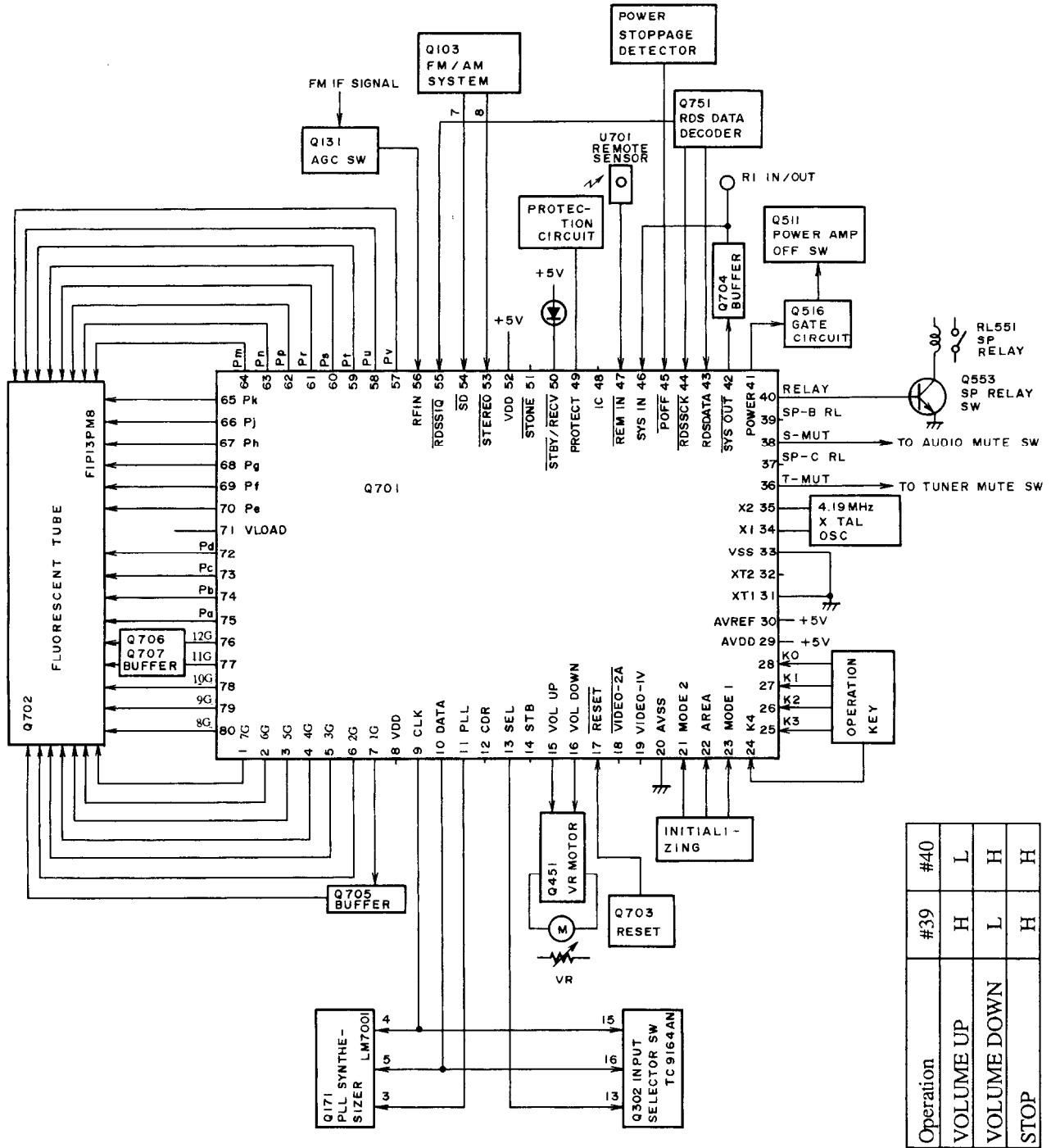
120V/WORLD WIDE MODELS



230V MODEL



MICROPROCESSOR CONNECTION DIAGRAM



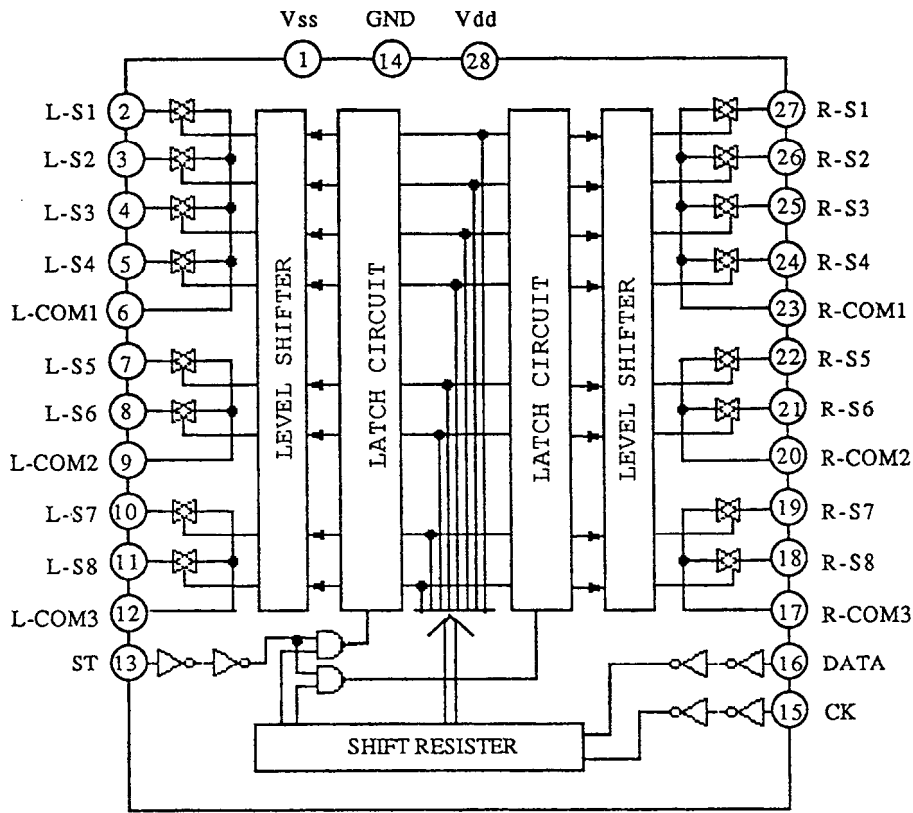
Operation	#39	#40
VOLUME UP	H	L
VOLUME DOWN	L	H
STOP	H	H

TERMINAL DESCRIPTIONS

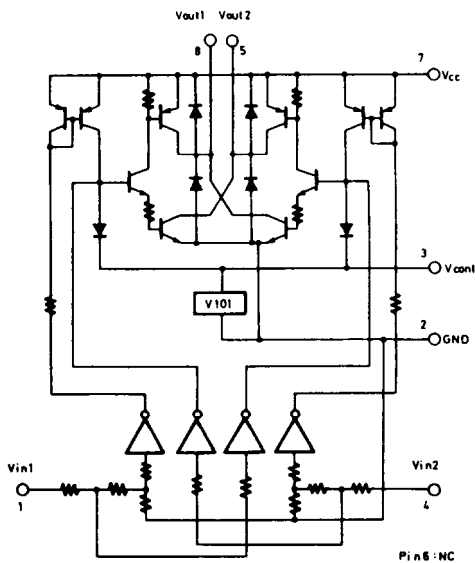
Pin No.	Function	I/O	Description
1-7	7G-1G	O	Grid control output pin. On at the high level.
8	VDD		Power supply pin (+5V)
9	CL	O	Clock output pin. Connect to the terminals CK1 of function switch IC and PLL IC.
10	DATA	O	Data output pin. Connect to the terminals DATA of function switch IC and PLL IC.
11	PLL	O	Chip enable output pin for PLL IC
13	SEL	O	Chip enable output pin for function switch IC
15	VOLUP	O	Volume control output pin
16	VOLDOWN	O	Refer table 1.
17	RESET	I	System reset input pin
20	AVSS		Ground pin of A/D converter
21	MODE	I	Initializing input of operation mode
22	BAND	I	Initializing input of band region
23	MODE1	I	Initializing input of operation mode
24	K4	I	Operation key connection pin
25	K3	I	Operation key connection pin
26	K2	I	Operation key connection pin
27	K1	I	Operation key connection pin
28	K0	I	Operation key connection pin
29	AVDO		Analogue power supply of A/D converter
30	AVREF		Reference voltage input pin of A/D converter
31	XT1		Crystal connection pin for sub system clock resonator
32	XT2		Not used.
33	VSS		Ground pin
34	X1		Resonator connection terminal for main system clock
35	X2		Connect the ceramic resonator 4.19MHz.
36	TMUT	O	Muting output pin for tuner section
38	SMUT	O	Muting output pin for amplifier section
40	RELAY	O	Relay control pin for speaker
41	POWER	O	Power source control output pin
42	SYSOUT	O	System code output pin
43	RDSDATA	I	Data input pin from RDS decoder μ PD1346CS
43	SYSIN	I	System code input pin
44	RDSSCK	I	Clock input pin from RDS decoder IC μ PD1346CS
45	POFF	I	Power stoppage detector input pin
47	REMIN	I	Remote control signal input pin
48	IC		Internal connection pin. Connect to the ground terminal.
49	PROTECT	I	Detector input pin of protection circuit. H:On
50	STBY/RECV	O	Stand-by and received indicator output pin
52	VDD		Power supply pin (+5V)
53	STEREO	I	Detector input pin of FM stereo broadcast
54	SD	I	Detector input pin of broadcast more than muting level
55	RDSSIG	I	Detector input pin of RDS broadcast. L:RDS broadcast
56	RFIN	I	RF mode input pin. Local at the low level.
57-70	Pv-Pe	O	Segment output pins. On at the high level.
71	VLOAD	I	Pull-down resistor connection pin of controller and driver of FL
72-75	Pd-Pa	O	Segment output pins. On at the high level.
76-80	12G-8G	O	Grid control output pin. On at the high level.

IC BLOCK DIAGRAMS AND DESCRIPTIONS

TC9164N (Analog Switch)



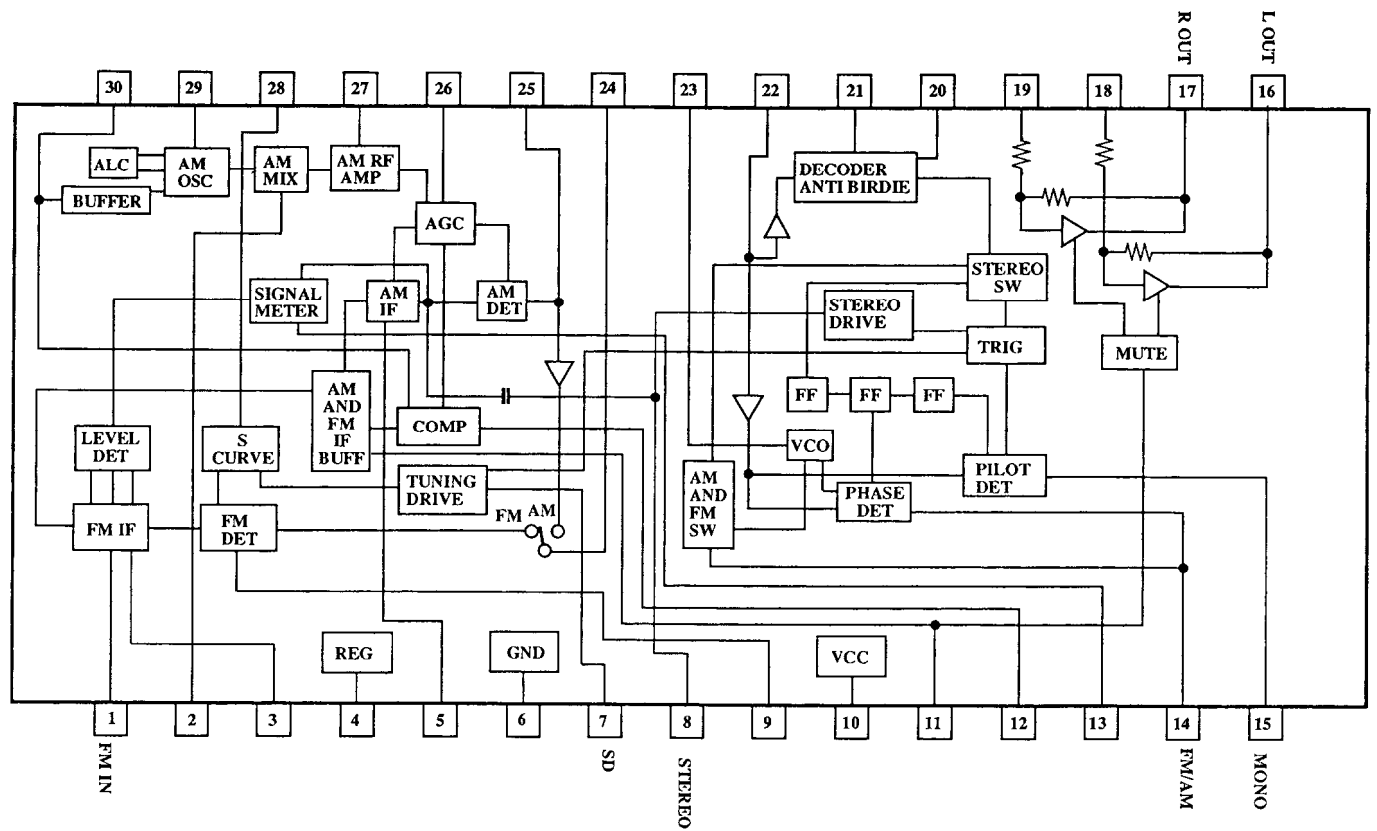
LB1639 (VOLUME MOTOR)



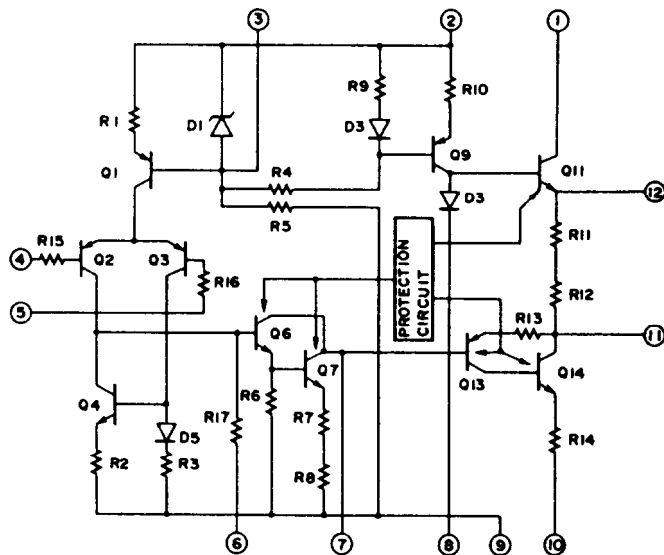
TRUTH TABLE

IN 1	IN 2	OUT 1	OUT 2	MOTOR
H	L	H	L	Normal
L	H	L	H	Reverse
H	H	OFF	OFF	Wait
L	L	OFF	OFF	Wait

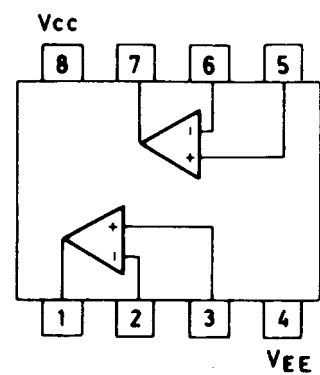
LA1836 (FM and AM Radio System)

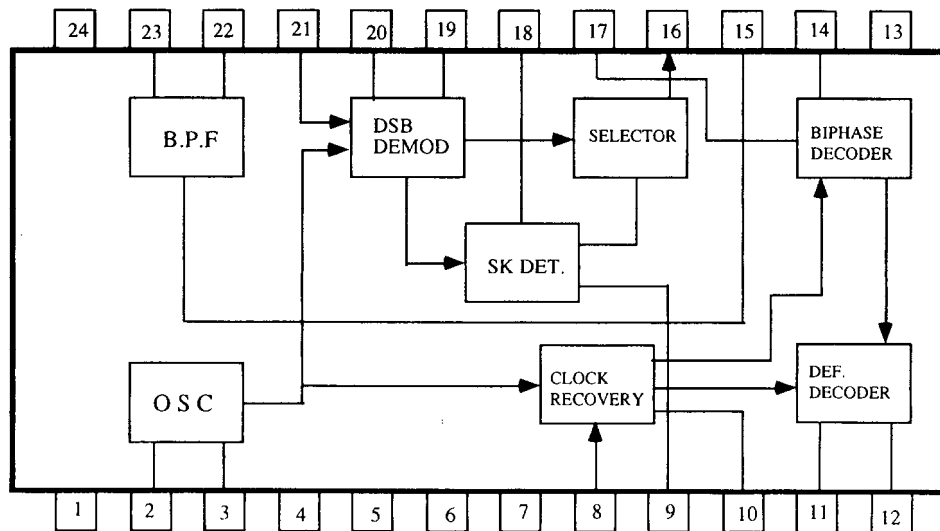


μ PC1225H (Power amplifier driver)



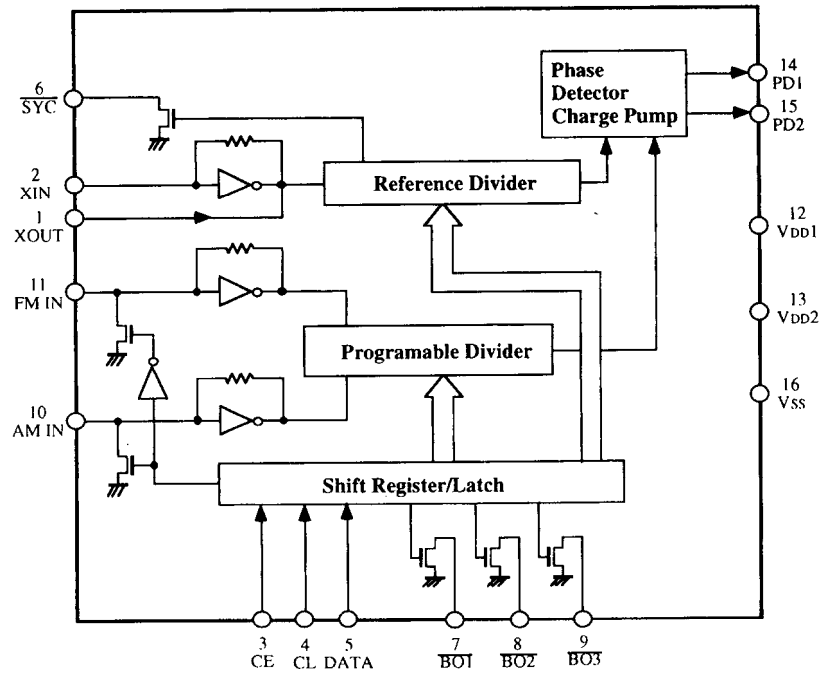
NJM4558D-X (Operation amplifier)



μPC1346CS (RDS Decoder)

No.	Terminal	Description	No.	Terminal	Description
1	Vcc	Supply voltage for the digital circuit	13	GND	Ground for the analog circuit
2	OSC IN	Resonator input	14	INTEG	Integrating filter terminal
3	OSC OUT	Resonator output	15	BPF ADJ	Adjustment fc of band pass filter
4	GND	Ground for the digital circuit	16	PSK OUT	Biphase signal output
5	TEST1	Test input	17	PSK IN	Biphase decoder input
6	TEST2	Test input	18	LPF SK	Low pass filter for the detection SK
7	OP.CTL	Control input of the operation stop	19	LPF Q	Low pass filter for the crossed detector
8	S/L CTL	Mode control input of the synchronizing detection	20	LPF I	Low pass filter for the synchronizing detector
9	SK OUT	SK detection output	21	DSB IN	DSB demodulator circuit input
10	RDS OUT	RDS synchronizing detection output	22	BPF OUT	Band pass filter output
11	CLOCK OUT	Bit rate clock output	23	BPF IN	Band pass filter input
12	DATA OUT	RDS data output	24	Vcc	Supply voltage for analog circuit

LM7001 (PLL Synthesizer and Controller)



Pin No.	Terminal	Description
1	XOUT	Connect the 7.2MHz crystal resonator.
2	XIN	
3	CE	Chip enable terminal. Connect to the terminal PLLCE1 of microprocessor.
4	CL	Serial clock input terminal. Connect to the terminal PLLCL of microprocessor.
5	DATA	Serial data input terminal. Connect to the terminal PLLDATA of microprocessor.
6	$\overline{\text{SYN}}$	Not used.
7	$\overline{\text{SAT/CANLE}}$	Power source control terminal for DSR. Cable at the high level and Satellite at low.
8	LPF	LPF selector output.
9	ANT	Antenna selector output. A at high level and B at low level.
10	AMIN	AM local oscillator input terminal.
11	FMIN	FM local oscillator input terminal.
12	VDD1	Power source terminal for back-up.
13	VDD2	Power source terminal.
14	PD1	Phase comparator output
15	PD2	Phase comparator output
16	VSS	Ground terminal

ADJUSTMENT PROCEDURES

Preparation

1. Input

FM mono: 1kHz, 75kHz devi., 60dB/ μ V

FM stereo: 1kHz, 67.5kHz devi., 60dB/ μ V

Pilot signal 19kHz 7.5kHz devi.

AM: 400Hz, 30% mod.

2. Outputs

Connect the non-inductive type resistor of 8 ohms to the all speaker terminals unless otherwise noted.

3. Standard Knob Positions

Master Volume Control	Maximum
Bass Control	Center
Treble Control	Center
Balance Control	Center
Input selector	CD
Tape 2 Monitor.....	OFF
Muting	OFF
Loudness	OFF
Speaker A.....	ON
Speaker B.....	OFF

Idling Current Adjustment

Connect the DC voltmeter to the terminals P501, and P502 (VCT and IID) on the main circuit pc board.

Adjust the trim resistors R501 and R502 so that the indicator of voltmeter becomes 4 ± 0.5 mV.

NOTE:Adjust after switching on for 5 minutes.

Set Volume knob to the minimum position.

1.FM ADJUSTMENT

Item	Step	Connection of instrument	FM SG output	Stereo modulator output	Tuning frequency	Output indicator	Adjustment point	Adjust for	Remarks
FM IF/RF	1	Fig.1	99.0MHz 1kHz 75kHz devi. 65dBf(60dB)	—	99.0MHz	DC voltmeter	L101	0±20mV	FM MUTE/MODE switch:ON/AUTO Repeat the steps 1 and 3 until no further adjustment is necessary.
	AC voltmeter					IFT on the front end	Maximum		
	Distortion analyzer					L102	Minimum		
Stereo Distortion		Fig.2	99.0MHz Ext. mod.65dBf(60dB)	Channel L or R 1kHz	99.0MHz	Distortion analyzer	IFT on the front end	Minimum	Don't turn more than ±180°
Muting Level		Fig.2	99.0MHz 17.2dBf(12dB) 19.2dBf(14dB)	—	99.0MHz	Oscilloscope	R101	Signal output	12dB (120V model) 14dB (Other model)
RDS		Fig.3	99.0MHz Ext. mod.60dB	RDS data or 57kHz 3% devi.	99.0MHz	Oscilloscope	R781	Maximum	TX-8210R only

2.AM ADJUSTMENT

120V model

Step	AM SG output	Tuning Frequency	Output Indicator	Adjustment point	Adjust for
1		530kHz	Digital DC voltmeter	OSC coil on RF block L151	1.3±0.2V
2	600kHz 400Hz 30% mod. 60dB/m	600kHz	AC voltmeter	RF coil on RF block L151	Maximum
3	990kHz 400Hz 30% mod. 60dB/m	990kHz	AC voltmeter	L152	Maximum

Reference Specification

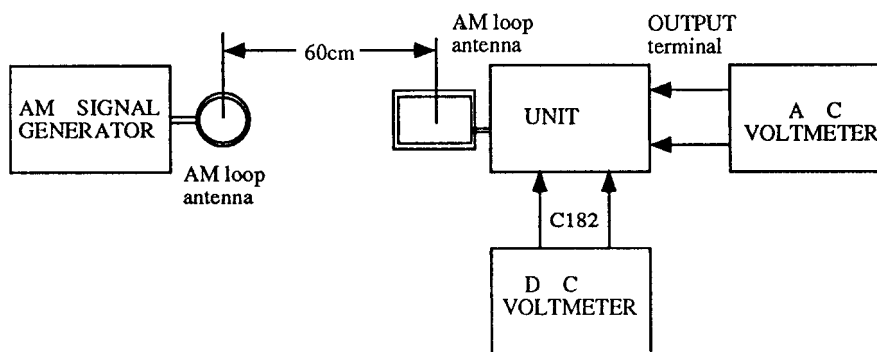
FM tuned voltage:87.9MHz~107.9MHz
More than 1.3V~less than 10.0V
AM tuned voltage:530kHz~1710kHz
1.3V±0.2V~less than 9.0V

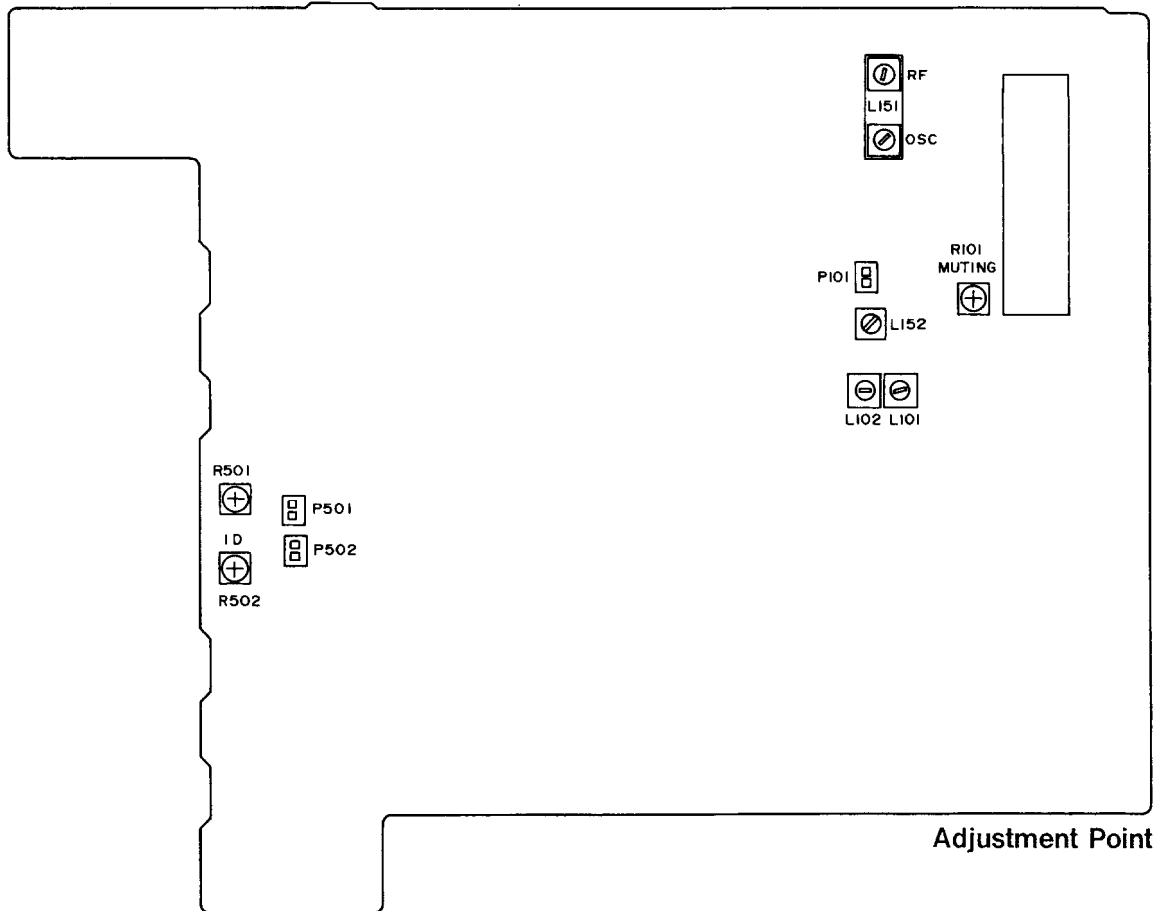
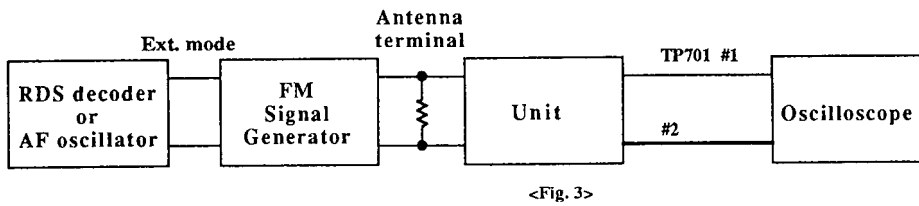
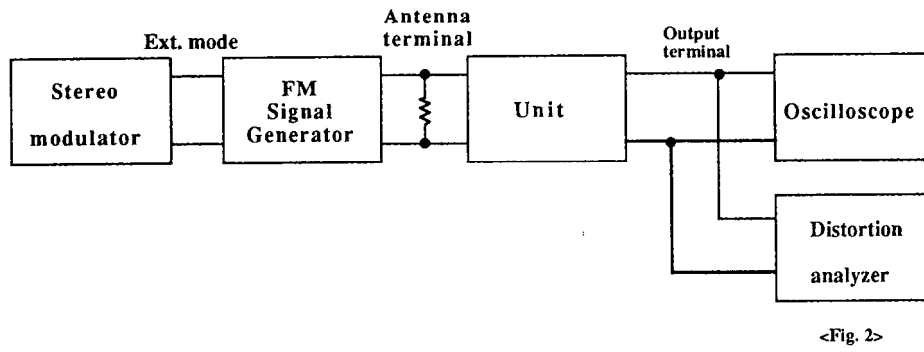
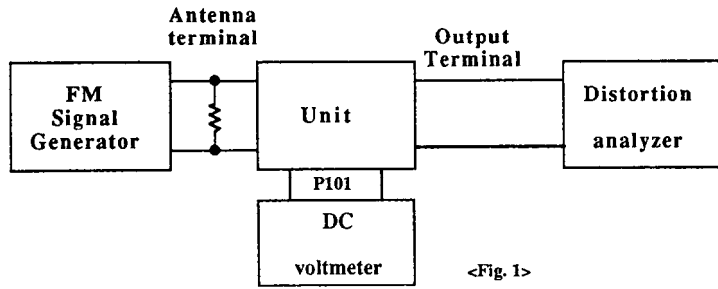
230V and Wolrdwide models

Step	AM SG output	Tuning Frequency	Output Indicator	Adjustment point	Adjust for
1		522kHz or 531kHz	Digital DC voltmeter	OSC coil on RF block L151	1.3±0.2V
2	603kHz 400Hz 30% mod. 60dB/m	603kHz	AC voltmeter	RF coil on RF block L151	Maximum
3	999kHz 400Hz 30% mod. 60dB/m	999kHz	AC voltmeter	L152	Maximum

Reference Specification

FM tuned voltage:87.5MHz~108.0MHz
More than 1.3V~less than 10.0V
AM tuned voltage:522kHz~1611kHz
1.3V±0.2V~less than 9.0V (230V model)
AM tuned voltage:531kHz~1602kHz
1.3V±0.2V~less than 9.0V (Worldwide model)

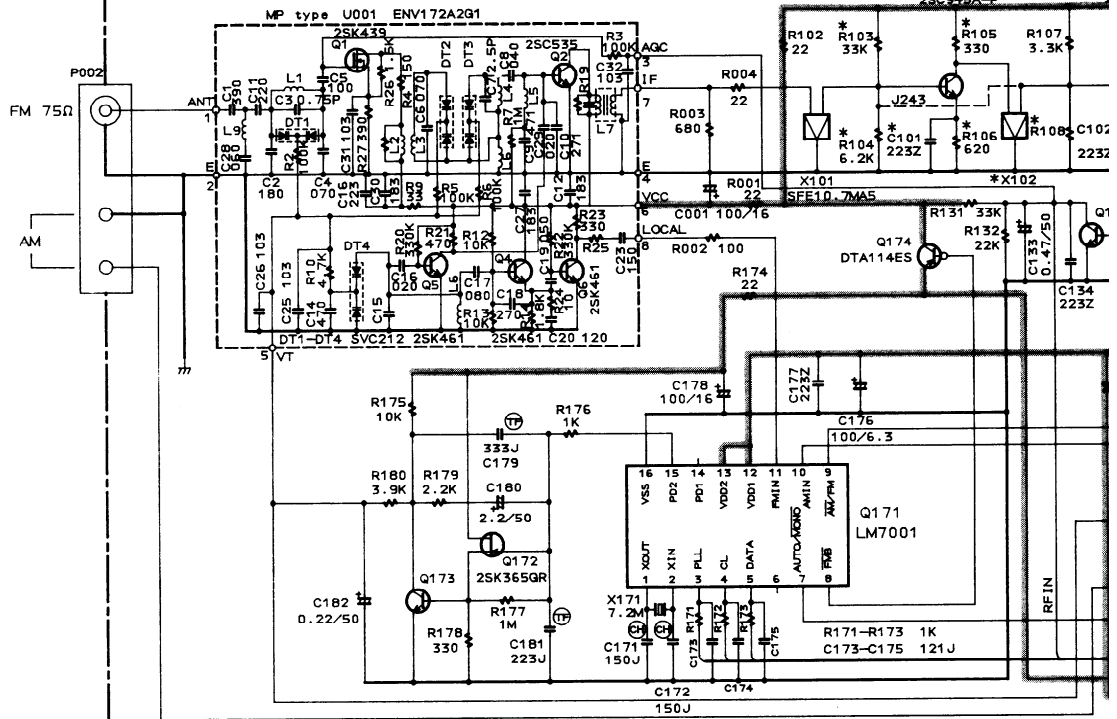




A B C
SCHEMATIC DIAGRAM

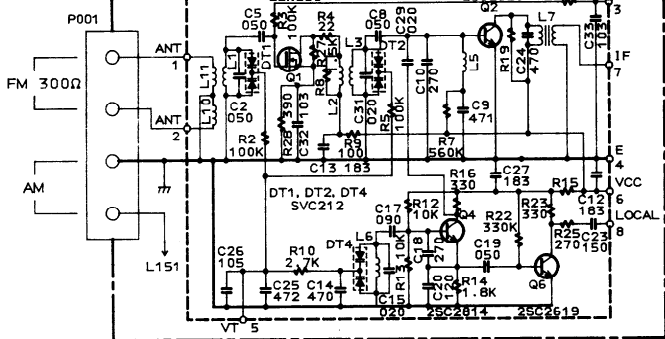
1

NAAR-5433-1, 1A, 1B, 1C



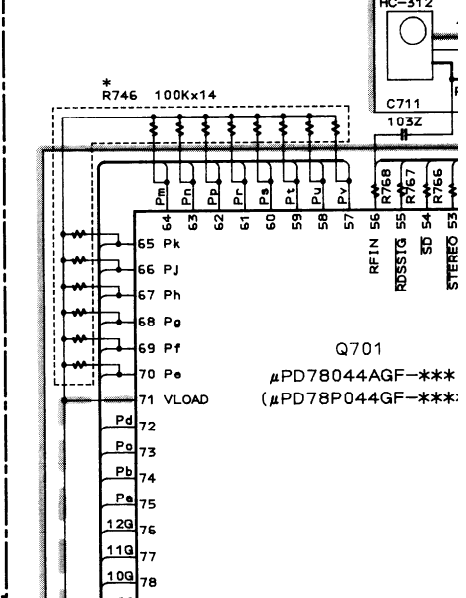
2

MD type U001 ENV172D2G1



3

NADIS-5437-1, 1A, 1B, 1C



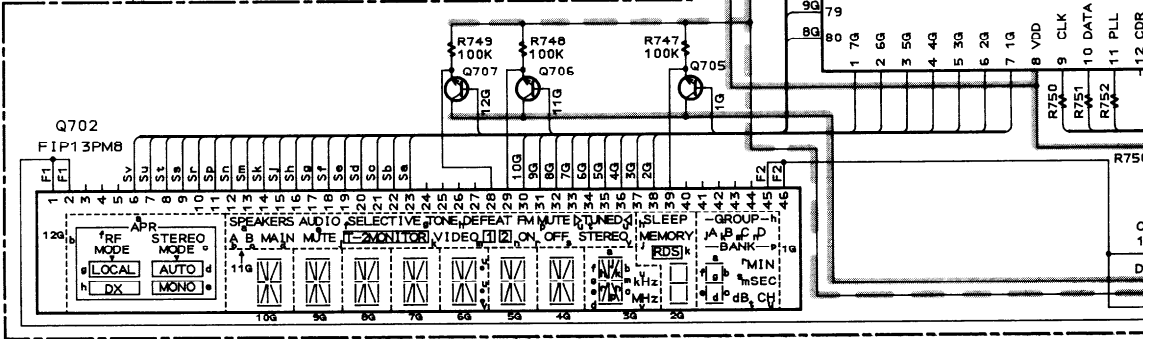
4

*Parts

	Q101	X102	X103	C101	R103~R106	R108	C111
MDtype	NO	NO	SFE10.7MA5	NO	NO	910	122J
MPtype	YES	SFE10.7MA5	SFE10.7MZ2A	YES	YES	560	821J
MWtype	YES	SFE10.7MA5	SFE10.7MZ2A	YES	YES	560	821J

	C205	R152	R203	C215	R746	
MDtype	333J	22K	4.7K	121J	OTP ONLY	
MPtype	NO	56K	2.4K	182J	OTP ONLY	
MWtype	NO	56K	2.4K	222J	OTP ONLY	

5



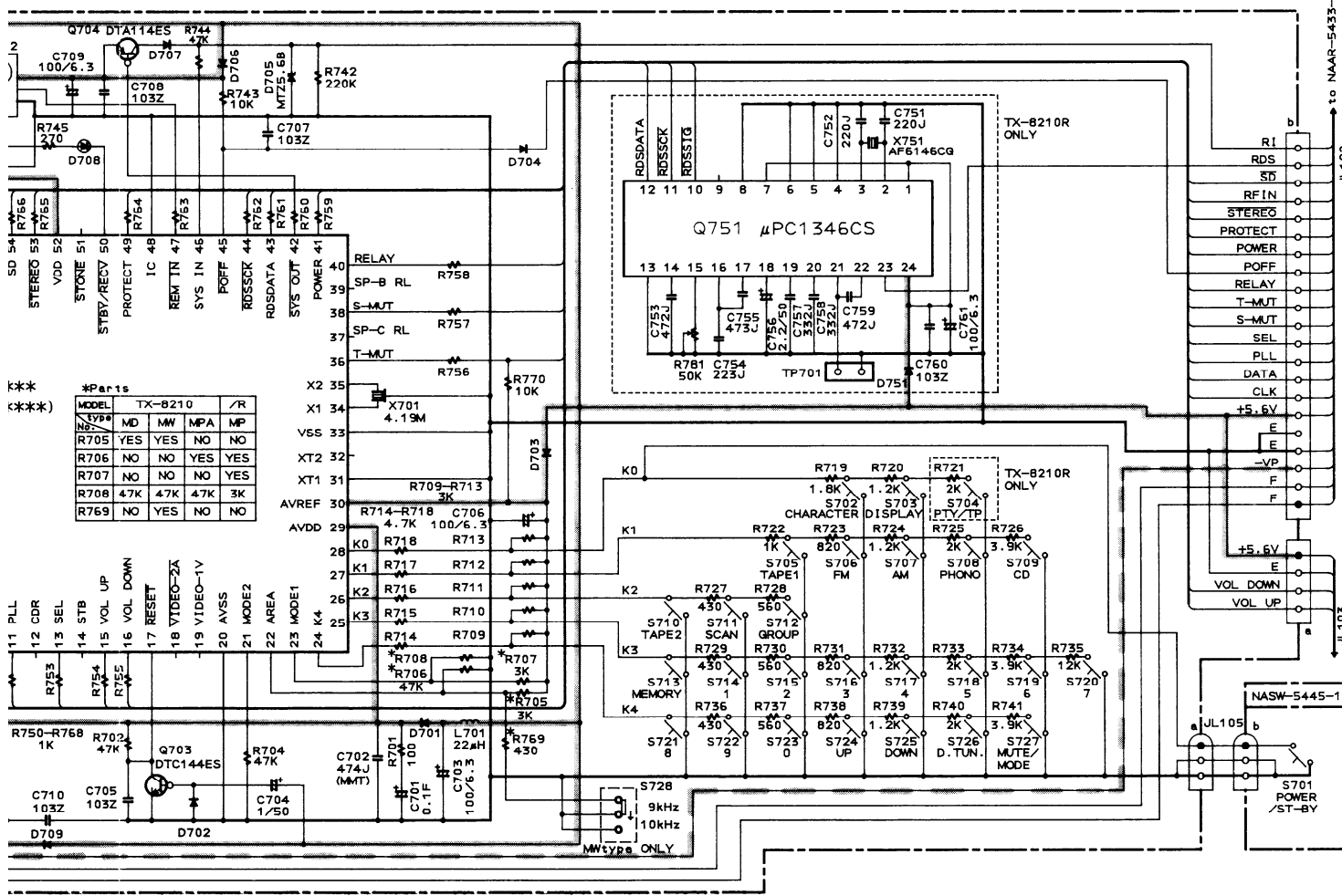
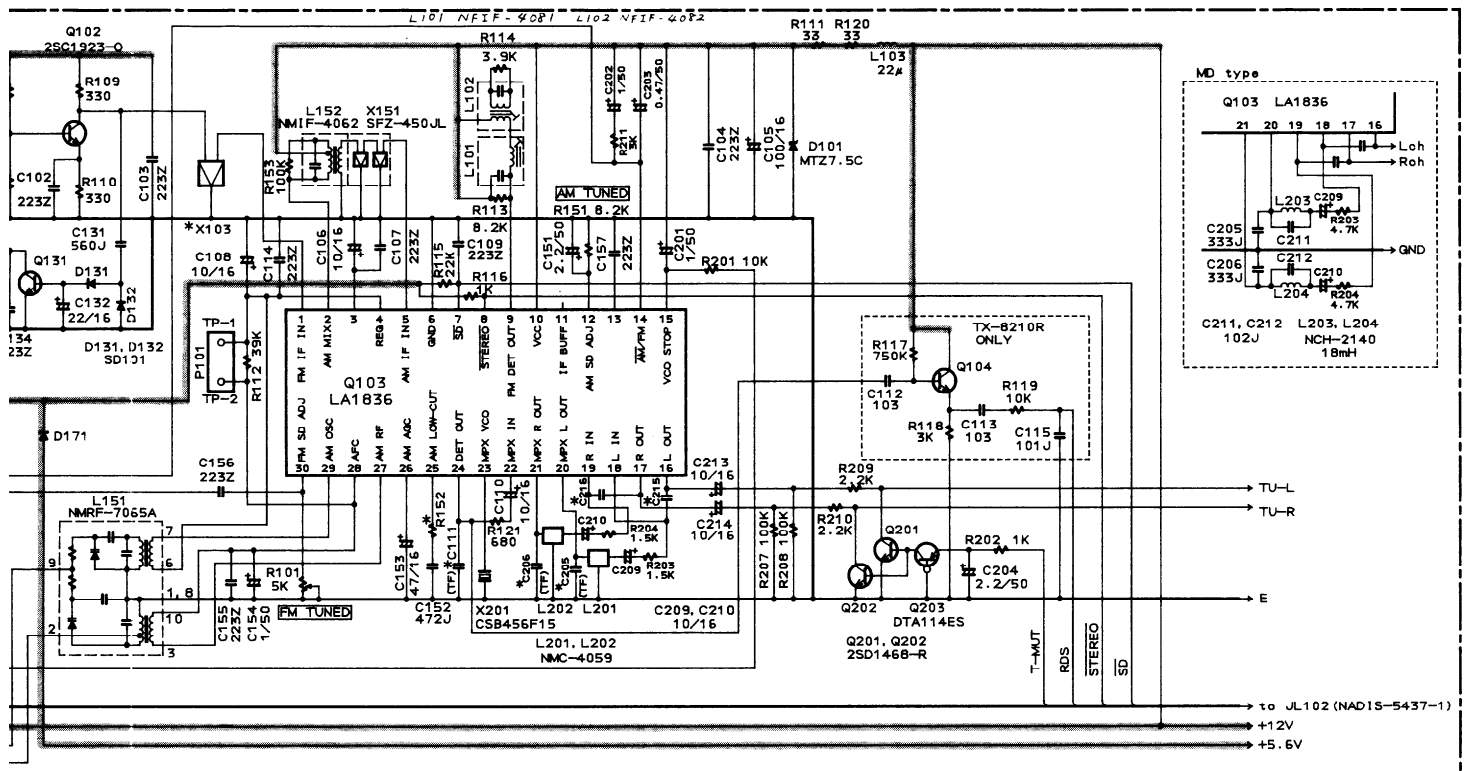
-8210R TX-8210/TX-8210R

D

E

F

G

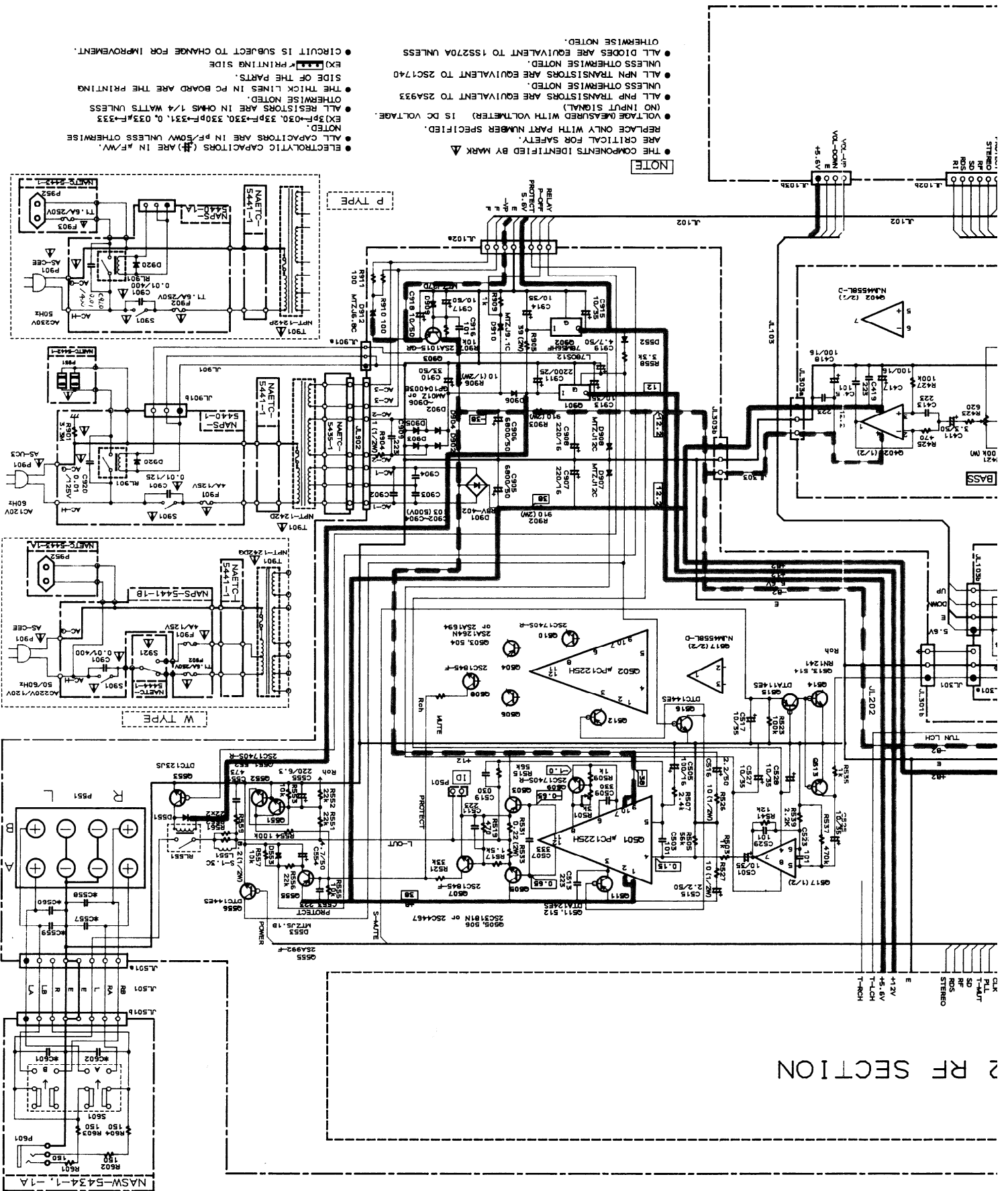


(***)

MODEL	TX-8210	/R
N750	MD	MP
R705	YES	NO
R706	NO	YES
R707	NO	YES
R708	47K	47K
R769	NO	NO

Pin	Function	Component
11	PLL	R753
12	CDR	R753
13	SEL	R754
14	STB	R754
15	VOL UP	R755
16	VOL DOWN	R755
17	RESET	R756
18	VIDEO-2A	R757
19	VIDEO-1V	R757
20	AVSS	R758
21	MODE2	R758
22	AREA	R759
23	MODE1	R759
24	K4	R759

2 RF SECTION



- THE COMPONENTS IDENTIFIED BY MARK Δ ARE CRITICAL FOR SAFETY. REPLACE ONLY WITH PART NUMBER SPECIFIED.
- VOLTAGE (MEASURED WITH VOLTMETER) IS DC VOLTAGE. (NO INPUT SIGNAL)
- ALL PNP TRANSISTORS ARE EQUIVALENT TO 2SA933
- ALL NPN TRANSISTORS ARE EQUIVALENT TO 2SC1740
- UNLESS OTHERWISE NOTED.
- ALL DIODES ARE EQUIVALENT TO 1SS270A UNLESS OTHERWISE NOTED.
- ALL CAPACITORS ARE IN P.F./50MV UNLESS OTHERWISE NOTED.
- ALL CAPACITORS ARE IN P.F./50MV UNLESS OTHERWISE NOTED.
- EX) 3P-F-030, 35P-F-330, 330P-F-331, 0.033P-F-333
- ALL RESISTORS ARE IN OHMS 1/4 WATTS UNLESS OTHERWISE NOTED.
- THE THICK LINES IN PC BOARD ARE THE PRINTING SIDE OF THE PARTS.
- EX) * PRINTING SIDE
- CIRCUIT IS SUBJECT TO CHANGE FOR IMPROVEMENT.

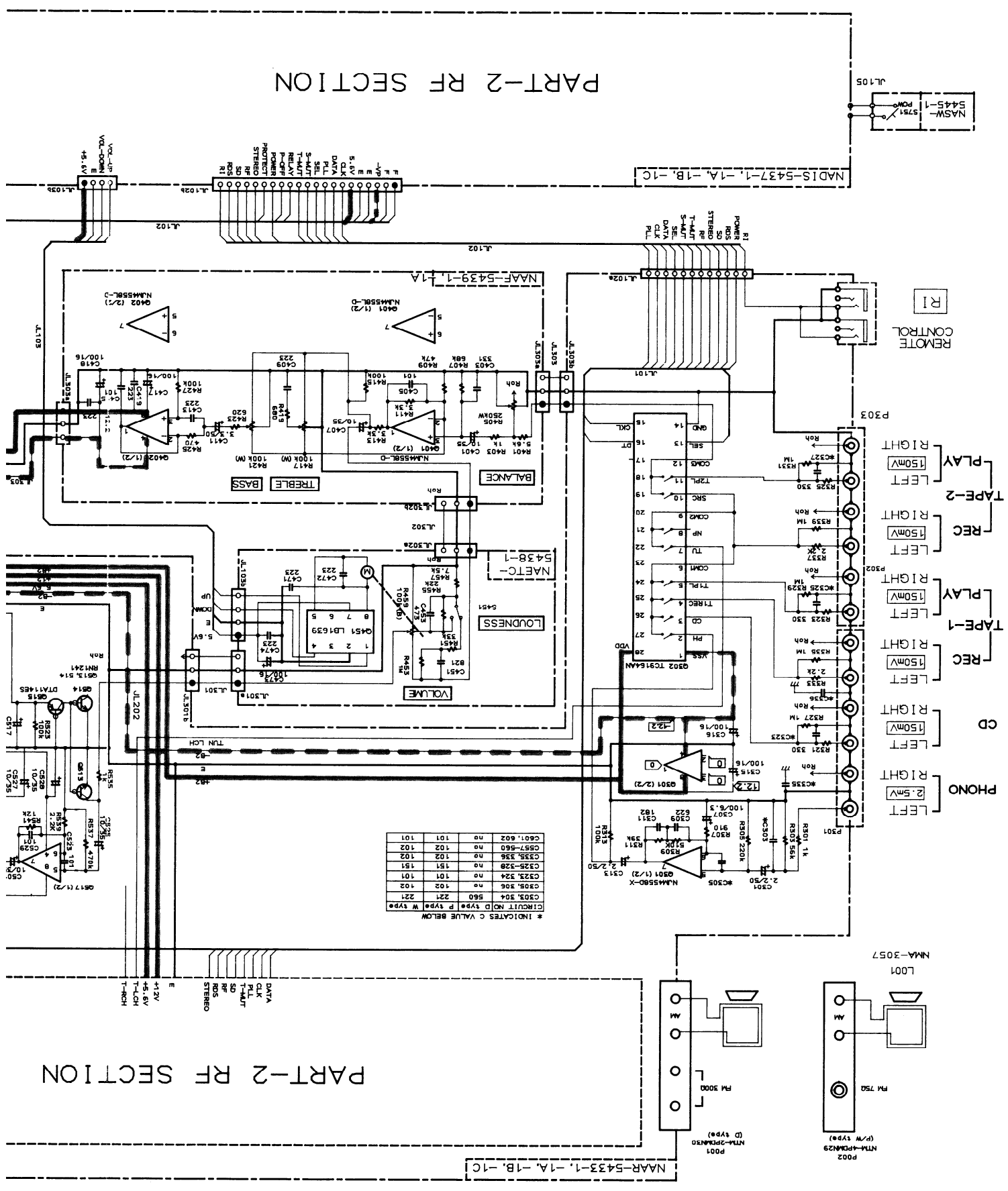
NOTE

P TYPE

W TYPE

NASW-5434-1-1A

CHEMATIC DIAGRAM



* INDICATES C VALUE BELOW

CIRCUIT NO	TYPE	P	TYPE	W	TYPE
C303, 304	560	221			
C305, 306	n	102	102		
C323, 324	n	101	101		
C325, 326	n	151	151		
C355, 356	n	102	102		
C557, 558	n	102	102		
C601, 602	n	101	101		

PART-1 RF SECTION

PART-2 RF SECTION

PRINTED CIRCUIT BOARD-PARTS LIST

MAIN CIRCUIT PC BOARD (NAAR-5433-1/1A/1B/1C)

CIRCUIT NO.	PART NO.	DESCRIPTION	CIRCUIT NO.	PART NO.	DESCRIPTION
	Front end			Coils and Transformers	
TU001	240104Y	ENV172D2G1 <D>	L101	233457Y	NFIF-4081
	240103Y	ENV172A2G1 <P/W/A>	L102	233458Y	NFIF-4082
	ICs		L103	233454K220	NCH-1452 220K
Q103	22240890	LA1836	L151	232163A	NMRF-7065A,RF block
Q171	22240090	LM7001	L152	232139	NMIF-4062
Q301	222502	NJM4558D-X	L201,L202	233355A	NMC-4059 <P/W/A>
Q302	22240800	TC9164AN	L203,L204	231092	NCH-2140 <D>
Q501,Q502	22240108	μ PC1225H	L551,L552	231176S	S-1.3C
Q517	22240293	NJM4558L-D		Resonator	
Q901	222780126	L780S12	X171	3010158 or	XTL-7.2M or
Q902	222780565JRC	78M56		3010141	XTL-7.2M,Crystal
	Transistors		X201	3010227	CSB456F15
Q101	2210746	2SC945A-P <P/W/A>		Ceramic filters	
Q102	2211723	2SC1923-O	X101	3010246Y	FFE1070MA11UXL
Q104	2213284 or	2SC1740S-R or	X102	3010246Y	FFE1070MA11UXL <P/W/A>
	2212115	2SC2458-GR <P>	X103	3010246Y	FFE1070MA11UXL <D>
Q131,Q173	2213284 or	2SC1740S-R or		3010130	SFE10.7MZZ2A <P/W/A>
	2212115	2SC2458-GR	X151	3010123	SFZ450JL
Q172	2212445	2SK365-GR		Capacitors	
Q174,Q203	2213510 or	DTA114ES or	C001,C105	354741019	100 μ F,16V,Elect.
Q515	2214350	RN2202	C106,C110	354741009	10 μ F,16V,Elect.
Q201,Q202	2212794	2SD1468-R	C108,C133	354784799	0.47 μ F,50V,Elect.
Q503,Q504	2202492,	* 2SA1264N-R,	C109,C151	354780229	2.2 μ F,50V,Elect.
	2202493,	* 2SA1264N-O,	C111	374721524	1500pF \pm 5%,50V,Plastic <D>
	2202243,	* 2SA1694-O,		374721024	1000pF \pm 5%,50V,Plastic <P/A>
	2202244 or	* 2SA1694-Y or		374728214	820pF \pm 5%,50V,Plastic <W>
	2202246	* 2SA1694-P	C132	354742209	22 μ F,16V,Elect.
Q505,Q506	2202502,	* 2SC3181N-R,	C152	374724724	4700pF \pm 5%,50V,Plastic
	2202503,	* 2SC3181N-O,	C153	354744709	47 μ F,16V,Elect.
	2202253,	* 2SC4467-O,	C154	354780109	1 μ F,50V,Elect.
	2202254 or	* 2SC4467-Y or	C176	354721019	100 μ F,6.3V,Elect.
	2202256	* 2SC4467-P	C178	354741019	100 μ F,16V,Elect.
Q507,Q508	2211732	2SC1845-F	C179	374723334	0.033 μ F \pm 5%,50V,Plastic
Q509,Q510	2213284 or	2SC1740S-R or	C180	354780229	2.2 μ F,50V,Elect.
Q551,Q552	2212115	2SC2458-GR	C181	374722234	0.022 μ F \pm 5%,50V,Plastic
Q511,Q512	2212600	DTA124ES	C182	354782299	0.22 μ F,50V,Elect.
Q513,Q514	2213631 or	RN1241-A or	C201,C202	354780109	1 μ F,50V,Elect.
	2213632	RN1241-B	C203	354784799	0.47 μ F,50V,Elect.
Q516,Q556	221282 or	DTC144ES or	C204	354780229	2.2 μ F,50V,Elect.
	2213560	RN1204	C205,C206	374723334	0.033 μ F \pm 5%,50V,Plastic <D>
Q553	2213640	DTC123JS	C209,C210	354741009	10 μ F,16V,Elect.
Q555	2211792	2SA992-F	C211,C212	374721024	1000pF \pm 5%,50V,Plastic <D>
Q903	2211455	2SA1015-GR	C213,C214	354741009	10 μ F,16V,Elect.
	Diodes		C215,C216	374721824	1800pF \pm 5%,50V,Plastic <P/A>
D101	224470753	MTZJ7.5C		374722224	2200pF \pm 5%,50V,Plastic <W>
D131,D132	223191	SD101	C301,C302	354780229	2.2 μ F,50V,Elect.
D171	223205 or	1SS270A or	C307,C308	354721019	100 μ F,6.3V,Elect.
D551,D552	223163	1SS133	C309,C310	374726224	6200pF \pm 5%,50V,Plastic
D553	224470512	MTZJ5.1B	C311,C312	374721824	1800pF \pm 5%,50V,Plastic
D901	22380022	RBV402	C313,C314	354780229	2.2 μ F,50V,Elect.
D902~D906	22380035 or	GP104003E or	C315,C316	354741019	100 μ F,16V,Elect.
	22380046	AM01Z	C501,C502	354761009	10 μ F,35V,Elect.
D907,D908	224471203	MTZJ12C	C505,C506	354741019	100 μ F,16V,Elect.
D909	224472704	MTZJ27D	C507,C508	374723334	0.033 μ F \pm 5%,50V,Plastic
D910	224470913	MTZJ9.1C	C515,C516	354780229	2.2 μ F,50V,Elect.
D912	224470683	MTZJ6.8C	C517	354761009	10 μ F,35V,Elect.
			C525~C528	354761009	10 μ F,35V,Elect.
			C551,C552	374724734	0.047 μ F \pm 5%,50V,Plastic

CIRCUIT NO.	PART NO.	DESCRIPTION
	Capacitors	
C554	354780479	4.7 μ F,50V,Elect.
C555	354722219	220 μ F,6.3V,Elect.
C905,C906	3504207	6800 μ F,50V,Elect.
C907,C908	354742219	220 μ F,16V,Elect.
C910	354783309	33 μ F,50V,Elect.
C911	354752229	2200 μ F,25V,Elect.
C913~C915	354761009	10 μ F,35V,Elect.
C917,C918	354761009	10 μ F,35V,Elect.
C919	354780479	4.7 μ F,50V,Elect.
	Resistors	
R101	5210261	N06HR5KBC, Trim
R501,R502	5210260	N06HR3KBC, Trim
R513,R514	453530104	1 ohm \pm 5%,1/2W,Metal <D>
R526,R527	443521004	10 ohm,1/2W,Metal oxide film
R531,R532	4000131	RGC22-0.22,Metal plate
R559,R560	453530824	8.2 ohm \pm 5%,1/2W,Metal
R902,R903	441729114	910 ohm \pm 5%,2W,Metal
R904	453530104	1 ohm \pm 5%,1/2W,Metal
R905	441723904	39 ohm \pm 5%,2W,Metal
R906	443521004	10 ohm,1/2W,Metal oxide film
	Terminals	
P001	25060157	NTM-4PDML083,Antenna <D>
	25060117	NTM-2PDML051,Antenna <P/W/A>
P301,P302	25045300	NPJ-6PDBL159, Input/Output
P303	25045172	HSJ1003-01-020, RI
P551	25060158	NTM-8PDML084,Speaker
	Relay	
RL551	25065485	NRL-2P5A-DC24-086
	Sockets	
JL102a	25050699	NSCT-21P503
JL501a,JL901a	25051112	NSCT-8P899
JL902a	25051087	NSCT-3P874
	Plugs	
	25055495	NPLG-2P470
P101	25055038	NPLG-2P29
P501,P502	25055038	NPLG-2P29
P301b	25055624	NPLG-3P586
P303b	25050627	NPLG-6P589

HEADPHONE TERMINAL PC BOARD (NASW-5434-1/1A)

CIRCUIT NO.	PART NO.	DESCRIPTION
S601	25035517	NPS-222-L479,Push switch
P601	25045255	YKB21-5009,Headphone terminal

SECONDARY TERMINAL PC BOARD (NAETC-5435-1/1A)

CIRCUIT NO.	PART NO.	DESCRIPTION
JL901b	25051112	NSCT-8P899, Socket

DISPLAY CIRCUIT PC BOARD (NADIS-5437-1/1A/1B/1C)

CIRCUIT NO.	PART NO.	DESCRIPTION
	Remote control sensor	
U701	24130010	HC-312
	ICs	
Q701	22240892	μ PD78044AGF-111
Q751	22240679	μ PC1346CS <P>
	FL tube	
Q702	212142Y	FIP13PM8
	Transistors	
Q703	221282 or 2213560	DTC144ES or RN1204
Q704	2213510 or 2214350	DTA114ES or RN2202
Q705~Q707	2213284 or 2212115	2SC1740S-R or 2SC2458-GR
	Diodes	
D701~D704	223163 or 223205	1SS133 or 1SS270A
D706,D707	224470562	MTZJ5.6B
D705	225142	SEL2913K,LED
D708	223163 or 223205	1SS133 or 1SS270A <P>
D751	223205	1SS270A <P>
	Resonators	
X701	3010163	CST4.19MGW,Ceramic
X751	3010203	AF6146CG, Crystal <P>
	Coil	
L701	233454K220	NCH-1452 220K
	Capacitors	
C701	3000076 or 3000078	0.1F,5.5V or 0.1F,5.5V,Super
C702	375524744	0.47 μ F \pm 5%,50V,Plastic
C703,C706	354721019	100 μ F,6.3V,Elect.
C704	353780109	1 μ F,50V,Elect.
C709	354721019	100 μ F,6.3V,Elect.
C753,C759	374724724	4700 pF \pm 5%,50V,Plastic <P>
C754	374722234	0.022 μ F \pm 5%,50V,Plastic <P>
C755	374724734	0.047 μ F \pm 5%,50V,Plastic <P>
C756	353780229	2.2 μ F,50V,Elect. <P>
C757,C758	374723324	3300 pF \pm 5%,50V,Plastic <P>
C761	354721019	100 μ F,6.3V,Elect. <P>
	Resistor	
R781	5210296	N06HR47KBE, Trim <P>
	Switches	
S702,S703	25035652	NPS-111-S604
S704	25035652	NPS-111-S604 <P>
S705~S727	25035652	NPS-111-S604
S728	25065286	NSS22112 <W>
	Sockets	
JL102b	25050927	NSCT-21P714
JL103a	25051088	NSCT-4P785
JL105a	25051087	NSCT-3P874
	Plug	
TP701	25055689	NPLG-2P645 <P>
	Holders	
	27190810	FL
	27190811	LED

VOLUME CIRCUIT PC BOARD (NAAF-5438-1)

CIRCUIT NO.	PART NO.	DESCRIPTION
Q451	22240322	LB1639,IC
C453,C454	374724734	0.047 μ F \pm 5%,50V,Plastic capacitor
C473	354741019	100 μ F,16V,Elect. capacitor
R459,R460	5104335Y	N16RGM100KBTP25F,Volume, variable resistor
S451	25035609	NPS-122-L571,Loudness switch
JL301a,JL302a	25051087	NSCT-3P874,Socket
JL103b	25055625	NPLG-4P587,Plug
JL454a	25051088	NSCT-4P875,Socket

TONE CONTROL CIRCUIT PC BOARD (NAAF-5439-1/1A)

CIRCUIT NO.	PART NO.	DESCRIPTION
ICs		
Q401,Q402	22240293	NJM4558L-D
Capacitors		
C401,C402	354761009	10 μ F,35V,Elect.
C407,C408	354761009	10 μ F,35V,Elect.
C409,C410	374722234	0.022 μ F \pm 5%,50V,Plastic
C411,C412	354780339	3.3 μ F,50V,Elect.
C413,C414	374722234	0.022 μ F \pm 5%,50V,Plastic
C417,C418	354741019	100 μ F,16V,Elect.
Resistors		
R405,R406	5104225	N11RGLC250KWT22Z, Balance,variable
R417,R418	5104230	N14RLC100KWT22Z,Treble,variable
R421,R422	5104230	N14RLC100KWT22Z,Bass,variable
Holders		
JL302b	25051087	NSCT-3P874
JL303a	25051090	NSCT-6P877

POWER SUPPLY PC BOARD (NAPS-5440-1/1A/1B/1C)

CIRCUIT NO.	PART NO.	DESCRIPTION
C901,C920	3500191	△ DE7150F103MAC400V/125V, Capacitor IS
C901a	27301216	△ SB-1925A, Cover, capacitor <P/W/A>
R901	431523355	△ 3.3 Mohm,1/2W,Solid resistor <D>
S901	25035550	△ NPS-111-L512P,Power switch
F901	252163Y	△ 4A-UL/T-237,Primary fuse <D/W>
F901a	25050065	△ YSH403T,Fuseholders <D/W>
F902	252073	△ 1.6A-SE-EAK,Primary fuse <P/W/A>
F902a	25050065	△ YSH403T,Fuseholders <P/W/A>
P901	25055675	NPLG-2P631, Plug
RL901	25065483	△ NRL-1P5ADC12-84,Relay
JL902b	25055624	NPLG-3P586, Plug

AC OUTLET PC BOARD (NAETC-5442-1)

(120 V model only)

CIRCUIT NO.	PART NO.	DESCRIPTION
P951	25050409	△ NSCT-4P234,AC outlet

AC OUTLET PC BOARD (NAETC-5443-1/1A)

(230 V and Worldwide models only)

CIRCUIT NO.	PART NO.	DESCRIPTION
P952	25050410	△ NSCT-2P235,AC outlet
F951	252073	△ 1.6A-SE-EAK,Fuse <P>
F903a	25050065	△ YSH-403T,Fuseholders <P>

VOLTAGE SELECTOR SWITCH PC BOARD (NASW-5444-1)

(Worldwide models only)

CIRCUIT NO.	PART NO.	DESCRIPTION
S902	25065437	△ NSS-22157, Slide switch

POWER SWITCH PC BOARD (NAETC-5445-1)

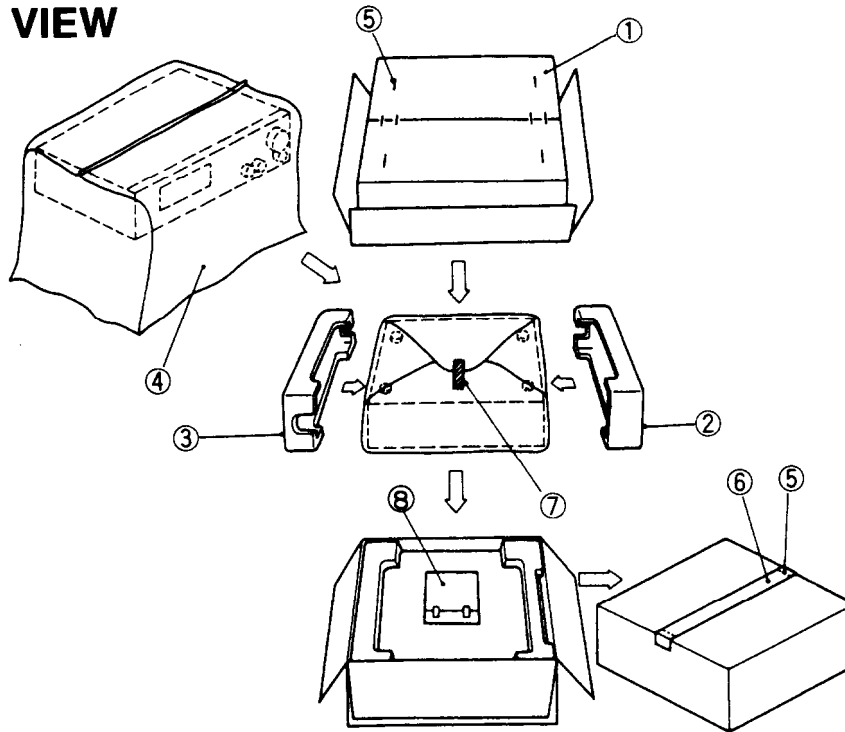
CIRCUIT NO.	PART NO.	DESCRIPTION
S701	25035652	△ NPS-111-S604,Power switch
JL105b	25051087	NSCT-3P874, Holder

NOTE: <D>: 120V model only
 <P>: 230V model only
 <W>: Worldwide model only
 <A>: Australian model only

CAUTION:Replacement for transistor of mark *,if necessary, must be made from the same beta group (H β) as the original type.

NOTE: THE COMPONENTS IDENTIFIED BY MARK △ ARE CRITICAL FOR RISK OF FIRE AND ELECTRIC SHOCK. REPLACE ONLY WITH PART NUMBER SPECIFIED.

PACKING VIEW



REF.NO.	PART NO.	DESCRIPTION
1	29100034-1Y	Styren bag for unit
2	29052884AY	Master carton box <D/W/A>
	29052885AY	Master carton box <P>
	29052886AY	Master carton box <S>
3	282301	Staple
4	29091441BY	Pad R
5	29091440BY	Pad L
6	261504	Adhesive tape
7	29110071	PP tape
8	Accessory bag ass'y	
	29342135Y	Instruction manual
	29342137Y	Instruction manual U6 <P>
	29342138Y	Instruction manual U3 <C/W>
	2010200	Connection cord RI
	3010054	UM-3, Two batteries
	24140296Y	RC-296S, Remote control transmitter
	232140	NMA-3057, AM loop antenna
	292111Y	FM antenna <D>
	292112Y	FM antenna <P/W/A>
	25065462Y	YAE21-0237, FM antenna adaptor <W/A>
	25055018	CV-K-1, Conversion plug <W>
	29365019B	Warranty card <N>
	29100097-1Y	Styren bag for accessory
	29360778	Label FLASH <N/C>
	29361866Y	Label UPC <N>
	29095745	Sheet U7 <P>

NOTE: <D>: 120V model only
 <P>: 230V/240V models only
 <W>: Worldwide model only
 <N>: U.S.A. model only
 <A>: Australian model only
 <C>: Canadian model only
 : Black model only
 <S>: Silver model only

ONKYO CORPORATION

International Sales Dept. : 31 Sankyo-bld. 3-8-5, Asakusabashi, Taito-ku, TOKYO 111, JAPAN

TEL : 03-5820-5865 FAX : 03-5820-5869

ONKYO U.S.A. CORPORATION

200 Williams Drive, Ramsey, N.J. 07446, U.S.A.

Tel: 201-825-7950 Fax: 201-825-8150

ONKYO DEUTSCHLAND GMBH ELECTRONICS

Industriestrasse 18-20, 82110 Germering, GERMANY

Tel: 089 84 93 20 Fax: 089 84 93 226

ONKYO FRANCE

Immeuble Le Diamant, Domaine Technologique de Saclay, 4 Rue René Razel,

91892 SACLAY, FRANCE Tel: (1) 69 33 14 00 Fax: (1) 69 41 35 84