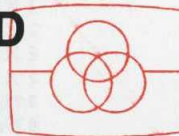


ONKYO SERVICE MANUAL

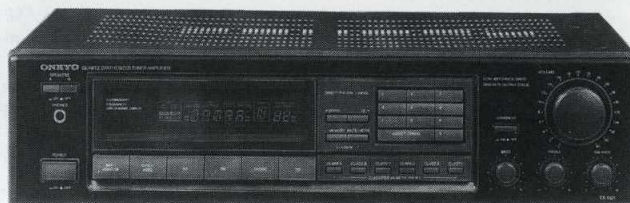
QUARTZ SYNTHESIZED TUNER AMPLIFIER MODEL TX-901 MODEL TX-903



Free service manuals
Gratis schema's

Digitized by

www.freeservicemanuals.info



Black and Silver models

BHMD, BHMDN	120V AC, 60Hz
BHMP, BHMPF, MP, MPF	230V AC, 50Hz
BHMW	120V or 220V AC, 50/60Hz
BHMQA	240V AC, 50Hz

SAFETY-RELATED COMPONENT WARNING!!

COMPONENTS IDENTIFIED BY MARK Δ ON THE SCHEMATIC DIAGRAM AND IN THE PARTS LIST ARE CRITICAL FOR RISK OF FIRE AND ELECTRIC SHOCK. REPLACE THESE COMPONENTS WITH ONKYO PARTS WHOSE PART NUMBERS APPEAR AS SHOWN IN THIS MANUAL.

MAKE LEAKAGE-CURRENT OR RESISTANCE MEASUREMENTS TO DETERMINE THAT EXPOSED PARTS ARE ACCEPTABLY INSULATED FROM THE SUPPLY CIRCUIT BEFORE RETURNING THE APPLIANCE TO THE CUSTOMER.

TABLE OF CONTENTS

Specifications	2
Service procedures	3
Exploded view Model TX-903	4
Parts list Model TX-903	5
Exploded view Model TX-901	6
Parts list Model TX-901	7
Block diagram Model TX-903	8
Block diagram Model TX-901	10
IC block diagram and descriptions	12
Packing view	19
Adjustment procedures	20
Printed circuit board view from bottom side	23
Schematic diagram	
Model TX-903	25
Model TX-901	29
Printed circuit board-parts list	
Model TX-903	35
Model TX-901	38

ONKYO

AUDIO COMPONENTS

SPECIFICATIONS

AMPLIFIER SECTION

	TX-903	TX-901
Power Output:	60 watts per channel, min. RMS, at 8 ohms, both channels driven, from 40Hz to 20kHz, with no more than 0.2% THD.	45 watts per channel, min. RMS, at 8 ohms, both channels driven, from 40kHz to 20kHz, with no more than 0.3% THD.
Dynamic Power Output:	2 × 100 watts at 4 ohms 2 × 75 watts at 8 ohms	2 × 80 watts at 4 ohms 2 × 60 watts at 8 ohms
Continuous Power Output:	2 × 80 watts at 4 ohms, 1kHz (DIN) 2 × 65 watts at 8 ohms, 1kHz (DIN)	2 × 60 watts at 4 ohms, 1kHz (DIN) 2 × 50 watts at 8 ohms, 1kHz (DIN)
Total Harmonic Distortion:	0.2% at rated power 0.1% at 30 watt output	0.3% at rated power 0.1% at 30 watt output
IM Distortion:	0.2% at rated power 0.1% at 30 watt output	0.3% at rated power 0.1% at 30 watt output
Damping Factor:	50 at 8 ohms	50 at 8 ohms
Frequency Response:	20 — 30,000 Hz ± 1dB	20 — 30,000 Hz ± 1dB
RIAA Deviation:	20 — 20,000 Hz ± 0.8dB	20 — 20,000 Hz ± 0.8dB
Sensitivity and Impedance:	Phono: 2.5mV/50 kohms CD/Tape Play: 150mV/50 kohms Tape Rec: 150mV/3.5 kohms	Phono: 2.5mV/50 kohms CD/Tape Play: 150mV/50 kohms Tape Rec: 150mV/3.5 kohms
Phono Overload:	120mV RMS at 1kHz, 0.2% TDH	120mV RMS at 1kHz, 0.3% THD
Signal-to-Noise Ratio:	Phono: 80dB (at 5mV input, IHF-A) CD/Tape: 100dB (IHF-A)	Phono: 80dB (at 5mV input, IHF-A) CD/Tape: 100dB (IHF-A)
Tone Controls:	Bass: ± 10dB at 100Hz Treble: ± 10dB at 10kHz	Bass: ± 10dB at 100Hz Treble: ± 10dB at 10kHz
Muting:	— ∞	—
LOUDNESS (−30dB):	+7dB at 70Hz, +5dB at 10kHz	+7dB at 70Hz, +5dB at 10kHz

TUNER SECTION

	—220V/Worldwidemodels—	—120V model—
FM:	87.50—108.00MHz (50kHz steps) 87.5—108.00MHz (50kHz steps) or (200kHz steps) (Worldwide model)	87.9—107.9MHz (200kHz steps)
Tuning Range:		
Usable Sensitivity:	Mono: 12.4dBf, 1.2 μV, 75ohmd 1.2 μV (S/N26dB, 40kHz Devi.) 75ohms DIN Stereo: 19.2dBf, 2.5 μV, 75ohms 25 μV (S/N 46dB, Devi.) 75ohms DIN	Mono: 12.4dBf, 2.3 μV Stereo: 18.2dBf, 4.5 μV
50dB Quieting Sensitivity:	Mono: 18.2dBf, 2.2 μV, 75ohms Stereo: 38.2dBf, 22 μV, 75ohms	Mono: 18.2dBf, 4.5 μV Stereo: 38.2dBf, 45 μV
Capture Ratio:	1.5dB	1.5dB
Image Rejection Ratio:	85dB	40dB
IF Rejection Ratio:	90dB	90dB
Signal-to-Noise Ratio:	Mono: 70dB Stereo: 65dB	Mono: 70dB Stereo: 65dB
Alternate Channel Attenuation:		55dB
Selectivity:	50dB DIN (±300kHz, 40kHz dev.)	
AM suppression Ratio:	50dB	50dB
Harmonic Distortion:	Mono: 0.15% Stereo: 0.30%	Mono: 0.15% Stereo: 0.30%
Frequency Response:	30—15,000Hz±1.5dB	30—15,000Hz±1.5dB
Stereo Separation:	40dB at 1kHz 30dB at 100—10,000Hz	40dB at 1kHz 30dB at 100—10,000Hz
Muting Level:	17.2dBf, 4 μV	17.2dBf, 4 μV
AM:		
Tuning Range:	522—1610kHz (9kHz steps) 522—1610kHz (9kHz steps) or 530—1710kHz (10kHz steps) (World wide model)	530—1710kHz(10kHz steps)
Usable Sensitivity:	30 μV	30 μV
Image Rejection Ratio:	40dB	40dB
IF Rejection Ratio:	40dB	40dB
Signal-to-Noise Ratio:	40dB	40dB
Harmonic Distortion:	0.8%	0.8%

GENERAL

	TX-903	TX-901
Dimensions (W×H×D):	455×120×316mm 17-15/16" ×4-6/8" ×12-7/16"	455×120×316mm 17-15/16" ×4-6/8" ×12-7/16"
Weight:	8.0kg, 17.6 lbs.	7.2kg, 15.9 lbs.

Remote control transmitter RC-223S (Only Model TX-903)
 Transmitter: Infrared
 Signal range: Approx. 5 meters (16ft. × 4")
 Power supply: Two "AA" batteries(1.5V × 2)

Specifications and features are subject to change without notice.

SERVICE PROCEDURES

1.Replacing the fuses

For continued protection against fire hazard,replace only with same type and same rating fuse.

Circuit No.	Part No.	Description	Model	Type
F901	252049	4A(ST-6),Primary	TX-901	MD/MW
F901	252050	5A(ST-6),Primary	TX-903	MD/MW
F902	252074	2A-SE-EAK,Primary	TX-901	MP/MW/MQ
F902	252075	2.5A-SE-EAK,Primary	TX-903	MP/MW/MQ
F951	252074	2A-SE-EAK,AC outlet	TX-903	MP/MQ

2.Safety-check out

(Only U.S.A. model)

After correcting the original service problem,perform the following safety check before releasing the set to the customer.

Connect the insulating-resistance tester between the plug of power supply cord and nickel screw on the back panel.

Specifications: 3.3Mohm ±10% at 500V.

3.Change of voltage

Worldwide models are equipped with a voltage selector to conform with local power supplies. This switch is located on the back panel. Be sure to set this switch to match the voltage of the power supply in your area before turning the power switch on.

This switch is set to 220V at the factory. Voltage is changed by sliding the groove in the switch with the screwdriver to the right or left. Confirm that the switch has been moved all the way to the right or left before turning the power switch on.

4.Step band selector switch

Worldwide models are equipped with a step band selector switch. This switch is located on the back panel. This switch is set to 50kHz (FM) and 9kHz (AM) at the factory, but may have to be reset to 100kHz and 10kHz depending on the area where the unit is used.

De-emphasis	FM step	AM step
Europe: 50μsec	50kHz	9kHz
U.S.A.: 75μsec	200kHz	10kHz

5.Changing the band step

With the exception of the models below, a BAND STEP selector switch is not provided.

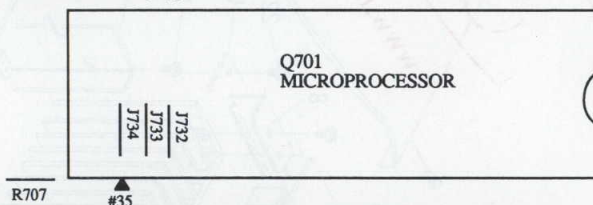
(FM)

MODEL	BAND STEP	R707(10kΩ)	J734
UD	200kHz→50kHz	Add	Cut
UP/UQ	50kHz→200kHz		Shorted

(AM)

MODEL	BAND STEP	R709(10kΩ)	J732
UD	10kHz→9kHz		Shorted
UP/UQ	9kHz→10kHz	Add	Cut

Refer to the page 23.



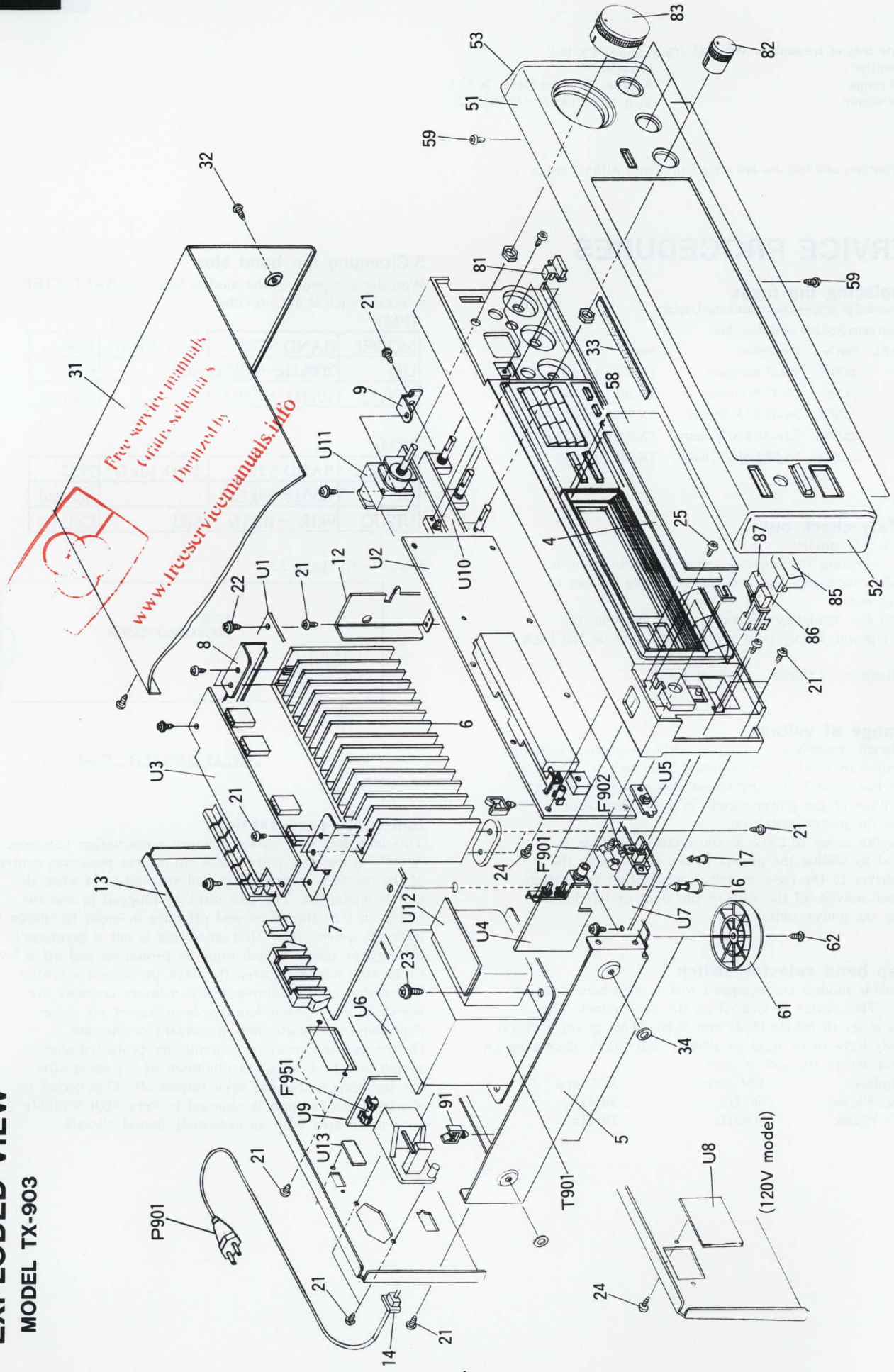
DISPLAY CIRCUIT PC BOARD

6.Memory preservation

This unit does not require memory preservation batteries. A built-in memory power back-up system preserves contents of the memory during power failures and even when the unit is unplugged. The unit must be plugged in and the power switch turned on and off once in order to charge the back-up system. Note that since this is not a permanent memory,the power switch must be turned on and off a few times each month to keep the back-up system operative. The period of time during which memory contents are preserved after power has last been turned off varies depending on climate and placement of the unit. On the average, memory contents are protected over a period of 3 to 4 weeks (a minimum of 2 weeks) after the last time power has been turned off. This period is shorter when the unit is exposed to very high humidity or used in an area with an extremely humid climate.

TX-903

EXPLODED VIEW MODEL TX-903



PARTS LIST

REF.NO.	PART NO.	DESCRIPTION	REF.NO.	PART NO.	DESCRIPTION	DESCRIPTION	REF.NO.	PART NO.	DESCRIPTION
1	27110680Y	Front bracket 	85	28324140	Knob POW 	Knob POW 	U3	1A331527-1	NAAF-4327-1, Power amplifier circuit pc board ass'y <D>
4	27110681Y	Front bracket <S>		28324184	Knob POW <S>	Knob POW <S>		1A331527-1A	NAAF-4327-1A, Power amplifier circuit pc board ass'y <P/W/Q>
5	28133254Y	Back plate	86	28324170Y	Knob SP A 	Knob SP A 		1A331528-1	NASW-4328-1, Headphone terminal pc board ass'y <D>
6	27100228Y	Chassis		28324172Y	Knob SP A <S>	Knob SP A <S>			
7	27160293Y	Radiator	87	28324171Y	Knob SP B 	Knob SP B 	U4		
8	27141441Y	Bracket LH		28324173Y	Knob SP B <S>	Knob SP B <S>		1A331528-1A	NASW-4328-1A, Headphone terminal pc board ass'y <P/W/Q>
9	27141442Y	Bracket RH	91	27300833	WS-2NS, Clamp	WS-2NS, Clamp			
12	27141443Y	Bracket PC	F901	252050	5A (ST-6), Fuse <D/W>	5A (ST-6), Fuse <D/W>	U5	1A331529-1	NASW-4329-1, Power switch pc board ass'y
13	27130643AY	Bracket, shield	F902	252075	2.5A-SE-EAK, Fuse <P/W/Q>	2.5A-SE-EAK, Fuse <P/W/Q>			
	27121535Y	Back panel <D>	F951	252074	2A-SE-EAK, Fuse <P/Q>	2A-SE-EAK, Fuse <P/Q>			
	27121535-1Y	Back panel <P>	F901	253163Y or	AS-UC-6 #18,	AS-UC-6 #18,	U6	1A331530-1	NAETC-4330-1, Terminal pc board ass'y
	27121535-3Y	Back panel <W>		253174Y	Power supply cord <D>	Power supply cord <D>	U7	1A331531-1	NAPS-4331-1, Power supply circuit pc board ass'y <D>
	27121535-4Y	Back panel <Q>		253164Y or	AS-CEE,	AS-CEE,			
14	27300750	Bushing		253175Y	Power supply cord <P/W>	Power supply cord <P/W>		1A331531-1A	NAPS-4331-1A, Power supply circuit pc board ass'y <P>
16	27190524	KGLS-14R, Holder		253170	AS-SAA, Power supply cord <Q>	AS-SAA, Power supply cord <Q>		1A331531-1B	NAPS-4331-1B, Power supply circuit pc board ass'y <W>
17	27190266	KGLS-12R, Holder	P951	25050346	NSCT-2P173, AC outlet <Q>	NSCT-2P173, AC outlet <Q>			
21	834430088	3TTS+8B (BC), Self-tapping screw	Q503, Q504	2202282,	2SA1265N-R,	2SA1265N-R,		1A331531-1C	NAPS-4331-1C, Power supply circuit pc board ass'y <Q>
22	831130088	3TTW+8B, Self-tapping screw		2202283,	2SA1265N-O,	2SA1265N-O,	U8	1A331532-1	NAETC-4332-1, AC outlet pc board ass'y <D>
23	830440089	4TTC+8C (BC), Self-tapping screw		2201693,	2SA1491-O,	2SA1491-O,	U9	1A331533-1	NAETC-4333-1, AC outlet pc board ass'y <P>
24	833430080	3TTP+8P (BC), Self-tapping screw		2201694 or	2SA1491-Y or	2SA1491-Y or		1A331533-1A	NAETC-4333-1A, AC outlet pc board ass'y <W>
25	821430006	3P+6FN (BC), Pan head screw	Q505, Q506	2202292,	2SA1491-P, Power amplifier transistor	2SA1491-P, Power amplifier transistor			
26	801433	3SMS10W, SW+14B (BC), Sems self-tapping screw		2202293,	2SC3182N-R,	2SC3182N-R,		1A331534-1	NAAF-4334-1, Tone control circuit pc board ass'y <D>
31	28184471AY	Top cover		2201703,	2SC3855-O,	2SC3855-O,	U10		NAAF-4334-1, Tone control circuit pc board ass'y <D>
32	834430088	3TTS+8B (BC), Self-tapping screw		2201704 or	2SC3855-Y or	2SC3855-Y or		1A331534-1A	NAAF-4334-1A, AC outlet pc board ass'y <W>
33	28140680	0.5 x 180 x 8, Cushion		2201706	2SC3855-P, Power amplifier transistor	2SC3855-P, Power amplifier transistor			
34	27270212	Spacer <P/W/Q>	T901	2300753AY	NPT-1129D, Power transformer <D>	NPT-1129D, Power transformer <D>		1A331534-1A	NAAF-4334-1A, Tone control circuit pc board ass'y <P/W/Q>
51	1A331701K	Front panel ass'y 		2300754Y	NPT-1129P, Power transformer <P>	NPT-1129P, Power transformer <P>			
	1A332701K	Front panel ass'y <S>		2300755Y	NPT-1129DG, Power transformer <W>	NPT-1129DG, Power transformer <W>			
52	28125226BY	End cap L		2300756Y	NPT-1129Q, Power transformer <Q>	NPT-1129Q, Power transformer <Q>	U11	1A331535-1	NAETC-4335-1, Volume control pc board ass'y
53	28125227BY	End cap R	U1	1A331525-1	NARF-4325-1, Tuner circuit pc board ass'y <D>	NARF-4325-1, Tuner circuit pc board ass'y <D>			
58	28191617Y	Clear plate		1A331525-1A	NARF-4325-1A, Tuner circuit pc board ass'y <P/Q>	NARF-4325-1A, Tuner circuit pc board ass'y <P/Q>	U12	1A331537-1	NAETC-4337-1, Terminal pc board ass'y
59	833430080	3TTP+8P (BC), Self-tapping screw		1A331525-1B	NARF-4325-1B, Tuner circuit pc board ass'y <W>	NARF-4325-1B, Tuner circuit pc board ass'y <W>	U13	1A331538-1	NASW-4338-1, Voltage selector switch pc board ass'y <W>
60	28135199	Badge	U2	1A331526-1	NADIS-4326-1, Display circuit pc board ass'y <D>	NADIS-4326-1, Display circuit pc board ass'y <D>			
61	27175254	Leg		1A331526-1A	NADIS-4326-1A, Display circuit pc board ass'y <P/Q>	NADIS-4326-1A, Display circuit pc board ass'y <P/Q>			
62	834430088	3TTS+8B (BC), Self-tapping screw		1A331526-1B	NADIS-4326-1B, Display circuit pc board ass'y <W>	NADIS-4326-1B, Display circuit pc board ass'y <W>			
71	25060044	Terminal GND							
81	28324162Y	Knob LOUD 							
82	28324177Y	Knob LOUD <S>							
	28324150-1Y	Knob LEV 							
	28324151	Knob LEV <S>							
	28324163	Knob VOL 							
	28324182	Knob VOL <S>							

NOTE: : Black model only
<S>: Silver model only
<D>: 120V model only
<P>: 230V model only
<W>: Worldwide model only
<Q>: 240V model only

NOTE: THE COMPONENTS IDENTIFIED BY MARK Δ ARE CRITICAL FOR RISK OF FIRE AND ELECTRIC SHOCK. REPLACE ONLY WITH PART NUMBER SPECIFIED.

PARTS LIST

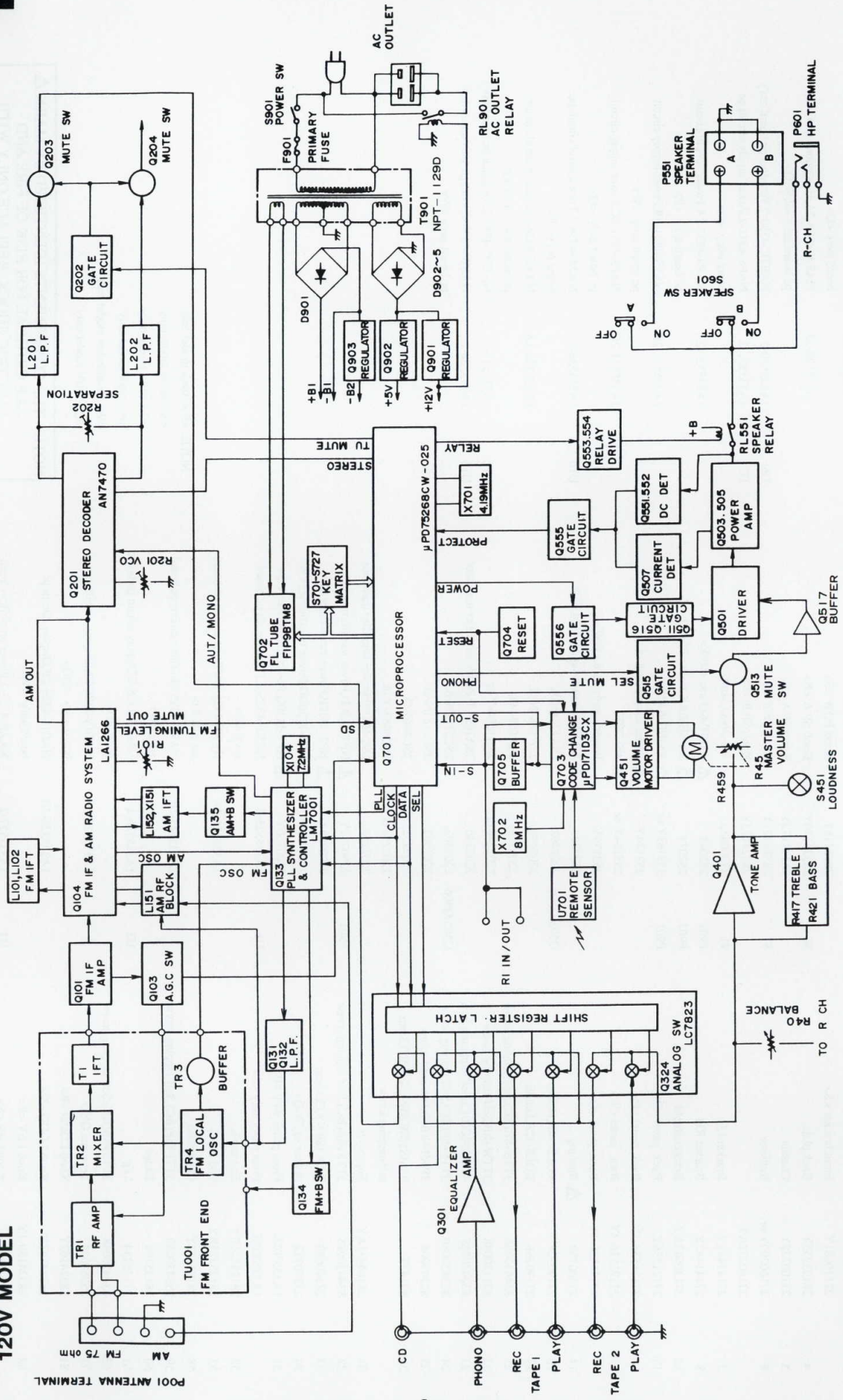
REF.NO.	PART NO.	DESCRIPTION	REF.NO.	PART NO.	DESCRIPTION	REF.NO.	PART NO.	DESCRIPTION
1	27110680Y	Front bracket 	85	28324140	Knob POW 	U4	1A335528-2	NASW-4328-2,Headphone terminal pc board ass'y <D>
4	27110681Y	Front bracket <S>	86	28324184	Knob POW <S>		1A335528-2A	NASW-4328-2A,Headphone terminal pc board ass'y <P/W/Q>
5	28133255Y	Back plate	87	28324170Y	Knob SP A 	U6	1A335530-2	NAETC-4330-2,Terminal pc board ass'y
6	27100228Y	Chassis		28324172Y	Knob SP A <S>	U7	1A335531-2	NAPS-4331-2,Power supply circuit pc board ass'y <D>
7	27160290Y or 27160272AY	Radiator		28324171Y	Knob SP B 			
8	27141441Y	Bracket LH	91	27300833	WS-2NS,Clamp			
12	27141442Y	Bracket RH	F901	252049	4A(ST-6),Fuse <D/W>		1A335531-2A	NAPS-4331-2A,Power supply circuit pc board ass'y <P>
13	27130643AY	Bracket,shield	F902	252074	2A-SE-EAK,Fuse <P/W/Q>			
21	27121536-1Y	Back panel <D>	P901	253163Y or 253174Y	AS-UC-6 #18, Power supply cord <D>		1A335531-2B	NAPS-4331-2B,Power supply circuit pc board ass'y <W>
22	27121536-3Y	Back panel <P>		253164Y or 253175Y	AS-CEE, Power supply cord <P/W>		1A335531-2C	NAPS-4331-2C,Power supply circuit pc board ass'y <Q>
23	27121536-4Y	Back panel <W>						
24	27300750	Back panel <Q>	Q503,Q504	253170	AS-SAA,Power supply cord <Q>	U10	1A335536-1	NAAF-4336-1,Tone control circuit pc board ass'y <D>
25	27190524	Bushing		2202492,	2SA1264N-R,		1A335536-1A	NAAF-4336-1A,Tone control circuit pc board ass'y <P/W/Q>
26	27190266	KGLS-14R,Holder		2202493,	2SA1264N-O,			
31	834430088	KGLS-12R,Holder		2202243,	2SA1694-O,			
32	834430088	3TTS+8B(BC),Self-tapping screw		2202244 or 2202246	2SA1694-Y or 2SA1694-P,Power amplifier transistor	U12	1A335537-2	NAETC-4337-2,Terminal pc board ass'y
33	831130088	3TTW+8B,Self-tapping screw	Q505,Q506	2202502,	2SC3181N-R,	U13	1A335538-2	NASW-4338-2,Voltage selector switch pc board ass'y <W>
34	830440089	4TTC+8C(BC),Self-tapping screw		2202503,	2SC3181N-O,			
40	833430080	3TTP+8P(BC),Self-tapping screw		2202253,	2SC4467-O,			
41	82143006	3P+6FN(BC),Pan head screw		2202254 or 2202256	2SC4467-Y or 2SC4467-P,Power amplifier transistor			
42	801433	3SMS10W.SW+14B(BC),Sems self-tapping screw		2202256	2SC4467-P,Power amplifier transistor			
43	28184471AY	Top cover	T901	2300757Y	NPT-1130D,Power transformer <D>			
44	834430088	3TTS+8B(BC),Self-tapping screw		2300758Y	NPT-1130P,Power transformer <P>			
45	28140680	0.5X180X8,Cushion		2300759Y	NPT-1130DG,Power transformer <W>			
46	27270212	Spacer <P/W/Q>		2300760Y	NPT-1130Q,Power transformer <Q>			
47	1A335701K	Front panel ass'y 	U1	1A335525-2	NARF-4325-2,Tuner circuit pc board ass'y <D>			
48	1A336701K	Front panel ass'y <S>						
49	28125226BY	End cap L		1A335525-2A	NARF-4325-2A,Tuner circuit pc board ass'y <P/Q>			
50	28125227BY	End cap R		1A335525-2B	NARF-4325-2B,Tuner circuit pc board ass'y <W>			
51	28191617Y	Clear plate		1A335526-2	NADIS-4326-2,Display circuit pc board ass'y <D>			
52	833430080	3TTP+8P(BC),Self-tapping screw	U2	1A335526-2A	NADIS-4326-2A,Display circuit pc board ass'y <P/Q>			
53	28135199	Badge		1A335526-2B	NADIS-4326-2B,Display circuit pc board ass'y <W>			
54	27175254	Leg		1A335527-2	NAAF-4327-2,Power amplifier circuit pc board ass'y <D>			
55	834430088	3TTS+8B(BC),Self-tapping screw	U3	1A335527-2A	NAAF-4327-2A,Power amplifier circuit pc board ass'y <P/W/Q>			
56	25060044	Terminal GND						
57	28324162Y	Knob LOUD 						
58	28324177Y	Knob LOUD <S>						
59	28324150-1Y	Knob LEV 						
60	28324151	Knob LEV <S>						
61	28324181	Knob VOL 						
62	28324182	Knob VOL <S>						

NOTE: -Black model only
<S>-Silver model only
<D>-120V model only
<P>-230V model only
<W>-Worldwide model only
<Q>-240V model only

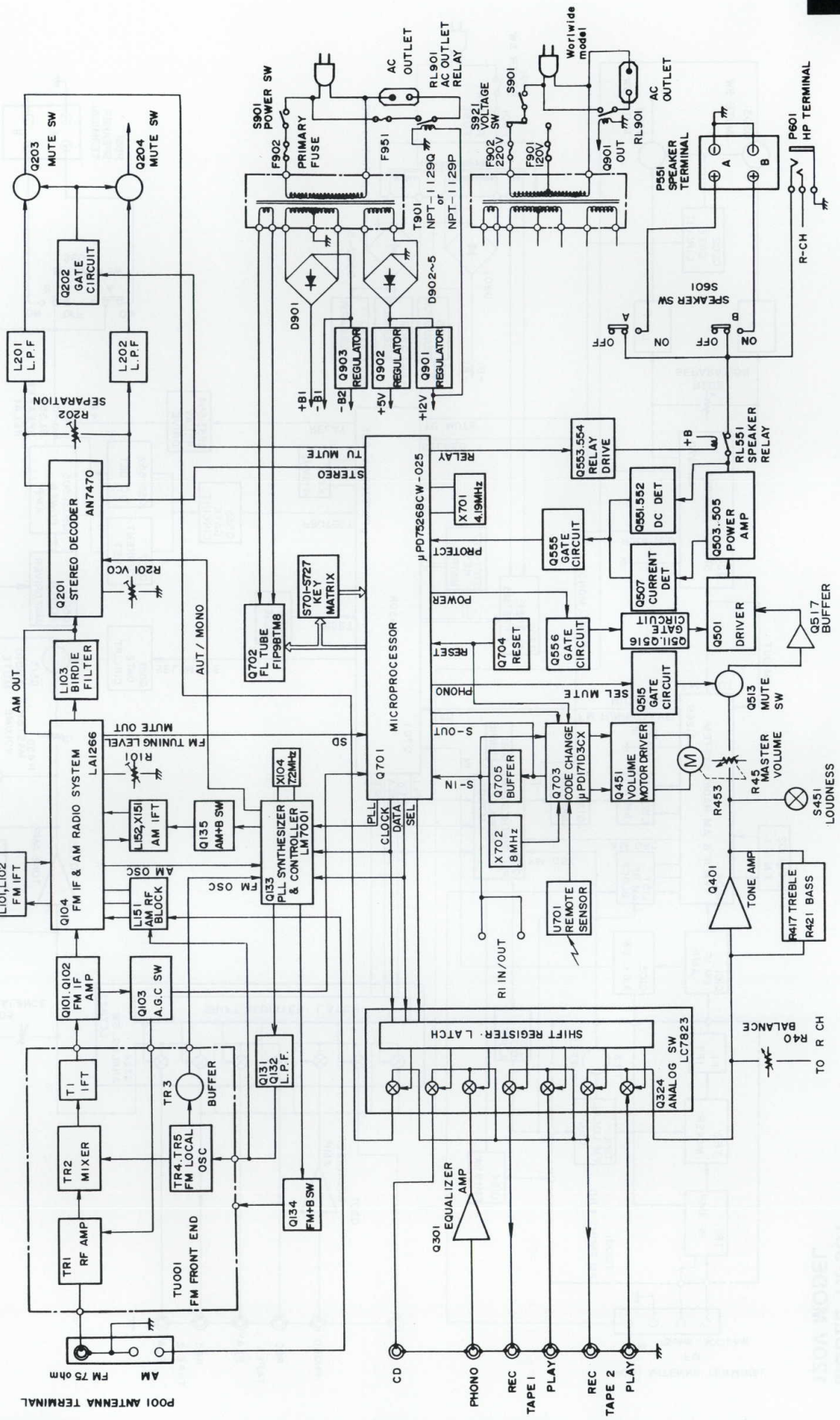
NOTE: THE COMPONENTS IDENTIFIED BY MARK Δ ARE CRITICAL FOR RISK OF FIRE AND ELECTRIC SHOCK. REPLACE ONLY WITH PART NUMBER SPECIFIED.

TX-903

BLOCK DIAGRAM MODEL TX-903 120V MODEL

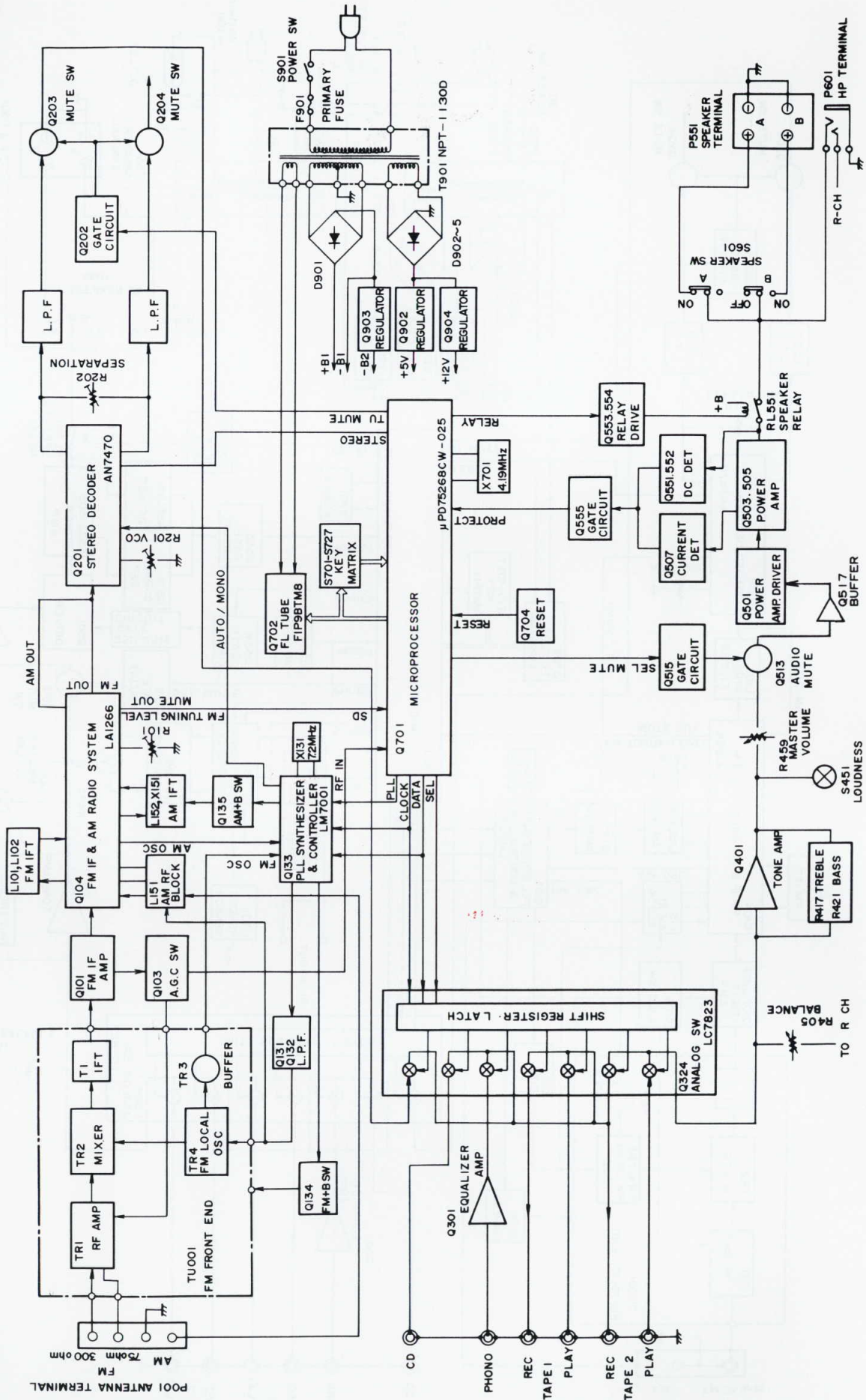


OTHER MODELS

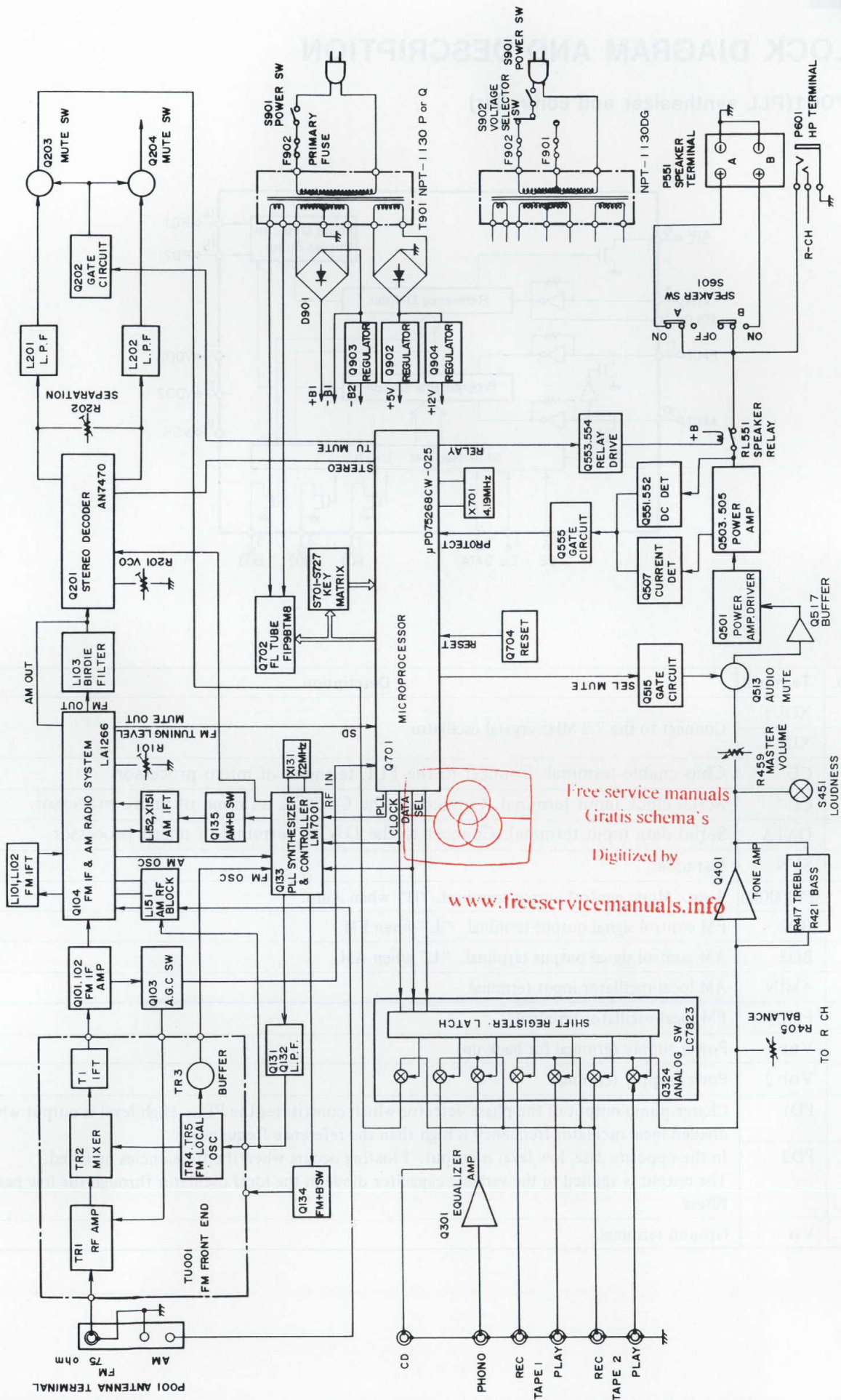


150A MODEL
MODEL 1X-901
BLOCK DIAGRAM

BLOCK DIAGRAM MODEL TX-901 120V MODEL



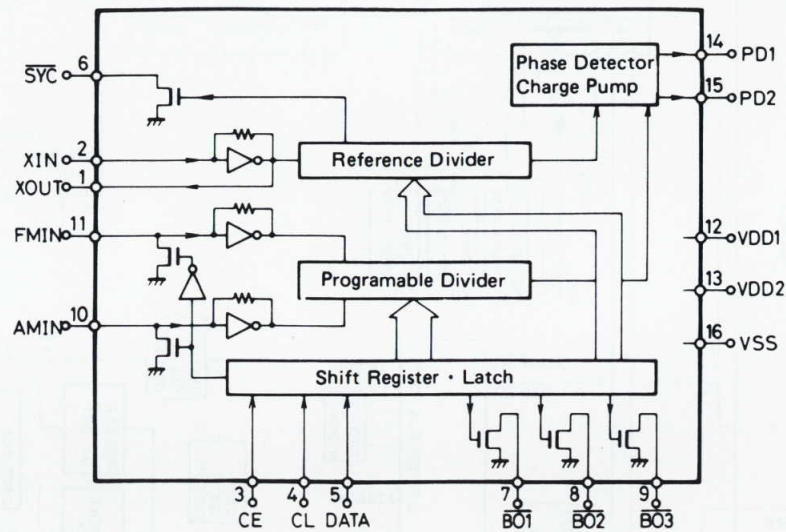
OTHER MODELS



Free service manuals
 Gratis schema's
 Digitized by
 www.freeservicemanuals.info

IC BLOCK DIAGRAM AND DESCRIPTION

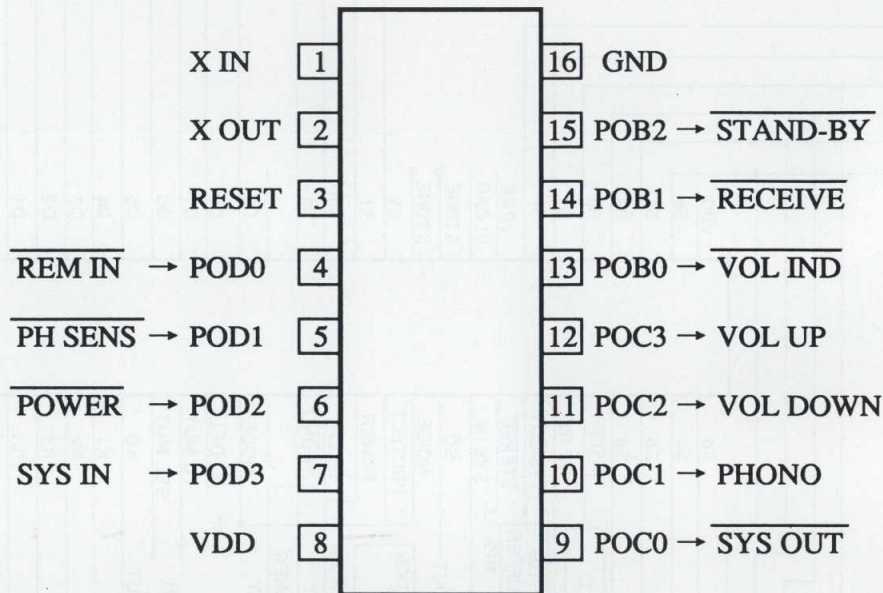
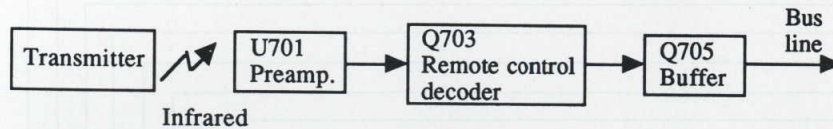
LM7001(PLL synthesizer and controller)



Pin No.	Terminal	Description
1	XOUT	Connect to the 7.2 MHz crystal oscillator.
2	XIN	
3	CE	Chip enable terminal. Connect to the PLL terminal of micro processor.
4	CL	Serial clock input terminal. Connect to the CLOCK terminal of micro processor.
5	DATA	Serial data input terminal. Connect to the DATA terminal of micro processor.
6	SYN	Not used.
7	AUTO/MONO	Auto/Mono control output terminal. "H" when Auto.
8	BO2	FM control signal output terminal. "L" when FM.
9	BO3	AM control signal output terminal. "L" when AM.
10	AMIN	AM local oscillator input terminal.
11	FMIN	FM local oscillator terminal.
12	V _{DD1}	Power supply terminal for back-up.
13	V _{DD2}	Power supply terminal.
14	PD1	Charge pump output of the phase detector which constitutes the PLL. High level is output when the divided local oscillator frequency is high than the reference frequency. In the opposite case, low level is output. Floating occurs when the frequencies matched. The output is applied to the variable capacitor diode in the local oscillator through the low pass filters.
15	PD2	
16	V _{SS}	Ground terminal.

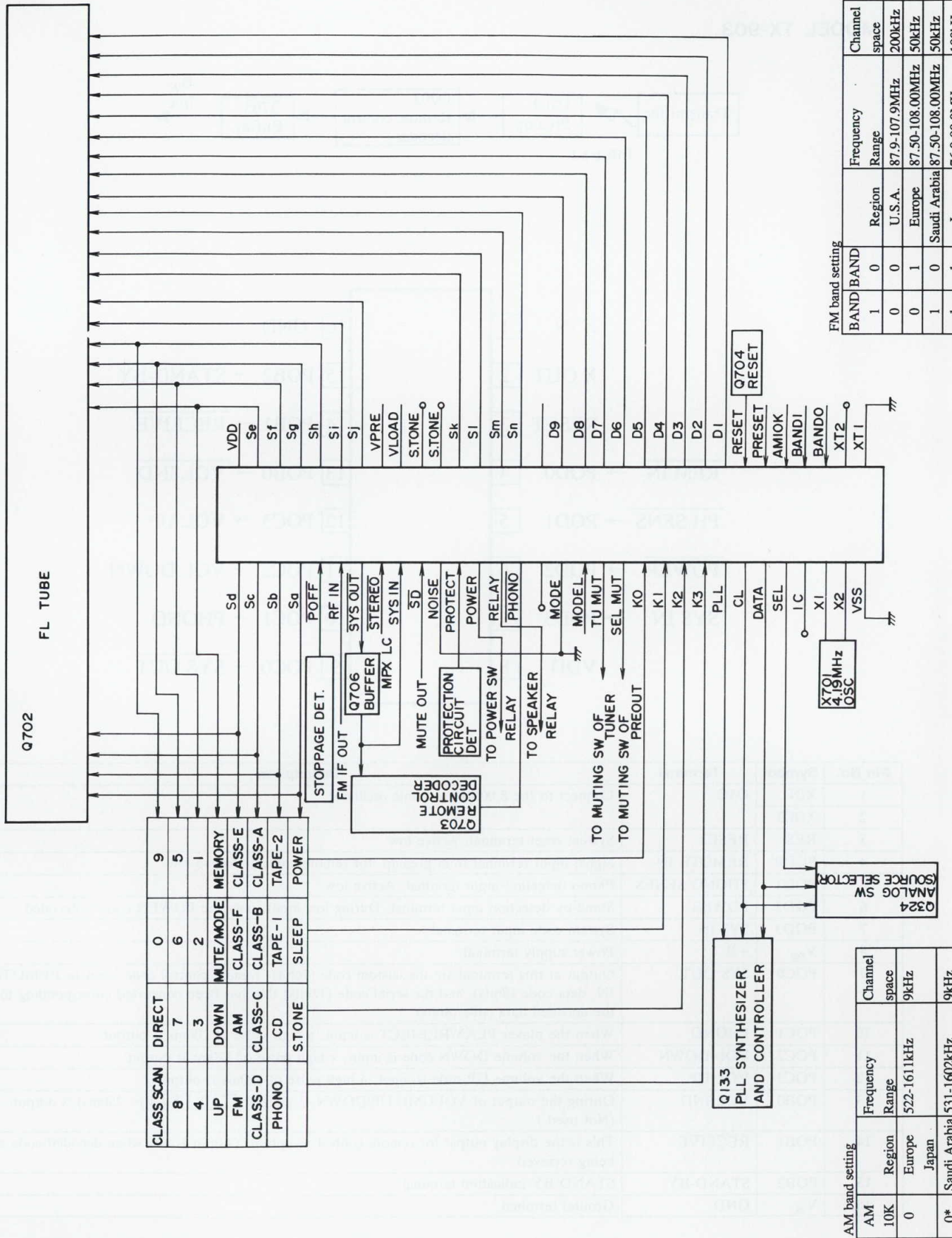
μ PD17103CX-528(Remote control decoder)

MODEL TX-903



Pin No.	Symbol	Terminal	Description
1	XIN	OSC	Connect to the 8.00MHz ceramic oscillator.
2	XOUT		
3	RES	RESET	System reset terminal. Active low.
4	POD0	REMOTE IN	Signal input terminal from preamp. for remote control. Active low.
5	POD1	PHONO SENES	Phono detection input terminal. Active low.
6	POD2	POWER	Stand-by detection input terminal. During low input, only the POWER code is decoded.
7	POD3	SYS IN	System code input terminal.
8	V _{DD}	+B	Power supply terminal.
9	POC0	SYS OUT	Output at this terminal are the custom code (16bits) remote control code input to REMOTE IN, data code (8bits), and the serial code (12bits) that has been converted corresponding to the decoded data code (8bits)
10	POC1	PHONO	When the player PLAY/REEJECT is input, a high pulse of 200ms is output.
11	POC2	VOL DOWN	When the volume DOWN code is input, a high pulse of 120ms is output.
12	POC3	VOL UP	When the volume UP code is input, a high pulse of 120ms is output.
13	POB0	VOL IND	During the output of VOLUME UP/DOWN, a pulse ($\sqrt{\text{T}}\text{T}\sqrt{\text{T}}\text{T}$ = 250ms) is output. (Not used.)
14	POB1	$\overline{\text{RECEIVE}}$	This is the display output for remote control reception. Output is low when decoded code is being recieved.
15	POB2	STAND-BY	STAND-BY indication terminal.
16	V _{SS}	GND	Ground terminal.

μPD75268CW-025(Microprocessor)



CLASS SCAN	DIRECT	0	9
8	7	6	5
4	3	2	1
UP	DOWN	MUTE/MODE	MEMORY
FM	AM	CLASS-F	CLASS-E
CLASS-D	CLASS-C	CLASS-B	CLASS-A
PHONO	CD	TAPE-1	TAPE-2
	S.TONE	SLEEP	POWER

AM band setting

AM	Frequency Range	Region	Channel space
10K	522-1611kHz	Europe	9kHz
0		Japan	
0*	531-1602kHz	Saudi Arabia	9kHz

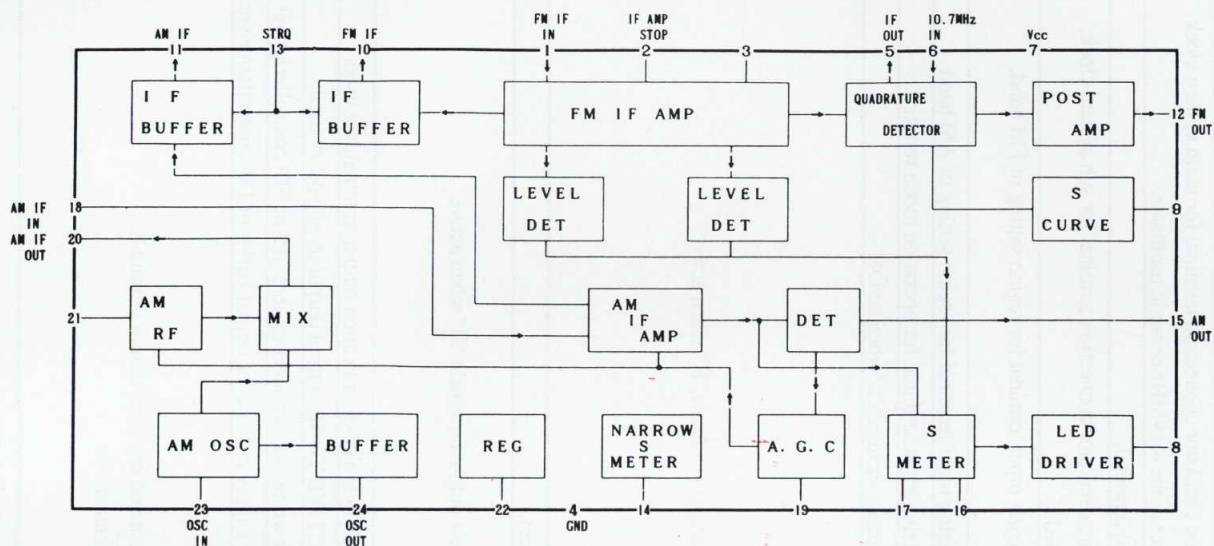
FM band setting

BAND	BAND	Region	Frequency Range	Channel space
1	0	U.S.A.	87.9-107.9MHz	200kHz
0	0	Europe	87.50-108.00MHz	50kHz
1	0	Saudi Arabia	87.50-108.00MHz	50kHz

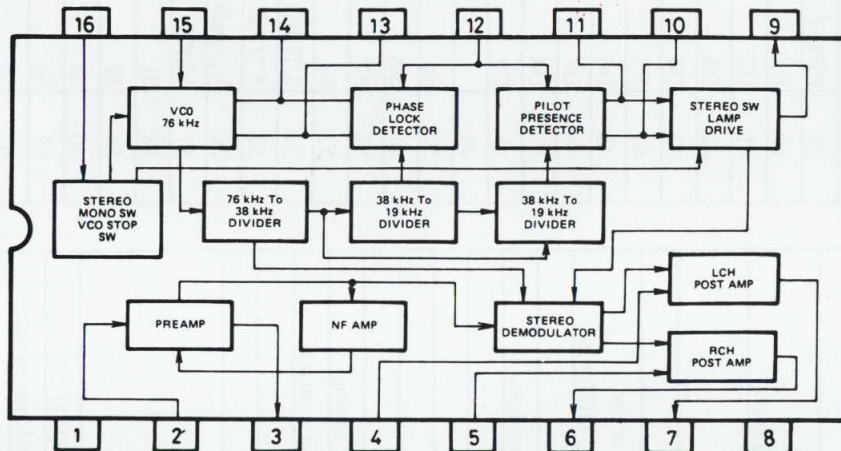
Pin No.	Symbol	Description						
1	Sd							
2	Sc	Segment and key scan output terminals.						
3	Sb	"H" when active.						
4	Sa							
5	POFF	This is the input terminal for detection of the stoppage of electric current. "L" when the stoppage of electric current.						
6	RF IN	RF mode input terminal. <table border="1" style="margin-left: 20px;"> <tr> <td>RF IN</td> <td>RF MODE</td> </tr> <tr> <td>L</td> <td>LOCAL</td> </tr> <tr> <td>H</td> <td>DX</td> </tr> </table>	RF IN	RF MODE	L	LOCAL	H	DX
RF IN	RF MODE							
L	LOCAL							
H	DX							
7	SYS OUT/ SYS EN	System code output terminal. "L" when active. Initializing input terminal when the power turns on.						
8	STEREO	Stereo broadcast detection input terminal. "L" when stereo broadcast.						
9	SYS IN	System code input terminal. "H" when active.						
10	SD	Broadcast detection input terminal. "L" when active.						
11	NOISE	Control the stop of auto tuning and output TU MUT(#19). Noise detection input terminal. Not used.						
12	PROTECT	Protection circuit operation detection input terminal.						
13	POWER	Power control output terminal.						
14	RELAY	Speaker relay control output terminal.						
15	PHONO	Phono control output terminal.						
16		Not used.						
17	MODE	Initializing input terminal for operation mode setting.						
18	MODEL	Initializing input terminal for model setting of receiver.						
19	TU MUT	Muting output terminal. "H" when active.						
20	SEL MUT	Audio muting output terminal. Not used.						
21	K0							
22	K1	Key scan input terminals.						
23	K2	"H" when active.						
24	K3							
25	PLL	Connect to the terminal CE of PLL IC (LM7001 Q133).						
26	CL	Connect to the terminal CL of PLL IC and analogue switch.						
27	DATA	Connect to the terminals DATA of PLL IC and analogue switch.						
28	SEL	Analog switch control output terminal. Connect to the terminal SEL of analogue switch (LC7823 Q324)						

Pin No.	Function	Description
29	IC	Internal connected.
30	X1	Ceramic oscillator connection terminal for main system clock.
31	X2	Connect to the 4.19MHz ceramic oscillator.
32	VSS	Ground terminal.
33	XT1	Ceramic oscillator connection terminal for sub system clock.
34	XT2	Not used.
35	BAND0	Initializing input terminal for region setting of FM band.
36	BAND1	
37	AM 10K	Initializing input terminal for region setting of AM band.
38	PRESET	Initializing input terminal for operation mode setting.
39	RESET	Reset input terminal. "L" when active.
40	D1	
41	D2	
42	D3	
43	D4	
44	D5	
45	D6	
46	D7	Digit output terminals. "H" when active.
47	D8	
48	D9	
49		Not used.
50	Sn	
51	Sm	Segment output terminals. "H" when active.
52	Sl	
53	Sk	
54	S.TONE	SELECTIVE TONE indication output terminal. Not used.
55	S.TONE	SELECTIVE TONE control output terminal. Not used.
56	VLOAD	Pull-down resistor connection terminal of FIP controller/driver.
57	VPRE	Power supply terminal of output buffer of FIP controller/driver.
58	Sj	
59	Si	
60	Sh	Segment and key scan output terminals.
61	Sg	"H" when active.
62	Sf	
63	Se	
64	VDD	Power supply terminal. (+5V)

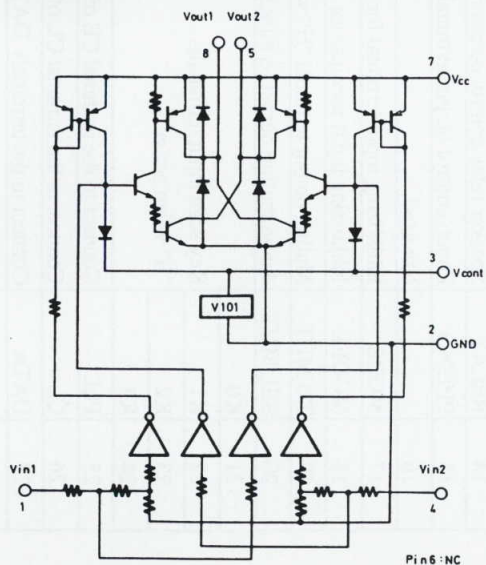
LA1266(FM IF and AM radio system)



AN7470(Stereo decoder)



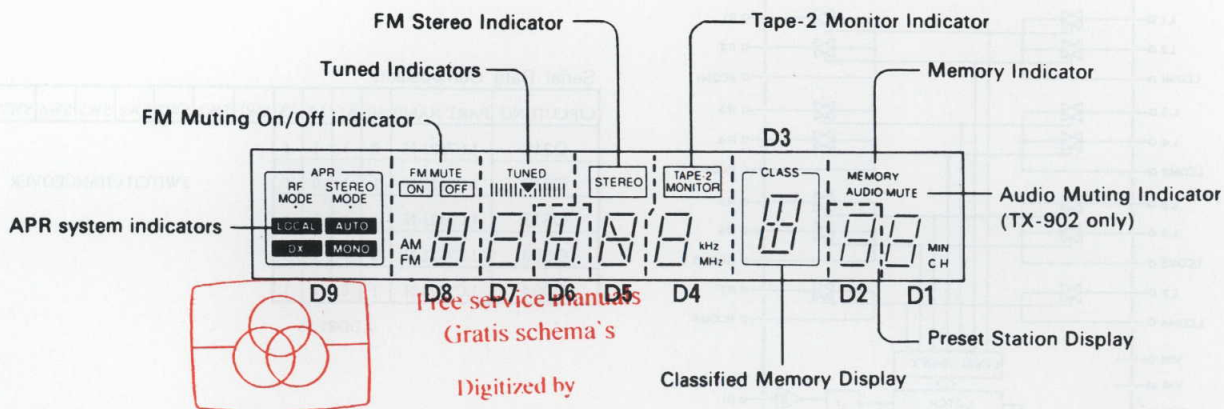
LB1630 (Motor driver) (Only Model TX-903)



TRUTH TABLE

IN 1	IN 2	OUT 1	OUT 2	MOTOR
H	L	H	L	Normal
L	H	L	H	Reverse
H	H	OFF	OFF	Wait
L	L	OFF	OFF	Wait

FIP9BTM8(Fluorescent tube)



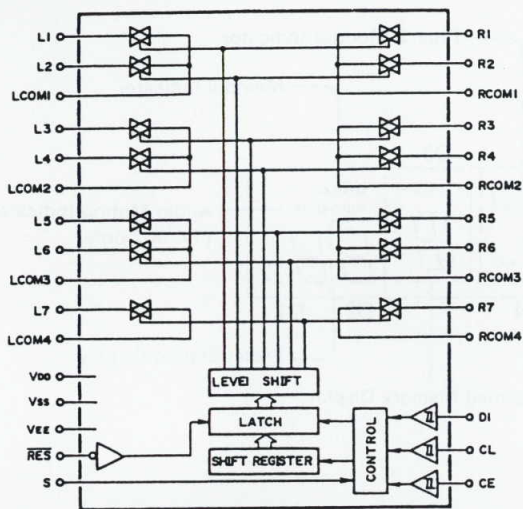
www.freeservicemanuals.info

Terminal No.	1	2	3	4	5	6	7	8	9	10	11	12	13	14	15	16
Electrode	F	F	NP	9G	NP	NP	NP	NP	NP	9G	NP	8G	NP	NP	8G	P(n)
Terminal No.	17	18	19	20	21	22	23	24	25	26	27	28	29	30	31	
Electrode	7G	7G	P(m)	6G	6G	P(l)	P(k)	5G	P(j)	P(i)	4G	P(h)	NP	4G	P(g)	
Terminal No.	32	33	34	35	36	37	38	39	40	41	42	43	44	45	46	
Electrode	3G	P(f)	P(e)	3G	P(a)	2G	2G	P(b)	1G	P(c)	P(d)	1G	NP	F	F	

Note: F:Filament
G:Grid
P:Anode
NP:No pin

	D9	D8	D7	D6	D5	D4	D3	D2	D1
Sa	APR	a	a	a	a	a	a	a	a
Sb	STEREO MODE	b	b	b	b	b	b	b	b
Sc	AUTO	c	c	c	c	c	c	c	c
Sd	MONO	d	d	d	d	d	d	d	d
Se	DX	e	e	e	e	e	e	e	e
Sf	LOCAL	f	f	f	f	f	f	f	f
Sg	RF MODE	g	g	g	g	g	g	g	g
Sh					h				
Si		i		i			i		
Sj		FM MUTE	TUNED		STEREO	TAPE-2	CLASS		MEMORY
Sk		ON	▼ (TUNED)				k		SLEEP
Sl		OFF							AUDIO MUTE
Sm		AM				kHz			MIN
Sn		FM				MHz			CH

LC7823/LC7823N(Analog switch)



Serial Data Composition

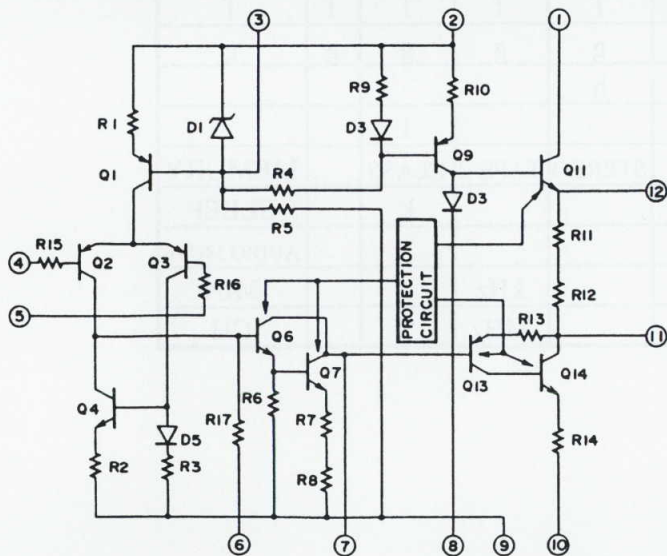
CIRCUIT NO	PART NAME	A0	A1	A2	A3	SW1	SW2	SW3	SW4	SW5	SW6	SW7	SW8
Q310	LC7823-N	0	1	1	1								
Q312	LC7821-N	1	1	0	1								
Q313	LC7823-N	1	1	1	1								
Q693	LC7822-N	0	0	1	1								
Q694	LC7822-N	1	0	1	1								

SWITCH CHANGEOVER

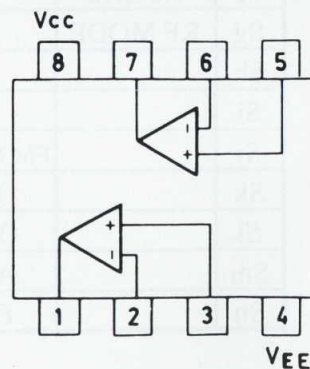
ADDRESS

Pin No.	Terminal	Description
1,30	CD	On when the input selector is CD.
2,29	PHONO	On when the input selector is PHONO.
3,28	LCOM1,RCOM1	Common terminal.
4,27	TAPE-1 REC	Off when the input selector is TAPE-1.
5,26	TAPE-1 PB	On when the input selector is TAPE-1.
6,25	LCOM2,RCOM2	Common terminal.
7,24	TAPE-2 REC	Off when the input selector is TAPE-2.
8,23	TAPE-2 PB	On when the input selector is TAPE-2.
9,22	LCOM3,RCOM3	Common terminal.
10,21	TUNER	On when the input selector is TUNER.
11,20	LCOM4,RCOM4	Common terminal.
12	VEE	Negative power supply terminal.(-15V)
13	CE	Chip enable terminal.Connect to the terminal FUNC of the microprocessor.
14	DI	Serial data input terminal.Connect to the terminal DATA of the microprocessor.
15	CL	Serial clock terminal.Connect to the terminal CL of the microprocessor.
16	Vss	Ground terminal.
17	S	Select terminal.
18	RES	Reset terminal.
19	VDD	Power supply terminal.(+5V)

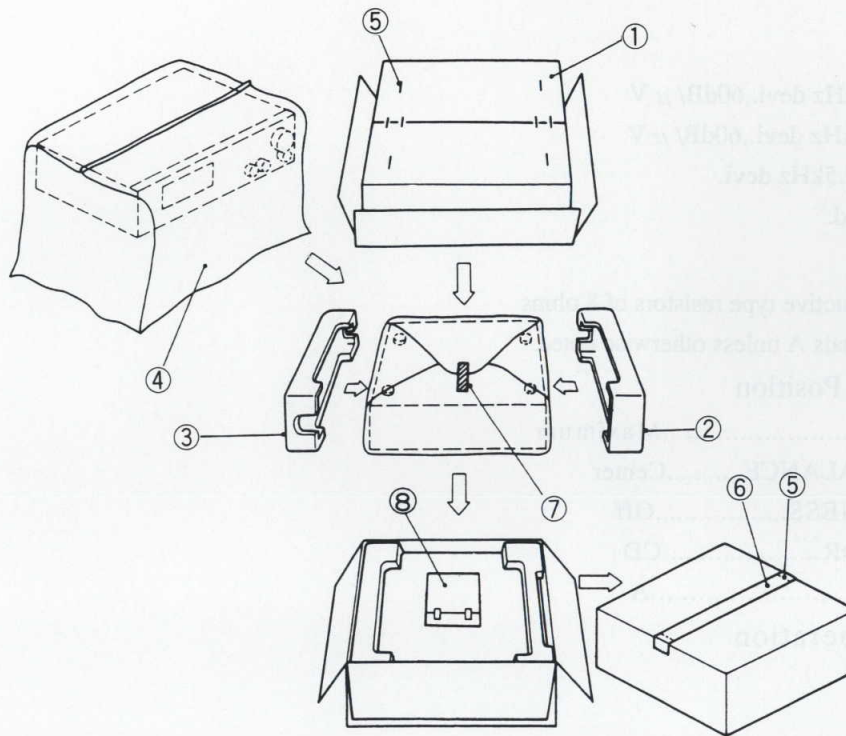
μPC1225H(Power amplifier driver)



NJM4558D-X (Operation amplifier)



PACKING VIEW



TX-903

REF.NO.	PART NO.	DESCRIPION
1	29052330Y	Master carton box
	29052361Y	Master carton box <S>
2	29091440AY	Pad L
3	29091441AY	Pad R
4	29100034A	850×650,Styrene bag
5	282301	Sealing hook
6	29110071	Damp tape
7	261504	Adhesive tape
8	Accessory bag ass'y	
	29341684AY	Instruction manual <D>
	29341686Y	Instruction manual <P/W/Q/C>
	29100097	350×250,Styrene bag
	2921111Y	FM antenna <D/W>
	292112Y	FM antenna <P/Q>
	25065448Y	FM antenna adaptor <W/Q>
	232140	NMA-3057,AM loop antenna
	25055040	CV-K-2,Conversion plug <W>
	29365019A	Warranty card <N>
	29365024A	Warranty card <F>
	29100107	Styrene bag for warranty card <F>
	29358002J	Service station list<N>
	3010165Y	UM-3,Two batteries
	24140223Y	RC-223S,Remote control unit
	2010200	Cord RI

TX-901

REF.NO.	PART NO.	DESCRIPION
1	29052333Y	Master carton box
	29052363Y	Master carton box <S>
2	29091440AY	Pad L
3	29091441AY	Pad R
4	29100034A	850×650,Styrene bag
5	282301	Sealing hook
6	29110071	Damp tape
7	261504	Adhesive tape
8	Accessory bag ass'y	
	29341684AY	Instruction manual <D>
	29341686Y	Instruction manual <P/W/Q/C>
	29100097	350×250,Styrene bag
	2921111Y	FM antenna <D/W>
	292112Y	FM antenna <P/Q>
	25065448Y	FM antenna adaptor <W/Q>
	232140	NMA-3057,AM loop antenna
	25055040	CV-K-2,Conversion plug <W>
	29365019A	Warranty card <N>
	29365024A	Warranty card <F>
	29100107	Styrene bag for warranty card <F>
	29358002J	Service station list<N>

NOTE: :Black model only
 <S>:Silver model only
 <D>:120V model only
 <P>:230V model only
 <W>:Worldwide model only
 <Q>:240V model only
 <N>:U.S.A. model only
 <F>:French model only
 <C>:Canadian model only

ADJUSTMENT PROCEDURES

Preparation

1.Input

FM mono:1kHz,75kHz devi.,60dB/ μ V

FM stereo:1kHz,75kHz devi.,60dB/ μ V

Pilot signal 19kHz 7.5kHz devi.

AM:400Hz 30% mod.

2.Outputs

Connect the non-inductive type resistors of 8 ohms to the speaker terminals A unless otherwise noted.

3.Standard Knob Position

VOLUME.....Maximum

BASS/TREBLE/BALANCE.....Center

MUTING/LOUDNESS.....Off

INPUT SELECTOR.....CD

SPEAKERS.....A

Confirming Operation

1.Protection circuit

a.Speaker relay

The speaker relay turns on after the power switch turned on for 5 minutes.

The speaker relay turns off immediately after the power switch turns off.

b. Over-voltage confirmation

The speaker relay is off immediately after DC voltage $\pm 6V$ is applied to the terminal CD.

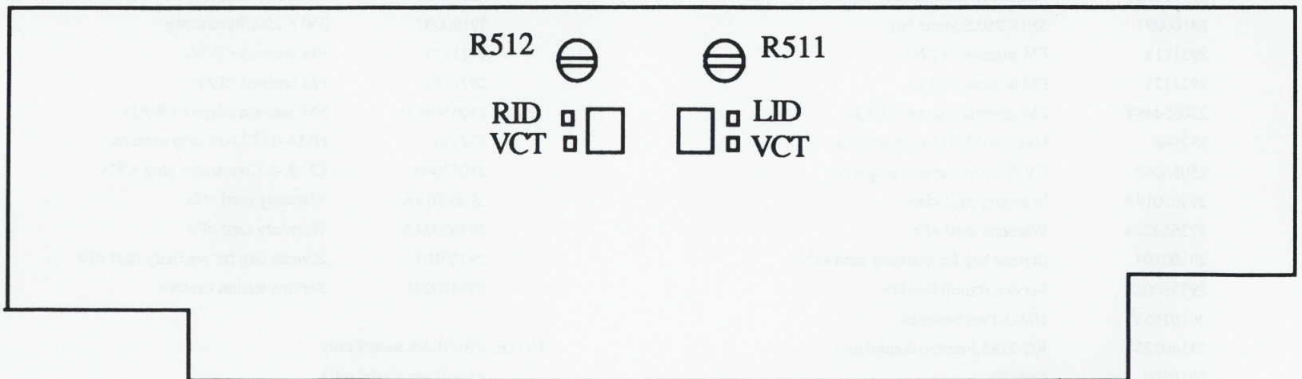
Amplifier section

Idling Current Adjustment

Connect the DC voltmeter to the terminals LID(RID) and CT on the power amplifier pc board.

Adjust the semi-fixed resistor R511(R512) so that the indication of voltmeter is $5 \pm 0.5mV$.

Note:() :Right channel

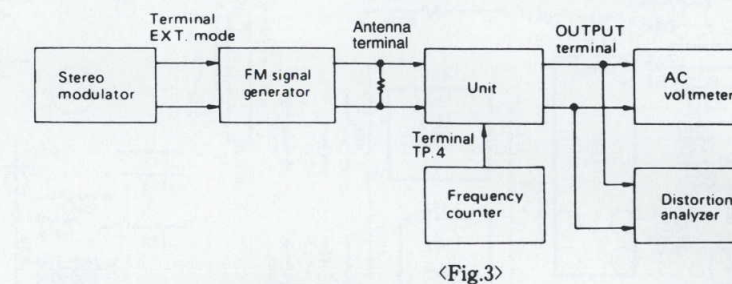
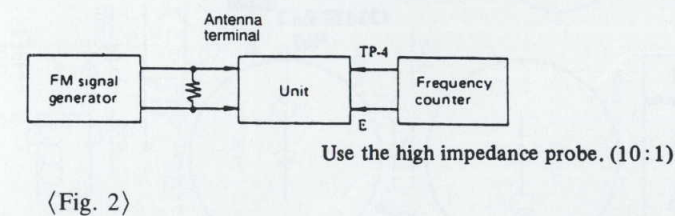
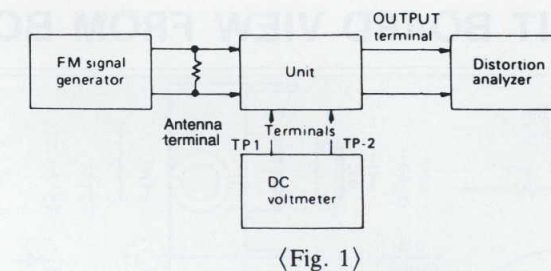


POWER AMPLIFIER PC BOARD

SOLDERING SIDE

FM section

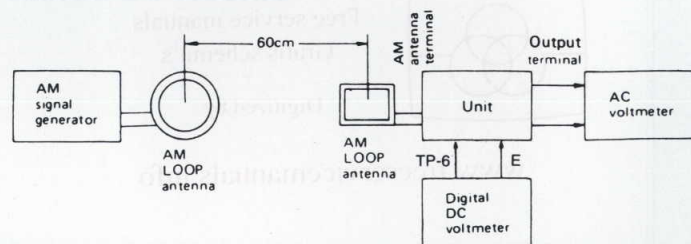
Item	Step	Connection of instrument	FM SG output	Stereo modulator output	Tuned frequency	Output indicator	Adjustment point	Adjust for	Remarks
I F	1	Fig. 1	99.1MHz 1kHz, 75kHz devi. 65dBf(60dB)	—	99.1MHz	DC voltmeter	L101	0 ± 20mV	Set the FM mode switch to MONO. Repeat the steps 1 and 2 until no further adjustment is necessary.
	Distortion analyzer					L102	Minimum		
V C O		Fig. 2	99.1MHz 1kHz, 75kHz devi. 65dBf(60dB)	—	99.1MHz	Frequency counter	R201	19kHz ± 10Hz	Set the FM mode switch to AUTO.
Stereo distortion		Fig. 3	99.1MHz Ext. modulation 65dBf(60dB)	L+R 1kHz 67.5kHz devi.	99.1MHz	Distortion analyzer	IF on front end	Minimum	
Stereo separation	1	Fig. 3	99.1MHz Ext. modulation 65dBf(60dB)	Lch. 1kHz	99.1MHz	Rch. AC voltmeter	R202	Minimum	Maximum and same separation
	2			Rch. 1kHz		Lch. AC voltmeter		Minimum	
Tuned indicator level	1	Fig. 3	99.1MHz 1kHz, 75kHz devi. 19.2dBf(14dB)(120V model) 12dB (other models)	—	99.1MHz	TUNED indicator	R101	Light on	
	2		99.1MHz 1kHz, 75kHz devi. 18.2dBf(13dB) 11dB (other models)	—		Light off			



AM section

Step	AM SG output	Tuned Frequency	Output indicator	Adjustment point	Adjust for
1	—	522kHz (530kHz) (531kHz)	Digital DC voltmeter	OSC coil on RF block (L151)	1.5V ± 0.1V
2	603kHz, 60dB/m (600kHz) 400Hz 30% mod.	603kHz (600kHz)	A C voltmeter	RF coil on RF block (L151)	Maximum
3	990kHz, 60dB/m 400Hz 30% mod.	990kHz	A C voltmeter	L152	Maximum

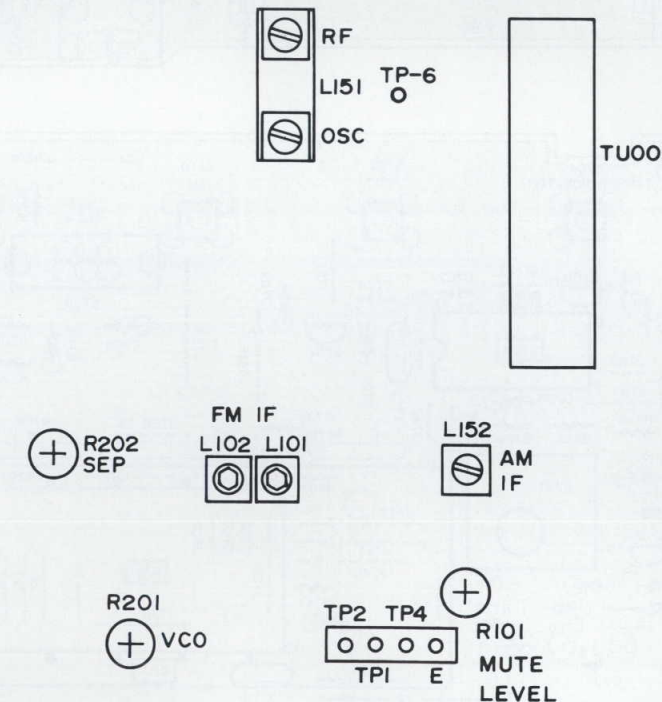
Note: () : 120V model <10kHz step>
< > : Worldwide model



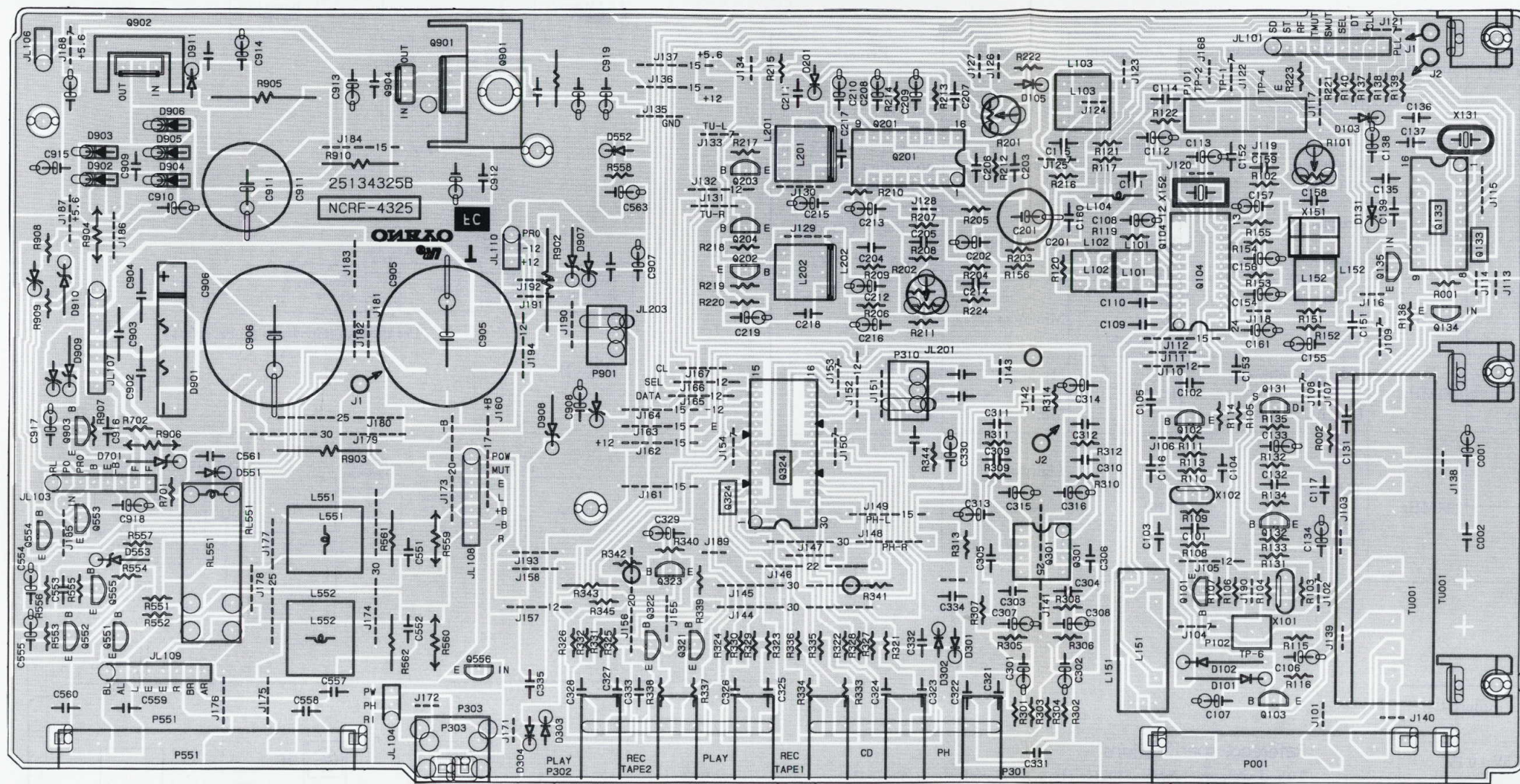
Reference specifications

Tuned voltage	AM 530kHz (U.S.A. model)	1.5 ± 0.4V
(Connet Digital DC voltmeter to test point TP-6)	522kHz (European model)	1.5 ± 0.4V
	1710kHz (U.S.A. model)	8.0 ± 0.5V
	1611kHz (European model)	7.5 ± 0.5V
	FM 87.9MHz (U.S.A. model)	2.0 ± 0.5V
	87.50MHz (European model)	2.0 ± 0.5V
	107.9MHz (U.S.A. model)	7.5 ± 0.5V
	108.0MHz (European model)	7.5 ± 0.5V

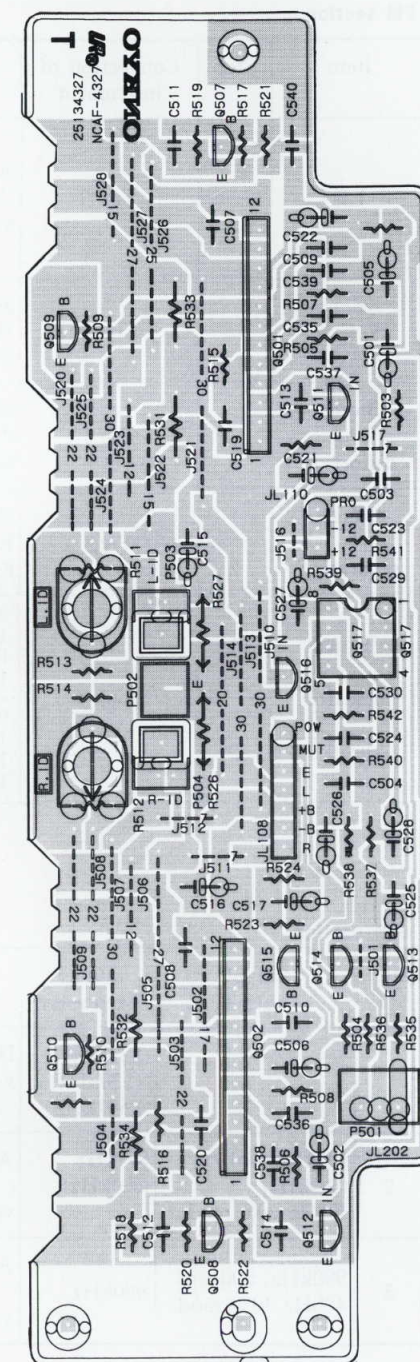
Muting width 35 ± 10kHz
 Muting level (U.S.A. model) FM 14 ± 3dB
 (European model) FM 12 ± 3dB
 Auto stop level AM Less than 68dB/m
 FM Less than 20dBμ



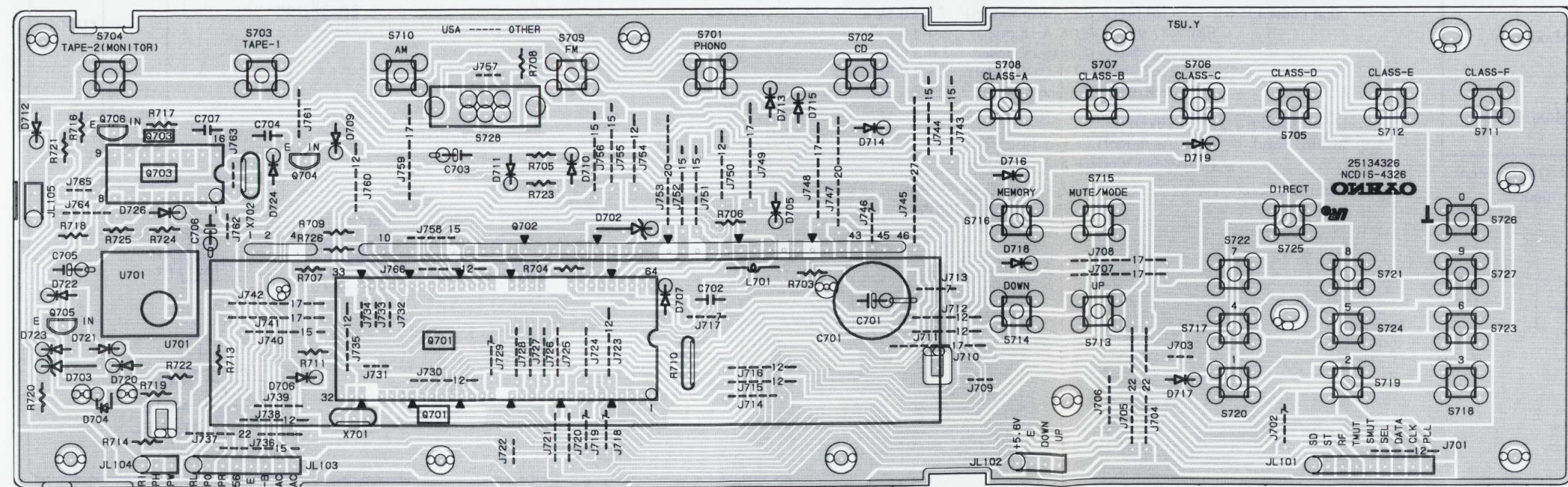
PRINTED CIRCUIT BOARD VIEW FROM BOTTOM SIDE



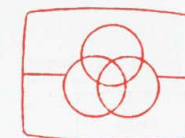
TUNER CIRCUIT PC BOARD



POWER AMPLIFIER CIRCUIT PC BOARD



DISPLAY CIRCUIT PC BOARD



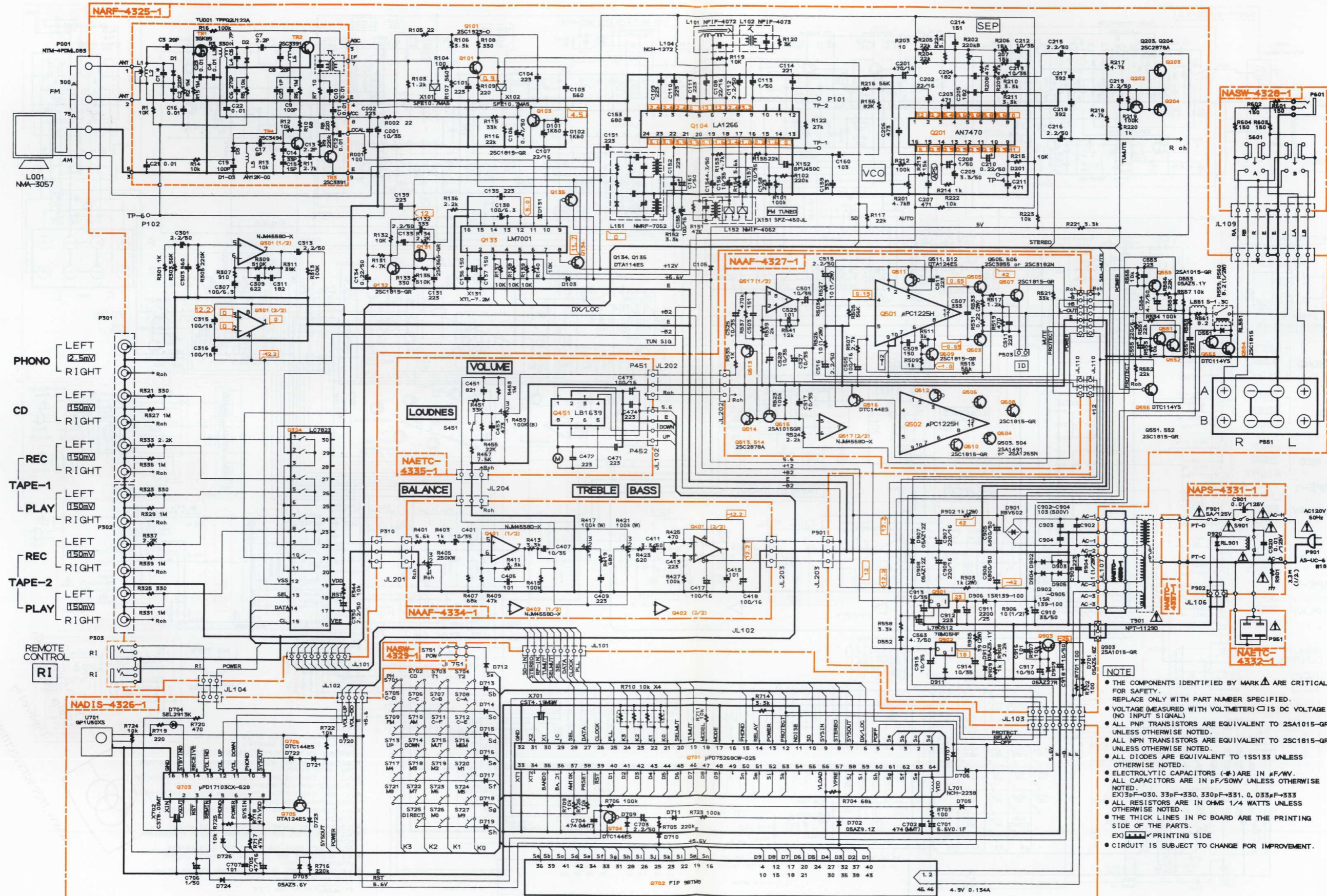
Free service manuals
Gratis schema's

Digitized by

www.freeservicemanuals.info

SCHEMATIC DIAGRAM MODEL TX-903 (120V model)

1
2
3
4
5



- NOTE**
- THE COMPONENTS IDENTIFIED BY MARK Δ ARE CRITICAL FOR SAFETY. REPLACE ONLY WITH PART NUMBER SPECIFIED.
 - VOLTAGE (MEASURED WITH VOLTMETER) \square IS DC VOLTAGE. (NO INPUT SIGNAL)
 - ALL PNP TRANSISTORS ARE EQUIVALENT TO 2SA1015-GR UNLESS OTHERWISE NOTED.
 - ALL NPN TRANSISTORS ARE EQUIVALENT TO 2SC1815-GR UNLESS OTHERWISE NOTED.
 - ALL DIODES ARE EQUIVALENT TO 1SS133 UNLESS OTHERWISE NOTED.
 - ELECTROLYTIC CAPACITORS (E) ARE IN μ F/WV.
 - ALL CAPACITORS ARE IN pF/50WV UNLESS OTHERWISE NOTED.
 - EX) 3pF=030, 33pF=330, 330pF=331, 0.033 μ F=333
 - ALL RESISTORS ARE IN OHMS 1/4 WATTS UNLESS OTHERWISE NOTED.
 - THE THICK LINES IN PC BOARD ARE THE PRINTING SIDE OF THE PARTS.
 - EX) \square PRINTING SIDE
 - CIRCUIT IS SUBJECT TO CHANGE FOR IMPROVEMENT.

SCHEMATIC DIAGRAM MODEL TX-903 (Other models)

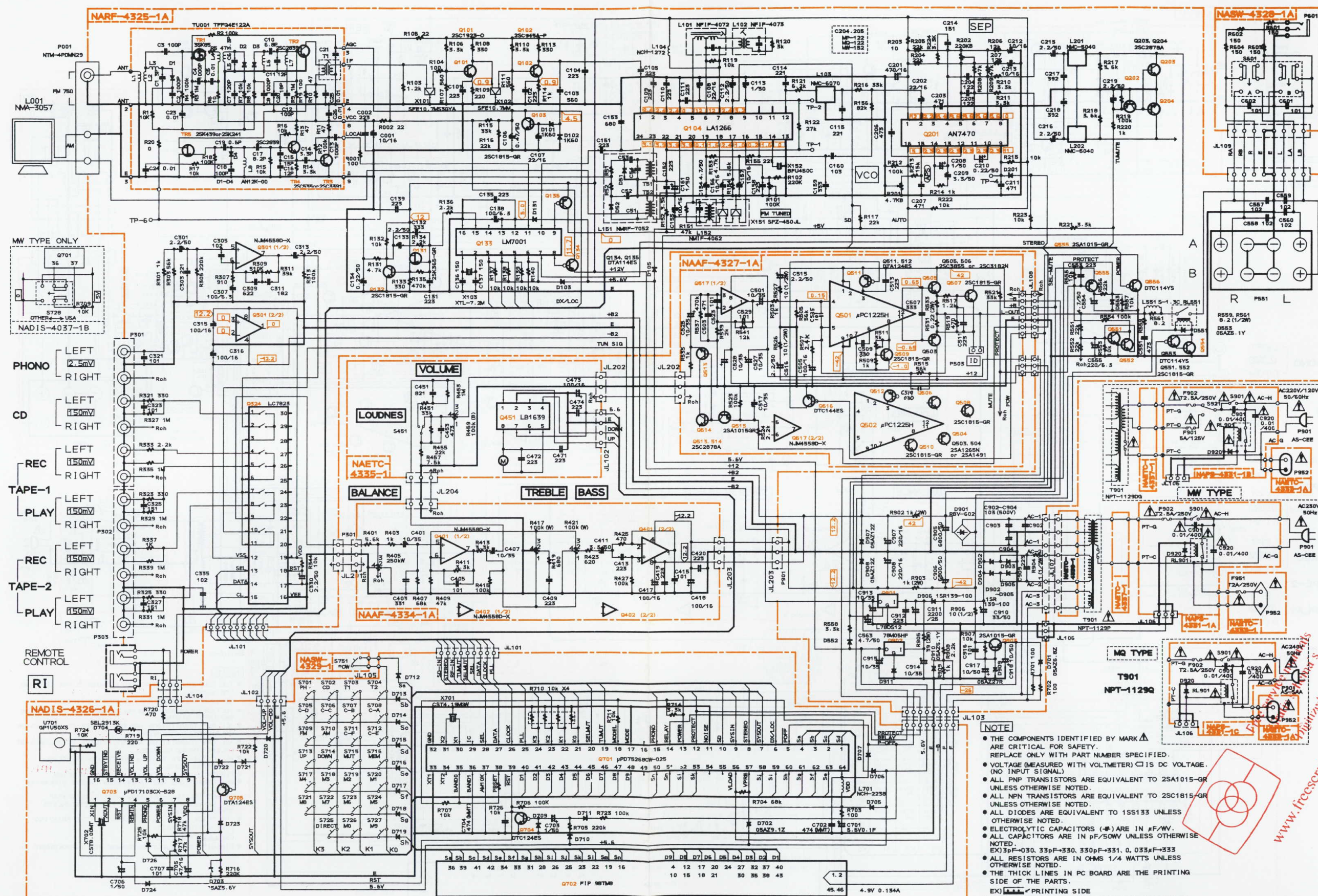
1

2

3

4

5

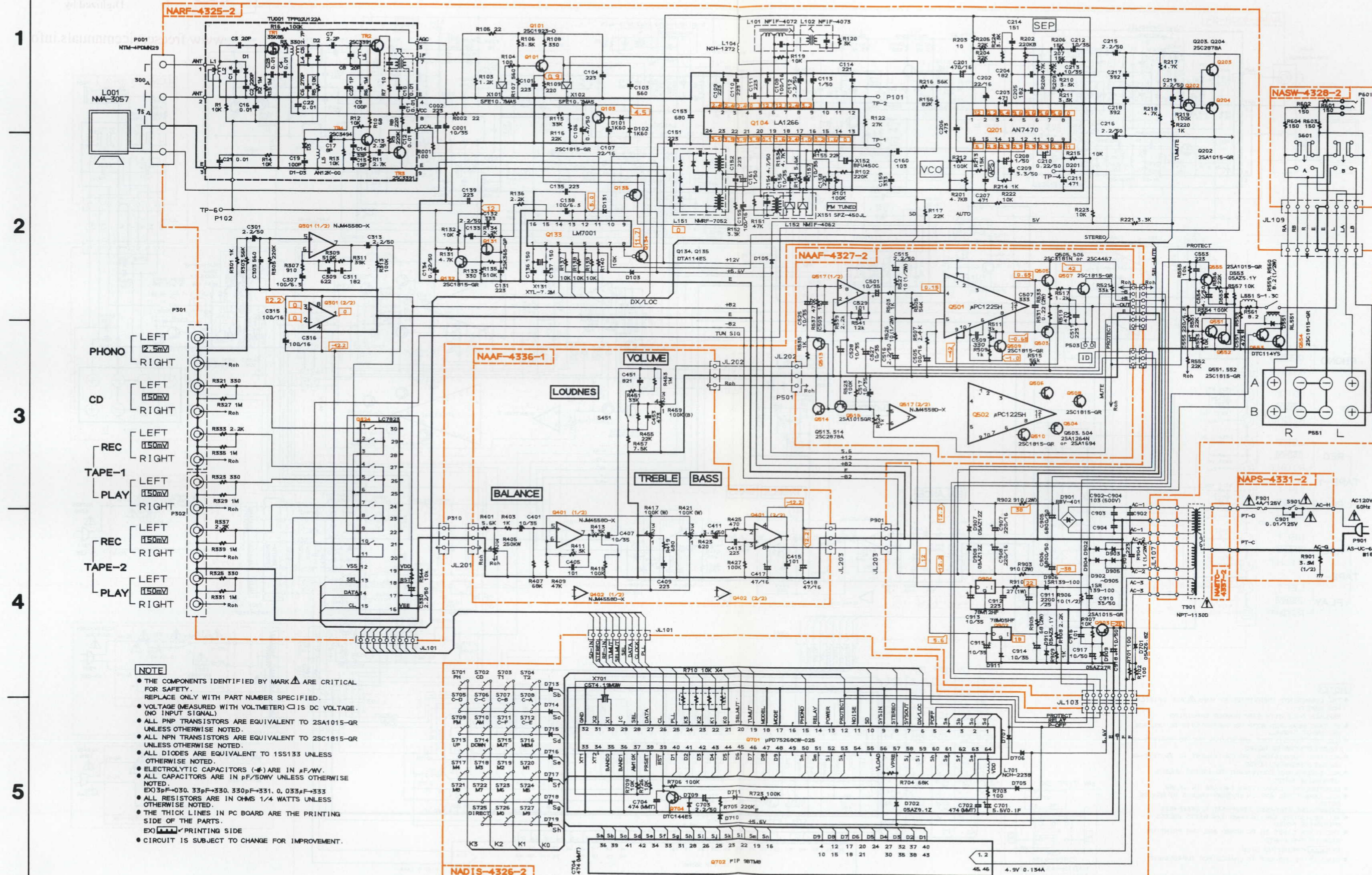


NOTE

- THE COMPONENTS IDENTIFIED BY MARK Δ ARE CRITICAL FOR SAFETY. REPLACE ONLY WITH PART NUMBER SPECIFIED.
- VOLTAGE (MEASURED WITH VOLTMETER) \square IS DC VOLTAGE. (NO INPUT SIGNAL)
- ALL PNP TRANSISTORS ARE EQUIVALENT TO 2SA1015-GR UNLESS OTHERWISE NOTED.
- ALL NPN TRANSISTORS ARE EQUIVALENT TO 2SC1815-GR UNLESS OTHERWISE NOTED.
- ALL DIODES ARE EQUIVALENT TO 1SS133 UNLESS OTHERWISE NOTED.
- ELECTROLYTIC CAPACITORS (Φ) ARE IN μ F/WV.
- ALL CAPACITORS ARE IN pF/SOMV UNLESS OTHERWISE NOTED.
- EX) 3pF=030, 33pF=330, 330pF=331, 0.033 μ F=333
- ALL RESISTORS ARE IN OHMS 1/4 WATTS UNLESS OTHERWISE NOTED.
- THE THICK LINES IN PC BOARD ARE THE PRINTING SIDE OF THE PARTS.
- EX) \square PRINTING SIDE
- CIRCUIT IS SUBJECT TO CHANGE FOR IMPROVEMENT.

www.freeservicemanuals.info

SCHEMATIC DIAGRAM MODEL TX-901 (120V model)



NOTE

- THE COMPONENTS IDENTIFIED BY MARK Δ ARE CRITICAL FOR SAFETY. REPLACE ONLY WITH PART NUMBER SPECIFIED.
- VOLTAGE (MEASURED WITH VOLTMETER) \square IS DC VOLTAGE. (NO INPUT SIGNAL)
- ALL PNP TRANSISTORS ARE EQUIVALENT TO 2SA1015-GR UNLESS OTHERWISE NOTED.
- ALL NPN TRANSISTORS ARE EQUIVALENT TO 2SC1815-GR UNLESS OTHERWISE NOTED.
- ALL DIODES ARE EQUIVALENT TO 1SS133 UNLESS OTHERWISE NOTED.
- ELECTROLYTIC CAPACITORS (-#) ARE IN μ F/V.
- ALL CAPACITORS ARE IN pF/50WV UNLESS OTHERWISE NOTED.
- EX) 3pF-030, 33pF-330, 330pF-331, 0.033 μ F-333
- ALL RESISTORS ARE IN OHMS 1/4 WATTS UNLESS OTHERWISE NOTED.
- THE THICK LINES IN PC BOARD ARE THE PRINTING SIDE OF THE PARTS.
- EX) \square PRINTING SIDE
- CIRCUIT IS SUBJECT TO CHANGE FOR IMPROVEMENT.

SCHEMATIC DIAGRAM MODEL TX-901 (Other models)

Free service manuals
Gratis schema's
Digitized by

www.freeservicemanuals.info

1

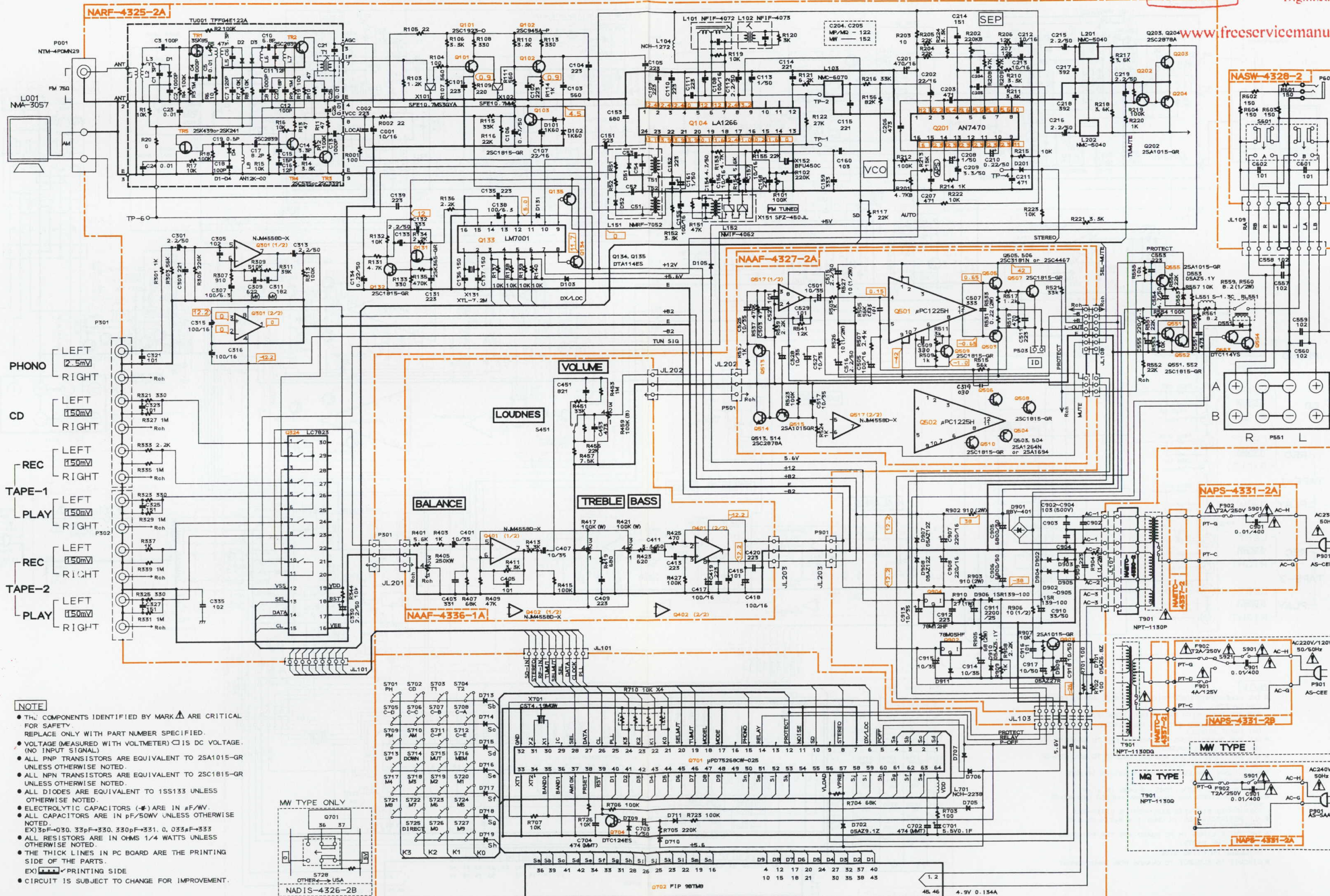
2

3

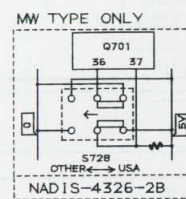
4

5

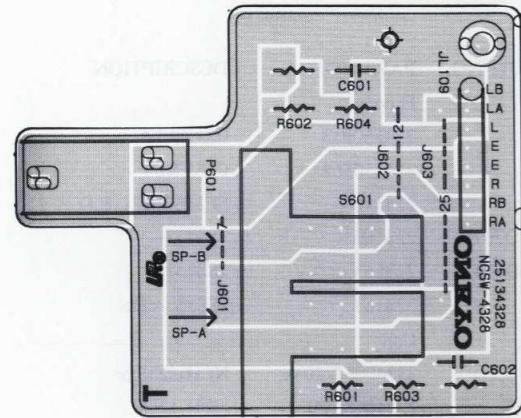
4



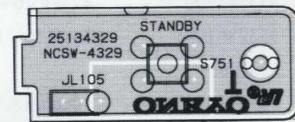
- NOTE**
- THE COMPONENTS IDENTIFIED BY MARK Δ ARE CRITICAL FOR SAFETY. REPLACE ONLY WITH PART NUMBER SPECIFIED.
 - VOLTAGE (MEASURED WITH VOLTMETER) \square IS DC VOLTAGE. (NO INPUT SIGNAL)
 - ALL PNP TRANSISTORS ARE EQUIVALENT TO 2SA1015-GR UNLESS OTHERWISE NOTED.
 - ALL NPN TRANSISTORS ARE EQUIVALENT TO 2SC1815-GR UNLESS OTHERWISE NOTED.
 - ALL DIODES ARE EQUIVALENT TO 1SS133 UNLESS OTHERWISE NOTED.
 - ELECTROLYTIC CAPACITORS (-#) ARE IN μ F/V.
 - ALL CAPACITORS ARE IN pF/50WV UNLESS OTHERWISE NOTED.
 - EX) 33pF-030, 33pF-330, 330pF-331, 0.033 μ F-333
 - ALL RESISTORS ARE IN OHMS 1/4 WATTS UNLESS OTHERWISE NOTED.
 - THE THICK LINES IN PC BOARD ARE THE PRINTING SIDE OF THE PARTS.
 - EX) \square PRINTING SIDE
 - CIRCUIT IS SUBJECT TO CHANGE FOR IMPROVEMENT.



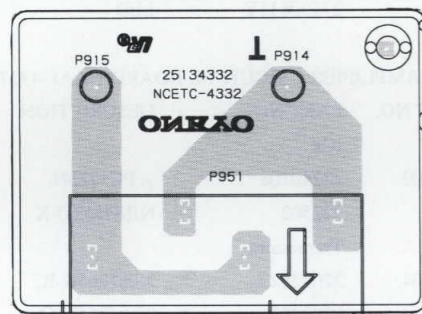
PRINTED CIRCUIT BOARD VIEW FROM BOTTOM SIDE



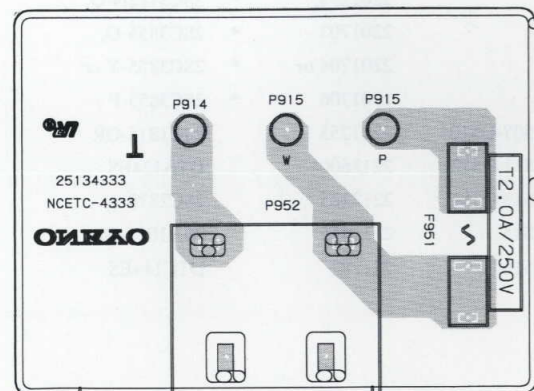
HEADPHONE TERMINAL PC BOARD



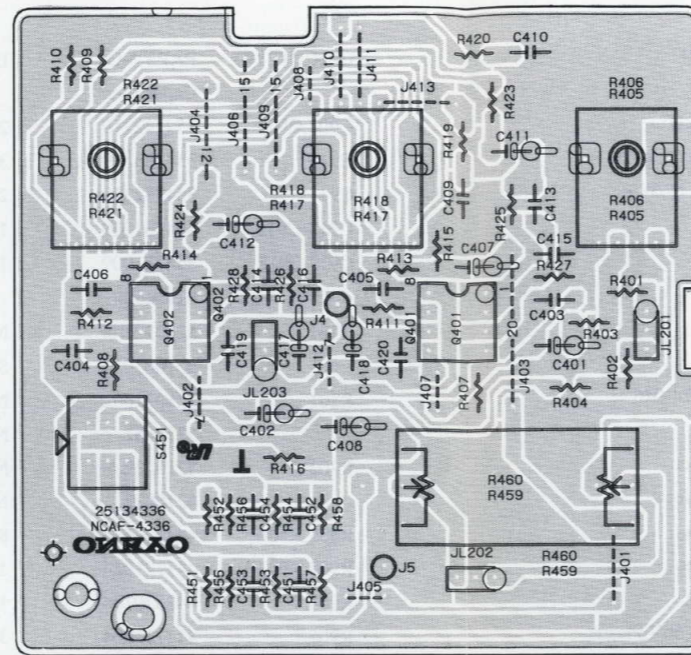
POWER SWITCH PC BOARD
(Only Model TX-903)



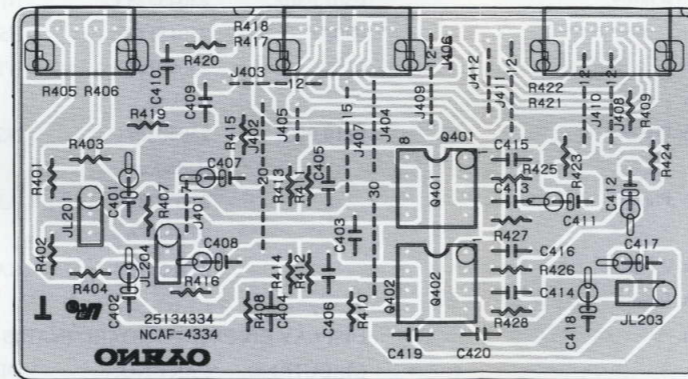
AC OUTLET PC BORA



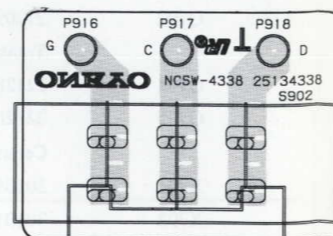
AC OUTLET PC BOARD



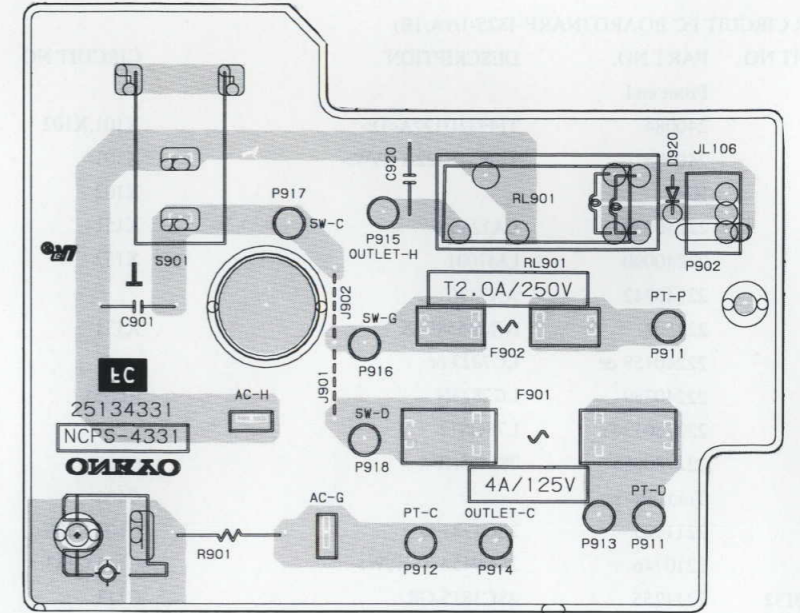
TONE CONTROL CIRCUIT PC BOARD
(Only Model TX-901)



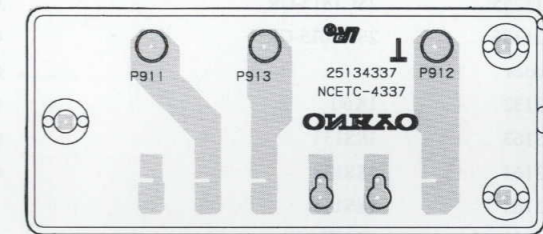
TONE CONTROL CIRCUIT PC BOARD
(Only Model TX-903)



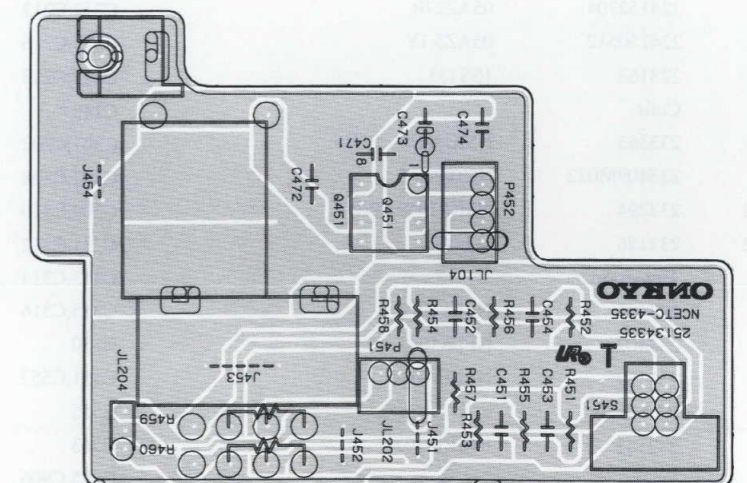
VOLTAGE SELECTOR PC BOARD
(Only Worldwide model)



POWER SUPPLY CIRCUIT PC BOARD



TERMINAL PC BOARD



VOLUME CONTROL PC BOARD (Only Model TX-903)

PRINTED CIRCUIT BOARD-PARTS LIST

MODEL TX-903

TUNER CIRCUIT PC BOARD (NARF-4325-1/1A/1B)

CIRCUIT NO.	PART NO.	DESCRIPTION	CIRCUIT NO.	PART NO.	DESCRIPTION	CIRCUIT NO.	PART NO.	DESCRIPTION	CIRCUIT NO.	PART NO.	DESCRIPTION
	Front end			Ceramic filters			Capacitors			Diodes	
TU001	240084	TFFG2U122A<D>	X101,X102	3010071	SFE10.7MA5 <D>	C907,C908	354742219	220 μ F,16V,Elect.	D702	224150913	05AZ9.1Z
	240085	TFFG4E122A<P/W>	X101	3010081	SFE10.7MS3GYA <P/W>	C910	354783309	33 μ F,50V,Elect.	D703	224150562	05AZ5.6Y
	ICs		X102	3010137	SFE10.7MMK <P/W>	C911	354752229	2200 μ F,25V,Elect.	D704	225142	SEL2913K,L.E.D.
Q104	22240039	LA1266	X151	3010123	SFZ450JL	C913-C915	354761009	10 μ F,35V,Elect.	D705-D707	223163	1SS133
Q133	22240090	LM7001	X152	3010076	BFU450C	C917,C918	354781009	10 μ F,50V,Elect.	D709-D724	223163	1SS133
Q201	22240242	AN7470						Resistors	D726	223163	1SS133 <D>
Q301	222502	NJM4558D-X	X131	3010158	XTL-7.2M	R101	5210221 or	N06HR100KBD			Coil
Q324	22240158 or	LC7823 or					5210070	Semi-fixed	L701	233400M220 or	NCH-2238 or
	22240339	LC7823N	RL551	25065339	NRL-2P5ADC24-046	R201	5210216 or	N06HR5KBD or		233409K220	NCH-1284
Q901	222780126Y	L78OS12					5210062	N06HR4.7KBD ,Semi-fixed			Capacitors
Q902	222780055	78M05HF	C001	354761009	10 μ F,35V,Elect.	R202	5210222 or	N06HR200KBD or	C701	3000057	0.1F,5.5V,Super
	Transistors		C106	354784799	0.47 μ F,50V,Elect.		5210072	N06HR220KBD,Semi-fixed	C702,C704	375524744	0.47 μ F \pm 5%,50V,Plastic
Q101	2211723	2SC1923-O	C107,C108	354742209	22 μ F,16V,Elect.	R559,R560	442520824	8.2ohm,1/2W,Metal oxide film	C703	353780229	2.2 μ F,50V,Elect.
Q102	2210746	2SC945A-P <P/W>	C112,C133	354780229	2.2 μ F,50V,Elect.	R902,R903	441721024	1kohm,2W,Metal oxide film	C705	353744709	47 μ F,16V,Elect.
Q103,Q132	2211255	2SC1815-GR	C113	354780109	1 μ F,50V,Elect.	R904	442520104	1ohm,1/2W,Metal oxide film	C706	353780109	1 μ F,50V,Elect.
Q131	2212445	2SK365-GR	C131	374722234	0.022 μ F \pm 5%,50V,Plastic	R905	441723904	39ohm,2W,Metal oxide film			Resistor
Q134,Q135	2213510	DTA114ES	C132,C159	374723334	0.033 μ F \pm 5%,50V,Plastic	R906	442521004	10ohm,1/2W,Metal oxide film	R710	49163103404	10kohm \times 4,1/10W,Array
Q202,Q555	2211455	2SA1015-GR	C134,C210	353782299	0.22 μ F,50V,Elect.			Terminals			Switches
Q203,Q204	2212285	2SC2878-A	C138	354721019	100 μ F,6.3V,Elect.	P001	25060157Y	NTM-4PDML083,Antenna <D>	S701-S727	25035548	NPS-111-S510
Q551,Q552	2211255	2SC1815-GR	C154,C554	354780479	4.7 μ F,50V,Elect.		25060117Y	NTM-2PDML051,Antenna <P/W>	S728	25065286	NSS22112,Band <W>
Q553,Q556	221281	DTC114YS	C155	354741019	100 μ F,16V,Elect.	P101	25060064	4P-5			Holders
Q554	2211255	2SC1815-GR	C156,C157	354761009	10 μ F,35V,Elect.	P102	25060061	1P-5		27190810Y	FL
Q903	2211455	2SA1015-GR	C160	374721034	0.01 μ F \pm 5%,50V,Plastic	P301,P302	25045323Y	NPI-6PDBL180		27190811Y	LED
	Diodes		C161,C208	354780109	1 μ F,50V,Elect.	P303	25045172	HSJ1003-01-020			
D101,D102	223132	1K60	C201	354744719	470 μ F,16V,Elect.	P551	25060158Y	NTM-8PDML084,Speaker			POWER AMPLIFIER CIRCUIT PC BOARD(NAAF-4327-1/1A)
D103,D105	223163	1SS133	C202	354742209	22 μ F,16V,Elect.			Sockets			CIRCUIT NO.
D131,D201	223163	1SS133	C204,C205	374721824	1800pF \pm 5%,50V,Plastic	P310,P901	25050267	NSCT-3P95			DESCRIPTION
D551,D552	223163	1SS133			<D>			Radiators	Q501,Q502	22240108	μ PC1225H
D553	224150512	05AZ5.1Y		374721224	1200pF \pm 5%,50V,Plastic			27160145	RAD-51	222502	NJM4558D-X
D701	224150683	05AZ6.8Z			<P/W>			27160166			Transistors
D901	22380038	RBV602	C206	374724734	0.047 μ F \pm 5%,50V,Plastic			27160176	RAD-56	Q503,Q504	2202282, * 2SA1265N-R,
D902-D906	22380032	1SR139-100	C207	370134714	470pF \pm 5%,100V,Plastic						2202283, * 2SA1265N-O,
D907,D908	224151203	05AZ12Z	C209	354780339	3.3 μ F,50V,Elect.						2201693, * 2SA1491-O,
D909	224152704	05AZ27R	C212,C213	354761009	10 μ F,35V,Elect.						2201694 or * 2SA1491-Y or
D910	224150512	05AZ5.1Y	C215,C216	354780229	2.2 μ F,50V,Elect.						2201696, * 2SA1491-P
D911	223163	1SS133	C217,C218	374723924	3900pF \pm 5%,50V,Plastic						Q505,Q506
	Coils		C219	354780229	2.2 μ F,50V,Elect.						2202292, * 2SC3182N-R,
L103	233383	NMC-6070 <P/W>	C301,C302	354780229	2.2 μ F,50V,Elect.						2202293, * 2SC3182N-O,
L104	233409M022	NCH-1272	C307,C308	354721019	100 μ F,6.3V,Elect.						2201703, * 2SC3855-O,
L201,L202	233294	NMC-5040 <P/W>	C309,C310	374726224	6200pF \pm 5%,50V,Plastic						2201704 or * 2SC3855-Y or
L551,L552	231176	S-1.3C	C311,C312	374721824	1800pF \pm 5%,50V,Plastic						2201706, * 2SC3855-P
	Transformers		C313,C314	354780229	2.2 μ F,50V,Elect.						Q507-Q510
L101	233401	NFIF-4072	C315,C316	354741019	100 μ F,16V,Elect.	Q701	22240406Y	μ PD75268CW-025			221255
L102	233402	NFIF-4073	C330	354780229	2.2 μ F,50V,Elect.	Q703	22240376	μ PD17103CX-528			2212600
L152	232139	NMIF-4062	C551,C552	374724734	0.047 μ F \pm 5%,50V,Plastic	Q702	212093Y	FL tube			2212285
	RF block		C555	354722219	220 μ F,6.3V,Elect.	Q704	221282	DTC144ES			2212285
L151	232152	NMRF-7052	C563	354780479	0.47 μ F,50V,Elect.	Q705	2212600	DTA124ES			2211455
			C905,C906	3504207	6800 μ F,50V,Elect.			Ceramic oscillators			221282
						X701	3010163	CST4.19MGW			221282
						X702	3010154	CST8.00MT			DTC144ES

PRINTED CIRCUIT BOARD PARTS LIST

CIRCUIT NO.	PART NO.	DESCRIPTION
	Capacitors	
C501,C502	354761009	10 μ F,35V,Elect.
C505,C506	354741019	100 μ F,16V,Elect.
C507,C508	374723334	0.033 μ F \pm 5%,50V,Plastic
C515,C516	354780229	2.2 μ F,50V,Elect.
C517	353761009	10 μ F,35V,Elect.
C525-C528	354761009	10 μ F,35V,Elect.
	Resistors	
R511,R512	5215061	N08HR3KBC,Semi-fixed
R526,R527	442521004	10ohm,1/2W,Metal oxide film
R531-R534	4500005	0.22ohm,2W,Metal plate
	Radiators	
	27160306Y	
	Plugs	
P503,P504	25055495	NPLG-2P470

HEADPHONE TERMINAL PC BOARD(NASW-4328-1/1A)

CIRCUIT NO.	PART NO.	DESCRIPTION
S601	25035517	NPS-222-L479,Speaker switch
P601	25045255	YKB21-5009,Headphone terminal

POWER SWITCH PC BOARD (NASW-4329-1)

CIRCUIT NO.	PART NO.	DESCRIPTION
S751	25035548	Δ NPS-111-S510,Push switch

POWER SUPPLY CIRCUIT PC BOARD(NAPS-4331-1/1A/1B/1C)

CIRCUIT NO.	PART NO.	DESCRIPTION
D920	223163	1SS133,Diode
S901	25035550	Δ NPS-111-L512P,Push switch
RL901	25065269	Δ NRL-1P5A-DC12-36,Relay <D>
	25065248	Δ NRL-1P15A-DC12-29,Relay <P/W>
R901	431523355	Δ 3.3Mohm,1/2W,Solid resistor <D>
C901,C920	3500065A	Δ DE7150FZ103PAC400V/125V IS capacitors
P902	25050267	NSCT-3P95,Socket
F901	252050	Δ 5A(ST-6),Fuse <D/W>
F902	252075	Δ 2.5A-SE-EAK,Fuse <P/W>
F901a	250113	Δ SN5051,Fuseholder <D/W>
F902a	25050065	Δ YSH-403T,Fuseholder <P/W>
	29360626-1	Fuse label <D>
	29360462	5A/125V,Fuse rating label <D/W>
	29360405	T2.5A,Fuse rating label <P/W>

AC OUTLET PC BOARD(NAETC-4332-1)

(Only 120V model)

CIRCUIT NO.	PART NO.	DESCRIPTION
P951	25050409	Δ NSCT-4P234,AC outlet

AC OUTLET PC BOARD(NAETC-4333-1/1A)

(230V and Worldwide models)

CIRCUIT NO.	PART NO.	DESCRIPTION
F951	252074	Δ 2.2A-SE-EAK,Fuse <P>
F951a	25050065	Δ YSH403T,Fuseholders <P>
P952	25050410	Δ NSCT-2P235,AC outlet

TONE CONTROL CIRCUIT PC BOARD (NAAF-4334-1/1A)

CIRCUIT NO.	PART NO.	DESCRIPTION
	ICs	
Q401,Q402	222502	NJM4558D-X
	Capacitors	
C401,C402	354761009	10 μ F,35V,Elect.
C407,C408	354761009	10 μ F,35V,Elect.
C409,C410	374722234	0.022 μ F \pm 5%,50V,Plastic
C411,C412	354780339	3.3 μ F,50V,Elect.
C413,C414	374722234	0.022 μ F \pm 5%,50V,Plastic
C417,C418	354741019	100 μ F,16V,Elect.
	Resistors	
R405,R406	5104225	N11RGLC250KWT22Z,Balance
R417,R421	5104230	N14RLC100KWT22Z,Tone
R418,R422		

VOLUME CONTROL PC BOARD(NAETC-4335-1)

CIRCUIT NO.	PART NO.	DESCRIPTION
Q451	22240322	LB1639,IC
C453,C454	374724734	0.047 μ F \pm 5%,50V,Plastic capacitors
C473	354741019	100 μ F,16V,Elect. capacitor
R459,R460	5104243	N16RGM100KBTP25F, Volume, Variable resistor
P451	25050267	NSCT-3P95,Socket
P452	25050268	NSCT-4P96,Socket
S451	25035609	NPS-122-L571,Switch

VOLTAGE SELECTOR SWITCH PC BOARD (NASW-4338-1)

(Only Worldwide model)

CIRCUIT NO.	PART NO.	DESCRIPTION
S902	25065287	Δ NSS-22113P,Slide switch

NOTE:<D>:Only 120V model

<P>:Only 230V and 240V models

<W>:Only Worldwide model

CAUTION:Replacement for transistor of mark *,if necessary, must be made from the same beta group (H β) as the original type.NOTE: THE COMPONENTS IDENTIFIED BY MARK Δ ARE CRITICAL FOR RISK OF FIRE AND ELECTRIC SHOCK. REPLACE ONLY WITH PART NUMBER SPECIFIED.

PRINTED CIRCUIT BOARD-PARTS LIST

MODEL TX-901

TUNER CIRCUIT PC BOARD (NARF-4325-2/2A/2B)

CIRCUIT NO.	PART NO.	DESCRIPTION	CIRCUIT NO.	PART NO.	DESCRIPTION
	Front end			Ceramic filters	
TU001	240084	TFFG2U122A<D>	X101,X102	3010071	SFE10.7MA5 <D>
	240085	TFFG4E122A<P/W>	X101	3010081	SFE10.7MS3GYA <P/W>
	ICs		X102	3010137	SFE10.7MMK <P/W>
Q104	22240039	LA1266	X151	3010123	SFZ450JL
Q133	22240090	LM7001	X152	3010076	BFU450C
Q201	22240242	AN7470		Crystal	
Q301	222502	NJM4558D-X	X131	3010158	XTL-7.2M
Q324	22240158 or	LC7823 or		Relay	
	22240339	LC7823N	RL551	25065339	NRL-2P5ADC24-046
Q902	222780055	78M05HF		Capacitors	
Q905	222780125	78M12HF	C001	354761009	10 μ F,35V,Elect.
	Transistors		C106	354784799	0.47 μ F,50V,Elect.
Q101	2211723	2SC1923-O	C107	354742209	22 μ F,16V,Elect.
Q102	2210746	2SC945A-P <P/W>	C108	354741019	100 μ F,16V,Elect.
Q103,Q132	2211255	2SC1815-GR	C112,C133	354780229	2.2 μ F,50V,Elect.
Q131	2212445	2SK365-GR	C113	354780109	1 μ F,50V,Elect.
Q134,Q135	2213510	DTA114ES	C131	374722234	0.022 μ F \pm 5%,50V,Plastic
Q202,Q555	2211455	2SA1015-GR	C132,C159	374723334	0.033 μ F \pm 5%,50V,Plastic
Q203,Q204	2212285	2SC2878-A	C134,C210	353782299	0.22 μ F,50V,Elect.
Q551,Q552	2211255	2SC1815-GR	C138	354721019	100 μ F,6.3V,Elect.
Q553	221281	DTC114YS	C154,C554	354780479	4.7 μ F,50V,Elect.
Q554	2211255	2SC1815-GR	C155	354741019	100 μ F,16V,Elect.
Q903	2211455	2SA1015-GR	C156,C157	354761009	10 μ F,35V,Elect.
	Diodes		C160	374721034	0.01 μ F \pm 5%,50V,Plastic
D101,D102	223132	1K60	C161,C208	354780109	1 μ F,50V,Elect.
D103,D105	223163	1SS133	C201	354744719	470 μ F,16V,Elect.
D131,D201	223163	1SS133	C202	354742209	22 μ F,16V,Elect.
D551	223163	1SS133	C204,C205	374721824	1800pF \pm 5%,50V,Plastic
D553	224150512	05AZ5.1Y			<D>
D701	224150683	05AZ6.8Z		374721224	1200pF \pm 5%,50V,Plastic
D901	22380023	RBV401			<P/W>
D902-D906	22380032	1SR139-100	C206	374724734	0.047 μ F \pm 5%,50V,Plastic
D907,D908	224151203	05AZ12Z	C207	370134714	470pF \pm 5%,100V,Plastic
D909	224152704	05AZ27R	C209	354780339	3.3 μ F,50V,Elect.
D910	224150512	05AZ5.1Y	C212,C213	354761009	10 μ F,35V,Elect.
D911	223163	1SS133	C215,C216	354780229	2.2 μ F,50V,Elect.
	Coils		C217,C218	374723924	3900pF \pm 5%,50V,Plastic
L103	233383	NMC-6070 <P/W>	C219	354780229	2.2 μ F,50V,Elect.
L104	233409M022	NCH-1272	C301,C302	354780229	2.2 μ F,50V,Elect.
L201,L202	233294	NMC-5040 <P/W>	C307,C308	354721019	100 μ F,6.3V,Elect.
L551,L552	231176	S-1.3C	C309,C310	374726224	6200pF \pm 5%,50V,Plastic
	Transformers		C311,C312	374721824	1800pF \pm 5%,50V,Plastic
L101	233401	NFIF-4072	C313,C314	354780229	2.2 μ F,50V,Elect.
L102	233402	NFIF-4073	C315,C316	354741019	100 μ F,16V,Elect.
L152	232139	NMIF-4062	C330	354780229	2.2 μ F,50V,Elect.
	RF block		C551,C552	374724734	0.047 μ F \pm 5%,50V,Plastic
L151	232152	NMRF-7052	C555	354722219	220 μ F,6.3V,Elect.
			C905,C906	3504207	6800 μ F,50V,Elect.

CIRCUIT NO.	PART NO.	DESCRIPTION	CIRCUIT NO.	PART NO.	DESCRIPTION
	Capacitors			Capacitors	
C907,C908	354742219	220 μ F,16V,Elect.	C701	3000057	0.1F,5.5V,Super
C910	354783309	33 μ F,50V,Elect.	C702,C704	375524744	0.47 μ F \pm 5%,50V,Plastic
C911	354752229	2200 μ F,25V,Elect.	C703	353780229	2.2 μ F,50V,Elect.
C913-C915	354761009	10 μ F,35V,Elect.		Resistor	
C917,C918	354781009	10 μ F,50V,Elect.	R710	49163103404	10kohm \times 4,1/10W,Array
	Resistors			Switches	
R101	5210221 or 5210070	N06HR100KBD Semi-fixed	S701-S727	25035548	NPS-111-S510
R201	5210216 or 5210062	N06HR5KBD or N06HR4.7KBD ,Semi-fixed	S728	25065286	NSS22112,Band <W>
R202	5210222 or 5210072	N06HR200KBD or N06HR220KBD,Semi-fixed		Holder	FL
R559,R560	442520824	8.2ohm,1/2W,Metal oxide film		POWER AMPLIFIER CIRCUIT PC BOARD(NAAF-4327-2/2A)	
R902,R903	441729114	910ohm,2W,Metal oxide film		CIRCUIT NO. PART NO. DESCRIPTION	
R904	442520104	1ohm,1/2W,Metal oxide film		ICs	
R905	441726804	68ohm,2W,Metal oxide film	Q501,Q502	22240108	μ PC1225H
R906	442521004	10ohm,1/2W,Metal oxide film	Q517	222502	NJM4558D-X
R910	441622704	27ohm,1W,Metal oxide film		Transistors	
	Terminals		Q503,Q504	2202492,	* 2SA1264N-R,
P001	25060157Y	NTM-4PDML083,Antenna <D>		2202493,	* 2SA1264N-O,
	25060117Y	NTM-2PDML051,Antenna <P/W>		2202243	* 2SA1694-O,
P101	25060064	4P-5		2202244 or	* 2SA1694-Y or
P102	25060061	1P-5		2202246	* 2SA1694-P
P301,P302	25045323Y	NPJ-6PDBL180	Q505,Q506	2202502,	* 2SC3181N-R,
P551	25060158Y	NTM-8PDML084,Speaker		2202503,	* 2SC3181N-O,
	Sockets			2202253	* 2SC4467-O,
P310,P901	25050267	NSCT-3P95		2202254 or	* 2SC4467-Y or
				2202256	* 2SC4467-P
			Q507-Q510	2211255	2SC1815-GR
			Q513,Q514	2212285	2SC2878-A
			Q515	2211455	2SA1015-GR
				Capacitors	
			C501,C502	354761009	10 μ F,35V,Elect.
			C505,C506	354741019	100 μ F,16V,Elect.
			C507,C508	374723334	0.033 μ F \pm 5%,50V,Plastic
			C515,C516	354780229	2.2 μ F,50V,Elect.
			C517	353761009	10 μ F,35V,Elect.
			C525-C528	354761009	10 μ F,35V,Elect.
				Resistors	
			R511,R512	5215061	N08HR3KBC,Semi-fixed
			R526,R527	442521004	10ohm,1/2W,Metal oxide film
			R531-R534	4500005	0.22ohm,2W,Metal plate
				Radiators	
				27160273Y	
				Plugs	
L701	233400M220 or 233409K220	NCH-2238 or NCH-1284	P503,P504	25055495	NPLG-2P470

CAUTION: Replacement for transistor of mark *, if necessary, must be made from the same beta group (HFE) as the original type.

NOTE: THE COMPONENTS IDENTIFIED BY MARK Δ ARE CRITICAL FOR RISK OF FIRE AND ELECTRIC SHOCK. REPLACE ONLY WITH PART NUMBER SPECIFIED.

HEADPHONE TERMINAL PC BOARD(NASW-4328-2/2A)

CIRCUIT NO.	PART NO.	DESCRIPTION
S601	25035517	NPS-222-L479,Speaker switch
P601	25045255	YKB21-5009,Headphone terminal

POWER SUPPLY CIRCUIT PC BOARD(NAPS-4331-2/2A/2B/2C)

CIRCUIT NO.	PART NO.	DESCRIPTION
S901	25035550	△ NPS-111-L512P,Push switch
R901	431523355	△ 3.3Mohm,1/2W,Solid resistor <D>
C901	3500065A	△ DE7150FZ103PAC400V/125V IS capacitor
F901	252049	△ 4A(ST-6),Fuse <D/W>
F902	252074	△ 2A-SE-EAK,Fuse <P/W>
F901a	250113	△ SN5051,Fuseholder <D/W>
F902a	25050065	△ YSH-403T,Fuseholder <P/W>
	29360626-1	Fuse label <D>

TONE CONTROL CIRCUIT PC BOARD (NAAF-4336-2/2A)

CIRCUIT NO.	PART NO.	DESCRIPTION
ICs		
Q401,Q402	222502	NJM4558D-X
Capacitors		
C401,C402	354761009	10 μ F,35V,Elect.
C407,C408	354761009	10 μ F,35V,Elect.
C409,C410	374722234	0.022 μ F \pm 5%,50V,Plastic
C411,C412	354780339	3.3 μ F,50V,Elect.
C413,C414	374722234	0.022 μ F \pm 5%,50V,Plastic
C417,C418	354744709	47 μ F,16V,Elect.
C453,C454	374724734	0.047 μ F \pm 5%,50V,Plastic
Resistors		
R405,R406	5104228	N11RGHC250KWT22Z,Balance
R417,R421	5104229	N14RHC100KWT22Z,Tone
R418,R422		
R459,R460	5142001	N16RGP100KBTP25,Volume
Switch		
S451	25035611	NPS-122-L573

VOLTAGE SELECTOR SWITCH PC BOARD (NASW-4338-2)

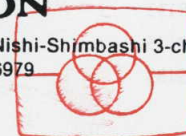
(Only Worldwide model)

CIRCUIT NO.	PART NO.	DESCRIPTION
S902	25065287	△ NSS-22113P,Slide switch

NOTE:<D>:Only 120V model

<P>:Only 230V and 240V models

<W>:Only Worldwide model

ONKYO CORPORATIONInternational Division: Onarimon Yusen Bldg., 23-5, Nishi-Shimbashi 3-chome, Minato-ku,
TOKYO 105, JAPAN Tel: 03-3432-6987 Fax: 03-3436-6979**ONKYO U.S.A CORPORATION**200 Williams Drive, Ramsey, N.J. 07446, U.S.A.
Tel: 201-825-7950 Fax: 201-825-8150**ONKYO Europe GmbH**Hellersbergstrasse 4, 4040 Neuss WEST GERMANY
Tel: 02101 12 00 75 Fax: 02101 10 33 06 TLX: 85 17 916 ONDU D**ONKYO FRANCE S.A.R.L.**Immeuble Le DIAMANT, Domaine Technologique De Saclay, 4 rue Rene Razel,
91892 SACLAY, FRANCE Tel: (1)69 41 35 10 Fax: (1)69 41 35 84Free service manuals
Gratis schemas

Digitized by

www.freeservicemanuals.info