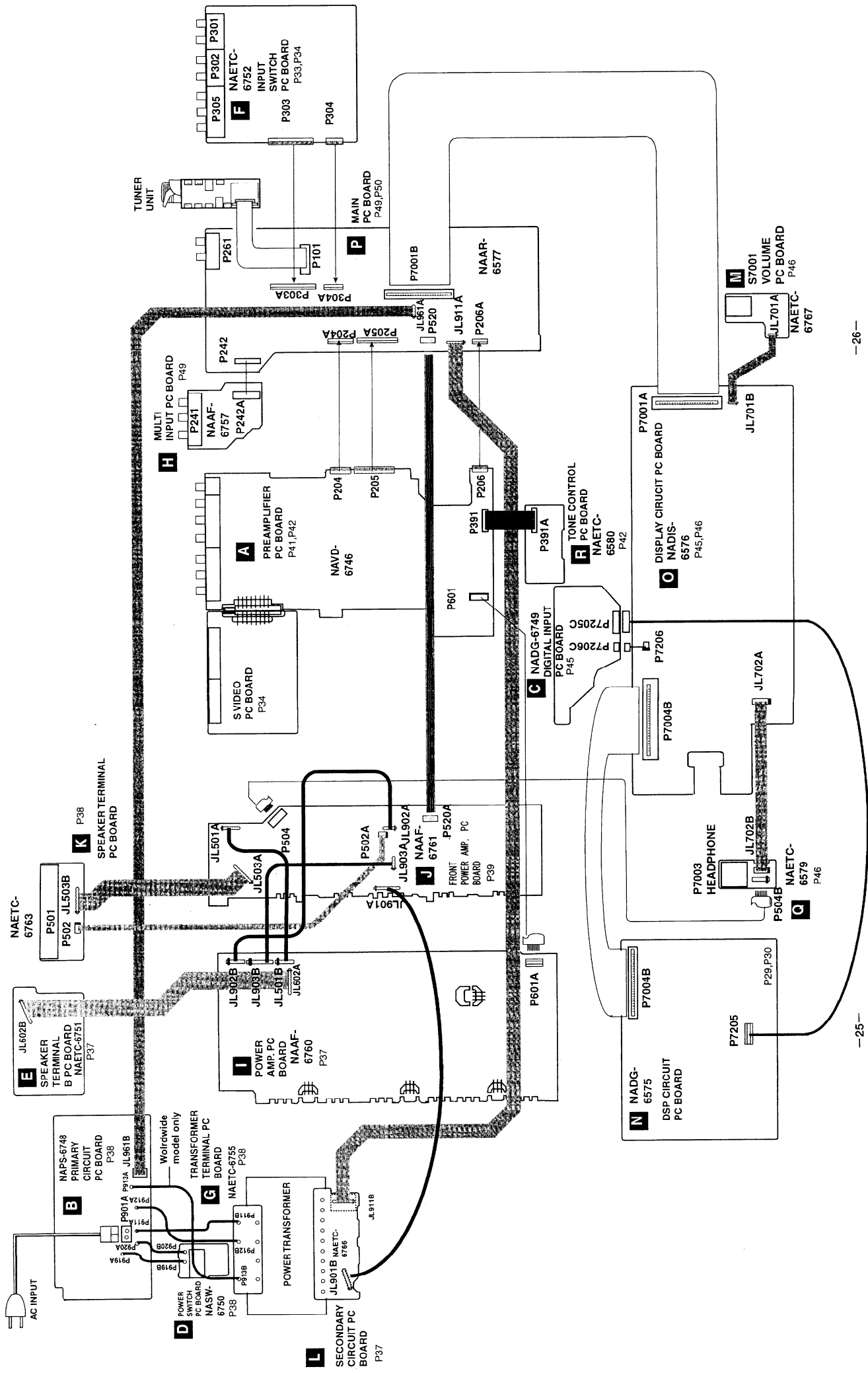


WIRING VIEW

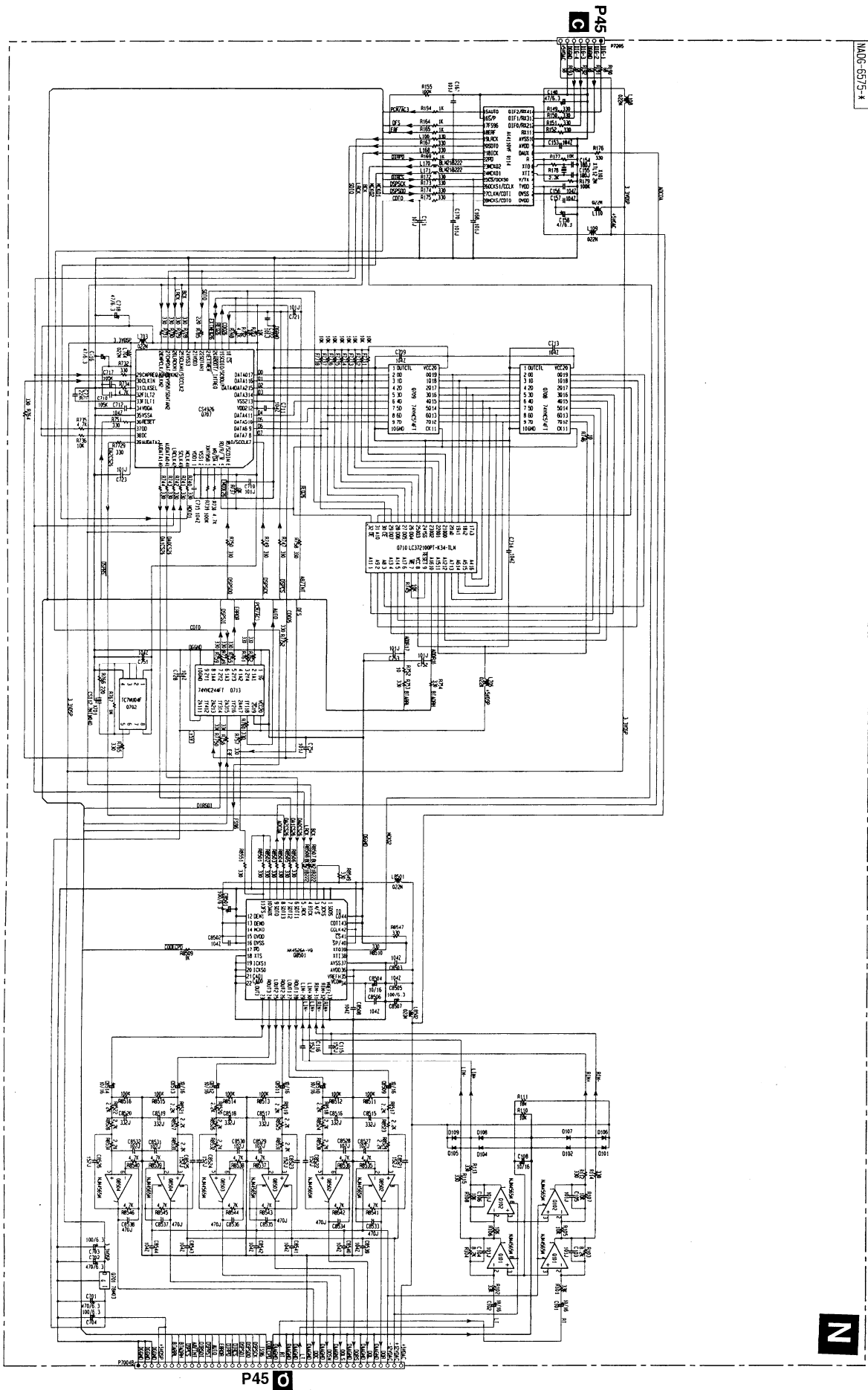


SCHEMATIC DIAGRAM 1

A B C D E F G

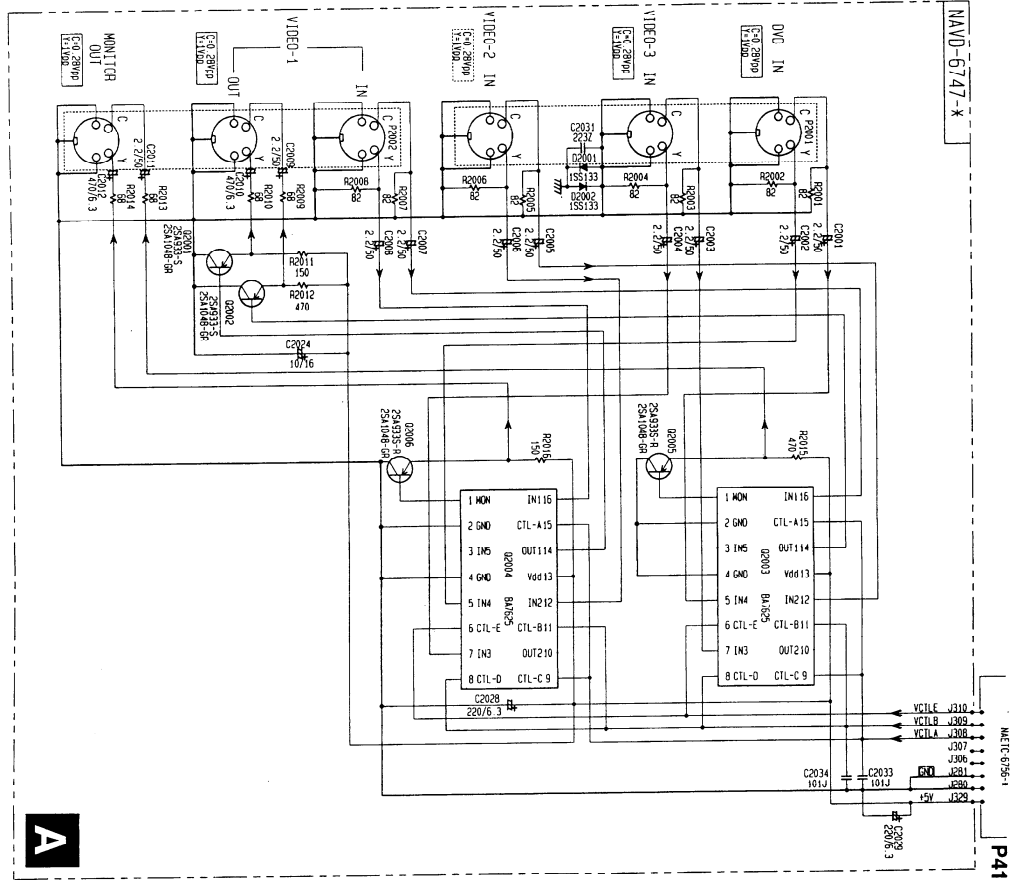
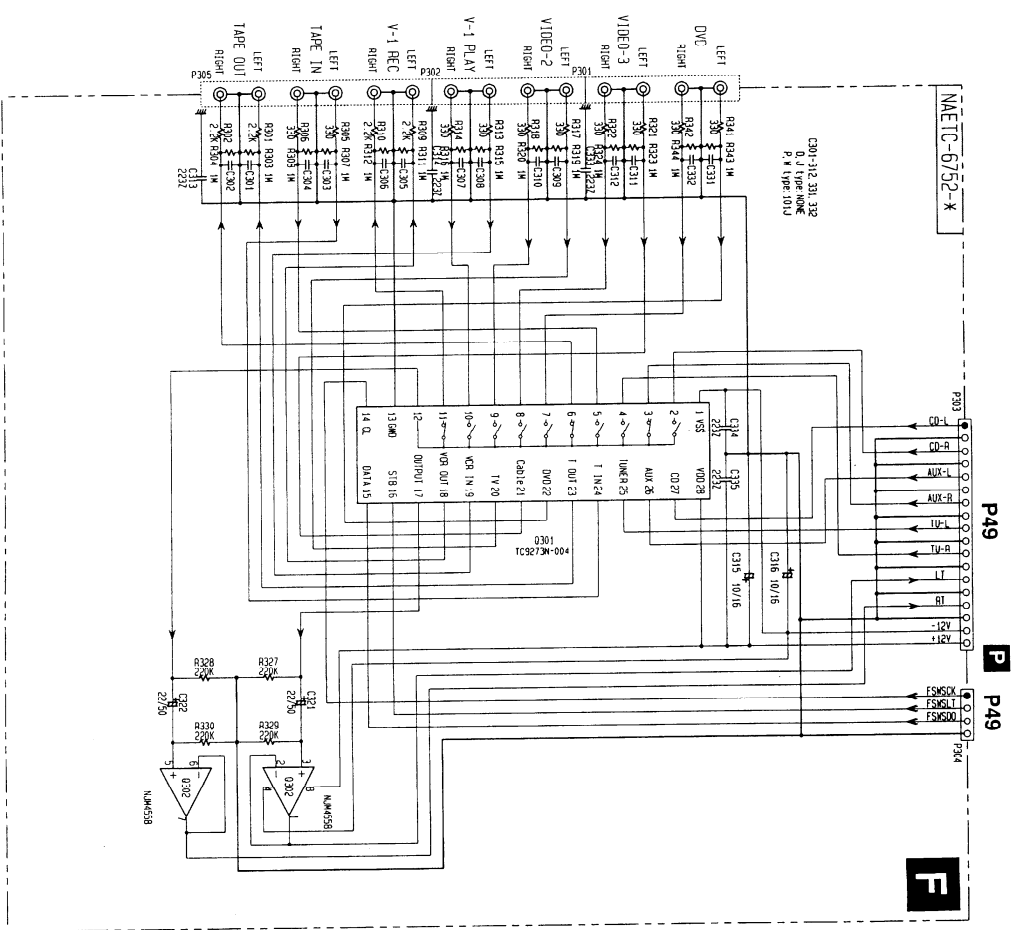
TX-DSS75X TX-DSS75X

MAC-6575-X

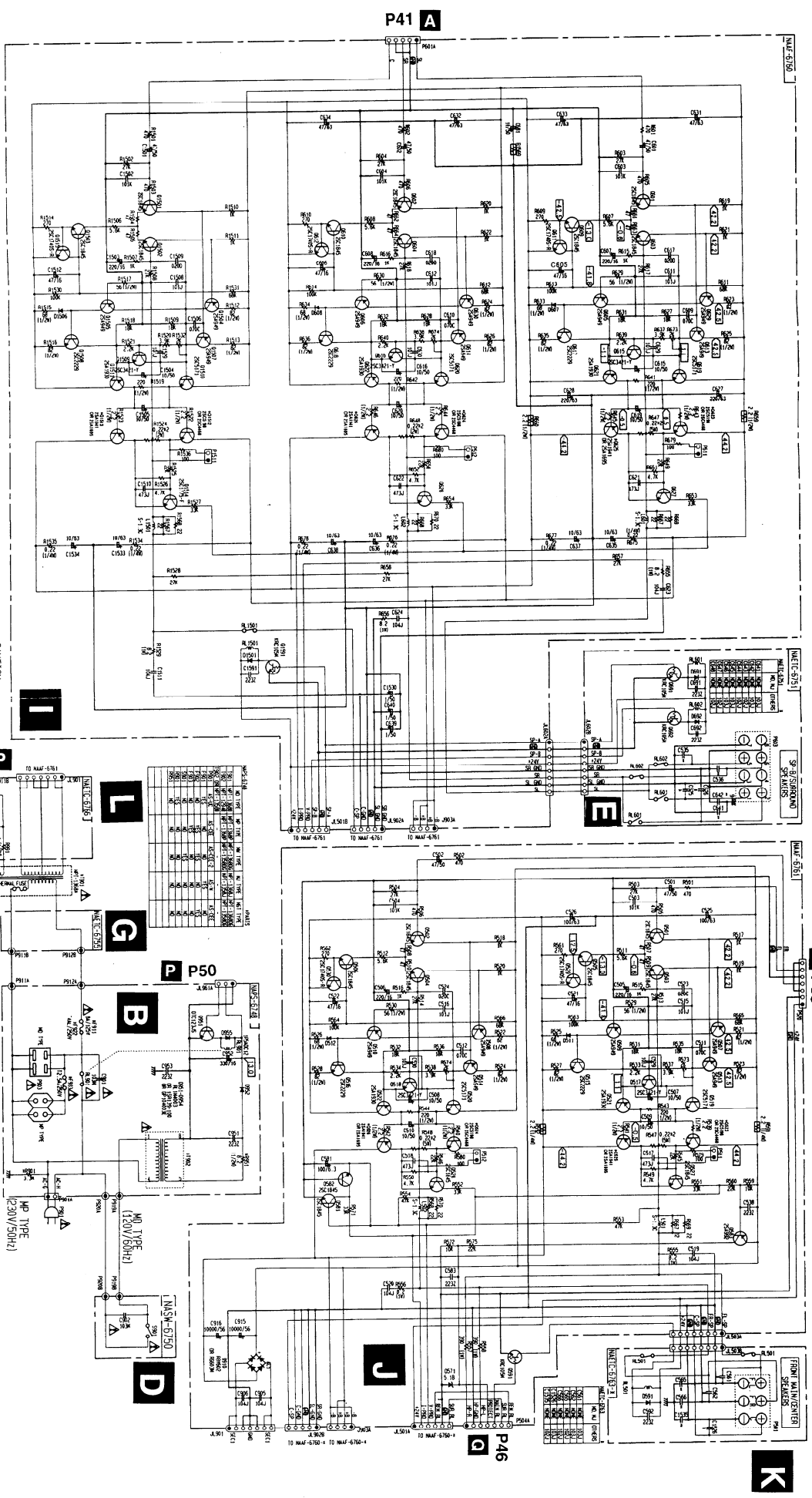


A B C D E F G

SCHEMATIC DIAGRAM 2



SCHEMATIC DIAGRAM 3



CAUTION
 DO NOT TOUCH THE HOT SURFACES OF THE TRANSISTORS OR OTHER COMPONENTS WHILE THE UNIT IS ON.
 ATTENTION
 LA CAUTION
 NE PAS TOUCHER LES SURFACES CHAUDES DES TRANSISTEURS ET D'AUTRES COMPOSANTS PENDANT QUE L'APPAREIL EST ALLUMÉ.

THE POWER SUPPLY SECTION OF THIS SCHEMATIC DIAGRAM IS IDENTICAL TO THE SCHEMATIC DIAGRAM OF THE TX-DSS75X UNIT. THE ONLY DIFFERENCE IS THE LOCATION OF THE POWER SUPPLY SECTION IN THE SCHEMATIC DIAGRAM.

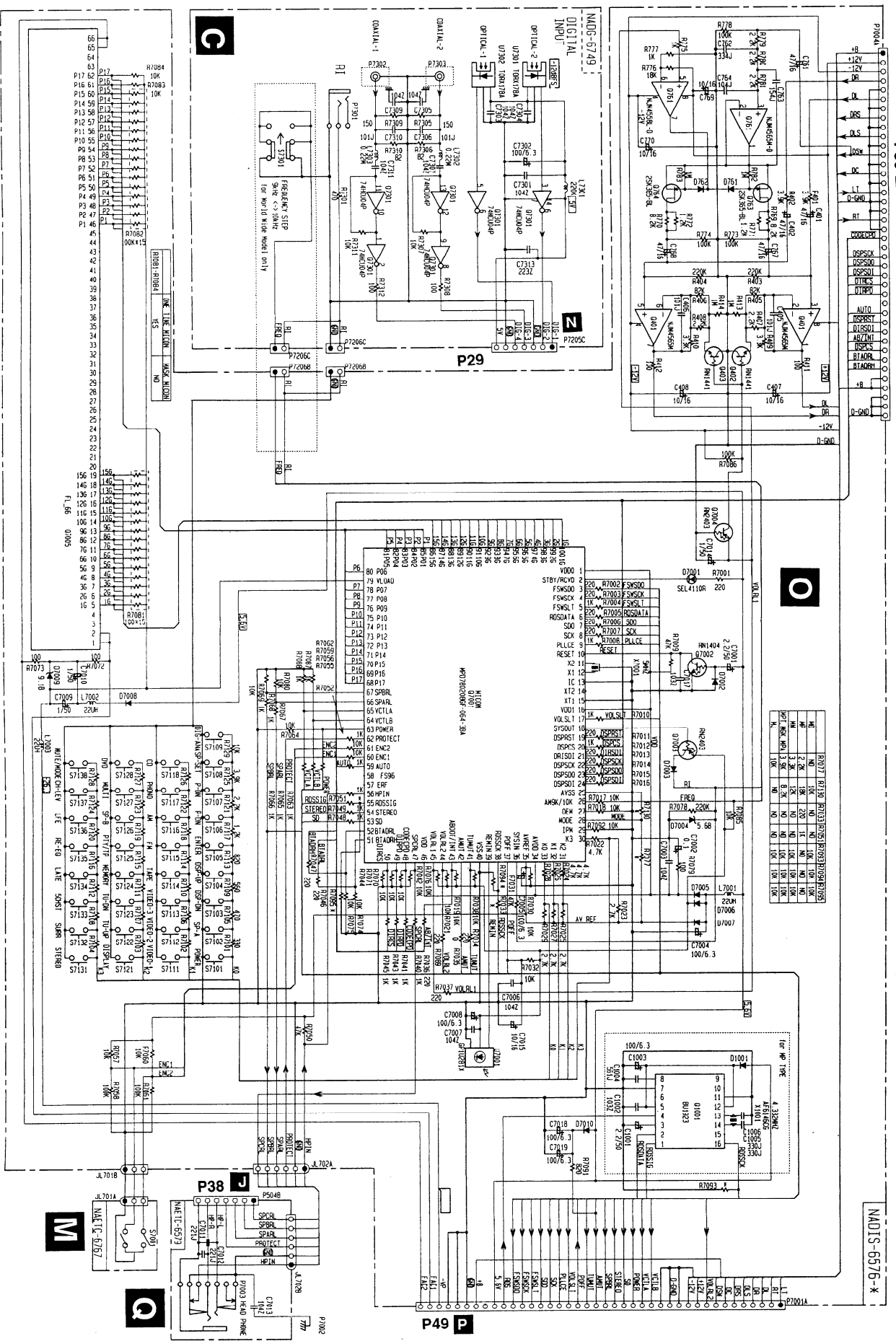
5 4 3 2 1

A B C D E F G

SCHEMATIC DIAGRAM 5

P30 N

NAD15-6576-X



SCHEMATIC DIAGRAM 6

