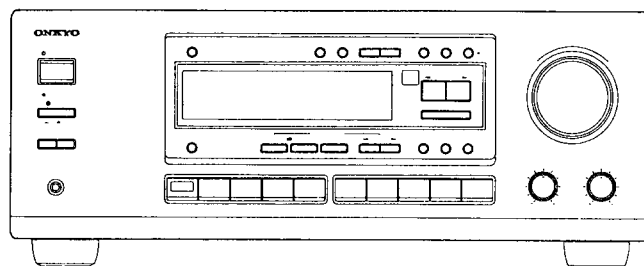


ONKYO® SERVICE MANUAL**AUDIO VIDEO
CONTROL RECEIVER
MODEL TX-DS575X****Black and Silver and Golden models**

BMDD	120 V AC, 60 Hz
BMPP/BMPT/BMPA SMPP/GMPT	230 V AC, 50 Hz
BMWT/BMWR/GMWT GMWR	220-230 V / 120 V AC, 50/60 Hz
GMGT	220 V AC, 50/60 Hz

SAFETY-RELATED COMPONENT WARNING!!

COMPONENTS IDENTIFIED BY MARK Δ ON THE SCHEMATIC DIAGRAM AND IN THE PARTS LIST ARE CRITICAL FOR RISK OF FIRE AND ELECTRIC SHOCK. REPLACE THESE COMPONENTS WITH ONKYO PARTS WHOSE PARTS NUMBERS APPEAR AS SHOWN IN THIS MANUAL.

MAKE LEAKAGE-CURRENT OR RESISTANCE MEASUREMENTS TO DETERMINE THAT EXPOSED PARTS ARE ACCEPTABLY INSULATED FROM THE SUPPLY CIRCUIT BEFORE RETURNING THE APPLIANCE TO THE CUSTOMER.

TABLE OF CONTENTS

Specifications.....	2
Service procedures.....	3
Panel views.....	4
IC block diagrams and descriptions.....	7
Microprocessor connection diagram.....	14
Microprocessor terminal descriptions.....	15
FL tube view.....	16
Printed circuit board-part list.....	17
Adjustment procedures and confirmation.....	23
Wiring view.....	25
Block diagram.....	27
DSP schematic diagram.....	29
DSP PC board view.....	31
Video circuit PC board view.....	32
Video circuit schematic diagram.....	33
Power amplifier PC board view.....	35
Power amplifier schematic diagram.....	37
Preamplifier PC board view.....	40
Preamplifier schematic diagram.....	41
Display PC board view.....	43
Display circuit schematic diagram.....	45
Main circuit PC board view.....	47
Main circuit schematic diagram.....	49
Exploded view.....	51
Parts list.....	53
Packing view.....	55

ONKYO®
AUDIO COMPONENTS

SPECIFICATIONS

AMPLIFIER SECTION

Continuous Average Power output (FTC)	
All channels:	70 watts per channel min. RMS at 8 ohms, 2 channels driven from 20 Hz to 20 kHz with no more than 0.08% total harmonic distortion. 90 watts min. RMS at 6 ohms, 2 channels driven from 1 kHz with no more than 0.1% total harmonic distortion.
Continuous Power output (DIN)	100 watts × 5 at 6 ohms
Maximum Power output (EIAJ)	130 watts × 5 at 6 ohms
Total Harmonic Distortion:	0.08% at rated power (Front)
IM Distortion:	0.08% at rated power (Front)
Damping Factor:	60 at 8 ohms (Front)
Input Sensitivity and Impedance	
PHONO:	2.5 mV, 50 kohms
LINE (CD, TAPE, DVD, VIDEO 1, 2, 3):	300 mV, 50 kohms
MULTICHANNEL INPUT (FRONT L/R, SURROUND L/R, CENTER):	300 mV, 50 kohms
(SUBWOOFER):	53 mV, 50 kohms
COAXIAL 1, 2 (DIGITAL):	0.5 Vp-p, 75 ohms
Output Level and Impedance	
Rec out (TAPE, VIDEO 1):	300 mV, 2.2 kohms
Pre out (SUBWOOFER):	1 V, 2.2 kohms
Phono Overload:	70 mV RMS at 1 kHz, 0.5% T.H.D.
Frequency Response:	5 Hz to 100 kHz, +1dB, -3dB
RIAA Deviation:	20 Hz to 20 kHz, ±0.8 dB
Tone Control	
Bass:	±10 dB at 100 Hz
Treble:	±10 dB at 10 kHz
Signal-to-Noise Ratio	
Phono:	80 dB (IHF A, 5 mV input)
CD/Tape:	100 dB (IHF A)

VIDEO SECTION

Input sensitivity/Impedance (DVD, VIDEO 1, 2, 3)	
VIDEO (Composite):	1 Vp-p, 75 ohms
S-VIDEO (Y signal):	1 Vp-p/75 ohms
S-VIDEO (C signal):	0.28 Vp-p/75 ohms
Output Level/Impedance (VIDEO 1, MONITOR)	
VIDEO (Composite):	1 Vp-p, 75 ohms
S-VIDEO (Y signal):	1 Vp-p/75 ohms
S-VIDEO (C signal):	0.28 Vp-p/75 ohms

TUNER SECTION

FM	
Tuning Range:	87.5 — 108.0 MHz
Usable Sensitivity	
Mono:	11.2 dBf, 1.0 μV (75 ohms)
Stereo:	17.2 dBf, 2.0 μV (75 ohms)
50 dB Quieting Sensitivity	
Mono:	17.2 dBf, 2.0 μV (75 ohms)
Stereo:	37.2 dBf, 20 μV (75 ohms)
Capture Ratio:	
Image Rejection Ratio	2.0 dB
U.S.A. & Canadian models:	40 dB
Other area models:	85 dB

IF Rejection Ratio:	90 dB
Signal-to-Noise Ratio	
Mono:	76 dB
Stereo:	70 dB
Alternate Channel Attenuation:	55 dB
Selectivity:	50 dB (DIN)
AM Suppression Ratio:	50 dB
Total Harmonic Distortion	
Mono:	0.2%
Stereo:	0.3%
Frequency Response:	30 Hz — 15 kHz, ±1.0 dB
Stereo Separation:	45 dB at 1 kHz
	30 dB at 100 Hz — 10 kHz

AM

Tuning Range	
U.S.A. & Canadian models:	530—1,710 kHz (10 kHz steps)
European & Australian models:	522—1,611 kHz (9 kHz steps)
Worldwide models:	531—1,602 kHz (9 kHz steps), 530—1,710 kHz (10 kHz steps)
Usable Sensitivity:	30 μV
Image Rejection Ratio:	40 dB
IF Rejection Ratio:	40 dB
Signal-to-Noise Ratio:	40 dB
Total Harmonic Distortion:	0.7%

GENERAL

Power Supply:	AC 120 V, 60 Hz AC 230 V, 50 Hz AC 220-230 V and 120 V switchable, 50/60 Hz AC 220 V, 50/60 Hz
Power Consumption:	3.9 A 325 W
Dimensions (W × H × D):	435 × 175 × 390 mm 17-1/8" × 6-7/8" × 15-3/8"
Weight:	12.5 kg, 27.6 lbs. (AC 120 V, 60 Hz model) 13.2 kg, 29.1 lbs. (other models)

REMOTE CONTROL


Transmitter:	Infrared
Signal range:	Approx. 5 meters, 16 ft.
Power supply:	Two "AA" batteries (1.5 V × 2)


Specifications and features are subject to change without notice.

Power supply and voltage vary depending on the area in which the unit is purchased.

SERVICE PROCEDURES

1. Replacing the fuses

 This symbol located near the fuses indicates that the fuse used is fast operating type. For continued protection against fire hazard, replace with same type fuse. For fuse rating refer to the marking adjacent to the symbol.

 Ce symbole indique que le fusible utilise est a rapide. Pour une protection permanente, n'utiliser que fusibles de meme type. Ce dernier est la qu le present symbol est appse.

CIRCUIT NO.	PART NO.	DESCRIPTION
F911	252198Y	8A-UL, Primary <D/W>
F922	252077 or 252243	4A-SE-EAK or 4A-SE-TL250V,Primary <P/T/W/A>
F933	252075 or 252241	2.5A-SE-EAK or 2.5A-SE-TL250V,AC outlet <P/T>

Note: <D>:120V model only
<P>: European model only
<T>: Asian model only
<W>:Worldwide model only
<A>: Australian model only

2. To initialize the unit

This device employs a microprocessor to perform various functions and operations. If interference generated by an external power supply, radio wave, or other electrical source results in accident which causes the specified operations and functions to operate abnormally.

To perform a result, please follow the procedure below.

1. Press and hold down the VIDEO-1 button, then press the SPEAKER A button.
2. After "clear" is displayed, the preset memory and each mode stored in the memory, such as surround, are initialized and will return to the factory setting.

3. Safety-check out

(Only U.S.A. model)

After correcting the original service problem, perform the following safety check before releasing the set to the customer. Connect the insulating-resistance tester between the plug of power supply cord and screw on the back panel.
Specifications: 3.3Mohm \pm 10% at 500V.

4. Memory Preservation

This unit does not require memory preservation batteries. A built-in memory power back-up system preserves the contents of the memory during power failures and even when the unit is unplugged. The unit must be plugged in order to charge the back-up system.

The memory preservation period after the unit has been unplugged varies depending on climate and placement of the unit. On the average, memory contents are protected over a period of a few weeks after the last time the unit has been unplugged. This period is shorter when the unit is exposed to a highly humid climate.

5. Setting the AM tuning step frequency (Worldwide models only)

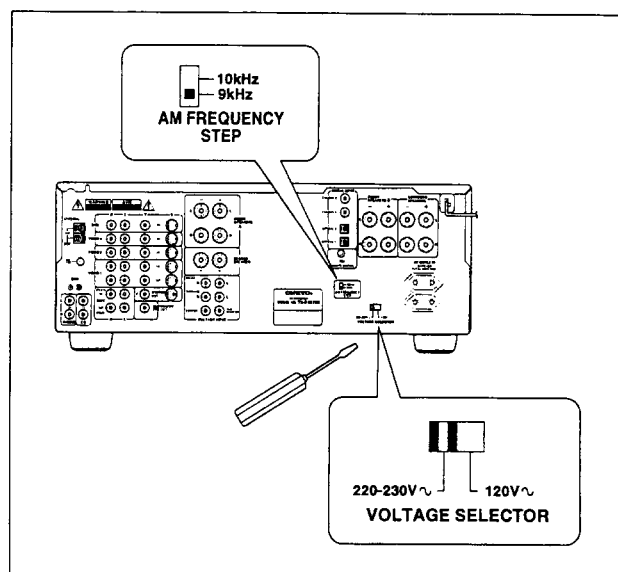
Worldwide models are equipped with a switch that controls the AM band tuning steps. Please set this switch to match the AM band tuning step frequency in your area.

U.S.A. and Canada : 10 kHz
Other areas : 9 kHz

6. Setting the Voltage selector (Worldwide models only)

Worldwide models are equipped with a voltage selector to conform with local power supplies. Be sure to set this switch to match the voltage of the power supply in your area before plugging in the unit.

1. Determine the proper voltage for your area: 220-230 V or 120 V.
2. If the preset voltage is not correct for your area, insert a screwdriver into the groove in the switch. Slide the switch all the way to the right (120 V) or to the left (220-230 V), whichever is appropriate.

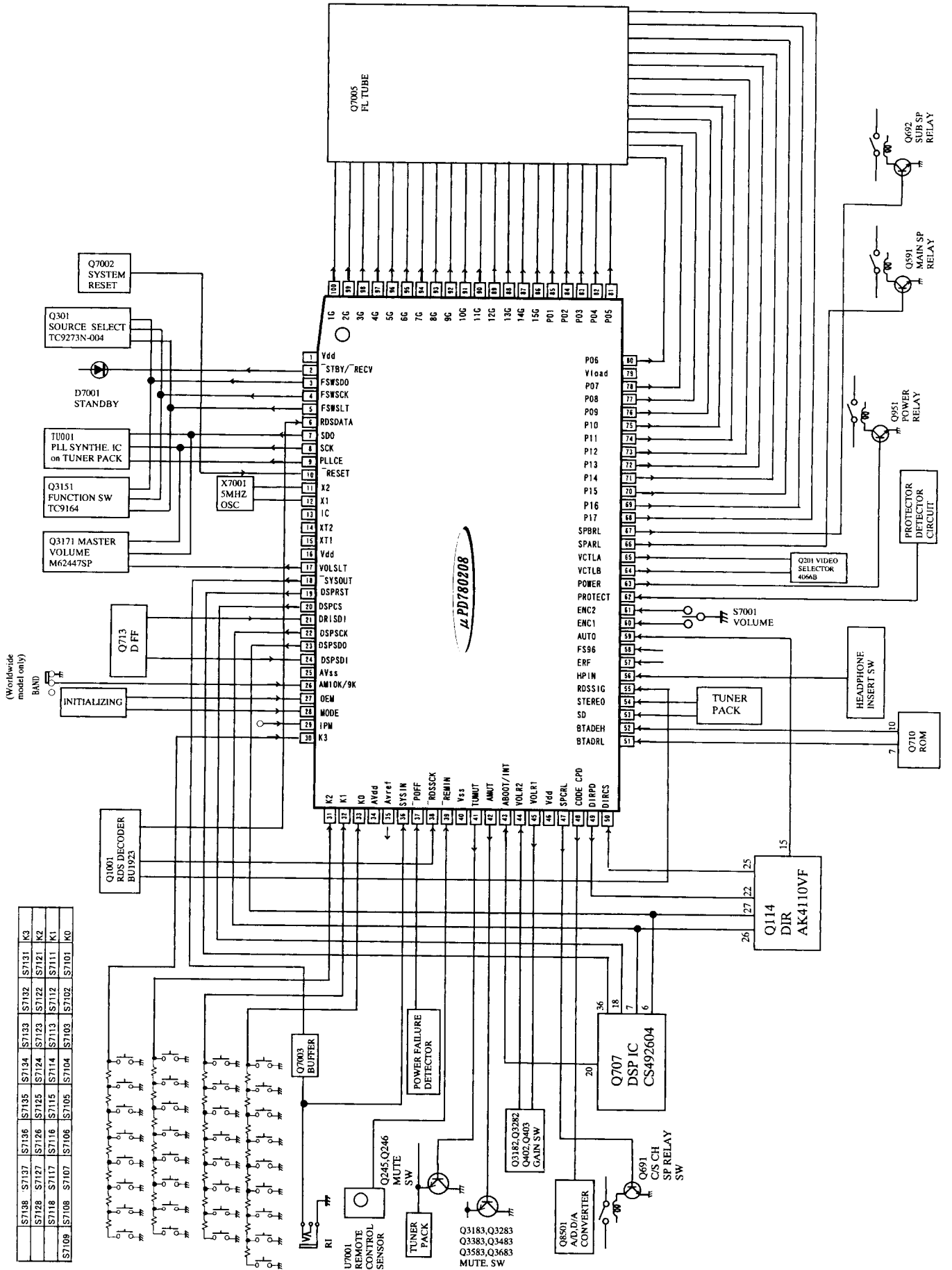


7. Changing the AM band step

With the exception of the worldwide models, a tuning step selector switch is not provided. When you change the band step, change the parts as shown below.

	To 10kHz	To 9kHz
R7077	Open	2.2k
R7130	10k	18k

MICROPROCESSOR CONNECTION DIAGRAM

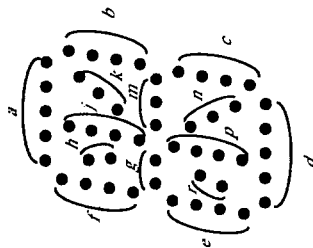
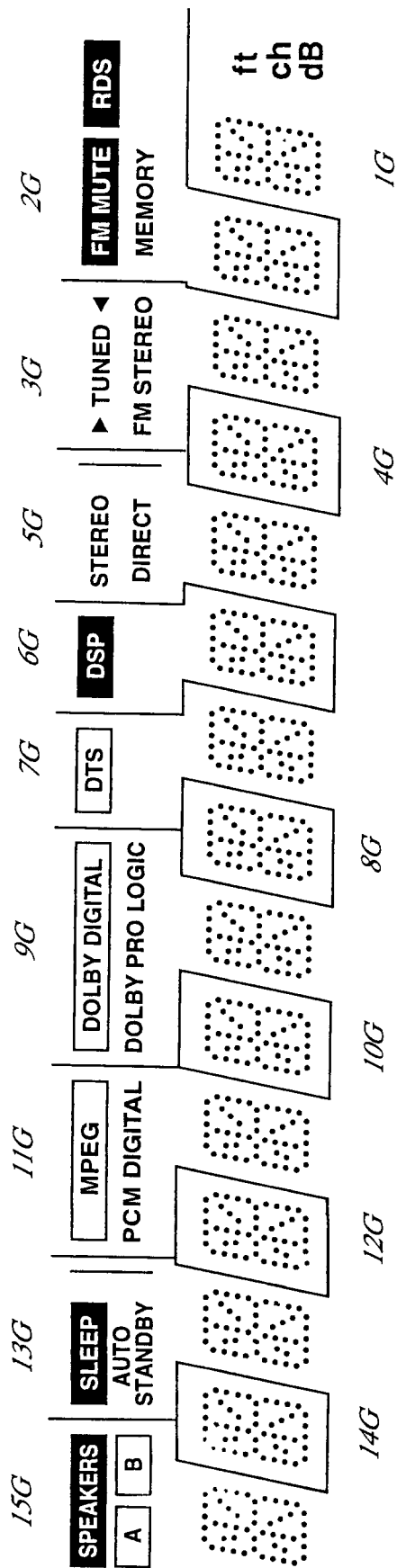


S7108	S7107	S7106	S7105	S7104	S7103	S7102	S7101	K3	
S7118	S7117	S7116	S7115	S7114	S7113	S7112	S7111	K1	
S7128	S7127	S7126	S7125	S7124	S7123	S7122	S7121	K2	
S7138	S7137	S7136	S7135	S7134	S7133	S7132	S7131	K3	
S7109	S7108	S7107	S7106	S7105	S7104	S7103	S7102	S7101	K0

MICROPROCESSOR TERMINAL DESCRIPTION

No.	Symbol	I/O	Description	No.	Symbol	I/O	Description
1	V _{DD}	-	Power supply pin	38	RDSSCK	I	Clock input pin from RDS decoder
2	STBY/RECV	0	Standby/Received indicator control output pin	39	REMIN	I	Signal input pin for remoter controller
3	FSWSDO	0	Serial data output pin to function switch IC	40	AV _{SS}	-	Ground pin
4	FSWSCK	0	Serial clock output pin to function switch IC	41	TUMUT	0	Muting control signal output pin for tuner section
5	FSWSLT	0	Serial latch output pin to function switch IC	42	AMUT	0	Muting control signal output pin for amplifier section
6	RDSDATA	I	Data input pin from RDS decoder	43	ABOOTS/INT	I/O	AUTOBOOT/INTREQ input/output pin
7	SDO	0	Serial data output pin to PLL and Electro volume ICs.	44	VOL RL2	0	Control output pin for volume selector relay 2
8	SCK	0	Serial clock output pin to PLL and Electro volume ICs	45	VOL RL1	0	Control output pin for volume selector relay 1
9	PLLOE	0	Serial data latch output pin to PLL IC	46	V _{DD}	-	Power supply pin
10	RESET	I	System reset input pin	47	SPCRL	0	Speaker relay control output pin
11	X2	0	Master clock connection pins.	48	CODE CPD	0	Power down control output pin for CODEC IC
12	X1	I	Connect the ceramic oscillator across the both pins.	49	DIRPD	0	Power down control output pin for AK4110
13	IC	I	Internal connection pin.	50	DIRCS	0	Chip select output pin for AK4110
14	XT2	0	Sub clock connection pins. Not used.	51	BTADRH	0	Setting input pin for LSB address of boot ROM
15	XT1	I	Not used.	52	BTADRL	0	Setting input pin for MSB address of boot ROM
16	V _{DD1}	-	Power supply pin	53	SD	I	Broadcast detection input
17	VOLSLT	0	Serial latch output pin to Electro volume IC	54	STEREO	I	FM stereo broadcast detection input pin
18	SYSOUT	0	Signal output pin for system code	55	RDSSIG	I	Signal input pin from RDS decoder
19	DSPRST	0	Reset signal output pin to DSP IC CS492604	56	HPIN	I	Detection input pin when the headphones are inserted.
20	DSPCS	0	Chip select output pin to DSP IC	57	ERF	I	Not used.
21	DRISOI	I	Serial data input pin from the digital audio interface receiver IC AK4110	58	FS96	I	Not used.
22	DSPSCK	0	Serial clock output pin to AK4110 and CS492604	59	AUTO	I	AUTO signal input pin from AK4110
23	DSPSDO	0	Serial data output pin to AK4110 and CS492604	60	ENC1	I	Rotary encoder input pin for volume control
24	DSPSDI	I	Serial data input pin from CS4926	61	ENC2	I	Rotary encoder input pin for volume control
25	AV _{SS}	I	Ground pin for A/D converter	62	PROTECT	I	Detection input pin for protection circuit
26	AM9K/10K	I	Initializing input pin for AM band step. 9 kHz step at "H"	63	POWER	0	Control output pin for power switch relay
27	OEM	I	Initializing input pin for unit setting	64	VCTRB	0	Control output pin for video selector switch
28	MODE	I	Initializing input pin for operation mode	65	VCTRA	0	Control output pin for video selector switch
29	IPM	I	IPM switch connection pin. Not used.	66	SPARL	0	Control output pin for speaker relay A
30-33	K3-K0	I	Operation key connection pins.	67	SPBRL	0	Control output pin for speaker relay B
34	AV _{DD}	-	Power supply pin for A/D converter	68-78	P17-P07	0	Segment output pins
35	AVREF	I	Reference voltage input pin for A/D converter	79	VLOAD	-	Power supply pin for FL controller
36	SYSIN	I	System code input pin	80-85	P06-P01	0	Segment output pins
37	POFF	I	Power failure detect input pin	86-100	15G-1G	0	Grid output pins

FL TUBE VIEW



	15G	14G	13G	12G	11G	10G	9G	8G	7G	6G	5G	4G	3G	2G	1G
P1	SPEAKERS												TUNED	RDS	dB
P2	A		SLEEP		MPEG								▶	FM MUTE	ch
P3	B		AUTO STANDBY										◀	MEMORY	
P4	c	c	c	c	c	DOLBY PRO LOGIC							FM STEREO		ft
P5	h	h	h	h	h										c
P6	j	j	j	j	j										h
P7	k	k	k	k	k										h
P8	b	b	b	b	b										h
P9	f	f	f	f	f										h
P10	m	m	m	m	m										h
P11	g	g	g	g	g										h
P12	c	c	c	c	c										h
P13	e	e	e	e	e										h
P14	r	r	r	r	r										h
P15	p	p	p	p	p										h
P16	n	n	n	n	n										h
P17	d	d	d	d	d										h

PRINTED CIRCUIT BOARD PARTS LIST

NOTE: THE COMPONENTS IDENTIFIED BY MARK Δ ARE
CRITICAL FOR RISK OF FIRE AND ELECTRIC SHOCK.
REPLACE ONLY WITH PART NUMBER SPECIFIED.

PRE., AMPLIFIER PC BOARD (NAVD-6746-1A/1B/1C/1D/1G/1H)

CIRCUIT NO.	PART NO.	DESCRIPTION
	ICs	
Q203	22240373	BA7625
Q3171	22241296	M62447SP
Q3180,Q3181	22270247 or	BA15218N or
Q3281,Q3381	22240293	NJM4558L-D
Q3184	22240025	LC4966
Q3581	22270247 or 22240293	BA15218N or NJM4558L-D
	Transistors	
Q201,Q204	2213354, 2212125 or 2215995	2SA933S-R, 2SA1048-GR or KTA1267-GR
Q202	2212286 or 2212285	2SC2878-B or 2SC2878-A
Q205	2213640, 2214660 or 2215830	DTC123JS, RN1205 or KRC105M
Q3182,Q3183	2213631 or 2213632	RN1241-A or RN1241-B
Q3185	2213510, 2214350 or 2215770	DTA114ES, RN2202 or KRA102M
Q3186	2213290, 2214230 or 2215960	DTC114ES, RN1202 or KRC102M
Q3187	2213580, 2215780 or 2212600	RN2203, KRA103M or DTA124ES
Q3188	2213560, 2215820 or 221282	RN1204, KRC104M or DTC144ES
Q3282,Q3283	2213631 or	RN1241-A or
Q3383,Q3483	2213632	RN1241-B
Q3583	2213631 or	RN1241-A or
Q3683,Q3684	2213632	RN1241-B
	Diodes	
D201,D202	223163 or	1SS133 or
D207,D208	223205	1SS270A
D3171	224470512	MTZJ5.1B
D3182	223163 or 223205	1SS133 or 1SS270A
D3276,D3277	224470472	MTZJ4.7B
	Capacitors	
C201-C204	354780229	2.2 μ F,50V,Elect.
C205,C206	354724719	470 μ F,6.3V,Elect.
C210	354721019	100 μ F,6.3V,Elect.
C3171,C3177	354741009	10 μ F,16V,Elect.
C3173,C3175	354744709	47 μ F,16V,Elect.
C3186,C3271	354741009	10 μ F,16V,Elect.
C3187,C3287	374721534	0.015 μ F \pm 5%,50V,Plastic
C3189,C3195	354784709	47 μ F,50V,Elect.
C3192,C3193	354744709	47 μ F,16V,Elect.
C3194	354780479	4.7 μ F,50V,Elect.
C3196,C3296	354782209	22 μ F,50V,Elect.
C3286	354741009	10 μ F,16V,Elect.
C3289,C3295	354784709	47 μ F,50V,Elect.
C3371,C3471	354741009	10 μ F,16V,Elect.
C3381,C3481	354782209	22 μ F,50V,Elect.
C3384,C3484	354744709	47 μ F,16V,Elect.
C3571,C3671	354741009	10 μ F,16V,Elect.

CIRCUIT NO.	PART NO.	DESCRIPTION
	Capacitors	
C3581,C3681	354782209	22 μ F,50V,Elect.
C3586,C3684	354744709	47 μ F,16V,Elect.
C3683	374724734	0.047 μ F \pm 5%,50V,Plastic
	Terminals	
P201	25045567	NPJ-1PDBL382
P202,P203	25045299	NPJ-3PDYE158
	Sockets	
P204	25051430	NSCT-8P1217
P205	25051438	NSCT-16P1225
P206	25051426	NSCT-4P1213
P391	2009990554UL	NSAS-16P0734
P601	2009990541UL	NSAS-10P0712

S TERMINAL PC BOARD (NAVD-6747-1A/1B/1C/1D/1G/1H)

This PC board is included to NAVD-6746

CIRCUIT NO.	PART NO.	DESCRIPTION
	ICs	
Q2003,Q2004	22240373	BA7625
	Transistors	
Q2001,Q2002	2212125,	2SA1048-GR,
Q2005,Q2006	2215995 or 2213354	KTA1267-GR or 2SA933S-R
	Diodes	
D2001,D2002	223163 or 223205	1SS133 or 1SS270A
	Capacitors	
C2001-C2009	354780229	2.2 μ F,50V,Elect.
C2010,C2012	354724719	470 μ F,6.3V,Elect.
C2011	354780229	2.2 μ F,50V,Elect.
C2024	354781009	10 μ F,50V,Elect.
C2028,C2029	354722219	220 μ F,6.3V,Elect.
	Terminals	
P2001,P2002	25051568	NSCT-12P1355

PRIMARY CIRCUIT PC BOARD (NAPS-6748-1A/1B/1C/1D/1G/1H)

CIRCUIT NO.	PART NO.	DESCRIPTION
	Transistor	
Q951	2213640, 2214660 or 2215830	DTC123JS, RN1205 or KRC105M
	Diodes	
D952	22380032, 22380035 or 22380260	1SR139-100, GP104003E or RL1N4003
D955	223163 or 223205	1SS133 or 1SS270A
	Power transformer	
T902	2301381 or 2301258 2301382 2301383	Δ NPT-1358D or Δ NPT-1294D <D> Δ NPT-1358P <P/T/A> Δ NPT-1358DG <W/R/GT>
	Capacitors	
C901	3500196S	Δ RE275V-103M
C952	354743319	330 μ F,16V,Elect.
	Resistor	
R901	431533355	Δ RC1/2GFKUL-3.3M <D>
	Slide switch	
S902	25065437	Δ NSS-22157P <W/R>

NOTE: THE COMPONENTS IDENTIFIED BY MARK Δ ARE CRITICAL FOR RISK OF FIRE AND ELECTRIC SHOCK. REPLACE ONLY WITH PART NUMBER SPECIFIED.

CIRCUIT NO.	PART NO.	DESCRIPTION
	Relay	
RL901	25065561, Δ	NRL-1P5A-DC12-127,
	25065508, Δ	NRL-1P10A-DC12-093,
	25065515 or Δ	NRL-1P5A-DC12-096 or
	25065526 Δ	NRL-1P5A-DC12-102
	Fuses	
F911	252198Y Δ	8A-UL <D/W/R>
F922	252077 or Δ	4A-SE-EAK or
	252243 Δ	4A-SE-TL250V <P/T/W/R/A/GT>
F933	252075 or Δ	2.5A-SE-EAK or
	252241 Δ	2.5A-SE-TL250V <P/T>
	Fuse holders	
F901,F902	25052133 Δ	NSCT-1P2031 <D/W/R>
F903,F904	25052133 Δ	NSCT-1P2031 <P/T/W/A/R/GT>
F905,F906	25052133 Δ	NSCT-1P2031 <P/T>
	AC outlet	
P903	25051126 Δ	NSCT-4P913 <D>
	25051125 Δ	NSCT-4P912 <P/T/W/GT>
	25052115 Δ	NSCT-2P2013 <A>
	25052382 Δ	NSCT-4P2279 <R>
	Socket	
JL961B	25050267	NSCT-3P95
	Plug	
P901A	25055675 Δ	NPLG-2P631

DIGITAL INPUT PC BOARD (NADG-6749-1A/1B/1C/1D/1G/1H)

CIRCUIT NO.	PART NO.	DESCRIPTION
	IC	
Q7301	222755	TC74HCU04P
	Photo couplers	
U7301,U7302	24120037	TORX178B
	Coils	
L7301	233454K220	NCH-1452 220K
L7302,L7303	233454M022	NCH-1452 022M
	Capacitors	
C7302	354721019	100 μ F,6.3V,Elect.
C7307,C7311	374721044	0.1 μ F \pm 5%,50V,Plastic
	Terminals	
P7301	25045504	NPJ-1PDBL319
P7302,P7303	25045473	NPJ-1PDBL291
	Plugs	
P7205C	25055238	NPLG-7P222
P7206C	25055233	NPLG-2P217
	Switch	
S7301	25065581	NSS-22203 <W/R>

POWER SWITCH PC BOARD (NAPS-6750-1A/1B/1C/1D/1G/1H)

CIRCUIT NO.	PART NO.	DESCRIPTION
S901	25035550 Δ	NPS-111-L512P,Switch
C902	3500196S Δ	RE275V-103M,IS capacitor

SPEAKER TERMINAL B PC BOARD (NAETC-6751-1A/1B)

CIRCUIT NO.	PART NO.	DESCRIPTION
	Transistors	
Q691,Q692	2213640, 2214660 or 2215830	DTC123JS, RN1205 or KRC105M
	Diodes	
D691,D692	223163 or 223205	1SS133 or 1SS270A

CIRCUIT NO.	PART NO.	DESCRIPTION
	Capacitors	
C641,C642	374721034	0.01 μ F \pm 5%,50V,Plastic <P/T/A/W/R/GT>
C643,C644	374721024	1000pF \pm 5%,50V,Plastic <P/T/A/W/R/GT>
C645,C646	374721034	0.01 μ F \pm 5%,50V,Plastic <P/T/A/W/R/GT>
C647,C648	374721024	1000pF \pm 5%,50V,Plastic <P/T/A/W/R/GT>
	Terminal	
P603	25060296	NTM-8PDMN227
	Relays	
RL601,RL602	25065563, 25065510 or 25065590	NRL-2P5A-DC24-129, NRL-2P5A-DC24-095 or NRL-2P8A-DC24-144
	Socket	
JL602B	25051112	NSCT-8P899

INPUT SWITCH PC BOARD (NAETC-6752-1A/1B/1C/1D/1G/1H)

CIRCUIT NO.	PART NO.	DESCRIPTION
	ICs	
Q301	22240864	TC9273N-004
Q302	22270247 or 22240293	BA15218N NJM4558L-D
	Capacitors	
C315,C316	354741009	10 μ F,16V,Elect.
C321,C322	354782209	22 μ F,50V,Elect.
	Terminals	
P301,P302	25045575 or 25045303	NPJ-4PDRW389 or NPJ-4PDBL162
P305	25045571 or 25045300	NPJ-6PDRW386 or NPJ-6PDBL159
	Sockets	
P303	25051440	NSCT-18P1227
P304	25051426	NSCT-4P1213

MULTI-CHANNEL INPUT PC BOARD (NAETC-6757-1A/1B/1C/1D/1G/1H)

CIRCUIT NO.	PART NO.	DESCRIPTION
	ICs	
Q241-Q243	22270247 or 22240293	BA15218N NJM4558L-D
	Capacitors	
C248,C249	354741009	10 μ F,16V,Elect.
	Terminal	
P241	25045572	NPJ-6PDBRW387
	Plug	
P242A	25055995	NPLG-9P947

POWER AMPLIFIER PC BOARD (NAAF-6760-1A/1B)

CIRCUIT NO.	PART NO.	DESCRIPTION
	Transistors	
Q1501,Q1502	2211732,	* 2SC1845-F,
Q601-Q604	2210755,	* 2SC1775A-E,
	2210756 or 2211733	* 2SC1775A-F or * 2SC1845-E
Q1504,Q1505	2211353,	2SA949-O,
Q1507	2215843 or 2215844	KTA1024-O or KTA1024-Y
Q1508	2211633,	2SC2229-O,
	2215853 or 2215854	KTC3206-O or KTC3206-Y
Q1509	2212653 or 2212654	2SC3421-O or 2SC3421-Y
Q1510	2203010 or 2203434	2SC5171 or KTD2061-Y

CIRCUIT NO.	PART NO.	DESCRIPTION	CIRCUIT NO.	PART NO.	DESCRIPTION
	Transistors			Capacitors	
Q1511	2203000 or 2203424	2SA1930 or KTB1369-Y	C615,C616 C619,C620	354781009 354781009	10 μ F,50V,Elect. 10 μ F,50V,Elect.
Q1512	2203063,	* 2SC5198-O,	C621,C622	374724734	0.047 μ F \pm 5%,50V,Plastic
Q623,Q624	2202523, 2202524, 2202526 or 2203062	* 2SC4468-O, * 2SC4468-Y, * 2SC4468-P or * 2SC5198-R	C623,C624 C627,C628 C631-C634 C635-C638	374721044 354772219 354774709 354771009	0.1 μ F \pm 5%,50V,Plastic 220 μ F,63V,Elect. 47 μ F,63V,Elect. 10 μ F,63V,Elect.
Q1513	2203053,	* 2SA1941-O,	C639,C640	354780109	1 μ F,50V,Elect.
Q625,Q626	2202513, 2202514, 2202516 or 2203052	* 2SA1695-O, * 2SA1695-Y, * 2SA1695-P or * 2SA1941-R	C681	354781009	10 μ F,50V,Elect.
Q1515	2212115, 2215864 or 2213284	2SC2458-GR, KTC3199-GR or 2SC1740S-R		Resistors	
Q1591	2213640, 2214660 or 2215830	DTC123JS, RN1205 or KRC105M	R1512,R1513 R1515 R1516 R1517 R1519	443528204 443526804 443528204 443525604 443522214	82 Ω \pm 5%,1/2W,Metal oxide 68 Ω \pm 5%,1/2W,Metal oxide 82 Ω \pm 5%,1/2W,Metal oxide 56 Ω \pm 5%,1/2W,Metal oxide 220 Ω \pm 5%,1/2W,Metal oxide
Q605,Q606	2211353,	2SA949-O,	R1522,R1523 R1524	453530224 4000132, 4000201 or 4500245	2.2 Ω \pm 5%,1/2W,Metal RGC55 0.22, RF-5EGKR22 or BPR55FK0. 22
Q613,Q614	2215843 or 2215844	KTA1024-O or KTA1024-Y	R1529 R1532	453630824 5210288	8.2 Ω \pm 5%,1W,Metal N06HR2.2KBE,Trimming
Q1503	2211732,	2SC1845-F,	R1534,R1535	4500159	0.22 Ω \pm 5%,1/4W,Metal
Q1514	2210755,	2SC1775A-E,	R623-R626 R629,R630	443528204 443525604	82 Ω \pm 5%,1/2W,Metal oxide 56 Ω \pm 5%,1/2W,Metal oxide
Q609,Q610	2210756 or	2SC1775A-F or	R633,R634	443526804	68 Ω \pm 5%,1/2W,Metal oxide
Q627,Q628	2211733	2SC1845-E	R635,R636	443528204	82 Ω \pm 5%,1/2W,Metal oxide
Q611,Q612	2215864, 2212115 or 2213284	KTC3199-GR, 2SC2458-GR or 2SC1740S-R	R641,R642 R643-R646 R647,R648	443522214 453530224 4000132, 4000201 or 4500245	220 Ω \pm 5%,1/2W,Metal oxide 2.2 Ω \pm 5%,1/2W,Metal RGC55 0.22, RF-5EGKR22 or BPR55FK0. 22
Q615,Q616	2212653 or 2212654	2SC3421-O or 2SC3421-Y	R655,R656 R659,R660	453630824 4500268	8.2 Ω \pm 5%,1W,Metal 2.2 Ω \pm 5%,1/2W,Metal
Q617,Q618	2211633, 2215853 or 2215854	2SC2229-O KTC3206-O KTC3206-Y	R673,R674 R675-R678	5210288 4500159	N06HR2.2KBE,Trimming 0.22 Ω \pm 5%,1/4W,Metal
Q619,Q620	2203010 or 2203434	2SC5171 or KTD2061-Y		Relay	
Q621,Q622	2203000 or 2203424	2SA1930 or KTB1369-Y	RL1501	25065574	NRL-1P5A-DC24-134
Q629,Q630	2215843, 2211353 or 2215844	KTA1024-O, 2SA949-O or KTA1024-Y		Sockets	
D1501,D1506	223163 or	1SS133 or	JL501B JL602A JL902B JL903B	25050283 25051112 25050282 25050281	NSCT-6P111 NSCT-8P899 NSCT-5P110 NSCT-4P109
D607,D608	223205	1SS270A		Plugs	
L1501	231176SY	S-1.3C	P1511 P601A P611,P612	25055038 25055236 25055038	NPLG-2P29 NPLG-5P220 NPLG-2P29
L601,L602	231176SY	S-1.3C			
	Capacitors				
C1501	354784709	47 μ F,50V,Elect.	FRONT CHANNEL POWER AMPLIFIER PC BOARD (NAAF-6761-1A/1B)		
C1502	374721015	100pF \pm 10%,50V,Plastic	CIRCUIT NO.	PART NO.	DESCRIPTION
C1503	354742219	220 μ F,16V,Elect.		Transistors	
C1504,C1505	354781009	10 μ F,50V,Elect.	Q501-Q504	2211732,	* 2SC1845-F,
C1510	374724734	0.047 μ F \pm 5%,50V,Plastic		2210755,	* 2SC1775A-E,
C1511	374721044	0.1 μ F \pm 5%,50V,Plastic		2210756 or	* 2SC1775A-F or
C1512	354744709	47 μ F,16V,Elect.		2211733	* 2SC1845-E
C1530	354780109	1 μ F,50V,Elect.	Q505,Q506	2210755,	2SC1775A-E,
C1533,C1534	354771009	10 μ F,63V,Elect.	Q527,Q528	2210756,	2SC1775A-F,
C601,C602	354784709	47 μ F,50V,Elect.		2211733 or	2SC1845-E or
C603,C604	374721015	100pF \pm 10%,50V,Plastic		2211732	2SC1845-F
C605,C606	354744709	47 μ F,16V,Elect.			
C607,C608	354742219	220 μ F,16V,Elect.			

CAUTION: Replacement of the transistor of mark *, if necessary, must be made from the same beta group (HFE) as the original type.

CIRCUIT NO.	PART NO.	DESCRIPTION	CIRCUIT NO.	PART NO.	DESCRIPTION
	Transistors			Resistors	
Q507-Q510	2211353, 2215843 or 2215844	2SA949-O, KTA1024-O or KTA1024-Y	R521-R524	443528204	82 Ω ±5%, 1/2W, Metal oxide
Q513, Q514	2211353, 2215844 or 2215843	2SA949-O, KTA1024-Y or KTA1024-O	R525, R526	443526804	68 Ω ±5%, 1/2W, Metal oxide
Q515, Q516	2211633, 2215854 or 2215853	2SC2229-O, KTC3206-Y or KTC3206-O	R527, R528	443528204	82 Ω ±5%, 1/2W, Metal oxide
Q517, Q518	2212654 or 2212653	2SC3421-Y or 2SC3421-O	R529, R530	443525604	56 Ω ±5%, 1/2W, Metal oxide
Q519, Q520	2203010 or 2203434	2SC5171 or KTD2061-Y	R539-R542	453530224	2.2 Ω ±5%, 1/2W, Metal
Q521, Q522	2203000 or 2203424	2SA1930 or KTB1369-Y	R543, R544	443522214	220 Ω ±5%, 1/2W, Metal oxide
Q523, Q524	2203063, 2202523, 2202524, 2202526 or 2203062	* 2SC5198-O, * 2SC4468-O, * 2SC4468-Y, * 2SC4468-P or * 2SC5198-R	R547, R548	4000132, 4000201 or 4500245	RGC55 0.22, RF-5EGKR22 or BPR55FK0.22, Metal plate
Q525, Q526	2203053, 2202513, 2202514, 2202516 or 2203052	* 2SA1941-O, * 2SA1695-O, * 2SA1695-Y, * 2SA1695-P or * 2SA1941-R	R555, R556	453630824	8.2 Ω ±5%, 1W, Metal
Q529, Q530	2212115, 2213284 or 2215864	2SC2458-GR, 2SC1740S-R or KTC3199-GR	R557, R558	443623914	390 Ω ±5%, 1W, Metal oxide
Q581, Q582	2210755, 2210756, 2211733 or 2211732	2SC1775A-E, 2SC1775A-F, 2SC1845-E or 2SC1845-F	R573, R574	5210259	N06HR2KBC, Trimming
Q583	2211793 or 2211792	2SA992-E or 2SA992-F	R591, R592	4500171	2.2 Ω ±5%, 1/4W, Metal
Q591	2213640, 2214660 or 2215830	DTC123JS, RN1205 or KRC105M		Sockets	
D511, D512	223163 or 223205	1SS133 or 1SS270A	JL501A	25051110	NSCT-6P897
D571	224470512	MTZJ5.1B	JL503A	25051112	NSCT-8P899
L501, L502	231176SY	S-1.3C	JL901A	25051111	NSCT-7P898
	Diodes		JL902A	25051109	NSCT-5P896
C501, C502	354784709	47 μ F, 50V, Elect.	JL903A	25051108	NSCT-4P895
C503, C504	374721015	100pF ±10%, 50V, Plastic	P502	200B010420UL	NSAS-4P0717
C505, C506	354742219	220 μ F, 16V, Elect.	P504	2002381460UL	NSAS-14P0710
C507-C510	354781009	10 μ F, 50V, Elect.		Plugs	
C517, C518	374724734	0.047 μ F ±5%, 50V, Plastic	P511, P512	25055038	NPLG-2P29
C519, C520	374721044	0.1 μ F ±5%, 50V, Plastic	P520A	25055913	NPLG-7P866
C521, C522	354744709	47 μ F, 16V, Elect.		SPEAKER TERMINAL PC BOARD (NAETC-6763-1A/1B)	
C525, C526	354771019	100 μ F, 63V, Elect.		CIRCUIT NO. PART NO. DESCRIPTION	
C581	354721019	100 μ F, 6.3V, Elect.	D591	223163 or 223205	1SS133 or 1SS270A
C583	354780109	1 μ F, 50V, Elect.		Diodes	
C905, C906	374731044	0.1 μ F ±5%, 100V, Plastic	C1526	374721034	0.01 μ F ±5%, 50V, Plastic<P/T/W/A/R/GT>
C915, C916	3504351	10000 μ F, 56V, Elect.	C1535	374721024	1000pF ±5%, 50V, Plastic<P/T/W/A/R/GT>
			C561, C562	374721034	0.01 μ F ±5%, 50V, Plastic<P/T/W/A/R/GT>
			C565, C566	374721024	1000pF ±5%, 50V, Plastic<P/T/W/A/R/GT>
				Capacitors	
			RL501	25065563, 25065510 or 25065590	NRL-2P5A-DC24-129, NRL-2P5A-DC24-095 or NRL-2P8A-DC24-144
				Relay	
			P501	25060297	NTM-6PDMN228
			JL503B	25051112	NSCT-8P899
				Terminal	
				Socket	
				SECONDARY CIRCUIT PC BOARD (NAETC-6766-1A/1B)	
				CIRCUIT NO. PART NO. DESCRIPTION	
				Capacitors	
			C992	374731044	0.1 μ F ±5%, 100V, Plastic
			C993, C994	374721044	0.1 μ F ±5%, 50V, Plastic
				Resistors	
			R991, R992	453530104	1 Ω ±5%, 1/2W, Metal
			R993	4500229	0.1 Ω ±5%, 1/4W, Metal
				Sockets	
			JL901B	25051111	NSCT-7P898
			JL911B	25050284	NSCT-7P112
				VOLUME CONTROL PC BOARD (NAETC-6767-1A/1B)	
				CIRCUIT NO. PART NO. DESCRIPTION	
			JL701A	25051087	NSCT-3P874, Socket
			S7001	25065575	EC16B2425, Rotary encoder

DSP CIRCUIT PC BOARD (NADG-6575-6A/6B)			CIRCUIT NO.	PART NO.	DESCRIPTION
CIRCUIT NO.	PART NO.	DESCRIPTION		Transistors	
Q101,Q102	22240581R1 or 22241383R2	NJM4565M or NJM4565M-D	Q402,Q403 Q7002 Q7003,Q7004 Q763,Q764	2215410R2 2214490R2 2214540R2 2212445 or 2212446	RN1441 RN1404 RN2403 2SK365-GR or 2SK365-BL
Q114	22241338R2	AK4110VF		Diodes	
Q701	22278033ENEC	MPC29M33HF		D1001	223233R1 or 223234R2
Q702	22241399R2	TC7WU04F		D7001	225290
Q707	22241340R9	CS492604-CL		D7002,D7003	223233R1 or 223234R2
Q708,Q709	22274574ER2TO	TC74VHC574FT		D7005-D7008	223234R2
Q710	22241415R2 or 22241532R3	LC372100PT-K34-TLM or IN-0095	D7004	224490560R2	UDZ5.6B
Q713	22274244ER2TO	TC74VHC244FT	D7009	224490910R2	UDZ9.1B
Q8501	22241341R3	AK4526A-VQ	D7010	223233R1 or 223234R2	1SS355 or 1SS352
D101,D102	223233R1 or	1SS355 or	D761,D762	223233R1 or 223233R1	1SS355 or 1SS355
D104-D109	223234R2	1SS352		Colls	
L108-L110	231237M022R2	NCH-1471	L7001-L7003	231237K220R2	NCH-1477
L170,L171	230921R2	BLM21B222SPT		Oscillators	
L703-L705	231237M022R2	NCH-1471	X1001	3010203	AF6146CG <P>
L8501,L8502	231237M022R2	NCH-1471	X7001	3010242	CST5.00MGW
R8507,R8508	230921R2	BLM21B222SPT		Capacitors	
X103	3010327 or 3010320	AT-4912.288MHz or AT-49 12.288MHz	C1001	355780229	2.2 μ F,50V,Elect. <P>
X701	3010278	CST12.2MTW040	C1003	355721019	100 μ F,6.3V,Elect. <P>
C101,C102	356741009R2	10 μ F,16V,Elect.	C401,C402	355744709	47 μ F,16V,Elect.
C108	356741009R2	10 μ F,16V,Elect.	C407,C408	355741009	10 μ F,16V,Elect.
C115,C116	373021524R2	1500pF±5%,50V,Plastic	C7001	355780229	2.2 μ F,50V,Elect.
C148,C158	356724709R2	47 μ F,6.3V,Elect.	C7002	3000078	DX-5R5L104,Super
C701,C702	354724719S	470 μ F,6.3V,Elect.	C7004,C7005	355721019	100 μ F,6.3V,Elect.
C703,C704	356721019R2	100 μ F,6.3V,Elect.	C7008,C7018	355721019	100 μ F,6.3V,Elect.
C716,C718	356724709R2	47 μ F,6.3V,Elect.	C7009,C7010	355780109	1 μ F,50V,Elect.
C8501,C8507	356721019R2	100 μ F,6.3V,Elect.	C7014	355780109	1 μ F,50V,Elect.
C8504	356741009R2	10 μ F,16V,Elect.	C7015	355741009	10 μ F,16V,Elect.
C8509-C8514	356741009R2	10 μ F,16V,Elect.	C7019	355721019	100 μ F,6.3V,Elect.
C8515-C8520	373023324R2	3300pF±5%,50V,Plastic	C761	355744709	47 μ F,16V,Elect.
C8521-C8526	373021524R2	1500pF±5%,50V,Plastic	C762	374723344	0.33 μ F±5%,50V,Plastic
C8527-C8532	373021024R2	1000pF±5%,50V,Plastic	C763	374721544	0.15 μ F±5%,50V,Plastic
P7004B	25052049, 25050980, 25051306, 25051847 or 25052236	NSCT-40P1836, NSCT-40P767, NSCT-40P1095, NSCT-40P1634 or NSCT-40P2133	C764	374721044	0.1 μ F±5%,50V,Plastic
P7205	2009990589UL	NSAS-14P0802	C767,C768 C769,C770	355744709 355741009	47 μ F,16V,Elect. 10 μ F,16V,Elect.
				Switches	
			S7101-S7109	25035652	NPS-111-S604
			S7111-S7118	25035652	NPS-111-S604
			S7121-S7128	25035652	NPS-111-S604
			S7131-S7138	25035652	NPS-111-S604
				Sockets	
			JL702A	25051090	NSCT-6P877
			P7001A	25052086,	NSCT-40P1873
			P7004B	25050946, 25051344, 25051884 or 25052273	NSCT-40P733 NSCT-40P1133 NSCT-40P1671 NSCT-40P2170
			P7206	2009990590UL	NSAS-4P0803
				Plug	
			JL701B	25055624	NPLG-3P586
				Holder	
			Q7005A	27191074	(FL)
DISPLAY CIRCUIT PC BOARD (NADIS-6576-3A/3B/3C/3D)					
CIRCUIT NO.	PART NO.	DESCRIPTION			
Q7005	212198	15-BT-64GNK			
U7001	241330	PIC-26043TE2			
Q1001	22241297R2	BU1923F <P>			
Q401	22240581R1 or 22241383R2	NJM4565M or NJM4565M-D			
Q7001	22241479	MPD780208GF-064-3BA			
Q761	22241383R2	NJM4565M-D			

MAIN PC BOARD (NAAR-6577-3A/3B/3C/3D)			CIRCUIT NO.	PART NO.	DESCRIPTION
CIRCUIT NO.	PART NO.	DESCRIPTION		Terminal	
		ICs			
Q251	222780053	78L05	P261	25045575 or 25045303	NPJ-4PDRW389 or NPJ-4PDBL162
Q261	22241383R2	NJM4565M-D		Sockets	
Q3151	22241221R2	TC9164AF	JL911A	25051111	NSCT-7P898
Q921	222780125	78M12HF	P101	25052024, 25050955, 25051281, 25051822 or 25052211	NSCT-15P1811, NSCT-15P742, NSCT-15P1070, NSCT-15P1609 or NSCT-15P2108
Q922	222790125	79M12HF			
Q931	222780565JRC	NJM78M56FA	P242	200A2281810U	NSAS-18P0731
Q933,Q934	222780055	78M05HF	P520	25052138	NSCT-7P2036
	Transistors		P7001B	25052049, 25050980, 25051306, 25051847 or 25052236	NSCT-40P1836, NSCT-40P767, NSCT-40P1095, NSCT-40P1634 or NSCT-40P2133
Q244	2214350, 2215770 or 2213510	RN2202, KRA102M or DTA114ES	JL961A	25051107	NSCT-3P894
Q245,Q246	2215024	2SD1468S-R		Plugs	
Q247	2212115, 2215864 or 2213284	2SC2458-GR, KTC3199-GR or 2SC1740S-R <P>	P204A	25055787	NPLG-8P743
Q932	2215975 or 2211455	KTA1266-GR or 2SA1015-GR	P205A	25055795	NPLG-16P751
	Diodes		P206A,P304A	25055783	NPLG-4P739
D203,D204	224490620R2	UDZ6.2B	P303A	25055797	NPLG-18P753
D901	22380022	RBV402 or RS403M		Heat sinks	
D931	224490620R2	UDZ6.2B	Q921	27160179	
D932	223233R1 or 223234R2	1SS355 or 1SS352	Q922	27160229	RAD-078
D933-D938	22380032, 22380035 or 22380260	1SR139-100, GP104003E or RL1N4003	Q933A	27160391	
D940,D941	224492700R2	UDZ27B		Screws	
D939	224490750R2	UDZ7.5B	Q921B,Q922B	82143010	3P+10FN(BC),Pan head
D942,D943			Q933B,Q934B	82143010	3P+10FN(BC),Pan head
	Capacitors				
C266	354780229	2.2 μ F, 50V, Elect.	HEADPHONE TERMINAL PC BOARD (NAETC-6779-3A/3B/3C/3D)		
C267,C268	354741009	10 μ F, 16V, Elect.	CIRCUIT NO.	PART NO.	DESCRIPTION
C269,C270	354721019	100 μ F, 6.3V, Elect.		Terminal	
C273,C274	374728224	8200pF \pm 5%, 50V, Plastic	P7003	25045514	YKB26-5005
C275,C276	374721824	1800pF \pm 5%, 50V, Plastic	JL702B	25051090	NSCT-6P877
C277,C278	354744709	47 μ F, 16V, Elect.		Socket	
C281	354741009	10 μ F, 16V, Elect.	P504B	25055445	NPLG-7P427
C282,C284	354780339	3.3 μ F, 50V, Elect.		Plugs	
C3151,C3152	354741009	10 μ F, 16V, Elect.	TONE CONTROL PC BOARD (NAETC-6780-3A/3B/3C/3D)		
C923	3504213	4700 μ F, 35V, Elect.	CIRCUIT NO.	PART NO.	DESCRIPTION
C924	354761029	1000 μ F, 35V, Elect.		Plug	
C927,C928	354741009	10 μ F, 16V, Elect.	P391A	25055139	NPLG-9P123
C930	355780229	2.2 μ F, 50V, Elect.		Capacitors	
C933	354742229	2200 μ F, 16V, Elect.	C391,C392	374721534	0.015 μ F \pm 5%, 50V, Plastic
C935	354741009	10 μ F, 16V, Elect.		Resistor	
C936	354762219	220 μ F, 35V, Elect.	R391,R392	5104356Y	N14RLC100KWT20Z, Variable
C937	354772219	220 μ F, 63V, Elect.			
C942,C943	354741009	10 μ F, 16V, Elect.			
C944,C945	354744709	47 μ F, 16V, Elect.			
	Resistors				
R921-R925	453532294	0.22 Ω \pm 5%, 1/2W, Metal	Note: <D>:120V model only		
R926,R927	452630564	5.6 Ω \pm 5%, 1W, Metal	<P>:European model only		
R929	441623304	33 Ω \pm 5%, 1W, Metal oxide	<T>:Asian model only		
R932	452530224	2.2 Ω \pm 5%, 1/2W, Metal	<A>:Australian model only		
R933	452630224	2.2 Ω \pm 5%, 1W, Metal	<W>:Worldwide model only		
R934	442522204	22 Ω \pm 5%, 1/2W, Metal oxide	<R>:Chinese model only		
R937	452630334	3.3 Ω \pm 5%, 1W, Metal	<GT>:220V model only		
R938,R939	443523314	330 Ω \pm 5%, 1/2W, Metal oxide			

ADJUSTMENT PROCEDURES AND CONFIRMATION

1. Idling current adjustment

Before Idling adjustment, turn the trimming resistors R573, R574, R673, R674 and R1532 to counter clockwise. Connect the DC voltmeter to sockets P511, P512, P611, P612 and P1511.

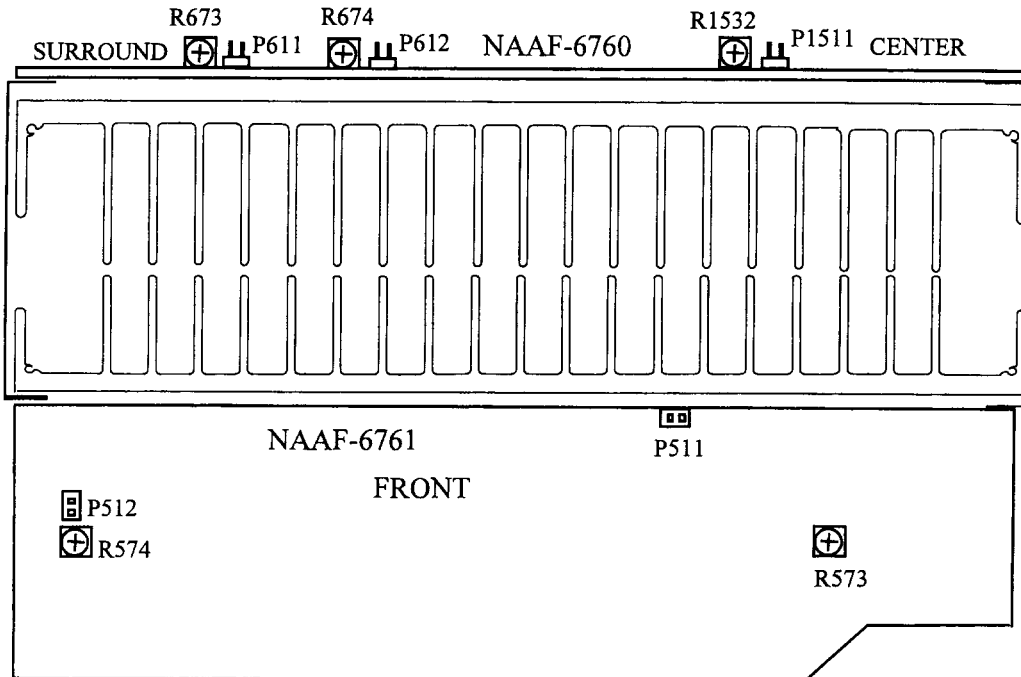
After turn POWER to ON, adjust the trimming resistors R573, R574, R673, R674 and R1532 so that the reading of voltmeter becomes $2.5 \pm 0.2\text{mV}$.

After adjustment, attach the top cover.

Confirm the voltage of above points after five minutes.

Readjust the above resistors so that the voltage becomes $6.5 \pm 0.2\text{mV}$.

Note: No load and No signal



Confirmation of protection circuit

1. Confirmation of operation of speaker relay

Confirm that the speaker relay turns ON approximate. 5 seconds after the power switch is turned ON.

Confirm that the speaker relay turns OFF immediately after the power switch is turned OFF.

2. Confirmation of DC detection circuit

Press and hold down CD button, then press SPEAKERS-A and SPEAKERS-B buttons at the same time.

During "TEST-" on the FL tube is displayed, press DVD button. Next, press CD button.(Refer to Test mode.)

Apply DC 1.5~3V to MULTI CHANNEL INPUT terminals with no load.

Confirm that the speaker relay turns OFF.

Apply DC -1.5~-3V to MULTI CHANNEL INPUT terminals with no load.

Confirm that the speaker relay turns OFF.

3. Confirmation of Current detection circuit

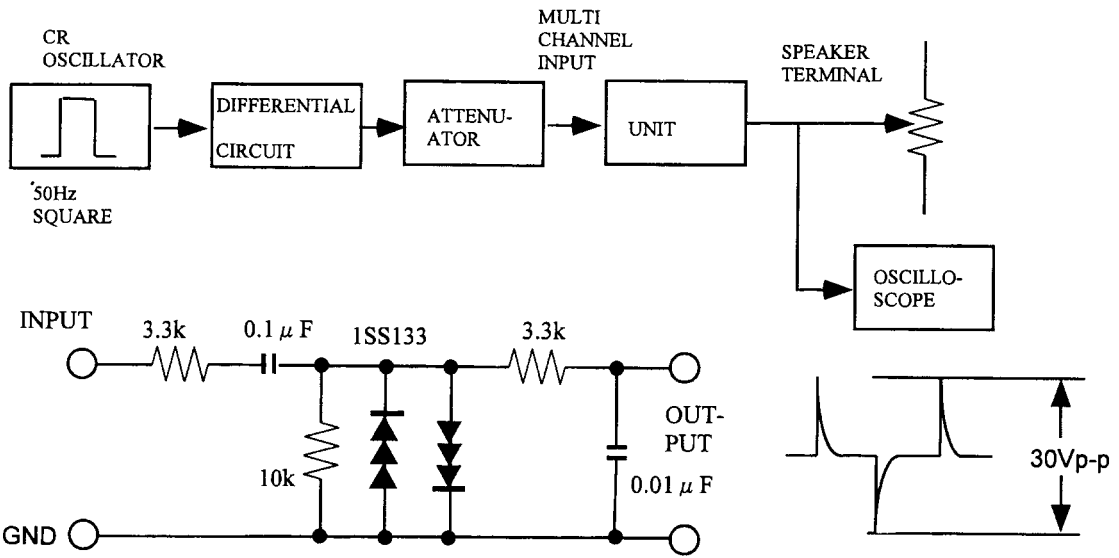
Press and hold down CD button, then press SPEAKERS-A and SPEAKERS-B buttons at the same time.

During "TEST-" on the FL tube is displayed, press DVD button. Next, press CD button.

Connect Differential circuit and apply the 50Hz square signal to the terminal of MULTI CHANNEL INPUT.

Adjust the attenuator or Volume so that the output level becomes 30V p-p.

Confirm that the speaker relay turns OFF when a 1.5 ohm load is connected.

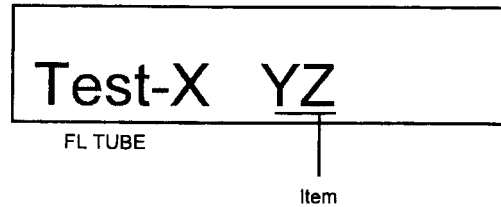


Test Mode Differential Circuit

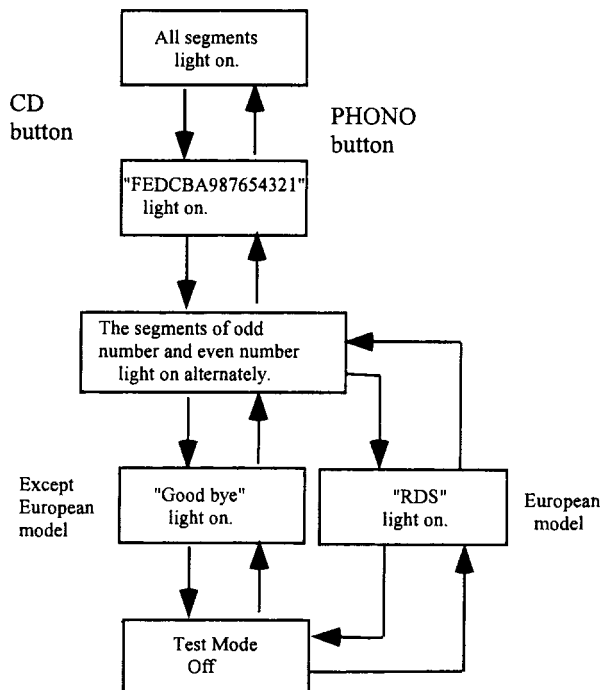
1. Turn POWER button on.
2. Press and hold down CD button, then press SPEAKERS-A and SPEAKERS-B buttons at the same time.
3. During "TEST-" on the FL tube is displayed, press CD, DVD, VIDEO 1, or VIDEO 2 button to set the unit to the test mode shown below.
4. Press CD or PHONO button to select the test item.

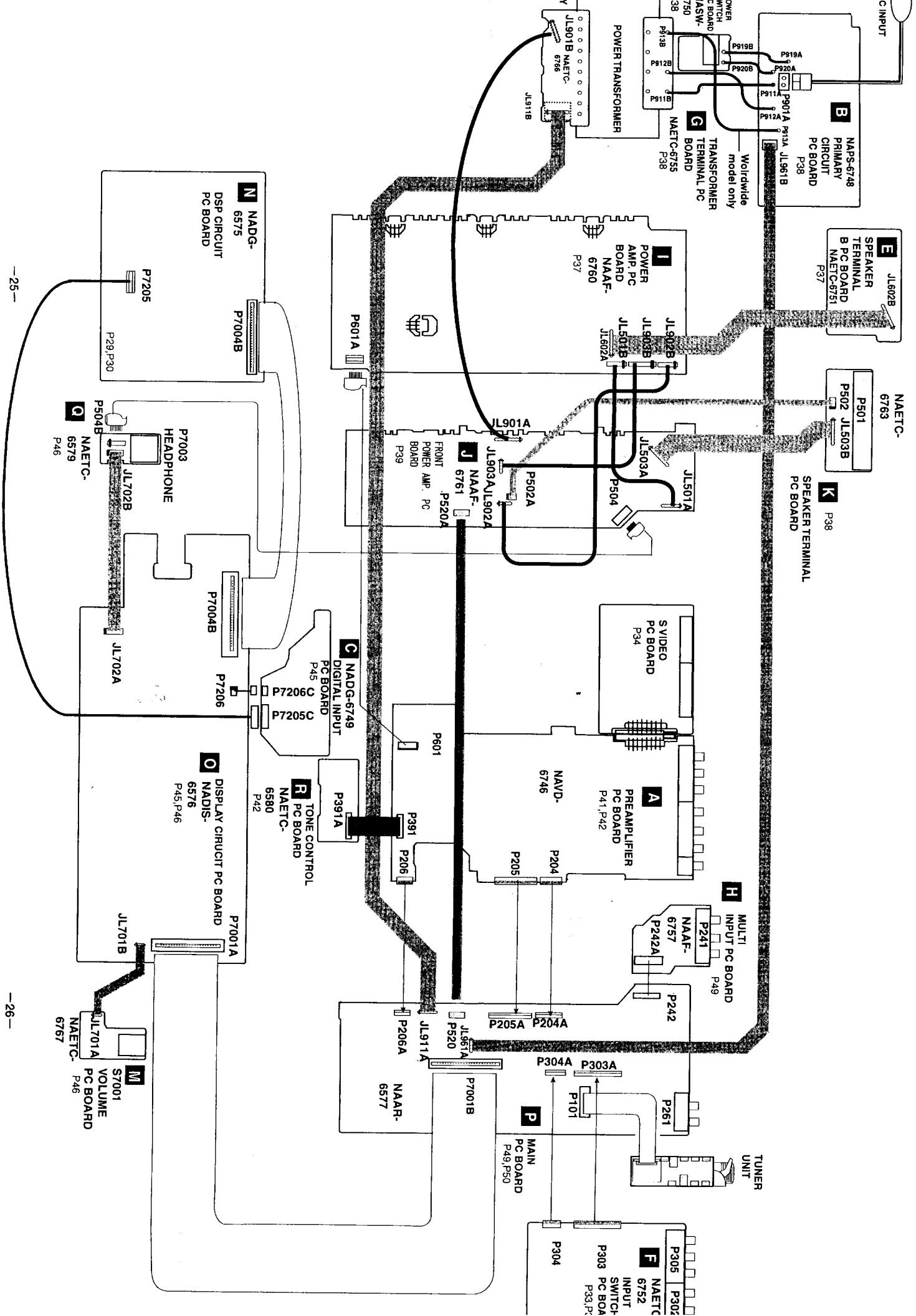
Button Operation in the Test Mode

Button Operation	Test Mode
CD	TEST-0
DVD	TEST-1
VIDEO 1	TEST-2
VIDEO 2	TEST-3
CD	UP of item
PHONO	DOWN of item

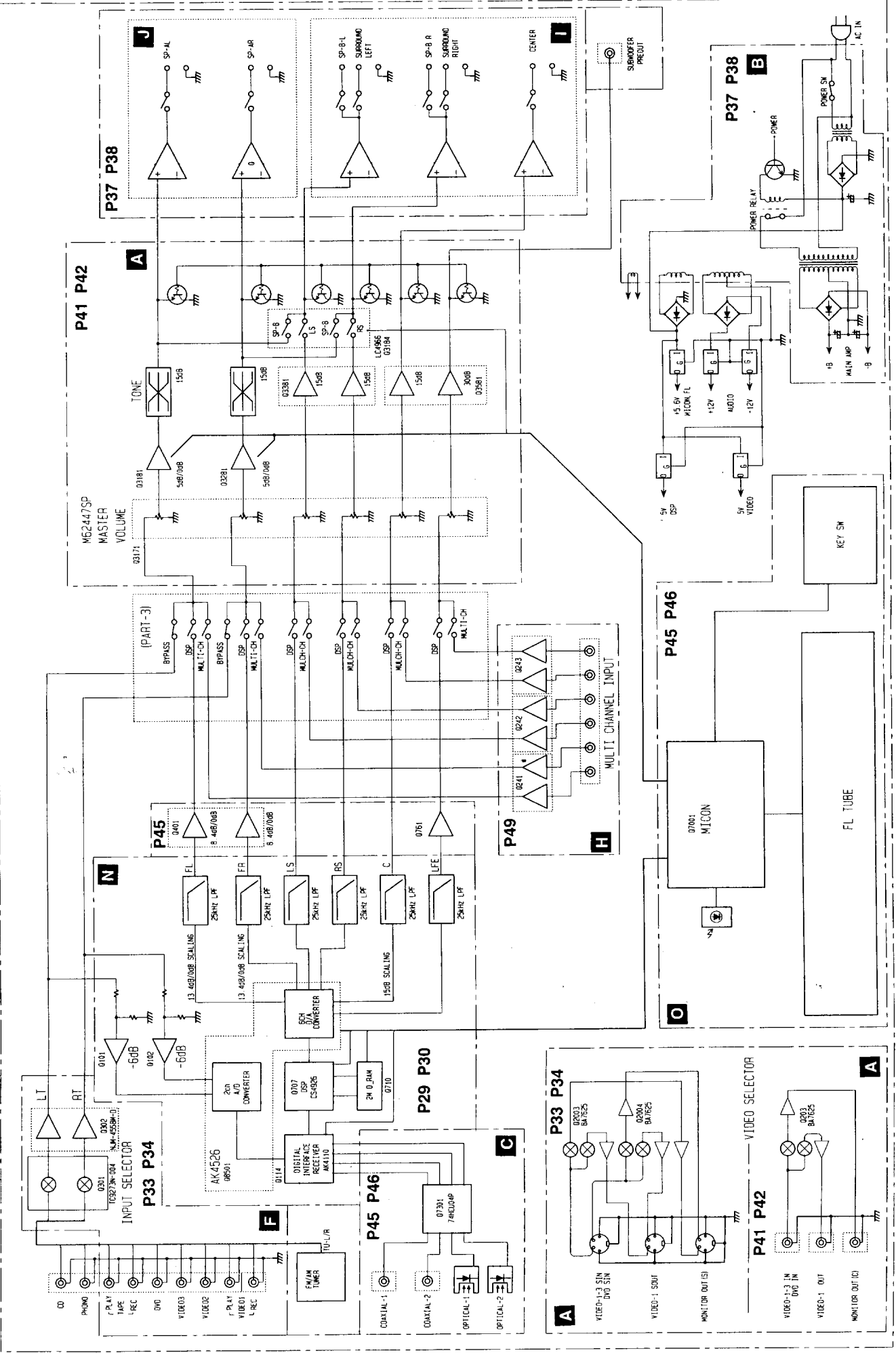


TEST-0





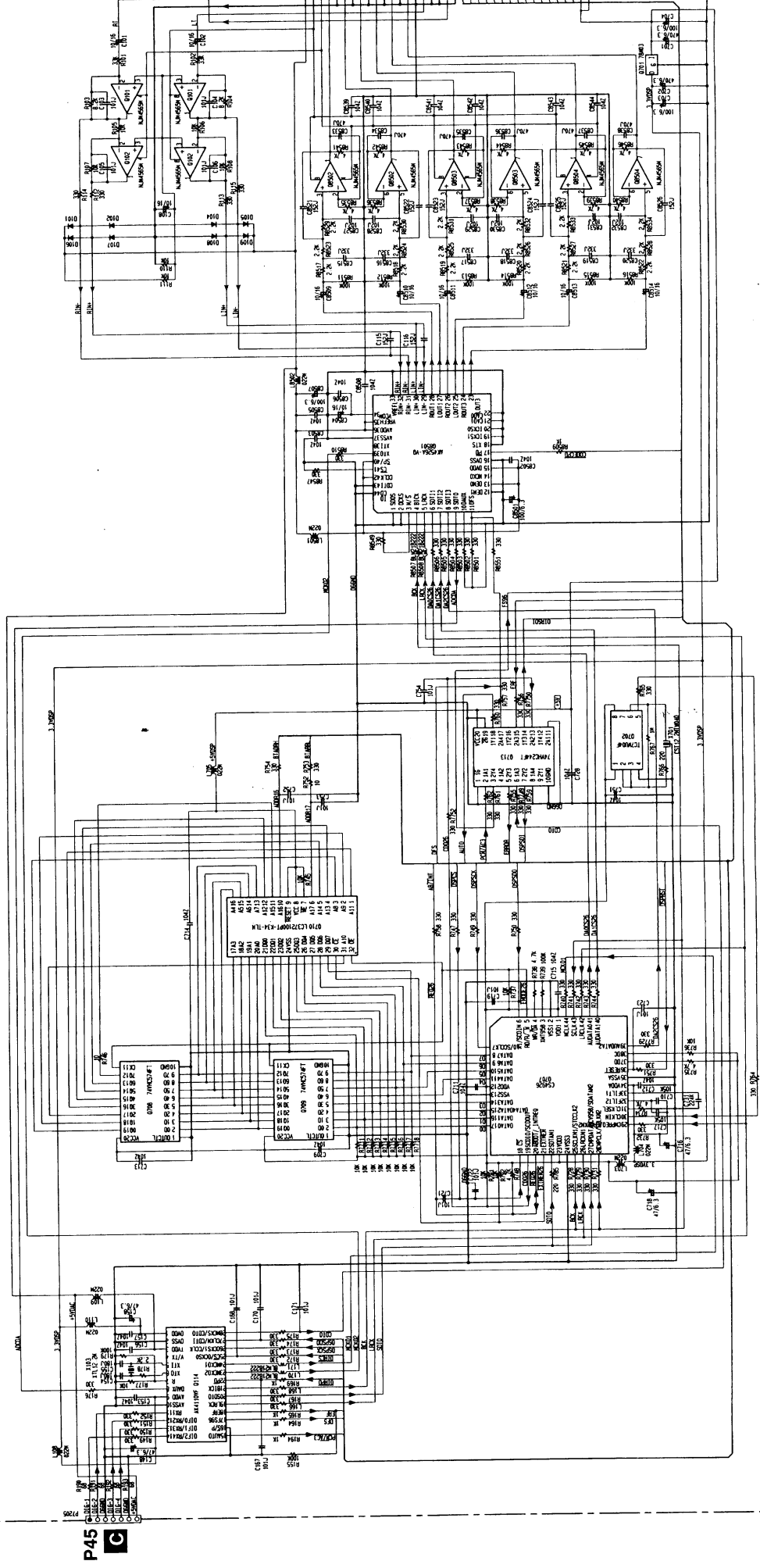
BLOCK DIAGRAM



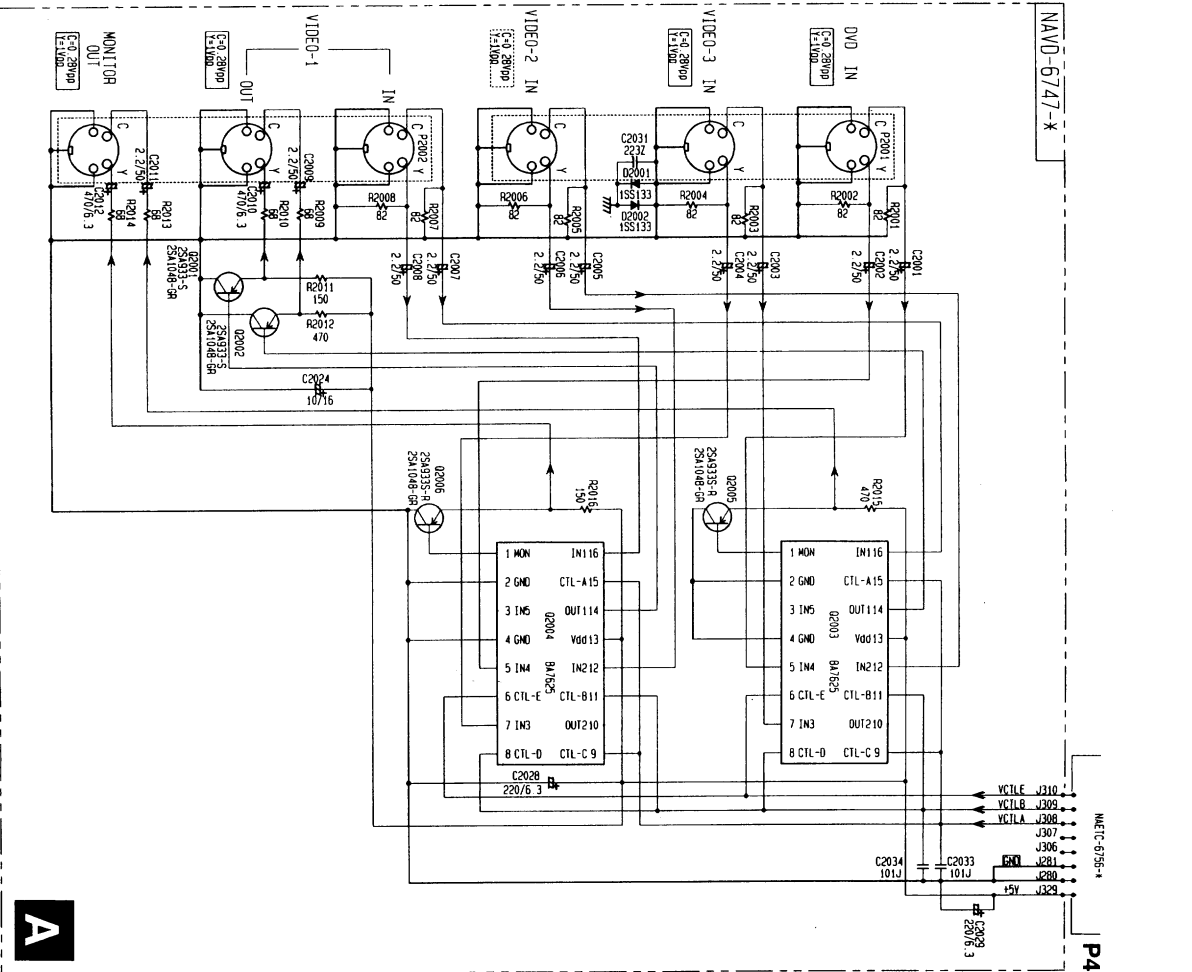
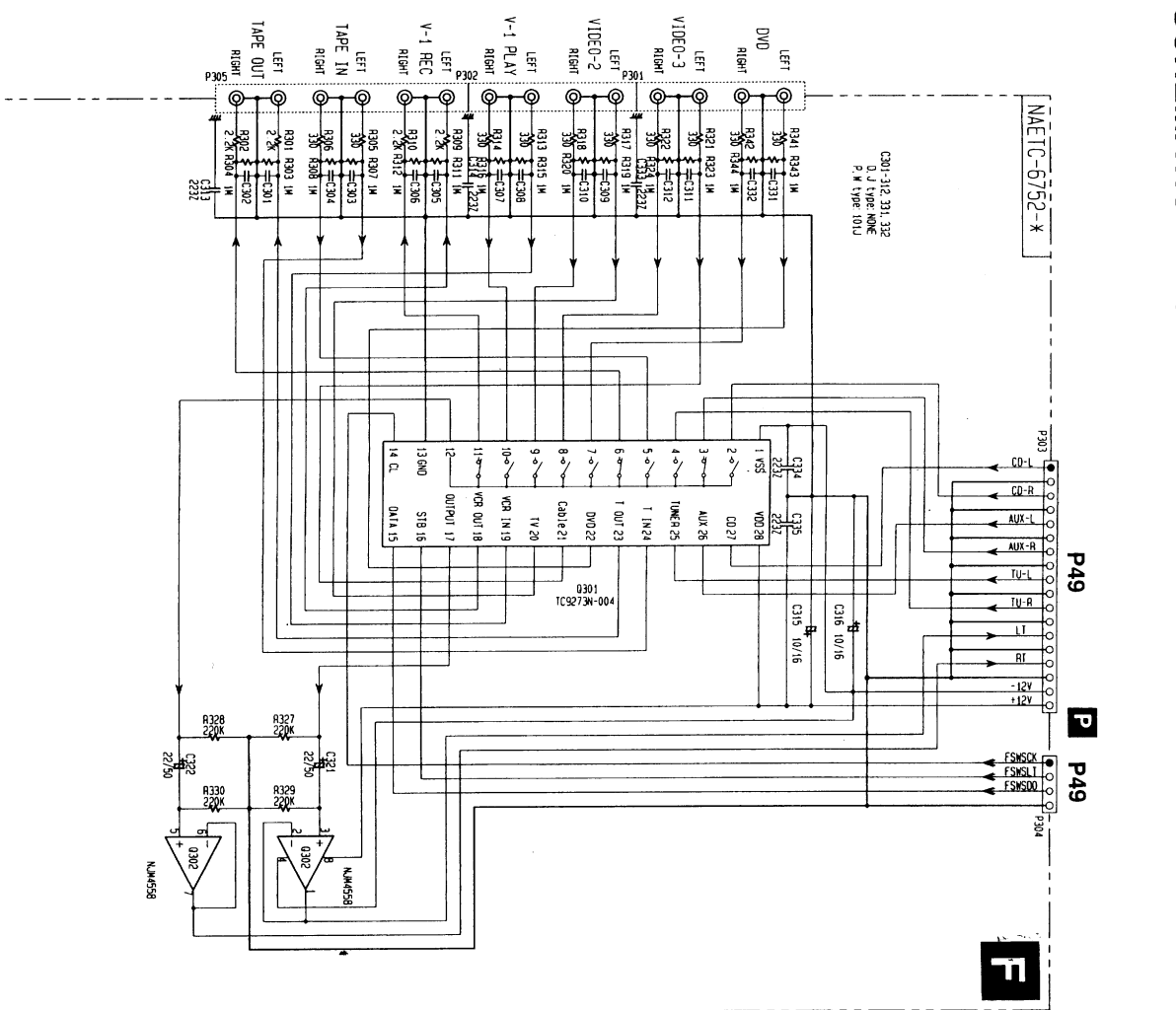
SCHEMATIC DIAGRAM 1

NAUG-6575-x

N

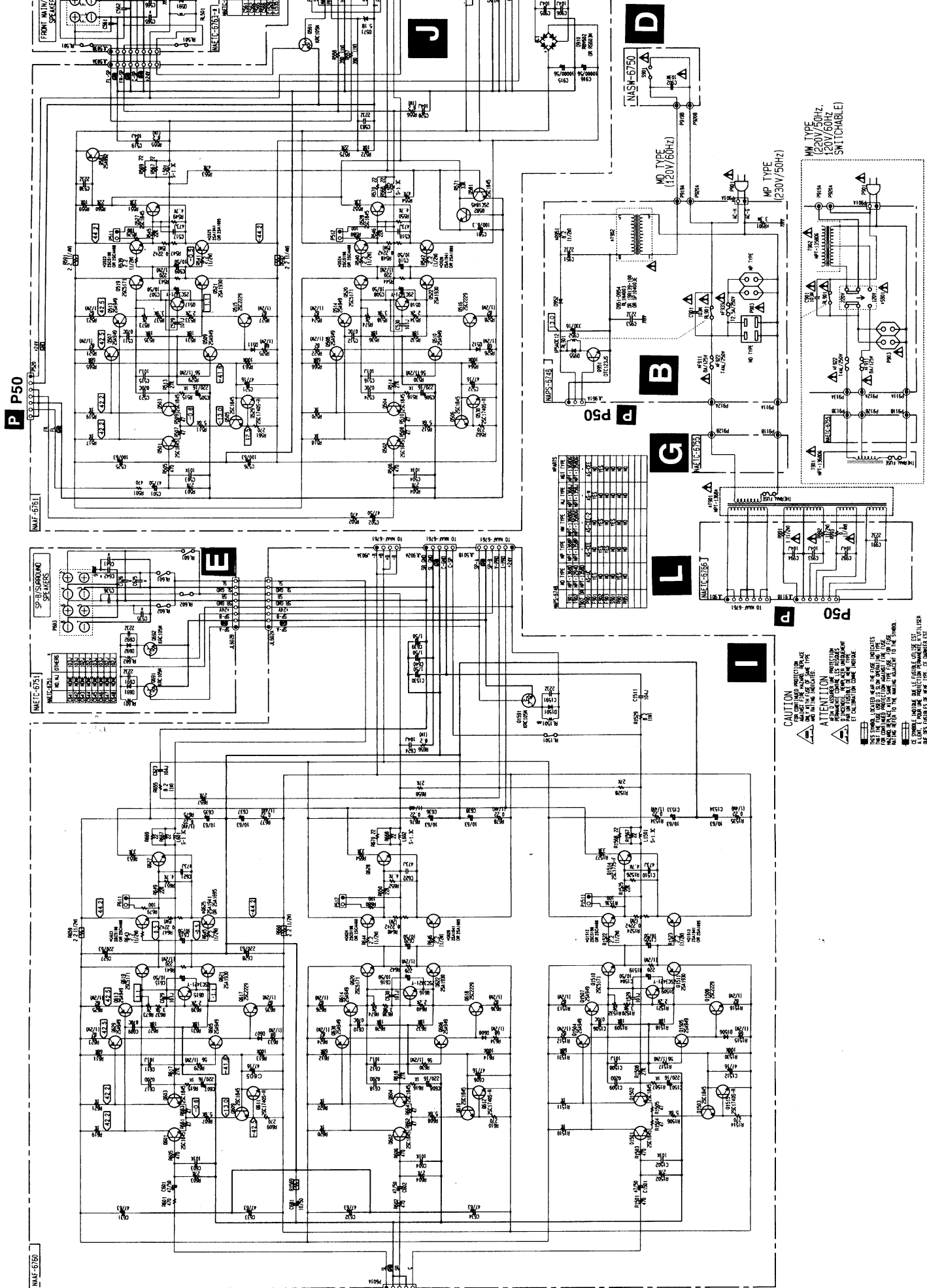


A | B | C | D | E | F | G



SCHEMATIC DIAGRAM 3

A B C D E F G J



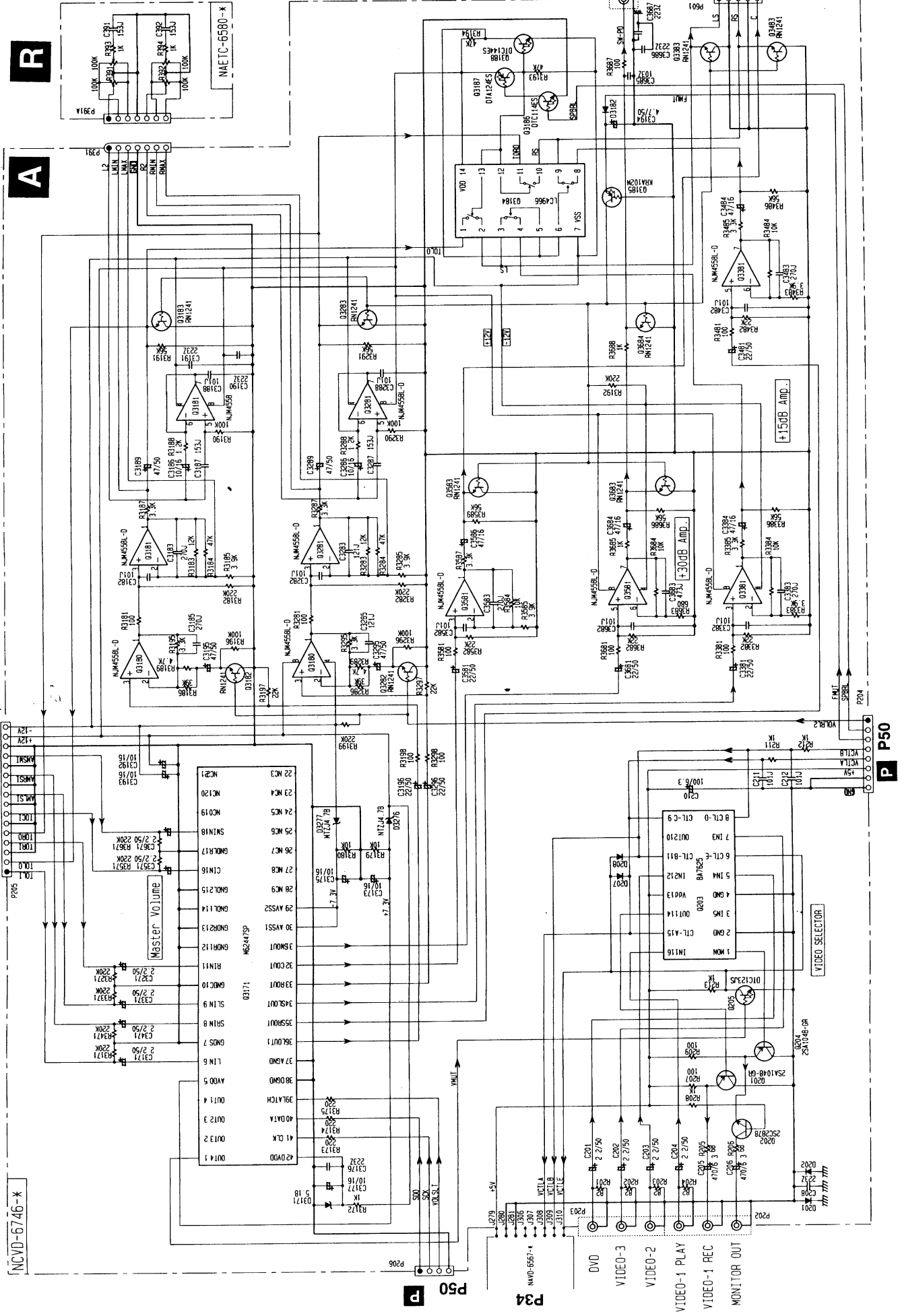
CAUTION
 FOR CONTINUED PROTECTION, WE RECOMMEND THAT YOU REPLACE THE UNIT WITH THE SAME TYPE AND MODEL NUMBER.

ATTENTION
 THE TONER CARTRIDGE CONTAINS A LIQUID DEVELOPER WHICH CAN BE DAMAGING TO THE ENVIRONMENT. ALWAYS HANDLE THE CARTRIDGE WITH CARE AND RECYCLE IT PROPERLY.

NOTE
 THE TONER CARTRIDGE IS A CONSUMABLE PART. IT WILL NEED TO BE REPLACED PERIODICALLY. WE RECOMMEND THAT YOU REPLACE THE CARTRIDGE WITH THE SAME TYPE AND MODEL NUMBER.

BE CAREFUL
 TO AVOID CONTACT WITH THE TONER CARTRIDGE. IT MAY BE DAMAGING TO YOUR SKIN.

SCHEMATIC DIAGRAM 4



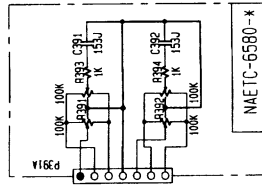
A B C D E F G

A

R

P50 P

NCVD-6746-K



P50

P34

DND

VIDEO-3

VIDEO-2

VIDEO-1 PLAY

VIDEO-1 REC

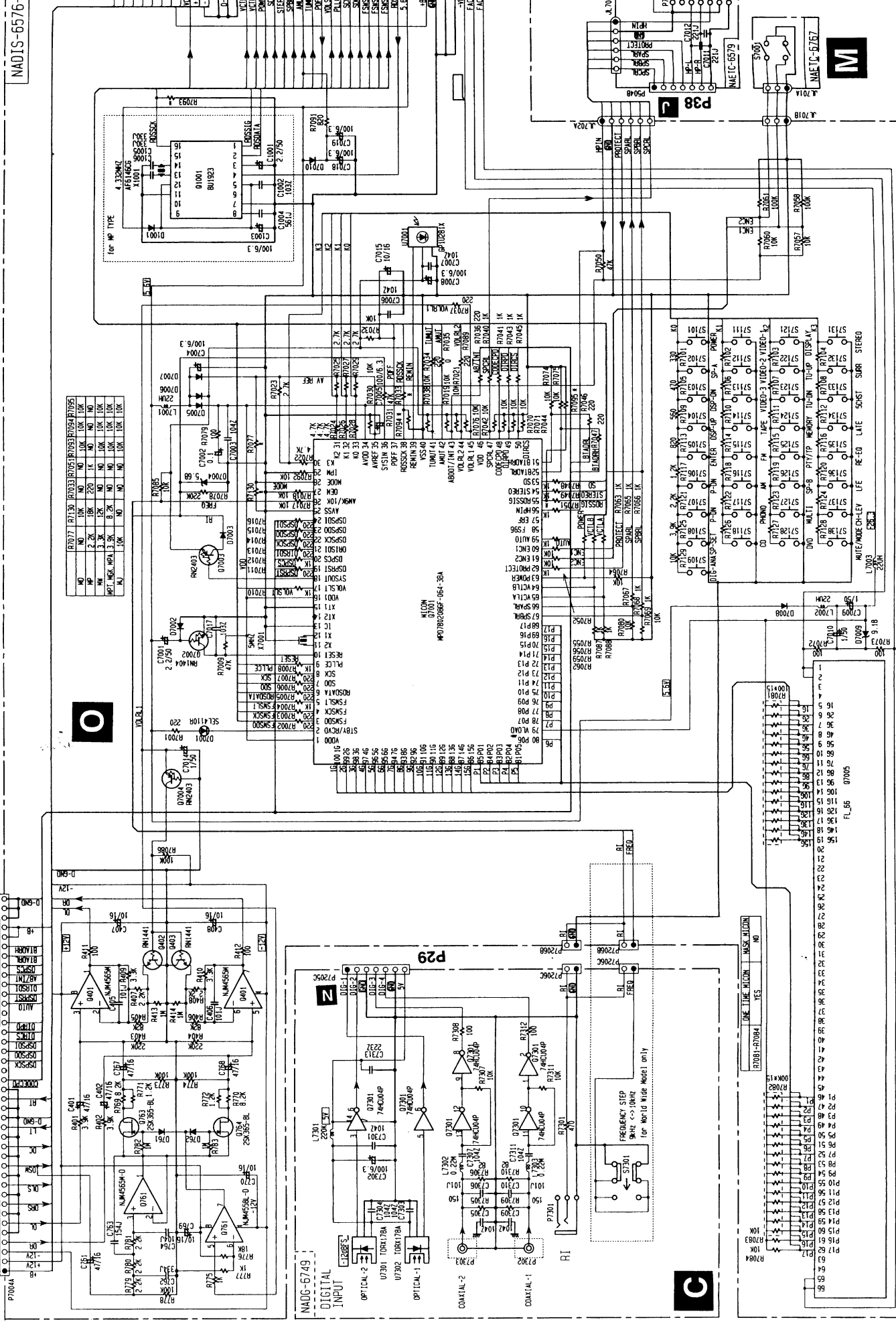
MONITOR OUT

P50

P37

I

SCHEMATIC DIAGRAM 5



NADIS-6576-X

P30 N

P29 Z

P38 P



U1

U2

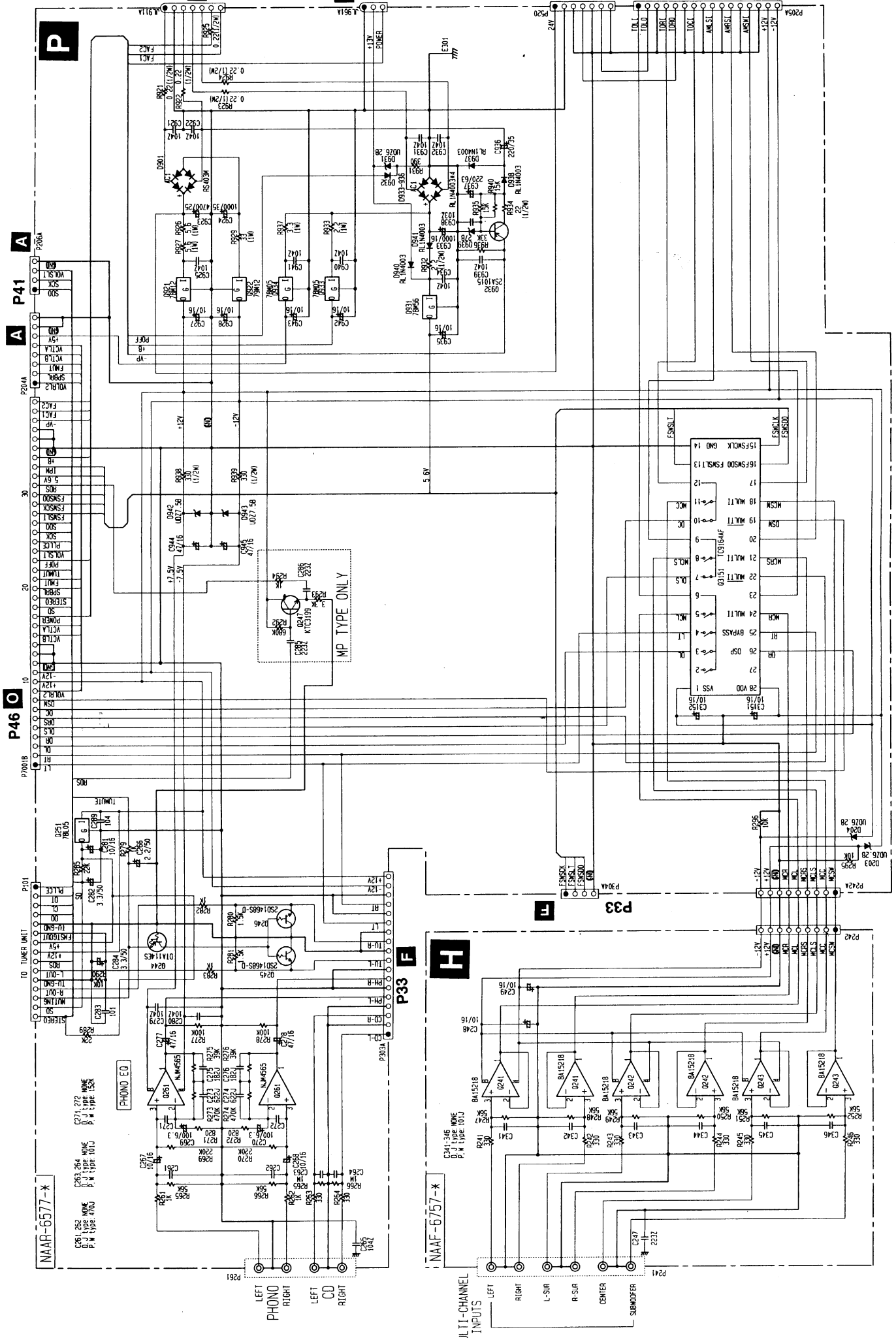
U3

U4

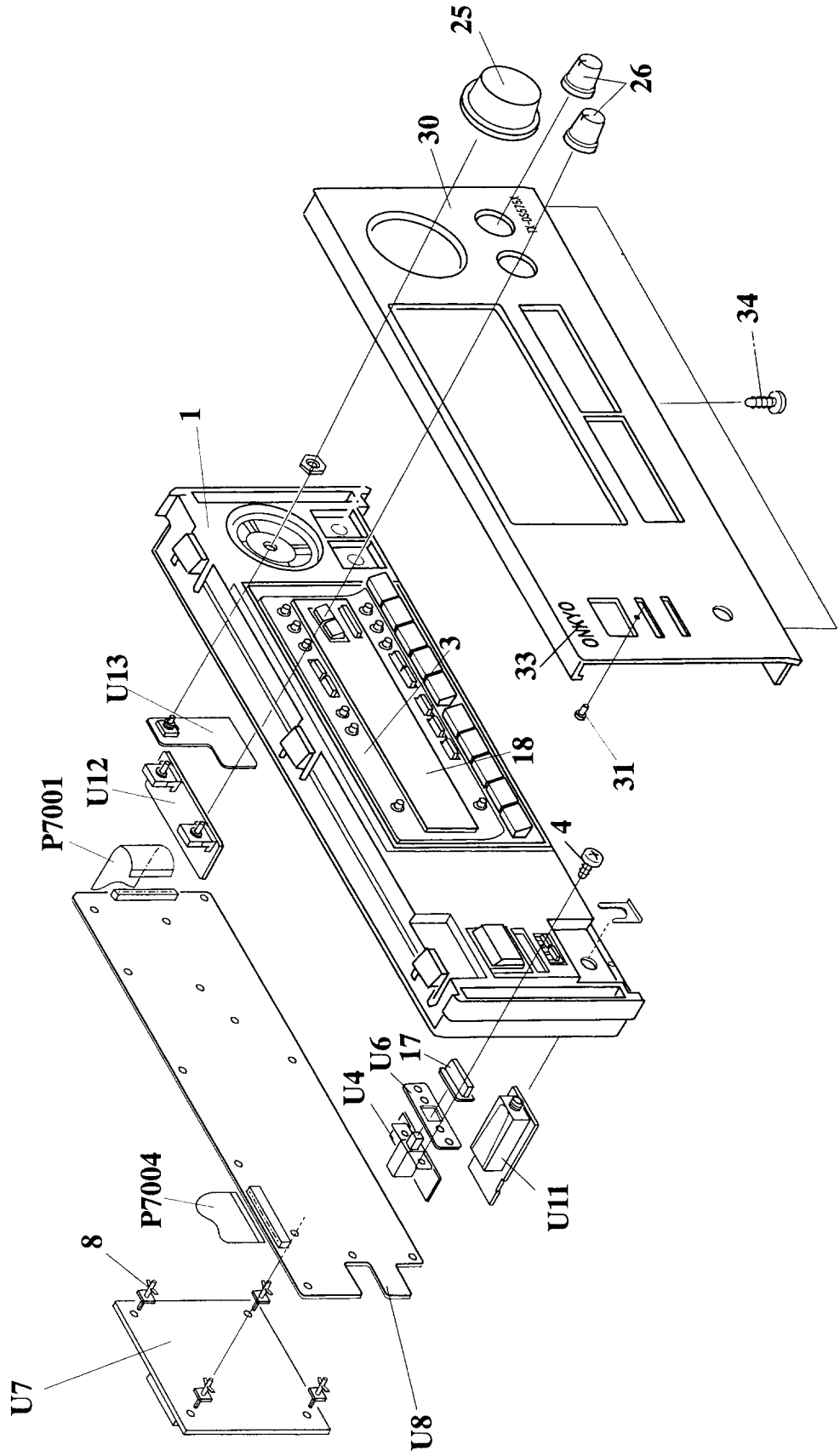
U5

SCHEMATIC DIAGRAM 6

A B C D E F G



EXPLODED VIEW



PARIS LIST

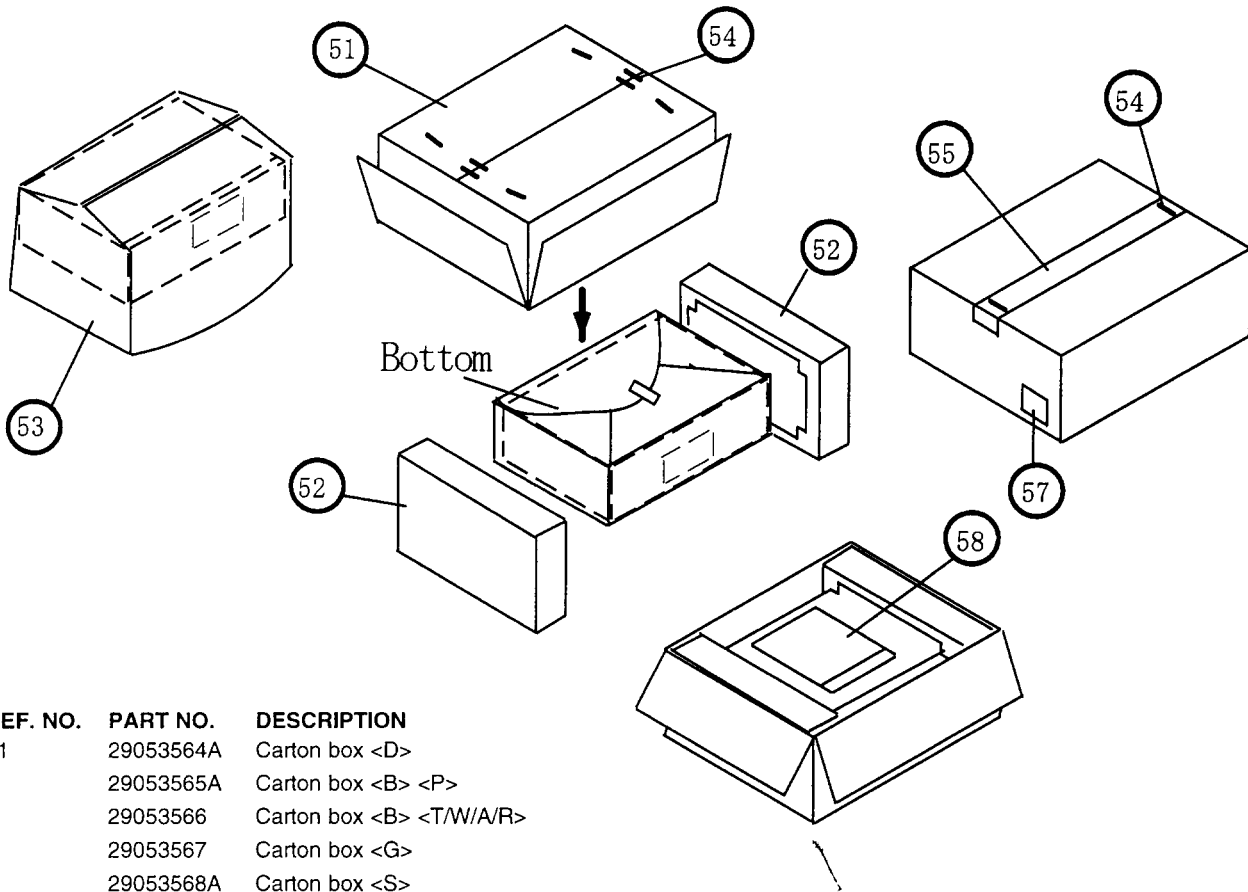
REF.NO.	PART NO.	DESCRIPTION	REF.NO.	PART NO.	DESCRIPTION	Note:
1	27111108	Front bracket 	28	838430068	3TTB+6B(BC),Self-tapping screw	:Black model only
	27111110	Front bracket <G>	29	87643010	W3*10F(BC),Flat washer	<S>:Silver model only
	27111109	Front bracket <S>	30	27212196	Front panel 	<G>:Golden model only
2	27160439	Heat sink S		27212199	Front panel <G>	<D>:120V model only
3	27215319	Decorative frame <D/W/R/A/T>		27212198	Front panel <S>	<P>:European model only
	27215320	Decorative frame <S>	31	28198778	Facet	<T>:Asian model only
	27215321	Decorative frame <G>	32	838430088	3TTB+8B(BC),Self-tapping screw	<A>:Australian model only
	27215322	Decorative frame <P>	33	28135244Y	Badge 	<W>:Worldwide model only
4	82143010	3P+10FN(BC),Pan head screw		28135245	Badge <G/S>	<R>:Chinese model only
5	27100371A	Chassis	34	838130088	3TTB+8B, Self-tapping screw	<GT>:220V model only
6	27190266	KGLS-12RF,Holder	35	27190807	Holder	
7	27190428A	KGLS-10RF,Holder	36	27190541	WS-1NS, Wire clamp	
8	27190896	KGLS-10S,Holder	37	27268028	Guide	
9	830440089	4TTC+8C(BC),Self-tapping screw	39	838930088	3TTB+8B(UN),Self-tapping screw	
10	27300750	△ Bushing cord	D910	22380038 or	RBV602 or	
11	27160438	Heat sink L		22380274	RS603M, Diode	
12	27141681	Retainer PWB	E801	260208	Wire tie	
13	27141736	Retainer, front	E811	223024Y	△ AC238, Isolated sheet	
14	27141737	Retainer, rear	E891	880048	P-3055B-8L,Plastic rivet <P/T/A/GT>	
15	29110083	Tape, cloth	F911	252198Y	△ 8A-UL, Primary fuse <D/W/R>	
16	801433	3SMS8W,SW+14B(BC), Special screw	F922	252077 or	△ 4A-SE-EAK or	
17	28325497A	Knob, power 		252243	△ 4A-SE-TL250V, Primary fuse <P/T/W/R/A/GT>	
	28325499A	Knob, power <G>	F933	252075 or	△ 2.5A-SE-EAK or	
	28325547A	Knob, power <S>		252241	△ 2.5A-SE-TL250V, AC Outlet fuse <P/T>	
18	28191846	Clear plate <P>	P101	2047152012	△ NCF7-152012,Flexible flat cable	
	28191847	Clear plate <S>	P7001	2047402512	△ NCF7-402512, Flexible flat cable	
	28191881	Clear plate <D/T/W/R/A>	P7004	2047401512	△ NCF7-401512,Flexible flat cable	
	28191882	Clear plate <G>	P901	253193HIT or	△ AS-CEE, or	
19	28184752	Top cover 		253195MAR	△ AS CEE, Power supply cord <P/GT/T>	
	28184753	Top cover <G>		253197HIT	△ AS-SAA, Power supply cord <A>	
	28184754	Top cover <S>		253233KAW	△ AS-CEE-2, Power supply cord <W>	
20	28141272Y	t 10x60x20, Cushion		253285HIT or	△ AS-CCEE or	
21	838430088	3TTB+8B(BC),Self-tapping screw 		253267KAW	△ AS-CCEE, power supply cord <R>	
	838930088	3TTB+8B(UN),Self-tapping screw <G/S>		253279HIT or	△ AS-UC-2#18 or	
22	27175319A	Leg		253280VOL	△ AS-UC-2#18, Power supply cord <D>	
23	28141332	Cushion	Q1512	2203063,	* 2SC5198-O,	
24	831430088	3TTW+8B(BC),Self-tapping screw	Q523	2202523,	* 2SC4468-O,	
25	28325648	Knob, volume <D>	Q524	2202524,	* 2SC4468-Y,	
	28325651	Knob, volume <P/T/W/A/R>	Q623	2202526 or	* 2SC4468-P or	
	28325653	Knob, volume <G>	Q624	2203062	* 2SC5198-R, Transistor	
	28325652	Knob, volume <S>	Q1513	2203053,	* 2SA1941-O,	
26	28325405	Knob, tone 	Q525	2202513,	* 2SA1695-O,	
	28325407	Knob, tone <G>	Q526	2202514,	* 2SA1695-Y,	
	28325474	Knob, tone <S>	Q625	2202516 or	* 2SA1695-P or	
27	27122702	Rear panel <D>	Q626	2203052	* 2SA1941-R, Transistor	
	27122703	Rear panel <P>	Q517	2212654 or	2SC3421-Y or	
	27122704	Rear panel <T>	Q518	2212653	2SC3421-O, Transistor	
	27122705	Rear panel <W>				
	27122706	Rear panel <R>				
	27122707	Rear panel <A>				
	27122708	Rear panel <GT>				

REF.NO.	PART NO.	DESCRIPTION	REF.NO.	PART NO.	DESCRIPTION
T901	2301405	! NPT-1368D,Power transformer <D>	U10	1A873549-1A	NADG-6749-1A, Digital input PC board ass'y <D>
	2301406A	! NPT-1368P,Power transformer <P/T/A>		1A873549-1B	NADG-6749-1B, Digital input PC board ass'y <P/T>
	2301407	! NPT-1368DG, Power transformer <W/R/GT>		1A873549-1C	NADG-6749-1C, Digital input PC board ass'y <A>
U1	1A873546-1A	NAVD-6746-1A,Pre., amplifier PC board ass'y <D>		1A873549-1D	NADG-6749-1D, Digital input PC board ass'y <W>
	1A873546-1B	NAVD-6746-1B,Pre., amplifier PC board ass'y <P/T>		1A873549-1G	NADG-6749-1G, Digital input PC board ass'y <R>
	1A873546-1C	NAVD-6746-1C,Pre., amplifier PC board ass'y <A>		1A873549-1H	NADG-6749-1H, Digital input PC board ass'y <GT>
	1A873546-1D	NAVD-6746-1D,Pre., amplifier PC board ass'y <W>	U11	1A873579-3A	NAETC-6579-3A, Headphone terminal PC board ass'y <D>
	1A873546-1G	NAVD-6746-1G,Pre., amplifier PC board ass'y <R>		1A873579-3B	NAETC-6579-3B, Headphone terminal PC board ass'y <P>
	1A873546-1H	NAVD-6746-1H,Pre., amplifier PC board ass'y <GT>		1A873579-3C	NAETC-6579-3C, Headphone terminal PC board ass'y <T/A/GT>
U2	1A873555-1A	NAETC-6755-1A, Transformer terminal PC board ass'y <D>	U12	1A873579-3D	NAETC-6579-3D, Headphone terminal PC board ass'y <W/R>
	1A873555-1B	NAETC-6755-1B, Transformer terminal PC board ass'y <P/T>		1A873580-3A	NAETC-6580-3A, Tone control PC board ass'y <D>
	1A873555-1C	NAETC-6755-1C, Transformer terminal PC board ass'y <A>		1A873580-3B	NAETC-6580-3B, Tone control PC board ass'y <P>
	1A873555-1D	NAETC-6755-1D, Transformer terminal PC board ass'y <W>		1A873580-3C	NAETC-6580-3C, Tone control PC board ass'y <T/A/GT>
	1A873555-1G	NAETC-6755-1G, Transformer terminal PC board ass'y <R>		1A873580-3D	NAETC-6580-3D, Tone control PC board ass'y <W/R>
	1A873555-1H	NAETC-6755-1H, Transformer terminal PC board ass'y <GT>	U13	1A873567-1A	NAETC-6767-1A, Volume control PC board ass'y <D>
U3	1A873548-1A	NAPS-6748-1A, Primary circuit PC board ass'y <D>		1A873567-1B	NAETC-6767-1B, Volume control PC board ass'y <P/T/A/W/R/GT>
	1A873548-1B	NAPS-6748-1B, Primary circuit PC board ass'y <P/T>	U14	25136765	NCETC-6765, PC board for lead wire
	1A873548-1C	NAPS-6748-1C, Primary circuit PC board ass'y <A>	U15	25136764	NCETC-6764, PC board for lead wire
	1A873548-1D	NAPS-6748-1D, Primary circuit PC board ass'y <W>	U16	1A873561-1A	NAAF-6761-1A, Front channel power amplifier PC board ass'y <D>
	1A873548-1G	NAPS-6748-1G, Primary circuit PC board ass'y <R>		1A873561-1B	NAAF-6761-1B, Front channel power amplifier PC board ass'y <P/T/A/W/R/GT>
	1A873548-1H	NAPS-6748-1H, Primary circuit PC board ass'y <GT>	U17	1A873560-1A	NAAF-6760-1A, Power amplifier PC board ass'y <D>
U4	1A873550-1A	NASW-6750-1A, Power switch PC board ass'y <D>		1A873560-1B	NAAF-6760-1B, Power amplifier PC board ass'y <P/T/A/W/R/GT>
	1A873550-1B	NASW-6750-1B, Power switch PC board ass'y <P/T>	U18	1A873563-1A	NAETC-6763-1A, Speaker terminal PC board ass'y <D>
	1A873550-1C	NASW-6750-1C, Power switch PC board ass'y <A>		1A873563-1B	NAETC-6763-1B, Speaker terminal PC board ass'y <P/T/A/W/R/GT>
	1A873550-1D	NASW-6750-1D, Power switch PC board ass'y <W>	U19	1A873557-1A	NAAF-6757-1A, Multi-channel input terminal PC board ass'y <D>
	1A873550-1G	NASW-6750-1G, Power switch PC board ass'y <R>		1A873557-1B	NAAF-6757-1B, Multi-channel input terminal PC board ass'y <P/T>
	1A873550-1H	NASW-6750-1H, Power switch PC board ass'y <GT>		1A873557-1C	NAAF-6757-1C, Multi-channel input terminal PC board ass'y <A>
U5	1A873552-1A	NAETC-6752-1A, Input switch PC board ass'y <D>		1A873557-1D	NAAF-6757-1D, Multi-channel input terminal PC board ass'y <W>
	1A873552-1B	NAETC-6752-1B, Input switch PC board ass'y <P/T>		1A873557-1G	NAAF-6757-1G, Multi-channel input terminal PC board ass'y <R>
	1A873552-1C	NAETC-6752-1C, Input switch PC board ass'y <A>		1A873557-1H	NAAF-6757-1H, Multi-channel input terminal PC board ass'y <GT>
	1A873552-1D	NAETC-6752-1D, Input switch PC board ass'y <W>	U20	1A873566-1A	NAETC-6766-1A, Secondary circuit PC board ass'y <D>
	1A873552-1G	NAETC-6752-1G, Input switch PC board ass'y <R>		1A873566-1B	NAETC-6766-1B, Secondary circuit PC board ass'y <P/T/A/W/R/GT>
	1A873552-1H	NAETC-6752-1H, Input switch PC board ass'y <GT>	U21	1A873551-1A	NAETC-6751-1A, Speaker terminal B PC board ass'y <D>
U6	25136753	NCETC-6753, PC board for holder		1A873551-1B	NAETC-6751-1B, Speaker terminal B PC board ass'y <P/T/A/W/R/GT>
U7	1A873575-6A	NADG-6575-6A, DSP circuit PC board ass'y <D>	U26	240134	TFCE1U114A, Tuner unit <D>
	1A873575-6B	NADG-6575-6B, DSP circuit PC board ass'y <P/T/A/W/R/GT>		240135	TFCE1E512A, Tuner unit <P/T/A/W/R/GT>
U8	1A873576-3A	NADIS-6576-3A, Display circuit PC board ass'y <D>			
	1A873576-3B	NADIS-6576-3B, Display circuit PC board ass'y <P>			
	1A873576-3C	NADIS-6576-3C, Display circuit PC board ass'y <T/A/GT>			
U9	1A873576-3D	NADIS-6576-3D, Display circuit PC board ass'y <W/R>			
	1A873577-3A	NAAR-6577-3A, Main PC board ass'y <D>			
	1A873577-3B	NAAR-6577-3B, Main PC board ass'y <P>			
	1A873577-3C	NAAR-6577-3C, Main PC board ass'y <T/A/GT>			
	1A873577-3D	NAAR-6577-3D, Main PC board ass'y <W/R>			

NOTE: THE COMPONENTS IDENTIFIED BY MARK Δ ARE CRITICAL FOR RISK OF FIRE AND ELECTRIC SHOCK. REPLACE ONLY WITH PART NUMBER SPECIFIED.

CAUTION: Replacement for transistor of mark *, if necessary must be made from the same beta group (HFE) as the original type.

PACKING VIEW



REF. NO.	PART NO.	DESCRIPTION
51	29053564A	Carton box <D>
	29053565A	Carton box <P>
	29053566	Carton box <T/W/A/R>
	29053567	Carton box <G>
	29053568A	Carton box <S>
52	29091844	Pad
53	29100034-1A	850*650,Polybag
54	282301	Staple
55	29110071	PP tape
57	29362596	Label UPC <D>
	29362598	Label EAN <P/T/W/A/R>
	29362599	Label EAN <S>
	29362600	Label EAN <G>
58	232140	NMA-3057,AM loop antenna /
	24140392B	RC-392M,Remote controller
	25055018 or	CV-K-1 or
	25056005	CV-K-1,Conversion plug <W>
	25065462	YAE21-0237,Antenna adapter <W/T/A/R/GT>
	29095866	Sheet, warranty <D>
	292115	FM antenna <P/T/W/R/A/GT>
	292142	FM antenna <D>
	29342860A	Instruction manual E
	29342861	Instruction sheet <D>
	29342862A	Instruction manual U3 GDSW <P>
	29342863A	Instruction manual U3 FSI <P>
	29342864A	Instruction manual T <T/W/R/GT>
	29365083A	Warranty card <D>
3010054	UM-3,Two batteries	
29100097-1A	350*250,Polybag	

Note: :Black model only
 <S>:Silver model only
 <G>:Golden model only
 <D>:120V model only
 <P>:European model only
 <T>:Asian model only
 <A>:Australian model only
 <W>:Worldwide model only
 <R>:Chinese model only
 <GT>:220V model only