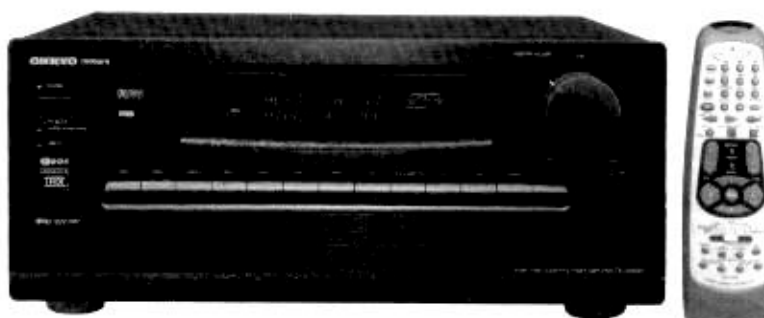


# ONKYO® SERVICE MANUAL

## AUDIO VIDEO CONTROL TUNER AMPLIFIER MODEL TX-DS939



### Black and Golden models

BUDN,BUDT,GUDT	120V AC,60Hz
BUP,BUPB,BUPT,GUPT	230V AC,50Hz
BUGK,GUGK	220V AC,50Hz

### SAFETY-RELATED COMPONENT WARNING!!

COMPONENTS IDENTIFIED BY MARK  $\triangle$  ON THE SCHEMATIC DIAGRAM AND IN THE PARTS LIST ARE CRITICAL FOR RISK OF FIRE AND ELECTRIC SHOCK. REPLACE THESE COMPONENTS WITH ONKYO PARTS WHOSE PART NUMBERS APPEAR AS SHOWN IN THIS MANUAL.

MAKE LEAKAGE-CURRENT OR RESISTANCE MEASUREMENTS TO DETERMINE THAT EXPOSED PARTS ARE ACCEPTABLY INSULATED FROM THE SUPPLY CIRCUIT BEFORE RETURNING THE APPLIANCE TO THE CUSTOMER.

**ONKYO®**  
**AUDIO COMPONENTS**

## SPECIFICATIONS

### AMPLIFIER SECTION

Power output:	<b>Stereo mode</b> (Surround mode: OFF) L and R FRONT SPEAKERS 120 watts per channel min. RMS. at 8 ohms; both channels driven between 20 Hz and 20,000 Hz with no more than 0.05 % total harmonic distortion. <b>Continuous power</b> 2 × 160 Watt at 6ohms (DIN) <b>Surround mode</b> LEFT, RIGHT, CENTER, LEFT SURROUND and RIGHT SURROUND 100 watts per channel min. RMS at 8 ohms, three channels driven from 20 Hz to 20,000 Hz with no more than 0.08% total harmonic distortion.
IM distortion:	0.05% at rated power (L and R FRONT in Stereo mode)
Damping factor:	60 at 8 ohms (L and R)
Input sensitivity/impedance:	Phono: 2.5 mV/50 kohms Line (CD, TAPE-1 and -2, VIDEO-1 ~ -7): 200 mV/50 kohms Amp in (LEFT, RIGHT, CENTER, LEFT SURROUND and RIGHT SURROUND): 1 V/50 kohms (100 W output)
Output level/impedance:	OUTPUT (REC) (TAPE-1 and -2): 200 mV/2.2 kohms OUT (VIDEO 1~ 3, 7): 200 mV/2.2 kohms PRE OUT (LEFT, RIGHT, CENTER, LEFT SURROUND, RIGHT SURROUND, SUBWOOFER): 1 V/470 ohms
Phono overload:	120 mV RMS. at 1,000 Hz, 0.5 % THD.
Frequency response:	20 to 30,000 Hz, ±0.5 dB (Line in, Stereo mode)
RIAA deviation:	20 to 20,000 Hz, ±0.8 dB
Tone control:	BASS: ±10 dB at 50 Hz MIDBASS: ±10 dB at 300 Hz TREBLE: ±10 dB at 10,000 Hz
Signal-to-noise ratio:	PHONO: 80 dB (IHF A, 5mV input) Line: 100 dB (IHF A)
Muting:	-∞dB

### VIDEO SECTION

Television format:	NTSC (U.S. and Canadian models) NTSC/PAL (Other models)
Input sensitivity/impedance	IN (VIDEO-1~7) VIDEO (Composite): 1Vp-p/75 ohms IN (VIDEO-1~7) S-VIDEO (Y signal): 1Vp-p/75 ohms IN (VIDEO-1~7) S-VIDEO (C signal): 0.28Vp-p/75 ohms
Output level/impedance	OUT (VIDEO-1~ 3, 7, MONITOR OUT) VIDEO (Composite): 1Vp-p/75 ohms OUT (VIDEO-1~ 3, 7, MONITOR OUT) S-VIDEO (Y signal): 1Vp-p/75 ohms OUT (VIDEO-1~3, 7, MONITOR OUT) S-VIDEO (C signal): 0.28Vp-p/75 ohms

### DIGITAL SECTION

Digital input sampling frequency:	32, 44.1, 48 kHz
Input sensitivity/impedance:	Coaxial: 0.5 Vpp/75 ohms AC-3RF: 0.4 Vpp/75 ohms

### TUNER SECTION

<b>FM:</b>	
Tuning range:	87.50 – 108.00 MHz (50 kHz steps)
Usable sensitivity:	Mono: 11.2 dBf, 1.0 μV (75 ohms) Stereo: 17.2 dBf, 2.0 μV (75 ohms)
50-dB Quieting sensitivity:	Mono: 17.2 dBf, 2.0 μV (75 ohms) Stereo: 37.2 dBf, 20 μV (75 ohms)
Capture ratio:	1.5 dB
Image rejection ratio:	85 dB
IF rejection ratio:	90 dB
Signal-to-noise ratio:	Mono: 76 dB Stereo: 70 dB
Alternate channel	
Attenuation:	55 dB
AM suppression ratio:	50 dB
Harmonic distortion:	Mono: 0.1% Stereo: 0.2%
Frequency response:	30 – 15,000 Hz ± 1.0 dB
Stereo separation:	45 dB at 1kHz 30 dB between 100 and 10,000 Hz
Muting level:	17.2 dBf

### AM:

Tuning:	U.S. and Canadian models 530 to 1710 kHz (10-kHz steps) Others models 522 to 1611 kHz (9-kHz steps)
Usable sensitivity:	30 μV
Image rejection ratio:	40 dB
IF rejection ratio:	40 dB
Signal-to-noise ratio:	40 dB
Harmonic distortion:	0.7%

### GENERAL

Power supply: U.S. and Canadian models	AC120 V, 60 Hz
Other models	AC 230 V, 50 Hz
Dimensions (W x H x D):	435 × 195 × 456 mm (17-1/8" × 7-11/16" × 17-15/16")
Weight:	21 kg (46.3 lbs.)


### REMOTE CONTROL RC-310M


Transmitter:	Infrared
Signal range:	Approx. 5 meters (16 ft.)
Power supply:	Two AA batteries (1.5 V × 2)

Specifications and features are subject to change without notice.

## SERVICE GUIDE

### 1. Replacing the fuses

 This symbol located near the fuse indicates that the fuse used is fast operating type. For continued protection against fire hazard, replace with same type fuse. For fuse rating refer to the marking adjacent to the symbol.

 Ce symbole indique que le fusible utilise est a rapide. Pour une protection permanente, n'utiliser que des fusibles de meme type. Ce dernier est indique la qu le present symbol est appose.

CIRCUIT NO.	PART NO.	DESCRIPTION
F9001	252196	△ 12A-U/T-314, Primary fuse <D/T>
F9002	252079	△ 6.3A-SE-EAK, Primary fuse <P/K>
F9003	252075	△ 2.5A-SE-EAK, Primary fuse <P>

NOTE: <D>: 120V model only      <P>: 230V model only  
<T>: Taiwanese model only      <K>: Korean model only

### 2. To Initialize the unit

This device employs a microprocessor to perform various functions and operations. If interference generated by an external power supply, radio wave, or other electrical source results in accident which causes the specified operations and functions to operate abnormally.

To perform a result, please follow the procedure below.

1. Turn POWER button on.
2. While holding down the CD button, press the VIDEO-1 button.
3. After "clear" is displayed, the preset memory and each mode stored in the memory, such as surround, are initialized and will return to the factory settings.

### 3. Safety-check out

(Only U.S.A. model)

After correcting the original service problem, perform the following safety check before releasing the set to the customer. Connect the insulating-resistance tester between the plug of power supply cord and the screw on the back panel.

Specifications: 3.3 Mohm $\pm$ 10% at 500V.

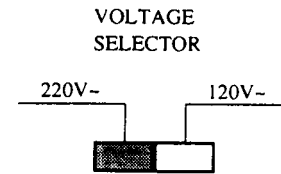
### 4. Change of voltage

Worldwide models are equipment with a voltage selector to conform with local power supplies. This switch is located on the back panel.

Be sure to set this switch to match the voltage of the power supply in your area before turning the power switch on.

This switch is set to 220V at the factory. Voltage is changed by

sliding the groove in the switch with the screwdriver to the right or left. Confirm that the switch has been moved all the way to the right or left before turning the power switch on.



### 5. Memory preservation

This unit does not require memory preservation batteries.

A built-in memory power back-up system preserves contents of the memory during power failures and even when the unit is unplugged.

The unit must be plugged in and the power switch turned on and off once in order to charge the back-up system. Note that since this is not a permanent memory, the power switch must be turned on and off a few times each month to keep the back-up system operative.

The period of the time during which memory contents are preserved after power has last been turned off varies depending on climate and placement of the unit. On the average, memory contents are protected over a period of 3 to 4 weeks (a minimum of 2 weeks) after the last time power has been turned off. This period is shorted when the unit is exposed to very high humidity or used in an area with an extremely humid climate.

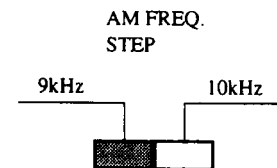
### 6. Setting the tuning step frequency

Worldwide models are equipped with a step band selector switch. This switch is located on the back panel. This switch is set to 9 kHz at the factory, but may have to be reset to 10 kHz depending on the area where the unit is used.

AM band step

Europe: 9 kHz

U.S.A.: 10 kHz

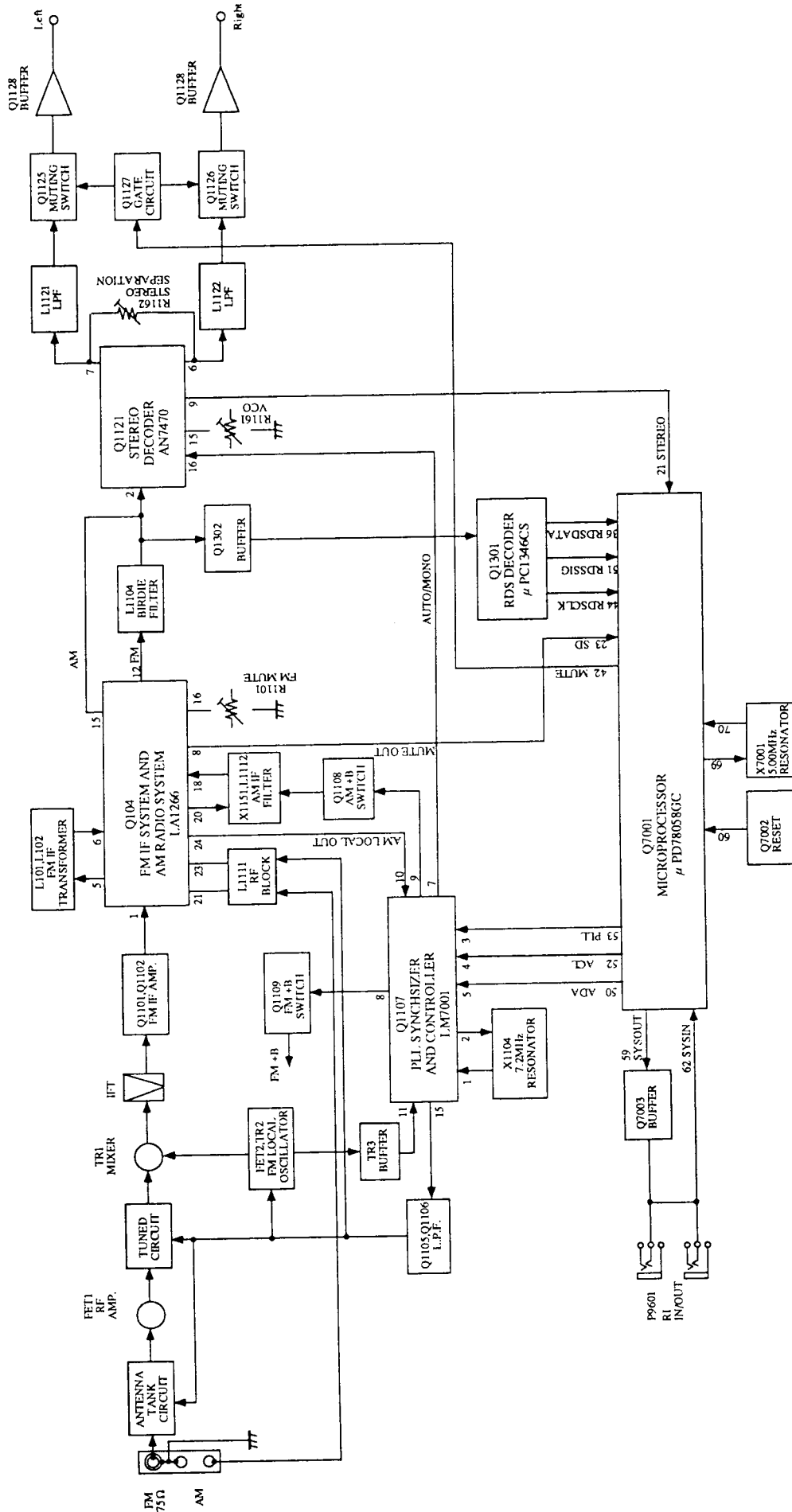


### 7. Changing the band step

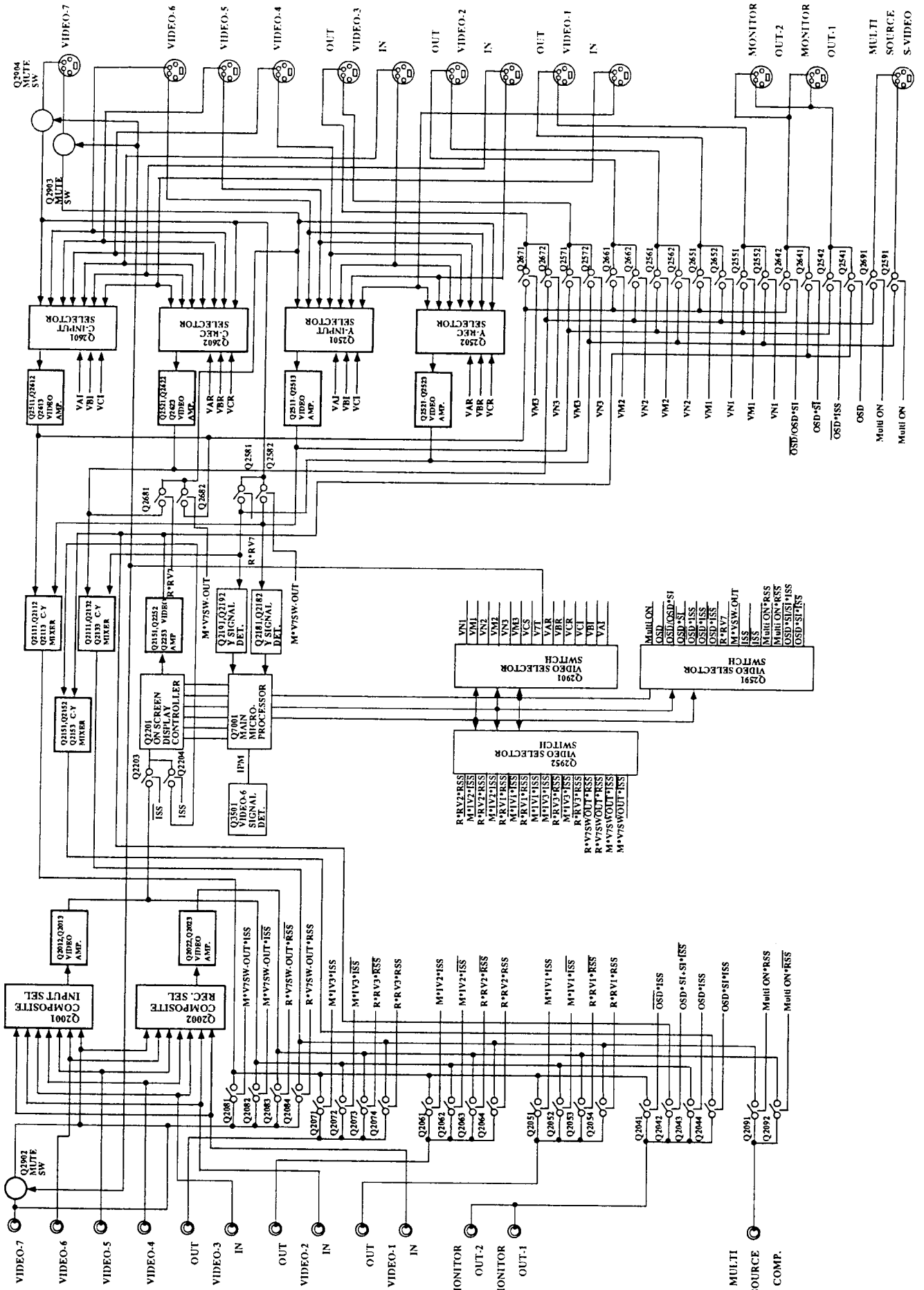
With the exception of the worldwide models, a tuning step selector switch is not provided. When you change the band step, change the parts as shown below.

	To 10 kHz	To 9 kHz
R7049,R7051	Remove	10 kohm
R7050,R7052	10 kohm	Remove

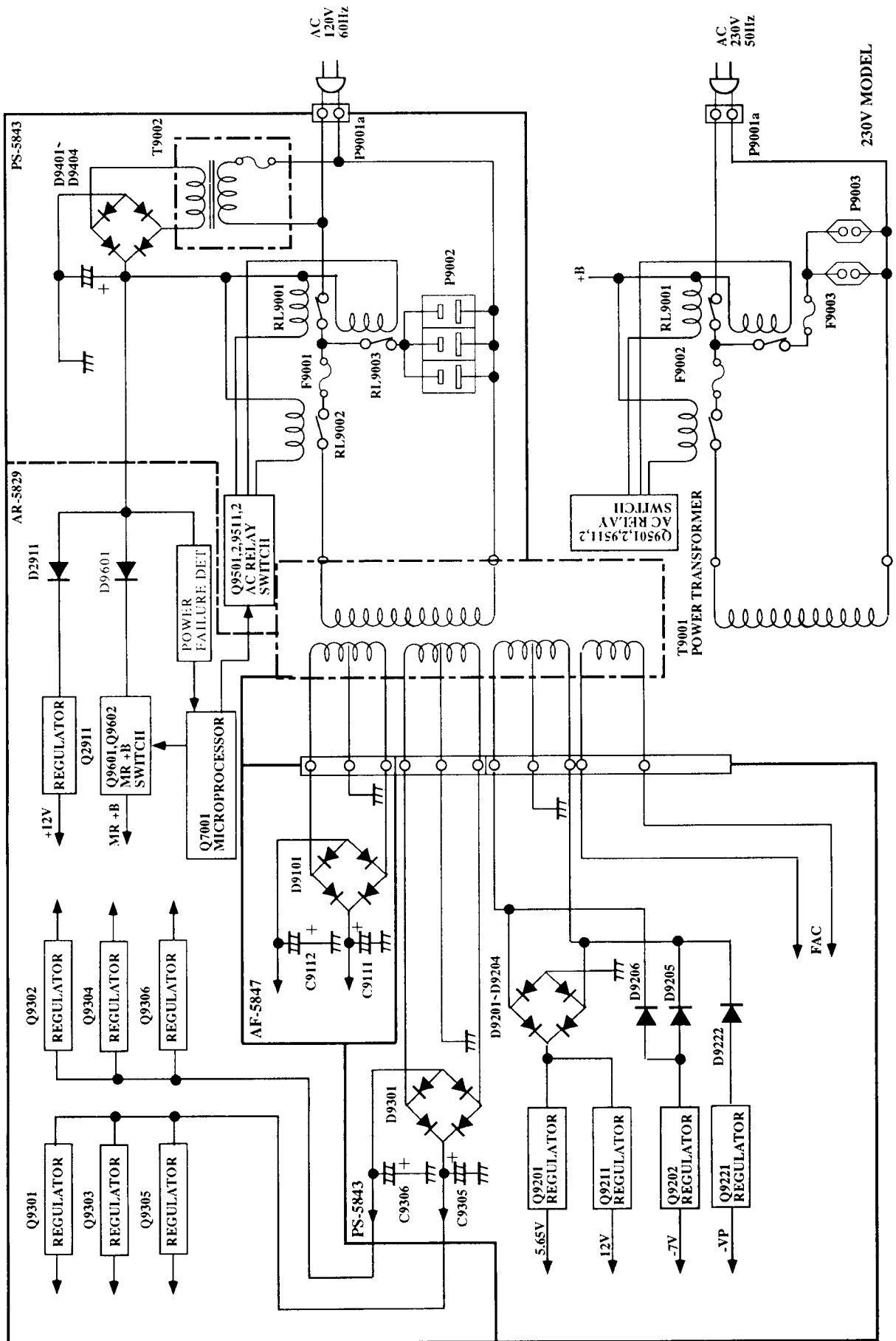
**BLOCK DIAGRAM  
TUNER SECTION**



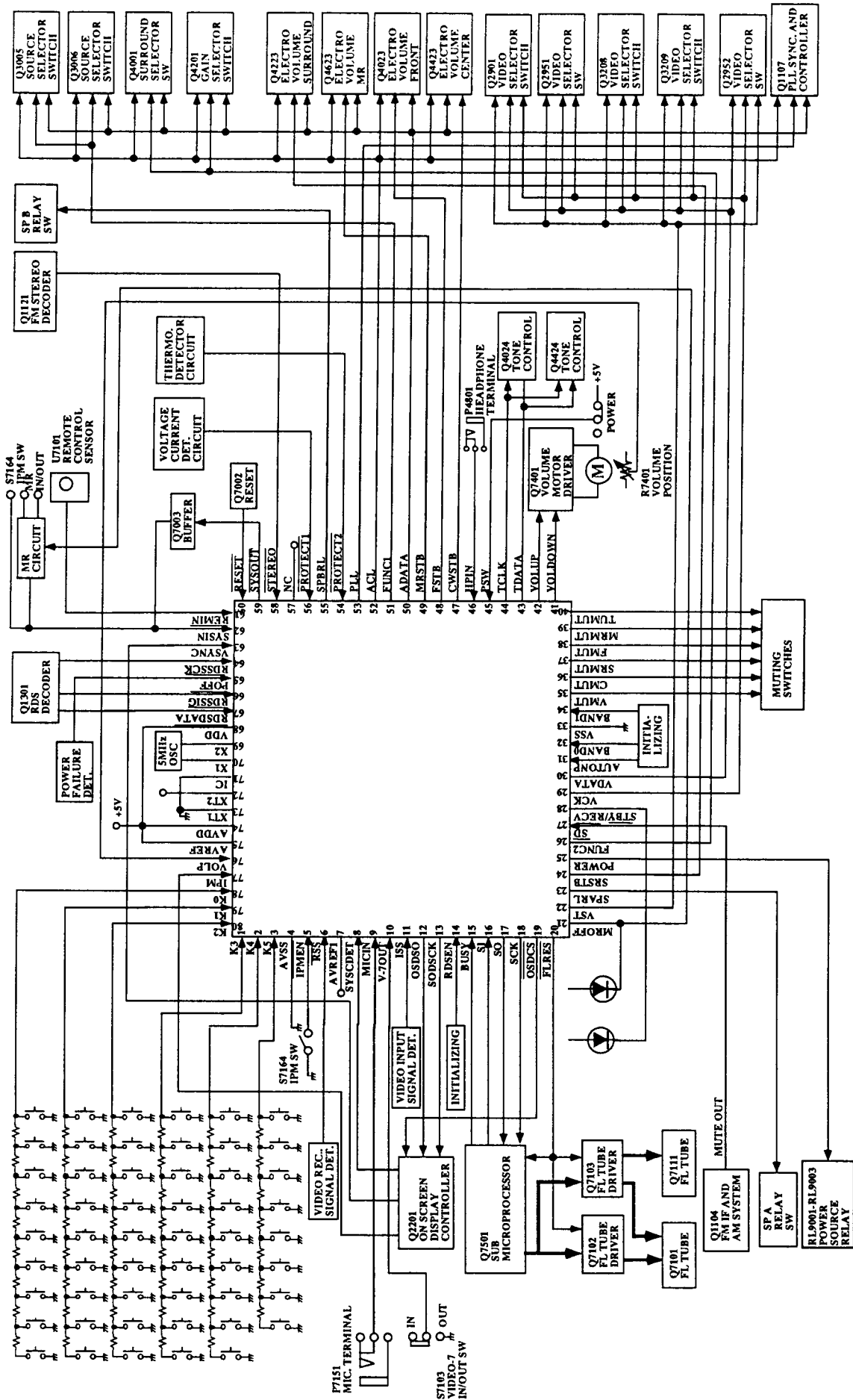
VIDEO SECTION



POWER SUPPLY SECTION



# MICROPROCESSOR-CONNECTION DIAGRAM MAIN MICROPROCESSOR



## MICROPROCESSOR-TERMINAL DESCRIPTION

PIN NO.	TERMINAL	DESCRIPTION
1	K3	Operation key connection terminal
2	K4	Operation key connection terminal
3	K5	Operation key connection terminal
4	AVSS	Ground terminal for A/D converter
5	IPMEN	Detector input terminal for operation of IMP
6	RSS	S signal detector input terminal from recording selector switch Q2502.
7	AVREF1	Reference voltage input terminal for D/A converter.
8	SYNCDDET	Judgment input terminal for external synchronizing of OSD. External synchronizing when this terminal is the high level.
9	MICIN	Input terminal to detect the insertion of microphone for measurement The unit becomes the analyzer setup mode when the plug of microphone is inserted.
10	V-7OUT	IN/OUT switching input terminal for VIDEO-7 terminal This terminal becomes the high level when VIDEO-7 switch is set to IN.
11	ISS	S signal detector input terminal from input selector switch Q2501.
12	OSDSO	Output terminal to connect to the terminal SIN for OSD controller IC Q2201.
13	OSDSCK	Clock output terminal to connect to the terminal SCLK for OSD controller Q2201.
14	RDSEN	Initializing terminal for RDS broadcast
15	BUSY	Busy signal input terminal for transfer from sub microprocessor
16	SI	Data input terminal for transfer from sub microprocessor
17	SO	Data output terminal for transfer to sub microprocessor
18	SCK	Clock output terminal for transfer to sub microprocessor
19	OSDCS	Chip select output terminal to connect to terminal CS for OSD controller.
20	FLRES	Reset signal output terminal.
21	MROFF	Multi room indicator and control output terminal
22	VST	Output terminal to connect to the terminals ST of function switches for video selector
23	SPARL	Speaker A relay control output terminal
24	SRSTB	Strobe output terminal to connect to the terminal STB of electro. volume
25	POWER	Power source control output terminal
26	FUNC2	Output terminal to connect to the terminal ST of function switches to switch configuration.
27	SD	Broadcast detection input terminal. L level when broadcast is received.
28	STBY/RECV	STAND-BY or RECEIVED indicator control output terminal
29	VCK	Clock output terminal for function switches to switch video
30	VDATA	Data output terminal for function switches to switch video
31	AUTONP	Initializing input terminal for NTSC/PAL selector
32	BAND0	Initializing input terminal for band region.
33	VSS	Ground terminal
34	BAND1	Initializing input terminal for band region.
35	WMUT	Muting output terminal for subwoofer amplifier
36	CMUT	Muting output terminal for center amplifier
37	SRMUT	Muting output terminal for surround amplifier
38	FMUT	Muting output terminal for front amplifier
39	MRMUT	Muting output terminal for MR amplifier
40	TUMUT	Muting output terminal for tuner
41	VOLDOWN	Volume control output terminal
42	VOLUP	Volume control output terminal
43	TDATA	Data output terminal to connect to the terminal DI of electro volume for tone control
44	TCLK	Clock output terminal to connect to the terminal CLK of electro volume for tone control
45	PSW	Power switch input terminal.
46	HPIN	Input terminal to detect the connection of headphone.

Operation	42	41
Stop	H	H
VOLUME UP	H	L
VOLUME DOWN	L	H

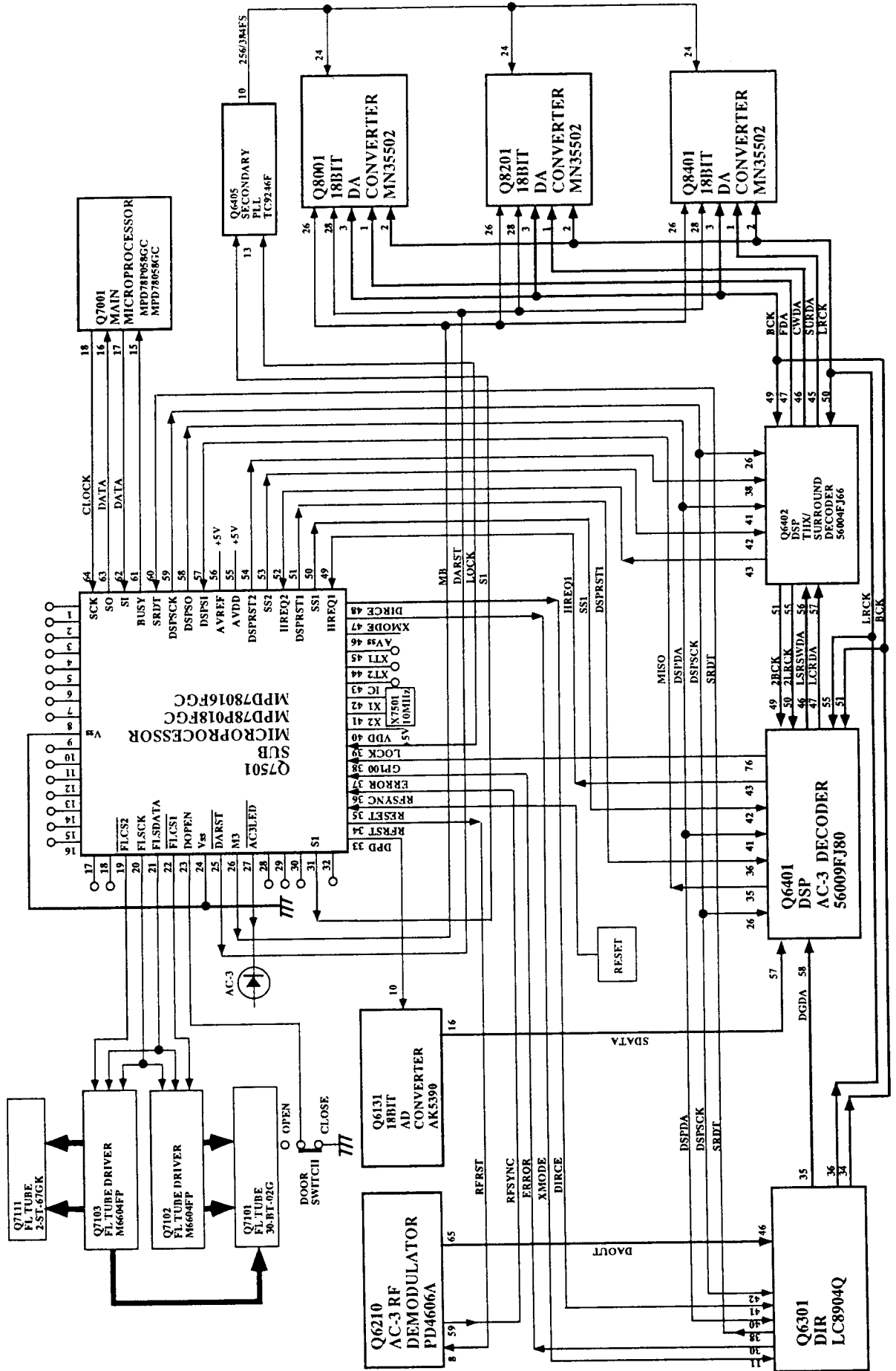


PIN NO.	TERMINAL	DESCRIPTION
47	CWSTB	Strobe output terminal to connect to the terminal STB of electro volume
48	FSTB	Strobe output terminal to connect to the terminal STB of electro volume
49	MRSTB	Strobe output terminal to connect to the terminal STB of electro volume
50	ADATA	Data output terminal
51	FUNC1	Strobe output terminal
52	ACL	Clock output terminal
53	PLL	Output terminal TOY connect the terminal CE of PLL IC
54	PROTECT2	Thermal detector input terminal
55	SPBRL	Speaker B relay control output terminal
56	PROTECT1	Detector input terminal of protection circuit for abnormal voltage or current.
57		Not used
58	STEREO	Stereo broadcast detection input terminal
59	SYSOUT	System code output terminal
60	RESET	System reset input terminal
61	REMIN	Remote control signal input terminal
62	SYSIN	System code input terminal
63	VSYNC	Vertical synchronizing signal input terminal
64	RDSSCK	Clock input terminal from RDS decoder
65	POFF	Power failure detection input terminal
66	RDSSIG	Detector input terminal of RDS broadcast
67	RDSDATA	Data input terminal from RDS decoder
68	VDD	Positive power supply terminal
69	X2	Ceramic oscillator connection terminal for main system clock
70	X1	Connect 5MHz ceramic resonator across the terminals X1 and X2.
71	IC	Internal connection terminal
72	XT2	Crystal connection terminal for sub system
73	XT1	Crystal connection terminal for sub system
74	AVDD	Power supply terminal for A/D converter
75	AVREF	Reference voltage input terminal for A/D converter
76	VOLP	Position detector input terminal for Master volume
77	IPM	Operation detection input terminal for Intelligent power management
78	K0	Operation switch connection terminal
79	K1	Operation switch connection terminal
80	K2	Operation switch connection terminal

## Initializing input

Function	Descriptions					
BAND0	Initializing terminal to set the region of FM/AM band.					
BAND1	BAND0	BAND1	Region	Band	Frequency range	Channel space
	0	0	U.S.A	FM	87.50-108.00MHz	50kHz
			model	AM	530-1710kHz	10kHz
	0	1	Japanese	FM	76.0-90MHz	100kHz
			model	AM	522-1629kHz	9kHz
	1	0	Worldwide	FM	87.50-108.00MHz	50kHz
			model	AM	531-1602kHz	9kHz
	1	1	European	FM	87.50-108.00MHz	50kHz
			model	AM	522-1611kHz	9kHz
RDSEN	Initializing terminal to set the RDS function.					
	RDSEN	Function				
	0	Don't use				
	1	Use				
AUTONP	Initializing terminal to switch of NTSC or PAL					
	AUTONP	NTSC/PAL				
	0	NTSC				
	1	Automatic				

**MICROPROCESSOR-CONNECTION DIAGRAM  
SUB MICROPROCESSOR**



## MICROPROCESSOR-TERMINAL DESCRIPTION

PIN NO.	TERMINAL	DESCRIPTION
1-8	NC	
9	VSS	Ground terminal
10-18	NC	
19	FLCS2	Chip select output terminal to connect to the terminal CS for FL tube driver IC.
20	FLSCK	Clock output terminal to connect to the terminal SCK for FL tube driver IC.
21	FLSDATA	Data output terminal to connect to the terminal SDATA for FL tube driver IC.
22	FLCS2	Chip select output terminal to connect to the terminal CS for FL tube driver IC.
23	DOPEN	Detection input terminal for door switch This terminal becomes the high level when the door is opened and FL tube lights on.
24	VSS	Ground terminal
25	DARST	Reset output terminal for D/A converter
26	M3	Output terminal to connect to the terminal M3 for D/A converter MN35502.
27	AC-3LED	AC-3 indicator output terminal
28-30	NC	
31	S1	Output terminal to connect to the terminal S1 for clock generation IC.
32	NC	
33	DPD	Digital power down control output terminal.
34	RFRST	System reset output terminal for AC-3 RF demodulator.
35	RERST	System reset input terminal
36	RFSYNC	Synchronizing detection input terminal for AC-3 RF demodulator
37	ERROR	Input terminal to connect of the terminal ERROR of DIR IC
38	GPI00	Input terminal to connect to the terminal GPI00 of DSP IC
39	LOCK	Input terminal to connect to the terminal LOCK of clock generator IC
40	VDD	Positive power supply terminal
41	X2	Ceramic oscillator connection terminals for main system clock
42	X1	Connect the 10MHz ceramic resonator across the both terminals
43	IC	Internal connection terminal
44	XT2	Ceramic oscillator connection terminals for sub system clock
45	XT1	Not used
46	AVSS	Ground terminal for A/D converter
47	XMODE	Reset output terminal to connect to the terminal XMODE OF DIR IC
48	DIRCE	Chip enable output terminal to connect to the terminal CE of DIR IC
49	HREQ1	Request input terminal to connect to the terminal HREQ of DSP IC
50	SS1	Output terminal to connect to the terminal SS of DSP IC
51	DSPRST1	Reset output terminal to connect to the terminal RESET of DSP IC
52	HREQ2	Request input terminal to connect to the terminal HREQ of DSP IC
53	SS2	Output terminal to connect to the terminal SS of DSP IC
54	DSPRST2	Reset output terminal to connect to the terminal RESET of DSP IC
55	AVDD	Power supply terminal for A/D converter
56	AVREF	Reference voltage input terminal for A/D converter
57	DSPSI	Input terminal to connect to the terminal MISO of DSP IC
58	DSPSO	Output terminal to connect to the terminal MOSI of DSP ICs and DI of DIR IC
59	DSPSCK	Clock output terminal to connect to the terminal SCK of DSP ICs and CL of DIR IC
60	SRDT	Input terminal to connect to the terminal SRDT of DIR IC
61	BUSY	Busy output terminal to connect to the terminal of main microprocessor
62	SI	Data input terminal to connect to the terminal SO of main microprocessor
63	SO	Data output terminal to connect to the terminal SI of main microprocessor
64	SCK	Clock input terminal to connect to the terminal of main microprocessor

fs	M3	XIN clock
32k	H	384fs
44.1k	L	256fs
48k	L	256fs

fs	S1	CKO output
32k	H	384fs
44.1k	L	256fs
48k	L	256fs

## PRINTED CIRCUIT BOARD-PARTS LIST

## MAIN PC BOARD (NAAR-5829-1A/1B/1C/1D)

CIRCUIT NO.	PART NO.	DESCRIPTION	CIRCUIT NO.	PART NO.	DESCRIPTION
	<b>ICs</b>			<b>Plugs</b>	
Q2901	22240798	TC9162AN	P3214a,P9601a	25055409	NPLG-7P391
Q3501	22240312	NJM4580L-D	P6201a~P6203a	25055412	NPLG-10P394
Q7001	22241042	MPD780P058GC	P7401a	25055412	NPLG-10P394
Q9301,Q9303	222780055	78M05HF	JL331b	25055630	NPLG-9P592
Q9302	222790055	79M05HF	JL481b,JL701b	25055626	NPLG-5P588
Q9304~Q9306	222790055	79M05HF		<b>Sockets</b>	
	<b>Transistors</b>		JL932a	25051094	NSCT-10P881
Q2902~Q2904	2213631 or 2213632	RN1241-A or RN1241-B	JL931a	25051096	NSCT-12P883
Q2911	2213284 or 2212115	2SC1740S-R or 2SC2458-GR	P7101a	25050965	NSCT-25P752
Q7002	221282 or 2213560	DTC144ES or RN1204		<b>Tapping screws</b>	
Q7003	2213510 or 2214350	DTA114ES or RN2202	Q9301b~Q9303b	838430107	3TTB+10S(BC)
Q9601	2211255	2SC1815-GR		<b>Radiators</b>	
Q9602	2213640 or 2214660	DTC123JS or RN1205	Q9301a~Q9303a	27160209	RAD-67
	<b>Diodes</b>				
D2911,D2912	223205 or	1SS270A or	<b>DISPLAY A PC BOARD (NADIS-5830-1A/1B/1C)</b>		
D3501,D3502	223163	1SS133	<b>CIRCUIT NO.</b>	<b>PART NO.</b>	<b>DESCRIPTION</b>
D7001~D7005	223222	WG713A	Q7101	<b>FL tube</b> 212154	30-BT-02G
D2913,D9604	224470623	MTZJ6.2C, Zener	Q7102,Q7103	<b>ICs</b> 22240685R9	M66004FP
D7006	224470562	MTZJ5.6B, Zener	Q7104	<b>Transistors</b> 2213284 or 2212115	2SC1740S-R or 2SC2458-GR
D7007	223205 or	1SS270A or	Q7131~Q7134	2213354 or	2SA933S-R or
D9601~D9603	223163	1SS133	Q7133	2212125	2SA1048-GR
D7008	224470472	WG713A		<b>Diodes</b>	
	<b>Coil</b>	MTZJ4.7B, Zener	D7101	224471303	MTZJ13C, Zener
L7001	233454K220	NCH-1452, 220K, Chock	D7102~D7104	223205,	1SS270A,
	<b>Resonator</b>		D7129~D7132	223163 or 223222	1SS133 or WG713A
X7001	3010242	CST5.00MGW, Ceramic	D7111	225142	SEL2913K, LED
	<b>Capacitors</b>		D7133~D7144	225259	SEL2910A, LED
C2911	393341017	100 $\mu$ F $\pm$ 5%, 16V, Plastic	D7151~D7163	225137CG	SEL2413E, LED <B>
C3501,C3503	393341007	10 $\mu$ F $\pm$ 5%, 16V, Plastic	D7151~D7163	225142	SEL2913K, LED <G>
C3504,C3506	393341007	10 $\mu$ F $\pm$ 5%, 16V, Plastic		<b>Capacitors</b>	
C3508	374721034	0.01 $\mu$ F $\pm$ 5%, 50V, Plastic	C7101	393381007	10 $\mu$ F, 50V, Elect.
C3509,C7007	393341007	10 $\mu$ F $\pm$ 5%, 16V, Plastic	C7103~C7105	375524744	0.47 $\mu$ F $\pm$ 5%, 50V, Plastic
C7001,C7004	393321017	100 $\mu$ F $\pm$ 5%, 6.3V, Plastic	C7106,C7111	393321017	100 $\mu$ F, 6.3V, Elect.
C7002	3000076 or 3000078	EECS5R5T104 or DX-5R5L104, Super	C7107,C7116	375524744	0.47 $\mu$ F $\pm$ 5%, 50V, Plastic
C7003	375524744	0.47 $\mu$ F $\pm$ 5%, 50V, Plastic	C7118	374721044	0.1 $\mu$ F $\pm$ 5%, 50V, Plastic
C7004	393321017	100 $\mu$ F $\pm$ 5%, 6.3V, Plastic		<b>Resistors</b>	
C7005	393380107	1 $\mu$ F $\pm$ 5%, 50V, Plastic	R7106	49163103415	RM1/10IJ, 10K*15, Array
C9309,C9310	393341007	10 $\mu$ F $\pm$ 5%, 16V, Plastic	R7401	5141002	N16RM20KB25F, Variable
C9313,C9314	393341007	10 $\mu$ F $\pm$ 5%, 16V, Plastic		<b>Switches</b>	
C9317,C9318	393341007	10 $\mu$ F $\pm$ 5%, 16V, Plastic	S7103	25065344	NSS-12134, Slide
C9601	393354717	470 $\mu$ F $\pm$ 5%, 25V, Plastic	S7202~S7214	25035652	NPS-111-S604, Push
	<b>Resistors</b>			<b>Sockets</b>	
R2901	49163103406	RM1/10IJ, 10K*6, Array	P7101	25050931	NSCT-25P718
R2902	49163103406	RM1/10IJ, 10K*6, Array	P7202,P7203	25051554	NSCT-14P1341
R2911	443522204	22 $\Omega$ $\pm$ 5%, 1/2W, Metal oxide	P7204,P7205	25051551	NSCT-8P-1338
R9303~R9308	453530104	1 $\Omega$ $\pm$ 5%, 1/2W, Metal		<b>Plug</b>	
R9601	443522204	22 $\Omega$ $\pm$ 5%, 1/2W, Metal oxide	JL711b	25055632	NPLG-11P594
R9602	443523314	330 $\Omega$ $\pm$ 5%, 1/2W, Metal oxide		<b>Holders</b>	
R9605	453532294	0.22 $\Omega$ $\pm$ 5%, 1/2W, Metal	Q7101a	27190987	FL
	<b>Plugs</b>		D7111a	27190498	LED
P1201a	25055417	NPLG-15P399	D7133a~D7144a	27190988A	LED
P2011a~P2013a	25055412	NPLG-10P394	D7151a	27190986	SEL
P2511a,P3011a	25055412	NPLG-10P394			
P2512a	25055409	NPLG-7P391	<b>DISPLAY B PC BOARD (NADIS-5831-1A/1B/1C)</b>		
P3012a,P3212a	25055412	NPLG-10P394	<b>CIRCUIT NO.</b>	<b>PART NO.</b>	<b>DESCRIPTION</b>
P3013a,P3014a	25055409	NPLG-7P391	Q7111	212155	2-ST-67GK, FL tube
P3211a,P3213a	25055409	NPLG-7P391	Q7111a	27190943	Holder FL
			P7201	25051815	NSCT-8P1602, Socket
			P7202a,P7203a	25055861	NPLG-14P817, Plug
			P7204a,P7205a	25055842	NPLG-8P798, Plug

**POWER SWITCH PC BOARD (NASW-5832-1A/1B/1C)**

CIRCUIT NO.	PART NO.	DESCRIPTION
	<b>Remote sensor</b>	
U7121	24130011	PIC-12043TE2
	<b>Diodes</b>	
D7112~D7114	225291D	SEL4910D-D, LED
D7115	223205,	1SS270A,
	223163 or	1SS133 or
	223222	WG713A <P>
D7121~D7123	223205,	1SS270A,
	223163 or	1SS133 or
	223222	WG713A
	<b>Capacitor</b>	
C7121	393341007	10 $\mu$ F, 16V, Elect.
	<b>Switches</b>	
S7101	25035653	NPS-122-L605, Push <P>
S7201	25035652	NPS-111-S604, Push <D>
	<b>Plug</b>	
P7102	25055225	NPLG-3P209
	<b>Socket</b>	
JL711a	25051095	NSCT-11P882

**VIDEO 7 TERMINAL PC BOARD (NAETC-5833-1A/1B/1C)**

CIRCUIT NO.	PART NO.	DESCRIPTION
	<b>Capacitors</b>	
C3216,C3316	374721515	150pF $\pm$ 10%, 50V, Plastic <D>
C3216,C3316	374724714	470pF $\pm$ 5%, 50V, Plastic <P>
	<b>Sockets</b>	
JL331a	25051093	NSCT-9P880
P2505	25051569	NSCT-4P1356
	<b>Terminal</b>	
P3204	25045402	NPJ-3PDBL227

**MIC. CIRCUIT PC BOARD (NAETC-5834-1A/1B/1C)**

CIRCUIT NO.	PART NO.	DESCRIPTION
Q7151	22240312	NJM4580L-D, IC
C7151	355741009	10 $\mu$ F, 16V, Elect. capacitor
C7152	374721024	1000pF $\pm$ 5%, 50V, Plastic capacitor
C7153,C7155	355721019	100 $\mu$ F, 6.3V, Elect. capacitor
C7154,C7156	374721515	150pF $\pm$ 10%, 50V, Plastic capacitor
C7157	355780479	4.7 $\mu$ F, 50V, Elect. capacitor
C7158	355744709	47 $\mu$ F, 16V, Elect. capacitor
P7151	25045487	LGT1516-0100, Terminal
JL701a	25051089	NSCT-5P876, Socket

**VOLUME CONTROL PC BOARD (NAETC-5835-1A/1B/1C)**

CIRCUIT NO.	PART NO.	DESCRIPTION
Q7401	22240239	TA7291S, IC
C7401	393321017	100 $\mu$ F, 6.3V, Elect. capacitor
P7401	25050678	NSCT-10P482, Socket

**HEADPHONE TERMINAL PC BOARD (NAETC-5836-1A/1B/1C)**

CIRCUIT NO.	PART NO.	DESCRIPTION
P4801	25045385	YKB26-5153, Hedphone terminal
JL481a	25051089	NSCT-5P876, Socket

**AUDIO TERMINAL PC BOARD (NAAF-5837-1A/1B)**

CIRCUIT NO.	PART NO.	DESCRIPTION
	<b>ICs</b>	
Q4111	22240312	NJM4580L-D
Q4121,Q4122	22240312	NJM4580L-D
Q4201	22240800	TC9164AN
Q3001~Q3004	22240191	NJM4565D-D
Q3005	22240800	TC9164AN
Q3006	22240798	TC9162AN
Q4001	22240799	TC9163AN
Q4011	22240312	NJM4580L-D

CIRCUIT NO.	PART NO.	DESCRIPTION
Q4021,Q4022	22240312	NJM4580L-D
Q4023	22240266	TC9213P
Q4024	22240219	LC7522
Q4211,Q4251	22240312	NJM4580L-D
Q4223	22240266	TC9213P
Q4311	22240312	NJM4580L-D
Q4801	22240312	NJM4580L-D
	<b>Transistors</b>	
Q4042	2213631 or	RN1241-A or
Q4052,Q4053	2213632	RN1241-B
Q4071,Q4271	2213510 or	DTA114ES or
	2214350	RN2202
Q4072,Q4272	221282 or	DTC144ES or
	2231560	RN1204
Q4142	2213631 or	RN1241-A or
Q4152,Q4153	2213632	RN1241-B
Q4242,Q4252	2213631 or	RN1241-A or
Q4253	2213632	RN1241-B
Q4341,Q4342	2213631 or	RN1241-A or
Q4352,Q4353	2213632	RN1241-B
Q4811,Q4812	2213631 or	RN1241-A or
Q4911,Q4912	2213632	RN1241-B
	<b>Capacitors</b>	
C3001	374721015	100pF $\pm$ 10%, 50V, Plastic <D/T>
C4013,C4029	374721015	100pF $\pm$ 10%, 50V, Plastic
C4041,C4113	374721015	100pF $\pm$ 10%, 50V, Plastic
C4129,C4141	374721015	100pF $\pm$ 10%, 50V, Plastic
C4241,C4341	374721015	100pF $\pm$ 10%, 50V, Plastic
C5001,C5101	374721015	100pF $\pm$ 10%, 50V, Plastic <D/T>
C5201,C5301	374721015	100pF $\pm$ 10%, 50V, Plastic <D/T>
C5401	374721015	100pF $\pm$ 10%, 50V, Plastic <D/T>
C4028,C4128	374721034	0.01 $\mu$ F $\pm$ 5%, 50V, Plastic
C4026,C4126	374721044	0.1 $\mu$ F $\pm$ 5%, 50V, Plastic
C3008,C3011	374721515	150pF $\pm$ 10%, 50V, Plastic <D/T>
C3014,C3108	374721515	150pF $\pm$ 10%, 50V, Plastic <D/T>
C3111,C3114	374721515	150pF $\pm$ 10%, 50V, Plastic <D/T>
C3201	374721515	150pF $\pm$ 10%, 50V, Plastic <D/T>
C3003,C3103	374721524	1500pF $\pm$ 5%, 50V, Plastic <P/K>
C3006,C3106	374721824	1800pF $\pm$ 5%, 50V, Plastic
C3001,C3101	374722215	220pF $\pm$ 10%, 50V, Plastic <P/K>
C4025,C4053	374722224	2200pF $\pm$ 5%, 50V, Plastic
C4125,C4153	374722224	2200pF $\pm$ 5%, 50V, Plastic
C4253,C4353	374722224	2200pF $\pm$ 5%, 50V, Plastic
C4353	374722224	2200pF $\pm$ 5%, 50V, Plastic
C4027,C4127	374722724	2700pF $\pm$ 5%, 50V, Plastic
C3008,C3011	374724714	470pF $\pm$ 5%, 50V, Plastic <P/K>
C3014,C3108	374724714	470pF $\pm$ 5%, 50V, Plastic <P/K>
C3111,C3114	374724714	470pF $\pm$ 5%, 50V, Plastic <P/K>
C3201	374724714	470pF $\pm$ 5%, 50V, Plastic <P/K>
C5001,C5101	374724714	470pF $\pm$ 5%, 50V, Plastic <P/K>
C5201,C5301	374724714	470pF $\pm$ 5%, 50V, Plastic <P/K>
C5301,C5401	374724714	470pF $\pm$ 5%, 50V, Plastic <P/K>
C3005,C3105	374726824	6800pF $\pm$ 5%, 50V, Plastic
C3004,C3104	393321017	100 $\mu$ F, 6.3V, Elect.
C3104	393321017	100 $\mu$ F, 6.3V, Elect.
C4803,C4903	393321017	100 $\mu$ F, 6.3V, Elect.
C4042,C4142	393324717	470 $\mu$ F, 6.3V, Elect.
C4242,C4342	393324717	470 $\mu$ F, 6.3V, Elect.
C3002,C3007	393341007	10 $\mu$ F, 16V, Elect.
C3009,C3012	393342207	22 $\mu$ F, 16V, Elect.
C3015	393342207	22 $\mu$ F, 16V, Elect.
C3051,C3052	393341007	10 $\mu$ F, 16V, Elect.
C3102,C3107	393341007	10 $\mu$ F, 16V, Elect.
C3109,C3112	393342207	22 $\mu$ F, 16V, Elect.
C3115	393342207	22 $\mu$ F, 16V, Elect.

CIRCUIT NO.	PART NO.	DESCRIPTION	CIRCUIT NO.	PART NO.	DESCRIPTION
	<b>Capacitors</b>			<b>Capacitors</b>	
C4012,C4020	393341007	10 $\mu$ F,16V, Elect.	C3208,C3211	374721515	150pF $\pm$ 10%,50V, Plastic <D/T>
C4022~C4024	393341007	10 $\mu$ F,16V, Elect.	C3208,C3211	374724714	470pF $\pm$ 5%,50V, Plastic <P/K>
C4071	393341007	10 $\mu$ F,16V, Elect.	C3212,C3215	393342207	22 $\mu$ F,16V, Elect.
C4091~C4095	393341007	10 $\mu$ F,16V, Elect.	C3214	374721515	150pF $\pm$ 10%,50V, Plastic <D/T>
C4112,C4120	393341007	10 $\mu$ F,16V, Elect.	C3214	374724714	470pF $\pm$ 5%,50V, Plastic <P/K>
C4122~C4124	393341007	10 $\mu$ F,16V, Elect.	C3217	393342207	22 $\mu$ F,16V, Elect.
C4191,C4192	393341007	10 $\mu$ F,16V, Elect.	C3301,C3303	374721515	150pF $\pm$ 10%,50V, Plastic <D/T>
C4123,C4124	393341007	10 $\mu$ F,16V, Elect.	C3301,C3303	374724714	470pF $\pm$ 5%,50V, Plastic <P/K>
C4191,C4192	393341007	10 $\mu$ F,16V, Elect.	C3302,C3304	393342207	22 $\mu$ F,16V, Elect.
C4220,C4271	393341007	10 $\mu$ F,16V, Elect.	C3305,C3308	374721515	150pF $\pm$ 10%,50V, Plastic <D/T>
C4291,C4292	393341007	10 $\mu$ F,16V, Elect.	C3305,C3308	374724714	470pF $\pm$ 5%,50V, Plastic <P/K>
C4320	393341007	10 $\mu$ F,16V, Elect.	C3306,C3309	393342207	22 $\mu$ F,16V, Elect.
C4391,C4392	393341007	10 $\mu$ F,16V, Elect.	C3311,C3314	374721515	150pF $\pm$ 10%,50V, Plastic <D/T>
C4801,C4802	393341007	10 $\mu$ F,16V, Elect.	C3311,C3314	374724714	470pF $\pm$ 5%,50V, Plastic <P/K>
C4811,C4812	393341007	10 $\mu$ F,16V, Elect.	C3312,C3315	393342207	22 $\mu$ F,16V, Elect.
C4901,C4902	393341007	10 $\mu$ F,16V, Elect.	C3317	393342207	22 $\mu$ F,16V, Elect.
C4043,C4052	393344707	47 $\mu$ F,16V, Elect.	C3401,C3402	393341007	10 $\mu$ F,16V, Elect.
C4143,C4152	393344707	47 $\mu$ F,16V, Elect.	C3403,C4442	393321017	100 $\mu$ F,6.3V,Elect.
C4243,C4252	393344707	47 $\mu$ F,16V, Elect.	C3404,C3411	393341007	10 $\mu$ F,16V, Elect.
C4343,C4352	393344707	47 $\mu$ F,16V, Elect.	C3412	393341007	10 $\mu$ F,16V, Elect.
C4011,C4021	393380227	2.2 $\mu$ F,50V, Elect.	C4420	393341007	10 $\mu$ F,16V, Elect.
C4051,C4111	393380227	2.2 $\mu$ F,50V, Elect.	C4421,C4451	393380227	2.2 $\mu$ F,50V, Elect.
C4121,C4151	393380227	2.2 $\mu$ F,50V, Elect.	C4422~C4424	393341007	10 $\mu$ F,16V, Elect.
C4221,C4251	393380227	2.2 $\mu$ F,50V, Elect.	C4425,C4453	374722224	2200pF $\pm$ 5%,50V, Plastic
C4321,C4351	393380227	2.2 $\mu$ F,50V, Elect.	C4426	374721044	0.1 $\mu$ F $\pm$ 5%,50V, Plastic
	<b>Resistors</b>		C4427	374722724	2700pF $\pm$ 5%,50V, Plastic
R4811,R4822	453530224	2.2 $\Omega$ $\pm$ 5%, 1/2W, Metal	C4428	374721034	0.01 $\mu$ F $\pm$ 5%,50V, Plastic
	<b>Terminals</b>		C4429,C4441	374721015	100pF $\pm$ 10%,50V, Plastic
P3001	25045482	NPJ-2PDBL300	C4443,C4452	393344707	47 $\mu$ F,16V, Elect.
P3002~P3004	25045483	NPJ-6PDBL301	C4461	375524744	0.47 $\mu$ F $\pm$ 5%,50V, Plastic
	<b>Sockets</b>		C4471	393341007	10 $\mu$ F,16V, Elect.
JL541b	25050280	NSCT-3P108	C4491~C4497	393341007	10 $\mu$ F,16V, Elect.
P3011,P3012	25050678	NSCT-10P482	C4520,C4522	393341007	10 $\mu$ F,16V, Elect.
P3013,P3014	25050675	NSCT-7P479	C4521,C4551	393380227	2.2 $\mu$ F,50V, Elect.
P5001	2009990428	NSAS-18P0572	C4523,C4571	393341007	10 $\mu$ F,16V, Elect.
			C4529	374721024	1000pF $\pm$ 5%,50V, Plastic
			C4541,C4641	374721015	100pF $\pm$ 10%,50V, Plastic
			C4542	393324717	470 $\mu$ F,6.3V, Elect.
			C4543,C4552	393344707	47 $\mu$ F,16V, Elect.
			C4553	374722224	2200pF $\pm$ 5%,50V, Plastic
			C4554	374721024	1000pF $\pm$ 5%,50V, Plastic
			C4591,C4592	393341007	10 $\mu$ F,16V, Elect.
			C4620,C4621	393341007	10 $\mu$ F,16V, Elect.
			C4643,C4652	393344707	47 $\mu$ F,16V, Elect.
			C4651,C4671	393341007	10 $\mu$ F,16V, Elect.
			C4691,C4692	393341007	10 $\mu$ F,16V, Elect.
			C4720,C4721	393341007	10 $\mu$ F,16V, Elect.
			C4741	374721015	100pF $\pm$ 10%,50V, Plastic
			C4743,C4752	393344707	47 $\mu$ F,16V, Elect.
			C4751	393341007	10 $\mu$ F,16V, Elect.
				<b>Resistors</b>	
			R3401,R3402	5210240	N06HR10KBE, Trimming
				<b>Terminals</b>	
			P3201~P3203	25045483	NPJ-6PDBL301
			P3204	25045490	NPJ-4PDBL307
				<b>Sockets</b>	
			JL541a	25051107	NSCT-3P894
			JL561a	25051087	NSCT-3P874
			P3211	25050675	NSCT-7P479
			P3212	25050678	NSCT-10P482
			P3213,P3214	25050675	NSCT-7P479
				<b>Capacitors</b>	
C3202,C3204	393342207	22 $\mu$ F,16V, Elect.			
C3203,C3205	374721515	150pF $\pm$ 10%,50V, Plastic <D/T>			
C3203,C3205	374724714	470pF $\pm$ 5%,50V, Plastic <P/K>			
C3206,C3209	393342207	22 $\mu$ F,16V, Elect.			

## VIDEO CIRCUIT PC BOARD (NAVD-5839-1A/1B/1C/1D)

CIRCUIT NO.	PART NO.	DESCRIPTION
	<b>ICs</b>	
Q2001,Q2002	222840511	4051B
Q2011,Q2111	22240401	MC14577A
Q2151	22240401	MC14577A
Q2201	22241037	LC74761-9189
Q2951,Q2952	22240799	TC9163AN
	<b>Transistors</b>	
Q2012,Q2022	2213284 or	2SC1740S-R or
Q2112,Q2101	2212115	2SC2458-GR
Q2013,Q2023	2213354 or	2SA933S-R or
Q2113	2212125	2SA1048-GR
Q2041~Q2044	2213631 or	RN1241-A or
Q2051~Q2054	2213632	RN1241-B
Q2061~Q2064	2213631 or	RN1241-A or
Q2071~Q2074	2213632	RN1241-B
Q2081~Q2084	2213631 or	RN1241-A or
Q2091,Q2092	2213632	RN1241-B
Q2121,Q2132	2213284 or	2SC1740S-R or
Q2141	2212115	2SC2458-GR
Q2133,Q2153	2213354 or	2SA933S-R or
	2212125	2SA1048-GR
Q2152,Q2181	2213284 or	2SC1740S-R or
Q2191,Q2202	2212115	2SC2458-GR
Q2182,Q2192	221282 or	DTC144ES or
	2213560	RN1204
Q2203,Q2204	2213631 or	RN1241-A or
Q2581,Q2582	2213632	RN1241-B
Q2252,Q2522	2213284 or	2SC1740S-R or
Q2622	2212115	2SC2458-GR
Q2253,Q2523	2213354 or	2SA933S-R or
Q2623	2212125	2SA1048-GR
Q2591,Q2681	2213631 or	RN1241-A or
Q2682,Q2691	2213632	RN1241-B
	<b>Diodes</b>	
D2012,D2013	223205,	1SS270A,
D2022,D2023	223163 or	1SS133 or
D2112,D2113	223222	WG713A
D2132,D2133	223205,	1SS270A,
D2152,D2153	223163 or	1SS133 or
D2181,D2182	223222	WG713A
D2191,D2192	223205,	1SS270A,
D2201,D2252	223163 or	1SS133 or
D2253,D2522	223222	WG713A
D2523,D2622	223205,	1SS270A,
D2623	223163 or	1SS133 or
	223222	WG713A
	<b>Resonator</b>	
X2201	3010167	XTL-14.32M, Crystal
X2202	3010238	XTL-17.73M, Crystal <P/K>
	<b>Coils</b>	
L2201,L2203	233454K220	NCH-1452, 220K, Chock
L2202	233454K056	NCH-1452, 056K, Chock
	<b>Capacitors</b>	
C2003,C2004	354724719	470 $\mu$ F,6.3V,Elect.
C2011,C2013	354721019	100 $\mu$ F,6.3V,Elect.
C2014,C2021	354721019	100 $\mu$ F,6.3V,Elect.
C2023,C2024	354721019	100 $\mu$ F,6.3V,Elect.
C2031,C2222	375524744	0.47 $\mu$ F $\pm$ 5%,50V, Plastic
C2111,C2113	354721019	100 $\mu$ F,6.3V,Elect.
C2114,C2131	354721019	100 $\mu$ F,6.3V,Elect.
C2133,C2134	354721019	100 $\mu$ F,6.3V,Elect.
C2151,C2153	354721019	100 $\mu$ F,6.3V,Elect.
C2154,C2161	354721019	100 $\mu$ F,6.3V,Elect.
C2162,C2221	354721019	100 $\mu$ F,6.3V,Elect.
C2181,C2191	354780229	2.2 $\mu$ F,50V,Elect.

CIRCUIT NO.	PART NO.	DESCRIPTION
	<b>Capacitors</b>	
C2182,C2192	354784799	0.47 $\mu$ F,50V,Elect.
C2183,C2193	354741009	10 $\mu$ F,16V,Elect.
C2209,C2216	354780109	1 $\mu$ F,50V,Elect.
C2211	354741009	10 $\mu$ F,16V,Elect.
C2213,C2220	354784799	0.47 $\mu$ F,50V,Elect.
C2214	374721224	1200pF $\pm$ 5%,50V, Plastic
C2215	374726824	6800pF $\pm$ 5%,50V, Plastic
C2217	374722234	0.022 $\mu$ F $\pm$ 5%,50V, Plastic
C2223,C2226	354721019	100 $\mu$ F,6.3V,Elect.
C2251,C2253	354721019	100 $\mu$ F,6.3V,Elect.
C2254	354721019	100 $\mu$ F,6.3V,Elect.
C2501,C2502	354721019	100 $\mu$ F,6.3V,Elect.
C2623,C2624	354721019	100 $\mu$ F,6.3V,Elect.
C2951,C2952	354741009	10 $\mu$ F,16V,Elect.
	<b>Resistors</b>	
R2019,R2020	453530474	4.7 $\Omega$ $\pm$ 5%, 1/2W, Metal
R2029,R2030	453530474	4.7 $\Omega$ $\pm$ 5%, 1/2W, Metal
R2119,R2120	453530474	4.7 $\Omega$ $\pm$ 5%, 1/2W, Metal
R2139,R2140	453530474	4.7 $\Omega$ $\pm$ 5%, 1/2W, Metal
R2159,R2160	453530474	4.7 $\Omega$ $\pm$ 5%, 1/2W, Metal
R2259,R2260	453530474	4.7 $\Omega$ $\pm$ 5%, 1/2W, Metal
R2529,R2530	453530474	4.7 $\Omega$ $\pm$ 5%, 1/2W, Metal
R2629,R2630	453530474	4.7 $\Omega$ $\pm$ 5%, 1/2W, Metal
R2951~R2954	49163104408	RM1/10IU, 100K*8, Array
	<b>Terminals</b>	
P2001,P2002	25045416	NPJ-4PDBL241
P2003	25045484	NPJ-3PDBL302
	<b>Sockets</b>	
P2011~P2013	25050678	NSCT-10P482
P2521	25050678	NSCT-10P482
P2522	25050675	NSCT-7P479

## S VIDEO TERMINAL PC BOARD (NAVD-5840-1A/1B/1C/1D)

CIRCUIT NO.	PART NO.	DESCRIPTION
	<b>ICs</b>	
Q2501,Q2502	222840511	4051B
Q2511,Q2521	22240401	MC14577A
Q2601,Q2602	222840511	4051B
	<b>Transistors</b>	
Q2512,Q2522	2213284 or	2SC1740S-R or
Q2612	2212115	2SC2458-GR
Q2513,Q2523	2213354 or	2SA933S-R or
Q2613	2212125	2SA1048-GR
Q2541,Q2542	2213631 or	RN1241-A or
Q2551,Q2552	2213632	RN1241-B
Q2561,Q2562	2213631 or	RN1241-A or
Q2571,Q2572	2213632	RN1241-B
Q2641,Q2642	2213631 or	RN1241-A or
Q2651,Q2652	2213632	RN1241-B
Q2661,Q2662	2213631 or	RN1241-A or
Q2671,Q2672	2213632	RN1241-B
	<b>Diodes</b>	
D2512,D2513	223205,	1SS270A,
D2612,D2613	223163 or	1SS133 or
	223222	WG713A
	<b>Capacitors</b>	
C2511,C2513	354721019	100 $\mu$ F,6.3V,Elect.
C2514,C2521	354721019	100 $\mu$ F,6.3V,Elect.
C2523,C2524	354721019	100 $\mu$ F,6.3V,Elect.
C2613,C2614	354721019	100 $\mu$ F,6.3V,Elect.
	<b>Resistors</b>	
R2519,R2520	453530474	4.7 $\Omega$ $\pm$ 5%, 1/2W, Metal
R2619,R2620	453530474	4.7 $\Omega$ $\pm$ 5%, 1/2W, Metal

CIRCUIT NO.	PART NO.	DESCRIPTION	CIRCUIT NO.	PART NO.	DESCRIPTION
P2021,P2511	25050678	NSCT-10P482	C5002,C5102	393381007	10 $\mu$ F,50V, Elect.
P2022,P2512	25050675	NSCT-7P479	C5003,C5103	372124705	47pF $\pm$ 10%,50V, Styrene
P2501	25051748	NSCT-8P1535	C5005,C5105	374723315	330pF $\pm$ 10%,50V, Plastic
P2502~P2504	25051568	NSCT-12P1355	C5008,C5108	363150502	5pF, 500V, Mica
<b>TERMINAL PC BOARD (NAETC-5841-1A/1B/1C/1D)</b>			C5010,C5011	374721015	100pF $\pm$ 10%,50V, Plastic
CIRCUIT NO.	PART NO.	DESCRIPTION	C5012,C5112	393342217	220 $\mu$ F,16V, Elect.
P2021a,P2521a	25055412	NPLG-10P394, Plug	C5013,C5113	393341007	10 $\mu$ F,16V, Elect.
P2022a,P2522a	25055409	NPLG-7P391, Plug	C5014,C5015	354700109	1 $\mu$ F,160V,Elect.
<b>POWER SUPPLY CIRCUIT PC BOARD (NAPS-5843-1A/1B/1D)</b>			C5110,C5111	374721015	100pF $\pm$ 10%,50V, Plastic
CIRCUIT NO.	PART NO.	DESCRIPTION	C5016,C5116	393344717	470 $\mu$ F,16V, Elect.
U6901,U6902	24120034	TORX178	C5114,C5115	354700109	1 $\mu$ F,160V,Elect.
Q9201	222780125NEC	MPC78M12AHF	C5202,C5302	393381007	10 $\mu$ F,50V, Elect.
Q9211	222780565JRC	NJM78M56FA	C5203,C5303	372124705	47pF $\pm$ 10%,50V, Styrene
Q9202	222790125JRC	NJM79M12FA	C5205,C5305	374723315	330pF $\pm$ 10%,50V, Plastic
Q5001,Q5101	2215427 or	2SC5169-G or	C5208,C5308	363150502	5pF, 500V, Mica
Q5201,Q5301	2215428	2SC5169-H	C5210,C5211	374721015	100pF $\pm$ 10%,50V, Plastic
Q5002,Q5003	2211353 or	2SA949-O or	C5212,C5312	393342217	220 $\mu$ F,16V, Elect.
Q5005,Q5102	2211354	2SA949-Y	C5213,C5313	393341007	10 $\mu$ F,16V, Elect.
Q5004,Q5104	2211633 or	2SC2229-O or	C5214,C5215	354700109	1 $\mu$ F,160V,Elect.
Q5204,Q5304	2211634	2SC2229-Y	C5310,C5311	374721015	100pF $\pm$ 10%,50V, Plastic
Q5006,Q5106	2211732 or	2SC1845-F or	C5216,C5316	393344717	470 $\mu$ F,16V, Elect.
Q5206,Q5306	2211733	2SC1845-E	C5314,C5315	354700109	1 $\mu$ F,160V,Elect.
Q5007,Q5107	2212115 or	2SC2458-GR or	C5402	393381007	47pF $\pm$ 10%,50V, Styrene
Q5207,Q5307	2213284	2SC1740S-R	C5403	372124705	330pF $\pm$ 10%,50V, Plastic
Q5103,Q5105	2211353 or	2SA949-O or	C5405	374723315	5pF, 500V, Mica
Q5202,Q5203	2211354	2SA949-Y	C5408	363150502	100pF $\pm$ 10%,50V, Plastic
Q5205,Q5302	2211353 or	2SA949-O or	C5410,C5411	374721015	220 $\mu$ F,16V, Elect.
Q5303,Q5305	2211354	2SA949-Y	C5412	393342217	10 $\mu$ F,16V, Elect.
Q5401	2215427 or	2SC5169-G or	C5413	393341007	1 $\mu$ F,160V,Elect.
Q5402,Q5403	2211353 or	2SC5169-H	C5414,C5415	354700109	470 $\mu$ F,16V, Elect.
Q5405	2211354	2SA949-O or	C5416	393344717	0.47 $\mu$ F $\pm$ 5%,50V, Plastic
Q5404	2211633 or	2SA949-Y	C6901,C6903	375524744	100 $\mu$ F,6.3V,Elect.
Q5406	2211634	2SC2229-O or	C6902,C6904	393321017	DE7150F103M, IS C
Q5407,Q9502	2211732 or	2SC2229-Y	C9001,C9002	3500191	4700 $\mu$ F,2.5V,Elect.
Q9512	2213284	2SC1845-F or	C9205	354754729	1000 $\mu$ F,3.5V,Elect.
Q6921,Q6922	2212125 or	2SC1845-E	C9206	354761029	10 $\mu$ F,16V, Elect.
Q9221	2201935 or	2SC2458-GR or	C9209,C9210	393341007	1000 $\mu$ F,2.5V,Elect.
Q9501,Q9511	2201936	2SC1740S-R	C9211	354751029	10 $\mu$ F,16V, Elect.
D5001,D5101	221282 or	2SA1048-GR or	C9213,C9511	393341007	100 $\mu$ F,50V,Elect.
D5201,D5301	2213560	2SA933S-R	C9221,C9222	354781019	100 $\mu$ F,50V,Elect.
D5401,D6911	223205,	2SB1186-E or	C9223,C9224	354780229	2.2 $\mu$ F,50V,Elect.
D6912,D6902	223163 or	2SB1186-F	C9301,C9302	374721044	0.1 $\mu$ F $\pm$ 5%,50V, Plastic
D9501,D9511	223222	DTC144ES or	C9305,C9306	354744729	4700 $\mu$ F,16V,Elect.
D9201~D9206	22380260,	RN1204	C9404	393342217	220 $\mu$ F,16V, Elect.
D9211,D9212	22380035 or	1SS270A,	R5008,R5009	443521024	1k $\Omega$ $\pm$ 5%, 1/2W, Metal oxide
D9221,D9222	22380046	1SS133 or	R5010~R5014	443521014	100 $\Omega$ $\pm$ 5%, 1/2W, Metal oxide
D9223	224473304	WG713A	R5022,R5122	5210257	N06HR500BC, Trimming
D9301	22380048	1SS270A,	R5026,R5027	453530224	2.2 $\Omega$ $\pm$ 5%, 1/2W, Metal
D9401~D9405	22380260,	1SS133 or	R5108,R5109	443521024	1k $\Omega$ $\pm$ 5%, 1/2W, Metal oxide
	22380035 or	WG713A	R5110~R5114	443521014	100 $\Omega$ $\pm$ 5%, 1/2W, Metal oxide
	22380046	RL1N4003,	R5126,R5127	453530224	2.2 $\Omega$ $\pm$ 5%, 1/2W, Metal
		GP104003E or	R5208,R5209	443521024	1k $\Omega$ $\pm$ 5%, 1/2W, Metal oxide
		AM01Z	R5210~R5214	443521014	100 $\Omega$ $\pm$ 5%, 1/2W, Metal oxide
		MTZJ33D, Zener	R5222,R5322	5210257	N06HR500BC, Trimming
		RBA402	R5226,R5227	453530224	2.2 $\Omega$ $\pm$ 5%, 1/2W, Metal
		RL1N4003,	R5308,R5309	443521024	1k $\Omega$ $\pm$ 5%, 1/2W, Metal oxide
		GP104003E or	R5310~R5314	443521014	100 $\Omega$ $\pm$ 5%, 1/2W, Metal oxide
		AM01Z	R5326,R5327	453530224	2.2 $\Omega$ $\pm$ 5%, 1/2W, Metal
			R5408,R5409	443521024	1k $\Omega$ $\pm$ 5%, 1/2W, Metal oxide
			R5410~R5414	443521014	100 $\Omega$ $\pm$ 5%, 1/2W, Metal oxide
			R5422	5210257	N06HR500BC, Trimming
			R5426,R5427	453530224	2.2 $\Omega$ $\pm$ 5%, 1/2W, Metal
			R9001	431533355	RC1/2GFK, 3.3M, Solid <D>
			R9002~R9004	4000148	M3R014C, Thermistor <D>



CIRCUIT NO.	PART NO.	DESCRIPTION	CIRCUIT NO.	PART NO.	DESCRIPTION
	<b>Resistors</b>			<b>Transistors</b>	
R9002,R9005	4000147	△ SSR114, Thermistor <P/K>	Q5260,Q5360	2211733	2SC1845-E
R9201,R9202	453532294	0.22Ω ± 5%, 1/2W, Metal	Q5152,Q5153	2212654	2SC3421-Y
R9203,R9206	453530104	1Ω ± 5%, 1/2W, Metal	Q5251,Q5351	2212864	2SC3419-Y
R9207,R9209	453630224	2.2Ω ± 5%, 1W, Metal	Q5252,Q5253	2212654	2SC3421-Y
R9208	453630824	8.2Ω ± 5%, 1W, Metal	Q5254,Q5354	2212644	2SA1358-Y
R9211	443621504	15Ω ± 5%, 1W, Metal oxide	Q5255,Q5355	2203000	2SA1930
R9221,R9222	453530824	8.2Ω ± 5%, 1/2W, Metal	Q5256,Q5356	2203010	2SC5171
R9231	453530224	2.2Ω ± 5%, 1/2W, Metal	Q5352,Q5353	2212654	2SC3421-Y
R9241	453532294	0.22Ω ± 5%, 1/2W, Metal	Q5451	2212864	2SC3419-Y
R9301,R9302	453532294	0.22Ω ± 5%, 1/2W, Metal	Q5452,Q5453	2212654	2SC3421-Y
R9401	453530824	8.2Ω ± 5%, 1/2W, Metal	Q5454	2212644	2SA1358-Y
	<b>Power transformers</b>		Q5455	2203000	2SA1930
T902	2300670	△ NPT-1111D <D>	Q5456	2203010	2SC5171
T902	2300671	△ NPT-1111P <P>	Q5459	2214975 or	2SA1123-S or
T902	2300672	△ NPT-1111DG <K>		2214974	2SA1123-R
	<b>Fuses</b>		Q5460	2211732 or	2SC1845-F or
F9001	252196	△ 12A-UL/T-237 <D/T>		2211733	2SC1845-E
F9002	252079	△ 6.3A-SE-EAK <P/A/K>	Q5601	2212445	2SK365-GR
F9003	252075	△ 2.5A-SE-EAK <P/A>	Q5602,Q5603	2213284 or	2SC1740S-R or
	<b>Fuseholders</b>			2212115	2SC2458-GR
F9001a	250113	△ S-N5051 <D>	Q5604,Q5605	221282 or	DTC144ES or
F9002a	25050065	△ YSH403T <P/K>	Q5631,Q5641	2213560	RN1204
F9003a	25050065	△ YSH403T <P>	Q5606	2202115 or	2SD2061-E or
	<b>Terminal</b>			2202116	2SD2061-F
P6901	25045486	NPJ-2PDBL304	Q5607	2213284 or	2SC1740S-R or
	<b>Plugs</b>		Q5621,Q5622	2212115	2SC2458-GR
JL501b	25055628	NPLG-7P590	Q5632,Q5642	2213284 or	2SC1740S-R or
JL502b,JL503b	25055630	NPLG-9P592		2212115	2SC2458-GR
JL504b,JL691b	25055628	NPLG-7P590			
JL931b	25055633	NPLG-12P595	D5051,D5151		<b>Diodes</b>
JL932b	25055631	NPLG-10P593	D5251,D5351	223163 or	1SS270A,
P5001a	25055139	NPLG-9P123	D5451,D5621	223222	1SS133 or
P9011a,P9311a	25055167	NPLG-4P151G	D5601,D5607	223205,	WG713A
P9211a	25055168	NPLG-5P152	D5631,D5633	223163 or	1SS270A,
	<b>Relays</b>		D5641,D5643	223222	1SS133 or
RL9001,RL9002	25065516 or	△ NRL-1P10A-DC12-097 or	D5608	224471303	WG713A
RL9003	25065248	△ NRL-1P15A-DC12-29 <D>	D9101	22380044	MTZJ13C, Zener
RL9001,RL9002	25065515 or	△ NRL-1P5A-DC12-096 or	D5609,D5610	22380260,	RBV-1506
RL9003	25065508	△ NRL-1P10A-DC12-093 <P/K>		22380035 or	RL1N4003,
	<b>Radiators</b>		D9103,D9104	22380046	GP104003E or
Q9201a,Q9202a	27160209	RAD-67		223208F	AM01Z
					#1 6A2
				<b>Cores</b>	
<b>AC OUTLET PC BOARD (NAETC-5844-1/5845-1)</b>			L5051,L5052	5597-45502	
<b>CIRCUIT NO.</b>	<b>PART NO.</b>	<b>DESCRIPTION</b>	L5151,L5152	5597-45502	
P9002	25051220	△ NSCT-6P1010, AC outlet <D>	L5251,L5252	5597-45502	
P9003	25051125	△ NSCT-4P912, AC outlet <P>	L5351,L5352	5597-45502	
			L5451,L5452	5597-45502	
				<b>capacitors</b>	
<b>POWER AMPLIFIER PC BOARD (NAAF-5847-1A/1B)</b>			C5051	374721024	1000pF ± 5%, 50V, Plastic
<b>CIRCUIT NO.</b>	<b>PART NO.</b>	<b>DESCRIPTION</b>	C5052	393364707	47 μ F, 35V, Elect.
	<b>Transistors</b>		C5053,C5054	393381007	10 μ F, 50V, Elect.
Q5051,Q5151	2212864	2SC3419-Y	C5057,C5058	374731044	0.1 μ F ± 5%, 100V, Plastic
Q5052,Q5053	2212654	2SC3421-Y	C5059,C5060	374721024	1000pF ± 5%, 50V, Plastic <P/K>
Q5054,Q5154	2212644	2SA1358-Y	C5151	374721024	1000pF ± 5%, 50V, Plastic
Q5055,Q5155	2203000	2SA1930	C5152,C5252	393364707	47 μ F, 35V, Elect.
Q5056,Q5156	2203010	2SC5171	C5153,C5154	393381007	10 μ F, 50V, Elect.
Q5057,Q5157	2203094,	2SA1216-Y,	C5157,C5158	374731044	0.1 μ F ± 5%, 100V, Plastic
Q5257,Q5357	2203095 or	2SA1216-G or	C5159,C5160	374721024	1000pF ± 5%, 50V, Plastic <P/B/K/PT>
Q5457	2203096	2SA1216-P	C5251	374721024	1000pF ± 5%, 50V, Plastic <D>
Q5058,Q5158	2203104,	2SC2922-Y,	C5253,C5254	393381007	10 μ F, 50V, Elect. <D>
Q5258,Q5358	2203105 or	2SC2922-G or	C5257,C5258	374731044	0.1 μ F ± 5%, 100V, Plastic
Q5458	2203106	2SC2922-P	C5259,C5260	374721024	1000pF ± 5%, 50V, Plastic <P/B/K/PT>
Q5059,Q5159	2214975 or	2SA1123-S or	C5351	374721024	1000pF ± 5%, 50V, Plastic
Q5259,Q5359	2214974	2SA1123-R	C5352,C5452	393364707	47 μ F, 35V, Elect.
Q5060,Q5160	2211732 or	2SC1845-F or	C5353,C5354	393381007	10 μ F, 50V, Elect.

CIRCUIT NO.	PART NO.	DESCRIPTION	CIRCUIT NO.	PART NO.	DESCRIPTION
<b>Capacitors</b>					
C5357,C5358	374731044	0.1 $\mu$ F $\pm$ 5%, 100V, Plastic	P5061a	25055678	NPLG-8P634, P PLUG
C5359,C5360	374721024	1000pF $\pm$ 5%, 50V, Plastic <P/B/K/PT>	P5091a,P5091a	25055038	NPLG-2P29, P PLUG
C5451	374721024	1000pF $\pm$ 5%, 50V, Plastic	P5291a,P5391a	25055038	NPLG-2P29, P PLUG
C5453,C5454	393381007	10 $\mu$ F, 50V, Elect.	P5491a	25055038	NPLG-2P29, P PLUG
C5457,C5458	374731044	0.1 $\mu$ F $\pm$ 5%, 100V, Plastic	P5601a,P5602a	25055099	NPLG-2P83, P PLUG
C5459,C5460	374721024	1000pF $\pm$ 5%, 50V, Plastic	P9112a	25055678	NPLG-8P634, P PLUG
C5601~C5604	393361017	100 $\mu$ F, 35V, Elect.	<b>SECONDARY CIRCUIT PC BOARD (NAETC-5848-1A/1B)</b>		
C5621	393322217	220 $\mu$ F, 6.3V, Elect.	<b>CIRCUIT NO.</b>	<b>PART NO.</b>	<b>DESCRIPTION</b>
C9104~C9106	374731044	0.1 $\mu$ F $\pm$ 5%, 100V, Plastic	P9111a	25055166	NPLG-3P150, P PLUG
C9111,C9112	3504293	2200 $\mu$ F, 80V, Elect.	P9112	25051127	NSCT-8P914, SOCKET
<b>Resistors</b>					
R5055,R5056	453532294	0.22 $\Omega$ $\pm$ 5%, 1/2W, Metal	<b>TERMINAL PC BOARD (NAETC-5849-1A/1B)</b>		
R5059,R5060	443523904	39 $\Omega$ $\pm$ 5%, 1/2W, Metal oxide	<b>CIRCUIT NO.</b>	<b>PART NO.</b>	<b>DESCRIPTION</b>
R5061,R5062	443521814	180 $\Omega$ $\pm$ 5%, 1/2W, Metal oxide	P5061	25051127	NSCT-8P914, SOCKET
R5063,R5064	453530224	2.2 $\Omega$ $\pm$ 5%, 1/2W, Metal	<b>FRONT SPEAKER PC BOARD (NAETC-5850-1A/1B)</b>		
R5065,R5066	443523304	33 $\Omega$ $\pm$ 5%, 1/2W, Metal oxide	<b>CIRCUIT NO.</b>	<b>PART NO.</b>	<b>DESCRIPTION</b>
R5066	443523304	33 $\Omega$ $\pm$ 5%, 1/2W, Metal oxide	P5051	25060125	NTM-8PDMN058, TRM
R5071	4000145	0.1ohm, 2W, Metal plate	P5051	25060125	NTM-8PDMN058, TRM
R5072	4000145	0.1ohm, 2W, Metal plate	<b>DSP CIRCUIT PC BOARD (NADG-5851-1)</b>		
R5075,R5175	453630334	3.3 $\Omega$ $\pm$ 5%, 1W, Metal	<b>CIRCUIT NO.</b>	<b>PART NO.</b>	<b>DESCRIPTION</b>
R5076,R5176	453630824	8.2 $\Omega$ $\pm$ 5%, 1W, Metal	<b>ICs</b>		
R5155,R5156	453532294	0.22 $\Omega$ $\pm$ 5%, 1/2W, Metal	Q6001,Q6002	22240581R1	NJM4565M
R5159,R5160	443523904	39 $\Omega$ $\pm$ 5%, 1/2W, Metal oxide	Q6131	22241039R2	AK5390
R5161,R5162	443521814	180 $\Omega$ $\pm$ 5%, 1/2W, Metal oxide	Q6202	22240976R1	MC14577A
R5163,R5164	453530224	2.2 $\Omega$ $\pm$ 5%, 1/2W, Metal	Q6205	22240977R2	NJM360M
R5165,R5166	443523304	33 $\Omega$ $\pm$ 5%, 1/2W, Metal oxide	Q6206,Q6406	222740046R1TO	TC74HCU04AF
R5171	4000145	0.1ohm, 2W, Metal plate	Q6207,Q6209	22240581R1	NJM4565M
R5172	4000145	0.1ohm, 2W, Metal plate	Q6210	22240973R3	PD4606A
R5255,R5256	453532294	0.22 $\Omega$ $\pm$ 5%, 1/2W, Metal	Q6211,Q6212	222400985R3 or	TC55257CFL-85 or
R5259,R5260	443523904	39 $\Omega$ $\pm$ 5%, 1/2W, Metal oxide	Q6301	222401036R9	M5M5256CFP-70
R5261,R5262	443521814	180 $\Omega$ $\pm$ 5%, 1/2W, Metal oxide	Q6401	22240915R3	LC8904Q
R5263,R5264	453530224	2.2 $\Omega$ $\pm$ 5%, 1/2W, Metal	Q6401	22240972R3	DSP56009FJ80
R5265,R5266	443523304	33 $\Omega$ $\pm$ 5%, 1/2W, Metal oxide	Q6402	22240940R3 or	XC56004FJ66 or
R5271	4000145	0.1ohm, 2W, Metal plate		22240867	LC32464P-80
R5272	4000145	0.1ohm, 2W, Metal plate	Q6405	22240928R2	TC9246F
R5275,R5375	453630334	3.3 $\Omega$ $\pm$ 5%, 1W, Metal	Q7501	22241043R3	MPD78P018FGC, (TX939)
R5276,R5376	453630824	8.2 $\Omega$ $\pm$ 5%, 1W, Metal	Q8001,Q8201	22241038R2	MN35502
R5355,R5356	453532294	0.22 $\Omega$ $\pm$ 5%, 1/2W, Metal	Q8002,Q8003	22240581R1	NJM4565M
R5359,R5360	443523904	39 $\Omega$ $\pm$ 5%, 1/2W, Metal oxide	Q8102,Q8103	22240581R1	NJM4565M
R5361,R5362	443521814	180 $\Omega$ $\pm$ 5%, 1/2W, Metal oxide	Q8202,Q8203	22240581R1	NJM4565M
R5363,R5364	453530224	2.2 $\Omega$ $\pm$ 5%, 1/2W, Metal	Q8302,Q8303	22240581R1	NJM4565M
R5365,R5366	443523304	33 $\Omega$ $\pm$ 5%, 1/2W, Metal oxide	Q8401	22241038R2	MN35502
R5371,R5372	4000145	0.1ohm, 2W, Metal plate	Q8402,Q8403	22240581R1	NJM4565M
R5455,R5456	453532294	0.22 $\Omega$ $\pm$ 5%, 1/2W, Metal	Q8502~Q8504	22240581R1	NJM4565M
R5459,R5460	443523904	39 $\Omega$ $\pm$ 5%, 1/2W, Metal oxide	<b>Transistors</b>		
R5461,R5462	443521814	180 $\Omega$ $\pm$ 5%, 1/2W, Metal oxide	Q6201,Q6203	2213143R2	2SC2712-O
R5463,R5464	453530224	2.2 $\Omega$ $\pm$ 5%, 1/2W, Metal	Q6204,Q6208	2214373R2	2SA1162-O
R5465,R5466	443523304	33 $\Omega$ $\pm$ 5%, 1/2W, Metal oxide	<b>Diodes</b>		
R5471,R5472	4000145	0.1ohm, 2W, Metal plate	D6201,D6401	223236R2	KV1851-TL
R5475	453630334	3.3 $\Omega$ $\pm$ 5%, 1W, Metal	D6001~D6004	223234R2	1SS352
R5476	453630824	8.2 $\Omega$ $\pm$ 5%, 1W, Metal	D6101~D6104	223234R2	1SS352
R5608	4000153	PTH9M04BF, 222TS2F333, Thermistor	<b>Coils</b>		
R5615	4000150	PTH9M04BC, 222TS2F333, Thermistor	L6131~L6133	231237K470R2	NCH-1479, Choke
R5616	443621004	10 $\Omega$ $\pm$ 5%, 1W, Metal oxide	L6201	231253K680	NCH-1500, 680K, Choke
R9111,R9112	453530104	1 $\Omega$ $\pm$ 5%, 1/2W, Metal	L6202~L6205	231237K470R2	NCH-1479, Choke
<b>Relays</b>					
RL5631~RL5633	25065510 or	NRL-2P5A-DC24-095 or	L6302,L6303	230921R2	BLM-21B222ST, Choke
RL5641~RL5643	25065517	NRL-2P5A-DC24-098	L6301	231237K470R2	NCH-1479, Choke
<b>Terminals</b>					
P5251	25060125	NTM-8PDMN058	L6304~L6306	230921R2	BLM-21B222ST, Choke
P5451	25060147	NTM-4PDMN075	L6401,L6402	231237K470R2	NCH-1479, Choke
<b>Sockets</b>					
JL501a,JL504a	25051091	NSCT-7P878	L6403	231237M022R2	NCH-1471, 022M, Choke
JL502a,JL503a	25051093	NSCT-9P880	L6404	231237K470R2	NCH-1479, Choke
			L6451	233500	NVO-4068, Oscillator

## OPERATION SWITCH PC BOARD (NASW-5852-1)

CIRCUIT NO.	PART NO.	DESCRIPTION
S7215~S7253	25035652	NPS-111-S604, Push switches
P7102	2000875	NSAS-6P831, Socket

## DOOR SWITCH PC BOARD (NASW-5853-1)

CIRCUIT NO.	PART NO.	DESCRIPTION
P7201a	25050914	NSCT-8P701, Socket
S7102	25065322	NMS-1214, Push switch

## SUB PC BOARD (NAETC-6086-1) #2

CIRCUIT NO.	PART NO.	DESCRIPTION
Q6923	2211723	2SC1923-O, Transistor
C6921	374721044	0.1 $\mu$ F $\pm$ 5%, 50V, Plastic capacitor
C6923	353721019	100 $\mu$ F, 6.3V, Elect. capacitor

NOTE: #1 D9103 and D9104 are abolished to improve the sound quality from March.  
#2 The parts on the pc board NAETC-6086 are attached on NAPS-5843 from April.

**NOTE: THE COMPONENTS IDENTIFIED BY MARK  $\Delta$  ARE CRITICAL FOR RISK OF FIRE AND ELECTRIC SHOCK. REPLACE ONLY WITH PART NUMBER SPECIFIED.**

NOTE: <D>: 120V model  
<P>: 230V model  
<A>: Asian model  
<T>: Taiwanese model  
<K>: Korean model  
<U>: U.K model  
<B>: Black model  
<G>: Golden model

CIRCUIT NO.	PART NO.	DESCRIPTION
<b>Coils</b>		
L6452	230921R2	BLM-21B222ST, Choke
L6453, L6454	231237K470R2	NCH-1479, Choke
L7501	231237K470R2	NCH-1479, Choke
L8001, L8002	231237K470R2	NCH-1479, Choke
<b>Oscillators</b>		
X6201	3010263	SBP-4930
X6202	3010266	XTL-18.432M, Crystal
X6301	3010266	XTL-18.432M, Crystal
X6203	3010276 or 3010267	XTL-46.08M or XTL-46.08M, Crystal
X7501	3010273R2	CSTCS10.0MT, Ceramic
<b>Capacitors</b>		
C6133	356741009R2	10 $\mu$ F, 16V, Chip elect.
C6136, C6137	356724709R2	47 $\mu$ F, 6.3V, Chip elect.
C6139, C6141	356724709R2	47 $\mu$ F, 6.3V, Chip elect.
C6207	356744709R2	47 $\mu$ F, 16V, Chip elect.
C6208, C6223	356724709R2	47 $\mu$ F, 6.3V, Chip elect.
C6216	356721019R2	100 $\mu$ F, 16V, Chip elect.
C6224, C6230	356724709R2	47 $\mu$ F, 6.3V, Chip elect.
C6303, C6309	356724709R2	47 $\mu$ F, 6.3V, Chip elect.
C6403, C6413	374724734	0.047 $\mu$ F $\pm$ 5%, 50V, Plastic
C6406, C6416	356724709R2	47 $\mu$ F, 6.3V, Chip elect.
C6410	393324714	47 $\mu$ F, 6.3V, Elect.
C6422, C6425	356724709R2	47 $\mu$ F, 6.3V, Chip elect.
C6451, C6458	356724709R2	47 $\mu$ F, 6.3V, Chip elect.
C6459	356784799R2	0.47 $\mu$ F, 50V, Chip elect.
C7503	356724709R2	47 $\mu$ F, 6.3V, Chip elect.
C7504, C7507	356721009R2	10 $\mu$ F, 16V, Chip elect.
C7508, C7510	356721009R2	10 $\mu$ F, 16V, Chip elect.
C8015, C8115	374722234	0.022 $\mu$ F $\pm$ 5%, 50V, Plastic
C8215, C8315	374722234	0.022 $\mu$ F $\pm$ 5%, 50V, Plastic
C8415	374722234	0.022 $\mu$ F $\pm$ 5%, 50V, Plastic
C8521, C8528	356741009R2	10 $\mu$ F, 16V, Chip elect.
C8522~C8527	374724734	0.047 $\mu$ F $\pm$ 5%, 50V, Plastic
C8601, C8602	356724709R2	47 $\mu$ F, 6.3V, Chip elect.
C8611, C8612	356724709R2	47 $\mu$ F, 6.3V, Chip elect.
C8621, C8622	356724709R2	47 $\mu$ F, 6.3V, Chip elect.
C8633, C8634	356724709R2	47 $\mu$ F, 6.3V, Chip elect.
C8635~C8638	356724709R2	47 $\mu$ F, 6.3V, Chip elect.
<b>Sockets</b>		
P6203~P6205	25050678	NSCT-10P482
JL691a	25051091	NSCT-7P878

## ADJUSTMENT PROCEDURES

## Preparation

## 1. Input

FM mono: 1kHz, 75kHz devi., 60dB/ $\mu$ V  
 FM stereo: 1kHz, L+R 67.5kHz devi., 60dB/ $\mu$ V  
 Pilot signal 19kHz 7.5kHz devi.  
 AM: 400Hz, 30% mod.

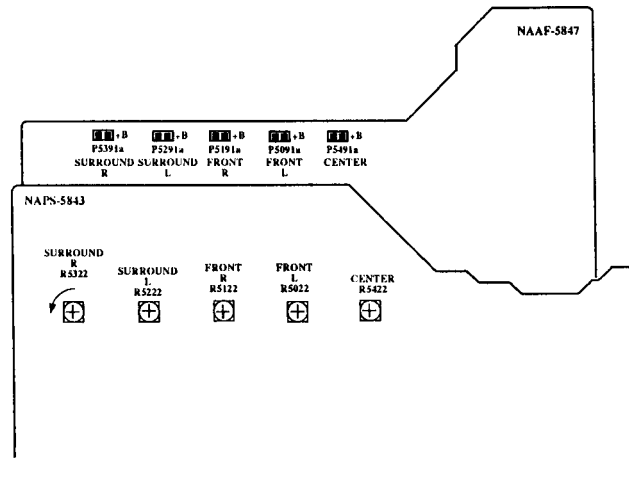
## 2. Outputs

Connect the non-inductive type resistor of 8 ohms to the all speaker terminals unless otherwise noted.

## IDLING CURRENT ADJUSTMENT

When replaced the power amplifier transistors, you should proceed to adjust the idling current adjustment. Turn the trimming resistors R5022, R5122, R5222, R5322 and R5422 counter-clockwise to set to the minimum position. Connect DC voltmeter to the test terminals P5091a, P5191a, P5291a, P5391a, P5491a and P5591a. Turn POWER switch "ON". Adjust the above trimmer resistors so that the reading of voltmeter becomes  $2.0 \pm 0.3$  mV. After adjustment, attach the top cover. After approx. 5 minutes, adjust the above trimmers so that reading of voltmeter becomes  $7.5 \pm 0.5$  mV. Turn POWER switch "OFF".

NOTE: The Idling current adjustment should be proceed at cool conditions.



## MICROPHONE LEVEL

When the analyzer microphone is replaced, you should adjust the sensitivity and frequency correction of microphone.

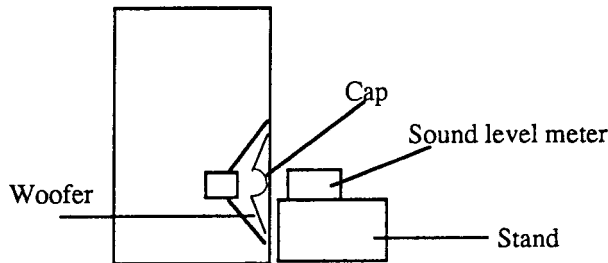
### Preparation

Cassette deck, Amplifier, Speaker system, Sound level meter (Part No. 0J11)  
Monitor TV

You are necessary to adjust at the place which the sound level is less than 55dB.

### Adjustment

1. Connect the cassette deck to the PREOUT L on the rear panel of unit.
2. Insert the blank tape in the cassette holder.
3. Press TEST button on the remote controller.
4. Record 1 kHz pink noise on the tape.
5. Connect the cassette deck to the PREOUT of SUBWOOFER on the rear panel of unit.
6. Press the ENTER button on the remote controller to display the Menu screen.  
Press the PARAMETER buttons to select the Bass Peak Level.(Refer to the page 33 on the instruction manual.) Press PARAMETER button ► to play the test signal
7. Record 40 Hz pink noise on the tape.
8. Connect the cassette deck and speaker system to the terminal on amplifier.
9. Set the sound level meter to the approx. 1m position from speaker system.  
When speaker system is small, set the sound level meter to the near of cap of woofer as shown below.



10. Play 1 kHz pink noise.
11. Turn VOLUME on the amplifier so that the indication of meter becomes 75dB.
12. Press CD and SPEAKER A buttons at the same time to set to the TEST mode.
13. Press VIDEO-4 button.
14. Turn VOLUME on the amplifier so that the indication of meter becomes 75dB.
15. Insert the microphone to the terminal ANALYZER on the unit and put the microphone to the same position.
16. Adjust Trimming resistor R3401 so that the indication of FL tube becomes 0dB.
17. Play 40 Hz pink noise.
18. Turn VOLUME on the amplifier so that the indication of meter becomes 75dB.
19. Press MULTI SOURCE button.
20. Adjust Trimming resistor R3402 so that the indication of FL tube becomes 0dB.

FM ADJUSTMENT

Item	Step	Connection of instrument	FM SG output	Stereo modulator output	Tuning frequency	Output indicator	Adjustment point	Adjust for	Remarks
FM IF/RF	1	Fig.1	99.0MHz 1kHz 75kHz devi. 65dB(60dB)	—	99.0MHz	DC voltmeter	L1101	0 ± 20mV	FM MUTE/MODE switch:ON/AUTO Repeat the steps 1 and 3 until no further adjustment is necessary.
	AC voltmeter					IFT on the front end	Maximum		
	Distortion analyzer					L1102	Minimum		
VCO		Fig.2	99.0MHz 1kHz 75kHz devi. 65dB(60dB)	—	99.0MHz	Frequency counter	R1161	19kHz ± 10Hz	FM MUTE/MODE switch:ON/STEREO
Stereo Distortion		Fig.3	99.0MHz Ext. mod. 65dB(60dB)	Channel L or R 1kHz	99.0MHz	Distortion analyzer	IFT on the front end	Minimum	Don't turn more than ± 180°
		Fig.3	99.0MHz Ext. mod. 65dB(60dB)	Channel L 1kHz Channel R 1kHz	99.0MHz	Channel R AC voltmeter Channel L AC voltmeter	R1162	Minimum	
Muting Level		Fig.3	99.0MHz 19.2dB(14dB)	—	99.0MHz	Oscilloscope	R1101	TUNED indicator lights on	Maximum and same separation
RDS		Fig.4	98.0MHz Ext. mod. 60dB	RDS data or 57kHz 3% devi.	98.0MHz	Oscilloscope	R1304	Maximum	

AM ADJUSTMENT

120V model

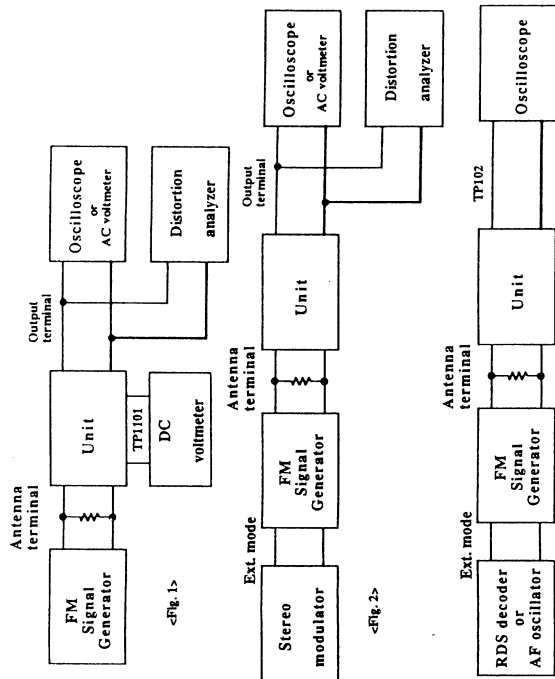
Step	AM SG output	Tuning Frequency	Output Indicator	Adjustment point	Adjust for
1		530kHz	Digital DC voltmeter	OSC coil on RF block L1111	1.3 ± 0.2V
2	600kHz 400Hz 30% mod. 60dB/m	600kHz	AC voltmeter	RF coil on RF block L1111	Maximum
3	990kHz 400Hz 30% mod. 60dB/m	990kHz	AC voltmeter	L1112	Maximum

230V and Worldwide models

Step	AM SG output	Tuning Frequency	Output Indicator	Adjustment point	Adjust for
1		522kHz or 531kHz	Digital DC voltmeter	OSC coil on RF block L1111	1.3 ± 0.2V
2	603kHz 400Hz 30% mod. 60dB/m	603kHz	AC voltmeter	RF coil on RF block L1111	Maximum
3	999kHz 400Hz 30% mod. 60dB/m	999kHz	AC voltmeter	L1112	Maximum

Reference Specification  
 FM tuned voltage: 87.50MHz ~ 108.00MHz  
 More than 1.2V ~ Less than 10V  
 AM tuned voltage: 530kHz ~ 1710kHz  
 1.3 ± 0.2 ~ Less than 9.0V

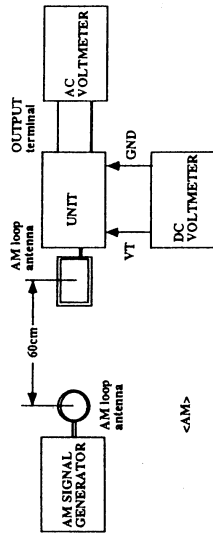
Reference Specification  
 FM tuned voltage: 87.50MHz ~ 108.00MHz  
 More than 1.2V ~ Less than 10V  
 AM tuned voltage: 522kHz ~ 1611kHz  
 1.3 ± 0.2 ~ Less than 9.0V  
 (230V model)  
 AM tuned voltage: 531kHz ~ 1602kHz  
 1.3 ± 0.2 ~ Less than 9.0V  
 (Worldwide model)



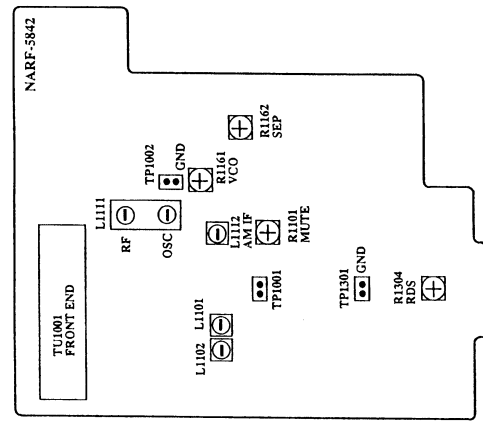
<Fig. 1>

<Fig. 2>

<Fig. 3>

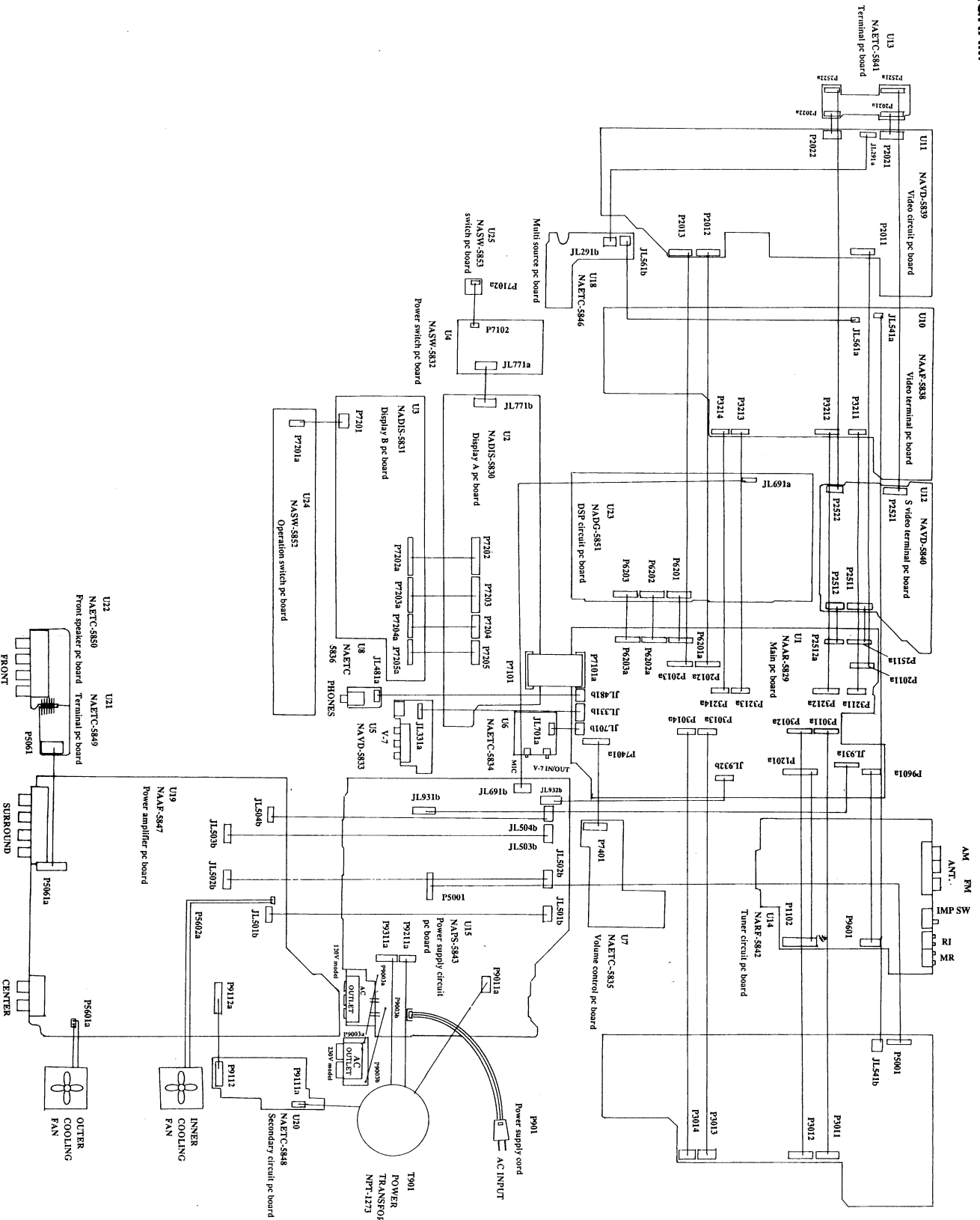


<AM>



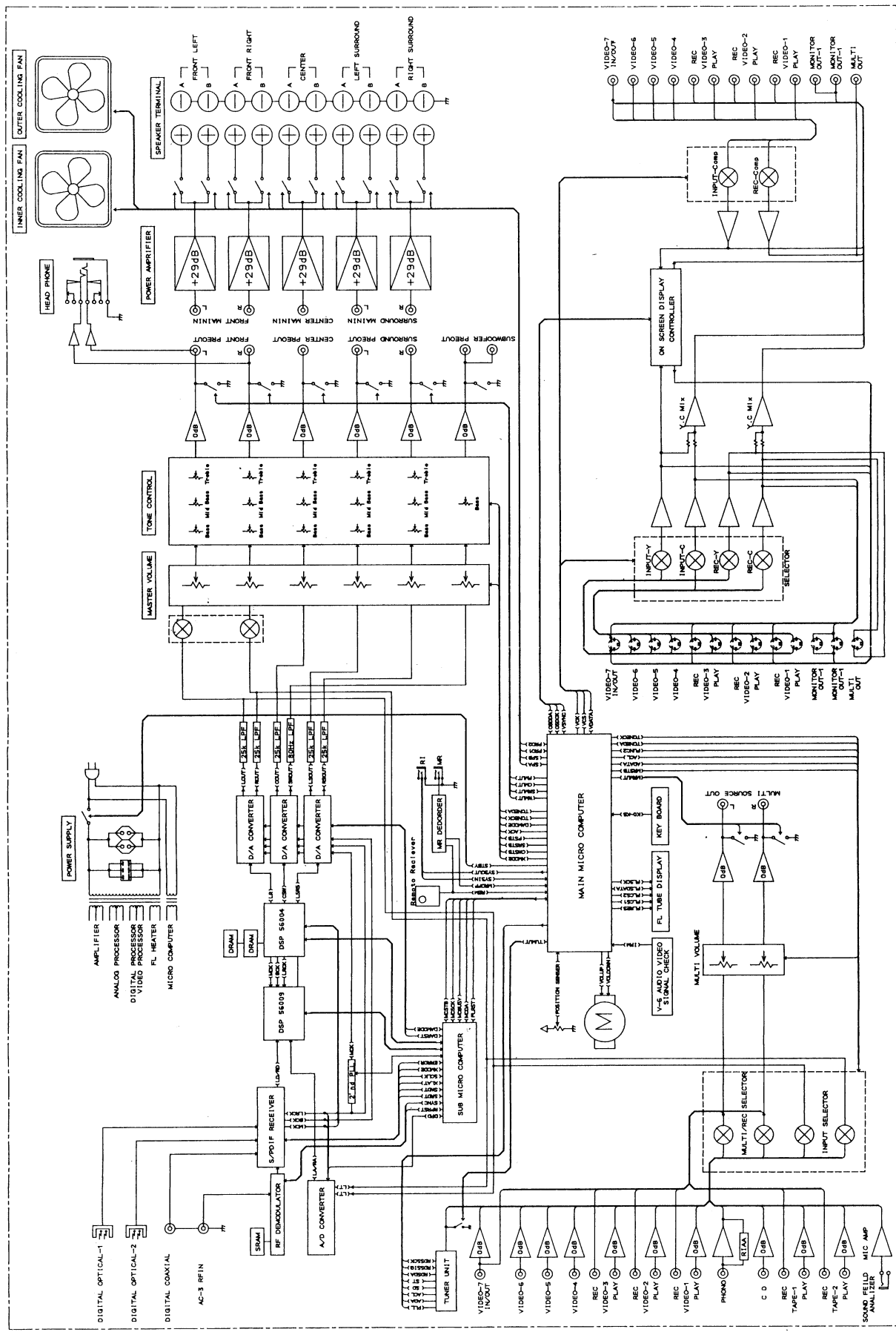
WIRING DIAGRAM

TX-DS939 TX-DS939



A B C D E F G

SCHEMATIC DIAGRAM 1



1

2

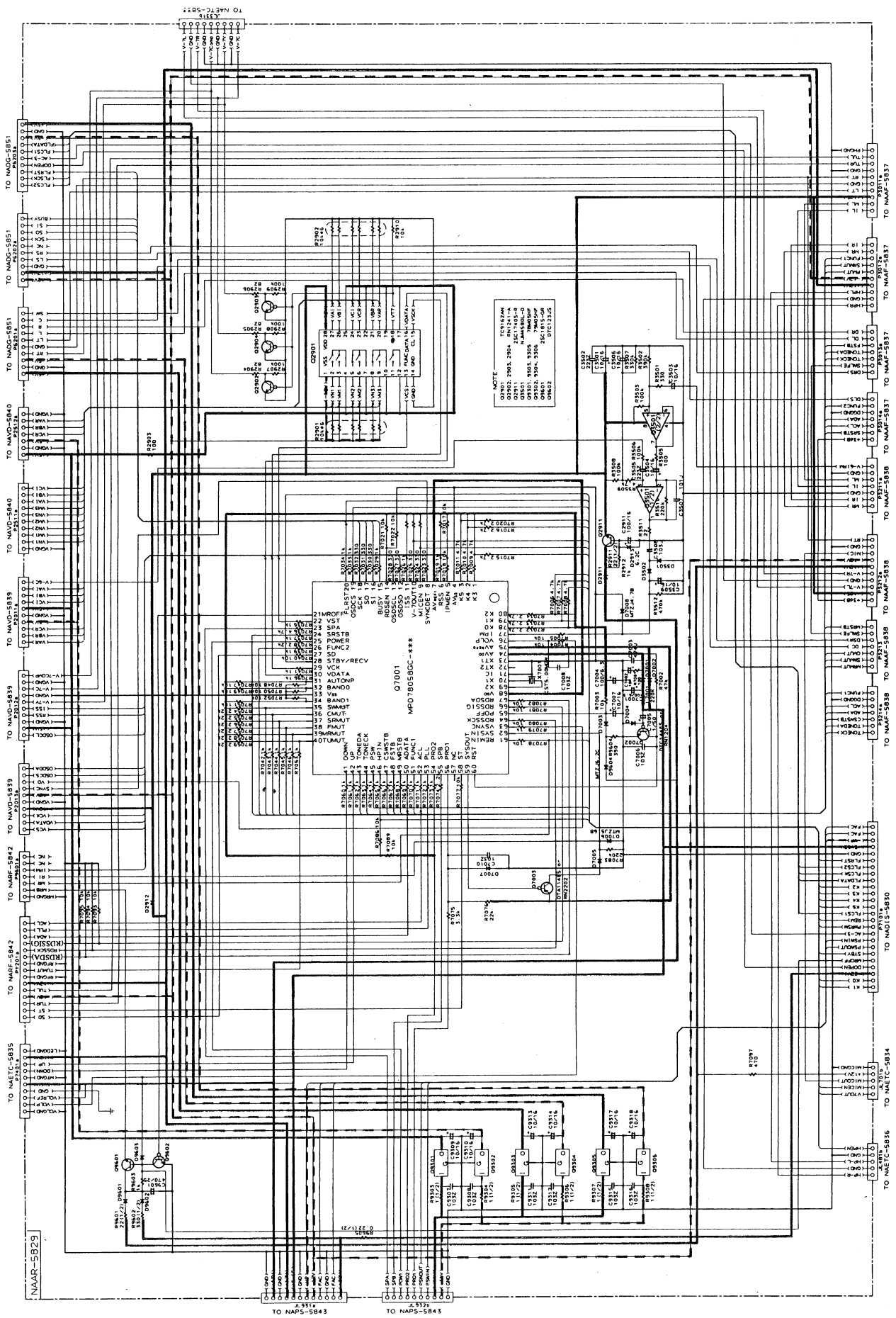
3

4

5

A B C D E F G

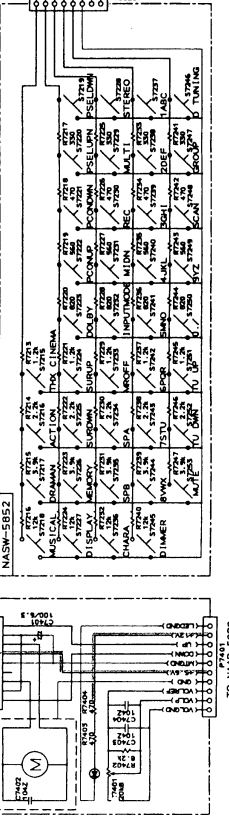
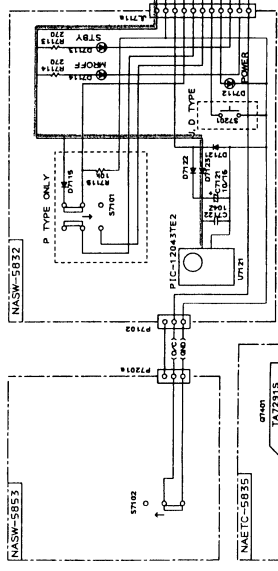
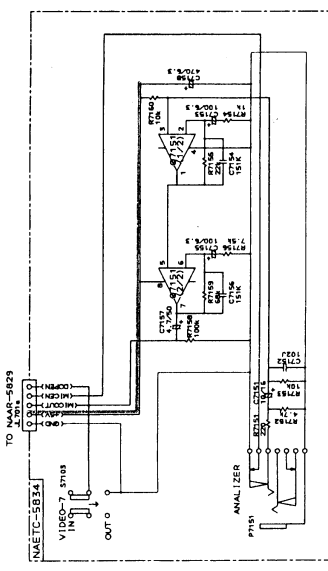
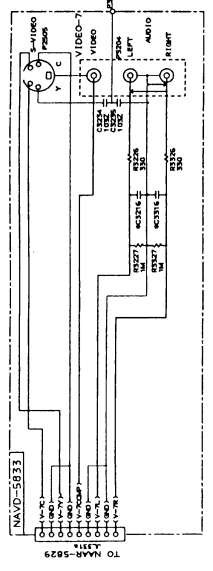
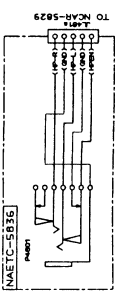
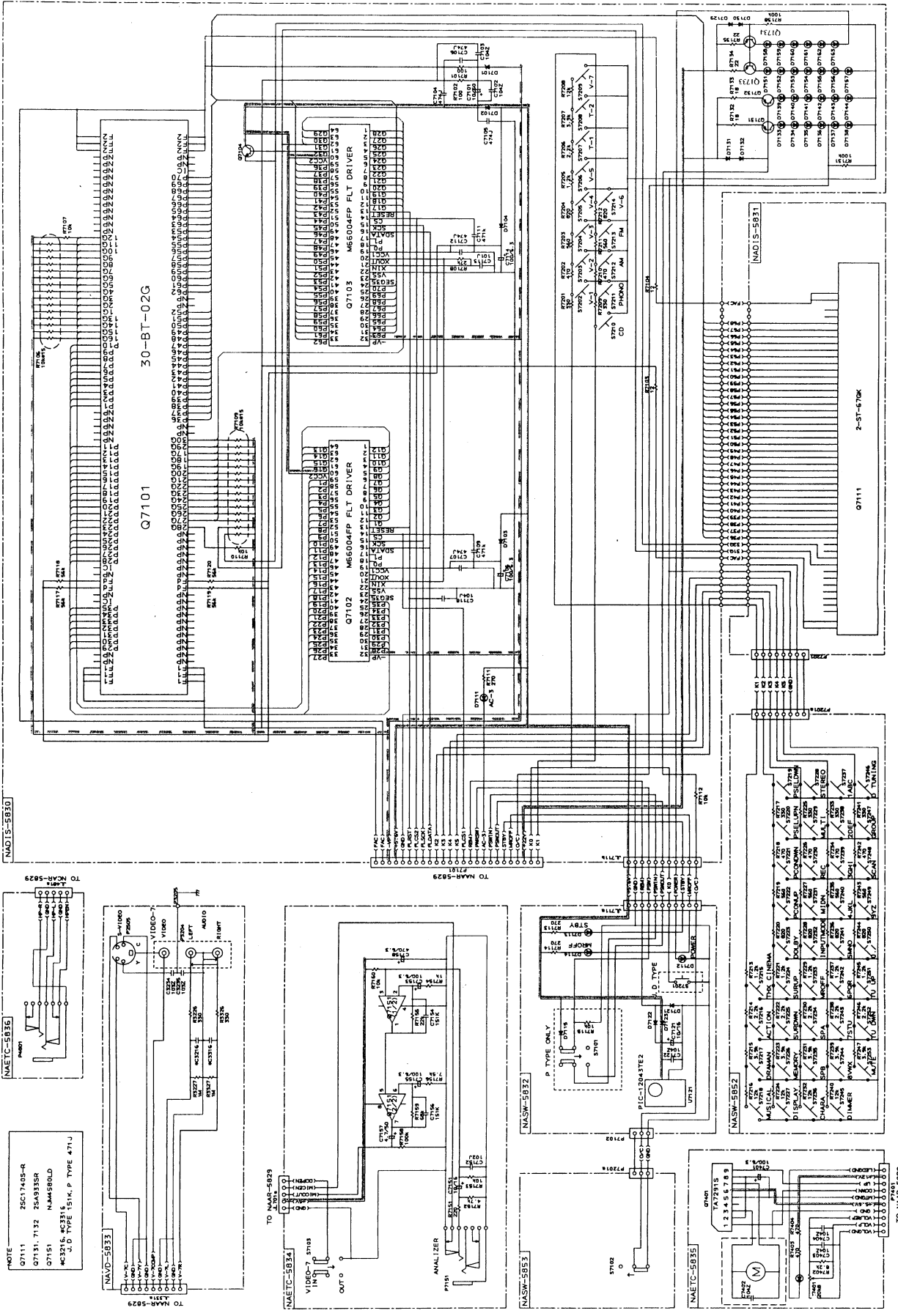
SCHEMATIC DIAGRAM 2





A B C D E F G

SCHEMATIC DIAGRAM 3



NAETC-5B35

NAVD-5B33

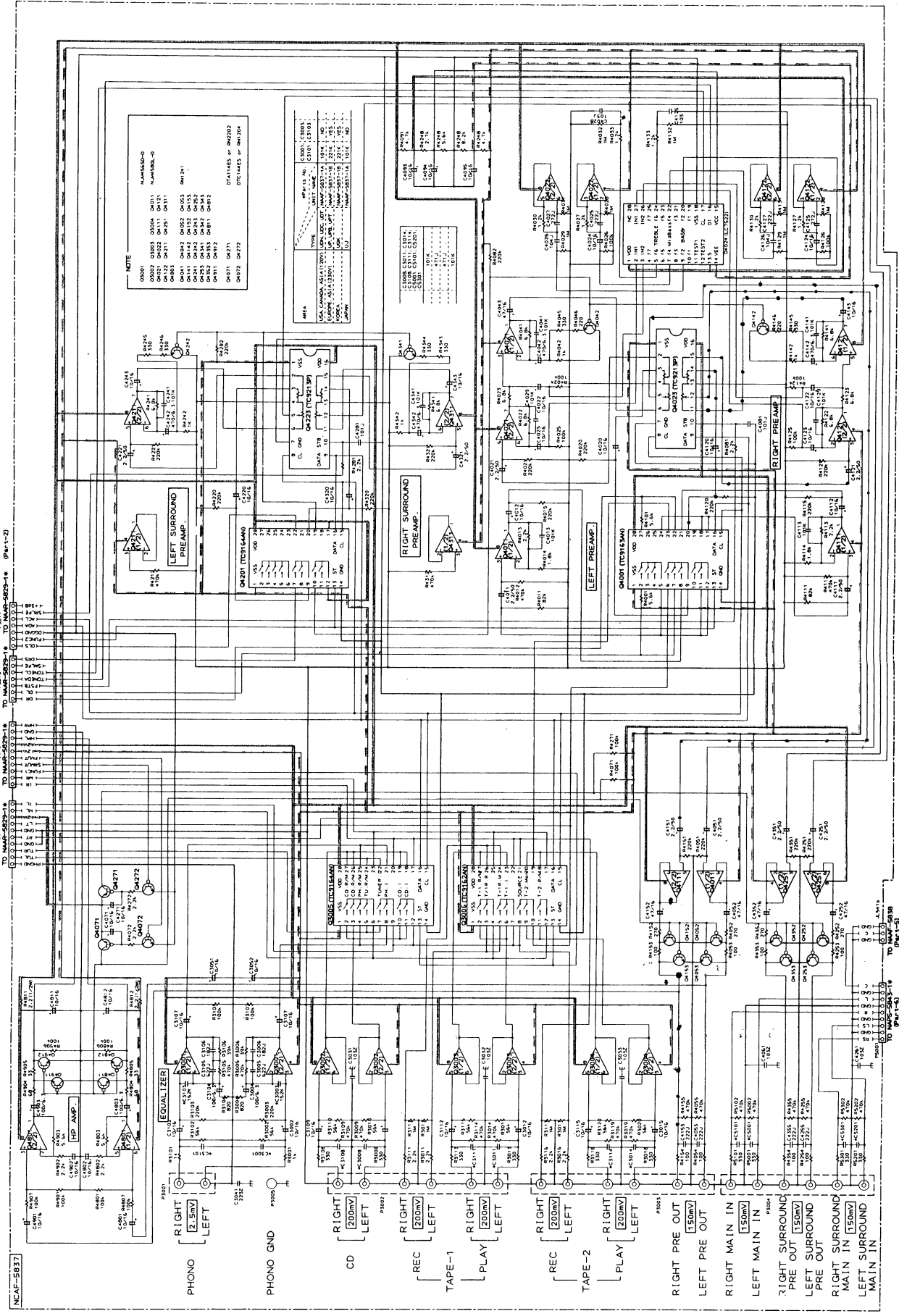
ANALYZER

NASW-5B52

NAETC-5B35

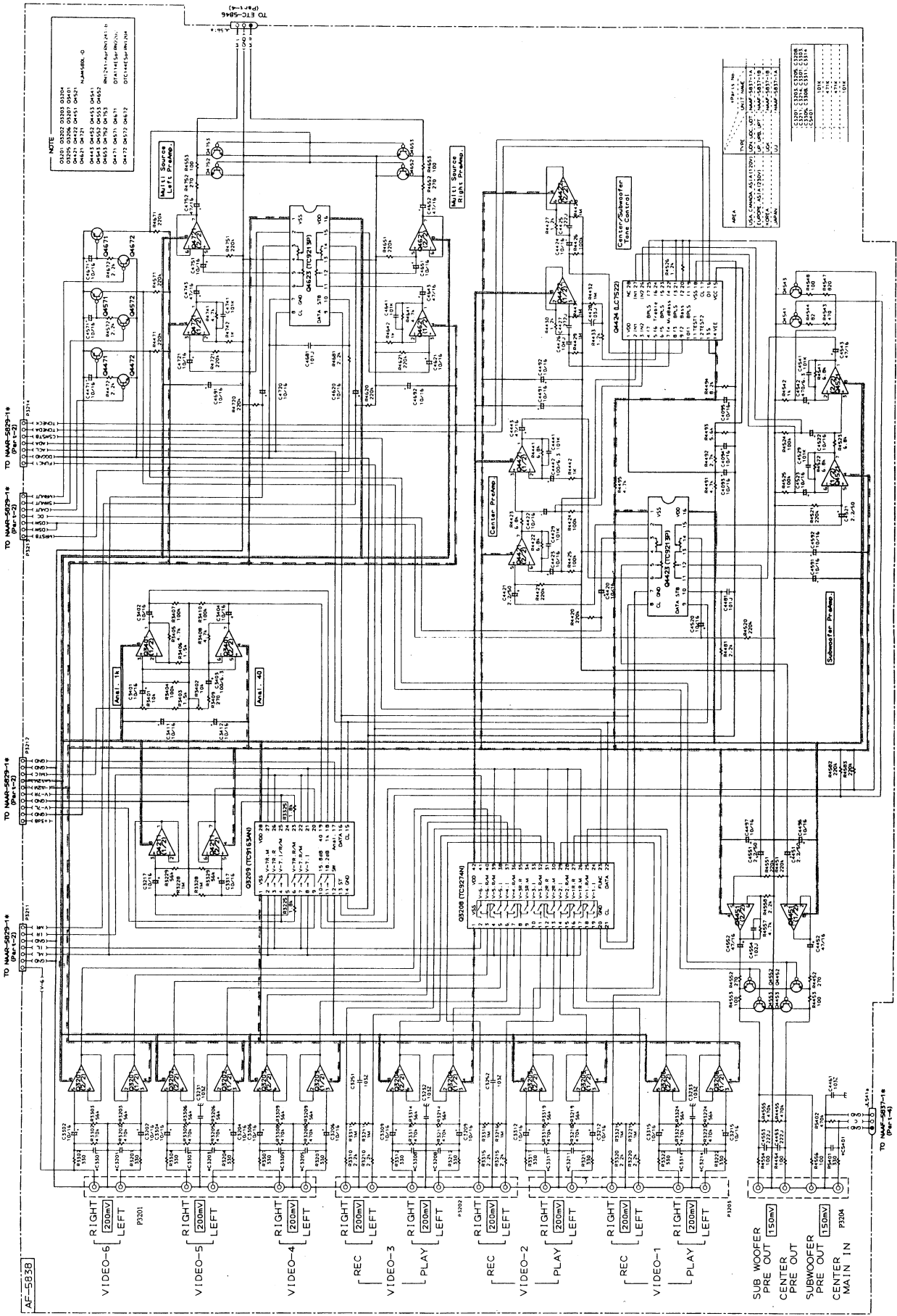
A B C D E F G

SCHEMATIC DIAGRAM 4



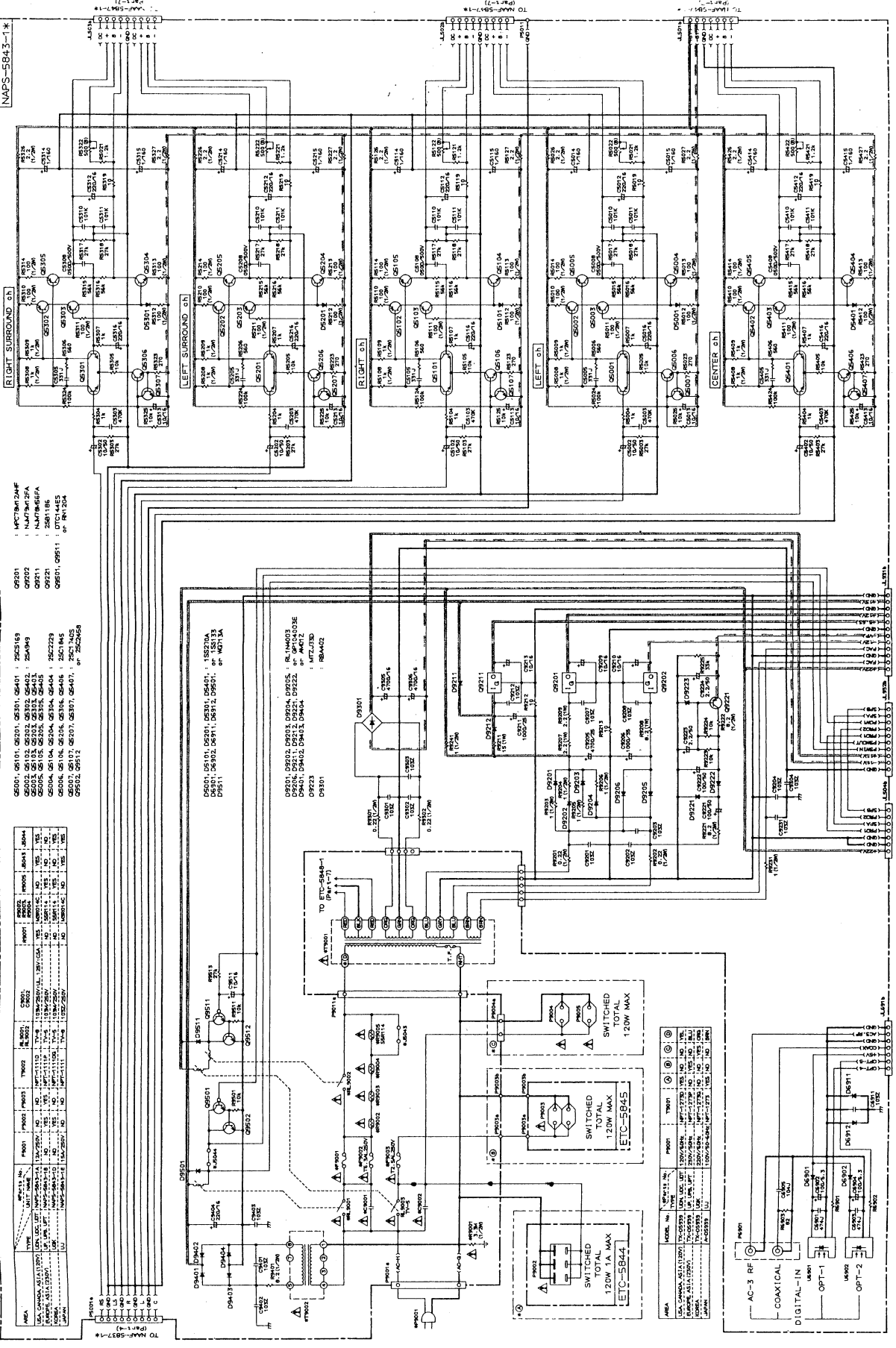
A B C D E F G

SCHEMATIC DIAGRAM 5



# SCHEMATIC DIAGRAM 6

A B C D E F G

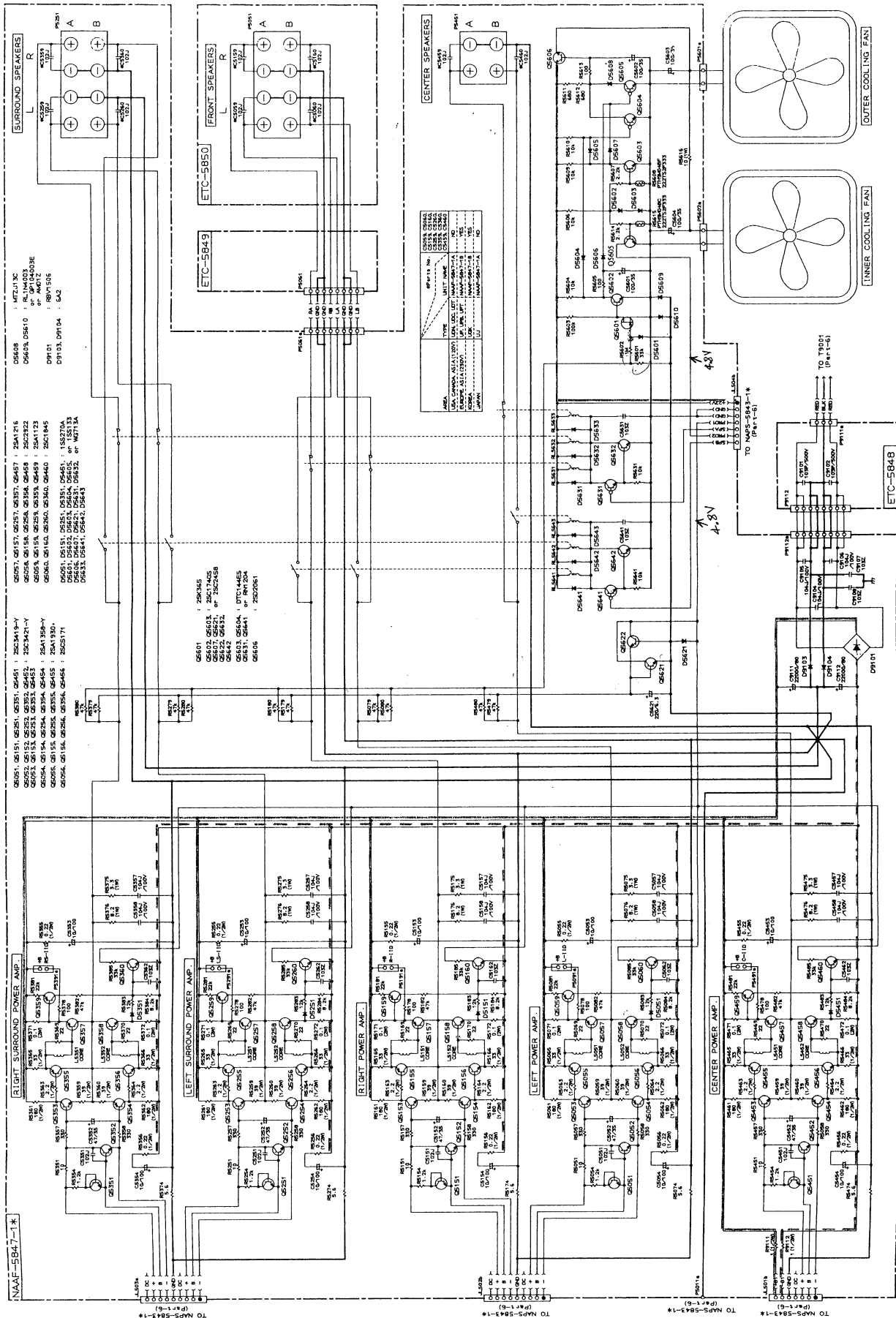


AREA	REF. NO.	MODEL No.	QTY.	QTY. IN KIT	QTY. IN CARTON	QTY. IN CASE	QTY. IN BAG	QTY. IN BOX	QTY. IN CAN	QTY. IN TUB	QTY. IN TRAY	QTY. IN POUCH	QTY. IN SACK	QTY. IN BAGGAGE	QTY. IN CONTAINER	QTY. IN CARTON	QTY. IN CASE	QTY. IN BAG	QTY. IN BOX	QTY. IN CAN	QTY. IN TUB	QTY. IN TRAY	QTY. IN POUCH	QTY. IN SACK	QTY. IN BAGGAGE	QTY. IN CONTAINER
AREA 1	Q9201	Q9201	1	1	1	1	1	1	1	1	1	1	1	1	1	1	1	1	1	1	1	1	1	1	1	1
AREA 2	Q9202	Q9202	1	1	1	1	1	1	1	1	1	1	1	1	1	1	1	1	1	1	1	1	1	1	1	1
AREA 3	Q9203	Q9203	1	1	1	1	1	1	1	1	1	1	1	1	1	1	1	1	1	1	1	1	1	1	1	1
AREA 4	Q9204	Q9204	1	1	1	1	1	1	1	1	1	1	1	1	1	1	1	1	1	1	1	1	1	1	1	1
AREA 5	Q9205	Q9205	1	1	1	1	1	1	1	1	1	1	1	1	1	1	1	1	1	1	1	1	1	1	1	1

- Q9201 : Q9201, Q9202, Q9203, Q9204, Q9205, Q9206, Q9207, Q9208, Q9209, Q9210, Q9211, Q9212, Q9213, Q9214, Q9215, Q9216, Q9217, Q9218, Q9219, Q9220, Q9221, Q9222, Q9223, Q9224, Q9225, Q9226, Q9227, Q9228, Q9229, Q9230, Q9231, Q9232, Q9233, Q9234, Q9235, Q9236, Q9237, Q9238, Q9239, Q9240, Q9241, Q9242, Q9243, Q9244, Q9245, Q9246, Q9247, Q9248, Q9249, Q9250, Q9251, Q9252, Q9253, Q9254, Q9255, Q9256, Q9257, Q9258, Q9259, Q9260, Q9261, Q9262, Q9263, Q9264, Q9265, Q9266, Q9267, Q9268, Q9269, Q9270, Q9271, Q9272, Q9273, Q9274, Q9275, Q9276, Q9277, Q9278, Q9279, Q9280, Q9281, Q9282, Q9283, Q9284, Q9285, Q9286, Q9287, Q9288, Q9289, Q9290, Q9291, Q9292, Q9293, Q9294, Q9295, Q9296, Q9297, Q9298, Q9299, Q9300, Q9301, Q9302, Q9303, Q9304, Q9305, Q9306, Q9307, Q9308, Q9309, Q9310, Q9311, Q9312, Q9313, Q9314, Q9315, Q9316, Q9317, Q9318, Q9319, Q9320, Q9321, Q9322, Q9323, Q9324, Q9325, Q9326, Q9327, Q9328, Q9329, Q9330, Q9331, Q9332, Q9333, Q9334, Q9335, Q9336, Q9337, Q9338, Q9339, Q9340, Q9341, Q9342, Q9343, Q9344, Q9345, Q9346, Q9347, Q9348, Q9349, Q9350, Q9351, Q9352, Q9353, Q9354, Q9355, Q9356, Q9357, Q9358, Q9359, Q9360, Q9361, Q9362, Q9363, Q9364, Q9365, Q9366, Q9367, Q9368, Q9369, Q9370, Q9371, Q9372, Q9373, Q9374, Q9375, Q9376, Q9377, Q9378, Q9379, Q9380, Q9381, Q9382, Q9383, Q9384, Q9385, Q9386, Q9387, Q9388, Q9389, Q9390, Q9391, Q9392, Q9393, Q9394, Q9395, Q9396, Q9397, Q9398, Q9399, Q9400, Q9401, Q9402, Q9403, Q9404, Q9405, Q9406, Q9407, Q9408, Q9409, Q9410, Q9411, Q9412, Q9413, Q9414, Q9415, Q9416, Q9417, Q9418, Q9419, Q9420, Q9421, Q9422, Q9423, Q9424, Q9425, Q9426, Q9427, Q9428, Q9429, Q9430, Q9431, Q9432, Q9433, Q9434, Q9435, Q9436, Q9437, Q9438, Q9439, Q9440, Q9441, Q9442, Q9443, Q9444, Q9445, Q9446, Q9447, Q9448, Q9449, Q9450, Q9451, Q9452, Q9453, Q9454, Q9455, Q9456, Q9457, Q9458, Q9459, Q9460, Q9461, Q9462, Q9463, Q9464, Q9465, Q9466, Q9467, Q9468, Q9469, Q9470, Q9471, Q9472, Q9473, Q9474, Q9475, Q9476, Q9477, Q9478, Q9479, Q9480, Q9481, Q9482, Q9483, Q9484, Q9485, Q9486, Q9487, Q9488, Q9489, Q9490, Q9491, Q9492, Q9493, Q9494, Q9495, Q9496, Q9497, Q9498, Q9499, Q9500, Q9501, Q9502, Q9503, Q9504, Q9505, Q9506, Q9507, Q9508, Q9509, Q9510, Q9511, Q9512, Q9513, Q9514, Q9515, Q9516, Q9517, Q9518, Q9519, Q9520, Q9521, Q9522, Q9523, Q9524, Q9525, Q9526, Q9527, Q9528, Q9529, Q9530, Q9531, Q9532, Q9533, Q9534, Q9535, Q9536, Q9537, Q9538, Q9539, Q9540, Q9541, Q9542, Q9543, Q9544, Q9545, Q9546, Q9547, Q9548, Q9549, Q9550, Q9551, Q9552, Q9553, Q9554, Q9555, Q9556, Q9557, Q9558, Q9559, Q9560, Q9561, Q9562, Q9563, Q9564, Q9565, Q9566, Q9567, Q9568, Q9569, Q9570, Q9571, Q9572, Q9573, Q9574, Q9575, Q9576, Q9577, Q9578, Q9579, Q9580, Q9581, Q9582, Q9583, Q9584, Q9585, Q9586, Q9587, Q9588, Q9589, Q9590, Q9591, Q9592, Q9593, Q9594, Q9595, Q9596, Q9597, Q9598, Q9599, Q9600, Q9601, Q9602, Q9603, Q9604, Q9605, Q9606, Q9607, Q9608, Q9609, Q9610, Q9611, Q9612, Q9613, Q9614, Q9615, Q9616, Q9617, Q9618, Q9619, Q9620, Q9621, Q9622, Q9623, Q9624, Q9625, Q9626, Q9627, Q9628, Q9629, Q9630, Q9631, Q9632, Q9633, Q9634, Q9635, Q9636, Q9637, Q9638, Q9639, Q9640, Q9641, Q9642, Q9643, Q9644, Q9645, Q9646, Q9647, Q9648, Q9649, Q9650, Q9651, Q9652, Q9653, Q9654, Q9655, Q9656, Q9657, Q9658, Q9659, Q9660, Q9661, Q9662, Q9663, Q9664, Q9665, Q9666, Q9667, Q9668, Q9669, Q9670, Q9671, Q9672, Q9673, Q9674, Q9675, Q9676, Q9677, Q9678, Q9679, Q9680, Q9681, Q9682, Q9683, Q9684, Q9685, Q9686, Q9687, Q9688, Q9689, Q9690, Q9691, Q9692, Q9693, Q9694, Q9695, Q9696, Q9697, Q9698, Q9699, Q9700, Q9701, Q9702, Q9703, Q9704, Q9705, Q9706, Q9707, Q9708, Q9709, Q9710, Q9711, Q9712, Q9713, Q9714, Q9715, Q9716, Q9717, Q9718, Q9719, Q9720, Q9721, Q9722, Q9723, Q9724, Q9725, Q9726, Q9727, Q9728, Q9729, Q9730, Q9731, Q9732, Q9733, Q9734, Q9735, Q9736, Q9737, Q9738, Q9739, Q9740, Q9741, Q9742, Q9743, Q9744, Q9745, Q9746, Q9747, Q9748, Q9749, Q9750, Q9751, Q9752, Q9753, Q9754, Q9755, Q9756, Q9757, Q9758, Q9759, Q9760, Q9761, Q9762, Q9763, Q9764, Q9765, Q9766, Q9767, Q9768, Q9769, Q9770, Q9771, Q9772, Q9773, Q9774, Q9775, Q9776, Q9777, Q9778, Q9779, Q9780, Q9781, Q9782, Q9783, Q9784, Q9785, Q9786, Q9787, Q9788, Q9789, Q9790, Q9791, Q9792, Q9793, Q9794, Q9795, Q9796, Q9797, Q9798, Q9799, Q9800, Q9801, Q9802, Q9803, Q9804, Q9805, Q9806, Q9807, Q9808, Q9809, Q9810, Q9811, Q9812, Q9813, Q9814, Q9815, Q9816, Q9817, Q9818, Q9819, Q9820, Q9821, Q9822, Q9823, Q9824, Q9825, Q9826, Q9827, Q9828, Q9829, Q9830, Q9831, Q9832, Q9833, Q9834, Q9835, Q9836, Q9837, Q9838, Q9839, Q9840, Q9841, Q9842, Q9843, Q9844, Q9845, Q9846, Q9847, Q9848, Q9849, Q9850, Q9851, Q9852, Q9853, Q9854, Q9855, Q9856, Q9857, Q9858, Q9859, Q9860, Q9861, Q9862, Q9863, Q9864, Q9865, Q9866, Q9867, Q9868, Q9869, Q9870, Q9871, Q9872, Q9873, Q9874, Q9875, Q9876, Q9877, Q9878, Q9879, Q9880, Q9881, Q9882, Q9883, Q9884, Q9885, Q9886, Q9887, Q9888, Q9889, Q9890, Q9891, Q9892, Q9893, Q9894, Q9895, Q9896, Q9897, Q9898, Q9899, Q9900, Q9901, Q9902, Q9903, Q9904, Q9905, Q9906, Q9907, Q9908, Q9909, Q9910, Q9911, Q9912, Q9913, Q9914, Q9915, Q9916, Q9917, Q9918, Q9919, Q9920, Q9921, Q9922, Q9923, Q9924, Q9925, Q9926, Q9927, Q9928, Q9929, Q9930, Q9931, Q9932, Q9933, Q9934, Q9935, Q9936, Q9937, Q9938, Q9939, Q9940, Q9941, Q9942, Q9943, Q9944, Q9945, Q9946, Q9947, Q9948, Q9949, Q9950, Q9951, Q9952, Q9953, Q9954, Q9955, Q9956, Q9957, Q9958, Q9959, Q9960, Q9961, Q9962, Q9963, Q9964, Q9965, Q9966, Q9967, Q9968, Q9969, Q9970, Q9971, Q9972, Q9973, Q9974, Q9975, Q9976, Q9977, Q9978, Q9979, Q9980, Q9981, Q9982, Q9983, Q9984, Q9985, Q9986, Q9987, Q9988, Q9989, Q9990, Q9991, Q9992, Q9993, Q9994, Q9995, Q9996, Q9997, Q9998, Q9999, 10000

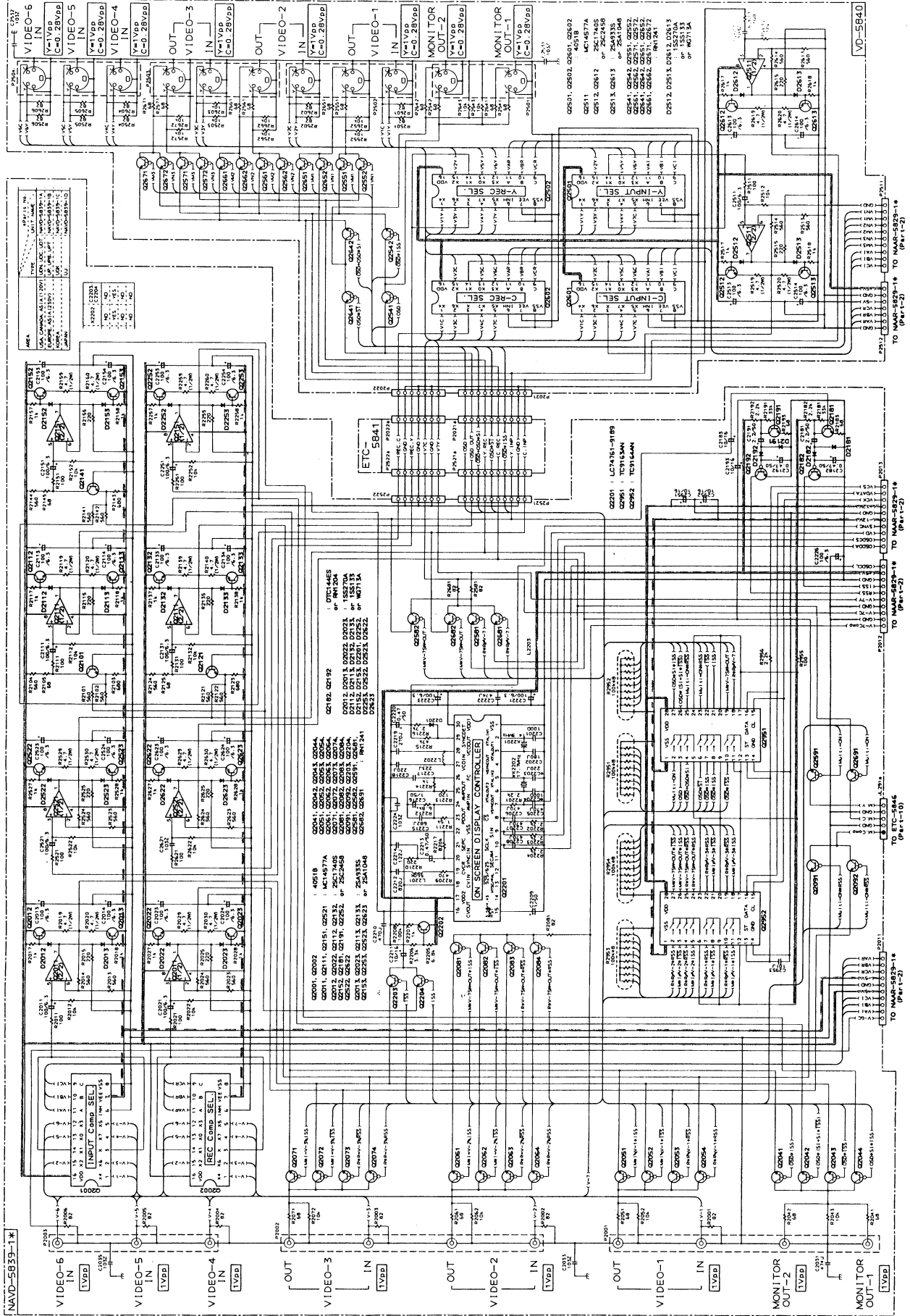
SCHEMATIC DIAGRAM 7

A B C D E F G



SCHEMATIC DIAGRAM 8

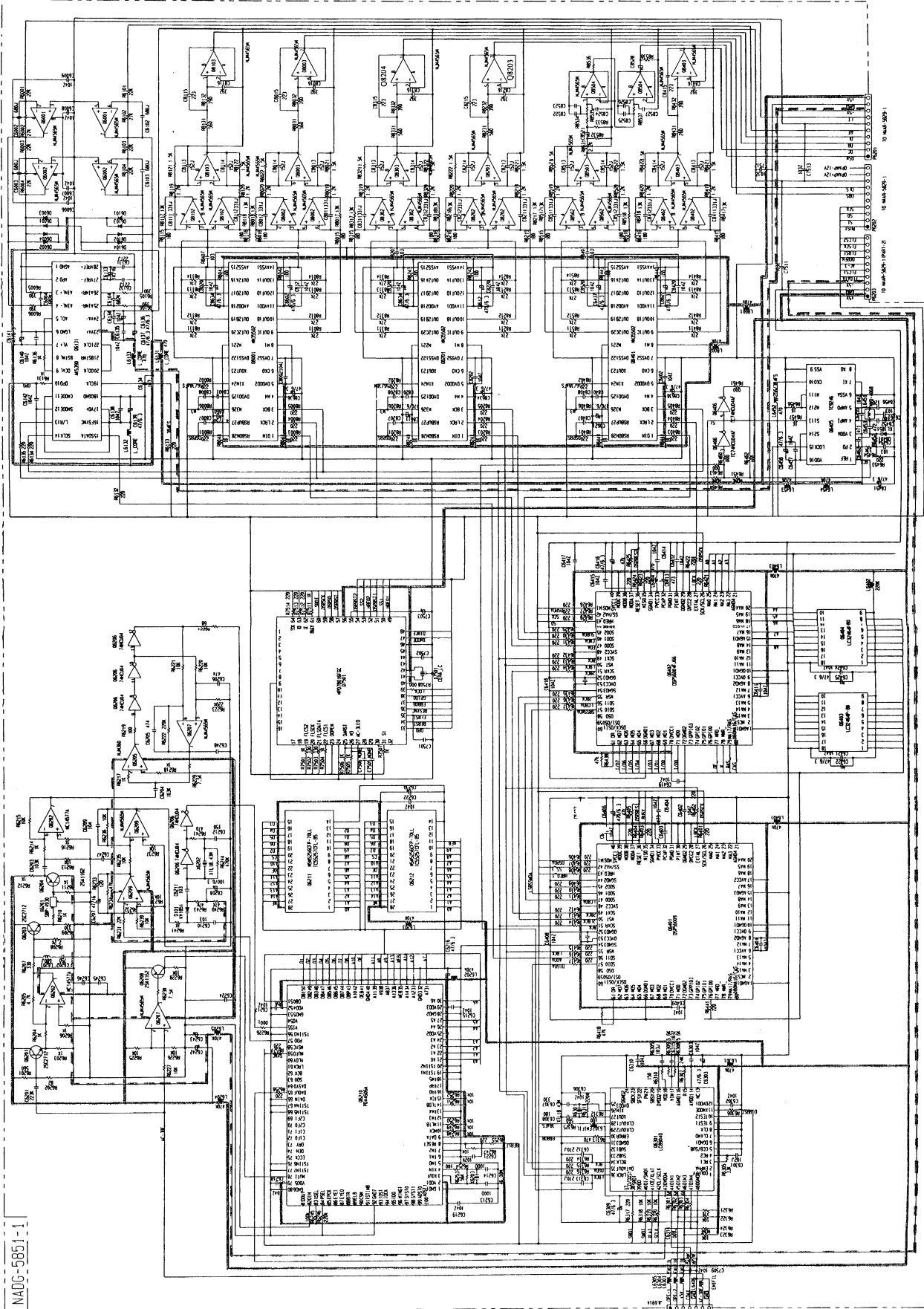
A B C D E F G



A B C D E F G

SCHEMATIC DIAGRAM 9

NADG-5851-1



1

2

3

4

5

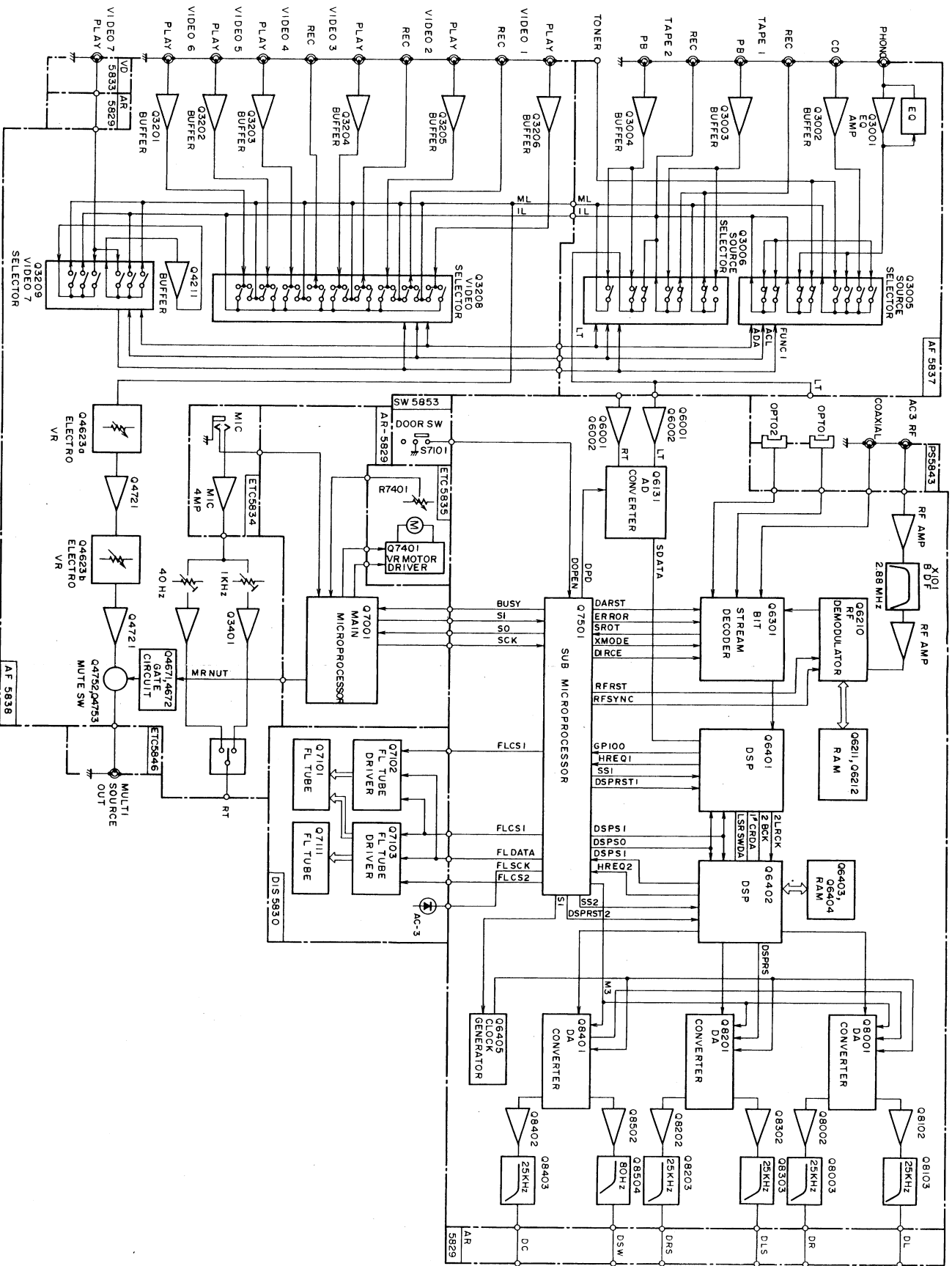


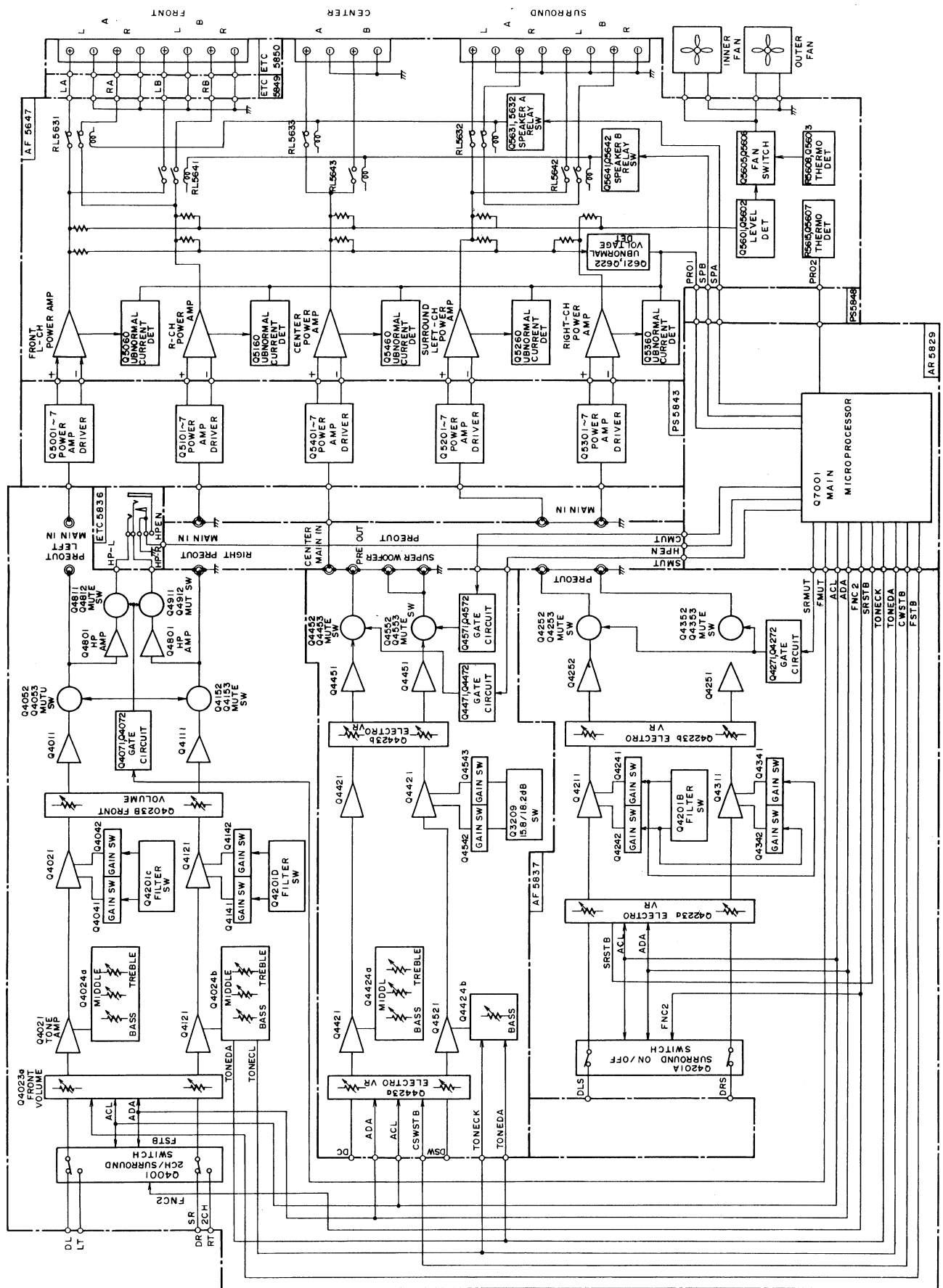




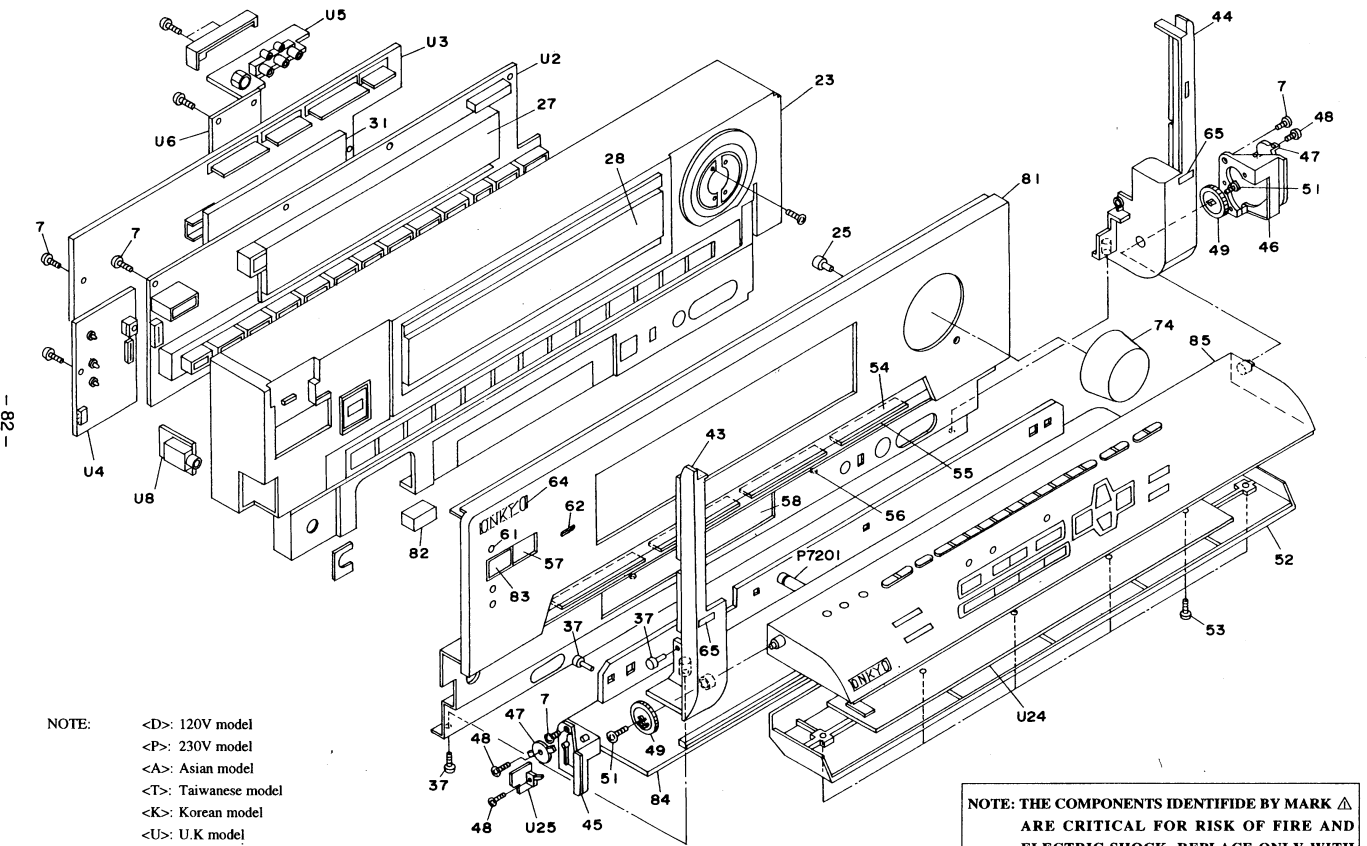
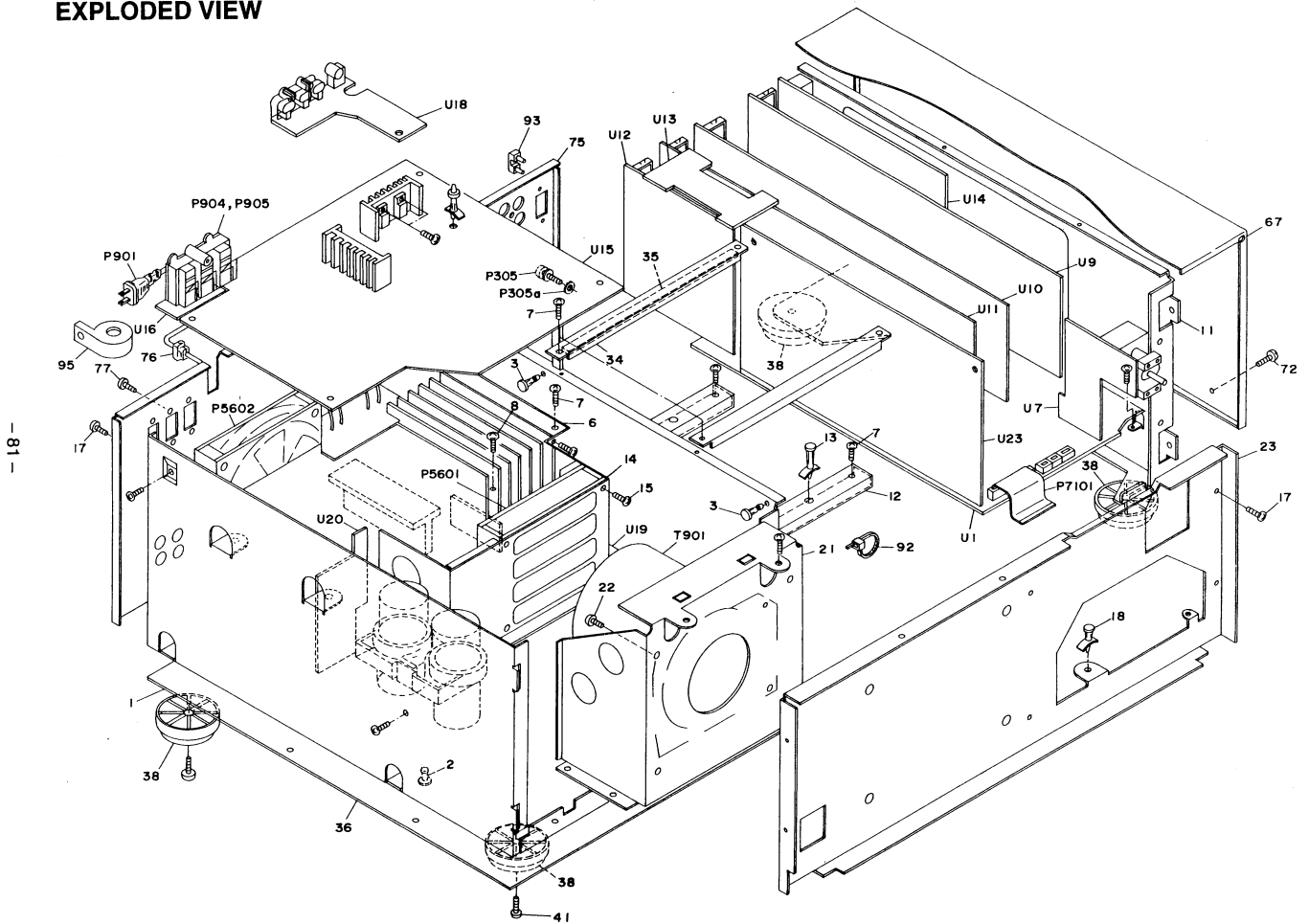
BLOCK DIAGRAM

TX-DS939 TX-DS939





# EXPLODED VIEW



NOTE:

- <D>: 120V model
- <P>: 230V model
- <A>: Asian model
- <T>: Taiwanese model
- <K>: Korean model
- <U>: U.K model
- <B>: Black model
- <G>: Golden model

NOTE: THE COMPONENTS IDENTIFIED BY MARK  $\Delta$  ARE CRITICAL FOR RISK OF FIRE AND ELECTRIC SHOCK. REPLACE ONLY WITH PART NUMBER SPECIFIED.

# PARTS LIST

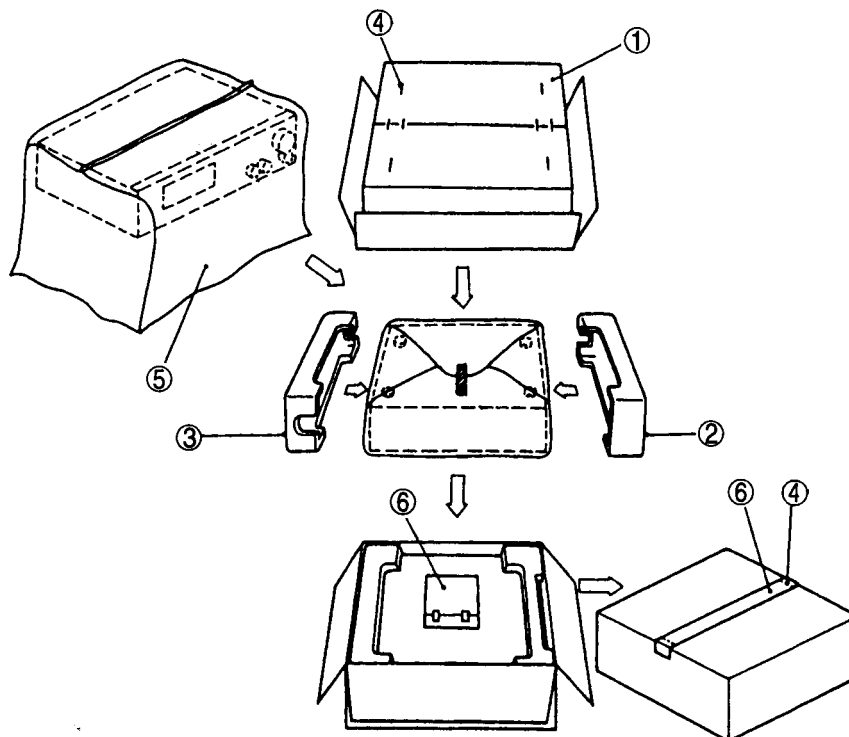
REF. NO.	PART NO.	DESCRIPTION	DESCRIPTION	REF. NO.	PART NO.	DESCRIPTION
1	27100319B	Chassis		48	27301901	Gear
2	27190813	KGPS-10RF,Holder		51	801433	3SMS8W_SW+14B(BC), Special screw
3	27190428A	KGLS-10RF,Holder		52	27190985B	Holder, door
4	27190983A	Holder CH		53	838426088	2.6TTB+8B(BC), Self-tapping screw
5	837440169	4TTT+16C(BC), Self-tapping screw		54	28191749	Clear plate, selector
6	27160370	Heatsink		55	28325415A	Knob SELECTOR <B>
7	838130088	3TTB+8B, Self-tapping screw		55	28325416A	Knob SELECTOR <G>
8	838430107	3TTB+10S(BC), Self-tapping screw		56	28191680A	Clear plate LED
11	27115259A	Side bracket		57	28191730	Clear plate RE
12	27130778	Bracket P		58	28191748	Clear plate SUB
13	27190902	KGPS-16S, Holder		59	27270399	Spacer
14	27130783	Bracket FAN		61	28198839	Facet POW
15	833150100	5TTP+10P, Self-tapping screw		62	28198853	Facet AC-3
16	27130779C	Bracket, shield		63	28199201	Film
17	838440089	4TTB+8C(BC),Self-tapping screw		64	28135242	Badge <G>
18	27190938	KGLS-8S, Holder		65	28135243	Badge <B>
19	27190164	KGJS-14S, Holder		65	28141329	0.5*5*10, Cushion
21	27130780A	Bracket PT		66	28140860	Cushion
22	830440089	4TTC+8C(BC), Self-tapping screw		67	28184660	Top cover <B>
23	27110948D	Front bracket			28184661	Top cover <G>
24	28335043B	Lever, door		71	838230088	3TTB+8B(Ni), Self-tapping screw <G>
25	28325420B	Knob OPEN <B>			838430088	3TTB+8B(BC), Self-tapping screw <B>
	28325421B	Knob OPEN <G>		72	838240088	4TTB+8C(Ni), Self-tapping screw <G>
26	27180551A	Spring			838440089	4TTB+8C(BC), Self-tapping screw <B>
27	28133357	Back plate <B>		73	28141288	0.8*10*15, Cushion
	28133359	Back plate <G>		74	28325364A	Knob VOLUME <B>
28	28191747	Clear plate <B>			28325365A	Knob VOLUME <G>
	27180555	Clear plate <G>		75	27122250C	Rear panel <D/T>
29	28133358	Spring, open			27122251B	Rear panel <P/A>
31	28133358	Back plate <B>		76	27122252B	Rear panel <K>
	28133360	Back plate <G>			27300750	Bushing, cord
32	28325418	Knob V7 <B>		77	838445102	4.5STB+10BQ(BC), Self-tapping screw
	28325419	Knob V7 <G>		78	801525	3TTB+8B(BC), Self-tapping screw
33	27141667A	Retainer V7		81	27211846A	Front panel <D/BT/BK>
34	27130781	Bracket U			27211847A	Front panel <P/BA>
35	28141095	4*14*155, Cushion			27211848A	Front panel <GT/GK>
36	27170309	Bottom board			27211908A	Front panel <GA>
	838430088	3TTB+8B(BC), Self-tapping screw		82	28325409A	Knob POWER <D/BK/BT>
38	27175317	Leg			28325412	Knob POWER <P/BA>
41	831430088	3TTW+8B(BC), Self-tapping screw			28325414	Knob POWER <GA>
42	27150396A	Shield plate			28325410A	Knob POWER <GK/GT>
43	28125341B	End cap L <B>		83	27267953	Guide, power <P/BA>
44	28125343B	End cap L <G>			27267954	Guide, power <GA>
44	28125342B	End cap R <B>		84	28148352	Door <B>
44	28125344B	End cap R <G>			28148353	Door <G>
45	27301902	Holder L, damper			28325435B	Knob DOOR <D/BT/BK>
45	27301903	Holder R, damper			28325436B	Knob DOOR <P/BA>
46	28400363	Damper			28325437B	Knob DOOR <GA>
47	838120080	2TTB+8P, Self-tapping screw			28325438B	Knob DOOR <GK/GT>

REF. NO.	PART NO.	DESCRIPTION	DESCRIPTION	REF. NO.	PART NO.	DESCRIPTION
91	29360778	Label FLASH <D>		U7	1A699535-1A	NAETC-5835-1A, Volume control pc board ass'y <D/BK/BT>
92	260208	Wire lic			1A699535-1B	NAETC-5835-1B, Volume control pc board ass'y <P/BA>
93	25055436	NPLG-2P418, Plug (Main in-Preout)			1A699535-1C	NAETC-5835-1C, Volume control pc board ass'y <GA>
94	880009	NRP-345, Plastic rivet <P/A>			1A699535-1D	NAETC-5835-1D, Volume control pc board ass'y <GT/GK>
95	230915	RBD25HA-00, Core		U8	1A699536-1A	NAETC-5836-1A, Headphone terminal pc board ass'y <D/BK/BT>
96	250153	Shorted pin			1A699536-1B	NAETC-5836-1B, Headphone terminal pc board ass'y <P/BA>
F9001	252196	12A-JUL/T-314, Fuse <D/T>			1A699536-1C	NAETC-5836-1C, Headphone terminal pc board ass'y <GA>
F9002	252079	6.3A-SE-EAK, Fuse <P/A/K>		U9	1A699537-1A	NAETC-5836-1D, Headphone terminal pc board ass'y <GT/GK>
F9003	252075	2.5A-SE-EAK, Fuse <P/A>			1A699537-1B	NAAF-5837-1A, Audio terminal pc board ass'y <D/T>
P305	25060151	Terminal			1A699537-1C	NAAF-5837-1B, Audio terminal pc board ass'y <P/A/K>
P305a	87643010	W3*10F(BC), Washer		U10	1A699538-1A	NAAF-5838-1A, Video terminal pc board ass'y <D/T>
P5601,P5602	24502282	D09T-24TG10(MA), Fan			1A699538-1B	NAAF-5838-1B, Video terminal pc board ass'y <P/A/K>
F7101	2047253012	NCF7-253012, Flexible flat cable		U11	1A699539-1A	NAVD-5839-1A, Video circuit pc board ass'y <D>
F7201	2046082523	NCF6-082523, Flexible flat cable			1A699539-1B	NAVD-5839-1B, Video circuit pc board ass'y <P/A>
P901	253174Y	AS-UC-6#18, Power supply cord <D>			1A699539-1C	NAVD-5839-1C, Video circuit pc board ass'y <K>
P901	253163Y	AS-UC-6#18, Power supply cord <T>		U12	1A699540-1A	NAVD-5840-1A, S video terminal pc board ass'y <D>
P901	253172	AS-CEE-2, Power supply cord <P/A>			1A699540-1B	NAVD-5840-1B, S video terminal pc board ass'y <P/A>
P901	253196HIT	AS-BS, Power supply cord <U.K. model only>			1A699540-1C	NAVD-5840-1C, S video terminal pc board ass'y <K>
P901	253240WSE	AS-KS, Power supply cord <K>			1A699540-1D	NAVD-5840-1D, S video terminal pc board ass'y <T>
P904,P905	25051266	NSCT-2P1056, AC outlet <K>		U13	1A699541-1A	NAETC-5841-1A, Terminal pc board ass'y <D>
T901	2301205	NPT-1273D, Power transformer <D/T>			1A699541-1B	NAETC-5841-1B, Terminal pc board ass'y <P/A>
T901	2301206	NPT-1273P, Power transformer <P/A>			1A699541-1C	NAETC-5841-1C, Terminal pc board ass'y <K>
T901	2301207	NPT-1273G, Power transformer <K>			1A699541-1D	NAETC-5841-1D, Terminal pc board ass'y <T>
U1	1A699529-1A	NAAR-5829-1A, Main pc board ass'y <D>		U14	1A699542-1A	NARF-5842-1A, Tuner circuit pc board ass'y <D>
	1A699529-1B	NAAR-5829-1B, Main pc board ass'y <P/A>			1A699542-1B	NARF-5842-1B, Tuner circuit pc board ass'y <P/A>
	1A699529-1C	NAAR-5829-1C, Main pc board ass'y <K>			1A699542-1C	NARF-5842-1C, Tuner circuit pc board ass'y <K>
	1A699529-1D	NAAR-5829-1D, Main pc board ass'y <T>		U15	1A699542-1D	NARF-5842-1D, Tuner circuit pc board ass'y <T>
U2	1A699530-1A	NADIS-5830-1A, Display A pc board ass'y <D/BK/BT>			1A699543-1A	NAPS-5843-1A, Power supply circuit pc board ass'y <D/T>
	1A699530-1B	NADIS-5830-1B, Display A pc board ass'y <P/BA>			1A699543-1B	NAPS-5843-1B, Power supply circuit pc board ass'y <P/A>
	1A699530-1C	NADIS-5830-1C, Display A pc board ass'y <GA>		U16	1A699544-1B	NAETC-5844-1B, AC outlet pc board ass'y <P/A>
	1A699530-1D	NADIS-5830-1D, Display A pc board ass'y <GT/GK>			1A699545-1B	NAETC-5845-1B, AC outlet pc board ass'y <P/A>
U3	1A699531-1A	NADIS-5831-1A, Display B pc board ass'y <D/BK/BT>		U17	1A699546-1B	NAETC-5846-1B, Multi source pc board ass'y <D/T>
	1A699531-1B	NADIS-5831-1B, Display B pc board ass'y <P/BA>			1A699546-1C	NAETC-5846-1C, Multi source pc board ass'y <P/A>
	1A699531-1C	NADIS-5831-1C, Display B pc board ass'y <GA>		U18	1A699546-1D	NAETC-5846-1D, Multi source pc board ass'y <D/T>
	1A699531-1D	NADIS-5831-1D, Display B pc board ass'y <GT/GK>			1A699547-1A	NAAF-5847-1A, Power amplifier pc board ass'y <D/T>
U4	1A699532-1A	NASW-5832-1A, Power switch pc board ass'y <D/BK/BT>		U19	1A699547-1B	NAAF-5847-1B, Power amplifier pc board ass'y <P/A/K>
	1A699532-1B	NASW-5832-1B, Power switch pc board ass'y <P/BA>			1A699548-1A	NAETC-5848-1A, Secondary circuit pc board ass'y <D/T>
	1A699532-1C	NASW-5832-1C, Power switch pc board ass'y <GA>		U20	1A699548-1B	NAETC-5848-1B, Secondary circuit pc board ass'y <D/T>
	1A699532-1D	NASW-5832-1D, Power switch pc board ass'y <GT/GK>			1A699549-1A	NAETC-5849-1A, Terminal pc board ass'y <D/T>
U5	1A699533-1A	NAVD-5833-1A, Video-7 terminal pc board ass'y <D/BK/BT>		U21	1A699549-1B	NAETC-5849-1B, Terminal pc board ass'y <P/A/K>
	1A699533-1B	NAVD-5833-1B, Video-7 terminal pc board ass'y <P/BA>			1A699550-1A	NAETC-5850-1A, Front speaker pc board ass'y <D/T>
	1A699533-1C	NAVD-5833-1C, Video-7 terminal pc board ass'y <GA>		U22	1A699550-1B	NAETC-5850-1B, Front speaker pc board ass'y <P/A/K>
	1A699533-1D	NAVD-5833-1D, Video-7 terminal pc board ass'y <GT/GK>		U23	1A699551-1	NADG-5851-1, DSP circuit pc board ass'y
U6	1A699534-1A	NAETC-5834-1A, Mic. circuit pc board ass'y <D/BK/BT>		U24	1A699552-1	NASW-5852-1, Operation switch pc board ass'y
	1A699534-1B	NAETC-5834-1B, Mic. circuit pc board ass'y <P/BA>		U25	1A699553-1	NASW-5853-1, Door switch pc board ass'y
	1A699534-1C	NAETC-5834-1C, Mic. circuit pc board ass'y <GA>				
	1A699534-1D	NAETC-5834-1D, Mic. circuit pc board ass'y <GT/GK>				

3701

NOTE: TX-DS939BUP and TX-DS939BUPB have the same construction except the power supply cord.

## PACKING VIEW



REF. NO.	PART NO.	DESCRIPTION		
1	29053046	Carton box <D/T>	29355268	Instruction sheet
	29053047	Carton box <P/A/U/K>	25065462	YAE21-0237, FM antenna adaptor <D/A/T/K>
	29053049	Carton box <G>	29361981	Label UPC <D>
2	29091745A	Pad L	29358002K	Service station list <D>
3	29091746A	Pad R	29365019B	Warranty card <D>
4	282320	Staple	29355133A	Instruction sheet <P>
5	29100035-1	Poly bag	29361573	Label PE-LD <P>
6	24140310	RC-310M, Remote control transmitter	29095777	Sheet <G>
	3010054	UM-3, Battery	29362036	Label Ex
	245015	MIC-3, Microphone		
	232140	NMA-3057, AM loop antenna		
	292112Y	FM antenna		
	29100097-1AY	Poly bag		
	29355256	Caution sheet		
	29342340	Instruction manual		
	29342341	Instruction manual GFS <P>		
	29342342	Instruction manual DSWI <P>		
	29342344	Instruction manual T <A/T>		
	29342463	Instruction manual		
	29342464	Instruction manual FSI <P>		
29342465	Instruction manual GSWD <P>			
29342466	Instruction manual T <T>			

## NOTE:

<D>: 120V model  
 <P>: 230V model  
 <A>: Asian model  
 <T>: Taiwanese model  
 <K>: Korean model  
 <U>: U.K model  
 <B>: Black model  
 <G>: Golden model