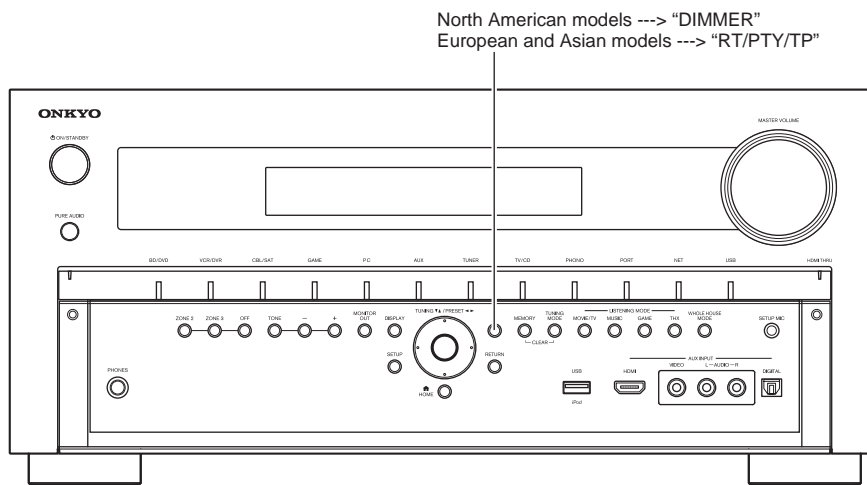
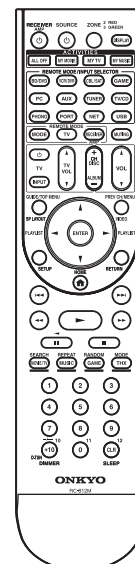


ONKYO® SERVICE MANUAL

AV RECEIVER MODEL TX-NR3009(B)/(S)




Black and Silver models



RC-812M

B MDC	120V AC, 60Hz
B MMP, S MMP	220-240V AC, 50/60Hz
B MMR	220-240V AC, 50/60Hz

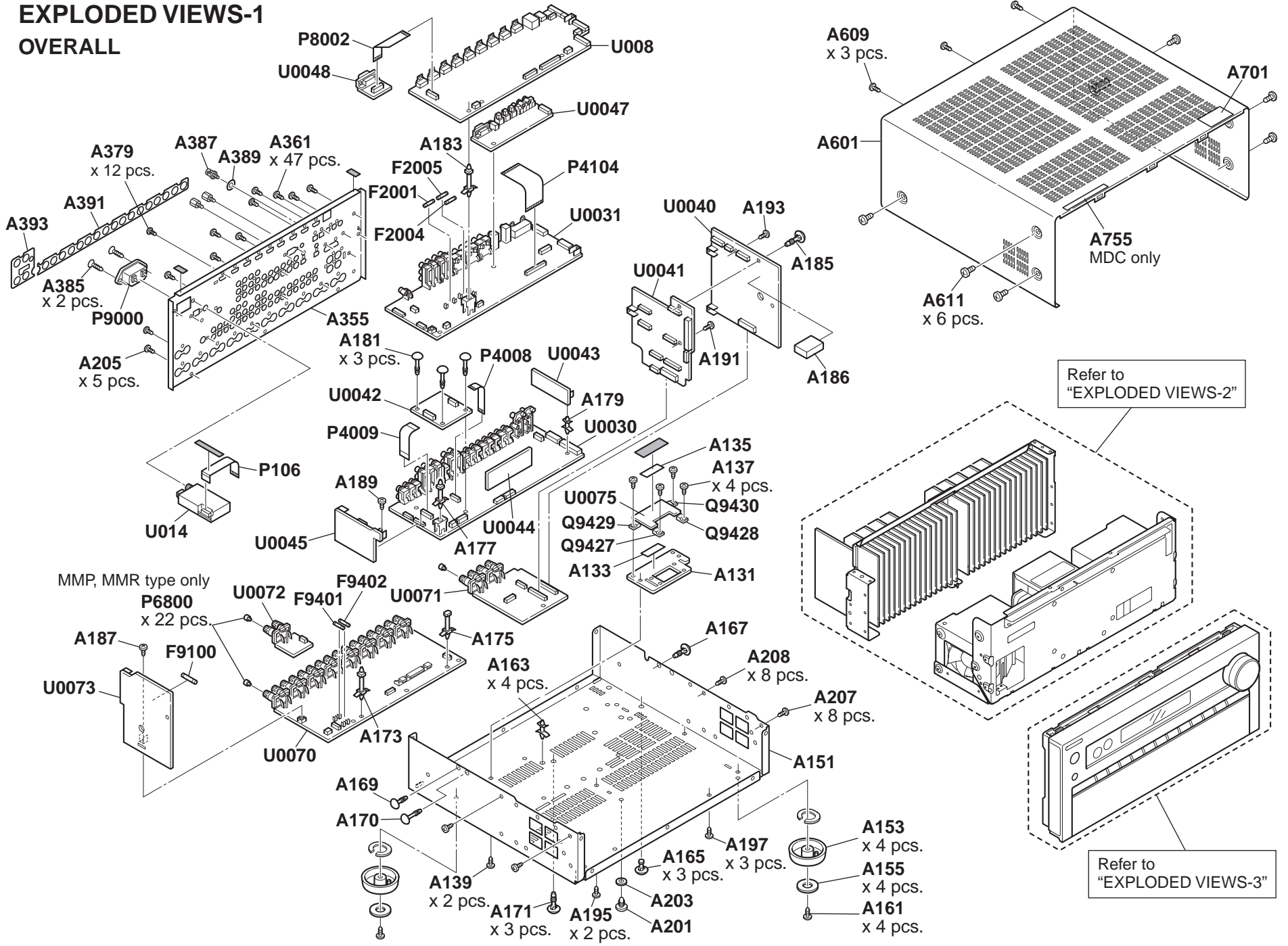
SAFETY-RELATED COMPONENT WARNING!!

COMPONENTS IDENTIFIED BY MARK  ON THE SCHEMATIC DIAGRAM AND IN THE PARTS LIST ARE CRITICAL FOR RISK OF FIRE AND ELECTRIC SHOCK. REPLACE THESE COMPONENTS WITH ONKYO PARTS WHOSE PART NUMBERS APPEAR AS SHOWN IN THIS MANUAL.

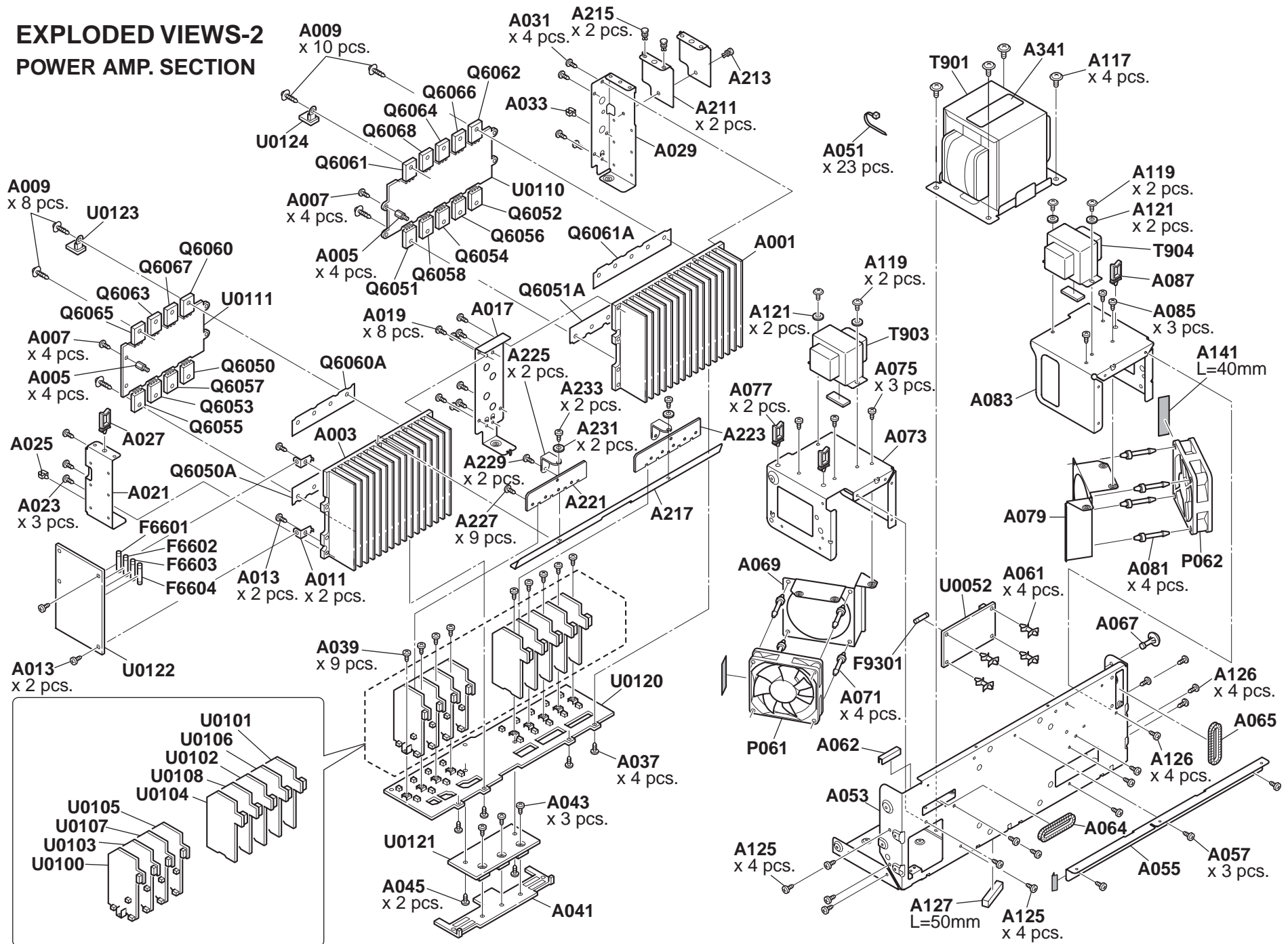
MAKE LEAKAGE-CURRENT OR RESISTANCE MEASUREMENTS TO DETERMINE THAT EXPOSED PARTS ARE ACCEPTABLY INSULATED FROM THE SUPPLY CIRCUIT BEFORE RETURNING THE APPLIANCE TO THE CUSTOMER.

ONKYO SOUND & VISION CORPORATION
Service Department

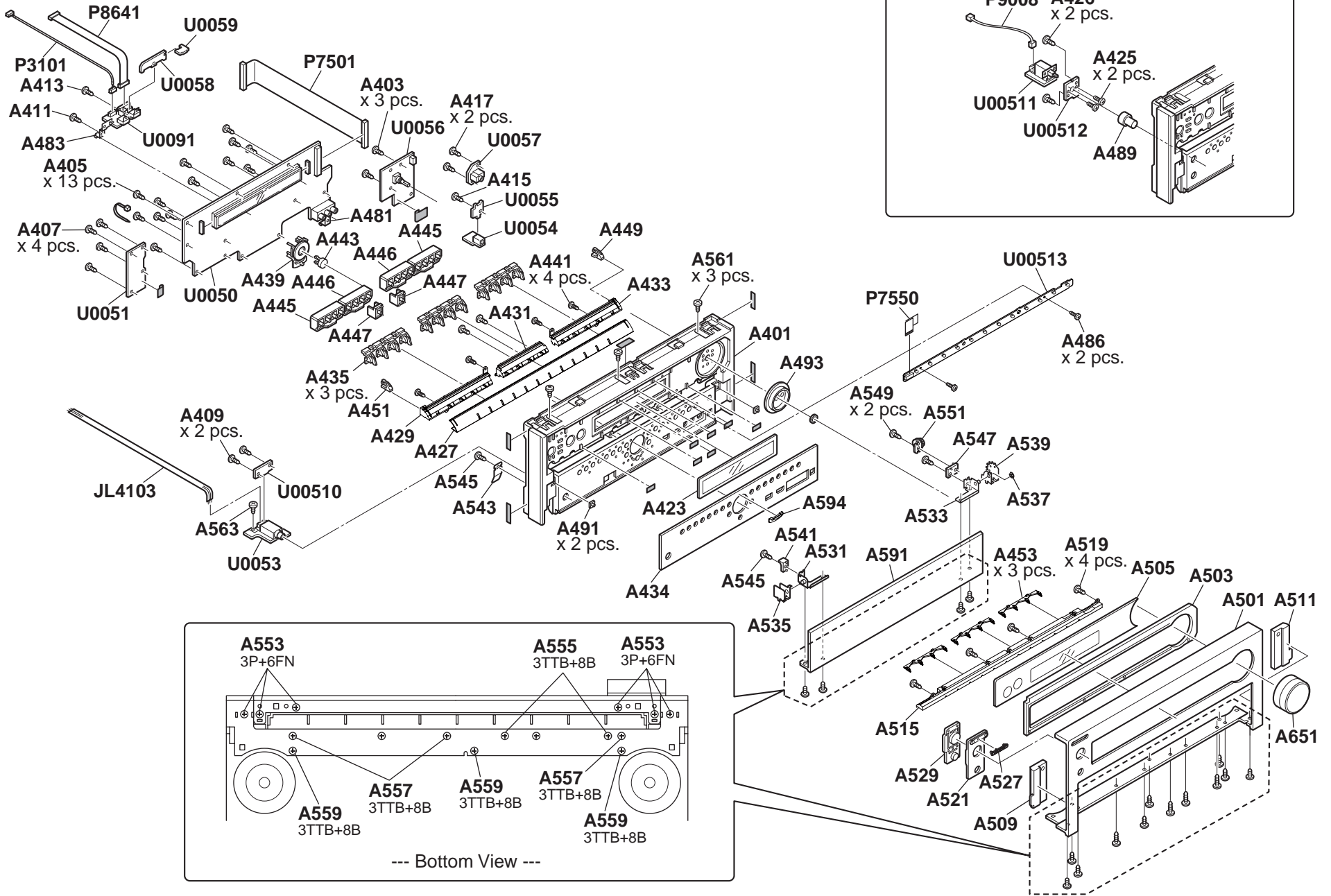
EXPLODED VIEWS-1
OVERALL

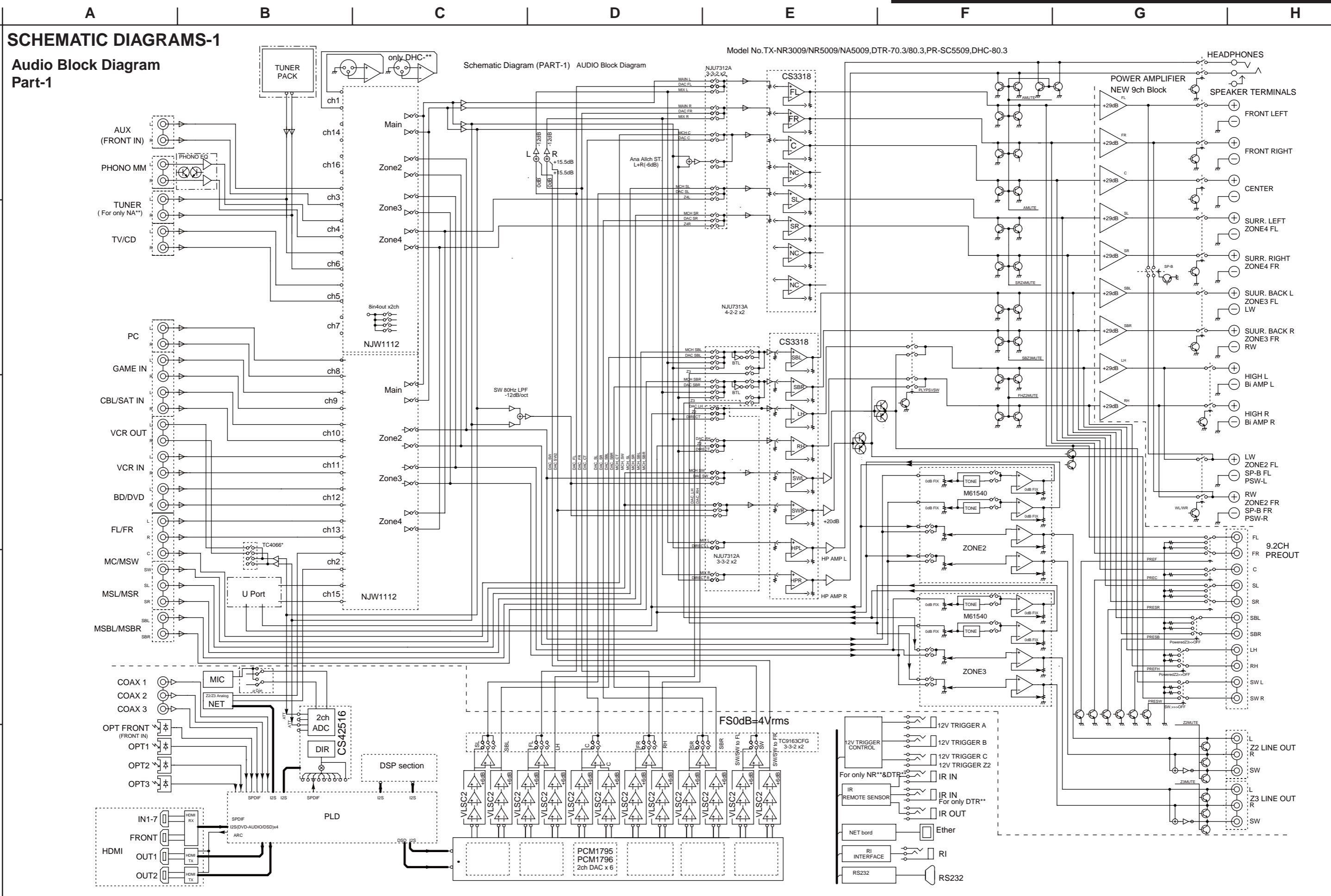


EXPLODED VIEWS-2 POWER AMP. SECTION



EXPLODED VIEWS-3
FRONT SECTION





SCHEMATIC DIAGRAMS-1
Audio Block Diagram
Part-1

1

2

3

4

5

SCHEMATIC DIAGRAMS-2

**Video Section
Block Diagram
Part-2**

Schematic Diagram (PART-2) VIDEO BLK SECTION

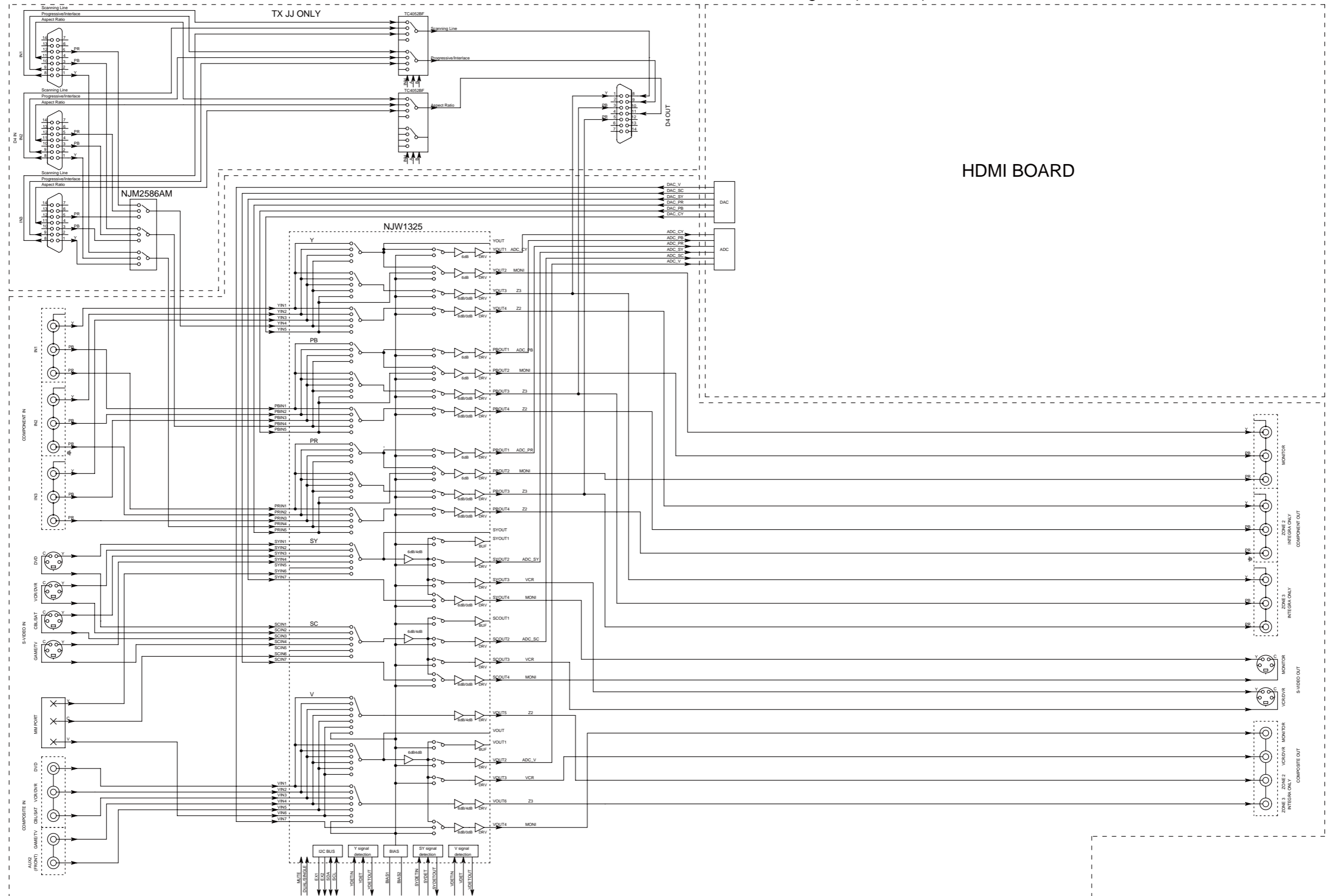
1

2

3

4

5



A B C D E F G H

SCHEMATIC DIAGRAMS-3

HDMI Block Diagram part-3

1

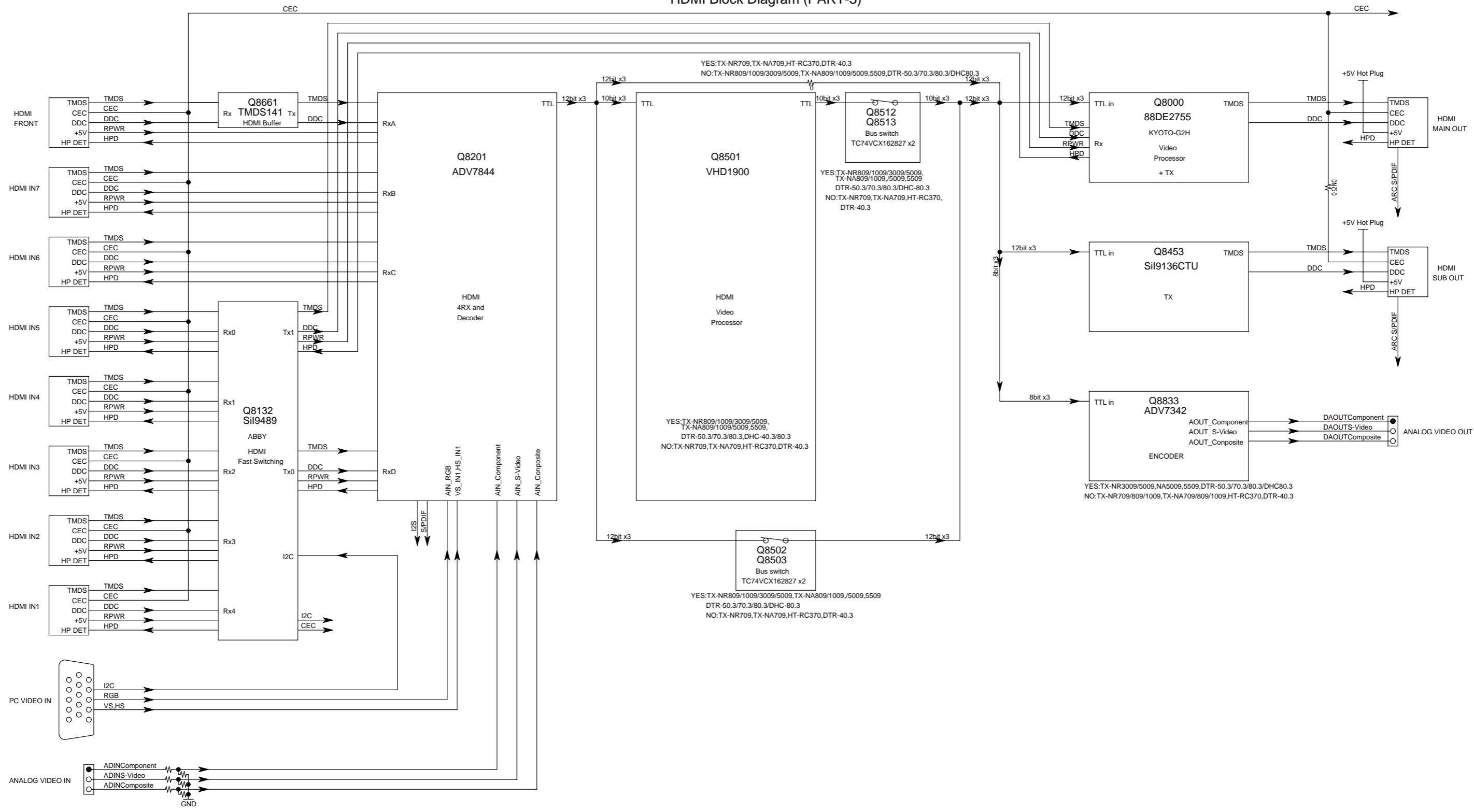
2

3

4

5

HDMI Block Diagram (PART-3)



SCHEMATIC DIAGRAMS-4

DSP/ ETHER/ USB section Block diagram

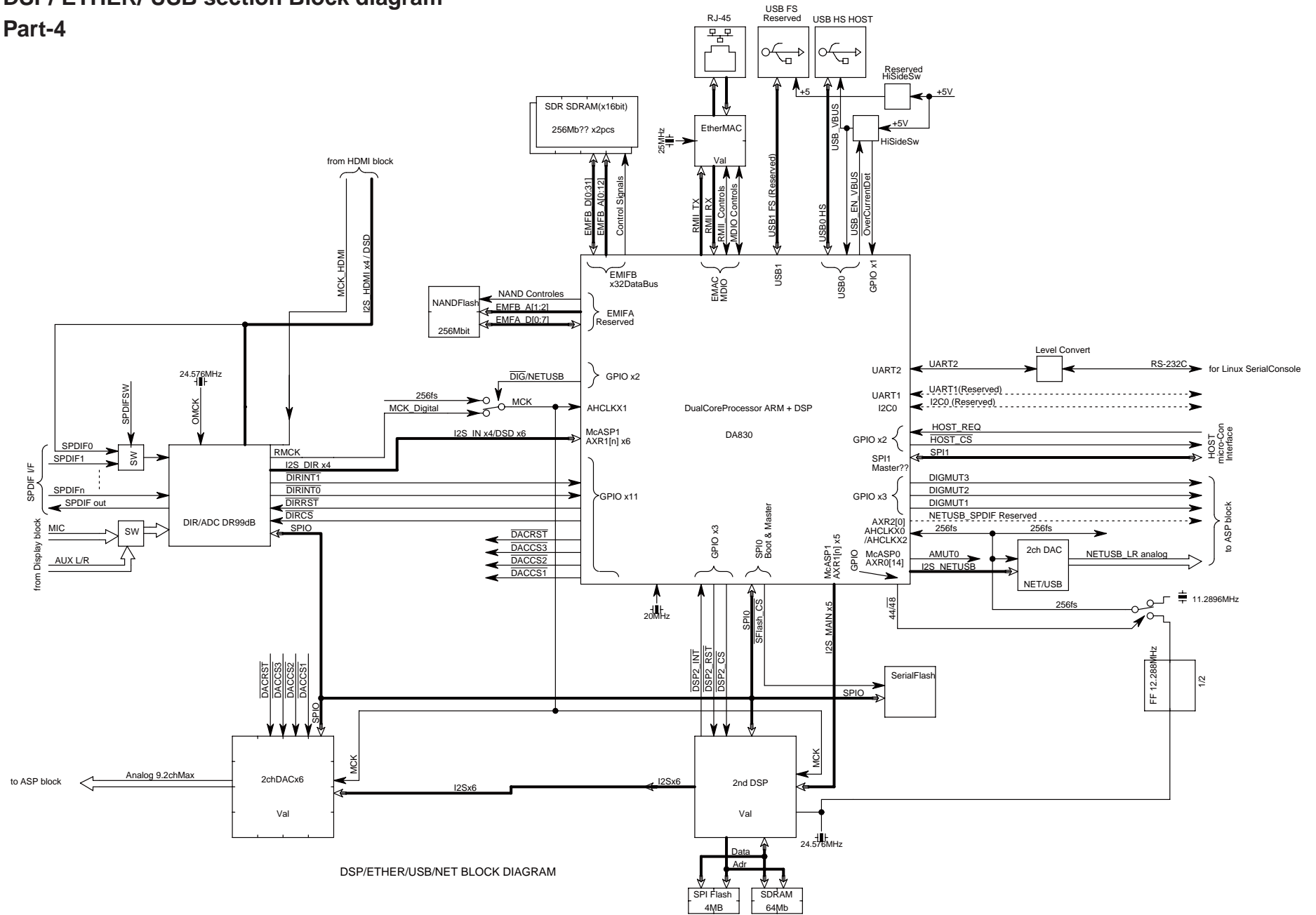
Part-4

1

2

3

4



DSP/ETHER/USB/NET BLOCK DIAGRAM

TX-NR3009/TX-NR5009/TX-NA5009/DTR-70.3/DTR-80.3/DHC-80.3/PR-SC5509

A B C D E F G H

SCHEMATIC DIAGRAMS-5

**Digital audio Block diagram
Part-5**

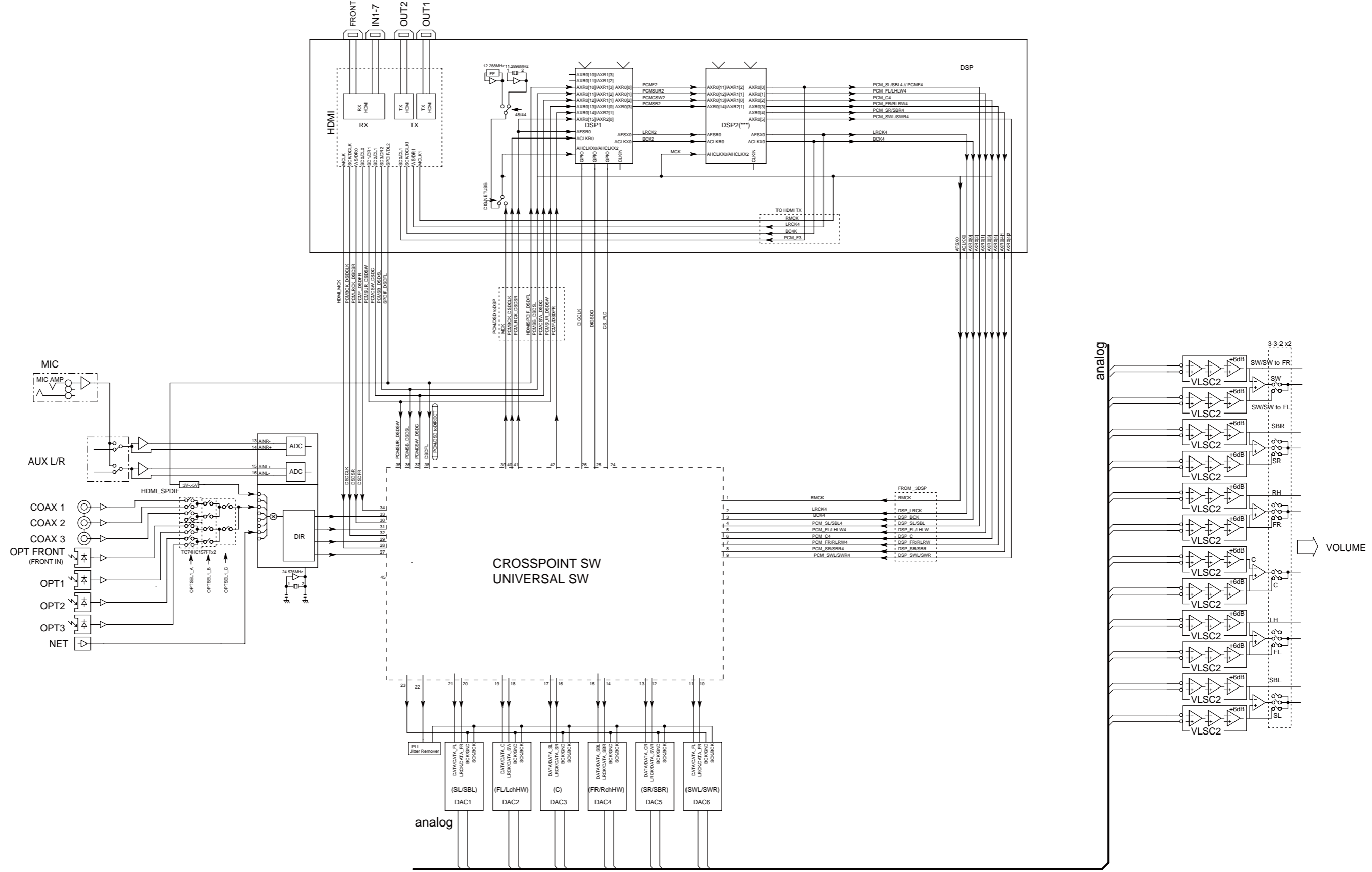
1

2

3

4

5



SCHEMATIC DIAGRAM-6

**AMP. First Section
Part-6**

Only TX-NR3009/NR5009/NA5009,DTR-70.3/80.3

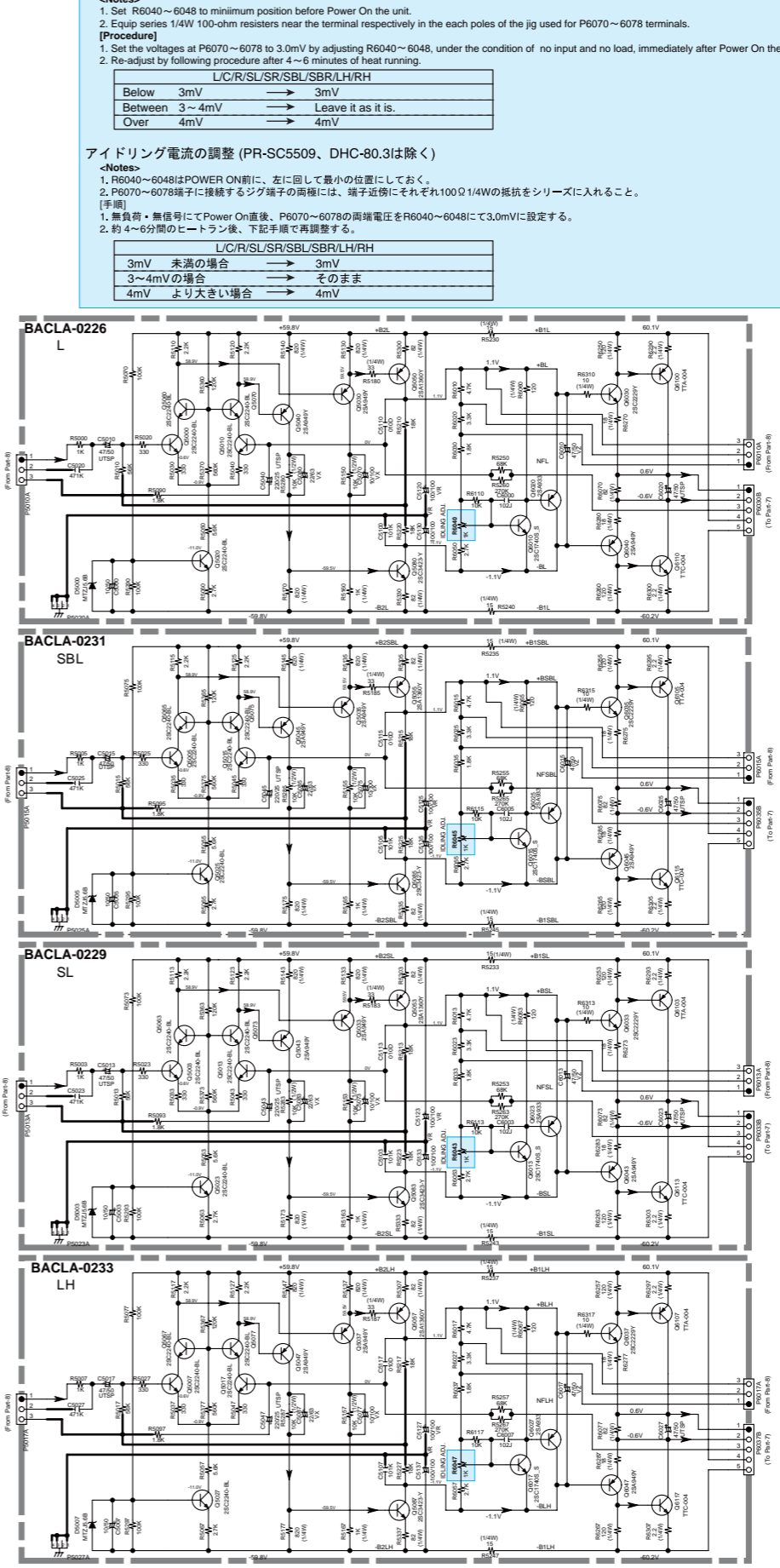
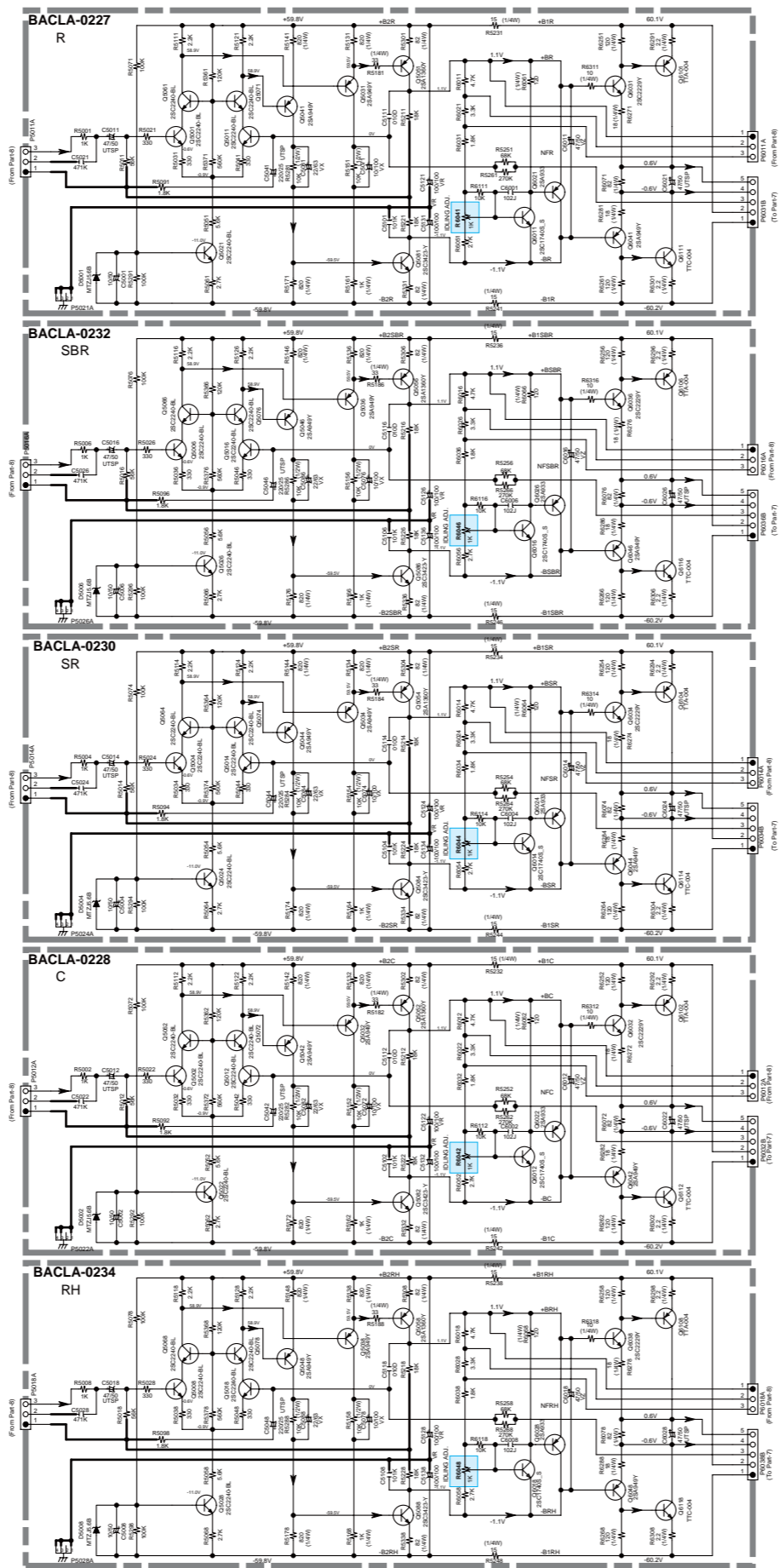
1

2

3

4

5



ADJUSTMENT OF IDLING CURRENT (Except PR-SC5509, DHC-80.3)

<Notes>
 1. Set R6040~6048 to minimum position before Power On the unit.
 2. Equip series 1/4W 100-ohm resistors near the terminal respectively in the each poles of the jig used for P6070~6078 terminals.

[Procedure]
 1. Set the voltages at P6070~6078 to 3.0mV by adjusting R6040~6048, under the condition of no input and no load, immediately after Power On the unit.
 2. Re-adjust by following procedure after 4~6 minutes of heat running.

L/C/R/SL/SR/SBL/SBR/LH/RH	
Below 3mV	→ 3mV
Between 3~4mV	→ Leave it as it is.
Over 4mV	→ 4mV

アイドリング電流の調整 (PR-SC5509、DHC-80.3は除く)

<Notes>
 1. R6040~6048はPOWER ON前に、左に回して最小の位置にしておく。
 2. P6070~6078端子に接続するジグ端子の両極には、端子近傍にそれぞれ100Ω 1/4Wの抵抗をシリーズに入れること。

[手順]
 1. 無負荷・無信号にてPower On直後、P6070~6078の両端電圧をR6040~6048にて3.0mVに設定する。
 2. 約4~6分間のヒートラン後、下記手順で再調整する。

L/C/R/SL/SR/SBL/SBR/LH/RH	
3mV 未満の場合	→ 3mV
3~4mVの場合	→ そのまま
4mV より大きい場合	→ 4mV

SCHEMATIC DIAGRAMS-7

Amp. Final Section Part-7

Only TX-NR3009/TX-NR5009/TX-NA5009/DTR-70.3/DTR-80.3

1

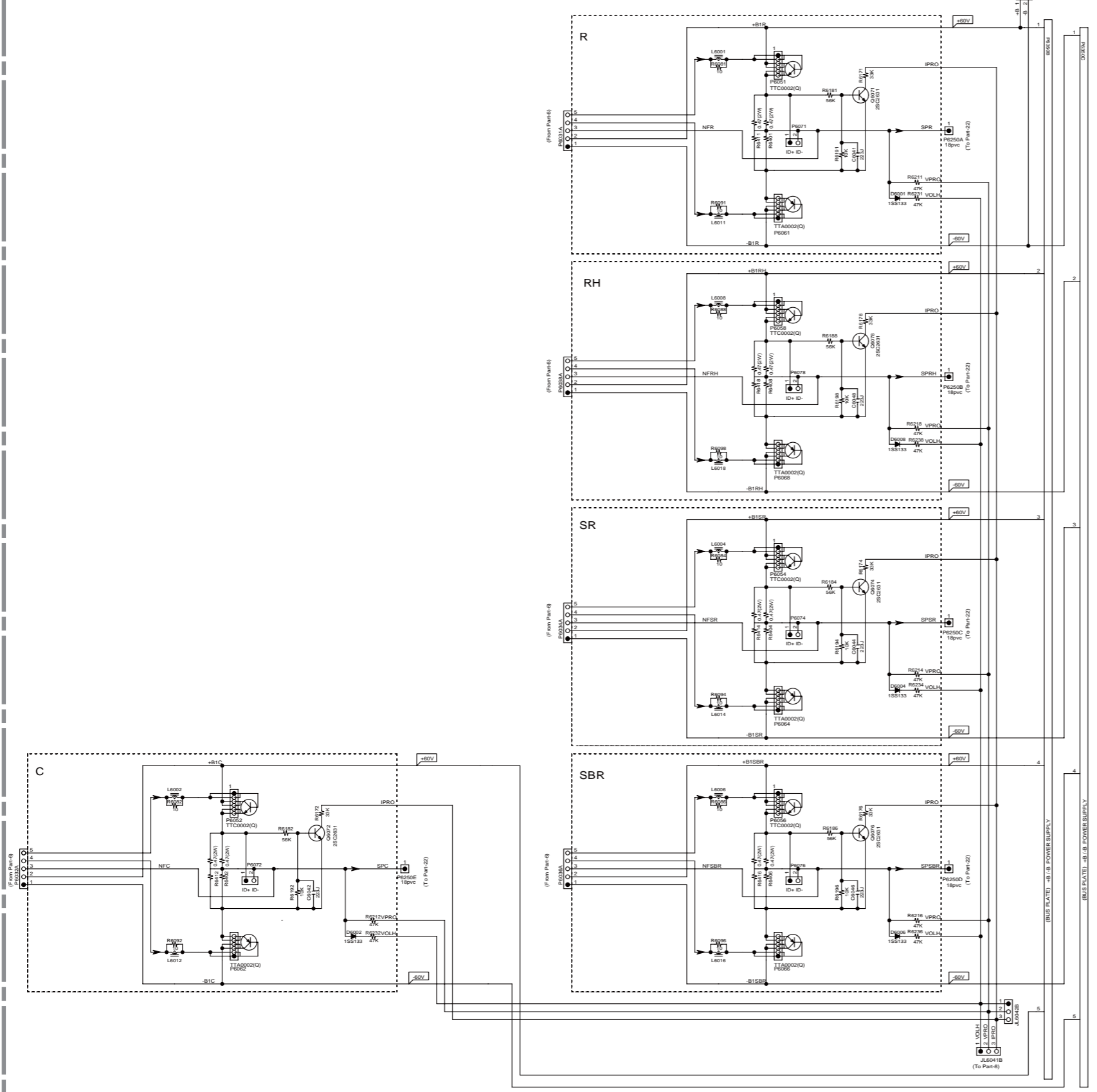
2

3

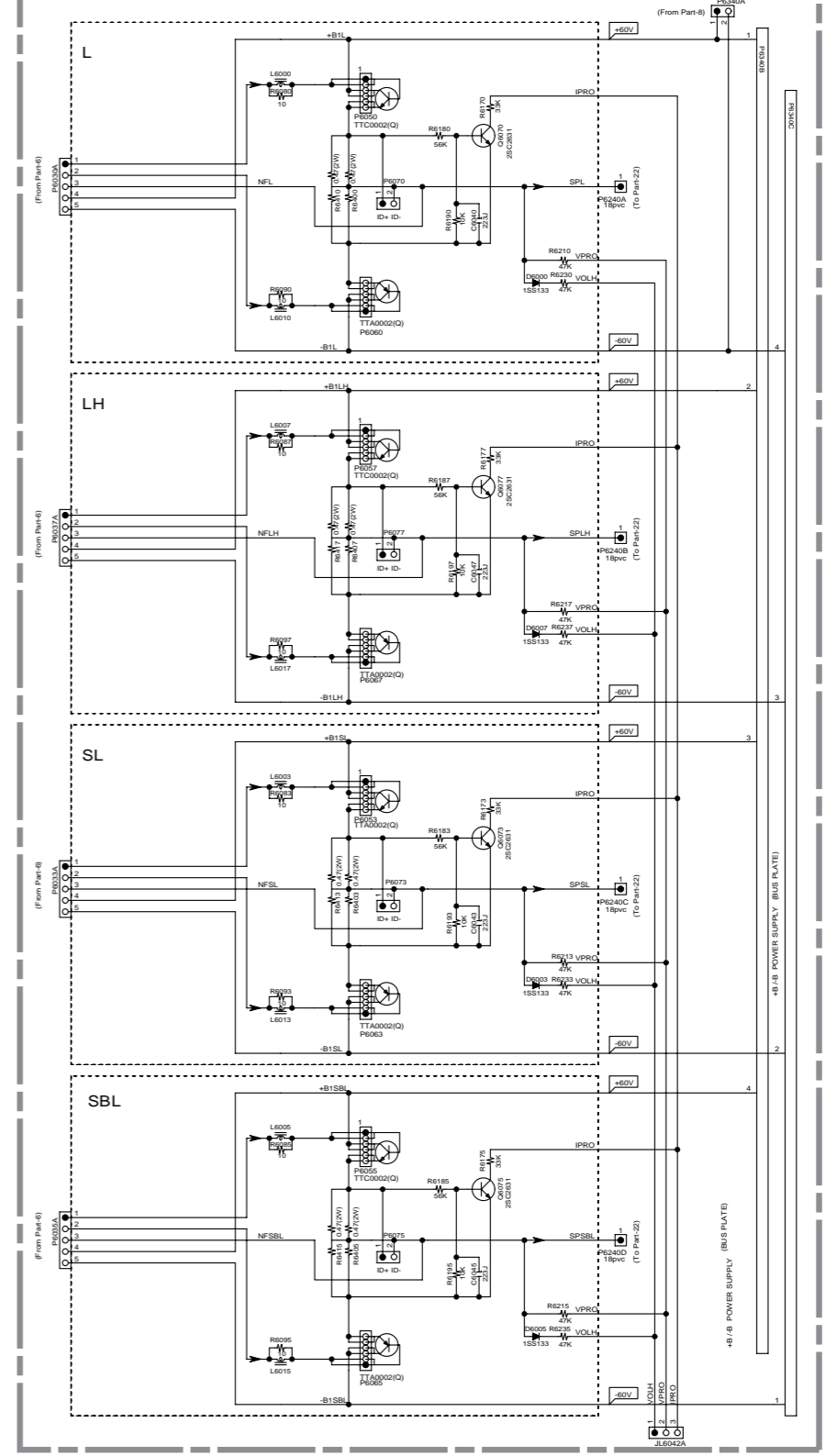
4

5

BAAMP-0191



BAAMP-0192

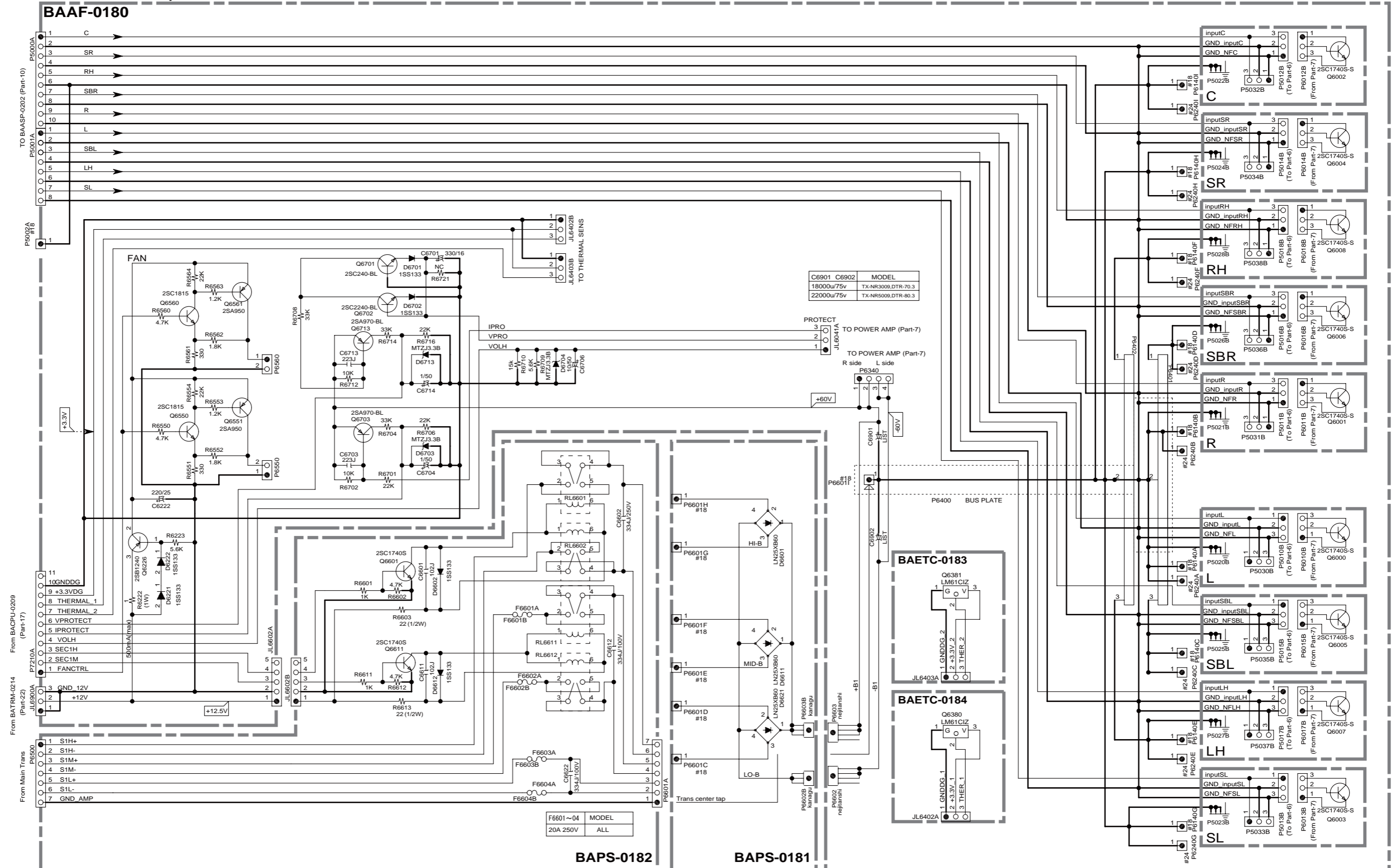


SCHEMATIC DIAGRAM-8

Amp. Power supply section

Part-8

Only TX-NR3009/TX-NR5009/TX-NA5009,DTR-70.3/DTR-80.3



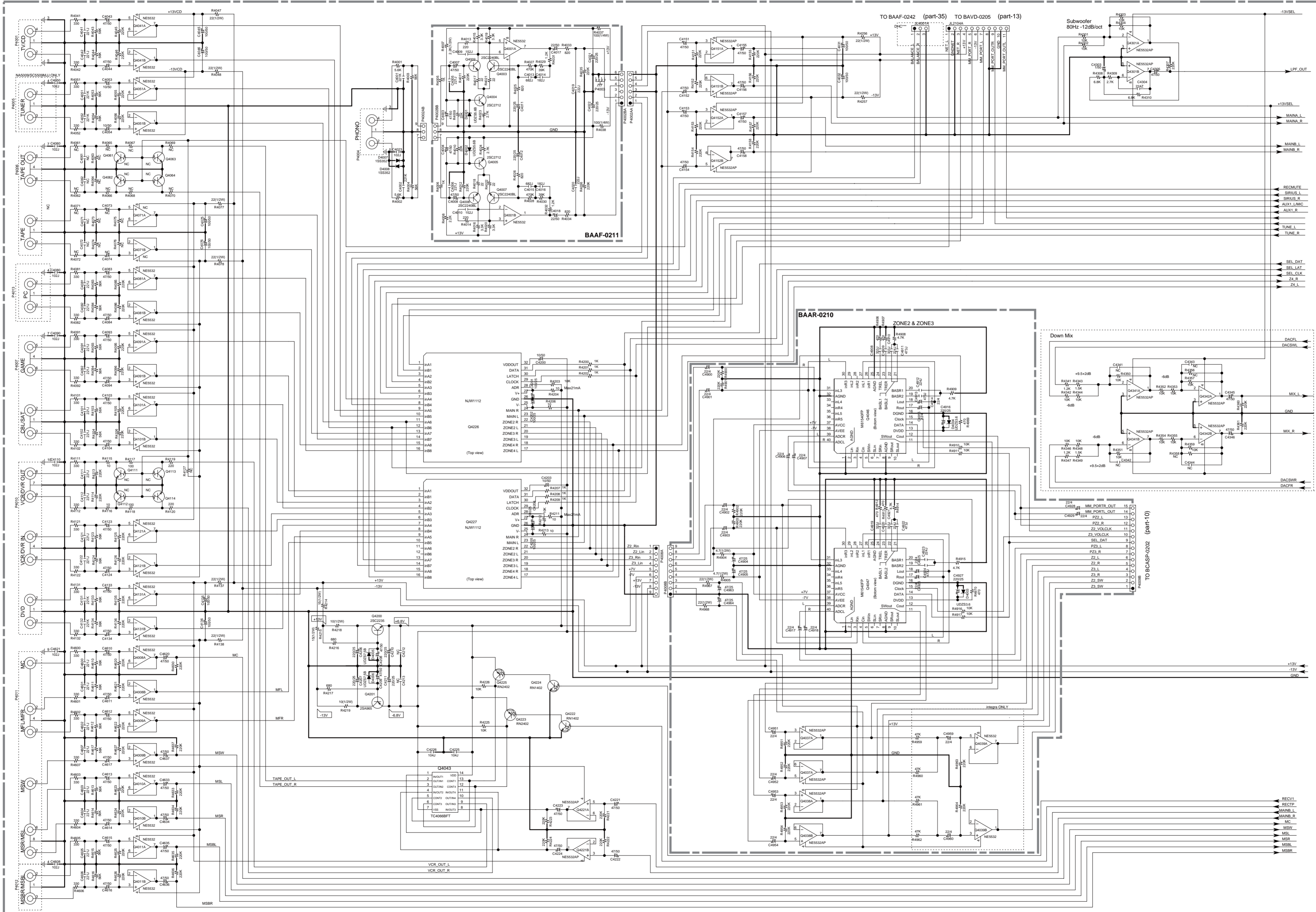
SCHEMATIC DIAGRAMS-9

ASP-1 Section

Part-9

1
2
3
4
5
6
7
8

BAASP-0202(1/2)

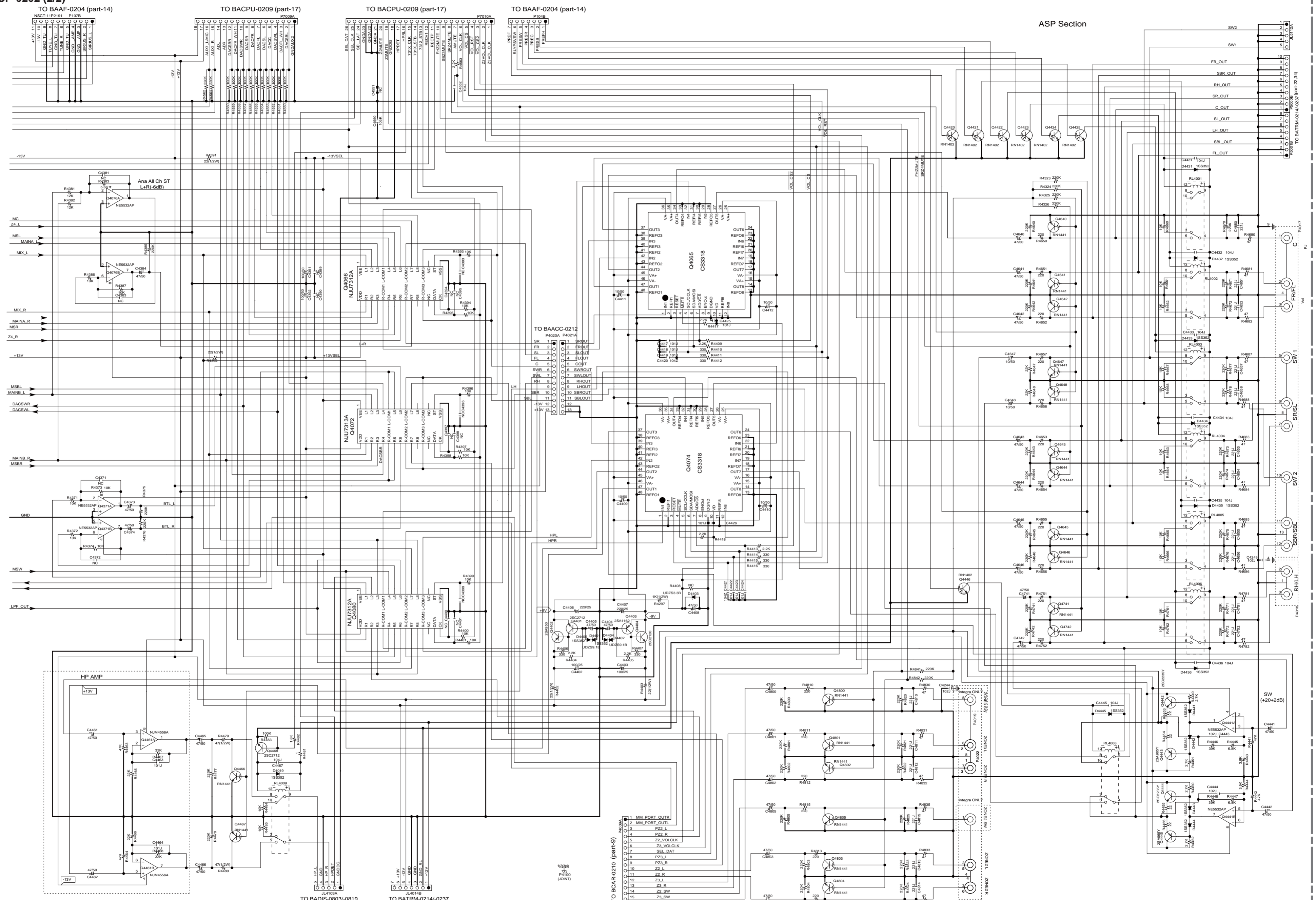


SCHEMATIC DIAGRAMS-10

ASP-2 Section

Part-10

BAASP-0202 (2/2)



TO BAAF-0204 (part-14)
 TO BACPU-0209 (part-17)
 TO BACPU-0209 (part-17)
 TO BAA0-0204 (part-14)
 TO BAAC-0212
 TO BAAR-0210 (part-9)
 TO BADIS-0803/0819 (part-18.20)
 TO BATRM-0214/0237 (part-22.34)

ASP Section

SW1, SW2, FR_OUT, SBR_OUT, SR_OUT, RH_OUT, C_OUT, LH_OUT, SBL_OUT, FL_OUT

ZONE2 & ZONE3

A

B

C

D

E

SCHEMATIC DIAGRAMS-11

ASP/ Buffer/ D-Sub section

Part-11

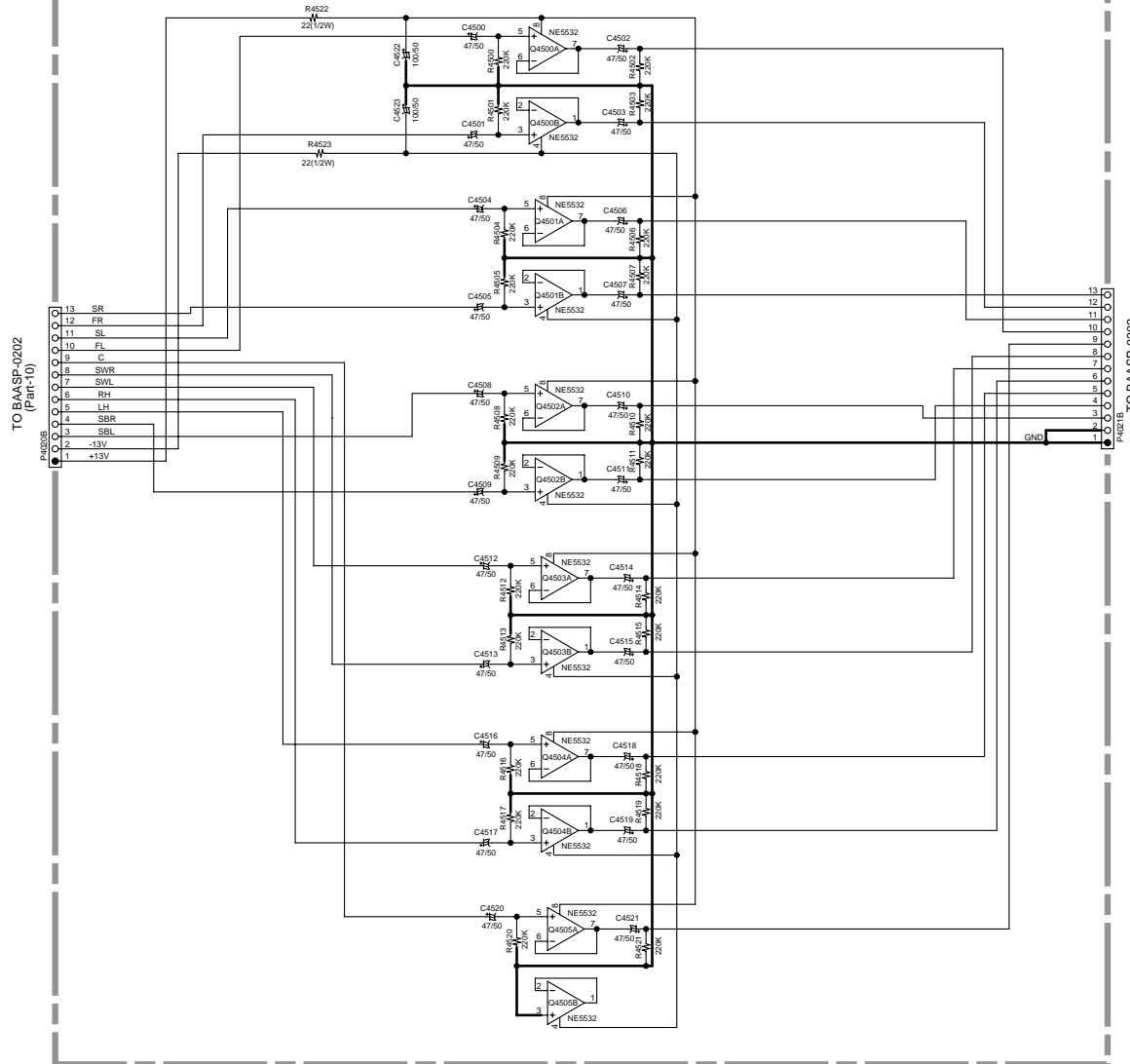
1

2

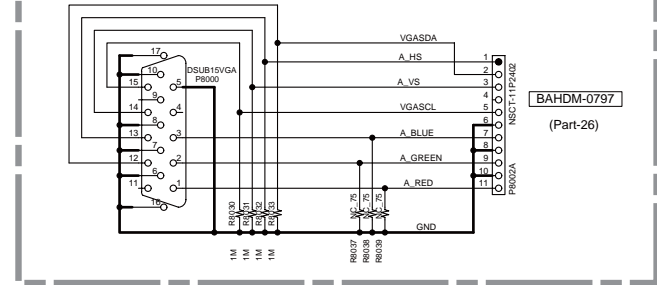
3

4

BAACC-0212



BAETC-0247



SCHEMATIC DIAGRAMS-12
Analog Video section
Part-12

1

2

3

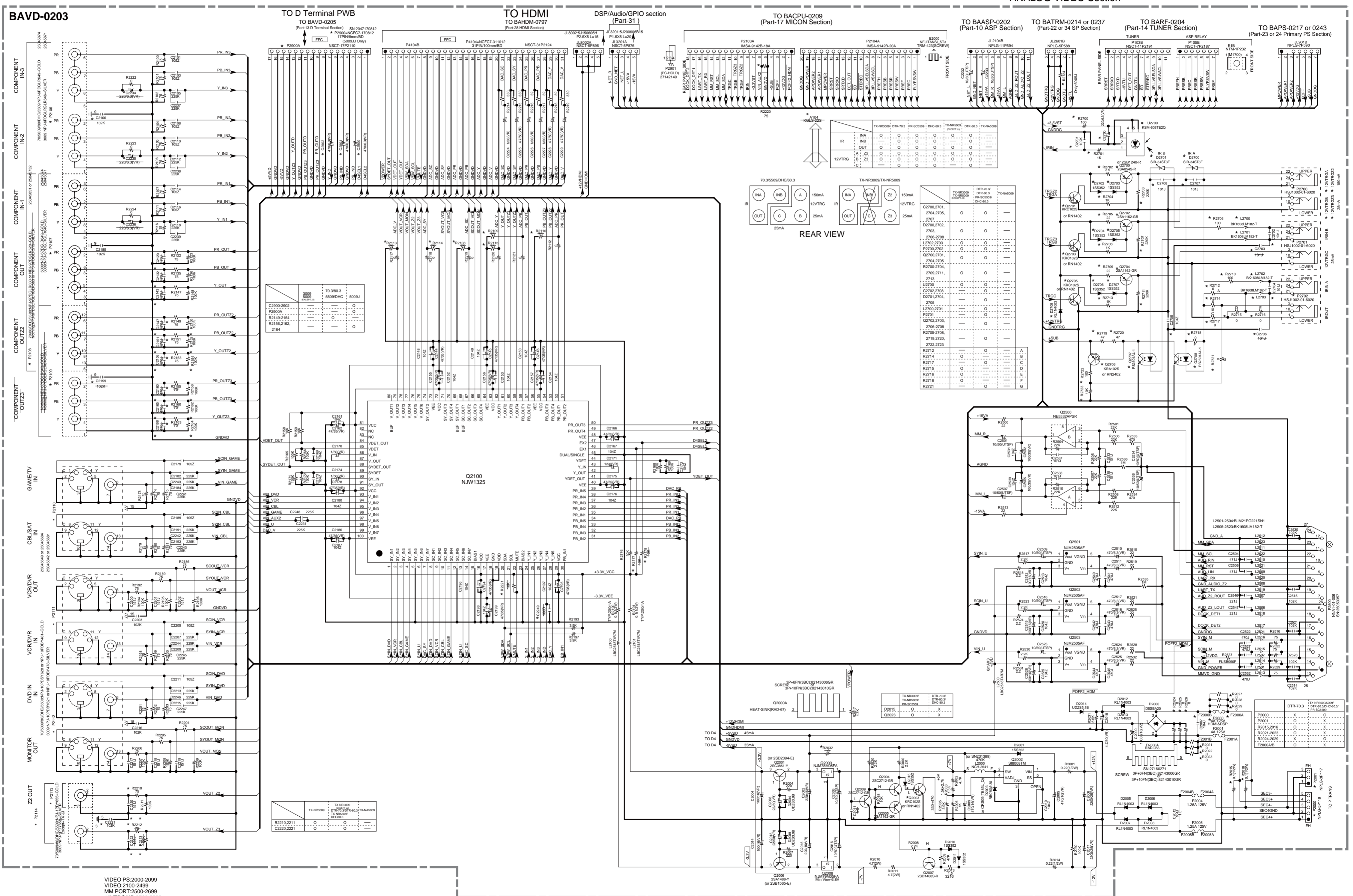
4

5

6

7

8



VIDEO P5:2000-2099
VIDEO 2:100-2480
MM PORT:2500-2699
12VTRG8IR:2700-2899
DA:2900-2999
TUNER:1-199

SCHEMATIC DIAGRAMS-13

D 4 Terminal Section

Part-13

1

2

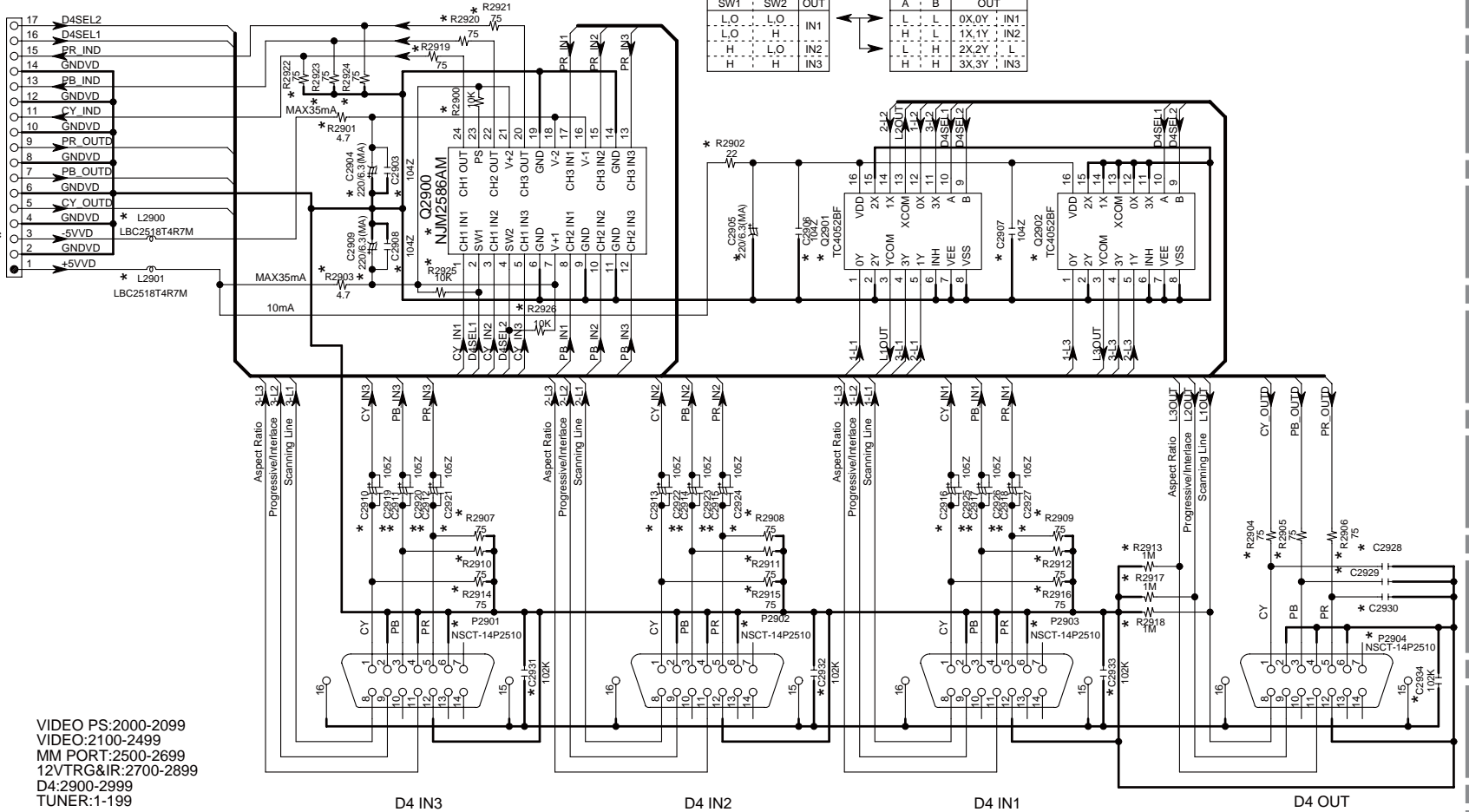
3

4

BAVD-0205

TO Analog Video PWB

SN:204770812 TO BAVD-0203
 P2900=NCFC7-170812 (Part-12 Analog Video Section)
 17PIN6mm/BD (5008SJ Only)



SCHEMATIC DIAGRAMS-14

Tuner section

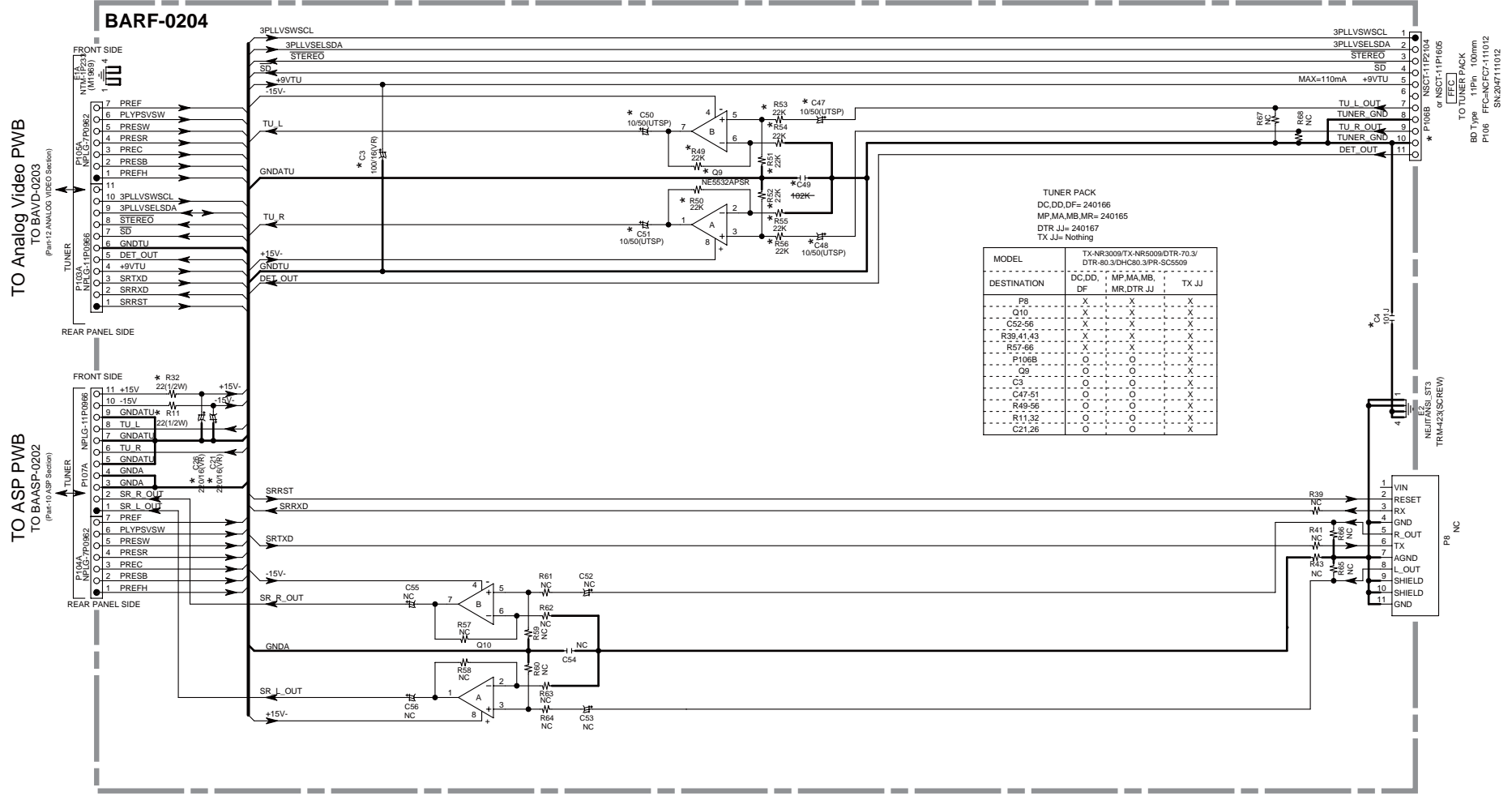
Part-14

1

2

3

4



SCHEMATIC DIAGRAMS-15

Digital input section

Part-15

1

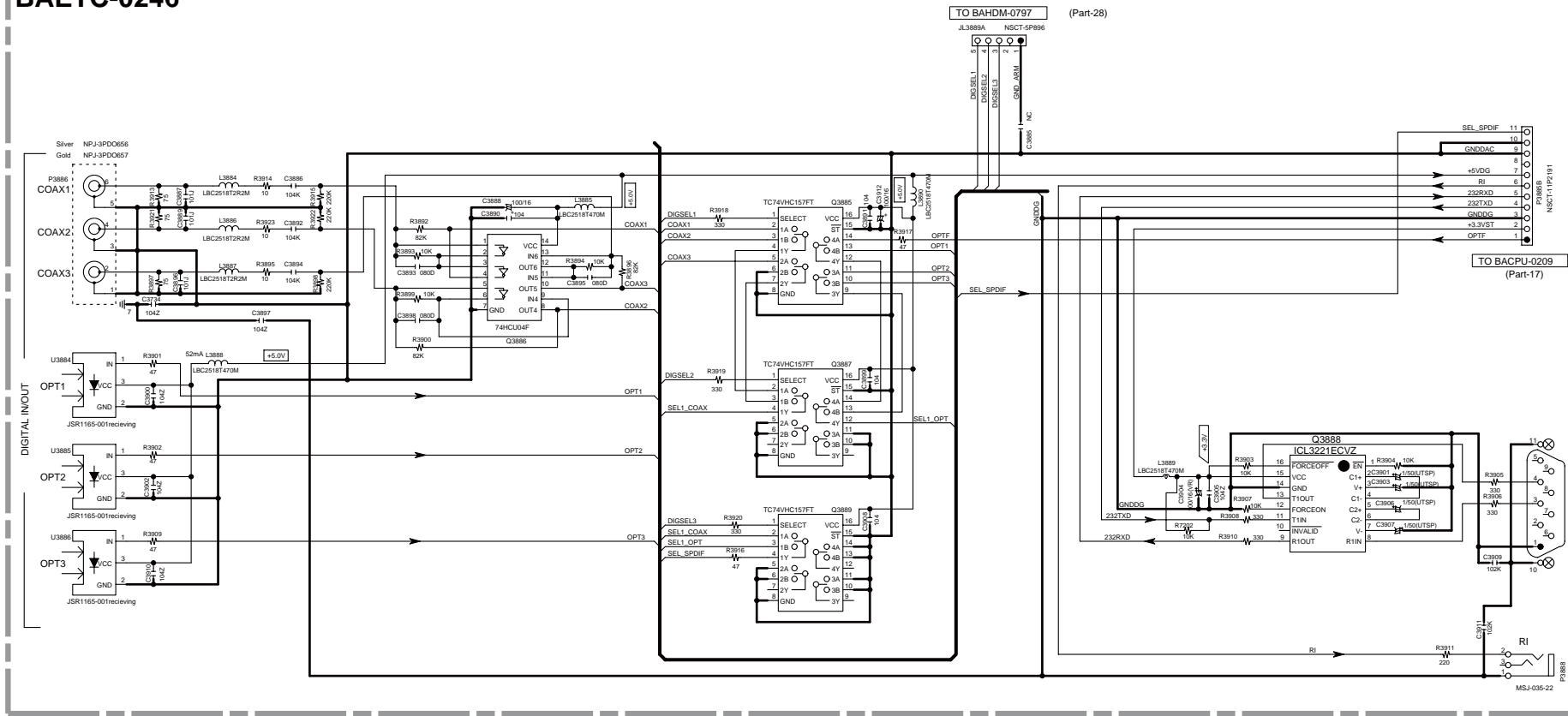
2

3

4

BAETC-0246

DG IN Section



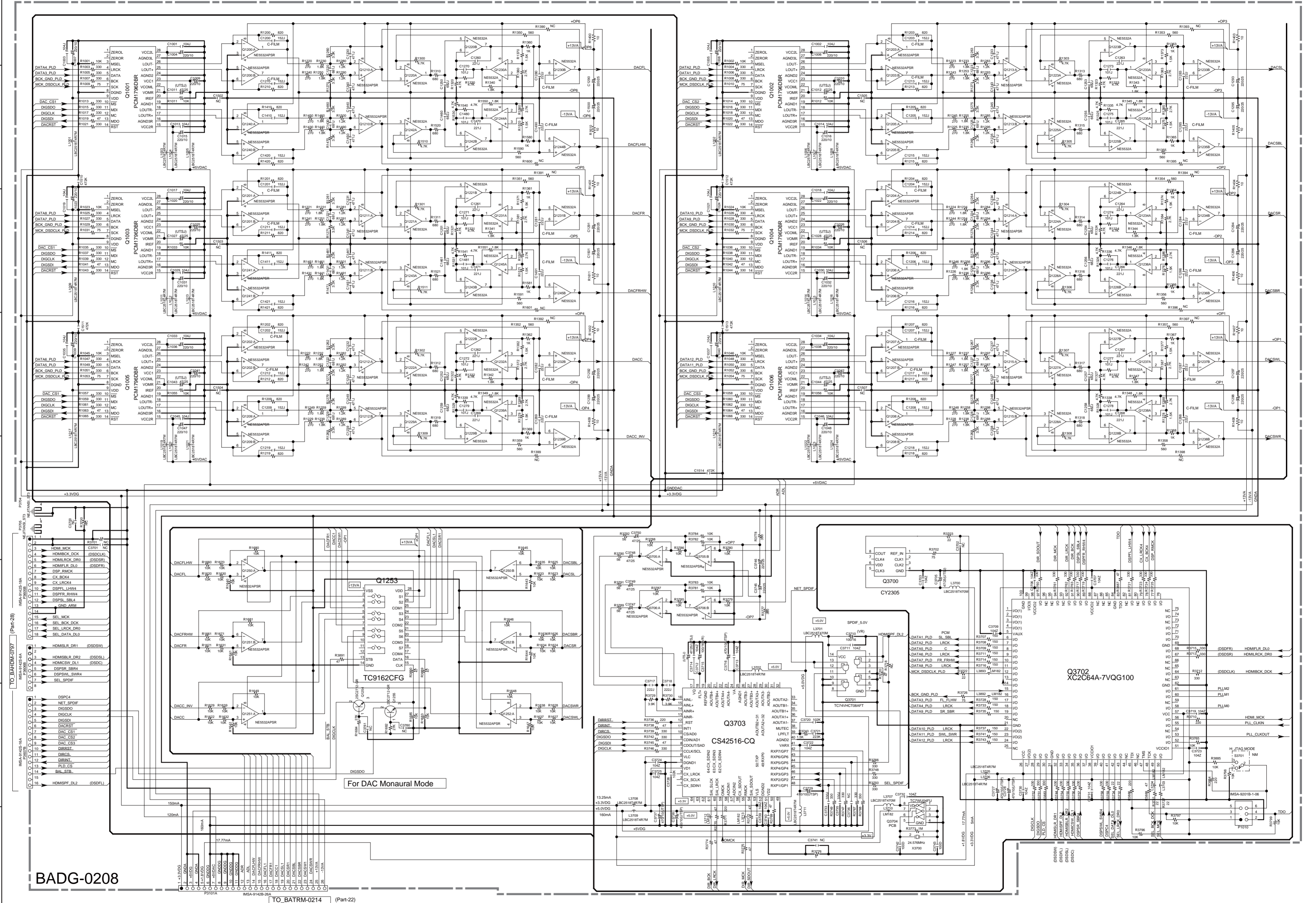
TX-NR3009/TX-NR5009/TX-NA5009/DTR-70.3/DTR-80.3/PR-SC5509/DHC-80.3

SCHEMATIC DIAGRAMS-16

DAC/ CODEC section

Part-16

DAC/CODEC Section



BADG-0208

TO_BATRM-0214 (Part-22)

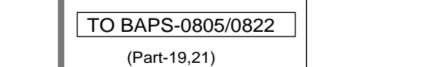
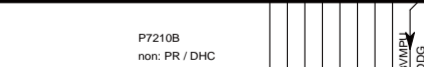
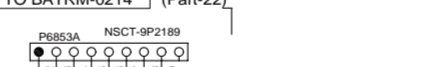
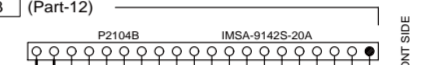
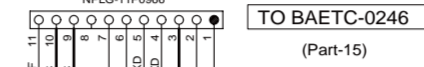
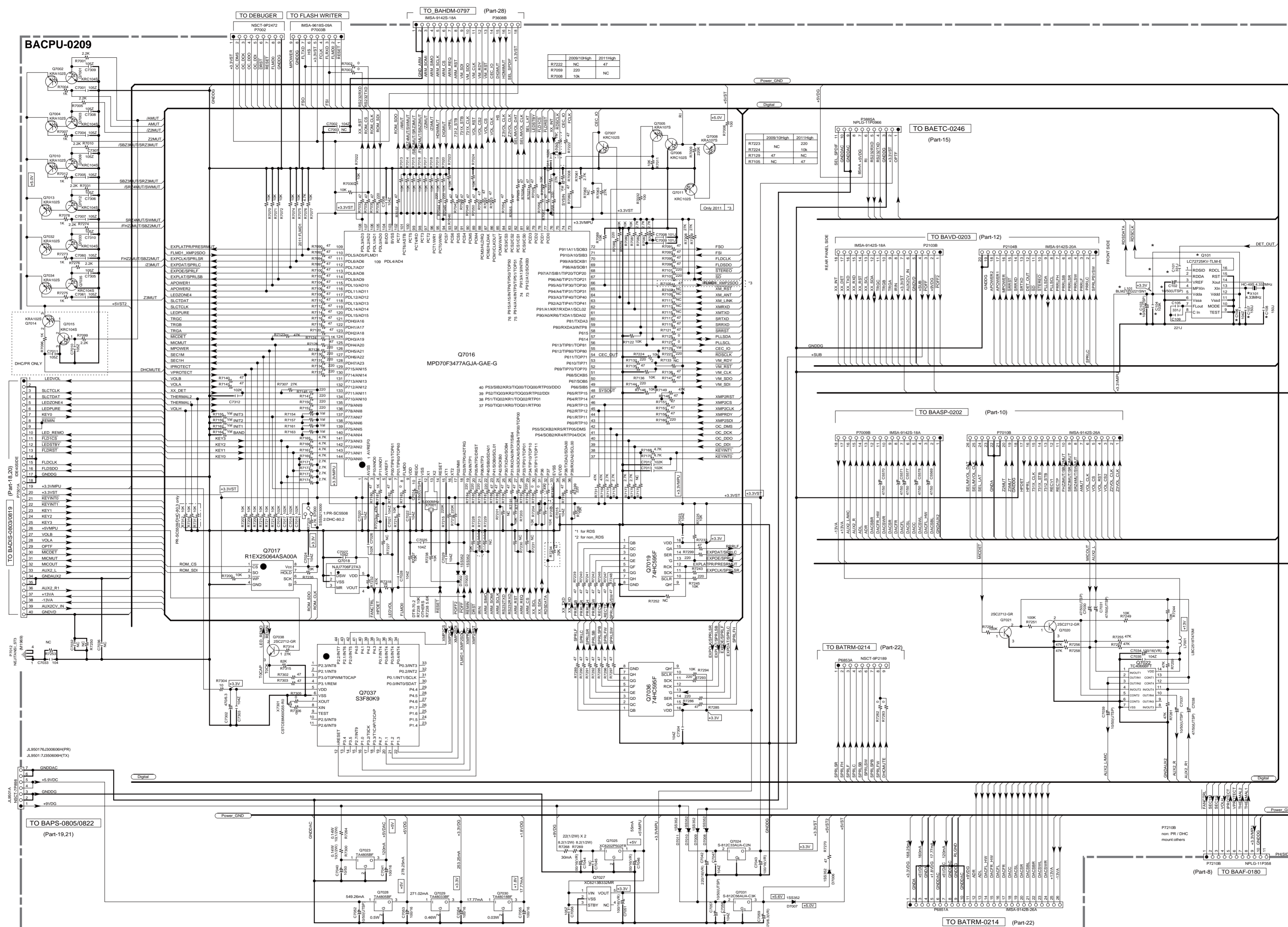
SCHEMATIC DIAGRAMS-17

Main MICON section

Part-17

1
2
3
4
5
6
7
8

BACPU-0209



A

B

C

D

E

SCHEMATIC DIAGRAMS-19

Secondary power supply section

Part-19, 28

1

2

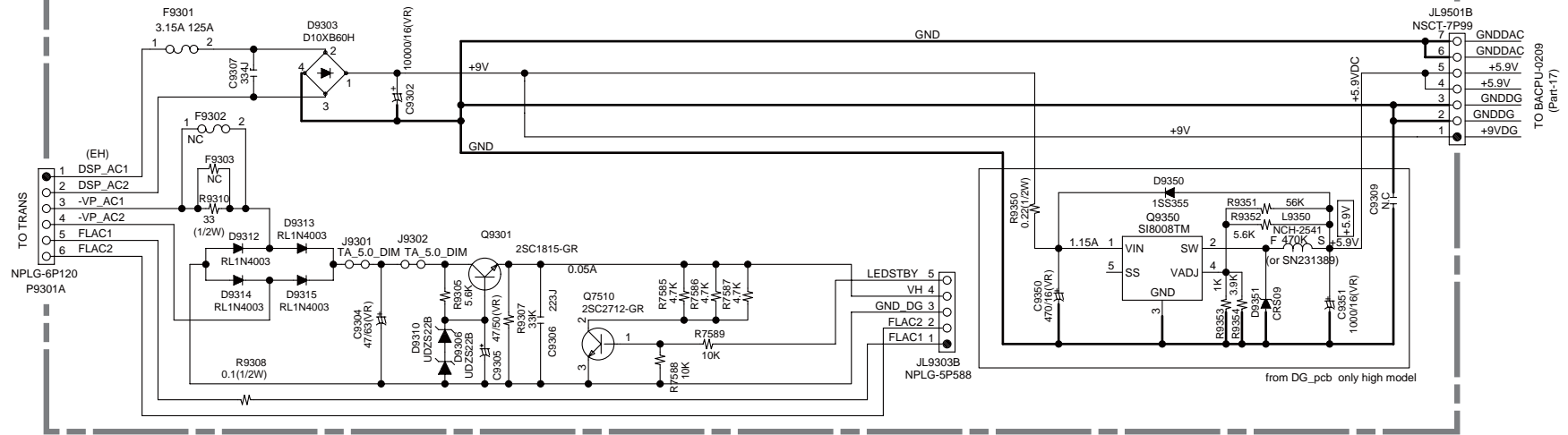
3

4

PS(SECONDARY PS stage) SECTION

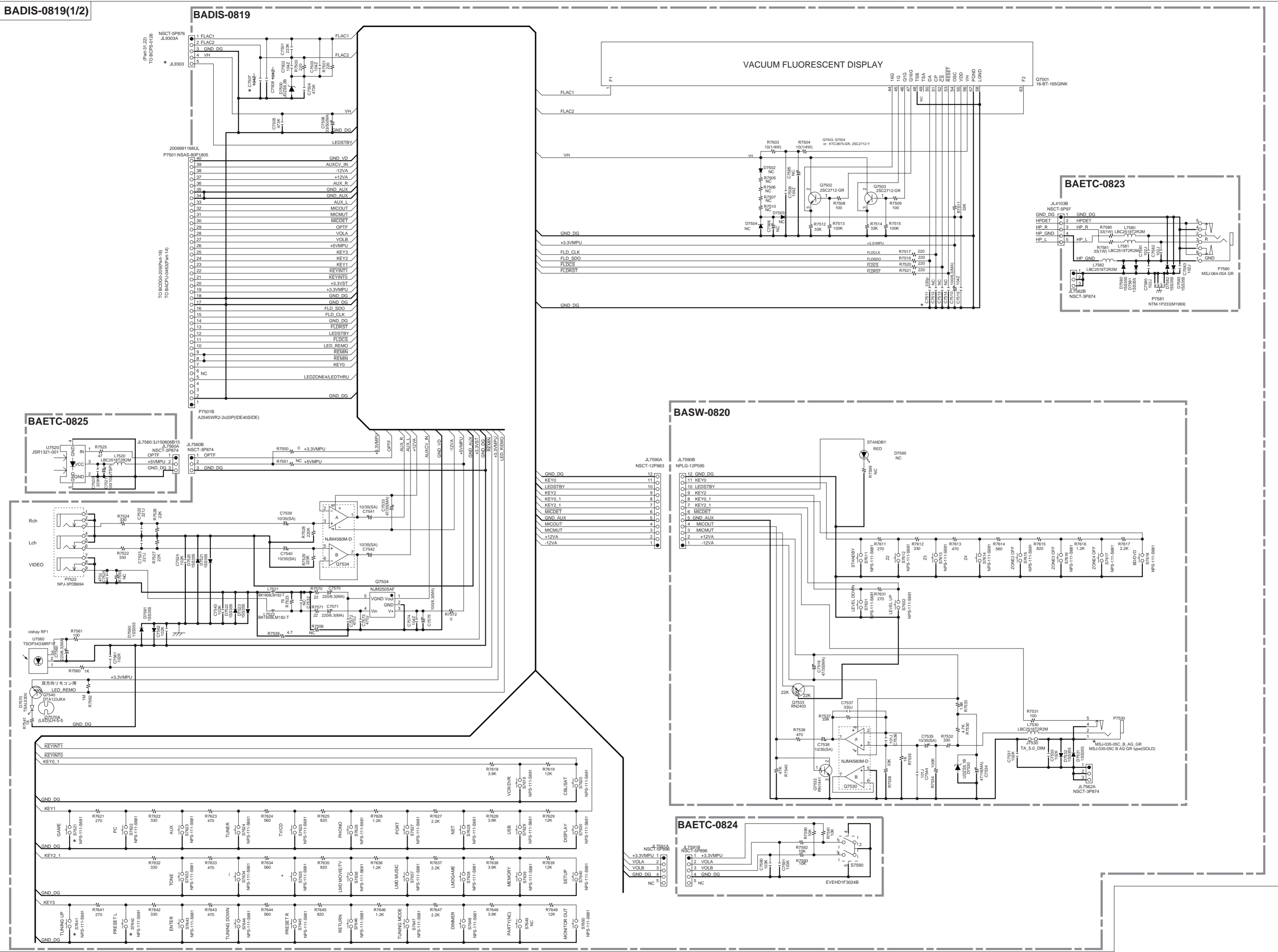
BADIS-0805(2/3)

BAPS-0805



SCHEMATIC DIAGRAMS-20
Display circuit (DTR-) section
Part-20

1
2
3
4
5
6
7
8



A

B

C

D

E

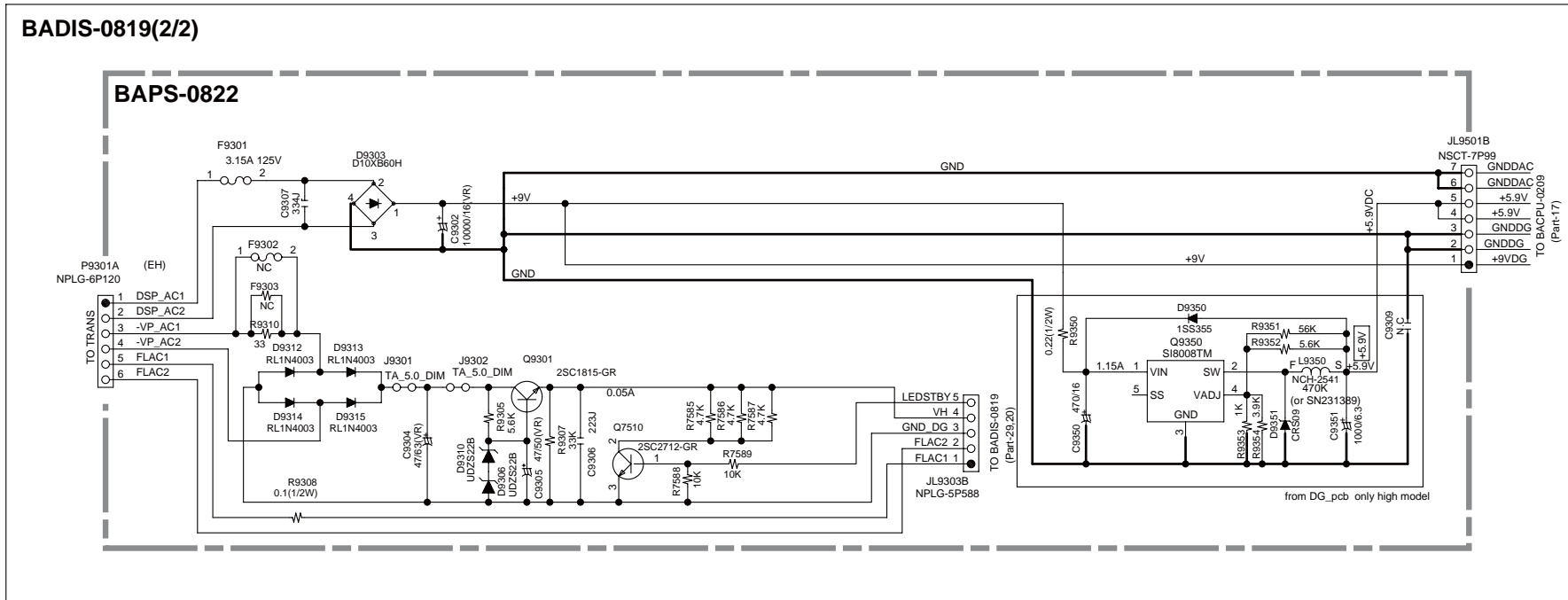
SCHEMATIC DIAGRAMS-21
Secondary power supply section
Part-21

1

2

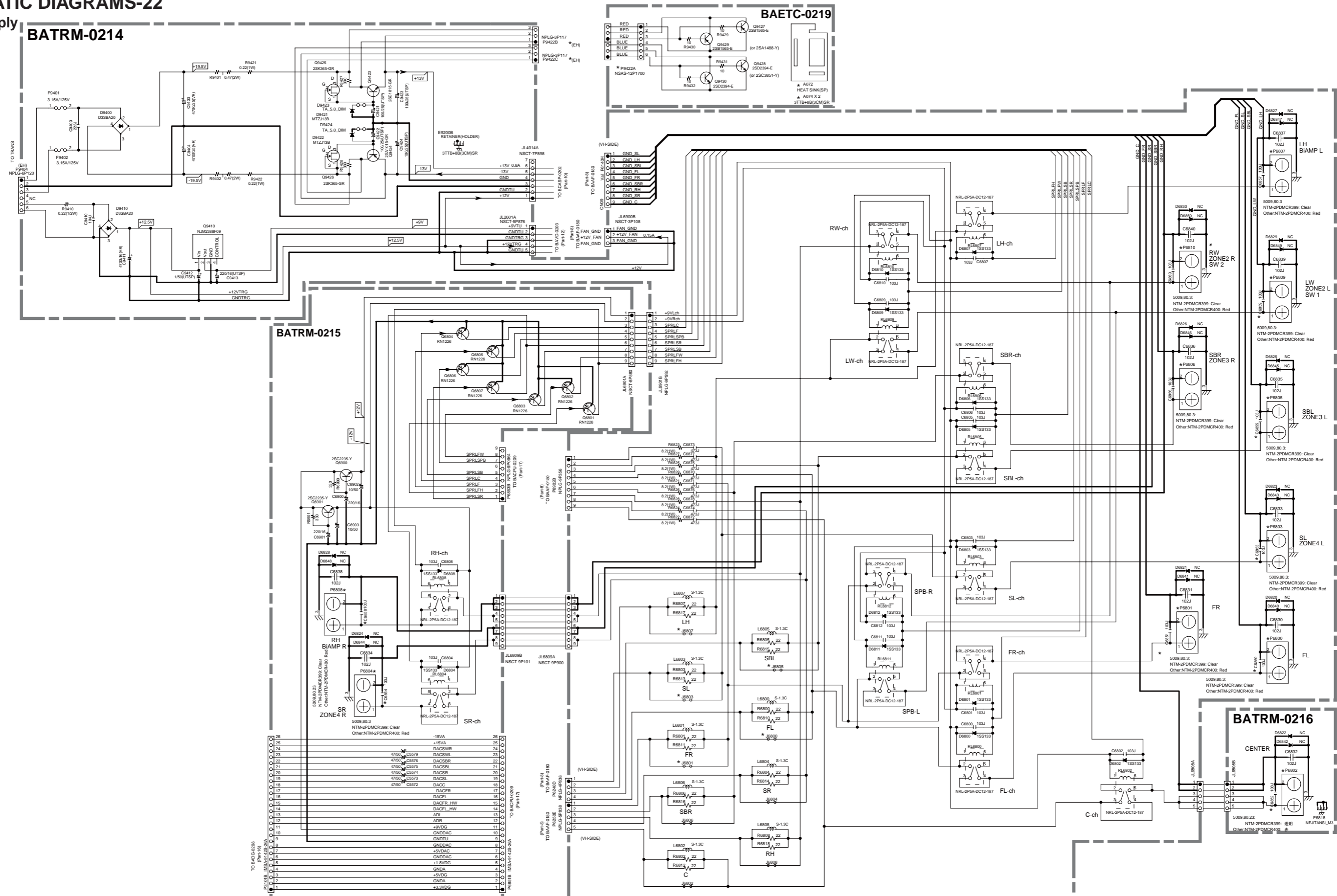
3

4



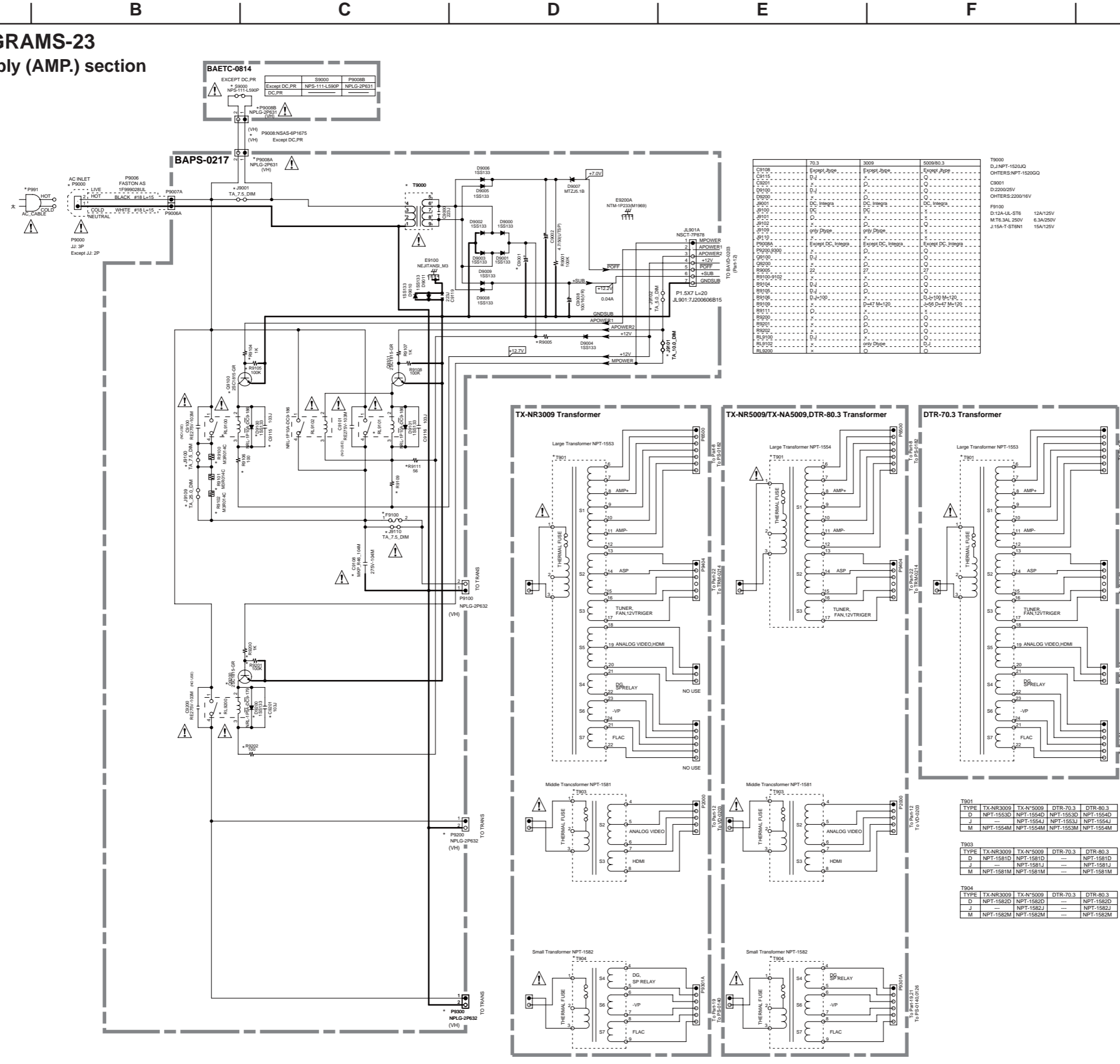
809	N	
C9307	C9302	J9311
D9303	D9309	J9310
D9307	C9309	J9312
D9308	R9309	D9311
C9308	J9313	JL9501

SCHEMATIC DIAGRAMS-22

Power supply
& Speaker
terminal
section
Part-22

SCHEMATIC DIAGRAMS-23
Primary power supply (AMP.) section
Part-23

1
2
3
4
5



	70.3	5009	5009/80.3
C9108	Except Jtype	Except Jtype	Except Jtype
C9115	D.J
C9201
D9000
D9200
D9301
D9302
D9303
D9304
D9305
D9306
D9307
D9308
D9309
D9310
D9311
D9312
D9313
D9314
D9315
D9316
D9317
D9318
D9319
D9320
D9321
D9322
D9323
D9324
D9325
D9326
D9327
D9328
D9329
D9330
D9331
D9332
D9333
D9334
D9335
D9336
D9337
D9338
D9339
D9340
D9341
D9342
D9343
D9344
D9345
D9346
D9347
D9348
D9349
D9350
D9351
D9352
D9353
D9354
D9355
D9356
D9357
D9358
D9359
D9360
D9361
D9362
D9363
D9364
D9365
D9366
D9367
D9368
D9369
D9370
D9371
D9372
D9373
D9374
D9375
D9376
D9377
D9378
D9379
D9380
D9381
D9382
D9383
D9384
D9385
D9386
D9387
D9388
D9389
D9390
D9391
D9392
D9393
D9394
D9395
D9396
D9397
D9398
D9399
D9400

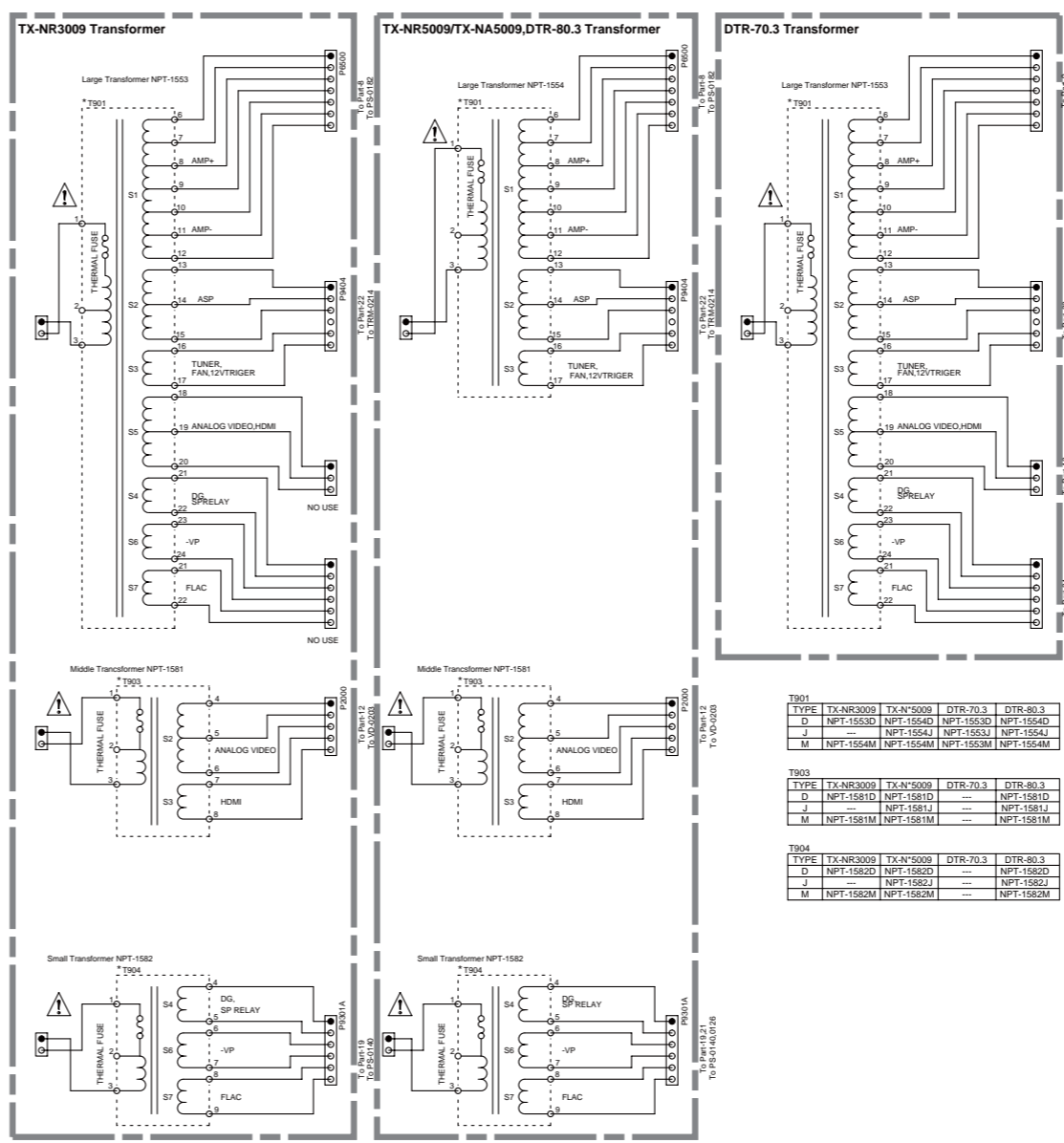
印は火災、感電の危険に關する部品の為、必ず指定部品を使用の事。
 ・電圧表示は辨別符号に添付した標準電圧を示す。
 ・単位V、入力電圧100V(D.C./V.L.L.の略称)
 ・記入なきコンデンサの単位はμF/VVである。
 例 005-30F 330-230F 331-330F 333-0.033μF
 ・本図は基本仕様図に於ける性能値に於ける誤差を示す。
 ・THE COMPONENTS IDENTIFIED BY MARK ARE CRITICAL FOR SAFETY. REPLACE ONLY WITH PART NUMBER SPECIFIED.
 ・VOLTAGE(MEASURED WITH VOLTMETER) IS DC VOLTAGE (NO INPUT SIGNAL)
 ・ELECTROLYTIC CAPACITORS ARE IN μF/PVV
 ・ALL CAPACITORS ARE IN μF/50V UNLESS OTHERWISE NOTED.
 EX) 030 → 30F 330 → 330F 331 → 330F 333 → 0.033 μF
 ・CIRCUIT IS SUBJECT TO CHANGE FOR IMPROVEMENT.

CAUTION
 FOR CONTINUED PROTECTION AGAINST FIRE HAZARD, REPLACE ONLY WITH FUSE OF SAME TYPE AND RATING INDICATED.

 THIS SYMBOL LOCATED NEAR THE FUSE INDICATES THAT THE FUSE USED IS SLOW OPERATING TYPE. FOR CONTINUED PROTECTION AGAINST FIRE HAZARD, REPLACE WITH SAME TYPE FUSE. FOR FUSE RATING REFER TO THE MARKING ADJACENT TO THE SYMBOL.

ATTENTION
 AFIN D'ASSURER UNE PROTECTION PERMANENTE CONTRE LES RISQUES D'INCENDIE, REMPLACER UNIQUEMENT PAR UN FUSIBLE DE MEME TYPE ET CALIBRATION COMME INDIQUE.

 CE SYMBOLE INDIQUE QUE LE FUSIBLE UTILISE EST A LENT. E POUR UNE PROTECTION PERMANENTE, UTILISER QUE DES FUSIBLES DE MEME TYPE. CE DERNIER EST INDIQUE LA OU LE PRESENT SYMBOLE EST APPOSE.



T901	TX-NR3009	TX-N5009	DTR-70.3	DTR-80.3
D	NPT-1553D	NPT-1554D	NPT-1553D	NPT-1554D
J	NPT-1554J	NPT-1553J	NPT-1554J	NPT-1553J
M	NPT-1554M	NPT-1553M	NPT-1554M	NPT-1553M

T903	TX-NR3009	TX-N5009	DTR-70.3	DTR-80.3
D	NPT-1581D	NPT-1581D	---	NPT-1581D
J	---	NPT-1581J	---	NPT-1581J
M	NPT-1581M	NPT-1581M	---	NPT-1581M

T904	TX-NR3009	TX-N5009	DTR-70.3	DTR-80.3
D	NPT-1582D	NPT-1582D	---	NPT-1582D
J	---	NPT-1582J	---	NPT-1582J
M	NPT-1582M	NPT-1582M	---	NPT-1582M

SCHEMATIC DIAGRAMS-24

Primary power supply (PRE) section
Part-24

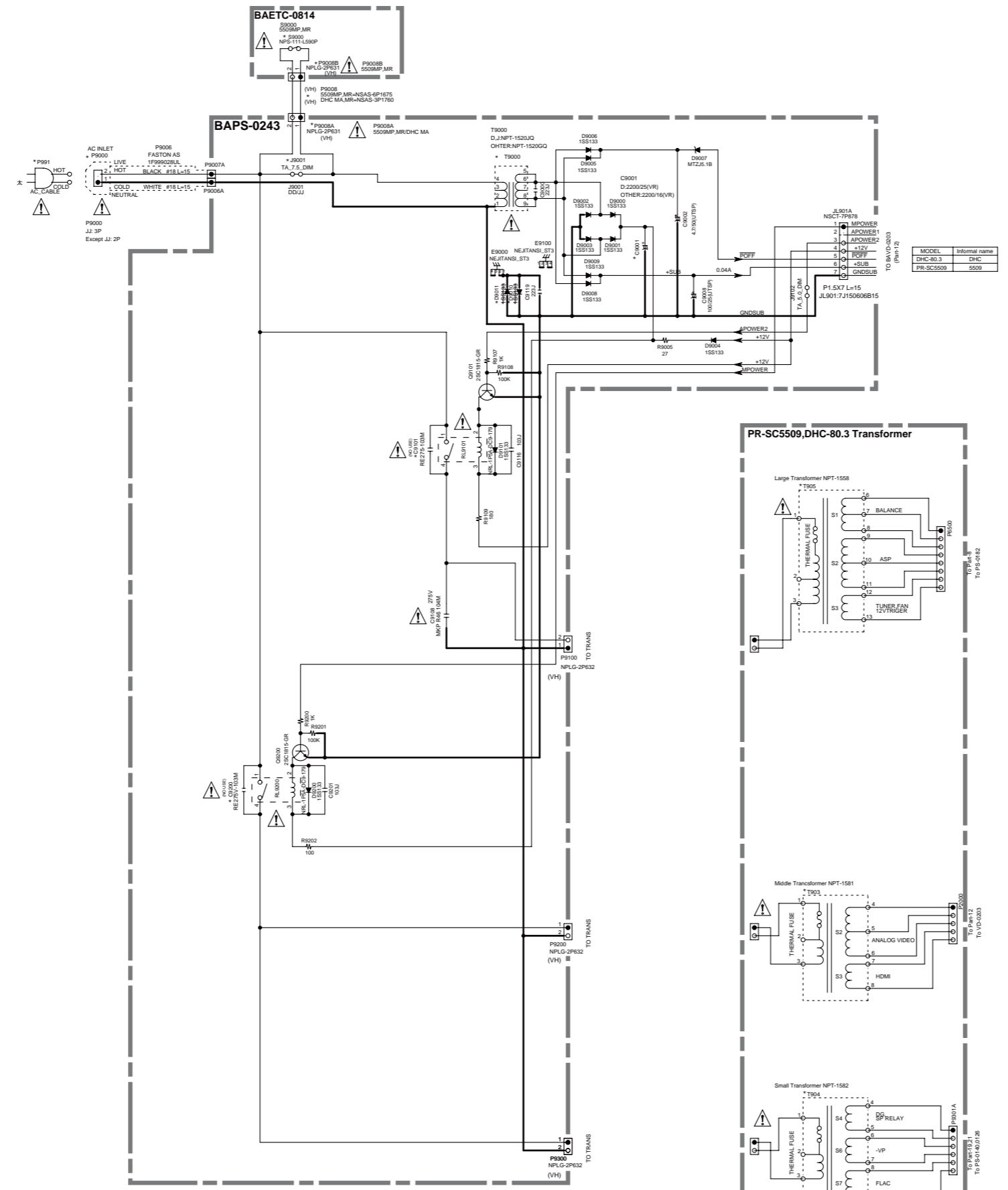
1

2

3

4

5



MODEL	Internal name
DHC-80.3	DHC
PR-SC5509	5509

T905	PR-SC5509	DHC-80.3
D	NPT-1558D	NPT-1558D
J	NPT-1558J	-
M	NPT-1558M	NPT-1558M

T903	PR-SC5509	DHC-80.3
D	NPT-1581D	NPT-1581D
J	NPT-1581J	-
M	NPT-1581M	NPT-1581M

T904	PR-SC5509	DHC-80.3
D	NPT-1582D	NPT-1582D
J	NPT-1582J	-
M	NPT-1582M	NPT-1582M

印は火災、感電の危険に關する部品の為、必ず指定部品を使用の事。
 ・電圧表示は標榜電圧に準じた高電圧を示す。
 (単位V、入力電流100mA以上の電圧計)
 ・記入なき電解コンデンサの単位はμF/50Vである。
 例 030→30F 330→330F 331→330F 333→0.033μF
 ・本配線図は基本配線図につき性能改善等により予告なく変更する事がある。

THE COMPONENTS IDENTIFIED BY MARK ARE CRITICAL FOR SAFETY. REPLACE ONLY WITH PART NUMBER SPECIFIED.
 ・ VOLTAGE(MEASURED WITH VOLTMETER)IS DC VOLTAGE.(NO INPUT SIGNAL)
 ・ ELECTROLYTIC CAPACITORS () ARE IN μF/WV
 ・ ALL CAPACITORS ARE IN pF/500V UNLESS OTHERWISE NOTED.
 EX) 030 → 30F 330 → 330F 331 → 330F 333 → 0.033 μF
 ・ CIRCUIT IS SUBJECT TO CHANGE FOR IMPROVEMENT.

CAUTION
 FOR CONTINUED PROTECTION AGAINST FIRE HAZARD, REPLACE ONLY WITH FUSE OF SAME TYPE AND RATING INDICATED.

ATTENTION
 CAUTIONN'AFIN D'ASSURER UNE PROTECTION PERMANENTE CONTRE LES RISQUES D'INCENDIE, REMPLACER UNIQUEMENT PAR UN FUSIBLE DE MEME TYPE ET CALIBRATION COMME INDIQUE.

THIS SYMBOL LOCATED NEAR THE FUSE INDICATES THAT THE FUSE USED IS SLOW OPERATING TYPE FOR CONTINUED PROTECTION AGAINST FIRE HAZARD. REPLACE WITH SAME TYPE FUSE. FOR FUSE RATING REFER TO THE MARKING ADJACENT TO THE SYMBOL.

CE SYMBOLE INDIQUE QUE LE FUSIBLE UTILISE EST A LENT, ET POUR UNE PROTECTION PERMANENTE UTILISER DES FUSIBLES DE MEME TYPE. CE DERNIER EST INDIQUE LA QU LE PRESENT SYMBOLE EST ADOPPE.

SCHEMATIC DIAGRAMS-25

HDMI input switch section
Part-25

BAHDM-0798 (1 / 9)

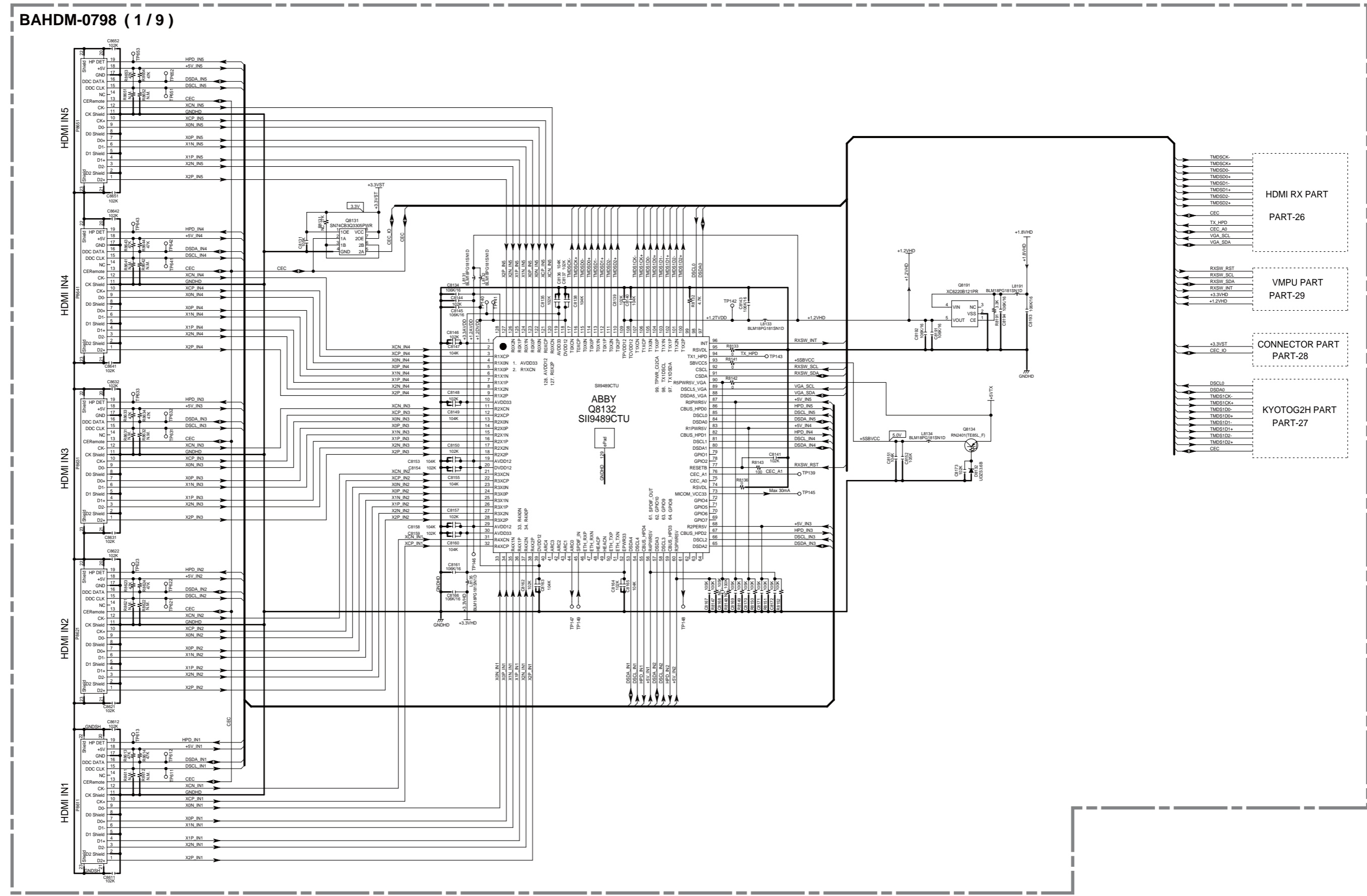
1

2

3

4

5



HDMI RX PART
PART-26

VMPU PART
PART-29

CONNECTOR PART
PART-28

KYOTOG2H PART
PART-27

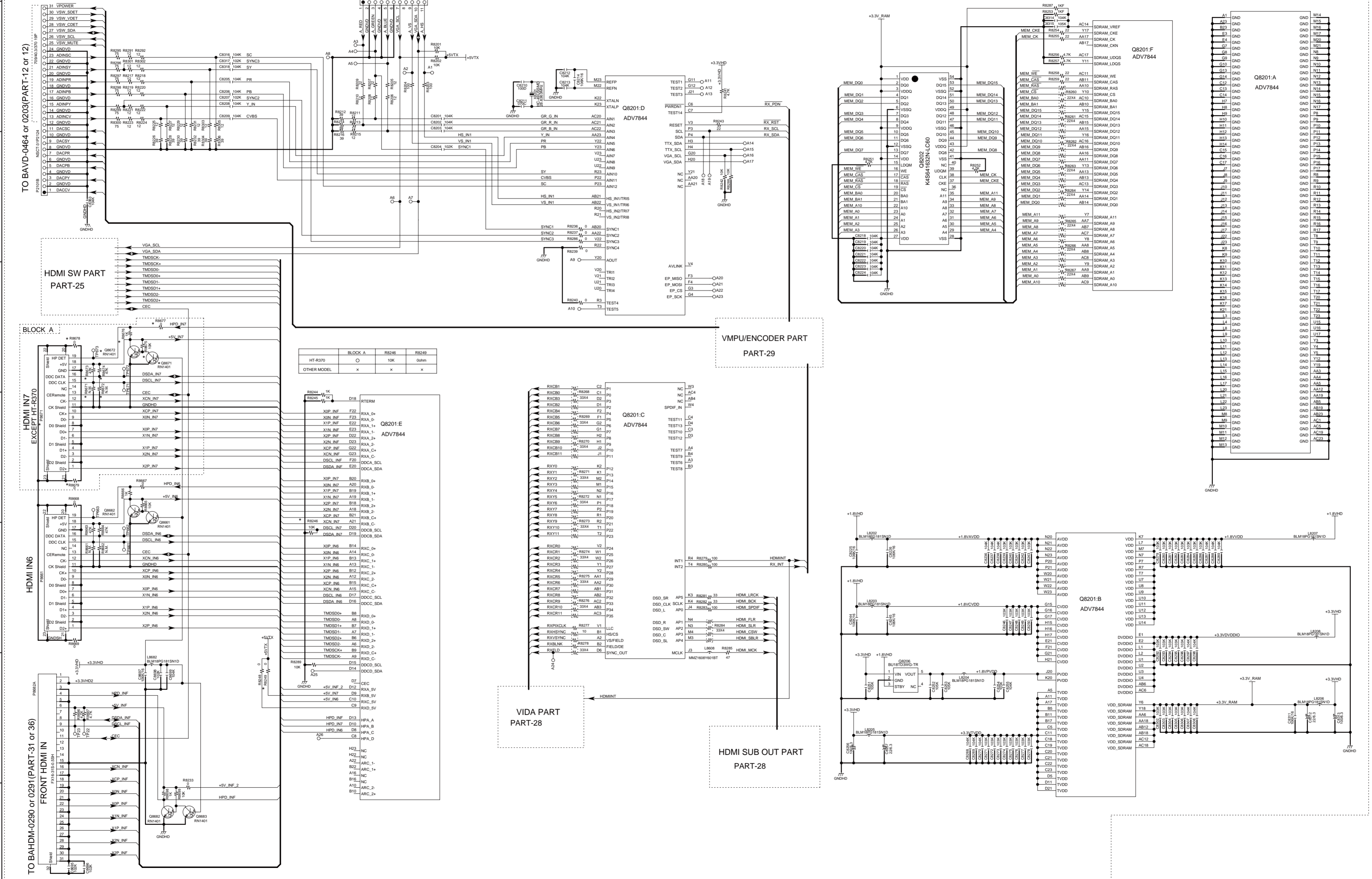
SCHEMATIC DIAGRAMS-26

HDMI RX/ Decoder section

Part-26

SCHEMATIC DIAGRAM (PART-26)

BAHDM-0798 (2 / 9)



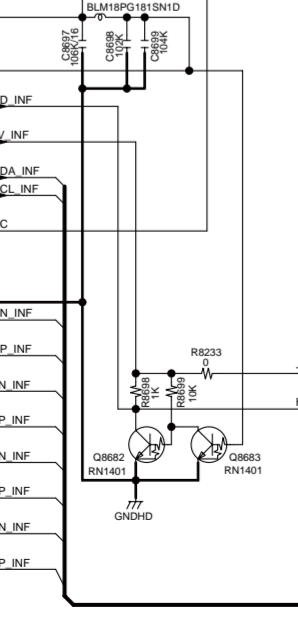
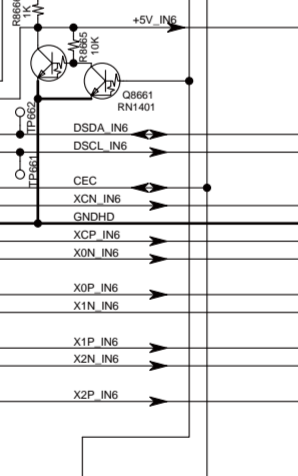
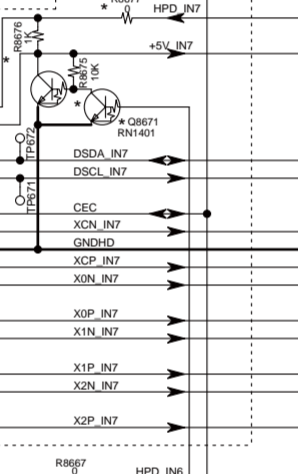
TO BAVD-0464 or 0203(PART-12 or 12)

HDMI SW PART PART-25

HDMI IN7 EXCEPT HT-R370

HDMI IN6

TO BAHDM-0290 or 0291(PART-31 or 36)



HT-R370	BLOCK A	R8246	R8249
	○	10K	500n
OTHER MODEL	x	x	x

HT-R370	BLOCK A	R8246	R8249
	○	10K	500n
OTHER MODEL	x	x	x

HT-R370	BLOCK A	R8246	R8249
	○	10K	500n
OTHER MODEL	x	x	x

HT-R370	BLOCK A	R8246	R8249
	○	10K	500n
OTHER MODEL	x	x	x

HT-R370	BLOCK A	R8246	R8249
	○	10K	500n
OTHER MODEL	x	x	x

HT-R370	BLOCK A	R8246	R8249
	○	10K	500n
OTHER MODEL	x	x	x

HT-R370	BLOCK A	R8246	R8249
	○	10K	500n
OTHER MODEL	x	x	x

HT-R370	BLOCK A	R8246	R8249
	○	10K	500n
OTHER MODEL	x	x	x

HT-R370	BLOCK A	R8246	R8249
	○	10K	500n
OTHER MODEL	x	x	x

HT-R370	BLOCK A	R8246	R8249
	○	10K	500n
OTHER MODEL	x	x	x

HT-R370	BLOCK A	R8246	R8249
	○	10K	500n
OTHER MODEL	x	x	x

HT-R370	BLOCK A	R8246	R8249
	○	10K	500n
OTHER MODEL	x	x	x

HT-R370	BLOCK A	R8246	R8249
	○	10K	500n
OTHER MODEL	x	x	x

HT-R370	BLOCK A	R8246	R8249
	○	10K	500n
OTHER MODEL	x	x	x

HT-R370	BLOCK A	R8246	R8249
	○	10K	500n
OTHER MODEL	x	x	x

HT-R370	BLOCK A	R8246	R8249
	○	10K	500n
OTHER MODEL	x	x	x

HT-R370	BLOCK A	R8246	R8249
	○	10K	500n
OTHER MODEL	x	x	x

HT-R370	BLOCK A	R8246	R8249
	○	10K	500n
OTHER MODEL	x	x	x

HT-R370	BLOCK A	R8246	R8249
	○	10K	500n
OTHER MODEL	x	x	x

HT-R370	BLOCK A	R8246	R8249
	○	10K	500n
OTHER MODEL	x	x	x

HT-R370	BLOCK A	R8246	R8249
	○	10K	500n
OTHER MODEL	x	x	x

HT-R370	BLOCK A	R8246	R8249
	○	10K	500n
OTHER MODEL	x	x	x

HT-R370	BLOCK A	R8246	R8249
	○	10K	500n
OTHER MODEL	x	x	x

HT-R370	BLOCK A	R8246	R8249
	○	10K	500n
OTHER MODEL	x	x	x

HT-R370	BLOCK A	R8246	R8249
	○	10K	500n
OTHER MODEL	x	x	x

HT-R370	BLOCK A	R8246	R8249
	○	10K	500n
OTHER MODEL	x	x	x

HT-R370	BLOCK A	R8246	R8249
	○	10K	500n
OTHER MODEL	x	x	x

HT-R370	BLOCK A	R8246	R8249
	○	10K	500n
OTHER MODEL	x	x	x

HT-R370	BLOCK A	R8246	R8249
	○	10K	500n
OTHER MODEL	x	x	x

HT-R370	BLOCK A	R8246	R8249
	○	10K	500n
OTHER MODEL	x	x	x

HT-R370	BLOCK A	R8246	R8249
	○	10K	500n
OTHER MODEL	x	x	x

HT-R370	BLOCK A	R8246	R8249
	○	10K	500n
OTHER MODEL	x	x	x

HT-R370	BLOCK A	R8246	R8249
	○	10K	500n
OTHER MODEL	x	x	x

HT-R370	BLOCK A	R8246	R8249
	○	10K	500n
OTHER MODEL	x	x	x

HT-R370	BLOCK A	R8246	R8249
	○	10K	500n
OTHER MODEL	x	x	x

HT-R370	BLOCK A	R8246	R8249
	○	10K	500n
OTHER MODEL	x	x	x

HT-R370	BLOCK A	R8246	R8249
	○	10K	500n
OTHER MODEL	x	x	x

HT-R370	BLOCK A	R8246	R8249
	○	10K	500n
OTHER MODEL	x	x	x

HT-R370	BLOCK A	R8246	R8249
	○	10K	500n
OTHER MODEL	x	x	x

HT-R370	BLOCK A	R8246	R8249
	○	10K	500n
OTHER MODEL	x	x	x

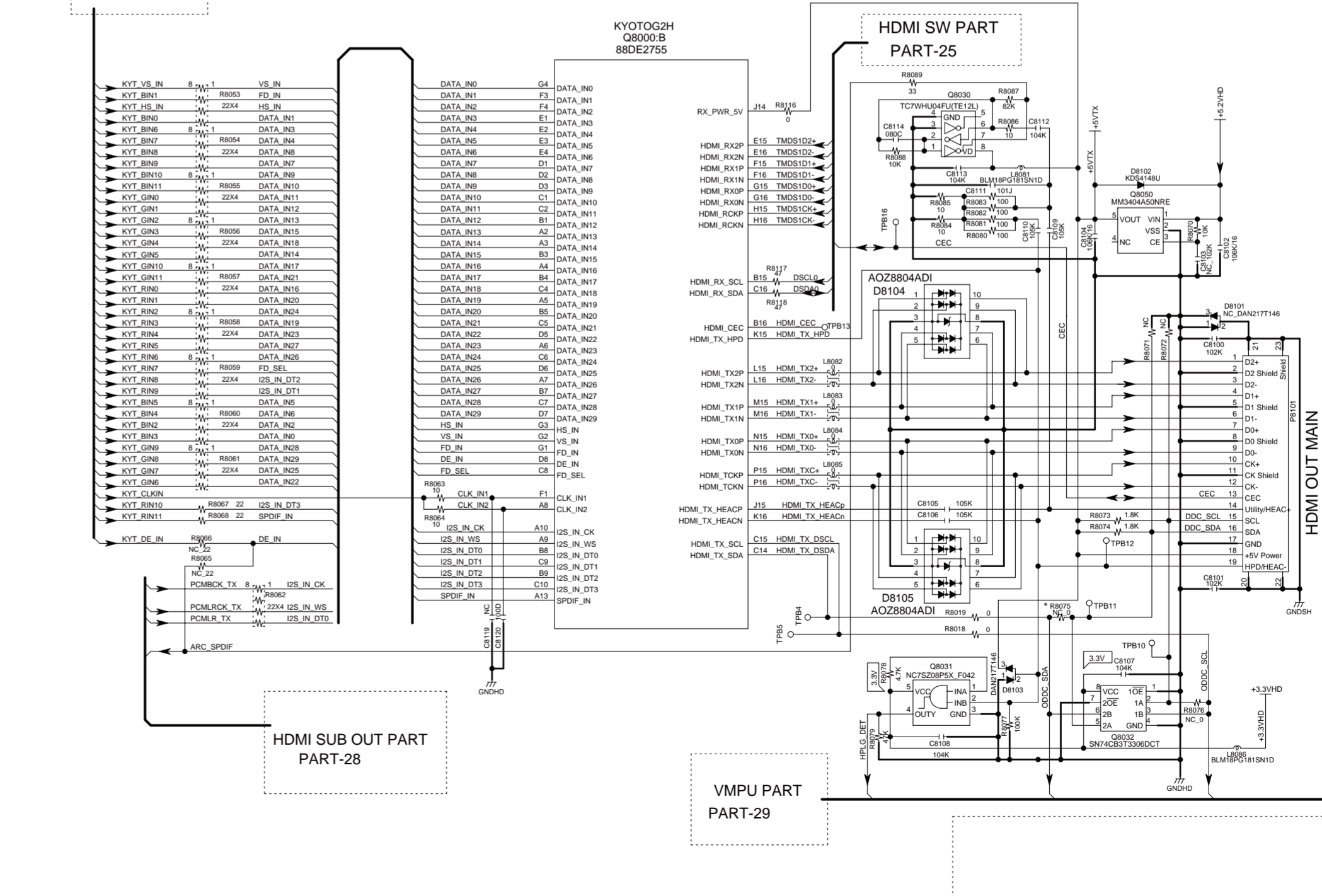
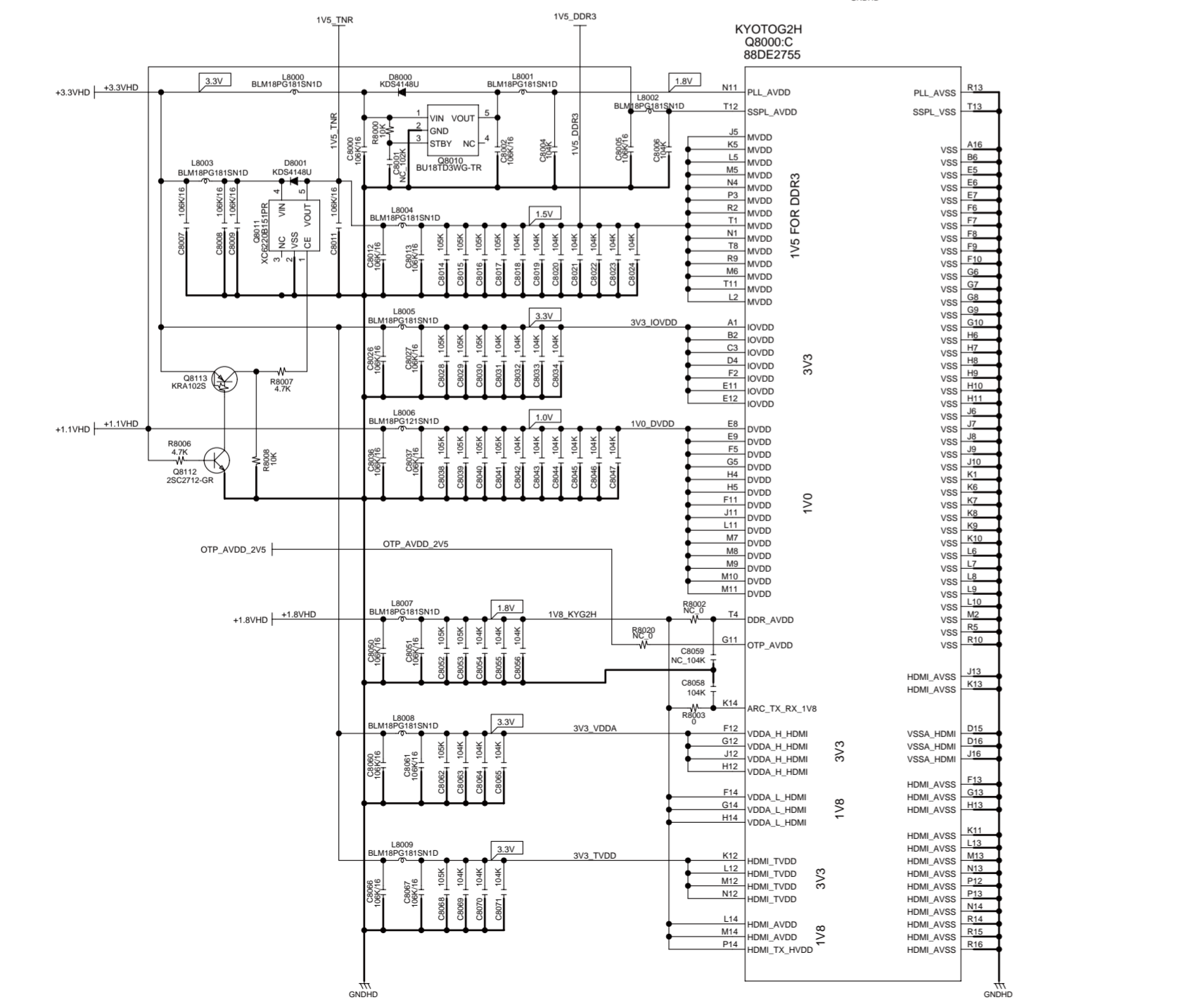
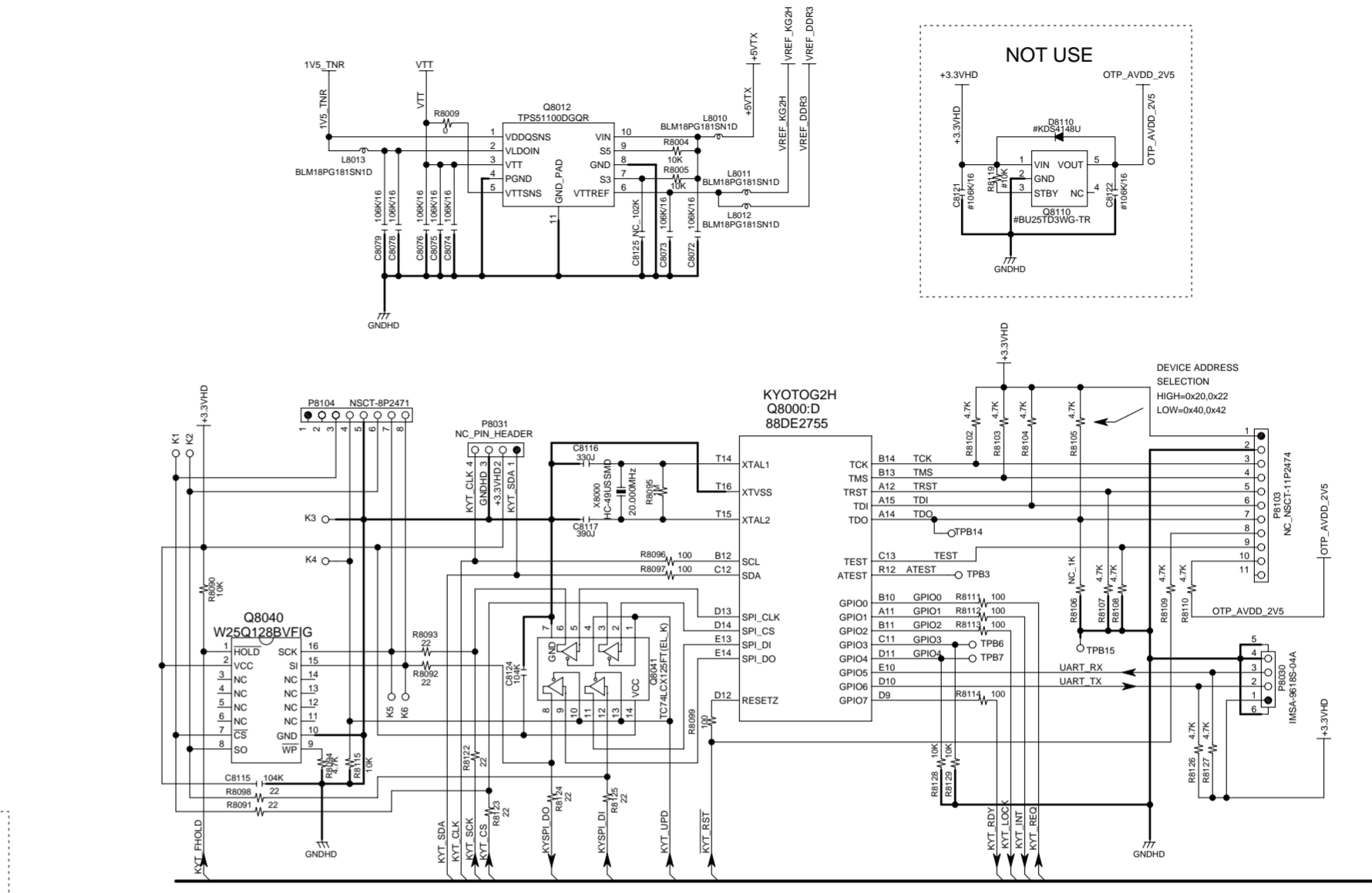
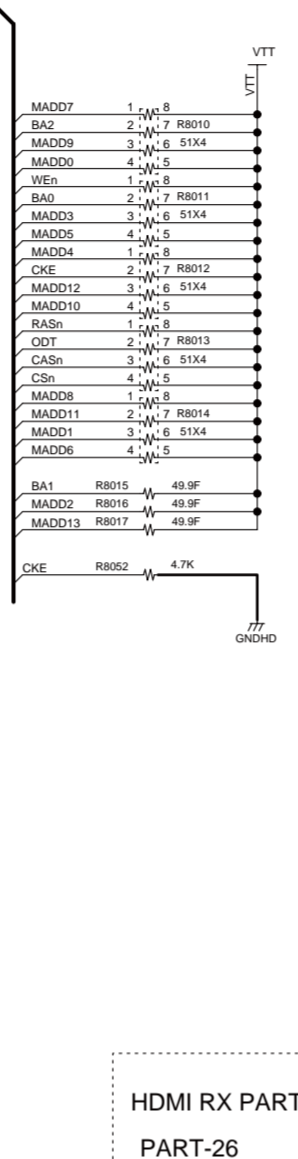
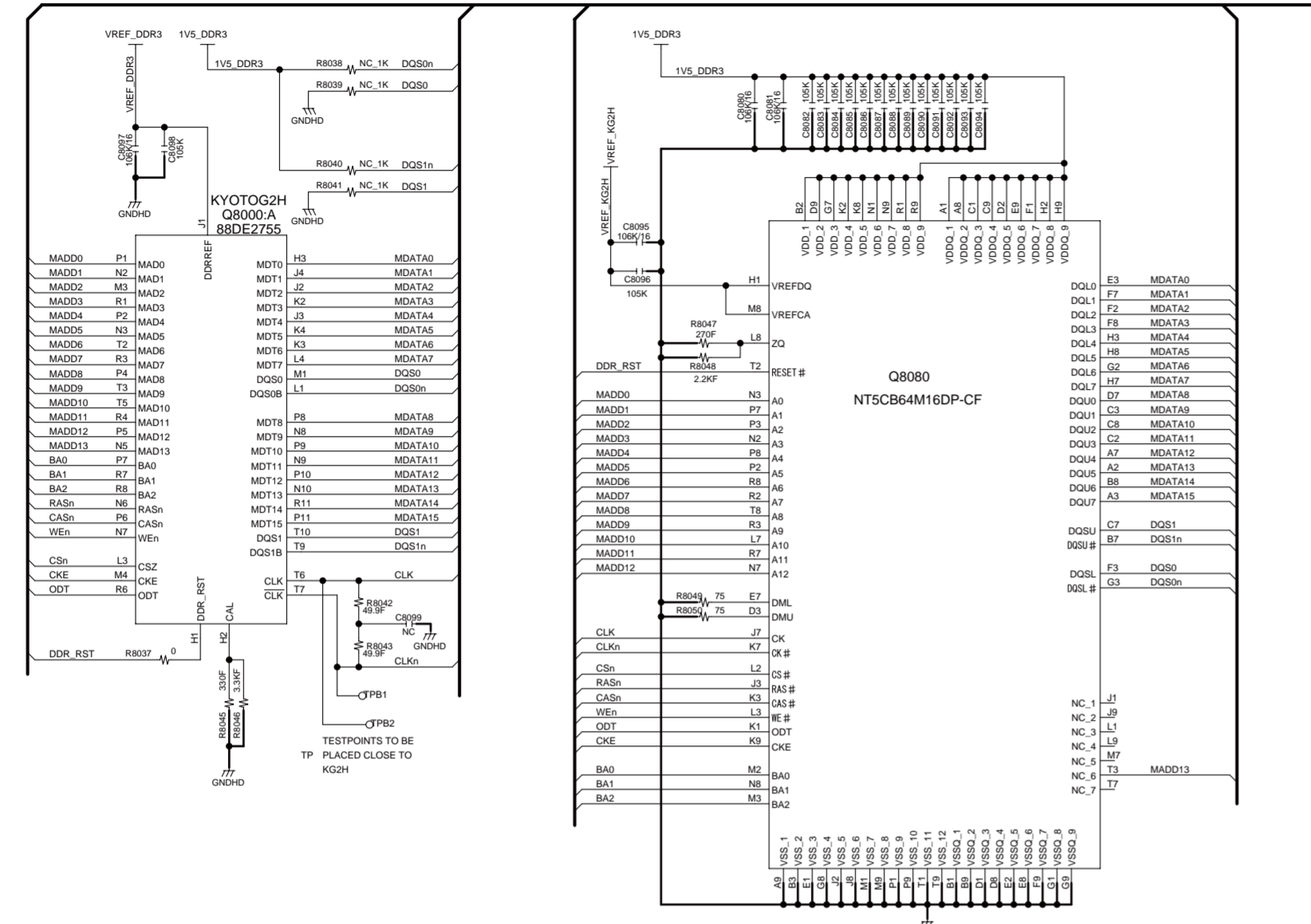
HT-R370	BLOCK A	R8246	R8249
	○	10K	500n
OTHER MODEL	x	x	x

SCHEMATIC DIAGRAMS-27

Video processor section

Part-27

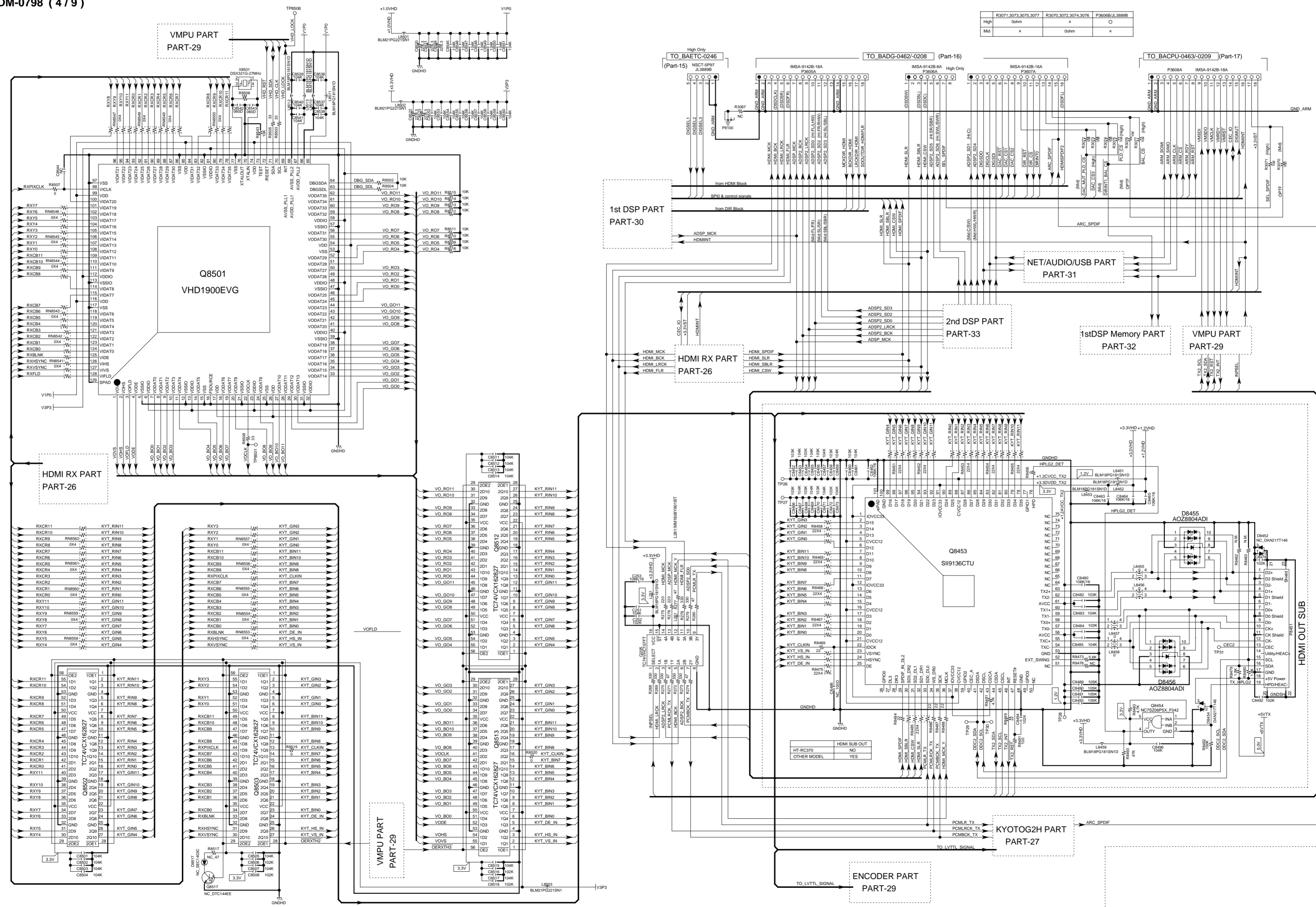
BAHDM-0798 (3 / 9)



SCHEMATIC DIAGRAMS-28
VIDA/ HDMI Sub out/ connector section
Part-28

SCHEMATIC DIAGRAM (PART-28)

BAHDM-0798 (4 / 9)

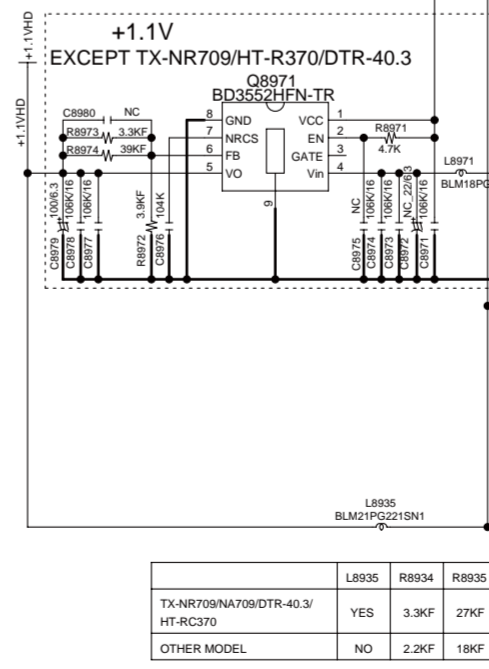
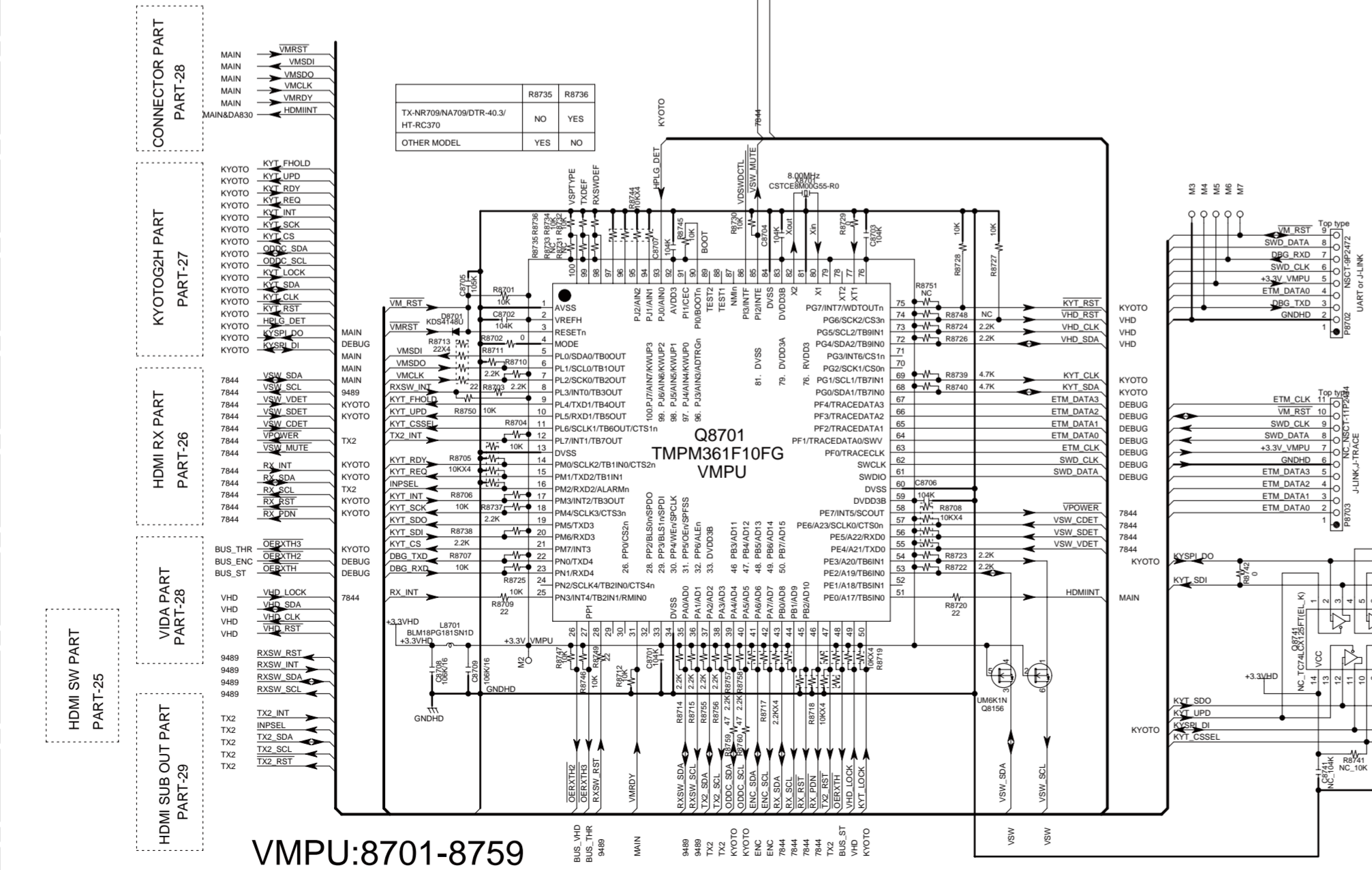
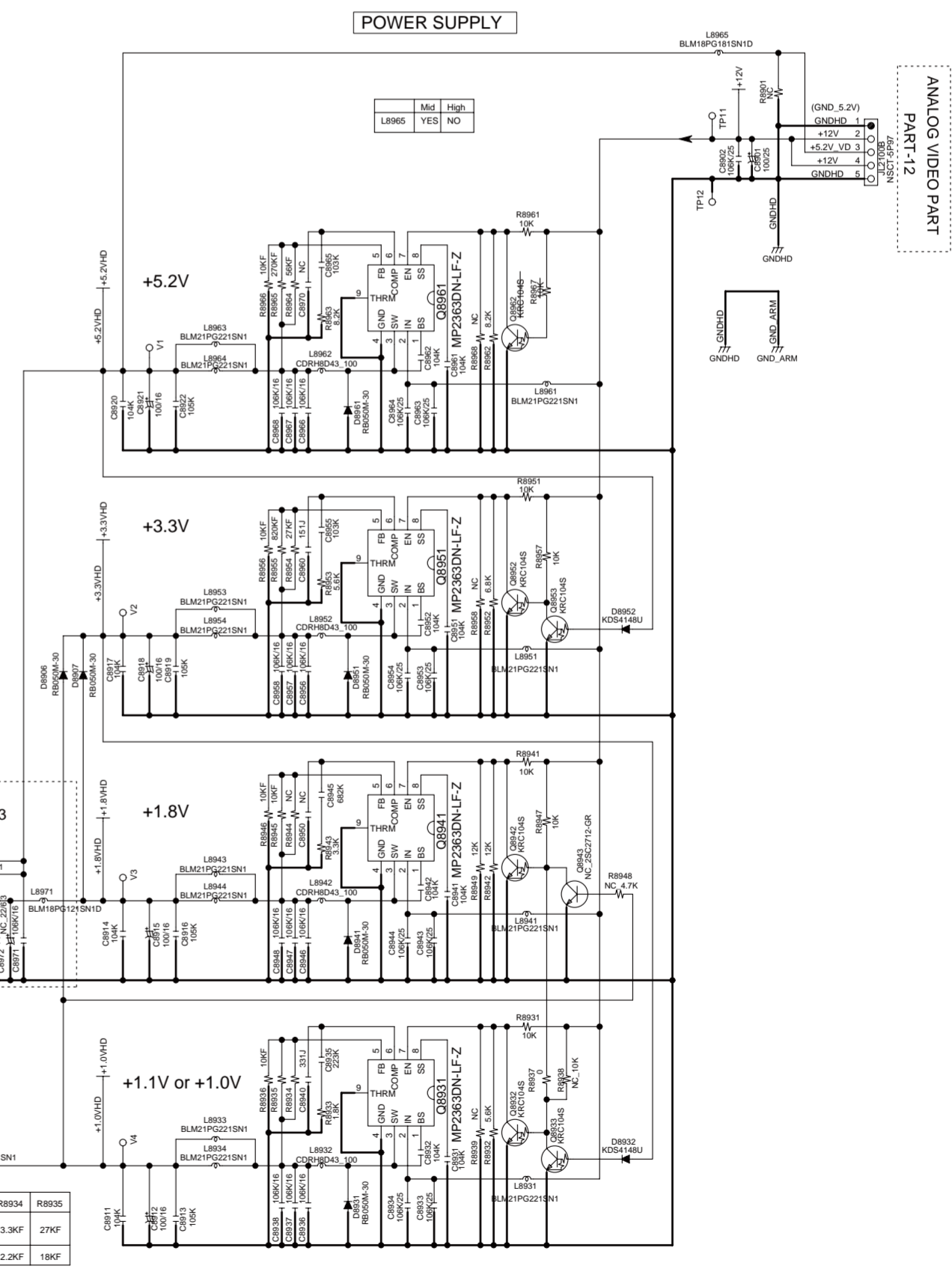
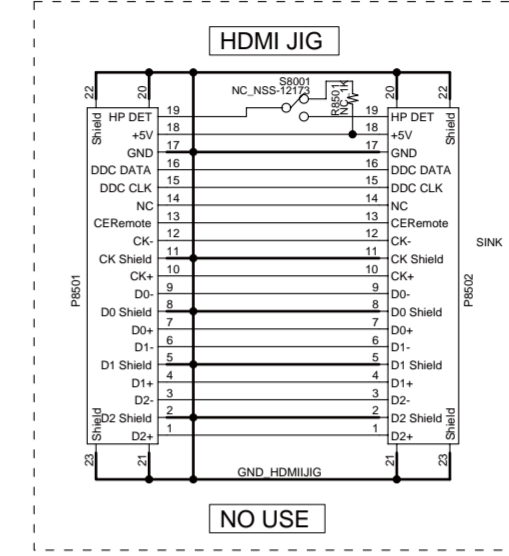
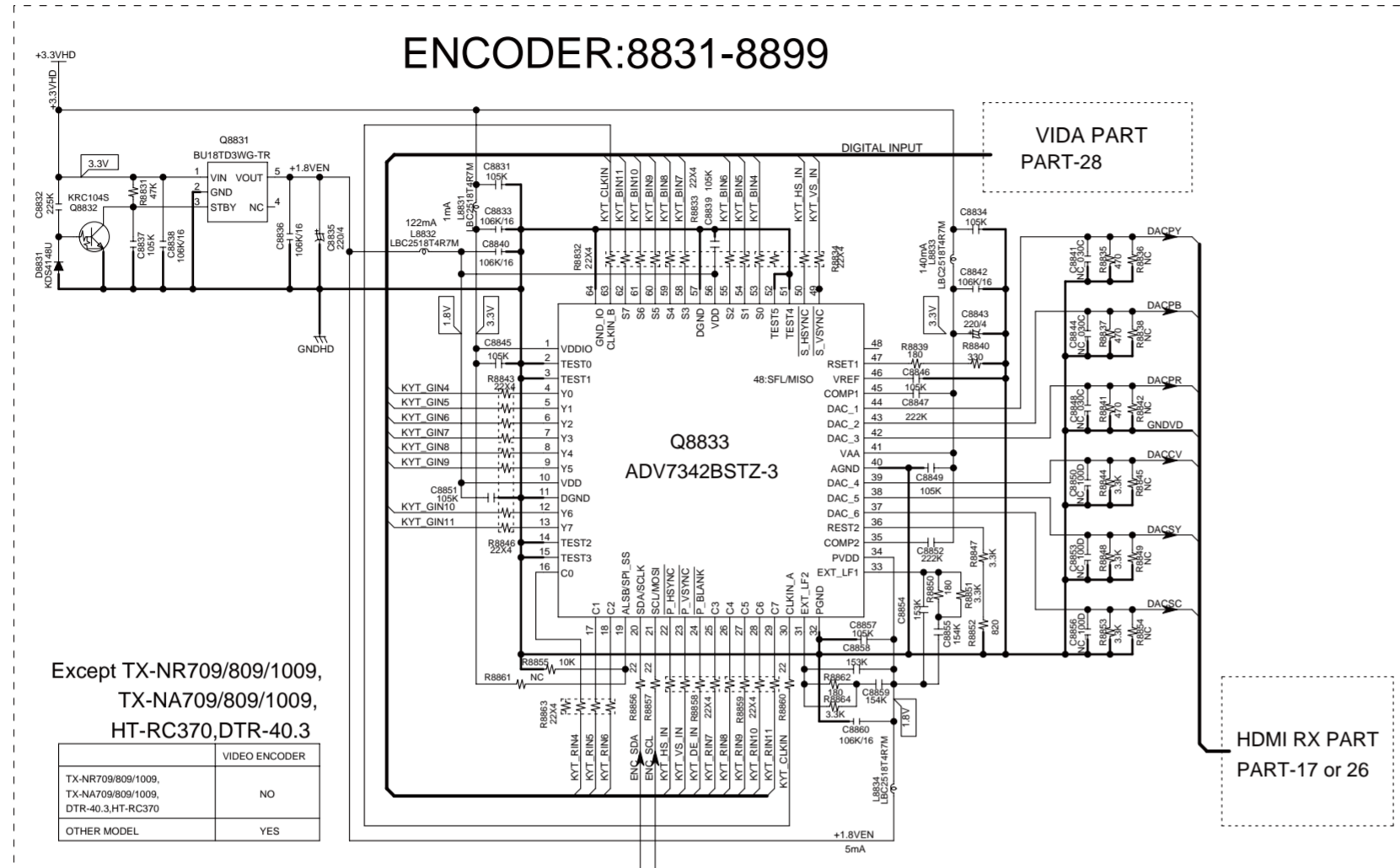


1
2
3
4
5
6
7
8

SCHEMATIC DIAGRAMS-29
VMPU/ Encoder/ Power supply section
Part-29

VMPU/ENCODER/POWER SUPPLY SECTION

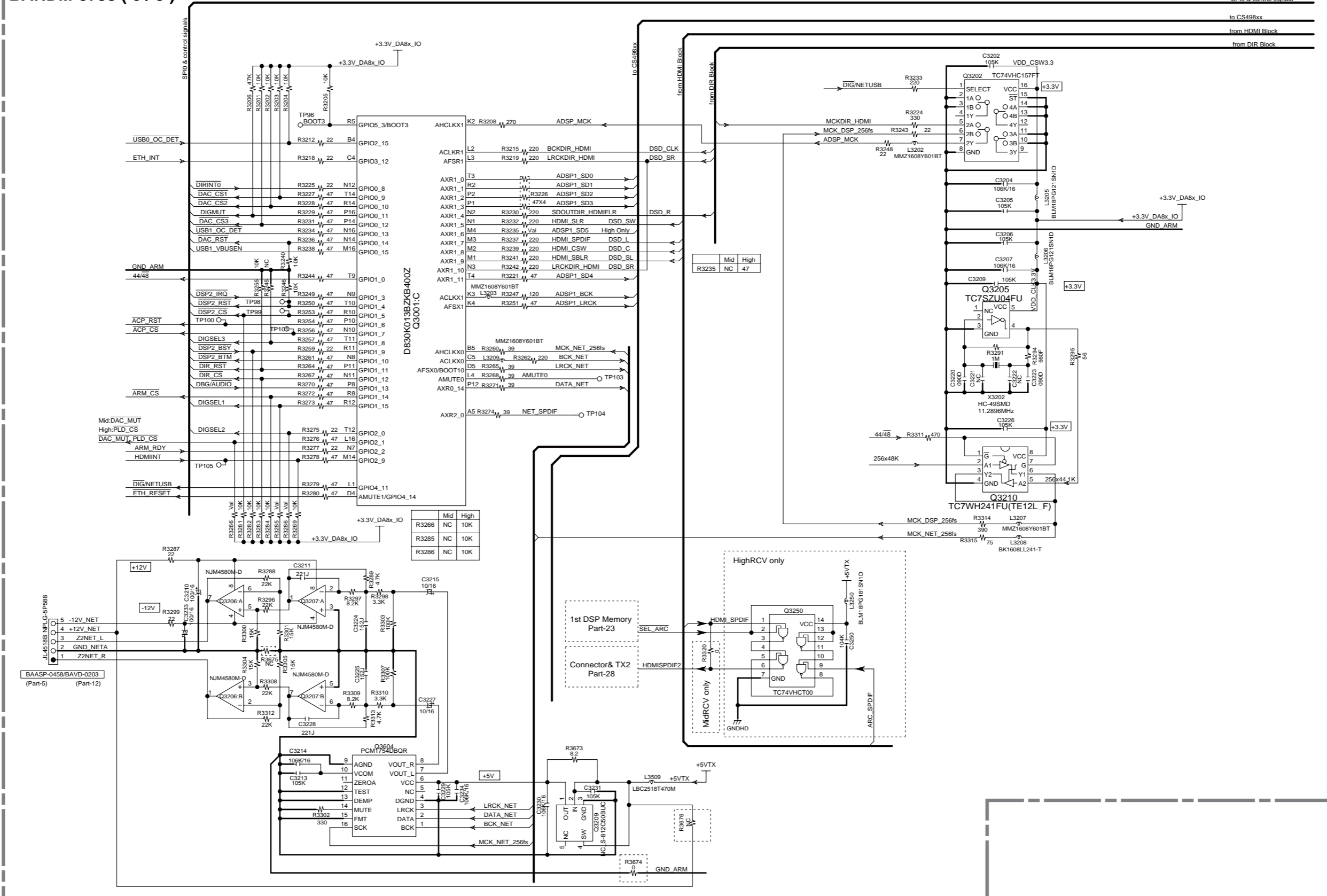
BAHDM-0798 (5 / 9)



1
2
3
4
5
6
7
8

SCHEMATIC DIAGRAMS-30
1 st DSP/ Audio/ GPIO section
Part-30

BAHDM-0798 (6 / 9)



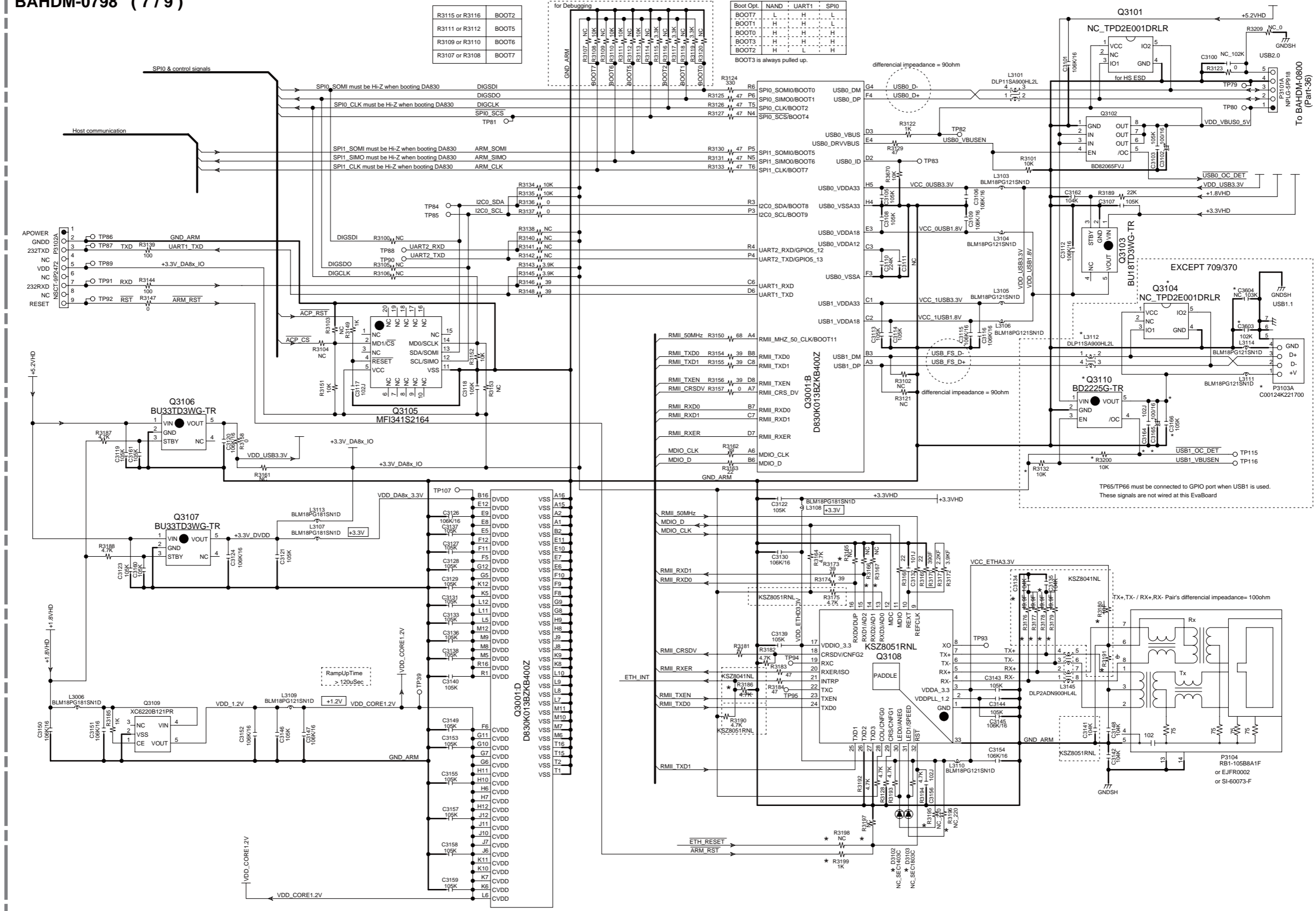
SCHEMATIC DIAGRAMS-31

Net/ USB/ GPIO section Part-31

BAHDM-0798 (7/9)

Ethernet/USB/GPIO Section

1
2
3
4
5

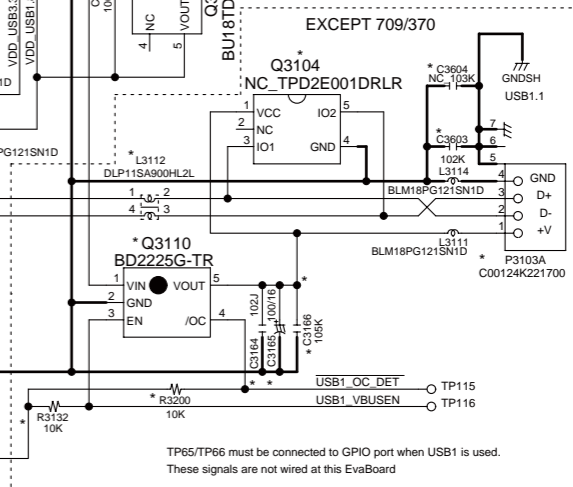


R3115 or R3116	BOOT2
R3111 or R3112	BOOT5
R3109 or R3110	BOOT6
R3107 or R3108	BOOT7

Boot Opt.	NAND	UART1	SPI0
BOOT7	L	H	L
BOOT1	H	H	L
BOOT0	H	H	L
BOOT3	H	H	H
BOOT2	H	L	H

BOOT3 is always pulled up.

To BAHDM-0800 (Part-36)



TP65/TP66 must be connected to GPIO port when USB1 is used. These signals are not wired at this EvaBoard.

TP93

TX+, TX- / RX+, RX- Pair's differential impedance= 100ohm

KSZ8041NL

Rx Tx

DLP2ADN900HL4L

L3145

L3146

L3147

L3148

L3149

L3150

L3151

L3152

L3153

L3154

L3155

P3104 RB1-105BBA1F or E1JFR0002 or SI-60073-F

SCHEMATIC DIAGRAMS-32
1st DSP Memory section
Part-32

SCHEMATIC DIAGRAM (PART-32)

BAHDM-0798 (8 / 9)

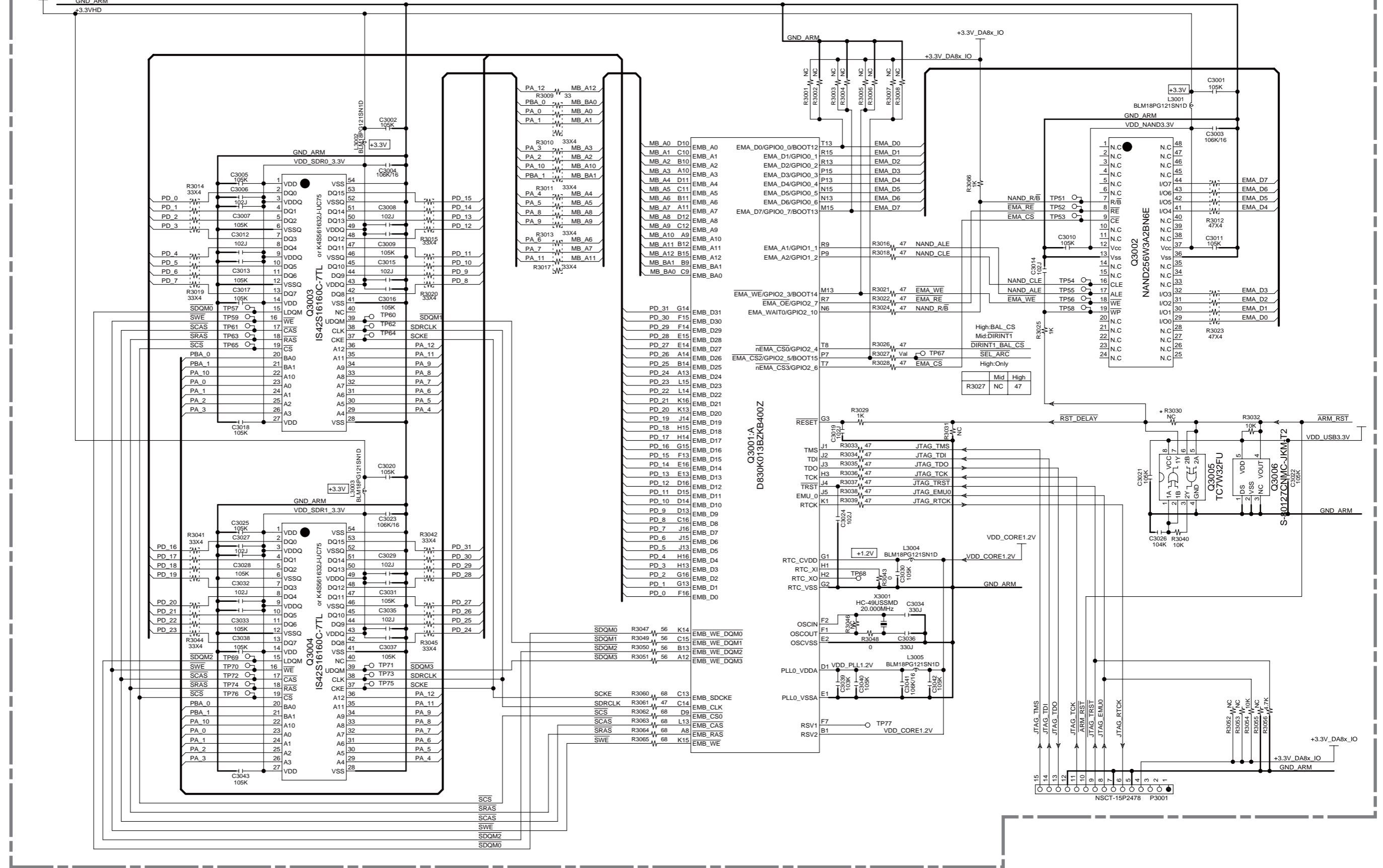
1

2

3

4

5

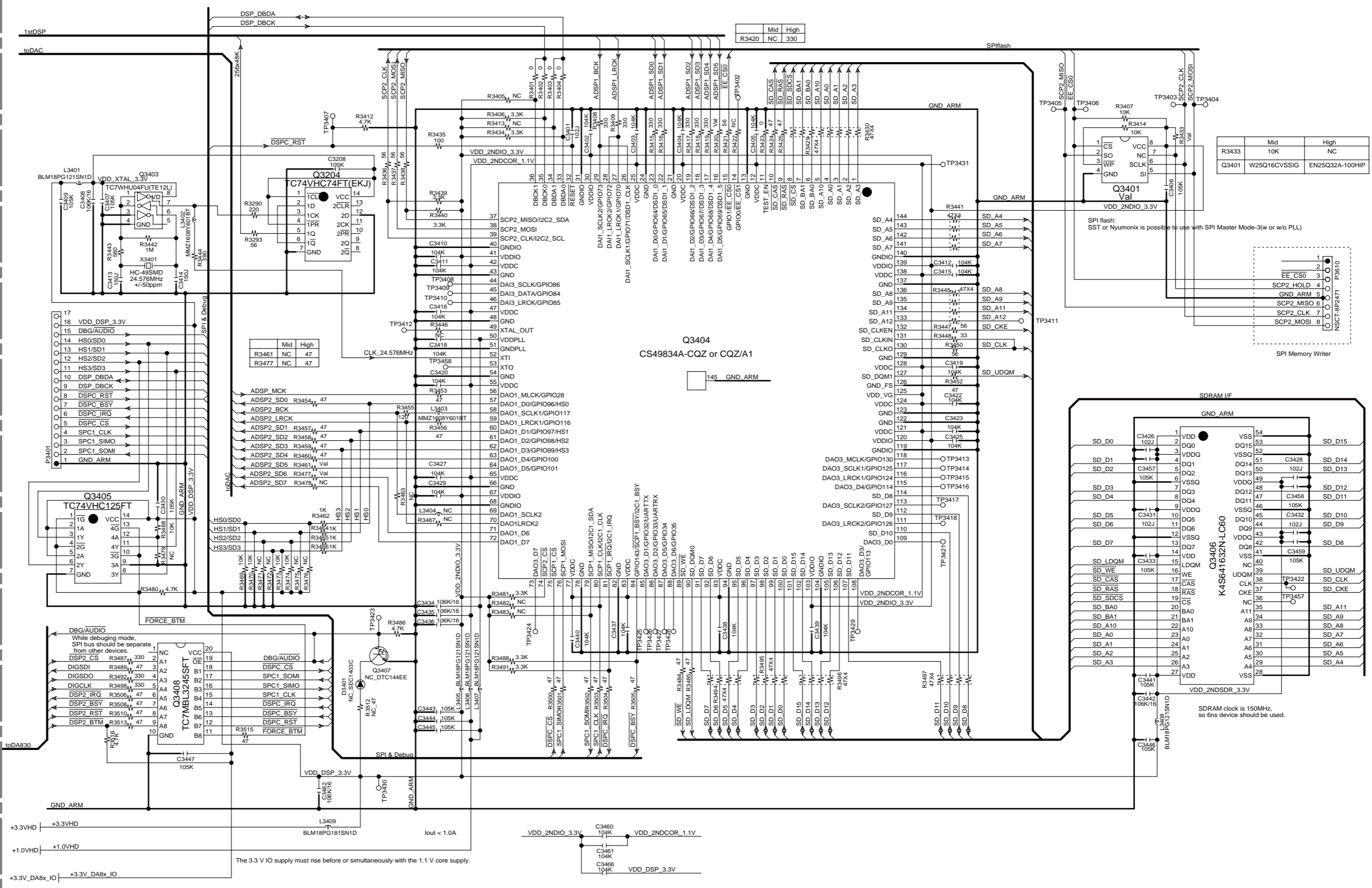


SCHEMATIC DIAGRAMS-33
2nd DSP section
Part-33

2nd DSP SECTION

BAHDM-0798 (9/9)

1
2
3
4
5



The 3.3V IO supply must rise before or simultaneously with the 1.1V core supply.

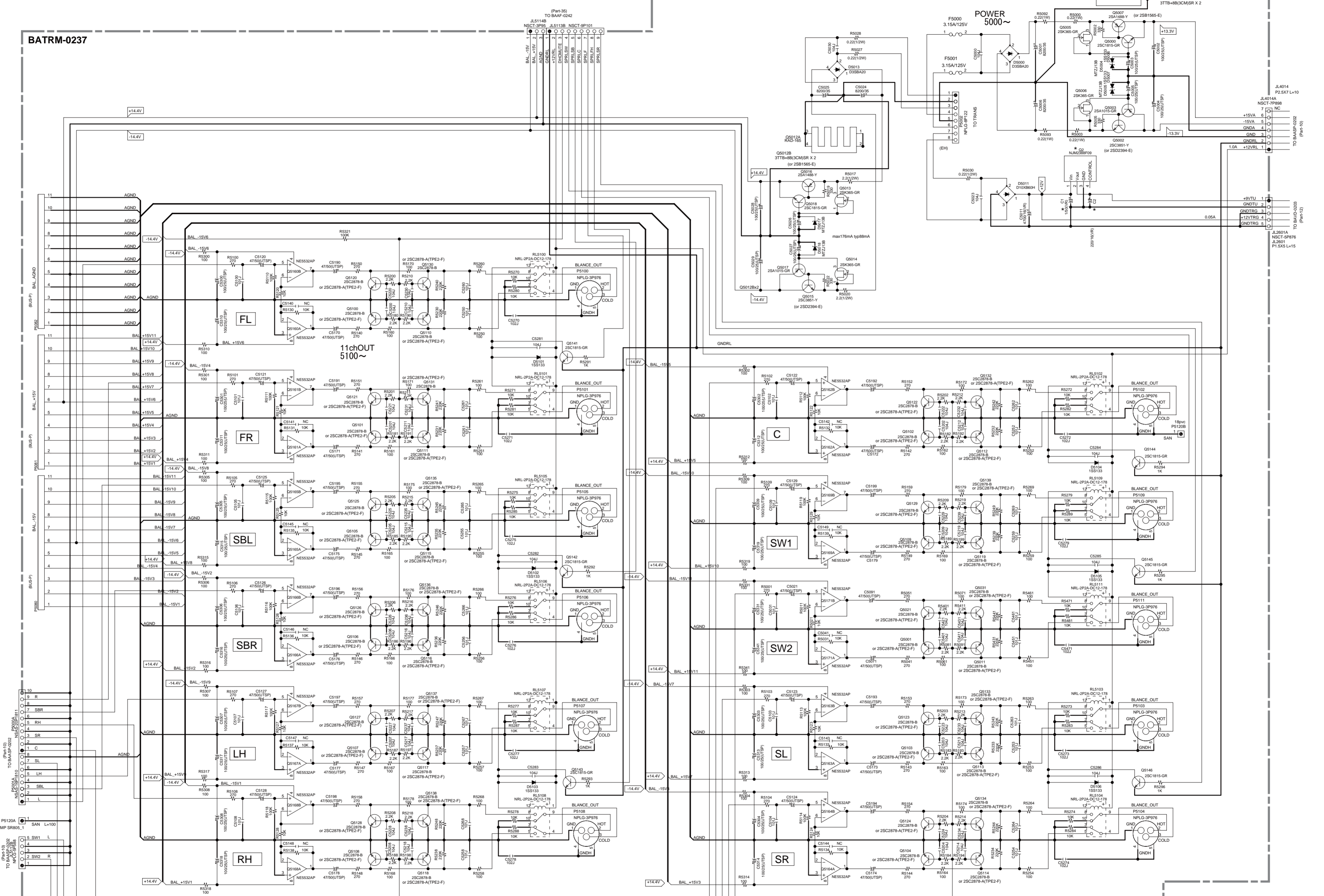
for bypassing high frequency current of power plane

SCHEMATIC DIAGRAMS-34

Balance output section

Part-34

BATRM-0237



SCHEMATIC DIAGRAMS-35
Balance input section
Part-35

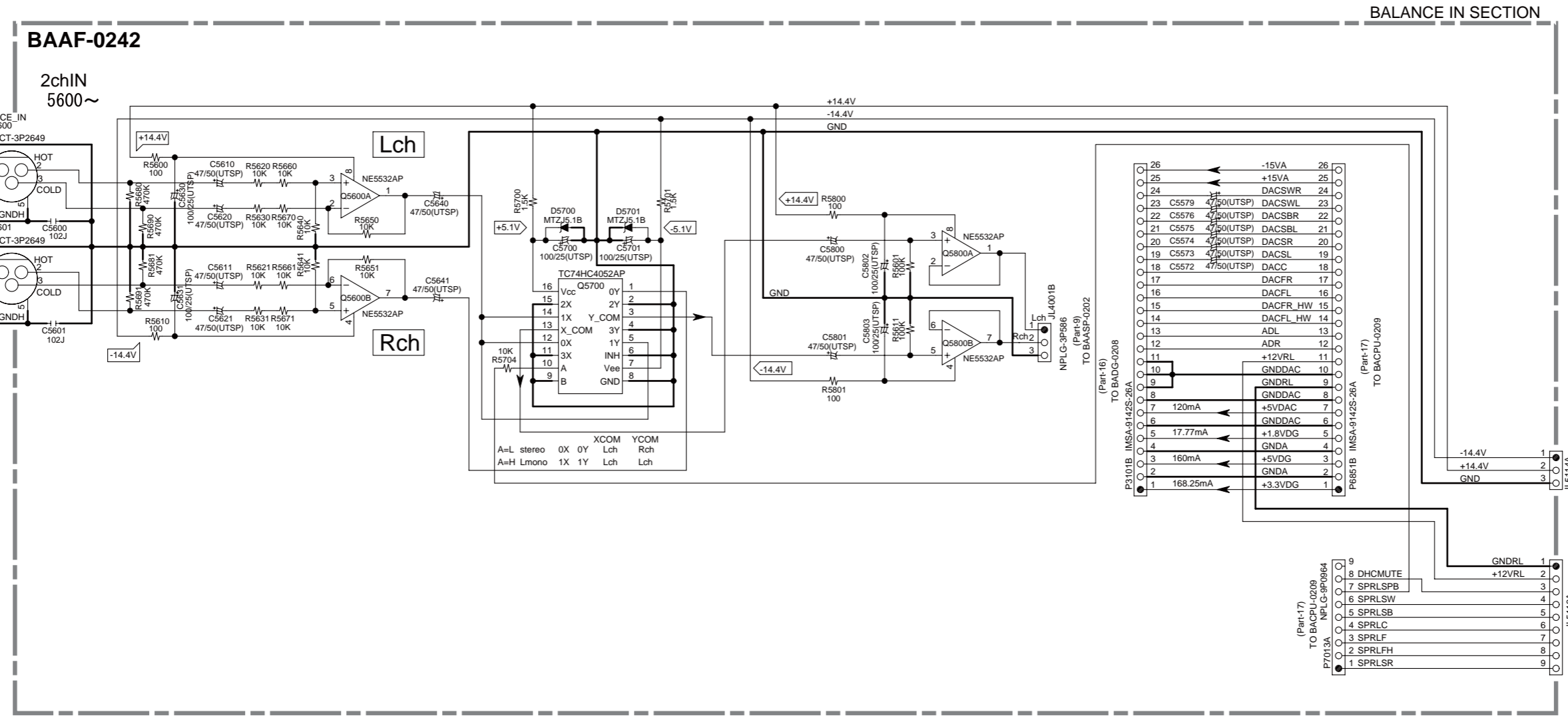
1

2

3

4

5



BALANCE IN SECTION

26	-15VA	26	
25	+15VA	25	
24	DACSWR	24	
23	C5579 47/50(UTSP)	DACSWL	23
22	C5576 47/50(UTSP)	DACSBR	22
21	C5575 47/50(UTSP)	DACSBL	21
20	C5574 47/50(UTSP)	DACSR	20
19	C5573 47/50(UTSP)	DACSL	19
18	C5572 47/50(UTSP)	DACC	18
17	DACFR	17	
16	DACFL	16	
15	DACFR_HW	15	
14	DACFL_HW	14	
13	ADL	13	
12	ADR	12	
11	+12VRL	11	
10	GNDDAC	10	
9	GNDRL	9	
8	GNDDAC	8	
7	120mA	+5VDAC	7
6	GNDDAC	GNDDAC	6
5	17.77mA	+1.8VDG	5
4	GND	GND	4
3	160mA	+5VDG	3
2	GND	GND	2
1	168.25mA	+3.3VDG	1

9	GNDRL	1
8	+12VRL	2
7	SPRLSPB	3
6	SPRLSW	4
5	SPRLSB	5
4	SPRLC	6
3	SPRLF	7
2	SPRLFH	8
1	SPRLSR	9

(Part-17)
TO BACPU-0209
P7013A NPLG-9P0964

(Part-17)
TO BADG-0208
P3101B IMSA-9142S-26A

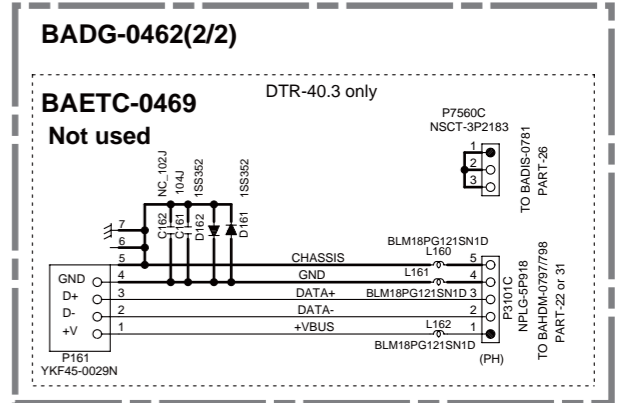
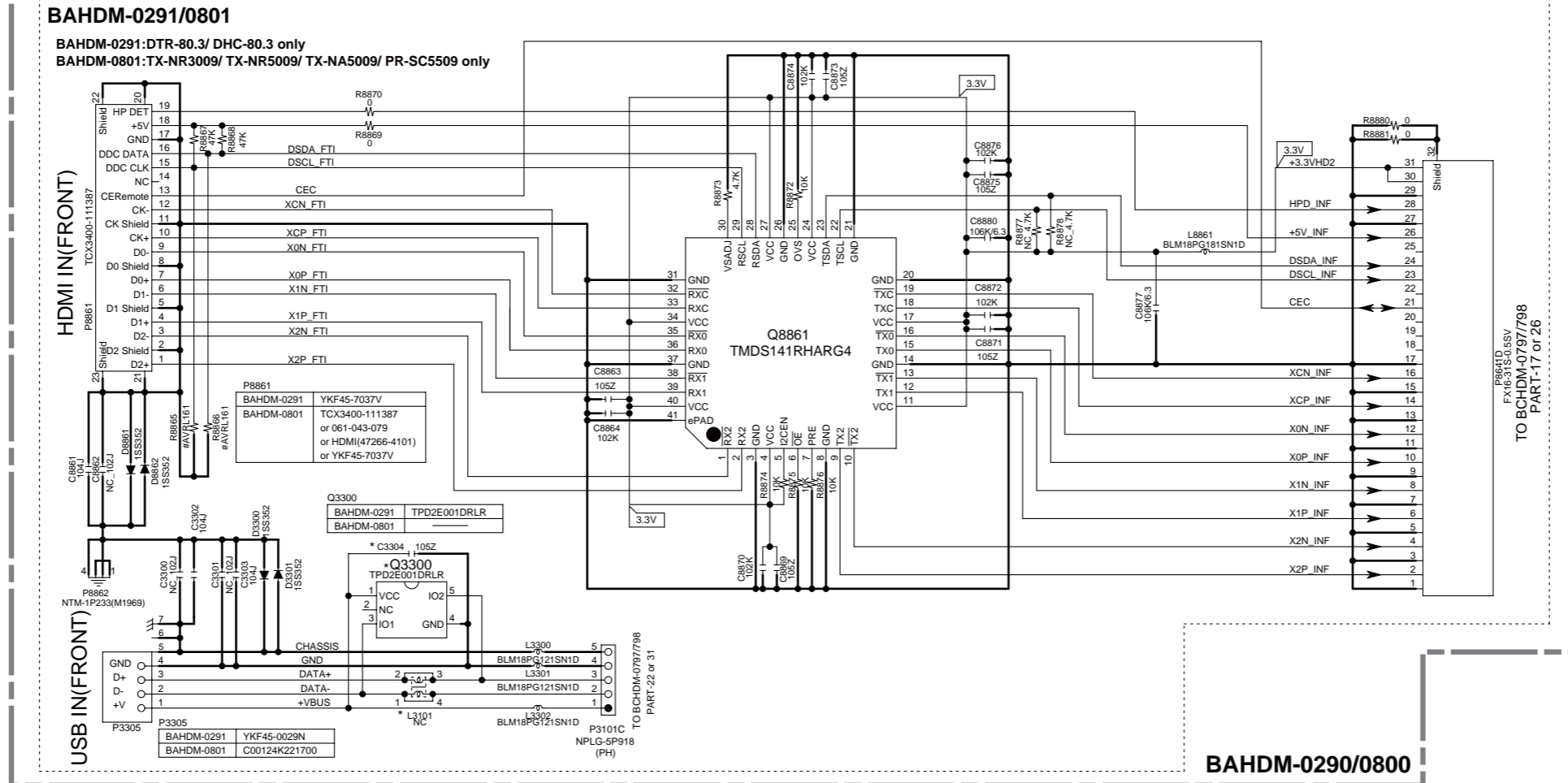
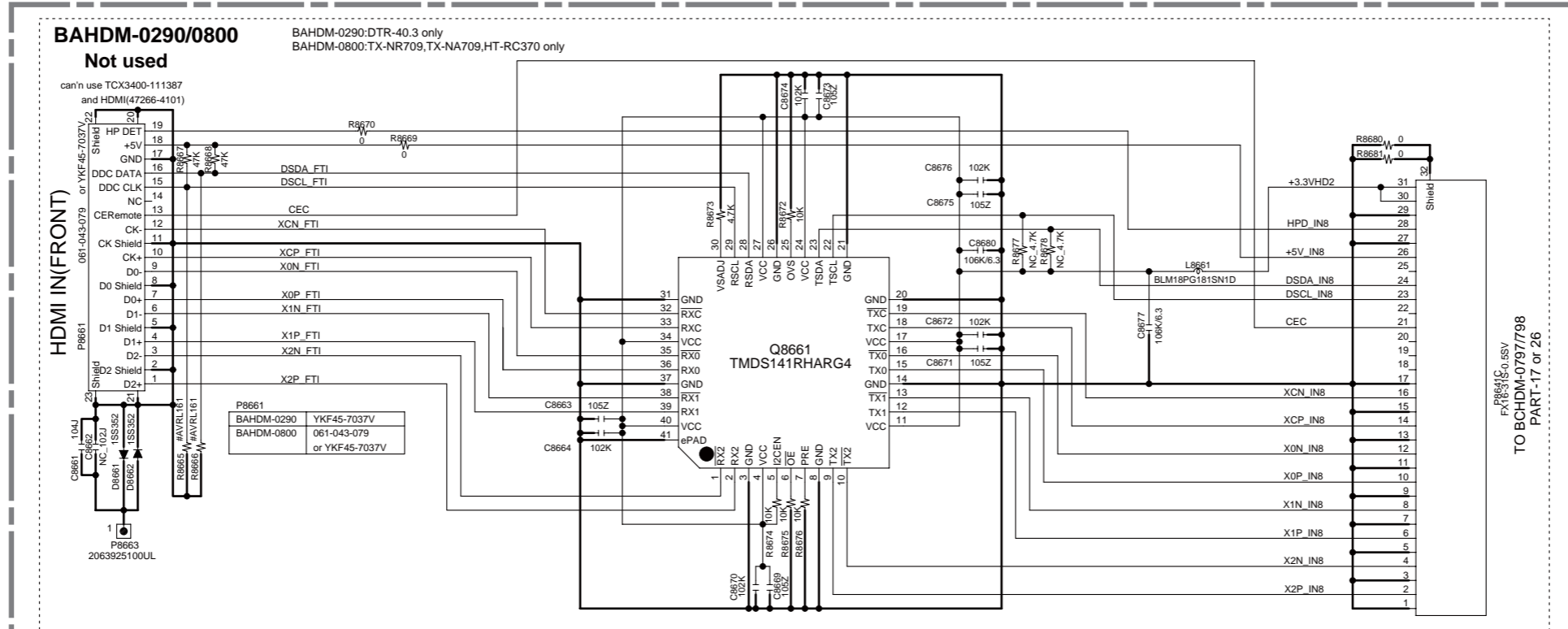
(Part-17)
TO BACPU-0209
P6851B IMSA-9142S-26A

JLE114A
NSCT-3P894
JLE1143J060608H
P2.5X3 L=5
TO BATTRM-0237
(Part-34)

JLE113A
NSC19P800
JLE1133J050606H
P2.5X3 L=5
TO BATTRM-0237
(Part-34)

SCHEMATIC DIAGRAMS-36

Front HDMI and USB section
Part-36



BAHDM-0290/0800

A

B

C

D

E

F

G

H

PRINTED CIRCUIT BOARD VIEWS-3

U003 BAASP-0202

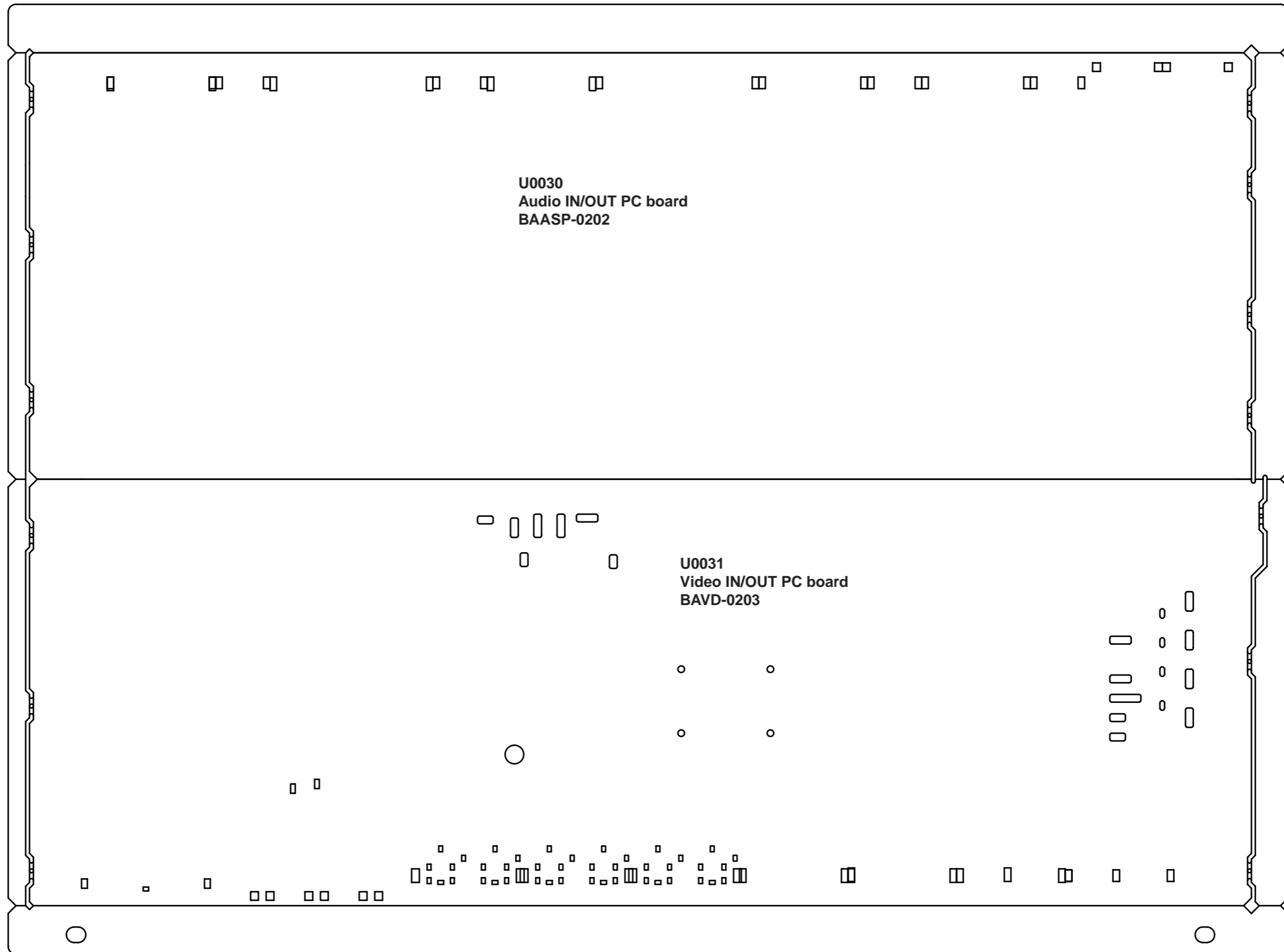
1

2

3

4

5



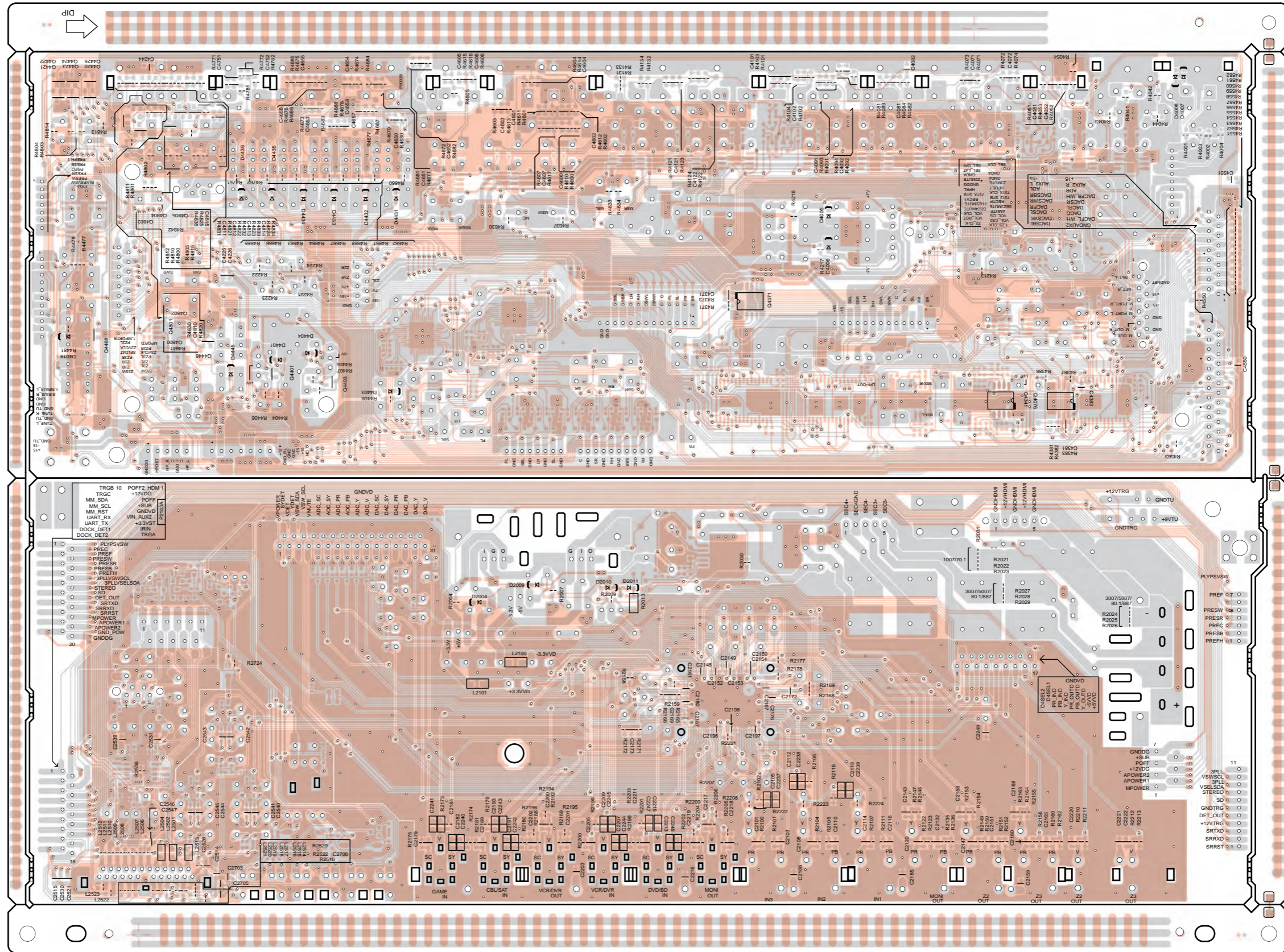
A side view

A B C D E F G H

PRINTED CIRCUIT BOARD VIEW-3A

U003 BAASP-0202

A side pattern
 B side pattern



B side view from A side

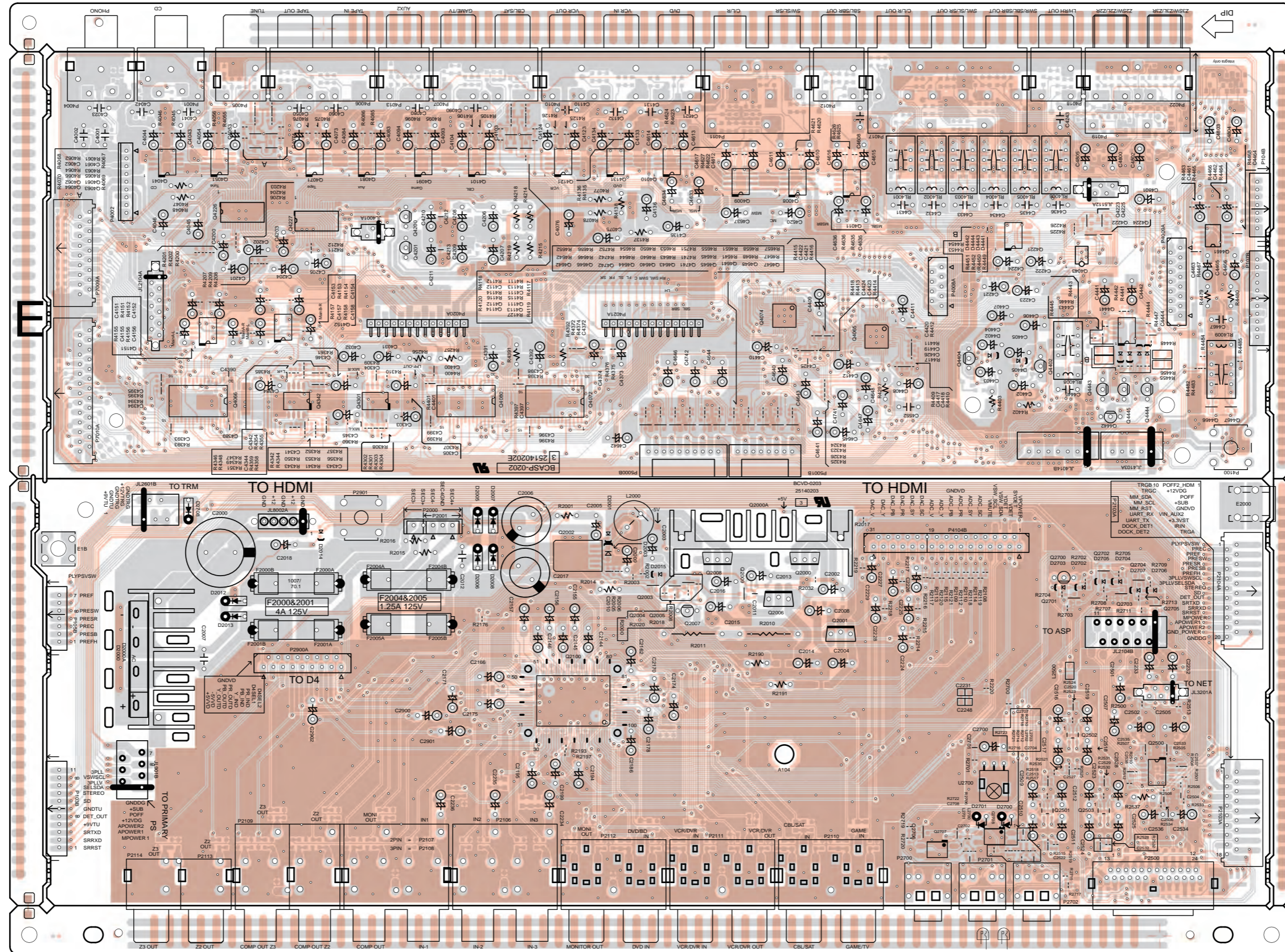
A B C D E F G H

PRINTED CIRCUIT BOARD VIEWS-3B

U003 BAASP-0202

A side pattern
 B side pattern

1
2
3
4
5



A side view from B side

A

B

C

D

E

F

G

H

PRINTED CIRCUIT BOARD VIEWS-4

U004 BADG-0208

1

U0042
ZONE-2 Volume PC board
BAAR-0210

U0045
SIRIUS PC board
BARF-0204

U0047
Digital input PC board
BAETC-0246

2

U0046
D-Terminal PC board
BAVD-0205

U0044
Buffer Amp. PC board
BAACC-0212

U0048
D-Sub15 PC board
BAETC-0247

3

U0040
DAC PC board
BADG-0208

U0041
Microprocessor PC board
BACPU-0209

4

U0043
Equalizer Amp. PC board
BAAF-0211

5

A side view

A B C D E F G H

PRINTED CIRCUIT BOARD VIEWS-4A

U004 BADG-0208

A side pattern
 B side pattern

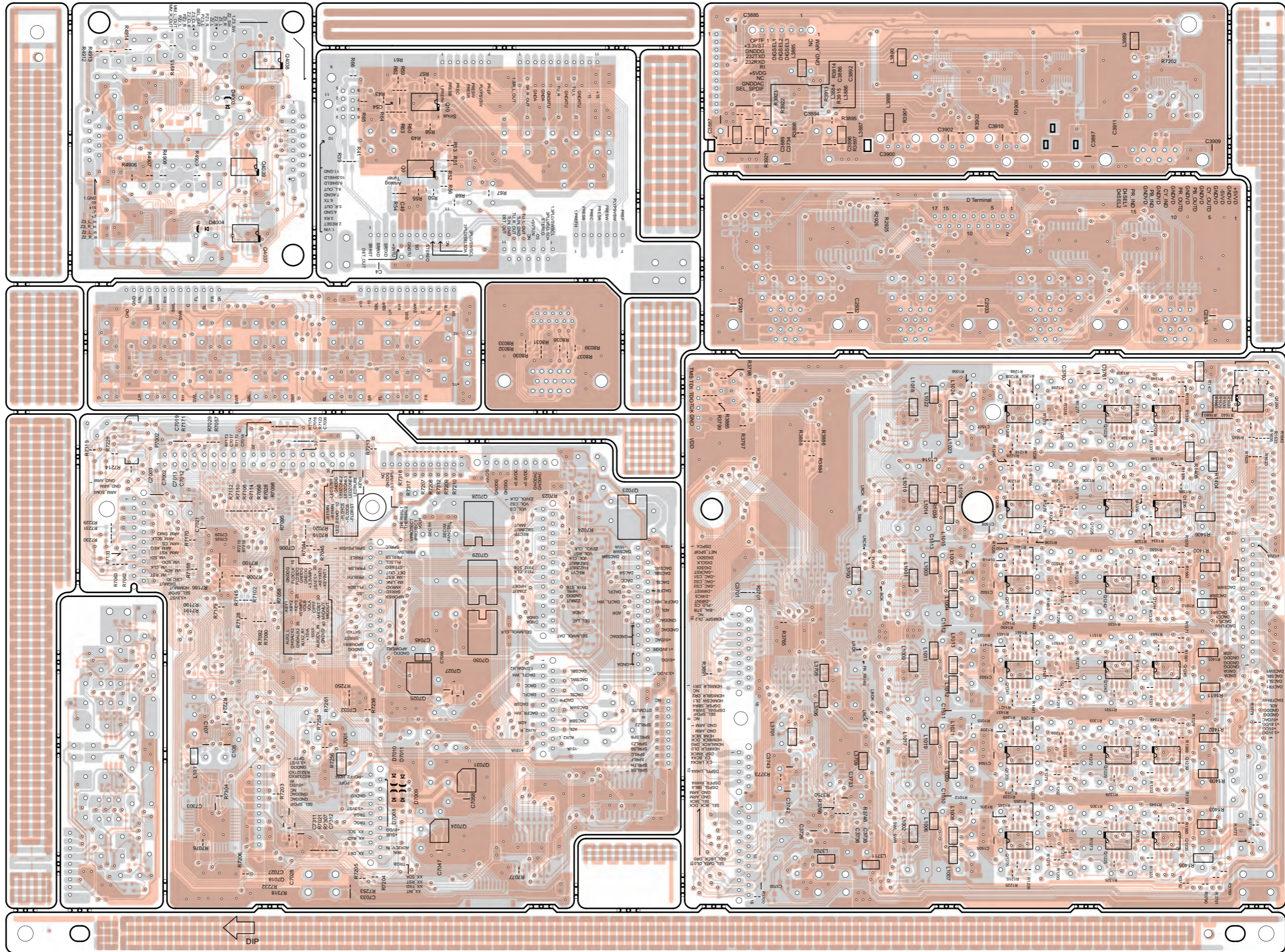
1

2

3

4

5



B side view from A side

A B C D E F G H

PRINTED CIRCUIT BOARD VIEWS-4B

U004 BADG-0208

A side pattern
B side pattern

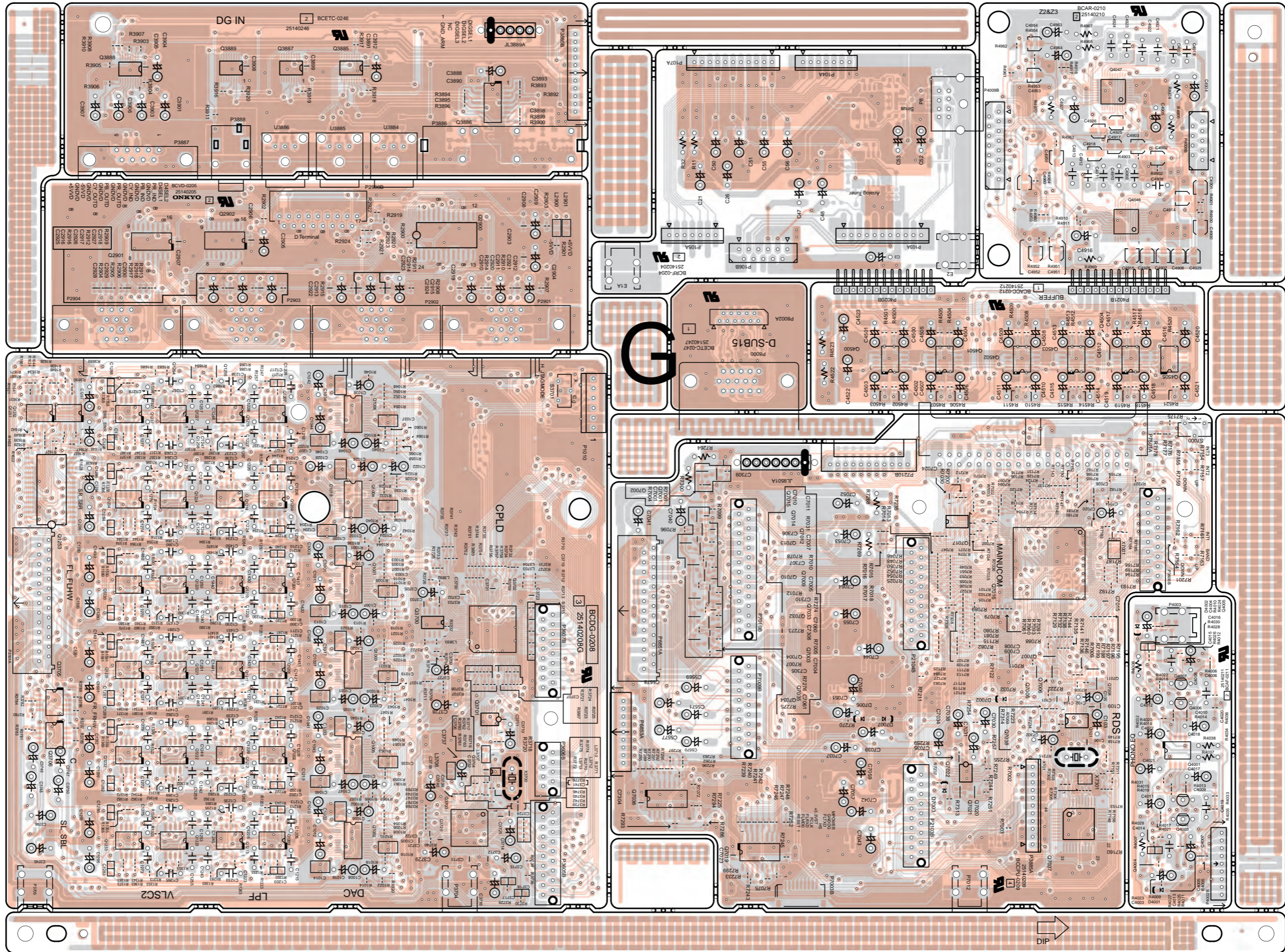
1

2

3

4

5



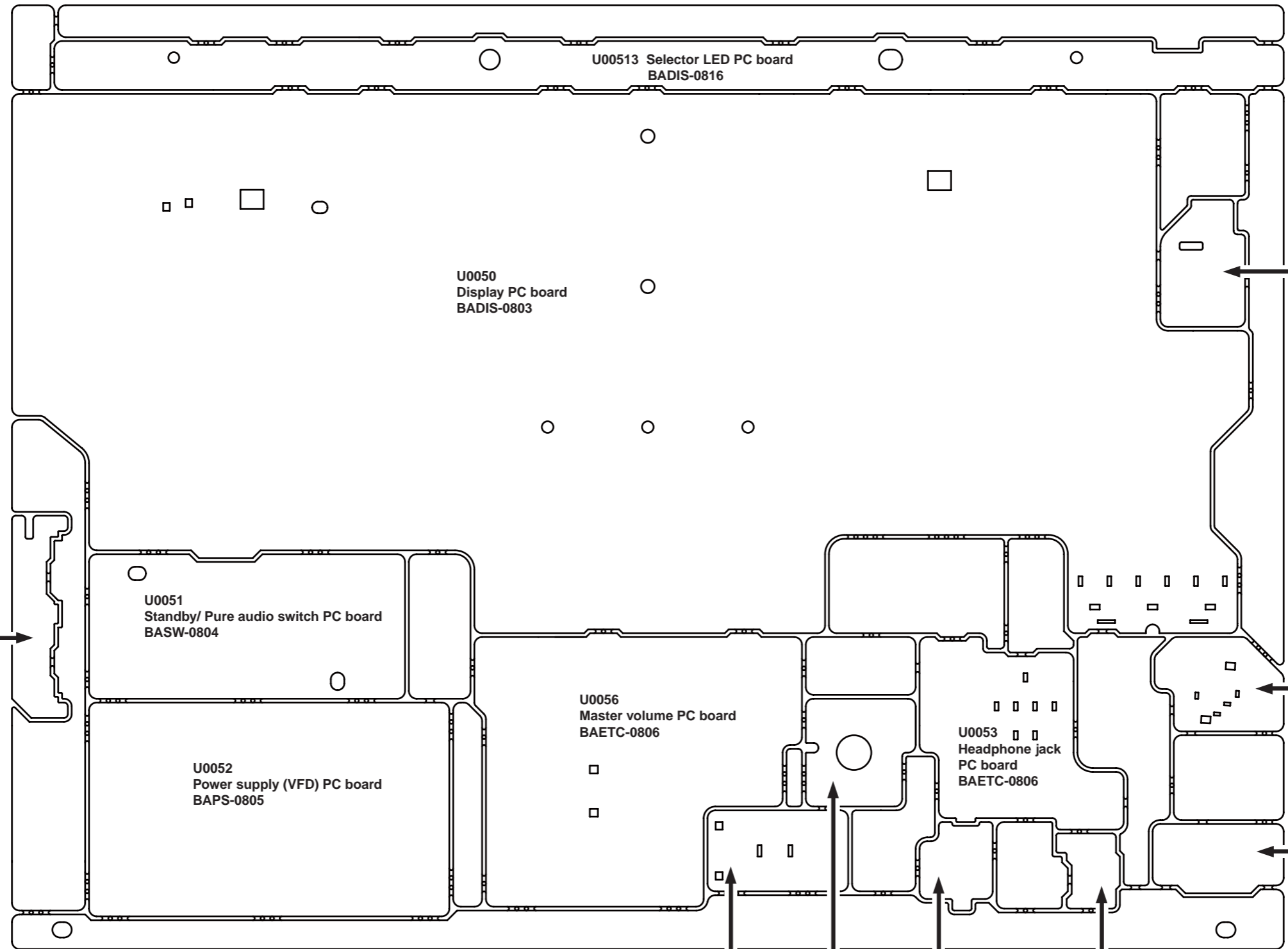
A side view from B side

A B C D E F G H

PRINTED CIRCUIT BOARD VIEWS-5

U005 BADIS-0803

1
2
3
4
5



U0058
Front HDMI hold PC board
BAETC-0811

U0051
Standby/ Pure audio switch PC board
BASW-0804

U0052
Power supply (VFD) PC board
BAPS-0805

U0056
Master volume PC board
BAETC-0806

U00511
Power switch PC board
BAETC-0814

U00512
Power switch hold
PC board
BAETC-0815

U0055
OPT. PCB Hold PC board
BAETC-0808

U0059
PWB
BAETC-0812

U00511
Power switch PC board
BAETC-0814

U00512
Power switch hold
PC board
BAETC-0815

U0055
OPT. PCB Hold PC board
BAETC-0808

U0059
PWB
BAETC-0812

U0050
Display PC board
BADIS-0803

U00513
Selector LED PC board
BADIS-0816

U0054
Optical input terminal PC board
BAETC-0807

U0057
Microphone jack PC board
BAETC-0810

U00510
HP. Jack PC board
BAETC-0813

U0053
Headphone jack
PC board
BAETC-0806

Component side view

A B C D E F G H

PRINTED CIRCUIT BOARD VIEWS-5A

U005 BADIS-0803

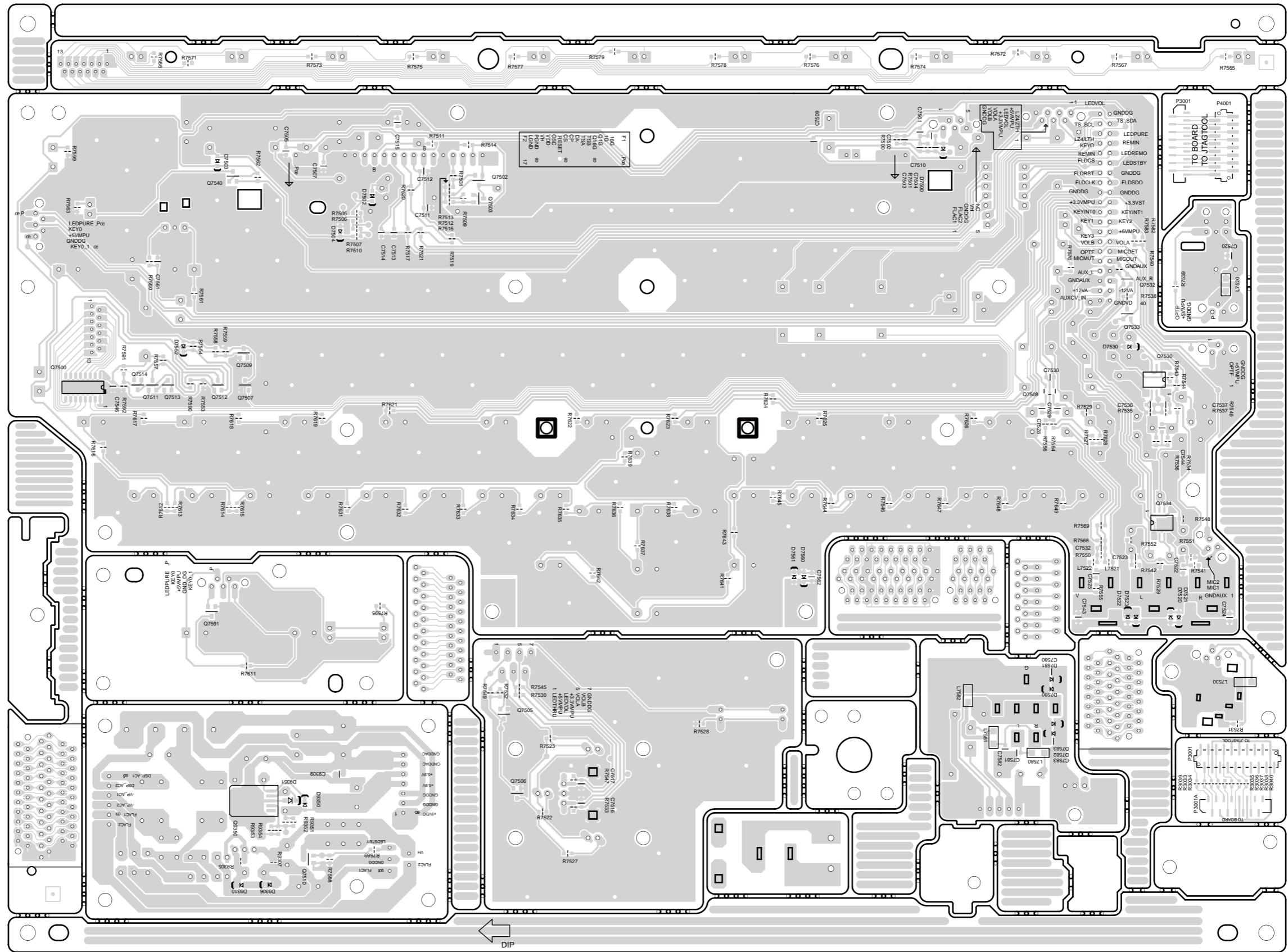
1

2

3

4

5

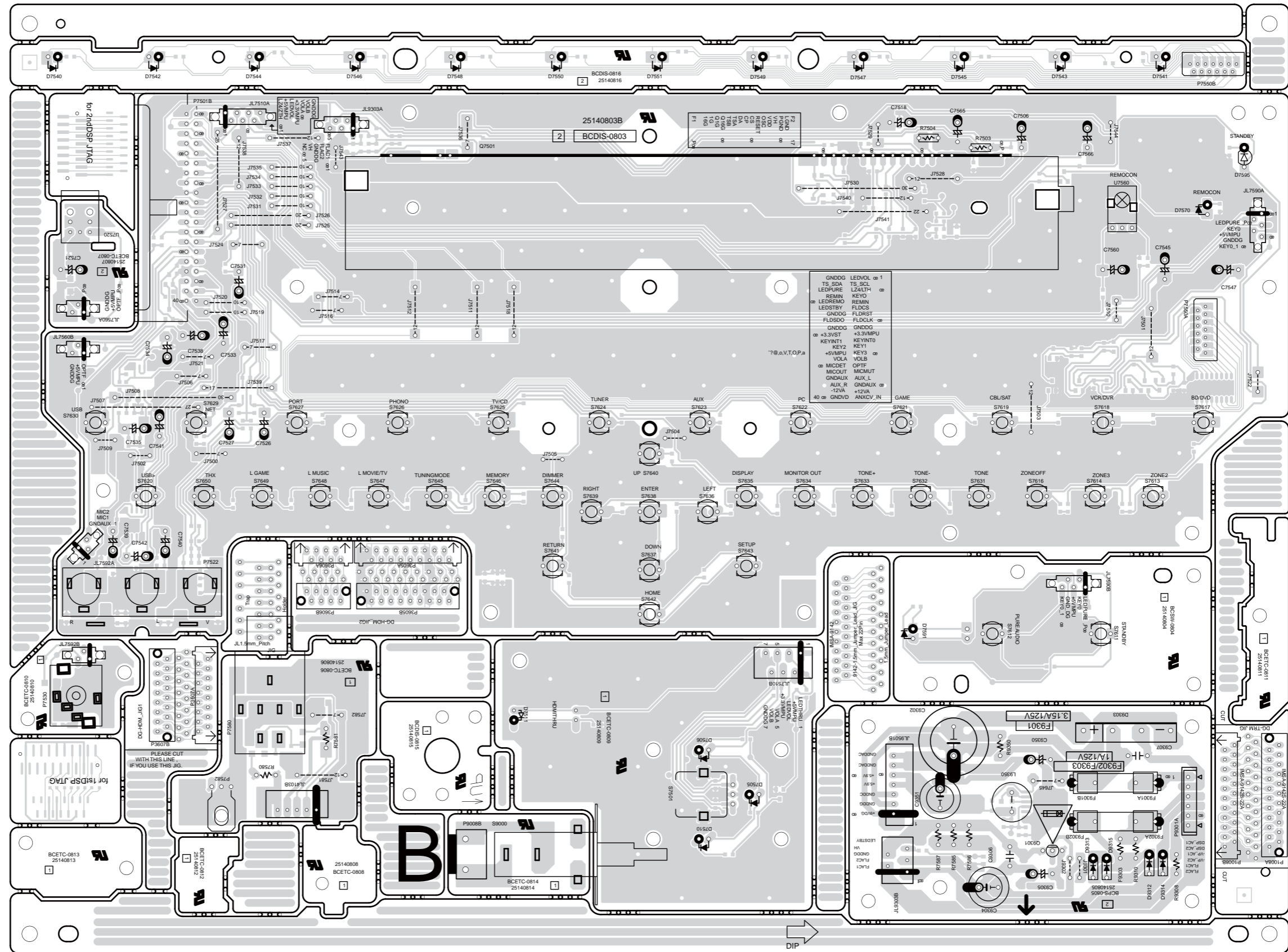


Soldering side view from component side

PRINTED CIRCUIT BOARD VIEWS-5B

U005 BADIS-0803

1
2
3
4
5



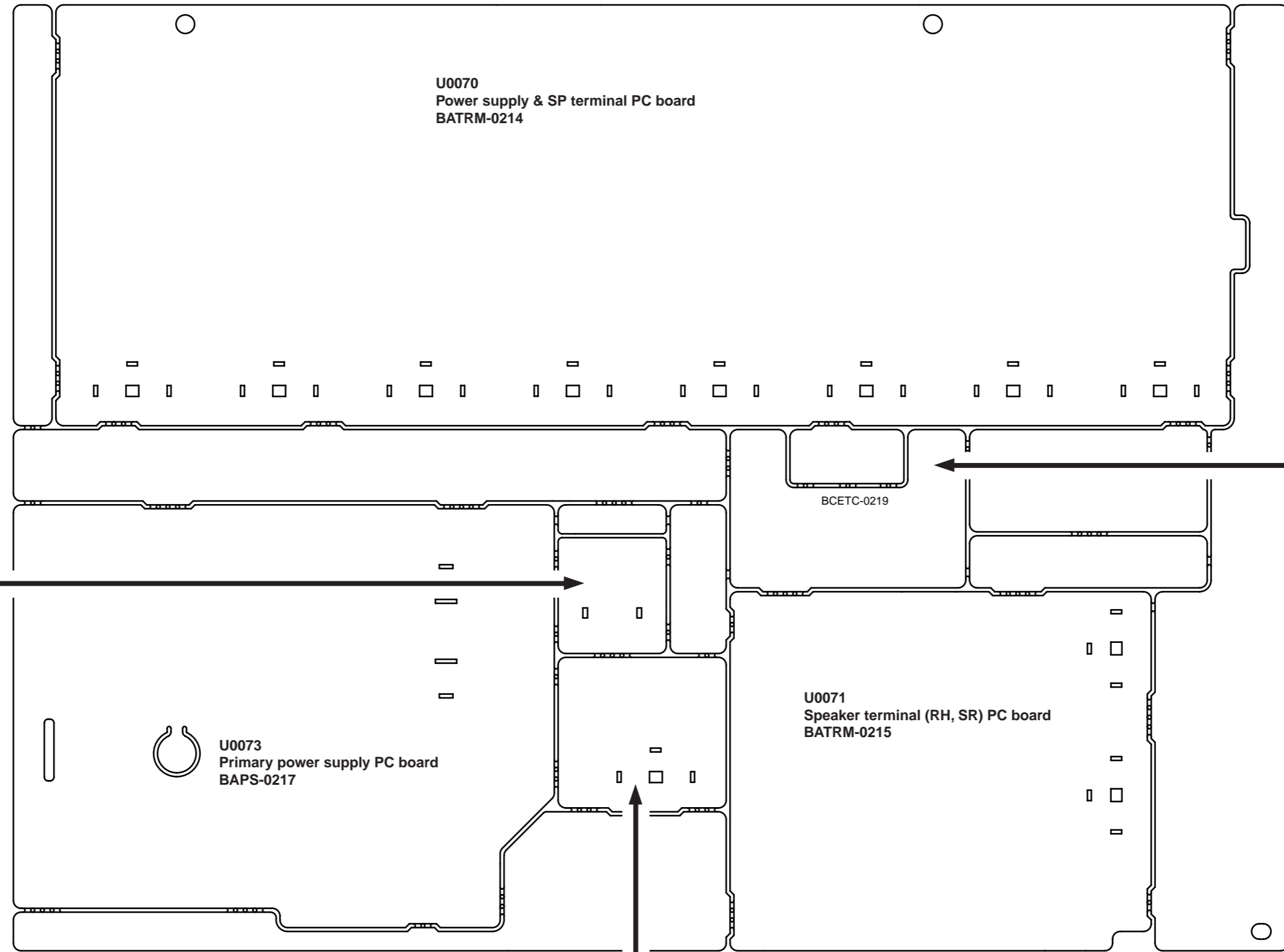
Component side view from soldering side

A B C D E F G H

PRINTED CIRCUIT BOARD VIEWS-7

U007 BATRM-0214

1
2
3
4
5



U0070
Power supply & SP terminal PC board
BATRM-0214

U0075
Analog audio
power supply PC board
BAETC-0219

U0074
Inlet PC board
BAPS-0218

U0073
Primary power supply PC board
BAPS-0217

U0071
Speaker terminal (RH, SR) PC board
BATRM-0215

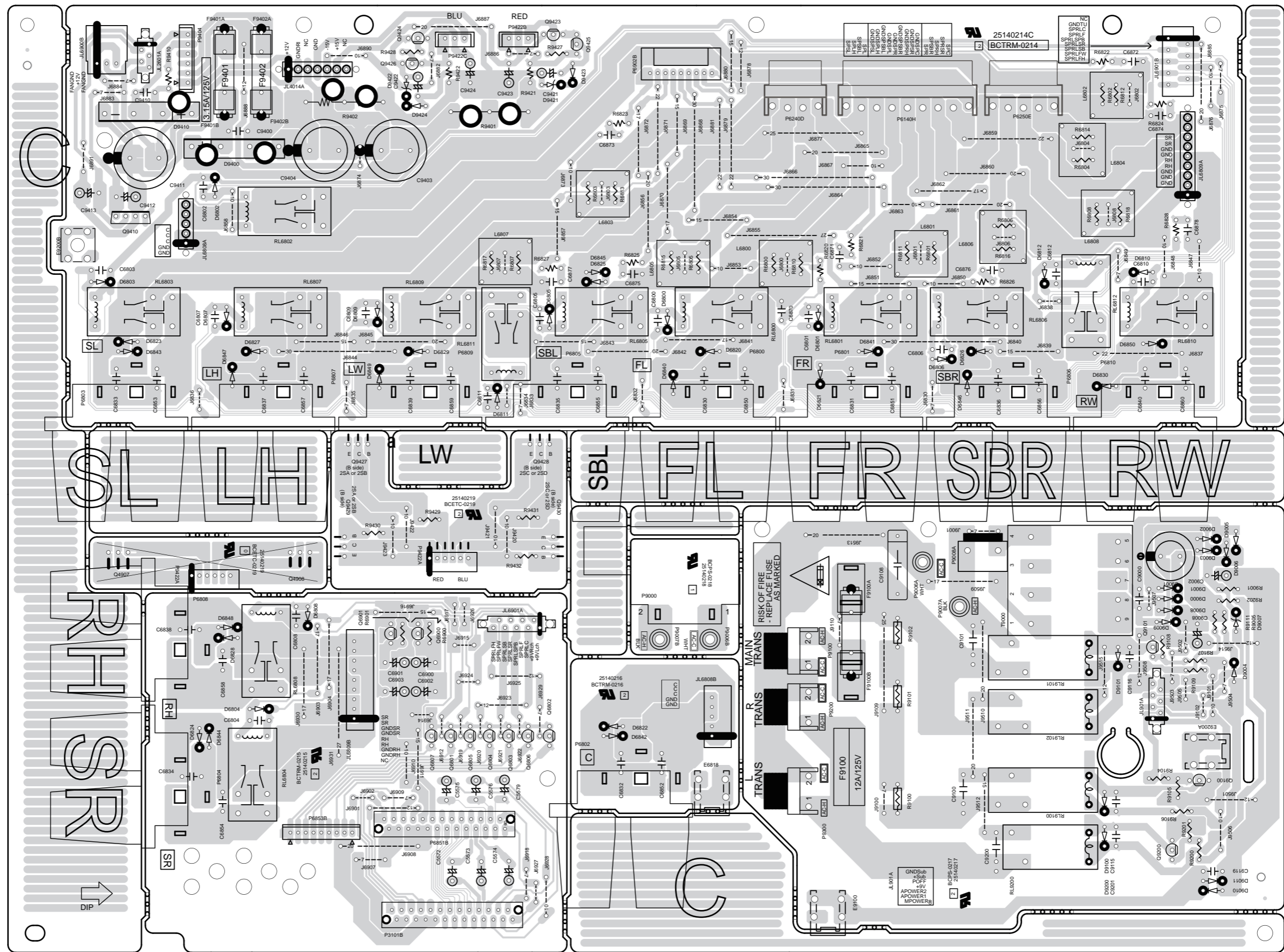
U0072
Speaker terminal (Center) PC board
BATRM-0216

Component side view

PRINTED CIRCUIT BOARD VIEWS-7A

U007 BATRM-0214

1
2
3
4
5



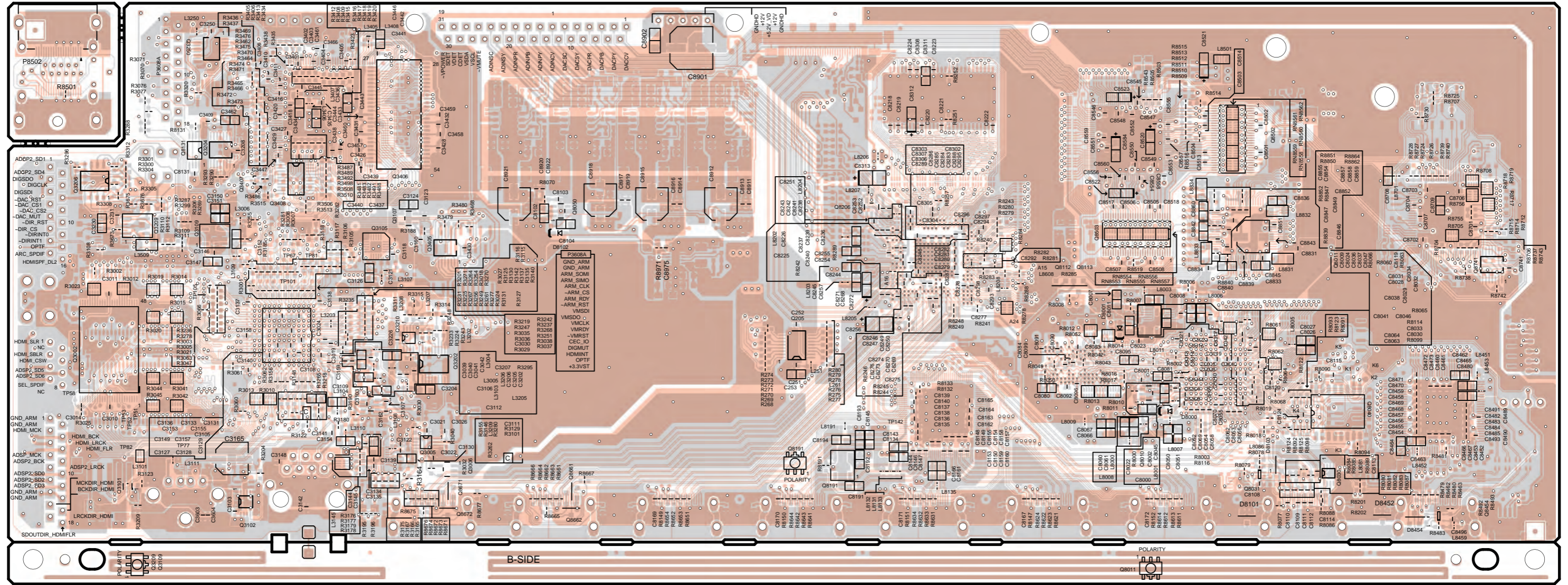
Component side view from soldering side

A B C D E F G H

PRINTED CIRCUIT BOARD VIEWS-8A

U008 HDMI PC board BAHDM-0797

A side pattern
 B side pattern



B side view from A side

1

2

3

4

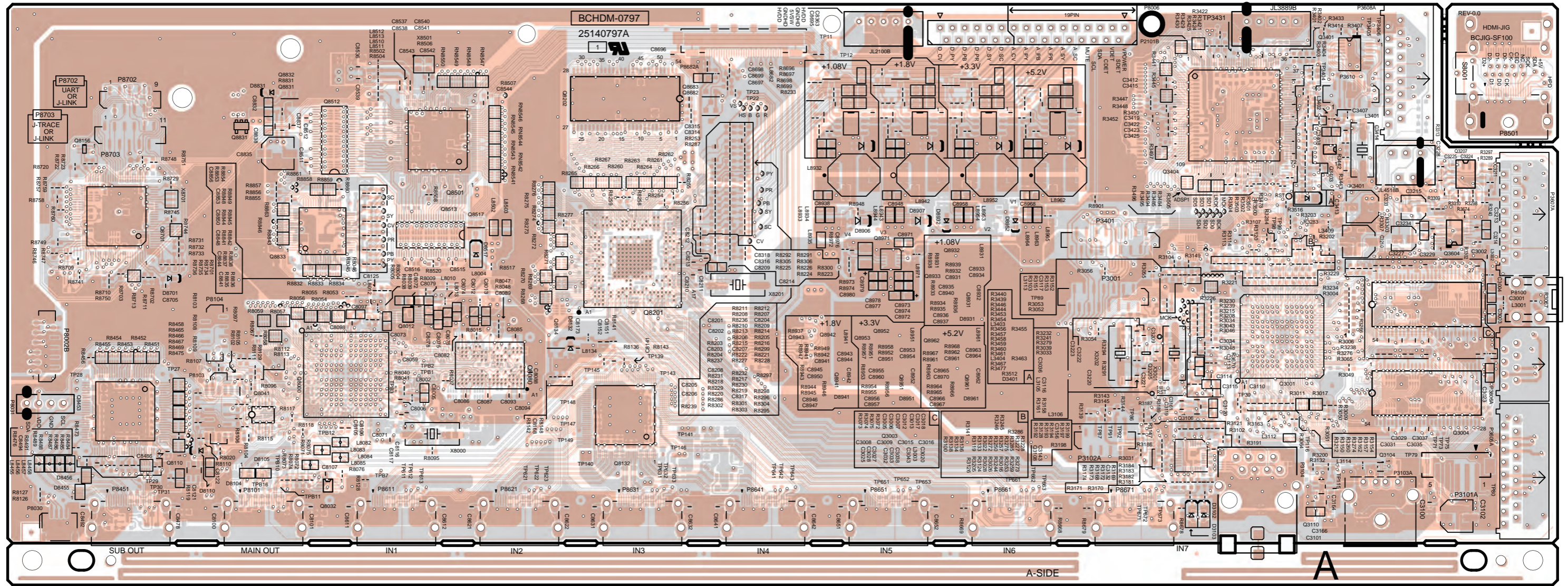
5

PRINTED CIRCUIT BOARD VIEWS-8B

U008 HDMI PC board BAHDM-0797

A side pattern
B side pattern

1
2
3
4
5



A side view from B side

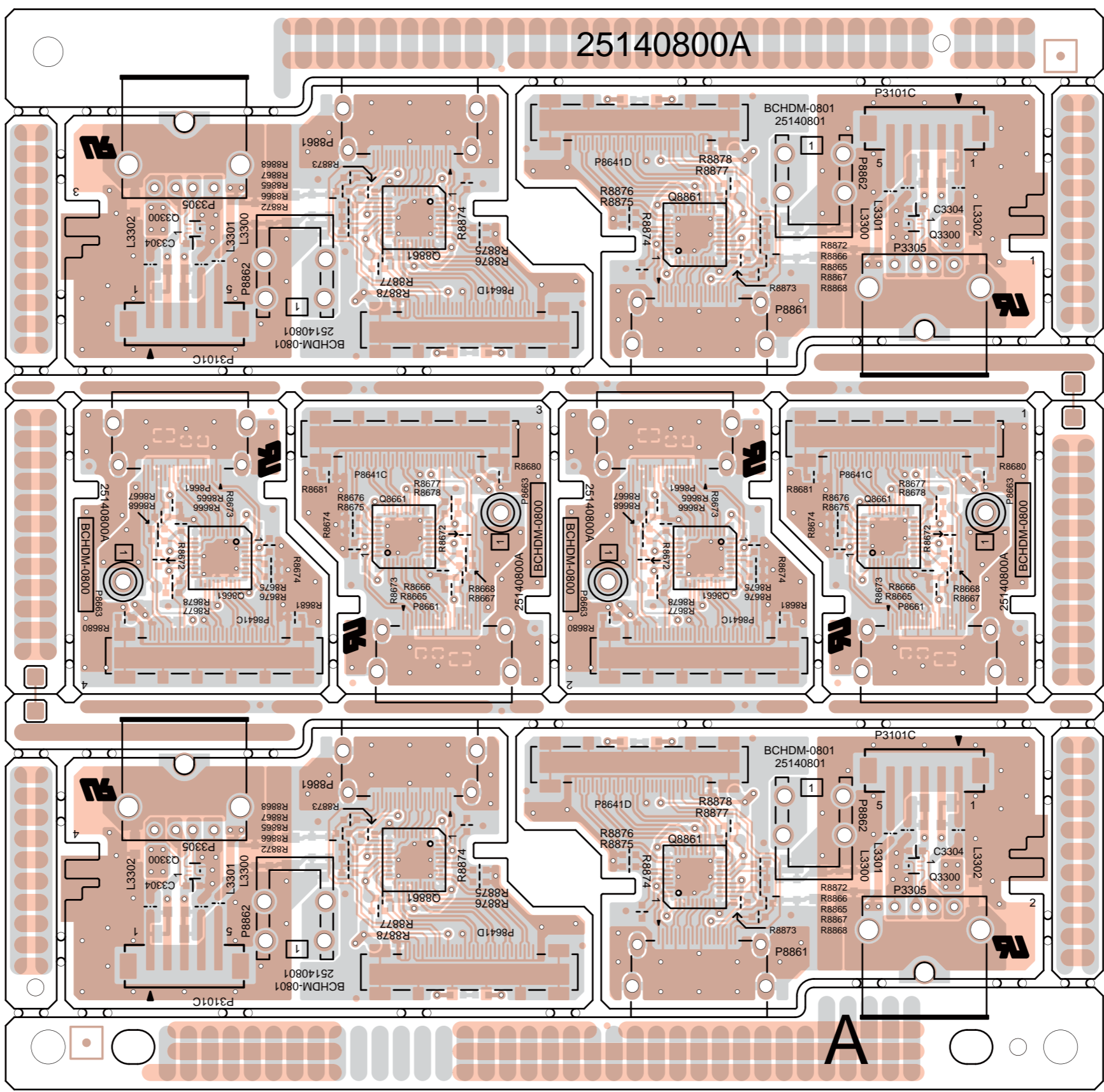
A B C D E F G H

PRINTED CIRCUIT BOARD VIEWS-9B

U009 BAHDM-0800

A side pattern
B side pattern

1
2
3
4
5



A side view from B side

A

B

C

D

E

F

G

H

PRINTED CIRCUIT BOARD VIEWS-10

U010 BACLA-0226

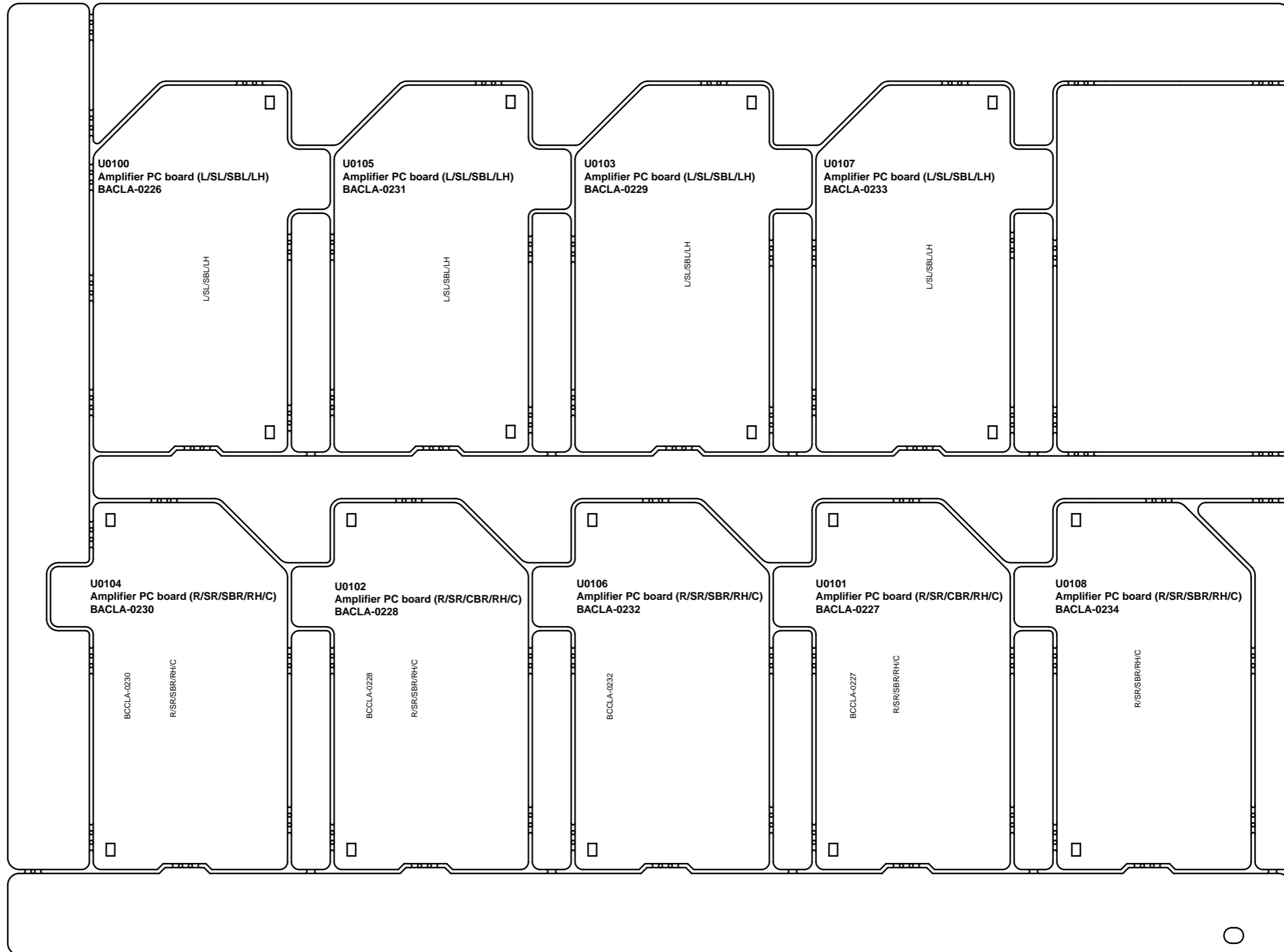
1

2

3

4

5



Component side view

A B C D E F G H

PRINTED CIRCUIT BOARD VIEWS-10A

U010 BACLA-0226

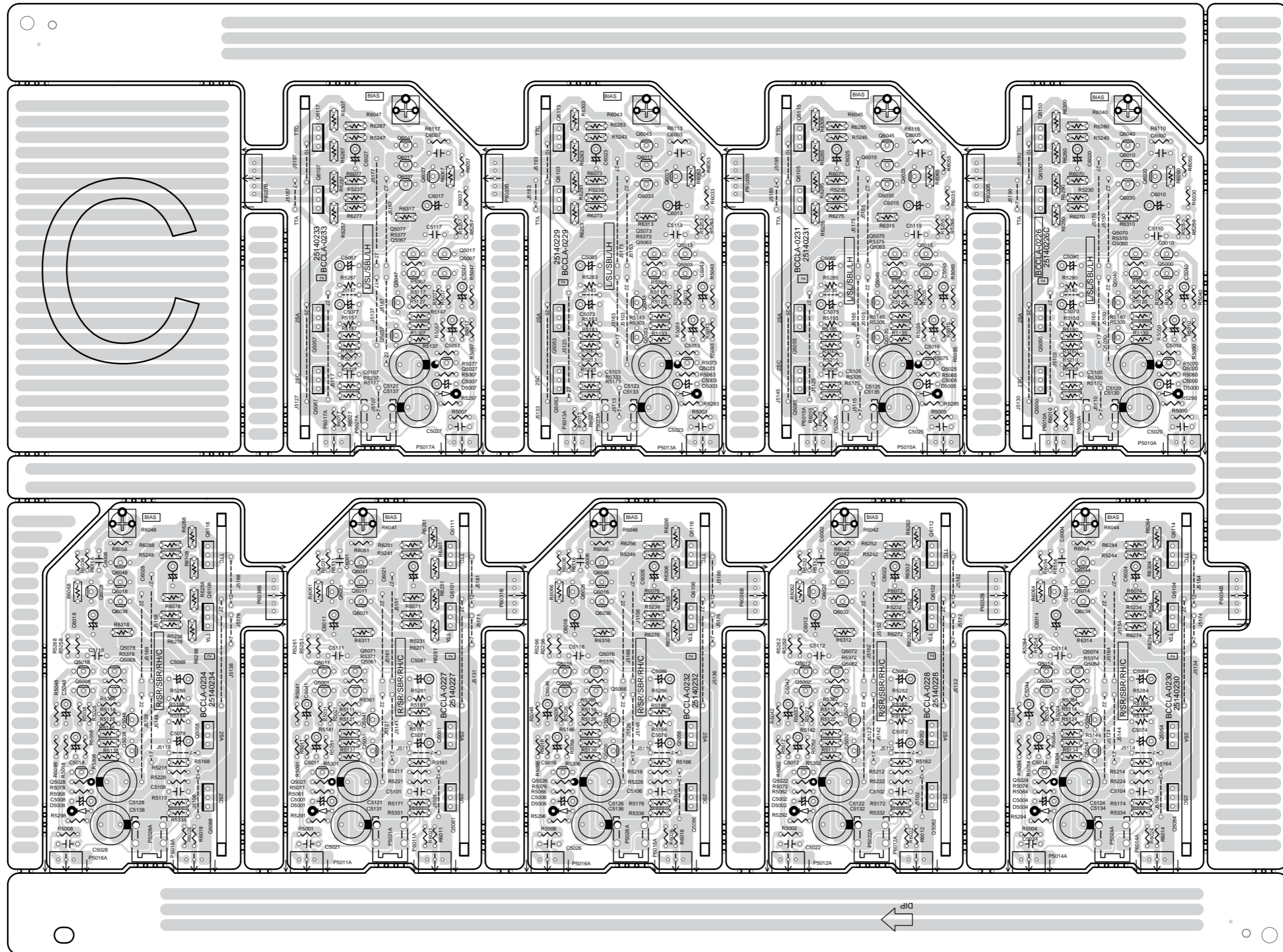
1

2

3

4

5



Component side view from soldering side

A

B

C

D

E

F

G

H

PRINTED CIRCUIT BOARD VIEWS-11

U011 BAAMP-0191

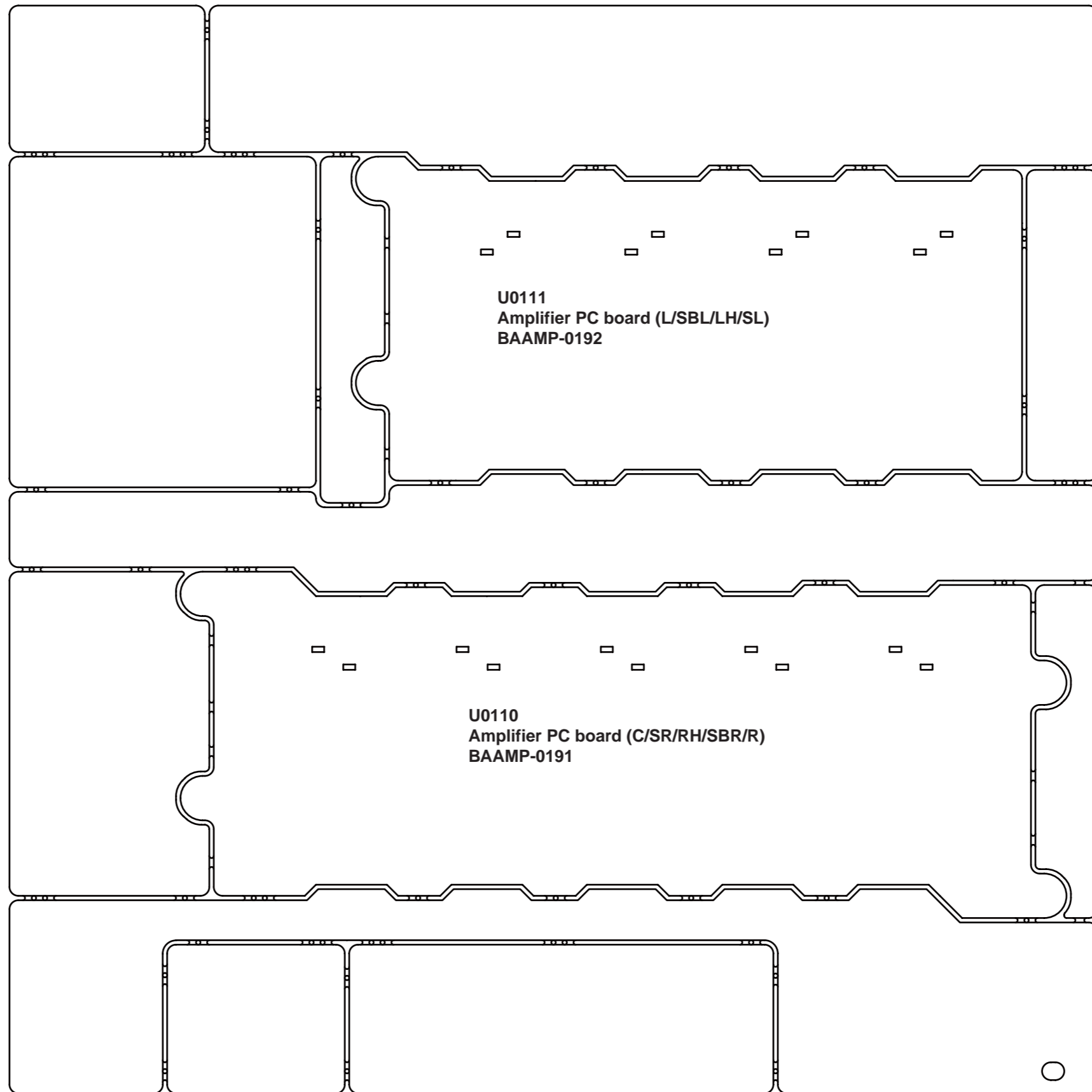
1

2

3

4

5



U0111
Amplifier PC board (L/SBL/LH/SL)
BAAMP-0192

U0110
Amplifier PC board (C/SR/RH/SBR/R)
BAAMP-0191

Component side view

A B C D E F G H

PRINTED CIRCUIT BOARD VIEWS-11A

U011 BAAMP-0191

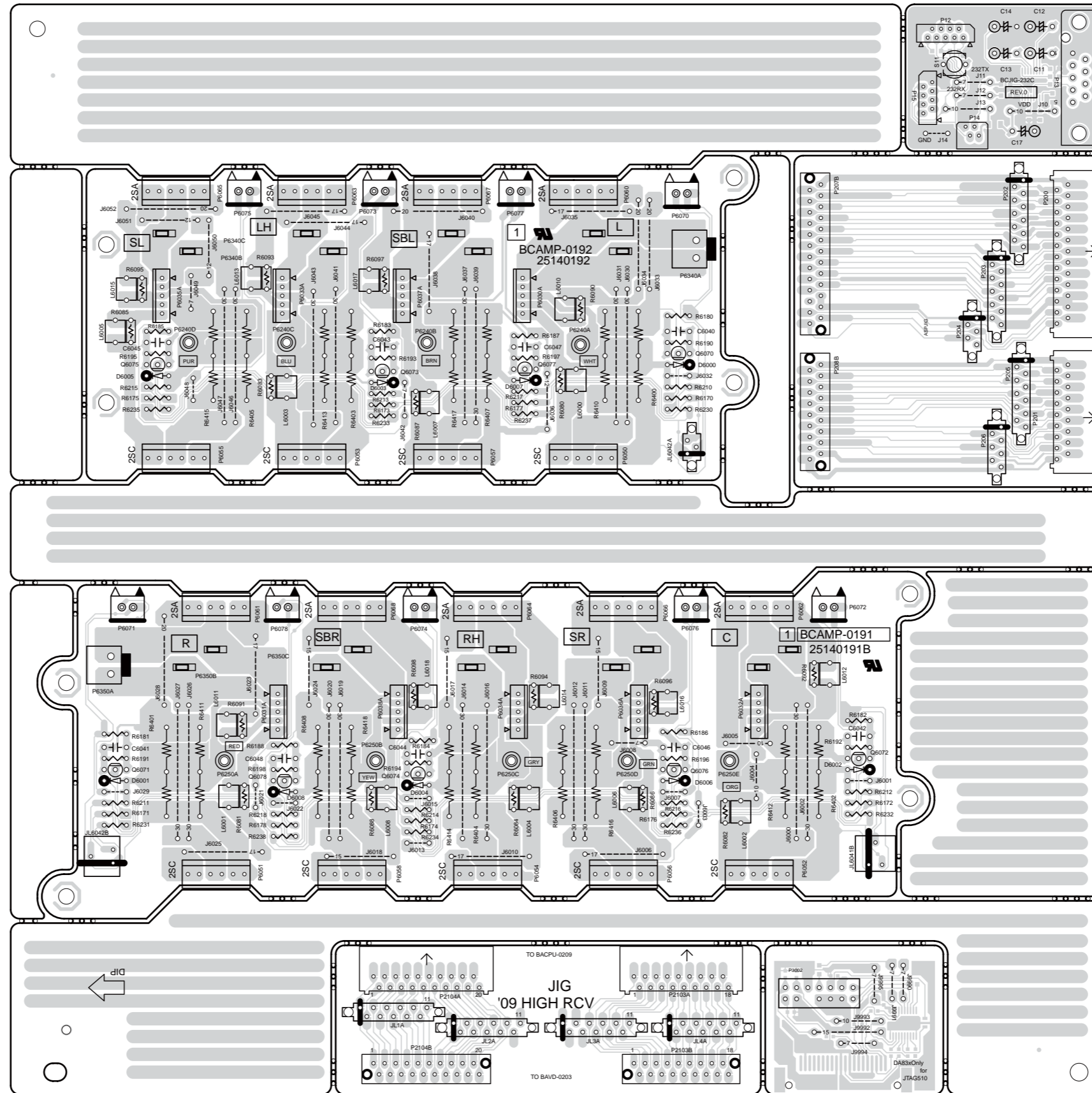
1

2

3

4

5



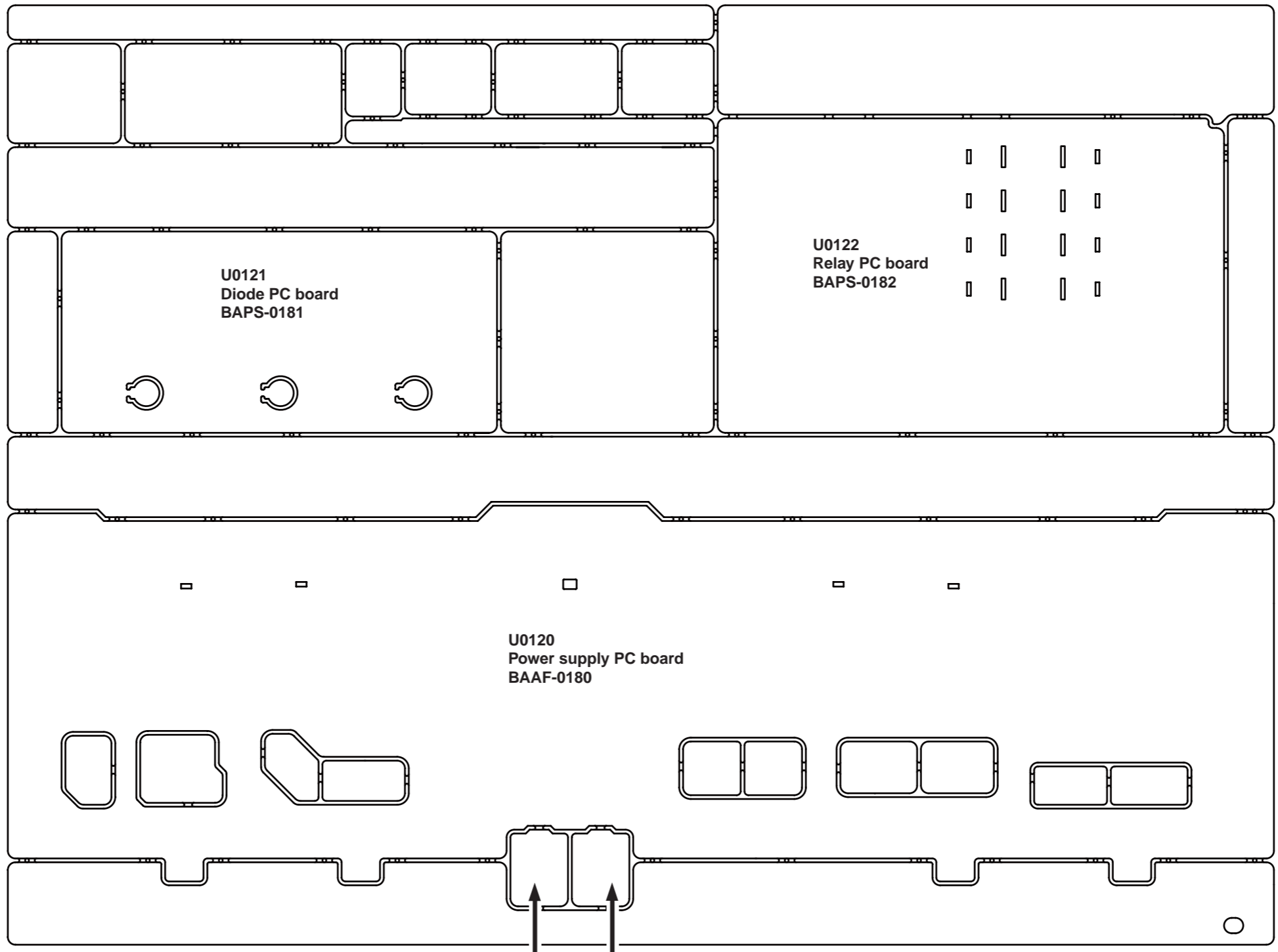
Component side view from soldering side

A B C D E F G H

PRINTED CIRCUIT BOARD VIEWS-12

U012 BAAF-0180

1
2
3
4
5



U0121
Diode PC board
BAPS-0181

U0122
Relay PC board
BAPS-0182

U0120
Power supply PC board
BAAF-0180

U0124
Thermal sensor PC board
BAETC-0184

U0123
Thermal sensor PC board
BAETC-0183

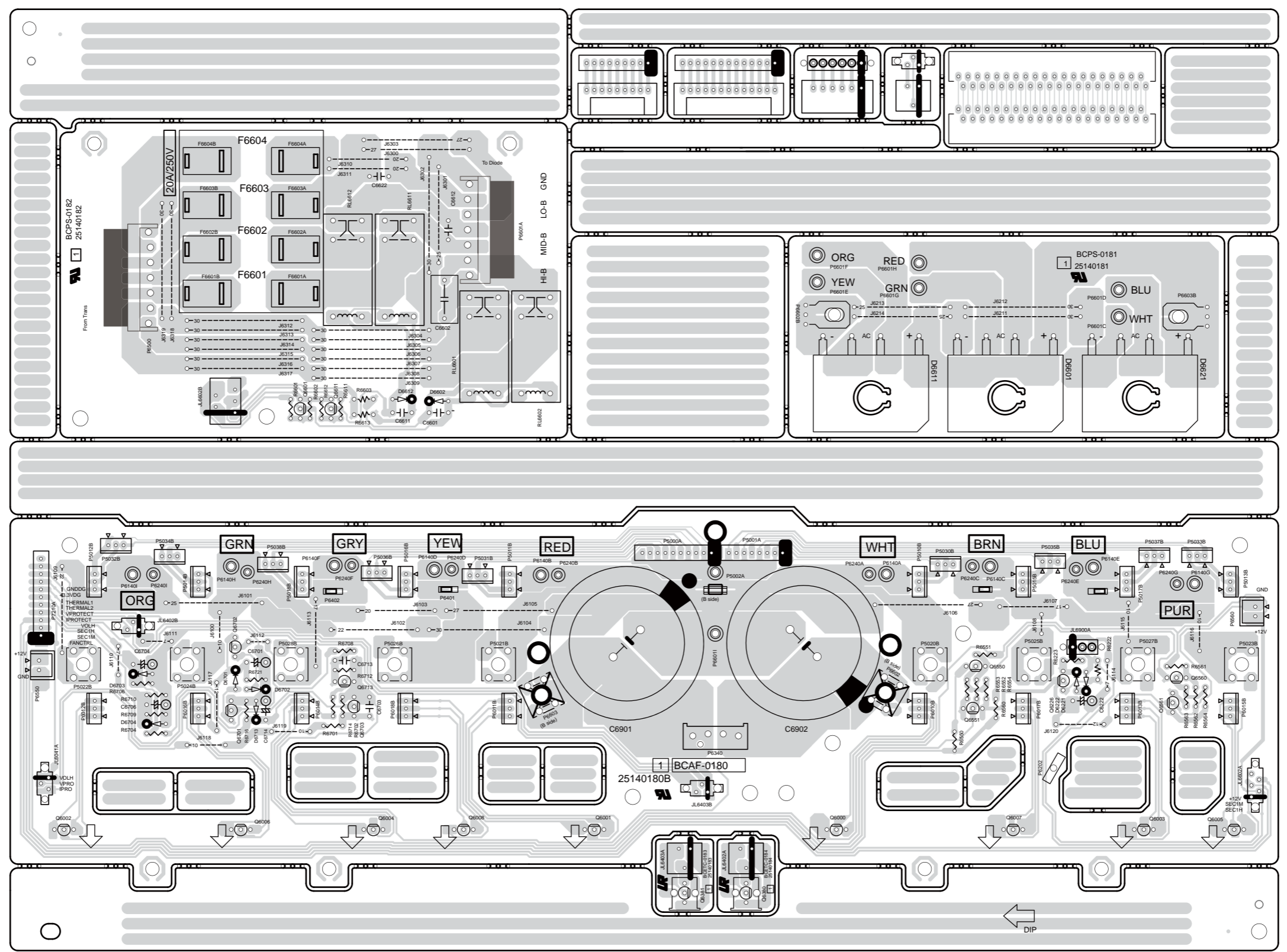
Component side view

A B C D E F G H

PRINTED CIRCUIT BOARD VIEWS-12A

U012 BAAF-0180

1
2
3
4
5



Component side view from soldering side

TX-NR3009**<Note>**

Parts marked by "NSP" are generally unavailable because they are not in our Master Spare Parts List.

NOTE : THE COMPONENTS IDENTIFIED BY THE MARK ! ARE CRITICAL FOR RISK OF FIRE AND ELECTRIC SHOCK. REPLACE ONLY WITH PART NUMBER SPECIFIED.

<Notes>

(B) : Black model

(S) : Silver model

<MDC> : 120V,Canadian model

<MMP> : 230V,CE(European) country model

<MMR> : 220/230-240V,Chinese model

EV **EXPLODED VIEW PARTS LIST**

EV

EV

EV

EV

EV

EV

EV

EV

EV

EV

EV

EV

EV

EV

EV

EV

EV

EV

EV

EV

EV

EV

EV

EV

EV

EV

EV

EV

EV

EV

REF. NO.	PART NAME	DESCRIPTION	Q'TY	PART NO. (SN)	REMARKS
[SEMI CONDUCTOR]					
Q6050	TR	TTC0002(Q)TO3PL	1	2204150	
Q6050A	ISO SHEET	ISO SHEET(NR5007_4CH)	1	223052	
Q6051	TR	TTC0002(Q)TO3PL	1	2204150	
Q6051A	ISO SHEET	ISO SHEET(NR5007_5CH)	1	223051	
Q6052	TR	TTC0002(Q)TO3PL	1	2204150	
Q6053	TR	TTC0002(Q)TO3PL	1	2204150	
Q6054	TR	TTC0002(Q)TO3PL	1	2204150	
Q6055	TR	TTC0002(Q)TO3PL	1	2204150	
Q6056	TR	TTC0002(Q)TO3PL	1	2204150	
Q6057	TR	TTC0002(Q)TO3PL	1	2204150	
Q6058	TR	TTC0002(Q)TO3PL	1	2204150	
Q6060	TR	TTA0002(Q)TO3PL	1	2204140	
Q6060A	ISO SHEET	ISO SHEET(NR5007_4CH)	1	223052	
Q6061	TR	TTA0002(Q)TO3PL	1	2204140	
Q6061A	ISO SHEET	ISO SHEET(NR5007_5CH)	1	223051	
Q6062	TR	TTA0002(Q)TO3PL	1	2204140	
Q6063	TR	TTA0002(Q)TO3PL	1	2204140	
Q6064	TR	TTA0002(Q)TO3PL	1	2204140	
Q6065	TR	TTA0002(Q)TO3PL	1	2204140	
Q6066	TR	TTA0002(Q)TO3PL	1	2204140	
Q6067	TR	TTA0002(Q)TO3PL	1	2204140	
Q6068	TR	TTA0002(Q)TO3PL	1	2204140	
Q9427	TR	2SB1565-E	1	2202715	
Q9427 or	TR	2SA1488-Y	(1)	2203394	

EV	Q9428	TR	2SD2394-E	1	2202705	
EV	Q9428 or	TR	2SC3851-Y	(1)	2203384	
EV	Q9429	TR	2SB1565-E	1	2202715	
EV	Q9429 or	TR	2SA1488-Y	(1)	2203394	
EV	Q9430	TR	2SD2394-E	1	2202705	
EV	Q9430 or	TR	2SC3851-Y	(1)	2203384	
EV	[CHASSIS SCREW]					
EV	A001	HEAT SINK	(5)	1	27160634A	
EV	A003	HEAT SINK	(4)	1	27160635A	
EV	A005	SPACER	(PC)	8	27270485	
EV	A007	SCREW	3P+6FN(3BC)	8	82143006GR	
EV	A009	SCREW	3SMS8W.SW+14B(CU)	18	801634	
EV	A011	RETAINER	(HS-2)	2	27141530A	
EV	A013	SCREW	3TTB+8B(3BC)	4	838430088GR	
EV	A017	RETAINER	(HS-C)	1	27142151	
EV	A019	SCREW	3TTB+8B(3BC)	8	838430088GR	
EV	A021	RETAINER	(HS-L)	1	27142152	
EV	A023	SCREW	3TTB+8B(3BC)	3	838430088GR	
EV	A025	HOLDER	(CLAMP) UA-0	1	27190432	
EV	A027	HOLDER	WS-4NS	1	27191207	
EV	A029	RETAINER	(HS-R)	1	27142153A	
EV	A031	SCREW	3TTB+8B(3BC)	4	838430088GR	
EV	A033	HOLDER	(CLAMP) UA-0	1	27190432	
EV	A037	SCREW	3TTB+8B(3BC)	4	838430088GR	
EV	A039	SCREW	3TTB+8B(3BC)	9	838430088GR	
EV	A041	HEAT SINK(S)	240	1	27160608	
EV	A043	SCREW	3TTB+8B(3CM)SR	3	801637	
EV	A045	SCREW	3TTB+8B(3BC)	2	838430088GR	
EV	A051	WIRE TIE	BSK-1	12	260208	
EV	A053	CHASSIS	(SUB)	1	27100536C	
EV	A055	RETAINER	(FBR)	1	27142150A	
EV	A056	TAPE	TAPE(CLOTH-8U)	1	29110082	
EV	A057	SCREW	3TTB+8B(3BC)	3	838430088GR	
EV	A061	HOLDER	SPM-4	4	27191154	
EV	A062	BUSHING	CE-016 L=25	1	28170097	
EV	A064	BUSHING	L125	1	28170004	<MMP, MMR>
EV	A065	BUSHING	---	1	28170070	
EV	A067	HOLDER	KGPS-14RF	1	27190802	
EV	A069	BRACKET	(FAN-L)	1	27131022A	

EV	A071	HOLDER	(FAN)	4	27191307
EV	A073	BRACKET	(SUB-L)	1	27131060A
EV	A075	SCREW	3TTB+8B(3BC)	3	838430088GR
EV	A077	HOLDER	WS-4NS	2	27191207
EV	A079	BRACKET	(FAN-R)	1	27131023A
EV	A081	HOLDER	(FAN)	4	27191307
EV	A083	BRACKET	(SUB-R)	1	27131061A
EV	A085	SCREW	3TTB+8B(3BC)	3	838430088GR
EV	A087	HOLDER	WS-4NS	1	27191207
EV	A089	TAPE	TAPE(CLOTH-16U)	1	29110083
EV	A117	SCREW	4TTC+8C(3BC)	4	830440089GR
EV	A119	SCREW	4TTC+8C(3BC)	4	830440089GR
EV	A121	SPACER	---	4	27270489
EV	A123	IB CUSHION	W15*3t TAPE	1	28141585
EV	A125	SCREW	3TTB+8B(3BC)	7	838430088GR
EV	A126	SCREW	3TTB+8B(3BC)	7	838430088GR
EV	A127	CUSHION	t10*10*100	1	28141746
EV	A131	HEAT SINK	(SP)	1	27160643
EV	A133	SPACER	t0.5*w30*d10	1	27270495
EV	A135	SPACER	t0.5*w13*d5	1	27270514
EV	A137	SCREW	3TTB+8B(3CM)SR	4	801637
EV	A139	SCREW	3TTB+8B(3BC)	2	838430088GR
EV	A141	TAPE	TAPE(CLOTH-16U)	1	29110083
EV	A143	TAPE	TAPE(CLOTH-16U)	1	29110083
EV	A145	WIRE TIE	BSK-1	1	260208
EV	A146	CUSHION	(BUTYL)	1	28141748
EV	A147	CUSHION	(BUTYL)	1	28141748
EV	A149	IB CUSHION	W15*3t TAPE	1	28141585
EV	A151	CHASSIS	---	1	27100545D
EV	A153	BOTTOM LEG	---	4	27175452
EV	A155	CUSHION	(LEG)	4	28141735
EV	A157	IB CUSHION	W15*3t TAPE	1	28141585
EV	A158	CUSHION	(BUTYL)	1	28141748
EV	A161	SCREW	3TTB+8B(3BC)	4	838430088GR
EV	A163	HOLDER	(SPD-6)	4	27191308
EV	A165	HOLDER	KGPS-10RF	3	27190813
EV	A167	HOLDER	KGLS-10RT	1	27190428A
EV	A169	HOLDER	KGLS-12RT	1	27190266
EV	A170	HOLDER	KGLS-22RT	1	27190772

EV	A171	HOLDER	KGLS-20RT V0	3	27191338
EV	A173	HOLDER	HOLDER KGLS-18S	1	27190470
EV	A175	HOLDER	KGPS-18S	1	27191339
EV	A177	HOLDER	KGLS-14S	1	27190164
EV	A179	HOLDER	SPM-4	1	27191154
EV	A181	HOLDER	KGLS-22RT	3	27190772
EV	A183	HOLDER	HOLDER KGLS-18S	1	27190470
EV	A185	HOLDER	KGLS-22RT	1	27190772
EV	A186	CUSHION	(FNP) t25x15x10	1	28141828
EV	A187	SCREW	3TTB+8B(3BC)	1	838430088GR
EV	A189	SCREW	3TTB+8B(3BC)	1	838430088GR
EV	A191	SCREW	3TTB+8B(3BC)	1	838430088GR
EV	A193	SCREW	3TTB+8B(3BC)	1	838430088GR
EV	A195	SCREW	3TTB+8B(3BC)	2	838430088GR
EV	A197	SCREW	3TTB+8B(3BC)	3	838430088GR
EV	A199	SCREW	3TTB+8B(3BC)	2	838430088GR
EV	A201	SCREW	4TTC+8C(3BC)	1	830440089GR
EV	A203	SPACER	---	1	27270489
EV	A205	SCREW	3TTB+8B(3BC)	5	838430088GR
EV	A207	SCREW	3TTB+8B(3BC)	8	838430088GR
EV	A208	SCREW	3TTB+8B(3BC)	8	838430088GR
EV	A211	ISO PLT	(HS-R)	2	28175336A
EV	A213	RIVET	P-RIVET NRP-345	1	880009
EV	A215	P RIVET	P-3055B-8L	2	880048
EV	A217	ISO PLT	(HS-U)	1	28175337A
EV	A221	RETAINER	(CLA-L)	1	27142196
EV	A223	RETAINER	(CLA-R)	1	27142197
EV	A225	RETAINER	(CLA-U)	2	27142198
EV	A227	SCREW	3TTB+8B(3BC)	9	838430088GR
EV	A229	SCREW	3TTB+8B(3BC)	2	838430088GR
EV	A231	SPACER	T1*Φ8*Φ3.2PTFE	2	27270527
EV	A233	SCREW	3TTW+8B(3BC)	2	831430088GR
EV	A341	LABEL	(PT)	1	29363379-1
EV	A345	WIRE TIE	BSK-1	9	260208
EV	A347	WIRE TIE	BSK-1	1	260208
EV	A349	TAPE	TAPE(CLOTH-16U)	1	29110083
EV	A350	TAPE	TAPE(CLOTH-8U)	1	29110082
EV	A351	CUSHION	(BUTYL)	1	28141748
EV	A352	CUSHION	(BUTYL)	1	28141748

EV	A355	REAR PANEL	NR3009DC.	1	27124305	<MDC>
EV	A355	REAR PANEL	NR3009MP.	1	27124306	<MMP>
EV	A355	REAR PANEL	NR3009MR.	1	27124307A	<MMR>
EV	A357	TAPE	TAPE(CLOTH-8U)	1	29110082	
EV	A361	SCREW	3TTB+8B(3BC)	47	838430088GR	
EV	A379	SCREW	3P+6FN(3BC)	12	82143006GR	
EV	A385	SCREW	3TTF+10B(3BC)	2	835430108GR	
EV	A387	TRM	E TERMINAL	1	25060151	
EV	A389	WASHER	W3*10F(3BC)	1	87643010GR	
EV	A391	LABEL	(SP1)	1	29390790	
EV	A393	LABEL	(SP2)	1	29390791	
EV	A395	CUSHION	(BUTYL)	1	28141748	
EV	P6800	P RIVET	JB-407A-C	22	880052	<MMP, MMR>
EV	[CABINET]					
EV	A401	F BRACKET	(B)	1	27111594E	
EV	A401	F BRACKET	(S)	1	27111595E	N <S>
EV	A403	SCREW	3TTB+8B(3BC)	3	838430088GR	
EV	A405	SCREW	3TTB+8B(3BC)	13	838430088GR	
EV	A407	SCREW	3TTB+8B(3BC)	4	838430088GR	
EV	A409	SCREW	3TTB+8B(3BC)	2	838430088GR	
EV	A411	SCREW	3TTB+8B(3BC)	1	838430088GR	
EV	A413	SCREW	3TTB+8B(3BC)	1	838430088GR	
EV	A415	SCREW	3TTB+8B(3BC)	1	838430088GR	
EV	A417	SCREW	3TTB+8B(3BC)	2	838430088GR	
EV	A418	WIRE TIE	BSK-1	2	260208	
EV	A419	IB CUSHION	W15*3t TAPE	1	28141585	
EV	A421	CUSHION	(BUTYL)	1	28141748	
EV	A423	B PLATE	(B)	1	28133428	
EV	A423	B PLATE	---	1	28133430	<S>
EV	A425	SCREW	3P+6FN(3BC)	2	82143006GR	<MMP, MMR>
EV	A426	SCREW	3TTB+8B(3BC)	2	838430088GR	<MMP, MMR>
EV	A427	GUIDE	(SEL-CAP) BLACK	1	27268285A	
EV	A427	GUIDE	(SEL-CAP) SILVR	1	27268286A	<S>
EV	A429	GUIDE	(SEL-BASE) L	1	27268287	
EV	A431	GUIDE	(SEL-BASE) M	1	27268288B	
EV	A433	GUIDE	(SEL-BASE) R	1	27268289	
EV	A434	PLATE	(DOOR)1009BDC	1	27262870B	<MDC>
EV	A434	PLATE	(DOOR)1009BMP	1	27262871B	<B MMP, MMR>
EV	A434	PLATE	(DOOR)1009SMP	1	27262872B	<S MMP>

EV	A435	KNOB	(SEL)AS BLACK	3	28327069A	
EV	A435	KNOB	(SEL)AS SILVER	3	28327070A	N <S>
EV	A439	KNOB	(CUR)AS BLACK	1	28326994A	
EV	A439	KNOB	(CUR)AS SILVER	1	28326995A	<S>
EV	A441	SCREW	2.6TTB+8B(3BC)	4	838426088GR	
EV	A442	SCREW	2.6TTB+8B(3BC)	1	838426088GR	
EV	A443	KNOB	(ENTER) BLK	1	28326990	
EV	A443	KNOB	(ENTER) SIV	1	28326991	<S>
EV	A445	KNOB	(INP)BLK	2	28326971A	
EV	A445	KNOB	(INP)SIV	2	28326972A	<S>
EV	A446	KNOB	(INP)BLK3_4	2	28327057A	
EV	A446	KNOB	(INP)SIV3_4	2	28327058A	N <S>
EV	A447	KNOB	(SETUP)BLK	2	28326973A	
EV	A447	KNOB	(SETUP)SIV	2	28326974A	<S>
EV	A449	FACET	(HDMI)	1	28200061	
EV	A451	FACET	(PURE)	1	28200060	
EV	A453	FACET	(SEL)	3	28200062	
EV	A481	RETAINER	(ETH)	1	27142236B	
EV	A483	RETAINER	(HDM)	1	27142235A	
EV	A486	SCREW	2.6TTB+8B(3BC)	2	838426088GR	
EV	A489	KNOB	(POW)AS(S)	1	28326899B	<S MMP>
EV	A489	KNOB	(POW)AS(B)	1	28326900B	<B MMP, MMR>
EV	A491	BUSHING	(DOOR)B	2	28170104A	
EV	A491	BUSHING	(DOOR)S	2	28170105A	<S>
EV	A493	FACET	(VOL)	1	28200059A	
EV	A495	TAPE	TAPE(CLOTH-8U)	1	29110082	
EV	A497	TAPE	TAPE(CLOTH-8U)	1	29110082	
EV	A498	Cu TAPE	4*150	1	29110218	
EV	A499	Cu TAPE	4*115	1	29110219	
EV	A501	F PANEL	3009_5009BDC	1	27213468B	<MDC>
EV	A501	F PANEL	3009_5009BMP	1	27213469B	<B MMP, MMR>
EV	A501	F PANEL	3009_5009SMP	1	27213470A	<S MMP>
EV	A503	DECO FRM	(CP)B	1	27215388	
EV	A503	DECO FRM	(CP)S	1	27215389	<S>
EV	A505	CLEAR PLT	809_1009	1	28192352	
EV	A509	HOLDER	(DOOR-L)(B)	1	27191356	
EV	A509	HOLDER	(DOOR-L)(S)	1	27191358	<S>
EV	A511	HOLDER	(DOOR-R)(B)	1	27191357	
EV	A511	HOLDER	(DOOR-R)(S)	1	27191359	<S>

EV	A515	DECO FRM	(SEL)	1	28159050	
EV	A519	SCREW	3TTB+6B(3BC)	4	838430068GR	
EV	A521	GUIDE	(STBY)	1	27268281	
EV	A527	BADGE	---	1	28135317	
EV	A529	KNOB	(STBY)B	1	28326967	
EV	A529	KNOB	(STBY)S	1	28326968	<S>
EV	A531	RETAINER	(L)AS	1	27142240	
EV	A533	RETAINER	(R)AS	1	27142233	
EV	A535	RETAINER	(HD-L)	1	27142234	
EV	A537	E-WASHER	ES-3S	1	8930301S	
EV	A539	RETAINER	(GEAR)	1	27142231	
EV	A541	HOLDER	(LOCK)	1	27191355	
EV	A543	RETAINER	(LOCK)	1	27142237	
EV	A545	SCREW	3TTB+8B(3BC)	2	838430088GR	
EV	A547	HOLDER	(DAMPER)	1	27191354	
EV	A549	SCREW	3TTB+8B(3BC)	2	838430088GR	
EV	A551	DAMPER	002P Type-L	1	27301965	
EV	A553	SCREW	3P+6FN(3BC)	6	82143006GR	
EV	A555	SCREW	3TTB+8B(3BC)	2	838430088GR	
EV	A557	SCREW	3TTB+8B(3BC)	3	838430088GR	
EV	A559	SCREW	3TTB+8B(3BC)	3	838430088GR	
EV	A561	SCREW	3TTB+8B(3BC)	3	838430088GR	
EV	A563	SCREW	3TTB+8B(3BC)	1	838430088GR	
EV	A591	DOOR	3009(B)DC_MP	1	28148803	<B MDC, MMP, MMR>
EV	A591	DOOR	3009(S)MP	1	28148804	<S MMP>
EV	A594	BUSHING	(DR-C)S	1	28170108	<S>
EV	A594	BUSHING	(DR-C)B	1	28170107	
EV	A601	COVER	(B) (Bent)	1	28210040A	
EV	A601	COVER	(B) (Not Bent)	1	28210040AZ	
EV	A601	COVER	(S) (Bent)	1	28210041A	<S>
EV	A609	SCREW	3TTB+8B(3CM)SR	3	801637	<S>
EV	A609	SCREW	3TTB+8B(3BC)	3	838430088GR	
EV	A611	ST SCREW	4TTB+8C(NI)	6	838240089	<S>
EV	A611	SCREW	4TTB+8C(3BC)	6	838440089GR	
EV	A613	KNOB	(VOL)AS(B)	1	28326981B	
EV	A613	KNOB	(VOL)AS(S)	1	28326982B	<S>
EV	A615	PLATE	(VOL)	1	27262894	
EV	A701	LABEL	(CAUTION)	1	29363797	<S>
EV	A701	LABEL	(CAUTION)	1	29364123	

EV	A705	LABEL	(CCC)	1	29364396	<MMR>
EV	A751	LABEL	(APV)	1	29390190	<MMR>
EV	A755	LABEL	HOOKUP-ONKYO	1	29363194	<MDC>
EV	[TRANS COIL]					
EV	T901	P TRANS	NPT-1553D	1	2301893	! <MDC>
EV	T901	P TRANS	NPT-1553M	1	2301894	! <MMP, MMR>
EV	T903	P TRANS	NPT-1581D	1	2301952	! <MDC>
EV	T903	P TRANS	NPT-1581M	1	2301953	! <MMP, MMR>
EV	T904	P TRANS	NPT-1582D	1	2301955	! <MDC>
EV	T904	P TRANS	NPT-1582M	1	2301956	! <MMP, MMR>
EV	[SW TRM]					
EV	F2001	FUSE	4A-UL/T-233	1	252325GR	!
EV	F2001 or	FUSE	4A-T/UL-ST2	(1)	252257GR	!
EV	F2004	FUSE	1.25A-UL/T-233	1	252318GR	!
EV	F2004 or	FUSE	1.25A-T/UL-ST2	(1)	252251GR	!
EV	F2005	FUSE	1.25A-UL/T-233	1	252318GR	!
EV	F2005 or	FUSE	1.25A-T/UL-ST2	(1)	252251GR	!
EV	F6601	FUSE	20A-UL-250V	1	252304GR	!
EV	F6602	FUSE	20A-UL-250V	1	252304GR	!
EV	F6603	FUSE	20A-UL-250V	1	252304GR	!
EV	F6604	FUSE	20A-UL-250V	1	252304GR	!
EV	F9100	FUSE	12A-UL-ST6	1	252340GR	! <MDC>
EV	F9100	FUSE	6.3A-SE-EAK FUSE	1	252079GR	! <MMP, MMR>
EV	F9100 or	FUSE	6.3A-SE-TL250V	(1)	252279GR	! <MMP, MMR>
EV	F9301	FUSE	3.15A-UL/T-233	1	252323GR	!
EV	F9301 or	FUSE	3.15A-T/UL-ST2	(1)	252256GR	!
EV	F9401	FUSE	3.15A-UL/T-233	1	252323GR	!
EV	F9401 or	FUSE	3.15A-T/UL-ST2	(1)	252256GR	!
EV	F9402	FUSE	3.15A-UL/T-233	1	252323GR	!
EV	F9402 or	FUSE	3.15A-T/UL-ST2	(1)	252256GR	!
EV	JL4103	JMP LEAD	JL5 550H	1	NSP	
EV	P061	FAN	D09A-12PG13	1	24502328	
EV	P062	FAN	D09A-12PG13	1	24502328	
EV	P106	FFC	NCFC7-111012	1	2047111012	
EV	P3101	SOCKET AS	NSAS-10P1932	1	2009991227UL	
EV	P4008	FFC	NCFC7-090512	1	2047090512	
EV	P4009	FFC	NCFC7-150512	1	2047150512	
EV	P4104	FFC	NCFC7-311012	1	2047311012	
EV	P7501	SOCKET AS	NSAS-80P1788	1	2009991154UL	

EV	P7550	FFC	NCFC5-130512	1	2045130512	
EV	P8002	FFC	NCFC5-110512	1	2045110512	
EV	P8641	FFC	NCFC5-31008	1	204D31008	
EV	P9000	AC INLET	R301X2PSn	1	25053358	!
EV	P9008	SOCKET AS	NSAS-6P1675	1	2009991073UL	! <MMP, MMR>
EV	[TUNER UNIT]					
EV	U003	U0030 + U0031	BAASP-0202-2D *	1	1B260502-2D	
EV	U0030	AUDIO IN/OUT PC BOARD ASS'Y	BAASP-0202-2D	1	1B2605202-2D	
EV	U0031	VIDEO IN-OUT PC BOARD ASS'Y	BAVD-0203-2D	1	1B2605203-2D	
EV	U004	U0040 ~ U0047	BADG-0208-2A *	1	1B234508-2A	<MDC>
EV	U0040	DAC PC BOARD ASS'Y	BADG-0208-2A	1	1B2345208-2A	<MDC>
EV	U0041	MICROPROCESSOR PC BOARD ASS'Y	BACPU-0209-2A	1	1B2345209-2A	<MDC>
EV	U0042	ZONE-2 VOLUME PC BOARD ASS'Y	BAAR-0210-2A	1	1B2345210-2A	<MDC>
EV	U0043	EQUALIZER AMP PC BOARD ASS'Y	BAAF-0211-2A	1	1B2345211-2A	<MDC>
EV	U0044	BUFFER AMP PC BOARD ASS'Y	BAACC-0212-2A	1	1B2345212-2A	<MDC>
EV	U0045	SURIUS PC BOARD ASS'Y	BARF-0204-2A	1	1B2345204-2A	<MDC>
EV	U0047	DIGITAL INPUT PC BOARD ASS'Y	BAETC-0246-2A	1	1B2345246-2A	<MDC>
EV	U0048	D-SUB PC BOARD ASS'Y	BAETC-0247-2A	1	1B2345247-2A	<MDC>
EV	U004	U0040 ~ U0047	BADG-0208-2B *	1	1B234508-2B	<MMP, MMR>
EV	U0040	DAC PC BOARD ASS'Y	BADG-0208-2B	1	1B2345208-2B	<MMP, MMR>
EV	U0041	MICROPROCESSOR PC BOARD ASS'Y	BACPU-0209-2B	1	1B2345209-2B	<MMP, MMR>
EV	U0042	ZONE-2 VOLUME PC BOARD ASS'Y	BAAR-0210-2B	1	1B2345210-2B	<MMP, MMR>
EV	U0043	EQUALIZER AMP PC BOARD ASS'Y	BAAF-0211-2B	1	1B2345211-2B	<MMP, MMR>
EV	U0044	BUFFER AMP PC BOARD ASS'Y	BAACC-0212-2B	1	1B2345212-2B	<MMP, MMR>
EV	U0045	SURIUS PC BOARD ASS'Y	BARF-0204-2B	1	1B2345204-2B	<MMP, MMR>
EV	U0047	DIGITAL INPUT PC BOARD ASS'Y	BAETC-0246-2B	1	1B2345246-2B	<MMP, MMR>
EV	U0048	D-SUB PC BOARD ASS'Y	BAETC-0247-2B	1	1B2345247-2B	<MMP, MMR>
EV	U005	U0050 ~ U00512	BADIS-0803-1C *	1	1B248503-1C	<MDC>
EV	U0050	DISPLAY PC BOARD ASS'Y	BADIS-0803-1C	1	1B2485803-1C	<MDC>
EV	U0051	SWITCH PC BOARD ASS'Y	BASW-0804-1C	1	1B2485804-1C	N <MDC>
EV	U0052	POWER SUPPLY PC BOARD ASS'Y	BAPS-0805-1C	1	1B2485805-1C	N <MDC>
EV	U0053	PHONE JACK PC BOARD ASS'Y	BAETC-0806-1C	1	1B2485806-1C	N <MDC>
EV	U0054	OPT INPUT PC BOARD ASS'Y	BAETC-0807-1C	1	1B2485807-1C	N <MDC>
EV	U0055	HOLDER(OPT) PC BOARD	BAETC-0808-1C	1	1B2485808-1C	N <MDC>
EV	U0056	VOLUME PC BOARD ASS'Y	BAETC-0809-1C	1	1B2485809-1C	N <MDC>
EV	U0057	MIC JACK PC BOARD ASS'Y	BAETC-0810-1C	1	1B2485810-1C	N <MDC>
EV	U0058	HOLDER(HDMI) PC BOARD	BAETC-0811-1C	1	1B2485811-1C	N <MDC>
EV	U0059	HOLDER PC BOARD	BAETC-0812-1C	1	1B2485812-1C	N <MDC>
EV	U00510	HOLDER(PHONE JACK) PC BOARD	BAETC-0813-1C	1	1B2485813-1C	N <MDC>
EV	U00513	SELECTOR LED PC BOARD ASS'Y	BADIS-0816-1C	1	1B2485816-1C	N <MDC>
EV	U005	U0050 ~ U00512	BADIS-0803-1D *	1	1B248503-1D	<MMP, MMR>
EV	U0050	DISPLAY PC BOARD ASS'Y	BADIS-0803-1D	1	1B2485803-1D	<MMP, MMR>

EV	U0051	SWITCH PC BOARD ASS'Y	BASW-0804-1D	1	1B2485804-1D	N <MMP, MMR>
EV	U0052	POWER SUPPLY PC BOARD ASS'Y	BAPS-0805-1D	1	1B2485805-1D	N <MMP, MMR>
EV	U0053	PHONE JACK PC BOARD ASS'Y	BAETC-0806-1D	1	1B2485806-1D	N <MMP, MMR>
EV	U0054	OPT INPUT PC BOARD ASS'Y	BAETC-0807-1D	1	1B2485807-1D	N <MMP, MMR>
EV	U0055	HOLDER(OPT) PC BOARDR	BAETC-0808-1D	1	1B2485808-1D	N <MMP, MMR>
EV	U0056	VOLUME PC BOARD ASS'Y	BAETC-0809-1D	1	1B2485809-1D	N <MMP, MMR>
EV	U0057	MIC JACK PC BOARD ASS'Y	BAETC-0810-1D	1	1B2485810-1D	N <MMP, MMR>
EV	U0058	HOLDER(HDMI) PC BOARDR	BAETC-0811-1D	1	1B2485811-1D	N <MMP, MMR>
EV	U0059	HOLDER PC BOARD ASS'Y	BAETC-0812-1D	1	1B2485812-1D	N <MMP, MMR>
EV	U00510	HOLDER(PHONE JACK) PC BOARDR	BAETC-0813-1D	1	1B2485813-1D	N <MMP, MMR>
EV	U00511	POWER SWITCH PC BOARD ASS'Y	BAETC-0814-1D	1	1B2485814-1D	<MMP, MMR>
EV	U00512	HOLDER(SWITCH) PC BOARDR	BAETC-0815-1D	1	1B2485815-1D	<MMP, MMR>
EV	U00513	SELECTOR LED PC BOARD ASS'Y	BADIS-0816-1D	1	1B2485816-1D	N <MMP, MMR>
EV	U007	U0070 ~ U0075	BATRM-0214-1AD *	1	1B234514-1AD	<MDC>
EV	U0070	SPEAKER TERMINAL PC BOARD ASS'Y	BATRM-0214-1AD	1	1B2345214-1AD	<MDC>
EV	U0071	SPEAKER TERMINAL(RH/SR) PC BOARD ASS'Y	BATRM-0215-1AD	1	1B2345215-1AD	N <MDC>
EV	U0072	SPEAKER TERMINAL(CENTER) PC BOARD ASS'Y	BATRM-0216-1AD	1	1B2345216-1AD	N <MDC>
EV	U0073	PRIMARY POWER SUPPLY PC BOARD ASS'Y	BAPS-0217-1AD	1	1B2345217-1AD	N <MDC>
EV	U0075	ANALOG AUDIO POWER SUPPLY PC BOARD ASS'Y	BAETC-0219-1AD	1	1B2345219-1AD	N <MDC>
EV	U007	U0070 ~ U0075	BATRM-0214-1AE *	1	1B234514-1AE	<MMP, MMR>
EV	U0070	SPEAKER TERMINAL PC BOARD ASS'Y	BATRM-0214-1AE	1	1B2345214-1AE	<MMP, MMR>
EV	U0071	SPEAKER TERMINAL(RH/SR) PC BOARD ASS'Y	BATRM-0215-1AE	1	1B2345215-1AE	N <MMP, MMR>
EV	U0072	SPEAKER TERMINAL(CENTER) PC BOARD ASS'Y	BATRM-0216-1AE	1	1B2345216-1AE	N <MMP, MMR>
EV	U0073	PRIMARY POWER SUPPLY PC BOARD ASS'Y	BAPS-0217-1AE	1	1B2345217-1AE	N <MMP, MMR>
EV	U0075	ANALOG AUDIO POWER SUPPLY PC BOARD ASS'Y	BAETC-0219-1AE	1	1B2345219-1AE	N <MMP, MMR>
EV	U008	HDMI PC BOARD ASS'Y	BAHDM-0797-1E *	1	1B248597-1E	
EV	U009	U0091 x 4pcs.	BAHDM-0800-1B *	1	1B248500-1B	
EV	U0091	FRONT HDMI/ USB PC BOARD ASS'Y	BAHDM-0801-1B	1	1B2485801-1B	N
EV	U010	U0100 ~ U0108	BACLA-0226-1A *	1	1B234526-1A	
EV	U0100	AMPLIFIER(L/SL/SBL/HL) PC BOARD ASS'Y	BACLA-0226-1A	1	1B2345226-1A	
EV	U0101	AMPLIFIER(R/SR/SBR/HR/C) PC BOARD ASS'Y	BACLA-0227-1A	1	1B2345227-1A	N
EV	U0102	AMPLIFIER(R/SR/SBR/HR/C) PC BOARD ASS'Y	BACLA-0228-1A	1	1B2345228-1A	N
EV	U0103	AMPLIFIER(L/SL/SBL/HL) PC BOARD ASS'Y	BACLA-0229-1A	1	1B2345229-1A	N
EV	U0104	AMPLIFIER(R/SR/SBR/HR/C) PC BOARD ASS'Y	BACLA-0230-1A	1	1B2345230-1A	N
EV	U0105	AMPLIFIER(L/SL/SBL/HL) PC BOARD ASS'Y	BACLA-0231-1A	1	1B2345231-1A	N
EV	U0106	AMPLIFIER(R/SR/SBR/HR/C) PC BOARD ASS'Y	BACLA-0232-1A	1	1B2345232-1A	N
EV	U0107	AMPLIFIER(L/SL/SBL/HL) PC BOARD ASS'Y	BACLA-0233-1A	1	1B2345233-1A	N
EV	U0108	AMPLIFIER(R/SR/SBR/HR/C) PC BOARD ASS'Y	BACLA-0234-1A	1	1B2345234-1A	N
EV	U011	U0110+U0111	BAAMP-0191-1A *	1	1B234591-1A	
EV	U0110	AMPLIFIER(C/SR/HR/SBR/R) PC BOARD ASS'Y	BAAMP-0191-1A	1	1B2345191-1A	
EV	U0111	AMPLIFIER(L/SBL/LH/SL) PC BOARD ASS'Y	BAAMP-0192-1A	1	1B2345192-1A	N
EV	U012	U0120 ~ U0124	BAAF-0180-1A *	1	1B234580-1A	
EV	U0120	POWER SUPPLY PC BOARD ASS'Y	BAAF-0180-1A	1	1B2345180-1A	

EV	U0121	DIODE PC BOARD ASS'Y	BAPS-0181-1A	1	1B2345181-1A	N
EV	U0122	RELAY PC BOARD ASS'Y	BAPS-0182-1A	1	1B2345182-1A	N
EV	U0123	THERMAL SENSOR PC BOARD ASS'Y	BAETC-0183-1A	1	1B2345183-1A	N
EV	U0124	THERMAL SENSOR PC BOARD ASS'Y	BAETC-0184-1A	1	1B2345184-1A	N
EV	U014	TUNER UNIT	FAEH06-E01EX	1	240165	<MMP, MMR>
EV	U014	TUNER UNIT	FAEH06-A01US	1	240166	<MDC>

TX-NR3009

PV PACKING PROCEDURES PARTS LIST

PV	REF. NO.	PART NAME	DESCRIPTION	Q'TY	PART NO. (SN)	REMARKS
PV	[PACKING]					
PV	A767	INST SHEET	(DOOR)TXNR809_5009	1	29355839	
PV	A769	CUSHION	EPE t2.5x40x20	2	28141827	
PV	A771	TAPE	FIXLON #817 W12	1	29110207	
PV	A773	SHEET	(ACC)	1	29096104	
PV	A775	SHEET	T1.015*1300*800	1	29096134	
PV	A779	TAPE	(SEROHAN)NITTO NO.29	1	29110149	
PV	A781	PAD	AS.	1	29092607B	
PV	A782	SHEET	(PAD)	4	29096132	
PV	A802	CARTON	TX-NR3009MDC	1	29055249A	N <MDC>
PV	A802	CARTON	TX-NR3009	1	29055250A	N <MMP, MMR>
PV	A821A	UPC LABEL	TXNR3009(B)MDC	1	29391902	N <MDC>
PV	A821A	EAN LABEL	TXNR3009(B)MMP	1	29391905	N <B MMP>
PV	A821A	EAN LABEL	TXNR3009(S)MMP	1	29391906	N <S MMP>
PV	A821A	EAN LABEL	TXNR3009(B)MMR	1	29391907	N <MMR>
PV	A831	LABEL	(CHINA)	1	29390952A	<MMR>
PV	A833	LABEL	(CARTON)	1	29390944	<MMR>
PV	A851	PP TAPE	W50 SBT-70	1	29110200	
PV	A853	STAPLE	FUKAN-BARI(1000KO)	4	282321	
PV	[ACCESSARY]					
PV	A1071	INS MANUAL	Cs(TX-NR3009/5009)	1	29400803	<MMR>
PV	A1085	INS MANUAL	QSG_Cs(TX-NR3009/5009)	1	29400804	<MMR>
PV	A1091	INS MANUAL	U9(2011_Prepro)	1	29400572A	
PV	A1093	INST SHEET	U11(2010_RIHD)	1	29355782A	
PV	A1095	INS MANUAL	JaEn(SW_License_509-5009)	1	29400575	
PV	A1097	INS MANUAL	U3EnFrEs(I-Radio)_ONK_Mid/Hi	1	29400856	<MDC>
PV	A1099	INS MANUAL	U2EnDe(Last.fm_Nap_Spotify)	1	29400794A	<B MMP / S MMP>
PV	A1111	HANDBILL	(UP-A1)US	1	29380155A	<MDC>

PV	A1113	HANDBILL	(UP-A1)EU	1	29380156A	<B MMP / S MMP>
PV	A1115	INST SHEET	WEEE	1	29355793A	<B MMP / S MMP>
PV	A1117	INST SHEET	CHINA ROHS	1	29355616B	<MMR>
PV	A1120	INS MANUAL	QSG_En(TX-NR3009/5009)	1	29400897	<MDC, MMP / S MMP>
PV	A1122	INS MANUAL	QSG_Fr(TX-NR3009/5009)	1	29400898	<MDC, MMP / S MMP>
PV	A1124	INS MANUAL	QSG_Es(TX-NR3009/5009)	1	29400899	<MDC, MMP / S MMP>
PV	A1126	INS MANUAL	QSG_It(TX-NR3009/5009)	1	29400900	<B MMP / S MMP>
PV	A1128	INS MANUAL	QSG_De(TX-NR3009/5009)	1	29400901	<B MMP / S MMP>
PV	A1130	INS MANUAL	QSG_Ni(TX-NR3009/5009)	1	29400902	<B MMP / S MMP>
PV	A1132	INS MANUAL	QSG_Sv(TX-NR3009/5009)	1	29400903	<B MMP / S MMP>
PV	A1134	INS MANUAL	QSG_Fi(TX-NR3009/5009)	1	29400904	<B MMP / S MMP>
PV	A1136	INS MANUAL	QSG_Ar(TX-NR3009/5009)	1	29400861	<B MMP / S MMP>
PV	A1138	INS MANUAL	SAFETY_U3	1	29400883	<MDC>
PV	A1140	INS MANUAL	SAFETY_U10	1	29400884	<B MMP / S MMP>
PV	A1142	INS MANDSK	U7(TXNR709_5009)	1	29500004	<MDC, MMP / S MMP>
PV	A901	POLY BAG	w250xd350	1	29100250A	
PV	A905	TAPE	(SEROHAN)NITTO NO.29	1	29110149	
PV	A907	LABEL	(SPCABLE)2009	1	29390881	
PV	A915	WRNTY CARD	(ONKYO-CH)	1	29365098C	<MMR>
PV	A919	WRNTY CARD	(ONKYO)	1	29365135	<MDC>
PV	A990	REMO CON	RC-812M	1	24140812	
PV	A991	BATTERY	R6/AA(UM-3)	2	3010194	<MDC, MMP>
PV	A991 or	BATTERY	R6/AA(UM-3)	(2)	3010054	<MDC, MMP>
PV	A992	MIC	MIC-7000	1	245044	
PV	A993	ANT COIL	NMA-3057	1	232140	
PV	A994	FM ANT AS	Type W	1	292191	
PV	P991	AC CORD	AS-CBE-3	1	253298VOL	! <MMP>
PV	P991	AC CORD	AS-UC-2	1	253301VOL	! <MDC>
PV	P991	AC CORD	AS-CCC	1	253358VOL	! <MMR>

TX-NR3009

PC BOARD PARTS LIST

U003	U003	U0030 + U0031	
U003	U0030	AUDIO IN/OUT PC BOARD ASS'Y	BAASP-0202-2D
U003	U0031	VIDEO IN/OUT PC BOARD ASS'Y	BAVD-0203-2D

CIRCUIT NO.	PART NAME	DESCRIPTION	Q'TY	PART NO. (SN)	REMARKS
U003	[SEMI CONDUCTOR]				

U003	D2000	DIODE	D5SBA20	1	22380130	
U003	D2000 or	DIODE	D5SBA60	(1)	22380070	
U003	D2000A	HEAT SINK	RAD-083	1	27160271	
U003	D2000B	SCREW	3P+6FN(3BC)	1	82143006GR	
U003	D2001	C-DIODE	ISS352	1	223234R2	
U003	D2001 or	C-DIODE	ISS355	(1)	223269R2	
U003	D2001 or	C-DIODE	MA2J111	(1)	223279R2	
U003	D2001 or	C-DIODE	KDS4148U	(1)	223283R2	
U003	D2003	DIODE	RB070M-30	1	22380361R2	
U003	D2004	ZENER D	UDZS3.9B	1	224550390R2	
U003	D2005	DIODE	RL1N4003	1	22380260T	
U003	D2006	DIODE	RL1N4003	1	22380260T	
U003	D2007	DIODE	RL1N4003	1	22380260T	
U003	D2008	DIODE	RL1N4003	1	22380260T	
U003	D2009	ZENER D	UDZS3.9B	1	224550390R2	
U003	D2010	C-DIODE	ISS352	1	223234R2	
U003	D2010 or	C-DIODE	ISS355	(1)	223269R2	
U003	D2010 or	C-DIODE	MA2J111	(1)	223279R2	
U003	D2010 or	C-DIODE	KDS4148U	(1)	223283R2	
U003	D2011	C-DIODE	ISS352	1	223234R2	
U003	D2011 or	C-DIODE	ISS355	(1)	223269R2	
U003	D2011 or	C-DIODE	MA2J111	(1)	223279R2	
U003	D2011 or	C-DIODE	KDS4148U	(1)	223283R2	
U003	D2012	DIODE	RL1N4003	1	22380260T	
U003	D2013	DIODE	RL1N4003	1	22380260T	
U003	D2014	ZENER D	UDZS5.1B	1	224550510R2	
U003	D2015	C-DIODE	ISS352	1	223234R2	<MDC, MMP, MMR>
U003	D2015 or	C-DIODE	ISS355	(1)	223269R2	<MDC, MMP, MMR>
U003	D2015 or	C-DIODE	MA2J111	(1)	223279R2	<MDC, MMP, MMR>
U003	D2015 or	C-DIODE	KDS4148U	(1)	223283R2	<MDC, MMP, MMR>
U003	D2700	SPCF D	SIR-34ST3F	1	225456	<MDC, MMP, MMR>
U003	D2702	C-DIODE	ISS352	1	223234R2	<MDC, MMP, MMR>
U003	D2702 or	C-DIODE	ISS355	(1)	223269R2	<MDC, MMP, MMR>
U003	D2702 or	C-DIODE	MA2J111	(1)	223279R2	<MDC, MMP, MMR>
U003	D2702 or	C-DIODE	KDS4148U	(1)	223283R2	<MDC, MMP, MMR>
U003	D2703	C-DIODE	ISS352	1	223234R2	<MDC, MMP, MMR>
U003	D2703 or	C-DIODE	ISS355	(1)	223269R2	<MDC, MMP, MMR>
U003	D2703 or	C-DIODE	MA2J111	(1)	223279R2	<MDC, MMP, MMR>
U003	D2703 or	C-DIODE	KDS4148U	(1)	223283R2	<MDC, MMP, MMR>

U003	D2704	C-DIODE	ISS352	1	223234R2	<MDC, MMP, MMR>
U003	D2704 or	C-DIODE	ISS355	(1)	223269R2	<MDC, MMP, MMR>
U003	D2704 or	C-DIODE	MA2J111	(1)	223279R2	<MDC, MMP, MMR>
U003	D2704 or	C-DIODE	KDS4148U	(1)	223283R2	<MDC, MMP, MMR>
U003	D2705	C-DIODE	ISS352	1	223234R2	<MDC, MMP, MMR>
U003	D2705 or	C-DIODE	ISS355	(1)	223269R2	<MDC, MMP, MMR>
U003	D2705 or	C-DIODE	MA2J111	(1)	223279R2	<MDC, MMP, MMR>
U003	D2705 or	C-DIODE	KDS4148U	(1)	223283R2	<MDC, MMP, MMR>
U003	D2708	DIODE	RL1N4003	1	22380260T	<MDC, MMP, MMR>
U003	D4005	ZENER D	UDZS7.5B	1	224550750R2	
U003	D4006	ZENER D	UDZS7.5B	1	224550750R2	
U003	D4007	C-DIODE	ISS352	1	223234R2	
U003	D4007 or	C-DIODE	ISS355	(1)	223269R2	
U003	D4007 or	C-DIODE	MA2J111	(1)	223279R2	
U003	D4007 or	C-DIODE	KDS4148U	(1)	223283R2	
U003	D4008	C-DIODE	ISS352	1	223234R2	
U003	D4008 or	C-DIODE	ISS355	(1)	223269R2	
U003	D4008 or	C-DIODE	MA2J111	(1)	223279R2	
U003	D4008 or	C-DIODE	KDS4148U	(1)	223283R2	
U003	D4019	C-DIODE	ISS352	1	223234R2	
U003	D4019 or	C-DIODE	ISS355	(1)	223269R2	
U003	D4019 or	C-DIODE	MA2J111	(1)	223279R2	
U003	D4019 or	C-DIODE	KDS4148U	(1)	223283R2	
U003	D4401	ZENER D	UDZS9.1B	1	224550910R2	
U003	D4402	ZENER D	UDZS9.1B	1	224550910R2	
U003	D4403	ZENER D	UDZS3.3B	1	224550330R2	
U003	D4404	C-DIODE	ISS352	1	223234R2	
U003	D4404 or	C-DIODE	ISS355	(1)	223269R2	
U003	D4404 or	C-DIODE	MA2J111	(1)	223279R2	
U003	D4404 or	C-DIODE	KDS4148U	(1)	223283R2	
U003	D4405	C-DIODE	ISS352	1	223234R2	
U003	D4405 or	C-DIODE	ISS355	(1)	223269R2	
U003	D4405 or	C-DIODE	MA2J111	(1)	223279R2	
U003	D4405 or	C-DIODE	KDS4148U	(1)	223283R2	
U003	D4431	C-DIODE	ISS352	1	223234R2	
U003	D4431 or	C-DIODE	ISS355	(1)	223269R2	
U003	D4431 or	C-DIODE	MA2J111	(1)	223279R2	
U003	D4431 or	C-DIODE	KDS4148U	(1)	223283R2	
U003	D4432	C-DIODE	ISS352	1	223234R2	

U003	D4432 or	C-DIODE	ISS355	(1)	223269R2
U003	D4432 or	C-DIODE	MA2J111	(1)	223279R2
U003	D4432 or	C-DIODE	KDS4148U	(1)	223283R2
U003	D4433	C-DIODE	ISS352	1	223234R2
U003	D4433 or	C-DIODE	ISS355	(1)	223269R2
U003	D4433 or	C-DIODE	MA2J111	(1)	223279R2
U003	D4433 or	C-DIODE	KDS4148U	(1)	223283R2
U003	D4434	C-DIODE	ISS352	1	223234R2
U003	D4434 or	C-DIODE	ISS355	(1)	223269R2
U003	D4434 or	C-DIODE	MA2J111	(1)	223279R2
U003	D4434 or	C-DIODE	KDS4148U	(1)	223283R2
U003	D4435	C-DIODE	ISS352	1	223234R2
U003	D4435 or	C-DIODE	ISS355	(1)	223269R2
U003	D4435 or	C-DIODE	MA2J111	(1)	223279R2
U003	D4435 or	C-DIODE	KDS4148U	(1)	223283R2
U003	D4436	C-DIODE	ISS352	1	223234R2
U003	D4436 or	C-DIODE	ISS355	(1)	223269R2
U003	D4436 or	C-DIODE	MA2J111	(1)	223279R2
U003	D4436 or	C-DIODE	KDS4148U	(1)	223283R2
U003	D4441	C-DIODE	ISS352	1	223234R2
U003	D4441 or	C-DIODE	ISS355	(1)	223269R2
U003	D4441 or	C-DIODE	MA2J111	(1)	223279R2
U003	D4441 or	C-DIODE	KDS4148U	(1)	223283R2
U003	D4442	C-DIODE	ISS352	1	223234R2
U003	D4442 or	C-DIODE	ISS355	(1)	223269R2
U003	D4442 or	C-DIODE	MA2J111	(1)	223279R2
U003	D4442 or	C-DIODE	KDS4148U	(1)	223283R2
U003	D4443	C-DIODE	ISS352	1	223234R2
U003	D4443 or	C-DIODE	ISS355	(1)	223269R2
U003	D4443 or	C-DIODE	MA2J111	(1)	223279R2
U003	D4443 or	C-DIODE	KDS4148U	(1)	223283R2
U003	D4444	C-DIODE	ISS352	1	223234R2
U003	D4444 or	C-DIODE	ISS355	(1)	223269R2
U003	D4444 or	C-DIODE	MA2J111	(1)	223279R2
U003	D4444 or	C-DIODE	KDS4148U	(1)	223283R2
U003	D4445	C-DIODE	ISS352	1	223234R2
U003	D4445 or	C-DIODE	ISS355	(1)	223269R2
U003	D4445 or	C-DIODE	MA2J111	(1)	223279R2
U003	D4445 or	C-DIODE	KDS4148U	(1)	223283R2

U003	Q2000	IC	78M05(NJM78M05FA)	1	222780055JRC	
U003	Q2001	TR	2SC3851-Y	1	2203384	
U003	Q2001 or	TR	2SD2394-E	(1)	2202705	
U003	Q2002	IC	SI8008TM	1	22242323R2	
U003	Q2003	TR	KRC102S	1	2216190R2	<MDC, MMP, MMR>
U003	Q2003 or	TR	RN1402	(1)	2214470R2	<MDC, MMP, MMR>
U003	Q2004	TR	2SC2712-GR	1	2213145R2	
U003	Q2005	TR	2SA1162-GR	1	2214375R2	
U003	Q2006	TR	2SA1488-Y	1	2203394	
U003	Q2006 or	TR	2SB1565-E	(1)	2202715	
U003	Q2007	TR	2SD1468S-R	1	2215024T	
U003	Q2008	IC	79M05L(NJM79M05FA)	1	222790055JRC	
U003	Q2009	TR	2SC2712-GR	1	2213145R2	
U003	Q2100	IC	NJW1325	1	22242596R3	
U003	Q2100A	SHEET	(VD)	1	29096106	
U003	Q2100B	RETAINER	(VD)	1	27142169	
U003	Q2500	IC	NE5532APSR	1	22242283R2	
U003	Q2503	IC	NJM2505AF	1	22242490R2	
U003	Q2700	TR	2SA854S-R	1	2217394T	<MDC, MMP, MMR>
U003	Q2700 or	TR	2SB1240-R	(1)	2213794T	<MDC, MMP, MMR>
U003	Q2701	TR	KRC102S	1	2216190R2	<MDC, MMP, MMR>
U003	Q2701 or	TR	RN1402	(1)	2214470R2	<MDC, MMP, MMR>
U003	Q2702	TR	2SA1162-GR	1	2214375R2	<MDC, MMP, MMR>
U003	Q2703	TR	KRC102S	1	2216190R2	<MDC, MMP, MMR>
U003	Q2703 or	TR	RN1402	(1)	2214470R2	<MDC, MMP, MMR>
U003	Q4008	IC	NE5532APSR	1	22242283R2	
U003	Q4009	IC	NE5532APSR	1	22242283R2	
U003	Q4010	IC	NE5532APSR	1	22242283R2	
U003	Q4011	IC	NE5532APSR	1	22242283R2	
U003	Q4041	IC	NE5532APSR	1	22242283R2	
U003	Q4043	IC	TC4066BFT	1	22284066MR2TO	
U003	Q4065	IC	CS3318-CQZR	1	22242404R2	
U003	Q4066	IC	NJU7312AM	1	22242210R2	
U003	Q4072	IC	NJU7313AM	1	22242211R2	
U003	Q4074	IC	CS3318-CQZR	1	22242404R2	
U003	Q4076	IC	NE5532APSR	1	22242283R2	
U003	Q4080	IC	NJU7312AM	1	22242210R2	
U003	Q4081	IC	NE5532APSR	1	22242283R2	<MDC, MMP, MMR>
U003	Q4091	IC	NE5532APSR	1	22242283R2	

U003	Q4101	IC	NE5532APSR	1	22242283R2
U003	Q4121	IC	NE5532APSR	1	22242283R2
U003	Q4131	IC	NE5532APSR	1	22242283R2
U003	Q4151	IC	NE5532APSR	1	22242283R2
U003	Q4152	IC	NE5532APSR	1	22242283R2
U003	Q4200	TR	2SC2235-Y(TPE6_F)	1	2211654T
U003	Q4201	TR	2SA965-Y(TPE6_F)	1	2211644T
U003	Q4221	IC	NE5532APSR	1	22242283R2
U003	Q4222	TR	RN1402	1	2214470R2
U003	Q4223	TR	RN2402	1	2214530R2
U003	Q4224	TR	RN1402	1	2214470R2
U003	Q4225	TR	RN2402	1	2214530R2
U003	Q4226	IC	NJW1112	1	22242597R2
U003	Q4227	IC	NJW1112	1	22242597R2
U003	Q4301	IC	NE5532APSR	1	22242283R2
U003	Q4341	IC	NE5532APSR	1	22242283R2
U003	Q4342	IC	NE5532APSR	1	22242283R2
U003	Q4371	IC	NE5532APSR	1	22242283R2
U003	Q4401	TR	2SC2712-GR	1	2213145R2
U003	Q4402	TR	2SA950-Y	1	2211504T
U003	Q4403	TR	2SA1162-GR	1	2214375R2
U003	Q4404	TR	2SC2120-Y	1	2211164T
U003	Q4420	TR	RN1402	1	2214470R2
U003	Q4421	TR	RN1402	1	2214470R2
U003	Q4422	TR	RN1402	1	2214470R2
U003	Q4423	TR	RN1402	1	2214470R2
U003	Q4424	TR	RN1402	1	2214470R2
U003	Q4425	TR	RN1402	1	2214470R2
U003	Q4441	IC	NE5532APSR	1	22242283R2
U003	Q4442	TR	2SC2235-Y(TPE6_F)	1	2211654T
U003	Q4443	TR	2SA965-Y(TPE6_F)	1	2211644T
U003	Q4444	TR	2SC2235-Y(TPE6_F)	1	2211654T
U003	Q4445	TR	2SA965-Y(TPE6_F)	1	2211644T
U003	Q4446	TR	RN1402	1	2214470R2
U003	Q4446 or	TR	KRC102S	(1)	2216190R2
U003	Q4461	IC	NJM4556AM	1	22241414R2
U003	Q4466	TR	RN1441	1	2215410R2
U003	Q4467	TR	RN1441	1	2215410R2
U003	Q4468	TR	2SC2712-GR	1	2213145R2

U003	Q4640	TR	RN1441	1	2215410R2	
U003	Q4641	TR	RN1441	1	2215410R2	
U003	Q4642	TR	RN1441	1	2215410R2	
U003	Q4643	TR	RN1441	1	2215410R2	
U003	Q4644	TR	RN1441	1	2215410R2	
U003	Q4645	TR	RN1441	1	2215410R2	
U003	Q4646	TR	RN1441	1	2215410R2	
U003	Q4647	TR	RN1441	1	2215410R2	
U003	Q4648	TR	RN1441	1	2215410R2	
U003	Q4741	TR	RN1441	1	2215410R2	
U003	Q4742	TR	RN1441	1	2215410R2	
U003	Q4801	TR	RN1441	1	2215410R2	<MDC, MMP, MMR>
U003	Q4802	TR	RN1441	1	2215410R2	<MDC, MMP, MMR>
U003	Q4803	TR	RN1441	1	2215410R2	<MDC, MMP, MMR>
U003	Q4804	TR	RN1441	1	2215410R2	<MDC, MMP, MMR>
U003	[CHASSIS SCREW]					
U003	Q2000A	HEAT-SINK	HEAT-SINK(RAD-67)	1	27160209	
U003	Q2000B	SCREW	3P+6FN(3BC)	2	82143006GR	
U003	[TRANS COIL]					
U003	L2000	CHOKE COIL	NCH-2541	1	231363K470A	
U003	L2000 or	COIL	0182-7310-470K-RB	(1)	231389	
U003	L2100	CHOKE COIL	LBC2518T4R7M	1	231364M047R2	
U003	L2101	CHOKE COIL	LBC2518T4R7M	1	231364M047R2	
U003	L2500	CHOKE COIL	LBC2518T4R7M	1	231364M047R2	
U003	L2501	CHOKE COIL	BLM21PG221SN1	1	230949R2	
U003	L2502	CHOKE COIL	BLM21PG221SN1	1	230949R2	
U003	L2504	CHOKE COIL	BLM21PG221SN1	1	230949R2	
U003	L2506	EMIFIL	BK1608LM182-T	1	230958R1	
U003	L2507	EMIFIL	BK1608LM182-T	1	230958R1	
U003	L2508	EMIFIL	BK1608LM182-T	1	230958R1	
U003	L2509	EMIFIL	BK1608LM182-T	1	230958R1	
U003	L2510	EMIFIL	BK1608LM182-T	1	230958R1	
U003	L2511	EMIFIL	BK1608LM182-T	1	230958R1	
U003	L2512	EMIFIL	BK1608LM182-T	1	230958R1	
U003	L2513	EMIFIL	BK1608LM182-T	1	230958R1	
U003	L2514	EMIFIL	BK1608LM182-T	1	230958R1	
U003	L2515	EMIFIL	BK1608LM182-T	1	230958R1	
U003	L2516	EMIFIL	BK1608LM182-T	1	230958R1	
U003	L2517	EMIFIL	BK1608LM182-T	1	230958R1	

U003	L2518	EMIFIL	BK1608LM182-T	1	230958R1	
U003	L2519	EMIFIL	BK1608LM182-T	1	230958R1	
U003	L2520	EMIFIL	BK1608LM182-T	1	230958R1	
U003	L2521	EMIFIL	BK1608LM182-T	1	230958R1	
U003	L2522	EMIFIL	BK1608LM182-T	1	230958R1	
U003	L2523	EMIFIL	BK1608LM182-T	1	230958R1	
U003	L2702	EMIFIL	BK1608LM182-T	1	230958R1	<MDC, MMP, MMR>
U003	L2703	EMIFIL	BK1608LM182-T	1	230958R1	<MDC, MMP, MMR>
U003	[CAPACITOR]					
U003	C2000	ELECT C	CE04W18V-10000M(VZ)	1	3945H1037S	
U003	C2002	VR C	CE04W16V-220M(VR)	1	394642217T	
U003	C2003	UTSP C	CE04W50V-10M(UTSP)	1	397581007T	
U003	C2004	VR C	CE04W16V-100M(VR)	1	394641017T	
U003	C2005	VR C	CE04W16V-470M(VR)	1	394644717T	
U003	C2006	VR C	CE04W25V-2200M(VR)	1	394652227S	
U003	C2007	TF C	ECQ-V50V-104J	1	374721044T	
U003	C2008	VR C	CE04W50V-22M(VR)	1	394682207T	
U003	C2009	VR C	CE04W16V-470M(VR)	1	394644717T	
U003	C2010	C-CERA C	CK725F1E-104Z1	1	332161040R1	
U003	C2012	TF C	ECQ-V50V-104J	1	374721044T	
U003	C2013	VR C	CE04W50V-22M(VR)	1	394682207T	
U003	C2014	VR C	CE04W16V-100M(VR)	1	394641017T	
U003	C2015	VR C	CE04W16V-220M(VR)	1	394642217T	
U003	C2016	UTSP C	CE04W50V-10M(UTSP)	1	397581007T	
U003	C2017	VR C	CE04W25V-2200M(VR)	1	394652227S	
U003	C2018	VR C	CE04W50V-4.7M(VR)	1	394680477T	
U003	C2101	C-CERA C	CK725F1A-105Z1	1	332181050R1	
U003	C2103	C-CERA C	CK725F1A-105Z1	1	332181050R1	
U003	C2105	C-CERA C	CK725B0J-225K	1	332092255R1	
U003	C2106	C-CERA C	CK725B1H-102K1	1	332101025R1	
U003	C2108	C-CERA C	CK725F1A-105Z1	1	332181050R1	
U003	C2110	C-CERA C	CK725F1A-105Z1	1	332181050R1	
U003	C2112	C-CERA C	CK725B0J-225K	1	332092255R1	
U003	C2114	C-CERA C	CK725F1A-105Z1	1	332181050R1	
U003	C2116	C-CERA C	CK725F1A-105Z1	1	332181050R1	
U003	C2118	C-CERA C	CK725B0J-225K	1	332092255R1	
U003	C2144	VR C	CE04W35V-47M(VR)	1	394664707T	
U003	C2145	VR C	CE04W35V-47M(VR)	1	394664707T	
U003	C2146	VR C	CE04W35V-47M(VR)	1	394664707T	

U003	C2148	C-CERA C	CK725F1E-104Z1	1	332161040R1
U003	C2149	C-CERA C	CK725F1E-104Z1	1	332161040R1
U003	C2150	C-CERA C	CK725F1E-104Z1	1	332161040R1
U003	C2152	C-CERA C	CK725F1E-104Z1	1	332161040R1
U003	C2153	C-CERA C	CK725F1E-104Z1	1	332161040R1
U003	C2154	C-CERA C	CK725F1E-104Z1	1	332161040R1
U003	C2155	VR C	CE04W35V-47M(VR)	1	394664707T
U003	C2156	VR C	CE04W35V-47M(VR)	1	394664707T
U003	C2157	VR C	CE04W35V-47M(VR)	1	394664707T
U003	C2161	C-CERA C	CK725F1E-104Z1	1	332161040R1
U003	C2162	VR C	CE04W35V-47M(VR)	1	394664707T
U003	C2166	VR C	CE04W35V-47M(VR)	1	394664707T
U003	C2167	C-CERA C	CK725F1E-104Z1	1	332161040R1
U003	C2169	C-CERA C	CK725F1E-104Z1	1	332161040R1
U003	C2170	VR C	CE04W50V-1M(VR)	1	394680107T
U003	C2171	VR C	CE04W50V-1M(VR)	1	394680107T
U003	C2172	C-CERA C	CK725F1E-104Z1	1	332161040R1
U003	C2173	C-CERA C	CK725F1E-104Z1	1	332161040R1
U003	C2174	VR C	CE04W50V-1M(VR)	1	394680107T
U003	C2175	VR C	CE04W35V-47M(VR)	1	394664707T
U003	C2176	C-CERA C	CK725F1E-104Z1	1	332161040R1
U003	C2178	VR C	CE04W35V-47M(VR)	1	394664707T
U003	C2179	C-CERA C	CK725F1A-105Z1	1	332181050R1
U003	C2180	C-CERA C	CK725F1E-104Z1	1	332161040R1
U003	C2182	C-CERA C	CK725B0J-225K	1	332092255R1
U003	C2184	C-CERA C	CK725B0J-225K	1	332092255R1
U003	C2185	C-CERA C	CK725B1H-102K1	1	332101025R1
U003	C2186	VR C	CE04W35V-47M(VR)	1	394664707T
U003	C2187	C-CERA C	CK725F1E-104Z1	1	332161040R1
U003	C2189	C-CERA C	CK725F1A-105Z1	1	332181050R1
U003	C2191	C-CERA C	CK725B0J-225K	1	332092255R1
U003	C2193	C-CERA C	CK725B0J-225K	1	332092255R1
U003	C2194	VR C	CE04W35V-47M(VR)	1	394664707T
U003	C2195	VR C	CE04W35V-47M(VR)	1	394664707T
U003	C2196	C-CERA C	CK725F1E-104Z1	1	332161040R1
U003	C2197	C-CERA C	CK725F1E-104Z1	1	332161040R1
U003	C2198	C-CERA C	CK725F1E-104Z1	1	332161040R1
U003	C2199	VR C	CE04W35V-47M(VR)	1	394664707T
U003	C2200	C-CERA C	CC725CH1H-151J1	1	342101514R1

U003	C2201	C-CERA C	CC725CH1H-151J1	1	342101514R1	
U003	C2202	C-CERA C	CC725CH1H-151J1	1	342101514R1	
U003	C2203	C-CERA C	CK725B1H-102K1	1	332101025R1	
U003	C2205	C-CERA C	CK725F1A-105Z1	1	332181050R1	
U003	C2207	C-CERA C	CK725B0J-225K	1	332092255R1	
U003	C2209	C-CERA C	CK725B0J-225K	1	332092255R1	
U003	C2211	C-CERA C	CK725F1A-105Z1	1	332181050R1	
U003	C2213	C-CERA C	CK725B0J-225K	1	332092255R1	
U003	C2215	C-CERA C	CK725B0J-225K	1	332092255R1	
U003	C2216	C-CERA C	CK725B1H-102K1	1	332101025R1	
U003	C2217	C-CERA C	CC725CH1H-151J1	1	342101514R1	
U003	C2218	C-CERA C	CC725CH1H-151J1	1	342101514R1	
U003	C2219	C-CERA C	CC725CH1H-151J1	1	342101514R1	
U003	C2220	C-CERA C	CC725CH1H-151J1	1	342101514R1	<MDC, MMP, MMR>
U003	C2221	C-CERA C	CK725B1H-102K1	1	332101025R1	<MDC, MMP, MMR>
U003	C2224	VR C	CE04W50V-1M(VR)	1	394680107T	
U003	C2225	VR C	CE04W50V-4.7M(VR)	1	394680477T	
U003	C2226	VR C	CE04W50V-1M(VR)	1	394680107T	
U003	C2227	VR C	CE04W50V-1M(VR)	1	394680107T	
U003	C2228	VR C	CE04W50V-4.7M(VR)	1	394680477T	
U003	C2229	VR C	CE04W50V-4.7M(VR)	1	394680477T	
U003	C2231	C-CERA C	CK725B0J-225K	1	332092255R1	
U003	C2232	UTSP C	CE04W50V-10M(UTSP)	1	397581007T	
U003	C2233	UTSP C	CE04W50V-10M(UTSP)	1	397581007T	
U003	C2237	C-CERA C	CK725B0J-225K	1	332092255R1	
U003	C2238	C-CERA C	CK725B0J-225K	1	332092255R1	
U003	C2239	C-CERA C	CK725B0J-225K	1	332092255R1	
U003	C2240	C-CERA C	CK725B0J-225K	1	332092255R1	
U003	C2241	C-CERA C	CK725B0J-225K	1	332092255R1	
U003	C2242	C-CERA C	CK725B0J-225K	1	332092255R1	
U003	C2243	C-CERA C	CK725B0J-225K	1	332092255R1	
U003	C2244	C-CERA C	CK725B0J-225K	1	332092255R1	
U003	C2245	C-CERA C	CK725B0J-225K	1	332092255R1	
U003	C2246	C-CERA C	CK725B0J-225K	1	332092255R1	
U003	C2247	C-CERA C	CK725B0J-225K	1	332092255R1	
U003	C2248	C-CERA C	CK725B0J-225K	1	332092255R1	
U003	C2501	UTSP C	CE04W50V-10M(UTSP)	1	397581007T	
U003	C2502	VR C	CE04W35V-100M(VR)	1	394661017T	
U003	C2504	C-CERA C	CC725CH1H-471J1	1	342104714R1	

U003	C2505	VR C	CE04W35V-100M(VR)	1	394661017T	
U003	C2506	C-CERA C	CC725CH1H-471J1	1	342104714R1	
U003	C2507	UTSP C	CE04W50V-10M(UTSP)	1	397581007T	
U003	C2514	C-CERA C	CK725B1H-102K1	1	332101025R1	
U003	C2515	C-CERA C	CK725B1H-102K1	1	332101025R1	
U003	C2521	C-CERA C	CK725B1H-102K1	1	332101025R1	
U003	C2522	C-CERA C	CC725CH1H-470J1	1	342104704R1	
U003	C2523	UTSP C	CE04W50V-10M(UTSP)	1	397581007T	
U003	C2524	VR C	CE04W6.3V-470M(VR)	1	394624717T	
U003	C2525	VR C	CE04W6.3V-470M(VR)	1	394624717T	
U003	C2526	C-CERA C	CK725B1H-102K1	1	332101025R1	
U003	C2527	C-CERA C	CC725CH1H-470J1	1	342104704R1	
U003	C2528	VR C	CE04W16V-100M(VR)	1	394641017T	
U003	C2529	C-CERA C	CK725F1E-104Z1	1	332161040R1	
U003	C2530	C-CERA C	CK725B1H-102K1	1	332101025R1	
U003	C2531	C-CERA C	CK725F1E-104Z1	1	332161040R1	
U003	C2532	C-CERA C	CC725CH1H-470J1	1	342104704R1	
U003	C2533	C-CERA C	CC725CH1H-101J1	1	342101014R1	
U003	C2534	UTSP C	CE04W50V-10M(UTSP)	1	397581007T	
U003	C2535	C-CERA C	CC725CH1H-101J1	1	342101014R1	
U003	C2536	UTSP C	CE04W50V-10M(UTSP)	1	397581007T	
U003	C2537	C-CERA C	CC725CH1H-101J1	1	342101014R1	
U003	C2538	C-CERA C	CC725CH1H-101J1	1	342101014R1	
U003	C2539	C-CERA C	CK725F1E-104Z1	1	332161040R1	
U003	C2544	C-CERA C	CC725CH1H-470J1	1	342104704R1	
U003	C2545	C-CERA C	CC725CH1H-470J1	1	342104704R1	
U003	C2546	C-CERA C	CC725CH1H-221J1	1	342102214R1	
U003	C2547	C-CERA C	CC725CH1H-221J1	1	342102214R1	
U003	C2700	VR C	CE04W6.3V-220M(VR)	1	394622217T	<MDC, MMP, MMR>
U003	C2701	C-CERA C	CK725B1H-102K1	1	332101025R1	<MDC, MMP, MMR>
U003	C2704	C-CERA C	CC725CH1H-101J1	1	342101014R1	<MDC, MMP, MMR>
U003	C2705	C-CERA C	CK725F1E-104Z1	1	332161040R1	<MDC, MMP, MMR>
U003	C2707	C-CERA C	CC725CH1H-101J1	1	342101014R1	<MDC, MMP, MMR>
U003	C4001	UPZ C	2AUPZTF221JE	1	376332214T	
U003	C4002	UPZ C	2AUPZTF221JE	1	376332214T	
U003	C4023	MKT C	B32529C0102J289	1	376491024T	
U003	C4031	UTSP C	CE04W50V-100M(UTSP)	1	397581017T	
U003	C4032	UTSP C	CE04W50V-100M(UTSP)	1	397581017T	
U003	C4041	UPZ C	2AUPZTF221JE	1	376332214T	

U003	C4042	UPZ C	2AUPZTF221JE	1	376332214T	
U003	C4043	UTSP C	CE04W50V 47M(UTSP)	1	397584707T	
U003	C4044	UTSP C	CE04W50V 47M(UTSP)	1	397584707T	
U003	C4045	UTSP C	CE04W50V-100M(UTSP)	1	397581017T	
U003	C4046	UTSP C	CE04W50V-100M(UTSP)	1	397581017T	
U003	C4075	UTSP C	CE04W50V-100M(UTSP)	1	397581017T	
U003	C4076	UTSP C	CE04W50V-100M(UTSP)	1	397581017T	
U003	C4080	MKT C	B32529C0102J289	1	376491024T	<MDC, MMP, MMR>
U003	C4081	C-CERA C	CC725CH1H-221J1	1	342102214R1	<MDC, MMP, MMR>
U003	C4082	C-CERA C	CC725CH1H-221J1	1	342102214R1	<MDC, MMP, MMR>
U003	C4083	UTSP C	CE04W50V 47M(UTSP)	1	397584707T	<MDC, MMP, MMR>
U003	C4084	UTSP C	CE04W50V 47M(UTSP)	1	397584707T	<MDC, MMP, MMR>
U003	C4090	MKT C	B32529C0102J289	1	376491024T	
U003	C4091	C-CERA C	CC725CH1H-221J1	1	342102214R1	
U003	C4092	C-CERA C	CC725CH1H-221J1	1	342102214R1	
U003	C4093	UTSP C	CE04W50V 47M(UTSP)	1	397584707T	
U003	C4094	UTSP C	CE04W50V 47M(UTSP)	1	397584707T	
U003	C4101	C-CERA C	CC725CH1H-221J1	1	342102214R1	
U003	C4102	C-CERA C	CC725CH1H-221J1	1	342102214R1	
U003	C4103	UTSP C	CE04W50V 47M(UTSP)	1	397584707T	
U003	C4104	UTSP C	CE04W50V 47M(UTSP)	1	397584707T	
U003	C4110	MKT C	B32529C0102J289	1	376491024T	
U003	C4111	C-CERA C	CC725CH1H-221J1	1	342102214R1	
U003	C4112	C-CERA C	CC725CH1H-221J1	1	342102214R1	
U003	C4121	C-CERA C	CC725CH1H-221J1	1	342102214R1	
U003	C4122	C-CERA C	CC725CH1H-221J1	1	342102214R1	
U003	C4123	UTSP C	CE04W50V 47M(UTSP)	1	397584707T	
U003	C4124	UTSP C	CE04W50V 47M(UTSP)	1	397584707T	
U003	C4131	UPZ C	2AUPZTF221JE	1	376332214T	
U003	C4132	UPZ C	2AUPZTF221JE	1	376332214T	
U003	C4133	UTSP C	CE04W50V 47M(UTSP)	1	397584707T	
U003	C4134	UTSP C	CE04W50V 47M(UTSP)	1	397584707T	
U003	C4135	UTSP C	CE04W50V-100M(UTSP)	1	397581017T	
U003	C4136	UTSP C	CE04W50V-100M(UTSP)	1	397581017T	
U003	C4151	UTSP C	CE04W50V 47M(UTSP)	1	397584707T	
U003	C4152	UTSP C	CE04W50V 47M(UTSP)	1	397584707T	
U003	C4153	UTSP C	CE04W50V 47M(UTSP)	1	397584707T	
U003	C4154	UTSP C	CE04W50V 47M(UTSP)	1	397584707T	
U003	C4155	UTSP C	CE04W50V 47M(UTSP)	1	397584707T	

U003	C4156	UTSP C	CE04W50V 47M(UTSP)	1	397584707T
U003	C4157	UTSP C	CE04W50V 47M(UTSP)	1	397584707T
U003	C4158	UTSP C	CE04W50V 47M(UTSP)	1	397584707T
U003	C4200	UTSP C	CE04W50V-10M(UTSP)	1	397581007T
U003	C4201	UTSP C	CE04W25V-100M(UTSP)	1	397551017T
U003	C4202	UTSP C	CE04W25V-100M(UTSP)	1	397551017T
U003	C4203	UTSP C	CE04W50V-10M(UTSP)	1	397581007T
U003	C4204	UTSP C	CE04W25V-100M(UTSP)	1	397551017T
U003	C4205	UTSP C	CE04W25V-100M(UTSP)	1	397551017T
U003	C4206	UTSP C	CE04W25V-220M(UTSP)	1	397552217T
U003	C4207	UTSP C	CE04W25V-220M(UTSP)	1	397552217T
U003	C4208	UTSP C	CE04W50V 47M(UTSP)	1	397584707T
U003	C4209	UTSP C	CE04W50V 47M(UTSP)	1	397584707T
U003	C4210	UTSP C	CE04W25V-220M(UTSP)	1	397552217T
U003	C4211	UTSP C	CE04W25V-220M(UTSP)	1	397552217T
U003	C4221	UTSP C	CE04W50V 47M(UTSP)	1	397584707T
U003	C4222	UTSP C	CE04W50V 47M(UTSP)	1	397584707T
U003	C4223	UTSP C	CE04W50V 47M(UTSP)	1	397584707T
U003	C4224	UTSP C	CE04W50V 47M(UTSP)	1	397584707T
U003	C4225	C-CERA C	CK725F1E-104Z1	1	332161040R1
U003	C4226	C-CERA C	CK725F1E-104Z1	1	332161040R1
U003	C4243	MKT C	B32529C0102J289	1	376491024T
U003	C4244	C-CERA C	CC725CH1H-102J1	1	342101024R1
U003	C4303	UTSP C	CE04W50V-1M(UTSP)	1	397580107T
U003	C4304	C-CERA C	CK725F1C-224Z1	1	332172240R1
U003	C4305	UTSP C	CE04W50V 47M(UTSP)	1	397584707T
U003	C4345	UTSP C	CE04W50V 47M(UTSP)	1	397584707T
U003	C4346	UTSP C	CE04W50V 47M(UTSP)	1	397584707T
U003	C4373	UTSP C	CE04W50V 47M(UTSP)	1	397584707T
U003	C4374	UTSP C	CE04W50V 47M(UTSP)	1	397584707T
U003	C4384	UTSP C	CE04W50V 47M(UTSP)	1	397584707T
U003	C4391	UTSP C	CE04W50V-100M(UTSP)	1	397581017T
U003	C4392	UTSP C	CE04W50V-100M(UTSP)	1	397581017T
U003	C4402	UTSP C	CE04W25V-100M(UTSP)	1	397551017T
U003	C4403	UTSP C	CE04W25V-100M(UTSP)	1	397551017T
U003	C4404	UTSP C	CE04W50V 47M(UTSP)	1	397584707T
U003	C4405	UTSP C	CE04W50V 47M(UTSP)	1	397584707T
U003	C4406	UTSP C	CE04W25V-220M(UTSP)	1	397552217T
U003	C4407	UTSP C	CE04W25V-220M(UTSP)	1	397552217T

U003	C4408	UTSP C	CE04W50V 47M(UTSP)	1	397584707T
U003	C4409	UTSP C	CE04W50V-10M(UTSP)	1	397581007T
U003	C4410	UTSP C	CE04W50V-10M(UTSP)	1	397581007T
U003	C4411	UTSP C	CE04W50V-10M(UTSP)	1	397581007T
U003	C4412	UTSP C	CE04W50V-10M(UTSP)	1	397581007T
U003	C4417	C-CERA C	CC725CH1H-101J1	1	342101014R1
U003	C4418	C-CERA C	CC725CH1H-101J1	1	342101014R1
U003	C4419	C-CERA C	CC725CH1H-101J1	1	342101014R1
U003	C4420	C-CERA C	CK725F1E-104Z1	1	332161040R1
U003	C4421	C-CERA C	CK725F1E-104Z1	1	332161040R1
U003	C4422	C-CERA C	CC725CH1H-101J1	1	342101014R1
U003	C4423	C-CERA C	CC725CH1H-101J1	1	342101014R1
U003	C4424	C-CERA C	CC725CH1H-101J1	1	342101014R1
U003	C4431	TF C	ECQ-V50V-104J	1	374721044T
U003	C4432	TF C	ECQ-V50V-104J	1	374721044T
U003	C4433	TF C	ECQ-V50V-104J	1	374721044T
U003	C4434	TF C	ECQ-V50V-104J	1	374721044T
U003	C4435	TF C	ECQ-V50V-104J	1	374721044T
U003	C4436	TF C	ECQ-V50V-104J	1	374721044T
U003	C4441	UTSP C	CE04W50V 47M(UTSP)	1	397584707T
U003	C4442	UTSP C	CE04W50V 47M(UTSP)	1	397584707T
U003	C4443	C-CERA C	CC725CH1H-102J1	1	342101024R1
U003	C4444	C-CERA C	CC725CH1H-102J1	1	342101024R1
U003	C4445	TF C	ECQ-V50V-104J	1	374721044T
U003	C4461	UTSP C	CE04W50V 47M(UTSP)	1	397584707T
U003	C4462	UTSP C	CE04W50V 47M(UTSP)	1	397584707T
U003	C4463	C-CERA C	CC725CH1H-101J1	1	342101014R1
U003	C4464	C-CERA C	CC725CH1H-101J1	1	342101014R1
U003	C4465	UTSP C	CE04W50V 47M(UTSP)	1	397584707T
U003	C4466	UTSP C	CE04W50V 47M(UTSP)	1	397584707T
U003	C4467	TF C	ECQ-V50V-104J	1	374721044T
U003	C4550	C-CERA C	CK725B1H-103K1	1	332101035R1
U003	C4552	TF C	ECQ-V50V-104J	1	374721044T
U003	C4600	C-CERA C	CC725CH1H-221J1	1	342102214R1
U003	C4601	C-CERA C	CC725CH1H-221J1	1	342102214R1
U003	C4602	C-CERA C	CC725CH1H-221J1	1	342102214R1
U003	C4603	C-CERA C	CC725CH1H-221J1	1	342102214R1
U003	C4604	C-CERA C	CC725CH1H-221J1	1	342102214R1
U003	C4605	C-CERA C	CC725CH1H-221J1	1	342102214R1

U003	C4606	C-CERA C	CC725CH1H-221J1	1	342102214R1	
U003	C4607	C-CERA C	CC725CH1H-221J1	1	342102214R1	
U003	C4608	MKT C	B32529C0102J289	1	376491024T	
U003	C4610	UTSP C	CE04W50V 47M(UTSP)	1	397584707T	
U003	C4611	UTSP C	CE04W50V 47M(UTSP)	1	397584707T	
U003	C4612	UTSP C	CE04W50V 47M(UTSP)	1	397584707T	
U003	C4613	UTSP C	CE04W50V 47M(UTSP)	1	397584707T	
U003	C4614	UTSP C	CE04W50V 47M(UTSP)	1	397584707T	
U003	C4615	UTSP C	CE04W50V 47M(UTSP)	1	397584707T	
U003	C4616	UTSP C	CE04W50V 47M(UTSP)	1	397584707T	
U003	C4617	UTSP C	CE04W50V 47M(UTSP)	1	397584707T	
U003	C4620	UTSP C	CE04W50V 47M(UTSP)	1	397584707T	
U003	C4621	MKT C	B32529C0102J289	1	376491024T	
U003	C4633	UTSP C	CE04W50V 47M(UTSP)	1	397584707T	
U003	C4634	UTSP C	CE04W50V 47M(UTSP)	1	397584707T	
U003	C4635	UTSP C	CE04W50V 47M(UTSP)	1	397584707T	
U003	C4636	UTSP C	CE04W50V 47M(UTSP)	1	397584707T	
U003	C4637	UTSP C	CE04W50V 47M(UTSP)	1	397584707T	
U003	C4640	UTSP C	CE04W50V 47M(UTSP)	1	397584707T	<MDC, MMP, MMR>
U003	C4641	UTSP C	CE04W50V 47M(UTSP)	1	397584707T	<MDC, MMP, MMR>
U003	C4642	UTSP C	CE04W50V 47M(UTSP)	1	397584707T	<MDC, MMP, MMR>
U003	C4643	UTSP C	CE04W50V 47M(UTSP)	1	397584707T	<MDC, MMP, MMR>
U003	C4644	UTSP C	CE04W50V 47M(UTSP)	1	397584707T	<MDC, MMP, MMR>
U003	C4645	UTSP C	CE04W50V 47M(UTSP)	1	397584707T	<MDC, MMP, MMR>
U003	C4646	UTSP C	CE04W50V 47M(UTSP)	1	397584707T	<MDC, MMP, MMR>
U003	C4647	UTSP C	CE04W50V-10M(UTSP)	1	397581007T	<MDC, MMP, MMR>
U003	C4648	UTSP C	CE04W50V-10M(UTSP)	1	397581007T	<MDC, MMP, MMR>
U003	C4650	C-CERA C	CC725CH1H-221J1	1	342102214R1	
U003	C4651	C-CERA C	CC725CH1H-221J1	1	342102214R1	
U003	C4652	C-CERA C	CC725CH1H-221J1	1	342102214R1	
U003	C4653	C-CERA C	CC725CH1H-221J1	1	342102214R1	
U003	C4654	C-CERA C	CC725CH1H-221J1	1	342102214R1	
U003	C4655	C-CERA C	CC725CH1H-221J1	1	342102214R1	
U003	C4656	C-CERA C	CC725CH1H-221J1	1	342102214R1	
U003	C4657	C-CERA C	CC725CH1H-221J1	1	342102214R1	
U003	C4658	C-CERA C	CC725CH1H-221J1	1	342102214R1	
U003	C4741	UTSP C	CE04W50V 47M(UTSP)	1	397584707T	<MDC, MMP, MMR>
U003	C4742	UTSP C	CE04W50V 47M(UTSP)	1	397584707T	<MDC, MMP, MMR>
U003	C4751	C-CERA C	CC725CH1H-221J1	1	342102214R1	

U003	C4752	C-CERA C	CC725CH1H-221J1	1	342102214R1	
U003	C4801	UTSP C	CE04W50V 47M(UTSP)	1	397584707T	<MDC, MMP, MMR>
U003	C4802	UTSP C	CE04W50V 47M(UTSP)	1	397584707T	<MDC, MMP, MMR>
U003	C4803	UTSP C	CE04W50V 47M(UTSP)	1	397584707T	<MDC, MMP, MMR>
U003	C4804	UTSP C	CE04W50V 47M(UTSP)	1	397584707T	<MDC, MMP, MMR>
U003	C4811	C-CERA C	CC725CH1H-221J1	1	342102214R1	<MDC, MMP, MMR>
U003	C4812	C-CERA C	CC725CH1H-221J1	1	342102214R1	<MDC, MMP, MMR>
U003	C4813	C-CERA C	CC725CH1H-221J1	1	342102214R1	<MDC, MMP, MMR>
U003	C4814	C-CERA C	CC725CH1H-221J1	1	342102214R1	<MDC, MMP, MMR>
U003	[RESISTOR]					
U003	R2000	C-CARBON R	RN72K1J-222JE	1	435032224R1	
U003	R2001	METAL R	RNU1/2WCJ-0.22	1	453532294T	
U003	R2002	C-CARBON R	RN72K1J-472JE	1	435034724R1	
U003	R2003	C-CARBON R	RN72K1J-152JE	1	435031524R1	
U003	R2004	C-CARBON R	RN72K1J-221JE	1	435032214R1	
U003	R2005	C-CARBON R	RN72K1J-392JE	1	435033924R1	
U003	R2006	C-CARBON R	RN72K1J-102JE	1	435031024R1	
U003	R2007	C-CARBON R	RN72K1J-221JE	1	435032214R1	
U003	R2008	C-CARBON R	RN72K1J-222JE	1	435032224R1	
U003	R2009	C-CARBON R	RN72K1J-473JE	1	435034734R1	
U003	R2010	METAL R	RNU2WCJ-4.7	1	452730474F	
U003	R2011	METAL R	RNU2WCJ-4.7	1	452730474F	
U003	R2013	C-CARBON R	RN72K2E-015JE	1	435220154R1	
U003	R2014	METAL R	RNU1/2WCJ-0.22	1	453532294T	
U003	R2017	C-CARBON R	RN72K1J-472JE	1	435034724R1	
U003	R2018	C-CARBON R	RN72K1J-103JE	1	435031034R1	
U003	R2020	C-CARBON R	RN72K1J-222JE	1	435032224R1	
U003	R2024	C-CARBON R	RN72K1J-000JE	1	435030004R1	<MDC, MMP, MMR>
U003	R2025	C-CARBON R	RN72K1J-000JE	1	435030004R1	<MDC, MMP, MMR>
U003	R2026	C-CARBON R	RN72K1J-000JE	1	435030004R1	<MDC, MMP, MMR>
U003	R2027	C-CARBON R	RN72K1J-000JE	1	435030004R1	<MDC, MMP, MMR>
U003	R2028	C-CARBON R	RN72K1J-000JE	1	435030004R1	<MDC, MMP, MMR>
U003	R2029	C-CARBON R	RN72K1J-000JE	1	435030004R1	<MDC, MMP, MMR>
U003	R2030	C-CARBON R	RN72K1J-104JE	1	435031044R1	
U003	R2031	C-CARBON R	RN72K1J-562JE	1	435035624R1	<MDC, MMP, MMR>
U003	R2100	C-CARBON R	RN72K1J-750JE	1	435037504R1	
U003	R2101	C-CARBON R	RN72K1J-750JE	1	435037504R1	
U003	R2102	C-CARBON R	RN72K1J-750JE	1	435037504R1	
U003	R2104	C-CARBON R	RN72K1J-750JE	1	435037504R1	

U003	R2105	C-CARBON R	RN72K1J-750JE	1	435037504R1
U003	R2106	C-CARBON R	RN72K1J-750JE	1	435037504R1
U003	R2107	C-CARBON R	RN72K1J-750JE	1	435037504R1
U003	R2111	C-CARBON R	RN72K1J-750JE	1	435037504R1
U003	R2112	C-CARBON R	RN72K1J-000JE	1	435030004R1
U003	R2116	C-CARBON R	RN72K1J-750JE	1	435037504R1
U003	R2117	C-CARBON R	RN72K1J-000JE	1	435030004R1
U003	R2118	C-CARBON R	RN72K1J-000JE	1	435030004R1
U003	R2119	C-CARBON R	RN72K1J-000JE	1	435030004R1
U003	R2120	C-CARBON R	RN72K1J-000JE	1	435030004R1
U003	R2121	C-CARBON R	RN72K1J-000JE	1	435030004R1
U003	R2122	C-CARBON R	RN72K1J-750JE	1	435037504R1
U003	R2123	C-CARBON R	RN72K1J-104JE	1	435031044R1
U003	R2135	C-CARBON R	RN72K1J-750JE	1	435037504R1
U003	R2136	C-CARBON R	RN72K1J-104JE	1	435031044R1
U003	R2147	C-CARBON R	RN72K1J-750JE	1	435037504R1
U003	R2148	C-CARBON R	RN72K1J-104JE	1	435031044R1
U003	R2158	C-CARBON R	RN72K1J-103JE	1	435031034R1
U003	R2159	C-CARBON R	RN72K1J-103JE	1	435031034R1
U003	R2165	C-CARBON R	RN72K1J-104JE	1	435031044R1
U003	R2166	C-CARBON R	RN72K1J-104JE	1	435031044R1
U003	R2168	C-CARBON R	RN72K1J-104JE	1	435031044R1
U003	R2169	C-CARBON R	RN72K1J-104JE	1	435031044R1
U003	R2171	C-CARBON R	RN72K1J-104JE	1	435031044R1
U003	R2172	C-CARBON R	RN72K1J-104JE	1	435031044R1
U003	R2173	C-CARBON R	RN72K1J-750JE	1	435037504R1
U003	R2174	C-CARBON R	RN72K1J-750JE	1	435037504R1
U003	R2175	C-CARBON R	RN72K1J-750JE	1	435037504R1
U003	R2176	C-CARBON R	RN72K1J-103JE	1	435031034R1
U003	R2179	C-CARBON R	RN72K1J-750JE	1	435037504R1
U003	R2180	C-CARBON R	RN72K1J-750JE	1	435037504R1
U003	R2181	C-CARBON R	RN72K1J-750JE	1	435037504R1
U003	R2186	C-CARBON R	RN72K1J-750JE	1	435037504R1
U003	R2189	C-CARBON R	RN72K1J-750JE	1	435037504R1
U003	R2190	METAL R	RNU1/2WCJ-0.1	1	453531094T
U003	R2191	METAL R	RNU1/2WCJ-0.1	1	453531094T
U003	R2192	C-CARBON R	RN72K1J-750JE	1	435037504R1
U003	R2193	C-CARBON R	RN72K1J-392JE	1	435033924R1
U003	R2194	C-CARBON R	RN72K1J-104JE	1	435031044R1

U003	R2195	C-CARBON R	RN72K1J-104JE	1	435031044R1	
U003	R2196	C-CARBON R	RN72K1J-104JE	1	435031044R1	
U003	R2197	C-CARBON R	RN72K1J-392JE	1	435033924R1	
U003	R2198	C-CARBON R	RN72K1J-750JE	1	435037504R1	
U003	R2199	C-CARBON R	RN72K1J-750JE	1	435037504R1	
U003	R2200	C-CARBON R	RN72K1J-750JE	1	435037504R1	
U003	R2201	C-CARBON R	RN72K1J-750JE	1	435037504R1	
U003	R2202	C-CARBON R	RN72K1J-750JE	1	435037504R1	
U003	R2203	C-CARBON R	RN72K1J-750JE	1	435037504R1	
U003	R2204	C-CARBON R	RN72K1J-750JE	1	435037504R1	
U003	R2205	C-CARBON R	RN72K1J-750JE	1	435037504R1	
U003	R2206	C-CARBON R	RN72K1J-750JE	1	435037504R1	
U003	R2207	C-CARBON R	RN72K1J-104JE	1	435031044R1	
U003	R2208	C-CARBON R	RN72K1J-104JE	1	435031044R1	
U003	R2209	C-CARBON R	RN72K1J-104JE	1	435031044R1	
U003	R2210	C-CARBON R	RN72K1J-750JE	1	435037504R1	<MDC, MMP, MMR>
U003	R2211	C-CARBON R	RN72K1J-104JE	1	435031044R1	<MDC, MMP, MMR>
U003	R2214	C-CARBON R	RN72K1J-331JE	1	435033314R1	
U003	R2215	C-CARBON R	RN72K1J-331JE	1	435033314R1	
U003	R2216	C-CARBON R	RN72K1J-390JE	1	435033904R1	
U003	R2217	C-CARBON R	RN72K1J-390JE	1	435033904R1	
U003	R2218	C-CARBON R	RN72K1J-390JE	1	435033904R1	
U003	R2219	C-CARBON R	RN72K1J-331JE	1	435033314R1	
U003	R2222	C-CARBON R	RN72K1J-000JE	1	435030004R1	
U003	R2223	C-CARBON R	RN72K1J-000JE	1	435030004R1	
U003	R2224	C-CARBON R	RN72K1J-000JE	1	435030004R1	
U003	R2500	C-CARBON R	RN72K1J-220JE	1	435032204R1	
U003	R2501	C-CARBON R	RN72K1J-223JE	1	435032234R1	
U003	R2504	C-CARBON R	RN72K1J-223JE	1	435032234R1	
U003	R2505	C-CARBON R	RN72K1J-223JE	1	435032234R1	
U003	R2506	C-CARBON R	RN72K1J-223JE	1	435032234R1	
U003	R2507	C-CARBON R	RN72K1J-223JE	1	435032234R1	
U003	R2508	C-CARBON R	RN72K1J-223JE	1	435032234R1	
U003	R2510	C-CARBON R	RN72K1J-223JE	1	435032234R1	
U003	R2512	C-CARBON R	RN72K1J-223JE	1	435032234R1	
U003	R2513	C-CARBON R	RN72K1J-220JE	1	435032204R1	
U003	R2516	C-CARBON R	RN72K1J-750JE	1	435037504R1	
U003	R2517	C-CARBON R	RN72K1J-222JE	1	435032224R1	
U003	R2522	C-CARBON R	RN72K1J-750JE	1	435037504R1	

U003	R2523	C-CARBON R	RN72K1J-222JE	1	435032224R1	
U003	R2528	C-CARBON R	RN72K1J-220JE	1	435032204R1	
U003	R2529	C-CARBON R	RN72K1J-750JE	1	435037504R1	
U003	R2530	C-CARBON R	RN72K1J-222JE	1	435032224R1	
U003	R2531	C-CARBON R	RN72K1J-022JE	1	435030224R1	
U003	R2532	C-CARBON R	RN72K1J-220JE	1	435032204R1	
U003	R2533	C-CARBON R	RN72K1J-471JE	1	435034714R1	
U003	R2534	C-CARBON R	RN72K1J-471JE	1	435034714R1	
U003	R2535	C-CARBON R	RN72K1J-105JE	1	435031054R1	
U003	R2536	C-CARBON R	RN72K1J-105JE	1	435031054R1	
U003	R2537	THERMISTOR	FUSB090F	1	4000252T	
U003	R2700	C-CARBON R	RN72K1J-101JE	1	435031014R1	<MDC, MMP, MMR>
U003	R2701	C-CARBON R	RN72K1J-102JE	1	435031024R1	<MDC, MMP, MMR>
U003	R2702	C-CARBON R	RN72K1J-039JE	1	435030394R1	<MDC, MMP, MMR>
U003	R2703	C-CARBON R	RN72K1J-224JE	1	435032244R1	<MDC, MMP, MMR>
U003	R2704	C-CARBON R	RN72K1J-102JE	1	435031024R1	<MDC, MMP, MMR>
U003	R2705	C-CARBON R	RN72K1J-220JE	1	435032204R1	<MDC, MMP, MMR>
U003	R2707	C-CARBON R	RN72K1J-224JE	1	435032244R1	<MDC, MMP, MMR>
U003	R2708	C-CARBON R	RN72K1J-102JE	1	435031024R1	<MDC, MMP, MMR>
U003	R2710	C-CARBON R	RN72K1J-101JE	1	435031014R1	<MDC, MMP, MMR>
U003	R2714	C-CARBON R	RN72K1J-000JE	1	435030004R1	<MDC, MMP, MMR>
U003	R2715	C-CARBON R	RN72K1J-000JE	1	435030004R1	<MDC, MMP, MMR>
U003	R2716	C-CARBON R	RN72K1J-000JE	1	435030004R1	<MDC, MMP, MMR>
U003	R2718	C-CARBON R	RN72K1J-000JE	1	435030004R1	<MDC, MMP, MMR>
U003	R4001	C-CARBON R	RN72K1J-562JE	1	435035624R1	
U003	R4002	C-CARBON R	RN72K1J-562JE	1	435035624R1	
U003	R4003	C-CARBON R	RN72K1J-563JE	1	435035634R1	
U003	R4004	C-CARBON R	RN72K1J-563JE	1	435035634R1	
U003	R4041	C-CARBON R	RN72K1J-331JE	1	435033314R1	
U003	R4042	C-CARBON R	RN72K1J-331JE	1	435033314R1	
U003	R4043	C-CARBON R	RN72K1J-563JE	1	435035634R1	
U003	R4044	C-CARBON R	RN72K1J-563JE	1	435035634R1	
U003	R4045	C-CARBON R	RN72K1J-224JE	1	435032244R1	
U003	R4046	C-CARBON R	RN72K1J-224JE	1	435032244R1	
U003	R4047	METAL O R	RS1/2WBJ-22	1	443522204T	
U003	R4048	METAL O R	RS1/2WBJ-22	1	443522204T	
U003	R4077	METAL O R	RS1/2WBJ-22	1	443522204T	
U003	R4078	METAL O R	RS1/2WBJ-22	1	443522204T	
U003	R4081	C-CARBON R	RN72K1J-331JE	1	435033314R1	<MDC, MMP, MMR>

U003	R4082	C-CARBON R	RN72K1J-331JE	1	435033314R1	<MDC, MMP, MMR>
U003	R4083	C-CARBON R	RN72K1J-563JE	1	435035634R1	<MDC, MMP, MMR>
U003	R4084	C-CARBON R	RN72K1J-563JE	1	435035634R1	<MDC, MMP, MMR>
U003	R4085	C-CARBON R	RN72K1J-224JE	1	435032244R1	<MDC, MMP, MMR>
U003	R4086	C-CARBON R	RN72K1J-224JE	1	435032244R1	<MDC, MMP, MMR>
U003	R4091	C-CARBON R	RN72K1J-331JE	1	435033314R1	
U003	R4092	C-CARBON R	RN72K1J-331JE	1	435033314R1	
U003	R4093	C-CARBON R	RN72K1J-563JE	1	435035634R1	
U003	R4094	C-CARBON R	RN72K1J-563JE	1	435035634R1	
U003	R4095	C-CARBON R	RN72K1J-224JE	1	435032244R1	
U003	R4096	C-CARBON R	RN72K1J-224JE	1	435032244R1	
U003	R4101	C-CARBON R	RN72K1J-331JE	1	435033314R1	
U003	R4102	C-CARBON R	RN72K1J-331JE	1	435033314R1	
U003	R4103	C-CARBON R	RN72K1J-563JE	1	435035634R1	
U003	R4104	C-CARBON R	RN72K1J-563JE	1	435035634R1	
U003	R4105	C-CARBON R	RN72K1J-224JE	1	435032244R1	
U003	R4106	C-CARBON R	RN72K1J-224JE	1	435032244R1	
U003	R4111	C-CARBON R	RN72K1J-331JE	1	435033314R1	
U003	R4112	C-CARBON R	RN72K1J-331JE	1	435033314R1	
U003	R4113	C-CARBON R	RN72K1J-224JE	1	435032244R1	
U003	R4114	C-CARBON R	RN72K1J-224JE	1	435032244R1	
U003	R4115	C-CARBON R	RN72K1J-100JE	1	435031004R1	
U003	R4116	C-CARBON R	RN72K1J-100JE	1	435031004R1	
U003	R4117	C-CARBON R	RN72K1J-101JE	1	435031014R1	
U003	R4118	C-CARBON R	RN72K1J-101JE	1	435031014R1	
U003	R4119	C-CARBON R	RN72K1J-221JE	1	435032214R1	
U003	R4120	C-CARBON R	RN72K1J-221JE	1	435032214R1	
U003	R4121	C-CARBON R	RN72K1J-331JE	1	435033314R1	
U003	R4122	C-CARBON R	RN72K1J-331JE	1	435033314R1	
U003	R4123	C-CARBON R	RN72K1J-563JE	1	435035634R1	
U003	R4124	C-CARBON R	RN72K1J-563JE	1	435035634R1	
U003	R4125	C-CARBON R	RN72K1J-224JE	1	435032244R1	
U003	R4126	C-CARBON R	RN72K1J-224JE	1	435032244R1	
U003	R4131	C-CARBON R	RN72K1J-331JE	1	435033314R1	
U003	R4132	C-CARBON R	RN72K1J-331JE	1	435033314R1	
U003	R4133	C-CARBON R	RN72K1J-563JE	1	435035634R1	
U003	R4134	C-CARBON R	RN72K1J-563JE	1	435035634R1	
U003	R4135	C-CARBON R	RN72K1J-224JE	1	435032244R1	
U003	R4136	C-CARBON R	RN72K1J-224JE	1	435032244R1	

U003	R4137	METAL O R	RS1/2WBJ-22	1	443522204T
U003	R4138	METAL O R	RS1/2WBJ-22	1	443522204T
U003	R4151	C-CARBON R	RN72K1J-224JE	1	435032244R1
U003	R4152	C-CARBON R	RN72K1J-224JE	1	435032244R1
U003	R4153	C-CARBON R	RN72K1J-224JE	1	435032244R1
U003	R4154	C-CARBON R	RN72K1J-224JE	1	435032244R1
U003	R4155	C-CARBON R	RN72K1J-224JE	1	435032244R1
U003	R4156	C-CARBON R	RN72K1J-224JE	1	435032244R1
U003	R4157	C-CARBON R	RN72K1J-224JE	1	435032244R1
U003	R4158	C-CARBON R	RN72K1J-224JE	1	435032244R1
U003	R4200	C-CARBON R	RN72K1J-102JE	1	435031024R1
U003	R4201	C-CARBON R	RN72K1J-102JE	1	435031024R1
U003	R4202	C-CARBON R	RN72K1J-102JE	1	435031024R1
U003	R4203	C-CARBON R	RN72K1J-103JE	1	435031034R1
U003	R4204	C-CARBON R	RN72K1J-100JE	1	435031004R1
U003	R4206	C-CARBON R	RN72K1J-100JE	1	435031004R1
U003	R4207	C-CARBON R	RN72K1J-102JE	1	435031024R1
U003	R4208	C-CARBON R	RN72K1J-102JE	1	435031024R1
U003	R4209	C-CARBON R	RN72K1J-102JE	1	435031024R1
U003	R4211	C-CARBON R	RN72K1J-100JE	1	435031004R1
U003	R4212	C-CARBON R	RN72K1J-103JE	1	435031034R1
U003	R4213	C-CARBON R	RN72K1J-100JE	1	435031004R1
U003	R4214	METAL O R	RS1/2WBJ-15	1	443521504T
U003	R4215	METAL O R	RS1/2WBJ-15	1	443521504T
U003	R4216	C-CARBON R	RN72K1J-681JE	1	435036814R1
U003	R4217	C-CARBON R	RN72K1J-681JE	1	435036814R1
U003	R4218	METAL O R	RS1/2WBJ-10	1	443521004T
U003	R4219	METAL O R	RS1/2WBJ-10	1	443521004T
U003	R4221	C-CARBON R	RN72K1J-224JE	1	435032244R1
U003	R4222	C-CARBON R	RN72K1J-224JE	1	435032244R1
U003	R4223	C-CARBON R	RN72K1J-224JE	1	435032244R1
U003	R4224	C-CARBON R	RN72K1J-224JE	1	435032244R1
U003	R4225	C-CARBON R	RN72K1J-103JE	1	435031034R1
U003	R4226	C-CARBON R	RN72K1J-103JE	1	435031034R1
U003	R4256	METAL O R	RS1/2WBJ-22	1	443522204T
U003	R4257	METAL O R	RS1/2WBJ-22	1	443522204T
U003	R4297	METAL O R	RS1/2WBJ-1K	1	443521024T
U003	R4301	C-CARBON R	RN72K1J-103JE	1	435031034R1
U003	R4302	C-CARBON R	RN72K1J-103JE	1	435031034R1

U003	R4303	C-CARBON R	RN72K1J-103JE	1	435031034R1
U003	R4304	C-CARBON R	RN72K1J-103JE	1	435031034R1
U003	R4307	C-CARBON R	RN72K1J-224JE	1	435032244R1
U003	R4308	C-CARBON R	RN72K1J-682JE	1	435036824R1
U003	R4309	C-CARBON R	RN72K1J-272JE	1	435032724R1
U003	R4310	C-CARBON R	RN72K1J-682JE	1	435036824R1
U003	R4323	C-CARBON R	RN72K1J-224JE	1	435032244R1
U003	R4324	C-CARBON R	RN72K1J-224JE	1	435032244R1
U003	R4325	C-CARBON R	RN72K1J-224JE	1	435032244R1
U003	R4326	C-CARBON R	RN72K1J-224JE	1	435032244R1
U003	R4341	C-CARBON R	RN72K1J-122JE	1	435031224R1
U003	R4342	C-CARBON R	RN72K1J-103JE	1	435031034R1
U003	R4343	C-CARBON R	RN72K1J-152JE	1	435031524R1
U003	R4344	C-CARBON R	RN72K1J-103JE	1	435031034R1
U003	R4346	C-CARBON R	RN72K1J-103JE	1	435031034R1
U003	R4347	C-CARBON R	RN72K1J-122JE	1	435031224R1
U003	R4348	C-CARBON R	RN72K1J-103JE	1	435031034R1
U003	R4349	C-CARBON R	RN72K1J-152JE	1	435031524R1
U003	R4350	C-CARBON R	RN72K1J-103JE	1	435031034R1
U003	R4351	C-CARBON R	RN72K1J-103JE	1	435031034R1
U003	R4352	C-CARBON R	RN72K1J-103JE	1	435031034R1
U003	R4353	C-CARBON R	RN72K1J-103JE	1	435031034R1
U003	R4354	C-CARBON R	RN72K1J-103JE	1	435031034R1
U003	R4355	C-CARBON R	RN72K1J-103JE	1	435031034R1
U003	R4357	C-CARBON R	RN72K1J-103JE	1	435031034R1
U003	R4359	C-CARBON R	RN72K1J-103JE	1	435031034R1
U003	R4360	C-CARBON R	RN72K1J-224JE	1	435032244R1
U003	R4361	C-CARBON R	RN72K1J-224JE	1	435032244R1
U003	R4371	C-CARBON R	RN72K1J-103JE	1	435031034R1
U003	R4372	C-CARBON R	RN72K1J-103JE	1	435031034R1
U003	R4373	C-CARBON R	RN72K1J-103JE	1	435031034R1
U003	R4374	C-CARBON R	RN72K1J-103JE	1	435031034R1
U003	R4375	C-CARBON R	RN72K1J-224JE	1	435032244R1
U003	R4376	C-CARBON R	RN72K1J-224JE	1	435032244R1
U003	R4381	C-CARBON R	RN72K1J-123JE	1	435031234R1
U003	R4382	C-CARBON R	RN72K1J-123JE	1	435031234R1
U003	R4383	C-CARBON R	RN72K1J-562JE	1	435035624R1
U003	R4385	C-CARBON R	RN72K1J-224JE	1	435032244R1
U003	R4386	C-CARBON R	RN72K1J-103JE	1	435031034R1

U003	R4387	C-CARBON R	RN72K1J-103JE	1	435031034R1
U003	R4391	METAL O R	RS1/2WBJ-22	1	443522204T
U003	R4392	METAL O R	RS1/2WBJ-22	1	443522204T
U003	R4393	C-CARBON R	RN72K1J-103JE	1	435031034R1
U003	R4394	C-CARBON R	RN72K1J-103JE	1	435031034R1
U003	R4395	C-CARBON R	RN72K1J-103JE	1	435031034R1
U003	R4396	C-CARBON R	RN72K1J-103JE	1	435031034R1
U003	R4397	C-CARBON R	RN72K1J-103JE	1	435031034R1
U003	R4398	C-CARBON R	RN72K1J-103JE	1	435031034R1
U003	R4399	C-CARBON R	RN72K1J-103JE	1	435031034R1
U003	R4400	C-CARBON R	RN72K1J-103JE	1	435031034R1
U003	R4401	C-CARBON R	RN72K1J-103JE	1	435031034R1
U003	R4402	METAL O R	RS1/2WBJ-22	1	443522204T
U003	R4403	METAL O R	RS1/2WBJ-22	1	443522204T
U003	R4404	C-CARBON R	RN72K1J-222JE	1	435032224R1
U003	R4405	C-CARBON R	RN72K1J-222JE	1	435032224R1
U003	R4406	C-CARBON R	RN72K1J-331JE	1	435033314R1
U003	R4407	C-CARBON R	RN72K1J-331JE	1	435033314R1
U003	R4409	C-CARBON R	RN72K1J-222JE	1	435032224R1
U003	R4410	C-CARBON R	RN72K1J-331JE	1	435033314R1
U003	R4411	C-CARBON R	RN72K1J-331JE	1	435033314R1
U003	R4412	C-CARBON R	RN72K1J-331JE	1	435033314R1
U003	R4413	C-CARBON R	RN72K1J-222JE	1	435032224R1
U003	R4414	C-CARBON R	RN72K1J-331JE	1	435033314R1
U003	R4415	C-CARBON R	RN72K1J-331JE	1	435033314R1
U003	R4416	C-CARBON R	RN72K1J-331JE	1	435033314R1
U003	R4417	C-CARBON R	RN72K1J-222JE	1	435032224R1
U003	R4418	C-CARBON R	RN72K1J-222JE	1	435032224R1
U003	R4441	C-CARBON R	RN72K1J-473JE	1	435034734R1
U003	R4442	C-CARBON R	RN72K1J-473JE	1	435034734R1
U003	R4443	C-CARBON R	RN72K1J-392JE	1	435033924R1
U003	R4444	C-CARBON R	RN72K1J-392JE	1	435033924R1
U003	R4445	C-CARBON R	RN72K1J-682JE	1	435036824R1
U003	R4446	C-CARBON R	RN72K1J-393JE	1	435033934R1
U003	R4447	C-CARBON R	RN72K1J-682JE	1	435036824R1
U003	R4448	C-CARBON R	RN72K1J-393JE	1	435033934R1
U003	R4449	C-CARBON R	RN72K1J-272JE	1	435032724R1
U003	R4450	C-CARBON R	RN72K1J-272JE	1	435032724R1
U003	R4451	C-CARBON R	RN72K1J-272JE	1	435032724R1

U003	R4452	C-CARBON R	RN72K1J-272JE	1	435032724R1
U003	R4453	C-CARBON R	RN72K2E-220JE	1	435222204R1
U003	R4454	C-CARBON R	RN72K2E-220JE	1	435222204R1
U003	R4455	C-CARBON R	RN72K2E-220JE	1	435222204R1
U003	R4456	C-CARBON R	RN72K2E-220JE	1	435222204R1
U003	R4463	C-CARBON R	RN72K1J-473JE	1	435034734R1
U003	R4464	C-CARBON R	RN72K1J-473JE	1	435034734R1
U003	R4465	C-CARBON R	RN72K1J-223JE	1	435032234R1
U003	R4466	C-CARBON R	RN72K1J-223JE	1	435032234R1
U003	R4467	C-CARBON R	RN72K1J-333JE	1	435033334R1
U003	R4468	C-CARBON R	RN72K1J-333JE	1	435033334R1
U003	R4477	C-CARBON R	RN72K1J-224JE	1	435032244R1
U003	R4478	C-CARBON R	RN72K1J-224JE	1	435032244R1
U003	R4479	METAL O R	RS1/2WBJ-47	1	443524704T
U003	R4480	METAL O R	RS1/2WBJ-47	1	443524704T
U003	R4481	C-CARBON R	RN72K1J-010JE	1	435030104R1
U003	R4482	C-CARBON R	RN72K1J-182JE	1	435031824R1
U003	R4483	C-CARBON R	RN72K1J-104JE	1	435031044R1
U003	R4484	C-CARBON R	RN72K1J-103JE	1	435031034R1
U003	R4485	C-CARBON R	RN72K1J-103JE	1	435031034R1
U003	R4550	C-CARBON R	RN72K1J-104JE	1	435031044R1
U003	R4551	C-CARBON R	RN72K1J-104JE	1	435031044R1
U003	R4552	C-CARBON R	RN72K1J-104JE	1	435031044R1
U003	R4553	C-CARBON R	RN72K1J-104JE	1	435031044R1
U003	R4554	C-CARBON R	RN72K1J-104JE	1	435031044R1
U003	R4555	C-CARBON R	RN72K1J-104JE	1	435031044R1
U003	R4556	C-CARBON R	RN72K1J-104JE	1	435031044R1
U003	R4557	C-CARBON R	RN72K1J-104JE	1	435031044R1
U003	R4558	C-CARBON R	RN72K1J-104JE	1	435031044R1
U003	R4559	C-CARBON R	RN72K1J-104JE	1	435031044R1
U003	R4560	C-CARBON R	RN72K1J-104JE	1	435031044R1
U003	R4561	C-CARBON R	RN72K1J-224JE	1	435032244R1
U003	R4562	C-CARBON R	RN72K1J-224JE	1	435032244R1
U003	R4563	C-CARBON R	RN72K1J-222JE	1	435032224R1
U003	R4600	C-CARBON R	RN72K1J-331JE	1	435033314R1
U003	R4601	C-CARBON R	RN72K1J-331JE	1	435033314R1
U003	R4602	C-CARBON R	RN72K1J-331JE	1	435033314R1
U003	R4603	C-CARBON R	RN72K1J-331JE	1	435033314R1
U003	R4604	C-CARBON R	RN72K1J-331JE	1	435033314R1

U003	R4605	C-CARBON R	RN72K1J-331JE	1	435033314R1
U003	R4606	C-CARBON R	RN72K1J-331JE	1	435033314R1
U003	R4607	C-CARBON R	RN72K1J-331JE	1	435033314R1
U003	R4610	C-CARBON R	RN72K1J-563JE	1	435035634R1
U003	R4611	C-CARBON R	RN72K1J-563JE	1	435035634R1
U003	R4612	C-CARBON R	RN72K1J-563JE	1	435035634R1
U003	R4613	C-CARBON R	RN72K1J-563JE	1	435035634R1
U003	R4614	C-CARBON R	RN72K1J-563JE	1	435035634R1
U003	R4615	C-CARBON R	RN72K1J-563JE	1	435035634R1
U003	R4616	C-CARBON R	RN72K1J-563JE	1	435035634R1
U003	R4617	C-CARBON R	RN72K1J-563JE	1	435035634R1
U003	R4620	C-CARBON R	RN72K1J-224JE	1	435032244R1
U003	R4621	C-CARBON R	RN72K1J-224JE	1	435032244R1
U003	R4622	C-CARBON R	RN72K1J-224JE	1	435032244R1
U003	R4623	C-CARBON R	RN72K1J-224JE	1	435032244R1
U003	R4624	C-CARBON R	RN72K1J-224JE	1	435032244R1
U003	R4625	C-CARBON R	RN72K1J-224JE	1	435032244R1
U003	R4626	C-CARBON R	RN72K1J-224JE	1	435032244R1
U003	R4627	C-CARBON R	RN72K1J-224JE	1	435032244R1
U003	R4630	C-CARBON R	RN72K1J-224JE	1	435032244R1
U003	R4633	C-CARBON R	RN72K1J-224JE	1	435032244R1
U003	R4634	C-CARBON R	RN72K1J-224JE	1	435032244R1
U003	R4635	C-CARBON R	RN72K1J-224JE	1	435032244R1
U003	R4636	C-CARBON R	RN72K1J-224JE	1	435032244R1
U003	R4637	C-CARBON R	RN72K1J-224JE	1	435032244R1
U003	R4640	C-CARBON R	RN72K1J-224JE	1	435032244R1
U003	R4641	C-CARBON R	RN72K1J-224JE	1	435032244R1
U003	R4642	C-CARBON R	RN72K1J-224JE	1	435032244R1
U003	R4643	C-CARBON R	RN72K1J-224JE	1	435032244R1
U003	R4644	C-CARBON R	RN72K1J-224JE	1	435032244R1
U003	R4645	C-CARBON R	RN72K1J-224JE	1	435032244R1
U003	R4646	C-CARBON R	RN72K1J-224JE	1	435032244R1
U003	R4647	C-CARBON R	RN72K1J-223JE	1	435032234R1
U003	R4648	C-CARBON R	RN72K1J-223JE	1	435032234R1
U003	R4650	C-CARBON R	RN72K1J-221JE	1	435032214R1
U003	R4651	C-CARBON R	RN72K1J-221JE	1	435032214R1
U003	R4652	C-CARBON R	RN72K1J-221JE	1	435032214R1
U003	R4653	C-CARBON R	RN72K1J-221JE	1	435032214R1
U003	R4654	C-CARBON R	RN72K1J-221JE	1	435032214R1

U003	R4655	C-CARBON R	RN72K1J-221JE	1	435032214R1
U003	R4656	C-CARBON R	RN72K1J-221JE	1	435032214R1
U003	R4657	C-CARBON R	RN72K1J-221JE	1	435032214R1
U003	R4658	C-CARBON R	RN72K1J-221JE	1	435032214R1
U003	R4660	C-CARBON R	RN72K1J-103JE	1	435031034R1
U003	R4661	C-CARBON R	RN72K1J-103JE	1	435031034R1
U003	R4662	C-CARBON R	RN72K1J-103JE	1	435031034R1
U003	R4663	C-CARBON R	RN72K1J-103JE	1	435031034R1
U003	R4664	C-CARBON R	RN72K1J-103JE	1	435031034R1
U003	R4665	C-CARBON R	RN72K1J-103JE	1	435031034R1
U003	R4666	C-CARBON R	RN72K1J-103JE	1	435031034R1
U003	R4667	C-CARBON R	RN72K1J-103JE	1	435031034R1
U003	R4668	C-CARBON R	RN72K1J-103JE	1	435031034R1
U003	R4670	C-CARBON R	RN72K1J-224JE	1	435032244R1
U003	R4671	C-CARBON R	RN72K1J-224JE	1	435032244R1
U003	R4672	C-CARBON R	RN72K1J-224JE	1	435032244R1
U003	R4673	C-CARBON R	RN72K1J-224JE	1	435032244R1
U003	R4674	C-CARBON R	RN72K1J-224JE	1	435032244R1
U003	R4675	C-CARBON R	RN72K1J-224JE	1	435032244R1
U003	R4676	C-CARBON R	RN72K1J-224JE	1	435032244R1
U003	R4677	C-CARBON R	RN72K1J-224JE	1	435032244R1
U003	R4678	C-CARBON R	RN72K1J-224JE	1	435032244R1
U003	R4680	C-CARBON R	RN72K1J-470JE	1	435034704R1
U003	R4681	C-CARBON R	RN72K1J-470JE	1	435034704R1
U003	R4682	C-CARBON R	RN72K1J-470JE	1	435034704R1
U003	R4683	C-CARBON R	RN72K1J-470JE	1	435034704R1
U003	R4684	C-CARBON R	RN72K1J-470JE	1	435034704R1
U003	R4685	C-CARBON R	RN72K1J-470JE	1	435034704R1
U003	R4686	C-CARBON R	RN72K1J-470JE	1	435034704R1
U003	R4687	C-CARBON R	RN72K1J-470JE	1	435034704R1
U003	R4688	C-CARBON R	RN72K1J-470JE	1	435034704R1
U003	R4741	C-CARBON R	RN72K1J-224JE	1	435032244R1
U003	R4742	C-CARBON R	RN72K1J-224JE	1	435032244R1
U003	R4751	C-CARBON R	RN72K1J-221JE	1	435032214R1
U003	R4752	C-CARBON R	RN72K1J-221JE	1	435032214R1
U003	R4761	C-CARBON R	RN72K1J-103JE	1	435031034R1
U003	R4762	C-CARBON R	RN72K1J-103JE	1	435031034R1
U003	R4771	C-CARBON R	RN72K1J-224JE	1	435032244R1
U003	R4772	C-CARBON R	RN72K1J-224JE	1	435032244R1

U003	R4781	C-CARBON R	RN72K1J-470JE	1	435034704R1	
U003	R4782	C-CARBON R	RN72K1J-470JE	1	435034704R1	
U003	R4801	C-CARBON R	RN72K1J-224JE	1	435032244R1	<MDC, MMP, MMR>
U003	R4802	C-CARBON R	RN72K1J-224JE	1	435032244R1	<MDC, MMP, MMR>
U003	R4803	C-CARBON R	RN72K1J-224JE	1	435032244R1	<MDC, MMP, MMR>
U003	R4804	C-CARBON R	RN72K1J-224JE	1	435032244R1	<MDC, MMP, MMR>
U003	R4811	C-CARBON R	RN72K1J-221JE	1	435032214R1	<MDC, MMP, MMR>
U003	R4812	C-CARBON R	RN72K1J-221JE	1	435032214R1	<MDC, MMP, MMR>
U003	R4813	C-CARBON R	RN72K1J-221JE	1	435032214R1	<MDC, MMP, MMR>
U003	R4814	C-CARBON R	RN72K1J-221JE	1	435032214R1	<MDC, MMP, MMR>
U003	R4821	C-CARBON R	RN72K1J-224JE	1	435032244R1	<MDC, MMP, MMR>
U003	R4822	C-CARBON R	RN72K1J-224JE	1	435032244R1	<MDC, MMP, MMR>
U003	R4823	C-CARBON R	RN72K1J-224JE	1	435032244R1	<MDC, MMP, MMR>
U003	R4824	C-CARBON R	RN72K1J-224JE	1	435032244R1	<MDC, MMP, MMR>
U003	R4831	C-CARBON R	RN72K1J-470JE	1	435034704R1	<MDC, MMP, MMR>
U003	R4832	C-CARBON R	RN72K1J-470JE	1	435034704R1	<MDC, MMP, MMR>
U003	R4833	C-CARBON R	RN72K1J-470JE	1	435034704R1	<MDC, MMP, MMR>
U003	R4834	C-CARBON R	RN72K1J-470JE	1	435034704R1	<MDC, MMP, MMR>
U003	R4841	C-CARBON R	RN72K1J-224JE	1	435032244R1	
U003	R4842	C-CARBON R	RN72K1J-224JE	1	435032244R1	
U003	[SW TRM]					
U003	E1B	TRM	NTM-1P232(M1700)	1	25060301	
U003	E2000	TRM-423(SCREW)	NEJITANSI ST3	1	25060495	
U003	F2001A	FUSE HOL	NSCT-1P2031	1	25052133T	!
U003	F2001B	FUSE HOL	NSCT-1P2031	1	25052133T	!
U003	F2004A	FUSE HOL	NSCT-1P2031	1	25052133T	!
U003	F2004B	FUSE HOL	NSCT-1P2031	1	25052133T	!
U003	F2005A	FUSE HOL	NSCT-1P2031	1	25052133T	!
U003	F2005B	FUSE HOL	NSCT-1P2031	1	25052133T	!
U003	JL2104A	WIRE HOL	NSCT-11P882	1	25051095	
U003	JL2104B	WIRE TRAP	NPLG-11P594	1	25055632	
U003	JL2601B	WIRE TRAP	NPLG-5P588	1	25055626	
U003	JL3201A	WIRE HOL	NSCT-5P876	1	25051089	
U003	JL4014B	SOCKET	NSCT-7P99	1	25050271	
U003	JL4103A	SOCKET	NSCT-5P97	1	25050269	
U003	JL8002A	WIRE HOL	NSCT-5P896	1	25051109	
U003	JL901B	WIRE TRAP	NPLG-7P590	1	25055628	
U003	P103B	SOCKET	NSCT-11P2191	1	25052294	
U003	P104B	SOCKET	NSCT-7P2187	1	25052290	

U003	P105B	SOCKET	NSCT-7P2187	1	25052290	
U003	P107B	SOCKET	NSCT-11P2191	1	25052294	
U003	P2000	PLUG	NPLG-5P119	1	25055135	<MDC, MMP, MMR>
U003	P2103A	PLUG	IMSA-9142B-18A	1	25056599	
U003	P2104A	PLUG	IMSA-9142B-20A	1	25056600	
U003	P2106	PIN JACK	NPJ-6PDGLRGLR646	1	25045871	<MDC, MMP, MMR>
U003	P2107	PIN JACK	NPJ-6PDGLRGLR646	1	25045871	<MDC, MMP, MMR>
U003	P2110	PIN JACK	NPJ-10PDBY621	1	25045842	<MDC, MMP, MMR>
U003	P2110 or	PIN JACK	NPJ-10PDBY478	(1)	25045681	<MDC, MMP, MMR>
U003	P2111	PIN JACK	NPJ-10PDBY621	1	25045842	<MDC, MMP, MMR>
U003	P2111 or	PIN JACK	NPJ-10PDBY478	(1)	25045681	<MDC, MMP, MMR>
U003	P2112	PIN JACK	NPJ-10PDBY621	1	25045842	<MDC, MMP, MMR>
U003	P2112 or	PIN JACK	NPJ-10PDBY478	(1)	25045681	<MDC, MMP, MMR>
U003	P2113	PIN JACK	NPJ-1PDY658	1	25045886	<MDC, MMP, MMR>
U003	P2500	SOCKET	NNA1-01-006	1	25053357	
U003	P2700	ST JACK	HSJ1002-01-6020	1	25045647	<MDC, MMP, MMR>
U003	P2702	ST JACK	HSJ1002-01-6020	1	25045647	<MDC, MMP, MMR>
U003	P2901	RETAINER	(PC-HOLD)	1	27142149	
U003	P4001	PIN JACK	NPJ-2PDWR705	1	25045939A	<MDC, MMP, MMR>
U003	P4002A	PLUG	NPLG-9P661	1	25055705	
U003	P4004	PIN JACK	NPJ-2PDWR705	1	25045939A	<MDC, MMP, MMR>
U003	P4007	PIN JACK	NPJ-4PDWRRR624	1	25045845	<MDC, MMP, MMR>
U003	P4008A	SOCKET	NSCT-9P2102	1	25052205	
U003	P4009A	SOCKET	NSCT-15P2108	1	25052211	
U003	P4010	PIN JACK	NPJ-6PDWRRRR561	1	25045779	<MDC, MMP, MMR>
U003	P4011	PIN JACK	NPJ-6PDGWRPLE695	1	25045929	<MDC, MMP, MMR>
U003	P4012	PIN JACK	NPJ-2PDNT703	1	25045937	<MDC, MMP, MMR>
U003	P4013	PIN JACK	NPJ-2PDWR558	1	25045776	<MDC, MMP, MMR>
U003	P4017	PIN JACK	NPJ-9PDGWRPLENT697	1	25045931	<MDC, MMP, MMR>
U003	P4018	PIN JACK	NPJ-2PDWR558	1	25045776	<MDC, MMP, MMR>
U003	P4022	PIN JACK	NPJ-4PDWRRR624	1	25045845	<MDC, MMP, MMR>
U003	P4100	RETAINER	(JOINT)	1	27142069	
U003	P4104B	SOCKET	NSCT-31P2124	1	25052227	
U003	P5000B	PLUG	NPLG-10P357	1	25055374	
U003	P5001B	PLUG	NPLG-8P355	1	25055372	
U003	P5002B	CRIMP AS	CRIMP SR805_2	1	20799170UL	
U003	P7009A	PLUG	IMSA-9142B-18A	1	25056599	
U003	P7010A	PLUG	IMSA-9142B-26A	1	25056603	
U003	RL4001	RELAY	NRL-2P2A-DC12-178	1	25065664	

U003	RL4002	RELAY	NRL-2P2A-DC12-178	1	25065664	
U003	RL4003	RELAY	NRL-2P2A-DC12-178	1	25065664	
U003	RL4004	RELAY	NRL-2P2A-DC12-178	1	25065664	
U003	RL4005	RELAY	NRL-2P2A-DC12-178	1	25065664	
U003	RL4006	RELAY	NRL-2P2A-DC12-178	1	25065664	
U003	RL4008	RELAY	NRL-2P2A-DC12-178	1	25065664	
U003	RL4009	RELAY	NRL-2P2A-DC12-178	1	25065664	
U003	[TUNER UNIT]					
U003	U2700	REMO SENS	KSM-603TE2Q	1	24130018	<MDC, MMP, MMR>
U004	U004	U0040 ~ U0047				
U004	U0040	DAC PC BOARD ASS'Y	BADG-0208-2A/ 2B			
U004	U0041	MICROPROCESSOR PC BOARD ASS'Y	BACPU-0209-2A/ 2B			
U004	U0042	ZONE-2 VOLUME PC BOARD ASS'Y	BAAR-0210-2A/ 2B			
U004	U0043	EQUALIZER AMP PC BOARD ASS'Y	BAAF-0211-2A/ 2B			
U004	U0044	BUFFER AMP PC BOARD ASS'Y	BAACC-0212-2A/ 2B			
U004	U0045	SURIUS PC BOARD ASS'Y	BARF-0204-2A/ 2B			
U004	U0047	DIGITAL INPUT PC BOARD ASS'Y	BAETC-0246-2A/ 2B			
U004	U0048	D-SUB PC BOARD ASS'Y	BAETC-0247-2A/ 2B			
U004						
U004	CIRCUIT NO.	PART NAME	DESCRIPTION	Q'TY	PART NO. (SN)	REMARKS
U004	[SEMI CONDUCTOR]					
U004	D4001	ZENER D	UDZS5.6B	1	224550560R2	
U004	D4001 or	ZENER D	MAZ8056-M	(1)	224750562R2	
U004	D4002	ZENER D	UDZS5.6B	1	224550560R2	
U004	D4002 or	ZENER D	MAZ8056-M	(1)	224750562R2	
U004	D4003	ZENER D	UDZS3.6B	1	224550360R2	<MDC, B MMP, MMR>
U004	D4004	ZENER D	UDZS3.6B	1	224550360R2	
U004	D7002	C-DIODE	1SS352	1	223234R2	
U004	D7002 or	C-DIODE	1SS355	(1)	223269R2	
U004	D7002 or	C-DIODE	MA2J111	(1)	223279R2	
U004	D7002 or	C-DIODE	KDS4148U	(1)	223283R2	
U004	D7003	C-DIODE	1SS352	1	223234R2	
U004	D7003 or	C-DIODE	1SS355	(1)	223269R2	
U004	D7003 or	C-DIODE	MA2J111	(1)	223279R2	
U004	D7003 or	C-DIODE	KDS4148U	(1)	223283R2	
U004	D7006	C-DIODE	1SS352	1	223234R2	
U004	D7006 or	C-DIODE	1SS355	(1)	223269R2	
U004	D7006 or	C-DIODE	MA2J111	(1)	223279R2	

U004	D7006 or	C-DIODE	KDS4148U	(1)	223283R2	
U004	D7007	C-DIODE	1SS352	1	223234R2	
U004	D7007 or	C-DIODE	1SS355	(1)	223269R2	
U004	D7007 or	C-DIODE	MA2J111	(1)	223279R2	
U004	D7007 or	C-DIODE	KDS4148U	(1)	223283R2	
U004	D7008	C-DIODE	1SS352	1	223234R2	
U004	D7008 or	C-DIODE	1SS355	(1)	223269R2	
U004	D7008 or	C-DIODE	MA2J111	(1)	223279R2	
U004	D7008 or	C-DIODE	KDS4148U	(1)	223283R2	
U004	D7009	C-DIODE	1SS352	1	223234R2	
U004	D7009 or	C-DIODE	1SS355	(1)	223269R2	
U004	D7009 or	C-DIODE	MA2J111	(1)	223279R2	
U004	D7009 or	C-DIODE	KDS4148U	(1)	223283R2	
U004	D7010	C-DIODE	1SS352	1	223234R2	
U004	D7010 or	C-DIODE	1SS355	(1)	223269R2	
U004	D7010 or	C-DIODE	MA2J111	(1)	223279R2	
U004	D7010 or	C-DIODE	KDS4148U	(1)	223283R2	
U004	D7011	C-DIODE	1SS352	1	223234R2	
U004	D7011 or	C-DIODE	1SS355	(1)	223269R2	
U004	D7011 or	C-DIODE	MA2J111	(1)	223279R2	
U004	D7011 or	C-DIODE	KDS4148U	(1)	223283R2	
U004	Q1001	IC	PCM1796DBR	1	22242403R2	<MDC, MMP, MMR>
U004	Q1002	IC	PCM1796DBR	1	22242403R2	<MDC, MMP, MMR>
U004	Q1003	IC	PCM1796DBR	1	22242403R2	<MDC, MMP, MMR>
U004	Q1004	IC	PCM1796DBR	1	22242403R2	<MDC, MMP, MMR>
U004	Q1005	IC	PCM1796DBR	1	22242403R2	<MDC, MMP, MMR>
U004	Q1006	IC	PCM1796DBR	1	22242403R2	<MDC, MMP, MMR>
U004	Q101	IC	LC72725KV-TLM-E	1	22242584R2	<MMP, MMR>
U004	Q1200	IC	NE5532APSR	1	22242283R2	
U004	Q1201	IC	NE5532APSR	1	22242283R2	
U004	Q1202	IC	NE5532APSR	1	22242283R2	
U004	Q1203	IC	NE5532APSR	1	22242283R2	
U004	Q1204	IC	NE5532APSR	1	22242283R2	
U004	Q1205	IC	NE5532APSR	1	22242283R2	
U004	Q1206	IC	NE5532APSR	1	22242283R2	
U004	Q1207	IC	NE5532APSR	1	22242283R2	
U004	Q1208	IC	NE5532APSR	1	22242283R2	
U004	Q1209	IC	NE5532APSR	1	22242283R2	
U004	Q1210	IC	NE5532APSR	1	22242283R2	

U004	Q1211	IC	NE5532APSR	1	22242283R2	
U004	Q1212	IC	NE5532APSR	1	22242283R2	
U004	Q1213	IC	NE5532APSR	1	22242283R2	
U004	Q1214	IC	NE5532APSR	1	22242283R2	
U004	Q1215	IC	NE5532APSR	1	22242283R2	
U004	Q1220	IC	NE5532APSR	1	22242283R2	<MDC, MMP, MMR>
U004	Q1221	IC	NE5532APSR	1	22242283R2	<MDC, MMP, MMR>
U004	Q1222	IC	NE5532APSR	1	22242283R2	<MDC, MMP, MMR>
U004	Q1223	IC	NE5532APSR	1	22242283R2	<MDC, MMP, MMR>
U004	Q1224	IC	NE5532APSR	1	22242283R2	<MDC, MMP, MMR>
U004	Q1225	IC	NE5532APSR	1	22242283R2	<MDC, MMP, MMR>
U004	Q1226	IC	NE5532APSR	1	22242283R2	<MDC, MMP, MMR>
U004	Q1227	IC	NE5532APSR	1	22242283R2	<MDC, MMP, MMR>
U004	Q1228	IC	NE5532APSR	1	22242283R2	<MDC, MMP, MMR>
U004	Q1229	IC	NE5532APSR	1	22242283R2	<MDC, MMP, MMR>
U004	Q1230	IC	NE5532APSR	1	22242283R2	<MDC, MMP, MMR>
U004	Q1231	IC	NE5532APSR	1	22242283R2	<MDC, MMP, MMR>
U004	Q1232	IC	NE5532APSR	1	22242283R2	<MDC, MMP, MMR>
U004	Q1233	IC	NE5532APSR	1	22242283R2	<MDC, MMP, MMR>
U004	Q1234	IC	NE5532APSR	1	22242283R2	<MDC, MMP, MMR>
U004	Q1235	IC	NE5532APSR	1	22242283R2	<MDC, MMP, MMR>
U004	Q1236	IC	NE5532APSR	1	22242283R2	<MDC, MMP, MMR>
U004	Q1237	IC	NE5532APSR	1	22242283R2	<MDC, MMP, MMR>
U004	Q1238	IC	NE5532APSR	1	22242283R2	<MDC, MMP, MMR>
U004	Q1239	IC	NE5532APSR	1	22242283R2	<MDC, MMP, MMR>
U004	Q1240	IC	NE5532APSR	1	22242283R2	
U004	Q1241	IC	NE5532APSR	1	22242283R2	
U004	Q1242	IC	NE5532APSR	1	22242283R2	<MDC, MMP, MMR>
U004	Q1243	IC	NE5532APSR	1	22242283R2	<MDC, MMP, MMR>
U004	Q1244	IC	NE5532APSR	1	22242283R2	<MDC, MMP, MMR>
U004	Q1245	IC	NE5532APSR	1	22242283R2	<MDC, MMP, MMR>
U004	Q1250	IC	NE5532APSR	1	22242283R2	
U004	Q1251	IC	NE5532APSR	1	22242283R2	
U004	Q1252	IC	NE5532APSR	1	22242283R2	
U004	Q1253	IC	TC9162CFG(EL)	1	22242099R2	
U004	Q1254	TR	2SC2712-GR	1	2213145R2	
U004	Q1255	TR	2SC2712-GR	1	2213145R2	
U004	Q3700	IC	CY2305FSXC-1T	1	22242779R2	
U004	Q3701	IC	TC74VHCT08AFT	1	22274008GR2TO	

U004	Q3701 or	IC	TC74VHCT08AFT (EKJ)	(1)	22274008G1R2TO	
U004	Q3702	IC(CPLD SUB3)	XC2C64A-7VQG100(0341)	1	222W0095R303413	
U004	Q3703	IC	CS42516-CQZ(R)-D	1	22242294R2	
U004	Q3704	IC	TC7WU04FU(TE12L_F)	1	22240935R2	
U004	Q3705	IC	NE5532APSR	1	22242283R2	
U004	Q3706	IC	NE5532APSR	1	22242283R2	
U004	Q3885	IC	TC74VHC157FT	1	22274157ER2TO	
U004	Q3886	IC	74HCU04F	1	222740046R2	
U004	Q3886 or	IC	TC74HCU04AF	(1)	222740046R2TO	
U004	Q3887	IC	TC74VHC157FT	1	22274157ER2TO	
U004	Q3888	IC	ICL3221ECVZ	1	22242268R2	
U004	Q3889	IC	TC74VHC157FT	1	22274157ER2TO	
U004	Q4001	IC	NE5532APSR	1	22242283R2	
U004	Q4002	TR	2SC2240-BL(TPE2_F)	1	2211406T	
U004	Q4003	TR	2SC2240-BL(TPE2_F)	1	2211406T	
U004	Q4004	TR	2SC2712-GR	1	2213145R2	
U004	Q4005	TR	2SC2712-GR	1	2213145R2	
U004	Q4006	TR	2SC2240-BL(TPE2_F)	1	2211406T	
U004	Q4007	TR	2SC2240-BL(TPE2_F)	1	2211406T	
U004	Q4037	IC	NE5532APSR	1	22242283R2	<MDC, MMP, MMR>
U004	Q4038	IC	NE5532APSR	1	22242283R2	<MDC, MMP, MMR>
U004	Q4046	IC	M61540FP	1	22242497R2	
U004	Q4047	IC	M61540FP	1	22242497R2	<MDC, MMP, MMR>
U004	Q4500	IC	NE5532APSR	1	22242283R2	
U004	Q4501	IC	NE5532APSR	1	22242283R2	
U004	Q4502	IC	NE5532APSR	1	22242283R2	
U004	Q4503	IC	NE5532APSR	1	22242283R2	
U004	Q4504	IC	NE5532APSR	1	22242283R2	
U004	Q4505	IC	NE5532APSR	1	22242283R2	
U004	Q7001	TR	KRC104S	1	2216210R2	
U004	Q7001 or	TR	RN1404	(1)	2214490R2	
U004	Q7002	TR	KRA102S	1	2216220R2	
U004	Q7002 or	TR	RN2402	(1)	2214530R2	
U004	Q7003	TR	KRC104S	1	2216210R2	
U004	Q7003 or	TR	RN1404	(1)	2214490R2	
U004	Q7004	TR	KRA102S	1	2216220R2	
U004	Q7004 or	TR	RN2402	(1)	2214530R2	
U004	Q7005	TR	KRA107S	1	2216350R2	
U004	Q7005 or	TR	RN2407(TE85L_F)	(1)	2216360R2	

U004	Q7006	TR	KRC102S	1	2216190R2	
U004	Q7006 or	TR	RN1402	(1)	2214470R2	
U004	Q7007	TR	KRC102S	1	2216190R2	
U004	Q7007 or	TR	RN1402	(1)	2214470R2	
U004	Q7008	TR	KRA107S	1	2216350R2	
U004	Q7008 or	TR	RN2407(TE85L_F)	(1)	2216360R2	
U004	Q7009	TR	KRC104S	1	2216210R2	
U004	Q7009 or	TR	RN1404	(1)	2214490R2	
U004	Q7010	TR	KRA102S	1	2216220R2	
U004	Q7010 or	TR	RN2402	(1)	2214530R2	
U004	Q7011	TR	KRC102S	1	2216190R2	
U004	Q7011 or	TR	RN1402	(1)	2214470R2	
U004	Q7012	TR	KRC104S	1	2216210R2	
U004	Q7012 or	TR	RN1404	(1)	2214490R2	
U004	Q7013	TR	KRA102S	1	2216220R2	
U004	Q7013 or	TR	RN2402	(1)	2214530R2	
U004	Q7016	IC(MAIN)	MPD70F3477AGJA-GAE-G(0470)	1	222W0117R304740	<MDC, MMP, MMR>
U004	Q7017	IC	R1EX25064ASA00A	1	22242581R2	
U004	Q7018	IC	NJU7706F27A3	1	22242614R2	
U004	Q7019	IC	74HC595F	1	222745955R2	
U004	Q7020	TR	2SC2712-GR	1	2213145R2	
U004	Q7021	TR	2SC2712-GR	1	2213145R2	
U004	Q7022	IC	TC4066BFT	1	22284066MR2TO	
U004	Q7023	IC	TA4805BF(TE16L_NQ)	1	22278005DBR2TO	
U004	Q7024	IC	S-812C33AUA-C2N	1	22242222R2	
U004	Q7025	IC	XC6202P502FR	1	22242331R2	
U004	Q7027	IC	XC6213B332MR	1	22242277R2	
U004	Q7028	IC	TA4805BF(TE16L_NQ)	1	22278005DBR2TO	
U004	Q7029	IC	TA48033BF(TE16L_NQ)	1	22278033DBR2TO	
U004	Q7030	IC	TA48018BF(TE16L_NQ)	1	22278018DBR2TO	
U004	Q7031	IC	S-812C56AUA-C3K	1	22242207R2	
U004	Q7032	TR	KRA102S	1	2216220R2	
U004	Q7032 or	TR	RN2402	(1)	2214530R2	
U004	Q7033	TR	KRC104S	1	2216210R2	
U004	Q7033 or	TR	RN1404	(1)	2214490R2	
U004	Q7034	TR	KRA102S	1	2216220R2	
U004	Q7034 or	TR	RN2402	(1)	2214530R2	
U004	Q7035	TR	KRC104S	1	2216210R2	
U004	Q7035 or	TR	RN1404	(1)	2214490R2	

U004	Q7036	IC	74HC595F	1	222745955R2	
U004	Q7037	IC	S3F80K9	1	22242602R3	<MDC, MMP, MMR>
U004	Q7038	TR	2SC2712-GR	1	2213145R2	<MDC, MMP, MMR>
U004	Q9	IC	NE5532APSR	1	22242283R2	<MDC, MMP, MMR>
U004	[TRANS COIL]					
U004	L1001	CHOKE COIL	LBC2518T4R7M	1	231364M047R2	
U004	L1002	CHOKE COIL	LBC2518T4R7M	1	231364M047R2	
U004	L1003	CHOKE COIL	LBC2518T4R7M	1	231364M047R2	
U004	L1004	CHOKE COIL	LBC2518T4R7M	1	231364M047R2	
U004	L1005	CHOKE COIL	LBC2518T4R7M	1	231364M047R2	
U004	L1006	CHOKE COIL	LBC2518T4R7M	1	231364M047R2	
U004	L1007	CHOKE COIL	LBC2518T4R7M	1	231364M047R2	
U004	L1008	CHOKE COIL	LBC2518T4R7M	1	231364M047R2	
U004	L1009	CHOKE COIL	LBC2518T4R7M	1	231364M047R2	
U004	L101	CHOKE COIL	BLM21PG221SN1	1	230949R2	<MMP, MMR>
U004	L1010	CHOKE COIL	LBC2518T4R7M	1	231364M047R2	
U004	L1011	CHOKE COIL	LBC2518T4R7M	1	231364M047R2	
U004	L1012	CHOKE COIL	LBC2518T4R7M	1	231364M047R2	
U004	L1013	CHOKE COIL	LBC2518T4R7M	1	231364M047R2	
U004	L1014	CHOKE COIL	LBC2518T4R7M	1	231364M047R2	
U004	L1015	CHOKE COIL	LBC2518T4R7M	1	231364M047R2	
U004	L1016	CHOKE COIL	LBC2518T4R7M	1	231364M047R2	
U004	L1017	CHOKE COIL	LBC2518T4R7M	1	231364M047R2	
U004	L1018	CHOKE COIL	LBC2518T4R7M	1	231364M047R2	
U004	L1019	CHOKE COIL	LBC2518T4R7M	1	231364M047R2	
U004	L1020	CHOKE COIL	LBC2518T4R7M	1	231364M047R2	
U004	L1021	CHOKE COIL	LBC2518T4R7M	1	231364M047R2	
U004	L1022	CHOKE COIL	LBC2518T4R7M	1	231364M047R2	
U004	L1023	CHOKE COIL	LBC2518T4R7M	1	231364M047R2	
U004	L1024	CHOKE COIL	LBC2518T4R7M	1	231364M047R2	
U004	L3700	CHOKE COIL	LBC2518T470M	1	231364M470R2	
U004	L3701	CHOKE COIL	LBC2518T470M	1	231364M470R2	
U004	L3702	CHOKE COIL	LBC2518T4R7M	1	231364M047R2	
U004	L3703	EMIFIL	BK1608LM182-T	1	230958R1	
U004	L3704	EMIFIL	BK1608LM182-T	1	230958R1	
U004	L3705	CHOKE COIL	LBC2518T4R7M	1	231364M047R2	
U004	L3706	CHOKE COIL	LBC2518T4R7M	1	231364M047R2	
U004	L3707	CHOKE COIL	LBC2518T470M	1	231364M470R2	
U004	L3708	CHOKE COIL	LBC2518T4R7M	1	231364M047R2	

U004	L3709	CHOKE COIL	LBC2518T4R7M	1	231364M047R2	
U004	L3710	EMIFIL	BK1608LM182-T	1	230958R1	
U004	L3711	CHOKE COIL	LBC2518T4R7M	1	231364M047R2	
U004	L3712	EMIFIL	BK1608LM182-T	1	230958R1	
U004	L3713	EMIFIL	BK1608LM182-T	1	230958R1	
U004	L3884	CHOKE COIL	LBC2518T2R2M	1	231364M022R2	
U004	L3885	CHOKE COIL	LBC2518T470M	1	231364M470R2	
U004	L3886	CHOKE COIL	LBC2518T2R2M	1	231364M022R2	
U004	L3887	CHOKE COIL	LBC2518T2R2M	1	231364M022R2	
U004	L3888	CHOKE COIL	LBC2518T470M	1	231364M470R2	
U004	L3889	CHOKE COIL	LBC2518T470M	1	231364M470R2	
U004	L3890	CHOKE COIL	LBC2518T470M	1	231364M470R2	
U004	L3892	EMIFIL	BK1608LM182-T	1	230958R1	
U004	L3893	EMIFIL	BK1608LM182-T	1	230958R1	
U004	L7001	CHOKE COIL	LBC2518T470M	1	231364M470R2	
U004	X101	CRYSTAL	HC-49S 4.332MHz	1	3010469T	<MMP, MMR>
U004	X3700	CRYSTAL	HC-49US24.576MHz	1	3010423T	
U004	X7001	CERA LOCK	CSTCR5M00G53-B0	1	3010356R2	
U004	X7301	CERA LOCK	CSTCE8M00G55-R0	1	3010416R2	<MDC, MMP, MMR>
U004	[CAPACITOR]					
U004	C1001	C-FILM C	ECHU16V-104J	1	373041044R2	
U004	C1002	C-FILM C	ECHU16V-104J	1	373041044R2	
U004	C1003	C-FILM C	ECHU16V-104J	1	373041044R2	
U004	C1004	UTSP C	CE04W10V-220M(UTSP)	1	397532217T	
U004	C1005	C-FILM C	ECHU16V-104J	1	373041044R2	
U004	C1006	UTSP C	CE04W10V-220M(UTSP)	1	397532217T	
U004	C1007	UTSP C	CE04W10V-220M(UTSP)	1	397532217T	
U004	C1008	UTSP C	CE04W10V-220M(UTSP)	1	397532217T	
U004	C1009	UTSP C	CE04W10V-220M(UTSP)	1	397532217T	
U004	C101	C-CERA C	CC725CH1H-331J1	1	342103314R1	<MMP, MMR>
U004	C1010	UTSP C	CE04W10V-220M(UTSP)	1	397532217T	
U004	C1011	UTSJ C	CE04W25V-47M(UTSJ)	1	398054707AT	
U004	C1012	UTSJ C	CE04W25V-47M(UTSJ)	1	398054707AT	
U004	C1013	C-FILM C	ECHU16V-104J	1	373041044R2	
U004	C1014	C-FILM C	ECHU16V-104J	1	373041044R2	
U004	C1015	UTSP C	CE04W10V-220M(UTSP)	1	397532217T	
U004	C1016	UTSP C	CE04W10V-220M(UTSP)	1	397532217T	
U004	C1017	C-FILM C	ECHU16V-104J	1	373041044R2	
U004	C1018	C-FILM C	ECHU16V-104J	1	373041044R2	

U004	C1019	C-FILM C	ECHU16V-104J	1	373041044R2	
U004	C102	UTSP C	CE04W50V-10M(UTSP)	1	397581007T	<MMP, MMR>
U004	C1020	UTSP C	CE04W10V-220M(UTSP)	1	397532217T	
U004	C1021	C-FILM C	ECHU16V-104J	1	373041044R2	
U004	C1022	UTSP C	CE04W10V-220M(UTSP)	1	397532217T	
U004	C1023	UTSP C	CE04W10V-220M(UTSP)	1	397532217T	
U004	C1024	UTSP C	CE04W10V-220M(UTSP)	1	397532217T	
U004	C1025	UTSP C	CE04W10V-220M(UTSP)	1	397532217T	
U004	C1026	UTSP C	CE04W10V-220M(UTSP)	1	397532217T	
U004	C1027	UTSJ C	CE04W25V-47M(UTSJ)	1	398054707AT	
U004	C1028	UTSJ C	CE04W25V-47M(UTSJ)	1	398054707AT	
U004	C1029	C-FILM C	ECHU16V-104J	1	373041044R2	
U004	C103	UTSP C	CE04W50V-10M(UTSP)	1	397581007T	<MMP, MMR>
U004	C1030	C-FILM C	ECHU16V-104J	1	373041044R2	
U004	C1031	UTSP C	CE04W10V-220M(UTSP)	1	397532217T	
U004	C1032	UTSP C	CE04W10V-220M(UTSP)	1	397532217T	
U004	C1033	C-FILM C	ECHU16V-104J	1	373041044R2	
U004	C1034	C-FILM C	ECHU16V-104J	1	373041044R2	
U004	C1035	C-FILM C	ECHU16V-104J	1	373041044R2	
U004	C1036	UTSP C	CE04W10V-220M(UTSP)	1	397532217T	
U004	C1037	C-FILM C	ECHU16V-104J	1	373041044R2	
U004	C1038	UTSP C	CE04W10V-220M(UTSP)	1	397532217T	
U004	C1039	UTSP C	CE04W10V-220M(UTSP)	1	397532217T	
U004	C104	C-CERA C	CK725B1H-103K1	1	332101035R1	<MMP, MMR>
U004	C1040	UTSP C	CE04W10V-220M(UTSP)	1	397532217T	
U004	C1041	UTSP C	CE04W10V-220M(UTSP)	1	397532217T	
U004	C1042	UTSP C	CE04W10V-220M(UTSP)	1	397532217T	
U004	C1043	UTSJ C	CE04W25V-47M(UTSJ)	1	398054707AT	
U004	C1044	UTSJ C	CE04W25V-47M(UTSJ)	1	398054707AT	
U004	C1045	C-FILM C	ECHU16V-104J	1	373041044R2	
U004	C1046	C-FILM C	ECHU16V-104J	1	373041044R2	
U004	C1047	UTSP C	CE04W10V-220M(UTSP)	1	397532217T	
U004	C1048	UTSP C	CE04W10V-220M(UTSP)	1	397532217T	
U004	C105	C-CERA C	CC725CH1H-331J1	1	342103314R1	<MMP, MMR>
U004	C106	C-CERA C	CK725F1E-104Z1	1	332161040R1	<MMP, MMR>
U004	C107	C-CERA C	CC725CH1H-150J1	1	342101504R1	<MMP, MMR>
U004	C108	C-CERA C	CC725CH1H-150J1	1	342101504R1	<MMP, MMR>
U004	C109	C-CERA C	CC725CH1H-221J1	1	342102214R1	<MMP, MMR>
U004	C1200	C-FILM C	ECHU50V-152J	1	373021524R2	

U004	C1201	C-FILM C	ECHU50V-152J	1	373021524R2	
U004	C1202	C-FILM C	ECHU50V-152J	1	373021524R2	
U004	C1203	C-FILM C	ECHU50V-152J	1	373021524R2	
U004	C1204	C-FILM C	ECHU50V-152J	1	373021524R2	
U004	C1205	MKT C	B32529C0152J289	1	376491524T	
U004	C1206	MKT C	B32529C0152J289	1	376491524T	
U004	C1207	C-FILM C	ECHU50V-152J	1	373021524R2	
U004	C1208	MKT C	B32529C0152J289	1	376491524T	
U004	C1209	MKT C	B32529C0152J289	1	376491524T	
U004	C1210	C-FILM C	ECHU50V-152J	1	373021524R2	
U004	C1211	C-FILM C	ECHU50V-152J	1	373021524R2	
U004	C1212	C-FILM C	ECHU50V-152J	1	373021524R2	
U004	C1213	C-FILM C	ECHU50V-152J	1	373021524R2	
U004	C1214	C-FILM C	ECHU50V-152J	1	373021524R2	
U004	C1215	MKT C	B32529C0152J289	1	376491524T	
U004	C1216	MKT C	B32529C0152J289	1	376491524T	
U004	C1217	C-FILM C	ECHU50V-152J	1	373021524R2	
U004	C1218	MKT C	B32529C0152J289	1	376491524T	
U004	C1219	MKT C	B32529C0152J289	1	376491524T	
U004	C1220	UPZ C	2AUPZTF681JE	1	376336814T	
U004	C1221	UPZ C	2AUPZTF681JE	1	376336814T	
U004	C1222	UPZ C	2AUPZTF681JE	1	376336814T	
U004	C1223	UPZ C	2AUPZTF681JE	1	376336814T	
U004	C1224	UPZ C	2AUPZTF681JE	1	376336814T	
U004	C1225	UPZ C	2AUPZTF681JE	1	376336814T	
U004	C1226	UPZ C	2AUPZTF681JE	1	376336814T	
U004	C1227	UPZ C	2AUPZTF681JE	1	376336814T	
U004	C1228	UPZ C	2AUPZTF681JE	1	376336814T	
U004	C1229	UPZ C	2AUPZTF681JE	1	376336814T	
U004	C1230	UPZ C	2AUPZTF471JE	1	376334714T	<MDC, MMP, MMR>
U004	C1231	UPZ C	2AUPZTF471JE	1	376334714T	<MDC, MMP, MMR>
U004	C1232	UPZ C	2AUPZTF471JE	1	376334714T	<MDC, MMP, MMR>
U004	C1233	UPZ C	2AUPZTF471JE	1	376334714T	<MDC, MMP, MMR>
U004	C1234	UPZ C	2AUPZTF471JE	1	376334714T	<MDC, MMP, MMR>
U004	C1235	UPZ C	2AUPZTF471JE	1	376334714T	<MDC, MMP, MMR>
U004	C1236	UPZ C	2AUPZTF471JE	1	376334714T	<MDC, MMP, MMR>
U004	C1237	UPZ C	2AUPZTF471JE	1	376334714T	<MDC, MMP, MMR>
U004	C1238	UPZ C	2AUPZTF471JE	1	376334714T	<MDC, MMP, MMR>
U004	C1239	UPZ C	2AUPZTF471JE	1	376334714T	<MDC, MMP, MMR>

U004	C1279	UPZ C	2AUPZTF101JE	1	376331014T	<MDC, MMP, MMR>
U004	C1280	C-FILM C	ECHU50V-222J	1	373022224R2	<MDC, MMP, MMR>
U004	C1281	C-FILM C	ECHU50V-222J	1	373022224R2	<MDC, MMP, MMR>
U004	C1282	C-FILM C	ECHU50V-222J	1	373022224R2	<MDC, MMP, MMR>
U004	C1283	C-FILM C	ECHU50V-222J	1	373022224R2	<MDC, MMP, MMR>
U004	C1284	C-FILM C	ECHU50V-222J	1	373022224R2	<MDC, MMP, MMR>
U004	C1285	C-FILM C	ECHU50V-222J	1	373022224R2	<MDC, MMP, MMR>
U004	C1286	C-FILM C	ECHU50V-222J	1	373022224R2	<MDC, MMP, MMR>
U004	C1287	C-FILM C	ECHU50V-222J	1	373022224R2	<MDC, MMP, MMR>
U004	C1288	C-FILM C	ECHU50V-222J	1	373022224R2	<MDC, MMP, MMR>
U004	C1289	C-FILM C	ECHU50V-222J	1	373022224R2	<MDC, MMP, MMR>
U004	C1290	UTSP C	CE04W25V-220M(UTSP)	1	397552217T	
U004	C1291	UTSP C	CE04W25V-220M(UTSP)	1	397552217T	
U004	C1292	UTSP C	CE04W25V-220M(UTSP)	1	397552217T	
U004	C1293	UTSP C	CE04W25V-220M(UTSP)	1	397552217T	
U004	C1294	UTSP C	CE04W25V-220M(UTSP)	1	397552217T	
U004	C1295	UTSP C	CE04W25V-220M(UTSP)	1	397552217T	
U004	C1296	UTSP C	CE04W25V-220M(UTSP)	1	397552217T	
U004	C1297	UTSP C	CE04W25V-220M(UTSP)	1	397552217T	
U004	C1298	UTSP C	CE04W25V-220M(UTSP)	1	397552217T	
U004	C1299	UTSP C	CE04W25V-220M(UTSP)	1	397552217T	
U004	C1410	MKT C	B32529C0152J289	1	376491524T	
U004	C1411	MKT C	B32529C0152J289	1	376491524T	
U004	C1420	MKT C	B32529C0152J289	1	376491524T	
U004	C1421	MKT C	B32529C0152J289	1	376491524T	
U004	C1430	UPZ C	2AUPZTF681JE	1	376336814T	
U004	C1431	UPZ C	2AUPZTF681JE	1	376336814T	
U004	C1440	UPZ C	2AUPZTF471JE	1	376334714T	<MDC, MMP, MMR>
U004	C1441	UPZ C	2AUPZTF471JE	1	376334714T	<MDC, MMP, MMR>
U004	C1450	UPZ C	2AUPZTF471JE	1	376334714T	<MDC, MMP, MMR>
U004	C1451	UPZ C	2AUPZTF471JE	1	376334714T	<MDC, MMP, MMR>
U004	C1460	MKT C	B32529C0682J289	1	376496824T	<MDC, MMP, MMR>
U004	C1461	MKT C	B32529C0682J289	1	376496824T	<MDC, MMP, MMR>
U004	C1470	UPZ C	2AUPZTF221JE	1	376332214T	<MDC, MMP, MMR>
U004	C1471	UPZ C	2AUPZTF221JE	1	376332214T	<MDC, MMP, MMR>
U004	C1480	UPZ C	2AUPZTF101JE	1	376331014T	<MDC, MMP, MMR>
U004	C1481	UPZ C	2AUPZTF101JE	1	376331014T	<MDC, MMP, MMR>
U004	C1490	C-FILM C	ECHU50V-222J	1	373022224R2	<MDC, MMP, MMR>
U004	C1491	C-FILM C	ECHU50V-222J	1	373022224R2	<MDC, MMP, MMR>

U004	C1500	UTSP C	CE04W25V-220M(UTSP)	1	397552217T	
U004	C1501	UTSP C	CE04W25V-220M(UTSP)	1	397552217T	
U004	C1510	C-CERA C	CK725B1H-472K1	1	332104725R1	
U004	C1511	C-CERA C	CK725B1H-472K1	1	332104725R1	
U004	C1512	C-CERA C	CK725B1H-472K1	1	332104725R1	
U004	C1513	C-CERA C	CK725B1H-472K1	1	332104725R1	
U004	C1514	C-CERA C	CK725B1H-472K1	1	332104725R1	
U004	C21	VR C	CE04W16V-220M(VR)	1	394642217T	<MDC, MMP, MMR>
U004	C26	VR C	CE04W16V-220M(VR)	1	394642217T	<MDC, MMP, MMR>
U004	C3	VR C	CE04W16V-100M(VR)	1	394641017T	<MDC, MMP, MMR>
U004	C3703	C-CERA C	CK725F1E-104Z1	1	332161040R1	
U004	C3705	UTSJ C	CE04W25V-47M(UTSJ)	1	398054707AT	
U004	C3706	C-CERA C	CK725F1E-104Z1	1	332161040R1	
U004	C3707	C-CERA C	CK725F1E-104Z1	1	332161040R1	
U004	C3709	C-CERA C	CK725F1E-104Z1	1	332161040R1	
U004	C3710	VR C	CE04W16V-100M(VR)	1	394641017T	
U004	C3711	C-CERA C	CK725F1E-104Z1	1	332161040R1	
U004	C3712	C-CERA C	CK725F1E-104Z1	1	332161040R1	
U004	C3713	C-CERA C	CK725F1E-104Z1	1	332161040R1	
U004	C3714	UTSJ C	CE04W25V-47M(UTSJ)	1	398054707AT	
U004	C3715	VR C	CE04W16V-100M(VR)	1	394641017T	
U004	C3716	UTSP C	CE04W10V-470M(UTSP)	1	397534717T	
U004	C3717	C-FILM C	ECHU50V-222J	1	373022224R2	
U004	C3718	C-FILM C	ECHU50V-222J	1	373022224R2	
U004	C3719	C-CERA C	CK725F1E-104Z1	1	332161040R1	
U004	C3720	C-CERA C	CK725B1H-102K1	1	332101025R1	
U004	C3721	C-CERA C	CK725B1H-223K1	1	332102235R1	
U004	C3722	C-CERA C	CK725F1E-104Z1	1	332161040R1	
U004	C3723	C-CERA C	CK725F1E-104Z1	1	332161040R1	
U004	C3724	C-CERA C	CK725F1E-104Z1	1	332161040R1	
U004	C3725	C-CERA C	CK725F1E-104Z1	1	332161040R1	
U004	C3726	C-CERA C	CK725B1H-102K1	1	332101025R1	
U004	C3727	UTSP C	CE04W10V-470M(UTSP)	1	397534717T	
U004	C3728	UTSP C	CE04W10V-470M(UTSP)	1	397534717T	
U004	C3729	UTSP C	CE04W10V-470M(UTSP)	1	397534717T	
U004	C3730	C-CERA C	CK725F1E-104Z1	1	332161040R1	
U004	C3731	C-CERA C	CK725F1E-104Z1	1	332161040R1	
U004	C3732	C-CERA C	CK725F1E-104Z1	1	332161040R1	
U004	C3733	C-CERA C	CC725CH1H-330J1	1	342103304R1	

U004	C3734	C-CERA C	CK725F1E-104Z1	1	332161040R1
U004	C3735	C-CERA C	CC725CH1H-330J1	1	342103304R1
U004	C3737	UTSP C	CE04W10V-470M(UTSP)	1	397534717T
U004	C3738	UTSP C	CE04W10V-470M(UTSP)	1	397534717T
U004	C3739	C-CERA C	CK725F1E-104Z1	1	332161040R1
U004	C3740	C-CERA C	CK725F1E-104Z1	1	332161040R1
U004	C3742	C-CERA C	CC725CH1H-100D1	1	342101002R1
U004	C3743	C-CERA C	CC725CH1H-100D1	1	342101002R1
U004	C3745	UTSP C	CE04W25V-220M(UTSP)	1	397552217T
U004	C3746	UTSP C	CE04W25V-220M(UTSP)	1	397552217T
U004	C3747	UTSP C	CE04W25V-47M(UTSP)	1	397554707T
U004	C3748	UTSP C	CE04W25V-47M(UTSP)	1	397554707T
U004	C3749	UTSP C	CE04W25V-47M(UTSP)	1	397554707T
U004	C3750	UTSP C	CE04W25V-47M(UTSP)	1	397554707T
U004	C3886	C-CERA C	CK725B1C-104K1	1	332121045R1
U004	C3887	C-CERA C	CC725CH1H-101J1	1	342101014R1
U004	C3888	VR C	CE04W16V-100M(VR)	1	394641017T
U004	C3889	C-CERA C	CC725CH1H-101J1	1	342101014R1
U004	C3890	C-CERA C	CK725F1E-104Z1	1	332161040R1
U004	C3891	C-CERA C	CK725F1E-104Z1	1	332161040R1
U004	C3892	C-CERA C	CK725B1C-104K1	1	332121045R1
U004	C3893	C-CERA C	CC725CH1H-080D1	1	342100802R1
U004	C3894	C-CERA C	CK725B1C-104K1	1	332121045R1
U004	C3895	C-CERA C	CC725CH1H-080D1	1	342100802R1
U004	C3896	C-CERA C	CC725CH1H-101J1	1	342101014R1
U004	C3897	C-CERA C	CK725F1E-104Z1	1	332161040R1
U004	C3898	C-CERA C	CC725CH1H-080D1	1	342100802R1
U004	C3899	C-CERA C	CK725F1E-104Z1	1	332161040R1
U004	C3900	C-CERA C	CK725F1E-104Z1	1	332161040R1
U004	C3901	UTSP C	CE04W50V-1M(UTSP)	1	397580107T
U004	C3902	C-CERA C	CK725F1E-104Z1	1	332161040R1
U004	C3903	UTSP C	CE04W50V-1M(UTSP)	1	397580107T
U004	C3904	VR C	CE04W16V-100M(VR)	1	394641017T
U004	C3905	C-CERA C	CK725F1E-104Z1	1	332161040R1
U004	C3906	UTSP C	CE04W50V-1M(UTSP)	1	397580107T
U004	C3907	UTSP C	CE04W50V-1M(UTSP)	1	397580107T
U004	C3908	C-CERA C	CK725F1E-104Z1	1	332161040R1
U004	C3909	C-CERA C	CK725B1H-102K1	1	332101025R1
U004	C3911	C-CERA C	CK725B1H-102K1	1	332101025R1

U004	C3912	VR C	CE04W16V-100M(VR)	1	394641017T	
U004	C4	C-CERA C	CC725CH1H-101J1	1	342101014R1	<MDC, MMP, MMR>
U004	C4003	UTSP C	CE04W50V 47M(UTSP)	1	397584707T	
U004	C4004	UTSP C	CE04W50V 47M(UTSP)	1	397584707T	
U004	C4005	C-CERA C	CC725CH1H-221J1	1	342102214R1	
U004	C4006	C-CERA C	CC725CH1H-221J1	1	342102214R1	
U004	C4007	UTSP C	CE04W50V 47M(UTSP)	1	397584707T	
U004	C4008	UTSP C	CE04W50V 47M(UTSP)	1	397584707T	
U004	C4009	C-CERA C	CC725CH1H-152J1	1	342101524R1	
U004	C4010	C-CERA C	CC725CH1H-152J1	1	342101524R1	
U004	C4011	UTSP C	CE04W25V-220M(UTSP)	1	397552217T	
U004	C4012	UTSP C	CE04W25V-220M(UTSP)	1	397552217T	
U004	C4013	MKT C	B32529C0682J289	1	376496824T	
U004	C4014	C-FILM C	ECHU50V-182J	1	373021824R2	
U004	C4015	MKT C	B32529C0682J289	1	376496824T	
U004	C4016	C-FILM C	ECHU50V-182J	1	373021824R2	
U004	C4017	UTSP C	CE04W50V-22M(UTSP)	1	397582207T	
U004	C4018	UTSP C	CE04W50V-22M(UTSP)	1	397582207T	
U004	C4019	MKT C	B32529C0222J289	1	376492224T	
U004	C4020	MKT C	B32529C0222J289	1	376492224T	
U004	C4021	UTSP C	CE04W25V-220M(UTSP)	1	397552217T	
U004	C4022	UTSP C	CE04W25V-220M(UTSP)	1	397552217T	
U004	C4500	UTSP C	CE04W50V 47M(UTSP)	1	397584707T	
U004	C4501	UTSP C	CE04W50V 47M(UTSP)	1	397584707T	
U004	C4502	UTSP C	CE04W50V 47M(UTSP)	1	397584707T	
U004	C4503	UTSP C	CE04W50V 47M(UTSP)	1	397584707T	
U004	C4504	UTSP C	CE04W50V 47M(UTSP)	1	397584707T	
U004	C4505	UTSP C	CE04W50V 47M(UTSP)	1	397584707T	
U004	C4506	UTSP C	CE04W50V 47M(UTSP)	1	397584707T	
U004	C4507	UTSP C	CE04W50V 47M(UTSP)	1	397584707T	
U004	C4508	UTSP C	CE04W50V 47M(UTSP)	1	397584707T	
U004	C4509	UTSP C	CE04W50V 47M(UTSP)	1	397584707T	
U004	C4510	UTSP C	CE04W50V 47M(UTSP)	1	397584707T	
U004	C4511	UTSP C	CE04W50V 47M(UTSP)	1	397584707T	
U004	C4512	UTSP C	CE04W50V 47M(UTSP)	1	397584707T	
U004	C4513	UTSP C	CE04W50V 47M(UTSP)	1	397584707T	
U004	C4514	UTSP C	CE04W50V 47M(UTSP)	1	397584707T	
U004	C4515	UTSP C	CE04W50V 47M(UTSP)	1	397584707T	
U004	C4516	UTSP C	CE04W50V 47M(UTSP)	1	397584707T	

U004	C4517	UTSP C	CE04W50V 47M(UTSP)	1	397584707T	
U004	C4518	UTSP C	CE04W50V 47M(UTSP)	1	397584707T	
U004	C4519	UTSP C	CE04W50V 47M(UTSP)	1	397584707T	
U004	C4520	UTSP C	CE04W50V 47M(UTSP)	1	397584707T	
U004	C4521	UTSP C	CE04W50V 47M(UTSP)	1	397584707T	
U004	C4522	UTSP C	CE04W50V-100M(UTSP)	1	397581017T	
U004	C4523	UTSP C	CE04W50V-100M(UTSP)	1	397581017T	
U004	C47	UTSP C	CE04W50V-10M(UTSP)	1	397581007T	<MDC, MMP, MMR>
U004	C48	UTSP C	CE04W50V-10M(UTSP)	1	397581007T	<MDC, MMP, MMR>
U004	C4900	CHIP ELECT C	CEWX4V-22M	1	3981G2207R2	
U004	C4901	CHIP ELECT C	CEWX4V-22M	1	3981G2207R2	
U004	C4902	CHIP ELECT C	CEWX4V-22M	1	3981G2207R2	<MDC, MMP, MMR>
U004	C4903	CHIP ELECT C	CEWX4V-22M	1	3981G2207R2	<MDC, MMP, MMR>
U004	C4904	UTSP C	CE04W25V-47M(UTSP)	1	397554707T	
U004	C4905	UTSP C	CE04W25V-47M(UTSP)	1	397554707T	
U004	C4906	CHIP ELECT C	CEWX4V-22M	1	3981G2207R2	
U004	C4907	CHIP ELECT C	CEWX4V-22M	1	3981G2207R2	
U004	C4908	TF C	ECQ-V50V-333J	1	374723334T	
U004	C4909	TF C	ECQ-V50V-333J	1	374723334T	
U004	C4910	TF C	ECQ-V50V-224J	1	374722244T	
U004	C4911	TF C	ECQ-V50V-473J	1	374724734T	
U004	C4912	TF C	ECQ-V50V-224J	1	374722244T	
U004	C4913	TF C	ECQ-V50V-473J	1	374724734T	
U004	C4914	CHIP ELECT C	CEWX4V-22M	1	3981G2207R2	
U004	C4915	CHIP ELECT C	CEWX4V-22M	1	3981G2207R2	
U004	C4916	UTSP C	CE04W25V-220M(UTSP)	1	397552217T	
U004	C4917	CHIP ELECT C	CEWX4V-22M	1	3981G2207R2	<MDC, MMP, MMR>
U004	C4918	CHIP ELECT C	CEWX4V-22M	1	3981G2207R2	<MDC, MMP, MMR>
U004	C4919	TF C	ECQ-V50V-333J	1	374723334T	<MDC, MMP, MMR>
U004	C4920	TF C	ECQ-V50V-333J	1	374723334T	<MDC, MMP, MMR>
U004	C4921	TF C	ECQ-V50V-224J	1	374722244T	<MDC, MMP, MMR>
U004	C4922	TF C	ECQ-V50V-473J	1	374724734T	<MDC, MMP, MMR>
U004	C4923	TF C	ECQ-V50V-224J	1	374722244T	<MDC, MMP, MMR>
U004	C4924	TF C	ECQ-V50V-473J	1	374724734T	<MDC, MMP, MMR>
U004	C4925	CHIP ELECT C	CEWX4V-22M	1	3981G2207R2	<MDC, MMP, MMR>
U004	C4926	CHIP ELECT C	CEWX4V-22M	1	3981G2207R2	<MDC, MMP, MMR>
U004	C4927	UTSP C	CE04W25V-220M(UTSP)	1	397552217T	<MDC, MMP, MMR>
U004	C4928	CHIP ELECT C	CEWX4V-22M	1	3981G2207R2	
U004	C4929	CHIP ELECT C	CEWX4V-22M	1	3981G2207R2	

U004	C4951	CHIP ELECT C	CEWX4V-22M	1	3981G2207R2	<MDC, MMP, MMR>
U004	C4952	CHIP ELECT C	CEWX4V-22M	1	3981G2207R2	<MDC, MMP, MMR>
U004	C4953	CHIP ELECT C	CEWX4V-22M	1	3981G2207R2	<MDC, MMP, MMR>
U004	C4954	CHIP ELECT C	CEWX4V-22M	1	3981G2207R2	<MDC, MMP, MMR>
U004	C4963	UTSP C	CE04W25V-47M(UTSP)	1	397554707T	<MDC, MMP, MMR>
U004	C4964	UTSP C	CE04W25V-47M(UTSP)	1	397554707T	<MDC, MMP, MMR>
U004	C50	UTSP C	CE04W50V-10M(UTSP)	1	397581007T	<MDC, MMP, MMR>
U004	C51	UTSP C	CE04W50V-10M(UTSP)	1	397581007T	<MDC, MMP, MMR>
U004	C5569	UTSP C	CE04W50V 47M(UTSP)	1	397584707T	
U004	C5570	UTSP C	CE04W50V 47M(UTSP)	1	397584707T	
U004	C5571	UTSP C	CE04W50V 47M(UTSP)	1	397584707T	
U004	C5577	UTSP C	CE04W50V 47M(UTSP)	1	397584707T	
U004	C5578	UTSP C	CE04W50V 47M(UTSP)	1	397584707T	
U004	C7001	C-CERA C	CK725F1A-105Z1	1	332181050R1	
U004	C7002	C-CERA C	CK725F1E-104Z1	1	332161040R1	
U004	C7004	C-CERA C	CK725F1A-105Z1	1	332181050R1	
U004	C7005	C-CERA C	CK725F1A-105Z1	1	332181050R1	
U004	C7006	C-CERA C	CK725F1E-104Z1	1	332161040R1	
U004	C7007	C-CERA C	CK725F1A-105Z1	1	332181050R1	
U004	C7008	C-CERA C	CC725CH1H-101J1	1	342101014R1	
U004	C7009	C-CERA C	CC725CH1H-101J1	1	342101014R1	
U004	C7012	C-CERA C	CK725B1H-102K1	1	332101025R1	
U004	C7013	C-CERA C	CK725B1H-102K1	1	332101025R1	
U004	C7014	UTSP C	CE04W50V-4.7M(UTSP)	1	397580477T	
U004	C7015	C-CERA C	CK725F1E-104Z1	1	332161040R1	
U004	C7016	C-CERA C	CK725B1H-102K1	1	332101025R1	
U004	C7017	C-CERA C	CK725B1H-102K1	1	332101025R1	
U004	C7018	C-CERA C	CK725B1H-102K1	1	332101025R1	
U004	C7019	C-CERA C	CK725B1H-102K1	1	332101025R1	
U004	C7020	C-CERA C	CK725F1E-104Z1	1	332161040R1	
U004	C7021	C-CERA C	CK725F1E-104Z1	1	332161040R1	
U004	C7022	C-CERA C	CK725F1E-104Z1	1	332161040R1	
U004	C7023	C-CERA C	CK725F1E-104Z1	1	332161040R1	
U004	C7024	C-CERA C	CK725F1E-104Z1	1	332161040R1	
U004	C7025	C-CERA C	CK725F1E-104Z1	1	332161040R1	
U004	C7026	C-CERA C	CK725B1H-102K1	1	332101025R1	
U004	C7027	C-CERA C	CK725F1E-104Z1	1	332161040R1	
U004	C7028	C-CERA C	CK725F1E-104Z1	1	332161040R1	
U004	C7029	C-CERA C	CK725F1E-104Z1	1	332161040R1	

U004	C7030	UTSP C	CE04W50V 47M(UTSP)	1	397584707T	
U004	C7031	UTSP C	CE04W50V 47M(UTSP)	1	397584707T	
U004	C7033	C-CERA C	CK725F1E-104Z1	1	332161040R1	
U004	C7034	VR C	CE04W16V-100M(VR)	1	394641017T	
U004	C7035	C-CERA C	CK725F1E-104Z1	1	332161040R1	
U004	C7037	UTSP C	CE04W50V-10M(UTSP)	1	397581007T	
U004	C7038	UTSP C	CE04W50V 47M(UTSP)	1	397584707T	
U004	C7039	UTSP C	CE04W50V-10M(UTSP)	1	397581007T	
U004	C7040	UTSP C	CE04W50V-10M(UTSP)	1	397581007T	
U004	C7041	VR C	CE04W16V-100M(VR)	1	394641017T	
U004	C7042	VR C	CE04W16V-220M(VR)	1	394642217T	
U004	C7043	VR C	CE04W16V-100M(VR)	1	394641017T	
U004	C7044	VR C	CE04W16V-100M(VR)	1	394641017T	
U004	C7046	VR C	CE04W16V-100M(VR)	1	394641017T	
U004	C7047	C-CERA C	CK725F1E-104Z1	1	332161040R1	
U004	C7051	VR C	CE04W16V-100M(VR)	1	394641017T	
U004	C7052	UTSP C	CE04W50V-10M(UTSP)	1	397581007T	
U004	C7053	VR C	CE04W16V-100M(VR)	1	394641017T	
U004	C7054	VR C	CE04W16V-100M(VR)	1	394641017T	
U004	C7055	VR C	CE04W16V-100M(VR)	1	394641017T	
U004	C7056	C-CERA C	CK725F1A-105Z1	1	332181050R1	
U004	C7057	UTSP C	CE04W50V-10M(UTSP)	1	397581007T	
U004	C7058	C-CERA C	CK725F1E-104Z1	1	332161040R1	
U004	C7059	VR C	CE04W6.3V-470M(VR)	1	394624717T	
U004	C7060	C-CERA C	CK725F1A-105Z1	1	332181050R1	
U004	C7061	C-CERA C	CK725F1A-105Z1	1	332181050R1	
U004	C7302	VR C	CE04W6.3V-470M(VR)	1	394624717T	<MDC, MMP, MMR>
U004	C7303	C-CERA C	CK725F1E-104Z1	1	332161040R1	<MDC, MMP, MMR>
U004	C7304	C-CERA C	CK725F1E-104Z1	1	332161040R1	
U004	C7305	C-CERA C	CK725F1A-105Z1	1	332181050R1	
U004	C7306	C-CERA C	CK725F1A-105Z1	1	332181050R1	
U004	C7307	C-CERA C	CK725F1A-105Z1	1	332181050R1	
U004	C7308	C-CERA C	CK725F1A-105Z1	1	332181050R1	
U004	C7309	C-CERA C	CK725F1A-105Z1	1	332181050R1	
U004	C7310	C-CERA C	CK725F1A-105Z1	1	332181050R1	
U004	C7311	C-CERA C	CK725B1H-102K1	1	332101025R1	
U004	C7312	C-CERA C	CK725B1H-102K1	1	332101025R1	
U004	[RESISTOR]					
U004	R1001	C-CARBON R	RN72K1J-103JE	1	435031034R1	

U004	R1002	C-CARBON R	RN72K1J-103JE	1	435031034R1
U004	R1003	C-CARBON R	RN72K1J-331JE	1	435033314R1
U004	R1004	C-CARBON R	RN72K1J-331JE	1	435033314R1
U004	R1005	C-CARBON R	RN72K1J-331JE	1	435033314R1
U004	R1006	C-CARBON R	RN72K1J-331JE	1	435033314R1
U004	R1007	C-CARBON R	RN72K1J-331JE	1	435033314R1
U004	R1008	C-CARBON R	RN72K1J-331JE	1	435033314R1
U004	R1009	C-CARBON R	RN72K1J-750JE	1	435037504R1
U004	R1010	C-CARBON R	RN72K1J-750JE	1	435037504R1
U004	R1011	C-CARBON R	RN72K1J-103JE	1	435031034R1
U004	R1012	C-CARBON R	RN72K1J-103JE	1	435031034R1
U004	R1013	C-CARBON R	RN72K1J-331JE	1	435033314R1
U004	R1014	C-CARBON R	RN72K1J-331JE	1	435033314R1
U004	R1015	C-CARBON R	RN72K1J-331JE	1	435033314R1
U004	R1016	C-CARBON R	RN72K1J-331JE	1	435033314R1
U004	R1017	C-CARBON R	RN72K1J-331JE	1	435033314R1
U004	R1018	C-CARBON R	RN72K1J-331JE	1	435033314R1
U004	R1019	C-CARBON R	RN72K1J-470JE	1	435034704R1
U004	R1020	C-CARBON R	RN72K1J-470JE	1	435034704R1
U004	R1021	C-CARBON R	RN72K1J-331JE	1	435033314R1
U004	R1022	C-CARBON R	RN72K1J-331JE	1	435033314R1
U004	R1023	C-CARBON R	RN72K1J-103JE	1	435031034R1
U004	R1024	C-CARBON R	RN72K1J-103JE	1	435031034R1
U004	R1025	C-CARBON R	RN72K1J-331JE	1	435033314R1
U004	R1026	C-CARBON R	RN72K1J-331JE	1	435033314R1
U004	R1027	C-CARBON R	RN72K1J-331JE	1	435033314R1
U004	R1028	C-CARBON R	RN72K1J-331JE	1	435033314R1
U004	R1029	C-CARBON R	RN72K1J-331JE	1	435033314R1
U004	R1030	C-CARBON R	RN72K1J-331JE	1	435033314R1
U004	R1031	C-CARBON R	RN72K1J-750JE	1	435037504R1
U004	R1032	C-CARBON R	RN72K1J-750JE	1	435037504R1
U004	R1033	C-CARBON R	RN72K1J-103JE	1	435031034R1
U004	R1034	C-CARBON R	RN72K1J-103JE	1	435031034R1
U004	R1035	C-CARBON R	RN72K1J-331JE	1	435033314R1
U004	R1036	C-CARBON R	RN72K1J-331JE	1	435033314R1
U004	R1037	C-CARBON R	RN72K1J-331JE	1	435033314R1
U004	R1038	C-CARBON R	RN72K1J-331JE	1	435033314R1
U004	R1039	C-CARBON R	RN72K1J-331JE	1	435033314R1
U004	R1040	C-CARBON R	RN72K1J-331JE	1	435033314R1

U004	R1041	C-CARBON R	RN72K1J-470JE	1	435034704R1	
U004	R1042	C-CARBON R	RN72K1J-470JE	1	435034704R1	
U004	R1043	C-CARBON R	RN72K1J-331JE	1	435033314R1	
U004	R1044	C-CARBON R	RN72K1J-331JE	1	435033314R1	
U004	R1045	C-CARBON R	RN72K1J-103JE	1	435031034R1	
U004	R1046	C-CARBON R	RN72K1J-103JE	1	435031034R1	
U004	R1047	C-CARBON R	RN72K1J-331JE	1	435033314R1	
U004	R1048	C-CARBON R	RN72K1J-331JE	1	435033314R1	
U004	R1049	C-CARBON R	RN72K1J-331JE	1	435033314R1	
U004	R1050	C-CARBON R	RN72K1J-331JE	1	435033314R1	
U004	R1051	C-CARBON R	RN72K1J-331JE	1	435033314R1	
U004	R1052	C-CARBON R	RN72K1J-331JE	1	435033314R1	
U004	R1053	C-CARBON R	RN72K1J-750JE	1	435037504R1	
U004	R1054	C-CARBON R	RN72K1J-750JE	1	435037504R1	
U004	R1055	C-CARBON R	RN72K1J-103JE	1	435031034R1	
U004	R1056	C-CARBON R	RN72K1J-103JE	1	435031034R1	
U004	R1057	C-CARBON R	RN72K1J-331JE	1	435033314R1	
U004	R1058	C-CARBON R	RN72K1J-331JE	1	435033314R1	
U004	R1059	C-CARBON R	RN72K1J-331JE	1	435033314R1	
U004	R1060	C-CARBON R	RN72K1J-331JE	1	435033314R1	
U004	R1061	C-CARBON R	RN72K1J-331JE	1	435033314R1	
U004	R1062	C-CARBON R	RN72K1J-331JE	1	435033314R1	
U004	R1063	C-CARBON R	RN72K1J-470JE	1	435034704R1	
U004	R1064	C-CARBON R	RN72K1J-470JE	1	435034704R1	
U004	R1065	C-CARBON R	RN72K1J-331JE	1	435033314R1	
U004	R1066	C-CARBON R	RN72K1J-331JE	1	435033314R1	
U004	R11	METAL O R	RS1/2WBJ-22	1	443522204T	<MDC, MMP, MMR>
U004	R1200	C-CARBON R	RN72K1J-821JE	1	435038214R1	
U004	R1201	C-CARBON R	RN72K1J-821JE	1	435038214R1	
U004	R1202	C-CARBON R	RN72K1J-821JE	1	435038214R1	
U004	R1203	C-CARBON R	RN72K1J-821JE	1	435038214R1	
U004	R1204	C-CARBON R	RN72K1J-821JE	1	435038214R1	
U004	R1205	C-CARBON R	RN72K1J-821JE	1	435038214R1	
U004	R1206	C-CARBON R	RN72K1J-821JE	1	435038214R1	
U004	R1207	C-CARBON R	RN72K1J-821JE	1	435038214R1	
U004	R1208	C-CARBON R	RN72K1J-821JE	1	435038214R1	
U004	R1209	C-CARBON R	RN72K1J-821JE	1	435038214R1	
U004	R1210	C-CARBON R	RN72K1J-821JE	1	435038214R1	
U004	R1211	C-CARBON R	RN72K1J-821JE	1	435038214R1	

U004	R1212	C-CARBON R	RN72K1J-821JE	1	435038214R1	
U004	R1213	C-CARBON R	RN72K1J-821JE	1	435038214R1	
U004	R1214	C-CARBON R	RN72K1J-821JE	1	435038214R1	
U004	R1215	C-CARBON R	RN72K1J-821JE	1	435038214R1	
U004	R1216	C-CARBON R	RN72K1J-821JE	1	435038214R1	
U004	R1217	C-CARBON R	RN72K1J-821JE	1	435038214R1	
U004	R1218	C-CARBON R	RN72K1J-821JE	1	435038214R1	
U004	R1219	C-CARBON R	RN72K1J-821JE	1	435038214R1	
U004	R1220	C-CARBON R	RN72K1J-271JE	1	435032714R1	<MDC, MMP, MMR>
U004	R1221	C-CARBON R	RN72K1J-271JE	1	435032714R1	<MDC, MMP, MMR>
U004	R1222	C-CARBON R	RN72K1J-271JE	1	435032714R1	<MDC, MMP, MMR>
U004	R1223	C-CARBON R	RN72K1J-271JE	1	435032714R1	<MDC, MMP, MMR>
U004	R1224	C-CARBON R	RN72K1J-271JE	1	435032714R1	<MDC, MMP, MMR>
U004	R1225	C-CARBON R	RN72K1J-271JE	1	435032714R1	<MDC, MMP, MMR>
U004	R1226	C-CARBON R	RN72K1J-271JE	1	435032714R1	<MDC, MMP, MMR>
U004	R1227	C-CARBON R	RN72K1J-271JE	1	435032714R1	<MDC, MMP, MMR>
U004	R1228	C-CARBON R	RN72K1J-271JE	1	435032714R1	<MDC, MMP, MMR>
U004	R1229	C-CARBON R	RN72K1J-271JE	1	435032714R1	<MDC, MMP, MMR>
U004	R1230	C-CARBON R	RN72K1J-182JE	1	435031824R1	
U004	R1231	C-CARBON R	RN72K1J-182JE	1	435031824R1	
U004	R1232	C-CARBON R	RN72K1J-182JE	1	435031824R1	
U004	R1233	C-CARBON R	RN72K1J-182JE	1	435031824R1	
U004	R1234	C-CARBON R	RN72K1J-182JE	1	435031824R1	
U004	R1235	C-CARBON R	RN72K1J-182JE	1	435031824R1	
U004	R1236	C-CARBON R	RN72K1J-182JE	1	435031824R1	
U004	R1237	C-CARBON R	RN72K1J-182JE	1	435031824R1	
U004	R1238	C-CARBON R	RN72K1J-182JE	1	435031824R1	
U004	R1239	C-CARBON R	RN72K1J-182JE	1	435031824R1	
U004	R1240	C-CARBON R	RN72K1J-271JE	1	435032714R1	<MDC, MMP, MMR>
U004	R1241	C-CARBON R	RN72K1J-271JE	1	435032714R1	<MDC, MMP, MMR>
U004	R1242	C-CARBON R	RN72K1J-271JE	1	435032714R1	<MDC, MMP, MMR>
U004	R1243	C-CARBON R	RN72K1J-271JE	1	435032714R1	<MDC, MMP, MMR>
U004	R1244	C-CARBON R	RN72K1J-271JE	1	435032714R1	<MDC, MMP, MMR>
U004	R1245	C-CARBON R	RN72K1J-271JE	1	435032714R1	<MDC, MMP, MMR>
U004	R1246	C-CARBON R	RN72K1J-271JE	1	435032714R1	<MDC, MMP, MMR>
U004	R1247	C-CARBON R	RN72K1J-271JE	1	435032714R1	<MDC, MMP, MMR>
U004	R1248	C-CARBON R	RN72K1J-271JE	1	435032714R1	<MDC, MMP, MMR>
U004	R1249	C-CARBON R	RN72K1J-271JE	1	435032714R1	<MDC, MMP, MMR>
U004	R1250	C-CARBON R	RN72K1J-182JE	1	435031824R1	

U004	R1251	C-CARBON R	RN72K1J-182JE	1	435031824R1	
U004	R1252	C-CARBON R	RN72K1J-182JE	1	435031824R1	
U004	R1253	C-CARBON R	RN72K1J-182JE	1	435031824R1	
U004	R1254	C-CARBON R	RN72K1J-182JE	1	435031824R1	
U004	R1255	C-CARBON R	RN72K1J-182JE	1	435031824R1	
U004	R1256	C-CARBON R	RN72K1J-182JE	1	435031824R1	
U004	R1257	C-CARBON R	RN72K1J-182JE	1	435031824R1	
U004	R1258	C-CARBON R	RN72K1J-182JE	1	435031824R1	
U004	R1259	C-CARBON R	RN72K1J-182JE	1	435031824R1	
U004	R1260	C-CARBON R	RN72K1J-332JE	1	435033324R1	
U004	R1261	C-CARBON R	RN72K1J-332JE	1	435033324R1	
U004	R1262	C-CARBON R	RN72K1J-332JE	1	435033324R1	
U004	R1263	C-CARBON R	RN72K1J-332JE	1	435033324R1	
U004	R1264	C-CARBON R	RN72K1J-332JE	1	435033324R1	
U004	R1265	C-CARBON R	RN72K1J-332JE	1	435033324R1	
U004	R1266	C-CARBON R	RN72K1J-332JE	1	435033324R1	
U004	R1267	C-CARBON R	RN72K1J-332JE	1	435033324R1	
U004	R1268	C-CARBON R	RN72K1J-332JE	1	435033324R1	
U004	R1269	C-CARBON R	RN72K1J-332JE	1	435033324R1	
U004	R1270	C-CARBON R	RN72K1J-332JE	1	435033324R1	
U004	R1271	C-CARBON R	RN72K1J-332JE	1	435033324R1	
U004	R1272	C-CARBON R	RN72K1J-332JE	1	435033324R1	
U004	R1273	C-CARBON R	RN72K1J-332JE	1	435033324R1	
U004	R1274	C-CARBON R	RN72K1J-332JE	1	435033324R1	
U004	R1275	C-CARBON R	RN72K1J-332JE	1	435033324R1	
U004	R1276	C-CARBON R	RN72K1J-332JE	1	435033324R1	
U004	R1277	C-CARBON R	RN72K1J-332JE	1	435033324R1	
U004	R1278	C-CARBON R	RN72K1J-332JE	1	435033324R1	
U004	R1279	C-CARBON R	RN72K1J-332JE	1	435033324R1	
U004	R1280	C-CARBON R	RN72K1J-122JE	1	435031224R1	<MDC, MMP, MMR>
U004	R1281	C-CARBON R	RN72K1J-122JE	1	435031224R1	<MDC, MMP, MMR>
U004	R1282	C-CARBON R	RN72K1J-122JE	1	435031224R1	<MDC, MMP, MMR>
U004	R1283	C-CARBON R	RN72K1J-122JE	1	435031224R1	<MDC, MMP, MMR>
U004	R1284	C-CARBON R	RN72K1J-122JE	1	435031224R1	<MDC, MMP, MMR>
U004	R1285	C-CARBON R	RN72K1J-122JE	1	435031224R1	<MDC, MMP, MMR>
U004	R1286	C-CARBON R	RN72K1J-122JE	1	435031224R1	<MDC, MMP, MMR>
U004	R1287	C-CARBON R	RN72K1J-122JE	1	435031224R1	<MDC, MMP, MMR>
U004	R1288	C-CARBON R	RN72K1J-122JE	1	435031224R1	<MDC, MMP, MMR>
U004	R1289	C-CARBON R	RN72K1J-122JE	1	435031224R1	<MDC, MMP, MMR>

U004	R1368	C-CARBON R	RN72K1J-102JE	1	435031024R1	<MDC, MMP, MMR>
U004	R1369	C-CARBON R	RN72K1J-102JE	1	435031024R1	<MDC, MMP, MMR>
U004	R1370	C-CARBON R	RN72K1J-152JE	1	435031524R1	<MDC, MMP, MMR>
U004	R1371	C-CARBON R	RN72K1J-152JE	1	435031524R1	<MDC, MMP, MMR>
U004	R1372	C-CARBON R	RN72K1J-272JE	1	435032724R1	<MDC, MMP, MMR>
U004	R1373	C-CARBON R	RN72K1J-152JE	1	435031524R1	<MDC, MMP, MMR>
U004	R1374	C-CARBON R	RN72K1J-152JE	1	435031524R1	<MDC, MMP, MMR>
U004	R1375	C-CARBON R	RN72K1J-152JE	1	435031524R1	<MDC, MMP, MMR>
U004	R1376	C-CARBON R	RN72K1J-152JE	1	435031524R1	<MDC, MMP, MMR>
U004	R1377	C-CARBON R	RN72K1J-152JE	1	435031524R1	<MDC, MMP, MMR>
U004	R1378	C-CARBON R	RN72K1J-152JE	1	435031524R1	<MDC, MMP, MMR>
U004	R1379	C-CARBON R	RN72K1J-152JE	1	435031524R1	<MDC, MMP, MMR>
U004	R1380	C-CARBON R	RN72K1J-272JE	1	435032724R1	<MDC, MMP, MMR>
U004	R1381	C-CARBON R	RN72K1J-272JE	1	435032724R1	<MDC, MMP, MMR>
U004	R1382	C-CARBON R	RN72K1J-152JE	1	435031524R1	<MDC, MMP, MMR>
U004	R1383	C-CARBON R	RN72K1J-272JE	1	435032724R1	<MDC, MMP, MMR>
U004	R1384	C-CARBON R	RN72K1J-272JE	1	435032724R1	<MDC, MMP, MMR>
U004	R1385	C-CARBON R	RN72K1J-272JE	1	435032724R1	<MDC, MMP, MMR>
U004	R1386	C-CARBON R	RN72K1J-272JE	1	435032724R1	<MDC, MMP, MMR>
U004	R1387	C-CARBON R	RN72K1J-272JE	1	435032724R1	<MDC, MMP, MMR>
U004	R1388	C-CARBON R	RN72K1J-272JE	1	435032724R1	<MDC, MMP, MMR>
U004	R1389	C-CARBON R	RN72K1J-272JE	1	435032724R1	<MDC, MMP, MMR>
U004	R1400	C-CARBON R	RN72K2E-100JE	1	435221004R1	
U004	R1401	C-CARBON R	RN72K2E-100JE	1	435221004R1	
U004	R1402	C-CARBON R	RN72K2E-100JE	1	435221004R1	
U004	R1403	C-CARBON R	RN72K2E-100JE	1	435221004R1	
U004	R1404	C-CARBON R	RN72K2E-100JE	1	435221004R1	
U004	R1405	C-CARBON R	RN72K2E-100JE	1	435221004R1	
U004	R1406	C-CARBON R	RN72K2E-100JE	1	435221004R1	
U004	R1407	C-CARBON R	RN72K2E-100JE	1	435221004R1	
U004	R1408	C-CARBON R	RN72K2E-100JE	1	435221004R1	
U004	R1409	C-CARBON R	RN72K2E-100JE	1	435221004R1	
U004	R1410	C-CARBON R	RN72K1J-821JE	1	435038214R1	
U004	R1411	C-CARBON R	RN72K1J-821JE	1	435038214R1	
U004	R1420	C-CARBON R	RN72K1J-821JE	1	435038214R1	
U004	R1421	C-CARBON R	RN72K1J-821JE	1	435038214R1	
U004	R1430	C-CARBON R	RN72K1J-271JE	1	435032714R1	<MDC, MMP, MMR>
U004	R1431	C-CARBON R	RN72K1J-271JE	1	435032714R1	<MDC, MMP, MMR>
U004	R1440	C-CARBON R	RN72K1J-182JE	1	435031824R1	

U004	R1441	C-CARBON R	RN72K1J-182JE	1	435031824R1	
U004	R1450	C-CARBON R	RN72K1J-271JE	1	435032714R1	<MDC, MMP, MMR>
U004	R1451	C-CARBON R	RN72K1J-271JE	1	435032714R1	<MDC, MMP, MMR>
U004	R1460	C-CARBON R	RN72K1J-182JE	1	435031824R1	
U004	R1461	C-CARBON R	RN72K1J-182JE	1	435031824R1	
U004	R1470	C-CARBON R	RN72K1J-332JE	1	435033324R1	
U004	R1471	C-CARBON R	RN72K1J-332JE	1	435033324R1	
U004	R1480	C-CARBON R	RN72K1J-332JE	1	435033324R1	
U004	R1481	C-CARBON R	RN72K1J-332JE	1	435033324R1	
U004	R1490	C-CARBON R	RN72K1J-122JE	1	435031224R1	<MDC, MMP, MMR>
U004	R1491	C-CARBON R	RN72K1J-122JE	1	435031224R1	<MDC, MMP, MMR>
U004	R1500	C-CARBON R	RN72K1J-122JE	1	435031224R1	<MDC, MMP, MMR>
U004	R1501	C-CARBON R	RN72K1J-122JE	1	435031224R1	<MDC, MMP, MMR>
U004	R1510	C-CARBON R	RN72K1J-472JE	1	435034724R1	
U004	R1511	C-CARBON R	RN72K1J-472JE	1	435034724R1	
U004	R1520	C-CARBON R	RN72K1J-681JE	1	435036814R1	
U004	R1521	C-CARBON R	RN72K1J-681JE	1	435036814R1	
U004	R1530	C-CARBON R	RN72K1J-472JE	1	435034724R1	
U004	R1531	C-CARBON R	RN72K1J-472JE	1	435034724R1	
U004	R1540	C-CARBON R	RN72K1J-472JE	1	435034724R1	
U004	R1541	C-CARBON R	RN72K1J-472JE	1	435034724R1	
U004	R1550	C-CARBON R	RN72K1J-182JE	1	435031824R1	
U004	R1551	C-CARBON R	RN72K1J-182JE	1	435031824R1	
U004	R1560	C-CARBON R	RN72K1J-272JE	1	435032724R1	
U004	R1561	C-CARBON R	RN72K1J-272JE	1	435032724R1	
U004	R1570	C-CARBON R	RN72K1J-152JE	1	435031524R1	
U004	R1571	C-CARBON R	RN72K1J-152JE	1	435031524R1	
U004	R1580	C-CARBON R	RN72K1J-102JE	1	435031024R1	
U004	R1581	C-CARBON R	RN72K1J-102JE	1	435031024R1	
U004	R1590	C-CARBON R	RN72K1J-561JE	1	435035614R1	
U004	R1591	C-CARBON R	RN72K1J-561JE	1	435035614R1	
U004	R1610	C-CARBON R	RN72K2E-100JE	1	435221004R1	
U004	R1611	C-CARBON R	RN72K2E-100JE	1	435221004R1	
U004	R1620	C-CARBON R	RN72K1J-103JE	1	435031034R1	
U004	R1621	C-CARBON R	RN72K1J-103JE	1	435031034R1	
U004	R1622	C-CARBON R	RN72K1J-103JE	1	435031034R1	
U004	R1623	C-CARBON R	RN72K1J-103JE	1	435031034R1	
U004	R1624	C-CARBON R	RN72K1J-103JE	1	435031034R1	
U004	R1625	C-CARBON R	RN72K1J-103JE	1	435031034R1	

U004	R1626	C-CARBON R	RN72K1J-103JE	1	435031034R1	
U004	R1627	C-CARBON R	RN72K1J-103JE	1	435031034R1	
U004	R1628	C-CARBON R	RN72K1J-103JE	1	435031034R1	
U004	R1629	C-CARBON R	RN72K1J-103JE	1	435031034R1	
U004	R1630	C-CARBON R	RN72K1J-103JE	1	435031034R1	
U004	R1631	C-CARBON R	RN72K1J-103JE	1	435031034R1	
U004	R1632	C-CARBON R	RN72K1J-103JE	1	435031034R1	
U004	R1633	C-CARBON R	RN72K1J-103JE	1	435031034R1	
U004	R1634	C-CARBON R	RN72K1J-103JE	1	435031034R1	
U004	R1635	C-CARBON R	RN72K1J-103JE	1	435031034R1	
U004	R1636	C-CARBON R	RN72K1J-103JE	1	435031034R1	
U004	R1637	C-CARBON R	RN72K1J-103JE	1	435031034R1	
U004	R1638	C-CARBON R	RN72K1J-103JE	1	435031034R1	
U004	R1639	C-CARBON R	RN72K1J-103JE	1	435031034R1	
U004	R1640	C-CARBON R	RN72K1J-103JE	1	435031034R1	
U004	R1641	C-CARBON R	RN72K1J-103JE	1	435031034R1	
U004	R1642	C-CARBON R	RN72K1J-103JE	1	435031034R1	
U004	R1643	C-CARBON R	RN72K1J-103JE	1	435031034R1	
U004	R1644	C-CARBON R	RN72K1J-103JE	1	435031034R1	
U004	R1645	C-CARBON R	RN72K1J-103JE	1	435031034R1	
U004	R1646	C-CARBON R	RN72K1J-103JE	1	435031034R1	
U004	R1647	C-CARBON R	RN72K1J-103JE	1	435031034R1	
U004	R1648	C-CARBON R	RN72K1J-103JE	1	435031034R1	
U004	R1649	C-CARBON R	RN72K1J-103JE	1	435031034R1	
U004	R1660	C-CARBON R	RN72K1J-103JE	1	435031034R1	
U004	R1661	C-CARBON R	RN72K1J-103JE	1	435031034R1	
U004	R1670	C-CARBON R	RN72K1J-103JE	1	435031034R1	
U004	R1671	C-CARBON R	RN72K1J-103JE	1	435031034R1	
U004	R1680	C-CARBON R	RN72K1J-103JE	1	435031034R1	
U004	R1681	C-CARBON R	RN72K1J-103JE	1	435031034R1	
U004	R1682	C-CARBON R	RN72K1J-273JE	1	435032734R1	
U004	R1683	C-CARBON R	RN72K1J-103JE	1	435031034R1	
U004	R1684	C-CARBON R	RN72K1J-273JE	1	435032734R1	
U004	R1685	C-CARBON R	RN72K1J-103JE	1	435031034R1	
U004	R32	METAL O R	RS1/2WBJ-22	1	443522204T	<MDC, MMP, MMR>
U004	R3702	C-CARBON R	RN72K1J-750JE	1	435037504R1	
U004	R3703	C-CARBON R	RN72K1J-220JE	1	435032204R1	
U004	R3707	C-CARBON R	RN72K1J-151JE	1	435031514R1	
U004	R3708	C-CARBON R	RN72K1J-151JE	1	435031514R1	

U004	R3709	C-CARBON R	RN72K1J-151JE	1	435031514R1
U004	R3710	C-CARBON R	RN72K1J-221JE	1	435032214R1
U004	R3711	C-CARBON R	RN72K1J-151JE	1	435031514R1
U004	R3712	C-CARBON R	RN72K1J-331JE	1	435033314R1
U004	R3713	C-CARBON R	RN72K1J-331JE	1	435033314R1
U004	R3714	C-CARBON R	RN72K1J-151JE	1	435031514R1
U004	R3715	C-CARBON R	RN72K1J-331JE	1	435033314R1
U004	R3716	C-CARBON R	RN72K1J-151JE	1	435031514R1
U004	R3717	C-CARBON R	RN72K1J-331JE	1	435033314R1
U004	R3719	C-CARBON R	RN72K1J-331JE	1	435033314R1
U004	R3720	C-CARBON R	RN72K1J-470JE	1	435034704R1
U004	R3721	C-CARBON R	RN72K1J-331JE	1	435033314R1
U004	R3722	C-CARBON R	RN72K1J-220JE	1	435032204R1
U004	R3723	C-CARBON R	RN72K1J-331JE	1	435033314R1
U004	R3724	C-CARBON R	RN72K1J-331JE	1	435033314R1
U004	R3725	C-CARBON R	RN72K1J-331JE	1	435033314R1
U004	R3726	C-CARBON R	RN72K1J-750JE	1	435037504R1
U004	R3727	C-CARBON R	RN72K1J-220JE	1	435032204R1
U004	R3728	C-CARBON R	RN72K1J-151JE	1	435031514R1
U004	R3729	C-CARBON R	RN72K1J-392JE	1	435033924R1
U004	R3730	C-CARBON R	RN72K1J-392JE	1	435033924R1
U004	R3731	C-CARBON R	RN72K1J-220JE	1	435032204R1
U004	R3732	C-CARBON R	RN72K1J-220JE	1	435032204R1
U004	R3733	C-CARBON R	RN72K1J-151JE	1	435031514R1
U004	R3734	C-CARBON R	RN72K1J-220JE	1	435032204R1
U004	R3735	C-CARBON R	RN72K1J-151JE	1	435031514R1
U004	R3736	C-CARBON R	RN72K1J-221JE	1	435032214R1
U004	R3737	C-CARBON R	RN72K1J-151JE	1	435031514R1
U004	R3738	C-CARBON R	RN72K1J-470JE	1	435034704R1
U004	R3739	C-CARBON R	RN72K1J-331JE	1	435033314R1
U004	R3740	C-CARBON R	RN72K1J-152JE	1	435031524R1
U004	R3741	C-CARBON R	RN72K1J-151JE	1	435031514R1
U004	R3742	C-CARBON R	RN72K1J-331JE	1	435033314R1
U004	R3743	C-CARBON R	RN72K1J-151JE	1	435031514R1
U004	R3744	C-CARBON R	RN72K1J-331JE	1	435033314R1
U004	R3745	C-CARBON R	RN72K1J-470JE	1	435034704R1
U004	R3746	C-CARBON R	RN72K1J-331JE	1	435033314R1
U004	R3747	C-CARBON R	RN72K1J-331JE	1	435033314R1
U004	R3748	C-CARBON R	RN72K1J-331JE	1	435033314R1

U004	R3749	C-CARBON R	RN72K1J-331JE	1	435033314R1
U004	R3750	C-CARBON R	RN72K1J-331JE	1	435033314R1
U004	R3751	C-CARBON R	RN72K1J-331JE	1	435033314R1
U004	R3752	C-CARBON R	RN72K1J-331JE	1	435033314R1
U004	R3754	C-CARBON R	RN72K1J-331JE	1	435033314R1
U004	R3755	C-CARBON R	RN72K1J-331JE	1	435033314R1
U004	R3756	C-CARBON R	RN72K1J-331JE	1	435033314R1
U004	R3757	C-CARBON R	RN72K1J-331JE	1	435033314R1
U004	R3758	C-CARBON R	RN72K1J-331JE	1	435033314R1
U004	R3759	C-CARBON R	RN72K1J-331JE	1	435033314R1
U004	R3760	C-CARBON R	RN72K1J-331JE	1	435033314R1
U004	R3761	C-CARBON R	RN72K1J-331JE	1	435033314R1
U004	R3762	C-CARBON R	RN72K1J-331JE	1	435033314R1
U004	R3763	C-CARBON R	RN72K1J-331JE	1	435033314R1
U004	R3765	C-CARBON R	RN72K1J-103JE	1	435031034R1
U004	R3766	C-CARBON R	RN72K1J-331JE	1	435033314R1
U004	R3767	C-CARBON R	RN72K1J-331JE	1	435033314R1
U004	R3768	C-CARBON R	RN72K1J-331JE	1	435033314R1
U004	R3769	C-CARBON R	RN72K1J-470JE	1	435034704R1
U004	R3770	C-CARBON R	RN72K1J-470JE	1	435034704R1
U004	R3771	C-CARBON R	RN72K1J-221JE	1	435032214R1
U004	R3772	C-CARBON R	RN72K1J-470JE	1	435034704R1
U004	R3773	C-CARBON R	RN72K1J-105JE	1	435031054R1
U004	R3774	C-CARBON R	RN72K1J-470JE	1	435034704R1
U004	R3775	C-CARBON R	RN72K1J-470JE	1	435034704R1
U004	R3776	C-CARBON R	RN72K1J-000JE	1	435030004R1
U004	R3777	C-CARBON R	RN72K1J-391JE	1	435033914R1
U004	R3778	C-CARBON R	RN72K1J-391JE	1	435033914R1
U004	R3779	C-CARBON R	RN72K1J-103JE	1	435031034R1
U004	R3780	C-CARBON R	RN72K1J-103JE	1	435031034R1
U004	R3781	C-CARBON R	RN72K1J-103JE	1	435031034R1
U004	R3782	C-CARBON R	RN72K1J-103JE	1	435031034R1
U004	R3783	C-CARBON R	RN72K1J-103JE	1	435031034R1
U004	R3784	C-CARBON R	RN72K1J-103JE	1	435031034R1
U004	R3785	C-CARBON R	RN72K1J-103JE	1	435031034R1
U004	R3786	C-CARBON R	RN72K1J-103JE	1	435031034R1
U004	R3787	C-CARBON R	RN72K1J-103JE	1	435031034R1
U004	R3788	C-CARBON R	RN72K1J-103JE	1	435031034R1
U004	R3789	C-CARBON R	RN72K1J-560JE	1	435035604R1

U004	R3790	C-CARBON R	RN72K1J-560JE	1	435035604R1
U004	R3791	C-CARBON R	RN72K1J-560JE	1	435035604R1
U004	R3792	C-CARBON R	RN72K1J-560JE	1	435035604R1
U004	R3796	C-CARBON R	RN72K1J-103JE	1	435031034R1
U004	R3797	C-CARBON R	RN72K1J-103JE	1	435031034R1
U004	R3798	C-CARBON R	RN72K1J-103JE	1	435031034R1
U004	R3799	C-CARBON R	RN72K1J-103JE	1	435031034R1
U004	R3883	C-CARBON R	RN72K1J-331JE	1	435033314R1
U004	R3884	C-CARBON R	RN72K1J-221JE	1	435032214R1
U004	R3885	C-CARBON R	RN72K1J-103JE	1	435031034R1
U004	R3886	C-CARBON R	RN72K1J-221JE	1	435032214R1
U004	R3887	C-CARBON R	RN72K1J-470JE	1	435034704R1
U004	R3888	C-CARBON R	RN72K1J-470JE	1	435034704R1
U004	R3889	C-CARBON R	RN72K1J-470JE	1	435034704R1
U004	R3890	C-CARBON R	RN72K1J-470JE	1	435034704R1
U004	R3891	C-CARBON R	RN72K1J-470JE	1	435034704R1
U004	R3892	C-CARBON R	RN72K1J-823JE	1	435038234R1
U004	R3893	C-CARBON R	RN72K1J-103JE	1	435031034R1
U004	R3894	C-CARBON R	RN72K1J-103JE	1	435031034R1
U004	R3895	C-CARBON R	RN72K1J-100JE	1	435031004R1
U004	R3896	C-CARBON R	RN72K1J-823JE	1	435038234R1
U004	R3897	C-CARBON R	RN72K1J-750JE	1	435037504R1
U004	R3898	C-CARBON R	RN72K1J-224JE	1	435032244R1
U004	R3899	C-CARBON R	RN72K1J-103JE	1	435031034R1
U004	R3900	C-CARBON R	RN72K1J-823JE	1	435038234R1
U004	R3901	C-CARBON R	RN72K1J-470JE	1	435034704R1
U004	R3902	C-CARBON R	RN72K1J-470JE	1	435034704R1
U004	R3903	C-CARBON R	RN72K1J-103JE	1	435031034R1
U004	R3904	C-CARBON R	RN72K1J-103JE	1	435031034R1
U004	R3905	C-CARBON R	RN72K1J-331JE	1	435033314R1
U004	R3906	C-CARBON R	RN72K1J-331JE	1	435033314R1
U004	R3907	C-CARBON R	RN72K1J-103JE	1	435031034R1
U004	R3908	C-CARBON R	RN72K1J-331JE	1	435033314R1
U004	R3910	C-CARBON R	RN72K1J-331JE	1	435033314R1
U004	R3911	C-CARBON R	RN72K1J-221JE	1	435032214R1
U004	R3913	C-CARBON R	RN72K1J-750JE	1	435037504R1
U004	R3914	C-CARBON R	RN72K1J-100JE	1	435031004R1
U004	R3915	C-CARBON R	RN72K1J-224JE	1	435032244R1
U004	R3916	C-CARBON R	RN72K1J-470JE	1	435034704R1

U004	R3917	C-CARBON R	RN72K1J-470JE	1	435034704R1
U004	R3918	C-CARBON R	RN72K1J-331JE	1	435033314R1
U004	R3919	C-CARBON R	RN72K1J-331JE	1	435033314R1
U004	R3920	C-CARBON R	RN72K1J-331JE	1	435033314R1
U004	R3921	C-CARBON R	RN72K1J-750JE	1	435037504R1
U004	R3922	C-CARBON R	RN72K1J-224JE	1	435032244R1
U004	R3923	C-CARBON R	RN72K1J-100JE	1	435031004R1
U004	R4005	C-CARBON R	RN72K1J-102JE	1	435031024R1
U004	R4006	C-CARBON R	RN72K1J-102JE	1	435031024R1
U004	R4007	METAL O R	RS1/2WBJ-2.2K	1	443522224T
U004	R4008	METAL O R	RS1/2WBJ-2.2K	1	443522224T
U004	R4009	C-CARBON R	RN72K1J-223JE	1	435032234R1
U004	R4010	C-CARBON R	RN72K1J-223JE	1	435032234R1
U004	R4011	C-CARBON R	RN72K1J-224JE	1	435032244R1
U004	R4012	C-CARBON R	RN72K1J-224JE	1	435032244R1
U004	R4013	C-CARBON R	RN72K1J-221JE	1	435032214R1
U004	R4014	C-CARBON R	RN72K1J-221JE	1	435032214R1
U004	R4015	C-CARBON R	RN72K1J-332JE	1	435033324R1
U004	R4016	C-CARBON R	RN72K1J-332JE	1	435033324R1
U004	R4017	C-CARBON R	RN72K1J-220JE	1	435032204R1
U004	R4018	C-CARBON R	RN72K1J-220JE	1	435032204R1
U004	R4019	C-CARBON R	RN72K1J-332JE	1	435033324R1
U004	R4020	C-CARBON R	RN72K1J-332JE	1	435033324R1
U004	R4021	C-CARBON R	RN72K1J-220JE	1	435032204R1
U004	R4022	C-CARBON R	RN72K1J-220JE	1	435032204R1
U004	R4023	C-CARBON R	RN72K1J-272JE	1	435032724R1
U004	R4024	C-CARBON R	RN72K1J-272JE	1	435032724R1
U004	R4025	C-CARBON R	RN72K1J-821JE	1	435038214R1
U004	R4026	C-CARBON R	RN72K1J-821JE	1	435038214R1
U004	R4027	C-CARBON R	RN72K1J-474JE	1	435034744R1
U004	R4028	C-CARBON R	RN72K1J-474JE	1	435034744R1
U004	R4029	C-CARBON R	RN72K1J-393JE	1	435033934R1
U004	R4030	C-CARBON R	RN72K1J-393JE	1	435033934R1
U004	R4031	C-CARBON R	RN72K1J-122JE	1	435031224R1
U004	R4032	C-CARBON R	RN72K1J-122JE	1	435031224R1
U004	R4033	C-CARBON R	RN72K1J-821JE	1	435038214R1
U004	R4034	C-CARBON R	RN72K1J-821JE	1	435038214R1
U004	R4035	C-CARBON R	RN72K1J-224JE	1	435032244R1
U004	R4036	C-CARBON R	RN72K1J-224JE	1	435032244R1

U004	R4037	NF CARBON R	R25J-100	1	415471014T	
U004	R4038	NF CARBON R	R25J-100	1	415471014T	
U004	R4500	C-CARBON R	RN72K1J-224JE	1	435032244R1	
U004	R4501	C-CARBON R	RN72K1J-224JE	1	435032244R1	
U004	R4502	C-CARBON R	RN72K1J-224JE	1	435032244R1	
U004	R4503	C-CARBON R	RN72K1J-224JE	1	435032244R1	
U004	R4504	C-CARBON R	RN72K1J-224JE	1	435032244R1	
U004	R4505	C-CARBON R	RN72K1J-224JE	1	435032244R1	
U004	R4506	C-CARBON R	RN72K1J-224JE	1	435032244R1	
U004	R4507	C-CARBON R	RN72K1J-224JE	1	435032244R1	
U004	R4508	C-CARBON R	RN72K1J-224JE	1	435032244R1	
U004	R4509	C-CARBON R	RN72K1J-224JE	1	435032244R1	
U004	R4510	C-CARBON R	RN72K1J-224JE	1	435032244R1	
U004	R4511	C-CARBON R	RN72K1J-224JE	1	435032244R1	
U004	R4512	C-CARBON R	RN72K1J-224JE	1	435032244R1	
U004	R4513	C-CARBON R	RN72K1J-224JE	1	435032244R1	
U004	R4514	C-CARBON R	RN72K1J-224JE	1	435032244R1	
U004	R4515	C-CARBON R	RN72K1J-224JE	1	435032244R1	
U004	R4516	C-CARBON R	RN72K1J-224JE	1	435032244R1	
U004	R4517	C-CARBON R	RN72K1J-224JE	1	435032244R1	
U004	R4518	C-CARBON R	RN72K1J-224JE	1	435032244R1	
U004	R4519	C-CARBON R	RN72K1J-224JE	1	435032244R1	
U004	R4520	C-CARBON R	RN72K1J-224JE	1	435032244R1	
U004	R4521	C-CARBON R	RN72K1J-224JE	1	435032244R1	
U004	R4522	METAL O R	RS1/2WBJ-22	1	443522204T	
U004	R4523	METAL O R	RS1/2WBJ-22	1	443522204T	
U004	R49	C-CARBON R	RN72K1J-223JE	1	435032234R1	<MDC, MMP, MMR>
U004	R4900	C-CARBON R	RN72K1J-224JE	1	435032244R1	
U004	R4901	C-CARBON R	RN72K1J-224JE	1	435032244R1	
U004	R4902	C-CARBON R	RN72K1J-224JE	1	435032244R1	<MDC, MMP, MMR>
U004	R4903	C-CARBON R	RN72K1J-224JE	1	435032244R1	<MDC, MMP, MMR>
U004	R4904	METAL R	RNU1/2WCJ-4.7	1	453530474T	
U004	R4905	METAL R	RNU1/2WCJ-4.7	1	453530474T	
U004	R4906	C-CARBON R	RN72K1J-471JE	1	435034714R1	
U004	R4907	C-CARBON R	RN72K1J-471JE	1	435034714R1	
U004	R4908	C-CARBON R	RN72K1J-472JE	1	435034724R1	
U004	R4909	C-CARBON R	RN72K1J-472JE	1	435034724R1	
U004	R4910	C-CARBON R	RN72K1J-103JE	1	435031034R1	
U004	R4911	C-CARBON R	RN72K1J-103JE	1	435031034R1	

U004	R4912	C-CARBON R	RN72K1J-471JE	1	435034714R1	<MDC, MMP, MMR>
U004	R4913	C-CARBON R	RN72K1J-471JE	1	435034714R1	<MDC, MMP, MMR>
U004	R4914	C-CARBON R	RN72K1J-472JE	1	435034724R1	<MDC, MMP, MMR>
U004	R4915	C-CARBON R	RN72K1J-472JE	1	435034724R1	<MDC, MMP, MMR>
U004	R4916	C-CARBON R	RN72K1J-103JE	1	435031034R1	<MDC, MMP, MMR>
U004	R4917	C-CARBON R	RN72K1J-103JE	1	435031034R1	<MDC, MMP, MMR>
U004	R4951	C-CARBON R	RN72K1J-224JE	1	435032244R1	<MDC, MMP, MMR>
U004	R4952	C-CARBON R	RN72K1J-224JE	1	435032244R1	<MDC, MMP, MMR>
U004	R4953	C-CARBON R	RN72K1J-224JE	1	435032244R1	<MDC, MMP, MMR>
U004	R4954	C-CARBON R	RN72K1J-224JE	1	435032244R1	<MDC, MMP, MMR>
U004	R4967	METAL O R	RS1/2WBJ-22	1	443522204T	<MDC, MMP, MMR>
U004	R4968	METAL O R	RS1/2WBJ-22	1	443522204T	<MDC, MMP, MMR>
U004	R4969	METAL O R	RS1/2WBJ-470	1	443524714T	<MDC, MMP, MMR>
U004	R4970	METAL O R	RS1/2WBJ-470	1	443524714T	<MDC, MMP, MMR>
U004	R50	C-CARBON R	RN72K1J-223JE	1	435032234R1	<MDC, MMP, MMR>
U004	R51	C-CARBON R	RN72K1J-223JE	1	435032234R1	<MDC, MMP, MMR>
U004	R52	C-CARBON R	RN72K1J-223JE	1	435032234R1	<MDC, MMP, MMR>
U004	R53	C-CARBON R	RN72K1J-223JE	1	435032234R1	<MDC, MMP, MMR>
U004	R54	C-CARBON R	RN72K1J-223JE	1	435032234R1	<MDC, MMP, MMR>
U004	R55	C-CARBON R	RN72K1J-223JE	1	435032234R1	<MDC, MMP, MMR>
U004	R56	C-CARBON R	RN72K1J-223JE	1	435032234R1	<MDC, MMP, MMR>
U004	R7001	C-CARBON R	RN72K1J-222JE	1	435032224R1	<MDC, MMP, MMR>
U004	R7002	C-CARBON R	RN72K1J-000JE	1	435030004R1	<MDC, MMP, MMR>
U004	R7003	C-CARBON R	RN72K1J-000JE	1	435030004R1	<MDC, MMP, MMR>
U004	R7004	C-CARBON R	RN72K1J-102JE	1	435031024R1	<MDC, MMP, MMR>
U004	R7005	C-CARBON R	RN72K1J-222JE	1	435032224R1	<MDC, MMP, MMR>
U004	R7006	C-CARBON R	RN72K1J-101JE	1	435031014R1	<MDC, MMP, MMR>
U004	R7007	C-CARBON R	RN72K1J-102JE	1	435031024R1	<MDC, MMP, MMR>
U004	R7009	C-CARBON R	RN72K1J-224JE	1	435032244R1	<MDC, MMP, MMR>
U004	R7010	C-CARBON R	RN72K1J-222JE	1	435032224R1	<MDC, MMP, MMR>
U004	R7011	C-CARBON R	RN72K1J-103JE	1	435031034R1	<MDC, MMP, MMR>
U004	R7012	C-CARBON R	RN72K1J-102JE	1	435031024R1	<MDC, MMP, MMR>
U004	R7013	C-CARBON R	RN72K1J-103JE	1	435031034R1	<MDC, MMP, MMR>
U004	R7014	C-CARBON R	RN72K1J-103JE	1	435031034R1	<MDC, MMP, MMR>
U004	R7015	C-CARBON R	RN72K1J-103JE	1	435031034R1	<MDC, MMP, MMR>
U004	R7016	C-CARBON R	RN72K1J-103JE	1	435031034R1	<MDC, MMP, MMR>
U004	R7017	C-CARBON R	RN72K1J-103JE	1	435031034R1	<MDC, MMP, MMR>
U004	R7018	C-CARBON R	RN72K1J-103JE	1	435031034R1	<MDC, MMP, MMR>
U004	R7019	C-CARBON R	RN72K1J-103JE	1	435031034R1	<MDC, MMP, MMR>

U004	R7020	C-CARBON R	RN72K1J-103JE	1	435031034R1
U004	R7021	C-CARBON R	RN72K1J-273JE	1	435032734R1
U004	R7022	C-CARBON R	RN72K1J-103JE	1	435031034R1
U004	R7023	C-CARBON R	RN72K1J-103JE	1	435031034R1
U004	R7024	C-CARBON R	RN72K1J-103JE	1	435031034R1
U004	R7025	C-CARBON R	RN72K1J-470JE	1	435034704R1
U004	R7026	C-CARBON R	RN72K1J-470JE	1	435034704R1
U004	R7027	C-CARBON R	RN72K1J-470JE	1	435034704R1
U004	R7028	C-CARBON R	RN72K1J-470JE	1	435034704R1
U004	R7029	C-CARBON R	RN72K1J-103JE	1	435031034R1
U004	R7030	C-CARBON R	RN72K1J-103JE	1	435031034R1
U004	R7031	C-CARBON R	RN72K1J-222JE	1	435032224R1
U004	R7032	C-CARBON R	RN72K1J-101JE	1	435031014R1
U004	R7033	C-CARBON R	RN72K1J-470JE	1	435034704R1
U004	R7034	C-CARBON R	RN72K1J-470JE	1	435034704R1
U004	R7035	C-CARBON R	RN72K1J-470JE	1	435034704R1
U004	R7036	C-CARBON R	RN72K1J-221JE	1	435032214R1
U004	R7037	C-CARBON R	RN72K1J-470JE	1	435034704R1
U004	R7044	C-CARBON R	RN72K1J-221JE	1	435032214R1
U004	R7045	C-CARBON R	RN72K1J-221JE	1	435032214R1
U004	R7046	C-CARBON R	RN72K1J-470JE	1	435034704R1
U004	R7047	C-CARBON R	RN72K1J-470JE	1	435034704R1
U004	R7048	C-CARBON R	RN72K1J-470JE	1	435034704R1
U004	R7049	C-CARBON R	RN72K1J-470JE	1	435034704R1
U004	R7050	C-CARBON R	RN72K1J-470JE	1	435034704R1
U004	R7051	C-CARBON R	RN72K1J-470JE	1	435034704R1
U004	R7052	C-CARBON R	RN72K1J-470JE	1	435034704R1
U004	R7053	C-CARBON R	RN72K1J-470JE	1	435034704R1
U004	R7054	C-CARBON R	RN72K1J-470JE	1	435034704R1
U004	R7055	C-CARBON R	RN72K1J-470JE	1	435034704R1
U004	R7056	C-CARBON R	RN72K1J-470JE	1	435034704R1
U004	R7057	C-CARBON R	RN72K1J-470JE	1	435034704R1
U004	R7058	C-CARBON R	RN72K1J-221JE	1	435032214R1
U004	R7060	C-CARBON R	RN72K1J-470JE	1	435034704R1
U004	R7061	C-CARBON R	RN72K1J-272JE	1	435032724R1
U004	R7063	C-CARBON R	RN72K1J-273JE	1	435032734R1
U004	R7070	C-CARBON R	RN72K1J-103JE	1	435031034R1
U004	R7071	C-CARBON R	RN72K1J-103JE	1	435031034R1
U004	R7072	C-CARBON R	RN72K1J-103JE	1	435031034R1

U004	R7074	C-CARBON R	RN72K1J-103JE	1	435031034R1	
U004	R7075	C-CARBON R	RN72K1J-103JE	1	435031034R1	
U004	R7076	C-CARBON R	RN72K1J-472JE	1	435034724R1	
U004	R7077	C-CARBON R	RN72K1J-103JE	1	435031034R1	
U004	R7078	C-CARBON R	RN72K1J-102JE	1	435031024R1	
U004	R7079	C-CARBON R	RN72K1J-103JE	1	435031034R1	
U004	R7080	C-CARBON R	RN72K1J-103JE	1	435031034R1	
U004	R7081	C-CARBON R	RN72K1J-103JE	1	435031034R1	
U004	R7082	C-CARBON R	RN72K1J-272JE	1	435032724R1	
U004	R7083	C-CARBON R	RN72K1J-272JE	1	435032724R1	
U004	R7084	C-CARBON R	RN72K1J-272JE	1	435032724R1	
U004	R7088	C-CARBON R	RN72K1J-221JE	1	435032214R1	
U004	R7089	C-CARBON R	RN72K1J-103JE	1	435031034R1	
U004	R7090	C-CARBON R	RN72K1J-470JE	1	435034704R1	
U004	R7091	C-CARBON R	RN72K1J-470JE	1	435034704R1	
U004	R7092	C-CARBON R	RN72K1J-470JE	1	435034704R1	
U004	R7093	C-CARBON R	RN72K1J-470JE	1	435034704R1	
U004	R7094	C-CARBON R	RN72K1J-470JE	1	435034704R1	
U004	R7095	C-CARBON R	RN72K1J-470JE	1	435034704R1	
U004	R7096	C-CARBON R	RN72K1J-102JE	1	435031024R1	
U004	R7097	C-CARBON R	RN72K1J-470JE	1	435034704R1	
U004	R7098	C-CARBON R	RN72K1J-470JE	1	435034704R1	
U004	R7099	C-CARBON R	RN72K1J-222JE	1	435032224R1	
U004	R7100	C-CARBON R	RN72K1J-470JE	1	435034704R1	
U004	R7101	C-CARBON R	RN72K1J-221JE	1	435032214R1	
U004	R7102	C-CARBON R	RN72K1J-470JE	1	435034704R1	
U004	R7103	C-CARBON R	RN72K1J-221JE	1	435032214R1	
U004	R7104	C-CARBON R	RN72K1J-470JE	1	435034704R1	
U004	R7105	C-CARBON R	RN72K1J-470JE	1	435034704R1	<MDC, MMP, MMR>
U004	R7106	C-CARBON R	RN72K1J-470JE	1	435034704R1	
U004	R7108	C-CARBON R	RN72K1J-470JE	1	435034704R1	
U004	R7110	C-CARBON R	RN72K1J-470JE	1	435034704R1	
U004	R7112	C-CARBON R	RN72K1J-470JE	1	435034704R1	
U004	R7114	C-CARBON R	RN72K1J-470JE	1	435034704R1	
U004	R7116	C-CARBON R	RN72K1J-470JE	1	435034704R1	
U004	R7117	C-CARBON R	RN72K1J-470JE	1	435034704R1	
U004	R7118	C-CARBON R	RN72K1J-470JE	1	435034704R1	
U004	R7119	C-CARBON R	RN72K1J-470JE	1	435034704R1	
U004	R7120	C-CARBON R	RN72K1J-470JE	1	435034704R1	

U004	R7121	C-CARBON R	RN72K1J-470JE	1	435034704R1	
U004	R7122	C-CARBON R	RN72K1J-103JE	1	435031034R1	
U004	R7123	C-CARBON R	RN72K1J-473JE	1	435034734R1	
U004	R7124	C-CARBON R	RN72K1J-102JE	1	435031024R1	
U004	R7125	C-CARBON R	RN72K1J-000JE	1	435030004R1	
U004	R7126	C-CARBON R	RN72K1J-470JE	1	435034704R1	
U004	R7127	C-CARBON R	RN72K1J-000JE	1	435030004R1	
U004	R7128	C-CARBON R	RN72K1J-221JE	1	435032214R1	
U004	R7130	C-CARBON R	RN72K1J-221JE	1	435032214R1	
U004	R7131	C-CARBON R	RN72K1J-221JE	1	435032214R1	
U004	R7132	C-CARBON R	RN72K1J-221JE	1	435032214R1	
U004	R7134	C-CARBON R	RN72K1J-221JE	1	435032214R1	
U004	R7135	C-CARBON R	RN72K1J-470JE	1	435034704R1	
U004	R7136	C-CARBON R	RN72K1J-103JE	1	435031034R1	
U004	R7137	C-CARBON R	RN72K1J-221JE	1	435032214R1	
U004	R7138	C-CARBON R	RN72K1J-470JE	1	435034704R1	
U004	R7140	C-CARBON R	RN72K1J-470JE	1	435034704R1	
U004	R7141	C-CARBON R	RN72K1J-470JE	1	435034704R1	
U004	R7143	C-CARBON R	RN72K1J-470JE	1	435034704R1	
U004	R7144	C-CARBON R	RN72K1J-221JE	1	435032214R1	
U004	R7145	C-CARBON R	RN72K1J-221JE	1	435032214R1	
U004	R7146	C-CARBON R	RN72K1J-103JE	1	435031034R1	
U004	R7147	C-CARBON R	RN72K1J-221JE	1	435032214R1	
U004	R7148	C-CARBON R	RN72K1J-470JE	1	435034704R1	
U004	R7149	C-CARBON R	RN72K1J-473JE	1	435034734R1	
U004	R7150	C-CARBON R	RN72K1J-221JE	1	435032214R1	
U004	R7151	C-CARBON R	RN72K1J-470JE	1	435034704R1	
U004	R7152	C-CARBON R	RN72K1J-221JE	1	435032214R1	
U004	R7153	C-CARBON R	RN72K1J-470JE	1	435034704R1	
U004	R7154	C-CARBON R	RN72K1J-333JE	1	435033334R1	<MDC, MMP, MMR>
U004	R7155	C-CARBON R	RN72K1J-103JE	1	435031034R1	<MDC, MMP, MMR>
U004	R7156	C-CARBON R	RN72K1J-470JE	1	435034704R1	
U004	R7157	C-CARBON R	RN72K1J-333JE	1	435033334R1	<MDC, MMP, MMR>
U004	R7158	C-CARBON R	RN72K1J-473JE	1	435034734R1	
U004	R7159	C-CARBON R	RN72K1J-103JE	1	435031034R1	<MDC, MMP, MMR>
U004	R7160	C-CARBON R	RN72K1J-221JE	1	435032214R1	
U004	R7162	C-CARBON R	RN72K1J-000JE	1	435030004R1	<MDC, MMP, MMR>
U004	R7163	C-CARBON R	RN72K1J-103JE	1	435031034R1	<MMP, MMR>
U004	R7163	C-CARBON R	RN72K1J-333JE	1	435033334R1	<MDC>

U004	R7164	C-CARBON R	RN72K1J-103JE	1	435031034R1	<MMP, MMR>
U004	R7164	C-CARBON R	RN72K1J-472JE	1	435034724R1	<MDC>
U004	R7165	C-CARBON R	RN72K1J-472JE	1	435034724R1	
U004	R7166	C-CARBON R	RN72K1J-472JE	1	435034724R1	
U004	R7167	C-CARBON R	RN72K1J-472JE	1	435034724R1	
U004	R7168	C-CARBON R	RN72K1J-472JE	1	435034724R1	
U004	R7169	C-CARBON R	RN72K1J-472JE	1	435034724R1	
U004	R7170	C-CARBON R	RN72K1J-472JE	1	435034724R1	
U004	R7171	C-CARBON R	RN72K1J-272JE	1	435032724R1	
U004	R7172	C-CARBON R	RN72K1J-272JE	1	435032724R1	
U004	R7173	C-CARBON R	RN72K1J-272JE	1	435032724R1	
U004	R7174	C-CARBON R	RN72K1J-272JE	1	435032724R1	
U004	R7175	C-CARBON R	RN72K1J-272JE	1	435032724R1	
U004	R7176	C-CARBON R	RN72K1J-272JE	1	435032724R1	
U004	R7177	C-CARBON R	RN72K1J-272JE	1	435032724R1	
U004	R7178	C-CARBON R	RN72K1J-272JE	1	435032724R1	
U004	R7180	C-CARBON R	RN72K1J-470JE	1	435034704R1	
U004	R7181	C-CARBON R	RN72K1J-102JE	1	435031024R1	
U004	R7182	C-CARBON R	RN72K1J-470JE	1	435034704R1	
U004	R7183	C-CARBON R	RN72K1J-000JE	1	435030004R1	
U004	R7184	C-CARBON R	RN72K1J-221JE	1	435032214R1	
U004	R7185	C-CARBON R	RN72K1J-221JE	1	435032214R1	
U004	R7186	C-CARBON R	RN72K1J-221JE	1	435032214R1	
U004	R7187	C-CARBON R	RN72K1J-221JE	1	435032214R1	
U004	R7188	C-CARBON R	RN72K1J-470JE	1	435034704R1	
U004	R7189	C-CARBON R	RN72K1J-470JE	1	435034704R1	
U004	R7190	C-CARBON R	RN72K1J-470JE	1	435034704R1	
U004	R7191	C-CARBON R	RN72K1J-470JE	1	435034704R1	
U004	R7192	C-CARBON R	RN72K1J-470JE	1	435034704R1	
U004	R7193	C-CARBON R	RN72K1J-470JE	1	435034704R1	
U004	R7194	C-CARBON R	RN72K1J-221JE	1	435032214R1	
U004	R7195	C-CARBON R	RN72K1J-000JE	1	435030004R1	
U004	R7196	C-CARBON R	RN72K1J-000JE	1	435030004R1	
U004	R7197	C-CARBON R	RN72K1J-221JE	1	435032214R1	<MMP, MMR>
U004	R7198	C-CARBON R	RN72K1J-470JE	1	435034704R1	
U004	R7199	C-CARBON R	RN72K1J-221JE	1	435032214R1	
U004	R7200	C-CARBON R	RN72K1J-103JE	1	435031034R1	
U004	R7202	C-CARBON R	RN72K1J-103JE	1	435031034R1	
U004	R7203	C-CARBON R	RN72K1J-103JE	1	435031034R1	

U004	R7204	C-CARBON R	RN72K1J-103JE	1	435031034R1	
U004	R7205	C-CARBON R	RN72K1J-103JE	1	435031034R1	
U004	R7206	C-CARBON R	RN72K1J-103JE	1	435031034R1	
U004	R7207	C-CARBON R	RN72K1J-103JE	1	435031034R1	
U004	R7208	C-CARBON R	RN72K1J-103JE	1	435031034R1	
U004	R7209	C-CARBON R	RN72K1J-103JE	1	435031034R1	
U004	R7210	C-CARBON R	RN72K1J-103JE	1	435031034R1	
U004	R7211	C-CARBON R	RN72K1J-103JE	1	435031034R1	
U004	R7212	C-CARBON R	RN72K1J-103JE	1	435031034R1	
U004	R7213	C-CARBON R	RN72K1J-473JE	1	435034734R1	
U004	R7214	C-CARBON R	RN72K1J-103JE	1	435031034R1	
U004	R7215	C-CARBON R	RN72K1J-224JE	1	435032244R1	
U004	R7216	C-CARBON R	RN72K1J-224JE	1	435032244R1	
U004	R7222	C-CARBON R	RN72K1J-470JE	1	435034704R1	<MDC, MMP, MMR>
U004	R7223	C-CARBON R	RN72K1J-221JE	1	435032214R1	<MMP, MMR>
U004	R7224	C-CARBON R	RN72K1J-103JE	1	435031034R1	<MDC>
U004	R7225	C-CARBON R	RN72K1J-103JE	1	435031034R1	
U004	R7228	C-CARBON R	RN72K1J-103JE	1	435031034R1	
U004	R7232	C-CARBON R	RN72K1J-473JE	1	435034734R1	
U004	R7233	C-CARBON R	RN72K1J-470JE	1	435034704R1	
U004	R7234	C-CARBON R	RN72K1J-103JE	1	435031034R1	<MDC>
U004	R7235	C-CARBON R	RN72K1J-103JE	1	435031034R1	
U004	R7237	C-CARBON R	RN72K1J-103JE	1	435031034R1	
U004	R7238	C-CARBON R	RN72K1J-562JE	1	435035624R1	<MDC, MMP, MMR>
U004	R7239	C-CARBON R	RN72K1J-470JE	1	435034704R1	
U004	R7240	C-CARBON R	RN72K1J-470JE	1	435034704R1	
U004	R7241	C-CARBON R	RN72K1J-470JE	1	435034704R1	
U004	R7242	C-CARBON R	RN72K1J-470JE	1	435034704R1	
U004	R7243	C-CARBON R	RN72K1J-221JE	1	435032214R1	
U004	R7244	C-CARBON R	RN72K1J-103JE	1	435031034R1	
U004	R7245	C-CARBON R	RN72K1J-103JE	1	435031034R1	
U004	R7246	C-CARBON R	RN72K1J-470JE	1	435034704R1	
U004	R7247	C-CARBON R	RN72K1J-470JE	1	435034704R1	
U004	R7248	C-CARBON R	RN72K1J-470JE	1	435034704R1	
U004	R7249	C-CARBON R	RN72K1J-103JE	1	435031034R1	
U004	R7251	C-CARBON R	RN72K1J-104JE	1	435031044R1	
U004	R7254	C-CARBON R	RN72K1J-104JE	1	435031044R1	
U004	R7255	C-CARBON R	RN72K1J-473JE	1	435034734R1	
U004	R7256	C-CARBON R	RN72K1J-473JE	1	435034734R1	

U004	R7257	C-CARBON R	RN72K1J-473JE	1	435034734R1	
U004	R7258	C-CARBON R	RN72K1J-473JE	1	435034734R1	
U004	R7259	C-CARBON R	RN72K1J-473JE	1	435034734R1	
U004	R7261	C-CARBON R	RN72K1J-473JE	1	435034734R1	
U004	R7262	C-CARBON R	RN72K1J-000JE	1	435030004R1	<MDC, MMP, MMR>
U004	R7264	METAL O R	RS1/2WBJ-10	1	443521004T	
U004	R7268	METAL R	RNU1/2WCJ-8.2	1	453530824T	
U004	R7269	METAL R	RNU1/2WCJ-8.2	1	453530824T	
U004	R7270	C-CARBON R	RN72K1J-470JE	1	435034704R1	
U004	R7273	C-CARBON R	RN72K1J-102JE	1	435031024R1	
U004	R7274	C-CARBON R	RN72K1J-222JE	1	435032224R1	
U004	R7275	C-CARBON R	RN72K1J-102JE	1	435031024R1	
U004	R7276	C-CARBON R	RN72K1J-222JE	1	435032224R1	
U004	R7285	C-CARBON R	RN72K1J-470JE	1	435034704R1	
U004	R7286	C-CARBON R	RN72K1J-221JE	1	435032214R1	
U004	R7289	C-CARBON R	RN72K1J-470JE	1	435034704R1	
U004	R7290	C-CARBON R	RN72K1J-470JE	1	435034704R1	
U004	R7291	C-CARBON R	RN72K1J-470JE	1	435034704R1	
U004	R7292	C-CARBON R	RN72K1J-470JE	1	435034704R1	
U004	R7293	C-CARBON R	RN72K1J-221JE	1	435032214R1	
U004	R7294	C-CARBON R	RN72K1J-103JE	1	435031034R1	
U004	R7295	C-CARBON R	RN72K1J-470JE	1	435034704R1	
U004	R7296	C-CARBON R	RN72K1J-470JE	1	435034704R1	
U004	R7297	C-CARBON R	RN72K1J-470JE	1	435034704R1	
U004	R7299	C-CARBON R	RN72K1J-221JE	1	435032214R1	
U004	R7300	METAL O R	RS1/2WBJ-10	1	443521004T	
U004	R7302	C-CARBON R	RN72K1J-470JE	1	435034704R1	<MDC, MMP, MMR>
U004	R7303	C-CARBON R	RN72K1J-470JE	1	435034704R1	<MDC, MMP, MMR>
U004	R7304	C-CARBON R	RN72K1J-100JE	1	435031004R1	<MDC, MMP, MMR>
U004	R7305	C-CARBON R	RN72K1J-000JE	1	435030004R1	<MDC, MMP, MMR>
U004	R7306	C-CARBON R	RN72K1J-000JE	1	435030004R1	<MDC, MMP, MMR>
U004	R7307	C-CARBON R	RN72K1J-273JE	1	435032734R1	
U004	R7308	C-CARBON R	RN72K1J-273JE	1	435032734R1	
U004	R7309	C-CARBON R	RN72K1J-273JE	1	435032734R1	
U004	R7311	C-CARBON R	RN72K1J-473JE	1	435034734R1	
U004	R7314	C-CARBON R	RN72K1J-273JE	1	435032734R1	<MDC, MMP, MMR>
U004	R7315	C-CARBON R	RN72K1J-823JE	1	435038234R1	<MDC, MMP, MMR>
U004	R7318	C-CARBON R	RN72K1J-102JE	1	435031024R1	
U004	R8030	C-CARBON R	RN72K1J-105JE	1	435031054R1	<MDC, MMP, MMR>

U004	R8031	C-CARBON R	RN72K1J-105JE	1	435031054R1	<MDC, MMP, MMR>
U004	R8032	C-CARBON R	RN72K1J-105JE	1	435031054R1	<MDC, MMP, MMR>
U004	R8033	C-CARBON R	RN72K1J-105JE	1	435031054R1	<MDC, MMP, MMR>
U004	[SW TRM]					
U004	E1A	TRM	NTM-1P233(M1969)	1	25060302	
U004	E2	TRM-423(SCREW)	NEJITANSI ST3	1	25060495	
U004	JL3889A	WIRE HOL	NSCT-5P896	1	25051109	
U004	JL9501A	WIRE HOL	NSCT-7P898	1	25051111	
U004	P1010	PLUG	IMSA-9201B-1-06Z388-PT1	1	25056614	
U004	P103A	PLUG	NPLG-11P0966	1	25056016	
U004	P104A	PLUG	NPLG-7P0962	1	25056012	
U004	P105A	PLUG	NPLG-7P0962	1	25056012	
U004	P106B	SOCKET	NSCT-11P2104	1	25052207	<MDC, MMP, MMR>
U004	P107A	PLUG	NPLG-11P0966	1	25056016	
U004	P2103B	SOCKET	IMSA-9142S-18A	1	25053231	
U004	P2104B	SOCKET	IMSA-9142S-20A	1	25053232	
U004	P3101A	PLUG	IMSA-9142B-26A	1	25056603	
U004	P3605B	SOCKET	IMSA-9142S-18A	1	25053231	
U004	P3606B	SOCKET	IMSA-9142S-8A	1	25053226	
U004	P3607B	SOCKET	IMSA-9142S-16A	1	25053230	
U004	P3608B	SOCKET	IMSA-9142S-18A	1	25053231	
U004	P3704	TRM-423(SCREW)	NEJITANSI ST3	1	25060495	
U004	P3705	TRM-423(SCREW)	NEJITANSI ST3	1	25060495	
U004	P3885A	PLUG	NPLG-11P0966	1	25056016	
U004	P3885B	SOCKET	NSCT-11P2191	1	25052294	
U004	P3886	PIN JACK	NPJ-3PDO656	1	25045884	<MDC, MMP, MMR>
U004	P3886 or	PIN JACK	NPJ-3PDO465	(1)	25045666	<MDC, MMP, MMR>
U004	P3887	SOCKET	MDS-09P-V-01(DSUB9P)	1	25053363	
U004	P3888	ST JACK	MSJ-035-22	1	25045887	
U004	P3888 or	JACK	YKB21-5130	(1)	25045387	
U004	P4002B	SOCKET	NSCT-9P1024	1	25051234	
U004	P4003	TRM	NTM-1P233(M1969)	1	25060302	
U004	P4008B	SOCKET	NSCT-9P2102	1	25052205	
U004	P4009B	SOCKET	NSCT-15P2108	1	25052211	
U004	P4020B	SOCKET	9210B-1-13Z140-PT1	1	25053364	
U004	P4021B	SOCKET	9210B-1-13Z140-PT1	1	25053364	
U004	P6851A	PLUG	IMSA-9142B-26A	1	25056603	
U004	P6853A	SOCKET	NSCT-9P2189	1	25052292	
U004	P7003B	SOCKET	IMSA-9618S-09A	1	25053334R2	

U004	P7009B	SOCKET	IMSA-9142S-18A	1	25053231	
U004	P7010B	SOCKET	IMSA-9142S-26A	1	25053235	
U004	P7012	TRM-423(SCREW)	NEJITANSI ST3	1	25060495	
U004	P7210B	PLUG	NPLG-11P358	1	25055375	<MDC, MMP, MMR>
U004	P7501A	PLUG	A2545WR2-2x20P(IDE40SIDE)	1	25056643	
U004	P8000	SOCKET	MDS-15P-V02(DSUB15)	1	25053362	<MDC, MMP, MMR>
U004	P8002A	SOCKET	NSCT-11P2402	1	25052505	<MDC, MMP, MMR>
U004	S3701	SLIDE SW	SSSS213000	1	25060497	
U004	[TUNER UNIT]					
U004	U3884	PHT CP	JSR1165-001recieving	1	24120143	
U004	U3885	PHT CP	JSR1165-001recieving	1	24120143	
U005	U005	U0050 ~ U00512				
U005	U0050	DISPLAY PC BOARD ASS'Y	BADIS-0803-1C/ 1D			
U005	U0051	SWITCH PC BOARD ASS'Y	BASW-0804-1C/ 1D			
U005	U0052	POWER SUPPLY PC BOARD ASS'Y	BAPS-0805-1C/ 1D			
U005	U0053	PHONE JACK PC BOARD ASS'Y	BAETC-0806-1C/ 1D			
U005	U0054	OPT INPUT PC BOARD ASS'Y	BAETC-0807-1C/ 1D			
U005	U0055	HOLDER(OPT) PC BOARD ASS'Y	BAETC-0808-1C/ 1D			
U005	U0056	VOLUME PC BOARD ASS'Y	BAETC-0809-1C/ 1D			
U005	U0057	MIC JACK PC BOARD ASS'Y	BAETC-0810-1C/ 1D			
U005	U0058	HOLDER(HDMI) PC BOARD ASS'Y	BAETC-0811-1C/ 1D			
U005	U0059	HOLDER PC BOARD ASS'Y	BAETC-0812-1C/ 1D			
U005	U00510	HOLDER(PHONE JACK) PC BOARD ASS'Y	BAETC-0813-1C/ 1D			
U005	U00511	POWER SWITCH PC BOARD ASS'Y	BAETC-0814-1D			
U005	U00512	HOLDER(SWITCH) PC BOARD ASS'Y	BAETC-0815-1D			
U005	U00513	SELECTOR LED PC BOARD ASS'Y	BADIS-0816-1C/ 1D			
U005						
U005	CIRCUIT NO.	PART NAME	DESCRIPTION	Q'TY	PART NO. (SN)	REMARKS
U005	[SEMI CONDUCTOR]					
U005	D7500	ZENER D	UDZS8.2B	1	224550820R2	
U005	D7506	LED	SCPW3617E-D-A0	1	225500	
U005	D7506A	HOLDER	(LED)LH-5-5	1	27191312	
U005	D7510	LED	SCPW3617E-D-A0	1	225500	
U005	D7510A	HOLDER	(LED)LH-5-5	1	27191312	
U005	D7511	LED	SLI-343Y8C-3F	1	225491	
U005	D7520	C-DIODE	1SS355	1	223269R2	
U005	D7520 or	C-DIODE	1SS352	(1)	223234R2	
U005	D7520 or	C-DIODE	MA2J111	(1)	223279R2	

U005	D7520 or	C-DIODE	KDS4148U	(1)	223283R2	
U005	D7521	C-DIODE	1SS355	1	223269R2	
U005	D7521 or	C-DIODE	1SS352	(1)	223234R2	
U005	D7521 or	C-DIODE	MA2J111	(1)	223279R2	
U005	D7521 or	C-DIODE	KDS4148U	(1)	223283R2	
U005	D7522	C-DIODE	1SS355	1	223269R2	
U005	D7522 or	C-DIODE	1SS352	(1)	223234R2	
U005	D7522 or	C-DIODE	MA2J111	(1)	223279R2	
U005	D7522 or	C-DIODE	KDS4148U	(1)	223283R2	
U005	D7523	C-DIODE	1SS355	1	223269R2	
U005	D7523 or	C-DIODE	1SS352	(1)	223234R2	
U005	D7523 or	C-DIODE	MA2J111	(1)	223279R2	
U005	D7523 or	C-DIODE	KDS4148U	(1)	223283R2	
U005	D7530	ZENER D	UDZS5.1B	1	224550510R2	
U005	D7540	LED	SCPW3617E-D-A0	1	225500	<MDC, MMP, MMR>
U005	D7541	LED	SCPW3617E-D-A0	1	225500	<MDC, MMP, MMR>
U005	D7542	LED	SCPW3617E-D-A0	1	225500	<MDC, MMP, MMR>
U005	D7543	LED	SCPW3617E-D-A0	1	225500	<MDC, MMP, MMR>
U005	D7544	LED	SCPW3617E-D-A0	1	225500	<MDC, MMP, MMR>
U005	D7545	LED	SCPW3617E-D-A0	1	225500	<MDC, MMP, MMR>
U005	D7546	LED	SCPW3617E-D-A0	1	225500	<MDC, MMP, MMR>
U005	D7547	LED	SCPW3617E-D-A0	1	225500	<MDC, MMP, MMR>
U005	D7548	LED	SCPW3617E-D-A0	1	225500	<MDC, MMP, MMR>
U005	D7549	LED	SCPW3617E-D-A0	1	225500	<MDC, MMP, MMR>
U005	D7550	LED	SCPW3617E-D-A0	1	225500	<MDC, MMP, MMR>
U005	D7551	LED	SCPW3617E-D-A0	1	225500	<MDC, MMP, MMR>
U005	D7560	C-DIODE	1SS355	1	223269R2	
U005	D7560 or	C-DIODE	1SS352	(1)	223234R2	
U005	D7560 or	C-DIODE	MA2J111	(1)	223279R2	
U005	D7560 or	C-DIODE	KDS4148U	(1)	223283R2	
U005	D7561	C-DIODE	1SS355	1	223269R2	
U005	D7561 or	C-DIODE	1SS352	(1)	223234R2	
U005	D7561 or	C-DIODE	MA2J111	(1)	223279R2	
U005	D7561 or	C-DIODE	KDS4148U	(1)	223283R2	
U005	D7570	SPCF D	TSAL5300	1	225488	
U005	D7570A	HOLDER	(LED)LH-5-5	1	27191312	
U005	D7580	C-DIODE	1SS355	1	223269R2	
U005	D7580 or	C-DIODE	1SS352	(1)	223234R2	
U005	D7580 or	C-DIODE	MA2J111	(1)	223279R2	

U005	D7580 or	C-DIODE	KDS4148U	(1)	223283R2	
U005	D7581	C-DIODE	1SS355	1	223269R2	
U005	D7581 or	C-DIODE	1SS352	(1)	223234R2	
U005	D7581 or	C-DIODE	MA2J111	(1)	223279R2	
U005	D7581 or	C-DIODE	KDS4148U	(1)	223283R2	
U005	D7582	C-DIODE	1SS355	1	223269R2	
U005	D7582 or	C-DIODE	1SS352	(1)	223234R2	
U005	D7582 or	C-DIODE	MA2J111	(1)	223279R2	
U005	D7582 or	C-DIODE	KDS4148U	(1)	223283R2	
U005	D7583	C-DIODE	1SS355	1	223269R2	
U005	D7583 or	C-DIODE	1SS352	(1)	223234R2	
U005	D7583 or	C-DIODE	MA2J111	(1)	223279R2	
U005	D7583 or	C-DIODE	KDS4148U	(1)	223283R2	
U005	D7591	LED	SCB3318E-D2	1	225487	
U005	D9303	DIODE	D10XB60H	1	22380337F	<MDC, MMP, MMR>
U005	D9306	ZENER D	UDZS22B	1	224552200R2	
U005	D9310	ZENER D	UDZS22B	1	224552200R2	
U005	D9312	DIODE	RL1N4003	1	22380260T	
U005	D9313	DIODE	RL1N4003	1	22380260T	
U005	D9314	DIODE	RL1N4003	1	22380260T	
U005	D9315	DIODE	RL1N4003	1	22380260T	
U005	D9350	C-DIODE	1SS355	1	223269R2	<MDC, MMP, MMR>
U005	D9350 or	C-DIODE	1SS352	(1)	223234R2	<MDC, MMP, MMR>
U005	D9350 or	C-DIODE	MA2J111	(1)	223279R2	<MDC, MMP, MMR>
U005	D9350 or	C-DIODE	KDS4148U	(1)	223283R2	<MDC, MMP, MMR>
U005	D9351	C-DIODE	CRS09(TE85L_Q)	1	223274R2	<MDC, MMP, MMR>
U005	Q7500	IC	BU2090F-E2	1	22242686R2	<MDC, MMP, MMR>
U005	Q7501	FL TUBE	16-BT-165GINK	1	212276	
U005	Q7501A	HOLDER	(FL)	1	27191370	
U005	Q7501Aor	HOLDER	(FL)	(1)	27191303	
U005	Q7502	TR	2SC2712-GR	1	2213145R2	
U005	Q7503	TR	2SC2712-GR	1	2213145R2	
U005	Q7506	TR	DTC123JKA	1	2216690R2	
U005	Q7507	TR	DTC123JKA	1	2216690R2	<MDC, MMP, MMR>
U005	Q7508	IC	NJM2505AF	1	22242490R2	
U005	Q7510	TR	2SC2712-GR	1	2213145R2	
U005	Q7512	TR	RN2401(TE85L_F)	1	2214520R2	<MDC, MMP, MMR>
U005	Q7530	IC	NJM4580M-D	1	22241448R2	
U005	Q7532	TR	RN1441	1	2215410R2	

U005	Q7533	TR	RN2403	1	2214540R2	
U005	Q7533 or	TR	KRA103S	(1)	2216230R2	
U005	Q7534	IC	NJM4580M-D	1	22241448R2	
U005	Q7540	TR	DTA123JKA	1	2214090R2	
U005	Q7591	TR	DTC123JKA	1	2216690R2	
U005	Q9301	TR	2SC1815-GR	1	2211255T	
U005	Q9350	IC	SI8008TM	1	22242323R2	<MDC, MMP, MMR>
U005	[TRANS COIL]					
U005	L7520	CHOKE COIL	LBC2518T470M	1	231364M470R2	
U005	L7521	EMIFIL	BK1608LM182-T	1	230958R1	
U005	L7522	EMIFIL	BK1608LM182-T	1	230958R1	
U005	L7530	CHOKE COIL	LBC2518T2R2M	1	231364M022R2	
U005	L7580	CHOKE COIL	LBC2518T2R2M	1	231364M022R2	
U005	L7581	CHOKE COIL	LBC2518T2R2M	1	231364M022R2	
U005	L7582	CHOKE COIL	LBC2518T2R2M	1	231364M022R2	
U005	L9350	CHOKE COIL	NCH-2541	1	231363K470A	<MDC, MMP, MMR>
U005	L9350 or	COIL	0182-7310-470K-RB	(1)	231389	<MDC, MMP, MMR>
U005	[CAPACITOR]					
U005	C7501	C-CERA C	CK725B1H-223K1	1	332102235R1	
U005	C7502	C-CERA C	CK725F1E-104Z1	1	332161040R1	
U005	C7503	C-CERA C	CK725F1E-104Z1	1	332161040R1	
U005	C7504	C-CERA C	CK725B1H-473K1	1	332104735R1	
U005	C7505	C-CERA C	CK725B1H-473K1	1	332104735R1	
U005	C7506	ELECT C	CE04W50V-33M	1	355783309T	
U005	C7507	C-CERA C	CK725F1H-104Z1	1	332151040R1	
U005	C7511	C-CERA C	CC725CH1H-221J1	1	342102214R1	
U005	C7512	C-CERA C	CC725CH1H-101J1	1	342101014R1	<MDC, MMP, MMR>
U005	C7513	C-CERA C	CK725B1H-102K1	1	332101025R1	<MDC, MMP, MMR>
U005	C7515	C-CERA C	CK725F1E-104Z1	1	332161040R1	
U005	C7516	C-CERA C	CK725B1H-103K1	1	332101035R1	
U005	C7517	C-CERA C	CK725B1H-103K1	1	332101035R1	
U005	C7518	ELECT C	CE04W6.3V-100M	1	355721019T	
U005	C7520	C-CERA C	CK725F1E-104Z1	1	332161040R1	
U005	C7521	UTSP C	CE04W10V-100M(UTSP)	1	397531017T	
U005	C7522	C-CERA C	CC725CH1H-221J1	1	342102214R1	
U005	C7523	C-CERA C	CC725CH1H-221J1	1	342102214R1	
U005	C7524	C-CERA C	CK725B1H-102K1	1	332101025R1	
U005	C7525	C-CERA C	CC725CH1H-470J1	1	342104704R1	
U005	C7526	ELECT C	CE04W6.3V-220M	1	355722219T	

U005	C7527	ELECT C	CE04W6.3V-220M	1	355722219T	
U005	C7528	C-CERA C	CC725CH1H-470J1	1	342104704R1	
U005	C7529	C-CERA C	CC725CH1H-470J1	1	342104704R1	
U005	C7530	C-CERA C	CK725F1E-104Z1	1	332161040R1	
U005	C7531	ELECT C	CE04W6.3V-100M	1	355721019T	
U005	C7533	ELECT C	CE04W35V-47M	1	355764709T	
U005	C7534	ELECT C	CE04W16V-47M	1	355744709T	
U005	C7535	ELECT C	CE04W35V-10M(S)	1	353761009T	
U005	C7536	C-CERA C	CC725CH1H-101J1	1	342101014R1	
U005	C7537	C-CERA C	CC725CH1H-330J1	1	342103304R1	
U005	C7538	ELECT C	CE04W35V-10M(MA)	1	355761009T	
U005	C7539	ELECT C	CE04W35V-10M(S)	1	353761009T	
U005	C7540	ELECT C	CE04W35V-10M(S)	1	353761009T	
U005	C7541	ELECT C	CE04W35V-10M(S)	1	353761009T	
U005	C7542	ELECT C	CE04W35V-10M(S)	1	353761009T	
U005	C7543	C-CERA C	CK725B1H-102K1	1	332101025R1	
U005	C7544	C-CERA C	CC725CH1H-101J1	1	342101014R1	
U005	C7545	ELECT C	CE04W16V-47M	1	355744709T	<MDC, MMP, MMR>
U005	C7546	C-CERA C	CK725F1A-105Z1	1	332181050R1	<MDC, MMP, MMR>
U005	C7560	ELECT C	CE04W6.3V-220M	1	355722219T	
U005	C7561	C-CERA C	CK725B1H-102K1	1	332101025R1	
U005	C7562	C-CERA C	CK725B1H-102K1	1	332101025R1	
U005	C7580	C-CERA C	CC725CH1H-102J1	1	342101024R1	
U005	C7581	C-CERA C	CC725CH1H-102J1	1	342101024R1	
U005	C7582	C-CERA C	CC725CH1H-102J1	1	342101024R1	
U005	C7583	C-CERA C	CC725CH1H-102J1	1	342101024R1	
U005	C9302	VR C	CE04W16V-10000M(VR)	1	394641037S	<MDC, MMP, MMR>
U005	C9304	VR C	CE04W63V-47M(VR)	1	394674707T	
U005	C9305	VR C	CE04W50V-47M(VR)	1	394684707T	
U005	C9306	TF C	ECQ-V50V-223J	1	374722234T	
U005	C9307	TF C	ECQ-V50V-334J	1	374723344T	<MDC, MMP, MMR>
U005	C9350	VR C	CE04W16V-470M(VR)	1	394644717T	<MDC, MMP, MMR>
U005	C9351	VR C	CE04W6.3V-1000M(VR)	1	394621027T	<MDC, MMP, MMR>
U005	[RESISTOR]					
U005	R7500	C-CARBON R	RN72K1J-221JE	1	435032214R1	
U005	R7501	C-CARBON R	RN72K1J-221JE	1	435032214R1	
U005	R7503	NF CARBON R	R25J-10	1	415471004T	
U005	R7504	NF CARBON R	R25J-10	1	415471004T	
U005	R7508	C-CARBON R	RN72K1J-101JE	1	435031014R1	

U005	R7509	C-CARBON R	RN72K1J-101JE	1	435031014R1	
U005	R7511	C-CARBON R	RN72K1J-333JE	1	435033334R1	
U005	R7512	C-CARBON R	RN72K1J-333JE	1	435033334R1	
U005	R7513	C-CARBON R	RN72K1J-104JE	1	435031044R1	
U005	R7514	C-CARBON R	RN72K1J-333JE	1	435033334R1	
U005	R7515	C-CARBON R	RN72K1J-104JE	1	435031044R1	
U005	R7517	C-CARBON R	RN72K1J-221JE	1	435032214R1	
U005	R7519	C-CARBON R	RN72K1J-221JE	1	435032214R1	
U005	R7520	C-CARBON R	RN72K1J-221JE	1	435032214R1	
U005	R7521	C-CARBON R	RN72K1J-221JE	1	435032214R1	
U005	R7523	C-CARBON R	RN72K1J-181JE	1	435031814R1	
U005	R7527	C-CARBON R	RN72K1J-181JE	1	435031814R1	
U005	R7528	C-CARBON R	RN72K1J-271JE	1	435032714R1	
U005	R7529	C-CARBON R	RN72K1J-224JE	1	435032244R1	
U005	R7530	C-CARBON R	RN72K1J-103JE	1	435031034R1	
U005	R7531	C-CARBON R	RN72K1J-101JE	1	435031014R1	
U005	R7532	C-CARBON R	RN72K1J-000JE	1	435030004R1	
U005	R7533	C-CARBON R	RN72K1J-103JE	1	435031034R1	
U005	R7534	C-CARBON R	RN72K1J-104JE	1	435031044R1	
U005	R7535	C-CARBON R	RN72K1J-102JE	1	435031024R1	
U005	R7536	C-CARBON R	RN72K1J-333JE	1	435033334R1	
U005	R7537	C-CARBON R	RN72K1J-333JE	1	435033334R1	
U005	R7538	C-CARBON R	RN72K1J-471JE	1	435034714R1	
U005	R7539	C-CARBON R	RN72K1J-470JE	1	435034704R1	
U005	R7540	C-CARBON R	RN72K1J-473JE	1	435034734R1	
U005	R7541	C-CARBON R	RN72K1J-331JE	1	435033314R1	
U005	R7542	C-CARBON R	RN72K1J-331JE	1	435033314R1	
U005	R7543	C-CARBON R	RN72K1J-182JE	1	435031824R1	
U005	R7544	C-CARBON R	RN72K1J-472JE	1	435034724R1	
U005	R7545	C-CARBON R	RN72K1J-103JE	1	435031034R1	
U005	R7546	C-CARBON R	RN72K1J-331JE	1	435033314R1	
U005	R7547	C-CARBON R	RN72K1J-103JE	1	435031034R1	
U005	R7548	C-CARBON R	RN72K1J-224JE	1	435032244R1	
U005	R7550	C-CARBON R	RN72K1J-750JE	1	435037504R1	
U005	R7551	C-CARBON R	RN72K1J-223JE	1	435032234R1	
U005	R7552	C-CARBON R	RN72K1J-223JE	1	435032234R1	
U005	R7557	C-CARBON R	RN72K1J-000JE	1	435030004R1	<MDC, MMP, MMR>
U005	R7560	C-CARBON R	RN72K1J-102JE	1	435031024R1	
U005	R7561	C-CARBON R	RN72K1J-101JE	1	435031014R1	

U005	R7562	C-CARBON R	RN72K1J-105JE	1	435031054R1	
U005	R7563	C-CARBON R	RN72K1J-180JE	1	435031804R1	
U005	R7564	C-CARBON R	RN72K1J-047JE	1	435030474R1	
U005	R7565	C-CARBON R	RN72K1J-181JE	1	435031814R1	<MDC, MMP, MMR>
U005	R7566	C-CARBON R	RN72K1J-181JE	1	435031814R1	<MDC, MMP, MMR>
U005	R7567	C-CARBON R	RN72K1J-181JE	1	435031814R1	<MDC, MMP, MMR>
U005	R7568	C-CARBON R	RN72K1J-220JE	1	435032204R1	
U005	R7569	C-CARBON R	RN72K1J-220JE	1	435032204R1	
U005	R7570	C-CARBON R	RN72K1J-000JE	1	435030004R1	
U005	R7571	C-CARBON R	RN72K1J-181JE	1	435031814R1	<MDC, MMP, MMR>
U005	R7572	C-CARBON R	RN72K1J-181JE	1	435031814R1	<MDC, MMP, MMR>
U005	R7573	C-CARBON R	RN72K1J-181JE	1	435031814R1	<MDC, MMP, MMR>
U005	R7574	C-CARBON R	RN72K1J-181JE	1	435031814R1	<MDC, MMP, MMR>
U005	R7575	C-CARBON R	RN72K1J-181JE	1	435031814R1	<MDC, MMP, MMR>
U005	R7576	C-CARBON R	RN72K1J-181JE	1	435031814R1	<MDC, MMP, MMR>
U005	R7577	C-CARBON R	RN72K1J-181JE	1	435031814R1	<MDC, MMP, MMR>
U005	R7578	C-CARBON R	RN72K1J-181JE	1	435031814R1	<MDC, MMP, MMR>
U005	R7579	C-CARBON R	RN72K1J-181JE	1	435031814R1	<MDC, MMP, MMR>
U005	R7580	METAL O R	RS1WBJ-33	1	443623304T	
U005	R7581	METAL O R	RS1WBJ-33	1	443623304T	
U005	R7583	C-CARBON R	RN72K1J-000JE	1	435030004R1	<MDC, MMP, MMR>
U005	R7585	METAL O R	RS1WBJ-4.7K	1	443624724T	
U005	R7586	METAL O R	RS1WBJ-4.7K	1	443624724T	
U005	R7587	METAL O R	RS1WBJ-4.7K	1	443624724T	
U005	R7588	C-CARBON R	RN72K1J-103JE	1	435031034R1	
U005	R7589	C-CARBON R	RN72K1J-103JE	1	435031034R1	
U005	R7595	C-CARBON R	RN72K1J-471JE	1	435034714R1	
U005	R7611	C-CARBON R	RN72K1J-271JE	1	435032714R1	
U005	R7612	C-CARBON R	RN72K1J-331JE	1	435033314R1	
U005	R7613	C-CARBON R	RN72K1J-471JE	1	435034714R1	
U005	R7614	C-CARBON R	RN72K1J-561JE	1	435035614R1	
U005	R7615	C-CARBON R	RN72K1J-821JE	1	435038214R1	
U005	R7616	C-CARBON R	RN72K1J-122JE	1	435031224R1	
U005	R7617	C-CARBON R	RN72K1J-222JE	1	435032224R1	
U005	R7618	C-CARBON R	RN72K1J-392JE	1	435033924R1	
U005	R7619	C-CARBON R	RN72K1J-123JE	1	435031234R1	
U005	R7621	C-CARBON R	RN72K1J-271JE	1	435032714R1	<MDC, MMP, MMR>
U005	R7622	C-CARBON R	RN72K1J-331JE	1	435033314R1	<MDC, MMP, MMR>
U005	R7623	C-CARBON R	RN72K1J-471JE	1	435034714R1	<MDC, MMP, MMR>

U005	R7624	C-CARBON R	RN72K1J-561JE	1	435035614R1	<MDC, MMP, MMR>
U005	R7625	C-CARBON R	RN72K1J-821JE	1	435038214R1	<MDC, MMP, MMR>
U005	R7626	C-CARBON R	RN72K1J-122JE	1	435031224R1	<MDC, MMP, MMR>
U005	R7627	C-CARBON R	RN72K1J-222JE	1	435032224R1	<MDC, MMP, MMR>
U005	R7628	C-CARBON R	RN72K1J-392JE	1	435033924R1	<MDC, MMP, MMR>
U005	R7629	C-CARBON R	RN72K1J-123JE	1	435031234R1	<MDC, MMP, MMR>
U005	R7631	C-CARBON R	RN72K1J-271JE	1	435032714R1	
U005	R7632	C-CARBON R	RN72K1J-331JE	1	435033314R1	
U005	R7633	C-CARBON R	RN72K1J-471JE	1	435034714R1	
U005	R7634	C-CARBON R	RN72K1J-561JE	1	435035614R1	
U005	R7635	C-CARBON R	RN72K1J-821JE	1	435038214R1	
U005	R7636	C-CARBON R	RN72K1J-122JE	1	435031224R1	
U005	R7637	C-CARBON R	RN72K1J-222JE	1	435032224R1	
U005	R7638	C-CARBON R	RN72K1J-392JE	1	435033924R1	
U005	R7639	C-CARBON R	RN72K1J-123JE	1	435031234R1	
U005	R7641	C-CARBON R	RN72K1J-271JE	1	435032714R1	
U005	R7642	C-CARBON R	RN72K1J-331JE	1	435033314R1	
U005	R7643	C-CARBON R	RN72K1J-471JE	1	435034714R1	
U005	R7644	C-CARBON R	RN72K1J-561JE	1	435035614R1	
U005	R7645	C-CARBON R	RN72K1J-821JE	1	435038214R1	
U005	R7646	C-CARBON R	RN72K1J-122JE	1	435031224R1	
U005	R7647	C-CARBON R	RN72K1J-222JE	1	435032224R1	
U005	R7648	C-CARBON R	RN72K1J-392JE	1	435033924R1	
U005	R7649	C-CARBON R	RN72K1J-123JE	1	435031234R1	
U005	R9305	C-CARBON R	RN72K1J-562JE	1	435035624R1	
U005	R9307	C-CARBON R	RN72K1J-333JE	1	435033334R1	
U005	R9308	METAL R	RNU1/2WCJ-0.1	1	453531094T	
U005	R9310	METAL O R	RS1/2WBJ-33	1	443523304T	<MDC, MMP, MMR>
U005	R9350	METAL R	RNU1/2WCJ-0.22	1	453532294T	<MDC, MMP, MMR>
U005	R9351	C-CARBON R	RN72K1J-563JE	1	435035634R1	<MDC, MMP, MMR>
U005	R9352	C-CARBON R	RN72K1J-562JE	1	435035624R1	<MDC, MMP, MMR>
U005	R9353	C-CARBON R	RN72K1J-102JE	1	435031024R1	<MDC, MMP, MMR>
U005	R9354	C-CARBON R	RN72K1J-392JE	1	435033924R1	<MDC, MMP, MMR>
U005	[SW TRM]					
U005	F9301A	FUSE HOL	NSCT-1P2031	1	25052133T	! <MDC, MMP, MMR>
U005	F9301B	FUSE HOL	NSCT-1P2031	1	25052133T	! <MDC, MMP, MMR>
U005	JL4103B	SOCKET	NSCT-5P97	1	25050269	
U005	JL7510A	WIRE HOL	NSCT-7P878	1	25051091	
U005	JL7510B	WIRE TRAP	NPLG-7P590	1	25055628	

U005	JL7560A	WIRE HOL	NSCT-3P874	1	25051087	
U005	JL7560B	WIRE HOL	NSCT-3P874	1	25051087	
U005	JL7590A	WIRE HOL	NSCT-5P876	1	25051089	
U005	JL7590B	WIRE HOL	NSCT-5P876	1	25051089	
U005	JL7592A	WIRE HOL	NSCT-3P874	1	25051087	
U005	JL7592B	WIRE HOL	NSCT-3P874	1	25051087	
U005	JL9303A	WIRE HOL	NSCT-5P876	1	25051089	
U005	JL9303B	WIRE TRAP	NPLG-5P588	1	25055626	
U005	JL9501B	SOCKET	NSCT-7P99	1	25050271	<MDC, MMP, MMR>
U005	P7501B	PLUG	A2545WR2-2x20P(IDE40SIDE)	1	25056643	<MDC, MMP, MMR>
U005	P7522	PIN JACK	NPJ-3PDB735	1	25045978	<MDC, MMP, MMR>
U005	P7530	ST JACK	MSJ-035-05C B AG SR type	1	25045879	<MDC, MMP, MMR>
U005	P7550A	SOCKET	NSCT-13P2247	1	25052350	<MDC, MMP, MMR>
U005	P7550B	SOCKET	NSCT-13P2247	1	25052350	<MDC, MMP, MMR>
U005	P7580	ST JACK	MSJ-064-05A SR	1	25045783	<MDC, MMP, MMR>
U005	P7582	RETAINER	MET37-0002	1	27142009T	
U005	P9008B	PLUG	NPLG-2P631	1	25055675	! <MMP, MMR>
U005	P9301A	PLUG	NPLG-6P120	1	25055136	!
U005	S7501	R ENCODE	EC12E2460814	1	25060506W	N <MDC, MMP, MMR>
U005	S7611	PUSH SW	NPS-111-S681	1	25035718T	
U005	S7611 or	PUSH SW	NPS-111-S677	(1)	25035714T	
U005	S7612	PUSH SW	NPS-111-S681	1	25035718T	
U005	S7612 or	PUSH SW	NPS-111-S677	(1)	25035714T	
U005	S7613	PUSH SW	NPS-111-S681	1	25035718T	
U005	S7613 or	PUSH SW	NPS-111-S677	(1)	25035714T	
U005	S7614	PUSH SW	NPS-111-S681	1	25035718T	
U005	S7614 or	PUSH SW	NPS-111-S677	(1)	25035714T	
U005	S7616	PUSH SW	NPS-111-S681	1	25035718T	
U005	S7616 or	PUSH SW	NPS-111-S677	(1)	25035714T	
U005	S7617	PUSH SW	NPS-111-S681	1	25035718T	<MDC, MMP, MMR>
U005	S7617 or	PUSH SW	NPS-111-S677	(1)	25035714T	<MDC, MMP, MMR>
U005	S7618	PUSH SW	NPS-111-S681	1	25035718T	<MDC, MMP, MMR>
U005	S7618 or	PUSH SW	NPS-111-S677	(1)	25035714T	<MDC, MMP, MMR>
U005	S7619	PUSH SW	NPS-111-S681	1	25035718T	<MDC, MMP, MMR>
U005	S7619 or	PUSH SW	NPS-111-S677	(1)	25035714T	<MDC, MMP, MMR>
U005	S7620	PUSH SW	NPS-111-S681	1	25035718T	
U005	S7620 or	PUSH SW	NPS-111-S677	(1)	25035714T	
U005	S7621	PUSH SW	NPS-111-S681	1	25035718T	<MDC, MMP, MMR>
U005	S7621 or	PUSH SW	NPS-111-S677	(1)	25035714T	<MDC, MMP, MMR>

U005	S7622	PUSH SW	NPS-111-S681	1	25035718T	<MDC, MMP, MMR>
U005	S7622 or	PUSH SW	NPS-111-S677	(1)	25035714T	<MDC, MMP, MMR>
U005	S7623	PUSH SW	NPS-111-S681	1	25035718T	<MDC, MMP, MMR>
U005	S7623 or	PUSH SW	NPS-111-S677	(1)	25035714T	<MDC, MMP, MMR>
U005	S7624	PUSH SW	NPS-111-S681	1	25035718T	<MDC, MMP, MMR>
U005	S7624 or	PUSH SW	NPS-111-S677	(1)	25035714T	<MDC, MMP, MMR>
U005	S7625	PUSH SW	NPS-111-S681	1	25035718T	<MDC, MMP, MMR>
U005	S7625 or	PUSH SW	NPS-111-S677	(1)	25035714T	<MDC, MMP, MMR>
U005	S7626	PUSH SW	NPS-111-S681	1	25035718T	<MDC, MMP, MMR>
U005	S7626 or	PUSH SW	NPS-111-S677	(1)	25035714T	<MDC, MMP, MMR>
U005	S7627	PUSH SW	NPS-111-S681	1	25035718T	<MDC, MMP, MMR>
U005	S7627 or	PUSH SW	NPS-111-S677	(1)	25035714T	<MDC, MMP, MMR>
U005	S7629	PUSH SW	NPS-111-S681	1	25035718T	<MDC, MMP, MMR>
U005	S7629 or	PUSH SW	NPS-111-S677	(1)	25035714T	<MDC, MMP, MMR>
U005	S7630	PUSH SW	NPS-111-S681	1	25035718T	<MDC, MMP, MMR>
U005	S7630 or	PUSH SW	NPS-111-S677	(1)	25035714T	<MDC, MMP, MMR>
U005	S7631	PUSH SW	NPS-111-S681	1	25035718T	
U005	S7631 or	PUSH SW	NPS-111-S677	(1)	25035714T	
U005	S7632	PUSH SW	NPS-111-S681	1	25035718T	
U005	S7632 or	PUSH SW	NPS-111-S677	(1)	25035714T	
U005	S7633	PUSH SW	NPS-111-S681	1	25035718T	
U005	S7633 or	PUSH SW	NPS-111-S677	(1)	25035714T	
U005	S7634	PUSH SW	NPS-111-S681	1	25035718T	
U005	S7634 or	PUSH SW	NPS-111-S677	(1)	25035714T	
U005	S7635	PUSH SW	NPS-111-S681	1	25035718T	
U005	S7635 or	PUSH SW	NPS-111-S677	(1)	25035714T	
U005	S7636	PUSH SW	NPS-111-S681	1	25035718T	
U005	S7636 or	PUSH SW	NPS-111-S677	(1)	25035714T	
U005	S7637	PUSH SW	NPS-111-S681	1	25035718T	
U005	S7637 or	PUSH SW	NPS-111-S677	(1)	25035714T	
U005	S7638	PUSH SW	NPS-111-S681	1	25035718T	
U005	S7638 or	PUSH SW	NPS-111-S677	(1)	25035714T	
U005	S7639	PUSH SW	NPS-111-S681	1	25035718T	
U005	S7639 or	PUSH SW	NPS-111-S677	(1)	25035714T	
U005	S7640	PUSH SW	NPS-111-S681	1	25035718T	
U005	S7640 or	PUSH SW	NPS-111-S677	(1)	25035714T	
U005	S7641	PUSH SW	NPS-111-S681	1	25035718T	
U005	S7641 or	PUSH SW	NPS-111-S677	(1)	25035714T	
U005	S7642	PUSH SW	NPS-111-S681	1	25035718T	

U005	S7642 or	PUSH SW	NPS-111-S677	(1)	25035714T	
U005	S7643	PUSH SW	NPS-111-S681	1	25035718T	
U005	S7643 or	PUSH SW	NPS-111-S677	(1)	25035714T	
U005	S7644	PUSH SW	NPS-111-S681	1	25035718T	
U005	S7644 or	PUSH SW	NPS-111-S677	(1)	25035714T	
U005	S7645	PUSH SW	NPS-111-S681	1	25035718T	
U005	S7645 or	PUSH SW	NPS-111-S677	(1)	25035714T	
U005	S7646	PUSH SW	NPS-111-S681	1	25035718T	
U005	S7646 or	PUSH SW	NPS-111-S677	(1)	25035714T	
U005	S7647	PUSH SW	NPS-111-S681	1	25035718T	
U005	S7647 or	PUSH SW	NPS-111-S677	(1)	25035714T	
U005	S7648	PUSH SW	NPS-111-S681	1	25035718T	
U005	S7648 or	PUSH SW	NPS-111-S677	(1)	25035714T	
U005	S7649	PUSH SW	NPS-111-S681	1	25035718T	
U005	S7649 or	PUSH SW	NPS-111-S677	(1)	25035714T	
U005	S7650	PUSH SW	NPS-111-S681	1	25035718T	
U005	S7650 or	PUSH SW	NPS-111-S677	(1)	25035714T	
U005	S9000	P SW	NPS-111-L687P(TV-5)	1	25035724	<MMP, MMR>
U005	[TUNER UNIT]					
U005	U7520	PHT CP	JSR1321-001	1	24120138	
U005	U7560	REMO SENS	TSOP34338RF1F	1	24130017	
U007	U007	U0070~U0075				
U007	U0070	SPEAKER TERMINAL PC BOARD ASS'Y	BATRM-0214-1AD/ 1AE			
U007	U0071	SPEAKER TERMINAL(RH/SR) PC BOARD ASS'Y	BATRM-0215-1AD/ 1AE			
U007	U0072	SPEAKER TERMINAL(CENTER) PC BOARD ASS'Y	BATRM-0216-1AD/ 1AE			
U007	U0073	PRIMARY POWER SUPPLY PC BOARD ASS'Y	BAPS-0217-1AD/ 1AE			
U007	U0075	ANALOG AUDIO POWER SUPPLY PC BOARD ASS'Y	BAETC-0219-1AD/ 1AE			
U007						
U007	CIRCUIT NO.	PART NAME	DESCRIPTION	Q'TY	PART NO. (SN)	REMARKS
U007	[SEMI CONDUCTOR]					
U007	D6800	DIODE	ISS133	1	223163T	
U007	D6801	DIODE	ISS133	1	223163T	
U007	D6802	DIODE	ISS133	1	223163T	
U007	D6803	DIODE	ISS133	1	223163T	
U007	D6804	DIODE	ISS133	1	223163T	
U007	D6805	DIODE	ISS133	1	223163T	
U007	D6806	DIODE	ISS133	1	223163T	
U007	D6807	DIODE	ISS133	1	223163T	

U007	D6808	DIODE	ISS133	1	223163T	
U007	D6809	DIODE	ISS133	1	223163T	
U007	D6810	DIODE	ISS133	1	223163T	
U007	D6811	DIODE	ISS133	1	223163T	
U007	D6812	DIODE	ISS133	1	223163T	
U007	D9000	DIODE	ISS133	1	223163T	
U007	D9001	DIODE	ISS133	1	223163T	
U007	D9002	DIODE	ISS133	1	223163T	
U007	D9003	DIODE	ISS133	1	223163T	
U007	D9004	DIODE	ISS133	1	223163T	
U007	D9005	DIODE	ISS133	1	223163T	
U007	D9006	DIODE	ISS133	1	223163T	
U007	D9007	ZENER D	MTZJ5.1B	1	224470512T	
U007	D9010	DIODE	ISS133	1	223163T	
U007	D9011	DIODE	ISS133	1	223163T	
U007	D9101	DIODE	ISS133	1	223163T	
U007	D9200	DIODE	ISS133	1	223163T	<MDC, MMP, MMR>
U007	D9400	DIODE	D3SBA20	1	22380271F	
U007	D9400 or	DIODE	D3SBA60	(1)	22380272F	
U007	D9410	DIODE	D3SBA20	1	22380271F	
U007	D9410 or	DIODE	D3SBA60	(1)	22380272F	
U007	D9421	ZENER D	MTZJ13B	1	224471302T	N
U007	D9422	ZENER D	MTZJ13B	1	224471302T	N
U007	Q6801	TR	RN1226	1	2214680T	
U007	Q6802	TR	RN1226	1	2214680T	
U007	Q6803	TR	RN1226	1	2214680T	
U007	Q6804	TR	RN1226	1	2214680T	
U007	Q6805	TR	RN1226	1	2214680T	
U007	Q6806	TR	RN1226	1	2214680T	
U007	Q6807	TR	RN1226	1	2214680T	
U007	Q6900	TR	2SC2235-Y(TPE6_F)	1	2211654T	
U007	Q6901	TR	2SC2235-Y(TPE6_F)	1	2211654T	
U007	Q9101	TR	2SC1815-GR	1	2211255T	
U007	Q9200	TR	2SC1815-GR	1	2211255T	<MDC, MMP, MMR>
U007	Q9410	IC	NJM2388F09	1	22242383	<MDC, MMP, MMR>
U007	Q9423	TR	2SC1815-GR	1	2211255T	
U007	Q9424	TR	2SA1015-GR	1	2211455T	
U007	Q9425	TR	2SK365-GR	1	2212445T	
U007	Q9426	TR	2SK365-GR	1	2212445T	

U007	[TRANS COIL]					
U007	L6800	S COIL	SC-0.8X11.5X12.5T-6.5L	1	231393S	<MDC, MMP, MMR>
U007	L6801	S COIL	SC-0.8X11.5X12.5T-6.5L	1	231393S	<MDC, MMP, MMR>
U007	L6802	S COIL	SC-0.8X11.5X12.5T-6.5L	1	231393S	<MDC, MMP, MMR>
U007	L6803	S COIL	SC-0.8X11.5X12.5T-6.5L	1	231393S	<MDC, MMP, MMR>
U007	L6804	S COIL	SC-0.8X11.5X12.5T-6.5L	1	231393S	<MDC, MMP, MMR>
U007	L6805	S COIL	SC-0.8X11.5X12.5T-6.5L	1	231393S	<MDC, MMP, MMR>
U007	L6806	S COIL	SC-0.8X11.5X12.5T-6.5L	1	231393S	<MDC, MMP, MMR>
U007	L6807	S COIL	SC-0.8X11.5X12.5T-6.5L	1	231393S	<MDC, MMP, MMR>
U007	L6808	S COIL	SC-0.8X11.5X12.5T-6.5L	1	231393S	<MDC, MMP, MMR>
U007	T9000	P TRANS	NPT-1520JQ	1	2301812A	! <MDC>
U007	T9000	P TRANS	NPT-1520GQ	1	2301813A	! <MMP, MMR>
U007	[CAPACITOR]					
U007	C5572	UTSP C	CE04W50V 47M(UTSP)	1	397584707T	
U007	C5573	UTSP C	CE04W50V 47M(UTSP)	1	397584707T	
U007	C5574	UTSP C	CE04W50V 47M(UTSP)	1	397584707T	
U007	C5575	UTSP C	CE04W50V 47M(UTSP)	1	397584707T	
U007	C5576	UTSP C	CE04W50V 47M(UTSP)	1	397584707T	
U007	C5579	UTSP C	CE04W50V 47M(UTSP)	1	397584707T	
U007	C6800	TF C	ECQ-V50V-103J	1	374721034T	
U007	C6801	TF C	ECQ-V50V-103J	1	374721034T	
U007	C6802	TF C	ECQ-V50V-103J	1	374721034T	
U007	C6803	TF C	ECQ-V50V-103J	1	374721034T	
U007	C6804	TF C	ECQ-V50V-103J	1	374721034T	
U007	C6805	TF C	ECQ-V50V-103J	1	374721034T	
U007	C6806	TF C	ECQ-V50V-103J	1	374721034T	
U007	C6807	TF C	ECQ-V50V-103J	1	374721034T	
U007	C6808	TF C	ECQ-V50V-103J	1	374721034T	
U007	C6809	TF C	ECQ-V50V-103J	1	374721034T	
U007	C6810	TF C	ECQ-V50V-103J	1	374721034T	
U007	C6811	TF C	ECQ-V50V-103J	1	374721034T	
U007	C6812	TF C	ECQ-V50V-103J	1	374721034T	
U007	C6830	MKT C	B32529C0102J289	1	376491024T	
U007	C6830 or	TF C	ECQ-B50V-102J	(1)	374721024T	
U007	C6831	MKT C	B32529C0102J289	1	376491024T	
U007	C6831 or	TF C	ECQ-B50V-102J	(1)	374721024T	
U007	C6832	MKT C	B32529C0102J289	1	376491024T	
U007	C6832 or	TF C	ECQ-B50V-102J	(1)	374721024T	
U007	C6833	MKT C	B32529C0102J289	1	376491024T	

U007	C6833 or	TF C	ECQ-B50V-102J	(1)	374721024T
U007	C6834	MKT C	B32529C0102J289	1	376491024T
U007	C6834 or	TF C	ECQ-B50V-102J	(1)	374721024T
U007	C6835	MKT C	B32529C0102J289	1	376491024T
U007	C6835 or	TF C	ECQ-B50V-102J	(1)	374721024T
U007	C6836	MKT C	B32529C0102J289	1	376491024T
U007	C6836 or	TF C	ECQ-B50V-102J	(1)	374721024T
U007	C6837	MKT C	B32529C0102J289	1	376491024T
U007	C6837 or	TF C	ECQ-B50V-102J	(1)	374721024T
U007	C6838	MKT C	B32529C0102J289	1	376491024T
U007	C6838 or	TF C	ECQ-B50V-102J	(1)	374721024T
U007	C6839	MKT C	B32529C0102J289	1	376491024T
U007	C6839 or	TF C	ECQ-B50V-102J	(1)	374721024T
U007	C6840	MKT C	B32529C0102J289	1	376491024T
U007	C6840 or	TF C	ECQ-B50V-102J	(1)	374721024T
U007	C6850	TF C	ECQ-V50V-103J	1	374721034T
U007	C6851	TF C	ECQ-V50V-103J	1	374721034T
U007	C6852	TF C	ECQ-V50V-103J	1	374721034T
U007	C6853	TF C	ECQ-V50V-103J	1	374721034T
U007	C6854	TF C	ECQ-V50V-103J	1	374721034T
U007	C6855	TF C	ECQ-V50V-103J	1	374721034T
U007	C6856	TF C	ECQ-V50V-103J	1	374721034T
U007	C6857	TF C	ECQ-V50V-103J	1	374721034T
U007	C6858	TF C	ECQ-V50V-103J	1	374721034T
U007	C6859	TF C	ECQ-V50V-103J	1	374721034T
U007	C6860	TF C	ECQ-V50V-103J	1	374721034T
U007	C6870	TF C	ECQ-V50V-473J	1	374724734T
U007	C6871	TF C	ECQ-V50V-473J	1	374724734T
U007	C6872	TF C	ECQ-V50V-473J	1	374724734T
U007	C6873	TF C	ECQ-V50V-473J	1	374724734T
U007	C6874	TF C	ECQ-V50V-473J	1	374724734T
U007	C6875	TF C	ECQ-V50V-473J	1	374724734T
U007	C6876	TF C	ECQ-V50V-473J	1	374724734T
U007	C6877	TF C	ECQ-V50V-473J	1	374724734T
U007	C6878	TF C	ECQ-V50V-473J	1	374724734T
U007	C6900	VR C	CE04W16V-220M(VR)	1	394642217T
U007	C6901	VR C	CE04W16V-220M(VR)	1	394642217T
U007	C6902	UTSP C	CE04W50V-10M(UTSP)	1	397581007T
U007	C6903	UTSP C	CE04W50V-10M(UTSP)	1	397581007T

U007	C9000	TF C	ECQ-V50V-223J	1	374722234T	
U007	C9001	VR C	CE04W16V-2200M(VR)	1	394642227S	<MMP, MMP>
U007	C9001	VR C	CE04W25V-2200M(VR)	1	394652227S	<MDC>
U007	C9002	UTSP C	CE04W50V-4.7M(UTSP)	1	397580477T	
U007	C9008	VR C	CE04W16V-100M(VR)	1	394641017T	<MDC, MMP, MMP>
U007	C9108	PLA C	MKP R46 104M	1	3800041S	! <MDC, MMP, MMP>
U007	C9116	TF C	ECQ-V50V-103J	1	374721034T	
U007	C9119	TF C	ECQ-V50V-223J	1	374722234T	
U007	C9201	TF C	ECQ-V50V-103J	1	374721034T	<MDC, MMP, MMP>
U007	C9400	TF C	ECQ-V50V-223J	1	374722234T	
U007	C9403	ELECT C	CE04W25V-4700M(SMQ)	1	354754726	N
U007	C9404	ELECT C	CE04W25V-4700M(SMQ)	1	354754726	N
U007	C9410	TF C	ECQ-V50V-104J	1	374721044T	
U007	C9411	VR C	CE04W16V-4700M(VR)	1	394644727S	
U007	C9412	UTSP C	CE04W50V-1M(UTSP)	1	397580107T	<MDC, MMP, MMP>
U007	C9413	UTSP C	CE04W25V-220M(UTSP)	1	397552217T	<MDC, MMP, MMP>
U007	C9421	UTSP C	CE04W25V-100M(UTSP)	1	397551017T	
U007	C9422	UTSP C	CE04W25V-100M(UTSP)	1	397551017T	
U007	C9423	UTSP C	CE04W25V-100M(UTSP)	1	397551017T	
U007	C9424	UTSP C	CE04W25V-100M(UTSP)	1	397551017T	
U007	D9008	DIODE	1SS133	1	223163T	
U007	D9009	DIODE	1SS133	1	223163T	
U007	[RESISTOR]					
U007	R6800	CARBON R	R16J-22	1	417342204T	<MDC, MMP, MMP>
U007	R6801	CARBON R	R16J-22	1	417342204T	<MDC, MMP, MMP>
U007	R6802	CARBON R	R16J-22	1	417342204T	<MDC, MMP, MMP>
U007	R6803	CARBON R	R16J-22	1	417342204T	<MDC, MMP, MMP>
U007	R6804	CARBON R	R16J-22	1	417342204T	<MDC, MMP, MMP>
U007	R6805	CARBON R	R16J-22	1	417342204T	<MDC, MMP, MMP>
U007	R6806	CARBON R	R16J-22	1	417342204T	<MDC, MMP, MMP>
U007	R6807	CARBON R	R16J-22	1	417342204T	<MDC, MMP, MMP>
U007	R6808	CARBON R	R16J-22	1	417342204T	<MDC, MMP, MMP>
U007	R6810	CARBON R	R16J-22	1	417342204T	<MDC, MMP, MMP>
U007	R6811	CARBON R	R16J-22	1	417342204T	<MDC, MMP, MMP>
U007	R6812	CARBON R	R16J-22	1	417342204T	<MDC, MMP, MMP>
U007	R6813	CARBON R	R16J-22	1	417342204T	<MDC, MMP, MMP>
U007	R6814	CARBON R	R16J-22	1	417342204T	<MDC, MMP, MMP>
U007	R6815	CARBON R	R16J-22	1	417342204T	<MDC, MMP, MMP>
U007	R6816	CARBON R	R16J-22	1	417342204T	<MDC, MMP, MMP>

U007	R6817	CARBON R	R16J-22	1	417342204T	<MDC, MMP, MMR>
U007	R6818	CARBON R	R16J-22	1	417342204T	<MDC, MMP, MMR>
U007	R6820	METAL R	RNU1WCJ-8.2	1	453630824T	
U007	R6821	METAL R	RNU1WCJ-8.2	1	453630824T	
U007	R6822	METAL R	RNU1WCJ-8.2	1	453630824T	
U007	R6823	METAL R	RNU1WCJ-8.2	1	453630824T	
U007	R6824	METAL R	RNU1WCJ-8.2	1	453630824T	
U007	R6825	METAL R	RNU1WCJ-8.2	1	453630824T	
U007	R6826	METAL R	RNU1WCJ-8.2	1	453630824T	
U007	R6827	METAL R	RNU1WCJ-8.2	1	453630824T	
U007	R6828	METAL R	RNU1WCJ-8.2	1	453630824T	
U007	R6900	METAL O R	RS1/2WBJ-330	1	443523314T	
U007	R6901	METAL O R	RS1/2WBJ-330	1	443523314T	
U007	R9001	CARBON R	R16J-100K	1	417341044T	
U007	R9005	CARBON R	R16J-27	1	417342704T	<MDC, MMP, MMR>
U007	R9107	CARBON R	R16J-1K	1	417341024T	
U007	R9108	CARBON R	R16J-100K	1	417341044T	
U007	R9109	CARBON R	R16J-120	1	417341214T	<MMP, MMR>
U007	R9109	CARBON R	R16J-47	1	417344704T	<MDC>
U007	R9200	CARBON R	R16J-1K	1	417341024T	<MDC, MMP, MMR>
U007	R9201	CARBON R	R16J-100K	1	417341044T	<MDC, MMP, MMR>
U007	R9202	CARBON R	R16J-100	1	417341014T	<MDC, MMP, MMR>
U007	R9401	METAL PR	MPR2W+2WK 0R47	1	4000253	N
U007	R9401 or	METAL P R	RF2EGPKR47S	(1)	4000257	
U007	R9402	METAL PR	MPR2W+2WK 0R47	1	4000253	N
U007	R9402 or	METAL P R	RF2EGPKR47S	(1)	4000257	
U007	R9410	METAL R	RNU1/2WCJ-0.22	1	453532294T	
U007	R9421	METAL R	RNU1WCJ-0.22	1	453632294T	
U007	R9422	METAL R	RNU1WCJ-0.22	1	453632294T	
U007	R9427	CARBON R	R16J-330	1	417343314T	
U007	R9428	CARBON R	R16J-330	1	417343314T	
U007	R9429	CARBON R	R16J-10	1	417341004T	
U007	R9430	CARBON R	R16J-10	1	417341004T	
U007	R9431	CARBON R	R16J-10	1	417341004T	
U007	R9432	CARBON R	R16J-10	1	417341004T	
U007	[SW TRM]					
U007	E6818	TRM-423(SCREW)	NEJITANSI ST3	1	25060495	
U007	E9100	TRM-423(SCREW)	NEJITANSI ST3	1	25060495	
U007	E9200A	TRM	NTM-1P233(M1969)	1	25060302	

U007	E9200B	TRM	NTM-1P232(M1700)	1	25060301	
U007	F9100A	FUSE HOL	SN5051	1	250113	! <MDC>
U007	F9100A	FUSE HOL	NSCT-1P2031	1	25052133T	! <MMP, MMR>
U007	F9100B	FUSE HOL	SN5051	1	250113	! <MDC>
U007	F9100B	FUSE HOL	NSCT-1P2031	1	25052133T	! <MMP, MMR>
U007	F9401A	FUSE HOL	NSCT-1P2031	1	25052133T	!
U007	F9401B	FUSE HOL	NSCT-1P2031	1	25052133T	!
U007	F9402A	FUSE HOL	NSCT-1P2031	1	25052133T	!
U007	F9402B	FUSE HOL	NSCT-1P2031	1	25052133T	!
U007	JL2601A	WIRE HOL	NSCT-5P876	1	25051089	
U007	JL4014A	WIRE HOL	NSCT-7P898	1	25051111	
U007	JL6808A	WIRE HOL	NSCT-5P896	1	25051109	
U007	JL6808B	SOCKET	NSCT-5P97	1	25050269	
U007	JL6809A	WIRE HOL	NSCT-9P900	1	25051113	
U007	JL6809B	SOCKET	NSCT-9P101	1	25050273	
U007	JL6900B	PLUG	NPLG-3P218	1	25055234	
U007	JL6901A	WIRE HOL	NSCT-9P880	1	25051093	
U007	JL6901B	WIRE TRAP	NPLG-9P592	1	25055630	
U007	JL901A	WIRE HOL	NSCT-7P878	1	25051091	
U007	P3101B	SOCKET	IMSA-9142S-26A	1	25053235	
U007	P6140H	PLUG	NPLG-9P165	1	25055181	
U007	P6240D	PLUG	NPLG-4P160	1	25055176	
U007	P6250E	PLUG	NPLG-5P161	1	25055177	
U007	P6800	TRM	NTM-2PDMCR400	1	25060472	<MDC, MMP, MMR>
U007	P6801	TRM	NTM-2PDMCR400	1	25060472	<MDC, MMP, MMR>
U007	P6802	TRM	NTM-2PDMCR400	1	25060472	<MDC, MMP, MMR>
U007	P6803	TRM	NTM-2PDMCR400	1	25060472	<MDC, MMP, MMR>
U007	P6804	TRM	NTM-2PDMCR400	1	25060472	<MDC, MMP, MMR>
U007	P6805	TRM	NTM-2PDMCR400	1	25060472	<MDC, MMP, MMR>
U007	P6806	TRM	NTM-2PDMCR400	1	25060472	<MDC, MMP, MMR>
U007	P6807	TRM	NTM-2PDMCR400	1	25060472	<MDC, MMP, MMR>
U007	P6808	TRM	NTM-2PDMCR400	1	25060472	<MDC, MMP, MMR>
U007	P6809	TRM	NTM-2PDMCR400	1	25060472	<MDC, MMP, MMR>
U007	P6810	TRM	NTM-2PDMCR400	1	25060472	<MDC, MMP, MMR>
U007	P6851B	SOCKET	IMSA-9142S-26A	1	25053235	
U007	P6853B	PLUG	NPLG-9P0964	1	25056014	
U007	P6902B	PLUG	NPLG-9P356	1	25055373	
U007	P9006	FASTON AS	FASTON_PAMC5500	1	1F999028UL	! <MDC, MMP, MMR>
U007	P9008A	PLUG	NPLG-2P631	1	25055675	! <MMP, MMR>

U007	P9100	PLUG	NPLG-2P632	1	25055676	!
U007	P9200	PLUG	NPLG-2P632	1	25055676	! <MDC, MMP, MMR>
U007	P9300	PLUG	NPLG-2P632	1	25055676	! <MDC, MMP, MMR>
U007	P9404	PLUG	NPLG-6P120	1	25055136	!
U007	P9422A	SOCKET AS	NSAS-12P1700	1	200G3121210UL	
U007	P9422B	PLUG	NPLG-3P117	1	25055133	
U007	P9422C	PLUG	NPLG-3P117	1	25055133	
U007	RL6800	RELAY	NRL-2P5A-DC12-192	1	25065702	N
U007	RL6800 or	RELAY	NRL-2P3A-DC12-148	(1)	25065598A	N
U007	RL6801	RELAY	NRL-2P5A-DC12-192	1	25065702	N
U007	RL6801 or	RELAY	NRL-2P3A-DC12-148	(1)	25065598A	N
U007	RL6802	RELAY	NRL-2P5A-DC12-192	1	25065702	N
U007	RL6802 or	RELAY	NRL-2P3A-DC12-148	(1)	25065598A	N
U007	RL6803	RELAY	NRL-2P5A-DC12-192	1	25065702	N
U007	RL6803 or	RELAY	NRL-2P3A-DC12-148	(1)	25065598A	N
U007	RL6804	RELAY	NRL-2P5A-DC12-192	1	25065702	N
U007	RL6804 or	RELAY	NRL-2P3A-DC12-148	(1)	25065598A	N
U007	RL6805	RELAY	NRL-2P5A-DC12-192	1	25065702	N
U007	RL6805 or	RELAY	NRL-2P3A-DC12-148	(1)	25065598A	N
U007	RL6806	RELAY	NRL-2P5A-DC12-192	1	25065702	N
U007	RL6806 or	RELAY	NRL-2P3A-DC12-148	(1)	25065598A	N
U007	RL6807	RELAY	NRL-2P5A-DC12-192	1	25065702	N
U007	RL6807 or	RELAY	NRL-2P3A-DC12-148	(1)	25065598A	N
U007	RL6808	RELAY	NRL-2P5A-DC12-192	1	25065702	N
U007	RL6808 or	RELAY	NRL-2P3A-DC12-148	(1)	25065598A	N
U007	RL6809	RELAY	NRL-2P5A-DC12-192	1	25065702	N
U007	RL6809 or	RELAY	NRL-2P3A-DC12-148	(1)	25065598A	N
U007	RL6810	RELAY	NRL-2P5A-DC12-192	1	25065702	N
U007	RL6810 or	RELAY	NRL-2P3A-DC12-148	(1)	25065598A	N
U007	RL6811	RELAY	NRL-2P5A-DC12-192	1	25065702	N
U007	RL6811 or	RELAY	NRL-2P3A-DC12-148	(1)	25065598A	N
U007	RL6812	RELAY	NRL-2P5A-DC12-192	1	25065702	N
U007	RL6812 or	RELAY	NRL-2P3A-DC12-148	(1)	25065598A	N
U007	RL9101	RELAY	NRL-1P10A-DC9-186	1	25065683	!
U007	RL9102	RELAY	NRL-1P10A-DC9-186	1	25065683	! <MDC>
U007	RL9200	RELAY	NRL-1P5A-DC9-179	1	25065669	! <MDC, MMP, MMR>
U007	[ACCESSARY]					
U007	F9100C	LABEL	T6.3AL/250V	1	29361681	<MMP, MMR>

U008	U008	HDMI PC BOARD ASS'Y	BAHDM-0797-1E *			
U008	CIRCUIT NO.	PART NAME	DESCRIPTION	Q'TY	PART NO. (SN)	REMARKS
U008	[SEMI CONDUCTOR]					
U008	D8000	C-DIODE	KDS4148U	1	223283R2	
U008	D8000 or	C-DIODE	1SS352	(1)	223234R2	
U008	D8000 or	C-DIODE	MA2J111	(1)	223279R2	
U008	D8000 or	C-DIODE	MA2J1110GL	(1)	223302R2	
U008	D8001	C-DIODE	KDS4148U	1	223283R2	
U008	D8001 or	C-DIODE	1SS352	(1)	223234R2	
U008	D8001 or	C-DIODE	MA2J111	(1)	223279R2	
U008	D8001 or	C-DIODE	MA2J1110GL	(1)	223302R2	
U008	D8102	C-DIODE	KDS4148U	1	223283R2	
U008	D8102 or	C-DIODE	1SS352	(1)	223234R2	
U008	D8102 or	C-DIODE	MA2J111	(1)	223279R2	
U008	D8102 or	C-DIODE	MA2J1110GL	(1)	223302R2	
U008	D8103	DIODE	DAN217T146	1	223285R2	
U008	D8104	ESD D	AOZ8804ADI	1	225502R2	
U008	D8105	ESD D	AOZ8804ADI	1	225502R2	
U008	D8132	ZENER D	UDZS3.6B	1	224550360R2	
U008	D8454	DIODE	DAN217T146	1	223285R2	<MDC, MMP, MMR>
U008	D8455	ESD D	AOZ8804ADI	1	225502R2	
U008	D8456	ESD D	AOZ8804ADI	1	225502R2	
U008	D8701	C-DIODE	KDS4148U	1	223283R2	
U008	D8701 or	C-DIODE	1SS352	(1)	223234R2	
U008	D8701 or	C-DIODE	MA2J111	(1)	223279R2	
U008	D8701 or	C-DIODE	MA2J1110GL	(1)	223302R2	
U008	D8831	C-DIODE	KDS4148U	1	223283R2	<MDC, MMP, MMR>
U008	D8831 or	C-DIODE	1SS352	(1)	223234R2	<MDC, MMP, MMR>
U008	D8831 or	C-DIODE	MA2J111	(1)	223279R2	<MDC, MMP, MMR>
U008	D8831 or	C-DIODE	MA2J1110GL	(1)	223302R2	<MDC, MMP, MMR>
U008	D8906	DIODE	RB050M-30GTR	1	22380373R2	
U008	D8907	DIODE	RB050M-30GTR	1	22380373R2	
U008	D8931	DIODE	RB050M-30GTR	1	22380373R2	
U008	D8932	C-DIODE	KDS4148U	1	223283R2	
U008	D8932 or	C-DIODE	1SS352	(1)	223234R2	
U008	D8932 or	C-DIODE	MA2J111	(1)	223279R2	
U008	D8932 or	C-DIODE	MA2J1110GL	(1)	223302R2	
U008	D8941	DIODE	RB050M-30GTR	1	22380373R2	

U008	D8951	DIODE	RB050M-30GTR	1	22380373R2	
U008	D8952	C-DIODE	KDS4148U	1	223283R2	
U008	D8952 or	C-DIODE	1SS352	(1)	223234R2	
U008	D8952 or	C-DIODE	MA2J111	(1)	223279R2	
U008	D8952 or	C-DIODE	MA2J1110GL	(1)	223302R2	
U008	D8961	DIODE	RB050M-30GTR	1	22380373R2	
U008	Q205	IC	TC74VHC157FT	1	22274157ER2TO	
U008	Q3001	IC	D830K013BZKB400Z	1	22242694R3	
U008	Q3002	IC(DSP1/ NET)	NAND256W3A2BN6E(0475)	1	222W0092R304756	
U008	Q3003	IC	IS42S16160C-7TL	1	22242592R3	
U008	Q3003 or	IC	K4S561632J-UC75	(1)	22242524AR3	
U008	Q3003 or	IC	A3V56S40FTP-G6	(1)	22242764R3	
U008	Q3004	IC	IS42S16160C-7TL	1	22242592R3	
U008	Q3004 or	IC	K4S561632J-UC75	(1)	22242524AR3	
U008	Q3004 or	IC	A3V56S40FTP-G6	(1)	22242764R3	
U008	Q3005	IC	TC7W32FU	1	22241162R2	
U008	Q3006	IC	S-80127CNMC-JKM-T2	1	22241642R2	
U008	Q3102	IC	BD82065FVJ	1	22242718R2	
U008	Q3103	IC	BU18TD3WG-TR	1	22242716R2	
U008	Q3105	IC	MFI341S2164	1	22242594R2	
U008	Q3106	IC	BU33TD3WG-TR	1	22242715R2	
U008	Q3107	IC	BU33TD3WG-TR	1	22242715R2	
U008	Q3108	IC	KSZ8051RNL	1	22242723R2	
U008	Q3109	IC	XC6220B121PR	1	22242626R2	
U008	Q3110	IC	BD2225G-TR	1	22242743R2	<MDC, MMP, MMR>
U008	Q3202	IC	TC74VHC157FT	1	22274157ER2TO	
U008	Q3204	IC	TC74VHC74FT (EKJ)	1	22274074E1R2TO	
U008	Q3204 or	IC	TC74VHC74FT	(1)	22274074ER2TO	
U008	Q3205	IC	TC7SZU04FU	1	22242512R2TO	
U008	Q3206	IC	NJM4580M-D	1	22241448R2	
U008	Q3207	IC	NJM4580M-D	1	22241448R2	
U008	Q3210	IC	TC7WH241FU(TE12L_F)	1	22242076R2TO	
U008	Q3250	IC	TC74VHCT00AFT (EKJ)	1	22274000G1R2TO	<MDC, MMP, MMR>
U008	Q3250 or	IC	TC74VHCT00AFT	(1)	22274000GR2TO	<MDC, MMP, MMR>
U008	Q3401	IC(DSP2)	EN25Q32A-100HIP(0476)	1	222W0112R204767	<MDC, MMP, MMR>
U008	Q3403	IC	TC7WHU04FU(TE12L)	1	22242231R2	
U008	Q3404	IC	CS49834A-CQZ/A1	1	22242744R3	
U008	Q3405	IC	TC74VHC125FT	1	22274125ER2TO	
U008	Q3406	IC	K4S641632N-LC60	1	22242603R2	

U008	Q3406 or	IC	EM638165TS-7G	(1)	22242607R2	
U008	Q3406 or	IC	EM638165TSB-7G	(1)	22242775R2	
U008	Q3408	IC	TC7MBL3245SFT	1	22242539R2TO	
U008	Q3604	IC	PCM1754DBQR	1	22242598R2	
U008	Q8000	IC	88DE2755B0-BIF2C000	1	22242752R3	
U008	Q8010	IC	BU18TD3WG-TR	1	22242716R2	
U008	Q8011	IC	XC6220B151PR	1	22242704R2	
U008	Q8012	IC	TPS51100DGQR	1	22242711R2	
U008	Q8030	IC	TC7WHU04FU(TE12L)	1	22242231R2	
U008	Q8031	IC	NC7SZ08P5X_F042	1	22242482R2	
U008	Q8032	IC	SN74CB3T3306DCT	1	22242454R2	
U008	Q8040	IC(VSP)	W25Q128BVFIG(0515)	1	222W0116R20515A	
U008	Q8041	IC	TC74LCX125FT(EL_K)	1	22274125BR2TO	
U008	Q8050	IC	MM3404A50NRE	1	22242701R2	
U008	Q8080	IC	NT5CB64M16DP-CF	1	22242736R3	
U008	Q8112	TR	2SC2712-GR	1	2213145R2	
U008	Q8113	TR	KRA102S	1	2216220R2	
U008	Q8131	IC	SN74CB3Q3305PWR	1	22242258R2	
U008	Q8132	IC	SII9489CTU	1	22242705R3	
U008	Q8134	TR	RN2401(TE85L_F)	1	2214520R2	
U008	Q8156	TR ARRAY	UM6K1N	1	226066R2	
U008	Q8191	IC	XC6220B121PR	1	22242626R2	
U008	Q8201	IC	ADV7844	1	22242696R3	
U008	Q8202	IC	K4S641632N-LC60	1	22242603R2	
U008	Q8202 or	IC	EM638165TS-7G	(1)	22242607R2	
U008	Q8202 or	IC	EM638165TSB-7G	(1)	22242775R2	
U008	Q8206	IC	BU18TD3WG-TR	1	22242716R2	
U008	Q8453	IC	SII9136CTU	1	22242630R3	<MDC, MMP, MMR>
U008	Q8454	IC	NC7SZ08P5X_F042	1	22242482R2	<MDC, MMP, MMR>
U008	Q8501	IC	VHD1900EVG	1	22242708R3	<MDC, MMP, MMR>
U008	Q8502	IC	TC74VCX162827	1	22242395R2	<MDC, MMP, MMR>
U008	Q8503	IC	TC74VCX162827	1	22242395R2	<MDC, MMP, MMR>
U008	Q8512	IC	TC74VCX162827	1	22242395R2	<MDC, MMP, MMR>
U008	Q8513	IC	TC74VCX162827	1	22242395R2	<MDC, MMP, MMR>
U008	Q8661	TR	RN1401(TE85L_F)	1	2214460R2	
U008	Q8662	TR	RN1401(TE85L_F)	1	2214460R2	
U008	Q8671	TR	RN1401(TE85L_F)	1	2214460R2	<MDC, MMP, MMR>
U008	Q8672	TR	RN1401(TE85L_F)	1	2214460R2	<MDC, MMP, MMR>
U008	Q8682	TR	RN1401(TE85L_F)	1	2214460R2	

U008	Q8683	TR	RN1401(TE85L_F)	1	2214460R2	
U008	Q8701	IC(HDMI/ VIDEO)	TMPM361F10FG(0513)	1	222W0115R305135	
U008	Q8831	IC	BU18TD3WG-TR	1	22242716R2	<MDC, MMP, MMR>
U008	Q8832	TR	KRC104S	1	2216210R2	<MDC, MMP, MMR>
U008	Q8833	IC	ADV7342BSTZ-3	1	22242608R3	<MDC, MMP, MMR>
U008	Q8931	IC	MP2363DN-LF-Z	1	22242627R2	
U008	Q8932	TR	KRC104S	1	2216210R2	
U008	Q8933	TR	KRC104S	1	2216210R2	
U008	Q8941	IC	MP2363DN-LF-Z	1	22242627R2	
U008	Q8942	TR	KRC104S	1	2216210R2	
U008	Q8951	IC	MP2363DN-LF-Z	1	22242627R2	
U008	Q8952	TR	KRC104S	1	2216210R2	
U008	Q8953	TR	KRC104S	1	2216210R2	
U008	Q8961	IC	MP2363DN-LF-Z	1	22242627R2	
U008	Q8971	IC	BD3552HFN-TR	1	22242663R2	
U008	[TRANS COIL]					
U008	L251	CORE	BLM18PG181SN1D	1	2350005R1	
U008	L261	CORE	MMZ1608Y601BT	1	2350004R1	
U008	L3001	CORE	BLM18PG121SN1D	1	2350006R1	
U008	L3002	CORE	BLM18PG121SN1D	1	2350006R1	
U008	L3003	CORE	BLM18PG121SN1D	1	2350006R1	
U008	L3004	CORE	BLM18PG121SN1D	1	2350006R1	
U008	L3005	CORE	BLM18PG121SN1D	1	2350006R1	
U008	L3006	CORE	BLM18PG181SN1D	1	2350005R1	
U008	L3101	CORE	DLP11SA900HL2L	1	2350021R2	
U008	L3103	CORE	BLM18PG121SN1D	1	2350006R1	
U008	L3104	CORE	BLM18PG121SN1D	1	2350006R1	
U008	L3105	CORE	BLM18PG121SN1D	1	2350006R1	
U008	L3106	CORE	BLM18PG121SN1D	1	2350006R1	
U008	L3107	CORE	BLM18PG181SN1D	1	2350005R1	
U008	L3108	CORE	BLM18PG181SN1D	1	2350005R1	
U008	L3109	CORE	BLM18PG121SN1D	1	2350006R1	
U008	L3110	CORE	BLM18PG121SN1D	1	2350006R1	
U008	L3111	CORE	BLM18PG121SN1D	1	2350006R1	<MDC, MMP, MMR>
U008	L3112	CORE	DLP11SA900HL2L	1	2350021R2	<MDC, MMP, MMR>
U008	L3113	CORE	BLM18PG181SN1D	1	2350005R1	
U008	L3114	CORE	BLM18PG121SN1D	1	2350006R1	<MDC, MMP, MMR>
U008	L3145	CORE	DLP2ADN900HL4L	1	230990R2	
U008	L3202	CORE	MMZ1608Y601BT	1	2350004R1	

U008	L3203	CORE	MMZ1608Y601BT	1	2350004R1	
U008	L3205	CORE	BLM18PG121SN1D	1	2350006R1	
U008	L3206	CORE	BLM18PG121SN1D	1	2350006R1	
U008	L3207	CORE	MMZ1608Y601BT	1	2350004R1	
U008	L3208	EMIFIL	BK1608LL241-T	1	230959R1	
U008	L3209	CORE	MMZ1608Y601BT	1	2350004R1	
U008	L3250	CORE	BLM18PG181SN1D	1	2350005R1	<MDC, MMP, MMR>
U008	L3401	CORE	BLM18PG121SN1D	1	2350006R1	
U008	L3402	CORE	MMZ1608Y601BT	1	2350004R1	
U008	L3403	CORE	MMZ1608Y601BT	1	2350004R1	
U008	L3405	CORE	BLM18PG121SN1D	1	2350006R1	
U008	L3406	CORE	BLM18PG121SN1D	1	2350006R1	
U008	L3407	CORE	BLM18PG121SN1D	1	2350006R1	
U008	L3408	CORE	BLM18PG121SN1D	1	2350006R1	
U008	L3409	CORE	BLM18PG181SN1D	1	2350005R1	
U008	L3509	CHOKE COIL	LBC2518T470M	1	231364M470R2	
U008	L8000	CORE	BLM18PG181SN1D	1	2350005R1	
U008	L8001	CORE	BLM18PG181SN1D	1	2350005R1	
U008	L8002	CORE	BLM18PG181SN1D	1	2350005R1	
U008	L8003	CORE	BLM18PG181SN1D	1	2350005R1	
U008	L8004	CORE	BLM18PG181SN1D	1	2350005R1	
U008	L8005	CORE	BLM18PG181SN1D	1	2350005R1	
U008	L8006	CORE	BLM18PG121SN1D	1	2350006R1	
U008	L8007	CORE	BLM18PG181SN1D	1	2350005R1	
U008	L8008	CORE	BLM18PG181SN1D	1	2350005R1	
U008	L8009	CORE	BLM18PG181SN1D	1	2350005R1	
U008	L8010	CORE	BLM18PG181SN1D	1	2350005R1	
U008	L8011	CORE	BLM18PG181SN1D	1	2350005R1	
U008	L8012	CORE	BLM18PG181SN1D	1	2350005R1	
U008	L8013	CORE	BLM18PG181SN1D	1	2350005R1	
U008	L8081	CORE	BLM18PG181SN1D	1	2350005R1	
U008	L8082	C-R NET	MNR12E0APJ000	1	43464900002R2	
U008	L8083	C-R NET	MNR12E0APJ000	1	43464900002R2	
U008	L8084	C-R NET	MNR12E0APJ000	1	43464900002R2	
U008	L8085	C-R NET	MNR12E0APJ000	1	43464900002R2	
U008	L8086	CORE	BLM18PG181SN1D	1	2350005R1	
U008	L8131	CORE	BLM18PG181SN1D	1	2350005R1	
U008	L8132	CORE	BLM18PG181SN1D	1	2350005R1	
U008	L8133	CORE	BLM18PG181SN1D	1	2350005R1	

U008	L8134	CORE	BLM18PG181SN1D	1	2350005R1	
U008	L8135	CORE	BLM18PG181SN1D	1	2350005R1	
U008	L8191	CORE	BLM18PG181SN1D	1	2350005R1	
U008	L8202	CORE	BLM18PG181SN1D	1	2350005R1	
U008	L8203	CORE	BLM18PG181SN1D	1	2350005R1	
U008	L8204	CORE	BLM18PG181SN1D	1	2350005R1	
U008	L8205	CORE	BLM18PG181SN1D	1	2350005R1	
U008	L8206	CORE	BLM18PG181SN1D	1	2350005R1	
U008	L8207	CORE	BLM18PG181SN1D	1	2350005R1	
U008	L8208	CORE	BLM18PG181SN1D	1	2350005R1	
U008	L8451	CORE	BLM18PG181SN1D	1	2350005R1	<MDC, MMP, MMR>
U008	L8452	CORE	BLM18PG181SN1D	1	2350005R1	<MDC, MMP, MMR>
U008	L8453	CORE	BLM18PG181SN1D	1	2350005R1	<MDC, MMP, MMR>
U008	L8455	C-R NET	MNR12E0APJ000	1	43464900002R2	<MDC, MMP, MMR>
U008	L8456	C-R NET	MNR12E0APJ000	1	43464900002R2	<MDC, MMP, MMR>
U008	L8457	C-R NET	MNR12E0APJ000	1	43464900002R2	<MDC, MMP, MMR>
U008	L8458	C-R NET	MNR12E0APJ000	1	43464900002R2	<MDC, MMP, MMR>
U008	L8459	CORE	BLM18PG181SN1D	1	2350005R1	<MDC, MMP, MMR>
U008	L8501	CHOKE COIL	BLM21PG221SN1	1	230949R2	<MDC, MMP, MMR>
U008	L8502	CHOKE COIL	BLM21PG221SN1	1	230949R2	<MDC, MMP, MMR>
U008	L8503	CHOKE COIL	BLM21PG221SN1	1	230949R2	<MDC, MMP, MMR>
U008	L8510	CORE	BLM18PG181SN1D	1	2350005R1	<MDC, MMP, MMR>
U008	L8511	CORE	BLM18PG181SN1D	1	2350005R1	<MDC, MMP, MMR>
U008	L8512	CORE	BLM18PG181SN1D	1	2350005R1	<MDC, MMP, MMR>
U008	L8513	CORE	BLM18PG181SN1D	1	2350005R1	<MDC, MMP, MMR>
U008	L8608	CORE	MMZ1608Y601BT	1	2350004R1	
U008	L8682	CORE	BLM18PG181SN1D	1	2350005R1	
U008	L8701	CORE	BLM18PG181SN1D	1	2350005R1	
U008	L8831	CHOKE COIL	LBC2518T4R7M	1	231364M047R2	<MDC, MMP, MMR>
U008	L8832	CHOKE COIL	LBC2518T4R7M	1	231364M047R2	<MDC, MMP, MMR>
U008	L8833	CHOKE COIL	LBC2518T4R7M	1	231364M047R2	<MDC, MMP, MMR>
U008	L8834	CHOKE COIL	LBC2518T4R7M	1	231364M047R2	<MDC, MMP, MMR>
U008	L8931	CHOKE COIL	BLM21PG221SN1	1	230949R2	
U008	L8932	CHOKE COIL	CDRH8D43_100	1	231371P100R2	
U008	L8933	CHOKE COIL	BLM21PG221SN1	1	230949R2	
U008	L8934	CHOKE COIL	BLM21PG221SN1	1	230949R2	
U008	L8941	CHOKE COIL	BLM21PG221SN1	1	230949R2	
U008	L8942	CHOKE COIL	CDRH8D43_100	1	231371P100R2	
U008	L8943	CHOKE COIL	BLM21PG221SN1	1	230949R2	

U008	L8944	CHOKE COIL	BLM21PG221SN1	1	230949R2	
U008	L8951	CHOKE COIL	BLM21PG221SN1	1	230949R2	
U008	L8952	CHOKE COIL	CDRH8D43_100	1	231371P100R2	
U008	L8953	CHOKE COIL	BLM21PG221SN1	1	230949R2	
U008	L8954	CHOKE COIL	BLM21PG221SN1	1	230949R2	
U008	L8961	CHOKE COIL	BLM21PG221SN1	1	230949R2	
U008	L8962	CHOKE COIL	CDRH8D43_100	1	231371P100R2	
U008	L8963	CHOKE COIL	BLM21PG221SN1	1	230949R2	
U008	L8964	CHOKE COIL	BLM21PG221SN1	1	230949R2	
U008	L8971	CORE	BLM18PG121SN1D	1	2350006R1	
U008	X3001	CRYSTAL	HC-49USSMD20.000MHz	1	3010504R2	
U008	X3202	CRYSTAL	HC-49SMD11.2896MHz	1	3010480R2	
U008	X3401	CRYSTAL	HC-49SMD24.576MHz+/-50ppm	1	3010494R2	
U008	X8000	CRYSTAL	HC-49USSMD20.000MHz	1	3010504R2	
U008	X8201	CRYSTAL	HC-49USSMD28.6363MHz	1	3010491R2	
U008	X8501	CRYSTAL	DSX321G-27MHz	1	3010487R2	<MDC, MMP, MMR>
U008	X8701	CERA LOCK	CSTCE8M00G55-R0	1	3010416R2	
U008	[CAPACITOR]					
U008	C251	C-CERA C	CK725B1C-104K0	1	332011045R1	
U008	C252	C-CERA C	CK725B1H-102K0	1	332031025R1	
U008	C253	C-CERA C	CK732B16V-106K	1	332071065R2	
U008	C3001	C-CERA C	CK725B1A-105K0	1	332001055R1	
U008	C3002	C-CERA C	CK725B1A-105K0	1	332001055R1	
U008	C3003	C-CERA C	CK732B16V-106K	1	332071065R2	
U008	C3004	C-CERA C	CK732B16V-106K	1	332071065R2	
U008	C3005	C-CERA C	CK725B1A-105K0	1	332001055R1	
U008	C3006	C-CERA C	CC725CH1E-102J0	1	342021024R1	
U008	C3007	C-CERA C	CK725B1A-105K0	1	332001055R1	
U008	C3008	C-CERA C	CC725CH1E-102J0	1	342021024R1	
U008	C3009	C-CERA C	CK725B1A-105K0	1	332001055R1	
U008	C3010	C-CERA C	CK725B1A-105K0	1	332001055R1	
U008	C3011	C-CERA C	CK725B1A-105K0	1	332001055R1	
U008	C3012	C-CERA C	CC725CH1E-102J0	1	342021024R1	
U008	C3013	C-CERA C	CK725B1A-105K0	1	332001055R1	
U008	C3014	C-CERA C	CC725CH1E-102J0	1	342021024R1	
U008	C3015	C-CERA C	CC725CH1E-102J0	1	342021024R1	
U008	C3016	C-CERA C	CK725B1A-105K0	1	332001055R1	
U008	C3017	C-CERA C	CK725B1A-105K0	1	332001055R1	
U008	C3018	C-CERA C	CK725B1A-105K0	1	332001055R1	

U008	C3019	C-CERA C	CC725CH1E-102J0	1	342021024R1
U008	C3020	C-CERA C	CK725B1A-105K0	1	332001055R1
U008	C3021	C-CERA C	CK725B1A-105K0	1	332001055R1
U008	C3022	C-CERA C	CK725B1A-105K0	1	332001055R1
U008	C3023	C-CERA C	CK732B16V-106K	1	332071065R2
U008	C3024	C-CERA C	CC725CH1E-102J0	1	342021024R1
U008	C3025	C-CERA C	CK725B1A-105K0	1	332001055R1
U008	C3026	C-CERA C	CK725B1C-104K0	1	332011045R1
U008	C3027	C-CERA C	CC725CH1E-102J0	1	342021024R1
U008	C3028	C-CERA C	CK725B1A-105K0	1	332001055R1
U008	C3029	C-CERA C	CC725CH1E-102J0	1	342021024R1
U008	C3030	C-CERA C	CK725B1A-105K0	1	332001055R1
U008	C3031	C-CERA C	CK725B1A-105K0	1	332001055R1
U008	C3032	C-CERA C	CC725CH1E-102J0	1	342021024R1
U008	C3033	C-CERA C	CK725B1A-105K0	1	332001055R1
U008	C3034	C-CERA C	CC725CH1H-330J0	1	342033304R1
U008	C3035	C-CERA C	CC725CH1E-102J0	1	342021024R1
U008	C3036	C-CERA C	CC725CH1H-330J0	1	342033304R1
U008	C3037	C-CERA C	CK725B1A-105K0	1	332001055R1
U008	C3038	C-CERA C	CK725B1A-105K0	1	332001055R1
U008	C3039	C-CERA C	CK725B1H-103K0	1	332031035R1
U008	C3040	C-CERA C	CK725B1A-105K0	1	332001055R1
U008	C3041	C-CERA C	CK732B16V-106K	1	332071065R2
U008	C3042	C-CERA C	CK725B1A-105K0	1	332001055R1
U008	C3043	C-CERA C	CK725B1A-105K0	1	332001055R1
U008	C3101	C-CERA C	CK732B16V-106K	1	332071065R2
U008	C3102	CHIP ELECT C	CEWX16V-100M	1	398141017R2
U008	C3103	C-CERA C	CK725B1A-105K0	1	332001055R1
U008	C3105	C-CERA C	CK725B1A-105K0	1	332001055R1
U008	C3106	C-CERA C	CK732B16V-106K	1	332071065R2
U008	C3107	C-CERA C	CK725B1A-105K0	1	332001055R1
U008	C3108	C-CERA C	CK725B1A-105K0	1	332001055R1
U008	C3109	C-CERA C	CK732B16V-106K	1	332071065R2
U008	C3110	C-CERA C	CK725B1A-224K0	1	332002245R1
U008	C3112	C-CERA C	CK732B16V-106K	1	332071065R2
U008	C3113	C-CERA C	CK725B1A-105K0	1	332001055R1
U008	C3114	C-CERA C	CK725B1A-105K0	1	332001055R1
U008	C3115	C-CERA C	CK732B16V-106K	1	332071065R2
U008	C3116	C-CERA C	CK732B16V-106K	1	332071065R2

U008	C3117	C-CERA C	CC725CH1E-102J0	1	342021024R1
U008	C3118	C-CERA C	CK725B1A-105K0	1	332001055R1
U008	C3119	C-CERA C	CK725B1A-105K0	1	332001055R1
U008	C3120	C-CERA C	CK732B16V-106K	1	332071065R2
U008	C3121	C-CERA C	CK725B1A-105K0	1	332001055R1
U008	C3122	C-CERA C	CK725B1A-105K0	1	332001055R1
U008	C3123	C-CERA C	CK725B1A-105K0	1	332001055R1
U008	C3124	C-CERA C	CK732B16V-106K	1	332071065R2
U008	C3126	C-CERA C	CK732B16V-106K	1	332071065R2
U008	C3127	C-CERA C	CK725B1A-105K0	1	332001055R1
U008	C3128	C-CERA C	CK725B1A-105K0	1	332001055R1
U008	C3129	C-CERA C	CK725B1A-105K0	1	332001055R1
U008	C3130	C-CERA C	CK732B16V-106K	1	332071065R2
U008	C3131	C-CERA C	CK725B1A-105K0	1	332001055R1
U008	C3132	C-CERA C	CC725CH1H-101J0	1	342031014R1
U008	C3133	C-CERA C	CK725B1A-105K0	1	332001055R1
U008	C3136	C-CERA C	CK725B1A-105K0	1	332001055R1
U008	C3137	C-CERA C	CK725B1A-105K0	1	332001055R1
U008	C3138	C-CERA C	CK725B1A-105K0	1	332001055R1
U008	C3139	C-CERA C	CK725B1A-105K0	1	332001055R1
U008	C3140	C-CERA C	CK725B1A-105K0	1	332001055R1
U008	C3141	C-CERA C	CK725B1C-104K0	1	332011045R1
U008	C3142	C-CERA C	CK725B1C-104K0	1	332011045R1
U008	C3143	C-CERA C	CK725B1A-105K0	1	332001055R1
U008	C3144	C-CERA C	CK725B1A-105K0	1	332001055R1
U008	C3145	C-CERA C	CK732B16V-106K	1	332071065R2
U008	C3146	C-CERA C	CK725B1A-105K0	1	332001055R1
U008	C3147	C-CERA C	CK732B16V-106K	1	332071065R2
U008	C3148	C-CERA C	CK725B1C-104K0	1	332011045R1
U008	C3149	C-CERA C	CK725B1A-105K0	1	332001055R1
U008	C3150	C-CERA C	CK732B16V-106K	1	332071065R2
U008	C3151	C-CERA C	CK732B16V-106K	1	332071065R2
U008	C3152	C-CERA C	CK732B16V-106K	1	332071065R2
U008	C3153	C-CERA C	CK725B1A-105K0	1	332001055R1
U008	C3154	C-CERA C	CK732B16V-106K	1	332071065R2
U008	C3155	C-CERA C	CK725B1A-105K0	1	332001055R1
U008	C3156	C-CERA C	CC725CH1E-102J0	1	342021024R1
U008	C3157	C-CERA C	CK725B1A-105K0	1	332001055R1
U008	C3158	C-CERA C	CK725B1A-105K0	1	332001055R1

U008	C3159	C-CERA C	CK725B1A-105K0	1	332001055R1	
U008	C3160	C-CERA C	CK725B1A-105K0	1	332001055R1	
U008	C3161	C-CERA C	CK725B1A-105K0	1	332001055R1	
U008	C3162	C-CERA C	CK725B1C-104K0	1	332011045R1	
U008	C3164	C-CERA C	CC725CH1E-102J0	1	342021024R1	<MDC, MMP, MMR>
U008	C3165	CHIP ELECT C	CEWX16V-100M	1	398141017R2	<MDC, MMP, MMR>
U008	C3166	C-CERA C	CK725B1A-105K0	1	332001055R1	<MDC, MMP, MMR>
U008	C3202	C-CERA C	CK725B1A-105K0	1	332001055R1	
U008	C3204	C-CERA C	CK732B16V-106K	1	332071065R2	
U008	C3205	C-CERA C	CK725B1A-105K0	1	332001055R1	
U008	C3206	C-CERA C	CK725B1A-105K0	1	332001055R1	
U008	C3207	C-CERA C	CK732B16V-106K	1	332071065R2	
U008	C3208	C-CERA C	CK725B1A-105K0	1	332001055R1	
U008	C3209	C-CERA C	CK725B1A-105K0	1	332001055R1	
U008	C3210	CHIP ELECT C	CEWX16V-100M	1	398141017R2	
U008	C3211	C-CERA C	CC725CH1H-221J0	1	342032214R1	
U008	C3213	C-CERA C	CK725B1A-105K0	1	332001055R1	
U008	C3214	C-CERA C	CK732B16V-106K	1	332071065R2	
U008	C3215	CHIP ELECT C	CEWX16V-10M	1	398141007R2	
U008	C3220	C-CERA C	CC725CH1H-090D0	1	342030902R1	
U008	C3223	C-CERA C	CC725CH1H-090D0	1	342030902R1	
U008	C3224	C-CERA C	CK725B1H-152J0	1	332031524R1	
U008	C3225	C-CERA C	CK725B1H-152J0	1	332031524R1	
U008	C3226	C-CERA C	CK725B1A-105K0	1	332001055R1	
U008	C3227	CHIP ELECT C	CEWX16V-10M	1	398141007R2	
U008	C3228	C-CERA C	CC725CH1H-221J0	1	342032214R1	
U008	C3229	C-CERA C	CK725B1A-105K0	1	332001055R1	
U008	C3230	C-CERA C	CK732B16V-106K	1	332071065R2	
U008	C3231	C-CERA C	CK725B1A-105K0	1	332001055R1	
U008	C3233	CHIP ELECT C	CEWX16V-100M	1	398141017R2	
U008	C3234	C-CERA C	CK732B16V-106K	1	332071065R2	
U008	C3250	C-CERA C	CK725B1C-104K0	1	332011045R1	<MDC, MMP, MMR>
U008	C3401	C-CERA C	CC725CH1E-102J0	1	342021024R1	
U008	C3402	C-CERA C	CK725B1C-104K0	1	332011045R1	
U008	C3403	C-CERA C	CK725B1C-104K0	1	332011045R1	
U008	C3404	C-CERA C	CK725B1C-104K0	1	332011045R1	
U008	C3405	C-CERA C	CK725B1C-104K0	1	332011045R1	
U008	C3406	C-CERA C	CK725B1A-105K0	1	332001055R1	
U008	C3407	C-CERA C	CK725B1A-105K0	1	332001055R1	

U008	C3408	C-CERA C	CK732B16V-106K	1	332071065R2
U008	C3409	C-CERA C	CK725B1A-105K0	1	332001055R1
U008	C3410	C-CERA C	CK725B1C-104K0	1	332011045R1
U008	C3411	C-CERA C	CK725B1C-104K0	1	332011045R1
U008	C3412	C-CERA C	CK725B1C-104K0	1	332011045R1
U008	C3413	C-CERA C	CC725CH1H-150J0	1	342031504R1
U008	C3414	C-CERA C	CC725CH1H-150J0	1	342031504R1
U008	C3415	C-CERA C	CK725B1C-104K0	1	332011045R1
U008	C3416	C-CERA C	CK725B1C-104K0	1	332011045R1
U008	C3418	C-CERA C	CK725B1C-104K0	1	332011045R1
U008	C3419	C-CERA C	CK725B1C-104K0	1	332011045R1
U008	C3420	C-CERA C	CK725B1C-104K0	1	332011045R1
U008	C3422	C-CERA C	CK725B1C-104K0	1	332011045R1
U008	C3423	C-CERA C	CK725B1C-104K0	1	332011045R1
U008	C3425	C-CERA C	CK725B1C-104K0	1	332011045R1
U008	C3426	C-CERA C	CC725CH1E-102J0	1	342021024R1
U008	C3427	C-CERA C	CK725B1C-104K0	1	332011045R1
U008	C3428	C-CERA C	CC725CH1E-102J0	1	342021024R1
U008	C3429	C-CERA C	CK725B1C-104K0	1	332011045R1
U008	C3430	C-CERA C	CK725B1A-105K0	1	332001055R1
U008	C3431	C-CERA C	CC725CH1E-102J0	1	342021024R1
U008	C3432	C-CERA C	CC725CH1E-102J0	1	342021024R1
U008	C3433	C-CERA C	CK725B1A-105K0	1	332001055R1
U008	C3434	C-CERA C	CK732B16V-106K	1	332071065R2
U008	C3435	C-CERA C	CK732B16V-106K	1	332071065R2
U008	C3436	C-CERA C	CK732B16V-106K	1	332071065R2
U008	C3437	C-CERA C	CK725B1C-104K0	1	332011045R1
U008	C3438	C-CERA C	CK725B1C-104K0	1	332011045R1
U008	C3439	C-CERA C	CK725B1C-104K0	1	332011045R1
U008	C3440	C-CERA C	CK725B1C-104K0	1	332011045R1
U008	C3441	C-CERA C	CK725B1A-105K0	1	332001055R1
U008	C3442	C-CERA C	CK732B16V-106K	1	332071065R2
U008	C3443	C-CERA C	CK725B1A-105K0	1	332001055R1
U008	C3444	C-CERA C	CK725B1A-105K0	1	332001055R1
U008	C3445	C-CERA C	CK725B1A-105K0	1	332001055R1
U008	C3446	C-CERA C	CK725B1A-105K0	1	332001055R1
U008	C3447	C-CERA C	CK725B1A-105K0	1	332001055R1
U008	C3457	C-CERA C	CK725B1A-105K0	1	332001055R1
U008	C3458	C-CERA C	CK725B1A-105K0	1	332001055R1

U008	C3459	C-CERA C	CK725B1A-105K0	1	332001055R1	
U008	C3460	C-CERA C	CK725B1C-104K0	1	332011045R1	
U008	C3461	C-CERA C	CK725B1C-104K0	1	332011045R1	
U008	C3462	C-CERA C	CK732B16V-106K	1	332071065R2	
U008	C3466	C-CERA C	CK725B1C-104K0	1	332011045R1	
U008	C3603	C-CERA C	CK725B1H-102K0	1	332031025R1	<MDC, MMP, MMR>
U008	C8000	C-CERA C	CK732B16V-106K	1	332071065R2	
U008	C8002	C-CERA C	CK732B16V-106K	1	332071065R2	
U008	C8004	C-CERA C	CK725B1C-104K0	1	332011045R1	
U008	C8005	C-CERA C	CK732B16V-106K	1	332071065R2	
U008	C8006	C-CERA C	CK725B1C-104K0	1	332011045R1	
U008	C8007	C-CERA C	CK732B16V-106K	1	332071065R2	
U008	C8008	C-CERA C	CK732B16V-106K	1	332071065R2	
U008	C8009	C-CERA C	CK732B16V-106K	1	332071065R2	
U008	C8011	C-CERA C	CK732B16V-106K	1	332071065R2	
U008	C8012	C-CERA C	CK732B16V-106K	1	332071065R2	
U008	C8013	C-CERA C	CK732B16V-106K	1	332071065R2	
U008	C8014	C-CERA C	CK725B1A-105K0	1	332001055R1	
U008	C8015	C-CERA C	CK725B1A-105K0	1	332001055R1	
U008	C8016	C-CERA C	CK725B1A-105K0	1	332001055R1	
U008	C8017	C-CERA C	CK725B1A-105K0	1	332001055R1	
U008	C8018	C-CERA C	CK725B1C-104K0	1	332011045R1	
U008	C8019	C-CERA C	CK725B1C-104K0	1	332011045R1	
U008	C8020	C-CERA C	CK725B1C-104K0	1	332011045R1	
U008	C8021	C-CERA C	CK725B1C-104K0	1	332011045R1	
U008	C8022	C-CERA C	CK725B1C-104K0	1	332011045R1	
U008	C8023	C-CERA C	CK725B1C-104K0	1	332011045R1	
U008	C8024	C-CERA C	CK725B1C-104K0	1	332011045R1	
U008	C8026	C-CERA C	CK732B16V-106K	1	332071065R2	
U008	C8027	C-CERA C	CK732B16V-106K	1	332071065R2	
U008	C8028	C-CERA C	CK725B1A-105K0	1	332001055R1	
U008	C8029	C-CERA C	CK725B1A-105K0	1	332001055R1	
U008	C8030	C-CERA C	CK725B1A-105K0	1	332001055R1	
U008	C8031	C-CERA C	CK725B1C-104K0	1	332011045R1	
U008	C8032	C-CERA C	CK725B1C-104K0	1	332011045R1	
U008	C8033	C-CERA C	CK725B1C-104K0	1	332011045R1	
U008	C8034	C-CERA C	CK725B1C-104K0	1	332011045R1	
U008	C8036	C-CERA C	CK732B16V-106K	1	332071065R2	
U008	C8037	C-CERA C	CK732B16V-106K	1	332071065R2	

U008	C8038	C-CERA C	CK725B1A-105K0	1	332001055R1
U008	C8039	C-CERA C	CK725B1A-105K0	1	332001055R1
U008	C8040	C-CERA C	CK725B1A-105K0	1	332001055R1
U008	C8041	C-CERA C	CK725B1A-105K0	1	332001055R1
U008	C8042	C-CERA C	CK725B1C-104K0	1	332011045R1
U008	C8043	C-CERA C	CK725B1C-104K0	1	332011045R1
U008	C8044	C-CERA C	CK725B1C-104K0	1	332011045R1
U008	C8045	C-CERA C	CK725B1C-104K0	1	332011045R1
U008	C8046	C-CERA C	CK725B1C-104K0	1	332011045R1
U008	C8047	C-CERA C	CK725B1C-104K0	1	332011045R1
U008	C8050	C-CERA C	CK732B16V-106K	1	332071065R2
U008	C8051	C-CERA C	CK732B16V-106K	1	332071065R2
U008	C8052	C-CERA C	CK725B1A-105K0	1	332001055R1
U008	C8053	C-CERA C	CK725B1A-105K0	1	332001055R1
U008	C8054	C-CERA C	CK725B1C-104K0	1	332011045R1
U008	C8055	C-CERA C	CK725B1C-104K0	1	332011045R1
U008	C8056	C-CERA C	CK725B1C-104K0	1	332011045R1
U008	C8058	C-CERA C	CK725B1C-104K0	1	332011045R1
U008	C8060	C-CERA C	CK732B16V-106K	1	332071065R2
U008	C8061	C-CERA C	CK732B16V-106K	1	332071065R2
U008	C8062	C-CERA C	CK725B1A-105K0	1	332001055R1
U008	C8063	C-CERA C	CK725B1C-104K0	1	332011045R1
U008	C8064	C-CERA C	CK725B1C-104K0	1	332011045R1
U008	C8065	C-CERA C	CK725B1C-104K0	1	332011045R1
U008	C8066	C-CERA C	CK732B16V-106K	1	332071065R2
U008	C8067	C-CERA C	CK732B16V-106K	1	332071065R2
U008	C8068	C-CERA C	CK725B1A-105K0	1	332001055R1
U008	C8069	C-CERA C	CK725B1C-104K0	1	332011045R1
U008	C8070	C-CERA C	CK725B1C-104K0	1	332011045R1
U008	C8071	C-CERA C	CK725B1C-104K0	1	332011045R1
U008	C8072	C-CERA C	CK732B16V-106K	1	332071065R2
U008	C8073	C-CERA C	CK732B16V-106K	1	332071065R2
U008	C8074	C-CERA C	CK732B16V-106K	1	332071065R2
U008	C8075	C-CERA C	CK732B16V-106K	1	332071065R2
U008	C8076	C-CERA C	CK732B16V-106K	1	332071065R2
U008	C8078	C-CERA C	CK732B16V-106K	1	332071065R2
U008	C8079	C-CERA C	CK732B16V-106K	1	332071065R2
U008	C8080	C-CERA C	CK732B16V-106K	1	332071065R2
U008	C8081	C-CERA C	CK732B16V-106K	1	332071065R2

U008	C8082	C-CERA C	CK725B1A-105K0	1	332001055R1
U008	C8083	C-CERA C	CK725B1A-105K0	1	332001055R1
U008	C8084	C-CERA C	CK725B1A-105K0	1	332001055R1
U008	C8085	C-CERA C	CK725B1A-105K0	1	332001055R1
U008	C8086	C-CERA C	CK725B1A-105K0	1	332001055R1
U008	C8087	C-CERA C	CK725B1A-105K0	1	332001055R1
U008	C8088	C-CERA C	CK725B1A-105K0	1	332001055R1
U008	C8089	C-CERA C	CK725B1A-105K0	1	332001055R1
U008	C8090	C-CERA C	CK725B1A-105K0	1	332001055R1
U008	C8091	C-CERA C	CK725B1A-105K0	1	332001055R1
U008	C8092	C-CERA C	CK725B1A-105K0	1	332001055R1
U008	C8093	C-CERA C	CK725B1A-105K0	1	332001055R1
U008	C8094	C-CERA C	CK725B1A-105K0	1	332001055R1
U008	C8095	C-CERA C	CK732B16V-106K	1	332071065R2
U008	C8096	C-CERA C	CK725B1A-105K0	1	332001055R1
U008	C8097	C-CERA C	CK732B16V-106K	1	332071065R2
U008	C8098	C-CERA C	CK725B1A-105K0	1	332001055R1
U008	C8100	C-CERA C	CK725B1H-102K0	1	332031025R1
U008	C8101	C-CERA C	CK725B1H-102K0	1	332031025R1
U008	C8102	C-CERA C	CK732B16V-106K	1	332071065R2
U008	C8104	C-CERA C	CK732B16V-106K	1	332071065R2
U008	C8105	C-CERA C	CK725B1A-105K0	1	332001055R1
U008	C8106	C-CERA C	CK725B1A-105K0	1	332001055R1
U008	C8107	C-CERA C	CK725B1C-104K0	1	332011045R1
U008	C8108	C-CERA C	CK725B1C-104K0	1	332011045R1
U008	C8109	C-CERA C	CK725B1A-105K0	1	332001055R1
U008	C8110	C-CERA C	CK725B1A-105K0	1	332001055R1
U008	C8111	C-CERA C	CC725CH1H-101J0	1	342031014R1
U008	C8112	C-CERA C	CK725B1C-104K0	1	332011045R1
U008	C8113	C-CERA C	CK725B1C-104K0	1	332011045R1
U008	C8114	C-CERA C	CC725CH1H-080C0	1	342030801R1
U008	C8115	C-CERA C	CK725B1C-104K0	1	332011045R1
U008	C8116	C-CERA C	CC725CH1H-330J0	1	342033304R1
U008	C8117	C-CERA C	CC725CH1H-390J0	1	342033904R1
U008	C8120	C-CERA C	CC725CH1H-100D0	1	342031002R1
U008	C8124	C-CERA C	CK725B1C-104K0	1	332011045R1
U008	C8131	C-CERA C	CK725B1A-105K0	1	332001055R1
U008	C8134	C-CERA C	CK732B16V-106K	1	332071065R2
U008	C8135	C-CERA C	CK725B1H-102K0	1	332031025R1

U008	C8136	C-CERA C	CK725B1C-104K0	1	332011045R1
U008	C8137	C-CERA C	CK725B1H-102K0	1	332031025R1
U008	C8138	C-CERA C	CK725B1C-104K0	1	332011045R1
U008	C8139	C-CERA C	CK725B1H-102K0	1	332031025R1
U008	C8140	C-CERA C	CK725B1C-104K0	1	332011045R1
U008	C8141	C-CERA C	CK725B1H-102K0	1	332031025R1
U008	C8143	C-CERA C	CK732B16V-106K	1	332071065R2
U008	C8144	C-CERA C	CK725B1H-102K0	1	332031025R1
U008	C8145	C-CERA C	CK732B16V-106K	1	332071065R2
U008	C8146	C-CERA C	CK725B1H-102K0	1	332031025R1
U008	C8147	C-CERA C	CK725B1C-104K0	1	332011045R1
U008	C8148	C-CERA C	CK725B1H-102K0	1	332031025R1
U008	C8149	C-CERA C	CK725B1C-104K0	1	332011045R1
U008	C8150	C-CERA C	CK725B1H-102K0	1	332031025R1
U008	C8151	C-CERA C	CK725B1C-104K0	1	332011045R1
U008	C8152	C-CERA C	CK725B1A-105K0	1	332001055R1
U008	C8153	C-CERA C	CK725B1C-104K0	1	332011045R1
U008	C8154	C-CERA C	CK725B1H-102K0	1	332031025R1
U008	C8155	C-CERA C	CK725B1C-104K0	1	332011045R1
U008	C8157	C-CERA C	CK725B1H-102K0	1	332031025R1
U008	C8158	C-CERA C	CK725B1C-104K0	1	332011045R1
U008	C8159	C-CERA C	CK725B1H-102K0	1	332031025R1
U008	C8160	C-CERA C	CK725B1C-104K0	1	332011045R1
U008	C8161	C-CERA C	CK732B16V-106K	1	332071065R2
U008	C8162	C-CERA C	CK725B1H-102K0	1	332031025R1
U008	C8163	C-CERA C	CK725B1C-104K0	1	332011045R1
U008	C8164	C-CERA C	CK725B1H-102K0	1	332031025R1
U008	C8165	C-CERA C	CK725B1C-104K0	1	332011045R1
U008	C8166	C-CERA C	CK732B16V-106K	1	332071065R2
U008	C8167	C-CERA C	CK725B1A-105K0	1	332001055R1
U008	C8169	C-CERA C	CK725B1A-105K0	1	332001055R1
U008	C8170	C-CERA C	CK725B1A-105K0	1	332001055R1
U008	C8171	C-CERA C	CK725B1A-105K0	1	332001055R1
U008	C8172	C-CERA C	CK725B1A-105K0	1	332001055R1
U008	C8173	C-CERA C	CK725B1H-102K0	1	332031025R1
U008	C8191	C-CERA C	CK732B16V-106K	1	332071065R2
U008	C8192	C-CERA C	CK732B16V-106K	1	332071065R2
U008	C8193	C-CERA C	CK732B16V-106K	1	332071065R2
U008	C8194	C-CERA C	CK732B16V-106K	1	332071065R2

U008	C8201	C-CERA C	CK725B1C-104K0	1	332011045R1
U008	C8202	C-CERA C	CK725B1C-104K0	1	332011045R1
U008	C8203	C-CERA C	CK725B1C-104K0	1	332011045R1
U008	C8204	C-CERA C	CK725B1H-102K0	1	332031025R1
U008	C8205	C-CERA C	CK725B1C-104K0	1	332011045R1
U008	C8206	C-CERA C	CK725B1C-104K0	1	332011045R1
U008	C8207	C-CERA C	CK725B1H-102K0	1	332031025R1
U008	C8208	C-CERA C	CK725B1C-104K0	1	332011045R1
U008	C8209	C-CERA C	CK725B1C-104K0	1	332011045R1
U008	C8210	C-CERA C	CC725CH1H-100D0	1	342031002R1
U008	C8211	CERA C	CC725CH1H-070C0	1	342030701R1
U008	C8212	C-CERA C	CK725B1C-104K0	1	332011045R1
U008	C8213	C-CERA C	CK725B1C-104K0	1	332011045R1
U008	C8214	C-CERA C	CK732B16V-106K	1	332071065R2
U008	C8218	C-CERA C	CK725B1C-104K0	1	332011045R1
U008	C8219	C-CERA C	CK725B1C-104K0	1	332011045R1
U008	C8220	C-CERA C	CK725B1C-104K0	1	332011045R1
U008	C8221	C-CERA C	CK725B1C-104K0	1	332011045R1
U008	C8222	C-CERA C	CK725B1C-104K0	1	332011045R1
U008	C8223	C-CERA C	CK725B1C-104K0	1	332011045R1
U008	C8224	C-CERA C	CK725B1C-104K0	1	332011045R1
U008	C8225	C-CERA C	CK732B16V-106K	1	332071065R2
U008	C8226	C-CERA C	CK732B16V-106K	1	332071065R2
U008	C8236	C-CERA C	CK725B1C-104K0	1	332011045R1
U008	C8237	C-CERA C	CK725B1C-104K0	1	332011045R1
U008	C8238	C-CERA C	CK725B1C-104K0	1	332011045R1
U008	C8239	C-CERA C	CK725B1H-103K0	1	332031035R1
U008	C8240	C-CERA C	CK725B1H-103K0	1	332031035R1
U008	C8241	C-CERA C	CK725B1H-103K0	1	332031035R1
U008	C8242	C-CERA C	CK725B1H-103K0	1	332031035R1
U008	C8243	C-CERA C	CK725B1H-103K0	1	332031035R1
U008	C8244	C-CERA C	CK732B16V-106K	1	332071065R2
U008	C8245	C-CERA C	CK732B16V-106K	1	332071065R2
U008	C8246	C-CERA C	CK725B1H-103K0	1	332031035R1
U008	C8247	C-CERA C	CK725B1H-103K0	1	332031035R1
U008	C8248	C-CERA C	CK725B1H-103K0	1	332031035R1
U008	C8249	C-CERA C	CK725B1H-103K0	1	332031035R1
U008	C8250	C-CERA C	CK725B1H-103K0	1	332031035R1
U008	C8251	C-CERA C	CK725B1A-105K0	1	332001055R1

U008	C8252	C-CERA C	CK725B1A-105K0	1	332001055R1
U008	C8253	C-CERA C	CK725B1A-105K0	1	332001055R1
U008	C8254	C-CERA C	CK725B1H-103K0	1	332031035R1
U008	C8255	C-CERA C	CK725B1C-104K0	1	332011045R1
U008	C8256	CHIP TANTAL	TEESVB20J107M8R	1	398421017R2
U008	C8256 or	CHIP TANTAL	F93-6.3V-100M	(1)	395521017R2
U008	C8256 or	CHIP TANTAL	TCSCS0J107MBAR	(1)	396521017R2
U008	C8257	CHIP TANTAL	TEESVA0J226M8R	1	398422207R2
U008	C8257 or	CHIP TANTAL	F93-6.3V-22M	(1)	395522207R2
U008	C8257 or	CHIP TANTAL	TCSCS0J226MAAR	(1)	396522207R2
U008	C8268	C-CERA C	CK725B1C-104K0	1	332011045R1
U008	C8269	C-CERA C	CK725B1C-104K0	1	332011045R1
U008	C8270	C-CERA C	CK725B1C-104K0	1	332011045R1
U008	C8271	C-CERA C	CK725B1H-103K0	1	332031035R1
U008	C8272	C-CERA C	CK725B1H-103K0	1	332031035R1
U008	C8273	C-CERA C	CK725B1H-103K0	1	332031035R1
U008	C8274	C-CERA C	CK725B1H-103K0	1	332031035R1
U008	C8275	C-CERA C	CK725B1H-103K0	1	332031035R1
U008	C8276	C-CERA C	CK725B1H-103K0	1	332031035R1
U008	C8277	C-CERA C	CK725B1H-103K0	1	332031035R1
U008	C8278	C-CERA C	CK725B1H-103K0	1	332031035R1
U008	C8279	C-CERA C	CK725B1H-103K0	1	332031035R1
U008	C8280	C-CERA C	CK725B1H-103K0	1	332031035R1
U008	C8281	C-CERA C	CK725B1H-103K0	1	332031035R1
U008	C8282	C-CERA C	CK725B1H-103K0	1	332031035R1
U008	C8283	C-CERA C	CK725B1H-103K0	1	332031035R1
U008	C8284	C-CERA C	CK725B1H-103K0	1	332031035R1
U008	C8285	C-CERA C	CK725B1H-103K0	1	332031035R1
U008	C8286	C-CERA C	CK725B1H-103K0	1	332031035R1
U008	C8287	C-CERA C	CK725B1C-104K0	1	332011045R1
U008	C8288	C-CERA C	CK725B1C-104K0	1	332011045R1
U008	C8289	C-CERA C	CK725B1C-104K0	1	332011045R1
U008	C8292	C-CERA C	CK725B1H-103K0	1	332031035R1
U008	C8293	C-CERA C	CK725B1H-103K0	1	332031035R1
U008	C8294	C-CERA C	CK725B1H-103K0	1	332031035R1
U008	C8295	C-CERA C	CK725B1H-103K0	1	332031035R1
U008	C8296	C-CERA C	CK725B1H-103K0	1	332031035R1
U008	C8297	C-CERA C	CK725B1C-104K0	1	332011045R1
U008	C8298	C-CERA C	CK725B1C-104K0	1	332011045R1

U008	C8302	C-CERA C	CK725B1H-103K0	1	332031035R1	
U008	C8303	C-CERA C	CK725B1H-103K0	1	332031035R1	
U008	C8304	C-CERA C	CK725B1H-103K0	1	332031035R1	
U008	C8305	C-CERA C	CK725B1H-103K0	1	332031035R1	
U008	C8306	C-CERA C	CK725B1H-103K0	1	332031035R1	
U008	C8307	C-CERA C	CK725B1C-104K0	1	332011045R1	
U008	C8308	C-CERA C	CK725B1C-104K0	1	332011045R1	
U008	C8311	C-CERA C	CK732B16V-106K	1	332071065R2	
U008	C8312	CHIP TANTAL	TEESVA0J226M8R	1	398422207R2	
U008	C8312 or	CHIP TANTAL	F93-6.3V-22M	(1)	395522207R2	
U008	C8312 or	CHIP TANTAL	TCSCS0J226MAAR	(1)	396522207R2	
U008	C8313	CHIP TANTAL	TEESVB20J107M8R	1	398421017R2	
U008	C8313 or	CHIP TANTAL	F93-6.3V-100M	(1)	395521017R2	
U008	C8313 or	CHIP TANTAL	TCSCS0J107MBAR	(1)	396521017R2	
U008	C8314	C-CERA C	CK725B1C-104K0	1	332011045R1	
U008	C8315	C-CERA C	CK725B1A-105K0	1	332001055R1	
U008	C8316	C-CERA C	CK725B1C-104K0	1	332011045R1	
U008	C8317	C-CERA C	CK725B1H-102K0	1	332031025R1	
U008	C8318	C-CERA C	CK725B1C-104K0	1	332011045R1	
U008	C8363	C-CERA C	CK725B1C-104K0	1	332011045R1	
U008	C8452	C-CERA C	CK725B1H-103K0	1	332031035R1	<MDC, MMP, MMR>
U008	C8453	C-CERA C	CK725B1C-104K0	1	332011045R1	<MDC, MMP, MMR>
U008	C8454	C-CERA C	CK725B1H-103K0	1	332031035R1	<MDC, MMP, MMR>
U008	C8455	C-CERA C	CK725B1C-104K0	1	332011045R1	<MDC, MMP, MMR>
U008	C8456	C-CERA C	CK725B1H-103K0	1	332031035R1	<MDC, MMP, MMR>
U008	C8457	C-CERA C	CK725B1C-104K0	1	332011045R1	<MDC, MMP, MMR>
U008	C8458	C-CERA C	CK725B1H-103K0	1	332031035R1	<MDC, MMP, MMR>
U008	C8459	C-CERA C	CK725B1C-104K0	1	332011045R1	<MDC, MMP, MMR>
U008	C8460	C-CERA C	CK725B1H-103K0	1	332031035R1	<MDC, MMP, MMR>
U008	C8461	C-CERA C	CK725B1C-104K0	1	332011045R1	<MDC, MMP, MMR>
U008	C8462	C-CERA C	CK732B16V-106K	1	332071065R2	<MDC, MMP, MMR>
U008	C8463	C-CERA C	CK732B16V-106K	1	332071065R2	<MDC, MMP, MMR>
U008	C8464	C-CERA C	CK732B16V-106K	1	332071065R2	<MDC, MMP, MMR>
U008	C8465	C-CERA C	CK732B16V-106K	1	332071065R2	<MDC, MMP, MMR>
U008	C8466	C-CERA C	CK725B1H-103K0	1	332031035R1	<MDC, MMP, MMR>
U008	C8467	C-CERA C	CK725B1C-104K0	1	332011045R1	<MDC, MMP, MMR>
U008	C8468	C-CERA C	CK725B1H-103K0	1	332031035R1	<MDC, MMP, MMR>
U008	C8469	C-CERA C	CK725B1C-104K0	1	332011045R1	<MDC, MMP, MMR>
U008	C8470	C-CERA C	CK725B1H-103K0	1	332031035R1	<MDC, MMP, MMR>

U008	C8471	C-CERA C	CK725B1C-104K0	1	332011045R1	<MDC, MMP, MMR>
U008	C8472	C-CERA C	CK725B1H-103K0	1	332031035R1	<MDC, MMP, MMR>
U008	C8473	C-CERA C	CK725B1C-104K0	1	332011045R1	<MDC, MMP, MMR>
U008	C8478	C-CERA C	CK725B1H-102K0	1	332031025R1	<MDC, MMP, MMR>
U008	C8480	C-CERA C	CK732B16V-106K	1	332071065R2	<MDC, MMP, MMR>
U008	C8482	C-CERA C	CK725B1H-103K0	1	332031035R1	<MDC, MMP, MMR>
U008	C8483	C-CERA C	CK725B1C-104K0	1	332011045R1	<MDC, MMP, MMR>
U008	C8484	C-CERA C	CK725B1H-103K0	1	332031035R1	<MDC, MMP, MMR>
U008	C8485	C-CERA C	CK725B1C-104K0	1	332011045R1	<MDC, MMP, MMR>
U008	C8489	C-CERA C	CK725B1A-105K0	1	332001055R1	<MDC, MMP, MMR>
U008	C8490	C-CERA C	CK725B1A-105K0	1	332001055R1	<MDC, MMP, MMR>
U008	C8491	C-CERA C	CK725B1A-105K0	1	332001055R1	<MDC, MMP, MMR>
U008	C8492	C-CERA C	CK725B1H-102K0	1	332031025R1	<MDC, MMP, MMR>
U008	C8493	C-CERA C	CK725B1A-105K0	1	332001055R1	<MDC, MMP, MMR>
U008	C8494	C-CERA C	CK725B1H-102K0	1	332031025R1	<MDC, MMP, MMR>
U008	C8496	C-CERA C	CK725B1C-104K0	1	332011045R1	<MDC, MMP, MMR>
U008	C8501	C-CERA C	CK725B1C-104K0	1	332011045R1	<MDC, MMP, MMR>
U008	C8502	C-CERA C	CK725B1C-104K0	1	332011045R1	<MDC, MMP, MMR>
U008	C8503	C-CERA C	CK725B1C-104K0	1	332011045R1	<MDC, MMP, MMR>
U008	C8504	C-CERA C	CK725B1C-104K0	1	332011045R1	<MDC, MMP, MMR>
U008	C8505	C-CERA C	CK725B1C-104K0	1	332011045R1	<MDC, MMP, MMR>
U008	C8506	C-CERA C	CK725B1H-102K0	1	332031025R1	<MDC, MMP, MMR>
U008	C8507	C-CERA C	CK725B1C-104K0	1	332011045R1	<MDC, MMP, MMR>
U008	C8508	C-CERA C	CK725B1H-102K0	1	332031025R1	<MDC, MMP, MMR>
U008	C8511	C-CERA C	CK725B1C-104K0	1	332011045R1	<MDC, MMP, MMR>
U008	C8512	C-CERA C	CK725B1C-104K0	1	332011045R1	<MDC, MMP, MMR>
U008	C8513	C-CERA C	CK725B1C-104K0	1	332011045R1	<MDC, MMP, MMR>
U008	C8514	C-CERA C	CK725B1C-104K0	1	332011045R1	<MDC, MMP, MMR>
U008	C8515	C-CERA C	CK725B1C-104K0	1	332011045R1	<MDC, MMP, MMR>
U008	C8516	C-CERA C	CK725B1H-102K0	1	332031025R1	<MDC, MMP, MMR>
U008	C8517	C-CERA C	CK725B1C-104K0	1	332011045R1	<MDC, MMP, MMR>
U008	C8518	C-CERA C	CK725B1H-102K0	1	332031025R1	<MDC, MMP, MMR>
U008	C8520	CHIP TANTAL	TEESVA0J226M8R	1	398422207R2	<MDC, MMP, MMR>
U008	C8520 or	CHIP TANTAL	F93-6.3V-22M	(1)	395522207R2	<MDC, MMP, MMR>
U008	C8520 or	CHIP TANTAL	TCSCS0J226MAAR	(1)	396522207R2	<MDC, MMP, MMR>
U008	C8521	CHIP TANTAL	TEESVA0J226M8R	1	398422207R2	<MDC, MMP, MMR>
U008	C8521 or	CHIP TANTAL	F93-6.3V-22M	(1)	395522207R2	<MDC, MMP, MMR>
U008	C8521 or	CHIP TANTAL	TCSCS0J226MAAR	(1)	396522207R2	<MDC, MMP, MMR>
U008	C8522	CHIP TANTAL	TEESVA0J226M8R	1	398422207R2	<MDC, MMP, MMR>

U008	C8522 or	CHIP TANTAL	F93-6.3V-22M	(1)	395522207R2	<MDC, MMP, MMR>
U008	C8522 or	CHIP TANTAL	TCSCS0J226MAAR	(1)	396522207R2	<MDC, MMP, MMR>
U008	C8523	CHIP TANTAL	TEESVA0J226M8R	1	398422207R2	<MDC, MMP, MMR>
U008	C8523 or	CHIP TANTAL	F93-6.3V-22M	(1)	395522207R2	<MDC, MMP, MMR>
U008	C8523 or	CHIP TANTAL	TCSCS0J226MAAR	(1)	396522207R2	<MDC, MMP, MMR>
U008	C8536	C-CERA C	CK725B1C-104K0	1	332011045R1	<MDC, MMP, MMR>
U008	C8537	C-CERA C	CK725B1C-104K0	1	332011045R1	<MDC, MMP, MMR>
U008	C8538	C-CERA C	CK725B1C-104K0	1	332011045R1	<MDC, MMP, MMR>
U008	C8539	C-CERA C	CK725B1C-104K0	1	332011045R1	<MDC, MMP, MMR>
U008	C8540	C-CERA C	CK725B1C-104K0	1	332011045R1	<MDC, MMP, MMR>
U008	C8541	C-CERA C	CK725B1C-104K0	1	332011045R1	<MDC, MMP, MMR>
U008	C8542	C-CERA C	CC725CH1H-060D0	1	342030602R1	<MDC, MMP, MMR>
U008	C8543	C-CERA C	CC725CH1H-060D0	1	342030602R1	<MDC, MMP, MMR>
U008	C8545	C-CERA C	CK725B1C-104K0	1	332011045R1	<MDC, MMP, MMR>
U008	C8546	C-CERA C	CK725B1C-104K0	1	332011045R1	<MDC, MMP, MMR>
U008	C8547	C-CERA C	CK725B1C-104K0	1	332011045R1	<MDC, MMP, MMR>
U008	C8548	C-CERA C	CK725B1C-104K0	1	332011045R1	<MDC, MMP, MMR>
U008	C8549	C-CERA C	CK725B1C-104K0	1	332011045R1	<MDC, MMP, MMR>
U008	C8550	C-CERA C	CK725B1C-104K0	1	332011045R1	<MDC, MMP, MMR>
U008	C8551	C-CERA C	CK725B1C-104K0	1	332011045R1	<MDC, MMP, MMR>
U008	C8552	C-CERA C	CK725B1C-104K0	1	332011045R1	<MDC, MMP, MMR>
U008	C8553	C-CERA C	CK725B1C-104K0	1	332011045R1	<MDC, MMP, MMR>
U008	C8554	C-CERA C	CK725B1C-104K0	1	332011045R1	<MDC, MMP, MMR>
U008	C8555	C-CERA C	CK725B1C-104K0	1	332011045R1	<MDC, MMP, MMR>
U008	C8556	C-CERA C	CK725B1C-104K0	1	332011045R1	<MDC, MMP, MMR>
U008	C8557	C-CERA C	CK725B1C-104K0	1	332011045R1	<MDC, MMP, MMR>
U008	C8558	C-CERA C	CK725B1C-104K0	1	332011045R1	<MDC, MMP, MMR>
U008	C8559	C-CERA C	CK725B1C-104K0	1	332011045R1	<MDC, MMP, MMR>
U008	C8560	C-CERA C	CK725B1C-104K0	1	332011045R1	<MDC, MMP, MMR>
U008	C8584	CHIP TANTAL	TEESVA0J226M8R	1	398422207R2	<MDC, MMP, MMR>
U008	C8584 or	CHIP TANTAL	F93-6.3V-22M	(1)	395522207R2	<MDC, MMP, MMR>
U008	C8584 or	CHIP TANTAL	TCSCS0J226MAAR	(1)	396522207R2	<MDC, MMP, MMR>
U008	C8611	C-CERA C	CK725B1H-102K0	1	332031025R1	
U008	C8612	C-CERA C	CK725B1H-102K0	1	332031025R1	
U008	C8621	C-CERA C	CK725B1H-102K0	1	332031025R1	
U008	C8622	C-CERA C	CK725B1H-102K0	1	332031025R1	
U008	C8631	C-CERA C	CK725B1H-102K0	1	332031025R1	
U008	C8632	C-CERA C	CK725B1H-102K0	1	332031025R1	
U008	C8641	C-CERA C	CK725B1H-102K0	1	332031025R1	

U008	C8642	C-CERA C	CK725B1H-102K0	1	332031025R1	
U008	C8651	C-CERA C	CK725B1H-102K0	1	332031025R1	
U008	C8652	C-CERA C	CK725B1H-102K0	1	332031025R1	
U008	C8695	C-CERA C	CK725B1H-102K0	1	332031025R1	
U008	C8696	C-CERA C	CK725B1H-102K0	1	332031025R1	
U008	C8697	C-CERA C	CK732B16V-106K	1	332071065R2	
U008	C8698	C-CERA C	CK725B1H-102K0	1	332031025R1	
U008	C8699	C-CERA C	CK725B1C-104K0	1	332011045R1	
U008	C8701	C-CERA C	CK725B1C-104K0	1	332011045R1	
U008	C8702	C-CERA C	CK725B1C-104K0	1	332011045R1	
U008	C8703	C-CERA C	CK725B1C-104K0	1	332011045R1	
U008	C8704	C-CERA C	CK725B1C-104K0	1	332011045R1	
U008	C8705	C-CERA C	CK725B1A-105K0	1	332001055R1	
U008	C8706	C-CERA C	CK725B1C-104K0	1	332011045R1	
U008	C8707	C-CERA C	CK725B1C-104K0	1	332011045R1	
U008	C8708	C-CERA C	CK732B16V-106K	1	332071065R2	
U008	C8709	C-CERA C	CK732B16V-106K	1	332071065R2	
U008	C8831	C-CERA C	CK725B1A-105K0	1	332001055R1	<MDC, MMP, MMR>
U008	C8832	C-CERA C	CK725B0J-225K	1	332092255R1	<MDC, MMP, MMR>
U008	C8833	C-CERA C	CK732B16V-106K	1	332071065R2	<MDC, MMP, MMR>
U008	C8834	C-CERA C	CK725B1A-105K0	1	332001055R1	<MDC, MMP, MMR>
U008	C8835	CHIP ELECT C	CEWX4V-220M	1	3981G2217R2	<MDC, MMP, MMR>
U008	C8836	C-CERA C	CK732B16V-106K	1	332071065R2	<MDC, MMP, MMR>
U008	C8837	C-CERA C	CK725B1A-105K0	1	332001055R1	<MDC, MMP, MMR>
U008	C8838	C-CERA C	CK732B16V-106K	1	332071065R2	<MDC, MMP, MMR>
U008	C8839	C-CERA C	CK725B1A-105K0	1	332001055R1	<MDC, MMP, MMR>
U008	C8840	C-CERA C	CK732B16V-106K	1	332071065R2	<MDC, MMP, MMR>
U008	C8842	C-CERA C	CK732B16V-106K	1	332071065R2	<MDC, MMP, MMR>
U008	C8843	CHIP ELECT C	CEWX4V-220M	1	3981G2217R2	<MDC, MMP, MMR>
U008	C8845	C-CERA C	CK725B1A-105K0	1	332001055R1	<MDC, MMP, MMR>
U008	C8846	C-CERA C	CK725B1A-105K0	1	332001055R1	<MDC, MMP, MMR>
U008	C8847	C-CERA C	CK725B1H-222K0	1	332032225R1	<MDC, MMP, MMR>
U008	C8849	C-CERA C	CK725B1A-105K0	1	332001055R1	<MDC, MMP, MMR>
U008	C8851	C-CERA C	CK725B1A-105K0	1	332001055R1	<MDC, MMP, MMR>
U008	C8852	C-CERA C	CK725B1H-222K0	1	332032225R1	<MDC, MMP, MMR>
U008	C8854	C-CERA C	CK725B1E-153K0	1	332021535R1	<MDC, MMP, MMR>
U008	C8855	C-CERA C	CK725B1A-154K0	1	332001545R1	<MDC, MMP, MMR>
U008	C8857	C-CERA C	CK725B1A-105K0	1	332001055R1	<MDC, MMP, MMR>
U008	C8858	C-CERA C	CK725B1E-153K0	1	332021535R1	<MDC, MMP, MMR>

U008	C8859	C-CERA C	CK725B1A-154K0	1	332001545R1	<MDC, MMP, MMR>
U008	C8860	C-CERA C	CK732B16V-106K	1	332071065R2	<MDC, MMP, MMR>
U008	C8901	CHIP ELECT C	CEWX25V-100M	1	398151017R2	
U008	C8902	C-CERA C	CK725B1E-106K	1	332221065R2	
U008	C8911	C-CERA C	CK725B1C-104K0	1	332011045R1	
U008	C8912	CHIP ELECT C	CEWX16V-100M	1	398141017R2	
U008	C8913	C-CERA C	CK725B1A-105K0	1	332001055R1	
U008	C8914	C-CERA C	CK725B1C-104K0	1	332011045R1	
U008	C8915	CHIP ELECT C	CEWX16V-100M	1	398141017R2	
U008	C8916	C-CERA C	CK725B1A-105K0	1	332001055R1	
U008	C8917	C-CERA C	CK725B1C-104K0	1	332011045R1	
U008	C8918	CHIP ELECT C	CEWX16V-100M	1	398141017R2	
U008	C8919	C-CERA C	CK725B1A-105K0	1	332001055R1	
U008	C8920	C-CERA C	CK725B1C-104K0	1	332011045R1	
U008	C8921	CHIP ELECT C	CEWX16V-100M	1	398141017R2	
U008	C8922	C-CERA C	CK725B1A-105K0	1	332001055R1	
U008	C8931	C-CERA C	CK725B1C-104K0	1	332011045R1	
U008	C8932	C-CERA C	CK725B1C-104K0	1	332011045R1	
U008	C8933	C-CERA C	CK725B1E-106K	1	332221065R2	
U008	C8934	C-CERA C	CK725B1E-106K	1	332221065R2	
U008	C8935	C-CERA C	CK725B1H-223K0	1	332032235R1	
U008	C8936	C-CERA C	CK732B16V-106K	1	332071065R2	
U008	C8937	C-CERA C	CK732B16V-106K	1	332071065R2	
U008	C8938	C-CERA C	CK732B16V-106K	1	332071065R2	
U008	C8940	C-CERA C	CC725CH1H-331J0	1	342033314R1	
U008	C8941	C-CERA C	CK725B1C-104K0	1	332011045R1	
U008	C8942	C-CERA C	CK725B1C-104K0	1	332011045R1	
U008	C8943	C-CERA C	CK725B1E-106K	1	332221065R2	
U008	C8944	C-CERA C	CK725B1E-106K	1	332221065R2	
U008	C8945	C-CERA C	CK725B1E-682K0	1	332026825R1	
U008	C8946	C-CERA C	CK732B16V-106K	1	332071065R2	
U008	C8947	C-CERA C	CK732B16V-106K	1	332071065R2	
U008	C8948	C-CERA C	CK732B16V-106K	1	332071065R2	
U008	C8951	C-CERA C	CK725B1C-104K0	1	332011045R1	
U008	C8952	C-CERA C	CK725B1C-104K0	1	332011045R1	
U008	C8953	C-CERA C	CK725B1E-106K	1	332221065R2	
U008	C8954	C-CERA C	CK725B1E-106K	1	332221065R2	
U008	C8955	C-CERA C	CK725B1H-103K0	1	332031035R1	
U008	C8956	C-CERA C	CK732B16V-106K	1	332071065R2	

U008	C8957	C-CERA C	CK732B16V-106K	1	332071065R2
U008	C8958	C-CERA C	CK732B16V-106K	1	332071065R2
U008	C8960	C-CERA C	CC725CH1H-151J0	1	342031514R1
U008	C8961	C-CERA C	CK725B1C-104K0	1	332011045R1
U008	C8962	C-CERA C	CK725B1C-104K0	1	332011045R1
U008	C8963	C-CERA C	CK725B1E-106K	1	332221065R2
U008	C8964	C-CERA C	CK725B1E-106K	1	332221065R2
U008	C8965	C-CERA C	CK725B1H-103K0	1	332031035R1
U008	C8966	C-CERA C	CK732B16V-106K	1	332071065R2
U008	C8967	C-CERA C	CK732B16V-106K	1	332071065R2
U008	C8968	C-CERA C	CK732B16V-106K	1	332071065R2
U008	C8971	C-CERA C	CK732B16V-106K	1	332071065R2
U008	C8973	C-CERA C	CK732B16V-106K	1	332071065R2
U008	C8974	C-CERA C	CK732B16V-106K	1	332071065R2
U008	C8976	C-CERA C	CK725B1C-104K0	1	332011045R1
U008	C8977	C-CERA C	CK732B16V-106K	1	332071065R2
U008	C8978	C-CERA C	CK732B16V-106K	1	332071065R2
U008	C8979	CHIP TANTAL	TEESVB20J107M8R	1	398421017R2
U008	C8979 or	CHIP TANTAL	F93-6.3V-100M	(1)	395521017R2
U008	C8979 or	CHIP TANTAL	TCSCS0J107MBAR	(1)	396521017R2
U008	[RESISTOR]				
U008	R268	C-CARBON R	RN72K1J-331JE	1	435033314R1
U008	R269	C-CARBON R	RN72K1J-331JE	1	435033314R1
U008	R270	C-CARBON R	RN72K1J-331JE	1	435033314R1
U008	R271	C-CARBON R	RN72K1J-470JE	1	435034704R1
U008	R272	C-CARBON R	RN72K1J-331JE	1	435033314R1
U008	R273	C-CARBON R	RN72K1J-331JE	1	435033314R1
U008	R274	C-CARBON R	RN72K1J-470JE	1	435034704R1
U008	R275	C-CARBON R	RN72K1J-221JE	1	435032214R1
U008	R276	C-CARBON R	RN72K1J-221JE	1	435032214R1
U008	R277	C-CARBON R	RN72K1J-470JE	1	435034704R1
U008	R278	C-CARBON R	RN72K1J-331JE	1	435033314R1
U008	R279	C-CARBON R	RN72K1J-331JE	1	435033314R1
U008	R280	C-CARBON R	RN72K1J-470JE	1	435034704R1
U008	R3009	C-CARBON R	RN72K1J-330JE	1	435033304R1
U008	R3010	C-R NET	RM7LJ330X04	1	43484733004R2
U008	R3011	C-R NET	RM7LJ330X04	1	43484733004R2
U008	R3012	C-R NET	RM7LJ470X04	1	43484747004R2
U008	R3013	C-R NET	RM7LJ330X04	1	43484733004R2

U008	R3014	C-R NET	RM7LJ330X04	1	43484733004R2	
U008	R3015	C-R NET	RM7LJ330X04	1	43484733004R2	
U008	R3016	C-CARBON R	RN72K1J-470JE	1	435034704R1	
U008	R3017	C-R NET	RM7LJ330X04	1	43484733004R2	
U008	R3018	C-CARBON R	RN72K1J-470JE	1	435034704R1	
U008	R3019	C-R NET	RM7LJ330X04	1	43484733004R2	
U008	R3020	C-R NET	RM7LJ330X04	1	43484733004R2	
U008	R3021	C-CARBON R	RN72K1J-470JE	1	435034704R1	
U008	R3022	C-CARBON R	RN72K1J-470JE	1	435034704R1	
U008	R3023	C-R NET	RM7LJ470X04	1	43484747004R2	
U008	R3024	C-CARBON R	RN72K1J-470JE	1	435034704R1	
U008	R3025	C-CARBON R	RN72K1J-102JE	1	435031024R1	
U008	R3026	C-CARBON R	RN72K1J-470JE	1	435034704R1	
U008	R3027	C-CARBON R	RN72K1J-470JE	1	435034704R1	<MDC, MMP, MMR>
U008	R3028	C-CARBON R	RN72K1J-470JE	1	435034704R1	
U008	R3029	C-CARBON R	RN72K1J-102JE	1	435031024R1	
U008	R3032	C-CARBON R	RN72K1J-103JE	1	435031034R1	
U008	R3033	C-CARBON R	RN72K1J-470JE	1	435034704R1	
U008	R3034	C-CARBON R	RN72K1J-470JE	1	435034704R1	
U008	R3035	C-CARBON R	RN72K1J-470JE	1	435034704R1	
U008	R3036	C-CARBON R	RN72K1J-470JE	1	435034704R1	
U008	R3037	C-CARBON R	RN72K1J-470JE	1	435034704R1	
U008	R3038	C-CARBON R	RN72K1J-470JE	1	435034704R1	
U008	R3039	C-CARBON R	RN72K1J-470JE	1	435034704R1	
U008	R3040	C-CARBON R	RN72K1J-103JE	1	435031034R1	
U008	R3041	C-R NET	RM7LJ330X04	1	43484733004R2	
U008	R3042	C-R NET	RM7LJ330X04	1	43484733004R2	
U008	R3043	C-CARBON R	RN72K1J-000JE	1	435030004R1	
U008	R3044	C-R NET	RM7LJ330X04	1	43484733004R2	
U008	R3045	C-R NET	RM7LJ330X04	1	43484733004R2	
U008	R3047	C-CARBON R	RN72K1J-560JE	1	435035604R1	
U008	R3048	C-CARBON R	RN72K1J-000JE	1	435030004R1	
U008	R3049	C-CARBON R	RN72K1J-560JE	1	435035604R1	
U008	R3050	C-CARBON R	RN72K1J-560JE	1	435035604R1	
U008	R3051	C-CARBON R	RN72K1J-560JE	1	435035604R1	
U008	R3054	C-CARBON R	RN72K1J-103JE	1	435031034R1	
U008	R3056	C-CARBON R	RN72K1J-472JE	1	435034724R1	
U008	R3060	C-CARBON R	RN72K1J-680JE	1	435036804R1	
U008	R3061	C-CARBON R	RN72K1J-470JE	1	435034704R1	

U008	R3062	C-CARBON R	RN72K1J-680JE	1	435036804R1	
U008	R3063	C-CARBON R	RN72K1J-680JE	1	435036804R1	
U008	R3064	C-CARBON R	RN72K1J-680JE	1	435036804R1	
U008	R3065	C-CARBON R	RN72K1J-680JE	1	435036804R1	
U008	R3066	C-CARBON R	RN72K1J-102JE	1	435031024R1	
U008	R3071	C-CARBON R	RN72K1J-000JE	1	435030004R1	<MDC, MMP, MMR>
U008	R3073	C-CARBON R	RN72K1J-000JE	1	435030004R1	<MDC, MMP, MMR>
U008	R3075	C-CARBON R	RN72K1J-000JE	1	435030004R1	<MDC, MMP, MMR>
U008	R3077	C-CARBON R	RN72K1J-000JE	1	435030004R1	<MDC, MMP, MMR>
U008	R3101	C-CARBON R	RN72K1J-103JE	1	435031034R1	
U008	R3108	C-CARBON R	RN72K1J-103JE	1	435031034R1	
U008	R3110	C-CARBON R	RN72K1J-103JE	1	435031034R1	
U008	R3111	C-CARBON R	RN72K1J-103JE	1	435031034R1	
U008	R3113	C-CARBON R	RN72K1J-103JE	1	435031034R1	
U008	R3115	C-CARBON R	RN72K1J-332JE	1	435033324R1	
U008	R3117	C-CARBON R	RN72K1J-332JE	1	435033324R1	
U008	R3119	C-CARBON R	RN72K1J-332JE	1	435033324R1	
U008	R3122	C-CARBON R	RN72K1J-102JE	1	435031024R1	
U008	R3123	C-CARBON R	RN72K1J-000JE	1	435030004R1	
U008	R3124	C-CARBON R	RN72K1J-331JE	1	435033314R1	
U008	R3125	C-CARBON R	RN72K1J-470JE	1	435034704R1	
U008	R3126	C-CARBON R	RN72K1J-470JE	1	435034704R1	
U008	R3127	C-CARBON R	RN72K1J-470JE	1	435034704R1	
U008	R3128	C-CARBON R	RN72K1J-472JE	1	435034724R1	
U008	R3129	C-CARBON R	RN72K1J-470JE	1	435034704R1	
U008	R3130	C-CARBON R	RN72K1J-470JE	1	435034704R1	
U008	R3131	C-CARBON R	RN72K1J-470JE	1	435034704R1	
U008	R3132	C-CARBON R	RN72K1J-103JE	1	435031034R1	<MDC, MMP, MMR>
U008	R3133	C-CARBON R	RN72K1J-470JE	1	435034704R1	
U008	R3134	C-CARBON R	RN72K1J-103JE	1	435031034R1	
U008	R3135	C-CARBON R	RN72K1J-103JE	1	435031034R1	
U008	R3136	C-CARBON R	RN72K1J-000JE	1	435030004R1	
U008	R3137	C-CARBON R	RN72K1J-000JE	1	435030004R1	
U008	R3139	C-CARBON R	RN72K1J-101JE	1	435031014R1	
U008	R3143	C-CARBON R	RN72K1J-392JE	1	435033924R1	
U008	R3144	C-CARBON R	RN72K1J-101JE	1	435031014R1	
U008	R3145	C-CARBON R	RN72K1J-392JE	1	435033924R1	
U008	R3146	C-CARBON R	RN72K1J-390JE	1	435033904R1	
U008	R3147	C-CARBON R	RN72K1J-000JE	1	435030004R1	

U008	R3148	C-CARBON R	RN72K1J-390JE	1	435033904R1	
U008	R3149	C-CARBON R	RN72K1J-102JE	1	435031024R1	
U008	R3150	C-CARBON R	RN72K1J-680JE	1	435036804R1	
U008	R3151	C-CARBON R	RN72K1J-103JE	1	435031034R1	
U008	R3152	C-CARBON R	RN72K1J-103JE	1	435031034R1	
U008	R3154	C-CARBON R	RN72K1J-390JE	1	435033904R1	
U008	R3155	C-CARBON R	RN72K1J-390JE	1	435033904R1	
U008	R3156	C-CARBON R	RN72K1J-390JE	1	435033904R1	
U008	R3157	C-CARBON R	RN72K1J-000JE	1	435030004R1	
U008	R3158	C-CARBON R	RN72K1J-000JE	1	435030004R1	
U008	R3162	C-CARBON R	RN72K1J-390JE	1	435033904R1	
U008	R3163	C-CARBON R	RN72K1J-220JE	1	435032204R1	
U008	R3164	C-CARBON R	RN72K1J-472JE	1	435034724R1	
U008	R3168	C-CARBON R	RN72K1J-220JE	1	435032204R1	
U008	R3169	C-CARBON R	RN72K1J-220JE	1	435032204R1	
U008	R3170	C-CARBON R	RN72K1J-391FE	1	435033912R1	
U008	R3171	C-CARBON R	RN72K1J-222FE	1	435032222R1	
U008	R3172	C-CARBON R	RN72K1J-392FE	1	435033922R1	
U008	R3173	C-CARBON R	RN72K1J-390JE	1	435033904R1	
U008	R3174	C-CARBON R	RN72K1J-390JE	1	435033904R1	
U008	R3175	C-CARBON R	RN72K1J-472JE	1	435034724R1	
U008	R3181	C-CARBON R	RN72K1J-470JE	1	435034704R1	
U008	R3182	C-CARBON R	RN72K1J-472JE	1	435034724R1	
U008	R3183	C-CARBON R	RN72K1J-470JE	1	435034704R1	
U008	R3184	C-CARBON R	RN72K1J-470JE	1	435034704R1	
U008	R3185	C-CARBON R	RN72K1J-102FE	1	435031022R1	
U008	R3187	C-CARBON R	RN72K1J-472JE	1	435034724R1	
U008	R3188	C-CARBON R	RN72K1J-472JE	1	435034724R1	
U008	R3189	C-CARBON R	RN72K1J-223JE	1	435032234R1	
U008	R3190	C-CARBON R	RN72K1J-472JE	1	435034724R1	
U008	R3192	C-CARBON R	RN72K1J-472JE	1	435034724R1	
U008	R3193	C-CARBON R	RN72K1J-472JE	1	435034724R1	
U008	R3194	C-CARBON R	RN72K1J-472JE	1	435034724R1	
U008	R3199	C-CARBON R	RN72K1J-102JE	1	435031024R1	
U008	R3200	C-CARBON R	RN72K1J-103JE	1	435031034R1	<MDC, MMP, MMR>
U008	R3201	C-CARBON R	RN72K1J-103JE	1	435031034R1	
U008	R3202	C-CARBON R	RN72K1J-103JE	1	435031034R1	
U008	R3203	C-CARBON R	RN72K1J-103JE	1	435031034R1	
U008	R3204	C-CARBON R	RN72K1J-103JE	1	435031034R1	

U008	R3205	C-CARBON R	RN72K1J-103JE	1	435031034R1	
U008	R3206	C-CARBON R	RN72K1J-473JE	1	435034734R1	
U008	R3208	C-CARBON R	RN72K1J-271JE	1	435032714R1	
U008	R3212	C-CARBON R	RN72K1J-220JE	1	435032204R1	
U008	R3215	C-CARBON R	RN72K1J-221JE	1	435032214R1	
U008	R3218	C-CARBON R	RN72K1J-220JE	1	435032204R1	
U008	R3219	C-CARBON R	RN72K1J-221JE	1	435032214R1	
U008	R3221	C-CARBON R	RN72K1J-470JE	1	435034704R1	
U008	R3224	C-CARBON R	RN72K1J-331JE	1	435033314R1	
U008	R3225	C-CARBON R	RN72K1J-220JE	1	435032204R1	
U008	R3226	C-R NET	RM7LJ470X04	1	43484747004R2	
U008	R3227	C-CARBON R	RN72K1J-470JE	1	435034704R1	
U008	R3228	C-CARBON R	RN72K1J-470JE	1	435034704R1	
U008	R3229	C-CARBON R	RN72K1J-470JE	1	435034704R1	
U008	R3230	C-CARBON R	RN72K1J-221JE	1	435032214R1	
U008	R3231	C-CARBON R	RN72K1J-470JE	1	435034704R1	
U008	R3232	C-CARBON R	RN72K1J-221JE	1	435032214R1	
U008	R3233	C-CARBON R	RN72K1J-221JE	1	435032214R1	
U008	R3234	C-CARBON R	RN72K1J-470JE	1	435034704R1	
U008	R3235	C-CARBON R	RN72K1J-221JE	1	435032214R1	<MDC, MMP, MMR>
U008	R3236	C-CARBON R	RN72K1J-470JE	1	435034704R1	
U008	R3237	C-CARBON R	RN72K1J-221JE	1	435032214R1	
U008	R3238	C-CARBON R	RN72K1J-470JE	1	435034704R1	
U008	R3239	C-CARBON R	RN72K1J-221JE	1	435032214R1	
U008	R3240	C-CARBON R	RN72K1J-103JE	1	435031034R1	
U008	R3241	C-CARBON R	RN72K1J-221JE	1	435032214R1	
U008	R3242	C-CARBON R	RN72K1J-221JE	1	435032214R1	
U008	R3243	C-CARBON R	RN72K1J-220JE	1	435032204R1	
U008	R3244	C-CARBON R	RN72K1J-470JE	1	435034704R1	
U008	R3246	C-CARBON R	RN72K1J-103JE	1	435031034R1	
U008	R3247	C-CARBON R	RN72K1J-121JE	1	435031214R1	
U008	R3248	C-CARBON R	RN72K1J-220JE	1	435032204R1	
U008	R3249	C-CARBON R	RN72K1J-470JE	1	435034704R1	
U008	R3250	C-CARBON R	RN72K1J-470JE	1	435034704R1	
U008	R3251	C-CARBON R	RN72K1J-470JE	1	435034704R1	
U008	R3253	C-CARBON R	RN72K1J-470JE	1	435034704R1	
U008	R3254	C-CARBON R	RN72K1J-470JE	1	435034704R1	
U008	R3255	C-CARBON R	RN72K1J-103JE	1	435031034R1	
U008	R3256	C-CARBON R	RN72K1J-470JE	1	435034704R1	

U008	R3257	C-CARBON R	RN72K1J-470JE	1	435034704R1	
U008	R3259	C-CARBON R	RN72K1J-220JE	1	435032204R1	
U008	R3260	C-CARBON R	RN72K1J-390JE	1	435033904R1	
U008	R3261	C-CARBON R	RN72K1J-470JE	1	435034704R1	
U008	R3262	C-CARBON R	RN72K1J-221JE	1	435032214R1	
U008	R3264	C-CARBON R	RN72K1J-470JE	1	435034704R1	
U008	R3265	C-CARBON R	RN72K1J-390JE	1	435033904R1	
U008	R3266	C-CARBON R	RN72K1J-103JE	1	435031034R1	<MDC, MMP, MMR>
U008	R3267	C-CARBON R	RN72K1J-470JE	1	435034704R1	
U008	R3268	C-CARBON R	RN72K1J-390JE	1	435033904R1	
U008	R3269	C-CARBON R	RN72K1J-103JE	1	435031034R1	
U008	R3270	C-CARBON R	RN72K1J-470JE	1	435034704R1	
U008	R3271	C-CARBON R	RN72K1J-390JE	1	435033904R1	
U008	R3272	C-CARBON R	RN72K1J-470JE	1	435034704R1	
U008	R3273	C-CARBON R	RN72K1J-470JE	1	435034704R1	
U008	R3274	C-CARBON R	RN72K1J-390JE	1	435033904R1	
U008	R3275	C-CARBON R	RN72K1J-220JE	1	435032204R1	
U008	R3276	C-CARBON R	RN72K1J-470JE	1	435034704R1	
U008	R3277	C-CARBON R	RN72K1J-220JE	1	435032204R1	
U008	R3278	C-CARBON R	RN72K1J-470JE	1	435034704R1	
U008	R3279	C-CARBON R	RN72K1J-470JE	1	435034704R1	
U008	R3280	C-CARBON R	RN72K1J-470JE	1	435034704R1	
U008	R3281	C-CARBON R	RN72K1J-103JE	1	435031034R1	
U008	R3282	C-CARBON R	RN72K1J-103JE	1	435031034R1	
U008	R3283	C-CARBON R	RN72K1J-103JE	1	435031034R1	
U008	R3284	C-CARBON R	RN72K1J-103JE	1	435031034R1	
U008	R3285	C-CARBON R	RN72K1J-103JE	1	435031034R1	<MDC, MMP, MMR>
U008	R3286	C-CARBON R	RN72K1J-103JE	1	435031034R1	<MDC, MMP, MMR>
U008	R3287	C-CARBON R	RN72K1J-220JE	1	435032204R1	
U008	R3288	C-CARBON R	RN72K1J-223JE	1	435032234R1	
U008	R3289	C-CARBON R	RN72K1J-472JE	1	435034724R1	
U008	R3290	C-CARBON R	RN72K1J-221JE	1	435032214R1	
U008	R3291	C-CARBON R	RN72K1J-105JE	1	435031054R1	
U008	R3293	C-CARBON R	RN72K1J-560JE	1	435035604R1	
U008	R3294	C-CARBON R	RN72K1J-561FE	1	435035612R1	
U008	R3295	C-CARBON R	RN72K1J-560JE	1	435035604R1	
U008	R3296	C-CARBON R	RN72K1J-223JE	1	435032234R1	
U008	R3297	C-CARBON R	RN72K1J-822JE	1	435038224R1	
U008	R3298	C-CARBON R	RN72K1J-332JE	1	435033324R1	

U008	R3299	C-CARBON R	RN72K1J-220JE	1	435032204R1	
U008	R3300	C-CARBON R	RN72K1J-153JE	1	435031534R1	
U008	R3301	C-CARBON R	RN72K1J-153JE	1	435031534R1	
U008	R3302	C-CARBON R	RN72K1J-331JE	1	435033314R1	
U008	R3303	C-CARBON R	RN72K1J-104JE	1	435031044R1	
U008	R3304	C-CARBON R	RN72K1J-153JE	1	435031534R1	
U008	R3305	C-CARBON R	RN72K1J-153JE	1	435031534R1	
U008	R3307	C-CARBON R	RN72K1J-104JE	1	435031044R1	
U008	R3308	C-CARBON R	RN72K1J-223JE	1	435032234R1	
U008	R3309	C-CARBON R	RN72K1J-822JE	1	435038224R1	
U008	R3310	C-CARBON R	RN72K1J-332JE	1	435033324R1	
U008	R3311	C-CARBON R	RN72K1J-471JE	1	435034714R1	
U008	R3312	C-CARBON R	RN72K1J-223JE	1	435032234R1	
U008	R3313	C-CARBON R	RN72K1J-472JE	1	435034724R1	
U008	R3314	C-CARBON R	RN72K1J-391JE	1	435033914R1	
U008	R3315	C-CARBON R	RN72K1J-750JE	1	435037504R1	
U008	R3401	C-CARBON R	RN72K1J-000JE	1	435030004R1	
U008	R3402	C-CARBON R	RN72K1J-000JE	1	435030004R1	
U008	R3403	C-CARBON R	RN72K1J-000JE	1	435030004R1	
U008	R3404	C-CARBON R	RN72K1J-000JE	1	435030004R1	
U008	R3406	C-CARBON R	RN72K1J-332JE	1	435033324R1	
U008	R3407	C-CARBON R	RN72K1J-103JE	1	435031034R1	
U008	R3408	C-CARBON R	RN72K1J-331JE	1	435033314R1	
U008	R3409	C-CARBON R	RN72K1J-331JE	1	435033314R1	
U008	R3412	C-CARBON R	RN72K1J-472JE	1	435034724R1	
U008	R3414	C-CARBON R	RN72K1J-103JE	1	435031034R1	
U008	R3415	C-CARBON R	RN72K1J-331JE	1	435033314R1	
U008	R3416	C-CARBON R	RN72K1J-331JE	1	435033314R1	
U008	R3417	C-CARBON R	RN72K1J-331JE	1	435033314R1	
U008	R3418	C-CARBON R	RN72K1J-331JE	1	435033314R1	
U008	R3419	C-CARBON R	RN72K1J-331JE	1	435033314R1	
U008	R3420	C-CARBON R	RN72K1J-331JE	1	435033314R1	<MDC, MMP, MMR>
U008	R3421	C-CARBON R	RN72K1J-560JE	1	435035604R1	
U008	R3423	C-CARBON R	RN72K1J-000JE	1	435030004R1	
U008	R3424	C-CARBON R	RN72K1J-470JE	1	435034704R1	
U008	R3425	C-CARBON R	RN72K1J-470JE	1	435034704R1	
U008	R3429	C-R NET	RM7LJ470X04	1	43484747004R2	
U008	R3430	C-R NET	RM7LJ470X04	1	43484747004R2	
U008	R3434	C-CARBON R	RN72K1J-332JE	1	435033324R1	

U008	R3435	C-CARBON R	RN72K1J-101JE	1	435031014R1	
U008	R3436	C-CARBON R	RN72K1J-560JE	1	435035604R1	
U008	R3437	C-CARBON R	RN72K1J-560JE	1	435035604R1	
U008	R3438	C-CARBON R	RN72K1J-560JE	1	435035604R1	
U008	R3439	C-CARBON R	RN72K1J-332JE	1	435033324R1	
U008	R3440	C-CARBON R	RN72K1J-332JE	1	435033324R1	
U008	R3441	C-R NET	RM7LJ470X04	1	43484747004R2	
U008	R3442	C-CARBON R	RN72K1J-105JE	1	435031054R1	
U008	R3443	C-CARBON R	RN72K1J-561JE	1	435035614R1	
U008	R3444	C-CARBON R	RN72K1J-391JE	1	435033914R1	
U008	R3445	C-R NET	RM7LJ470X04	1	43484747004R2	
U008	R3447	C-CARBON R	RN72K1J-560JE	1	435035604R1	
U008	R3448	C-CARBON R	RN72K1J-330JE	1	435033304R1	
U008	R3450	C-CARBON R	RN72K1J-560JE	1	435035604R1	
U008	R3452	C-CARBON R	RN72K1J-470JE	1	435034704R1	
U008	R3453	C-CARBON R	RN72K1J-470JE	1	435034704R1	
U008	R3454	C-CARBON R	RN72K1J-470JE	1	435034704R1	
U008	R3455	C-CARBON R	RN72K1J-121JE	1	435031214R1	
U008	R3456	C-CARBON R	RN72K1J-470JE	1	435034704R1	
U008	R3457	C-CARBON R	RN72K1J-470JE	1	435034704R1	
U008	R3458	C-CARBON R	RN72K1J-470JE	1	435034704R1	
U008	R3459	C-CARBON R	RN72K1J-470JE	1	435034704R1	
U008	R3460	C-CARBON R	RN72K1J-470JE	1	435034704R1	
U008	R3461	C-CARBON R	RN72K1J-470JE	1	435034704R1	<MDC, MMP, MMR>
U008	R3462	C-CARBON R	RN72K1J-102JE	1	435031024R1	
U008	R3464	C-CARBON R	RN72K1J-102JE	1	435031024R1	
U008	R3465	C-CARBON R	RN72K1J-102JE	1	435031024R1	
U008	R3466	C-CARBON R	RN72K1J-102JE	1	435031024R1	
U008	R3468	C-CARBON R	RN72K1J-103JE	1	435031034R1	
U008	R3469	C-CARBON R	RN72K1J-103JE	1	435031034R1	
U008	R3470	C-CARBON R	RN72K1J-103JE	1	435031034R1	
U008	R3473	C-CARBON R	RN72K1J-103JE	1	435031034R1	
U008	R3474	C-CARBON R	RN72K1J-103JE	1	435031034R1	
U008	R3477	C-CARBON R	RN72K1J-470JE	1	435034704R1	<MDC, MMP, MMR>
U008	R3480	C-CARBON R	RN72K1J-472JE	1	435034724R1	
U008	R3481	C-CARBON R	RN72K1J-332JE	1	435033324R1	
U008	R3484	C-CARBON R	RN72K1J-470JE	1	435034704R1	
U008	R3485	C-CARBON R	RN72K1J-470JE	1	435034704R1	
U008	R3486	C-CARBON R	RN72K1J-472JE	1	435034724R1	

U008	R3487	C-CARBON R	RN72K1J-331JE	1	435033314R1
U008	R3488	C-CARBON R	RN72K1J-332JE	1	435033324R1
U008	R3489	C-CARBON R	RN72K1J-470JE	1	435034704R1
U008	R3491	C-CARBON R	RN72K1J-332JE	1	435033324R1
U008	R3492	C-CARBON R	RN72K1J-331JE	1	435033314R1
U008	R3494	C-R NET	RM7LJ470X04	1	43484747004R2
U008	R3495	C-R NET	RM7LJ470X04	1	43484747004R2
U008	R3496	C-R NET	RM7LJ470X04	1	43484747004R2
U008	R3497	C-R NET	RM7LJ470X04	1	43484747004R2
U008	R3498	C-CARBON R	RN72K1J-331JE	1	435033314R1
U008	R3500	C-CARBON R	RN72K1J-470JE	1	435034704R1
U008	R3501	C-CARBON R	RN72K1J-470JE	1	435034704R1
U008	R3502	C-CARBON R	RN72K1J-470JE	1	435034704R1
U008	R3503	C-CARBON R	RN72K1J-470JE	1	435034704R1
U008	R3504	C-CARBON R	RN72K1J-470JE	1	435034704R1
U008	R3505	C-CARBON R	RN72K1J-470JE	1	435034704R1
U008	R3506	C-CARBON R	RN72K1J-470JE	1	435034704R1
U008	R3508	C-CARBON R	RN72K1J-470JE	1	435034704R1
U008	R3510	C-CARBON R	RN72K1J-470JE	1	435034704R1
U008	R3513	C-CARBON R	RN72K1J-470JE	1	435034704R1
U008	R3515	C-CARBON R	RN72K1J-470JE	1	435034704R1
U008	R3516	C-CARBON R	RN72K1J-472JE	1	435034724R1
U008	R3670	C-CARBON R	RN72K1J-103JE	1	435031034R1
U008	R3673	C-CARBON R	RN72K1J-082JE	1	435030824R1
U008	R3674	C-CARBON R	RN72K1J-000JE	1	435030004R1
U008	R8000	C-CARBON R	RN72K1J-103JE	1	435031034R1
U008	R8003	C-CARBON R	RN72K1J-000JE	1	435030004R1
U008	R8004	C-CARBON R	RN72K1J-103JE	1	435031034R1
U008	R8005	C-CARBON R	RN72K1J-103JE	1	435031034R1
U008	R8006	C-CARBON R	RN72K1J-472JE	1	435034724R1
U008	R8007	C-CARBON R	RN72K1J-472JE	1	435034724R1
U008	R8008	C-CARBON R	RN72K1J-103JE	1	435031034R1
U008	R8009	C-CARBON R	RN72K1J-000JE	1	435030004R1
U008	R8010	C-R NET	RM7LJ510X04	1	43484751004R2
U008	R8011	C-R NET	RM7LJ510X04	1	43484751004R2
U008	R8012	C-R NET	RM7LJ510X04	1	43484751004R2
U008	R8013	C-R NET	RM7LJ510X04	1	43484751004R2
U008	R8014	C-R NET	RM7LJ510X04	1	43484751004R2
U008	R8015	C-CARBON R	MCR03EZPF49R9(49.9_1%)	1	4100037R2

U008	R8016	C-CARBON R	MCR03EZPF49R9(49.9_1%)	1	4100037R2
U008	R8017	C-CARBON R	MCR03EZPF49R9(49.9_1%)	1	4100037R2
U008	R8018	C-CARBON R	RN72K1J-000JE	1	435030004R1
U008	R8019	C-CARBON R	RN72K1J-000JE	1	435030004R1
U008	R8037	C-CARBON R	RN72K1J-000JE	1	435030004R1
U008	R8042	C-CARBON R	MCR03EZPF49R9(49.9_1%)	1	4100037R2
U008	R8043	C-CARBON R	MCR03EZPF49R9(49.9_1%)	1	4100037R2
U008	R8045	C-CARBON R	RN72K1J-331FE	1	435033312R1
U008	R8046	C-CARBON R	RN72K1J-332FE	1	435033322R1
U008	R8047	C-CARBON R	RN72K1J-271FE	1	435032712R1
U008	R8048	C-CARBON R	RN72K1J-222FE	1	435032222R1
U008	R8049	C-CARBON R	RN72K1J-750JE	1	435037504R1
U008	R8050	C-CARBON R	RN72K1J-750JE	1	435037504R1
U008	R8052	C-CARBON R	RN72K1J-472JE	1	435034724R1
U008	R8053	C-R NET	RM7LJ220X04	1	43484722004R2
U008	R8054	C-R NET	RM7LJ220X04	1	43484722004R2
U008	R8055	C-R NET	RM7LJ220X04	1	43484722004R2
U008	R8056	C-R NET	RM7LJ220X04	1	43484722004R2
U008	R8057	C-R NET	RM7LJ220X04	1	43484722004R2
U008	R8058	C-R NET	RM7LJ220X04	1	43484722004R2
U008	R8059	C-R NET	RM7LJ220X04	1	43484722004R2
U008	R8060	C-R NET	RM7LJ220X04	1	43484722004R2
U008	R8061	C-R NET	RM7LJ220X04	1	43484722004R2
U008	R8062	C-R NET	RM7LJ220X04	1	43484722004R2
U008	R8063	C-CARBON R	RN72K1J-100JE	1	435031004R1
U008	R8064	C-CARBON R	RN72K1J-100JE	1	435031004R1
U008	R8067	C-CARBON R	RN72K1J-220JE	1	435032204R1
U008	R8068	C-CARBON R	RN72K1J-220JE	1	435032204R1
U008	R8070	C-CARBON R	RN72K1J-103JE	1	435031034R1
U008	R8073	C-CARBON R	RN72K1J-182JE	1	435031824R1
U008	R8074	C-CARBON R	RN72K1J-182JE	1	435031824R1
U008	R8077	C-CARBON R	RN72K1J-104JE	1	435031044R1
U008	R8078	C-CARBON R	RN72K1J-472JE	1	435034724R1
U008	R8079	C-CARBON R	RN72K1J-473JE	1	435034734R1
U008	R8080	C-CARBON R	RN72K1J-101JE	1	435031014R1
U008	R8081	C-CARBON R	RN72K1J-101JE	1	435031014R1
U008	R8082	C-CARBON R	RN72K1J-101JE	1	435031014R1
U008	R8083	C-CARBON R	RN72K1J-101JE	1	435031014R1
U008	R8084	C-CARBON R	RN72K1J-100JE	1	435031004R1

U008	R8085	C-CARBON R	RN72K1J-100JE	1	435031004R1
U008	R8086	C-CARBON R	RN72K1J-100JE	1	435031004R1
U008	R8087	C-CARBON R	RN72K1J-823JE	1	435038234R1
U008	R8088	C-CARBON R	RN72K1J-103JE	1	435031034R1
U008	R8089	C-CARBON R	RN72K1J-330JE	1	435033304R1
U008	R8090	C-CARBON R	RN72K1J-103JE	1	435031034R1
U008	R8091	C-CARBON R	RN72K1J-220JE	1	435032204R1
U008	R8092	C-CARBON R	RN72K1J-220JE	1	435032204R1
U008	R8093	C-CARBON R	RN72K1J-220JE	1	435032204R1
U008	R8094	C-CARBON R	RN72K1J-472JE	1	435034724R1
U008	R8095	C-CARBON R	RN72K1J-105JE	1	435031054R1
U008	R8096	C-CARBON R	RN72K1J-101JE	1	435031014R1
U008	R8097	C-CARBON R	RN72K1J-101JE	1	435031014R1
U008	R8098	C-CARBON R	RN72K1J-220JE	1	435032204R1
U008	R8099	C-CARBON R	RN72K1J-101JE	1	435031014R1
U008	R8102	C-CARBON R	RN72K1J-472JE	1	435034724R1
U008	R8103	C-CARBON R	RN72K1J-472JE	1	435034724R1
U008	R8104	C-CARBON R	RN72K1J-472JE	1	435034724R1
U008	R8105	C-CARBON R	RN72K1J-472JE	1	435034724R1
U008	R8107	C-CARBON R	RN72K1J-472JE	1	435034724R1
U008	R8108	C-CARBON R	RN72K1J-472JE	1	435034724R1
U008	R8109	C-CARBON R	RN72K1J-472JE	1	435034724R1
U008	R8110	C-CARBON R	RN72K1J-472JE	1	435034724R1
U008	R8111	C-CARBON R	RN72K1J-101JE	1	435031014R1
U008	R8112	C-CARBON R	RN72K1J-101JE	1	435031014R1
U008	R8113	C-CARBON R	RN72K1J-101JE	1	435031014R1
U008	R8114	C-CARBON R	RN72K1J-101JE	1	435031014R1
U008	R8115	C-CARBON R	RN72K1J-103JE	1	435031034R1
U008	R8116	C-CARBON R	RN72K1J-000JE	1	435030004R1
U008	R8117	C-CARBON R	RN72K1J-470JE	1	435034704R1
U008	R8118	C-CARBON R	RN72K1J-470JE	1	435034704R1
U008	R8122	C-CARBON R	RN72K1J-220JE	1	435032204R1
U008	R8123	C-CARBON R	RN72K1J-220JE	1	435032204R1
U008	R8124	C-CARBON R	RN72K1J-220JE	1	435032204R1
U008	R8125	C-CARBON R	RN72K1J-220JE	1	435032204R1
U008	R8126	C-CARBON R	RN72K1J-472JE	1	435034724R1
U008	R8127	C-CARBON R	RN72K1J-472JE	1	435034724R1
U008	R8128	C-CARBON R	RN72K1J-103JE	1	435031034R1
U008	R8129	C-CARBON R	RN72K1J-103JE	1	435031034R1

U008	R8132	C-CARBON R	RN72K1J-472JE	1	435034724R1
U008	R8133	C-CARBON R	RN72K1J-000JE	1	435030004R1
U008	R8136	C-CARBON R	RN72K1J-000JE	1	435030004R1
U008	R8141	C-CARBON R	RN72K1J-000JE	1	435030004R1
U008	R8142	C-CARBON R	RN72K1J-000JE	1	435030004R1
U008	R8143	C-CARBON R	RN72K1J-101JE	1	435031014R1
U008	R8147	C-CARBON R	RN72K1J-104JE	1	435031044R1
U008	R8149	C-CARBON R	RN72K1J-104JE	1	435031044R1
U008	R8150	C-CARBON R	RN72K1J-104JE	1	435031044R1
U008	R8151	C-CARBON R	RN72K1J-104JE	1	435031044R1
U008	R8152	C-CARBON R	RN72K1J-104JE	1	435031044R1
U008	R8191	C-CARBON R	RN72K1J-332JE	1	435033324R1
U008	R8201	C-CARBON R	RN72K1J-103JE	1	435031034R1
U008	R8202	C-CARBON R	RN72K1J-103JE	1	435031034R1
U008	R8203	C-CARBON R	RN72K1J-101JE	1	435031014R1
U008	R8204	C-CARBON R	RN72K1J-101JE	1	435031014R1
U008	R8205	C-CARBON R	RN72K1J-120JE	1	435031204R1
U008	R8206	C-CARBON R	RN72K1J-120JE	1	435031204R1
U008	R8207	C-CARBON R	RN72K1J-120JE	1	435031204R1
U008	R8208	C-CARBON R	RN72K1J-120JE	1	435031204R1
U008	R8209	C-CARBON R	RN72K1J-120JE	1	435031204R1
U008	R8210	C-CARBON R	RN72K1J-120JE	1	435031204R1
U008	R8211	C-CARBON R	RN72K1J-120JE	1	435031204R1
U008	R8212	C-CARBON R	RN72K1J-390JE	1	435033904R1
U008	R8213	C-CARBON R	RN72K1J-120JE	1	435031204R1
U008	R8214	C-CARBON R	RN72K1J-390JE	1	435033904R1
U008	R8215	C-CARBON R	RN72K1J-120JE	1	435031204R1
U008	R8216	C-CARBON R	RN72K1J-390JE	1	435033904R1
U008	R8217	C-CARBON R	RN72K1J-120JE	1	435031204R1
U008	R8218	C-CARBON R	RN72K1J-120JE	1	435031204R1
U008	R8219	C-CARBON R	RN72K1J-120JE	1	435031204R1
U008	R8220	C-CARBON R	RN72K1J-120JE	1	435031204R1
U008	R8221	C-CARBON R	RN72K1J-120JE	1	435031204R1
U008	R8222	C-CARBON R	RN72K1J-120JE	1	435031204R1
U008	R8223	C-CARBON R	RN72K1J-120JE	1	435031204R1
U008	R8224	C-CARBON R	RN72K1J-120JE	1	435031204R1
U008	R8225	C-CARBON R	RN72K1J-120JE	1	435031204R1
U008	R8226	C-CARBON R	RN72K1J-390JE	1	435033904R1
U008	R8227	C-CARBON R	RN72K1J-120JE	1	435031204R1

U008	R8228	C-CARBON R	RN72K1J-390JE	1	435033904R1
U008	R8229	C-CARBON R	RN72K1J-120JE	1	435031204R1
U008	R8230	C-CARBON R	RN72K1J-390JE	1	435033904R1
U008	R8231	C-CARBON R	RN72K1J-120JE	1	435031204R1
U008	R8232	C-CARBON R	RN72K1J-390JE	1	435033904R1
U008	R8233	C-CARBON R	RN72K1J-000JE	1	435030004R1
U008	R8236	C-CARBON R	RN72K1J-000JE	1	435030004R1
U008	R8237	C-CARBON R	RN72K1J-000JE	1	435030004R1
U008	R8239	C-CARBON R	RN72K1J-000JE	1	435030004R1
U008	R8240	C-CARBON R	RN72K1J-000JE	1	435030004R1
U008	R8241	C-CARBON R	RN72K1J-472JE	1	435034724R1
U008	R8242	C-CARBON R	RN72K1J-103JE	1	435031034R1
U008	R8243	C-CARBON R	RN72K1J-220JE	1	435032204R1
U008	R8244	C-CARBON R	RN72K1J-102JE	1	435031024R1
U008	R8245	C-CARBON R	RN72K1J-102JE	1	435031024R1
U008	R8248	C-CARBON R	RN72K1J-000JE	1	435030004R1
U008	R8251	C-CARBON R	RN72K1J-472JE	1	435034724R1
U008	R8252	C-CARBON R	RN72K1J-472JE	1	435034724R1
U008	R8253	C-CARBON R	RN72K1J-102FE	1	435031022R1
U008	R8254	C-CARBON R	RN72K1J-220JE	1	435032204R1
U008	R8255	C-CARBON R	RN72K1J-220JE	1	435032204R1
U008	R8256	C-CARBON R	RN72K1J-472JE	1	435034724R1
U008	R8257	C-CARBON R	RN72K1J-472JE	1	435034724R1
U008	R8258	C-CARBON R	RN72K1J-220JE	1	435032204R1
U008	R8259	C-CARBON R	RN72K1J-220JE	1	435032204R1
U008	R8260	C-R NET	RM7LJ220X04	1	43484722004R2
U008	R8261	C-R NET	RM7LJ220X04	1	43484722004R2
U008	R8262	C-R NET	RM7LJ220X04	1	43484722004R2
U008	R8263	C-R NET	RM7LJ220X04	1	43484722004R2
U008	R8264	C-R NET	RM7LJ220X04	1	43484722004R2
U008	R8265	C-R NET	RM7LJ220X04	1	43484722004R2
U008	R8266	C-R NET	RM7LJ220X04	1	43484722004R2
U008	R8267	C-R NET	RM7LJ220X04	1	43484722004R2
U008	R8268	C-R NET	RM7LJ330X04	1	43484733004R2
U008	R8269	C-R NET	RM7LJ330X04	1	43484733004R2
U008	R8270	C-R NET	RM7LJ330X04	1	43484733004R2
U008	R8271	C-R NET	RM7LJ330X04	1	43484733004R2
U008	R8272	C-R NET	RM7LJ330X04	1	43484733004R2
U008	R8273	C-R NET	RM7LJ330X04	1	43484733004R2

U008	R8274	C-R NET	RM7LJ330X04	1	43484733004R2	
U008	R8275	C-R NET	RM7LJ330X04	1	43484733004R2	
U008	R8276	C-R NET	RM7LJ330X04	1	43484733004R2	
U008	R8277	C-CARBON R	RN72K1J-100JE	1	435031004R1	
U008	R8278	C-R NET	RM7LJ330X04	1	43484733004R2	
U008	R8279	C-CARBON R	RN72K1J-101JE	1	435031014R1	
U008	R8280	C-CARBON R	RN72K1J-101JE	1	435031014R1	
U008	R8281	C-CARBON R	RN72K1J-330JE	1	435033304R1	
U008	R8282	C-CARBON R	RN72K1J-330JE	1	435033304R1	
U008	R8283	C-CARBON R	RN72K1J-101JE	1	435031014R1	
U008	R8284	C-R NET	RM7LJ330X04	1	43484733004R2	
U008	R8285	C-CARBON R	RN72K1J-470JE	1	435034704R1	
U008	R8286	C-CARBON R	RN72K1J-000JE	1	435030004R1	
U008	R8287	C-CARBON R	RN72K1J-102FE	1	435031022R1	
U008	R8288	C-CARBON R	RN72K1J-103JE	1	435031034R1	
U008	R8289	C-CARBON R	RN72K1J-103JE	1	435031034R1	
U008	R8291	C-CARBON R	RN72K1J-120JE	1	435031204R1	
U008	R8292	C-CARBON R	RN72K1J-120JE	1	435031204R1	
U008	R8295	C-CARBON R	RN72K1J-750JE	1	435037504R1	
U008	R8296	C-CARBON R	RN72K1J-750JE	1	435037504R1	
U008	R8297	C-CARBON R	RN72K1J-750JE	1	435037504R1	
U008	R8298	C-CARBON R	RN72K1J-750JE	1	435037504R1	
U008	R8299	C-CARBON R	RN72K1J-750JE	1	435037504R1	
U008	R8300	C-CARBON R	RN72K1J-750JE	1	435037504R1	
U008	R8301	C-CARBON R	RN72K1J-120JE	1	435031204R1	
U008	R8302	C-CARBON R	RN72K1J-120JE	1	435031204R1	
U008	R8303	C-CARBON R	RN72K1J-120JE	1	435031204R1	
U008	R8304	C-CARBON R	RN72K1J-390JE	1	435033904R1	
U008	R8305	C-CARBON R	RN72K1J-120JE	1	435031204R1	
U008	R8306	C-CARBON R	RN72K1J-390JE	1	435033904R1	
U008	R8451	C-R NET	RM7LJ220X04	1	43484722004R2	<MDC, MMP, MMR>
U008	R8452	C-R NET	RM7LJ220X04	1	43484722004R2	<MDC, MMP, MMR>
U008	R8453	C-R NET	RM7LJ220X04	1	43484722004R2	<MDC, MMP, MMR>
U008	R8454	C-R NET	RM7LJ220X04	1	43484722004R2	<MDC, MMP, MMR>
U008	R8455	C-R NET	RM7LJ220X04	1	43484722004R2	<MDC, MMP, MMR>
U008	R8456	C-CARBON R	RN72K1J-000JE	1	435030004R1	<MDC, MMP, MMR>
U008	R8458	C-R NET	RM7LJ220X04	1	43484722004R2	<MDC, MMP, MMR>
U008	R8465	C-R NET	RM7LJ220X04	1	43484722004R2	<MDC, MMP, MMR>
U008	R8466	C-R NET	RM7LJ220X04	1	43484722004R2	<MDC, MMP, MMR>

U008	R8467	C-R NET	RM7LJ220X04	1	43484722004R2	<MDC, MMP, MMR>
U008	R8469	C-CARBON R	RN72K1J-220JE	1	435032204R1	<MDC, MMP, MMR>
U008	R8473	C-CARBON R	RN72K1J-562JE	1	435035624R1	<MDC, MMP, MMR>
U008	R8475	C-R NET	RM7LJ220X04	1	43484722004R2	<MDC, MMP, MMR>
U008	R8479	C-CARBON R	RN72K1J-182JE	1	435031824R1	<MDC, MMP, MMR>
U008	R8480	C-CARBON R	RN72K1J-182JE	1	435031824R1	<MDC, MMP, MMR>
U008	R8481	C-CARBON R	RN72K1J-472JE	1	435034724R1	<MDC, MMP, MMR>
U008	R8483	C-CARBON R	RN72K1J-472JE	1	435034724R1	<MDC, MMP, MMR>
U008	R8484	C-CARBON R	RN72K1J-220JE	1	435032204R1	<MDC, MMP, MMR>
U008	R8485	C-R NET	RM7LJ220X04	1	43484722004R2	<MDC, MMP, MMR>
U008	R8486	C-CARBON R	RN72K1J-220JE	1	435032204R1	<MDC, MMP, MMR>
U008	R8487	C-CARBON R	RN72K1J-220JE	1	435032204R1	<MDC, MMP, MMR>
U008	R8488	C-CARBON R	RN72K1J-220JE	1	435032204R1	<MDC, MMP, MMR>
U008	R8489	C-CARBON R	RN72K1J-220JE	1	435032204R1	<MDC, MMP, MMR>
U008	R8491	C-CARBON R	RN72K1J-101JE	1	435031014R1	<MDC, MMP, MMR>
U008	R8492	C-CARBON R	RN72K1J-104JE	1	435031044R1	<MDC, MMP, MMR>
U008	R8493	C-CARBON R	RN72K1J-473JE	1	435034734R1	<MDC, MMP, MMR>
U008	R8502	C-CARBON R	RN72K1J-103JE	1	435031034R1	<MDC, MMP, MMR>
U008	R8503	C-CARBON R	RN72K1J-330JE	1	435033304R1	<MDC, MMP, MMR>
U008	R8504	C-CARBON R	RN72K1J-103JE	1	435031034R1	<MDC, MMP, MMR>
U008	R8505	C-CARBON R	RN72K1J-330JE	1	435033304R1	<MDC, MMP, MMR>
U008	R8506	C-CARBON R	RN72K1J-105JE	1	435031054R1	<MDC, MMP, MMR>
U008	R8507	C-CARBON R	RN72K1J-000JE	1	435030004R1	<MDC, MMP, MMR>
U008	R8508	C-CARBON R	RN72K1J-330JE	1	435033304R1	<MDC, MMP, MMR>
U008	R8509	C-CARBON R	RN72K1J-103JE	1	435031034R1	<MDC, MMP, MMR>
U008	R8510	C-CARBON R	RN72K1J-103JE	1	435031034R1	<MDC, MMP, MMR>
U008	R8511	C-CARBON R	RN72K1J-103JE	1	435031034R1	<MDC, MMP, MMR>
U008	R8512	C-CARBON R	RN72K1J-103JE	1	435031034R1	<MDC, MMP, MMR>
U008	R8513	C-CARBON R	RN72K1J-103JE	1	435031034R1	<MDC, MMP, MMR>
U008	R8514	C-CARBON R	RN72K1J-103JE	1	435031034R1	<MDC, MMP, MMR>
U008	R8515	C-CARBON R	RN72K1J-103JE	1	435031034R1	<MDC, MMP, MMR>
U008	R8516	C-CARBON R	RN72K1J-103JE	1	435031034R1	<MDC, MMP, MMR>
U008	R8519	C-CARBON R	RN72K1J-000JE	1	435030004R1	<MDC, MMP, MMR>
U008	R8520	C-CARBON R	RN72K1J-000JE	1	435030004R1	<MDC, MMP, MMR>
U008	R8543	C-CARBON R	RN72K1J-103JE	1	435031034R1	<MDC, MMP, MMR>
U008	R8613	C-CARBON R	RN72K1J-473JE	1	435034734R1	<MDC, MMP, MMR>
U008	R8614	C-CARBON R	RN72K1J-473JE	1	435034734R1	<MDC, MMP, MMR>
U008	R8623	C-CARBON R	RN72K1J-473JE	1	435034734R1	<MDC, MMP, MMR>
U008	R8624	C-CARBON R	RN72K1J-473JE	1	435034734R1	<MDC, MMP, MMR>

U008	R8633	C-CARBON R	RN72K1J-473JE	1	435034734R1	
U008	R8634	C-CARBON R	RN72K1J-473JE	1	435034734R1	
U008	R8643	C-CARBON R	RN72K1J-473JE	1	435034734R1	
U008	R8644	C-CARBON R	RN72K1J-473JE	1	435034734R1	
U008	R8653	C-CARBON R	RN72K1J-473JE	1	435034734R1	
U008	R8654	C-CARBON R	RN72K1J-473JE	1	435034734R1	
U008	R8663	C-CARBON R	RN72K1J-473JE	1	435034734R1	
U008	R8664	C-CARBON R	RN72K1J-473JE	1	435034734R1	
U008	R8665	C-CARBON R	RN72K1J-103JE	1	435031034R1	
U008	R8666	C-CARBON R	RN72K1J-102JE	1	435031024R1	
U008	R8667	C-CARBON R	RN72K1J-000JE	1	435030004R1	
U008	R8668	C-CARBON R	RN72K1J-000JE	1	435030004R1	
U008	R8669	C-CARBON R	RN72K1J-000JE	1	435030004R1	
U008	R8673	C-CARBON R	RN72K1J-473JE	1	435034734R1	<MDC, MMP, MMR>
U008	R8674	C-CARBON R	RN72K1J-473JE	1	435034734R1	<MDC, MMP, MMR>
U008	R8675	C-CARBON R	RN72K1J-103JE	1	435031034R1	<MDC, MMP, MMR>
U008	R8676	C-CARBON R	RN72K1J-102JE	1	435031024R1	<MDC, MMP, MMR>
U008	R8677	C-CARBON R	RN72K1J-000JE	1	435030004R1	<MDC, MMP, MMR>
U008	R8678	C-CARBON R	RN72K1J-000JE	1	435030004R1	<MDC, MMP, MMR>
U008	R8679	C-CARBON R	RN72K1J-000JE	1	435030004R1	<MDC, MMP, MMR>
U008	R8696	C-CARBON R	RN72K1J-472JE	1	435034724R1	
U008	R8697	C-CARBON R	RN72K1J-472JE	1	435034724R1	
U008	R8698	C-CARBON R	RN72K1J-102JE	1	435031024R1	
U008	R8699	C-CARBON R	RN72K1J-103JE	1	435031034R1	
U008	R8701	C-CARBON R	RN72K1J-103JE	1	435031034R1	
U008	R8702	C-CARBON R	RN72K1J-000JE	1	435030004R1	
U008	R8703	C-CARBON R	RN72K1J-220JE	1	435032204R1	
U008	R8704	C-CARBON R	RN72K1J-103JE	1	435031034R1	
U008	R8705	C-R NET	RM7LJ103X04	1	43484710304R2	
U008	R8706	C-CARBON R	RN72K1J-103JE	1	435031034R1	
U008	R8707	C-CARBON R	RN72K1J-103JE	1	435031034R1	
U008	R8708	C-R NET	RM7LJ103X04	1	43484710304R2	
U008	R8709	C-CARBON R	RN72K1J-220JE	1	435032204R1	
U008	R8710	C-CARBON R	RN72K1J-222JE	1	435032224R1	
U008	R8711	C-CARBON R	RN72K1J-222JE	1	435032224R1	
U008	R8712	C-CARBON R	RN72K1J-103JE	1	435031034R1	
U008	R8713	C-R NET	RM7LJ220X04	1	43484722004R2	
U008	R8714	C-CARBON R	RN72K1J-222JE	1	435032224R1	
U008	R8715	C-CARBON R	RN72K1J-222JE	1	435032224R1	

U008	R8717	C-R NET	RM7LJ222X04	1	43484722204R2	
U008	R8718	C-R NET	RM7LJ103X04	1	43484710304R2	
U008	R8719	C-R NET	RM7LJ103X04	1	43484710304R2	
U008	R8720	C-CARBON R	RN72K1J-220JE	1	435032204R1	
U008	R8722	C-CARBON R	RN72K1J-222JE	1	435032224R1	
U008	R8723	C-CARBON R	RN72K1J-222JE	1	435032224R1	
U008	R8724	C-CARBON R	RN72K1J-222JE	1	435032224R1	
U008	R8725	C-CARBON R	RN72K1J-103JE	1	435031034R1	
U008	R8726	C-CARBON R	RN72K1J-222JE	1	435032224R1	
U008	R8727	C-CARBON R	RN72K1J-103JE	1	435031034R1	
U008	R8728	C-CARBON R	RN72K1J-103JE	1	435031034R1	
U008	R8729	C-CARBON R	RN72K1J-000JE	1	435030004R1	
U008	R8730	C-CARBON R	RN72K1J-103JE	1	435031034R1	
U008	R8732	C-CARBON R	RN72K1J-103JE	1	435031034R1	
U008	R8734	C-CARBON R	RN72K1J-103JE	1	435031034R1	
U008	R8735	C-CARBON R	RN72K1J-103JE	1	435031034R1	
U008	R8737	C-CARBON R	RN72K1J-222JE	1	435032224R1	
U008	R8738	C-CARBON R	RN72K1J-222JE	1	435032224R1	
U008	R8739	C-CARBON R	RN72K1J-472JE	1	435034724R1	
U008	R8740	C-CARBON R	RN72K1J-472JE	1	435034724R1	
U008	R8742	C-CARBON R	RN72K1J-000JE	1	435030004R1	
U008	R8743	C-CARBON R	RN72K1J-000JE	1	435030004R1	
U008	R8744	C-R NET	RM7LJ103X04	1	43484710304R2	
U008	R8745	C-CARBON R	RN72K1J-103JE	1	435031034R1	
U008	R8746	C-CARBON R	RN72K1J-103JE	1	435031034R1	
U008	R8747	C-CARBON R	RN72K1J-103JE	1	435031034R1	
U008	R8749	C-CARBON R	RN72K1J-220JE	1	435032204R1	
U008	R8750	C-CARBON R	RN72K1J-103JE	1	435031034R1	
U008	R8755	C-CARBON R	RN72K1J-222JE	1	435032224R1	
U008	R8756	C-CARBON R	RN72K1J-222JE	1	435032224R1	
U008	R8757	C-CARBON R	RN72K1J-222JE	1	435032224R1	
U008	R8758	C-CARBON R	RN72K1J-222JE	1	435032224R1	
U008	R8759	C-CARBON R	RN72K1J-470JE	1	435034704R1	
U008	R8760	C-CARBON R	RN72K1J-470JE	1	435034704R1	
U008	R8831	C-CARBON R	RN72K1J-473JE	1	435034734R1	<MDC, MMP, MMR>
U008	R8832	C-R NET	RM7LJ220X04	1	43484722004R2	<MDC, MMP, MMR>
U008	R8833	C-R NET	RM7LJ220X04	1	43484722004R2	<MDC, MMP, MMR>
U008	R8834	C-R NET	RM7LJ220X04	1	43484722004R2	<MDC, MMP, MMR>
U008	R8835	C-CARBON R	RN72K1J-471JE	1	435034714R1	<MDC, MMP, MMR>

U008	R8837	C-CARBON R	RN72K1J-471JE	1	435034714R1	<MDC, MMP, MMR>
U008	R8839	C-CARBON R	RN72K1J-181JE	1	435031814R1	<MDC, MMP, MMR>
U008	R8840	C-CARBON R	RN72K1J-331JE	1	435033314R1	<MDC, MMP, MMR>
U008	R8841	C-CARBON R	RN72K1J-471JE	1	435034714R1	<MDC, MMP, MMR>
U008	R8843	C-R NET	RM7LJ220X04	1	43484722004R2	<MDC, MMP, MMR>
U008	R8844	C-CARBON R	RN72K1J-332JE	1	435033324R1	<MDC, MMP, MMR>
U008	R8846	C-R NET	RM7LJ220X04	1	43484722004R2	<MDC, MMP, MMR>
U008	R8847	C-CARBON R	RN72K1J-332JE	1	435033324R1	<MDC, MMP, MMR>
U008	R8848	C-CARBON R	RN72K1J-332JE	1	435033324R1	<MDC, MMP, MMR>
U008	R8850	C-CARBON R	RN72K1J-181JE	1	435031814R1	<MDC, MMP, MMR>
U008	R8851	C-CARBON R	RN72K1J-332JE	1	435033324R1	<MDC, MMP, MMR>
U008	R8852	C-CARBON R	RN72K1J-821JE	1	435038214R1	<MDC, MMP, MMR>
U008	R8853	C-CARBON R	RN72K1J-332JE	1	435033324R1	<MDC, MMP, MMR>
U008	R8855	C-CARBON R	RN72K1J-103JE	1	435031034R1	<MDC, MMP, MMR>
U008	R8856	C-CARBON R	RN72K1J-220JE	1	435032204R1	<MDC, MMP, MMR>
U008	R8857	C-CARBON R	RN72K1J-220JE	1	435032204R1	<MDC, MMP, MMR>
U008	R8858	C-R NET	RM7LJ220X04	1	43484722004R2	<MDC, MMP, MMR>
U008	R8859	C-R NET	RM7LJ220X04	1	43484722004R2	<MDC, MMP, MMR>
U008	R8860	C-CARBON R	RN72K1J-220JE	1	435032204R1	<MDC, MMP, MMR>
U008	R8862	C-CARBON R	RN72K1J-181JE	1	435031814R1	<MDC, MMP, MMR>
U008	R8863	C-R NET	RM7LJ220X04	1	43484722004R2	<MDC, MMP, MMR>
U008	R8864	C-CARBON R	RN72K1J-332JE	1	435033324R1	<MDC, MMP, MMR>
U008	R8931	C-CARBON R	RN72K1J-103JE	1	435031034R1	
U008	R8932	C-CARBON R	RN72K1J-562JE	1	435035624R1	
U008	R8933	C-CARBON R	RN72K1J-182JE	1	435031824R1	
U008	R8934	C-CARBON R	RN72K1J-222FE	1	435032222R1	
U008	R8935	C-CARBON R	RN72K1J-183FE	1	435031832R1	
U008	R8936	C-CARBON R	RN72K1J-103FE	1	435031032R1	
U008	R8937	C-CARBON R	RN72K1J-000JE	1	435030004R1	
U008	R8941	C-CARBON R	RN72K1J-103JE	1	435031034R1	
U008	R8942	C-CARBON R	RN72K1J-123JE	1	435031234R1	
U008	R8943	C-CARBON R	RN72K1J-332JE	1	435033324R1	
U008	R8945	C-CARBON R	RN72K1J-103FE	1	435031032R1	
U008	R8946	C-CARBON R	RN72K1J-103FE	1	435031032R1	
U008	R8947	C-CARBON R	RN72K1J-103JE	1	435031034R1	
U008	R8949	C-CARBON R	RN72K1J-123JE	1	435031234R1	
U008	R8951	C-CARBON R	RN72K1J-103JE	1	435031034R1	
U008	R8952	C-CARBON R	RN72K1J-682JE	1	435036824R1	
U008	R8953	C-CARBON R	RN72K1J-562JE	1	435035624R1	

U008	R8954	C-CARBON R	RN72K1J-273FE	1	435032732R1	
U008	R8955	C-CARBON R	RN72K1J-824FE	1	435038242R1	
U008	R8956	C-CARBON R	RN72K1J-103FE	1	435031032R1	
U008	R8957	C-CARBON R	RN72K1J-103JE	1	435031034R1	
U008	R8961	C-CARBON R	RN72K1J-103JE	1	435031034R1	
U008	R8962	C-CARBON R	RN72K1J-822JE	1	435038224R1	
U008	R8963	C-CARBON R	RN72K1J-822JE	1	435038224R1	
U008	R8964	C-CARBON R	RN72K1J-563FE	1	435035632R1	
U008	R8965	C-CARBON R	RN72K1J-274FE	1	435032742R1	
U008	R8966	C-CARBON R	RN72K1J-103FE	1	435031032R1	
U008	R8971	C-CARBON R	RN72K1J-472JE	1	435034724R1	
U008	R8972	C-CARBON R	RN72K1J-392FE	1	435033922R1	
U008	R8973	C-CARBON R	RN72K1J-332FE	1	435033322R1	
U008	R8974	C-CARBON R	RN72K1J-393FE	1	435033932R1	
U008	RN8541	C-R NET	RM7LJ000X04	1	43484700004R2	<MDC, MMP, MMR>
U008	RN8542	C-R NET	RM7LJ000X04	1	43484700004R2	<MDC, MMP, MMR>
U008	RN8543	C-R NET	RM7LJ000X04	1	43484700004R2	<MDC, MMP, MMR>
U008	RN8544	C-R NET	RM7LJ000X04	1	43484700004R2	<MDC, MMP, MMR>
U008	RN8545	C-R NET	RM7LJ000X04	1	43484700004R2	<MDC, MMP, MMR>
U008	RN8546	C-R NET	RM7LJ000X04	1	43484700004R2	<MDC, MMP, MMR>
U008	RN8547	C-R NET	RM7LJ000X04	1	43484700004R2	<MDC, MMP, MMR>
U008	RN8548	C-R NET	RM7LJ000X04	1	43484700004R2	<MDC, MMP, MMR>
U008	RN8549	C-R NET	RM7LJ000X04	1	43484700004R2	<MDC, MMP, MMR>
U008	RN8550	C-R NET	RM7LJ000X04	1	43484700004R2	<MDC, MMP, MMR>
U008	[SW TRM]					
U008	JL2100B	SOCKET	NSCT-5P97	1	25050269	
U008	JL3889B	SOCKET	NSCT-5P97	1	25050269	<MDC, MMP, MMR>
U008	JL4518B	WIRE TRAP	NPLG-5P588	1	25055626	
U008	P2101B	SOCKET	NSCT-31P2124	1	25052227	<MDC, MMP, MMR>
U008	P3101A	PLUG	NPLG-5P918	1	25055965R2	
U008	P3102A	SOCKET	NSCT-9P2472	1	25052575R2	
U008	P3103A	SOCKET	C00124K221700	1	25053410	<MDC, MMP, MMR>
U008	P3104	SOCKET	RB1-105B8A1F	1	25053409	
U008	P3104 or	SOCKET	SI-60073-F	(1)	25053307	
U008	P3104 or	SOCKET	EJFR0002	(1)	25056668	
U008	P3605A	PLUG	IMSA-9142B-18A	1	25056599	
U008	P3606A	PLUG	IMSA-9142B-8A	1	25056594	<MDC, MMP, MMR>
U008	P3607A	PLUG	IMSA-9142B-16A	1	25056598	
U008	P3608A	PLUG	IMSA-9142B-18A	1	25056599	

U008	P3610	SOCKET	NSCT-8P2471	1	25052574R2	
U008	P8002B	SOCKET	NSCT-11P2474	1	25052577R2	
U008	P8030	SOCKET	IMSA-9618S-04A	1	25053329R2	
U008	P8100	TRM-423(SCREW)	NEJITANSI ST3	1	25060495	
U008	P8101	SOCKET	TCX3400-111387	1	25053406R3	<MDC, MMP, MMR>
U008	P8101 or	SOCKET	YKF45-7037V	(1)	25053253R3	<MDC, MMP, MMR>
U008	P8101 or	SOCKET	HDMI(47266-4101)	(1)	25053389R3	<MDC, MMP, MMR>
U008	P8104	SOCKET	NSCT-8P2471	1	25052574R2	
U008	P8451	SOCKET	TCX3400-111387	1	25053406R3	<MDC, MMP, MMR>
U008	P8451 or	SOCKET	YKF45-7037V	(1)	25053253R3	<MDC, MMP, MMR>
U008	P8451 or	SOCKET	HDMI(47266-4101)	(1)	25053389R3	<MDC, MMP, MMR>
U008	P8611	SOCKET	TCX3400-111387	1	25053406R3	
U008	P8611 or	SOCKET	YKF45-7037V	(1)	25053253R3	
U008	P8611 or	SOCKET	HDMI(47266-4101)	(1)	25053389R3	
U008	P8621	SOCKET	TCX3400-111387	1	25053406R3	
U008	P8621 or	SOCKET	YKF45-7037V	(1)	25053253R3	
U008	P8621 or	SOCKET	HDMI(47266-4101)	(1)	25053389R3	
U008	P8631	SOCKET	TCX3400-111387	1	25053406R3	<MDC, MMP, MMR>
U008	P8631 or	SOCKET	YKF45-7037V	(1)	25053253R3	<MDC, MMP, MMR>
U008	P8631 or	SOCKET	HDMI(47266-4101)	(1)	25053389R3	<MDC, MMP, MMR>
U008	P8641	SOCKET	TCX3400-111387	1	25053406R3	
U008	P8641 or	SOCKET	YKF45-7037V	(1)	25053253R3	
U008	P8641 or	SOCKET	HDMI(47266-4101)	(1)	25053389R3	
U008	P8651	SOCKET	TCX3400-111387	1	25053406R3	
U008	P8651 or	SOCKET	YKF45-7037V	(1)	25053253R3	
U008	P8651 or	SOCKET	HDMI(47266-4101)	(1)	25053389R3	
U008	P8661	SOCKET	TCX3400-111387	1	25053406R3	<MDC, MMP, MMR>
U008	P8661 or	SOCKET	YKF45-7037V	(1)	25053253R3	<MDC, MMP, MMR>
U008	P8661 or	SOCKET	HDMI(47266-4101)	(1)	25053389R3	<MDC, MMP, MMR>
U008	P8671	SOCKET	TCX3400-111387	1	25053406R3	<MDC, MMP, MMR>
U008	P8671 or	SOCKET	YKF45-7037V	(1)	25053253R3	<MDC, MMP, MMR>
U008	P8671 or	SOCKET	HDMI(47266-4101)	(1)	25053389R3	<MDC, MMP, MMR>
U008	P8682A	SOCKET	FX16-31S-0.5SH	1	25053365R2	
U008	P8702	SOCKET	NSCT-9P2472	1	25052575R2	
U009	U009	U0091 x 4 pcs.				
U009	U0091	FRONT HDMI/ USB PC BOARD ASS'Y	BAHDM-0801-1B			
U009						
U009	CIRCUIT NO.	PART NAME	DESCRIPTION	Q'TY	PART NO. (SN)	REMARKS

U009	[SEMI CONDUCTOR]					
U009	D3300	C-DIODE	KDS4148U	1	223283R2	<MDC, MMP, MMR>
U009	D3300 or	C-DIODE	1SS352	(1)	223234R2	<MDC, MMP, MMR>
U009	D3301	C-DIODE	KDS4148U	1	223283R2	<MDC, MMP, MMR>
U009	D3301 or	C-DIODE	1SS352	(1)	223234R2	<MDC, MMP, MMR>
U009	D8861	C-DIODE	KDS4148U	1	223283R2	<MDC, MMP, MMR>
U009	D8861 or	C-DIODE	1SS352	(1)	223234R2	<MDC, MMP, MMR>
U009	D8862	C-DIODE	KDS4148U	1	223283R2	<MDC, MMP, MMR>
U009	D8862 or	C-DIODE	1SS352	(1)	223234R2	<MDC, MMP, MMR>
U009	Q8861	IC	TMDS141RHARG4	1	22242586R2	<MDC, MMP, MMR>
U009	[TRANS COIL]					
U009	L3300	CORE	BLM18PG121SN1D	1	2350006R1	<MDC, MMP, MMR>
U009	L3301	CORE	BLM18PG121SN1D	1	2350006R1	<MDC, MMP, MMR>
U009	L3302	CORE	BLM18PG121SN1D	1	2350006R1	<MDC, MMP, MMR>
U009	L8861	CORE	BLM18PG181SN1D	1	2350005R1	<MDC, MMP, MMR>
U009	[CAPACITOR]					
U009	C3302	C-FILM C	ECHU16V-104J	1	373041044R2	<MDC, MMP, MMR>
U009	C3303	C-FILM C	ECHU16V-104J	1	373041044R2	<MDC, MMP, MMR>
U009	C3304	C-CERA C	CK725F1A-105Z1	1	332181050R1	<MDC, MMP, MMR>
U009	C8861	C-FILM C	ECHU16V-104J	1	373041044R2	<MDC, MMP, MMR>
U009	C8863	C-CERA C	CK725F1A-105Z1	1	332181050R1	<MDC, MMP, MMR>
U009	C8864	C-CERA C	CK725B1H-102K1	1	332101025R1	<MDC, MMP, MMR>
U009	C8869	C-CERA C	CK725F1A-105Z1	1	332181050R1	<MDC, MMP, MMR>
U009	C8870	C-CERA C	CK725B1H-102K1	1	332101025R1	<MDC, MMP, MMR>
U009	C8871	C-CERA C	CK725F1A-105Z1	1	332181050R1	<MDC, MMP, MMR>
U009	C8872	C-CERA C	CK725B1H-102K1	1	332101025R1	<MDC, MMP, MMR>
U009	C8873	C-CERA C	CK725F1A-105Z1	1	332181050R1	<MDC, MMP, MMR>
U009	C8874	C-CERA C	CK725B1H-102K1	1	332101025R1	<MDC, MMP, MMR>
U009	C8875	C-CERA C	CK725F1A-105Z1	1	332181050R1	<MDC, MMP, MMR>
U009	C8876	C-CERA C	CK725B1H-102K1	1	332101025R1	<MDC, MMP, MMR>
U009	C8877	C-CERA C	CK725B0J-106K	1	332091065R2	<MDC, MMP, MMR>
U009	C8880	C-CERA C	CK725B0J-106K	1	332091065R2	<MDC, MMP, MMR>
U009	[RESISTOR]					
U009	R8867	C-CARBON R	RN72K1J-473JE	1	435034734R1	<MDC, MMP, MMR>
U009	R8868	C-CARBON R	RN72K1J-473JE	1	435034734R1	<MDC, MMP, MMR>
U009	R8872	C-CARBON R	RN72K1J-103JE	1	435031034R1	<MDC, MMP, MMR>
U009	R8873	C-CARBON R	RN72K1J-472JE	1	435034724R1	<MDC, MMP, MMR>
U009	R8874	C-CARBON R	RN72K1J-103JE	1	435031034R1	<MDC, MMP, MMR>
U009	R8875	C-CARBON R	RN72K1J-103JE	1	435031034R1	<MDC, MMP, MMR>

U009	R8876	C-CARBON R	RN72K1J-103JE	1	435031034R1	<MDC, MMP, MMR>
U009	R8880	C-CARBON R	RN72K1J-000JE	1	435030004R1	<MDC, MMP, MMR>
U009	R8881	C-CARBON R	RN72K1J-000JE	1	435030004R1	<MDC, MMP, MMR>
U009	[SW TRM]					
U009	P3101C	PLUG	NPLG-5P918	1	25055965R2	<MDC, MMP, MMR>
U009	P3305	SOCKET	C00124K221700	1	25053410	<MDC, MMP, MMR>
U009	P8641D	SOCKET	FX16-31S-0.5SV	1	25053354R2	<MDC, MMP, MMR>
U009	P8861	SOCKET	TCX3400-111387	1	25053406R3	<MDC, MMP, MMR>
U009	P8861 or	SOCKET	YKF45-7037V	(1)	25053253R3	<MDC, MMP, MMR>
U009	P8861 or	SOCKET	HDMI(47266-4101)	(1)	25053389R3	<MDC, MMP, MMR>
U009	P8862	TRM	NTM-1P233(M1969)	1	25060302	<MDC, MMP, MMR>
U010	U010	U0100 ~ U0108				
U010	U0100	AMPLIFIER(L/SL/SBL/HL) PC BOARD ASS'Y	BACLA-0226-1A			
U010	U0101	AMPLIFIER(R/SR/SBR/HR/C) PC BOARD ASS'Y	BACLA-0227-1A			
U010	U0102	AMPLIFIER(R/SR/SBR/HR/C) PC BOARD ASS'Y	BACLA-0228-1A			
U010	U0103	AMPLIFIER(L/SL/SBL/HL) PC BOARD ASS'Y	BACLA-0229-1A			
U010	U0104	AMPLIFIER(R/SR/SBR/HR/C) PC BOARD ASS'Y	BACLA-0230-1A			
U010	U0105	AMPLIFIER(L/SL/SBL/HL) PC BOARD ASS'Y	BACLA-0231-1A			
U010	U0106	AMPLIFIER(R/SR/SBR/HR/C) PC BOARD ASS'Y	BACLA-0232-1A			
U010	U0107	AMPLIFIER(L/SL/SBL/HL) PC BOARD ASS'Y	BACLA-0233-1A			
U010	U0108	AMPLIFIER(R/SR/SBR/HR/C) PC BOARD ASS'Y	BACLA-0234-1A			
U010						
U010	CIRCUIT NO.	PART NAME	DESCRIPTION	Q'TY	PART NO. (SN)	REMARKS
U010	[SEMI CONDUCTOR]					
U010	D5000	ZENER D	MTZJ5.6B	1	224470562T	
U010	D5001	ZENER D	MTZJ5.6B	1	224470562T	
U010	D5002	ZENER D	MTZJ5.6B	1	224470562T	
U010	D5003	ZENER D	MTZJ5.6B	1	224470562T	
U010	D5004	ZENER D	MTZJ5.6B	1	224470562T	
U010	D5005	ZENER D	MTZJ5.6B	1	224470562T	
U010	D5006	ZENER D	MTZJ5.6B	1	224470562T	
U010	D5007	ZENER D	MTZJ5.6B	1	224470562T	
U010	D5008	ZENER D	MTZJ5.6B	1	224470562T	
U010	Q5000	TR	2SC2240-BL(TPE2_F)	1	2211406T	
U010	Q5001	TR	2SC2240-BL(TPE2_F)	1	2211406T	
U010	Q5002	TR	2SC2240-BL(TPE2_F)	1	2211406T	
U010	Q5003	TR	2SC2240-BL(TPE2_F)	1	2211406T	
U010	Q5004	TR	2SC2240-BL(TPE2_F)	1	2211406T	

U010	Q5005	TR	2SC2240-BL(TPE2_F)	1	2211406T
U010	Q5006	TR	2SC2240-BL(TPE2_F)	1	2211406T
U010	Q5007	TR	2SC2240-BL(TPE2_F)	1	2211406T
U010	Q5008	TR	2SC2240-BL(TPE2_F)	1	2211406T
U010	Q5010	TR	2SC2240-BL(TPE2_F)	1	2211406T
U010	Q5011	TR	2SC2240-BL(TPE2_F)	1	2211406T
U010	Q5012	TR	2SC2240-BL(TPE2_F)	1	2211406T
U010	Q5013	TR	2SC2240-BL(TPE2_F)	1	2211406T
U010	Q5014	TR	2SC2240-BL(TPE2_F)	1	2211406T
U010	Q5015	TR	2SC2240-BL(TPE2_F)	1	2211406T
U010	Q5016	TR	2SC2240-BL(TPE2_F)	1	2211406T
U010	Q5017	TR	2SC2240-BL(TPE2_F)	1	2211406T
U010	Q5018	TR	2SC2240-BL(TPE2_F)	1	2211406T
U010	Q5020	TR	2SC2240-BL(TPE2_F)	1	2211406T
U010	Q5021	TR	2SC2240-BL(TPE2_F)	1	2211406T
U010	Q5022	TR	2SC2240-BL(TPE2_F)	1	2211406T
U010	Q5023	TR	2SC2240-BL(TPE2_F)	1	2211406T
U010	Q5024	TR	2SC2240-BL(TPE2_F)	1	2211406T
U010	Q5025	TR	2SC2240-BL(TPE2_F)	1	2211406T
U010	Q5026	TR	2SC2240-BL(TPE2_F)	1	2211406T
U010	Q5027	TR	2SC2240-BL(TPE2_F)	1	2211406T
U010	Q5028	TR	2SC2240-BL(TPE2_F)	1	2211406T
U010	Q5030	TR	2SA949-O(TPE6_F)	1	2211353T
U010	Q5030 or	TR	2SA949-Y(TPE6_F)	(1)	2211354T
U010	Q5031	TR	2SA949-O(TPE6_F)	1	2211353T
U010	Q5031 or	TR	2SA949-Y(TPE6_F)	(1)	2211354T
U010	Q5032	TR	2SA949-O(TPE6_F)	1	2211353T
U010	Q5032 or	TR	2SA949-Y(TPE6_F)	(1)	2211354T
U010	Q5033	TR	2SA949-O(TPE6_F)	1	2211353T
U010	Q5033 or	TR	2SA949-Y(TPE6_F)	(1)	2211354T
U010	Q5034	TR	2SA949-O(TPE6_F)	1	2211353T
U010	Q5034 or	TR	2SA949-Y(TPE6_F)	(1)	2211354T
U010	Q5035	TR	2SA949-O(TPE6_F)	1	2211353T
U010	Q5035 or	TR	2SA949-Y(TPE6_F)	(1)	2211354T
U010	Q5036	TR	2SA949-O(TPE6_F)	1	2211353T
U010	Q5036 or	TR	2SA949-Y(TPE6_F)	(1)	2211354T
U010	Q5037	TR	2SA949-O(TPE6_F)	1	2211353T
U010	Q5037 or	TR	2SA949-Y(TPE6_F)	(1)	2211354T
U010	Q5038	TR	2SA949-O(TPE6_F)	1	2211353T

U010	Q5038 or	TR	2SA949-Y(TPE6_F)	(1)	2211354T
U010	Q5040	TR	2SA949-O(TPE6_F)	1	2211353T
U010	Q5040 or	TR	2SA949-Y(TPE6_F)	(1)	2211354T
U010	Q5041	TR	2SA949-O(TPE6_F)	1	2211353T
U010	Q5041 or	TR	2SA949-Y(TPE6_F)	(1)	2211354T
U010	Q5042	TR	2SA949-O(TPE6_F)	1	2211353T
U010	Q5042 or	TR	2SA949-Y(TPE6_F)	(1)	2211354T
U010	Q5043	TR	2SA949-O(TPE6_F)	1	2211353T
U010	Q5043 or	TR	2SA949-Y(TPE6_F)	(1)	2211354T
U010	Q5044	TR	2SA949-O(TPE6_F)	1	2211353T
U010	Q5044 or	TR	2SA949-Y(TPE6_F)	(1)	2211354T
U010	Q5045	TR	2SA949-O(TPE6_F)	1	2211353T
U010	Q5045 or	TR	2SA949-Y(TPE6_F)	(1)	2211354T
U010	Q5046	TR	2SA949-O(TPE6_F)	1	2211353T
U010	Q5046 or	TR	2SA949-Y(TPE6_F)	(1)	2211354T
U010	Q5047	TR	2SA949-O(TPE6_F)	1	2211353T
U010	Q5047 or	TR	2SA949-Y(TPE6_F)	(1)	2211354T
U010	Q5048	TR	2SA949-O(TPE6_F)	1	2211353T
U010	Q5048 or	TR	2SA949-Y(TPE6_F)	(1)	2211354T
U010	Q5050	TR	2SA1360-Y	1	2202094
U010	Q5050 or	TR	2SA1360-O	(1)	2202093
U010	Q5051	TR	2SA1360-Y	1	2202094
U010	Q5051 or	TR	2SA1360-O	(1)	2202093
U010	Q5052	TR	2SA1360-Y	1	2202094
U010	Q5052 or	TR	2SA1360-O	(1)	2202093
U010	Q5053	TR	2SA1360-Y	1	2202094
U010	Q5053 or	TR	2SA1360-O	(1)	2202093
U010	Q5054	TR	2SA1360-Y	1	2202094
U010	Q5054 or	TR	2SA1360-O	(1)	2202093
U010	Q5055	TR	2SA1360-Y	1	2202094
U010	Q5055 or	TR	2SA1360-O	(1)	2202093
U010	Q5056	TR	2SA1360-Y	1	2202094
U010	Q5056 or	TR	2SA1360-O	(1)	2202093
U010	Q5057	TR	2SA1360-Y	1	2202094
U010	Q5057 or	TR	2SA1360-O	(1)	2202093
U010	Q5058	TR	2SA1360-Y	1	2202094
U010	Q5058 or	TR	2SA1360-O	(1)	2202093
U010	Q5060	TR	2SC2240-BL(TPE2_F)	1	2211406T
U010	Q5061	TR	2SC2240-BL(TPE2_F)	1	2211406T

U010	Q5062	TR	2SC2240-BL(TPE2_F)	1	2211406T	
U010	Q5063	TR	2SC2240-BL(TPE2_F)	1	2211406T	
U010	Q5064	TR	2SC2240-BL(TPE2_F)	1	2211406T	
U010	Q5065	TR	2SC2240-BL(TPE2_F)	1	2211406T	
U010	Q5066	TR	2SC2240-BL(TPE2_F)	1	2211406T	
U010	Q5067	TR	2SC2240-BL(TPE2_F)	1	2211406T	
U010	Q5068	TR	2SC2240-BL(TPE2_F)	1	2211406T	
U010	Q5070	TR	2SC2240-BL(TPE2_F)	1	2211406T	
U010	Q5071	TR	2SC2240-BL(TPE2_F)	1	2211406T	
U010	Q5072	TR	2SC2240-BL(TPE2_F)	1	2211406T	
U010	Q5073	TR	2SC2240-BL(TPE2_F)	1	2211406T	
U010	Q5074	TR	2SC2240-BL(TPE2_F)	1	2211406T	
U010	Q5075	TR	2SC2240-BL(TPE2_F)	1	2211406T	
U010	Q5076	TR	2SC2240-BL(TPE2_F)	1	2211406T	
U010	Q5077	TR	2SC2240-BL(TPE2_F)	1	2211406T	
U010	Q5078	TR	2SC2240-BL(TPE2_F)	1	2211406T	
U010	Q5080	TR	2SC3423-Y	1	2202104	
U010	Q5080 or	TR	2SC3423-O	(1)	2202103	
U010	Q5080A	HEAT SINK	(CLA)B	1	27160642A	N
U010	Q5080B	SCREW	3TTB+8B(3BC)	4	838430088GR	
U010	Q5081	TR	2SC3423-Y	1	2202104	
U010	Q5081 or	TR	2SC3423-O	(1)	2202103	
U010	Q5081A	HEAT SINK	(CLA)B	1	27160642A	N
U010	Q5081B	SCREW	3TTB+8B(3BC)	4	838430088GR	
U010	Q5082	TR	2SC3423-Y	1	2202104	
U010	Q5082 or	TR	2SC3423-O	(1)	2202103	
U010	Q5082A	HEAT SINK	(CLA)B	1	27160642A	N
U010	Q5082B	SCREW	3TTB+8B(3BC)	4	838430088GR	
U010	Q5083	TR	2SC3423-Y	1	2202104	
U010	Q5083 or	TR	2SC3423-O	(1)	2202103	
U010	Q5083A	HEAT SINK	(CLA)B	1	27160642A	N
U010	Q5083B	SCREW	3TTB+8B(3BC)	4	838430088GR	
U010	Q5084	TR	2SC3423-Y	1	2202104	
U010	Q5084 or	TR	2SC3423-O	(1)	2202103	
U010	Q5084A	HEAT SINK	(CLA)B	1	27160642A	N
U010	Q5084B	SCREW	3TTB+8B(3BC)	4	838430088GR	
U010	Q5085	TR	2SC3423-Y	1	2202104	
U010	Q5085 or	TR	2SC3423-O	(1)	2202103	
U010	Q5085A	HEAT SINK	(CLA)B	1	27160642A	N

U010	Q5085B	SCREW	3TTB+8B(3BC)	4	838430088GR	
U010	Q5086	TR	2SC3423-Y	1	2202104	
U010	Q5086 or	TR	2SC3423-O	(1)	2202103	
U010	Q5086A	HEAT SINK	(CLA)B	1	27160642A	N
U010	Q5086B	SCREW	3TTB+8B(3BC)	4	838430088GR	
U010	Q5087	TR	2SC3423-Y	1	2202104	
U010	Q5087 or	TR	2SC3423-O	(1)	2202103	
U010	Q5087A	HEAT SINK	(CLA)B	1	27160642A	N
U010	Q5087B	SCREW	3TTB+8B(3BC)	4	838430088GR	
U010	Q5088	TR	2SC3423-Y	1	2202104	
U010	Q5088 or	TR	2SC3423-O	(1)	2202103	
U010	Q5088B	SCREW	3TTB+8B(3BC)	4	838430088GR	
U010	Q5888A	HEAT SINK	(CLA)B	1	27160642A	N
U010	Q6010	TR	2SC1740S-S	1	2213285T	
U010	Q6011	TR	2SC1740S-S	1	2213285T	
U010	Q6012	TR	2SC1740S-S	1	2213285T	
U010	Q6013	TR	2SC1740S-S	1	2213285T	
U010	Q6014	TR	2SC1740S-S	1	2213285T	
U010	Q6015	TR	2SC1740S-S	1	2213285T	
U010	Q6016	TR	2SC1740S-S	1	2213285T	
U010	Q6017	TR	2SC1740S-S	1	2213285T	
U010	Q6018	TR	2SC1740S-S	1	2213285T	
U010	Q6020	TR	2SA933S-R	1	2213354T	
U010	Q6020 or	TR	2SA1048-GR	(1)	2212125T	
U010	Q6020 or	TR	2SA933S-S	(1)	2213355T	
U010	Q6020 or	TR	KTA1267-GR	(1)	2215995T	
U010	Q6021	TR	2SA933S-R	1	2213354T	
U010	Q6021 or	TR	2SA1048-GR	(1)	2212125T	
U010	Q6021 or	TR	2SA933S-S	(1)	2213355T	
U010	Q6021 or	TR	KTA1267-GR	(1)	2215995T	
U010	Q6022	TR	2SA933S-R	1	2213354T	
U010	Q6022 or	TR	2SA1048-GR	(1)	2212125T	
U010	Q6022 or	TR	2SA933S-S	(1)	2213355T	
U010	Q6022 or	TR	KTA1267-GR	(1)	2215995T	
U010	Q6023	TR	2SA933S-R	1	2213354T	
U010	Q6023 or	TR	2SA1048-GR	(1)	2212125T	
U010	Q6023 or	TR	2SA933S-S	(1)	2213355T	
U010	Q6023 or	TR	KTA1267-GR	(1)	2215995T	
U010	Q6024	TR	2SA933S-R	1	2213354T	

U010	Q6024 or	TR	2SA1048-GR	(1)	2212125T
U010	Q6024 or	TR	2SA933S-S	(1)	2213355T
U010	Q6024 or	TR	KTA1267-GR	(1)	2215995T
U010	Q6025	TR	2SA933S-R	1	2213354T
U010	Q6025 or	TR	2SA1048-GR	(1)	2212125T
U010	Q6025 or	TR	2SA933S-S	(1)	2213355T
U010	Q6025 or	TR	KTA1267-GR	(1)	2215995T
U010	Q6026	TR	2SA933S-R	1	2213354T
U010	Q6026 or	TR	2SA1048-GR	(1)	2212125T
U010	Q6026 or	TR	2SA933S-S	(1)	2213355T
U010	Q6026 or	TR	KTA1267-GR	(1)	2215995T
U010	Q6027	TR	2SA933S-R	1	2213354T
U010	Q6027 or	TR	2SA1048-GR	(1)	2212125T
U010	Q6027 or	TR	2SA933S-S	(1)	2213355T
U010	Q6027 or	TR	KTA1267-GR	(1)	2215995T
U010	Q6028	TR	2SA933S-R	1	2213354T
U010	Q6028 or	TR	2SA1048-GR	(1)	2212125T
U010	Q6028 or	TR	2SA933S-S	(1)	2213355T
U010	Q6028 or	TR	KTA1267-GR	(1)	2215995T
U010	Q6030	TR	2SC2229-O(TPE6_F)	1	2211633T
U010	Q6030 or	TR	2SC2229-Y(TPE6_F)	(1)	2211634T
U010	Q6031	TR	2SC2229-O(TPE6_F)	1	2211633T
U010	Q6031 or	TR	2SC2229-Y(TPE6_F)	(1)	2211634T
U010	Q6032	TR	2SC2229-O(TPE6_F)	1	2211633T
U010	Q6032 or	TR	2SC2229-Y(TPE6_F)	(1)	2211634T
U010	Q6033	TR	2SC2229-O(TPE6_F)	1	2211633T
U010	Q6033 or	TR	2SC2229-Y(TPE6_F)	(1)	2211634T
U010	Q6034	TR	2SC2229-O(TPE6_F)	1	2211633T
U010	Q6034 or	TR	2SC2229-Y(TPE6_F)	(1)	2211634T
U010	Q6035	TR	2SC2229-O(TPE6_F)	1	2211633T
U010	Q6035 or	TR	2SC2229-Y(TPE6_F)	(1)	2211634T
U010	Q6036	TR	2SC2229-O(TPE6_F)	1	2211633T
U010	Q6036 or	TR	2SC2229-Y(TPE6_F)	(1)	2211634T
U010	Q6037	TR	2SC2229-O(TPE6_F)	1	2211633T
U010	Q6037 or	TR	2SC2229-Y(TPE6_F)	(1)	2211634T
U010	Q6038	TR	2SC2229-O(TPE6_F)	1	2211633T
U010	Q6038 or	TR	2SC2229-Y(TPE6_F)	(1)	2211634T
U010	Q6040	TR	2SA949-O(TPE6_F)	1	2211353T
U010	Q6040 or	TR	2SA949-Y(TPE6_F)	(1)	2211354T

U010	Q6041	TR	2SA949-O(TPE6_F)	1	2211353T	
U010	Q6041 or	TR	2SA949-Y(TPE6_F)	(1)	2211354T	
U010	Q6042	TR	2SA949-O(TPE6_F)	1	2211353T	
U010	Q6042 or	TR	2SA949-Y(TPE6_F)	(1)	2211354T	
U010	Q6043	TR	2SA949-O(TPE6_F)	1	2211353T	
U010	Q6043 or	TR	2SA949-Y(TPE6_F)	(1)	2211354T	
U010	Q6044	TR	2SA949-O(TPE6_F)	1	2211353T	
U010	Q6044 or	TR	2SA949-Y(TPE6_F)	(1)	2211354T	
U010	Q6045	TR	2SA949-O(TPE6_F)	1	2211353T	
U010	Q6045 or	TR	2SA949-Y(TPE6_F)	(1)	2211354T	
U010	Q6046	TR	2SA949-O(TPE6_F)	1	2211353T	
U010	Q6046 or	TR	2SA949-Y(TPE6_F)	(1)	2211354T	
U010	Q6047	TR	2SA949-O(TPE6_F)	1	2211353T	
U010	Q6047 or	TR	2SA949-Y(TPE6_F)	(1)	2211354T	
U010	Q6048	TR	2SA949-O(TPE6_F)	1	2211353T	
U010	Q6048 or	TR	2SA949-Y(TPE6_F)	(1)	2211354T	
U010	Q6100	TR	TTA-004(Q)TO126	1	2217442	N
U010	Q6101	TR	TTA-004(Q)TO126	1	2217442	N
U010	Q6102	TR	TTA-004(Q)TO126	1	2217442	N
U010	Q6103	TR	TTA-004(Q)TO126	1	2217442	N
U010	Q6104	TR	TTA-004(Q)TO126	1	2217442	N
U010	Q6105	TR	TTA-004(Q)TO126	1	2217442	N
U010	Q6106	TR	TTA-004(Q)TO126	1	2217442	N
U010	Q6107	TR	TTA-004(Q)TO126	1	2217442	N
U010	Q6108	TR	TTA-004(Q)TO126	1	2217442	N
U010	Q6110	TR	TTC-004(Q)TO126	1	2217452	N
U010	Q6111	TR	TTC-004(Q)TO126	1	2217452	N
U010	Q6112	TR	TTC-004(Q)TO126	1	2217452	N
U010	Q6113	TR	TTC-004(Q)TO126	1	2217452	N
U010	Q6114	TR	TTC-004(Q)TO126	1	2217452	N
U010	Q6115	TR	TTC-004(Q)TO126	1	2217452	N
U010	Q6116	TR	TTC-004(Q)TO126	1	2217452	N
U010	Q6117	TR	TTC-004(Q)TO126	1	2217452	N
U010	Q6118	TR	TTC-004(Q)TO126	1	2217452	N
U010	[CAPACITOR]					
U010	C5000	UTSP C	CE04W50V-10M(UTSP)	1	397581007T	
U010	C5001	UTSP C	CE04W50V-10M(UTSP)	1	397581007T	
U010	C5002	UTSP C	CE04W50V-10M(UTSP)	1	397581007T	
U010	C5003	UTSP C	CE04W50V-10M(UTSP)	1	397581007T	

U010	C5004	UTSP C	CE04W50V-10M(UTSP)	1	397581007T	
U010	C5005	UTSP C	CE04W50V-10M(UTSP)	1	397581007T	
U010	C5006	UTSP C	CE04W50V-10M(UTSP)	1	397581007T	
U010	C5007	UTSP C	CE04W50V-10M(UTSP)	1	397581007T	
U010	C5008	UTSP C	CE04W50V-10M(UTSP)	1	397581007T	
U010	C5010	UTSJ C	CE04W50V-47M(UTSJ)	1	398084707AT	<MDC, MMP, MMR>
U010	C5011	UTSJ C	CE04W50V-47M(UTSJ)	1	398084707AT	<MDC, MMP, MMR>
U010	C5012	UTSJ C	CE04W50V-47M(UTSJ)	1	398084707AT	<MDC, MMP, MMR>
U010	C5013	UTSJ C	CE04W50V-47M(UTSJ)	1	398084707AT	<MDC, MMP, MMR>
U010	C5014	UTSJ C	CE04W50V-47M(UTSJ)	1	398084707AT	<MDC, MMP, MMR>
U010	C5015	UTSJ C	CE04W50V-47M(UTSJ)	1	398084707AT	<MDC, MMP, MMR>
U010	C5016	UTSJ C	CE04W50V-47M(UTSJ)	1	398084707AT	<MDC, MMP, MMR>
U010	C5017	UTSJ C	CE04W50V-47M(UTSJ)	1	398084707AT	<MDC, MMP, MMR>
U010	C5018	UTSJ C	CE04W50V-47M(UTSJ)	1	398084707AT	<MDC, MMP, MMR>
U010	C5020	UPZ C	2AUPZTF471JE	1	376334714T	
U010	C5021	UPZ C	2AUPZTF471JE	1	376334714T	
U010	C5022	UPZ C	2AUPZTF471JE	1	376334714T	
U010	C5023	UPZ C	2AUPZTF471JE	1	376334714T	
U010	C5024	UPZ C	2AUPZTF471JE	1	376334714T	
U010	C5025	UPZ C	2AUPZTF471JE	1	376334714T	
U010	C5026	UPZ C	2AUPZTF471JE	1	376334714T	
U010	C5027	UPZ C	2AUPZTF471JE	1	376334714T	
U010	C5028	UPZ C	2AUPZTF471JE	1	376334714T	
U010	C5040	UTSP C	CE04W25V-220M(UTSP)	1	397552217T	
U010	C5041	UTSP C	CE04W25V-220M(UTSP)	1	397552217T	
U010	C5042	UTSP C	CE04W25V-220M(UTSP)	1	397552217T	
U010	C5043	UTSP C	CE04W25V-220M(UTSP)	1	397552217T	
U010	C5044	UTSP C	CE04W25V-220M(UTSP)	1	397552217T	
U010	C5045	UTSP C	CE04W25V-220M(UTSP)	1	397552217T	
U010	C5046	UTSP C	CE04W25V-220M(UTSP)	1	397552217T	
U010	C5047	UTSP C	CE04W25V-220M(UTSP)	1	397552217T	
U010	C5048	UTSP C	CE04W25V-220M(UTSP)	1	397552217T	
U010	C5070	VX C	CE04W100V-10M(VX_BLK)	1	397391007T	
U010	C5071	VX C	CE04W100V-10M(VX_BLK)	1	397391007T	
U010	C5072	VX C	CE04W100V-10M(VX_BLK)	1	397391007T	
U010	C5073	VX C	CE04W100V-10M(VX_BLK)	1	397391007T	
U010	C5074	VX C	CE04W100V-10M(VX_BLK)	1	397391007T	
U010	C5075	VX C	CE04W100V-10M(VX_BLK)	1	397391007T	
U010	C5076	VX C	CE04W100V-10M(VX_BLK)	1	397391007T	

U010	C5077	VX C	CE04W100V-10M(VX_BLK)	1	397391007T	
U010	C5078	VX C	CE04W100V-10M(VX_BLK)	1	397391007T	
U010	C5080	VX C	CE04W63V-22M(VX_BLK)	1	397372207T	
U010	C5081	VX C	CE04W63V-22M(VX_BLK)	1	397372207T	
U010	C5082	VX C	CE04W63V-22M(VX_BLK)	1	397372207T	
U010	C5083	VX C	CE04W63V-22M(VX_BLK)	1	397372207T	
U010	C5084	VX C	CE04W63V-22M(VX_BLK)	1	397372207T	
U010	C5085	VX C	CE04W63V-22M(VX_BLK)	1	397372207T	
U010	C5086	VX C	CE04W63V-22M(VX_BLK)	1	397372207T	
U010	C5087	VX C	CE04W63V-22M(VX_BLK)	1	397372207T	
U010	C5088	VX C	CE04W63V-22M(VX_BLK)	1	397372207T	
U010	C5100	UPZ C	2AUPZTF101JE	1	376331014T	
U010	C5101	UPZ C	2AUPZTF101JE	1	376331014T	
U010	C5102	UPZ C	2AUPZTF101JE	1	376331014T	
U010	C5103	UPZ C	2AUPZTF101JE	1	376331014T	
U010	C5104	UPZ C	2AUPZTF101JE	1	376331014T	
U010	C5105	UPZ C	2AUPZTF101JE	1	376331014T	
U010	C5106	UPZ C	2AUPZTF101JE	1	376331014T	
U010	C5107	UPZ C	2AUPZTF101JE	1	376331014T	
U010	C5108	UPZ C	2AUPZTF101JE	1	376331014T	
U010	C5110	CERA C	CC45CH50V-010C	1	345340101T	
U010	C5111	CERA C	CC45CH50V-010C	1	345340101T	
U010	C5112	CERA C	CC45CH50V-010C	1	345340101T	
U010	C5113	CERA C	CC45CH50V-010C	1	345340101T	
U010	C5114	CERA C	CC45CH50V-010C	1	345340101T	
U010	C5115	CERA C	CC45CH50V-010C	1	345340101T	
U010	C5116	CERA C	CC45CH50V-010C	1	345340101T	
U010	C5117	CERA C	CC45CH50V-010C	1	345340101T	
U010	C5118	CERA C	CC45CH50V-010C	1	345340101T	
U010	C5120	SPC C	CE04W100V-100M(RJ5)	1	396791017T	N
U010	C5121	SPC C	CE04W100V-100M(RJ5)	1	396791017T	N
U010	C5122	SPC C	CE04W100V-100M(RJ5)	1	396791017T	N
U010	C5123	SPC C	CE04W100V-100M(RJ5)	1	396791017T	N
U010	C5124	SPC C	CE04W100V-100M(RJ5)	1	396791017T	N
U010	C5125	SPC C	CE04W100V-100M(RJ5)	1	396791017T	N
U010	C5126	SPC C	CE04W100V-100M(RJ5)	1	396791017T	N
U010	C5127	SPC C	CE04W100V-100M(RJ5)	1	396791017T	N
U010	C5128	SPC C	CE04W100V-100M(RJ5)	1	396791017T	N
U010	C5130	SPC C	CE04W100V-100M(RJ5)	1	396791017T	N

U010	C5131	SPC C	CE04W100V-100M(RJ5)	1	396791017T	N
U010	C5132	SPC C	CE04W100V-100M(RJ5)	1	396791017T	N
U010	C5133	SPC C	CE04W100V-100M(RJ5)	1	396791017T	N
U010	C5134	SPC C	CE04W100V-100M(RJ5)	1	396791017T	N
U010	C5135	SPC C	CE04W100V-100M(RJ5)	1	396791017T	N
U010	C5136	SPC C	CE04W100V-100M(RJ5)	1	396791017T	N
U010	C5137	SPC C	CE04W100V-100M(RJ5)	1	396791017T	N
U010	C5138	SPC C	CE04W100V-100M(RJ5)	1	396791017T	N
U010	C6000	MKT C	B32529C0102J289	1	376491024T	
U010	C6001	MKT C	B32529C0102J289	1	376491024T	
U010	C6002	MKT C	B32529C0102J289	1	376491024T	
U010	C6003	MKT C	B32529C0102J289	1	376491024T	
U010	C6004	MKT C	B32529C0102J289	1	376491024T	
U010	C6005	MKT C	B32529C0102J289	1	376491024T	
U010	C6006	MKT C	B32529C0102J289	1	376491024T	
U010	C6007	MKT C	B32529C0102J289	1	376491024T	
U010	C6008	MKT C	B32529C0102J289	1	376491024T	
U010	C6010	UTSP C	CE04W50V 47M(UTSP)	1	397584707T	
U010	C6011	UTSP C	CE04W50V 47M(UTSP)	1	397584707T	
U010	C6012	UTSP C	CE04W50V 47M(UTSP)	1	397584707T	
U010	C6013	UTSP C	CE04W50V 47M(UTSP)	1	397584707T	
U010	C6014	UTSP C	CE04W50V 47M(UTSP)	1	397584707T	
U010	C6015	UTSP C	CE04W50V 47M(UTSP)	1	397584707T	
U010	C6016	UTSP C	CE04W50V 47M(UTSP)	1	397584707T	
U010	C6017	UTSP C	CE04W50V 47M(UTSP)	1	397584707T	
U010	C6018	UTSP C	CE04W50V 47M(UTSP)	1	397584707T	
U010	C6020	UTSP C	CE04W50V 47M(UTSP)	1	397584707T	
U010	C6021	UTSP C	CE04W50V 47M(UTSP)	1	397584707T	
U010	C6022	UTSP C	CE04W50V 47M(UTSP)	1	397584707T	
U010	C6023	UTSP C	CE04W50V 47M(UTSP)	1	397584707T	
U010	C6024	UTSP C	CE04W50V 47M(UTSP)	1	397584707T	
U010	C6025	UTSP C	CE04W50V 47M(UTSP)	1	397584707T	
U010	C6026	UTSP C	CE04W50V 47M(UTSP)	1	397584707T	
U010	C6027	UTSP C	CE04W50V 47M(UTSP)	1	397584707T	
U010	C6028	UTSP C	CE04W50V 47M(UTSP)	1	397584707T	
U010	[RESISTOR]					
U010	R5000	CARBON R	R16J-1K	1	417341024T	
U010	R5001	CARBON R	R16J-1K	1	417341024T	
U010	R5002	CARBON R	R16J-1K	1	417341024T	

U010	R5003	CARBON R	R16J-1K	1	417341024T
U010	R5004	CARBON R	R16J-1K	1	417341024T
U010	R5005	CARBON R	R16J-1K	1	417341024T
U010	R5006	CARBON R	R16J-1K	1	417341024T
U010	R5007	CARBON R	R16J-1K	1	417341024T
U010	R5008	CARBON R	R16J-1K	1	417341024T
U010	R5010	CARBON R	R16J-56K	1	417345634T
U010	R5011	CARBON R	R16J-56K	1	417345634T
U010	R5012	CARBON R	R16J-56K	1	417345634T
U010	R5013	CARBON R	R16J-56K	1	417345634T
U010	R5014	CARBON R	R16J-56K	1	417345634T
U010	R5015	CARBON R	R16J-56K	1	417345634T
U010	R5016	CARBON R	R16J-56K	1	417345634T
U010	R5017	CARBON R	R16J-56K	1	417345634T
U010	R5018	CARBON R	R16J-56K	1	417345634T
U010	R5020	CARBON R	R16J-330	1	417343314T
U010	R5021	CARBON R	R16J-330	1	417343314T
U010	R5022	CARBON R	R16J-330	1	417343314T
U010	R5023	CARBON R	R16J-330	1	417343314T
U010	R5024	CARBON R	R16J-330	1	417343314T
U010	R5025	CARBON R	R16J-330	1	417343314T
U010	R5026	CARBON R	R16J-330	1	417343314T
U010	R5027	CARBON R	R16J-330	1	417343314T
U010	R5028	CARBON R	R16J-330	1	417343314T
U010	R5030	CARBON R	R16J-330	1	417343314T
U010	R5031	CARBON R	R16J-330	1	417343314T
U010	R5032	CARBON R	R16J-330	1	417343314T
U010	R5033	CARBON R	R16J-330	1	417343314T
U010	R5034	CARBON R	R16J-330	1	417343314T
U010	R5035	CARBON R	R16J-330	1	417343314T
U010	R5036	CARBON R	R16J-330	1	417343314T
U010	R5037	CARBON R	R16J-330	1	417343314T
U010	R5038	CARBON R	R16J-330	1	417343314T
U010	R5040	CARBON R	R16J-330	1	417343314T
U010	R5041	CARBON R	R16J-330	1	417343314T
U010	R5042	CARBON R	R16J-330	1	417343314T
U010	R5043	CARBON R	R16J-330	1	417343314T
U010	R5044	CARBON R	R16J-330	1	417343314T
U010	R5045	CARBON R	R16J-330	1	417343314T

U010	R5046	CARBON R	R16J-330	1	417343314T
U010	R5047	CARBON R	R16J-330	1	417343314T
U010	R5048	CARBON R	R16J-330	1	417343314T
U010	R5050	CARBON R	R16J-5.6K	1	417345624T
U010	R5051	CARBON R	R16J-5.6K	1	417345624T
U010	R5052	CARBON R	R16J-5.6K	1	417345624T
U010	R5053	CARBON R	R16J-5.6K	1	417345624T
U010	R5054	CARBON R	R16J-5.6K	1	417345624T
U010	R5055	CARBON R	R16J-5.6K	1	417345624T
U010	R5056	CARBON R	R16J-5.6K	1	417345624T
U010	R5057	CARBON R	R16J-5.6K	1	417345624T
U010	R5058	CARBON R	R16J-5.6K	1	417345624T
U010	R5060	CARBON R	R16J-2.7K	1	417342724T
U010	R5061	CARBON R	R16J-2.7K	1	417342724T
U010	R5062	CARBON R	R16J-2.7K	1	417342724T
U010	R5063	CARBON R	R16J-2.7K	1	417342724T
U010	R5064	CARBON R	R16J-2.7K	1	417342724T
U010	R5065	CARBON R	R16J-2.7K	1	417342724T
U010	R5066	CARBON R	R16J-2.7K	1	417342724T
U010	R5067	CARBON R	R16J-2.7K	1	417342724T
U010	R5068	CARBON R	R16J-2.7K	1	417342724T
U010	R5070	CARBON R	R16J-100K	1	417341044T
U010	R5071	CARBON R	R16J-100K	1	417341044T
U010	R5072	CARBON R	R16J-100K	1	417341044T
U010	R5073	CARBON R	R16J-100K	1	417341044T
U010	R5074	CARBON R	R16J-100K	1	417341044T
U010	R5075	CARBON R	R16J-100K	1	417341044T
U010	R5076	CARBON R	R16J-100K	1	417341044T
U010	R5077	CARBON R	R16J-100K	1	417341044T
U010	R5078	CARBON R	R16J-100K	1	417341044T
U010	R5090	CARBON R	R16J-1.8K	1	417341824T
U010	R5091	CARBON R	R16J-1.8K	1	417341824T
U010	R5092	CARBON R	R16J-1.8K	1	417341824T
U010	R5093	CARBON R	R16J-1.8K	1	417341824T
U010	R5094	CARBON R	R16J-1.8K	1	417341824T
U010	R5095	CARBON R	R16J-1.8K	1	417341824T
U010	R5096	CARBON R	R16J-1.8K	1	417341824T
U010	R5097	CARBON R	R16J-1.8K	1	417341824T
U010	R5098	CARBON R	R16J-1.8K	1	417341824T

U010	R5110	CARBON R	R16J-2.2K	1	417342224T
U010	R5111	CARBON R	R16J-2.2K	1	417342224T
U010	R5112	CARBON R	R16J-2.2K	1	417342224T
U010	R5113	CARBON R	R16J-2.2K	1	417342224T
U010	R5114	CARBON R	R16J-2.2K	1	417342224T
U010	R5115	CARBON R	R16J-2.2K	1	417342224T
U010	R5116	CARBON R	R16J-2.2K	1	417342224T
U010	R5117	CARBON R	R16J-2.2K	1	417342224T
U010	R5118	CARBON R	R16J-2.2K	1	417342224T
U010	R5120	CARBON R	R16J-2.2K	1	417342224T
U010	R5121	CARBON R	R16J-2.2K	1	417342224T
U010	R5122	CARBON R	R16J-2.2K	1	417342224T
U010	R5123	CARBON R	R16J-2.2K	1	417342224T
U010	R5124	CARBON R	R16J-2.2K	1	417342224T
U010	R5125	CARBON R	R16J-2.2K	1	417342224T
U010	R5126	CARBON R	R16J-2.2K	1	417342224T
U010	R5127	CARBON R	R16J-2.2K	1	417342224T
U010	R5128	CARBON R	R16J-2.2K	1	417342224T
U010	R5130	NF CARBON R	R25J-820	1	415478214T
U010	R5131	NF CARBON R	R25J-820	1	415478214T
U010	R5132	NF CARBON R	R25J-820	1	415478214T
U010	R5133	NF CARBON R	R25J-820	1	415478214T
U010	R5134	NF CARBON R	R25J-820	1	415478214T
U010	R5135	NF CARBON R	R25J-820	1	415478214T
U010	R5136	NF CARBON R	R25J-820	1	415478214T
U010	R5137	NF CARBON R	R25J-820	1	415478214T
U010	R5138	NF CARBON R	R25J-820	1	415478214T
U010	R5140	NF CARBON R	R25J-820	1	415478214T
U010	R5141	NF CARBON R	R25J-820	1	415478214T
U010	R5142	NF CARBON R	R25J-820	1	415478214T
U010	R5143	NF CARBON R	R25J-820	1	415478214T
U010	R5144	NF CARBON R	R25J-820	1	415478214T
U010	R5145	NF CARBON R	R25J-820	1	415478214T
U010	R5146	NF CARBON R	R25J-820	1	415478214T
U010	R5147	NF CARBON R	R25J-820	1	415478214T
U010	R5148	NF CARBON R	R25J-820	1	415478214T
U010	R5150	METAL O R	RS1/2WBJ-10K	1	443521034T
U010	R5151	METAL O R	RS1/2WBJ-10K	1	443521034T
U010	R5152	METAL O R	RS1/2WBJ-10K	1	443521034T

U010	R5153	METAL O R	RS1/2WBJ-10K	1	443521034T
U010	R5154	METAL O R	RS1/2WBJ-10K	1	443521034T
U010	R5155	METAL O R	RS1/2WBJ-10K	1	443521034T
U010	R5156	METAL O R	RS1/2WBJ-10K	1	443521034T
U010	R5157	METAL O R	RS1/2WBJ-10K	1	443521034T
U010	R5158	METAL O R	RS1/2WBJ-10K	1	443521034T
U010	R5160	NF CARBON R	R25J-1.0K	1	415471024T
U010	R5161	NF CARBON R	R25J-1.0K	1	415471024T
U010	R5162	NF CARBON R	R25J-1.0K	1	415471024T
U010	R5163	NF CARBON R	R25J-1.0K	1	415471024T
U010	R5164	NF CARBON R	R25J-1.0K	1	415471024T
U010	R5165	NF CARBON R	R25J-1.0K	1	415471024T
U010	R5166	NF CARBON R	R25J-1.0K	1	415471024T
U010	R5167	NF CARBON R	R25J-1.0K	1	415471024T
U010	R5168	NF CARBON R	R25J-1.0K	1	415471024T
U010	R5170	NF CARBON R	R25J-820	1	415478214T
U010	R5171	NF CARBON R	R25J-820	1	415478214T
U010	R5172	NF CARBON R	R25J-820	1	415478214T
U010	R5173	NF CARBON R	R25J-820	1	415478214T
U010	R5174	NF CARBON R	R25J-820	1	415478214T
U010	R5175	NF CARBON R	R25J-820	1	415478214T
U010	R5176	NF CARBON R	R25J-820	1	415478214T
U010	R5177	NF CARBON R	R25J-820	1	415478214T
U010	R5178	NF CARBON R	R25J-820	1	415478214T
U010	R5180	NF CARBON R	R25J-33	1	415473304T
U010	R5181	NF CARBON R	R25J-33	1	415473304T
U010	R5182	NF CARBON R	R25J-33	1	415473304T
U010	R5183	NF CARBON R	R25J-33	1	415473304T
U010	R5184	NF CARBON R	R25J-33	1	415473304T
U010	R5185	NF CARBON R	R25J-33	1	415473304T
U010	R5186	NF CARBON R	R25J-33	1	415473304T
U010	R5187	NF CARBON R	R25J-33	1	415473304T
U010	R5188	NF CARBON R	R25J-33	1	415473304T
U010	R5210	CARBON R	R16J-18K	1	417341834T
U010	R5211	CARBON R	R16J-18K	1	417341834T
U010	R5212	CARBON R	R16J-18K	1	417341834T
U010	R5213	CARBON R	R16J-18K	1	417341834T
U010	R5214	CARBON R	R16J-18K	1	417341834T
U010	R5215	CARBON R	R16J-18K	1	417341834T

U010	R5216	CARBON R	R16J-18K	1	417341834T
U010	R5217	CARBON R	R16J-18K	1	417341834T
U010	R5218	CARBON R	R16J-18K	1	417341834T
U010	R5220	CARBON R	R16J-18K	1	417341834T
U010	R5221	CARBON R	R16J-18K	1	417341834T
U010	R5222	CARBON R	R16J-18K	1	417341834T
U010	R5223	CARBON R	R16J-18K	1	417341834T
U010	R5224	CARBON R	R16J-18K	1	417341834T
U010	R5225	CARBON R	R16J-18K	1	417341834T
U010	R5226	CARBON R	R16J-18K	1	417341834T
U010	R5227	CARBON R	R16J-18K	1	417341834T
U010	R5228	CARBON R	R16J-18K	1	417341834T
U010	R5230	NF CARBON R	R25J-15	1	415471504T
U010	R5231	NF CARBON R	R25J-15	1	415471504T
U010	R5232	NF CARBON R	R25J-15	1	415471504T
U010	R5233	NF CARBON R	R25J-15	1	415471504T
U010	R5234	NF CARBON R	R25J-15	1	415471504T
U010	R5235	NF CARBON R	R25J-15	1	415471504T
U010	R5236	NF CARBON R	R25J-15	1	415471504T
U010	R5237	NF CARBON R	R25J-15	1	415471504T
U010	R5238	NF CARBON R	R25J-15	1	415471504T
U010	R5240	NF CARBON R	R25J-15	1	415471504T
U010	R5241	NF CARBON R	R25J-15	1	415471504T
U010	R5242	NF CARBON R	R25J-15	1	415471504T
U010	R5243	NF CARBON R	R25J-15	1	415471504T
U010	R5244	NF CARBON R	R25J-15	1	415471504T
U010	R5245	NF CARBON R	R25J-15	1	415471504T
U010	R5246	NF CARBON R	R25J-15	1	415471504T
U010	R5247	NF CARBON R	R25J-15	1	415471504T
U010	R5248	NF CARBON R	R25J-15	1	415471504T
U010	R5250	CARBON R	R16J-68K	1	417346834T
U010	R5251	CARBON R	R16J-68K	1	417346834T
U010	R5252	CARBON R	R16J-68K	1	417346834T
U010	R5253	CARBON R	R16J-68K	1	417346834T
U010	R5254	CARBON R	R16J-68K	1	417346834T
U010	R5255	CARBON R	R16J-68K	1	417346834T
U010	R5256	CARBON R	R16J-68K	1	417346834T
U010	R5257	CARBON R	R16J-68K	1	417346834T
U010	R5258	CARBON R	R16J-68K	1	417346834T

U010	R5260	CARBON R	R16J-270K	1	417342744T
U010	R5261	CARBON R	R16J-270K	1	417342744T
U010	R5262	CARBON R	R16J-270K	1	417342744T
U010	R5263	CARBON R	R16J-270K	1	417342744T
U010	R5264	CARBON R	R16J-270K	1	417342744T
U010	R5265	CARBON R	R16J-270K	1	417342744T
U010	R5266	CARBON R	R16J-270K	1	417342744T
U010	R5267	CARBON R	R16J-270K	1	417342744T
U010	R5268	CARBON R	R16J-270K	1	417342744T
U010	R5280	METAL O R	RS1/2WBJ-10K	1	443521034T
U010	R5281	METAL O R	RS1/2WBJ-10K	1	443521034T
U010	R5282	METAL O R	RS1/2WBJ-10K	1	443521034T
U010	R5283	METAL O R	RS1/2WBJ-10K	1	443521034T
U010	R5284	METAL O R	RS1/2WBJ-10K	1	443521034T
U010	R5285	METAL O R	RS1/2WBJ-10K	1	443521034T
U010	R5286	METAL O R	RS1/2WBJ-10K	1	443521034T
U010	R5287	METAL O R	RS1/2WBJ-10K	1	443521034T
U010	R5288	METAL O R	RS1/2WBJ-10K	1	443521034T
U010	R5290	CARBON R	R16J-100K	1	417341044T
U010	R5291	CARBON R	R16J-100K	1	417341044T
U010	R5292	CARBON R	R16J-100K	1	417341044T
U010	R5293	CARBON R	R16J-100K	1	417341044T
U010	R5294	CARBON R	R16J-100K	1	417341044T
U010	R5295	CARBON R	R16J-100K	1	417341044T
U010	R5296	CARBON R	R16J-100K	1	417341044T
U010	R5297	CARBON R	R16J-100K	1	417341044T
U010	R5298	CARBON R	R16J-100K	1	417341044T
U010	R5300	NF CARBON R	R25J-82	1	415478204T
U010	R5301	NF CARBON R	R25J-82	1	415478204T
U010	R5302	NF CARBON R	R25J-82	1	415478204T
U010	R5303	NF CARBON R	R25J-82	1	415478204T
U010	R5304	NF CARBON R	R25J-82	1	415478204T
U010	R5305	NF CARBON R	R25J-82	1	415478204T
U010	R5306	NF CARBON R	R25J-82	1	415478204T
U010	R5307	NF CARBON R	R25J-82	1	415478204T
U010	R5308	NF CARBON R	R25J-82	1	415478204T
U010	R5330	NF CARBON R	R25J-82	1	415478204T
U010	R5331	NF CARBON R	R25J-82	1	415478204T
U010	R5332	NF CARBON R	R25J-82	1	415478204T

U010	R5333	NF CARBON R	R25J-82	1	415478204T
U010	R5334	NF CARBON R	R25J-82	1	415478204T
U010	R5335	NF CARBON R	R25J-82	1	415478204T
U010	R5336	NF CARBON R	R25J-82	1	415478204T
U010	R5337	NF CARBON R	R25J-82	1	415478204T
U010	R5338	NF CARBON R	R25J-82	1	415478204T
U010	R5360	CARBON R	R16J-120K	1	417341244T
U010	R5361	CARBON R	R16J-120K	1	417341244T
U010	R5362	CARBON R	R16J-120K	1	417341244T
U010	R5363	CARBON R	R16J-120K	1	417341244T
U010	R5364	CARBON R	R16J-120K	1	417341244T
U010	R5365	CARBON R	R16J-120K	1	417341244T
U010	R5366	CARBON R	R16J-120K	1	417341244T
U010	R5367	CARBON R	R16J-120K	1	417341244T
U010	R5368	CARBON R	R16J-120K	1	417341244T
U010	R5370	CARBON R	R16J-560K	1	417345644T
U010	R5371	CARBON R	R16J-560K	1	417345644T
U010	R5372	CARBON R	R16J-560K	1	417345644T
U010	R5373	CARBON R	R16J-560K	1	417345644T
U010	R5374	CARBON R	R16J-560K	1	417345644T
U010	R5375	CARBON R	R16J-560K	1	417345644T
U010	R5376	CARBON R	R16J-560K	1	417345644T
U010	R5377	CARBON R	R16J-560K	1	417345644T
U010	R5378	CARBON R	R16J-560K	1	417345644T
U010	R6010	CARBON R	R16J-4.7K	1	417344724T
U010	R6011	CARBON R	R16J-4.7K	1	417344724T
U010	R6012	CARBON R	R16J-4.7K	1	417344724T
U010	R6013	CARBON R	R16J-4.7K	1	417344724T
U010	R6014	CARBON R	R16J-4.7K	1	417344724T
U010	R6015	CARBON R	R16J-4.7K	1	417344724T
U010	R6016	CARBON R	R16J-4.7K	1	417344724T
U010	R6017	CARBON R	R16J-4.7K	1	417344724T
U010	R6018	CARBON R	R16J-4.7K	1	417344724T
U010	R6020	CARBON R	R16J-3.3K	1	417343324T
U010	R6021	CARBON R	R16J-3.3K	1	417343324T
U010	R6022	CARBON R	R16J-3.3K	1	417343324T
U010	R6023	CARBON R	R16J-3.3K	1	417343324T
U010	R6024	CARBON R	R16J-3.3K	1	417343324T
U010	R6025	CARBON R	R16J-3.3K	1	417343324T

U010	R6026	CARBON R	R16J-3.3K	1	417343324T
U010	R6027	CARBON R	R16J-3.3K	1	417343324T
U010	R6028	CARBON R	R16J-3.3K	1	417343324T
U010	R6030	CARBON R	R16J-1.8K	1	417341824T
U010	R6031	CARBON R	R16J-1.8K	1	417341824T
U010	R6032	CARBON R	R16J-1.8K	1	417341824T
U010	R6033	CARBON R	R16J-1.8K	1	417341824T
U010	R6034	CARBON R	R16J-1.8K	1	417341824T
U010	R6035	CARBON R	R16J-1.8K	1	417341824T
U010	R6036	CARBON R	R16J-1.8K	1	417341824T
U010	R6037	CARBON R	R16J-1.8K	1	417341824T
U010	R6038	CARBON R	R16J-1.8K	1	417341824T
U010	R6040	TRIM R	N06HR1KBB	1	5211401T
U010	R6041	TRIM R	N06HR1KBB	1	5211401T
U010	R6042	TRIM R	N06HR1KBB	1	5211401T
U010	R6043	TRIM R	N06HR1KBB	1	5211401T
U010	R6044	TRIM R	N06HR1KBB	1	5211401T
U010	R6045	TRIM R	N06HR1KBB	1	5211401T
U010	R6046	TRIM R	N06HR1KBB	1	5211401T
U010	R6047	TRIM R	N06HR1KBB	1	5211401T
U010	R6048	TRIM R	N06HR1KBB	1	5211401T
U010	R6050	CARBON R	R16J-2.7K	1	417342724T
U010	R6051	CARBON R	R16J-2.7K	1	417342724T
U010	R6052	CARBON R	R16J-2.7K	1	417342724T
U010	R6053	CARBON R	R16J-2.7K	1	417342724T
U010	R6054	CARBON R	R16J-2.7K	1	417342724T
U010	R6055	CARBON R	R16J-2.7K	1	417342724T
U010	R6056	CARBON R	R16J-2.7K	1	417342724T
U010	R6057	CARBON R	R16J-2.7K	1	417342724T
U010	R6058	CARBON R	R16J-2.7K	1	417342724T
U010	R6060	NF CARBON R	R25J-120	1	415471214T
U010	R6061	NF CARBON R	R25J-120	1	415471214T
U010	R6062	NF CARBON R	R25J-120	1	415471214T
U010	R6063	NF CARBON R	R25J-120	1	415471214T
U010	R6064	NF CARBON R	R25J-120	1	415471214T
U010	R6065	NF CARBON R	R25J-120	1	415471214T
U010	R6066	NF CARBON R	R25J-120	1	415471214T
U010	R6067	NF CARBON R	R25J-120	1	415471214T
U010	R6068	NF CARBON R	R25J-120	1	415471214T

U010	R6070	NF CARBON R	R25J-82	1	415478204T
U010	R6071	NF CARBON R	R25J-82	1	415478204T
U010	R6072	NF CARBON R	R25J-82	1	415478204T
U010	R6073	NF CARBON R	R25J-82	1	415478204T
U010	R6074	NF CARBON R	R25J-82	1	415478204T
U010	R6075	NF CARBON R	R25J-82	1	415478204T
U010	R6076	NF CARBON R	R25J-82	1	415478204T
U010	R6077	NF CARBON R	R25J-82	1	415478204T
U010	R6078	NF CARBON R	R25J-82	1	415478204T
U010	R6110	CARBON R	R16J-10K	1	417341034T
U010	R6111	CARBON R	R16J-10K	1	417341034T
U010	R6112	CARBON R	R16J-10K	1	417341034T
U010	R6113	CARBON R	R16J-10K	1	417341034T
U010	R6114	CARBON R	R16J-10K	1	417341034T
U010	R6115	CARBON R	R16J-10K	1	417341034T
U010	R6116	CARBON R	R16J-10K	1	417341034T
U010	R6117	CARBON R	R16J-10K	1	417341034T
U010	R6118	CARBON R	R16J-10K	1	417341034T
U010	R6250	NF CARBON R	R25J-120	1	415471214T
U010	R6251	NF CARBON R	R25J-120	1	415471214T
U010	R6252	NF CARBON R	R25J-120	1	415471214T
U010	R6253	NF CARBON R	R25J-120	1	415471214T
U010	R6254	NF CARBON R	R25J-120	1	415471214T
U010	R6255	NF CARBON R	R25J-120	1	415471214T
U010	R6256	NF CARBON R	R25J-120	1	415471214T
U010	R6257	NF CARBON R	R25J-120	1	415471214T
U010	R6258	NF CARBON R	R25J-120	1	415471214T
U010	R6260	NF CARBON R	R25J-120	1	415471214T
U010	R6261	NF CARBON R	R25J-120	1	415471214T
U010	R6262	NF CARBON R	R25J-120	1	415471214T
U010	R6263	NF CARBON R	R25J-120	1	415471214T
U010	R6264	NF CARBON R	R25J-120	1	415471214T
U010	R6265	NF CARBON R	R25J-120	1	415471214T
U010	R6266	NF CARBON R	R25J-120	1	415471214T
U010	R6267	NF CARBON R	R25J-120	1	415471214T
U010	R6268	NF CARBON R	R25J-120	1	415471214T
U010	R6270	NF CARBON R	R25J-18	1	415471804T
U010	R6271	NF CARBON R	R25J-18	1	415471804T
U010	R6272	NF CARBON R	R25J-18	1	415471804T

U010	R6273	NF CARBON R	R25J-18	1	415471804T
U010	R6274	NF CARBON R	R25J-18	1	415471804T
U010	R6275	NF CARBON R	R25J-18	1	415471804T
U010	R6276	NF CARBON R	R25J-18	1	415471804T
U010	R6277	NF CARBON R	R25J-18	1	415471804T
U010	R6278	NF CARBON R	R25J-18	1	415471804T
U010	R6280	NF CARBON R	R25J-18	1	415471804T
U010	R6281	NF CARBON R	R25J-18	1	415471804T
U010	R6282	NF CARBON R	R25J-18	1	415471804T
U010	R6283	NF CARBON R	R25J-18	1	415471804T
U010	R6284	NF CARBON R	R25J-18	1	415471804T
U010	R6285	NF CARBON R	R25J-18	1	415471804T
U010	R6286	NF CARBON R	R25J-18	1	415471804T
U010	R6287	NF CARBON R	R25J-18	1	415471804T
U010	R6288	NF CARBON R	R25J-18	1	415471804T
U010	R6290	NF CARBON R	R25J-2.2	1	415470224T
U010	R6291	NF CARBON R	R25J-2.2	1	415470224T
U010	R6292	NF CARBON R	R25J-2.2	1	415470224T
U010	R6293	NF CARBON R	R25J-2.2	1	415470224T
U010	R6294	NF CARBON R	R25J-2.2	1	415470224T
U010	R6295	NF CARBON R	R25J-2.2	1	415470224T
U010	R6296	NF CARBON R	R25J-2.2	1	415470224T
U010	R6297	NF CARBON R	R25J-2.2	1	415470224T
U010	R6298	NF CARBON R	R25J-2.2	1	415470224T
U010	R6300	NF CARBON R	R25J-2.2	1	415470224T
U010	R6301	NF CARBON R	R25J-2.2	1	415470224T
U010	R6302	NF CARBON R	R25J-2.2	1	415470224T
U010	R6303	NF CARBON R	R25J-2.2	1	415470224T
U010	R6304	NF CARBON R	R25J-2.2	1	415470224T
U010	R6305	NF CARBON R	R25J-2.2	1	415470224T
U010	R6306	NF CARBON R	R25J-2.2	1	415470224T
U010	R6307	NF CARBON R	R25J-2.2	1	415470224T
U010	R6308	NF CARBON R	R25J-2.2	1	415470224T
U010	R6310	NF CARBON R	R25J-10	1	415471004T
U010	R6311	NF CARBON R	R25J-10	1	415471004T
U010	R6312	NF CARBON R	R25J-10	1	415471004T
U010	R6313	NF CARBON R	R25J-10	1	415471004T
U010	R6314	NF CARBON R	R25J-10	1	415471004T
U010	R6315	NF CARBON R	R25J-10	1	415471004T

U010	R6316	NF CARBON R	R25J-10	1	415471004T	
U010	R6317	NF CARBON R	R25J-10	1	415471004T	
U010	R6318	NF CARBON R	R25J-10	1	415471004T	
U010	[SW TRM]					
U010	P5010A	SOCKET	NSCT-3P2183	1	25052286	
U010	P5011A	SOCKET	NSCT-3P2183	1	25052286	
U010	P5012A	SOCKET	NSCT-3P2183	1	25052286	
U010	P5013A	SOCKET	NSCT-3P2183	1	25052286	
U010	P5014A	SOCKET	NSCT-3P2183	1	25052286	
U010	P5015A	SOCKET	NSCT-3P2183	1	25052286	
U010	P5016A	SOCKET	NSCT-3P2183	1	25052286	
U010	P5017A	SOCKET	NSCT-3P2183	1	25052286	
U010	P5018A	SOCKET	NSCT-3P2183	1	25052286	
U010	P5020A	TRM	NTM-1P233(M1969)	1	25060302	
U010	P5021A	TRM	NTM-1P233(M1969)	1	25060302	
U010	P5022A	TRM	NTM-1P233(M1969)	1	25060302	
U010	P5023A	TRM	NTM-1P233(M1969)	1	25060302	
U010	P5024A	TRM	NTM-1P233(M1969)	1	25060302	
U010	P5025A	TRM	NTM-1P233(M1969)	1	25060302	
U010	P5026A	TRM	NTM-1P233(M1969)	1	25060302	
U010	P5027A	TRM	NTM-1P233(M1969)	1	25060302	
U010	P5028A	TRM	NTM-1P233(M1969)	1	25060302	
U010	P6010A	SOCKET	NSCT-3P2183	1	25052286	
U010	P6011A	SOCKET	NSCT-3P2183	1	25052286	
U010	P6012A	SOCKET	NSCT-3P2183	1	25052286	
U010	P6013A	SOCKET	NSCT-3P2183	1	25052286	
U010	P6014A	SOCKET	NSCT-3P2183	1	25052286	
U010	P6015A	SOCKET	NSCT-3P2183	1	25052286	
U010	P6016A	SOCKET	NSCT-3P2183	1	25052286	
U010	P6017A	SOCKET	NSCT-3P2183	1	25052286	
U010	P6018A	SOCKET	NSCT-3P2183	1	25052286	
U010	P6030B	SOCKET	IMSA-9115S-05L	1	25052985	N
U010	P6031B	SOCKET	IMSA-9115S-05L	1	25052985	N
U010	P6032B	SOCKET	IMSA-9115S-05L	1	25052985	N
U010	P6033B	SOCKET	IMSA-9115S-05L	1	25052985	N
U010	P6034B	SOCKET	IMSA-9115S-05L	1	25052985	N
U010	P6035B	SOCKET	IMSA-9115S-05L	1	25052985	N
U010	P6036B	SOCKET	IMSA-9115S-05L	1	25052985	N
U010	P6037B	SOCKET	IMSA-9115S-05L	1	25052985	N

U010	P6038B	SOCKET	IMSA-9115S-05L	1	25052985	N
U011	U011	U0110 + U0111				
U011	U0110	AMPLIFIER(C/SR/HR/SBR/R) PC BOARD ASS'Y	BAAMP-0191-1A			
U011	U0111	AMPLIFIER(L/SBL/LH/SL) PC BOARD ASS'Y	BAAMP-0192-1A			
U011						
U011	CIRCUIT NO.	PART NAME	DESCRIPTION	Q'TY	PART NO. (SN)	REMARKS
U011	[SEMI CONDUCTOR]					
U011	D6000	DIODE	1SS133	1	223163T	
U011	D6001	DIODE	1SS133	1	223163T	
U011	D6002	DIODE	1SS133	1	223163T	
U011	D6003	DIODE	1SS133	1	223163T	
U011	D6004	DIODE	1SS133	1	223163T	
U011	D6005	DIODE	1SS133	1	223163T	
U011	D6006	DIODE	1SS133	1	223163T	
U011	D6007	DIODE	1SS133	1	223163T	
U011	D6008	DIODE	1SS133	1	223163T	
U011	Q6070	TR	2SC2631-R	1	2214984T	
U011	Q6070 or	TR	2SC2240-BL(TPE2_F)	(1)	2211406T	
U011	Q6070 or	TR	2SC2631-S	(1)	2214985T	
U011	Q6071	TR	2SC2631-R	1	2214984T	
U011	Q6071 or	TR	2SC2240-BL(TPE2_F)	(1)	2211406T	
U011	Q6071 or	TR	2SC2631-S	(1)	2214985T	
U011	Q6072	TR	2SC2631-R	1	2214984T	
U011	Q6072 or	TR	2SC2240-BL(TPE2_F)	(1)	2211406T	
U011	Q6072 or	TR	2SC2631-S	(1)	2214985T	
U011	Q6073	TR	2SC2631-R	1	2214984T	
U011	Q6073 or	TR	2SC2240-BL(TPE2_F)	(1)	2211406T	
U011	Q6073 or	TR	2SC2631-S	(1)	2214985T	
U011	Q6074	TR	2SC2631-R	1	2214984T	
U011	Q6074 or	TR	2SC2240-BL(TPE2_F)	(1)	2211406T	
U011	Q6074 or	TR	2SC2631-S	(1)	2214985T	
U011	Q6075	TR	2SC2631-R	1	2214984T	
U011	Q6075 or	TR	2SC2240-BL(TPE2_F)	(1)	2211406T	
U011	Q6075 or	TR	2SC2631-S	(1)	2214985T	
U011	Q6076	TR	2SC2631-R	1	2214984T	
U011	Q6076 or	TR	2SC2240-BL(TPE2_F)	(1)	2211406T	
U011	Q6076 or	TR	2SC2631-S	(1)	2214985T	
U011	Q6077	TR	2SC2631-R	1	2214984T	

U011	Q6077 or	TR	2SC2240-BL(TPE2_F)	(1)	2211406T
U011	Q6077 or	TR	2SC2631-S	(1)	2214985T
U011	Q6078	TR	2SC2631-R	1	2214984T
U011	Q6078 or	TR	2SC2240-BL(TPE2_F)	(1)	2211406T
U011	Q6078 or	TR	2SC2631-S	(1)	2214985T
U011	[TRANS COIL]				
U011	L6000	FR CORE	*	1	5597-45502
U011	L6001	FR CORE	*	1	5597-45502
U011	L6002	FR CORE	*	1	5597-45502
U011	L6003	FR CORE	*	1	5597-45502
U011	L6004	FR CORE	*	1	5597-45502
U011	L6005	FR CORE	*	1	5597-45502
U011	L6006	FR CORE	*	1	5597-45502
U011	L6007	FR CORE	*	1	5597-45502
U011	L6008	FR CORE	*	1	5597-45502
U011	L6010	FR CORE	*	1	5597-45502
U011	L6011	FR CORE	*	1	5597-45502
U011	L6012	FR CORE	*	1	5597-45502
U011	L6013	FR CORE	*	1	5597-45502
U011	L6014	FR CORE	*	1	5597-45502
U011	L6015	FR CORE	*	1	5597-45502
U011	L6016	FR CORE	*	1	5597-45502
U011	L6017	FR CORE	*	1	5597-45502
U011	L6018	FR CORE	*	1	5597-45502
U011	[CAPACITOR]				
U011	C6040	TF C	ECQ-V50V-223J	1	374722234T
U011	C6041	TF C	ECQ-V50V-223J	1	374722234T
U011	C6042	TF C	ECQ-V50V-223J	1	374722234T
U011	C6043	TF C	ECQ-V50V-223J	1	374722234T
U011	C6044	TF C	ECQ-V50V-223J	1	374722234T
U011	C6045	TF C	ECQ-V50V-223J	1	374722234T
U011	C6046	TF C	ECQ-V50V-223J	1	374722234T
U011	C6047	TF C	ECQ-V50V-223J	1	374722234T
U011	C6048	TF C	ECQ-V50V-223J	1	374722234T
U011	[RESISTOR]				
U011	R6080	METAL O R	RS1/2WBJ-10	1	443521004T
U011	R6081	METAL O R	RS1/2WBJ-10	1	443521004T
U011	R6082	METAL O R	RS1/2WBJ-10	1	443521004T
U011	R6083	METAL O R	RS1/2WBJ-10	1	443521004T

U011	R6084	METAL O R	RS1/2WBJ-10	1	443521004T
U011	R6085	METAL O R	RS1/2WBJ-10	1	443521004T
U011	R6086	METAL O R	RS1/2WBJ-10	1	443521004T
U011	R6087	METAL O R	RS1/2WBJ-10	1	443521004T
U011	R6088	METAL O R	RS1/2WBJ-10	1	443521004T
U011	R6090	METAL O R	RS1/2WBJ-10	1	443521004T
U011	R6091	METAL O R	RS1/2WBJ-10	1	443521004T
U011	R6092	METAL O R	RS1/2WBJ-10	1	443521004T
U011	R6093	METAL O R	RS1/2WBJ-10	1	443521004T
U011	R6094	METAL O R	RS1/2WBJ-10	1	443521004T
U011	R6095	METAL O R	RS1/2WBJ-10	1	443521004T
U011	R6096	METAL O R	RS1/2WBJ-10	1	443521004T
U011	R6097	METAL O R	RS1/2WBJ-10	1	443521004T
U011	R6098	METAL O R	RS1/2WBJ-10	1	443521004T
U011	R6170	CARBON R	R16J-33K	1	417343334T
U011	R6171	CARBON R	R16J-33K	1	417343334T
U011	R6172	CARBON R	R16J-33K	1	417343334T
U011	R6173	CARBON R	R16J-33K	1	417343334T
U011	R6174	CARBON R	R16J-33K	1	417343334T
U011	R6175	CARBON R	R16J-33K	1	417343334T
U011	R6176	CARBON R	R16J-33K	1	417343334T
U011	R6177	CARBON R	R16J-33K	1	417343334T
U011	R6178	CARBON R	R16J-33K	1	417343334T
U011	R6180	CARBON R	R16J-56K	1	417345634T
U011	R6181	CARBON R	R16J-56K	1	417345634T
U011	R6182	CARBON R	R16J-56K	1	417345634T
U011	R6183	CARBON R	R16J-56K	1	417345634T
U011	R6184	CARBON R	R16J-56K	1	417345634T
U011	R6185	CARBON R	R16J-56K	1	417345634T
U011	R6186	CARBON R	R16J-56K	1	417345634T
U011	R6187	CARBON R	R16J-56K	1	417345634T
U011	R6188	CARBON R	R16J-56K	1	417345634T
U011	R6190	CARBON R	R16J-10K	1	417341034T
U011	R6191	CARBON R	R16J-10K	1	417341034T
U011	R6192	CARBON R	R16J-10K	1	417341034T
U011	R6193	CARBON R	R16J-10K	1	417341034T
U011	R6194	CARBON R	R16J-10K	1	417341034T
U011	R6195	CARBON R	R16J-10K	1	417341034T
U011	R6196	CARBON R	R16J-10K	1	417341034T

U011	R6197	CARBON R	R16J-10K	1	417341034T	
U011	R6198	CARBON R	R16J-10K	1	417341034T	
U011	R6210	CARBON R	R16J-47K	1	417344734T	
U011	R6211	CARBON R	R16J-47K	1	417344734T	
U011	R6212	CARBON R	R16J-47K	1	417344734T	
U011	R6213	CARBON R	R16J-47K	1	417344734T	
U011	R6214	CARBON R	R16J-47K	1	417344734T	
U011	R6215	CARBON R	R16J-47K	1	417344734T	
U011	R6216	CARBON R	R16J-47K	1	417344734T	
U011	R6217	CARBON R	R16J-47K	1	417344734T	
U011	R6218	CARBON R	R16J-47K	1	417344734T	
U011	R6230	CARBON R	R16J-47K	1	417344734T	
U011	R6231	CARBON R	R16J-47K	1	417344734T	
U011	R6232	CARBON R	R16J-47K	1	417344734T	
U011	R6233	CARBON R	R16J-47K	1	417344734T	
U011	R6234	CARBON R	R16J-47K	1	417344734T	
U011	R6235	CARBON R	R16J-47K	1	417344734T	
U011	R6236	CARBON R	R16J-47K	1	417344734T	
U011	R6237	CARBON R	R16J-47K	1	417344734T	
U011	R6238	CARBON R	R16J-47K	1	417344734T	
U011	R6400	METAL PR	MPR2W+2WK 0R47	1	4000253	N
U011	R6400 or	METAL P R	RF2EGPKR47S	(1)	4000257	
U011	R6401	METAL PR	MPR2W+2WK 0R47	1	4000253	N
U011	R6401 or	METAL P R	RF2EGPKR47S	(1)	4000257	
U011	R6402	METAL PR	MPR2W+2WK 0R47	1	4000253	N
U011	R6402 or	METAL P R	RF2EGPKR47S	(1)	4000257	
U011	R6403	METAL PR	MPR2W+2WK 0R47	1	4000253	N
U011	R6403 or	METAL P R	RF2EGPKR47S	(1)	4000257	
U011	R6404	METAL PR	MPR2W+2WK 0R47	1	4000253	N
U011	R6404 or	METAL P R	RF2EGPKR47S	(1)	4000257	
U011	R6405	METAL PR	MPR2W+2WK 0R47	1	4000253	N
U011	R6405 or	METAL P R	RF2EGPKR47S	(1)	4000257	
U011	R6406	METAL PR	MPR2W+2WK 0R47	1	4000253	N
U011	R6406 or	METAL P R	RF2EGPKR47S	(1)	4000257	
U011	R6407	METAL PR	MPR2W+2WK 0R47	1	4000253	N
U011	R6407 or	METAL P R	RF2EGPKR47S	(1)	4000257	
U011	R6408	METAL PR	MPR2W+2WK 0R47	1	4000253	N
U011	R6408 or	METAL P R	RF2EGPKR47S	(1)	4000257	
U011	R6410	METAL PR	MPR2W+2WK 0R47	1	4000253	N

U011	R6410 or	METAL P R	RF2EGPKR47S	(1)	4000257	
U011	R6411	METAL PR	MPR2W+2WK 0R47	1	4000253	N
U011	R6411 or	METAL P R	RF2EGPKR47S	(1)	4000257	
U011	R6412	METAL PR	MPR2W+2WK 0R47	1	4000253	N
U011	R6412 or	METAL P R	RF2EGPKR47S	(1)	4000257	
U011	R6413	METAL PR	MPR2W+2WK 0R47	1	4000253	N
U011	R6413 or	METAL P R	RF2EGPKR47S	(1)	4000257	
U011	R6414	METAL PR	MPR2W+2WK 0R47	1	4000253	N
U011	R6414 or	METAL P R	RF2EGPKR47S	(1)	4000257	
U011	R6415	METAL PR	MPR2W+2WK 0R47	1	4000253	N
U011	R6415 or	METAL P R	RF2EGPKR47S	(1)	4000257	
U011	R6416	METAL PR	MPR2W+2WK 0R47	1	4000253	N
U011	R6416 or	METAL P R	RF2EGPKR47S	(1)	4000257	
U011	R6417	METAL PR	MPR2W+2WK 0R47	1	4000253	N
U011	R6417 or	METAL P R	RF2EGPKR47S	(1)	4000257	
U011	R6418	METAL PR	MPR2W+2WK 0R47	1	4000253	N
U011	R6418 or	METAL P R	RF2EGPKR47S	(1)	4000257	
U011	[SW TRM]					
U011	JL6041B	WIRE TRAP	NPLG-3P586	1	25055624	
U011	JL6042A	WIRE HOL	NSCT-3P874	1	25051087	
U011	JL6042B	WIRE TRAP	NPLG-3P586	1	25055624	
U011	P6030A	PLUG	IMSA-9115B-05	1	25056335	N
U011	P6031A	PLUG	IMSA-9115B-05	1	25056335	N
U011	P6032A	PLUG	IMSA-9115B-05	1	25056335	N
U011	P6033A	PLUG	IMSA-9115B-05	1	25056335	N
U011	P6034A	PLUG	IMSA-9115B-05	1	25056335	N
U011	P6035A	PLUG	IMSA-9115B-05	1	25056335	N
U011	P6036A	PLUG	IMSA-9115B-05	1	25056335	N
U011	P6037A	PLUG	IMSA-9115B-05	1	25056335	N
U011	P6038A	PLUG	IMSA-9115B-05	1	25056335	N
U011	P6050	PLUG	IMSA-9201B-1-06Z388-PT1	1	25056614	
U011	P6051	PLUG	IMSA-9201B-1-06Z388-PT1	1	25056614	
U011	P6052	PLUG	IMSA-9201B-1-06Z388-PT1	1	25056614	
U011	P6053	PLUG	IMSA-9201B-1-06Z388-PT1	1	25056614	
U011	P6054	PLUG	IMSA-9201B-1-06Z388-PT1	1	25056614	
U011	P6055	PLUG	IMSA-9201B-1-06Z388-PT1	1	25056614	
U011	P6056	PLUG	IMSA-9201B-1-06Z388-PT1	1	25056614	
U011	P6057	PLUG	IMSA-9201B-1-06Z388-PT1	1	25056614	
U011	P6058	PLUG	IMSA-9201B-1-06Z388-PT1	1	25056614	

U011	P6060	PLUG	IMSA-9201B-1-06Z388-PT1	1	25056614	
U011	P6061	PLUG	IMSA-9201B-1-06Z388-PT1	1	25056614	
U011	P6062	PLUG	IMSA-9201B-1-06Z388-PT1	1	25056614	
U011	P6063	PLUG	IMSA-9201B-1-06Z388-PT1	1	25056614	
U011	P6064	PLUG	IMSA-9201B-1-06Z388-PT1	1	25056614	
U011	P6065	PLUG	IMSA-9201B-1-06Z388-PT1	1	25056614	
U011	P6066	PLUG	IMSA-9201B-1-06Z388-PT1	1	25056614	
U011	P6067	PLUG	IMSA-9201B-1-06Z388-PT1	1	25056614	
U011	P6068	PLUG	IMSA-9201B-1-06Z388-PT1	1	25056614	
U011	P6070	PLUG	NPLG-2P645	1	25055689	
U011	P6071	PLUG	NPLG-2P645	1	25055689	
U011	P6072	PLUG	NPLG-2P645	1	25055689	
U011	P6073	PLUG	NPLG-2P645	1	25055689	
U011	P6074	PLUG	NPLG-2P645	1	25055689	
U011	P6075	PLUG	NPLG-2P645	1	25055689	
U011	P6076	PLUG	NPLG-2P645	1	25055689	
U011	P6077	PLUG	NPLG-2P645	1	25055689	
U011	P6078	PLUG	NPLG-2P645	1	25055689	
U011	P6240	SOCKET AS	NSAS-4P1789	1	2009991155AUL	N
U011	P6250	SOCKET AS	NSAS-5P1791	1	2009991157AUL	N
U011	P6340A	PLUG	NPLG-2P149	1	25055165	
U011	P6350A	PLUG	NPLG-2P149	1	25055165	
U011	[MECHA PARTS]					
U011	P6340B	RETAINER	(AMP-4)	1	27142144	N
U011	P6340C	RETAINER	(AMP-4)	1	27142144	N
U011	P6350B	RETAINER	(AMP-5)	1	27142145	N
U011	P6350C	RETAINER	(AMP-5)	1	27142145	N

ONKYO

ONKYO SOUND & VISION CORPORATION

Technical Support, Service Dept.: 2-1, Nisshin-cho, Neyagawa-shi, OSAKA 572-8540, JAPAN
Tel: 072-831-8023 Fax: 072-831-8163

ONKYO U.S.A. CORPORATION

18 Park Way, Upper Saddle River, N.J. 07458, U.S.A.
Tel: 800-229-1687, 201-785-2600 Fax: 201-785-2650
<http://www.us.onkyo.com/>

ONKYO EUROPE ELECTRONICS GmbH

Liegnitzerstrasse 6, 82194 Groebenzell, GERMANY
Tel: +49-8142-4401-0 Fax: +49-8142-4401-555
<http://www.eu.onkyo.com/>

ONKYO EUROPE ELECTRONICS GmbH (UK BRANCH)

The Coach House 81A High Street, Marlow, Buckinghamshire, SL7 1AB, UK
Tel: +44-(0)1628-473-350 Fax: +44-(0)1628-401-700

ONKYO CHINA LIMITED

Unit 1033, 10/F, Star House, No 3, Salisbury Road, Tsim Sha Tsui Kowloon, Hong Kong.
Tel: 852-2429-3118 Fax: 852-2428-9039
<http://www.ch.onkyo.com/>