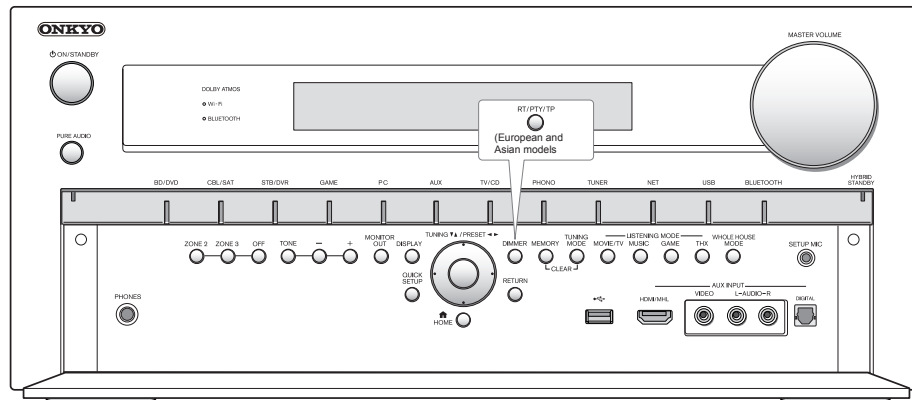
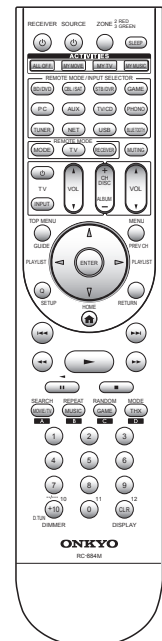



**ONKYO SERVICE MANUAL****AV RECEIVER  
MODEL TX-NR3030(B)/(S)****Black and Silver models**

RC-884M

B MDC	120V AC, 60Hz
B MMP, S MMP	220-240V AC, 50/60Hz
B MMR	220-240V AC, 50/60Hz

**SAFETY-RELATED COMPONENT  
WARNING!!**

COMPONENTS IDENTIFIED BY MARK  ON THE SCHEMATIC DIAGRAM AND IN THE PARTS LIST ARE CRITICAL FOR RISK OF FIRE AND ELECTRIC SHOCK. REPLACE THESE COMPONENTS WITH ONKYO PARTS WHOSE PART NUMBERS APPEAR AS SHOWN IN THIS MANUAL.

MAKE LEAKAGE-CURRENT OR RESISTANCE MEASUREMENTS TO DETERMINE THAT EXPOSED PARTS ARE ACCEPTABLY INSULATED FROM THE SUPPLY CIRCUIT BEFORE RETURNING THE APPLIANCE TO THE CUSTOMER.

Onkyo Corporation  
Service Department

## DEBUG MODE-1

### AUDIO DEBUG MODE-1/4

#### AUDIO DEBUG MODE (Display mode of the audio information)

The operations of DSP and DIR etc are able to checked by the information displayed on FL in this debug mode.  
This information will help to analysing digital audio no sound trouble.

#### To set in Debug mode

1. Press **twice** the **ON/STANDBY** key while pressing the **DISPLAY** key.

e.g. 

<i>Main:</i> 1.01/13515AE8	—	The version number of microprocessor is displayed only for 3 seconds.
-------------------------------	---	---

2. Press **+(TONE)** button while the version number of microprocessor is displayed.

e.g. 

<i>DSP 1st/NET:</i> 1.07/13514AEA	—	The version number of DSP is displayed only for 3 seconds.
--------------------------------------	---	--

3. Press **DISPLAY** button while the version number of DSP is displayed.

e.g. 

<i>0A0002: :00</i> <i>ANA:o:NON: :</i>	Audio dubug mode Step-1
---	----------------------------

4. Press **DISPLAY** button. ↓

e.g. 

<i>1:ANA 048k048k</i> <i>2/0.0: 2.0:3/4</i>	Step-2
--	--------

5. Press **DISPLAY** button. ↓

e.g. 

<i>2:o:PCM :PCM</i> <i>00:x:F: OFF</i>	Step-3
---	--------

6. Press **DISPLAY** button. ↓

e.g. 

<i>SP00F*00F00409</i> <i>48 48256STB</i>	Step-4
---	--------

7. Press **DISPLAY** button. ↓

e.g. 

<i>L : 0 0</i> <i>R : 0 0</i>	Step-5
----------------------------------	--------

8. Press **DISPLAY** button. ↓

e.g. 

<i>C : 0 0</i>	Step-6
----------------	--------

9. Press **DISPLAY** button. ↓

e.g. 

<i>LS : 0 0</i> <i>RS : 0 0</i>	Step-7
------------------------------------	--------

10. Press **DISPLAY** button.

e.g. 

<i>LB : 0 0</i> <i>RB : 0 0</i>	Step-8
------------------------------------	--------

11. Press **DISPLAY** button. ↓

e.g. 

<i>LH : 0 0</i> <i>RH : 0 0</i>	Step-9
------------------------------------	--------

12. Press **DISPLAY** button. ↓

e.g. 

<i>LW : 0 0</i> <i>RW : 0 0</i>	Step-10
------------------------------------	---------

13. Press **DISPLAY** button. ↓

e.g. 

<i>SW : 0 0</i> <i>SW2 : 0 0</i>	Step-11
-------------------------------------	---------

14. Press **DISPLAY** button.

Exit

## DEBUG MODE-2

## AUDIO DEBUG MODE-2/4

Step-1

FL Display

1	1	2	2	3	3	:	A	A	:	B	B		
C	C	C	:	D	:	E	E	E	:	F	:	G	

## 1 st\_srd.lmd

01	C LM LAST
02	C LM PURE
03	C LM DIRECT
04	C LM STEREO
05	C LM MONO
20	C LM SURR
50	C LM THX MUSIC
70	C LM THX GAME
90	C LM THX CINEMA
A0	C LM THX U2GAME
A8	C LM THX U2MUSIC
B0	C LM THX U2CINEMA
D0	C LM AUDYSSEY
48	C LM DTSSS
06	C LM ORCHESTRA
07	C LM UNPLUGGED
08	C LM STUDIOMIX
09	C LM TVLOGIC
0A	C LM ALLCHST
0B	C LM FULLMONO
0C	C LM TD
F1	C LM TESTTONE
F2	C LM TESTTHR
F3	C LM TESTAUTO
F4	C LM ASC
F5	C LM FLASH
F6	C LM DEBUGMODE
F7	C LM FLASH2
F8	C LM FLASH3
F9	C LM FLASH4
FA	C LM FLASH CHECK
0D	C LM RPG
0E	C LM ACTION
0F	C LM ROCKBAND
10	C LM SPORTS

## 2 st\_srd.extdec

00	C EXTDEC OFF
01	C EXTDEC 20 PLII
02	C EXTDEC 20 PLIIX
03	C EXTDEC 20 PLIIZ
04	C EXTDEC 20 NEO6
05	C EXTDEC 51 MTR
06	C EXTDEC 51 DSC
07	C EXTDEC 51 NEO6
08	C EXTDEC 51 EX
09	C EXTDEC 51 PLIIX
0A	C EXTDEC 51 PLIIZ
0B	C EXTDEC 9624
0C	C EXTDEC 9624 MTR
0E	C EXTDEC 71MULTI
0F	C EXTDEC 20 NEURAL
10	C_EXTDEC_51_NEURAL
13	C_EXTDEC_DOLBY_20_SURR
14	C_EXTDEC_DOLBY_51_SURR

## 3 st\_srd.extdecmd

00	C EXTDECMD OFF
01	C EXTDECMD 10
02	C EXTDECMD 20
03	C EXTDECMD MOVIE
04	C EXTDECMD MUSIC
05	C EXTDECMD GAME
06	C EXTDECMD HEIGHT
07	C EXTDECMD WIDE

## A Muting port

D	DIGMUTE port
A	AMUTE port

## B Factor of muting

bit_1	SELMUTE
bit_2	POWMUTE
bit_3	PROTECTMUTE
bit_4	AUDIOOUTMUTE
bit_5	AUDIOMUTE

## C Input

ANA	Analog
COX	Caxal
OPT	Optical
HDM	HDMI
ARC	ARC

## D DSP Detect

	DSP Detect OK
×	DSP No Detect

## E Sound state

STB	SOUND STATE FIX
TRS	SOUND STATE UNFIX
NON	SOUND STATE NONE

## F Display inhibit

S	display_inhibit SET
C	display_inhibit CLR

## G HDMI mute

V	HDMI MUTE
---	-----------

**DEBUG MODE-3****AUDIO DEBUG MODE-3/4****Step-2**

1	:	1	1	1	1	2	2	2	k	3	3	3	k
4	4	4	.	5	:	6	6	6	6	:	7	7	7

**1** Type of input format  
source\_format

UNLK	DDR_UNLOCK
ANA	DDR_ANALOG
PCM	DDR_PCM
AC3	DDR_AC3
DTS	DDR_DTS
MPEG	DDR_MPEG
DATA	DDR_DATA
UNKW	DDR_UNKNOWN
NORD	DDR_NOT_READY
NPCM	DDR_NOT_PCM
FS96	DDR_FS96
NODT	DDR_NOT_DETECT
DTSC	DDR_DTSCD
AAC	DDR_AAC
MPCM	DDR_MCHPCM
MCH	DDR_MCH
TRUE	DDR_TRUE
MSTR	DDR_MSTR
DSD	DDR_DSD
PLUS	DDR_DDPLUS
EXPR	DDR_DTSEXP
DTSH	DDR_DTSHD

**2** Sampling frequency  
st\_srd.fs

**3** Sampling frequency for display  
st\_hd\_display.fs

???	unknown
008	8kHz
011	11kHz
012	12kHz
016	16kHz
022	22kHz
024	24kHz
032	32kHz
044	44.1kHz
048	48kHz
064	64kHz
088	88.2kHz
096	96kHz
176	176.4kHz
192	192kHz

**4** Number of input channels  
for listening mode transition

**5** Input channel

st\_srd.lfe, st\_srd.lfe2

0	SW 0ch
1	SW 1ch
2	SW 2ch

**6** Number of channels for display  
st\_hd\_display.prgfmt[4]

"10.2" "5.1" "1 +1" four-digit string

**7** Number of channels after  
the decoding process  
hd\_dec\_prgfmt

???	C_FMT_UNKNOWN
10	C_FMT_10
20	C_FMT_20
30	C_FMT_30
21	C_FMT_21
31	C_FMT_31
22	C_FMT_22
32	C_FMT_32
23	C_FMT_23
33	C_FMT_33
24	C_FMT_24
34	C_FMT_34
4H2	C_FMT_42H
5H2	C_FMT_52H
4W2	C_FMT_42W
5W2	C_FMT_52W
4H4	C_FMT_44H
4H3	C_FMT_43H
5H4	C_FMT_54H
5H3	C_FMT_53H
4W4	C_FMT_44W
4W3	C_FMT_43W
5W4	C_FMT_54W
5W3	C_FMT_53W
11	C_FMT_11

## DEBUG MODE-4

### AUDIO DEBUG MODE-4/4

#### Step-3

2	:	8	:	9	9	9	9	:	10	10	10	10	
		11	11	:	12	:	13	:	14	14	14		15 15

#### 8 Audio output OK?

f\_dsp\_detect\_ok

O	Decode OK
X	Decode NG

#### 9 Details of input format

st\_srd.source

#### 10 Details of input format

st\_hd\_display.source

ANA	C_SRC_ANA
PCM	C_SRC_PCM
DLB	C_SRC_DD
DEX	C_SRC_DD_EX
DTS	C_SRC_DTS
MTR	C_SRC_DTS_MTR
DSC	C_SRC_DTS_DSC
D96	C_SRC_DTS_96
96M	C_SRC_DTS_96M
AAC	C_SRC_AAC
MCH	C_SRC_MCH
DSP	C_SRC_DSP
MPCM	C_SRC_MCHPCM
DSD	C_SRC_DSD
TRUE	C_SRC_TRUE
TREX	C_SRC_TRUE_EX
MSTR	C_SRC_MSTR
PLUS	C_SRC_DDPLUS
PLEX	C_SRC_DDPLUS_EX
EXP	C_SRC_DTSEXP
DTSH	C_SRC_DTSHD
DSUR	C_SRC_DD_SUR
DPSR	C_SRC_DDPLUS_SUR
TRSR	C_SRC_TRUE_SUR

#### 11 Dialog Norm

st\_srd.dnorm

Dialog Norm value of 0 to 31

#### 12 DIRINT

The return value of ddr Request\_dir (DDC\_STATUS)

o	LOCK
k	UNLOCK

#### 13 DIR busy or free

The return value of ddr Request\_dir (DDC\_BUSY)

F	Free
B	Busy

#### 14 Emphasis information

f\_dir\_empha\_mode

ON	ON
OFF	OFF

#### 15 HDDVD/BLUE(Only DDPLUS)

BD	Bluray
HD	HDDVD

#### Step-5 to Step-11

L		:											
R		:											

L	H	:											
R	H	:											

C		:											
		:											

L	W	:											
R	W	:											

L	S	:											
R	S	:											

S	W	:											
S	W	2	:										

L	B	:											
R	B	:											

- The sum of the values of Volume correction related to the DSP.
- The sum of the values of Volume correction, including correction of the Analog stage.



## DEBUG MODE-6

### HDMI DEBUG MODE-2/4

Display of Output Resolution ----> The second line

For a video processor	Via VSP Display the " → " in column 4	<input type="text" value=""/> <input type="text" value=""/> <input type="text" value=""/> <input type="text" value=""/> <input type="text" value="1"/> <input type="text" value="0"/> <input type="text" value="8"/> <input type="text" value="0"/> <input type="text" value="i"/> <input type="text" value="/"/> <input type="text" value="6"/> <input type="text" value="0"/>
	VSP skip	<input type="text" value=""/> <input type="text" value=""/> <input type="text" value=""/> <input type="text" value=""/> <input type="text" value="1"/> <input type="text" value="0"/> <input type="text" value="8"/> <input type="text" value="0"/> <input type="text" value="i"/> <input type="text" value="/"/> <input type="text" value="6"/> <input type="text" value="0"/>
DVI input signal	i / p will be capitalized.	<input type="text" value=""/> <input type="text" value=""/> <input type="text" value=""/> <input type="text" value=""/> <input type="text" value="4"/> <input type="text" value="8"/> <input type="text" value="0"/> <input type="text" value="i"/> <input type="text" value="/"/> <input type="text" value="6"/> <input type="text" value="0"/>
		<input type="text" value=""/> <input type="text" value=""/> <input type="text" value=""/> <input type="text" value=""/> <input type="text" value="4"/> <input type="text" value="8"/> <input type="text" value="0"/> <input type="text" value="P"/> <input type="text" value="/"/> <input type="text" value="6"/> <input type="text" value="0"/>
VGA input signal	Display the " * " in column 5	<input type="text" value=""/> <input type="text" value=""/> <input type="text" value=""/> <input type="text" value=""/> <input type="text" value="*"/> <input type="text" value=""/> <input type="text" value="4"/> <input type="text" value="8"/> <input type="text" value="0"/> <input type="text" value="p"/> <input type="text" value="/"/> <input type="text" value="6"/> <input type="text" value="0"/>
RSEN is OFF	Display the " * " in column 14	<input type="text" value=""/> <input type="text" value=""/> <input type="text" value=""/> <input type="text" value=""/> <input type="text" value=""/> <input type="text" value="4"/> <input type="text" value="8"/> <input type="text" value="0"/> <input type="text" value="p"/> <input type="text" value="/"/> <input type="text" value="6"/> <input type="text" value="0"/> <input type="text" value="*"/>
EDID_READ is NG	Display the " # " in column 14	<input type="text" value=""/> <input type="text" value=""/> <input type="text" value=""/> <input type="text" value=""/> <input type="text" value=""/> <input type="text" value="4"/> <input type="text" value="8"/> <input type="text" value="0"/> <input type="text" value="p"/> <input type="text" value="/"/> <input type="text" value="6"/> <input type="text" value="0"/> <input type="text" value="#"/>
Resolution Error	Display the " x " in column 14	<input type="text" value=""/> <input type="text" value=""/> <input type="text" value=""/> <input type="text" value=""/> <input type="text" value=""/> <input type="text" value="4"/> <input type="text" value="8"/> <input type="text" value="0"/> <input type="text" value="p"/> <input type="text" value="/"/> <input type="text" value="6"/> <input type="text" value="0"/> <input type="text" value="x"/>
No output (Signal output destination can not be found.)		<input type="text" value=""/> <input type="text" value=""/> <input type="text" value=""/> <input type="text" value=""/> <input type="text" value="-"/> <input type="text" value="-"/> <input type="text" value="-"/> <input type="text" value="-"/> <input type="text" value="-"/>
Hot-plug of Sink equipment can not be detected.		<input type="text" value=""/> <input type="text" value=""/> <input type="text" value=""/> <input type="text" value=""/> <input type="text" value=""/> <input type="text" value="O"/> <input type="text" value="F"/> <input type="text" value="F"/>

### 4K Upscaling

Display of Input resolution

Display of Output resolution

#### List of resolution

<input type="text" value="3"/> <input type="text" value="8"/> <input type="text" value="4"/> <input type="text" value="0"/> <input type="text" value="x"/> <input type="text" value="2"/> <input type="text" value="1"/> <input type="text" value="6"/> <input type="text" value="0"/> <input type="text" value="p"/> <input type="text" value="/"/> <input type="text" value="3"/> <input type="text" value="0"/>
<input type="text" value="3"/> <input type="text" value="8"/> <input type="text" value="4"/> <input type="text" value="0"/> <input type="text" value="x"/> <input type="text" value="2"/> <input type="text" value="1"/> <input type="text" value="6"/> <input type="text" value="0"/> <input type="text" value="p"/> <input type="text" value="/"/> <input type="text" value="2"/> <input type="text" value="5"/>
<input type="text" value="3"/> <input type="text" value="8"/> <input type="text" value="4"/> <input type="text" value="0"/> <input type="text" value="x"/> <input type="text" value="2"/> <input type="text" value="1"/> <input type="text" value="6"/> <input type="text" value="0"/> <input type="text" value="p"/> <input type="text" value="/"/> <input type="text" value="2"/> <input type="text" value="4"/>
<input type="text" value="4"/> <input type="text" value="0"/> <input type="text" value="9"/> <input type="text" value="6"/> <input type="text" value="x"/> <input type="text" value="2"/> <input type="text" value="1"/> <input type="text" value="6"/> <input type="text" value="0"/> <input type="text" value="p"/> <input type="text" value="/"/> <input type="text" value="2"/> <input type="text" value="4"/>

Resolution Error

EDID\_READ\_NG

If the three-digit numbers are refrate

### 3D Display

The first line : Resolution display

The second line : Status Display

RSEN OFF	Display the " * " in column 14	<input type="text" value="1"/> <input type="text" value="0"/> <input type="text" value="8"/> <input type="text" value="0"/> <input type="text" value="p"/> <input type="text" value="/"/> <input type="text" value="2"/> <input type="text" value="4"/> <input "="" type="text" value="("/> <input type="text" value="3"/> <input type="text" value="D"/> <input type="text" value=")"/> <input type="text" value="*"/>
EDID READ NG	Display the " # " in column 9	<input type="text" value="H"/> <input type="text" value="D"/> <input type="text" value="M"/> <input type="text" value="I"/> <input type="text" value=""/> <input type="text" value="4"/> <input type="text" value="4"/> <input type="text" value="4"/> <input type="text" value=""/> <input type="text" value="#"/> <input type="text" value="3"/> <input type="text" value="6"/> <input type="text" value="b"/> <input type="text" value="i"/> <input type="text" value="t"/>
Resolution Error	Display the " x " in column 13	<input type="text" value="1"/> <input type="text" value="0"/> <input type="text" value="8"/> <input type="text" value="0"/> <input type="text" value="p"/> <input type="text" value="/"/> <input type="text" value="2"/> <input type="text" value="4"/> <input "="" type="text" value="("/> <input type="text" value="3"/> <input type="text" value="D"/> <input type="text" value=")"/> <input type="text" value="x"/>

## DEBUG MODE-7

## HDMI DEBUG MODE-3/4

Status		
Input Mode	HDMI input	1 0 8 0 p / 2 4 ( 3 D ) H D M I 4 4 4 3 6 b i t
	DVI Input	1 0 8 0 p / 2 4 ( 3 D ) D V I 4 4 4 3 6 b i t
	No Input	1 0 8 0 p / 2 4 ( 3 D ) - - - 4 4 4 3 6 b i t
Input Color	RGB	1 0 8 0 p / 2 4 ( 3 D ) H D M I R G B 3 6 b i t
	422	1 0 8 0 p / 2 4 ( 3 D ) H D M I 4 2 2 3 6 b i t
	444	1 0 8 0 p / 2 4 ( 3 D ) H D M I 4 4 4 3 6 b i t
Deep Color	24bit	1 0 8 0 p / 2 4 ( 3 D ) H D M I R G B 2 6 b i t
	30bit	1 0 8 0 p / 2 4 ( 3 D ) H D M I R G B 3 0 b i t
	36bit	1 0 8 0 p / 2 4 ( 3 D ) H D M I R G B 3 6 b i t

3D format		
Frame Packing		F r a m e P a c k i n g
Field alternative		F i e l d a l t e r n a t i v e
Line alternative		L i n e a l t e r n a t i v e
Side-by-Side(Full)		S i d e - b y - S i z e ( F u l l )
L+depth		L + d e p t h
L+depth + graphics		L + d e p t h + g r a p h i c s
Side by Side(Harf)		S i d e - b y - S i z e ( H a r f )
Top and Bottom		T o p - a n d - B o t t o m
unknown		U N K N O W N
INPUT/OUTPUT		I N P U T : * * O U T P U T : * *



# DEBUG MODE-8

## HDMI DEBUG MODE-4/4

### PC Resolution

1	0	2	4	x	7	6	8	p /	6	0
1	0	2	4	x	7	6	8	p /	6	0

The first line : Input resolution

The second line :Output resolution

Display of Input resolution		Horizontal resolution	Vertical resolution	Referat
		* * * * x	* * * * p /	* *
		1 0 2 4 x	7 6 8 p /	6 0
DVI input	Display uppercase P/i	1 0 2 4 x	7 6 8 P /	6 0
		1 0 2 4 x	7 6 8 p /	6 0
HDMI input	Display lowercase p/i	1 0 2 4 x	7 6 8 p /	6 0
		1 0 2 4 x	7 6 8 P /	6 0
Three-digit numbers are Referat		1 0 2 4 x	7 6 8 P 1 2 0	
		1 0 2 4 x	7 6 8 p /	6 0
No input		U N K N O W N		
		1 0 2 4 x	7 6 8 p /	6 0
Display of Output resolution		Horizontal resolution	Vertical resolution	Referat
		* * * * x	* * * * p /	* *
		1 0 2 4 x	7 6 8 p /	6 0
DVI output	Display uppercase P/i	1 0 2 4 x	7 6 8 p /	6 0
		1 0 2 4 x	7 6 8 P /	6 0
HDMI output	Display lowercase p/i	1 0 2 4 x	7 6 8 p /	6 0
		1 0 2 4 x	7 6 8 P /	6 0
Display"-----"		1 0 2 4 x	7 6 8 p /	6 0
			- - - - -	
Three-digit numbers are Referat		1 0 2 4 x	7 6 8 p /	6 0
		1 0 2 4 x	7 6 8 P 1 2 0	
EDID READ NG	Display the " # " in column 13	1 0 2 4 x	7 6 8 p /	6 0
		1 0 2 4 x	7 6 8 P /	6 0 #
Resolution through	Display the " x " in column 13	1 0 2 4 x	7 6 8 p /	6 0
		1 0 2 4 x	7 6 8 P /	6 0 x
<b>INPUT/ OUTPUT</b>		I N	:	*
		O U T	:	*

## DEBUG MODE-9

### SERVICE INFORMATION MODE

#### Displaying Service information

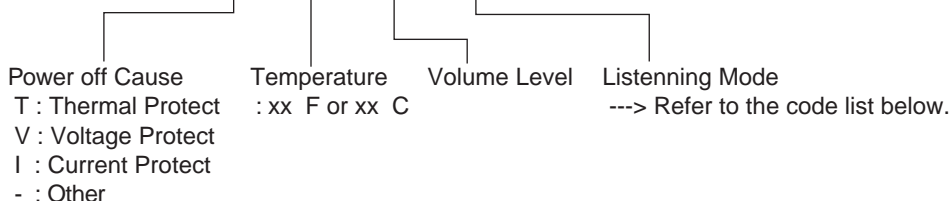
This service information display system is helpful in analyze the status when the unit goes into Protect mode and is powered off. Pay attention that the status will change if a button is pushed.

1. Press **twice** the **ON/ STANDBY** key while pressing the **DISPLAY** key.

e.g. 1.01/13515AE8 — The version of main microprocessor is displayed only for 3 seconds.

2. Press **HOME** button within 3 seconds above.

e.g. - 80 °F 27 DD — Information Displayed (Record this Information)



#### Listening Mode Code List

01	C_LM_LAST
02	C_LM_PURE
03	C_LM_DIRECT
04	C_LM_STEREO
05	C_LM_MONO
20	C_LM_SURR
50	C_LM_THX_MUSIC
70	C_LM_THX_GAME
90	C_LM_THX_CINEMA
A0	C_LM_THX_U2GAME
A8	C_LM_THX_U2MUSIC
B0	C_LM_THX_U2CINEMA

D0	C_LM_AUDYSSEY
48	C_LM_DTSSS
06	C_LM_ORCHESTRA
07	C_LM_UNPLUGGED
08	C_LM_STUDIOMIX
09	C_LM_TVLOGIC
0A	C_LM_ALLCHST
0B	C_LM_FULLMONO
0C	C_LM_TD
F1	C_LM_TESTTONE
F2	C_LM_TESTTHR
F3	C_LM_TESTAUTO

F4	C_LM_ASC
F5	C_LM_FLASH
F6	C_LM_DEBUGMODE
F7	C_LM_FLASH2
F8	C_LM_FLASH3
F9	C_LM_FLASH4
FA	C_LM_FLASH_CHECK
0D	C_LM_RPG
0E	C_LM_ACTION
0F	C_LM_ROCKBAND
10	C_LM_SPORTS

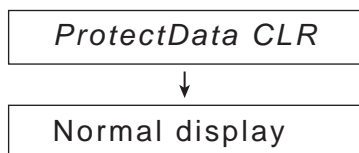
3. Press **HOME** button again. The following information are displayed.

e.g. 01:23 10h — Information Displayed (Record this Information)

Time after Power on : xx : xx

Time after Initialize : xx hour

4. Press **ON/STANDBY** button to exit the display of service information.  
(Ref.: Press **RETURN** button to initialize the data in the service information.)



## OPERATION CHECK-1

### NOTATION ABOUT ENTERING TEST MODE BY PRESSING BUTTON

In this procedure, the following notations are used to simplify explanation of how to press button.

e.g.-1 **[TV/CD] + [ON/STANDBY] [BD/DVD]**

This means "While holding down TV/CD button, press ON/STANDBY button then release both buttons and then press BD/DVD button".

e.g.-2 **[DISPLAY] + [ON/STANDBY] \*2 [DIMMER]**

This means "While holding down DISPLAY button, press ON/STANDBY button **twice** then release both buttons and then press DIMMER button".

### INITIAL SETTING FOR SHIPPING

Initialization of memories.

Do the following operation.

**[CBL/SAT] + [ON/STANDBY]**

Unplug the power cord from AVR after the FL tube displays "Clear" and AVR goes standby.

### CONFIRMATION OF F/W VERSION

Do the following operation.

1. **[DISPLAY] + [ON/STANDBY]**

to display MMPU version.

e.g. *M1.03/14307ALN*

2. **[TONE+]**

to display another F/W version.

e.g. **[ONKYO]**

<i>Main:</i> <i>1.05/14X07AM</i>	Main
↓	
<i>DSP 1st/NET:</i> <i>1.03/14X08AMA</i>	DSP 1st/NET
↓	
<i>DSP 2nd</i> <i>1.01/14930AMA</i>	DSP 2nd
↓	
<i>Video:</i> <i>1.01/14X06AM</i>	HDMI/VIDEO
↓	
<i>VSP(KYOTOG2H):</i> <i>1.01/14910AEO</i>	VSP
↓	
<i>OSD(Sparta):</i> <i>1.00/14219AM</i>	OSD
↓	
<i>Rogue(TX)</i> <i>1.02/14730A</i>	HDCP TX
↓	
<i>Rogue(RX)</i> <i>1.01/14730A</i>	HDCP RX

**[Integra]**

<i>Main:</i> <i>1.05/14X07AM</i>	Main
↓	
<i>DSP 1st/NET:</i> <i>1.03/14X08AMA</i>	DSP 1st/NET
↓	
<i>DSP 2nd</i> <i>1.01/14930AMA</i>	DSP 2nd
↓	
<i>Video:</i> <i>1.01/14X06AM</i>	HDMI/VIDEO
↓	
<i>VSP(KYOTOG2H):</i> <i>1.01/14910AEI</i>	VSP
↓	
<i>OSD(Sparta):</i> <i>1.00/14219AM</i>	OSD
↓	
<i>Rogue(TX)</i> <i>1.02/14730A</i>	HDCP TX
↓	
<i>Rogue(RX)</i> <i>1.01/14730A</i>	HDCP RX
↓	
<i>VS100:</i> <i>1.30.72.1</i>	HDBase-T

#### <NOTE>

It cannot enter a test mode immediately after power supply ON, please press the Setup key.

### CONFIRMATION OF MAIN CHECKSUM

MAIN Checksum can be confirmed the following operation.

**[DISPLAY] + [ON/STANDBY] \* 2 [MEMORY]**

### CONFIRMATION OF OUTPUT VOLTAGE AND THERMAL SENSOR

Temperature and output voltage can be confirmed the following operation.

**[DISPLAY] + [ON/STANDBY] \* 2 [TONE]**

e.g. *001 042 F:x S:H*

Voltage of VOLH port	Temperature of thermal sensor	FAN speed x: Stop L: Low speed H: High speed	Amplifier power Supply voltage condition H: High-B L: Low-B
-------------------------	----------------------------------	---	--

## OPERATION CHECK-2

### CONFIRMATION OF MODEL NAME AND DESTINATION

Model name and destination can be confirmed the following operation.

[TV/CD] + [ON/STANDBY] [DIMMER](RT/PTY/TP) [TONE+] \*4

e.g. **NR1030 Dx 2000**

FL DIS	Name	Destination	A	B	C D

A: Value of AD port of BAND

B: Value of AD port of INIT1

C: Value of AD port of INIT2

D: Value of AD port of INIT3

Model Name	Distination	Number	Writing Data	FL Display													
TX-NR1030	Dx	2000	2000 TX-NR1030 Dx	N	R	1	0	3	0		D	x		2	0	0	0
TX-NR1030	xx	8000	8000 TX-NR1030 xx	N	R	1	0	3	0		x	x		8	0	0	0
TX-NR1030	JJ	4000	4000 TX-NR1030 JJ	N	R	1	0	3	0		J	J		4	0	0	0
DTR-60.6	Dx	2060	2060 DTR-60.6 Dx	D	T	R	6	0	6		D	x		2	0	6	0
DTR-60.6	xx	8060	8060 DTR-60.6 xx	D	T	R	6	0	6		x	x		8	0	6	0
DTR-60.6	JJ	4060	4060 DTR-60.6 JJ	D	T	R	6	0	6		J	J		4	0	6	0
TX-NR3030	Dx	2200	2200 TX-NR3030 Dx	N	R	3	0	3	0		D	x		2	2	0	0
TX-NR3030	xx	8200	8200 TX-NR3030 xx	N	R	3	0	3	0		x	x		8	2	0	0
TX-NR3030	JJ	4200	4200 TX-NR3030 JJ	N	R	3	0	3	0		J	J		4	2	0	0
DTR-70.6	Dx	2260	2260 DTR-70.6 Dx	D	T	R	7	0	6		D	x		2	2	6	0
DTR-70.6	xx	8260	8260 DTR-70.6 xx	D	T	R	7	0	6		x	x		8	2	6	0
PR-SC5530	Dx	2400	2400 PR-SC5530 Dx	S	C	5	5	3	0		D	x		2	4	0	0
PR-SC5530	xx	8400	8400 PR-SC5530 xx	S	C	5	5	3	0		x	x		8	4	0	0
DHC-80.6	Dx	2460	2460 DHC-80.6 Dx	D	H	C	8	0	6		D	x		2	4	6	0
DHC-80.6	xx	8460	8460 DHC-80.6 xx	D	H	C	8	0	6		x	x		8	4	6	0
DHC-80.6	JJ	4460	4460 DHC-80.6 JJ	D	H	C	8	0	6		J	J		4	4	6	0

### TEST MODE FOR OPERATION

Do the following operation.

- Set the following VOL level.

VOL level : **30**

- [TV/CD] + [ON/STANDBY]

TEST-  

- Press the following button, while "TEST - " is displayed, then each test mode is set.

Button	Test Mode	Button	Test Mode	Button	Test Mode
[BD/DVD]	1-00	[GAME]	4-00	[MEMORY]	KEY TEST
[CBL/SAT]	2-00	[PC]	5-00	[TUNING MODE]	IDLING TIMER / Wi-Fi check
[STB/DVR]	3-00	[AUX]	6-00	[DIMMER](RT/PTY/TP)	FL TEST
				[ENTER]	FIRMWARE COMBINATION CHECK

In the test mode, (TONE)+ button is TEST MODE UP and (TONE)- button is TEST MODE DOWN.

e.g. TEST 1-00    TEST 1-01    TEST 1-02    - - - - TEST 2-00

### IDLING TIMER (TEST 1-01)

This mode is used for aging for idling.

Once the following test mode is set, idling timer mode works.

Idling timer mode includes the following functions.

Test mode	TEST 1-01	
Function	Timer	Refer to CONFIRMATION OF VOLTAGE-DETECTION PROTECTORS (next page).
	Voltage-detection protector check	Refer to CONFIRMATION OF UPDATE ROUTE (next page).
	F/W update route test	Refer to CONFIRMATION OF Wi-Fi CONNECTION (next page).
	Wi-Fi connection check	Refer to CONFIRMATION OF ZONE2 DAC ROUTE (next page).
	Z2 DAC route check by playing USB flash device	
WAV file	L+Rch and Rch repetition (1sec each)	

<NOTE> Store only one file (the above mentioned) into the USB flash device to avoid making trouble.

Once the above test mode is set, AVR's status changes to idling timer mode and voltage-detection protector check automatically begins.

If voltage-detection protector check is all OK, Wi-Fi connection check automatically begins.

Even if one channel of voltage-detection protector check is NG, Wi-Fi connection check doesn't begin.

## OPERATION CHECK-3

### CONFIRMATION OF VOLTAGE-DETECTION PROTECTORS.(The following model only)

Applied model	TX-NR1030/3030, DTR-60.6/70.6
---------------	-------------------------------

**<NOTE>**

Don't connect load nor short speaker terminals.

1. Do the following operation.
    - 1-1. set the volume level to **30**
    - 1-2. **[TV/CD] + [ON/STANDBY] [BD/DVD]**
    - 1-3. **[TONE +]**
- to the following test mode.

**TEST 1-01**

2. AVR automatically tests in the following test sequence. And if it is all OK, Wi-Fi test will begin.  
Test sequence  
(FL+) (FR-) (C+) (SL-) (SR+) (SBL-) (SBR+) (FWL-) (FWR+) (FHL-) (FHR+)
3. If FL tube displays Wi-Fi check mode then voltage-detection protectors test will be completed.

### CONFIRMATION OF UPDATE ROUTE.

1. Do the following operation.
  - 1-1. set the volume level to **30**
  - 1-2. **[TV/CD] + [ON/STANDBY] [BD/DVD]**
  - 1-3. **[TONE +]**

to the following test mode.
2. Once the above mentioned test mode is entered, voltage-detection protectors function is checked automatically first, then update route check will begin.  
If the result of update route check is no problem then Wi-Fi check will begin. If the result is NG then NG message will be shown on the FL tube.
3. If FL tube displays Wi-Fi check mode then voltage-detection protectors test and update route check are passed.

Detail of NG number of F/W update route test is as below.

1	N/A
2	VIDEO - OSD
3	DA830 - KG2H
4	VIDEO - HDCP TX
5	VIDEO - HDCP RX

### CONFIRMATION OF Wi-Fi CONNECTION (The following model only)

Applied model	TX-NR1030/3030,PR-SC5530
---------------	--------------------------

1. Setting Wi-Fi routers.
2. set the following test mode.  
**TEST 1-01**
3. Once the above mentioned test mode is entered, voltage-detection protectors function is checked automatically first, then update route check will begin and then Wi-Fi check will begin.  
In Wi-Fi check mode, it connects an access point automatically. Wi-Fi LED flashes during connection.
4. If connection is completed and IP address is successfully acquired, Wi-Fi LED turning lights off and the value of RSSI to an access point is displayed in dBm.  
If the connection is failed, NG is displayed.

e.g. **02 -55d 01' 14''**

SSID No      RSSI(dbm)      Time Counter

In case value of RSSI level isn't showed on the FL tube at all past 4 minutes in this timer mode, judge as NG.  
If the connection is failed, exit the idling timer mode by pressing the TV/CD button and please try again from step-1.

### CONFIRMATION OF ZONE2 DAC ROUTE

1. Connect USB memory or USB storage to AVR front USB port.
2. set the following test mode.  
**TEST 1-01**
3. After being displayed Wi-Fi RSSI level, it will play back wave file from USB storage.  
(DTR60.6/DTR-70.6/DHC80.6) After update route check, it will play back wave file from USB storage.)
4. Check the wave form that appears L+R and R alternately from the following output terminal.  
Output terminal : ZONE2 PRE/LINE OUT

## OPERATION CHECK-4

### CONFIRMATION OF CURRENT DETECTION PROTECTORS (The following model only)

Applied model	TX-NR1030/3030, DTR-60.6/70.6
---------------	-------------------------------

- Do the following operation.
  - set the volume level to **30**
  - [TV/CD] + [ON/STANDBY] [CBL/SAT]**
  - [TONE - ]**  
to the following test mode.  
*TEST 1-09*
- Confirm that relay is not cut off even if you connect the following load A to the following channels one by one.
- Confirm that relay is cut if you connect the following load B to the following channels one by one.

Channel	FL, FR, C, SL, SR, SBL, SBR, LH, RH, LW ,RW ch
Load A	3 ohm
Load B	1 ohm

LW ,RW ch : TX-NR3030, DTR-70.6 only

### CONFIRMATION OF OUTPUT SENSOR

- Do the following operation.
  - set the volume level to **30**
  - [TV/CD] + [ON/STANDBY] [CBL/SAT]**
  - [TONE - ] \*2 and (\*3)**  
to the following test mode.  
*TEST 1-07* and *TEST 1-08*

After lighting "FM STEREO" on the FL tube.  
Relays **RL6901, RL6902, RL6903, RL6904**

### CONFIRMATION OF COOLING FAN OPERATION

Applied model	TX-NR1030/3030, DTR-60.6/70.6
---------------	-------------------------------

- Confirm fan that is not rotating.
- Set the following test mode and confirm fan that is rotating at HIGH speed.  
*TEST 1-07*
- Set the following test mode B and confirm fan that is rotating at LOW speed.  
*TEST 1-08*

### CONFIRMATION OF KEY OPERATION

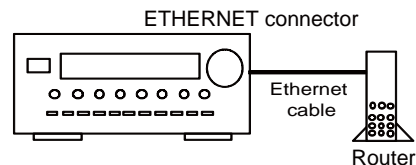
- Do the following operation.
  - set the volume level to **30**
  - [TV/CD] + [ON/STANDBY] [CBL/SAT]**
  - [TONE - ] \*4**  
to the following test mode.  
*TEST 1-06*
- Confirm each key and master volume operation.
- If "ON/STANDBY" button is pressed, AVR escapes from this KEY test mode.  
Therefor, press the "ON/STANDBY" button, after checking other buttons finished.

### CONFIRMATION OF NETWORK

Please wait for about 1 minute after turning on the AVR when using the following test mode.

- Connect the receiver to the router.
- Do the following operation.
  - set the volume level to **30**
  - [TV/CD] + [ON/STANDBY] [CBL/SAT]**
  - [TONE - ] \*5**  
to the following test mode.  
*TEST 1-05*
- Confirm that the AVR's display shows appropriate IP address.

#### Connection



## OPERATION CHECK-5

### CONFIRMATION OF FL TUBE AND LED

- Do the following operation.  
[TV/CD] + [ON/STANDBY] [DIMMER]
- Confirm that all LEDs and all segments of FL tube are lit.

### CONFIRMATION OF HEAD PHONE OPERATION

Confirm the headphone mark when headphones plug is inserted into the PHONES jack.

### CONFIRMATION OF FM RADIO OPERATION

- Setting of Signal Generator(SG)

Carrier frequency	any
Modulation	1kHz
Deviation	75kHz
Output level	35dBu

- Waveform confirmation

Set the signal of SG as following channels and confirm output is the following table.

	SG Input	Output	
		Lch	R ch
(1)	R ch only	No	Yes
(2)	L + R ch	Yes	Yes

- Confirmation of Stereo indicator  
Set SG as stereo and confirm stereo indicator is on.
- Confirmation of Auto stop operation  
Do auto tuning (Press TUNING UP or TUNING DOWN button) and confirm that the searching stops when a station that is set by SG is found.

### CONFIRMATION OF RDS (RADIO DATA SYSTEM) OPERATION (Applied to MPP/MPB/MM\* type )

- Input 98MHz,30dBu signal modulated with RDS data.
- When a PS information is received, the name of the station "RDS TEST" shall be displayed within 2 seconds instead of the frequency.

### CONFIRMATION OF OSD(ON SCREEN DISPLAY) OPERATION

- When HOME button is pushed, confirm that setup menu is displayed in HDMI Out.
- Confirm that specified operations for ENTER(with 4-cursor) buttons are made.

### CONFIRMATION OF CEC OPERATION

- Connect AVR's HDMI OUT to HDMI input of appliance compatible with CEC(SINK or REPEATER) by HDMI cable.
- Turn on the power to the AVR
- Do the following operation.
  - set the volume level to **30**
  - [TV/CD] + [ON/STANDBY] [AUX]  
to the following test mode.  
*TEST 6-00*  
FL tube will display "OK" or "NG".

### CONFIRMATION OF DOLBY TEST TONE

- Press TEST TONE on remote controller then press CH SELECT repeatedly.  
Set turn to Dolby Test mode tone Check speaker condition.
- Please check that a sound comes out from each channel.  
-> FL ch -> C ch -> FR ch -> SR ch -> SBR ch -> SBL ch -> SL ch -> SW ch ->

## OPERATION CHECK-6

### CONFIRMATION OF VIDEO SIGNAL-DETECTION

1. Do the following operation.
  - 1-1. set the volume level to **25**(TX-NR636, DTR-30.6) or **30**(TX-NR737, 838, DTR-40, 50.5).
  - 1-2. **[TV/CD] + [ON/STANDBY] [PC]**
  - 1-3. **[TONE +]**
 to the following test mode.  
       **TEST 5-01**
2. Confirm the following indicator lights up on the FL TUBE when the following video signal is input.
3. Furthermore, confirm the following indicator is turned off on the FL TUBE when the following video signal isn't input at the following test mode as well.

	(1)	(2)
Input terminal	Composite	Component
Indicator	FM STEREO	RDS

### CONFIRMATION OF VIDEO IN/OUT

Confirm Video output signal as shown Table 2, while Video signal are input as shown Table 1 in "Video in\_out" sheet.

**<NOTE>**Confirm the HDMI path at 1080p signal.

Table-1

Video Signal ->	Composite Video		Component		HDMI	
	BD/DVD	---	IN1	E	IN1	G
	CBL/SAT	A	IN2	F	IN2	H
	STB/DVR	B	---	---	IN3	I
	GAME	C	---	---	IN4	J
	---	---	---	---	IN5	K
	---	---	---	---	IN6	L
	---	---	---	---	IN7	---
	AUX	D	---	---	AUX	M

Table-2

Output Test mode	Composite Video		Component	HDMI
	Zone2 out	MONITOR OUT	OUT	Main/Sub/Zone2OUT
5-00(BD/DVD)	---	---	E	G
5-01(CBL/SAT)	A	A	F	H
5-02(STB/DVR)	*B	B	---	I
5-03(GAME)	*C	C	---	J
5-04(PC)	---	---	---	K
5-05(IN6)	---	---	---	L
5-06(IN7)	---	---	---	---
5-07(AUX)	*D	D	---	---
5-08(BD/DVD)	---	---	*E	E
5-09(CBL/SAT)	*A	*A	*F	A

### CONFIRMATION OF FL DISPLAY

1. Do the following operation.
  - 1-1. set the volume level to **30**
  - 1-2. **[TV/CD] + [ON/STANDBY] [DIMMER(RT/PTY/TP)]**  
 to the FL test mode  
       **[TONE+] = Step up**  
       **[TONE-] = Step down**
 The contents of the step are as follows.
  1. Lit all segment and LED
  2. Lit '23456789ABCDEF' and LED.
  3. Lit a even number segment and LED.
  4. Lit an odd number segment and LED.
  5. The Destination setting is displayed and LED..



## OPERATION CHECK-7

## TEST 1-00 ~1-09

TEST No		DSP Output ch	DSP Output Frequency	DSP Output Voltage	Config. SW/F/C/S/SB/H/W	Master Vol. /Zone2 Vol.	Speaker Relay	12V TRG	etc.
1-00	SELECTOR MUTING TIME REDUCTION MODE	-	-	-	Y/L/L/L/L/L/L	82 (0dB)	F	-	Analog Input Only
1-01	IDLING TIMER	Timer start	-	-	Y/L/L/L/L/L/L	Min (-82dB)	F	-	IDLING TIMER
		V Protect (FL)	FL	+DC	+Max	Y/L/L/L/L/L/L	Max (+18dB)	F/C/S/SB/H/W	*1, *3 +DC Protect
		V Protect (FR)	FR	-DC	-Max	Y/L/L/L/L/L/L	Max (+18dB)	F/C/S/SB/H/W	*1, *3 -DC Protect
		V Protect (C)	C	+DC	+Max	Y/L/L/L/L/L/L	Max (+18dB)	F/C/S/SB/H/W	*1, *3 +DC Protect
		V Protect (SL)	SL	-DC	-Max	Y/L/L/L/L/L/L	Max (+18dB)	F/C/S/SB/H/W	*1, *3 -DC Protect
		V Protect (SR)	SR	+DC	+Max	Y/L/L/L/L/L/L	Max (+18dB)	F/C/S/SB/H/W	*1, *3 +DC Protect
		V Protect (SBL)	SBL	-DC	-Max	Y/L/L/L/L/L/L	Max (+18dB)	F/C/S/SB/H/W	*1, *3 -DC Protect
		V Protect (SBR)	SBR	+DC	+Max	Y/L/L/L/L/L/L	Max (+18dB)	F/C/S/SB/H/W	*1, *3 +DC Protect
		V Protect (FHL)	FHL	-DC	-Max	Y/L/L/L/L/L/L	Max (+18dB)	F/C/S/SB/H/W	*1, *3 -DC Protect
		V Protect (FHR)	FHR	+DC	+Max	Y/L/L/L/L/L/L	Max (+18dB)	F/C/S/SB/H/W	*1, *3 +DC Protect
		V Protect (FWL)	FWL	-DC	-Max	Y/L/L/L/L/L/L	Max (+18dB)	F/C/S/SB/H/W	*1, *3 -DC Protect
		V Protect (FWR)	FWR	+DC	+Max	Y/L/L/L/L/L/L	Max (+18dB)	F/C/S/SB/H/W	*1, *3 +DC Protect
		UPDATE ROUTE	-	-	-	Y/L/L/L/L/L	Min (-82dB)	F	UPDATE ROUT CHECK
		Wi-Fi check	-	-	-	Y/L/L/L/L/L	Min (-82dB)	F	Wi-Fi check
		Z2 DAC (USB Play)	-	-	-	Y/L/L/L/L/L	Min (-82dB)	F	Z2 PREOUT Z2 DAC (USB Play)
1-02	MULTI TONE 1kHz + 30Hz + 20kHz , -20dBFS	ALL	1kHz+30Hz+20kHz	-20dBFS	Y/L/L/L/L/L/L	82 (0dB)	F/C/S/SB/H/W	*6	Multi tone
1-03	Wi-Fi check	-	-	-	-	Y/L/L/L/L/L	Min (-82dB)	F	Wi-Fi check
1-04	UPDATE ROUTE	-	-	-	-	Y/L/L/L/L/L	Min (-82dB)	-	UPDATE ROUT CHECK
1-05	DISPLAY IP ADDRESS	-	-	-	-	Y/L/L/L/L/L	Min (-82dB)	-	IP ADDRESS
1-06	KEY TEST	-	-	-	-	Y/L/L/L/L/L	76(-6dB)	F/C/SB	*7 KEY TEST
1-07	VOLH DET / FAN HIGH-SPEED / 12V TRIGGER C	F.C.S.SB.H	1kHz	0dBFS	Y/L/L/L/L/L/L	84 (+2dB)	F/C/S/SB/H/W	C	*5 VOLH DET, FAN High
1-08	VOLH DET / FAN LOW-SPEED / 12V TRIGGER B (ZONE3)	W.C.S.SB.H	1kHz	0dBFS	Y/L/L/L/L/L/L	84 (+2dB)	F/C/S/SB/H/W	B (Z3)	*5 VOLH DET, FAN Low
1-09	CURRENT PROTECT / 12V TRIGGER A (ZONE2)	ALL	Pulse	Max	Y/L/L/L/L/L/L	78(-4dB)	F/C/S/SB/H/W	A (Z2)	*1, *4 Current Protect

## TEST 2-00 ~3-15

TEST No	Analog Input [Rec Sel] (Zone2/Zone3)	Listening Mode/ Input Format	VIDEO Input	Component V	HDMI	12V TRG	Digital Input /Output	Config.	Master Vol. Zone2/3 Vol.	Speaker Relay	etc.
2-00	BD/DVD (Off)	Analog All Ch Stereo	BD/DVD	IN1	-	-	-	-	Max (+18dB)	F/C/S/SB/H/W(11ch model) F/C/S/SB/H(9ch model)	LINE GAIN,HUM NOISE
2-01	BD/DVD (Off)	ADC DSP 13ch Thru.	BD/DVD	IN1	-	-	-	Y/L/L/L/L/L/L	82 (0dB)	F/C/S/SB/H/W(11ch model) F/C/S/SB/H(9ch model)	ADC GAIN etc.
2-02	BD/DVD (Off)	ADC DSP 13ch Thru.	BD/DVD	IN1	-	-	-	Y/L/L/L/L/L/L	Min (-82dB)	F/C/S/SB/H/W(11ch model) F/C/S/SB/H(9ch model)	MIN NOISE
2-03	CBL/SAT (Off)	DIR DSP 13ch Thru	CBL/SAT	-	-	-	*OPT1	Y/L/L/L/L/L/L	Max (+18dB)	F/C/S/SB/H/W(11ch model) F/C/S/SB/H(9ch model)	AMUT OFF DAC HUM NOISE
2-04	MIC	ADC DSP 13ch Thru.	BD/DVD	BD/DVD	-	-	-	Y/L/L/L/L/L/L	Max (+18dB)	F/C/S/SB/H/W(11ch model) F/C/S/SB/H(9ch model)	MIC GAIN
2-05	MIC	ADC DSP 13ch Thru.	BD/DVD	BD/DVD	-	-	-	Y/L/L/L/L/L/L	Max (+18dB)	F/C/S/SB/H/W(11ch model) F/C/S/SB/H(9ch model)	MICMUTE ON MIC MUTING
2-06	PHONO/Source	Direct	BD/DVD	-	-	-	-	-	Max (+18dB)	F	PHONO GAIN etc.
2-07	BD/Source	Bi AMP	BD/DVD	IN1	-	-	-	-	Max (+18dB)	F/C/S/FH	Bi AMP
2-08	BD/Source	ADC DSP 13ch Thru.	BD/DVD	IN1	-	-	-	Y/L/L/L/L/L/L	Max (+18dB)	F/C/S/SB/H/W(11ch model) F/C/S/SB/H(9ch model)	HUM NOISE
2-09	BD/Source	ADC DSP 5ch Thru.	BD/DVD	IN1	-	-	-	Y/L/L/L/L	Max (+18dB)	F/C/S	DIFF SIG MODE
2-10	BD (BALANCE)	Direct	BD/DVD	IN1	-	-	-	Y/L/L/L/L/L/L	Max (+18dB)	F/C/S/SB/H/W	BALANCE
2-11	BD (BALANCE)	ADC DSP 13ch Thru.	BD/DVD	IN1	-	-	-	Y/L/L/L/L/L/L	Max (+18dB)	F/C/S/SB/H/W	BALANCE:MONO
2-12	BD/DVD (Off)	ADC DSP 13ch Thru.	BD/DVD	IN1	-	-	-	Y/L/L/L/L/L	Max (+18dB)	CS/SB	SPRFL OFF PREOUT RELAY OFF
2-13	BD/DVD (Off)	Stereo(Direct)	BD/DVD	IN1	-	-	-	-	Max (+18dB)	F	SW=NO HP GAIN/SP-B GAIN
2-14	PHONO/Source	Direct	BD/DVD	-	-	-	-	-	62(-20dB)	F	PHONO SEP.
2-15	BD/DVD (Off)	Analog All Ch Stereo	BD/DVD	IN1	-	-	-	Y/L/L/L/L/L/L	Max (+18dB)	F/C/S/SB/W	HighAMP->Widech path
2-16	BD/DVD (Off)	Analog All Ch Stereo	BD/DVD	IN1	-	-	-	Y/L/L/L/L/L/L	Max (+18dB)	F/C/S/H/W	SBAMP->Widech path
3-00	FM/Source	Stereo(Direct)	BD/DVD	BD/DVD	-	-	-	-	84(+2dB)	F	
3-01	GAME(BD/TV)	Stereo(Direct)	BD/DVD	BD/DVD	-	-	-	-	Max (max)	F/Z2/Z3	LINE/PRE:PRE Powered:ON, Z2/Z3Vol=82
3-02	GAME(BD/TV)	Stereo(Direct)	BD/DVD	BD/DVD	-	-	-	-	Max (max)	F/Z2/Z3	Z2MUTE ON LINE/PRE:PRE Powered:ON, Z2/Z3Vol=82
3-03	GAME(BD/TV)	Stereo(Direct)	BD/DVD	BD/DVD	-	-	-	-	Max (max)	F/Z2/Z3	Powered:ON Z2/Z3Vol=82 LINE/PRE:PRE Z2 Bass=Max
3-04	GAME(BD/TV)	Stereo(Direct)	BD/DVD	BD/DVD	-	-	-	-	Max (max)	F/Z2/Z3	Powered:ON Z2/Z3Vol=82 LINE/PRE:PRE Z2 Bass=Min
3-05	GAME(BD/TV)	Stereo(Direct)	BD/DVD	BD/DVD	-	-	-	-	Max (max)	F/Z2/Z3	Powered:ON Z2/Z3Vol=82 LINE/PRE:PRE Z2 Treble=Max
3-06	GAME(BD/TV)	Stereo(Direct)	BD/DVD	BD/DVD	-	-	-	-	Max(max)	F/Z2/Z3	Powered:ON Z2/Z3Vol=82 LINE/PRE:PRE Z2 Treble=Min
3-07	GAME(BD/TV)	Stereo(Direct)	BD/DVD	-	-	-	-	-	Min (-82dB)	F/Z2/Z3	Z2/Z3PRE VOL MAX ATT
3-08	GAME(BD/TV)	Stereo(Direct)	BD/DVD	-	-	-	-	-	Max (FIX)	F/Z2/Z3	Z2/Z3 LINEOUT (Mid)
3-09	USB/(Source)	Stereo(Direct)	Last	-	-	-	Front USB	-	Min (-20dB)	F	Z2 out 1.44.1kHz_16bit_1kHz_0 dBfs_L&R.wav *2
3-10	USB/(Source)	Stereo(Direct)	Last	-	-	-	Front USB	-	Min (-20dB)	F	Z2 out 2.44.1kHz_16bit_ dBfs_L&R.wav *2
3-11	USB/(Source)	Stereo(Direct)	Last	-	-	-	Front USB	-	Min (-20dB)	F	Z2 out 3.44.1kHz_16bit_20Hz_0 dBfs_L&R.wav *2
3-12	USB/(Source)	Stereo(Direct)	Last	-	-	-	Front USB	-	Min (-20dB)	F	Z2 out 4.44.1kHz_16bit_20kHz_0dBfs_L&R.wav *2
3-13	USB/(Source)	Stereo(Direct)	Last	-	-	-	Front USB	-	Min (-20dB)	F	Z2 out 5.44.1kHz_16bit_1kHz_0 dBfs_Lch.wav *2
3-14	USB/(Source)	Stereo(Direct)	Last	-	-	-	Front USB	-	Min (-20dB)	F	Z2 out 6.44.1kHz_16bit_1kHz_0 dBfs_Rch.wav *2
3-15	USB/(Source)	DSD DAC Direct	Last	-	-	-	-	-	51	F/C/S	DSD(NET) DAC Direct check

## OPERATION CHECK-8

## TEST 4-00~4-31 Auto Measurement Mode

No.	DSP Output channel	DSP Output Frequency	DSP Output Voltage	Config.	Master Vol.	Speaker Relay	etc.
4-00	ALL	1kHz (SW:30Hz)	-20dBFS	Y/L/L/L/L/L/L	82 (0dB)	F/CS/SB/H/W	*6 DSP Gain
4-01	ALL	30Hz (SW:1kHz)	-20dBFS	Y/L/L/L/L/L/L	82 (0dB)	F/CS/SB/H/W	*6 DSP Freq.Response
4-02	ALL	20kHz	-20dBFS	Y/L/L/L/L/L/L	82 (0dB)	F/CS/SB/H/W	*6 DSP Freq.Response
4-03	SW	30Hz	-20dBFS	Y/L/L/L/L/L/L	72(-10dB)	F/CS/SB/H/W	*6 Characteristic(1)
4-04	FL,FR	30Hz	-20dBFS	Y/L/L/L/L/L/L	82 (0dB)	F/CS/SB/H/W	*6 Characteristic(2)
4-05	ALL	1kHz (SW:30Hz)	-20dBFS	Y/L/L/L/L/L/L	82 (0dB)	F/CS/SB/H/W	Mute On *6 Muting
4-06	ALL	1kHz (SW:30Hz)	-20dBFS	Y/L/L/L/L/L/L	Min.( dB)	F/CS/SB/H/W	*6 Volume Max.Attenuation
4-07	FR,C,SUR,SURB,HIGH,WIDE,SW	10kHz	-20dBFS	Y/L/L/L/L/L/L	82 (0dB)	F/CS/SB/H/W	Mute:FL *6 Separation(FL)
4-08	FL,C,SUR,SURB,HIGH,WIDE,SW	10kHz	-20dBFS	Y/L/L/L/L/L/L	82 (0dB)	F/CS/SB/H/W	Mute:FR *6 Separation(FR)
4-09	F,SUR,SURB,HIGH,WIDE,SW	10kHz	-20dBFS	Y/L/L/L/L/L/L	82 (0dB)	F/CS/SB/H/W	Mute:C *6 Separation(C)
4-10	F,C,SR,SURB,HIGH,WIDE,SW	10kHz	-20dBFS	Y/L/L/L/L/L/L	82 (0dB)	F/CS/SB/H/W	Mute:SL *6 Separation(SL)
4-11	F,C,SL,SURB,HIGH,WIDE,SW	10kHz	-20dBFS	Y/L/L/L/L/L/L	82 (0dB)	F/CS/SB/H/W	Mute:SR *6 Separation(SR)
4-12	F,C,SUR,SBR,HIGH,WIDE,SW	10kHz	-20dBFS	Y/L/L/L/L/L/L	82 (0dB)	F/CS/SB/H/W	Mute:SBL *6 Separation(SBL)
4-13	F,C,SUR,SBL,HIGH,WIDE,SW	10kHz	-20dBFS	Y/L/L/L/L/L/L	82 (0dB)	F/CS/SB/H/W	Mute:SBR *6 Separation(SBR)
4-14	F,C,SUR,SURB,HIGH,WIDE,SW2	30Hz	-20dBFS	Y/L/L/L/L/L/L	82 (0dB)	F/CS/SB/H/W	Mute:SW1 *6 Separation(SW1)
4-15	F,C,SUR,SBR,HR,WIDE,SW	10kHz	-20dBFS	Y/L/L/L/L/L/L	82 (0dB)	F/CS/SB/H/W	Mute:LH *6 Separation(FHL)
4-16	F,C,SUR,SBR,HL,WIDE,SW	10kHz	-20dBFS	Y/L/L/L/L/L/L	82 (0dB)	F/CS/SB/H/W	Mute:RH *6 Separation(FHR)
4-17	F,C,SUR,SRB,HIGH,RW,SW	10kHz	-20dBFS	Y/L/L/L/L/L/L	82 (0dB)	F/CS/SB/H/W	Mute:LW *6 Separation(FWL)
4-18	F,C,SUR,SRB,HIGH,LW,SW	10kHz	-20dBFS	Y/L/L/L/L/L/L	82 (0dB)	F/CS/SB/H/W	Mute:RW *6 Separation(FWR)
4-19	FL	+DC	+Max	Y/L/L/L/L/L/L	Max(Max)	F/CS/SB/H/W	*1,*3 +DC Protect(FL)
4-20	FR	-DC	-Max	Y/L/L/L/L/L/L	Max(Max)	F/CS/SB/H/W	*1,*3 -DC Protect(FR)
4-21	C	+DC	+Max	Y/L/L/L/L/L/L	Max(Max)	F/CS/SB/H/W	*1,*3 +DC Protect(C)
4-22	SL	-DC	-Max	Y/L/L/L/L/L/L	Max(Max)	F/CS/SB/H/W	*1,*3 -DC Protect(SL)
4-23	SR	+DC	+Max	Y/L/L/L/L/L/L	Max(Max)	F/CS/SB/H/W	*1,*3 +DC Protect(SR)
4-24	SBL	-DC	-Max	Y/L/L/L/L/L/L	Max(Max)	F/CS/SB/H/W	*1,*3 -DC Protect(SBL)
4-25	SBR	+DC	+Max	Y/L/L/L/L/L/L	Max(Max)	F/CS/SB/H/W	*1,*3 +DC Protect(SBR)
4-26	FWL	-DC	-Max	Y/L/L/L/L/L/L	Max(Max)	F/CS/SB/H/W	*1,*3,*7 -DC Protect(FWL)
4-27	FWR	+DC	+Max	Y/L/L/L/L/L/L	Max(Max)	F/CS/SB/H/W	*1,*3,*7 +DC Protect(FWR)
4-28	FHL	-DC	-Max	Y/L/L/L/L/L/L	Max(Max)	F/CS/SB/H/W	*1,*3 -DC Protect(FHL)
4-29	FHR	+DC	+Max	Y/L/L/L/L/L/L	Max(Max)	F/CS/SB/H/W	*1,*3 +DC Protect(FHR)
4-30	ALL	30Hz	-20dBFS	Y/L/L/L/L/L/L	82 (0dB)	F/CS/SB/H/W	PASSIVE SW=ON PASSIVE SW
4-31	F,C,SUR,SURB,HIGH,WIDE,SW1	30Hz	-20dBFS	Y/L/L/L/L/L/L	82 (0dB)	F/CS/SB/H/W	Mute:SW2 *6 Separation(SW2)

\*1. All SP-RELAYS are turned ON only at the time of this STEP.

Moreover, whether make RELAY restoration time at the time of protection operation into 1 second, and PROTECT input "H" is detected how many times or it continues 1 second or more, RELAY is not held at OFF or POWER OFF is not carried out, either.

When "H" is 1 seconds or more to PROTECT input and it is set to "L", RELAY is turned ON again.

Moreover, not any MUTE is outputted at the time of this STEP.

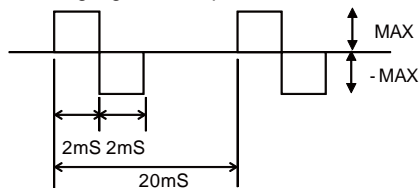
\*2. Use USB memory which stored only following signals.

In addition, measure using application.

- |                                     |                 |
|-------------------------------------|-----------------|
| 1.44.1kHz_16bit_1kHz_0dBfs_L&R.wav  | Reference       |
| 2.44.1kHz_16bit_- dBfs_L&R.wav      | SN ratio        |
| 3.44.1kHz_16bit_20Hz_0dBfs_L&R.wav  | Freq. resp.     |
| 4.44.1kHz_16bit_20kHz_0dBfs_L&R.wav | Freq. resp.     |
| 5.44.1kHz_16bit_1kHz_0dBfs_Lch.wav  | Separation      |
| 6.44.1kHz_16bit_1kHz_0dBfs_Rch.wav  | Separation      |
| 7.48kHz_16bit_1kHz_0dBfs_L&R.wav    | Operation check |

\*3. If voltage-detection protector check in TEST-1-01 starts, DC voltage is output immediately from each channel. (within 100msec.)

\*4. The following signal is output from all channel continuously in TEST1-09.



\*5. VOLH is detected and H/L of SEC1H is changed.

A detection level is the same as the normal mode. When it is detected, light "FM STEREO" on FL TUBE.

\*6. 4-00~4-18:PRRLF=ON

\*7. In skip test for 9channel POWER AMP set

<NOTE>

TEST of NET/USB can't do immediately after the start-up.It should be measure after other TEST.

## OPERATION CHECK-9

### [NOTES]

1. DSP Thru of Listening Mode outputs L Input signal to L/C/SL/SBL, and outputs R Input signal to R/SR/SBR/SW.
2. Config. is in order of SW/Front/Center/Surround/Surround back.
3. Mute is function to stop output(from the channel) by using inner DSP programming.
4. When Listening Mode is DSP thru, an analog SW is changed into the state of SURROUND.
5. At the time of PRTCTTHM detection, it is displayed on FLT as "THERMAL PROTECT".
6. In all test modes, it is not concerned with detection of VOLH but SEC1H are made "H" fixation. (Except TEST 1-07 and 1-08.)

### TEST-3-00

Following frequencies are automatically written in the preset memory, when the unit goes into "TEST 3-00".

	PRESET No.	MD*	MW*(10k)	MP*,MG* MW*(9k)	MJJ
FM	1	89.9MHz	89.90MHz	89.90MHz	76.0MHz
	2	97.9MHz	97.90MHz	97.90MHz	82.0MHz
	3	98.9MHz	98.90MHz	98.90MHz	83.0MHz
	4	107.1MHz	107.10MHz	107.10MHz	84.0MHz
	5	107.9MHz	107.90MHz	107.90MHz	90.0MHz
	6	100.1MHz	100.10MHz	100.10MHz	80.0MHz
	7	88.1MHz	88.10MHz	88.10MHz	85.1MHz
	8	104.1MHz	104.10MHz	104.10MHz	88.1MHz
	9	95.3MHz	95.30MHz	95.30MHz	76.0MHz
	10	106.7MHz	106.70MHz	106.70MHz	90.0MHz
AM	11	530KHz	530KHz	522KHz	522kHz
	12	630KHz	630KHz	630KHz	630kHz
	13	990KHz	990KHz	990KHz	990kHz
	14	1440KHz	1440KHz	1440KHz	1440kHz
	15	1710KHz	1710KHz	1611KHz	1611kHz
	16	670KHz	670KHz	666KHz	666kHz
	17	830KHz	830KHz	828KHz	828kHz
	18	1310KHz	1310KHz	1314KHz	1314kHz
	19	1200KHz	1200KHz	1197KHz	1197kHz
	20	530KHz	530KHz	522KHz	522kHz
FM	21	87.5MHz	87.50MHz	87.50MHz	76.0MHz
	22	107.9MHz	108.00MHz	108.00MHz	90.0MHz
	23	103.7MHz	104.00MHz	104.00MHz	79.8MHz
	24	104.5MHz	104.20MHz	104.20MHz	80.2MHz
AM	25	1180kHz	1180kHz	1179kHz	1179kHz
	26	1220kHz	1220kHz	1215kHz	1215kHz

### TEST 5-00~6-07 Video & HDMI Test mode

	Input selector	DIGITAL INPUT	COMPO-NENT	Volume	HDMI	MODE	etc.	Reference TEST DISC*
5-00	BD/DVD	HDMI	IN1	51	IN1	Through(Main/Sub:Both), I2S	SP ALLch & SW-PO	DISC-D(BD) Tr.20or28
5-01	CBL/SAT	HDMI	IN2	51	IN2	Through(Main/Sub:Both), SPDIF	SP ALLch & SW-PO	DISC-D(BD) Tr.21
5-02	STB/DVR	HDMI	-	51	IN3	Through(Main/Sub:Both), SPDIF	Audio out TV = ON	DISC-D(BD) Tr.21 or A(DVD)
5-03	GAME	HDMI	-	51	IN4	Through(Main/Sub:Both), SPDIF	Audio out TV = ON	DISC-D(BD) Tr.21 or A(DVD)
5-04	PC	HDMI	-	51	IN5	Through(Main/Sub:Both), SPDIF	Audio out TV = ON	DISC-D(BD) Tr.21 or A(DVD)
5-05	IN6	HDMI	-	51	IN6	Through(Main/Sub:Both), SPDIF	Audio out TV = ON	DISC-D(BD) Tr.21 or A(DVD)
5-06	IN7	HDMI	-	51	IN7	Through(Main/Sub:Both), SPDIF	Audio out TV = ON	DISC-D(BD) Tr.21 or A(DVD)
	IN8	HDMI	-	51	IN8	Through(Main/Sub:Both), SPDIF	Audio out TV = ON	DISC-D(BD) Tr.21 or A(DVD)
5-07	AUX	HDMI	-	51	AUX	Through(Main/Sub:Both), SPDIF	Audio out TV = ON	DISC-D(BD) Tr.21 or A(DVD)
5-08	BD/DVD	-	IN1	MIN	-	COMPONENT>HDMI(Main/Sub:Both)	-	-
5-09	CBL/SAT	-	-	MIN	-	CV (IN1)> HDMI(Main/Sub:Both)	-	-
	BD/DVD	-	-	MIN	-	CV > CV, COMPONENT	-	-
5-10	PC(RGB)	-	-	MIN	-	RGB INPUT > HDMI OUT	-	-
5-11	PC/GAME	HDMI	-	51	IN5/IN4	Through(Main/Sub:Both) Z2 HDMI TEST / HDMI Powered Z2	-	-
6-00	BD/DVD	HDMI	IN1	60	IN3	HDMI DSD SIGNAL	OUTPUT CH =	DISC-C(SACD) TRACK12
6-01	BD/DVD	COAX1*	IN1	MIN	-	Audio TV OUT = ON, VOL=0	HDMI OUT is blue back	-
6-02	CBL/SAT	HDMI ARC	IN2	40/60	-	HDMI AUDIO RETURN CHANNEL	-	-
6-03	BD/DVD	HDMI	-	51	IN1	MHL Check(CABLE DET)	-	-
6-04	BD/DVD	HDMI	-	51	IN1	MHL Check(VBUS=OFF)	-	-
6-05	BD/DVD	HDMI	-	51	IN1	MHL Check(VBUS=ON)	-	-
6-06	CBL/SAT	HDMI	-	51	IN2	CEC Z2relay Check	-	-
6-07	STB/DVR	HDMI	-	51	IN3	DSD(HDMI) DAC Direct check	-	DISC-C(SACD) TRACK12

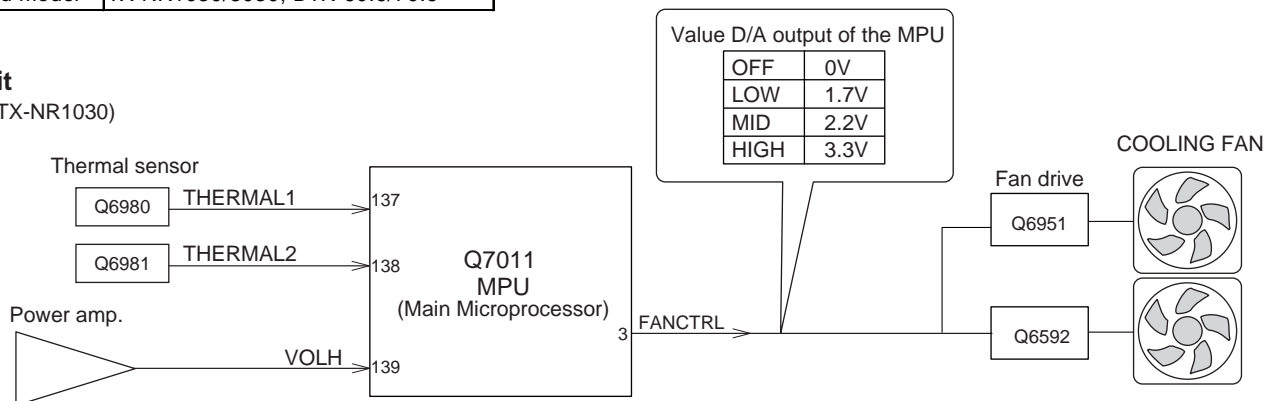
# OPERATION CHECK-10

## COOLING FAN(The following model only)

Applied model TX-NR1030/3030, DTR-60.6/70.6

### Circuit

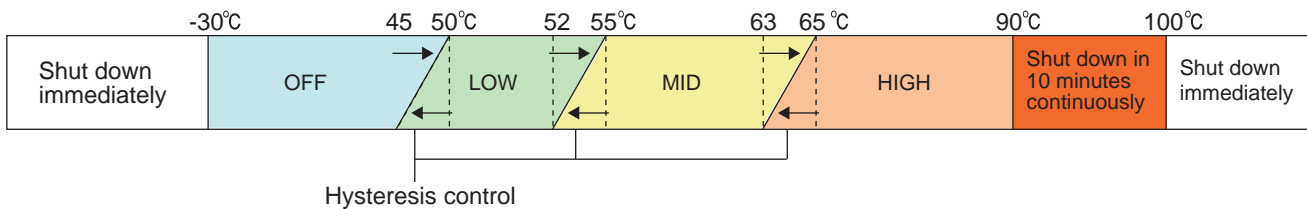
e.g.(TX-NR1030)



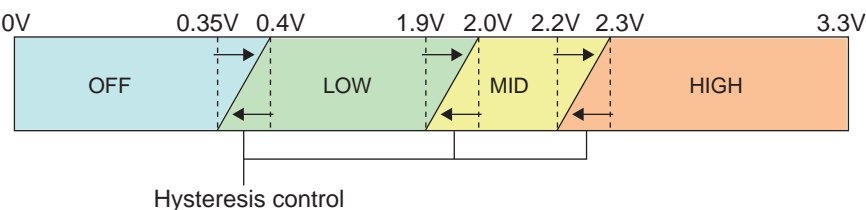
### Condition to operate

		VOLH(Voltage of VOLH port)							
		Normal/ Bi-Amp				Power Zone-2,3,4			
		OFF or Headphone	LOW	MID	HIGH	OFF or Headphone	LOW	MID	HIGH
THERMAL (Temperature of thermal sensor)	OFF	STOP	STOP	STOP	STOP	STOP	STOP	STOP	STOP
	LOW	LOW	LOW	LOW	LOW	LOW	LOW	LOW	LOW
	MID	LOW	MID	MID	MID	MID	MID	MID	MID
	HIGH	MID	HIGH	HIGH	HIGH	HIGH	HIGH	HIGH	HIGH

### THERMAL



### VOLH



### How to check

- How to check operation of Cooling Fan.  
See "CONFIRMATION OF COOLING FAN OPERATION" in OPERATION CHECK-4.
- How to check the value of THERMAL and VOLH.  
See "CONFIRMATION OF OUTPUT VOLTAGE AND THERMAL SENSOR" in OPERATION CHECK-1.

## ADJUSTMENT PROCEDURE-1

### ADJUSTMENT OF IDLING CURRENT

Applied to the following model.

(Model)	TX-NR1030/3030, DTR-60.6/70.6
---------	-------------------------------

#### Procedure

##### a. Pre-adjustment

Set the following registers to minimum position before POWER ON.

Set the voltages at the following terminals to the following voltage by adjusting the following registers, under the condition of no input and no load, immediately after POWER ON.

	TX-NR3030, DTR-70.6	TX-NR1030, DTR-60.6
Channel	L/C/R/ SL/SR/SBL/SBR/LH/RH/LW/RW	L/C/R/ SL/SR/SBL/SBR/LH/RH
Check point(Terminals)	P6070~6080	P6070~P6078
Adjustment point(Registers)	R6040~6049,R6360	P6040~P6048
Voltage	3.0mV	

##### b. Aging

Heat run during the following time.

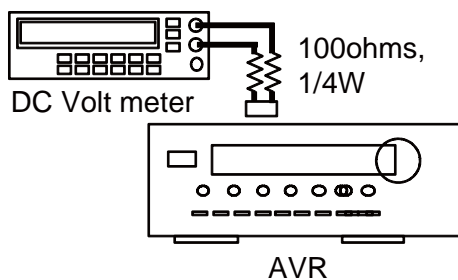
Time	4~6 minutes
------	-------------

##### c. Final adjustment

Re-adjust by the following procedure after heat running for the above mentioned time.

L/C/R/SL/SR/SBL/SBR/LH/RH/LW/RW		
Below	4mV	4mV
Between	4~6mV	Do not adjust.
Over	6mV	6mV

#### Connection



# ADJUSTMENT PROCEDURE-2 ADJUSTMENT OF IDLING CURRENT

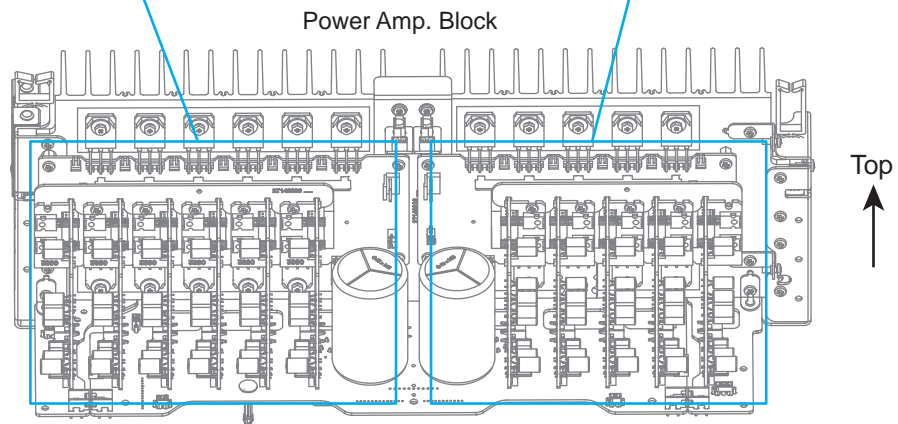
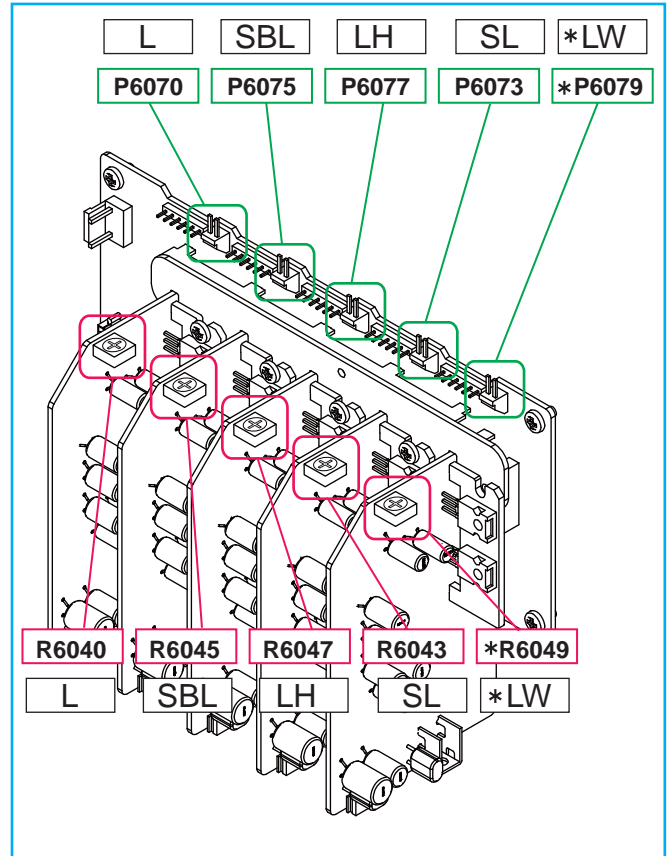
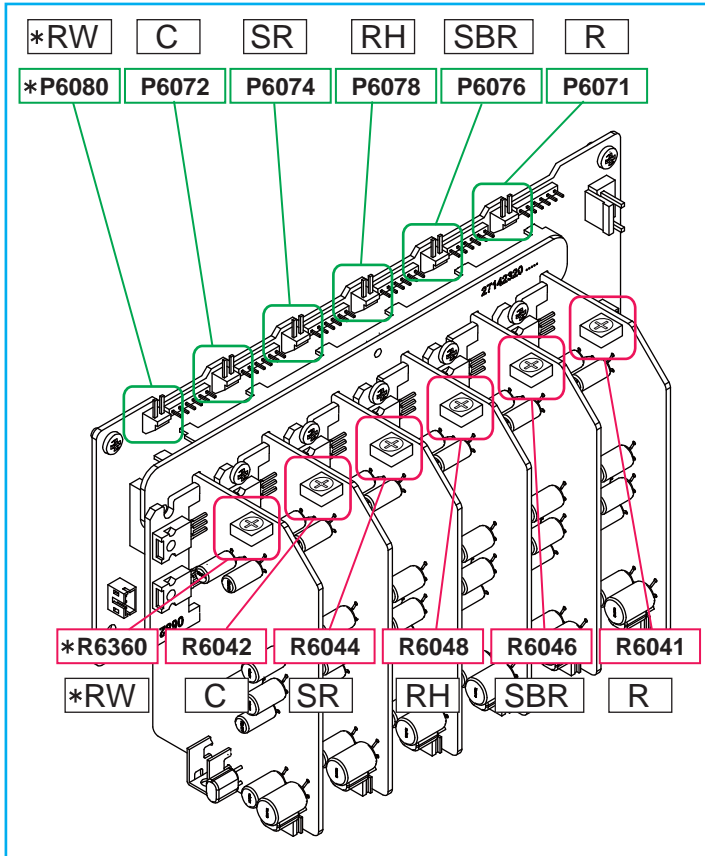
Check point and Adjustment point

Check point

Adjustment point

<Note>

\* TX-NR3030, DTR-70.6 only



## FIRMWARE UPDATE-1/2

### USB Update (service mode)

#### CONFIDENTIALITY NOTICE:

The contents of the “Firmware Update” is “Confidential Information” as defined in the applicable “Service Center Agreement”.

It is for the exclusive use of Onkyo/Integra Authorized Independent Service Centers.

Dissemination or posting of this Firmware Update to any non-authorized individual or company is strictly prohibited.

Failure to keep this information confidential may result in the loss of service center authorization.

#### [Version Check]

Refer to “OPERATION CHECK-1” about the way of showing firmware version.

#### [Preparation]

1. Connect the USB storage device to your PC. If there is any data in the USB storage device, remove it.
2. Download the firmware file (package file) from the Onkyo FTP-server.  
However European service partners should download the firmware file (package file) from the ExtraNet.

Onkyo FTP-server: [ftp://manex.onkyo.co.jp/\\_servicefwa/TX-NR1030](ftp://manex.onkyo.co.jp/_servicefwa/TX-NR1030)

ID and Password are those we informed when changed.

Filename is as follows: ONKAVR00xx\_\*\*\*\*\*.zip

Unzip the downloaded file. A following file is created.

ONKAVR00xx\_\*\*\*\*\*.of1

ONKAVR00xx\_\*\*\*\*\*.of2

ONKAVR00xx\_\*\*\*\*\*.of3

ONKAVR00xx\_\*\*\*\*\*.of4

ONKAVR00xx\_\*\*\*\*\*.of5

3. Copy it to the USB storage device. Be careful not to copy the zip file.
4. Remove the USB storage device from your PC.

## FIRMWARE UPDATE-2/2

### USB Update (service mode)

#### [Procedure]

Overwriting is also possible.

1. Turn on the unit. It takes some time to start after you switch on the unit.
2. Select the USB input source.
3. Connect the USB storage device to USB port on the unit. Wait until Initializing of USB/NET finishes.
4. Hold down **[DISPLAY]** button and then press **[ON/STANDBY]** button **twice**.  
Main version will be displayed, and HYBRID STANDBY indicator will start to flash.
5. Press **[RETURN]** button. "NET -> ALL\_D" will be displayed.
6. Select "**USB -> ALL\_D**" by **[PRESET(left/right)]** cursors and **[TUNING(up/down)]** cursors,  
then press **[ENTER]** button, updating will begin.
7. Wait until update is completed. When the update ends, "Completed!" is displayed.  
(If you leave it, it automatically turns standby mode. )
8. Press **[ON/STANDBY]** button, and the unit turns on.
9. Check the new FW version number.

<Note>

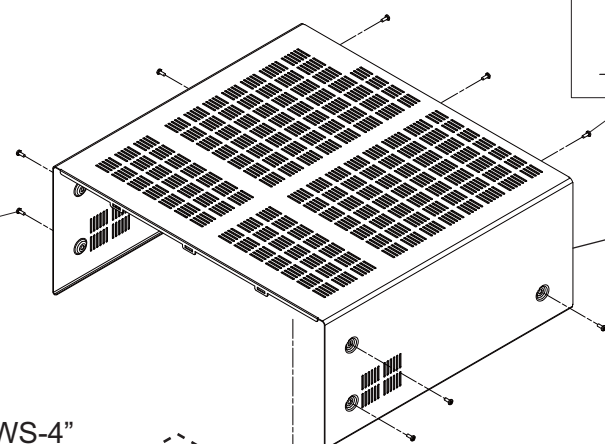
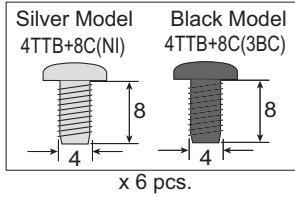
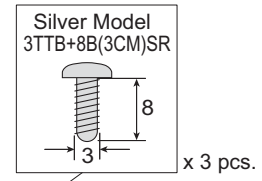
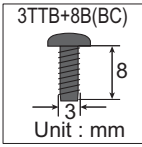
If the procedure might not be successful, please select "**USB -> ALL\_M**".



# EXPLODED VIEWS-1 OVERALL

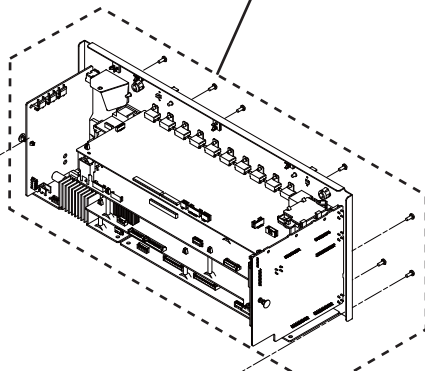
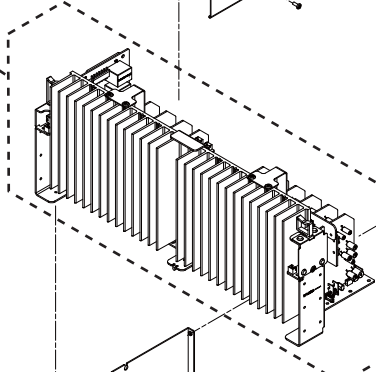
<NOTE>

No description screw is 3TTB+8B(3BC).

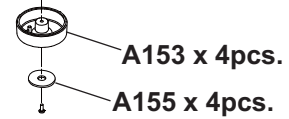
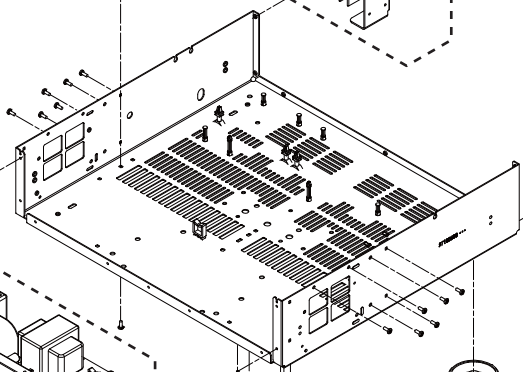


Refer to  
"EXPLODED VIEWS-4"

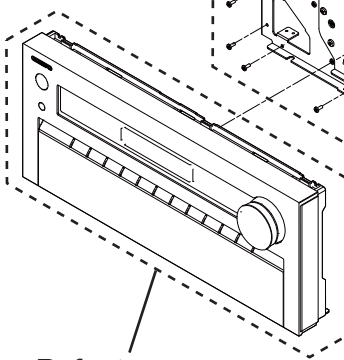
Refer to  
"EXPLODED VIEWS-5"



Refer to  
"EXPLODED VIEWS-3"

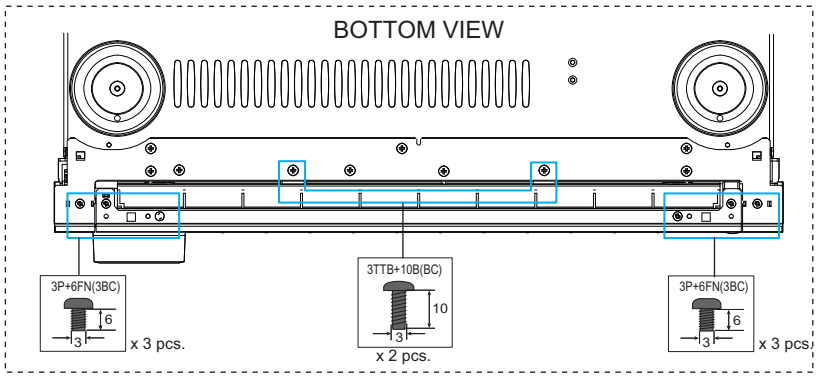
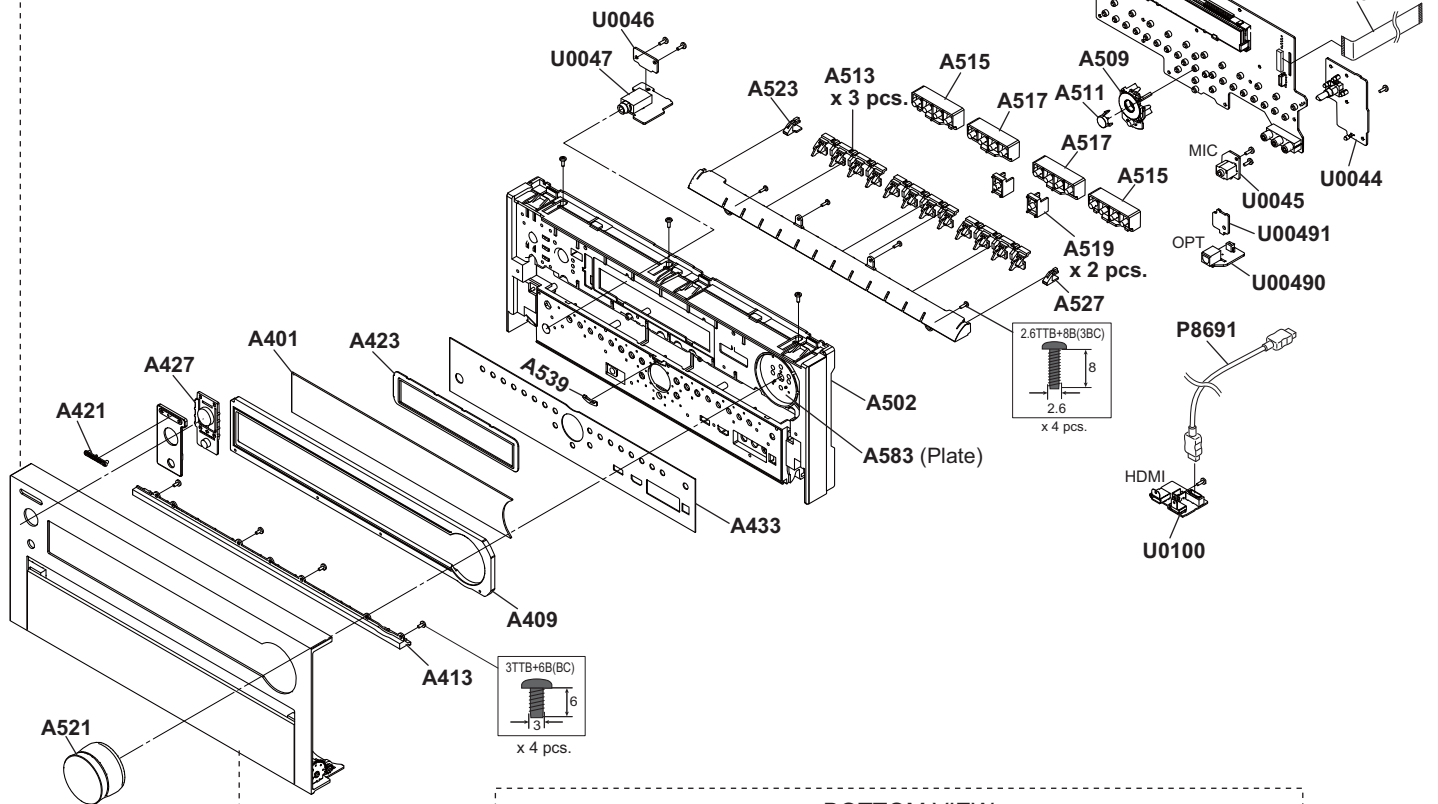
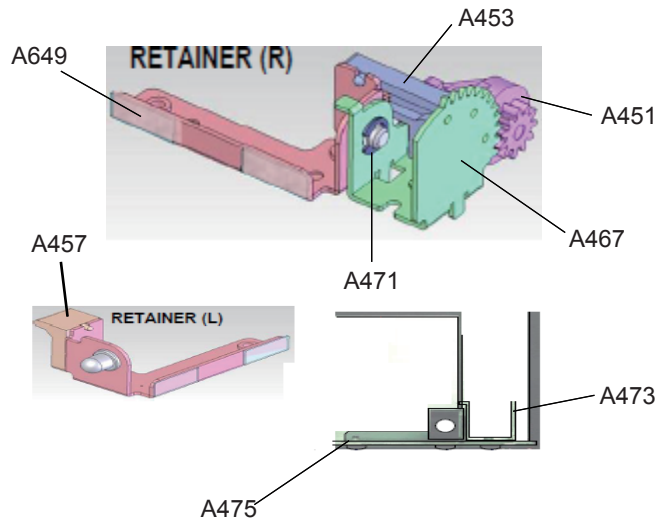
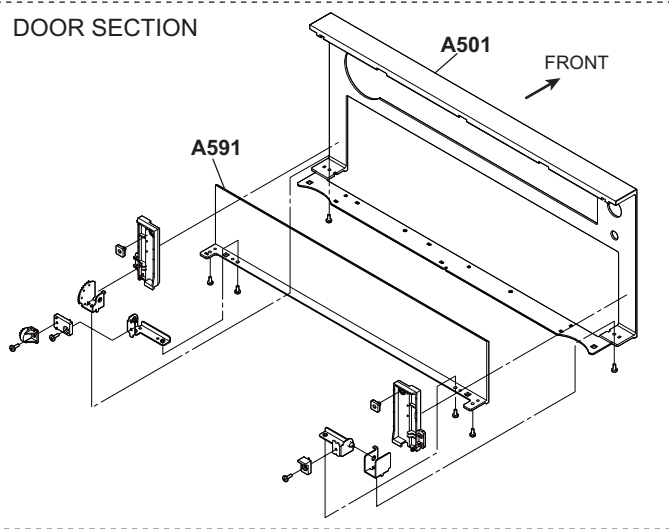


Refer to  
"EXPLODED VIEWS-2"



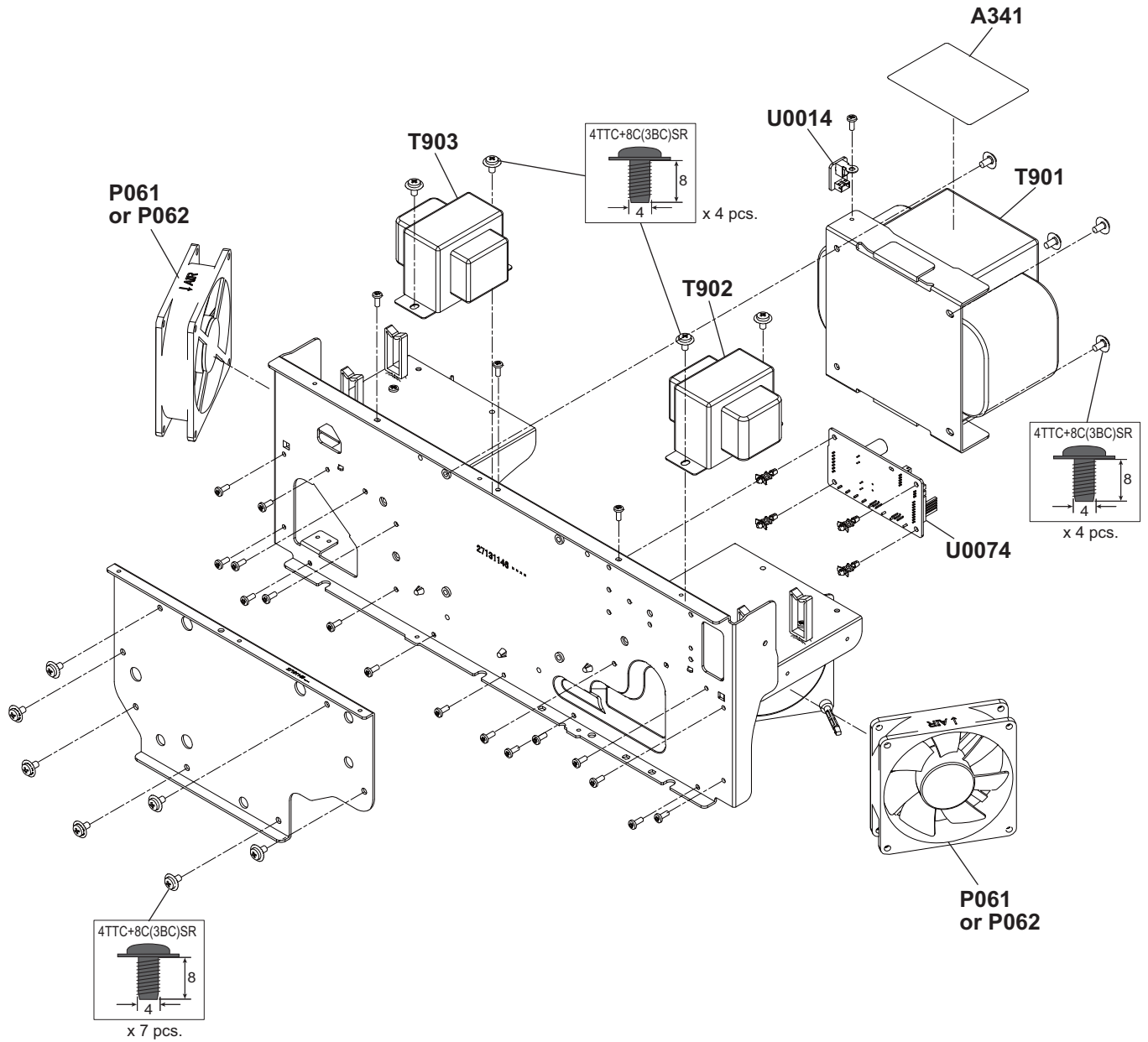
# EXPLODED VIEWS-2

## FRONT PANEL AS

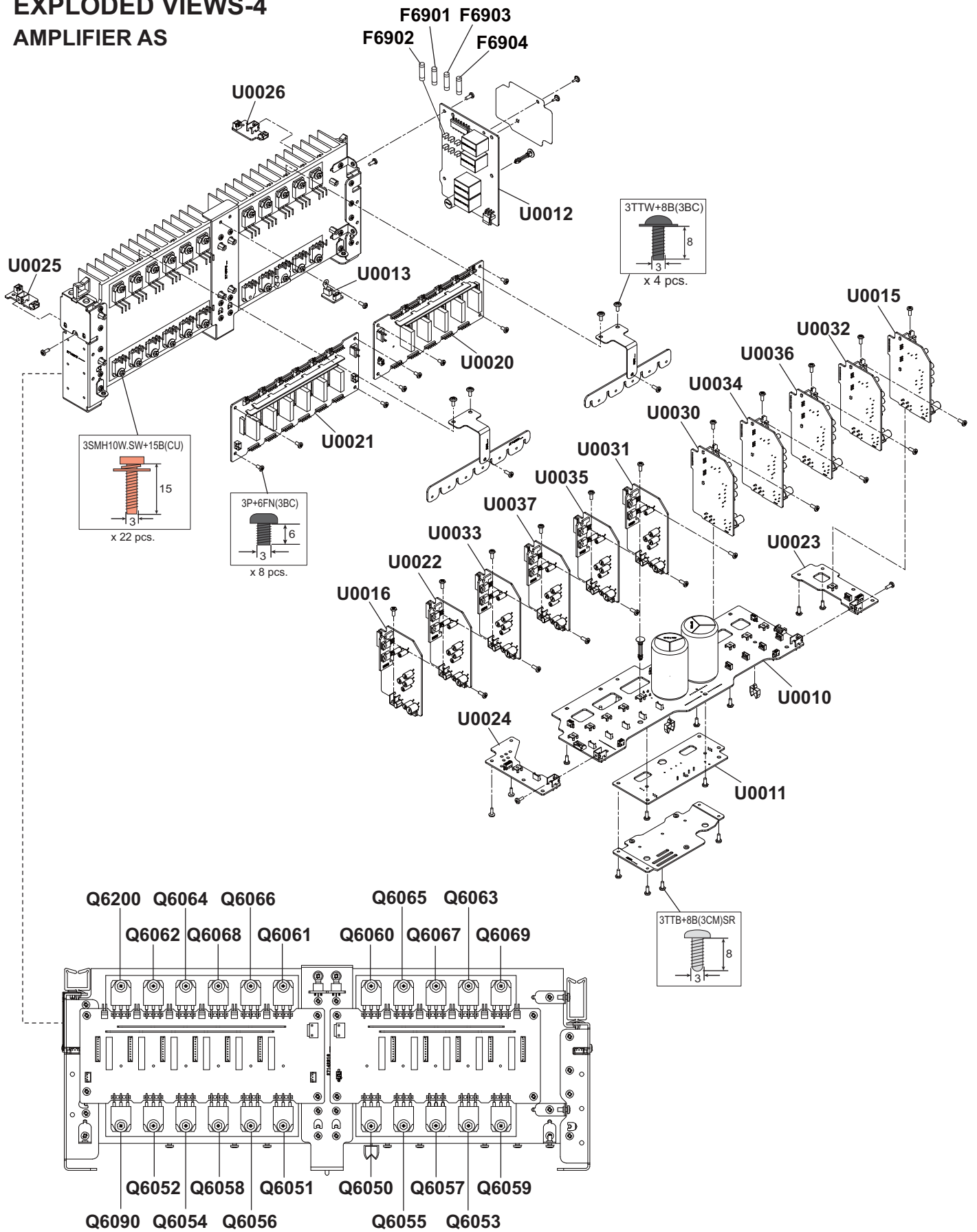


# EXPLODED VIEWS-3

## FRONT BRACKET AS(FAN, POWER TRANSFORMER)

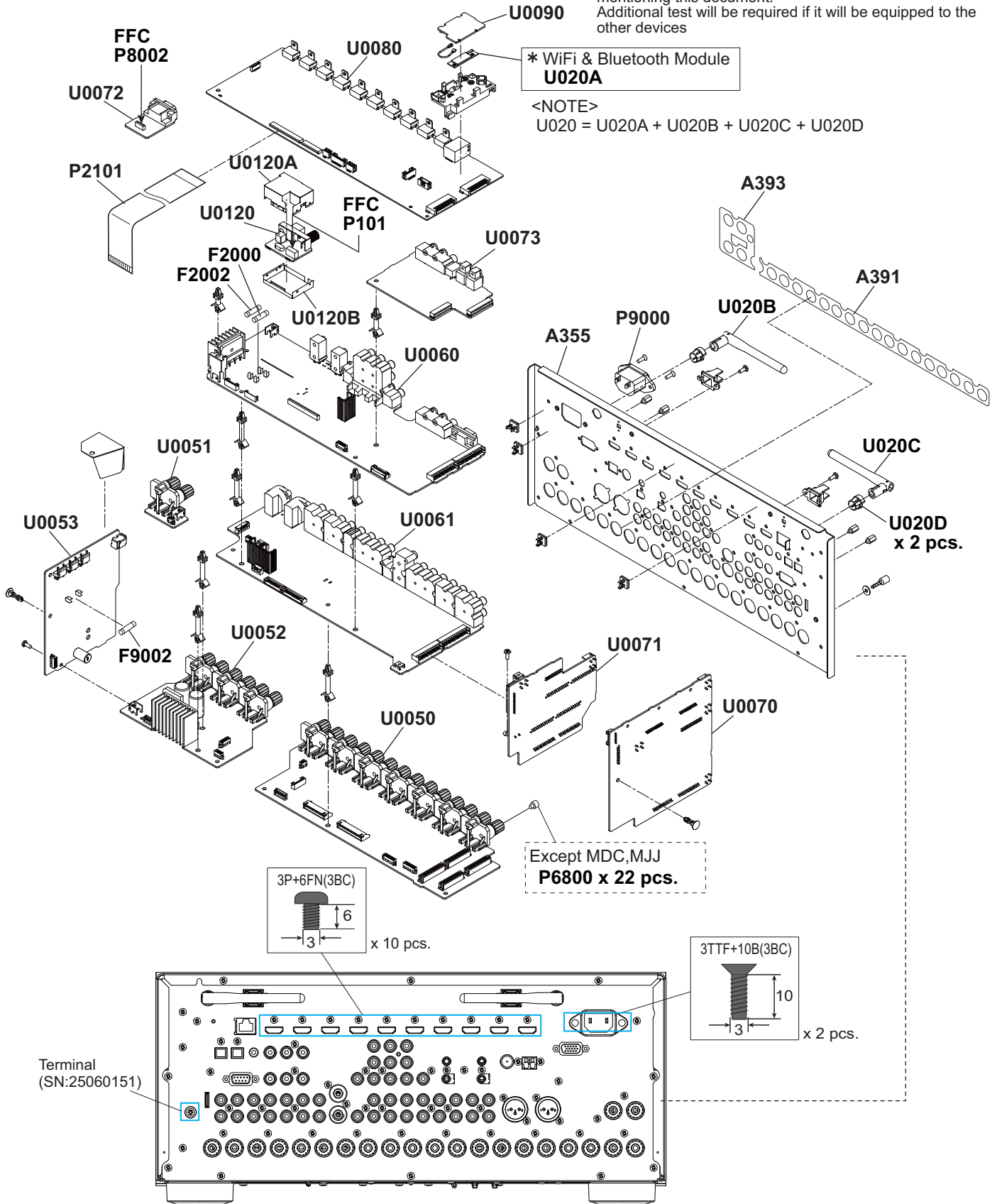


# EXPLODED VIEWS-4 AMPLIFIER AS



**EXPLODED VIEWS-5**  
**REAR AS**

- \* WiFi & Bluetooth Module has already been certified by FCC and IC.  
"Refer to EXPLODED VIEWS-6"
- \* This module transmitter does not have RF shielding, therefore it will be equipped only the tested Audio system mentioning this document.  
Additional test will be required if it will be equipped to the other devices



## EXPLODED VIEWS-6

### \* WiFi & Bluetooth Module has already been certificated by FCC and IC.

Information to the user.

Indicate "Contains FCC ID: TX2-RTL8723AS", "Contains IC: 6317A- RTL8723AS" and following information to the host device installed.

This device complies with part 15 of the FCC Rules. Operation is subject to the following two conditions: (1) This device may not cause harmful interference, and (2) this device must accept any interference received, including interference that may cause undesired operation.

Describe the following sentence to a user's manual of the host device.

[For FCC]

#### FCC CAUTION

Changes or modifications not expressly approved by the party responsible for compliance could void the user's authority to operate the equipment.

Note: This equipment has been tested and found to comply with the limits for a Class B digital device, pursuant to part 15 of the FCC Rules. These limits are designed to provide reasonable protection against harmful interference in a residential installation. This equipment generates, uses and can radiate radio frequency energy and, if not installed and used in accordance with the instructions, may cause harmful interference to radio communications. However, there is no guarantee that interference will not occur in a particular installation. If this equipment does cause harmful interference to radio or television reception, which can be determined by turning the equipment off and on, the user is encouraged to try to correct the interference by one or more of the following measures:

- Reorient or relocate the receiving antenna.
- Increase the separation between the equipment and receiver.
- Connect the equipment into an outlet on a circuit different from that to which the receiver is connected.
- Consult the dealer or an experienced radio/TV technician for help.

This transmitter must not be co-located or operated in conjunction with any other antenna or transmitter.

This equipment complies with FCC radiation exposure limits set forth for an uncontrolled environment and meets the FCC radio frequency (RF) Exposure Guidelines in Supplement C to OET65. This equipment has very low levels of RF energy that it deemed to comply without maximum permissive exposure evaluation (MPE). But it is desirable that it should be installed and operated keeping the radiator at least 20cm or more away from person's body (excluding extremities: hands, wrists, feet and ankles).

[For IC]

CAN ICES-3 B/NMB-3 B

This device complies with Industry Canada licence-exempt RSS standard(s). Operation is subject to the following two conditions: (1) this device may not cause interference, and (2) this device must accept any interference, including interference that may cause undesired operation of the device.

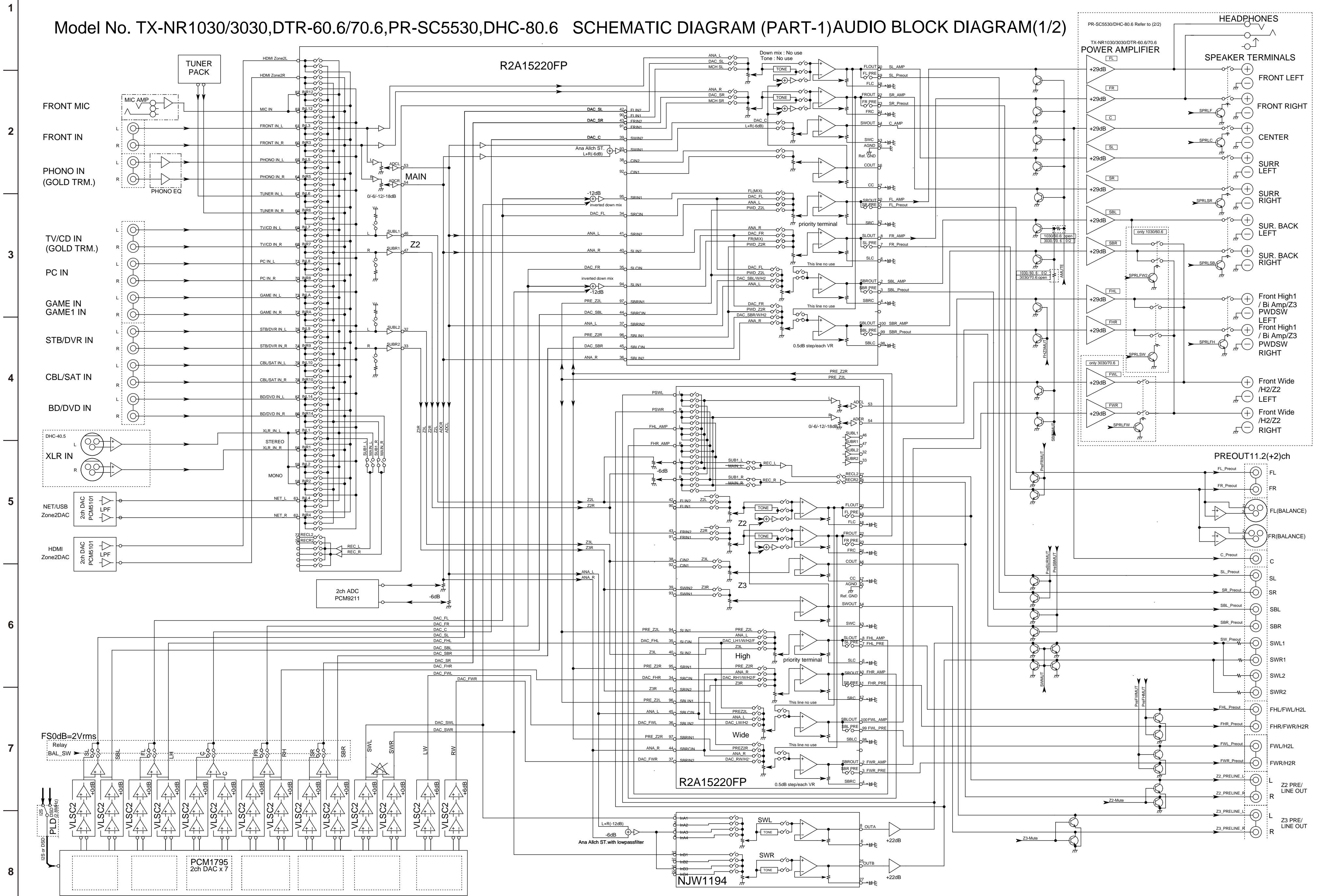
Le présent appareil est conforme aux CNR d'Industrie Canada applicables aux appareils radio exempts de licence. L'exploitation est autorisée aux deux conditions suivantes : (1) l'appareil ne doit pas produire de brouillage, et (2) l'utilisateur de l'appareil doit accepter tout brouillage radioélectrique subi, même si le brouillage est susceptible d'en compromettre le fonctionnement.

This equipment complies with IC radiation exposure limits set forth for an uncontrolled environment and meets RSS-102 of the IC radio frequency (RF) Exposure rules. This equipment has very low levels of RF energy that it deemed to comply without maximum permissive exposure evaluation (MPE). But it is desirable that it should be installed and operated keeping the radiator at least 20cm or more away from person's body (excluding extremities: hands, wrists, feet and ankles).

Cet équipement est conforme aux limites d'exposition aux rayonnements énoncées pour un environnement non contrôlé et respecte les règles d'exposition aux fréquences radioélectriques (RF) CNR-102 de l'IC. Cet équipement émet une énergie RF très faible qui est considérée conforme sans évaluation de l'exposition maximale autorisée. Cependant, cet équipement doit être installé et utilisé en gardant une distance de 20 cm ou plus entre le dispositif rayonnant et le corps (à l'exception des extrémités : mains, poignets, pieds et chevilles).

**SCHEMATIC DIAGRAMS-01**  
**AUDIO BLOCK DIAGRAM(1/2)**

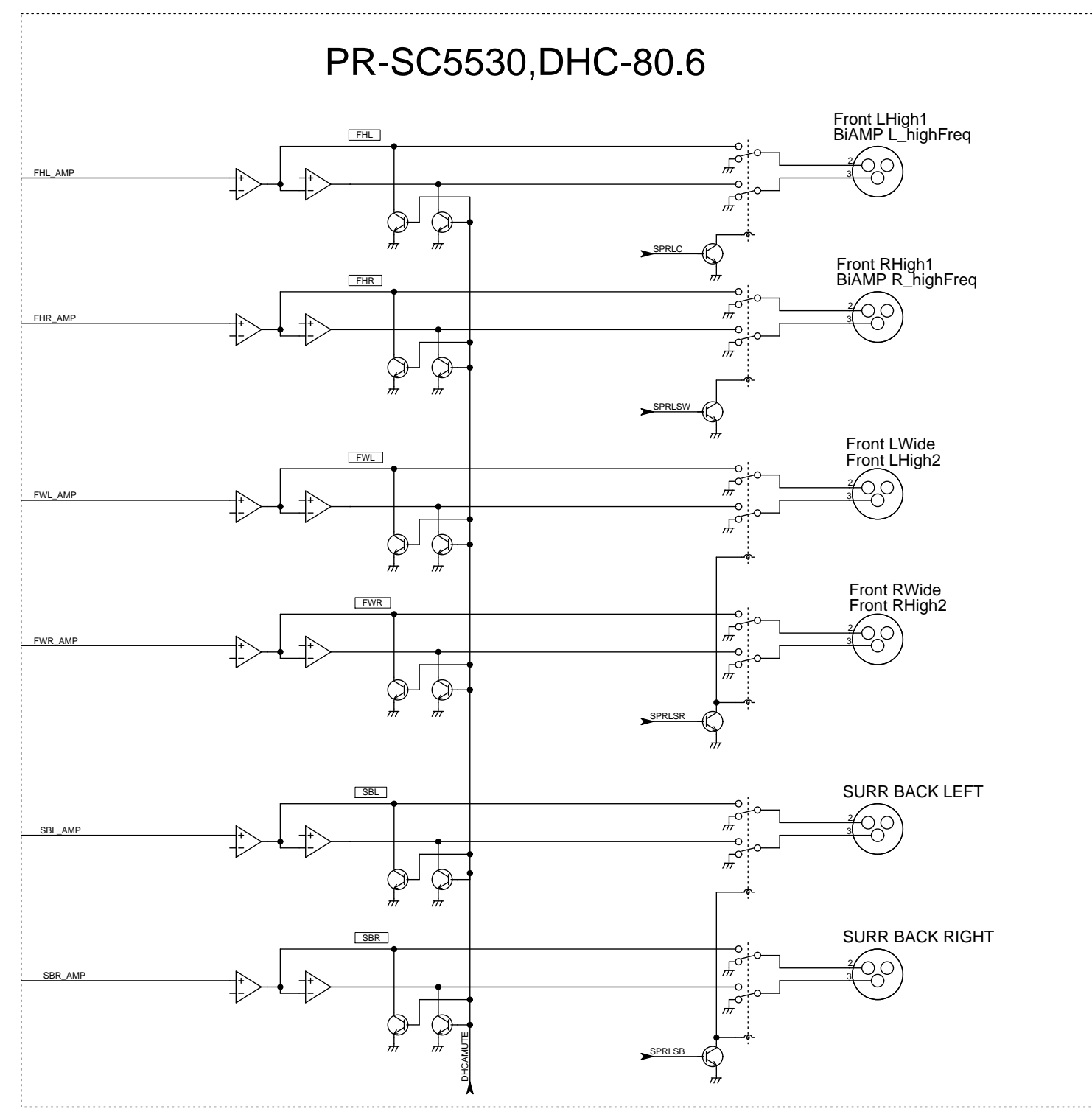
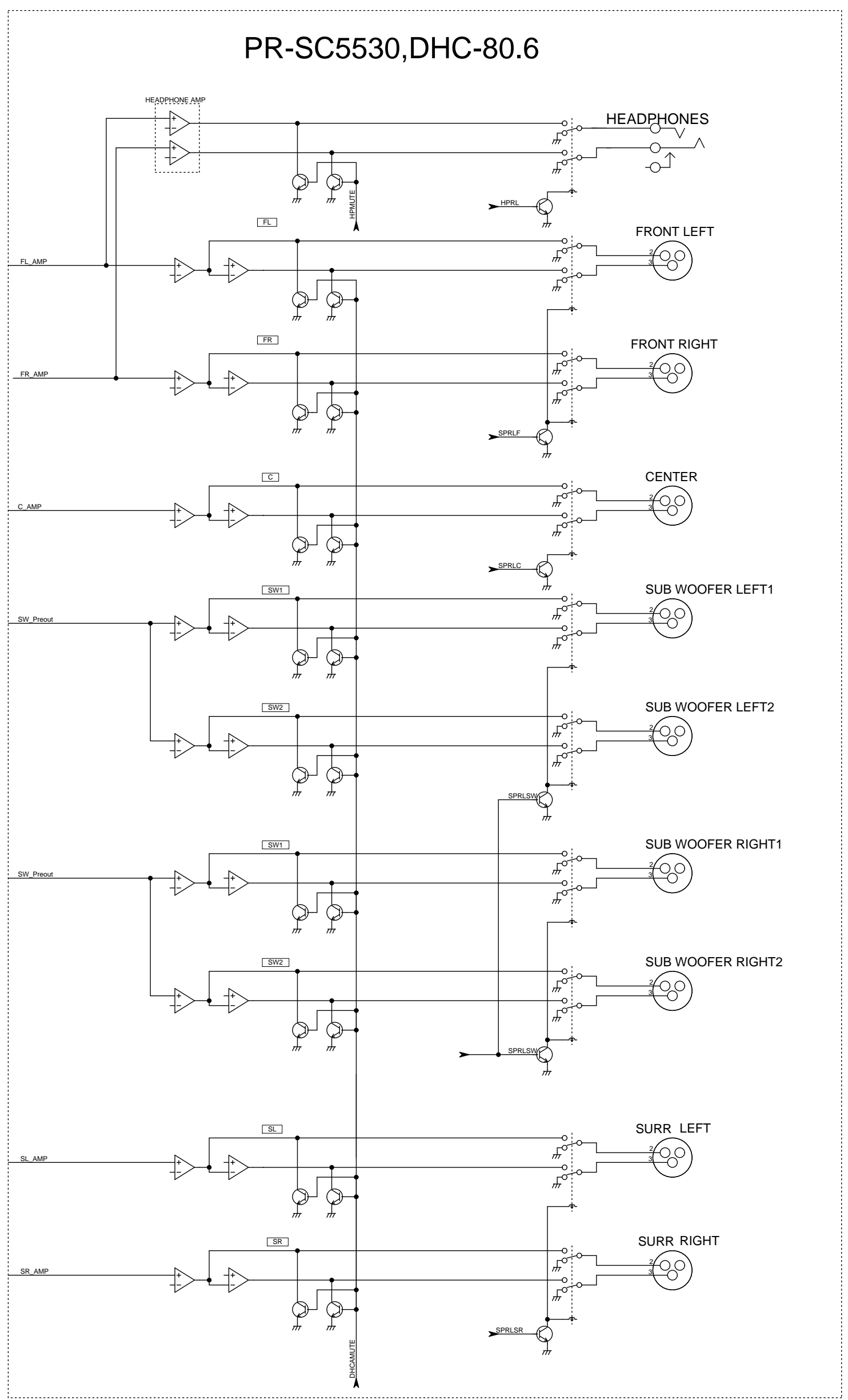
Model No. TX-NR1030/3030,DTR-60.6/70.6,PR-SC5530,DHC-80.6 SCHEMATIC DIAGRAM (PART-1)AUDIO BLOCK DIAGRAM(1/2)



A B C D E F G H I J K  
**SCHEMATIC DIAGRAMS-02**  
**AUDIO BLOCK DIAGRAM(2/2)**

1  
2  
3  
4  
5  
6  
7  
8

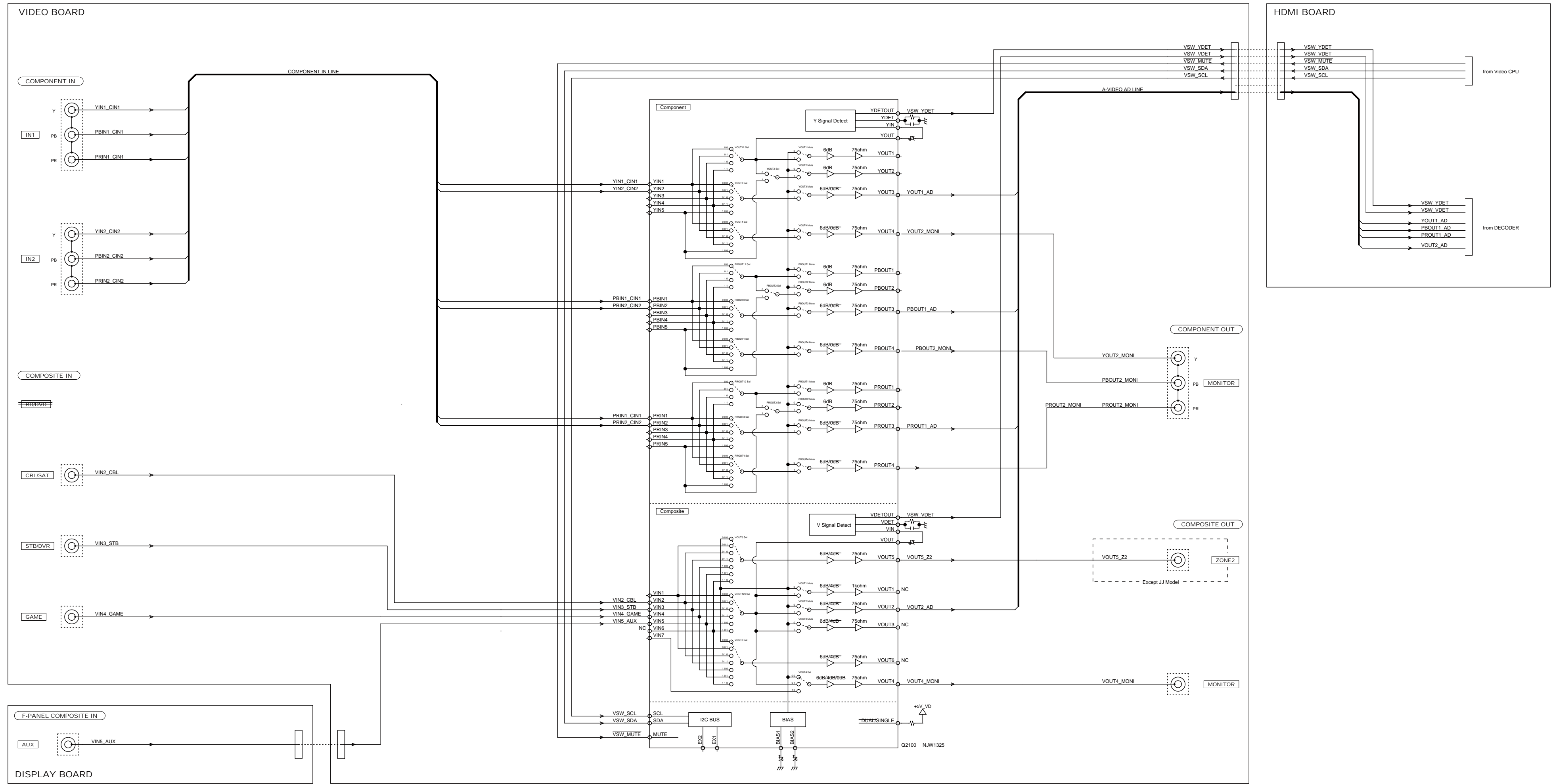
Model No. TX-NR1030/3030,DTR-60.6/70.6,PR-SC5530,DHC-80.6 SCHEMATIC DIAGRAM (PART-1) AUDIO BLOCK DIAGRAM(2/2)





# SCHEMATIC DIAGRAMS-03 ANALOG VIDEO BLOCK DIAGRAM

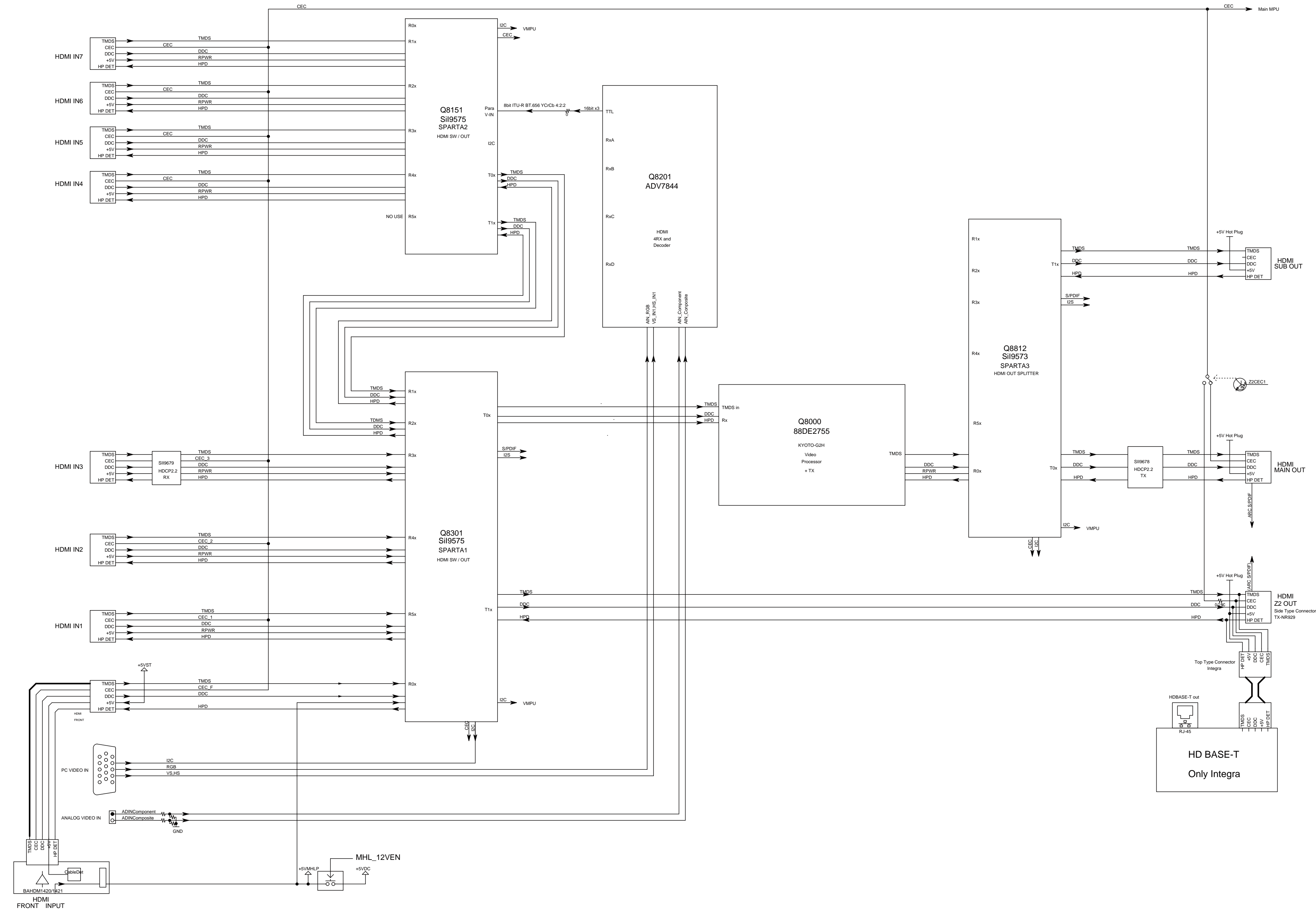
1  
2  
3  
4  
5  
6  
7  
8



**SCHEMATIC DIAGRAMS-04**  
**HDMI BLOCK DIAGRAM**

Model No. TX-NR1030/3030,DTR-60.6/70.6,PR-SC5530,DHC-80.6HDMI SCHEMATIC DIAGRAM (PART-3) HDMI BLOCK SECTION

1  
2  
3  
4  
5  
6  
7  
8



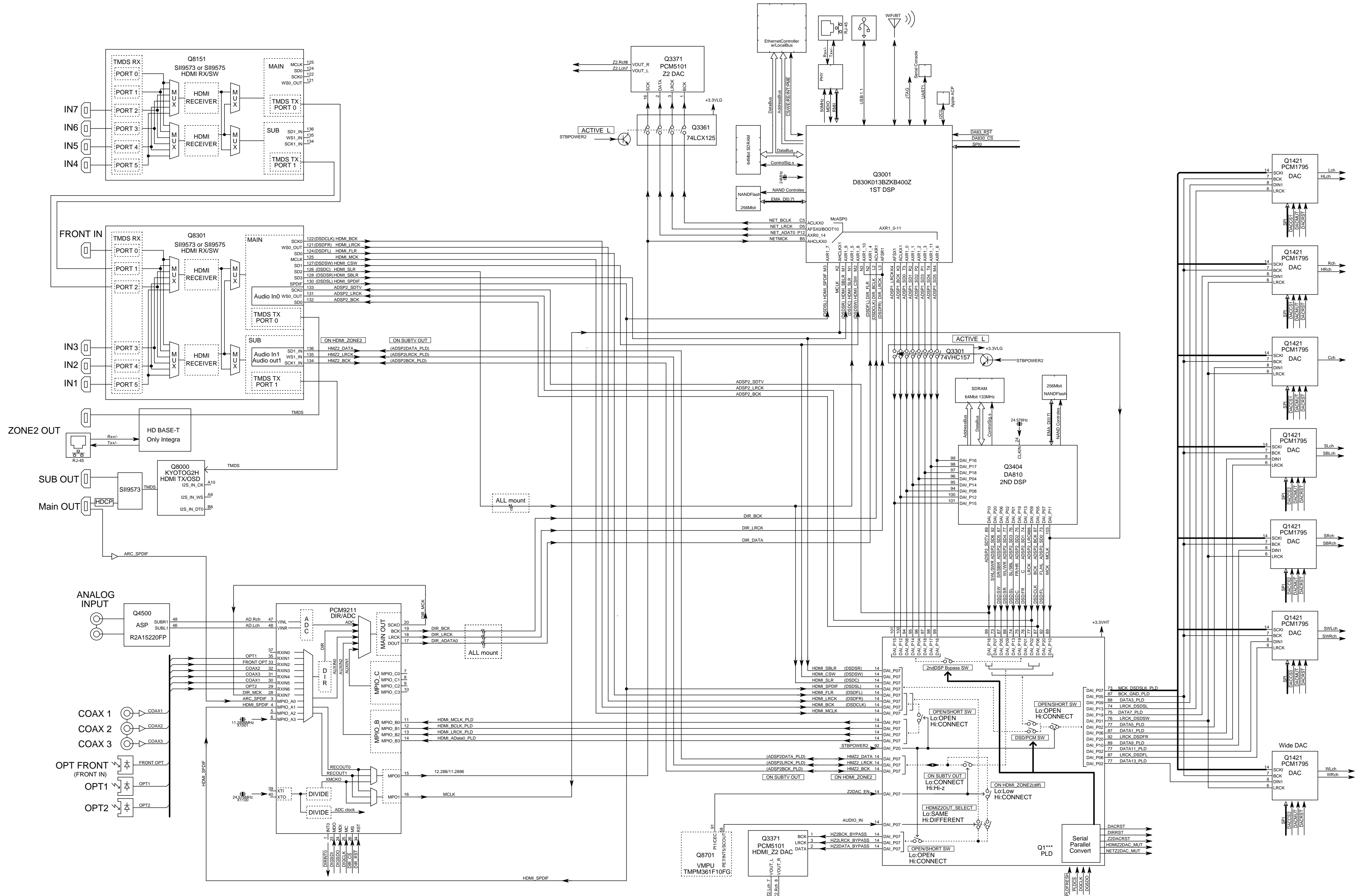
**SCHEMATIC DIAGRAMS-05**  
**DIGITAL AUDIO BLOCK DIAGRAM**

Model No. TX-NR1030/3030,DTR-60.6/70.6,PR-SC5530,DHC-80.6

SCHEMATIC DIAGRAM (PART-4)

BLOCK DIAGRAM(DIGITAL AUDIO)

1  
2  
3  
4  
5  
6  
7  
8

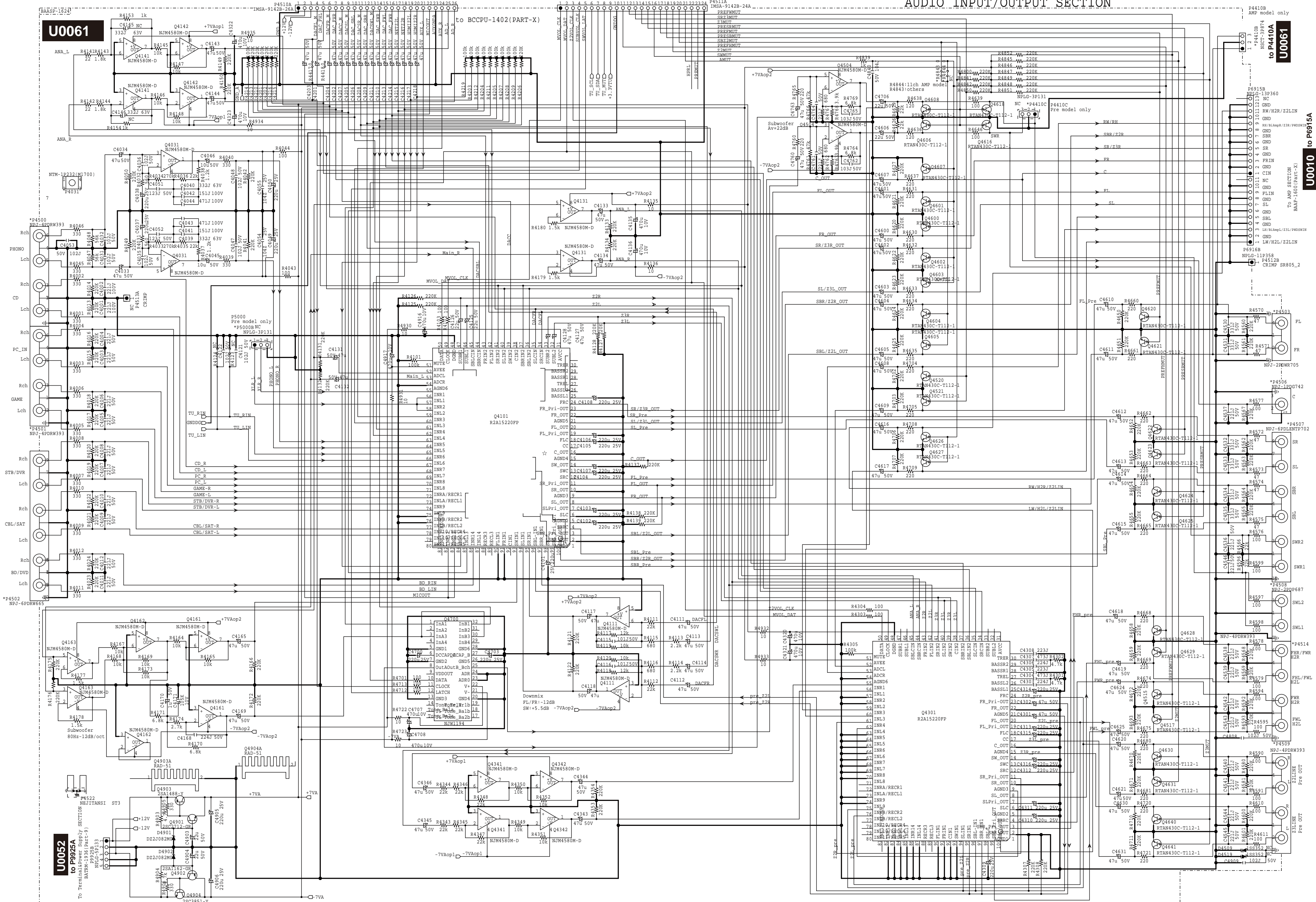


SCHEMATIC DIAGRAMS-06  
AUDIO INPUT/OUTPUT SECTION

MODEL No. TX-NR1030, TX-NR3030, DTR-70.6, DTR-80.6, PR-SC5530, DHC-80.6 SCHEMATIC DIAGRAM (PART-5)

U0071 to P4511B

AUDIO INPUT/OUTPUT SECTION



1  
2  
3  
4  
5  
6  
7  
8

U0061 to P4410A  
U0010 to P6915A

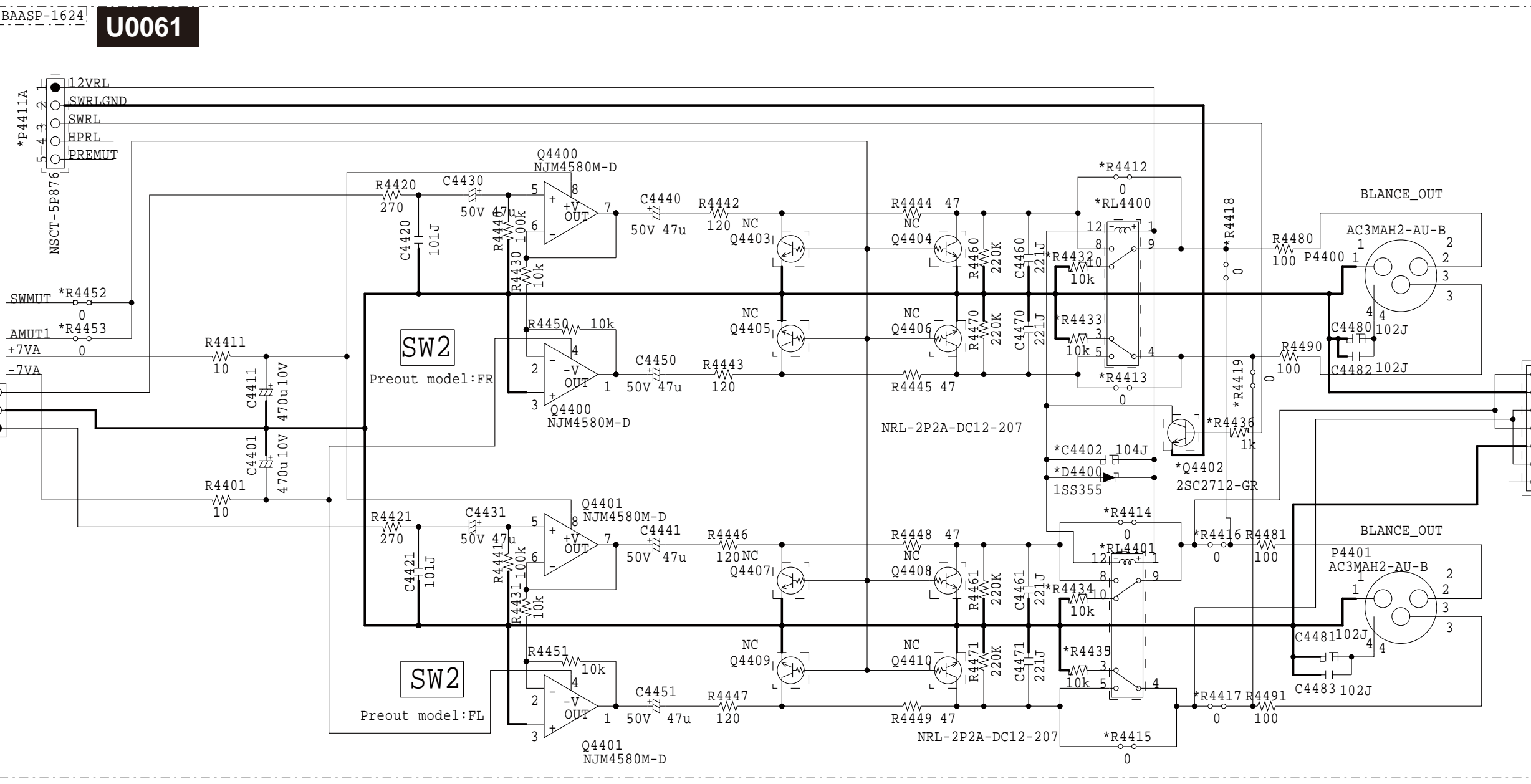
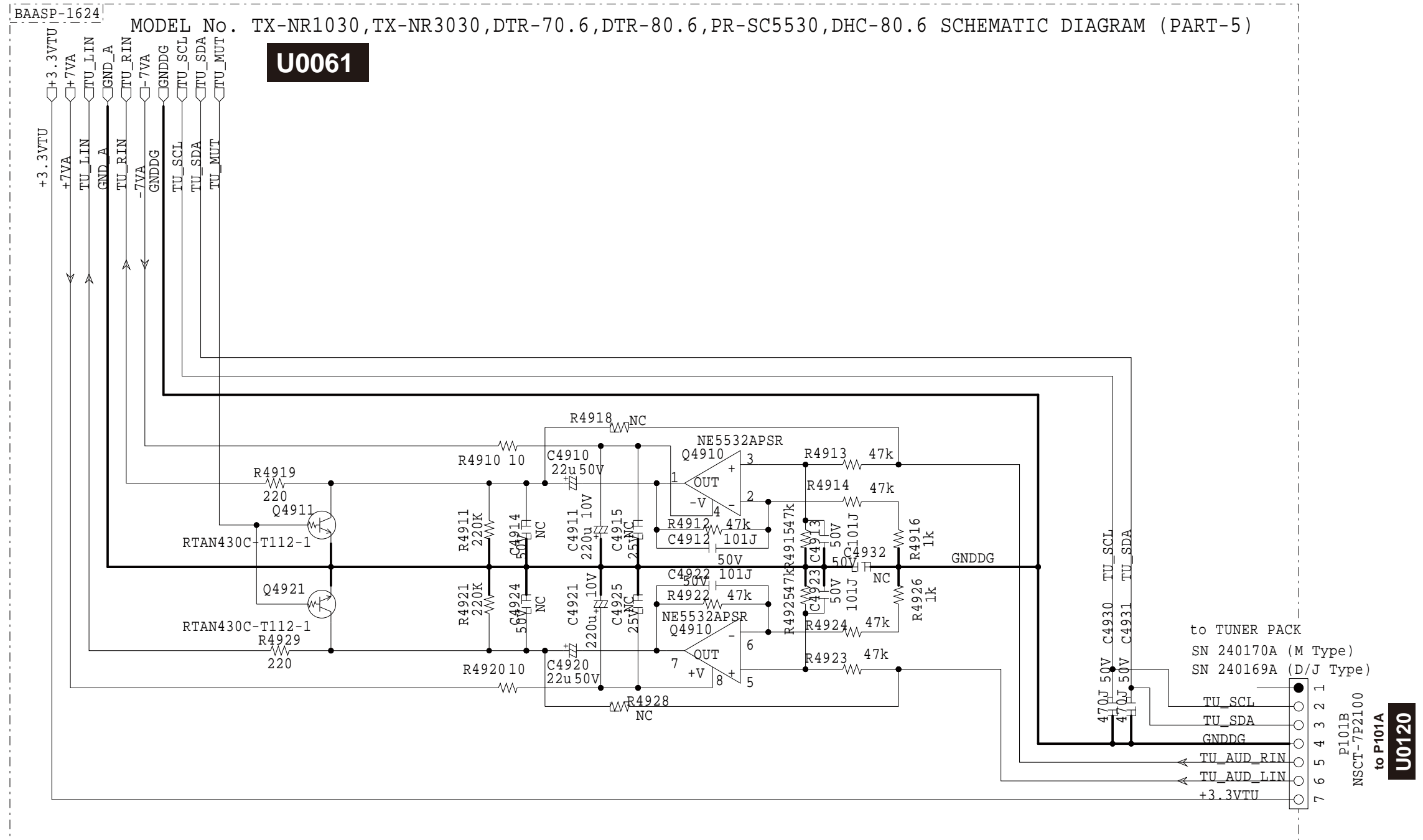
U0061

U0071

U0052 to P995A

SCHEMATIC DIAGRAMS-07  
AUDIO INPUT/OUTPUT SECTION

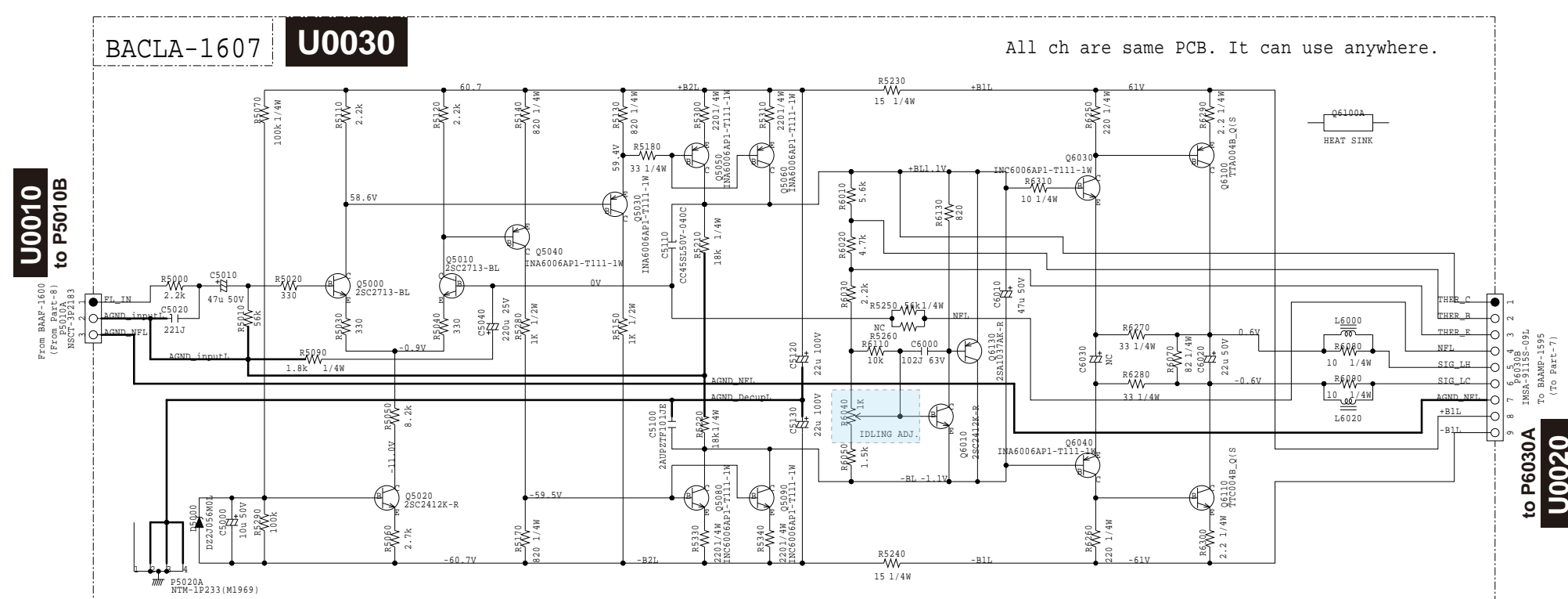
MODEL No. TX-NR1030, TX-NR3030, DTR-70.6, DTR-80.6, PR-SC5530, DHC-80.6 SCHEMATIC DIAGRAM (PART-5)



SCHEMATIC DIAGRAMS-08  
AMP(VoltageAMP) SECTION

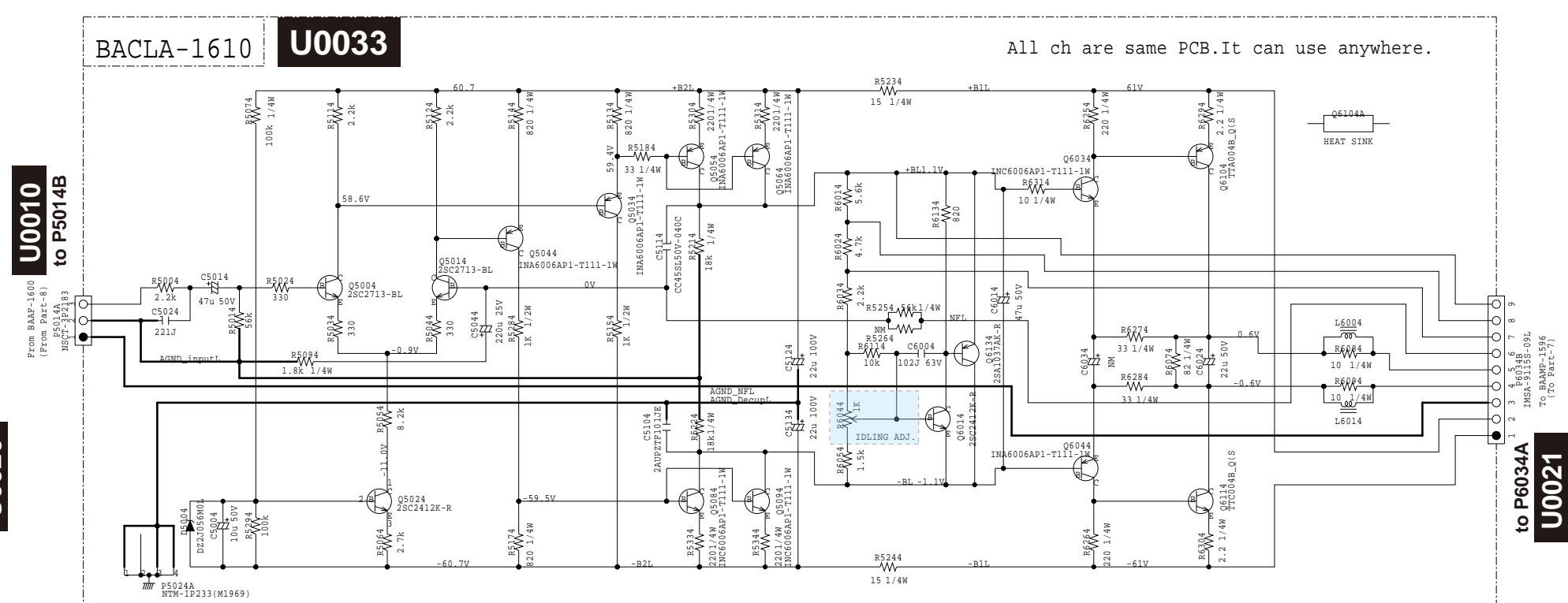
AMP(VoltageAMP) SECTION

L



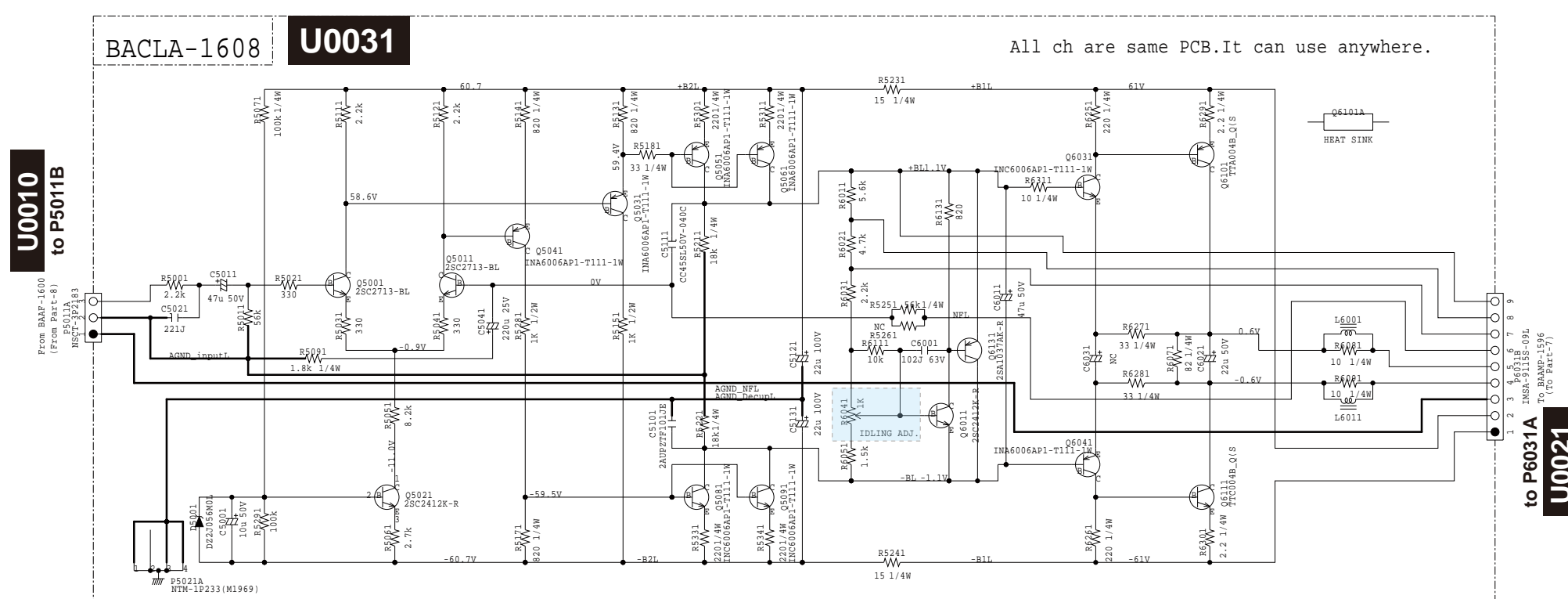
AMP(VoltageAMP) SECTION

SR



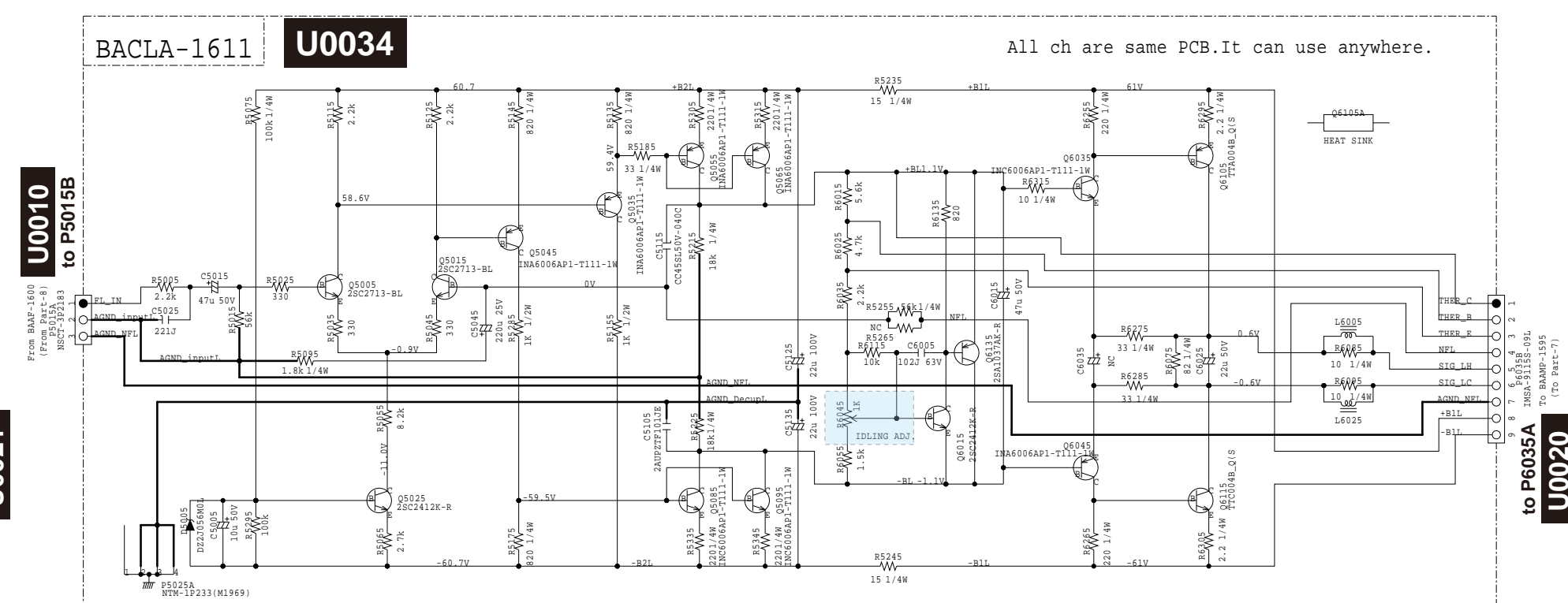
AMP(VoltageAMP) SECTION

R



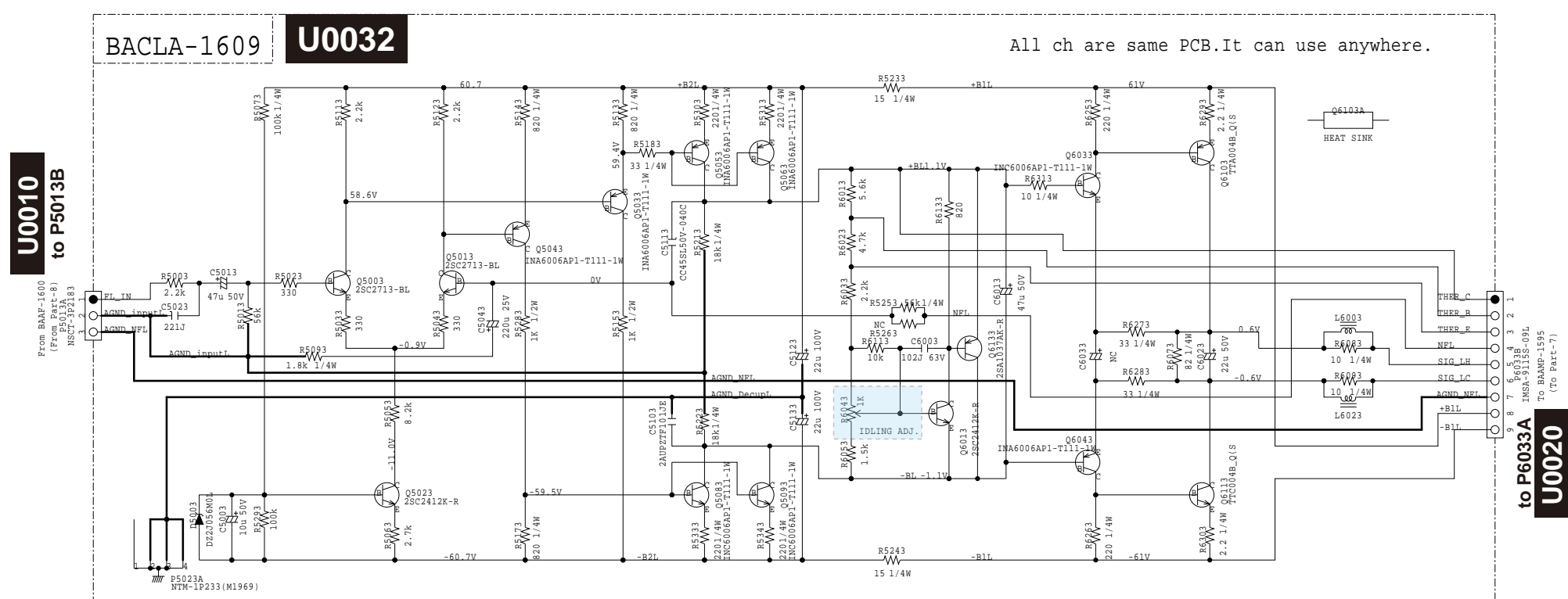
AMP(VoltageAMP) SECTION

SBL



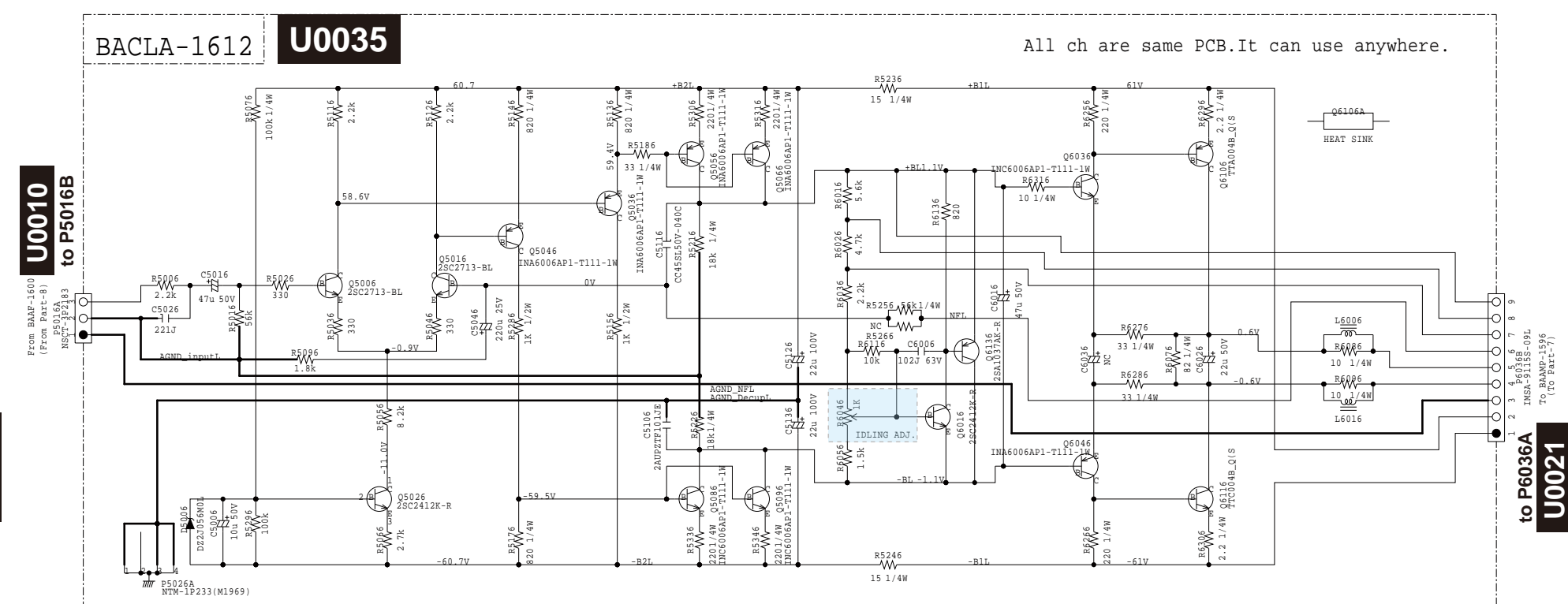
AMP(VoltageAMP) SECTION

SL



AMP(VoltageAMP) SECTION

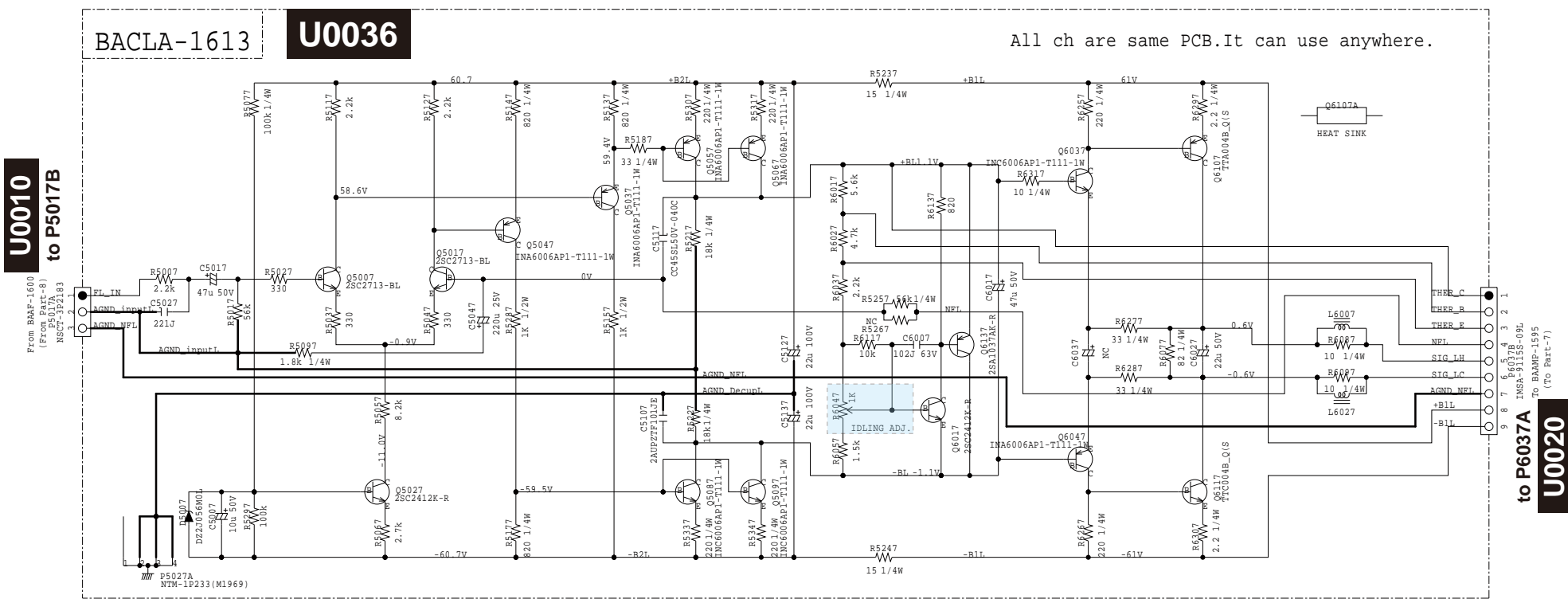
SBR



**SCHEMATIC DIAGRAMS-09**  
**AMP(VoltageAMP) SECTION**

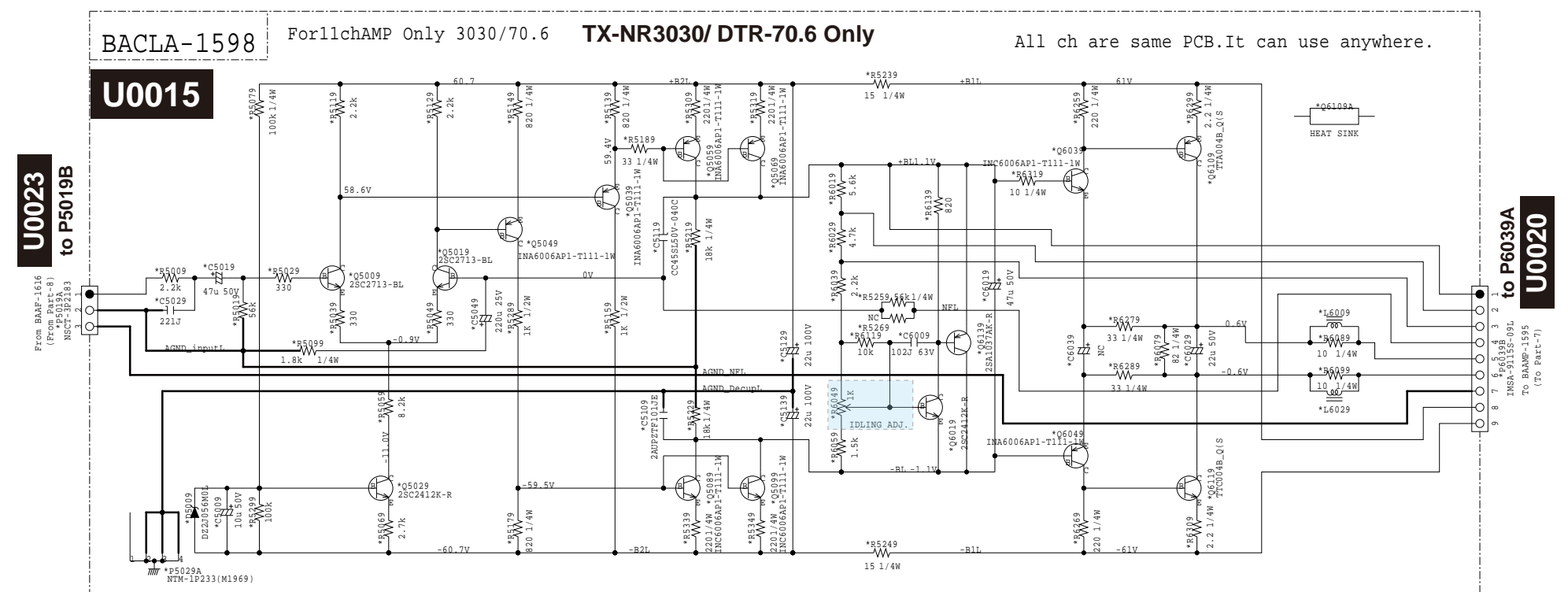
1 AMP(VoltageAMP) SECTION **LH**

**LH**



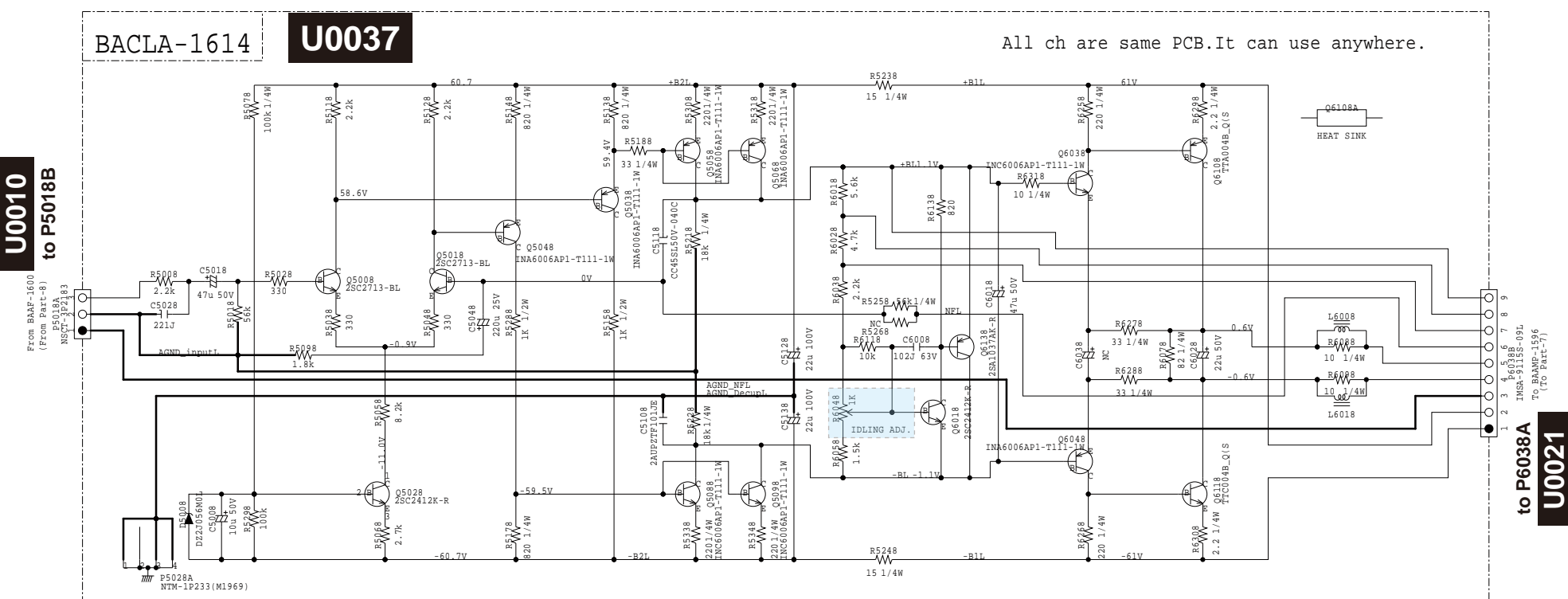
AMP(VoltageAMP) SECTION

**LW**



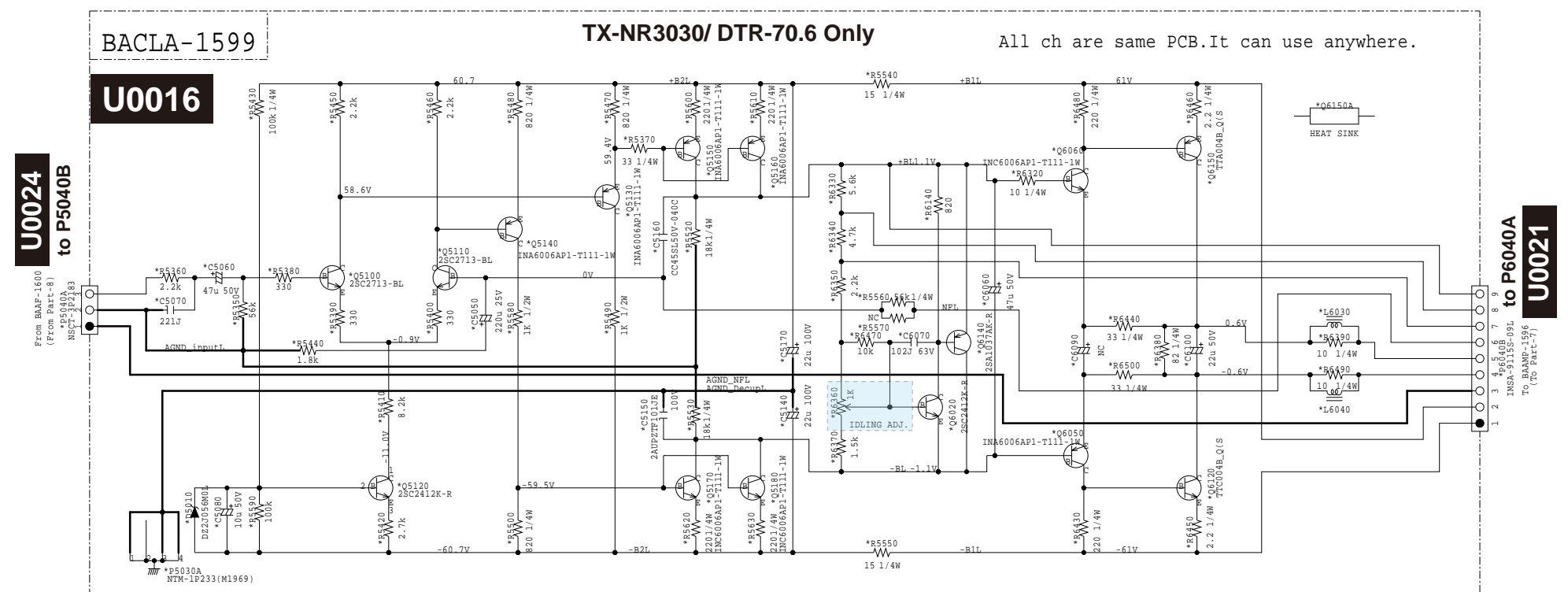
3 AMP(VoltageAMP) SECTION

**RH**



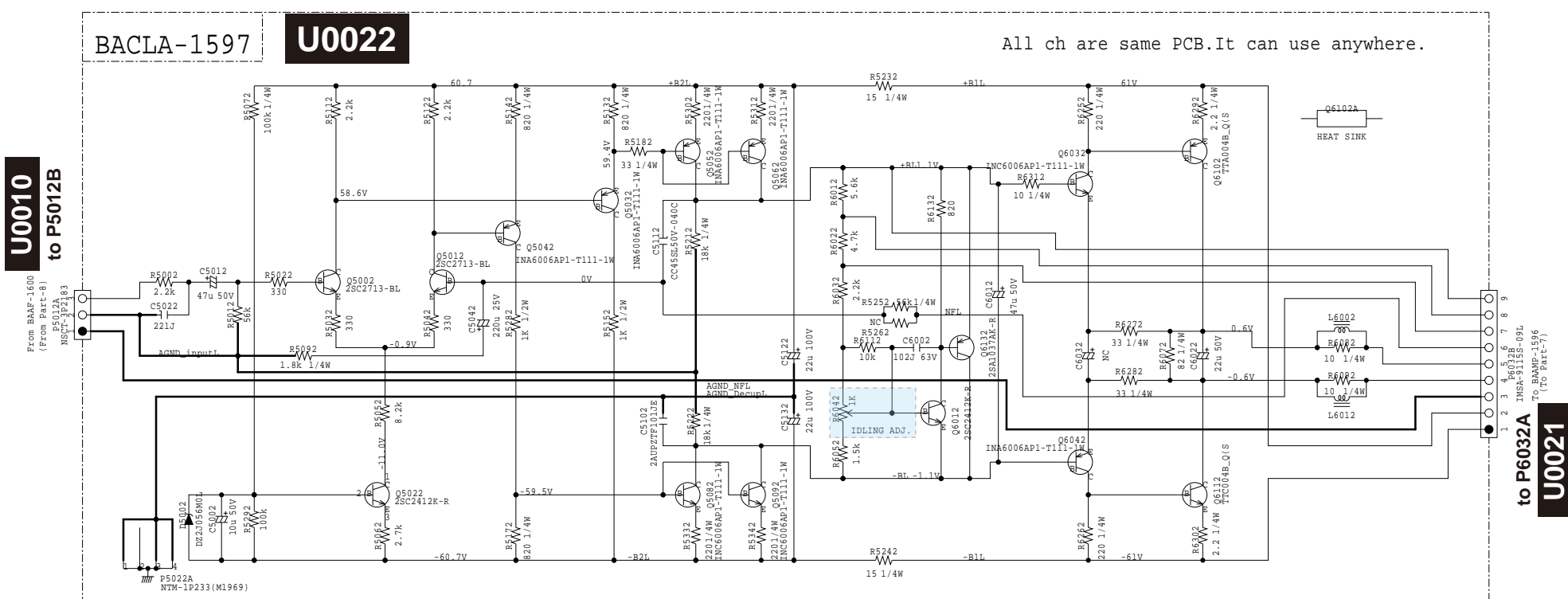
AMP(VoltageAMP) SECTION

**RW**



6 AMP(VoltageAMP) SECTION

**C**



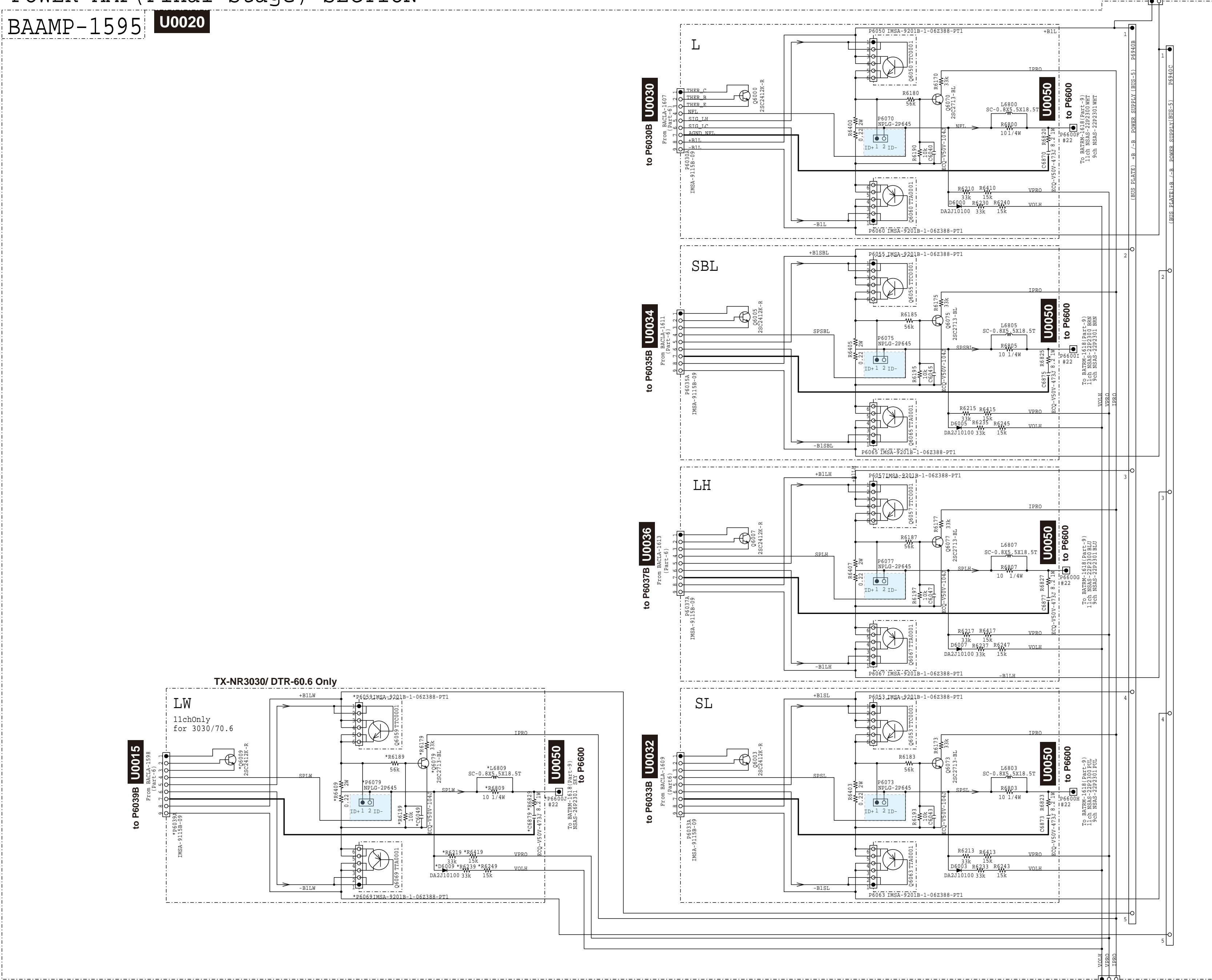
SCHEMATIC DIAGRAMS-10  
POWER AMP(Final Stage) SECTION

Model No. TX-NR3030/1030 DTR-60.6/70.6 SCHEMATIC DIAGRAM (PART-7)  
POWER AMP(Final Stage) SECTION

**U0010** To BAAMP-1600  
(Part-8)  
to P6940B P6940A  
NPLG-2P631

BAAMP-1595 **U0020**

1  
2  
3  
4  
5  
6  
7  
8

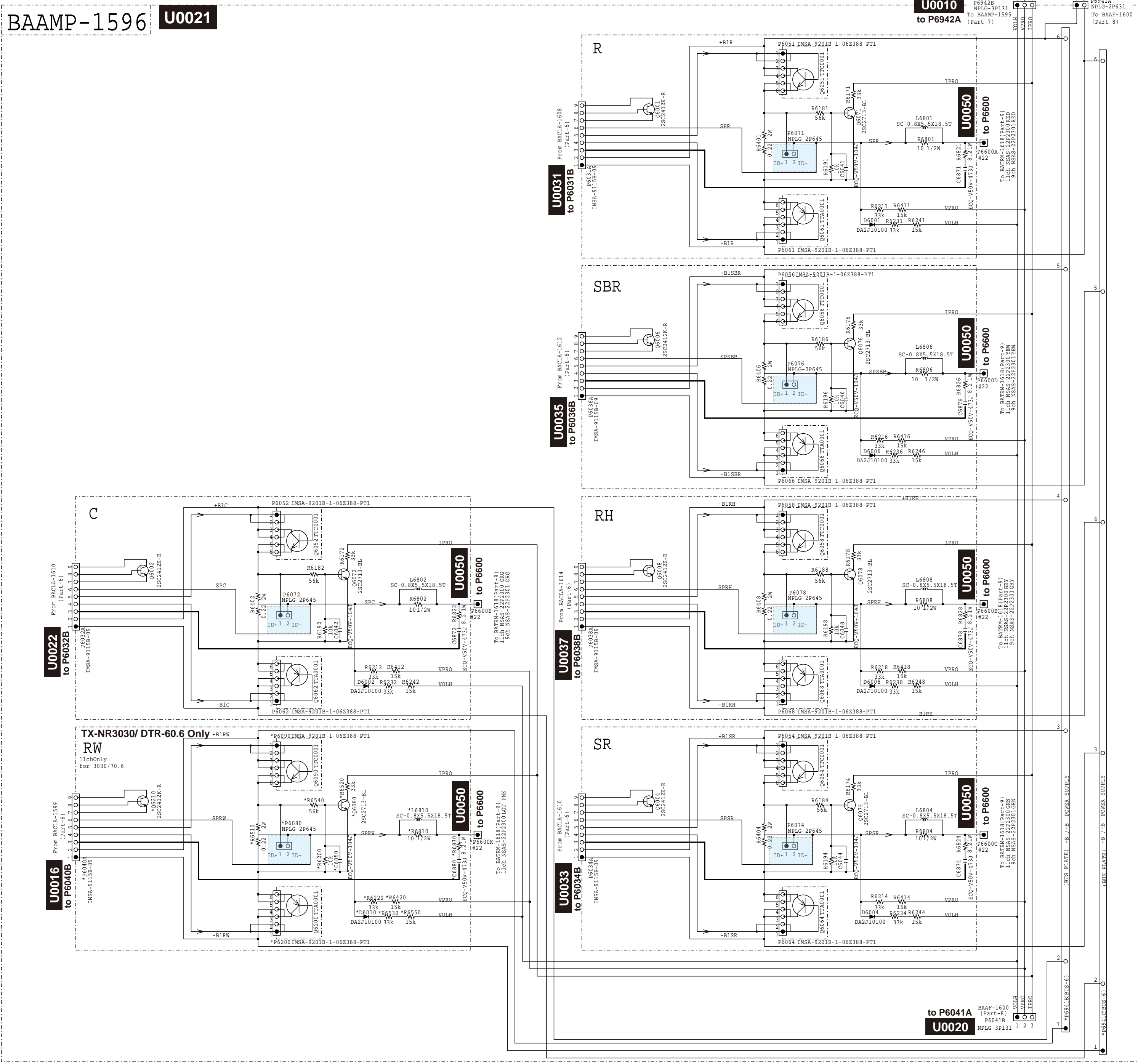


**U0021** To BAAMP-1596  
P60413  
NSCT-3P874 (Part-7)



SCHEMATIC DIAGRAMS-11  
POWER AMP(Final Stage) SECTION

Model No. TX-NR3030/1030,DTR-60.6/70.6 SCHEMATIC DIAGRAM (PART-7) POWER AMP(Final Stage) SECTION



BAAMP-1596

U0021

U0010  
to P6942A

P6942B  
NPLG-3P131  
To BAAMP-1596  
(Part-7)

P6941A  
NPLG-2P631  
To BAAMP-1600  
(Part-8)

U0021  
to P6941B

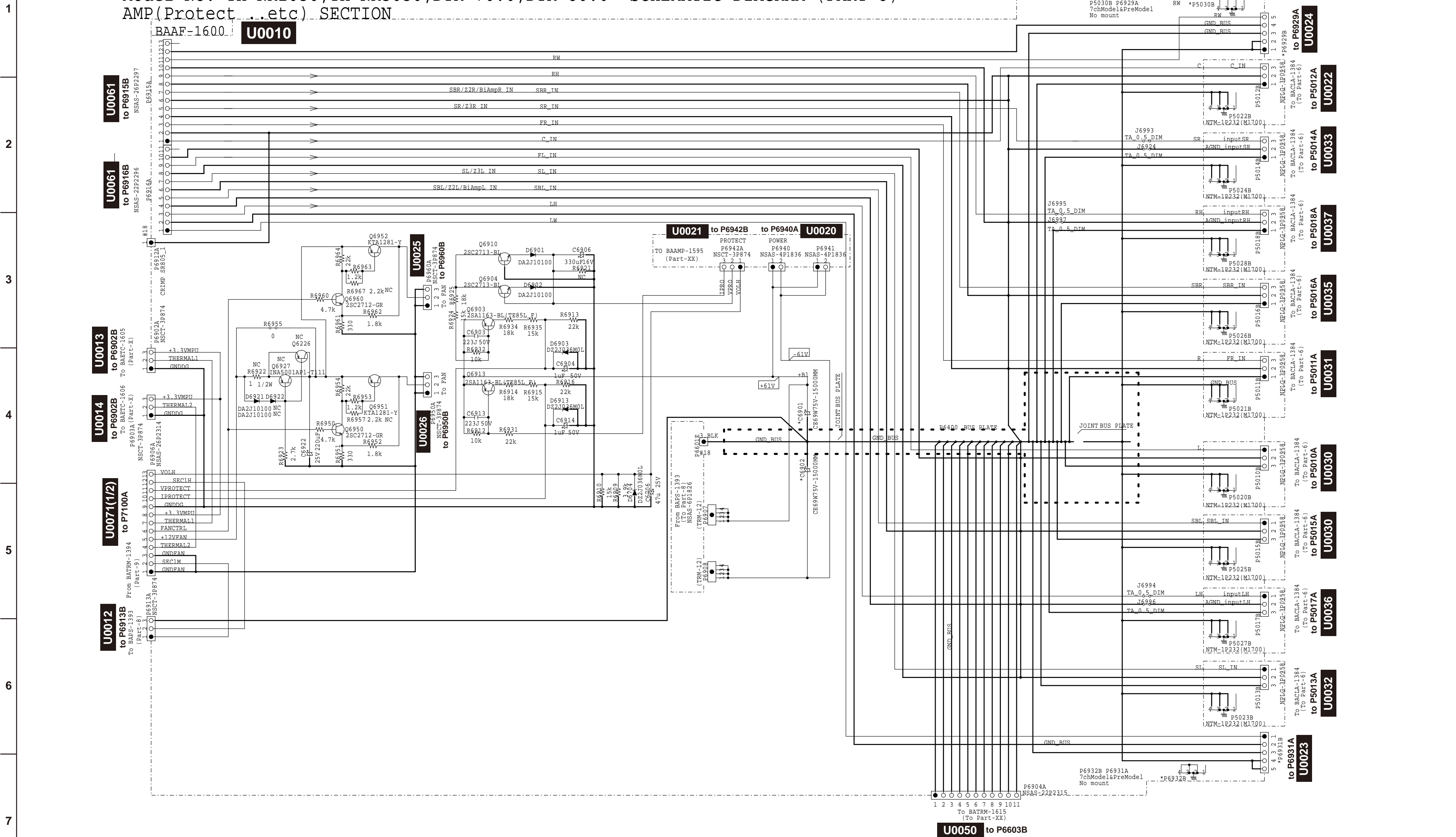
to P6041A  
U0020

BAAP-1600  
(Part-8)  
P6041B  
NPLG-3P131

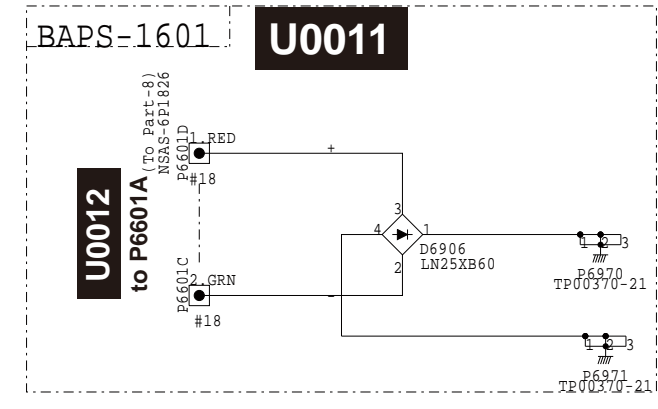
1 2 3  
VPRO  
IPRO  
P6941B BUS-61  
P6941B BUS-61

SCHMATIC DIAGRAMS-12  
AMP(Protect .etc) SECTION

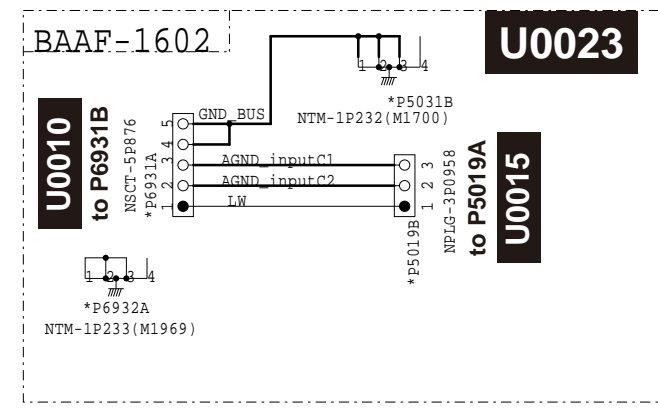
Model No. TX-NR1030, TX-NR3030, DTR-70.6, DTR-80.6 SCHEMATIC DIAGRAM (PART-8)  
AMP(Protect .etc) SECTION



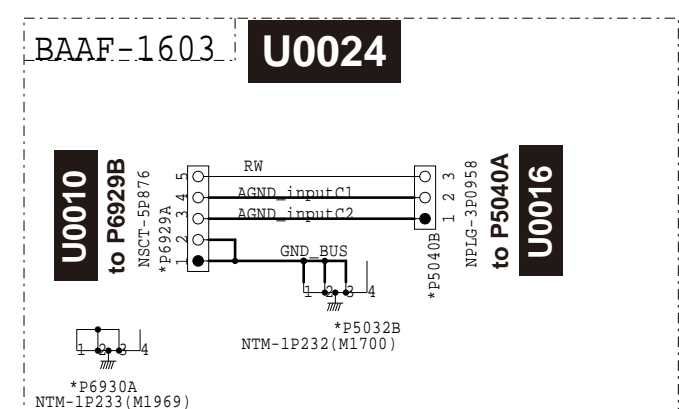
Model No. TX-NR1030, TX-NR3030, DTR-70.6, DTR-80.6 SCHEMATIC DIAGRAM (PART-8)  
(POWER) SECTION



Model No. TX-NR1030, TX-NR3030, DTR-70.6, DTR-80.6 SCHEMATIC DIAGRAM (PART-8)  
AMP(Protect .etc) SECTION



Model No. TX-NR1030, TX-NR3030, DTR-70.6, DTR-80.6 SCHEMATIC DIAGRAM (PART-8)  
AMP(Protect .etc) SECTION

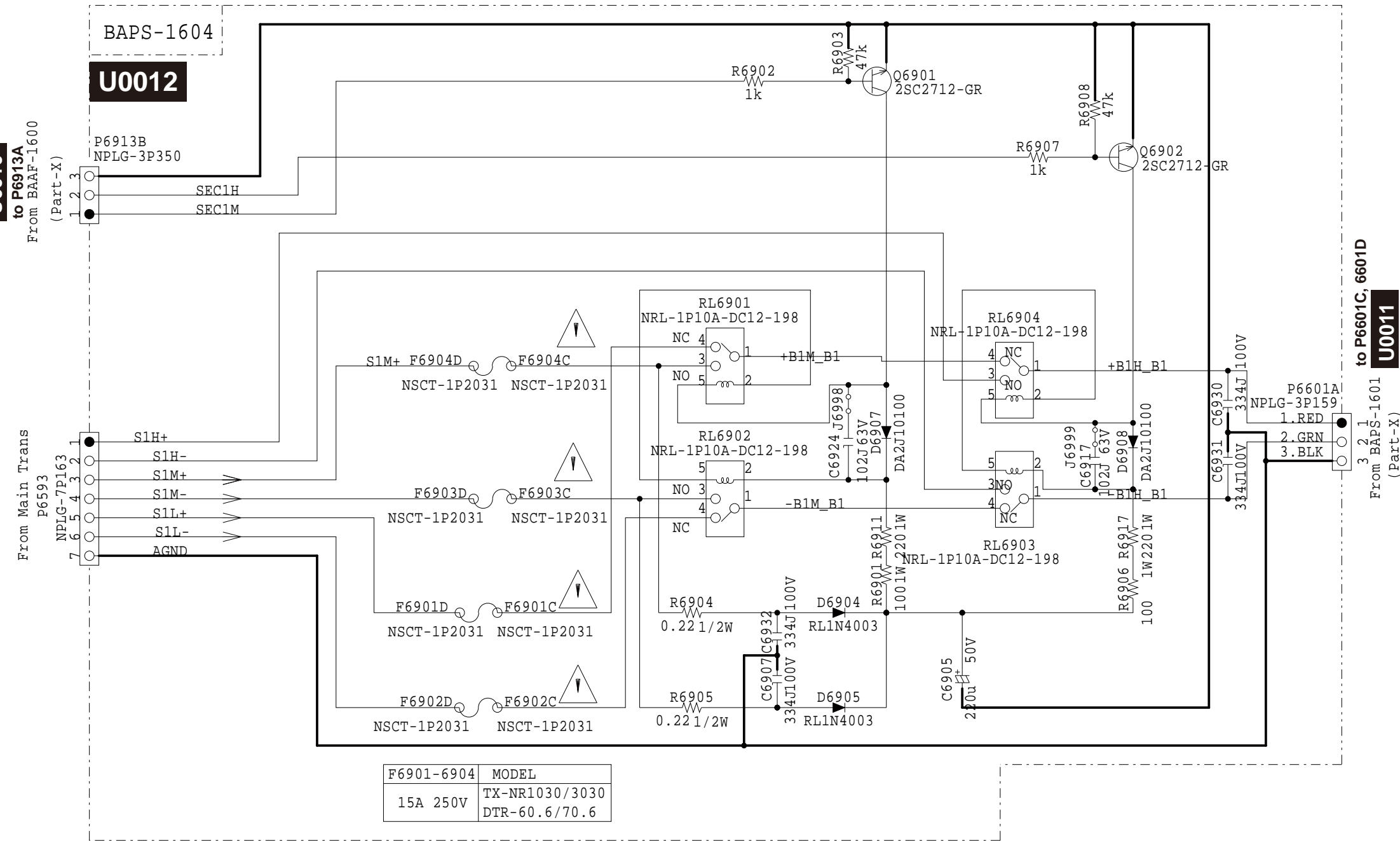


8

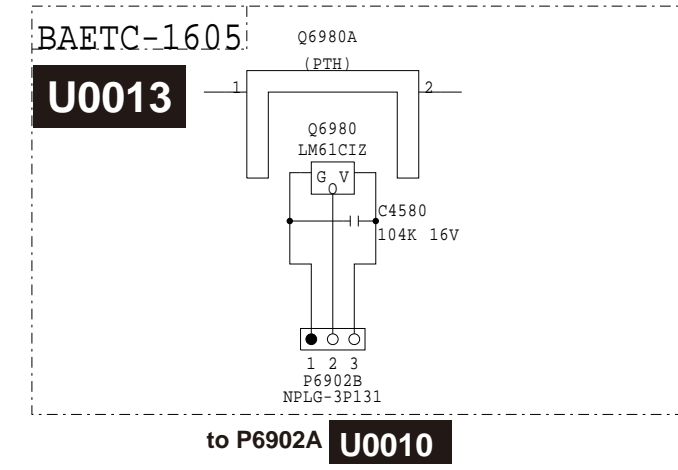
**SCHEMATIC DIAGRAMS-13**  
AMP(Protect ..etc) SECTION

1  
2  
3  
4  
5  
6  
7  
8

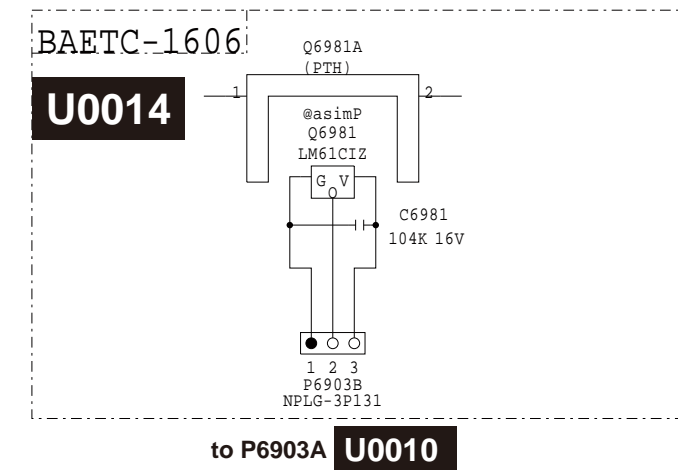
Model No. TX-NR1030/3030,DTR-60.6/70.6 SCHEMATIC DIAGRAM (PART-8)  
AMP(Power supply) SECTION



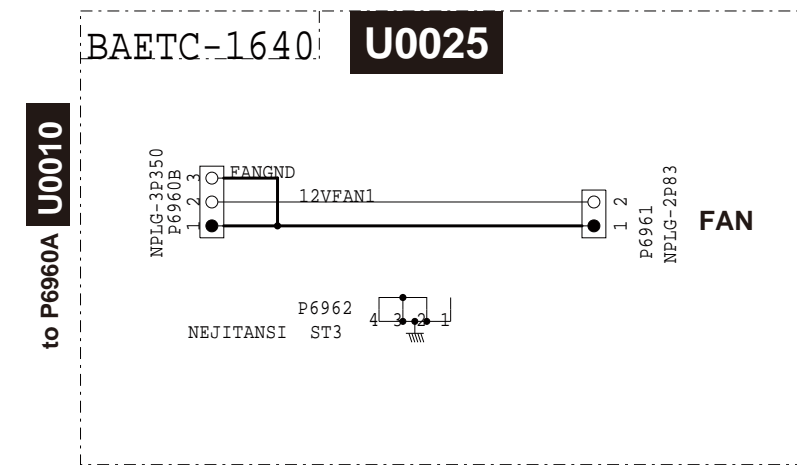
Model No. TX-NR1030, TX-NR3030, DTR-70.6, DTR-80.6 SCHEMATIC DIAGRAM (PART-8)  
AMP(Thermal sensor) SECTION



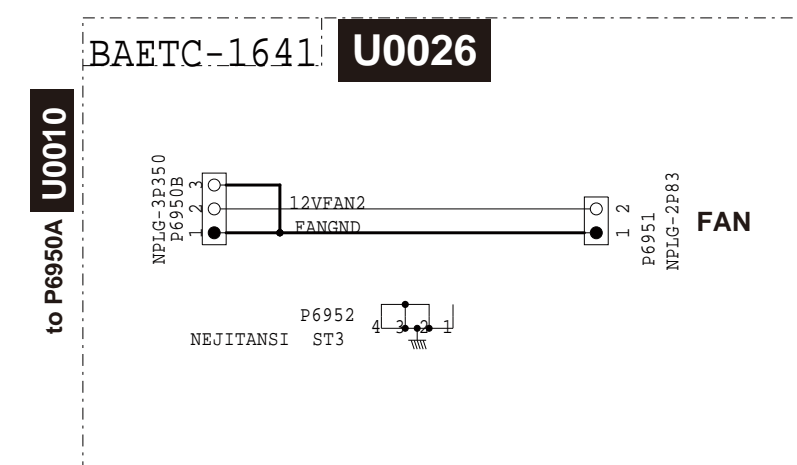
Model No. TX-NR1030, TX-NR3030, DTR-70.6, DTR-80.6 SCHEMATIC DIAGRAM (PART-8)  
AMP(Thermal sensor) SECTION



Model No. TX-NR1030, TX-NR3030, DTR-70.6, DTR-80.6 SCHEMATIC DIAGRAM (PART-8)  
AMP(Fan) SECTION

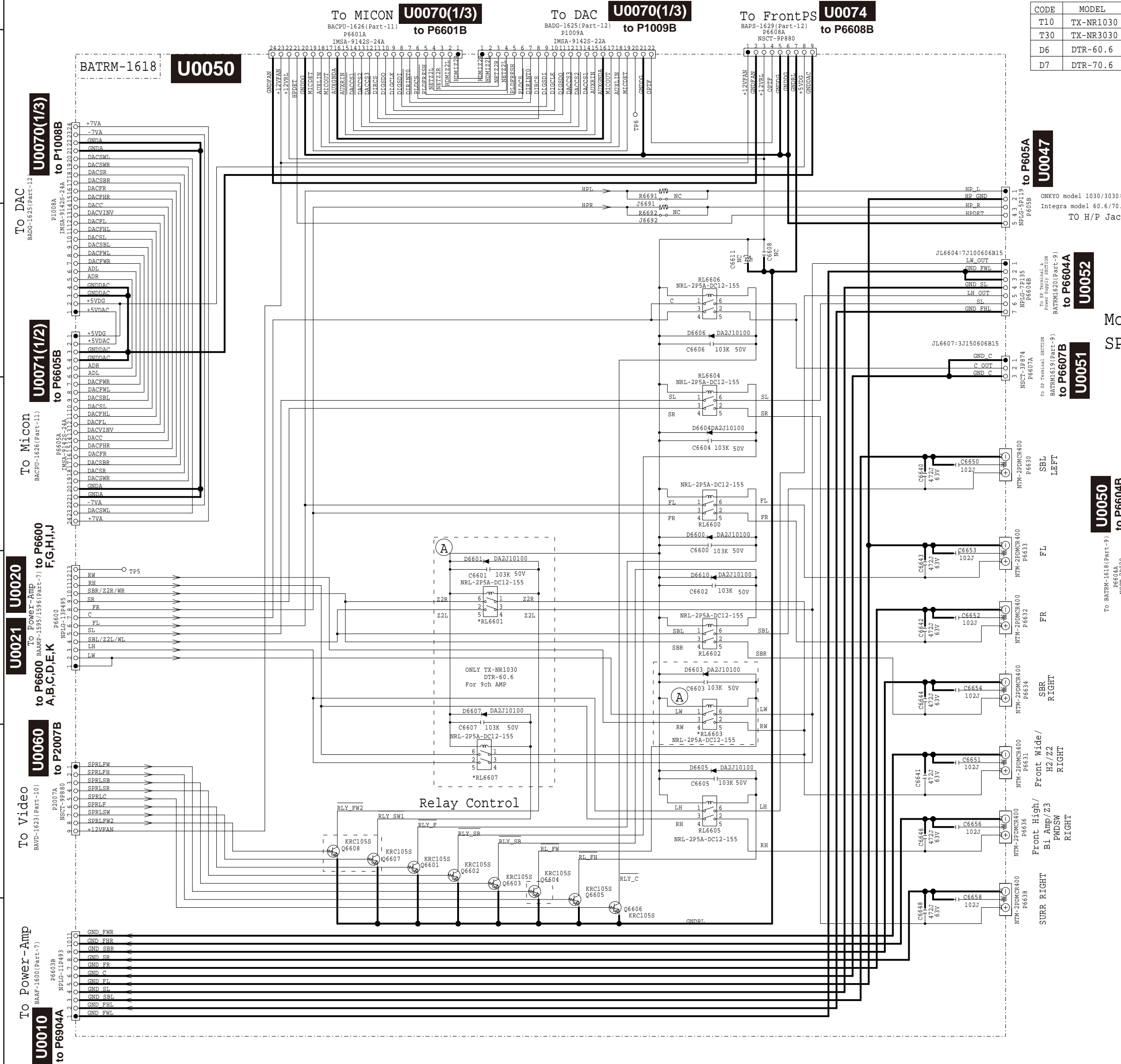


Model No. TX-NR1030, TX-NR3030, DTR-70.6, DTR-80.6 SCHEMATIC DIAGRAM (PART-8)  
AMP(Fan) SECTION



SCHMATIC DIAGRAMS-14  
SPEAKER TERMINAL SECTION

Model No. TX-NR1030/3030,DTR-60.6/70.6 SCHEMATIC DIAGRAM (PART-9)  
SP Terminal(Main) Section

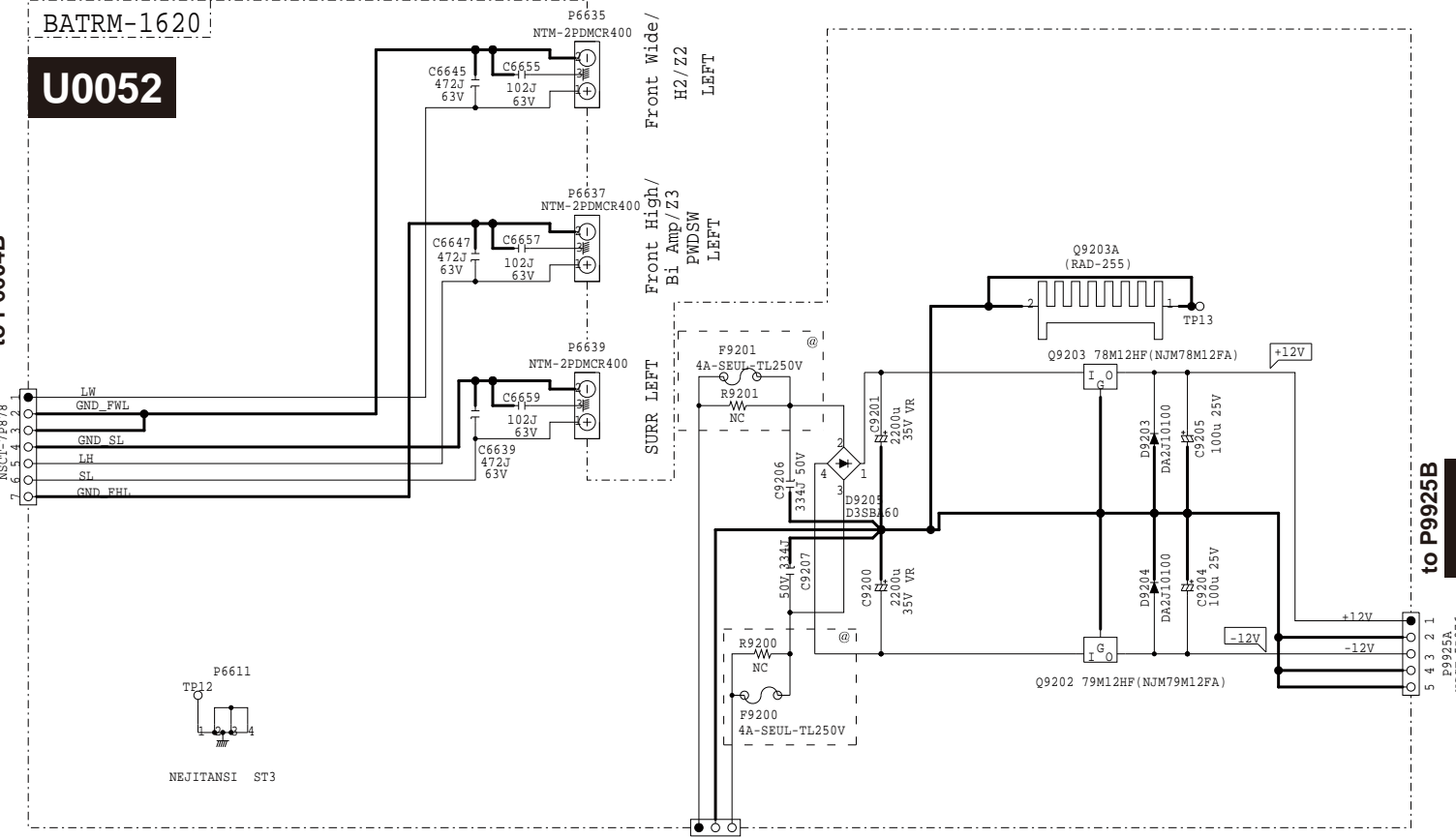


CODE MODEL table with columns for T10, T30, D6, D7 and models TX-NR1030, TX-NR3030, DTR-60.6, DTR-70.6.

Table with columns A, T10/D6, T10/D7, T30/D7, T30/D7 and rows of component codes like RL6601, RL6607, D6601, etc.

ONYO model 1030/3030: To BA7C-1550(Part-26)  
Integra model 60.6/70.6: To BA7C-1556(Part-27)  
TO H/P Jack

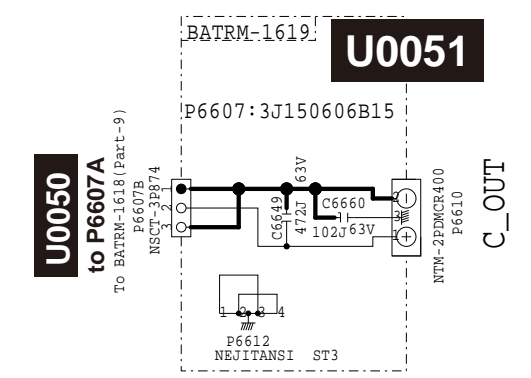
Model No. TX-NR1030/3030,DTR-60.6/70.6 SCHEMATIC DIAGRAM (PART-9)  
SP Terminal & Power Supply SECTION(Analog Power ±12V)



- △印は火災、感電の危険に關する部品の為、必ず指定部品を使用の事。
・電圧表示は無信号時に測定した直流電圧を示す。
(単位V、入力抵抗100kΩ以上の電圧計)
・記入無きコンデンサの単位はpFである。
・記入無き抵抗の単位はΩである。
例 0.10→30pF 330→330pF 331→330pF 333→0.033μF
・PWB表示のシンボル図において、太線は部品名印刷側である。
例 [シンボル] 印刷側
・本配線図は基本配線図につき性能改善等により予告なく変更する事がある。

Table with columns @, T10/D6, T10/D7, T30/D7, T30/D7 and rows of component codes like R9200, R9201, R9202, R9201.

Model No. TX-NR1030/3030,DTR-60.6/70.6 SCHEMATIC DIAGRAM (PART-9)  
SP Terminal(Center) SECTION



- △印は火災、感電の危険に關する部品の為、必ず指定部品を使用の事。
・電圧表示は無信号時に測定した直流電圧を示す。
(単位V、入力抵抗100kΩ以上の電圧計)
・記入無きコンデンサの単位はpFである。
・記入無き抵抗の単位はΩである。
例 0.10→30pF 330→330pF 331→330pF 333→0.033μF
・PWB表示のシンボル図において、太線は部品名印刷側である。
例 [シンボル] 印刷側
・本配線図は基本配線図につき性能改善等により予告なく変更する事がある。

SCHEMATIC DIAGRAMS-15  
PRI supply SECTION

MODEL NO. TX-NR1030/3030,DTR-60.6/70.6 SCHEMATIC DIAGRAM (PART-9) PRI supply SECTION

THE COMPONENTS IDENTIFIED MARK  $\Delta$  ARE CRITICAL FOR SAFETY, REPLACE ONLY WITH PART NUMBER SPECIFIED.  
VOLTAGE (MEASURED WITH VOLTMETER) IS DC VOLTAGE. (NO INPUT SIGNAL)  
ELECTRICAL CAPACITORS (  $\mu$ F ) ARE IN  $\mu$ F/WV.  
ALL CAPACITORS ARE IN pF/50WV UNLESS OTHERWISE NOTED.  
EX) 030 -> 3pF, 330 -> 33pF, 331 -> 330pF, 333 -> 0.033uF  
CIRCUIT IS SUBJECT TO CHANGE FOR IMPROVEMENT.

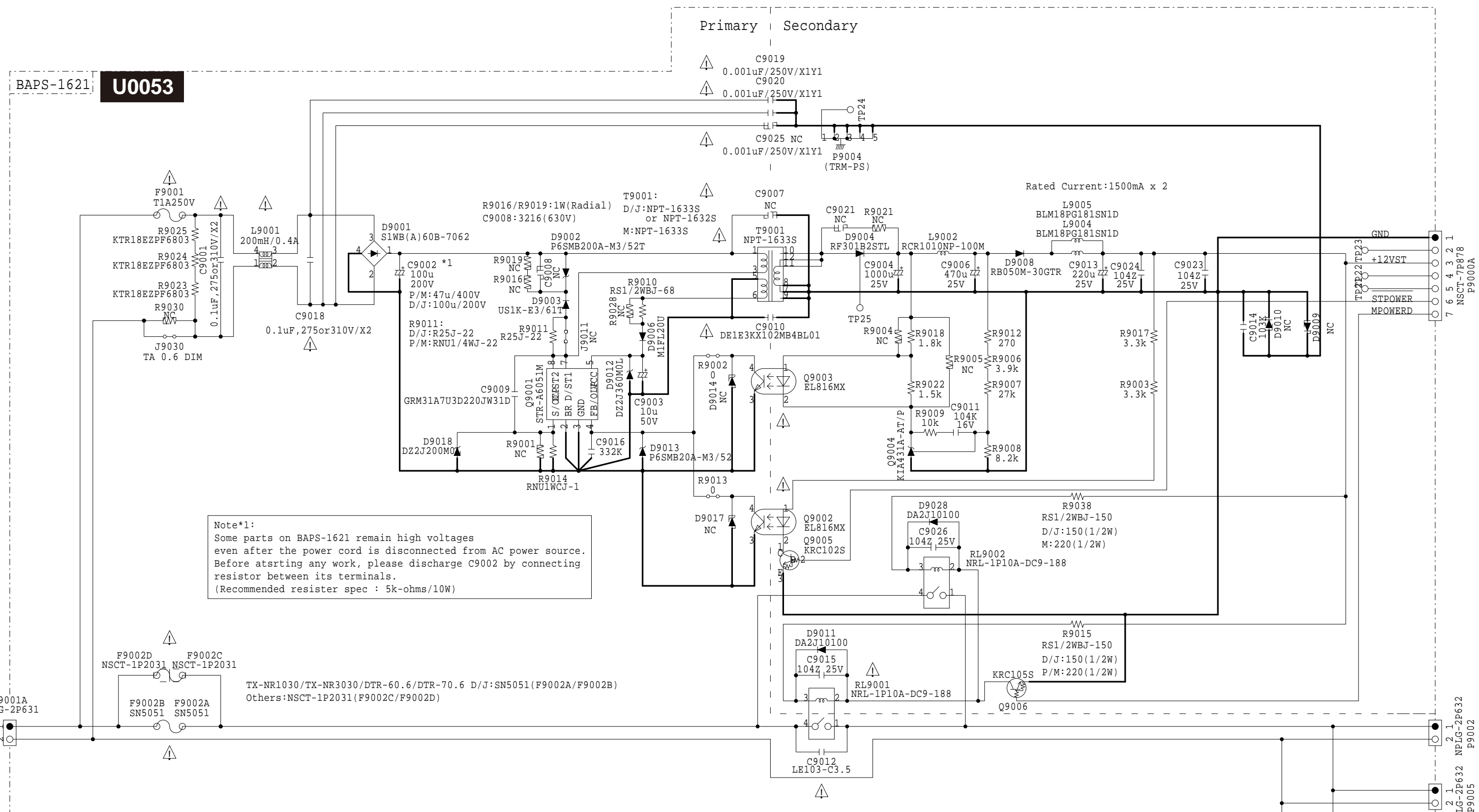
$\Delta$ 印は火災、感電の危険に関与する部品の為、必ず指定部品を使用の事。  
電圧表示は無信号時に測定した直流電圧を示す。  
記入なき電解コンデンサの単位は $\mu$ F/WVである。  
記入なきコンデンサの単位はpF/WVである。  
例) 030 -> 3pF, 330 -> 33pF, 331 -> 330pF, 333 -> 0.033uF  
本配線図は基本配線図につき性能改善等により予告なく変更する事がある。

CAUTION  
FOR CONTINUED PROTECTION AGAINST FIRE HAZARD,  
REPLACE ONLY WITH FUSE OF SAME TYPE AND RATING INDICATED.

ATTENTION  
AFIN D'ASSURER UNE PROTECTION PERMANENTE CONTRE LES RISQUES D'INCENDIE,  
REMPLEZ UNIQUEMENT PAR UN FUSIBLE DE MEME TYPE ET CALIBRATION COMME INDIQUE.

THIS SYMBOL LOCATED NEAR THE FUSE INDICATES THAT THE FUSE USED IS SLOW OPERATING TYPE FOR CONTINUED PROTECTION AGAINST FIRE FUSE HAZARD, REPLACE WITH SAME TYPE FUSE. RATING REFER TO THE MAKING ADJACENT TO THE SYMBOL.

CE SYMBOLE INDIQUE QUE LE FUSIBLE UTILISE EST A LENT, E POUR UNE PROTECTION PERMANENT, N'UTILISER QUE DES FUSIBLES DE MEME TYPE.  
CE DARNIER EST INDIQUE LA QU LE PRESENT SYMBOLE EST APPOSE.



Note\*1:  
Some parts on BAPS-1621 remain high voltages even after the power cord is disconnected from AC power source. Before starting any work, please discharge C9002 by connecting resistor between its terminals.  
(Recommended resistor spec : 5k-ohms/10W)

CODE MODEL

T10	TX-NR1030
T30	TX-NR3030
D6	DTR-60.6
D7	DTR-70.6

TYPE AC

D	120Vac/60Hz
M	220-240Vac/50-60Hz
J	100Vac/50-60Hz

F9002 Rating

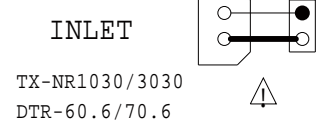
TYPE	T10/D6	T30/D7
D	12A 250V	12A 250V
M	6.3A 250V	6.3A 250V
J	15A 250V	15A 250V

T901 Rating

TYPE	T10/D6	T30/D7
D	NPT-1643D	NPT-1643D/NPT-1644D/NPT-1645D
M	NPT-1643M	NPT-1643M/NPT-1644M/NPT-1645M
J	NPT-1643J	NPT-1643J/NPT-1644J/NPT-1645J

TO VIDEO BOARD  
NSCT-7878  
P9000A

TO P-TRANS (T901)  
NPLG-2P632  
NPLG-2F632  
P9005  
P9006



AC POWER IN  
P9001A  
NPLG-2P631

BAPS-1621 U0053

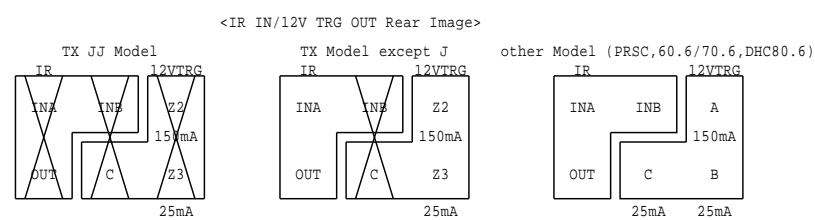
Primary Secondary

Rated Current:1500mA x 2

TO BAND-1623(PART-10)  
to P9000B U0060

SCHEMATIC DIAGRAMS-16  
ANALOG VIDEO SECTION

MODEL No. TX-NR1030/3030, DTR-60.6/70.6, PR-SC5530, DHC-80.6 SCHEMATIC DIAGRAM (PART-10)  
ANALOG VIDEO SECTION



List1 table with columns: TRG A/B (R2700, R2701, R2702, R2705, R2706, R2707, R2708), TX J/J (X, O, O), TX except J (X, O, O), PRSC, DTR, DHC (O, O, O).

List2 table with columns: R2700, R2701, R2702, R2705, R2706, R2707, R2708, TX J/J (X, O, O), TX except J (X, O, O), PRSC, DTR, DHC (O, O, O).

List3 table with columns: Q2709, Q2710, R2717, R2718, R2733, R2734, Q2711, Q2712, Q2713, Q2714, Q2722, Q2723, Q2724, Q2725, Q2726, Q2727, R2729, R2730, R2731, R2732, R2738, R2739, R2740, R2741, R2742, R2743, R2007, R2014, C2710, C2711, C2712, C2713, DHC (O), Others (X).

U0080 to P2101B to HDMI BOARD (BAPRC-1632)

to P2007A U0050 to P2001B U0071(1/2) to P2002B U0071(1/2)

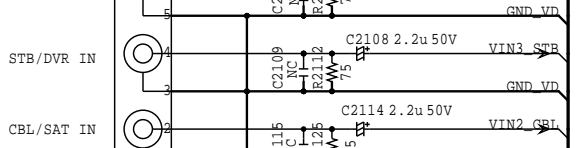
AMP Model 1030/3030 60.6/70.6 to TRM BOARD (Part-9) BATRM-1618 Pre Model 5530 80.6 to TRM BOARD (Part-30) BATRM-1615 to CPU BOARD (Part-11) BACPU-1626 P3002A IMSA-9142B-26A

BAVD-1623 U0060



ONKYO Model : 25045778 NPJ-3PDYV560 = SILVER Integra Model : 25045913 NPJ-3PDYV681 = GOLD

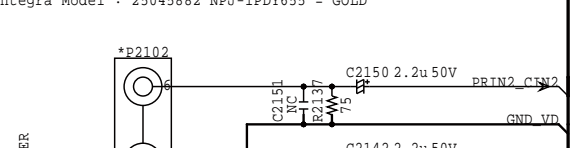
NPJ-3PDYV560



NPJ-1PDV658

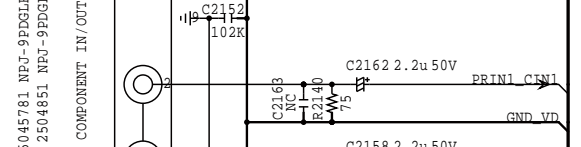
ONKYO Model : 25045886 NPJ-1PDV658 = SILVER Integra Model : 25045882 NPJ-1PDV655 = GOLD

NPJ-1PDV655



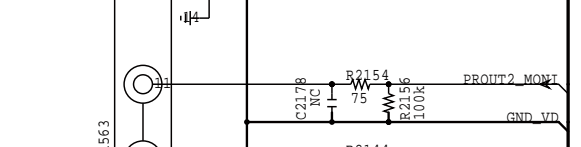
ONKYO Model : 25045781 NPJ-1PDV658 = SILVER Integra Model : 25045781 NPJ-1PDV658 = GOLD

NPJ-1PDV658



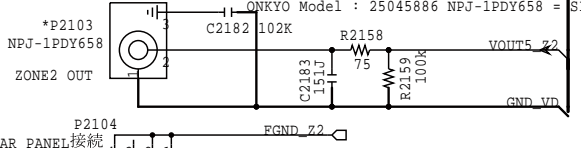
ONKYO Model : 25045781 NPJ-1PDV658 = SILVER Integra Model : 25045781 NPJ-1PDV658 = GOLD

NPJ-1PDV658

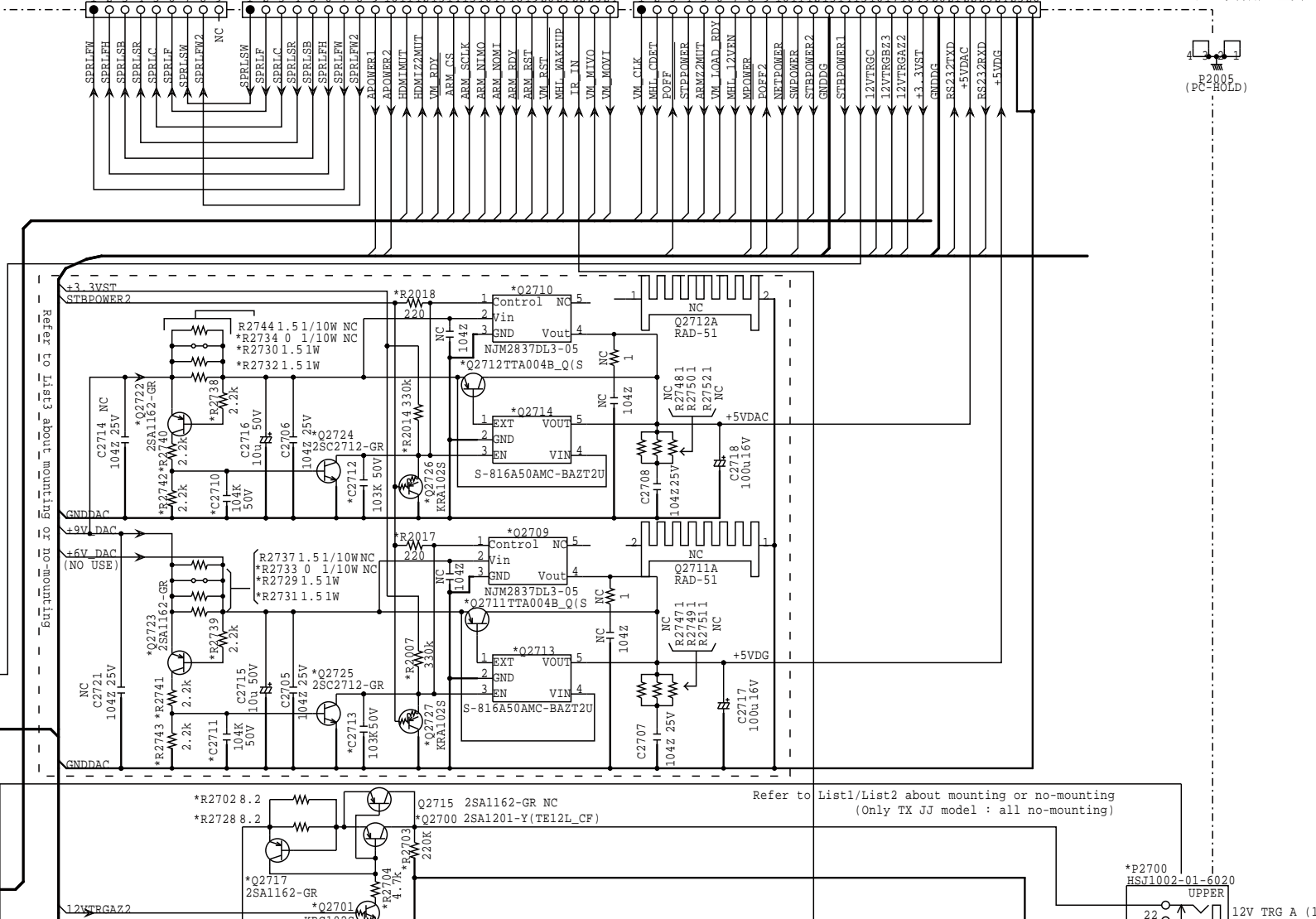


ONKYO Model : 25045781 NPJ-1PDV658 = SILVER Integra Model : 25045781 NPJ-1PDV658 = GOLD

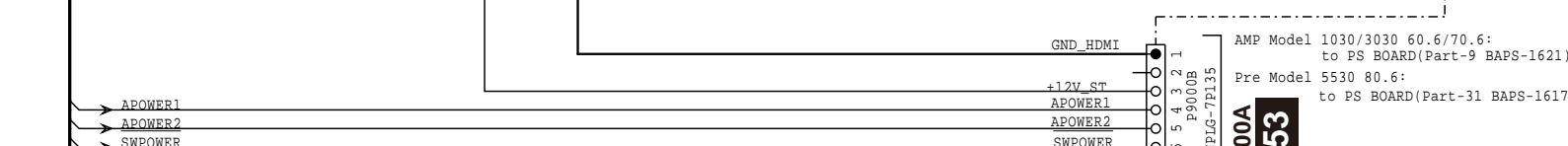
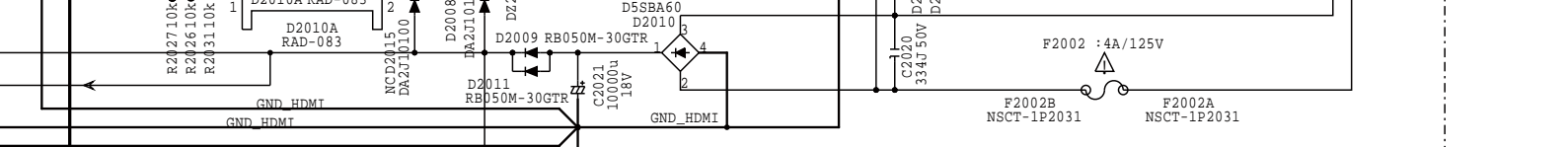
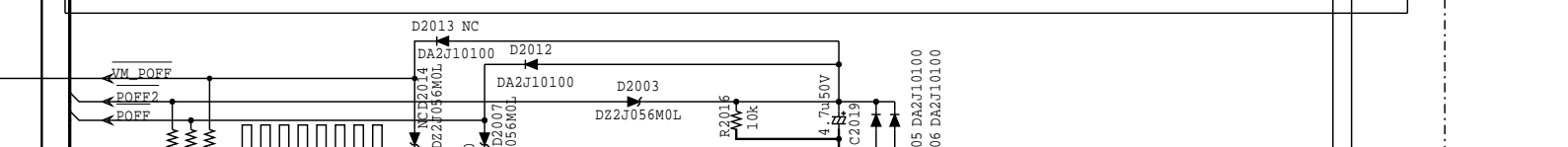
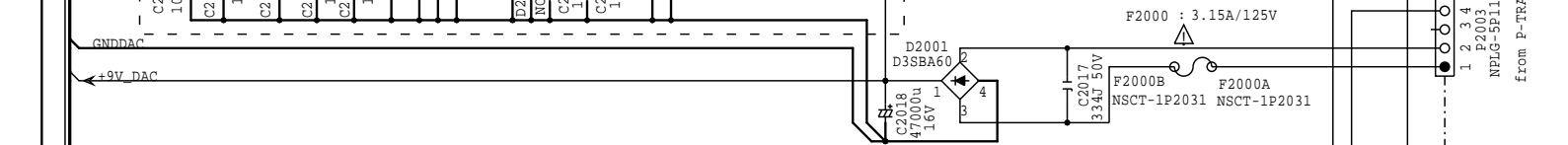
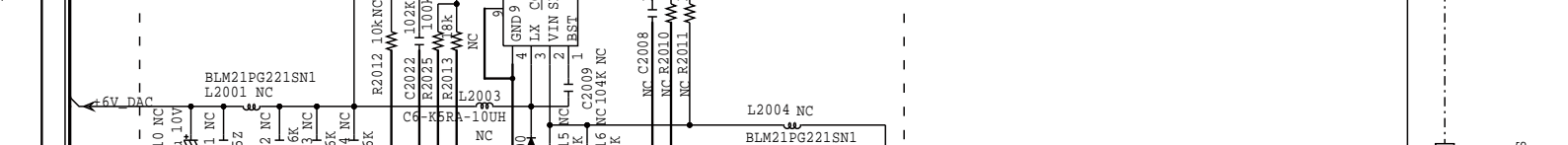
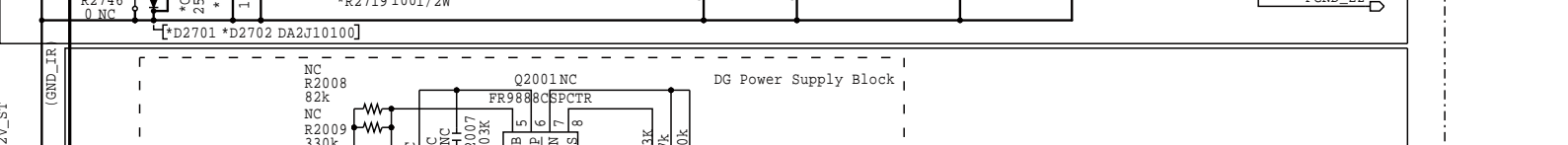
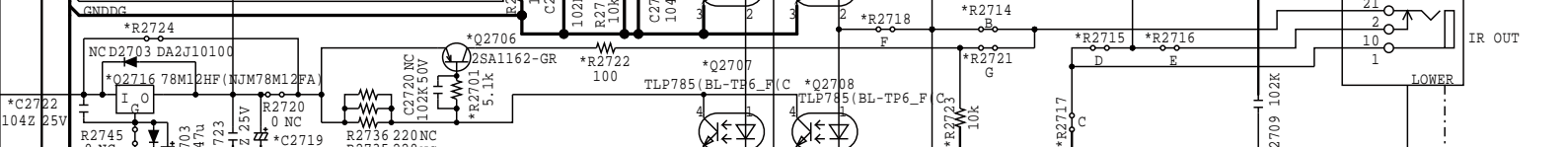
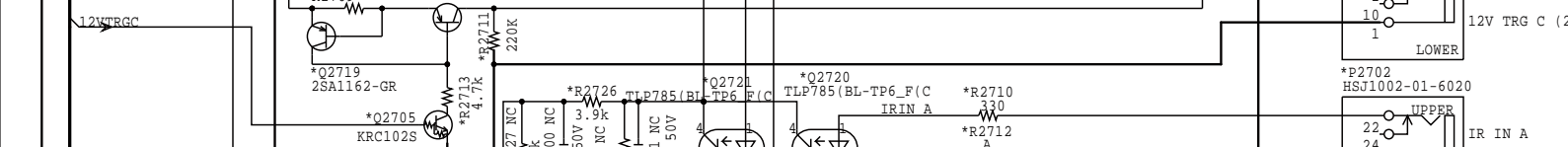
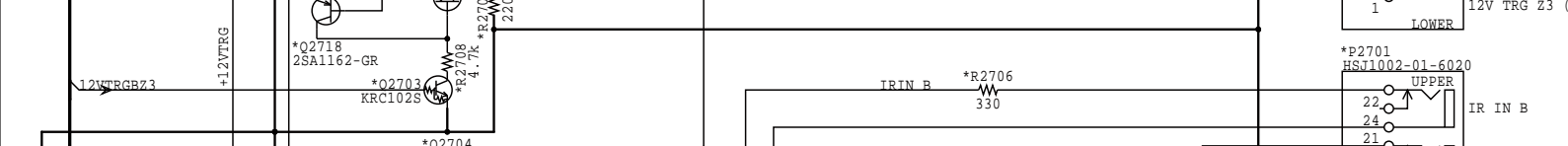
NPJ-1PDV658



NEJITANSI ST3



Refer to List1/List2 about mounting or no-mounting (Only TX J/J model : all no-mounting)



to P3000A U0053

AMP Model 1030/3030 60.6/70.6 to PS BOARD (Part-9) BAPS-1621 Pre Model 5530 80.6 to PS BOARD (Part-31) BAPS-1617

SCHEMATIC DIAGRAMS-17  
CPU SECTION(1/2)

MODEL No. TX-NR1030/3030,PR-SC5530,DTR-60.6/70.6,DHC-80.6 SCHEMATIC DIAGRAM (PART-11)

CPU SECTION

BCCPU-1626 1/2 U0071(1/2)

部品種類表記載無きアルミ電解Cは全てUTSP品  
部品定格または定格電力表記無き抵抗は全て1/10Wチップ品

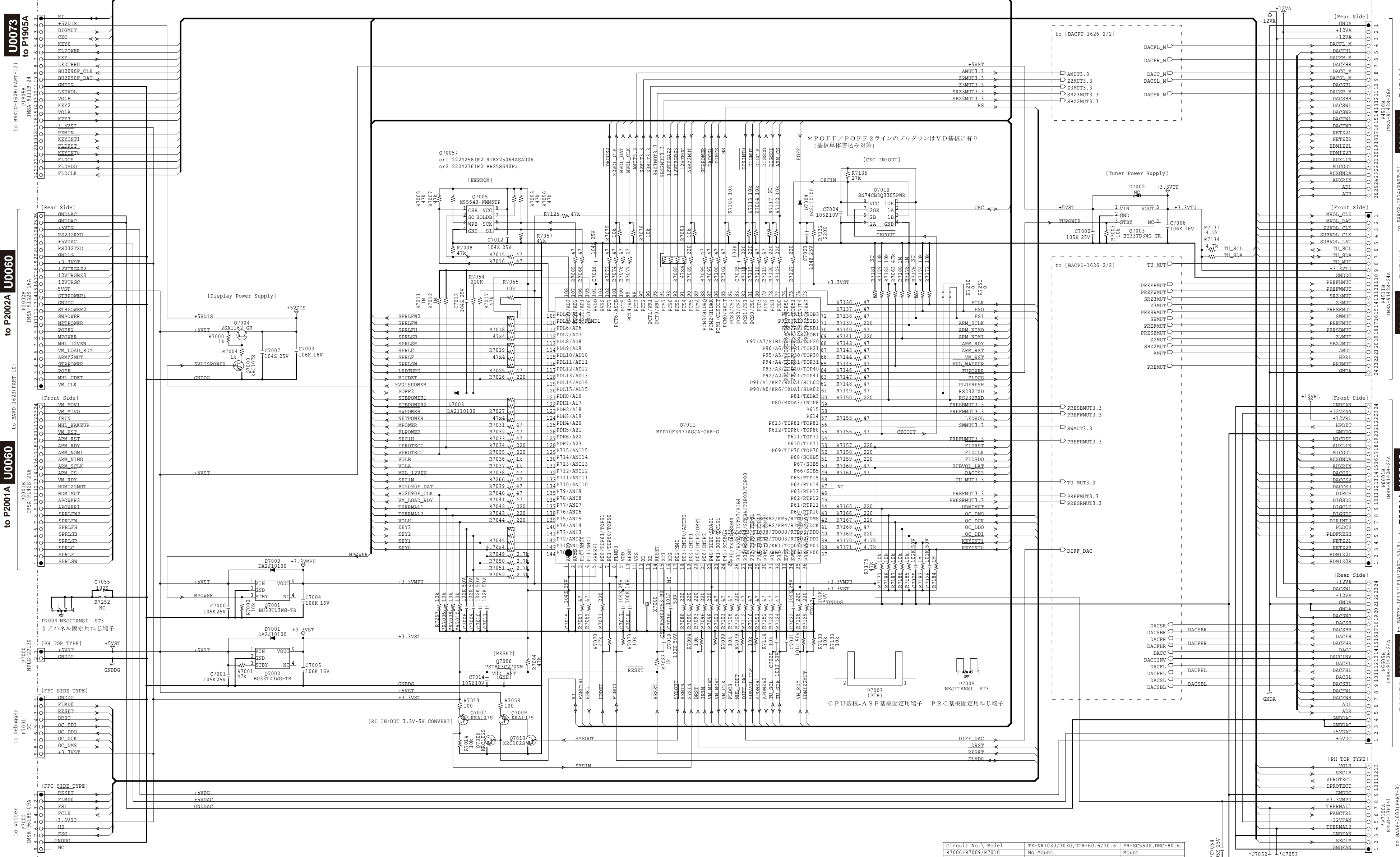


Table with 4 columns: Circuit No., Model, PR-SC5530, DHC-80.6. It lists component models and their mounting status.

\*C7054 105K 25V  
\*C7052 105K 25V  
\*C7053 105K 25V

1  
2  
3  
4  
5  
6  
7  
8

to P1905A  
to BANC-1628(PART-12)  
to P2002A U0060  
to P2001A U0060  
to P6605A U0050  
to P6606A U0010  
to P4510A  
to P4511A  
to P4512A  
to P4513A  
to P4514A  
to P4515A  
to P4516A  
to P4517A  
to P4518A  
to P4519A  
to P4520A  
to P4521A  
to P4522A  
to P4523A  
to P4524A  
to P4525A  
to P4526A  
to P4527A  
to P4528A  
to P4529A  
to P4530A  
to P4531A  
to P4532A  
to P4533A  
to P4534A  
to P4535A  
to P4536A  
to P4537A  
to P4538A  
to P4539A  
to P4540A  
to P4541A  
to P4542A  
to P4543A  
to P4544A  
to P4545A  
to P4546A  
to P4547A  
to P4548A  
to P4549A  
to P4550A  
to P4551A  
to P4552A  
to P4553A  
to P4554A  
to P4555A  
to P4556A  
to P4557A  
to P4558A  
to P4559A  
to P4560A  
to P4561A  
to P4562A  
to P4563A  
to P4564A  
to P4565A  
to P4566A  
to P4567A  
to P4568A  
to P4569A  
to P4570A  
to P4571A  
to P4572A  
to P4573A  
to P4574A  
to P4575A  
to P4576A  
to P4577A  
to P4578A  
to P4579A  
to P4580A  
to P4581A  
to P4582A  
to P4583A  
to P4584A  
to P4585A  
to P4586A  
to P4587A  
to P4588A  
to P4589A  
to P4590A  
to P4591A  
to P4592A  
to P4593A  
to P4594A  
to P4595A  
to P4596A  
to P4597A  
to P4598A  
to P4599A  
to P4600A  
to P4601A  
to P4602A  
to P4603A  
to P4604A  
to P4605A  
to P4606A  
to P4607A  
to P4608A  
to P4609A  
to P4610A  
to P4611A  
to P4612A  
to P4613A  
to P4614A  
to P4615A  
to P4616A  
to P4617A  
to P4618A  
to P4619A  
to P4620A  
to P4621A  
to P4622A  
to P4623A  
to P4624A  
to P4625A  
to P4626A  
to P4627A  
to P4628A  
to P4629A  
to P4630A  
to P4631A  
to P4632A  
to P4633A  
to P4634A  
to P4635A  
to P4636A  
to P4637A  
to P4638A  
to P4639A  
to P4640A  
to P4641A  
to P4642A  
to P4643A  
to P4644A  
to P4645A  
to P4646A  
to P4647A  
to P4648A  
to P4649A  
to P4650A  
to P4651A  
to P4652A  
to P4653A  
to P4654A  
to P4655A  
to P4656A  
to P4657A  
to P4658A  
to P4659A  
to P4660A  
to P4661A  
to P4662A  
to P4663A  
to P4664A  
to P4665A  
to P4666A  
to P4667A  
to P4668A  
to P4669A  
to P4670A  
to P4671A  
to P4672A  
to P4673A  
to P4674A  
to P4675A  
to P4676A  
to P4677A  
to P4678A  
to P4679A  
to P4680A  
to P4681A  
to P4682A  
to P4683A  
to P4684A  
to P4685A  
to P4686A  
to P4687A  
to P4688A  
to P4689A  
to P4690A  
to P4691A  
to P4692A  
to P4693A  
to P4694A  
to P4695A  
to P4696A  
to P4697A  
to P4698A  
to P4699A  
to P4700A  
to P4701A  
to P4702A  
to P4703A  
to P4704A  
to P4705A  
to P4706A  
to P4707A  
to P4708A  
to P4709A  
to P4710A  
to P4711A  
to P4712A  
to P4713A  
to P4714A  
to P4715A  
to P4716A  
to P4717A  
to P4718A  
to P4719A  
to P4720A  
to P4721A  
to P4722A  
to P4723A  
to P4724A  
to P4725A  
to P4726A  
to P4727A  
to P4728A  
to P4729A  
to P4730A  
to P4731A  
to P4732A  
to P4733A  
to P4734A  
to P4735A  
to P4736A  
to P4737A  
to P4738A  
to P4739A  
to P4740A  
to P4741A  
to P4742A  
to P4743A  
to P4744A  
to P4745A  
to P4746A  
to P4747A  
to P4748A  
to P4749A  
to P4750A  
to P4751A  
to P4752A  
to P4753A  
to P4754A  
to P4755A  
to P4756A  
to P4757A  
to P4758A  
to P4759A  
to P4760A  
to P4761A  
to P4762A  
to P4763A  
to P4764A  
to P4765A  
to P4766A  
to P4767A  
to P4768A  
to P4769A  
to P4770A  
to P4771A  
to P4772A  
to P4773A  
to P4774A  
to P4775A  
to P4776A  
to P4777A  
to P4778A  
to P4779A  
to P4780A  
to P4781A  
to P4782A  
to P4783A  
to P4784A  
to P4785A  
to P4786A  
to P4787A  
to P4788A  
to P4789A  
to P4790A  
to P4791A  
to P4792A  
to P4793A  
to P4794A  
to P4795A  
to P4796A  
to P4797A  
to P4798A  
to P4799A  
to P4800A  
to P4801A  
to P4802A  
to P4803A  
to P4804A  
to P4805A  
to P4806A  
to P4807A  
to P4808A  
to P4809A  
to P4810A  
to P4811A  
to P4812A  
to P4813A  
to P4814A  
to P4815A  
to P4816A  
to P4817A  
to P4818A  
to P4819A  
to P4820A  
to P4821A  
to P4822A  
to P4823A  
to P4824A  
to P4825A  
to P4826A  
to P4827A  
to P4828A  
to P4829A  
to P4830A  
to P4831A  
to P4832A  
to P4833A  
to P4834A  
to P4835A  
to P4836A  
to P4837A  
to P4838A  
to P4839A  
to P4840A  
to P4841A  
to P4842A  
to P4843A  
to P4844A  
to P4845A  
to P4846A  
to P4847A  
to P4848A  
to P4849A  
to P4850A  
to P4851A  
to P4852A  
to P4853A  
to P4854A  
to P4855A  
to P4856A  
to P4857A  
to P4858A  
to P4859A  
to P4860A  
to P4861A  
to P4862A  
to P4863A  
to P4864A  
to P4865A  
to P4866A  
to P4867A  
to P4868A  
to P4869A  
to P4870A  
to P4871A  
to P4872A  
to P4873A  
to P4874A  
to P4875A  
to P4876A  
to P4877A  
to P4878A  
to P4879A  
to P4880A  
to P4881A  
to P4882A  
to P4883A  
to P4884A  
to P4885A  
to P4886A  
to P4887A  
to P4888A  
to P4889A  
to P4890A  
to P4891A  
to P4892A  
to P4893A  
to P4894A  
to P4895A  
to P4896A  
to P4897A  
to P4898A  
to P4899A  
to P4900A  
to P4901A  
to P4902A  
to P4903A  
to P4904A  
to P4905A  
to P4906A  
to P4907A  
to P4908A  
to P4909A  
to P4910A  
to P4911A  
to P4912A  
to P4913A  
to P4914A  
to P4915A  
to P4916A  
to P4917A  
to P4918A  
to P4919A  
to P4920A  
to P4921A  
to P4922A  
to P4923A  
to P4924A  
to P4925A  
to P4926A  
to P4927A  
to P4928A  
to P4929A  
to P4930A  
to P4931A  
to P4932A  
to P4933A  
to P4934A  
to P4935A  
to P4936A  
to P4937A  
to P4938A  
to P4939A  
to P4940A  
to P4941A  
to P4942A  
to P4943A  
to P4944A  
to P4945A  
to P4946A  
to P4947A  
to P4948A  
to P4949A  
to P4950A  
to P4951A  
to P4952A  
to P4953A  
to P4954A  
to P4955A  
to P4956A  
to P4957A  
to P4958A  
to P4959A  
to P4960A  
to P4961A  
to P4962A  
to P4963A  
to P4964A  
to P4965A  
to P4966A  
to P4967A  
to P4968A  
to P4969A  
to P4970A  
to P4971A  
to P4972A  
to P4973A  
to P4974A  
to P4975A  
to P4976A  
to P4977A  
to P4978A  
to P4979A  
to P4980A  
to P4981A  
to P4982A  
to P4983A  
to P4984A  
to P4985A  
to P4986A  
to P4987A  
to P4988A  
to P4989A  
to P4990A  
to P4991A  
to P4992A  
to P4993A  
to P4994A  
to P4995A  
to P4996A  
to P4997A  
to P4998A  
to P4999A  
to P5000A

**SCHEMATIC DIAGRAMS-18**  
**CPU SECTION(2/2)**

MODEL No. TX-NR1030/3030,PR-SC5530,DTR-60.6/70.6,DHC-80.6 SCHEMATIC DIAGRAM (PART-11)

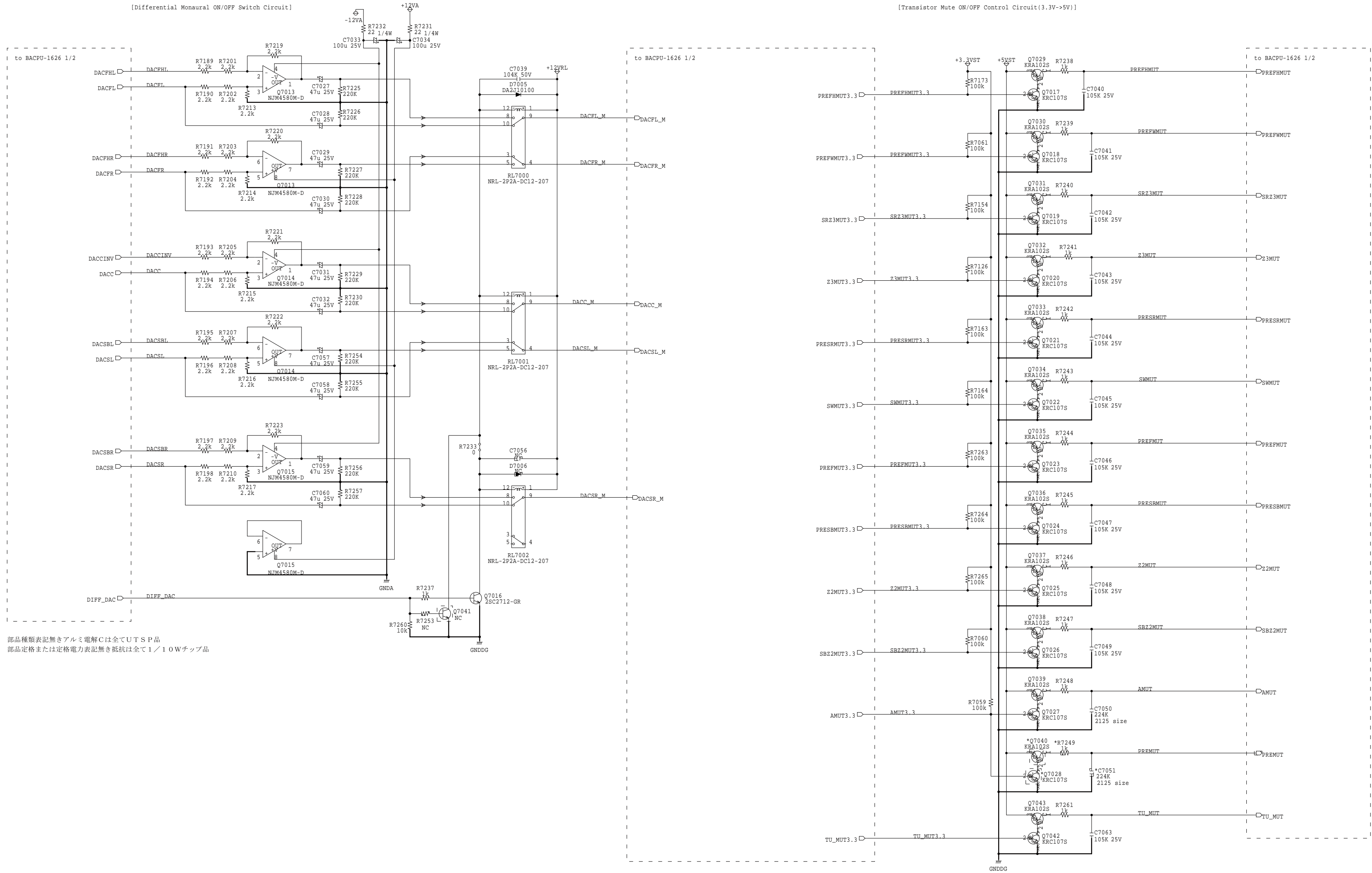
CPU SECTION

BCCPU-1626 (2/2)

**U0071(2/2)**

[Differential Monaural ON/OFF Switch Circuit]

[Transistor Mute ON/OFF Control Circuit(3.3V~5V)]



部品種類表記無きアルミ電解Cは全てUTSP品  
部品定格または定格電力表記無き抵抗は全て1/10Wチップ品

Circuit No.	Model	TX-NR1030/3030,DTR-60.6/70.6	PR-SC5530,DHC-80.6
Q7028/Q7040/R7249/C7051	No Mount		Mount



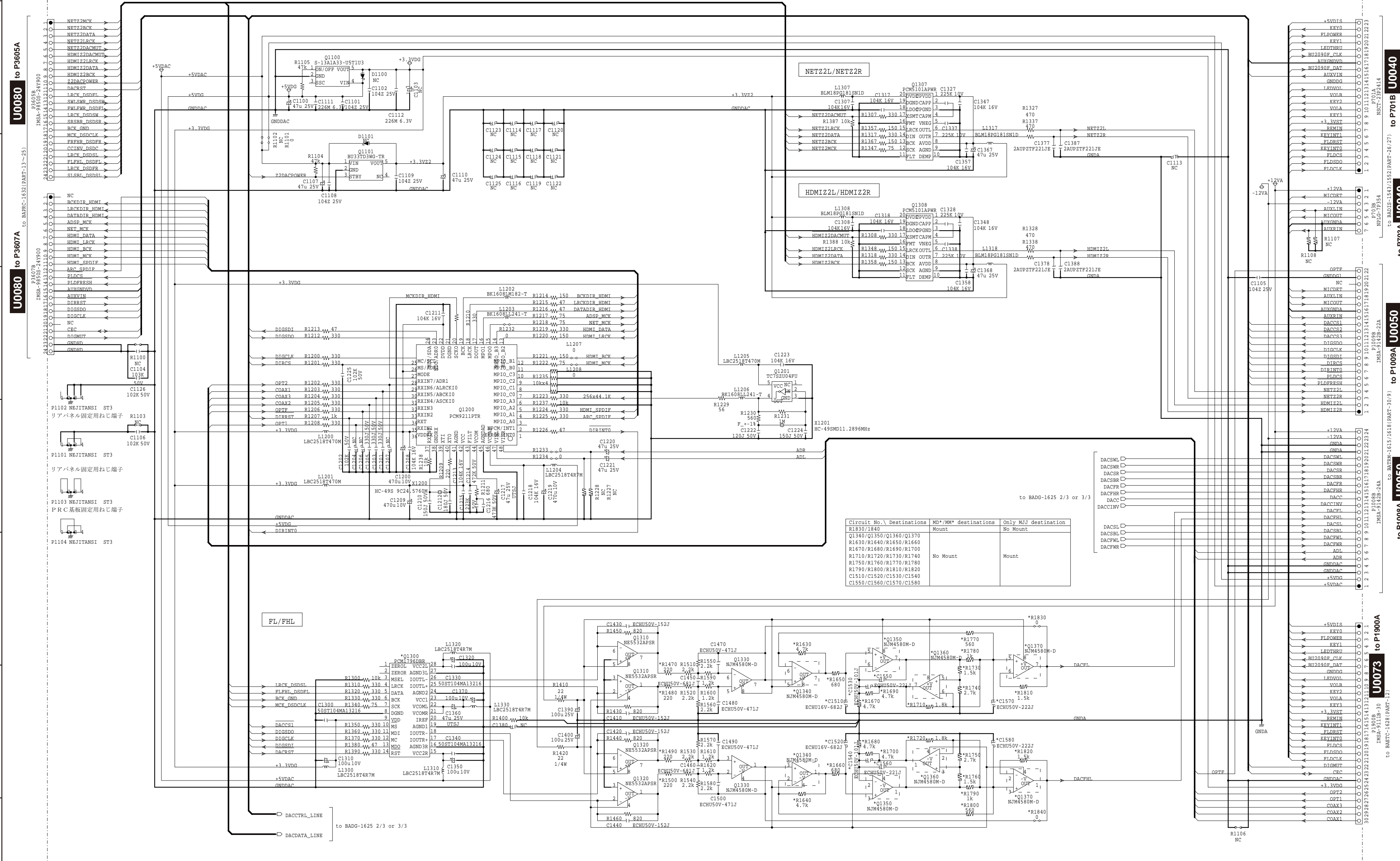
SCHEMATIC DIAGRAMS-19 DIR/DAC/VLSC2 SECTION(1/3)

MODEL No. TX-NR1030/3030,PR-SC5530,DTR-60.6/70.6,DHC-80.6 SCHEMATIC DIAGRAM (PART-12)

DIR/DAC/VLSC2 SECTION

BADG-1625(1/3) U0070(1/3)

部品種類表記載無きアルミ電解Cは全てUTSP品  
部品定格または定格電力表記載無き抵抗は全て1/10Wチップ品



Circuit No.\ Destinations	MD*/MM* destinations	Only M/J destination
R1300/R1400	Mount	No Mount
Q1340/Q1350/Q1360/Q1370	Mount	No Mount
R1630/R1640/R1650/R1660	Mount	No Mount
R1670/R1680/R1690/R1700	Mount	No Mount
R1710/R1720/R1730/R1740	Mount	No Mount
R1750/R1760/R1770/R1780	Mount	No Mount
R1790/R1800/R1810/R1820	Mount	No Mount
C1510/C1520/C1530/C1540	Mount	Mount
C1550/C1560/C1570/C1580	Mount	Mount

1  
2  
3  
4  
5  
6  
7  
8

U0080 to P3605A  
U0080 to P3607A  
to P701B U0040  
to P703A U0040  
to P1009A U0050  
to P1008A U0050  
U0073 to P1000A

P1102 NEJITANSI ST3  
リアパネル固定用ねじ端子

P1101 NEJITANSI ST3  
リアパネル固定用ねじ端子

P1103 NEJITANSI ST3  
PR C基板固定用ねじ端子

P1104 NEJITANSI ST3

FL/PHL

DACCTRL\_LINE to BADG-1625 2/3 or 3/3  
DACDATA\_LINE to BADG-1625 2/3 or 3/3

1  
2  
3  
4  
5  
6  
7  
8

SCHEMATIC DIAGRAMS-20  
DIR/DAC/VLSC2 SECTION(2/3)

MODEL No. TX-NR1030/3030,PR-SC5530,DTR-60.6/70.6,DHC-80.6 SCHEMATIC DIAGRAM (PART-12)

DIR/DAC/VLSC2 SECTION

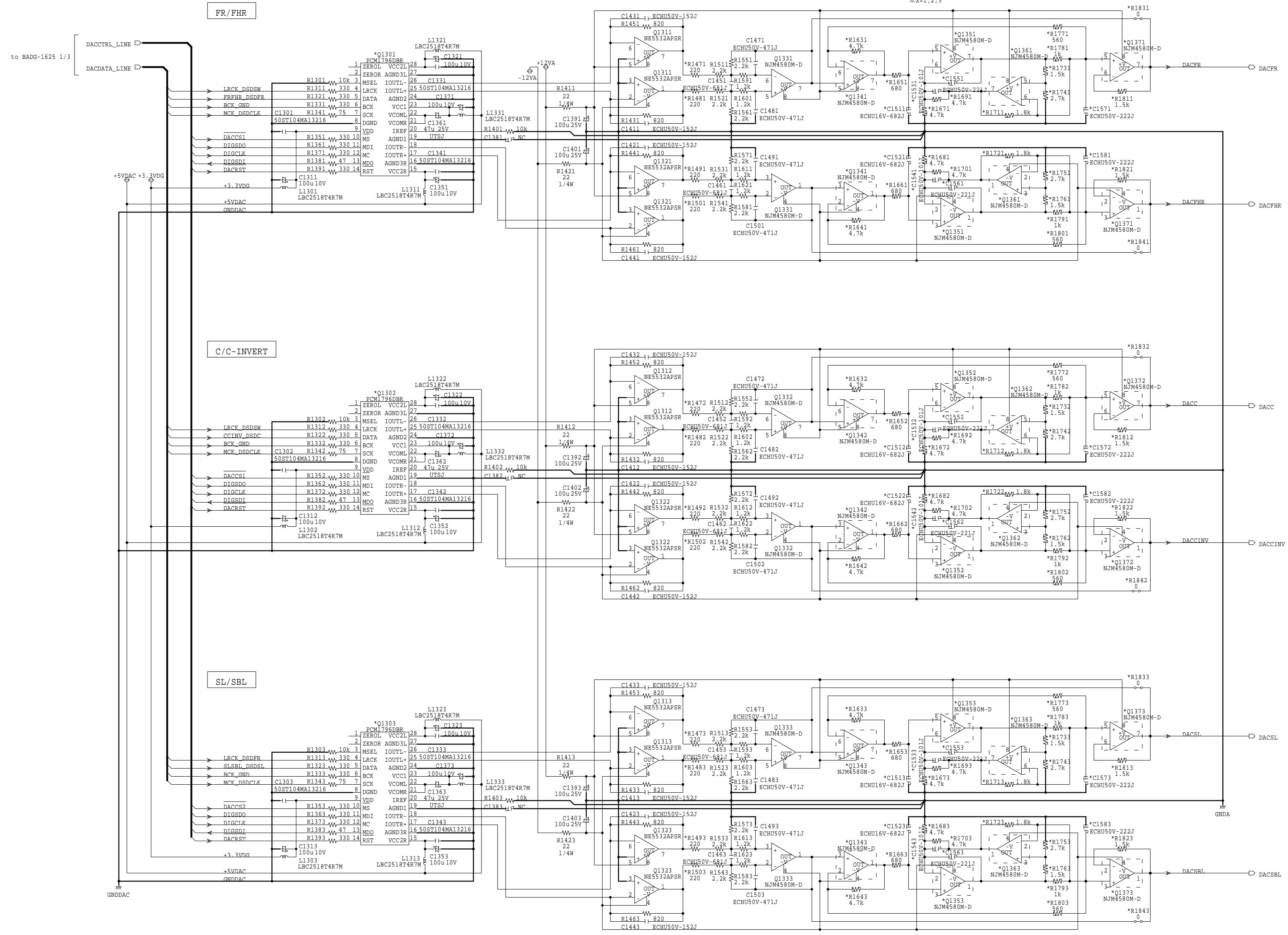
BCDG-1625(2/3)

U0070(2/3)

部品種類表記無きアルミ電解Cは全てUTSP品  
部品定格または定格電力表記無き抵抗は全て1/10Wチップ品

Circuit No. \ Destinations	MD*/MM* destinations	Only MJJ destination
R183x/R184x	Mount	No Mount
Q134x/Q135x/Q136x/Q137x R163x/R164x/R165x/R166x R167x/R168x/R169x/R170x R171x/R172x/R173x/R174x R175x/R176x/R177x/R178x R179x/R180x/R181x/R182x C151x/C152x/C153x/C154x C155x/C156x/C157x/C158x	No Mount	Mount

\*x=1,2,3



1  
2  
3  
4  
5  
6  
7  
8

SCHEMATIC DIAGRAMS-21  
DIR/DAC/VLSC2 SECTION(3/3)

MODEL No. TX-NR1030/3030,PR-SC5530,DTR-60.6/70.6,DHC-80.6 SCHEMATIC DIAGRAM (PART-12)

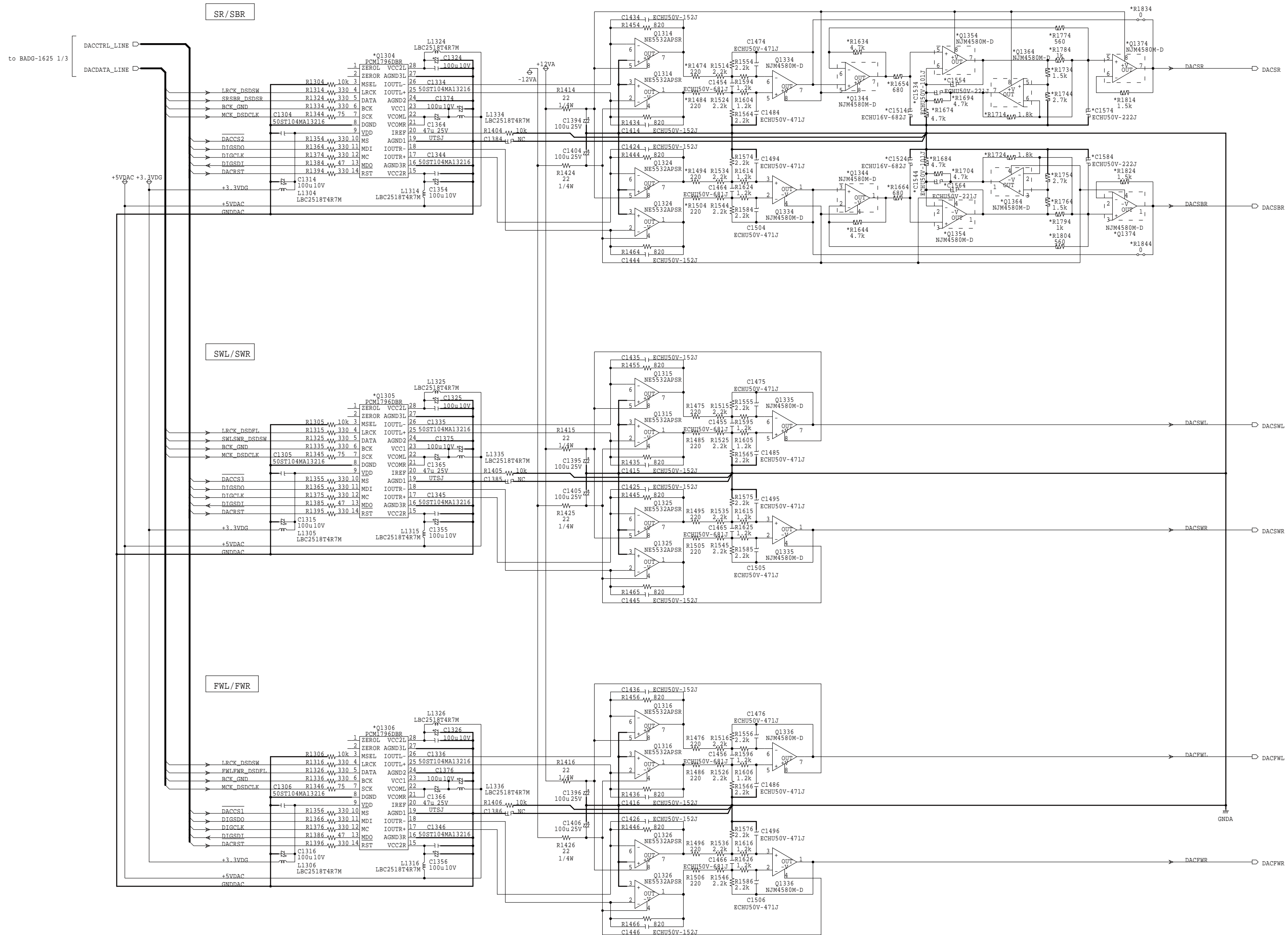
DIR/DAC/VLSC2 SECTION

BCDG-1625(3/3)

U0070(3/3)

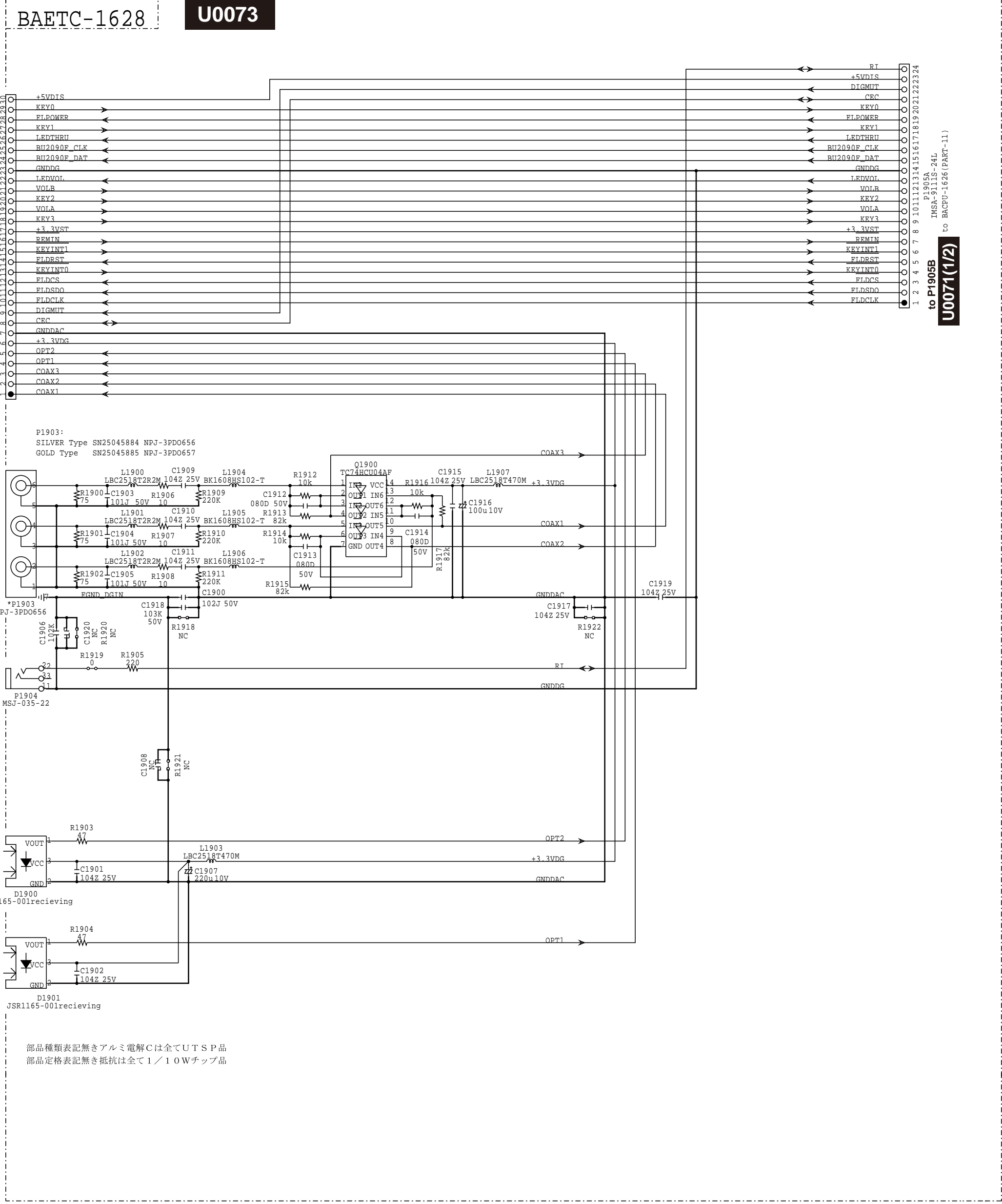
Circuit No. \ Destinations	MD*/MM* destinations	Only MJ destination
R1834/R1844	Mount	No Mount
Q1344/Q1354/Q1364/Q1374		
R1634/R1644/R1654/R1664		
R1674/R1684/R1694/R1704		
R1714/R1724/R1734/R1744		
R1754/R1764/R1774/R1784		
R1794/R1804/R1814/R1824		
C1514/C1524/C1534/C1544		
C1554/C1564/C1574/C1584		
	No Mount	Mount

部品種類表記無きアルミ電解Cは全てUTSP品  
部品定格または定格電力表記無き抵抗は全て1/10Wチップ品

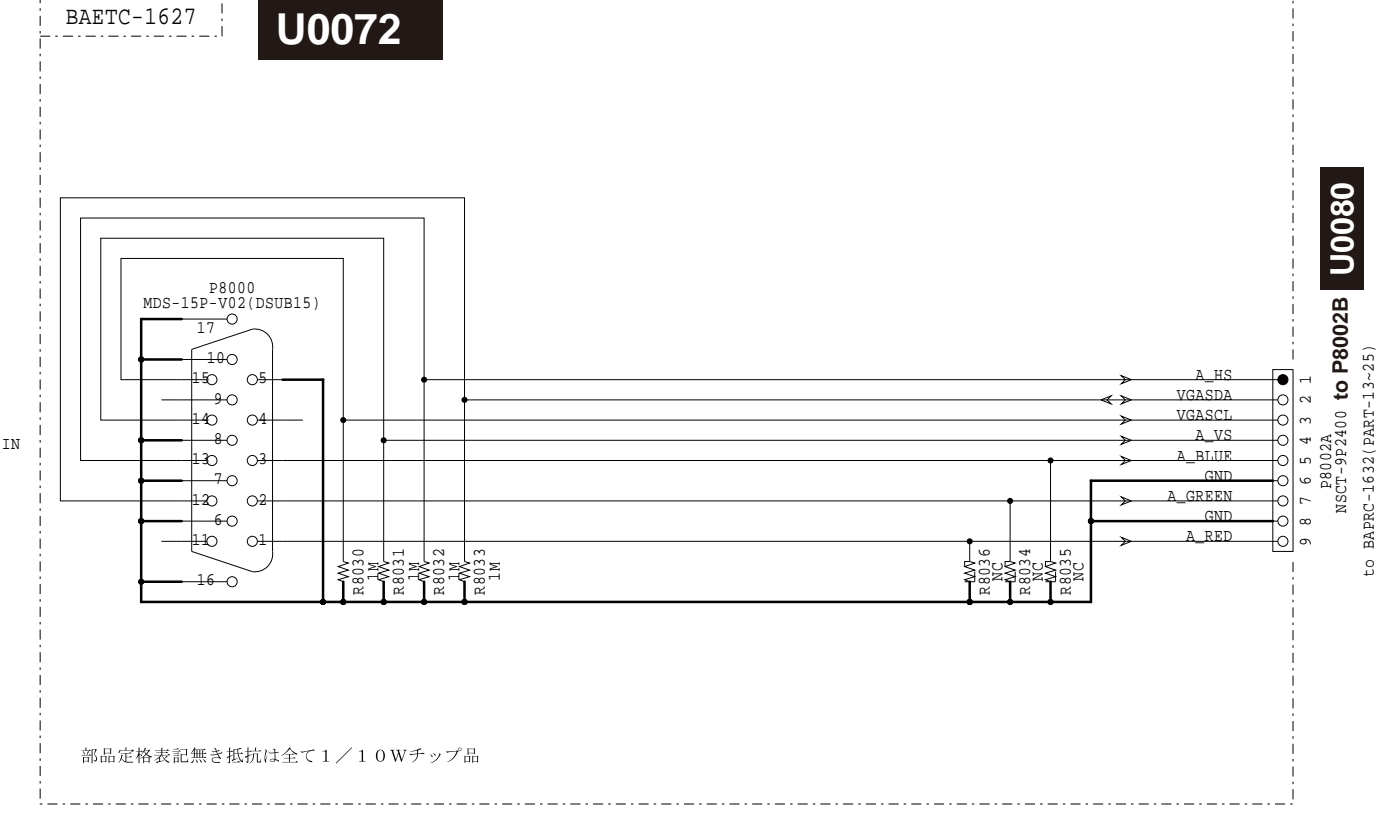


**SCHEMATIC DIAGRAMS-22**  
PC IN/DIGITAL AUDIO IN/FL POWER SUPPLY SECTION

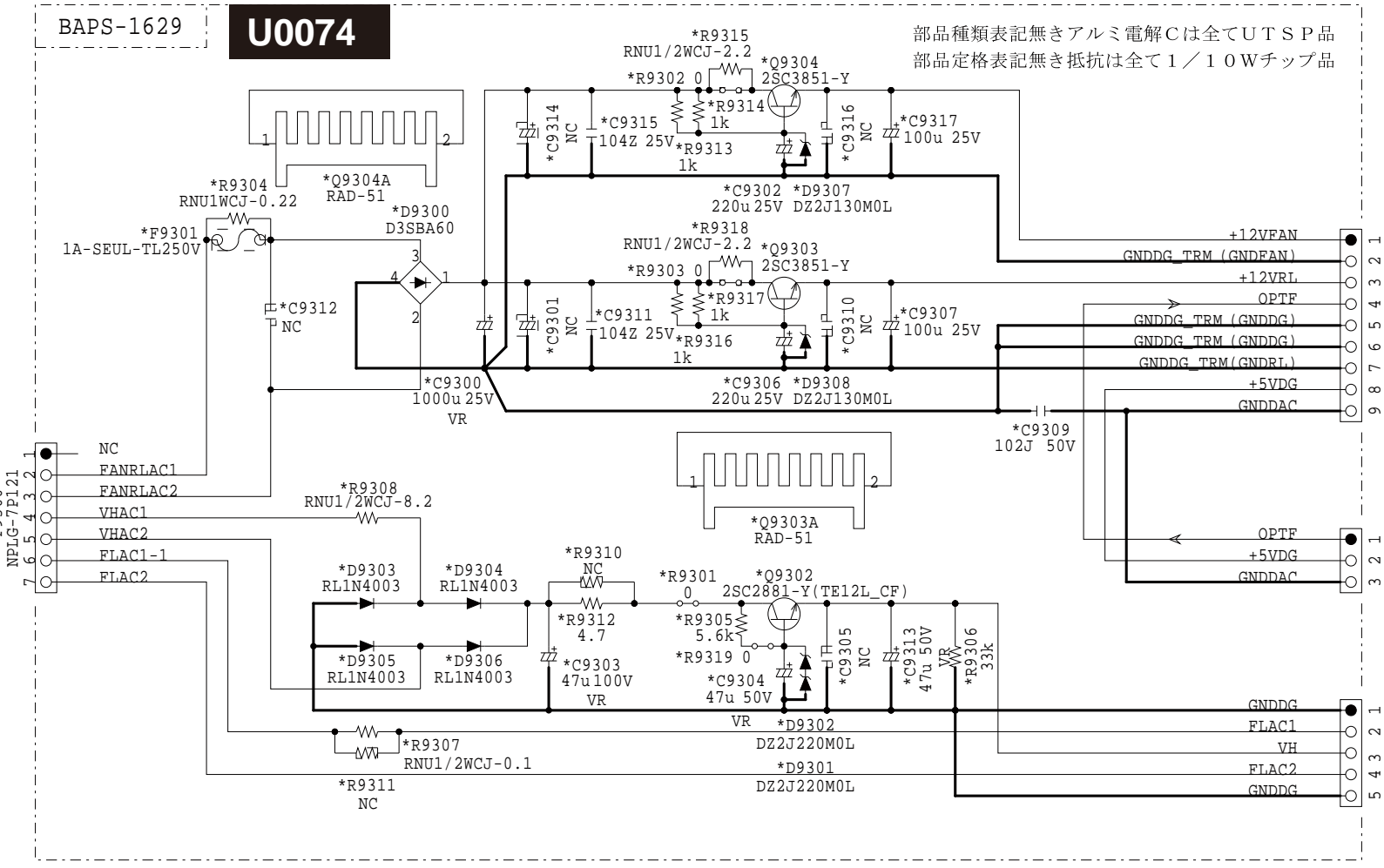
MODEL No. TX-NR1030/3030, DTR-60.6/70.6, PR-SC5530, DHC-80.6  
SCHEMATIC DIAGRAM(PART-12)DIGITAL AUDIO IN SECTION



MODEL No. TX-NR1030/3030, PR-SC5530, DTR-60.6/70.6, DHC-80.6  
SCHEMATIC DIAGRAM (PART-12)



MODEL No. TX-NR1030/3030, DTR-60.6/70.6, PR-SC5530, DHC-80.6  
SCHEMATIC DIAGRAM (PART-12)

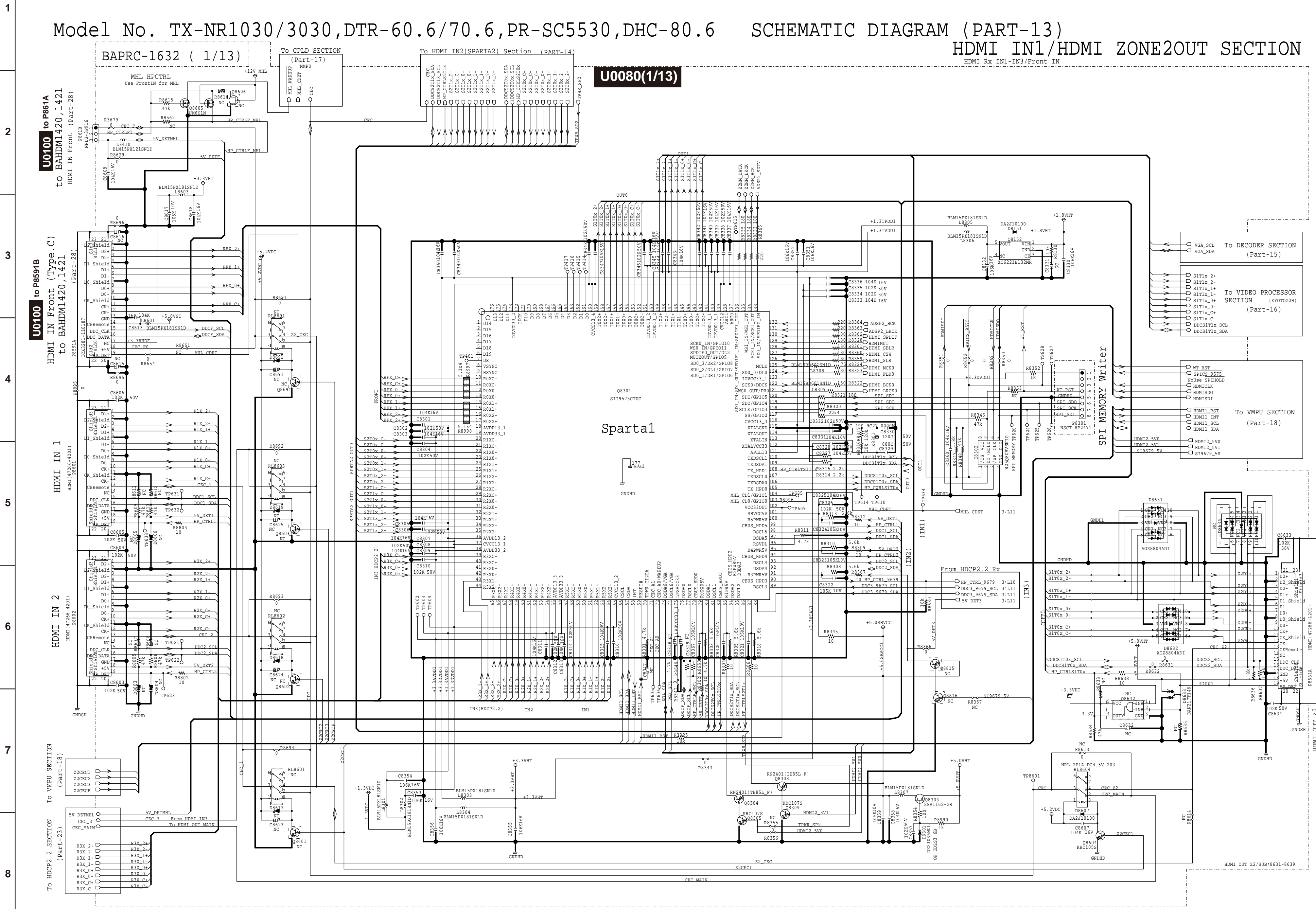


Circuit No. \ Model	TX-NR1030, DTR-60.6	TX-NR3030, DTR-70.6	PR-SC5530, DHC-80.6
R9304/R9315/R9318	Mount	No Mount	No Mount
F9301/R9302/R9303	No Mount	Mount	No Mount

SCHEMATIC DIAGRAMS-23  
HDMI IN1/HDMI ZONE2OUT SECTION

SCHEMATIC DIAGRAM (PART-13)  
HDMI IN1/HDMI ZONE2OUT SECTION

Model No. TX-NR1030/3030,DTR-60.6/70.6,PR-SC5530,DHC-80.6



Terminal SECTION : 8601-8630

SCHEMATIC DIAGRAMS-24  
HDMI IN2 SECTION

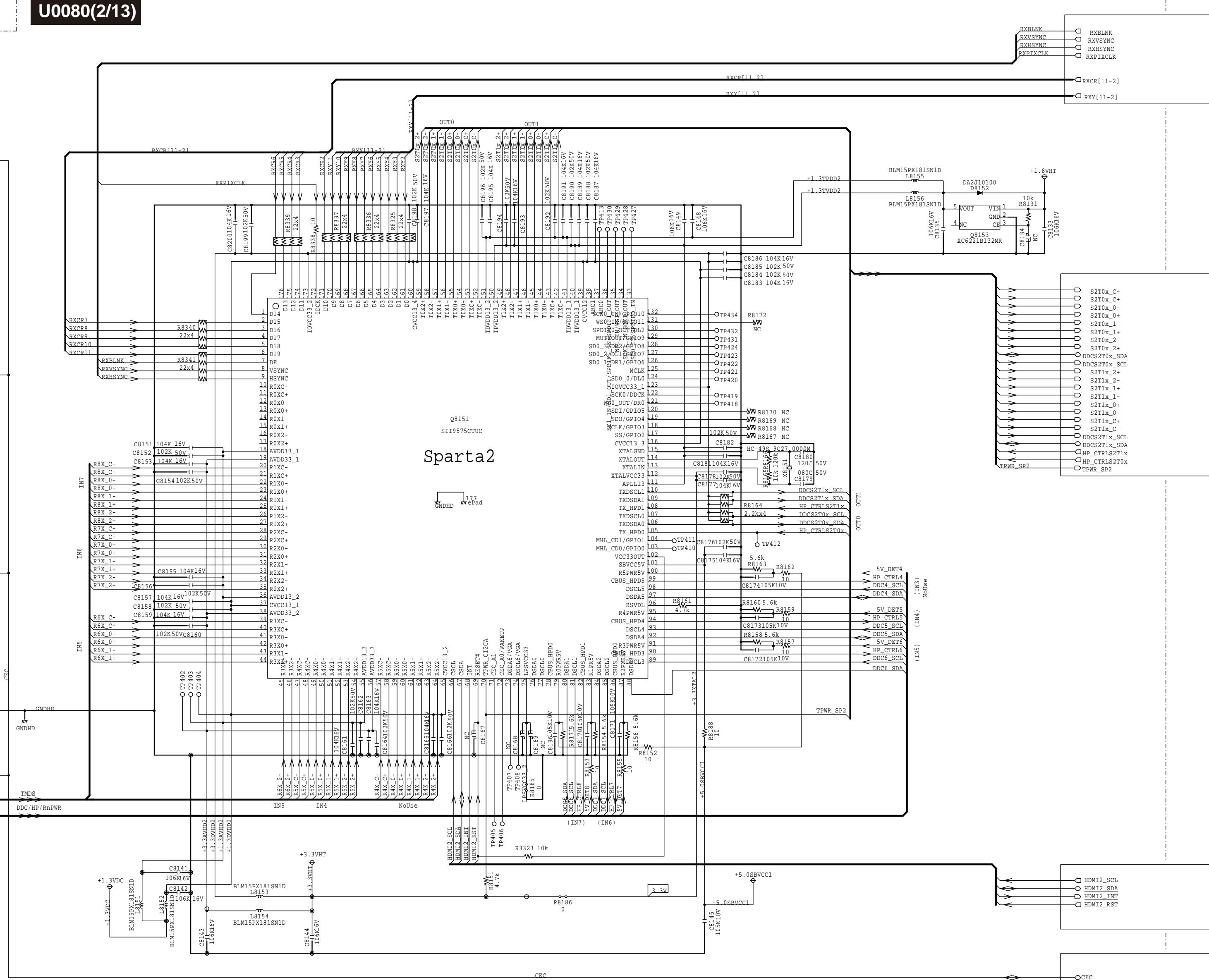
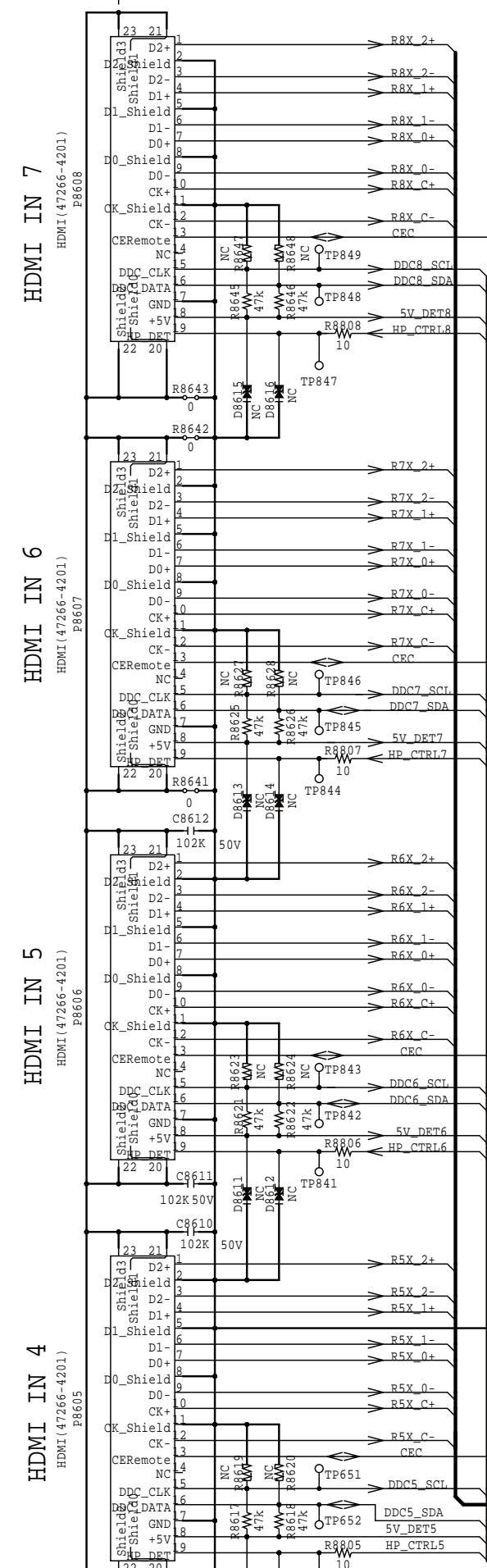
Model No. TX-NR1030/3030,DTR-60.6/70.6,PR-SC5530,DHC-80.6 SCHEMATIC DIAGRAM (PART-14)

HDMI IN2 SECTION  
HDMI Rx IN4-IN7

1  
2  
3  
4  
5  
6  
7  
8

BAPRC-1632 ( 2/13)

U0080(2/13)



DECODER SECTION  
(PART-15)

HDMI IN1 SECTION  
(PART-13)  
To SPARTA1

VMPU SECTION  
(PART-18)

CPLD/CONNECTOR SECTION  
(Part-17)  
To MMPU  
HDMI IN1 SECTION (Part-13)  
HDCP2.2 SECTION (Part-23)

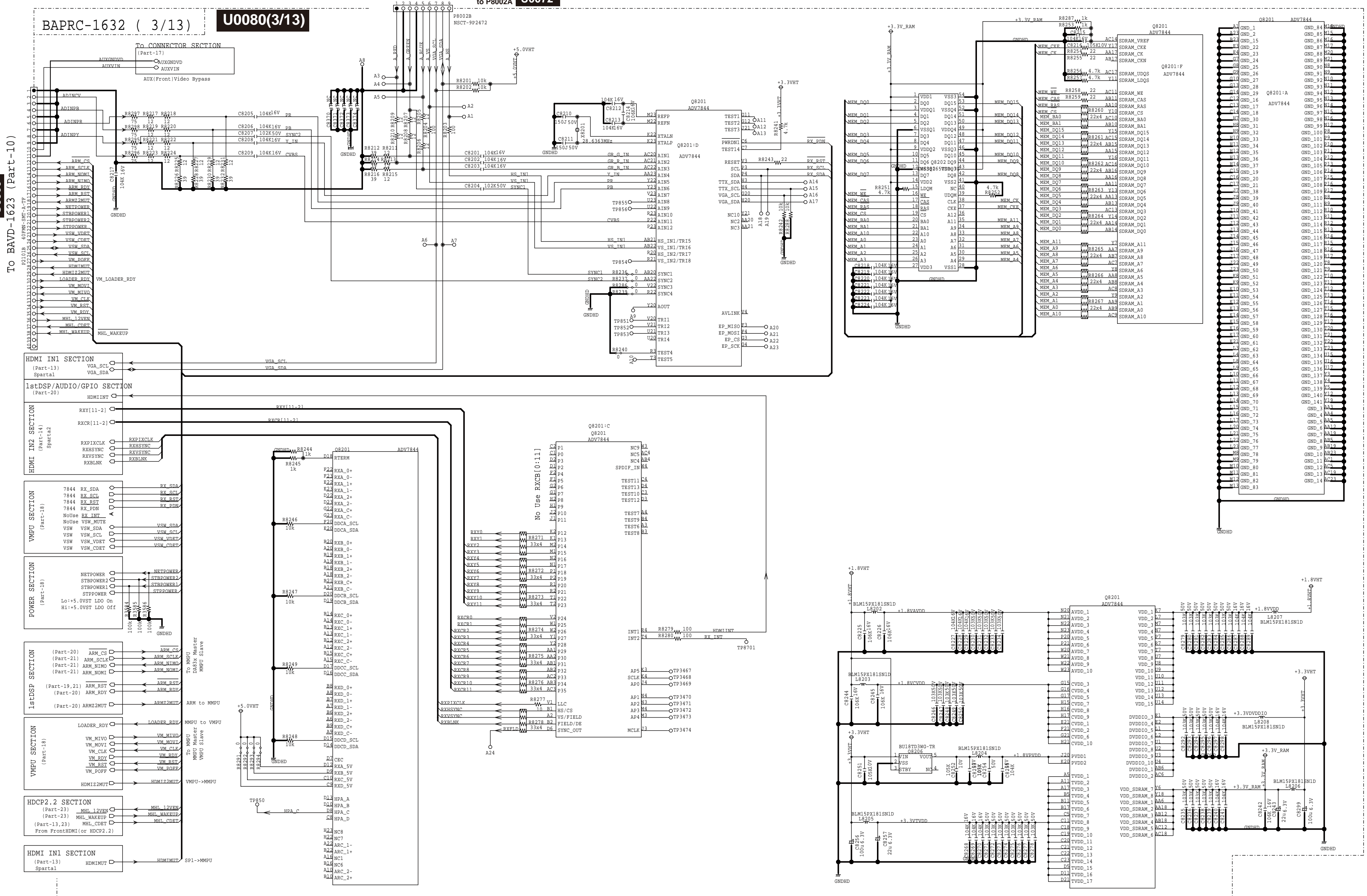
SCHMATIC DIAGRAMS-25  
HDMI DECODER SECTION

Model No. TX-NR1030/3030, DTR-60.6/70.6, PR-SC5530, DHC-80.6 SCHEMATIC DIAGRAM (PART-15) HDMI DECODER SECTION

To BAETC-1627 (Part-12) U0072  
to P802A

BAPRC-1632 ( 3/13)

U0080(3/13)



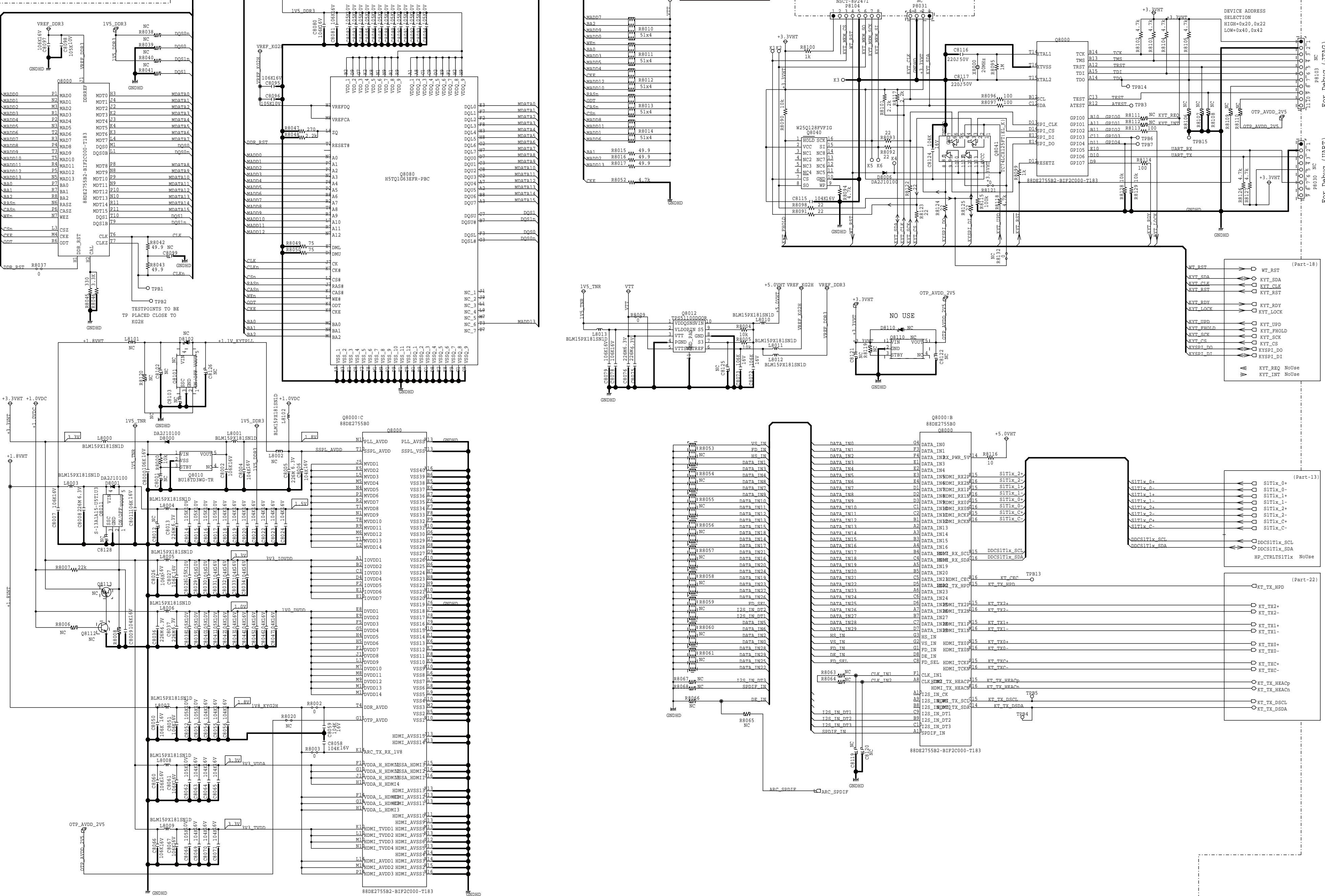
SCHEMATIC DIAGRAMS-26  
HDMI VIDEO PROCESSOR SECTION

Model No. TX-NR1030/3030,DTR-60.6/70.6,PR-SC5530,DHC-80.6 SCHEMATIC DIAGRAM (PART-16) HDMI VIDEO PROCESSOR SECTION

BAPRC-1632 (4/13)

U0080(4/13)

SPI-Flash Writer I/F For Debug(I2C)



For Debug (JTAG)

For Debug (UART)

VMPU SECTION

HDMI IN1 SECTION

HDMI OUT SPLITTER SECTION

(Part-18)

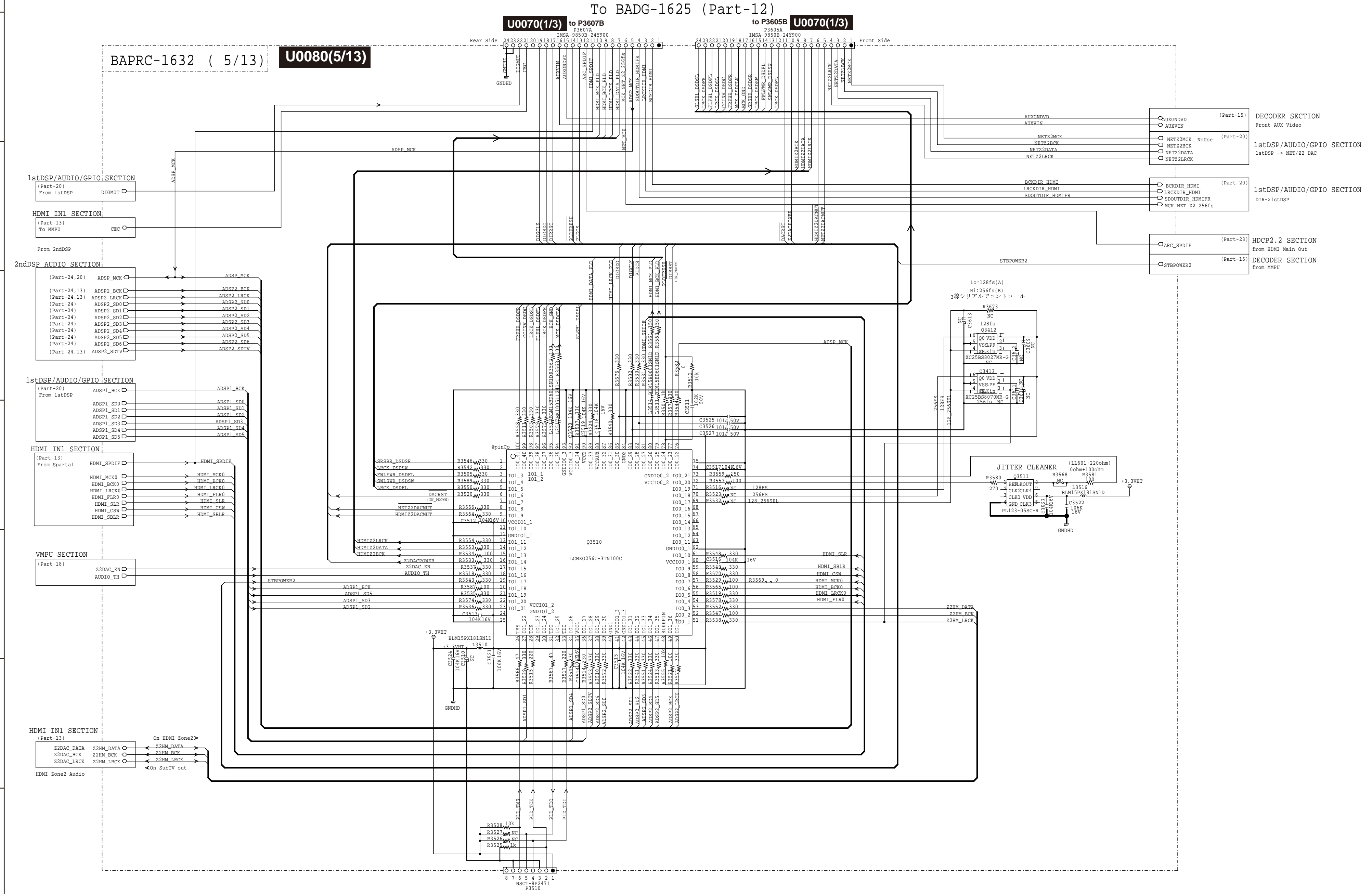
(Part-13)

(Part-22)



SCHMATIC DIAGRAMS-27  
CPLD/CONNECTOR SECTION

Model No. TX-NR1030/3030,DTR-60.6/70.6,PR-SC5530,DHC-80.6 SCHEMATIC DIAGRAM (PART-17)  
CPLD/CONNECTOR SECTION



1  
2  
3  
4  
5  
6  
7  
8

- AUXGNDVD (Part-15) DECODER SECTION Front AUX Video
- AUXVIN (Part-20) 1stDSP/AUDIO/GPIO SECTION 1stDSP -> NET7/22 DAC
- BCKDIR\_HDMI (Part-20) 1stDSP/AUDIO/GPIO SECTION DIR->1stDSP
- ARC\_SPDIF (Part-23) HDCP2.2 SECTION from HDMI Main Out
- STBPOWER2 (Part-15) DECODER SECTION from MPU

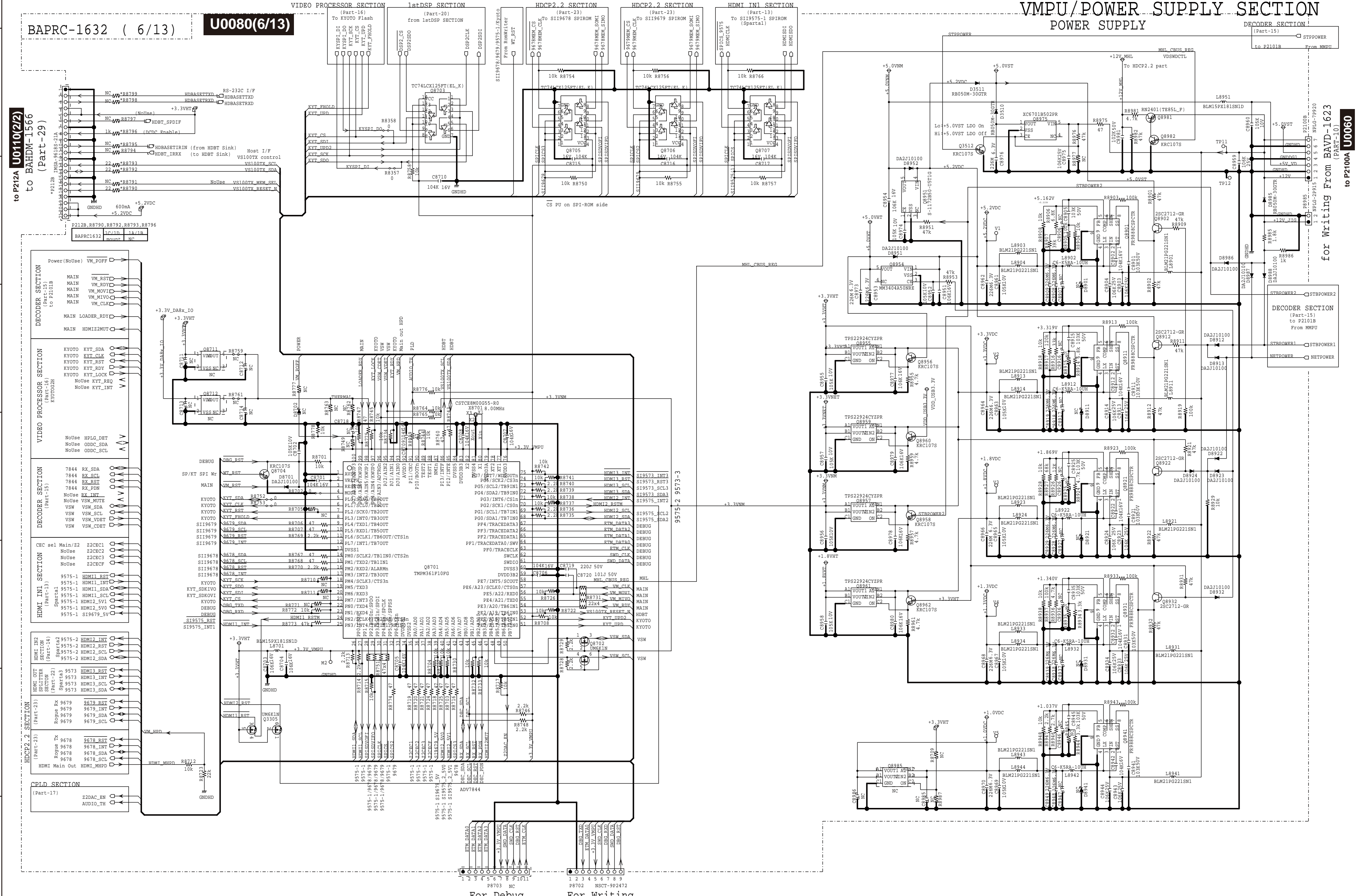
PLD Write(JTAG)

SCHEMATIC DIAGRAMS-28  
VMPU/POWER SUPPLY SECTION

Model No. TX-NR1030/3030,DTR-60.6/70.6,PR-SC5530,DHC-80.6

SCHEMATIC DIAGRAM (PART-18)

VMPU/POWER SUPPLY SECTION  
POWER SUPPLY



1  
2  
3  
4  
5  
6  
7  
8

for Writing From BAVD-1623  
(PART-10) U0060  
to P2100A

For Debug For Writing

SCHEMATIC DIAGRAMS-29  
1stDSP MEMORY SECTION

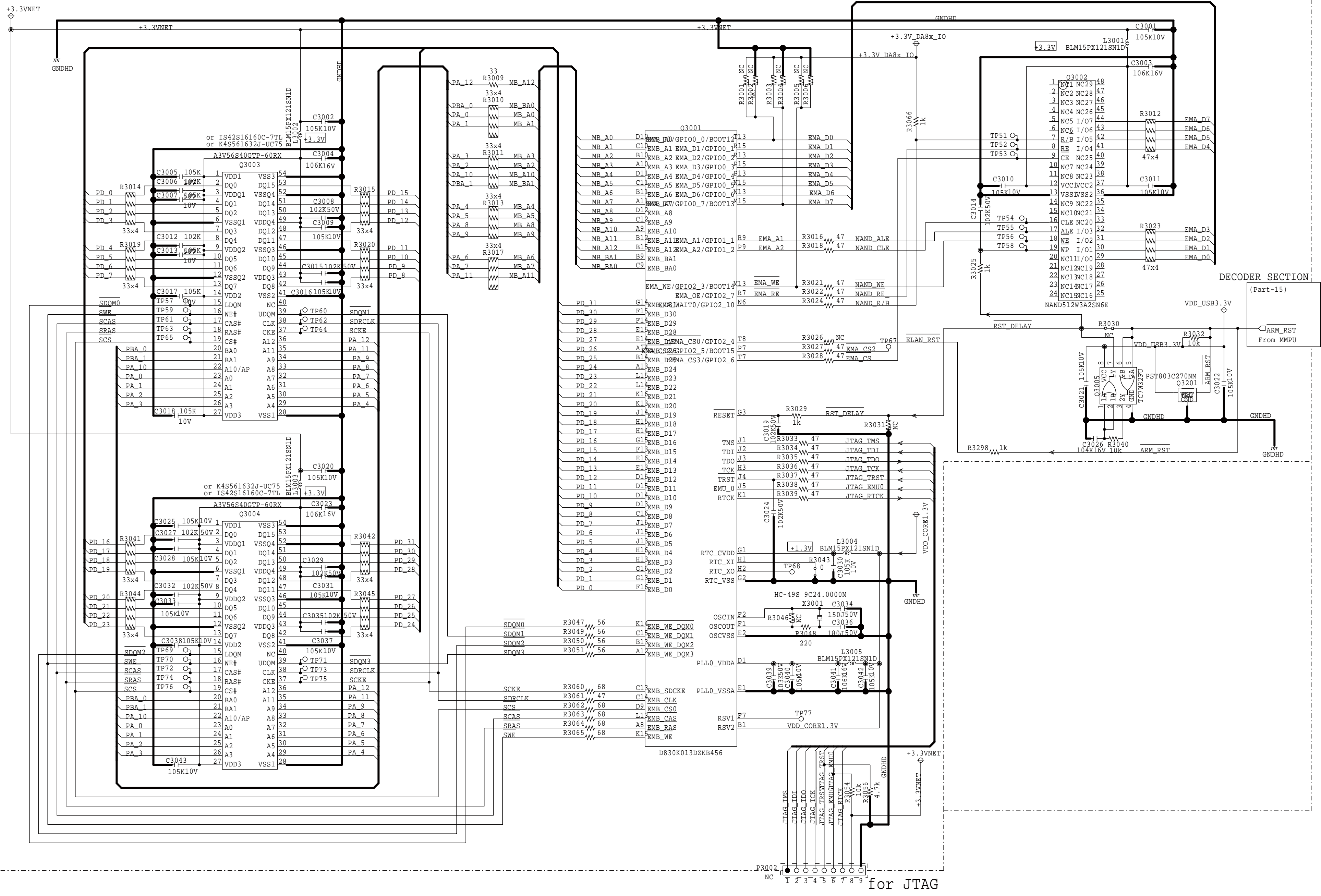
Model No. TX-NR1030/3030, DTR-60.6/70.6, PR-SC5530, DHC-80.6 SCHEMATIC DIAGRAM (PART-19)

1stDSP MEMORY SECTION

BAPRC-1632 ( 7/13)

U0080(7/13)

1  
2  
3  
4  
5  
6  
7  
8



for JTAG

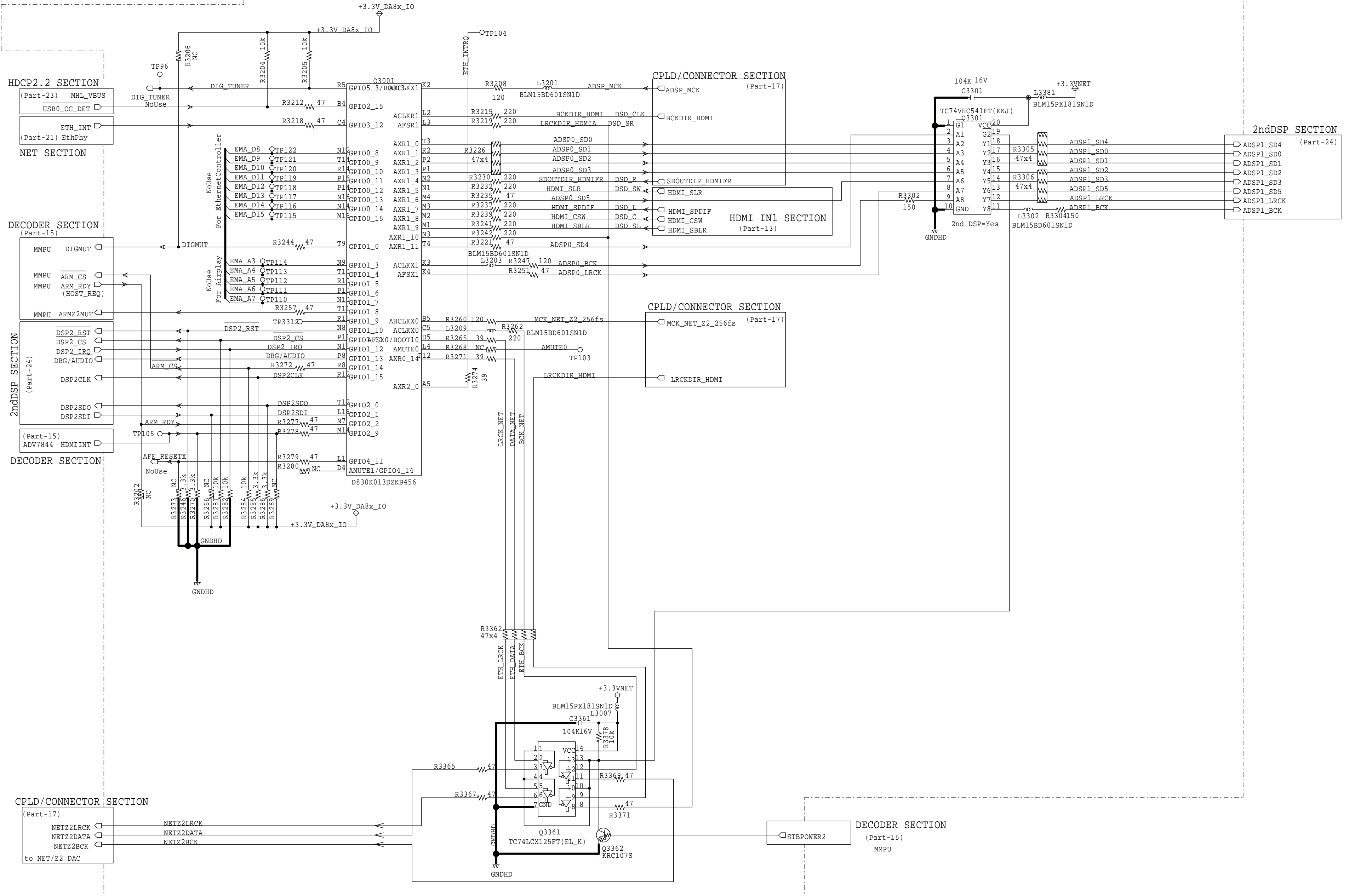
SCHEMATIC DIAGRAMS-30  
1stDSP/AUDIO/GPIO SECTION

Model No. TX-NR1030/3030,DTR-60.6/70.6,PR-SC5530,DHC-80.6 SCHEMATIC DIAGRAM (PART-20) 1stDSP/AUDIO/GPIO SECTION

BAPRC-1632 ( 8/13)

U0080(8/13)

1  
2  
3  
4  
5  
6  
7  
8



SCHEMATIC DIAGRAMS-31  
NET/USB/GPIO SECTION

Model No. TX-NR1030/3030, DTR-60.6/70.6, PR-SC5530, DHC-80.6 SCHEMATIC DIAGRAM (PART-21) NET/USB/GPIO SECTION

BAPRC-1632 ( 9/13)

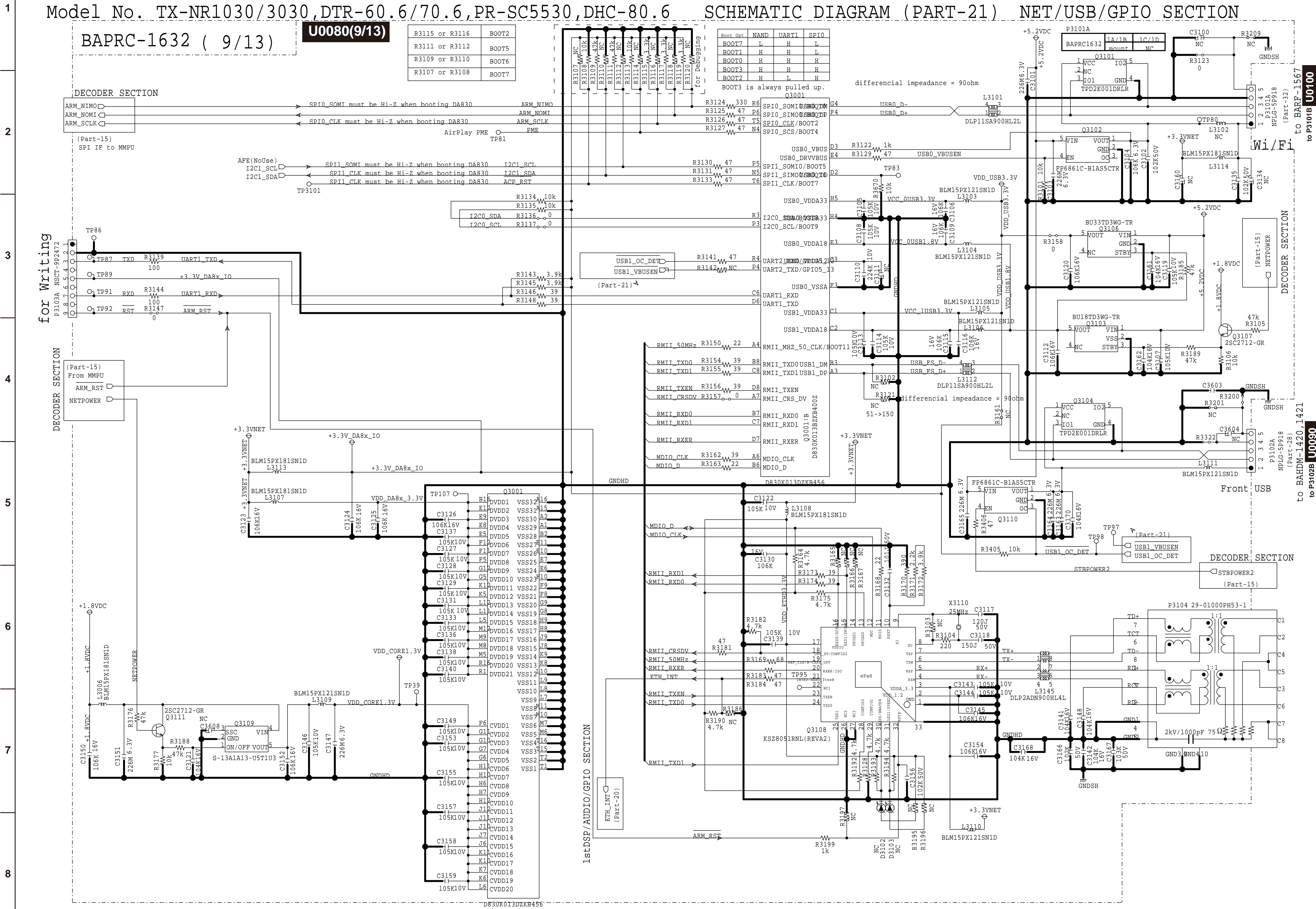
U0080(9/13)

R3115 or R3116	BOOT2
R3111 or R3112	BOOT5
R3109 or R3110	BOOT6
R3107 or R3108	BOOT7

Boot_Sgt.	NAND	UART1	SPI0
BOOT7	L	H	L
BOOT1	H	H	L
BOOT0	H	H	H
BOOT3	H	H	H
BOOT2	H	L	H

BOOT3 is always pulled up.  
Q3001

differential impedance = 90ohm



for Writing

DECODER SECTION

to P3101B U0100

DECODER SECTION

to P3102B U0090

DECODER SECTION

DECODER SECTION

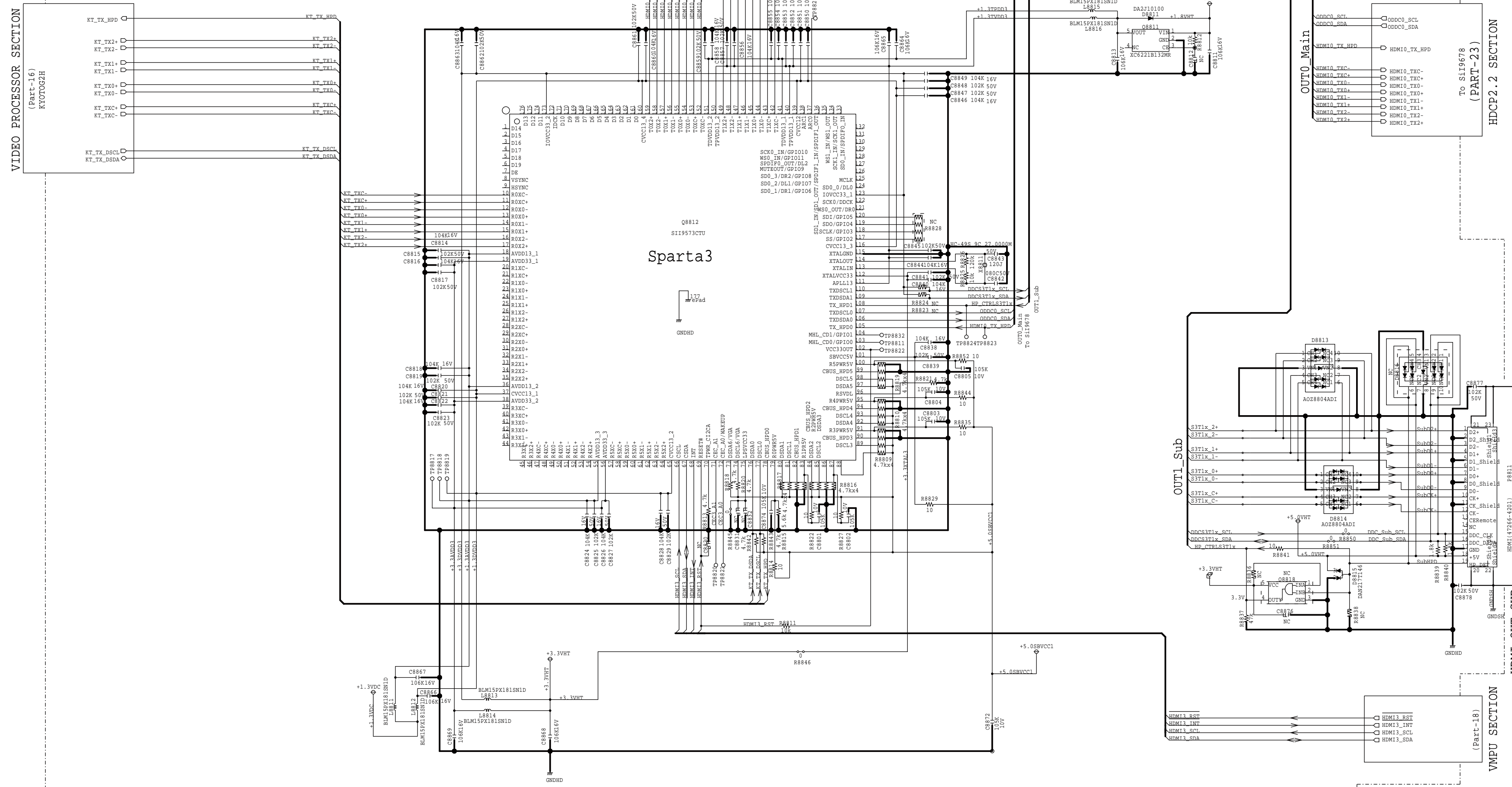
8

SCHEMATIC DIAGRAMS-32  
HDMI OUT SPLITTER SECTION

Model No. TX-NR1030/3030,DTR-60.6/70.6,PR-SC5530,DHC-80.6 SCHEMATIC DIAGRAM (PART-22)

HDMI OUT SPLITTER SECTION

BAPRC-1632 (10/13) U0080(10/13)



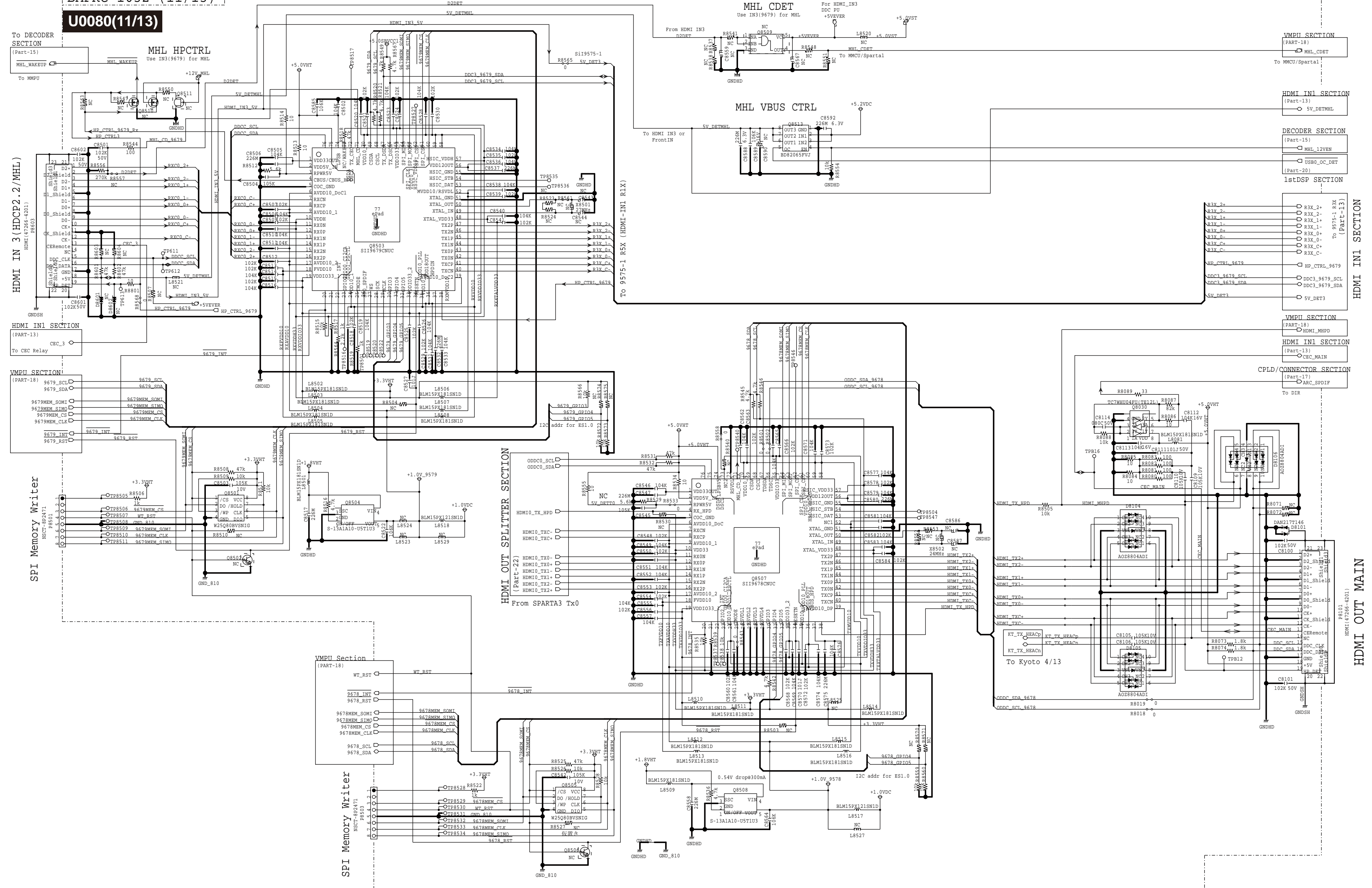
SCHEMATIC DIAGRAMS-33  
HDCP2.2 SECTION

MODEL NO. TX-NR1030/3030, DTR-60.6/70.6, PR-SC5530, DHC-80.6 SCHEMATIC DIAGRAM (PART-23)

HDCP2.2 SECTION

BAPRC-1632 (11/13)

U0080(11/13)



1  
2  
3  
4  
5  
6  
7  
8

VMPUI SECTION (PART-18)  
HDMI IN SECTION (PART-13)  
DECODER SECTION (PART-15)  
1stDSP SECTION (PART-20)  
HDMI IN SECTION (PART-13)  
VMPUI SECTION (PART-18)  
HDMI IN SECTION (PART-13)  
CPLD/CONNECTOR SECTION (PART-17)  
HDMI OUT MAIN (PART-17)  
HDMI OUT MAIN (PART-17)

SCHEMATIC DIAGRAMS-34  
2ndDSP MEMORY/AUDIO SECTION

MODEL NO. TX-NR1030/3030, DTR-60.6/70.6, PR-SC5530, DHC-80.6 SCHEMATIC DIAGRAM (PART-24) 2ndDSP MEMORY/AUDIO SECTION

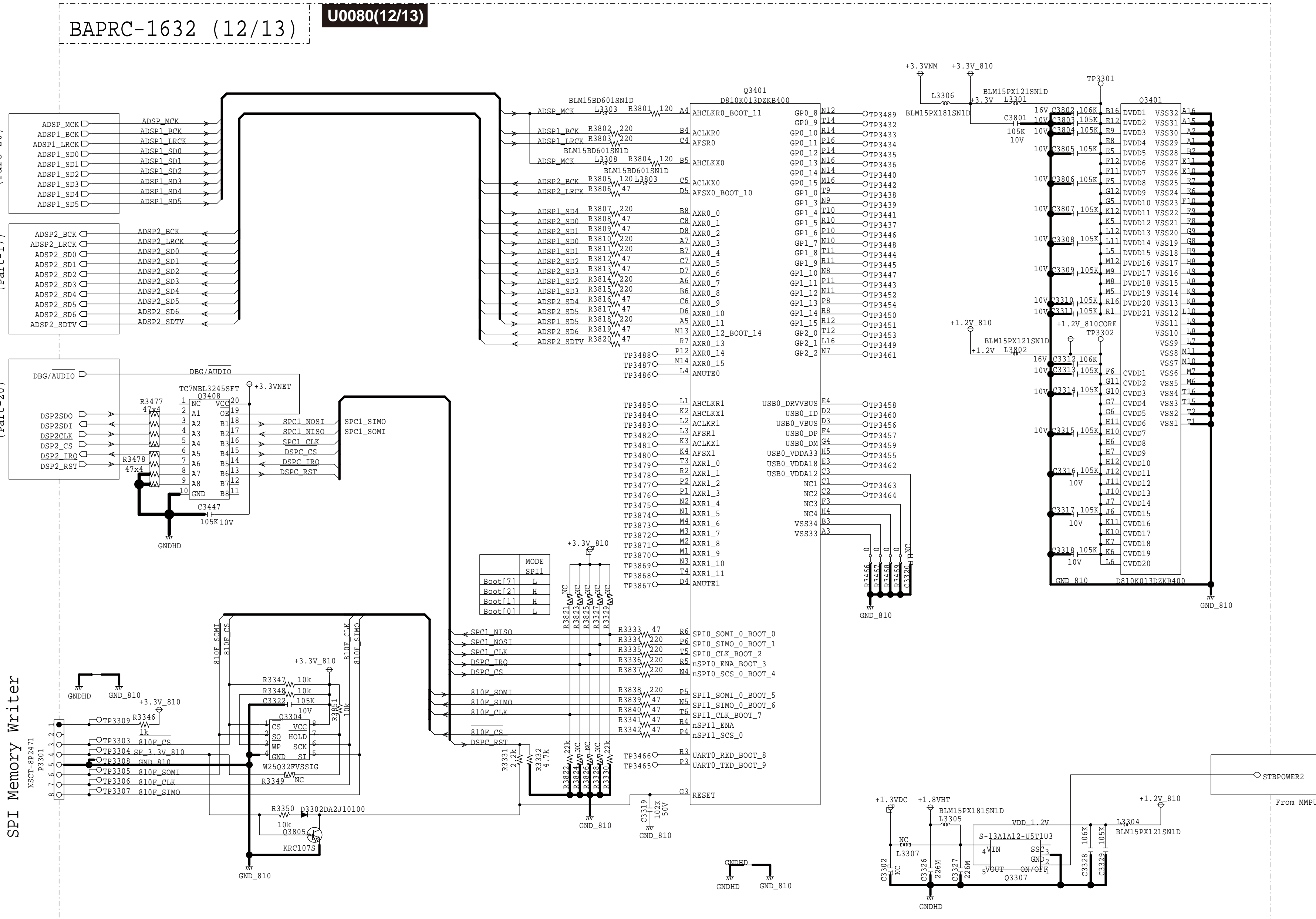
BAPRC-1632 (12/13)

U0080(12/13)

From 1stDSP SECTION (Part-20)

To PLD SECTION (Part-17)

From 1stDSP SECTION (Part-20)



SPI Memory Writer

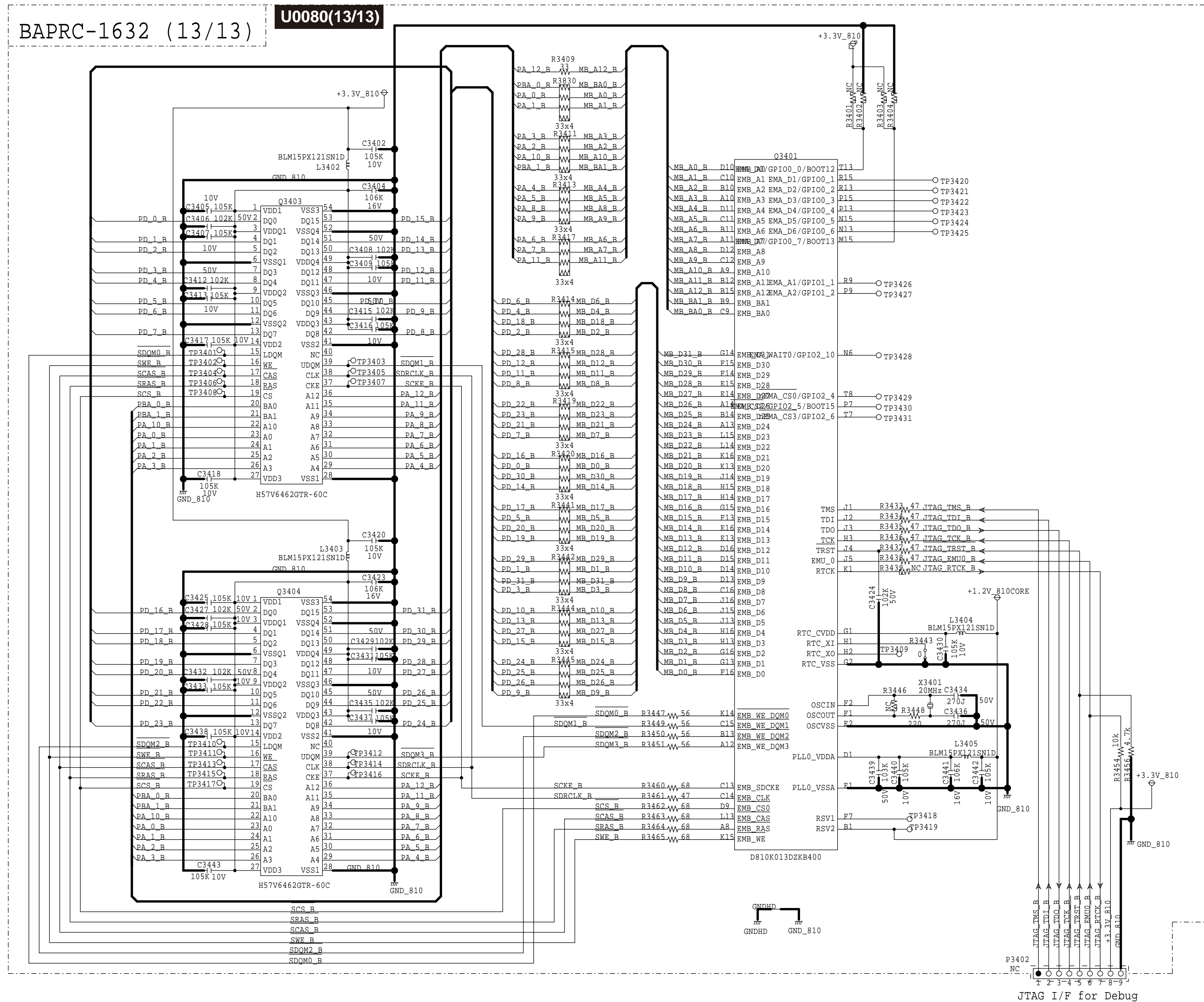
DECODER SECTION (Part-15)

1  
2  
3  
4  
5  
6  
7  
8



SCHEMATIC DIAGRAMS-35  
2ndDSP MEMORY SECTION

1 MODEL NO.TX-NR1030/3030,DTR-60.6/70.6,PR-SC5530,DHC-80.6 SCHEMATIC DIAGRAM (PART-25) 2ndDSP MEMORY SECTION



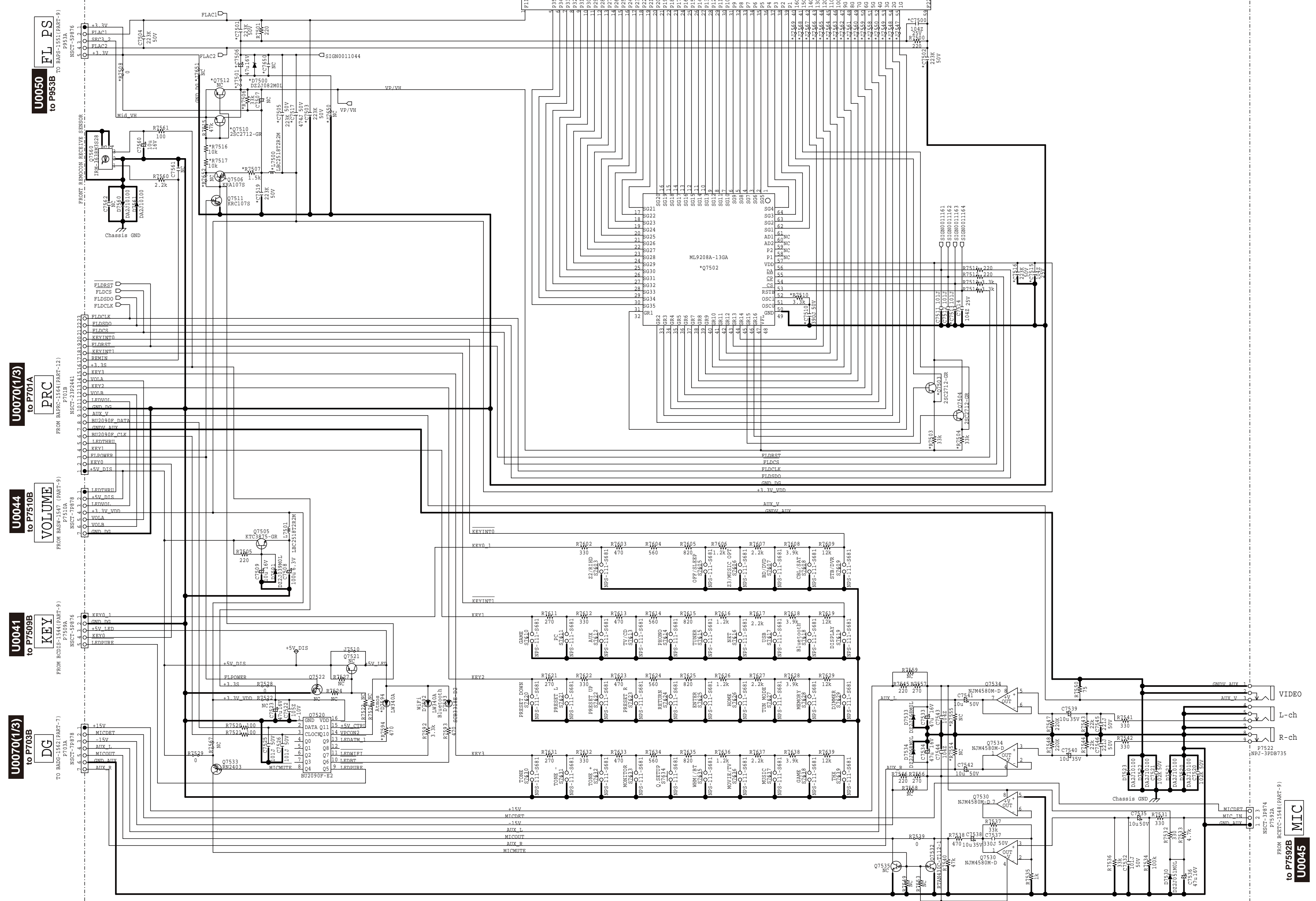
JTAG I/F for Debug

SCHEMATIC DIAGRAMS-36  
DISPLAY SECTION

MODEL NO. TX-NR838 SCHEMATIC DIAGRAM (PART-9)  
DISPLAY SECTION

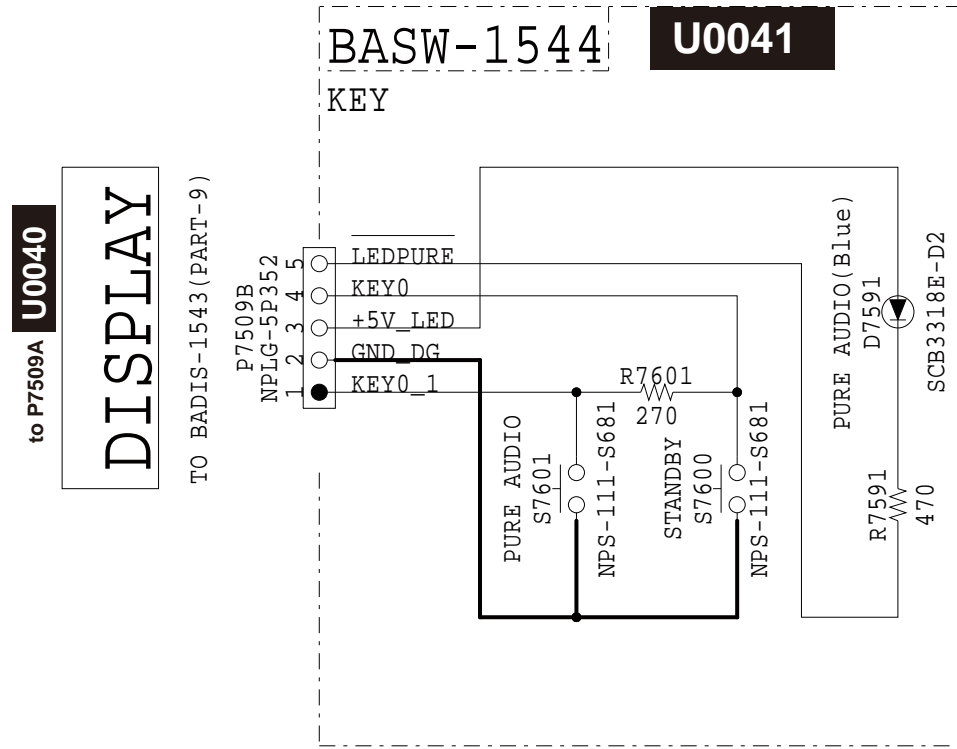
BADIS-1543 U0040  
DISPLAY

\*Reference No. Allocation:7500-7999

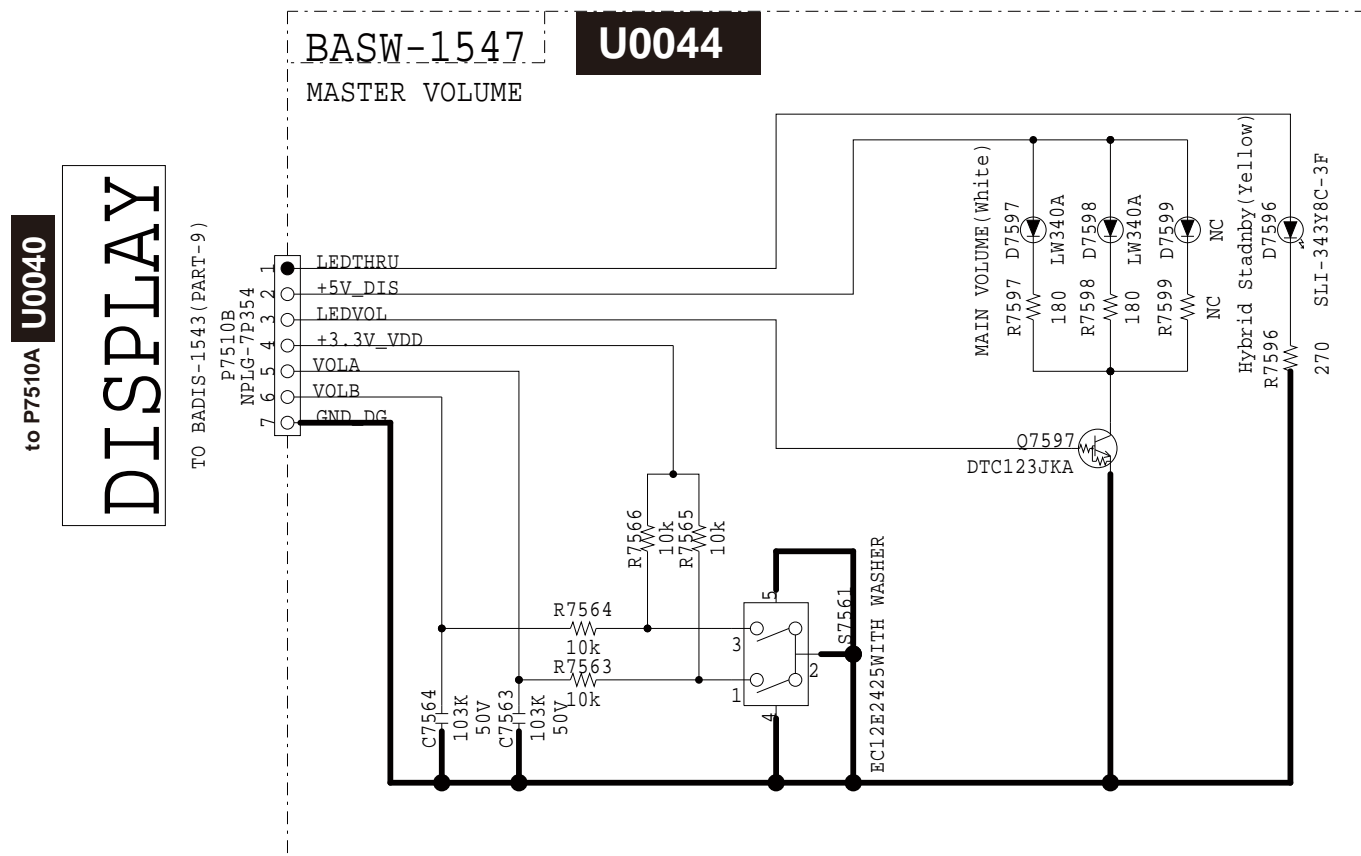


**SCHEMATIC DIAGRAMS-37**  
**DISPLAY(KEY/VOLUME.etc.) SECTION**

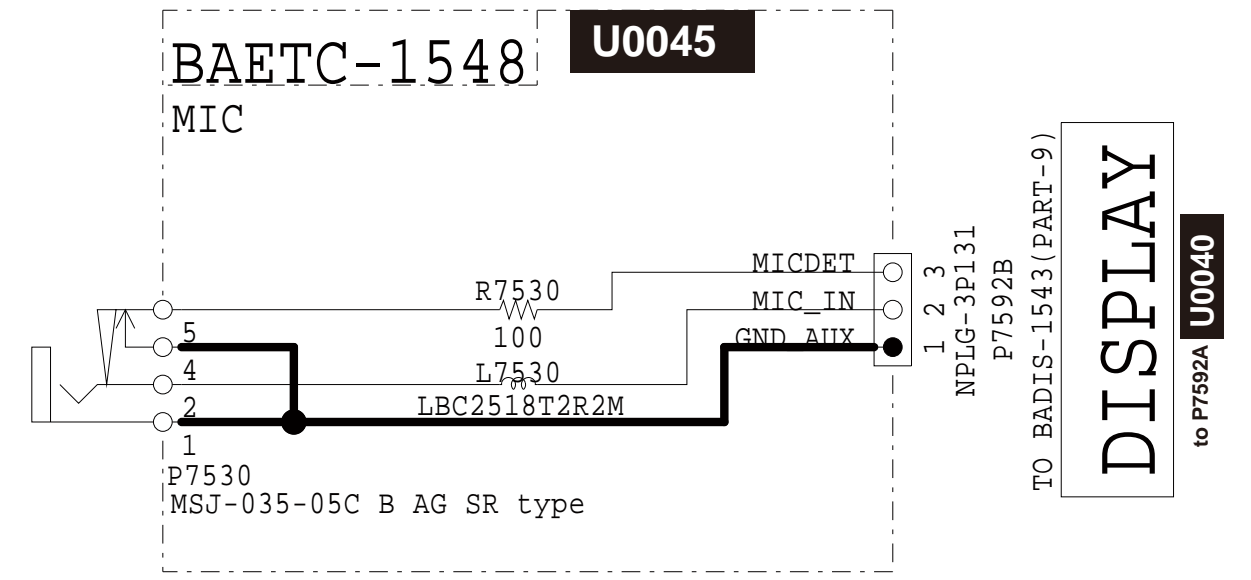
MODEL NO. TX-NR838  
 SCHEMATIC DIAGRAM(PART-9)  
 DISPLAY (KEY) SECTION



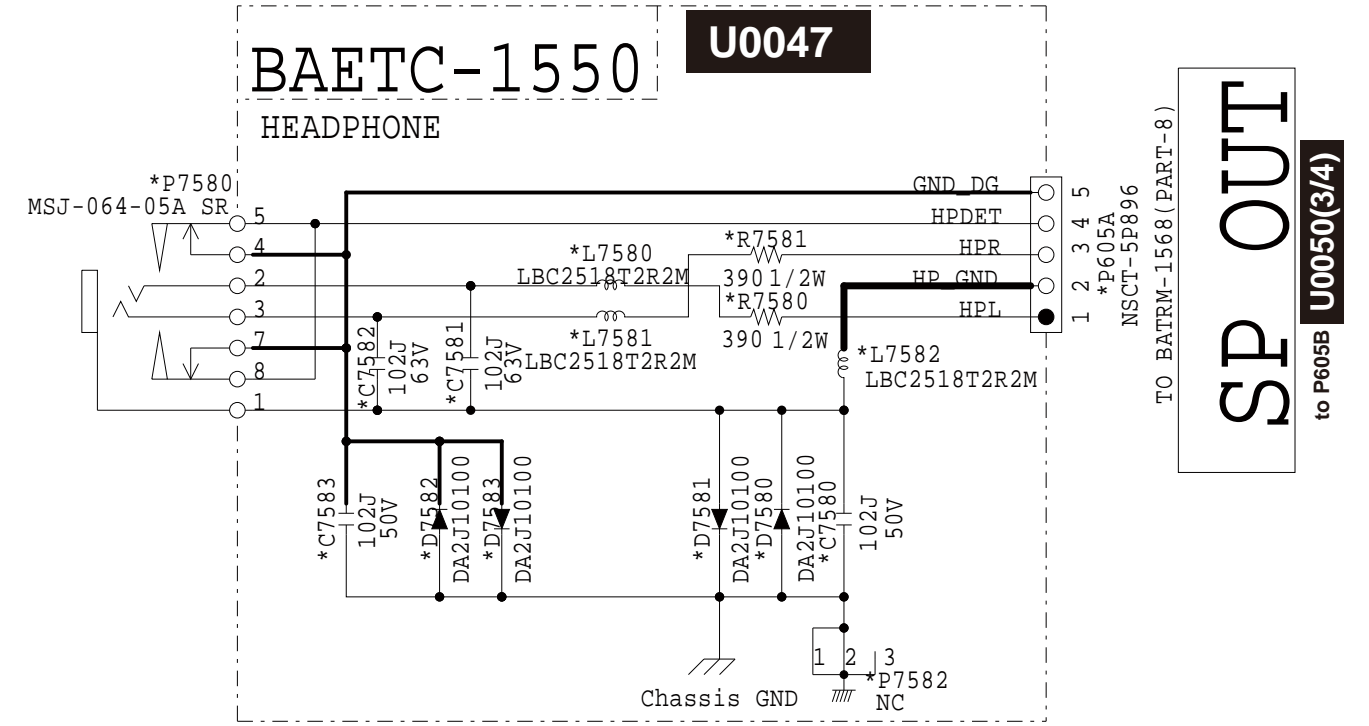
MODEL NO. TX-NR838  
 SCHEMATIC DIAGRAM(PART-9)  
 DISPLAY (VOLUME) SECTION



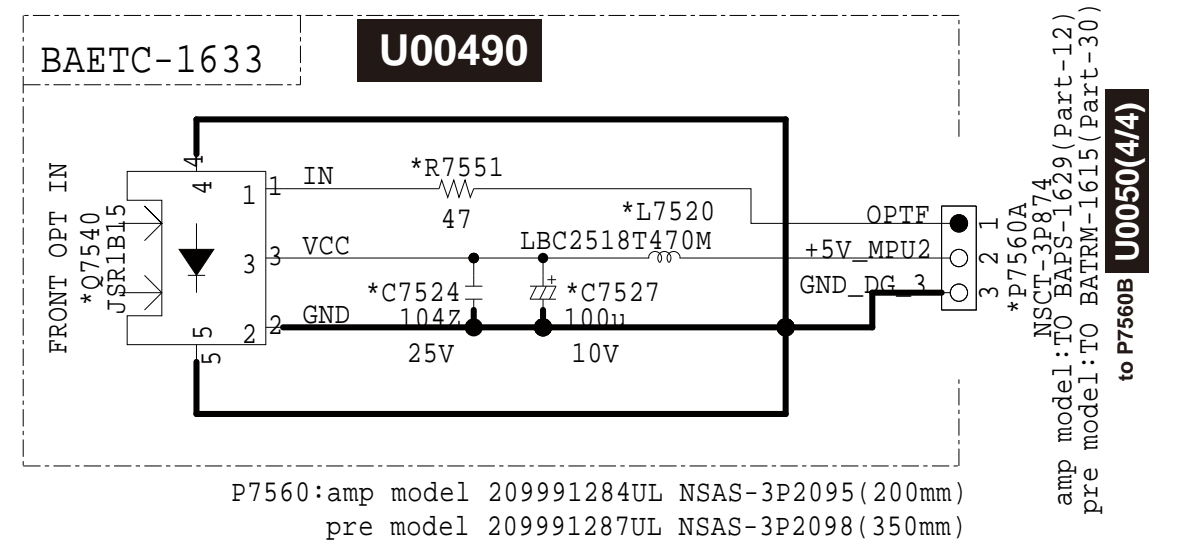
MODEL NO. TX-NR838  
 SCHEMATIC DIAGRAM(PART-9)  
 DISPLAY (MIC) SECTION



MODEL NO. TX-NR838  
 SCHEMATIC DIAGRAM(PART-9)  
 DISPLAY (HEADPHONE) SECTION



MODEL NO. TX-NR1030/3030/PR-SC5513  
 SCHEMATIC DIAGRAM (PART-26) FRONT OPT SECTION



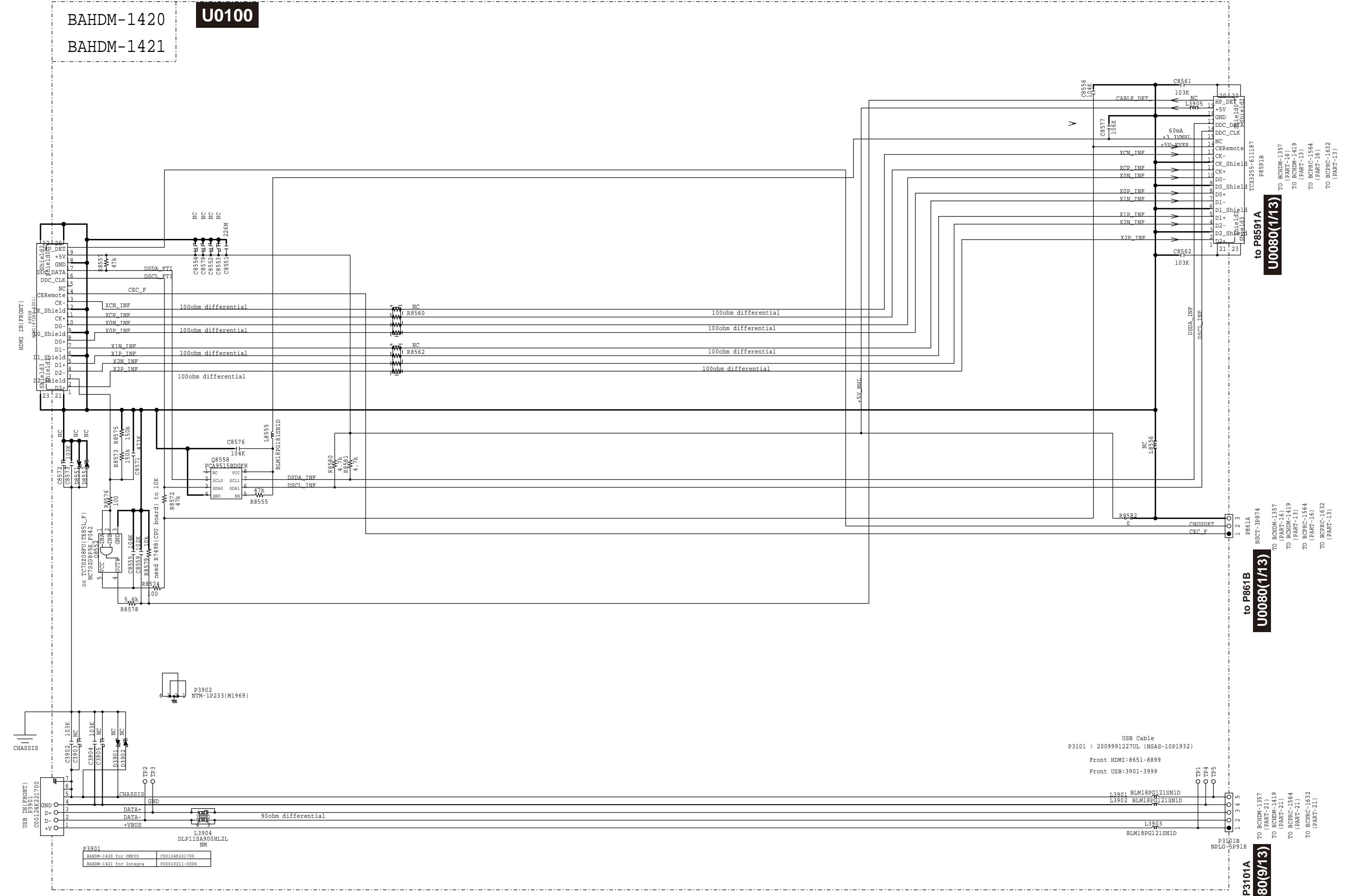
P7560: amp model 209991284UL NSAS-3P2095 (200mm)  
 pre model 209991287UL NSAS-3P2098 (350mm)

amp model: TO BAPS-1629 (Part-12)  
 pre model: TO BATRM-1615 (Part-30)  
 to P7560B U0050(4/4)

**SCHEMATIC DIAGRAMS-40**  
**FRONT HDMI AND USB SECTION**

Model No. TX-NR1030/3030 PR-SC5530 SCHEMATIC DIAGRAM (PART-28)

Model No. DTR-60.6/70.6 DHC-80.6 SCHEMATIC DIAGRAM (PART-28) FRONT HDMI AND USB SECTION



1  
2  
3  
4  
5  
6  
7  
8

BAHDM-1420  
BAHDM-1421

U0100

to P8591A  
U0080(1/13)

to P8591A  
U0080(1/13)

to P861B  
U0080(1/13)

to P3101A  
U0080(9/13)

IC13904  
DL1128A00HL2L

IC13901  
P3901

P3901  
BAHDM-1420 for ONYO  
BAHDM-1421 for Integra

P3902  
NTM-1P233(M1969)

USB Cable  
P3101 : 2009991227UL (NSAS-10P1932)

Front HDMI:8651-8899  
Front USB:3901-3999

L3901 BLM18PG121SN1D  
L3902 BLM18PG121SN1D  
L3903 BLM18PG121SN1D

P3101B  
NPLG-8P918

P8591A  
P8591B  
TC8325-611187

to BCDM-1357 (PART-16)  
to BCDM-1419 (PART-13)  
to BCFRC-1564 (PART-16)  
to BCFRC-1632 (PART-13)

to BCDM-1357 (PART-16)  
to BCDM-1419 (PART-13)  
to BCFRC-1564 (PART-16)  
to BCFRC-1632 (PART-13)

to BCDM-1357 (PART-16)  
to BCDM-1419 (PART-13)  
to BCFRC-1564 (PART-16)  
to BCFRC-1632 (PART-13)

**SCHEMATIC DIAGRAMS-48**  
**Wi-Fi Connector/TUNER SECTION**

1  
2  
3  
4  
5  
6  
7  
8

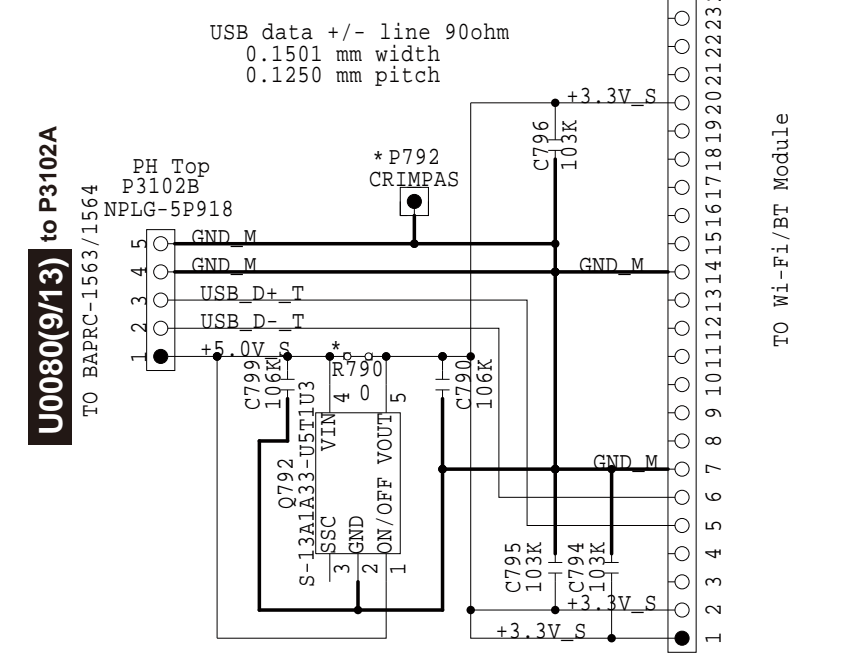
MODEL NO. TX-NR535/636/737/838,HT-RC660,DTR-30.6 SCHEMATIC DIAGRAM (PART-17) Wi-Fi/Bluetooth Connector Section  
MODEL NO. TX-NR1030/3030,PR-SC5530 SCHEMATIC DIAGRAM (PART-32) Wi-Fi/Bluetooth Connector Section

**BARF-1567**

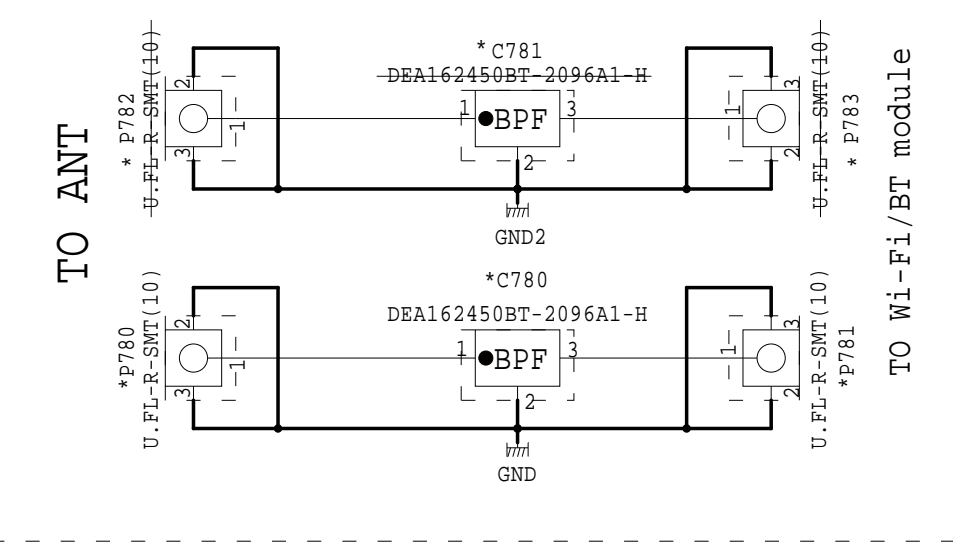
**U0090**

P791A  
DF40HC-25-30DS-0.4V70

-1A/-1B



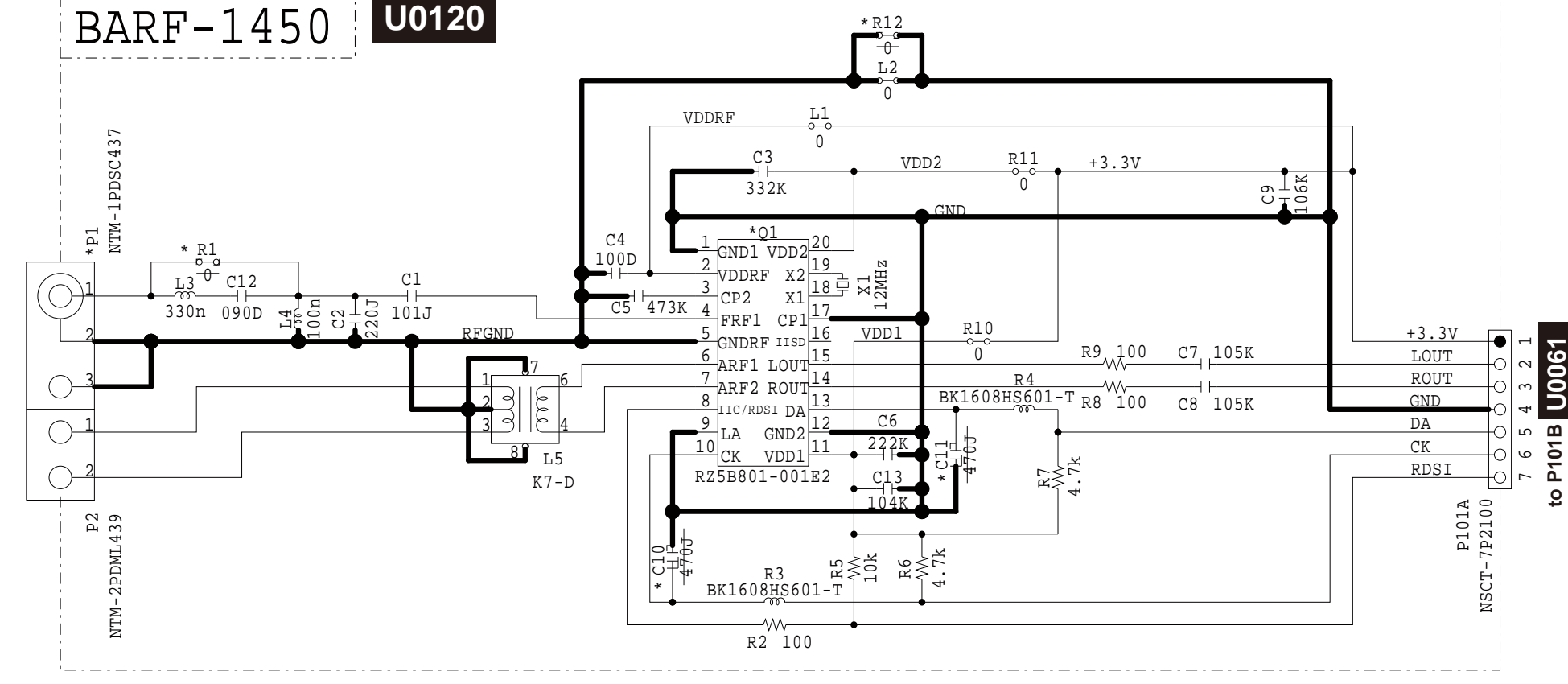
**-1B** Wi-Fi/Bluetooth antenna BPF  
MODEL NO. TX-NR535/636/737/838/1030/3030  
HT-RC660, DTR-30.6, PR-SC5530  
EXCEPT MDC/MDD/MJJ/MMR



MODEL NO. TX-NR535/636/737/838, DTR-30.6/40.6/50.6, HT-RC660  
SCHEMATIC DIAGRAM (PART-18) TUNER SECTION  
MODEL NO. TX-NR1030/3030, DTR-60.6/70.6, DHC-80.6, PR-SC5530  
SCHEMATIC DIAGRAM (PART-33) TUNER SECTION

**BARF-1450**

**U0120**



TX-NR3030(B)MDC

## &lt;Note&gt;

Parts marked by "NSP" are generally unavailable because they are not in our Master Spare Parts List.

**NOTE : THE COMPONENTS IDENTIFIED BY THE MARK ! ARE CRITICAL FOR RISK OF FIRE AND ELECTRIC SHOCK. REPLACE ONLY WITH PART NUMBER SPECIFIED.**

## &lt;Notes&gt;

(B) : Black color model

&lt;MDC&gt; : 120V

Canadian/USA/(Mexico) model

: NSP

TX-NR3030(B)MDC

## EXPLODED VIEW PARTS LIST

REF. NO.	PART NAME	DESCRIPTION	QTY	PART NO. (SN)	REMARKS
<b>[SEMI CONDUCTOR]</b>					
Q6050	TRANSISTOR	TTC0001(Q_T)TO3PN	1	2204130	
Q6051	TRANSISTOR	TTC0001(Q_T)TO3PN	1	2204130	
Q6052	TRANSISTOR	TTC0001(Q_T)TO3PN	1	2204130	
Q6053	TRANSISTOR	TTC0001(Q_T)TO3PN	1	2204130	
Q6054	TRANSISTOR	TTC0001(Q_T)TO3PN	1	2204130	
Q6055	TRANSISTOR	TTC0001(Q_T)TO3PN	1	2204130	
Q6056	TRANSISTOR	TTC0001(Q_T)TO3PN	1	2204130	
Q6057	TRANSISTOR	TTC0001(Q_T)TO3PN	1	2204130	
Q6058	TRANSISTOR	TTC0001(Q_T)TO3PN	1	2204130	
Q6060	TRANSISTOR	TTA0001(Q_T)TO3PN	1	2204120	
Q6061	TRANSISTOR	TTA0001(Q_T)TO3PN	1	2204120	
Q6062	TRANSISTOR	TTA0001(Q_T)TO3PN	1	2204120	
Q6063	TRANSISTOR	TTA0001(Q_T)TO3PN	1	2204120	
Q6064	TRANSISTOR	TTA0001(Q_T)TO3PN	1	2204120	
Q6065	TRANSISTOR	TTA0001(Q_T)TO3PN	1	2204120	
Q6066	TRANSISTOR	TTA0001(Q_T)TO3PN	1	2204120	
Q6067	TRANSISTOR	TTA0001(Q_T)TO3PN	1	2204120	
Q6068	TRANSISTOR	TTA0001(Q_T)TO3PN	1	2204120	
Q6059	TRANSISTOR	TTC0001(Q_T)TO3PN	1	2204130	
Q6090	TRANSISTOR	TTC0001(Q_T)TO3PN	1	2204130	
Q6069	TRANSISTOR	TTA0001(Q_T)TO3PN	1	2204120	
Q6200	TRANSISTOR	TTA0001(Q_T)TO3PN	1	2204120	
<b>[CHASSIS SCREW]</b>					
A049	P RIVET	P-3055B-8L	2	880048	
A153	BOTTOM LEG		4	27175452A	
A155	CUSHION	(LEG)	4	28141735	
A215	P RIVET	P-3055B-8L	2	880048	
A341	LABEL	(PT)ONK	1	29392650	
A343A	LABEL	(E-CON)	{ 1 }	29364978	
A355	REAR PANEL	TXNR3030DC	1	27124581	N
A391	LABEL	(SP1)	1	29390790	
A393	LABEL	(SP2)	1	29390791	
<b>[CABINET]</b>					
A1601	COVER	(B) (Bent)	1	28210040A	
A1601	COVER	(B) (Not Bent)	1	28210040AZ	
A1701	LABEL	(CAUTION)	1	29392531	
A401	CLEAR PLATE	TXNR1030	1	28192439A	
A409	DECORATIVE FRAME	(CP)B	1	27215388	
A413	DECORATIVE FRAME	(SEL)809_1009	1	27215386A	
A421	BADGE		1	28135317	
A423	BACK PLATE	(B)	1	28133443	
A427	KNOB	(STBY)B	1	28326967	
A433	PLATE	(DOOR)1030(B)DC	1	27262920	
A501	FRONT PANEL	TXNR1030(B)DC	1	27213719	
A502	FRONT BRACKET	828(B)	1	27111624B	
A509	KNOB	(CUR)AS BLACK	1	28326994C	
A511	KNOB	(ENTER) BLK	1	28326990	
A513	KNOB	(SEL)B	3	28326969B	
A515	KNOB	(INP)BLK	2	28326971A	
A517	KNOB	(INP)BLK3_4	2	28327057A	
A519	KNOB	(SETUP)BLK	2	28326973A	
A521	KNOB	(VOL)AS(B)	1	28327178A	
A523	FACET	(PURE)	1	28200056	
A527	FACET	(HDM)	1	28200057	

A533	SHEET	(WIFI)	1	29096161	
A539	BUSHING	(DR-C)B	1	28170107	
A583	PLATE	(VOL)	1	27262924	
A591	DOOR	TXNR3030(B)	1	28148851	N
<b>[TRANS COIL]</b>					
T901	POWER TRANSFORMER	NPT-1643D	1	2302100	!
T902	POWER TRANSFORMER	NPT-1645D	1	2302106	!
T903	POWER TRANSFORMER	NPT-1644D	1	2302103	!
<b>[DOOR HINDGE]</b>					
A451	DAMPER	NEW		27301965	
A453	HOLDER DAMPER	NEW		27191354A	
A457	HOLDER (LOCK)	NEW		27191355A	
A467	RETAINER (GEAR)	NEW		27142231	
A469	RETAINER ( R ) AS	NEW		27142233A	
A471	E-WASHER	NEW		8930301S	
A473	RETAINER (HD-L)	NEW		27142234	
A475	RETAINER ( L ) AS	NEW		27142240A	
<b>[SW TRM]</b>					
F2000	FUSE	3.15A-UL/T-233	1	252323GR	!
F2000 or	FUSE	3.15A-T/UL-ST2	( 1)	252256GR	!
F2002	FUSE	4A-UL/T-233	1	252325GR	!
F2002 or	FUSE	4A-T/UL-ST2	( 1)	252257GR	!
F6901	FUSE	15A-TUL-250V	1	252303GR	!
F6901 or	FUSE	15A-UL/T-314	( 1)	252197GR	!
F6902	FUSE	15A-TUL-250V	1	252303GR	!
F6902 or	FUSE	15A-UL/T-314	( 1)	252197GR	!
F6903	FUSE	15A-TUL-250V	1	252303GR	!
F6903 or	FUSE	15A-UL/T-314	( 1)	252197GR	!
F6904	FUSE	15A-TUL-250V	1	252303GR	!
F6904 or	FUSE	15A-UL/T-314	( 1)	252197GR	!
F9002	FUSE	12A-TUL-250V	1	252301GR	!
F9002 or	FUSE	12A-UL/T-314	( 1)	252196GR	!
P061	FAN	ME92251V1-000U-A99	1	24502337	
P061 or	FAN	D09A-12PG13	( 1)	24502328	
P062	FAN	ME92251V1-000U-A99	1	24502337	
P062 or	FAN	D09A-12PG13	( 1)	24502328	
P101	FLEXIBLE FLAT CABLE	NCFC7-071012	1	2047071012	
P2101	FLEXIBLE FLAT CABLE	NCFC5-401012	1	2045401012UL	
P701	FLEXIBLE FLAT CABLE	NCFC5-233512	1	2045233512	
P8002	FLEXIBLE FLAT CABLE	NCFC5-090712	1	2045090712	
P8691	CORD ASSEMBLY	HDMI 0.65M	1	2010502A	
P9000	AC INLET	R301X2PSn	1	25053358	!
<b>[TUNER UNIT]</b>					
<b>U001</b>	<b>U0010, U0011, U0012, U0013, U0014,U0015,U0016</b>	<b>BAAF-1600-1B * (Parent)</b>	<b>1</b>	<b>1B300500-1B</b>	<b>MDC</b>
U0010	POWER SUPPLY(AMP) PC BOARD AS	BAAF-1600-1B (Child)	1	1B3005600-1B	
U0011	RECTIFIER PC BOARD AS	BAPS-1601-1B (Child)	1	1B3005601-1B	
U0012	RELAY PC BOARD AS	BAPS-1604-1B (Child)	1	1B3005604-1B	
U0013	SENSOR(THERMAL) PC BOARDS AS	BAETC-1605-1B (Child)	1	1B3005605-1B	
U0014	SENSOR(THERMAL) PC BOARDS AS	BAETC-1606-1B (Child)	1	1B3005606-1B	
U0015	AMP(CLASS-A) LW PC BOARD AS	BACLA-1598-1B (Child)	1	1B3005598-1B	
U0016	AMP(CLASS-A) RW PC BOARD AS	BACLA-1599-1B (Child)	1	1B3005599-1B	
<b>U002</b>	<b>U0020, U0021, U0022, U0023, U0024, U0025, U0026</b>	<b>BAAMP-1595-1B * (Parent)</b>	<b>1</b>	<b>1B300595-1B</b>	<b>MDC</b>
U0020	POWERAMP(FINAL STAGE) PC BOARDS AS	BAAMP-1595-1B (Child)	1	1B3005595-1B	
U0021	POWERAMP(FINAL STAGE) PC BOARDS AS	BAAMP-1596-1B (Child)	1	1B3005596-1B	
U0022	AMP(CLASS-A) C PC BOARDS AS	BACLA-1597-1B (Child)	1	1B3005597-1B	
U0023	TERMINAL(GND) PC BOARDS AS	BAAF-1602-1B (Child)	1	1B3005602-1B	
U0024	TERMINAL(GND) PC BOARDS AS	BAAF-1603-1B (Child)	1	1B3005603-1B	
U0025	TERMINAL(FAN) PC BOARDS AS	BAETC-1640-1B (Child)	1	1B3005640-1B	
U0026	TERMINAL(FAN) PC BOARDS AS	BAETC-1641-1B (Child)	1	1B3005641-1B	
<b>U003</b>	<b>U0030, U0031, U0032, U0033, U0034, U0035, U0036, U0037</b>	<b>BACLA-1607-1A * (Parent)</b>	<b>1</b>	<b>1B300507-1A</b>	<b>MDC</b>
U0030	AMP(CLASS-A) L PC BOARDS AS	BACLA-1607-1A (Child)	1	1B3005607-1A	
U0031	AMP(CLASS-A) R PC BOARDS AS	BACLA-1608-1A (Child)	1	1B3005608-1A	
U0032	AMP(CLASS-A) SL PC BOARDS AS	BACLA-1609-1A (Child)	1	1B3005609-1A	
U0033	AMP(CLASS-A) SR PC BOARDS AS	BACLA-1610-1A (Child)	1	1B3005610-1A	
U0034	AMP(CLASS-A) SBL PC BOARDS AS	BACLA-1611-1A (Child)	1	1B3005611-1A	
U0035	AMP(CLASS-A) SBR PC BOARDS AS	BACLA-1612-1A (Child)	1	1B3005612-1A	
U0036	AMP(CLASS-A) LH PC BOARDS AS	BACLA-1613-1A (Child)	1	1B3005613-1A	
U0037	AMP(CLASS-A) RH PC BOARDS AS	BACLA-1614-1A (Child)	1	1B3005614-1A	

<b>U004</b>	<b>U0040,U0041,U0044,U0045,U0046,U0047,U00490,U00491</b>	<b>BADIS-1543-1C * (Parent)</b>	<b>1</b>	<b>1B299543-1C</b>	<b>MDC</b>
U0040	DISPLAY PC BOARDS AS	BADIS-1543-1C (Child)	1	1B2995543-1C	
U0041	KEY/ LED PC BOARDS AS	BASW-1544-1C (Child)	1	1B2995544-1C	
U0044	VOLUME PC BOARDS AS	BASW-1547-1C (Child)	1	1B2995547-1C	
U0045	MIC JACK PC BOARDS AS	BAETC-1548-1C (Child)	1	1B2995548-1C	
U0046	FIX(HP) PC BOARDS AS	BAETC-1549-1C (Child)	1	1B2995549-1C	
U0047	PHONE JACK PC BOARDS AS	BAETC-1550-1C (Child)	1	1B2995550-1C	
U00490	TERMINAL(FRONT OPT) PC BOARDS AS	BAETC-1633-1C (Child)	1	1B2995633-1C	
U00491	FIX PC BOARDS AS	BAETC-1634-1C (Child)	1	1B2995634-1C	
<b>U005</b>	<b>U0050, U0051, U0052, U0053</b>	<b>BATRM-1618-1C * (Parent)</b>	<b>1</b>	<b>1B300518-1C</b>	<b>MDC</b>
U0050	TERMINAL(SPEAKER) PC BOARDS AS	BATRM-1618-1C (Child)	1	1B3005618-1C	
U0051	TERMINAL(SPEAKER C) PC BOARDS AS	BATRM-1619-1C (Child)	1	1B3005619-1C	
U0052	TERMINAL(SPEAKER) PC BOARDS AS	BATRM-1620-1C (Child)	1	1B3005620-1C	
U0053	POWER SIPPLY(PRI) PC BOARDS AS	BAPS-1621-1C (Child)	1	1B3005621-1C	
<b>U006</b>	<b>U0060, U0061</b>	<b>BAVD-1623-1D * (Parent)</b>	<b>1</b>	<b>1B300523-1D</b>	<b>MDC</b>
U0060	VIDEO PC BOARDS AS	BAVD-1623-1D (Child)	1	1B3005623-1D	
U0061	ASP BOARDS AS	BAASP-1624-1D (Child)	1	1B3005624-1D	
<b>U007</b>	<b>U0070, U0071, U0072, U0073, U0074</b>	<b>BADG-1625-1F * (Parent)</b>	<b>1</b>	<b>1B300525-1F</b>	<b>MDC</b>
U0070	DIR/DAC PC BOARDS AS	BADG-1625-1F (Child)	1	1B3005625-1F	
U0071	MPU PC BOARDS AS	BACPU-1626-1F (Child)	1	1B3005626-1F	
U0072	TERMINAL(PC IN) PC BOARDS AS	BAETC-1627-1F (Child)	1	1B3005627-1F	
U0073	TERMINAL(DIGITAL) PC BOARDS AS	BAETC-1628-1F (Child)	1	1B3005628-1F	
U0074	POWER SUPPLY(FL) PC BOARDS AS	BAPS-1629-1F (Child)	1	1B3005629-1F	
<b>U008</b>	<b>U0080</b>	<b>BAPRC-1632-1A * (Parent)</b>	<b>1</b>	<b>1B300532-1A</b>	<b>MDC</b>
U0080	PROCESSING(DSP/VSP) PC BOARDS AS	BAPRC-1632-1A (Child)	1	1B3005632-1A	
<b>U009</b>	<b>U0090 x 25 pcs.</b>	<b>BARF-1567-1C * (Parent)</b>	<b>1</b>	<b>1B299567-1C</b>	<b>MDC</b>
U0090	CONNCTOR(Wifi)/ BPF PC BOARDS AS	BARF-1567-1C (Child)	1	1B2995567-1C	
<b>U010</b>	<b>U0100 x 10 pcs.</b>	<b>BAHDM-1420-3B * (Parent)</b>	<b>1</b>	<b>1B299520-3B</b>	<b>MDC</b>
U0100	TERMINAL(FRONT HDMI) PC BOARDS AS	BAHDM-1420-3B (Child)	1	1B2995420-3B	
<b>U012</b>	<b>U0120 x 25 pcs.</b>	<b>BARF-1450-2C * (Parent)</b>	<b>1</b>	<b>1B300550-2C</b>	<b>MDC</b>
U0120	TUNER PC BOARDS AS	BARF-1450-2C (Child)	1	1B3005450-2C	
U0120A	SHIELD CASE	(TUNER-TOP)	1	27225206A	
U0120B	SHIELD CASE	(TUNER-BTM)	1	27225207A	
U020	WIFI BT COMB MODULE(U020A+U020B+U020C+U020D)	WCBN4601L-O1(wANT_OUT)	1	24850702	
U020A	ASSEMBLED PWB	WCBN4601L-O1	{ 1}	24150122	
U020B	WIFI BT ANTENA	AN-241NIPK06_L	{ 1}	2050093	
U020C	WIFI BT ANTENA	AN-241NIPK06_R	{ 1}	2050094	
U020D	HOLDER	HOLDER(ANT)	{ 2}	27191377	



TX-NR3030(B)MDC

## PACKING PROCEDURES PARTS LIST

REF. NO.	PART NAME	DESCRIPTION	QTY	PART NO. (SN)	REMARKS
<b>[PACKING]</b>					
A1767	INSTRUCTION SHEET	(DOOR)	1	29355856	
A1769	TAPE	FIXLON #813N W12	1	29110230	
A1773	SHEET	(ACC)	1	29096104	
A1775	SHEET	T1.015 x 1300 x 800	1	29096134	
A1776	SHEET	t1.015 x 500 x 120	1	29096146	
A1779	TAPE	(SEROHAN)NITTO NO.29	1	29110149	
A1780	TAPE	FIXLON #813N W12	1	29110230	
A1781	PAD	(AS)1030	1	29092682A	
A1781A	PAD	(F)1030	{ 1}	29092683A	
A1781B	PAD	(R)1030	{ 1}	29092684	
A1785	SHEET	(PAD)	4	29096132	
A1802	CARTON	TXNR3030DC_MP	1	29055479A	N
A1821A	UPC LABEL	TXNR3030(B)MDC	{ 1}	29392569	N
A1851	POLYPROPYLENE TAPE	W50 SBT-70	1	29110200	
A1853	STAPLE	FUKAN-BARI(1000KO)	4	282321	
<b>[ACCESSARY]</b>					
A1907	LABEL	(SPCABLE)2009	1	29390881	
A1919	WARRANTY CARD	(ONKYO)	1	29365156	
A1990	REMOTE CONTROL TRANSMITTER	RC-884M	1	24140884	
A1991	BATTERY	R6/AA(UM-3)	2	3010194	
A1991 or	BATTERY	R6/AA(UM-3)	( 2)	3010054	
A1992	MIC	MIC-5010	1	245046A	
A1993	ANTENNA COIL	AM LOOP-ANTENNA	1	232207	
A1994	FM ANT AS	Type W	1	292191	
A2009	INSTRUCTION MANUAL	BAS_En(TXNR3030)	1	29401675	N
A2011	INSTRUCTION MANUAL	BAS_FrEs(TXNR3030)	1	29401722	N
A2075	INSTRUCTION MANUAL	EnJa(GNU_License_2013)	1	29401470A	
A2141	INSTRUCTION MANUAL	SAFETY_U4(EnFrEsCt)	1	29401783	
A2155	SHEET	(FLYER-US)	1	29380162	
A2305	POLY BAG	w250xd350	1	29100250A	
A2307	TAPE	(SEROHAN)NITTO NO.29	1	29110149	
P991	POWER SUPPLY CORD	AS-UC-2	1	253352ATES	!

TX-NR3030(B)MDC

## PC BOARD PARTS LIST

U001

BAAF-1600-1B

: NSP

CIRCUIT NO	PART NAME	DESCRIPTION	QTY	PART NO. (SN)	REMARKS
<b>[SEMI CONDUCTOR]</b>					
D5009	ZENER DIODE	DZ2J056M0L	1	224760560R2	
D5009 or	ZENER DIODE	UDZS5.6B	(1)	224550560R2	
D5010	ZENER DIODE	DZ2J056M0L	1	224760560R2	
D5010 or	ZENER DIODE	UDZS5.6B	(1)	224550560R2	
D6704	ZENER DIODE	DZ2J036M0L	1	224760360R2	
D6901	CHIP TYPE DIODE	DA2J10100	1	223303R2	
D6902	CHIP TYPE DIODE	DA2J10100	1	223303R2	
D6902 or	CHIP TYPE DIODE	1SS352	(1)	223234R2	
D6903	ZENER DIODE	DZ2J036M0L	1	224760360R2	
D6904	DIODE	RL1N4003	1	22380260T	
D6905	DIODE	RL1N4003	1	22380260T	
D6906	DIODE	LN25XB60	1	22380345	
D6907	CHIP TYPE DIODE	DA2J10100	1	223303R2	
D6907 or	CHIP TYPE DIODE	1SS352	(1)	223234R2	
D6908	CHIP TYPE DIODE	DA2J10100	1	223303R2	
D6913	ZENER DIODE	DZ2J036M0L	1	224760360R2	
Q5009	TRANSISTOR	2SC2713-BL	1	2213136R2	
Q5019	TRANSISTOR	2SC2713-BL	1	2213136R2	
Q5029	TRANSISTOR	2SC2412K-R	1	2214653R2	
Q5039	TRANSISTOR	INA6006AP1-T111	1	2217980R2	
Q5039 or	TRANSISTOR	2SA1200-Y(2LONK_ZE)	(1)	2217584R2	
Q5049	TRANSISTOR	INA6006AP1-T111	1	2217980R2	
Q5049 or	TRANSISTOR	2SA1200-Y(2LONK_ZE)	(1)	2217584R2	
Q5059	TRANSISTOR	INA6006AP1-T111	1	2217980R2	
Q5059 or	TRANSISTOR	2SA1200-Y(2LONK_ZE)	(1)	2217584R2	
Q5069	TRANSISTOR	INA6006AP1-T111	1	2217980R2	
Q5069 or	TRANSISTOR	2SA1200-Y(2LONK_ZE)	(1)	2217584R2	
Q5089	TRANSISTOR	INC6006AP1-T111	1	2217990R2	
Q5089 or	TRANSISTOR	2SC2880-Y(2LONK_ZE)	(1)	2217594R2	
Q5099	TRANSISTOR	INC6006AP1-T111	1	2217990R2	
Q5099 or	TRANSISTOR	2SC2880-Y(2LONK_ZE)	(1)	2217594R2	
Q5100	TRANSISTOR	2SC2713-BL	1	2213136R2	
Q5110	TRANSISTOR	2SC2713-BL	1	2213136R2	
Q5120	TRANSISTOR	2SC2412K-R	1	2214653R2	
Q5130	TRANSISTOR	INA6006AP1-T111	1	2217980R2	
Q5130 or	TRANSISTOR	2SA1200-Y(2LONK_ZE)	(1)	2217584R2	
Q5140	TRANSISTOR	INA6006AP1-T111	1	2217980R2	
Q5140 or	TRANSISTOR	2SA1200-Y(2LONK_ZE)	(1)	2217584R2	
Q5150	TRANSISTOR	INA6006AP1-T111	1	2217980R2	
Q5150 or	TRANSISTOR	2SA1200-Y(2LONK_ZE)	(1)	2217584R2	
Q5160	TRANSISTOR	INA6006AP1-T111	1	2217980R2	
Q5160 or	TRANSISTOR	2SA1200-Y(2LONK_ZE)	(1)	2217584R2	
Q5170	TRANSISTOR	INC6006AP1-T111	1	2217990R2	
Q5170 or	TRANSISTOR	2SC2880-Y(2LONK_ZE)	(1)	2217594R2	
Q5180	TRANSISTOR	INC6006AP1-T111	1	2217990R2	
Q5180 or	TRANSISTOR	2SC2880-Y(2LONK_ZE)	(1)	2217594R2	
Q6019	TRANSISTOR	2SC2412K-R	1	2214653R2	
Q6020	TRANSISTOR	2SC2412K-R	1	2214653R2	
Q6039	TRANSISTOR	INC6006AP1-T111	1	2217990R2	
Q6039 or	TRANSISTOR	2SC2880-Y(2LONK_ZE)	(1)	2217594R2	
Q6049	TRANSISTOR	INA6006AP1-T111	1	2217980R2	
Q6049 or	TRANSISTOR	2SA1200-Y(2LONK_ZE)	(1)	2217584R2	
Q6050	TRANSISTOR	INA6006AP1-T111	1	2217980R2	
Q6050 or	TRANSISTOR	2SA1200-Y(2LONK_ZE)	(1)	2217584R2	
Q6060	TRANSISTOR	INC6006AP1-T111	1	2217990R2	
Q6060 or	TRANSISTOR	2SC2880-Y(2LONK_ZE)	(1)	2217594R2	
Q6109	TRANSISTOR	TTA004B_Q(S)	1	2218012	
Q6109 or	TRANSISTOR	TTA-004(Q)TO126	(1)	2217442	
Q6119	TRANSISTOR	TTC004B_Q(S)	1	2218022	
Q6119 or	TRANSISTOR	TTC-004(Q)TO126	(1)	2217452	
Q6120	TRANSISTOR	TTC004B_Q(S)	1	2218022	

Q6120 or	TRANSISTOR	TTC-004(Q)TO126	(1)	2217452
Q6139	TRANSISTOR	2SA1037AK-R	1	2217043R2
Q6140	TRANSISTOR	2SA1037AK-R	1	2217043R2
Q6150	TRANSISTOR	TTA004B_Q(S)	1	2218012
Q6150 or	TRANSISTOR	TTA-004(Q)TO126	(1)	2217442
Q6901	TRANSISTOR	2SC2712-GR	1	2213145R2
Q6902	TRANSISTOR	2SC2712-GR	1	2213145R2
Q6903	TRANSISTOR	2SA1163-BL(TE85L_F)	1	2216756R2
Q6904	TRANSISTOR	2SC2713-BL	1	2213136R2
Q6910	TRANSISTOR	2SC2713-BL	1	2213136R2
Q6913	TRANSISTOR	2SA1163-BL(TE85L_F)	1	2216756R2
Q6950	TRANSISTOR	2SC2712-GR	1	2213145R2
Q6951	TRANSISTOR	KTA1281-Y	1	2217834T
Q6952	TRANSISTOR	KTA1281-Y	1	2217834T
Q6960	TRANSISTOR	2SC2712-GR	1	2213145R2
Q6980	HYBRID IC	LM61CIZ	1	22242212
Q6980A	RETAINER	(PTH)	1	27141884-1
Q6981	HYBRID IC	LM61CIZ	1	22242212
Q6981A	RETAINER	(PTH)	1	27141884-1
<b>[CHASSIS SCREW]</b>				
Q6109A	HEAT SINK	(CLA)	1	27160689
Q6109B	SCREW	3TTB+8B(3BC)	2	838430088GR
Q6150A	HEAT SINK	(CLA)	1	27160689
Q6150B	SCREW	3TTB+8B(3BC)	2	838430088GR
<b>[TRANS COIL]</b>				
L6009	FERRITE CORE	---	1	5597-45502
L6029	FERRITE CORE	---	1	5597-45502
L6030	FERRITE CORE	---	1	5597-45502
L6040	FERRITE CORE	---	1	5597-45502
<b>[CAPACITOR]</b>				
C4580	CHIP TYPE CERAMIC CAPACITOR	CK725B1C-104K1	1	332121045R1
C5009	UTSP TYPE ELECTROLYTIC CAPACITOR	CE04W50V-10M(UTSP)	1	397581007AT
C5019	UTSP TYPE ELECTROLYTIC CAPACITOR	CE04W50V 47M(UTSP)	1	397584707AT
C5029	UPZ TYPE PLASTIC FILM CAPACITOR	2AUPZTF221JE	1	376332214T
C5049	UTSP TYPE ELECTROLYTIC CAPACITOR	CE04W25V-220M(UTSP)	1	397552217T
C5050	UTSP TYPE ELECTROLYTIC CAPACITOR	CE04W25V-220M(UTSP)	1	397552217T
C5060	UTSP TYPE ELECTROLYTIC CAPACITOR	CE04W50V 47M(UTSP)	1	397584707AT
C5070	UPZ TYPE PLASTIC FILM CAPACITOR	2AUPZTF221JE	1	376332214T
C5080	UTSP TYPE ELECTROLYTIC CAPACITOR	CE04W50V-10M(UTSP)	1	397581007AT
C5109	UPZ TYPE PLASTIC FILM CAPACITOR	2AUPZTF101JE	1	376331014T
C5119	CERAMIC CAPACITOR	CC45SL50V-040C	1	345020401T
C5129	VR TYPE ELECTROLYTIC CAPACITOR	CE04W 100V-22M(VR)	1	394692207T
C5139	VR TYPE ELECTROLYTIC CAPACITOR	CE04W 100V-22M(VR)	1	394692207T
C5140	VR TYPE ELECTROLYTIC CAPACITOR	CE04W 100V-22M(VR)	1	394692207T
C5150	UPZ TYPE PLASTIC FILM CAPACITOR	2AUPZTF101JE	1	376331014T
C5160	CERAMIC CAPACITOR	CC45SL50V-040C	1	345020401T
C5170	VR TYPE ELECTROLYTIC CAPACITOR	CE04W 100V-22M(VR)	1	394692207T
C6009	MKT TYPE CAPACITOR	B32529C0102J289	1	376491024T
C6019	UTSP TYPE ELECTROLYTIC CAPACITOR	CE04W50V 47M(UTSP)	1	397584707AT
C6029	UTSP TYPE ELECTROLYTIC CAPACITOR	CE04W50V-22M(UTSP)	1	397582207AT
C6060	UTSP TYPE ELECTROLYTIC CAPACITOR	CE04W50V 47M(UTSP)	1	397584707AT
C6070	MKT TYPE CAPACITOR	B32529C0102J289	1	376491024T
C6100	UTSP TYPE ELECTROLYTIC CAPACITOR	CE04W50V-22M(UTSP)	1	397582207AT
C6706	UTSP TYPE ELECTROLYTIC CAPACITOR	CE04W25V-47M(UTSP)	1	397554707AT
C6901	ELECTROLYTIC CAPACITOR	CE69W 75V-15000MB	1	3504514
C6902	ELECTROLYTIC CAPACITOR	CE69W 75V-15000MB	1	3504514
C6903	TF TYPE PLASTIC FILM CAPACITOR	ECQ-V50V-223J	1	374722234T
C6904	UTSP TYPE ELECTROLYTIC CAPACITOR	CE04W50V-1M(UTSP)	1	397580107AT
C6905	UTSP TYPE ELECTROLYTIC CAPACITOR	CE04W50V-220M(UTSP)	1	397582217T
C6906	UTSP TYPE ELECTROLYTIC CAPACITOR	CE04W 16V-330M(UTSP)	1	397543317T
C6907	TF TYPE PLASTIC FILM CAPACITOR	ECQ-V100V-334J	1	374733344T
C6913	TF TYPE PLASTIC FILM CAPACITOR	ECQ-V50V-223J	1	374722234T
C6914	UTSP TYPE ELECTROLYTIC CAPACITOR	CE04W50V-1M(UTSP)	1	397580107AT
C6917	MKT TYPE CAPACITOR	B32529C0102J289	1	376491024T
C6922	UTSP TYPE ELECTROLYTIC CAPACITOR	CE04W25V-220M(UTSP)	1	397552217T
C6924	MKT TYPE CAPACITOR	B32529C0102J289	1	376491024T
C6930	TF TYPE PLASTIC FILM CAPACITOR	ECQ-V100V-334J	1	374733344T
C6931	TF TYPE PLASTIC FILM CAPACITOR	ECQ-V100V-334J	1	374733344T

C6932	TF TYPE PLASTIC FILM CAPACITOR	ECQ-V100V-334J	1	374733344T
C6981	CHIP TYPE CERAMIC CAPACITOR	CK725B1C-104K1	1	332121045R1
<b>(RESISTOR)</b>				
R5009	CHIP TYPE CARBON RESISTOR	RN72K1J-222JE	1	435032224R1
R5019	CHIP TYPE CARBON RESISTOR	RN72K1J-563JE	1	435035634R1
R5029	CHIP TYPE CARBON RESISTOR	RN72K1J-331JE	1	435033314R1
R5039	CHIP TYPE CARBON RESISTOR	RN72K1J-331JE	1	435033314R1
R5049	CHIP TYPE CARBON RESISTOR	RN72K1J-331JE	1	435033314R1
R5059	CHIP TYPE CARBON RESISTOR	RN72K1J-822JE	1	435038224R1
R5069	CHIP TYPE CARBON RESISTOR	RN72K1J-272JE	1	435032724R1
R5079	CHIP TYPE CARBON RESISTOR	RN72K2E-104JE	1	435221044R1
R5099	NON-FLAMMABLE CARBON FILM RESISTOR	R25J-1.8K	1	415471824T
R5119	CHIP TYPE CARBON RESISTOR	RN72K1J-222JE	1	435032224R1
R5129	CHIP TYPE CARBON RESISTOR	RN72K1J-222JE	1	435032224R1
R5139	NON-FLAMMABLE CARBON FILM RESISTOR	R25J-820	1	415478214T
R5149	NON-FLAMMABLE CARBON FILM RESISTOR	R25J-820	1	415478214T
R5159	METAL OXIDE FILM RESISTOR	RS1/2WBJ-1K	1	443521024T
R5179	NON-FLAMMABLE CARBON FILM RESISTOR	R25J-820	1	415478214T
R5189	NON-FLAMMABLE CARBON FILM RESISTOR	R25J-33	1	415473304T
R5219	NON-FLAMMABLE CARBON FILM RESISTOR	R25J-18K	1	415471834T
R5229	NON-FLAMMABLE CARBON FILM RESISTOR	R25J-18K	1	415471834T
R5239	NON-FLAMMABLE CARBON FILM RESISTOR	R25J-15	1	415471504T
R5249	NON-FLAMMABLE CARBON FILM RESISTOR	R25J-15	1	415471504T
R5259	NON-FLAMMABLE CARBON FILM RESISTOR	R25J-56K	1	415475634T
R5289	METAL OXIDE FILM RESISTOR	RS1/2WBJ-1K	1	443521024T
R5299	CHIP TYPE CARBON RESISTOR	RN72K1J-104JE	1	435031044R1
R5309	NON-FLAMMABLE CARBON FILM RESISTOR	R25J-220	1	415472214T
R5319	NON-FLAMMABLE CARBON FILM RESISTOR	R25J-220	1	415472214T
R5339	NON-FLAMMABLE CARBON FILM RESISTOR	R25J-220	1	415472214T
R5349	NON-FLAMMABLE CARBON FILM RESISTOR	R25J-220	1	415472214T
R5350	CHIP TYPE CARBON RESISTOR	RN72K1J-563JE	1	435035634R1
R5360	CHIP TYPE CARBON RESISTOR	RN72K1J-222JE	1	435032224R1
R5370	NON-FLAMMABLE CARBON FILM RESISTOR	R25J-33	1	415473304T
R5380	CHIP TYPE CARBON RESISTOR	RN72K1J-331JE	1	435033314R1
R5390	CHIP TYPE CARBON RESISTOR	RN72K1J-331JE	1	435033314R1
R5400	CHIP TYPE CARBON RESISTOR	RN72K1J-331JE	1	435033314R1
R5410	CHIP TYPE CARBON RESISTOR	RN72K1J-822JE	1	435038224R1
R5420	CHIP TYPE CARBON RESISTOR	RN72K1J-272JE	1	435032724R1
R5430	CHIP TYPE CARBON RESISTOR	RN72K2E-104JE	1	435221044R1
R5440	NON-FLAMMABLE CARBON FILM RESISTOR	R25J-1.8K	1	415471824T
R5450	CHIP TYPE CARBON RESISTOR	RN72K1J-222JE	1	435032224R1
R5460	CHIP TYPE CARBON RESISTOR	RN72K1J-222JE	1	435032224R1
R5470	NON-FLAMMABLE CARBON FILM RESISTOR	R25J-820	1	415478214T
R5480	NON-FLAMMABLE CARBON FILM RESISTOR	R25J-820	1	415478214T
R5490	METAL OXIDE FILM RESISTOR	RS1/2WBJ-1K	1	443521024T
R5500	NON-FLAMMABLE CARBON FILM RESISTOR	R25J-820	1	415478214T
R5520	NON-FLAMMABLE CARBON FILM RESISTOR	R25J-18K	1	415471834T
R5530	NON-FLAMMABLE CARBON FILM RESISTOR	R25J-18K	1	415471834T
R5540	NON-FLAMMABLE CARBON FILM RESISTOR	R25J-15	1	415471504T
R5550	NON-FLAMMABLE CARBON FILM RESISTOR	R25J-15	1	415471504T
R5560	NON-FLAMMABLE CARBON FILM RESISTOR	R25J-56K	1	415475634T
R5580	METAL OXIDE FILM RESISTOR	RS1/2WBJ-1K	1	443521024T
R5590	CHIP TYPE CARBON RESISTOR	RN72K1J-104JE	1	435031044R1
R5600	NON-FLAMMABLE CARBON FILM RESISTOR	R25J-220	1	415472214T
R5610	NON-FLAMMABLE CARBON FILM RESISTOR	R25J-220	1	415472214T
R5620	NON-FLAMMABLE CARBON FILM RESISTOR	R25J-220	1	415472214T
R5630	NON-FLAMMABLE CARBON FILM RESISTOR	R25J-220	1	415472214T
R6019	CHIP TYPE CARBON RESISTOR	RN72K1J-562JE	1	435035624R1
R6029	CHIP TYPE CARBON RESISTOR	RN72K1J-472JE	1	435034724R1
R6039	CHIP TYPE CARBON RESISTOR	RN72K1J-222JE	1	435032224R1
R6049	TRIMMER RESISTOR	N06HR1KBB	1	5211401T
R6059	CHIP TYPE CARBON RESISTOR	RN72K1J-152JE	1	435031524R1
R6079	NON-FLAMMABLE CARBON FILM RESISTOR	R25J-82	1	415478204T
R6089	CHIP TYPE CARBON RESISTOR	RN72K2E-100JE	1	435221004R1
R6099	CHIP TYPE CARBON RESISTOR	RN72K2E-100JE	1	435221004R1
R6119	CHIP TYPE CARBON RESISTOR	RN72K1J-103JE	1	435031034R1
R6139	CHIP TYPE CARBON RESISTOR	RN72K1J-821JE	1	435038214R1
R6140	CHIP TYPE CARBON RESISTOR	RN72K1J-821JE	1	435038214R1

R6259	NON-FLAMMABLE CARBON FILM RESISTOR	R25J-220	1	415472214T	
R6269	NON-FLAMMABLE CARBON FILM RESISTOR	R25J-220	1	415472214T	
R6279	NON-FLAMMABLE CARBON FILM RESISTOR	R25J-33	1	415473304T	
R6289	NON-FLAMMABLE CARBON FILM RESISTOR	R25J-33	1	415473304T	
R6299	NON-FLAMMABLE CARBON FILM RESISTOR	R25J-2.2	1	415470224T	
R6309	NON-FLAMMABLE CARBON FILM RESISTOR	R25J-2.2	1	415470224T	
R6319	NON-FLAMMABLE CARBON FILM RESISTOR	R25J-10	1	415471004T	
R6320	NON-FLAMMABLE CARBON FILM RESISTOR	R25J-10	1	415471004T	
R6330	CHIP TYPE CARBON RESISTOR	RN72K1J-562JE	1	435035624R1	
R6340	CHIP TYPE CARBON RESISTOR	RN72K1J-472JE	1	435034724R1	
R6350	CHIP TYPE CARBON RESISTOR	RN72K1J-222JE	1	435032224R1	
R6360	TRIMMER RESISTOR	N06HR1KBB	1	5211401T	
R6370	CHIP TYPE CARBON RESISTOR	RN72K1J-152JE	1	435031524R1	
R6380	NON-FLAMMABLE CARBON FILM RESISTOR	R25J-82	1	415478204T	
R6390	CHIP TYPE CARBON RESISTOR	RN72K2E-100JE	1	435221004R1	
R6430	NON-FLAMMABLE CARBON FILM RESISTOR	R25J-220	1	415472214T	
R6440	NON-FLAMMABLE CARBON FILM RESISTOR	R25J-33	1	415473304T	
R6450	NON-FLAMMABLE CARBON FILM RESISTOR	R25J-2.2	1	415470224T	
R6460	NON-FLAMMABLE CARBON FILM RESISTOR	R25J-2.2	1	415470224T	
R6470	CHIP TYPE CARBON RESISTOR	RN72K1J-103JE	1	435031034R1	
R6480	NON-FLAMMABLE CARBON FILM RESISTOR	R25J-220	1	415472214T	
R6490	CHIP TYPE CARBON RESISTOR	RN72K2E-100JE	1	435221004R1	
R6500	NON-FLAMMABLE CARBON FILM RESISTOR	R25J-33	1	415473304T	
R6901	METAL OXIDE FILM RESISTOR	RS1WBJ-100	1	443621014T	
R6902	CHIP TYPE CARBON RESISTOR	RN72K1J-102JE	1	435031024R1	
R6903	CHIP TYPE CARBON RESISTOR	RN72K1J-473JE	1	435034734R1	
R6904	METAL RESISTOR	RNU1/2WCJ-0.22	1	453532294T	
R6905	METAL RESISTOR	RNU1/2WCJ-0.22	1	453532294T	
R6906	METAL OXIDE FILM RESISTOR	RS1WBJ-100	1	443621014T	
R6907	CHIP TYPE CARBON RESISTOR	RN72K1J-102JE	1	435031024R1	
R6908	CHIP TYPE CARBON RESISTOR	RN72K1J-473JE	1	435034734R1	
R6909	CHIP TYPE CARBON RESISTOR	RN72K1J-392JE	1	435033924R1	
R6910	CHIP TYPE CARBON RESISTOR	RN72K1J-153JE	1	435031534R1	
R6911	METAL OXIDE FILM RESISTOR	RS1WBJ-220	1	443622214T	
R6912	CHIP TYPE CARBON RESISTOR	RN72K1J-103JE	1	435031034R1	
R6913	CHIP TYPE CARBON RESISTOR	RN72K1J-223JE	1	435032234R1	
R6914	CHIP TYPE CARBON RESISTOR	RN72K1J-183JE	1	435031834R1	
R6915	CHIP TYPE CARBON RESISTOR	RN72K1J-153JE	1	435031534R1	
R6916	CHIP TYPE CARBON RESISTOR	RN72K1J-223JE	1	435032234R1	
R6917	METAL OXIDE FILM RESISTOR	RS1WBJ-220	1	443622214T	
R6924	CHIP TYPE CARBON RESISTOR	RN72K1J-153JE	1	435031534R1	
R6925	CHIP TYPE CARBON RESISTOR	RN72K1J-183JE	1	435031834R1	
R6931	CHIP TYPE CARBON RESISTOR	RN72K1J-223JE	1	435032234R1	
R6932	CHIP TYPE CARBON RESISTOR	RN72K1J-103JE	1	435031034R1	
R6934	CHIP TYPE CARBON RESISTOR	RN72K1J-183JE	1	435031834R1	
R6935	CHIP TYPE CARBON RESISTOR	RN72K1J-153JE	1	435031534R1	
R6950	CHIP TYPE CARBON RESISTOR	RN72K1J-472JE	1	435034724R1	
R6951	CHIP TYPE CARBON RESISTOR	RN72K1J-331JE	1	435033314R1	
R6952	CHIP TYPE CARBON RESISTOR	RN72K1J-182JE	1	435031824R1	
R6953	CHIP TYPE CARBON RESISTOR	RN72K1J-122JE	1	435031224R1	
R6954	CHIP TYPE CARBON RESISTOR	RN72K1J-223JE	1	435032234R1	
R6955	CHIP TYPE CARBON RESISTOR	RN72K1J-000JE	1	435030004R1	
R6960	CHIP TYPE CARBON RESISTOR	RN72K1J-472JE	1	435034724R1	
R6961	CHIP TYPE CARBON RESISTOR	RN72K1J-331JE	1	435033314R1	
R6962	CHIP TYPE CARBON RESISTOR	RN72K1J-182JE	1	435031824R1	
R6963	CHIP TYPE CARBON RESISTOR	RN72K1J-122JE	1	435031224R1	
R6964	CHIP TYPE CARBON RESISTOR	RN72K1J-223JE	1	435032234R1	
<b>[SW TRM]</b>					
F6901C	FUSE HOLDER	SN5051	1	250113	!
F6901D	FUSE HOLDER	SN5051	1	250113	!
F6902C	FUSE HOLDER	SN5051	1	250113	!
F6902D	FUSE HOLDER	SN5051	1	250113	!
F6903C	FUSE HOLDER	SN5051	1	250113	!
F6903D	FUSE HOLDER	SN5051	1	250113	!
F6904C	FUSE HOLDER	SN5051	1	250113	!
F6904D	FUSE HOLDER	SN5051	1	250113	!
P5010B	PLUG	NPLG-3P0958	1	25056008	
P5011B	PLUG	NPLG-3P0958	1	25056008	

P5012B	PLUG	NPLG-3P0958	1	25056008	
P5013B	PLUG	NPLG-3P0958	1	25056008	
P5014B	PLUG	NPLG-3P0958	1	25056008	
P5015B	PLUG	NPLG-3P0958	1	25056008	
P5016B	PLUG	NPLG-3P0958	1	25056008	
P5017B	PLUG	NPLG-3P0958	1	25056008	
P5018B	PLUG	NPLG-3P0958	1	25056008	
P5019A	SOCKET	NSCT-3P2183	1	25052286	
P5020B	TERMINAL	NTM-1P232(M1700)	1	25060301	
P5021B	TERMINAL	NTM-1P232(M1700)	1	25060301	
P5022B	TERMINAL	NTM-1P232(M1700)	1	25060301	
P5023B	TERMINAL	NTM-1P232(M1700)	1	25060301	
P5024B	TERMINAL	NTM-1P232(M1700)	1	25060301	
P5025B	TERMINAL	NTM-1P232(M1700)	1	25060301	
P5026B	TERMINAL	NTM-1P232(M1700)	1	25060301	
P5027B	TERMINAL	NTM-1P232(M1700)	1	25060301	
P5028B	TERMINAL	NTM-1P232(M1700)	1	25060301	
P5029A	TERMINAL	NTM-1P233(M1969)	1	25060302	
P5030A	TERMINAL	NTM-1P233(M1969)	1	25060302	
P5030B	TRM-423(SCREW)	NEJITANSI ST3	1	25060495	
P5040A	SOCKET	NSCT-3P2183	1	25052286	
P6039B	SOCKET	IMSA-9115S-09L	1	25052989	
P6040B	SOCKET	IMSA-9115S-09L	1	25052989	
P6400	RETAINER	(BUS-D)	1	27142184	
P6593	PLUG	NPLG-7P163	1	25055179	
P6601	WIRE HARNESS ASSEMBLY	NSAS-6P2325	1	2009991492UL	N
P6601A	PLUG	NPLG-3P159	1	25055175	
P6902	WIRE HARNESS ASSEMBLY	NSAS-3P2095	1	2009991284UL	
P6902A	WIRE HOL	NSCT-3P874	1	25051087	
P6902Aor	WIRE HOL	CHD-1.5-3	(1)	25053535	
P6902B	PLUG	NPLG-3P131	1	25055147	
P6903	WIRE HARNESS ASSEMBLY	NSAS-3P2098	1	2009991287UL	
P6903A	WIRE HOL	NSCT-3P874	1	25051087	
P6903Aor	WIRE HOL	CHD-1.5-3	(1)	25053535	
P6903B	PLUG	NPLG-3P131	1	25055147	
P6904A	WIRE HARNESS ASSEMBLY	NSAS-22P2315	1	200MB192210UL	N
P6906A	WIRE HARNESS ASSEMBLY	NSAS-26P2314	1	200C4292615UL	N
P6907	RETAINER	(TRM-12)	1	27142148	
P6908	RETAINER	(TRM-12)	1	27142148	
P6912A	CRIMP CORD ASSEMBLY	CRIMP SR805_1	1	20799169UL	
P6913	WIRE HARNESS ASSEMBLY	NSAS-3P2093	1	2009991282UL	
P6913A	WIRE HOL	NSCT-3P874	1	25051087	
P6913Aor	WIRE HOL	CHD-1.5-3	(1)	25053535	
P6913B	PLUG	NPLG-3P350	1	25055367	
P6915A	WIRE HARNESS ASSEMBLY	NSAS-26P2297	1	2009991470UL	N
P6916A	WIRE HARNESS ASSEMBLY	NSAS-22P2296	1	2009991469UL	N
P6929B	PLUG	NPLG-5P352	1	25055369	
P6931B	PLUG	NPLG-5P352	1	25055369	
P6932B	TRM-423(SCREW)	NEJITANSI ST3	1	25060495	
P6940	WIRE HARNESS ASSEMBLY	NSAS-4P1836	1	2009991182UL	
P6941	WIRE HARNESS ASSEMBLY	NSAS-4P1836	1	2009991182UL	
P6942	WIRE HARNESS ASSEMBLY	NSAS-3P2093	1	2009991282UL	
P6942A	WIRE HOL	NSCT-3P874	1	25051087	
P6942Aor	WIRE HOL	CHD-1.5-3	(1)	25053535	
P6950	WIRE HARNESS ASSEMBLY	NSAS-3P2097	1	2009991286UL	N
P6950A	WIRE HOL	NSCT-3P874	1	25051087	
P6950Aor	WIRE HOL	CHD-1.5-3	(1)	25053535	
P6960	WIRE HARNESS ASSEMBLY	NSAS-3P2096	1	2009991285UL	
P6960A	WIRE HOL	NSCT-3P874	1	25051087	
P6960Aor	WIRE HOL	CHD-1.5-3	(1)	25053535	
P6970	TRM (SCREW)	TP00370-21	1	25065668T	
P6971	TRM (SCREW)	TP00370-21	1	25065668T	
RL6901	RELAY	NRL-1P10A-DC12-198	1	25065709	
RL6901 or	RELAY	NRL-1P10A-DC12-196	(1)	25065707	
RL6902	RELAY	NRL-1P10A-DC12-198	1	25065709	
RL6902 or	RELAY	NRL-1P10A-DC12-196	(1)	25065707	
RL6903	RELAY	NRL-1P10A-DC12-198	1	25065709	
RL6903 or	RELAY	NRL-1P10A-DC12-196	(1)	25065707	

RL6904	RELAY	NRL-1P10A-DC12-198	1	25065709	
RL6904 or	RELAY	NRL-1P10A-DC12-196	(1)	25065707	
<b>U002</b>					
		BAAMP-1595-1B			: NSP
CIRCUIT NO	PART NAME	DESCRIPTION	QTY	PART NO. (SN)	REMARKS
<b>[SEMI CONDUCTOR]</b>					
D5002	ZENER DIODE	DZ2J056M0L	1	224760560R2	
D5002 or	ZENER DIODE	UDZS5.6B	(1)	224550560R2	
D6000	CHIP TYPE DIODE	DA2J10100	1	223303R2	
D6001	CHIP TYPE DIODE	DA2J10100	1	223303R2	
D6002	CHIP TYPE DIODE	DA2J10100	1	223303R2	
D6003	CHIP TYPE DIODE	DA2J10100	1	223303R2	
D6004	CHIP TYPE DIODE	DA2J10100	1	223303R2	
D6005	CHIP TYPE DIODE	DA2J10100	1	223303R2	
D6006	CHIP TYPE DIODE	DA2J10100	1	223303R2	
D6007	CHIP TYPE DIODE	DA2J10100	1	223303R2	
D6008	CHIP TYPE DIODE	DA2J10100	1	223303R2	
D6009	CHIP TYPE DIODE	DA2J10100	1	223303R2	
D6010	CHIP TYPE DIODE	DA2J10100	1	223303R2	
Q5002	TRANSISTOR	2SC2713-BL	1	2213136R2	
Q5012	TRANSISTOR	2SC2713-BL	1	2213136R2	
Q5022	TRANSISTOR	2SC2412K-R	1	2214653R2	
Q5032	TRANSISTOR	INA6006AP1-T111	1	2217980R2	
Q5032 or	TRANSISTOR	2SA1200-Y(2LONK_ZE)	(1)	2217584R2	
Q5042	TRANSISTOR	INA6006AP1-T111	1	2217980R2	
Q5042 or	TRANSISTOR	2SA1200-Y(2LONK_ZE)	(1)	2217584R2	
Q5052	TRANSISTOR	INA6006AP1-T111	1	2217980R2	
Q5052 or	TRANSISTOR	2SA1200-Y(2LONK_ZE)	(1)	2217584R2	
Q5062	TRANSISTOR	INA6006AP1-T111	1	2217980R2	
Q5062 or	TRANSISTOR	2SA1200-Y(2LONK_ZE)	(1)	2217584R2	
Q5082	TRANSISTOR	INC6006AP1-T111	1	2217990R2	
Q5082 or	TRANSISTOR	2SC2880-Y(2LONK_ZE)	(1)	2217594R2	
Q5092	TRANSISTOR	INC6006AP1-T111	1	2217990R2	
Q5092 or	TRANSISTOR	2SC2880-Y(2LONK_ZE)	(1)	2217594R2	
Q6000	TRANSISTOR	2SC2412K-R	1	2214653R2	
Q6001	TRANSISTOR	2SC2412K-R	1	2214653R2	
Q6002	TRANSISTOR	2SC2412K-R	1	2214653R2	
Q6003	TRANSISTOR	2SC2412K-R	1	2214653R2	
Q6004	TRANSISTOR	2SC2412K-R	1	2214653R2	
Q6005	TRANSISTOR	2SC2412K-R	1	2214653R2	
Q6006	TRANSISTOR	2SC2412K-R	1	2214653R2	
Q6007	TRANSISTOR	2SC2412K-R	1	2214653R2	
Q6008	TRANSISTOR	2SC2412K-R	1	2214653R2	
Q6009	TRANSISTOR	2SC2412K-R	1	2214653R2	
Q6012	TRANSISTOR	2SC2412K-R	1	2214653R2	
Q6032	TRANSISTOR	INC6006AP1-T111	1	2217990R2	
Q6032 or	TRANSISTOR	2SC2880-Y(2LONK_ZE)	(1)	2217594R2	
Q6042	TRANSISTOR	INA6006AP1-T111	1	2217980R2	
Q6042 or	TRANSISTOR	2SA1200-Y(2LONK_ZE)	(1)	2217584R2	
Q6070	TRANSISTOR	2SC2713-BL	1	2213136R2	
Q6071	TRANSISTOR	2SC2713-BL	1	2213136R2	
Q6072	TRANSISTOR	2SC2713-BL	1	2213136R2	
Q6073	TRANSISTOR	2SC2713-BL	1	2213136R2	
Q6074	TRANSISTOR	2SC2713-BL	1	2213136R2	
Q6075	TRANSISTOR	2SC2713-BL	1	2213136R2	
Q6076	TRANSISTOR	2SC2713-BL	1	2213136R2	
Q6077	TRANSISTOR	2SC2713-BL	1	2213136R2	
Q6078	TRANSISTOR	2SC2713-BL	1	2213136R2	
Q6079	TRANSISTOR	2SC2713-BL	1	2213136R2	
Q6080	TRANSISTOR	2SC2713-BL	1	2213136R2	
Q6102	TRANSISTOR	TTA004B_Q(S)	1	2218012	
Q6102 or	TRANSISTOR	TTA-004(Q)TO126	(1)	2217442	
Q6112	TRANSISTOR	TTC004B_Q(S)	1	2218022	
Q6112 or	TRANSISTOR	TTC-004(Q)TO126	(1)	2217452	
Q6132	TRANSISTOR	2SA1037AK-R	1	2217043R2	

Q6210	TRANSISTOR	2SC2412K-R	1	2214653R2	
<b>[CHASSIS SCREW]</b>					
Q6102A	HEAT SINK	(CLA)	1	27160689	N
Q6102B	SCREW	3TTB+8B(3BC)	2	838430088GR	
<b>[TRANS COIL]</b>					
L6002	FERRITE CORE	---	1	5597-45502	
L6012	FERRITE CORE	---	1	5597-45502	
L6800	SPEAKER OUTPUT FILTER COIL	SC-0.8X5.5X18.5T	1	231431S	
L6801	SPEAKER OUTPUT FILTER COIL	SC-0.8X5.5X18.5T	1	231431S	
L6802	SPEAKER OUTPUT FILTER COIL	SC-0.8X5.5X18.5T	1	231431S	
L6803	SPEAKER OUTPUT FILTER COIL	SC-0.8X5.5X18.5T	1	231431S	
L6804	SPEAKER OUTPUT FILTER COIL	SC-0.8X5.5X18.5T	1	231431S	
L6805	SPEAKER OUTPUT FILTER COIL	SC-0.8X5.5X18.5T	1	231431S	
L6806	SPEAKER OUTPUT FILTER COIL	SC-0.8X5.5X18.5T	1	231431S	
L6807	SPEAKER OUTPUT FILTER COIL	SC-0.8X5.5X18.5T	1	231431S	
L6808	SPEAKER OUTPUT FILTER COIL	SC-0.8X5.5X18.5T	1	231431S	
L6809	SPEAKER OUTPUT FILTER COIL	SC-0.8X5.5X18.5T	1	231431S	
L6810	SPEAKER OUTPUT FILTER COIL	SC-0.8X5.5X18.5T	1	231431S	
<b>[CAPACITOR]</b>					
C5002	UTSP TYPE ELECTROLYTIC CAPACITOR	CE04W50V-10M(UTSP)	1	397581007AT	
C5012	UTSP TYPE ELECTROLYTIC CAPACITOR	CE04W50V 47M(UTSP)	1	397584707AT	
C5022	UPZ TYPE PLASTIC FILM CAPACITOR	2AUPZTF221JE	1	376332214T	
C5042	UTSP TYPE ELECTROLYTIC CAPACITOR	CE04W25V-220M(UTSP)	1	397552217T	
C5102	UPZ TYPE PLASTIC FILM CAPACITOR	2AUPZTF101JE	1	376331014T	
C5112	CERAMIC CAPACITOR	CC45SL50V-040C	1	345020401T	
C5122	VR TYPE ELECTROLYTIC CAPACITOR	CE04W 100V-22M(VR)	1	394692207T	
C5132	VR TYPE ELECTROLYTIC CAPACITOR	CE04W 100V-22M(VR)	1	394692207T	
C6002	MKT TYPE CAPACITOR	B32529C0102J289	1	376491024T	
C6012	UTSP TYPE ELECTROLYTIC CAPACITOR	CE04W50V 47M(UTSP)	1	397584707AT	
C6022	UTSP TYPE ELECTROLYTIC CAPACITOR	CE04W50V-22M(UTSP)	1	397582207AT	
C6040	TF TYPE PLASTIC FILM CAPACITOR	ECQ-V50V-104J	1	374721044T	
C6041	TF TYPE PLASTIC FILM CAPACITOR	ECQ-V50V-104J	1	374721044T	
C6042	TF TYPE PLASTIC FILM CAPACITOR	ECQ-V50V-104J	1	374721044T	
C6043	TF TYPE PLASTIC FILM CAPACITOR	ECQ-V50V-104J	1	374721044T	
C6044	TF TYPE PLASTIC FILM CAPACITOR	ECQ-V50V-104J	1	374721044T	
C6045	TF TYPE PLASTIC FILM CAPACITOR	ECQ-V50V-104J	1	374721044T	
C6046	TF TYPE PLASTIC FILM CAPACITOR	ECQ-V50V-104J	1	374721044T	
C6047	TF TYPE PLASTIC FILM CAPACITOR	ECQ-V50V-104J	1	374721044T	
C6048	TF TYPE PLASTIC FILM CAPACITOR	ECQ-V50V-104J	1	374721044T	
C6049	TF TYPE PLASTIC FILM CAPACITOR	ECQ-V50V-104J	1	374721044T	
C6050	TF TYPE PLASTIC FILM CAPACITOR	ECQ-V50V-104J	1	374721044T	
C6870	TF TYPE PLASTIC FILM CAPACITOR	ECQ-V50V-473J	1	374724734T	
C6871	TF TYPE PLASTIC FILM CAPACITOR	ECQ-V50V-473J	1	374724734T	
C6872	TF TYPE PLASTIC FILM CAPACITOR	ECQ-V50V-473J	1	374724734T	
C6873	TF TYPE PLASTIC FILM CAPACITOR	ECQ-V50V-473J	1	374724734T	
C6874	TF TYPE PLASTIC FILM CAPACITOR	ECQ-V50V-473J	1	374724734T	
C6875	TF TYPE PLASTIC FILM CAPACITOR	ECQ-V50V-473J	1	374724734T	
C6876	TF TYPE PLASTIC FILM CAPACITOR	ECQ-V50V-473J	1	374724734T	
C6877	TF TYPE PLASTIC FILM CAPACITOR	ECQ-V50V-473J	1	374724734T	
C6878	TF TYPE PLASTIC FILM CAPACITOR	ECQ-V50V-473J	1	374724734T	
C6879	TF TYPE PLASTIC FILM CAPACITOR	ECQ-V50V-473J	1	374724734T	
C6880	TF TYPE PLASTIC FILM CAPACITOR	ECQ-V50V-473J	1	374724734T	
<b>[RESISTOR]</b>					
R5002	CHIP TYPE CARBON RESISTOR	RN72K1J-222JE	1	435032224R1	
R5012	CHIP TYPE CARBON RESISTOR	RN72K1J-563JE	1	435035634R1	
R5022	CHIP TYPE CARBON RESISTOR	RN72K1J-331JE	1	435033314R1	
R5032	CHIP TYPE CARBON RESISTOR	RN72K1J-331JE	1	435033314R1	
R5042	CHIP TYPE CARBON RESISTOR	RN72K1J-331JE	1	435033314R1	
R5052	CHIP TYPE CARBON RESISTOR	RN72K1J-822JE	1	435038224R1	
R5062	CHIP TYPE CARBON RESISTOR	RN72K1J-272JE	1	435032724R1	
R5072	CHIP TYPE CARBON RESISTOR	RN72K2E-104JE	1	435221044R1	
R5092	NON-FLAMMABLE CARBON FILM RESISTOR	R25J-1.8K	1	415471824T	N
R5112	CHIP TYPE CARBON RESISTOR	RN72K1J-222JE	1	435032224R1	
R5122	CHIP TYPE CARBON RESISTOR	RN72K1J-222JE	1	435032224R1	
R5132	NON-FLAMMABLE CARBON FILM RESISTOR	R25J-820	1	415478214T	
R5142	NON-FLAMMABLE CARBON FILM RESISTOR	R25J-820	1	415478214T	
R5152	METAL OXIDE FILM RESISTOR	RS1/2WBJ-1K	1	443521024T	
R5172	NON-FLAMMABLE CARBON FILM RESISTOR	R25J-820	1	415478214T	



R5182	NON-FLAMMABLE CARBON FILM RESISTOR	R25J-33	1	415473304T
R5212	NON-FLAMMABLE CARBON FILM RESISTOR	R25J-18K	1	415471834T
R5222	NON-FLAMMABLE CARBON FILM RESISTOR	R25J-18K	1	415471834T
R5232	NON-FLAMMABLE CARBON FILM RESISTOR	R25J-15	1	415471504T
R5242	NON-FLAMMABLE CARBON FILM RESISTOR	R25J-15	1	415471504T
R5252	NON-FLAMMABLE CARBON FILM RESISTOR	R25J-56K	1	415475634T
R5282	METAL OXIDE FILM RESISTOR	RS1/2WBJ-1K	1	443521024T
R5292	CHIP TYPE CARBON RESISTOR	RN72K1J-104JE	1	435031044R1
R5302	NON-FLAMMABLE CARBON FILM RESISTOR	R25J-220	1	415472214T
R5312	NON-FLAMMABLE CARBON FILM RESISTOR	R25J-220	1	415472214T
R5332	NON-FLAMMABLE CARBON FILM RESISTOR	R25J-220	1	415472214T
R5342	NON-FLAMMABLE CARBON FILM RESISTOR	R25J-220	1	415472214T
R6012	CHIP TYPE CARBON RESISTOR	RN72K1J-562JE	1	435035624R1
R6022	CHIP TYPE CARBON RESISTOR	RN72K1J-472JE	1	435034724R1
R6032	CHIP TYPE CARBON RESISTOR	RN72K1J-222JE	1	435032224R1
R6042	TRIMMER RESISTOR	N06HR1KBB	1	5211401T
R6052	CHIP TYPE CARBON RESISTOR	RN72K1J-152JE	1	435031524R1
R6072	NON-FLAMMABLE CARBON FILM RESISTOR	R25J-82	1	415478204T
R6082	CHIP TYPE CARBON RESISTOR	RN72K2E-100JE	1	435221004R1
R6092	CHIP TYPE CARBON RESISTOR	RN72K2E-100JE	1	435221004R1
R6112	CHIP TYPE CARBON RESISTOR	RN72K1J-103JE	1	435031034R1
R6132	CHIP TYPE CARBON RESISTOR	RN72K1J-821JE	1	435038214R1
R6170	CHIP TYPE CARBON RESISTOR	RN72K1J-333JE	1	435033334R1
R6171	CHIP TYPE CARBON RESISTOR	RN72K1J-333JE	1	435033334R1
R6172	CHIP TYPE CARBON RESISTOR	RN72K1J-333JE	1	435033334R1
R6173	CHIP TYPE CARBON RESISTOR	RN72K1J-333JE	1	435033334R1
R6174	CHIP TYPE CARBON RESISTOR	RN72K1J-333JE	1	435033334R1
R6175	CHIP TYPE CARBON RESISTOR	RN72K1J-333JE	1	435033334R1
R6176	CHIP TYPE CARBON RESISTOR	RN72K1J-333JE	1	435033334R1
R6177	CHIP TYPE CARBON RESISTOR	RN72K1J-333JE	1	435033334R1
R6178	CHIP TYPE CARBON RESISTOR	RN72K1J-333JE	1	435033334R1
R6179	CHIP TYPE CARBON RESISTOR	RN72K1J-333JE	1	435033334R1
R6180	CHIP TYPE CARBON RESISTOR	RN72K1J-563JE	1	435035634R1
R6181	CHIP TYPE CARBON RESISTOR	RN72K1J-563JE	1	435035634R1
R6182	CHIP TYPE CARBON RESISTOR	RN72K1J-563JE	1	435035634R1
R6183	CHIP TYPE CARBON RESISTOR	RN72K1J-563JE	1	435035634R1
R6184	CHIP TYPE CARBON RESISTOR	RN72K1J-563JE	1	435035634R1
R6185	CHIP TYPE CARBON RESISTOR	RN72K1J-563JE	1	435035634R1
R6186	CHIP TYPE CARBON RESISTOR	RN72K1J-563JE	1	435035634R1
R6187	CHIP TYPE CARBON RESISTOR	RN72K1J-563JE	1	435035634R1
R6188	CHIP TYPE CARBON RESISTOR	RN72K1J-563JE	1	435035634R1
R6189	CHIP TYPE CARBON RESISTOR	RN72K1J-563JE	1	435035634R1
R6190	CHIP TYPE CARBON RESISTOR	RN72K1J-103JE	1	435031034R1
R6191	CHIP TYPE CARBON RESISTOR	RN72K1J-103JE	1	435031034R1
R6192	CHIP TYPE CARBON RESISTOR	RN72K1J-103JE	1	435031034R1
R6193	CHIP TYPE CARBON RESISTOR	RN72K1J-103JE	1	435031034R1
R6194	CHIP TYPE CARBON RESISTOR	RN72K1J-103JE	1	435031034R1
R6195	CHIP TYPE CARBON RESISTOR	RN72K1J-103JE	1	435031034R1
R6196	CHIP TYPE CARBON RESISTOR	RN72K1J-103JE	1	435031034R1
R6197	CHIP TYPE CARBON RESISTOR	RN72K1J-103JE	1	435031034R1
R6198	CHIP TYPE CARBON RESISTOR	RN72K1J-103JE	1	435031034R1
R6199	CHIP TYPE CARBON RESISTOR	RN72K1J-103JE	1	435031034R1
R6200	CHIP TYPE CARBON RESISTOR	RN72K1J-103JE	1	435031034R1
R6210	CHIP TYPE CARBON RESISTOR	RN72K1J-333JE	1	435033334R1
R6211	CHIP TYPE CARBON RESISTOR	RN72K1J-333JE	1	435033334R1
R6212	CHIP TYPE CARBON RESISTOR	RN72K1J-333JE	1	435033334R1
R6213	CHIP TYPE CARBON RESISTOR	RN72K1J-333JE	1	435033334R1
R6214	CHIP TYPE CARBON RESISTOR	RN72K1J-333JE	1	435033334R1
R6215	CHIP TYPE CARBON RESISTOR	RN72K1J-333JE	1	435033334R1
R6216	CHIP TYPE CARBON RESISTOR	RN72K1J-333JE	1	435033334R1
R6217	CHIP TYPE CARBON RESISTOR	RN72K1J-333JE	1	435033334R1
R6218	CHIP TYPE CARBON RESISTOR	RN72K1J-333JE	1	435033334R1
R6219	CHIP TYPE CARBON RESISTOR	RN72K1J-333JE	1	435033334R1
R6220	CHIP TYPE CARBON RESISTOR	RN72K1J-333JE	1	435033334R1
R6230	CHIP TYPE CARBON RESISTOR	RN72K1J-333JE	1	435033334R1
R6231	CHIP TYPE CARBON RESISTOR	RN72K1J-333JE	1	435033334R1
R6232	CHIP TYPE CARBON RESISTOR	RN72K1J-333JE	1	435033334R1
R6233	CHIP TYPE CARBON RESISTOR	RN72K1J-333JE	1	435033334R1

R6234	CHIP TYPE CARBON RESISTOR	RN72K1J-333JE	1	435033334R1
R6235	CHIP TYPE CARBON RESISTOR	RN72K1J-333JE	1	435033334R1
R6236	CHIP TYPE CARBON RESISTOR	RN72K1J-333JE	1	435033334R1
R6237	CHIP TYPE CARBON RESISTOR	RN72K1J-333JE	1	435033334R1
R6238	CHIP TYPE CARBON RESISTOR	RN72K1J-333JE	1	435033334R1
R6239	CHIP TYPE CARBON RESISTOR	RN72K1J-333JE	1	435033334R1
R6240	CHIP TYPE CARBON RESISTOR	RN72K1J-153JE	1	435031534R1
R6241	CHIP TYPE CARBON RESISTOR	RN72K1J-153JE	1	435031534R1
R6242	CHIP TYPE CARBON RESISTOR	RN72K1J-153JE	1	435031534R1
R6243	CHIP TYPE CARBON RESISTOR	RN72K1J-153JE	1	435031534R1
R6244	CHIP TYPE CARBON RESISTOR	RN72K1J-153JE	1	435031534R1
R6245	CHIP TYPE CARBON RESISTOR	RN72K1J-153JE	1	435031534R1
R6246	CHIP TYPE CARBON RESISTOR	RN72K1J-153JE	1	435031534R1
R6247	CHIP TYPE CARBON RESISTOR	RN72K1J-153JE	1	435031534R1
R6248	CHIP TYPE CARBON RESISTOR	RN72K1J-153JE	1	435031534R1
R6249	CHIP TYPE CARBON RESISTOR	RN72K1J-153JE	1	435031534R1
R6252	NON-FLAMMABLE CARBON FILM RESISTOR	R25J-220	1	415472214T
R6262	NON-FLAMMABLE CARBON FILM RESISTOR	R25J-220	1	415472214T
R6272	NON-FLAMMABLE CARBON FILM RESISTOR	R25J-33	1	415473304T
R6282	NON-FLAMMABLE CARBON FILM RESISTOR	R25J-33	1	415473304T
R6292	NON-FLAMMABLE CARBON FILM RESISTOR	R25J-2.2	1	415470224T
R6302	NON-FLAMMABLE CARBON FILM RESISTOR	R25J-2.2	1	415470224T
R6312	NON-FLAMMABLE CARBON FILM RESISTOR	R25J-10	1	415471004T
R6400	METAL PLATE RESISTOR	MPR5W+5W 0R22	1	4000233S
R6401	METAL PLATE RESISTOR	MPR5W+5W 0R22	1	4000233S
R6402	METAL PLATE RESISTOR	MPR5W+5W 0R22	1	4000233S
R6403	METAL PLATE RESISTOR	MPR5W+5W 0R22	1	4000233S
R6404	METAL PLATE RESISTOR	MPR5W+5W 0R22	1	4000233S
R6405	METAL PLATE RESISTOR	MPR5W+5W 0R22	1	4000233S
R6406	METAL PLATE RESISTOR	MPR5W+5W 0R22	1	4000233S
R6407	METAL PLATE RESISTOR	MPR5W+5W 0R22	1	4000233S
R6408	METAL PLATE RESISTOR	MPR5W+5W 0R22	1	4000233S
R6409	METAL PLATE RESISTOR	MPR5W+5W 0R22	1	4000233S
R6410	CHIP TYPE CARBON RESISTOR	RN72K1J-153JE	1	435031534R1
R6411	CHIP TYPE CARBON RESISTOR	RN72K1J-153JE	1	435031534R1
R6412	CHIP TYPE CARBON RESISTOR	RN72K1J-153JE	1	435031534R1
R6413	CHIP TYPE CARBON RESISTOR	RN72K1J-153JE	1	435031534R1
R6414	CHIP TYPE CARBON RESISTOR	RN72K1J-153JE	1	435031534R1
R6415	CHIP TYPE CARBON RESISTOR	RN72K1J-153JE	1	435031534R1
R6416	CHIP TYPE CARBON RESISTOR	RN72K1J-153JE	1	435031534R1
R6417	CHIP TYPE CARBON RESISTOR	RN72K1J-153JE	1	435031534R1
R6418	CHIP TYPE CARBON RESISTOR	RN72K1J-153JE	1	435031534R1
R6419	CHIP TYPE CARBON RESISTOR	RN72K1J-153JE	1	435031534R1
R6420	CHIP TYPE CARBON RESISTOR	RN72K1J-153JE	1	435031534R1
R6510	METAL PLATE RESISTOR	MPR5W+5W 0R22	1	4000233S
R6520	CHIP TYPE CARBON RESISTOR	RN72K1J-333JE	1	435033334R1
R6530	CHIP TYPE CARBON RESISTOR	RN72K1J-333JE	1	435033334R1
R6540	CHIP TYPE CARBON RESISTOR	RN72K1J-563JE	1	435035634R1
R6550	CHIP TYPE CARBON RESISTOR	RN72K1J-153JE	1	435031534R1
R6800	CHIP TYPE CARBON RESISTOR	RN72K2E-100JE	1	435221004R1
R6801	CHIP TYPE CARBON RESISTOR	RN72K2E-100JE	1	435221004R1
R6802	CHIP TYPE CARBON RESISTOR	RN72K2E-100JE	1	435221004R1
R6803	CHIP TYPE CARBON RESISTOR	RN72K2E-100JE	1	435221004R1
R6804	CHIP TYPE CARBON RESISTOR	RN72K2E-100JE	1	435221004R1
R6805	CHIP TYPE CARBON RESISTOR	RN72K2E-100JE	1	435221004R1
R6806	CHIP TYPE CARBON RESISTOR	RN72K2E-100JE	1	435221004R1
R6807	CHIP TYPE CARBON RESISTOR	RN72K2E-100JE	1	435221004R1
R6808	CHIP TYPE CARBON RESISTOR	RN72K2E-100JE	1	435221004R1
R6809	CHIP TYPE CARBON RESISTOR	RN72K2E-100JE	1	435221004R1
R6810	CHIP TYPE CARBON RESISTOR	RN72K2E-100JE	1	435221004R1
R6820	METAL RESISTOR	RNU1WCJ-8.2	1	453630824T
R6821	METAL RESISTOR	RNU1WCJ-8.2	1	453630824T
R6822	METAL RESISTOR	RNU1WCJ-8.2	1	453630824T
R6823	METAL RESISTOR	RNU1WCJ-8.2	1	453630824T
R6824	METAL RESISTOR	RNU1WCJ-8.2	1	453630824T
R6825	METAL RESISTOR	RNU1WCJ-8.2	1	453630824T
R6826	METAL RESISTOR	RNU1WCJ-8.2	1	453630824T
R6827	METAL RESISTOR	RNU1WCJ-8.2	1	453630824T

R6828	METAL RESISTOR	RNU1WCJ-8.2	1	453630824T	
R6829	METAL RESISTOR	RNU1WCJ-8.2	1	453630824T	
R6830	METAL RESISTOR	RNU1WCJ-8.2	1	453630824T	
<b>[SW TRM]</b>					
P5012A	SOCKET	NSCT-3P2183	1	25052286	
P5019B	PLUG	NPLG-3P0958	1	25056008	
P5022A	TERMINAL	NTM-1P233(M1969)	1	25060302	
P5031B	TERMINAL	NTM-1P232(M1700)	1	25060301	
P5032B	TERMINAL	NTM-1P232(M1700)	1	25060301	
P5040B	PLUG	NPLG-3P0958	1	25056008	
P6030A	PLUG	IMSA-9115B-09	1	25056339	
P6031A	PLUG	IMSA-9115B-09	1	25056339	
P6032A	PLUG	IMSA-9115B-09	1	25056339	
P6032B	SOCKET	IMSA-9115S-09L	1	25052989	
P6033A	PLUG	IMSA-9115B-09	1	25056339	
P6034A	PLUG	IMSA-9115B-09	1	25056339	
P6035A	PLUG	IMSA-9115B-09	1	25056339	
P6036A	PLUG	IMSA-9115B-09	1	25056339	
P6037A	PLUG	IMSA-9115B-09	1	25056339	
P6038A	PLUG	IMSA-9115B-09	1	25056339	
P6039A	PLUG	IMSA-9115B-09	1	25056339	
P6040A	PLUG	IMSA-9115B-09	1	25056339	
P6041	WIRE HARNESS ASSEMBLY	NSAS-3P2092	1	2009991281UL	N
P6041A	WIRE HOL	NSCT-3P874	1	25051087	
P6041Aor	WIRE HOL	CHD-1.5-3	(1)	25053535	
P6041B	PLUG	NPLG-3P131	1	25055147	
P6050	PLUG	IMSA-9201B-1-06Z388-PT1	1	25056614	
P6051	PLUG	IMSA-9201B-1-06Z388-PT1	1	25056614	
P6052	PLUG	IMSA-9201B-1-06Z388-PT1	1	25056614	
P6053	PLUG	IMSA-9201B-1-06Z388-PT1	1	25056614	
P6054	PLUG	IMSA-9201B-1-06Z388-PT1	1	25056614	
P6055	PLUG	IMSA-9201B-1-06Z388-PT1	1	25056614	
P6056	PLUG	IMSA-9201B-1-06Z388-PT1	1	25056614	
P6057	PLUG	IMSA-9201B-1-06Z388-PT1	1	25056614	
P6058	PLUG	IMSA-9201B-1-06Z388-PT1	1	25056614	
P6059	PLUG	IMSA-9201B-1-06Z388-PT1	1	25056614	
P6060	PLUG	IMSA-9201B-1-06Z388-PT1	1	25056614	
P6061	PLUG	IMSA-9201B-1-06Z388-PT1	1	25056614	
P6062	PLUG	IMSA-9201B-1-06Z388-PT1	1	25056614	
P6063	PLUG	IMSA-9201B-1-06Z388-PT1	1	25056614	
P6064	PLUG	IMSA-9201B-1-06Z388-PT1	1	25056614	
P6065	PLUG	IMSA-9201B-1-06Z388-PT1	1	25056614	
P6066	PLUG	IMSA-9201B-1-06Z388-PT1	1	25056614	
P6067	PLUG	IMSA-9201B-1-06Z388-PT1	1	25056614	
P6068	PLUG	IMSA-9201B-1-06Z388-PT1	1	25056614	
P6069	PLUG	IMSA-9201B-1-06Z388-PT1	1	25056614	
P6070	PLUG	NPLG-2P645	1	25055689	
P6071	PLUG	NPLG-2P645	1	25055689	
P6072	PLUG	NPLG-2P645	1	25055689	
P6073	PLUG	NPLG-2P645	1	25055689	
P6074	PLUG	NPLG-2P645	1	25055689	
P6075	PLUG	NPLG-2P645	1	25055689	
P6076	PLUG	NPLG-2P645	1	25055689	
P6077	PLUG	NPLG-2P645	1	25055689	
P6078	PLUG	NPLG-2P645	1	25055689	
P6079	PLUG	NPLG-2P645	1	25055689	
P6080	PLUG	NPLG-2P645	1	25055689	
P6090	PLUG	IMSA-9201B-1-06Z388-PT1	1	25056614	
P6200	PLUG	IMSA-9201B-1-06Z388-PT1	1	25056614	
P6600	WIRE HARNESS ASSEMBLY	NSAS-26P2301	1	2009991473AUL	N
P6929	WIRE HARNESS ASSEMBLY	NSAS-5P2109	1	2009991298UL	
P6929A	WIRE HOL	NSCT-5P876	1	25051089	
P6929Aor	WIRE HOL	CHD-1.5-5	(1)	25053536	
P6930A	TERMINAL	NTM-1P233(M1969)	1	25060302	
P6931	WIRE HARNESS ASSEMBLY	NSAS-5P2109	1	2009991298UL	
P6931A	WIRE HOL	NSCT-5P876	1	25051089	
P6931Aor	WIRE HOL	CHD-1.5-5	(1)	25053536	
P6932A	TERMINAL	NTM-1P233(M1969)	1	25060302	

P6940A	PLUG	NPLG-2P631	1	25055675	
P6940B	RETAINER	(BUS-5)	1	27142311	N
P6940C	RETAINER	(BUS-5)	1	27142311	N
P6941A	PLUG	NPLG-2P631	1	25055675	
P6941B	RETAINER	(BUS-6)	1	27142310	
P6941C	RETAINER	(BUS-6)	1	27142310	
P6942B	PLUG	NPLG-3P131	1	25055147	
P6950B	PLUG	NPLG-3P350	1	25055367	
P6951	PLUG	NPLG-2P83	1	25055099	
P6952	TRM-423(SCREW)	NEJITANSI ST3	1	25060495	
P6960B	PLUG	NPLG-3P350	1	25055367	
P6961	PLUG	NPLG-2P83	1	25055099	
P6962	TRM-423(SCREW)	NEJITANSI ST3	1	25060495	

U003

BACLA-1607-1A

: NSP

CIRCUIT NO	PART NAME	DESCRIPTION	QTY	PART NO. (SN)	REMARKS
<b>[SEMI CONDUCTOR]</b>					
D5000	ZENER DIODE	DZ2J056M0L	1	224760560R2	
D5000 or	ZENER DIODE	UDZS5.6B	(1)	224550560R2	
D5001	ZENER DIODE	DZ2J056M0L	1	224760560R2	
D5001 or	ZENER DIODE	UDZS5.6B	(1)	224550560R2	
D5003	ZENER DIODE	DZ2J056M0L	1	224760560R2	
D5003 or	ZENER DIODE	UDZS5.6B	(1)	224550560R2	
D5004	ZENER DIODE	DZ2J056M0L	1	224760560R2	
D5004 or	ZENER DIODE	UDZS5.6B	(1)	224550560R2	
D5005	ZENER DIODE	DZ2J056M0L	1	224760560R2	
D5005 or	ZENER DIODE	UDZS5.6B	(1)	224550560R2	
D5006	ZENER DIODE	DZ2J056M0L	1	224760560R2	
D5006 or	ZENER DIODE	UDZS5.6B	(1)	224550560R2	
D5007	ZENER DIODE	DZ2J056M0L	1	224760560R2	
D5007 or	ZENER DIODE	UDZS5.6B	(1)	224550560R2	
D5008	ZENER DIODE	DZ2J056M0L	1	224760560R2	
D5008 or	ZENER DIODE	UDZS5.6B	(1)	224550560R2	
Q5000	TRANSISTOR	2SC2713-BL	1	2213136R2	
Q5001	TRANSISTOR	2SC2713-BL	1	2213136R2	
Q5003	TRANSISTOR	2SC2713-BL	1	2213136R2	
Q5004	TRANSISTOR	2SC2713-BL	1	2213136R2	
Q5005	TRANSISTOR	2SC2713-BL	1	2213136R2	
Q5006	TRANSISTOR	2SC2713-BL	1	2213136R2	
Q5007	TRANSISTOR	2SC2713-BL	1	2213136R2	
Q5008	TRANSISTOR	2SC2713-BL	1	2213136R2	
Q5010	TRANSISTOR	2SC2713-BL	1	2213136R2	
Q5011	TRANSISTOR	2SC2713-BL	1	2213136R2	
Q5013	TRANSISTOR	2SC2713-BL	1	2213136R2	
Q5014	TRANSISTOR	2SC2713-BL	1	2213136R2	
Q5015	TRANSISTOR	2SC2713-BL	1	2213136R2	
Q5016	TRANSISTOR	2SC2713-BL	1	2213136R2	
Q5017	TRANSISTOR	2SC2713-BL	1	2213136R2	
Q5018	TRANSISTOR	2SC2713-BL	1	2213136R2	
Q5020	TRANSISTOR	2SC2412K-R	1	2214653R2	
Q5021	TRANSISTOR	2SC2412K-R	1	2214653R2	
Q5023	TRANSISTOR	2SC2412K-R	1	2214653R2	
Q5024	TRANSISTOR	2SC2412K-R	1	2214653R2	
Q5025	TRANSISTOR	2SC2412K-R	1	2214653R2	
Q5026	TRANSISTOR	2SC2412K-R	1	2214653R2	
Q5027	TRANSISTOR	2SC2412K-R	1	2214653R2	
Q5028	TRANSISTOR	2SC2412K-R	1	2214653R2	
Q5030	TRANSISTOR	INA6006AP1-T111	1	2217980R2	
Q5030 or	TRANSISTOR	2SA1200-Y(2LONK_ZE)	(1)	2217584R2	
Q5031	TRANSISTOR	INA6006AP1-T111	1	2217980R2	
Q5031 or	TRANSISTOR	2SA1200-Y(2LONK_ZE)	(1)	2217584R2	
Q5033	TRANSISTOR	INA6006AP1-T111	1	2217980R2	
Q5033 or	TRANSISTOR	2SA1200-Y(2LONK_ZE)	(1)	2217584R2	
Q5034	TRANSISTOR	INA6006AP1-T111	1	2217980R2	



Q5086 or	TRANSISTOR	2SC2880-Y(2LONK_ZE)	(1)	2217594R2
Q5087	TRANSISTOR	INC6006AP1-T111	1	2217990R2
Q5087 or	TRANSISTOR	2SC2880-Y(2LONK_ZE)	(1)	2217594R2
Q5088	TRANSISTOR	INC6006AP1-T111	1	2217990R2
Q5088 or	TRANSISTOR	2SC2880-Y(2LONK_ZE)	(1)	2217594R2
Q5090	TRANSISTOR	INC6006AP1-T111	1	2217990R2
Q5090 or	TRANSISTOR	2SC2880-Y(2LONK_ZE)	(1)	2217594R2
Q5091	TRANSISTOR	INC6006AP1-T111	1	2217990R2
Q5091 or	TRANSISTOR	2SC2880-Y(2LONK_ZE)	(1)	2217594R2
Q5093	TRANSISTOR	INC6006AP1-T111	1	2217990R2
Q5093 or	TRANSISTOR	2SC2880-Y(2LONK_ZE)	(1)	2217594R2
Q5094	TRANSISTOR	INC6006AP1-T111	1	2217990R2
Q5094 or	TRANSISTOR	2SC2880-Y(2LONK_ZE)	(1)	2217594R2
Q5095	TRANSISTOR	INC6006AP1-T111	1	2217990R2
Q5095 or	TRANSISTOR	2SC2880-Y(2LONK_ZE)	(1)	2217594R2
Q5096	TRANSISTOR	INC6006AP1-T111	1	2217990R2
Q5096 or	TRANSISTOR	2SC2880-Y(2LONK_ZE)	(1)	2217594R2
Q5097	TRANSISTOR	INC6006AP1-T111	1	2217990R2
Q5097 or	TRANSISTOR	2SC2880-Y(2LONK_ZE)	(1)	2217594R2
Q5098	TRANSISTOR	INC6006AP1-T111	1	2217990R2
Q5098 or	TRANSISTOR	2SC2880-Y(2LONK_ZE)	(1)	2217594R2
Q6010	TRANSISTOR	2SC2412K-R	1	2214653R2
Q6011	TRANSISTOR	2SC2412K-R	1	2214653R2
Q6013	TRANSISTOR	2SC2412K-R	1	2214653R2
Q6014	TRANSISTOR	2SC2412K-R	1	2214653R2
Q6015	TRANSISTOR	2SC2412K-R	1	2214653R2
Q6016	TRANSISTOR	2SC2412K-R	1	2214653R2
Q6017	TRANSISTOR	2SC2412K-R	1	2214653R2
Q6018	TRANSISTOR	2SC2412K-R	1	2214653R2
Q6030	TRANSISTOR	INC6006AP1-T111	1	2217990R2
Q6030 or	TRANSISTOR	2SC2880-Y(2LONK_ZE)	(1)	2217594R2
Q6031	TRANSISTOR	INC6006AP1-T111	1	2217990R2
Q6031 or	TRANSISTOR	2SC2880-Y(2LONK_ZE)	(1)	2217594R2
Q6033	TRANSISTOR	INC6006AP1-T111	1	2217990R2
Q6033 or	TRANSISTOR	2SC2880-Y(2LONK_ZE)	(1)	2217594R2
Q6034	TRANSISTOR	INC6006AP1-T111	1	2217990R2
Q6034 or	TRANSISTOR	2SC2880-Y(2LONK_ZE)	(1)	2217594R2
Q6035	TRANSISTOR	INC6006AP1-T111	1	2217990R2
Q6035 or	TRANSISTOR	2SC2880-Y(2LONK_ZE)	(1)	2217594R2
Q6036	TRANSISTOR	INC6006AP1-T111	1	2217990R2
Q6036 or	TRANSISTOR	2SC2880-Y(2LONK_ZE)	(1)	2217594R2
Q6037	TRANSISTOR	INC6006AP1-T111	1	2217990R2
Q6037 or	TRANSISTOR	2SC2880-Y(2LONK_ZE)	(1)	2217594R2
Q6038	TRANSISTOR	INC6006AP1-T111	1	2217990R2
Q6038 or	TRANSISTOR	2SC2880-Y(2LONK_ZE)	(1)	2217594R2
Q6040	TRANSISTOR	INA6006AP1-T111	1	2217980R2
Q6040 or	TRANSISTOR	2SA1200-Y(2LONK_ZE)	(1)	2217584R2
Q6041	TRANSISTOR	INA6006AP1-T111	1	2217980R2
Q6041 or	TRANSISTOR	2SA1200-Y(2LONK_ZE)	(1)	2217584R2
Q6043	TRANSISTOR	INA6006AP1-T111	1	2217980R2
Q6043 or	TRANSISTOR	2SA1200-Y(2LONK_ZE)	(1)	2217584R2
Q6044	TRANSISTOR	INA6006AP1-T111	1	2217980R2
Q6044 or	TRANSISTOR	2SA1200-Y(2LONK_ZE)	(1)	2217584R2
Q6045	TRANSISTOR	INA6006AP1-T111	1	2217980R2
Q6045 or	TRANSISTOR	2SA1200-Y(2LONK_ZE)	(1)	2217584R2
Q6046	TRANSISTOR	INA6006AP1-T111	1	2217980R2
Q6046 or	TRANSISTOR	2SA1200-Y(2LONK_ZE)	(1)	2217584R2
Q6047	TRANSISTOR	INA6006AP1-T111	1	2217980R2
Q6047 or	TRANSISTOR	2SA1200-Y(2LONK_ZE)	(1)	2217584R2
Q6048	TRANSISTOR	INA6006AP1-T111	1	2217980R2
Q6048 or	TRANSISTOR	2SA1200-Y(2LONK_ZE)	(1)	2217584R2
Q6100	TRANSISTOR	TTA004B_Q(S	1	2218012
Q6100 or	TRANSISTOR	TTA-004(Q)TO126	(1)	2217442
Q6101	TRANSISTOR	TTA004B_Q(S	1	2218012
Q6101 or	TRANSISTOR	TTA-004(Q)TO126	(1)	2217442
Q6103	TRANSISTOR	TTA004B_Q(S	1	2218012
Q6103 or	TRANSISTOR	TTA-004(Q)TO126	(1)	2217442
Q6104	TRANSISTOR	TTA004B_Q(S	1	2218012

Q6104 or	TRANSISTOR	TTA-004(Q)TO126	(1)	2217442	
Q6105	TRANSISTOR	TTA004B_Q(S	1	2218012	
Q6105 or	TRANSISTOR	TTA-004(Q)TO126	(1)	2217442	
Q6106	TRANSISTOR	TTA004B_Q(S	1	2218012	
Q6106 or	TRANSISTOR	TTA-004(Q)TO126	(1)	2217442	
Q6107	TRANSISTOR	TTA004B_Q(S	1	2218012	
Q6107 or	TRANSISTOR	TTA-004(Q)TO126	(1)	2217442	
Q6108	TRANSISTOR	TTA004B_Q(S	1	2218012	
Q6108 or	TRANSISTOR	TTA-004(Q)TO126	(1)	2217442	
Q6110	TRANSISTOR	TTC004B_Q(S	1	2218022	
Q6110 or	TRANSISTOR	TTC-004(Q)TO126	(1)	2217452	
Q6111	TRANSISTOR	TTC004B_Q(S	1	2218022	
Q6111 or	TRANSISTOR	TTC-004(Q)TO126	(1)	2217452	
Q6113	TRANSISTOR	TTC004B_Q(S	1	2218022	
Q6113 or	TRANSISTOR	TTC-004(Q)TO126	(1)	2217452	
Q6114	TRANSISTOR	TTC004B_Q(S	1	2218022	
Q6114 or	TRANSISTOR	TTC-004(Q)TO126	(1)	2217452	
Q6115	TRANSISTOR	TTC004B_Q(S	1	2218022	
Q6115 or	TRANSISTOR	TTC-004(Q)TO126	(1)	2217452	
Q6116	TRANSISTOR	TTC004B_Q(S	1	2218022	
Q6116 or	TRANSISTOR	TTC-004(Q)TO126	(1)	2217452	
Q6117	TRANSISTOR	TTC004B_Q(S	1	2218022	
Q6117 or	TRANSISTOR	TTC-004(Q)TO126	(1)	2217452	
Q6118	TRANSISTOR	TTC004B_Q(S	1	2218022	
Q6118 or	TRANSISTOR	TTC-004(Q)TO126	(1)	2217452	
Q6130	TRANSISTOR	2SA1037AK-R	1	2217043R2	
Q6131	TRANSISTOR	2SA1037AK-R	1	2217043R2	
Q6133	TRANSISTOR	2SA1037AK-R	1	2217043R2	
Q6134	TRANSISTOR	2SA1037AK-R	1	2217043R2	
Q6135	TRANSISTOR	2SA1037AK-R	1	2217043R2	
Q6136	TRANSISTOR	2SA1037AK-R	1	2217043R2	
Q6137	TRANSISTOR	2SA1037AK-R	1	2217043R2	
Q6138	TRANSISTOR	2SA1037AK-R	1	2217043R2	
<b>[CHASSIS SCREW]</b>					
Q6100A	HEAT SINK	(CLA)	1	27160689	N
Q6100B	SCREW	3TTB+8B(3BC)	2	838430088GR	
Q6101A	HEAT SINK	(CLA)	1	27160689	N
Q6101B	SCREW	3TTB+8B(3BC)	2	838430088GR	
Q6103A	HEAT SINK	(CLA)	1	27160689	N
Q6103B	SCREW	3TTB+8B(3BC)	2	838430088GR	
Q6104A	HEAT SINK	(CLA)	1	27160689	N
Q6104B	SCREW	3TTB+8B(3BC)	2	838430088GR	
Q6105A	HEAT SINK	(CLA)	1	27160689	N
Q6105B	SCREW	3TTB+8B(3BC)	2	838430088GR	
Q6106A	HEAT SINK	(CLA)	1	27160689	N
Q6106B	SCREW	3TTB+8B(3BC)	2	838430088GR	
Q6107A	HEAT SINK	(CLA)	1	27160689	N
Q6107B	SCREW	3TTB+8B(3BC)	2	838430088GR	
Q6108A	HEAT SINK	(CLA)	1	27160689	N
Q6108B	SCREW	3TTB+8B(3BC)	2	838430088GR	
<b>[TRANS COIL]</b>					
L6000	FERRITE CORE	---	1	5597-45502	
L6001	FERRITE CORE	---	1	5597-45502	
L6003	FERRITE CORE	---	1	5597-45502	
L6004	FERRITE CORE	---	1	5597-45502	
L6005	FERRITE CORE	---	1	5597-45502	
L6006	FERRITE CORE	---	1	5597-45502	
L6007	FERRITE CORE	---	1	5597-45502	
L6008	FERRITE CORE	---	1	5597-45502	
L6011	FERRITE CORE	---	1	5597-45502	
L6014	FERRITE CORE	---	1	5597-45502	
L6016	FERRITE CORE	---	1	5597-45502	
L6018	FERRITE CORE	---	1	5597-45502	
L6020	FERRITE CORE	---	1	5597-45502	
L6023	FERRITE CORE	---	1	5597-45502	
L6025	FERRITE CORE	---	1	5597-45502	
<b>[CAPACITOR]</b>					
C5000	UTSP TYPE ELECTROLYTIC CAPACITOR	CE04W50V-10M(UTSP)	1	397581007AT	















R6280	NON-FLAMMABLE CARBON FILM RESISTOR	R25J-33	1	415473304T	
R6281	NON-FLAMMABLE CARBON FILM RESISTOR	R25J-33	1	415473304T	
R6283	NON-FLAMMABLE CARBON FILM RESISTOR	R25J-33	1	415473304T	
R6284	NON-FLAMMABLE CARBON FILM RESISTOR	R25J-33	1	415473304T	
R6285	NON-FLAMMABLE CARBON FILM RESISTOR	R25J-33	1	415473304T	
R6286	NON-FLAMMABLE CARBON FILM RESISTOR	R25J-33	1	415473304T	
R6287	NON-FLAMMABLE CARBON FILM RESISTOR	R25J-33	1	415473304T	
R6288	NON-FLAMMABLE CARBON FILM RESISTOR	R25J-33	1	415473304T	
R6290	NON-FLAMMABLE CARBON FILM RESISTOR	R25J-2.2	1	415470224T	
R6291	NON-FLAMMABLE CARBON FILM RESISTOR	R25J-2.2	1	415470224T	
R6293	NON-FLAMMABLE CARBON FILM RESISTOR	R25J-2.2	1	415470224T	
R6294	NON-FLAMMABLE CARBON FILM RESISTOR	R25J-2.2	1	415470224T	
R6295	NON-FLAMMABLE CARBON FILM RESISTOR	R25J-2.2	1	415470224T	
R6296	NON-FLAMMABLE CARBON FILM RESISTOR	R25J-2.2	1	415470224T	
R6297	NON-FLAMMABLE CARBON FILM RESISTOR	R25J-2.2	1	415470224T	
R6298	NON-FLAMMABLE CARBON FILM RESISTOR	R25J-2.2	1	415470224T	
R6300	NON-FLAMMABLE CARBON FILM RESISTOR	R25J-2.2	1	415470224T	
R6301	NON-FLAMMABLE CARBON FILM RESISTOR	R25J-2.2	1	415470224T	
R6303	NON-FLAMMABLE CARBON FILM RESISTOR	R25J-2.2	1	415470224T	
R6304	NON-FLAMMABLE CARBON FILM RESISTOR	R25J-2.2	1	415470224T	
R6305	NON-FLAMMABLE CARBON FILM RESISTOR	R25J-2.2	1	415470224T	
R6306	NON-FLAMMABLE CARBON FILM RESISTOR	R25J-2.2	1	415470224T	
R6307	NON-FLAMMABLE CARBON FILM RESISTOR	R25J-2.2	1	415470224T	
R6308	NON-FLAMMABLE CARBON FILM RESISTOR	R25J-2.2	1	415470224T	
R6310	NON-FLAMMABLE CARBON FILM RESISTOR	R25J-10	1	415471004T	
R6311	NON-FLAMMABLE CARBON FILM RESISTOR	R25J-10	1	415471004T	
R6313	NON-FLAMMABLE CARBON FILM RESISTOR	R25J-10	1	415471004T	
R6314	NON-FLAMMABLE CARBON FILM RESISTOR	R25J-10	1	415471004T	
R6315	NON-FLAMMABLE CARBON FILM RESISTOR	R25J-10	1	415471004T	
R6316	NON-FLAMMABLE CARBON FILM RESISTOR	R25J-10	1	415471004T	
R6317	NON-FLAMMABLE CARBON FILM RESISTOR	R25J-10	1	415471004T	
R6318	NON-FLAMMABLE CARBON FILM RESISTOR	R25J-10	1	415471004T	
<b>[SW TRM]</b>					
L6027	FERRITE CORE	---	1	5597-45502	
P5010A	SOCKET	NSCT-3P2183	1	25052286	
P5011A	SOCKET	NSCT-3P2183	1	25052286	
P5013A	SOCKET	NSCT-3P2183	1	25052286	
P5014A	SOCKET	NSCT-3P2183	1	25052286	
P5015A	SOCKET	NSCT-3P2183	1	25052286	
P5016A	SOCKET	NSCT-3P2183	1	25052286	
P5017A	SOCKET	NSCT-3P2183	1	25052286	
P5018A	SOCKET	NSCT-3P2183	1	25052286	
P5020A	TERMINAL	NTM-1P233(M1969)	1	25060302	
P5021A	TERMINAL	NTM-1P233(M1969)	1	25060302	
P5023A	TERMINAL	NTM-1P233(M1969)	1	25060302	
P5024A	TERMINAL	NTM-1P233(M1969)	1	25060302	
P5025A	TERMINAL	NTM-1P233(M1969)	1	25060302	
P5026A	TERMINAL	NTM-1P233(M1969)	1	25060302	
P5027A	TERMINAL	NTM-1P233(M1969)	1	25060302	
P5028A	TERMINAL	NTM-1P233(M1969)	1	25060302	
P6030B	SOCKET	IMSA-9115S-09L	1	25052989	
P6031B	SOCKET	IMSA-9115S-09L	1	25052989	
P6033B	SOCKET	IMSA-9115S-09L	1	25052989	
P6034B	SOCKET	IMSA-9115S-09L	1	25052989	
P6035B	SOCKET	IMSA-9115S-09L	1	25052989	
P6036B	SOCKET	IMSA-9115S-09L	1	25052989	
P6037B	SOCKET	IMSA-9115S-09L	1	25052989	
P6038B	SOCKET	IMSA-9115S-09L	1	25052989	
<b>U004</b>					
		BADIS-1543-1C			: NSP
<b>CIRCUIT NO</b>	<b>PART NAME</b>	<b>DESCRIPTION</b>	<b>QTY</b>	<b>PART NO. (SN)</b>	<b>REMARKS</b>
<b>[SEMI CONDUCTOR]</b>					
D7500	ZENER DIODE	DZ2J082M0L	1	224760820R2	
D7500 or	ZENER DIODE	UDZS8.2B	(1)	224550820R2	

D7501	ZENER DIODE	DZ2J039MOL	1	224760390R2
D7501 or	ZENER DIODE	UDZS3.9B	(1)	224550390R2
D7520	CHIP TYPE DIODE	DA2J10100	1	223303R2
D7520 or	CHIP TYPE DIODE	1SS352	(1)	223234R2
D7521	CHIP TYPE DIODE	DA2J10100	1	223303R2
D7521 or	CHIP TYPE DIODE	1SS352	(1)	223234R2
D7522	CHIP TYPE DIODE	DA2J10100	1	223303R2
D7522 or	CHIP TYPE DIODE	1SS352	(1)	223234R2
D7523	CHIP TYPE DIODE	DA2J10100	1	223303R2
D7523 or	CHIP TYPE DIODE	1SS352	(1)	223234R2
D7530	ZENER DIODE	DZ2J051MOL	1	224760510R2
D7530 or	ZENER DIODE	UDZS5.1B	(1)	224550510R2
D7533	ZENER DIODE	DZ2J068MOL	1	224760680R2
D7534	ZENER DIODE	DZ2J068MOL	1	224760680R2
D7560	CHIP TYPE DIODE	DA2J10100	1	223303R2
D7560 or	CHIP TYPE DIODE	1SS352	(1)	223234R2
D7561	CHIP TYPE DIODE	DA2J10100	1	223303R2
D7561 or	CHIP TYPE DIODE	1SS352	(1)	223234R2
D7580	CHIP TYPE DIODE	DA2J10100	1	223303R2
D7580 or	CHIP TYPE DIODE	1SS352	(1)	223234R2
D7581	CHIP TYPE DIODE	DA2J10100	1	223303R2
D7581 or	CHIP TYPE DIODE	1SS352	(1)	223234R2
D7582	CHIP TYPE DIODE	DA2J10100	1	223303R2
D7582 or	CHIP TYPE DIODE	1SS352	(1)	223234R2
D7583	CHIP TYPE DIODE	DA2J10100	1	223303R2
D7583 or	CHIP TYPE DIODE	1SS352	(1)	223234R2
D7591	LED	SCB3318E-D2	1	225487
D7591A	HOLDER	(LED)LH-5-5	1	27191312
D7592	LED	LW340A	1	225517
D7593	LED	SCB3318E-D2	1	225487
D7593A	HOLDER	(LED)LH-5-5	1	27191312
D7594	LED	LW340A	1	225517
D7596	LED	SLI-343Y8C-3F	1	225491
D7597	LED	LW340A	1	225517
D7598	LED	LW340A	1	225517
Q7505	TRANSISTOR	KTC3875-GR	1	2216175R2
Q7511	TRANSISTOR	KRC107S	1	2216340R2
Q7512	TRANSISTOR	2SA1162-GR	1	2214375R2
Q7520	HYBRID IC	BU2090F-E2	1	22242686R2
Q7530	HYBRID IC	NJM4580M-D	1	22241448R2
Q7532	TRANSISTOR	RTAN430C-T112-1	1	2217780R2
Q7532 or	TRANSISTOR	RN1441	(1)	2215410R2
Q7533	TRANSISTOR	RN2403	1	2214540R2
Q7533 or	TRANSISTOR	KRA103S	(1)	2216230R2
Q7534	HYBRID IC	NJM4580M-D	1	22241448R2
Q7540	PHOTO COUPLER	JSR1B15	1	24120166
Q7560	REMOTE SENSOR	IRM-3638M3S28	1	24130026
Q7597	TRANSISTOR	DTC123JKA	1	2216690R2
Q7597 or	TRANSISTOR	KRC105S	(1)	2217290R2
Q7650	FLUORESCENT TUBE	16-BT-165GINK	1	212276
Q7650A	HOLDER	(FL)	1	27191370
Q7650Aor	HOLDER	(FL)	(1)	27191303
Q7651	TRANSISTOR	2SC2712-GR	1	2213145R2
Q7652	TRANSISTOR	2SC2712-GR	1	2213145R2
<b>[TRANS COIL]</b>				
L7501	CHOKE COIL	LBC2518T2R2M	1	231364M022R2
L7520	CHOKE COIL	LBC2518T470M	1	231364M470R2
L7530	CHOKE COIL	LBC2518T2R2M	1	231364M022R2
L7580	CHOKE COIL	LBC2518T2R2M	1	231364M022R2
L7581	CHOKE COIL	LBC2518T2R2M	1	231364M022R2
L7582	CHOKE COIL	LBC2518T2R2M	1	231364M022R2
<b>[CAPACITOR]</b>				
C7500	CHIP TYPE CERAMIC CAPACITOR	CK725F1E-104Z1	1	332161040R1
C7501	CHIP TYPE CERAMIC CAPACITOR	CK725F1E-104Z1	1	332161040R1
C7502	CHIP TYPE CERAMIC CAPACITOR	CK725B1H-223K1	1	332102235R1
C7503	CHIP TYPE CERAMIC CAPACITOR	CK725B1H-223K1	1	332102235R1
C7504	CHIP TYPE CERAMIC CAPACITOR	CK725B1H-223K1	1	332102235R1
C7506	ELECTROLYTIC CAPACITOR	CE04W 16V-47M(S)	1	353744709T

C7508	ELECTROLYTIC CAPACITOR	CE04W6.3V-100M(S)	1	353721019T
C7509	ELECTROLYTIC CAPACITOR	CE04W 16V-10M(S)	1	353741009T
C7511	CHIP TYPE CERAMIC CAPACITOR	CC725CH1H-101J1	1	342101014R1
C7512	CHIP TYPE CERAMIC CAPACITOR	CC725CH1H-101J1	1	342101014R1
C7513	CHIP TYPE CERAMIC CAPACITOR	CC725CH1H-101J1	1	342101014R1
C7514	CHIP TYPE CERAMIC CAPACITOR	CK725F1E-104Z1	1	332161040R1
C7520	CHIP TYPE CERAMIC CAPACITOR	CK725B1H-102K1	1	332101025R1
C7521	CHIP TYPE CERAMIC CAPACITOR	CK725B1H-102K1	1	332101025R1
C7522	CHIP TYPE CERAMIC CAPACITOR	CK725F1A-105Z1	1	332181050R1
C7523	ELECTROLYTIC CAPACITOR	CE04W 16V-47M(S)	1	353744709T
C7524	CHIP TYPE CERAMIC CAPACITOR	CK725F1E-104Z1	1	332161040R1
C7525	CHIP TYPE CERAMIC CAPACITOR	CC725CH1H-101J1	1	342101014R1
C7526	CHIP TYPE CERAMIC CAPACITOR	CC725CH1H-101J1	1	342101014R1
C7527	UTSP TYPE ELECTROLYTIC CAPACITOR	CE04W 10V-100M(UTSP)	1	397531017AT
C7532	CHIP TYPE CERAMIC CAPACITOR	CC725CH1H-101J1	1	342101014R1
C7533	ELECTROLYTIC CAPACITOR	CE04W 16V-47M(S)	1	353744709T
C7534	ELECTROLYTIC CAPACITOR	CE04W 16V-47M(S)	1	353744709T
C7535	ELECTROLYTIC CAPACITOR	CE04W 50V-10M	1	355781009T
C7536	ELECTROLYTIC CAPACITOR	CE04W 16V-47M(S)	1	353744709T
C7537	CHIP TYPE CERAMIC CAPACITOR	CC725CH1H-330J1	1	342103304R1
C7538	ELECTROLYTIC CAPACITOR	CE04W35V-10M(S)	1	353761009T
C7539	ELECTROLYTIC CAPACITOR	CE04W35V-10M(S)	1	353761009T
C7540	ELECTROLYTIC CAPACITOR	CE04W35V-10M(S)	1	353761009T
C7541	ELECTROLYTIC CAPACITOR	CE04W 50V-10M	1	355781009T
C7542	ELECTROLYTIC CAPACITOR	CE04W 50V-10M	1	355781009T
C7543	CHIP TYPE CERAMIC CAPACITOR	CK725F1E-104Z1	1	332161040R1
C7544	CHIP TYPE CERAMIC CAPACITOR	CK725F1E-104Z1	1	332161040R1
C7545	CHIP TYPE CERAMIC CAPACITOR	CC725CH1H-221J1	1	342102214R1
C7546	CHIP TYPE CERAMIC CAPACITOR	CC725CH1H-221J1	1	342102214R1
C7560	ELECTROLYTIC CAPACITOR	CE04W 16V-10M(S)	1	353741009T
C7562	CHIP TYPE CERAMIC CAPACITOR	CK725B1H-102K1	1	332101025R1
C7563	CHIP TYPE CERAMIC CAPACITOR	CK725B1H-103K1	1	332101035R1
C7564	CHIP TYPE CERAMIC CAPACITOR	CK725B1H-103K1	1	332101035R1
C7580	CHIP TYPE CERAMIC CAPACITOR	CC725CH1H-102J1	1	342101024R1
C7581	MKT TYPE CAPACITOR	B32529C0102J289	1	376491024T
C7582	MKT TYPE CAPACITOR	B32529C0102J289	1	376491024T
C7583	CHIP TYPE CERAMIC CAPACITOR	CC725CH1H-102J1	1	342101024R1
C7650	CHIP TYPE CERAMIC CAPACITOR	CK725B1H-473K1	1	332104735R1
C7651	CHIP TYPE CERAMIC CAPACITOR	CK725B1H-473K1	1	332104735R1
C7652	CHIP TYPE CERAMIC CAPACITOR	CK725F1H-104Z1	1	332151040R1
C7653	CHIP TYPE CERAMIC CAPACITOR	CK725F1E-104Z1	1	332161040R1
<b>(RESISTOR)</b>				
R7500	CHIP TYPE CARBON RESISTOR	RN72K1J-221JE	1	435032214R1
R7501	CHIP TYPE CARBON RESISTOR	RN72K1J-221JE	1	435032214R1
R7505	CHIP TYPE CARBON RESISTOR	RN72K1J-221JE	1	435032214R1
R7511	CHIP TYPE CARBON RESISTOR	RN72K1J-221JE	1	435032214R1
R7512	CHIP TYPE CARBON RESISTOR	RN72K1J-221JE	1	435032214R1
R7513	CHIP TYPE CARBON RESISTOR	RN72K1J-332JE	1	435033324R1
R7514	CHIP TYPE CARBON RESISTOR	RN72K1J-332JE	1	435033324R1
R7515	CHIP TYPE CARBON RESISTOR	RN72K1J-473JE	1	435034734R1
R7516	CHIP TYPE CARBON RESISTOR	RN72K1J-103JE	1	435031034R1
R7517	CHIP TYPE CARBON RESISTOR	RN72K1J-103JE	1	435031034R1
R7520	CHIP TYPE CARBON RESISTOR	RN72K1J-101JE	1	435031014R1
R7521	CHIP TYPE CARBON RESISTOR	RN72K1J-101JE	1	435031014R1
R7528	CHIP TYPE CARBON RESISTOR	RN72K1J-000JE	1	435030004R1
R7529	CHIP TYPE CARBON RESISTOR	RN72K1J-000JE	1	435030004R1
R7530	CHIP TYPE CARBON RESISTOR	RN72K1J-101JE	1	435031014R1
R7531	CHIP TYPE CARBON RESISTOR	RN72K1J-331JE	1	435033314R1
R7532	CHIP TYPE CARBON RESISTOR	RN72K1J-331JE	1	435033314R1
R7533	CHIP TYPE CARBON RESISTOR	RN72K1J-472JE	1	435034724R1
R7534	CHIP TYPE CARBON RESISTOR	RN72K1J-104JE	1	435031044R1
R7535	CHIP TYPE CARBON RESISTOR	RN72K1J-102JE	1	435031024R1
R7536	CHIP TYPE CARBON RESISTOR	RN72K1J-333JE	1	435033334R1
R7537	CHIP TYPE CARBON RESISTOR	RN72K1J-333JE	1	435033334R1
R7538	CHIP TYPE CARBON RESISTOR	RN72K1J-471JE	1	435034714R1
R7539	CHIP TYPE CARBON RESISTOR	RN72K1J-000JE	1	435030004R1
R7540	CHIP TYPE CARBON RESISTOR	RN72K1J-473JE	1	435034734R1
R7541	CHIP TYPE CARBON RESISTOR	RN72K1J-331JE	1	435033314R1





R7655	CHIP TYPE CARBON RESISTOR	RN72K1J-333JE	1	435033334R1	
R7656	CHIP TYPE CARBON RESISTOR	RN72K1J-333JE	1	435033334R1	
R7657	CHIP TYPE CARBON RESISTOR	RN72K1J-104JE	1	435031044R1	
R7658	CHIP TYPE CARBON RESISTOR	RN72K1J-104JE	1	435031044R1	
R7659	CHIP TYPE CARBON RESISTOR	RN72K1J-333JE	1	435033334R1	
R7660	NON-FLAMMABLE CARBON FILM RESISTOR	R25J-10	1	415471004T	
R7661	NON-FLAMMABLE CARBON FILM RESISTOR	R25J-10	1	415471004T	
R7666	CHIP TYPE CARBON RESISTOR	RN72K1J-000JE	1	435030004R1	
<b>[SW TRM]</b>					
P605A	PLUG	NPLG-5P119	1	25055135	
P701B	SOCKET	NSCT-23P2441	1	25052544	
P703	WIRE HARNESS ASSEMBLY	NSAS-7P2130	1	2009991319UL	
P703A	WIRE HOL	NSCT-7P878	1	25051091	
P703Aor	WIRE HOL	CHD-1.5-7	(1)	25053537	
P7509	WIRE HARNESS ASSEMBLY	NSAS-5P2108	1	2009991297UL	N
P7509A	WIRE HOL	NSCT-5P876	1	25051089	
P7509Aor	WIRE HOL	CHD-1.5-5	(1)	25053536	
P7509B	PLUG	NPLG-5P352	1	25055369	
P7510	WIRE HARNESS ASSEMBLY	NSAS-7P2126	1	2009991315UL	
P7510A	WIRE HOL	NSCT-7P878	1	25051091	
P7510Aor	WIRE HOL	CHD-1.5-7	(1)	25053537	
P7510B	PLUG	NPLG-7P354	1	25055371	
P7522	PIN JACK	NPJ-3PDB735	1	25045978	
P7530	ST JACK	MSJ-035-05C B AG SR type	1	25045879	
P7560	WIRE HARNESS ASSEMBLY	NSAS-3P2095	1	2009991284UL	
P7560A	WIRE HOL	NSCT-3P874	1	25051087	
P7560Aor	WIRE HOL	CHD-1.5-3	(1)	25053535	
P7580	ST JACK	MSJ-064-05A SR	1	25045783	
P7592	WIRE HARNESS ASSEMBLY	NSAS-3P2093	1	2009991282UL	
P7592A	WIRE HOL	NSCT-3P874	1	25051087	
P7592Aor	WIRE HOL	CHD-1.5-3	(1)	25053535	
P7592B	PLUG	NPLG-3P131	1	25055147	
P953	WIRE HARNESS ASSEMBLY	NSAS-5P2309	1	2009991478UL	N
P953A	WIRE HOL	NSCT-5P876	1	25051089	
P953Aor	WIRE HOL	CHD-1.5-5	(1)	25053536	
S7561	ROTARY ENCODER	EC12E2425WITH WASHER	1	25065655W	
S7600	PUSH SWITCH	NPS-111-S681	1	25035718T	
S7600 or	PUSH SWITCH	NPS-111-S677	(1)	25035714T	
S7601	PUSH SWITCH	NPS-111-S681	1	25035718T	
S7601 or	PUSH SWITCH	NPS-111-S677	(1)	25035714T	
S7603	PUSH SWITCH	NPS-111-S681	1	25035718T	
S7603 or	PUSH SWITCH	NPS-111-S677	(1)	25035714T	
S7605	PUSH SWITCH	NPS-111-S681	1	25035718T	
S7605 or	PUSH SWITCH	NPS-111-S677	(1)	25035714T	
S7606	PUSH SWITCH	NPS-111-S681	1	25035718T	
S7606 or	PUSH SWITCH	NPS-111-S677	(1)	25035714T	
S7607	PUSH SWITCH	NPS-111-S681	1	25035718T	
S7607 or	PUSH SWITCH	NPS-111-S677	(1)	25035714T	
S7608	PUSH SWITCH	NPS-111-S681	1	25035718T	
S7608 or	PUSH SWITCH	NPS-111-S677	(1)	25035714T	
S7609	PUSH SWITCH	NPS-111-S681	1	25035718T	
S7609 or	PUSH SWITCH	NPS-111-S677	(1)	25035714T	
S7610	PUSH SWITCH	NPS-111-S681	1	25035718T	
S7610 or	PUSH SWITCH	NPS-111-S677	(1)	25035714T	
S7611	PUSH SWITCH	NPS-111-S681	1	25035718T	
S7611 or	PUSH SWITCH	NPS-111-S677	(1)	25035714T	
S7612	PUSH SWITCH	NPS-111-S681	1	25035718T	
S7612 or	PUSH SWITCH	NPS-111-S677	(1)	25035714T	
S7613	PUSH SWITCH	NPS-111-S681	1	25035718T	
S7613 or	PUSH SWITCH	NPS-111-S677	(1)	25035714T	
S7614	PUSH SWITCH	NPS-111-S681	1	25035718T	
S7614 or	PUSH SWITCH	NPS-111-S677	(1)	25035714T	
S7615	PUSH SWITCH	NPS-111-S681	1	25035718T	
S7615 or	PUSH SWITCH	NPS-111-S677	(1)	25035714T	
S7616	PUSH SWITCH	NPS-111-S681	1	25035718T	
S7616 or	PUSH SWITCH	NPS-111-S677	(1)	25035714T	
S7617	PUSH SWITCH	NPS-111-S681	1	25035718T	
S7617 or	PUSH SWITCH	NPS-111-S677	(1)	25035714T	

S7618	PUSH SWITCH	NPS-111-S681	1	25035718T
S7618 or	PUSH SWITCH	NPS-111-S677	(1)	25035714T
S7619	PUSH SWITCH	NPS-111-S681	1	25035718T
S7619 or	PUSH SWITCH	NPS-111-S677	(1)	25035714T
S7620	PUSH SWITCH	NPS-111-S681	1	25035718T
S7620 or	PUSH SWITCH	NPS-111-S677	(1)	25035714T
S7621	PUSH SWITCH	NPS-111-S681	1	25035718T
S7621 or	PUSH SWITCH	NPS-111-S677	(1)	25035714T
S7622	PUSH SWITCH	NPS-111-S681	1	25035718T
S7622 or	PUSH SWITCH	NPS-111-S677	(1)	25035714T
S7623	PUSH SWITCH	NPS-111-S681	1	25035718T
S7623 or	PUSH SWITCH	NPS-111-S677	(1)	25035714T
S7624	PUSH SWITCH	NPS-111-S681	1	25035718T
S7624 or	PUSH SWITCH	NPS-111-S677	(1)	25035714T
S7625	PUSH SWITCH	NPS-111-S681	1	25035718T
S7625 or	PUSH SWITCH	NPS-111-S677	(1)	25035714T
S7626	PUSH SWITCH	NPS-111-S681	1	25035718T
S7626 or	PUSH SWITCH	NPS-111-S677	(1)	25035714T
S7627	PUSH SWITCH	NPS-111-S681	1	25035718T
S7627 or	PUSH SWITCH	NPS-111-S677	(1)	25035714T
S7628	PUSH SWITCH	NPS-111-S681	1	25035718T
S7628 or	PUSH SWITCH	NPS-111-S677	(1)	25035714T
S7629	PUSH SWITCH	NPS-111-S681	1	25035718T
S7629 or	PUSH SWITCH	NPS-111-S677	(1)	25035714T
S7630	PUSH SWITCH	NPS-111-S681	1	25035718T
S7630 or	PUSH SWITCH	NPS-111-S677	(1)	25035714T
S7631	PUSH SWITCH	NPS-111-S681	1	25035718T
S7631 or	PUSH SWITCH	NPS-111-S677	(1)	25035714T
S7632	PUSH SWITCH	NPS-111-S681	1	25035718T
S7632 or	PUSH SWITCH	NPS-111-S677	(1)	25035714T
S7633	PUSH SWITCH	NPS-111-S681	1	25035718T
S7633 or	PUSH SWITCH	NPS-111-S677	(1)	25035714T
S7634	PUSH SWITCH	NPS-111-S681	1	25035718T
S7634 or	PUSH SWITCH	NPS-111-S677	(1)	25035714T
S7635	PUSH SWITCH	NPS-111-S681	1	25035718T
S7635 or	PUSH SWITCH	NPS-111-S677	(1)	25035714T
S7636	PUSH SWITCH	NPS-111-S681	1	25035718T
S7636 or	PUSH SWITCH	NPS-111-S677	(1)	25035714T
S7637	PUSH SWITCH	NPS-111-S681	1	25035718T
S7637 or	PUSH SWITCH	NPS-111-S677	(1)	25035714T
S7638	PUSH SWITCH	NPS-111-S681	1	25035718T
S7638 or	PUSH SWITCH	NPS-111-S677	(1)	25035714T
S7639	PUSH SWITCH	NPS-111-S681	1	25035718T
S7639 or	PUSH SWITCH	NPS-111-S677	(1)	25035714T

U005

BATRM-1618-1C

: NSP

CIRCUIT NO	PART NAME	DESCRIPTION	QTY	PART NO. (SN)	REMARKS
<b>[SEMI CONDUCTOR]</b>					
D6600	CHIP TYPE DIODE	DA2J10100	1	223303R2	
D6600 or	CHIP TYPE DIODE	1SS352	(1)	223234R2	
D6601	CHIP TYPE DIODE	DA2J10100	1	223303R2	
D6601 or	CHIP TYPE DIODE	1SS352	(1)	223234R2	
D6603	CHIP TYPE DIODE	DA2J10100	1	223303R2	
D6603 or	CHIP TYPE DIODE	1SS352	(1)	223234R2	
D6604	CHIP TYPE DIODE	DA2J10100	1	223303R2	
D6604 or	CHIP TYPE DIODE	1SS352	(1)	223234R2	
D6605	CHIP TYPE DIODE	DA2J10100	1	223303R2	
D6605 or	CHIP TYPE DIODE	1SS352	(1)	223234R2	
D6606	CHIP TYPE DIODE	DA2J10100	1	223303R2	
D6606 or	CHIP TYPE DIODE	1SS352	(1)	223234R2	
D6607	CHIP TYPE DIODE	DA2J10100	1	223303R2	
D6607 or	CHIP TYPE DIODE	1SS352	(1)	223234R2	
D6610	CHIP TYPE DIODE	DA2J10100	1	223303R2	
D6610 or	CHIP TYPE DIODE	1SS352	(1)	223234R2	

D9001	DIODE	S1WB(A)60B-7062	1	22380377R2
D9002	SPECIFIED DIODE	P6SMB200A-M3/52T	1	225505R2
D9003	DIODE	US1K-E3/61T	1	22380376R2
D9004	DIODE	RF301B2STL	1	22380374R2
D9006	DIODE	M1FL20U	1	223276R2
D9008	DIODE	RB050M-30GTR	1	22380373R2
D9011	CHIP TYPE DIODE	DA2J10100	1	223303R2
D9011 or	CHIP TYPE DIODE	1SS352	(1)	223234R2
D9012	ZENER DIODE	DZ2J360MOL	1	224763600R2
D9012 or	ZENER DIODE	UDZS36B	(1)	224553600R2
D9013	SPECIFIED DIODE	P6SMB20A-M3/52	1	225515R2
D9018	ZENER DIODE	DZ2J200MOL	1	224762000R2
D9018 or	ZENER DIODE	UDZS20B	(1)	224552000R2
D9028	CHIP TYPE DIODE	DA2J10100	1	223303R2
D9028 or	CHIP TYPE DIODE	1SS352	(1)	223234R2
D9203	CHIP TYPE DIODE	DA2J10100	1	223303R2
D9203 or	CHIP TYPE DIODE	1SS352	(1)	223234R2
D9204	CHIP TYPE DIODE	DA2J10100	1	223303R2
D9204 or	CHIP TYPE DIODE	1SS352	(1)	223234R2
D9205	DIODE	D3SBA60	1	22380272F
Q6601	TRANSISTOR	KRC105S	1	2217290R2
Q6602	TRANSISTOR	KRC105S	1	2217290R2
Q6603	TRANSISTOR	KRC105S	1	2217290R2
Q6604	TRANSISTOR	KRC105S	1	2217290R2
Q6605	TRANSISTOR	KRC105S	1	2217290R2
Q6606	TRANSISTOR	KRC105S	1	2217290R2
Q6607	TRANSISTOR	KRC105S	1	2217290R2
Q6608	TRANSISTOR	KRC105S	1	2217290R2
Q9001	HYBRID IC	STR-A6051M	1	222154
Q9002	HYBRID IC	EL816MX	1	22242845
Q9002 or	HYBRID IC	PC123X8YFZ0F	(1)	22242771
Q9002 or	HYBRID IC	PS2561DL1-1Y-A(Q)	(1)	22242794
Q9003	HYBRID IC	EL816MX	1	22242845
Q9003 or	HYBRID IC	PC123X8YFZ0F	(1)	22242771
Q9003 or	HYBRID IC	PS2561DL1-1Y-A(Q)	(1)	22242794
Q9004	HYBRID IC	KIA431A-AT/P	1	22242770T
Q9005	TRANSISTOR	KRC102S	1	2216190R2
Q9005 or	TRANSISTOR	RN1402	(1)	2214470R2
Q9006	TRANSISTOR	KRC105S	1	2217290R2
Q9202	HYBRID IC	79M12HF(NJM79M12FA)	1	222790125JRC
Q9203	HYBRID IC	78M12HF(NJM78M12FA)	1	222780125JRC
Q9203A	HEAT SINK	(RAD-255)	1	27160647
Q9203B	SCREW	3P+10FN(3BC)	2	82143010GR
<b>[CAPACITOR]</b>				
C6600	CHIP TYPE CERAMIC CAPACITOR	CK725B1H-103K1	1	332101035R1
C6601	CHIP TYPE CERAMIC CAPACITOR	CK725B1H-103K1	1	332101035R1
C6602	CHIP TYPE CERAMIC CAPACITOR	CK725B1H-103K1	1	332101035R1
C6603	CHIP TYPE CERAMIC CAPACITOR	CK725B1H-103K1	1	332101035R1
C6604	CHIP TYPE CERAMIC CAPACITOR	CK725B1H-103K1	1	332101035R1
C6605	CHIP TYPE CERAMIC CAPACITOR	CK725B1H-103K1	1	332101035R1
C6606	CHIP TYPE CERAMIC CAPACITOR	CK725B1H-103K1	1	332101035R1
C6607	CHIP TYPE CERAMIC CAPACITOR	CK725B1H-103K1	1	332101035R1
C6639	MKT TYPE CAPACITOR	B32529C0472J289	1	376494724T
C6640	MKT TYPE CAPACITOR	B32529C0472J289	1	376494724T
C6641	MKT TYPE CAPACITOR	B32529C0472J289	1	376494724T
C6642	MKT TYPE CAPACITOR	B32529C0472J289	1	376494724T
C6643	MKT TYPE CAPACITOR	B32529C0472J289	1	376494724T
C6644	MKT TYPE CAPACITOR	B32529C0472J289	1	376494724T
C6645	MKT TYPE CAPACITOR	B32529C0472J289	1	376494724T
C6646	MKT TYPE CAPACITOR	B32529C0472J289	1	376494724T
C6647	MKT TYPE CAPACITOR	B32529C0472J289	1	376494724T
C6648	MKT TYPE CAPACITOR	B32529C0472J289	1	376494724T
C6649	MKT TYPE CAPACITOR	B32529C0472J289	1	376494724T
C6650	MKT TYPE CAPACITOR	B32529C0102J289	1	376491024T
C6651	MKT TYPE CAPACITOR	B32529C0102J289	1	376491024T
C6652	MKT TYPE CAPACITOR	B32529C0102J289	1	376491024T
C6653	MKT TYPE CAPACITOR	B32529C0102J289	1	376491024T
C6654	MKT TYPE CAPACITOR	B32529C0102J289	1	376491024T

C6655	MKT TYPE CAPACITOR	B32529C0102J289	1	376491024T	
C6656	MKT TYPE CAPACITOR	B32529C0102J289	1	376491024T	
C6657	MKT TYPE CAPACITOR	B32529C0102J289	1	376491024T	
C6658	MKT TYPE CAPACITOR	B32529C0102J289	1	376491024T	
C6659	MKT TYPE CAPACITOR	B32529C0102J289	1	376491024T	
C6660	MKT TYPE CAPACITOR	B32529C0102J289	1	376491024T	
C9001	IS TYPE CAPACITOR	LE104-MX-C3.5	1	3800049S	!
C9002	ELECTROLYTIC CAPACITOR	CE04W200V-100M(KXJ)	1	3500233S	
C9003	PW TYPE ELECTROLYTIC CAPACITOR	CE04W50V-10M(PW)	1	393781007T	
C9004	PW TYPE ELECTROLYTIC CAPACITOR	CE04W25V-1000M(PW)	1	393751027S	
C9006	PW TYPE ELECTROLYTIC CAPACITOR	CE04W25V-470M(PW)	1	393754717T	
C9009	CHIP TYPE CERAMIC CAPACITOR	GRM31A7U3D220JW31D	1	3300071R1	
C9010	IS TYPE CAPACITOR	DE1E3KX102MB4BL01	1	3300066S	!
C9011	CHIP TYPE CERAMIC CAPACITOR	CK725B1C-104K1	1	332121045R1	
C9012	IS TYPE CAPACITOR	LE103-C3.5	1	3800042S	!
C9012 or	IS TYPE CAPACITOR	RE275V-103M	(1)	3500196S	!
C9012 or	IS TYPE CAPACITOR	ECQU2A103MLC	(1)	3800039S	!
C9013	UTSP TYPE ELECTROLYTIC CAPACITOR	CE04W25V-220M(UTSP)	1	397552217T	
C9014	CHIP TYPE CERAMIC CAPACITOR	CK725B1H-103K1	1	332101035R1	
C9015	CHIP TYPE CERAMIC CAPACITOR	CK725F1E-104Z1	1	332161040R1	
C9016	CHIP TYPE CERAMIC CAPACITOR	CK725B1H-332K1	1	332103325R1	
C9018	IS TYPE CAPACITOR	LE104-MX-C3.5	1	3800049S	!
C9019	IS TYPE CAPACITOR	DE1E3KX102MB4BL01	1	3300066S	!
C9020	IS TYPE CAPACITOR	DE1E3KX102MB4BL01	1	3300066S	!
C9023	CHIP TYPE CERAMIC CAPACITOR	CK725F1E-104Z1	1	332161040R1	
C9024	CHIP TYPE CERAMIC CAPACITOR	CK725F1E-104Z1	1	332161040R1	
C9026	CHIP TYPE CERAMIC CAPACITOR	CK725F1E-104Z1	1	332161040R1	
C9200	VR TYPE ELECTROLYTIC CAPACITOR	CE04W35V-2200M(VR)	1	394662227S	
C9201	VR TYPE ELECTROLYTIC CAPACITOR	CE04W35V-2200M(VR)	1	394662227S	
C9204	UTSP TYPE ELECTROLYTIC CAPACITOR	CE04W50V-10M(UTSP)	1	397581007AT	
C9205	UTSP TYPE ELECTROLYTIC CAPACITOR	CE04W50V-10M(UTSP)	1	397581007AT	
C9206	TF TYPE PLASTIC FILM CAPACITOR	ECQ-V50V-334J	1	374723344T	
C9207	TF TYPE PLASTIC FILM CAPACITOR	ECQ-V50V-334J	1	374723344T	
<b>[RESISTOR]</b>					
R9002	CHIP TYPE CARBON RESISTOR	RN72K1J-000JE	1	435030004R1	
R9003	CHIP TYPE CARBON RESISTOR	RN72K1J-332JE	1	435033324R1	
R9006	CHIP TYPE CARBON RESISTOR	RN72K1J-392JE	1	435033924R1	
R9007	CHIP TYPE CARBON RESISTOR	RN72K1J-273FE	1	435032732R1	
R9008	CHIP TYPE CARBON RESISTOR	RN72K1J-822JE	1	435038224R1	
R9009	CHIP TYPE CARBON RESISTOR	RN72K1J-103JE	1	435031034R1	
R9010	METAL OXIDE FILM RESISTOR	RS1/2WBJ-68	1	443526804T	
R9011	NON-FLAMMABLE CARBON FILM RESISTOR	R25J-22	1	415472204T	
R9012	CHIP TYPE CARBON RESISTOR	RN72K1J-271JE	1	435032714R1	
R9013	CHIP TYPE CARBON RESISTOR	RN72K1J-000JE	1	435030004R1	
R9014	METAL RESISTOR	RNU1WCJ-1	1	453630104T	
R9015	METAL OXIDE FILM RESISTOR	RS1/2WBJ-150	1	443521514T	
R9017	CHIP TYPE CARBON RESISTOR	RN72K1J-332JE	1	435033324R1	
R9018	CHIP TYPE CARBON RESISTOR	RN72K1J-182JE	1	435031824R1	
R9022	CHIP TYPE CARBON RESISTOR	RN72K1J-152JE	1	435031524R1	
R9023	CHIP TYPE CARBON RESISTOR	KTR18EZPF6803	1	435236842R1	
R9024	CHIP TYPE CARBON RESISTOR	KTR18EZPF6803	1	435236842R1	
R9025	CHIP TYPE CARBON RESISTOR	KTR18EZPF6803	1	435236842R1	
R9038	METAL OXIDE FILM RESISTOR	RS1/2WBJ-150	1	443521514T	
<b>[SW TRM]</b>					
F9001	FUSE	T1A-SEUL-T250V	1	252397T	!
F9002A	FUSE HOLDER	SN5051	1	250113	!
F9002B	FUSE HOLDER	SN5051	1	250113	!
F9200	FUSE	T4A-SEUL-T250V	1	252392T	!
F9201	FUSE	T4A-SEUL-T250V	1	252392T	!
L9001	CHOKE COIL	EM-UT2014-0033	1	231474	
L9002	CHOKE COIL	RCR1010NP-100M	1	231449M100	
L9004	CORE	BLM18PG181SN1D	1	2350005R1	
L9005	CORE	BLM18PG181SN1D	1	2350005R1	
P1008A	SOCKET	IMSA-9142S-24A	1	25053234	
P1009A	SOCKET	IMSA-9142S-22A	1	25053233	
P2007	WIRE HARNESS ASSEMBLY	NSAS-9P2141	1	2009991330UL	
P2007A	WIRE HOL	NSCT-9P880	1	25051093	
P2007Aor	WIRE HOL	CHD-1.5-9	(1)	25053538	

P605B	PLUG	NPLG-5P119	1	25055135	
P6600	PLUG	NPLG-13P495	1	25055520	
P6601A	SOCKET	IMSA-9142S-24A	1	25053234	
P6603B	PLUG	NPLG-11P493	1	25055518	
P6604	WIRE HARNESS ASSEMBLY	NSAS-7P2125	1	2009991314UL	
P6604A	WIRE HOL	NSCT-7P878	1	25051091	
P6604Aor	WIRE HOL	CHD-1.5-7	(1)	25053537	
P6604B	PLUG	NPLG-7P135	1	25055151	
P6605A	SOCKET	IMSA-9142S-24A	1	25053234	
P6607A	WIRE HOL	NSCT-3P874	1	25051087	
P6607Aor	WIRE HOL	CHD-1.5-3	(1)	25053535	
P6607B	WIRE HOL	NSCT-3P874	1	25051087	
P6607Bor	WIRE HOL	CHD-1.5-3	(1)	25053535	
P6608	WIRE HARNESS ASSEMBLY	NSAS-9P2237	1	2009991424UL	
P6608A	WIRE HOL	NSCT-9P880	1	25051093	
P6608Aor	WIRE HOL	CHD-1.5-9	(1)	25053538	
P6610	TERMINAL	NTM-2PDMCR400	1	25060472	
P6611	TRM-423(SCREW)	NEJITANSI ST3	1	25060495	
P6612	TRM-423(SCREW)	NEJITANSI ST3	1	25060495	
P6630	TERMINAL	NTM-2PDMCR400	1	25060472	
P6631	TERMINAL	NTM-2PDMCR400	1	25060472	
P6632	TERMINAL	NTM-2PDMCR400	1	25060472	
P6633	TERMINAL	NTM-2PDMCR400	1	25060472	
P6634	TERMINAL	NTM-2PDMCR400	1	25060472	
P6635	TERMINAL	NTM-2PDMCR400	1	25060472	
P6636	TERMINAL	NTM-2PDMCR400	1	25060472	
P6637	TERMINAL	NTM-2PDMCR400	1	25060472	
P6638	TERMINAL	NTM-2PDMCR400	1	25060472	
P6639	TERMINAL	NTM-2PDMCR400	1	25060472	
P9000	WIRE HARNESS ASSEMBLY	NSAS-7P2127	1	2009991316UL	
P9000A	WIRE HOL	NSCT-7P878	1	25051091	
P9000Aor	WIRE HOL	CHD-1.5-7	(1)	25053537	
P9001A	PLUG	NPLG-2P631	1	25055675	
P9002	PLUG	NPLG-2P632	1	25055676	
P9004	RETAINER	(TRM-PS)	1	27142287	
P9005	PLUG	NPLG-2P632	1	25055676	
P9006	PLUG	NPLG-2P632	1	25055676	
P9200	PLUG	NPLG-3P117	1	25055133	
P9925	WIRE HARNESS ASSEMBLY	NSAS-5P2109	1	2009991298UL	
P9925A	WIRE HOL	NSCT-5P876	1	25051089	
P9925Aor	WIRE HOL	CHD-1.5-5	(1)	25053536	
RL6600	RELAY	NRL-2P3A-DC12-148	1	25065598A	
RL6600 or	RELAY	NRL-2P8A-DC12-147	(1)	25065597	
RL6600 or	RELAY	NRL-2P5A-DC12-192	(1)	25065702	
RL6602	RELAY	NRL-2P3A-DC12-148	1	25065598A	
RL6602 or	RELAY	NRL-2P8A-DC12-147	(1)	25065597	
RL6602 or	RELAY	NRL-2P5A-DC12-192	(1)	25065702	
RL6603	RELAY	NRL-2P3A-DC12-148	1	25065598A	
RL6603 or	RELAY	NRL-2P8A-DC12-147	(1)	25065597	
RL6603 or	RELAY	NRL-2P5A-DC12-192	(1)	25065702	
RL6604	RELAY	NRL-2P3A-DC12-148	1	25065598A	
RL6604 or	RELAY	NRL-2P8A-DC12-147	(1)	25065597	
RL6604 or	RELAY	NRL-2P5A-DC12-192	(1)	25065702	
RL6605	RELAY	NRL-2P3A-DC12-148	1	25065598A	
RL6605 or	RELAY	NRL-2P8A-DC12-147	(1)	25065597	
RL6605 or	RELAY	NRL-2P5A-DC12-192	(1)	25065702	
RL6606	RELAY	NRL-2P3A-DC12-148	1	25065598A	
RL6606 or	RELAY	NRL-2P8A-DC12-147	(1)	25065597	
RL6606 or	RELAY	NRL-2P5A-DC12-192	(1)	25065702	
RL9001	RELAY	NRL-1P10A-DC9-188	1	25065693	!
RL9002	RELAY	NRL-1P10A-DC9-188	1	25065693	!
T9001	POWER TRANSFORMER	NPT-1632S	1	2302076	!
T9001 or	POWER TRANSFORMER	NPT-1633S	(1)	2302077	!

CIRCUIT NO	PART NAME	DESCRIPTION	QTY	PART NO. (SN)	REMARKS
<b>[SEMI CONDUCTOR]</b>					
D2001	DIODE	D3SBA60	1	22380272F	
D2003	ZENER DIODE	DZ2J056M0L	1	224760560R2	
D2003 or	ZENER DIODE	UDZS5.6B	(1)	224550560R2	
D2005	CHIP TYPE DIODE	DA2J10100	1	223303R2	
D2005 or	CHIP TYPE DIODE	1SS352	(1)	223234R2	
D2006	CHIP TYPE DIODE	DA2J10100	1	223303R2	
D2006 or	CHIP TYPE DIODE	1SS352	(1)	223234R2	
D2007	ZENER DIODE	DZ2J056M0L	1	224760560R2	
D2007 or	ZENER DIODE	UDZS5.6B	(1)	224550560R2	
D2008	CHIP TYPE DIODE	DA2J10100	1	223303R2	
D2008 or	CHIP TYPE DIODE	1SS352	(1)	223234R2	
D2009	DIODE	RB050M-30GTR	1	22380373R2	
D2010	DIODE	D5SBA60	1	22380070	
D2010A	HEAT SINK	RAD-083	1	27160271	
D2010B	SCREW	3P+10FN(3BC)	1	82143010GR	
D2011	DIODE	RB050M-30GTR	1	22380373R2	
D2012	CHIP TYPE DIODE	DA2J10100	1	223303R2	
D2012 or	CHIP TYPE DIODE	1SS352	(1)	223234R2	
D2100	DIODE	RL1N4003	1	22380260T	
D2701	CHIP TYPE DIODE	DA2J10100	1	223303R2	
D2701 or	CHIP TYPE DIODE	1SS352	(1)	223234R2	
D2702	CHIP TYPE DIODE	DA2J10100	1	223303R2	
D2702 or	CHIP TYPE DIODE	1SS352	(1)	223234R2	
D4501	CHIP TYPE DIODE	DA2J10100	1	223303R2	
D4501 or	CHIP TYPE DIODE	1SS352	(1)	223234R2	
D4502	CHIP TYPE DIODE	DA2J10100	1	223303R2	
D4502 or	CHIP TYPE DIODE	1SS352	(1)	223234R2	
D4503	CHIP TYPE DIODE	DA2J10100	1	223303R2	
D4503 or	CHIP TYPE DIODE	1SS352	(1)	223234R2	
D4504	CHIP TYPE DIODE	DA2J10100	1	223303R2	
D4504 or	CHIP TYPE DIODE	1SS352	(1)	223234R2	
D4901	ZENER DIODE	DZ2J082M0L	1	224760820R2	
D4901 or	ZENER DIODE	UDZS8.2B	(1)	224550820R2	
D4902	ZENER DIODE	DZ2J082M0L	1	224760820R2	
D4902 or	ZENER DIODE	UDZS8.2B	(1)	224550820R2	
Q2000	HYBRID IC	TRS3221ECPWR	1	22242805R2	
Q2100	HYBRID IC	NJW1325	1	22242596R3	
Q2700	TRANSISTOR	2SA1201-Y	1	2217554AR2	
Q2701	TRANSISTOR	KRC102S	1	2216190R2	
Q2702	TRANSISTOR	2SA1162-GR	1	2214375R2	
Q2703	TRANSISTOR	KRC102S	1	2216190R2	
Q2711	TRANSISTOR	TTA004B_Q(S)	1	2218012	
Q2712	TRANSISTOR	TTA004B_Q(S)	1	2218012	
Q2713	HYBRID IC	S-816A50AMC-BAZT2U	1	22242915R2	
Q2714	HYBRID IC	S-816A50AMC-BAZT2U	1	22242915R2	
Q2716	HYBRID IC	78M12HF(NJM78M12FA)	1	222780125JRC	
Q2717	TRANSISTOR	2SA1162-GR	1	2214375R2	
Q2718	TRANSISTOR	2SA1162-GR	1	2214375R2	
Q2720	PHOTO COUPLER	TLP785(BL-TP6_F(C	1	24120173R2	
Q2720 or	PHOTO COUPLER	EL816S1(X)(TA)	(1)	24120172R2	
Q2722	TRANSISTOR	2SA1162-GR	1	2214375R2	
Q2723	TRANSISTOR	2SA1162-GR	1	2214375R2	
Q2724	TRANSISTOR	2SC2712-GR	1	2213145R2	
Q2725	TRANSISTOR	2SC2712-GR	1	2213145R2	
Q2726	TRANSISTOR	KRA102S	1	2216220R2	
Q2726 or	TRANSISTOR	RN2402	(1)	2214530R2	
Q2727	TRANSISTOR	KRA102S	1	2216220R2	
Q2727 or	TRANSISTOR	RN2402	(1)	2214530R2	
Q4031	HYBRID IC	NJM4580M-D	1	22241448R2	
Q4101	HYBRID IC	R2A15220FP	1	22242600R3	
Q4111	HYBRID IC	NJM4580M-D	1	22241448R2	
Q4131	HYBRID IC	NJM4580M-D	1	22241448R2	
Q4141	HYBRID IC	NJM4580M-D	1	22241448R2	
Q4142	HYBRID IC	NJM4580M-D	1	22241448R2	
Q4161	HYBRID IC	NJM4580M-D	1	22241448R2	

Q4162	HYBRID IC	NJM4580M-D	1	22241448R2
Q4163	HYBRID IC	NJM4580M-D	1	22241448R2
Q4301	HYBRID IC	R2A15220FP	1	22242600R3
Q4341	HYBRID IC	NJM4580M-D	1	22241448R2
Q4342	HYBRID IC	NJM4580M-D	1	22241448R2
Q4400	HYBRID IC	NJM4580M-D	1	22241448R2
Q4401	HYBRID IC	NJM4580M-D	1	22241448R2
Q4403	TRANSISTOR	RTAN430C-T112-1	1	2217780R2
Q4405	TRANSISTOR	RTAN430C-T112-1	1	2217780R2
Q4407	TRANSISTOR	RTAN430C-T112-1	1	2217780R2
Q4409	TRANSISTOR	RTAN430C-T112-1	1	2217780R2
Q4504	HYBRID IC	NJM4580M-D	1	22241448R2
Q4515	TRANSISTOR	RTAN430C-T112-1	1	2217780R2
Q4515 or	TRANSISTOR	RN1441	(1)	2215410R2
Q4517	TRANSISTOR	RTAN430C-T112-1	1	2217780R2
Q4517 or	TRANSISTOR	RN1441	(1)	2215410R2
Q4520	TRANSISTOR	RTAN430C-T112-1	1	2217780R2
Q4520 or	TRANSISTOR	RN1441	(1)	2215410R2
Q4521	TRANSISTOR	RTAN430C-T112-1	1	2217780R2
Q4521 or	TRANSISTOR	RN1441	(1)	2215410R2
Q4600	TRANSISTOR	RTAN430C-T112-1	1	2217780R2
Q4600 or	TRANSISTOR	RN1441	(1)	2215410R2
Q4601	TRANSISTOR	RTAN430C-T112-1	1	2217780R2
Q4601 or	TRANSISTOR	RN1441	(1)	2215410R2
Q4602	TRANSISTOR	RTAN430C-T112-1	1	2217780R2
Q4602 or	TRANSISTOR	RN1441	(1)	2215410R2
Q4603	TRANSISTOR	RTAN430C-T112-1	1	2217780R2
Q4603 or	TRANSISTOR	RN1441	(1)	2215410R2
Q4604	TRANSISTOR	RTAN430C-T112-1	1	2217780R2
Q4604 or	TRANSISTOR	RN1441	(1)	2215410R2
Q4605	TRANSISTOR	RTAN430C-T112-1	1	2217780R2
Q4605 or	TRANSISTOR	RN1441	(1)	2215410R2
Q4606	TRANSISTOR	RTAN430C-T112-1	1	2217780R2
Q4606 or	TRANSISTOR	RN1441	(1)	2215410R2
Q4607	TRANSISTOR	RTAN430C-T112-1	1	2217780R2
Q4607 or	TRANSISTOR	RN1441	(1)	2215410R2
Q4608	TRANSISTOR	RTAN430C-T112-1	1	2217780R2
Q4608 or	TRANSISTOR	RN1441	(1)	2215410R2
Q4616	TRANSISTOR	RTAN430C-T112-1	1	2217780R2
Q4616 or	TRANSISTOR	RN1441	(1)	2215410R2
Q4618	TRANSISTOR	RTAN430C-T112-1	1	2217780R2
Q4618 or	TRANSISTOR	RN1441	(1)	2215410R2
Q4620	TRANSISTOR	RTAN430C-T112-1	1	2217780R2
Q4620 or	TRANSISTOR	RN1441	(1)	2215410R2
Q4621	TRANSISTOR	RTAN430C-T112-1	1	2217780R2
Q4621 or	TRANSISTOR	RN1441	(1)	2215410R2
Q4622	TRANSISTOR	RTAN430C-T112-1	1	2217780R2
Q4622 or	TRANSISTOR	RN1441	(1)	2215410R2
Q4623	TRANSISTOR	RTAN430C-T112-1	1	2217780R2
Q4623 or	TRANSISTOR	RN1441	(1)	2215410R2
Q4624	TRANSISTOR	RTAN430C-T112-1	1	2217780R2
Q4624 or	TRANSISTOR	RN1441	(1)	2215410R2
Q4625	TRANSISTOR	RTAN430C-T112-1	1	2217780R2
Q4625 or	TRANSISTOR	RN1441	(1)	2215410R2
Q4626	TRANSISTOR	RTAN430C-T112-1	1	2217780R2
Q4627	TRANSISTOR	RTAN430C-T112-1	1	2217780R2
Q4628	TRANSISTOR	RTAN430C-T112-1	1	2217780R2
Q4628 or	TRANSISTOR	RN1441	(1)	2215410R2
Q4629	TRANSISTOR	RTAN430C-T112-1	1	2217780R2
Q4629 or	TRANSISTOR	RN1441	(1)	2215410R2
Q4630	TRANSISTOR	RTAN430C-T112-1	1	2217780R2
Q4630 or	TRANSISTOR	RN1441	(1)	2215410R2
Q4631	TRANSISTOR	RTAN430C-T112-1	1	2217780R2
Q4631 or	TRANSISTOR	RN1441	(1)	2215410R2
Q4640	TRANSISTOR	RTAN430C-T112-1	1	2217780R2
Q4640 or	TRANSISTOR	RN1441	(1)	2215410R2
Q4641	TRANSISTOR	RTAN430C-T112-1	1	2217780R2
Q4641 or	TRANSISTOR	RN1441	(1)	2215410R2



Q4700	HYBRID IC	NJW1194	1	22242893R2	N
Q4901	TRANSISTOR	2SC2712-GR	1	2213145R2	
Q4902	TRANSISTOR	2SA1162-GR	1	2214375R2	
Q4903	TRANSISTOR	2SA1488-Y	1	2203394	
Q4903A	HEAT SINK	ME151025402170	1	27160692	
Q4903B	SCREW	3P+10FN(3BC)	1	82143010GR	
Q4904	TRANSISTOR	2SC3851-Y	1	2203384	
Q4904A	HEAT SINK	ME151025402170	1	27160692	
Q4904B	SCREW	3P+10FN(3BC)	1	82143010GR	
Q4910	HYBRID IC	NE5532APSR	1	22242283R2	
Q4911	TRANSISTOR	RTAN430C-T112-1	1	2217780R2	
Q4921	TRANSISTOR	RTAN430C-T112-1	1	2217780R2	
<b>[TRANS COIL]</b>					
L2000	CHOKE COIL	LBC2518T470M	1	231364M470R2	
L2100	CHOKE COIL	LBC2518T4R7M	1	231364M047R2	
<b>[CAPACITOR]</b>					
C2000	UTSP TYPE ELECTROLYTIC CAPACITOR	CE04W50V-1M(UTSP)	1	397580107AT	
C2001	UTSP TYPE ELECTROLYTIC CAPACITOR	CE04W50V-1M(UTSP)	1	397580107AT	
C2002	UTSP TYPE ELECTROLYTIC CAPACITOR	CE04W50V-1M(UTSP)	1	397580107AT	
C2003	CHIP TYPE CERAMIC CAPACITOR	CK725B1H-102K1	1	332101025R1	
C2004	UTSP TYPE ELECTROLYTIC CAPACITOR	CE04W50V-1M(UTSP)	1	397580107AT	
C2005	UTSP TYPE ELECTROLYTIC CAPACITOR	CE04W10V-100M(UTSP)	1	397531017AT	
C2006	CHIP TYPE CERAMIC CAPACITOR	CK725F1E-104Z1	1	332161040R1	
C2017	TF TYPE PLASTIC FILM CAPACITOR	ECQ-V50V-334J	1	374723344T	
C2018	VR TYPE ELECTROLYTIC CAPACITOR	CE04W16V-4700M(VR)	1	394644727S	
C2019	UTSP TYPE ELECTROLYTIC CAPACITOR	CE04W50V-10M(UTSP)	1	397581007AT	
C2020	TF TYPE PLASTIC FILM CAPACITOR	ECQ-V50V-334J	1	374723344T	
C2021	ELECTROLYTIC CAPACITOR	CE04W18V-10000M(VZ)	1	3945H1037S	
C2025	CHIP TYPE CERAMIC CAPACITOR	CK725F1E-104Z1	1	332161040R1	
C2106	UTSP TYPE ELECTROLYTIC CAPACITOR	CE04W50V-2.2M(UTSP)	1	397580227AT	
C2108	UTSP TYPE ELECTROLYTIC CAPACITOR	CE04W50V-2.2M(UTSP)	1	397580227AT	
C2110	CHIP TYPE CERAMIC CAPACITOR	CK725B1H-102K1	1	332101025R1	
C2111	CHIP TYPE CERAMIC CAPACITOR	CK725F1E-104Z1	1	332161040R1	
C2114	UTSP TYPE ELECTROLYTIC CAPACITOR	CE04W50V-2.2M(UTSP)	1	397580227AT	
C2117	UTSP TYPE ELECTROLYTIC CAPACITOR	CE04W50V-1M(UTSP)	1	397580107AT	
C2119	UTSP TYPE ELECTROLYTIC CAPACITOR	CE04W25V-47M(UTSP)	1	397554707AT	
C2120	CHIP TYPE CERAMIC CAPACITOR	CK725F1E-104Z1	1	332161040R1	
C2122	VR TYPE ELECTROLYTIC CAPACITOR	CE04W6.3V-470M(VR)	1	394624717T	
C2122 or	JAMICON TYPE ELECTROLYTIC CAPACITOR	CE04W6.3V-470M	(1)	398524717T	
C2123	VR TYPE ELECTROLYTIC CAPACITOR	CE04W6.3V-470M(VR)	1	394624717T	
C2123 or	JAMICON TYPE ELECTROLYTIC CAPACITOR	CE04W6.3V-470M	(1)	398524717T	
C2126	CHIP TYPE CERAMIC CAPACITOR	CC725CH1H-151J1	1	342101514R1	
C2127	UTSP TYPE ELECTROLYTIC CAPACITOR	CE04W25V-47M(UTSP)	1	397554707AT	
C2128	CHIP TYPE CERAMIC CAPACITOR	CK725F1E-104Z1	1	332161040R1	
C2129	CHIP TYPE CERAMIC CAPACITOR	CK725B1H-102K1	1	332101025R1	
C2130	VR TYPE ELECTROLYTIC CAPACITOR	CE04W6.3V-470M(VR)	1	394624717T	
C2130 or	JAMICON TYPE ELECTROLYTIC CAPACITOR	CE04W6.3V-470M	(1)	398524717T	
C2131	VR TYPE ELECTROLYTIC CAPACITOR	CE04W6.3V-470M(VR)	1	394624717T	
C2131 or	JAMICON TYPE ELECTROLYTIC CAPACITOR	CE04W6.3V-470M	(1)	398524717T	
C2132	UTSP TYPE ELECTROLYTIC CAPACITOR	CE04W25V-47M(UTSP)	1	397554707AT	
C2134	UTSP TYPE ELECTROLYTIC CAPACITOR	CE04W50V-2.2M(UTSP)	1	397580227AT	
C2135	VR TYPE ELECTROLYTIC CAPACITOR	CE04W6.3V-470M(VR)	1	394624717T	
C2135 or	JAMICON TYPE ELECTROLYTIC CAPACITOR	CE04W6.3V-470M	(1)	398524717T	
C2137	VR TYPE ELECTROLYTIC CAPACITOR	CE04W6.3V-470M(VR)	1	394624717T	
C2137 or	JAMICON TYPE ELECTROLYTIC CAPACITOR	CE04W6.3V-470M	(1)	398524717T	
C2138	UTSP TYPE ELECTROLYTIC CAPACITOR	CE04W25V-47M(UTSP)	1	397554707AT	
C2139	CHIP TYPE CERAMIC CAPACITOR	CK725F1E-104Z1	1	332161040R1	
C2140	UTSP TYPE ELECTROLYTIC CAPACITOR	CE04W25V-47M(UTSP)	1	397554707AT	
C2141	CHIP TYPE CERAMIC CAPACITOR	CK725F1E-104Z1	1	332161040R1	
C2142	UTSP TYPE ELECTROLYTIC CAPACITOR	CE04W50V-2.2M(UTSP)	1	397580227AT	
C2144	UTSP TYPE ELECTROLYTIC CAPACITOR	CE04W25V-47M(UTSP)	1	397554707AT	
C2145	CHIP TYPE CERAMIC CAPACITOR	CK725F1E-104Z1	1	332161040R1	
C2147	CHIP TYPE CERAMIC CAPACITOR	CK725F1E-104Z1	1	332161040R1	
C2148	UTSP TYPE ELECTROLYTIC CAPACITOR	CE04W25V-47M(UTSP)	1	397554707AT	
C2149	CHIP TYPE CERAMIC CAPACITOR	CK725F1E-104Z1	1	332161040R1	
C2150	UTSP TYPE ELECTROLYTIC CAPACITOR	CE04W50V-2.2M(UTSP)	1	397580227AT	
C2152	CHIP TYPE CERAMIC CAPACITOR	CK725B1H-102K1	1	332101025R1	
C2153	UTSP TYPE ELECTROLYTIC CAPACITOR	CE04W50V-2.2M(UTSP)	1	397580227AT	

C2154	UTSP TYPE ELECTROLYTIC CAPACITOR	CE04W25V-47M(UTSP)	1	397554707AT
C2155	CHIP TYPE CERAMIC CAPACITOR	CK725F1E-104Z1	1	332161040R1
C2157	VR TYPE ELECTROLYTIC CAPACITOR	CE04W6.3V-470M(VR)	1	394624717T
C2157 or	JAMICON TYPE ELECTROLYTIC CAPACITOR	CE04W6.3V-470M	(1)	398524717T
C2158	UTSP TYPE ELECTROLYTIC CAPACITOR	CE04W50V-2.2M(UTSP)	1	397580227AT
C2159	VR TYPE ELECTROLYTIC CAPACITOR	CE04W6.3V-470M(VR)	1	394624717T
C2159 or	JAMICON TYPE ELECTROLYTIC CAPACITOR	CE04W6.3V-470M	(1)	398524717T
C2161	VR TYPE ELECTROLYTIC CAPACITOR	CE04W6.3V-470M(VR)	1	394624717T
C2161 or	JAMICON TYPE ELECTROLYTIC CAPACITOR	CE04W6.3V-470M	(1)	398524717T
C2162	UTSP TYPE ELECTROLYTIC CAPACITOR	CE04W50V-2.2M(UTSP)	1	397580227AT
C2165	UTSP TYPE ELECTROLYTIC CAPACITOR	CE04W50V-1M(UTSP)	1	397580107AT
C2167	UTSP TYPE ELECTROLYTIC CAPACITOR	CE04W25V-47M(UTSP)	1	397554707AT
C2168	CHIP TYPE CERAMIC CAPACITOR	CK725F1E-104Z1	1	332161040R1
C2169	CHIP TYPE CERAMIC CAPACITOR	CK725F1E-104Z1	1	332161040R1
C2170	UTSP TYPE ELECTROLYTIC CAPACITOR	CE04W25V-47M(UTSP)	1	397554707AT
C2173	CHIP TYPE CERAMIC CAPACITOR	CK725F1E-104Z1	1	332161040R1
C2174	UTSP TYPE ELECTROLYTIC CAPACITOR	CE04W50V-2.2M(UTSP)	1	397580227AT
C2182	CHIP TYPE CERAMIC CAPACITOR	CK725B1H-102K1	1	332101025R1
C2183	CHIP TYPE CERAMIC CAPACITOR	CC725CH1H-151J1	1	342101514R1
C2703	UTSP TYPE ELECTROLYTIC CAPACITOR	CE04W25V-47M(UTSP)	1	397554707AT
C2705	CHIP TYPE CERAMIC CAPACITOR	CK725F1E-104Z1	1	332161040R1
C2706	CHIP TYPE CERAMIC CAPACITOR	CK725F1E-104Z1	1	332161040R1
C2707	CHIP TYPE CERAMIC CAPACITOR	CK725F1E-104Z1	1	332161040R1
C2708	CHIP TYPE CERAMIC CAPACITOR	CK725F1E-104Z1	1	332161040R1
C2709	CHIP TYPE CERAMIC CAPACITOR	CK725B1H-102K1	1	332101025R1
C2710	CHIP TYPE CERAMIC CAPACITOR	CK725B1H-104K1	1	332101045R1
C2711	CHIP TYPE CERAMIC CAPACITOR	CK725B1H-104K1	1	332101045R1
C2712	CHIP TYPE CERAMIC CAPACITOR	CK725B1H-103K1	1	332101035R1
C2713	CHIP TYPE CERAMIC CAPACITOR	CK725B1H-103K1	1	332101035R1
C2715	UTSP TYPE ELECTROLYTIC CAPACITOR	CE04W50V-10M(UTSP)	1	397581007AT
C2716	UTSP TYPE ELECTROLYTIC CAPACITOR	CE04W50V-10M(UTSP)	1	397581007AT
C2717	VR TYPE ELECTROLYTIC CAPACITOR	CE04W16V-100M(VR)	1	394641017T
C2717 or	JAMICON TYPE ELECTROLYTIC CAPACITOR	CE04W16V-100M	(1)	398541017T
C2718	VR TYPE ELECTROLYTIC CAPACITOR	CE04W16V-100M(VR)	1	394641017T
C2718 or	JAMICON TYPE ELECTROLYTIC CAPACITOR	CE04W16V-100M	(1)	398541017T
C2719	UTSP TYPE ELECTROLYTIC CAPACITOR	CE04W25V-100M(UTSP)	1	397551017AT
C2722	CHIP TYPE CERAMIC CAPACITOR	CK725F1E-104Z1	1	332161040R1
C2723	CHIP TYPE CERAMIC CAPACITOR	CK725F1E-104Z1	1	332161040R1
C4001	UPZ TYPE PLASTIC FILM CAPACITOR	2AUPZTF221JE	1	376332214T
C4002	UPZ TYPE PLASTIC FILM CAPACITOR	2AUPZTF221JE	1	376332214T
C4003	CHIP TYPE CERAMIC CAPACITOR	CC725CH1H-221J1	1	342102214R1
C4004	CHIP TYPE CERAMIC CAPACITOR	CC725CH1H-221J1	1	342102214R1
C4005	CHIP TYPE CERAMIC CAPACITOR	CC725CH1H-221J1	1	342102214R1
C4006	CHIP TYPE CERAMIC CAPACITOR	CC725CH1H-221J1	1	342102214R1
C4007	CHIP TYPE CERAMIC CAPACITOR	CC725CH1H-221J1	1	342102214R1
C4008	CHIP TYPE CERAMIC CAPACITOR	CC725CH1H-221J1	1	342102214R1
C4009	CHIP TYPE CERAMIC CAPACITOR	CC725CH1H-221J1	1	342102214R1
C4010	CHIP TYPE CERAMIC CAPACITOR	CC725CH1H-221J1	1	342102214R1
C4011	CHIP TYPE CERAMIC CAPACITOR	CC725CH1H-221J1	1	342102214R1
C4012	CHIP TYPE CERAMIC CAPACITOR	CC725CH1H-221J1	1	342102214R1
C4031	CHIP TYPE CERAMIC CAPACITOR	CC725CH1H-102J1	1	342101024R1
C4032	CHIP TYPE CERAMIC CAPACITOR	CC725CH1H-102J1	1	342101024R1
C4033	UTSP TYPE ELECTROLYTIC CAPACITOR	CE04W50V 47M(UTSP)	1	397584707AT
C4034	UTSP TYPE ELECTROLYTIC CAPACITOR	CE04W50V 47M(UTSP)	1	397584707AT
C4035	CHIP TYPE CERAMIC CAPACITOR	CC725CH1H-102J1	1	342101024R1
C4036	CHIP TYPE CERAMIC CAPACITOR	CC725CH1H-102J1	1	342101024R1
C4037	UTSP TYPE ELECTROLYTIC CAPACITOR	CE04W25V-220M(UTSP)	1	397552217T
C4038	UTSP TYPE ELECTROLYTIC CAPACITOR	CE04W25V-220M(UTSP)	1	397552217T
C4039	MKT TYPE CAPACITOR	B32529C0332J289	1	376493324T
C4040	MKT TYPE CAPACITOR	B32529C0332J289	1	376493324T
C4041	UPZ TYPE PLASTIC FILM CAPACITOR	2AUPZTF151JE	1	376331514T
C4042	UPZ TYPE PLASTIC FILM CAPACITOR	2AUPZTF151JE	1	376331514T
C4043	UPZ TYPE PLASTIC FILM CAPACITOR	2AUPZTF471JE	1	376334714T
C4044	UPZ TYPE PLASTIC FILM CAPACITOR	2AUPZTF471JE	1	376334714T
C4045	UTSP TYPE ELECTROLYTIC CAPACITOR	CE04W50V-10M(UTSP)	1	397581007AT
C4046	UTSP TYPE ELECTROLYTIC CAPACITOR	CE04W50V-10M(UTSP)	1	397581007AT
C4047	CHIP TYPE CERAMIC CAPACITOR	CC725CH1H-102J1	1	342101024R1
C4048	CHIP TYPE CERAMIC CAPACITOR	CC725CH1H-102J1	1	342101024R1

C4049	UTSP TYPE ELECTROLYTIC CAPACITOR	CE04W25V-220M(UTSP)	1	397552217T
C4050	UTSP TYPE ELECTROLYTIC CAPACITOR	CE04W25V-220M(UTSP)	1	397552217T
C4051	TF TYPE PLASTIC FILM CAPACITOR	ECQ-V50V-123J	1	374721234T
C4052	TF TYPE PLASTIC FILM CAPACITOR	ECQ-V50V-123J	1	374721234T
C4053	CHIP TYPE CERAMIC CAPACITOR	CC725CH1H-102J1	1	342101024R1
C4054	CHIP TYPE CERAMIC CAPACITOR	CK725F1E-104Z1	1	332161040R1
C4055	CHIP TYPE CERAMIC CAPACITOR	CK725F1E-104Z1	1	332161040R1
C4101	UTSP TYPE ELECTROLYTIC CAPACITOR	CE04W25V-220M(UTSP)	1	397552217T
C4102	UTSP TYPE ELECTROLYTIC CAPACITOR	CE04W25V-220M(UTSP)	1	397552217T
C4103	UTSP TYPE ELECTROLYTIC CAPACITOR	CE04W25V-220M(UTSP)	1	397552217T
C4104	UTSP TYPE ELECTROLYTIC CAPACITOR	CE04W25V-220M(UTSP)	1	397552217T
C4105	UTSP TYPE ELECTROLYTIC CAPACITOR	CE04W25V-220M(UTSP)	1	397552217T
C4106	UTSP TYPE ELECTROLYTIC CAPACITOR	CE04W25V-220M(UTSP)	1	397552217T
C4107	UTSP TYPE ELECTROLYTIC CAPACITOR	CE04W25V-220M(UTSP)	1	397552217T
C4108	UTSP TYPE ELECTROLYTIC CAPACITOR	CE04W25V-220M(UTSP)	1	397552217T
C4111	UTSP TYPE ELECTROLYTIC CAPACITOR	CE04W50V 47M(UTSP)	1	397584707AT
C4112	UTSP TYPE ELECTROLYTIC CAPACITOR	CE04W50V 47M(UTSP)	1	397584707AT
C4113	UTSP TYPE ELECTROLYTIC CAPACITOR	CE04W50V 47M(UTSP)	1	397584707AT
C4114	UTSP TYPE ELECTROLYTIC CAPACITOR	CE04W50V 47M(UTSP)	1	397584707AT
C4115	CHIP TYPE CERAMIC CAPACITOR	CC725CH1H-101J1	1	342101014R1
C4116	CHIP TYPE CERAMIC CAPACITOR	CC725CH1H-101J1	1	342101014R1
C4117	UTSP TYPE ELECTROLYTIC CAPACITOR	CE04W50V 47M(UTSP)	1	397584707AT
C4118	UTSP TYPE ELECTROLYTIC CAPACITOR	CE04W50V 47M(UTSP)	1	397584707AT
C4121	CHIP TYPE CERAMIC CAPACITOR	CC725CH1H-102J1	1	342101024R1
C4122	CHIP TYPE CERAMIC CAPACITOR	CC725CH1H-102J1	1	342101024R1
C4125	UTSP TYPE ELECTROLYTIC CAPACITOR	CE04W50V-22M(UTSP)	1	397582207AT
C4126	UTSP TYPE ELECTROLYTIC CAPACITOR	CE04W50V-22M(UTSP)	1	397582207AT
C4127	UTSP TYPE ELECTROLYTIC CAPACITOR	CE04W50V 47M(UTSP)	1	397584707AT
C4128	UTSP TYPE ELECTROLYTIC CAPACITOR	CE04W50V 47M(UTSP)	1	397584707AT
C4131	UTSP TYPE ELECTROLYTIC CAPACITOR	CE04W50V 47M(UTSP)	1	397584707AT
C4132	UTSP TYPE ELECTROLYTIC CAPACITOR	CE04W50V 47M(UTSP)	1	397584707AT
C4133	UTSP TYPE ELECTROLYTIC CAPACITOR	CE04W50V 47M(UTSP)	1	397584707AT
C4134	UTSP TYPE ELECTROLYTIC CAPACITOR	CE04W50V 47M(UTSP)	1	397584707AT
C4135	UTSP TYPE ELECTROLYTIC CAPACITOR	CE04W 16V-470M(UTSP)	1	397544717T
C4136	UTSP TYPE ELECTROLYTIC CAPACITOR	CE04W 16V-470M(UTSP)	1	397544717T
C4143	UTSP TYPE ELECTROLYTIC CAPACITOR	CE04W50V 47M(UTSP)	1	397584707AT
C4144	UTSP TYPE ELECTROLYTIC CAPACITOR	CE04W50V 47M(UTSP)	1	397584707AT
C4165	UTSP TYPE ELECTROLYTIC CAPACITOR	CE04W50V 47M(UTSP)	1	397584707AT
C4168	TF TYPE PLASTIC FILM CAPACITOR	ECQ-V50V-224J	1	374722244T
C4169	UTSP TYPE ELECTROLYTIC CAPACITOR	CE04W50V 47M(UTSP)	1	397584707AT
C4170	UTSP TYPE ELECTROLYTIC CAPACITOR	CE04W50V-1M(UTSP)	1	397580107AT
C4201	UTSP TYPE ELECTROLYTIC CAPACITOR	CE04W50V 47M(UTSP)	1	397584707AT
C4202	UTSP TYPE ELECTROLYTIC CAPACITOR	CE04W50V 47M(UTSP)	1	397584707AT
C4203	UTSP TYPE ELECTROLYTIC CAPACITOR	CE04W50V-22M(UTSP)	1	397582207AT
C4204	UTSP TYPE ELECTROLYTIC CAPACITOR	CE04W50V-22M(UTSP)	1	397582207AT
C4205	UTSP TYPE ELECTROLYTIC CAPACITOR	CE04W50V-22M(UTSP)	1	397582207AT
C4206	UTSP TYPE ELECTROLYTIC CAPACITOR	CE04W50V 47M(UTSP)	1	397584707AT
C4207	UTSP TYPE ELECTROLYTIC CAPACITOR	CE04W50V-22M(UTSP)	1	397582207AT
C4208	UTSP TYPE ELECTROLYTIC CAPACITOR	CE04W50V-22M(UTSP)	1	397582207AT
C4209	UTSP TYPE ELECTROLYTIC CAPACITOR	CE04W50V 47M(UTSP)	1	397584707AT
C4210	UTSP TYPE ELECTROLYTIC CAPACITOR	CE04W50V 47M(UTSP)	1	397584707AT
C4211	UTSP TYPE ELECTROLYTIC CAPACITOR	CE04W50V 47M(UTSP)	1	397584707AT
C4213	UTSP TYPE ELECTROLYTIC CAPACITOR	CE04W50V 47M(UTSP)	1	397584707AT
C4214	UTSP TYPE ELECTROLYTIC CAPACITOR	CE04W50V 47M(UTSP)	1	397584707AT
C4215	UTSP TYPE ELECTROLYTIC CAPACITOR	CE04W50V 47M(UTSP)	1	397584707AT
C4216	UTSP TYPE ELECTROLYTIC CAPACITOR	CE04W50V 47M(UTSP)	1	397584707AT
C4217	UTSP TYPE ELECTROLYTIC CAPACITOR	CE04W50V 47M(UTSP)	1	397584707AT
C4218	UTSP TYPE ELECTROLYTIC CAPACITOR	CE04W50V 47M(UTSP)	1	397584707AT
C4301	UTSP TYPE ELECTROLYTIC CAPACITOR	CE04W50V 47M(UTSP)	1	397584707AT
C4302	UTSP TYPE ELECTROLYTIC CAPACITOR	CE04W50V 47M(UTSP)	1	397584707AT
C4303	TF TYPE PLASTIC FILM CAPACITOR	ECQ-V50V-224J	1	374722244T
C4304	TF TYPE PLASTIC FILM CAPACITOR	ECQ-V50V-473J	1	374724734T
C4305	TF TYPE PLASTIC FILM CAPACITOR	ECQ-V50V-223J	1	374722234T
C4306	TF TYPE PLASTIC FILM CAPACITOR	ECQ-V50V-224J	1	374722244T
C4307	TF TYPE PLASTIC FILM CAPACITOR	ECQ-V50V-473J	1	374724734T
C4308	TF TYPE PLASTIC FILM CAPACITOR	ECQ-V50V-223J	1	374722234T
C4309	UTSP TYPE ELECTROLYTIC CAPACITOR	CE04W25V-220M(UTSP)	1	397552217T
C4310	UTSP TYPE ELECTROLYTIC CAPACITOR	CE04W25V-220M(UTSP)	1	397552217T



C4625	UTSP TYPE ELECTROLYTIC CAPACITOR	CE04W50V 47M(UTSP)	1	397584707AT
C4630	UTSP TYPE ELECTROLYTIC CAPACITOR	CE04W50V 47M(UTSP)	1	397584707AT
C4631	UTSP TYPE ELECTROLYTIC CAPACITOR	CE04W50V 47M(UTSP)	1	397584707AT
C4700	UTSP TYPE ELECTROLYTIC CAPACITOR	CE04W25V-220M(UTSP)	1	397552217T
C4703	UTSP TYPE ELECTROLYTIC CAPACITOR	CE04W25V-220M(UTSP)	1	397552217T
C4706	UTSP TYPE ELECTROLYTIC CAPACITOR	CE04W50V-22M(UTSP)	1	397582207AT
C4707	UTSP TYPE ELECTROLYTIC CAPACITOR	CE04W10V-470M(UTSP)	1	397534717T
C4708	UTSP TYPE ELECTROLYTIC CAPACITOR	CE04W10V-470M(UTSP)	1	397534717T
C4760	UTSP TYPE ELECTROLYTIC CAPACITOR	CE04W50V 47M(UTSP)	1	397584707AT
C4761	CHIP TYPE CERAMIC CAPACITOR	CC725CH1H-221J1	1	342102214R1
C4762	TF TYPE PLASTIC FILM CAPACITOR	ECQ-V50V-103J	1	374721034T
C4763	UTSP TYPE ELECTROLYTIC CAPACITOR	CE04W50V 47M(UTSP)	1	397584707AT
C4764	CHIP TYPE CERAMIC CAPACITOR	CC725CH1H-221J1	1	342102214R1
C4765	TF TYPE PLASTIC FILM CAPACITOR	ECQ-V50V-103J	1	374721034T
C4808	CHIP TYPE CERAMIC CAPACITOR	CC725CH1H-102J1	1	342101024R1
C4840	TF TYPE PLASTIC FILM CAPACITOR	ECQ-V50V-104J	1	374721044T
C4903	UTSP TYPE ELECTROLYTIC CAPACITOR	CE04W50V-22M(UTSP)	1	397582207AT
C4904	UTSP TYPE ELECTROLYTIC CAPACITOR	CE04W50V-22M(UTSP)	1	397582207AT
C4905	UTSP TYPE ELECTROLYTIC CAPACITOR	CE04W25V-220M(UTSP)	1	397552217T
C4906	UTSP TYPE ELECTROLYTIC CAPACITOR	CE04W25V-220M(UTSP)	1	397552217T
C4909	CHIP TYPE CERAMIC CAPACITOR	CC725CH1H-102J1	1	342101024R1
C4910	UTSP TYPE ELECTROLYTIC CAPACITOR	CE04W50V-22M(UTSP)	1	397582207AT
C4911	UTSP TYPE ELECTROLYTIC CAPACITOR	CE04W10V-220M(UTSP)	1	397532217AT
C4912	CHIP TYPE CERAMIC CAPACITOR	CC725CH1H-101J1	1	342101014R1
C4913	CHIP TYPE CERAMIC CAPACITOR	CC725CH1H-101J1	1	342101014R1
C4916	UTSP TYPE ELECTROLYTIC CAPACITOR	CE04W10V-470M(UTSP)	1	397534717T
C4917	UTSP TYPE ELECTROLYTIC CAPACITOR	CE04W10V-470M(UTSP)	1	397534717T
C4920	UTSP TYPE ELECTROLYTIC CAPACITOR	CE04W50V-22M(UTSP)	1	397582207AT
C4921	UTSP TYPE ELECTROLYTIC CAPACITOR	CE04W10V-220M(UTSP)	1	397532217AT
C4922	CHIP TYPE CERAMIC CAPACITOR	CC725CH1H-101J1	1	342101014R1
C4923	CHIP TYPE CERAMIC CAPACITOR	CC725CH1H-101J1	1	342101014R1
<b>[RESISTOR]</b>				
R2000	CHIP TYPE CARBON RESISTOR	RN72K1J-331JE	1	435033314R1
R2001	CHIP TYPE CARBON RESISTOR	RN72K1J-331JE	1	435033314R1
R2002	CHIP TYPE CARBON RESISTOR	RN72K1J-331JE	1	435033314R1
R2003	CHIP TYPE CARBON RESISTOR	RN72K1J-331JE	1	435033314R1
R2004	CHIP TYPE CARBON RESISTOR	RN72K1J-103JE	1	435031034R1
R2005	CHIP TYPE CARBON RESISTOR	RN72K1J-103JE	1	435031034R1
R2006	CHIP TYPE CARBON RESISTOR	RN72K1J-103JE	1	435031034R1
R2007	CHIP TYPE CARBON RESISTOR	RN72K1J-334JE	1	435033344R1
R2014	CHIP TYPE CARBON RESISTOR	RN72K1J-334JE	1	435033344R1
R2016	CHIP TYPE CARBON RESISTOR	RN72K1J-103JE	1	435031034R1
R2026	CHIP TYPE CARBON RESISTOR	RN72K1J-103JE	1	435031034R1
R2027	CHIP TYPE CARBON RESISTOR	RN72K1J-103JE	1	435031034R1
R2031	CHIP TYPE CARBON RESISTOR	RN72K1J-103JE	1	435031034R1
R2107	CHIP TYPE CARBON RESISTOR	RN72K1J-000JE	1	435030004R1
R2108	CHIP TYPE CARBON RESISTOR	RN72K1J-000JE	1	435030004R1
R2109	CHIP TYPE CARBON RESISTOR	RN72K1J-000JE	1	435030004R1
R2110	CHIP TYPE CARBON RESISTOR	RN72K1J-000JE	1	435030004R1
R2111	CHIP TYPE CARBON RESISTOR	RN72K1J-750JE	1	435037504R1
R2112	CHIP TYPE CARBON RESISTOR	RN72K1J-750JE	1	435037504R1
R2116	CHIP TYPE CARBON RESISTOR	RN72K1J-103JE	1	435031034R1
R2117	CHIP TYPE CARBON RESISTOR	RN72K1J-104JE	1	435031044R1
R2118	CHIP TYPE CARBON RESISTOR	RN72K1J-104JE	1	435031044R1
R2119	CHIP TYPE CARBON RESISTOR	RN72K1J-101JE	1	435031014R1
R2120	CHIP TYPE CARBON RESISTOR	RN72K1J-392JE	1	435033924R1
R2124	CHIP TYPE CARBON RESISTOR	RN72K1J-682JE	1	435036824R1
R2125	CHIP TYPE CARBON RESISTOR	RN72K1J-750JE	1	435037504R1
R2127	CHIP TYPE CARBON RESISTOR	RN72K1J-750JE	1	435037504R1
R2129	CHIP TYPE CARBON RESISTOR	RN72K1J-104JE	1	435031044R1
R2130	CHIP TYPE CARBON RESISTOR	RN72K1J-222JE	1	435032224R1
R2131	CHIP TYPE CARBON RESISTOR	RN72K1J-222JE	1	435032224R1
R2132	CHIP TYPE CARBON RESISTOR	RN72K1J-103JE	1	435031034R1
R2133	CHIP TYPE CARBON RESISTOR	RN72K1J-101JE	1	435031014R1
R2134	CHIP TYPE CARBON RESISTOR	RN72K1J-101JE	1	435031014R1
R2135	CHIP TYPE CARBON RESISTOR	RN72K1J-750JE	1	435037504R1
R2136	CHIP TYPE CARBON RESISTOR	RN72K1J-750JE	1	435037504R1
R2137	CHIP TYPE CARBON RESISTOR	RN72K1J-750JE	1	435037504R1













R4913	CHIP TYPE CARBON RESISTOR	RN72K1J-473JE	1	435034734R1	
R4914	CHIP TYPE CARBON RESISTOR	RN72K1J-473JE	1	435034734R1	
R4915	CHIP TYPE CARBON RESISTOR	RN72K1J-473JE	1	435034734R1	
R4916	CHIP TYPE CARBON RESISTOR	RN72K1J-102JE	1	435031024R1	
R4919	CHIP TYPE CARBON RESISTOR	RN72K1J-221JE	1	435032214R1	
R4920	CHIP TYPE CARBON RESISTOR	RN72K1J-100JE	1	435031004R1	
R4921	CHIP TYPE CARBON RESISTOR	RN72K1J-224JE	1	435032244R1	
R4922	CHIP TYPE CARBON RESISTOR	RN72K1J-473JE	1	435034734R1	
R4923	CHIP TYPE CARBON RESISTOR	RN72K1J-473JE	1	435034734R1	
R4924	CHIP TYPE CARBON RESISTOR	RN72K1J-473JE	1	435034734R1	
R4925	CHIP TYPE CARBON RESISTOR	RN72K1J-473JE	1	435034734R1	
R4926	CHIP TYPE CARBON RESISTOR	RN72K1J-102JE	1	435031024R1	
R4929	CHIP TYPE CARBON RESISTOR	RN72K1J-221JE	1	435032214R1	
R4930	CHIP TYPE CARBON RESISTOR	RN72K1J-100JE	1	435031004R1	
R4931	CHIP TYPE CARBON RESISTOR	RN72K1J-100JE	1	435031004R1	
R4932	CHIP TYPE CARBON RESISTOR	RN72K1J-100JE	1	435031004R1	
R4933	CHIP TYPE CARBON RESISTOR	RN72K1J-100JE	1	435031004R1	
R4934	CHIP TYPE CARBON RESISTOR	RN72K1J-100JE	1	435031004R1	
R4935	CHIP TYPE CARBON RESISTOR	RN72K1J-100JE	1	435031004R1	
<b>[SW TRM]</b>					
F2000A	FUSE HOLDER	NSCT-1P2031	1	25052133T	!
F2000B	FUSE HOLDER	NSCT-1P2031	1	25052133T	!
F2002A	FUSE HOLDER	NSCT-1P2031	1	25052133T	!
F2002B	FUSE HOLDER	NSCT-1P2031	1	25052133T	!
P101B	SOCKET	NSCT-7P2100	1	25052203	
P2001A	PLUG	IMSA-9142B-24A	1	25056602	
P2002A	PLUG	IMSA-9142B-26A	1	25056603	
P2003	PLUG	NPLG-5P119	1	25055135	
P2004	SOCKET	MDS-09P-V-01(DSUB9P)	1	25053363	
P2005	RETAINER	(PC-HOLD)	1	27142149	
P2007B	PLUG	NPLG-9P356	1	25055373	
P2100	WIRE HARNESS ASSEMBLY	NSAS-7P2125	1	2009991314UL	
P2100A	WIRE HOL	NSCT-7P878	1	25051091	
P2100Aor	WIRE HOL	CHD-1.5-7	(1)	25053537	
P2101A	SOCKET	NSCT-40P2237	1	25052340	
P2102	PIN JACK	NPJ-9PDGLRGLRGLR563	1	25045781	
P2103	PIN JACK	NPJ-1PDY658	1	25045886	
P2104	TRM-423(SCREW)	NEJITANSI ST3	1	25060495	
P2105	PIN JACK	NPJ-1PDY658	1	25045886	
P2106	PIN JACK	NPJ-3PDYYY560	1	25045778	
P2700	ST JACK	HSJ1002-01-6020	1	25045647	
P2702	ST JACK	HSJ1002-01-6020	1	25045647	
P4031	TERMINAL	NTM-1P232(M1700)	1	25060301	
P4400	SOCKET	AC3MAH1-AU-B	1	25053530	N
P4401	SOCKET	AC3MAH1-AU-B	1	25053530	N
P4410A	WIRE HOL	NSCT-3P874	1	25051087	
P4410Aor	WIRE HOL	CHD-1.5-3	(1)	25053535	
P4410B	WIRE HOL	NSCT-3P874	1	25051087	
P4410Bor	WIRE HOL	CHD-1.5-3	(1)	25053535	
P4500	PIN JACK	NPJ-4PDWWRR624	1	25045845	
P4501	PIN JACK	NPJ-4PDWWRR624	1	25045845	
P4502	PIN JACK	NPJ-6PDWWRRR561	1	25045779	
P4503	PIN JACK	NPJ-2PDWR705	1	25045939A	
P4506	PIN JACK	NPJ-1PDG741	1	25045991	
P4507	PIN JACK	NPJ-6PDLENTP701	1	25045935	
P4508	PIN JACK	NPJ-2PDP686	1	25045918	
P4509	PIN JACK	NPJ-4PDWWRR624	1	25045845	
P4510A	PLUG	IMSA-9142B-26A	1	25056603	
P4511A	PLUG	IMSA-9142B-24A	1	25056602	
P4512B	CRIMP CORD ASSEMBLY	CRIMP SR805_2	1	20799170UL	
P4514	PIN JACK	NPJ-4PDWWRR624	1	25045845	
P6915B	PLUG	NPLG-13P360	1	25055377	
P6916B	PLUG	NPLG-11P358	1	25055375	
P9000B	PLUG	NPLG-7P135	1	25055151	
P9925B	PLUG	NPLG-5P133	1	25055149	

U007

BADG-1625-1F

: NSP

CIRCUIT NO	PART NAME	DESCRIPTION	QTY	PART NO. (SN)	REMARKS
<b>[SEMI CONDUCTOR]</b>					
D1900	PHOTO COUPLER	JSR1165-001recieving	1	24120143	
D1901	PHOTO COUPLER	JSR1165-001recieving	1	24120143	
D7000	CHIP TYPE DIODE	DA2J10100	1	223303R2	
D7000 or	CHIP TYPE DIODE	1SS352	(1)	223234R2	
D7001	CHIP TYPE DIODE	DA2J10100	1	223303R2	
D7001 or	CHIP TYPE DIODE	1SS352	(1)	223234R2	
D7003	CHIP TYPE DIODE	DA2J10100	1	223303R2	
D7003 or	CHIP TYPE DIODE	1SS352	(1)	223234R2	
D7004	CHIP TYPE DIODE	DA2J10100	1	223303R2	
D7004 or	CHIP TYPE DIODE	1SS352	(1)	223234R2	
D7005	CHIP TYPE DIODE	DA2J10100	1	223303R2	
D7005 or	CHIP TYPE DIODE	1SS352	(1)	223234R2	
D9300	DIODE	D3SBA60	1	22380272F	
D9301	ZENER DIODE	DZ2J220M0L	1	224762200R2	
D9301 or	ZENER DIODE	UDZS22B	(1)	224552200R2	
D9302	ZENER DIODE	DZ2J220M0L	1	224762200R2	
D9302 or	ZENER DIODE	UDZS22B	(1)	224552200R2	
D9303	DIODE	RL1N4003	1	22380260T	
D9304	DIODE	RL1N4003	1	22380260T	
D9305	DIODE	RL1N4003	1	22380260T	
D9306	DIODE	RL1N4003	1	22380260T	
D9307	ZENER DIODE	DZ2J130M0L	1	224761300R2	
D9307 or	ZENER DIODE	UDZS13B	(1)	224551300R2	
D9308	ZENER DIODE	DZ2J130M0L	1	224761300R2	
D9308 or	ZENER DIODE	UDZS13B	(1)	224551300R2	
Q1100	HYBRID IC	S-13A1A33-U5T1U3	1	22242844R2	
Q1101	HYBRID IC	BU33TD3WG-TR	1	22242715R2	
Q1200	HYBRID IC	PCM9211PTR	1	22242703R2	
Q1201	HYBRID IC	TC7SZU04FU	1	22242512R2TO	
Q1300	HYBRID IC	PCM1795DBR	1	22242612R2	
Q1301	HYBRID IC	PCM1795DBR	1	22242612R2	
Q1302	HYBRID IC	PCM1795DBR	1	22242612R2	
Q1303	HYBRID IC	PCM1795DBR	1	22242612R2	
Q1304	HYBRID IC	PCM1795DBR	1	22242612R2	
Q1305	HYBRID IC	PCM1795DBR	1	22242612R2	
Q1306	HYBRID IC	PCM1795DBR	1	22242612R2	
Q1307	HYBRID IC	PCM5101APWR	1	22242855R2	
Q1308	HYBRID IC	PCM5101APWR	1	22242855R2	
Q1310	HYBRID IC	NE5532APSR	1	22242283R2	
Q1311	HYBRID IC	NE5532APSR	1	22242283R2	
Q1312	HYBRID IC	NE5532APSR	1	22242283R2	
Q1313	HYBRID IC	NE5532APSR	1	22242283R2	
Q1314	HYBRID IC	NE5532APSR	1	22242283R2	
Q1315	HYBRID IC	NE5532APSR	1	22242283R2	
Q1316	HYBRID IC	NE5532APSR	1	22242283R2	
Q1320	HYBRID IC	NE5532APSR	1	22242283R2	
Q1321	HYBRID IC	NE5532APSR	1	22242283R2	
Q1322	HYBRID IC	NE5532APSR	1	22242283R2	
Q1323	HYBRID IC	NE5532APSR	1	22242283R2	
Q1324	HYBRID IC	NE5532APSR	1	22242283R2	
Q1325	HYBRID IC	NE5532APSR	1	22242283R2	
Q1326	HYBRID IC	NE5532APSR	1	22242283R2	
Q1330	HYBRID IC	NJM4580M-D	1	22241448R2	
Q1331	HYBRID IC	NJM4580M-D	1	22241448R2	
Q1332	HYBRID IC	NJM4580M-D	1	22241448R2	
Q1333	HYBRID IC	NJM4580M-D	1	22241448R2	
Q1334	HYBRID IC	NJM4580M-D	1	22241448R2	
Q1335	HYBRID IC	NJM4580M-D	1	22241448R2	
Q1336	HYBRID IC	NJM4580M-D	1	22241448R2	
Q1900	HYBRID IC	TC74HCU04AF	1	222740046R2TO	
Q7000	TRANSISTOR	KRC107S	1	2216340R2	
Q7000 or	TRANSISTOR	RN1407	(1)	2216260R2	
Q7001	HYBRID IC	BU33TD3WG-TR	1	22242715R2	

Q7002	HYBRID IC	BU33TD3WG-TR	1	22242715R2	
Q7003	HYBRID IC	BU33TD3WG-TR	1	22242715R2	
Q7004	TRANSISTOR	2SA1162-GR	1	2214375R2	
Q7005	HYBRID IC	M95640-WMN6TP	1	22242643R2	
Q7005 or	HYBRID IC	R1EX25064ASA00A	(1)	22242581R2	
Q7005 or	HYBRID IC	BR25S640FJ	(1)	22242761R2	
Q7006	HYBRID IC	PST803C270NM	1	22242894R2	
Q7007	TRANSISTOR	KRA107S	1	2216350R2	
Q7007 or	TRANSISTOR	RN2407(TE85L_F)	(1)	2216360R2	
Q7008	TRANSISTOR	KRC102S	1	2216190R2	
Q7008 or	TRANSISTOR	RN1402	(1)	2214470R2	
Q7009	TRANSISTOR	KRA107S	1	2216350R2	
Q7009 or	TRANSISTOR	RN2407(TE85L_F)	(1)	2216360R2	
Q7010	TRANSISTOR	KRC102S	1	2216190R2	
Q7010 or	TRANSISTOR	RN1402	(1)	2214470R2	
Q7011	HYBRID IC	MPD70F3477AGJA-GAE-G	1	222W0117R3	firmware
Q7012	HYBRID IC	SN74CB3Q3305PWR	1	22242258R2	
Q7013	HYBRID IC	NJM4580M-D	1	22241448R2	
Q7014	HYBRID IC	NJM4580M-D	1	22241448R2	
Q7015	HYBRID IC	NJM4580M-D	1	22241448R2	
Q7016	TRANSISTOR	2SC2712-GR	1	2213145R2	
Q7017	TRANSISTOR	KRC107S	1	2216340R2	
Q7017 or	TRANSISTOR	RN1407	(1)	2216260R2	
Q7018	TRANSISTOR	KRC107S	1	2216340R2	
Q7018 or	TRANSISTOR	RN1407	(1)	2216260R2	
Q7019	TRANSISTOR	KRC107S	1	2216340R2	
Q7019 or	TRANSISTOR	RN1407	(1)	2216260R2	
Q7020	TRANSISTOR	KRC107S	1	2216340R2	
Q7020 or	TRANSISTOR	RN1407	(1)	2216260R2	
Q7021	TRANSISTOR	KRC107S	1	2216340R2	
Q7021 or	TRANSISTOR	RN1407	(1)	2216260R2	
Q7022	TRANSISTOR	KRC107S	1	2216340R2	
Q7022 or	TRANSISTOR	RN1407	(1)	2216260R2	
Q7023	TRANSISTOR	KRC107S	1	2216340R2	
Q7023 or	TRANSISTOR	RN1407	(1)	2216260R2	
Q7024	TRANSISTOR	KRC107S	1	2216340R2	
Q7024 or	TRANSISTOR	RN1407	(1)	2216260R2	
Q7025	TRANSISTOR	KRC107S	1	2216340R2	
Q7025 or	TRANSISTOR	RN1407	(1)	2216260R2	
Q7026	TRANSISTOR	KRC107S	1	2216340R2	
Q7026 or	TRANSISTOR	RN1407	(1)	2216260R2	
Q7027	TRANSISTOR	KRC107S	1	2216340R2	
Q7027 or	TRANSISTOR	RN1407	(1)	2216260R2	
Q7029	TRANSISTOR	KRA102S	1	2216220R2	
Q7029 or	TRANSISTOR	RN2402	(1)	2214530R2	
Q7030	TRANSISTOR	KRA102S	1	2216220R2	
Q7030 or	TRANSISTOR	RN2402	(1)	2214530R2	
Q7031	TRANSISTOR	KRA102S	1	2216220R2	
Q7031 or	TRANSISTOR	RN2402	(1)	2214530R2	
Q7032	TRANSISTOR	KRA102S	1	2216220R2	
Q7032 or	TRANSISTOR	RN2402	(1)	2214530R2	
Q7033	TRANSISTOR	KRA102S	1	2216220R2	
Q7033 or	TRANSISTOR	RN2402	(1)	2214530R2	
Q7034	TRANSISTOR	KRA102S	1	2216220R2	
Q7034 or	TRANSISTOR	RN2402	(1)	2214530R2	
Q7035	TRANSISTOR	KRA102S	1	2216220R2	
Q7035 or	TRANSISTOR	RN2402	(1)	2214530R2	
Q7036	TRANSISTOR	KRA102S	1	2216220R2	
Q7036 or	TRANSISTOR	RN2402	(1)	2214530R2	
Q7037	TRANSISTOR	KRA102S	1	2216220R2	
Q7037 or	TRANSISTOR	RN2402	(1)	2214530R2	
Q7038	TRANSISTOR	KRA102S	1	2216220R2	
Q7038 or	TRANSISTOR	RN2402	(1)	2214530R2	
Q7039	TRANSISTOR	KRA102S	1	2216220R2	
Q7039 or	TRANSISTOR	RN2402	(1)	2214530R2	
Q7042	TRANSISTOR	KRC107S	1	2216340R2	
Q7042 or	TRANSISTOR	RN1407	(1)	2216260R2	
Q7043	TRANSISTOR	KRA102S	1	2216220R2	

Q9302	TRANSISTOR	2SC2881-Y	1	2217564AR2
Q9303	TRANSISTOR	2SC3851-Y	1	2203384
Q9303A	HEAT SINK	ME151025402170	1	27160692
Q9304	TRANSISTOR	2SC3851-Y	1	2203384
Q9304A	HEAT SINK	ME151025402170	1	27160692
<b>[CHASSIS SCREW]</b>				
Q9303B	SCREW	3P+10FN(3BC)	1	82143010GR
Q9304B	SCREW	3P+10FN(3BC)	1	82143010GR
<b>[TRANS COIL]</b>				
L1200	CHOKE COIL	LBC2518T470M	1	231364M470R2
L1201	CHOKE COIL	LBC2518T470M	1	231364M470R2
L1202	EMI SUPPRESSION FILTER	BK1608LM182-T	1	230958R1
L1203	EMI SUPPRESSION FILTER	BK1608LL241-T	1	230959R1
L1204	CHOKE COIL	LBC2518T4R7M	1	231364M047R2
L1205	CHOKE COIL	LBC2518T470M	1	231364M470R2
L1206	EMI SUPPRESSION FILTER	BK1608LL241-T	1	230959R1
L1300	CHOKE COIL	LBC2518T4R7M	1	231364M047R2
L1301	CHOKE COIL	LBC2518T4R7M	1	231364M047R2
L1302	CHOKE COIL	LBC2518T4R7M	1	231364M047R2
L1303	CHOKE COIL	LBC2518T4R7M	1	231364M047R2
L1304	CHOKE COIL	LBC2518T4R7M	1	231364M047R2
L1305	CHOKE COIL	LBC2518T4R7M	1	231364M047R2
L1306	CHOKE COIL	LBC2518T4R7M	1	231364M047R2
L1307	CORE	BLM18PG181SN1D	1	2350005R1
L1308	CORE	BLM18PG181SN1D	1	2350005R1
L1310	CHOKE COIL	LBC2518T4R7M	1	231364M047R2
L1311	CHOKE COIL	LBC2518T4R7M	1	231364M047R2
L1312	CHOKE COIL	LBC2518T4R7M	1	231364M047R2
L1313	CHOKE COIL	LBC2518T4R7M	1	231364M047R2
L1314	CHOKE COIL	LBC2518T4R7M	1	231364M047R2
L1315	CHOKE COIL	LBC2518T4R7M	1	231364M047R2
L1316	CHOKE COIL	LBC2518T4R7M	1	231364M047R2
L1317	CORE	BLM18PG181SN1D	1	2350005R1
L1318	CORE	BLM18PG181SN1D	1	2350005R1
L1320	CHOKE COIL	LBC2518T4R7M	1	231364M047R2
L1321	CHOKE COIL	LBC2518T4R7M	1	231364M047R2
L1322	CHOKE COIL	LBC2518T4R7M	1	231364M047R2
L1323	CHOKE COIL	LBC2518T4R7M	1	231364M047R2
L1324	CHOKE COIL	LBC2518T4R7M	1	231364M047R2
L1325	CHOKE COIL	LBC2518T4R7M	1	231364M047R2
L1326	CHOKE COIL	LBC2518T4R7M	1	231364M047R2
L1330	CHOKE COIL	LBC2518T4R7M	1	231364M047R2
L1331	CHOKE COIL	LBC2518T4R7M	1	231364M047R2
L1332	CHOKE COIL	LBC2518T4R7M	1	231364M047R2
L1333	CHOKE COIL	LBC2518T4R7M	1	231364M047R2
L1334	CHOKE COIL	LBC2518T4R7M	1	231364M047R2
L1335	CHOKE COIL	LBC2518T4R7M	1	231364M047R2
L1336	CHOKE COIL	LBC2518T4R7M	1	231364M047R2
L1900	CHOKE COIL	LBC2518T2R2M	1	231364M022R2
L1901	CHOKE COIL	LBC2518T2R2M	1	231364M022R2
L1902	CHOKE COIL	LBC2518T2R2M	1	231364M022R2
L1903	CHOKE COIL	LBC2518T470M	1	231364M470R2
L1904	EMI SUPPRESSION FILTER	BK1608HS102-T	1	230955R2
L1905	EMI SUPPRESSION FILTER	BK1608HS102-T	1	230955R2
L1906	EMI SUPPRESSION FILTER	BK1608HS102-T	1	230955R2
L1907	CHOKE COIL	LBC2518T470M	1	231364M470R2
X1200	CRYSTAL	HC-49S 9C24.5760M	1	3010516R2
X1201	CRYSTAL	HC-49SMD11.2896MHz	1	3010480R2
X7000	CERAMIC RESONATOR	CSTCR5M00G53-B0	1	3010356R2
<b>[CAPACITOR]</b>				
C1100	UTSP TYPE ELECTROLYTIC CAPACITOR	CE04W25V-47M(UTSP)	1	397554707AT
C1101	CHIP TYPE CERAMIC CAPACITOR	CK725F1E-104Z1	1	332161040R1
C1102	CHIP TYPE CERAMIC CAPACITOR	CK725F1E-104Z1	1	332161040R1
C1105	CHIP TYPE CERAMIC CAPACITOR	CK725F1E-104Z1	1	332161040R1
C1106	CHIP TYPE CERAMIC CAPACITOR	CK725B1H-102K1	1	332101025R1
C1107	UTSP TYPE ELECTROLYTIC CAPACITOR	CE04W25V-47M(UTSP)	1	397554707AT
C1108	CHIP TYPE CERAMIC CAPACITOR	CK725F1E-104Z1	1	332161040R1
C1109	CHIP TYPE CERAMIC CAPACITOR	CK725F1E-104Z1	1	332161040R1

C1110	UTSP TYPE ELECTROLYTIC CAPACITOR	CE04W25V-47M(UTSP)	1	397554707AT
C1111	CHIP TYPE CERAMIC CAPACITOR	CK725B0J-226M	1	332092267R2
C1112	CHIP TYPE CERAMIC CAPACITOR	CK725B0J-226M	1	332092267R2
C1114	CHIP TYPE CERAMIC CAPACITOR	CK725F1E-104Z1	1	332161040R1
C1115	CHIP TYPE CERAMIC CAPACITOR	CK725F1E-104Z1	1	332161040R1
C1116	CHIP TYPE CERAMIC CAPACITOR	CK725F1E-104Z1	1	332161040R1
C1117	CHIP TYPE CERAMIC CAPACITOR	CK725F1E-104Z1	1	332161040R1
C1118	CHIP TYPE CERAMIC CAPACITOR	CK725F1E-104Z1	1	332161040R1
C1120	CHIP TYPE CERAMIC CAPACITOR	CK725F1E-104Z1	1	332161040R1
C1124	CHIP TYPE CERAMIC CAPACITOR	CK725F1E-104Z1	1	332161040R1
C1125	CHIP TYPE CERAMIC CAPACITOR	CK725F1E-104Z1	1	332161040R1
C1200	UTSP TYPE ELECTROLYTIC CAPACITOR	CE04W10V-470M(UTSP)	1	397534717T
C1201	CHIP TYPE CERAMIC CAPACITOR	CC725CH1H-330J1	1	342103304R1
C1202	CHIP TYPE CERAMIC CAPACITOR	CK725B1H-102K1	1	332101025R1
C1203	CHIP TYPE CERAMIC CAPACITOR	CC725CH1H-330J1	1	342103304R1
C1205	CHIP TYPE CERAMIC CAPACITOR	CC725CH1H-330J1	1	342103304R1
C1208	CHIP TYPE CERAMIC CAPACITOR	CK725B1C-104K1	1	332121045R1
C1209	UTSP TYPE ELECTROLYTIC CAPACITOR	CE04W10V-470M(UTSP)	1	397534717T
C1210	CHIP TYPE CERAMIC CAPACITOR	CC725CH1H-150J1	1	342101504R1
C1211	CHIP TYPE CERAMIC CAPACITOR	CK725B1C-104K1	1	332121045R1
C1212	CHIP TYPE CERAMIC CAPACITOR	CC725CH1H-180J1	1	342101804R1
C1213	CHIP TYPE CERAMIC CAPACITOR	CK725B1C-104K1	1	332121045R1
C1214	CHIP TYPE CERAMIC CAPACITOR	CK725B1H-472K1	1	332104725R1
C1215	CHIP TYPE CERAMIC CAPACITOR	CK725B1H-223K1	1	332102235R1
C1216	CHIP TYPE CERAMIC CAPACITOR	CK725B1H-473K1	1	332104735R1
C1217	UTSJ C	CE04W25V-47M(UTSJ)	1	398054707BT
C1218	CHIP TYPE CERAMIC CAPACITOR	CK725B1C-104K1	1	332121045R1
C1219	UTSP TYPE ELECTROLYTIC CAPACITOR	CE04W10V-470M(UTSP)	1	397534717T
C1220	UTSP TYPE ELECTROLYTIC CAPACITOR	CE04W25V-47M(UTSP)	1	397554707AT
C1221	UTSP TYPE ELECTROLYTIC CAPACITOR	CE04W25V-47M(UTSP)	1	397554707AT
C1222	CHIP TYPE CERAMIC CAPACITOR	CC725CH1H-120J1	1	342101204R1
C1223	CHIP TYPE CERAMIC CAPACITOR	CK725B1C-104K1	1	332121045R1
C1224	CHIP TYPE CERAMIC CAPACITOR	CC725CH1H-150J1	1	342101504R1
C1225	CHIP TYPE CERAMIC CAPACITOR	CK725B1H-102K1	1	332101025R1
C1300	CHIP TYPE PLASTIC FILM CAPACITOR	50ST104MA13216	1	376721047R2
C1301	CHIP TYPE PLASTIC FILM CAPACITOR	50ST104MA13216	1	376721047R2
C1302	CHIP TYPE PLASTIC FILM CAPACITOR	50ST104MA13216	1	376721047R2
C1303	CHIP TYPE PLASTIC FILM CAPACITOR	50ST104MA13216	1	376721047R2
C1304	CHIP TYPE PLASTIC FILM CAPACITOR	50ST104MA13216	1	376721047R2
C1305	CHIP TYPE PLASTIC FILM CAPACITOR	50ST104MA13216	1	376721047R2
C1306	CHIP TYPE PLASTIC FILM CAPACITOR	50ST104MA13216	1	376721047R2
C1307	CHIP TYPE CERAMIC CAPACITOR	CK725B1C-104K1	1	332121045R1
C1308	CHIP TYPE CERAMIC CAPACITOR	CK725B1C-104K1	1	332121045R1
C1310	UTSP TYPE ELECTROLYTIC CAPACITOR	CE04W10V-100M(UTSP)	1	397531017AT
C1311	UTSP TYPE ELECTROLYTIC CAPACITOR	CE04W10V-100M(UTSP)	1	397531017AT
C1312	UTSP TYPE ELECTROLYTIC CAPACITOR	CE04W10V-100M(UTSP)	1	397531017AT
C1313	UTSP TYPE ELECTROLYTIC CAPACITOR	CE04W10V-100M(UTSP)	1	397531017AT
C1314	UTSP TYPE ELECTROLYTIC CAPACITOR	CE04W10V-100M(UTSP)	1	397531017AT
C1315	UTSP TYPE ELECTROLYTIC CAPACITOR	CE04W10V-100M(UTSP)	1	397531017AT
C1316	UTSP TYPE ELECTROLYTIC CAPACITOR	CE04W10V-100M(UTSP)	1	397531017AT
C1317	CHIP TYPE CERAMIC CAPACITOR	CK725B1C-104K1	1	332121045R1
C1318	CHIP TYPE CERAMIC CAPACITOR	CK725B1C-104K1	1	332121045R1
C1320	UTSP TYPE ELECTROLYTIC CAPACITOR	CE04W10V-100M(UTSP)	1	397531017AT
C1321	UTSP TYPE ELECTROLYTIC CAPACITOR	CE04W10V-100M(UTSP)	1	397531017AT
C1322	UTSP TYPE ELECTROLYTIC CAPACITOR	CE04W10V-100M(UTSP)	1	397531017AT
C1323	UTSP TYPE ELECTROLYTIC CAPACITOR	CE04W10V-100M(UTSP)	1	397531017AT
C1324	UTSP TYPE ELECTROLYTIC CAPACITOR	CE04W10V-100M(UTSP)	1	397531017AT
C1325	UTSP TYPE ELECTROLYTIC CAPACITOR	CE04W10V-100M(UTSP)	1	397531017AT
C1326	UTSP TYPE ELECTROLYTIC CAPACITOR	CE04W10V-100M(UTSP)	1	397531017AT
C1327	CHIP TYPE CERAMIC CAPACITOR	CK725B1A-225K1	1	332132255R1
C1328	CHIP TYPE CERAMIC CAPACITOR	CK725B1A-225K1	1	332132255R1
C1330	CHIP TYPE PLASTIC FILM CAPACITOR	50ST104MA13216	1	376721047R2
C1331	CHIP TYPE PLASTIC FILM CAPACITOR	50ST104MA13216	1	376721047R2
C1332	CHIP TYPE PLASTIC FILM CAPACITOR	50ST104MA13216	1	376721047R2
C1333	CHIP TYPE PLASTIC FILM CAPACITOR	50ST104MA13216	1	376721047R2
C1334	CHIP TYPE PLASTIC FILM CAPACITOR	50ST104MA13216	1	376721047R2
C1335	CHIP TYPE PLASTIC FILM CAPACITOR	50ST104MA13216	1	376721047R2
C1336	CHIP TYPE PLASTIC FILM CAPACITOR	50ST104MA13216	1	376721047R2







C1913	CHIP TYPE CERAMIC CAPACITOR	CC725CH1H-080D1	1	342100802R1
C1914	CHIP TYPE CERAMIC CAPACITOR	CC725CH1H-080D1	1	342100802R1
C1915	CHIP TYPE CERAMIC CAPACITOR	CK725F1E-104Z1	1	332161040R1
C1916	UTSP TYPE ELECTROLYTIC CAPACITOR	CE04W10V-100M(UTSP)	1	397531017AT
C1917	CHIP TYPE CERAMIC CAPACITOR	CK725F1E-104Z1	1	332161040R1
C1918	CHIP TYPE CERAMIC CAPACITOR	CK725B1H-103K1	1	332101035R1
C1919	CHIP TYPE CERAMIC CAPACITOR	CK725F1E-104Z1	1	332161040R1
C7000	CHIP TYPE CERAMIC CAPACITOR	CK725B25V-105K1	1	332111055R1
C7001	CHIP TYPE CERAMIC CAPACITOR	CK725B25V-105K1	1	332111055R1
C7002	CHIP TYPE CERAMIC CAPACITOR	CK725B25V-105K1	1	332111055R1
C7003	CHIP TYPE CERAMIC CAPACITOR	CK732B16V-106K	1	332071065R2
C7004	CHIP TYPE CERAMIC CAPACITOR	CK732B16V-106K	1	332071065R2
C7005	CHIP TYPE CERAMIC CAPACITOR	CK732B16V-106K	1	332071065R2
C7006	CHIP TYPE CERAMIC CAPACITOR	CK732B16V-106K	1	332071065R2
C7007	CHIP TYPE CERAMIC CAPACITOR	CK725F1E-104Z1	1	332161040R1
C7008	CHIP TYPE CERAMIC CAPACITOR	CK725B1H-102K1	1	332101025R1
C7009	CHIP TYPE CERAMIC CAPACITOR	CK725B1H-102K1	1	332101025R1
C7010	CHIP TYPE CERAMIC CAPACITOR	CK725B1H-102K1	1	332101025R1
C7011	CHIP TYPE CERAMIC CAPACITOR	CK725B1H-102K1	1	332101025R1
C7012	CHIP TYPE CERAMIC CAPACITOR	CK725F1E-104Z1	1	332161040R1
C7013	CHIP TYPE CERAMIC CAPACITOR	CK725F1E-104Z1	1	332161040R1
C7014	CHIP TYPE CERAMIC CAPACITOR	CK725F1A-105Z1	1	332181050R1
C7015	CHIP TYPE CERAMIC CAPACITOR	CK725F1E-104Z1	1	332161040R1
C7016	CHIP TYPE CERAMIC CAPACITOR	CK725F1E-104Z1	1	332161040R1
C7017	CHIP TYPE CERAMIC CAPACITOR	CK725F1E-104Z1	1	332161040R1
C7018	CHIP TYPE CERAMIC CAPACITOR	CK732B16V-106K	1	332071065R2
C7019	CHIP TYPE CERAMIC CAPACITOR	CK725B1H-102K1	1	332101025R1
C7020	CHIP TYPE CERAMIC CAPACITOR	CC725CH1H-101J1	1	342101014R1
C7021	CHIP TYPE CERAMIC CAPACITOR	CC725CH1H-101J1	1	342101014R1
C7022	CHIP TYPE CERAMIC CAPACITOR	CK725F1E-104Z1	1	332161040R1
C7023	CHIP TYPE CERAMIC CAPACITOR	CK725F1E-104Z1	1	332161040R1
C7024	CHIP TYPE CERAMIC CAPACITOR	CK725F1A-105Z1	1	332181050R1
C7025	CHIP TYPE CERAMIC CAPACITOR	CK725B1H-102K1	1	332101025R1
C7026	CHIP TYPE CERAMIC CAPACITOR	CK725B1H-102K1	1	332101025R1
C7027	UTSP TYPE ELECTROLYTIC CAPACITOR	CE04W50V-22M(UTSP)	1	397582207AT
C7028	UTSP TYPE ELECTROLYTIC CAPACITOR	CE04W50V-22M(UTSP)	1	397582207AT
C7029	UTSP TYPE ELECTROLYTIC CAPACITOR	CE04W50V-22M(UTSP)	1	397582207AT
C7030	UTSP TYPE ELECTROLYTIC CAPACITOR	CE04W50V-22M(UTSP)	1	397582207AT
C7031	UTSP TYPE ELECTROLYTIC CAPACITOR	CE04W50V-22M(UTSP)	1	397582207AT
C7032	UTSP TYPE ELECTROLYTIC CAPACITOR	CE04W50V-22M(UTSP)	1	397582207AT
C7033	UTSP TYPE ELECTROLYTIC CAPACITOR	CE04W25V-100M(UTSP)	1	397551017AT
C7034	UTSP TYPE ELECTROLYTIC CAPACITOR	CE04W25V-100M(UTSP)	1	397551017AT
C7035	CHIP TYPE CERAMIC CAPACITOR	CK725B1H-102K1	1	332101025R1
C7036	CHIP TYPE CERAMIC CAPACITOR	CC725CH1H-101J1	1	342101014R1
C7037	CHIP TYPE CERAMIC CAPACITOR	CK725B1H-102K1	1	332101025R1
C7039	CHIP TYPE CERAMIC CAPACITOR	CK725B1H-104K1	1	332101045R1
C7040	CHIP TYPE CERAMIC CAPACITOR	CK725B25V-105K1	1	332111055R1
C7041	CHIP TYPE CERAMIC CAPACITOR	CK725B25V-105K1	1	332111055R1
C7042	CHIP TYPE CERAMIC CAPACITOR	CK725B25V-105K1	1	332111055R1
C7043	CHIP TYPE CERAMIC CAPACITOR	CK725B25V-105K1	1	332111055R1
C7044	CHIP TYPE CERAMIC CAPACITOR	CK725B25V-105K1	1	332111055R1
C7045	CHIP TYPE CERAMIC CAPACITOR	CK725B25V-105K1	1	332111055R1
C7046	CHIP TYPE CERAMIC CAPACITOR	CK725B25V-105K1	1	332111055R1
C7047	CHIP TYPE CERAMIC CAPACITOR	CK725B25V-105K1	1	332111055R1
C7048	CHIP TYPE CERAMIC CAPACITOR	CK725B25V-105K1	1	332111055R1
C7049	CHIP TYPE CERAMIC CAPACITOR	CK725B25V-105K1	1	332111055R1
C7050	CHIP TYPE CERAMIC CAPACITOR	CK725B50V-224K	1	332242245R1
C7052	CHIP TYPE CERAMIC CAPACITOR	CK725B25V-105K1	1	332111055R1
C7053	CHIP TYPE CERAMIC CAPACITOR	CK725B25V-105K1	1	332111055R1
C7054	CHIP TYPE CERAMIC CAPACITOR	CK725B25V-105K1	1	332111055R1
C7055	CHIP TYPE CERAMIC CAPACITOR	CK725B1H-102K1	1	332101025R1
C7057	UTSP TYPE ELECTROLYTIC CAPACITOR	CE04W50V-22M(UTSP)	1	397582207AT
C7058	UTSP TYPE ELECTROLYTIC CAPACITOR	CE04W50V-22M(UTSP)	1	397582207AT
C7059	UTSP TYPE ELECTROLYTIC CAPACITOR	CE04W50V-22M(UTSP)	1	397582207AT
C7060	UTSP TYPE ELECTROLYTIC CAPACITOR	CE04W50V-22M(UTSP)	1	397582207AT
C7061	CHIP TYPE CERAMIC CAPACITOR	CC725CH1H-101J1	1	342101014R1
C7062	CHIP TYPE CERAMIC CAPACITOR	CC725CH1H-101J1	1	342101014R1
C7063	CHIP TYPE CERAMIC CAPACITOR	CK725B25V-105K1	1	332111055R1

C9300	VR TYPE ELECTROLYTIC CAPACITOR	CE04W25V-1000M(VR)	1	394651027S
C9302	UTSP TYPE ELECTROLYTIC CAPACITOR	CE04W25V-220M(UTSP)	1	397552217T
C9303	VR TYPE ELECTROLYTIC CAPACITOR	CE04W100V-47M(VR)	1	394694707T
C9303 or	JAMICON TYPE ELECTROLYTIC CAPACITOR	CE04W100V-47M	(1)	398594707T
C9304	VR TYPE ELECTROLYTIC CAPACITOR	CE04W50V-47M(VR)	1	394684707T
C9304 or	JAMICON TYPE ELECTROLYTIC CAPACITOR	CE04W50V-47M	(1)	398584707T
C9306	UTSP TYPE ELECTROLYTIC CAPACITOR	CE04W25V-220M(UTSP)	1	397552217T
C9307	UTSP TYPE ELECTROLYTIC CAPACITOR	CE04W25V-100M(UTSP)	1	397551017AT
C9309	CHIP TYPE CERAMIC CAPACITOR	CC725CH1H-102J1	1	342101024R1
C9311	CHIP TYPE CERAMIC CAPACITOR	CK725F1E-104Z1	1	332161040R1
C9313	VR TYPE ELECTROLYTIC CAPACITOR	CE04W50V-47M(VR)	1	394684707T
C9313 or	JAMICON TYPE ELECTROLYTIC CAPACITOR	CE04W50V-47M	(1)	398584707T
C9315	CHIP TYPE CERAMIC CAPACITOR	CK725F1E-104Z1	1	332161040R1
C9317	UTSP TYPE ELECTROLYTIC CAPACITOR	CE04W25V-100M(UTSP)	1	397551017AT
<b>[RESISTOR]</b>				
R1101	CHIP TYPE CARBON RESISTOR	RN72K1J-000JE	1	435030004R1
R1104	CHIP TYPE CARBON RESISTOR	RN72K1J-473JE	1	435034734R1
R1105	CHIP TYPE CARBON RESISTOR	RN72K1J-473JE	1	435034734R1
R1109	CHIP TYPE CARBON RESISTOR	RN72K1J-000JE	1	435030004R1
R1110	CHIP TYPE CARBON RESISTOR	RN72K1J-000JE	1	435030004R1
R1200	CHIP TYPE CARBON RESISTOR	RN72K1J-331JE	1	435033314R1
R1201	CHIP TYPE CARBON RESISTOR	RN72K1J-331JE	1	435033314R1
R1202	CHIP TYPE CARBON RESISTOR	RN72K1J-331JE	1	435033314R1
R1203	CHIP TYPE CARBON RESISTOR	RN72K1J-331JE	1	435033314R1
R1204	CHIP TYPE CARBON RESISTOR	RN72K1J-331JE	1	435033314R1
R1205	CHIP TYPE CARBON RESISTOR	RN72K1J-331JE	1	435033314R1
R1206	CHIP TYPE CARBON RESISTOR	RN72K1J-331JE	1	435033314R1
R1207	CHIP TYPE CARBON RESISTOR	RN72K1J-102JE	1	435031024R1
R1208	CHIP TYPE CARBON RESISTOR	RN72K1J-331JE	1	435033314R1
R1209	CHIP TYPE CARBON RESISTOR	RN72K1J-221JE	1	435032214R1
R1210	CHIP TYPE CARBON RESISTOR	RN72K1J-331JE	1	435033314R1
R1211	CHIP TYPE CARBON RESISTOR	RN72K1J-681JE	1	435036814R1
R1212	CHIP TYPE CARBON RESISTOR	RN72K1J-331JE	1	435033314R1
R1213	CHIP TYPE CARBON RESISTOR	RN72K1J-470JE	1	435034704R1
R1214	CHIP TYPE CARBON RESISTOR	RN72K1J-151JE	1	435031514R1
R1215	CHIP TYPE CARBON RESISTOR	RN72K1J-470JE	1	435034704R1
R1216	CHIP TYPE CARBON RESISTOR	RN72K1J-470JE	1	435034704R1
R1217	CHIP TYPE CARBON RESISTOR	RN72K1J-750JE	1	435037504R1
R1218	CHIP TYPE CARBON RESISTOR	RN72K1J-750JE	1	435037504R1
R1219	CHIP TYPE CARBON RESISTOR	RN72K1J-331JE	1	435033314R1
R1220	CHIP TYPE CARBON RESISTOR	RN72K1J-151JE	1	435031514R1
R1221	CHIP TYPE CARBON RESISTOR	RN72K1J-151JE	1	435031514R1
R1222	CHIP TYPE CARBON RESISTOR	RN72K1J-750JE	1	435037504R1
R1223	CHIP TYPE CARBON RESISTOR	RN72K1J-331JE	1	435033314R1
R1224	CHIP TYPE CARBON RESISTOR	RN72K1J-331JE	1	435033314R1
R1225	CHIP TYPE CARBON RESISTOR	RN72K1J-331JE	1	435033314R1
R1226	CHIP TYPE CARBON RESISTOR	RN72K1J-470JE	1	435034704R1
R1229	CHIP TYPE CARBON RESISTOR	RN72K1J-560JE	1	435035604R1
R1230	CHIP TYPE CARBON RESISTOR	RN72K1J-561FE	1	435035612R1
R1231	CHIP TYPE CARBON RESISTOR	RN72K1J-105JE	1	435031054R1
R1232	CHIP TYPE CARBON RESISTOR	RN72K1J-000JE	1	435030004R1
R1233	CHIP TYPE CARBON RESISTOR	RN72K1J-000JE	1	435030004R1
R1234	CHIP TYPE CARBON RESISTOR	RN72K1J-000JE	1	435030004R1
R1235	CHIP RESISTOR NETWORK	YCN104-103-JK	1	43464C10304R1
R1235 or	CHIP RESISTOR NETWORK	RM7LJ103X04	(1)	43484710304R2
R1237	CHIP TYPE CARBON RESISTOR	RN72K1J-103JE	1	435031034R1
R1238	CHIP TYPE CARBON RESISTOR	RN72K1J-103JE	1	435031034R1
R1239	CHIP TYPE CARBON RESISTOR	RN72K1J-000JE	1	435030004R1
R1240	CHIP TYPE CARBON RESISTOR	RN72K1J-000JE	1	435030004R1
R1300	CHIP TYPE CARBON RESISTOR	RN72K1J-103JE	1	435031034R1
R1301	CHIP TYPE CARBON RESISTOR	RN72K1J-103JE	1	435031034R1
R1302	CHIP TYPE CARBON RESISTOR	RN72K1J-103JE	1	435031034R1
R1303	CHIP TYPE CARBON RESISTOR	RN72K1J-103JE	1	435031034R1
R1304	CHIP TYPE CARBON RESISTOR	RN72K1J-103JE	1	435031034R1
R1305	CHIP TYPE CARBON RESISTOR	RN72K1J-103JE	1	435031034R1
R1306	CHIP TYPE CARBON RESISTOR	RN72K1J-103JE	1	435031034R1
R1307	CHIP TYPE CARBON RESISTOR	RN72K1J-331JE	1	435033314R1
R1308	CHIP TYPE CARBON RESISTOR	RN72K1J-331JE	1	435033314R1









R7007	CHIP TYPE CARBON RESISTOR	RN72K1J-473JE	1	435034734R1
R7008	CHIP TYPE CARBON RESISTOR	RN72K1J-473JE	1	435034734R1
R7009	CHIP TYPE CARBON RESISTOR	RN72K1J-104JE	1	435031044R1
R7011	CHIP TYPE CARBON RESISTOR	RN72K1J-105JE	1	435031054R1
R7012	CHIP TYPE CARBON RESISTOR	RN72K1J-105JE	1	435031054R1
R7013	CHIP TYPE CARBON RESISTOR	RN72K1J-101JE	1	435031014R1
R7014	CHIP TYPE CARBON RESISTOR	RN72K1J-103JE	1	435031034R1
R7015	CHIP TYPE CARBON RESISTOR	RN72K1J-470JE	1	435034704R1
R7016	CHIP TYPE CARBON RESISTOR	RN72K1J-470JE	1	435034704R1
R7017	CHIP TYPE CARBON RESISTOR	RN72K1J-473JE	1	435034734R1
R7018	CHIP RESISTOR NETWORK	YCN104-470-JK	1	43464C47004R1
R7018 or	CHIP RESISTOR NETWORK	RM7LJ470X04	(1)	43484747004R2
R7019	CHIP RESISTOR NETWORK	YCN104-470-JK	1	43464C47004R1
R7019 or	CHIP RESISTOR NETWORK	RM7LJ470X04	(1)	43484747004R2
R7025	CHIP TYPE CARBON RESISTOR	RN72K1J-470JE	1	435034704R1
R7026	CHIP TYPE CARBON RESISTOR	RN72K1J-221JE	1	435032214R1
R7027	CHIP RESISTOR NETWORK	YCN104-470-JK	1	43464C47004R1
R7027 or	CHIP RESISTOR NETWORK	RM7LJ470X04	(1)	43484747004R2
R7031	CHIP TYPE CARBON RESISTOR	RN72K1J-470JE	1	435034704R1
R7032	CHIP TYPE CARBON RESISTOR	RN72K1J-470JE	1	435034704R1
R7033	CHIP TYPE CARBON RESISTOR	RN72K1J-470JE	1	435034704R1
R7034	CHIP TYPE CARBON RESISTOR	RN72K1J-221JE	1	435032214R1
R7035	CHIP TYPE CARBON RESISTOR	RN72K1J-221JE	1	435032214R1
R7036	CHIP TYPE CARBON RESISTOR	RN72K1J-102JE	1	435031024R1
R7037	CHIP TYPE CARBON RESISTOR	RN72K1J-102JE	1	435031024R1
R7038	CHIP TYPE CARBON RESISTOR	RN72K1J-470JE	1	435034704R1
R7039	CHIP TYPE CARBON RESISTOR	RN72K1J-470JE	1	435034704R1
R7040	CHIP TYPE CARBON RESISTOR	RN72K1J-470JE	1	435034704R1
R7041	CHIP TYPE CARBON RESISTOR	RN72K1J-470JE	1	435034704R1
R7042	CHIP TYPE CARBON RESISTOR	RN72K1J-221JE	1	435032214R1
R7043	CHIP TYPE CARBON RESISTOR	RN72K1J-221JE	1	435032214R1
R7044	CHIP TYPE CARBON RESISTOR	RN72K1J-221JE	1	435032214R1
R7045	CHIP RESISTOR NETWORK	YCN104-472-JK	1	43464C47204R1
R7045 or	CHIP RESISTOR NETWORK	RM7LJ472X04	(1)	43484747204R2
R7049	CHIP TYPE CARBON RESISTOR	RN72K1J-272JE	1	435032724R1
R7050	CHIP TYPE CARBON RESISTOR	RN72K1J-272JE	1	435032724R1
R7051	CHIP TYPE CARBON RESISTOR	RN72K1J-272JE	1	435032724R1
R7052	CHIP TYPE CARBON RESISTOR	RN72K1J-272JE	1	435032724R1
R7053	CHIP TYPE CARBON RESISTOR	RN72K1J-473JE	1	435034734R1
R7054	CHIP TYPE CARBON RESISTOR	RN72K1J-224JE	1	435032244R1
R7055	CHIP TYPE CARBON RESISTOR	RN72K1J-103JE	1	435031034R1
R7056	CHIP TYPE CARBON RESISTOR	RN72K1J-473JE	1	435034734R1
R7057	CHIP TYPE CARBON RESISTOR	RN72K1J-473JE	1	435034734R1
R7058	CHIP TYPE CARBON RESISTOR	RN72K1J-101JE	1	435031014R1
R7059	CHIP TYPE CARBON RESISTOR	RN72K1J-104JE	1	435031044R1
R7060	CHIP TYPE CARBON RESISTOR	RN72K1J-104JE	1	435031044R1
R7061	CHIP TYPE CARBON RESISTOR	RN72K1J-104JE	1	435031044R1
R7063	CHIP TYPE CARBON RESISTOR	RN72K1J-473JE	1	435034734R1
R7064	CHIP TYPE CARBON RESISTOR	RN72K1J-473JE	1	435034734R1
R7065	CHIP TYPE CARBON RESISTOR	RN72K1J-470JE	1	435034704R1
R7066	CHIP TYPE CARBON RESISTOR	RN72K1J-470JE	1	435034704R1
R7067	CHIP TYPE CARBON RESISTOR	RN72K1J-470JE	1	435034704R1
R7069	CHIP TYPE CARBON RESISTOR	RN72K1J-470JE	1	435034704R1
R7070	CHIP TYPE CARBON RESISTOR	RN72K1J-473JE	1	435034734R1
R7071	CHIP TYPE CARBON RESISTOR	RN72K1J-221JE	1	435032214R1
R7072	CHIP TYPE CARBON RESISTOR	RN72K1J-470JE	1	435034704R1
R7073	CHIP TYPE CARBON RESISTOR	RN72K1J-103JE	1	435031034R1
R7074	CHIP TYPE CARBON RESISTOR	RN72K1J-470JE	1	435034704R1
R7075	CHIP TYPE CARBON RESISTOR	RN72K1J-103JE	1	435031034R1
R7076	CHIP TYPE CARBON RESISTOR	RN72K1J-470JE	1	435034704R1
R7077	CHIP TYPE CARBON RESISTOR	RN72K1J-470JE	1	435034704R1
R7078	CHIP TYPE CARBON RESISTOR	RN72K1J-103JE	1	435031034R1
R7079	CHIP TYPE CARBON RESISTOR	RN72K1J-103JE	1	435031034R1
R7083	CHIP TYPE CARBON RESISTOR	RN72K1J-102JE	1	435031024R1
R7084	CHIP TYPE CARBON RESISTOR	RN72K1J-103JE	1	435031034R1
R7085	CHIP RESISTOR NETWORK	YCN104-470-JK	1	43464C47004R1
R7085 or	CHIP RESISTOR NETWORK	RM7LJ470X04	(1)	43484747004R2
R7088	CHIP TYPE CARBON RESISTOR	RN72K1J-221JE	1	435032214R1







R7244	CHIP TYPE CARBON RESISTOR	RN72K1J-102JE	1	435031024R1	
R7245	CHIP TYPE CARBON RESISTOR	RN72K1J-102JE	1	435031024R1	
R7246	CHIP TYPE CARBON RESISTOR	RN72K1J-102JE	1	435031024R1	
R7247	CHIP TYPE CARBON RESISTOR	RN72K1J-102JE	1	435031024R1	
R7248	CHIP TYPE CARBON RESISTOR	RN72K1J-102JE	1	435031024R1	
R7250	CHIP TYPE CARBON RESISTOR	RN72K1J-000JE	1	435030004R1	
R7251	CHIP TYPE CARBON RESISTOR	RN72K1J-000JE	1	435030004R1	
R7254	CHIP TYPE CARBON RESISTOR	RN72K1J-104JE	1	435031044R1	
R7255	CHIP TYPE CARBON RESISTOR	RN72K1J-104JE	1	435031044R1	
R7256	CHIP TYPE CARBON RESISTOR	RN72K1J-104JE	1	435031044R1	
R7257	CHIP TYPE CARBON RESISTOR	RN72K1J-104JE	1	435031044R1	
R7260	CHIP TYPE CARBON RESISTOR	RN72K1J-103JE	1	435031034R1	
R7261	CHIP TYPE CARBON RESISTOR	RN72K1J-102JE	1	435031024R1	
R7263	CHIP TYPE CARBON RESISTOR	RN72K1J-104JE	1	435031044R1	
R7264	CHIP TYPE CARBON RESISTOR	RN72K1J-104JE	1	435031044R1	
R7265	CHIP TYPE CARBON RESISTOR	RN72K1J-104JE	1	435031044R1	
R7266	CHIP TYPE CARBON RESISTOR	RN72K1J-470JE	1	435034704R1	
R7267	CHIP TYPE CARBON RESISTOR	RN72K1J-103JE	1	435031034R1	
R8030	CHIP TYPE CARBON RESISTOR	RN72K1J-105JE	1	435031054R1	
R8031	CHIP TYPE CARBON RESISTOR	RN72K1J-105JE	1	435031054R1	
R8032	CHIP TYPE CARBON RESISTOR	RN72K1J-105JE	1	435031054R1	
R8033	CHIP TYPE CARBON RESISTOR	RN72K1J-105JE	1	435031054R1	
R9301	CHIP TYPE CARBON RESISTOR	RN72K1J-000JE	1	435030004R1	
R9302	CHIP TYPE CARBON RESISTOR	RN72K1J-000JE	1	435030004R1	
R9303	CHIP TYPE CARBON RESISTOR	RN72K1J-000JE	1	435030004R1	
R9305	CHIP TYPE CARBON RESISTOR	RN72K1J-562JE	1	435035624R1	
R9306	CHIP TYPE CARBON RESISTOR	RN72K1J-333JE	1	435033334R1	
R9307	METAL RESISTOR	RNU1/2WCJ-0.1	1	453531094T	
R9308	METAL RESISTOR	RNU1/2WCJ-8.2	1	453530824T	
R9312	CHIP TYPE CARBON RESISTOR	RN72K1J-047JE	1	435030474R1	
R9313	CHIP TYPE CARBON RESISTOR	RN72K1J-102JE	1	435031024R1	
R9314	CHIP TYPE CARBON RESISTOR	RN72K1J-102JE	1	435031024R1	
R9316	CHIP TYPE CARBON RESISTOR	RN72K1J-102JE	1	435031024R1	
R9317	CHIP TYPE CARBON RESISTOR	RN72K1J-102JE	1	435031024R1	
R9319	CHIP TYPE CARBON RESISTOR	RN72K1J-000JE	1	435030004R1	
<b>[SW TRM]</b>					
F9301	FUSE	T1.25A-SEUL-T250V	1	252398T	N, !
P1008B	PLUG	IMSA-9142B-24A	1	25056602	
P1009B	PLUG	IMSA-9142B-22A	1	25056601	
P1101	TRM-423(SCREW)	NEJITANSI ST3	1	25060495	
P1102	TRM-423(SCREW)	NEJITANSI ST3	1	25060495	
P1103	TRM-423(SCREW)	NEJITANSI ST3	1	25060495	
P1104	TRM-423(SCREW)	NEJITANSI ST3	1	25060495	
P1900A	SOCKET	IMSA-9111S-30L	1	25056701	
P1900B	PLUG	IMSA-9111B-30	1	25056700	
P1903	PIN JACK	NPJ-3PDO656	1	25045884	
P1904	ST JACK	MSJ-035-22	1	25045887	
P1905A	SOCKET	IMSA-9111S-24L	1	25053259	
P1905B	PLUG	IMSA-9111B-24	1	25056625	
P2001B	SOCKET	IMSA-9142S-24A	1	25053234	
P2002B	SOCKET	IMSA-9142S-26A	1	25053235	
P3605B	SOCKET(B to B)	IMSA-9850S-24Y	1	25052815R2	
P3607B	SOCKET(B to B)	IMSA-9850S-24Y	1	25052815R2	
P4510B	SOCKET	IMSA-9142S-26A	1	25053235	
P4511B	SOCKET	IMSA-9142S-24A	1	25053234	
P6601B	PLUG	IMSA-9142B-24A	1	25056602	
P6605B	PLUG	IMSA-9142B-24A	1	25056602	
P6608B	PLUG	NPLG-9P137	1	25055153	
P7000	PLUG	NPLG-2P130	1	25055146	
P7002	SOCKET	IMSA-9618S-09A	1	25053334R2	
P7003	RETAINER	(PTH)	1	27141884-1	
P7004	TRM-423(SCREW)	NEJITANSI ST3	1	25060495	
P7005	TRM-423(SCREW)	NEJITANSI ST3	1	25060495	
P701A	SOCKET	NSCT-23P2414	1	25052517	
P703B	PLUG	NPLG-7P354	1	25055371	
P7100A	PLUG	NPLG-13P141	1	25055157	
P7560B	PLUG	NPLG-3P131	1	25055147	
P8000	SOCKET	MDS-15P-V02(DSUB15)	1	25053362	

P8002A	SOCKET	NSCT-9P2400	1	25052503	
P9300	PLUG	NPLG-7P121	1	25055137	
P953B	PLUG	NPLG-5P133	1	25055149	
RL7000	RELAY	NRL-2P2A-DC12-207	1	25065726	
RL7000 or	RELAY	NRL-2P2A-DC12-178	(1)	25065664	
RL7001	RELAY	NRL-2P2A-DC12-207	1	25065726	
RL7001 or	RELAY	NRL-2P2A-DC12-178	(1)	25065664	
RL7002	RELAY	NRL-2P2A-DC12-207	1	25065726	
RL7002 or	RELAY	NRL-2P2A-DC12-178	(1)	25065664	

U008

BAPRC-1632-1A

: NSP

CIRCUIT NO	PART NAME	DESCRIPTION	QTY	PART NO. (SN)	REMARKS
<b>[SEMI CONDUCTOR]</b>					
D3302	CHIP TYPE DIODE	DA2J10100	1	223303R2	
D3302 or	CHIP TYPE DIODE	1SS352	(1)	223234R2	
D3510	DIODE	RB050M-30GTR	1	22380373R2	
D3511	DIODE	RB050M-30GTR	1	22380373R2	
D8000	CHIP TYPE DIODE	DA2J10100	1	223303R2	
D8000 or	CHIP TYPE DIODE	1SS352	(1)	223234R2	
D8001	CHIP TYPE DIODE	DA2J10100	1	223303R2	
D8001 or	CHIP TYPE DIODE	1SS352	(1)	223234R2	
D8006	CHIP TYPE DIODE	DA2J10100	1	223303R2	
D8006 or	CHIP TYPE DIODE	1SS352	(1)	223234R2	
D8101	DIODE	DAN217T146	1	223285R2	
D8104	ESD D	AOZ8804ADI	1	225502R2	
D8105	ESD D	AOZ8804ADI	1	225502R2	
D8106	ESD D	AOZ8804ADI	1	225502R2	
D8151	CHIP TYPE DIODE	DA2J10100	1	223303R2	
D8151 or	CHIP TYPE DIODE	1SS352	(1)	223234R2	
D8152	CHIP TYPE DIODE	DA2J10100	1	223303R2	
D8152 or	CHIP TYPE DIODE	1SS352	(1)	223234R2	
D8301	ZENER DIODE	DZ2J036M0L	1	224760360R2	
D8301 or	ZENER DIODE	UDZS3.6B	(1)	224550360R2	
D8607	CHIP TYPE DIODE	DA2J10100	1	223303R2	
D8607 or	CHIP TYPE DIODE	1SS352	(1)	223234R2	
D8631	ESD D	AOZ8804ADI	1	225502R2	
D8632	ESD D	AOZ8804ADI	1	225502R2	
D8633	DIODE	DAN217T146	1	223285R2	
D8701	CHIP TYPE DIODE	DA2J10100	1	223303R2	
D8701 or	CHIP TYPE DIODE	1SS352	(1)	223234R2	
D8811	CHIP TYPE DIODE	DA2J10100	1	223303R2	
D8811 or	CHIP TYPE DIODE	1SS352	(1)	223234R2	
D8813	ESD D	AOZ8804ADI	1	225502R2	
D8814	ESD D	AOZ8804ADI	1	225502R2	
D8815	DIODE	DAN217T146	1	223285R2	
D8912	CHIP TYPE DIODE	DA2J10100	1	223303R2	
D8912 or	CHIP TYPE DIODE	1SS352	(1)	223234R2	
D8913	CHIP TYPE DIODE	DA2J10100	1	223303R2	
D8913 or	CHIP TYPE DIODE	1SS352	(1)	223234R2	
D8922	CHIP TYPE DIODE	DA2J10100	1	223303R2	
D8922 or	CHIP TYPE DIODE	1SS352	(1)	223234R2	
D8923	CHIP TYPE DIODE	DA2J10100	1	223303R2	
D8923 or	CHIP TYPE DIODE	1SS352	(1)	223234R2	
D8924	CHIP TYPE DIODE	DA2J10100	1	223303R2	
D8924 or	CHIP TYPE DIODE	1SS352	(1)	223234R2	
D8932	CHIP TYPE DIODE	DA2J10100	1	223303R2	
D8932 or	CHIP TYPE DIODE	1SS352	(1)	223234R2	
D8951	CHIP TYPE DIODE	DA2J10100	1	223303R2	
D8951 or	CHIP TYPE DIODE	1SS352	(1)	223234R2	
D8952	CHIP TYPE DIODE	DA2J10100	1	223303R2	
D8952 or	CHIP TYPE DIODE	1SS352	(1)	223234R2	
D8985	DIODE	RB050M-30GTR	1	22380373R2	
D8986	CHIP TYPE DIODE	DA2J10100	1	223303R2	
D8986 or	CHIP TYPE DIODE	1SS352	(1)	223234R2	

D8987	CHIP TYPE DIODE	DA2J10100	1	223303R2	
D8987 or	CHIP TYPE DIODE	1SS352	(1)	223234R2	
D8988	CHIP TYPE DIODE	DA2J10100	1	223303R2	
D8988 or	CHIP TYPE DIODE	1SS352	(1)	223234R2	
Q3001	HYBRID IC	D830K013DZKB456	1	22242887R3	
Q3002	HYBRID IC	NAND512W3A2SN6E	1	222W0137R3	firmware
Q3003	HYBRID IC	A3V56S40GTP-60RX	1	22242891R2	
Q3003 or	HYBRID IC	EM63A165TSB-6G	(1)	22242829R2	
Q3004	HYBRID IC	A3V56S40GTP-60RX	1	22242891R2	
Q3004 or	HYBRID IC	EM63A165TSB-6G	(1)	22242829R2	
Q3005	HYBRID IC	TC7W32FU	1	22241162R2	
Q3101	HYBRID IC	TPD2E001DRLR	1	22242589R2	
Q3102	HYBRID IC	FP6861C-B1AS5CT	1	22242840R2	
Q3103	HYBRID IC	BU18TD3WG-TR	1	22242716R2	
Q3104	HYBRID IC	TPD2E001DRLR	1	22242589R2	
Q3106	HYBRID IC	BU33TD3WG-TR	1	22242715R2	
Q3107	TRANSISTOR	2SC2712-GR	1	2213145R2	
Q3107 or	TRANSISTOR	KTC3875-GR	(1)	2216175R2	
Q3108	HYBRID IC	KSZ8051RN(L(REVA2)	1	22242723AR2	
Q3108 or	HYBRID IC	KSZ8081RNBCA	(1)	22242921R2	
Q3109	HYBRID IC	S-13A1A13-U5T1U3	1	22242848R2	
Q3110	HYBRID IC	FP6861C-B1AS5CT	1	22242840R2	
Q3111	TRANSISTOR	2SC2712-GR	1	2213145R2	
Q3111 or	TRANSISTOR	KTC3875-GR	(1)	2216175R2	
Q3201	HYBRID IC	PST803C270NM	1	22242894R2	
Q3301	HYBRID IC	74VHC541FT	1	22274541E1R2TO	
Q3304	HYBRID IC	W25Q32FVSSIG	1	222W0135R2	firmware
Q3305	TRANSISTOR ARRAY	UM6K1N	1	226066R2	
Q3305 or	TRANSISTOR ARRAY	UPA672T	(1)	226067R2	
Q3305 or	TRANSISTOR ARRAY	RT3K66M-T111-1	(1)	226069R2	
Q3307	HYBRID IC	S-13A1A12-U5T1U3	1	22242841R2	
Q3361	HYBRID IC	74LCX125FT	1	22274125BR2TO	
Q3362	TRANSISTOR	KRC107S	1	2216340R2	
Q3362 or	TRANSISTOR	RN1407	(1)	2216260R2	
Q3401	HYBRID IC	D810K013DZKB400	1	22242884R3	
Q3403	HYBRID IC	H57V6462GTR-60C	1	22242888R3	
Q3403 or	HYBRID IC	EM638165TSB-7G	(1)	22242775R2	
Q3404	HYBRID IC	H57V6462GTR-60C	1	22242888R3	
Q3404 or	HYBRID IC	EM638165TSB-7G	(1)	22242775R2	
Q3408	HYBRID IC	TC7MBL3245SFT	1	22242539R2TO	
Q3510	HYBRID IC	LCMXO256C-3TN100C	1	222W0127R3	firmware
Q3511	HYBRID IC	PL123-05SI-R	1	22242876R2	
Q3512	TRANSISTOR	KRC107S	1	2216340R2	
Q3512 or	TRANSISTOR	RN1407	(1)	2216260R2	
Q3805	TRANSISTOR	KRC107S	1	2216340R2	
Q3805 or	TRANSISTOR	RN1407	(1)	2216260R2	
Q8000	HYBRID IC	88DE2755B2-BIF2C000-T183	1	22242886R3	
Q8010	HYBRID IC	BU18TD3WG-TR	1	22242716R2	
Q8011	HYBRID IC	S-13A1A15-U5T1U3	1	22242842R2	
Q8012	HYBRID IC	TPS51100DGQR	1	22242711R2	
Q8030	HYBRID IC	TC7WHU04FU(TE12L)	1	22242231R2	
Q8040	HYBRID IC	W25Q128FVFIG	1	222W0136R2	firmware
Q8041	HYBRID IC	74LCX125FT	1	22274125BR2TO	
Q8080	HYBRID IC	H5TQ1G63EFR-PBC	1	22242892R3	
Q8080 or	HYBRID IC	K4B1G1646G-BCK0	(1)	22242710R3	
Q8151	HYBRID IC	SII9575CTUC	1	22242783R3	
Q8152	HYBRID IC	XC6221B132MR	1	22242809R2	
Q8153	HYBRID IC	XC6221B132MR	1	22242809R2	
Q8201	HYBRID IC	ADV7844	1	22242696R3	
Q8202	HYBRID IC	EM638165TSB-7G	1	22242775R2	
Q8202 or	HYBRID IC	H57V6462GTR-60C	(1)	22242888R3	
Q8206	HYBRID IC	BU18TD3WG-TR	1	22242716R2	
Q8301	HYBRID IC	SII9575CTUC	1	22242783R3	
Q8302	HYBRID IC	W25Q80BVSNI	1	222W0132R2	firmware
Q8302 or	HYBRID IC	W25Q80DVSNI	(1)	222W0142R2	firmware
Q8303	TRANSISTOR	2SA1162-GR	1	2214375R2	
Q8303 or	TRANSISTOR	KTA1504-GR	(1)	2216185R2	
Q8304	TRANSISTOR	RN2401(TE85L_F)	1	2214520R2	

Q8304 or	TRANSISTOR	KRA101S	(1)	2217840R2	
Q8305	TRANSISTOR	KRC107S	1	2216340R2	
Q8305 or	TRANSISTOR	RN1407	(1)	2216260R2	
Q8308	TRANSISTOR	RN2401(TE85L_F)	1	2214520R2	
Q8308 or	TRANSISTOR	KRA101S	(1)	2217840R2	
Q8309	TRANSISTOR	KRC107S	1	2216340R2	
Q8309 or	TRANSISTOR	RN1407	(1)	2216260R2	
Q8501	HYBRID IC	W25Q80BVSNI	1	222W0132R2	firmware
Q8501 or	HYBRID IC	W25Q80DVSNI	(1)	222W0142R2	firmware
Q8503	HYBRID IC	SII9679CNUC	1	22242881R3	
Q8505	HYBRID IC	W25Q80BVSNI	1	222W0132R2	firmware
Q8505 or	HYBRID IC	W25Q80DVSNI	(1)	222W0142R2	firmware
Q8507	HYBRID IC	SII9678CNUC	1	22242880R3	
Q8508	HYBRID IC	S-13A1A10-U5T1U3	1	22242889R2	
Q8513	HYBRID IC	BD82065FVJ	1	22242718R2	
Q8604	TRANSISTOR	KRC105S	1	2217290R2	
Q8604 or	TRANSISTOR	RN1405	(1)	2214500R2	
Q8605	TRANSISTOR ARRAY	UM6K1N	1	226066R2	
Q8605 or	TRANSISTOR ARRAY	UPA672T	(1)	226067R2	
Q8605 or	TRANSISTOR ARRAY	RT3K66M-T111-1	(1)	226069R2	
Q8701	HYBRID IC	TMPM361F10FG	1	222W0115R3	firmware
Q8702	TRANSISTOR ARRAY	UM6K1N	1	226066R2	
Q8702 or	TRANSISTOR ARRAY	UPA672T	(1)	226067R2	
Q8702 or	TRANSISTOR ARRAY	RT3K66M-T111-1	(1)	226069R2	
Q8703	HYBRID IC	74LCX125FT	1	22274125BR2TO	
Q8704	TRANSISTOR	KRC107S	1	2216340R2	
Q8704 or	TRANSISTOR	RN1407	(1)	2216260R2	
Q8705	HYBRID IC	74LCX125FT	1	22274125BR2TO	
Q8706	HYBRID IC	74LCX125FT	1	22274125BR2TO	
Q8707	HYBRID IC	74LCX125FT	1	22274125BR2TO	
Q8811	HYBRID IC	XC6221B132MR	1	22242809R2	
Q8812	HYBRID IC	SII9573CTUC	1	22242762R3	
Q8901	HYBRID IC	FR9888CSPCTR	1	22242839R2	
Q8902	TRANSISTOR	2SC2712-GR	1	2213145R2	
Q8902 or	TRANSISTOR	KTC3875-GR	(1)	2216175R2	
Q8911	HYBRID IC	FR9888CSPCTR	1	22242839R2	
Q8912	TRANSISTOR	2SC2712-GR	1	2213145R2	
Q8912 or	TRANSISTOR	KTC3875-GR	(1)	2216175R2	
Q8921	HYBRID IC	FR9888CSPCTR	1	22242839R2	
Q8922	TRANSISTOR	2SC2712-GR	1	2213145R2	
Q8922 or	TRANSISTOR	KTC3875-GR	(1)	2216175R2	
Q8931	HYBRID IC	FR9888CSPCTR	1	22242839R2	
Q8932	TRANSISTOR	2SC2712-GR	1	2213145R2	
Q8932 or	TRANSISTOR	KTC3875-GR	(1)	2216175R2	
Q8941	HYBRID IC	FR9888CSPCTR	1	22242839R2	
Q8951	HYBRID IC	S-1172B50-U5T1G	1	22242765R2	
Q8954	HYBRID IC	MM3404A50NRE	1	22242701R2	
Q8955	HYBRID IC	TPS22924CZPR	1	22242807R2	
Q8956	TRANSISTOR	KRC107S	1	2216340R2	
Q8956 or	TRANSISTOR	RN1407	(1)	2216260R2	
Q8957	HYBRID IC	TPS22924CZPR	1	22242807R2	
Q8958	TRANSISTOR	KRC107S	1	2216340R2	
Q8958 or	TRANSISTOR	RN1407	(1)	2216260R2	
Q8959	HYBRID IC	TPS22924CZPR	1	22242807R2	
Q8960	TRANSISTOR	KRC107S	1	2216340R2	
Q8960 or	TRANSISTOR	RN1407	(1)	2216260R2	
Q8961	HYBRID IC	TPS22924CZPR	1	22242807R2	
Q8962	TRANSISTOR	KRC107S	1	2216340R2	
Q8962 or	TRANSISTOR	RN1407	(1)	2216260R2	
Q8975	HYBRID IC	XC6701B502PR	1	22242808R2	
Q8981	TRANSISTOR	RN2401(TE85L_F)	1	2214520R2	
Q8981 or	TRANSISTOR	KRA101S	(1)	2217840R2	
Q8982	TRANSISTOR	KRC107S	1	2216340R2	
Q8982 or	TRANSISTOR	RN1407	(1)	2216260R2	
<b>[TRANS COIL]</b>					
L3001	CORE	BLM15PX121SN1D	1	2350034R1	
L3002	CORE	BLM15PX121SN1D	1	2350034R1	
L3003	CORE	BLM15PX121SN1D	1	2350034R1	

L3004	CORE	BLM15PX121SN1D	1	2350034R1
L3005	CORE	BLM15PX121SN1D	1	2350034R1
L3006	CORE	BLM15PX181SN1D	1	2350033R1
L3007	CORE	BLM15PX181SN1D	1	2350033R1
L3101	CORE	DLP11SA900HL2L	1	2350021R2
L3103	CORE	BLM15PX121SN1D	1	2350034R1
L3104	CORE	BLM15PX121SN1D	1	2350034R1
L3105	CORE	BLM15PX121SN1D	1	2350034R1
L3106	CORE	BLM15PX121SN1D	1	2350034R1
L3107	CORE	BLM15PX181SN1D	1	2350033R1
L3108	CORE	BLM15PX181SN1D	1	2350033R1
L3109	CORE	BLM15PX121SN1D	1	2350034R1
L3110	CORE	BLM15PX121SN1D	1	2350034R1
L3111	CORE	BLM15PX121SN1D	1	2350034R1
L3112	CORE	DLP11SA900HL2L	1	2350021R2
L3113	CORE	BLM15PX181SN1D	1	2350033R1
L3114	CORE	BLM15PX181SN1D	1	2350033R1
L3145	CORE	DLP2ADN900HL4L	1	230990R2
L3201	EMI SUPPRESSION FILTER	BLM15BD601SN1D	1	2350037R1
L3203	EMI SUPPRESSION FILTER	BLM15BD601SN1D	1	2350037R1
L3209	EMI SUPPRESSION FILTER	BLM15BD601SN1D	1	2350037R1
L3301	CORE	BLM15PX121SN1D	1	2350034R1
L3302	EMI SUPPRESSION FILTER	BLM15BD601SN1D	1	2350037R1
L3303	EMI SUPPRESSION FILTER	BLM15BD601SN1D	1	2350037R1
L3304	CORE	BLM15PX121SN1D	1	2350034R1
L3305	CORE	BLM15PX181SN1D	1	2350033R1
L3306	CORE	BLM15PX181SN1D	1	2350033R1
L3308	EMI SUPPRESSION FILTER	BLM15BD601SN1D	1	2350037R1
L3381	CORE	BLM15PX181SN1D	1	2350033R1
L3402	CORE	BLM15PX121SN1D	1	2350034R1
L3403	CORE	BLM15PX121SN1D	1	2350034R1
L3404	CORE	BLM15PX121SN1D	1	2350034R1
L3405	CORE	BLM15PX121SN1D	1	2350034R1
L3410	CORE	BLM15PX121SN1D	1	2350034R1
L3510	CORE	BLM15PX181SN1D	1	2350033R1
L3511	EMI SUPPRESSION FILTER	BLM15BD601SN1D	1	2350037R1
L3512	EMI SUPPRESSION FILTER	BLM15BD601SN1D	1	2350037R1
L3514	EMI SUPPRESSION FILTER	BLM15BD601SN1D	1	2350037R1
L3516	CORE	BLM15PX181SN1D	1	2350033R1
L3517	CORE	BK1005LL241-T	1	2350032R1
L3802	CORE	BLM15PX121SN1D	1	2350034R1
L3803	EMI SUPPRESSION FILTER	BLM15BD601SN1D	1	2350037R1
L8000	CORE	BLM15PX181SN1D	1	2350033R1
L8001	CORE	BLM15PX181SN1D	1	2350033R1
L8003	CORE	BLM15PX181SN1D	1	2350033R1
L8004	CORE	BLM15PX181SN1D	1	2350033R1
L8005	CORE	BLM15PX181SN1D	1	2350033R1
L8006	CORE	BLM15PX181SN1D	1	2350033R1
L8007	CORE	BLM15PX181SN1D	1	2350033R1
L8008	CORE	BLM15PX181SN1D	1	2350033R1
L8009	CORE	BLM15PX181SN1D	1	2350033R1
L8010	CORE	BLM15PX181SN1D	1	2350033R1
L8011	CORE	BLM15PX181SN1D	1	2350033R1
L8012	CORE	BLM15PX181SN1D	1	2350033R1
L8013	CORE	BLM15PX181SN1D	1	2350033R1
L8081	CORE	BLM15PX181SN1D	1	2350033R1
L8102	CORE	BLM15PX181SN1D	1	2350033R1
L8151	CORE	BLM15PX181SN1D	1	2350033R1
L8152	CORE	BLM15PX181SN1D	1	2350033R1
L8153	CORE	BLM15PX181SN1D	1	2350033R1
L8154	CORE	BLM15PX181SN1D	1	2350033R1
L8155	CORE	BLM15PX181SN1D	1	2350033R1
L8156	CORE	BLM15PX181SN1D	1	2350033R1
L8202	CORE	BLM15PX181SN1D	1	2350033R1
L8203	CORE	BLM15PX181SN1D	1	2350033R1
L8204	CORE	BLM15PX181SN1D	1	2350033R1
L8205	CORE	BLM15PX181SN1D	1	2350033R1
L8206	CORE	BLM15PX181SN1D	1	2350033R1

L8207	CORE	BLM15PX181SN1D	1	2350033R1
L8208	CORE	BLM15PX181SN1D	1	2350033R1
L8301	CORE	BLM15PX181SN1D	1	2350033R1
L8302	CORE	BLM15PX181SN1D	1	2350033R1
L8303	CORE	BLM15PX181SN1D	1	2350033R1
L8304	CORE	BLM15PX181SN1D	1	2350033R1
L8305	CORE	BLM15PX181SN1D	1	2350033R1
L8306	CORE	BLM15PX181SN1D	1	2350033R1
L8307	CORE	BLM15PX181SN1D	1	2350033R1
L8308	EMI SUPPRESSION FILTER	BLM15BD601SN1D	1	2350037R1
L8309	EMI SUPPRESSION FILTER	BLM15BD601SN1D	1	2350037R1
L8502	CORE	BLM15PX181SN1D	1	2350033R1
L8503	CORE	BLM15PX181SN1D	1	2350033R1
L8504	CORE	BLM15PX181SN1D	1	2350033R1
L8505	CORE	BLM15PX181SN1D	1	2350033R1
L8506	CORE	BLM15PX181SN1D	1	2350033R1
L8507	CORE	BLM15PX181SN1D	1	2350033R1
L8508	CORE	BLM15PX181SN1D	1	2350033R1
L8509	CORE	BLM15PX181SN1D	1	2350033R1
L8510	CORE	BLM15PX181SN1D	1	2350033R1
L8511	CORE	BLM15PX181SN1D	1	2350033R1
L8512	CORE	BLM15PX181SN1D	1	2350033R1
L8513	CORE	BLM15PX181SN1D	1	2350033R1
L8514	CORE	BLM15PX181SN1D	1	2350033R1
L8515	CORE	BLM15PX181SN1D	1	2350033R1
L8516	CORE	BLM15PX181SN1D	1	2350033R1
L8518	CORE	BLM15PX121SN1D	1	2350034R1
L8601	CORE	BLM15PX181SN1D	1	2350033R1
L8603	CORE	BLM15PX181SN1D	1	2350033R1
L8701	CORE	BLM15PX181SN1D	1	2350033R1
L8811	CORE	BLM15PX181SN1D	1	2350033R1
L8812	CORE	BLM15PX181SN1D	1	2350033R1
L8813	CORE	BLM15PX181SN1D	1	2350033R1
L8814	CORE	BLM15PX181SN1D	1	2350033R1
L8815	CORE	BLM15PX181SN1D	1	2350033R1
L8816	CORE	BLM15PX181SN1D	1	2350033R1
L8901	CHOKE COIL	BLM21PG221SN1	1	230949R2
L8902	CHOKE COIL	C6-K5RA-10UH	1	231451P100R2
L8903	CHOKE COIL	BLM21PG221SN1	1	230949R2
L8904	CHOKE COIL	BLM21PG221SN1	1	230949R2
L8911	CHOKE COIL	BLM21PG221SN1	1	230949R2
L8912	CHOKE COIL	C6-K5RA-10UH	1	231451P100R2
L8913	CHOKE COIL	BLM21PG221SN1	1	230949R2
L8914	CHOKE COIL	BLM21PG221SN1	1	230949R2
L8921	CHOKE COIL	BLM21PG221SN1	1	230949R2
L8922	CHOKE COIL	C6-K5RA-10UH	1	231451P100R2
L8923	CHOKE COIL	BLM21PG221SN1	1	230949R2
L8924	CHOKE COIL	BLM21PG221SN1	1	230949R2
L8931	CHOKE COIL	BLM21PG221SN1	1	230949R2
L8932	CHOKE COIL	C6-K5RA-10UH	1	231451P100R2
L8933	CHOKE COIL	BLM21PG221SN1	1	230949R2
L8934	CHOKE COIL	BLM21PG221SN1	1	230949R2
L8941	CHOKE COIL	BLM21PG221SN1	1	230949R2
L8942	CHOKE COIL	C6-K5RA-10UH	1	231451P100R2
L8943	CHOKE COIL	BLM21PG221SN1	1	230949R2
L8944	CHOKE COIL	BLM21PG221SN1	1	230949R2
L8951	CORE	BLM15PX181SN1D	1	2350033R1
X3001	CRYSTAL	HC-49S 9C24.0000M	1	3010515R2
X3110	CRYSTAL	HC-49S 9C25.0000M	1	3010517R2
X3401	CRYSTAL	HC-49S 9C20.0000M	1	3010514R2
X8000	CRYSTAL	HC-49S 9C20.0000M	1	3010514R2
X8151	CRYSTAL	HC-49S 9C27.0000M	1	3010518R2
X8201	CRYSTAL	HC-49S 9C28.6363M	1	3010519R2
X8301	CRYSTAL	HC-49S 9C27.0000M	1	3010518R2
X8701	CERAMIC RESONATOR	CSTCE8M00G55-R0	1	3010416R2
X8811	CRYSTAL	HC-49S 9C27.0000M	1	3010518R2
[CAPACITOR]				
C3001	CHIP TYPE CERAMIC CAPACITOR	CK725B1A-105K0	1	332001055R1

























C8904	CHIP TYPE CERAMIC CAPACITOR	CK725B1E-106K	1	332221065R2
C8905	CHIP TYPE CERAMIC CAPACITOR	CK725B1H-103K0	1	332031035R1
C8908	CHIP TYPE CERAMIC CAPACITOR	CK725B0J-226M	1	332092267R2
C8909	CHIP TYPE CERAMIC CAPACITOR	CK725B0J-226M	1	332092267R2
C8911	CHIP TYPE CERAMIC CAPACITOR	CK725B1H-103K0	1	332031035R1
C8912	CHIP TYPE CERAMIC CAPACITOR	CK725B1C-104K0	1	332011045R1
C8913	CHIP TYPE CERAMIC CAPACITOR	CK725B1E-106K	1	332221065R2
C8914	CHIP TYPE CERAMIC CAPACITOR	CK725B1E-106K	1	332221065R2
C8915	CHIP TYPE CERAMIC CAPACITOR	CK725B1H-103K0	1	332031035R1
C8918	CHIP TYPE CERAMIC CAPACITOR	CK725B0J-226M	1	332092267R2
C8919	CHIP TYPE CERAMIC CAPACITOR	CK725B0J-226M	1	332092267R2
C8921	CHIP TYPE CERAMIC CAPACITOR	CK725B1H-103K0	1	332031035R1
C8922	CHIP TYPE CERAMIC CAPACITOR	CK725B1C-104K0	1	332011045R1
C8923	CHIP TYPE CERAMIC CAPACITOR	CK725B1E-106K	1	332221065R2
C8924	CHIP TYPE CERAMIC CAPACITOR	CK725B1E-106K	1	332221065R2
C8925	CHIP TYPE CERAMIC CAPACITOR	CK725B1H-103K0	1	332031035R1
C8928	CHIP TYPE CERAMIC CAPACITOR	CK725B0J-226M	1	332092267R2
C8929	CHIP TYPE CERAMIC CAPACITOR	CK725B0J-226M	1	332092267R2
C8931	CHIP TYPE CERAMIC CAPACITOR	CK725B1H-103K0	1	332031035R1
C8932	CHIP TYPE CERAMIC CAPACITOR	CK725B1C-104K0	1	332011045R1
C8933	CHIP TYPE CERAMIC CAPACITOR	CK725B1E-106K	1	332221065R2
C8934	CHIP TYPE CERAMIC CAPACITOR	CK725B1E-106K	1	332221065R2
C8935	CHIP TYPE CERAMIC CAPACITOR	CK725B1H-103K0	1	332031035R1
C8938	CHIP TYPE CERAMIC CAPACITOR	CK725B0J-226M	1	332092267R2
C8939	CHIP TYPE CERAMIC CAPACITOR	CK725B0J-226M	1	332092267R2
C8941	CHIP TYPE CERAMIC CAPACITOR	CK725B1H-103K0	1	332031035R1
C8942	CHIP TYPE CERAMIC CAPACITOR	CK725B1C-104K0	1	332011045R1
C8943	CHIP TYPE CERAMIC CAPACITOR	CK725B1E-106K	1	332221065R2
C8944	CHIP TYPE CERAMIC CAPACITOR	CK725B1E-106K	1	332221065R2
C8945	CHIP TYPE CERAMIC CAPACITOR	CK725B1H-103K0	1	332031035R1
C8948	CHIP TYPE CERAMIC CAPACITOR	CK725B0J-226M	1	332092267R2
C8949	CHIP TYPE CERAMIC CAPACITOR	CK725B0J-226M	1	332092267R2
C8951	CHIP TYPE CERAMIC CAPACITOR	CK732B16V-106K	1	332071065R2
C8952	CHIP TYPE CERAMIC CAPACITOR	CK725B1A-105K0	1	332001055R1
C8953	CHIP TYPE CERAMIC CAPACITOR	CK725B0J-226M	1	332092267R2
C8954	CHIP TYPE CERAMIC CAPACITOR	CK732B16V-106K	1	332071065R2
C8955	CHIP TYPE CERAMIC CAPACITOR	CK725B1A-105K0	1	332001055R1
C8956	CHIP TYPE CERAMIC CAPACITOR	CK725B1A-105K0	1	332001055R1
C8957	CHIP TYPE CERAMIC CAPACITOR	CK725B1A-105K0	1	332001055R1
C8958	CHIP TYPE CERAMIC CAPACITOR	CK725B1A-105K0	1	332001055R1
C8959	CHIP TYPE CERAMIC CAPACITOR	CK725B1E-106K	1	332221065R2
C8960	CHIP TYPE CERAMIC CAPACITOR	CK725B1A-105K0	1	332001055R1
C8961	CHIP TYPE CERAMIC CAPACITOR	CK725B1A-105K0	1	332001055R1
C8962	CHIP TYPE CERAMIC CAPACITOR	CK725B0J-226M	1	332092267R2
C8963	CHIP TYPE CERAMIC CAPACITOR	CK725B1A-105K0	1	332001055R1
C8964	CHIP TYPE CERAMIC CAPACITOR	CK725B0J-226M	1	332092267R2
C8965	CHIP TYPE CERAMIC CAPACITOR	CK725B1A-105K0	1	332001055R1
C8966	CHIP TYPE CERAMIC CAPACITOR	CK725B0J-226M	1	332092267R2
C8967	CHIP TYPE CERAMIC CAPACITOR	CK725B1A-105K0	1	332001055R1
C8968	CHIP TYPE CERAMIC CAPACITOR	CK725B0J-226M	1	332092267R2
C8969	CHIP TYPE CERAMIC CAPACITOR	CK725B1A-105K0	1	332001055R1
C8970	CHIP TYPE CERAMIC CAPACITOR	CK725B0J-226M	1	332092267R2
C8973	CHIP TYPE CERAMIC CAPACITOR	CK725B0J-226M	1	332092267R2
C8974	CHIP TYPE CERAMIC CAPACITOR	CK725B1A-105K0	1	332001055R1
C8975	CHIP TYPE CERAMIC CAPACITOR	CK725B1E-106K	1	332221065R2
C8976	CHIP TYPE CERAMIC CAPACITOR	CK725B0J-226M	1	332092267R2
C8977	CHIP TYPE CERAMIC CAPACITOR	CK732B16V-106K	1	332071065R2
C8978	CHIP TYPE CERAMIC CAPACITOR	CK732B16V-106K	1	332071065R2
C8979	CHIP TYPE CERAMIC CAPACITOR	CK732B16V-106K	1	332071065R2
C8980	CHIP TYPE CERAMIC CAPACITOR	CK732B16V-106K	1	332071065R2
C8981	CHIP TYPE CERAMIC CAPACITOR	CK725B1H-102K0	1	332031025R1
<b>[RESISTOR]</b>				
R3009	CHIP TYPE CARBON RESISTOR	RN72K1J-330JE	1	435033304R1
R3010	CHIP RESISTOR NETWORK	YCN104-330-JK	1	43464C33004R1
R3010 or	CHIP RESISTOR NETWORK	RM7LJ330X04	(1)	43484733004R2
R3011	CHIP RESISTOR NETWORK	YCN104-330-JK	1	43464C33004R1
R3011 or	CHIP RESISTOR NETWORK	RM7LJ330X04	(1)	43484733004R2
R3012	CHIP RESISTOR NETWORK	YCN104-470-JK	1	43464C47004R1

R3012 or	CHIP RESISTOR NETWORK	RM7LJ470X04	(1)	43484747004R2
R3013	CHIP RESISTOR NETWORK	YCN104-330-JK	1	43464C33004R1
R3013 or	CHIP RESISTOR NETWORK	RM7LJ330X04	(1)	43484733004R2
R3014	CHIP RESISTOR NETWORK	YCN104-330-JK	1	43464C33004R1
R3014 or	CHIP RESISTOR NETWORK	RM7LJ330X04	(1)	43484733004R2
R3015	CHIP RESISTOR NETWORK	YCN104-330-JK	1	43464C33004R1
R3015 or	CHIP RESISTOR NETWORK	RM7LJ330X04	(1)	43484733004R2
R3016	CHIP TYPE CARBON RESISTOR	RN72K1J-470JE	1	435034704R1
R3017	CHIP RESISTOR NETWORK	YCN104-330-JK	1	43464C33004R1
R3017 or	CHIP RESISTOR NETWORK	RM7LJ330X04	(1)	43484733004R2
R3018	CHIP TYPE CARBON RESISTOR	RN72K1J-470JE	1	435034704R1
R3019	CHIP RESISTOR NETWORK	YCN104-330-JK	1	43464C33004R1
R3019 or	CHIP RESISTOR NETWORK	RM7LJ330X04	(1)	43484733004R2
R3020	CHIP RESISTOR NETWORK	YCN104-330-JK	1	43464C33004R1
R3020 or	CHIP RESISTOR NETWORK	RM7LJ330X04	(1)	43484733004R2
R3021	CHIP TYPE CARBON RESISTOR	RN72K1J-470JE	1	435034704R1
R3022	CHIP TYPE CARBON RESISTOR	RN72K1J-470JE	1	435034704R1
R3023	CHIP RESISTOR NETWORK	YCN104-470-JK	1	43464C47004R1
R3023 or	CHIP RESISTOR NETWORK	RM7LJ470X04	(1)	43484747004R2
R3024	CHIP TYPE CARBON RESISTOR	RN72K1J-470JE	1	435034704R1
R3025	CHIP TYPE CARBON RESISTOR	RN72K1J-102JE	1	435031024R1
R3027	CHIP TYPE CARBON RESISTOR	RN72K1J-470JE	1	435034704R1
R3028	CHIP TYPE CARBON RESISTOR	RN72K1J-470JE	1	435034704R1
R3029	CHIP TYPE CARBON RESISTOR	RN72K1J-102JE	1	435031024R1
R3032	CHIP TYPE CARBON RESISTOR	RN72K1J-103JE	1	435031034R1
R3033	CHIP TYPE CARBON RESISTOR	RN72K1J-470JE	1	435034704R1
R3034	CHIP TYPE CARBON RESISTOR	RN72K1J-470JE	1	435034704R1
R3035	CHIP TYPE CARBON RESISTOR	RN72K1J-470JE	1	435034704R1
R3036	CHIP TYPE CARBON RESISTOR	RN72K1J-470JE	1	435034704R1
R3037	CHIP TYPE CARBON RESISTOR	RN72K1J-470JE	1	435034704R1
R3038	CHIP TYPE CARBON RESISTOR	RN72K1J-470JE	1	435034704R1
R3039	CHIP TYPE CARBON RESISTOR	RN72K1J-470JE	1	435034704R1
R3040	CHIP TYPE CARBON RESISTOR	RN72K1J-103JE	1	435031034R1
R3041	CHIP RESISTOR NETWORK	YCN104-330-JK	1	43464C33004R1
R3041 or	CHIP RESISTOR NETWORK	RM7LJ330X04	(1)	43484733004R2
R3042	CHIP RESISTOR NETWORK	YCN104-330-JK	1	43464C33004R1
R3042 or	CHIP RESISTOR NETWORK	RM7LJ330X04	(1)	43484733004R2
R3043	CHIP TYPE CARBON RESISTOR	RN72K1J-000JE	1	435030004R1
R3044	CHIP RESISTOR NETWORK	YCN104-330-JK	1	43464C33004R1
R3044 or	CHIP RESISTOR NETWORK	RM7LJ330X04	(1)	43484733004R2
R3045	CHIP RESISTOR NETWORK	YCN104-330-JK	1	43464C33004R1
R3045 or	CHIP RESISTOR NETWORK	RM7LJ330X04	(1)	43484733004R2
R3047	CHIP TYPE CARBON RESISTOR	RN72K1J-560JE	1	435035604R1
R3048	CHIP TYPE CARBON RESISTOR	RN72K1J-221JE	1	435032214R1
R3049	CHIP TYPE CARBON RESISTOR	RN72K1J-560JE	1	435035604R1
R3050	CHIP TYPE CARBON RESISTOR	RN72K1J-560JE	1	435035604R1
R3051	CHIP TYPE CARBON RESISTOR	RN72K1J-560JE	1	435035604R1
R3054	CHIP TYPE CARBON RESISTOR	RN72K1J-103JE	1	435031034R1
R3056	CHIP TYPE CARBON RESISTOR	RN72K1J-472JE	1	435034724R1
R3060	CHIP TYPE CARBON RESISTOR	RN72K1J-680JE	1	435036804R1
R3061	CHIP TYPE CARBON RESISTOR	RN72K1J-470JE	1	435034704R1
R3062	CHIP TYPE CARBON RESISTOR	RN72K1J-680JE	1	435036804R1
R3063	CHIP TYPE CARBON RESISTOR	RN72K1J-680JE	1	435036804R1
R3064	CHIP TYPE CARBON RESISTOR	RN72K1J-680JE	1	435036804R1
R3065	CHIP TYPE CARBON RESISTOR	RN72K1J-680JE	1	435036804R1
R3066	CHIP TYPE CARBON RESISTOR	RN72K1J-102JE	1	435031024R1
R3101	CHIP TYPE CARBON RESISTOR	RN72K1J-103JE	1	435031034R1
R3104	CHIP TYPE CARBON RESISTOR	RN72K1J-221JE	1	435032214R1
R3105	CHIP TYPE CARBON RESISTOR	RN72K1J-473JE	1	435034734R1
R3106	CHIP TYPE CARBON RESISTOR	RN72K1J-103JE	1	435031034R1
R3108	CHIP TYPE CARBON RESISTOR	RN72K1J-103JE	1	435031034R1
R3109	CHIP TYPE CARBON RESISTOR	RN72K1J-473JE	1	435034734R1
R3111	CHIP TYPE CARBON RESISTOR	RN72K1J-473JE	1	435034734R1
R3113	CHIP TYPE CARBON RESISTOR	RN72K1J-103JE	1	435031034R1
R3115	CHIP TYPE CARBON RESISTOR	RN72K1J-332JE	1	435033324R1
R3117	CHIP TYPE CARBON RESISTOR	RN72K1J-332JE	1	435033324R1
R3119	CHIP TYPE CARBON RESISTOR	RN72K1J-332JE	1	435033324R1
R3122	CHIP TYPE CARBON RESISTOR	RN72K1J-102JE	1	435031024R1

R3123	CHIP TYPE CARBON RESISTOR	RN72K1J-000JE	1	435030004R1
R3124	CHIP TYPE CARBON RESISTOR	RN72K1J-331JE	1	435033314R1
R3125	CHIP TYPE CARBON RESISTOR	RN72K1J-470JE	1	435034704R1
R3126	CHIP TYPE CARBON RESISTOR	RN72K1J-470JE	1	435034704R1
R3127	CHIP TYPE CARBON RESISTOR	RN72K1J-470JE	1	435034704R1
R3128	CHIP TYPE CARBON RESISTOR	RN72K1J-472JE	1	435034724R1
R3129	CHIP TYPE CARBON RESISTOR	RN72K1J-470JE	1	435034704R1
R3130	CHIP TYPE CARBON RESISTOR	RN72K1J-470JE	1	435034704R1
R3131	CHIP TYPE CARBON RESISTOR	RN72K1J-470JE	1	435034704R1
R3133	CHIP TYPE CARBON RESISTOR	RN72K1J-470JE	1	435034704R1
R3134	CHIP TYPE CARBON RESISTOR	RN72K1J-103JE	1	435031034R1
R3135	CHIP TYPE CARBON RESISTOR	RN72K1J-103JE	1	435031034R1
R3136	CHIP TYPE CARBON RESISTOR	RN72K1J-000JE	1	435030004R1
R3137	CHIP TYPE CARBON RESISTOR	RN72K1J-000JE	1	435030004R1
R3139	CHIP TYPE CARBON RESISTOR	RN72K1J-101JE	1	435031014R1
R3141	CHIP TYPE CARBON RESISTOR	RN72K1J-470JE	1	435034704R1
R3143	CHIP TYPE CARBON RESISTOR	RN72K1J-392JE	1	435033924R1
R3144	CHIP TYPE CARBON RESISTOR	RN72K1J-101JE	1	435031014R1
R3145	CHIP TYPE CARBON RESISTOR	RN72K1J-392JE	1	435033924R1
R3146	CHIP TYPE CARBON RESISTOR	RN72K1J-390JE	1	435033904R1
R3147	CHIP TYPE CARBON RESISTOR	RN72K1J-000JE	1	435030004R1
R3148	CHIP TYPE CARBON RESISTOR	RN72K1J-390JE	1	435033904R1
R3150	CHIP TYPE CARBON RESISTOR	RN72K1J-220JE	1	435032204R1
R3154	CHIP TYPE CARBON RESISTOR	RN72K1J-390JE	1	435033904R1
R3155	CHIP TYPE CARBON RESISTOR	RN72K1J-390JE	1	435033904R1
R3156	CHIP TYPE CARBON RESISTOR	RN72K1J-390JE	1	435033904R1
R3157	CHIP TYPE CARBON RESISTOR	RN72K1J-000JE	1	435030004R1
R3158	CHIP TYPE CARBON RESISTOR	RN72K1J-000JE	1	435030004R1
R3162	CHIP TYPE CARBON RESISTOR	RN72K1J-390JE	1	435033904R1
R3163	CHIP TYPE CARBON RESISTOR	RN72K1J-220JE	1	435032204R1
R3164	CHIP TYPE CARBON RESISTOR	RN72K1J-472JE	1	435034724R1
R3168	CHIP TYPE CARBON RESISTOR	RN72K1J-220JE	1	435032204R1
R3169	CHIP TYPE CARBON RESISTOR	RN72K1J-680JE	1	435036804R1
R3170	CHIP TYPE CARBON RESISTOR	RN72K1J-391FE	1	435033912R1
R3171	CHIP TYPE CARBON RESISTOR	RN72K1J-222FE	1	435032222R1
R3172	CHIP TYPE CARBON RESISTOR	RN72K1J-392FE	1	435033922R1
R3173	CHIP TYPE CARBON RESISTOR	RN72K1J-390JE	1	435033904R1
R3174	CHIP TYPE CARBON RESISTOR	RN72K1J-390JE	1	435033904R1
R3175	CHIP TYPE CARBON RESISTOR	RN72K1J-472JE	1	435034724R1
R3176	CHIP TYPE CARBON RESISTOR	RN72K1J-473JE	1	435034734R1
R3177	CHIP TYPE CARBON RESISTOR	RN72K1J-103JE	1	435031034R1
R3181	CHIP TYPE CARBON RESISTOR	RN72K1J-470JE	1	435034704R1
R3182	CHIP TYPE CARBON RESISTOR	RN72K1J-472JE	1	435034724R1
R3183	CHIP TYPE CARBON RESISTOR	RN72K1J-470JE	1	435034704R1
R3184	CHIP TYPE CARBON RESISTOR	RN72K1J-470JE	1	435034704R1
R3185	CHIP TYPE CARBON RESISTOR	RN72K1J-473JE	1	435034734R1
R3188	CHIP TYPE CARBON RESISTOR	RN72K1J-473JE	1	435034734R1
R3189	CHIP TYPE CARBON RESISTOR	RN72K1J-473JE	1	435034734R1
R3190	CHIP TYPE CARBON RESISTOR	RN72K1J-472JE	1	435034724R1
R3192	CHIP TYPE CARBON RESISTOR	RN72K1J-472JE	1	435034724R1
R3193	CHIP TYPE CARBON RESISTOR	RN72K1J-472JE	1	435034724R1
R3194	CHIP TYPE CARBON RESISTOR	RN72K1J-472JE	1	435034724R1
R3199	CHIP TYPE CARBON RESISTOR	RN72K1J-102JE	1	435031024R1
R3200	CHIP TYPE CERAMIC CAPACITOR	CK725B1H-102K1	1	332101025R1
R3201	CHIP TYPE CARBON RESISTOR	RN72K1J-000JE	1	435030004R1
R3204	CHIP TYPE CARBON RESISTOR	RN72K1J-103JE	1	435031034R1
R3205	CHIP TYPE CARBON RESISTOR	RN72K1J-103JE	1	435031034R1
R3208	CHIP TYPE CARBON RESISTOR	RN72K1J-121JE	1	435031214R1
R3212	CHIP TYPE CARBON RESISTOR	RN72K1J-470JE	1	435034704R1
R3215	CHIP TYPE CARBON RESISTOR	RN72K1J-221JE	1	435032214R1
R3218	CHIP TYPE CARBON RESISTOR	RN72K1J-470JE	1	435034704R1
R3219	CHIP TYPE CARBON RESISTOR	RN72K1J-221JE	1	435032214R1
R3221	CHIP TYPE CARBON RESISTOR	RN72K1J-470JE	1	435034704R1
R3224	CHIP TYPE CARBON RESISTOR	RN72K1J-331JE	1	435033314R1
R3226	CHIP RESISTOR NETWORK	YCN104-470-JK	1	43464C47004R1
R3226 or	CHIP RESISTOR NETWORK	RM7LJ470X04	(1)	43484747004R2
R3230	CHIP TYPE CARBON RESISTOR	RN72K1J-221JE	1	435032214R1
R3232	CHIP TYPE CARBON RESISTOR	RN72K1J-221JE	1	435032214R1

R3235	CHIP TYPE CARBON RESISTOR	RN72K1J-470JE	1	435034704R1
R3237	CHIP TYPE CARBON RESISTOR	RN72K1J-221JE	1	435032214R1
R3239	CHIP TYPE CARBON RESISTOR	RN72K1J-221JE	1	435032214R1
R3241	CHIP TYPE CARBON RESISTOR	RN72K1J-221JE	1	435032214R1
R3242	CHIP TYPE CARBON RESISTOR	RN72K1J-221JE	1	435032214R1
R3244	CHIP TYPE CARBON RESISTOR	RN72K1J-470JE	1	435034704R1
R3246	CHIP TYPE CARBON RESISTOR	RN72K1J-332JE	1	435033324R1
R3247	CHIP TYPE CARBON RESISTOR	RN72K1J-121JE	1	435031214R1
R3251	CHIP TYPE CARBON RESISTOR	RN72K1J-470JE	1	435034704R1
R3257	CHIP TYPE CARBON RESISTOR	RN72K1J-470JE	1	435034704R1
R3260	CHIP TYPE CARBON RESISTOR	RN72K1J-121JE	1	435031214R1
R3262	CHIP TYPE CARBON RESISTOR	RN72K1J-221JE	1	435032214R1
R3265	CHIP TYPE CARBON RESISTOR	RN72K1J-390JE	1	435033904R1
R3270	CHIP TYPE CARBON RESISTOR	RN72K1J-332JE	1	435033324R1
R3271	CHIP TYPE CARBON RESISTOR	RN72K1J-390JE	1	435033904R1
R3272	CHIP TYPE CARBON RESISTOR	RN72K1J-470JE	1	435034704R1
R3274	CHIP TYPE CARBON RESISTOR	RN72K1J-390JE	1	435033904R1
R3277	CHIP TYPE CARBON RESISTOR	RN72K1J-470JE	1	435034704R1
R3278	CHIP TYPE CARBON RESISTOR	RN72K1J-470JE	1	435034704R1
R3279	CHIP TYPE CARBON RESISTOR	RN72K1J-470JE	1	435034704R1
R3281	CHIP TYPE CARBON RESISTOR	RN72K1J-103JE	1	435031034R1
R3282	CHIP TYPE CARBON RESISTOR	RN72K1J-103JE	1	435031034R1
R3284	CHIP TYPE CARBON RESISTOR	RN72K1J-103JE	1	435031034R1
R3285	CHIP TYPE CARBON RESISTOR	RN72K1J-332JE	1	435033324R1
R3286	CHIP TYPE CARBON RESISTOR	RN72K1J-332JE	1	435033324R1
R3298	CHIP TYPE CARBON RESISTOR	RN72K1J-102JE	1	435031024R1
R3302	CHIP TYPE CARBON RESISTOR	RN72K1J-151JE	1	435031514R1
R3304	CHIP TYPE CARBON RESISTOR	RN72K1J-151JE	1	435031514R1
R3305	CHIP RESISTOR NETWORK	YCN104-470-JK	1	43464C47004R1
R3305 or	CHIP RESISTOR NETWORK	RM7LJ470X04	(1)	43484747004R2
R3306	CHIP RESISTOR NETWORK	YCN104-470-JK	1	43464C47004R1
R3306 or	CHIP RESISTOR NETWORK	RM7LJ470X04	(1)	43484747004R2
R3322	CHIP TYPE CARBON RESISTOR	RN72K1J-000JE	1	435030004R1
R3323	CHIP TYPE CARBON RESISTOR	RN72K1J-103JE	1	435031034R1
R3325	CHIP TYPE CARBON RESISTOR	RN72K1J-103JE	1	435031034R1
R3330	CHIP TYPE CARBON RESISTOR	RN72K1J-223JE	1	435032234R1
R3331	CHIP TYPE CARBON RESISTOR	RN72K1J-222JE	1	435032224R1
R3332	CHIP TYPE CARBON RESISTOR	RN72K1J-472JE	1	435034724R1
R3333	CHIP TYPE CARBON RESISTOR	RN72K1J-470JE	1	435034704R1
R3334	CHIP TYPE CARBON RESISTOR	RN72K1J-221JE	1	435032214R1
R3335	CHIP TYPE CARBON RESISTOR	RN72K1J-221JE	1	435032214R1
R3336	CHIP TYPE CARBON RESISTOR	RN72K1J-221JE	1	435032214R1
R3341	CHIP TYPE CARBON RESISTOR	RN72K1J-470JE	1	435034704R1
R3342	CHIP TYPE CARBON RESISTOR	RN72K1J-470JE	1	435034704R1
R3346	CHIP TYPE CARBON RESISTOR	RN72K1J-102JE	1	435031024R1
R3347	CHIP TYPE CARBON RESISTOR	RN72K1J-103JE	1	435031034R1
R3348	CHIP TYPE CARBON RESISTOR	RN72K1J-103JE	1	435031034R1
R3350	CHIP TYPE CARBON RESISTOR	RN72K1J-103JE	1	435031034R1
R3362	CHIP RESISTOR NETWORK	YCN104-470-JK	1	43464C47004R1
R3362 or	CHIP RESISTOR NETWORK	RM7LJ470X04	(1)	43484747004R2
R3365	CHIP TYPE CARBON RESISTOR	RN72K1J-470JE	1	435034704R1
R3367	CHIP TYPE CARBON RESISTOR	RN72K1J-470JE	1	435034704R1
R3369	CHIP TYPE CARBON RESISTOR	RN72K1J-470JE	1	435034704R1
R3371	CHIP TYPE CARBON RESISTOR	RN72K1J-470JE	1	435034704R1
R3378	CHIP TYPE CARBON RESISTOR	RN72K1J-103JE	1	435031034R1
R3405	CHIP TYPE CARBON RESISTOR	RN72K1J-103JE	1	435031034R1
R3406	CHIP TYPE CARBON RESISTOR	RN72K1J-470JE	1	435034704R1
R3409	CHIP TYPE CARBON RESISTOR	RN72K1J-330JE	1	435033304R1
R3411	CHIP RESISTOR NETWORK	YCN104-330-JK	1	43464C33004R1
R3411 or	CHIP RESISTOR NETWORK	RM7LJ330X04	(1)	43484733004R2
R3413	CHIP RESISTOR NETWORK	YCN104-330-JK	1	43464C33004R1
R3413 or	CHIP RESISTOR NETWORK	RM7LJ330X04	(1)	43484733004R2
R3414	CHIP RESISTOR NETWORK	YCN104-330-JK	1	43464C33004R1
R3414 or	CHIP RESISTOR NETWORK	RM7LJ330X04	(1)	43484733004R2
R3415	CHIP RESISTOR NETWORK	YCN104-330-JK	1	43464C33004R1
R3415 or	CHIP RESISTOR NETWORK	RM7LJ330X04	(1)	43484733004R2
R3417	CHIP RESISTOR NETWORK	YCN104-330-JK	1	43464C33004R1
R3417 or	CHIP RESISTOR NETWORK	RM7LJ330X04	(1)	43484733004R2

R3419	CHIP RESISTOR NETWORK	YCN104-330-JK	1	43464C33004R1
R3419 or	CHIP RESISTOR NETWORK	RM7LJ330X04	(1)	43484733004R2
R3420	CHIP RESISTOR NETWORK	YCN104-330-JK	1	43464C33004R1
R3420 or	CHIP RESISTOR NETWORK	RM7LJ330X04	(1)	43484733004R2
R3433	CHIP TYPE CARBON RESISTOR	RN72K1J-470JE	1	435034704R1
R3434	CHIP TYPE CARBON RESISTOR	RN72K1J-470JE	1	435034704R1
R3435	CHIP TYPE CARBON RESISTOR	RN72K1J-470JE	1	435034704R1
R3436	CHIP TYPE CARBON RESISTOR	RN72K1J-470JE	1	435034704R1
R3437	CHIP TYPE CARBON RESISTOR	RN72K1J-470JE	1	435034704R1
R3438	CHIP TYPE CARBON RESISTOR	RN72K1J-470JE	1	435034704R1
R3441	CHIP RESISTOR NETWORK	YCN104-330-JK	1	43464C33004R1
R3441 or	CHIP RESISTOR NETWORK	RM7LJ330X04	(1)	43484733004R2
R3442	CHIP RESISTOR NETWORK	YCN104-330-JK	1	43464C33004R1
R3442 or	CHIP RESISTOR NETWORK	RM7LJ330X04	(1)	43484733004R2
R3443	CHIP TYPE CARBON RESISTOR	RN72K1J-000JE	1	435030004R1
R3444	CHIP RESISTOR NETWORK	YCN104-330-JK	1	43464C33004R1
R3444 or	CHIP RESISTOR NETWORK	RM7LJ330X04	(1)	43484733004R2
R3445	CHIP RESISTOR NETWORK	YCN104-330-JK	1	43464C33004R1
R3445 or	CHIP RESISTOR NETWORK	RM7LJ330X04	(1)	43484733004R2
R3447	CHIP TYPE CARBON RESISTOR	RN72K1J-560JE	1	435035604R1
R3448	CHIP TYPE CARBON RESISTOR	RN72K1J-221JE	1	435032214R1
R3449	CHIP TYPE CARBON RESISTOR	RN72K1J-560JE	1	435035604R1
R3450	CHIP TYPE CARBON RESISTOR	RN72K1J-560JE	1	435035604R1
R3451	CHIP TYPE CARBON RESISTOR	RN72K1J-560JE	1	435035604R1
R3454	CHIP TYPE CARBON RESISTOR	RN72K1J-103JE	1	435031034R1
R3456	CHIP TYPE CARBON RESISTOR	RN72K1J-472JE	1	435034724R1
R3460	CHIP TYPE CARBON RESISTOR	RN72K1J-680JE	1	435036804R1
R3461	CHIP TYPE CARBON RESISTOR	RN72K1J-470JE	1	435034704R1
R3462	CHIP TYPE CARBON RESISTOR	RN72K1J-680JE	1	435036804R1
R3463	CHIP TYPE CARBON RESISTOR	RN72K1J-680JE	1	435036804R1
R3464	CHIP TYPE CARBON RESISTOR	RN72K1J-680JE	1	435036804R1
R3465	CHIP TYPE CARBON RESISTOR	RN72K1J-680JE	1	435036804R1
R3466	CHIP TYPE CARBON RESISTOR	RN72K1J-000JE	1	435030004R1
R3467	CHIP TYPE CARBON RESISTOR	RN72K1J-000JE	1	435030004R1
R3468	CHIP TYPE CARBON RESISTOR	RN72K1J-000JE	1	435030004R1
R3469	CHIP TYPE CARBON RESISTOR	RN72K1J-000JE	1	435030004R1
R3477	CHIP RESISTOR NETWORK	YCN104-470-JK	1	43464C47004R1
R3477 or	CHIP RESISTOR NETWORK	RM7LJ470X04	(1)	43484747004R2
R3478	CHIP RESISTOR NETWORK	YCN104-470-JK	1	43464C47004R1
R3478 or	CHIP RESISTOR NETWORK	RM7LJ470X04	(1)	43484747004R2
R3501	CHIP TYPE CARBON RESISTOR	RN72K1J-102JE	1	435031024R1
R3502	CHIP TYPE CARBON RESISTOR	RN72K1J-331JE	1	435033314R1
R3503	CHIP TYPE CARBON RESISTOR	RN72K1J-331JE	1	435033314R1
R3505	CHIP TYPE CARBON RESISTOR	RN72K1J-331JE	1	435033314R1
R3507	CHIP TYPE CARBON RESISTOR	RN72K1J-331JE	1	435033314R1
R3510	CHIP TYPE CARBON RESISTOR	RN72K1J-331JE	1	435033314R1
R3511	CHIP TYPE CARBON RESISTOR	RN72K1J-331JE	1	435033314R1
R3512	CHIP TYPE CARBON RESISTOR	RN72K1J-103JE	1	435031034R1
R3513	CHIP TYPE CARBON RESISTOR	RN72K1J-331JE	1	435033314R1
R3514	CHIP TYPE CARBON RESISTOR	RN72K1J-331JE	1	435033314R1
R3515	CHIP TYPE CARBON RESISTOR	RN72K1J-221JE	1	435032214R1
R3517	CHIP TYPE CARBON RESISTOR	RN72K1J-221JE	1	435032214R1
R3518	CHIP TYPE CARBON RESISTOR	RN72K1J-331JE	1	435033314R1
R3519	CHIP TYPE CARBON RESISTOR	RN72K1J-331JE	1	435033314R1
R3520	CHIP TYPE CARBON RESISTOR	RN72K1J-331JE	1	435033314R1
R3521	CHIP TYPE CARBON RESISTOR	RN72K1J-101JE	1	435031014R1
R3522	CHIP TYPE CARBON RESISTOR	RN72K1J-331JE	1	435033314R1
R3524	CHIP TYPE CARBON RESISTOR	RN72K1J-331JE	1	435033314R1
R3525	CHIP TYPE CARBON RESISTOR	RN72K1J-102JE	1	435031024R1
R3528	CHIP TYPE CARBON RESISTOR	RN72K1J-103JE	1	435031034R1
R3529	CHIP TYPE CARBON RESISTOR	RN72K1J-101JE	1	435031014R1
R3530	CHIP TYPE CARBON RESISTOR	RN72K1J-331JE	1	435033314R1
R3531	CHIP TYPE CARBON RESISTOR	RN72K1J-331JE	1	435033314R1
R3533	CHIP TYPE CARBON RESISTOR	RN72K1J-331JE	1	435033314R1
R3534	CHIP TYPE CARBON RESISTOR	RN72K1J-101JE	1	435031014R1
R3535	CHIP TYPE CARBON RESISTOR	RN72K1J-331JE	1	435033314R1
R3536	CHIP TYPE CARBON RESISTOR	RN72K1J-331JE	1	435033314R1
R3537	CHIP TYPE CARBON RESISTOR	RN72K1J-331JE	1	435033314R1





R3816	CHIP TYPE CARBON RESISTOR	RN72K1J-470JE	1	435034704R1
R3817	CHIP TYPE CARBON RESISTOR	RN72K1J-470JE	1	435034704R1
R3818	CHIP TYPE CARBON RESISTOR	RN72K1J-221JE	1	435032214R1
R3819	CHIP TYPE CARBON RESISTOR	RN72K1J-470JE	1	435034704R1
R3820	CHIP TYPE CARBON RESISTOR	RN72K1J-470JE	1	435034704R1
R3822	CHIP TYPE CARBON RESISTOR	RN72K1J-223JE	1	435032234R1
R3830	CHIP RESISTOR NETWORK	YCN104-330-JK	1	43464C33004R1
R3830 or	CHIP RESISTOR NETWORK	RM7LJ330X04	(1)	43484733004R2
R3837	CHIP TYPE CARBON RESISTOR	RN72K1J-221JE	1	435032214R1
R3838	CHIP TYPE CARBON RESISTOR	RN72K1J-221JE	1	435032214R1
R3839	CHIP TYPE CARBON RESISTOR	RN72K1J-470JE	1	435034704R1
R3840	CHIP TYPE CARBON RESISTOR	RN72K1J-470JE	1	435034704R1
R3851	CHIP TYPE CARBON RESISTOR	RN72K1J-103JE	1	435031034R1
R8000	CHIP TYPE CARBON RESISTOR	RN72K1J-103JE	1	435031034R1
R8002	CHIP TYPE CARBON RESISTOR	RN72K1J-000JE	1	435030004R1
R8003	CHIP TYPE CARBON RESISTOR	RN72K1J-000JE	1	435030004R1
R8004	CHIP TYPE CARBON RESISTOR	RN72K1J-103JE	1	435031034R1
R8005	CHIP TYPE CARBON RESISTOR	RN72K1J-103JE	1	435031034R1
R8007	CHIP TYPE CARBON RESISTOR	RN72K1J-223JE	1	435032234R1
R8009	CHIP TYPE CARBON RESISTOR	RN72K1J-000JE	1	435030004R1
R8010	CHIP RESISTOR NETWORK	YCN104-510-JK	1	43464C51004R1
R8010 or	CHIP RESISTOR NETWORK	RM7LJ510X04	(1)	43484751004R2
R8011	CHIP RESISTOR NETWORK	YCN104-510-JK	1	43464C51004R1
R8011 or	CHIP RESISTOR NETWORK	RM7LJ510X04	(1)	43484751004R2
R8012	CHIP RESISTOR NETWORK	YCN104-510-JK	1	43464C51004R1
R8012 or	CHIP RESISTOR NETWORK	RM7LJ510X04	(1)	43484751004R2
R8013	CHIP RESISTOR NETWORK	YCN104-510-JK	1	43464C51004R1
R8013 or	CHIP RESISTOR NETWORK	RM7LJ510X04	(1)	43484751004R2
R8014	CHIP RESISTOR NETWORK	YCN104-510-JK	1	43464C51004R1
R8014 or	CHIP RESISTOR NETWORK	RM7LJ510X04	(1)	43484751004R2
R8015	CHIP TYPE CARBON RESISTOR	MCR03EZPF49R9(49.9_1%)	1	4100037R2
R8015 or	CARBON FILM RESISTOR	CR16-49R9-FL	(1)	4100046R1
R8016	CHIP TYPE CARBON RESISTOR	MCR03EZPF49R9(49.9_1%)	1	4100037R2
R8016 or	CARBON FILM RESISTOR	CR16-49R9-FL	(1)	4100046R1
R8017	CHIP TYPE CARBON RESISTOR	MCR03EZPF49R9(49.9_1%)	1	4100037R2
R8017 or	CARBON FILM RESISTOR	CR16-49R9-FL	(1)	4100046R1
R8018	CHIP TYPE CARBON RESISTOR	RN72K1J-000JE	1	435030004R1
R8019	CHIP TYPE CARBON RESISTOR	RN72K1J-000JE	1	435030004R1
R8037	CHIP TYPE CARBON RESISTOR	RN72K1J-000JE	1	435030004R1
R8042	CHIP TYPE CARBON RESISTOR	MCR03EZPF49R9(49.9_1%)	1	4100037R2
R8042 or	CARBON FILM RESISTOR	CR16-49R9-FL	(1)	4100046R1
R8043	CHIP TYPE CARBON RESISTOR	MCR03EZPF49R9(49.9_1%)	1	4100037R2
R8043 or	CARBON FILM RESISTOR	CR16-49R9-FL	(1)	4100046R1
R8045	CHIP TYPE CARBON RESISTOR	RN72K1J-331FE	1	435033312R1
R8046	CHIP TYPE CARBON RESISTOR	RN72K1J-332FE	1	435033322R1
R8047	CHIP TYPE CARBON RESISTOR	RN72K1J-271FE	1	435032712R1
R8048	CHIP TYPE CARBON RESISTOR	RN72K1J-222FE	1	435032222R1
R8049	CHIP TYPE CARBON RESISTOR	RN72K1J-750JE	1	435037504R1
R8050	CHIP TYPE CARBON RESISTOR	RN72K1J-750JE	1	435037504R1
R8052	CHIP TYPE CARBON RESISTOR	RN72K1J-472JE	1	435034724R1
R8073	CHIP TYPE CARBON RESISTOR	RN72K1J-182JE	1	435031824R1
R8074	CHIP TYPE CARBON RESISTOR	RN72K1J-182JE	1	435031824R1
R8080	CHIP TYPE CARBON RESISTOR	RN72K1J-101JE	1	435031014R1
R8081	CHIP TYPE CARBON RESISTOR	RN72K1J-101JE	1	435031014R1
R8082	CHIP TYPE CARBON RESISTOR	RN72K1J-101JE	1	435031014R1
R8083	CHIP TYPE CARBON RESISTOR	RN72K1J-101JE	1	435031014R1
R8084	CHIP TYPE CARBON RESISTOR	RN72K1J-100JE	1	435031004R1
R8085	CHIP TYPE CARBON RESISTOR	RN72K1J-100JE	1	435031004R1
R8086	CHIP TYPE CARBON RESISTOR	RN72K1J-100JE	1	435031004R1
R8087	CHIP TYPE CARBON RESISTOR	RN72K1J-823JE	1	435038234R1
R8088	CHIP TYPE CARBON RESISTOR	RN72K1J-103JE	1	435031034R1
R8089	CHIP TYPE CARBON RESISTOR	RN72K1J-330JE	1	435033304R1
R8090	CHIP TYPE CARBON RESISTOR	RN72K1J-103JE	1	435031034R1
R8091	CHIP TYPE CARBON RESISTOR	RN72K1J-220JE	1	435032204R1
R8092	CHIP TYPE CARBON RESISTOR	RN72K1J-220JE	1	435032204R1
R8093	CHIP TYPE CARBON RESISTOR	RN72K1J-220JE	1	435032204R1
R8094	CHIP TYPE CARBON RESISTOR	RN72K1J-472JE	1	435034724R1
R8095	CHIP TYPE CARBON RESISTOR	RN72K1J-105JE	1	435031054R1

R8096	CHIP TYPE CARBON RESISTOR	RN72K1J-101JE	1	435031014R1
R8097	CHIP TYPE CARBON RESISTOR	RN72K1J-101JE	1	435031014R1
R8098	CHIP TYPE CARBON RESISTOR	RN72K1J-220JE	1	435032204R1
R8099	CHIP TYPE CARBON RESISTOR	RN72K1J-102JE	1	435031024R1
R8100	CHIP TYPE CARBON RESISTOR	RN72K1J-102JE	1	435031024R1
R8101	CHIP TYPE CARBON RESISTOR	RN72K1J-222JE	1	435032224R1
R8102	CHIP TYPE CARBON RESISTOR	RN72K1J-472JE	1	435034724R1
R8103	CHIP TYPE CARBON RESISTOR	RN72K1J-472JE	1	435034724R1
R8104	CHIP TYPE CARBON RESISTOR	RN72K1J-472JE	1	435034724R1
R8105	CHIP TYPE CARBON RESISTOR	RN72K1J-472JE	1	435034724R1
R8113	CHIP TYPE CARBON RESISTOR	RN72K1J-101JE	1	435031014R1
R8114	CHIP TYPE CARBON RESISTOR	RN72K1J-101JE	1	435031014R1
R8115	CHIP TYPE CARBON RESISTOR	RN72K1J-104JE	1	435031044R1
R8116	CHIP TYPE CARBON RESISTOR	RN72K1J-100JE	1	435031004R1
R8117	CHIP TYPE CARBON RESISTOR	RN72K1J-222JE	1	435032224R1
R8118	CHIP TYPE CARBON RESISTOR	RN72K1J-472JE	1	435034724R1
R8121	CHIP TYPE CARBON RESISTOR	RN72K1J-000JE	1	435030004R1
R8122	CHIP TYPE CARBON RESISTOR	RN72K1J-220JE	1	435032204R1
R8123	CHIP TYPE CARBON RESISTOR	RN72K1J-220JE	1	435032204R1
R8124	CHIP TYPE CARBON RESISTOR	RN72K1J-220JE	1	435032204R1
R8125	CHIP TYPE CARBON RESISTOR	RN72K1J-220JE	1	435032204R1
R8126	CHIP TYPE CARBON RESISTOR	RN72K1J-472JE	1	435034724R1
R8127	CHIP TYPE CARBON RESISTOR	RN72K1J-472JE	1	435034724R1
R8128	CHIP TYPE CARBON RESISTOR	RN72K1J-103JE	1	435031034R1
R8129	CHIP TYPE CARBON RESISTOR	RN72K1J-103JE	1	435031034R1
R8130	CHIP TYPE CARBON RESISTOR	RN72K1J-103JE	1	435031034R1
R8131	CHIP TYPE CARBON RESISTOR	RN72K1J-103JE	1	435031034R1
R8151	CHIP TYPE CARBON RESISTOR	RN72K1J-472JE	1	435034724R1
R8152	CHIP TYPE CARBON RESISTOR	RN72K1J-100JE	1	435031004R1
R8153	CHIP TYPE CARBON RESISTOR	RN72K1J-100JE	1	435031004R1
R8154	CHIP TYPE CARBON RESISTOR	RN72K1J-562JE	1	435035624R1
R8155	CHIP TYPE CARBON RESISTOR	RN72K1J-100JE	1	435031004R1
R8156	CHIP TYPE CARBON RESISTOR	RN72K1J-562JE	1	435035624R1
R8157	CHIP TYPE CARBON RESISTOR	RN72K1J-100JE	1	435031004R1
R8158	CHIP TYPE CARBON RESISTOR	RN72K1J-562JE	1	435035624R1
R8159	CHIP TYPE CARBON RESISTOR	RN72K1J-100JE	1	435031004R1
R8160	CHIP TYPE CARBON RESISTOR	RN72K1J-562JE	1	435035624R1
R8161	CHIP TYPE CARBON RESISTOR	RN72K1J-472JE	1	435034724R1
R8162	CHIP TYPE CARBON RESISTOR	RN72K1J-100JE	1	435031004R1
R8163	CHIP TYPE CARBON RESISTOR	RN72K1J-562JE	1	435035624R1
R8164	CHIP RESISTOR NETWORK	YCN104-222-JK	1	43464C22204R1
R8164 or	CHIP RESISTOR NETWORK	RM7LJ222X04	(1)	43484722204R2
R8165	CHIP TYPE CARBON RESISTOR	RN72K1J-103JE	1	435031034R1
R8166	CHIP TYPE CARBON RESISTOR	RN72K1J-124JE	1	435031244R1
R8171	CHIP TYPE CARBON RESISTOR	RN72K1J-562JE	1	435035624R1
R8185	CHIP TYPE CARBON RESISTOR	RN72K1J-000JE	1	435030004R1
R8186	CHIP TYPE CARBON RESISTOR	RN72K1J-000JE	1	435030004R1
R8188	CHIP TYPE CARBON RESISTOR	RN72K1J-100JE	1	435031004R1
R8201	CHIP TYPE CARBON RESISTOR	RN72K1J-103JE	1	435031034R1
R8202	CHIP TYPE CARBON RESISTOR	RN72K1J-103JE	1	435031034R1
R8203	CHIP TYPE CARBON RESISTOR	RN72K1J-101JE	1	435031014R1
R8204	CHIP TYPE CARBON RESISTOR	RN72K1J-101JE	1	435031014R1
R8205	CHIP TYPE CARBON RESISTOR	RN72K1J-120JE	1	435031204R1
R8206	CHIP TYPE CARBON RESISTOR	RN72K1J-120JE	1	435031204R1
R8207	CHIP TYPE CARBON RESISTOR	RN72K1J-120JE	1	435031204R1
R8208	CHIP TYPE CARBON RESISTOR	RN72K1J-120JE	1	435031204R1
R8209	CHIP TYPE CARBON RESISTOR	RN72K1J-120JE	1	435031204R1
R8210	CHIP TYPE CARBON RESISTOR	RN72K1J-120JE	1	435031204R1
R8211	CHIP TYPE CARBON RESISTOR	RN72K1J-120JE	1	435031204R1
R8212	CHIP TYPE CARBON RESISTOR	RN72K1J-390JE	1	435033904R1
R8213	CHIP TYPE CARBON RESISTOR	RN72K1J-120JE	1	435031204R1
R8214	CHIP TYPE CARBON RESISTOR	RN72K1J-390JE	1	435033904R1
R8215	CHIP TYPE CARBON RESISTOR	RN72K1J-120JE	1	435031204R1
R8216	CHIP TYPE CARBON RESISTOR	RN72K1J-390JE	1	435033904R1
R8217	CHIP TYPE CARBON RESISTOR	RN72K1J-120JE	1	435031204R1
R8218	CHIP TYPE CARBON RESISTOR	RN72K1J-120JE	1	435031204R1
R8219	CHIP TYPE CARBON RESISTOR	RN72K1J-120JE	1	435031204R1
R8220	CHIP TYPE CARBON RESISTOR	RN72K1J-120JE	1	435031204R1



R8287	CHIP TYPE CARBON RESISTOR	RN72K1J-102FE	1	435031022R1
R8288	CHIP TYPE CARBON RESISTOR	RN72K1J-103JE	1	435031034R1
R8291	CHIP TYPE CARBON RESISTOR	RN72K1J-000JE	1	435030004R1
R8292	CHIP TYPE CARBON RESISTOR	RN72K1J-000JE	1	435030004R1
R8293	CHIP TYPE CARBON RESISTOR	RN72K1J-000JE	1	435030004R1
R8294	CHIP TYPE CARBON RESISTOR	RN72K1J-000JE	1	435030004R1
R8295	CHIP TYPE CARBON RESISTOR	RN72K1J-750JE	1	435037504R1
R8296	CHIP TYPE CARBON RESISTOR	RN72K1J-750JE	1	435037504R1
R8297	CHIP TYPE CARBON RESISTOR	RN72K1J-750JE	1	435037504R1
R8298	CHIP TYPE CARBON RESISTOR	RN72K1J-750JE	1	435037504R1
R8301	CHIP TYPE CARBON RESISTOR	RN72K1J-472JE	1	435034724R1
R8302	CHIP TYPE CARBON RESISTOR	RN72K1J-100JE	1	435031004R1
R8303	CHIP TYPE CARBON RESISTOR	RN72K1J-562JE	1	435035624R1
R8304	CHIP TYPE CARBON RESISTOR	RN72K1J-100JE	1	435031004R1
R8305	CHIP TYPE CARBON RESISTOR	RN72K1J-562JE	1	435035624R1
R8306	CHIP TYPE CARBON RESISTOR	RN72K1J-100JE	1	435031004R1
R8307	CHIP TYPE CARBON RESISTOR	RN72K1J-100JE	1	435031004R1
R8308	CHIP TYPE CARBON RESISTOR	RN72K1J-562JE	1	435035624R1
R8309	CHIP TYPE CARBON RESISTOR	RN72K1J-100JE	1	435031004R1
R8310	CHIP TYPE CARBON RESISTOR	RN72K1J-562JE	1	435035624R1
R8311	CHIP TYPE CARBON RESISTOR	RN72K1J-472JE	1	435034724R1
R8312	CHIP TYPE CARBON RESISTOR	RN72K1J-100JE	1	435031004R1
R8313	CHIP TYPE CARBON RESISTOR	RN72K1J-562JE	1	435035624R1
R8314	CHIP TYPE CARBON RESISTOR	RN72K1J-222JE	1	435032224R1
R8315	CHIP TYPE CARBON RESISTOR	RN72K1J-222JE	1	435032224R1
R8316	CHIP TYPE CARBON RESISTOR	RN72K1J-103JE	1	435031034R1
R8317	CHIP TYPE CARBON RESISTOR	RN72K1J-124JE	1	435031244R1
R8318	CHIP TYPE CARBON RESISTOR	RN72K1J-562JE	1	435035624R1
R8320	CHIP RESISTOR NETWORK	YCN104-220-JK	1	43464C22004R1
R8320 or	CHIP RESISTOR NETWORK	RM7LJ220X04	(1)	43484722004R2
R8321	CHIP TYPE CARBON RESISTOR	RN72K1J-181JE	1	435031814R1
R8322	CHIP TYPE CARBON RESISTOR	RN72K1J-151JE	1	435031514R1
R8323	CHIP TYPE CARBON RESISTOR	RN72K1J-181JE	1	435031814R1
R8324	CHIP TYPE CARBON RESISTOR	RN72K1J-750JE	1	435037504R1
R8325	CHIP RESISTOR NETWORK	YCN104-220-JK	1	43464C22004R1
R8325 or	CHIP RESISTOR NETWORK	RM7LJ220X04	(1)	43484722004R2
R8328	CHIP TYPE CARBON RESISTOR	RN72K1J-181JE	1	435031814R1
R8333	CHIP TYPE CARBON RESISTOR	RN72K1J-181JE	1	435031814R1
R8334	CHIP TYPE CARBON RESISTOR	RN72K1J-181JE	1	435031814R1
R8335	CHIP TYPE CARBON RESISTOR	RN72K1J-181JE	1	435031814R1
R8336	CHIP RESISTOR NETWORK	YCN104-220-JK	1	43464C22004R1
R8336 or	CHIP RESISTOR NETWORK	RM7LJ220X04	(1)	43484722004R2
R8337	CHIP RESISTOR NETWORK	YCN104-220-JK	1	43464C22004R1
R8337 or	CHIP RESISTOR NETWORK	RM7LJ220X04	(1)	43484722004R2
R8338	CHIP TYPE CARBON RESISTOR	RN72K1J-100JE	1	435031004R1
R8339	CHIP RESISTOR NETWORK	YCN104-220-JK	1	43464C22004R1
R8339 or	CHIP RESISTOR NETWORK	RM7LJ220X04	(1)	43484722004R2
R8340	CHIP RESISTOR NETWORK	YCN104-220-JK	1	43464C22004R1
R8340 or	CHIP RESISTOR NETWORK	RM7LJ220X04	(1)	43484722004R2
R8341	CHIP RESISTOR NETWORK	YCN104-220-JK	1	43464C22004R1
R8341 or	CHIP RESISTOR NETWORK	RM7LJ220X04	(1)	43484722004R2
R8342	CHIP TYPE CARBON RESISTOR	RN72K1J-000JE	1	435030004R1
R8343	CHIP TYPE CARBON RESISTOR	RN72K1J-000JE	1	435030004R1
R8345	CHIP TYPE CARBON RESISTOR	RN72K1J-100JE	1	435031004R1
R8346	CHIP TYPE CARBON RESISTOR	RN72K1J-473JE	1	435034734R1
R8347	CHIP TYPE CARBON RESISTOR	RN72K1J-182JE	1	435031824R1
R8348	CHIP TYPE CARBON RESISTOR	RN72K1J-473JE	1	435034734R1
R8349	CHIP TYPE CARBON RESISTOR	RN72K1J-000JE	1	435030004R1
R8350	CHIP TYPE CARBON RESISTOR	RN72K1J-000JE	1	435030004R1
R8351	CHIP TYPE CARBON RESISTOR	RN72K1J-000JE	1	435030004R1
R8352	CHIP TYPE CARBON RESISTOR	RN72K1J-102JE	1	435031024R1
R8354	CHIP TYPE CARBON RESISTOR	RN72K1J-101JE	1	435031014R1
R8356	CHIP TYPE CARBON RESISTOR	RN72K1J-000JE	1	435030004R1
R8357	CHIP TYPE CARBON RESISTOR	RN72K1J-000JE	1	435030004R1
R8358	CHIP TYPE CARBON RESISTOR	RN72K1J-000JE	1	435030004R1
R8359	CHIP TYPE CARBON RESISTOR	RN72K1J-181JE	1	435031814R1
R8360	CHIP TYPE CARBON RESISTOR	RN72K1J-181JE	1	435031814R1
R8361	CHIP TYPE CARBON RESISTOR	RN72K1J-181JE	1	435031814R1



R8632	CHIP TYPE CARBON RESISTOR	RN72K1J-000JE	1	435030004R1
R8634	CHIP TYPE CARBON RESISTOR	RN72K1J-473JE	1	435034734R1
R8636	CHIP TYPE CARBON RESISTOR	RN72K1J-182JE	1	435031824R1
R8637	CHIP TYPE CARBON RESISTOR	RN72K1J-182JE	1	435031824R1
R8638	CHIP TYPE CARBON RESISTOR	RN72K1J-100JE	1	435031004R1
R8641	CHIP TYPE CARBON RESISTOR	RN72K1J-000JE	1	435030004R1
R8642	CHIP TYPE CARBON RESISTOR	RN72K1J-000JE	1	435030004R1
R8643	CHIP TYPE CARBON RESISTOR	RN72K1J-000JE	1	435030004R1
R8645	CHIP TYPE CARBON RESISTOR	RN72K1J-473JE	1	435034734R1
R8646	CHIP TYPE CARBON RESISTOR	RN72K1J-473JE	1	435034734R1
R8649	CHIP TYPE CARBON RESISTOR	RN72K1J-472JE	1	435034724R1
R8650	CHIP TYPE CARBON RESISTOR	RN72K1J-472JE	1	435034724R1
R8652	CHIP TYPE CARBON RESISTOR	RN72K1J-000JE	1	435030004R1
R8654	CHIP TYPE CARBON RESISTOR	RN72K1J-000JE	1	435030004R1
R8691	CHIP TYPE CARBON RESISTOR	RN72K1J-000JE	1	435030004R1
R8692	CHIP TYPE CARBON RESISTOR	RN72K1J-000JE	1	435030004R1
R8693	CHIP TYPE CARBON RESISTOR	RN72K1J-000JE	1	435030004R1
R8694	CHIP TYPE CARBON RESISTOR	RN72K1J-000JE	1	435030004R1
R8695	CHIP TYPE CARBON RESISTOR	RN72K1J-000JE	1	435030004R1
R8696	CHIP TYPE CARBON RESISTOR	RN72K1J-000JE	1	435030004R1
R8701	CHIP TYPE CARBON RESISTOR	RN72K1J-103JE	1	435031034R1
R8702	CHIP TYPE CARBON RESISTOR	RN72K1J-000JE	1	435030004R1
R8703	CHIP TYPE CARBON RESISTOR	RN72K1J-470JE	1	435034704R1
R8704	CHIP TYPE CARBON RESISTOR	RN72K1J-103JE	1	435031034R1
R8706	CHIP TYPE CARBON RESISTOR	RN72K1J-470JE	1	435034704R1
R8707	CHIP TYPE CARBON RESISTOR	RN72K1J-470JE	1	435034704R1
R8708	CHIP TYPE CARBON RESISTOR	RN72K1J-103JE	1	435031034R1
R8712	CHIP TYPE CARBON RESISTOR	RN72K1J-103JE	1	435031034R1
R8713	CHIP TYPE CARBON RESISTOR	RN72K1J-222JE	1	435032224R1
R8714	CHIP TYPE CARBON RESISTOR	RN72K1J-222JE	1	435032224R1
R8715	CHIP TYPE CARBON RESISTOR	RN72K1J-103JE	1	435031034R1
R8716	CHIP TYPE CARBON RESISTOR	RN72K1J-470JE	1	435034704R1
R8717	CHIP TYPE CARBON RESISTOR	RN72K1J-103JE	1	435031034R1
R8718	CHIP TYPE CARBON RESISTOR	RN72K1J-470JE	1	435034704R1
R8719	CHIP TYPE CARBON RESISTOR	RN72K1J-470JE	1	435034704R1
R8720	CHIP TYPE CARBON RESISTOR	RN72K1J-470JE	1	435034704R1
R8721	CHIP TYPE CARBON RESISTOR	RN72K1J-470JE	1	435034704R1
R8722	CHIP TYPE CARBON RESISTOR	RN72K1J-103JE	1	435031034R1
R8723	CHIP TYPE CARBON RESISTOR	RN72K1J-223JE	1	435032234R1
R8724	CHIP TYPE CARBON RESISTOR	RN72K1J-470JE	1	435034704R1
R8725	CHIP TYPE CARBON RESISTOR	RN72K1J-470JE	1	435034704R1
R8726	CHIP TYPE CARBON RESISTOR	RN72K1J-103JE	1	435031034R1
R8727	CHIP TYPE CARBON RESISTOR	RN72K1J-103JE	1	435031034R1
R8728	CHIP TYPE CARBON RESISTOR	RN72K1J-222JE	1	435032224R1
R8729	CHIP TYPE CARBON RESISTOR	RN72K1J-222JE	1	435032224R1
R8730	CHIP TYPE CARBON RESISTOR	RN72K1J-103JE	1	435031034R1
R8731	CHIP RESISTOR NETWORK	YCN104-220-JK	1	43464C22004R1
R8731 or	CHIP RESISTOR NETWORK	RM7LJ220X04	(1)	43484722004R2
R8732	CHIP TYPE CARBON RESISTOR	RN72K1J-103JE	1	435031034R1
R8733	CHIP TYPE CARBON RESISTOR	RN72K1J-103JE	1	435031034R1
R8734	CHIP TYPE CARBON RESISTOR	RN72K1J-103JE	1	435031034R1
R8735	CHIP TYPE CARBON RESISTOR	RN72K1J-222JE	1	435032224R1
R8736	CHIP TYPE CARBON RESISTOR	RN72K1J-222JE	1	435032224R1
R8738	CHIP TYPE CARBON RESISTOR	RN72K1J-103JE	1	435031034R1
R8739	CHIP TYPE CARBON RESISTOR	RN72K1J-222JE	1	435032224R1
R8740	CHIP TYPE CARBON RESISTOR	RN72K1J-222JE	1	435032224R1
R8741	CHIP TYPE CARBON RESISTOR	RN72K1J-103JE	1	435031034R1
R8742	CHIP TYPE CARBON RESISTOR	RN72K1J-103JE	1	435031034R1
R8743	CHIP TYPE CARBON RESISTOR	RN72K1J-470JE	1	435034704R1
R8744	CHIP TYPE CARBON RESISTOR	RN72K1J-103JE	1	435031034R1
R8745	CHIP TYPE CARBON RESISTOR	RN72K1J-470JE	1	435034704R1
R8746	CHIP TYPE CARBON RESISTOR	RN72K1J-222JE	1	435032224R1
R8747	CHIP TYPE CARBON RESISTOR	RN72K1J-103JE	1	435031034R1
R8748	CHIP TYPE CARBON RESISTOR	RN72K1J-222JE	1	435032224R1
R8750	CHIP TYPE CARBON RESISTOR	RN72K1J-103JE	1	435031034R1
R8751	CHIP RESISTOR NETWORK	YCN104-470-JK	1	43464C47004R1
R8751 or	CHIP RESISTOR NETWORK	RM7LJ470X04	(1)	43484747004R2
R8752	CHIP TYPE CARBON RESISTOR	RN72K1J-000JE	1	435030004R1

R8753	CHIP TYPE CARBON RESISTOR	RN72K1J-000JE	1	435030004R1
R8754	CHIP TYPE CARBON RESISTOR	RN72K1J-103JE	1	435031034R1
R8755	CHIP TYPE CARBON RESISTOR	RN72K1J-103JE	1	435031034R1
R8756	CHIP TYPE CARBON RESISTOR	RN72K1J-103JE	1	435031034R1
R8757	CHIP TYPE CARBON RESISTOR	RN72K1J-103JE	1	435031034R1
R8758	CHIP TYPE CARBON RESISTOR	RN72K1J-103JE	1	435031034R1
R8760	CHIP TYPE CARBON RESISTOR	RN72K1J-470JE	1	435034704R1
R8764	CHIP TYPE CARBON RESISTOR	RN72K1J-103JE	1	435031034R1
R8765	CHIP TYPE CARBON RESISTOR	RN72K1J-103JE	1	435031034R1
R8766	CHIP TYPE CARBON RESISTOR	RN72K1J-103JE	1	435031034R1
R8767	CHIP TYPE CARBON RESISTOR	RN72K1J-470JE	1	435034704R1
R8768	CHIP TYPE CARBON RESISTOR	RN72K1J-470JE	1	435034704R1
R8769	CHIP TYPE CARBON RESISTOR	RN72K1J-222JE	1	435032224R1
R8770	CHIP TYPE CARBON RESISTOR	RN72K1J-222JE	1	435032224R1
R8772	CHIP TYPE CARBON RESISTOR	RN72K1J-103JE	1	435031034R1
R8773	CHIP TYPE CARBON RESISTOR	RN72K1J-473JE	1	435034734R1
R8774	CHIP TYPE CARBON RESISTOR	RN72K1J-470JE	1	435034704R1
R8775	CHIP TYPE CARBON RESISTOR	RN72K1J-103JE	1	435031034R1
R8776	CHIP TYPE CARBON RESISTOR	RN72K1J-103JE	1	435031034R1
R8778	CHIP TYPE CARBON RESISTOR	RN72K1J-103JE	1	435031034R1
R8801	CHIP TYPE CARBON RESISTOR	RN72K1J-100JE	1	435031004R1
R8802	CHIP TYPE CARBON RESISTOR	RN72K1J-100JE	1	435031004R1
R8803	CHIP TYPE CARBON RESISTOR	RN72K1J-100JE	1	435031004R1
R8805	CHIP TYPE CARBON RESISTOR	RN72K1J-100JE	1	435031004R1
R8806	CHIP TYPE CARBON RESISTOR	RN72K1J-100JE	1	435031004R1
R8807	CHIP TYPE CARBON RESISTOR	RN72K1J-100JE	1	435031004R1
R8808	CHIP TYPE CARBON RESISTOR	RN72K1J-100JE	1	435031004R1
R8809	CHIP RESISTOR NETWORK	YCN104-472-JK	1	43464C47204R1
R8809 or	CHIP RESISTOR NETWORK	RM7LJ472X04	(1)	43484747204R2
R8810	CHIP RESISTOR NETWORK	YCN104-472-JK	1	43464C47204R1
R8810 or	CHIP RESISTOR NETWORK	RM7LJ472X04	(1)	43484747204R2
R8811	CHIP TYPE CARBON RESISTOR	RN72K1J-103JE	1	435031034R1
R8812	CHIP TYPE CARBON RESISTOR	RN72K1J-103JE	1	435031034R1
R8813	CHIP TYPE CARBON RESISTOR	RN72K1J-472JE	1	435034724R1
R8814	CHIP TYPE CARBON RESISTOR	RN72K1J-100JE	1	435031004R1
R8815	CHIP TYPE CARBON RESISTOR	RN72K1J-562JE	1	435035624R1
R8816	CHIP RESISTOR NETWORK	YCN104-472-JK	1	43464C47204R1
R8816 or	CHIP RESISTOR NETWORK	RM7LJ472X04	(1)	43484747204R2
R8817	CHIP RESISTOR NETWORK	YCN104-472-JK	1	43464C47204R1
R8817 or	CHIP RESISTOR NETWORK	RM7LJ472X04	(1)	43484747204R2
R8818	CHIP TYPE CARBON RESISTOR	RN72K1J-472JE	1	435034724R1
R8819	CHIP RESISTOR NETWORK	YCN104-472-JK	1	43464C47204R1
R8819 or	CHIP RESISTOR NETWORK	RM7LJ472X04	(1)	43484747204R2
R8820	CHIP TYPE CARBON RESISTOR	RN72K1J-472JE	1	435034724R1
R8821	CHIP TYPE CARBON RESISTOR	RN72K1J-472JE	1	435034724R1
R8822	CHIP TYPE CARBON RESISTOR	RN72K1J-100JE	1	435031004R1
R8825	CHIP TYPE CARBON RESISTOR	RN72K1J-103JE	1	435031034R1
R8826	CHIP TYPE CARBON RESISTOR	RN72K1J-124JE	1	435031244R1
R8827	CHIP TYPE CARBON RESISTOR	RN72K1J-100JE	1	435031004R1
R8829	CHIP TYPE CARBON RESISTOR	RN72K1J-100JE	1	435031004R1
R8835	CHIP TYPE CARBON RESISTOR	RN72K1J-100JE	1	435031004R1
R8837	CHIP TYPE CARBON RESISTOR	RN72K1J-473JE	1	435034734R1
R8839	CHIP TYPE CARBON RESISTOR	RN72K1J-182JE	1	435031824R1
R8840	CHIP TYPE CARBON RESISTOR	RN72K1J-182JE	1	435031824R1
R8841	CHIP TYPE CARBON RESISTOR	RN72K1J-100JE	1	435031004R1
R8842	CHIP TYPE CARBON RESISTOR	RN72K1J-472JE	1	435034724R1
R8843	CHIP TYPE CARBON RESISTOR	RN72K1J-472JE	1	435034724R1
R8844	CHIP TYPE CARBON RESISTOR	RN72K1J-100JE	1	435031004R1
R8845	CHIP TYPE CARBON RESISTOR	RN72K1J-000JE	1	435030004R1
R8846	CHIP TYPE CARBON RESISTOR	RN72K1J-000JE	1	435030004R1
R8850	CHIP TYPE CARBON RESISTOR	RN72K1J-000JE	1	435030004R1
R8851	CHIP TYPE CARBON RESISTOR	RN72K1J-000JE	1	435030004R1
R8852	CHIP TYPE CARBON RESISTOR	RN72K1J-100JE	1	435031004R1
R8901	CHIP TYPE CARBON RESISTOR	RN72K1J-473JE	1	435034734R1
R8902	CHIP TYPE CARBON RESISTOR	RN72K1J-473JE	1	435034734R1
R8903	CHIP TYPE CARBON RESISTOR	RN72K1J-104JE	1	435031044R1
R8904	CHIP TYPE CARBON RESISTOR	RN72K1J-103JE	1	435031034R1
R8905	CHIP TYPE CARBON RESISTOR	RN72K1J-104JE	1	435031044R1

R8906	CHIP TYPE CARBON RESISTOR	RN72K1J-682FE	1	435036822R1	
R8907	CHIP TYPE CARBON RESISTOR	RN72K1J-393FE	1	435033932R1	
R8908	CHIP TYPE CARBON RESISTOR	RN72K1J-103FE	1	435031032R1	
R8909	CHIP TYPE CARBON RESISTOR	RN72K1J-473JE	1	435034734R1	
R8911	CHIP TYPE CARBON RESISTOR	RN72K1J-473JE	1	435034734R1	
R8912	CHIP TYPE CARBON RESISTOR	RN72K1J-473JE	1	435034734R1	
R8913	CHIP TYPE CARBON RESISTOR	RN72K1J-104JE	1	435031044R1	
R8914	CHIP TYPE CARBON RESISTOR	RN72K1J-682JE	1	435036824R1	
R8916	CHIP TYPE CARBON RESISTOR	RN72K1J-333FE	1	435033332R1	
R8917	CHIP TYPE CARBON RESISTOR	RN72K1J-124FE	1	435031242R1	
R8918	CHIP TYPE CARBON RESISTOR	RN72K1J-103FE	1	435031032R1	
R8919	CHIP TYPE CARBON RESISTOR	RN72K1J-104JE	1	435031044R1	
R8921	CHIP TYPE CARBON RESISTOR	RN72K1J-473JE	1	435034734R1	
R8922	CHIP TYPE CARBON RESISTOR	RN72K1J-473JE	1	435034734R1	
R8923	CHIP TYPE CARBON RESISTOR	RN72K1J-104JE	1	435031044R1	
R8924	CHIP TYPE CARBON RESISTOR	RN72K1J-472JE	1	435034724R1	
R8926	CHIP TYPE CARBON RESISTOR	RN72K1J-123FE	1	435031232R1	
R8927	CHIP TYPE CARBON RESISTOR	RN72K1J-683FE	1	435036832R1	
R8928	CHIP TYPE CARBON RESISTOR	RN72K1J-103FE	1	435031032R1	
R8929	CHIP TYPE CARBON RESISTOR	RN72K1J-103JE	1	435031034R1	
R8931	CHIP TYPE CARBON RESISTOR	RN72K1J-473JE	1	435034734R1	
R8932	CHIP TYPE CARBON RESISTOR	RN72K1J-473JE	1	435034734R1	
R8933	CHIP TYPE CARBON RESISTOR	RN72K1J-104JE	1	435031044R1	
R8934	CHIP TYPE CARBON RESISTOR	RN72K1J-332JE	1	435033324R1	
R8936	CHIP TYPE CARBON RESISTOR	RN72K1J-472FE	1	435034722R1	
R8937	CHIP TYPE CARBON RESISTOR	RN72K1J-104FE	1	435031042R1	
R8938	CHIP TYPE CARBON RESISTOR	RN72K1J-103FE	1	435031032R1	
R8943	CHIP TYPE CARBON RESISTOR	RN72K1J-104JE	1	435031044R1	
R8944	CHIP TYPE CARBON RESISTOR	RN72K1J-332JE	1	435033324R1	
R8946	CHIP TYPE CARBON RESISTOR	RN72K1J-272FE	1	435032722R1	
R8947	CHIP TYPE CARBON RESISTOR	RN72K1J-222FE	1	435032222R1	
R8948	CHIP TYPE CARBON RESISTOR	RN72K1J-103FE	1	435031032R1	
R8951	CHIP TYPE CARBON RESISTOR	RN72K1J-473JE	1	435034734R1	
R8953	CHIP TYPE CARBON RESISTOR	RN72K1J-473JE	1	435034734R1	
R8955	CHIP TYPE CARBON RESISTOR	RN72K1J-472JE	1	435034724R1	
R8957	CHIP TYPE CARBON RESISTOR	RN72K1J-472JE	1	435034724R1	
R8959	CHIP TYPE CARBON RESISTOR	RN72K1J-472JE	1	435034724R1	
R8961	CHIP TYPE CARBON RESISTOR	RN72K1J-472JE	1	435034724R1	
R8975	CHIP TYPE CARBON RESISTOR	RN72K2E-470JE	1	435224704R1	
R8976	CHIP TYPE CARBON RESISTOR	RN72K1J-473JE	1	435034734R1	
R8981	CHIP TYPE CARBON RESISTOR	RN72K1J-472JE	1	435034724R1	
R8982	CHIP TYPE CARBON RESISTOR	RN72K1J-473JE	1	435034734R1	
R8985	CHIP TYPE CARBON RESISTOR	RN72K1J-182JE	1	435031824R1	
R8986	CHIP TYPE CARBON RESISTOR	RN72K1J-102JE	1	435031024R1	
R8990	CHIP TYPE CARBON RESISTOR	RN72K1J-102JE	1	435031024R1	
R8995	CHIP TYPE CERAMIC CAPACITOR	CK725B1H-102K1	1	332101025R1	
R8996	CHIP TYPE CARBON RESISTOR	RN72K1J-000JE	1	435030004R1	
R8997	CHIP RESISTOR NETWORK	YCN104-5R1-JK	1	43484C05104R1	
R8997 or	CHIP RESISTOR NETWORK	RM7LJ051X04	(1)	43484705104R2	
R8998	CHIP RESISTOR NETWORK	YCN104-5R1-JK	1	43484C05104R1	
R8998 or	CHIP RESISTOR NETWORK	RM7LJ051X04	(1)	43484705104R2	
R8999	CHIP TYPE CARBON RESISTOR	RN72K1J-470JE	1	435034704R1	
<b>[SW TRM]</b>					
P2100B	PLUG	NPLG-7P920	1	25055967R2	
P2101B	SOCKET	40FMN-SMT-A-TF	1	25052857R2	<b>N</b>
P3101A	PLUG	NPLG-5P918	1	25055965R2	
P3102A	PLUG	NPLG-5P918	1	25055965R2	
P3103A	SOCKET	NSCT-9P2472	1	25052575R2	
P3104	SOCKET	29-01000PH53-1	1	25053526R3	
P3301	SOCKET	NSCT-8P2471	1	25052574R2	
P3510	SOCKET	NSCT-8P2471	1	25052574R2	
P3605A	PLUG(B to B)	IMSA-9850B-24Y	1	25056207R2	
P3607A	PLUG(B to B)	IMSA-9850B-24Y	1	25056207R2	
P8002B	SOCKET	NSCT-9P2472	1	25052575R2	
P8101	SOCKET	HDMI(47266-4201)	1	25053522R3	
P8101 or	SOCKET	HDMI(47266-4101)	(1)	25053389R3	
P8101 or	SOCKET	TCX3423-311387	(1)	25060513R3	
P8104	SOCKET	NSCT-8P2471	1	25052574R2	



P8301	SOCKET	NSCT-8P2471	1	25052574R2
P8501	SOCKET	NSCT-8P2471	1	25052574R2
P8503	SOCKET	NSCT-8P2471	1	25052574R2
P8591A	SOCKET	TCX3281-110187	1	25053520R3
P8601	SOCKET	HDMI(47266-4201)	1	25053522R3
P8601 or	SOCKET	HDMI(47266-4101)	(1)	25053389R3
P8601 or	SOCKET	TCX3423-311387	(1)	25060513R3
P8602	SOCKET	HDMI(47266-4201)	1	25053522R3
P8602 or	SOCKET	HDMI(47266-4101)	(1)	25053389R3
P8602 or	SOCKET	TCX3423-311387	(1)	25060513R3
P8603	SOCKET	HDMI(47266-4201)	1	25053522R3
P8603 or	SOCKET	HDMI(47266-4101)	(1)	25053389R3
P8603 or	SOCKET	TCX3423-311387	(1)	25060513R3
P8605	SOCKET	HDMI(47266-4201)	1	25053522R3
P8605 or	SOCKET	HDMI(47266-4101)	(1)	25053389R3
P8605 or	SOCKET	TCX3423-311387	(1)	25060513R3
P8606	SOCKET	HDMI(47266-4201)	1	25053522R3
P8606 or	SOCKET	HDMI(47266-4101)	(1)	25053389R3
P8606 or	SOCKET	TCX3423-311387	(1)	25060513R3
P8607	SOCKET	HDMI(47266-4201)	1	25053522R3
P8607 or	SOCKET	HDMI(47266-4101)	(1)	25053389R3
P8607 or	SOCKET	TCX3423-311387	(1)	25060513R3
P8608	SOCKET	HDMI(47266-4201)	1	25053522R3
P8608 or	SOCKET	HDMI(47266-4101)	(1)	25053389R3
P8608 or	SOCKET	TCX3423-311387	(1)	25060513R3
P861B	PLUG	NPLG-3P916	1	25055963R2
P8631A	SOCKET	HDMI(47266-4201)	1	25053522R3
P8631A or	SOCKET	HDMI(47266-4101)	(1)	25053389R3
P8631A or	SOCKET	TCX3423-311387	(1)	25060513R3
P8702	SOCKET	NSCT-9P2472	1	25052575R2
P8811	SOCKET	HDMI(47266-4201)	1	25053522R3
P8811 or	SOCKET	HDMI(47266-4101)	(1)	25053389R3
P8811 or	SOCKET	TCX3423-311387	(1)	25060513R3
P8985	PLUG	NPLG-2P915	1	25055962R2
RL8604	RELAY	NRL-2P1A-DC4.5V-203	1	25065721R2
RL8604 or	RELAY	NRL-2P2A-DC4.5V-204	(1)	25065722R2

U009

BARF-1567-1C

: NSP

CIRCUIT NO	PART NAME	DESCRIPTION	QTY	PART NO. (SN)	REMARKS
<b>[CAPACITOR]</b>					
C790	CHIP TYPE CERAMIC CAPACITOR	CK732B16V-106K	1	332071065R2	
C794	CHIP TYPE CERAMIC CAPACITOR	CK725B1H-103K0	1	332031035R1	
C795	CHIP TYPE CERAMIC CAPACITOR	CK725B1H-103K0	1	332031035R1	
C796	CHIP TYPE CERAMIC CAPACITOR	CK725B1H-103K0	1	332031035R1	
C799	CHIP TYPE CERAMIC CAPACITOR	CK732B16V-106K	1	332071065R2	
<b>[RESISTOR]</b>					
R790	CHIP TYPE CARBON RESISTOR	RN72K1J-000JE	1	435030004R1	
<b>[SW TRM]</b>					
P3102B	PLUG	NPLG-5P918	1	25055965R2	
P791A	SOCKET	DF40HC(2.5)-30DS-0.4V(70)	1	25053514R2	

U010

BAHDM-1420-3B

: NSP

CIRCUIT NO	PART NAME	DESCRIPTION	QTY	PART NO. (SN)	REMARKS
<b>[SEMI CONDUCTOR]</b>					
Q8552	HYBRID IC	NC7SZ08P5X_F042	1	22242482R2	
Q8558	HYBRID IC	PCA9515BDGKR	1	22242895R2	
<b>[TRANS COIL]</b>					
L3901	CORE	BLM18PG121SN1D	1	2350006R1	
L3902	CORE	BLM18PG121SN1D	1	2350006R1	
L3903	CORE	BLM18PG121SN1D	1	2350006R1	

L8555	CORE	BLM18PG181SN1D	1	2350005R1	
<b>[CAPACITOR]</b>					
C3902	CHIP TYPE CERAMIC CAPACITOR	CK725B1H-103K0	1	332031035R1	
C3904	CHIP TYPE CERAMIC CAPACITOR	CK725B1H-103K0	1	332031035R1	
C8551	CHIP TYPE CERAMIC CAPACITOR	CK725B0J-226M	1	332092267R2	
C8555	CHIP TYPE CERAMIC CAPACITOR	CK725B1C-104K0	1	332011045R1	
C8556	CHIP TYPE CERAMIC CAPACITOR	CK725B1C-104K0	1	332011045R1	
C8559	CHIP TYPE CERAMIC CAPACITOR	CK725B1H-102K0	1	332031025R1	
C8561	CHIP TYPE CERAMIC CAPACITOR	CK725B1H-103K0	1	332031035R1	
C8562	CHIP TYPE CERAMIC CAPACITOR	CK725B1H-103K0	1	332031035R1	
C8571	CHIP TYPE CERAMIC CAPACITOR	CK725B1E-473K0	1	332024735R1	
C8573	CHIP TYPE CERAMIC CAPACITOR	CK725B1H-103K0	1	332031035R1	
C8576	CHIP TYPE CERAMIC CAPACITOR	CK725B1C-104K0	1	332011045R1	
C8577	CHIP TYPE CERAMIC CAPACITOR	CK732B16V-106K	1	332071065R2	
<b>[RESISTOR]</b>					
R8555	CHIP TYPE CARBON RESISTOR	RN72K1J-473JE	1	435034734R1	
R8557	CHIP TYPE CARBON RESISTOR	RN72K1J-473JE	1	435034734R1	
R8572	CHIP TYPE CARBON RESISTOR	RN72K1J-473JE	1	435034734R1	
R8573	CHIP TYPE CARBON RESISTOR	RN72K1J-154JE	1	435031544R1	
R8574	CHIP TYPE CARBON RESISTOR	RN72K1J-101JE	1	435031014R1	
R8575	CHIP TYPE CARBON RESISTOR	RN72K1J-154JE	1	435031544R1	
R8576	CHIP TYPE CARBON RESISTOR	RN72K1J-101JE	1	435031014R1	
R8578	CHIP TYPE CARBON RESISTOR	RN72K1J-562JE	1	435035624R1	
R8579	CHIP TYPE CARBON RESISTOR	RN72K1J-103JE	1	435031034R1	
R8580	CHIP TYPE CARBON RESISTOR	RN72K1J-472JE	1	435034724R1	
R8581	CHIP TYPE CARBON RESISTOR	RN72K1J-472JE	1	435034724R1	
R8582	CHIP TYPE CARBON RESISTOR	RN72K1J-000JE	1	435030004R1	
<b>[SW TRM]</b>					
P3101B	PLUG	NPLG-5P918	1	25055965R2	
P3901	SOCKET	C00124K221700	1	25053410	
P3902	TERMINAL	NTM-1P233(M1969)	1	25060302	
P8508	SOCKET	HDMI(47266-4201)	1	25053522R3	
P8508 or	SOCKET	HDMI(47266-4101)	(1)	25053389R3	
P8508 or	SOCKET	TCX3423-311387	(1)	25060513R3	
P8591B	SOCKET	TCX3255-611187	1	25053413R3	
P861	WIRE HARNESS ASSEMBLY	NSAS-3P2318	1	2009991485UL	N
P861A	WIRE HOL	NSCT-3P874	1	25051087	
P861Aor	WIRE HOL	CHD-1.5-3	(1)	25053535	

**U012**

BARF-1450-2C

: NSP

CIRCUIT NO	PART NAME	DESCRIPTION	QTY	PART NO. (SN)	REMARKS
<b>[SEMI CONDUCTOR]</b>					
Q1	HYBRID IC	RZ5B801-0001E2	1	22242835R2	
<b>[TRANS COIL]</b>					
L1	CHIP TYPE CARBON RESISTOR	RN72K1J-000JE	1	435030004R1	
L2	CHIP TYPE CARBON RESISTOR	RN72K1J-000JE	1	435030004R1	
L3	RF COIL	SDCL1608CR33JTDF	1	233557R1	
L3 or	RF COIL	HK1608R33J-T	(1)	233559R1	
L4	RF COIL	SDCL1608CR10JTDF	1	233556R1	
L4 or	RF COIL	HK1608R10J-T	(1)	233558R1	
L5	ANTENNA COIL	K7-D	1	232212	
X1	CRYSTAL	HC-49S 9B12.000MHz	1	3010533	
<b>[CAPACITOR]</b>					
C1	CHIP TYPE CERAMIC CAPACITOR	CC725CH1H-101J1	1	342101014R1	
C12	CHIP TYPE CERAMIC CAPACITOR	CC725CH1H-090D1	1	342100902R1	
C13	CHIP TYPE CERAMIC CAPACITOR	CK725B1C-104K1	1	332121045R1	
C2	CHIP TYPE CERAMIC CAPACITOR	CC725CH1H-220J1	1	342102204R1	
C3	CHIP TYPE CERAMIC CAPACITOR	CK725B1H-332K1	1	332103325R1	
C4	CHIP TYPE CERAMIC CAPACITOR	CC725CH1H-100D1	1	342101002R1	
C5	CHIP TYPE CERAMIC CAPACITOR	CK725B1H-473K1	1	332104735R1	
C6	CHIP TYPE CERAMIC CAPACITOR	CK725B1H-222K1	1	332102225R1	
C7	CHIP TYPE CERAMIC CAPACITOR	CK725B1A-105K1	1	332131055R1	
C8	CHIP TYPE CERAMIC CAPACITOR	CK725B1A-105K1	1	332131055R1	
C9	CHIP TYPE CERAMIC CAPACITOR	CK732B16V-106K	1	332071065R2	

[RESISTOR]				
R10	CHIP TYPE CARBON RESISTOR	RN72K1J-000JE	1	435030004R1
R11	CHIP TYPE CARBON RESISTOR	RN72K1J-000JE	1	435030004R1
R13	CHIP TYPE CARBON RESISTOR	RN72K1J-000JE	1	435030004R1
R14	CHIP TYPE CARBON RESISTOR	RN72K1J-000JE	1	435030004R1
R2	CHIP TYPE CARBON RESISTOR	RN72K1J-101JE	1	435031014R1
R21	CHIP TYPE CARBON RESISTOR	RN72K2E-000JE	1	435220004R1
R22	CHIP TYPE CARBON RESISTOR	RN72K2E-000JE	1	435220004R1
R3	EMI SUPPRESSION FILTER	BK1608HS601-T	1	230984R1
R4	EMI SUPPRESSION FILTER	BK1608HS601-T	1	230984R1
R5	CHIP TYPE CARBON RESISTOR	RN72K1J-103JE	1	435031034R1
R6	CHIP TYPE CARBON RESISTOR	RN72K1J-472JE	1	435034724R1
R7	CHIP TYPE CARBON RESISTOR	RN72K1J-472JE	1	435034724R1
R8	CHIP TYPE CARBON RESISTOR	RN72K1J-101JE	1	435031014R1
R9	CHIP TYPE CARBON RESISTOR	RN72K1J-101JE	1	435031014R1
[SW TRM]				
P1	TERMINAL	NTM-1PDSC437	1	25060515
P101A	SOCKET	NSCT-7P2100	1	25052203
P2	TERMINAL	NTM-2PDML439	1	25060517