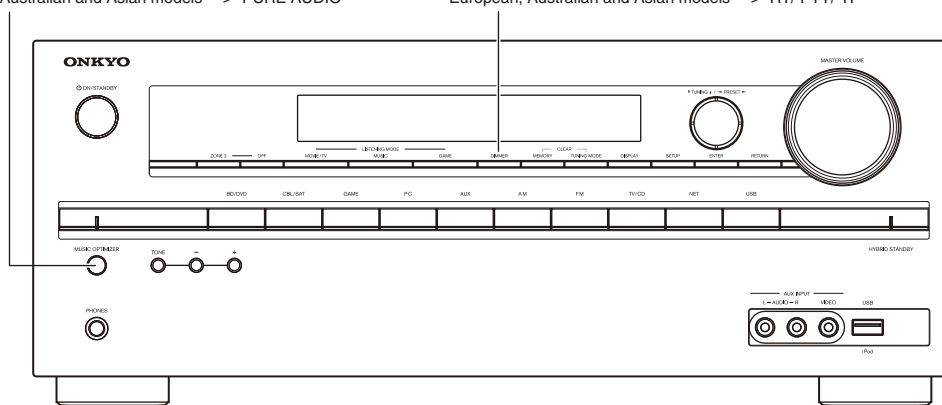


ONKYO SERVICE MANUAL

AV RECEIVER MODEL TX-NR414(B)/(S)

North American and Taiwanese models ---> "MUSIC OPTIMIZER"
European, Australian and Asian models ---> "PURE AUDIO"

North American and Taiwanese models ---> "DIMMER"
European, Australian and Asian models ---> "RT/ PTY/ TP"




RC-834M

Black and Silver models

B MDC, B MDF	120V AC, 60Hz
B MMK, B MMQ, B MMR	220-240V AC, 50/60Hz
B MPP, B MPB, B MPA, S MPP	230V AC, 50Hz

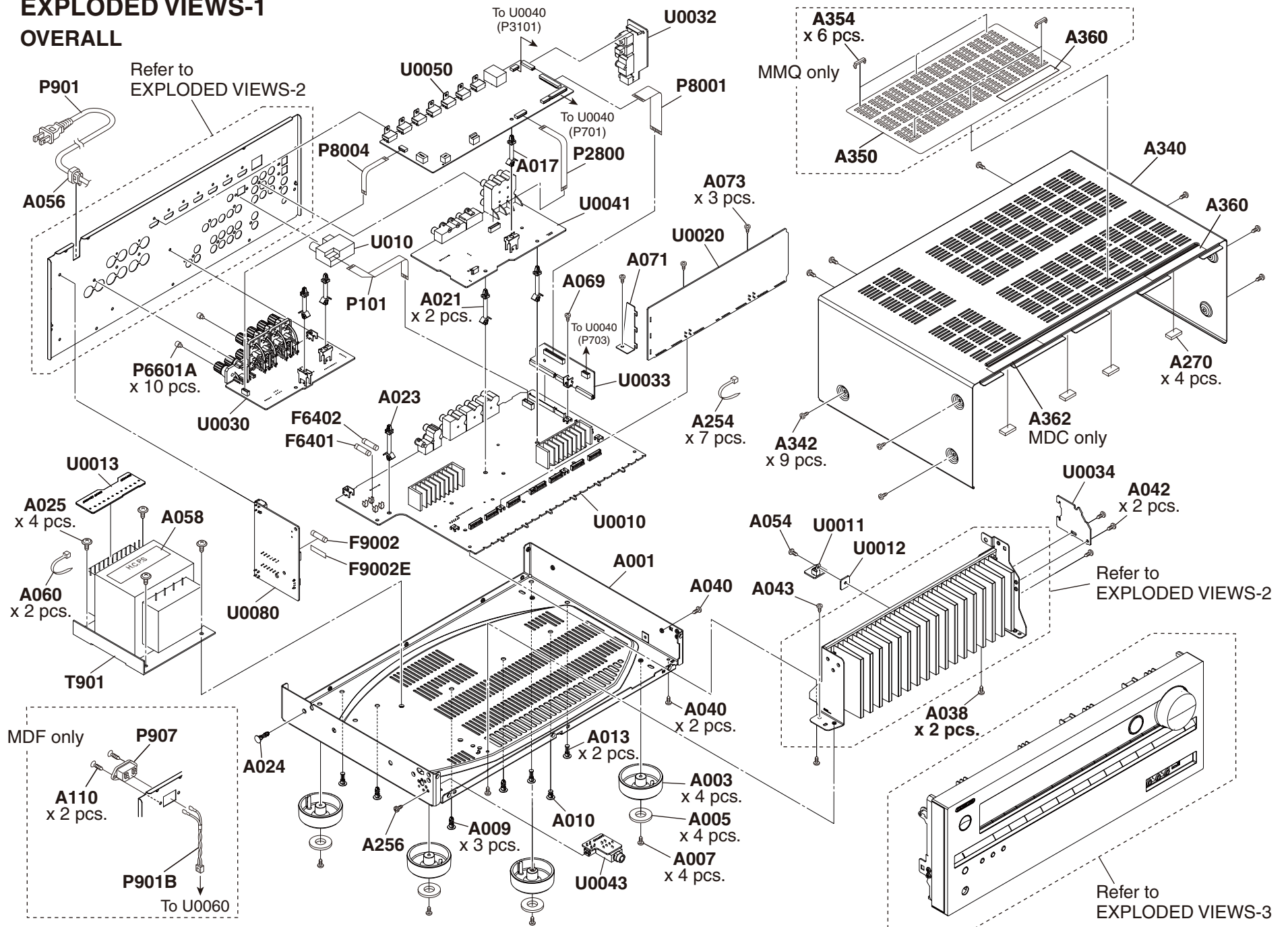
SAFETY-RELATED COMPONENT WARNING!!

COMPONENTS IDENTIFIED BY MARK  ON THE SCHEMATIC DIAGRAM AND IN THE PARTS LIST ARE CRITICAL FOR RISK OF FIRE AND ELECTRIC SHOCK. REPLACE THESE COMPONENTS WITH ONKYO PARTS WHOSE PART NUMBERS APPEAR AS SHOWN IN THIS MANUAL.

MAKE LEAKAGE-CURRENT OR RESISTANCE MEASUREMENTS TO DETERMINE THAT EXPOSED PARTS ARE ACCEPTABLY INSULATED FROM THE SUPPLY CIRCUIT BEFORE RETURNING THE APPLIANCE TO THE CUSTOMER.

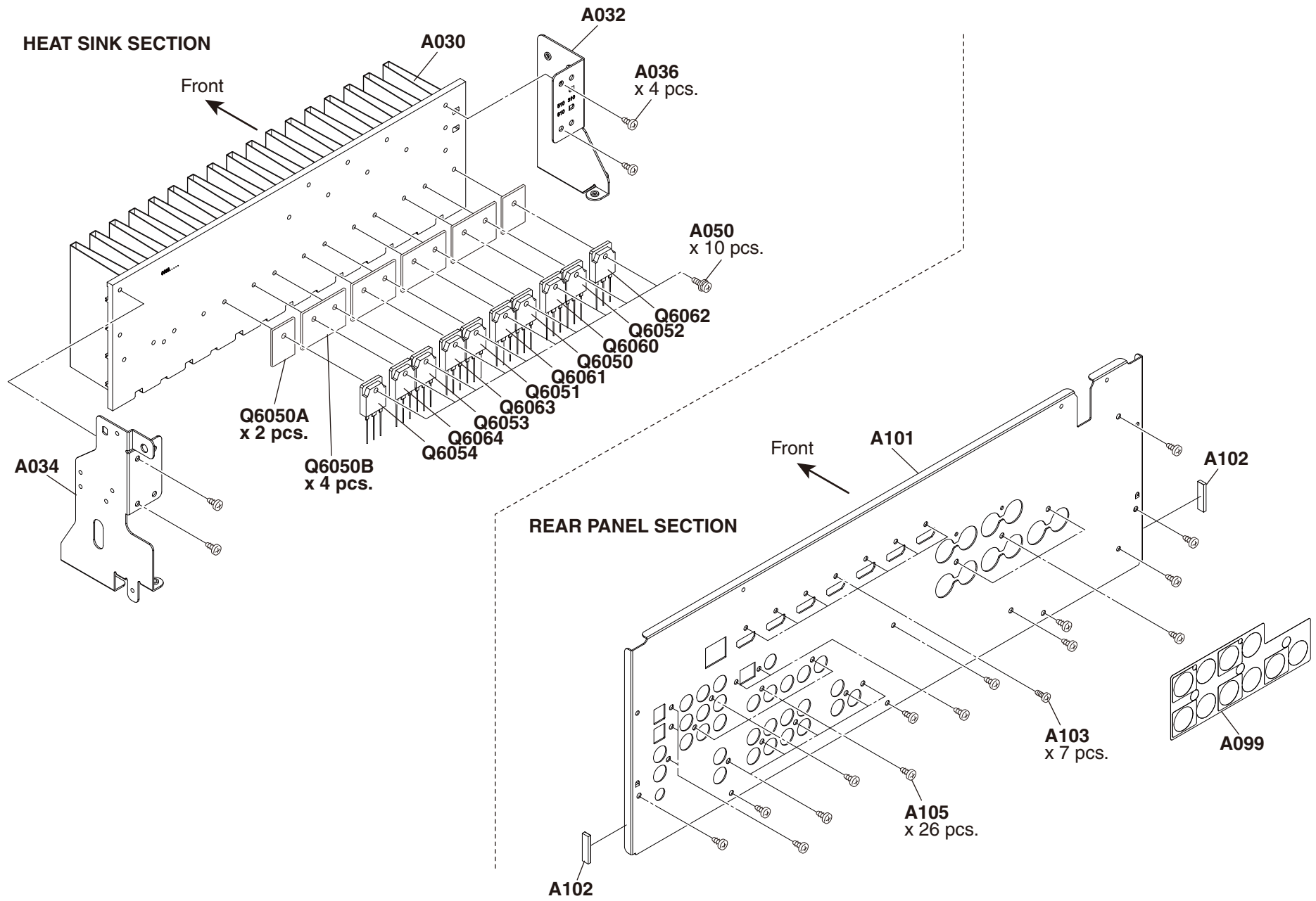
ONKYO SOUND & VISION CORPORATION
Service Department

EXPLODED VIEWS-1
OVERALL

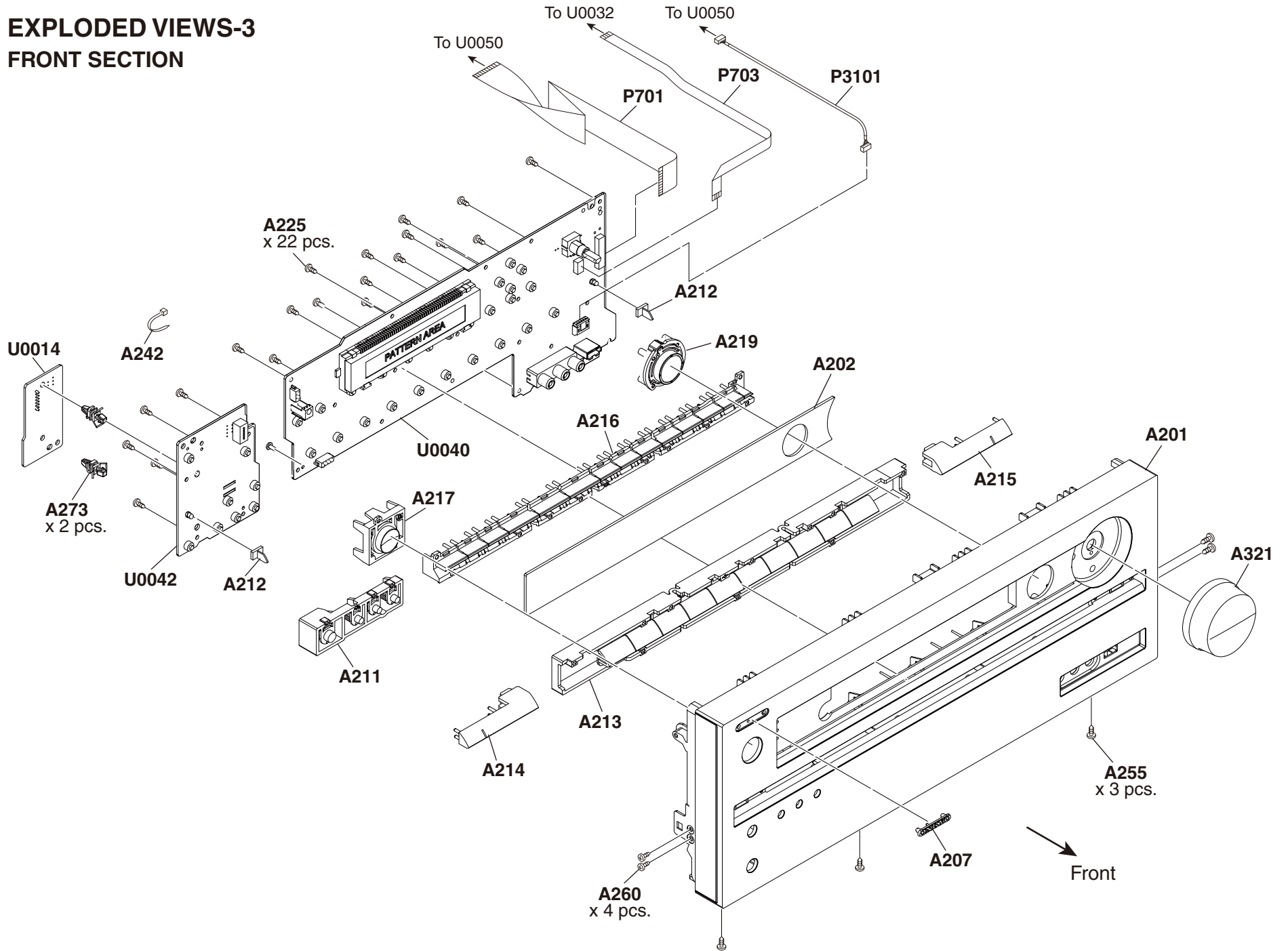


EXPLODED VIEWS-2

HEAT SINK / REAR PANEL SECTION



EXPLODED VIEWS-3
FRONT SECTION



SCHEMATIC DIAGRAMS-1 (PART-1)
BLOCK DIAGRAM AUDIO SECTION

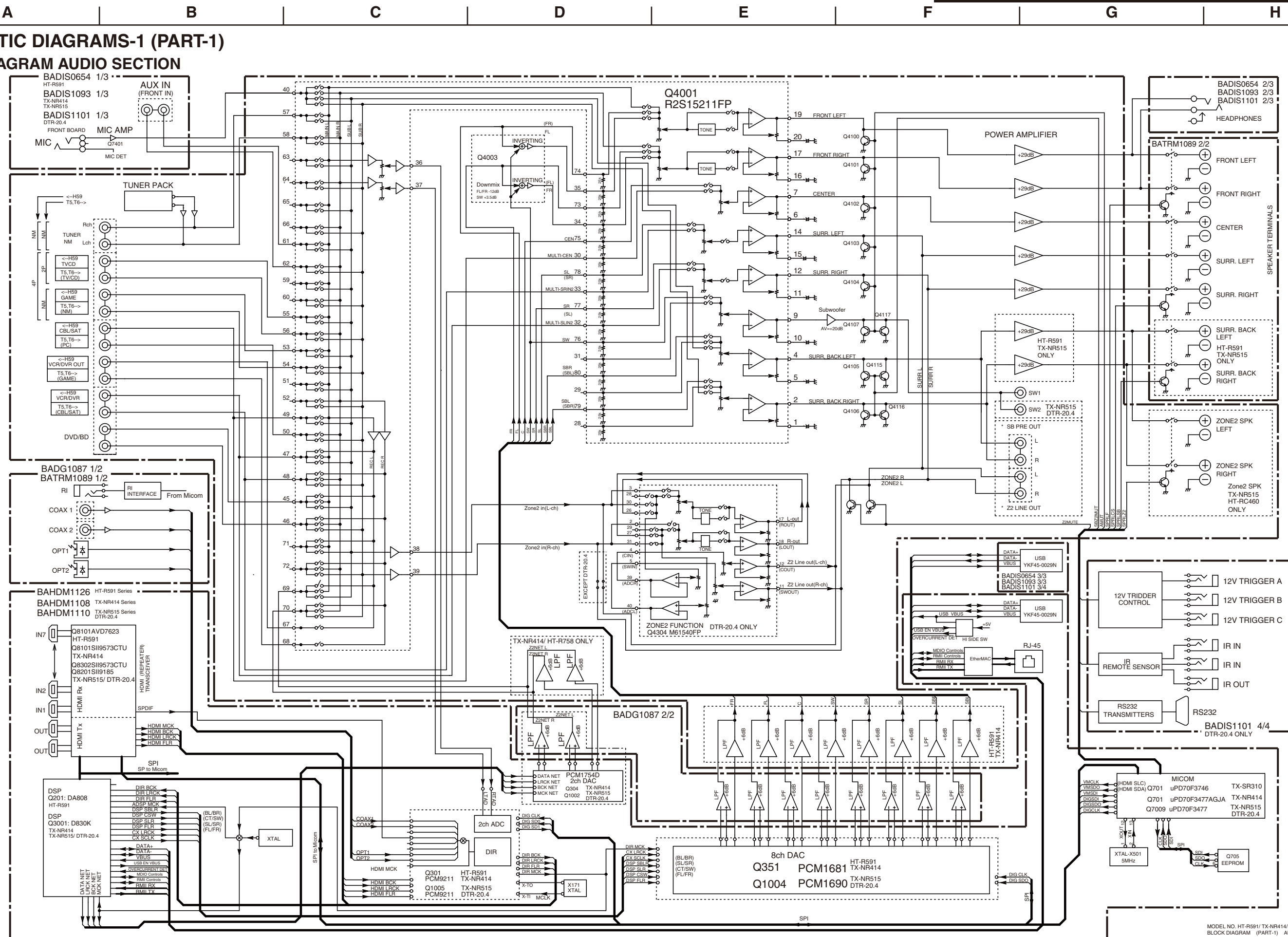
1

2

3

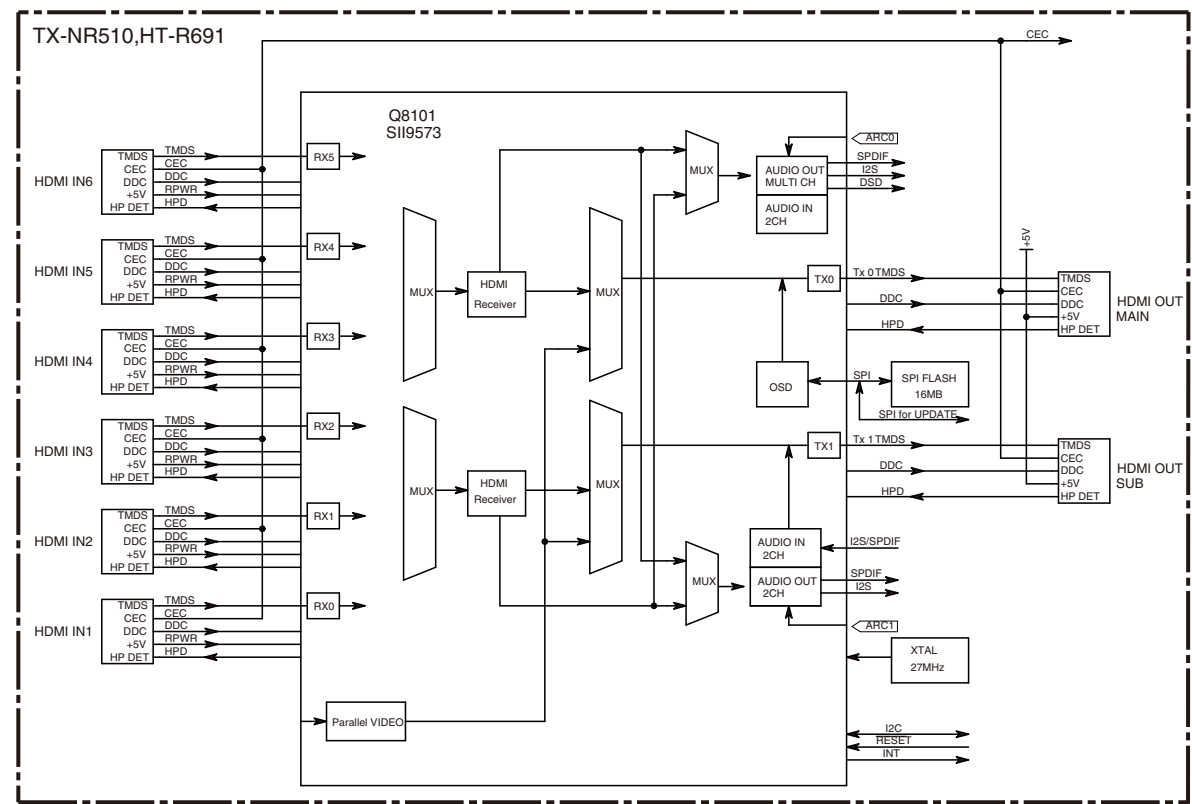
4

5

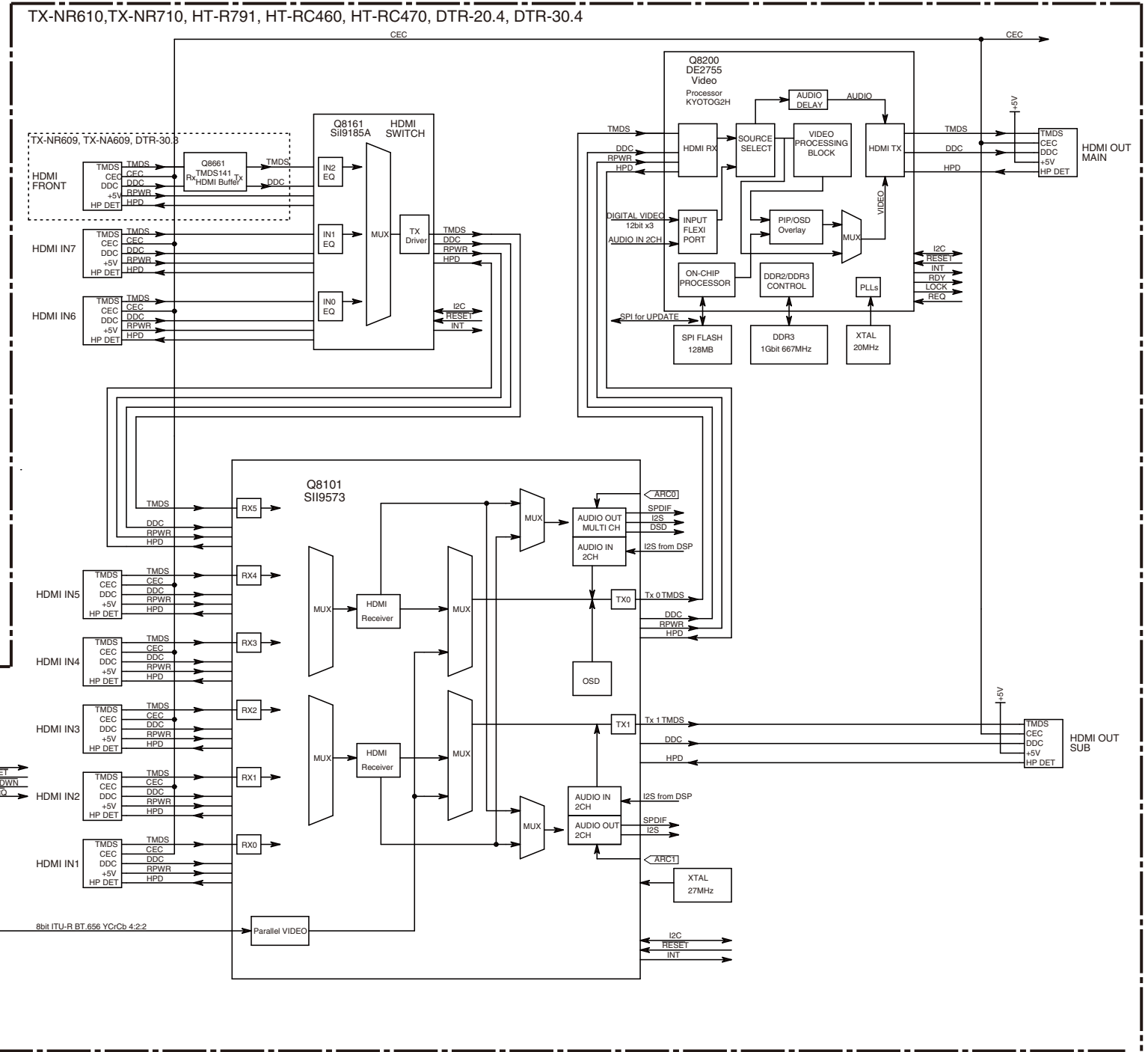


SCHEMATIC DIAGRAMS-2 (PART-2)
BLOCK DIAGRAM VIDEO SECTION

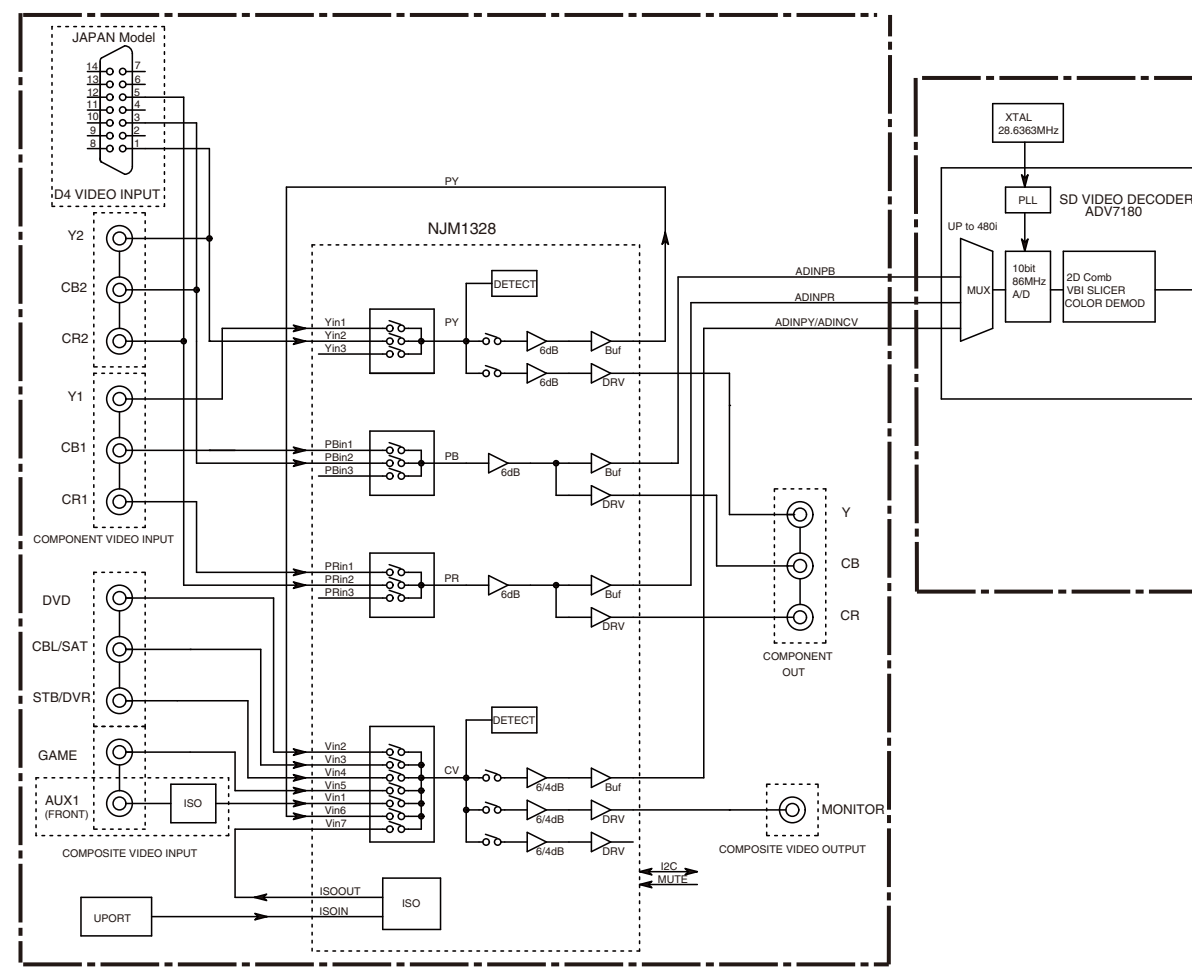
1



2



3



4

5

SCHEMATIC DIAGRAMS-3 (PART-3)
BLOCK DIAGRAM (DIGITAL AUDIO) SECTION

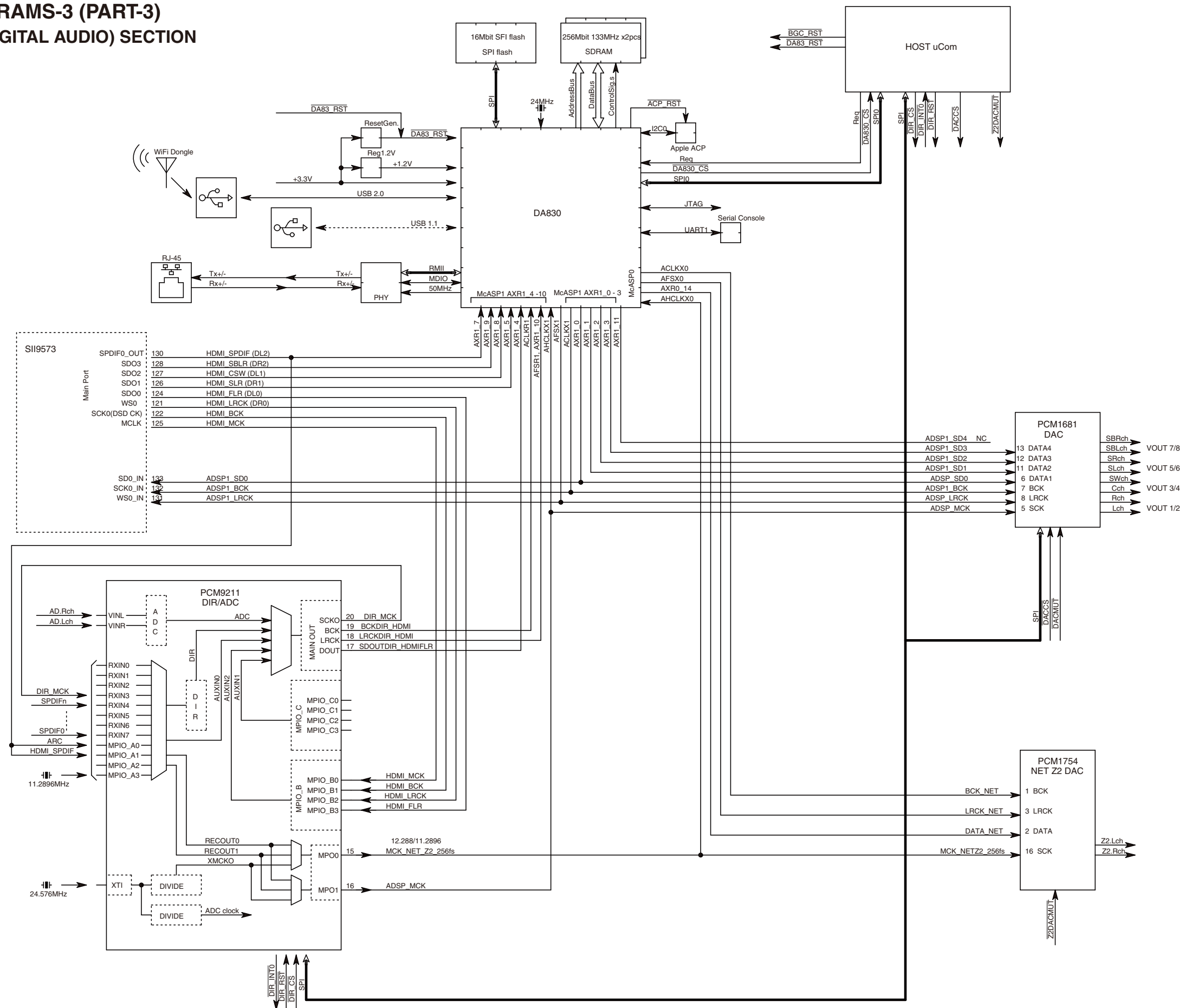
1

2

3

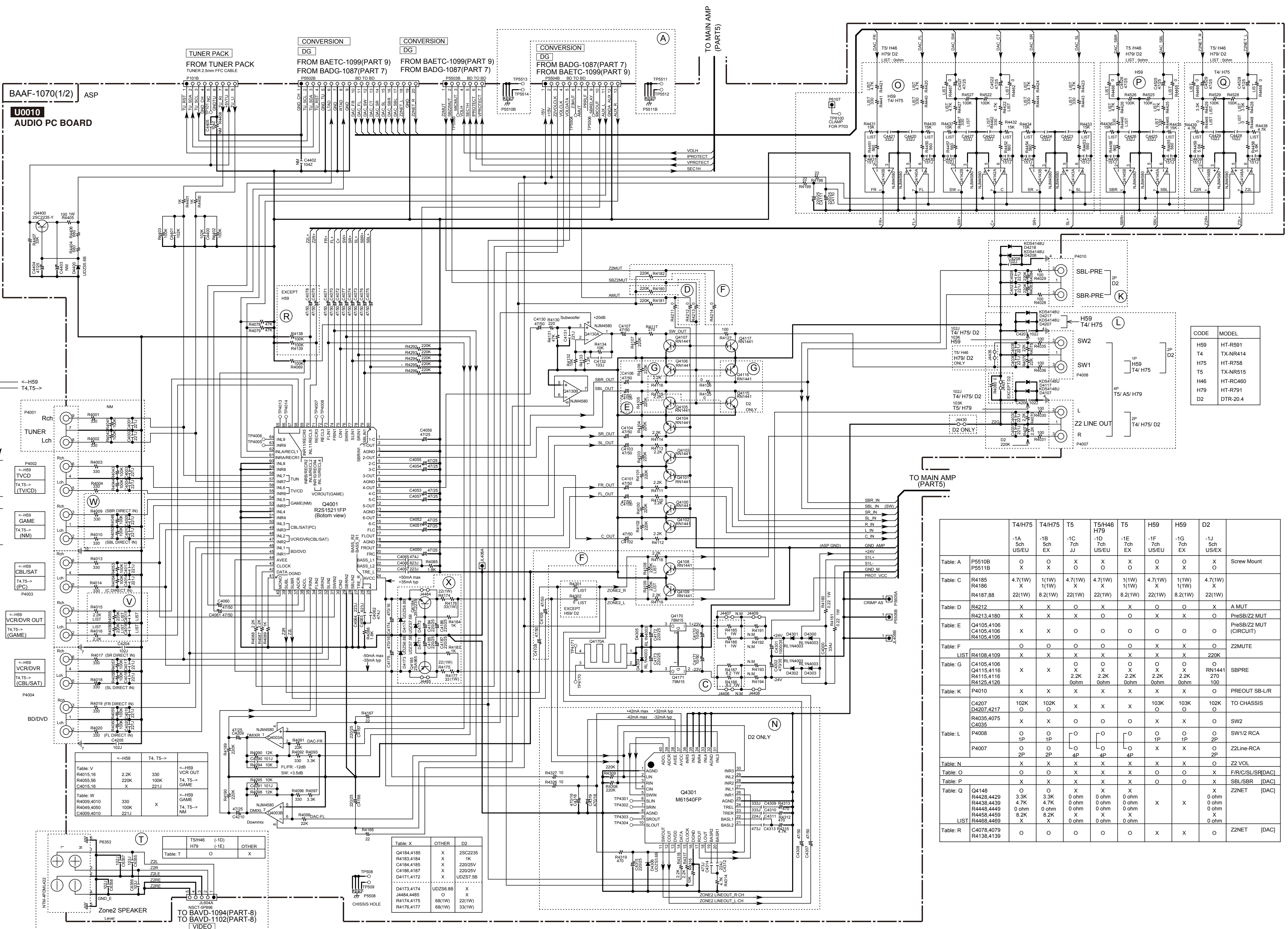
4

5



SCHEMATIC DIAGRAMS-4 (PART-4)
ASP SECTION

1
2
3
4
5
6
7
8



CODE	MODEL
H59	HT-R591
T4	TX-NR414
H75	HT-R758
T5	TX-NR515
H46	HT-RC460
H79	HT-R791
D2	DTR-20.4

Table V

	<-H59	T4, T5->	<-H59
R4015,16	2.2K	330	<-H59
R4055,56	220K	100K	T4, T5->
C4015,16	X	221J	GAME

Table W

	<-H59	T4, T5->	<-H59
R4009,4010	330	X	GAME
R4040,4050	100K	100K	T4, T5->
C4009,4010	221J		NM

Table X

	OTHER	D2
Q4184,4185	X	2SC2235
R4185,4184	X	1K
C4184,4185	X	22025V
C4186,4187	X	22025V
D4171,4172	X	UDZ57.5B

Table Y

	OTHER	D2
D4173,4174	O	UD256.8B
J4484,4485	O	22(1W)
R4174,4175	O	68(1W)
R4176,4177	O	33(1W)

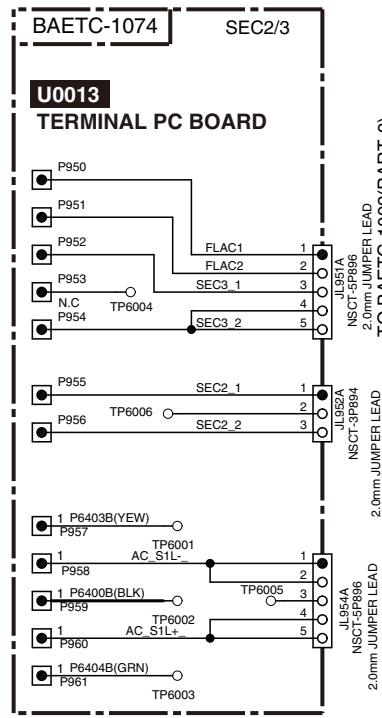
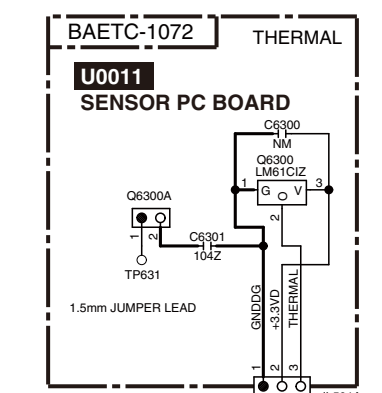
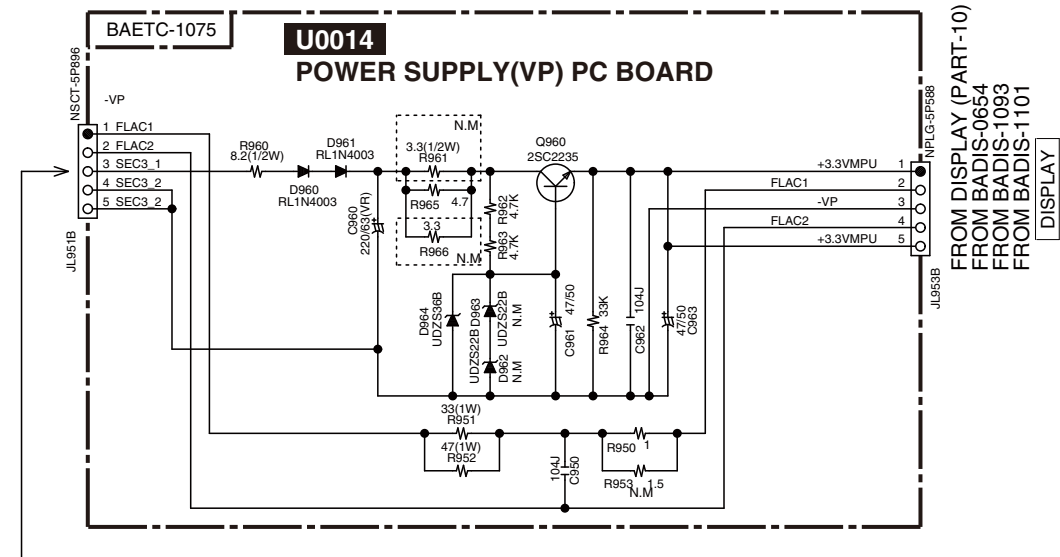
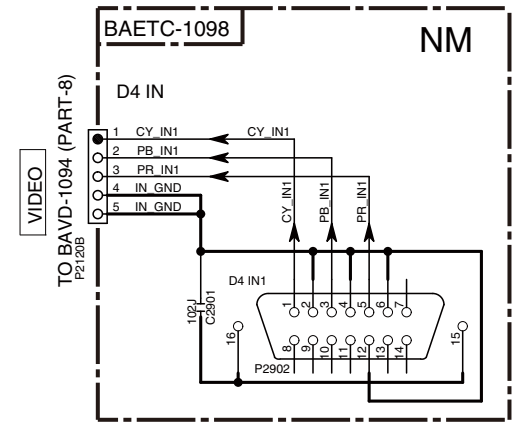
	T4/H75	T4/H75	T5	T5/H46 H79	T5	H59	H59	D2	
	-1A 5ch US/EU	-1B 5ch EX	-1C 7ch JJ	-1D 7ch US/EU	-1E 7ch EX	-1F 7ch US/EU	-1G 7ch EX	-1J 5ch US/EX	
Table A	P5510B	O	O	X	O	O	O	O	Screw Mount
	P5511B	X	O	X	O	O	O	O	
Table C	R4185	4.7(1W)	1(1W)	4.7(1W)	4.7(1W)	1(1W)	1(1W)	4.7(1W)	
	R4188	X	X	X	X	X	X	X	
	R4187,88	22(1W)	8.2(1W)	22(1W)	22(1W)	8.2(1W)	8.2(1W)	22(1W)	
Table D	R4212	X	X	O	X	O	O	X	A MUT
	R4213,4180	X	X	O	O	X	X	O	PreSB/Z2 MUT
Table E	Q4105,4106	X	X	O	O	O	O	O	PreSB/Z2 MUT (CIRCUIT)
	C4105,4106	X	X	O	O	O	O	O	
	R4105,4106	X	X	O	O	O	O	O	
Table F	LIST	R4108,4109	X	X	X	X	X	X	Z2MUTE
		R4105,4106	X	X	O	O	O	O	
		Q4115,4116	X	X	X	X	X	X	SBPRE
		R4115,4116	X	X	2.2K	2.2K	2.2K	270	
		R4125,4126	X	X	0ohm	0ohm	0ohm	100	
Table K	P4010	X	X	X	X	X	X	O	PREOUT SB-L/R
	C4207	102K	102K	O	X	X	103K	103K	TO CHASSIS
	D4207,4217	O	O	X	X	O	O	O	
	R4035,4075	X	X	O	O	O	X	X	SW2
	C4035	X	X	O	O	O	O	O	
	P4008	O	O	O	O	O	O	O	SW1/2 RCA
	P4007	O	O	O	O	O	X	X	Z2Line-RCA
		1P	2P	4P	4P	O	O	2P	
Table N		X	X	X	X	X	X	O	Z2 VOL
Table O		O	O	X	X	O	O	X	F/R/C/S/L/SRD/DC
Table P		X	X	X	X	O	O	X	SBL/SBR [DAC]
Table Q		Q4148	O	O	X	X	X	X	Z2NET [DAC]
		R4428,4429	3.3K	3.3K	0ohm	0ohm	0ohm	0ohm	
		R4438,4439	4.7K	4.7K	0ohm	0ohm	0ohm	0ohm	
		R4448,4449	0ohm	0ohm	0ohm	0ohm	0ohm	0ohm	
		R4458,4459	8.2K	8.2K	X	X	X	X	
		R4468,4469	X	X	0ohm	0ohm	0ohm	0ohm	
Table R		C4078,4079	O	O	O	O	O	O	Z2NET [DAC]
		R4138,4139	O	O	O	O	O	O	

SCHEMATIC DIAGRAMS-5 (PART-5)

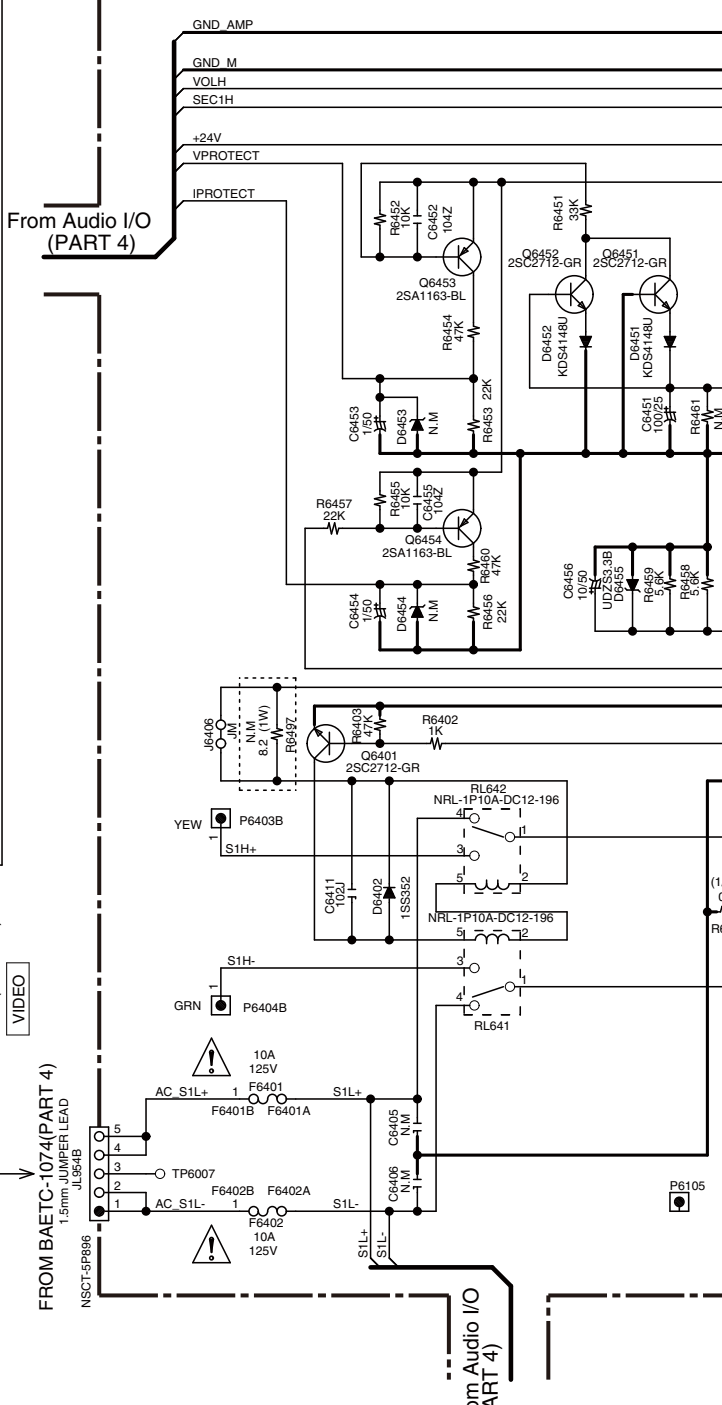
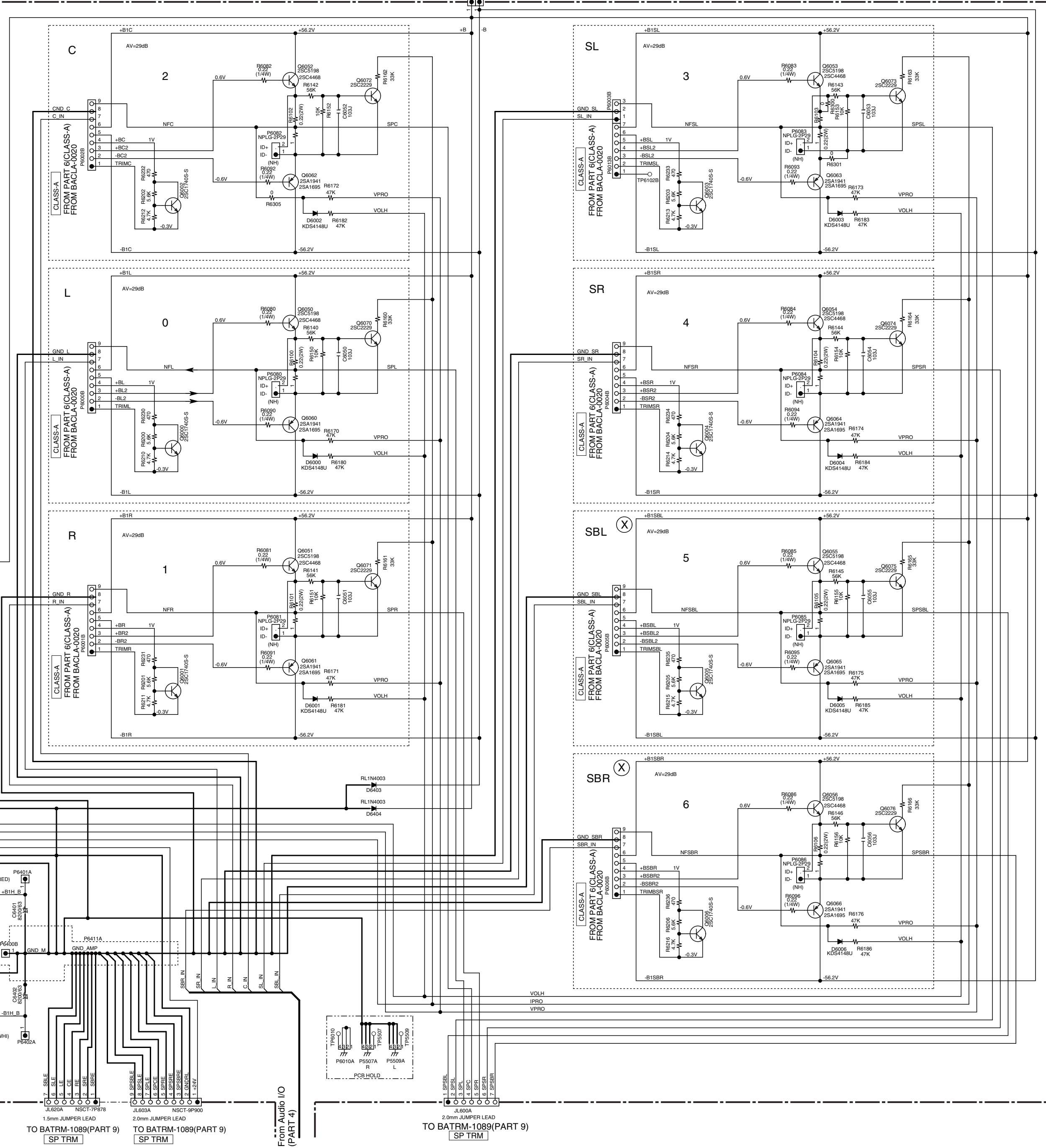
AMP. SECTION

	T4/H75	T4/H75	T5	T5/H46 H79	T5	H59	H59	D2	
	-1A 5ch US/EU	-1B 5ch EX	-1C 7ch JJ	-1D 7ch US/EU	-1E 7ch EX	-1F 7ch US/EU	-1G 7ch EX	-1J 5ch US/EX	
Table: X	X	X	O	O	X	O	O	X	SBL/R AMP Zone2 SPKR

CODE	MODEL
H59	HT-R591
T4	TX-NR414
H75	HT-R758
T5	TX-NR515
H46	HT-RC460
H79	HT-R791
D2	DTR-20.4



BAAF-1070(2/2)
AMP
U0010
AUDIO PC BOARD



SCHEMATIC DIAGRAMS-6 (PART-6)
AMP.(CLASS-A) SECTION

ADJUSTMENT OF IDLING CURRENT

- [NOTES]
1. Set R6040 ~ 6046 to minimum position before POWER ON.
2. Equip series 1/4W 100-ohm resistors near the terminal respectively in the each poles of the jig used for P6080-6086 terminals.
[PROCEDURES]
1. Set the voltages at P6080 ~ 6082 to 2.5mV by adjusting R6040 ~ 6042, under the condition of no input and no load, immediately after POWER ON.
2. Set the voltages at P6083 ~ 6086 to 1.5mV by adjusting R6043 ~ 6046, under the condition of no input and no load, immediately after POWER ON.
3. Re-adjust by following procedure after 4 ~ 6 minutes of heat running.

L / C / R		SL / SR / SBL / SBR	
Below 9mV	→ 9mV	Below 6mV	→ 6mV
Between 9 ~ 11mV	→ Leave it as it is.	Between 6 ~ 8mV	→ Leave it as it is.
Over 11mV	→ 11mV	Over 8mV	→ 8mV

アイドリング電流の調整

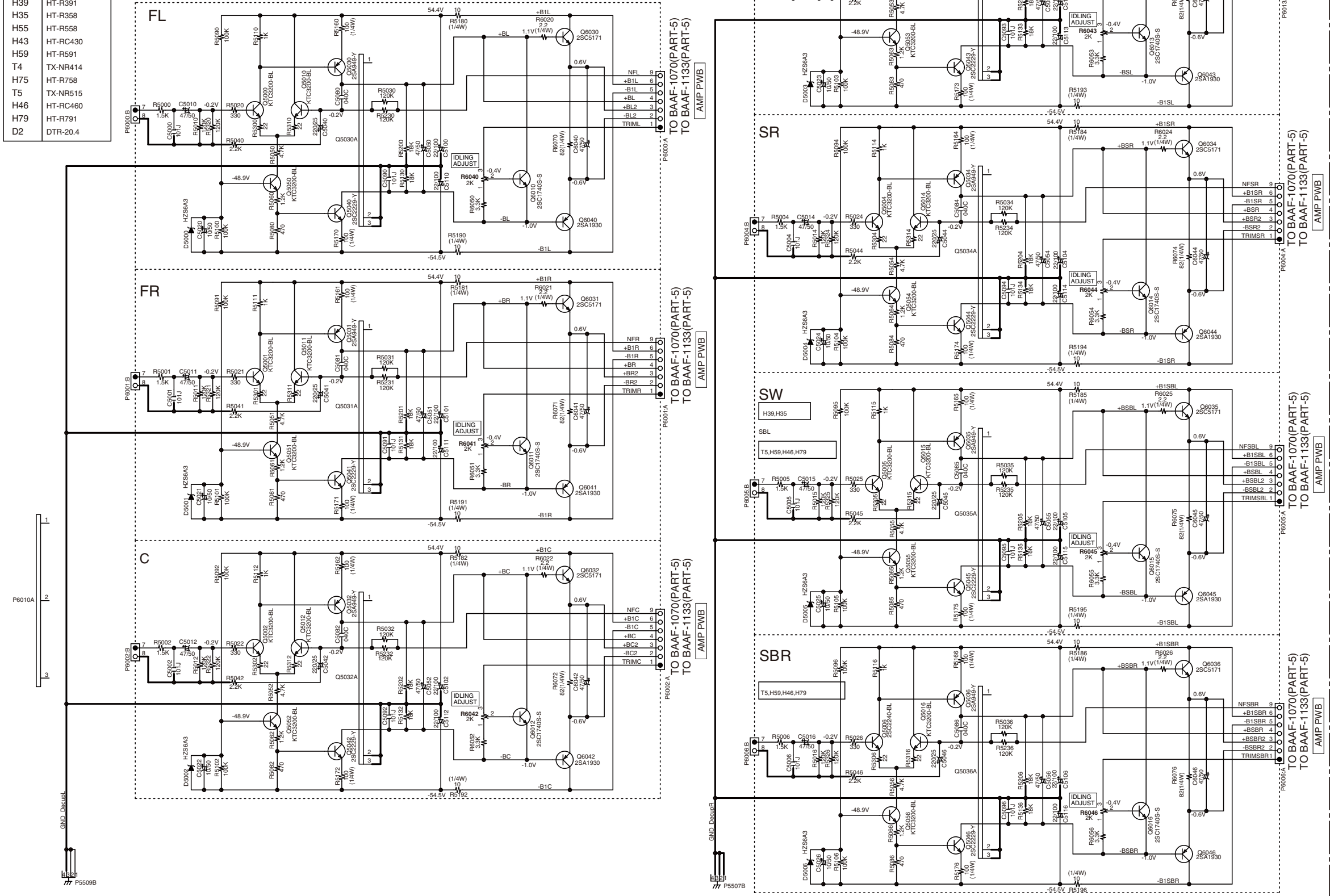
- [注意]
1. R6040 ~ 6046はPOWER ON前に、左に回して最小の位置にしておく。
2. P6080 ~ 6086端子に接続するジグ端子の両極には、端子近傍にそれぞれ100Ω/4Wの抵抗をシリーズに入れること。
[手順]
1. 無負荷・無信号にてPOWER ON直後、P6080 ~ 6082の両端電圧をR6040 ~ 6042にて2.5mVに設定する。
2. 無負荷・無信号にてPOWER ON直後、P6083 ~ 6086の両端電圧をR6043 ~ 6046にて1.5mVに設定する。
3. 約4~6分間のヒートアップ後、下記手順で再調整する。

L / C / R		SL / SR / SBL / SBR	
9mV 未満の場合	→ 9mV	6mV 未満の場合	→ 6mV
9 ~ 11mV の場合	→ そのまま	6 ~ 8mV の場合	→ そのまま
11mVより大きい場合	→ 11mV	8mV より大きい場合	→ 8mV

BACLA-1130
CLASS-A

U0020
AMPLIFIER PC BOARD

CODE	MODEL
T3	TX-SR313
H39	HT-R391
H35	HT-R358
H55	HT-R558
H43	HT-RC430
H59	HT-R591
T4	TX-NR414
H75	HT-R758
T5	TX-NR515
H46	HT-RC460
H79	HT-R791
D2	DTR-20.4



SCHEMATIC DIAGRAMS-8 (PART-8)
VIDEO SECTION

1
2
3
4
5

A B C D E F G H

BAVD-1094
BAVD-1102
U0041
VIDEO PC BOARD

No use
D term Area

(VCR/DVR)
COMPONENT
IN - 2

(DVD)
COMPONENT
IN - 1

COMPONENT
OUT

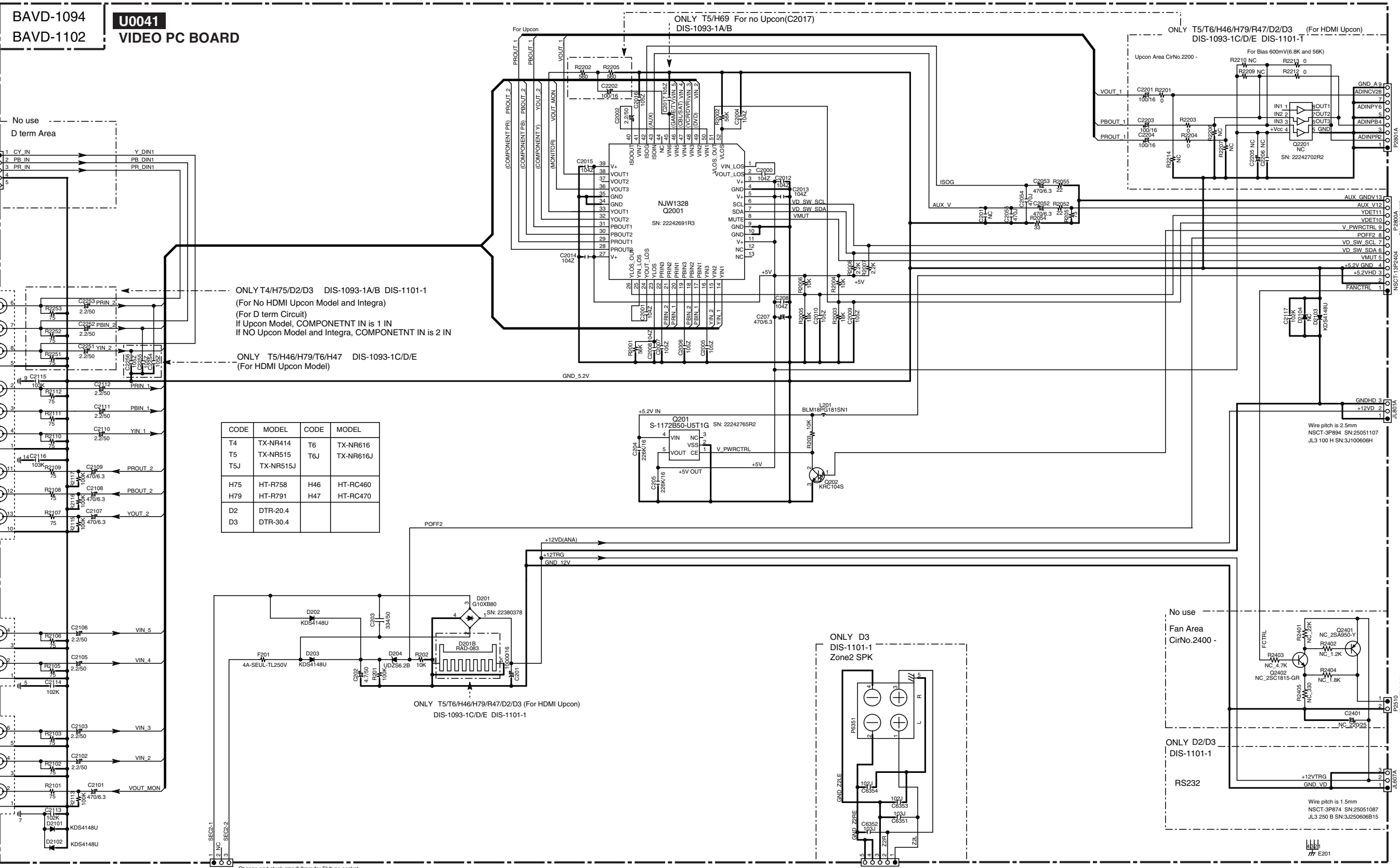
GAME/TV
(VIDEO3 IN)

CBL/SAT
(VIDEO2 IN)

VCR/DVR
(VIDEO1 IN)

DVD IN

MONITOR
OUT



ONLY T4/H75/D2/D3 DIS-1093-1A/B DIS-1101-1
(For No HDMI Upcon Model and Integra)
(For D term Circuit)
If Upcon Model, COMPONENT IN is 1 IN
If NO Upcon Model and Integra, COMPONENT IN is 2 IN

ONLY T5/H46/H79/T6/H47 DIS-1093-1C/D/E
(For HDMI Upcon Model)

CODE	MODEL	CODE	MODEL
T4	TX-NR414	T6	TX-NR616
T5	TX-NR515	T6J	TX-NR616J
T5J	TX-NR515J		
H75	HT-R758	H46	HT-RC460
H79	HT-R791	H47	HT-RC470
D2	DTR-20.4		
D3	DTR-30.4		

ONLY T5/T6/H46/H79/R47/D2/D3 (For HDMI Upcon)
DIS-1093-1C/D/E DIS-1101-1

ONLY D3
DIS-1101-1
Zone2 SPK

No use
Fan Area
CirNo.2400 -

ONLY D2/D3
DIS-1101-1

To BAETC-1074(PART-5)
To BAETC-1137(PART-4)
To BAETC-1078(PART-5)
From AMP PWB

SP TRM(TO PART 9)
TO BATRM-1089

To BAHDM-110(PART-15)

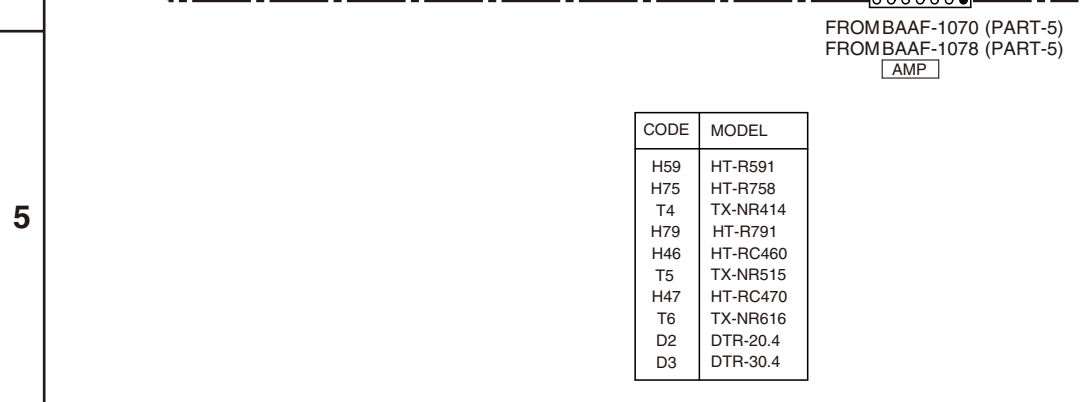
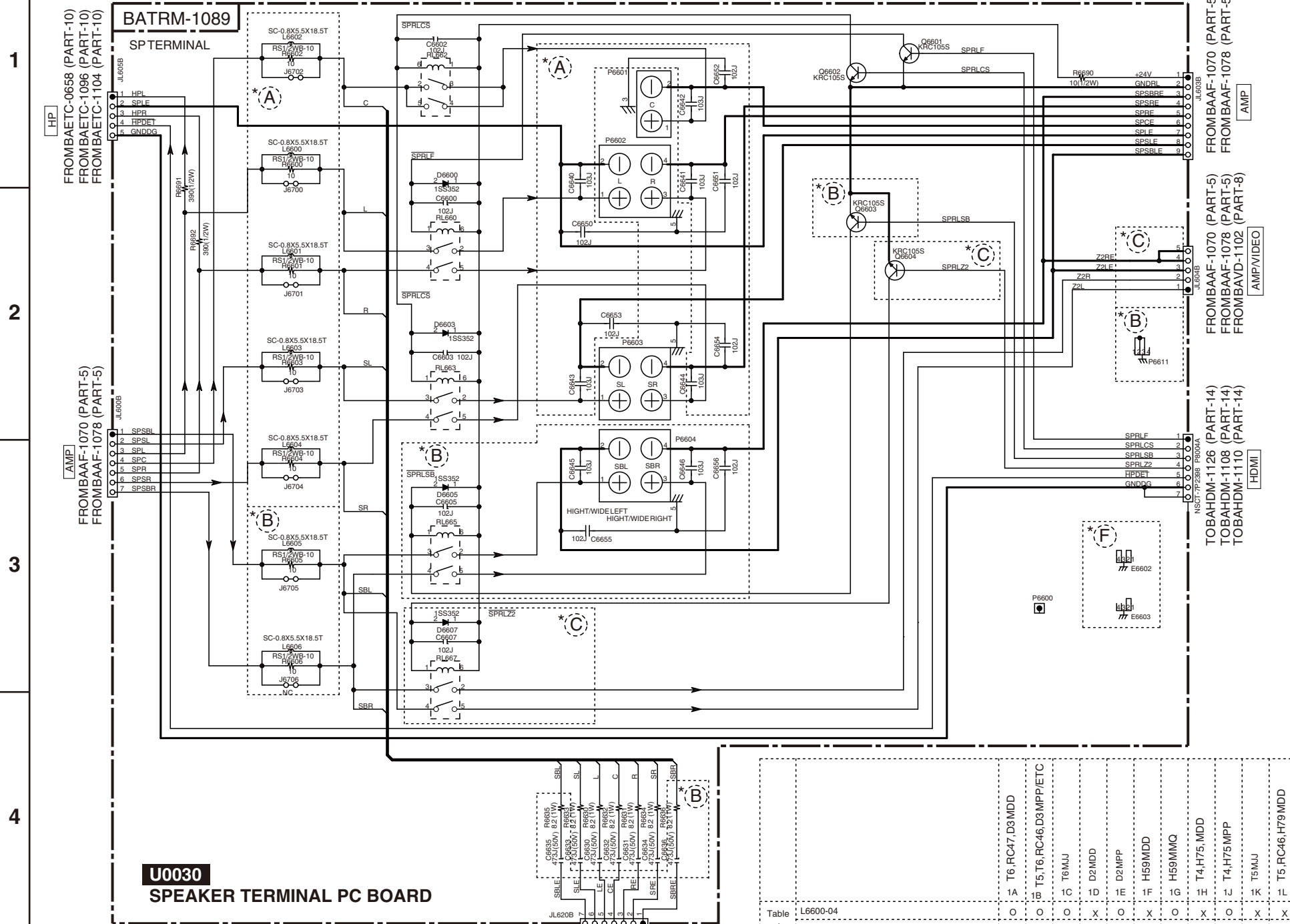
To BAHDM-1108(PART-14)
To BAHDM-1110(PART-14)
For HDMI

To BAHDM-1108(PART-14)
To BAHDM-1110(PART-14)

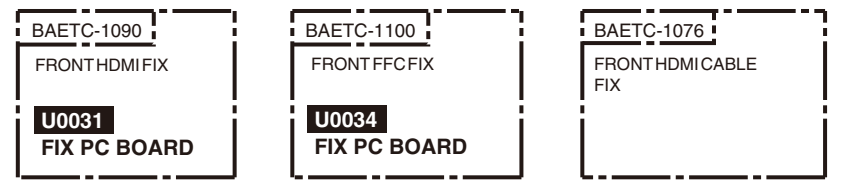
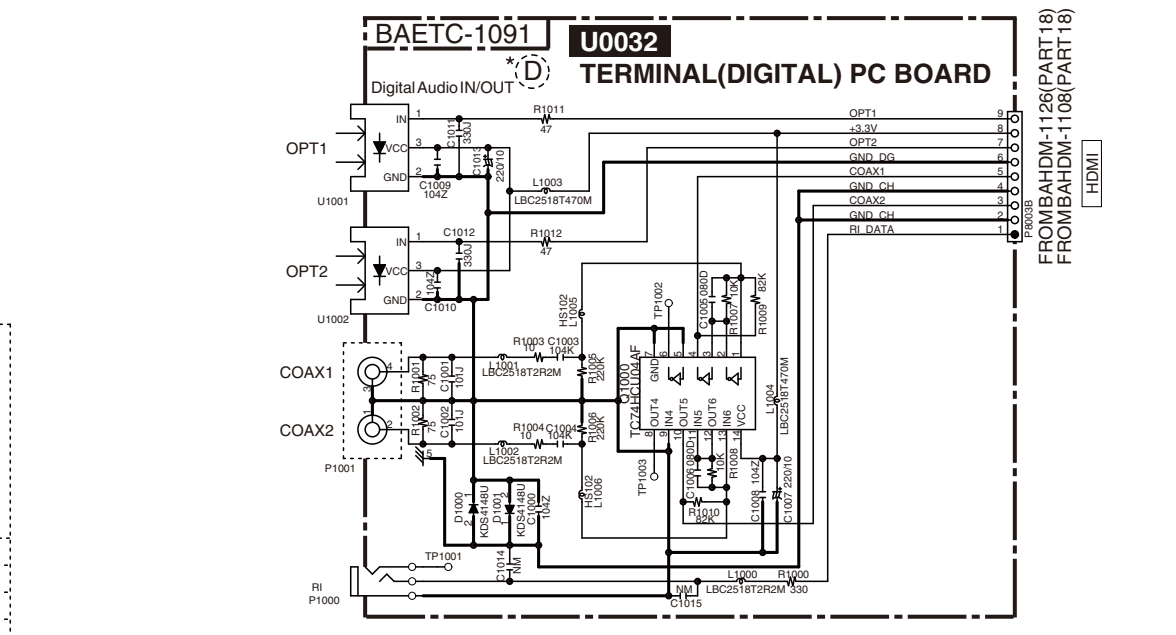
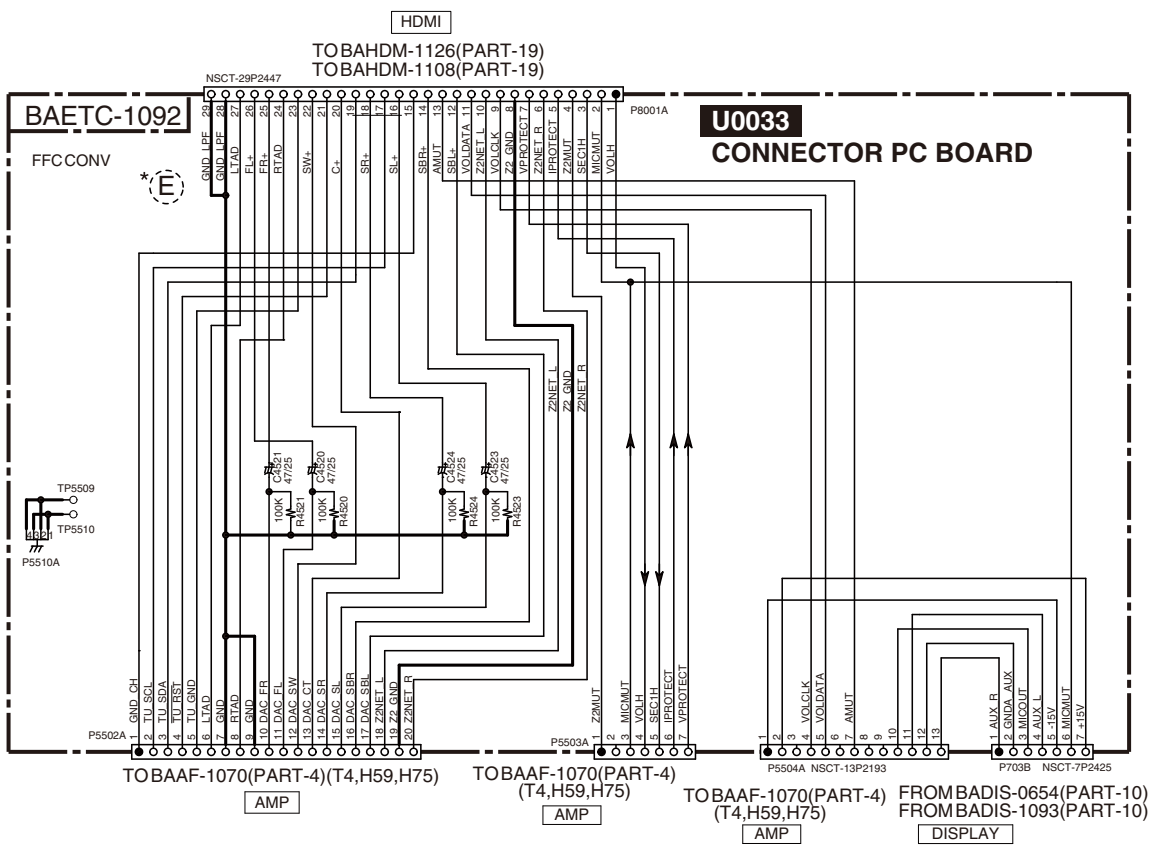
To RS232 PWB
To BAETC-0645 (PART-12)

SCHEMATIC DIAGRAMS-9 (PART-9)

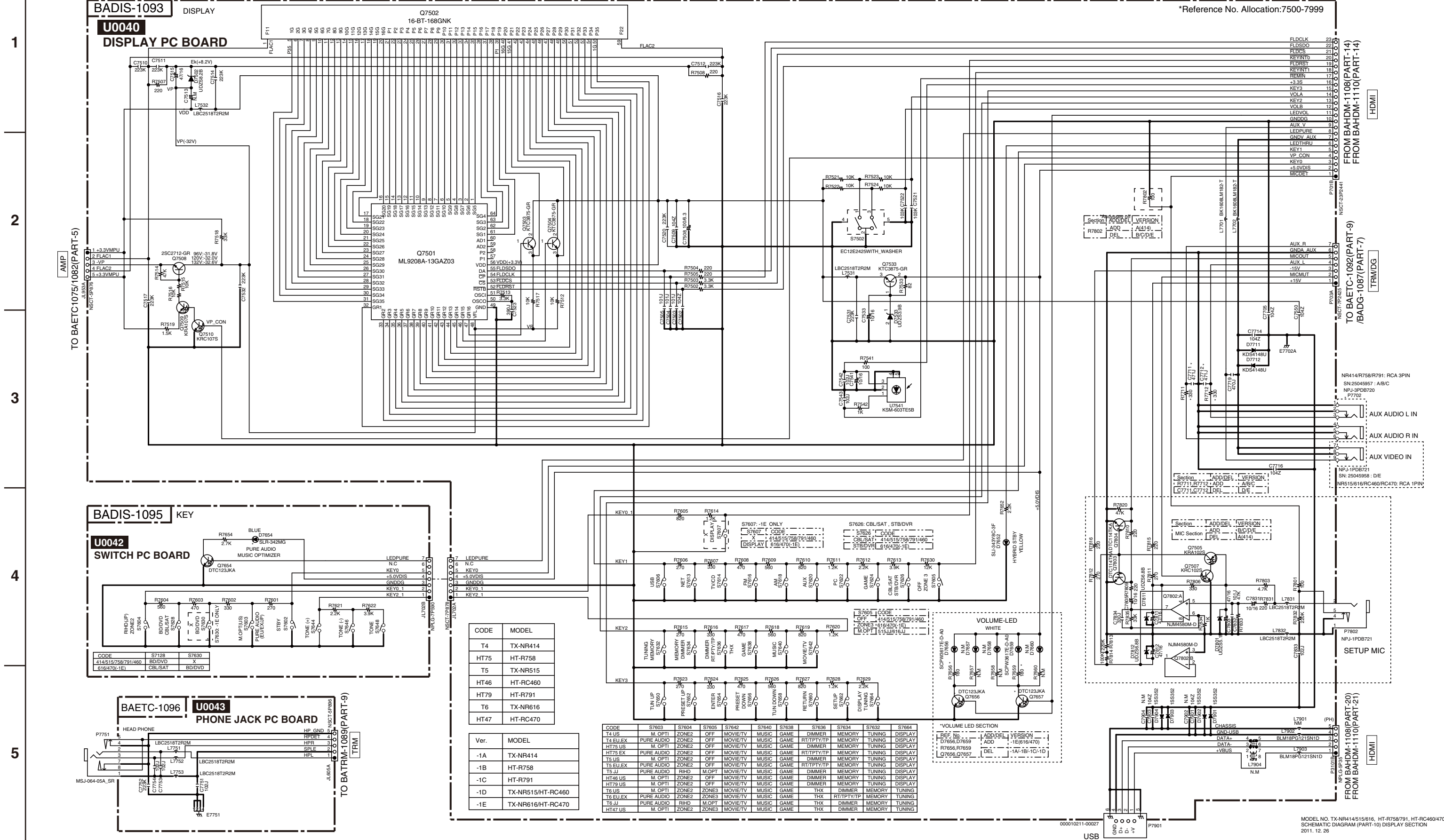
SPEAKER OUT SECTION



	T6	RC47	D3	MDD	1A	1B	1C	1D	1E	1F	1G	1H	1I	1J	1K	1L
Table A	L6600-04							X				X		X	X	X
	R6600-04							X				X		X	X	X
	J6700-04	X	X	X	X	X	X	X	X	X	X	X	X	X	X	X
	C6640-44/C6650-54	X	X	X	X	X	X	X	X	X	X	X	X	X	X	X
Table B	L6605-06							X	X	X	X	X	X	X	X	X
	R6605/06							X	X	X	X	X	X	X	X	X
	J6705/06	X	X	X	X	X	X	X	X	X	X	X	X	X	X	X
	P6604/Q6603/D6605/C6605/RL665/R6635-36							X	X	X	X	X	X	X	X	X
	C6645-46/C6655-56	X	X	X	X	X	X	X	X	X	X	X	X	X	X	X
	P6611	X	X	X	X	X	X	X	X	X	X	X	X	X	X	X
Table C	RL667/C6607/D6607/Q6604/JL604B				X	X	X	X	X	X	X	X	X	X	X	X
Table D	BCETC1091	X	X	X	X	X	X	X	X	X	X	X	X	X	X	X
Table E	BCETC1092	X	X	X	X	X	X	X	X	X	X	X	X	X	X	X
Table F	E6602								X	X	X	X	X	X	X	X
	E6603	X	X	X	X	X	X	X	X	X	X	X	X	X	X	X



SCHEMATIC DIAGRAMS-10 (PART-10)
DISPLAY SECTION



*Reference No. Allocation:7500-7999

TO BAETC-1075/1082(PART-5)

AMP

TO BAETC-1075/1082(PART-5)

TO BA TRM-1089(PART-9)

FROM BAHDM-1108(PART-14)
FROM BAHDM-1110(PART-14)

TO BAETC-1082(PART-9)
/BADG-1087(PART-7)

AUX AUDIO L IN
AUX AUDIO R IN
AUX VIDEO IN

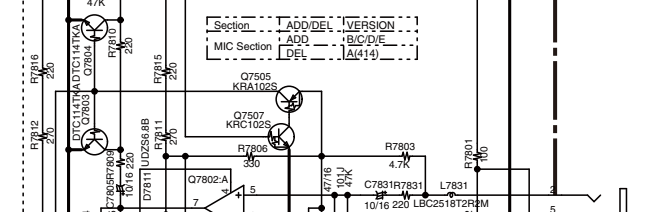
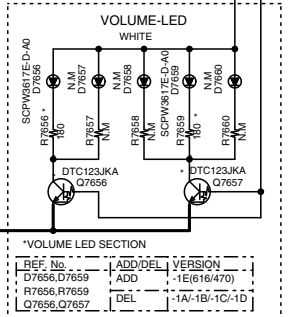
SETUP MIC

FROM BAHDM-1108(PART-20)
FROM BAHDM-1110(PART-21)

CODE	MODEL
T4	TX-NR414
HT75	HT-R758
T5	TX-NR515
HT46	HT-RC460
HT79	HT-R791
T6	TX-NR616
HT47	HT-RC470

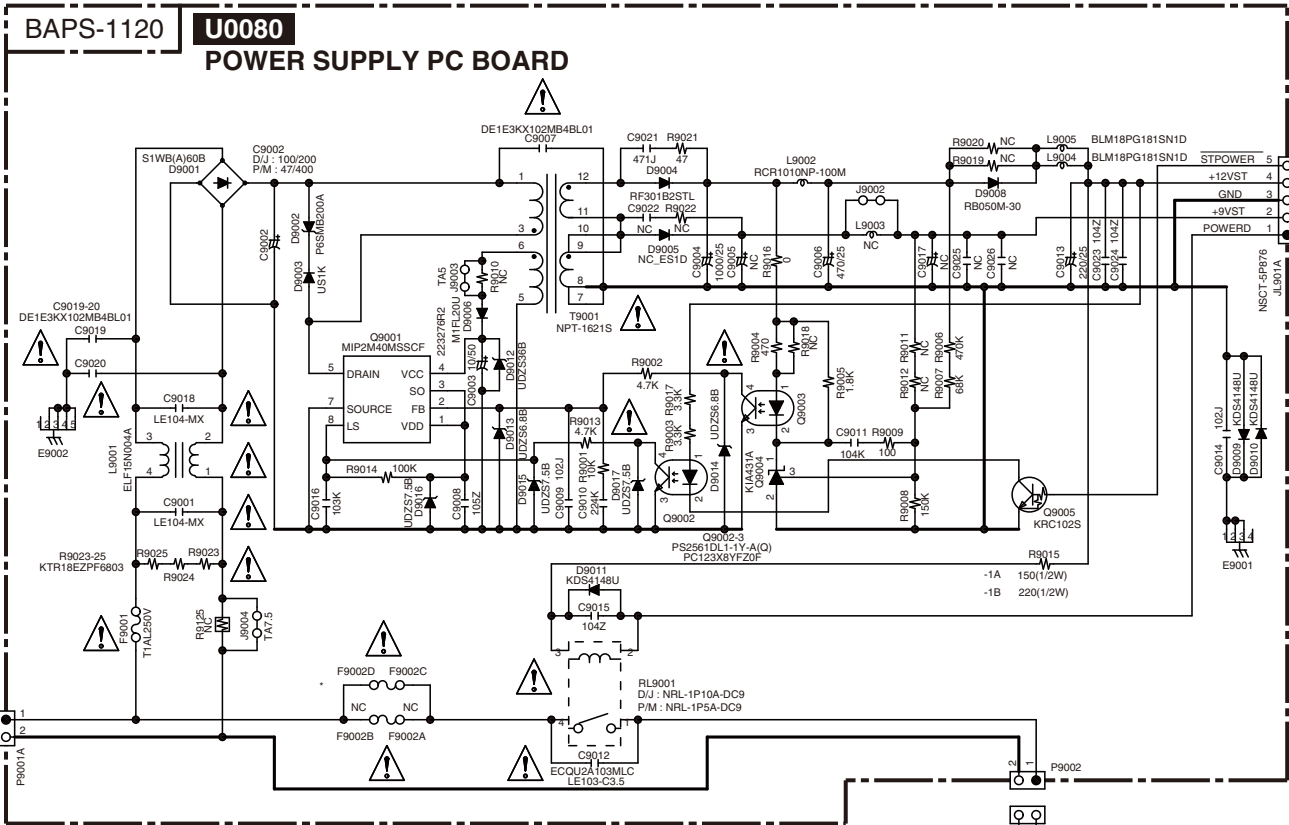
Ver.	MODEL
-1A	TX-NR414
-1B	HT-R758
-1C	HT-R791
-1D	TX-NR515/HT-RC460
-1E	TX-NR616/HT-RC470

CODE	S7603	S7604	S7605	S7642	S7640	S7638	S7636	S7634	S7632	S7664
T4 US	M. OPTI	ZONE2	OFF	MOVIE/TV	MUSIC	GAME	DIMMER	MEMORY	TUNING	DISPLAY
T4 EU EX	PURE AUDIO	ZONE2	OFF	MOVIE/TV	MUSIC	GAME	RT/TP/TV/TP	MEMORY	TUNING	DISPLAY
HT75 US	M. OPTI	ZONE2	OFF	MOVIE/TV	MUSIC	GAME	DIMMER	MEMORY	TUNING	DISPLAY
HT75 EX	PURE AUDIO	ZONE2	OFF	MOVIE/TV	MUSIC	GAME	RT/TP/TV/TP	MEMORY	TUNING	DISPLAY
T5 US	M. OPTI	ZONE2	OFF	MOVIE/TV	MUSIC	GAME	DIMMER	MEMORY	TUNING	DISPLAY
T5 EU EX	PURE AUDIO	ZONE2	OFF	MOVIE/TV	MUSIC	GAME	RT/TP/TV/TP	MEMORY	TUNING	DISPLAY
T5 EU J	PURE AUDIO	RIHD	M. OPTI	MOVIE/TV	MUSIC	GAME	DIMMER	MEMORY	TUNING	DISPLAY
HT46 US	M. OPTI	ZONE2	OFF	MOVIE/TV	MUSIC	GAME	DIMMER	MEMORY	TUNING	DISPLAY
HT79 US	M. OPTI	ZONE2	OFF	MOVIE/TV	MUSIC	GAME	DIMMER	MEMORY	TUNING	DISPLAY
T6 US	M. OPTI	ZONE2	ZONE3	MOVIE/TV	MUSIC	GAME	THX	DIMMER	MEMORY	TUNING
T6 EU EX	PURE AUDIO	ZONE2	ZONE3	MOVIE/TV	MUSIC	GAME	THX	RT/TP/TV/TP	MEMORY	TUNING
T6 EU J	PURE AUDIO	RIHD	M. OPTI	MOVIE/TV	MUSIC	GAME	THX	DIMMER	MEMORY	TUNING
HT47 US	M. OPTI	ZONE2	ZONE3	MOVIE/TV	MUSIC	GAME	THX	DIMMER	MEMORY	TUNING



000010211-00027

SCHEMATIC DIAGRAMS-11 (PART-11)
POWER SUPPLY SECTION



TO BAHDM-1108(PART-14)
TO BAHDM-1110(PART-14)

- * THE COMPONENTS IDENTIFIED BY MARK ARE CRITICAL FOR SAFETY. REPLACE ONLY WITH PART NUMBER SPECIFIED.
- * VOLTAGE (MEASURED WITH VOLT METER) IS DC VOLTAGE. (NO INPUT SIGNAL)
- * ELECTROLYTIC CAPACITORS () ARE IN $\mu\text{F}/\text{WV}$.
- * ALL CAPACITORS ARE IN $\text{pF}/50\text{WV}$ UNLESS OTHERWISE NOTED.
- * CIRCUIT IS SUBJECT TO CHANGE FOR IMPROVEMENT.

CAUTION
FOR CONTINUED PROTECTION AGAINST FIRE HAZARD, REPLACE ONLY WITH FUSE OF SAME TYPE AND RATING INDICATED.

ATTENTION
AFIN D'ASSURER UNE PROTECTION PERMANENTE CONTRE LES RISQUES D'INCENDIE, REMPLACER UNIQUEMENT PAR UN FUSIBLE DE MEME TYPE ET CALIBRATION COMME INDIQUE.

THIS SYMBOL LOCATED NEAR THE FUSE INDICATES THAT THE FUSE USED IS SLOW OPERATING TYPE FOR CONTINUED PROTECTION AGAINST FIRE FUSE HAZARD, REPLACE WITH SAME TYPE FUSE. FOR FUSE RATING REFER TO THE MAKING ADJACENT TO THE SYMBOL.

CE SYMBOLE INDIQUE QUE LE FUSIBLE UTILISE EST A LENT, E POUR UNE PROTECTION PERMANENTE. UTILISER QUE DES FUSIBLES DE MEME TYPE. CE DERNIER EST INDIQUE LA QU LE PRESENT SYMBOLE EST APPOSE.

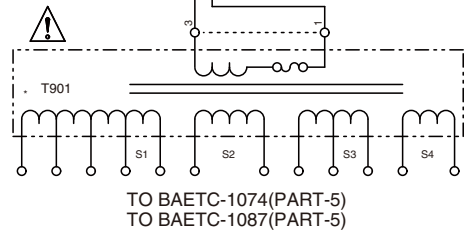
CODE	MODEL
T4	TX-NR414
T5	TX-NR515
T6	TX-NR616
HT46	HT-RC460
HT47	HT-RC470
HT75	HT-R758
HT79	HT-R791
D2	DTR-20.4
D3	DTR-30.4

TYPE	AC
D	120V ~ / 60Hz
P	230V ~ / 50Hz
M	220-240V ~ / 50/60Hz
J	100V ~ / 50/60Hz

Note:
Some parts on BAPS-1120 remain high voltages even after the power cord is disconnected from AC power source. Before starting any work, please discharge C9002 by connecting resistors between its terminals. (recommended resistor spec: 5k ohms/10W)

T901	T4	T5	T6	HT46	HT47	HT75	HT79	D2	D3
D	NPT-1604D	NPT-1604D	NPT-1619D	NPT-1604D	NPT-1619D	NPT-1604D	NPT-1604D	NPT-1604D	NPT-1604D
P	NPT-1604P	NPT-1604P	---	NPT-1604P	---	NPT-1604P	---	NPT-1604P	---
M	NPT-1604M	NPT-1604M	NPT-1619M	NPT-1604M	NPT-1619M	NPT-1604M	---	NPT-1604M	NPT-1604M
J	---	NPT-1604J	NPT-1619J	---	---	---	---	NPT-1604J	NPT-1604J

F9002	T4	T5	T6	HT46	HT47	HT75	HT79	D2	D3
D	8A 125V	8A 125V	10A 125V	8A 125V	10A 125V	8A 125V	8A 125V	8A 125V	10A 125V
P	T4AL250V	T4AL250V	---	---	---	T4AL250V	---	T4AL250V	---
M	T4AL250V	T4AL250V	T5AL250V	T4AL250V	T5AL250V	T4AL250V	---	T4AL250V	T5AL250V
J	---	10A 125V	12A 125V	---	---	---	---	10A 125V	12A 125V



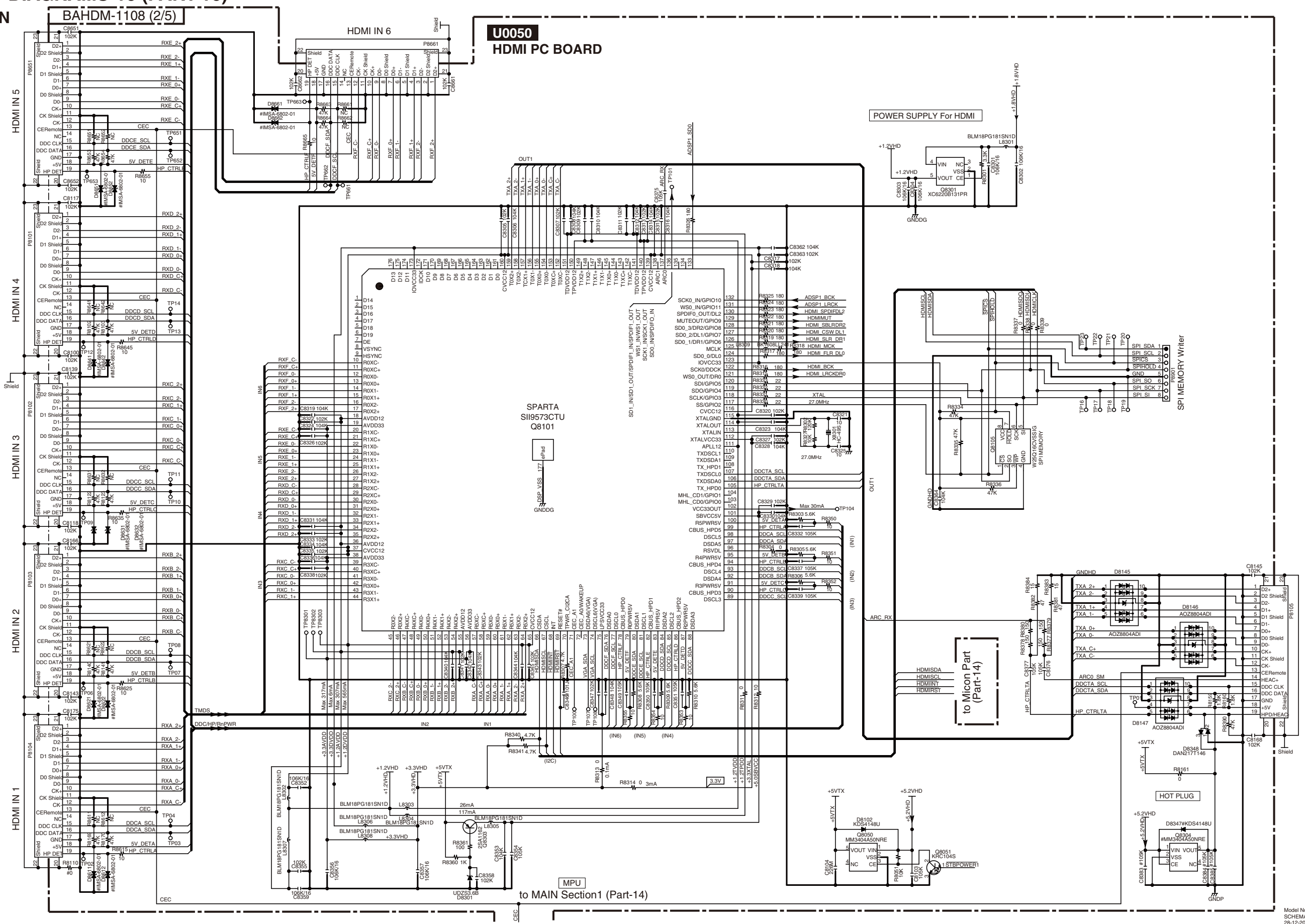
TO BAETC-1074(PART-5)
TO BAETC-1087(PART-5)

SCHEMATIC DIAGRAMS-16 (PART-16)

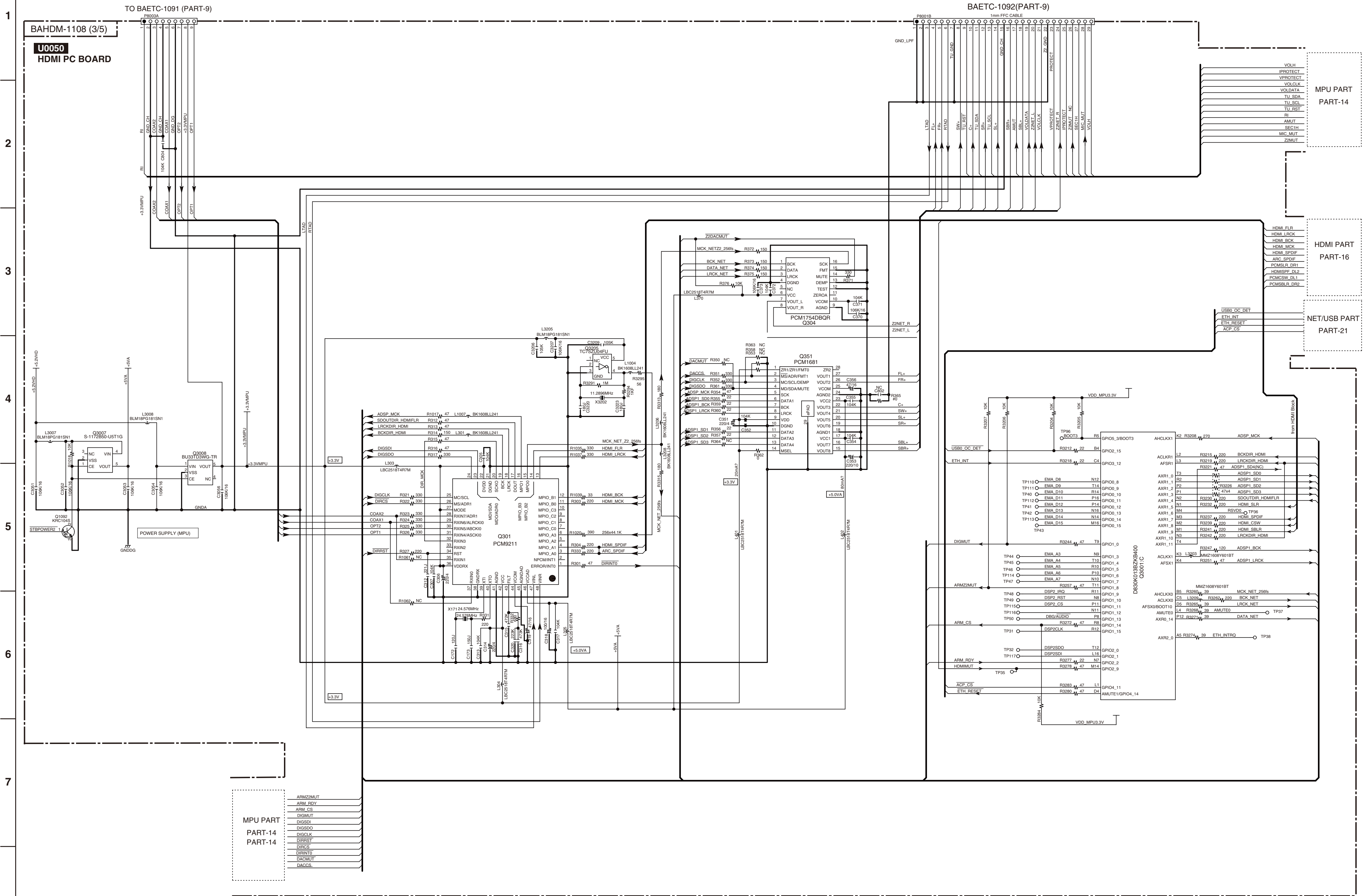
HDMI SECTION

1
2
3
4
5

A B C D E F G H



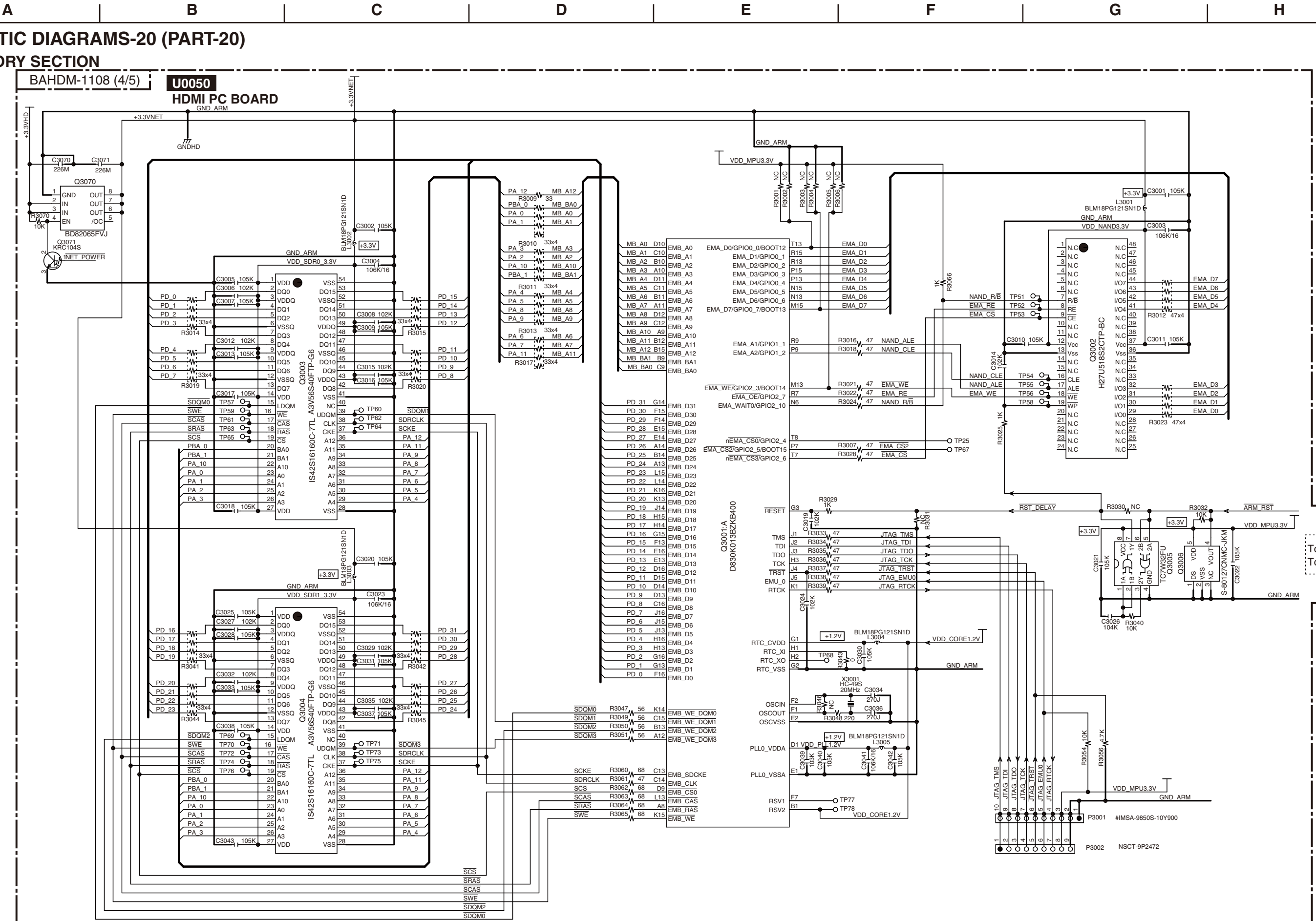
SCHEMATIC DIAGRAMS-19 (PART-19)
DSP/ DIR/ DAC SECTION



SCHEMATIC DIAGRAMS-20 (PART-20)

DSP MEMORY SECTION

1
2
3
4
5



To PART-18
To PART-20

SCHEMATIC DIAGRAMS-21 (PART-21)

NET/ USB SECTION

1

2

3

4

5

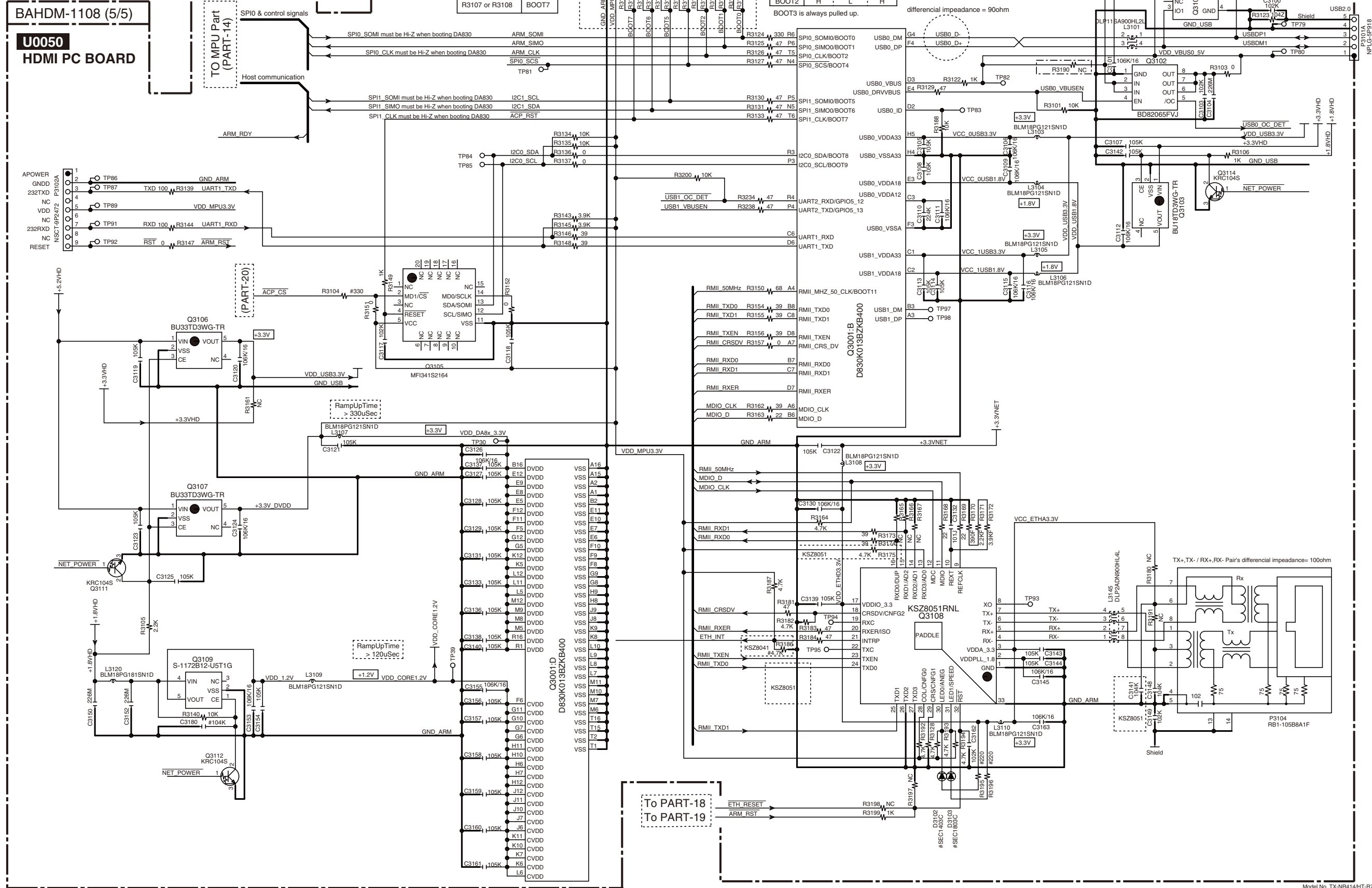
BAHDM-1108 (5/5)
U0050
HDMI PC BOARD

TO MPU Part (PART-14)
SPI0 & control signals
Host communication
ARM_RDY

R3115 or R3116	BOOT2
R3111 or R3112	BOOT5
R3109 or R3110	BOOT6
R3107 or R3108	BOOT7

Boot Opt.	NAND	UART1	SPI0
BOOT7	L	H	L
BOOT1	L	H	L
BOOT0	H	H	H
BOOT3	H	H	H
BOOT2	H	L	H

BOOT3 is always pulled up.



TO BADIS-1093 (PART-10)

To PART-18
To PART-19

TX-NR414**<Note>**

Parts marked by "NSP" are generally unavailable because they are not in our Master Spare Parts List.

NOTE : THE COMPONENTS IDENTIFIED BY THE MARK ! ARE CRITICAL FOR RISK OF FIRE AND ELECTRIC SHOCK. REPLACE ONLY WITH PART NUMBER SPECIFIED.

<Notes>

(B) : Black model

(S) : Silver model

<MDC> : 120V,Canadian model

<MPP> : 230V,CE(European) country model

<MPB> : 230V,UK model

<MMK> : 220/230-240V, Korean model

<MMQ> : 220/230-240V,Hong kong model

<MPA> : 230V,Australian model

<MMR> : 220/230-240V,Chinese model

<MDF> : 120V,Taiwanese model

TX-NR414**EXPLODED VIEW PARTS LIST**

REF. NO.	PART NAME	DESCRIPTION	Q'TY	PART NO. (SN)	REMARKS
[SEMI CONDUCTOR]					
Q6050	TR	2SC5198-O	1	2203063	<B / S>
Q6050 or	TR	2SC4468-O	(1)	2202523	<B / S>
Q6050 or	TR	2SC4468-P	(1)	2202526	<B / S>
Q6050 or	TR	2SC5198-R	(1)	2203062	<B / S>
Q6050A	ISO SHEET	AC238	2	223024	<B / S>
Q6050B	ISO SHEET	ISO SHEET	4	223050	<B / S>
Q6051	TR	2SC5198-O	1	2203063	<B / S>
Q6051 or	TR	2SC4468-O	(1)	2202523	<B / S>
Q6051 or	TR	2SC4468-P	(1)	2202526	<B / S>
Q6051 or	TR	2SC5198-R	(1)	2203062	<B / S>
Q6052	TR	2SC5198-O	1	2203063	<B / S>
Q6052 or	TR	2SC4468-O	(1)	2202523	<B / S>
Q6052 or	TR	2SC4468-P	(1)	2202526	<B / S>
Q6052 or	TR	2SC5198-R	(1)	2203062	<B / S>

Q6053	TR	2SC5198-O	1	2203063	<B / S>
Q6053 or	TR	2SC4468-O	(1)	2202523	<B / S>
Q6053 or	TR	2SC4468-P	(1)	2202526	<B / S>
Q6053 or	TR	2SC5198-R	(1)	2203062	<B / S>
Q6054	TR	2SC5198-O	1	2203063	<B / S>
Q6054 or	TR	2SC4468-O	(1)	2202523	<B / S>
Q6054 or	TR	2SC4468-P	(1)	2202526	<B / S>
Q6054 or	TR	2SC5198-R	(1)	2203062	<B / S>
Q6060	TR	2SA1941-O	1	2203053	<B / S>
Q6060 or	TR	2SA1695-O	(1)	2202513	<B / S>
Q6060 or	TR	2SA1695-P	(1)	2202516	<B / S>
Q6060 or	TR	2SA1941-R	(1)	2203052	<B / S>
Q6061	TR	2SA1941-O	1	2203053	<B / S>
Q6061 or	TR	2SA1695-O	(1)	2202513	<B / S>
Q6061 or	TR	2SA1695-P	(1)	2202516	<B / S>
Q6061 or	TR	2SA1941-R	(1)	2203052	<B / S>
Q6062	TR	2SA1941-O	1	2203053	<B / S>
Q6062 or	TR	2SA1695-O	(1)	2202513	<B / S>
Q6062 or	TR	2SA1695-P	(1)	2202516	<B / S>
Q6062 or	TR	2SA1941-R	(1)	2203052	<B / S>
Q6063	TR	2SA1941-O	1	2203053	<B / S>
Q6063 or	TR	2SA1695-O	(1)	2202513	<B / S>
Q6063 or	TR	2SA1695-P	(1)	2202516	<B / S>
Q6063 or	TR	2SA1941-R	(1)	2203052	<B / S>
Q6064	TR	2SA1941-O	1	2203053	<B / S>
Q6064 or	TR	2SA1695-O	(1)	2202513	<B / S>
Q6064 or	TR	2SA1695-P	(1)	2202516	<B / S>
Q6064 or	TR	2SA1941-R	(1)	2203052	<B / S>
[CHASSIS SCREW]					
A001	CHASSIS	TX-SR507	1	27100533F	<B / S>
A003	LEG	(B)	4	27175464	<B / S>
A005	CUSHION	(ZUL)	4	28141877	<B / S>
A007	SCREW	3TTB+8B(3BC)	4	838430088GR	<B / S>
A009	HOLDER	KGLS-8RT	3	27190503A	<B / S>

A010	HOLDER	KGPS-8RF	1	27191044	<B / S>
A013	HOLDER	KGPS-14RF	3	27190802	<B / S>
A017	HOLDER	HOLDER KGLS-18S	1	27190470	<B / S>
A021	HOLDER	KGLS-22S	2	27190369	<B / S>
A023	HOLDER	KGLS-22S	1	27190369	<B / S>
A024	HOLDER	KGLS-12RT	1	27190266	<B / S>
A025	SCREW	4TTC+8C(3BC)SR	4	801658	<B / S>
A030	HEAT SINK	(L)414	1	27160669	<B / S>
A032	RETAINER	(HL)313	1	27142280	<B / S>
A034	RETAINER	(HR)	1	27142223A	<B / S>
A036	SCREW	3TTB+8B(3BC)	4	838430088GR	<B / S>
A038	SCREW	3TTB+8B(3BC)	2	838430088GR	<B / S>
A040	SCREW	3TTB+8B(3BC)	3	838430088GR	<B / S>
A042	SCREW	3TTB+8B(3BC)	2	838430088GR	<B / S>
A043	SCREW	3TTB+8B(3CM)SR	1	801637	<B / S>
A050	SCREW	3SMS8W.SW+14B(CU)	10	801634	<B / S>
A054	SCREW	3TTB+8B(3BC)	1	838430088GR	<B / S>
A056	BUSHING	S-RELIEF #2271	1	27300750	! <B MDC, MMK, MMQ, MMR, MPA, MPB, MPP / S MPP>
A058	LABEL	(PT)	1	29363379-1	
A060	WIRE TIE	BSK-1	2	260208	<B / S>
A069	SCREW	3TTB+8B(3BC)	1	838430088GR	<B / S>
A071	RETAINER	(B)	1	27142141	<B / S>
A073	SCREW	3TTB+8B(3BC)	3	838430088GR	<B / S>
A075	CUSHION	(BUTYL)	1	28141748	<B / S>
A080	IB CUSHION	W15*3t TAPE	1	28141585	<B / S>
A099	LABEL	(SP)203	1	29391540	
A101	REAR PANEL	TXNR414DC	1	27124365	N <B MDC>
A101	REAR PANEL	TXNR414DF	1	27124366	N <B MDF>
A101	REAR PANEL	TXNR414PP	1	27124367	N <B MPA, MPB, MPP / S MPP>
A101	REAR PANEL	TXNR414MQ	1	27124368	N <B MMK, MMQ>
A101	REAR PANEL	TXNR414MR	1	27124396	<B MMR>
A102	CUSHION	---	2	28141799	<B / S>
A103	SCREW	3P+6FN(3BC)	7	82143006GR	
A105	SCREW	3TTB+8B(3BC)	26	838430088GR	

A110	SCREW	3TTF+10B(3BC)	2	835430108GR	<B MDF>
A112	TAPE	TAPE(CLOTH-8U)	1	29110082	<B / S>
A120A	LABEL	(E-CON)	{ 1 }	29364978	<B / S>
[CABINET]					
A201	F PANEL	TXNR414(B)DC	1	27213537	N <B MDC, MDF>
A201	F PANEL	TXNR414(B)PP	1	27213538	<B MMK, MMQ, MMR, MPA, MPB, MPP>
A201	F PANEL	TXNR414(S)PP	1	27213539	<S MPP>
A202	CLEAR PLT	TXNR414(B)DC	1	28192378	<B MDC, MDF>
A202	CLEAR PLT	TXNR414(B)PP	1	28192379	<B MMK, MMQ, MMR, MPA, MPB, MPP>
A202	CLEAR PLT	TXNR414(S)PP	1	28192380	<S MPP>
A207	BADGE	---	1	28135317	<B / S>
A211	KNOB	(TONE)(B)	1	28326918	
A211	KNOB	(TONE)(S)	1	28326919	<S>
A212	FACET	---	2	28200054	<B / S>
A213	KNOB	(INP)(B)	1	28326916A	
A213	KNOB	(INP)(S)	1	28326917A	<S>
A214	KNOB	(INP-L)(B)	1	28326920B	
A214	KNOB	(INP-L)(S)	1	28326921B	<S>
A215	KNOB	(INP-R)(B)	1	28326936B	
A215	KNOB	(INP-R)(S)	1	28326937B	<S>
A216	KNOB	(SEL)	1	28326906A	<B / S>
A217	KNOB	(STBY)(B)	1	28326904	
A217	KNOB	(STBY)(S)	1	28326905	<S>
A219	KNOB	(CUR)	1	28326907B	<B / S>
A221	IB CUSHION	W15*3t TAPE	1	28141585	<B / S>
A225	SCREW	2.6TTB+8B(3BC)	22	838426088GR	<B / S>
A242	WIRE TIE	BSK-1	1	260208	<B / S>
A254	WIRE TIE	BSK-1	7	260208	<B / S>
A255	SCREW	3TTB+8B(3BC)	3	838430088GR	<B / S>
A256	SCREW	3TTB+8B(3BC)	1	838430088GR	<B / S>
A260	SCREW	3TTB+8B(3BC)	4	838430088GR	<B / S>
A261	TAPE	TAPE(CLOTH-16U)	1	29110083	<B / S>
A263	TAPE	TAPE(CLOTH-16U)	1	29110083	<B / S>
A269	TAPE	TAPE(CLOTH-16U)	1	29110083	<B / S>

A270	CUSHION	(FELT)t1x20x10	4	28141859	<B / S>
A271	TAPE	TAPE(CLOTH-16U)	1	29110083	<B / S>
A273	HOLDER	KGLS-4S	2	27190009	<B / S>
A321	KNOB	(VOL)AS(B)	1	28326914	
A321	KNOB	(VOL)AS(S)	1	28326915	<S>
A340	COVER	(B) (Bent)	1	28210087A	
A340	COVER	(B) (Not Bent)	1	28210087AZ	
A340	COVER	(S) (Bent)	1	28210088A	<S>
A342	SCREW	3TTB+8B(3CM)SR	9	801637	<S>
A342	SCREW	3TTB+8B(3BC)	9	838430088GR	
A350	PLATE	(COVER)B	1	27262881	<B MMQ>
A354	HOLDER	(PLATE)	6	27191337	<B MMQ>
A360	LABEL	(COVER)	1	29390767	<B / S>
A362	LABEL	HOOKUP-ONKYO	1	29363194	<B MDC>
[TRANS COIL]					
T901	P TRANS	NPT-1604D	1	2302012	! <B MDC, MDF>
T901	P TRANS	NPT-1604P	1	2302013	! <B MPA, MPB, MPP / S MPP>
T901	P TRANS	NPT-1604M	1	2302014	! <B MMK, MMQ, MMR>
[SW TRM]					
F6401	FUSE	10A-UL/T-233	1	252330GR	! <B / S>
F6401 or	FUSE	10A-T/UL-ST2	(1)	252333GR	! <B / S>
F6402	FUSE	10A-UL/T-233	1	252330GR	! <B / S>
F6402 or	FUSE	10A-T/UL-ST2	(1)	252333GR	! <B / S>
F9002	FUSE	4A-SE-EAK FUSE	1	252077GR	! <B MMK, MMQ, MMR, MPA, MPB, MPP / S MPP>
F9002	FUSE	8A-UL/T-233	1	252329GR	! <B MDC, MDF>
F9002 or	FUSE	8A-T/UL-ST2	(1)	252261GR	! <B MDC, MDF>
F9002 or	FUSE	4A-SE-TL250V	(1)	252277GR	! <B MMK, MMQ, MMR, MPA, MPB, MPP / S MPP>
F9002E	LABEL	LABEL	1	29360842	<B MDC, MDF>
F9002E	LABEL	T4AL250V	1	29361732A	<B MMK, MMQ, MMR, MPA, MPB, MPP / S MPP>
P101	FFC	NCFC7-091512	1	2047091512	<B / S>
P2800	FFC	NCFC5-131512	1	2045131512	<B / S>
P3101	SOCKET AS	NSAS-10P1924	1	2009991224UL	<B / S>
P6601A	P RIVET	JB-407A-C	10	880052	<B MMK, MMQ, MMR, MPA, MPB, MPP / S MPP>
P701	FFC	NCFC5-232212	1	2045232212	<B / S>

P703	FFC	NCFC5-072512	1	2045072512	<B / S>
P8001	FFC	NCFC5-291022	1	2045291022	<B / S>
P8004	FFC	NCFC5-071512	1	2045071512	<B / S>
P901	AC CORD	AS-UC-2	1	253368AYUN	! <B MDC>
P901 or	AC CORD	AS-UC-2	(1)	253368BLTK	! <B MDC>
P901	AC CORD	AS-CNS	1	253431VOL	! <B MDF>
P901	AC CORD	AS-CEE-2	1	253306VOL	! <B MMK, MPP / S MPP>
P901 or	AC CORD	AS-CEE-2	(1)	253374YUN	! <B MMK, MPP / S MPP>
P901	AC CORD	AS-BS	1	253198LTK	! <B MMQ, MPB>
P901	AC CORD	AS-CCC	1	253355VOL	! <B MMR>
P901 or	AC CORD	AS-CCC	(1)	253377LTK	! <B MMR>
P901	AC CORD	AS-SAA	1	253388LTK	! <B MPA>
P901 or	AC CORD	AS-SAA	(1)	253391VOL	! <B MPA>
P901 or	AC CORD	AS-BS	(1)	253198VOL	! <B MPB>
P901B	FASTON AS	FASTON SOCKET	1	1F999027	! <B MDF>
P907	AC INLET	R301X2PSn	1	25053358	! <B MDF>
[TUNER UNIT]					
U001	U0010~U0014	BAAF-1070-1A *	1	1B272570-1A	N <MDC, MDF, MPA, MPB, MPP>
U0010	AUDIO PC BOARD ASS'Y	BAAF-1070-1A	1	1B2725070-1A	N <MDC, MDF, MPA, MPB, MPP>
U0011	SENSOR PC BOARD ASS'Y	BAETC-1072-1A	1	1B2725072-1A	N <MDC, MDF, MPA, MPB, MPP>
U0012	FIX PC BOARD	BAETC-1073-1A	1	1B2725073-1A	N <MDC, MDF, MPA, MPB, MPP>
U0013	TERMINAL PC BOARD ASS'Y	BAETC-1074-1A	1	1B2725074-1A	N <MDC, MDF, MPA, MPB, MPP>
U0014	POWER SUPPLY(VP) PC BOARD ASS'Y	BAETC-1075-1A	1	1B2725075-1A	N <MDC, MDF, MPA, MPB, MPP>
U001	U0010~U0014	BAAF-1070-1B *	1	1B272570-1B	<MMK, MMQ, MMR>
U0010	AUDIO PC BOARD ASS'Y	BAAF-1070-1B	1	1B2725070-1B	<MMK, MMQ, MMR>
U0011	SENSOR PC BOARD ASS'Y	BAETC-1072-1B	1	1B2725072-1B	N <MMK, MMQ, MMR>
U0012	FIX PC BOARD	BAETC-1073-1B	1	1B2725073-1B	N <MMK, MMQ, MMR>
U0013	TERMINAL PC BOARD ASS'Y	BAETC-1074-1B	1	1B2725074-1B	N <MMK, MMQ, MMR>
U0014	POWER SUPPLY(VP) PC BOARD ASS'Y	BAETC-1075-1B	1	1B2725075-1B	N <MMK, MMQ, MMR>
U002	U0020 x 4 pcs.	BACLA-1130-2A *	1	1B271530-2A	
U0020	AMPLIFIER PC BOARD ASS'Y	BACLA-1130-2A	1	1B2715130-2A	
U003	U0030~U0034 x 2 pcs.	BATRM-1089-1H *	1	1B272589-1H	N <MDC, MDF>
U0030	SPEAKER TERMINAL PC BOARD ASS'Y	BATRM-1089-1H	1	1B2725089-1H	N <MDC, MDF>
U0032	TERMINAL(DIGITAL) PC BOARD ASS'Y	BAETC-1091-1H	1	1B2725091-1H	<MDC, MDF>

U0033	CONNECTOR PC BOARD ASS'Y	BAETC-1092-1H	1	1B2725092-1H	<MDC, MDF>
U0034	FIX PC BOARD	BAETC-1100-1H	1	1B2725100-1H	<MDC, MDF>
U003	U0030~U0034 x 2 pcs.	BATRM-1089-1J *	1	1B272589-1J	N <MPP, MPA, MPB, MMK, MMQ, MMR>
U0030	SPEAKER TERMINAL PC BOARD ASS'Y	BATRM-1089-1J	1	1B2725089-1J	N <MPP, MPA, MPB, MMK, MMQ, MMR>
U0032	TERMINAL(DIGITAL) PC BOARD ASS'Y	BAETC-1091-1J	1	1B2725091-1J	<MPP, MPA, MPB, MMK, MMQ, MMR>
U0033	CONNECTOR PC BOARD ASS'Y	BAETC-1092-1J	1	1B2725092-1J	<MPP, MPA, MPB, MMK, MMQ, MMR>
U0034	FIX PC BOARD	BAETC-1100-1J	1	1B2725100-1J	<MPP, MPA, MPB, MMK, MMQ, MMR>
U004	U0040~U0043	BADIS-1093-1A *	1	1B272593-1A	N
U0040	DISPLAY PC BOARD ASS'Y	BADIS-1093-1A	1	1B2725093-1A	N
U0041	VIDEO PC BOARD ASS'Y	BAVD-1094-1A	1	1B2725094-1A	N
U0042	SWITCH PC BOARD ASS'Y	BADIS-1095-1A	1	1B2725095-1A	N
U0043	PHONE JACK PC BOARD ASS'Y	BAETC-1096-1A	1	1B2725096-1A	N
U005	U0050 x 2 pcs.	BAHDM-1108-1A *	1	1B272508-1A_NR414	MDC N
U0050	HDMI(MAIN) PC BOARD ASS'Y	BAHDM-1108-1A	1	1B2725108-1A	N
U008	U0080 x 4 pcs.	BAPS-1120-1A *	1	1B272520-1A	N <MDC, MDF>
U0080	POWER SUPPLY PC BOARD ASS'Y	BAPS-1120-1A	1	1B2725120-1A	N <MDC, MDF>
U008	U0080 x 4 pcs.	BAPS-1120-1B *	1	1B272520-1B	N <MPP, MPA, MPB, MMK, MMQ, MMR>
U0080	POWER SUPPLY PC BOARD ASS'Y	BAPS-1120-1B	1	1B2725120-1B	N <MPP, MPA, MPB, MMK, MMQ, MMR>
U010	TUNER UNIT	FAEH08-W01	1	240169A	<B MDC, MDF>
U010	TUNER UNIT	FAEH08-E01	1	240170A	<B MMK, MMQ, MMR, MPA, MPB, MPP / S MPP>

TX-NR414

PACKING PROCEDURES PARTS LIST

REF. NO.	PART NAME	DESCRIPTION	Q'TY	PART NO. (SN)	REMARKS
[PACKING]					
A601	PAD AS	(AS)609 L&R	1	29092610	
A601A	PAD	(L)	1	29092611	
A601B	PAD	(R)	1	29092612	
A605	POLY BAG	w850xd650	1	29100245	<B / S>
A606	TAPE	(SEROHAN)NITTO NO.29	1	29110149	<B / S>
A608	SHEET	---	1	29095906	<B MDC, MDF, MMK, MMR, MPA, MPB, MPP / S MPP>
A608	SHEET	T0.5x600x500	1	29096097	<B MMQ>

A611	TAPE	(SEROHAN)NITTO NO.29	1	29110149	<B / S>
A677	TAPE	(SEROHAN)NITTO NO.29	1	29110149	<B / S>
A701	CARTON	(TXNR414DC)	1	29055327	N <B MDC, MDF>
A701	CARTON	(TXNR414)	1	29055328	N <B MMK, MMQ, MMR, MPA, MPB, MPP / S MPP>
A704A	UPC LABEL	TXNR414(B)MDC	1	29391832	N <B MDC>
A704A	EAN LABEL	TXNR414(B)MDF	1	29391834	N <B MDF>
A704A	EAN LABEL	TXNR414(B)MPB	1	29391837	N <B MPB>
A704A	EAN LABEL	TXNR414(B)MPA	1	29391838	N <B MPA>
A704A	EAN LABEL	TXNR414(B)MMR	1	29391948	N <B MMR>
A704A	EAN LABEL	TXNR414(B)MPP	1	29391835A	N <B MPP>
A704A	EAN LABEL	TXNR414(S)MPP	1	29391836A	N <S MPP>
A704A	EAN LABEL	TXNR414(B)MMK	1	29391839A	N <B MMK>
A704A	EAN LABEL	TXNR414(B)MMQ	1	29391840A	N <B MMQ>
A705	LABEL	(CHINA)	1	29390952A	<B MMR>
A751	LABEL	(APV)	1	29390190	<B MMR>
A755	LABEL	(CCC)	1	29364396	<B MMR>
A760	PP TAPE	W50 SBT-70	1	29110200	
[ACCESSARY]					
A672	POLY BAG	w250xd350	1	29100250A	<B MMK, MMQ, MPA, MPB, MPP / S MPP>
A674	POLY BAG	w250xd350	1	29100250A	<B MDF, MMQ, MMR>
A674	POLY BAG	D250xd300xW300(t0.04)	1	29100256A	<B MDC, MMK, MPA, MPB, MPP / S MPP>
A676	TAPE	(SEROHAN)NITTO NO.29	1	29110149	
A815	INS MANUAL	EnJa(GNU_License)	1	29401190	N
A821	LABEL	(SPCABLE)2009	1	29390881	
A825	INST SHEET	U11(2010_RIHD)	1	29355782A	
A831	INST SHEET	WEEE	1	29355793A	<B MPB, MPP / S MPP>
A835	INS MANUAL	Ar(QC ImportantSheet)	1	29344373B	<B MMQ>
A841	INST SHEET	CHINA ROHS	1	29355616B	<B MMR>
A845	INST SHEET	Ct_MDF(2012Entry)	1	29355849	N <B MDF>
A849	INST SHEET	(InstaPrevue)	1	29355860	N
A850	INS MANUAL	U9(2012_Prepro)	1	29401094	<B MDF, MMQ, MMR>
A855	REMO CON	RC-834M	1	24140834	
A858	ANT COIL	NMA-3057	1	232140	
A859	FM ANT AS	Type W	1	292191	

A861	BATTERY	R6/AA(UM-3)	2	3010194	<B MDC, MDF, MMK, MMQ, MPA, MPB, MPP / S MPP>
A861 or	BATTERY	R6/AA(UM-3)	(2)	3010054	<B MDC, MDF, MMK, MMQ, MPA, MPB, MPP / S MPP>
A891	WRNTY CARD	(ONKYO)	1	29365135	<B MDC>
A891	WRNTY CARD	(ONKYO-CH)	1	29365098C	<B MMR>
A891	WRNTY CARD	MGQ	1	29365099B	<B MMQ>
A901	INS MANDSK	U7(2012_TX_AVR)	1	29500005A	<B MDC, MMK, MPA, MPB, MPP / S MPP>
A911	INS MANUAL	En(TXNR414)	1	29400992	N <B MDF, MMQ>
A913	INS MANUAL	Cs(TXNR414)	1	29400993	N <B MMR>
A915	INS MANUAL	Ct(TXNR414)	1	29400994	N <B MDF, MMQ>
A921	INS MANUAL	QSG_En(TXNR414)	1	29400995	N <B MDC, MDF, MMK, MMQ, MPA, MPB, MPP / S MPP>
A923	INS MANUAL	QSG_Fr(TXNR414)	1	29400996	N <B MDC, MPP / S MPP>
A925	INS MANUAL	QSG_Es(TXNR414)	1	29400997	N <B MDC, MPP / S MPP>
A927	INS MANUAL	QSG_It(TXNR414)	1	29400998	N <B MPP / S MPP>
A929	INS MANUAL	QSG_De(TXNR414)	1	29400999	N <B MPP / S MPP>
A931	INS MANUAL	QSG_Nl(TXNR414)	1	29401000	N <B MPP / S MPP>
A933	INS MANUAL	QSG_Sv(TXNR414)	1	29401001	N <B MPP / S MPP>
A935	INS MANUAL	QSG_Ar(TXNR414)	1	29401002	N <B MMQ>
A937	INS MANUAL	QSG_Fi(TXNR414)	1	29401003	N <B MPP / S MPP>
A939	INS MANUAL	QSG_Cs(TXNR414)	1	29401004	N <B MMR>
A971	INS MANUAL	SAFETY_U3	1	29400883	<B MDC, MMK, MPA, MPB>
A973	INS MANUAL	SAFETY_U10	1	29400884	<B MPP / S MPP>

TX-NR414

PC BOARD PARTS LIST

U001	U0010~U0014	BAAF-1070-1A/1B *
U0010	AUDIO PC BOARD ASS'Y	BAAF-1070-1A/1B
U0011	SENSOR PC BOARD ASS'Y	BAETC-1072-1A/1B
U0012	FIX PC BOARD	BAETC-1073-1A/1B
U0013	TERMINAL PC BOARD ASS'Y	BAETC-1074-1A/1B
U0014	POWER SUPPLY(VP) PC BOARD ASS'Y	BAETC-1075-1A/1B

CIRCUIT N	PART NAME	DESCRIPTION	Q'TY	PART NO. (SN)	REMARKS
-----------	-----------	-------------	------	---------------	---------

[SEMI CONDUCTOR]					
D4107	C-DIODE	DA2J10100	1	223303R2	
D4107 or	C-DIODE	ISS352	(1)	223234R2	
D4107 or	C-DIODE	ISS355	(1)	223269R2	
D4107 or	C-DIODE	MA2J111	(1)	223279R2	
D4107 or	C-DIODE	KDS4148U	(1)	223283R2	
D4117	C-DIODE	DA2J10100	1	223303R2	
D4117 or	C-DIODE	ISS352	(1)	223234R2	
D4117 or	C-DIODE	ISS355	(1)	223269R2	
D4117 or	C-DIODE	MA2J111	(1)	223279R2	
D4117 or	C-DIODE	KDS4148U	(1)	223283R2	
D4173	ZENER D	DZ2J068M0L	1	224760680R2	
D4173 or	ZENER D	UDZS6.8B	(1)	224550680R2	
D4174	ZENER D	DZ2J068M0L	1	224760680R2	
D4174 or	ZENER D	UDZS6.8B	(1)	224550680R2	
D4207	C-DIODE	DA2J10100	1	223303R2	
D4207 or	C-DIODE	ISS352	(1)	223234R2	
D4207 or	C-DIODE	ISS355	(1)	223269R2	
D4207 or	C-DIODE	MA2J111	(1)	223279R2	
D4207 or	C-DIODE	KDS4148U	(1)	223283R2	
D4217	C-DIODE	DA2J10100	1	223303R2	
D4217 or	C-DIODE	ISS352	(1)	223234R2	
D4217 or	C-DIODE	ISS355	(1)	223269R2	
D4217 or	C-DIODE	MA2J111	(1)	223279R2	
D4217 or	C-DIODE	KDS4148U	(1)	223283R2	
D4300	DIODE	RLIN4003	1	22380260T	
D4300 or	DIODE	GP104003E	(1)	22380035T	
D4301	DIODE	RLIN4003	1	22380260T	
D4301 or	DIODE	GP104003E	(1)	22380035T	
D4302	DIODE	RLIN4003	1	22380260T	
D4302 or	DIODE	GP104003E	(1)	22380035T	
D4303	DIODE	RLIN4003	1	22380260T	
D4303 or	DIODE	GP104003E	(1)	22380035T	
D4304	DIODE	RLIN4003	1	22380260T	

D4304 or	DIODE	GP104003E	(1)	22380035T	
D4305	DIODE	RL1N4003	1	22380260T	
D4305 or	DIODE	GP104003E	(1)	22380035T	
D4400	ZENER D	DZ2J056M0L	1	224760560R2	
D4400 or	ZENER D	UDZS5.6B	(1)	224550560R2	
D6000	C-DIODE	DA2J10100	1	223303R2	
D6000 or	C-DIODE	ISS352	(1)	223234R2	
D6000 or	C-DIODE	ISS355	(1)	223269R2	
D6000 or	C-DIODE	MA2J111	(1)	223279R2	
D6000 or	C-DIODE	KDS4148U	(1)	223283R2	
D6001	C-DIODE	DA2J10100	1	223303R2	
D6001 or	C-DIODE	ISS352	(1)	223234R2	
D6001 or	C-DIODE	ISS355	(1)	223269R2	
D6001 or	C-DIODE	MA2J111	(1)	223279R2	
D6001 or	C-DIODE	KDS4148U	(1)	223283R2	
D6002	C-DIODE	DA2J10100	1	223303R2	
D6002 or	C-DIODE	ISS352	(1)	223234R2	
D6002 or	C-DIODE	ISS355	(1)	223269R2	
D6002 or	C-DIODE	MA2J111	(1)	223279R2	
D6002 or	C-DIODE	KDS4148U	(1)	223283R2	
D6003	C-DIODE	DA2J10100	1	223303R2	
D6003 or	C-DIODE	ISS352	(1)	223234R2	
D6003 or	C-DIODE	ISS355	(1)	223269R2	
D6003 or	C-DIODE	MA2J111	(1)	223279R2	
D6003 or	C-DIODE	KDS4148U	(1)	223283R2	
D6004	C-DIODE	DA2J10100	1	223303R2	
D6004 or	C-DIODE	ISS352	(1)	223234R2	
D6004 or	C-DIODE	ISS355	(1)	223269R2	
D6004 or	C-DIODE	MA2J111	(1)	223279R2	
D6004 or	C-DIODE	KDS4148U	(1)	223283R2	
D6401	DIODE	TS10B06G-07	1	22380379	N
D6401A	HEAT SINK	RAD-196	1	27160545	
D6401D	SCREW	3P+10FN(3BC)	1	82143010GR	
D6402	C-DIODE	DA2J10100	1	223303R2	

D6402 or	C-DIODE	ISS352	(1)	223234R2
D6402 or	C-DIODE	ISS355	(1)	223269R2
D6402 or	C-DIODE	MA2J111	(1)	223279R2
D6402 or	C-DIODE	KDS4148U	(1)	223283R2
D6451	C-DIODE	DA2J10100	1	223303R2
D6451 or	C-DIODE	ISS352	(1)	223234R2
D6451 or	C-DIODE	ISS355	(1)	223269R2
D6451 or	C-DIODE	MA2J111	(1)	223279R2
D6451 or	C-DIODE	KDS4148U	(1)	223283R2
D6452	C-DIODE	DA2J10100	1	223303R2
D6452 or	C-DIODE	ISS352	(1)	223234R2
D6452 or	C-DIODE	ISS355	(1)	223269R2
D6452 or	C-DIODE	MA2J111	(1)	223279R2
D6452 or	C-DIODE	KDS4148U	(1)	223283R2
D6455	ZENER D	DZ2J033M0L	1	224760330R2
D6455 or	ZENER D	UDZS3.3B	(1)	224550330R2
D960	DIODE	RL1N4003	1	22380260T
D961	DIODE	RL1N4003	1	22380260T
D964	ZENER D	DZ2J360M0L	1	224763600R2
D964 or	ZENER D	UDZS36B	(1)	224553600R2
Q4001	IC	R2S15211FP	1	22242297R3
Q4003	IC	NJM4580M-D	1	22241448R2
Q4100	TR	RN1441	1	2215410R2
Q4100 or	TR	RTAN430C-T112-1	(1)	2217780R2
Q4101	TR	RN1441	1	2215410R2
Q4101 or	TR	RTAN430C-T112-1	(1)	2217780R2
Q4102	TR	RN1441	1	2215410R2
Q4102 or	TR	RTAN430C-T112-1	(1)	2217780R2
Q4103	TR	RN1441	1	2215410R2
Q4103 or	TR	RTAN430C-T112-1	(1)	2217780R2
Q4104	TR	RN1441	1	2215410R2
Q4104 or	TR	RTAN430C-T112-1	(1)	2217780R2
Q4107	TR	RN1441	1	2215410R2
Q4107 or	TR	RTAN430C-T112-1	(1)	2217780R2

Q4108	TR		RN1441	1	2215410R2
Q4108 or	TR		RTAN430C-T112-1	(1)	2217780R2
Q4109	TR		RN1441	1	2215410R2
Q4109 or	TR		RTAN430C-T112-1	(1)	2217780R2
Q4117	TR		RN1441	1	2215410R2
Q4117 or	TR		RTAN430C-T112-1	(1)	2217780R2
Q4130	IC		NJM4580M-D	1	22241448R2
Q4140	IC		NJM4580M-D	1	22241448R2
Q4142	IC		NJM4580M-D	1	22241448R2
Q4143	IC		NJM4580M-D	1	22241448R2
Q4148	IC		NJM4580M-D	1	22241448R2
Q4170	IC		78M15HF(NJM78M15FA)	1	222780155JRC
Q4170 or	IC		UPC78M15AHF-AZ	(1)	222780155NEC
Q4170A	HEAT SINK		RAD-196	1	27160545
Q4170B	SCREW		3P+10FN(3BC)	1	82143010GR
Q4171	IC		79M15HF(NJM79M15FA)	1	222790155JRC
Q4171 or	IC		UPC79M15HF-AZ	(1)	222790155NEC
Q4171B	SCREW		3P+10FN(3BC)	1	82143010GR
Q4400	TR		2SC2235-Y(TPE6_F)	1	2211654T
Q6000	TR		2SC1740S-S	1	2213285T
Q6000 or	TR		KTC3198-GR	(1)	2215985T
Q6001	TR		2SC1740S-S	1	2213285T
Q6001 or	TR		KTC3198-GR	(1)	2215985T
Q6002	TR		2SC1740S-S	1	2213285T
Q6002 or	TR		KTC3198-GR	(1)	2215985T
Q6003	TR		2SC1740S-S	1	2213285T
Q6003 or	TR		KTC3198-GR	(1)	2215985T
Q6004	TR		2SC1740S-S	1	2213285T
Q6004 or	TR		KTC3198-GR	(1)	2215985T
Q6070	TR		2SC2229-Y(TPE6_F)	1	2211634T
Q6070 or	TR		2SC2229-O(TPE6_F)	(1)	2211633T
Q6071	TR		2SC2229-Y(TPE6_F)	1	2211634T
Q6071 or	TR		2SC2229-O(TPE6_F)	(1)	2211633T
Q6072	TR		2SC2229-Y(TPE6_F)	1	2211634T

Q6072 or	TR	2SC2229-O(TPE6_F)	(1)	2211633T
Q6073	TR	2SC2229-Y(TPE6_F)	1	2211634T
Q6073 or	TR	2SC2229-O(TPE6_F)	(1)	2211633T
Q6074	TR	2SC2229-Y(TPE6_F)	1	2211634T
Q6074 or	TR	2SC2229-O(TPE6_F)	(1)	2211633T
Q6300	IC	LM61CIZ	1	22242212
Q6300A	RETAINER	(PTH)	1	27141884-1
Q6401	TR	KTC3875-GR	1	2216175R2
Q6401 or	TR	2SC2712-GR	(1)	2213145R2
Q6451	TR	KTC3875-GR	1	2216175R2
Q6451 or	TR	2SC2712-GR	(1)	2213145R2
Q6452	TR	KTC3875-GR	1	2216175R2
Q6452 or	TR	2SC2712-GR	(1)	2213145R2
Q6453	TR	2SA1163-BL(TE85L_F)	1	2216756R2
Q6453 or	TR	KTA1517-GR	(1)	2216305R2
Q6454	TR	2SA1163-BL(TE85L_F)	1	2216756R2
Q6454 or	TR	KTA1517-GR	(1)	2216305R2
Q960	TR	2SC2235-Y(TPE6_F)	1	2211654T
Q960 or	TR	2SC2235-O(TPE6_F)	(1)	2211653T
[CAPACITOR]				
C4003	UPZ C	2AUPZTF221JE	1	376332214T
C4004	UPZ C	2AUPZTF221JE	1	376332214T
C4013	C-CERA C	CC725CH1H-221J1	1	342102214R1
C4014	C-CERA C	CC725CH1H-221J1	1	342102214R1
C4015	C-CERA C	CC725CH1H-221J1	1	342102214R1
C4016	C-CERA C	CC725CH1H-221J1	1	342102214R1
C4017	C-CERA C	CC725CH1H-221J1	1	342102214R1
C4018	C-CERA C	CC725CH1H-221J1	1	342102214R1
C4019	UPZ C	2AUPZTF221JE	1	376332214T
C4020	UPZ C	2AUPZTF221JE	1	376332214T
C4030	C-CERA C	CC725CH1H-221J1	1	342102214R1
C4031	C-CERA C	CC725CH1H-221J1	1	342102214R1
C4036	C-CERA C	CC725CH1H-221J1	1	342102214R1
C4050	UTSP C	CE04W25V-47M(UTSP)	1	397554707T

C4051	UTSP C	CE04W25V-47M(UTSP)	1	397554707T
C4052	UTSP C	CE04W25V-47M(UTSP)	1	397554707T
C4053	UTSP C	CE04W25V-47M(UTSP)	1	397554707T
C4054	UTSP C	CE04W25V-47M(UTSP)	1	397554707T
C4055	UTSP C	CE04W25V-47M(UTSP)	1	397554707T
C4056	UTSP C	CE04W25V-47M(UTSP)	1	397554707T
C4057	UTSP C	CE04W25V-47M(UTSP)	1	397554707T
C4060	UTSP C	CE04W50V 47M(UTSP)	1	397584707T
C4061	UTSP C	CE04W50V 47M(UTSP)	1	397584707T
C4062	TF C	ECQ-V50V-474J	1	374724744T
C4063	TF C	ECQ-V50V-823J	1	374728234T
C4064	TF C	ECQ-V50V-223J	1	374722234T
C4065	TF C	ECQ-V50V-474J	1	374724744T
C4066	TF C	ECQ-V50V-823J	1	374728234T
C4067	TF C	ECQ-V50V-223J	1	374722234T
C4070	UTSP C	CE04W50V 47M(UTSP)	1	397584707T
C4071	UTSP C	CE04W50V 47M(UTSP)	1	397584707T
C4072	UTSP C	CE04W50V 47M(UTSP)	1	397584707T
C4073	UTSP C	CE04W50V 47M(UTSP)	1	397584707T
C4074	UTSP C	CE04W50V 47M(UTSP)	1	397584707T
C4075	UTSP C	CE04W50V 47M(UTSP)	1	397584707T
C4076	UTSP C	CE04W50V 47M(UTSP)	1	397584707T
C4077	UTSP C	CE04W50V 47M(UTSP)	1	397584707T
C4078	UTSP C	CE04W50V 47M(UTSP)	1	397584707T
C4079	UTSP C	CE04W50V 47M(UTSP)	1	397584707T
C4090	C-CERA C	CC725CH1H-101J1	1	342101014R1
C4091	C-CERA C	CC725CH1H-101J1	1	342101014R1
C4100	UTSP C	CE04W50V 47M(UTSP)	1	397584707T
C4101	UTSP C	CE04W50V 47M(UTSP)	1	397584707T
C4102	UTSP C	CE04W50V 47M(UTSP)	1	397584707T
C4103	UTSP C	CE04W50V 47M(UTSP)	1	397584707T
C4104	UTSP C	CE04W50V 47M(UTSP)	1	397584707T
C4107	UTSP C	CE04W50V 47M(UTSP)	1	397584707T
C4108	UTSP C	CE04W50V 47M(UTSP)	1	397584707T

C4109	UTSP C	CE04W50V-47M(UTSP)	1	397584707T	
C4110	UTSP C	CE04W25V-220M(UTSP)	1	397552217T	
C4111	UTSP C	CE04W25V-220M(UTSP)	1	397552217T	
C4130	UTSP C	CE04W50V-47M(UTSP)	1	397584707T	
C4131	C-CERA C	CC725CH1H-221J1	1	342102214R1	
C4132	TF C	ECQ-V50V-103J	1	374721034T	
C4166	UTSP C	CE04W25V-220M(UTSP)	1	397552217T	
C4167	UTSP C	CE04W25V-220M(UTSP)	1	397552217T	
C4170	UTSP C	CE04W50V-10M(UTSP)	1	397581007T	
C4171	UTSP C	CE04W50V-10M(UTSP)	1	397581007T	
C4172	UTSP C	CE04W25V-220M(UTSP)	1	397552217T	
C4173	UTSP C	CE04W25V-220M(UTSP)	1	397552217T	
C4174	UTSP C	CE04W16V-470M(UTSP)	1	397544717T	
C4175	UTSP C	CE04W16V-470M(UTSP)	1	397544717T	
C4204	C-CERA C	CC725CH1H-102J1	1	342101024R1	
C4205	C-CERA C	CC725CH1H-102J1	1	342101024R1	
C4206	C-CERA C	CC725CH1H-102J1	1	342101024R1	
C4207	C-CERA C	CC725CH1H-102J1	1	342101024R1	
C4209	UTSP C	CE04W25V-47M(UTSP)	1	397554707T	
C4210	UTSP C	CE04W25V-47M(UTSP)	1	397554707T	
C4300	TF C	ECQ-V50V-334J	1	374723344T	
C4301	JAMICON	CE04W35V-1000M	1	398561027T	
C4301 or	VR C	CE04W35V-1000M(VR)	(1)	394661027T	N
C4302	VR C	CE04W35V-470M(VR)	1	394664717T	
C4302 or	JAMICON	CE04W35V-470M	(1)	398564717T	
C4400	C-CERA C	CK725B1H-102K1	1	332101025R1	
C4401	C-CERA C	CK725B1H-102K1	1	332101025R1	
C4404	UTSP C	CE04W25V-47M(UTSP)	1	397554707T	
C4405	C-CERA C	CK725F1E-104Z1	1	332161040R1	
C4420	MKT C	B32529C0332J289	1	376493324T	
C4421	MKT C	B32529C0332J289	1	376493324T	
C4422	MKT C	B32529C0332J289	1	376493324T	
C4423	MKT C	B32529C0332J289	1	376493324T	
C4424	MKT C	B32529C0332J289	1	376493324T	

C4427	TF C	ECQ-V50V-333J	1	374723334T
C4428	MKT C	B32529C0102J289	1	376491024T
C4429	MKT C	B32529C0102J289	1	376491024T
C4430	UPZ C	2AUPZTF151JE	1	376331514T
C4431	UPZ C	2AUPZTF151JE	1	376331514T
C4432	UPZ C	2AUPZTF151JE	1	376331514T
C4433	C-CERA C	CC725CH1H-151J1	1	342101514R1
C4434	C-CERA C	CC725CH1H-151J1	1	342101514R1
C4437	MKT C	B32529C0102J289	1	376491024T
C4438	C-CERA C	CC725CH1H-151J1	1	342101514R1
C4439	C-CERA C	CC725CH1H-151J1	1	342101514R1
C4522	UTSP C	CE04W25V-47M(UTSP)	1	397554707T
C4527	UTSP C	CE04W25V-47M(UTSP)	1	397554707T
C4528	UTSP C	CE04W25V-47M(UTSP)	1	397554707T
C4529	UTSP C	CE04W25V-47M(UTSP)	1	397554707T
C6050	TF C	ECQ-V50V-103J	1	374721034T
C6051	TF C	ECQ-V50V-103J	1	374721034T
C6052	TF C	ECQ-V50V-103J	1	374721034T
C6053	TF C	ECQ-V50V-103J	1	374721034T
C6054	TF C	ECQ-V50V-103J	1	374721034T
C6301	C-CERA C	CK725F1E-104Z1	1	332161040R1
C6401	ELECT C	CE69W63V-8200MB	1	3504420
C6402	ELECT C	CE69W63V-8200MB	1	3504420
C6403	TF C	ECQ-V100V-334J	1	374733344T
C6404	TF C	ECQ-V100V-334J	1	374733344T
C6411	C-CERA C	CC725CH1H-102J1	1	342101024R1
C6451	UTSP C	CE04W25V-100M(UTSP)	1	397551017T
C6452	C-CERA C	CK725F1E-104Z1	1	332161040R1
C6453	UTSP C	CE04W50V-1M(UTSP)	1	397580107T
C6454	UTSP C	CE04W50V-1M(UTSP)	1	397580107T
C6455	C-CERA C	CK725F1E-104Z1	1	332161040R1
C6456	UTSP C	CE04W50V-10M(UTSP)	1	397581007T
C950	TF C	ECQ-V50V-104J	1	374721044T
C960	VR C	CE04W63V-220M(VR)	1	394672217T

C960 or	JAMICON	CE04W63V-220M	(1)	398572217T
C961	UTSP C	CE04W50V 47M(UTSP)	1	397584707T
C962	TF C	ECQ-V50V-104J	1	374721044T
C963	UTSP C	CE04W50V 47M(UTSP)	1	397584707T
[RESISTOR]				
R4003	C-CARBON R	RN72K1J-331JE	1	435033314R1
R4004	C-CARBON R	RN72K1J-331JE	1	435033314R1
R4013	C-CARBON R	RN72K1J-331JE	1	435033314R1
R4014	C-CARBON R	RN72K1J-331JE	1	435033314R1
R4015	C-CARBON R	RN72K1J-331JE	1	435033314R1
R4016	C-CARBON R	RN72K1J-331JE	1	435033314R1
R4017	C-CARBON R	RN72K1J-331JE	1	435033314R1
R4018	C-CARBON R	RN72K1J-331JE	1	435033314R1
R4019	C-CARBON R	RN72K1J-331JE	1	435033314R1
R4020	C-CARBON R	RN72K1J-331JE	1	435033314R1
R4030	C-CARBON R	RN72K1J-101JE	1	435031014R1
R4031	C-CARBON R	RN72K1J-101JE	1	435031014R1
R4036	C-CARBON R	RN72K1J-101JE	1	435031014R1
R4043	C-CARBON R	RN72K1J-104JE	1	435031044R1
R4044	C-CARBON R	RN72K1J-104JE	1	435031044R1
R4053	C-CARBON R	RN72K1J-104JE	1	435031044R1
R4054	C-CARBON R	RN72K1J-104JE	1	435031044R1
R4055	C-CARBON R	RN72K1J-104JE	1	435031044R1
R4056	C-CARBON R	RN72K1J-104JE	1	435031044R1
R4057	C-CARBON R	RN72K1J-104JE	1	435031044R1
R4058	C-CARBON R	RN72K1J-104JE	1	435031044R1
R4059	C-CARBON R	RN72K1J-104JE	1	435031044R1
R4060	C-CARBON R	RN72K1J-104JE	1	435031044R1
R4069	C-CARBON R	RN72K1J-104JE	1	435031044R1
R4070	C-CARBON R	RN72K1J-222JE	1	435032224R1
R4071	C-CARBON R	RN72K1J-222JE	1	435032224R1
R4076	C-CARBON R	RN72K1J-223JE	1	435032234R1
R4078	C-CARBON R	RN72K1J-473JE	1	435034734R1
R4079	C-CARBON R	RN72K1J-473JE	1	435034734R1

R4080	C-CARBON R	RN72K1J-000JE	1	435030004R1
R4085	C-CARBON R	RN72K1J-182JE	1	435031824R1
R4086	C-CARBON R	RN72K1J-182JE	1	435031824R1
R4087	C-CARBON R	RN72K1J-222JE	1	435032224R1
R4088	C-CARBON R	RN72K1J-222JE	1	435032224R1
R4089	C-CARBON R	RN72K1J-102JE	1	435031024R1
R4090	C-CARBON R	RN72K1J-123JE	1	435031234R1
R4091	C-CARBON R	RN72K1J-223JE	1	435032234R1
R4092	C-CARBON R	RN72K1J-331JE	1	435033314R1
R4093	C-CARBON R	RN72K1J-332JE	1	435033324R1
R4094	C-CARBON R	RN72K1J-103JE	1	435031034R1
R4095	C-CARBON R	RN72K1J-103JE	1	435031034R1
R4096	C-CARBON R	RN72K1J-331JE	1	435033314R1
R4097	C-CARBON R	RN72K1J-332JE	1	435033324R1
R4098	C-CARBON R	RN72K1J-123JE	1	435031234R1
R4099	C-CARBON R	RN72K1J-223JE	1	435032234R1
R4100	C-CARBON R	RN72K1J-224JE	1	435032244R1
R4101	C-CARBON R	RN72K1J-224JE	1	435032244R1
R4102	C-CARBON R	RN72K1J-224JE	1	435032244R1
R4103	C-CARBON R	RN72K1J-224JE	1	435032244R1
R4104	C-CARBON R	RN72K1J-224JE	1	435032244R1
R4107	C-CARBON R	RN72K1J-224JE	1	435032244R1
R4110	C-CARBON R	RN72K1J-222JE	1	435032224R1
R4111	C-CARBON R	RN72K1J-222JE	1	435032224R1
R4112	C-CARBON R	RN72K1J-222JE	1	435032224R1
R4113	C-CARBON R	RN72K1J-222JE	1	435032224R1
R4114	C-CARBON R	RN72K1J-222JE	1	435032224R1
R4117	C-CARBON R	RN72K1J-271JE	1	435032714R1
R4118	C-CARBON R	RN72K1J-222JE	1	435032224R1
R4119	C-CARBON R	RN72K1J-222JE	1	435032224R1
R4127	C-CARBON R	RN72K1J-101JE	1	435031014R1
R4130	C-CARBON R	RN72K1J-221JE	1	435032214R1
R4131	C-CARBON R	RN72K1J-473JE	1	435034734R1
R4132	C-CARBON R	RN72K1J-153JE	1	435031534R1

R4133	C-CARBON R	RN72K1J-122JE	1	435031224R1	
R4134	C-CARBON R	RN72K1J-103JE	1	435031034R1	
R4138	C-CARBON R	RN72K1J-104JE	1	435031044R1	
R4139	C-CARBON R	RN72K1J-104JE	1	435031044R1	
R4160	METAL R	RNU1WCJ-0.22	1	453632294T	
R4161	METAL R	RNU1WCJ-0.22	1	453632294T	
R4166	C-CARBON R	RN72K1J-220JE	1	435032204R1	
R4167	C-CARBON R	RN72K1J-220JE	1	435032204R1	
R4174	METAL O R	RS1WBJ-68	1	443626804T	
R4175	METAL O R	RS1WBJ-68	1	443626804T	
R4176	METAL O R	RS1WBJ-68	1	443626804T	
R4177	METAL O R	RS1WBJ-68	1	443626804T	
R4181	C-CARBON R	RN72K1J-224JE	1	435032244R1	
R4182	C-CARBON R	RN72K1J-224JE	1	435032244R1	
R4185	METAL R	RNU1WCJ-1	1	453630104T	<B MMK, MMQ, MMR>
R4185	METAL R	RNU1WCJ-4.7	1	453630474T	<B MDC, MDD, MDF, MPA, MPB, MPP>
R4186	METAL R	RNU1WCJ-1	1	453630104T	<B MMK, MMQ, MMR>
R4187	METAL O R	RS1WBJ-22	1	443622204T	<B MDC, MDD, MDF, MPA, MPB, MPP>
R4187	METAL R	RNU1WCJ-8.2	1	453630824T	<B MMK, MMQ, MMR>
R4188	METAL O R	RS1WBJ-22	1	443622204T	<B MDC, MDD, MDF, MPA, MPB, MPP>
R4188	METAL R	RNU1WCJ-8.2	1	453630824T	<B MMK, MMQ, MMR>
R4189	C-CARBON R	RN72K1J-224JE	1	435032244R1	
R4190	C-CARBON R	RN72K1J-224JE	1	435032244R1	
R4198	C-CARBON R	RN72K1J-220JE	1	435032204R1	
R4199	C-CARBON R	RN72K1J-220JE	1	435032204R1	
R4211	C-CARBON R	RN72K1J-000JE	1	435030004R1	
R4214	C-CARBON R	RN72K1J-000JE	1	435030004R1	
R4292	C-CARBON R	RN72K1J-224JE	1	435032244R1	
R4293	C-CARBON R	RN72K1J-224JE	1	435032244R1	
R4294	C-CARBON R	RN72K1J-224JE	1	435032244R1	
R4295	C-CARBON R	RN72K1J-224JE	1	435032244R1	
R4296	C-CARBON R	RN72K1J-224JE	1	435032244R1	
R4301	C-CARBON R	RN72K1J-000JE	1	435030004R1	
R4302	C-CARBON R	RN72K1J-000JE	1	435030004R1	

R4400	C-CARBON R	RN72K1J-102JE	1	435031024R1
R4401	C-CARBON R	RN72K1J-102JE	1	435031024R1
R4402	C-CARBON R	RN72K1J-104JE	1	435031044R1
R4403	C-CARBON R	RN72K1J-104JE	1	435031044R1
R4404	C-CARBON R	RN72K1J-681JE	1	435036814R1
R4405	METAL O R	RS1WBJ-100	1	443621014T
R4406	C-CARBON R	RN72K1J-681JE	1	435036814R1
R4407	C-CARBON R	RN72K1J-333JE	1	435033334R1
R4420	C-CARBON R	RN72K1J-472JE	1	435034724R1
R4421	C-CARBON R	RN72K1J-472JE	1	435034724R1
R4422	C-CARBON R	RN72K1J-472JE	1	435034724R1
R4423	C-CARBON R	RN72K1J-472JE	1	435034724R1
R4424	C-CARBON R	RN72K1J-472JE	1	435034724R1
R4427	C-CARBON R	RN72K1J-472JE	1	435034724R1
R4428	C-CARBON R	RN72K1J-332JE	1	435033324R1
R4429	C-CARBON R	RN72K1J-332JE	1	435033324R1
R4430	C-CARBON R	RN72K1J-153JE	1	435031534R1
R4431	C-CARBON R	RN72K1J-153JE	1	435031534R1
R4432	C-CARBON R	RN72K1J-153JE	1	435031534R1
R4433	C-CARBON R	RN72K1J-153JE	1	435031534R1
R4434	C-CARBON R	RN72K1J-153JE	1	435031534R1
R4437	C-CARBON R	RN72K1J-153JE	1	435031534R1
R4438	C-CARBON R	RN72K1J-472JE	1	435034724R1
R4439	C-CARBON R	RN72K1J-472JE	1	435034724R1
R4440	C-CARBON R	RN72K1J-331JE	1	435033314R1
R4441	C-CARBON R	RN72K1J-331JE	1	435033314R1
R4442	C-CARBON R	RN72K1J-331JE	1	435033314R1
R4443	C-CARBON R	RN72K1J-331JE	1	435033314R1
R4444	C-CARBON R	RN72K1J-331JE	1	435033314R1
R4447	C-CARBON R	RN72K1J-331JE	1	435033314R1
R4448	C-CARBON R	RN72K1J-000JE	1	435030004R1
R4449	C-CARBON R	RN72K1J-000JE	1	435030004R1
R4450	C-CARBON R	RN72K1J-561JE	1	435035614R1
R4451	C-CARBON R	RN72K1J-561JE	1	435035614R1

R4452	C-CARBON R	RN72K1J-561JE	1	435035614R1
R4453	C-CARBON R	RN72K1J-561JE	1	435035614R1
R4454	C-CARBON R	RN72K1J-561JE	1	435035614R1
R4457	C-CARBON R	RN72K1J-561JE	1	435035614R1
R4458	C-CARBON R	RN72K1J-562JE	1	435035624R1
R4459	C-CARBON R	RN72K1J-562JE	1	435035624R1
R4522	C-CARBON R	RN72K1J-104JE	1	435031044R1
R4527	C-CARBON R	RN72K1J-104JE	1	435031044R1
R4528	C-CARBON R	RN72K1J-104JE	1	435031044R1
R4529	C-CARBON R	RN72K1J-104JE	1	435031044R1
R6080	NF CARBON R	R25J-0.22	1	415472294T
R6081	NF CARBON R	R25J-0.22	1	415472294T
R6082	NF CARBON R	R25J-0.22	1	415472294T
R6083	NF CARBON R	R25J-0.22	1	415472294T
R6084	NF CARBON R	R25J-0.22	1	415472294T
R6090	NF CARBON R	R25J-0.22	1	415472294T
R6091	NF CARBON R	R25J-0.22	1	415472294T
R6092	NF CARBON R	R25J-0.22	1	415472294T
R6093	NF CARBON R	R25J-0.22	1	415472294T
R6094	NF CARBON R	R25J-0.22	1	415472294T
R6100	METAL PR	MPR2W+2W 0R22	1	4000234
R6100 or	METAL P R	RF-2EGPJR22	(1)	4000243
R6101	METAL PR	MPR2W+2W 0R22	1	4000234
R6101 or	METAL P R	RF-2EGPJR22	(1)	4000243
R6102	METAL PR	MPR2W+2W 0R22	1	4000234
R6102 or	METAL P R	RF-2EGPJR22	(1)	4000243
R6103	METAL PR	MPR2W+2W 0R22	1	4000234
R6103 or	METAL P R	RF-2EGPJR22	(1)	4000243
R6104	METAL PR	MPR2W+2W 0R22	1	4000234
R6104 or	METAL P R	RF-2EGPJR22	(1)	4000243
R6140	C-CARBON R	RN72K1J-563JE	1	435035634R1
R6141	C-CARBON R	RN72K1J-563JE	1	435035634R1
R6142	C-CARBON R	RN72K1J-563JE	1	435035634R1
R6143	C-CARBON R	RN72K1J-563JE	1	435035634R1

R6144	C-CARBON R	RN72K1J-563JE	1	435035634R1
R6150	C-CARBON R	RN72K1J-103JE	1	435031034R1
R6151	C-CARBON R	RN72K1J-103JE	1	435031034R1
R6152	C-CARBON R	RN72K1J-103JE	1	435031034R1
R6153	C-CARBON R	RN72K1J-103JE	1	435031034R1
R6154	C-CARBON R	RN72K1J-103JE	1	435031034R1
R6160	CARBON R	R16J-33K	1	417343334T
R6161	CARBON R	R16J-33K	1	417343334T
R6162	CARBON R	R16J-33K	1	417343334T
R6163	CARBON R	R16J-33K	1	417343334T
R6164	CARBON R	R16J-33K	1	417343334T
R6170	CARBON R	R16J-47K	1	417344734T
R6171	CARBON R	R16J-47K	1	417344734T
R6172	CARBON R	R16J-47K	1	417344734T
R6173	CARBON R	R16J-47K	1	417344734T
R6174	CARBON R	R16J-47K	1	417344734T
R6180	CARBON R	R16J-47K	1	417344734T
R6181	CARBON R	R16J-47K	1	417344734T
R6182	CARBON R	R16J-47K	1	417344734T
R6183	CARBON R	R16J-47K	1	417344734T
R6184	CARBON R	R16J-47K	1	417344734T
R6200	C-CARBON R	RN72K1J-562JE	1	435035624R1
R6201	C-CARBON R	RN72K1J-562JE	1	435035624R1
R6202	C-CARBON R	RN72K1J-562JE	1	435035624R1
R6203	C-CARBON R	RN72K1J-562JE	1	435035624R1
R6204	C-CARBON R	RN72K1J-562JE	1	435035624R1
R6210	C-CARBON R	RN72K1J-472JE	1	435034724R1
R6211	C-CARBON R	RN72K1J-472JE	1	435034724R1
R6212	C-CARBON R	RN72K1J-472JE	1	435034724R1
R6213	C-CARBON R	RN72K1J-472JE	1	435034724R1
R6214	C-CARBON R	RN72K1J-472JE	1	435034724R1
R6230	C-CARBON R	RN72K1J-471JE	1	435034714R1
R6231	C-CARBON R	RN72K1J-471JE	1	435034714R1
R6232	C-CARBON R	RN72K1J-471JE	1	435034714R1

R6233	C-CARBON R	RN72K1J-471JE	1	435034714R1	
R6234	C-CARBON R	RN72K1J-471JE	1	435034714R1	
R6300	C-CARBON R	RN72K1J-000JE	1	435030004R1	
R6301	C-CARBON R	RN72K1J-000JE	1	435030004R1	
R6305	C-CARBON R	RN72K1J-000JE	1	435030004R1	
R6401	METAL R	RNU1/2WCJ-0.1	1	453531094T	
R6402	C-CARBON R	RN72K1J-102JE	1	435031024R1	
R6403	C-CARBON R	RN72K1J-473JE	1	435034734R1	
R6451	C-CARBON R	RN72K1J-333JE	1	435033334R1	
R6452	C-CARBON R	RN72K1J-103JE	1	435031034R1	
R6453	C-CARBON R	RN72K1J-223JE	1	435032234R1	
R6454	C-CARBON R	RN72K1J-473JE	1	435034734R1	
R6455	C-CARBON R	RN72K1J-103JE	1	435031034R1	
R6456	C-CARBON R	RN72K1J-223JE	1	435032234R1	
R6457	C-CARBON R	RN72K1J-223JE	1	435032234R1	
R6458	C-CARBON R	RN72K1J-562JE	1	435035624R1	
R6459	C-CARBON R	RN72K1J-562JE	1	435035624R1	
R6460	C-CARBON R	RN72K1J-473JE	1	435034734R1	
R950	CARBON R	R16J-1	1	417340104T	
R951	METAL O R	RS1WBJ-33	1	443623304T	
R952	METAL O R	RS1WBJ-47	1	443624704T	
R960	METAL R	RNU1/2WCJ-8.2	1	453530824T	
R962	C-CARBON R	RN72K1J-472JE	1	435034724R1	
R963	C-CARBON R	RN72K1J-472JE	1	435034724R1	
R964	C-CARBON R	RN72K1J-333JE	1	435033334R1	
R965	CARBON R	R16J-4.7	1	417340474T	
[SW TRM]					
F6401A	FUSE HOL	NSCT-1P2031	1	25052133T	!
F6401B	FUSE HOL	NSCT-1P2031	1	25052133T	!
F6402A	FUSE HOL	NSCT-1P2031	1	25052133T	!
F6402B	FUSE HOL	NSCT-1P2031	1	25052133T	!
JL501A	WIRE HOL	NSCT-3P874	1	25051087	
JL600A	WIRE HOL	NSCT-7P898	1	25051111	
JL603A	WIRE HOL	NSCT-9P900	1	25051113	

JL620A	WIRE HOL	NSCT-7P878	1	25051091
JL951A	WIRE HOL	NSCT-5P896	1	25051109
JL951B	WIRE HOL	NSCT-5P896	1	25051109
JL952A	WIRE HOL	NSCT-3P894	1	25051107
JL953B	WIRE TRAP	NPLG-5P588	1	25055626
JL954A	WIRE HOL	NSCT-5P896	1	25051109
JL954B	WIRE HOL	NSCT-5P896	1	25051109
P101B	SOCKET	NSCT-9P2102	1	25052205
P4002	PIN JACK	NPJ-2PDWR595	1	25045815
P4003	PIN JACK	NPJ-4PDWWR624	1	25045845
P4004	PIN JACK	NPJ-4PDWWR624	1	25045845
P4007	PIN JACK	NPJ-2PDWR558	1	25045776
P4008	PIN JACK	NPJ-1PDP555	1	25045773
P5502B	PLUG	NPLG-20P0975	1	25056025
P5503B	PLUG	NPLG-7P0962	1	25056012
P5504B	PLUG	NPLG-13P0968	1	25056018
P5507A	TRM	NTM-1P232(M1700)	1	25060301
P5508	TRM-423(SCREW)	NEJITANSI ST3	1	25060495
P5509A	TRM	NTM-1P232(M1700)	1	25060301
P5510B	TRM	NTM-1P232(M1700)	1	25060301
P6000B	PLUG	NPLG-9P0964	1	25056014
P6001B	PLUG	NPLG-9P0964	1	25056014
P6002B	PLUG	NPLG-9P0964	1	25056014
P6003B	PLUG	NPLG-3P0958	1	25056008
P6004B	PLUG	NPLG-9P0964	1	25056014
P6010A	TRM	NTM-1P232(M1700)	1	25060301
P6013B	PLUG	NPLG-7P0962	1	25056012
P6080	PLUG	NPLG-2P29	1	25055038
P6081	PLUG	NPLG-2P29	1	25055038
P6082	PLUG	NPLG-2P29	1	25055038
P6083	PLUG	NPLG-2P29	1	25055038
P6084	PLUG	NPLG-2P29	1	25055038
P6101	HOLDER	HOLDER(CLAMP)	1	27190540-1
P6102	HOLDER	HOLDER(CLAMP)	1	27190540-1

P6105	HOLDER	(CRAMP) UA-0 V0	1	27190608-1	
P6106	WS CLAMP	CB-71683(L=50)	1	260261	
P6107	WS CLAMP	CB-71683(L=50)	1	260261	
P6400	CRIMP AS	CRIMP AS	1	20799165UL	
P6401	CRIMP AS	CRIMP AS	1	2069925162UL	
P6402	CRIMP AS	CRIMP AS	1	2069925199UL	N
P6403	CRIMP AS	CRIMP AS	1	20799163UL	
P6404	CRIMP AS	CRIMP AS	1	20799164UL	
RL641	RELAY	NRL-1P10A-DC12-196	1	25065707	
RL641 or	RELAY	NRL-1P10A-DC12-197	(1)	25065708	
RL641 or	RELAY	NRL-1P10A-DC12-198	(1)	25065709	
RL642	RELAY	NRL-1P10A-DC12-196	1	25065707	
RL642 or	RELAY	NRL-1P10A-DC12-197	(1)	25065708	
RL642 or	RELAY	NRL-1P10A-DC12-198	(1)	25065709	
U002 U0020 x 4 pcs. BACLA-1130-2A *					
U0020 AMPLIFIER PC BOARD ASS'Y BACLA-1130-2A					
CIRCUIT N°	PART NAME	DESCRIPTION	Q'TY	PART NO. (SN)	REMARKS
[SEMI CONDUCTOR]					
D5000	ZENER D	HZS6A3	1	224860560T	
D5000 or	ZENER D	MTZJ5.6B	(1)	224470562T	
D5001	ZENER D	HZS6A3	1	224860560T	
D5001 or	ZENER D	MTZJ5.6B	(1)	224470562T	
D5002	ZENER D	HZS6A3	1	224860560T	
D5002 or	ZENER D	MTZJ5.6B	(1)	224470562T	
D5003	ZENER D	HZS6A3	1	224860560T	
D5003 or	ZENER D	MTZJ5.6B	(1)	224470562T	
D5004	ZENER D	HZS6A3	1	224860560T	
D5004 or	ZENER D	MTZJ5.6B	(1)	224470562T	
Q5000	TR	KTC3200-BL	1	2215896T	
Q5001	TR	KTC3200-BL	1	2215896T	
Q5002	TR	KTC3200-BL	1	2215896T	

Q5003	TR	KTC3200-BL	1	2215896T
Q5004	TR	KTC3200-BL	1	2215896T
Q5010	TR	KTC3200-BL	1	2215896T
Q5011	TR	KTC3200-BL	1	2215896T
Q5012	TR	KTC3200-BL	1	2215896T
Q5013	TR	KTC3200-BL	1	2215896T
Q5014	TR	KTC3200-BL	1	2215896T
Q5030	TR	2SA949-Y(TPE6_F)	1	2211354T
Q5030 or	TR	2SA949-O(TPE6_F)	(1)	2211353T
Q5030A	RETAINER	(CLA2)	1	27142140A
Q5031	TR	2SA949-Y(TPE6_F)	1	2211354T
Q5031 or	TR	2SA949-O(TPE6_F)	(1)	2211353T
Q5031A	RETAINER	(CLA2)	1	27142140A
Q5032	TR	2SA949-Y(TPE6_F)	1	2211354T
Q5032 or	TR	2SA949-O(TPE6_F)	(1)	2211353T
Q5032A	RETAINER	(CLA2)	1	27142140A
Q5033	TR	2SA949-Y(TPE6_F)	1	2211354T
Q5033 or	TR	2SA949-O(TPE6_F)	(1)	2211353T
Q5033A	RETAINER	(CLA2)	1	27142140A
Q5034	TR	2SA949-Y(TPE6_F)	1	2211354T
Q5034 or	TR	2SA949-O(TPE6_F)	(1)	2211353T
Q5034A	RETAINER	(CLA2)	1	27142140A
Q5040	TR	2SC2229-Y(TPE6_F)	1	2211634T
Q5040 or	TR	2SC2229-O(TPE6_F)	(1)	2211633T
Q5041	TR	2SC2229-Y(TPE6_F)	1	2211634T
Q5041 or	TR	2SC2229-O(TPE6_F)	(1)	2211633T
Q5042	TR	2SC2229-Y(TPE6_F)	1	2211634T
Q5042 or	TR	2SC2229-O(TPE6_F)	(1)	2211633T
Q5043	TR	2SC2229-Y(TPE6_F)	1	2211634T
Q5043 or	TR	2SC2229-O(TPE6_F)	(1)	2211633T
Q5044	TR	2SC2229-Y(TPE6_F)	1	2211634T
Q5044 or	TR	2SC2229-O(TPE6_F)	(1)	2211633T
Q5050	TR	KTC3200-BL	1	2215896T
Q5051	TR	KTC3200-BL	1	2215896T

Q5052	TR	KTC3200-BL	1	2215896T
Q5053	TR	KTC3200-BL	1	2215896T
Q5054	TR	KTC3200-BL	1	2215896T
Q6010	TR	2SC1740S-S	1	2213285T
Q6010 or	TR	KTC3198-GR	(1)	2215985T
Q6011	TR	2SC1740S-S	1	2213285T
Q6011 or	TR	KTC3198-GR	(1)	2215985T
Q6012	TR	2SC1740S-S	1	2213285T
Q6012 or	TR	KTC3198-GR	(1)	2215985T
Q6013	TR	2SC1740S-S	1	2213285T
Q6013 or	TR	KTC3198-GR	(1)	2215985T
Q6014	TR	2SC1740S-S	1	2213285T
Q6014 or	TR	KTC3198-GR	(1)	2215985T
Q6030	TR	2SC5171(ONK_Q)	1	2203010
Q6031	TR	2SC5171(ONK_Q)	1	2203010
Q6032	TR	2SC5171(ONK_Q)	1	2203010
Q6033	TR	2SC5171(ONK_Q)	1	2203010
Q6034	TR	2SC5171(ONK_Q)	1	2203010
Q6040	TR	2SA1930(ONK_Q)	1	2203000
Q6041	TR	2SA1930(ONK_Q)	1	2203000
Q6042	TR	2SA1930(ONK_Q)	1	2203000
Q6043	TR	2SA1930(ONK_Q)	1	2203000
Q6044	TR	2SA1930(ONK_Q)	1	2203000
[CAPACITOR]				
C5000	UPZ C	2AUPZTF101JE	1	376331014T
C5001	UPZ C	2AUPZTF101JE	1	376331014T
C5002	UPZ C	2AUPZTF101JE	1	376331014T
C5003	UPZ C	2AUPZTF101JE	1	376331014T
C5004	UPZ C	2AUPZTF101JE	1	376331014T
C5010	UTSP C	CE04W50V 47M(UTSP)	1	397584707T
C5011	UTSP C	CE04W50V 47M(UTSP)	1	397584707T
C5012	UTSP C	CE04W50V 47M(UTSP)	1	397584707T
C5013	UTSP C	CE04W50V 47M(UTSP)	1	397584707T
C5014	UTSP C	CE04W50V 47M(UTSP)	1	397584707T

C5020	UTSP C	CE04W50V-10M(UTSP)	1	397581007T
C5021	UTSP C	CE04W50V-10M(UTSP)	1	397581007T
C5022	UTSP C	CE04W50V-10M(UTSP)	1	397581007T
C5023	UTSP C	CE04W50V-10M(UTSP)	1	397581007T
C5024	UTSP C	CE04W50V-10M(UTSP)	1	397581007T
C5040	UTSP C	CE04W25V-220M(UTSP)	1	397552217T
C5041	UTSP C	CE04W25V-220M(UTSP)	1	397552217T
C5042	UTSP C	CE04W25V-220M(UTSP)	1	397552217T
C5043	UTSP C	CE04W25V-220M(UTSP)	1	397552217T
C5044	UTSP C	CE04W25V-220M(UTSP)	1	397552217T
C5050	UTSP C	CE04W50V 47M(UTSP)	1	397584707T
C5051	UTSP C	CE04W50V 47M(UTSP)	1	397584707T
C5052	UTSP C	CE04W50V 47M(UTSP)	1	397584707T
C5053	UTSP C	CE04W50V 47M(UTSP)	1	397584707T
C5054	UTSP C	CE04W50V 47M(UTSP)	1	397584707T
C5080	CERA C	CC45SL50V-040C	1	345020401T
C5081	CERA C	CC45SL50V-040C	1	345020401T
C5082	CERA C	CC45SL50V-040C	1	345020401T
C5083	CERA C	CC45SL50V-040C	1	345020401T
C5084	CERA C	CC45SL50V-040C	1	345020401T
C5090	UPZ C	2AUPZTF101JE	1	376331014T
C5091	UPZ C	2AUPZTF101JE	1	376331014T
C5092	UPZ C	2AUPZTF101JE	1	376331014T
C5093	UPZ C	2AUPZTF101JE	1	376331014T
C5094	UPZ C	2AUPZTF101JE	1	376331014T
C5100	VR C	CE04W100V-22M(VR)	1	394692207T
C5101	VR C	CE04W100V-22M(VR)	1	394692207T
C5102	VR C	CE04W100V-22M(VR)	1	394692207T
C5103	VR C	CE04W100V-22M(VR)	1	394692207T
C5104	VR C	CE04W100V-22M(VR)	1	394692207T
C5110	VR C	CE04W100V-22M(VR)	1	394692207T
C5111	VR C	CE04W100V-22M(VR)	1	394692207T
C5112	VR C	CE04W100V-22M(VR)	1	394692207T
C5113	VR C	CE04W100V-22M(VR)	1	394692207T

C5114	VR C	CE04W100V-22M(VR)	1	394692207T
C6040	UTSP C	CE04W50V 47M(UTSP)	1	397584707T
C6041	UTSP C	CE04W50V 47M(UTSP)	1	397584707T
C6042	UTSP C	CE04W50V 47M(UTSP)	1	397584707T
C6043	UTSP C	CE04W50V 47M(UTSP)	1	397584707T
C6044	UTSP C	CE04W50V 47M(UTSP)	1	397584707T
[RESISTOR]				
R5000	CARBON R	R16J-1.5K	1	417341524T
R5001	CARBON R	R16J-1.5K	1	417341524T
R5002	CARBON R	R16J-1.5K	1	417341524T
R5003	CARBON R	R16J-1.5K	1	417341524T
R5004	CARBON R	R16J-1.5K	1	417341524T
R5010	CARBON R	R16J-120K	1	417341244T
R5011	CARBON R	R16J-120K	1	417341244T
R5012	CARBON R	R16J-120K	1	417341244T
R5013	CARBON R	R16J-120K	1	417341244T
R5014	CARBON R	R16J-120K	1	417341244T
R5020	CARBON R	R16J-330	1	417343314T
R5021	CARBON R	R16J-330	1	417343314T
R5022	CARBON R	R16J-330	1	417343314T
R5023	CARBON R	R16J-330	1	417343314T
R5024	CARBON R	R16J-330	1	417343314T
R5030	CARBON R	R16J-120K	1	417341244T
R5031	CARBON R	R16J-120K	1	417341244T
R5032	CARBON R	R16J-120K	1	417341244T
R5033	CARBON R	R16J-120K	1	417341244T
R5034	CARBON R	R16J-120K	1	417341244T
R5040	CARBON R	R16J-2.2K	1	417342224T
R5041	CARBON R	R16J-2.2K	1	417342224T
R5042	CARBON R	R16J-2.2K	1	417342224T
R5043	CARBON R	R16J-2.2K	1	417342224T
R5044	CARBON R	R16J-2.2K	1	417342224T
R5050	CARBON R	R16J-4.7K	1	417344724T
R5051	CARBON R	R16J-4.7K	1	417344724T

R5052	CARBON R	R16J-4.7K	1	417344724T
R5053	CARBON R	R16J-4.7K	1	417344724T
R5054	CARBON R	R16J-4.7K	1	417344724T
R5060	CARBON R	R16J-1.2K	1	417341224T
R5061	CARBON R	R16J-1.2K	1	417341224T
R5062	CARBON R	R16J-1.2K	1	417341224T
R5063	CARBON R	R16J-1.2K	1	417341224T
R5064	CARBON R	R16J-1.2K	1	417341224T
R5080	CARBON R	R16J-510	1	417345114T
R5081	CARBON R	R16J-510	1	417345114T
R5082	CARBON R	R16J-510	1	417345114T
R5083	CARBON R	R16J-510	1	417345114T
R5084	CARBON R	R16J-510	1	417345114T
R5090	CARBON R	R16J-100K	1	417341044T
R5091	CARBON R	R16J-100K	1	417341044T
R5092	CARBON R	R16J-100K	1	417341044T
R5093	CARBON R	R16J-100K	1	417341044T
R5094	CARBON R	R16J-100K	1	417341044T
R5100	CARBON R	R16J-100K	1	417341044T
R5101	CARBON R	R16J-100K	1	417341044T
R5102	CARBON R	R16J-100K	1	417341044T
R5103	CARBON R	R16J-100K	1	417341044T
R5104	CARBON R	R16J-100K	1	417341044T
R5110	CARBON R	R16J-1K	1	417341024T
R5111	CARBON R	R16J-1K	1	417341024T
R5112	CARBON R	R16J-1K	1	417341024T
R5113	CARBON R	R16J-1K	1	417341024T
R5114	CARBON R	R16J-1K	1	417341024T
R5130	CARBON R	R16J-18K	1	417341834T
R5131	CARBON R	R16J-18K	1	417341834T
R5132	CARBON R	R16J-18K	1	417341834T
R5133	CARBON R	R16J-18K	1	417341834T
R5134	CARBON R	R16J-18K	1	417341834T
R5160	NF CARBON R	R25J-100	1	415471014T

R5161	NF CARBON R	R25J-100	1	415471014T
R5162	NF CARBON R	R25J-100	1	415471014T
R5163	NF CARBON R	R25J-100	1	415471014T
R5164	NF CARBON R	R25J-100	1	415471014T
R5170	NF CARBON R	R25J-100	1	415471014T
R5171	NF CARBON R	R25J-100	1	415471014T
R5172	NF CARBON R	R25J-100	1	415471014T
R5173	NF CARBON R	R25J-100	1	415471014T
R5174	NF CARBON R	R25J-100	1	415471014T
R5180	NF CARBON R	R25J-10	1	415471004T
R5181	NF CARBON R	R25J-10	1	415471004T
R5182	NF CARBON R	R25J-10	1	415471004T
R5183	NF CARBON R	R25J-10	1	415471004T
R5184	NF CARBON R	R25J-10	1	415471004T
R5190	NF CARBON R	R25J-10	1	415471004T
R5191	NF CARBON R	R25J-10	1	415471004T
R5192	NF CARBON R	R25J-10	1	415471004T
R5193	NF CARBON R	R25J-10	1	415471004T
R5194	NF CARBON R	R25J-10	1	415471004T
R5200	CARBON R	R16J-18K	1	417341834T
R5201	CARBON R	R16J-18K	1	417341834T
R5202	CARBON R	R16J-18K	1	417341834T
R5203	CARBON R	R16J-18K	1	417341834T
R5204	CARBON R	R16J-18K	1	417341834T
R5230	CARBON R	R16J-120K	1	417341244T
R5231	CARBON R	R16J-120K	1	417341244T
R5232	CARBON R	R16J-120K	1	417341244T
R5233	CARBON R	R16J-120K	1	417341244T
R5234	CARBON R	R16J-120K	1	417341244T
R5300	CARBON R	R16J-22	1	417342204T
R5301	CARBON R	R16J-22	1	417342204T
R5302	CARBON R	R16J-22	1	417342204T
R5303	CARBON R	R16J-22	1	417342204T
R5304	CARBON R	R16J-22	1	417342204T

R5310	CARBON R	R16J-22	1	417342204T
R5311	CARBON R	R16J-22	1	417342204T
R5312	CARBON R	R16J-22	1	417342204T
R5313	CARBON R	R16J-22	1	417342204T
R5314	CARBON R	R16J-22	1	417342204T
R5320	CARBON R	R16J-120K	1	417341244T
R5321	CARBON R	R16J-120K	1	417341244T
R5322	CARBON R	R16J-120K	1	417341244T
R5323	CARBON R	R16J-120K	1	417341244T
R5324	CARBON R	R16J-120K	1	417341244T
R6020	NF CARBON R	R25J-2.2	1	415470224T
R6021	NF CARBON R	R25J-2.2	1	415470224T
R6022	NF CARBON R	R25J-2.2	1	415470224T
R6023	NF CARBON R	R25J-2.2	1	415470224T
R6024	NF CARBON R	R25J-2.2	1	415470224T
R6040	TRIM R	N06HR2KBB	1	5211402T
R6041	TRIM R	N06HR2KBB	1	5211402T
R6042	TRIM R	N06HR2KBB	1	5211402T
R6043	TRIM R	N06HR2KBB	1	5211402T
R6044	TRIM R	N06HR2KBB	1	5211402T
R6050	CARBON R	R16J-3.3K	1	417343324T
R6051	CARBON R	R16J-3.3K	1	417343324T
R6052	CARBON R	R16J-3.3K	1	417343324T
R6053	CARBON R	R16J-3.3K	1	417343324T
R6054	CARBON R	R16J-3.3K	1	417343324T
R6070	NF CARBON R	R25J-82	1	415478204T
R6071	NF CARBON R	R25J-82	1	415478204T
R6072	NF CARBON R	R25J-82	1	415478204T
R6073	NF CARBON R	R25J-82	1	415478204T
R6074	NF CARBON R	R25J-82	1	415478204T
[SW TRM]				
P5507B	TRM	NTM-1P233(M1969)	1	25060302
P5509B	TRM	NTM-1P233(M1969)	1	25060302
P6000	SOCKET	NSCT-9P2189	1	25052292

P6001	SOCKET	NSCT-9P2189	1	25052292
P6002	SOCKET	NSCT-9P2189	1	25052292
P6003	SOCKET	NSCT-3P2183	1	25052286
P6004	SOCKET	NSCT-9P2189	1	25052292
P6013A	SOCKET	NSCT-7P2187	1	25052290

U003	U0030~U0034 x 2 pcs.	BATRM-1089-1H/1J *
U0030	SPEAKER TERMINAL PC BOARD ASS'Y	BATRM-1089-1H/1J
U0031	TERMINAL(DIGITAL) PC BOARD ASS'Y	BAETC-1091-1H/1J
U0032	CONNECTOR PC BOARD ASS'Y	BAETC-1092-1H/1J
U0033	FIX PC BOARD	BAETC-1100-1H/1J

CIRCUIT N°	PART NAME	DESCRIPTION	Q'TY	PART NO. (SN)	REMARKS
[SEMI CONDUCTOR]					
D1000	C-DIODE	KDS4148U	1	223283R2	
D1000 or	C-DIODE	1SS352	(1)	223234R2	
D1000 or	C-DIODE	1SS355	(1)	223269R2	
D1000 or	C-DIODE	MA2J111	(1)	223279R2	
D1000 or	C-DIODE	DA2J10100	(1)	223303R2	
D1001	C-DIODE	KDS4148U	1	223283R2	
D1001 or	C-DIODE	1SS352	(1)	223234R2	
D1001 or	C-DIODE	1SS355	(1)	223269R2	
D1001 or	C-DIODE	MA2J111	(1)	223279R2	
D1001 or	C-DIODE	DA2J10100	(1)	223303R2	
D6600	C-DIODE	KDS4148U	1	223283R2	
D6600 or	C-DIODE	1SS352	(1)	223234R2	
D6600 or	C-DIODE	1SS355	(1)	223269R2	
D6600 or	C-DIODE	MA2J111	(1)	223279R2	
D6600 or	C-DIODE	DA2J10100	(1)	223303R2	
D6603	C-DIODE	KDS4148U	1	223283R2	
D6603 or	C-DIODE	1SS352	(1)	223234R2	
D6603 or	C-DIODE	1SS355	(1)	223269R2	
D6603 or	C-DIODE	MA2J111	(1)	223279R2	

D6603 or	C-DIODE	DA2J10100	(1)	223303R2	
Q1000	IC	TC74HCU04AF	1	222740046R2TO	
Q6601	TR	KRC105S	1	2217290R2	
Q6602	TR	KRC105S	1	2217290R2	
[TRANS COIL]					
L1000	CHOKE COIL	LBC2518T2R2M	1	231364M022R2	
L1001	CHOKE COIL	LBC2518T2R2M	1	231364M022R2	
L1002	CHOKE COIL	LBC2518T2R2M	1	231364M022R2	
L1003	CHOKE COIL	LBC2518T470M	1	231364M470R2	
L1004	CHOKE COIL	LBC2518T470M	1	231364M470R2	
L1005	EMIFIL	BK1608HS102-T	1	230955R2	
L1006	EMIFIL	BK1608HS102-T	1	230955R2	
L6600	S-COIL	SC-0.8X5.5X18.5T	1	231431S	<B MMK, MMQ, MMR, MPA, MPB, MPP>
L6600 or	S-COIL	PI-ROD002-0083	(1)	231454S	<B MMK, MMQ, MMR, MPA, MPB, MPP>
L6600 or	S-COIL	SC2-0.8X5.5X18.5T	(1)	231455S	<B MMK, MMQ, MMR, MPA, MPB, MPP>
L6601	S-COIL	SC-0.8X5.5X18.5T	1	231431S	<B MMK, MMQ, MMR, MPA, MPB, MPP>
L6601 or	S-COIL	PI-ROD002-0083	(1)	231454S	<B MMK, MMQ, MMR, MPA, MPB, MPP>
L6601 or	S-COIL	SC2-0.8X5.5X18.5T	(1)	231455S	<B MMK, MMQ, MMR, MPA, MPB, MPP>
L6602	S-COIL	SC-0.8X5.5X18.5T	1	231431S	<B MMK, MMQ, MMR, MPA, MPB, MPP>
L6602 or	S-COIL	PI-ROD002-0083	(1)	231454S	<B MMK, MMQ, MMR, MPA, MPB, MPP>
L6602 or	S-COIL	SC2-0.8X5.5X18.5T	(1)	231455S	<B MMK, MMQ, MMR, MPA, MPB, MPP>
L6603	S-COIL	SC-0.8X5.5X18.5T	1	231431S	<B MMK, MMQ, MMR, MPA, MPB, MPP>
L6603 or	S-COIL	PI-ROD002-0083	(1)	231454S	<B MMK, MMQ, MMR, MPA, MPB, MPP>
L6603 or	S-COIL	SC2-0.8X5.5X18.5T	(1)	231455S	<B MMK, MMQ, MMR, MPA, MPB, MPP>
L6604	S-COIL	SC-0.8X5.5X18.5T	1	231431S	<B MMK, MMQ, MMR, MPA, MPB, MPP>
L6604 or	S-COIL	PI-ROD002-0083	(1)	231454S	<B MMK, MMQ, MMR, MPA, MPB, MPP>
L6604 or	S-COIL	SC2-0.8X5.5X18.5T	(1)	231455S	<B MMK, MMQ, MMR, MPA, MPB, MPP>
[CAPACITOR]					
C1000	C-CERA C	CK725F1E-104Z1	1	332161040R1	
C1001	C-CERA C	CC725CH1H-101J1	1	342101014R1	
C1002	C-CERA C	CC725CH1H-101J1	1	342101014R1	
C1003	C-CERA C	CK725B1C-104K1	1	332121045R1	
C1004	C-CERA C	CK725B1C-104K1	1	332121045R1	
C1005	C-CERA C	CC725CH1H-080D1	1	342100802R1	

C1006	C-CERA C	CC725CH1H-080D1	1	342100802R1	
C1007	UTSP C	CE04W10V-220M(UTSP)	1	397532217T	
C1008	C-CERA C	CK725F1E-104Z1	1	332161040R1	
C1009	C-CERA C	CK725F1E-104Z1	1	332161040R1	
C1010	C-CERA C	CK725F1E-104Z1	1	332161040R1	
C1011	C-CERA C	CC725CH1H-330J1	1	342103304R1	
C1012	C-CERA C	CC725CH1H-330J1	1	342103304R1	
C1013	UTSP C	CE04W10V-220M(UTSP)	1	397532217T	
C4520	UTSP C	CE04W25V-47M(UTSP)	1	397554707T	
C4521	UTSP C	CE04W25V-47M(UTSP)	1	397554707T	
C4523	UTSP C	CE04W25V-47M(UTSP)	1	397554707T	
C4524	UTSP C	CE04W25V-47M(UTSP)	1	397554707T	
C6600	C-CERA C	CC725CH1H-102J1	1	342101024R1	
C6602	C-CERA C	CC725CH1H-102J1	1	342101024R1	
C6603	C-CERA C	CC725CH1H-102J1	1	342101024R1	
C6630	TF C	ECQ-V50V-473J	1	374724734T	
C6631	TF C	ECQ-V50V-473J	1	374724734T	
C6632	TF C	ECQ-V50V-473J	1	374724734T	
C6633	TF C	ECQ-V50V-473J	1	374724734T	
C6634	TF C	ECQ-V50V-473J	1	374724734T	
C6640	TF C	ECQ-V50V-103J	1	374721034T	<B MMK, MMQ, MMR, MPA, MPB, MPP>
C6641	TF C	ECQ-V50V-103J	1	374721034T	<B MMK, MMQ, MMR, MPA, MPB, MPP>
C6642	TF C	ECQ-V50V-103J	1	374721034T	<B MMK, MMQ, MMR, MPA, MPB, MPP>
C6643	TF C	ECQ-V50V-103J	1	374721034T	<B MMK, MMQ, MMR, MPA, MPB, MPP>
C6644	TF C	ECQ-V50V-103J	1	374721034T	<B MMK, MMQ, MMR, MPA, MPB, MPP>
C6650	MKT C	B32529C0102J289	1	376491024T	<B MMK, MMQ, MMR, MPA, MPB, MPP>
C6651	MKT C	B32529C0102J289	1	376491024T	<B MMK, MMQ, MMR, MPA, MPB, MPP>
C6652	MKT C	B32529C0102J289	1	376491024T	<B MMK, MMQ, MMR, MPA, MPB, MPP>
C6653	MKT C	B32529C0102J289	1	376491024T	<B MMK, MMQ, MMR, MPA, MPB, MPP>
C6654	MKT C	B32529C0102J289	1	376491024T	<B MMK, MMQ, MMR, MPA, MPB, MPP>
[RESISTOR]					
R1000	C-CARBON R	RN72K1J-331JE	1	435033314R1	
R1001	C-CARBON R	RN72K1J-750JE	1	435037504R1	
R1002	C-CARBON R	RN72K1J-750JE	1	435037504R1	

R1003	C-CARBON R	RN72K1J-100JE	1	435031004R1	
R1004	C-CARBON R	RN72K1J-100JE	1	435031004R1	
R1005	C-CARBON R	RN72K1J-224JE	1	435032244R1	
R1006	C-CARBON R	RN72K1J-224JE	1	435032244R1	
R1007	C-CARBON R	RN72K1J-103JE	1	435031034R1	
R1008	C-CARBON R	RN72K1J-103JE	1	435031034R1	
R1009	C-CARBON R	RN72K1J-823JE	1	435038234R1	
R1010	C-CARBON R	RN72K1J-823JE	1	435038234R1	
R1011	C-CARBON R	RN72K1J-470JE	1	435034704R1	
R1012	C-CARBON R	RN72K1J-470JE	1	435034704R1	
R4520	C-CARBON R	RN72K1J-104JE	1	435031044R1	
R4521	C-CARBON R	RN72K1J-104JE	1	435031044R1	
R4523	C-CARBON R	RN72K1J-104JE	1	435031044R1	
R4524	C-CARBON R	RN72K1J-104JE	1	435031044R1	
R6600	METAL O R	RS1/2WBJ-10	1	443521004T	<B MMK, MMQ, MMR, MPA, MPB, MPP>
R6601	METAL O R	RS1/2WBJ-10	1	443521004T	<B MMK, MMQ, MMR, MPA, MPB, MPP>
R6602	METAL O R	RS1/2WBJ-10	1	443521004T	<B MMK, MMQ, MMR, MPA, MPB, MPP>
R6603	METAL O R	RS1/2WBJ-10	1	443521004T	<B MMK, MMQ, MMR, MPA, MPB, MPP>
R6604	METAL O R	RS1/2WBJ-10	1	443521004T	<B MMK, MMQ, MMR, MPA, MPB, MPP>
R6630	METAL R	RNU1WCJ-8.2	1	453630824T	
R6631	METAL R	RNU1WCJ-8.2	1	453630824T	
R6632	METAL R	RNU1WCJ-8.2	1	453630824T	
R6633	METAL R	RNU1WCJ-8.2	1	453630824T	
R6634	METAL R	RNU1WCJ-8.2	1	453630824T	
R6690	METAL O R	RS1/2WBJ-10	1	443521004T	
R6691	METAL O R	RS1/2WBJ-390	1	443523914T	
R6692	METAL O R	RS1/2WBJ-390	1	443523914T	
[SW TRM]					
E6603	RETAINER	(JOINT)	1	27142069	
JL600B	SOCKET	NSCT-7P99	1	25050271	
JL603B	SOCKET	NSCT-9P101	1	25050273	
JL605B	SOCKET	NSCT-5P97	1	25050269	
JL620B	WIRE TRAP	NPLG-7P590	1	25055628	
P1000	ST JACK	MSJ-035-22	1	25045887	

P1001	PIN JACK	NPJ-2PDOO626	1	25045847
P5502A	SOCKET	NSCT-20P2200	1	25052303
P5503A	SOCKET	NSCT-7P2187	1	25052290
P5504A	SOCKET	NSCT-13P2193	1	25052296
P5510A	TRM	NTM-1P233(M1969)	1	25060302
P6600	WS CLAMP	CB-71683(L=50)	1	260261
P6601	TRM	NTM-2PDMCR400	1	25060472
P6602	TRM	NTM-4PDMNRR420	1	25060492
P6603	TRM	NTM-4PDMNRR420	1	25060492
P6611	TRM-423(SCREW)	NEJITANSI ST3	1	25060495
P703B	SOCKET	NSCT-7P2425	1	25052528
P8001A	SOCKET	NSCT-29P2447	1	25052550
P8003B	PLUG	NPLG-9P0964	1	25056014
P8004A	SOCKET	NSCT-7P2398	1	25052501
RL660	RELAY	NRL-2P5A-DC24-129	1	25065563A
RL660 or	RELAY	NRL-2P5A-DC24-193	(1)	25065703
RL660 or	RELAY	NRL-2P8A-DC24-201	(1)	25065718
RL662	RELAY	NRL-2P5A-DC24-129	1	25065563A
RL662 or	RELAY	NRL-2P5A-DC24-193	(1)	25065703
RL662 or	RELAY	NRL-2P8A-DC24-201	(1)	25065718
RL663	RELAY	NRL-2P5A-DC24-129	1	25065563A
RL663 or	RELAY	NRL-2P5A-DC24-193	(1)	25065703
RL663 or	RELAY	NRL-2P8A-DC24-201	(1)	25065718
[TUNER UNIT]				
U1001	PHT CP	JSR1165-001recieving	1	24120143
U1002	PHT CP	JSR1165-001recieving	1	24120143
U004	U0040~U0043	BADIS-1093-1A *		
U0040	DISPLAY PC BOARD ASS'Y	BADIS-1093-1A		
U0041	VIDEO PC BOARD ASS'Y	BAVD-1094-1A		
U0042	SWITCH PC BOARD ASS'Y	BADIS-1095-1A		
U0043	PHONE JACK PC BOARD ASS'Y	BAETC-1096-1A		

CIRCUIT N°	PART NAME	DESCRIPTION	Q'TY	PART NO. (SN)	REMARKS
[SEMI CONDUCTOR]					
D201	DIODE	G10XB80-02-60A-T16	1	22380378F	N
D201 or	DIODE	D5SBA60	(1)	22380070F	
D202	C-DIODE	KDS4148U	1	223283R2	
D202 or	C-DIODE	1SS352	(1)	223234R2	
D202 or	C-DIODE	1SS355	(1)	223269R2	
D202 or	C-DIODE	MA2J111	(1)	223279R2	
D203	C-DIODE	KDS4148U	1	223283R2	
D203 or	C-DIODE	1SS352	(1)	223234R2	
D203 or	C-DIODE	1SS355	(1)	223269R2	
D203 or	C-DIODE	MA2J111	(1)	223279R2	
D204	ZENER D	UDZS6.2B	1	224550620R2	
D2101	C-DIODE	KDS4148U	1	223283R2	
D2101 or	C-DIODE	1SS352	(1)	223234R2	
D2101 or	C-DIODE	1SS355	(1)	223269R2	
D2101 or	C-DIODE	MA2J111	(1)	223279R2	
D2102	C-DIODE	KDS4148U	1	223283R2	
D2102 or	C-DIODE	1SS352	(1)	223234R2	
D2102 or	C-DIODE	1SS355	(1)	223269R2	
D2102 or	C-DIODE	MA2J111	(1)	223279R2	
D2103	C-DIODE	KDS4148U	1	223283R2	
D2103 or	C-DIODE	1SS352	(1)	223234R2	
D2103 or	C-DIODE	1SS355	(1)	223269R2	
D2103 or	C-DIODE	MA2J111	(1)	223279R2	
D7502	ZENER D	DZ2J082M0L	1	224760820R2	
D7502 or	ZENER D	UDZS8.2B	(1)	224550820R2	
D7533	ZENER D	DZ2J039M0L	1	224760390R2	
D7533 or	ZENER D	UDZS3.9B	(1)	224550390R2	
D7652	LED	SLI-343Y8C-3F	1	225491	
D7654	LED	SCB3318E-D2	1	225487	
D7711	C-DIODE	DA2J10100	1	223303R2	
D7711 or	C-DIODE	1SS352	(1)	223234R2	
D7711 or	C-DIODE	1SS355	(1)	223269R2	

D7711 or	C-DIODE	MA2J111	(1)	223279R2	
D7711 or	C-DIODE	KDS4148U	(1)	223283R2	
D7712	C-DIODE	DA2J10100	1	223303R2	
D7712 or	C-DIODE	ISS352	(1)	223234R2	
D7712 or	C-DIODE	ISS355	(1)	223269R2	
D7712 or	C-DIODE	MA2J111	(1)	223279R2	
D7712 or	C-DIODE	KDS4148U	(1)	223283R2	
D7901	C-DIODE	DA2J10100	1	223303R2	
D7901 or	C-DIODE	ISS352	(1)	223234R2	
D7901 or	C-DIODE	ISS355	(1)	223269R2	
D7901 or	C-DIODE	MA2J111	(1)	223279R2	
D7901 or	C-DIODE	KDS4148U	(1)	223283R2	
D7902	C-DIODE	DA2J10100	1	223303R2	
D7902 or	C-DIODE	ISS352	(1)	223234R2	
D7902 or	C-DIODE	ISS355	(1)	223269R2	
D7902 or	C-DIODE	MA2J111	(1)	223279R2	
D7902 or	C-DIODE	KDS4148U	(1)	223283R2	
D7903	C-DIODE	DA2J10100	1	223303R2	
D7903 or	C-DIODE	ISS352	(1)	223234R2	
D7903 or	C-DIODE	ISS355	(1)	223269R2	
D7903 or	C-DIODE	MA2J111	(1)	223279R2	
D7903 or	C-DIODE	KDS4148U	(1)	223283R2	
D7904	C-DIODE	DA2J10100	1	223303R2	
D7904 or	C-DIODE	ISS352	(1)	223234R2	
D7904 or	C-DIODE	ISS355	(1)	223269R2	
D7904 or	C-DIODE	MA2J111	(1)	223279R2	
D7904 or	C-DIODE	KDS4148U	(1)	223283R2	
Q2001	IC	NJW1328	1	22242691R3	
Q201	IC	S-1172B50-U5T1G	1	22242765R2	
Q202	TR	KRC104S	1	2216210R2	
Q7501	IC	ML9208A-13GAZ03A	1	22242772R3	N
Q7502	FL TUBE	16-BT-168GNK	1	212279	N
Q7502A	HOLDER	(FL)	1	27191222C	
Q7503	TR	KTC3875-GR	1	2216175R2	

Q7504	TR		KTC3875-GR	1	2216175R2
Q7508	TR		2SC2712-GR	1	2213145R2
Q7508 or	TR		KTC3875-GR	(1)	2216175R2
Q7509	TR		KRA107S	1	2216350R2
Q7510	TR		KRC107S	1	2216340R2
Q7533	TR		KTC3875-GR	1	2216175R2
Q7654	TR		DTC123JKA	1	2216690R2
Q7654 or	TR		KRC105S	(1)	2217290R2
[TRANS COIL]					
L201	CORE		BLM18PG181SN1D	1	2350005R1
L7531	CHOKE COIL		LBC2518T2R2M	1	231364M022R2
L7532	CHOKE COIL		LBC2518T2R2M	1	231364M022R2
L7701	EMIFIL		BK1608LM182-T	1	230958R1
L7702	EMIFIL		BK1608LM182-T	1	230958R1
L7751	CHOKE COIL		LBC2518T2R2M	1	231364M022R2
L7752	CHOKE COIL		LBC2518T2R2M	1	231364M022R2
L7753	CHOKE COIL		LBC2518T2R2M	1	231364M022R2
L7902	CORE		BLM18PG121SN1D	1	2350006R1
L7903	CORE		BLM18PG121SN1D	1	2350006R1
[CAPACITOR]					
C2000	C-CERA C		CK725F1E-104Z1	1	332161040R1
C2001	C-CERA C		CK725F1E-104Z1	1	332161040R1
C2002	VR C		CE04W50V-2.2M(VR)	1	394680227T
C2002 or	JAMICON		CE04W50V-2.2M	(1)	398580227T
C2004	C-CERA C		CK725F1E-104Z1	1	332161040R1
C2005	C-CERA C		CK725F1A-105Z1	1	332181050R1
C2006	C-CERA C		CK725F1A-105Z1	1	332181050R1
C2007	C-CERA C		CK725F1A-105Z1	1	332181050R1
C2008	C-CERA C		CK725F1E-104Z1	1	332161040R1
C2009	C-CERA C		CK725F1A-105Z1	1	332181050R1
C201	VR C		CE04W16V-10000M(VR)	1	394641037S
C2010	C-CERA C		CK725F1A-105Z1	1	332181050R1
C2012	C-CERA C		CK725F1E-104Z1	1	332161040R1
C2013	C-CERA C		CK725F1E-104Z1	1	332161040R1

C2014	C-CERA C	CK725F1E-104Z1	1	332161040R1
C2015	C-CERA C	CK725F1E-104Z1	1	332161040R1
C2016	C-CERA C	CK725F1A-105Z1	1	332181050R1
C2017	C-CERA C	CK725F1A-105Z1	1	332181050R1
C202	VR C	CE04W50V-4.7M(VR)	1	394680477T
C202 or	JAMICON	CE04W50V-4.7M	(1)	398580477T
C203	TF C	ECQ-V50V-334J	1	374723344T
C204	C-CERA C	CK725B0J-226M	1	332092267R2
C205	C-CERA C	CK725B0J-226M	1	332092267R2
C2052	VR C	CE04W6.3V-470M(VR)	1	394624717T
C2052 or	JAMICON	CE04W6.3V-470M	(1)	398524717T
C2053	VR C	CE04W6.3V-470M(VR)	1	394624717T
C2053 or	JAMICON	CE04W6.3V-470M	(1)	398524717T
C2054	C-CERA C	CC725CH1H-470J1	1	342104704R1
C2055	C-CERA C	CC725CH1H-470J1	1	342104704R1
C207	VR C	CE04W6.3V-470M(VR)	1	394624717T
C207 or	JAMICON	CE04W6.3V-470M	(1)	398524717T
C208	C-CERA C	CK725F1E-104Z1	1	332161040R1
C2101	VR C	CE04W6.3V-470M(VR)	1	394624717T
C2101 or	JAMICON	CE04W6.3V-470M	(1)	398524717T
C2102	VR C	CE04W50V-2.2M(VR)	1	394680227T
C2102 or	JAMICON	CE04W50V-2.2M	(1)	398580227T
C2103	VR C	CE04W50V-2.2M(VR)	1	394680227T
C2103 or	JAMICON	CE04W50V-2.2M	(1)	398580227T
C2105	VR C	CE04W50V-2.2M(VR)	1	394680227T
C2105 or	JAMICON	CE04W50V-2.2M	(1)	398580227T
C2106	VR C	CE04W50V-2.2M(VR)	1	394680227T
C2106 or	JAMICON	CE04W50V-2.2M	(1)	398580227T
C2107	VR C	CE04W6.3V-470M(VR)	1	394624717T
C2107 or	JAMICON	CE04W6.3V-470M	(1)	398524717T
C2108	VR C	CE04W6.3V-470M(VR)	1	394624717T
C2108 or	JAMICON	CE04W6.3V-470M	(1)	398524717T
C2109	VR C	CE04W6.3V-470M(VR)	1	394624717T
C2109 or	JAMICON	CE04W6.3V-470M	(1)	398524717T

C2110	VR C	CE04W50V-2.2M(VR)	1	394680227T
C2110 or	JAMICON	CE04W50V-2.2M	(1)	398580227T
C2111	VR C	CE04W50V-2.2M(VR)	1	394680227T
C2111 or	JAMICON	CE04W50V-2.2M	(1)	398580227T
C2112	VR C	CE04W50V-2.2M(VR)	1	394680227T
C2112 or	JAMICON	CE04W50V-2.2M	(1)	398580227T
C2113	C-CERA C	CK725B1H-102K1	1	332101025R1
C2114	C-CERA C	CK725B1H-102K1	1	332101025R1
C2115	C-CERA C	CK725B1H-103K1	1	332101035R1
C2116	C-CERA C	CK725B1H-103K1	1	332101035R1
C2117	C-CERA C	CK725B1H-102K1	1	332101025R1
C2251	VR C	CE04W50V-2.2M(VR)	1	394680227T
C2251 or	JAMICON	CE04W50V-2.2M	(1)	398580227T
C2252	VR C	CE04W50V-2.2M(VR)	1	394680227T
C2252 or	JAMICON	CE04W50V-2.2M	(1)	398580227T
C2253	VR C	CE04W50V-2.2M(VR)	1	394680227T
C2253 or	JAMICON	CE04W50V-2.2M	(1)	398580227T
C7502	C-CERA C	CK725F1E-104Z1	1	332161040R1
C7503	C-CERA C	CC725CH1H-101J1	1	342101014R1
C7504	C-CERA C	CC725CH1H-101J1	1	342101014R1
C7505	C-CERA C	CC725CH1H-101J1	1	342101014R1
C7508	ELECT C	CE04W6.3V-100M(S)	1	353721019T
C7509	C-CERA C	CK725F1E-104Z1	1	332161040R1
C7510	C-CERA C	CK725B1H-223K1	1	332102235R1
C7511	C-CERA C	CK725B1H-223K1	1	332102235R1
C7512	C-CERA C	CK725B1H-223K1	1	332102235R1
C7514	C-CERA C	CK725B1H-223K1	1	332102235R1
C7515	ELECT C	CE04W16V-47M(S)	1	353744709T
C7516	C-CERA C	CK725B1H-223K1	1	332102235R1
C7517	C-CERA C	CK725B1H-223K1	1	332102235R1
C7520	C-CERA C	CK725B1H-223K1	1	332102235R1
C7521	C-CERA C	CK725B1H-103K1	1	332101035R1
C7522	C-CERA C	CK725B1H-103K1	1	332101035R1
C7523	C-CERA C	CC725CH1H-390J1	1	342103904R1

C7531	C-CERA C	CK725B1H-223K1	1	332102235R1
C7532	C-CERA C	CK725B1H-223K1	1	332102235R1
C7533	ELECT C	CE04W16V-10M(S)	1	353741009T
C7541	ELECT C	CE04W16V-10M(S)	1	353741009T
C7542	C-CERA C	CC725CH1H-102J1	1	342101024R1
C7543	C-CERA C	CC725CH1H-102J1	1	342101024R1
C7550	C-CERA C	CK725F1E-104Z1	1	332161040R1
C7705	C-CERA C	CK725F1E-104Z1	1	332161040R1
C7711	C-CERA C	CC725CH1H-471J1	1	342104714R1
C7712	C-CERA C	CC725CH1H-471J1	1	342104714R1
C7714	C-CERA C	CK725F1E-104Z1	1	332161040R1
C7716	C-CERA C	CK725F1E-104Z1	1	332161040R1
C7719	C-CERA C	CC725CH1H-470J1	1	342104704R1
C7751	C-CERA C	CC725CH1H-102J1	1	342101024R1
C7752	C-CERA C	CK725B1H-223K1	1	332102235R1
C7753	MKT C	B32529C0102J289	1	376491024T
C7754	MKT C	B32529C0102J289	1	376491024T
C7901	C-CERA C	CK725F1E-104Z1	1	332161040R1
C7903	C-CERA C	CK725F1E-104Z1	1	332161040R1
[RESISTOR]				
R2001	C-CARBON R	RN72K1J-563JE	1	435035634R1
R2002	C-CARBON R	RN72K1J-563JE	1	435035634R1
R2003	C-CARBON R	RN72K1J-183JE	1	435031834R1
R2004	C-CARBON R	RN72K1J-103JE	1	435031034R1
R2005	C-CARBON R	RN72K1J-183JE	1	435031834R1
R2006	C-CARBON R	RN72K1J-103JE	1	435031034R1
R2007	C-CARBON R	RN72K1J-222JE	1	435032224R1
R2008	C-CARBON R	RN72K1J-222JE	1	435032224R1
R201	C-CARBON R	RN72K1J-104JE	1	435031044R1
R202	C-CARBON R	RN72K1J-103JE	1	435031034R1
R203	C-CARBON R	RN72K1J-103JE	1	435031034R1
R2051	C-CARBON R	RN72K1J-750JE	1	435037504R1
R2052	C-CARBON R	RN72K1J-220JE	1	435032204R1
R2054	C-CARBON R	RN72K1J-330JE	1	435033304R1

R2055	C-CARBON R	RN72K1J-220JE	1	435032204R1
R2101	C-CARBON R	RN72K1J-750JE	1	435037504R1
R2102	C-CARBON R	RN72K1J-750JE	1	435037504R1
R2103	C-CARBON R	RN72K1J-750JE	1	435037504R1
R2105	C-CARBON R	RN72K1J-750JE	1	435037504R1
R2106	C-CARBON R	RN72K1J-750JE	1	435037504R1
R2107	C-CARBON R	RN72K1J-750JE	1	435037504R1
R2108	C-CARBON R	RN72K1J-750JE	1	435037504R1
R2109	C-CARBON R	RN72K1J-750JE	1	435037504R1
R2110	C-CARBON R	RN72K1J-750JE	1	435037504R1
R2111	C-CARBON R	RN72K1J-750JE	1	435037504R1
R2112	C-CARBON R	RN72K1J-750JE	1	435037504R1
R2113	C-CARBON R	RN72K1J-104JE	1	435031044R1
R2115	C-CARBON R	RN72K1J-104JE	1	435031044R1
R2116	C-CARBON R	RN72K1J-104JE	1	435031044R1
R2117	C-CARBON R	RN72K1J-104JE	1	435031044R1
R2251	C-CARBON R	RN72K1J-750JE	1	435037504R1
R2252	C-CARBON R	RN72K1J-750JE	1	435037504R1
R2253	C-CARBON R	RN72K1J-750JE	1	435037504R1
R7502	C-CARBON R	RN72K1J-332JE	1	435033324R1
R7503	C-CARBON R	RN72K1J-332JE	1	435033324R1
R7504	C-CARBON R	RN72K1J-221JE	1	435032214R1
R7505	C-CARBON R	RN72K1J-221JE	1	435032214R1
R7507	C-CARBON R	RN72K1J-221JE	1	435032214R1
R7508	C-CARBON R	RN72K1J-221JE	1	435032214R1
R7512	C-CARBON R	RN72K1J-103JE	1	435031034R1
R7513	C-CARBON R	RN72K1J-332JE	1	435033324R1
R7514	C-CARBON R	RN72K1J-473JE	1	435034734R1
R7515	C-CARBON R	RN72K1J-103JE	1	435031034R1
R7516	C-CARBON R	RN72K1J-103JE	1	435031034R1
R7517	C-CARBON R	RN72K1J-103JE	1	435031034R1
R7518	C-CARBON R	RN72K1J-333JE	1	435033334R1
R7519	C-CARBON R	RN72K1J-152JE	1	435031524R1
R7521	C-CARBON R	RN72K1J-103JE	1	435031034R1

R7522	C-CARBON R	RN72K1J-103JE	1	435031034R1
R7523	C-CARBON R	RN72K1J-103JE	1	435031034R1
R7524	C-CARBON R	RN72K1J-103JE	1	435031034R1
R7533	C-CARBON R	RN72K1J-820JE	1	435038204R1
R7541	C-CARBON R	RN72K1J-101JE	1	435031014R1
R7542	C-CARBON R	RN72K1J-102JE	1	435031024R1
R7601	C-CARBON R	RN72K1J-271JE	1	435032714R1
R7602	C-CARBON R	RN72K1J-331JE	1	435033314R1
R7603	C-CARBON R	RN72K1J-471JE	1	435034714R1
R7604	C-CARBON R	RN72K1J-561JE	1	435035614R1
R7605	C-CARBON R	RN72K1J-821JE	1	435038214R1
R7606	C-CARBON R	RN72K1J-271JE	1	435032714R1
R7607	C-CARBON R	RN72K1J-331JE	1	435033314R1
R7608	C-CARBON R	RN72K1J-471JE	1	435034714R1
R7609	C-CARBON R	RN72K1J-561JE	1	435035614R1
R7610	C-CARBON R	RN72K1J-821JE	1	435038214R1
R7611	C-CARBON R	RN72K1J-122JE	1	435031224R1
R7612	C-CARBON R	RN72K1J-222JE	1	435032224R1
R7613	C-CARBON R	RN72K1J-392JE	1	435033924R1
R7614	C-CARBON R	RN72K1J-122JE	1	435031224R1
R7615	C-CARBON R	RN72K1J-271JE	1	435032714R1
R7616	C-CARBON R	RN72K1J-331JE	1	435033314R1
R7617	C-CARBON R	RN72K1J-471JE	1	435034714R1
R7618	C-CARBON R	RN72K1J-561JE	1	435035614R1
R7619	C-CARBON R	RN72K1J-821JE	1	435038214R1
R7620	C-CARBON R	RN72K1J-122JE	1	435031224R1
R7621	C-CARBON R	RN72K1J-222JE	1	435032224R1
R7622	C-CARBON R	RN72K1J-392JE	1	435033924R1
R7623	C-CARBON R	RN72K1J-271JE	1	435032714R1
R7624	C-CARBON R	RN72K1J-331JE	1	435033314R1
R7625	C-CARBON R	RN72K1J-471JE	1	435034714R1
R7626	C-CARBON R	RN72K1J-561JE	1	435035614R1
R7627	C-CARBON R	RN72K1J-821JE	1	435038214R1
R7628	C-CARBON R	RN72K1J-122JE	1	435031224R1

R7629	C-CARBON R	RN72K1J-222JE	1	435032224R1	
R7630	C-CARBON R	RN72K1J-123JE	1	435031234R1	
R7652	C-CARBON R	RN72K1J-222JE	1	435032224R1	
R7654	C-CARBON R	RN72K1J-272JE	1	435032724R1	
R7711	C-CARBON R	RN72K1J-331JE	1	435033314R1	
R7712	C-CARBON R	RN72K1J-331JE	1	435033314R1	
R7802	C-CARBON R	RN72K1J-101JE	1	435031014R1	
[SW TRM]					
E7702A	RETAINER	(GND)	1	27142222A	
E7751	TRM-423(SCREW)	NEJITANSI ST3	1	25060495	
F201	FUSE	4A-SEUL-TL250V	1	252392T	!
JL605A	WIRE HOL	NSCT-5P896	1	25051109	
JL702A	WIRE HOL	NSCT-7P878	1	25051091	
JL702B	WIRE TRAP	NPLG-7P590	1	25055628	
JL801A	WIRE HOL	NSCT-3P894	1	25051107	
JL952B	SOCKET	NSCT-3P95	1	25050267	
JL953A	WIRE HOL	NSCT-5P876	1	25051089	
P2201	PIN JACK	NPJ-3PDYYY560	1	25045778	
P2202	PIN JACK	NPJ-2PDYY679	1	25045911	
P2203	PIN JACK	NPJ-9PDGLRGLRGLR563	1	25045781	
P2800A	SOCKET	NSCT-13P2404	1	25052507	
P3101B	PLUG	NPLG-5P352	1	25055369	
P701B	SOCKET	NSCT-23P2441	1	25052544	
P703A	SOCKET	NSCT-7P2425	1	25052528	
P7702	PIN JACK	NPJ-3PDB735	1	25045978	
P7751	ST JACK	MSJ-064-05A SR	1	25045783	
P7901	SOCKET	000010211-00027	1	25053411	
S7502	R ENCODE	EC12E2425WITH WASHER	1	25065655W	
S7602	PUSH SW	NPS-111-S681	1	25035718T	
S7603	PUSH SW	NPS-111-S681	1	25035718T	
S7604	PUSH SW	NPS-111-S681	1	25035718T	
S7605	PUSH SW	NPS-111-S681	1	25035718T	
S7606	PUSH SW	NPS-111-S681	1	25035718T	
S7613	PUSH SW	NPS-111-S681	1	25035718T	

S7614	PUSH SW	NPS-111-S681	1	25035718T	
S7616	PUSH SW	NPS-111-S681	1	25035718T	
S7618	PUSH SW	NPS-111-S681	1	25035718T	
S7620	PUSH SW	NPS-111-S681	1	25035718T	
S7622	PUSH SW	NPS-111-S681	1	25035718T	
S7624	PUSH SW	NPS-111-S681	1	25035718T	
S7626	PUSH SW	NPS-111-S681	1	25035718T	
S7628	PUSH SW	NPS-111-S681	1	25035718T	
S7632	PUSH SW	NPS-111-S681	1	25035718T	
S7634	PUSH SW	NPS-111-S681	1	25035718T	
S7636	PUSH SW	NPS-111-S681	1	25035718T	
S7638	PUSH SW	NPS-111-S681	1	25035718T	
S7640	PUSH SW	NPS-111-S681	1	25035718T	
S7642	PUSH SW	NPS-111-S681	1	25035718T	
S7644	PUSH SW	NPS-111-S681	1	25035718T	
S7646	PUSH SW	NPS-111-S681	1	25035718T	
S7648	PUSH SW	NPS-111-S681	1	25035718T	
S7650	PUSH SW	NPS-111-S681	1	25035718T	
S7652	PUSH SW	NPS-111-S681	1	25035718T	
S7654	PUSH SW	NPS-111-S681	1	25035718T	
S7656	PUSH SW	NPS-111-S681	1	25035718T	
S7658	PUSH SW	NPS-111-S681	1	25035718T	
S7660	PUSH SW	NPS-111-S681	1	25035718T	
S7662	PUSH SW	NPS-111-S681	1	25035718T	
S7664	PUSH SW	NPS-111-S681	1	25035718T	
[TUNER UNIT]					
U7541	REMO SENS	KSM-603TE5B	1	24130019	
U005 U0050 x 2 pcs. BAHDM-1108-1A *					
U0050 HDMI(MAIN) PC BOARD ASS'Y BAHDM-1108-1A					
CIRCUIT N°	PART NAME	DESCRIPTION	Q'TY	PART NO. (SN)	REMARKS
[SEMI CONDUCTOR]					

D110	C-DIODE	DA2J10100	1	223303R2
D110 or	C-DIODE	ISS352	(1)	223234R2
D110 or	C-DIODE	ISS355	(1)	223269R2
D110 or	C-DIODE	MA2J111	(1)	223279R2
D110 or	C-DIODE	KDS4148U	(1)	223283R2
D182	C-DIODE	DA2J10100	1	223303R2
D182 or	C-DIODE	ISS352	(1)	223234R2
D182 or	C-DIODE	ISS355	(1)	223269R2
D182 or	C-DIODE	MA2J111	(1)	223279R2
D182 or	C-DIODE	KDS4148U	(1)	223283R2
D183	C-DIODE	DA2J10100	1	223303R2
D183 or	C-DIODE	ISS352	(1)	223234R2
D183 or	C-DIODE	ISS355	(1)	223269R2
D183 or	C-DIODE	MA2J111	(1)	223279R2
D183 or	C-DIODE	KDS4148U	(1)	223283R2
D602	C-DIODE	DA2J10100	1	223303R2
D602 or	C-DIODE	ISS352	(1)	223234R2
D602 or	C-DIODE	ISS355	(1)	223269R2
D602 or	C-DIODE	MA2J111	(1)	223279R2
D602 or	C-DIODE	KDS4148U	(1)	223283R2
D603	C-DIODE	DA2J10100	1	223303R2
D603 or	C-DIODE	ISS352	(1)	223234R2
D603 or	C-DIODE	ISS355	(1)	223269R2
D603 or	C-DIODE	MA2J111	(1)	223279R2
D603 or	C-DIODE	KDS4148U	(1)	223283R2
D702	C-DIODE	DA2J10100	1	223303R2
D702 or	C-DIODE	ISS352	(1)	223234R2
D702 or	C-DIODE	ISS355	(1)	223269R2
D702 or	C-DIODE	MA2J111	(1)	223279R2
D702 or	C-DIODE	KDS4148U	(1)	223283R2
D8102	C-DIODE	DA2J10100	1	223303R2
D8102 or	C-DIODE	ISS352	(1)	223234R2
D8102 or	C-DIODE	ISS355	(1)	223269R2
D8102 or	C-DIODE	MA2J111	(1)	223279R2

D8102 or	C-DIODE	KDS4148U	(1)	223283R2
D813	C-DIODE	DA2J10100	1	223303R2
D813 or	C-DIODE	ISS352	(1)	223234R2
D813 or	C-DIODE	ISS355	(1)	223269R2
D813 or	C-DIODE	MA2J111	(1)	223279R2
D813 or	C-DIODE	KDS4148U	(1)	223283R2
D814	ZENER D	UDZS6.2B	1	224550620R2
D8145	ESD D	AOZ8804ADI	1	225502R2
D8146	ESD D	AOZ8804ADI	1	225502R2
D815	C-DIODE	DA2J10100	1	223303R2
D815 or	C-DIODE	ISS352	(1)	223234R2
D815 or	C-DIODE	ISS355	(1)	223269R2
D815 or	C-DIODE	MA2J111	(1)	223279R2
D815 or	C-DIODE	KDS4148U	(1)	223283R2
D8301	ZENER D	UDZS3.6B	1	224550360R2
D8348	DIODE	DAN217T146	1	223285R2
D8348 or	DIODE	KDS123S	(1)	223312R2
D8962	DIODE	RB050M-30GTR	1	22380373R2
Q1092	TR	KRC104S	1	2216210R2
Q1092 or	TR	RN1404	(1)	2214490R2
Q153	IC	M95640-WMN6TP	1	22242643R2
Q153 or	IC	R1EX25064ASA00A	(1)	22242581R2
Q153 or	IC	BR25S640FJ	(1)	22242761R2
Q181	TR	KRC105S	1	2217290R2
Q181 or	TR	RN1405	(1)	2214500R2
Q3001	IC	D830K013BZKB400Z	1	22242694R3
Q3002	IC(DSP)	TC58DVM92A5TA10B3H(0542)	1	222W0125R305426
Q3003	IC	A3V56S40FTP-G6	1	22242764R2
Q3003 or	IC	IS42S16160C-7TL	(1)	22242592R3
Q3004	IC	A3V56S40FTP-G6	1	22242764R2
Q3004 or	IC	IS42S16160C-7TL	(1)	22242592R3
Q3005	IC	TC7W32FU	1	22241162R2
Q3006	IC	S-80127CNMC-JKM-T2	1	22241642R2
Q3007	IC	S-1172B50-U5T1G	1	22242765R2

Q3008	IC	BU33TD3WG-TR	1	22242715R2
Q301	IC	PCM9211PTR	1	22242703R2
Q304	IC	PCM1754DBQR	1	22242598R2
Q3070	IC	BD82065FVJ	1	22242718R2
Q3071	TR	KRC104S	1	2216210R2
Q3071 or	TR	RN1404	(1)	2214490R2
Q3102	IC	BD82065FVJ	1	22242718R2
Q3103	IC	BU18TD3WG-TR	1	22242716R2
Q3105	IC	MFI341S2162	1	22242803R2
Q3106	IC	BU33TD3WG-TR	1	22242715R2
Q3107	IC	BU33TD3WG-TR	1	22242715R2
Q3108	IC	KSZ8051RNL	1	22242723R2
Q3109	IC	S-1172B12-U5T1G	1	22242777R2
Q3111	TR	KRC104S	1	2216210R2
Q3111 or	TR	RN1404	(1)	2214490R2
Q3112	TR	KRC104S	1	2216210R2
Q3112 or	TR	RN1404	(1)	2214490R2
Q3113	TR	KRC104S	1	2216210R2
Q3113 or	TR	RN1404	(1)	2214490R2
Q3114	TR	KRC104S	1	2216210R2
Q3114 or	TR	RN1404	(1)	2214490R2
Q3205	IC	TC7SZU04FU	1	22242512R2TO
Q351	IC	PCM1681PWPR	1	22242697R2
Q630	TR	KRC102S	1	2216190R2
Q630 or	TR	RN1402	(1)	2214470R2
Q701	IC(MAIN)	MPD70F3477AGJA-GAE-G(054	1	222W0117R305410
Q702	IC	S-812C33AUA-C2N	1	22242222R2
Q7020	IC	S-80127CNMC-JKM-T2	1	22241642R2
Q7025	TR	2SA1162-GR	1	2214375R2
Q7025 or	TR	KTA1504-GR	(1)	2216185R2
Q7026	TR	KRC104S	1	2216210R2
Q7026 or	TR	RN1404	(1)	2214490R2
Q7027	TR	KRC104S	1	2216210R2
Q7027 or	TR	RN1404	(1)	2214490R2

Q703	IC	S-812C56AUA-C3K	1	22242207R2	
Q704	IC	SN74CB3Q3305PWR	1	22242258R2	
Q751	TR	KRC104S	1	2216210R2	
Q751 or	TR	RN1404	(1)	2214490R2	
Q752	TR	KRA102S	1	2216220R2	
Q752 or	TR	RN2402	(1)	2214530R2	
Q753	TR	KRA107S	1	2216350R2	
Q753 or	TR	RN2407(TE85L_F)	(1)	2216360R2	
Q754	TR	KRC102S	1	2216190R2	
Q754 or	TR	RN1402	(1)	2214470R2	
Q755	TR	KRA107S	1	2216350R2	
Q755 or	TR	RN2407(TE85L_F)	(1)	2216360R2	
Q756	TR	KRC102S	1	2216190R2	
Q756 or	TR	RN1402	(1)	2214470R2	
Q771	TR	KRC104S	1	2216210R2	
Q771 or	TR	RN1404	(1)	2214490R2	
Q772	TR	KRA102S	1	2216220R2	
Q772 or	TR	RN2402	(1)	2214530R2	
Q8050	IC	MM3404A50NRE	1	22242701R2	
Q8051	TR	KRC104S	1	2216210R2	
Q8051 or	TR	RN1404	(1)	2214490R2	
Q8101	IC	SI9573CTUC	1	22242762R3	N
Q8105	IC(HDMI/VIDEO)	W25Q16CVSSIG(0543)	1	222W0118R205435	
Q8156	TR ARRAY	UM6K1N	1	226066R2	
Q8156 or	TR ARRAY	UPA672T	(1)	226067R2	
Q8156 or	TR ARRAY	RT3K66M-T111-1	(1)	226069R2	
Q8301	IC	S-1172B13-U5T1G	1	22242804R2	N
Q8303	TR	KTA1504-GR	1	2216185R2	
Q8931	IC	MP2303ADN-LF-Z	1	22242785R2	
Q8951	IC	MP2303ADN-LF-Z	1	22242785R2	
Q8971	IC	MP2303ADN-LF-Z	1	22242785R2	
[TRANS COIL]					
L1004	EMIFIL	BK1608LL241-T	1	230959R1	
L1007	EMIFIL	BK1608LL241-T	1	230959R1	

L153	CORE	BLM18PG181SN1D	1	2350005R1
L3001	CORE	BLM18PG121SN1D	1	2350006R1
L3002	CORE	BLM18PG121SN1D	1	2350006R1
L3003	CORE	BLM18PG121SN1D	1	2350006R1
L3004	CORE	BLM18PG121SN1D	1	2350006R1
L3005	CORE	BLM18PG121SN1D	1	2350006R1
L3007	CORE	BLM18PG181SN1D	1	2350005R1
L3008	CORE	BLM18PG181SN1D	1	2350005R1
L301	EMIFIL	BK1608LL241-T	1	230959R1
L303	CHOKE COIL	LBC2518T4R7M	1	231364M047R2
L304	CHOKE COIL	LBC2518T4R7M	1	231364M047R2
L305	CHOKE COIL	LBC2518T4R7M	1	231364M047R2
L3101	CORE	DLP11SA900HL2L	1	2350021R2
L3103	CORE	BLM18PG121SN1D	1	2350006R1
L3104	CORE	BLM18PG121SN1D	1	2350006R1
L3105	CORE	BLM18PG121SN1D	1	2350006R1
L3106	CORE	BLM18PG121SN1D	1	2350006R1
L3107	CORE	BLM18PG121SN1D	1	2350006R1
L3108	CORE	BLM18PG121SN1D	1	2350006R1
L3109	CORE	BLM18PG121SN1D	1	2350006R1
L3110	CORE	BLM18PG121SN1D	1	2350006R1
L3120	CORE	BLM18PG181SN1D	1	2350005R1
L3145	CORE	DLP2ADN900HL4L	1	230990R2
L3203	CORE	MMZ1608Y601BT	1	2350004R1
L3205	CORE	BLM18PG181SN1D	1	2350005R1
L3206	EMIFIL	BK1608LL241-T	1	230959R1
L3208	EMIFIL	BK1608LL241-T	1	230959R1
L3209	CORE	MMZ1608Y601BT	1	2350004R1
L370	CHOKE COIL	LBC2518T4R7M	1	231364M047R2
L401	CHOKE COIL	LBC2518T4R7M	1	231364M047R2
L402	CHOKE COIL	LBC2518T4R7M	1	231364M047R2
L7004	CORE	BLM18PG181SN1D	1	2350005R1
L703	CORE	BLM18PG181SN1D	1	2350005R1
L743	CORE	BLM18PG181SN1D	1	2350005R1

L744	CORE	BLM18PG181SN1D	1	2350005R1
L746	CORE	BLM18PG181SN1D	1	2350005R1
L8301	CORE	BLM18PG181SN1D	1	2350005R1
L8302	CORE	BLM18PG181SN1D	1	2350005R1
L8303	CORE	BLM18PG181SN1D	1	2350005R1
L8304	CORE	BLM18PG181SN1D	1	2350005R1
L8305	CORE	BLM18PG181SN1D	1	2350005R1
L8306	CORE	BLM18PG181SN1D	1	2350005R1
L8307	CORE	BLM18PG181SN1D	1	2350005R1
L8308	CORE	BLM18PG181SN1D	1	2350005R1
L8309	EMIFIL	BK1608LL241-T	1	230959R1
L8931	CHOKE COIL	1264EY-100M=P3	1	231447M100R2
L8932	CORE	BLM18PG181SN1D	1	2350005R1
L8933	CORE	BLM18PG181SN1D	1	2350005R1
L8934	CORE	BLM18PG181SN1D	1	2350005R1
L8951	CHOKE COIL	1264EY-100M=P3	1	231447M100R2
L8952	CORE	BLM18PG181SN1D	1	2350005R1
L8953	CORE	BLM18PG181SN1D	1	2350005R1
L8954	CORE	BLM18PG181SN1D	1	2350005R1
L8971	CHOKE COIL	1264EY-100M=P3	1	231447M100R2
L8972	CORE	BLM18PG181SN1D	1	2350005R1
L8973	CHOKE COIL	BLM21PG221SN1	1	230949R2
L8974	CHOKE COIL	BLM21PG221SN1	1	230949R2
X171	CRYSTAL	HC-49S 9C24.5760M	1	3010516R2
X3001	CRYSTAL	HC-49S 9C20.0000M	1	3010514R2
X3202	CRYSTAL	HC-49S 9C11.2896M	1	3010513R2
X501	CERA LOCK	CSTCR5M00G53-B0	1	3010356R2
X8301	CRYSTAL	HC-49S 9C27.0000M	1	3010518R2
[CAPACITOR]				
C151	C-CERA C	CK725B1C-104K0	1	332011045R1
C172	C-CERA C	CC725CH1H-120J0	1	342031204R1
C173	C-CERA C	CC725CH1H-150J0	1	342031504R1
C3001	C-CERA C	CK725B1A-105K0	1	332001055R1
C3002	C-CERA C	CK725B1A-105K0	1	332001055R1

C3003	C-CERA C	CK732B16V-106K	1	332071065R2
C3004	C-CERA C	CK732B16V-106K	1	332071065R2
C3005	C-CERA C	CK725B1A-105K0	1	332001055R1
C3006	C-CERA C	CK725B1H-102K0	1	332031025R1
C3007	C-CERA C	CK725B1A-105K0	1	332001055R1
C3008	C-CERA C	CK725B1H-102K0	1	332031025R1
C3009	C-CERA C	CK725B1A-105K0	1	332001055R1
C3010	C-CERA C	CK725B1A-105K0	1	332001055R1
C3011	C-CERA C	CK725B1A-105K0	1	332001055R1
C3012	C-CERA C	CK725B1H-102K0	1	332031025R1
C3013	C-CERA C	CK725B1A-105K0	1	332001055R1
C3014	C-CERA C	CK725B1H-102K0	1	332031025R1
C3015	C-CERA C	CK725B1H-102K0	1	332031025R1
C3016	C-CERA C	CK725B1A-105K0	1	332001055R1
C3017	C-CERA C	CK725B1A-105K0	1	332001055R1
C3018	C-CERA C	CK725B1A-105K0	1	332001055R1
C3019	C-CERA C	CK725B1H-102K0	1	332031025R1
C3020	C-CERA C	CK725B1A-105K0	1	332001055R1
C3021	C-CERA C	CK725B1A-105K0	1	332001055R1
C3022	C-CERA C	CK725B1A-105K0	1	332001055R1
C3023	C-CERA C	CK732B16V-106K	1	332071065R2
C3024	C-CERA C	CK725B1H-102K0	1	332031025R1
C3025	C-CERA C	CK725B1A-105K0	1	332001055R1
C3026	C-CERA C	CK725B1C-104K0	1	332011045R1
C3027	C-CERA C	CK725B1H-102K0	1	332031025R1
C3028	C-CERA C	CK725B1A-105K0	1	332001055R1
C3029	C-CERA C	CK725B1H-102K0	1	332031025R1
C3030	C-CERA C	CK725B1A-105K0	1	332001055R1
C3031	C-CERA C	CK725B1A-105K0	1	332001055R1
C3032	C-CERA C	CK725B1H-102K0	1	332031025R1
C3033	C-CERA C	CK725B1A-105K0	1	332001055R1
C3034	C-CERA C	CC725CH1H-270J0	1	342032704R1
C3035	C-CERA C	CK725B1H-102K0	1	332031025R1
C3036	C-CERA C	CC725CH1H-270J0	1	342032704R1

C3037	C-CERA C	CK725B1A-105K0	1	332001055R1
C3038	C-CERA C	CK725B1A-105K0	1	332001055R1
C3039	C-CERA C	CK725B1E-103K0	1	332021035R1
C3040	C-CERA C	CK725B1A-105K0	1	332001055R1
C3041	C-CERA C	CK732B16V-106K	1	332071065R2
C3042	C-CERA C	CK725B1A-105K0	1	332001055R1
C3043	C-CERA C	CK725B1A-105K0	1	332001055R1
C305	C-CERA C	CK725B1C-104K0	1	332011045R1
C3051	C-CERA C	CK732B16V-106K	1	332071065R2
C3052	C-CERA C	CK732B16V-106K	1	332071065R2
C3053	C-CERA C	CK732B16V-106K	1	332071065R2
C3054	C-CERA C	CK732B16V-106K	1	332071065R2
C3056	C-CERA C	CK732B16V-106K	1	332071065R2
C306	CHIP ELECT C	CEWX4V-220M	1	3981G2217R2
C307	C-CERA C	CK725B1C-104K0	1	332011045R1
C3070	C-CERA C	CK725B0J-226M	1	332092267R2
C3071	C-CERA C	CK725B0J-226M	1	332092267R2
C3100	C-CERA C	CK725B1H-102K0	1	332031025R1
C3101	C-CERA C	CK732B16V-106K	1	332071065R2
C3103	C-CERA C	CK725B1H-102K0	1	332031025R1
C3104	C-CERA C	CK725B0J-226M	1	332092267R2
C3105	C-CERA C	CK725B1A-105K0	1	332001055R1
C3106	C-CERA C	CK732B16V-106K	1	332071065R2
C3107	C-CERA C	CK725B1A-105K0	1	332001055R1
C3108	C-CERA C	CK725B1A-105K0	1	332001055R1
C3109	C-CERA C	CK732B16V-106K	1	332071065R2
C3110	C-CERA C	CK725B1A-224K0	1	332002245R1
C3111	C-CERA C	CK732B16V-106K	1	332071065R2
C3112	C-CERA C	CK732B16V-106K	1	332071065R2
C3113	C-CERA C	CK725B1A-105K0	1	332001055R1
C3114	C-CERA C	CK725B1A-105K0	1	332001055R1
C3115	C-CERA C	CK732B16V-106K	1	332071065R2
C3116	C-CERA C	CK732B16V-106K	1	332071065R2
C3117	C-CERA C	CK725B1H-102K0	1	332031025R1

C3118	C-CERA C	CK725B1A-105K0	1	332001055R1
C3119	C-CERA C	CK725B1A-105K0	1	332001055R1
C312	C-CERA C	CC725CH1H-221J0	1	342032214R1
C3120	C-CERA C	CK732B16V-106K	1	332071065R2
C3121	C-CERA C	CK725B1A-105K0	1	332001055R1
C3122	C-CERA C	CK725B1A-105K0	1	332001055R1
C3123	C-CERA C	CK725B1A-105K0	1	332001055R1
C3124	C-CERA C	CK732B16V-106K	1	332071065R2
C3125	C-CERA C	CK725B1A-105K0	1	332001055R1
C3126	C-CERA C	CK732B16V-106K	1	332071065R2
C3127	C-CERA C	CK725B1A-105K0	1	332001055R1
C3128	C-CERA C	CK725B1A-105K0	1	332001055R1
C3129	C-CERA C	CK725B1A-105K0	1	332001055R1
C313	C-CERA C	CK725B1C-104K0	1	332011045R1
C3130	C-CERA C	CK732B16V-106K	1	332071065R2
C3131	C-CERA C	CK725B1A-105K0	1	332001055R1
C3132	C-CERA C	CC725CH1H-101J0	1	342031014R1
C3133	C-CERA C	CK725B1A-105K0	1	332001055R1
C3136	C-CERA C	CK725B1A-105K0	1	332001055R1
C3137	C-CERA C	CK725B1A-105K0	1	332001055R1
C3138	C-CERA C	CK725B1A-105K0	1	332001055R1
C3139	C-CERA C	CK725B1A-105K0	1	332001055R1
C314	CHIP ELECT C	CEWX4V-220M	1	3981G2217R2
C3140	C-CERA C	CK725B1A-105K0	1	332001055R1
C3141	C-CERA C	CK725B1C-104K0	1	332011045R1
C3142	C-CERA C	CK725B1A-105K0	1	332001055R1
C3143	C-CERA C	CK725B1A-105K0	1	332001055R1
C3144	C-CERA C	CK725B1A-105K0	1	332001055R1
C3145	C-CERA C	CK732B16V-106K	1	332071065R2
C3148	C-CERA C	CK725B1C-104K0	1	332011045R1
C3149	C-CERA C	CK725B1H-102K0	1	332031025R1
C315	C-CERA C	CK725B1H-472K0	1	332034725R1
C3150	C-CERA C	CK725B0J-226M	1	332092267R2
C3152	C-CERA C	CK725B0J-226M	1	332092267R2

C3153	C-CERA C	CK732B16V-106K	1	332071065R2	
C3154	C-CERA C	CK725B1A-105K0	1	332001055R1	
C3155	C-CERA C	CK732B16V-106K	1	332071065R2	
C3156	C-CERA C	CK725B1A-105K0	1	332001055R1	
C3157	C-CERA C	CK725B1A-105K0	1	332001055R1	
C3158	C-CERA C	CK725B1A-105K0	1	332001055R1	
C3159	C-CERA C	CK725B1A-105K0	1	332001055R1	
C316	C-CERA C	CK725B1E-473K0	1	332024735R1	N
C3160	C-CERA C	CK725B1A-105K0	1	332001055R1	
C3161	C-CERA C	CK725B1A-105K0	1	332001055R1	
C3162	C-CERA C	CK725B1H-102K0	1	332031025R1	
C3163	C-CERA C	CK732B16V-106K	1	332071065R2	
C317	C-CERA C	CK725B1C-104K0	1	332011045R1	
C318	CHIP ELECT C	CEWX16V-100M	1	398141017R2	
C319	CHIP ELECT C	CEWX16V-47M	1	398144707R2	
C320	C-CERA C	CK725B1E-223K0	1	332022235R1	
C3206	C-CERA C	CK725B1A-105K0	1	332001055R1	
C3207	C-CERA C	CK732B16V-106K	1	332071065R2	
C3209	C-CERA C	CK725B1A-105K0	1	332001055R1	
C3220	C-CERA C	CC725CH1H-180J0	1	342031804R1	
C3223	C-CERA C	CC725CH1H-180J0	1	342031804R1	
C351	CHIP ELECT C	CEWX4V-220M	1	3981G2217R2	
C352	C-CERA C	CK725B1C-104K0	1	332011045R1	
C353	CHIP ELECT C	CEWX10V-220M	1	398132217R2	
C354	C-CERA C	CK725B1C-104K0	1	332011045R1	
C355	C-CERA C	CK725B1C-104K0	1	332011045R1	
C356	CHIP ELECT C	CEWX16V-47M	1	398144707R2	
C370	C-CERA C	CK732B16V-106K	1	332071065R2	
C371	C-CERA C	CK725B1C-104K0	1	332011045R1	
C372	C-CERA C	CK725B1C-104K0	1	332011045R1	
C373	C-CERA C	CK732B16V-106K	1	332071065R2	
C503	C-CERA C	CK725B1C-104K0	1	332011045R1	
C504	C-CERA C	CK725B1C-104K0	1	332011045R1	
C505	C-CERA C	CK725B1C-104K0	1	332011045R1	

C508	C-CERA C	CK725B1C-104K0	1	332011045R1
C509	C-CERA C	CK732B16V-106K	1	332071065R2
C511	C-CERA C	CK725B1H-102K0	1	332031025R1
C512	C-CERA C	CK725B1H-102K0	1	332031025R1
C513	C-CERA C	CC725CH1H-101J0	1	342031014R1
C514	C-CERA C	CC725CH1H-101J0	1	342031014R1
C515	C-CERA C	CC725CH1H-101J0	1	342031014R1
C516	C-CERA C	CC725CH1H-101J0	1	342031014R1
C517	C-CERA C	CK725B1C-104K0	1	332011045R1
C518	C-CERA C	CK725B1H-102K0	1	332031025R1
C519	C-CERA C	CK725B1H-102K0	1	332031025R1
C520	C-CERA C	CK725B1H-102K0	1	332031025R1
C522	C-CERA C	CK725B1C-104K0	1	332011045R1
C523	C-CERA C	CK725B1H-102K0	1	332031025R1
C524	C-CERA C	CK725B1H-102K0	1	332031025R1
C525	C-CERA C	CK725B1C-104K0	1	332011045R1
C526	C-CERA C	CK725B1H-102K0	1	332031025R1
C527	C-CERA C	CK725B1H-102K0	1	332031025R1
C613	C-CERA C	CK732B1C-474K	1	337394745R1
C7044	C-CERA C	CK725B1C-104K0	1	332011045R1
C7045	C-CERA C	CK725B1C-104K0	1	332011045R1
C705	C-CERA C	CK732B16V-106K	1	332071065R2
C706	C-CERA C	CK732B16V-106K	1	332071065R2
C707	C-CERA C	CK732B16V-106K	1	332071065R2
C708	C-CERA C	CK732B16V-106K	1	332071065R2
C709	C-CERA C	CK732B16V-106K	1	332071065R2
C710	C-CERA C	CK725B1C-104K0	1	332011045R1
C7310	C-CERA C	CK725B1A-105K0	1	332001055R1
C7313	C-CERA C	CK725B1H-102K0	1	332031025R1
C751	C-CERA C	CK725B1A-105K0	1	332001055R1
C753	CHIP ELECT C	CEWT6.3V-470M	1	395724717R2
C771	C-CERA C	CK725B1A-105K0	1	332001055R1
C772	C-CERA C	CK732B1C-474K	1	337394745R1
C804	C-CERA C	CK725B1C-104K0	1	332011045R1

C8100	C-CERA C	CK725B1H-102K0	1	332031025R1
C8103	C-CERA C	CK725B1A-105K0	1	332001055R1
C8104	C-CERA C	CK725B0J-226M	1	332092267R2
C8117	C-CERA C	CK725B1H-102K0	1	332031025R1
C8118	C-CERA C	CK725B1H-102K0	1	332031025R1
C8139	C-CERA C	CK725B1H-102K0	1	332031025R1
C8143	C-CERA C	CK725B1H-102K0	1	332031025R1
C8145	C-CERA C	CK725B1H-102K0	1	332031025R1
C8166	C-CERA C	CK725B1H-102K0	1	332031025R1
C8168	C-CERA C	CK725B1H-102K0	1	332031025R1
C8175	C-CERA C	CK725B1H-102K0	1	332031025R1
C8301	C-CERA C	CK732B16V-106K	1	332071065R2
C8302	C-CERA C	CK732B16V-106K	1	332071065R2
C8303	C-CERA C	CK732B16V-106K	1	332071065R2
C8304	C-CERA C	CK732B16V-106K	1	332071065R2
C8305	C-CERA C	CK725B1H-102K0	1	332031025R1
C8306	C-CERA C	CK725B1C-104K0	1	332011045R1
C8307	C-CERA C	CK725B1H-102K0	1	332031025R1
C8308	C-CERA C	CK725B1C-104K0	1	332011045R1
C8309	C-CERA C	CK725B1H-102K0	1	332031025R1
C8310	C-CERA C	CK725B1C-104K0	1	332011045R1
C8311	C-CERA C	CK725B1H-102K0	1	332031025R1
C8312	C-CERA C	CK725B1C-104K0	1	332011045R1
C8313	C-CERA C	CK725B1H-102K0	1	332031025R1
C8314	C-CERA C	CK725B1C-104K0	1	332011045R1
C8315	C-CERA C	CK725B1H-102K0	1	332031025R1
C8316	C-CERA C	CK725B1C-104K0	1	332011045R1
C8317	C-CERA C	CK725B1H-102K0	1	332031025R1
C8318	C-CERA C	CK725B1C-104K0	1	332011045R1
C8319	C-CERA C	CK725B1C-104K0	1	332011045R1
C8320	C-CERA C	CK725B1H-102K0	1	332031025R1
C8321	C-CERA C	CC725CH1H-100D0	1	342031002R1
C8322	C-CERA C	CK725B1H-102K0	1	332031025R1
C8323	C-CERA C	CK725B1C-104K0	1	332011045R1

C8324	C-CERA C	CK725B1C-104K0	1	332011045R1
C8325	C-CERA C	CC725CH1H-100D0	1	342031002R1
C8326	C-CERA C	CK725B1H-102K0	1	332031025R1
C8327	C-CERA C	CK725B1H-102K0	1	332031025R1
C8328	C-CERA C	CK725B1C-104K0	1	332011045R1
C8329	C-CERA C	CK725B1H-102K0	1	332031025R1
C8330	C-CERA C	CK725B1C-104K0	1	332011045R1
C8331	C-CERA C	CK725B1C-104K0	1	332011045R1
C8332	C-CERA C	CK725B1A-105K0	1	332001055R1
C8333	C-CERA C	CK725B1H-102K0	1	332031025R1
C8334	C-CERA C	CK725B1C-104K0	1	332011045R1
C8335	C-CERA C	CK725B1H-102K0	1	332031025R1
C8336	C-CERA C	CK725B1C-104K0	1	332011045R1
C8337	C-CERA C	CK725B1A-105K0	1	332001055R1
C8338	C-CERA C	CK725B1H-102K0	1	332031025R1
C8339	C-CERA C	CK725B1A-105K0	1	332001055R1
C8340	C-CERA C	CK725B1C-104K0	1	332011045R1
C8341	C-CERA C	CK725B1H-102K0	1	332031025R1
C8342	C-CERA C	CK725B1C-104K0	1	332011045R1
C8343	C-CERA C	CK725B1H-102K0	1	332031025R1
C8344	C-CERA C	CK725B1C-104K0	1	332011045R1
C8345	C-CERA C	CK725B1H-102K0	1	332031025R1
C8347	C-CERA C	CK725B1H-102K0	1	332031025R1
C8348	C-CERA C	CK725B1C-104K0	1	332011045R1
C8349	C-CERA C	CK725B1A-105K0	1	332001055R1
C8350	C-CERA C	CK725B1A-105K0	1	332001055R1
C8351	C-CERA C	CK725B1A-105K0	1	332001055R1
C8352	C-CERA C	CK732B16V-106K	1	332071065R2
C8353	C-CERA C	CK725B1C-104K0	1	332011045R1
C8354	C-CERA C	CK725B1A-105K0	1	332001055R1
C8355	C-CERA C	CK725B1H-102K0	1	332031025R1
C8356	C-CERA C	CK732B16V-106K	1	332071065R2
C8357	C-CERA C	CK732B16V-106K	1	332071065R2
C8358	C-CERA C	CK725B1H-102K0	1	332031025R1

C8359	C-CERA C	CK732B16V-106K	1	332071065R2
C8362	C-CERA C	CK725B1C-104K0	1	332011045R1
C8363	C-CERA C	CK725B1H-102K0	1	332031025R1
C8364	C-CERA C	CK725B1C-104K0	1	332011045R1
C8375	C-CERA C	CK725B1A-105K0	1	332001055R1
C8376	C-CERA C	CK725B1A-105K0	1	332001055R1
C8377	C-CERA C	CK725B1A-105K0	1	332001055R1
C8651	C-CERA C	CK725B1H-102K0	1	332031025R1
C8652	C-CERA C	CK725B1H-102K0	1	332031025R1
C8661	C-CERA C	CK725B1H-102K0	1	332031025R1
C8662	C-CERA C	CK725B1H-102K0	1	332031025R1
C8902	C-CERA C	CK732B16V-106K	1	332071065R2
C8928	C-CERA C	CK725B1E-223K0	1	332022235R1
C8931	C-CERA C	CK725B1E-106K	1	332221065R2
C8932	C-CERA C	CK725B1E-106K	1	332221065R2
C8933	C-CERA C	CK725B0J-226M	1	332092267R2
C8934	C-CERA C	CK725B0J-226M	1	332092267R2
C8936	CHIP ELECT C	CEWX16V-100M	1	398141017R2
C8937	C-CERA C	CK725B1C-104K0	1	332011045R1
C8939	C-CERA C	CK725B1C-104K0	1	332011045R1
C8940	C-CERA C	CK725B1E-103K0	1	332021035R1
C8950	CHIP ELECT C	CEWX16V-100M	1	398141017R2
C8951	C-CERA C	CK725B1E-106K	1	332221065R2
C8952	C-CERA C	CK725B1E-106K	1	332221065R2
C8953	C-CERA C	CK725B0J-226M	1	332092267R2
C8954	C-CERA C	CK725B0J-226M	1	332092267R2
C8956	CHIP ELECT C	CEWX16V-100M	1	398141017R2
C8957	C-CERA C	CK725B1C-104K0	1	332011045R1
C8958	C-CERA C	CK725B1E-223K0	1	332022235R1
C8959	C-CERA C	CK725B1C-104K0	1	332011045R1
C8960	C-CERA C	CK725B1E-103K0	1	332021035R1
C8971	C-CERA C	CK725B1E-106K	1	332221065R2
C8972	C-CERA C	CK725B1E-106K	1	332221065R2
C8973	C-CERA C	CK725B0J-226M	1	332092267R2

C8974	C-CERA C	CK725B0J-226M	1	332092267R2
C8976	CHIP ELECT C	CEWX16V-100M	1	398141017R2
C8977	C-CERA C	CK725B1C-104K0	1	332011045R1
C8978	C-CERA C	CK725B1E-223K0	1	332022235R1
C8979	C-CERA C	CK725B1C-104K0	1	332011045R1
C8980	C-CERA C	CK725B1H-472K0	1	332034725R1
[RESISTOR]				
R1017	C-CARBON R	RN72K1J-470JE	1	435034704R1
R1018	C-CARBON R	RN72K1J-103JE	1	435031034R1
R1020	C-CARBON R	RN72K1J-391JE	1	435033914R1
R1035	C-CARBON R	RN72K1J-331JE	1	435033314R1
R1037	C-CARBON R	RN72K1J-331JE	1	435033314R1
R1039	C-CARBON R	RN72K1J-330JE	1	435033304R1
R110	C-CARBON R	RN72K1J-103JE	1	435031034R1
R151	C-CARBON R	RN72K1J-103JE	1	435031034R1
R152	C-CARBON R	RN72K1J-103JE	1	435031034R1
R153	C-CARBON R	RN72K1J-103JE	1	435031034R1
R3007	C-CARBON R	RN72K1J-470JE	1	435034704R1
R3009	C-CARBON R	RN72K1J-330JE	1	435033304R1
R301	C-CARBON R	RN72K1J-470JE	1	435034704R1
R3010	C-R NET	RM7LJ330X04	1	43484733004R2
R3010 or	C-R NET	YCN104-330-JK	(1)	43464C33004R1
R3011	C-R NET	RM7LJ330X04	1	43484733004R2
R3011 or	C-R NET	YCN104-330-JK	(1)	43464C33004R1
R3012	C-R NET	RM7LJ470X04	1	43484747004R2
R3012 or	C-R NET	YCN104-470-JK	(1)	43464C47004R1
R3013	C-R NET	RM7LJ330X04	1	43484733004R2
R3013 or	C-R NET	YCN104-330-JK	(1)	43464C33004R1
R3014	C-R NET	RM7LJ330X04	1	43484733004R2
R3014 or	C-R NET	YCN104-330-JK	(1)	43464C33004R1
R3015	C-R NET	RM7LJ330X04	1	43484733004R2
R3015 or	C-R NET	YCN104-330-JK	(1)	43464C33004R1
R3016	C-CARBON R	RN72K1J-470JE	1	435034704R1
R3017	C-R NET	RM7LJ330X04	1	43484733004R2

R3017 or	C-R NET	YCN104-330-JK	(1)	43464C33004R1
R3018	C-CARBON R	RN72K1J-470JE	1	435034704R1
R3019	C-R NET	RM7LJ330X04	1	43484733004R2
R3019 or	C-R NET	YCN104-330-JK	(1)	43464C33004R1
R3020	C-R NET	RM7LJ330X04	1	43484733004R2
R3020 or	C-R NET	YCN104-330-JK	(1)	43464C33004R1
R3021	C-CARBON R	RN72K1J-470JE	1	435034704R1
R3022	C-CARBON R	RN72K1J-470JE	1	435034704R1
R3023	C-R NET	RM7LJ470X04	1	43484747004R2
R3023 or	C-R NET	YCN104-470-JK	(1)	43464C47004R1
R3024	C-CARBON R	RN72K1J-470JE	1	435034704R1
R3025	C-CARBON R	RN72K1J-102JE	1	435031024R1
R3028	C-CARBON R	RN72K1J-470JE	1	435034704R1
R3029	C-CARBON R	RN72K1J-102JE	1	435031024R1
R303	C-CARBON R	RN72K1J-221JE	1	435032214R1
R3032	C-CARBON R	RN72K1J-103JE	1	435031034R1
R3033	C-CARBON R	RN72K1J-470JE	1	435034704R1
R3034	C-CARBON R	RN72K1J-470JE	1	435034704R1
R3035	C-CARBON R	RN72K1J-470JE	1	435034704R1
R3036	C-CARBON R	RN72K1J-470JE	1	435034704R1
R3037	C-CARBON R	RN72K1J-470JE	1	435034704R1
R3038	C-CARBON R	RN72K1J-470JE	1	435034704R1
R3039	C-CARBON R	RN72K1J-470JE	1	435034704R1
R304	C-CARBON R	RN72K1J-221JE	1	435032214R1
R3040	C-CARBON R	RN72K1J-103JE	1	435031034R1
R3041	C-R NET	RM7LJ330X04	1	43484733004R2
R3041 or	C-R NET	YCN104-330-JK	(1)	43464C33004R1
R3042	C-R NET	RM7LJ330X04	1	43484733004R2
R3042 or	C-R NET	YCN104-330-JK	(1)	43464C33004R1
R3043	C-CARBON R	RN72K1J-000JE	1	435030004R1
R3044	C-R NET	RM7LJ330X04	1	43484733004R2
R3044 or	C-R NET	YCN104-330-JK	(1)	43464C33004R1
R3045	C-R NET	RM7LJ330X04	1	43484733004R2
R3045 or	C-R NET	YCN104-330-JK	(1)	43464C33004R1

R3047	C-CARBON R	RN72K1J-560JE	1	435035604R1
R3048	C-CARBON R	RN72K1J-221JE	1	435032214R1
R3049	C-CARBON R	RN72K1J-560JE	1	435035604R1
R3050	C-CARBON R	RN72K1J-560JE	1	435035604R1
R3051	C-CARBON R	RN72K1J-560JE	1	435035604R1
R3054	C-CARBON R	RN72K1J-103JE	1	435031034R1
R3056	C-CARBON R	RN72K1J-472JE	1	435034724R1
R3060	C-CARBON R	RN72K1J-680JE	1	435036804R1
R3061	C-CARBON R	RN72K1J-470JE	1	435034704R1
R3062	C-CARBON R	RN72K1J-680JE	1	435036804R1
R3063	C-CARBON R	RN72K1J-680JE	1	435036804R1
R3064	C-CARBON R	RN72K1J-680JE	1	435036804R1
R3065	C-CARBON R	RN72K1J-680JE	1	435036804R1
R3066	C-CARBON R	RN72K1J-102JE	1	435031024R1
R3070	C-CARBON R	RN72K1J-103JE	1	435031034R1
R3101	C-CARBON R	RN72K1J-103JE	1	435031034R1
R3103	C-CARBON R	RN72K1J-000JE	1	435030004R1
R3105	C-CARBON R	RN72K1J-222JE	1	435032224R1
R3106	C-CARBON R	RN72K1J-102JE	1	435031024R1
R3108	C-CARBON R	RN72K1J-103JE	1	435031034R1
R3110	C-CARBON R	RN72K1J-103JE	1	435031034R1
R3111	C-CARBON R	RN72K1J-103JE	1	435031034R1
R3113	C-CARBON R	RN72K1J-103JE	1	435031034R1
R3115	C-CARBON R	RN72K1J-332JE	1	435033324R1
R3117	C-CARBON R	RN72K1J-332JE	1	435033324R1
R3119	C-CARBON R	RN72K1J-332JE	1	435033324R1
R312	C-CARBON R	RN72K1J-470JE	1	435034704R1
R3122	C-CARBON R	RN72K1J-102JE	1	435031024R1
R3123	C-CERA C	CK725F1E-104Z1	1	332161040R1
R3124	C-CARBON R	RN72K1J-331JE	1	435033314R1
R3125	C-CARBON R	RN72K1J-470JE	1	435034704R1
R3126	C-CARBON R	RN72K1J-470JE	1	435034704R1
R3127	C-CARBON R	RN72K1J-470JE	1	435034704R1
R3128	C-CARBON R	RN72K1J-472JE	1	435034724R1

R3129	C-CARBON R	RN72K1J-470JE	1	435034704R1
R313	C-CARBON R	RN72K1J-470JE	1	435034704R1
R3130	C-CARBON R	RN72K1J-470JE	1	435034704R1
R3131	C-CARBON R	RN72K1J-470JE	1	435034704R1
R3133	C-CARBON R	RN72K1J-470JE	1	435034704R1
R3134	C-CARBON R	RN72K1J-103JE	1	435031034R1
R3135	C-CARBON R	RN72K1J-103JE	1	435031034R1
R3136	C-CARBON R	RN72K1J-000JE	1	435030004R1
R3137	C-CARBON R	RN72K1J-000JE	1	435030004R1
R3139	C-CARBON R	RN72K1J-101JE	1	435031014R1
R314	C-CARBON R	RN72K1J-151JE	1	435031514R1
R3140	C-CARBON R	RN72K1J-103JE	1	435031034R1
R3143	C-CARBON R	RN72K1J-392JE	1	435033924R1
R3144	C-CARBON R	RN72K1J-101JE	1	435031014R1
R3145	C-CARBON R	RN72K1J-392JE	1	435033924R1
R3146	C-CARBON R	RN72K1J-390JE	1	435033904R1
R3147	C-CARBON R	RN72K1J-000JE	1	435030004R1
R3148	C-CARBON R	RN72K1J-390JE	1	435033904R1
R3149	C-CARBON R	RN72K1J-102JE	1	435031024R1
R315	C-CARBON R	RN72K1J-470JE	1	435034704R1
R3150	C-CARBON R	RN72K1J-680JE	1	435036804R1
R3151	C-CARBON R	RN72K1J-000JE	1	435030004R1
R3152	C-CARBON R	RN72K1J-000JE	1	435030004R1
R3154	C-CARBON R	RN72K1J-390JE	1	435033904R1
R3155	C-CARBON R	RN72K1J-390JE	1	435033904R1
R3156	C-CARBON R	RN72K1J-390JE	1	435033904R1
R3157	C-CARBON R	RN72K1J-000JE	1	435030004R1
R316	C-CARBON R	RN72K1J-470JE	1	435034704R1
R3162	C-CARBON R	RN72K1J-390JE	1	435033904R1
R3163	C-CARBON R	RN72K1J-220JE	1	435032204R1
R3164	C-CARBON R	RN72K1J-472JE	1	435034724R1
R3168	C-CARBON R	RN72K1J-220JE	1	435032204R1
R3169	C-CARBON R	RN72K1J-220JE	1	435032204R1
R317	C-CARBON R	RN72K1J-331JE	1	435033314R1

R3170	C-CARBON R	RN72K1J-391FE	1	435033912R1
R3171	C-CARBON R	RN72K1J-222FE	1	435032222R1
R3172	C-CARBON R	RN72K1J-392FE	1	435033922R1
R3173	C-CARBON R	RN72K1J-390JE	1	435033904R1
R3174	C-CARBON R	RN72K1J-390JE	1	435033904R1
R3175	C-CARBON R	RN72K1J-472JE	1	435034724R1
R3181	C-CARBON R	RN72K1J-470JE	1	435034704R1
R3182	C-CARBON R	RN72K1J-472JE	1	435034724R1
R3183	C-CARBON R	RN72K1J-470JE	1	435034704R1
R3184	C-CARBON R	RN72K1J-470JE	1	435034704R1
R3187	C-CARBON R	RN72K1J-472JE	1	435034724R1
R3188	C-CARBON R	RN72K1J-103JE	1	435031034R1
R3192	C-CARBON R	RN72K1J-472JE	1	435034724R1
R3193	C-CARBON R	RN72K1J-472JE	1	435034724R1
R3194	C-CARBON R	RN72K1J-472JE	1	435034724R1
R3199	C-CARBON R	RN72K1J-102JE	1	435031024R1
R3200	C-CARBON R	RN72K1J-103JE	1	435031034R1
R3204	C-CARBON R	RN72K1J-103JE	1	435031034R1
R3205	C-CARBON R	RN72K1J-103JE	1	435031034R1
R3206	C-CARBON R	RN72K1J-103JE	1	435031034R1
R3207	C-CARBON R	RN72K1J-103JE	1	435031034R1
R3208	C-CARBON R	RN72K1J-271JE	1	435032714R1
R321	C-CARBON R	RN72K1J-331JE	1	435033314R1
R3212	C-CARBON R	RN72K1J-220JE	1	435032204R1
R3215	C-CARBON R	RN72K1J-221JE	1	435032214R1
R3218	C-CARBON R	RN72K1J-220JE	1	435032204R1
R3219	C-CARBON R	RN72K1J-221JE	1	435032214R1
R322	C-CARBON R	RN72K1J-331JE	1	435033314R1
R3221	C-CARBON R	RN72K1J-470JE	1	435034704R1
R3226	C-R NET	RM7LJ470X04	1	43484747004R2
R3226 or	C-R NET	YCN104-470-JK	(1)	43464C47004R1
R323	C-CARBON R	RN72K1J-331JE	1	435033314R1
R3230	C-CARBON R	RN72K1J-221JE	1	435032214R1
R3232	C-CARBON R	RN72K1J-221JE	1	435032214R1

R3234	C-CARBON R	RN72K1J-470JE	1	435034704R1
R3237	C-CARBON R	RN72K1J-221JE	1	435032214R1
R3238	C-CARBON R	RN72K1J-470JE	1	435034704R1
R3239	C-CARBON R	RN72K1J-221JE	1	435032214R1
R324	C-CARBON R	RN72K1J-331JE	1	435033314R1
R3241	C-CARBON R	RN72K1J-221JE	1	435032214R1
R3242	C-CARBON R	RN72K1J-221JE	1	435032214R1
R3244	C-CARBON R	RN72K1J-470JE	1	435034704R1
R3247	C-CARBON R	RN72K1J-121JE	1	435031214R1
R325	C-CARBON R	RN72K1J-331JE	1	435033314R1
R3251	C-CARBON R	RN72K1J-470JE	1	435034704R1
R3257	C-CARBON R	RN72K1J-470JE	1	435034704R1
R326	C-CARBON R	RN72K1J-331JE	1	435033314R1
R3260	C-CARBON R	RN72K1J-390JE	1	435033904R1
R3262	C-CARBON R	RN72K1J-221JE	1	435032214R1
R3265	C-CARBON R	RN72K1J-390JE	1	435033904R1
R3268	C-CARBON R	RN72K1J-390JE	1	435033904R1
R327	C-CARBON R	RN72K1J-221JE	1	435032214R1
R3271	C-CARBON R	RN72K1J-390JE	1	435033904R1
R3272	C-CARBON R	RN72K1J-470JE	1	435034704R1
R3274	C-CARBON R	RN72K1J-390JE	1	435033904R1
R3277	C-CARBON R	RN72K1J-220JE	1	435032204R1
R3278	C-CARBON R	RN72K1J-470JE	1	435034704R1
R3280	C-CARBON R	RN72K1J-470JE	1	435034704R1
R3283	C-CARBON R	RN72K1J-470JE	1	435034704R1
R3284	C-CARBON R	RN72K1J-103JE	1	435031034R1
R3291	C-CARBON R	RN72K1J-105JE	1	435031054R1
R3294	C-CARBON R	RN72K1J-102FE	1	435031022R1
R3295	C-CARBON R	RN72K1J-560JE	1	435035604R1
R331	C-CARBON R	RN72K1J-221JE	1	435032214R1
R3313	C-CARBON R	RN72K1J-181JE	1	435031814R1
R3315	C-CARBON R	RN72K1J-181JE	1	435031814R1
R332	C-CARBON R	RN72K1J-681JE	1	435036814R1
R333	C-CARBON R	RN72K1J-221JE	1	435032214R1

R351	C-CARBON R	RN72K1J-331JE	1	435033314R1
R352	C-CARBON R	RN72K1J-331JE	1	435033314R1
R354	C-CARBON R	RN72K1J-470JE	1	435034704R1
R355	C-CARBON R	RN72K1J-220JE	1	435032204R1
R356	C-CARBON R	RN72K1J-220JE	1	435032204R1
R357	C-CARBON R	RN72K1J-220JE	1	435032204R1
R359	C-CARBON R	RN72K1J-220JE	1	435032204R1
R360	C-CARBON R	RN72K1J-220JE	1	435032204R1
R361	C-CARBON R	RN72K1J-331JE	1	435033314R1
R362	C-CARBON R	RN72K1J-000JE	1	435030004R1
R371	C-CARBON R	RN72K1J-331JE	1	435033314R1
R372	C-CARBON R	RN72K1J-151JE	1	435031514R1
R373	C-CARBON R	RN72K1J-151JE	1	435031514R1
R374	C-CARBON R	RN72K1J-151JE	1	435031514R1
R375	C-CARBON R	RN72K1J-151JE	1	435031514R1
R376	C-CARBON R	RN72K1J-103JE	1	435031034R1
R503	C-CARBON R	RN72K1J-103JE	1	435031034R1
R504	C-CARBON R	RN72K1J-000JE	1	435030004R1
R506	C-CARBON R	RN72K1J-221JE	1	435032214R1
R508	C-CARBON R	RN72K1J-221JE	1	435032214R1
R509	C-CARBON R	RN72K1J-221JE	1	435032214R1
R510	C-CARBON R	RN72K1J-470JE	1	435034704R1
R511	C-CARBON R	RN72K1J-103JE	1	435031034R1
R512	C-CARBON R	RN72K1J-221JE	1	435032214R1
R514	C-CARBON R	RN72K1J-221JE	1	435032214R1
R515	C-R NET	RM7LJ470X04	1	43484747004R2
R515 or	C-R NET	YCN104-470-JK	(1)	43464C47004R1
R524	C-CARBON R	RN72K1J-470JE	1	435034704R1
R525	C-CARBON R	RN72K1J-470JE	1	435034704R1
R526	C-CARBON R	RN72K1J-102JE	1	435031024R1
R527	C-CARBON R	RN72K1J-103JE	1	435031034R1
R530	C-CARBON R	RN72K1J-470JE	1	435034704R1
R532	C-CARBON R	RN72K1J-472JE	1	435034724R1
R533	C-CARBON R	RN72K1J-472JE	1	435034724R1

R534	C-R NET	RM7LJ103X04	1	43484710304R2
R534 or	C-R NET	YCN104-103-JK	(1)	43464C10304R1
R538	C-CARBON R	RN72K1J-103JE	1	435031034R1
R539	C-R NET	RM7LJ470X04	1	43484747004R2
R539 or	C-R NET	YCN104-470-JK	(1)	43464C47004R1
R543	C-CARBON R	RN72K1J-103JE	1	435031034R1
R544	C-R NET	RM7LJ221X04	1	43484722104R2
R544 or	C-R NET	YCN104-221-JK	(1)	43464C22104R1
R559	C-CARBON R	RN72K1J-103JE	1	435031034R1
R566	C-CARBON R	RN72K1J-103JE	1	435031034R1
R568	C-CARBON R	RN72K1J-103JE	1	435031034R1
R570	C-CARBON R	RN72K1J-273JE	1	435032734R1
R573	C-CARBON R	RN72K1J-221JE	1	435032214R1
R574	C-R NET	RM7LJ470X04	1	43484747004R2
R574 or	C-R NET	YCN104-470-JK	(1)	43464C47004R1
R575	C-R NET	RM7LJ470X04	1	43484747004R2
R575 or	C-R NET	YCN104-470-JK	(1)	43464C47004R1
R578	C-CARBON R	RN72K1J-221JE	1	435032214R1
R579	C-R NET	RM7LJ221X04	1	43484722104R2
R579 or	C-R NET	YCN104-221-JK	(1)	43464C22104R1
R580	C-R NET	RM7LJ103X04	1	43484710304R2
R580 or	C-R NET	YCN104-103-JK	(1)	43464C10304R1
R581	C-R NET	RM7LJ221X04	1	43484722104R2
R581 or	C-R NET	YCN104-221-JK	(1)	43464C22104R1
R582	C-R NET	RM7LJ221X04	1	43484722104R2
R582 or	C-R NET	YCN104-221-JK	(1)	43464C22104R1
R583	C-R NET	RM7LJ221X04	1	43484722104R2
R583 or	C-R NET	YCN104-221-JK	(1)	43464C22104R1
R584	C-CARBON R	RN72K1J-470JE	1	435034704R1
R585	C-R NET	RM7LJ103X04	1	43484710304R2
R585 or	C-R NET	YCN104-103-JK	(1)	43464C10304R1
R590	C-CARBON R	RN72K1J-103JE	1	435031034R1
R591	C-CARBON R	RN72K1J-105JE	1	435031054R1
R592	C-CARBON R	RN72K1J-273JE	1	435032734R1

R593	C-CARBON R	RN72K1J-103JE	1	435031034R1
R594	C-CARBON R	RN72K1J-103JE	1	435031034R1
R595	C-CARBON R	RN72K1J-103JE	1	435031034R1
R596	C-CARBON R	RN72K1J-103JE	1	435031034R1
R597	C-CARBON R	RN72K1J-103JE	1	435031034R1
R600	C-CARBON R	RN72K1J-103JE	1	435031034R1
R601	C-CARBON R	RN72K1J-221JE	1	435032214R1
R609	C-CARBON R	RN72K1J-221JE	1	435032214R1
R610	C-CARBON R	RN72K1J-221JE	1	435032214R1
R611	C-CARBON R	RN72K1J-221JE	1	435032214R1
R618	C-CARBON R	RN72K1J-103JE	1	435031034R1
R619	C-CARBON R	RN72K1J-470JE	1	435034704R1
R620	C-CARBON R	RN72K1J-103JE	1	435031034R1
R621	C-CARBON R	RN72K1J-221JE	1	435032214R1
R622	C-CARBON R	RN72K1J-470JE	1	435034704R1
R623	C-CARBON R	RN72K1J-103JE	1	435031034R1
R624	C-CARBON R	RN72K1J-221JE	1	435032214R1
R625	C-CARBON R	RN72K1J-470JE	1	435034704R1
R626	C-CARBON R	RN72K1J-103JE	1	435031034R1
R627	C-CARBON R	RN72K1J-470JE	1	435034704R1
R628	C-CARBON R	RN72K1J-470JE	1	435034704R1
R629	C-CARBON R	RN72K1J-103JE	1	435031034R1
R630	C-CARBON R	RN72K1J-470JE	1	435034704R1
R631	C-CARBON R	RN72K1J-103JE	1	435031034R1
R633	C-CARBON R	RN72K1J-103JE	1	435031034R1
R635	C-CARBON R	RN72K1J-103JE	1	435031034R1
R638	C-R NET	RM7LJ470X04	1	43484747004R2
R638 or	C-R NET	YCN104-470-JK	(1)	43464C47004R1
R645	C-CARBON R	RN72K1J-221JE	1	435032214R1
R646	C-R NET	RM7LJ221X04	1	43484722104R2
R646 or	C-R NET	YCN104-221-JK	(1)	43464C22104R1
R647	C-R NET	RM7LJ221X04	1	43484722104R2
R647 or	C-R NET	YCN104-221-JK	(1)	43464C22104R1
R651	C-CARBON R	RN72K1J-103JE	1	435031034R1

R652	C-CARBON R	RN72K1J-102JE	1	435031024R1
R653	C-CARBON R	RN72K1J-105JE	1	435031054R1
R655	C-CARBON R	RN72K1J-223JE	1	435032234R1
R656	C-CARBON R	RN72K1J-223JE	1	435032234R1
R657	C-CARBON R	RN72K1J-224JE	1	435032244R1
R658	C-CARBON R	RN72K1J-102JE	1	435031024R1
R659	C-CARBON R	RN72K1J-273JE	1	435032734R1
R660	C-CARBON R	RN72K1J-102JE	1	435031024R1
R661	C-CARBON R	RN72K1J-221JE	1	435032214R1
R662	C-CARBON R	RN72K1J-000JE	1	435030004R1
R664	C-CARBON R	RN72K1J-000JE	1	435030004R1
R666	C-CARBON R	RN72K1J-103JE	1	435031034R1
R667	C-CARBON R	RN72K1J-103JE	1	435031034R1
R668	C-CARBON R	RN72K1J-103JE	1	435031034R1
R669	C-CARBON R	RN72K1J-333JE	1	435033334R1
R670	C-CARBON R	RN72K1J-472JE	1	435034724R1
R671	C-CARBON R	RN72K1J-272JE	1	435032724R1
R672	C-CARBON R	RN72K1J-472JE	1	435034724R1
R673	C-CARBON R	RN72K1J-272JE	1	435032724R1
R674	C-CARBON R	RN72K1J-472JE	1	435034724R1
R675	C-CARBON R	RN72K1J-272JE	1	435032724R1
R676	C-CARBON R	RN72K1J-472JE	1	435034724R1
R677	C-CARBON R	RN72K1J-272JE	1	435032724R1
R678	C-CARBON R	RN72K1J-224JE	1	435032244R1
R681	C-CARBON R	RN72K1J-473JE	1	435034734R1
R682	C-CARBON R	RN72K1J-103JE	1	435031034R1
R693	C-R NET	RM7LJ470X04	1	43484747004R2
R693 or	C-R NET	YCN104-470-JK	(1)	43464C47004R1
R701	C-CARBON R	RN72K1J-000JE	1	435030004R1
R7060	C-CARBON R	RN72K1J-102JE	1	435031024R1
R7085	C-CARBON R	RN72K1J-102JE	1	435031024R1
R7086	C-CARBON R	RN72K1J-101JE	1	435031014R1
R712	C-CARBON R	RN72K1J-102JE	1	435031024R1
R713	C-CARBON R	RN72K1J-222JE	1	435032224R1

R714	C-CARBON R	RN72K1J-103JE	1	435031034R1
R721	C-CARBON R	RN72K1J-103JE	1	435031034R1
R723	C-CARBON R	RN72K1J-101JE	1	435031014R1
R724	C-CARBON R	RN72K1J-101JE	1	435031014R1
R725	C-CARBON R	RN72K1J-221JE	1	435032214R1
R727	C-CARBON R	RN72K1J-103JE	1	435031034R1
R7310	C-CARBON R	RN72K1J-103JE	1	435031034R1
R7313	C-CARBON R	RN72K1J-102JE	1	435031024R1
R771	C-CARBON R	RN72K1J-103JE	1	435031034R1
R772	C-CARBON R	RN72K1J-222JE	1	435032224R1
R773	C-CARBON R	RN72K1J-102JE	1	435031024R1
R8051	C-CARBON R	RN72K1J-103JE	1	435031034R1
R8102	C-CARBON R	RN72K1J-473JE	1	435034734R1
R8103	C-CARBON R	RN72K1J-473JE	1	435034734R1
R8122	C-CARBON R	RN72K1J-473JE	1	435034734R1
R8123	C-CARBON R	RN72K1J-473JE	1	435034734R1
R813	C-CARBON R	RN72K1J-103JE	1	435031034R1
R8140	C-CARBON R	RN72K1J-473JE	1	435034734R1
R8141	C-CARBON R	RN72K1J-473JE	1	435034734R1
R8159	C-CARBON R	RN72K1J-182JE	1	435031824R1
R8160	C-CARBON R	RN72K1J-182JE	1	435031824R1
R8161	C-CARBON R	RN72K1J-000JE	1	435030004R1
R8169	C-CARBON R	RN72K1J-473JE	1	435034734R1
R8170	C-CARBON R	RN72K1J-473JE	1	435034734R1
R8301	C-CARBON R	RN72K1J-332JE	1	435033324R1
R8302	C-CARBON R	RN72K1J-124JE	1	435031244R1
R8303	C-CARBON R	RN72K1J-562JE	1	435035624R1
R8304	C-CARBON R	RN72K1J-000JE	1	435030004R1
R8305	C-CARBON R	RN72K1J-562JE	1	435035624R1
R8306	C-CARBON R	RN72K1J-562JE	1	435035624R1
R8307	C-CARBON R	RN72K1J-472JE	1	435034724R1
R8308	C-CARBON R	RN72K1J-562JE	1	435035624R1
R8309	C-CARBON R	RN72K1J-562JE	1	435035624R1
R8310	C-CARBON R	RN72K1J-562JE	1	435035624R1

R8311	C-CARBON R	RN72K1J-000JE	1	435030004R1
R8312	C-CARBON R	RN72K1J-100JE	1	435031004R1
R8313	C-CARBON R	RN72K1J-000JE	1	435030004R1
R8314	C-CARBON R	RN72K1J-000JE	1	435030004R1
R8315	C-CARBON R	RN72K1J-181JE	1	435031814R1
R8316	C-CARBON R	RN72K1J-181JE	1	435031814R1
R8317	C-CARBON R	RN72K1J-181JE	1	435031814R1
R8318	C-CARBON R	RN72K1J-181JE	1	435031814R1
R8319	C-CARBON R	RN72K1J-181JE	1	435031814R1
R8320	C-CARBON R	RN72K1J-181JE	1	435031814R1
R8321	C-CARBON R	RN72K1J-181JE	1	435031814R1
R8322	C-CARBON R	RN72K1J-181JE	1	435031814R1
R8323	C-CARBON R	RN72K1J-181JE	1	435031814R1
R8324	C-CARBON R	RN72K1J-181JE	1	435031814R1
R8325	C-CARBON R	RN72K1J-181JE	1	435031814R1
R8326	C-CARBON R	RN72K1J-181JE	1	435031814R1
R8327	C-CARBON R	RN72K1J-103FE	1	435031032R1
R8330	C-CARBON R	RN72K1J-220JE	1	435032204R1
R8331	C-CARBON R	RN72K1J-220JE	1	435032204R1
R8332	C-CARBON R	RN72K1J-220JE	1	435032204R1
R8333	C-CARBON R	RN72K1J-220JE	1	435032204R1
R8334	C-CARBON R	RN72K1J-473JE	1	435034734R1
R8335	C-CARBON R	RN72K1J-473JE	1	435034734R1
R8336	C-CARBON R	RN72K1J-473JE	1	435034734R1
R8337	C-CARBON R	RN72K1J-000JE	1	435030004R1
R8338	C-CARBON R	RN72K1J-000JE	1	435030004R1
R8339	C-CARBON R	RN72K1J-000JE	1	435030004R1
R8340	C-CARBON R	RN72K1J-472JE	1	435034724R1
R8341	C-CARBON R	RN72K1J-472JE	1	435034724R1
R8350	C-CARBON R	RN72K1J-100JE	1	435031004R1
R8351	C-CARBON R	RN72K1J-100JE	1	435031004R1
R8352	C-CARBON R	RN72K1J-100JE	1	435031004R1
R8353	C-CARBON R	RN72K1J-100JE	1	435031004R1
R8354	C-CARBON R	RN72K1J-100JE	1	435031004R1

R8355	C-CARBON R	RN72K1J-100JE	1	435031004R1
R8360	C-CARBON R	RN72K1J-102JE	1	435031024R1
R8361	C-CARBON R	RN72K1J-101JE	1	435031014R1
R8377	C-CARBON R	RN72K1J-151JE	1	435031514R1
R8378	C-CARBON R	RN72K1J-151JE	1	435031514R1
R8379	C-CARBON R	RN72K1J-151JE	1	435031514R1
R8380	C-CARBON R	RN72K1J-151JE	1	435031514R1
R8381	C-CARBON R	RN72K1J-470JE	1	435034704R1
R8382	C-CARBON R	RN72K1J-470JE	1	435034704R1
R8383	C-CARBON R	RN72K1J-150JE	1	435031504R1
R8384	C-CARBON R	RN72K1J-150JE	1	435031504R1
R8390	C-CARBON R	RN72K1J-473JE	1	435034734R1
R8615	C-CARBON R	RN72K1J-100JE	1	435031004R1
R8625	C-CARBON R	RN72K1J-100JE	1	435031004R1
R8635	C-CARBON R	RN72K1J-100JE	1	435031004R1
R8645	C-CARBON R	RN72K1J-100JE	1	435031004R1
R8653	C-CARBON R	RN72K1J-473JE	1	435034734R1
R8654	C-CARBON R	RN72K1J-473JE	1	435034734R1
R8655	C-CARBON R	RN72K1J-100JE	1	435031004R1
R8663	C-CARBON R	RN72K1J-473JE	1	435034734R1
R8664	C-CARBON R	RN72K1J-473JE	1	435034734R1
R8665	C-CARBON R	RN72K1J-100JE	1	435031004R1
R8931	C-CARBON R	RN72K1J-104JE	1	435031044R1
R8933	C-CARBON R	RN72K1J-563FE	1	435035632R1
R8935	C-CARBON R	RN72K1J-103FE	1	435031032R1
R8936	C-CARBON R	RN72K1J-153JE	1	435031534R1
R8937	C-CARBON R	RN72K1J-000JE	1	435030004R1
R8938	C-CARBON R	RN72K1J-224JE	1	435032244R1
R8951	C-CARBON R	RN72K1J-102JE	1	435031024R1
R8953	C-CARBON R	RN72K1J-333FE	1	435033332R1
R8954	C-CARBON R	RN72K1J-824FE	1	435038242R1
R8955	C-CARBON R	RN72K1J-103FE	1	435031032R1
R8956	C-CARBON R	RN72K1J-103JE	1	435031034R1
R8958	C-CARBON R	RN72K1J-104JE	1	435031044R1

R8971	C-CARBON R	RN72K1J-102JE	1	435031024R1
R8973	C-CARBON R	RN72K1J-273FE	1	435032732R1
R8974	C-CARBON R	RN72K1J-273FE	1	435032732R1
R8975	C-CARBON R	RN72K1J-103FE	1	435031032R1
R8976	C-CARBON R	RN72K1J-562JE	1	435035624R1
[SW TRM]				
JL501B	WIRE TRAP	NPLG-3P586	1	25055624
JL801B	SOCKET	NSCT-3P95	1	25050267
JL901B	WIRE TRAP	NPLG-5P588	1	25055626
P2800B	SOCKET	IMSA-9618S-13A	1	25053338R2
P3002	SOCKET	NSCT-9P2472	1	25052575R2
P3101A	PLUG	NPLG-5P918	1	25055965R2
P3102A	SOCKET	NSCT-9P2472	1	25052575R2
P3104	SOCKET	RB1-105B8A1F	1	25053409
P701A	SOCKET	IMSA-9618S-23A	1	25053348R2
P701Aor	SOCKET	23FMN-SMT-A-TF	(1)	25052840R2
P751A	SOCKET	NSCT-9P2472	1	25052575R2
P752A	SOCKET	NSCT-9P2472	1	25052575R2
P8001B	SOCKET	29FMN-SMT-A-TF	1	25052846R2
P8003A	SOCKET	NSCT-9P2189	1	25052292
P8004B	SOCKET	IMSA-9618S-07A	1	25053332R2
P8004Bor	SOCKET	07FMN-SMT-A-TF	(1)	25052824R2
P802	PLUG	NPLG-2P116	1	25055132
P8101	SOCKET	TCX3400-111387	1	25053406R3
P8101 or	SOCKET	HDMI(47266-4101)	(1)	25053389R3
P8102	SOCKET	TCX3400-111387	1	25053406R3
P8102 or	SOCKET	HDMI(47266-4101)	(1)	25053389R3
P8103	SOCKET	TCX3400-111387	1	25053406R3
P8103 or	SOCKET	HDMI(47266-4101)	(1)	25053389R3
P8104	SOCKET	TCX3400-111387	1	25053406R3
P8104 or	SOCKET	HDMI(47266-4101)	(1)	25053389R3
P8105	SOCKET	TCX3400-111387	1	25053406R3
P8105 or	SOCKET	HDMI(47266-4101)	(1)	25053389R3
P8651	SOCKET	TCX3400-111387	1	25053406R3

P8651 or	SOCKET	HDMI(47266-4101)	(1)	25053389R3	
P8661	SOCKET	TCX3400-111387	1	25053406R3	
P8661 or	SOCKET	HDMI(47266-4101)	(1)	25053389R3	
P8901	SOCKET	NSCT-8P2471	1	25052574R2	
U008	U0080 x 4 pcs.	BAPS-1120-1A/1B *			
U0080	POWER SUPPLY PC BOARD ASS'Y	BAPS-1120-1A/1B			
CIRCUIT N°	PART NAME	DESCRIPTION	Q'TY	PART NO. (SN)	REMARKS
[SEMI CONDUCTOR]					
D9001	DIODE	S1WB(A)60B-7062	1	22380377R2	N
D9002	SPCF D	P6SMB200A-M3/52T	1	225505R2	N
D9003	DIODE	US1K-E3/61T	1	22380376R2	N
D9004	DIODE	RF301B2STL	1	22380374R2	N
D9006	DIODE	M1FL20U	1	223276R2	
D9008	DIODE	RB050M-30GTR	1	22380373R2	
D9011	C-DIODE	KDS4148U	1	223283R2	
D9011 or	C-DIODE	1SS352	(1)	223234R2	
D9011 or	C-DIODE	1SS355	(1)	223269R2	
D9011 or	C-DIODE	MA2J111	(1)	223279R2	
D9012	ZENER D	UDZS36B	1	224553600R2	
D9013	ZENER D	UDZS6.8B	1	224550680R2	
D9014	ZENER D	UDZS6.8B	1	224550680R2	
D9015	ZENER D	UDZS7.5B	1	224550750R2	
D9016	ZENER D	UDZS7.5B	1	224550750R2	
D9017	ZENER D	UDZS7.5B	1	224550750R2	
Q9001	IC	MIP2M40MSSCF	1	22242769	N
Q9002	IC	PS2561DL1-1Y-A(Q)	1	22242794	!
Q9002 or	IC	PC123X8YFZ0F	(1)	22242771	!
Q9003	IC	PS2561DL1-1Y-A(Q)	1	22242794	!
Q9003 or	IC	PC123X8YFZ0F	(1)	22242771	!
Q9004	IC	KIA431A-AT/P	1	22242770T	N
Q9005	TR	KRC102S	1	2216190R2	

Q9005 or	TR	RN1402	(1)	2214470R2	
[TRANS COIL]					
L9001	CHOKE COIL	ELF15N004A	1	231453	!
L9002	CHOKE COIL	RCR1010NP-100M	1	231449M100	N
L9004	CORE	BLM18PG181SN1D	1	2350005R1	
L9005	CORE	BLM18PG181SN1D	1	2350005R1	
T9001	P TRANS	NPT-1621S	1	2302054A	!
[CAPACITOR]					
C9001	IS C	LE104-MX-C3.5	1	3800049S	!
C9002	ELECT C	CE04W200V-100M(KXJ)	1	3500233S	N <B MDC, MDD, MDF>
C9002	ELECT C	CE04W400V-47M(KXJ)	1	3500234S	N <B MMK, MMQ, MMR, MPA, MPB, MPP>
C9003	PW C	CE04W50V-10M(PW)	1	393781007T	N
C9004	PW C	CE04W25V-1000M(PW)	1	393751027S	
C9006	PW C	CE04W25V-470M(PW)	1	393754717T	N
C9007	IS C	DE1E3KX102MB4BL01	1	3300066S	!
C9008	C-CERA C	CK725F1A-105Z1	1	332181050R1	
C9009	C-CERA C	CC725CH1H-101J1	1	342101014R1	
C9010	C-CERA C	CK725B1A-224K1	1	332132245R1	
C9011	C-CERA C	CK725B1C-104K1	1	332121045R1	
C9012	IS C	ECQU2A103MLC	1	3800039S	!
C9012 or	IS C	LE103-C3.5	(1)	3800042S	!
C9013	UTSP C	CE04W25V-220M(UTSP)	1	397552217T	
C9015	C-CERA C	CK725F1E-104Z1	1	332161040R1	
C9016	C-CERA C	CK725B1H-103K1	1	332101035R1	
C9018	IS C	LE104-MX-C3.5	1	3800049S	!
C9019	IS C	DE1E3KX102MB4BL01	1	3300066S	!
C9020	IS C	DE1E3KX102MB4BL01	1	3300066S	!
C9021	C-CERA C	CK725R2J-471J3	1	332194714R1	
C9023	C-CERA C	CK725F1E-104Z1	1	332161040R1	
C9024	C-CERA C	CK725F1E-104Z1	1	332161040R1	
[RESISTOR]					
R9001	C-CARBON R	RN72K1J-103JE	1	435031034R1	
R9002	C-CARBON R	RN72K1J-472JE	1	435034724R1	
R9003	C-CARBON R	RN72K1J-332JE	1	435033324R1	

R9004	C-CARBON R	RN72K1J-471JE	1	435034714R1	
R9005	C-CARBON R	RN72K1J-182JE	1	435031824R1	
R9006	C-CARBON R	RN72K1J-474JE	1	435034744R1	
R9007	C-CARBON R	RN72K1J-683JE	1	435036834R1	
R9008	C-CARBON R	RN72K1J-154JE	1	435031544R1	
R9009	C-CARBON R	RN72K1J-101JE	1	435031014R1	
R9013	C-CARBON R	RN72K1J-472JE	1	435034724R1	
R9014	C-CARBON R	RN72K1J-104JE	1	435031044R1	
R9015	METAL O R	RS1/2WBJ-150	1	443521514T	<B MDC, MDD, MDF>
R9015	METAL O R	RS1/2WBJ-220	1	443522214T	<B MMK, MMQ, MMR, MPA, MPB, MPP>
R9016	C-CARBON R	RN72K1J-000JE	1	435030004R1	
R9017	C-CARBON R	RN72K1J-332JE	1	435033324R1	
R9021	METAL O R	RS1/2WBJ-47	1	443524704T	
R9023	C-CARBON R	KTR18EZPF6803	1	435236842R1	!
R9024	C-CARBON R	KTR18EZPF6803	1	435236842R1	!
R9025	C-CARBON R	KTR18EZPF6803	1	435236842R1	!
[SW TRM]					
E9001	TRM-423(SCREW)	NEJITANSI ST3	1	25060495	
E9002	RETAINER	(TRM-PS)	1	27142287	N
F9001	FUSE	1A-SEUL-TL250V	1	252397T	!
F9002C	FUSE HOL	NSCT-1P2031	1	25052133T	!
F9002D	FUSE HOL	NSCT-1P2031	1	25052133T	!
JL901A	WIRE HOL	NSCT-5P876	1	25051089	
P9001A	PLUG	NPLG-2P631	1	25055675	!
P9002	PLUG	NPLG-2P632	1	25055676	!
RL9001	RELAY	NRL-1P5A-DC9-179	1	25065669	! <B MMK, MMQ, MMR, MPA, MPB, MPP>
RL9001	RELAY	NRL-1P10A-DC9-186	1	25065683	! <B MDC, MDD, MDF>
RL9001 or	RELAY	NRL-1P10A-DC9-186	(1)	25065683	! <B MMK, MMQ, MMR, MPA, MPB, MPP>
RL9001 or	RELAY	NRL-1P10A-DC9-188	(1)	25065693	!

ONKYO

ONKYO SOUND & VISION CORPORATION

Technical Support, Service Department
2-1, Nisshin-cho, Neyagawa-shi, OSAKA 572-8540, JAPAN
Tel: 072-831-8023 Fax: 072-831-8163

ONKYO U.S.A. CORPORATION

18 Park Way, Upper Saddle River, N.J. 07458, U.S.A.
Tel: 800-229-1687, 201-785-2600 Fax: 201-785-2650
<http://www.us.onkyo.com/>

ONKYO EUROPE ELECTRONICS GmbH

Liegnitzerstrasse 6, 82194 Groebenzell, GERMANY
Tel: +49-8142-4401-0 Fax: +49-8142-4208-213
<http://www.eu.onkyo.com/>

ONKYO EUROPE ELECTRONICS GmbH (UK BRANCH)

The Coach House 81A High Street, Marlow, Buckinghamshire, SL7 1AB, UK
Tel: +44-(0)1628-473-350 Fax: +44-(0)1628-401-700

ONKYO CHINA LIMITED

Unit 1033, 10/F, Star House, No 3, Salisbury Road, Tsim Sha Tsui Kowloon, Hong Kong.
Tel: 852-2429-3118 Fax: 852-2428-9039
<http://www.onkyochina.com/>

ONKYO CHINA PRC

1301, 555 Tower, No.555 West NanJin Road, Jin an, Shanghai,
China 200041, Tel: 86-21-52131366 Fax: 86-21-52130396
<http://www.cn.onkyo.com/>