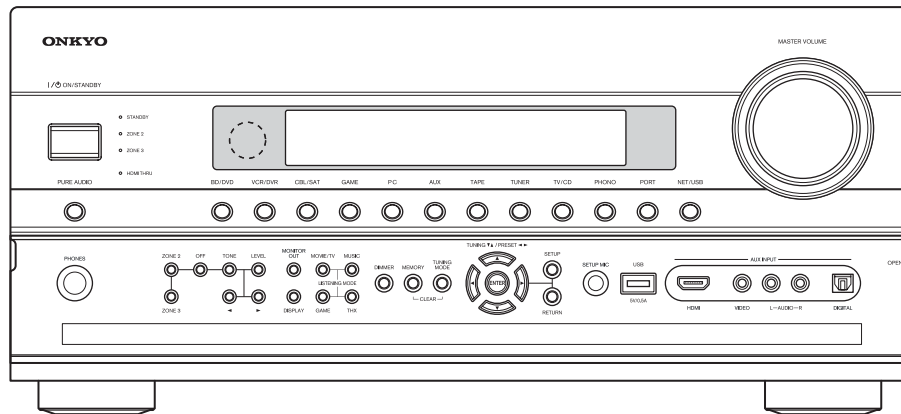
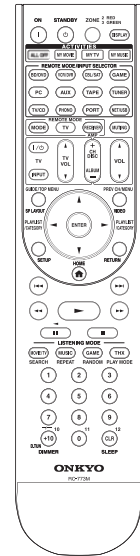


ONKYO SERVICE MANUAL

AV RECEIVER MODEL TX-NR5008(B)/(S)




Black and Silver models



RC-773M

B MDC	120V AC, 60Hz
B MMP, S MMP	220-240V AC, 50/60Hz
B MMR	220-240V AC, 50/60Hz

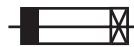
SAFETY-RELATED COMPONENT WARNING!!

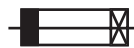
COMPONENTS IDENTIFIED BY MARK  ON THE SCHEMATIC DIAGRAM AND IN THE PARTS LIST ARE CRITICAL FOR RISK OF FIRE AND ELECTRIC SHOCK. REPLACE THESE COMPONENTS WITH ONKYO PARTS WHOSE PART NUMBERS APPEAR AS SHOWN IN THIS MANUAL.

MAKE LEAKAGE-CURRENT OR RESISTANCE MEASUREMENTS TO DETERMINE THAT EXPOSED PARTS ARE ACCEPTABLY INSULATED FROM THE SUPPLY CIRCUIT BEFORE RETURNING THE APPLIANCE TO THE CUSTOMER.

SERVICE PROCEDURE-1

1. Replacing the fuses

 This symbol located near the fuse indicates that the fuse used is slow operating type, For continued protection against fire hazard, replace with same type fuse, For fuse rating, refer to the marking adjacent to the symbol.

 Ce symbole indique que le fusible utilise est e lent. Pour une protection permanente, n'utiliser que des fusibles de meme type. Ce dernier est indique la qu le present symbol est apposse.

REF NO.	PART NAME	DESCRIPTION	PART NO.	REMARKS
F2001	FUSE	4A-UL/T-233	252325GR	!, <MDC, MMP, MMR>
F2001 or	FUSE	4A-T/UL-ST2	252257GR	!, <MDC, MMP, MMR>
F2004	FUSE	1.25A-UL/T-233	252318GR	!, <MDC, MMP, MMR>
F2004 or	FUSE	1.25A-T/UL-ST2	252251GR	!, <MDC, MMP, MMR>
F2005	FUSE	1.25A-UL/T-233	252318GR	!, <MDC, MMP, MMR>
F2005 or	FUSE	1.25A-T/UL-ST2	252251GR	!, <MDC, MMP, MMR >
F6601	FUSE	20A-UL-250V	252304GR	!
F6602	FUSE	20A-UL-250V	252304GR	!
F6603	FUSE	20A-UL-250V	252304GR	!
F6604	FUSE	20A-UL-250V	252304GR	!
F9100	FUSE	12A-UL-ST6	252340GR	!, <MDC>
F9100	FUSE	6.3A-SE-EAK	252079GR	!, <MMP, MMR>
F9100 or	FUSE	6.3A-SE-TL250V	252279GR	!, <MMP, MMR>
F9301	FUSE	3.15A-UL/T-233	252323GR	!, <MDC, MMP, MMR>
F9301 or	FUSE	3.15A-T/UL-ST2	252256GR	!, <MDC, MMP, MMR>
F9401	FUSE	3.15A-UL/T-233	252323GR	!
F9401 or	FUSE	3.15A-T/UL-ST2	252256GR	!
F9402	FUSE	3.15A-UL/T-233	252323GR	!
F9402 or	FUSE	3.15A-T/UL-ST2	252256GR	!

<Notes>

<MDC> : 120V,Canadian model

<MMP> : 230V,CE(European) country model

<MMR> : 220/230-240V,Chinese model

2. Safety check out

(U.S.A. model only)

After correcting the original service problem, perform the following safety check before releasing the unit to the customer.

Leakage current Check

Measure the leakage current to a known earth ground (water pipe or conduct etc.) by connecting a leakage current tester between the earth ground and exposed metal parts of the unit (input/output ground terminals, screw heads or metal overlays etc.). Plug the power supply cord directly into a 120Vac 60Hz wall socket and turn ON/STANDBY button on.

Any current measured must not exceed 0.5mA.

3. Memory Backup

This model uses a EE-PROM IC in order to retain radio presets and other settings. So, memory contents will be kept eternally with no care.

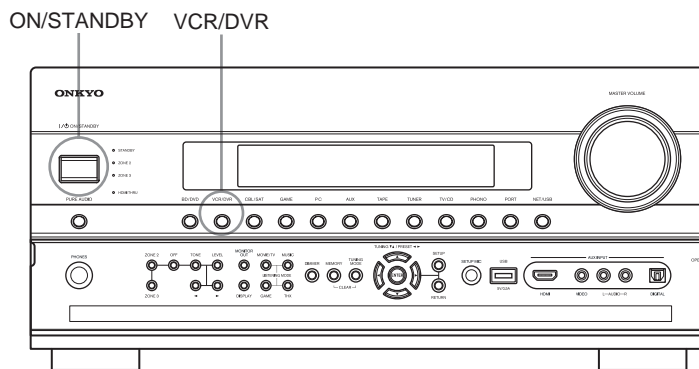
4. To initialize the unit

1. ON/STANDBY (Power On)

2. VCR/DVR + ON/STANDBY.



Preset memory and each mode stored in the memory, are initialized and will return to the factory settings.



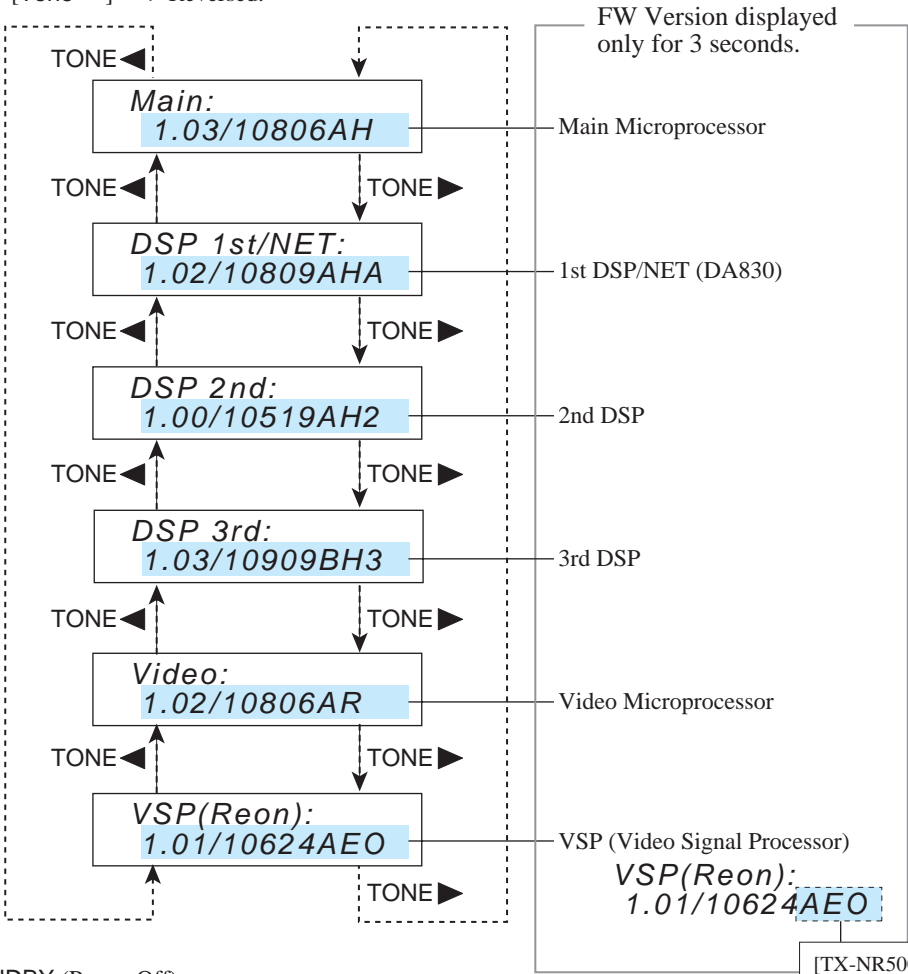
SERVICE PROCEDURE-2

5. To check version of Microprocessor, DSP and Video FW(Firmware)

- 1. ON/STANDBY (Power On)
- 2. DISPLAY + ON/STANDBY.

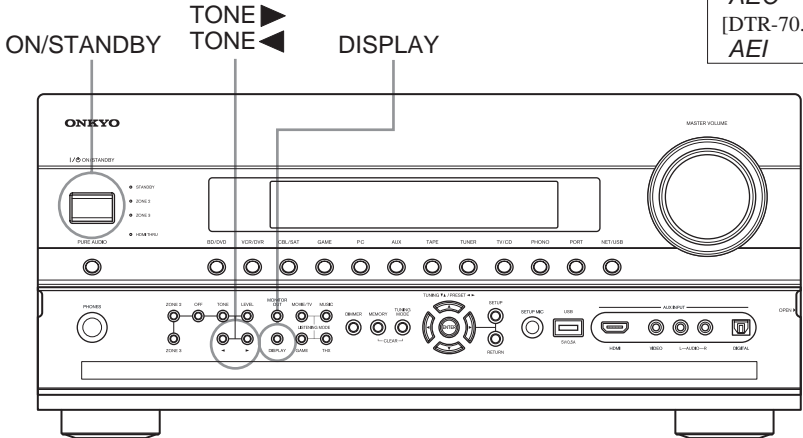
[e.g.] TX-NR5008 Main:
1.03/10806AH

- 3. TONE ► [Tone +] ---> Forward [] : DTR-70.2/ 80.2, DHC-80.2
- TONE ◀ [Tone -] ---> Reversed.

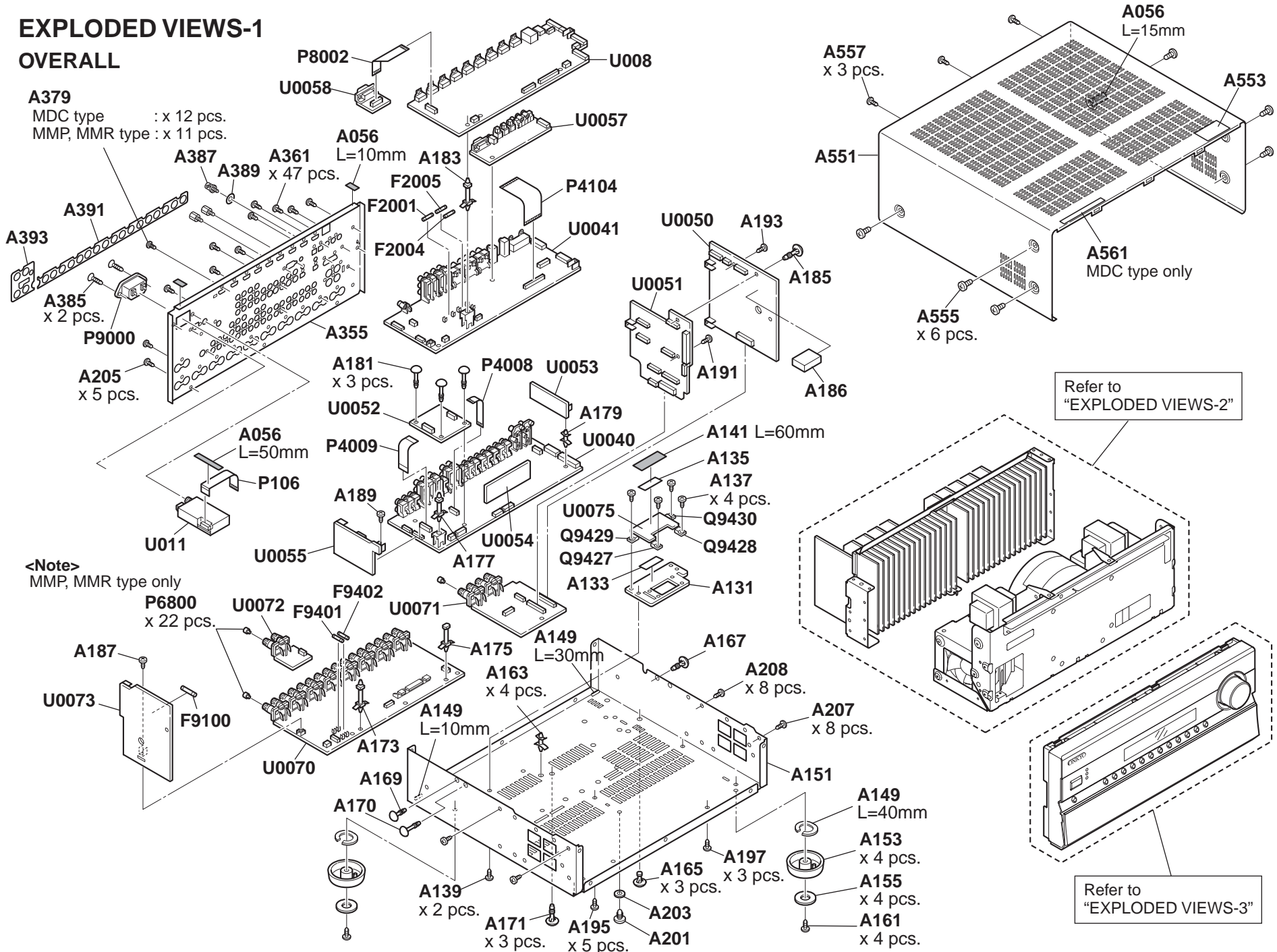


- 4. ON/STANDBY (Power Off).

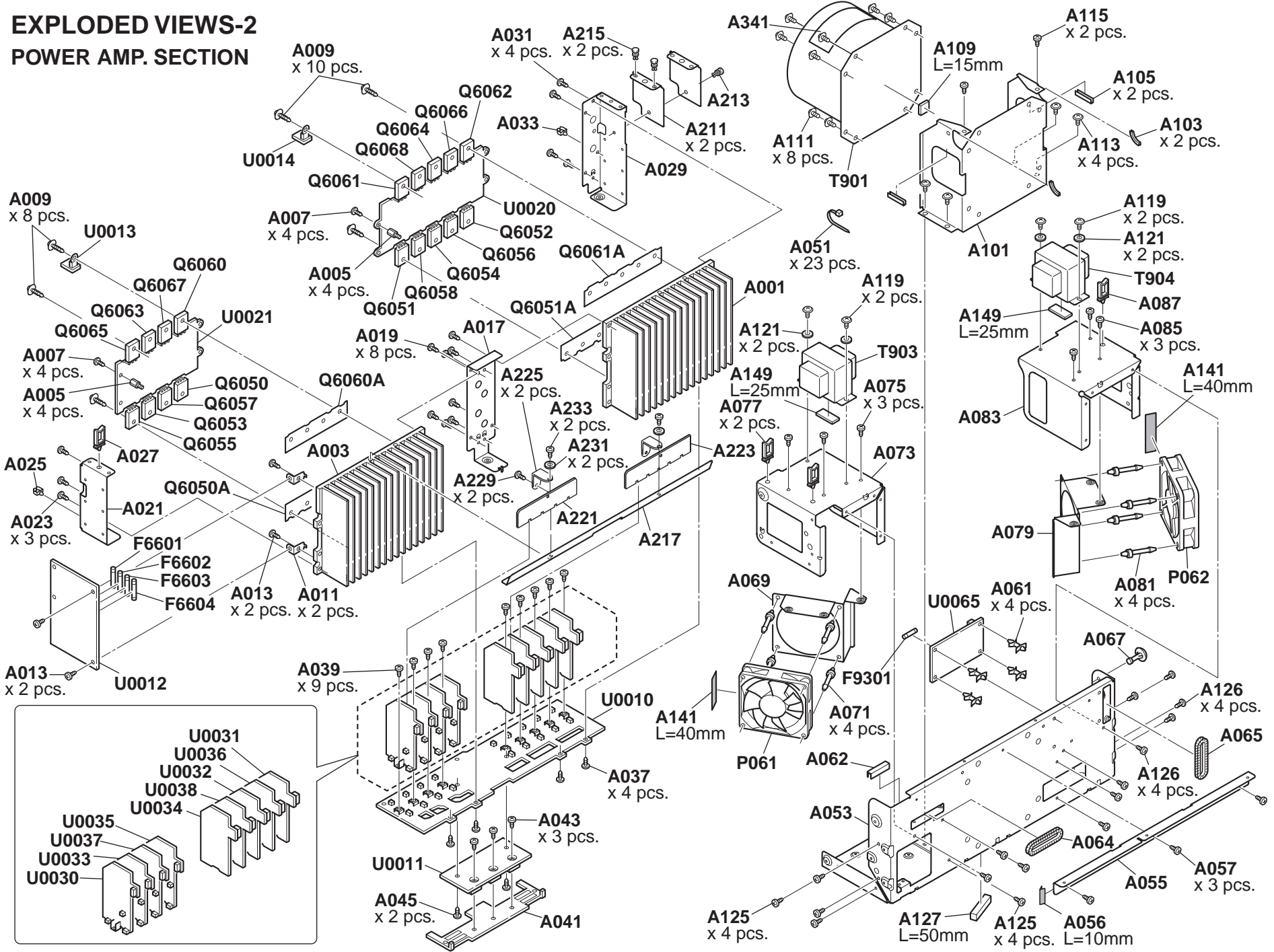
[TX-NR5008, NR3008, PR-SC5508]
AEO
[DTR-70.2, DTR-80.2, DHC-80.2]
AEI



EXPLODED VIEWS-1
OVERALL

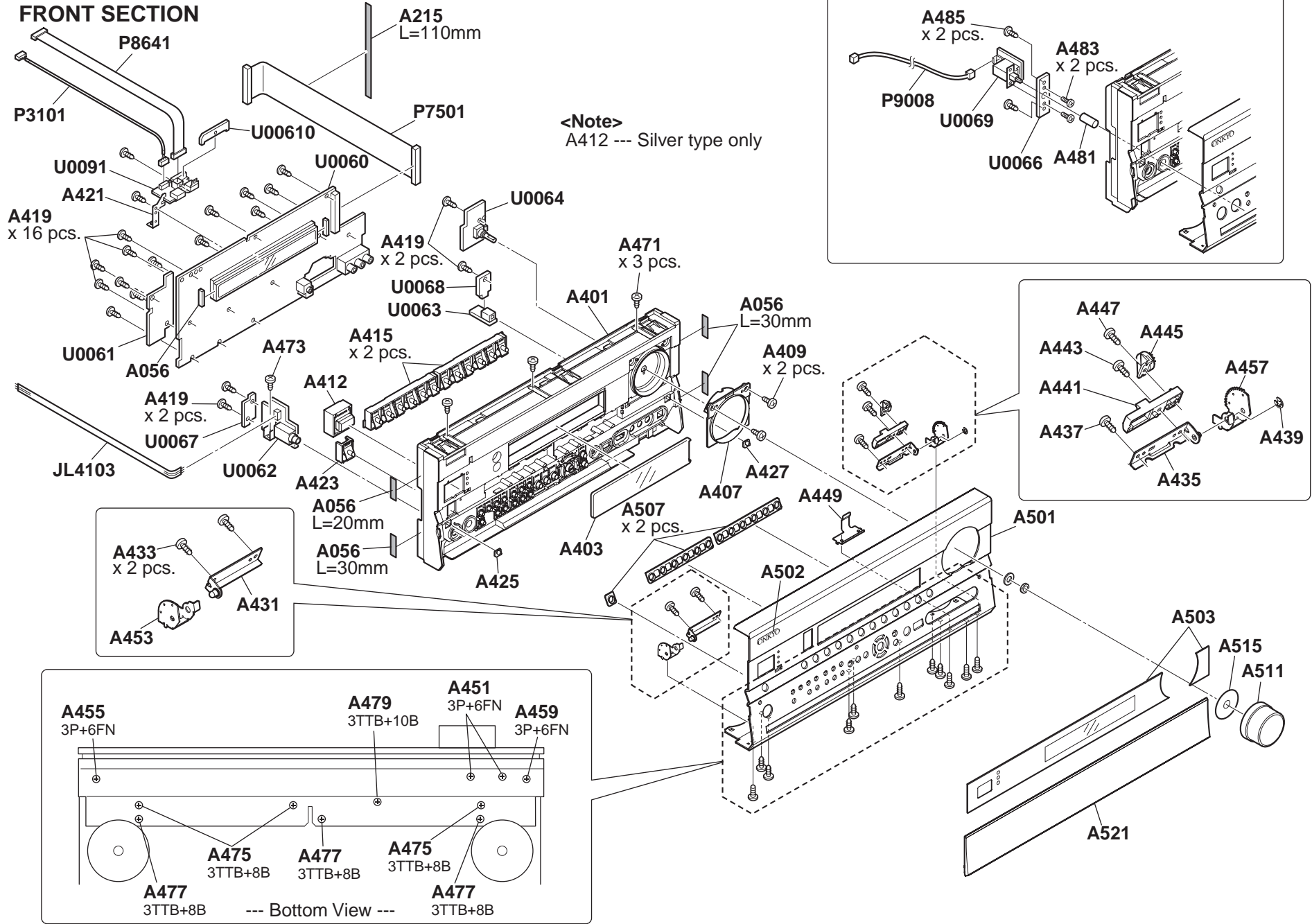


EXPLODED VIEWS-2
POWER AMP. SECTION



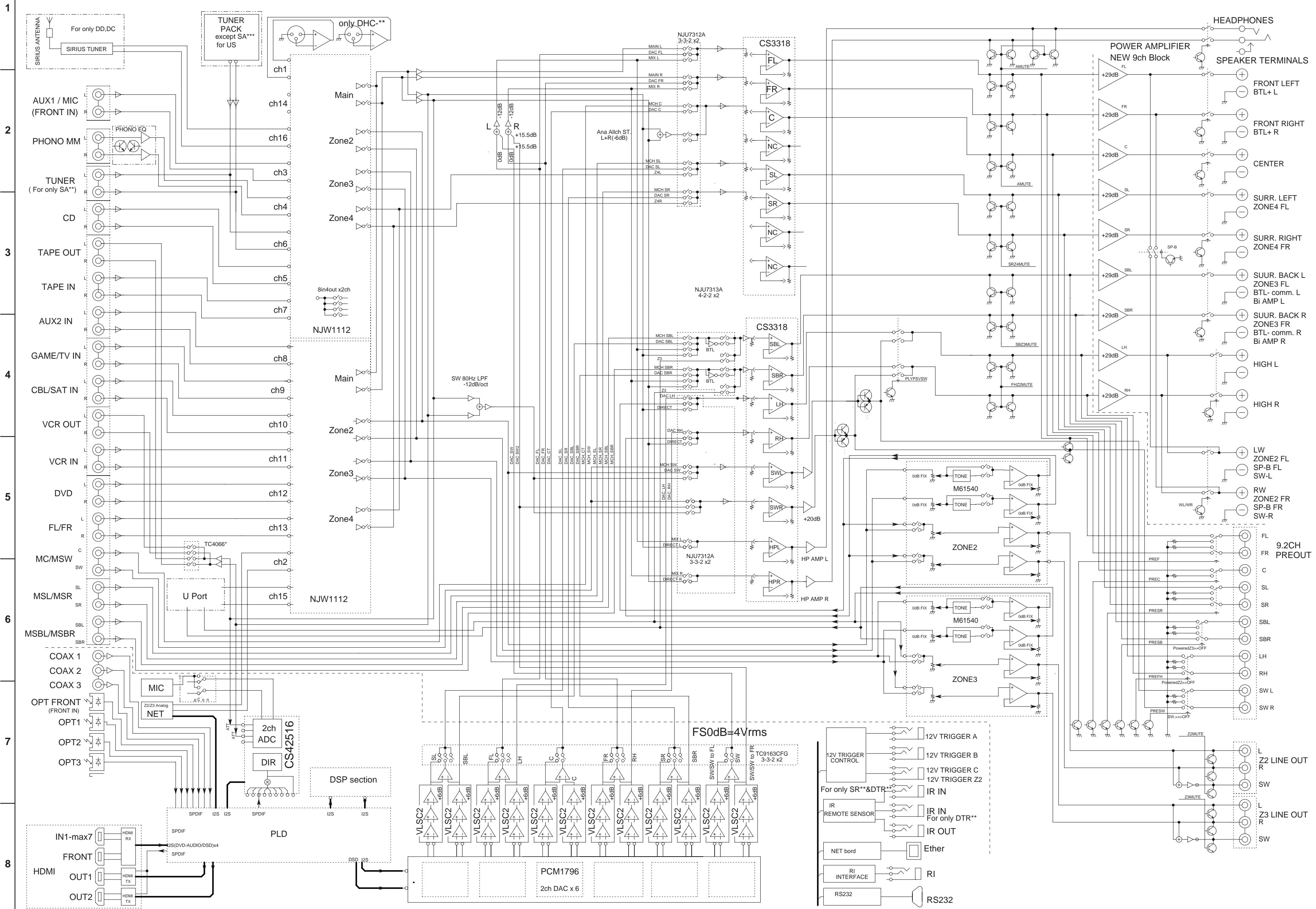
EXPLODED VIEWS-3

FRONT SECTION



SCHEMATIC DIAGRAMS-1
BLOCK DIAGRAM AUDIO SECTION

Schematic Diagram (PART-1)
AUDIO Block Diagram
Model No.TX-NR3008/NR5008/NA5008,DTR-70.2/80.2,PR-SC5508,DHC-80.2

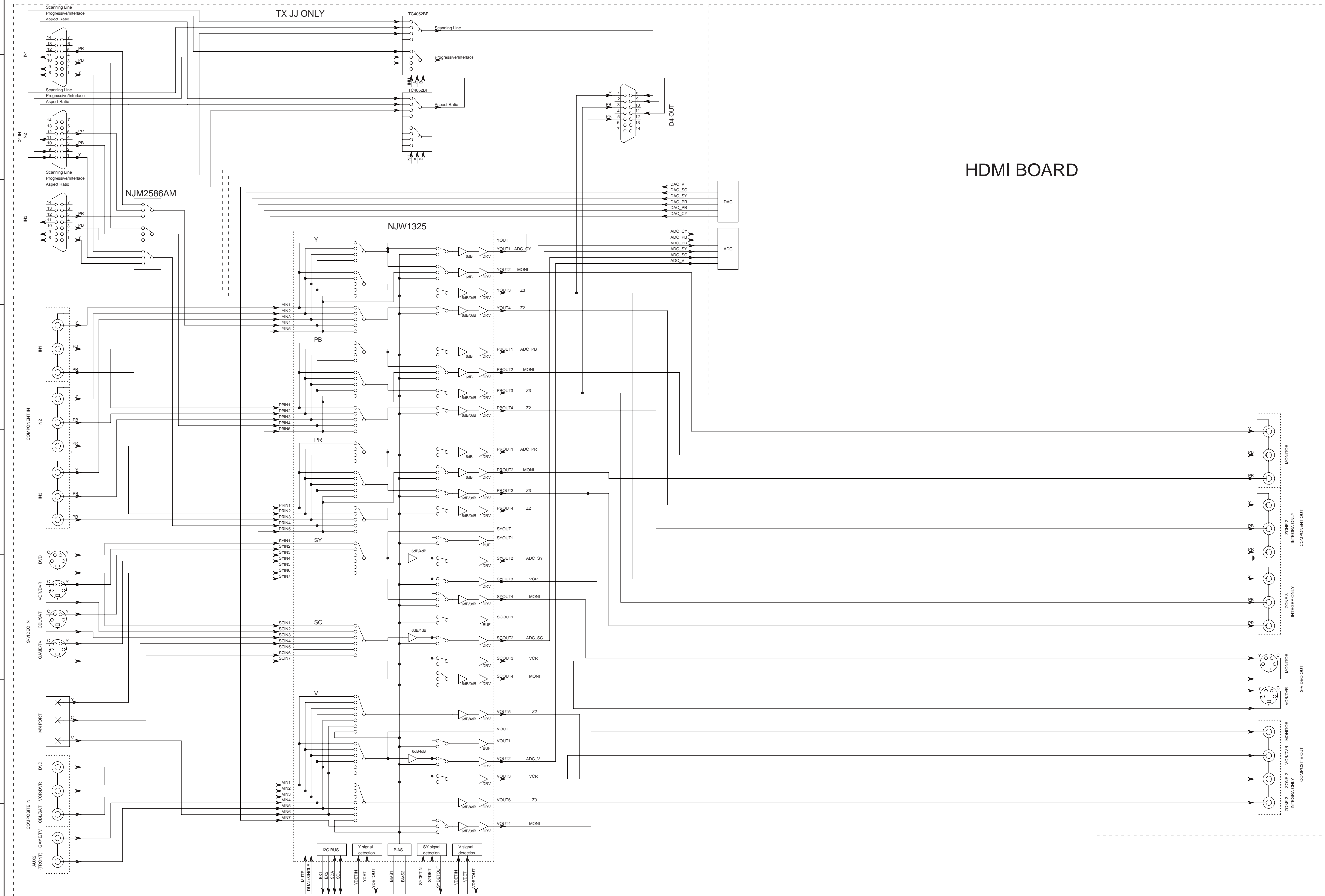


1
2
3
4
5
6
7
8

SCHEMATIC DIAGRAMS-2
BLOCK DIAGRAM VIDEO SECTION

Schematic Diagram (PART-2)
VIDEO BLK SECTION
Model No.TX-NR3008/NR5008/NA5008,DTR-70.2/80.2,PR-SC5508,DHC-80.2

1
2
3
4
5
6
7
8



HDMI BOARD

SCHEMATIC DIAGRAMS-3
BLOCK DIAGRAM HDMI SECTION

SCHEMATIC DIAGRAM (PART-3)
Model No.TX-NR3008/NR5008/NA5008,DTR-70.2/80.2,PR-SC5508,DHC-80.2

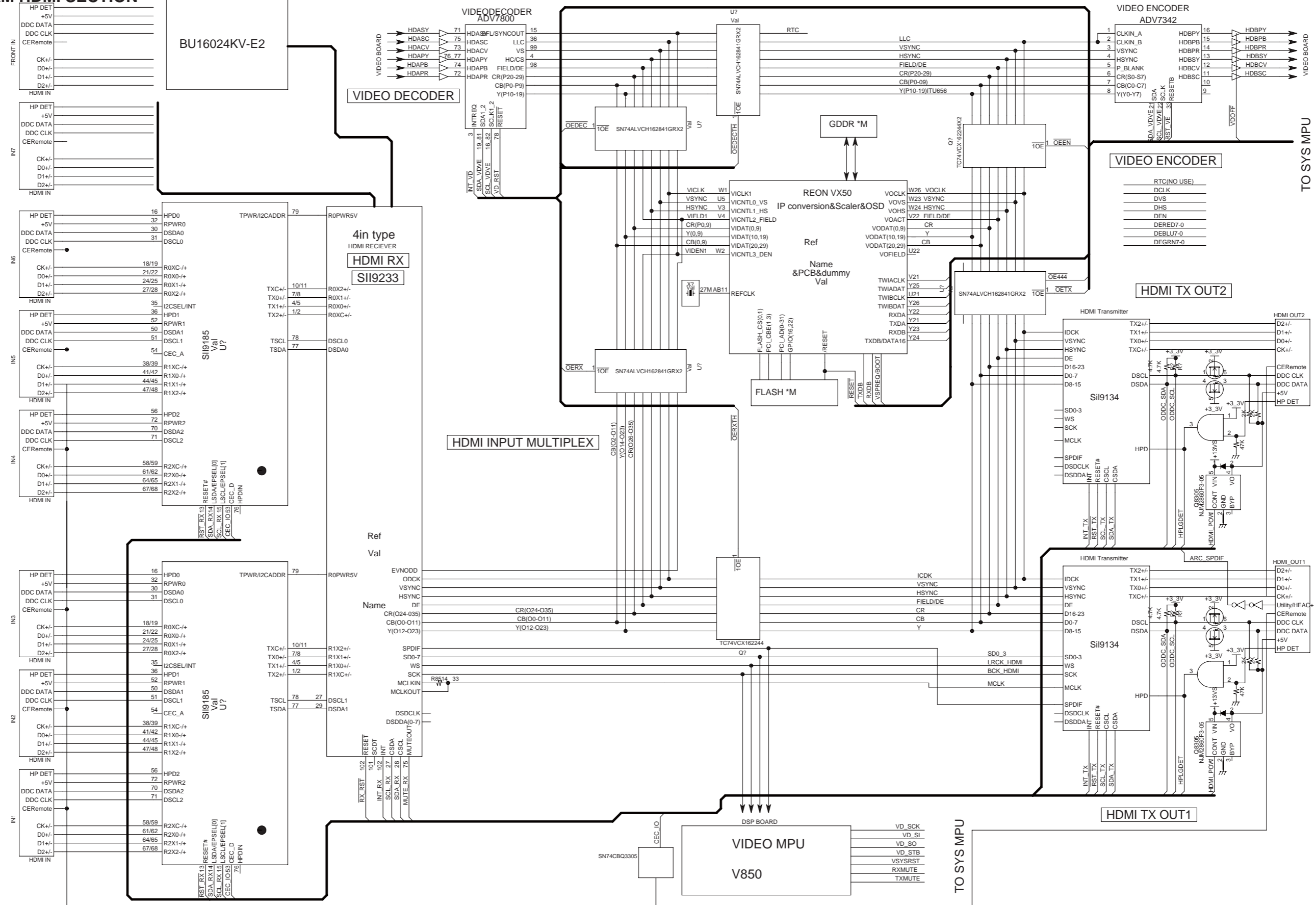
1

2

3

4

5

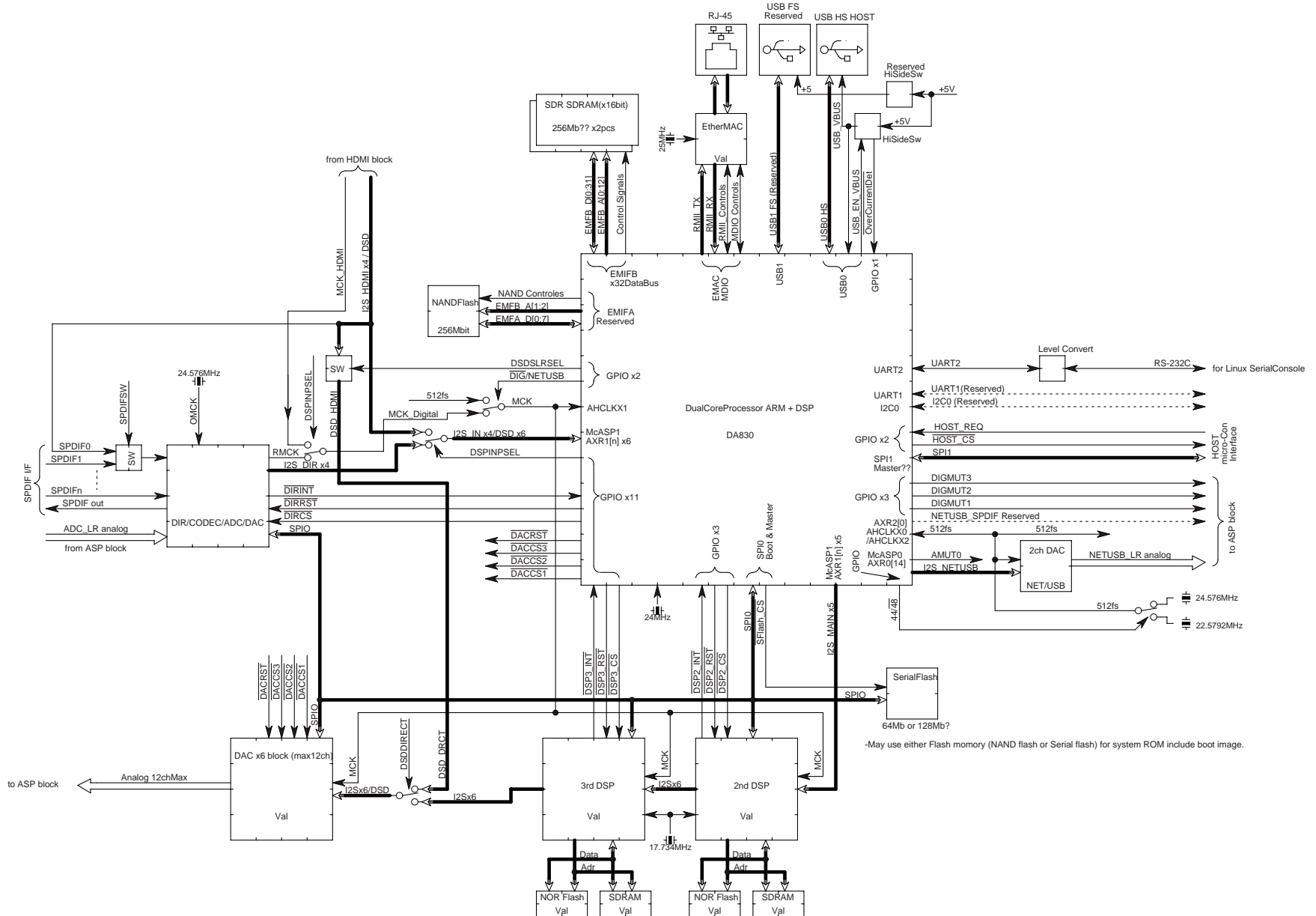


TO SYS MPU

TO SYS MPU

SCHEMATIC DIAGRAMS-4
BLOCK DIAGRAM ETHER/ USB/ NET

Schematic Diagram (PART-4)
DSP/ETHER/USB/NET BLOCK DIAGRAM
Model No.TX-NR3008/NR5008/NA5008,
DTR-70.2/80.2,PR-SC5508,DHC-80.2



TX-NR3008/ 5008, TX-NA5008, DTR-70.2/ 80.2, PR-SC5508, DHC-80.2

SCHEMATIC DIAGRAMS-5
BLOCK DIAGRAM DIGITAL AUDIO SECTION

Model No.TX-NR3008/NR5008/NA5008,
DTR-70.2/80.2,PR-SC5508,DHC-80.2
Schematic Diagram (PART-5)
DIGITAL AUDIO CLOCK BLOCK

1

2

3

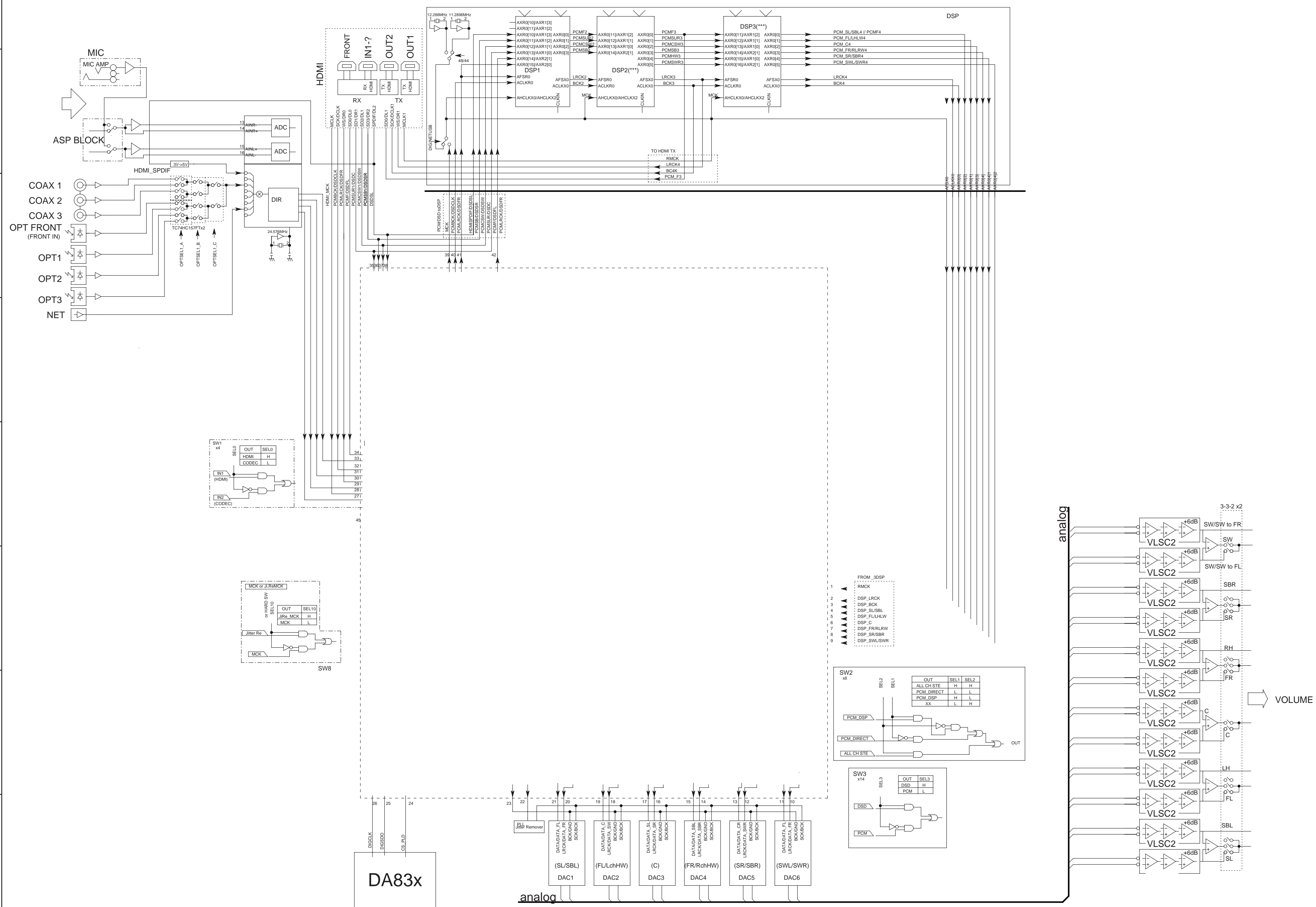
4

5

6

7

8



FROM_DSP

1	RMCK
2	DSP_LRCK
3	DSP_BCK
4	DSP_SL/SBL
5	DSP_FL/LHLW
6	DSP_C
7	DSP_FR/LRW
8	DSP_SR/SBR
9	DSP_SWL/SWR

SW2 x8

OUT	SEL1	SEL2
ALL CH SITE	H	H
PCM DIRECT	L	L
PCM_DSP	H	L
XX	L	H

SW3 x14

OUT	SEL1	SEL2
DSD	H	H
PCM	L	L

analog

3-3-2 x2

SW/SW to FR

SW/SW to FL

SBR

RH

FR

VOLUME

LH

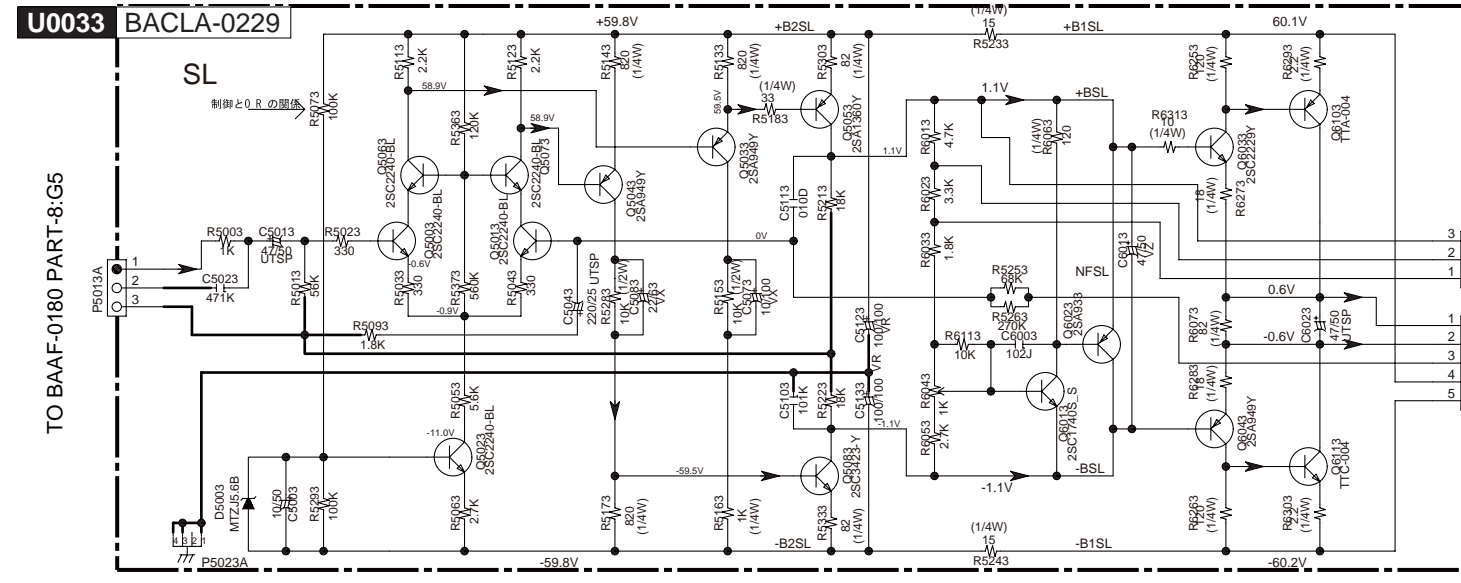
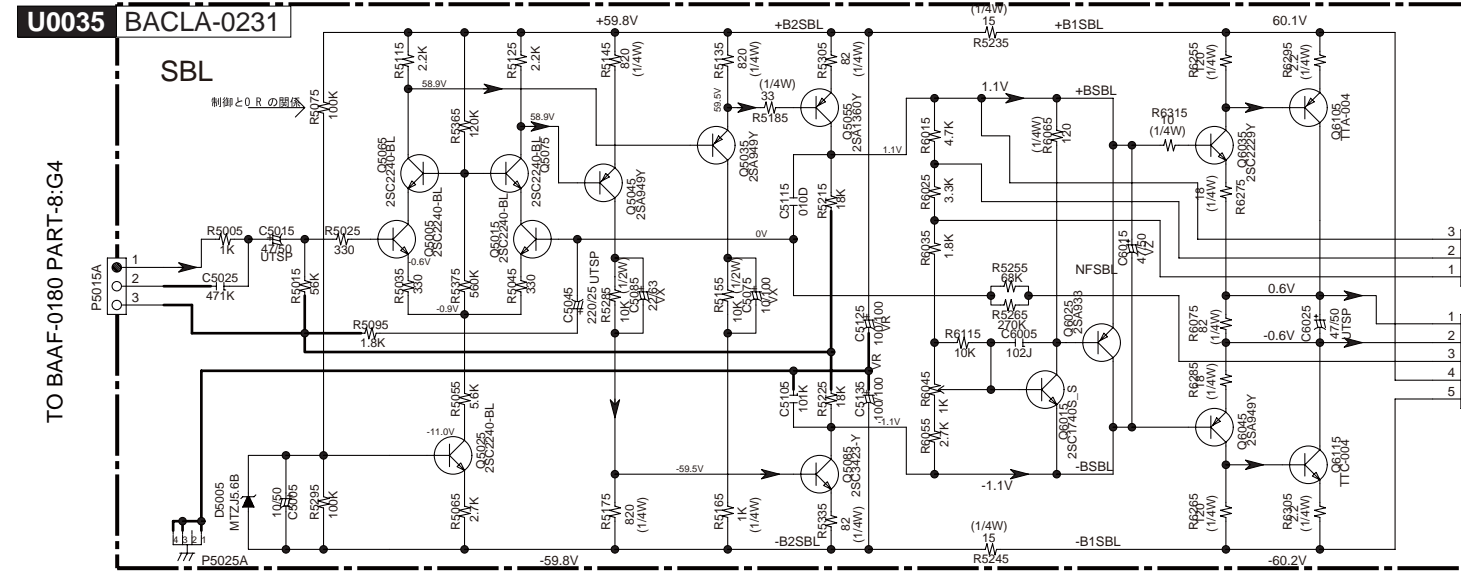
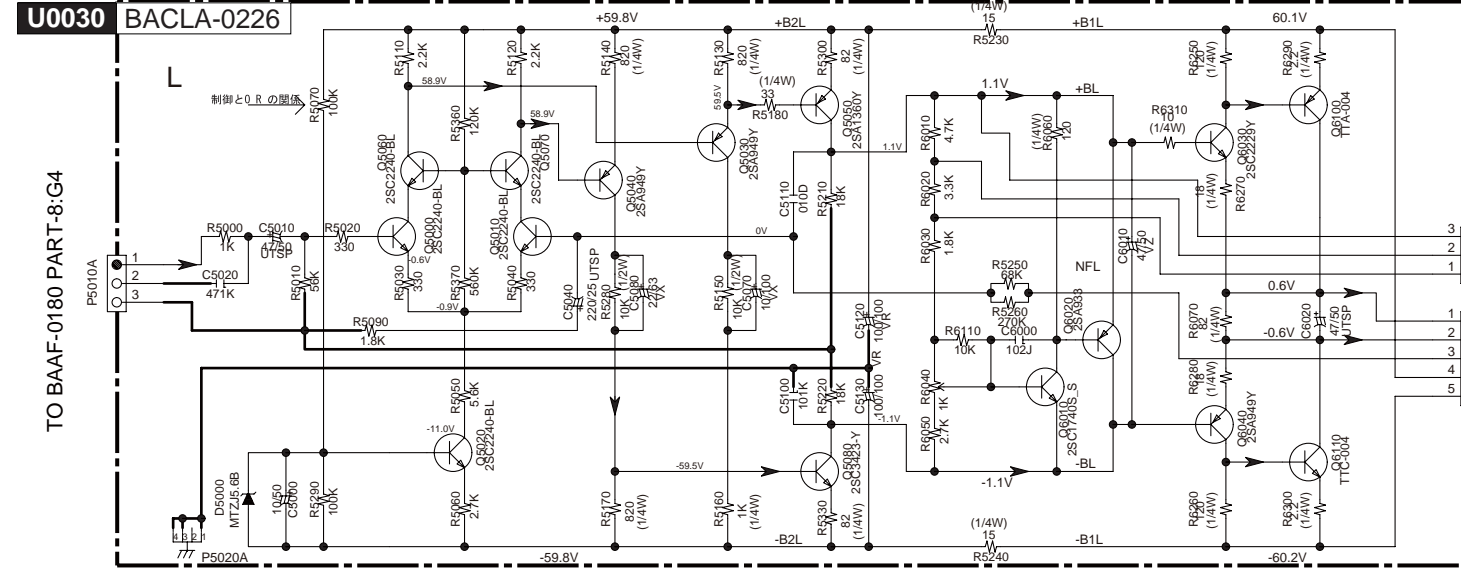
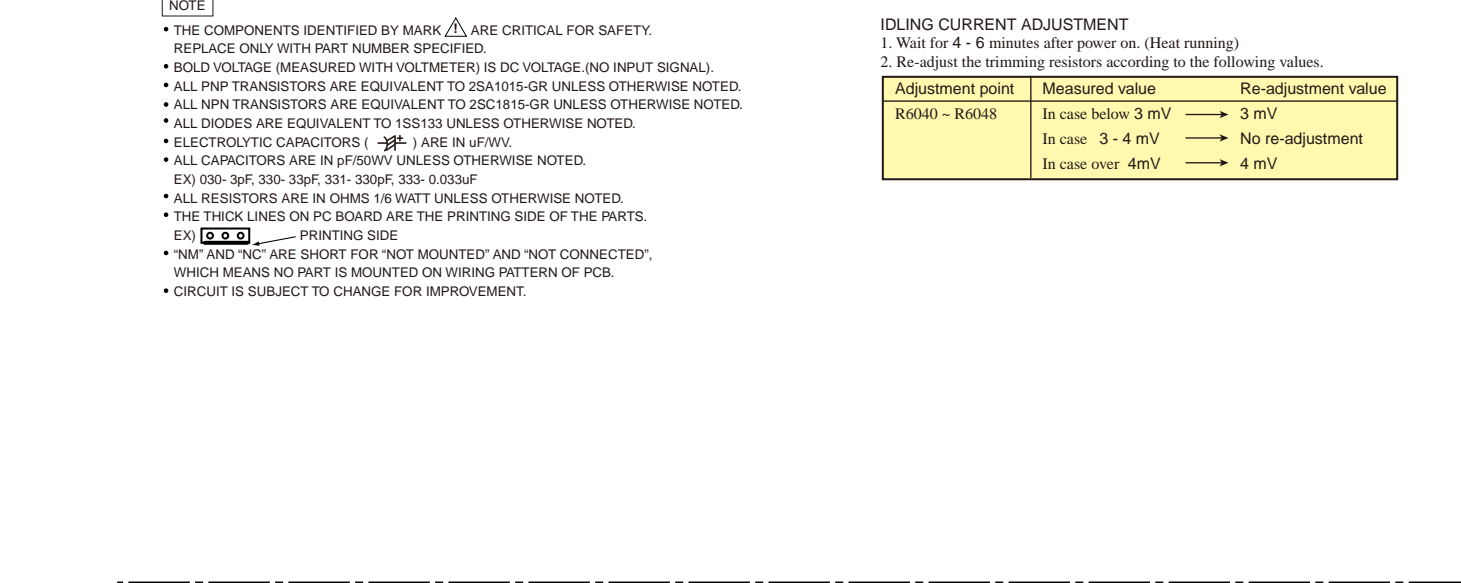
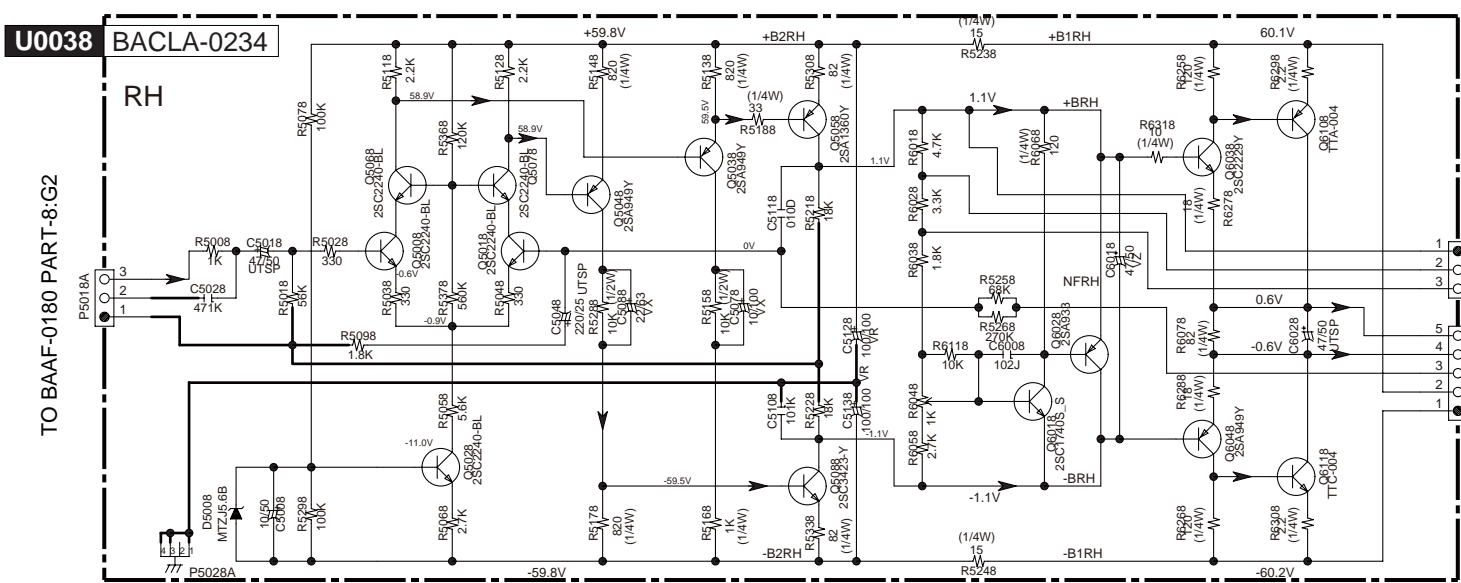
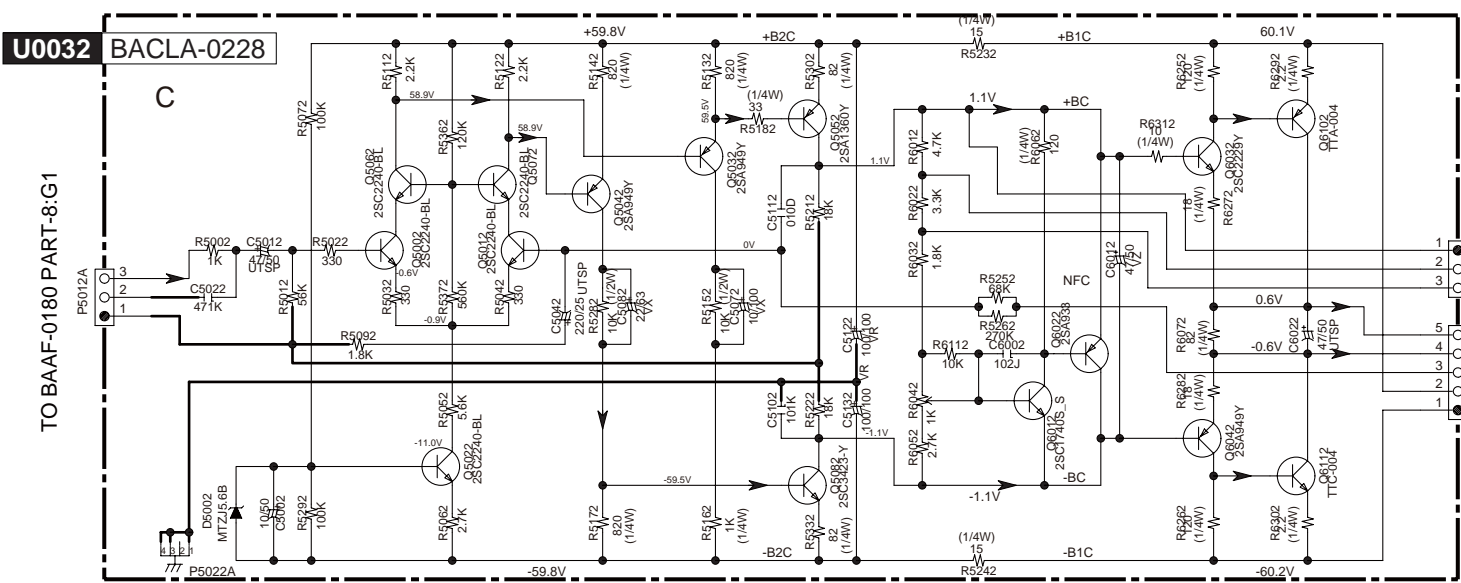
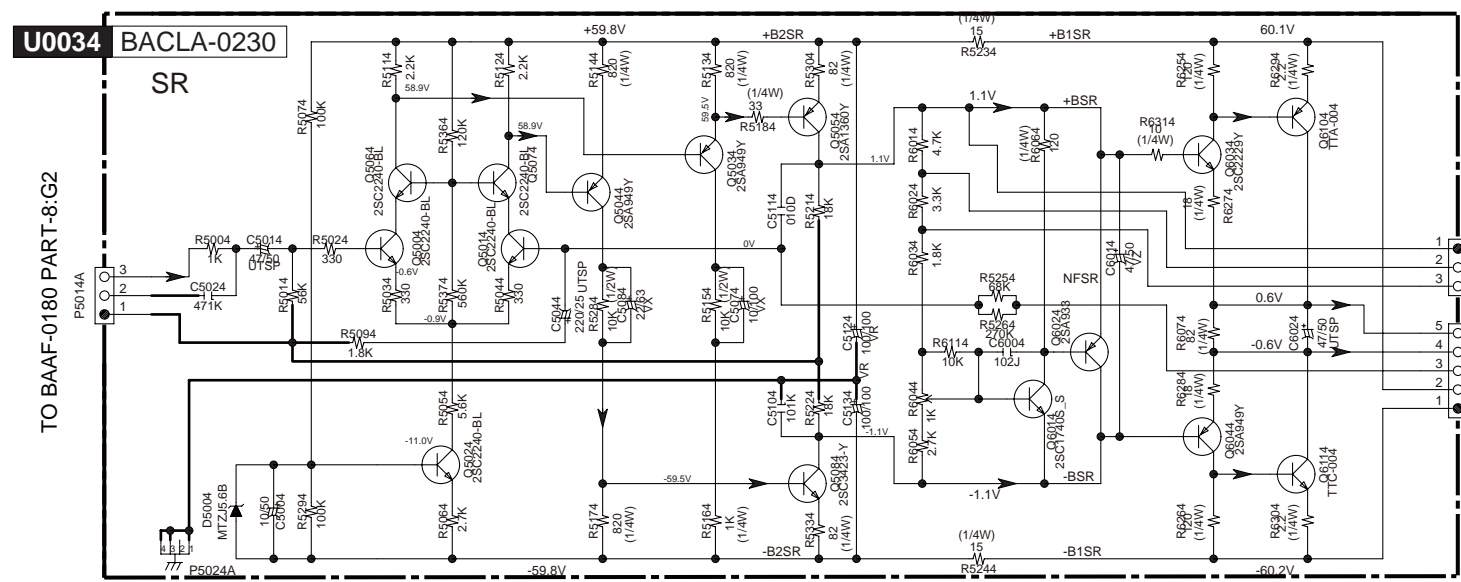
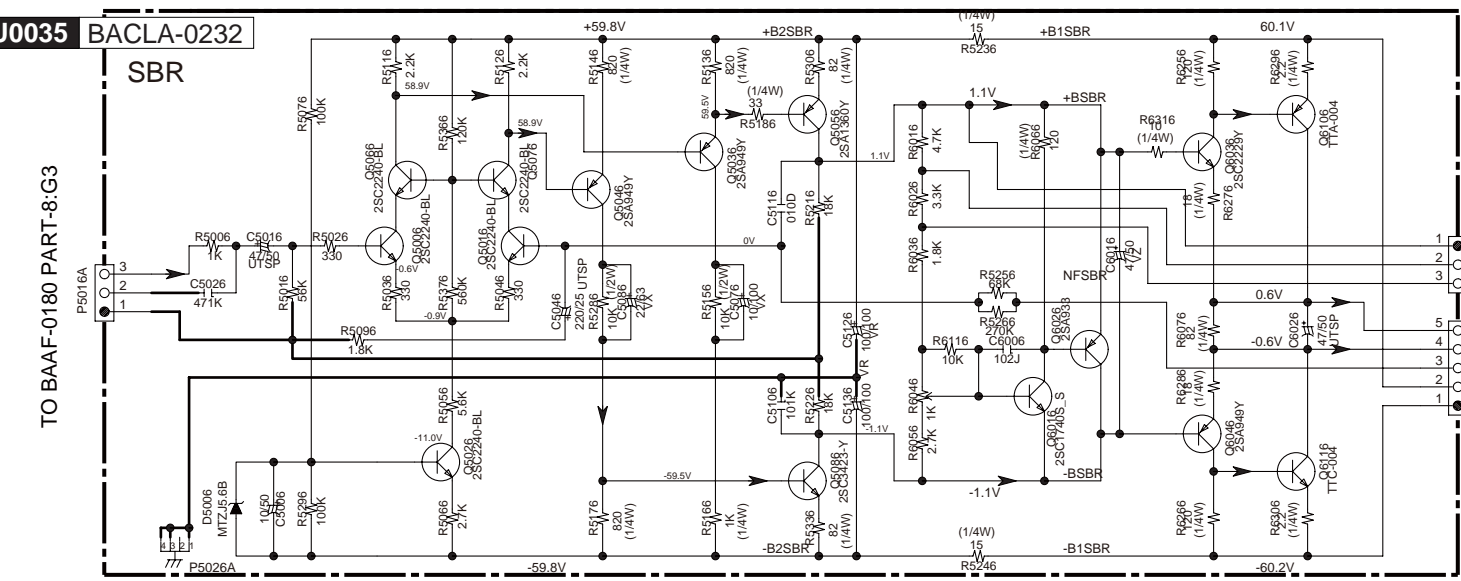
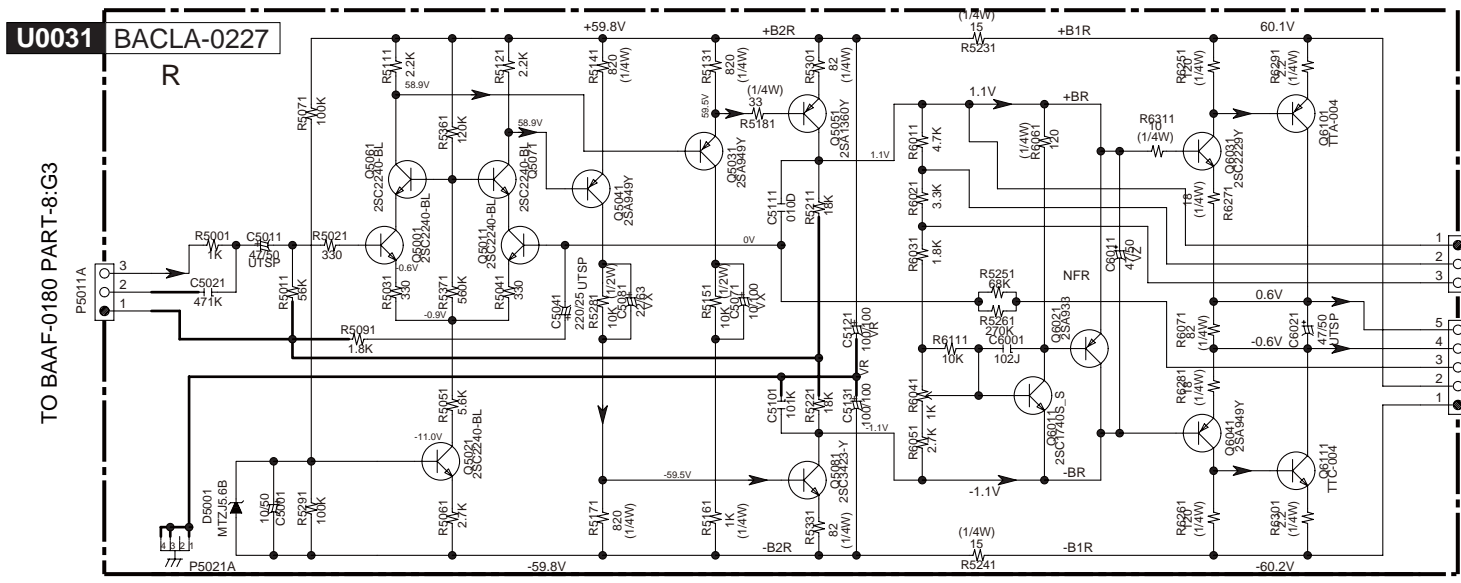
FL

SBL

SL

SCHEMATIC DIAGRAMS-6
AMP. FIRST SECTION

1
2
3
4
5
6
7
8



NOTE

- THE COMPONENTS IDENTIFIED BY MARK Δ ARE CRITICAL FOR SAFETY. REPLACE ONLY WITH PART NUMBER SPECIFIED.
- BOLD VOLTAGE (MEASURED WITH VOLTMETER) IS DC VOLTAGE (NO INPUT SIGNAL).
- ALL PNP TRANSISTORS ARE EQUIVALENT TO 2SA1015-GR UNLESS OTHERWISE NOTED.
- ALL NPN TRANSISTORS ARE EQUIVALENT TO 2SC1815-GR UNLESS OTHERWISE NOTED.
- ALL DIODES ARE EQUIVALENT TO 1SS133 UNLESS OTHERWISE NOTED.
- ELECTROLYTIC CAPACITORS (E) ARE IN μ F/50V.
- ALL CAPACITORS ARE IN pF/50V UNLESS OTHERWISE NOTED.
- EX) 030-3pF, 330-33pF, 331-330pF, 333-0.033uF
- ALL RESISTORS ARE IN OHMS 1/8 WATT UNLESS OTHERWISE NOTED.
- THE THICK LINES ON PCB BOARD ARE THE PRINTING SIDE OF THE PARTS.
- EX) (S) (S) PRINTING SIDE
- "NM" AND "NC" ARE SHORT FOR "NOT MOUNTED" AND "NOT CONNECTED", WHICH MEANS NO PART IS MOUNTED ON WIRING PATTERN OF PCB.
- CIRCUIT IS SUBJECT TO CHANGE FOR IMPROVEMENT.

IDLING CURRENT ADJUSTMENT

1. Wait for 4 ~ 6 minutes after power on. (Heat running)
2. Re-adjust the trimming resistors according to the following values.

Adjustment point	Measured value	Re-adjustment value
R6040 ~ R6048	In case below 3 mV	→ 3 mV
	In case 3 ~ 4 mV	→ No re-adjustment
	In case over 4 mV	→ 4 mV

TO BAAF-0180 PART-8:H3

TO BAAMP-0191 PART-7:D2

TO BAAF-0180 PART-8:H3

TO BAAMP-0191 PART-7:D7

TO BAAF-0180 PART-8:H2

TO BAAMP-0191 PART-7:D5

TO BAAF-0180 PART-8:H1

TO BAAMP-0191 PART-7:A7

TO BAAF-0180 PART-8:H2

TO BAAMP-0191 PART-7:D4

TO BAAF-0180 PART-8:H4

TO BAAMP-0192 PART-7:H2

TO BAAF-0180 PART-8:H4

TO BAAMP-0192 PART-7:H7

TO BAAF-0180 PART-8:H5

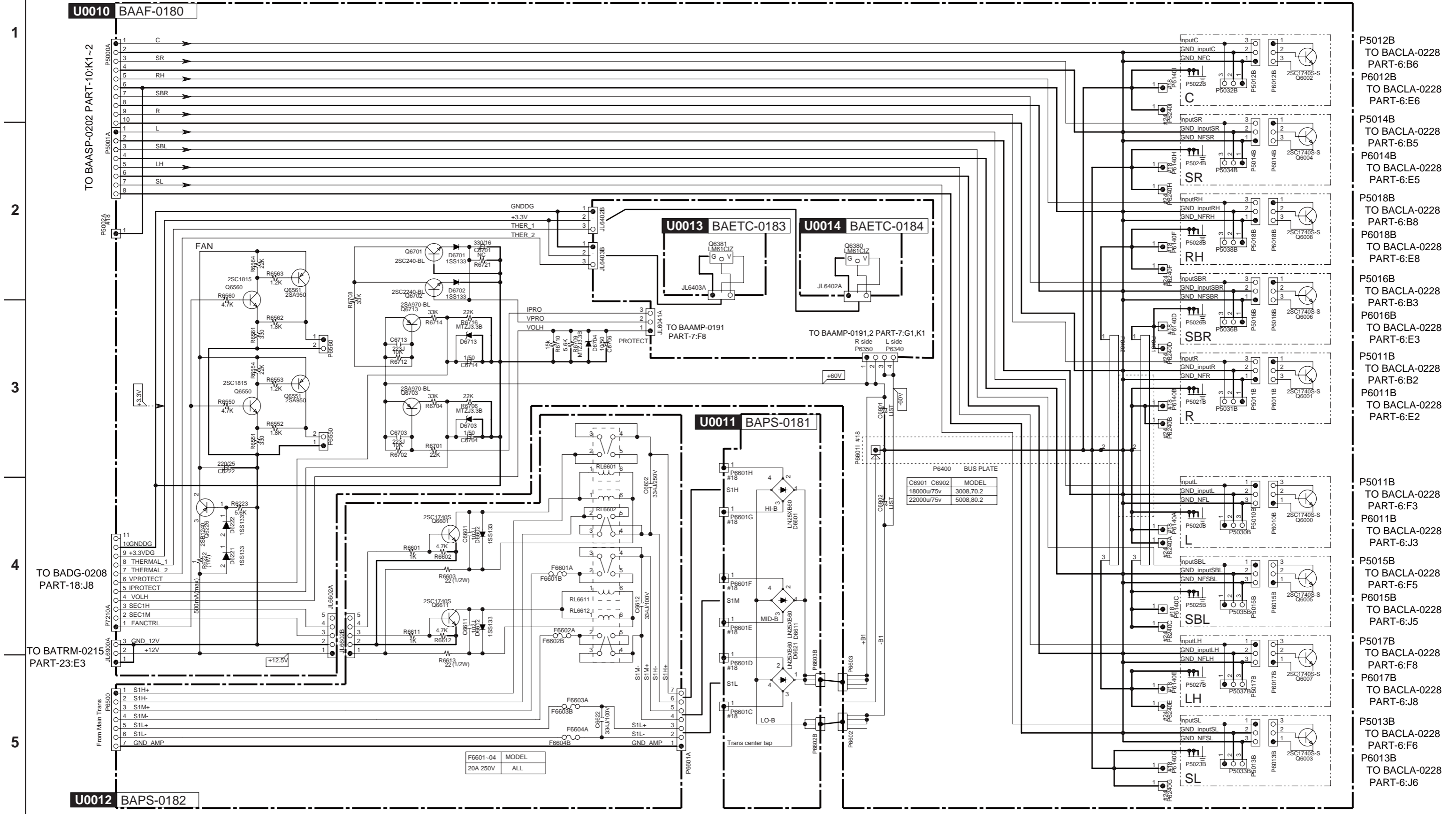
TO BAAMP-0192 PART-7:H5

TO BAAF-0180 PART-8:H5

TO BAAMP-0192 PART-7:H4

SCHEMATIC DIAGRAMS-8
AMP. POWER SUPPLY SECTION

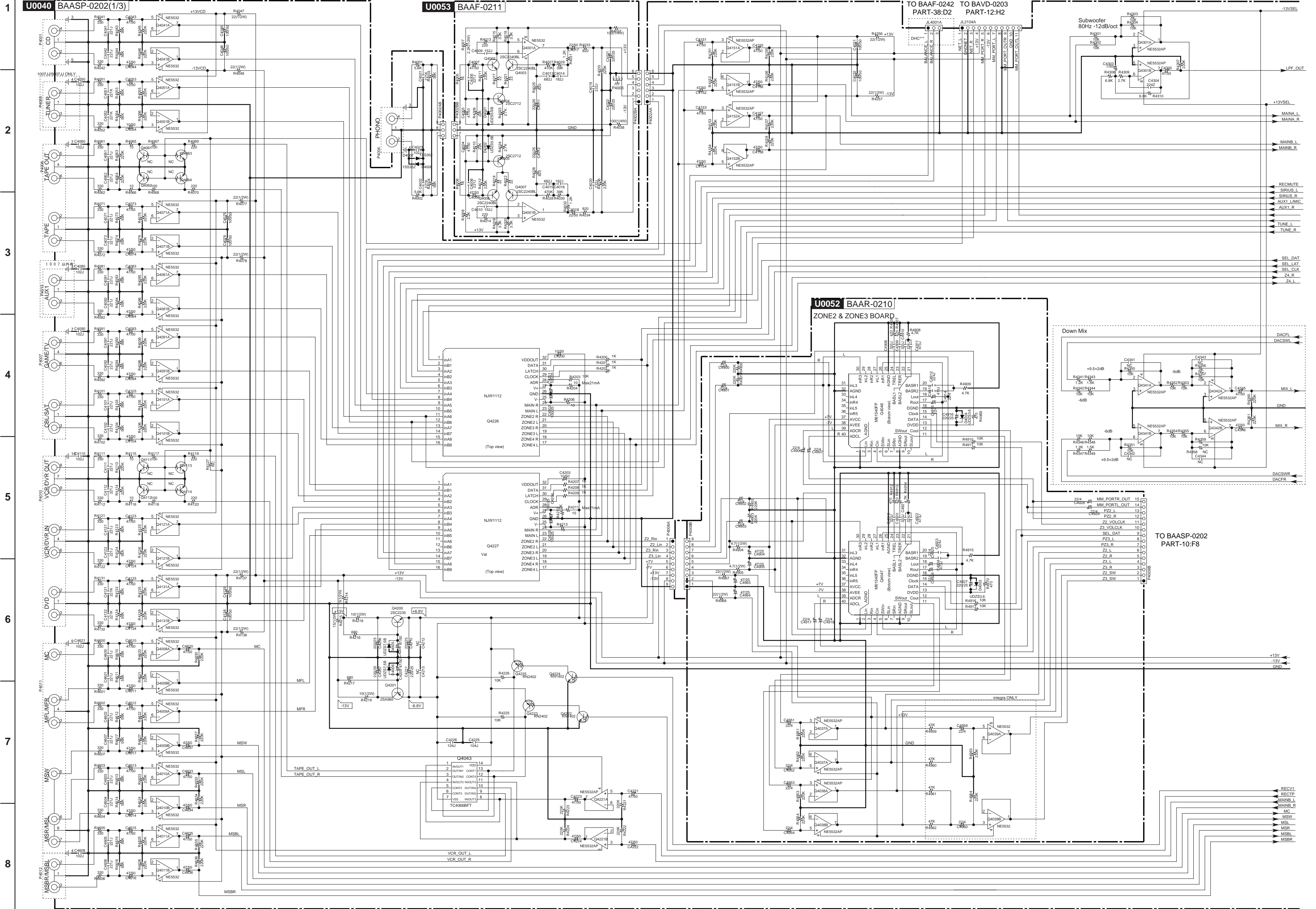
SCHEMATIC DIAGRAM (PART-8)
AMP3(Power supply,Protect .etc) SECTION
Model No.TX-NR3008/NR5008/NA5008,DTR-70.2/80.2



- P5012B TO BACLA-0228 PART-6:B6
- P6012B TO BACLA-0228 PART-6:E6
- P5014B TO BACLA-0228 PART-6:B5
- P6014B TO BACLA-0228 PART-6:E5
- P5018B TO BACLA-0228 PART-6:B8
- P6018B TO BACLA-0228 PART-6:E8
- P5016B TO BACLA-0228 PART-6:B3
- P6016B TO BACLA-0228 PART-6:E3
- P5011B TO BACLA-0228 PART-6:B2
- P6011B TO BACLA-0228 PART-6:E2
- P5011B TO BACLA-0228 PART-6:F3
- P6011B TO BACLA-0228 PART-6:J3
- P5015B TO BACLA-0228 PART-6:F5
- P6015B TO BACLA-0228 PART-6:J5
- P5017B TO BACLA-0228 PART-6:F8
- P6017B TO BACLA-0228 PART-6:J8
- P5013B TO BACLA-0228 PART-6:F6
- P6013B TO BACLA-0228 PART-6:J6

SCHEMATIC DIAGRAMS-9
ASP(AUDIO SIGNAL PROCESSOR)-1 SECTION

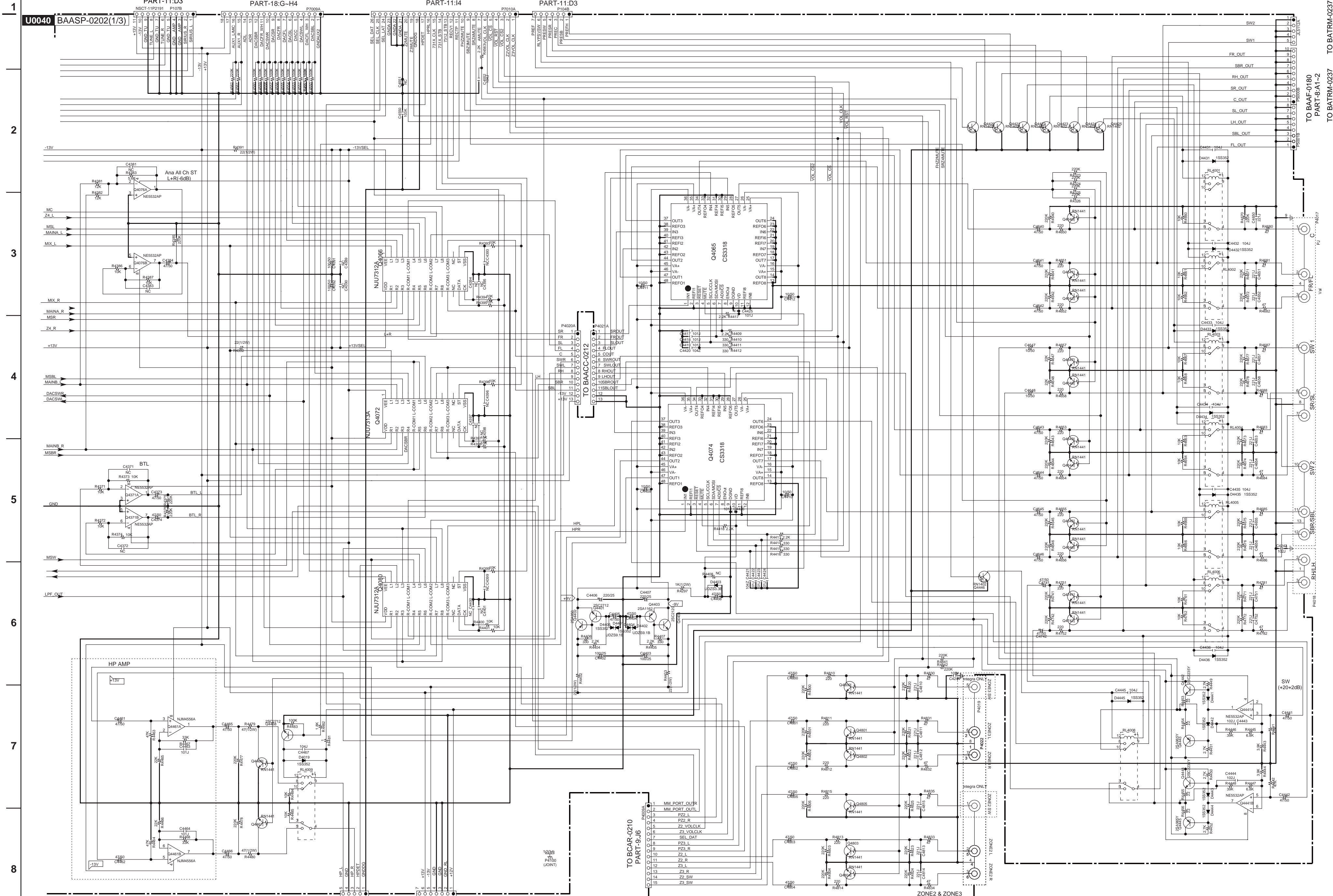
Schematic Diagram (PART-9)
ASP Section
Model No. TX-NR3008/NR5008/NA5008, DTR-70.2/80.2, PR-SC5508, DHC-80.2



TO BAASP-0202
PART-10:F8

SCHEMATIC DIAGRAMS-10
ASP(AUDIO SIGNAL PROCESSOR)-2 SECTION

Schematic Diagram (PART-10)
ASP Section
Model No. TX-NR3008/NR5008/NA5008, DTR-70.2/80.2, PR-SC5508, DHC-80.2



TO BAETC-0137
PART-19:J5
TO BAETC-0123
PART-21:J8

TO BATRM-0214
PART-23:E2
TO BATRM-0237
PART-37:J2

TO BACAR-0210
PART-9:J6

TO BAAF-0180
PART-8:A1-2
TO BATRM-0237
PART-37:A7
TO BATRM-0237
PART-37:A8

TO BAAF-0180
PART-8:A1-2

TO BATRM-0237
PART-37:A7

TO BATRM-0237
PART-37:A8

TO BAAF-0180
PART-8:A1-2

TO BATRM-0237
PART-37:A7

TO BATRM-0237
PART-37:A8

TO BAAF-0180
PART-8:A1-2

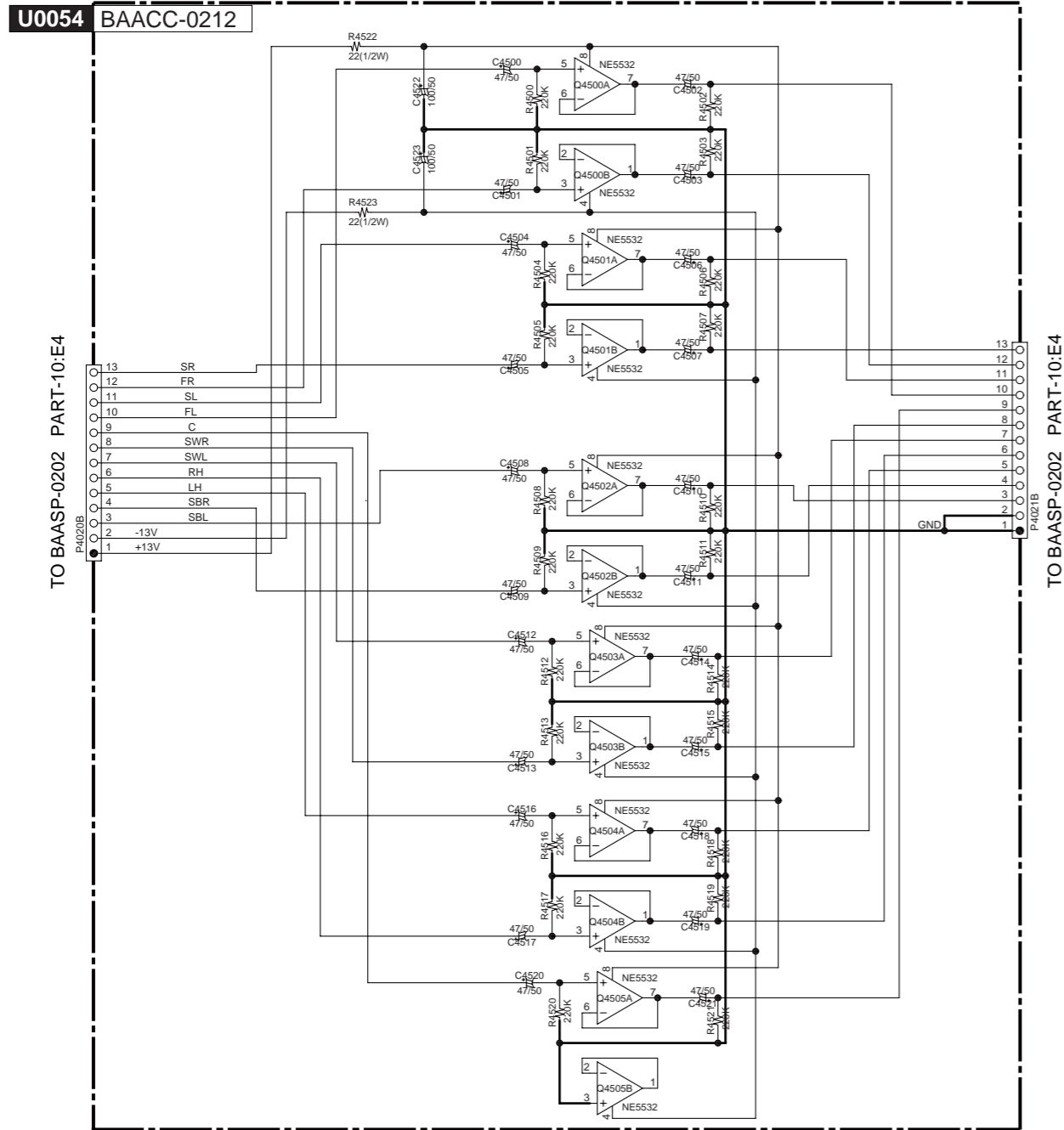
SCHEMATIC DIAGRAMS-11

ASP BUFFER, SIRIUS ANALOG TUNER, D SUB 15 IN SECTION

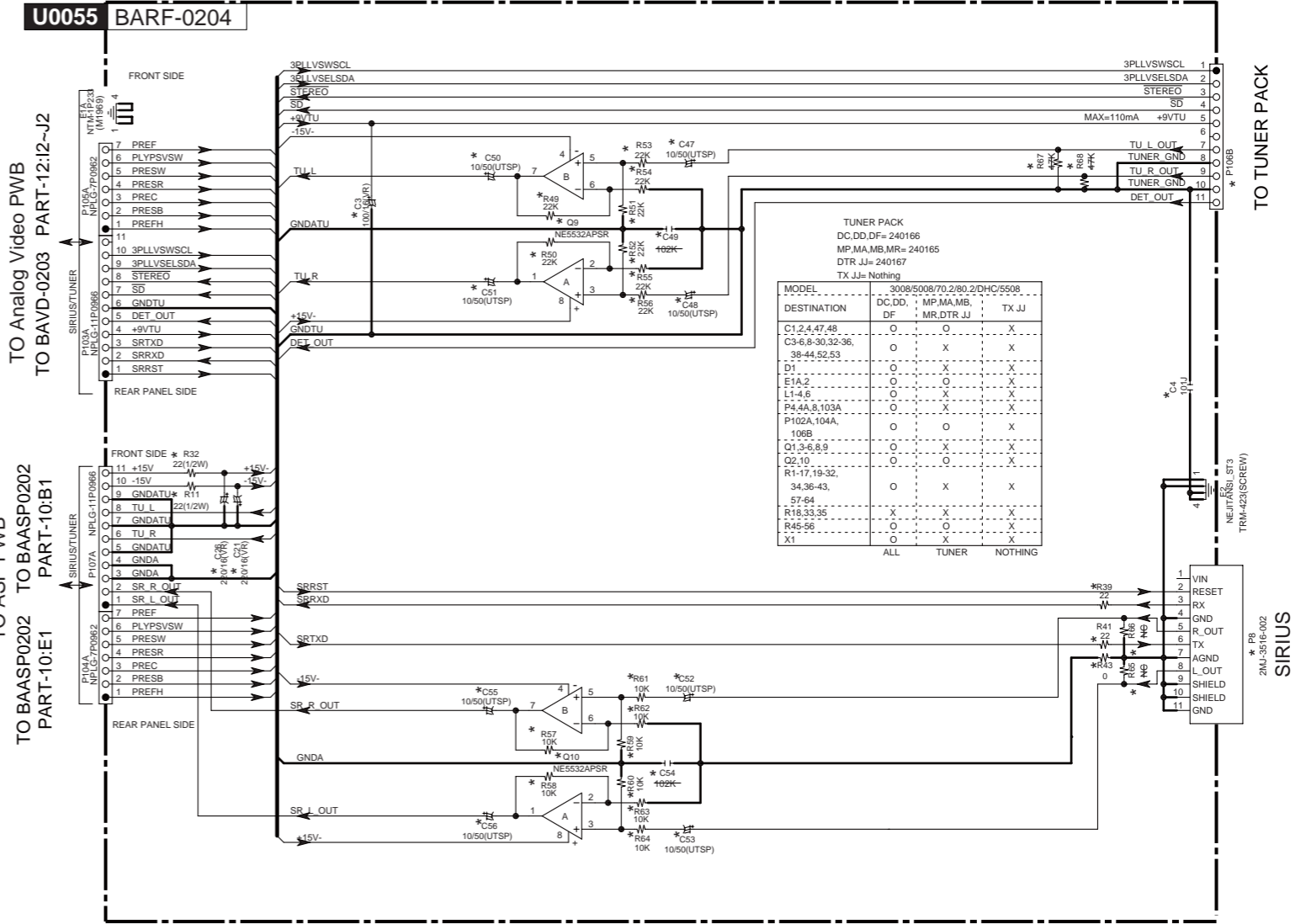
Schematic Diagram (PART-14)
SIRIUS&TUNER Section
Model No.TX-NR3008/NR5008/NA5008,DTR-70.2/80.2,PR-SC5508,DHC-80.2

1

Schematic Diagram (PART-11)
ASP Section
Model No.TX-NR3008/NR5008/NA5008,DTR-70.2/80.2,PR-SC5508,DHC-80.2



2

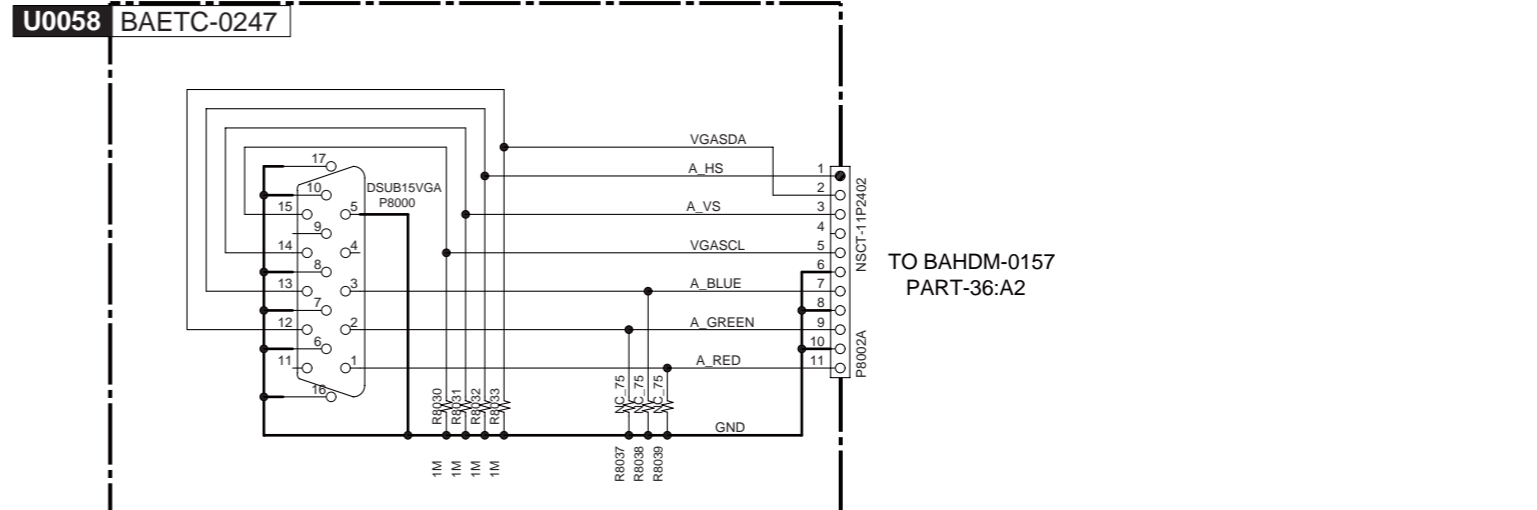


3

4

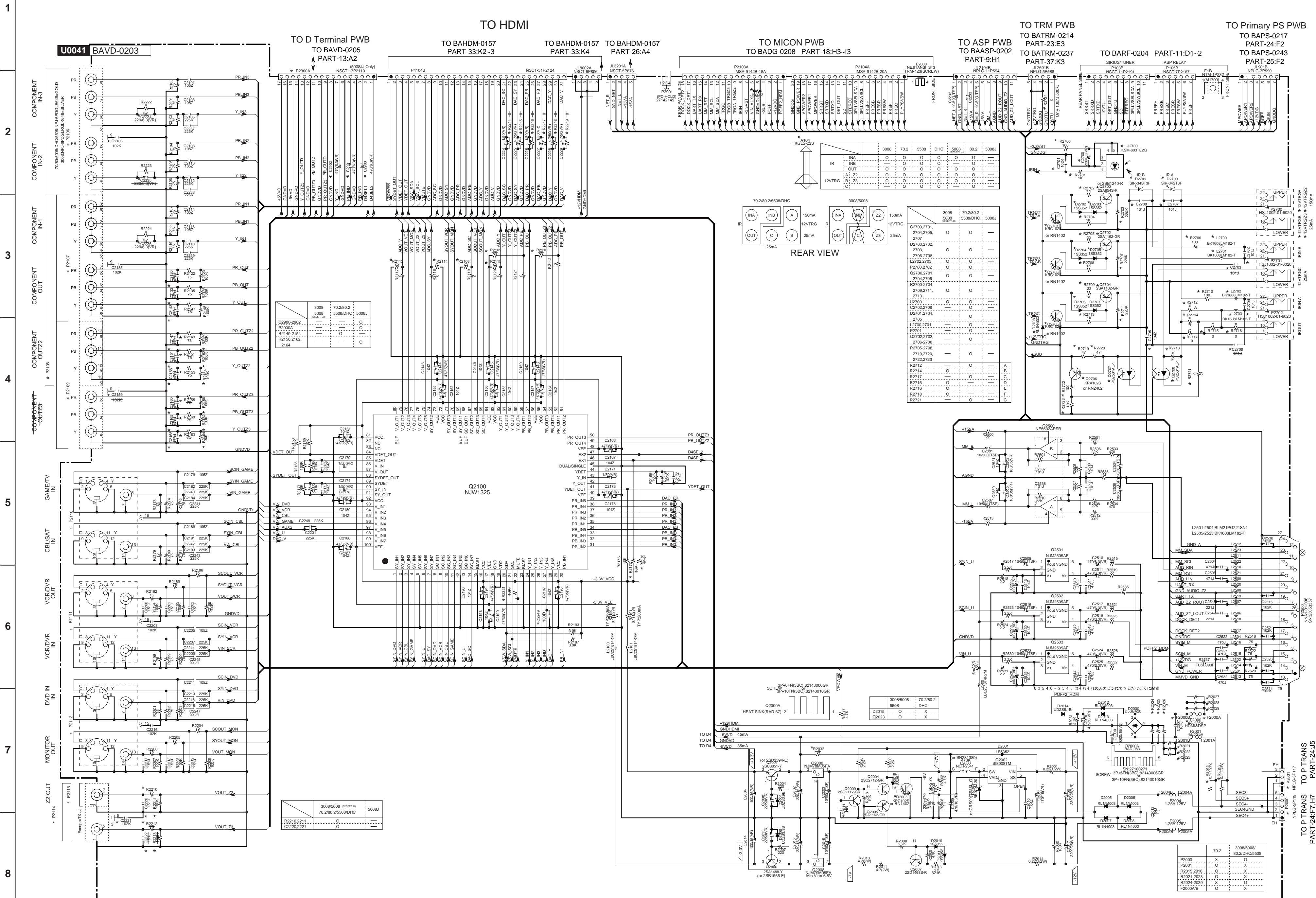
5

Schematic Diagram (PART-15)
D-SUB15 Section
Model No.TX-NR3008/NR5008/NA5008,DTR-70.2/80.2,PR-SC5508,DHC-80.2



SCHEMATIC DIAGRAMS-12
VIDEO (ANALOG) SECTION

Model No. TX-NR3008/NR5008/NA5008,DTR-70.2/80.2,PR-SC5508,DHC-80.2
Schematic Diagram (PART-12)
ANALOG VIDEO Section



1
2
3
4
5
6
7
8

COMPONENT IN-3
COMPONENT IN-2
COMPONENT IN-1
COMPONENT OUT
COMPONENT OUT2
COMPONENT OUT3
GAMEV IN
CBL/SAT IN
VCR/DVR OUT
VCR/DVR IN
DVD IN
MONITOR OUT
ZZ OUT

TOP TRANS TO PTRANS PART-24:F7,H7 PART-25:F4

A

B

C

D

E

SCHEMATIC DIAGRAMS-13
D4 VIDEO SECTION

Schematic Diagram (PART-13)
D Terminal Section
Model No.TX-NA5008

1

2

3

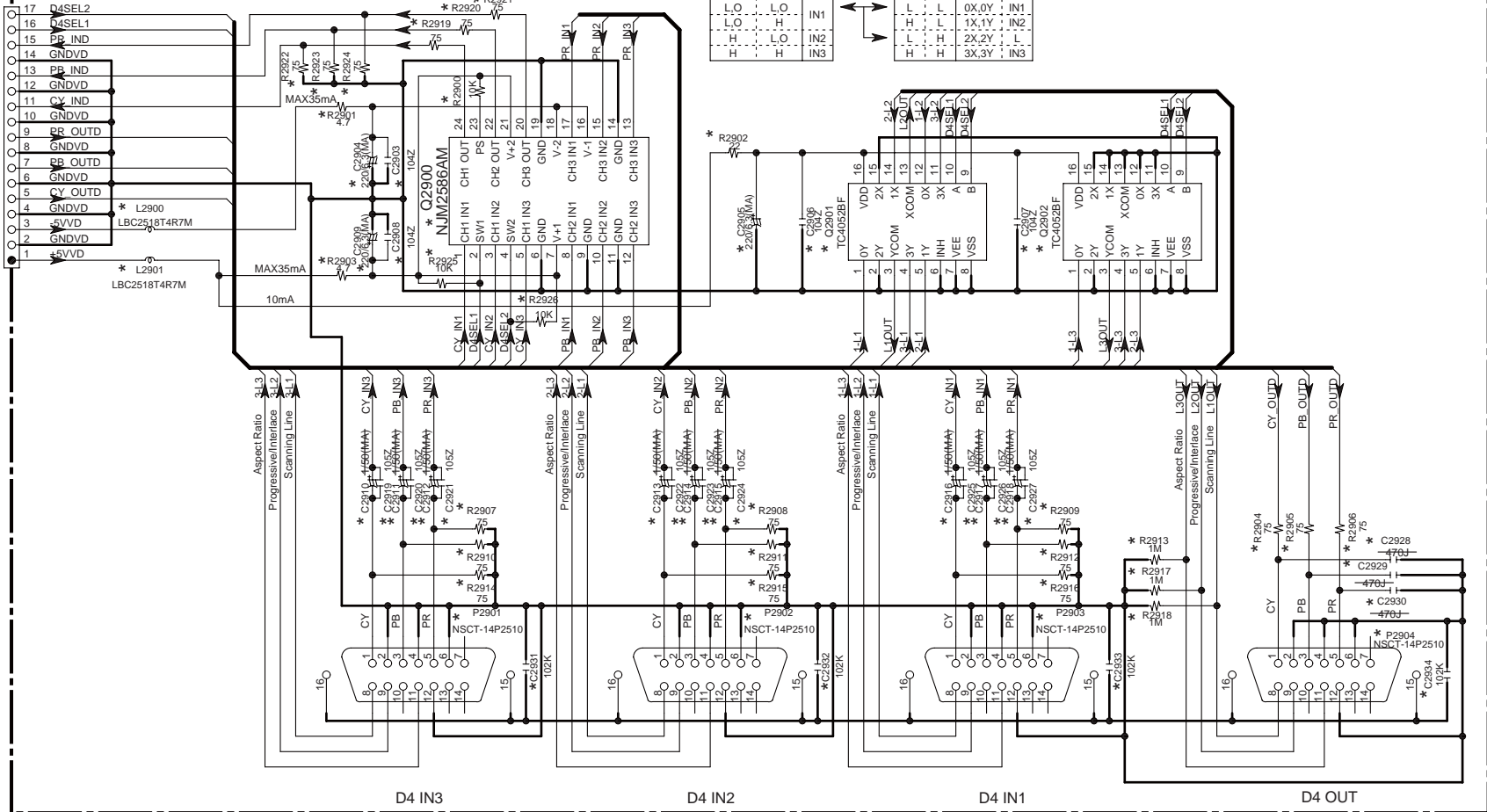
4

TO Analog Video PWB

BAVD-0203 PART-12:C2

(5006J Only)

U0056 BAVD-0205



SW1	SW2	OUT
L	L	0X,0Y : IN1
L	L	1X,1Y : IN2
H	L	2X,2Y : L
H	L	3X,3Y : IN3
H	H	
H	L	
H	H	

D4 IN3

D4 IN2

D4 IN1

D4 OUT

SCHEMATIC DIAGRAMS-16
DG AUDIO IN SECTION

Schematic Diagram (PART-16)
Model No.TX-NR3008/NR5008/NA5008,DTR-70.2/80.2,PR-SC5508,DHC-80.2
DG IN Section

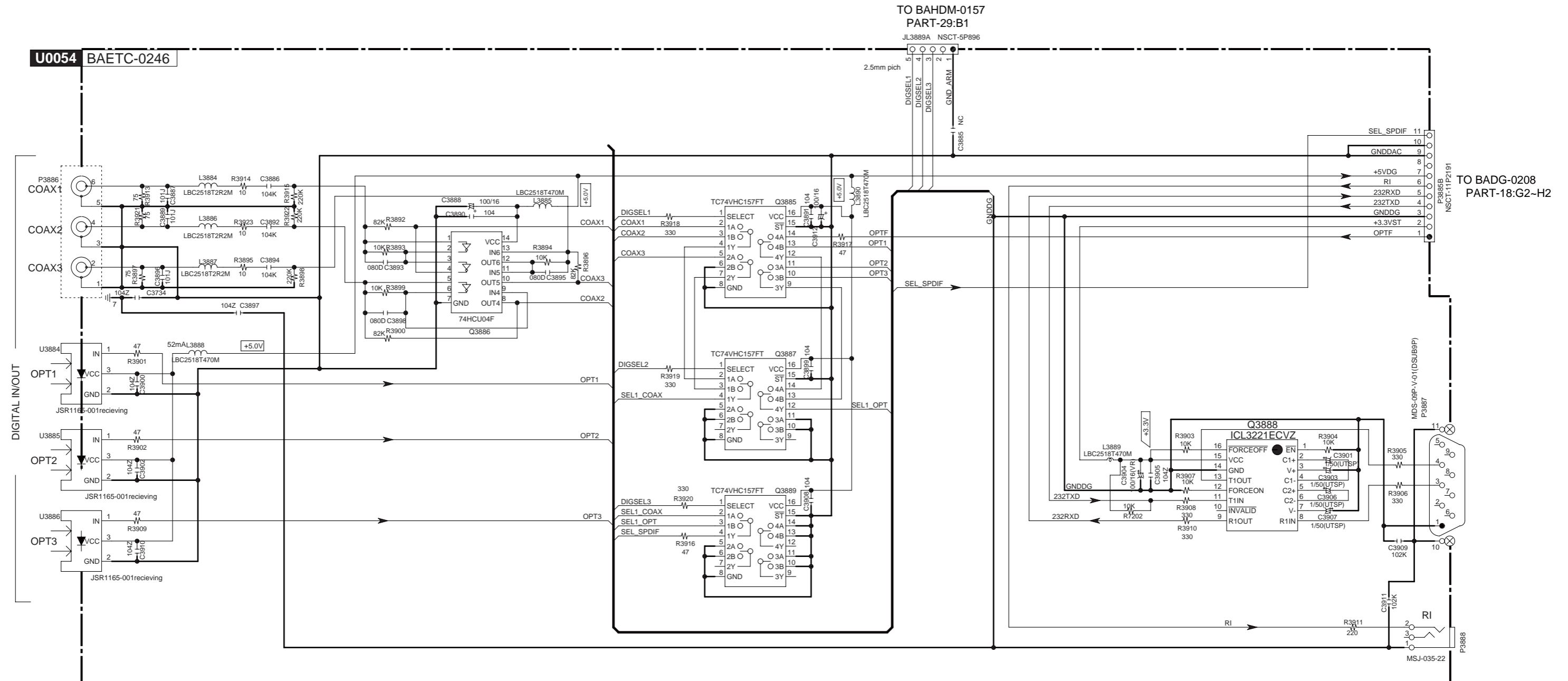
1

2

3

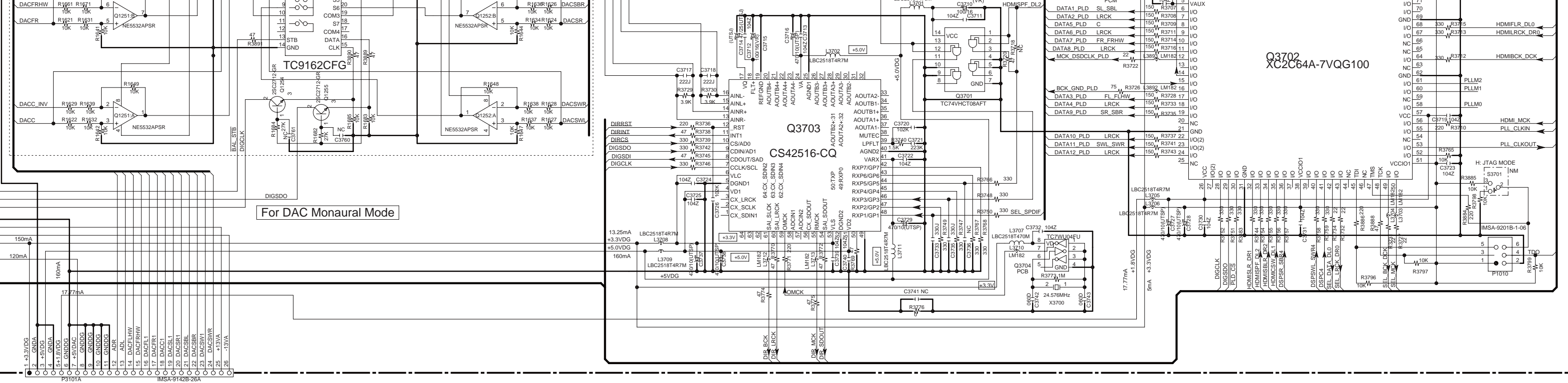
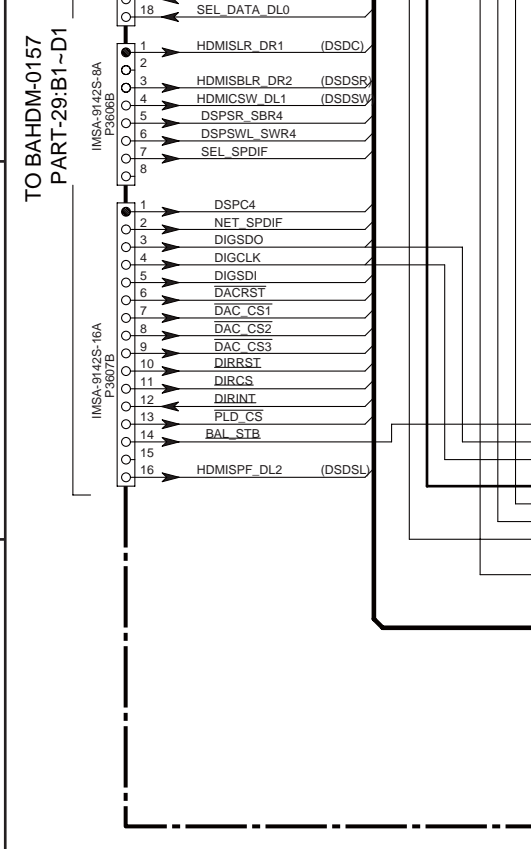
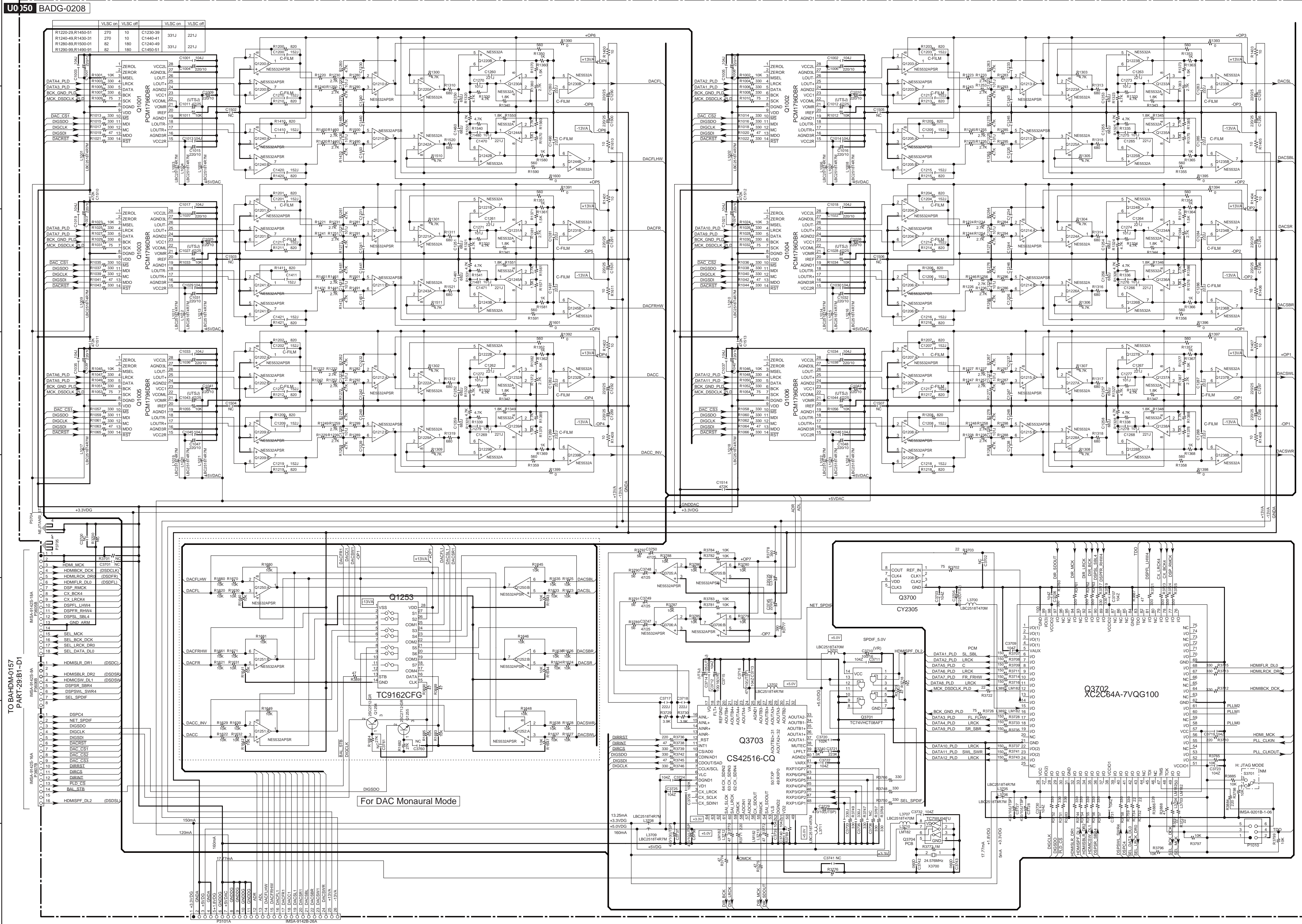
4

5



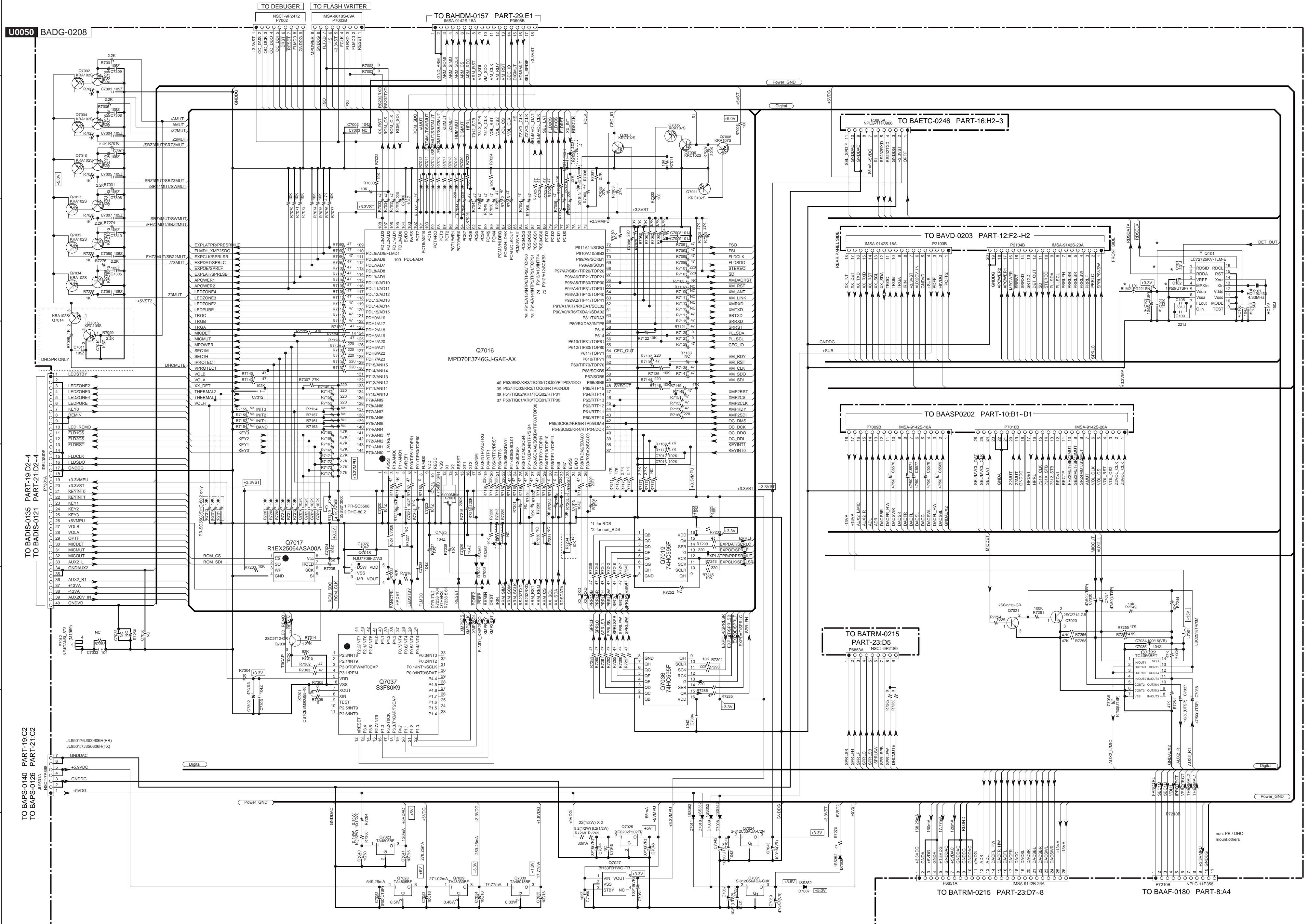
SCHEMATIC DIAGRAMS-17
CODEC DAC AND VLSC SECTION

Schematic Diagram (PART-17)
DAC/CODEC Section
Model No.TX-NR3008/NR5008/NA5008,DTR-70.2/80.2,PR-SC5508,DHC-80.2



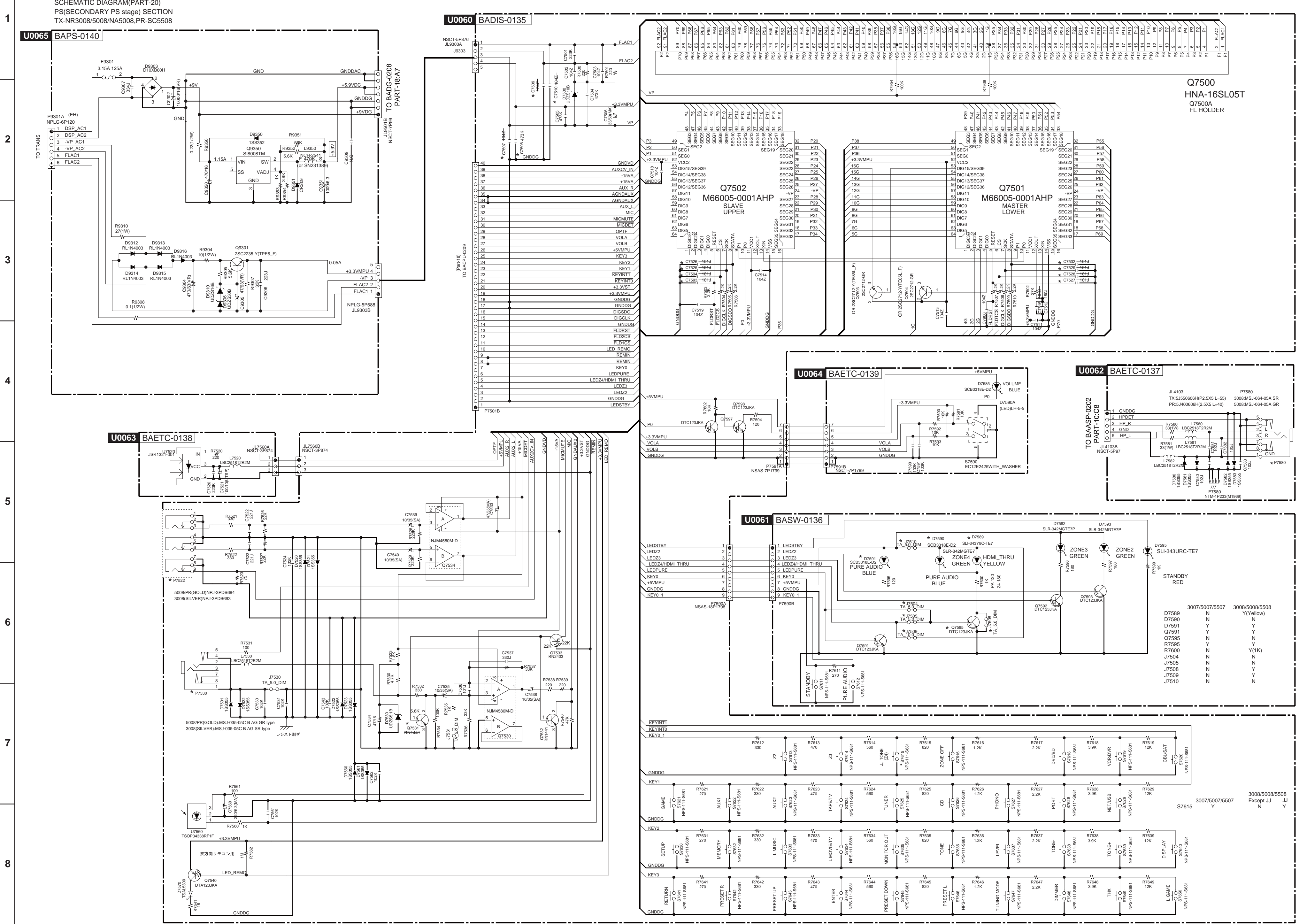
SCHEMATIC DIAGRAMS-18
MAIN MICROPROCESSOR SECTION

Schematic Diagram (PART-18)
MAIN uCOM Section
Model No. TX-NR3008/5008/NA5008, DTR-70.2/80.2, PR-SC5508, DHC-80.2



SCHEMATIC DIAGRAMS-19 DISPLAY SECTION (TX-)

SCHEMATIC DIAGRAM (PART-19) DISP(TX/PR DISP stage) SECTION
Model No. TX-NR3008/NR5008/NA5008, PR-SC5508



Q7500
HNA-16SL05T
Q7500A
FL HOLDER

U0063 BAETC-0138

U0064 BAETC-0139

U0062 BAETC-0137

U0061 BASW-0136

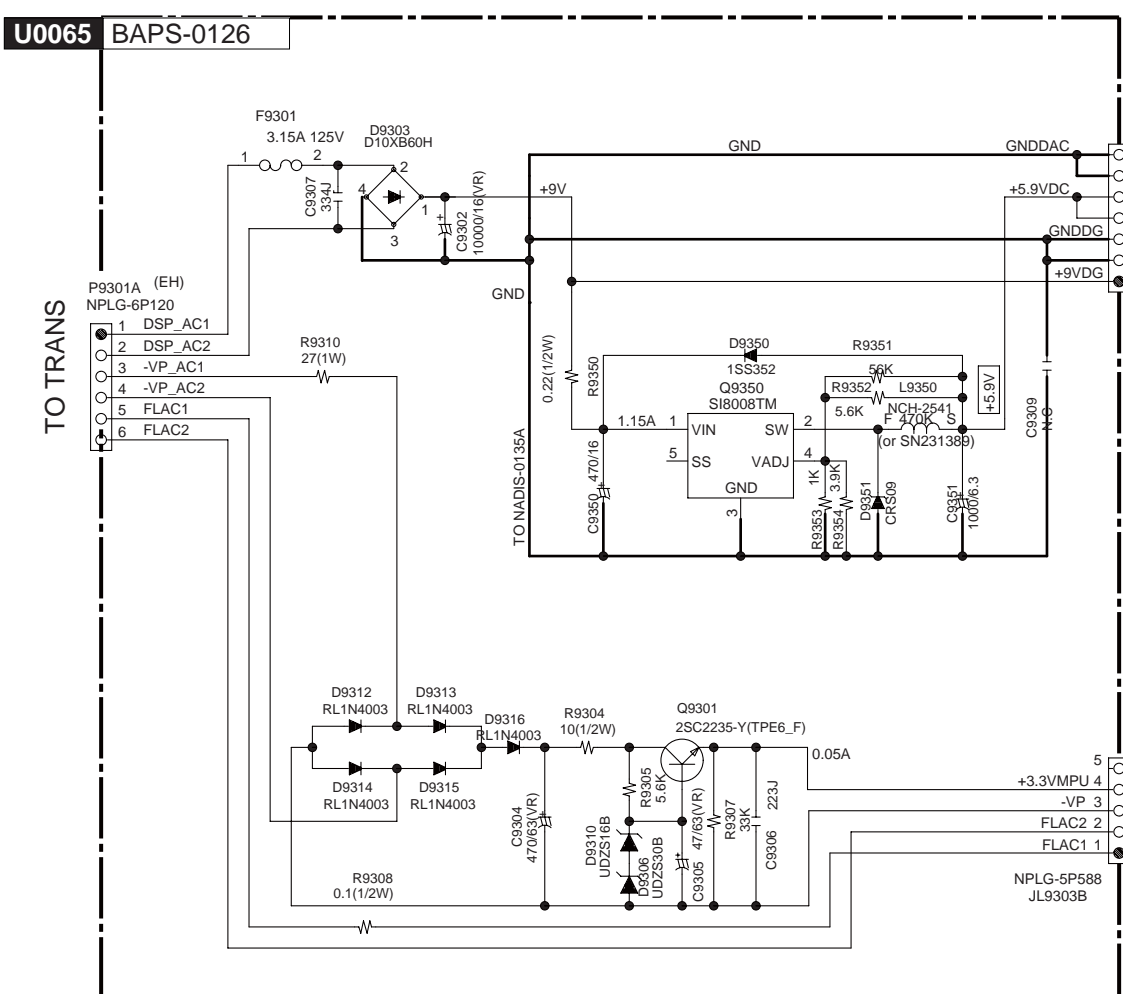
U0065 BAPS-0140

U0066 BADIS-0135

SCHEMATIC DIAGRAMS-21
DISPLAY SECTION (DTR-)

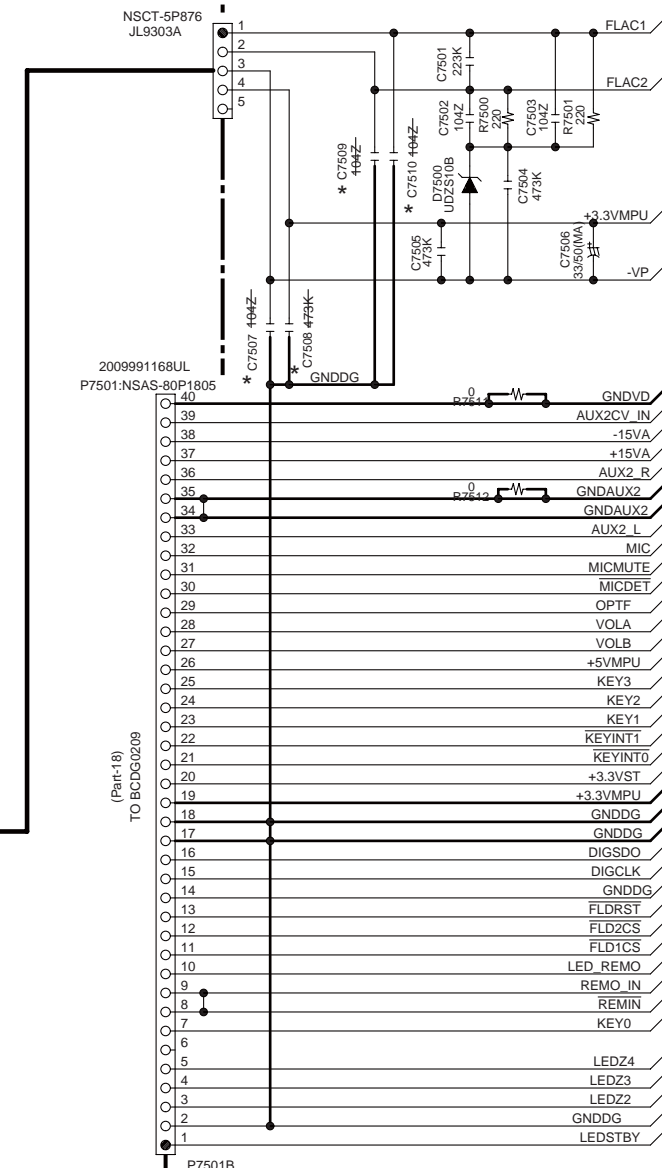
SCHEMATIC DIAGRAM (PART-21) DISP(DTR/DHC DISP stage) SECTION
Model No.DTR-70.2/80.2,DHC-80.2

DTR-70.2/80.2/DHC-80.2
PS(SECONDARY PS stage) SECTION
SCHEMATIC DIAGRAM(PART-22)

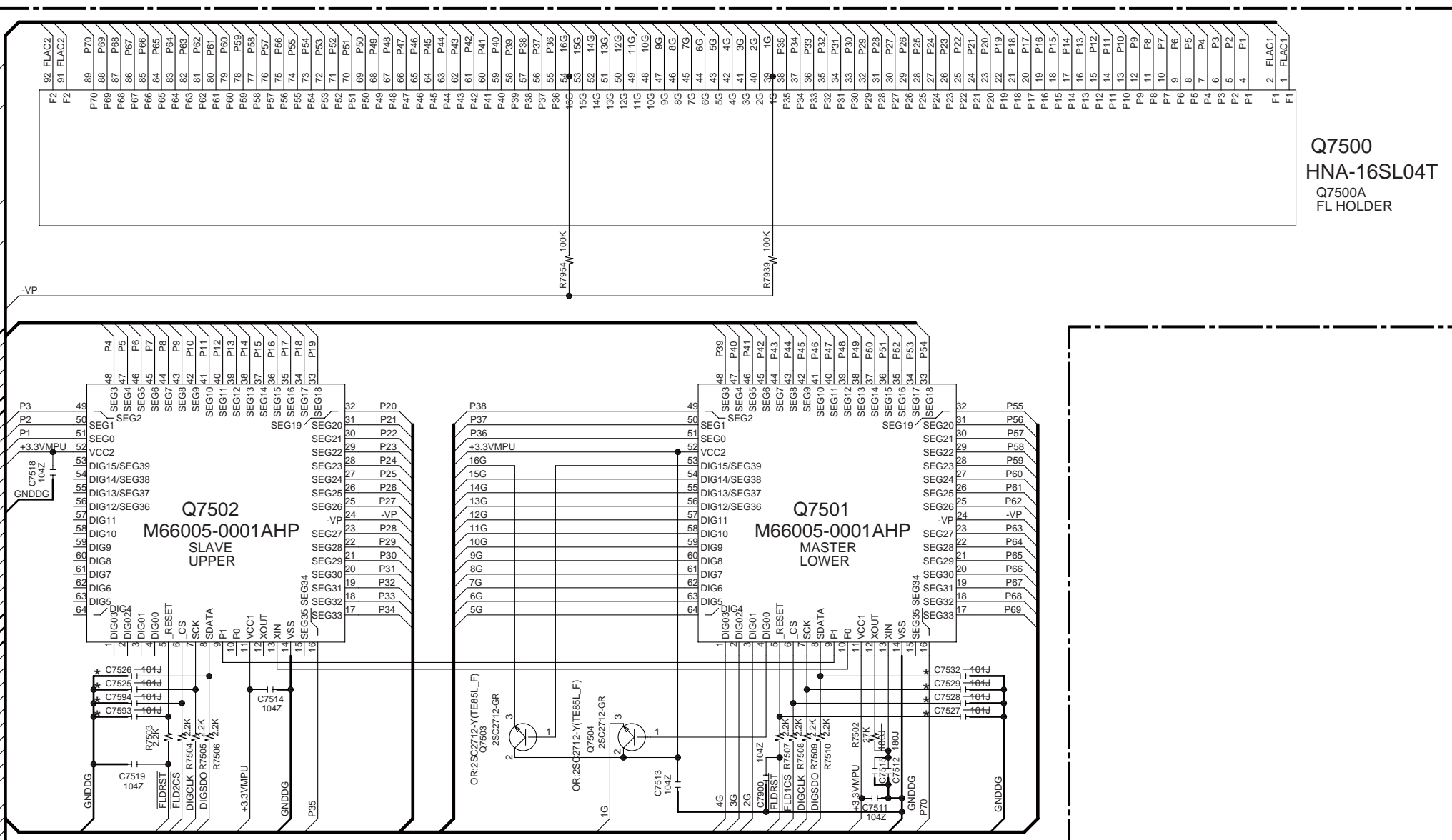


TO BADG-0208
PART-18:A7

U0060 BADIS-0121



TO BACPU-0209
PART-18:A7

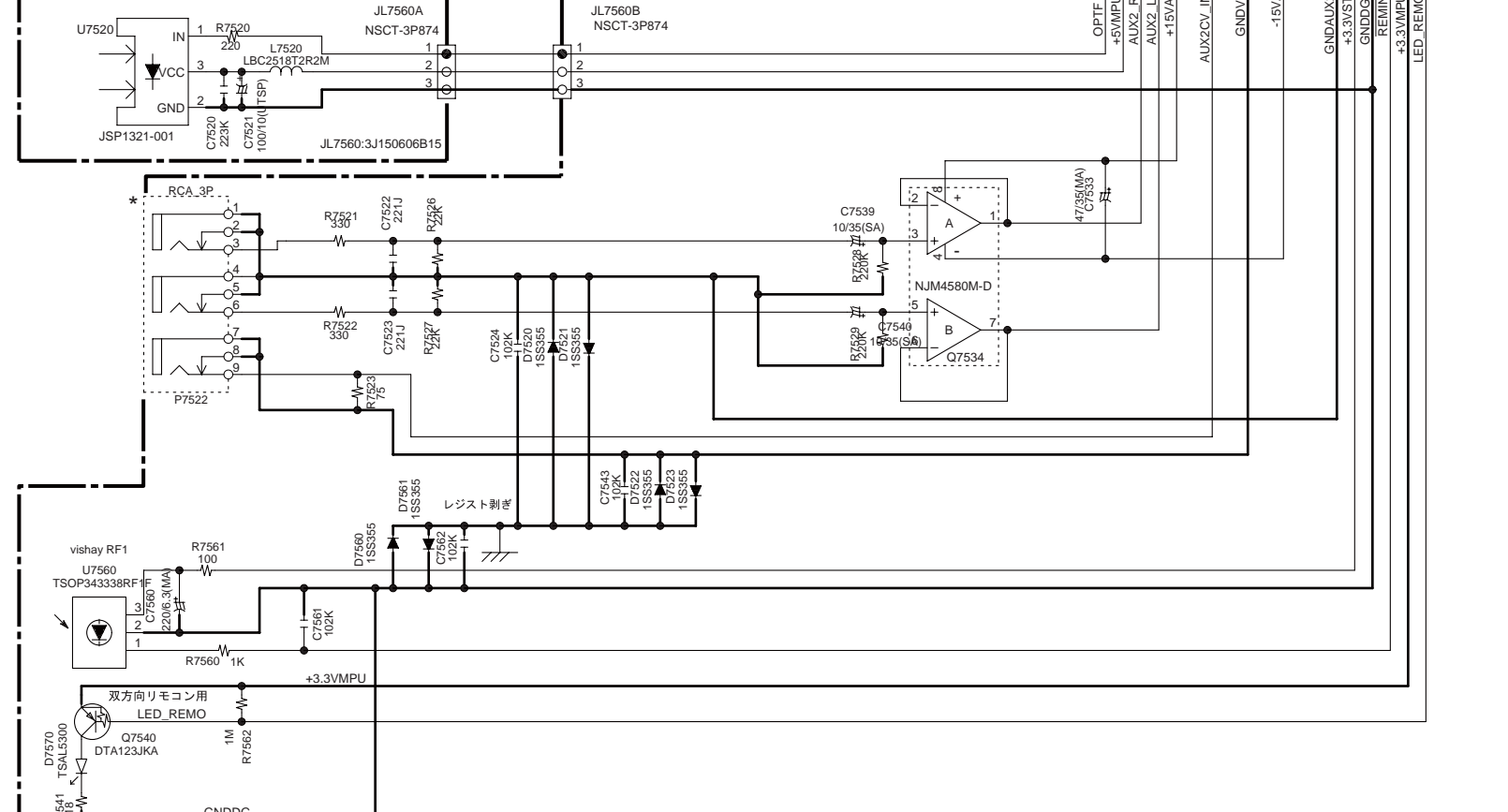


Q7500
HNA-16SL04T
FL HOLDER

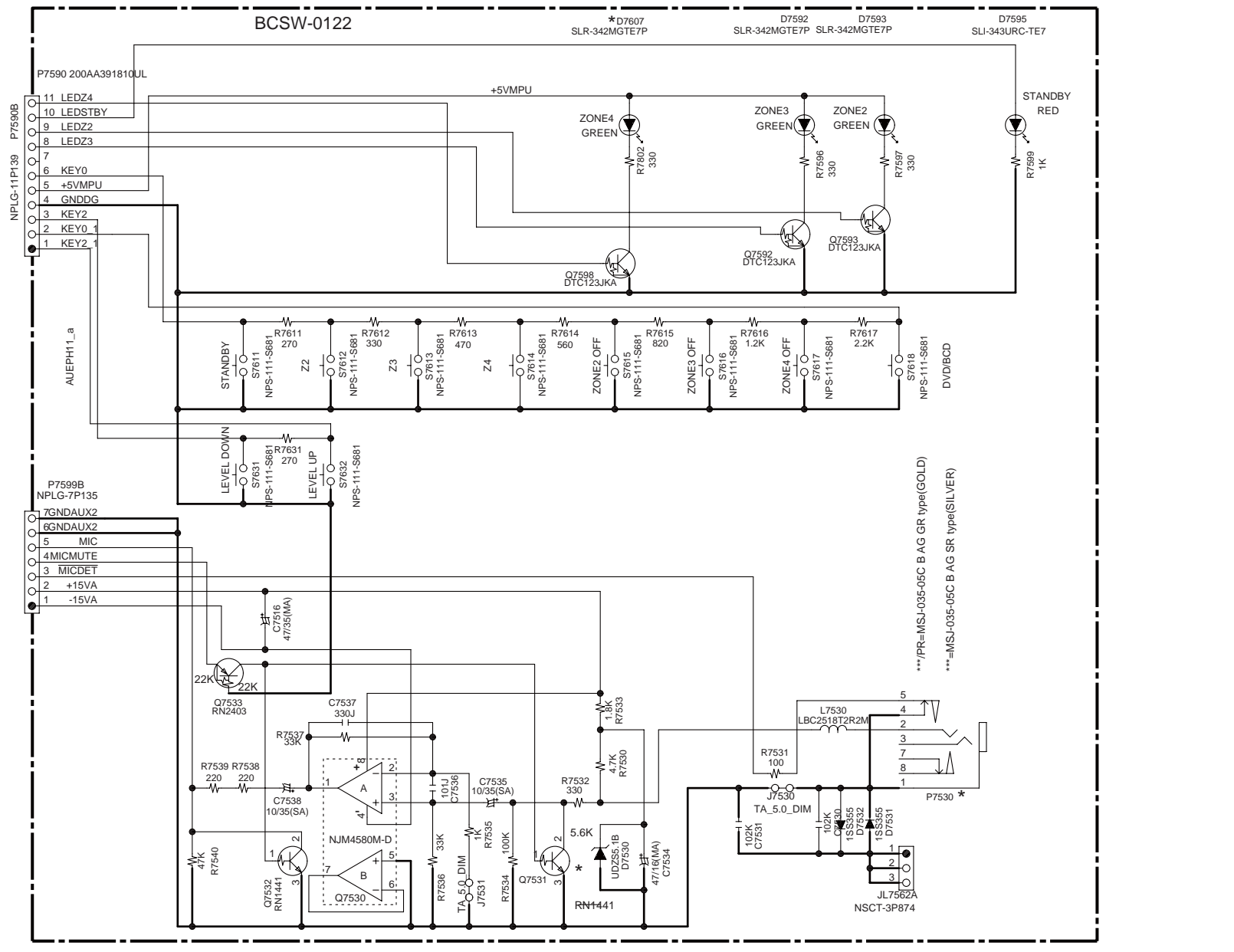
Q7502
M66005-0001AHP
SLAVE
UPPER

Q7501
M66005-0001AHP
MASTER
LOWER

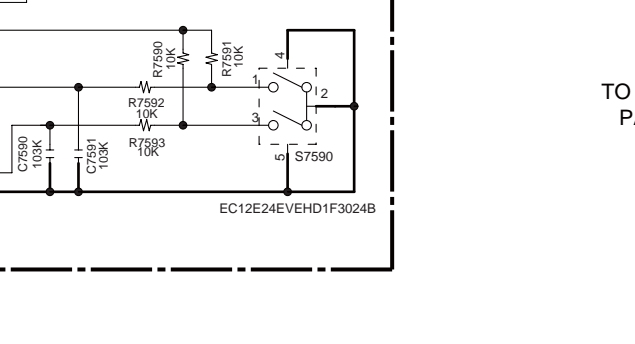
U0063 BAETC-0124



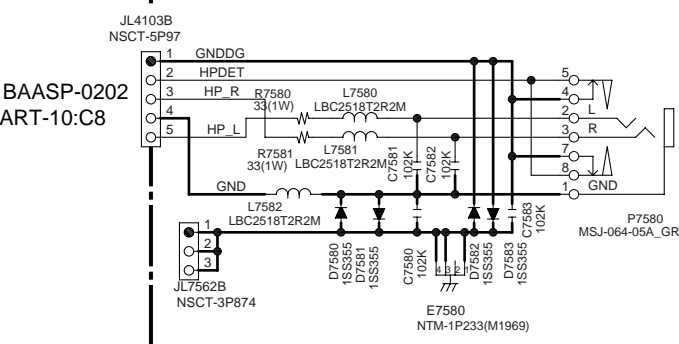
TO BACPU-0209
PART-18:A7



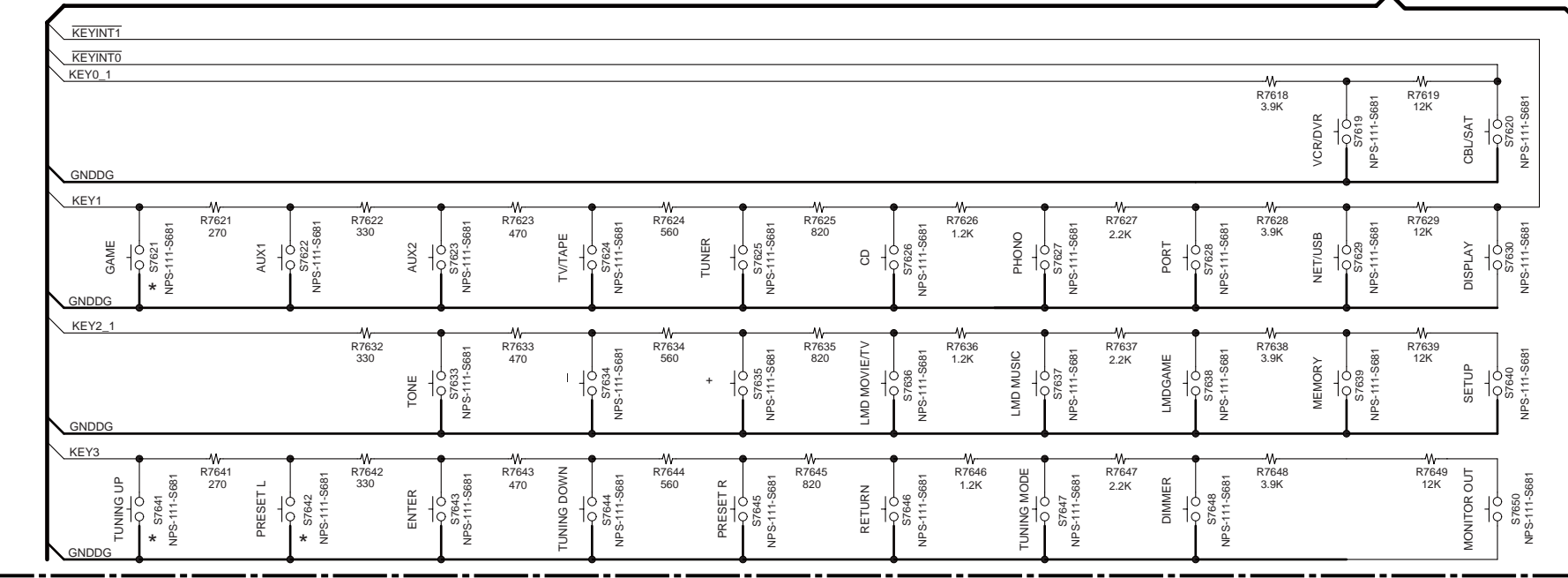
U0064 BAETC-0125



U0064 BAETC-0123



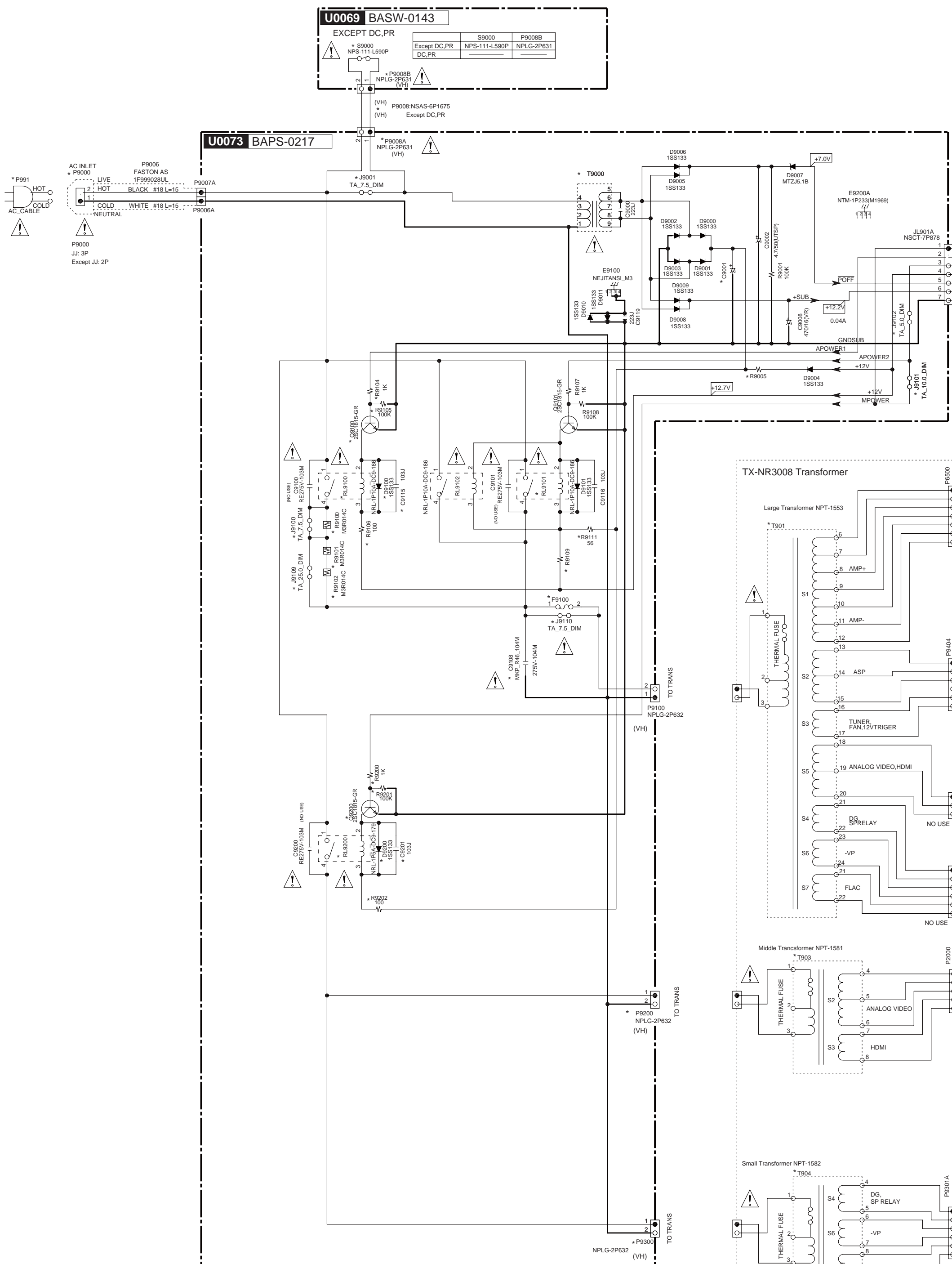
TO BAASP-0202
PART-10:C8



SCHEMATIC DIAGRAMS-24
PRIMARY POWER SUPPLY (AMP.) SECTION

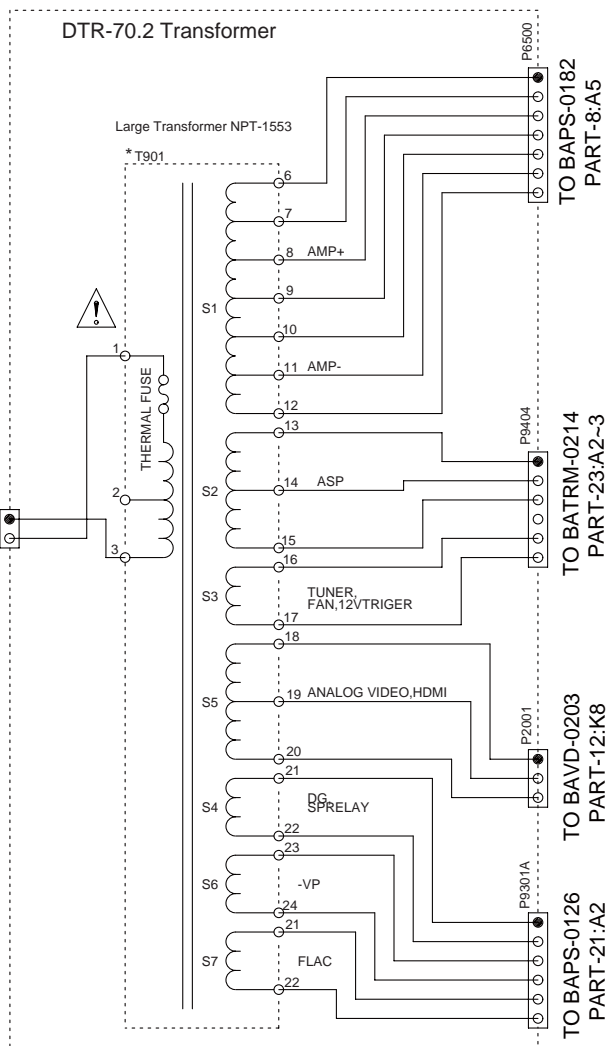
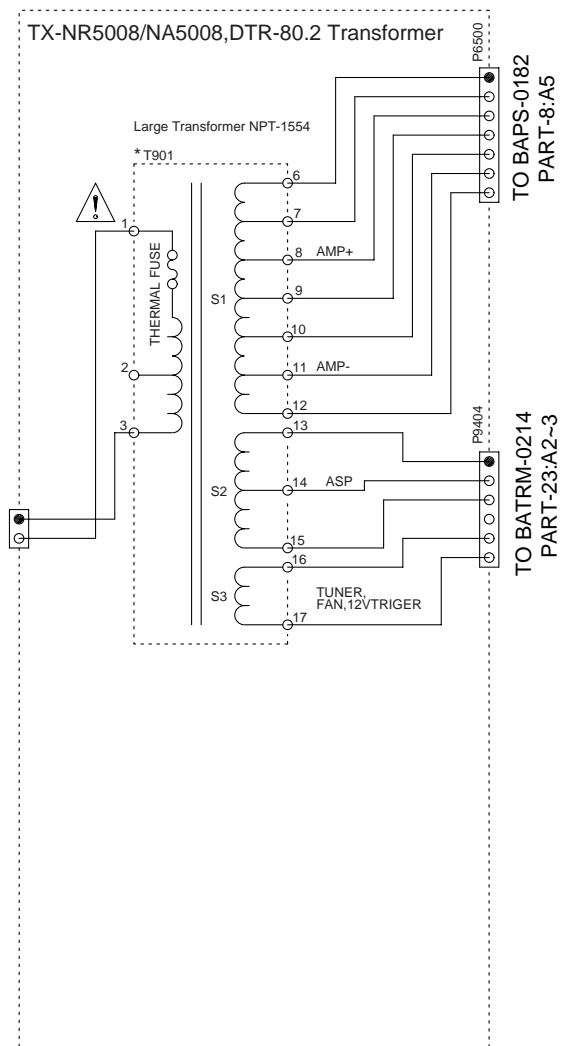
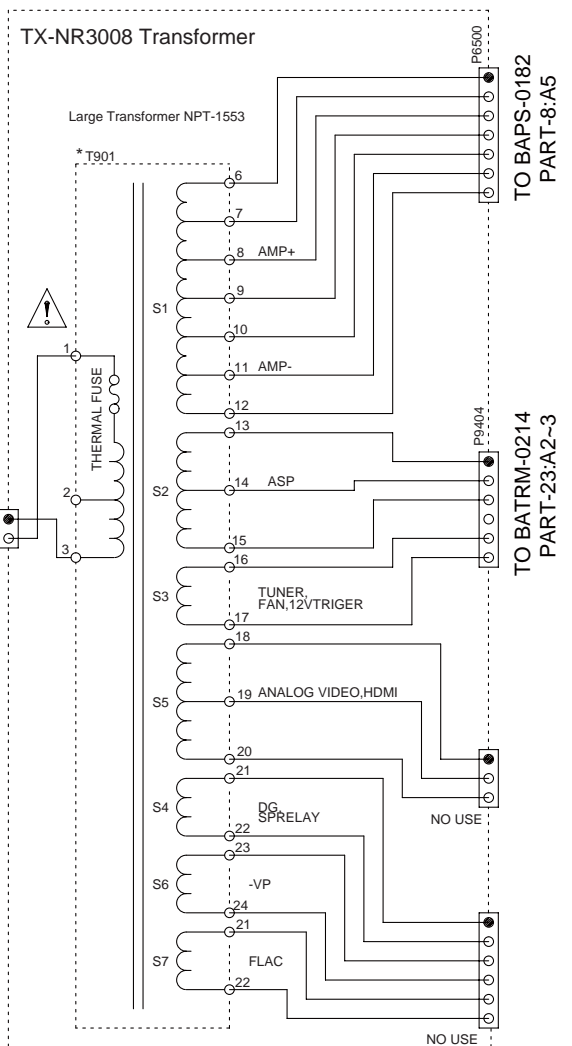
SCHEMATIC DIAGRAM (PART-24)
Model No. TX-NR3008/NR5008/NA5008,DTR-70.2/80.2
PS(Primary PS stage) SECTION

1
2
3
4
5
6
7
8



	70.2	3008	5008/80.2
C9108	Except Jtype	Except Jtype	Except Jtype
C9115	D.J	x	x
C9201	x	x	x
D9100	D.J	x	x
D9200	x	x	x
J9001	DC, Integra	DC, Integra	DC, Integra
J9100	DC	DC	x
J9101	x	x	x
J9102	x	x	x
J9103	only Dtype	only Dtype	x
J9110	x	x	x
P9006A	Except DC, Integra	Except DC, Integra	Except DC, Integra
P9200,9300	x	x	x
C9100	D.J	x	x
C9200	x	x	x
R9005	27	27	27
R9100-9102	x	x	x
R9104	D.J	x	x
R9105	D.J	x	x
R9106	D=100 M=120	D=100 M=120	D=100 M=120
R9109	D=150	D=150	D=150
R9111	x	x	x
R9200	x	x	x
R9201	x	x	x
R9202	x	x	x
RL9100	D.J	x	x
RL9102	x	only Dtype	D.J
RL9200	x	x	x

T9000
D.J/NPT-1520JQ
OHTERS:NPT-1520GQ
C9001
D:2200/25V
OHTERS:2200/16V
F9100
D:12A-JUL-ST6 12A/125V
M:6.3A-SE-TL250V 6.3A/250V
J:15A-T-ST6N1 15A/125V



印は火災、感電の危険に關する部品の為、必ず指定部品を使用の事。
電圧表示は無使用時に測定した電流電圧を示す。
(単位 V、入力抵抗 100kΩ/V 以上の電圧計)
記入なきコンデンサの単位は μF/500V である。
例) 0.3 0.3 → 0.3 μF 3.3 0.3 → 3.3 μF 3.3 1 → 3.3 0.3 μF 3.3 3 → 0.33 μF
*本配線図は基本配線図につき性能改善等により予告なく変更する事がある。

• THE COMPONENTS IDENTIFIED BY MARK ARE CRITICAL FOR SAFETY. REPLACE ONLY WITH PART NUMBER SPECIFIED.
• VOLTAGE(MEASURED WITH VOLTMETER)IS DC VOLTAGE.(NO INPUT SIGNAL)
• ELECTROLYTIC CAPACITORS() ARE IN μ F/WV
• ALL CAPACITORS ARE IN μ F/500V UNLESS OTHERWISE NOTED.
EX) 030 → 3μF 330 → 33μF 331 → 330μF 333 → 0.033 μ F
• CIRCUIT IS SUBJECT TO CHANGE FOR IMPROVEMENT.

CAUTION
FOR CONTINUED PROTECTION AGAINST FIRE HAZARD, REPLACE ONLY WITH FUSE OF SAME TYPE AND RATING INDICATED.
ATTENTION
AFIN D'ASSURER UNE PROTECTION PERMANENTE CONTRE LES RISQUES D'INCENDIE, REMPLACER UNIQUEMENT PAR UN FUSIBLE DE MEME TYPE ET CALIBRATION COMME INDIQUE.

THIS SYMBOL LOCATED NEAR THE FUSE INDICATES THAT THE FUSE USED IS SLOW OPERATING TYPE FOR CONTINUED PROTECTION AGAINST FIRE HAZARD.REPLACE WITH SAME TYPE FUSE. FOR FUSE RATING REFER TO THE MAKING ADJACENT TO THE SYMBOL.
 CE SYMBOLE INDIQUE QUE LE FUSIBLE UTILISE EST A LENT, E POUR UNE PROTECTION PERMANENTE.NUTILISER QUE DES FUSIBLES DE MEME TYPE. CE DERNIER EST INDIQUE LA OU LE PRESENT SYMBOLE EST APOSE.

SCHEMATIC DIAGRAMS-25
PRIMARY POWER SUPPLY (PRE) SECTION

SCHEMATIC DIAGRAM (PART-25)
Model No. PR-SC5508,DHC-80.2
PS(Primary PS stage) SECTION

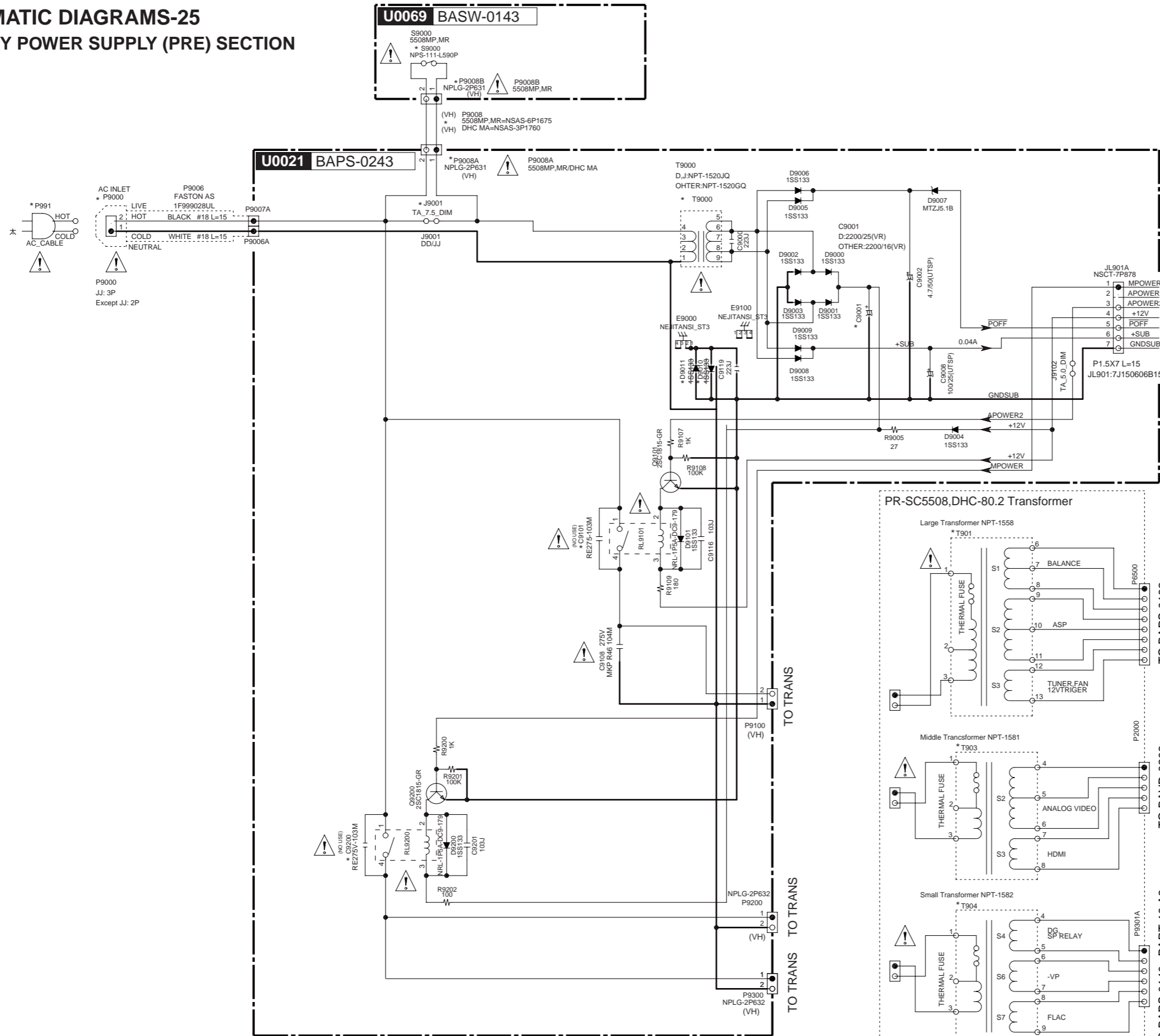
1

2

3

4

5



MODEL	Informal name
DHC-80.2	DHC
PR-SC5508	5507

- 印は火災、感電の危険に關する部品の為、必ず指定部品を使用の事。
- 電圧表示は無信号時に測定した直流電圧を示す。
(単位V、入力抵抗100kΩ/V以上の電圧計)
- 記入なきコンデンサの単位はμF/VVである。
- 記入なきコンデンサの単位はpF/50VVである。
例 030→3pF 330→33pF 331→330pF 333→0.033μF
- 本配線図は基本配線図につき性能改善等により予告なく変更する事がある。

- THE COMPONENTS IDENTIFIED BY MARK ARE CRITICAL FOR SAFETY. REPLACE ONLY WITH PART NUMBER SPECIFIED.
- VOLTAGE(MEASURED WITH VOLTMETER)IS DC VOLTAGE.(NO INPUT SIGNAL)
- ELECTROLYTIC CAPACITORS()ARE IN μF/VV
- ALL CAPACITORS ARE IN pF/50VV UNLESS OTHERWISE NOTED.
EX) 030 → 3pF 330 → 33pF 331 → 330pF 333 → 0.033 μF
- CIRCUIT IS SUBJECT TO CHANGE FOR IMPROVEMENT.

CAUTION

FOR CONTINUED PROTECTION AGAINST FIRE HAZARD, REPLACE ONLY WITH FUSE OF SAME TYPE AND RATING INDICATED.

ATTENTION

AFIN D'ASSURER UNE PROTECTION PERMANENTE CONTRE LES RISQUES D'INCENDIE, REMPLACER UNIQUEMENT PAR UN FUSIBLE DE MEME TYPE ET CALIBRATION COMME INDIQUE.

THIS SYMBOL LOCATED NEAR THE FUSE INDICATES THAT THE FUSE USED IS SLOW OPERATING TYPE FOR CONTINUED PROTECTION AGAINST FIRE HAZARD.REPLACE WITH SAME TYPE FUSE. FOR FUSE RATING REFER TO THE MAKING ADJACENT TO THE SYMBOL.

CE SYMBOLE INDIQUE QUE LE FUSIBLE UTILISE EST A LENT, E POUR UNE PROTECTION PERMANENTE.NUTILISER QUE DES FUSIBLES DE MEME TYPE. CE DARNIER EST INDIQUE LA OU LE PRESENT SYMBOLE EST APPOSE.

TO BAVD-0203
PART-112:K2

TO BAPS-0182
PART-8:A5

TO BAVD-0203
PART-12:K8

TO BAPS-0140
PART-19:A2
TO BAPS-0126
PART-21:A2

TO TRANS

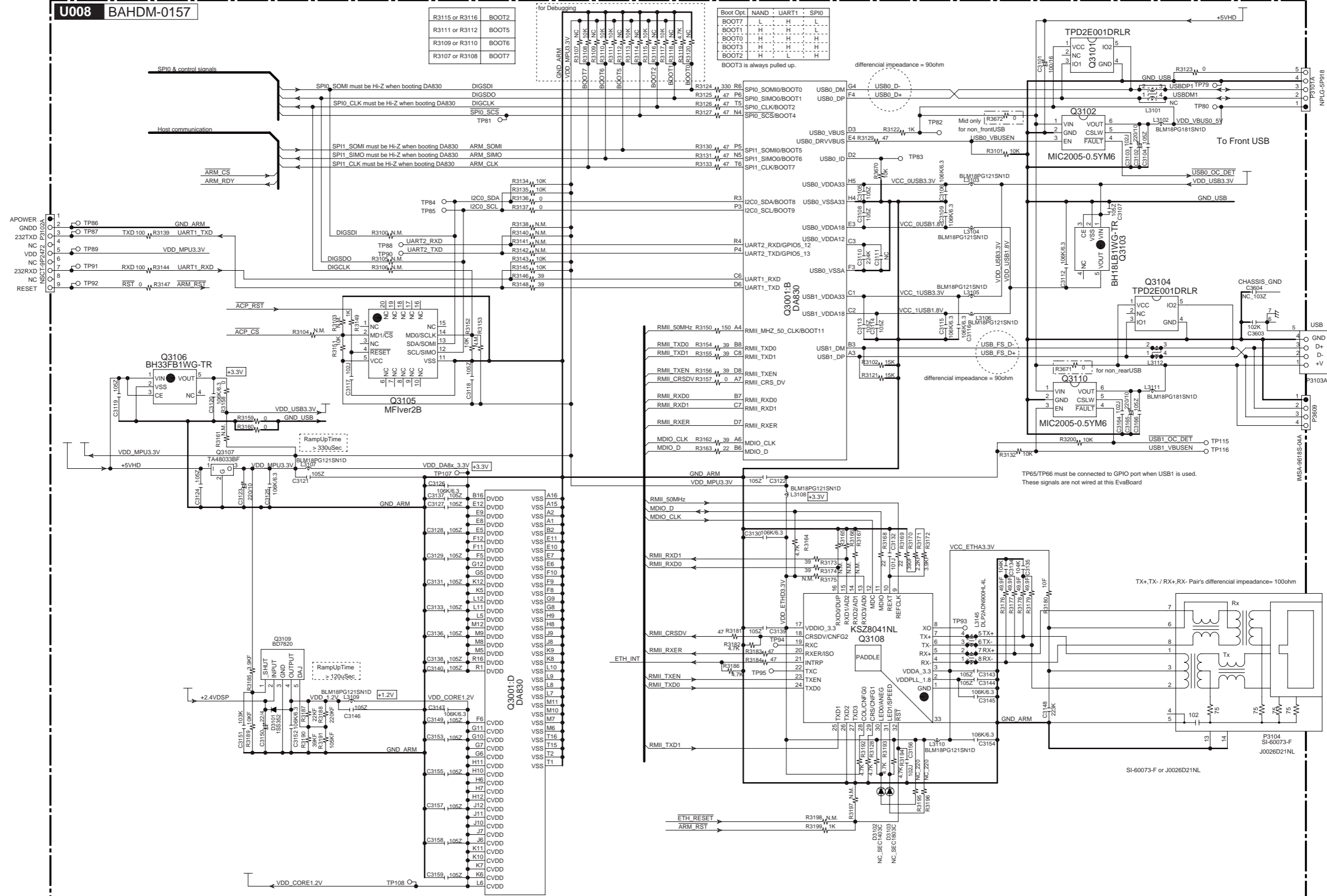
TO TRANS

SCHEMATIC DIAGRAMS-27
NET/ USB POWER SECTION

Schematic Diagram (PART-27)
NET/USB Power Section
Model No.TX-NR3008/NR5008/NA5008,DTR-70.2/80.2,PR-SC5508,DHC-80.2

1
2
3
4
5

TO BAHDM-0291
PART-39/B3



TP65/TP66 must be connected to GPIO port when USB1 is used. These signals are not wired at this EvaBoard

TX+, TX- / RX+, RX- Pair's differential impedance= 100ohm

SI-60073-F or J0026D21NL

SCHEMATIC DIAGRAMS-29
DSP CONNECTOR SECTION

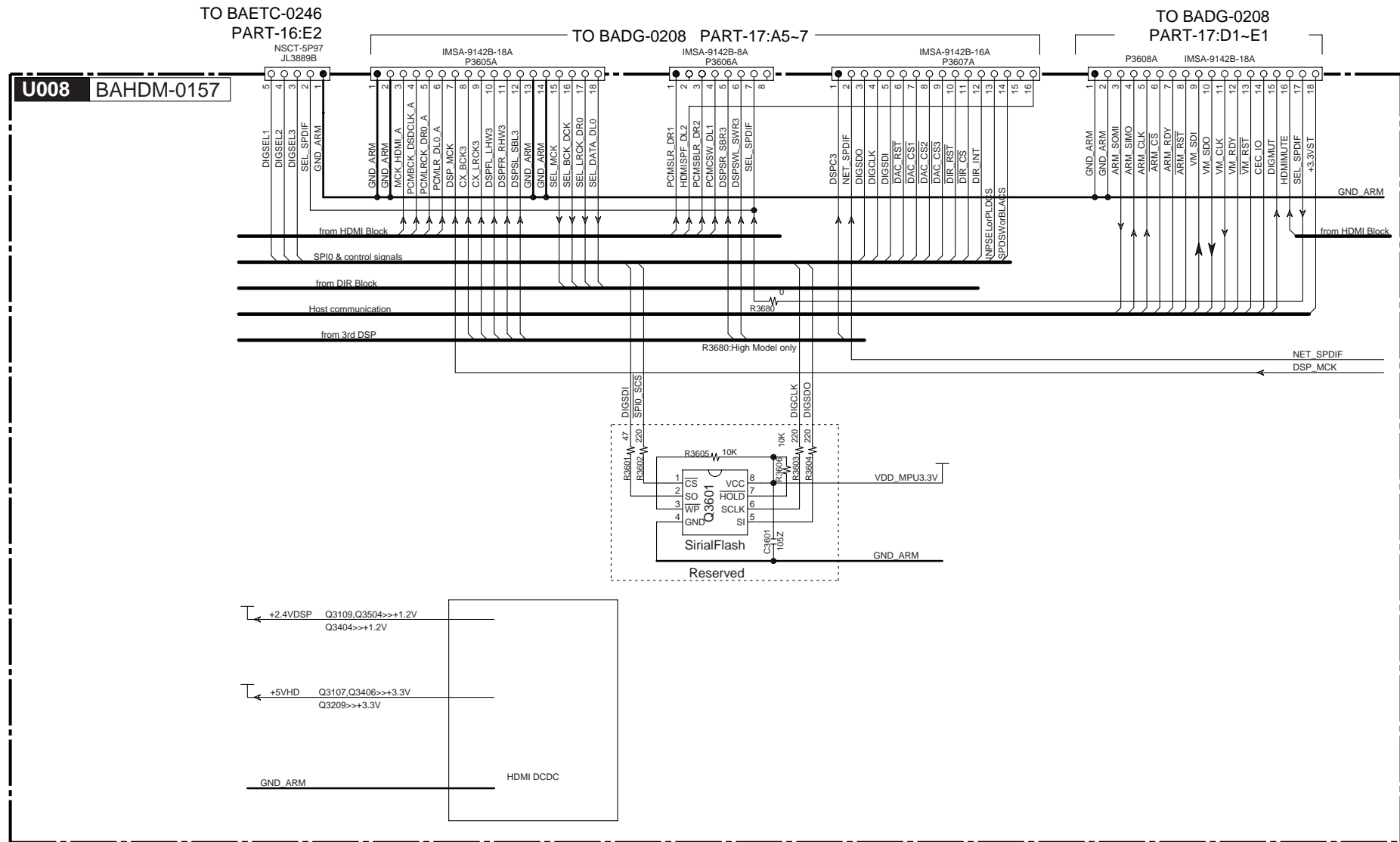
SCHEMATIC DIAGRAM (PART-29)
DSP CONNECT Section
Model No.TX-NR3008/5008/NA5008,DTR-70.2/80.2,PR-SC5508,DHC-80.2

1

2

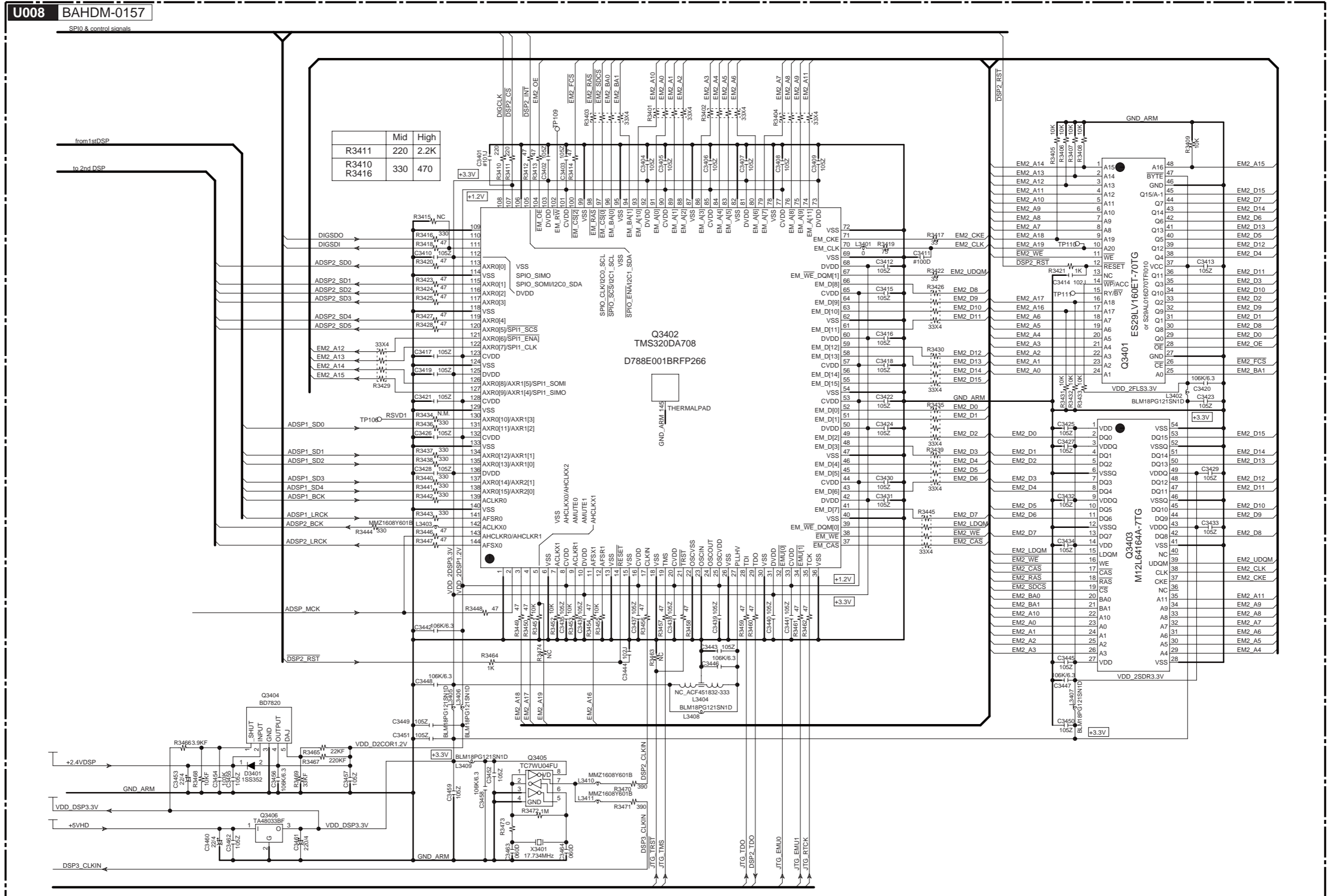
3

4



SCHEMATIC DIAGRAMS-30
2nd DSP SECTION

Schematic Diagram (PART-30) DSP 2nd Section
Model No.TX-NR3008/NR5008/NA5008,DTR-70.2/80.2,PR-SC5508,DHC-80.2



SCHEMATIC DIAGRAMS-31

3rd DSP SECTION

Schematic Diagram (PART-30) DSP 2nd Section
 Model No. TX-NR3008/NR5008/NA5008, DTR-70.2/80.2, PR-SC5508, DHC-80.2

U008 BAHDM-0157

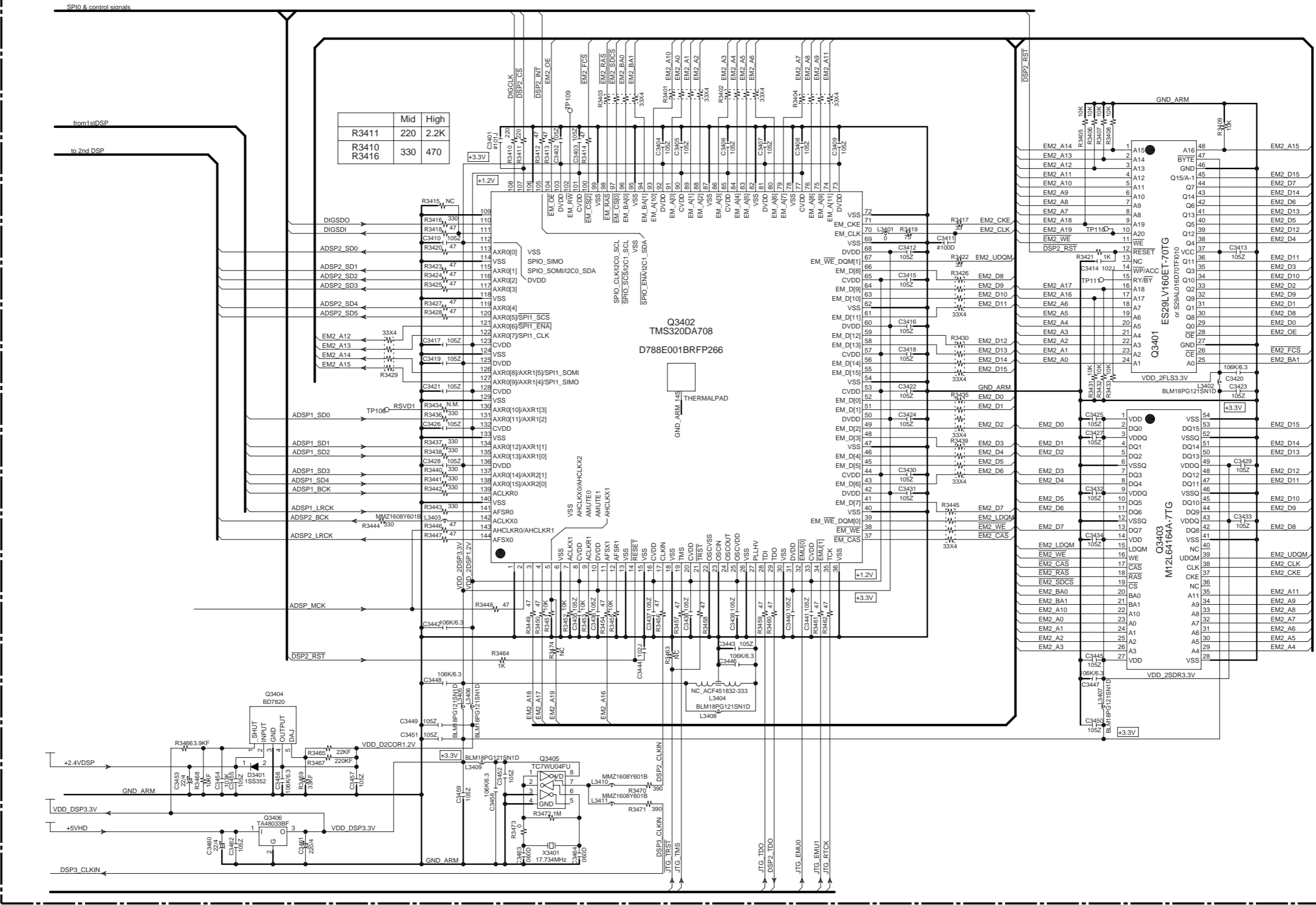
1

2

3

4

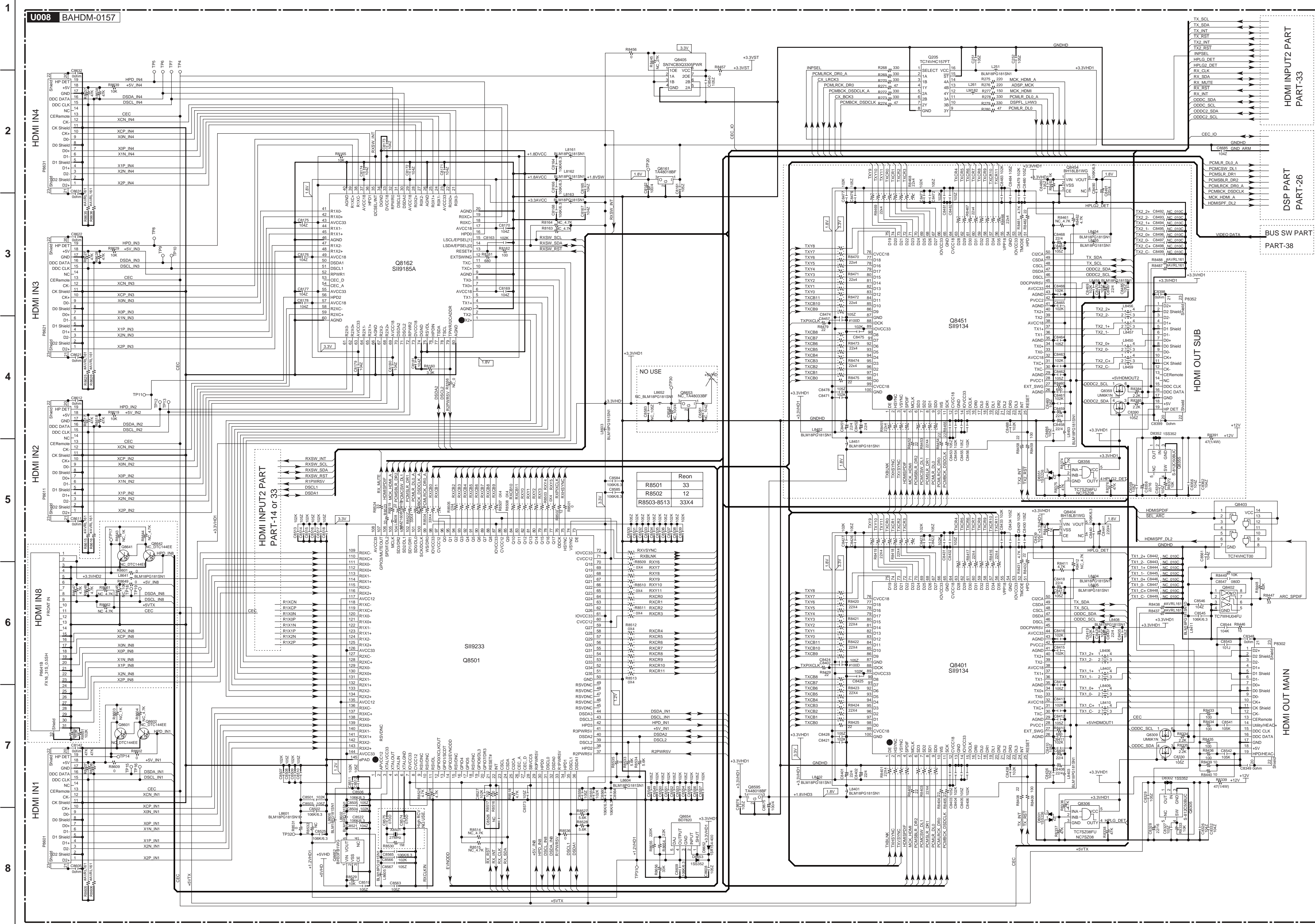
5



	Mid	High
R3411	220	2.2K
R3416	330	470

SCHEMATIC DIAGRAMS-32
HDMI IN/ OUT SECTION

SCHEMATIC DIAGRAM (PART-32) HDMI IN/HDMI RX/HDMI TX SECTION
Model No. TX-NR3008/NR5008/NA5008, DTR-70.2/80.2, PR-SC5508, DHC-80.2



Reon	
R8501	33
R8502	12
R8503-8513	33x4

1
2
3
4
5
6
7
8

HDMI INPUT2 PART
PART-33

DSP PART
PART-26

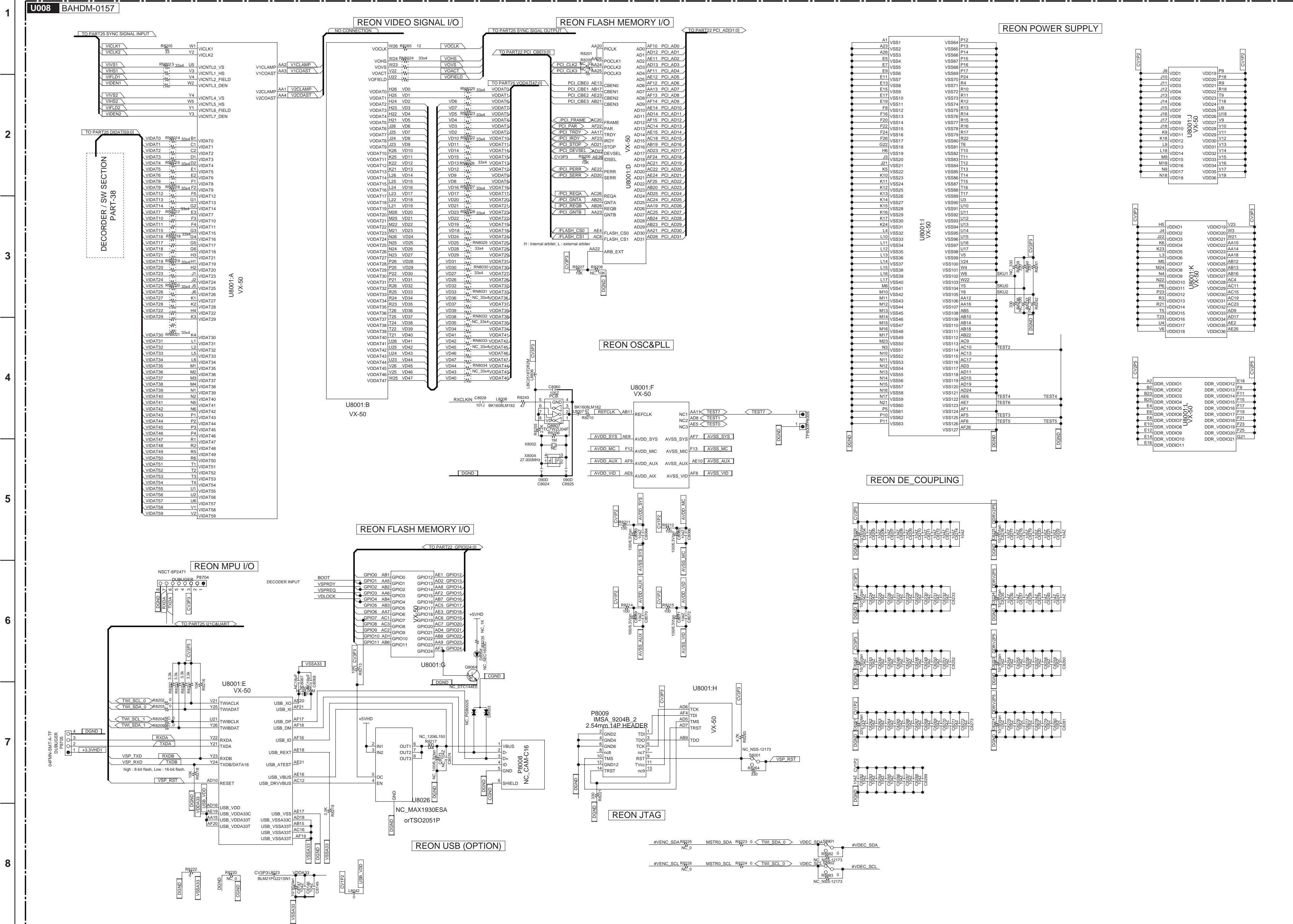
BUS SW PART
PART-38

HDMI OUT SUB

HDMI OUT MAIN

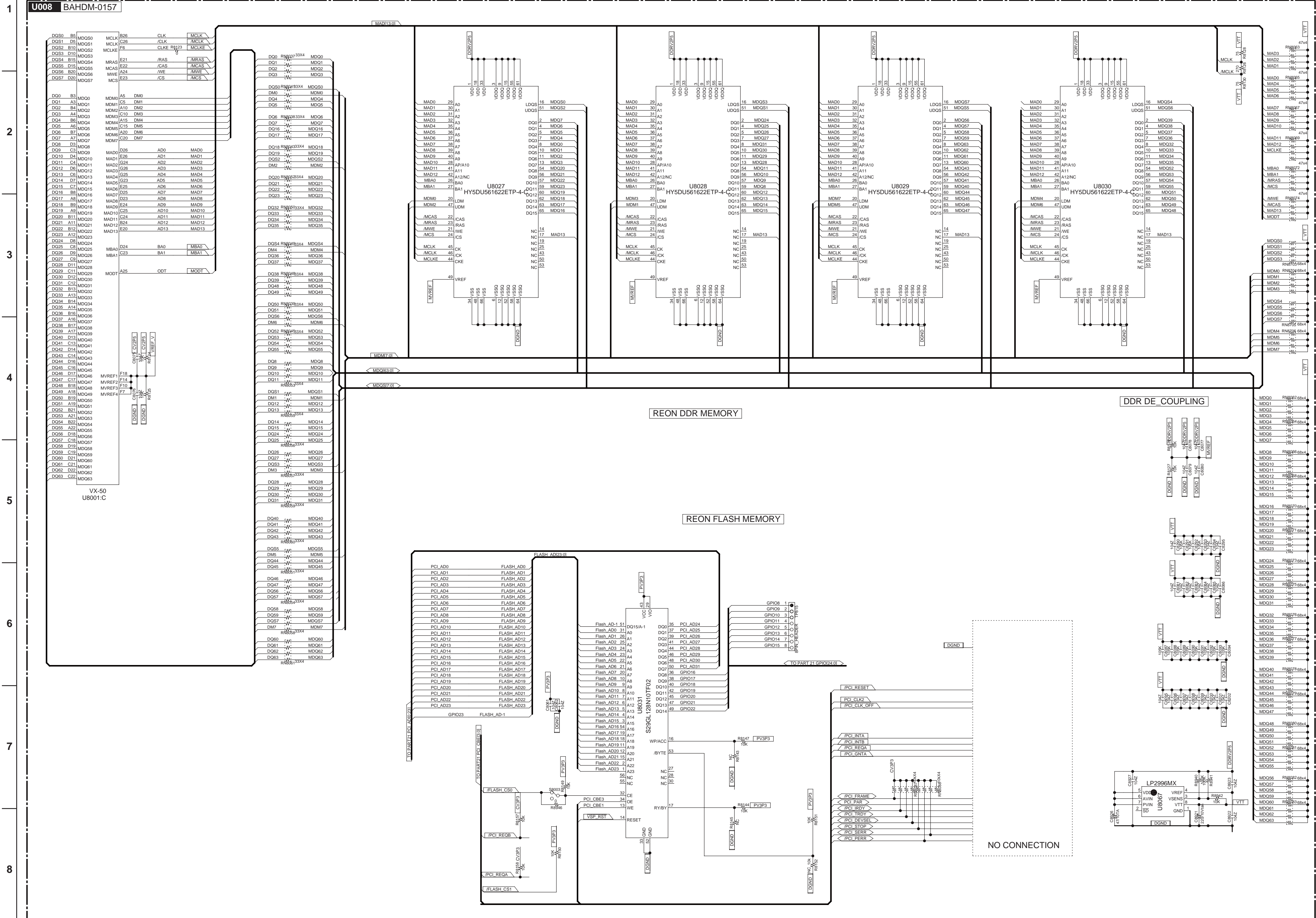
SCHEMATIC DIAGRAMS-34
REON SECTION

Schematic Diagram (PART-34)
VX-50 SECTION
Model No. TX-NR3008/NR5008/NA5008, DTR-70.2/80.2, PR-SC5508, DHC-80.2



SCHEMATIC DIAGRAMS-35
REON MEMORY SECTION

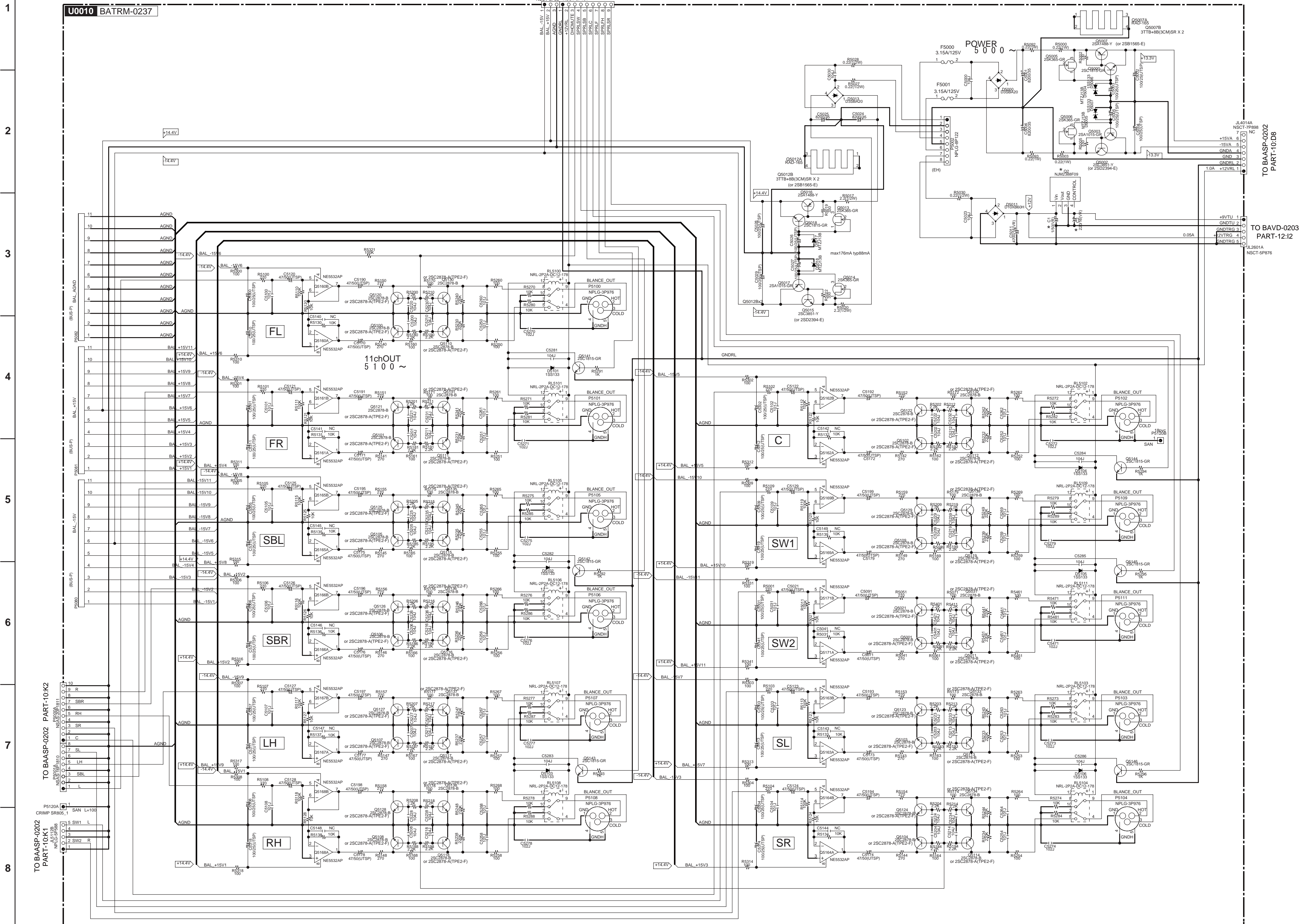
Schematic Diagram (PART-35)
Model No.TX-NR3008/NR5008/NA5008,DTR-70.2/80.2,PR-SC5508,DHC-80.2
DDR/FLASH MEMORY SECTION



SCHEMATIC DIAGRAMS-37
BALANCE OUT SECTION

SCHEMATIC DIAGRAM (PART-37)
Model No. PR-SC5508,DHC-80.2
BALANCE OUT SECTION

TO BAAF-0242 PART-38:E3



A

B

C

D

E

SCHEMATIC DIAGRAMS-38
BALANCE IN SECTION

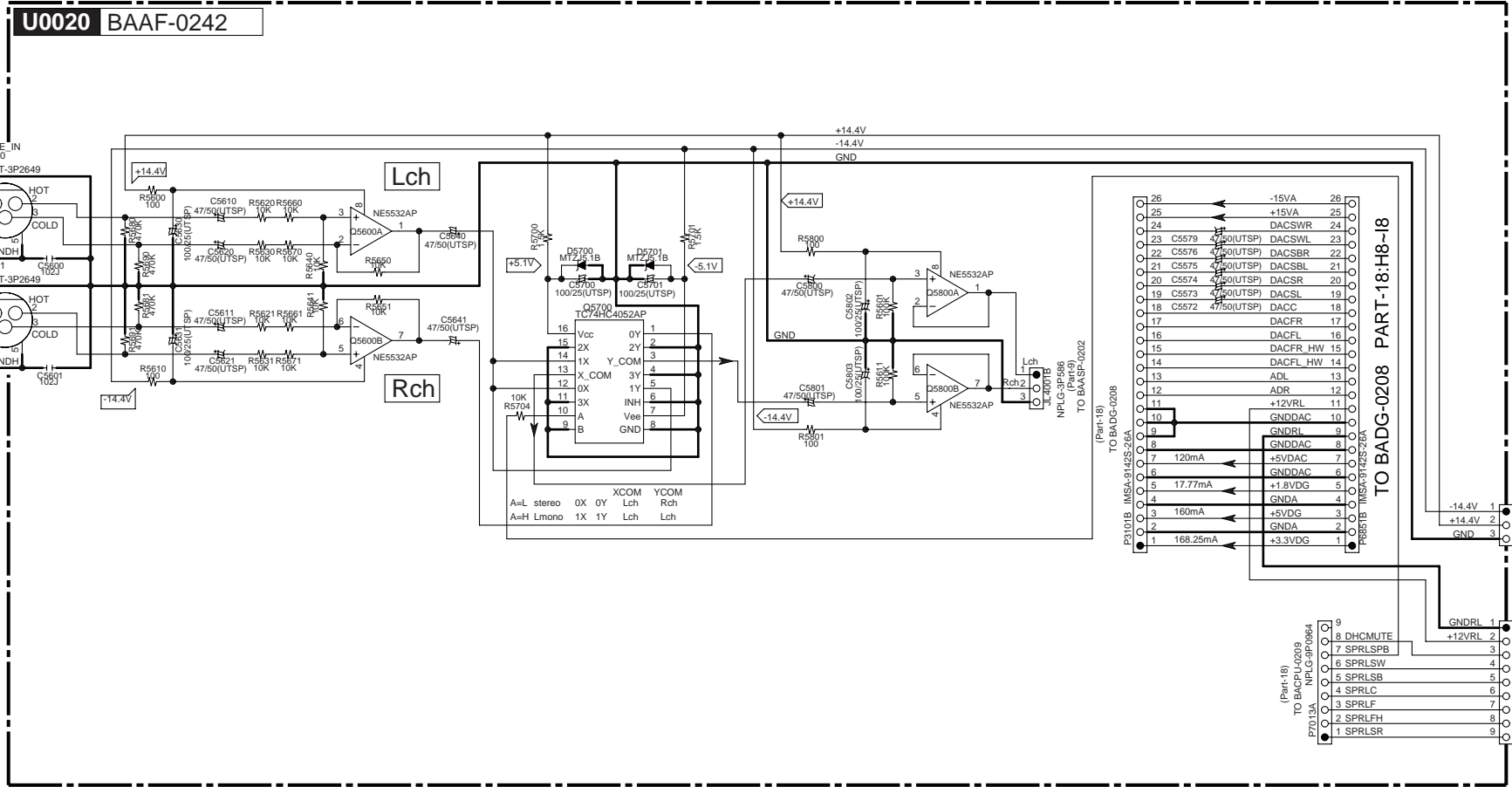
SCHEMATIC DIAGRAM (PART-38)
BALANCE IN SECTION
Model No. PR-SC5508,DHC-80.2

1

2

3

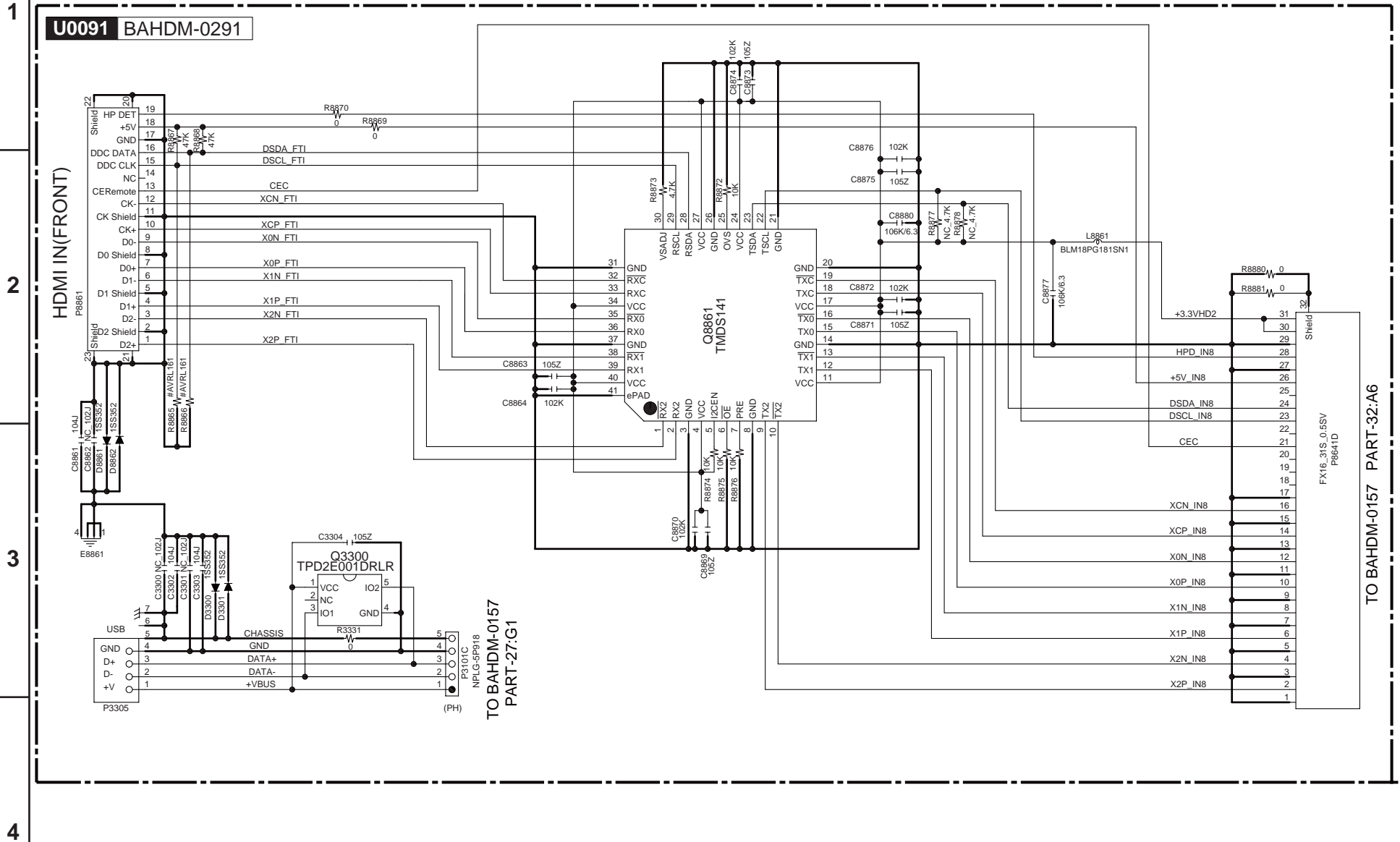
4



TO BATRM-0237 PART-37:E1

SCHEMATIC DIAGRAMS-39
FRONT HDMI INPUT SECTION

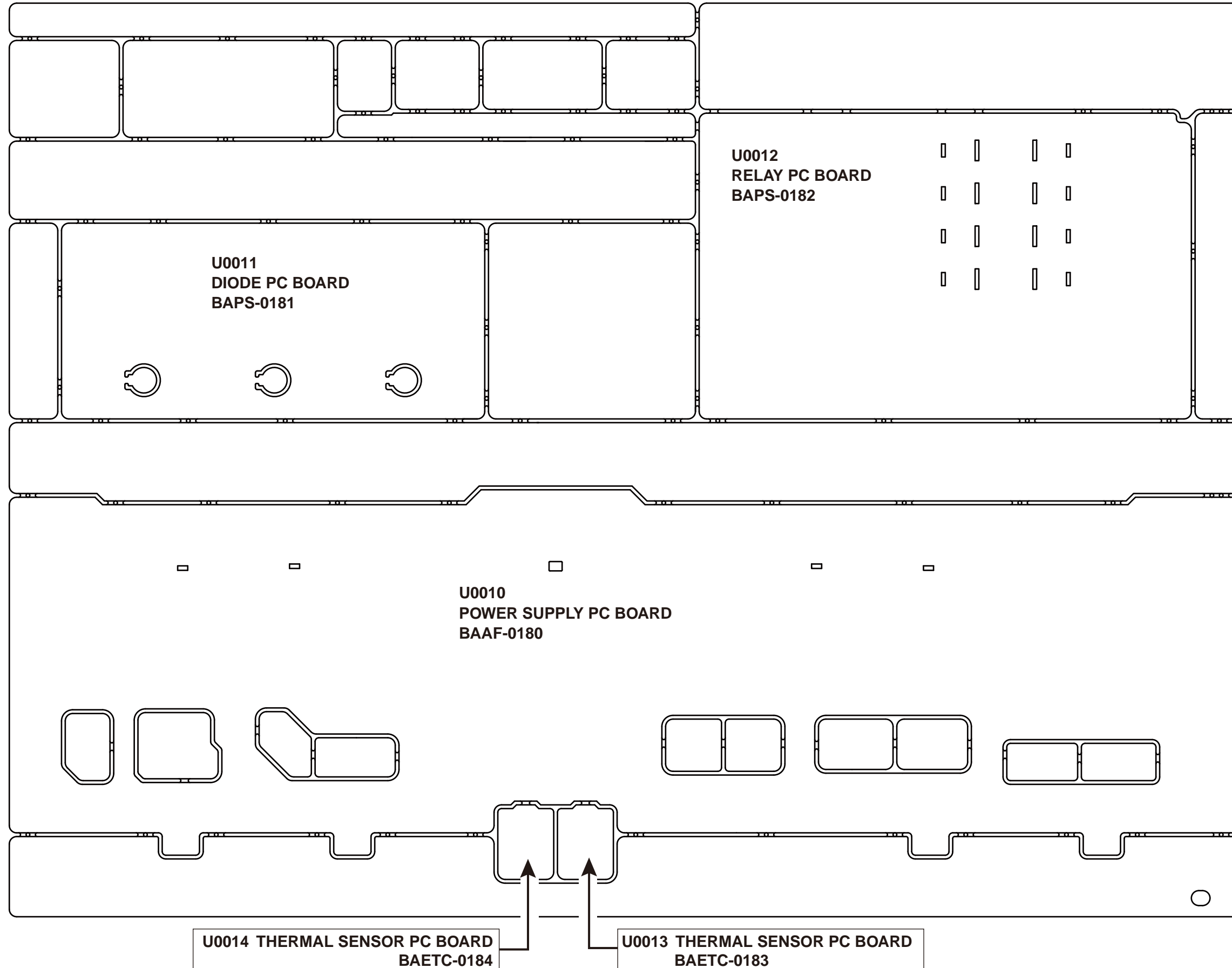
Schematic Diagram (PART-39)
FRONT HDMI SECTION
Model No. TX-NR3008/NR5008/NA5008, DTR-70.2/80.2, PR-SC5508, DHC-80.2



TX-NR3008/ 5008, TX-NA5008, DTR-70.2/ 80.2, PR-SC5508, DHC-80.2

PRINTED CIRCUIT BOARD VIEW-1-1

U001
BAPS-0180

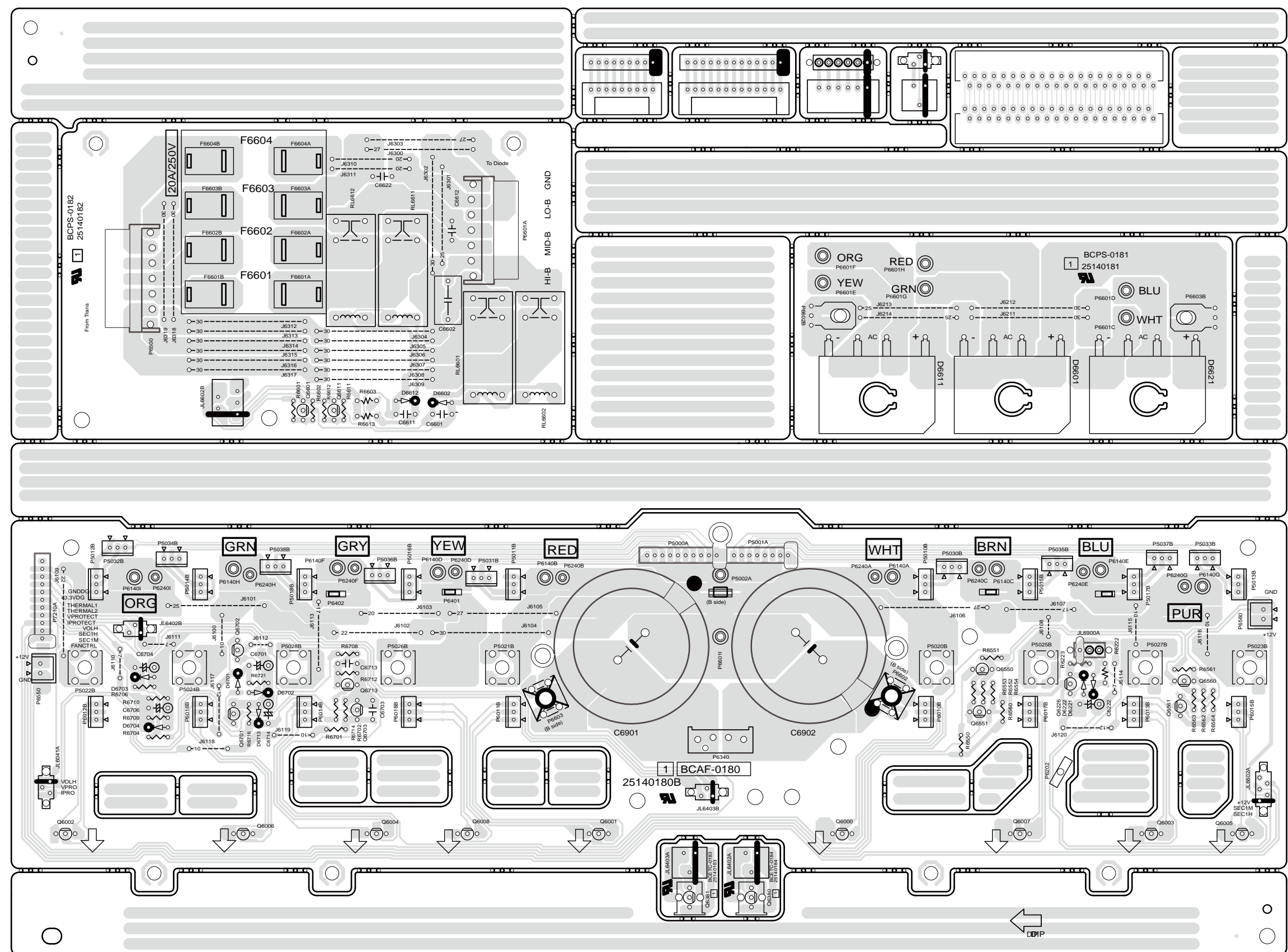


A B C D E F G H

PRINTED CIRCUIT BOARD VIEW-1-2

U001
BAPS-0180

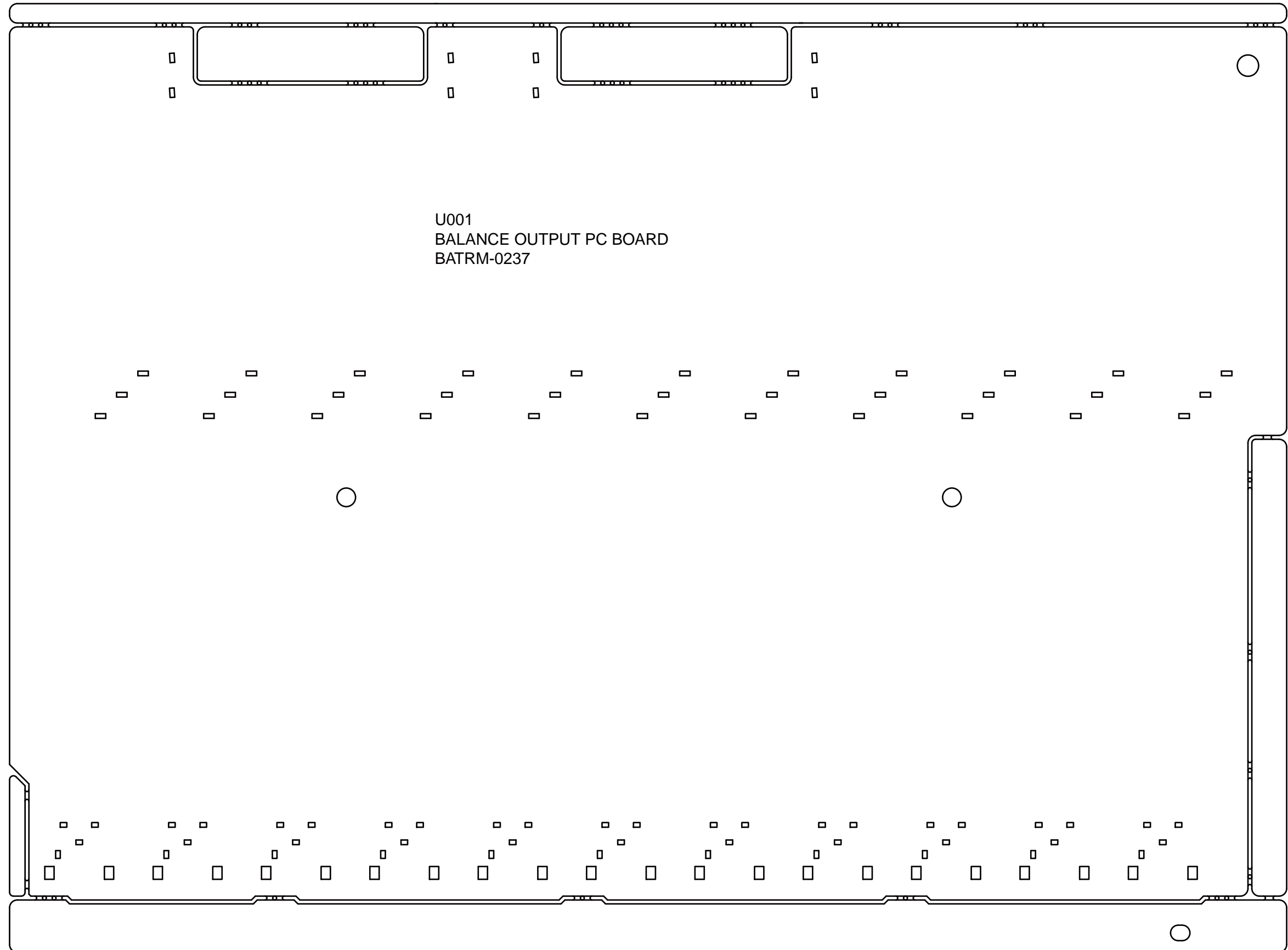
1
2
3
4
5



A side view from B side

PRINTED CIRCUIT BOARD VIEW-1-1

U001
BATRM-0237

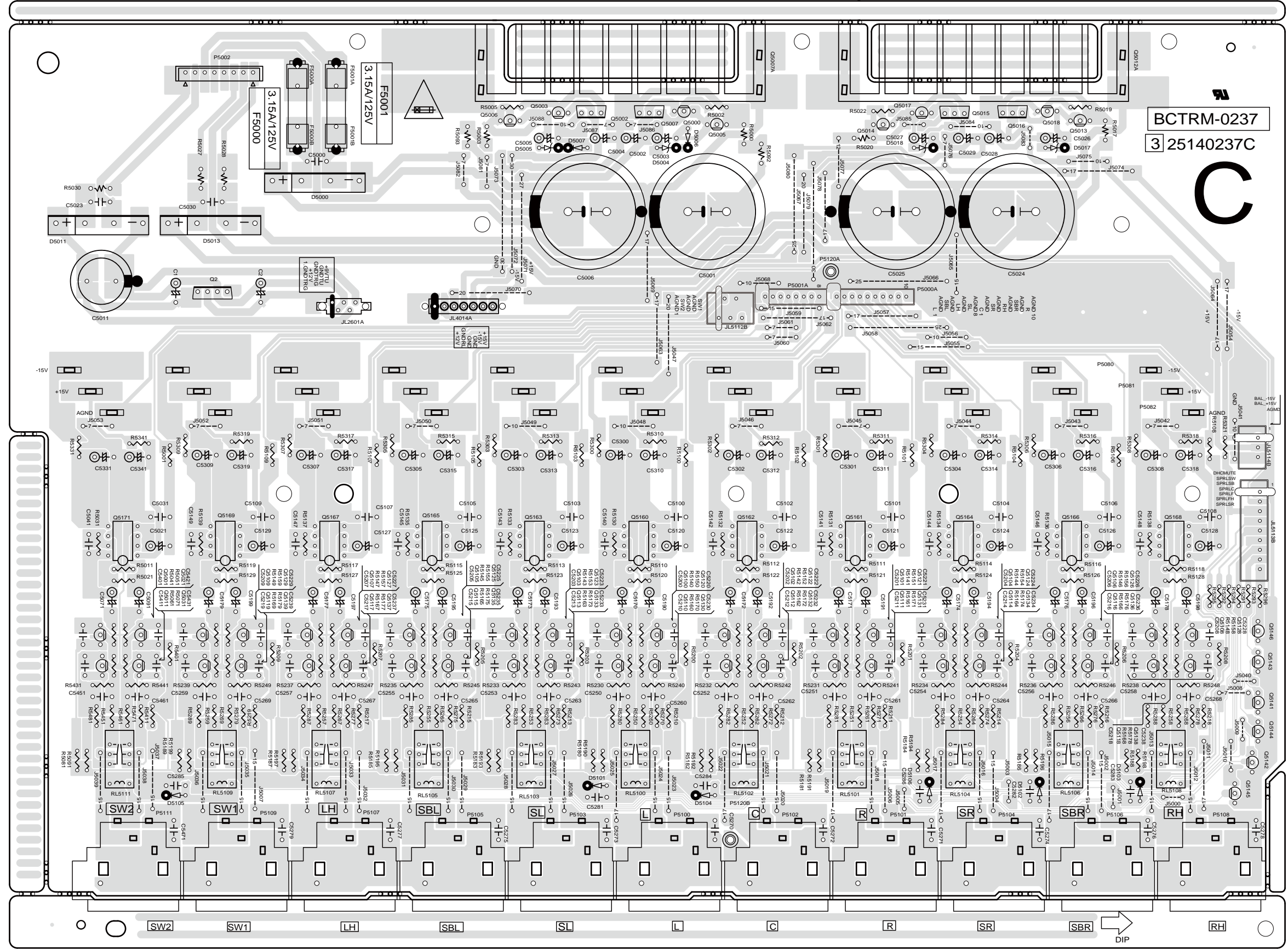


A B C D E F G H

PRINTED CIRCUIT BOARD VIEW-1-2

U001
BATRM-0237

BCTRM-0237
3 25140237C

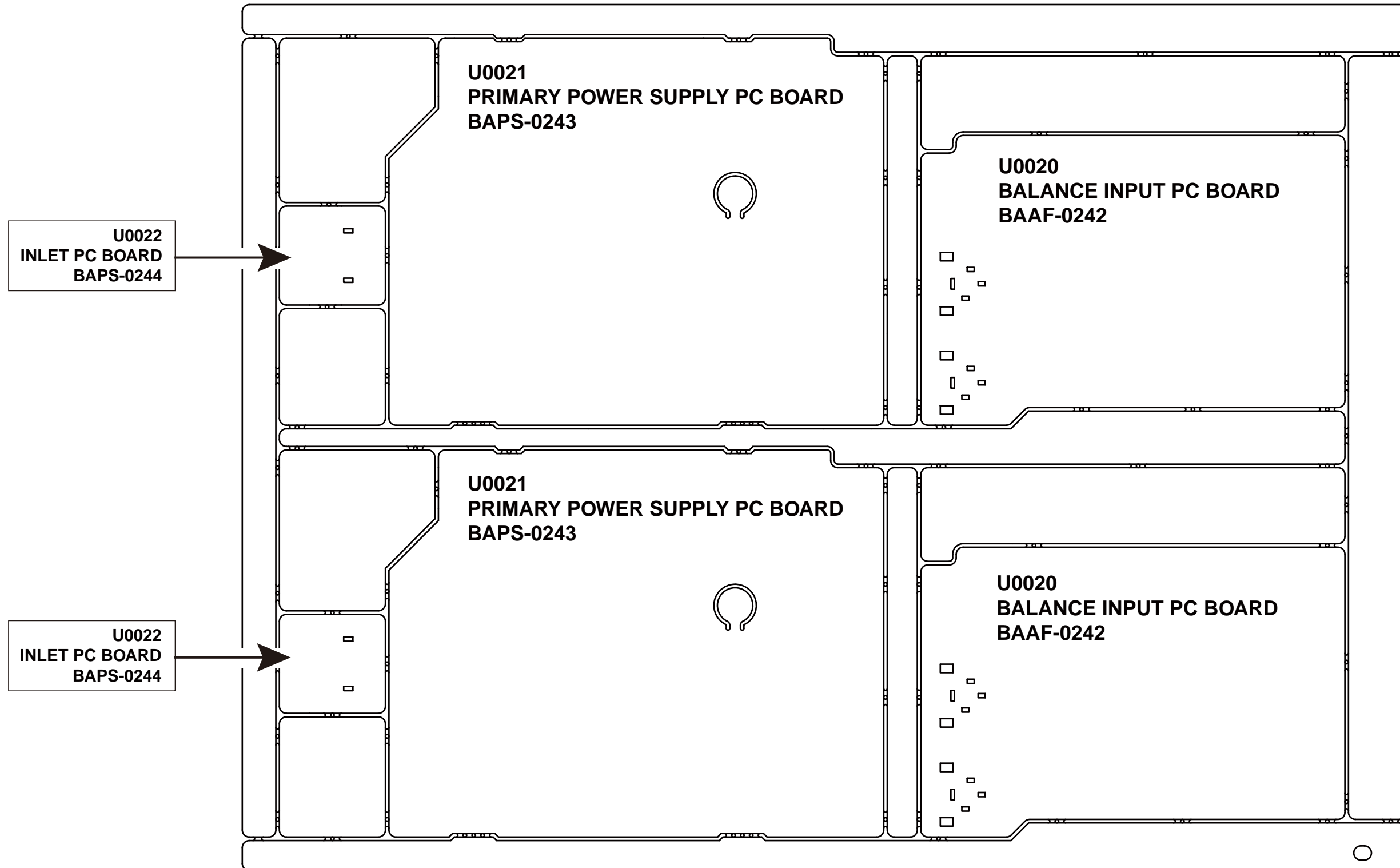


1
2
3
4
5

A side view from B side

PRINTED CIRCUIT BOARD VIEW-2-1

U002 BAAF-00242



A B C D E F G H

PRINTED CIRCUIT BOARD VIEW-2-2

U002

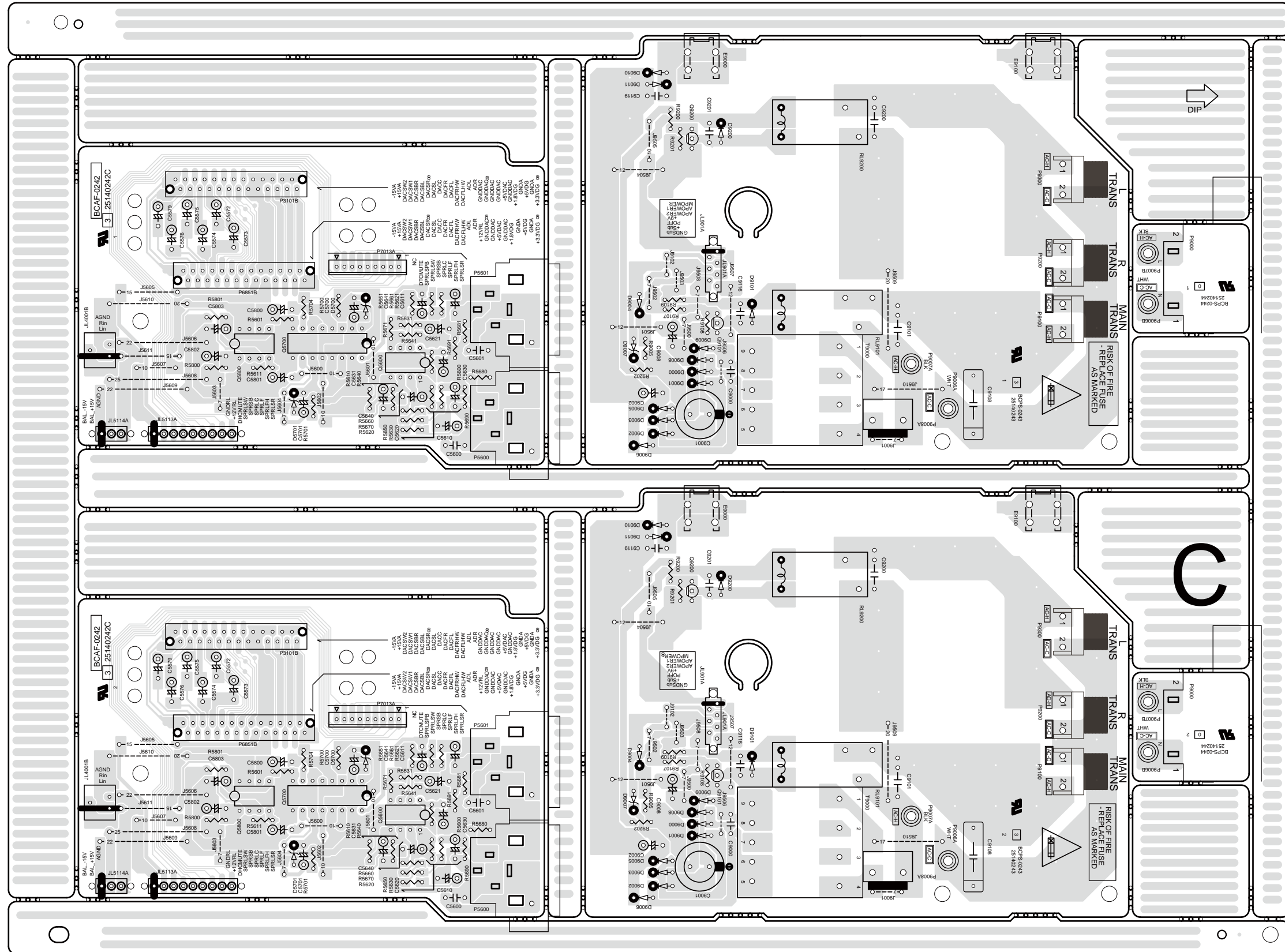
1

2

3

4

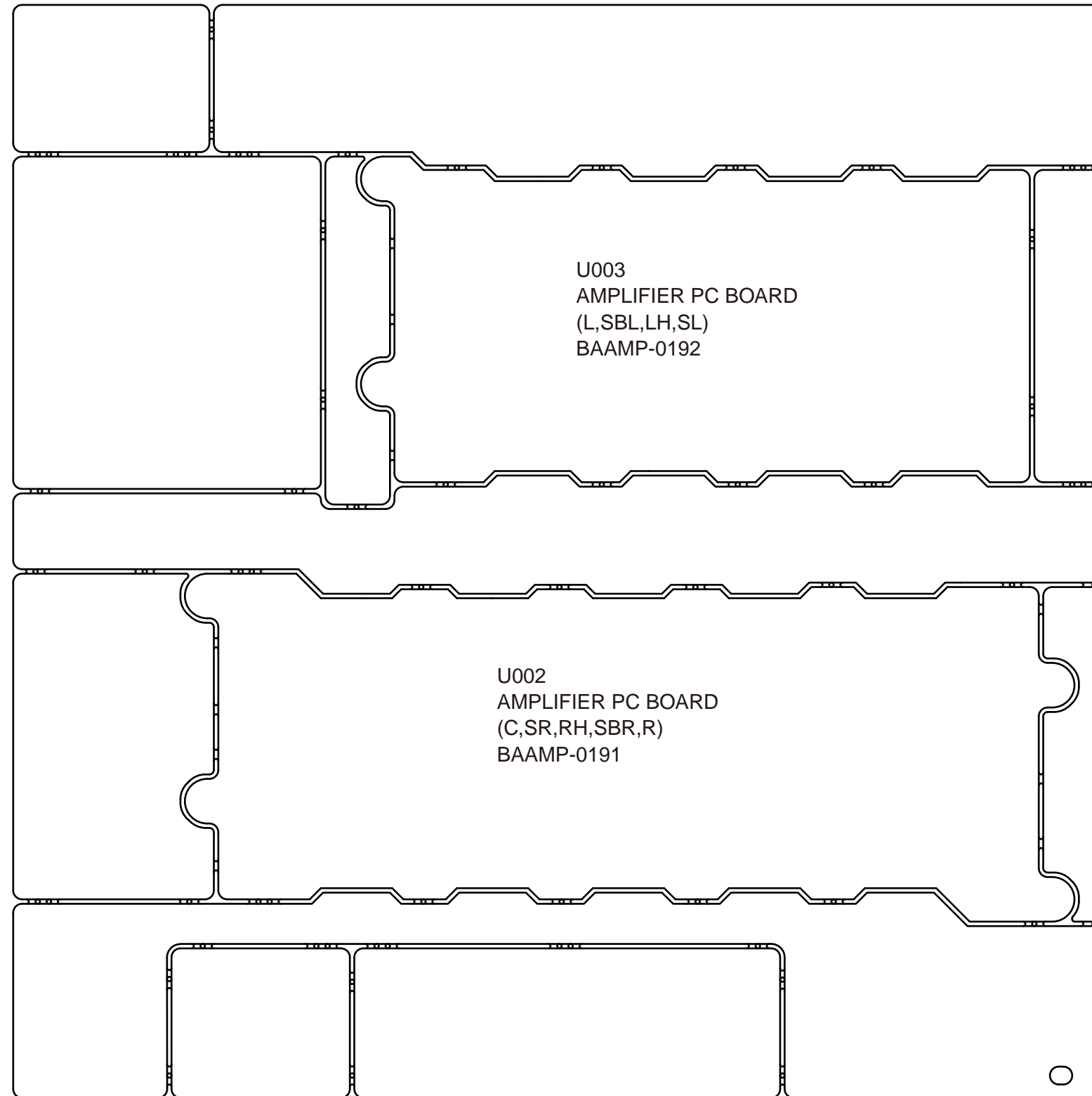
5



A side view from B side

PRINTED CIRCUIT BOARD VIEW-2-1

U002 BAAMP-0191

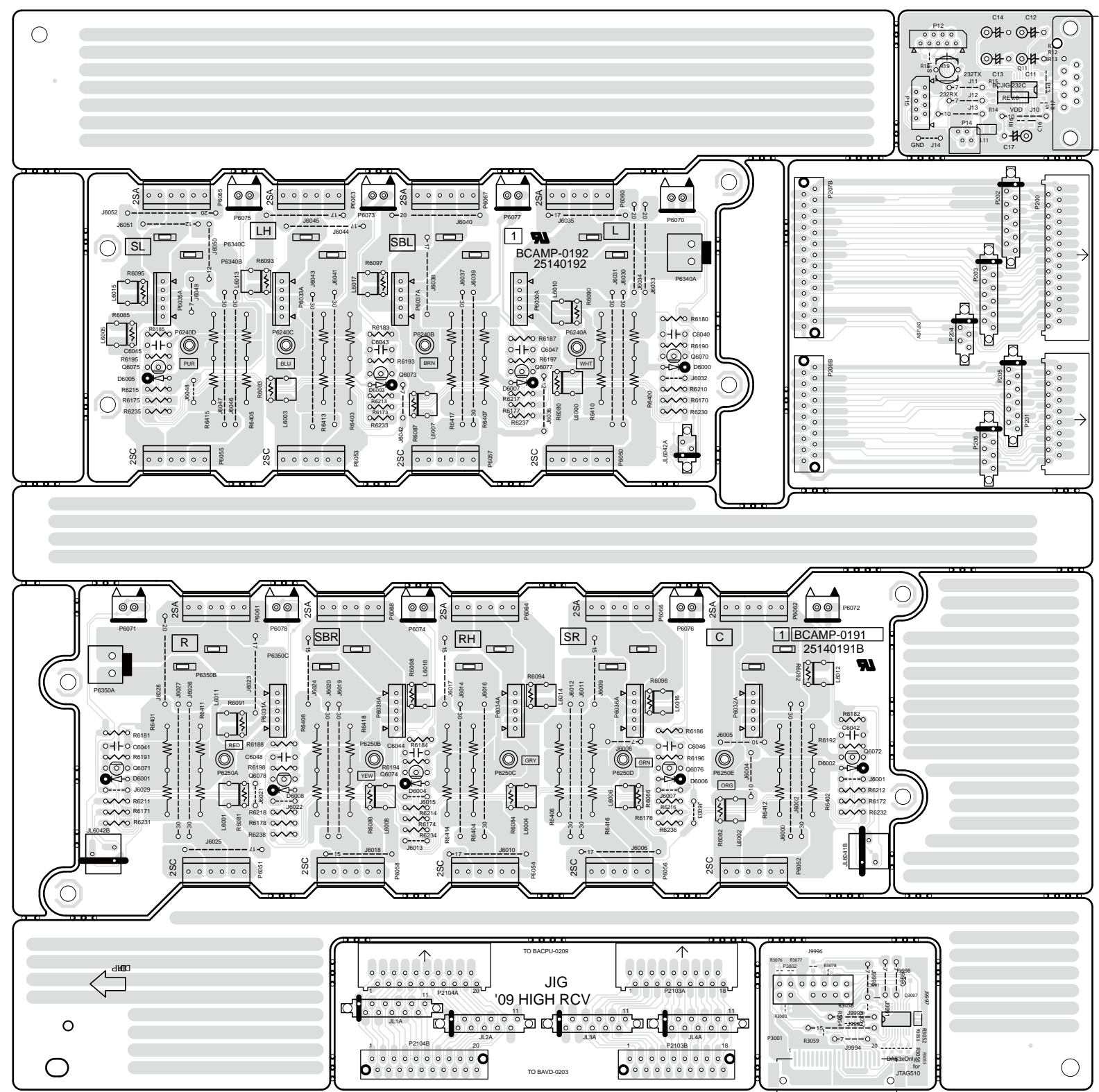


A B C D E F G H

PRINTED CIRCUIT BOARD VIEW-2-2

U002 BAAMP-0191

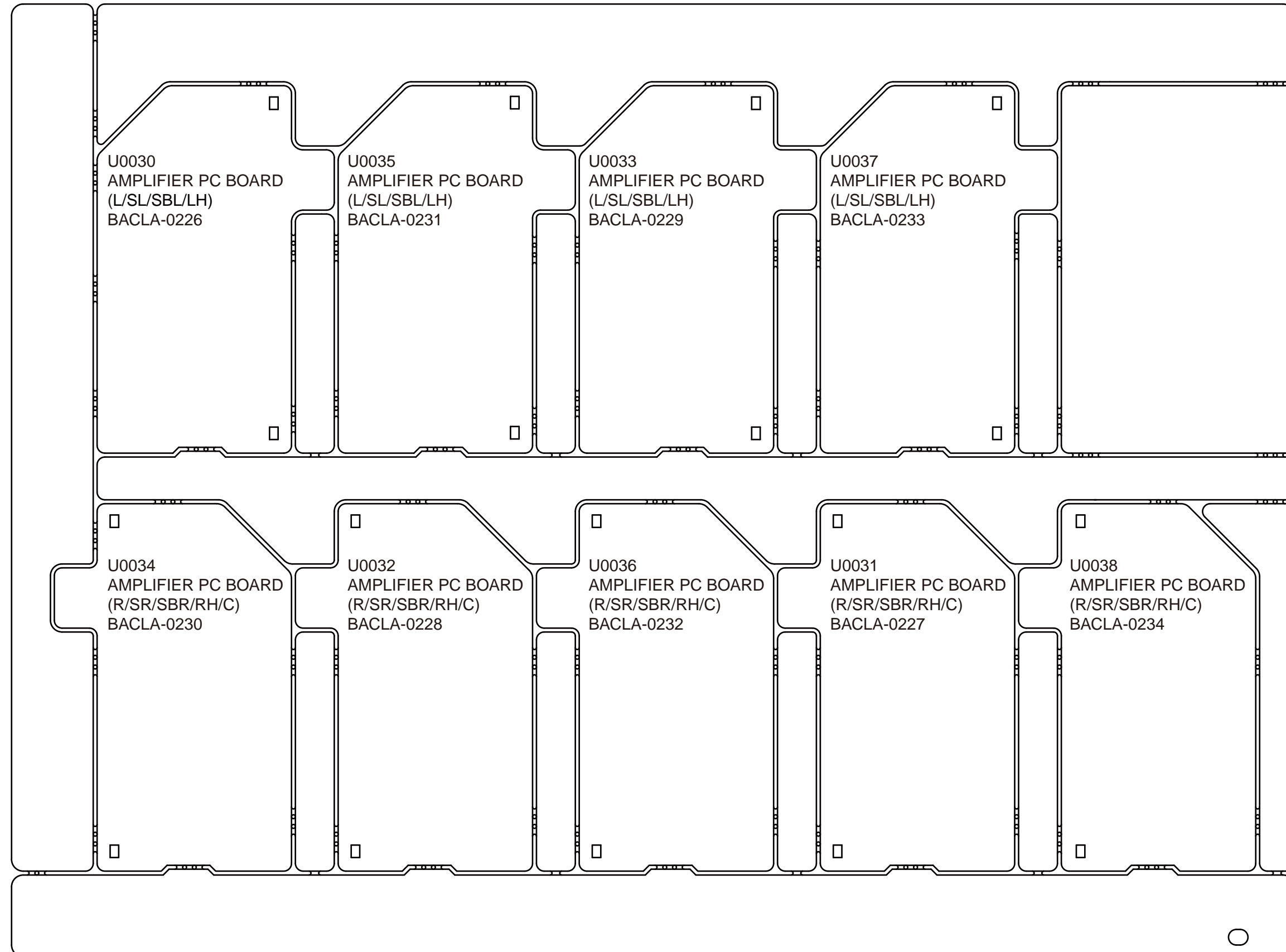
1
2
3
4
5



A side view from B side

PRINTED CIRCUIT BOARD VIEW-3-1

U003 BACLA-0226



A

B

C

D

E

F

G

H

PRINTED CIRCUIT BOARD VIEW-3-2

U003 BACLA-0226

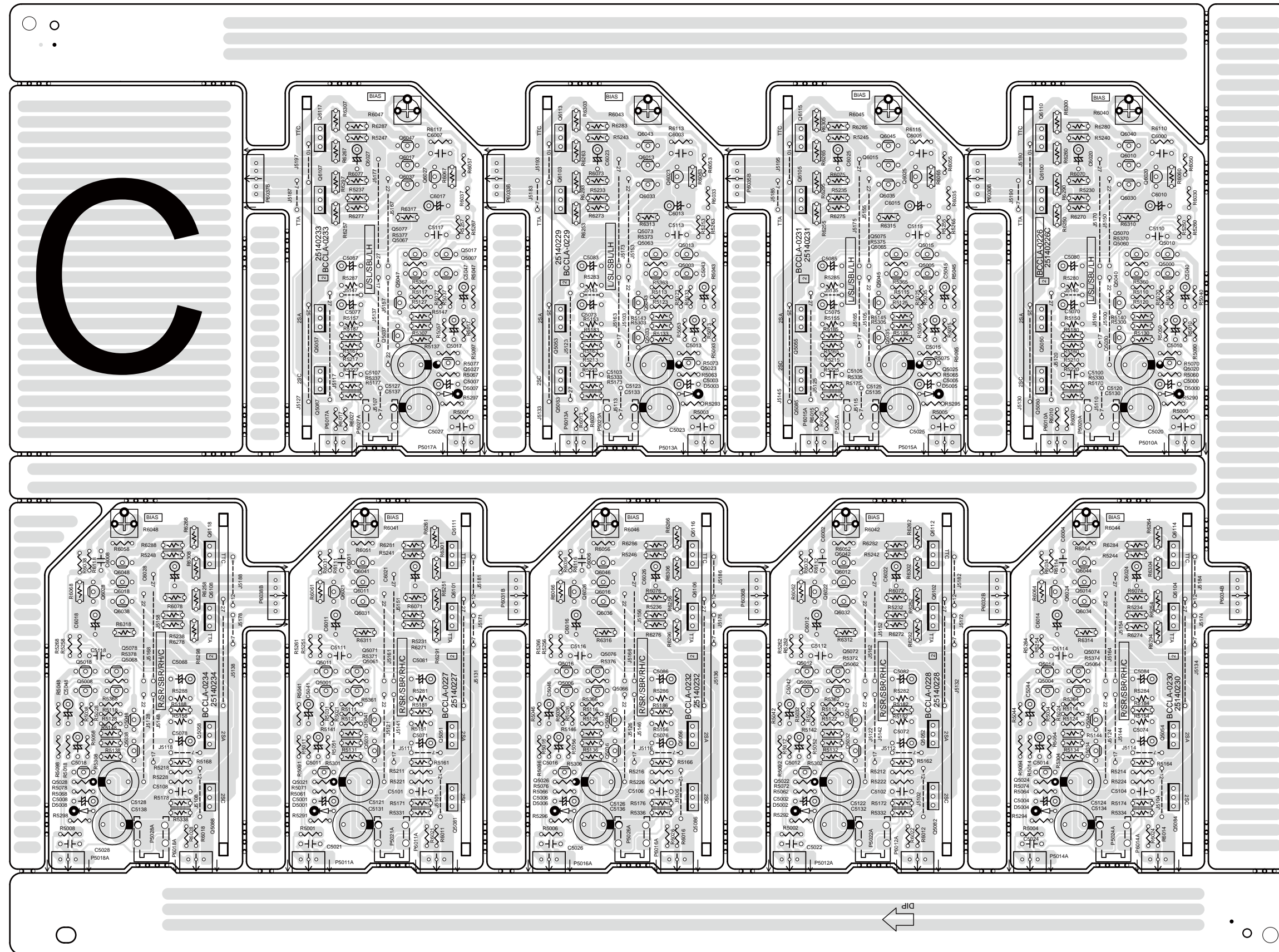
1

2

3

4

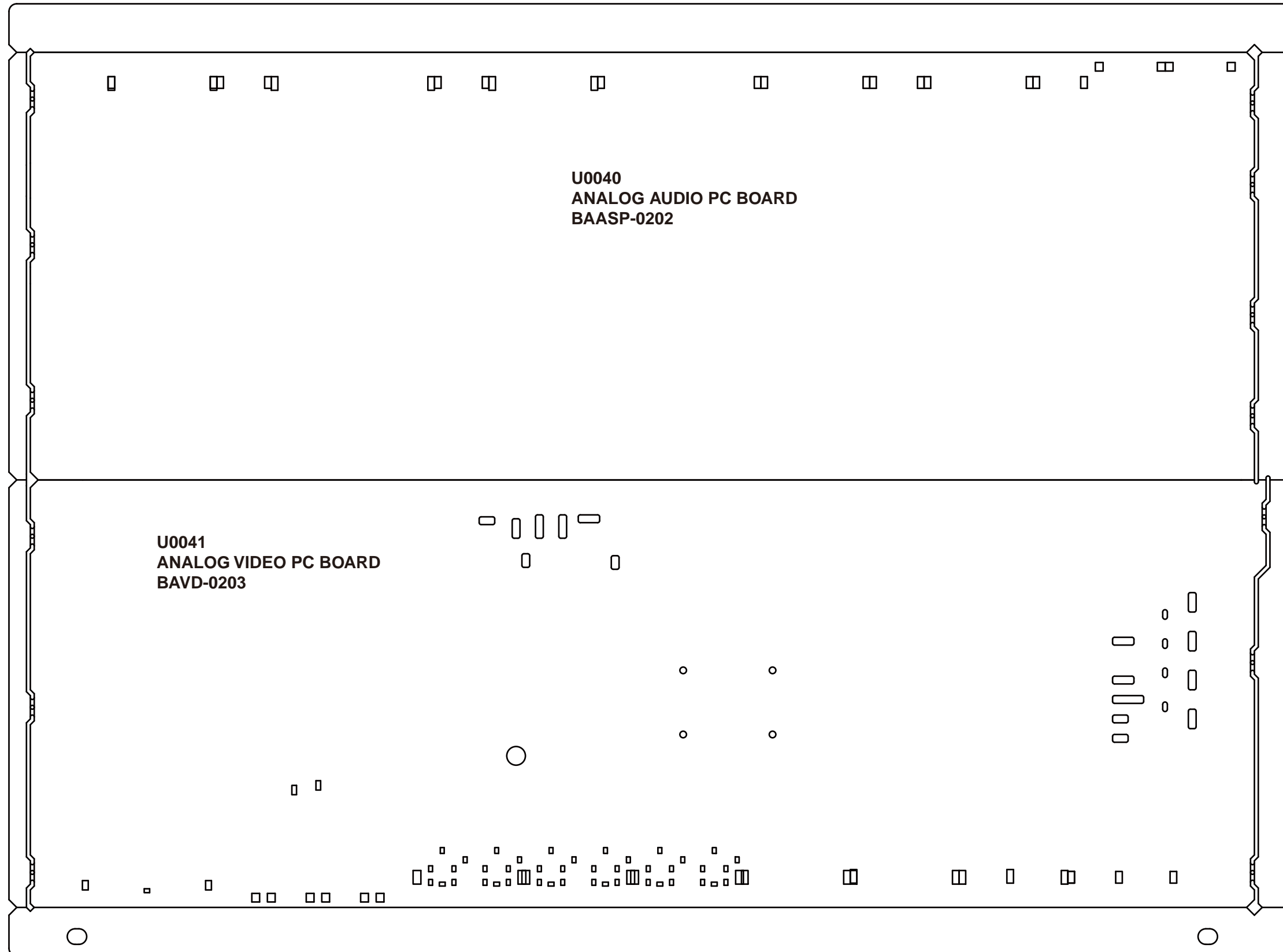
5



A side view from B side

PRINTED CIRCUIT BOARD VIEW-4-1

U004 BAASP-0202



A B C D E F G H

PRINTED CIRCUIT BOARD VIEW-4-2

U004 BAASP-0202

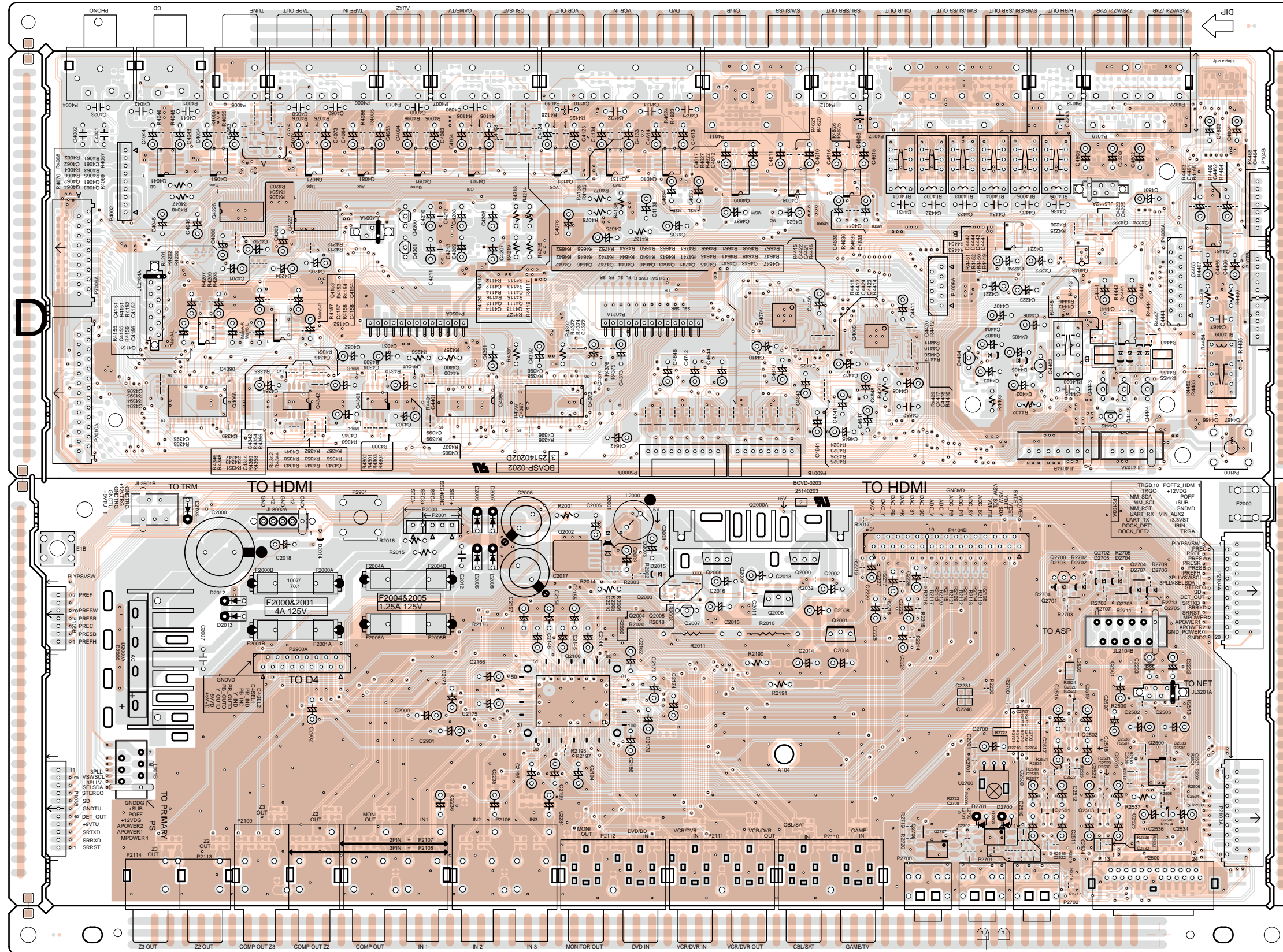
1

2

3

4

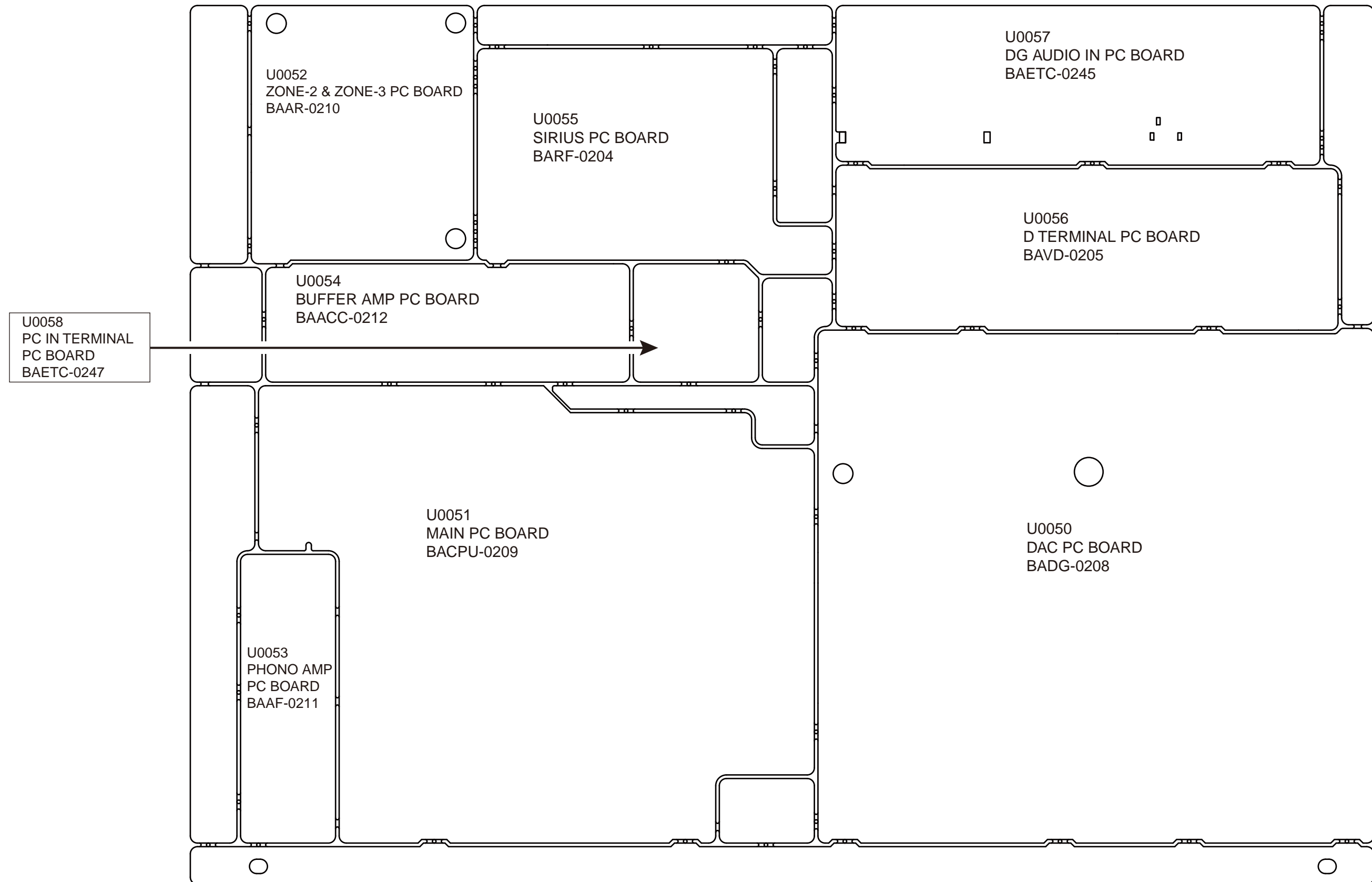
5



A side view from B side

PRINTED CIRCUIT BOARD VIEW-5-1

U005 BADG-0208



A

B

C

D

E

F

G

H

PRINTED CIRCUIT BOARD VIEW-5-2

U005 BADG-0208

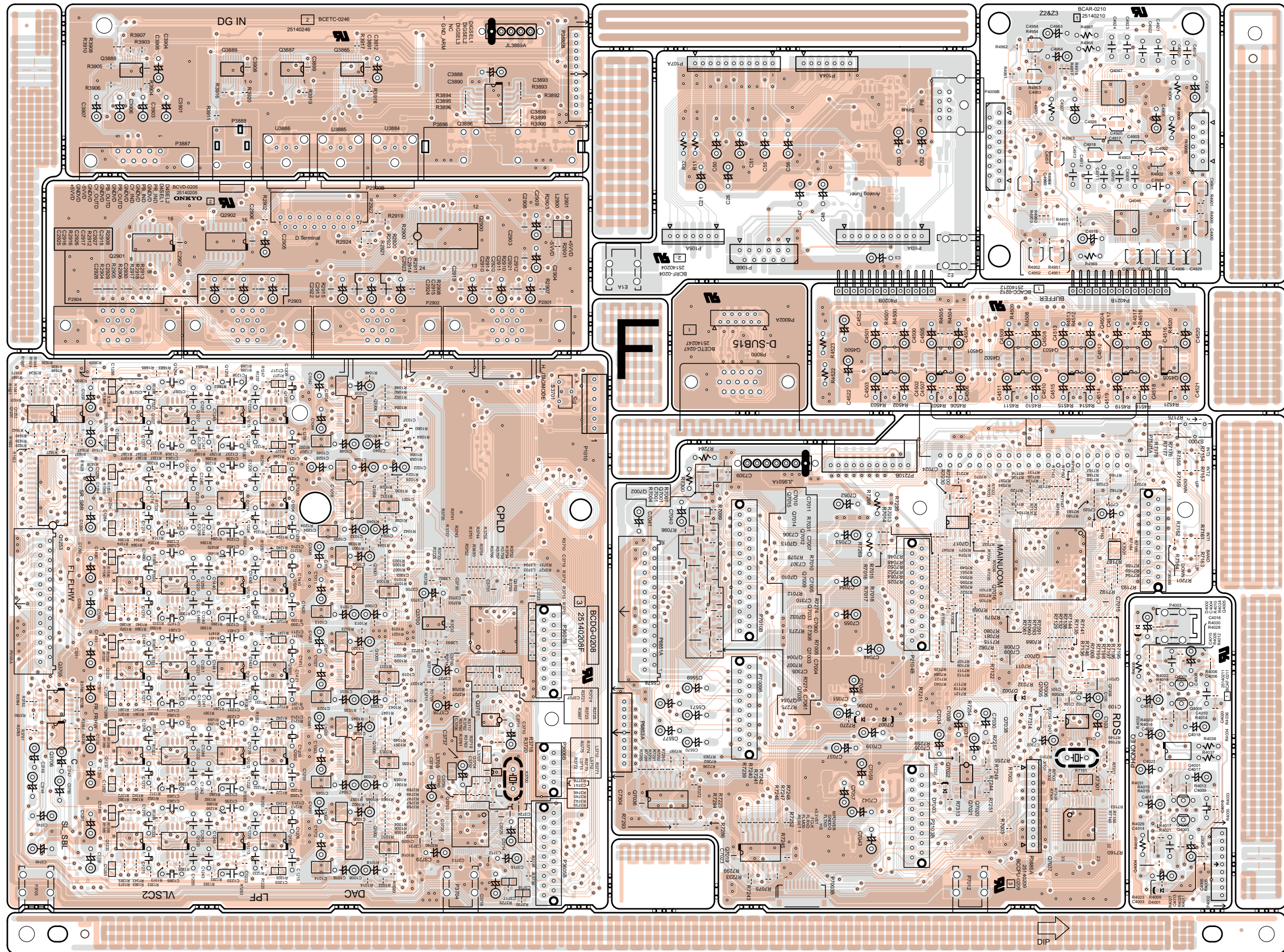
1

2

3

4

5



A side pattern
B side pattern

A side view from B side



A

B

C

D

E

F

G

H

PRINTED CIRCUIT BOARD VIEW-5-3

U005 BADG-0208

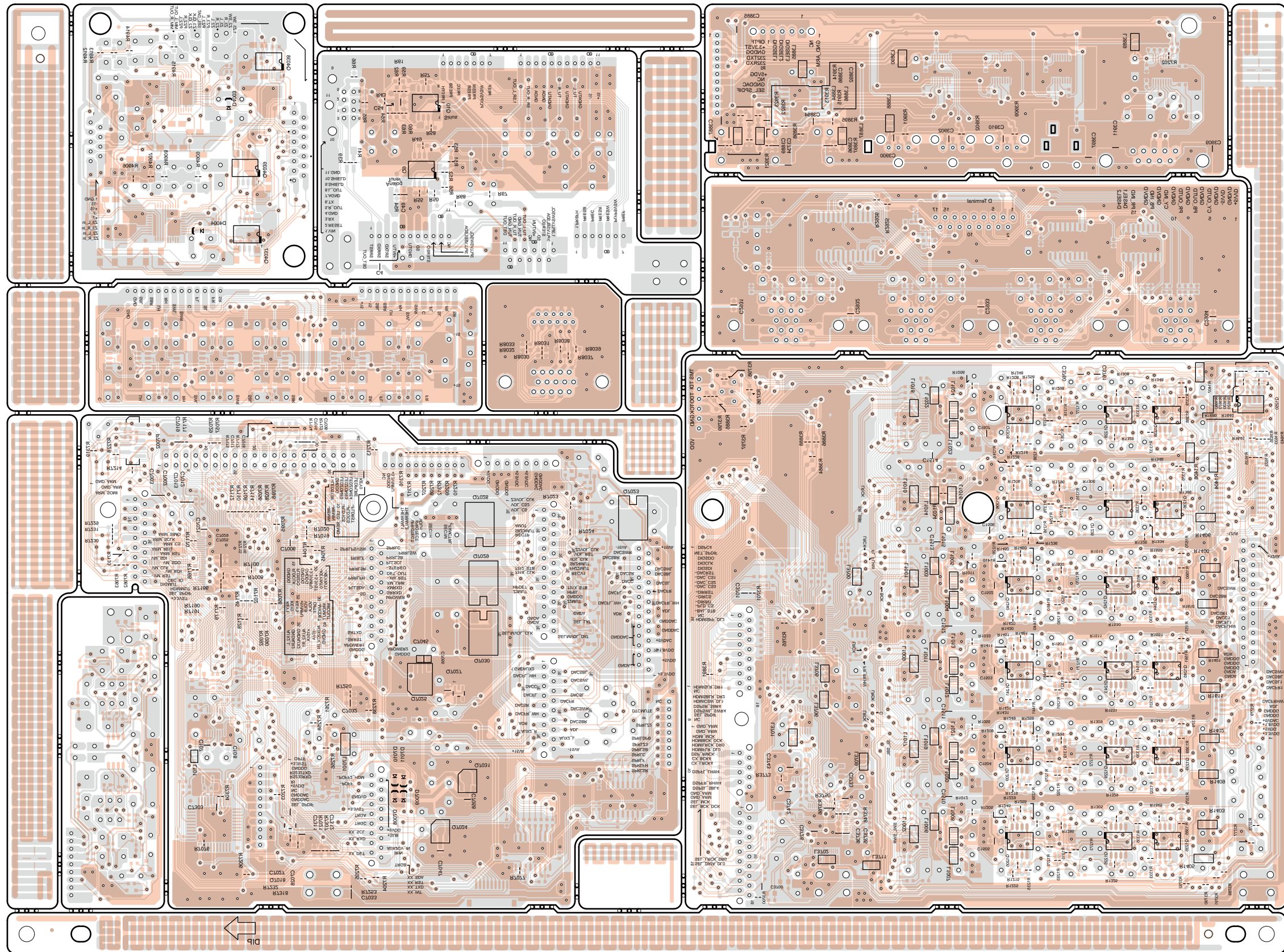
1

2

3

4

5



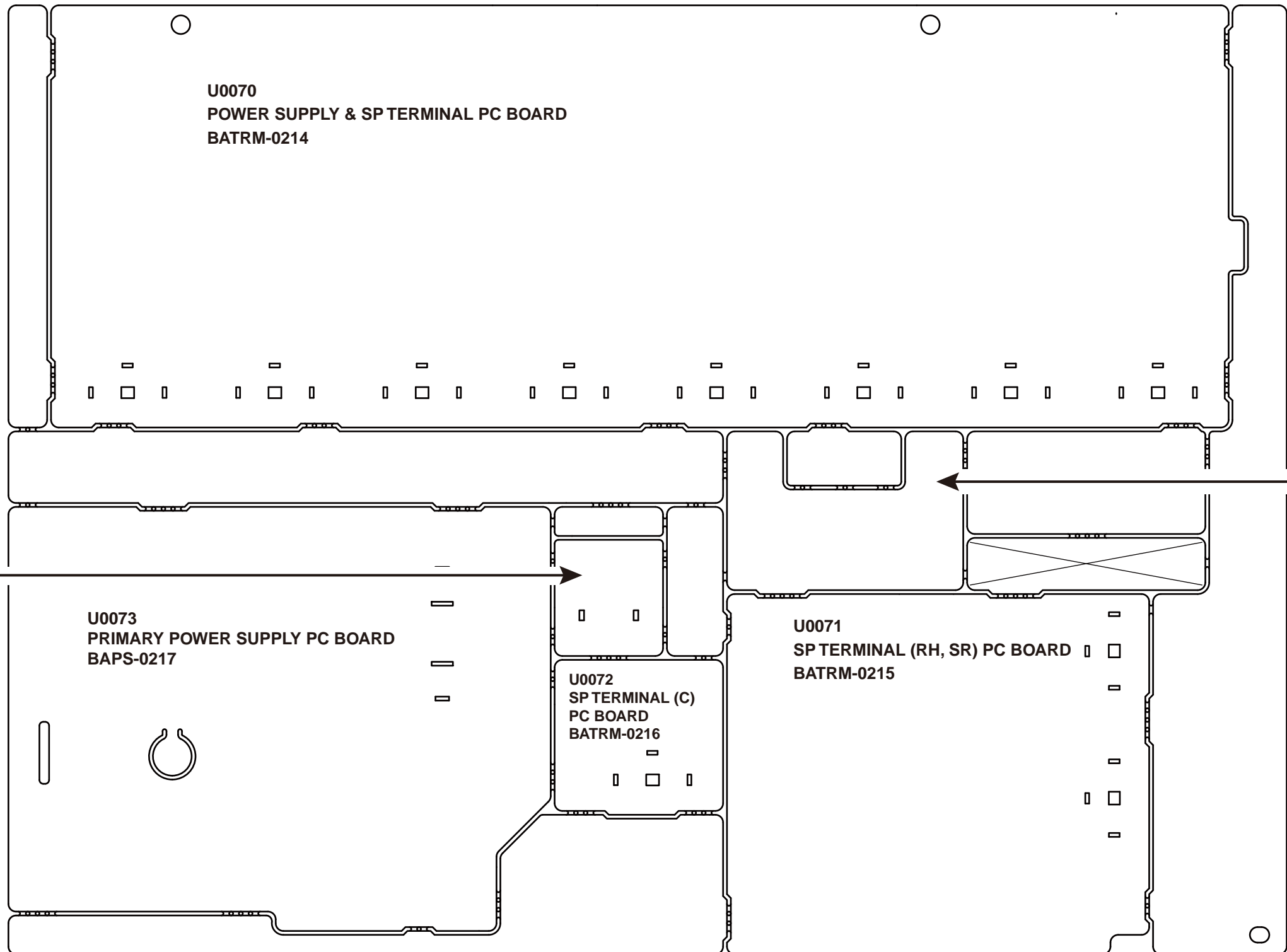
A side pattern
 B side pattern

B side view from A side

PRINTED CIRCUIT BOARD VIEW-7-1

U007 BATRM-0214

U0074
INLET TERMINAL PC BOARD
BAPS-0218



U0075
ANALOG AUDIO
POWER SUPPLY PC BOARD
BAETC-0219

U0070
POWER SUPPLY & SP TERMINAL PC BOARD
BATRM-0214

U0073
PRIMARY POWER SUPPLY PC BOARD
BAPS-0217

U0072
SP TERMINAL (C)
PC BOARD
BATRM-0216

U0071
SP TERMINAL (RH, SR) PC BOARD
BATRM-0215

PRINTED CIRCUIT BOARD VIEW-7-2

U007 BATRM-0214

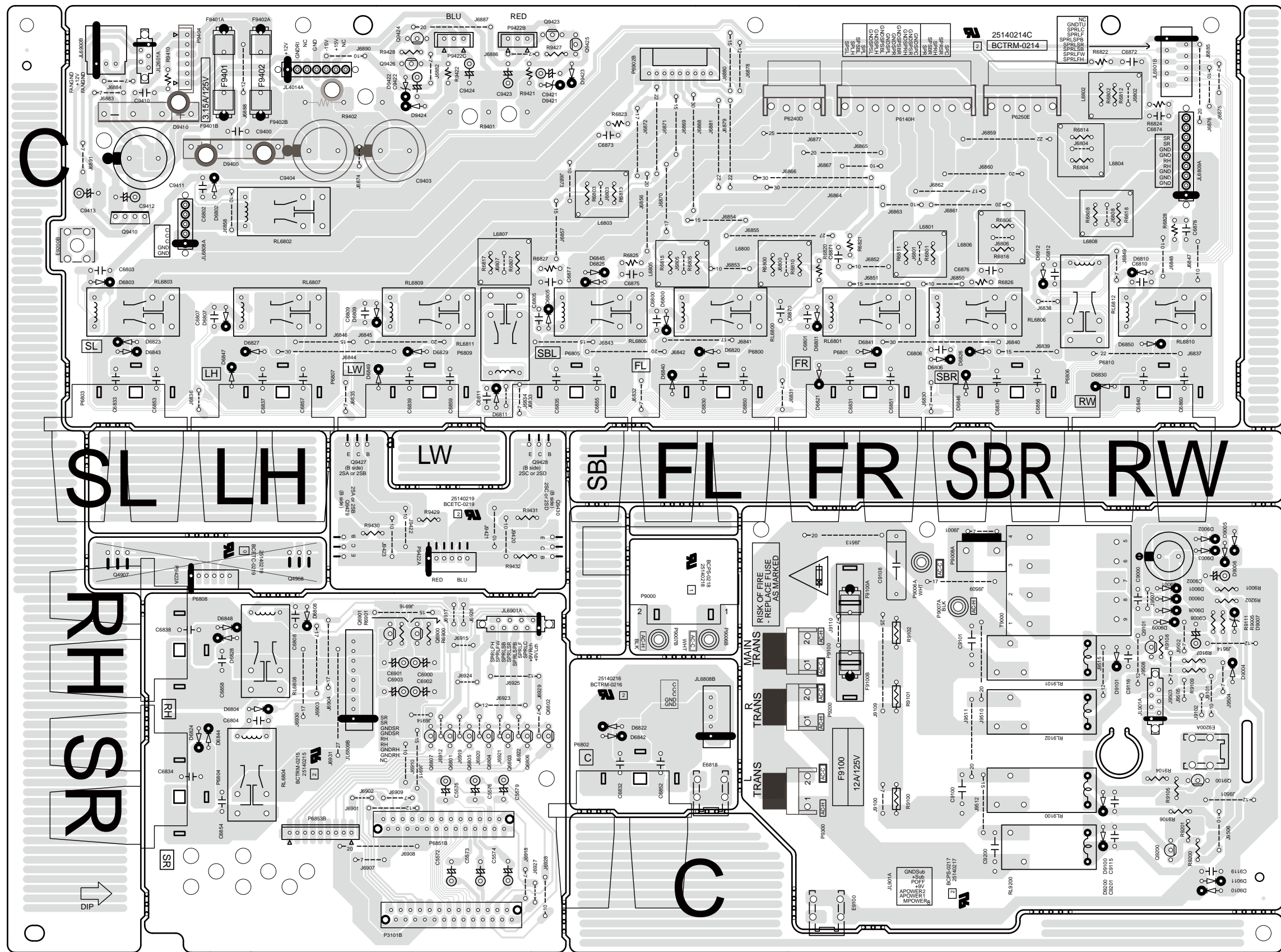
1

2

3

4

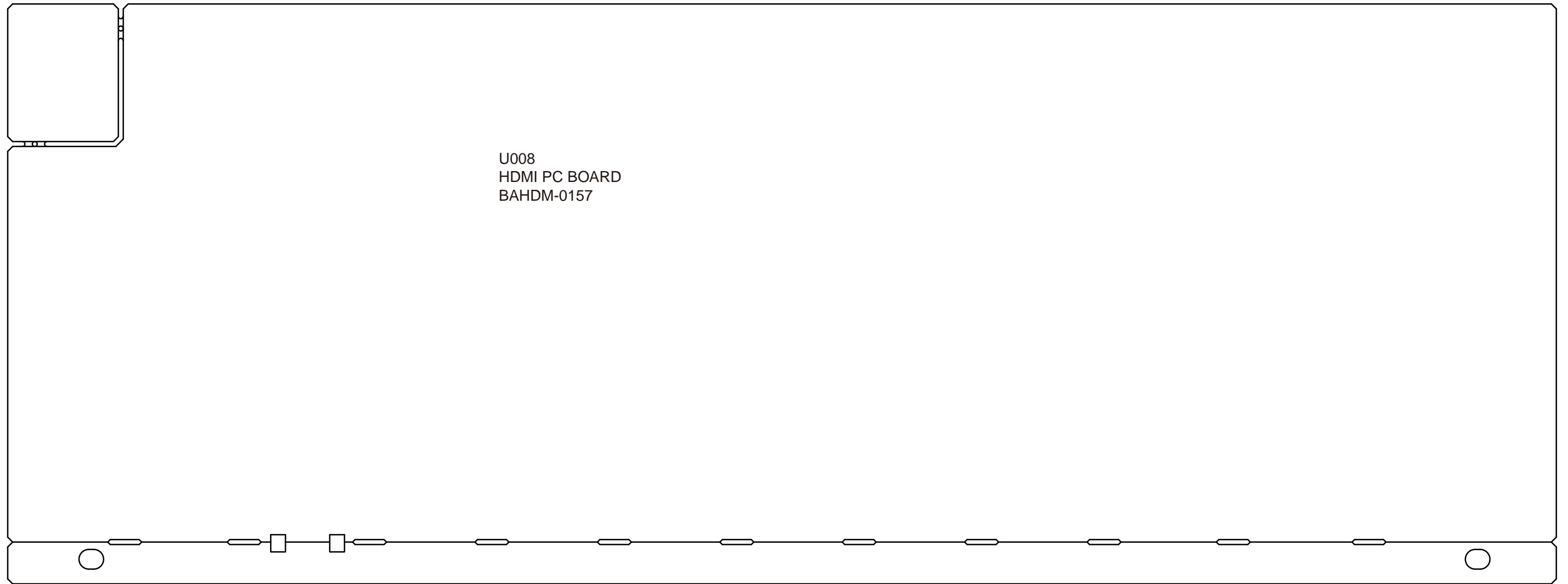
5



A side view from B side

PRINTED CIRCUIT BOARD VIEW-8-1

U008 BAHDM-0157



A B C D E F G H

PRINTED CIRCUIT BOARD VIEW-8-2

U008 BAHDM-0157

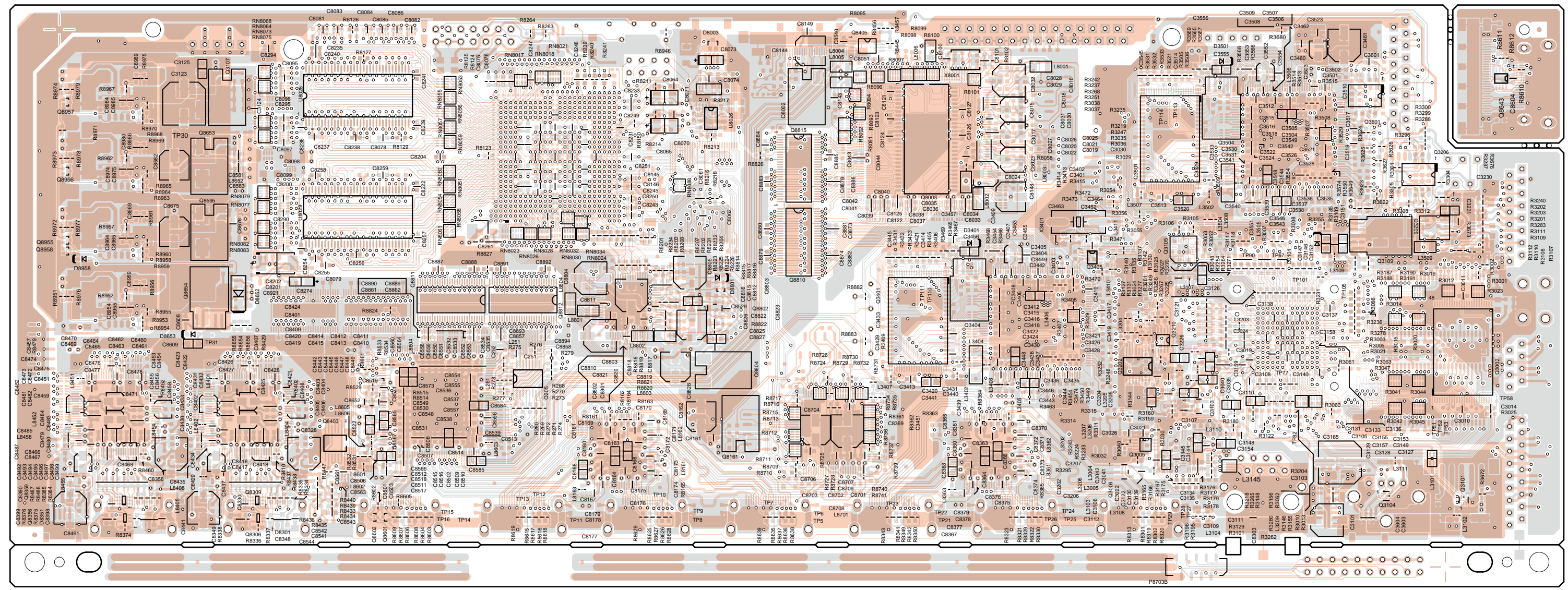
1

2

3

4

5



B side view

A side pattern
 B side pattern

A B C D E F G H

PRINTED CIRCUIT BOARD VIEW-8-3

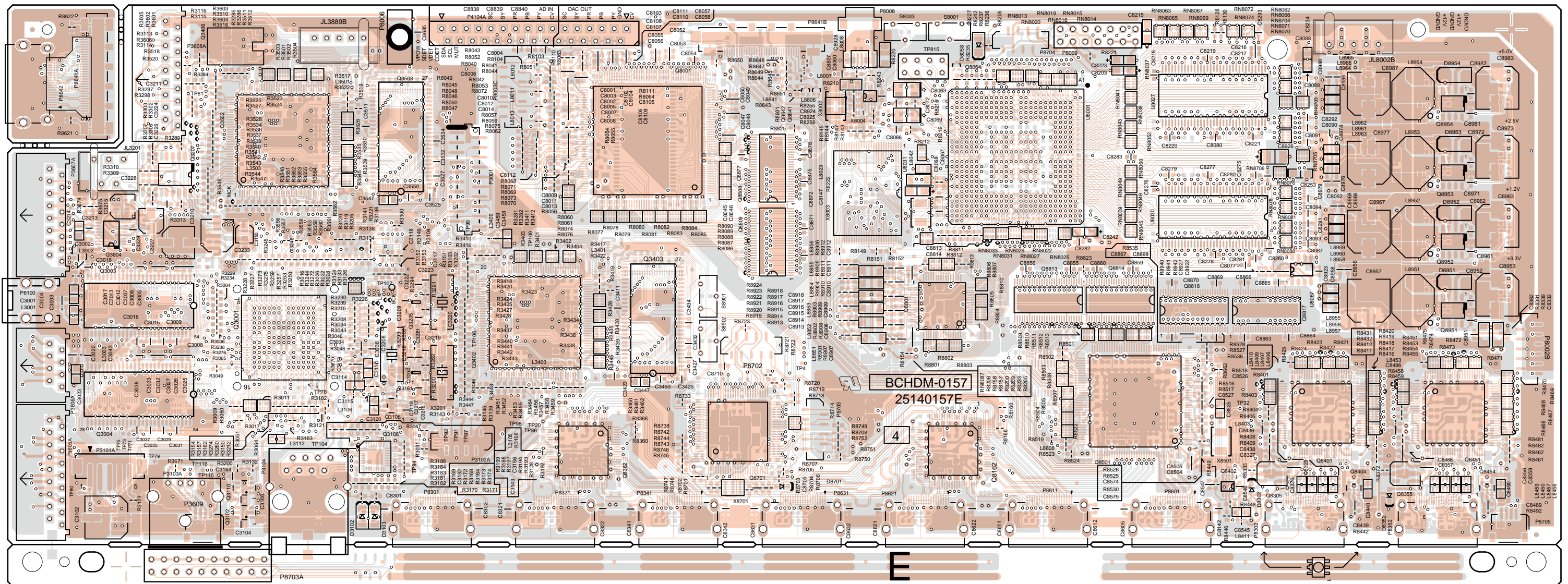
U008 BAHDM-0157

1

2

3

4



A side view

■ A side pattern
■ B side pattern

5

TX-NR5008

<Note>

Parts marked by 'NSP' are generally unavailable because they are not in our Master Spare Parts List.

NOTE : THE COMPONENTS IDENTIFIED BY THE MARK
! ARE CRITICAL FOR RISK OF FIRE AND
ELECTRIC SHOCK. REPLACE ONLY WITH PART
NUMBER SPECIFIED.

<Notes>

(B) : Black model

(S) : Silver model

<MDC> : 120V,Canadian model

<MMP> : 230V,CE(European) country model

<MMR> : 220/230-240V,Chinese model

EXPLODED VIEW PARTS LIST

EV

EV

EV

EV

EV

EV

EV

EV

EV

EV

EV

EV

EV

EV

EV

EV

EV

EV

EV

EV

EV

EV

EV

EV

EV

EV

EV

EV

REF. NO.	PART NAME	DESCRIPTION	Q'TY	PART NO. (SN)	REMARKS
[SEMI CONDUCTOR]					
Q6050	TR	TTC0002(Q)TO3PL	1	2204150	
Q6050A	ISO SHEET	ISO SHEET(NR5007_4CH)	1	223052	
Q6051	TR	TTC0002(Q)TO3PL	1	2204150	
Q6051A	ISO SHEET	ISO SHEET(NR5007_5CH)	1	223051	
Q6052	TR	TTC0002(Q)TO3PL	1	2204150	
Q6053	TR	TTC0002(Q)TO3PL	1	2204150	
Q6054	TR	TTC0002(Q)TO3PL	1	2204150	
Q6055	TR	TTC0002(Q)TO3PL	1	2204150	
Q6056	TR	TTC0002(Q)TO3PL	1	2204150	
Q6057	TR	TTC0002(Q)TO3PL	1	2204150	
Q6058	TR	TTC0002(Q)TO3PL	1	2204150	
Q6060	TR	TTA0002(Q)TO3PL	1	2204140	
Q6060A	ISO SHEET	ISO SHEET(NR5007_4CH)	1	223052	
Q6061	TR	TTA0002(Q)TO3PL	1	2204140	
Q6061A	ISO SHEET	ISO SHEET(NR5007_5CH)	1	223051	
Q6062	TR	TTA0002(Q)TO3PL	1	2204140	
Q6063	TR	TTA0002(Q)TO3PL	1	2204140	
Q6064	TR	TTA0002(Q)TO3PL	1	2204140	
Q6065	TR	TTA0002(Q)TO3PL	1	2204140	
Q6066	TR	TTA0002(Q)TO3PL	1	2204140	
Q6067	TR	TTA0002(Q)TO3PL	1	2204140	
Q6068	TR	TTA0002(Q)TO3PL	1	2204140	
Q9427	TR	2SB1565-E	1	2202715	
Q9427 or	TR	2SA1488-Y	(1)	2203394	

EV	Q9428	TR	2SD2394-E	1	2202705	
EV	Q9428 or	TR	2SC3851-Y	(1)	2203384	
EV	Q9429	TR	2SB1565-E	1	2202715	
EV	Q9429 or	TR	2SA1488-Y	(1)	2203394	
EV	Q9430	TR	2SD2394-E	1	2202705	
EV	Q9430 or	TR	2SC3851-Y	(1)	2203384	
EV	[CHASSIS SCREW]					
EV	A001	HEAT SINK	(5)	1	27160634A	
EV	A003	HEAT SINK	(4)	1	27160635A	
EV	A005	SPACER	(PC)	8	27270485	
EV	A007	SCREW	3P+6FN(3BC)	8	82143006GR	
EV	A009	SCREW	3SMS8W.SW+14B(CU)	18	801634	
EV	A011	RETAINER	(HS-2)	2	27141530A	
EV	A013	SCREW	3TTB+8B(3CM)SR	4	801637	
EV	A017	RETAINER	(HS-C)B	1	27142161B	
EV	A019	SCREW	3TTB+8B(3CM)SR	8	801637	
EV	A021	RETAINER	(HS-L)B	1	27142162	
EV	A023	SCREW	3TTB+8B(3CM)SR	3	801637	
EV	A025	HOLDER	(CLUMP) UA-0	1	27190432	
EV	A027	HOLDER	WS-4NS	1	27191207	
EV	A029	RETAINER	(HS-R)B	1	27142163	
EV	A031	SCREW	3TTB+8B(3CM)SR	4	801637	
EV	A033	HOLDER	(CLUMP) UA-0	1	27190432	
EV	A037	SCREW	3TTB+8B(3CM)SR	4	801637	
EV	A039	SCREW	3TTB+8B(3CM)SR	9	801637	
EV	A041	HEAT SINK(S)	240	1	27160608	
EV	A043	SCREW	3TTB+8B(3CM)SR	3	801637	
EV	A045	SCREW	3TTB+8B(3CM)SR	2	801637	
EV	A051	WIRE TIE	BSK-1	12	260208	
EV	A053	CHASSIS	(SUB)B	1	27100543A	
EV	A055	RETAINER	(FBR)	1	27142150A	
EV	A056	TAPE	TAPE(CLOTH-8U)	1	29110082	
EV	A057	SCREW	3TTB+8B(3CM)SR	3	801637	
EV	A059	BUSHING	CE-016 100MM	1	28170039	
EV	A061	HOLDER	SPM-4	4	27191154	
EV	A062	BUSHING	CE-016 L=25	1	28170097	
EV	A064	BUSHING	L125	1	28170004	<B MMP, MMR / S MMP>
EV	A065	BUSHING	---	1	28170070	
EV	A067	HOLDER	KGPS-14RF	1	27190802	

EV	A069	BRACKET	(FAN-L)	1	27131022A
EV	A071	HOLDER	(FAN)	4	27191307
EV	A073	BRACKET	(SUB-L)B	1	27131068
EV	A075	SCREW	3TTB+8B(3CM)SR	3	801637
EV	A077	HOLDER	WS-4NS	2	27191207
EV	A079	BRACKET	(FAN-R)	1	27131023A
EV	A081	HOLDER	(FAN)	4	27191307
EV	A083	BRACKET	(SUB-R)B	1	27131069
EV	A085	SCREW	3TTB+8B(3CM)SR	3	801637
EV	A087	HOLDER	WS-4NS	1	27191207
EV	A089	TAPE	TAPE(CLOTH-16U)	1	29110083
EV	A101	BRACKET	(PT)B	1	27131070
EV	A103	BUSHING	L30	2	28170006
EV	A105	BUSHING	BUSHING	2	28170040
EV	A109	IB CUSHION	W15 x 3t TAPE	1	28141585
EV	A111	SCREW	4TTC+8C(3BC)	8	830440089GR
EV	A113	SCREW	4TTC+8C(3BC)	4	830440089GR
EV	A115	SCREW	3TTB+8B(3CM)SR	2	801637
EV	A119	SCREW	4TTC+8C(3BC)	4	830440089GR
EV	A121	SPACER	---	4	27270489
EV	A123	IB CUSHION	W15 x 3t TAPE	1	28141585
EV	A125	SCREW	3TTB+8B(3CM)SR	8	801637
EV	A126	SCREW	3TTB+8B(3CM)SR	8	801637
EV	A127	CUSHION	t10 x 10 x 100	1	28141746
EV	A131	HEAT SINK	(SP)	1	27160643
EV	A133	SPACER	t0.5 x w30 x d10	1	27270495
EV	A135	SPACER	t0.5 x w13 x d5	1	27270514
EV	A137	SCREW	3TTB+8B(3CM)SR	4	801637
EV	A139	SCREW	3TTB+8B(3BC)	2	838430088GR
EV	A141	TAPE	TAPE(CLOTH-16U)	1	29110083
EV	A143	TAPE	TAPE(CLOTH-16U)	1	29110083
EV	A145	WIRE TIE	BSK-1	1	260208
EV	A146	CUSHION	(BUTYL)	1	28141748
EV	A147	CUSHION	(BUTYL)	1	28141748
EV	A149	IB CUSHION	W15 x 3t TAPE	1	28141585
EV	A151	CHASSIS	---	1	27100545B
EV	A153	LEG	---	4	27175455
EV	A155	CUSHION	(LEG)	4	28141735
EV	A157	IB CUSHION	W15 x 3t TAPE	1	28141585

EV	A158	CUSHION	(BUTYL)	1	28141748
EV	A161	SCREW	3TTB+8B(3CM)SR	4	801637
EV	A163	HOLDER	(SPD-6)	4	27191308
EV	A165	HOLDER	KGPS-10RF	3	27190813
EV	A167	HOLDER	KGLS-10RT	1	27190428A
EV	A169	HOLDER	KGLS-12RT	1	27190266
EV	A170	HOLDER	KGLS-22RT	1	27190772
EV	A171	HOLDER	KGLS-20RT V0	3	27191338
EV	A173	HOLDER	HOLDER KGLS-18S	1	27190470
EV	A175	HOLDER	KGPS-18S	1	27191339
EV	A177	HOLDER	KGLS-14S	1	27190164
EV	A179	HOLDER	SPM-4	1	27191154
EV	A181	HOLDER	KGLS-22RT	3	27190772
EV	A183	HOLDER	HOLDER KGLS-18S	1	27190470
EV	A185	HOLDER	KGLS-22RT	1	27190772
EV	A186	CUSHION	(FNP) t25x15x10	1	28141828
EV	A187	SCREW	3TTB+8B(3CM)SR	1	801637
EV	A189	SCREW	3TTB+8B(3CM)SR	1	801637
EV	A191	SCREW	3TTB+8B(3CM)SR	1	801637
EV	A193	SCREW	3TTB+8B(3CM)SR	1	801637
EV	A195	SCREW	3TTB+8B(3BC)	2	838430088GR
EV	A197	SCREW	3TTB+8B(3BC)	3	838430088GR
EV	A199	SCREW	3TTB+8B(3BC)	2	838430088GR
EV	A201	SCREW	4TTC+8C(3BC)	1	830440089GR
EV	A203	SPACER	---	1	27270489
EV	A205	SCREW	3TTB+8B(3BC)	5	838430088GR
EV	A207	SCREW	3TTB+8B(3CM)SR	8	801637
EV	A208	SCREW	3TTB+8B(3CM)SR	8	801637
EV	A211	ISO PLT	(HS-R)	2	28175336A
EV	A213	RIVET	P-RIVET NRP-345	1	880009
EV	A215	P RIVET	P-3055B-8L	2	880048
EV	A217	ISO PLT	(HS-U)	1	28175337A
EV	A221	RETAINER	(CLA-L)	1	27142196
EV	A223	RETAINER	(CLA-R)	1	27142197
EV	A225	RETAINER	(CLA-U)	2	27142198
EV	A227	SCREW	3TTB+8B(3BC)	9	838430088GR
EV	A229	SCREW	3TTB+8B(3BC)	2	838430088GR
EV	A231	SPACER	T1 x Ø8 x Ø3.2PTFE	2	27270527
EV	A233	SCREW	3TTW+8B(3BC)	2	831430088GR

EV	A235	BUSHING	BUSHING	2	28170040	
EV	A237	BUSHING	CE-016 L=40	1	28170102	
EV	A239	BUSHING	CE-016 L=70	1	28170103	
EV	A341	LABEL	(PT)	1	29363408-1	
EV	A343A	LABEL	(E-CON)	{ 1 }	29364978	
EV	A345	WIRE TIE	BSK-1	10	260208	
EV	A347	WIRE TIE	BSK-1	1	260208	
EV	A349	TAPE	TAPE(CLOTH-16U)	1	29110083	
EV	A350	TAPE	TAPE(CLOTH-8U)	1	29110082	
EV	A351	CUSHION	(BUTYL)	1	28141748	
EV	A352	CUSHION	(BUTYL)	1	28141748	
EV	A355	REAR PANEL	5008DC	1	27124171B	N <B MDC>
EV	A355	REAR PANEL	5008MP	1	27124172A	N <B MMP / S MMP>
EV	A355	REAR PANEL	5008MR	1	27124173A	N <B MMR>
EV	A357	TAPE	TAPE(CLOTH-8U)	1	29110082	
EV	A361	SCREW	3TTB+8B(3BC)	12	838430088GR	<B MDC, MMP, MMR / S MMP>
EV	A363	SCREW	3TTB+8B(3BC)	2	838430088GR	<B MDC, MMP, MMR / S MMP>
EV	A365	SCREW	3TTB+8B(3BC)	1	838430088GR	<B MDC, MMP, MMR / S MMP>
EV	A367	SCREW	3TTB+8B(3BC)	1	838430088GR	<B MDC, MMP, MMR / S MMP>
EV	A369	SCREW	3TTB+8B(3BC)	2	838430088GR	<B MDC, MMP, MMR / S MMP>
EV	A373	SCREW	3TTB+8B(3BC)	14	838430088GR	<B MDC, MMP, MMR / S MMP>
EV	A375	SCREW	3TTB+8B(3BC)	11	838430088GR	<B MDC, MMP, MMR / S MMP>
EV	A377	SCREW	3TTB+8B(3BC)	5	838430088GR	<B MDC, MMP, MMR / S MMP>
EV	A379	SCREW	3P+6FN(3BC)	9	82143006GR	<B MDC, MMP, MMR / S MMP>
EV	A381	SCREW	3P+6FN(3BC)	2	82143006GR	<B MDC, MMP, MMR / S MMP>
EV	A383	SCREW	3P+6FN(3BC)	1	82143006GR	<B MDC>
EV	A385	SCREW	3TTF+10B(3BC)	2	835430108GR	<B MDC, MMP, MMR / S MMP>
EV	A387	TRM	E TERMINAL	1	25060151	<B MDC, MMP, MMR / S MMP>
EV	A389	WASHER	W3 x 10F(3BC)	1	87643010GR	<B MDC, MMP, MMR / S MMP>
EV	A391	LABEL	(SP1)	1	29390790	
EV	A393	LABEL	(SP2)	1	29390791	
EV	A395	CUSHION	(BUTYL)	1	28141748	
EV	P6800	P RIVET	JB-407A-C	22	880052	<B MMP, MMR / S MMP>
EV	[CABINET]					
EV	A401	F BRACKET	AS(5007 BLACK)	1	27111564F	
EV	A401	F BRACKET	AS(5007 SILVER)	1	27111565F	<S>
EV	A402	TAPE	TAPE(CLOTH-8U)	1	29110082	
EV	A403	B PLATE	(B)	1	28133428	
EV	A403	B PLATE	(S)	1	28133429	<S>

EV	A407	FACET	(VOL)	1	28200040A	
EV	A409	SCREW	3TTB+8B(3CM)SR	2	801637	
EV	A411	KNOB	(STBY)AS5007	1	28326703A	
EV	A413	IB CUSHION	W15 x 3t TAPE	1	28141585	
EV	A415	KNOB	(SEL)	2	28326724	
EV	A415	KNOB	(SEL)	2	28326725A	<S>
EV	A419	SCREW	3TTB+8B(3CM)SR	21	801637	
EV	A421	RETAINER	(F)	1	27142155A	
EV	A423	KNOB	(PURE)AS 5007B	1	28326717A	
EV	A423	KNOB	(PURE)AS 5007S	1	28326718B	<S>
EV	A425	BUSHING	(DOOR)	2	28170095	
EV	A425	BUSHING	(DOOR) GRAY	2	28170096	<S>
EV	A431	RETAINER AS	(L)	1	27142166	
EV	A433	SCREW	3TTB+8B(3BC)	2	838430088GR	
EV	A435	RETAINER AS	(R)	1	27142167	
EV	A437	SCREW	3TTB+8B(3BC)	1	838430088GR	
EV	A439	E-WASHER	ES-3S	1	8930301S	
EV	A441	HOLDER	(DAMPER)	1	27191334B	
EV	A443	SCREW	3TTB+8B(3BC)	1	838430088GR	
EV	A445	DAMPER	002P Type-L	1	27301965	
EV	A447	SCREW	3TTB+8B(3BC)	1	838430088GR	
EV	A449	PLATE	(LOCK)	1	27262843	
EV	A451	SCREW	3P+6FN(3BC)	2	82143006GR	
EV	A453	BRACKET	(L)	1	27131062B	
EV	A455	SCREW	3P+6FN(3BC)	1	82143006GR	
EV	A457	BRACKET	(R)	1	27131063B	
EV	A459	SCREW	3P+6FN(3BC)	1	82143006GR	
EV	A471	SCREW	3TTB+8B(3CM)SR	3	801637	
EV	A473	SCREW	3TTB+8B(3CM)SR	1	801637	
EV	A475	SCREW	3TTB+8B(3BC)	3	838430088GR	
EV	A477	SCREW	3TTB+8B(3BC)	3	838430088GR	
EV	A479	SCREW	3TTB+10B(3BC)	1	838430108GR	
EV	A481	KNOB	(POW) (B)	1	28326454	<B MMP, MMR>
EV	A481	KNOB	(POW)(S) 09	1	28326729	<S MMP>
EV	A483	SCREW	3P+6FN(3BC)	2	82143006GR	<B MMP, MMR / S MMP>
EV	A485	SCREW	3TTB+8B(3CM)SR	2	801637	<B MMP, MMR / S MMP>
EV	A501	F PANEL	3008_5008BMDC	1	27213390	<B MDC>
EV	A501	F PANEL	3008_5008BMMP	1	27213391	<B MMP, MMR>
EV	A501	F PANEL	3008_5008SMMP	1	27213392	<S MMP>

EV	A502	BADGE	BADGE	1	28135244	
EV	A502	BADGE	---	1	28135298	<S>
EV	A504	CLEAR PLT	(AS)TXNR5008	1	28192319	
EV	A507	GUIDE	(SEL)B	2	27268229	
EV	A507	GUIDE	(SEL)S	2	27268230	<S>
EV	A511	KNOB	(VOL)AS 5007B	1	28326699A	
EV	A511	KNOB	(VOL)AS 5007S	1	28326700A	<S>
EV	A515	CUSHION	t0.9*Φ48	1	28141824	
EV	A521	DOOR	5008BMDC	1	28148781A	N <B MDC>
EV	A521	DOOR	5008BMMP	1	28148782A	N <B MMP, MMR>
EV	A521	DOOR	5008SMMP	1	28148783A	N <S MMP>
EV	A541	TAPE	TAPE(CLOTH-8U)	1	29110082	
EV	A551	COVER	(B) (Bent)	1	28210040A	
EV	A551	COVER	(B) (Not Bent)	1	28210040AZ	
EV	A551	COVER	(S) (Bent)	1	28210041A	<S>
EV	A552	TAPE	TAPE(CLOTH-8U)	1	29110082	
EV	A553	LABEL	(CAUTION)	1	29363797	<S>
EV	A553	LABEL	(COVER)	1	29364123	
EV	A555	ST SCREW	4TTB+8C(NI)	6	838240089	<S>
EV	A555	SCREW	4TTB+8C(3BC)	6	838440089GR	
EV	A557	SCREW	3TTB+8B(3CM)SR	3	801637	<S>
EV	A557	SCREW	3TTB+8B(3BC)	3	838430088GR	
EV	A561	LABEL	HOOKUP-ONKYO	1	29363194	<B MDC>
EV	A575	LABEL	(CCC)	1	---	<B MMR> NSP
EV	A577	LABEL	(APV)	1	---	<B MMR> NSP
EV	A591	LABEL	(WIN7)	1	29391024	
EV	[TRANS COIL]					
EV	T901	P TRANS	NPT-1554D	1	2301898	! <B MDC>
EV	T901	P TRANS	NPT-1554M	1	2301899	! <B MMP, MMR / S MMP>
EV	T903	P TRANS	NPT-1581D	1	2301952	! <B MDC>
EV	T903	P TRANS	NPT-1581M	1	2301953	! <B MMP, MMR / S MMP>
EV	T904	P TRANS	NPT-1582D	1	2301955	! <B MDC>
EV	T904	P TRANS	NPT-1582M	1	2301956	! <B MMP, MMR / S MMP>
EV	[SW TRM]					
EV	F2001	FUSE	4A-UL/T-233	1	252325GR	! <B MDC, MMP, MMR / S MMP>
EV	F2001 or	FUSE	4A-T/UL-ST2	(1)	252257GR	! <B MDC, MMP, MMR / S MMP>
EV	F2004	FUSE	1.25A-UL/T-233	1	252318GR	! <B MDC, MMP, MMR / S MMP>
EV	F2004 or	FUSE	1.25A-T/UL-ST2	(1)	252251GR	! <B MDC, MMP, MMR / S MMP>
EV	F2005	FUSE	1.25A-UL/T-233	1	252318GR	! <B MDC, MMP, MMR / S MMP>

EV	F2005 or	FUSE	1.25A-T/UL-ST2	(1)	252251GR	!	<B MDC, MMP, MMR / S MMP>
EV	F6601	FUSE	20A-UL-250V	1	252304GR	!	
EV	F6602	FUSE	20A-UL-250V	1	252304GR	!	
EV	F6603	FUSE	20A-UL-250V	1	252304GR	!	
EV	F6604	FUSE	20A-UL-250V	1	252304GR	!	
EV	F9100	FUSE	12A-UL-ST6	1	252340GR	!	<B MDC>
EV	F9100	FUSE	6.3A-SE-EAK FUSE	1	252079GR	!	<B MMP, MMR / S MMP>
EV	F9100 or	FUSE	6.3A-SE-TL250V	(1)	252279GR	!	<B MMP, MMR / S MMP>
EV	F9301	FUSE	3.15A-UL/T-233	1	252323GR	!	<B MDC, MMP, MMR / S MMP>
EV	F9301 or	FUSE	3.15A-T/UL-ST2	(1)	252256GR	!	<B MDC, MMP, MMR / S MMP>
EV	F9401	FUSE	3.15A-UL/T-233	1	252323GR	!	
EV	F9401 or	FUSE	3.15A-T/UL-ST2	(1)	252256GR	!	
EV	F9402	FUSE	3.15A-UL/T-233	1	252323GR	!	
EV	F9402 or	FUSE	3.15A-T/UL-ST2	(1)	252256GR	!	
EV	JL4103	JMP LEAD	JL5 550H	1	NSP		
EV	P061	FAN	D09A-12PG13	1	24502328		
EV	P062	FAN	D09A-12PG13	1	24502328		
EV	P106	FFC	NCFC7-111012	1	2047111012		<B MDC, MMP, MMR / S MMP>
EV	P3101	SOCKET AS	NSAS-10P1813	1	2009991173UL		
EV	P4008	FFC	NCFC7-090512	1	2047090512		
EV	P4009	FFC	NCFC7-150512	1	2047150512		
EV	P4104	FFC	NCFC7-311012	1	2047311012		<B MDC, MMP, MMR / S MMP>
EV	P7501	SOCKET AS	NSAS-80P1788	1	2009991154UL		<B MDC, MMP, MMR / S MMP>
EV	P8002	FFC	NCFC5-110512	1	2045110512		
EV	P8641	FFC	NCFCD-31007	1	204D31007		
EV	P9000	AC INLET	R301X2PSn	1	25053358	!	
EV	P9008	SOCKET AS	NSAS-6P1675	1	2009991073UL	!	<B MMP, MMR / S MMP>
EV	[TUNER UNIT]						
EV	U001	U0010 + U0011 + U0012 + U0013 + U0014	BAAF-0180-1C *	1	1B234580-1C		
EV	U0010	POWER SUPPLY PC board ass'y	BAAF-0180-1C	1	1B2345180-1C		
EV	U0011	DIODE PC board ass'y	BAPS-0181-1C	1	1B2345181-1C		N
EV	U0012	RELAY PC board ass'y	BAPS-0182-1C	1	1B2345182-1C		N
EV	U0013	THERMAL SENSOR PC board ass'y	BAETC-0183-1C	1	1B2345183-1C		N
EV	U0014	THERMAL SENSOR PC board ass'y	BAETC-0184-1C	1	1B2345184-1C		N
EV	U002	U0020 + U0021	BAAMP-0191-1A *	1	1B234591-1A		
EV	U0020	AMPLIFIER PC board ass'y (C,SR,RH,SBR,R)	BAAMP-0191-1A	1	1B2345191-1A		
EV	U0021	AMPLIFIER PC board ass'y (L,SBL,LH,SL)	BAAMP-0192-1A	1	1B2345192-1A		N
EV	U003	U0030 + U0031 + U0032 + U0033 + U0034 + U0035 + U0036 + U0037 + U0038	BACLA-0226-1A *	1	1B234526-1A		

EV	U0030	AMPLIFIER PC board ass'y (L/SL/SBL/LH)	BACLA-0226-1A	1	1B2345226-1A	
EV	U0031	AMPLIFIER PC board ass'y (R/SR/CBR/RH/C)	BACLA-0227-1A	1	1B2345227-1A	N
EV	U0032	AMPLIFIER PC board ass'y (R/SR/CBR/RH/C)	BACLA-0228-1A	1	1B2345228-1A	N
EV	U0033	AMPLIFIER PC board ass'y (L/SL/SBL/LH)	BACLA-0229-1A	1	1B2345229-1A	N
EV	U0034	AMPLIFIER PC board ass'y (R/SR/CBR/RH/C)	BACLA-0230-1A	1	1B2345230-1A	N
EV	U0035	AMPLIFIER PC board ass'y (L/SL/SBL/LH)	BACLA-0231-1A	1	1B2345231-1A	N
EV	U0036	AMPLIFIER PC board ass'y (R/SR/CBR/RH/C)	BACLA-0232-1A	1	1B2345232-1A	N
EV	U0037	AMPLIFIER PC board ass'y (L/SL/SBL/LH)	BACLA-0233-1A	1	1B2345233-1A	N
EV	U0038	AMPLIFIER PC board ass'y (R/SR/CBR/RH/C)	BACLA-0234-1A	1	1B2345234-1A	N
EV	U004	U0040 + U0041	BAASP-0202-1H *	1	1B234502-1H	
EV	U0040	ANALOG AUDIO PC board ass'y	BAASP-0202-1H	1	1B2345202-1H	
EV	U0041	ANALOG VIDEO PC board ass'y	BAVD-0203-1H	1	1B2345203-1H	N
EV	U005	U0050 + U0051 + U0051 + U0053 + U0054 + U0055 + U0056	BADG-0208-1AG *	1	1B234508-1AG	N <MDC>
EV	U005	U0050 + U0051 + U0051 + U0053 + U0054 + U0055 + U0056	BADG-0208-1AH *	1	1B234508-1AH	N <MMP>
EV	U005	U0050 + U0051 + U0051 + U0053 + U0054 + U0055 + U0056	BADG-0208-1AH *	1	1B234508-1AH	N <MMR>
EV	U0050	DAC PC board ass'y	BADG-0208-1AG	1	1B2345208-1AG	N <MDC>
EV	U0050	DAC PC board ass'y	BADG-0208-1AH	1	1B2345208-1AH	N <MMP>
EV	U0050	DAC PC board ass'y	BADG-0208-1AH	1	1B2345208-1AH	N <MMR>
EV	U0051	MAIN CPU PC board ass'y	BACPU-0209-1AG	1	1B2345209-1AG	N <MDC>
EV	U0051	MAIN CPU PC board ass'y	BACPU-0209-1AH	1	1B2345209-1AH	N <MMP>
EV	U0051	MAIN CPU PC board ass'y	BACPU-0209-1AH	1	1B2345209-1AH	N <MMR>
EV	U0052	ZONE-2 & ZONE-3 PC board ass'y	BAAR-0210-1AG	1	1B2345210-1AG	N <MDC>
EV	U0052	ZONE-2 & ZONE-3 PC board ass'y	BAAR-0210-1AH	1	1B2345210-1AH	N <MMP>
EV	U0052	ZONE-2 & ZONE-3 PC board ass'y	BAAR-0210-1AH	1	1B2345210-1AH	N <MMR>
EV	U0053	PHONO AMP. PC board ass'y	BAAF-0211-1AG	1	1B2345211-1AG	N <MDC>
EV	U0053	PHONO AMP. PC board ass'y	BAAF-0211-1AH	1	1B2345211-1AH	N <MMP>
EV	U0053	PHONO AMP. PC board ass'y	BAAF-0211-1AH	1	1B2345211-1AH	N <MMR>
EV	U0054	BUFFER AMP. PC board ass'y	BAACC-0212-1AG	1	1B2345212-1AG	N <MDC>
EV	U0054	BUFFER AMP. PC board ass'y	BAACC-0212-1AH	1	1B2345212-1AH	N <MMP>
EV	U0054	BUFFER AMP. PC board ass'y	BAACC-0212-1AH	1	1B2345212-1AH	N <MMR>
EV	U0055	SIRIUS PC board ass'y	BARF-0204-1AG	1	1B2345204-1AG	N <MDC>
EV	U0055	SIRIUS PC board ass'y	BARF-0204-1AH	1	1B2345204-1AH	N <MMP>
EV	U0055	SIRIUS PC board ass'y	BARF-0204-1AH	1	1B2345204-1AH	N <MMR>
EV	U0057	DG AUDIO IN PC board ass'y	BAETC-0246-1AG	1	1B2345246-1AG	N <MDC>
EV	U0057	DG AUDIO IN PC board ass'y	BAETC-0246-1AH	1	1B2345246-1AH	N <MMP>
EV	U0057	DG AUDIO IN PC board ass'y	BAETC-0246-1AH	1	1B2345246-1AH	N <MMR>

EV	U0058	PC INPUT TERMINAL PC board ass'y	BAETC-0247-1AG	1	1B2345247-1AG	<MDC>
EV	U0058	PC INPUT TERMINAL PC board ass'y	BAETC-0247-1AH	1	1B2345247-1AH	<MMP>
EV	U0058	PC INPUT TERMINAL PC board ass'y	BAETC-0247-1AH	1	1B2345247-1AH	<MMR>
EV	U006	U0060 + U0061 + U0062 + U0063 + U0064 + U0065 + U0066 + U0067 + U0068 + U0069 + U00610	BADIS-0135-2E *	1	1B234535-2E	N <MDC>
EV	U006	U0060 + U0061 + U0062 + U0063 + U0064 + U0065 + U0066 + U0067 + U0068 + U0069 + U00610	BADIS-0135-2F *	1	1B234535-2F	N <MMP>
EV	U006	U0060 + U0061 + U0062 + U0063 + U0064 + U0065 + U0066 + U0067 + U0068 + U0069 + U00610	BADIS-0135-2F *	1	1B234535-2F	N <MMR>
EV	U0060	DISPLAY PC board ass'y	BADIS-0135-2E	1	1B2345135-2E	N <MDC>
EV	U0060	DISPLAY PC board ass'y	BADIS-0135-2F	1	1B2345135-2F	N <MMP>
EV	U0060	DISPLAY PC board ass'y	BADIS-0135-2F	1	1B2345135-2F	N <MMR>
EV	U0061	LED PC board ass'y	BASW-0136-2E	1	1B2345136-2E	<MDC>
EV	U0061	LED PC board ass'y	BASW-0136-2F	1	1B2345136-2F	<MMP>
EV	U0061	LED PC board ass'y	BASW-0136-2F	1	1B2345136-2F	<MMR>
EV	U00610	HOLDER PC board	BAETC-0128-2E	1	1B2345128-2E	<MDC>
EV	U00610	HOLDER PC board	BAETC-0128-2F	1	1B2345128-2F	<MMP>
EV	U00610	HOLDER PC board	BAETC-0128-2F	1	1B2345128-2F	<MMR>
EV	U0062	PHONE JACK PC board ass'y	BAETC-0137-2E	1	1B2345137-2E	<MDC>
EV	U0062	PHONE JACK PC board ass'y	BAETC-0137-2F	1	1B2345137-2F	<MMP>
EV	U0062	PHONE JACK PC board ass'y	BAETC-0137-2F	1	1B2345137-2F	<MMR>
EV	U0063	FRONT OPT IN PC board ass'y	BAETC-0138-2E	1	1B2345138-2E	<MDC>
EV	U0063	FRONT OPT IN PC board ass'y	BAETC-0138-2F	1	1B2345138-2F	<MMP>
EV	U0063	FRONT OPT IN PC board ass'y	BAETC-0138-2F	1	1B2345138-2F	<MMR>
EV	U0064	VOLUME PC board ass'y	BAETC-0139-2E	1	1B2345139-2E	<MDC>
EV	U0064	VOLUME PC board ass'y	BAETC-0139-2F	1	1B2345139-2F	<MMP>
EV	U0064	VOLUME PC board ass'y	BAETC-0139-2F	1	1B2345139-2F	<MMR>
EV	U0065	DG POWER SUPPLY PC board ass'y	BAPS-0140-2E	1	1B2345140-2E	<MDC>
EV	U0065	DG POWER SUPPLY PC board ass'y	BAPS-0140-2F	1	1B2345140-2F	<MMP>
EV	U0065	DG POWER SUPPLY PC board ass'y	BAPS-0140-2F	1	1B2345140-2F	<MMR>
EV	U0066	HOLDER PC board	BAETC-0144-2F	1	1B2345144-2F	<MMP>
EV	U0066	HOLDER PC board	BAETC-0144-2F	1	1B2345144-2F	<MMR>
EV	U0067	HOLDER PC board	BAETC-0145-2E	1	1B2345145-2E	<MDC>
EV	U0067	HOLDER PC board	BAETC-0145-2F	1	1B2345145-2F	<MMP>
EV	U0067	HOLDER PC board	BAETC-0145-2F	1	1B2345145-2F	<MMR>
EV	U0068	HOLDER PC board	BAETC-0142-2E	1	1B2345142-2E	<MDC>
EV	U0068	HOLDER PC board	BAETC-0142-2F	1	1B2345142-2F	<MMP>
EV	U0068	HOLDER PC board	BAETC-0142-2F	1	1B2345142-2F	<MMR>

EV	U0069	POWER SWITCH PC board ass'y	BASW-0143-2F	1	1B2345143-2F	<MMP>
EV	U0069	POWER SWITCH PC board ass'y	BASW-0143-2F	1	1B2345143-2F	<MMR>
EV	U007	U0070 + U0071 + U0072 + U0073 + U0074 + U0075	BATRM-0214-1AF *	1	1B234514-1AF	N <MDC>
EV	U007	U0070 + U0071 + U0072 + U0073 + U0074 + U0075	BATRM-0214-1AG *	1	1B234514-1AG	N <MMP>
EV	U007	U0070 + U0071 + U0072 + U0073 + U0074 + U0075	BATRM-0214-1AG *	1	1B234514-1AG	N <MMR>
EV	U0070	POWER SUPPLY & SP TERMINAL PC board ass'y	BATRM-0214-1AF	1	1B2345214-1AF	N <MDC>
EV	U0070	POWER SUPPLY & SP TERMINAL PC board ass'y	BATRM-0214-1AG	1	1B2345214-1AG	N <MMP>
EV	U0070	POWER SUPPLY & SP TERMINAL PC board ass'y	BATRM-0214-1AG	1	1B2345214-1AG	N <MMR>
EV	U0071	SPEAKER TERMINAL (RH,SR) PC board ass'y	BATRM-0215-1AF	1	1B2345215-1AF	N <MDC>
EV	U0071	SPEAKER TERMINAL (RH,SR) PC board ass'y	BATRM-0215-1AG	1	1B2345215-1AG	N <MMP>
EV	U0071	SPEAKER TERMINAL (RH,SR) PC board ass'y	BATRM-0215-1AG	1	1B2345215-1AG	N <MMR>
EV	U0072	SPEAKER TERMINAL (CENTER) PC board ass'y	BATRM-0216-1AF	1	1B2345216-1AF	N <MDC>
EV	U0072	SPEAKER TERMINAL (CENTER) PC board ass'y	BATRM-0216-1AG	1	1B2345216-1AG	N <MMP>
EV	U0072	SPEAKER TERMINAL (CENTER) PC board ass'y	BATRM-0216-1AG	1	1B2345216-1AG	N <MMR>
EV	U0073	PRIMARY POWER SUPPLY PC board ass'y	BAPS-0217-1AF	1	1B2345217-1AF	N <MDC>
EV	U0073	PRIMARY POWER SUPPLY PC board ass'y	BAPS-0217-1AG	1	1B2345217-1AG	N <MMP>
EV	U0073	PRIMARY POWER SUPPLY PC board ass'y	BAPS-0217-1AG	1	1B2345217-1AG	N <MMR>
EV	U0074	INLET PC board ass'y	BAPS-0218-1AF	1	1B2345218-1AF	N <MDC>
EV	U0074	INLET PC board ass'y	BAPS-0218-1AG	1	1B2345218-1AG	N <MMP>
EV	U0074	INLET PC board ass'y	BAPS-0218-1AG	1	1B2345218-1AG	N <MMR>
EV	U0075	ANALOG AUDIO POWER SUPPLY PC board ass'y	BAETC-0219-1AF	1	1B2345219-1AF	N <MDC>
EV	U0075	ANALOG AUDIO POWER SUPPLY PC board ass'y	BAETC-0219-1AG	1	1B2345219-1AG	N <MMP>
EV	U0075	ANALOG AUDIO POWER SUPPLY PC board ass'y	BAETC-0219-1AG	1	1B2345219-1AG	N <MMR>
EV	U008	HDMI PC board ass'y	BAHDM-0157-1F *	1	1B234557-1G_0367A2	N
EV	U0091	FRONT HDMI/ USB PC board ass'y	BAHDM-0291-1B	1	1B2345291-1B	
EV	U011	TUNER UNIT	FAEH06-E01EX	1	240165	<B MMP, MMR>
EV	U011	TUNER UNIT	FAEH06-A01US	1	240166	<B MDC>

TX-NR5008

PC BOARD PARTS LIST

U001	U001	U0010 + U0011 + U0012 + U0013 + U0014	
U001	U0010	POWER SUPPLY PC BOARD	BAAF-0180-1C
U001	U0011	DIODE PC BOARD	BAPS-0181-1C
U001	U0012	RELAY PC BOARD	BAPS-0182-1C
U001	U0013	THERMAL SENSOR PC BOARD	BAETC-0183-1C

U001 **U0014** THERMAL SENSOR PC BOARD BAETC-0184-1C

CIRCUIT NO.	PART NAME	DESCRIPTION	Q'TY	PART NO. (SN)	REMARKS
[SEMI CONDUCTOR]					
U001	D6221	DIODE	1	223163T	
U001	D6222	DIODE	1	223163T	
U001	D6601	DIODE	1	22380345	
U001	D6602	DIODE	1	223163T	
U001	D6611	DIODE	1	22380345	
U001	D6612	DIODE	1	223163T	
U001	D6621	DIODE	1	22380345	
U001	D6701	DIODE	1	223163T	
U001	D6702	DIODE	1	223163T	
U001	D6703	ZENER D	1	224470332T	
U001	D6704	ZENER D	1	224470332T	
U001	D6713	ZENER D	1	224470332T	
U001	Q6000	TR	1	2213285T	
U001	Q6001	TR	1	2213285T	
U001	Q6002	TR	1	2213285T	
U001	Q6003	TR	1	2213285T	
U001	Q6004	TR	1	2213285T	
U001	Q6005	TR	1	2213285T	
U001	Q6006	TR	1	2213285T	
U001	Q6007	TR	1	2213285T	
U001	Q6008	TR	1	2213285T	
U001	Q6226	TR	1	2213794T	
U001	Q6380	IC	1	22242212	
U001	Q6380A	RETAINER	1	27141884-1	
U001	Q6381	IC	1	22242212	
U001	Q6381A	RETAINER	1	27141884-1	
U001	Q6550	TR	1	2211255T	
U001	Q6551	TR	1	2211503T	
U001	Q6551 or	TR	(1)	2211504T	
U001	Q6560	TR	1	2211255T	
U001	Q6561	TR	1	2211503T	
U001	Q6561 or	TR	(1)	2211504T	
U001	Q6601	TR	1	2215864T	
U001	Q6601 or	TR	(1)	2213284T	
U001	Q6601 or	TR	(1)	2213285T	

U001	Q6611	TR	KTC3199-GR	1	2215864T	
U001	Q6611 or	TR	2SC1740S-R	(1)	2213284T	
U001	Q6611 or	TR	2SC1740S-S	(1)	2213285T	
U001	Q6701	TR	2SC2240-BL(TPE2_F)	1	2211406T	
U001	Q6701 or	TR	KTC3200-BL	(1)	2215896T	
U001	Q6702	TR	2SC2240-BL(TPE2_F)	1	2211406T	
U001	Q6702 or	TR	KTC3200-BL	(1)	2215896T	
U001	Q6703	TR	2SA970-BL(TPE2_F)	1	2211396T	
U001	Q6703 or	TR	KTA1268-BL	(1)	2215886T	
U001	Q6713	TR	2SA970-BL(TPE2_F)	1	2211396T	
U001	Q6713 or	TR	KTA1268-BL	(1)	2215886T	
U001	[CAPACITOR]					
U001	C6222	UTSP C	CE04W25V-220M(UTSP)	1	397552217T	
U001	C6601	MKT C	B32529C0102J289	1	376491024T	
U001	C6601 or	TF C	ECQ-B50V-102J	(1)	374721024T	
U001	C6602	PLA C	ECQE250V-334J	1	3700083S	
U001	C6611	MKT C	B32529C0102J289	1	376491024T	
U001	C6611 or	TF C	ECQ-B50V-102J	(1)	374721024T	
U001	C6612	TF C	ECQ-V100V-334J	1	374733344T	
U001	C6622	TF C	ECQ-V100V-334J	1	374733344T	
U001	C6701	UTSP C	CE04W16V-330M(UTSP)	1	397543317T	
U001	C6703	TF C	ECQ-V50V-223J	1	374722234T	
U001	C6704	UTSP C	CE04W50V-1M(UTSP)	1	397580107T	
U001	C6706	UTSP C	CE04W50V-10M(UTSP)	1	397581007T	
U001	C6713	TF C	ECQ-V50V-223J	1	374722234T	
U001	C6714	UTSP C	CE04W50V-1M(UTSP)	1	397580107T	
U001	C6901	ELECT C	CE04W75V-22000M	1	3504471	N <B MDC, MMP, MMR>
U001	C6902	ELECT C	CE04W75V-22000M	1	3504471	N <B MDC, MMP, MMR>
U001	[RESISTOR]					
U001	R6222	METAL R	RNU1WCJ-1	1	453630104T	
U001	R6223	CARBON R	R16J-5.6K	1	417345624T	
U001	R6550	CARBON R	R16J-4.7K	1	417344724T	
U001	R6551	CARBON R	R16J-330	1	417343314T	
U001	R6552	CARBON R	R16J-1.8K	1	417341824T	
U001	R6553	CARBON R	R16J-1.2K	1	417341224T	
U001	R6554	CARBON R	R16J-22K	1	417342234T	
U001	R6560	CARBON R	R16J-4.7K	1	417344724T	
U001	R6561	CARBON R	R16J-330	1	417343314T	
U001	R6562	CARBON R	R16J-1.8K	1	417341824T	

U001	R6563	CARBON R	R16J-1.2K	1	417341224T
U001	R6564	CARBON R	R16J-22K	1	417342234T
U001	R6601	CARBON R	R16J-1K	1	417341024T
U001	R6602	CARBON R	R16J-4.7K	1	417344724T
U001	R6603	METAL O R	RS1/2WBJ-22	1	443522204T
U001	R6611	CARBON R	R16J-1K	1	417341024T
U001	R6612	CARBON R	R16J-4.7K	1	417344724T
U001	R6613	METAL O R	RS1/2WBJ-22	1	443522204T
U001	R6701	CARBON R	R16J-22K	1	417342234T
U001	R6702	CARBON R	R16J-10K	1	417341034T
U001	R6704	CARBON R	R16J-33K	1	417343334T
U001	R6706	CARBON R	R16J-22K	1	417342234T
U001	R6708	CARBON R	R16J-33K	1	417343334T
U001	R6709	CARBON R	R16J-5.6K	1	417345624T
U001	R6710	CARBON R	R16J-15K	1	417341534T
U001	R6712	CARBON R	R16J-10K	1	417341034T
U001	R6714	CARBON R	R16J-33K	1	417343334T
U001	R6716	CARBON R	R16J-22K	1	417342234T
U001	[SW TRM]				
U001	F6601A	FUSE HOLDER	SN5051	1	250113
U001	F6601B	FUSE HOLDER	SN5051	1	250113
U001	F6602A	FUSE HOLDER	SN5051	1	250113
U001	F6602B	FUSE HOLDER	SN5051	1	250113
U001	F6603A	FUSE HOLDER	SN5051	1	250113
U001	F6603B	FUSE HOLDER	SN5051	1	250113
U001	F6604A	FUSE HOLDER	SN5051	1	250113
U001	F6604B	FUSE HOLDER	SN5051	1	250113
U001	JL6041A	WIRE HOL	NSCT-3P874	1	25051087
U001	JL6402A	WIRE TRAP	NPLG-3P586	1	25055624
U001	JL6402B	WIRE HOL	NSCT-3P874	1	25051087
U001	JL6403A	WIRE TRAP	NPLG-3P586	1	25055624
U001	JL6403B	WIRE HOL	NSCT-3P874	1	25051087
U001	JL6602A	WIRE HOL	NSCT-5P876	1	25051089
U001	JL6602B	WIRE TRAP	NPLG-5P588	1	25055626
U001	JL6900A	WIRE HOL	NSCT-3P894	1	25051107
U001	P5000A	SOCKET AS	NSAS-20P1825	1	200C4102010UL
U001	P5001A	SOCKET AS	NSAS-16P1824	1	200C4191610UL
U001	P5002A	CRIMP AS	CRIMP SR805_1	1	20799169UL
U001	P5010B	PLUG	NPLG-3P0958	1	25056008

U001	P5011B	PLUG	NPLG-3P0958	1	25056008	
U001	P5012B	PLUG	NPLG-3P0958	1	25056008	
U001	P5013B	PLUG	NPLG-3P0958	1	25056008	
U001	P5014B	PLUG	NPLG-3P0958	1	25056008	
U001	P5015B	PLUG	NPLG-3P0958	1	25056008	
U001	P5016B	PLUG	NPLG-3P0958	1	25056008	
U001	P5017B	PLUG	NPLG-3P0958	1	25056008	
U001	P5018B	PLUG	NPLG-3P0958	1	25056008	
U001	P5020B	TRM	NTM-1P232(M1700)	1	25060301	
U001	P5021B	TRM	NTM-1P232(M1700)	1	25060301	
U001	P5022B	TRM	NTM-1P232(M1700)	1	25060301	
U001	P5023B	TRM	NTM-1P232(M1700)	1	25060301	
U001	P5024B	TRM	NTM-1P232(M1700)	1	25060301	
U001	P5025B	TRM	NTM-1P232(M1700)	1	25060301	
U001	P5026B	TRM	NTM-1P232(M1700)	1	25060301	
U001	P5027B	TRM	NTM-1P232(M1700)	1	25060301	
U001	P5028B	TRM	NTM-1P232(M1700)	1	25060301	
U001	P6010B	PLUG	NPLG-3P0958	1	25056008	
U001	P6011B	PLUG	NPLG-3P0958	1	25056008	
U001	P6012B	PLUG	NPLG-3P0958	1	25056008	
U001	P6013B	PLUG	NPLG-3P0958	1	25056008	
U001	P6014B	PLUG	NPLG-3P0958	1	25056008	
U001	P6015B	PLUG	NPLG-3P0958	1	25056008	
U001	P6016B	PLUG	NPLG-3P0958	1	25056008	
U001	P6017B	PLUG	NPLG-3P0958	1	25056008	
U001	P6018B	PLUG	NPLG-3P0958	1	25056008	
U001	P6140	SOCKET AS	NSAS-9P1790	1	2009991156UL	
U001	P6240	SOCKET AS	NSAS-9P1812	1	2009991172AUL	N
U001	P6340	SOCKET AS	NSAS-8P1660	1	2009991064AUL	
U001	P6500	PLUG	NPLG-7P163	1	25055179	
U001	P6550	PLUG	NPLG-2P83	1	25055099	
U001	P6560	PLUG	NPLG-2P568	1	25055600	
U001	P6601	SOCKET AS	NSAS7P-1815	1	2009991174UL	N
U001	P6601A	PLUG	NPLG-7P163	1	25055179	
U001	P6602	RETAINER	(TRM-12)	1	27142148	N
U001	P6602B	RETAINER	MET37-0002	1	27142009T	
U001	P6603	RETAINER	(TRM-12)	1	27142148	N
U001	P6603B	RETAINER	MET37-0002	1	27142009T	
U001	P7210A	SOCKET AS	NSAS-22P1792	1	2009991158UL	N

U001	RL6601	RELAY	G2RL-1A-E-DC12V-423	1	25060496	N
U001	RL6602	RELAY	G2RL-1A-E-DC12V-423	1	25060496	N
U001	RL6611	RELAY	G2RL-1A-E-DC12V-423	1	25060496	N
U001	RL6612	RELAY	G2RL-1A-E-DC12V-423	1	25060496	N
U001	[MECHA PARTS]					
U001	P6400	RETAINER	(BUS-3)	1	27142058A	
U001	P6401	RETAINER	(BUS-S)	1	27142147	N
U001	P6402	RETAINER	(BUS-L)	1	27142146	N
U002	U002	U0020 + U0021				
U002	U0020	AMPLIFIER PC BOARD (C,SR,RH,SBR,R)			BAAMP-0191-1A	
U002	U0021	AMPLIFIER PC BOARD (L,SBL,LH,SL)			BAAMP-0192-1A	
U002						
U002	CIRCUIT NO.	PART NAME	DESCRIPTION	Q'TY	PART NO. (SN)	REMARKS
U002	[SEMI CONDUCTOR]					
U002	D6000	DIODE	1SS133	1	223163T	
U002	D6001	DIODE	1SS133	1	223163T	
U002	D6002	DIODE	1SS133	1	223163T	
U002	D6003	DIODE	1SS133	1	223163T	
U002	D6004	DIODE	1SS133	1	223163T	
U002	D6005	DIODE	1SS133	1	223163T	
U002	D6006	DIODE	1SS133	1	223163T	
U002	D6007	DIODE	1SS133	1	223163T	
U002	D6008	DIODE	1SS133	1	223163T	
U002	Q6070	TR	2SC2631-R	1	2214984T	
U002	Q6070 or	TR	2SC2240-BL(TPE2_F)	(1)	2211406T	
U002	Q6070 or	TR	2SC2631-S	(1)	2214985T	
U002	Q6071	TR	2SC2631-R	1	2214984T	
U002	Q6071 or	TR	2SC2240-BL(TPE2_F)	(1)	2211406T	
U002	Q6071 or	TR	2SC2631-S	(1)	2214985T	
U002	Q6072	TR	2SC2631-R	1	2214984T	
U002	Q6072 or	TR	2SC2240-BL(TPE2_F)	(1)	2211406T	
U002	Q6072 or	TR	2SC2631-S	(1)	2214985T	
U002	Q6073	TR	2SC2631-R	1	2214984T	
U002	Q6073 or	TR	2SC2240-BL(TPE2_F)	(1)	2211406T	
U002	Q6073 or	TR	2SC2631-S	(1)	2214985T	
U002	Q6074	TR	2SC2631-R	1	2214984T	
U002	Q6074 or	TR	2SC2240-BL(TPE2_F)	(1)	2211406T	
U002	Q6074 or	TR	2SC2631-S	(1)	2214985T	

U002	Q6075	TR	2SC2631-R	1	2214984T
U002	Q6075 or	TR	2SC2240-BL(TPE2_F)	(1)	2211406T
U002	Q6075 or	TR	2SC2631-S	(1)	2214985T
U002	Q6076	TR	2SC2631-R	1	2214984T
U002	Q6076 or	TR	2SC2240-BL(TPE2_F)	(1)	2211406T
U002	Q6076 or	TR	2SC2631-S	(1)	2214985T
U002	Q6077	TR	2SC2631-R	1	2214984T
U002	Q6077 or	TR	2SC2240-BL(TPE2_F)	(1)	2211406T
U002	Q6077 or	TR	2SC2631-S	(1)	2214985T
U002	Q6078	TR	2SC2631-R	1	2214984T
U002	Q6078 or	TR	2SC2240-BL(TPE2_F)	(1)	2211406T
U002	Q6078 or	TR	2SC2631-S	(1)	2214985T
U002	[TRANS COIL]				
U002	L6000	FR CORE	---	1	5597-45502
U002	L6001	FR CORE	---	1	5597-45502
U002	L6002	FR CORE	---	1	5597-45502
U002	L6003	FR CORE	---	1	5597-45502
U002	L6004	FR CORE	---	1	5597-45502
U002	L6005	FR CORE	---	1	5597-45502
U002	L6006	FR CORE	---	1	5597-45502
U002	L6007	FR CORE	---	1	5597-45502
U002	L6008	FR CORE	---	1	5597-45502
U002	L6010	FR CORE	---	1	5597-45502
U002	L6011	FR CORE	---	1	5597-45502
U002	L6012	FR CORE	---	1	5597-45502
U002	L6013	FR CORE	---	1	5597-45502
U002	L6014	FR CORE	---	1	5597-45502
U002	L6015	FR CORE	---	1	5597-45502
U002	L6016	FR CORE	---	1	5597-45502
U002	L6017	FR CORE	---	1	5597-45502
U002	L6018	FR CORE	---	1	5597-45502
U002	[CAPACITOR]				
U002	C6040	TF C	ECQ-V50V-223J	1	374722234T
U002	C6041	TF C	ECQ-V50V-223J	1	374722234T
U002	C6042	TF C	ECQ-V50V-223J	1	374722234T
U002	C6043	TF C	ECQ-V50V-223J	1	374722234T
U002	C6044	TF C	ECQ-V50V-223J	1	374722234T
U002	C6045	TF C	ECQ-V50V-223J	1	374722234T
U002	C6046	TF C	ECQ-V50V-223J	1	374722234T

U002	C6047	TF C	ECQ-V50V-223J	1	374722234T
U002	C6048	TF C	ECQ-V50V-223J	1	374722234T
U002	[RESISTOR]				
U002	R6080	METAL O R	RS1/2WBJ-10	1	443521004T
U002	R6081	METAL O R	RS1/2WBJ-10	1	443521004T
U002	R6082	METAL O R	RS1/2WBJ-10	1	443521004T
U002	R6083	METAL O R	RS1/2WBJ-10	1	443521004T
U002	R6084	METAL O R	RS1/2WBJ-10	1	443521004T
U002	R6085	METAL O R	RS1/2WBJ-10	1	443521004T
U002	R6086	METAL O R	RS1/2WBJ-10	1	443521004T
U002	R6087	METAL O R	RS1/2WBJ-10	1	443521004T
U002	R6088	METAL O R	RS1/2WBJ-10	1	443521004T
U002	R6090	METAL O R	RS1/2WBJ-10	1	443521004T
U002	R6091	METAL O R	RS1/2WBJ-10	1	443521004T
U002	R6092	METAL O R	RS1/2WBJ-10	1	443521004T
U002	R6093	METAL O R	RS1/2WBJ-10	1	443521004T
U002	R6094	METAL O R	RS1/2WBJ-10	1	443521004T
U002	R6095	METAL O R	RS1/2WBJ-10	1	443521004T
U002	R6096	METAL O R	RS1/2WBJ-10	1	443521004T
U002	R6097	METAL O R	RS1/2WBJ-10	1	443521004T
U002	R6098	METAL O R	RS1/2WBJ-10	1	443521004T
U002	R6170	CARBON R	R16J-33K	1	417343334T
U002	R6171	CARBON R	R16J-33K	1	417343334T
U002	R6172	CARBON R	R16J-33K	1	417343334T
U002	R6173	CARBON R	R16J-33K	1	417343334T
U002	R6174	CARBON R	R16J-33K	1	417343334T
U002	R6175	CARBON R	R16J-33K	1	417343334T
U002	R6176	CARBON R	R16J-33K	1	417343334T
U002	R6177	CARBON R	R16J-33K	1	417343334T
U002	R6178	CARBON R	R16J-33K	1	417343334T
U002	R6180	CARBON R	R16J-56K	1	417345634T
U002	R6181	CARBON R	R16J-56K	1	417345634T
U002	R6182	CARBON R	R16J-56K	1	417345634T
U002	R6183	CARBON R	R16J-56K	1	417345634T
U002	R6184	CARBON R	R16J-56K	1	417345634T
U002	R6185	CARBON R	R16J-56K	1	417345634T
U002	R6186	CARBON R	R16J-56K	1	417345634T
U002	R6187	CARBON R	R16J-56K	1	417345634T
U002	R6188	CARBON R	R16J-56K	1	417345634T

U002	R6190	CARBON R	R16J-10K	1	417341034T	
U002	R6191	CARBON R	R16J-10K	1	417341034T	
U002	R6192	CARBON R	R16J-10K	1	417341034T	
U002	R6193	CARBON R	R16J-10K	1	417341034T	
U002	R6194	CARBON R	R16J-10K	1	417341034T	
U002	R6195	CARBON R	R16J-10K	1	417341034T	
U002	R6196	CARBON R	R16J-10K	1	417341034T	
U002	R6197	CARBON R	R16J-10K	1	417341034T	
U002	R6198	CARBON R	R16J-10K	1	417341034T	
U002	R6210	CARBON R	R16J-47K	1	417344734T	
U002	R6211	CARBON R	R16J-47K	1	417344734T	
U002	R6212	CARBON R	R16J-47K	1	417344734T	
U002	R6213	CARBON R	R16J-47K	1	417344734T	
U002	R6214	CARBON R	R16J-47K	1	417344734T	
U002	R6215	CARBON R	R16J-47K	1	417344734T	
U002	R6216	CARBON R	R16J-47K	1	417344734T	
U002	R6217	CARBON R	R16J-47K	1	417344734T	
U002	R6218	CARBON R	R16J-47K	1	417344734T	
U002	R6230	CARBON R	R16J-47K	1	417344734T	
U002	R6231	CARBON R	R16J-47K	1	417344734T	
U002	R6232	CARBON R	R16J-47K	1	417344734T	
U002	R6233	CARBON R	R16J-47K	1	417344734T	
U002	R6234	CARBON R	R16J-47K	1	417344734T	
U002	R6235	CARBON R	R16J-47K	1	417344734T	
U002	R6236	CARBON R	R16J-47K	1	417344734T	
U002	R6237	CARBON R	R16J-47K	1	417344734T	
U002	R6238	CARBON R	R16J-47K	1	417344734T	
U002	R6400	METAL PR	MPR2W+2WK 0R47	1	4000253	N
U002	R6400 or	METAL P R	RF2EGPKR47S	(1)	4000257	
U002	R6401	METAL PR	MPR2W+2WK 0R47	1	4000253	N
U002	R6401 or	METAL P R	RF2EGPKR47S	(1)	4000257	
U002	R6402	METAL PR	MPR2W+2WK 0R47	1	4000253	N
U002	R6402 or	METAL P R	RF2EGPKR47S	(1)	4000257	
U002	R6403	METAL PR	MPR2W+2WK 0R47	1	4000253	N
U002	R6403 or	METAL P R	RF2EGPKR47S	(1)	4000257	
U002	R6404	METAL PR	MPR2W+2WK 0R47	1	4000253	N
U002	R6404 or	METAL P R	RF2EGPKR47S	(1)	4000257	
U002	R6405	METAL PR	MPR2W+2WK 0R47	1	4000253	N
U002	R6405 or	METAL P R	RF2EGPKR47S	(1)	4000257	

U002	R6406	METAL PR	MPR2W+2WK 0R47	1	4000253	N
U002	R6406 or	METAL P R	RF2EGPKR47S	(1)	4000257	
U002	R6407	METAL PR	MPR2W+2WK 0R47	1	4000253	N
U002	R6407 or	METAL P R	RF2EGPKR47S	(1)	4000257	
U002	R6408	METAL PR	MPR2W+2WK 0R47	1	4000253	N
U002	R6408 or	METAL P R	RF2EGPKR47S	(1)	4000257	
U002	R6410	METAL PR	MPR2W+2WK 0R47	1	4000253	N
U002	R6410 or	METAL P R	RF2EGPKR47S	(1)	4000257	
U002	R6411	METAL PR	MPR2W+2WK 0R47	1	4000253	N
U002	R6411 or	METAL P R	RF2EGPKR47S	(1)	4000257	
U002	R6412	METAL PR	MPR2W+2WK 0R47	1	4000253	N
U002	R6412 or	METAL P R	RF2EGPKR47S	(1)	4000257	
U002	R6413	METAL PR	MPR2W+2WK 0R47	1	4000253	N
U002	R6413 or	METAL P R	RF2EGPKR47S	(1)	4000257	
U002	R6414	METAL PR	MPR2W+2WK 0R47	1	4000253	N
U002	R6414 or	METAL P R	RF2EGPKR47S	(1)	4000257	
U002	R6415	METAL PR	MPR2W+2WK 0R47	1	4000253	N
U002	R6415 or	METAL P R	RF2EGPKR47S	(1)	4000257	
U002	R6416	METAL PR	MPR2W+2WK 0R47	1	4000253	N
U002	R6416 or	METAL P R	RF2EGPKR47S	(1)	4000257	
U002	R6417	METAL PR	MPR2W+2WK 0R47	1	4000253	N
U002	R6417 or	METAL P R	RF2EGPKR47S	(1)	4000257	
U002	R6418	METAL PR	MPR2W+2WK 0R47	1	4000253	N
U002	R6418 or	METAL P R	RF2EGPKR47S	(1)	4000257	
U002	[SW TRM]					
U002	JL6041B	WIRE TRAP	NPLG-3P586	1	25055624	
U002	JL6042A	WIRE HOL	NSCT-3P874	1	25051087	
U002	JL6042B	WIRE TRAP	NPLG-3P586	1	25055624	
U002	P6030A	PLUG	IMSA-9115B-05	1	25056335	N
U002	P6031A	PLUG	IMSA-9115B-05	1	25056335	N
U002	P6032A	PLUG	IMSA-9115B-05	1	25056335	N
U002	P6033A	PLUG	IMSA-9115B-05	1	25056335	N
U002	P6034A	PLUG	IMSA-9115B-05	1	25056335	N
U002	P6035A	PLUG	IMSA-9115B-05	1	25056335	N
U002	P6036A	PLUG	IMSA-9115B-05	1	25056335	N
U002	P6037A	PLUG	IMSA-9115B-05	1	25056335	N
U002	P6038A	PLUG	IMSA-9115B-05	1	25056335	N
U002	P6050	PLUG	IMSA-9201B-1-06Z388-PT1	1	25056614	
U002	P6051	PLUG	IMSA-9201B-1-06Z388-PT1	1	25056614	

U002	P6052	PLUG	IMSA-9201B-1-06Z388-PT1	1	25056614	
U002	P6053	PLUG	IMSA-9201B-1-06Z388-PT1	1	25056614	
U002	P6054	PLUG	IMSA-9201B-1-06Z388-PT1	1	25056614	
U002	P6055	PLUG	IMSA-9201B-1-06Z388-PT1	1	25056614	
U002	P6056	PLUG	IMSA-9201B-1-06Z388-PT1	1	25056614	
U002	P6057	PLUG	IMSA-9201B-1-06Z388-PT1	1	25056614	
U002	P6058	PLUG	IMSA-9201B-1-06Z388-PT1	1	25056614	
U002	P6060	PLUG	IMSA-9201B-1-06Z388-PT1	1	25056614	
U002	P6061	PLUG	IMSA-9201B-1-06Z388-PT1	1	25056614	
U002	P6062	PLUG	IMSA-9201B-1-06Z388-PT1	1	25056614	
U002	P6063	PLUG	IMSA-9201B-1-06Z388-PT1	1	25056614	
U002	P6064	PLUG	IMSA-9201B-1-06Z388-PT1	1	25056614	
U002	P6065	PLUG	IMSA-9201B-1-06Z388-PT1	1	25056614	
U002	P6066	PLUG	IMSA-9201B-1-06Z388-PT1	1	25056614	
U002	P6067	PLUG	IMSA-9201B-1-06Z388-PT1	1	25056614	
U002	P6068	PLUG	IMSA-9201B-1-06Z388-PT1	1	25056614	
U002	P6070	PLUG	NPLG-2P645	1	25055689	
U002	P6071	PLUG	NPLG-2P645	1	25055689	
U002	P6072	PLUG	NPLG-2P645	1	25055689	
U002	P6073	PLUG	NPLG-2P645	1	25055689	
U002	P6074	PLUG	NPLG-2P645	1	25055689	
U002	P6075	PLUG	NPLG-2P645	1	25055689	
U002	P6076	PLUG	NPLG-2P645	1	25055689	
U002	P6077	PLUG	NPLG-2P645	1	25055689	
U002	P6078	PLUG	NPLG-2P645	1	25055689	
U002	P6240	SOCKET AS	NSAS-4P1789	1	2009991155AUL	N
U002	P6250	SOCKET AS	NSAS-5P1791	1	2009991157AUL	N
U002	P6340A	PLUG	NPLG-2P149	1	25055165	
U002	P6350A	PLUG	NPLG-2P149	1	25055165	
U002	[MECHA PARTS]					
U002	P6340B	RETAINER	(AMP-4)	1	27142144	N
U002	P6340C	RETAINER	(AMP-4)	1	27142144	N
U002	P6350B	RETAINER	(AMP-5)	1	27142145	N
U002	P6350C	RETAINER	(AMP-5)	1	27142145	N
U003	U003	U0030 + U0031 + U0032 + U0033 + U0034 + U0035 + U0036 + U0037 + U0038				
U003	U0030	AMPLIFIER PC BOARD (L/SL/SBL/LH)			BACLA-0226-1A	
U003	U0031	AMPLIFIER PC BOARD (R/SR/CBR/RH/C)			BACLA-0227-1A	
U003	U0032	AMPLIFIER PC BOARD (R/SR/CBR/RH/C)			BACLA-0228-1A	

U003	U0033	AMPLIFIER PC BOARD (L/SL/SBL/LH)	BACLA-0229-1A
U003	U0034	AMPLIFIER PC BOARD (R/SR/CBR/RH/C)	BACLA-0230-1A
U003	U0035	AMPLIFIER PC BOARD (L/SL/SBL/LH)	BACLA-0231-1A
U003	U0036	AMPLIFIER PC BOARD (R/SR/CBR/RH/C)	BACLA-0232-1A
U003	U0037	AMPLIFIER PC BOARD (L/SL/SBL/LH)	BACLA-0233-1A
U003	U0038	AMPLIFIER PC BOARD (R/SR/CBR/RH/C)	BACLA-0234-1A

CIRCUIT NO.	PART NAME	DESCRIPTION	Q'TY	PART NO. (SN)	REMARKS
[SEMI CONDUCTOR]					
U003	D5000	ZENER D	1	224470562T	
U003	D5001	ZENER D	1	224470562T	
U003	D5002	ZENER D	1	224470562T	
U003	D5003	ZENER D	1	224470562T	
U003	D5004	ZENER D	1	224470562T	
U003	D5005	ZENER D	1	224470562T	
U003	D5006	ZENER D	1	224470562T	
U003	D5007	ZENER D	1	224470562T	
U003	D5008	ZENER D	1	224470562T	
U003	Q5000	TR	1	2211406T	
U003	Q5001	TR	1	2211406T	
U003	Q5002	TR	1	2211406T	
U003	Q5003	TR	1	2211406T	
U003	Q5004	TR	1	2211406T	
U003	Q5005	TR	1	2211406T	
U003	Q5006	TR	1	2211406T	
U003	Q5007	TR	1	2211406T	
U003	Q5008	TR	1	2211406T	
U003	Q5010	TR	1	2211406T	
U003	Q5011	TR	1	2211406T	
U003	Q5012	TR	1	2211406T	
U003	Q5013	TR	1	2211406T	
U003	Q5014	TR	1	2211406T	
U003	Q5015	TR	1	2211406T	
U003	Q5016	TR	1	2211406T	
U003	Q5017	TR	1	2211406T	
U003	Q5018	TR	1	2211406T	
U003	Q5020	TR	1	2211406T	
U003	Q5021	TR	1	2211406T	
U003	Q5022	TR	1	2211406T	

U003	Q5023	TR	2SC2240-BL(TPE2_F)	1	2211406T
U003	Q5024	TR	2SC2240-BL(TPE2_F)	1	2211406T
U003	Q5025	TR	2SC2240-BL(TPE2_F)	1	2211406T
U003	Q5026	TR	2SC2240-BL(TPE2_F)	1	2211406T
U003	Q5027	TR	2SC2240-BL(TPE2_F)	1	2211406T
U003	Q5028	TR	2SC2240-BL(TPE2_F)	1	2211406T
U003	Q5030	TR	2SA949-O(TPE6_F)	1	2211353T
U003	Q5030 or	TR	2SA949-Y(TPE6_F)	(1)	2211354T
U003	Q5031	TR	2SA949-O(TPE6_F)	1	2211353T
U003	Q5031 or	TR	2SA949-Y(TPE6_F)	(1)	2211354T
U003	Q5032	TR	2SA949-O(TPE6_F)	1	2211353T
U003	Q5032 or	TR	2SA949-Y(TPE6_F)	(1)	2211354T
U003	Q5033	TR	2SA949-O(TPE6_F)	1	2211353T
U003	Q5033 or	TR	2SA949-Y(TPE6_F)	(1)	2211354T
U003	Q5034	TR	2SA949-O(TPE6_F)	1	2211353T
U003	Q5034 or	TR	2SA949-Y(TPE6_F)	(1)	2211354T
U003	Q5035	TR	2SA949-O(TPE6_F)	1	2211353T
U003	Q5035 or	TR	2SA949-Y(TPE6_F)	(1)	2211354T
U003	Q5036	TR	2SA949-O(TPE6_F)	1	2211353T
U003	Q5036 or	TR	2SA949-Y(TPE6_F)	(1)	2211354T
U003	Q5037	TR	2SA949-O(TPE6_F)	1	2211353T
U003	Q5037 or	TR	2SA949-Y(TPE6_F)	(1)	2211354T
U003	Q5038	TR	2SA949-O(TPE6_F)	1	2211353T
U003	Q5038 or	TR	2SA949-Y(TPE6_F)	(1)	2211354T
U003	Q5040	TR	2SA949-O(TPE6_F)	1	2211353T
U003	Q5040 or	TR	2SA949-Y(TPE6_F)	(1)	2211354T
U003	Q5041	TR	2SA949-O(TPE6_F)	1	2211353T
U003	Q5041 or	TR	2SA949-Y(TPE6_F)	(1)	2211354T
U003	Q5042	TR	2SA949-O(TPE6_F)	1	2211353T
U003	Q5042 or	TR	2SA949-Y(TPE6_F)	(1)	2211354T
U003	Q5043	TR	2SA949-O(TPE6_F)	1	2211353T
U003	Q5043 or	TR	2SA949-Y(TPE6_F)	(1)	2211354T
U003	Q5044	TR	2SA949-O(TPE6_F)	1	2211353T
U003	Q5044 or	TR	2SA949-Y(TPE6_F)	(1)	2211354T
U003	Q5045	TR	2SA949-O(TPE6_F)	1	2211353T
U003	Q5045 or	TR	2SA949-Y(TPE6_F)	(1)	2211354T
U003	Q5046	TR	2SA949-O(TPE6_F)	1	2211353T
U003	Q5046 or	TR	2SA949-Y(TPE6_F)	(1)	2211354T
U003	Q5047	TR	2SA949-O(TPE6_F)	1	2211353T

U003	Q5047 or	TR	2SA949-Y(TPE6_F)	(1)	2211354T
U003	Q5048	TR	2SA949-O(TPE6_F)	1	2211353T
U003	Q5048 or	TR	2SA949-Y(TPE6_F)	(1)	2211354T
U003	Q5050	TR	2SA1360-Y	1	2202094
U003	Q5050 or	TR	2SA1360-O	(1)	2202093
U003	Q5051	TR	2SA1360-Y	1	2202094
U003	Q5051 or	TR	2SA1360-O	(1)	2202093
U003	Q5052	TR	2SA1360-Y	1	2202094
U003	Q5052 or	TR	2SA1360-O	(1)	2202093
U003	Q5053	TR	2SA1360-Y	1	2202094
U003	Q5053 or	TR	2SA1360-O	(1)	2202093
U003	Q5054	TR	2SA1360-Y	1	2202094
U003	Q5054 or	TR	2SA1360-O	(1)	2202093
U003	Q5055	TR	2SA1360-Y	1	2202094
U003	Q5055 or	TR	2SA1360-O	(1)	2202093
U003	Q5056	TR	2SA1360-Y	1	2202094
U003	Q5056 or	TR	2SA1360-O	(1)	2202093
U003	Q5057	TR	2SA1360-Y	1	2202094
U003	Q5057 or	TR	2SA1360-O	(1)	2202093
U003	Q5058	TR	2SA1360-Y	1	2202094
U003	Q5058 or	TR	2SA1360-O	(1)	2202093
U003	Q5060	TR	2SC2240-BL(TPE2_F)	1	2211406T
U003	Q5061	TR	2SC2240-BL(TPE2_F)	1	2211406T
U003	Q5062	TR	2SC2240-BL(TPE2_F)	1	2211406T
U003	Q5063	TR	2SC2240-BL(TPE2_F)	1	2211406T
U003	Q5064	TR	2SC2240-BL(TPE2_F)	1	2211406T
U003	Q5065	TR	2SC2240-BL(TPE2_F)	1	2211406T
U003	Q5066	TR	2SC2240-BL(TPE2_F)	1	2211406T
U003	Q5067	TR	2SC2240-BL(TPE2_F)	1	2211406T
U003	Q5068	TR	2SC2240-BL(TPE2_F)	1	2211406T
U003	Q5070	TR	2SC2240-BL(TPE2_F)	1	2211406T
U003	Q5071	TR	2SC2240-BL(TPE2_F)	1	2211406T
U003	Q5072	TR	2SC2240-BL(TPE2_F)	1	2211406T
U003	Q5073	TR	2SC2240-BL(TPE2_F)	1	2211406T
U003	Q5074	TR	2SC2240-BL(TPE2_F)	1	2211406T
U003	Q5075	TR	2SC2240-BL(TPE2_F)	1	2211406T
U003	Q5076	TR	2SC2240-BL(TPE2_F)	1	2211406T
U003	Q5077	TR	2SC2240-BL(TPE2_F)	1	2211406T
U003	Q5078	TR	2SC2240-BL(TPE2_F)	1	2211406T

U003	Q5080	TR	2SC3423-Y	1	2202104	
U003	Q5080 or	TR	2SC3423-O	(1)	2202103	
U003	Q5080A	HEAT SINK	(CLA)B	1	27160642A	N
U003	Q5080B	SCREW	3TTB+8B(3BC)	4	838430088GR	
U003	Q5081	TR	2SC3423-Y	1	2202104	
U003	Q5081 or	TR	2SC3423-O	(1)	2202103	
U003	Q5081A	HEAT SINK	(CLA)B	1	27160642A	N
U003	Q5081B	SCREW	3TTB+8B(3BC)	4	838430088GR	
U003	Q5082	TR	2SC3423-Y	1	2202104	
U003	Q5082 or	TR	2SC3423-O	(1)	2202103	
U003	Q5082A	HEAT SINK	(CLA)B	1	27160642A	N
U003	Q5082B	SCREW	3TTB+8B(3BC)	4	838430088GR	
U003	Q5083	TR	2SC3423-Y	1	2202104	
U003	Q5083 or	TR	2SC3423-O	(1)	2202103	
U003	Q5083A	HEAT SINK	(CLA)B	1	27160642A	N
U003	Q5083B	SCREW	3TTB+8B(3BC)	4	838430088GR	
U003	Q5084	TR	2SC3423-Y	1	2202104	
U003	Q5084 or	TR	2SC3423-O	(1)	2202103	
U003	Q5084A	HEAT SINK	(CLA)B	1	27160642A	N
U003	Q5084B	SCREW	3TTB+8B(3BC)	4	838430088GR	
U003	Q5085	TR	2SC3423-Y	1	2202104	
U003	Q5085 or	TR	2SC3423-O	(1)	2202103	
U003	Q5085A	HEAT SINK	(CLA)B	1	27160642A	N
U003	Q5085B	SCREW	3TTB+8B(3BC)	4	838430088GR	
U003	Q5086	TR	2SC3423-Y	1	2202104	
U003	Q5086 or	TR	2SC3423-O	(1)	2202103	
U003	Q5086A	HEAT SINK	(CLA)B	1	27160642A	N
U003	Q5086B	SCREW	3TTB+8B(3BC)	4	838430088GR	
U003	Q5087	TR	2SC3423-Y	1	2202104	
U003	Q5087 or	TR	2SC3423-O	(1)	2202103	
U003	Q5087A	HEAT SINK	(CLA)B	1	27160642A	N
U003	Q5087B	SCREW	3TTB+8B(3BC)	4	838430088GR	
U003	Q5088	TR	2SC3423-Y	1	2202104	
U003	Q5088 or	TR	2SC3423-O	(1)	2202103	
U003	Q5088B	SCREW	3TTB+8B(3BC)	4	838430088GR	
U003	Q5888A	HEAT SINK	(CLA)B	1	27160642A	N
U003	Q6010	TR	2SC1740S-S	1	2213285T	
U003	Q6011	TR	2SC1740S-S	1	2213285T	
U003	Q6012	TR	2SC1740S-S	1	2213285T	

U003	Q6013	TR	2SC1740S-S	1	2213285T
U003	Q6014	TR	2SC1740S-S	1	2213285T
U003	Q6015	TR	2SC1740S-S	1	2213285T
U003	Q6016	TR	2SC1740S-S	1	2213285T
U003	Q6017	TR	2SC1740S-S	1	2213285T
U003	Q6018	TR	2SC1740S-S	1	2213285T
U003	Q6020	TR	2SA933S-R	1	2213354T
U003	Q6020 or	TR	2SA1048-GR	(1)	2212125T
U003	Q6020 or	TR	2SA933S-S	(1)	2213355T
U003	Q6020 or	TR	KTA1267-GR	(1)	2215995T
U003	Q6021	TR	2SA933S-R	1	2213354T
U003	Q6021 or	TR	2SA1048-GR	(1)	2212125T
U003	Q6021 or	TR	2SA933S-S	(1)	2213355T
U003	Q6021 or	TR	KTA1267-GR	(1)	2215995T
U003	Q6022	TR	2SA933S-R	1	2213354T
U003	Q6022 or	TR	2SA1048-GR	(1)	2212125T
U003	Q6022 or	TR	2SA933S-S	(1)	2213355T
U003	Q6022 or	TR	KTA1267-GR	(1)	2215995T
U003	Q6023	TR	2SA933S-R	1	2213354T
U003	Q6023 or	TR	2SA1048-GR	(1)	2212125T
U003	Q6023 or	TR	2SA933S-S	(1)	2213355T
U003	Q6023 or	TR	KTA1267-GR	(1)	2215995T
U003	Q6024	TR	2SA933S-R	1	2213354T
U003	Q6024 or	TR	2SA1048-GR	(1)	2212125T
U003	Q6024 or	TR	2SA933S-S	(1)	2213355T
U003	Q6024 or	TR	KTA1267-GR	(1)	2215995T
U003	Q6025	TR	2SA933S-R	1	2213354T
U003	Q6025 or	TR	2SA1048-GR	(1)	2212125T
U003	Q6025 or	TR	2SA933S-S	(1)	2213355T
U003	Q6025 or	TR	KTA1267-GR	(1)	2215995T
U003	Q6026	TR	2SA933S-R	1	2213354T
U003	Q6026 or	TR	2SA1048-GR	(1)	2212125T
U003	Q6026 or	TR	2SA933S-S	(1)	2213355T
U003	Q6026 or	TR	KTA1267-GR	(1)	2215995T
U003	Q6027	TR	2SA933S-R	1	2213354T
U003	Q6027 or	TR	2SA1048-GR	(1)	2212125T
U003	Q6027 or	TR	2SA933S-S	(1)	2213355T
U003	Q6027 or	TR	KTA1267-GR	(1)	2215995T
U003	Q6028	TR	2SA933S-R	1	2213354T

U003	Q6028 or	TR	2SA1048-GR	(1)	2212125T
U003	Q6028 or	TR	2SA933S-S	(1)	2213355T
U003	Q6028 or	TR	KTA1267-GR	(1)	2215995T
U003	Q6030	TR	2SC2229-O(TPE6_F)	1	2211633T
U003	Q6030 or	TR	2SC2229-Y(TPE6_F)	(1)	2211634T
U003	Q6031	TR	2SC2229-O(TPE6_F)	1	2211633T
U003	Q6031 or	TR	2SC2229-Y(TPE6_F)	(1)	2211634T
U003	Q6032	TR	2SC2229-O(TPE6_F)	1	2211633T
U003	Q6032 or	TR	2SC2229-Y(TPE6_F)	(1)	2211634T
U003	Q6033	TR	2SC2229-O(TPE6_F)	1	2211633T
U003	Q6033 or	TR	2SC2229-Y(TPE6_F)	(1)	2211634T
U003	Q6034	TR	2SC2229-O(TPE6_F)	1	2211633T
U003	Q6034 or	TR	2SC2229-Y(TPE6_F)	(1)	2211634T
U003	Q6035	TR	2SC2229-O(TPE6_F)	1	2211633T
U003	Q6035 or	TR	2SC2229-Y(TPE6_F)	(1)	2211634T
U003	Q6036	TR	2SC2229-O(TPE6_F)	1	2211633T
U003	Q6036 or	TR	2SC2229-Y(TPE6_F)	(1)	2211634T
U003	Q6037	TR	2SC2229-O(TPE6_F)	1	2211633T
U003	Q6037 or	TR	2SC2229-Y(TPE6_F)	(1)	2211634T
U003	Q6038	TR	2SC2229-O(TPE6_F)	1	2211633T
U003	Q6038 or	TR	2SC2229-Y(TPE6_F)	(1)	2211634T
U003	Q6040	TR	2SA949-O(TPE6_F)	1	2211353T
U003	Q6040 or	TR	2SA949-Y(TPE6_F)	(1)	2211354T
U003	Q6041	TR	2SA949-O(TPE6_F)	1	2211353T
U003	Q6041 or	TR	2SA949-Y(TPE6_F)	(1)	2211354T
U003	Q6042	TR	2SA949-O(TPE6_F)	1	2211353T
U003	Q6042 or	TR	2SA949-Y(TPE6_F)	(1)	2211354T
U003	Q6043	TR	2SA949-O(TPE6_F)	1	2211353T
U003	Q6043 or	TR	2SA949-Y(TPE6_F)	(1)	2211354T
U003	Q6044	TR	2SA949-O(TPE6_F)	1	2211353T
U003	Q6044 or	TR	2SA949-Y(TPE6_F)	(1)	2211354T
U003	Q6045	TR	2SA949-O(TPE6_F)	1	2211353T
U003	Q6045 or	TR	2SA949-Y(TPE6_F)	(1)	2211354T
U003	Q6046	TR	2SA949-O(TPE6_F)	1	2211353T
U003	Q6046 or	TR	2SA949-Y(TPE6_F)	(1)	2211354T
U003	Q6047	TR	2SA949-O(TPE6_F)	1	2211353T
U003	Q6047 or	TR	2SA949-Y(TPE6_F)	(1)	2211354T
U003	Q6048	TR	2SA949-O(TPE6_F)	1	2211353T
U003	Q6048 or	TR	2SA949-Y(TPE6_F)	(1)	2211354T

U003	Q6100	TR	TTA-004(Q)TO126	1	2217442	N
U003	Q6101	TR	TTA-004(Q)TO126	1	2217442	N
U003	Q6102	TR	TTA-004(Q)TO126	1	2217442	N
U003	Q6103	TR	TTA-004(Q)TO126	1	2217442	N
U003	Q6104	TR	TTA-004(Q)TO126	1	2217442	N
U003	Q6105	TR	TTA-004(Q)TO126	1	2217442	N
U003	Q6106	TR	TTA-004(Q)TO126	1	2217442	N
U003	Q6107	TR	TTA-004(Q)TO126	1	2217442	N
U003	Q6108	TR	TTA-004(Q)TO126	1	2217442	N
U003	Q6110	TR	TTC-004(Q)TO126	1	2217452	N
U003	Q6111	TR	TTC-004(Q)TO126	1	2217452	N
U003	Q6112	TR	TTC-004(Q)TO126	1	2217452	N
U003	Q6113	TR	TTC-004(Q)TO126	1	2217452	N
U003	Q6114	TR	TTC-004(Q)TO126	1	2217452	N
U003	Q6115	TR	TTC-004(Q)TO126	1	2217452	N
U003	Q6116	TR	TTC-004(Q)TO126	1	2217452	N
U003	Q6117	TR	TTC-004(Q)TO126	1	2217452	N
U003	Q6118	TR	TTC-004(Q)TO126	1	2217452	N
U003	[CAPACITOR]					
U003	C5000	UTSP C	CE04W50V-10M(UTSP)	1	397581007T	
U003	C5001	UTSP C	CE04W50V-10M(UTSP)	1	397581007T	
U003	C5002	UTSP C	CE04W50V-10M(UTSP)	1	397581007T	
U003	C5003	UTSP C	CE04W50V-10M(UTSP)	1	397581007T	
U003	C5004	UTSP C	CE04W50V-10M(UTSP)	1	397581007T	
U003	C5005	UTSP C	CE04W50V-10M(UTSP)	1	397581007T	
U003	C5006	UTSP C	CE04W50V-10M(UTSP)	1	397581007T	
U003	C5007	UTSP C	CE04W50V-10M(UTSP)	1	397581007T	
U003	C5008	UTSP C	CE04W50V-10M(UTSP)	1	397581007T	
U003	C5010	UTSJ C	CE04W50V-47M(UTSJ)	1	398084707AT	<B MDC, MMP, MMR>
U003	C5011	UTSJ C	CE04W50V-47M(UTSJ)	1	398084707AT	<B MDC, MMP, MMR>
U003	C5012	UTSJ C	CE04W50V-47M(UTSJ)	1	398084707AT	<B MDC, MMP, MMR>
U003	C5013	UTSJ C	CE04W50V-47M(UTSJ)	1	398084707AT	<B MDC, MMP, MMR>
U003	C5014	UTSJ C	CE04W50V-47M(UTSJ)	1	398084707AT	<B MDC, MMP, MMR>
U003	C5015	UTSJ C	CE04W50V-47M(UTSJ)	1	398084707AT	<B MDC, MMP, MMR>
U003	C5016	UTSJ C	CE04W50V-47M(UTSJ)	1	398084707AT	<B MDC, MMP, MMR>
U003	C5017	UTSJ C	CE04W50V-47M(UTSJ)	1	398084707AT	<B MDC, MMP, MMR>
U003	C5018	UTSJ C	CE04W50V-47M(UTSJ)	1	398084707AT	<B MDC, MMP, MMR>
U003	C5020	UPZ C	2AUPZTF471JE	1	376334714T	
U003	C5021	UPZ C	2AUPZTF471JE	1	376334714T	

U003	C5022	UPZ C	2AUPZTF471JE	1	376334714T
U003	C5023	UPZ C	2AUPZTF471JE	1	376334714T
U003	C5024	UPZ C	2AUPZTF471JE	1	376334714T
U003	C5025	UPZ C	2AUPZTF471JE	1	376334714T
U003	C5026	UPZ C	2AUPZTF471JE	1	376334714T
U003	C5027	UPZ C	2AUPZTF471JE	1	376334714T
U003	C5028	UPZ C	2AUPZTF471JE	1	376334714T
U003	C5040	UTSP C	CE04W25V-220M(UTSP)	1	397552217T
U003	C5041	UTSP C	CE04W25V-220M(UTSP)	1	397552217T
U003	C5042	UTSP C	CE04W25V-220M(UTSP)	1	397552217T
U003	C5043	UTSP C	CE04W25V-220M(UTSP)	1	397552217T
U003	C5044	UTSP C	CE04W25V-220M(UTSP)	1	397552217T
U003	C5045	UTSP C	CE04W25V-220M(UTSP)	1	397552217T
U003	C5046	UTSP C	CE04W25V-220M(UTSP)	1	397552217T
U003	C5047	UTSP C	CE04W25V-220M(UTSP)	1	397552217T
U003	C5048	UTSP C	CE04W25V-220M(UTSP)	1	397552217T
U003	C5070	VX C	CE04W100V-10M(VX_BLK)	1	397391007T
U003	C5071	VX C	CE04W100V-10M(VX_BLK)	1	397391007T
U003	C5072	VX C	CE04W100V-10M(VX_BLK)	1	397391007T
U003	C5073	VX C	CE04W100V-10M(VX_BLK)	1	397391007T
U003	C5074	VX C	CE04W100V-10M(VX_BLK)	1	397391007T
U003	C5075	VX C	CE04W100V-10M(VX_BLK)	1	397391007T
U003	C5076	VX C	CE04W100V-10M(VX_BLK)	1	397391007T
U003	C5077	VX C	CE04W100V-10M(VX_BLK)	1	397391007T
U003	C5078	VX C	CE04W100V-10M(VX_BLK)	1	397391007T
U003	C5080	VX C	CE04W63V-22M(VX_BLK)	1	397372207T
U003	C5081	VX C	CE04W63V-22M(VX_BLK)	1	397372207T
U003	C5082	VX C	CE04W63V-22M(VX_BLK)	1	397372207T
U003	C5083	VX C	CE04W63V-22M(VX_BLK)	1	397372207T
U003	C5084	VX C	CE04W63V-22M(VX_BLK)	1	397372207T
U003	C5085	VX C	CE04W63V-22M(VX_BLK)	1	397372207T
U003	C5086	VX C	CE04W63V-22M(VX_BLK)	1	397372207T
U003	C5087	VX C	CE04W63V-22M(VX_BLK)	1	397372207T
U003	C5088	VX C	CE04W63V-22M(VX_BLK)	1	397372207T
U003	C5100	UPZ C	2AUPZTF101JE	1	376331014T
U003	C5101	UPZ C	2AUPZTF101JE	1	376331014T
U003	C5102	UPZ C	2AUPZTF101JE	1	376331014T
U003	C5103	UPZ C	2AUPZTF101JE	1	376331014T
U003	C5104	UPZ C	2AUPZTF101JE	1	376331014T

U003	C5105	UPZ C	2AUPZTF101JE	1	376331014T	
U003	C5106	UPZ C	2AUPZTF101JE	1	376331014T	
U003	C5107	UPZ C	2AUPZTF101JE	1	376331014T	
U003	C5108	UPZ C	2AUPZTF101JE	1	376331014T	
U003	C5110	CERA C	CC45CH50V-010C	1	345340101T	
U003	C5111	CERA C	CC45CH50V-010C	1	345340101T	
U003	C5112	CERA C	CC45CH50V-010C	1	345340101T	
U003	C5113	CERA C	CC45CH50V-010C	1	345340101T	
U003	C5114	CERA C	CC45CH50V-010C	1	345340101T	
U003	C5115	CERA C	CC45CH50V-010C	1	345340101T	
U003	C5116	CERA C	CC45CH50V-010C	1	345340101T	
U003	C5117	CERA C	CC45CH50V-010C	1	345340101T	
U003	C5118	CERA C	CC45CH50V-010C	1	345340101T	
U003	C5120	SPC C	CE04W100V-100M(RJ5)	1	396791017T	N
U003	C5121	SPC C	CE04W100V-100M(RJ5)	1	396791017T	N
U003	C5122	SPC C	CE04W100V-100M(RJ5)	1	396791017T	N
U003	C5123	SPC C	CE04W100V-100M(RJ5)	1	396791017T	N
U003	C5124	SPC C	CE04W100V-100M(RJ5)	1	396791017T	N
U003	C5125	SPC C	CE04W100V-100M(RJ5)	1	396791017T	N
U003	C5126	SPC C	CE04W100V-100M(RJ5)	1	396791017T	N
U003	C5127	SPC C	CE04W100V-100M(RJ5)	1	396791017T	N
U003	C5128	SPC C	CE04W100V-100M(RJ5)	1	396791017T	N
U003	C5130	SPC C	CE04W100V-100M(RJ5)	1	396791017T	N
U003	C5131	SPC C	CE04W100V-100M(RJ5)	1	396791017T	N
U003	C5132	SPC C	CE04W100V-100M(RJ5)	1	396791017T	N
U003	C5133	SPC C	CE04W100V-100M(RJ5)	1	396791017T	N
U003	C5134	SPC C	CE04W100V-100M(RJ5)	1	396791017T	N
U003	C5135	SPC C	CE04W100V-100M(RJ5)	1	396791017T	N
U003	C5136	SPC C	CE04W100V-100M(RJ5)	1	396791017T	N
U003	C5137	SPC C	CE04W100V-100M(RJ5)	1	396791017T	N
U003	C5138	SPC C	CE04W100V-100M(RJ5)	1	396791017T	N
U003	C6000	MKT C	B32529C0102J289	1	376491024T	
U003	C6001	MKT C	B32529C0102J289	1	376491024T	
U003	C6002	MKT C	B32529C0102J289	1	376491024T	
U003	C6003	MKT C	B32529C0102J289	1	376491024T	
U003	C6004	MKT C	B32529C0102J289	1	376491024T	
U003	C6005	MKT C	B32529C0102J289	1	376491024T	
U003	C6006	MKT C	B32529C0102J289	1	376491024T	
U003	C6007	MKT C	B32529C0102J289	1	376491024T	

U003	C6008	MKT C	B32529C0102J289	1	376491024T
U003	C6010	UTSP C	CE04W50V 47M(UTSP)	1	397584707T
U003	C6011	UTSP C	CE04W50V 47M(UTSP)	1	397584707T
U003	C6012	UTSP C	CE04W50V 47M(UTSP)	1	397584707T
U003	C6013	UTSP C	CE04W50V 47M(UTSP)	1	397584707T
U003	C6014	UTSP C	CE04W50V 47M(UTSP)	1	397584707T
U003	C6015	UTSP C	CE04W50V 47M(UTSP)	1	397584707T
U003	C6016	UTSP C	CE04W50V 47M(UTSP)	1	397584707T
U003	C6017	UTSP C	CE04W50V 47M(UTSP)	1	397584707T
U003	C6018	UTSP C	CE04W50V 47M(UTSP)	1	397584707T
U003	C6020	UTSP C	CE04W50V 47M(UTSP)	1	397584707T
U003	C6021	UTSP C	CE04W50V 47M(UTSP)	1	397584707T
U003	C6022	UTSP C	CE04W50V 47M(UTSP)	1	397584707T
U003	C6023	UTSP C	CE04W50V 47M(UTSP)	1	397584707T
U003	C6024	UTSP C	CE04W50V 47M(UTSP)	1	397584707T
U003	C6025	UTSP C	CE04W50V 47M(UTSP)	1	397584707T
U003	C6026	UTSP C	CE04W50V 47M(UTSP)	1	397584707T
U003	C6027	UTSP C	CE04W50V 47M(UTSP)	1	397584707T
U003	C6028	UTSP C	CE04W50V 47M(UTSP)	1	397584707T
U003	[RESISTOR]				
U003	R5000	CARBON R	R16J-1K	1	417341024T
U003	R5001	CARBON R	R16J-1K	1	417341024T
U003	R5002	CARBON R	R16J-1K	1	417341024T
U003	R5003	CARBON R	R16J-1K	1	417341024T
U003	R5004	CARBON R	R16J-1K	1	417341024T
U003	R5005	CARBON R	R16J-1K	1	417341024T
U003	R5006	CARBON R	R16J-1K	1	417341024T
U003	R5007	CARBON R	R16J-1K	1	417341024T
U003	R5008	CARBON R	R16J-1K	1	417341024T
U003	R5010	CARBON R	R16J-56K	1	417345634T
U003	R5011	CARBON R	R16J-56K	1	417345634T
U003	R5012	CARBON R	R16J-56K	1	417345634T
U003	R5013	CARBON R	R16J-56K	1	417345634T
U003	R5014	CARBON R	R16J-56K	1	417345634T
U003	R5015	CARBON R	R16J-56K	1	417345634T
U003	R5016	CARBON R	R16J-56K	1	417345634T
U003	R5017	CARBON R	R16J-56K	1	417345634T
U003	R5018	CARBON R	R16J-56K	1	417345634T
U003	R5020	CARBON R	R16J-330	1	417343314T

U003	R5021	CARBON R	R16J-330	1	417343314T
U003	R5022	CARBON R	R16J-330	1	417343314T
U003	R5023	CARBON R	R16J-330	1	417343314T
U003	R5024	CARBON R	R16J-330	1	417343314T
U003	R5025	CARBON R	R16J-330	1	417343314T
U003	R5026	CARBON R	R16J-330	1	417343314T
U003	R5027	CARBON R	R16J-330	1	417343314T
U003	R5028	CARBON R	R16J-330	1	417343314T
U003	R5030	CARBON R	R16J-330	1	417343314T
U003	R5031	CARBON R	R16J-330	1	417343314T
U003	R5032	CARBON R	R16J-330	1	417343314T
U003	R5033	CARBON R	R16J-330	1	417343314T
U003	R5034	CARBON R	R16J-330	1	417343314T
U003	R5035	CARBON R	R16J-330	1	417343314T
U003	R5036	CARBON R	R16J-330	1	417343314T
U003	R5037	CARBON R	R16J-330	1	417343314T
U003	R5038	CARBON R	R16J-330	1	417343314T
U003	R5040	CARBON R	R16J-330	1	417343314T
U003	R5041	CARBON R	R16J-330	1	417343314T
U003	R5042	CARBON R	R16J-330	1	417343314T
U003	R5043	CARBON R	R16J-330	1	417343314T
U003	R5044	CARBON R	R16J-330	1	417343314T
U003	R5045	CARBON R	R16J-330	1	417343314T
U003	R5046	CARBON R	R16J-330	1	417343314T
U003	R5047	CARBON R	R16J-330	1	417343314T
U003	R5048	CARBON R	R16J-330	1	417343314T
U003	R5050	CARBON R	R16J-5.6K	1	417345624T
U003	R5051	CARBON R	R16J-5.6K	1	417345624T
U003	R5052	CARBON R	R16J-5.6K	1	417345624T
U003	R5053	CARBON R	R16J-5.6K	1	417345624T
U003	R5054	CARBON R	R16J-5.6K	1	417345624T
U003	R5055	CARBON R	R16J-5.6K	1	417345624T
U003	R5056	CARBON R	R16J-5.6K	1	417345624T
U003	R5057	CARBON R	R16J-5.6K	1	417345624T
U003	R5058	CARBON R	R16J-5.6K	1	417345624T
U003	R5060	CARBON R	R16J-2.7K	1	417342724T
U003	R5061	CARBON R	R16J-2.7K	1	417342724T
U003	R5062	CARBON R	R16J-2.7K	1	417342724T
U003	R5063	CARBON R	R16J-2.7K	1	417342724T

U003	R5064	CARBON R	R16J-2.7K	1	417342724T
U003	R5065	CARBON R	R16J-2.7K	1	417342724T
U003	R5066	CARBON R	R16J-2.7K	1	417342724T
U003	R5067	CARBON R	R16J-2.7K	1	417342724T
U003	R5068	CARBON R	R16J-2.7K	1	417342724T
U003	R5070	CARBON R	R16J-100K	1	417341044T
U003	R5071	CARBON R	R16J-100K	1	417341044T
U003	R5072	CARBON R	R16J-100K	1	417341044T
U003	R5073	CARBON R	R16J-100K	1	417341044T
U003	R5074	CARBON R	R16J-100K	1	417341044T
U003	R5075	CARBON R	R16J-100K	1	417341044T
U003	R5076	CARBON R	R16J-100K	1	417341044T
U003	R5077	CARBON R	R16J-100K	1	417341044T
U003	R5078	CARBON R	R16J-100K	1	417341044T
U003	R5090	CARBON R	R16J-1.8K	1	417341824T
U003	R5091	CARBON R	R16J-1.8K	1	417341824T
U003	R5092	CARBON R	R16J-1.8K	1	417341824T
U003	R5093	CARBON R	R16J-1.8K	1	417341824T
U003	R5094	CARBON R	R16J-1.8K	1	417341824T
U003	R5095	CARBON R	R16J-1.8K	1	417341824T
U003	R5096	CARBON R	R16J-1.8K	1	417341824T
U003	R5097	CARBON R	R16J-1.8K	1	417341824T
U003	R5098	CARBON R	R16J-1.8K	1	417341824T
U003	R5110	CARBON R	R16J-2.2K	1	417342224T
U003	R5111	CARBON R	R16J-2.2K	1	417342224T
U003	R5112	CARBON R	R16J-2.2K	1	417342224T
U003	R5113	CARBON R	R16J-2.2K	1	417342224T
U003	R5114	CARBON R	R16J-2.2K	1	417342224T
U003	R5115	CARBON R	R16J-2.2K	1	417342224T
U003	R5116	CARBON R	R16J-2.2K	1	417342224T
U003	R5117	CARBON R	R16J-2.2K	1	417342224T
U003	R5118	CARBON R	R16J-2.2K	1	417342224T
U003	R5120	CARBON R	R16J-2.2K	1	417342224T
U003	R5121	CARBON R	R16J-2.2K	1	417342224T
U003	R5122	CARBON R	R16J-2.2K	1	417342224T
U003	R5123	CARBON R	R16J-2.2K	1	417342224T
U003	R5124	CARBON R	R16J-2.2K	1	417342224T
U003	R5125	CARBON R	R16J-2.2K	1	417342224T
U003	R5126	CARBON R	R16J-2.2K	1	417342224T

U003	R5127	CARBON R	R16J-2.2K	1	417342224T
U003	R5128	CARBON R	R16J-2.2K	1	417342224T
U003	R5130	NF CARBON R	R25J-820	1	415478214T
U003	R5131	NF CARBON R	R25J-820	1	415478214T
U003	R5132	NF CARBON R	R25J-820	1	415478214T
U003	R5133	NF CARBON R	R25J-820	1	415478214T
U003	R5134	NF CARBON R	R25J-820	1	415478214T
U003	R5135	NF CARBON R	R25J-820	1	415478214T
U003	R5136	NF CARBON R	R25J-820	1	415478214T
U003	R5137	NF CARBON R	R25J-820	1	415478214T
U003	R5138	NF CARBON R	R25J-820	1	415478214T
U003	R5140	NF CARBON R	R25J-820	1	415478214T
U003	R5141	NF CARBON R	R25J-820	1	415478214T
U003	R5142	NF CARBON R	R25J-820	1	415478214T
U003	R5143	NF CARBON R	R25J-820	1	415478214T
U003	R5144	NF CARBON R	R25J-820	1	415478214T
U003	R5145	NF CARBON R	R25J-820	1	415478214T
U003	R5146	NF CARBON R	R25J-820	1	415478214T
U003	R5147	NF CARBON R	R25J-820	1	415478214T
U003	R5148	NF CARBON R	R25J-820	1	415478214T
U003	R5150	METAL O R	RS1/2WBJ-10K	1	443521034T
U003	R5151	METAL O R	RS1/2WBJ-10K	1	443521034T
U003	R5152	METAL O R	RS1/2WBJ-10K	1	443521034T
U003	R5153	METAL O R	RS1/2WBJ-10K	1	443521034T
U003	R5154	METAL O R	RS1/2WBJ-10K	1	443521034T
U003	R5155	METAL O R	RS1/2WBJ-10K	1	443521034T
U003	R5156	METAL O R	RS1/2WBJ-10K	1	443521034T
U003	R5157	METAL O R	RS1/2WBJ-10K	1	443521034T
U003	R5158	METAL O R	RS1/2WBJ-10K	1	443521034T
U003	R5160	NF CARBON R	R25J-1.0K	1	415471024T
U003	R5161	NF CARBON R	R25J-1.0K	1	415471024T
U003	R5162	NF CARBON R	R25J-1.0K	1	415471024T
U003	R5163	NF CARBON R	R25J-1.0K	1	415471024T
U003	R5164	NF CARBON R	R25J-1.0K	1	415471024T
U003	R5165	NF CARBON R	R25J-1.0K	1	415471024T
U003	R5166	NF CARBON R	R25J-1.0K	1	415471024T
U003	R5167	NF CARBON R	R25J-1.0K	1	415471024T
U003	R5168	NF CARBON R	R25J-1.0K	1	415471024T
U003	R5170	NF CARBON R	R25J-820	1	415478214T

U003	R5171	NF CARBON R	R25J-820	1	415478214T
U003	R5172	NF CARBON R	R25J-820	1	415478214T
U003	R5173	NF CARBON R	R25J-820	1	415478214T
U003	R5174	NF CARBON R	R25J-820	1	415478214T
U003	R5175	NF CARBON R	R25J-820	1	415478214T
U003	R5176	NF CARBON R	R25J-820	1	415478214T
U003	R5177	NF CARBON R	R25J-820	1	415478214T
U003	R5178	NF CARBON R	R25J-820	1	415478214T
U003	R5180	NF CARBON R	R25J-33	1	415473304T
U003	R5181	NF CARBON R	R25J-33	1	415473304T
U003	R5182	NF CARBON R	R25J-33	1	415473304T
U003	R5183	NF CARBON R	R25J-33	1	415473304T
U003	R5184	NF CARBON R	R25J-33	1	415473304T
U003	R5185	NF CARBON R	R25J-33	1	415473304T
U003	R5186	NF CARBON R	R25J-33	1	415473304T
U003	R5187	NF CARBON R	R25J-33	1	415473304T
U003	R5188	NF CARBON R	R25J-33	1	415473304T
U003	R5210	CARBON R	R16J-18K	1	417341834T
U003	R5211	CARBON R	R16J-18K	1	417341834T
U003	R5212	CARBON R	R16J-18K	1	417341834T
U003	R5213	CARBON R	R16J-18K	1	417341834T
U003	R5214	CARBON R	R16J-18K	1	417341834T
U003	R5215	CARBON R	R16J-18K	1	417341834T
U003	R5216	CARBON R	R16J-18K	1	417341834T
U003	R5217	CARBON R	R16J-18K	1	417341834T
U003	R5218	CARBON R	R16J-18K	1	417341834T
U003	R5220	CARBON R	R16J-18K	1	417341834T
U003	R5221	CARBON R	R16J-18K	1	417341834T
U003	R5222	CARBON R	R16J-18K	1	417341834T
U003	R5223	CARBON R	R16J-18K	1	417341834T
U003	R5224	CARBON R	R16J-18K	1	417341834T
U003	R5225	CARBON R	R16J-18K	1	417341834T
U003	R5226	CARBON R	R16J-18K	1	417341834T
U003	R5227	CARBON R	R16J-18K	1	417341834T
U003	R5228	CARBON R	R16J-18K	1	417341834T
U003	R5230	NF CARBON R	R25J-15	1	415471504T
U003	R5231	NF CARBON R	R25J-15	1	415471504T
U003	R5232	NF CARBON R	R25J-15	1	415471504T
U003	R5233	NF CARBON R	R25J-15	1	415471504T

U003	R5234	NF CARBON R	R25J-15	1	415471504T
U003	R5235	NF CARBON R	R25J-15	1	415471504T
U003	R5236	NF CARBON R	R25J-15	1	415471504T
U003	R5237	NF CARBON R	R25J-15	1	415471504T
U003	R5238	NF CARBON R	R25J-15	1	415471504T
U003	R5240	NF CARBON R	R25J-15	1	415471504T
U003	R5241	NF CARBON R	R25J-15	1	415471504T
U003	R5242	NF CARBON R	R25J-15	1	415471504T
U003	R5243	NF CARBON R	R25J-15	1	415471504T
U003	R5244	NF CARBON R	R25J-15	1	415471504T
U003	R5245	NF CARBON R	R25J-15	1	415471504T
U003	R5246	NF CARBON R	R25J-15	1	415471504T
U003	R5247	NF CARBON R	R25J-15	1	415471504T
U003	R5248	NF CARBON R	R25J-15	1	415471504T
U003	R5250	CARBON R	R16J-68K	1	417346834T
U003	R5251	CARBON R	R16J-68K	1	417346834T
U003	R5252	CARBON R	R16J-68K	1	417346834T
U003	R5253	CARBON R	R16J-68K	1	417346834T
U003	R5254	CARBON R	R16J-68K	1	417346834T
U003	R5255	CARBON R	R16J-68K	1	417346834T
U003	R5256	CARBON R	R16J-68K	1	417346834T
U003	R5257	CARBON R	R16J-68K	1	417346834T
U003	R5258	CARBON R	R16J-68K	1	417346834T
U003	R5260	CARBON R	R16J-270K	1	417342744T
U003	R5261	CARBON R	R16J-270K	1	417342744T
U003	R5262	CARBON R	R16J-270K	1	417342744T
U003	R5263	CARBON R	R16J-270K	1	417342744T
U003	R5264	CARBON R	R16J-270K	1	417342744T
U003	R5265	CARBON R	R16J-270K	1	417342744T
U003	R5266	CARBON R	R16J-270K	1	417342744T
U003	R5267	CARBON R	R16J-270K	1	417342744T
U003	R5268	CARBON R	R16J-270K	1	417342744T
U003	R5280	METAL O R	RS1/2WBJ-10K	1	443521034T
U003	R5281	METAL O R	RS1/2WBJ-10K	1	443521034T
U003	R5282	METAL O R	RS1/2WBJ-10K	1	443521034T
U003	R5283	METAL O R	RS1/2WBJ-10K	1	443521034T
U003	R5284	METAL O R	RS1/2WBJ-10K	1	443521034T
U003	R5285	METAL O R	RS1/2WBJ-10K	1	443521034T
U003	R5286	METAL O R	RS1/2WBJ-10K	1	443521034T

U003	R5287	METAL O R	RS1/2WBJ-10K	1	443521034T
U003	R5288	METAL O R	RS1/2WBJ-10K	1	443521034T
U003	R5290	CARBON R	R16J-100K	1	417341044T
U003	R5291	CARBON R	R16J-100K	1	417341044T
U003	R5292	CARBON R	R16J-100K	1	417341044T
U003	R5293	CARBON R	R16J-100K	1	417341044T
U003	R5294	CARBON R	R16J-100K	1	417341044T
U003	R5295	CARBON R	R16J-100K	1	417341044T
U003	R5296	CARBON R	R16J-100K	1	417341044T
U003	R5297	CARBON R	R16J-100K	1	417341044T
U003	R5298	CARBON R	R16J-100K	1	417341044T
U003	R5300	NF CARBON R	R25J-82	1	415478204T
U003	R5301	NF CARBON R	R25J-82	1	415478204T
U003	R5302	NF CARBON R	R25J-82	1	415478204T
U003	R5303	NF CARBON R	R25J-82	1	415478204T
U003	R5304	NF CARBON R	R25J-82	1	415478204T
U003	R5305	NF CARBON R	R25J-82	1	415478204T
U003	R5306	NF CARBON R	R25J-82	1	415478204T
U003	R5307	NF CARBON R	R25J-82	1	415478204T
U003	R5308	NF CARBON R	R25J-82	1	415478204T
U003	R5330	NF CARBON R	R25J-82	1	415478204T
U003	R5331	NF CARBON R	R25J-82	1	415478204T
U003	R5332	NF CARBON R	R25J-82	1	415478204T
U003	R5333	NF CARBON R	R25J-82	1	415478204T
U003	R5334	NF CARBON R	R25J-82	1	415478204T
U003	R5335	NF CARBON R	R25J-82	1	415478204T
U003	R5336	NF CARBON R	R25J-82	1	415478204T
U003	R5337	NF CARBON R	R25J-82	1	415478204T
U003	R5338	NF CARBON R	R25J-82	1	415478204T
U003	R5360	CARBON R	R16J-120K	1	417341244T
U003	R5361	CARBON R	R16J-120K	1	417341244T
U003	R5362	CARBON R	R16J-120K	1	417341244T
U003	R5363	CARBON R	R16J-120K	1	417341244T
U003	R5364	CARBON R	R16J-120K	1	417341244T
U003	R5365	CARBON R	R16J-120K	1	417341244T
U003	R5366	CARBON R	R16J-120K	1	417341244T
U003	R5367	CARBON R	R16J-120K	1	417341244T
U003	R5368	CARBON R	R16J-120K	1	417341244T
U003	R5370	CARBON R	R16J-560K	1	417345644T

U003	R5371	CARBON R	R16J-560K	1	417345644T
U003	R5372	CARBON R	R16J-560K	1	417345644T
U003	R5373	CARBON R	R16J-560K	1	417345644T
U003	R5374	CARBON R	R16J-560K	1	417345644T
U003	R5375	CARBON R	R16J-560K	1	417345644T
U003	R5376	CARBON R	R16J-560K	1	417345644T
U003	R5377	CARBON R	R16J-560K	1	417345644T
U003	R5378	CARBON R	R16J-560K	1	417345644T
U003	R6010	CARBON R	R16J-4.7K	1	417344724T
U003	R6011	CARBON R	R16J-4.7K	1	417344724T
U003	R6012	CARBON R	R16J-4.7K	1	417344724T
U003	R6013	CARBON R	R16J-4.7K	1	417344724T
U003	R6014	CARBON R	R16J-4.7K	1	417344724T
U003	R6015	CARBON R	R16J-4.7K	1	417344724T
U003	R6016	CARBON R	R16J-4.7K	1	417344724T
U003	R6017	CARBON R	R16J-4.7K	1	417344724T
U003	R6018	CARBON R	R16J-4.7K	1	417344724T
U003	R6020	CARBON R	R16J-3.3K	1	417343324T
U003	R6021	CARBON R	R16J-3.3K	1	417343324T
U003	R6022	CARBON R	R16J-3.3K	1	417343324T
U003	R6023	CARBON R	R16J-3.3K	1	417343324T
U003	R6024	CARBON R	R16J-3.3K	1	417343324T
U003	R6025	CARBON R	R16J-3.3K	1	417343324T
U003	R6026	CARBON R	R16J-3.3K	1	417343324T
U003	R6027	CARBON R	R16J-3.3K	1	417343324T
U003	R6028	CARBON R	R16J-3.3K	1	417343324T
U003	R6030	CARBON R	R16J-1.8K	1	417341824T
U003	R6031	CARBON R	R16J-1.8K	1	417341824T
U003	R6032	CARBON R	R16J-1.8K	1	417341824T
U003	R6033	CARBON R	R16J-1.8K	1	417341824T
U003	R6034	CARBON R	R16J-1.8K	1	417341824T
U003	R6035	CARBON R	R16J-1.8K	1	417341824T
U003	R6036	CARBON R	R16J-1.8K	1	417341824T
U003	R6037	CARBON R	R16J-1.8K	1	417341824T
U003	R6038	CARBON R	R16J-1.8K	1	417341824T
U003	R6040	TRIM R	N06HR1KBB	1	5211401T
U003	R6041	TRIM R	N06HR1KBB	1	5211401T
U003	R6042	TRIM R	N06HR1KBB	1	5211401T
U003	R6043	TRIM R	N06HR1KBB	1	5211401T

U003	R6044	TRIM R	N06HR1KBB	1	5211401T
U003	R6045	TRIM R	N06HR1KBB	1	5211401T
U003	R6046	TRIM R	N06HR1KBB	1	5211401T
U003	R6047	TRIM R	N06HR1KBB	1	5211401T
U003	R6048	TRIM R	N06HR1KBB	1	5211401T
U003	R6050	CARBON R	R16J-2.7K	1	417342724T
U003	R6051	CARBON R	R16J-2.7K	1	417342724T
U003	R6052	CARBON R	R16J-2.7K	1	417342724T
U003	R6053	CARBON R	R16J-2.7K	1	417342724T
U003	R6054	CARBON R	R16J-2.7K	1	417342724T
U003	R6055	CARBON R	R16J-2.7K	1	417342724T
U003	R6056	CARBON R	R16J-2.7K	1	417342724T
U003	R6057	CARBON R	R16J-2.7K	1	417342724T
U003	R6058	CARBON R	R16J-2.7K	1	417342724T
U003	R6060	NF CARBON R	R25J-120	1	415471214T
U003	R6061	NF CARBON R	R25J-120	1	415471214T
U003	R6062	NF CARBON R	R25J-120	1	415471214T
U003	R6063	NF CARBON R	R25J-120	1	415471214T
U003	R6064	NF CARBON R	R25J-120	1	415471214T
U003	R6065	NF CARBON R	R25J-120	1	415471214T
U003	R6066	NF CARBON R	R25J-120	1	415471214T
U003	R6067	NF CARBON R	R25J-120	1	415471214T
U003	R6068	NF CARBON R	R25J-120	1	415471214T
U003	R6070	NF CARBON R	R25J-82	1	415478204T
U003	R6071	NF CARBON R	R25J-82	1	415478204T
U003	R6072	NF CARBON R	R25J-82	1	415478204T
U003	R6073	NF CARBON R	R25J-82	1	415478204T
U003	R6074	NF CARBON R	R25J-82	1	415478204T
U003	R6075	NF CARBON R	R25J-82	1	415478204T
U003	R6076	NF CARBON R	R25J-82	1	415478204T
U003	R6077	NF CARBON R	R25J-82	1	415478204T
U003	R6078	NF CARBON R	R25J-82	1	415478204T
U003	R6110	CARBON R	R16J-10K	1	417341034T
U003	R6111	CARBON R	R16J-10K	1	417341034T
U003	R6112	CARBON R	R16J-10K	1	417341034T
U003	R6113	CARBON R	R16J-10K	1	417341034T
U003	R6114	CARBON R	R16J-10K	1	417341034T
U003	R6115	CARBON R	R16J-10K	1	417341034T
U003	R6116	CARBON R	R16J-10K	1	417341034T

U003	R6117	CARBON R	R16J-10K	1	417341034T
U003	R6118	CARBON R	R16J-10K	1	417341034T
U003	R6250	NF CARBON R	R25J-120	1	415471214T
U003	R6251	NF CARBON R	R25J-120	1	415471214T
U003	R6252	NF CARBON R	R25J-120	1	415471214T
U003	R6253	NF CARBON R	R25J-120	1	415471214T
U003	R6254	NF CARBON R	R25J-120	1	415471214T
U003	R6255	NF CARBON R	R25J-120	1	415471214T
U003	R6256	NF CARBON R	R25J-120	1	415471214T
U003	R6257	NF CARBON R	R25J-120	1	415471214T
U003	R6258	NF CARBON R	R25J-120	1	415471214T
U003	R6260	NF CARBON R	R25J-120	1	415471214T
U003	R6261	NF CARBON R	R25J-120	1	415471214T
U003	R6262	NF CARBON R	R25J-120	1	415471214T
U003	R6263	NF CARBON R	R25J-120	1	415471214T
U003	R6264	NF CARBON R	R25J-120	1	415471214T
U003	R6265	NF CARBON R	R25J-120	1	415471214T
U003	R6266	NF CARBON R	R25J-120	1	415471214T
U003	R6267	NF CARBON R	R25J-120	1	415471214T
U003	R6268	NF CARBON R	R25J-120	1	415471214T
U003	R6270	NF CARBON R	R25J-18	1	415471804T
U003	R6271	NF CARBON R	R25J-18	1	415471804T
U003	R6272	NF CARBON R	R25J-18	1	415471804T
U003	R6273	NF CARBON R	R25J-18	1	415471804T
U003	R6274	NF CARBON R	R25J-18	1	415471804T
U003	R6275	NF CARBON R	R25J-18	1	415471804T
U003	R6276	NF CARBON R	R25J-18	1	415471804T
U003	R6277	NF CARBON R	R25J-18	1	415471804T
U003	R6278	NF CARBON R	R25J-18	1	415471804T
U003	R6280	NF CARBON R	R25J-18	1	415471804T
U003	R6281	NF CARBON R	R25J-18	1	415471804T
U003	R6282	NF CARBON R	R25J-18	1	415471804T
U003	R6283	NF CARBON R	R25J-18	1	415471804T
U003	R6284	NF CARBON R	R25J-18	1	415471804T
U003	R6285	NF CARBON R	R25J-18	1	415471804T
U003	R6286	NF CARBON R	R25J-18	1	415471804T
U003	R6287	NF CARBON R	R25J-18	1	415471804T
U003	R6288	NF CARBON R	R25J-18	1	415471804T
U003	R6290	NF CARBON R	R25J-2.2	1	415470224T

U003	R6291	NF CARBON R	R25J-2.2	1	415470224T
U003	R6292	NF CARBON R	R25J-2.2	1	415470224T
U003	R6293	NF CARBON R	R25J-2.2	1	415470224T
U003	R6294	NF CARBON R	R25J-2.2	1	415470224T
U003	R6295	NF CARBON R	R25J-2.2	1	415470224T
U003	R6296	NF CARBON R	R25J-2.2	1	415470224T
U003	R6297	NF CARBON R	R25J-2.2	1	415470224T
U003	R6298	NF CARBON R	R25J-2.2	1	415470224T
U003	R6300	NF CARBON R	R25J-2.2	1	415470224T
U003	R6301	NF CARBON R	R25J-2.2	1	415470224T
U003	R6302	NF CARBON R	R25J-2.2	1	415470224T
U003	R6303	NF CARBON R	R25J-2.2	1	415470224T
U003	R6304	NF CARBON R	R25J-2.2	1	415470224T
U003	R6305	NF CARBON R	R25J-2.2	1	415470224T
U003	R6306	NF CARBON R	R25J-2.2	1	415470224T
U003	R6307	NF CARBON R	R25J-2.2	1	415470224T
U003	R6308	NF CARBON R	R25J-2.2	1	415470224T
U003	R6310	NF CARBON R	R25J-10	1	415471004T
U003	R6311	NF CARBON R	R25J-10	1	415471004T
U003	R6312	NF CARBON R	R25J-10	1	415471004T
U003	R6313	NF CARBON R	R25J-10	1	415471004T
U003	R6314	NF CARBON R	R25J-10	1	415471004T
U003	R6315	NF CARBON R	R25J-10	1	415471004T
U003	R6316	NF CARBON R	R25J-10	1	415471004T
U003	R6317	NF CARBON R	R25J-10	1	415471004T
U003	R6318	NF CARBON R	R25J-10	1	415471004T
U003	[SW TRM]				
U003	P5010A	SOCKET	NSCT-3P2183	1	25052286
U003	P5011A	SOCKET	NSCT-3P2183	1	25052286
U003	P5012A	SOCKET	NSCT-3P2183	1	25052286
U003	P5013A	SOCKET	NSCT-3P2183	1	25052286
U003	P5014A	SOCKET	NSCT-3P2183	1	25052286
U003	P5015A	SOCKET	NSCT-3P2183	1	25052286
U003	P5016A	SOCKET	NSCT-3P2183	1	25052286
U003	P5017A	SOCKET	NSCT-3P2183	1	25052286
U003	P5018A	SOCKET	NSCT-3P2183	1	25052286
U003	P5020A	TRM	NTM-1P233(M1969)	1	25060302
U003	P5021A	TRM	NTM-1P233(M1969)	1	25060302
U003	P5022A	TRM	NTM-1P233(M1969)	1	25060302

U003	P5023A	TRM	NTM-1P233(M1969)	1	25060302	
U003	P5024A	TRM	NTM-1P233(M1969)	1	25060302	
U003	P5025A	TRM	NTM-1P233(M1969)	1	25060302	
U003	P5026A	TRM	NTM-1P233(M1969)	1	25060302	
U003	P5027A	TRM	NTM-1P233(M1969)	1	25060302	
U003	P5028A	TRM	NTM-1P233(M1969)	1	25060302	
U003	P6010A	SOCKET	NSCT-3P2183	1	25052286	
U003	P6011A	SOCKET	NSCT-3P2183	1	25052286	
U003	P6012A	SOCKET	NSCT-3P2183	1	25052286	
U003	P6013A	SOCKET	NSCT-3P2183	1	25052286	
U003	P6014A	SOCKET	NSCT-3P2183	1	25052286	
U003	P6015A	SOCKET	NSCT-3P2183	1	25052286	
U003	P6016A	SOCKET	NSCT-3P2183	1	25052286	
U003	P6017A	SOCKET	NSCT-3P2183	1	25052286	
U003	P6018A	SOCKET	NSCT-3P2183	1	25052286	
U003	P6030B	SOCKET	IMSA-9115S-05L	1	25052985	N
U003	P6031B	SOCKET	IMSA-9115S-05L	1	25052985	N
U003	P6032B	SOCKET	IMSA-9115S-05L	1	25052985	N
U003	P6033B	SOCKET	IMSA-9115S-05L	1	25052985	N
U003	P6034B	SOCKET	IMSA-9115S-05L	1	25052985	N
U003	P6035B	SOCKET	IMSA-9115S-05L	1	25052985	N
U003	P6036B	SOCKET	IMSA-9115S-05L	1	25052985	N
U003	P6037B	SOCKET	IMSA-9115S-05L	1	25052985	N
U003	P6038B	SOCKET	IMSA-9115S-05L	1	25052985	N
U004	U004	U0040 + U0041				
U004	U0040	ANALOG AUDIO PC BOARD	BAASP-0202-1H			
U004	U0041	ANALOG VIDEO PC BOARD	BAVD-0203-1H			
U004						
U004	CIRCUIT NO.	PART NAME	DESCRIPTION	Q'TY	PART NO. (SN)	REMARKS
U004	[SEMI CONDUCTOR]					
U004	D2000	DIODE	D5SBA20	1	22380130	
U004	D2000 or	DIODE	D5SBA60	(1)	22380070	
U004	D2000A	HEAT SINK	RAD-083	1	27160271	
U004	D2000B	SCREW	3P+6FN(3BC)	1	82143006GR	
U004	D2001	C-DIODE	ISS352	1	223234R2	
U004	D2001 or	C-DIODE	ISS355	(1)	223269R2	
U004	D2001 or	C-DIODE	MA2J111	(1)	223279R2	
U004	D2001 or	C-DIODE	KDS4148U	(1)	223283R2	

U004	D2003	DIODE	RB070M-30	1	22380361R2	
U004	D2004	ZENER D	UDZS3.9B	1	224550390R2	
U004	D2005	DIODE	RL1N4003	1	22380260T	
U004	D2006	DIODE	RL1N4003	1	22380260T	
U004	D2007	DIODE	RL1N4003	1	22380260T	
U004	D2008	DIODE	RL1N4003	1	22380260T	
U004	D2009	ZENER D	UDZS3.9B	1	224550390R2	
U004	D2010	C-DIODE	1SS352	1	223234R2	
U004	D2010 or	C-DIODE	1SS355	(1)	223269R2	
U004	D2010 or	C-DIODE	MA2J111	(1)	223279R2	
U004	D2010 or	C-DIODE	KDS4148U	(1)	223283R2	
U004	D2011	C-DIODE	1SS352	1	223234R2	
U004	D2011 or	C-DIODE	1SS355	(1)	223269R2	
U004	D2011 or	C-DIODE	MA2J111	(1)	223279R2	
U004	D2011 or	C-DIODE	KDS4148U	(1)	223283R2	
U004	D2012	DIODE	RL1N4003	1	22380260T	
U004	D2013	DIODE	RL1N4003	1	22380260T	
U004	D2014	ZENER D	UDZS5.1B	1	224550510R2	
U004	D2015	C-DIODE	1SS352	1	223234R2	<B MDC, MMP, MMR>
U004	D2015 or	C-DIODE	1SS355	(1)	223269R2	<B MDC, MMP, MMR>
U004	D2015 or	C-DIODE	MA2J111	(1)	223279R2	<B MDC, MMP, MMR>
U004	D2015 or	C-DIODE	KDS4148U	(1)	223283R2	<B MDC, MMP, MMR>
U004	D2700	SPCF D	SIR-34ST3F	1	225456	<B MDC, MMP, MMR>
U004	D2702	C-DIODE	1SS352	1	223234R2	<B MDC, MMP, MMR>
U004	D2702 or	C-DIODE	1SS355	(1)	223269R2	<B MDC, MMP, MMR>
U004	D2702 or	C-DIODE	MA2J111	(1)	223279R2	<B MDC, MMP, MMR>
U004	D2702 or	C-DIODE	KDS4148U	(1)	223283R2	<B MDC, MMP, MMR>
U004	D2703	C-DIODE	1SS352	1	223234R2	<B MDC, MMP, MMR>
U004	D2703 or	C-DIODE	1SS355	(1)	223269R2	<B MDC, MMP, MMR>
U004	D2703 or	C-DIODE	MA2J111	(1)	223279R2	<B MDC, MMP, MMR>
U004	D2703 or	C-DIODE	KDS4148U	(1)	223283R2	<B MDC, MMP, MMR>
U004	D2704	C-DIODE	1SS352	1	223234R2	<B MDC, MMP, MMR>
U004	D2704 or	C-DIODE	1SS355	(1)	223269R2	<B MDC, MMP, MMR>
U004	D2704 or	C-DIODE	MA2J111	(1)	223279R2	<B MDC, MMP, MMR>
U004	D2704 or	C-DIODE	KDS4148U	(1)	223283R2	<B MDC, MMP, MMR>
U004	D2705	C-DIODE	1SS352	1	223234R2	<B MDC, MMP, MMR>
U004	D2705 or	C-DIODE	1SS355	(1)	223269R2	<B MDC, MMP, MMR>
U004	D2705 or	C-DIODE	MA2J111	(1)	223279R2	<B MDC, MMP, MMR>
U004	D2705 or	C-DIODE	KDS4148U	(1)	223283R2	<B MDC, MMP, MMR>

U004	D2708	DIODE	RL1N4003	1	22380260T	<B MDC, MMP, MMR>
U004	D4005	ZENER D	UDZS7.5B	1	224550750R2	
U004	D4006	ZENER D	UDZS7.5B	1	224550750R2	
U004	D4007	C-DIODE	ISS352	1	223234R2	
U004	D4007 or	C-DIODE	ISS355	(1)	223269R2	
U004	D4007 or	C-DIODE	MA2J111	(1)	223279R2	
U004	D4007 or	C-DIODE	KDS4148U	(1)	223283R2	
U004	D4008	C-DIODE	ISS352	1	223234R2	
U004	D4008 or	C-DIODE	ISS355	(1)	223269R2	
U004	D4008 or	C-DIODE	MA2J111	(1)	223279R2	
U004	D4008 or	C-DIODE	KDS4148U	(1)	223283R2	
U004	D4019	C-DIODE	ISS352	1	223234R2	
U004	D4019 or	C-DIODE	ISS355	(1)	223269R2	
U004	D4019 or	C-DIODE	MA2J111	(1)	223279R2	
U004	D4019 or	C-DIODE	KDS4148U	(1)	223283R2	
U004	D4401	ZENER D	UDZS9.1B	1	224550910R2	
U004	D4402	ZENER D	UDZS9.1B	1	224550910R2	
U004	D4403	ZENER D	UDZS3.3B	1	224550330R2	
U004	D4404	C-DIODE	ISS352	1	223234R2	
U004	D4404 or	C-DIODE	ISS355	(1)	223269R2	
U004	D4404 or	C-DIODE	MA2J111	(1)	223279R2	
U004	D4404 or	C-DIODE	KDS4148U	(1)	223283R2	
U004	D4405	C-DIODE	ISS352	1	223234R2	
U004	D4405 or	C-DIODE	ISS355	(1)	223269R2	
U004	D4405 or	C-DIODE	MA2J111	(1)	223279R2	
U004	D4405 or	C-DIODE	KDS4148U	(1)	223283R2	
U004	D4431	C-DIODE	ISS352	1	223234R2	
U004	D4431 or	C-DIODE	ISS355	(1)	223269R2	
U004	D4431 or	C-DIODE	MA2J111	(1)	223279R2	
U004	D4431 or	C-DIODE	KDS4148U	(1)	223283R2	
U004	D4432	C-DIODE	ISS352	1	223234R2	
U004	D4432 or	C-DIODE	ISS355	(1)	223269R2	
U004	D4432 or	C-DIODE	MA2J111	(1)	223279R2	
U004	D4432 or	C-DIODE	KDS4148U	(1)	223283R2	
U004	D4433	C-DIODE	ISS352	1	223234R2	
U004	D4433 or	C-DIODE	ISS355	(1)	223269R2	
U004	D4433 or	C-DIODE	MA2J111	(1)	223279R2	
U004	D4433 or	C-DIODE	KDS4148U	(1)	223283R2	
U004	D4434	C-DIODE	ISS352	1	223234R2	

U004	D4434 or	C-DIODE	ISS355	(1)	223269R2	
U004	D4434 or	C-DIODE	MA2J111	(1)	223279R2	
U004	D4434 or	C-DIODE	KDS4148U	(1)	223283R2	
U004	D4435	C-DIODE	ISS352	1	223234R2	
U004	D4435 or	C-DIODE	ISS355	(1)	223269R2	
U004	D4435 or	C-DIODE	MA2J111	(1)	223279R2	
U004	D4435 or	C-DIODE	KDS4148U	(1)	223283R2	
U004	D4436	C-DIODE	ISS352	1	223234R2	
U004	D4436 or	C-DIODE	ISS355	(1)	223269R2	
U004	D4436 or	C-DIODE	MA2J111	(1)	223279R2	
U004	D4436 or	C-DIODE	KDS4148U	(1)	223283R2	
U004	D4441	C-DIODE	ISS352	1	223234R2	
U004	D4441 or	C-DIODE	ISS355	(1)	223269R2	
U004	D4441 or	C-DIODE	MA2J111	(1)	223279R2	
U004	D4441 or	C-DIODE	KDS4148U	(1)	223283R2	
U004	D4442	C-DIODE	ISS352	1	223234R2	
U004	D4442 or	C-DIODE	ISS355	(1)	223269R2	
U004	D4442 or	C-DIODE	MA2J111	(1)	223279R2	
U004	D4442 or	C-DIODE	KDS4148U	(1)	223283R2	
U004	D4443	C-DIODE	ISS352	1	223234R2	
U004	D4443 or	C-DIODE	ISS355	(1)	223269R2	
U004	D4443 or	C-DIODE	MA2J111	(1)	223279R2	
U004	D4443 or	C-DIODE	KDS4148U	(1)	223283R2	
U004	D4444	C-DIODE	ISS352	1	223234R2	
U004	D4444 or	C-DIODE	ISS355	(1)	223269R2	
U004	D4444 or	C-DIODE	MA2J111	(1)	223279R2	
U004	D4444 or	C-DIODE	KDS4148U	(1)	223283R2	
U004	D4445	C-DIODE	ISS352	1	223234R2	
U004	D4445 or	C-DIODE	ISS355	(1)	223269R2	
U004	D4445 or	C-DIODE	MA2J111	(1)	223279R2	
U004	D4445 or	C-DIODE	KDS4148U	(1)	223283R2	
U004	Q2000	IC	78M05(NJM78M05FA)	1	222780055JRC	
U004	Q2001	TR	2SC3851-Y	1	2203384	
U004	Q2001 or	TR	2SD2394-E	(1)	2202705	
U004	Q2002	IC	SI8008TM	1	22242323R2	
U004	Q2003	TR	KRC102S	1	2216190R2	<B MDC, MMP, MMR>
U004	Q2003 or	TR	RN1402	(1)	2214470R2	<B MDC, MMP, MMR>
U004	Q2004	TR	2SC2712-GR	1	2213145R2	
U004	Q2005	TR	2SA1162-GR	1	2214375R2	

U004	Q2006	TR	2SA1488-Y	1	2203394	
U004	Q2006 or	TR	2SB1565-E	(1)	2202715	
U004	Q2007	TR	2SD1468S-R	1	2215024T	
U004	Q2008	IC	79M05L(NJM79M05FA)	1	222790055JRC	
U004	Q2009	TR	2SC2712-GR	1	2213145R2	
U004	Q2100	IC	NJW1325	1	22242596R3	N
U004	Q2100A	SHEET	(VD)	1	29096106	N
U004	Q2100B	RETAINER	(VD)	1	27142169	N
U004	Q2500	IC	NE5532APSR	1	22242283R2	
U004	Q2503	IC	NJM2505AF	1	22242490R2	
U004	Q2700	TR	2SA854S-R	1	2217394T	<B MDC, MMP, MMR>
U004	Q2700 or	TR	2SB1240-R	(1)	2213794T	<B MDC, MMP, MMR>
U004	Q2701	TR	KRC102S	1	2216190R2	<B MDC, MMP, MMR>
U004	Q2701 or	TR	RN1402	(1)	2214470R2	<B MDC, MMP, MMR>
U004	Q2702	TR	2SA1162-GR	1	2214375R2	<B MDC, MMP, MMR>
U004	Q2703	TR	KRC102S	1	2216190R2	<B MDC, MMP, MMR>
U004	Q2703 or	TR	RN1402	(1)	2214470R2	<B MDC, MMP, MMR>
U004	Q4008	IC	NE5532APSR	1	22242283R2	
U004	Q4009	IC	NE5532APSR	1	22242283R2	
U004	Q4010	IC	NE5532APSR	1	22242283R2	
U004	Q4011	IC	NE5532APSR	1	22242283R2	
U004	Q4041	IC	NE5532APSR	1	22242283R2	
U004	Q4043	IC	TC4066BFT	1	22284066MR2TO	
U004	Q4065	IC	CS3318-CQZR	1	22242404R2	
U004	Q4066	IC	NJU7312AM	1	22242210R2	
U004	Q4071	IC	NE5532APSR	1	22242283R2	
U004	Q4072	IC	NJU7313AM	1	22242211R2	
U004	Q4074	IC	CS3318-CQZR	1	22242404R2	
U004	Q4076	IC	NE5532APSR	1	22242283R2	
U004	Q4080	IC	NJU7312AM	1	22242210R2	
U004	Q4081	IC	NE5532APSR	1	22242283R2	<B MDC, MMP, MMR>
U004	Q4091	IC	NE5532APSR	1	22242283R2	
U004	Q4101	IC	NE5532APSR	1	22242283R2	
U004	Q4121	IC	NE5532APSR	1	22242283R2	
U004	Q4131	IC	NE5532APSR	1	22242283R2	
U004	Q4151	IC	NE5532APSR	1	22242283R2	
U004	Q4152	IC	NE5532APSR	1	22242283R2	
U004	Q4200	TR	2SC2235-Y(TPE6_F)	1	2211654T	
U004	Q4201	TR	2SA965-Y(TPE6_F)	1	2211644T	

U004	Q4221	IC	NE5532APSR	1	22242283R2	
U004	Q4222	TR	RN1402	1	2214470R2	
U004	Q4223	TR	RN2402	1	2214530R2	
U004	Q4224	TR	RN1402	1	2214470R2	
U004	Q4225	TR	RN2402	1	2214530R2	
U004	Q4226	IC	NJW1112	1	22242597R2	N
U004	Q4227	IC	NJW1112	1	22242597R2	N
U004	Q4301	IC	NE5532APSR	1	22242283R2	
U004	Q4341	IC	NE5532APSR	1	22242283R2	
U004	Q4342	IC	NE5532APSR	1	22242283R2	
U004	Q4371	IC	NE5532APSR	1	22242283R2	
U004	Q4401	TR	2SC2712-GR	1	2213145R2	
U004	Q4402	TR	2SA950-Y	1	2211504T	
U004	Q4403	TR	2SA1162-GR	1	2214375R2	
U004	Q4404	TR	2SC2120-Y	1	2211164T	
U004	Q4420	TR	RN1402	1	2214470R2	
U004	Q4421	TR	RN1402	1	2214470R2	
U004	Q4422	TR	RN1402	1	2214470R2	
U004	Q4423	TR	RN1402	1	2214470R2	
U004	Q4424	TR	RN1402	1	2214470R2	
U004	Q4425	TR	RN1402	1	2214470R2	
U004	Q4441	IC	NE5532APSR	1	22242283R2	
U004	Q4442	TR	2SC2235-Y(TPE6_F)	1	2211654T	
U004	Q4443	TR	2SA965-Y(TPE6_F)	1	2211644T	
U004	Q4444	TR	2SC2235-Y(TPE6_F)	1	2211654T	
U004	Q4445	TR	2SA965-Y(TPE6_F)	1	2211644T	
U004	Q4446	TR	RN1402	1	2214470R2	
U004	Q4446 or	TR	KRC102S	(1)	2216190R2	
U004	Q4461	IC	NJM4556AM	1	22241414R2	
U004	Q4466	TR	RN1441	1	2215410R2	
U004	Q4467	TR	RN1441	1	2215410R2	
U004	Q4468	TR	2SC2712-GR	1	2213145R2	
U004	Q4640	TR	RN1441	1	2215410R2	
U004	Q4641	TR	RN1441	1	2215410R2	
U004	Q4642	TR	RN1441	1	2215410R2	
U004	Q4643	TR	RN1441	1	2215410R2	
U004	Q4644	TR	RN1441	1	2215410R2	
U004	Q4645	TR	RN1441	1	2215410R2	
U004	Q4646	TR	RN1441	1	2215410R2	

U004	Q4647	TR	RN1441	1	2215410R2	
U004	Q4648	TR	RN1441	1	2215410R2	
U004	Q4741	TR	RN1441	1	2215410R2	
U004	Q4742	TR	RN1441	1	2215410R2	
U004	Q4801	TR	RN1441	1	2215410R2	<B MDC, MMP, MMR>
U004	Q4802	TR	RN1441	1	2215410R2	<B MDC, MMP, MMR>
U004	Q4803	TR	RN1441	1	2215410R2	<B MDC, MMP, MMR>
U004	Q4804	TR	RN1441	1	2215410R2	<B MDC, MMP, MMR>
U004	[CHASSIS SCREW]					
U004	Q2000A	HEAT-SINK	HEAT-SINK(RAD-67)	1	27160209	
U004	Q2000B	SCREW	3P+6FN(3BC)	2	82143006GR	
U004	[TRANS COIL]					
U004	L2000	CHOKE COIL	NCH-2541	1	231363K470A	
U004	L2000 or	COIL	0182-7310-470K-RB	(1)	231389	
U004	L2100	CHOKE COIL	LBC2518T4R7M	1	231364M047R2	
U004	L2101	CHOKE COIL	LBC2518T4R7M	1	231364M047R2	
U004	L2500	CHOKE COIL	LBC2518T4R7M	1	231364M047R2	
U004	L2501	CHOKE COIL	BLM21PG221SN1	1	230949R2	
U004	L2502	CHOKE COIL	BLM21PG221SN1	1	230949R2	
U004	L2504	CHOKE COIL	BLM21PG221SN1	1	230949R2	
U004	L2506	EMIFIL	BK1608LM182-T	1	230958R1	
U004	L2507	EMIFIL	BK1608LM182-T	1	230958R1	
U004	L2508	EMIFIL	BK1608LM182-T	1	230958R1	
U004	L2509	EMIFIL	BK1608LM182-T	1	230958R1	
U004	L2510	EMIFIL	BK1608LM182-T	1	230958R1	
U004	L2511	EMIFIL	BK1608LM182-T	1	230958R1	
U004	L2512	EMIFIL	BK1608LM182-T	1	230958R1	
U004	L2513	EMIFIL	BK1608LM182-T	1	230958R1	
U004	L2514	EMIFIL	BK1608LM182-T	1	230958R1	
U004	L2515	EMIFIL	BK1608LM182-T	1	230958R1	
U004	L2516	EMIFIL	BK1608LM182-T	1	230958R1	
U004	L2517	EMIFIL	BK1608LM182-T	1	230958R1	
U004	L2518	EMIFIL	BK1608LM182-T	1	230958R1	
U004	L2519	EMIFIL	BK1608LM182-T	1	230958R1	
U004	L2520	EMIFIL	BK1608LM182-T	1	230958R1	
U004	L2521	EMIFIL	BK1608LM182-T	1	230958R1	
U004	L2522	EMIFIL	BK1608LM182-T	1	230958R1	
U004	L2523	EMIFIL	BK1608LM182-T	1	230958R1	
U004	L2702	EMIFIL	BK1608LM182-T	1	230958R1	<B MDC, MMP, MMR>

U004	L2703	EMIFIL	BK1608LM182-T	1	230958R1	<B MDC, MMP, MMR>
U004	[CAPACITOR]					
U004	C2000	ELECT C	CE04W18V-10000M(VZ)	1	3945H1037S	
U004	C2002	VR C	CE04W16V-220M(VR)	1	394642217T	
U004	C2003	UTSP C	CE04W50V-10M(UTSP)	1	397581007T	
U004	C2004	VR C	CE04W16V-100M(VR)	1	394641017T	
U004	C2005	VR C	CE04W16V-470M(VR)	1	394644717T	
U004	C2006	VR C	CE04W25V-2200M(VR)	1	394652227S	
U004	C2007	TF C	ECQ-V50V-104J	1	374721044T	
U004	C2008	VR C	CE04W50V-22M(VR)	1	394682207T	
U004	C2009	VR C	CE04W16V-470M(VR)	1	394644717T	
U004	C2010	C-CERA C	CK725F1E-104Z1	1	332161040R1	
U004	C2012	TF C	ECQ-V50V-104J	1	374721044T	
U004	C2013	VR C	CE04W50V-22M(VR)	1	394682207T	
U004	C2014	VR C	CE04W16V-100M(VR)	1	394641017T	
U004	C2015	VR C	CE04W16V-220M(VR)	1	394642217T	
U004	C2016	UTSP C	CE04W50V-10M(UTSP)	1	397581007T	
U004	C2017	VR C	CE04W25V-2200M(VR)	1	394652227S	
U004	C2018	VR C	CE04W50V-4.7M(VR)	1	394680477T	
U004	C2101	C-CERA C	CK725F1A-105Z1	1	332181050R1	
U004	C2103	C-CERA C	CK725F1A-105Z1	1	332181050R1	
U004	C2105	C-CERA C	CK725B0J-225K	1	332092255R1	
U004	C2106	C-CERA C	CK725B1H-102K1	1	332101025R1	
U004	C2108	C-CERA C	CK725F1A-105Z1	1	332181050R1	
U004	C2110	C-CERA C	CK725F1A-105Z1	1	332181050R1	
U004	C2112	C-CERA C	CK725B0J-225K	1	332092255R1	
U004	C2114	C-CERA C	CK725F1A-105Z1	1	332181050R1	
U004	C2116	C-CERA C	CK725F1A-105Z1	1	332181050R1	
U004	C2118	C-CERA C	CK725B0J-225K	1	332092255R1	
U004	C2144	VR C	CE04W35V-47M(VR)	1	394664707T	
U004	C2145	VR C	CE04W35V-47M(VR)	1	394664707T	
U004	C2146	VR C	CE04W35V-47M(VR)	1	394664707T	
U004	C2148	C-CERA C	CK725F1E-104Z1	1	332161040R1	
U004	C2149	C-CERA C	CK725F1E-104Z1	1	332161040R1	
U004	C2150	C-CERA C	CK725F1E-104Z1	1	332161040R1	
U004	C2152	C-CERA C	CK725F1E-104Z1	1	332161040R1	
U004	C2153	C-CERA C	CK725F1E-104Z1	1	332161040R1	
U004	C2154	C-CERA C	CK725F1E-104Z1	1	332161040R1	
U004	C2155	VR C	CE04W35V-47M(VR)	1	394664707T	

U004	C2156	VR C	CE04W35V-47M(VR)	1	394664707T
U004	C2157	VR C	CE04W35V-47M(VR)	1	394664707T
U004	C2161	C-CERA C	CK725F1E-104Z1	1	332161040R1
U004	C2162	VR C	CE04W35V-47M(VR)	1	394664707T
U004	C2166	VR C	CE04W35V-47M(VR)	1	394664707T
U004	C2167	C-CERA C	CK725F1E-104Z1	1	332161040R1
U004	C2169	C-CERA C	CK725F1E-104Z1	1	332161040R1
U004	C2170	VR C	CE04W50V-1M(VR)	1	394680107T
U004	C2171	VR C	CE04W50V-1M(VR)	1	394680107T
U004	C2172	C-CERA C	CK725F1E-104Z1	1	332161040R1
U004	C2173	C-CERA C	CK725F1E-104Z1	1	332161040R1
U004	C2174	VR C	CE04W50V-1M(VR)	1	394680107T
U004	C2175	VR C	CE04W35V-47M(VR)	1	394664707T
U004	C2176	C-CERA C	CK725F1E-104Z1	1	332161040R1
U004	C2178	VR C	CE04W35V-47M(VR)	1	394664707T
U004	C2179	C-CERA C	CK725F1A-105Z1	1	332181050R1
U004	C2180	C-CERA C	CK725F1E-104Z1	1	332161040R1
U004	C2182	C-CERA C	CK725B0J-225K	1	332092255R1
U004	C2184	C-CERA C	CK725B0J-225K	1	332092255R1
U004	C2185	C-CERA C	CK725B1H-102K1	1	332101025R1
U004	C2186	VR C	CE04W35V-47M(VR)	1	394664707T
U004	C2187	C-CERA C	CK725F1E-104Z1	1	332161040R1
U004	C2189	C-CERA C	CK725F1A-105Z1	1	332181050R1
U004	C2191	C-CERA C	CK725B0J-225K	1	332092255R1
U004	C2193	C-CERA C	CK725B0J-225K	1	332092255R1
U004	C2194	VR C	CE04W35V-47M(VR)	1	394664707T
U004	C2195	VR C	CE04W35V-47M(VR)	1	394664707T
U004	C2196	C-CERA C	CK725F1E-104Z1	1	332161040R1
U004	C2197	C-CERA C	CK725F1E-104Z1	1	332161040R1
U004	C2198	C-CERA C	CK725F1E-104Z1	1	332161040R1
U004	C2199	VR C	CE04W35V-47M(VR)	1	394664707T
U004	C2200	C-CERA C	CC725CH1H-151J1	1	342101514R1
U004	C2201	C-CERA C	CC725CH1H-151J1	1	342101514R1
U004	C2202	C-CERA C	CC725CH1H-151J1	1	342101514R1
U004	C2203	C-CERA C	CK725B1H-102K1	1	332101025R1
U004	C2205	C-CERA C	CK725F1A-105Z1	1	332181050R1
U004	C2207	C-CERA C	CK725B0J-225K	1	332092255R1
U004	C2209	C-CERA C	CK725B0J-225K	1	332092255R1
U004	C2211	C-CERA C	CK725F1A-105Z1	1	332181050R1

U004	C2213	C-CERA C	CK725B0J-225K	1	332092255R1	
U004	C2215	C-CERA C	CK725B0J-225K	1	332092255R1	
U004	C2216	C-CERA C	CK725B1H-102K1	1	332101025R1	
U004	C2217	C-CERA C	CC725CH1H-151J1	1	342101514R1	
U004	C2218	C-CERA C	CC725CH1H-151J1	1	342101514R1	
U004	C2219	C-CERA C	CC725CH1H-151J1	1	342101514R1	
U004	C2220	C-CERA C	CC725CH1H-151J1	1	342101514R1	<B MDC, MMP, MMR>
U004	C2221	C-CERA C	CK725B1H-102K1	1	332101025R1	<B MDC, MMP, MMR>
U004	C2224	VR C	CE04W50V-1M(VR)	1	394680107T	
U004	C2225	VR C	CE04W50V-4.7M(VR)	1	394680477T	
U004	C2226	VR C	CE04W50V-1M(VR)	1	394680107T	
U004	C2227	VR C	CE04W50V-1M(VR)	1	394680107T	
U004	C2228	VR C	CE04W50V-4.7M(VR)	1	394680477T	
U004	C2229	VR C	CE04W50V-4.7M(VR)	1	394680477T	
U004	C2231	C-CERA C	CK725B0J-225K	1	332092255R1	
U004	C2232	UTSP C	CE04W50V-10M(UTSP)	1	397581007T	
U004	C2233	UTSP C	CE04W50V-10M(UTSP)	1	397581007T	
U004	C2237	C-CERA C	CK725B0J-225K	1	332092255R1	
U004	C2238	C-CERA C	CK725B0J-225K	1	332092255R1	
U004	C2239	C-CERA C	CK725B0J-225K	1	332092255R1	
U004	C2240	C-CERA C	CK725B0J-225K	1	332092255R1	
U004	C2241	C-CERA C	CK725B0J-225K	1	332092255R1	
U004	C2242	C-CERA C	CK725B0J-225K	1	332092255R1	
U004	C2243	C-CERA C	CK725B0J-225K	1	332092255R1	
U004	C2244	C-CERA C	CK725B0J-225K	1	332092255R1	
U004	C2245	C-CERA C	CK725B0J-225K	1	332092255R1	
U004	C2246	C-CERA C	CK725B0J-225K	1	332092255R1	
U004	C2247	C-CERA C	CK725B0J-225K	1	332092255R1	
U004	C2248	C-CERA C	CK725B0J-225K	1	332092255R1	
U004	C2501	UTSP C	CE04W50V-10M(UTSP)	1	397581007T	
U004	C2502	VR C	CE04W35V-100M(VR)	1	394661017T	
U004	C2504	C-CERA C	CC725CH1H-471J1	1	342104714R1	
U004	C2505	VR C	CE04W35V-100M(VR)	1	394661017T	
U004	C2506	C-CERA C	CC725CH1H-471J1	1	342104714R1	
U004	C2507	UTSP C	CE04W50V-10M(UTSP)	1	397581007T	
U004	C2514	C-CERA C	CK725B1H-102K1	1	332101025R1	
U004	C2515	C-CERA C	CK725B1H-102K1	1	332101025R1	
U004	C2521	C-CERA C	CK725B1H-102K1	1	332101025R1	
U004	C2522	C-CERA C	CC725CH1H-470J1	1	342104704R1	

U004	C2523	UTSP C	CE04W50V-10M(UTSP)	1	397581007T	
U004	C2524	VR C	CE04W6.3V-470M(VR)	1	394624717T	
U004	C2525	VR C	CE04W6.3V-470M(VR)	1	394624717T	
U004	C2526	C-CERA C	CK725B1H-102K1	1	332101025R1	
U004	C2527	C-CERA C	CC725CH1H-470J1	1	342104704R1	
U004	C2528	VR C	CE04W16V-100M(VR)	1	394641017T	
U004	C2529	C-CERA C	CK725F1E-104Z1	1	332161040R1	
U004	C2530	C-CERA C	CK725B1H-102K1	1	332101025R1	
U004	C2531	C-CERA C	CK725F1E-104Z1	1	332161040R1	
U004	C2532	C-CERA C	CC725CH1H-470J1	1	342104704R1	
U004	C2533	C-CERA C	CC725CH1H-101J1	1	342101014R1	
U004	C2534	UTSP C	CE04W50V-10M(UTSP)	1	397581007T	
U004	C2535	C-CERA C	CC725CH1H-101J1	1	342101014R1	
U004	C2536	UTSP C	CE04W50V-10M(UTSP)	1	397581007T	
U004	C2537	C-CERA C	CC725CH1H-101J1	1	342101014R1	
U004	C2538	C-CERA C	CC725CH1H-101J1	1	342101014R1	
U004	C2539	C-CERA C	CK725F1E-104Z1	1	332161040R1	
U004	C2544	C-CERA C	CC725CH1H-470J1	1	342104704R1	
U004	C2545	C-CERA C	CC725CH1H-470J1	1	342104704R1	
U004	C2546	C-CERA C	CC725CH1H-221J1	1	342102214R1	
U004	C2547	C-CERA C	CC725CH1H-221J1	1	342102214R1	
U004	C2700	VR C	CE04W6.3V-220M(VR)	1	394622217T	<B MDC, MMP, MMR>
U004	C2701	C-CERA C	CK725B1H-102K1	1	332101025R1	<B MDC, MMP, MMR>
U004	C2704	C-CERA C	CC725CH1H-101J1	1	342101014R1	<B MDC, MMP, MMR>
U004	C2705	C-CERA C	CK725F1E-104Z1	1	332161040R1	<B MDC, MMP, MMR>
U004	C2707	C-CERA C	CC725CH1H-101J1	1	342101014R1	<B MDC, MMP, MMR>
U004	C4001	UPZ C	2AUPZTF221JE	1	376332214T	
U004	C4002	UPZ C	2AUPZTF221JE	1	376332214T	
U004	C4023	MKT C	B32529C0102J289	1	376491024T	
U004	C4031	UTSP C	CE04W50V-100M(UTSP)	1	397581017T	
U004	C4032	UTSP C	CE04W50V-100M(UTSP)	1	397581017T	
U004	C4041	UPZ C	2AUPZTF221JE	1	376332214T	
U004	C4042	UPZ C	2AUPZTF221JE	1	376332214T	
U004	C4043	UTSP C	CE04W50V 47M(UTSP)	1	397584707T	
U004	C4044	UTSP C	CE04W50V 47M(UTSP)	1	397584707T	
U004	C4045	UTSP C	CE04W50V-100M(UTSP)	1	397581017T	
U004	C4046	UTSP C	CE04W50V-100M(UTSP)	1	397581017T	
U004	C4060	MKT C	B32529C0102J289	1	376491024T	
U004	C4061	C-CERA C	CC725CH1H-221J1	1	342102214R1	

U004	C4062	C-CERA C	CC725CH1H-221J1	1	342102214R1	
U004	C4071	C-CERA C	CC725CH1H-221J1	1	342102214R1	
U004	C4072	C-CERA C	CC725CH1H-221J1	1	342102214R1	
U004	C4073	UTSP C	CE04W50V 47M(UTSP)	1	397584707T	
U004	C4074	UTSP C	CE04W50V 47M(UTSP)	1	397584707T	
U004	C4075	UTSP C	CE04W50V-100M(UTSP)	1	397581017T	
U004	C4076	UTSP C	CE04W50V-100M(UTSP)	1	397581017T	
U004	C4080	MKT C	B32529C0102J289	1	376491024T	<B MDC, MMP, MMR>
U004	C4081	C-CERA C	CC725CH1H-221J1	1	342102214R1	<B MDC, MMP, MMR>
U004	C4082	C-CERA C	CC725CH1H-221J1	1	342102214R1	<B MDC, MMP, MMR>
U004	C4083	UTSP C	CE04W50V 47M(UTSP)	1	397584707T	<B MDC, MMP, MMR>
U004	C4084	UTSP C	CE04W50V 47M(UTSP)	1	397584707T	<B MDC, MMP, MMR>
U004	C4090	MKT C	B32529C0102J289	1	376491024T	
U004	C4091	C-CERA C	CC725CH1H-221J1	1	342102214R1	
U004	C4092	C-CERA C	CC725CH1H-221J1	1	342102214R1	
U004	C4093	UTSP C	CE04W50V 47M(UTSP)	1	397584707T	
U004	C4094	UTSP C	CE04W50V 47M(UTSP)	1	397584707T	
U004	C4101	C-CERA C	CC725CH1H-221J1	1	342102214R1	
U004	C4102	C-CERA C	CC725CH1H-221J1	1	342102214R1	
U004	C4103	UTSP C	CE04W50V 47M(UTSP)	1	397584707T	
U004	C4104	UTSP C	CE04W50V 47M(UTSP)	1	397584707T	
U004	C4110	MKT C	B32529C0102J289	1	376491024T	
U004	C4111	C-CERA C	CC725CH1H-221J1	1	342102214R1	
U004	C4112	C-CERA C	CC725CH1H-221J1	1	342102214R1	
U004	C4121	C-CERA C	CC725CH1H-221J1	1	342102214R1	
U004	C4122	C-CERA C	CC725CH1H-221J1	1	342102214R1	
U004	C4123	UTSP C	CE04W50V 47M(UTSP)	1	397584707T	
U004	C4124	UTSP C	CE04W50V 47M(UTSP)	1	397584707T	
U004	C4131	UPZ C	2AUPZTF221JE	1	376332214T	
U004	C4132	UPZ C	2AUPZTF221JE	1	376332214T	
U004	C4133	UTSP C	CE04W50V 47M(UTSP)	1	397584707T	
U004	C4134	UTSP C	CE04W50V 47M(UTSP)	1	397584707T	
U004	C4135	UTSP C	CE04W50V-100M(UTSP)	1	397581017T	
U004	C4136	UTSP C	CE04W50V-100M(UTSP)	1	397581017T	
U004	C4151	UTSP C	CE04W50V 47M(UTSP)	1	397584707T	
U004	C4152	UTSP C	CE04W50V 47M(UTSP)	1	397584707T	
U004	C4153	UTSP C	CE04W50V 47M(UTSP)	1	397584707T	
U004	C4154	UTSP C	CE04W50V 47M(UTSP)	1	397584707T	
U004	C4155	UTSP C	CE04W50V 47M(UTSP)	1	397584707T	

U004	C4156	UTSP C	CE04W50V 47M(UTSP)	1	397584707T
U004	C4157	UTSP C	CE04W50V 47M(UTSP)	1	397584707T
U004	C4158	UTSP C	CE04W50V 47M(UTSP)	1	397584707T
U004	C4200	UTSP C	CE04W50V-10M(UTSP)	1	397581007T
U004	C4201	UTSP C	CE04W25V-100M(UTSP)	1	397551017T
U004	C4202	UTSP C	CE04W25V-100M(UTSP)	1	397551017T
U004	C4203	UTSP C	CE04W50V-10M(UTSP)	1	397581007T
U004	C4204	UTSP C	CE04W25V-100M(UTSP)	1	397551017T
U004	C4205	UTSP C	CE04W25V-100M(UTSP)	1	397551017T
U004	C4206	UTSP C	CE04W25V-220M(UTSP)	1	397552217T
U004	C4207	UTSP C	CE04W25V-220M(UTSP)	1	397552217T
U004	C4208	UTSP C	CE04W50V 47M(UTSP)	1	397584707T
U004	C4209	UTSP C	CE04W50V 47M(UTSP)	1	397584707T
U004	C4210	UTSP C	CE04W25V-220M(UTSP)	1	397552217T
U004	C4211	UTSP C	CE04W25V-220M(UTSP)	1	397552217T
U004	C4221	UTSP C	CE04W50V 47M(UTSP)	1	397584707T
U004	C4222	UTSP C	CE04W50V 47M(UTSP)	1	397584707T
U004	C4223	UTSP C	CE04W50V 47M(UTSP)	1	397584707T
U004	C4224	UTSP C	CE04W50V 47M(UTSP)	1	397584707T
U004	C4225	C-CERA C	CK725F1E-104Z1	1	332161040R1
U004	C4226	C-CERA C	CK725F1E-104Z1	1	332161040R1
U004	C4243	MKT C	B32529C0102J289	1	376491024T
U004	C4244	C-CERA C	CC725CH1H-102J1	1	342101024R1
U004	C4303	UTSP C	CE04W50V-1M(UTSP)	1	397580107T
U004	C4304	C-CERA C	CK725F1C-224Z1	1	332172240R1
U004	C4305	UTSP C	CE04W50V 47M(UTSP)	1	397584707T
U004	C4345	UTSP C	CE04W50V 47M(UTSP)	1	397584707T
U004	C4346	UTSP C	CE04W50V 47M(UTSP)	1	397584707T
U004	C4373	UTSP C	CE04W50V 47M(UTSP)	1	397584707T
U004	C4374	UTSP C	CE04W50V 47M(UTSP)	1	397584707T
U004	C4384	UTSP C	CE04W50V 47M(UTSP)	1	397584707T
U004	C4391	UTSP C	CE04W50V-100M(UTSP)	1	397581017T
U004	C4392	UTSP C	CE04W50V-100M(UTSP)	1	397581017T
U004	C4402	UTSP C	CE04W25V-100M(UTSP)	1	397551017T
U004	C4403	UTSP C	CE04W25V-100M(UTSP)	1	397551017T
U004	C4404	UTSP C	CE04W50V 47M(UTSP)	1	397584707T
U004	C4405	UTSP C	CE04W50V 47M(UTSP)	1	397584707T
U004	C4406	UTSP C	CE04W25V-220M(UTSP)	1	397552217T
U004	C4407	UTSP C	CE04W25V-220M(UTSP)	1	397552217T

U004	C4408	UTSP C	CE04W50V 47M(UTSP)	1	397584707T
U004	C4409	UTSP C	CE04W50V-10M(UTSP)	1	397581007T
U004	C4410	UTSP C	CE04W50V-10M(UTSP)	1	397581007T
U004	C4411	UTSP C	CE04W50V-10M(UTSP)	1	397581007T
U004	C4412	UTSP C	CE04W50V-10M(UTSP)	1	397581007T
U004	C4417	C-CERA C	CC725CH1H-101J1	1	342101014R1
U004	C4418	C-CERA C	CC725CH1H-101J1	1	342101014R1
U004	C4419	C-CERA C	CC725CH1H-101J1	1	342101014R1
U004	C4420	C-CERA C	CK725F1E-104Z1	1	332161040R1
U004	C4421	C-CERA C	CK725F1E-104Z1	1	332161040R1
U004	C4422	C-CERA C	CC725CH1H-101J1	1	342101014R1
U004	C4423	C-CERA C	CC725CH1H-101J1	1	342101014R1
U004	C4424	C-CERA C	CC725CH1H-101J1	1	342101014R1
U004	C4431	TF C	ECQ-V50V-104J	1	374721044T
U004	C4432	TF C	ECQ-V50V-104J	1	374721044T
U004	C4433	TF C	ECQ-V50V-104J	1	374721044T
U004	C4434	TF C	ECQ-V50V-104J	1	374721044T
U004	C4435	TF C	ECQ-V50V-104J	1	374721044T
U004	C4436	TF C	ECQ-V50V-104J	1	374721044T
U004	C4441	UTSP C	CE04W50V 47M(UTSP)	1	397584707T
U004	C4442	UTSP C	CE04W50V 47M(UTSP)	1	397584707T
U004	C4443	C-CERA C	CC725CH1H-102J1	1	342101024R1
U004	C4444	C-CERA C	CC725CH1H-102J1	1	342101024R1
U004	C4445	TF C	ECQ-V50V-104J	1	374721044T
U004	C4461	UTSP C	CE04W50V 47M(UTSP)	1	397584707T
U004	C4462	UTSP C	CE04W50V 47M(UTSP)	1	397584707T
U004	C4463	C-CERA C	CC725CH1H-101J1	1	342101014R1
U004	C4464	C-CERA C	CC725CH1H-101J1	1	342101014R1
U004	C4465	UTSP C	CE04W50V 47M(UTSP)	1	397584707T
U004	C4466	UTSP C	CE04W50V 47M(UTSP)	1	397584707T
U004	C4467	TF C	ECQ-V50V-104J	1	374721044T
U004	C4550	C-CERA C	CK725B1H-103K1	1	332101035R1
U004	C4552	TF C	ECQ-V50V-104J	1	374721044T
U004	C4600	C-CERA C	CC725CH1H-221J1	1	342102214R1
U004	C4601	C-CERA C	CC725CH1H-221J1	1	342102214R1
U004	C4602	C-CERA C	CC725CH1H-221J1	1	342102214R1
U004	C4603	C-CERA C	CC725CH1H-221J1	1	342102214R1
U004	C4604	C-CERA C	CC725CH1H-221J1	1	342102214R1
U004	C4605	C-CERA C	CC725CH1H-221J1	1	342102214R1

U004	C4606	C-CERA C	CC725CH1H-221J1	1	342102214R1	
U004	C4607	C-CERA C	CC725CH1H-221J1	1	342102214R1	
U004	C4608	MKT C	B32529C0102J289	1	376491024T	
U004	C4610	UTSP C	CE04W50V 47M(UTSP)	1	397584707T	
U004	C4611	UTSP C	CE04W50V 47M(UTSP)	1	397584707T	
U004	C4612	UTSP C	CE04W50V 47M(UTSP)	1	397584707T	
U004	C4613	UTSP C	CE04W50V 47M(UTSP)	1	397584707T	
U004	C4614	UTSP C	CE04W50V 47M(UTSP)	1	397584707T	
U004	C4615	UTSP C	CE04W50V 47M(UTSP)	1	397584707T	
U004	C4616	UTSP C	CE04W50V 47M(UTSP)	1	397584707T	
U004	C4617	UTSP C	CE04W50V 47M(UTSP)	1	397584707T	
U004	C4620	UTSP C	CE04W50V 47M(UTSP)	1	397584707T	
U004	C4621	MKT C	B32529C0102J289	1	376491024T	
U004	C4633	UTSP C	CE04W50V 47M(UTSP)	1	397584707T	
U004	C4634	UTSP C	CE04W50V 47M(UTSP)	1	397584707T	
U004	C4635	UTSP C	CE04W50V 47M(UTSP)	1	397584707T	
U004	C4636	UTSP C	CE04W50V 47M(UTSP)	1	397584707T	
U004	C4637	UTSP C	CE04W50V 47M(UTSP)	1	397584707T	
U004	C4640	UTSJ C	CE04W50V-47M(UTSJ)	1	398084707AT	<B MDC, MMP, MMR>
U004	C4641	UTSJ C	CE04W50V-47M(UTSJ)	1	398084707AT	<B MDC, MMP, MMR>
U004	C4642	UTSJ C	CE04W50V-47M(UTSJ)	1	398084707AT	<B MDC, MMP, MMR>
U004	C4643	UTSJ C	CE04W50V-47M(UTSJ)	1	398084707AT	<B MDC, MMP, MMR>
U004	C4644	UTSJ C	CE04W50V-47M(UTSJ)	1	398084707AT	<B MDC, MMP, MMR>
U004	C4645	UTSJ C	CE04W50V-47M(UTSJ)	1	398084707AT	<B MDC, MMP, MMR>
U004	C4646	UTSJ C	CE04W50V-47M(UTSJ)	1	398084707AT	<B MDC, MMP, MMR>
U004	C4647	UTSJ C	CE04W50V-10M(UTSJ)	1	398081007AT	<B MDC, MMP, MMR>
U004	C4648	UTSJ C	CE04W50V-10M(UTSJ)	1	398081007AT	<B MDC, MMP, MMR>
U004	C4650	C-CERA C	CC725CH1H-221J1	1	342102214R1	
U004	C4651	C-CERA C	CC725CH1H-221J1	1	342102214R1	
U004	C4652	C-CERA C	CC725CH1H-221J1	1	342102214R1	
U004	C4653	C-CERA C	CC725CH1H-221J1	1	342102214R1	
U004	C4654	C-CERA C	CC725CH1H-221J1	1	342102214R1	
U004	C4655	C-CERA C	CC725CH1H-221J1	1	342102214R1	
U004	C4656	C-CERA C	CC725CH1H-221J1	1	342102214R1	
U004	C4657	C-CERA C	CC725CH1H-221J1	1	342102214R1	
U004	C4658	C-CERA C	CC725CH1H-221J1	1	342102214R1	
U004	C4741	UTSJ C	CE04W50V-47M(UTSJ)	1	398084707AT	<B MDC, MMP, MMR>
U004	C4742	UTSJ C	CE04W50V-47M(UTSJ)	1	398084707AT	<B MDC, MMP, MMR>
U004	C4751	C-CERA C	CC725CH1H-221J1	1	342102214R1	

U004	C4752	C-CERA C	CC725CH1H-221J1	1	342102214R1	
U004	C4801	UTSP C	CE04W50V 47M(UTSP)	1	397584707T	<B MDC, MMP, MMR>
U004	C4802	UTSP C	CE04W50V 47M(UTSP)	1	397584707T	<B MDC, MMP, MMR>
U004	C4803	UTSP C	CE04W50V 47M(UTSP)	1	397584707T	<B MDC, MMP, MMR>
U004	C4804	UTSP C	CE04W50V 47M(UTSP)	1	397584707T	<B MDC, MMP, MMR>
U004	C4811	C-CERA C	CC725CH1H-221J1	1	342102214R1	<B MDC, MMP, MMR>
U004	C4812	C-CERA C	CC725CH1H-221J1	1	342102214R1	<B MDC, MMP, MMR>
U004	C4813	C-CERA C	CC725CH1H-221J1	1	342102214R1	<B MDC, MMP, MMR>
U004	C4814	C-CERA C	CC725CH1H-221J1	1	342102214R1	<B MDC, MMP, MMR>
U004	[RESISTOR]					
U004	R2000	C-CARBON R	RN72K1J-222JE	1	435032224R1	
U004	R2001	METAL R	RNU1/2WCJ-0.22	1	453532294T	
U004	R2002	C-CARBON R	RN72K1J-472JE	1	435034724R1	
U004	R2003	C-CARBON R	RN72K1J-152JE	1	435031524R1	
U004	R2004	C-CARBON R	RN72K1J-221JE	1	435032214R1	
U004	R2005	C-CARBON R	RN72K1J-392JE	1	435033924R1	
U004	R2006	C-CARBON R	RN72K1J-102JE	1	435031024R1	
U004	R2007	C-CARBON R	RN72K1J-221JE	1	435032214R1	
U004	R2008	C-CARBON R	RN72K1J-222JE	1	435032224R1	
U004	R2009	C-CARBON R	RN72K1J-473JE	1	435034734R1	
U004	R2010	METAL R	RNU2WCJ-4.7	1	452730474F	
U004	R2011	METAL R	RNU2WCJ-4.7	1	452730474F	
U004	R2013	C-CARBON R	RN72K2E-015JE	1	435220154R1	
U004	R2014	METAL R	RNU1/2WCJ-0.22	1	453532294T	
U004	R2017	C-CARBON R	RN72K1J-472JE	1	435034724R1	
U004	R2018	C-CARBON R	RN72K1J-103JE	1	435031034R1	
U004	R2020	C-CARBON R	RN72K1J-222JE	1	435032224R1	
U004	R2024	C-CARBON R	RN72K1J-000JE	1	435030004R1	<B MDC, MMP, MMR>
U004	R2025	C-CARBON R	RN72K1J-000JE	1	435030004R1	<B MDC, MMP, MMR>
U004	R2026	C-CARBON R	RN72K1J-000JE	1	435030004R1	<B MDC, MMP, MMR>
U004	R2027	C-CARBON R	RN72K1J-000JE	1	435030004R1	<B MDC, MMP, MMR>
U004	R2028	C-CARBON R	RN72K1J-000JE	1	435030004R1	<B MDC, MMP, MMR>
U004	R2029	C-CARBON R	RN72K1J-000JE	1	435030004R1	<B MDC, MMP, MMR>
U004	R2030	C-CARBON R	RN72K1J-104JE	1	435031044R1	
U004	R2031	C-CARBON R	RN72K1J-562JE	1	435035624R1	<B MDC, MMP, MMR>
U004	R2100	C-CARBON R	RN72K1J-750JE	1	435037504R1	
U004	R2101	C-CARBON R	RN72K1J-750JE	1	435037504R1	
U004	R2102	C-CARBON R	RN72K1J-750JE	1	435037504R1	
U004	R2104	C-CARBON R	RN72K1J-750JE	1	435037504R1	

U004	R2105	C-CARBON R	RN72K1J-750JE	1	435037504R1
U004	R2106	C-CARBON R	RN72K1J-750JE	1	435037504R1
U004	R2107	C-CARBON R	RN72K1J-750JE	1	435037504R1
U004	R2111	C-CARBON R	RN72K1J-750JE	1	435037504R1
U004	R2112	C-CARBON R	RN72K1J-000JE	1	435030004R1
U004	R2116	C-CARBON R	RN72K1J-750JE	1	435037504R1
U004	R2117	C-CARBON R	RN72K1J-000JE	1	435030004R1
U004	R2118	C-CARBON R	RN72K1J-000JE	1	435030004R1
U004	R2119	C-CARBON R	RN72K1J-000JE	1	435030004R1
U004	R2120	C-CARBON R	RN72K1J-000JE	1	435030004R1
U004	R2121	C-CARBON R	RN72K1J-000JE	1	435030004R1
U004	R2122	C-CARBON R	RN72K1J-750JE	1	435037504R1
U004	R2123	C-CARBON R	RN72K1J-104JE	1	435031044R1
U004	R2135	C-CARBON R	RN72K1J-750JE	1	435037504R1
U004	R2136	C-CARBON R	RN72K1J-104JE	1	435031044R1
U004	R2147	C-CARBON R	RN72K1J-750JE	1	435037504R1
U004	R2148	C-CARBON R	RN72K1J-104JE	1	435031044R1
U004	R2158	C-CARBON R	RN72K1J-103JE	1	435031034R1
U004	R2159	C-CARBON R	RN72K1J-103JE	1	435031034R1
U004	R2165	C-CARBON R	RN72K1J-104JE	1	435031044R1
U004	R2166	C-CARBON R	RN72K1J-104JE	1	435031044R1
U004	R2168	C-CARBON R	RN72K1J-104JE	1	435031044R1
U004	R2169	C-CARBON R	RN72K1J-104JE	1	435031044R1
U004	R2171	C-CARBON R	RN72K1J-104JE	1	435031044R1
U004	R2172	C-CARBON R	RN72K1J-104JE	1	435031044R1
U004	R2173	C-CARBON R	RN72K1J-750JE	1	435037504R1
U004	R2174	C-CARBON R	RN72K1J-750JE	1	435037504R1
U004	R2175	C-CARBON R	RN72K1J-750JE	1	435037504R1
U004	R2176	C-CARBON R	RN72K1J-103JE	1	435031034R1
U004	R2179	C-CARBON R	RN72K1J-750JE	1	435037504R1
U004	R2180	C-CARBON R	RN72K1J-750JE	1	435037504R1
U004	R2181	C-CARBON R	RN72K1J-750JE	1	435037504R1
U004	R2186	C-CARBON R	RN72K1J-750JE	1	435037504R1
U004	R2189	C-CARBON R	RN72K1J-750JE	1	435037504R1
U004	R2190	METAL R	RNU1/2WCJ-0.1	1	453531094T
U004	R2191	METAL R	RNU1/2WCJ-0.1	1	453531094T
U004	R2192	C-CARBON R	RN72K1J-750JE	1	435037504R1
U004	R2193	C-CARBON R	RN72K1J-392JE	1	435033924R1
U004	R2194	C-CARBON R	RN72K1J-104JE	1	435031044R1

U004	R2195	C-CARBON R	RN72K1J-104JE	1	435031044R1	
U004	R2196	C-CARBON R	RN72K1J-104JE	1	435031044R1	
U004	R2197	C-CARBON R	RN72K1J-392JE	1	435033924R1	
U004	R2198	C-CARBON R	RN72K1J-750JE	1	435037504R1	
U004	R2199	C-CARBON R	RN72K1J-750JE	1	435037504R1	
U004	R2200	C-CARBON R	RN72K1J-750JE	1	435037504R1	
U004	R2201	C-CARBON R	RN72K1J-750JE	1	435037504R1	
U004	R2202	C-CARBON R	RN72K1J-750JE	1	435037504R1	
U004	R2203	C-CARBON R	RN72K1J-750JE	1	435037504R1	
U004	R2204	C-CARBON R	RN72K1J-750JE	1	435037504R1	
U004	R2205	C-CARBON R	RN72K1J-750JE	1	435037504R1	
U004	R2206	C-CARBON R	RN72K1J-750JE	1	435037504R1	
U004	R2207	C-CARBON R	RN72K1J-104JE	1	435031044R1	
U004	R2208	C-CARBON R	RN72K1J-104JE	1	435031044R1	
U004	R2209	C-CARBON R	RN72K1J-104JE	1	435031044R1	
U004	R2210	C-CARBON R	RN72K1J-750JE	1	435037504R1	<B MDC, MMP, MMR>
U004	R2211	C-CARBON R	RN72K1J-104JE	1	435031044R1	<B MDC, MMP, MMR>
U004	R2222	C-CARBON R	RN72K1J-000JE	1	435030004R1	
U004	R2223	C-CARBON R	RN72K1J-000JE	1	435030004R1	
U004	R2224	C-CARBON R	RN72K1J-000JE	1	435030004R1	
U004	R2500	C-CARBON R	RN72K1J-220JE	1	435032204R1	
U004	R2501	C-CARBON R	RN72K1J-223JE	1	435032234R1	
U004	R2504	C-CARBON R	RN72K1J-223JE	1	435032234R1	
U004	R2505	C-CARBON R	RN72K1J-223JE	1	435032234R1	
U004	R2506	C-CARBON R	RN72K1J-223JE	1	435032234R1	
U004	R2507	C-CARBON R	RN72K1J-223JE	1	435032234R1	
U004	R2508	C-CARBON R	RN72K1J-223JE	1	435032234R1	
U004	R2510	C-CARBON R	RN72K1J-223JE	1	435032234R1	
U004	R2512	C-CARBON R	RN72K1J-223JE	1	435032234R1	
U004	R2513	C-CARBON R	RN72K1J-220JE	1	435032204R1	
U004	R2516	C-CARBON R	RN72K1J-750JE	1	435037504R1	
U004	R2517	C-CARBON R	RN72K1J-222JE	1	435032224R1	
U004	R2522	C-CARBON R	RN72K1J-750JE	1	435037504R1	
U004	R2523	C-CARBON R	RN72K1J-222JE	1	435032224R1	
U004	R2528	C-CARBON R	RN72K1J-220JE	1	435032204R1	
U004	R2529	C-CARBON R	RN72K1J-750JE	1	435037504R1	
U004	R2530	C-CARBON R	RN72K1J-222JE	1	435032224R1	
U004	R2531	C-CARBON R	RN72K1J-022JE	1	435030224R1	
U004	R2532	C-CARBON R	RN72K1J-220JE	1	435032204R1	

U004	R2533	C-CARBON R	RN72K1J-471JE	1	435034714R1	
U004	R2534	C-CARBON R	RN72K1J-471JE	1	435034714R1	
U004	R2535	C-CARBON R	RN72K1J-105JE	1	435031054R1	
U004	R2536	C-CARBON R	RN72K1J-105JE	1	435031054R1	
U004	R2537	THERMISTOR	FUSB090F	1	4000252T	
U004	R2700	C-CARBON R	RN72K1J-101JE	1	435031014R1	<B MDC, MMP, MMR>
U004	R2701	C-CARBON R	RN72K1J-102JE	1	435031024R1	<B MDC, MMP, MMR>
U004	R2702	C-CARBON R	RN72K1J-039JE	1	435030394R1	<B MDC, MMP, MMR>
U004	R2703	C-CARBON R	RN72K1J-224JE	1	435032244R1	<B MDC, MMP, MMR>
U004	R2704	C-CARBON R	RN72K1J-102JE	1	435031024R1	<B MDC, MMP, MMR>
U004	R2705	C-CARBON R	RN72K1J-220JE	1	435032204R1	<B MDC, MMP, MMR>
U004	R2707	C-CARBON R	RN72K1J-224JE	1	435032244R1	<B MDC, MMP, MMR>
U004	R2708	C-CARBON R	RN72K1J-102JE	1	435031024R1	<B MDC, MMP, MMR>
U004	R2710	C-CARBON R	RN72K1J-101JE	1	435031014R1	<B MDC, MMP, MMR>
U004	R2714	C-CARBON R	RN72K1J-000JE	1	435030004R1	<B MDC, MMP, MMR>
U004	R2715	C-CARBON R	RN72K1J-000JE	1	435030004R1	<B MDC, MMP, MMR>
U004	R2716	C-CARBON R	RN72K1J-000JE	1	435030004R1	<B MDC, MMP, MMR>
U004	R2718	C-CARBON R	RN72K1J-000JE	1	435030004R1	<B MDC, MMP, MMR>
U004	R4001	C-CARBON R	RN72K1J-562JE	1	435035624R1	
U004	R4002	C-CARBON R	RN72K1J-562JE	1	435035624R1	
U004	R4003	C-CARBON R	RN72K1J-563JE	1	435035634R1	
U004	R4004	C-CARBON R	RN72K1J-563JE	1	435035634R1	
U004	R4041	C-CARBON R	RN72K1J-331JE	1	435033314R1	
U004	R4042	C-CARBON R	RN72K1J-331JE	1	435033314R1	
U004	R4043	C-CARBON R	RN72K1J-563JE	1	435035634R1	
U004	R4044	C-CARBON R	RN72K1J-563JE	1	435035634R1	
U004	R4045	C-CARBON R	RN72K1J-224JE	1	435032244R1	
U004	R4046	C-CARBON R	RN72K1J-224JE	1	435032244R1	
U004	R4047	METAL O R	RS1/2WBJ-22	1	443522204T	
U004	R4048	METAL O R	RS1/2WBJ-22	1	443522204T	
U004	R4061	C-CARBON R	RN72K1J-331JE	1	435033314R1	
U004	R4062	C-CARBON R	RN72K1J-331JE	1	435033314R1	
U004	R4063	C-CARBON R	RN72K1J-224JE	1	435032244R1	
U004	R4064	C-CARBON R	RN72K1J-224JE	1	435032244R1	
U004	R4065	C-CARBON R	RN72K1J-100JE	1	435031004R1	
U004	R4066	C-CARBON R	RN72K1J-100JE	1	435031004R1	
U004	R4067	C-CARBON R	RN72K1J-101JE	1	435031014R1	
U004	R4068	C-CARBON R	RN72K1J-101JE	1	435031014R1	
U004	R4069	C-CARBON R	RN72K1J-221JE	1	435032214R1	

U004	R4070	C-CARBON R	RN72K1J-221JE	1	435032214R1	
U004	R4071	C-CARBON R	RN72K1J-331JE	1	435033314R1	
U004	R4072	C-CARBON R	RN72K1J-331JE	1	435033314R1	
U004	R4073	C-CARBON R	RN72K1J-563JE	1	435035634R1	
U004	R4074	C-CARBON R	RN72K1J-563JE	1	435035634R1	
U004	R4075	C-CARBON R	RN72K1J-224JE	1	435032244R1	
U004	R4076	C-CARBON R	RN72K1J-224JE	1	435032244R1	
U004	R4077	METAL O R	RS1/2WBJ-22	1	443522204T	
U004	R4078	METAL O R	RS1/2WBJ-22	1	443522204T	
U004	R4081	C-CARBON R	RN72K1J-331JE	1	435033314R1	<B MDC, MMP, MMR>
U004	R4082	C-CARBON R	RN72K1J-331JE	1	435033314R1	<B MDC, MMP, MMR>
U004	R4083	C-CARBON R	RN72K1J-563JE	1	435035634R1	<B MDC, MMP, MMR>
U004	R4084	C-CARBON R	RN72K1J-563JE	1	435035634R1	<B MDC, MMP, MMR>
U004	R4085	C-CARBON R	RN72K1J-224JE	1	435032244R1	<B MDC, MMP, MMR>
U004	R4086	C-CARBON R	RN72K1J-224JE	1	435032244R1	<B MDC, MMP, MMR>
U004	R4091	C-CARBON R	RN72K1J-331JE	1	435033314R1	
U004	R4092	C-CARBON R	RN72K1J-331JE	1	435033314R1	
U004	R4093	C-CARBON R	RN72K1J-563JE	1	435035634R1	
U004	R4094	C-CARBON R	RN72K1J-563JE	1	435035634R1	
U004	R4095	C-CARBON R	RN72K1J-224JE	1	435032244R1	
U004	R4096	C-CARBON R	RN72K1J-224JE	1	435032244R1	
U004	R4101	C-CARBON R	RN72K1J-331JE	1	435033314R1	
U004	R4102	C-CARBON R	RN72K1J-331JE	1	435033314R1	
U004	R4103	C-CARBON R	RN72K1J-563JE	1	435035634R1	
U004	R4104	C-CARBON R	RN72K1J-563JE	1	435035634R1	
U004	R4105	C-CARBON R	RN72K1J-224JE	1	435032244R1	
U004	R4106	C-CARBON R	RN72K1J-224JE	1	435032244R1	
U004	R4111	C-CARBON R	RN72K1J-331JE	1	435033314R1	
U004	R4112	C-CARBON R	RN72K1J-331JE	1	435033314R1	
U004	R4113	C-CARBON R	RN72K1J-224JE	1	435032244R1	
U004	R4114	C-CARBON R	RN72K1J-224JE	1	435032244R1	
U004	R4115	C-CARBON R	RN72K1J-100JE	1	435031004R1	
U004	R4116	C-CARBON R	RN72K1J-100JE	1	435031004R1	
U004	R4117	C-CARBON R	RN72K1J-101JE	1	435031014R1	
U004	R4118	C-CARBON R	RN72K1J-101JE	1	435031014R1	
U004	R4119	C-CARBON R	RN72K1J-221JE	1	435032214R1	
U004	R4120	C-CARBON R	RN72K1J-221JE	1	435032214R1	
U004	R4121	C-CARBON R	RN72K1J-331JE	1	435033314R1	
U004	R4122	C-CARBON R	RN72K1J-331JE	1	435033314R1	

U004	R4123	C-CARBON R	RN72K1J-563JE	1	435035634R1
U004	R4124	C-CARBON R	RN72K1J-563JE	1	435035634R1
U004	R4125	C-CARBON R	RN72K1J-224JE	1	435032244R1
U004	R4126	C-CARBON R	RN72K1J-224JE	1	435032244R1
U004	R4131	C-CARBON R	RN72K1J-331JE	1	435033314R1
U004	R4132	C-CARBON R	RN72K1J-331JE	1	435033314R1
U004	R4133	C-CARBON R	RN72K1J-563JE	1	435035634R1
U004	R4134	C-CARBON R	RN72K1J-563JE	1	435035634R1
U004	R4135	C-CARBON R	RN72K1J-224JE	1	435032244R1
U004	R4136	C-CARBON R	RN72K1J-224JE	1	435032244R1
U004	R4137	METAL O R	RS1/2WBJ-22	1	443522204T
U004	R4138	METAL O R	RS1/2WBJ-22	1	443522204T
U004	R4151	C-CARBON R	RN72K1J-224JE	1	435032244R1
U004	R4152	C-CARBON R	RN72K1J-224JE	1	435032244R1
U004	R4153	C-CARBON R	RN72K1J-224JE	1	435032244R1
U004	R4154	C-CARBON R	RN72K1J-224JE	1	435032244R1
U004	R4155	C-CARBON R	RN72K1J-224JE	1	435032244R1
U004	R4156	C-CARBON R	RN72K1J-224JE	1	435032244R1
U004	R4157	C-CARBON R	RN72K1J-224JE	1	435032244R1
U004	R4158	C-CARBON R	RN72K1J-224JE	1	435032244R1
U004	R4200	C-CARBON R	RN72K1J-102JE	1	435031024R1
U004	R4201	C-CARBON R	RN72K1J-102JE	1	435031024R1
U004	R4202	C-CARBON R	RN72K1J-102JE	1	435031024R1
U004	R4203	C-CARBON R	RN72K1J-103JE	1	435031034R1
U004	R4204	C-CARBON R	RN72K1J-100JE	1	435031004R1
U004	R4206	C-CARBON R	RN72K1J-100JE	1	435031004R1
U004	R4207	C-CARBON R	RN72K1J-102JE	1	435031024R1
U004	R4208	C-CARBON R	RN72K1J-102JE	1	435031024R1
U004	R4209	C-CARBON R	RN72K1J-102JE	1	435031024R1
U004	R4211	C-CARBON R	RN72K1J-100JE	1	435031004R1
U004	R4212	C-CARBON R	RN72K1J-103JE	1	435031034R1
U004	R4213	C-CARBON R	RN72K1J-100JE	1	435031004R1
U004	R4214	METAL O R	RS1/2WBJ-15	1	443521504T
U004	R4215	METAL O R	RS1/2WBJ-15	1	443521504T
U004	R4216	C-CARBON R	RN72K1J-681JE	1	435036814R1
U004	R4217	C-CARBON R	RN72K1J-681JE	1	435036814R1
U004	R4218	METAL O R	RS1/2WBJ-10	1	443521004T
U004	R4219	METAL O R	RS1/2WBJ-10	1	443521004T
U004	R4221	C-CARBON R	RN72K1J-224JE	1	435032244R1

U004	R4222	C-CARBON R	RN72K1J-224JE	1	435032244R1
U004	R4223	C-CARBON R	RN72K1J-224JE	1	435032244R1
U004	R4224	C-CARBON R	RN72K1J-224JE	1	435032244R1
U004	R4225	C-CARBON R	RN72K1J-103JE	1	435031034R1
U004	R4226	C-CARBON R	RN72K1J-103JE	1	435031034R1
U004	R4256	METAL O R	RS1/2WBJ-22	1	443522204T
U004	R4257	METAL O R	RS1/2WBJ-22	1	443522204T
U004	R4297	METAL O R	RS1/2WBJ-1K	1	443521024T
U004	R4301	C-CARBON R	RN72K1J-103JE	1	435031034R1
U004	R4302	C-CARBON R	RN72K1J-103JE	1	435031034R1
U004	R4303	C-CARBON R	RN72K1J-103JE	1	435031034R1
U004	R4304	C-CARBON R	RN72K1J-103JE	1	435031034R1
U004	R4307	C-CARBON R	RN72K1J-224JE	1	435032244R1
U004	R4308	C-CARBON R	RN72K1J-682JE	1	435036824R1
U004	R4309	C-CARBON R	RN72K1J-272JE	1	435032724R1
U004	R4310	C-CARBON R	RN72K1J-682JE	1	435036824R1
U004	R4323	C-CARBON R	RN72K1J-224JE	1	435032244R1
U004	R4324	C-CARBON R	RN72K1J-224JE	1	435032244R1
U004	R4325	C-CARBON R	RN72K1J-224JE	1	435032244R1
U004	R4326	C-CARBON R	RN72K1J-224JE	1	435032244R1
U004	R4341	C-CARBON R	RN72K1J-122JE	1	435031224R1
U004	R4342	C-CARBON R	RN72K1J-103JE	1	435031034R1
U004	R4343	C-CARBON R	RN72K1J-152JE	1	435031524R1
U004	R4344	C-CARBON R	RN72K1J-103JE	1	435031034R1
U004	R4346	C-CARBON R	RN72K1J-103JE	1	435031034R1
U004	R4347	C-CARBON R	RN72K1J-122JE	1	435031224R1
U004	R4348	C-CARBON R	RN72K1J-103JE	1	435031034R1
U004	R4349	C-CARBON R	RN72K1J-152JE	1	435031524R1
U004	R4350	C-CARBON R	RN72K1J-103JE	1	435031034R1
U004	R4351	C-CARBON R	RN72K1J-103JE	1	435031034R1
U004	R4352	C-CARBON R	RN72K1J-103JE	1	435031034R1
U004	R4353	C-CARBON R	RN72K1J-103JE	1	435031034R1
U004	R4354	C-CARBON R	RN72K1J-103JE	1	435031034R1
U004	R4355	C-CARBON R	RN72K1J-103JE	1	435031034R1
U004	R4357	C-CARBON R	RN72K1J-103JE	1	435031034R1
U004	R4359	C-CARBON R	RN72K1J-103JE	1	435031034R1
U004	R4360	C-CARBON R	RN72K1J-224JE	1	435032244R1
U004	R4361	C-CARBON R	RN72K1J-224JE	1	435032244R1
U004	R4371	C-CARBON R	RN72K1J-103JE	1	435031034R1

U004	R4372	C-CARBON R	RN72K1J-103JE	1	435031034R1
U004	R4373	C-CARBON R	RN72K1J-103JE	1	435031034R1
U004	R4374	C-CARBON R	RN72K1J-103JE	1	435031034R1
U004	R4375	C-CARBON R	RN72K1J-224JE	1	435032244R1
U004	R4376	C-CARBON R	RN72K1J-224JE	1	435032244R1
U004	R4381	C-CARBON R	RN72K1J-123JE	1	435031234R1
U004	R4382	C-CARBON R	RN72K1J-123JE	1	435031234R1
U004	R4383	C-CARBON R	RN72K1J-562JE	1	435035624R1
U004	R4385	C-CARBON R	RN72K1J-224JE	1	435032244R1
U004	R4386	C-CARBON R	RN72K1J-103JE	1	435031034R1
U004	R4387	C-CARBON R	RN72K1J-103JE	1	435031034R1
U004	R4391	METAL O R	RS1/2WBJ-22	1	443522204T
U004	R4392	METAL O R	RS1/2WBJ-22	1	443522204T
U004	R4393	C-CARBON R	RN72K1J-103JE	1	435031034R1
U004	R4394	C-CARBON R	RN72K1J-103JE	1	435031034R1
U004	R4395	C-CARBON R	RN72K1J-103JE	1	435031034R1
U004	R4396	C-CARBON R	RN72K1J-103JE	1	435031034R1
U004	R4397	C-CARBON R	RN72K1J-103JE	1	435031034R1
U004	R4398	C-CARBON R	RN72K1J-103JE	1	435031034R1
U004	R4399	C-CARBON R	RN72K1J-103JE	1	435031034R1
U004	R4400	C-CARBON R	RN72K1J-103JE	1	435031034R1
U004	R4401	C-CARBON R	RN72K1J-103JE	1	435031034R1
U004	R4402	METAL O R	RS1/2WBJ-22	1	443522204T
U004	R4403	METAL O R	RS1/2WBJ-22	1	443522204T
U004	R4404	C-CARBON R	RN72K1J-222JE	1	435032224R1
U004	R4405	C-CARBON R	RN72K1J-222JE	1	435032224R1
U004	R4406	C-CARBON R	RN72K1J-331JE	1	435033314R1
U004	R4407	C-CARBON R	RN72K1J-331JE	1	435033314R1
U004	R4409	C-CARBON R	RN72K1J-222JE	1	435032224R1
U004	R4410	C-CARBON R	RN72K1J-331JE	1	435033314R1
U004	R4411	C-CARBON R	RN72K1J-331JE	1	435033314R1
U004	R4412	C-CARBON R	RN72K1J-331JE	1	435033314R1
U004	R4413	C-CARBON R	RN72K1J-222JE	1	435032224R1
U004	R4414	C-CARBON R	RN72K1J-331JE	1	435033314R1
U004	R4415	C-CARBON R	RN72K1J-331JE	1	435033314R1
U004	R4416	C-CARBON R	RN72K1J-331JE	1	435033314R1
U004	R4417	C-CARBON R	RN72K1J-222JE	1	435032224R1
U004	R4418	C-CARBON R	RN72K1J-222JE	1	435032224R1
U004	R4441	C-CARBON R	RN72K1J-473JE	1	435034734R1

U004	R4442	C-CARBON R	RN72K1J-473JE	1	435034734R1
U004	R4443	C-CARBON R	RN72K1J-392JE	1	435033924R1
U004	R4444	C-CARBON R	RN72K1J-392JE	1	435033924R1
U004	R4445	C-CARBON R	RN72K1J-682JE	1	435036824R1
U004	R4446	C-CARBON R	RN72K1J-393JE	1	435033934R1
U004	R4447	C-CARBON R	RN72K1J-682JE	1	435036824R1
U004	R4448	C-CARBON R	RN72K1J-393JE	1	435033934R1
U004	R4449	C-CARBON R	RN72K1J-272JE	1	435032724R1
U004	R4450	C-CARBON R	RN72K1J-272JE	1	435032724R1
U004	R4451	C-CARBON R	RN72K1J-272JE	1	435032724R1
U004	R4452	C-CARBON R	RN72K1J-272JE	1	435032724R1
U004	R4453	C-CARBON R	RN72K2E-220JE	1	435222204R1
U004	R4454	C-CARBON R	RN72K2E-220JE	1	435222204R1
U004	R4455	C-CARBON R	RN72K2E-220JE	1	435222204R1
U004	R4456	C-CARBON R	RN72K2E-220JE	1	435222204R1
U004	R4463	C-CARBON R	RN72K1J-473JE	1	435034734R1
U004	R4464	C-CARBON R	RN72K1J-473JE	1	435034734R1
U004	R4465	C-CARBON R	RN72K1J-223JE	1	435032234R1
U004	R4466	C-CARBON R	RN72K1J-223JE	1	435032234R1
U004	R4467	C-CARBON R	RN72K1J-333JE	1	435033334R1
U004	R4468	C-CARBON R	RN72K1J-333JE	1	435033334R1
U004	R4477	C-CARBON R	RN72K1J-224JE	1	435032244R1
U004	R4478	C-CARBON R	RN72K1J-224JE	1	435032244R1
U004	R4479	METAL O R	RS1/2WBJ-47	1	443524704T
U004	R4480	METAL O R	RS1/2WBJ-47	1	443524704T
U004	R4481	C-CARBON R	RN72K1J-010JE	1	435030104R1
U004	R4482	C-CARBON R	RN72K1J-182JE	1	435031824R1
U004	R4483	C-CARBON R	RN72K1J-104JE	1	435031044R1
U004	R4484	C-CARBON R	RN72K1J-103JE	1	435031034R1
U004	R4485	C-CARBON R	RN72K1J-103JE	1	435031034R1
U004	R4550	C-CARBON R	RN72K1J-104JE	1	435031044R1
U004	R4551	C-CARBON R	RN72K1J-104JE	1	435031044R1
U004	R4552	C-CARBON R	RN72K1J-104JE	1	435031044R1
U004	R4553	C-CARBON R	RN72K1J-104JE	1	435031044R1
U004	R4554	C-CARBON R	RN72K1J-104JE	1	435031044R1
U004	R4555	C-CARBON R	RN72K1J-104JE	1	435031044R1
U004	R4556	C-CARBON R	RN72K1J-104JE	1	435031044R1
U004	R4557	C-CARBON R	RN72K1J-104JE	1	435031044R1
U004	R4558	C-CARBON R	RN72K1J-104JE	1	435031044R1

U004	R4559	C-CARBON R	RN72K1J-104JE	1	435031044R1
U004	R4560	C-CARBON R	RN72K1J-104JE	1	435031044R1
U004	R4561	C-CARBON R	RN72K1J-224JE	1	435032244R1
U004	R4562	C-CARBON R	RN72K1J-224JE	1	435032244R1
U004	R4563	C-CARBON R	RN72K1J-222JE	1	435032224R1
U004	R4600	C-CARBON R	RN72K1J-331JE	1	435033314R1
U004	R4601	C-CARBON R	RN72K1J-331JE	1	435033314R1
U004	R4602	C-CARBON R	RN72K1J-331JE	1	435033314R1
U004	R4603	C-CARBON R	RN72K1J-331JE	1	435033314R1
U004	R4604	C-CARBON R	RN72K1J-331JE	1	435033314R1
U004	R4605	C-CARBON R	RN72K1J-331JE	1	435033314R1
U004	R4606	C-CARBON R	RN72K1J-331JE	1	435033314R1
U004	R4607	C-CARBON R	RN72K1J-331JE	1	435033314R1
U004	R4610	C-CARBON R	RN72K1J-563JE	1	435035634R1
U004	R4611	C-CARBON R	RN72K1J-563JE	1	435035634R1
U004	R4612	C-CARBON R	RN72K1J-563JE	1	435035634R1
U004	R4613	C-CARBON R	RN72K1J-563JE	1	435035634R1
U004	R4614	C-CARBON R	RN72K1J-563JE	1	435035634R1
U004	R4615	C-CARBON R	RN72K1J-563JE	1	435035634R1
U004	R4616	C-CARBON R	RN72K1J-563JE	1	435035634R1
U004	R4617	C-CARBON R	RN72K1J-563JE	1	435035634R1
U004	R4620	C-CARBON R	RN72K1J-224JE	1	435032244R1
U004	R4621	C-CARBON R	RN72K1J-224JE	1	435032244R1
U004	R4622	C-CARBON R	RN72K1J-224JE	1	435032244R1
U004	R4623	C-CARBON R	RN72K1J-224JE	1	435032244R1
U004	R4624	C-CARBON R	RN72K1J-224JE	1	435032244R1
U004	R4625	C-CARBON R	RN72K1J-224JE	1	435032244R1
U004	R4626	C-CARBON R	RN72K1J-224JE	1	435032244R1
U004	R4627	C-CARBON R	RN72K1J-224JE	1	435032244R1
U004	R4630	C-CARBON R	RN72K1J-224JE	1	435032244R1
U004	R4633	C-CARBON R	RN72K1J-224JE	1	435032244R1
U004	R4634	C-CARBON R	RN72K1J-224JE	1	435032244R1
U004	R4635	C-CARBON R	RN72K1J-224JE	1	435032244R1
U004	R4636	C-CARBON R	RN72K1J-224JE	1	435032244R1
U004	R4637	C-CARBON R	RN72K1J-224JE	1	435032244R1
U004	R4640	C-CARBON R	RN72K1J-224JE	1	435032244R1
U004	R4641	C-CARBON R	RN72K1J-224JE	1	435032244R1
U004	R4642	C-CARBON R	RN72K1J-224JE	1	435032244R1
U004	R4643	C-CARBON R	RN72K1J-224JE	1	435032244R1

U004	R4644	C-CARBON R	RN72K1J-224JE	1	435032244R1
U004	R4645	C-CARBON R	RN72K1J-224JE	1	435032244R1
U004	R4646	C-CARBON R	RN72K1J-224JE	1	435032244R1
U004	R4647	C-CARBON R	RN72K1J-223JE	1	435032234R1
U004	R4648	C-CARBON R	RN72K1J-223JE	1	435032234R1
U004	R4650	C-CARBON R	RN72K1J-221JE	1	435032214R1
U004	R4651	C-CARBON R	RN72K1J-221JE	1	435032214R1
U004	R4652	C-CARBON R	RN72K1J-221JE	1	435032214R1
U004	R4653	C-CARBON R	RN72K1J-221JE	1	435032214R1
U004	R4654	C-CARBON R	RN72K1J-221JE	1	435032214R1
U004	R4655	C-CARBON R	RN72K1J-221JE	1	435032214R1
U004	R4656	C-CARBON R	RN72K1J-221JE	1	435032214R1
U004	R4657	C-CARBON R	RN72K1J-221JE	1	435032214R1
U004	R4658	C-CARBON R	RN72K1J-221JE	1	435032214R1
U004	R4660	C-CARBON R	RN72K1J-103JE	1	435031034R1
U004	R4661	C-CARBON R	RN72K1J-103JE	1	435031034R1
U004	R4662	C-CARBON R	RN72K1J-103JE	1	435031034R1
U004	R4663	C-CARBON R	RN72K1J-103JE	1	435031034R1
U004	R4664	C-CARBON R	RN72K1J-103JE	1	435031034R1
U004	R4665	C-CARBON R	RN72K1J-103JE	1	435031034R1
U004	R4666	C-CARBON R	RN72K1J-103JE	1	435031034R1
U004	R4667	C-CARBON R	RN72K1J-103JE	1	435031034R1
U004	R4668	C-CARBON R	RN72K1J-103JE	1	435031034R1
U004	R4670	C-CARBON R	RN72K1J-224JE	1	435032244R1
U004	R4671	C-CARBON R	RN72K1J-224JE	1	435032244R1
U004	R4672	C-CARBON R	RN72K1J-224JE	1	435032244R1
U004	R4673	C-CARBON R	RN72K1J-224JE	1	435032244R1
U004	R4674	C-CARBON R	RN72K1J-224JE	1	435032244R1
U004	R4675	C-CARBON R	RN72K1J-224JE	1	435032244R1
U004	R4676	C-CARBON R	RN72K1J-224JE	1	435032244R1
U004	R4677	C-CARBON R	RN72K1J-224JE	1	435032244R1
U004	R4678	C-CARBON R	RN72K1J-224JE	1	435032244R1
U004	R4680	C-CARBON R	RN72K1J-470JE	1	435034704R1
U004	R4681	C-CARBON R	RN72K1J-470JE	1	435034704R1
U004	R4682	C-CARBON R	RN72K1J-470JE	1	435034704R1
U004	R4683	C-CARBON R	RN72K1J-470JE	1	435034704R1
U004	R4684	C-CARBON R	RN72K1J-470JE	1	435034704R1
U004	R4685	C-CARBON R	RN72K1J-470JE	1	435034704R1
U004	R4686	C-CARBON R	RN72K1J-470JE	1	435034704R1

U004	R4687	C-CARBON R	RN72K1J-470JE	1	435034704R1	
U004	R4688	C-CARBON R	RN72K1J-470JE	1	435034704R1	
U004	R4741	C-CARBON R	RN72K1J-224JE	1	435032244R1	
U004	R4742	C-CARBON R	RN72K1J-224JE	1	435032244R1	
U004	R4751	C-CARBON R	RN72K1J-221JE	1	435032214R1	
U004	R4752	C-CARBON R	RN72K1J-221JE	1	435032214R1	
U004	R4761	C-CARBON R	RN72K1J-103JE	1	435031034R1	
U004	R4762	C-CARBON R	RN72K1J-103JE	1	435031034R1	
U004	R4771	C-CARBON R	RN72K1J-224JE	1	435032244R1	
U004	R4772	C-CARBON R	RN72K1J-224JE	1	435032244R1	
U004	R4781	C-CARBON R	RN72K1J-470JE	1	435034704R1	
U004	R4782	C-CARBON R	RN72K1J-470JE	1	435034704R1	
U004	R4801	C-CARBON R	RN72K1J-224JE	1	435032244R1	<B MDC, MMP, MMR>
U004	R4802	C-CARBON R	RN72K1J-224JE	1	435032244R1	<B MDC, MMP, MMR>
U004	R4803	C-CARBON R	RN72K1J-224JE	1	435032244R1	<B MDC, MMP, MMR>
U004	R4804	C-CARBON R	RN72K1J-224JE	1	435032244R1	<B MDC, MMP, MMR>
U004	R4811	C-CARBON R	RN72K1J-221JE	1	435032214R1	<B MDC, MMP, MMR>
U004	R4812	C-CARBON R	RN72K1J-221JE	1	435032214R1	<B MDC, MMP, MMR>
U004	R4813	C-CARBON R	RN72K1J-221JE	1	435032214R1	<B MDC, MMP, MMR>
U004	R4814	C-CARBON R	RN72K1J-221JE	1	435032214R1	<B MDC, MMP, MMR>
U004	R4821	C-CARBON R	RN72K1J-224JE	1	435032244R1	<B MDC, MMP, MMR>
U004	R4822	C-CARBON R	RN72K1J-224JE	1	435032244R1	<B MDC, MMP, MMR>
U004	R4823	C-CARBON R	RN72K1J-224JE	1	435032244R1	<B MDC, MMP, MMR>
U004	R4824	C-CARBON R	RN72K1J-224JE	1	435032244R1	<B MDC, MMP, MMR>
U004	R4831	C-CARBON R	RN72K1J-470JE	1	435034704R1	<B MDC, MMP, MMR>
U004	R4832	C-CARBON R	RN72K1J-470JE	1	435034704R1	<B MDC, MMP, MMR>
U004	R4833	C-CARBON R	RN72K1J-470JE	1	435034704R1	<B MDC, MMP, MMR>
U004	R4834	C-CARBON R	RN72K1J-470JE	1	435034704R1	<B MDC, MMP, MMR>
U004	R4841	C-CARBON R	RN72K1J-224JE	1	435032244R1	
U004	R4842	C-CARBON R	RN72K1J-224JE	1	435032244R1	
U004	[SW TRM]					
U004	E1B	TRM	NTM-1P232(M1700)	1	25060301	
U004	E2000	TRM-423(SCREW)	NEJITANSI ST3	1	25060495	
U004	F2001A	FUSE HOL	NSCT-1P2031	1	25052133T	
U004	F2001B	FUSE HOL	NSCT-1P2031	1	25052133T	
U004	F2004A	FUSE HOL	NSCT-1P2031	1	25052133T	
U004	F2004B	FUSE HOL	NSCT-1P2031	1	25052133T	
U004	F2005A	FUSE HOL	NSCT-1P2031	1	25052133T	
U004	F2005B	FUSE HOL	NSCT-1P2031	1	25052133T	

U004	JL2104A	WIRE HOL	NSCT-11P882	1	25051095	
U004	JL2104B	WIRE TRAP	NPLG-11P594	1	25055632	
U004	JL2601B	WIRE TRAP	NPLG-5P588	1	25055626	
U004	JL3201A	WIRE HOL	NSCT-5P876	1	25051089	
U004	JL4014B	SOCKET	NSCT-7P99	1	25050271	
U004	JL4103A	SOCKET	NSCT-5P97	1	25050269	
U004	JL8002A	WIRE HOL	NSCT-5P896	1	25051109	
U004	JL901B	WIRE TRAP	NPLG-7P590	1	25055628	
U004	P103B	SOCKET	NSCT-11P2191	1	25052294	
U004	P104B	SOCKET	NSCT-7P2187	1	25052290	
U004	P105B	SOCKET	NSCT-7P2187	1	25052290	
U004	P107B	SOCKET	NSCT-11P2191	1	25052294	
U004	P2000	PLUG	NPLG-5P119	1	25055135	<B MDC, MMP, MMR>
U004	P2103A	PLUG	IMSA-9142B-18A	1	25056599	N
U004	P2104A	PLUG	IMSA-9142B-20A	1	25056600	
U004	P2106	PIN JACK	NPJ-6PDGLR649	1	25045874	<B MDC, MMP, MMR>
U004	P2107	PIN JACK	NPJ-6PDGLR649	1	25045874	<B MDC, MMP, MMR>
U004	P2110	PIN JACK	NPJ-10PDSY628	1	25045849	<B MDC, MMP, MMR>
U004	P2110 or	PIN JACK	NPJ-10PDBY481	(1)	25045684	<B MDC, MMP, MMR>
U004	P2111	PIN JACK	NPJ-10PDSY628	1	25045849	<B MDC, MMP, MMR>
U004	P2111 or	PIN JACK	NPJ-10PDBY481	(1)	25045684	<B MDC, MMP, MMR>
U004	P2112	PIN JACK	NPJ-10PDSY628	1	25045849	<B MDC, MMP, MMR>
U004	P2112 or	PIN JACK	NPJ-10PDBY481	(1)	25045684	<B MDC, MMP, MMR>
U004	P2113	PIN JACK	NPJ-1PDY655	1	25045882	<B MDC, MMP, MMR>
U004	P2500	SOCKET	NNA1-01-006	1	25053357	
U004	P2700	ST JACK	HSJ1002-01-6020	1	25045647	<B MDC, MMP, MMR>
U004	P2702	ST JACK	HSJ1002-01-6020	1	25045647	<B MDC, MMP, MMR>
U004	P2901	RETAINER	(PC-HOLD)	1	27142149	N
U004	P4001	PIN JACK	NPJ-2PDWR706	1	25045940A	<B MDC, MMP, MMR>
U004	P4002A	PLUG	NPLG-9P661	1	25055705	
U004	P4004	PIN JACK	NPJ-2PDWR706	1	25045940A	<B MDC, MMP, MMR>
U004	P4006	PIN JACK	NPJ-6PDRW665	1	25045894	<B MDC, MMP, MMR>
U004	P4007	PIN JACK	NPJ-4PDRW592	1	25045812	<B MDC, MMP, MMR>
U004	P4008A	SOCKET	NSCT-9P2102	1	25052205	N
U004	P4009A	SOCKET	NSCT-15P2108	1	25052211	
U004	P4010	PIN JACK	NPJ-6PDRW665	1	25045894	<B MDC, MMP, MMR>
U004	P4011	PIN JACK	NPJ-6PDGWRPLE696	1	25045930	<B MDC, MMP, MMR>
U004	P4012	PIN JACK	NPJ-2PDNT704	1	25045938	<B MDC, MMP, MMR>
U004	P4017	PIN JACK	NPJ-9PDGWRPLENT698	1	25045932	<B MDC, MMP, MMR>

U004	P4018	PIN JACK	NPJ-2PDWR583	1	25045803	<B MDC, MMP, MMR>
U004	P4022	PIN JACK	NPJ-4PDRW592	1	25045812	<B MDC, MMP, MMR>
U004	P4100	RETAINER	(JOINT)	1	27142069	
U004	P4104B	SOCKET	NSCT-31P2124	1	25052227	
U004	P5000B	PLUG	NPLG-10P357	1	25055374	
U004	P5001B	PLUG	NPLG-8P355	1	25055372	
U004	P5002B	CRIMP AS	CRIMP SR805_2	1	20799170UL	
U004	P7009A	PLUG	IMSA-9142B-18A	1	25056599	N
U004	P7010A	PLUG	IMSA-9142B-26A	1	25056603	
U004	RL4001	RELAY	NRL-2P2A-DC12-178	1	25065664	
U004	RL4002	RELAY	NRL-2P2A-DC12-178	1	25065664	
U004	RL4003	RELAY	NRL-2P2A-DC12-178	1	25065664	
U004	RL4004	RELAY	NRL-2P2A-DC12-178	1	25065664	
U004	RL4005	RELAY	NRL-2P2A-DC12-178	1	25065664	
U004	RL4006	RELAY	NRL-2P2A-DC12-178	1	25065664	
U004	RL4008	RELAY	NRL-2P2A-DC12-178	1	25065664	
U004	RL4009	RELAY	NRL-2P2A-DC12-178	1	25065664	
U004	[TUNER UNIT]					
U004	U2700	REMO SENS	KSM-603TE2Q	1	24130018	<B MDC, MMP, MMR>
U005	U005	U0050 + U0051 + U0051 + U0053 + U0054 + U0055 + U0056				
U005	U0050	DAC PC BOARD	BADG-0208-1AG/ -1AH			
U005	U0051	MAIN CPU PC BOARD	BACPU-0209-1AG/ -1AH			
U005	U0052	ZONE-2 & ZONE-3 PC BOARD	BAAR-0210-1AG/ -1AH			
U005	U0053	PHONO AMP. PC BOARD	BAAF-0211-1AG/ -1AH			
U005	U0054	BUFFER AMP. PC BOARD	BAACC-0212-1AG/ -1AH			
U005	U0055	SIRIUS PC BOARD	BARF-0204-1AG/ -1AH			
U005	U0057	DG AUDIO IN PC BOARD BOARD	BAETC-0246-1AG/ -1AH			
U005	U0058	PC INPUT TERMINAL PC BOARD	BAETC-0247-1AG/ -1AH			
U005	CIRCUIT NO.	PART NAME	DESCRIPTION	Q'TY	PART NO. (SN)	REMARKS
U005	[SEMI CONDUCTOR]					
U005	D4001	ZENER D	UDZS5.6B	1	224550560R2	
U005	D4001 or	ZENER D	MAZ8056-M	(1)	224750562R2	
U005	D4002	ZENER D	UDZS5.6B	1	224550560R2	
U005	D4002 or	ZENER D	MAZ8056-M	(1)	224750562R2	
U005	D4003	ZENER D	UDZS3.6B	1	224550360R2	<B MDC, B MMP, MMR>
U005	D4004	ZENER D	UDZS3.6B	1	224550360R2	
U005	D7002	C-DIODE	ISS352	1	223234R2	

U005	D7002 or	C-DIODE	ISS355	(1)	223269R2	
U005	D7002 or	C-DIODE	MA2J111	(1)	223279R2	
U005	D7002 or	C-DIODE	KDS4148U	(1)	223283R2	
U005	D7003	C-DIODE	ISS352	1	223234R2	
U005	D7003 or	C-DIODE	ISS355	(1)	223269R2	
U005	D7003 or	C-DIODE	MA2J111	(1)	223279R2	
U005	D7003 or	C-DIODE	KDS4148U	(1)	223283R2	
U005	D7006	C-DIODE	ISS352	1	223234R2	
U005	D7006 or	C-DIODE	ISS355	(1)	223269R2	
U005	D7006 or	C-DIODE	MA2J111	(1)	223279R2	
U005	D7006 or	C-DIODE	KDS4148U	(1)	223283R2	
U005	D7007	C-DIODE	ISS352	1	223234R2	
U005	D7007 or	C-DIODE	ISS355	(1)	223269R2	
U005	D7007 or	C-DIODE	MA2J111	(1)	223279R2	
U005	D7007 or	C-DIODE	KDS4148U	(1)	223283R2	
U005	D7008	C-DIODE	ISS352	1	223234R2	
U005	D7008 or	C-DIODE	ISS355	(1)	223269R2	
U005	D7008 or	C-DIODE	MA2J111	(1)	223279R2	
U005	D7008 or	C-DIODE	KDS4148U	(1)	223283R2	
U005	D7009	C-DIODE	ISS352	1	223234R2	
U005	D7009 or	C-DIODE	ISS355	(1)	223269R2	
U005	D7009 or	C-DIODE	MA2J111	(1)	223279R2	
U005	D7009 or	C-DIODE	KDS4148U	(1)	223283R2	
U005	D7010	C-DIODE	ISS352	1	223234R2	
U005	D7010 or	C-DIODE	ISS355	(1)	223269R2	
U005	D7010 or	C-DIODE	MA2J111	(1)	223279R2	
U005	D7010 or	C-DIODE	KDS4148U	(1)	223283R2	
U005	D7011	C-DIODE	ISS352	1	223234R2	
U005	D7011 or	C-DIODE	ISS355	(1)	223269R2	
U005	D7011 or	C-DIODE	MA2J111	(1)	223279R2	
U005	D7011 or	C-DIODE	KDS4148U	(1)	223283R2	
U005	Q10	IC	NE5532APSR	1	22242283R2	<B MDC>
U005	Q1001	IC	PCM1795DBR	1	22242612R2	<B MDC, B MMP, MMR>
U005	Q1002	IC	PCM1795DBR	1	22242612R2	<B MDC, B MMP, MMR>
U005	Q1003	IC	PCM1795DBR	1	22242612R2	<B MDC, B MMP, MMR>
U005	Q1004	IC	PCM1795DBR	1	22242612R2	<B MDC, B MMP, MMR>
U005	Q1005	IC	PCM1795DBR	1	22242612R2	<B MDC, B MMP, MMR>
U005	Q1006	IC	PCM1795DBR	1	22242612R2	<B MDC, B MMP, MMR>
U005	Q101	IC	LC72725KV-TLM-E	1	22242584R2	<B MMP, MMR>

U005	Q1200	IC	NE5532APSR	1	22242283R2	
U005	Q1201	IC	NE5532APSR	1	22242283R2	
U005	Q1202	IC	NE5532APSR	1	22242283R2	
U005	Q1203	IC	NE5532APSR	1	22242283R2	
U005	Q1204	IC	NE5532APSR	1	22242283R2	
U005	Q1205	IC	NE5532APSR	1	22242283R2	
U005	Q1206	IC	NE5532APSR	1	22242283R2	
U005	Q1207	IC	NE5532APSR	1	22242283R2	
U005	Q1208	IC	NE5532APSR	1	22242283R2	
U005	Q1209	IC	NE5532APSR	1	22242283R2	
U005	Q1210	IC	NE5532APSR	1	22242283R2	
U005	Q1211	IC	NE5532APSR	1	22242283R2	
U005	Q1212	IC	NE5532APSR	1	22242283R2	
U005	Q1213	IC	NE5532APSR	1	22242283R2	
U005	Q1214	IC	NE5532APSR	1	22242283R2	
U005	Q1215	IC	NE5532APSR	1	22242283R2	
U005	Q1220	IC	NE5532APSR	1	22242283R2	<B MDC, B MMP, MMR>
U005	Q1221	IC	NE5532APSR	1	22242283R2	<B MDC, B MMP, MMR>
U005	Q1222	IC	NE5532APSR	1	22242283R2	<B MDC, B MMP, MMR>
U005	Q1223	IC	NE5532APSR	1	22242283R2	<B MDC, B MMP, MMR>
U005	Q1224	IC	NE5532APSR	1	22242283R2	<B MDC, B MMP, MMR>
U005	Q1225	IC	NE5532APSR	1	22242283R2	<B MDC, B MMP, MMR>
U005	Q1226	IC	NE5532APSR	1	22242283R2	<B MDC, B MMP, MMR>
U005	Q1227	IC	NE5532APSR	1	22242283R2	<B MDC, B MMP, MMR>
U005	Q1228	IC	NE5532APSR	1	22242283R2	<B MDC, B MMP, MMR>
U005	Q1229	IC	NE5532APSR	1	22242283R2	<B MDC, B MMP, MMR>
U005	Q1230	IC	NE5532APSR	1	22242283R2	<B MDC, B MMP, MMR>
U005	Q1231	IC	NE5532APSR	1	22242283R2	<B MDC, B MMP, MMR>
U005	Q1232	IC	NE5532APSR	1	22242283R2	<B MDC, B MMP, MMR>
U005	Q1233	IC	NE5532APSR	1	22242283R2	<B MDC, B MMP, MMR>
U005	Q1234	IC	NE5532APSR	1	22242283R2	<B MDC, B MMP, MMR>
U005	Q1235	IC	NE5532APSR	1	22242283R2	<B MDC, B MMP, MMR>
U005	Q1236	IC	NE5532APSR	1	22242283R2	<B MDC, B MMP, MMR>
U005	Q1237	IC	NE5532APSR	1	22242283R2	<B MDC, B MMP, MMR>
U005	Q1238	IC	NE5532APSR	1	22242283R2	<B MDC, B MMP, MMR>
U005	Q1239	IC	NE5532APSR	1	22242283R2	<B MDC, B MMP, MMR>
U005	Q1240	IC	NE5532APSR	1	22242283R2	
U005	Q1241	IC	NE5532APSR	1	22242283R2	
U005	Q1242	IC	NE5532APSR	1	22242283R2	<B MDC, B MMP, MMR>

U005	Q1243	IC	NE5532APSR	1	22242283R2	<B MDC, B MMP, MMR>
U005	Q1244	IC	NE5532APSR	1	22242283R2	<B MDC, B MMP, MMR>
U005	Q1245	IC	NE5532APSR	1	22242283R2	<B MDC, B MMP, MMR>
U005	Q1250	IC	NE5532APSR	1	22242283R2	
U005	Q1251	IC	NE5532APSR	1	22242283R2	
U005	Q1252	IC	NE5532APSR	1	22242283R2	
U005	Q1253	IC	TC9162CFG(EL)	1	22242099R2	
U005	Q1254	TR	2SC2712-GR	1	2213145R2	
U005	Q1255	TR	2SC2712-GR	1	2213145R2	
U005	Q3700	IC	CY2305SXC-1T	1	22242573R2	
U005	Q3700 or	IC	CY2305ESXC-1T	(1)	22242638R2	
U005	Q3701	IC	TC74VHCT08AFT	1	22274008GR2TO	
U005	Q3701 or	IC	TC74VHCT08AFT (EKJ)	(1)	22274008G1R2TO	
U005	Q3702	IC	XC2C64A-7VQG100	1	222W0095R3	
U005	Q3703	IC	CS42516-CQZ(R)-D	1	22242294R2	
U005	Q3704	IC	TC7WU04FU(TE12L_F)	1	22240935R2	
U005	Q3705	IC	NE5532APSR	1	22242283R2	
U005	Q3706	IC	NE5532APSR	1	22242283R2	
U005	Q3885	IC	TC74VHC157FT	1	22274157ER2TO	
U005	Q3886	IC	74HCU04F	1	222740046R2	
U005	Q3886 or	IC	TC74HCU04AF	(1)	222740046R2TO	
U005	Q3887	IC	TC74VHC157FT	1	22274157ER2TO	
U005	Q3888	IC	ICL322IECVZ	1	22242268R2	
U005	Q3889	IC	TC74VHC157FT	1	22274157ER2TO	
U005	Q4001	IC	NE5532APSR	1	22242283R2	
U005	Q4002	TR	2SC2240-BL(TPE2_F)	1	2211406T	
U005	Q4003	TR	2SC2240-BL(TPE2_F)	1	2211406T	
U005	Q4004	TR	2SC2712-GR	1	2213145R2	
U005	Q4005	TR	2SC2712-GR	1	2213145R2	
U005	Q4006	TR	2SC2240-BL(TPE2_F)	1	2211406T	
U005	Q4007	TR	2SC2240-BL(TPE2_F)	1	2211406T	
U005	Q4037	IC	NE5532APSR	1	22242283R2	<B MDC, B MMP, MMR>
U005	Q4038	IC	NE5532APSR	1	22242283R2	<B MDC, B MMP, MMR>
U005	Q4046	IC	M61540FP	1	22242497R2	
U005	Q4047	IC	M61540FP	1	22242497R2	<B MDC, B MMP, MMR>
U005	Q4500	IC	NE5532APSR	1	22242283R2	
U005	Q4501	IC	NE5532APSR	1	22242283R2	
U005	Q4502	IC	NE5532APSR	1	22242283R2	
U005	Q4503	IC	NE5532APSR	1	22242283R2	

U005	Q4504	IC	NE5532APSR	1	22242283R2	
U005	Q4505	IC	NE5532APSR	1	22242283R2	
U005	Q7001	TR	KRC104S	1	2216210R2	
U005	Q7001 or	TR	RN1404	(1)	2214490R2	
U005	Q7002	TR	KRA102S	1	2216220R2	
U005	Q7002 or	TR	RN2402	(1)	2214530R2	
U005	Q7003	TR	KRC104S	1	2216210R2	
U005	Q7003 or	TR	RN1404	(1)	2214490R2	
U005	Q7004	TR	KRA102S	1	2216220R2	
U005	Q7004 or	TR	RN2402	(1)	2214530R2	
U005	Q7005	TR	KRA107S	1	2216350R2	
U005	Q7005 or	TR	RN2407(TE85L_F)	(1)	2216360R2	
U005	Q7006	TR	KRC102S	1	2216190R2	
U005	Q7006 or	TR	RN1402	(1)	2214470R2	
U005	Q7007	TR	KRC102S	1	2216190R2	
U005	Q7007 or	TR	RN1402	(1)	2214470R2	
U005	Q7008	TR	KRA107S	1	2216350R2	
U005	Q7008 or	TR	RN2407(TE85L_F)	(1)	2216360R2	
U005	Q7009	TR	KRC104S	1	2216210R2	
U005	Q7009 or	TR	RN1404	(1)	2214490R2	
U005	Q7010	TR	KRA102S	1	2216220R2	
U005	Q7010 or	TR	RN2402	(1)	2214530R2	
U005	Q7011	TR	KRC102S	1	2216190R2	
U005	Q7011 or	TR	RN1402	(1)	2214470R2	
U005	Q7012	TR	KRC104S	1	2216210R2	
U005	Q7012 or	TR	RN1404	(1)	2214490R2	
U005	Q7013	TR	KRA102S	1	2216220R2	
U005	Q7013 or	TR	RN2402	(1)	2214530R2	
U005	Q7016	IC(MAIN MICROPROCESSOR)	MPD70F3746GJ-GAE-AX(0362)	1	222W0079R303620	
U005	Q7017	IC	R1EX25064ASA00A	1	22242581R2	
U005	Q7018	IC	NJU7706F27A3	1	22242614R2	N
U005	Q7019	IC	74HC595F	1	222745955R2	
U005	Q7020	TR	2SC2712-GR	1	2213145R2	
U005	Q7021	TR	2SC2712-GR	1	2213145R2	
U005	Q7022	IC	TC4066BFT	1	22284066MR2TO	
U005	Q7023	IC	TA4805BF(TE16L_NQ)	1	22278005DBR2TO	N
U005	Q7024	IC	S-812C33AUA-C2N	1	22242222R2	
U005	Q7025	IC	XC6202P502FR	1	22242331R2	
U005	Q7027	IC	XC6213B332MR	1	22242277R2	

U005	Q7028	IC	TA4805BF(TE16L_NQ)	1	22278005DBR2TO	N
U005	Q7029	IC	TA48033BF(TE16L_NQ)	1	22278033DBR2TO	
U005	Q7030	IC	TA48018BF(TE16L_NQ)	1	22278018DBR2TO	
U005	Q7031	IC	S-812C56AUA-C3K	1	22242207R2	
U005	Q7032	TR	KRA102S	1	2216220R2	
U005	Q7032 or	TR	RN2402	(1)	2214530R2	
U005	Q7033	TR	KRC104S	1	2216210R2	
U005	Q7033 or	TR	RN1404	(1)	2214490R2	
U005	Q7034	TR	KRA102S	1	2216220R2	
U005	Q7034 or	TR	RN2402	(1)	2214530R2	
U005	Q7035	TR	KRC104S	1	2216210R2	
U005	Q7035 or	TR	RN1404	(1)	2214490R2	
U005	Q7036	IC	74HC595F	1	222745955R2	
U005	Q7037	IC	S3F80K9	1	22242602R3	<B MDC, B MMP, MMR>
U005	Q7038	TR	2SC2712-GR	1	2213145R2	<B MDC, B MMP, MMR>
U005	Q9	IC	NE5532APSR	1	22242283R2	<B MDC, B MMP, MMR>
U005	[TRANS COIL]					
U005	L1001	CHOKE COIL	LBC2518T4R7M	1	231364M047R2	
U005	L1002	CHOKE COIL	LBC2518T4R7M	1	231364M047R2	
U005	L1003	CHOKE COIL	LBC2518T4R7M	1	231364M047R2	
U005	L1004	CHOKE COIL	LBC2518T4R7M	1	231364M047R2	
U005	L1005	CHOKE COIL	LBC2518T4R7M	1	231364M047R2	
U005	L1006	CHOKE COIL	LBC2518T4R7M	1	231364M047R2	
U005	L1007	CHOKE COIL	LBC2518T4R7M	1	231364M047R2	
U005	L1008	CHOKE COIL	LBC2518T4R7M	1	231364M047R2	
U005	L1009	CHOKE COIL	LBC2518T4R7M	1	231364M047R2	
U005	L101	CHOKE COIL	BLM21PG221SN1	1	230949R2	<B MMP, MMR>
U005	L1010	CHOKE COIL	LBC2518T4R7M	1	231364M047R2	
U005	L1011	CHOKE COIL	LBC2518T4R7M	1	231364M047R2	
U005	L1012	CHOKE COIL	LBC2518T4R7M	1	231364M047R2	
U005	L1013	CHOKE COIL	LBC2518T4R7M	1	231364M047R2	
U005	L1014	CHOKE COIL	LBC2518T4R7M	1	231364M047R2	
U005	L1015	CHOKE COIL	LBC2518T4R7M	1	231364M047R2	
U005	L1016	CHOKE COIL	LBC2518T4R7M	1	231364M047R2	
U005	L1017	CHOKE COIL	LBC2518T4R7M	1	231364M047R2	
U005	L1018	CHOKE COIL	LBC2518T4R7M	1	231364M047R2	
U005	L1019	CHOKE COIL	LBC2518T4R7M	1	231364M047R2	
U005	L1020	CHOKE COIL	LBC2518T4R7M	1	231364M047R2	
U005	L1021	CHOKE COIL	LBC2518T4R7M	1	231364M047R2	

U005	L1022	CHOKE COIL	LBC2518T4R7M	1	231364M047R2	
U005	L1023	CHOKE COIL	LBC2518T4R7M	1	231364M047R2	
U005	L1024	CHOKE COIL	LBC2518T4R7M	1	231364M047R2	
U005	L3700	CHOKE COIL	LBC2518T470M	1	231364M470R2	
U005	L3701	CHOKE COIL	LBC2518T470M	1	231364M470R2	
U005	L3702	CHOKE COIL	LBC2518T4R7M	1	231364M047R2	
U005	L3703	EMIFIL	BK1608LM182-T	1	230958R1	
U005	L3704	EMIFIL	BK1608LM182-T	1	230958R1	
U005	L3705	CHOKE COIL	LBC2518T4R7M	1	231364M047R2	
U005	L3706	CHOKE COIL	LBC2518T4R7M	1	231364M047R2	
U005	L3707	CHOKE COIL	LBC2518T470M	1	231364M470R2	
U005	L3708	CHOKE COIL	LBC2518T4R7M	1	231364M047R2	
U005	L3709	CHOKE COIL	LBC2518T4R7M	1	231364M047R2	
U005	L3710	EMIFIL	BK1608LM182-T	1	230958R1	
U005	L3711	CHOKE COIL	LBC2518T4R7M	1	231364M047R2	
U005	L3712	EMIFIL	BK1608LM182-T	1	230958R1	
U005	L3713	EMIFIL	BK1608LM182-T	1	230958R1	
U005	L3884	CHOKE COIL	LBC2518T2R2M	1	231364M022R2	
U005	L3885	CHOKE COIL	LBC2518T470M	1	231364M470R2	
U005	L3886	CHOKE COIL	LBC2518T2R2M	1	231364M022R2	
U005	L3887	CHOKE COIL	LBC2518T2R2M	1	231364M022R2	
U005	L3888	CHOKE COIL	LBC2518T470M	1	231364M470R2	
U005	L3889	CHOKE COIL	LBC2518T470M	1	231364M470R2	
U005	L3890	CHOKE COIL	LBC2518T470M	1	231364M470R2	
U005	L3892	EMIFIL	BK1608LM182-T	1	230958R1	
U005	L3893	EMIFIL	BK1608LM182-T	1	230958R1	
U005	L7001	CHOKE COIL	LBC2518T470M	1	231364M470R2	
U005	X101	CRYSTAL	HC-49S 4.332MHz	1	3010469T	<B MMP, MMR>
U005	X3700	CRYSTAL	HC-49US24.576MHz	1	3010423T	
U005	X7001	CERA LOCK	CSTCR5M00G53-B0	1	3010356R2	
U005	X7301	CERA LOCK	CSTCE8M00G55-R0	1	3010416R2	<B MDC, B MMP, MMR>
U005	[CAPACITOR]					
U005	C1001	C-FILM C	ECHU16V-104J	1	373041044R2	
U005	C1002	C-FILM C	ECHU16V-104J	1	373041044R2	
U005	C1003	C-FILM C	ECHU16V-104J	1	373041044R2	
U005	C1004	UTSP C	CE04W10V-220M(UTSP)	1	397532217T	
U005	C1005	C-FILM C	ECHU16V-104J	1	373041044R2	
U005	C1006	UTSP C	CE04W10V-220M(UTSP)	1	397532217T	
U005	C1007	UTSP C	CE04W10V-220M(UTSP)	1	397532217T	

U005	C1008	UTSP C	CE04W10V-220M(UTSP)	1	397532217T	
U005	C1009	UTSP C	CE04W10V-220M(UTSP)	1	397532217T	
U005	C101	C-CERA C	CC725CH1H-331J1	1	342103314R1	<B MMP, MMR>
U005	C1010	UTSP C	CE04W10V-220M(UTSP)	1	397532217T	
U005	C1011	UTSJ C	CE04W25V-47M(UTSJ)	1	398054707AT	
U005	C1012	UTSJ C	CE04W25V-47M(UTSJ)	1	398054707AT	
U005	C1013	C-FILM C	ECHU16V-104J	1	373041044R2	
U005	C1014	C-FILM C	ECHU16V-104J	1	373041044R2	
U005	C1015	UTSP C	CE04W10V-220M(UTSP)	1	397532217T	
U005	C1016	UTSP C	CE04W10V-220M(UTSP)	1	397532217T	
U005	C1017	C-FILM C	ECHU16V-104J	1	373041044R2	
U005	C1018	C-FILM C	ECHU16V-104J	1	373041044R2	
U005	C1019	C-FILM C	ECHU16V-104J	1	373041044R2	
U005	C102	UTSP C	CE04W50V-10M(UTSP)	1	397581007T	<B MMP, MMR>
U005	C1020	UTSP C	CE04W10V-220M(UTSP)	1	397532217T	
U005	C1021	C-FILM C	ECHU16V-104J	1	373041044R2	
U005	C1022	UTSP C	CE04W10V-220M(UTSP)	1	397532217T	
U005	C1023	UTSP C	CE04W10V-220M(UTSP)	1	397532217T	
U005	C1024	UTSP C	CE04W10V-220M(UTSP)	1	397532217T	
U005	C1025	UTSP C	CE04W10V-220M(UTSP)	1	397532217T	
U005	C1026	UTSP C	CE04W10V-220M(UTSP)	1	397532217T	
U005	C1027	UTSJ C	CE04W25V-47M(UTSJ)	1	398054707AT	
U005	C1028	UTSJ C	CE04W25V-47M(UTSJ)	1	398054707AT	
U005	C1029	C-FILM C	ECHU16V-104J	1	373041044R2	
U005	C103	UTSP C	CE04W50V-10M(UTSP)	1	397581007T	<B MMP, MMR>
U005	C1030	C-FILM C	ECHU16V-104J	1	373041044R2	
U005	C1031	UTSP C	CE04W10V-220M(UTSP)	1	397532217T	
U005	C1032	UTSP C	CE04W10V-220M(UTSP)	1	397532217T	
U005	C1033	C-FILM C	ECHU16V-104J	1	373041044R2	
U005	C1034	C-FILM C	ECHU16V-104J	1	373041044R2	
U005	C1035	C-FILM C	ECHU16V-104J	1	373041044R2	
U005	C1036	UTSP C	CE04W10V-220M(UTSP)	1	397532217T	
U005	C1037	C-FILM C	ECHU16V-104J	1	373041044R2	
U005	C1038	UTSP C	CE04W10V-220M(UTSP)	1	397532217T	
U005	C1039	UTSP C	CE04W10V-220M(UTSP)	1	397532217T	
U005	C104	C-CERA C	CK725B1H-103K1	1	332101035R1	<B MMP, MMR>
U005	C1040	UTSP C	CE04W10V-220M(UTSP)	1	397532217T	
U005	C1041	UTSP C	CE04W10V-220M(UTSP)	1	397532217T	
U005	C1042	UTSP C	CE04W10V-220M(UTSP)	1	397532217T	

U005	C1043	UTSJ C	CE04W25V-47M(UTSJ)	1	398054707AT	
U005	C1044	UTSJ C	CE04W25V-47M(UTSJ)	1	398054707AT	
U005	C1045	C-FILM C	ECHU16V-104J	1	373041044R2	
U005	C1046	C-FILM C	ECHU16V-104J	1	373041044R2	
U005	C1047	UTSP C	CE04W10V-220M(UTSP)	1	397532217T	
U005	C1048	UTSP C	CE04W10V-220M(UTSP)	1	397532217T	
U005	C105	C-CERA C	CC725CH1H-331J1	1	342103314R1	<B MMP, MMR>
U005	C106	C-CERA C	CK725F1E-104Z1	1	332161040R1	<B MMP, MMR>
U005	C107	C-CERA C	CC725CH1H-150J1	1	342101504R1	<B MMP, MMR>
U005	C108	C-CERA C	CC725CH1H-150J1	1	342101504R1	<B MMP, MMR>
U005	C109	C-CERA C	CC725CH1H-221J1	1	342102214R1	<B MMP, MMR>
U005	C1200	C-FILM C	ECHU50V-152J	1	373021524R2	
U005	C1201	C-FILM C	ECHU50V-152J	1	373021524R2	
U005	C1202	C-FILM C	ECHU50V-152J	1	373021524R2	
U005	C1203	C-FILM C	ECHU50V-152J	1	373021524R2	
U005	C1204	C-FILM C	ECHU50V-152J	1	373021524R2	
U005	C1205	MKT C	B32529C0152J289	1	376491524T	
U005	C1206	MKT C	B32529C0152J289	1	376491524T	
U005	C1207	C-FILM C	ECHU50V-152J	1	373021524R2	
U005	C1208	MKT C	B32529C0152J289	1	376491524T	
U005	C1209	MKT C	B32529C0152J289	1	376491524T	
U005	C1210	C-FILM C	ECHU50V-152J	1	373021524R2	
U005	C1211	C-FILM C	ECHU50V-152J	1	373021524R2	
U005	C1212	C-FILM C	ECHU50V-152J	1	373021524R2	
U005	C1213	C-FILM C	ECHU50V-152J	1	373021524R2	
U005	C1214	C-FILM C	ECHU50V-152J	1	373021524R2	
U005	C1215	MKT C	B32529C0152J289	1	376491524T	
U005	C1216	MKT C	B32529C0152J289	1	376491524T	
U005	C1217	C-FILM C	ECHU50V-152J	1	373021524R2	
U005	C1218	MKT C	B32529C0152J289	1	376491524T	
U005	C1219	MKT C	B32529C0152J289	1	376491524T	
U005	C1220	UPZ C	2AUPZTF101JE	1	376331014T	
U005	C1221	UPZ C	2AUPZTF101JE	1	376331014T	
U005	C1222	UPZ C	2AUPZTF101JE	1	376331014T	
U005	C1223	UPZ C	2AUPZTF101JE	1	376331014T	
U005	C1224	UPZ C	2AUPZTF101JE	1	376331014T	
U005	C1225	UPZ C	2AUPZTF101JE	1	376331014T	
U005	C1226	UPZ C	2AUPZTF101JE	1	376331014T	
U005	C1227	UPZ C	2AUPZTF101JE	1	376331014T	

U005	C1267	UPZ C	2AUPZTF221JE	1	376332214T	<B MDC, B MMP, MMR>
U005	C1268	UPZ C	2AUPZTF221JE	1	376332214T	<B MDC, B MMP, MMR>
U005	C1269	UPZ C	2AUPZTF221JE	1	376332214T	<B MDC, B MMP, MMR>
U005	C1270	UPZ C	2AUPZTF101JE	1	376331014T	<B MDC, B MMP, MMR>
U005	C1271	UPZ C	2AUPZTF101JE	1	376331014T	<B MDC, B MMP, MMR>
U005	C1272	UPZ C	2AUPZTF101JE	1	376331014T	<B MDC, B MMP, MMR>
U005	C1273	UPZ C	2AUPZTF101JE	1	376331014T	<B MDC, B MMP, MMR>
U005	C1274	UPZ C	2AUPZTF101JE	1	376331014T	<B MDC, B MMP, MMR>
U005	C1275	UPZ C	2AUPZTF101JE	1	376331014T	<B MDC, B MMP, MMR>
U005	C1276	UPZ C	2AUPZTF101JE	1	376331014T	<B MDC, B MMP, MMR>
U005	C1277	UPZ C	2AUPZTF101JE	1	376331014T	<B MDC, B MMP, MMR>
U005	C1278	UPZ C	2AUPZTF101JE	1	376331014T	<B MDC, B MMP, MMR>
U005	C1279	UPZ C	2AUPZTF101JE	1	376331014T	<B MDC, B MMP, MMR>
U005	C1280	C-FILM C	ECHU50V-222J	1	373022224R2	<B MDC, B MMP, MMR>
U005	C1281	C-FILM C	ECHU50V-222J	1	373022224R2	<B MDC, B MMP, MMR>
U005	C1282	C-FILM C	ECHU50V-222J	1	373022224R2	<B MDC, B MMP, MMR>
U005	C1283	C-FILM C	ECHU50V-222J	1	373022224R2	<B MDC, B MMP, MMR>
U005	C1284	C-FILM C	ECHU50V-222J	1	373022224R2	<B MDC, B MMP, MMR>
U005	C1285	C-FILM C	ECHU50V-222J	1	373022224R2	<B MDC, B MMP, MMR>
U005	C1286	C-FILM C	ECHU50V-222J	1	373022224R2	<B MDC, B MMP, MMR>
U005	C1287	C-FILM C	ECHU50V-222J	1	373022224R2	<B MDC, B MMP, MMR>
U005	C1288	C-FILM C	ECHU50V-222J	1	373022224R2	<B MDC, B MMP, MMR>
U005	C1289	C-FILM C	ECHU50V-222J	1	373022224R2	<B MDC, B MMP, MMR>
U005	C1290	UTSP C	CE04W25V-220M(UTSP)	1	397552217T	
U005	C1291	UTSP C	CE04W25V-220M(UTSP)	1	397552217T	
U005	C1292	UTSP C	CE04W25V-220M(UTSP)	1	397552217T	
U005	C1293	UTSP C	CE04W25V-220M(UTSP)	1	397552217T	
U005	C1294	UTSP C	CE04W25V-220M(UTSP)	1	397552217T	
U005	C1295	UTSP C	CE04W25V-220M(UTSP)	1	397552217T	
U005	C1296	UTSP C	CE04W25V-220M(UTSP)	1	397552217T	
U005	C1297	UTSP C	CE04W25V-220M(UTSP)	1	397552217T	
U005	C1298	UTSP C	CE04W25V-220M(UTSP)	1	397552217T	
U005	C1299	UTSP C	CE04W25V-220M(UTSP)	1	397552217T	
U005	C1410	MKT C	B32529C0152J289	1	376491524T	
U005	C1411	MKT C	B32529C0152J289	1	376491524T	
U005	C1420	MKT C	B32529C0152J289	1	376491524T	
U005	C1421	MKT C	B32529C0152J289	1	376491524T	
U005	C1430	UPZ C	2AUPZTF101JE	1	376331014T	
U005	C1431	UPZ C	2AUPZTF101JE	1	376331014T	

U005	C1440	UPZ C	2AUPZTF331JE	1	376333314T	<B MDC, B MMP, MMR>
U005	C1441	UPZ C	2AUPZTF331JE	1	376333314T	<B MDC, B MMP, MMR>
U005	C1450	UPZ C	2AUPZTF331JE	1	376333314T	<B MDC, B MMP, MMR>
U005	C1451	UPZ C	2AUPZTF331JE	1	376333314T	<B MDC, B MMP, MMR>
U005	C1460	MKT C	B32529C0682J289	1	376496824T	<B MDC, B MMP, MMR>
U005	C1461	MKT C	B32529C0682J289	1	376496824T	<B MDC, B MMP, MMR>
U005	C1470	UPZ C	2AUPZTF221JE	1	376332214T	<B MDC, B MMP, MMR>
U005	C1471	UPZ C	2AUPZTF221JE	1	376332214T	<B MDC, B MMP, MMR>
U005	C1480	UPZ C	2AUPZTF101JE	1	376331014T	<B MDC, B MMP, MMR>
U005	C1481	UPZ C	2AUPZTF101JE	1	376331014T	<B MDC, B MMP, MMR>
U005	C1490	C-FILM C	ECHU50V-222J	1	373022224R2	<B MDC, B MMP, MMR>
U005	C1491	C-FILM C	ECHU50V-222J	1	373022224R2	<B MDC, B MMP, MMR>
U005	C1500	UTSP C	CE04W25V-220M(UTSP)	1	397552217T	
U005	C1501	UTSP C	CE04W25V-220M(UTSP)	1	397552217T	
U005	C1510	C-CERA C	CK725B1H-472K1	1	332104725R1	
U005	C1511	C-CERA C	CK725B1H-472K1	1	332104725R1	
U005	C1512	C-CERA C	CK725B1H-472K1	1	332104725R1	
U005	C1513	C-CERA C	CK725B1H-472K1	1	332104725R1	
U005	C1514	C-CERA C	CK725B1H-472K1	1	332104725R1	
U005	C21	VR C	CE04W16V-220M(VR)	1	394642217T	<B MDC, B MMP, MMR>
U005	C26	VR C	CE04W16V-220M(VR)	1	394642217T	<B MDC, B MMP, MMR>
U005	C3	VR C	CE04W16V-100M(VR)	1	394641017T	<B MDC, B MMP, MMR>
U005	C3703	C-CERA C	CK725F1E-104Z1	1	332161040R1	
U005	C3705	UTSJ C	CE04W25V-47M(UTSJ)	1	398054707AT	
U005	C3706	C-CERA C	CK725F1E-104Z1	1	332161040R1	
U005	C3707	C-CERA C	CK725F1E-104Z1	1	332161040R1	
U005	C3709	C-CERA C	CK725F1E-104Z1	1	332161040R1	
U005	C3710	VR C	CE04W16V-100M(VR)	1	394641017T	
U005	C3711	C-CERA C	CK725F1E-104Z1	1	332161040R1	
U005	C3712	C-CERA C	CK725F1E-104Z1	1	332161040R1	
U005	C3713	C-CERA C	CK725F1E-104Z1	1	332161040R1	
U005	C3714	UTSJ C	CE04W25V-47M(UTSJ)	1	398054707AT	
U005	C3715	VR C	CE04W16V-100M(VR)	1	394641017T	
U005	C3716	UTSP C	CE04W10V-470M(UTSP)	1	397534717T	
U005	C3717	C-FILM C	ECHU50V-222J	1	373022224R2	
U005	C3718	C-FILM C	ECHU50V-222J	1	373022224R2	
U005	C3719	C-CERA C	CK725F1E-104Z1	1	332161040R1	
U005	C3720	C-CERA C	CK725B1H-102K1	1	332101025R1	
U005	C3721	C-CERA C	CK725B1H-223K1	1	332102235R1	

U005	C3722	C-CERA C	CK725F1E-104Z1	1	332161040R1
U005	C3723	C-CERA C	CK725F1E-104Z1	1	332161040R1
U005	C3724	C-CERA C	CK725F1E-104Z1	1	332161040R1
U005	C3725	C-CERA C	CK725F1E-104Z1	1	332161040R1
U005	C3726	C-CERA C	CK725B1H-102K1	1	332101025R1
U005	C3727	UTSP C	CE04W10V-470M(UTSP)	1	397534717T
U005	C3728	UTSP C	CE04W10V-470M(UTSP)	1	397534717T
U005	C3729	UTSP C	CE04W10V-470M(UTSP)	1	397534717T
U005	C3730	C-CERA C	CK725F1E-104Z1	1	332161040R1
U005	C3731	C-CERA C	CK725F1E-104Z1	1	332161040R1
U005	C3732	C-CERA C	CK725F1E-104Z1	1	332161040R1
U005	C3733	C-CERA C	CC725CH1H-330J1	1	342103304R1
U005	C3734	C-CERA C	CK725F1E-104Z1	1	332161040R1
U005	C3735	C-CERA C	CC725CH1H-330J1	1	342103304R1
U005	C3737	UTSP C	CE04W10V-470M(UTSP)	1	397534717T
U005	C3738	UTSP C	CE04W10V-470M(UTSP)	1	397534717T
U005	C3739	C-CERA C	CK725F1E-104Z1	1	332161040R1
U005	C3740	C-CERA C	CK725F1E-104Z1	1	332161040R1
U005	C3742	C-CERA C	CC725CH1H-100D1	1	342101002R1
U005	C3743	C-CERA C	CC725CH1H-100D1	1	342101002R1
U005	C3745	UTSP C	CE04W25V-220M(UTSP)	1	397552217T
U005	C3746	UTSP C	CE04W25V-220M(UTSP)	1	397552217T
U005	C3747	UTSP C	CE04W25V-47M(UTSP)	1	397554707T
U005	C3748	UTSP C	CE04W25V-47M(UTSP)	1	397554707T
U005	C3749	UTSP C	CE04W25V-47M(UTSP)	1	397554707T
U005	C3750	UTSP C	CE04W25V-47M(UTSP)	1	397554707T
U005	C3886	C-CERA C	CK725B1C-104K1	1	332121045R1
U005	C3887	C-CERA C	CC725CH1H-101J1	1	342101014R1
U005	C3888	VR C	CE04W16V-100M(VR)	1	394641017T
U005	C3889	C-CERA C	CC725CH1H-101J1	1	342101014R1
U005	C3890	C-CERA C	CK725F1E-104Z1	1	332161040R1
U005	C3891	C-CERA C	CK725F1E-104Z1	1	332161040R1
U005	C3892	C-CERA C	CK725B1C-104K1	1	332121045R1
U005	C3893	C-CERA C	CC725CH1H-080D1	1	342100802R1
U005	C3894	C-CERA C	CK725B1C-104K1	1	332121045R1
U005	C3895	C-CERA C	CC725CH1H-080D1	1	342100802R1
U005	C3896	C-CERA C	CC725CH1H-101J1	1	342101014R1
U005	C3897	C-CERA C	CK725F1E-104Z1	1	332161040R1
U005	C3898	C-CERA C	CC725CH1H-080D1	1	342100802R1

U005	C3899	C-CERA C	CK725F1E-104Z1	1	332161040R1	
U005	C3900	C-CERA C	CK725F1E-104Z1	1	332161040R1	
U005	C3901	UTSP C	CE04W50V-1M(UTSP)	1	397580107T	
U005	C3902	C-CERA C	CK725F1E-104Z1	1	332161040R1	
U005	C3903	UTSP C	CE04W50V-1M(UTSP)	1	397580107T	
U005	C3904	VR C	CE04W16V-100M(VR)	1	394641017T	
U005	C3905	C-CERA C	CK725F1E-104Z1	1	332161040R1	
U005	C3906	UTSP C	CE04W50V-1M(UTSP)	1	397580107T	
U005	C3907	UTSP C	CE04W50V-1M(UTSP)	1	397580107T	
U005	C3908	C-CERA C	CK725F1E-104Z1	1	332161040R1	
U005	C3909	C-CERA C	CK725B1H-102K1	1	332101025R1	
U005	C3910	C-CERA C	CK725F1E-104Z1	1	332161040R1	<B MDC, B MMP, MMR>
U005	C3911	C-CERA C	CK725B1H-102K1	1	332101025R1	
U005	C3912	VR C	CE04W16V-100M(VR)	1	394641017T	
U005	C4	C-CERA C	CC725CH1H-101J1	1	342101014R1	<B MDC, B MMP, MMR>
U005	C4003	UTSP C	CE04W50V 47M(UTSP)	1	397584707T	
U005	C4004	UTSP C	CE04W50V 47M(UTSP)	1	397584707T	
U005	C4005	C-CERA C	CC725CH1H-221J1	1	342102214R1	
U005	C4006	C-CERA C	CC725CH1H-221J1	1	342102214R1	
U005	C4007	UTSP C	CE04W50V 47M(UTSP)	1	397584707T	
U005	C4008	UTSP C	CE04W50V 47M(UTSP)	1	397584707T	
U005	C4009	C-CERA C	CC725CH1H-152J1	1	342101524R1	
U005	C4010	C-CERA C	CC725CH1H-152J1	1	342101524R1	
U005	C4011	UTSP C	CE04W25V-220M(UTSP)	1	397552217T	
U005	C4012	UTSP C	CE04W25V-220M(UTSP)	1	397552217T	
U005	C4013	MKT C	B32529C0682J289	1	376496824T	
U005	C4014	C-FILM C	ECHU50V-182J	1	373021824R2	
U005	C4015	MKT C	B32529C0682J289	1	376496824T	
U005	C4016	C-FILM C	ECHU50V-182J	1	373021824R2	
U005	C4017	UTSP C	CE04W50V-22M(UTSP)	1	397582207T	
U005	C4018	UTSP C	CE04W50V-22M(UTSP)	1	397582207T	
U005	C4019	MKT C	B32529C0222J289	1	376492224T	
U005	C4020	MKT C	B32529C0222J289	1	376492224T	
U005	C4021	UTSP C	CE04W25V-220M(UTSP)	1	397552217T	
U005	C4022	UTSP C	CE04W25V-220M(UTSP)	1	397552217T	
U005	C4500	UTSP C	CE04W50V 47M(UTSP)	1	397584707T	
U005	C4501	UTSP C	CE04W50V 47M(UTSP)	1	397584707T	
U005	C4502	UTSP C	CE04W50V 47M(UTSP)	1	397584707T	
U005	C4503	UTSP C	CE04W50V 47M(UTSP)	1	397584707T	

U005	C4504	UTSP C	CE04W50V 47M(UTSP)	1	397584707T	
U005	C4505	UTSP C	CE04W50V 47M(UTSP)	1	397584707T	
U005	C4506	UTSP C	CE04W50V 47M(UTSP)	1	397584707T	
U005	C4507	UTSP C	CE04W50V 47M(UTSP)	1	397584707T	
U005	C4508	UTSP C	CE04W50V 47M(UTSP)	1	397584707T	
U005	C4509	UTSP C	CE04W50V 47M(UTSP)	1	397584707T	
U005	C4510	UTSP C	CE04W50V 47M(UTSP)	1	397584707T	
U005	C4511	UTSP C	CE04W50V 47M(UTSP)	1	397584707T	
U005	C4512	UTSP C	CE04W50V 47M(UTSP)	1	397584707T	
U005	C4513	UTSP C	CE04W50V 47M(UTSP)	1	397584707T	
U005	C4514	UTSP C	CE04W50V 47M(UTSP)	1	397584707T	
U005	C4515	UTSP C	CE04W50V 47M(UTSP)	1	397584707T	
U005	C4516	UTSP C	CE04W50V 47M(UTSP)	1	397584707T	
U005	C4517	UTSP C	CE04W50V 47M(UTSP)	1	397584707T	
U005	C4518	UTSP C	CE04W50V 47M(UTSP)	1	397584707T	
U005	C4519	UTSP C	CE04W50V 47M(UTSP)	1	397584707T	
U005	C4520	UTSP C	CE04W50V 47M(UTSP)	1	397584707T	
U005	C4521	UTSP C	CE04W50V 47M(UTSP)	1	397584707T	
U005	C4522	UTSP C	CE04W50V-100M(UTSP)	1	397581017T	
U005	C4523	UTSP C	CE04W50V-100M(UTSP)	1	397581017T	
U005	C47	UTSP C	CE04W50V-10M(UTSP)	1	397581007T	<B MDC, B MMP, MMR>
U005	C48	UTSP C	CE04W50V-10M(UTSP)	1	397581007T	<B MDC, B MMP, MMR>
U005	C4900	CHIP ELECT C	CEWX4V-22M	1	3981G2207R2	
U005	C4901	CHIP ELECT C	CEWX4V-22M	1	3981G2207R2	
U005	C4902	CHIP ELECT C	CEWX4V-22M	1	3981G2207R2	<B MDC, B MMP, MMR>
U005	C4903	CHIP ELECT C	CEWX4V-22M	1	3981G2207R2	<B MDC, B MMP, MMR>
U005	C4904	UTSP C	CE04W25V-47M(UTSP)	1	397554707T	
U005	C4905	UTSP C	CE04W25V-47M(UTSP)	1	397554707T	
U005	C4906	CHIP ELECT C	CEWX4V-22M	1	3981G2207R2	
U005	C4907	CHIP ELECT C	CEWX4V-22M	1	3981G2207R2	
U005	C4908	TF C	ECQ-V50V-333J	1	374723334T	
U005	C4909	TF C	ECQ-V50V-333J	1	374723334T	
U005	C4910	TF C	ECQ-V50V-224J	1	374722244T	
U005	C4911	TF C	ECQ-V50V-473J	1	374724734T	
U005	C4912	TF C	ECQ-V50V-224J	1	374722244T	
U005	C4913	TF C	ECQ-V50V-473J	1	374724734T	
U005	C4914	CHIP ELECT C	CEWX4V-22M	1	3981G2207R2	
U005	C4915	CHIP ELECT C	CEWX4V-22M	1	3981G2207R2	
U005	C4916	UTSP C	CE04W25V-220M(UTSP)	1	397552217T	

U005	C4917	CHIP ELECT C	CEWX4V-22M	1	3981G2207R2	<B MDC, B MMP, MMR>
U005	C4918	CHIP ELECT C	CEWX4V-22M	1	3981G2207R2	<B MDC, B MMP, MMR>
U005	C4919	TF C	ECQ-V50V-333J	1	374723334T	<B MDC, B MMP, MMR>
U005	C4920	TF C	ECQ-V50V-333J	1	374723334T	<B MDC, B MMP, MMR>
U005	C4921	TF C	ECQ-V50V-224J	1	374722244T	<B MDC, B MMP, MMR>
U005	C4922	TF C	ECQ-V50V-473J	1	374724734T	<B MDC, B MMP, MMR>
U005	C4923	TF C	ECQ-V50V-224J	1	374722244T	<B MDC, B MMP, MMR>
U005	C4924	TF C	ECQ-V50V-473J	1	374724734T	<B MDC, B MMP, MMR>
U005	C4925	CHIP ELECT C	CEWX4V-22M	1	3981G2207R2	<B MDC, B MMP, MMR>
U005	C4926	CHIP ELECT C	CEWX4V-22M	1	3981G2207R2	<B MDC, B MMP, MMR>
U005	C4927	UTSP C	CE04W25V-220M(UTSP)	1	397552217T	<B MDC, B MMP, MMR>
U005	C4928	CHIP ELECT C	CEWX4V-22M	1	3981G2207R2	
U005	C4929	CHIP ELECT C	CEWX4V-22M	1	3981G2207R2	
U005	C4951	CHIP ELECT C	CEWX4V-22M	1	3981G2207R2	<B MDC, B MMP, MMR>
U005	C4952	CHIP ELECT C	CEWX4V-22M	1	3981G2207R2	<B MDC, B MMP, MMR>
U005	C4953	CHIP ELECT C	CEWX4V-22M	1	3981G2207R2	<B MDC, B MMP, MMR>
U005	C4954	CHIP ELECT C	CEWX4V-22M	1	3981G2207R2	<B MDC, B MMP, MMR>
U005	C4963	UTSP C	CE04W25V-47M(UTSP)	1	397554707T	<B MDC, B MMP, MMR>
U005	C4964	UTSP C	CE04W25V-47M(UTSP)	1	397554707T	<B MDC, B MMP, MMR>
U005	C50	UTSP C	CE04W50V-10M(UTSP)	1	397581007T	<B MDC, B MMP, MMR>
U005	C51	UTSP C	CE04W50V-10M(UTSP)	1	397581007T	<B MDC, B MMP, MMR>
U005	C52	UTSP C	CE04W50V-10M(UTSP)	1	397581007T	<B MDC>
U005	C53	UTSP C	CE04W50V-10M(UTSP)	1	397581007T	<B MDC>
U005	C55	UTSP C	CE04W50V-10M(UTSP)	1	397581007T	<B MDC>
U005	C5569	UTSP C	CE04W50V 47M(UTSP)	1	397584707T	
U005	C5570	UTSP C	CE04W50V 47M(UTSP)	1	397584707T	
U005	C5571	UTSP C	CE04W50V 47M(UTSP)	1	397584707T	
U005	C5577	UTSP C	CE04W50V 47M(UTSP)	1	397584707T	
U005	C5578	UTSP C	CE04W50V 47M(UTSP)	1	397584707T	
U005	C56	UTSP C	CE04W50V-10M(UTSP)	1	397581007T	<B MDC>
U005	C7001	C-CERA C	CK725F1A-105Z1	1	332181050R1	
U005	C7002	C-CERA C	CK725F1E-104Z1	1	332161040R1	
U005	C7004	C-CERA C	CK725F1A-105Z1	1	332181050R1	
U005	C7005	C-CERA C	CK725F1A-105Z1	1	332181050R1	
U005	C7006	C-CERA C	CK725F1E-104Z1	1	332161040R1	
U005	C7007	C-CERA C	CK725F1A-105Z1	1	332181050R1	
U005	C7008	C-CERA C	CC725CH1H-101J1	1	342101014R1	
U005	C7009	C-CERA C	CC725CH1H-101J1	1	342101014R1	
U005	C7012	C-CERA C	CK725B1H-102K1	1	332101025R1	

U005	C7013	C-CERA C	CK725B1H-102K1	1	332101025R1
U005	C7014	UTSP C	CE04W50V-4.7M(UTSP)	1	397580477T
U005	C7015	C-CERA C	CK725F1E-104Z1	1	332161040R1
U005	C7016	C-CERA C	CK725B1H-102K1	1	332101025R1
U005	C7017	C-CERA C	CK725B1H-102K1	1	332101025R1
U005	C7018	C-CERA C	CK725B1H-102K1	1	332101025R1
U005	C7019	C-CERA C	CK725B1H-102K1	1	332101025R1
U005	C7020	C-CERA C	CK725F1E-104Z1	1	332161040R1
U005	C7021	C-CERA C	CK725F1E-104Z1	1	332161040R1
U005	C7022	C-CERA C	CK725F1E-104Z1	1	332161040R1
U005	C7023	C-CERA C	CK725F1E-104Z1	1	332161040R1
U005	C7024	C-CERA C	CK725F1E-104Z1	1	332161040R1
U005	C7025	C-CERA C	CK725F1E-104Z1	1	332161040R1
U005	C7026	C-CERA C	CK725B1H-102K1	1	332101025R1
U005	C7027	C-CERA C	CK725F1E-104Z1	1	332161040R1
U005	C7028	C-CERA C	CK725F1E-104Z1	1	332161040R1
U005	C7029	C-CERA C	CK725F1E-104Z1	1	332161040R1
U005	C7030	UTSP C	CE04W50V 47M(UTSP)	1	397584707T
U005	C7031	UTSP C	CE04W50V 47M(UTSP)	1	397584707T
U005	C7033	C-CERA C	CK725F1E-104Z1	1	332161040R1
U005	C7034	VR C	CE04W16V-100M(VR)	1	394641017T
U005	C7035	C-CERA C	CK725F1E-104Z1	1	332161040R1
U005	C7037	UTSP C	CE04W50V-10M(UTSP)	1	397581007T
U005	C7038	UTSP C	CE04W50V 47M(UTSP)	1	397584707T
U005	C7039	UTSP C	CE04W50V-10M(UTSP)	1	397581007T
U005	C7040	UTSP C	CE04W50V-10M(UTSP)	1	397581007T
U005	C7041	VR C	CE04W16V-100M(VR)	1	394641017T
U005	C7042	UTSP C	CE04W50V-10M(UTSP)	1	397581007T
U005	C7043	VR C	CE04W16V-100M(VR)	1	394641017T
U005	C7044	VR C	CE04W16V-100M(VR)	1	394641017T
U005	C7046	VR C	CE04W16V-100M(VR)	1	394641017T
U005	C7047	C-CERA C	CK725F1E-104Z1	1	332161040R1
U005	C7051	VR C	CE04W16V-100M(VR)	1	394641017T
U005	C7052	UTSP C	CE04W50V-10M(UTSP)	1	397581007T
U005	C7053	VR C	CE04W16V-100M(VR)	1	394641017T
U005	C7054	VR C	CE04W16V-100M(VR)	1	394641017T
U005	C7055	VR C	CE04W16V-100M(VR)	1	394641017T
U005	C7056	C-CERA C	CK725F1A-105Z1	1	332181050R1
U005	C7057	UTSP C	CE04W50V-10M(UTSP)	1	397581007T

U005	C7058	C-CERA C	CK725F1E-104Z1	1	332161040R1	
U005	C7059	VR C	CE04W6.3V-470M(VR)	1	394624717T	
U005	C7060	C-CERA C	CK725F1A-105Z1	1	332181050R1	
U005	C7061	C-CERA C	CK725F1A-105Z1	1	332181050R1	
U005	C7302	VR C	CE04W6.3V-470M(VR)	1	394624717T	<B MDC, B MMP, MMR>
U005	C7303	C-CERA C	CK725F1E-104Z1	1	332161040R1	<B MDC, B MMP, MMR>
U005	C7304	C-CERA C	CK725F1E-104Z1	1	332161040R1	
U005	C7305	C-CERA C	CK725F1A-105Z1	1	332181050R1	
U005	C7306	C-CERA C	CK725F1A-105Z1	1	332181050R1	
U005	C7307	C-CERA C	CK725F1A-105Z1	1	332181050R1	
U005	C7308	C-CERA C	CK725F1A-105Z1	1	332181050R1	
U005	C7309	C-CERA C	CK725F1A-105Z1	1	332181050R1	
U005	C7310	C-CERA C	CK725F1A-105Z1	1	332181050R1	
U005	C7311	C-CERA C	CK725B1H-102K1	1	332101025R1	
U005	C7312	C-CERA C	CK725B1H-102K1	1	332101025R1	
U005	[RESISTOR]					
U005	R1001	C-CARBON R	RN72K1J-103JE	1	435031034R1	
U005	R1002	C-CARBON R	RN72K1J-103JE	1	435031034R1	
U005	R1003	C-CARBON R	RN72K1J-331JE	1	435033314R1	
U005	R1004	C-CARBON R	RN72K1J-331JE	1	435033314R1	
U005	R1005	C-CARBON R	RN72K1J-331JE	1	435033314R1	
U005	R1006	C-CARBON R	RN72K1J-331JE	1	435033314R1	
U005	R1007	C-CARBON R	RN72K1J-331JE	1	435033314R1	
U005	R1008	C-CARBON R	RN72K1J-331JE	1	435033314R1	
U005	R1009	C-CARBON R	RN72K1J-750JE	1	435037504R1	
U005	R1010	C-CARBON R	RN72K1J-750JE	1	435037504R1	
U005	R1011	C-CARBON R	RN72K1J-103JE	1	435031034R1	
U005	R1012	C-CARBON R	RN72K1J-103JE	1	435031034R1	
U005	R1013	C-CARBON R	RN72K1J-331JE	1	435033314R1	
U005	R1014	C-CARBON R	RN72K1J-331JE	1	435033314R1	
U005	R1015	C-CARBON R	RN72K1J-331JE	1	435033314R1	
U005	R1016	C-CARBON R	RN72K1J-331JE	1	435033314R1	
U005	R1017	C-CARBON R	RN72K1J-331JE	1	435033314R1	
U005	R1018	C-CARBON R	RN72K1J-331JE	1	435033314R1	
U005	R1019	C-CARBON R	RN72K1J-470JE	1	435034704R1	
U005	R1020	C-CARBON R	RN72K1J-470JE	1	435034704R1	
U005	R1021	C-CARBON R	RN72K1J-331JE	1	435033314R1	
U005	R1022	C-CARBON R	RN72K1J-331JE	1	435033314R1	
U005	R1023	C-CARBON R	RN72K1J-103JE	1	435031034R1	

U005	R1024	C-CARBON R	RN72K1J-103JE	1	435031034R1
U005	R1025	C-CARBON R	RN72K1J-331JE	1	435033314R1
U005	R1026	C-CARBON R	RN72K1J-331JE	1	435033314R1
U005	R1027	C-CARBON R	RN72K1J-331JE	1	435033314R1
U005	R1028	C-CARBON R	RN72K1J-331JE	1	435033314R1
U005	R1029	C-CARBON R	RN72K1J-331JE	1	435033314R1
U005	R1030	C-CARBON R	RN72K1J-331JE	1	435033314R1
U005	R1031	C-CARBON R	RN72K1J-750JE	1	435037504R1
U005	R1032	C-CARBON R	RN72K1J-750JE	1	435037504R1
U005	R1033	C-CARBON R	RN72K1J-103JE	1	435031034R1
U005	R1034	C-CARBON R	RN72K1J-103JE	1	435031034R1
U005	R1035	C-CARBON R	RN72K1J-331JE	1	435033314R1
U005	R1036	C-CARBON R	RN72K1J-331JE	1	435033314R1
U005	R1037	C-CARBON R	RN72K1J-331JE	1	435033314R1
U005	R1038	C-CARBON R	RN72K1J-331JE	1	435033314R1
U005	R1039	C-CARBON R	RN72K1J-331JE	1	435033314R1
U005	R1040	C-CARBON R	RN72K1J-331JE	1	435033314R1
U005	R1041	C-CARBON R	RN72K1J-470JE	1	435034704R1
U005	R1042	C-CARBON R	RN72K1J-470JE	1	435034704R1
U005	R1043	C-CARBON R	RN72K1J-331JE	1	435033314R1
U005	R1044	C-CARBON R	RN72K1J-331JE	1	435033314R1
U005	R1045	C-CARBON R	RN72K1J-103JE	1	435031034R1
U005	R1046	C-CARBON R	RN72K1J-103JE	1	435031034R1
U005	R1047	C-CARBON R	RN72K1J-331JE	1	435033314R1
U005	R1048	C-CARBON R	RN72K1J-331JE	1	435033314R1
U005	R1049	C-CARBON R	RN72K1J-331JE	1	435033314R1
U005	R1050	C-CARBON R	RN72K1J-331JE	1	435033314R1
U005	R1051	C-CARBON R	RN72K1J-331JE	1	435033314R1
U005	R1052	C-CARBON R	RN72K1J-331JE	1	435033314R1
U005	R1053	C-CARBON R	RN72K1J-750JE	1	435037504R1
U005	R1054	C-CARBON R	RN72K1J-750JE	1	435037504R1
U005	R1055	C-CARBON R	RN72K1J-103JE	1	435031034R1
U005	R1056	C-CARBON R	RN72K1J-103JE	1	435031034R1
U005	R1057	C-CARBON R	RN72K1J-331JE	1	435033314R1
U005	R1058	C-CARBON R	RN72K1J-331JE	1	435033314R1
U005	R1059	C-CARBON R	RN72K1J-331JE	1	435033314R1
U005	R1060	C-CARBON R	RN72K1J-331JE	1	435033314R1
U005	R1061	C-CARBON R	RN72K1J-331JE	1	435033314R1
U005	R1062	C-CARBON R	RN72K1J-331JE	1	435033314R1

U005	R1063	C-CARBON R	RN72K1J-470JE	1	435034704R1	
U005	R1064	C-CARBON R	RN72K1J-470JE	1	435034704R1	
U005	R1065	C-CARBON R	RN72K1J-331JE	1	435033314R1	
U005	R1066	C-CARBON R	RN72K1J-331JE	1	435033314R1	
U005	R11	METAL O R	RS1/2WBJ-22	1	443522204T	<B MDC, B MMP, MMR>
U005	R1200	C-CARBON R	RN72K1J-821JE	1	435038214R1	
U005	R1201	C-CARBON R	RN72K1J-821JE	1	435038214R1	
U005	R1202	C-CARBON R	RN72K1J-821JE	1	435038214R1	
U005	R1203	C-CARBON R	RN72K1J-821JE	1	435038214R1	
U005	R1204	C-CARBON R	RN72K1J-821JE	1	435038214R1	
U005	R1205	C-CARBON R	RN72K1J-821JE	1	435038214R1	
U005	R1206	C-CARBON R	RN72K1J-821JE	1	435038214R1	
U005	R1207	C-CARBON R	RN72K1J-821JE	1	435038214R1	
U005	R1208	C-CARBON R	RN72K1J-821JE	1	435038214R1	
U005	R1209	C-CARBON R	RN72K1J-821JE	1	435038214R1	
U005	R1210	C-CARBON R	RN72K1J-821JE	1	435038214R1	
U005	R1211	C-CARBON R	RN72K1J-821JE	1	435038214R1	
U005	R1212	C-CARBON R	RN72K1J-821JE	1	435038214R1	
U005	R1213	C-CARBON R	RN72K1J-821JE	1	435038214R1	
U005	R1214	C-CARBON R	RN72K1J-821JE	1	435038214R1	
U005	R1215	C-CARBON R	RN72K1J-821JE	1	435038214R1	
U005	R1216	C-CARBON R	RN72K1J-821JE	1	435038214R1	
U005	R1217	C-CARBON R	RN72K1J-821JE	1	435038214R1	
U005	R1218	C-CARBON R	RN72K1J-821JE	1	435038214R1	
U005	R1219	C-CARBON R	RN72K1J-821JE	1	435038214R1	
U005	R1220	C-CARBON R	RN72K1J-271JE	1	435032714R1	<B MDC, B MMP, MMR>
U005	R1221	C-CARBON R	RN72K1J-271JE	1	435032714R1	<B MDC, B MMP, MMR>
U005	R1222	C-CARBON R	RN72K1J-271JE	1	435032714R1	<B MDC, B MMP, MMR>
U005	R1223	C-CARBON R	RN72K1J-271JE	1	435032714R1	<B MDC, B MMP, MMR>
U005	R1224	C-CARBON R	RN72K1J-271JE	1	435032714R1	<B MDC, B MMP, MMR>
U005	R1225	C-CARBON R	RN72K1J-271JE	1	435032714R1	<B MDC, B MMP, MMR>
U005	R1226	C-CARBON R	RN72K1J-271JE	1	435032714R1	<B MDC, B MMP, MMR>
U005	R1227	C-CARBON R	RN72K1J-271JE	1	435032714R1	<B MDC, B MMP, MMR>
U005	R1228	C-CARBON R	RN72K1J-271JE	1	435032714R1	<B MDC, B MMP, MMR>
U005	R1229	C-CARBON R	RN72K1J-271JE	1	435032714R1	<B MDC, B MMP, MMR>
U005	R1230	C-CARBON R	RN72K1J-272JE	1	435032724R1	
U005	R1231	C-CARBON R	RN72K1J-272JE	1	435032724R1	
U005	R1232	C-CARBON R	RN72K1J-272JE	1	435032724R1	
U005	R1233	C-CARBON R	RN72K1J-272JE	1	435032724R1	

U005	R1234	C-CARBON R	RN72K1J-272JE	1	435032724R1	
U005	R1235	C-CARBON R	RN72K1J-272JE	1	435032724R1	
U005	R1236	C-CARBON R	RN72K1J-272JE	1	435032724R1	
U005	R1237	C-CARBON R	RN72K1J-272JE	1	435032724R1	
U005	R1238	C-CARBON R	RN72K1J-272JE	1	435032724R1	
U005	R1239	C-CARBON R	RN72K1J-272JE	1	435032724R1	
U005	R1240	C-CARBON R	RN72K1J-271JE	1	435032714R1	<B MDC, B MMP, MMR>
U005	R1241	C-CARBON R	RN72K1J-271JE	1	435032714R1	<B MDC, B MMP, MMR>
U005	R1242	C-CARBON R	RN72K1J-271JE	1	435032714R1	<B MDC, B MMP, MMR>
U005	R1243	C-CARBON R	RN72K1J-271JE	1	435032714R1	<B MDC, B MMP, MMR>
U005	R1244	C-CARBON R	RN72K1J-271JE	1	435032714R1	<B MDC, B MMP, MMR>
U005	R1245	C-CARBON R	RN72K1J-271JE	1	435032714R1	<B MDC, B MMP, MMR>
U005	R1246	C-CARBON R	RN72K1J-271JE	1	435032714R1	<B MDC, B MMP, MMR>
U005	R1247	C-CARBON R	RN72K1J-271JE	1	435032714R1	<B MDC, B MMP, MMR>
U005	R1248	C-CARBON R	RN72K1J-271JE	1	435032714R1	<B MDC, B MMP, MMR>
U005	R1249	C-CARBON R	RN72K1J-271JE	1	435032714R1	<B MDC, B MMP, MMR>
U005	R1250	C-CARBON R	RN72K1J-272JE	1	435032724R1	
U005	R1251	C-CARBON R	RN72K1J-272JE	1	435032724R1	
U005	R1252	C-CARBON R	RN72K1J-272JE	1	435032724R1	
U005	R1253	C-CARBON R	RN72K1J-272JE	1	435032724R1	
U005	R1254	C-CARBON R	RN72K1J-272JE	1	435032724R1	
U005	R1255	C-CARBON R	RN72K1J-272JE	1	435032724R1	
U005	R1256	C-CARBON R	RN72K1J-272JE	1	435032724R1	
U005	R1257	C-CARBON R	RN72K1J-272JE	1	435032724R1	
U005	R1258	C-CARBON R	RN72K1J-272JE	1	435032724R1	
U005	R1259	C-CARBON R	RN72K1J-272JE	1	435032724R1	
U005	R1260	C-CARBON R	RN72K1J-472JE	1	435034724R1	
U005	R1261	C-CARBON R	RN72K1J-472JE	1	435034724R1	
U005	R1262	C-CARBON R	RN72K1J-472JE	1	435034724R1	
U005	R1263	C-CARBON R	RN72K1J-472JE	1	435034724R1	
U005	R1264	C-CARBON R	RN72K1J-472JE	1	435034724R1	
U005	R1265	C-CARBON R	RN72K1J-472JE	1	435034724R1	
U005	R1266	C-CARBON R	RN72K1J-472JE	1	435034724R1	
U005	R1267	C-CARBON R	RN72K1J-472JE	1	435034724R1	
U005	R1268	C-CARBON R	RN72K1J-472JE	1	435034724R1	
U005	R1269	C-CARBON R	RN72K1J-472JE	1	435034724R1	
U005	R1270	C-CARBON R	RN72K1J-472JE	1	435034724R1	
U005	R1271	C-CARBON R	RN72K1J-472JE	1	435034724R1	
U005	R1272	C-CARBON R	RN72K1J-472JE	1	435034724R1	

U005	R1400	C-CARBON R	RN72K2E-100JE	1	435221004R1	
U005	R1401	C-CARBON R	RN72K2E-100JE	1	435221004R1	
U005	R1402	C-CARBON R	RN72K2E-100JE	1	435221004R1	
U005	R1403	C-CARBON R	RN72K2E-100JE	1	435221004R1	
U005	R1404	C-CARBON R	RN72K2E-100JE	1	435221004R1	
U005	R1405	C-CARBON R	RN72K2E-100JE	1	435221004R1	
U005	R1406	C-CARBON R	RN72K2E-100JE	1	435221004R1	
U005	R1407	C-CARBON R	RN72K2E-100JE	1	435221004R1	
U005	R1408	C-CARBON R	RN72K2E-100JE	1	435221004R1	
U005	R1409	C-CARBON R	RN72K2E-100JE	1	435221004R1	
U005	R1410	C-CARBON R	RN72K1J-821JE	1	435038214R1	
U005	R1411	C-CARBON R	RN72K1J-821JE	1	435038214R1	
U005	R1420	C-CARBON R	RN72K1J-821JE	1	435038214R1	
U005	R1421	C-CARBON R	RN72K1J-821JE	1	435038214R1	
U005	R1430	C-CARBON R	RN72K1J-271JE	1	435032714R1	<B MDC, B MMP, MMR>
U005	R1431	C-CARBON R	RN72K1J-271JE	1	435032714R1	<B MDC, B MMP, MMR>
U005	R1440	C-CARBON R	RN72K1J-272JE	1	435032724R1	
U005	R1441	C-CARBON R	RN72K1J-272JE	1	435032724R1	
U005	R1450	C-CARBON R	RN72K1J-271JE	1	435032714R1	<B MDC, B MMP, MMR>
U005	R1451	C-CARBON R	RN72K1J-271JE	1	435032714R1	<B MDC, B MMP, MMR>
U005	R1460	C-CARBON R	RN72K1J-272JE	1	435032724R1	
U005	R1461	C-CARBON R	RN72K1J-272JE	1	435032724R1	
U005	R1470	C-CARBON R	RN72K1J-472JE	1	435034724R1	
U005	R1471	C-CARBON R	RN72K1J-472JE	1	435034724R1	
U005	R1480	C-CARBON R	RN72K1J-472JE	1	435034724R1	
U005	R1481	C-CARBON R	RN72K1J-472JE	1	435034724R1	
U005	R1490	C-CARBON R	RN72K1J-820JE	1	435038204R1	<B MDC, B MMP, MMR>
U005	R1491	C-CARBON R	RN72K1J-820JE	1	435038204R1	<B MDC, B MMP, MMR>
U005	R1500	C-CARBON R	RN72K1J-820JE	1	435038204R1	<B MDC, B MMP, MMR>
U005	R1501	C-CARBON R	RN72K1J-820JE	1	435038204R1	<B MDC, B MMP, MMR>
U005	R1510	C-CARBON R	RN72K1J-472JE	1	435034724R1	
U005	R1511	C-CARBON R	RN72K1J-472JE	1	435034724R1	
U005	R1520	C-CARBON R	RN72K1J-681JE	1	435036814R1	
U005	R1521	C-CARBON R	RN72K1J-681JE	1	435036814R1	
U005	R1530	C-CARBON R	RN72K1J-472JE	1	435034724R1	
U005	R1531	C-CARBON R	RN72K1J-472JE	1	435034724R1	
U005	R1540	C-CARBON R	RN72K1J-472JE	1	435034724R1	
U005	R1541	C-CARBON R	RN72K1J-472JE	1	435034724R1	
U005	R1550	C-CARBON R	RN72K1J-182JE	1	435031824R1	

U005	R1551	C-CARBON R	RN72K1J-182JE	1	435031824R1
U005	R1560	C-CARBON R	RN72K1J-272JE	1	435032724R1
U005	R1561	C-CARBON R	RN72K1J-272JE	1	435032724R1
U005	R1570	C-CARBON R	RN72K1J-152JE	1	435031524R1
U005	R1571	C-CARBON R	RN72K1J-152JE	1	435031524R1
U005	R1580	C-CARBON R	RN72K1J-102JE	1	435031024R1
U005	R1581	C-CARBON R	RN72K1J-102JE	1	435031024R1
U005	R1590	C-CARBON R	RN72K1J-561JE	1	435035614R1
U005	R1591	C-CARBON R	RN72K1J-561JE	1	435035614R1
U005	R1610	C-CARBON R	RN72K2E-100JE	1	435221004R1
U005	R1611	C-CARBON R	RN72K2E-100JE	1	435221004R1
U005	R1620	C-CARBON R	RN72K1J-103JE	1	435031034R1
U005	R1621	C-CARBON R	RN72K1J-103JE	1	435031034R1
U005	R1622	C-CARBON R	RN72K1J-103JE	1	435031034R1
U005	R1623	C-CARBON R	RN72K1J-103JE	1	435031034R1
U005	R1624	C-CARBON R	RN72K1J-103JE	1	435031034R1
U005	R1625	C-CARBON R	RN72K1J-103JE	1	435031034R1
U005	R1626	C-CARBON R	RN72K1J-103JE	1	435031034R1
U005	R1627	C-CARBON R	RN72K1J-103JE	1	435031034R1
U005	R1628	C-CARBON R	RN72K1J-103JE	1	435031034R1
U005	R1629	C-CARBON R	RN72K1J-103JE	1	435031034R1
U005	R1630	C-CARBON R	RN72K1J-103JE	1	435031034R1
U005	R1631	C-CARBON R	RN72K1J-103JE	1	435031034R1
U005	R1632	C-CARBON R	RN72K1J-103JE	1	435031034R1
U005	R1633	C-CARBON R	RN72K1J-103JE	1	435031034R1
U005	R1634	C-CARBON R	RN72K1J-103JE	1	435031034R1
U005	R1635	C-CARBON R	RN72K1J-103JE	1	435031034R1
U005	R1636	C-CARBON R	RN72K1J-103JE	1	435031034R1
U005	R1637	C-CARBON R	RN72K1J-103JE	1	435031034R1
U005	R1638	C-CARBON R	RN72K1J-103JE	1	435031034R1
U005	R1639	C-CARBON R	RN72K1J-103JE	1	435031034R1
U005	R1640	C-CARBON R	RN72K1J-103JE	1	435031034R1
U005	R1641	C-CARBON R	RN72K1J-103JE	1	435031034R1
U005	R1642	C-CARBON R	RN72K1J-103JE	1	435031034R1
U005	R1643	C-CARBON R	RN72K1J-103JE	1	435031034R1
U005	R1644	C-CARBON R	RN72K1J-103JE	1	435031034R1
U005	R1645	C-CARBON R	RN72K1J-103JE	1	435031034R1
U005	R1646	C-CARBON R	RN72K1J-103JE	1	435031034R1
U005	R1647	C-CARBON R	RN72K1J-103JE	1	435031034R1

U005	R1648	C-CARBON R	RN72K1J-103JE	1	435031034R1	
U005	R1649	C-CARBON R	RN72K1J-103JE	1	435031034R1	
U005	R1660	C-CARBON R	RN72K1J-103JE	1	435031034R1	
U005	R1661	C-CARBON R	RN72K1J-103JE	1	435031034R1	
U005	R1670	C-CARBON R	RN72K1J-103JE	1	435031034R1	
U005	R1671	C-CARBON R	RN72K1J-103JE	1	435031034R1	
U005	R1680	C-CARBON R	RN72K1J-103JE	1	435031034R1	
U005	R1681	C-CARBON R	RN72K1J-103JE	1	435031034R1	
U005	R1682	C-CARBON R	RN72K1J-273JE	1	435032734R1	
U005	R1683	C-CARBON R	RN72K1J-103JE	1	435031034R1	
U005	R1684	C-CARBON R	RN72K1J-273JE	1	435032734R1	
U005	R1685	C-CARBON R	RN72K1J-103JE	1	435031034R1	
U005	R32	METAL O R	RS1/2WBJ-22	1	443522204T	<B MDC, B MMP, MMR>
U005	R3702	C-CARBON R	RN72K1J-750JE	1	435037504R1	
U005	R3703	C-CARBON R	RN72K1J-220JE	1	435032204R1	
U005	R3707	C-CARBON R	RN72K1J-151JE	1	435031514R1	
U005	R3708	C-CARBON R	RN72K1J-151JE	1	435031514R1	
U005	R3709	C-CARBON R	RN72K1J-151JE	1	435031514R1	
U005	R3710	C-CARBON R	RN72K1J-221JE	1	435032214R1	
U005	R3711	C-CARBON R	RN72K1J-151JE	1	435031514R1	
U005	R3712	C-CARBON R	RN72K1J-331JE	1	435033314R1	
U005	R3713	C-CARBON R	RN72K1J-331JE	1	435033314R1	
U005	R3714	C-CARBON R	RN72K1J-151JE	1	435031514R1	
U005	R3715	C-CARBON R	RN72K1J-331JE	1	435033314R1	
U005	R3716	C-CARBON R	RN72K1J-151JE	1	435031514R1	
U005	R3717	C-CARBON R	RN72K1J-331JE	1	435033314R1	
U005	R3719	C-CARBON R	RN72K1J-331JE	1	435033314R1	
U005	R3720	C-CARBON R	RN72K1J-470JE	1	435034704R1	
U005	R3721	C-CARBON R	RN72K1J-331JE	1	435033314R1	
U005	R3722	C-CARBON R	RN72K1J-220JE	1	435032204R1	
U005	R3723	C-CARBON R	RN72K1J-331JE	1	435033314R1	
U005	R3724	C-CARBON R	RN72K1J-331JE	1	435033314R1	
U005	R3725	C-CARBON R	RN72K1J-331JE	1	435033314R1	
U005	R3726	C-CARBON R	RN72K1J-750JE	1	435037504R1	
U005	R3727	C-CARBON R	RN72K1J-220JE	1	435032204R1	
U005	R3728	C-CARBON R	RN72K1J-151JE	1	435031514R1	
U005	R3729	C-CARBON R	RN72K1J-392JE	1	435033924R1	
U005	R3730	C-CARBON R	RN72K1J-392JE	1	435033924R1	
U005	R3731	C-CARBON R	RN72K1J-220JE	1	435032204R1	

U005	R3732	C-CARBON R	RN72K1J-220JE	1	435032204R1
U005	R3733	C-CARBON R	RN72K1J-151JE	1	435031514R1
U005	R3734	C-CARBON R	RN72K1J-220JE	1	435032204R1
U005	R3735	C-CARBON R	RN72K1J-151JE	1	435031514R1
U005	R3736	C-CARBON R	RN72K1J-221JE	1	435032214R1
U005	R3737	C-CARBON R	RN72K1J-151JE	1	435031514R1
U005	R3738	C-CARBON R	RN72K1J-470JE	1	435034704R1
U005	R3739	C-CARBON R	RN72K1J-331JE	1	435033314R1
U005	R3740	C-CARBON R	RN72K1J-152JE	1	435031524R1
U005	R3741	C-CARBON R	RN72K1J-151JE	1	435031514R1
U005	R3742	C-CARBON R	RN72K1J-331JE	1	435033314R1
U005	R3743	C-CARBON R	RN72K1J-151JE	1	435031514R1
U005	R3744	C-CARBON R	RN72K1J-331JE	1	435033314R1
U005	R3745	C-CARBON R	RN72K1J-470JE	1	435034704R1
U005	R3746	C-CARBON R	RN72K1J-331JE	1	435033314R1
U005	R3747	C-CARBON R	RN72K1J-331JE	1	435033314R1
U005	R3748	C-CARBON R	RN72K1J-331JE	1	435033314R1
U005	R3749	C-CARBON R	RN72K1J-331JE	1	435033314R1
U005	R3750	C-CARBON R	RN72K1J-331JE	1	435033314R1
U005	R3751	C-CARBON R	RN72K1J-331JE	1	435033314R1
U005	R3752	C-CARBON R	RN72K1J-331JE	1	435033314R1
U005	R3754	C-CARBON R	RN72K1J-331JE	1	435033314R1
U005	R3755	C-CARBON R	RN72K1J-331JE	1	435033314R1
U005	R3756	C-CARBON R	RN72K1J-331JE	1	435033314R1
U005	R3757	C-CARBON R	RN72K1J-331JE	1	435033314R1
U005	R3758	C-CARBON R	RN72K1J-331JE	1	435033314R1
U005	R3759	C-CARBON R	RN72K1J-331JE	1	435033314R1
U005	R3760	C-CARBON R	RN72K1J-331JE	1	435033314R1
U005	R3761	C-CARBON R	RN72K1J-331JE	1	435033314R1
U005	R3762	C-CARBON R	RN72K1J-331JE	1	435033314R1
U005	R3763	C-CARBON R	RN72K1J-331JE	1	435033314R1
U005	R3765	C-CARBON R	RN72K1J-103JE	1	435031034R1
U005	R3766	C-CARBON R	RN72K1J-331JE	1	435033314R1
U005	R3767	C-CARBON R	RN72K1J-331JE	1	435033314R1
U005	R3768	C-CARBON R	RN72K1J-331JE	1	435033314R1
U005	R3769	C-CARBON R	RN72K1J-470JE	1	435034704R1
U005	R3770	C-CARBON R	RN72K1J-470JE	1	435034704R1
U005	R3771	C-CARBON R	RN72K1J-221JE	1	435032214R1
U005	R3772	C-CARBON R	RN72K1J-470JE	1	435034704R1

U005	R3773	C-CARBON R	RN72K1J-105JE	1	435031054R1
U005	R3774	C-CARBON R	RN72K1J-470JE	1	435034704R1
U005	R3775	C-CARBON R	RN72K1J-470JE	1	435034704R1
U005	R3776	C-CARBON R	RN72K1J-000JE	1	435030004R1
U005	R3777	C-CARBON R	RN72K1J-391JE	1	435033914R1
U005	R3778	C-CARBON R	RN72K1J-391JE	1	435033914R1
U005	R3779	C-CARBON R	RN72K1J-103JE	1	435031034R1
U005	R3780	C-CARBON R	RN72K1J-103JE	1	435031034R1
U005	R3781	C-CARBON R	RN72K1J-103JE	1	435031034R1
U005	R3782	C-CARBON R	RN72K1J-103JE	1	435031034R1
U005	R3783	C-CARBON R	RN72K1J-103JE	1	435031034R1
U005	R3784	C-CARBON R	RN72K1J-103JE	1	435031034R1
U005	R3785	C-CARBON R	RN72K1J-103JE	1	435031034R1
U005	R3786	C-CARBON R	RN72K1J-103JE	1	435031034R1
U005	R3787	C-CARBON R	RN72K1J-103JE	1	435031034R1
U005	R3788	C-CARBON R	RN72K1J-103JE	1	435031034R1
U005	R3789	C-CARBON R	RN72K1J-560JE	1	435035604R1
U005	R3790	C-CARBON R	RN72K1J-560JE	1	435035604R1
U005	R3791	C-CARBON R	RN72K1J-560JE	1	435035604R1
U005	R3792	C-CARBON R	RN72K1J-560JE	1	435035604R1
U005	R3796	C-CARBON R	RN72K1J-103JE	1	435031034R1
U005	R3797	C-CARBON R	RN72K1J-103JE	1	435031034R1
U005	R3798	C-CARBON R	RN72K1J-103JE	1	435031034R1
U005	R3799	C-CARBON R	RN72K1J-103JE	1	435031034R1
U005	R3883	C-CARBON R	RN72K1J-331JE	1	435033314R1
U005	R3884	C-CARBON R	RN72K1J-221JE	1	435032214R1
U005	R3885	C-CARBON R	RN72K1J-103JE	1	435031034R1
U005	R3886	C-CARBON R	RN72K1J-221JE	1	435032214R1
U005	R3887	C-CARBON R	RN72K1J-470JE	1	435034704R1
U005	R3888	C-CARBON R	RN72K1J-470JE	1	435034704R1
U005	R3889	C-CARBON R	RN72K1J-470JE	1	435034704R1
U005	R3890	C-CARBON R	RN72K1J-470JE	1	435034704R1
U005	R3891	C-CARBON R	RN72K1J-470JE	1	435034704R1
U005	R3892	C-CARBON R	RN72K1J-823JE	1	435038234R1
U005	R3893	C-CARBON R	RN72K1J-103JE	1	435031034R1
U005	R3894	C-CARBON R	RN72K1J-103JE	1	435031034R1
U005	R3895	C-CARBON R	RN72K1J-100JE	1	435031004R1
U005	R3896	C-CARBON R	RN72K1J-823JE	1	435038234R1
U005	R3897	C-CARBON R	RN72K1J-750JE	1	435037504R1

U005	R3898	C-CARBON R	RN72K1J-224JE	1	435032244R1	
U005	R3899	C-CARBON R	RN72K1J-103JE	1	435031034R1	
U005	R39	C-CARBON R	RN72K1J-220JE	1	435032204R1	<B MDC>
U005	R3900	C-CARBON R	RN72K1J-823JE	1	435038234R1	
U005	R3901	C-CARBON R	RN72K1J-470JE	1	435034704R1	
U005	R3902	C-CARBON R	RN72K1J-470JE	1	435034704R1	
U005	R3903	C-CARBON R	RN72K1J-103JE	1	435031034R1	
U005	R3904	C-CARBON R	RN72K1J-103JE	1	435031034R1	
U005	R3905	C-CARBON R	RN72K1J-331JE	1	435033314R1	
U005	R3906	C-CARBON R	RN72K1J-331JE	1	435033314R1	
U005	R3907	C-CARBON R	RN72K1J-103JE	1	435031034R1	
U005	R3908	C-CARBON R	RN72K1J-331JE	1	435033314R1	
U005	R3909	C-CARBON R	RN72K1J-470JE	1	435034704R1	<B MDC, B MMP, MMR>
U005	R3910	C-CARBON R	RN72K1J-331JE	1	435033314R1	
U005	R3911	C-CARBON R	RN72K1J-221JE	1	435032214R1	
U005	R3913	C-CARBON R	RN72K1J-750JE	1	435037504R1	
U005	R3914	C-CARBON R	RN72K1J-100JE	1	435031004R1	
U005	R3915	C-CARBON R	RN72K1J-224JE	1	435032244R1	
U005	R3916	C-CARBON R	RN72K1J-470JE	1	435034704R1	
U005	R3917	C-CARBON R	RN72K1J-470JE	1	435034704R1	
U005	R3918	C-CARBON R	RN72K1J-331JE	1	435033314R1	
U005	R3919	C-CARBON R	RN72K1J-331JE	1	435033314R1	
U005	R3920	C-CARBON R	RN72K1J-331JE	1	435033314R1	
U005	R3921	C-CARBON R	RN72K1J-750JE	1	435037504R1	
U005	R3922	C-CARBON R	RN72K1J-224JE	1	435032244R1	
U005	R3923	C-CARBON R	RN72K1J-100JE	1	435031004R1	
U005	R4005	C-CARBON R	RN72K1J-102JE	1	435031024R1	
U005	R4006	C-CARBON R	RN72K1J-102JE	1	435031024R1	
U005	R4007	METAL O R	RS1/2WBJ-2.2K	1	443522224T	
U005	R4008	METAL O R	RS1/2WBJ-2.2K	1	443522224T	
U005	R4009	C-CARBON R	RN72K1J-223JE	1	435032234R1	
U005	R4010	C-CARBON R	RN72K1J-223JE	1	435032234R1	
U005	R4011	C-CARBON R	RN72K1J-224JE	1	435032244R1	
U005	R4012	C-CARBON R	RN72K1J-224JE	1	435032244R1	
U005	R4013	C-CARBON R	RN72K1J-221JE	1	435032214R1	
U005	R4014	C-CARBON R	RN72K1J-221JE	1	435032214R1	
U005	R4015	C-CARBON R	RN72K1J-332JE	1	435033324R1	
U005	R4016	C-CARBON R	RN72K1J-332JE	1	435033324R1	
U005	R4017	C-CARBON R	RN72K1J-220JE	1	435032204R1	

U005	R4018	C-CARBON R	RN72K1J-220JE	1	435032204R1	
U005	R4019	C-CARBON R	RN72K1J-332JE	1	435033324R1	
U005	R4020	C-CARBON R	RN72K1J-332JE	1	435033324R1	
U005	R4021	C-CARBON R	RN72K1J-220JE	1	435032204R1	
U005	R4022	C-CARBON R	RN72K1J-220JE	1	435032204R1	
U005	R4023	C-CARBON R	RN72K1J-272JE	1	435032724R1	
U005	R4024	C-CARBON R	RN72K1J-272JE	1	435032724R1	
U005	R4025	C-CARBON R	RN72K1J-821JE	1	435038214R1	
U005	R4026	C-CARBON R	RN72K1J-821JE	1	435038214R1	
U005	R4027	C-CARBON R	RN72K1J-474JE	1	435034744R1	
U005	R4028	C-CARBON R	RN72K1J-474JE	1	435034744R1	
U005	R4029	C-CARBON R	RN72K1J-393JE	1	435033934R1	
U005	R4030	C-CARBON R	RN72K1J-393JE	1	435033934R1	
U005	R4031	C-CARBON R	RN72K1J-122JE	1	435031224R1	
U005	R4032	C-CARBON R	RN72K1J-122JE	1	435031224R1	
U005	R4033	C-CARBON R	RN72K1J-821JE	1	435038214R1	
U005	R4034	C-CARBON R	RN72K1J-821JE	1	435038214R1	
U005	R4035	C-CARBON R	RN72K1J-224JE	1	435032244R1	
U005	R4036	C-CARBON R	RN72K1J-224JE	1	435032244R1	
U005	R4037	NF CARBON R	R25J-100	1	415471014T	
U005	R4038	NF CARBON R	R25J-100	1	415471014T	
U005	R41	C-CARBON R	RN72K1J-220JE	1	435032204R1	<B MDC>
U005	R43	C-CARBON R	RN72K1J-000JE	1	435030004R1	<B MDC>
U005	R4500	C-CARBON R	RN72K1J-224JE	1	435032244R1	
U005	R4501	C-CARBON R	RN72K1J-224JE	1	435032244R1	
U005	R4502	C-CARBON R	RN72K1J-224JE	1	435032244R1	
U005	R4503	C-CARBON R	RN72K1J-224JE	1	435032244R1	
U005	R4504	C-CARBON R	RN72K1J-224JE	1	435032244R1	
U005	R4505	C-CARBON R	RN72K1J-224JE	1	435032244R1	
U005	R4506	C-CARBON R	RN72K1J-224JE	1	435032244R1	
U005	R4507	C-CARBON R	RN72K1J-224JE	1	435032244R1	
U005	R4508	C-CARBON R	RN72K1J-224JE	1	435032244R1	
U005	R4509	C-CARBON R	RN72K1J-224JE	1	435032244R1	
U005	R4510	C-CARBON R	RN72K1J-224JE	1	435032244R1	
U005	R4511	C-CARBON R	RN72K1J-224JE	1	435032244R1	
U005	R4512	C-CARBON R	RN72K1J-224JE	1	435032244R1	
U005	R4513	C-CARBON R	RN72K1J-224JE	1	435032244R1	
U005	R4514	C-CARBON R	RN72K1J-224JE	1	435032244R1	
U005	R4515	C-CARBON R	RN72K1J-224JE	1	435032244R1	

U005	R4516	C-CARBON R	RN72K1J-224JE	1	435032244R1	
U005	R4517	C-CARBON R	RN72K1J-224JE	1	435032244R1	
U005	R4518	C-CARBON R	RN72K1J-224JE	1	435032244R1	
U005	R4519	C-CARBON R	RN72K1J-224JE	1	435032244R1	
U005	R4520	C-CARBON R	RN72K1J-224JE	1	435032244R1	
U005	R4521	C-CARBON R	RN72K1J-224JE	1	435032244R1	
U005	R4522	METAL O R	RS1/2WBJ-22	1	443522204T	
U005	R4523	METAL O R	RS1/2WBJ-22	1	443522204T	
U005	R49	C-CARBON R	RN72K1J-223JE	1	435032234R1	<B MDC, B MMP, MMR>
U005	R4900	C-CARBON R	RN72K1J-224JE	1	435032244R1	
U005	R4901	C-CARBON R	RN72K1J-224JE	1	435032244R1	
U005	R4902	C-CARBON R	RN72K1J-224JE	1	435032244R1	<B MDC, B MMP, MMR>
U005	R4903	C-CARBON R	RN72K1J-224JE	1	435032244R1	<B MDC, B MMP, MMR>
U005	R4904	METAL R	RNU1/2WCJ-4.7	1	453530474T	
U005	R4905	METAL R	RNU1/2WCJ-4.7	1	453530474T	
U005	R4906	C-CARBON R	RN72K1J-471JE	1	435034714R1	
U005	R4907	C-CARBON R	RN72K1J-471JE	1	435034714R1	
U005	R4908	C-CARBON R	RN72K1J-472JE	1	435034724R1	
U005	R4909	C-CARBON R	RN72K1J-472JE	1	435034724R1	
U005	R4910	C-CARBON R	RN72K1J-103JE	1	435031034R1	
U005	R4911	C-CARBON R	RN72K1J-103JE	1	435031034R1	
U005	R4912	C-CARBON R	RN72K1J-471JE	1	435034714R1	<B MDC, B MMP, MMR>
U005	R4913	C-CARBON R	RN72K1J-471JE	1	435034714R1	<B MDC, B MMP, MMR>
U005	R4914	C-CARBON R	RN72K1J-472JE	1	435034724R1	<B MDC, B MMP, MMR>
U005	R4915	C-CARBON R	RN72K1J-472JE	1	435034724R1	<B MDC, B MMP, MMR>
U005	R4916	C-CARBON R	RN72K1J-103JE	1	435031034R1	<B MDC, B MMP, MMR>
U005	R4917	C-CARBON R	RN72K1J-103JE	1	435031034R1	<B MDC, B MMP, MMR>
U005	R4951	C-CARBON R	RN72K1J-224JE	1	435032244R1	<B MDC, B MMP, MMR>
U005	R4952	C-CARBON R	RN72K1J-224JE	1	435032244R1	<B MDC, B MMP, MMR>
U005	R4953	C-CARBON R	RN72K1J-224JE	1	435032244R1	<B MDC, B MMP, MMR>
U005	R4954	C-CARBON R	RN72K1J-224JE	1	435032244R1	<B MDC, B MMP, MMR>
U005	R4967	METAL O R	RS1/2WBJ-22	1	443522204T	<B MDC, B MMP, MMR>
U005	R4968	METAL O R	RS1/2WBJ-22	1	443522204T	<B MDC, B MMP, MMR>
U005	R4969	METAL O R	RS1/2WBJ-470	1	443524714T	
U005	R4970	METAL O R	RS1/2WBJ-470	1	443524714T	<B MDC, B MMP, MMR>
U005	R50	C-CARBON R	RN72K1J-223JE	1	435032234R1	<B MDC, B MMP, MMR>
U005	R51	C-CARBON R	RN72K1J-223JE	1	435032234R1	<B MDC, B MMP, MMR>
U005	R52	C-CARBON R	RN72K1J-223JE	1	435032234R1	<B MDC, B MMP, MMR>
U005	R53	C-CARBON R	RN72K1J-223JE	1	435032234R1	<B MDC, B MMP, MMR>

U005	R54	C-CARBON R	RN72K1J-223JE	1	435032234R1	<B MDC, B MMP, MMR>
U005	R55	C-CARBON R	RN72K1J-223JE	1	435032234R1	<B MDC, B MMP, MMR>
U005	R56	C-CARBON R	RN72K1J-223JE	1	435032234R1	<B MDC, B MMP, MMR>
U005	R57	C-CARBON R	RN72K1J-103JE	1	435031034R1	<B MDC>
U005	R58	C-CARBON R	RN72K1J-103JE	1	435031034R1	<B MDC>
U005	R59	C-CARBON R	RN72K1J-103JE	1	435031034R1	<B MDC>
U005	R60	C-CARBON R	RN72K1J-103JE	1	435031034R1	<B MDC>
U005	R61	C-CARBON R	RN72K1J-103JE	1	435031034R1	<B MDC>
U005	R62	C-CARBON R	RN72K1J-103JE	1	435031034R1	<B MDC>
U005	R63	C-CARBON R	RN72K1J-103JE	1	435031034R1	<B MDC>
U005	R64	C-CARBON R	RN72K1J-103JE	1	435031034R1	<B MDC>
U005	R7001	C-CARBON R	RN72K1J-222JE	1	435032224R1	
U005	R7002	C-CARBON R	RN72K1J-000JE	1	435030004R1	
U005	R7003	C-CARBON R	RN72K1J-000JE	1	435030004R1	
U005	R7004	C-CARBON R	RN72K1J-102JE	1	435031024R1	
U005	R7005	C-CARBON R	RN72K1J-222JE	1	435032224R1	
U005	R7006	C-CARBON R	RN72K1J-101JE	1	435031014R1	
U005	R7007	C-CARBON R	RN72K1J-102JE	1	435031024R1	
U005	R7008	C-CARBON R	RN72K1J-103JE	1	435031034R1	<B MDC>
U005	R7009	C-CARBON R	RN72K1J-224JE	1	435032244R1	
U005	R7010	C-CARBON R	RN72K1J-222JE	1	435032224R1	
U005	R7011	C-CARBON R	RN72K1J-103JE	1	435031034R1	
U005	R7012	C-CARBON R	RN72K1J-102JE	1	435031024R1	
U005	R7013	C-CARBON R	RN72K1J-103JE	1	435031034R1	
U005	R7014	C-CARBON R	RN72K1J-103JE	1	435031034R1	
U005	R7015	C-CARBON R	RN72K1J-103JE	1	435031034R1	
U005	R7016	C-CARBON R	RN72K1J-103JE	1	435031034R1	
U005	R7017	C-CARBON R	RN72K1J-103JE	1	435031034R1	
U005	R7018	C-CARBON R	RN72K1J-103JE	1	435031034R1	
U005	R7019	C-CARBON R	RN72K1J-103JE	1	435031034R1	
U005	R7020	C-CARBON R	RN72K1J-103JE	1	435031034R1	
U005	R7021	C-CARBON R	RN72K1J-273JE	1	435032734R1	
U005	R7022	C-CARBON R	RN72K1J-103JE	1	435031034R1	
U005	R7023	C-CARBON R	RN72K1J-103JE	1	435031034R1	
U005	R7024	C-CARBON R	RN72K1J-103JE	1	435031034R1	
U005	R7025	C-CARBON R	RN72K1J-470JE	1	435034704R1	
U005	R7026	C-CARBON R	RN72K1J-470JE	1	435034704R1	
U005	R7027	C-CARBON R	RN72K1J-470JE	1	435034704R1	
U005	R7028	C-CARBON R	RN72K1J-470JE	1	435034704R1	

U005	R7029	C-CARBON R	RN72K1J-103JE	1	435031034R1	
U005	R7030	C-CARBON R	RN72K1J-103JE	1	435031034R1	
U005	R7031	C-CARBON R	RN72K1J-222JE	1	435032224R1	
U005	R7032	C-CARBON R	RN72K1J-101JE	1	435031014R1	
U005	R7033	C-CARBON R	RN72K1J-470JE	1	435034704R1	
U005	R7034	C-CARBON R	RN72K1J-470JE	1	435034704R1	
U005	R7035	C-CARBON R	RN72K1J-470JE	1	435034704R1	
U005	R7036	C-CARBON R	RN72K1J-221JE	1	435032214R1	
U005	R7037	C-CARBON R	RN72K1J-470JE	1	435034704R1	
U005	R7044	C-CARBON R	RN72K1J-221JE	1	435032214R1	
U005	R7045	C-CARBON R	RN72K1J-221JE	1	435032214R1	
U005	R7046	C-CARBON R	RN72K1J-470JE	1	435034704R1	
U005	R7047	C-CARBON R	RN72K1J-470JE	1	435034704R1	
U005	R7048	C-CARBON R	RN72K1J-470JE	1	435034704R1	
U005	R7049	C-CARBON R	RN72K1J-470JE	1	435034704R1	
U005	R7050	C-CARBON R	RN72K1J-470JE	1	435034704R1	
U005	R7051	C-CARBON R	RN72K1J-470JE	1	435034704R1	
U005	R7052	C-CARBON R	RN72K1J-470JE	1	435034704R1	
U005	R7053	C-CARBON R	RN72K1J-470JE	1	435034704R1	
U005	R7054	C-CARBON R	RN72K1J-470JE	1	435034704R1	
U005	R7055	C-CARBON R	RN72K1J-470JE	1	435034704R1	
U005	R7056	C-CARBON R	RN72K1J-470JE	1	435034704R1	
U005	R7057	C-CARBON R	RN72K1J-470JE	1	435034704R1	
U005	R7058	C-CARBON R	RN72K1J-221JE	1	435032214R1	
U005	R7059	C-CARBON R	RN72K1J-221JE	1	435032214R1	<B MMP, MMR>
U005	R7060	C-CARBON R	RN72K1J-470JE	1	435034704R1	
U005	R7061	C-CARBON R	RN72K1J-272JE	1	435032724R1	
U005	R7063	C-CARBON R	RN72K1J-273JE	1	435032734R1	
U005	R7070	C-CARBON R	RN72K1J-103JE	1	435031034R1	
U005	R7071	C-CARBON R	RN72K1J-103JE	1	435031034R1	
U005	R7072	C-CARBON R	RN72K1J-103JE	1	435031034R1	
U005	R7074	C-CARBON R	RN72K1J-103JE	1	435031034R1	
U005	R7075	C-CARBON R	RN72K1J-103JE	1	435031034R1	
U005	R7076	C-CARBON R	RN72K1J-472JE	1	435034724R1	
U005	R7077	C-CARBON R	RN72K1J-103JE	1	435031034R1	
U005	R7078	C-CARBON R	RN72K1J-102JE	1	435031024R1	
U005	R7079	C-CARBON R	RN72K1J-103JE	1	435031034R1	
U005	R7080	C-CARBON R	RN72K1J-103JE	1	435031034R1	
U005	R7081	C-CARBON R	RN72K1J-103JE	1	435031034R1	

U005	R7082	C-CARBON R	RN72K1J-272JE	1	435032724R1
U005	R7083	C-CARBON R	RN72K1J-272JE	1	435032724R1
U005	R7084	C-CARBON R	RN72K1J-272JE	1	435032724R1
U005	R7088	C-CARBON R	RN72K1J-221JE	1	435032214R1
U005	R7089	C-CARBON R	RN72K1J-103JE	1	435031034R1
U005	R7090	C-CARBON R	RN72K1J-470JE	1	435034704R1
U005	R7091	C-CARBON R	RN72K1J-470JE	1	435034704R1
U005	R7092	C-CARBON R	RN72K1J-470JE	1	435034704R1
U005	R7093	C-CARBON R	RN72K1J-470JE	1	435034704R1
U005	R7094	C-CARBON R	RN72K1J-470JE	1	435034704R1
U005	R7095	C-CARBON R	RN72K1J-470JE	1	435034704R1
U005	R7096	C-CARBON R	RN72K1J-102JE	1	435031024R1
U005	R7097	C-CARBON R	RN72K1J-470JE	1	435034704R1
U005	R7098	C-CARBON R	RN72K1J-470JE	1	435034704R1
U005	R7099	C-CARBON R	RN72K1J-222JE	1	435032224R1
U005	R7100	C-CARBON R	RN72K1J-470JE	1	435034704R1
U005	R7101	C-CARBON R	RN72K1J-221JE	1	435032214R1
U005	R7102	C-CARBON R	RN72K1J-470JE	1	435034704R1
U005	R7103	C-CARBON R	RN72K1J-221JE	1	435032214R1
U005	R7104	C-CARBON R	RN72K1J-470JE	1	435034704R1
U005	R7106	C-CARBON R	RN72K1J-470JE	1	435034704R1
U005	R7108	C-CARBON R	RN72K1J-470JE	1	435034704R1
U005	R7110	C-CARBON R	RN72K1J-470JE	1	435034704R1
U005	R7112	C-CARBON R	RN72K1J-470JE	1	435034704R1
U005	R7114	C-CARBON R	RN72K1J-470JE	1	435034704R1
U005	R7116	C-CARBON R	RN72K1J-470JE	1	435034704R1
U005	R7117	C-CARBON R	RN72K1J-470JE	1	435034704R1
U005	R7118	C-CARBON R	RN72K1J-470JE	1	435034704R1
U005	R7119	C-CARBON R	RN72K1J-470JE	1	435034704R1
U005	R7120	C-CARBON R	RN72K1J-470JE	1	435034704R1
U005	R7121	C-CARBON R	RN72K1J-470JE	1	435034704R1
U005	R7122	C-CARBON R	RN72K1J-103JE	1	435031034R1
U005	R7123	C-CARBON R	RN72K1J-473JE	1	435034734R1
U005	R7124	C-CARBON R	RN72K1J-102JE	1	435031024R1
U005	R7125	C-CARBON R	RN72K1J-000JE	1	435030004R1
U005	R7126	C-CARBON R	RN72K1J-470JE	1	435034704R1
U005	R7127	C-CARBON R	RN72K1J-000JE	1	435030004R1
U005	R7128	C-CARBON R	RN72K1J-221JE	1	435032214R1
U005	R7129	C-CARBON R	RN72K1J-470JE	1	435034704R1

U005	R7130	C-CARBON R	RN72K1J-221JE	1	435032214R1	
U005	R7131	C-CARBON R	RN72K1J-221JE	1	435032214R1	
U005	R7132	C-CARBON R	RN72K1J-221JE	1	435032214R1	
U005	R7134	C-CARBON R	RN72K1J-221JE	1	435032214R1	
U005	R7135	C-CARBON R	RN72K1J-470JE	1	435034704R1	
U005	R7136	C-CARBON R	RN72K1J-103JE	1	435031034R1	
U005	R7137	C-CARBON R	RN72K1J-221JE	1	435032214R1	
U005	R7138	C-CARBON R	RN72K1J-470JE	1	435034704R1	
U005	R7140	C-CARBON R	RN72K1J-470JE	1	435034704R1	
U005	R7141	C-CARBON R	RN72K1J-470JE	1	435034704R1	
U005	R7143	C-CARBON R	RN72K1J-470JE	1	435034704R1	
U005	R7144	C-CARBON R	RN72K1J-221JE	1	435032214R1	
U005	R7145	C-CARBON R	RN72K1J-221JE	1	435032214R1	
U005	R7146	C-CARBON R	RN72K1J-103JE	1	435031034R1	
U005	R7147	C-CARBON R	RN72K1J-221JE	1	435032214R1	
U005	R7148	C-CARBON R	RN72K1J-470JE	1	435034704R1	
U005	R7149	C-CARBON R	RN72K1J-473JE	1	435034734R1	
U005	R7150	C-CARBON R	RN72K1J-221JE	1	435032214R1	
U005	R7151	C-CARBON R	RN72K1J-470JE	1	435034704R1	
U005	R7152	C-CARBON R	RN72K1J-221JE	1	435032214R1	
U005	R7153	C-CARBON R	RN72K1J-470JE	1	435034704R1	
U005	R7154	C-CARBON R	RN72K1J-333JE	1	435033334R1	<B MDC, B MMP, MMR>
U005	R7155	C-CARBON R	RN72K1J-103JE	1	435031034R1	<B MDC, B MMP, MMR>
U005	R7156	C-CARBON R	RN72K1J-470JE	1	435034704R1	
U005	R7157	C-CARBON R	RN72K1J-103JE	1	435031034R1	<B MDC, B MMP, MMR>
U005	R7158	C-CARBON R	RN72K1J-473JE	1	435034734R1	
U005	R7159	C-CARBON R	RN72K1J-333JE	1	435033334R1	<B MDC, B MMP, MMR>
U005	R7160	C-CARBON R	RN72K1J-221JE	1	435032214R1	
U005	R7162	C-CARBON R	RN72K1J-000JE	1	435030004R1	<B MDC, B MMP, MMR>
U005	R7163	C-CARBON R	RN72K1J-103JE	1	435031034R1	<B MMP, MMR>
U005	R7163	C-CARBON R	RN72K1J-333JE	1	435033334R1	<B MDC>
U005	R7164	C-CARBON R	RN72K1J-103JE	1	435031034R1	<B MMP, MMR>
U005	R7164	C-CARBON R	RN72K1J-472JE	1	435034724R1	<B MDC>
U005	R7165	C-CARBON R	RN72K1J-472JE	1	435034724R1	
U005	R7166	C-CARBON R	RN72K1J-472JE	1	435034724R1	
U005	R7167	C-CARBON R	RN72K1J-472JE	1	435034724R1	
U005	R7168	C-CARBON R	RN72K1J-472JE	1	435034724R1	
U005	R7169	C-CARBON R	RN72K1J-472JE	1	435034724R1	
U005	R7170	C-CARBON R	RN72K1J-472JE	1	435034724R1	

U005	R7171	C-CARBON R	RN72K1J-272JE	1	435032724R1	
U005	R7172	C-CARBON R	RN72K1J-272JE	1	435032724R1	
U005	R7173	C-CARBON R	RN72K1J-272JE	1	435032724R1	
U005	R7174	C-CARBON R	RN72K1J-272JE	1	435032724R1	
U005	R7175	C-CARBON R	RN72K1J-272JE	1	435032724R1	
U005	R7176	C-CARBON R	RN72K1J-272JE	1	435032724R1	
U005	R7177	C-CARBON R	RN72K1J-272JE	1	435032724R1	
U005	R7178	C-CARBON R	RN72K1J-272JE	1	435032724R1	
U005	R7180	C-CARBON R	RN72K1J-470JE	1	435034704R1	
U005	R7181	C-CARBON R	RN72K1J-102JE	1	435031024R1	
U005	R7182	C-CARBON R	RN72K1J-470JE	1	435034704R1	
U005	R7183	C-CARBON R	RN72K1J-000JE	1	435030004R1	
U005	R7184	C-CARBON R	RN72K1J-221JE	1	435032214R1	
U005	R7185	C-CARBON R	RN72K1J-221JE	1	435032214R1	
U005	R7186	C-CARBON R	RN72K1J-221JE	1	435032214R1	
U005	R7187	C-CARBON R	RN72K1J-221JE	1	435032214R1	
U005	R7188	C-CARBON R	RN72K1J-470JE	1	435034704R1	
U005	R7189	C-CARBON R	RN72K1J-470JE	1	435034704R1	
U005	R7190	C-CARBON R	RN72K1J-470JE	1	435034704R1	
U005	R7191	C-CARBON R	RN72K1J-470JE	1	435034704R1	
U005	R7192	C-CARBON R	RN72K1J-470JE	1	435034704R1	
U005	R7193	C-CARBON R	RN72K1J-470JE	1	435034704R1	
U005	R7194	C-CARBON R	RN72K1J-221JE	1	435032214R1	
U005	R7195	C-CARBON R	RN72K1J-000JE	1	435030004R1	
U005	R7196	C-CARBON R	RN72K1J-000JE	1	435030004R1	
U005	R7197	C-CARBON R	RN72K1J-221JE	1	435032214R1	<B MMP, MMR>
U005	R7198	C-CARBON R	RN72K1J-470JE	1	435034704R1	
U005	R7199	C-CARBON R	RN72K1J-221JE	1	435032214R1	
U005	R7200	C-CARBON R	RN72K1J-103JE	1	435031034R1	
U005	R7202	C-CARBON R	RN72K1J-103JE	1	435031034R1	
U005	R7203	C-CARBON R	RN72K1J-103JE	1	435031034R1	
U005	R7204	C-CARBON R	RN72K1J-103JE	1	435031034R1	
U005	R7205	C-CARBON R	RN72K1J-103JE	1	435031034R1	
U005	R7206	C-CARBON R	RN72K1J-103JE	1	435031034R1	
U005	R7207	C-CARBON R	RN72K1J-103JE	1	435031034R1	
U005	R7208	C-CARBON R	RN72K1J-103JE	1	435031034R1	
U005	R7209	C-CARBON R	RN72K1J-103JE	1	435031034R1	
U005	R7210	C-CARBON R	RN72K1J-103JE	1	435031034R1	
U005	R7211	C-CARBON R	RN72K1J-103JE	1	435031034R1	

U005	R7212	C-CARBON R	RN72K1J-103JE	1	435031034R1	
U005	R7213	C-CARBON R	RN72K1J-473JE	1	435034734R1	
U005	R7214	C-CARBON R	RN72K1J-103JE	1	435031034R1	
U005	R7215	C-CARBON R	RN72K1J-224JE	1	435032244R1	
U005	R7216	C-CARBON R	RN72K1J-224JE	1	435032244R1	
U005	R7225	C-CARBON R	RN72K1J-103JE	1	435031034R1	
U005	R7228	C-CARBON R	RN72K1J-103JE	1	435031034R1	
U005	R7232	C-CARBON R	RN72K1J-473JE	1	435034734R1	
U005	R7233	C-CARBON R	RN72K1J-470JE	1	435034704R1	
U005	R7234	C-CARBON R	RN72K1J-103JE	1	435031034R1	<B MDC>
U005	R7235	C-CARBON R	RN72K1J-103JE	1	435031034R1	
U005	R7237	C-CARBON R	RN72K1J-103JE	1	435031034R1	
U005	R7238	C-CARBON R	RN72K1J-562JE	1	435035624R1	<B MDC, B MMP, MMR>
U005	R7239	C-CARBON R	RN72K1J-470JE	1	435034704R1	
U005	R7240	C-CARBON R	RN72K1J-470JE	1	435034704R1	
U005	R7241	C-CARBON R	RN72K1J-470JE	1	435034704R1	
U005	R7242	C-CARBON R	RN72K1J-470JE	1	435034704R1	
U005	R7243	C-CARBON R	RN72K1J-221JE	1	435032214R1	
U005	R7244	C-CARBON R	RN72K1J-103JE	1	435031034R1	
U005	R7245	C-CARBON R	RN72K1J-103JE	1	435031034R1	
U005	R7246	C-CARBON R	RN72K1J-470JE	1	435034704R1	
U005	R7247	C-CARBON R	RN72K1J-470JE	1	435034704R1	
U005	R7248	C-CARBON R	RN72K1J-470JE	1	435034704R1	
U005	R7249	C-CARBON R	RN72K1J-103JE	1	435031034R1	
U005	R7251	C-CARBON R	RN72K1J-104JE	1	435031044R1	
U005	R7254	C-CARBON R	RN72K1J-104JE	1	435031044R1	
U005	R7255	C-CARBON R	RN72K1J-473JE	1	435034734R1	
U005	R7256	C-CARBON R	RN72K1J-473JE	1	435034734R1	
U005	R7257	C-CARBON R	RN72K1J-473JE	1	435034734R1	
U005	R7258	C-CARBON R	RN72K1J-473JE	1	435034734R1	
U005	R7259	C-CARBON R	RN72K1J-473JE	1	435034734R1	
U005	R7261	C-CARBON R	RN72K1J-473JE	1	435034734R1	
U005	R7262	C-CARBON R	RN72K1J-000JE	1	435030004R1	<B MDC, B MMP, MMR>
U005	R7264	METAL O R	RS1/2WBJ-10	1	443521004T	
U005	R7268	METAL R	RNU1/2WCJ-8.2	1	453530824T	
U005	R7269	METAL R	RNU1/2WCJ-8.2	1	453530824T	
U005	R7270	C-CARBON R	RN72K1J-470JE	1	435034704R1	
U005	R7273	C-CARBON R	RN72K1J-102JE	1	435031024R1	
U005	R7274	C-CARBON R	RN72K1J-222JE	1	435032224R1	

U005	R7275	C-CARBON R	RN72K1J-102JE	1	435031024R1	
U005	R7276	C-CARBON R	RN72K1J-222JE	1	435032224R1	
U005	R7285	C-CARBON R	RN72K1J-470JE	1	435034704R1	
U005	R7286	C-CARBON R	RN72K1J-221JE	1	435032214R1	
U005	R7289	C-CARBON R	RN72K1J-470JE	1	435034704R1	
U005	R7290	C-CARBON R	RN72K1J-470JE	1	435034704R1	
U005	R7291	C-CARBON R	RN72K1J-470JE	1	435034704R1	
U005	R7292	C-CARBON R	RN72K1J-470JE	1	435034704R1	
U005	R7293	C-CARBON R	RN72K1J-221JE	1	435032214R1	
U005	R7294	C-CARBON R	RN72K1J-103JE	1	435031034R1	
U005	R7295	C-CARBON R	RN72K1J-470JE	1	435034704R1	
U005	R7296	C-CARBON R	RN72K1J-470JE	1	435034704R1	
U005	R7297	C-CARBON R	RN72K1J-470JE	1	435034704R1	
U005	R7299	C-CARBON R	RN72K1J-221JE	1	435032214R1	
U005	R7300	METAL O R	RS1/2WBJ-10	1	443521004T	
U005	R7302	C-CARBON R	RN72K1J-470JE	1	435034704R1	<B MDC, B MMP, MMR>
U005	R7303	C-CARBON R	RN72K1J-470JE	1	435034704R1	<B MDC, B MMP, MMR>
U005	R7304	C-CARBON R	RN72K1J-100JE	1	435031004R1	<B MDC, B MMP, MMR>
U005	R7305	C-CARBON R	RN72K1J-000JE	1	435030004R1	<B MDC, B MMP, MMR>
U005	R7306	C-CARBON R	RN72K1J-000JE	1	435030004R1	<B MDC, B MMP, MMR>
U005	R7307	C-CARBON R	RN72K1J-273JE	1	435032734R1	
U005	R7308	C-CARBON R	RN72K1J-273JE	1	435032734R1	
U005	R7309	C-CARBON R	RN72K1J-273JE	1	435032734R1	
U005	R7311	C-CARBON R	RN72K1J-473JE	1	435034734R1	
U005	R7314	C-CARBON R	RN72K1J-273JE	1	435032734R1	<B MDC, B MMP, MMR>
U005	R7315	C-CARBON R	RN72K1J-823JE	1	435038234R1	<B MDC, B MMP, MMR>
U005	R7318	C-CARBON R	RN72K1J-102JE	1	435031024R1	
U005	R8030	C-CARBON R	RN72K1J-105JE	1	435031054R1	<B MDC, B MMP, MMR>
U005	R8031	C-CARBON R	RN72K1J-105JE	1	435031054R1	<B MDC, B MMP, MMR>
U005	R8032	C-CARBON R	RN72K1J-105JE	1	435031054R1	<B MDC, B MMP, MMR>
U005	R8033	C-CARBON R	RN72K1J-105JE	1	435031054R1	<B MDC, B MMP, MMR>
U005	[SW TRM]					
U005	E1A	TRM	NTM-1P233(M1969)	1	25060302	
U005	E2	TRM-423(SCREW)	NEJITANSI ST3	1	25060495	
U005	JL3889A	WIRE HOL	NSCT-5P896	1	25051109	
U005	JL9501A	WIRE HOL	NSCT-7P898	1	25051111	
U005	P1010	PLUG	IMSA-9201B-1-06Z388-PT1	1	25056614	
U005	P103A	PLUG	NPLG-11P0966	1	25056016	
U005	P104A	PLUG	NPLG-7P0962	1	25056012	

U005	P105A	PLUG	NPLG-7P0962	1	25056012	
U005	P106B	SOCKET	NSCT-11P2104	1	25052207	<B MDC, B MMP, MMR>
U005	P107A	PLUG	NPLG-11P0966	1	25056016	
U005	P2103B	SOCKET	IMSA-9142S-18A	1	25053231	
U005	P2104B	SOCKET	IMSA-9142S-20A	1	25053232	
U005	P3101A	PLUG	IMSA-9142B-26A	1	25056603	
U005	P3605B	SOCKET	IMSA-9142S-18A	1	25053231	
U005	P3606B	SOCKET	IMSA-9142S-8A	1	25053226	
U005	P3607B	SOCKET	IMSA-9142S-16A	1	25053230	
U005	P3608B	SOCKET	IMSA-9142S-18A	1	25053231	
U005	P3704	TRM-423(SCREW)	NEJITANSI ST3	1	25060495	
U005	P3705	TRM-423(SCREW)	NEJITANSI ST3	1	25060495	
U005	P3885A	PLUG	NPLG-11P0966	1	25056016	
U005	P3885B	SOCKET	NSCT-11P2191	1	25052294	
U005	P3886	PIN JACK	NPJ-3PDO431	1	25045624	<B MDC, B MMP, MMR>
U005	P3886 or	PIN JACK	NPJ-3PDO657	(1)	25045885	<B MDC, B MMP, MMR>
U005	P3887	SOCKET	MDS-09P-V-01(DSUB9P)	1	25053363	
U005	P3888	ST JACK	MSJ-035-22	1	25045887	
U005	P3888 or	JACK	YKB21-5130	(1)	25045387	
U005	P4002B	SOCKET	NSCT-9P1024	1	25051234	
U005	P4003	TRM	NTM-1P233(M1969)	1	25060302	
U005	P4008B	SOCKET	NSCT-9P2102	1	25052205	N
U005	P4009B	SOCKET	NSCT-15P2108	1	25052211	
U005	P4020B	SOCKET	9210B-1-13Z140-PT1	1	25053364	N
U005	P4021B	SOCKET	9210B-1-13Z140-PT1	1	25053364	N
U005	P6851A	PLUG	IMSA-9142B-26A	1	25056603	
U005	P6853A	SOCKET	NSCT-9P2189	1	25052292	
U005	P7003B	SOCKET	IMSA-9618S-09A	1	25053334R2	
U005	P7009B	SOCKET	IMSA-9142S-18A	1	25053231	
U005	P7010B	SOCKET	IMSA-9142S-26A	1	25053235	
U005	P7012	TRM-423(SCREW)	NEJITANSI ST3	1	25060495	
U005	P7210B	PLUG	NPLG-11P358	1	25055375	<B MDC, B MMP, MMR>
U005	P7501A	PLUG	A2545WR2-2x20P(IDE40SIDE)	1	25056643	
U005	P8	SOCKET	2MJ-3516-002	1	25053355	<B MDC>
U005	P8000	SOCKET	MDS-15P-V02(DSUB15)	1	25053362	<B MDC, B MMP, MMR>
U005	P8002A	SOCKET	NSCT-11P2402	1	25052505	<B MDC, B MMP, MMR>
U005	S3701	SLIDE SW	SSSS213000	1	25060497	
U005	[TUNER UNIT]					
U005	U3884	PHT CP	JSR1165-001recieving	1	24120143	

U005	U3885	PHT CP	JSR1165-001recieving	1	24120143	
U005	U3886	PHT CP	JSR1165-001recieving	1	24120143	<B MDC, B MMP, MMR>

U006	U006	U0060 + U0061 + U0062 + U0063 + U0064 + U0065 + U0066 + U0067 + U0068 + U0069 + U00610				
U006	U0060	DISPLAY PC BOARD	BADIS-0135-2E/ 2F			
U006	U0061	LED PC BOARD	BASW-0136-2E/ 2F			
U006	U00610	HOLDER PC BOARD	BAETC-0128-2E/ 2F			
U006	U0062	PHONE JACK PC BOARD	BAETC-0137-2E/ 2F			
U006	U0063	FRONT OPT IN PC BOARD	BAETC-0138-2E/ 2F			
U006	U0064	VOLUME PC BOARD	BAETC-0139-2E/ 2F			
U006	U0065	DG POWER SUPPLY PC BOARD	BAPS-0140-2E/ 2F			
U006	U0066	HOLDER PC BOARD	BAETC-0144-2E/ 2F			
U006	U0067	HOLDER PC BOARD	BAETC-0145-2E/ 2F			
U006	U0068	HOLDER PC BOARD	BAETC-0142-2E/ 2F			
U006	U0069	POWER SWITCH PC BOARD	BASW-0143-2E/ 2F			

CIRCUIT NO.	PART NAME	DESCRIPTION	Q'TY	PART NO. (SN)	REMARKS
[SEMI CONDUCTOR]					
U006	D7500	ZENER D	1	224551000R2	
U006	D7520	C-DIODE	1	223269R2	
U006	D7520 or	C-DIODE	(1)	223234R2	
U006	D7520 or	C-DIODE	(1)	223279R2	
U006	D7520 or	C-DIODE	(1)	223283R2	
U006	D7521	C-DIODE	1	223269R2	
U006	D7521 or	C-DIODE	(1)	223234R2	
U006	D7521 or	C-DIODE	(1)	223279R2	
U006	D7521 or	C-DIODE	(1)	223283R2	
U006	D7522	C-DIODE	1	223269R2	
U006	D7522 or	C-DIODE	(1)	223234R2	
U006	D7522 or	C-DIODE	(1)	223279R2	
U006	D7522 or	C-DIODE	(1)	223283R2	
U006	D7523	C-DIODE	1	223269R2	
U006	D7523 or	C-DIODE	(1)	223234R2	
U006	D7523 or	C-DIODE	(1)	223279R2	
U006	D7523 or	C-DIODE	(1)	223283R2	
U006	D7530	ZENER D	1	224550510R2	
U006	D7531	C-DIODE	1	223269R2	
U006	D7531 or	C-DIODE	(1)	223234R2	
U006	D7531 or	C-DIODE	(1)	223279R2	

U006	D7531 or	C-DIODE	KDS4148U	(1)	223283R2	
U006	D7532	C-DIODE	ISS355	1	223269R2	
U006	D7532 or	C-DIODE	ISS352	(1)	223234R2	
U006	D7532 or	C-DIODE	MA2J111	(1)	223279R2	
U006	D7532 or	C-DIODE	KDS4148U	(1)	223283R2	
U006	D7560	C-DIODE	ISS355	1	223269R2	
U006	D7560 or	C-DIODE	ISS352	(1)	223234R2	
U006	D7560 or	C-DIODE	MA2J111	(1)	223279R2	
U006	D7560 or	C-DIODE	KDS4148U	(1)	223283R2	
U006	D7561	C-DIODE	ISS355	1	223269R2	
U006	D7561 or	C-DIODE	ISS352	(1)	223234R2	
U006	D7561 or	C-DIODE	MA2J111	(1)	223279R2	
U006	D7561 or	C-DIODE	KDS4148U	(1)	223283R2	
U006	D7570	SPCF D	TSAL5300	1	225488	
U006	D7580	C-DIODE	ISS355	1	223269R2	
U006	D7580 or	C-DIODE	ISS352	(1)	223234R2	
U006	D7580 or	C-DIODE	MA2J111	(1)	223279R2	
U006	D7580 or	C-DIODE	KDS4148U	(1)	223283R2	
U006	D7581	C-DIODE	ISS355	1	223269R2	
U006	D7581 or	C-DIODE	ISS352	(1)	223234R2	
U006	D7581 or	C-DIODE	MA2J111	(1)	223279R2	
U006	D7581 or	C-DIODE	KDS4148U	(1)	223283R2	
U006	D7582	C-DIODE	ISS355	1	223269R2	
U006	D7582 or	C-DIODE	ISS352	(1)	223234R2	
U006	D7582 or	C-DIODE	MA2J111	(1)	223279R2	
U006	D7582 or	C-DIODE	KDS4148U	(1)	223283R2	
U006	D7583	C-DIODE	ISS355	1	223269R2	
U006	D7583 or	C-DIODE	ISS352	(1)	223234R2	
U006	D7583 or	C-DIODE	MA2J111	(1)	223279R2	
U006	D7583 or	C-DIODE	KDS4148U	(1)	223283R2	
U006	D7585	LED	SCB3318E-D2	1	225487	
U006	D7589	LED	SLI-343Y8C-TE7	1	225490T	
U006	D7591	LED	SCB3318E-D2	1	225487	
U006	D7592	LED	SLR-342MGTE7P	1	225455T	
U006	D7593	LED	SLR-342MGTE7P	1	225455T	
U006	D7595	LED	SLI-343URC-TE7	1	225449T	
U006	D9303	DIODE	D10XB60H	1	22380337F	<B MDC, B MMP, MMR>
U006	D9306	ZENER D	UDZS30B	1	224553000R2	
U006	D9310	ZENER D	UDZS16B	1	224551600R2	

U006	D9312	DIODE	RL1N4003	1	22380260T	
U006	D9313	DIODE	RL1N4003	1	22380260T	
U006	D9314	DIODE	RL1N4003	1	22380260T	
U006	D9315	DIODE	RL1N4003	1	22380260T	
U006	D9316	DIODE	RL1N4003	1	22380260T	
U006	D9350	C-DIODE	1SS355	1	223269R2	<B MDC, B MMP, MMR>
U006	D9350 or	C-DIODE	1SS352	(1)	223234R2	<B MDC, B MMP, MMR>
U006	D9350 or	C-DIODE	MA2J111	(1)	223279R2	<B MDC, B MMP, MMR>
U006	D9350 or	C-DIODE	KDS4148U	(1)	223283R2	<B MDC, B MMP, MMR>
U006	D9351	C-DIODE	CRS09(TE85L_Q)	1	223274R2	<B MDC, B MMP, MMR>
U006	Q7500	FL TUBE	HNA-16SL05T	1	212271A	
U006	Q7500A	HOLDER	(FL)	1	27191303	
U006	Q7501	IC	M66005-0001AHP	1	22242208R3	
U006	Q7502	IC	M66005-0001AHP	1	22242208R3	
U006	Q7503	TR	2SC2712-GR	1	2213145R2	
U006	Q7504	TR	2SC2712-GR	1	2213145R2	
U006	Q7530	IC	NJM4580M-D	1	22241448R2	
U006	Q7532	TR	RN1441	1	2215410R2	
U006	Q7533	TR	RN2403	1	2214540R2	
U006	Q7533 or	TR	KRA103S	(1)	2216230R2	
U006	Q7534	IC	NJM4580M-D	1	22241448R2	
U006	Q7540	TR	DTA123JKA	1	2214090R2	
U006	Q7591	TR	DTC123JKA	1	2216690R2	
U006	Q7592	TR	DTC123JKA	1	2216690R2	
U006	Q7593	TR	DTC123JKA	1	2216690R2	
U006	Q7597	TR	DTC123JKA	1	2216690R2	
U006	Q7598	TR	DTC123JKA	1	2216690R2	
U006	Q9301	TR	2SC2235-Y(TPE6_F)	1	2211654T	
U006	Q9350	IC	SI8008TM	1	22242323R2	<B MDC, B MMP, MMR>
U006	[CHASSIS SCREW]					
U006	D7570A	HOLDER	(LED)LH-5-5	1	27191312	
U006	D7591A	HOLDER	(LED)LH-5-5	1	27191312	
U006	[TRANS COIL]					
U006	L7520	CHOKE COIL	LBC2518T2R2M	1	231364M022R2	
U006	L7530	CHOKE COIL	LBC2518T2R2M	1	231364M022R2	
U006	L7580	CHOKE COIL	LBC2518T2R2M	1	231364M022R2	
U006	L7581	CHOKE COIL	LBC2518T2R2M	1	231364M022R2	
U006	L7582	CHOKE COIL	LBC2518T2R2M	1	231364M022R2	
U006	L9350	CHOKE COIL	NCH-2541	1	231363K470A	<B MDC, B MMP, MMR>

U006	L9350 or	COIL	0182-7310-470K-RB	(1)	231389	<B MDC, B MMP, MMR>
U006	[CAPACITOR]					
U006	C7501	C-CERA C	CK725B1H-223K1	1	332102235R1	
U006	C7502	C-CERA C	CK725F1E-104Z1	1	332161040R1	
U006	C7503	C-CERA C	CK725F1E-104Z1	1	332161040R1	
U006	C7504	C-CERA C	CK725B1H-473K1	1	332104735R1	
U006	C7505	C-CERA C	CK725B1H-473K1	1	332104735R1	
U006	C7506	ELECT C	CE04W50V-33M	1	355783309T	
U006	C7511	C-CERA C	CK725F1E-104Z1	1	332161040R1	
U006	C7512	C-CERA C	CC725CH1H-180J1	1	342101804R1	
U006	C7513	C-CERA C	CK725F1E-104Z1	1	332161040R1	
U006	C7514	C-CERA C	CK725F1E-104Z1	1	332161040R1	
U006	C7518	C-CERA C	CK725F1E-104Z1	1	332161040R1	
U006	C7519	C-CERA C	CK725F1E-104Z1	1	332161040R1	
U006	C7520	C-CERA C	CK725B1H-223K1	1	332102235R1	
U006	C7521	UTSP C	CE04W10V-100M(UTSP)	1	397531017T	
U006	C7522	C-CERA C	CC725CH1H-221J1	1	342102214R1	
U006	C7523	C-CERA C	CC725CH1H-221J1	1	342102214R1	
U006	C7524	C-CERA C	CK725B1H-102K1	1	332101025R1	
U006	C7530	C-CERA C	CK725B1H-102K1	1	332101025R1	
U006	C7531	C-CERA C	CK725B1H-102K1	1	332101025R1	
U006	C7533	ELECT C	CE04W35V-47M	1	355764709T	
U006	C7534	ELECT C	CE04W16V-47M	1	355744709T	
U006	C7535	ELECT C	CE04W35V-10M(S)	1	353761009T	
U006	C7536	C-CERA C	CC725CH1H-101J1	1	342101014R1	
U006	C7537	C-CERA C	CC725CH1H-330J1	1	342103304R1	
U006	C7538	ELECT C	CE04W35V-10M(S)	1	353761009T	
U006	C7539	ELECT C	CE04W35V-10M(S)	1	353761009T	
U006	C7540	ELECT C	CE04W35V-10M(S)	1	353761009T	
U006	C7543	C-CERA C	CK725B1H-102K1	1	332101025R1	
U006	C7560	ELECT C	CE04W6.3V-220M	1	355722219T	
U006	C7561	C-CERA C	CK725B1H-102K1	1	332101025R1	
U006	C7562	C-CERA C	CK725B1H-102K1	1	332101025R1	
U006	C7580	MKT C	B32529C0102J289	1	376491024T	
U006	C7581	MKT C	B32529C0102J289	1	376491024T	
U006	C7582	MKT C	B32529C0102J289	1	376491024T	
U006	C7583	MKT C	B32529C0102J289	1	376491024T	
U006	C7590	C-CERA C	CK725B1H-103K1	1	332101035R1	
U006	C7591	C-CERA C	CK725B1H-103K1	1	332101035R1	

U006	C7900	C-CERA C	CK725F1E-104Z1	1	332161040R1	
U006	C9302	VR C	CE04W16V-1000M(VR)	1	394641037S	<B MDC, B MMP, MMR>
U006	C9304	VR C	CE04W63V-470M(VR)	1	394674717S	<B MDC, B MMP, MMR>
U006	C9305	VR C	CE04W63V-47M(VR)	1	394674707T	
U006	C9306	TF C	ECQ-V50V-223J	1	374722234T	
U006	C9307	TF C	ECQ-V50V-334J	1	374723344T	<B MDC, B MMP, MMR>
U006	C9350	VR C	CE04W16V-470M(VR)	1	394644717T	<B MDC, B MMP, MMR>
U006	C9351	VR C	CE04W6.3V-1000M(VR)	1	394621027T	<B MDC, B MMP, MMR>
U006	[RESISTOR]					
U006	R7500	C-CARBON R	RN72K1J-221JE	1	435032214R1	
U006	R7501	C-CARBON R	RN72K1J-221JE	1	435032214R1	
U006	R7502	C-CARBON R	RN72K1J-273JE	1	435032734R1	
U006	R7503	C-CARBON R	RN72K1J-222JE	1	435032224R1	
U006	R7504	C-CARBON R	RN72K1J-222JE	1	435032224R1	
U006	R7505	C-CARBON R	RN72K1J-222JE	1	435032224R1	
U006	R7506	C-CARBON R	RN72K1J-222JE	1	435032224R1	
U006	R7507	C-CARBON R	RN72K1J-222JE	1	435032224R1	
U006	R7508	C-CARBON R	RN72K1J-222JE	1	435032224R1	
U006	R7509	C-CARBON R	RN72K1J-222JE	1	435032224R1	
U006	R7510	C-CARBON R	RN72K1J-222JE	1	435032224R1	
U006	R7520	C-CARBON R	RN72K1J-221JE	1	435032214R1	
U006	R7521	C-CARBON R	RN72K1J-331JE	1	435033314R1	
U006	R7522	C-CARBON R	RN72K1J-331JE	1	435033314R1	
U006	R7523	C-CARBON R	RN72K1J-750JE	1	435037504R1	
U006	R7526	C-CARBON R	RN72K1J-223JE	1	435032234R1	
U006	R7527	C-CARBON R	RN72K1J-223JE	1	435032234R1	
U006	R7528	C-CARBON R	RN72K1J-224JE	1	435032244R1	
U006	R7529	C-CARBON R	RN72K1J-224JE	1	435032244R1	
U006	R7530	C-CARBON R	RN72K1J-472JE	1	435034724R1	
U006	R7531	C-CARBON R	RN72K1J-101JE	1	435031014R1	
U006	R7532	C-CARBON R	RN72K1J-331JE	1	435033314R1	
U006	R7533	C-CARBON R	RN72K1J-182JE	1	435031824R1	
U006	R7534	C-CARBON R	RN72K1J-104JE	1	435031044R1	
U006	R7535	C-CARBON R	RN72K1J-102JE	1	435031024R1	
U006	R7536	C-CARBON R	RN72K1J-333JE	1	435033334R1	
U006	R7537	C-CARBON R	RN72K1J-333JE	1	435033334R1	
U006	R7538	C-CARBON R	RN72K1J-221JE	1	435032214R1	
U006	R7539	C-CARBON R	RN72K1J-221JE	1	435032214R1	
U006	R7540	C-CARBON R	RN72K1J-473JE	1	435034734R1	

U006	R7541	C-CARBON R	RN72K1J-180JE	1	435031804R1
U006	R7560	C-CARBON R	RN72K1J-102JE	1	435031024R1
U006	R7561	C-CARBON R	RN72K1J-101JE	1	435031014R1
U006	R7562	C-CARBON R	RN72K1J-105JE	1	435031054R1
U006	R7580	METAL O R	RS1WBJ-33	1	443623304T
U006	R7581	METAL O R	RS1WBJ-33	1	443623304T
U006	R7590	C-CARBON R	RN72K1J-103JE	1	435031034R1
U006	R7591	C-CARBON R	RN72K1J-103JE	1	435031034R1
U006	R7592	C-CARBON R	RN72K1J-103JE	1	435031034R1
U006	R7593	C-CARBON R	RN72K1J-103JE	1	435031034R1
U006	R7594	C-CARBON R	RN72K1J-121JE	1	435031214R1
U006	R7595	C-CARBON R	RN72K1J-121JE	1	435031214R1
U006	R7596	C-CARBON R	RN72K1J-181JE	1	435031814R1
U006	R7597	C-CARBON R	RN72K1J-181JE	1	435031814R1
U006	R7599	C-CARBON R	RN72K1J-102JE	1	435031024R1
U006	R7600	C-CARBON R	RN72K1J-102JE	1	435031024R1
U006	R7601	C-CARBON R	RN72K1J-000JE	1	435030004R1
U006	R7611	C-CARBON R	RN72K1J-271JE	1	435032714R1
U006	R7612	C-CARBON R	RN72K1J-331JE	1	435033314R1
U006	R7613	C-CARBON R	RN72K1J-471JE	1	435034714R1
U006	R7614	C-CARBON R	RN72K1J-561JE	1	435035614R1
U006	R7615	C-CARBON R	RN72K1J-821JE	1	435038214R1
U006	R7616	C-CARBON R	RN72K1J-122JE	1	435031224R1
U006	R7617	C-CARBON R	RN72K1J-222JE	1	435032224R1
U006	R7618	C-CARBON R	RN72K1J-392JE	1	435033924R1
U006	R7619	C-CARBON R	RN72K1J-123JE	1	435031234R1
U006	R7621	C-CARBON R	RN72K1J-271JE	1	435032714R1
U006	R7622	C-CARBON R	RN72K1J-331JE	1	435033314R1
U006	R7623	C-CARBON R	RN72K1J-471JE	1	435034714R1
U006	R7624	C-CARBON R	RN72K1J-561JE	1	435035614R1
U006	R7625	C-CARBON R	RN72K1J-821JE	1	435038214R1
U006	R7626	C-CARBON R	RN72K1J-122JE	1	435031224R1
U006	R7627	C-CARBON R	RN72K1J-222JE	1	435032224R1
U006	R7628	C-CARBON R	RN72K1J-392JE	1	435033924R1
U006	R7629	C-CARBON R	RN72K1J-123JE	1	435031234R1
U006	R7631	C-CARBON R	RN72K1J-271JE	1	435032714R1
U006	R7632	C-CARBON R	RN72K1J-331JE	1	435033314R1
U006	R7633	C-CARBON R	RN72K1J-471JE	1	435034714R1
U006	R7634	C-CARBON R	RN72K1J-561JE	1	435035614R1

U006	R7635	C-CARBON R	RN72K1J-821JE	1	435038214R1	
U006	R7636	C-CARBON R	RN72K1J-122JE	1	435031224R1	
U006	R7637	C-CARBON R	RN72K1J-222JE	1	435032224R1	
U006	R7638	C-CARBON R	RN72K1J-392JE	1	435033924R1	
U006	R7639	C-CARBON R	RN72K1J-123JE	1	435031234R1	
U006	R7641	C-CARBON R	RN72K1J-271JE	1	435032714R1	
U006	R7642	C-CARBON R	RN72K1J-331JE	1	435033314R1	
U006	R7643	C-CARBON R	RN72K1J-471JE	1	435034714R1	
U006	R7644	C-CARBON R	RN72K1J-561JE	1	435035614R1	
U006	R7645	C-CARBON R	RN72K1J-821JE	1	435038214R1	
U006	R7646	C-CARBON R	RN72K1J-122JE	1	435031224R1	
U006	R7647	C-CARBON R	RN72K1J-222JE	1	435032224R1	
U006	R7648	C-CARBON R	RN72K1J-392JE	1	435033924R1	
U006	R7649	C-CARBON R	RN72K1J-123JE	1	435031234R1	
U006	R7802	C-CARBON R	RN72K1J-103JE	1	435031034R1	
U006	R7939	C-CARBON R	RN72K1J-104JE	1	435031044R1	
U006	R7954	C-CARBON R	RN72K1J-104JE	1	435031044R1	
U006	R9304	METAL O R	RS1/2WBJ-10	1	443521004T	
U006	R9305	C-CARBON R	RN72K1J-562JE	1	435035624R1	
U006	R9307	C-CARBON R	RN72K1J-333JE	1	435033334R1	
U006	R9308	METAL R	RNU1/2WCJ-0.1	1	453531094T	<B MDC, B MMP, MMR>
U006	R9310	METAL O R	RS1WBJ-22	1	443622204T	<B MDC, B MMP, MMR>
U006	R9350	METAL R	RNU1/2WCJ-0.22	1	453532294T	<B MDC, B MMP, MMR>
U006	R9351	C-CARBON R	RN72K1J-563JE	1	435035634R1	<B MDC, B MMP, MMR>
U006	R9352	C-CARBON R	RN72K1J-562JE	1	435035624R1	<B MDC, B MMP, MMR>
U006	R9353	C-CARBON R	RN72K1J-102JE	1	435031024R1	<B MDC, B MMP, MMR>
U006	R9354	C-CARBON R	RN72K1J-392JE	1	435033924R1	<B MDC, B MMP, MMR>
U006	[SW TRM]					
U006	E7580	TRM	NTM-1P233(M1969)	1	25060302	
U006	F9301A	FUSE HOL	NSCT-1P2031	1	25052133T	! <B MDC, B MMP, MMR>
U006	F9301B	FUSE HOL	NSCT-1P2031	1	25052133T	! <B MDC, B MMP, MMR>
U006	JL4103B	SOCKET	NSCT-5P97	1	25050269	
U006	JL7560A	WIRE HOL	NSCT-3P874	1	25051087	
U006	JL7560B	WIRE HOL	NSCT-3P874	1	25051087	
U006	JL9303A	WIRE HOL	NSCT-5P876	1	25051089	
U006	JL9303B	WIRE TRAP	NPLG-5P588	1	25055626	
U006	JL9501B	SOCKET	NSCT-7P99	1	25050271	<B MDC, B MMP, MMR>
U006	P7501B	PLUG	A2545WR2-2x20P(IDE40SIDE)	1	25056643	
U006	P7522	PIN JACK	NPJ-3PDB693	1	25045925	<B MDC, B MMP, MMR>

U006	P7530	ST JACK	MSJ-035-05C B AG SR type	1	25045879	<B MDC, B MMP, MMR>
U006	P7580	ST JACK	MSJ-064-05A SR	1	25045783	<B MDC, B MMP, MMR>
U006	P7590A	SOCKET AS	NSAS-18P1798	1	200AA391810UL	
U006	P7591A	SOCKET AS	NSAS-7P1799	1	200AA391415UL	
U006	P9008B	PLUG	NPLG-2P631	1	25055675	<B MMP, MMR>
U006	P9301A	PLUG	NPLG-6P120	1	25055136	
U006	S7590	R ENCODE	EC12E2425WITH WASHER	1	25065655W	
U006	S7611	PUSH SW	NPS-111-S681	1	25035718T	
U006	S7612	PUSH SW	NPS-111-S681	1	25035718T	
U006	S7613	PUSH SW	NPS-111-S681	1	25035718T	
U006	S7614	PUSH SW	NPS-111-S681	1	25035718T	
U006	S7616	PUSH SW	NPS-111-S681	1	25035718T	
U006	S7618	PUSH SW	NPS-111-S681	1	25035718T	
U006	S7619	PUSH SW	NPS-111-S681	1	25035718T	
U006	S7620	PUSH SW	NPS-111-S681	1	25035718T	
U006	S7621	PUSH SW	NPS-111-S681	1	25035718T	
U006	S7622	PUSH SW	NPS-111-S681	1	25035718T	
U006	S7623	PUSH SW	NPS-111-S681	1	25035718T	
U006	S7624	PUSH SW	NPS-111-S681	1	25035718T	
U006	S7625	PUSH SW	NPS-111-S681	1	25035718T	
U006	S7626	PUSH SW	NPS-111-S681	1	25035718T	
U006	S7627	PUSH SW	NPS-111-S681	1	25035718T	
U006	S7628	PUSH SW	NPS-111-S681	1	25035718T	
U006	S7629	PUSH SW	NPS-111-S681	1	25035718T	
U006	S7630	PUSH SW	NPS-111-S681	1	25035718T	
U006	S7632	PUSH SW	NPS-111-S681	1	25035718T	
U006	S7633	PUSH SW	NPS-111-S681	1	25035718T	
U006	S7634	PUSH SW	NPS-111-S681	1	25035718T	
U006	S7635	PUSH SW	NPS-111-S681	1	25035718T	
U006	S7636	PUSH SW	NPS-111-S681	1	25035718T	
U006	S7637	PUSH SW	NPS-111-S681	1	25035718T	
U006	S7638	PUSH SW	NPS-111-S681	1	25035718T	
U006	S7639	PUSH SW	NPS-111-S681	1	25035718T	
U006	S7640	PUSH SW	NPS-111-S681	1	25035718T	
U006	S7641	PUSH SW	NPS-111-S681	1	25035718T	
U006	S7642	PUSH SW	NPS-111-S681	1	25035718T	
U006	S7643	PUSH SW	NPS-111-S681	1	25035718T	
U006	S7644	PUSH SW	NPS-111-S681	1	25035718T	
U006	S7645	PUSH SW	NPS-111-S681	1	25035718T	

U006	S7646	PUSH SW	NPS-111-S681	1	25035718T	
U006	S7647	PUSH SW	NPS-111-S681	1	25035718T	
U006	S7648	PUSH SW	NPS-111-S681	1	25035718T	
U006	S7649	PUSH SW	NPS-111-S681	1	25035718T	
U006	S7650	PUSH SW	NPS-111-S681	1	25035718T	
U006	S9000	P SW	NPS-111-L687P(TV-5)	1	25035724	<B MMP, MMR>
U006	[TUNER UNIT]					
U006	U7520	PHT CP	JSR1321-001	1	24120138	
U006	U7560	REMO SENS	TSOP34338RF1F	1	24130017	
U007	U007	U0070 + U0071 + U0072 + U0073 + U0074 + U0075				
U007	U0070	POWER SUPPLY & SP TERMINAL PC BOARD			BATRM-0214-1AF/ -1AG	
U007	U0071	SPEAKER TERMINAL (RH,SR) PC BOARD			BATRM-0215-1AF/ -1AG	
U007	U0072	SPEAKER TERMINAL (CENTER) PC BOARD			BATRM-0216-1AF/ -1AG	
U007	U0073	PRIMARY POWER SUPPLY PC BOARD			BAPS-0217-1AF/ -1AG	
U007	U0074	INLET PC BOARD			BAPS-0218-1AF/ -1AG	
U007	U0075	ANALOG AUDIO POWER SUPPLY PC BOARD			BAETC-0219-1AF/ -1AG	
U007						
U007	CIRCUIT NO.	PART NAME	DESCRIPTION	Q'TY	PART NO. (SN)	REMARKS
U007	[SEMI CONDUCTOR]					
U007	D6800	DIODE	ISS133	1	223163T	
U007	D6801	DIODE	ISS133	1	223163T	
U007	D6802	DIODE	ISS133	1	223163T	
U007	D6803	DIODE	ISS133	1	223163T	
U007	D6804	DIODE	ISS133	1	223163T	
U007	D6805	DIODE	ISS133	1	223163T	
U007	D6806	DIODE	ISS133	1	223163T	
U007	D6807	DIODE	ISS133	1	223163T	
U007	D6808	DIODE	ISS133	1	223163T	
U007	D6809	DIODE	ISS133	1	223163T	
U007	D6810	DIODE	ISS133	1	223163T	
U007	D6811	DIODE	ISS133	1	223163T	
U007	D6812	DIODE	ISS133	1	223163T	
U007	D9000	DIODE	ISS133	1	223163T	
U007	D9001	DIODE	ISS133	1	223163T	
U007	D9002	DIODE	ISS133	1	223163T	
U007	D9003	DIODE	ISS133	1	223163T	
U007	D9004	DIODE	ISS133	1	223163T	
U007	D9005	DIODE	ISS133	1	223163T	

U007	D9006	DIODE	ISS133	1	223163T	
U007	D9007	ZENER D	MTZJ5.1B	1	224470512T	
U007	D9010	DIODE	ISS133	1	223163T	
U007	D9011	DIODE	ISS133	1	223163T	
U007	D9100	DIODE	ISS133	1	223163T	<B MDC, B MMP, MMR>
U007	D9101	DIODE	ISS133	1	223163T	
U007	D9200	DIODE	ISS133	1	223163T	<B MDC, B MMP, MMR>
U007	D9400	DIODE	D3SBA20	1	22380271F	
U007	D9410	DIODE	D3SBA20	1	22380271F	
U007	D9421	ZENER D	MTZJ13B	1	224471302T	N
U007	D9422	ZENER D	MTZJ13B	1	224471302T	N
U007	Q6801	TR	RN1226	1	2214680T	
U007	Q6802	TR	RN1226	1	2214680T	
U007	Q6803	TR	RN1226	1	2214680T	
U007	Q6804	TR	RN1226	1	2214680T	
U007	Q6805	TR	RN1226	1	2214680T	
U007	Q6806	TR	RN1226	1	2214680T	
U007	Q6807	TR	RN1226	1	2214680T	
U007	Q6900	TR	2SC2235-Y(TPE6_F)	1	2211654T	
U007	Q6901	TR	2SC2235-Y(TPE6_F)	1	2211654T	
U007	Q9100	TR	2SC1815-GR	1	2211255T	<B MDC, B MMP, MMR>
U007	Q9101	TR	2SC1815-GR	1	2211255T	
U007	Q9200	TR	2SC1815-GR	1	2211255T	<B MDC, B MMP, MMR>
U007	Q9410	IC	NJM2388F09	1	22242383	<B MDC, B MMP, MMR>
U007	Q9423	TR	2SC1815-GR	1	2211255T	
U007	Q9424	TR	2SA1015-GR	1	2211455T	
U007	Q9425	TR	2SK365-GR	1	2212445T	
U007	Q9426	TR	2SK365-GR	1	2212445T	
U007	[TRANS COIL]					
U007	L6800	S COIL	SC-0.8X11.5X12.5T-6.5L	1	231393S	<B MDC, B MMP, MMR>
U007	L6801	S COIL	SC-0.8X11.5X12.5T-6.5L	1	231393S	<B MDC, B MMP, MMR>
U007	L6802	S COIL	SC-0.8X11.5X12.5T-6.5L	1	231393S	<B MDC, B MMP, MMR>
U007	L6803	S COIL	SC-0.8X11.5X12.5T-6.5L	1	231393S	<B MDC, B MMP, MMR>
U007	L6804	S COIL	SC-0.8X11.5X12.5T-6.5L	1	231393S	<B MDC, B MMP, MMR>
U007	L6805	S COIL	SC-0.8X11.5X12.5T-6.5L	1	231393S	<B MDC, B MMP, MMR>
U007	L6806	S COIL	SC-0.8X11.5X12.5T-6.5L	1	231393S	<B MDC, B MMP, MMR>
U007	L6807	S COIL	SC-0.8X11.5X12.5T-6.5L	1	231393S	<B MDC, B MMP, MMR>
U007	L6808	S COIL	SC-0.8X11.5X12.5T-6.5L	1	231393S	<B MDC, B MMP, MMR>
U007	T9000	P TRANS	NPT-1520JQ	1	2301812A	<B MDC>

U007	T9000	P TRANS	NPT-1520GQ	1	2301813A	<B MMP, MMR>
U007	[CAPACITOR]					
U007	C5572	UTSP C	CE04W50V 47M(UTSP)	1	397584707T	
U007	C5573	UTSP C	CE04W50V 47M(UTSP)	1	397584707T	
U007	C5574	UTSP C	CE04W50V 47M(UTSP)	1	397584707T	
U007	C5575	UTSP C	CE04W50V 47M(UTSP)	1	397584707T	
U007	C5576	UTSP C	CE04W50V 47M(UTSP)	1	397584707T	
U007	C5579	UTSP C	CE04W50V 47M(UTSP)	1	397584707T	
U007	C6800	TF C	ECQ-V50V-103J	1	374721034T	
U007	C6801	TF C	ECQ-V50V-103J	1	374721034T	
U007	C6802	TF C	ECQ-V50V-103J	1	374721034T	
U007	C6803	TF C	ECQ-V50V-103J	1	374721034T	
U007	C6804	TF C	ECQ-V50V-103J	1	374721034T	
U007	C6805	TF C	ECQ-V50V-103J	1	374721034T	
U007	C6806	TF C	ECQ-V50V-103J	1	374721034T	
U007	C6807	TF C	ECQ-V50V-103J	1	374721034T	
U007	C6808	TF C	ECQ-V50V-103J	1	374721034T	
U007	C6809	TF C	ECQ-V50V-103J	1	374721034T	
U007	C6810	TF C	ECQ-V50V-103J	1	374721034T	
U007	C6811	TF C	ECQ-V50V-103J	1	374721034T	
U007	C6812	TF C	ECQ-V50V-103J	1	374721034T	
U007	C6830	MKT C	B32529C0102J289	1	376491024T	
U007	C6830 or	TF C	ECQ-B50V-102J	(1)	374721024T	
U007	C6831	MKT C	B32529C0102J289	1	376491024T	
U007	C6831 or	TF C	ECQ-B50V-102J	(1)	374721024T	
U007	C6832	MKT C	B32529C0102J289	1	376491024T	
U007	C6832 or	TF C	ECQ-B50V-102J	(1)	374721024T	
U007	C6833	MKT C	B32529C0102J289	1	376491024T	
U007	C6833 or	TF C	ECQ-B50V-102J	(1)	374721024T	
U007	C6834	MKT C	B32529C0102J289	1	376491024T	
U007	C6834 or	TF C	ECQ-B50V-102J	(1)	374721024T	
U007	C6835	MKT C	B32529C0102J289	1	376491024T	
U007	C6835 or	TF C	ECQ-B50V-102J	(1)	374721024T	
U007	C6836	MKT C	B32529C0102J289	1	376491024T	
U007	C6836 or	TF C	ECQ-B50V-102J	(1)	374721024T	
U007	C6837	MKT C	B32529C0102J289	1	376491024T	
U007	C6837 or	TF C	ECQ-B50V-102J	(1)	374721024T	
U007	C6838	MKT C	B32529C0102J289	1	376491024T	
U007	C6838 or	TF C	ECQ-B50V-102J	(1)	374721024T	

U007	C6839	MKT C	B32529C0102J289	1	376491024T	
U007	C6839 or	TF C	ECQ-B50V-102J	(1)	374721024T	
U007	C6840	MKT C	B32529C0102J289	1	376491024T	
U007	C6840 or	TF C	ECQ-B50V-102J	(1)	374721024T	
U007	C6850	TF C	ECQ-V50V-103J	1	374721034T	
U007	C6851	TF C	ECQ-V50V-103J	1	374721034T	
U007	C6852	TF C	ECQ-V50V-103J	1	374721034T	
U007	C6853	TF C	ECQ-V50V-103J	1	374721034T	
U007	C6854	TF C	ECQ-V50V-103J	1	374721034T	
U007	C6855	TF C	ECQ-V50V-103J	1	374721034T	
U007	C6856	TF C	ECQ-V50V-103J	1	374721034T	
U007	C6857	TF C	ECQ-V50V-103J	1	374721034T	
U007	C6858	TF C	ECQ-V50V-103J	1	374721034T	
U007	C6859	TF C	ECQ-V50V-103J	1	374721034T	
U007	C6860	TF C	ECQ-V50V-103J	1	374721034T	
U007	C6870	TF C	ECQ-V50V-473J	1	374724734T	
U007	C6871	TF C	ECQ-V50V-473J	1	374724734T	
U007	C6872	TF C	ECQ-V50V-473J	1	374724734T	
U007	C6873	TF C	ECQ-V50V-473J	1	374724734T	
U007	C6874	TF C	ECQ-V50V-473J	1	374724734T	
U007	C6875	TF C	ECQ-V50V-473J	1	374724734T	
U007	C6876	TF C	ECQ-V50V-473J	1	374724734T	
U007	C6877	TF C	ECQ-V50V-473J	1	374724734T	
U007	C6878	TF C	ECQ-V50V-473J	1	374724734T	
U007	C6900	VR C	CE04W16V-220M(VR)	1	394642217T	
U007	C6901	VR C	CE04W16V-220M(VR)	1	394642217T	
U007	C6902	UTSP C	CE04W50V-10M(UTSP)	1	397581007T	
U007	C6903	UTSP C	CE04W50V-10M(UTSP)	1	397581007T	
U007	C9000	TF C	ECQ-V50V-223J	1	374722234T	
U007	C9001	VR C	CE04W16V-2200M(VR)	1	394642227S	<B MMP, MMR>
U007	C9001	VR C	CE04W25V-2200M(VR)	1	394652227S	<B MDC>
U007	C9002	UTSP C	CE04W50V-4.7M(UTSP)	1	397580477T	
U007	C9008	VR C	CE04W16V-470M(VR)	1	394644717T	<B MDC, B MMP, MMR>
U007	C9108	PLA C	MKP R46 104M	1	3800041S	<B MDC, B MMP, MMR>
U007	C9115	TF C	ECQ-V50V-103J	1	374721034T	<B MDC, B MMP, MMR>
U007	C9116	TF C	ECQ-V50V-103J	1	374721034T	
U007	C9119	TF C	ECQ-V50V-223J	1	374722234T	
U007	C9201	TF C	ECQ-V50V-103J	1	374721034T	<B MDC, B MMP, MMR>
U007	C9400	TF C	ECQ-V50V-223J	1	374722234T	

U007	C9403	ELECT C	CE04W25V-4700M	1	354754726	N
U007	C9404	ELECT C	CE04W25V-4700M	1	354754726	N
U007	C9410	TF C	ECQ-V50V-104J	1	374721044T	
U007	C9411	VR C	CE04W16V-4700M(VR)	1	394644727S	
U007	C9412	UTSP C	CE04W50V-1M(UTSP)	1	397580107T	<B MDC, B MMP, MMR>
U007	C9413	UTSP C	CE04W25V-220M(UTSP)	1	397552217T	<B MDC, B MMP, MMR>
U007	C9421	UTSP C	CE04W25V-100M(UTSP)	1	397551017T	
U007	C9422	UTSP C	CE04W25V-100M(UTSP)	1	397551017T	
U007	C9423	UTSP C	CE04W25V-100M(UTSP)	1	397551017T	
U007	C9424	UTSP C	CE04W25V-100M(UTSP)	1	397551017T	
U007	D9008	DIODE	ISS133	1	223163T	
U007	D9009	DIODE	ISS133	1	223163T	
U007	[RESISTOR]					
U007	R6800	CARBON R	R16J-22	1	417342204T	<B MDC, B MMP, MMR>
U007	R6801	CARBON R	R16J-22	1	417342204T	<B MDC, B MMP, MMR>
U007	R6802	CARBON R	R16J-22	1	417342204T	<B MDC, B MMP, MMR>
U007	R6803	CARBON R	R16J-22	1	417342204T	<B MDC, B MMP, MMR>
U007	R6804	CARBON R	R16J-22	1	417342204T	<B MDC, B MMP, MMR>
U007	R6805	CARBON R	R16J-22	1	417342204T	<B MDC, B MMP, MMR>
U007	R6806	CARBON R	R16J-22	1	417342204T	<B MDC, B MMP, MMR>
U007	R6807	CARBON R	R16J-22	1	417342204T	<B MDC, B MMP, MMR>
U007	R6808	CARBON R	R16J-22	1	417342204T	<B MDC, B MMP, MMR>
U007	R6810	CARBON R	R16J-22	1	417342204T	<B MDC, B MMP, MMR>
U007	R6811	CARBON R	R16J-22	1	417342204T	<B MDC, B MMP, MMR>
U007	R6812	CARBON R	R16J-22	1	417342204T	<B MDC, B MMP, MMR>
U007	R6813	CARBON R	R16J-22	1	417342204T	<B MDC, B MMP, MMR>
U007	R6814	CARBON R	R16J-22	1	417342204T	<B MDC, B MMP, MMR>
U007	R6815	CARBON R	R16J-22	1	417342204T	<B MDC, B MMP, MMR>
U007	R6816	CARBON R	R16J-22	1	417342204T	<B MDC, B MMP, MMR>
U007	R6817	CARBON R	R16J-22	1	417342204T	<B MDC, B MMP, MMR>
U007	R6818	CARBON R	R16J-22	1	417342204T	<B MDC, B MMP, MMR>
U007	R6820	METAL R	RNU1WCJ-8.2	1	453630824T	
U007	R6821	METAL R	RNU1WCJ-8.2	1	453630824T	
U007	R6822	METAL R	RNU1WCJ-8.2	1	453630824T	
U007	R6823	METAL R	RNU1WCJ-8.2	1	453630824T	
U007	R6824	METAL R	RNU1WCJ-8.2	1	453630824T	
U007	R6825	METAL R	RNU1WCJ-8.2	1	453630824T	
U007	R6826	METAL R	RNU1WCJ-8.2	1	453630824T	
U007	R6827	METAL R	RNU1WCJ-8.2	1	453630824T	

U007	R6828	METAL R	RNU1WCJ-8.2	1	453630824T		
U007	R6900	METAL O R	RS1/2WBJ-330	1	443523314T		
U007	R6901	METAL O R	RS1/2WBJ-330	1	443523314T		
U007	R9001	CARBON R	R16J-100K	1	417341044T		
U007	R9005	CARBON R	R16J-27	1	417342704T	<B MDC, B MMP, MMR>	
U007	R9100	THERMISTOR	M3R014C	1	4000148	<B MDC, B MMP, MMR>	
U007	R9101	THERMISTOR	M3R014C	1	4000148	<B MDC, B MMP, MMR>	
U007	R9102	THERMISTOR	M3R014C	1	4000148	<B MDC, B MMP, MMR>	
U007	R9104	CARBON R	R16J-1K	1	417341024T	<B MDC, B MMP, MMR>	
U007	R9105	CARBON R	R16J-100K	1	417341044T	<B MDC, B MMP, MMR>	
U007	R9106	CARBON R	R16J-100	1	417341014T	<B MDC>	
U007	R9106	CARBON R	R16J-120	1	417341214T	<B MMP, MMR>	
U007	R9107	CARBON R	R16J-1K	1	417341024T		
U007	R9108	CARBON R	R16J-100K	1	417341044T		
U007	R9109	CARBON R	R16J-120	1	417341214T	<B MMP, MMR>	
U007	R9109	CARBON R	R16J-47	1	417344704T	<B MDC>	
U007	R9200	CARBON R	R16J-1K	1	417341024T	<B MDC, B MMP, MMR>	
U007	R9201	CARBON R	R16J-100K	1	417341044T	<B MDC, B MMP, MMR>	
U007	R9202	CARBON R	R16J-100	1	417341014T	<B MDC, B MMP, MMR>	
U007	R9401	METAL PR	MPR2W+2WK 0R47	1	4000253	N	
U007	R9401 or	METAL P R	RF2EGPKR47S	(1)	4000257		
U007	R9402	METAL PR	MPR2W+2WK 0R47	1	4000253	N	
U007	R9402 or	METAL P R	RF2EGPKR47S	(1)	4000257		
U007	R9410	METAL R	RNU1/2WCJ-0.22	1	453532294T		
U007	R9421	METAL R	RNU1WCJ-0.22	1	453632294T		
U007	R9422	METAL R	RNU1WCJ-0.22	1	453632294T		
U007	R9427	CARBON R	R16J-330	1	417343314T		
U007	R9428	CARBON R	R16J-330	1	417343314T		
U007	R9429	CARBON R	R16J-10	1	417341004T		
U007	R9430	CARBON R	R16J-10	1	417341004T		
U007	R9431	CARBON R	R16J-10	1	417341004T		
U007	R9432	CARBON R	R16J-10	1	417341004T		
U007	[SW TRM]						
U007	E6818	TRM-423(SCREW)	NEJITANSI ST3	1	25060495		
U007	E9100	TRM-423(SCREW)	NEJITANSI ST3	1	25060495		
U007	E9200A	TRM	NTM-1P233(M1969)	1	25060302		
U007	E9200B	TRM	NTM-1P232(M1700)	1	25060301		
U007	F9100A	FUSE HOLDER	SN5051	1	250113	<B MDC>	
U007	F9100A	FUSE HOL	NSCT-1P2031	1	25052133T	<B MMP, MMR>	

U007	F9100B	FUSE HOLDER	SN5051	1	250113	<B MDC>
U007	F9100B	FUSE HOL	NSCT-1P2031	1	25052133T	<B MMP, MMR>
U007	F9401A	FUSE HOL	NSCT-1P2031	1	25052133T	
U007	F9401B	FUSE HOL	NSCT-1P2031	1	25052133T	
U007	F9402A	FUSE HOL	NSCT-1P2031	1	25052133T	
U007	F9402B	FUSE HOL	NSCT-1P2031	1	25052133T	
U007	JL2601A	WIRE HOL	NSCT-5P876	1	25051089	
U007	JL4014A	WIRE HOL	NSCT-7P898	1	25051111	
U007	JL6808A	WIRE HOL	NSCT-5P896	1	25051109	
U007	JL6808B	SOCKET	NSCT-5P97	1	25050269	
U007	JL6809A	WIRE HOL	NSCT-9P900	1	25051113	
U007	JL6809B	SOCKET	NSCT-9P101	1	25050273	
U007	JL6900B	SOCKET	NSCT-3P108	1	25050280	
U007	JL6901A	WIRE HOL	NSCT-9P880	1	25051093	
U007	JL6901B	WIRE TRAP	NPLG-9P592	1	25055630	
U007	JL901A	WIRE HOL	NSCT-7P878	1	25051091	
U007	P3101B	SOCKET	IMSA-9142S-26A	1	25053235	
U007	P6140H	PLUG	NPLG-9P165	1	25055181	
U007	P6240D	PLUG	NPLG-4P160	1	25055176	
U007	P6250E	PLUG	NPLG-5P161	1	25055177	
U007	P6800	TRM	NTM-2PDMCR399	1	25060471	<B MDC, B MMP, MMR>
U007	P6801	TRM	NTM-2PDMCR399	1	25060471	<B MDC, B MMP, MMR>
U007	P6802	TRM	NTM-2PDMCR399	1	25060471	<B MDC, B MMP, MMR>
U007	P6803	TRM	NTM-2PDMCR399	1	25060471	<B MDC, B MMP, MMR>
U007	P6804	TRM	NTM-2PDMCR399	1	25060471	<B MDC, B MMP, MMR>
U007	P6805	TRM	NTM-2PDMCR399	1	25060471	<B MDC, B MMP, MMR>
U007	P6806	TRM	NTM-2PDMCR399	1	25060471	<B MDC, B MMP, MMR>
U007	P6807	TRM	NTM-2PDMCR399	1	25060471	<B MDC, B MMP, MMR>
U007	P6808	TRM	NTM-2PDMCR399	1	25060471	<B MDC, B MMP, MMR>
U007	P6809	TRM	NTM-2PDMCR399	1	25060471	<B MDC, B MMP, MMR>
U007	P6810	TRM	NTM-2PDMCR399	1	25060471	<B MDC, B MMP, MMR>
U007	P6851B	SOCKET	IMSA-9142S-26A	1	25053235	
U007	P6853B	PLUG	NPLG-9P0964	1	25056014	
U007	P6902B	PLUG	NPLG-9P356	1	25055373	
U007	P9006	FASTON AS	FASTON_PAMC5500	1	1F999028UL	<B MDC, B MMP, MMR>
U007	P9008A	PLUG	NPLG-2P631	1	25055675	<B MMP, MMR>
U007	P9100	PLUG	NPLG-2P632	1	25055676	
U007	P9200	PLUG	NPLG-2P632	1	25055676	<B MDC, B MMP, MMR>
U007	P9300	PLUG	NPLG-2P632	1	25055676	<B MDC, B MMP, MMR>

U007	P9404	PLUG	NPLG-6P120	1	25055136	
U007	P9422A	SOCKET AS	NSAS-12P1700	1	200G3121210UL	
U007	P9422B	PLUG	NPLG-3P117	1	25055133	
U007	P9422C	PLUG	NPLG-3P117	1	25055133	
U007	RL6800	RELAY	NRL-2P5A-DC12-192	1	25065702	N
U007	RL6800 or	RELAY	NRL-2P3A-DC12-148	(1)	25065598A	N
U007	RL6801	RELAY	NRL-2P5A-DC12-192	1	25065702	N
U007	RL6801 or	RELAY	NRL-2P3A-DC12-148	(1)	25065598A	N
U007	RL6802	RELAY	NRL-2P5A-DC12-192	1	25065702	N
U007	RL6802 or	RELAY	NRL-2P3A-DC12-148	(1)	25065598A	N
U007	RL6803	RELAY	NRL-2P5A-DC12-192	1	25065702	N
U007	RL6803 or	RELAY	NRL-2P3A-DC12-148	(1)	25065598A	N
U007	RL6804	RELAY	NRL-2P5A-DC12-192	1	25065702	N
U007	RL6804 or	RELAY	NRL-2P3A-DC12-148	(1)	25065598A	N
U007	RL6805	RELAY	NRL-2P5A-DC12-192	1	25065702	N
U007	RL6805 or	RELAY	NRL-2P3A-DC12-148	(1)	25065598A	N
U007	RL6806	RELAY	NRL-2P5A-DC12-192	1	25065702	N
U007	RL6806 or	RELAY	NRL-2P3A-DC12-148	(1)	25065598A	N
U007	RL6807	RELAY	NRL-2P5A-DC12-192	1	25065702	N
U007	RL6807 or	RELAY	NRL-2P3A-DC12-148	(1)	25065598A	N
U007	RL6808	RELAY	NRL-2P5A-DC12-192	1	25065702	N
U007	RL6808 or	RELAY	NRL-2P3A-DC12-148	(1)	25065598A	N
U007	RL6809	RELAY	NRL-2P5A-DC12-192	1	25065702	N
U007	RL6809 or	RELAY	NRL-2P3A-DC12-148	(1)	25065598A	N
U007	RL6810	RELAY	NRL-2P5A-DC12-192	1	25065702	N
U007	RL6810 or	RELAY	NRL-2P3A-DC12-148	(1)	25065598A	N
U007	RL6811	RELAY	NRL-2P5A-DC12-192	1	25065702	N
U007	RL6811 or	RELAY	NRL-2P3A-DC12-148	(1)	25065598A	N
U007	RL6812	RELAY	NRL-2P5A-DC12-192	1	25065702	N
U007	RL6812 or	RELAY	NRL-2P3A-DC12-148	(1)	25065598A	N
U007	RL9100	RELAY	NRL-1P10A-DC9-186	1	25065683	<B MDC, B MMP, MMR>
U007	RL9101	RELAY	NRL-1P10A-DC9-186	1	25065683	
U007	RL9102	RELAY	NRL-1P10A-DC9-186	1	25065683	<B MDC>
U007	RL9200	RELAY	NRL-1P5A-DC9-179	1	25065669	<B MDC, B MMP, MMR>
U007	[ACCESSARY]					
U007	F9100C	LABEL	T6.3AL/250V	1	29361681	<B MMP, MMR>
U008	U008	HDMI PC BOARD	BAHDM-0157-1G			
U008						

U008	CIRCUIT NO.	PART NAME	DESCRIPTION	Q'TY	PART NO. (SN)	REMARKS
U008	[SEMI CONDUCTOR]					
U008	D3101	C-DIODE	ISS352	1	223234R2	
U008	D3101 or	C-DIODE	MA2J111	(1)	223279R2	
U008	D3101 or	C-DIODE	KDS4148U	(1)	223283R2	
U008	D3401	C-DIODE	ISS352	1	223234R2	
U008	D3401 or	C-DIODE	MA2J111	(1)	223279R2	
U008	D3401 or	C-DIODE	KDS4148U	(1)	223283R2	
U008	D3501	C-DIODE	ISS352	1	223234R2	
U008	D3501 or	C-DIODE	MA2J111	(1)	223279R2	
U008	D3501 or	C-DIODE	KDS4148U	(1)	223283R2	
U008	D8301	C-DIODE	ISS226(TE85L_F)	1	223266R2	
U008	D8302	C-DIODE	ISS352	1	223234R2	
U008	D8302 or	C-DIODE	MA2J111	(1)	223279R2	
U008	D8302 or	C-DIODE	KDS4148U	(1)	223283R2	
U008	D8351	C-DIODE	ISS226(TE85L_F)	1	223266R2	
U008	D8352	C-DIODE	ISS352	1	223234R2	
U008	D8352 or	C-DIODE	MA2J111	(1)	223279R2	
U008	D8352 or	C-DIODE	KDS4148U	(1)	223283R2	
U008	D8652	C-DIODE	ISR154-400	1	22380284R2	
U008	D8653	C-DIODE	ISS352	1	223234R2	
U008	D8653 or	C-DIODE	MA2J111	(1)	223279R2	
U008	D8653 or	C-DIODE	KDS4148U	(1)	223283R2	
U008	D8701	C-DIODE	ISS352	1	223234R2	
U008	D8701 or	C-DIODE	MA2J111	(1)	223279R2	
U008	D8701 or	C-DIODE	KDS4148U	(1)	223283R2	
U008	D8801	C-DIODE	ISS352	1	223234R2	
U008	D8801 or	C-DIODE	MA2J111	(1)	223279R2	
U008	D8801 or	C-DIODE	KDS4148U	(1)	223283R2	
U008	D8951	DIODE	RSX501LA-20	1	22380364R2	N
U008	D8952	DIODE	RSX501LA-20	1	22380364R2	N
U008	D8953	DIODE	RSX501LA-20	1	22380364R2	N
U008	D8954	DIODE	RSX501LA-20	1	22380364R2	N
U008	D8958	C-DIODE	ISS352	1	223234R2	
U008	D8958 or	C-DIODE	MA2J111	(1)	223279R2	
U008	D8958 or	C-DIODE	KDS4148U	(1)	223283R2	
U008	Q205	IC	TC74VHC157FT	1	22274157ER2TO	
U008	Q3001	IC(DSP1)	D830K013BZKB300Z	1	22242662R3	
U008	Q3002	IC(DSP1 EXT. MEMORY)	NAND256W3A2BN6E(0365)	1	222W0092R303656	

U008	Q3003	IC	IS42S16160C-7TL	1	22242592R3	
U008	Q3003 or	IC	K4S561632J-UC75	(1)	22242524AR3	
U008	Q3004	IC	IS42S16160C-7TL	1	22242592R3	
U008	Q3004 or	IC	K4S561632J-UC75	(1)	22242524AR3	
U008	Q3005	IC	TC7W32FU	1	22241162R2	
U008	Q3006	IC	S-80127CNMC-JKM-T2	1	22241642R2	
U008	Q3102	IC	MIC2005-0.5YM6	1	22242590R2	
U008	Q3103	IC	BH18LB1WG-TR	1	22242562R2	
U008	Q3104	IC	TPD2E001DRLR	1	22242589R2	
U008	Q3105	IC	MFI341S2164	1	22242594R2	
U008	Q3106	IC	BH33FB1WG-TR	1	22242585R2	
U008	Q3107	IC	TA48033BF(TE16L_NQ)	1	22278033DBR2TO	
U008	Q3108	IC	KSZ8041NL	1	22242591R2	
U008	Q3109	IC	BD7820	1	22242300R2	
U008	Q3110	IC	MIC2005-0.5YM6	1	22242590R2	
U008	Q3202	IC	TC74VHC157FT	1	22274157ER2TO	
U008	Q3204	IC	TC7SZU04FU	1	22242512R2TO	
U008	Q3205	IC	TC7SZU04FU	1	22242512R2TO	
U008	Q3206	IC	NE5532APSR	1	22242283R2	
U008	Q3207	IC	NE5532APSR	1	22242283R2	
U008	Q3210	IC	TC7WH241FU(TE12L_F)	1	22242076R2TO	
U008	Q3401	IC(DSP2 EXT. MEMORY)	ES29LV160ET-70TG(0363)	1	222W0069R303637	
U008	Q3401 or	IC(DSP2 EXT. MEMORY)	S29AL016D70TFI010(0363)	(1)	222W0063R303637	
U008	Q3401 or	IC(DSP2 EXT. MEMORY)	S29AL016J70TFI010(0363)	(1)	222W0100R303637	N
U008	Q3401 or	IC(DSP2 EXT. MEMORY)	MX29LV160DTTI-7(0363)	(1)	222W0104R303637	
U008	Q3402	IC(DSP2)	D788E001BRFP266Z	1	22242502R3	
U008	Q3403	IC	K4S641632K-UC60	1	22242462R2	
U008	Q3403 or	IC	K4S641632N-LC60	(1)	22242603R2	
U008	Q3403 or	IC	EM638165TS-7G	(1)	22242607R2	
U008	Q3404	IC	BD7820	1	22242300R2	
U008	Q3405	IC	TC7WU04FU(TE12L_F)	1	22240935R2	
U008	Q3406	IC	TA48033BF(TE16L_NQ)	1	22278033DBR2TO	
U008	Q3501	IC(DSP3 EXT. MEMORY)	ES29LV160ET-70TG(0364)	1	222W0069R303648	
U008	Q3501 or	IC(DSP3 EXT. MEMORY)	S29AL016D70TFI010(0364)	(1)	222W0063R303648	
U008	Q3501 or	IC(DSP3 EXT. MEMORY)	S29AL016J70TFI010(0364)	(1)	222W0100R303648	N
U008	Q3501 or	IC(DSP3 EXT. MEMORY)	MX29LV160DTTI-7(0364)	(1)	222W0104R303648	
U008	Q3502	IC(DSP3)	D788E001BRFP266Z	1	22242502R3	
U008	Q3503	IC	NT5SV8M16FS-75B	1	22242674R3	
U008	Q3504	IC	BD7820	1	22242300R2	

U008	Q3604	IC	PCM1754DBQR	1	22242598R2	
U008	Q8001	IC	ADV7800BSTZ-150	1	22242606R3	N
U008	Q8002	IC	TA48018BF(TE16L_NQ)	1	22278018DBR2TO	
U008	Q8003	IC	K4S641632K-UC60	1	22242462R2	
U008	Q8003 or	IC	K4S641632N-LC60	(1)	22242603R2	
U008	Q8161	IC	TA48018BF(TE16L_NQ)	1	22278018DBR2TO	
U008	Q8162	IC	SII9185ACTU	1	22242471R3	
U008	Q8305	IC	S-812C50BUC-C5ET2G	1	22242407R2	
U008	Q8306	IC	NC7SZ08P5X_F042	1	22242482R2	
U008	Q8306 or	IC	TC7SZ08FU(TE85L_F)	(1)	22242071R2TO	
U008	Q8309	TR ARRAY	UM6K1N	1	226066R2	
U008	Q8355	IC	S-812C50BUC-C5ET2G	1	22242407R2	
U008	Q8356	IC	NC7SZ08P5X_F042	1	22242482R2	
U008	Q8356 or	IC	TC7SZ08FU(TE85L_F)	(1)	22242071R2TO	
U008	Q8359	TR ARRAY	UM6K1N	1	226066R2	
U008	Q8362	IC	SII9185ACTU	1	22242471R3	
U008	Q8401	IC	SII9134CTU	1	22242394R3	
U008	Q8402	IC	TC7WHU04FU(TE12L)	1	22242231R2	
U008	Q8403	IC	TC74VHCT00AFT (EKJ)	1	22274000G1R2TO	
U008	Q8403 or	IC	TC74VHCT00AFT	(1)	22274000GR2TO	
U008	Q8404	IC	BH18LB1WG-TR	1	22242562R2	
U008	Q8405	IC	SN74CB3Q3305PWR	1	22242258R2	
U008	Q8451	IC	SII9134CTU	1	22242394R3	
U008	Q8454	IC	BH18LB1WG-TR	1	22242562R2	
U008	Q8501	IC	SII9233ACTU	1	22242582R3	
U008	Q8595	IC	TA48018BF(TE16L_NQ)	1	22278018DBR2TO	
U008	Q8652	IC	BH33FB1WG-TR	1	22242585R2	
U008	Q8654	IC	BD7820	1	22242300R2	
U008	Q8701	IC(HDMI/VIDEO MICROPROCESSOR)	MPD70F3740GC-UEC-AX(0366)	1	222W0096R303665	
U008	Q8801	IC	ADV7342BSTZ-3	1	22242608R3	N
U008	Q8802	IC	BH18LB1WG-TR	1	22242562R2	
U008	Q8803	TR	DTC144EE	1	2216390R2	
U008	Q8803 or	TR	KRC404E	(1)	2216450R2	
U008	Q8807	IC	TC7WZU04FU(TE12L_F)	1	22242078R2TO	
U008	Q8808	IC	TC74VCX162827	1	22242395R2	
U008	Q8809	IC	TC74VCX162827	1	22242395R2	
U008	Q8810	IC	TC74VCX162827	1	22242395R2	
U008	Q8811	IC	TC74VCX162827	1	22242395R2	
U008	Q8812	IC	TC74VCX162827	1	22242395R2	

U008	Q8813	IC	TC74VCX162827	1	22242395R2
U008	Q8814	IC	TC74VCX162827	1	22242395R2
U008	Q8815	IC	TC74VCX162827	1	22242395R2
U008	Q8817	IC	TC74VCX162827	1	22242395R2
U008	Q8818	IC	TC74VCX162827	1	22242395R2
U008	Q8951	IC	MP1593DN	1	22242601R2
U008	Q8952	IC	MP1593DN	1	22242601R2
U008	Q8953	IC	MP1593DN	1	22242601R2
U008	Q8954	IC	MP1593DN	1	22242601R2
U008	Q8955	TR	DTC144EE	1	2216390R2
U008	Q8955 or	TR	KRC404E	(1)	2216450R2
U008	Q8956	TR	DTC144EE	1	2216390R2
U008	Q8956 or	TR	KRC404E	(1)	2216450R2
U008	Q8957	TR	DTC144EE	1	2216390R2
U008	Q8957 or	TR	KRC404E	(1)	2216450R2
U008	Q8958	TR	DTC144EE	1	2216390R2
U008	Q8958 or	TR	KRC404E	(1)	2216450R2
U008	U8001	IC(VSP)	VX-50	1	22242392R3
U008	U8027	IC	HY5DU561622ETP-4-C	1	22242450R3
U008	U8027 or	IC	HY5DU561622FTP-4-C	(1)	22242577R3
U008	U8028	IC	HY5DU561622ETP-4-C	1	22242450R3
U008	U8028 or	IC	HY5DU561622FTP-4-C	(1)	22242577R3
U008	U8029	IC	HY5DU561622ETP-4-C	1	22242450R3
U008	U8029 or	IC	HY5DU561622FTP-4-C	(1)	22242577R3
U008	U8030	IC	HY5DU561622ETP-4-C	1	22242450R3
U008	U8030 or	IC	HY5DU561622FTP-4-C	(1)	22242577R3
U008	U8031	IC(VSP EXT. MEMORY)	S29GL128P90TFIR20(0367)	1	222W0090R30367A
U008	U8031 or	IC(VSP EXT. MEMORY)	S29GL128N10TFI020(0367)	(1)	222W0071R30367A
U008	U8067	IC	LP2996MX	1	22242438R2
U008	[TRANS COIL]				
U008	L251	CORE	BLM18PG181SN1D	1	2350005R1
U008	L261	EMIFIL	BK1608LM182-T	1	230958R1
U008	L3001	CORE	BLM18PG121SN1D	1	2350006R1
U008	L3002	CORE	BLM18PG121SN1D	1	2350006R1
U008	L3003	CORE	BLM18PG121SN1D	1	2350006R1
U008	L3004	CORE	BLM18PG121SN1D	1	2350006R1
U008	L3005	CORE	BLM18PG121SN1D	1	2350006R1
U008	L3102	CORE	BLM18PG181SN1D	1	2350005R1
U008	L3103	CORE	BLM18PG121SN1D	1	2350006R1

U008	L3104	CORE	BLM18PG121SN1D	1	2350006R1
U008	L3105	CORE	BLM18PG121SN1D	1	2350006R1
U008	L3106	CORE	BLM18PG121SN1D	1	2350006R1
U008	L3107	CORE	BLM18PG121SN1D	1	2350006R1
U008	L3108	CORE	BLM18PG121SN1D	1	2350006R1
U008	L3109	CORE	BLM18PG121SN1D	1	2350006R1
U008	L3110	CORE	BLM18PG121SN1D	1	2350006R1
U008	L3111	CORE	BLM18PG181SN1D	1	2350005R1
U008	L3202	C-CARBON R	RN72K1J-000JE	1	435030004R1
U008	L3203	CORE	MMZ1608Y601BT	1	2350004R1
U008	L3204	EMIFIL	BK1608LM182-T	1	230958R1
U008	L3205	CORE	BLM18PG121SN1D	1	2350006R1
U008	L3206	CORE	BLM18PG121SN1D	1	2350006R1
U008	L3207	CORE	MMZ1608Y601BT	1	2350004R1
U008	L3208	CORE	MMZ1608Y601BT	1	2350004R1
U008	L3209	CORE	MMZ1608Y601BT	1	2350004R1
U008	L3401	C-CARBON R	RN72K1J-000JE	1	435030004R1
U008	L3402	CORE	BLM18PG121SN1D	1	2350006R1
U008	L3403	CORE	MMZ1608Y601BT	1	2350004R1
U008	L3405	CORE	BLM18PG121SN1D	1	2350006R1
U008	L3406	CORE	BLM18PG121SN1D	1	2350006R1
U008	L3407	CORE	BLM18PG121SN1D	1	2350006R1
U008	L3408	CORE	BLM18PG121SN1D	1	2350006R1
U008	L3409	CORE	BLM18PG121SN1D	1	2350006R1
U008	L3410	CORE	MMZ1608Y601BT	1	2350004R1
U008	L3411	CORE	MMZ1608Y601BT	1	2350004R1
U008	L3501	C-CARBON R	RN72K1J-000JE	1	435030004R1
U008	L3502	CORE	BLM18PG121SN1D	1	2350006R1
U008	L3503	CORE	MMZ1608Y601BT	1	2350004R1
U008	L3505	CORE	BLM18PG121SN1D	1	2350006R1
U008	L3506	CORE	BLM18PG121SN1D	1	2350006R1
U008	L3507	CORE	BLM18PG121SN1D	1	2350006R1
U008	L3508	CORE	BLM18PG121SN1D	1	2350006R1
U008	L3509	CHOKE COIL	LBC2518T470M	1	231364M470R2
U008	L8001	CHOKE COIL	LBC2518T2R2M	1	231364M022R2
U008	L8002	CHOKE COIL	LBC2518T2R2M	1	231364M022R2
U008	L8003	CHOKE COIL	LBC2518T2R2M	1	231364M022R2
U008	L8004	CHOKE COIL	LBC2518T2R2M	1	231364M022R2
U008	L8005	CHOKE COIL	LBC2518T2R2M	1	231364M022R2

U008	L8006	CHOKE COIL	LBC2518T2R2M	1	231364M022R2
U008	L8007	EMIFIL	BK1608LM182-T	1	230958R1
U008	L8008	EMIFIL	BK1608LM182-T	1	230958R1
U008	L8011	C-CARBON R	RN72K1J-000JE	1	435030004R1
U008	L8012	C-CARBON R	RN72K1J-000JE	1	435030004R1
U008	L8013	C-CARBON R	RN72K1J-000JE	1	435030004R1
U008	L8023	CHOKE COIL	BLM21PG221SN1	1	230949R2
U008	L8042	C-CARBON R	RN72K1J-000JE	1	435030004R1
U008	L8161	CORE	BLM18PG181SN1D	1	2350005R1
U008	L8162	CORE	BLM18PG181SN1D	1	2350005R1
U008	L8163	CORE	BLM18PG181SN1D	1	2350005R1
U008	L8361	CORE	BLM18PG181SN1D	1	2350005R1
U008	L8362	CORE	BLM18PG181SN1D	1	2350005R1
U008	L8363	CORE	BLM18PG181SN1D	1	2350005R1
U008	L8401	CORE	BLM18PG181SN1D	1	2350005R1
U008	L8402	CORE	BLM18PG181SN1D	1	2350005R1
U008	L8403	CORE	BLM18PG181SN1D	1	2350005R1
U008	L8404	CORE	BLM18PG181SN1D	1	2350005R1
U008	L8405	CORE	BLM18PG181SN1D	1	2350005R1
U008	L8406	C-R NET	MNR12E0APJ000	1	43464900002R2
U008	L8407	C-R NET	MNR12E0APJ000	1	43464900002R2
U008	L8408	CORE	BLM18PG181SN1D	1	2350005R1
U008	L8409	C-R NET	MNR12E0APJ000	1	43464900002R2
U008	L8410	C-R NET	MNR12E0APJ000	1	43464900002R2
U008	L8411	CORE	BLM18PG181SN1D	1	2350005R1
U008	L8450	C-R NET	MNR12E0APJ000	1	43464900002R2
U008	L8451	CORE	BLM18PG181SN1D	1	2350005R1
U008	L8452	CORE	BLM18PG181SN1D	1	2350005R1
U008	L8453	CORE	BLM18PG181SN1D	1	2350005R1
U008	L8454	CORE	BLM18PG181SN1D	1	2350005R1
U008	L8455	CORE	BLM18PG181SN1D	1	2350005R1
U008	L8456	C-R NET	MNR12E0APJ000	1	43464900002R2
U008	L8457	C-R NET	MNR12E0APJ000	1	43464900002R2
U008	L8458	CORE	BLM18PG181SN1D	1	2350005R1
U008	L8459	C-R NET	MNR12E0APJ000	1	43464900002R2
U008	L8601	CORE	BLM18PG181SN1D	1	2350005R1
U008	L8602	CORE	BLM18PG181SN1D	1	2350005R1
U008	L8603	CORE	BLM18PG181SN1D	1	2350005R1
U008	L8604	CORE	BLM18PG181SN1D	1	2350005R1

U008	L8605	CORE	BLM18PG181SN1D	1	2350005R1	
U008	L8606	CORE	BLM18PG181SN1D	1	2350005R1	
U008	L8608	CORE	MMZ1608Y601BT	1	2350004R1	
U008	L8641	CORE	BLM18PG181SN1D	1	2350005R1	
U008	L8701	CORE	BLM18PG181SN1D	1	2350005R1	
U008	L8801	CHOKE COIL	LBC2518T4R7M	1	231364M047R2	
U008	L8802	CHOKE COIL	LBC2518T4R7M	1	231364M047R2	
U008	L8803	CHOKE COIL	LBC2518T4R7M	1	231364M047R2	
U008	L8804	CHOKE COIL	LBC2518T4R7M	1	231364M047R2	
U008	L8806	CHOKE COIL	LBC2518T2R2M	1	231364M022R2	
U008	L8851	C-CARBON R	RN72K2B-000JE	1	433220004R1	
U008	L8852	C-CARBON R	RN72K2B-000JE	1	433220004R1	
U008	L8853	C-CARBON R	RN72K2B-000JE	1	433220004R1	
U008	L8854	C-CARBON R	RN72K2B-000JE	1	433220004R1	
U008	L8855	C-CARBON R	RN72K2B-000JE	1	433220004R1	
U008	L8856	C-CARBON R	RN72K2B-000JE	1	433220004R1	
U008	L8951	CHOKE COIL	0182-7E08Q-100M-RA	1	231396M100R2	N
U008	L8952	CHOKE COIL	0182-7E08Q-6R8N-RA	1	231395P068R2	N
U008	L8953	CHOKE COIL	0182-7E08Q-6R8N-RA	1	231395P068R2	N
U008	L8954	CHOKE COIL	0182-7E08Q-100M-RA	1	231396M100R2	N
U008	L8955	CHOKE COIL	BLM21PG221SN1	1	230949R2	
U008	L8956	CHOKE COIL	BLM21PG221SN1	1	230949R2	
U008	L8957	CHOKE COIL	BLM21PG221SN1	1	230949R2	
U008	L8958	CHOKE COIL	BLM21PG221SN1	1	230949R2	
U008	L8959	CHOKE COIL	BLM21PG221SN1	1	230949R2	
U008	L8960	CHOKE COIL	BLM21PG221SN1	1	230949R2	
U008	L8961	CHOKE COIL	BLM21PG221SN1	1	230949R2	
U008	L8962	CHOKE COIL	BLM21PG221SN1	1	230949R2	
U008	L8963	CHOKE COIL	BLM21PG221SN1	1	230949R2	
U008	L8964	CHOKE COIL	BLM21PG221SN1	1	230949R2	
U008	L8965	CHOKE COIL	BLM21PG221SN1	1	230949R2	
U008	L8966	CHOKE COIL	BLM21PG221SN1	1	230949R2	
U008	X3001	CRYSTAL	HC-49SMD24.000MHz	1	3010479R2	N
U008	X3001 or	CRYSTAL	HC-49USSMD24.00MHz	(1)	3010471R2	
U008	X3201	CRYSTAL	HC-49/U03C 12.288MHz	1	3010323R2	
U008	X3202	CRYSTAL	HC-49SMD11.2896MHz	1	3010480R2	N
U008	X3202 or	CRYSTAL	HC-49USSMD11.2896MHz	(1)	3010472R2	
U008	X3401	CRYSTAL	HC-49USSMD17.734MHz	1	3010442R2	
U008	X8001	CRYSTAL	DSX530GAK28.6363MHZ	1	3010475R2	N

U008	X8002	CRYSTAL	DSX321G-27MHz	1	3010487R2
U008	X8701	CERA LOCK	CSTCR5M00G53-B0	1	3010356R2
U008	[CAPACITOR]				
U008	C251	C-CERA C	CK725F1A-105Z1	1	332181050R1
U008	C252	C-CERA C	CK725F1A-105Z1	1	332181050R1
U008	C3001	C-CERA C	CK725F1A-105Z1	1	332181050R1
U008	C3002	C-CERA C	CK725F1A-105Z1	1	332181050R1
U008	C3003	C-CERA C	CK725B0J-106K	1	332091065R2
U008	C3004	C-CERA C	CK725B0J-106K	1	332091065R2
U008	C3005	C-CERA C	CK725F1A-105Z1	1	332181050R1
U008	C3006	C-CERA C	CC725CH1H-102J1	1	342101024R1
U008	C3007	C-CERA C	CK725F1A-105Z1	1	332181050R1
U008	C3008	C-CERA C	CC725CH1H-102J1	1	342101024R1
U008	C3009	C-CERA C	CK725F1A-105Z1	1	332181050R1
U008	C3010	C-CERA C	CK725F1A-105Z1	1	332181050R1
U008	C3011	C-CERA C	CK725F1A-105Z1	1	332181050R1
U008	C3012	C-CERA C	CC725CH1H-102J1	1	342101024R1
U008	C3013	C-CERA C	CK725F1A-105Z1	1	332181050R1
U008	C3014	C-CERA C	CC725CH1H-102J1	1	342101024R1
U008	C3015	C-CERA C	CC725CH1H-102J1	1	342101024R1
U008	C3016	C-CERA C	CK725F1A-105Z1	1	332181050R1
U008	C3017	C-CERA C	CK725F1A-105Z1	1	332181050R1
U008	C3018	C-CERA C	CK725F1A-105Z1	1	332181050R1
U008	C3019	C-CERA C	CC725CH1H-102J1	1	342101024R1
U008	C3020	C-CERA C	CK725F1A-105Z1	1	332181050R1
U008	C3021	C-CERA C	CK725F1A-105Z1	1	332181050R1
U008	C3022	C-CERA C	CK725F1A-105Z1	1	332181050R1
U008	C3023	C-CERA C	CK725B0J-106K	1	332091065R2
U008	C3024	C-CERA C	CC725CH1H-102J1	1	342101024R1
U008	C3025	C-CERA C	CK725F1A-105Z1	1	332181050R1
U008	C3026	C-CERA C	CK725B1C-104K1	1	332121045R1
U008	C3027	C-CERA C	CC725CH1H-102J1	1	342101024R1
U008	C3028	C-CERA C	CK725F1A-105Z1	1	332181050R1
U008	C3029	C-CERA C	CC725CH1H-102J1	1	342101024R1
U008	C3030	C-CERA C	CK725F1A-105Z1	1	332181050R1
U008	C3031	C-CERA C	CK725F1A-105Z1	1	332181050R1
U008	C3032	C-CERA C	CC725CH1H-102J1	1	342101024R1
U008	C3033	C-CERA C	CK725F1A-105Z1	1	332181050R1
U008	C3034	C-CERA C	CC725CH1H-120J1	1	342101204R1

U008	C3035	C-CERA C	CC725CH1H-102J1	1	342101024R1
U008	C3036	C-CERA C	CC725CH1H-120J1	1	342101204R1
U008	C3037	C-CERA C	CK725F1A-105Z1	1	332181050R1
U008	C3038	C-CERA C	CK725F1A-105Z1	1	332181050R1
U008	C3039	C-CERA C	CK725B1H-103K1	1	332101035R1
U008	C3040	C-CERA C	CK725F1A-105Z1	1	332181050R1
U008	C3041	C-CERA C	CK725B0J-106K	1	332091065R2
U008	C3042	C-CERA C	CK725F1A-105Z1	1	332181050R1
U008	C3043	C-CERA C	CK725F1A-105Z1	1	332181050R1
U008	C3101	CHIP ELECT C	CEWX16V-100M	1	398141017R2
U008	C3102	CHIP ELECT C	CEWX10V-220M	1	398132217R2
U008	C3103	C-CERA C	CC725CH1H-102J1	1	342101024R1
U008	C3104	C-CERA C	CK725F1A-105Z1	1	332181050R1
U008	C3105	C-CERA C	CK725F1A-105Z1	1	332181050R1
U008	C3106	C-CERA C	CK725B0J-106K	1	332091065R2
U008	C3107	C-CERA C	CK725F1A-105Z1	1	332181050R1
U008	C3108	C-CERA C	CK725F1A-105Z1	1	332181050R1
U008	C3109	C-CERA C	CK725B0J-106K	1	332091065R2
U008	C3110	C-CERA C	CK725B1A-224K1	1	332132245R1
U008	C3112	C-CERA C	CK725B0J-106K	1	332091065R2
U008	C3113	C-CERA C	CK725F1A-105Z1	1	332181050R1
U008	C3114	C-CERA C	CK725F1A-105Z1	1	332181050R1
U008	C3115	C-CERA C	CK725B0J-106K	1	332091065R2
U008	C3116	C-CERA C	CK725B0J-106K	1	332091065R2
U008	C3117	C-CERA C	CC725CH1H-102J1	1	342101024R1
U008	C3118	C-CERA C	CK725F1A-105Z1	1	332181050R1
U008	C3119	C-CERA C	CK725F1A-105Z1	1	332181050R1
U008	C3120	C-CERA C	CK725B0J-106K	1	332091065R2
U008	C3121	C-CERA C	CK725F1A-105Z1	1	332181050R1
U008	C3122	C-CERA C	CK725F1A-105Z1	1	332181050R1
U008	C3123	CHIP ELECT C	CEWX10V-220M	1	398132217R2
U008	C3124	C-CERA C	CK725F1A-105Z1	1	332181050R1
U008	C3125	C-CERA C	CK725B0J-106K	1	332091065R2
U008	C3126	C-CERA C	CK725B0J-106K	1	332091065R2
U008	C3127	C-CERA C	CK725F1A-105Z1	1	332181050R1
U008	C3128	C-CERA C	CK725F1A-105Z1	1	332181050R1
U008	C3129	C-CERA C	CK725F1A-105Z1	1	332181050R1
U008	C3130	C-CERA C	CK725B0J-106K	1	332091065R2
U008	C3131	C-CERA C	CK725F1A-105Z1	1	332181050R1

U008	C3132	C-CERA C	CC725CH1H-101J1	1	342101014R1
U008	C3133	C-CERA C	CK725F1A-105Z1	1	332181050R1
U008	C3134	C-CERA C	CK725B1C-104K1	1	332121045R1
U008	C3135	C-CERA C	CK725B1C-104K1	1	332121045R1
U008	C3136	C-CERA C	CK725F1A-105Z1	1	332181050R1
U008	C3137	C-CERA C	CK725F1A-105Z1	1	332181050R1
U008	C3138	C-CERA C	CK725F1A-105Z1	1	332181050R1
U008	C3139	C-CERA C	CK725F1A-105Z1	1	332181050R1
U008	C3140	C-CERA C	CK725F1A-105Z1	1	332181050R1
U008	C3143	C-CERA C	CK725F1A-105Z1	1	332181050R1
U008	C3144	C-CERA C	CK725F1A-105Z1	1	332181050R1
U008	C3145	C-CERA C	CK725B0J-106K	1	332091065R2
U008	C3146	C-CERA C	CK725F1A-105Z1	1	332181050R1
U008	C3147	C-CERA C	CK725B0J-106K	1	332091065R2
U008	C3148	C-CERA C	CK725B1H-223K1	1	332102235R1
U008	C3149	C-CERA C	CK725F1A-105Z1	1	332181050R1
U008	C3150	CHIP ELECT C	CEWX4V-22M	1	3981G2207R2
U008	C3151	C-CERA C	CK725B1H-103K1	1	332101035R1
U008	C3152	C-CERA C	CK725B0J-106K	1	332091065R2
U008	C3153	C-CERA C	CK725F1A-105Z1	1	332181050R1
U008	C3154	C-CERA C	CK725B0J-106K	1	332091065R2
U008	C3155	C-CERA C	CK725F1A-105Z1	1	332181050R1
U008	C3156	C-CERA C	CC725CH1H-102J1	1	342101024R1
U008	C3157	C-CERA C	CK725F1A-105Z1	1	332181050R1
U008	C3158	C-CERA C	CK725F1A-105Z1	1	332181050R1
U008	C3159	C-CERA C	CK725F1A-105Z1	1	332181050R1
U008	C3164	C-CERA C	CC725CH1H-102J1	1	342101024R1
U008	C3165	CHIP ELECT C	CEWX10V-220M	1	398132217R2
U008	C3166	C-CERA C	CK725F1A-105Z1	1	332181050R1
U008	C3202	C-CERA C	CK725F1A-105Z1	1	332181050R1
U008	C3204	C-CERA C	CK725B0J-106K	1	332091065R2
U008	C3205	C-CERA C	CK725F1A-105Z1	1	332181050R1
U008	C3206	C-CERA C	CK725F1A-105Z1	1	332181050R1
U008	C3207	C-CERA C	CK725B0J-106K	1	332091065R2
U008	C3208	C-CERA C	CK725F1A-105Z1	1	332181050R1
U008	C3209	C-CERA C	CK725F1A-105Z1	1	332181050R1
U008	C3210	CHIP ELECT C	CEWX16V-100M	1	398141017R2
U008	C3211	C-CERA C	CK725B1H-222K1	1	332102225R1
U008	C3213	C-CERA C	CK725F1A-105Z1	1	332181050R1

U008	C3214	C-CERA C	CK725B0J-106K	1	332091065R2
U008	C3215	CHIP ELECT C	CEWX16V-10M	1	398141007R2
U008	C3216	C-CERA C	CC725CH1H-120J1	1	342101204R1
U008	C3219	C-CERA C	CC725CH1H-120J1	1	342101204R1
U008	C3220	C-CERA C	CC725CH1H-120J1	1	342101204R1
U008	C3223	C-CERA C	CC725CH1H-120J1	1	342101204R1
U008	C3224	C-CERA C	CK725B1H-152K1	1	332101525R1
U008	C3225	C-CERA C	CK725B1H-152K1	1	332101525R1
U008	C3226	C-CERA C	CK725F1A-105Z1	1	332181050R1
U008	C3227	CHIP ELECT C	CEWX16V-10M	1	398141007R2
U008	C3228	C-CERA C	CK725B1H-222K1	1	332102225R1
U008	C3229	C-CERA C	CK725F1A-105Z1	1	332181050R1
U008	C3230	C-CERA C	CK725B0J-106K	1	332091065R2
U008	C3231	C-CERA C	CK725F1A-105Z1	1	332181050R1
U008	C3233	CHIP ELECT C	CEWX16V-100M	1	398141017R2
U008	C3402	C-CERA C	CK725F1A-105Z1	1	332181050R1
U008	C3403	C-CERA C	CK725F1A-105Z1	1	332181050R1
U008	C3404	C-CERA C	CK725F1A-105Z1	1	332181050R1
U008	C3405	C-CERA C	CK725F1A-105Z1	1	332181050R1
U008	C3406	C-CERA C	CK725F1A-105Z1	1	332181050R1
U008	C3407	C-CERA C	CK725F1A-105Z1	1	332181050R1
U008	C3408	C-CERA C	CK725F1A-105Z1	1	332181050R1
U008	C3409	C-CERA C	CK725F1A-105Z1	1	332181050R1
U008	C3410	C-CERA C	CK725F1A-105Z1	1	332181050R1
U008	C3412	C-CERA C	CK725F1A-105Z1	1	332181050R1
U008	C3413	C-CERA C	CK725F1A-105Z1	1	332181050R1
U008	C3414	C-CERA C	CC725CH1H-102J1	1	342101024R1
U008	C3415	C-CERA C	CK725F1A-105Z1	1	332181050R1
U008	C3416	C-CERA C	CK725F1A-105Z1	1	332181050R1
U008	C3417	C-CERA C	CK725F1A-105Z1	1	332181050R1
U008	C3418	C-CERA C	CK725F1A-105Z1	1	332181050R1
U008	C3419	C-CERA C	CK725F1A-105Z1	1	332181050R1
U008	C3420	C-CERA C	CK725B0J-106K	1	332091065R2
U008	C3421	C-CERA C	CK725F1A-105Z1	1	332181050R1
U008	C3422	C-CERA C	CK725F1A-105Z1	1	332181050R1
U008	C3423	C-CERA C	CK725F1A-105Z1	1	332181050R1
U008	C3424	C-CERA C	CK725F1A-105Z1	1	332181050R1
U008	C3425	C-CERA C	CK725F1A-105Z1	1	332181050R1
U008	C3426	C-CERA C	CK725F1A-105Z1	1	332181050R1

U008	C3427	C-CERA C	CK725F1A-105Z1	1	332181050R1
U008	C3428	C-CERA C	CK725F1A-105Z1	1	332181050R1
U008	C3429	C-CERA C	CK725F1A-105Z1	1	332181050R1
U008	C3430	C-CERA C	CK725F1A-105Z1	1	332181050R1
U008	C3431	C-CERA C	CK725F1A-105Z1	1	332181050R1
U008	C3432	C-CERA C	CK725F1A-105Z1	1	332181050R1
U008	C3433	C-CERA C	CK725F1A-105Z1	1	332181050R1
U008	C3434	C-CERA C	CK725F1A-105Z1	1	332181050R1
U008	C3435	C-CERA C	CK725F1A-105Z1	1	332181050R1
U008	C3436	C-CERA C	CK725F1A-105Z1	1	332181050R1
U008	C3437	C-CERA C	CK725F1A-105Z1	1	332181050R1
U008	C3438	C-CERA C	CK725F1A-105Z1	1	332181050R1
U008	C3439	C-CERA C	CK725F1A-105Z1	1	332181050R1
U008	C3440	C-CERA C	CK725F1A-105Z1	1	332181050R1
U008	C3441	C-CERA C	CK725F1A-105Z1	1	332181050R1
U008	C3442	C-CERA C	CK725B0J-106K	1	332091065R2
U008	C3443	C-CERA C	CK725F1A-105Z1	1	332181050R1
U008	C3444	C-CERA C	CC725CH1H-102J1	1	342101024R1
U008	C3445	C-CERA C	CK725F1A-105Z1	1	332181050R1
U008	C3446	C-CERA C	CK725B0J-106K	1	332091065R2
U008	C3447	C-CERA C	CK725B0J-106K	1	332091065R2
U008	C3448	C-CERA C	CK725B0J-106K	1	332091065R2
U008	C3449	C-CERA C	CK725F1A-105Z1	1	332181050R1
U008	C3450	C-CERA C	CK725F1A-105Z1	1	332181050R1
U008	C3451	C-CERA C	CK725F1A-105Z1	1	332181050R1
U008	C3452	C-CERA C	CK725F1A-105Z1	1	332181050R1
U008	C3453	CHIP ELECT C	CEWX4V-22M	1	3981G2207R2
U008	C3454	C-CERA C	CK725B1H-103K1	1	332101035R1
U008	C3455	C-CERA C	CK725F1A-105Z1	1	332181050R1
U008	C3456	C-CERA C	CK725B0J-106K	1	332091065R2
U008	C3457	C-CERA C	CK725F1A-105Z1	1	332181050R1
U008	C3458	C-CERA C	CK725B0J-106K	1	332091065R2
U008	C3459	C-CERA C	CK725F1A-105Z1	1	332181050R1
U008	C3461	CHIP ELECT C	CEWX4V-220M	1	3981G2217R2
U008	C3462	C-CERA C	CK725F1A-105Z1	1	332181050R1
U008	C3463	C-CERA C	CC725CH1H-060D1	1	342100602R1
U008	C3464	C-CERA C	CC725CH1H-060D1	1	342100602R1
U008	C3502	C-CERA C	CK725F1A-105Z1	1	332181050R1
U008	C3503	C-CERA C	CK725F1A-105Z1	1	332181050R1

U008	C3504	C-CERA C	CK725F1A-105Z1	1	332181050R1
U008	C3505	C-CERA C	CK725F1A-105Z1	1	332181050R1
U008	C3506	C-CERA C	CK725F1A-105Z1	1	332181050R1
U008	C3507	C-CERA C	CK725F1A-105Z1	1	332181050R1
U008	C3508	C-CERA C	CK725F1A-105Z1	1	332181050R1
U008	C3509	C-CERA C	CK725F1A-105Z1	1	332181050R1
U008	C3510	C-CERA C	CK725F1A-105Z1	1	332181050R1
U008	C3512	C-CERA C	CK725F1A-105Z1	1	332181050R1
U008	C3513	C-CERA C	CK725F1A-105Z1	1	332181050R1
U008	C3514	C-CERA C	CC725CH1H-101J1	1	342101014R1
U008	C3515	C-CERA C	CK725F1A-105Z1	1	332181050R1
U008	C3516	C-CERA C	CK725F1A-105Z1	1	332181050R1
U008	C3517	C-CERA C	CK725F1A-105Z1	1	332181050R1
U008	C3518	C-CERA C	CK725F1A-105Z1	1	332181050R1
U008	C3519	C-CERA C	CK725F1A-105Z1	1	332181050R1
U008	C3520	C-CERA C	CK725B0J-106K	1	332091065R2
U008	C3521	C-CERA C	CK725F1A-105Z1	1	332181050R1
U008	C3522	C-CERA C	CK725F1A-105Z1	1	332181050R1
U008	C3523	C-CERA C	CK725F1A-105Z1	1	332181050R1
U008	C3524	C-CERA C	CK725F1A-105Z1	1	332181050R1
U008	C3525	C-CERA C	CK725F1A-105Z1	1	332181050R1
U008	C3526	C-CERA C	CK725F1A-105Z1	1	332181050R1
U008	C3527	C-CERA C	CK725F1A-105Z1	1	332181050R1
U008	C3528	C-CERA C	CK725F1A-105Z1	1	332181050R1
U008	C3529	C-CERA C	CK725F1A-105Z1	1	332181050R1
U008	C3530	C-CERA C	CK725F1A-105Z1	1	332181050R1
U008	C3531	C-CERA C	CK725F1A-105Z1	1	332181050R1
U008	C3532	C-CERA C	CK725F1A-105Z1	1	332181050R1
U008	C3533	C-CERA C	CK725F1A-105Z1	1	332181050R1
U008	C3534	C-CERA C	CK725F1A-105Z1	1	332181050R1
U008	C3535	C-CERA C	CK725F1A-105Z1	1	332181050R1
U008	C3536	C-CERA C	CK725F1A-105Z1	1	332181050R1
U008	C3537	C-CERA C	CK725F1A-105Z1	1	332181050R1
U008	C3538	C-CERA C	CK725F1A-105Z1	1	332181050R1
U008	C3539	C-CERA C	CK725F1A-105Z1	1	332181050R1
U008	C3540	C-CERA C	CK725F1A-105Z1	1	332181050R1
U008	C3541	C-CERA C	CK725F1A-105Z1	1	332181050R1
U008	C3542	C-CERA C	CK725B0J-106K	1	332091065R2
U008	C3543	C-CERA C	CK725F1A-105Z1	1	332181050R1

U008	C3544	C-CERA C	CC725CH1H-102J1	1	342101024R1
U008	C3545	C-CERA C	CK725F1A-105Z1	1	332181050R1
U008	C3546	C-CERA C	CK725B0J-106K	1	332091065R2
U008	C3547	C-CERA C	CK725B0J-106K	1	332091065R2
U008	C3548	C-CERA C	CK725B0J-106K	1	332091065R2
U008	C3549	C-CERA C	CK725F1A-105Z1	1	332181050R1
U008	C3550	C-CERA C	CK725F1A-105Z1	1	332181050R1
U008	C3551	C-CERA C	CK725F1A-105Z1	1	332181050R1
U008	C3552	CHIP ELECT C	CEWX4V-22M	1	3981G2207R2
U008	C3553	C-CERA C	CK725B1H-103K1	1	332101035R1
U008	C3554	C-CERA C	CK725F1A-105Z1	1	332181050R1
U008	C3555	C-CERA C	CK725B0J-106K	1	332091065R2
U008	C3556	C-CERA C	CK725F1A-105Z1	1	332181050R1
U008	C3603	C-CERA C	CK725B1H-102K1	1	332101025R1
U008	C8001	C-CERA C	CK725B1H-102K1	1	332101025R1
U008	C8002	C-CERA C	CK725B1H-102K1	1	332101025R1
U008	C8003	C-CERA C	CK725B1C-104K1	1	332121045R1
U008	C8004	C-CERA C	CK725B1C-104K1	1	332121045R1
U008	C8005	C-CERA C	CK725B1C-104K1	1	332121045R1
U008	C8006	C-CERA C	CK725B1C-104K1	1	332121045R1
U008	C8007	C-CERA C	CK725B1C-104K1	1	332121045R1
U008	C8008	C-CERA C	CK725B1C-104K1	1	332121045R1
U008	C8009	C-CERA C	CK725B1C-104K1	1	332121045R1
U008	C8010	C-CERA C	CK725B1C-104K1	1	332121045R1
U008	C8011	C-CERA C	CK725B1C-104K1	1	332121045R1
U008	C8012	C-CERA C	CK725B1C-104K1	1	332121045R1
U008	C8013	C-CERA C	CK725B1C-104K1	1	332121045R1
U008	C8014	C-CERA C	CK725B1C-104K1	1	332121045R1
U008	C8015	CHIP ELECT C	CEWX16V-10M	1	398141007R2
U008	C8016	C-CERA C	CK725F1E-104Z1	1	332161040R1
U008	C8017	CHIP ELECT C	CEWX16V-10M	1	398141007R2
U008	C8018	C-CERA C	CK725F1E-104Z1	1	332161040R1
U008	C8019	C-CERA C	CK725B1H-103K1	1	332101035R1
U008	C8020	C-CERA C	CK725B1H-103K1	1	332101035R1
U008	C8021	C-CERA C	CK725F1E-104Z1	1	332161040R1
U008	C8022	C-CERA C	CK725F1E-104Z1	1	332161040R1
U008	C8023	CHIP ELECT C	CEWX16V-10M	1	398141007R2
U008	C8024	CHIP ELECT C	CEWX16V-10M	1	398141007R2
U008	C8025	C-CERA C	CK725F1E-104Z1	1	332161040R1

U008	C8026	C-CERA C	CK725F1E-104Z1	1	332161040R1
U008	C8027	C-CERA C	CK725F1E-104Z1	1	332161040R1
U008	C8028	C-CERA C	CK725F1E-104Z1	1	332161040R1
U008	C8029	C-CERA C	CK725B1H-103K1	1	332101035R1
U008	C8030	C-CERA C	CK725F1E-104Z1	1	332161040R1
U008	C8031	C-CERA C	CK725B1H-103K1	1	332101035R1
U008	C8032	CHIP ELECT C	CEWX4V-100M	1	3981G1017R2
U008	C8033	C-CERA C	CK725F1E-104Z1	1	332161040R1
U008	C8034	C-CERA C	CK725B1H-103K1	1	332101035R1
U008	C8035	C-CERA C	CK725F1E-104Z1	1	332161040R1
U008	C8036	C-CERA C	CK725B1H-103K1	1	332101035R1
U008	C8037	C-CERA C	CK725F1E-104Z1	1	332161040R1
U008	C8038	C-CERA C	CK725B1H-103K1	1	332101035R1
U008	C8039	C-CERA C	CK725F1E-104Z1	1	332161040R1
U008	C8040	C-CERA C	CK725B1H-103K1	1	332101035R1
U008	C8041	C-CERA C	CK725F1E-104Z1	1	332161040R1
U008	C8042	C-CERA C	CK725B1H-103K1	1	332101035R1
U008	C8043	C-CERA C	CK725F1E-104Z1	1	332161040R1
U008	C8044	C-CERA C	CK725B1H-103K1	1	332101035R1
U008	C8045	C-CERA C	CK725F1E-104Z1	1	332161040R1
U008	C8046	C-CERA C	CK725B1H-103K1	1	332101035R1
U008	C8047	C-CERA C	CK725F1E-104Z1	1	332161040R1
U008	C8048	C-CERA C	CK725B1H-103K1	1	332101035R1
U008	C8049	C-CERA C	CK725F1E-104Z1	1	332161040R1
U008	C8050	C-CERA C	CK725B1H-103K1	1	332101035R1
U008	C8051	C-CERA C	CK725F1E-104Z1	1	332161040R1
U008	C8052	C-CERA C	CK725F1E-104Z1	1	332161040R1
U008	C8053	C-CERA C	CK725B1H-103K1	1	332101035R1
U008	C8054	C-CERA C	CK725B1H-103K1	1	332101035R1
U008	C8055	C-CERA C	CK725F1E-104Z1	1	332161040R1
U008	C8056	C-CERA C	CK725B1H-103K1	1	332101035R1
U008	C8057	C-CERA C	CK725F1E-104Z1	1	332161040R1
U008	C8058	C-CERA C	CK725B1H-103K1	1	332101035R1
U008	C8060	C-CERA C	CK725F1A-105Z1	1	332181050R1
U008	C8061	C-CERA C	CK725F1E-104Z1	1	332161040R1
U008	C8062	C-CERA C	CK725F1E-104Z1	1	332161040R1
U008	C8063	CHIP TANTAL	F93-6.3V-100M	1	395521017R2
U008	C8063 or	CHIP TANTAL	TCSCS0J107MBAR	(1)	396521017R2
U008	C8064	C-CERA C	CK725F1E-104Z1	1	332161040R1

U008	C8065	CHIP TANTAL	F93-6.3V-100M	1	395521017R2
U008	C8065 or	CHIP TANTAL	TCSCS0J107MBAR	(1)	396521017R2
U008	C8066	C-CERA C	CK725F1E-104Z1	1	332161040R1
U008	C8069	CHIP TANTAL	F93-6.3V-100M	1	395521017R2
U008	C8069 or	CHIP TANTAL	TCSCS0J107MBAR	(1)	396521017R2
U008	C8070	C-CERA C	CK725F1E-104Z1	1	332161040R1
U008	C8071	CHIP TANTAL	F93-6.3V-100M	1	395521017R2
U008	C8071 or	CHIP TANTAL	TCSCS0J107MBAR	(1)	396521017R2
U008	C8072	C-CERA C	CK725F1E-104Z1	1	332161040R1
U008	C8075	C-CERA C	CK725F1E-104Z1	1	332161040R1
U008	C8076	C-CERA C	CK725F1E-104Z1	1	332161040R1
U008	C8077	C-CERA C	CK725F1E-104Z1	1	332161040R1
U008	C8078	C-CERA C	CK725F1E-104Z1	1	332161040R1
U008	C8079	C-CERA C	CK725F1E-104Z1	1	332161040R1
U008	C8080	C-CERA C	CK725F1E-104Z1	1	332161040R1
U008	C8081	C-CERA C	CK725F1E-104Z1	1	332161040R1
U008	C8082	C-CERA C	CK725F1E-104Z1	1	332161040R1
U008	C8083	C-CERA C	CK725F1E-104Z1	1	332161040R1
U008	C8084	C-CERA C	CK725F1E-104Z1	1	332161040R1
U008	C8085	C-CERA C	CK725F1E-104Z1	1	332161040R1
U008	C8086	C-CERA C	CK725F1E-104Z1	1	332161040R1
U008	C8087	C-CERA C	CK725B1A-105K1	1	332131055R1
U008	C8088	C-CERA C	CK725B1A-105K1	1	332131055R1
U008	C8089	C-CERA C	CK725B1A-105K1	1	332131055R1
U008	C8090	C-CERA C	CK725B1A-105K1	1	332131055R1
U008	C8091	C-CERA C	CK725B1A-105K1	1	332131055R1
U008	C8092	C-CERA C	CK725B1A-105K1	1	332131055R1
U008	C8093	C-CERA C	CK725B1A-105K1	1	332131055R1
U008	C8094	C-CERA C	CK725B1A-105K1	1	332131055R1
U008	C8095	C-CERA C	CK725F1E-104Z1	1	332161040R1
U008	C8096	C-CERA C	CK725F1E-104Z1	1	332161040R1
U008	C8097	C-CERA C	CK725F1E-104Z1	1	332161040R1
U008	C8098	C-CERA C	CK725F1E-104Z1	1	332161040R1
U008	C8099	C-CERA C	CK725F1E-104Z1	1	332161040R1
U008	C8100	C-CERA C	CC725CH1H-080D1	1	342100802R1
U008	C8101	C-CERA C	CC725CH1H-080D1	1	342100802R1
U008	C8102	C-CERA C	CK725B1C-823K1	1	332128235R1
U008	C8103	C-CERA C	CK725B1H-103K1	1	332101035R1
U008	C8104	C-CERA C	CK725B1A-105K1	1	332131055R1

U008	C8105	C-CERA C	CK725B1H-393K1	1	332103935R1
U008	C8106	C-CERA C	CK725F1E-104Z1	1	332161040R1
U008	C8107	C-CERA C	CK725B1H-103K1	1	332101035R1
U008	C8108	C-CERA C	CK725F1E-104Z1	1	332161040R1
U008	C8109	C-CERA C	CK725B1H-103K1	1	332101035R1
U008	C8110	C-CERA C	CK725F1E-104Z1	1	332161040R1
U008	C8111	C-CERA C	CK725B1H-103K1	1	332101035R1
U008	C8121	C-CERA C	CK725F1E-104Z1	1	332161040R1
U008	C8122	C-CERA C	CK725F1E-104Z1	1	332161040R1
U008	C8123	C-CERA C	CK725F1E-104Z1	1	332161040R1
U008	C8124	C-CERA C	CK725F1E-104Z1	1	332161040R1
U008	C8125	C-CERA C	CK725F1E-104Z1	1	332161040R1
U008	C8126	C-CERA C	CK725F1E-104Z1	1	332161040R1
U008	C8127	C-CERA C	CK725F1E-104Z1	1	332161040R1
U008	C8142	C-CARBON R	RN72K1J-000JE	1	435030004R1
U008	C8143	C-CERA C	CK725F1A-105Z1	1	332181050R1
U008	C8144	CHIP ELECT C	CEWX4V-100M	1	3981G1017R2
U008	C8145	C-CERA C	CK725F1E-104Z1	1	332161040R1
U008	C8146	C-CERA C	CK725F1E-104Z1	1	332161040R1
U008	C8147	CHIP TANTAL	F93-16V-10M	1	395541007R2
U008	C8147 or	CHIP TANTAL	TCSCS1C106MAAR	(1)	396541007R2
U008	C8148	CHIP ELECT C	CEWX4V-100M	1	3981G1017R2
U008	C8149	C-CERA C	CK725B1A-105K1	1	332131055R1
U008	C8161	C-CERA C	CK725F1A-105Z1	1	332181050R1
U008	C8162	CHIP ELECT C	CEWX4V-100M	1	3981G1017R2
U008	C8163	C-CERA C	CK725B1H-102K1	1	332101025R1
U008	C8164	C-CERA C	CK725B0J-106K	1	332091065R2
U008	C8165	C-CERA C	CK725F1E-104Z1	1	332161040R1
U008	C8166	C-CERA C	CK725B0J-106K	1	332091065R2
U008	C8167	C-CERA C	CK725F1E-104Z1	1	332161040R1
U008	C8168	C-CERA C	CK725B0J-106K	1	332091065R2
U008	C8169	C-CERA C	CK725F1E-104Z1	1	332161040R1
U008	C8170	C-CERA C	CK725F1E-104Z1	1	332161040R1
U008	C8171	C-CERA C	CK725F1E-104Z1	1	332161040R1
U008	C8172	C-CERA C	CK725F1E-104Z1	1	332161040R1
U008	C8173	C-CERA C	CK725F1E-104Z1	1	332161040R1
U008	C8174	C-CERA C	CK725F1E-104Z1	1	332161040R1
U008	C8175	C-CERA C	CK725F1E-104Z1	1	332161040R1
U008	C8176	C-CERA C	CK725F1E-104Z1	1	332161040R1

U008	C8177	C-CERA C	CK725F1E-104Z1	1	332161040R1
U008	C8178	C-CERA C	CK725F1E-104Z1	1	332161040R1
U008	C8179	C-CERA C	CK725F1E-104Z1	1	332161040R1
U008	C8180	C-CERA C	CK725F1E-104Z1	1	332161040R1
U008	C8181	C-CERA C	CK725F1E-104Z1	1	332161040R1
U008	C8200	C-CERA C	CK725F1E-104Z1	1	332161040R1
U008	C8201	C-CERA C	CK725F1E-104Z1	1	332161040R1
U008	C8202	C-CERA C	CK725F1E-104Z1	1	332161040R1
U008	C8203	CHIP TANTAL	F93-16V-10M	1	395541007R2
U008	C8203 or	CHIP TANTAL	TCSCS1C106MAAR	(1)	396541007R2
U008	C8204	C-CERA C	CK725F1E-104Z1	1	332161040R1
U008	C8205	C-CERA C	CK725F1E-104Z1	1	332161040R1
U008	C8206	C-CERA C	CK725F1E-104Z1	1	332161040R1
U008	C8207	C-CERA C	CK725F1E-104Z1	1	332161040R1
U008	C8208	C-CERA C	CK725F1E-104Z1	1	332161040R1
U008	C8209	C-CERA C	CK725F1E-104Z1	1	332161040R1
U008	C8210	C-CERA C	CK725F1E-104Z1	1	332161040R1
U008	C8211	C-CERA C	CK725F1E-104Z1	1	332161040R1
U008	C8212	C-CERA C	CK725F1E-104Z1	1	332161040R1
U008	C8213	C-CERA C	CK725F1E-104Z1	1	332161040R1
U008	C8214	C-CERA C	CK725F1E-104Z1	1	332161040R1
U008	C8215	CHIP TANTAL	F93-16V-10M	1	395541007R2
U008	C8215 or	CHIP TANTAL	TCSCS1C106MAAR	(1)	396541007R2
U008	C8216	C-CERA C	CK725F1A-105Z1	1	332181050R1
U008	C8217	C-CERA C	CK725F1A-105Z1	1	332181050R1
U008	C8218	C-CERA C	CK725F1A-105Z1	1	332181050R1
U008	C8219	C-CERA C	CK725F1A-105Z1	1	332181050R1
U008	C8220	C-CERA C	CK725F1A-105Z1	1	332181050R1
U008	C8221	C-CERA C	CK725F1A-105Z1	1	332181050R1
U008	C8222	C-CERA C	CK725F1E-104Z1	1	332161040R1
U008	C8223	CHIP TANTAL	F93-16V-10M	1	395541007R2
U008	C8223 or	CHIP TANTAL	TCSCS1C106MAAR	(1)	396541007R2
U008	C8224	C-CERA C	CK725F1E-104Z1	1	332161040R1
U008	C8225	C-CERA C	CK725F1E-104Z1	1	332161040R1
U008	C8226	C-CERA C	CK725F1E-104Z1	1	332161040R1
U008	C8227	C-CERA C	CK725F1E-104Z1	1	332161040R1
U008	C8228	C-CERA C	CK725F1E-104Z1	1	332161040R1
U008	C8229	C-CERA C	CK725F1E-104Z1	1	332161040R1
U008	C8230	C-CERA C	CK725F1E-104Z1	1	332161040R1

U008	C8231	C-CERA C	CK725F1E-104Z1	1	332161040R1
U008	C8232	C-CERA C	CK725F1E-104Z1	1	332161040R1
U008	C8233	C-CERA C	CK725F1E-104Z1	1	332161040R1
U008	C8234	CHIP TANTAL	F93-16V-10M	1	395541007R2
U008	C8234 or	CHIP TANTAL	TCSCS1C106MAAR	(1)	396541007R2
U008	C8235	C-CERA C	CK725F1E-104Z1	1	332161040R1
U008	C8236	C-CERA C	CK725F1E-104Z1	1	332161040R1
U008	C8237	C-CERA C	CK725F1E-104Z1	1	332161040R1
U008	C8238	C-CERA C	CK725F1E-104Z1	1	332161040R1
U008	C8239	C-CERA C	CK725F1E-104Z1	1	332161040R1
U008	C8240	C-CERA C	CK725F1E-104Z1	1	332161040R1
U008	C8241	C-CERA C	CK725F1E-104Z1	1	332161040R1
U008	C8242	CHIP TANTAL	F93-16V-10M	1	395541007R2
U008	C8242 or	CHIP TANTAL	TCSCS1C106MAAR	(1)	396541007R2
U008	C8243	C-CERA C	CK725F1E-104Z1	1	332161040R1
U008	C8244	C-CERA C	CK725F1E-104Z1	1	332161040R1
U008	C8245	C-CERA C	CK725F1E-104Z1	1	332161040R1
U008	C8246	C-CERA C	CK725F1E-104Z1	1	332161040R1
U008	C8247	C-CERA C	CK725F1E-104Z1	1	332161040R1
U008	C8248	C-CERA C	CK725F1E-104Z1	1	332161040R1
U008	C8249	C-CERA C	CK725F1E-104Z1	1	332161040R1
U008	C8250	C-CERA C	CK725F1E-104Z1	1	332161040R1
U008	C8251	C-CERA C	CK725F1E-104Z1	1	332161040R1
U008	C8252	C-CERA C	CK725F1E-104Z1	1	332161040R1
U008	C8253	CHIP TANTAL	F93-16V-10M	1	395541007R2
U008	C8253 or	CHIP TANTAL	TCSCS1C106MAAR	(1)	396541007R2
U008	C8254	C-CERA C	CK725F1E-104Z1	1	332161040R1
U008	C8255	C-CERA C	CK725F1E-104Z1	1	332161040R1
U008	C8256	C-CERA C	CK725F1E-104Z1	1	332161040R1
U008	C8257	C-CERA C	CK725F1E-104Z1	1	332161040R1
U008	C8258	C-CERA C	CK725F1E-104Z1	1	332161040R1
U008	C8259	C-CERA C	CK725F1E-104Z1	1	332161040R1
U008	C8260	C-CERA C	CK725F1A-105Z1	1	332181050R1
U008	C8261	CHIP TANTAL	F93-10V-220M	1	395532217R2
U008	C8261 or	CHIP TANTAL	TCSCS1A227MDAR	(1)	396532217R2
U008	C8262	C-CERA C	CK725F1E-104Z1	1	332161040R1
U008	C8263	C-CERA C	CK725F1E-104Z1	1	332161040R1
U008	C8264	C-CERA C	CK725F1E-104Z1	1	332161040R1
U008	C8265	C-CERA C	CK725F1E-104Z1	1	332161040R1

U008	C8266	C-CERA C	CK725F1E-104Z1	1	332161040R1
U008	C8267	C-CERA C	CK725F1E-104Z1	1	332161040R1
U008	C8268	C-CERA C	CK725F1E-104Z1	1	332161040R1
U008	C8269	C-CERA C	CK725F1E-104Z1	1	332161040R1
U008	C8270	C-CERA C	CK725F1E-104Z1	1	332161040R1
U008	C8271	C-CERA C	CK725F1E-104Z1	1	332161040R1
U008	C8272	C-CERA C	CK725F1E-104Z1	1	332161040R1
U008	C8273	C-CERA C	CK725F1E-104Z1	1	332161040R1
U008	C8274	CHIP TANTAL	F93-16V-10M	1	395541007R2
U008	C8274 or	CHIP TANTAL	TCSCS1C106MAAR	(1)	396541007R2
U008	C8275	C-CERA C	CK725F1A-105Z1	1	332181050R1
U008	C8276	C-CERA C	CK725F1A-105Z1	1	332181050R1
U008	C8277	C-CERA C	CK725F1A-105Z1	1	332181050R1
U008	C8278	C-CERA C	CK725F1A-105Z1	1	332181050R1
U008	C8279	C-CERA C	CK725F1A-105Z1	1	332181050R1
U008	C8280	C-CERA C	CK725F1A-105Z1	1	332181050R1
U008	C8281	C-CERA C	CK725F1A-105Z1	1	332181050R1
U008	C8282	C-CERA C	CK725F1E-104Z1	1	332161040R1
U008	C8283	C-CERA C	CK725F1E-104Z1	1	332161040R1
U008	C8284	C-CERA C	CK725F1E-104Z1	1	332161040R1
U008	C8285	C-CERA C	CK725F1E-104Z1	1	332161040R1
U008	C8286	C-CERA C	CK725F1E-104Z1	1	332161040R1
U008	C8287	C-CERA C	CK725F1E-104Z1	1	332161040R1
U008	C8288	C-CERA C	CK725F1E-104Z1	1	332161040R1
U008	C8289	C-CERA C	CK725F1E-104Z1	1	332161040R1
U008	C8290	C-CERA C	CK725F1E-104Z1	1	332161040R1
U008	C8291	C-CERA C	CK725B1A-105K1	1	332131055R1
U008	C8292	C-CERA C	CK725B1A-105K1	1	332131055R1
U008	C8293	C-CERA C	CK725B1A-105K1	1	332131055R1
U008	C8294	C-CERA C	CK725F1E-104Z1	1	332161040R1
U008	C8295	C-CERA C	CK725F1E-104Z1	1	332161040R1
U008	C8301	C-CARBON R	RN72K1J-000JE	1	435030004R1
U008	C8302	C-CARBON R	RN72K1J-000JE	1	435030004R1
U008	C8303	C-CERA C	CK725B1H-223K1	1	332102235R1
U008	C8321	C-CARBON R	RN72K1J-000JE	1	435030004R1
U008	C8322	C-CARBON R	RN72K1J-000JE	1	435030004R1
U008	C8326	C-CERA C	CK725F1E-104Z1	1	332161040R1
U008	C8327	C-CERA C	CK725F1A-105Z1	1	332181050R1
U008	C8328	CHIP ELECT C	CEWX16V-22M	1	398142207R2

U008	C8329	C-CERA C	CK725F1A-105Z1	1	332181050R1
U008	C8330	C-CERA C	CK725F1A-105Z1	1	332181050R1
U008	C8332	C-CERA C	CK725F1E-104Z1	1	332161040R1
U008	C8341	C-CARBON R	RN72K1J-000JE	1	435030004R1
U008	C8342	C-CARBON R	RN72K1J-000JE	1	435030004R1
U008	C8348	C-CARBON R	RN72K1J-000JE	1	435030004R1
U008	C8349	C-CARBON R	RN72K1J-000JE	1	435030004R1
U008	C8356	C-CERA C	CK725F1E-104Z1	1	332161040R1
U008	C8357	C-CERA C	CK725F1A-105Z1	1	332181050R1
U008	C8358	CHIP ELECT C	CEWX16V-22M	1	398142207R2
U008	C8359	C-CERA C	CK725F1A-105Z1	1	332181050R1
U008	C8362	C-CERA C	CK725F1E-104Z1	1	332161040R1
U008	C8363	C-CERA C	CK725B1H-102K1	1	332101025R1
U008	C8364	C-CERA C	CK725B0J-106K	1	332091065R2
U008	C8365	C-CERA C	CK725F1E-104Z1	1	332161040R1
U008	C8366	C-CERA C	CK725B0J-106K	1	332091065R2
U008	C8367	C-CERA C	CK725F1E-104Z1	1	332161040R1
U008	C8368	C-CERA C	CK725B0J-106K	1	332091065R2
U008	C8369	C-CERA C	CK725F1E-104Z1	1	332161040R1
U008	C8370	C-CERA C	CK725F1E-104Z1	1	332161040R1
U008	C8371	C-CERA C	CK725F1E-104Z1	1	332161040R1
U008	C8372	C-CERA C	CK725F1E-104Z1	1	332161040R1
U008	C8373	C-CERA C	CK725F1E-104Z1	1	332161040R1
U008	C8374	C-CERA C	CK725F1E-104Z1	1	332161040R1
U008	C8375	C-CERA C	CK725F1E-104Z1	1	332161040R1
U008	C8376	C-CERA C	CK725F1E-104Z1	1	332161040R1
U008	C8377	C-CERA C	CK725F1E-104Z1	1	332161040R1
U008	C8378	C-CERA C	CK725F1E-104Z1	1	332161040R1
U008	C8379	C-CERA C	CK725F1E-104Z1	1	332161040R1
U008	C8380	C-CERA C	CK725F1E-104Z1	1	332161040R1
U008	C8381	C-CERA C	CK725F1E-104Z1	1	332161040R1
U008	C8390	C-CERA C	CK725F1A-105Z1	1	332181050R1
U008	C8398	C-CARBON R	RN72K1J-000JE	1	435030004R1
U008	C8399	C-CARBON R	RN72K1J-000JE	1	435030004R1
U008	C8401	CHIP ELECT C	CEWX4V-22M	1	3981G2207R2
U008	C8402	CHIP ELECT C	CEWX4V-22M	1	3981G2207R2
U008	C8403	C-CERA C	CK725F1A-105Z1	1	332181050R1
U008	C8404	C-CERA C	CK725B1H-102K1	1	332101025R1
U008	C8405	C-CERA C	CK725F1A-105Z1	1	332181050R1

U008	C8406	C-CERA C	CK725B1H-102K1	1	332101025R1
U008	C8407	C-CERA C	CC725CH1H-040C1	1	342100401R1
U008	C8408	CHIP ELECT C	CEWX4V-22M	1	3981G2207R2
U008	C8409	CHIP ELECT C	CEWX4V-22M	1	3981G2207R2
U008	C8410	C-CERA C	CK725F1A-105Z1	1	332181050R1
U008	C8411	C-CERA C	CK725B1H-102K1	1	332101025R1
U008	C8412	C-CERA C	CK725F1A-105Z1	1	332181050R1
U008	C8413	C-CERA C	CK725B1H-102K1	1	332101025R1
U008	C8414	C-CERA C	CK725F1A-105Z1	1	332181050R1
U008	C8415	C-CERA C	CK725B1H-102K1	1	332101025R1
U008	C8416	C-CERA C	CK725B1H-102K1	1	332101025R1
U008	C8417	C-CERA C	CK725F1A-105Z1	1	332181050R1
U008	C8418	CHIP ELECT C	CEWX4V-22M	1	3981G2207R2
U008	C8419	C-CERA C	CK725B1H-102K1	1	332101025R1
U008	C8420	C-CERA C	CK725F1A-105Z1	1	332181050R1
U008	C8421	C-CERA C	CK725B1H-102K1	1	332101025R1
U008	C8422	C-CERA C	CK725F1A-105Z1	1	332181050R1
U008	C8423	C-CERA C	CK725B1H-102K1	1	332101025R1
U008	C8424	C-CERA C	CK725F1A-105Z1	1	332181050R1
U008	C8425	C-CERA C	CK725B1H-102K1	1	332101025R1
U008	C8426	C-CERA C	CK725F1A-105Z1	1	332181050R1
U008	C8427	C-CERA C	CK725B1H-102K1	1	332101025R1
U008	C8428	C-CERA C	CK725F1A-105Z1	1	332181050R1
U008	C8429	C-CERA C	CK725B1H-102K1	1	332101025R1
U008	C8430	C-CERA C	CK725F1A-105Z1	1	332181050R1
U008	C8431	C-CERA C	CK725B1H-102K1	1	332101025R1
U008	C8432	C-CERA C	CK725F1A-105Z1	1	332181050R1
U008	C8433	C-CERA C	CK725B1H-102K1	1	332101025R1
U008	C8434	C-CERA C	CK725F1A-105Z1	1	332181050R1
U008	C8435	C-CERA C	CK725F1A-105Z1	1	332181050R1
U008	C8436	C-CERA C	CK725F1A-105Z1	1	332181050R1
U008	C8437	CHIP ELECT C	CEWX4V-22M	1	3981G2207R2
U008	C8438	C-CERA C	CK725B1H-102K1	1	332101025R1
U008	C8439	C-CERA C	CK725F1A-105Z1	1	332181050R1
U008	C8440	C-CERA C	CK725B0J-106K	1	332091065R2
U008	C8451	CHIP ELECT C	CEWX4V-22M	1	3981G2207R2
U008	C8452	CHIP ELECT C	CEWX4V-22M	1	3981G2207R2
U008	C8453	C-CERA C	CK725F1A-105Z1	1	332181050R1
U008	C8454	C-CERA C	CK725B1H-102K1	1	332101025R1

U008	C8455	C-CERA C	CK725F1A-105Z1	1	332181050R1
U008	C8456	C-CERA C	CK725B1H-102K1	1	332101025R1
U008	C8457	C-CERA C	CC725CH1H-040C1	1	342100401R1
U008	C8458	CHIP ELECT C	CEWX4V-22M	1	3981G2207R2
U008	C8459	CHIP ELECT C	CEWX4V-22M	1	3981G2207R2
U008	C8460	C-CERA C	CK725F1A-105Z1	1	332181050R1
U008	C8461	C-CERA C	CK725B1H-102K1	1	332101025R1
U008	C8462	C-CERA C	CK725F1A-105Z1	1	332181050R1
U008	C8463	C-CERA C	CK725B1H-102K1	1	332101025R1
U008	C8464	C-CERA C	CK725F1A-105Z1	1	332181050R1
U008	C8465	C-CERA C	CK725B1H-102K1	1	332101025R1
U008	C8466	C-CERA C	CK725B1H-102K1	1	332101025R1
U008	C8467	C-CERA C	CK725F1A-105Z1	1	332181050R1
U008	C8468	CHIP ELECT C	CEWX4V-22M	1	3981G2207R2
U008	C8469	C-CERA C	CK725B1H-102K1	1	332101025R1
U008	C8470	C-CERA C	CK725F1A-105Z1	1	332181050R1
U008	C8471	C-CERA C	CK725B1H-102K1	1	332101025R1
U008	C8472	C-CERA C	CK725F1A-105Z1	1	332181050R1
U008	C8473	C-CERA C	CK725B1H-102K1	1	332101025R1
U008	C8474	C-CERA C	CK725F1A-105Z1	1	332181050R1
U008	C8475	C-CERA C	CK725B1H-102K1	1	332101025R1
U008	C8476	C-CERA C	CK725F1A-105Z1	1	332181050R1
U008	C8477	C-CERA C	CK725B1H-102K1	1	332101025R1
U008	C8478	C-CERA C	CK725F1A-105Z1	1	332181050R1
U008	C8479	C-CERA C	CK725B1H-102K1	1	332101025R1
U008	C8480	C-CERA C	CK725F1A-105Z1	1	332181050R1
U008	C8481	C-CERA C	CK725B1H-102K1	1	332101025R1
U008	C8482	C-CERA C	CK725F1A-105Z1	1	332181050R1
U008	C8483	C-CERA C	CK725B1H-102K1	1	332101025R1
U008	C8484	C-CERA C	CK725F1A-105Z1	1	332181050R1
U008	C8485	C-CERA C	CK725F1A-105Z1	1	332181050R1
U008	C8486	C-CERA C	CK725F1A-105Z1	1	332181050R1
U008	C8487	CHIP ELECT C	CEWX4V-22M	1	3981G2207R2
U008	C8488	C-CERA C	CK725B1H-102K1	1	332101025R1
U008	C8489	C-CERA C	CK725F1A-105Z1	1	332181050R1
U008	C8490	C-CERA C	CK725B0J-106K	1	332091065R2
U008	C8501	C-CERA C	CK725B1H-102K1	1	332101025R1
U008	C8502	C-CERA C	CK725B0J-106K	1	332091065R2
U008	C8503	C-CERA C	CK725F1A-105Z1	1	332181050R1

U008	C8504	C-CERA C	CK725B1H-102K1	1	332101025R1
U008	C8505	C-CERA C	CK725F1A-105Z1	1	332181050R1
U008	C8506	C-CERA C	CK725B0J-106K	1	332091065R2
U008	C8507	C-CERA C	CK725B1H-102K1	1	332101025R1
U008	C8508	C-CERA C	CK725F1A-105Z1	1	332181050R1
U008	C8509	C-CERA C	CK725B1H-102K1	1	332101025R1
U008	C8510	C-CERA C	CK725F1A-105Z1	1	332181050R1
U008	C8511	C-CERA C	CK725B1H-102K1	1	332101025R1
U008	C8512	C-CERA C	CK725F1A-105Z1	1	332181050R1
U008	C8513	C-CERA C	CK725B1H-102K1	1	332101025R1
U008	C8514	C-CERA C	CK725F1A-105Z1	1	332181050R1
U008	C8515	C-CERA C	CK725B1H-102K1	1	332101025R1
U008	C8516	C-CERA C	CK725F1A-105Z1	1	332181050R1
U008	C8517	C-CERA C	CK725B1H-102K1	1	332101025R1
U008	C8518	C-CERA C	CK725F1A-105Z1	1	332181050R1
U008	C8519	C-CERA C	CK725F1A-105Z1	1	332181050R1
U008	C8521	C-CERA C	CK725F1E-104Z1	1	332161040R1
U008	C8522	C-CERA C	CK725B0J-106K	1	332091065R2
U008	C8525	C-CERA C	CK725B0J-106K	1	332091065R2
U008	C8527	C-CERA C	CK725B1H-102K1	1	332101025R1
U008	C8529	C-CERA C	CK725B0J-106K	1	332091065R2
U008	C8530	C-CERA C	CK725F1A-105Z1	1	332181050R1
U008	C8531	C-CERA C	CK725B1H-102K1	1	332101025R1
U008	C8532	C-CERA C	CK725F1A-105Z1	1	332181050R1
U008	C8533	C-CERA C	CK725B1H-102K1	1	332101025R1
U008	C8534	C-CERA C	CK725F1A-105Z1	1	332181050R1
U008	C8535	C-CERA C	CK725B1H-102K1	1	332101025R1
U008	C8536	C-CERA C	CK725F1A-105Z1	1	332181050R1
U008	C8537	C-CERA C	CK725B1H-102K1	1	332101025R1
U008	C8538	C-CERA C	CK725F1A-105Z1	1	332181050R1
U008	C8539	C-CERA C	CK725B1H-102K1	1	332101025R1
U008	C8540	C-CERA C	CK725F1A-105Z1	1	332181050R1
U008	C8541	C-CERA C	CK725B1A-105K1	1	332131055R1
U008	C8542	C-CERA C	CK725B1A-105K1	1	332131055R1
U008	C8543	C-CERA C	CC725CH1H-101J1	1	342101014R1
U008	C8544	C-CERA C	CK725B1C-104K1	1	332121045R1
U008	C8545	C-CERA C	CK725B0J-106K	1	332091065R2
U008	C8546	C-CERA C	CK725F1E-104Z1	1	332161040R1
U008	C8547	C-CERA C	CC725CH1H-080D1	1	342100802R1

U008	C8548	C-CERA C	CK725F1A-105Z1	1	332181050R1
U008	C8549	C-CERA C	CK725B1H-102K1	1	332101025R1
U008	C8550	C-CERA C	CK725F1A-105Z1	1	332181050R1
U008	C8551	C-CERA C	CK725B1H-102K1	1	332101025R1
U008	C8552	C-CERA C	CK725F1A-105Z1	1	332181050R1
U008	C8553	C-CERA C	CK725B1H-102K1	1	332101025R1
U008	C8554	C-CERA C	CK725F1A-105Z1	1	332181050R1
U008	C8555	C-CERA C	CK725B1H-102K1	1	332101025R1
U008	C8556	C-CERA C	CK725F1A-105Z1	1	332181050R1
U008	C8557	C-CERA C	CK725B1H-102K1	1	332101025R1
U008	C8558	C-CERA C	CK725F1A-105Z1	1	332181050R1
U008	C8559	C-CERA C	CK725B1H-102K1	1	332101025R1
U008	C8560	C-CERA C	CK725B0J-106K	1	332091065R2
U008	C8561	C-CERA C	CK725F1E-104Z1	1	332161040R1
U008	C8563	C-CERA C	CK725F1A-105Z1	1	332181050R1
U008	C8564	C-CERA C	CK725B0J-106K	1	332091065R2
U008	C8565	C-CERA C	CK725B0J-106K	1	332091065R2
U008	C8566	C-CERA C	CK725B1H-102K1	1	332101025R1
U008	C8567	C-CERA C	CK725F1A-105Z1	1	332181050R1
U008	C8573	C-CERA C	CK725F1A-105Z1	1	332181050R1
U008	C8584	C-CERA C	CK725B0J-106K	1	332091065R2
U008	C8585	C-CERA C	CK725B0J-106K	1	332091065R2
U008	C8605	C-CARBON R	RN72K1J-000JE	1	435030004R1
U008	C8608	C-CERA C	CK725F1A-105Z1	1	332181050R1
U008	C8609	C-CERA C	CK725B0J-106K	1	332091065R2
U008	C8611	C-CARBON R	RN72K1J-000JE	1	435030004R1
U008	C8612	C-CARBON R	RN72K1J-000JE	1	435030004R1
U008	C8621	C-CARBON R	RN72K1J-000JE	1	435030004R1
U008	C8622	C-CARBON R	RN72K1J-000JE	1	435030004R1
U008	C8631	C-CARBON R	RN72K1J-000JE	1	435030004R1
U008	C8632	C-CARBON R	RN72K1J-000JE	1	435030004R1
U008	C8675	CHIP ELECT C	CEWX4V-100M	1	3981G1017R2
U008	C8676	C-CERA C	CK725F1A-105Z1	1	332181050R1
U008	C8685	C-CERA C	CK725F1E-104Z1	1	332161040R1
U008	C8701	C-CERA C	CK725F1A-105Z1	1	332181050R1
U008	C8702	C-CERA C	CK725F1A-105Z1	1	332181050R1
U008	C8703	C-CERA C	CK725F1A-105Z1	1	332181050R1
U008	C8704	CHIP ELECT C	CEWX50V-4.7M	1	398180477R2
U008	C8705	C-CERA C	CK725F1A-105Z1	1	332181050R1

U008	C8706	C-CERA C	CK725F1A-105Z1	1	332181050R1
U008	C8707	C-CERA C	CK725F1A-105Z1	1	332181050R1
U008	C8708	C-CERA C	CK725F1A-105Z1	1	332181050R1
U008	C8709	CHIP ELECT C	CEWX4V-220M	1	3981G2217R2
U008	C8710	C-CERA C	CK725F1A-105Z1	1	332181050R1
U008	C8801	C-CERA C	CK725F1A-105Z1	1	332181050R1
U008	C8802	CHIP ELECT C	CEWX4V-220M	1	3981G2217R2
U008	C8803	CHIP ELECT C	CEWX4V-220M	1	3981G2217R2
U008	C8804	CHIP ELECT C	CEWX4V-220M	1	3981G2217R2
U008	C8805	CHIP ELECT C	CEWX4V-220M	1	3981G2217R2
U008	C8810	C-CERA C	CK725F1A-105Z1	1	332181050R1
U008	C8811	C-CERA C	CK725F1A-105Z1	1	332181050R1
U008	C8812	C-CERA C	CK725B1A-154K1	1	332131545R1
U008	C8813	C-CERA C	CK725B1H-153K1	1	332101535R1
U008	C8814	C-CERA C	CK725F1A-105Z1	1	332181050R1
U008	C8815	C-CERA C	CK725B1A-154K1	1	332131545R1
U008	C8816	C-CERA C	CK725B1H-153K1	1	332101535R1
U008	C8817	C-CERA C	CK725B1H-222K1	1	332102225R1
U008	C8818	C-CERA C	CK725F1A-105Z1	1	332181050R1
U008	C8819	C-CERA C	CK725B1H-222K1	1	332102225R1
U008	C8820	C-CERA C	CK725F1A-105Z1	1	332181050R1
U008	C8821	C-CERA C	CK725F1A-105Z1	1	332181050R1
U008	C8822	C-CERA C	CK725F1A-105Z1	1	332181050R1
U008	C8823	C-CERA C	CK725F1A-105Z1	1	332181050R1
U008	C8825	C-CERA C	CK725B0J-225K	1	332092255R1
U008	C8826	CHIP ELECT C	CEWX4V-100M	1	3981G1017R2
U008	C8838	C-CERA C	CC725CH1H-470J1	1	342104704R1
U008	C8839	C-CERA C	CC725CH1H-470J1	1	342104704R1
U008	C8840	C-CERA C	CC725CH1H-470J1	1	342104704R1
U008	C8855	C-CERA C	CK725F1E-104Z1	1	332161040R1
U008	C8856	C-CERA C	CK725F1E-104Z1	1	332161040R1
U008	C8857	C-CERA C	CK725F1E-104Z1	1	332161040R1
U008	C8858	C-CERA C	CK725F1E-104Z1	1	332161040R1
U008	C8859	C-CERA C	CK725F1E-104Z1	1	332161040R1
U008	C8860	C-CERA C	CK725F1E-104Z1	1	332161040R1
U008	C8861	C-CERA C	CK725F1E-104Z1	1	332161040R1
U008	C8862	C-CERA C	CK725F1E-104Z1	1	332161040R1
U008	C8863	C-CERA C	CK725F1E-104Z1	1	332161040R1
U008	C8864	C-CERA C	CK725F1E-104Z1	1	332161040R1

U008	C8865	C-CERA C	CK725F1E-104Z1	1	332161040R1
U008	C8866	C-CERA C	CK725F1E-104Z1	1	332161040R1
U008	C8867	C-CERA C	CK725F1E-104Z1	1	332161040R1
U008	C8868	C-CERA C	CK725F1E-104Z1	1	332161040R1
U008	C8869	C-CERA C	CK725F1E-104Z1	1	332161040R1
U008	C8870	C-CERA C	CK725F1E-104Z1	1	332161040R1
U008	C8871	C-CERA C	CK725F1E-104Z1	1	332161040R1
U008	C8872	C-CERA C	CK725F1E-104Z1	1	332161040R1
U008	C8873	C-CERA C	CK725F1E-104Z1	1	332161040R1
U008	C8874	C-CERA C	CK725F1E-104Z1	1	332161040R1
U008	C8875	C-CERA C	CK725F1E-104Z1	1	332161040R1
U008	C8876	C-CERA C	CK725F1E-104Z1	1	332161040R1
U008	C8877	C-CERA C	CK725F1E-104Z1	1	332161040R1
U008	C8878	C-CERA C	CK725F1E-104Z1	1	332161040R1
U008	C8879	C-CERA C	CK725F1E-104Z1	1	332161040R1
U008	C8880	C-CERA C	CK725F1E-104Z1	1	332161040R1
U008	C8881	C-CERA C	CK725F1E-104Z1	1	332161040R1
U008	C8882	C-CERA C	CK725F1E-104Z1	1	332161040R1
U008	C8883	C-CERA C	CK725F1E-104Z1	1	332161040R1
U008	C8884	C-CERA C	CK725F1E-104Z1	1	332161040R1
U008	C8885	C-CERA C	CK725F1E-104Z1	1	332161040R1
U008	C8886	C-CERA C	CK725F1E-104Z1	1	332161040R1
U008	C8887	C-CERA C	CK725F1E-104Z1	1	332161040R1
U008	C8888	C-CERA C	CK725F1E-104Z1	1	332161040R1
U008	C8889	C-CERA C	CK725F1E-104Z1	1	332161040R1
U008	C8890	C-CERA C	CK725F1E-104Z1	1	332161040R1
U008	C8891	C-CERA C	CK725F1E-104Z1	1	332161040R1
U008	C8892	C-CERA C	CK725F1E-104Z1	1	332161040R1
U008	C8893	C-CERA C	CK725F1E-104Z1	1	332161040R1
U008	C8894	C-CERA C	CK725F1E-104Z1	1	332161040R1
U008	C8921	CHIP TANTAL	F93-10V-220M	1	395532217R2
U008	C8921 or	CHIP TANTAL	TCSCS1A227MDAR	(1)	396532217R2
U008	C8922	C-CERA C	CK725F1E-104Z1	1	332161040R1
U008	C8923	C-CERA C	CK725F1E-104Z1	1	332161040R1
U008	C8924	C-CERA C	CC725CH1H-060D1	1	342100602R1
U008	C8925	C-CERA C	CC725CH1H-060D1	1	342100602R1
U008	C8926	CHIP TANTAL	F93-10V-47M	1	395534707R2
U008	C8926 or	CHIP TANTAL	TCSCS1A476MBAR	(1)	396534707R2
U008	C8927	C-CERA C	CK725F1E-104Z1	1	332161040R1

U008	C8928	C-CERA C	CC725CH1H-101J1	1	342101014R1
U008	C8951	C-CERA C	CK725B1C-104K1	1	332121045R1
U008	C8952	C-CERA C	CK725F1A-105Z1	1	332181050R1
U008	C8953	CD C	UCD1E221MNL1GS	1	396652217R2
U008	C8954	C-CERA C	CK725B1H-103K1	1	332101035R1
U008	C8955	C-CERA C	CK725B1H-332K1	1	332103325R1
U008	C8956	C-CERA C	CK725F1A-105Z1	1	332181050R1
U008	C8957	CD C	UCD1A471MNL1GS	1	396634717R2
U008	C8958	C-CERA C	CK725F1A-105Z1	1	332181050R1
U008	C8961	C-CERA C	CK725B1A-224K1	1	332132245R1
U008	C8962	C-CERA C	CK725F1A-105Z1	1	332181050R1
U008	C8963	CD C	UCD1E221MNL1GS	1	396652217R2
U008	C8964	C-CERA C	CK725B1H-332K1	1	332103325R1
U008	C8965	C-CERA C	CK725B1H-332K1	1	332103325R1
U008	C8966	C-CERA C	CK725F1A-105Z1	1	332181050R1
U008	C8967	CD C	UCD1A471MNL1GS	1	396634717R2
U008	C8968	C-CERA C	CK725F1A-105Z1	1	332181050R1
U008	C8971	C-CERA C	CK725B1C-104K1	1	332121045R1
U008	C8972	C-CERA C	CK725F1A-105Z1	1	332181050R1
U008	C8973	CD C	UCD1E221MNL1GS	1	396652217R2
U008	C8974	C-CERA C	CK725B1H-332K1	1	332103325R1
U008	C8975	C-CERA C	CK725B1H-332K1	1	332103325R1
U008	C8976	C-CERA C	CK725F1A-105Z1	1	332181050R1
U008	C8977	CD C	UCD1A471MNL1GS	1	396634717R2
U008	C8978	C-CERA C	CK725F1A-105Z1	1	332181050R1
U008	C8979	C-CERA C	CK725F1A-105Z1	1	332181050R1
U008	C8981	C-CERA C	CK725B1H-223K1	1	332102235R1
U008	C8982	C-CERA C	CK725F1A-105Z1	1	332181050R1
U008	C8983	CD C	UCD1E221MNL1GS	1	396652217R2
U008	C8984	C-CERA C	CK725B1H-103K1	1	332101035R1
U008	C8985	C-CERA C	CK725B1H-222K1	1	332102225R1
U008	C8986	C-CERA C	CK725F1A-105Z1	1	332181050R1
U008	C8987	CD C	UCD1A471MNL1GS	1	396634717R2
U008	C8988	C-CERA C	CK725F1A-105Z1	1	332181050R1
U008	[RESISTOR]				
U008	R268	C-CARBON R	RN72K1J-331JE	1	435033314R1
U008	R269	C-CARBON R	RN72K1J-331JE	1	435033314R1
U008	R270	C-CARBON R	RN72K1J-331JE	1	435033314R1
U008	R271	C-CARBON R	RN72K1J-470JE	1	435034704R1

U008	R272	C-CARBON R	RN72K1J-331JE	1	435033314R1
U008	R273	C-CARBON R	RN72K1J-331JE	1	435033314R1
U008	R274	C-CARBON R	RN72K1J-470JE	1	435034704R1
U008	R275	C-CARBON R	RN72K1J-221JE	1	435032214R1
U008	R276	C-CARBON R	RN72K1J-221JE	1	435032214R1
U008	R277	C-CARBON R	RN72K1J-151JE	1	435031514R1
U008	R278	C-CARBON R	RN72K1J-331JE	1	435033314R1
U008	R279	C-CARBON R	RN72K1J-331JE	1	435033314R1
U008	R280	C-CARBON R	RN72K1J-470JE	1	435034704R1
U008	R3009	C-CARBON R	RN72K1J-330JE	1	435033304R1
U008	R3010	C-R NET	RM7LJ330X04	1	43484733004R2
U008	R3011	C-R NET	RM7LJ330X04	1	43484733004R2
U008	R3012	C-R NET	RM7LJ470X04	1	43484747004R2
U008	R3013	C-R NET	RM7LJ330X04	1	43484733004R2
U008	R3014	C-R NET	RM7LJ330X04	1	43484733004R2
U008	R3015	C-R NET	RM7LJ330X04	1	43484733004R2
U008	R3016	C-CARBON R	RN72K1J-470JE	1	435034704R1
U008	R3017	C-R NET	RM7LJ330X04	1	43484733004R2
U008	R3018	C-CARBON R	RN72K1J-470JE	1	435034704R1
U008	R3019	C-R NET	RM7LJ330X04	1	43484733004R2
U008	R3020	C-R NET	RM7LJ330X04	1	43484733004R2
U008	R3021	C-CARBON R	RN72K1J-470JE	1	435034704R1
U008	R3022	C-CARBON R	RN72K1J-470JE	1	435034704R1
U008	R3023	C-R NET	RM7LJ470X04	1	43484747004R2
U008	R3024	C-CARBON R	RN72K1J-470JE	1	435034704R1
U008	R3025	C-CARBON R	RN72K1J-102JE	1	435031024R1
U008	R3026	C-CARBON R	RN72K1J-470JE	1	435034704R1
U008	R3027	C-CARBON R	RN72K1J-470JE	1	435034704R1
U008	R3028	C-CARBON R	RN72K1J-470JE	1	435034704R1
U008	R3029	C-CARBON R	RN72K1J-102JE	1	435031024R1
U008	R3032	C-CARBON R	RN72K1J-103JE	1	435031034R1
U008	R3033	C-CARBON R	RN72K1J-470JE	1	435034704R1
U008	R3034	C-CARBON R	RN72K1J-470JE	1	435034704R1
U008	R3035	C-CARBON R	RN72K1J-470JE	1	435034704R1
U008	R3036	C-CARBON R	RN72K1J-470JE	1	435034704R1
U008	R3037	C-CARBON R	RN72K1J-470JE	1	435034704R1
U008	R3038	C-CARBON R	RN72K1J-470JE	1	435034704R1
U008	R3039	C-CARBON R	RN72K1J-470JE	1	435034704R1
U008	R3040	C-CARBON R	RN72K1J-103JE	1	435031034R1

U008	R3041	C-R NET	RM7LJ330X04	1	43484733004R2
U008	R3042	C-R NET	RM7LJ330X04	1	43484733004R2
U008	R3043	C-CARBON R	RN72K1J-000JE	1	435030004R1
U008	R3044	C-R NET	RM7LJ330X04	1	43484733004R2
U008	R3045	C-R NET	RM7LJ330X04	1	43484733004R2
U008	R3047	C-CARBON R	RN72K1J-560JE	1	435035604R1
U008	R3048	C-CARBON R	RN72K1J-000JE	1	435030004R1
U008	R3049	C-CARBON R	RN72K1J-560JE	1	435035604R1
U008	R3050	C-CARBON R	RN72K1J-560JE	1	435035604R1
U008	R3051	C-CARBON R	RN72K1J-560JE	1	435035604R1
U008	R3052	C-CARBON R	RN72K1J-103JE	1	435031034R1
U008	R3053	C-CARBON R	RN72K1J-103JE	1	435031034R1
U008	R3054	C-CARBON R	RN72K1J-103JE	1	435031034R1
U008	R3055	C-CARBON R	RN72K1J-472JE	1	435034724R1
U008	R3056	C-CARBON R	RN72K1J-472JE	1	435034724R1
U008	R3060	C-CARBON R	RN72K1J-680JE	1	435036804R1
U008	R3061	C-CARBON R	RN72K1J-470JE	1	435034704R1
U008	R3062	C-CARBON R	RN72K1J-680JE	1	435036804R1
U008	R3063	C-CARBON R	RN72K1J-680JE	1	435036804R1
U008	R3064	C-CARBON R	RN72K1J-680JE	1	435036804R1
U008	R3065	C-CARBON R	RN72K1J-680JE	1	435036804R1
U008	R3066	C-CARBON R	RN72K1J-102JE	1	435031024R1
U008	R3101	C-CARBON R	RN72K1J-103JE	1	435031034R1
U008	R3102	C-CARBON R	RN72K1J-153JE	1	435031534R1
U008	R3108	C-CARBON R	RN72K1J-103JE	1	435031034R1
U008	R3113	C-CARBON R	RN72K1J-103JE	1	435031034R1
U008	R3115	C-CARBON R	RN72K1J-472JE	1	435034724R1
U008	R3117	C-CARBON R	RN72K1J-472JE	1	435034724R1
U008	R3119	C-CARBON R	RN72K1J-472JE	1	435034724R1
U008	R3121	C-CARBON R	RN72K1J-153JE	1	435031534R1
U008	R3122	C-CARBON R	RN72K1J-102JE	1	435031024R1
U008	R3123	C-CARBON R	RN72K1J-000JE	1	435030004R1
U008	R3124	C-CARBON R	RN72K1J-331JE	1	435033314R1
U008	R3125	C-CARBON R	RN72K1J-470JE	1	435034704R1
U008	R3126	C-CARBON R	RN72K1J-470JE	1	435034704R1
U008	R3127	C-CARBON R	RN72K1J-470JE	1	435034704R1
U008	R3128	C-CARBON R	RN72K1J-472JE	1	435034724R1
U008	R3129	C-CARBON R	RN72K1J-470JE	1	435034704R1
U008	R3130	C-CARBON R	RN72K1J-470JE	1	435034704R1

U008	R3131	C-CARBON R	RN72K1J-470JE	1	435034704R1
U008	R3132	C-CARBON R	RN72K1J-103JE	1	435031034R1
U008	R3133	C-CARBON R	RN72K1J-680JE	1	435036804R1
U008	R3134	C-CARBON R	RN72K1J-103JE	1	435031034R1
U008	R3135	C-CARBON R	RN72K1J-103JE	1	435031034R1
U008	R3136	C-CARBON R	RN72K1J-000JE	1	435030004R1
U008	R3137	C-CARBON R	RN72K1J-000JE	1	435030004R1
U008	R3139	C-CARBON R	RN72K1J-101JE	1	435031014R1
U008	R3143	C-CARBON R	RN72K1J-103JE	1	435031034R1
U008	R3144	C-CARBON R	RN72K1J-101JE	1	435031014R1
U008	R3145	C-CARBON R	RN72K1J-103JE	1	435031034R1
U008	R3146	C-CARBON R	RN72K1J-390JE	1	435033904R1
U008	R3147	C-CARBON R	RN72K1J-000JE	1	435030004R1
U008	R3148	C-CARBON R	RN72K1J-390JE	1	435033904R1
U008	R3149	C-CARBON R	RN72K1J-102JE	1	435031024R1
U008	R3150	C-CARBON R	RN72K1J-151JE	1	435031514R1
U008	R3151	C-CARBON R	RN72K1J-103JE	1	435031034R1
U008	R3152	C-CARBON R	RN72K1J-103JE	1	435031034R1
U008	R3154	C-CARBON R	RN72K1J-390JE	1	435033904R1
U008	R3155	C-CARBON R	RN72K1J-390JE	1	435033904R1
U008	R3156	C-CARBON R	RN72K1J-390JE	1	435033904R1
U008	R3157	C-CARBON R	RN72K1J-000JE	1	435030004R1
U008	R3158	C-CARBON R	RN72K1J-000JE	1	435030004R1
U008	R3159	C-CARBON R	RN72K1J-000JE	1	435030004R1
U008	R3160	C-CARBON R	RN72K1J-000JE	1	435030004R1
U008	R3162	C-CARBON R	RN72K1J-390JE	1	435033904R1
U008	R3163	C-CARBON R	RN72K1J-220JE	1	435032204R1
U008	R3164	C-CARBON R	RN72K1J-472JE	1	435034724R1
U008	R3168	C-CARBON R	RN72K1J-220JE	1	435032204R1
U008	R3169	C-CARBON R	RN72K1J-220JE	1	435032204R1
U008	R3170	C-CARBON R	RN72K1J-391FE	1	435033912R1
U008	R3171	C-CARBON R	RN72K1J-222FE	1	435032222R1
U008	R3172	C-CARBON R	RN72K1J-392FE	1	435033922R1
U008	R3173	C-CARBON R	RN72K1J-390JE	1	435033904R1
U008	R3174	C-CARBON R	RN72K1J-390JE	1	435033904R1
U008	R3176	C-CARBON R	MCR03EZPF49R9(49.9_1%)	1	4100037R2
U008	R3177	C-CARBON R	MCR03EZPF49R9(49.9_1%)	1	4100037R2
U008	R3178	C-CARBON R	MCR03EZPF49R9(49.9_1%)	1	4100037R2
U008	R3179	C-CARBON R	MCR03EZPF49R9(49.9_1%)	1	4100037R2

U008	R3180	C-CARBON R	RN72K1J-100FE	1	435031002R1
U008	R3181	C-CARBON R	RN72K1J-470JE	1	435034704R1
U008	R3182	C-CARBON R	RN72K1J-472JE	1	435034724R1
U008	R3183	C-CARBON R	RN72K1J-470JE	1	435034704R1
U008	R3184	C-CARBON R	RN72K1J-470JE	1	435034704R1
U008	R3185	C-CARBON R	RN72K1J-392FE	1	435033922R1
U008	R3186	C-CARBON R	RN72K1J-472JE	1	435034724R1
U008	R3187	C-CARBON R	RN72K1J-223FE	1	435032232R1
U008	R3188	C-CARBON R	RN72K1J-224FE	1	435032242R1
U008	R3189	C-CARBON R	RN72K1J-103FE	1	435031032R1
U008	R3190	C-CARBON R	RN72K1J-393FE	1	435033932R1
U008	R3191	C-CARBON R	RN72K1J-105FE	1	435031052R1
U008	R3192	C-CARBON R	RN72K1J-472JE	1	435034724R1
U008	R3193	C-CARBON R	RN72K1J-472JE	1	435034724R1
U008	R3194	C-CARBON R	RN72K1J-472JE	1	435034724R1
U008	R3199	C-CARBON R	RN72K1J-102JE	1	435031024R1
U008	R3200	C-CARBON R	RN72K1J-103JE	1	435031034R1
U008	R3201	C-CARBON R	RN72K1J-103JE	1	435031034R1
U008	R3202	C-CARBON R	RN72K1J-103JE	1	435031034R1
U008	R3203	C-CARBON R	RN72K1J-103JE	1	435031034R1
U008	R3204	C-CARBON R	RN72K1J-103JE	1	435031034R1
U008	R3205	C-CARBON R	RN72K1J-103JE	1	435031034R1
U008	R3208	C-CARBON R	RN72K1J-220JE	1	435032204R1
U008	R3212	C-CARBON R	RN72K1J-220JE	1	435032204R1
U008	R3215	C-CARBON R	RN72K1J-221JE	1	435032214R1
U008	R3218	C-CARBON R	RN72K1J-220JE	1	435032204R1
U008	R3219	C-CARBON R	RN72K1J-221JE	1	435032214R1
U008	R3221	C-CARBON R	RN72K1J-470JE	1	435034704R1
U008	R3224	C-CARBON R	RN72K1J-220JE	1	435032204R1
U008	R3225	C-CARBON R	RN72K1J-220JE	1	435032204R1
U008	R3226	C-R NET	RM7LJ470X04	1	43484747004R2
U008	R3227	C-CARBON R	RN72K1J-470JE	1	435034704R1
U008	R3228	C-CARBON R	RN72K1J-470JE	1	435034704R1
U008	R3229	C-CARBON R	RN72K1J-470JE	1	435034704R1
U008	R3230	C-CARBON R	RN72K1J-221JE	1	435032214R1
U008	R3231	C-CARBON R	RN72K1J-470JE	1	435034704R1
U008	R3232	C-CARBON R	RN72K1J-221JE	1	435032214R1
U008	R3233	C-CARBON R	RN72K1J-221JE	1	435032214R1
U008	R3234	C-CARBON R	RN72K1J-470JE	1	435034704R1

U008	R3236	C-CARBON R	RN72K1J-470JE	1	435034704R1
U008	R3237	C-CARBON R	RN72K1J-221JE	1	435032214R1
U008	R3238	C-CARBON R	RN72K1J-470JE	1	435034704R1
U008	R3239	C-CARBON R	RN72K1J-221JE	1	435032214R1
U008	R3240	C-CARBON R	RN72K1J-103JE	1	435031034R1
U008	R3241	C-CARBON R	RN72K1J-221JE	1	435032214R1
U008	R3242	C-CARBON R	RN72K1J-221JE	1	435032214R1
U008	R3243	C-CARBON R	RN72K1J-220JE	1	435032204R1
U008	R3244	C-CARBON R	RN72K1J-470JE	1	435034704R1
U008	R3245	C-CARBON R	RN72K1J-103JE	1	435031034R1
U008	R3246	C-CARBON R	RN72K1J-103JE	1	435031034R1
U008	R3247	C-CARBON R	RN72K1J-331JE	1	435033314R1
U008	R3248	C-CARBON R	RN72K1J-220JE	1	435032204R1
U008	R3249	C-CARBON R	RN72K1J-470JE	1	435034704R1
U008	R3250	C-CARBON R	RN72K1J-470JE	1	435034704R1
U008	R3251	C-CARBON R	RN72K1J-470JE	1	435034704R1
U008	R3252	C-CARBON R	RN72K1J-220JE	1	435032204R1
U008	R3253	C-CARBON R	RN72K1J-470JE	1	435034704R1
U008	R3254	C-CARBON R	RN72K1J-470JE	1	435034704R1
U008	R3255	C-CARBON R	RN72K1J-103JE	1	435031034R1
U008	R3256	C-CARBON R	RN72K1J-470JE	1	435034704R1
U008	R3257	C-CARBON R	RN72K1J-470JE	1	435034704R1
U008	R3259	C-CARBON R	RN72K1J-220JE	1	435032204R1
U008	R3260	C-CARBON R	RN72K1J-390JE	1	435033904R1
U008	R3261	C-CARBON R	RN72K1J-470JE	1	435034704R1
U008	R3262	C-CARBON R	RN72K1J-221JE	1	435032214R1
U008	R3264	C-CARBON R	RN72K1J-470JE	1	435034704R1
U008	R3265	C-CARBON R	RN72K1J-390JE	1	435033904R1
U008	R3267	C-CARBON R	RN72K1J-470JE	1	435034704R1
U008	R3268	C-CARBON R	RN72K1J-390JE	1	435033904R1
U008	R3270	C-CARBON R	RN72K1J-470JE	1	435034704R1
U008	R3271	C-CARBON R	RN72K1J-390JE	1	435033904R1
U008	R3272	C-CARBON R	RN72K1J-470JE	1	435034704R1
U008	R3273	C-CARBON R	RN72K1J-470JE	1	435034704R1
U008	R3274	C-CARBON R	RN72K1J-390JE	1	435033904R1
U008	R3275	C-CARBON R	RN72K1J-220JE	1	435032204R1
U008	R3276	C-CARBON R	RN72K1J-470JE	1	435034704R1
U008	R3277	C-CARBON R	RN72K1J-220JE	1	435032204R1
U008	R3278	C-CARBON R	RN72K1J-470JE	1	435034704R1

U008	R3279	C-CARBON R	RN72K1J-470JE	1	435034704R1
U008	R3280	C-CARBON R	RN72K1J-470JE	1	435034704R1
U008	R3281	C-CARBON R	RN72K1J-103JE	1	435031034R1
U008	R3282	C-CARBON R	RN72K1J-103JE	1	435031034R1
U008	R3283	C-CARBON R	RN72K1J-103JE	1	435031034R1
U008	R3284	C-CARBON R	RN72K1J-103JE	1	435031034R1
U008	R3285	C-CARBON R	RN72K1J-103JE	1	435031034R1
U008	R3286	C-CARBON R	RN72K1J-103JE	1	435031034R1
U008	R3287	C-CARBON R	RN72K1J-220JE	1	435032204R1
U008	R3288	C-CARBON R	RN72K1J-223JE	1	435032234R1
U008	R3289	C-CARBON R	RN72K1J-152JE	1	435031524R1
U008	R3290	C-CARBON R	RN72K1J-105JE	1	435031054R1
U008	R3291	C-CARBON R	RN72K1J-105JE	1	435031054R1
U008	R3292	C-CARBON R	RN72K1J-561FE	1	435035612R1
U008	R3293	C-CARBON R	RN72K1J-560JE	1	435035604R1
U008	R3294	C-CARBON R	RN72K1J-561FE	1	435035612R1
U008	R3295	C-CARBON R	RN72K1J-560JE	1	435035604R1
U008	R3296	C-CARBON R	RN72K1J-223JE	1	435032234R1
U008	R3297	C-CARBON R	RN72K1J-332JE	1	435033324R1
U008	R3298	C-CARBON R	RN72K1J-182JE	1	435031824R1
U008	R3299	C-CARBON R	RN72K1J-220JE	1	435032204R1
U008	R3300	C-CARBON R	RN72K1J-153JE	1	435031534R1
U008	R3301	C-CARBON R	RN72K1J-153JE	1	435031534R1
U008	R3302	C-CARBON R	RN72K1J-332JE	1	435033324R1
U008	R3303	C-CARBON R	RN72K1J-104JE	1	435031044R1
U008	R3304	C-CARBON R	RN72K1J-153JE	1	435031534R1
U008	R3305	C-CARBON R	RN72K1J-153JE	1	435031534R1
U008	R3306	C-CARBON R	RN72K1J-332JE	1	435033324R1
U008	R3307	C-CARBON R	RN72K1J-104JE	1	435031044R1
U008	R3308	C-CARBON R	RN72K1J-223JE	1	435032234R1
U008	R3309	C-CARBON R	RN72K1J-332JE	1	435033324R1
U008	R3310	C-CARBON R	RN72K1J-182JE	1	435031824R1
U008	R3311	C-CARBON R	RN72K1J-471JE	1	435034714R1
U008	R3312	C-CARBON R	RN72K1J-223JE	1	435032234R1
U008	R3313	C-CARBON R	RN72K1J-152JE	1	435031524R1
U008	R3314	C-CARBON R	RN72K1J-391JE	1	435033914R1
U008	R3315	C-CARBON R	RN72K1J-560JE	1	435035604R1
U008	R3401	C-R NET	RM7LJ330X04	1	43484733004R2
U008	R3402	C-R NET	RM7LJ330X04	1	43484733004R2

U008	R3403	C-R NET	RM7LJ330X04	1	43484733004R2
U008	R3404	C-R NET	RM7LJ330X04	1	43484733004R2
U008	R3405	C-CARBON R	RN72K1J-103JE	1	435031034R1
U008	R3406	C-CARBON R	RN72K1J-103JE	1	435031034R1
U008	R3407	C-CARBON R	RN72K1J-103JE	1	435031034R1
U008	R3408	C-CARBON R	RN72K1J-103JE	1	435031034R1
U008	R3409	C-CARBON R	RN72K1J-103JE	1	435031034R1
U008	R3410	C-CARBON R	RN72K1J-471JE	1	435034714R1
U008	R3411	C-CARBON R	RN72K1J-222JE	1	435032224R1
U008	R3412	C-CARBON R	RN72K1J-470JE	1	435034704R1
U008	R3413	C-CARBON R	RN72K1J-470JE	1	435034704R1
U008	R3414	C-CARBON R	RN72K1J-470JE	1	435034704R1
U008	R3416	C-CARBON R	RN72K1J-471JE	1	435034714R1
U008	R3417	C-CARBON R	RN72K1J-330JE	1	435033304R1
U008	R3418	C-CARBON R	RN72K1J-470JE	1	435034704R1
U008	R3419	C-CARBON R	RN72K1J-750JE	1	435037504R1
U008	R3420	C-CARBON R	RN72K1J-470JE	1	435034704R1
U008	R3421	C-CARBON R	RN72K1J-102JE	1	435031024R1
U008	R3422	C-CARBON R	RN72K1J-330JE	1	435033304R1
U008	R3423	C-CARBON R	RN72K1J-470JE	1	435034704R1
U008	R3424	C-CARBON R	RN72K1J-470JE	1	435034704R1
U008	R3425	C-CARBON R	RN72K1J-470JE	1	435034704R1
U008	R3426	C-R NET	RM7LJ330X04	1	43484733004R2
U008	R3427	C-CARBON R	RN72K1J-470JE	1	435034704R1
U008	R3428	C-CARBON R	RN72K1J-470JE	1	435034704R1
U008	R3429	C-R NET	RM7LJ330X04	1	43484733004R2
U008	R3430	C-R NET	RM7LJ330X04	1	43484733004R2
U008	R3431	C-CARBON R	RN72K1J-103JE	1	435031034R1
U008	R3432	C-CARBON R	RN72K1J-103JE	1	435031034R1
U008	R3433	C-CARBON R	RN72K1J-103JE	1	435031034R1
U008	R3435	C-R NET	RM7LJ330X04	1	43484733004R2
U008	R3436	C-CARBON R	RN72K1J-331JE	1	435033314R1
U008	R3437	C-CARBON R	RN72K1J-331JE	1	435033314R1
U008	R3438	C-CARBON R	RN72K1J-331JE	1	435033314R1
U008	R3439	C-R NET	RM7LJ330X04	1	43484733004R2
U008	R3440	C-CARBON R	RN72K1J-331JE	1	435033314R1
U008	R3441	C-CARBON R	RN72K1J-331JE	1	435033314R1
U008	R3442	C-CARBON R	RN72K1J-331JE	1	435033314R1
U008	R3443	C-CARBON R	RN72K1J-331JE	1	435033314R1

U008	R3444	C-CARBON R	RN72K1J-331JE	1	435033314R1
U008	R3445	C-R NET	RM7LJ330X04	1	43484733004R2
U008	R3446	C-CARBON R	RN72K1J-470JE	1	435034704R1
U008	R3447	C-CARBON R	RN72K1J-470JE	1	435034704R1
U008	R3448	C-CARBON R	RN72K1J-470JE	1	435034704R1
U008	R3449	C-CARBON R	RN72K1J-470JE	1	435034704R1
U008	R3450	C-CARBON R	RN72K1J-470JE	1	435034704R1
U008	R3451	C-CARBON R	RN72K1J-103JE	1	435031034R1
U008	R3452	C-CARBON R	RN72K1J-103JE	1	435031034R1
U008	R3453	C-CARBON R	RN72K1J-103JE	1	435031034R1
U008	R3454	C-CARBON R	RN72K1J-470JE	1	435034704R1
U008	R3455	C-CARBON R	RN72K1J-103JE	1	435031034R1
U008	R3456	C-CARBON R	RN72K1J-470JE	1	435034704R1
U008	R3457	C-CARBON R	RN72K1J-470JE	1	435034704R1
U008	R3458	C-CARBON R	RN72K1J-470JE	1	435034704R1
U008	R3459	C-CARBON R	RN72K1J-470JE	1	435034704R1
U008	R3460	C-CARBON R	RN72K1J-470JE	1	435034704R1
U008	R3461	C-CARBON R	RN72K1J-470JE	1	435034704R1
U008	R3462	C-CARBON R	RN72K1J-470JE	1	435034704R1
U008	R3464	C-CARBON R	RN72K1J-102JE	1	435031024R1
U008	R3465	C-CARBON R	RN72K1J-223FE	1	435032232R1
U008	R3466	C-CARBON R	RN72K1J-392FE	1	435033922R1
U008	R3467	C-CARBON R	RN72K1J-224FE	1	435032242R1
U008	R3468	C-CARBON R	RN72K1J-103FE	1	435031032R1
U008	R3469	C-CARBON R	RN72K1J-333FE	1	435033332R1
U008	R3470	C-CARBON R	RN72K1J-391JE	1	435033914R1
U008	R3471	C-CARBON R	RN72K1J-391JE	1	435033914R1
U008	R3472	C-CARBON R	RN72K1J-105JE	1	435031054R1
U008	R3473	C-CARBON R	RN72K1J-000JE	1	435030004R1
U008	R3501	C-R NET	RM7LJ330X04	1	43484733004R2
U008	R3502	C-R NET	RM7LJ330X04	1	43484733004R2
U008	R3503	C-R NET	RM7LJ330X04	1	43484733004R2
U008	R3504	C-R NET	RM7LJ330X04	1	43484733004R2
U008	R3505	C-CARBON R	RN72K1J-103JE	1	435031034R1
U008	R3506	C-CARBON R	RN72K1J-103JE	1	435031034R1
U008	R3507	C-CARBON R	RN72K1J-103JE	1	435031034R1
U008	R3508	C-CARBON R	RN72K1J-103JE	1	435031034R1
U008	R3509	C-CARBON R	RN72K1J-103JE	1	435031034R1
U008	R3510	C-CARBON R	RN72K1J-471JE	1	435034714R1

U008	R3511	C-CARBON R	RN72K1J-222JE	1	435032224R1
U008	R3512	C-CARBON R	RN72K1J-470JE	1	435034704R1
U008	R3513	C-CARBON R	RN72K1J-470JE	1	435034704R1
U008	R3514	C-CARBON R	RN72K1J-470JE	1	435034704R1
U008	R3516	C-CARBON R	RN72K1J-471JE	1	435034714R1
U008	R3517	C-CARBON R	RN72K1J-330JE	1	435033304R1
U008	R3518	C-CARBON R	RN72K1J-470JE	1	435034704R1
U008	R3519	C-CARBON R	RN72K1J-750JE	1	435037504R1
U008	R3520	C-CARBON R	RN72K1J-470JE	1	435034704R1
U008	R3521	C-CARBON R	RN72K1J-471JE	1	435034714R1
U008	R3522	C-CARBON R	RN72K1J-330JE	1	435033304R1
U008	R3523	C-CARBON R	RN72K1J-470JE	1	435034704R1
U008	R3524	C-CARBON R	RN72K1J-470JE	1	435034704R1
U008	R3525	C-CARBON R	RN72K1J-470JE	1	435034704R1
U008	R3526	C-R NET	RM7LJ330X04	1	43484733004R2
U008	R3527	C-CARBON R	RN72K1J-470JE	1	435034704R1
U008	R3528	C-CARBON R	RN72K1J-470JE	1	435034704R1
U008	R3529	C-R NET	RM7LJ330X04	1	43484733004R2
U008	R3530	C-R NET	RM7LJ330X04	1	43484733004R2
U008	R3531	C-CARBON R	RN72K1J-103JE	1	435031034R1
U008	R3532	C-CARBON R	RN72K1J-103JE	1	435031034R1
U008	R3533	C-CARBON R	RN72K1J-103JE	1	435031034R1
U008	R3534	C-CARBON R	RN72K1J-331JE	1	435033314R1
U008	R3535	C-R NET	RM7LJ330X04	1	43484733004R2
U008	R3536	C-CARBON R	RN72K1J-331JE	1	435033314R1
U008	R3537	C-CARBON R	RN72K1J-331JE	1	435033314R1
U008	R3538	C-CARBON R	RN72K1J-331JE	1	435033314R1
U008	R3539	C-R NET	RM7LJ330X04	1	43484733004R2
U008	R3540	C-CARBON R	RN72K1J-331JE	1	435033314R1
U008	R3541	C-CARBON R	RN72K1J-331JE	1	435033314R1
U008	R3542	C-CARBON R	RN72K1J-331JE	1	435033314R1
U008	R3543	C-CARBON R	RN72K1J-331JE	1	435033314R1
U008	R3544	C-CARBON R	RN72K1J-331JE	1	435033314R1
U008	R3545	C-R NET	RM7LJ330X04	1	43484733004R2
U008	R3546	C-CARBON R	RN72K1J-470JE	1	435034704R1
U008	R3547	C-CARBON R	RN72K1J-470JE	1	435034704R1
U008	R3548	C-CARBON R	RN72K1J-470JE	1	435034704R1
U008	R3549	C-CARBON R	RN72K1J-470JE	1	435034704R1
U008	R3550	C-CARBON R	RN72K1J-470JE	1	435034704R1

U008	R3551	C-CARBON R	RN72K1J-103JE	1	435031034R1
U008	R3552	C-CARBON R	RN72K1J-103JE	1	435031034R1
U008	R3553	C-CARBON R	RN72K1J-103JE	1	435031034R1
U008	R3554	C-CARBON R	RN72K1J-470JE	1	435034704R1
U008	R3555	C-CARBON R	RN72K1J-103JE	1	435031034R1
U008	R3556	C-CARBON R	RN72K1J-470JE	1	435034704R1
U008	R3557	C-CARBON R	RN72K1J-470JE	1	435034704R1
U008	R3558	C-CARBON R	RN72K1J-470JE	1	435034704R1
U008	R3559	C-CARBON R	RN72K1J-470JE	1	435034704R1
U008	R3560	C-CARBON R	RN72K1J-470JE	1	435034704R1
U008	R3561	C-CARBON R	RN72K1J-470JE	1	435034704R1
U008	R3562	C-CARBON R	RN72K1J-470JE	1	435034704R1
U008	R3564	C-CARBON R	RN72K1J-102JE	1	435031024R1
U008	R3565	C-CARBON R	RN72K1J-223FE	1	435032232R1
U008	R3566	C-CARBON R	RN72K1J-392FE	1	435033922R1
U008	R3567	C-CARBON R	RN72K1J-224FE	1	435032242R1
U008	R3568	C-CARBON R	RN72K1J-103FE	1	435031032R1
U008	R3569	C-CARBON R	RN72K1J-333FE	1	435033332R1
U008	R3670	C-CARBON R	RN72K1J-103JE	1	435031034R1
U008	R3673	C-CARBON R	RN72K1J-000JE	1	435030004R1
U008	R3674	C-CARBON R	RN72K1J-000JE	1	435030004R1
U008	R3680	C-CARBON R	RN72K1J-000JE	1	435030004R1
U008	R8040	C-CARBON R	RN72K1J-000JE	1	435030004R1
U008	R8041	C-CARBON R	RN72K1J-000JE	1	435030004R1
U008	R8042	C-CARBON R	RN72K1J-000JE	1	435030004R1
U008	R8043	C-CARBON R	RN72K1J-750JE	1	435037504R1
U008	R8044	C-CARBON R	RN72K1J-750JE	1	435037504R1
U008	R8045	C-CARBON R	RN72K1J-750JE	1	435037504R1
U008	R8046	C-CARBON R	RN72K1J-750JE	1	435037504R1
U008	R8047	C-CARBON R	RN72K1J-750JE	1	435037504R1
U008	R8048	C-CARBON R	RN72K1J-750JE	1	435037504R1
U008	R8049	C-CARBON R	RN72K1J-750JE	1	435037504R1
U008	R8050	C-CARBON R	RN72K1J-750JE	1	435037504R1
U008	R8051	C-CARBON R	RN72K1J-750JE	1	435037504R1
U008	R8052	C-CARBON R	RN72K1J-750JE	1	435037504R1
U008	R8053	C-CARBON R	RN72K1J-750JE	1	435037504R1
U008	R8054	C-CARBON R	RN72K1J-272JE	1	435032724R1
U008	R8055	C-CARBON R	RN72K1J-272JE	1	435032724R1
U008	R8056	C-CARBON R	RN72K1J-101JE	1	435031014R1

U008	R8057	C-CARBON R	RN72K1J-101JE	1	435031014R1
U008	R8058	C-CARBON R	RN72K1J-562JE	1	435035624R1
U008	R8059	C-CARBON R	RN72K1J-101JE	1	435031014R1
U008	R8060	C-CARBON R	RN72K1J-101JE	1	435031014R1
U008	R8061	C-CARBON R	RN72K1J-101JE	1	435031014R1
U008	R8062	C-CARBON R	RN72K1J-101JE	1	435031014R1
U008	R8063	C-CARBON R	RN72K1J-273JE	1	435032734R1
U008	R8064	C-CARBON R	RN72K1J-391JE	1	435033914R1
U008	R8068	C-CARBON R	RN72K1J-750JE	1	435037504R1
U008	R8069	C-CARBON R	RN72K1J-750JE	1	435037504R1
U008	R8070	C-CARBON R	RN72K1J-750JE	1	435037504R1
U008	R8071	C-CARBON R	RN72K1J-750JE	1	435037504R1
U008	R8072	C-CARBON R	RN72K1J-750JE	1	435037504R1
U008	R8073	C-CARBON R	RN72K1J-750JE	1	435037504R1
U008	R8075	C-CARBON R	RN72K1J-472JE	1	435034724R1
U008	R8081	C-R NET	RM7LJ330X04	1	43484733004R2
U008	R8082	C-R NET	RM7LJ330X04	1	43484733004R2
U008	R8083	C-R NET	RM7LJ330X04	1	43484733004R2
U008	R8084	C-R NET	RM7LJ330X04	1	43484733004R2
U008	R8085	C-R NET	RM7LJ330X04	1	43484733004R2
U008	R8086	C-R NET	RM7LJ330X04	1	43484733004R2
U008	R8087	C-R NET	RM7LJ330X04	1	43484733004R2
U008	R8088	C-R NET	RM7LJ330X04	1	43484733004R2
U008	R8089	C-CARBON R	RN72K1J-220JE	1	435032204R1
U008	R8090	C-R NET	RM7LJ330X04	1	43484733004R2
U008	R8091	C-R NET	RM7LJ220X04	1	43484722004R2
U008	R8092	C-R NET	RM7LJ220X04	1	43484722004R2
U008	R8093	C-R NET	RM7LJ220X04	1	43484722004R2
U008	R8094	C-R NET	RM7LJ220X04	1	43484722004R2
U008	R8095	C-R NET	RM7LJ220X04	1	43484722004R2
U008	R8096	C-R NET	RM7LJ220X04	1	43484722004R2
U008	R8097	C-R NET	RM7LJ220X04	1	43484722004R2
U008	R8098	C-R NET	RM7LJ220X04	1	43484722004R2
U008	R8099	C-R NET	RM7LJ220X04	1	43484722004R2
U008	R8100	C-R NET	RM7LJ220X04	1	43484722004R2
U008	R8101	C-R NET	RM7LJ220X04	1	43484722004R2
U008	R8102	C-CARBON R	RN72K1J-105JE	1	435031054R1
U008	R8103	C-CARBON R	RN72K1J-561JE	1	435035614R1
U008	R8104	C-CARBON R	RN72K1J-000JE	1	435030004R1

U008	R8110	C-CARBON R	RN72K1J-182JE	1	435031824R1
U008	R8111	C-CARBON R	RN72K1J-271JE	1	435032714R1
U008	R8123	C-CARBON R	RN72K1J-000JE	1	435030004R1
U008	R8124	C-CARBON R	RN72K1J-103JE	1	435031034R1
U008	R8125	C-CARBON R	RN72K1J-103JE	1	435031034R1
U008	R8126	C-CARBON R	RN72K1J-271JE	1	435032714R1
U008	R8127	C-CARBON R	RN72K1J-103JE	1	435031034R1
U008	R8128	C-CARBON R	RN72K1J-750JE	1	435037504R1
U008	R8129	C-CARBON R	RN72K1J-103JE	1	435031034R1
U008	R8130	C-CARBON R	RN72K1J-750JE	1	435037504R1
U008	R8144	C-CARBON R	RN72K1J-103JE	1	435031034R1
U008	R8147	C-CARBON R	RN72K1J-103JE	1	435031034R1
U008	R8149	C-CARBON R	RN72K1J-103JE	1	435031034R1
U008	R8150	C-CARBON R	RN72K1J-103JE	1	435031034R1
U008	R8151	C-CARBON R	RN72K1J-103JE	1	435031034R1
U008	R8154	C-CARBON R	RN72K1J-000JE	1	435030004R1
U008	R8157	C-CARBON R	RN72K1J-103JE	1	435031034R1
U008	R8158	C-CARBON R	RN72K1J-103JE	1	435031034R1
U008	R8160	C-CARBON R	RN72K1J-332JE	1	435033324R1
U008	R8161	C-CARBON R	RN72K1J-681JE	1	435036814R1
U008	R8162	C-CARBON R	RN72K1J-101JE	1	435031014R1
U008	R8165	C-CARBON R	RN72K1J-103JE	1	435031034R1
U008	R8202	C-CARBON R	RN72K1J-000JE	1	435030004R1
U008	R8203	C-CARBON R	RN72K1J-000JE	1	435030004R1
U008	R8205	C-CARBON R	RN72K1J-330JE	1	435033304R1
U008	R8206	C-CARBON R	RN72K1J-103JE	1	435031034R1
U008	R8207	C-CARBON R	RN72K1J-103JE	1	435031034R1
U008	R8210	C-CARBON R	RN72K1J-470JE	1	435034704R1
U008	R8211	C-CARBON R	RN72K1J-101JE	1	435031014R1
U008	R8212	C-CARBON R	RN72K1J-101JE	1	435031014R1
U008	R8213	C-CARBON R	RN72K1J-103JE	1	435031034R1
U008	R8214	C-CARBON R	RN72K1J-101JE	1	435031014R1
U008	R8215	C-CARBON R	RN72K1J-101JE	1	435031014R1
U008	R8216	C-CARBON R	RN72K1J-103JE	1	435031034R1
U008	R8218	C-CARBON R	RN72K1J-103JE	1	435031034R1
U008	R8219	C-CARBON R	RN72K1J-332JE	1	435033324R1
U008	R8221	C-CARBON R	RN72K1J-331JE	1	435033314R1
U008	R8222	C-CARBON R	RN72K2B-000JE	1	433220004R1
U008	R8223	C-CARBON R	RN72K1J-000JE	1	435030004R1

U008	R8224	C-CARBON R	RN72K1J-000JE	1	435030004R1
U008	R8231	C-CARBON R	RN72K1J-332JE	1	435033324R1
U008	R8232	C-CARBON R	RN72K1J-332JE	1	435033324R1
U008	R8233	C-CARBON R	RN72K1J-332JE	1	435033324R1
U008	R8234	C-CARBON R	RN72K1J-332JE	1	435033324R1
U008	R8236	C-CARBON R	RN72K1J-331JE	1	435033314R1
U008	R8240	C-CARBON R	RN72K1J-331JE	1	435033314R1
U008	R8241	C-CARBON R	RN72K1J-331JE	1	435033314R1
U008	R8243	C-CARBON R	RN72K1J-470JE	1	435034704R1
U008	R8255	C-CARBON R	RN72K1J-222JE	1	435032224R1
U008	R8256	C-CARBON R	RN72K1J-105JE	1	435031054R1
U008	R8263	C-CARBON R	RN72K1J-472JE	1	435034724R1
U008	R8264	C-CARBON R	RN72K1J-331JE	1	435033314R1
U008	R8265	C-CARBON R	RN72K1J-120JE	1	435031204R1
U008	R8313	C-CARBON R	RN72K1J-103JE	1	435031034R1
U008	R8319	C-CARBON R	RN72K1J-473JE	1	435034734R1
U008	R8320	C-CARBON R	RN72K1J-473JE	1	435034734R1
U008	R8323	C-CARBON R	RN72K1J-103JE	1	435031034R1
U008	R8329	C-CARBON R	RN72K1J-473JE	1	435034734R1
U008	R8330	C-CARBON R	RN72K1J-473JE	1	435034734R1
U008	R8333	C-CARBON R	RN72K1J-103JE	1	435031034R1
U008	R8334	C-CARBON R	RN72K1J-222JE	1	435032224R1
U008	R8335	C-CARBON R	RN72K1J-222JE	1	435032224R1
U008	R8336	C-CARBON R	RN72K1J-472JE	1	435034724R1
U008	R8337	C-CARBON R	RN72K1J-473JE	1	435034734R1
U008	R8338	C-CARBON R	RN72K1J-473JE	1	435034734R1
U008	R8339	C-CARBON R	RN72K2E-470JE	1	435224704R1
U008	R8343	C-CARBON R	RN72K1J-103JE	1	435031034R1
U008	R8349	C-CARBON R	RN72K1J-473JE	1	435034734R1
U008	R8350	C-CARBON R	RN72K1J-473JE	1	435034734R1
U008	R8360	C-CARBON R	RN72K1J-103JE	1	435031034R1
U008	R8361	C-CARBON R	RN72K1J-681JE	1	435036814R1
U008	R8362	C-CARBON R	RN72K1J-101JE	1	435031014R1
U008	R8365	C-CARBON R	RN72K1J-103JE	1	435031034R1
U008	R8372	C-CARBON R	RN72K1J-103JE	1	435031034R1
U008	R8374	C-CARBON R	RN72K1J-472JE	1	435034724R1
U008	R8375	C-CARBON R	RN72K1J-473JE	1	435034734R1
U008	R8376	C-CARBON R	RN72K1J-473JE	1	435034734R1
U008	R8384	C-CARBON R	RN72K1J-222JE	1	435032224R1

U008	R8385	C-CARBON R	RN72K1J-222JE	1	435032224R1
U008	R8391	C-CARBON R	RN72K2E-470JE	1	435224704R1
U008	R8401	C-R NET	RM7LJ220X04	1	43484722004R2
U008	R8402	C-CARBON R	RN72K1J-220JE	1	435032204R1
U008	R8403	C-R NET	RM7LJ220X04	1	43484722004R2
U008	R8404	C-CARBON R	RN72K1J-220JE	1	435032204R1
U008	R8405	C-CARBON R	RN72K1J-220JE	1	435032204R1
U008	R8408	C-CARBON R	RN72K1J-220JE	1	435032204R1
U008	R8409	C-CARBON R	RN72K1J-101JE	1	435031014R1
U008	R8410	C-CARBON R	RN72K1J-681JE	1	435036814R1
U008	R8411	C-CARBON R	RN72K1J-472JE	1	435034724R1
U008	R8416	C-R NET	RM7LJ220X04	1	43484722004R2
U008	R8417	C-R NET	RM7LJ220X04	1	43484722004R2
U008	R8418	C-R NET	RM7LJ220X04	1	43484722004R2
U008	R8419	C-R NET	RM7LJ220X04	1	43484722004R2
U008	R8420	C-R NET	RM7LJ220X04	1	43484722004R2
U008	R8421	C-R NET	RM7LJ220X04	1	43484722004R2
U008	R8422	C-R NET	RM7LJ220X04	1	43484722004R2
U008	R8423	C-R NET	RM7LJ220X04	1	43484722004R2
U008	R8424	C-R NET	RM7LJ220X04	1	43484722004R2
U008	R8425	C-CARBON R	RN72K1J-220JE	1	435032204R1
U008	R8429	C-CARBON R	RN72K1J-220JE	1	435032204R1
U008	R8431	C-CARBON R	RN72K1J-472JE	1	435034724R1
U008	R8432	C-CARBON R	RN72K1J-220JE	1	435032204R1
U008	R8433	C-CARBON R	RN72K1J-101JE	1	435031014R1
U008	R8434	C-CARBON R	RN72K1J-101JE	1	435031014R1
U008	R8435	C-CARBON R	RN72K1J-101JE	1	435031014R1
U008	R8436	C-CARBON R	RN72K1J-101JE	1	435031014R1
U008	R8439	C-CARBON R	RN72K1J-100JE	1	435031004R1
U008	R8440	C-CARBON R	RN72K1J-100JE	1	435031004R1
U008	R8442	C-CARBON R	RN72K1J-102JE	1	435031024R1
U008	R8446	C-CARBON R	RN72K1J-100JE	1	435031004R1
U008	R8447	C-CARBON R	RN72K1J-330JE	1	435033304R1
U008	R8448	C-CARBON R	RN72K1J-823JE	1	435038234R1
U008	R8449	C-CARBON R	RN72K1J-103JE	1	435031034R1
U008	R8451	C-R NET	RM7LJ220X04	1	43484722004R2
U008	R8452	C-CARBON R	RN72K1J-220JE	1	435032204R1
U008	R8453	C-R NET	RM7LJ220X04	1	43484722004R2
U008	R8454	C-CARBON R	RN72K1J-220JE	1	435032204R1

U008	R8455	C-CARBON R	RN72K1J-220JE	1	435032204R1
U008	R8457	C-CARBON R	RN72K1J-000JE	1	435030004R1
U008	R8458	C-CARBON R	RN72K1J-220JE	1	435032204R1
U008	R8459	C-CARBON R	RN72K1J-101JE	1	435031014R1
U008	R8460	C-CARBON R	RN72K1J-681JE	1	435036814R1
U008	R8462	C-CARBON R	RN72K1J-472JE	1	435034724R1
U008	R8466	C-R NET	RM7LJ220X04	1	43484722004R2
U008	R8467	C-R NET	RM7LJ220X04	1	43484722004R2
U008	R8468	C-R NET	RM7LJ220X04	1	43484722004R2
U008	R8469	C-R NET	RM7LJ220X04	1	43484722004R2
U008	R8470	C-R NET	RM7LJ220X04	1	43484722004R2
U008	R8471	C-R NET	RM7LJ220X04	1	43484722004R2
U008	R8472	C-R NET	RM7LJ220X04	1	43484722004R2
U008	R8473	C-R NET	RM7LJ220X04	1	43484722004R2
U008	R8474	C-R NET	RM7LJ220X04	1	43484722004R2
U008	R8475	C-CARBON R	RN72K1J-220JE	1	435032204R1
U008	R8479	C-CARBON R	RN72K1J-220JE	1	435032204R1
U008	R8481	C-CARBON R	RN72K1J-472JE	1	435034724R1
U008	R8482	C-CARBON R	RN72K1J-220JE	1	435032204R1
U008	R8492	C-CARBON R	RN72K1J-102JE	1	435031024R1
U008	R8501	C-CARBON R	RN72K1J-330JE	1	435033304R1
U008	R8502	C-CARBON R	RN72K1J-120JE	1	435031204R1
U008	R8503	C-R NET	RM7LJ330X04	1	43484733004R2
U008	R8504	C-R NET	RM7LJ330X04	1	43484733004R2
U008	R8505	C-R NET	RM7LJ330X04	1	43484733004R2
U008	R8507	C-R NET	RM7LJ330X04	1	43484733004R2
U008	R8508	C-R NET	RM7LJ330X04	1	43484733004R2
U008	R8509	C-R NET	RM7LJ330X04	1	43484733004R2
U008	R8510	C-R NET	RM7LJ330X04	1	43484733004R2
U008	R8511	C-R NET	RM7LJ330X04	1	43484733004R2
U008	R8512	C-R NET	RM7LJ330X04	1	43484733004R2
U008	R8513	C-R NET	RM7LJ330X04	1	43484733004R2
U008	R8516	C-CARBON R	RN72K1J-101JE	1	435031014R1
U008	R8517	C-CARBON R	RN72K1J-101JE	1	435031014R1
U008	R8518	C-CARBON R	RN72K1J-472JE	1	435034724R1
U008	R8519	C-CARBON R	RN72K1J-220JE	1	435032204R1
U008	R8522	C-R NET	RM7LJ330X04	1	43484733004R2
U008	R8523	C-CARBON R	RN72K1J-330JE	1	435033304R1
U008	R8524	C-CARBON R	RN72K1J-330JE	1	435033304R1

U008	R8525	C-CARBON R	RN72K1J-472JE	1	435034724R1
U008	R8526	C-CARBON R	RN72K1J-472JE	1	435034724R1
U008	R8527	C-CARBON R	RN72K1J-562JE	1	435035624R1
U008	R8528	C-CARBON R	RN72K1J-562JE	1	435035624R1
U008	R8529	C-CARBON R	RN72K1J-103JE	1	435031034R1
U008	R8531	C-CARBON R	RN72K1J-000JE	1	435030004R1
U008	R8533	C-CARBON R	RN72K1J-562JE	1	435035624R1
U008	R8534	C-CARBON R	RN72K1J-562JE	1	435035624R1
U008	R8535	C-CARBON R	RN72K1J-000JE	1	435030004R1
U008	R8536	C-CARBON R	RN72K1J-000JE	1	435030004R1
U008	R8601	C-CARBON R	RN72K1J-000JE	1	435030004R1
U008	R8602	C-CARBON R	RN72K1J-000JE	1	435030004R1
U008	R8607	C-CARBON R	RN72K1J-473JE	1	435034734R1
U008	R8608	C-CARBON R	RN72K1J-473JE	1	435034734R1
U008	R8609	C-CARBON R	RN72K1J-000JE	1	435030004R1
U008	R8617	C-CARBON R	RN72K1J-473JE	1	435034734R1
U008	R8618	C-CARBON R	RN72K1J-473JE	1	435034734R1
U008	R8619	C-CARBON R	RN72K1J-103JE	1	435031034R1
U008	R8627	C-CARBON R	RN72K1J-473JE	1	435034734R1
U008	R8628	C-CARBON R	RN72K1J-473JE	1	435034734R1
U008	R8629	C-CARBON R	RN72K1J-103JE	1	435031034R1
U008	R8637	C-CARBON R	RN72K1J-473JE	1	435034734R1
U008	R8638	C-CARBON R	RN72K1J-473JE	1	435034734R1
U008	R8639	C-CARBON R	RN72K1J-103JE	1	435031034R1
U008	R8647	C-CARBON R	RN72K1J-472JE	1	435034724R1
U008	R8648	C-CARBON R	RN72K1J-472JE	1	435034724R1
U008	R8649	C-CARBON R	RN72K1J-000JE	1	435030004R1
U008	R8650	C-CERA C	CK725B1H-102K1	1	332101025R1
U008	R8651	C-CERA C	CK725B1H-102K1	1	332101025R1
U008	R8654	C-CARBON R	RN72K1J-223JE	1	435032234R1
U008	R8655	C-CARBON R	RN72K1J-224JE	1	435032244R1
U008	R8656	C-CARBON R	RN72K1J-333JE	1	435033334R1
U008	R8701	C-CARBON R	RN72K1J-103JE	1	435031034R1
U008	R8702	C-CARBON R	RN72K1J-103JE	1	435031034R1
U008	R8703	C-CARBON R	RN72K1J-103JE	1	435031034R1
U008	R8705	C-CARBON R	RN72K1J-220JE	1	435032204R1
U008	R8706	C-CARBON R	RN72K1J-220JE	1	435032204R1
U008	R8707	C-CARBON R	RN72K1J-220JE	1	435032204R1
U008	R8708	C-CARBON R	RN72K1J-103JE	1	435031034R1

U008	R8709	C-CARBON R	RN72K1J-103JE	1	435031034R1
U008	R8710	C-CARBON R	RN72K1J-103JE	1	435031034R1
U008	R8711	C-CARBON R	RN72K1J-222JE	1	435032224R1
U008	R8712	C-R NET	RM7LJ222X04	1	43484722204R2
U008	R8713	C-R NET	RM7LJ222X04	1	43484722204R2
U008	R8714	C-R NET	RM7LJ222X04	1	43484722204R2
U008	R8715	C-R NET	RM7LJ103X04	1	43484710304R2
U008	R8716	C-CARBON R	RN72K1J-103JE	1	435031034R1
U008	R8717	C-CARBON R	RN72K1J-103JE	1	435031034R1
U008	R8718	C-CARBON R	RN72K1J-220JE	1	435032204R1
U008	R8719	C-CARBON R	RN72K1J-103JE	1	435031034R1
U008	R8720	C-CARBON R	RN72K1J-220JE	1	435032204R1
U008	R8721	C-CARBON R	RN72K1J-220JE	1	435032204R1
U008	R8722	C-CARBON R	RN72K1J-103JE	1	435031034R1
U008	R8723	C-CARBON R	RN72K1J-103JE	1	435031034R1
U008	R8733	C-CARBON R	RN72K1J-103JE	1	435031034R1
U008	R8737	C-R NET	RM7LJ103X04	1	43484710304R2
U008	R8738	C-CARBON R	RN72K1J-103JE	1	435031034R1
U008	R8742	C-CARBON R	RN72K1J-103JE	1	435031034R1
U008	R8744	C-CARBON R	RN72K1J-103JE	1	435031034R1
U008	R8745	C-CARBON R	RN72K1J-103JE	1	435031034R1
U008	R8748	C-CARBON R	RN72K1J-103JE	1	435031034R1
U008	R8749	C-CARBON R	RN72K1J-220JE	1	435032204R1
U008	R8750	C-CARBON R	RN72K1J-000JE	1	435030004R1
U008	R8751	C-CARBON R	RN72K1J-000JE	1	435030004R1
U008	R8752	C-CARBON R	RN72K1J-000JE	1	435030004R1
U008	R8801	C-R NET	RM7LJ220X04	1	43484722004R2
U008	R8802	C-R NET	RM7LJ220X04	1	43484722004R2
U008	R8803	C-R NET	RM7LJ220X04	1	43484722004R2
U008	R8804	C-R NET	RM7LJ220X04	1	43484722004R2
U008	R8805	C-R NET	RM7LJ220X04	1	43484722004R2
U008	R8806	C-CARBON R	RN72K1J-103JE	1	435031034R1
U008	R8810	C-R NET	RM7LJ220X04	1	43484722004R2
U008	R8811	C-R NET	RM7LJ220X04	1	43484722004R2
U008	R8812	C-R NET	RM7LJ220X04	1	43484722004R2
U008	R8813	C-CARBON R	RN72K1J-220JE	1	435032204R1
U008	R8814	C-CARBON R	RN72K1J-181JE	1	435031814R1
U008	R8815	C-CARBON R	RN72K1J-332JE	1	435033324R1
U008	R8816	C-CARBON R	RN72K1J-181JE	1	435031814R1

U008	R8817	C-CARBON R	RN72K1J-332JE	1	435033324R1
U008	R8818	C-CARBON R	RN72K1J-332JE	1	435033324R1
U008	R8819	C-CARBON R	RN72K1J-821JE	1	435038214R1
U008	R8820	C-CARBON R	RN72K1J-332JE	1	435033324R1
U008	R8821	C-CARBON R	RN72K1J-821JE	1	435038214R1
U008	R8822	C-CARBON R	RN72K1J-473JE	1	435034734R1
U008	R8823	C-CARBON R	RN72K1J-000JE	1	435030004R1
U008	R8824	C-CARBON R	RN72K1J-000JE	1	435030004R1
U008	R8825	C-CARBON R	RN72K1J-000JE	1	435030004R1
U008	R8826	C-CARBON R	RN72K1J-000JE	1	435030004R1
U008	R8827	C-CARBON R	RN72K1J-000JE	1	435030004R1
U008	R8882	C-CARBON R	RN72K1J-000JE	1	435030004R1
U008	R8883	C-CARBON R	RN72K1J-000JE	1	435030004R1
U008	R8901	C-CARBON R	RN72K1J-122JE	1	435031224R1
U008	R8902	C-CARBON R	RN72K1J-122JE	1	435031224R1
U008	R8903	C-CARBON R	RN72K1J-122JE	1	435031224R1
U008	R8904	C-CARBON R	RN72K1J-122JE	1	435031224R1
U008	R8905	C-CARBON R	RN72K1J-122JE	1	435031224R1
U008	R8906	C-CARBON R	RN72K1J-122JE	1	435031224R1
U008	R8907	C-CARBON R	RN72K1J-122JE	1	435031224R1
U008	R8908	C-CARBON R	RN72K1J-122JE	1	435031224R1
U008	R8909	C-CARBON R	RN72K1J-122JE	1	435031224R1
U008	R8910	C-CARBON R	RN72K1J-122JE	1	435031224R1
U008	R8911	C-CARBON R	RN72K1J-122JE	1	435031224R1
U008	R8912	C-CARBON R	RN72K1J-122JE	1	435031224R1
U008	R8913	C-CARBON R	RN72K1J-122JE	1	435031224R1
U008	R8914	C-CARBON R	RN72K1J-122JE	1	435031224R1
U008	R8915	C-CARBON R	RN72K1J-122JE	1	435031224R1
U008	R8916	C-CARBON R	RN72K1J-122JE	1	435031224R1
U008	R8917	C-CARBON R	RN72K1J-122JE	1	435031224R1
U008	R8918	C-CARBON R	RN72K1J-122JE	1	435031224R1
U008	R8919	C-CARBON R	RN72K1J-122JE	1	435031224R1
U008	R8920	C-CARBON R	RN72K1J-122JE	1	435031224R1
U008	R8921	C-CARBON R	RN72K1J-122JE	1	435031224R1
U008	R8922	C-CARBON R	RN72K1J-122JE	1	435031224R1
U008	R8923	C-CARBON R	RN72K1J-122JE	1	435031224R1
U008	R8924	C-CARBON R	RN72K1J-122JE	1	435031224R1
U008	R8940	C-CARBON R	RN72K1J-104JE	1	435031044R1
U008	R8941	C-CARBON R	RN72K1J-104JE	1	435031044R1

U008	R8942	C-CARBON R	RN72K1J-103JE	1	435031034R1
U008	R8946	C-CARBON R	RN72K1J-000JE	1	435030004R1
U008	R8951	C-CARBON R	RN72K1J-103JE	1	435031034R1
U008	R8952	C-CARBON R	RN72K1J-683JE	1	435036834R1
U008	R8953	C-CARBON R	RN72K1J-183FE	1	435031832R1
U008	R8954	C-CARBON R	RN72K1J-224FE	1	435032242R1
U008	R8955	C-CARBON R	RN72K1J-103FE	1	435031032R1
U008	R8957	C-CARBON R	RN72K1J-333JE	1	435033334R1
U008	R8958	C-CARBON R	RN72K1J-000JE	1	435030004R1
U008	R8960	C-CARBON R	RN72K1J-103FE	1	435031032R1
U008	R8962	C-CARBON R	RN72K1J-333JE	1	435033334R1
U008	R8963	C-CARBON R	RN72K1J-153FE	1	435031532R1
U008	R8964	C-CARBON R	RN72K1J-333FE	1	435033332R1
U008	R8965	C-CARBON R	RN72K1J-103FE	1	435031032R1
U008	R8967	C-CARBON R	RN72K1J-683JE	1	435036834R1
U008	R8968	C-CARBON R	RN72K1J-333FE	1	435033332R1
U008	R8969	C-CARBON R	RN72K1J-394FE	1	435033942R1
U008	R8970	C-CARBON R	RN72K1J-103FE	1	435031032R1
U008	R8971	C-CARBON R	RN72K1J-473JE	1	435034734R1
U008	R8972	C-CARBON R	RN72K1J-103JE	1	435031034R1
U008	R8973	C-CARBON R	RN72K1J-103JE	1	435031034R1
U008	R8974	C-CARBON R	RN72K1J-103JE	1	435031034R1
U008	R8976	C-CARBON R	RN72K1J-103JE	1	435031034R1
U008	R8977	C-CARBON R	RN72K1J-562JE	1	435035624R1
U008	R8978	C-CARBON R	RN72K1J-682JE	1	435036824R1
U008	R8979	C-CARBON R	RN72K1J-562JE	1	435035624R1
U008	RN8013	C-R NET	RM7LJ330X04	1	43484733004R2
U008	RN8014	C-R NET	RM7LJ330X04	1	43484733004R2
U008	RN8015	C-R NET	RM7LJ330X04	1	43484733004R2
U008	RN8016	C-R NET	RM7LJ330X04	1	43484733004R2
U008	RN8017	C-R NET	RM7LJ330X04	1	43484733004R2
U008	RN8018	C-R NET	RM7LJ330X04	1	43484733004R2
U008	RN8019	C-R NET	RM7LJ330X04	1	43484733004R2
U008	RN8020	C-R NET	RM7LJ330X04	1	43484733004R2
U008	RN8021	C-R NET	RM7LJ330X04	1	43484733004R2
U008	RN8022	C-R NET	RM7LJ330X04	1	43484733004R2
U008	RN8023	C-R NET	RM7LJ330X04	1	43484733004R2
U008	RN8024	C-R NET	RM7LJ330X04	1	43484733004R2
U008	RN8025	C-R NET	RM7LJ330X04	1	43484733004R2

U008	RN8026	C-R NET	RM7LJ330X04	1	43484733004R2
U008	RN8027	C-R NET	RM7LJ330X04	1	43484733004R2
U008	RN8028	C-R NET	RM7LJ330X04	1	43484733004R2
U008	RN8029	C-R NET	RM7LJ330X04	1	43484733004R2
U008	RN8030	C-R NET	RM7LJ330X04	1	43484733004R2
U008	RN8037	C-R NET	RM7LJ330X04	1	43484733004R2
U008	RN8038	C-R NET	RM7LJ330X04	1	43484733004R2
U008	RN8039	C-R NET	RM7LJ330X04	1	43484733004R2
U008	RN8041	C-R NET	RM7LJ330X04	1	43484733004R2
U008	RN8043	C-R NET	RM7LJ330X04	1	43484733004R2
U008	RN8045	C-R NET	RM7LJ330X04	1	43484733004R2
U008	RN8048	C-R NET	RM7LJ330X04	1	43484733004R2
U008	RN8049	C-R NET	RM7LJ330X04	1	43484733004R2
U008	RN8050	C-R NET	RM7LJ330X04	1	43484733004R2
U008	RN8051	C-R NET	RM7LJ330X04	1	43484733004R2
U008	RN8052	C-R NET	RM7LJ330X04	1	43484733004R2
U008	RN8053	C-R NET	RM7LJ330X04	1	43484733004R2
U008	RN8054	C-R NET	RM7LJ330X04	1	43484733004R2
U008	RN8055	C-R NET	RM7LJ330X04	1	43484733004R2
U008	RN8056	C-R NET	RM7LJ330X04	1	43484733004R2
U008	RN8057	C-R NET	RM7LJ330X04	1	43484733004R2
U008	RN8058	C-R NET	RM7LJ330X04	1	43484733004R2
U008	RN8059	C-R NET	RM7LJ330X04	1	43484733004R2
U008	RN8060	C-R NET	RM7LJ330X04	1	43484733004R2
U008	RN8061	C-R NET	RM7LJ330X04	1	43484733004R2
U008	RN8062	C-R NET	RM7LJ680X04	1	43484768004R2
U008	RN8063	C-R NET	RM7LJ470X04	1	43484747004R2
U008	RN8064	C-R NET	RM7LJ680X04	1	43484768004R2
U008	RN8065	C-R NET	RM7LJ470X04	1	43484747004R2
U008	RN8066	C-R NET	RM7LJ680X04	1	43484768004R2
U008	RN8067	C-R NET	RM7LJ470X04	1	43484747004R2
U008	RN8068	C-R NET	RM7LJ680X04	1	43484768004R2
U008	RN8069	C-R NET	RM7LJ470X04	1	43484747004R2
U008	RN8070	C-R NET	RM7LJ680X04	1	43484768004R2
U008	RN8071	C-R NET	RM7LJ680X04	1	43484768004R2
U008	RN8072	C-R NET	RM7LJ470X04	1	43484747004R2
U008	RN8073	C-R NET	RM7LJ680X04	1	43484768004R2
U008	RN8074	C-R NET	RM7LJ470X04	1	43484747004R2
U008	RN8075	C-R NET	RM7LJ680X04	1	43484768004R2

U008	RN8076	C-R NET	RM7LJ680X04	1	43484768004R2	
U008	RN8077	C-R NET	RM7LJ680X04	1	43484768004R2	
U008	RN8078	C-R NET	RM7LJ680X04	1	43484768004R2	
U008	RN8079	C-R NET	RM7LJ680X04	1	43484768004R2	
U008	RN8080	C-R NET	RM7LJ680X04	1	43484768004R2	
U008	RN8081	C-R NET	RM7LJ680X04	1	43484768004R2	
U008	RN8082	C-R NET	RM7LJ680X04	1	43484768004R2	
U008	RN8083	C-R NET	RM7LJ680X04	1	43484768004R2	
U008	RN8087	C-R NET	RM7LJ103X04	1	43484710304R2	
U008	RN8088	C-R NET	RM7LJ103X04	1	43484710304R2	
U008	RN8703	C-R NET	RM7LJ680X04	1	43484768004R2	
U008	RN8704	C-R NET	RM7LJ680X04	1	43484768004R2	
U008	RN8705	C-R NET	RM7LJ680X04	1	43484768004R2	
U008	RN8706	C-R NET	RM7LJ680X04	1	43484768004R2	
U008	[SW TRM]					
U008	JL3201	WIRE TRAP	NPLG-5P588	1	25055626	
U008	JL3889B	SOCKET	NSCT-5P97	1	25050269	
U008	JL8002B	SOCKET	NSCT-5P97	1	25050269	
U008	P3001	SOCKET(B to B)	IMSA-9850S-20Y900	1	25052813R2	
U008	P3101A	PLUG	NPLG-5P918	1	25055965R2	
U008	P3102A	SOCKET	NSCT-9P2472	1	25052575R2	
U008	P3103A	SOCKET	YKF45-0029N	1	25053242	
U008	P3104	SOCKET	EJFR0002	1	25056668	
U008	P3104 or	SOCKET	J0026D21NL	(1)	25053250	
U008	P3104 or	SOCKET	SI-60073-F	(1)	25053307	
U008	P3605A	PLUG	IMSA-9142B-18A	1	25056599	
U008	P3606A	PLUG	IMSA-9142B-8A	1	25056594	N
U008	P3607A	PLUG	IMSA-9142B-16A	1	25056598	
U008	P3608A	PLUG	IMSA-9142B-18A	1	25056599	
U008	P4104A	SOCKET	NSCT-31P2124	1	25052227	
U008	P8002B	SOCKET	NSCT-11P2474	1	25052577R2	
U008	P8100	TRM-423(SCREW)	NEJITANSI ST3	1	25060495	
U008	P8301	SOCKET	YKF45-7037V	1	25053253R3	
U008	P8302	SOCKET	YKF45-7037V	1	25053253R3	
U008	P8321	SOCKET	YKF45-7037V	1	25053253R3	
U008	P8341	SOCKET	YKF45-7037V	1	25053253R3	
U008	P8352	SOCKET	YKF45-7037V	1	25053253R3	
U008	P8601	SOCKET	YKF45-7037V	1	25053253R3	
U008	P8611	SOCKET	YKF45-7037V	1	25053253R3	

U008	P8621	SOCKET	YKF45-7037V	1	25053253R3	
U008	P8631	SOCKET	YKF45-7037V	1	25053253R3	
U008	P8641B	SOCKET	FX16-31S-0.5SH	1	25053365R2	N
U008	P8702	SOCKET	NSCT-9P2472	1	25052575R2	
U008	P8705	SOCKET	IMSA-9618S-04A	1	25053329R2	
U008	P8705 or	SOCKET	04FMN-SMT-A-TF	(1)	25052821R2	
U0091	U0091	FRONT HDMI/ USB PC BOARD	BAHDM-0291-1B			
U0091						
U0091	CIRCUIT NO.	PART NAME	DESCRIPTION	Q'TY	PART NO. (SN)	REMARKS
U0091	[SEMI CONDUCTOR]					
U0091	D3300	C-DIODE	KDS4148U	1	223283R2	
U0091	D3300 or	C-DIODE	1SS352	(1)	223234R2	
U0091	D3301	C-DIODE	KDS4148U	1	223283R2	
U0091	D3301 or	C-DIODE	1SS352	(1)	223234R2	
U0091	D8861	C-DIODE	KDS4148U	1	223283R2	
U0091	D8861 or	C-DIODE	1SS352	(1)	223234R2	
U0091	D8862	C-DIODE	KDS4148U	1	223283R2	
U0091	D8862 or	C-DIODE	1SS352	(1)	223234R2	
U0091	Q3300	IC	TPD2E001DRLR	1	22242589R2	
U0091	Q8861	IC	TMDS141RHARG4	1	22242586R2	
U0091	[TRANS COIL]					
U0091	L8861	CORE	BLM18PG181SN1D	1	2350005R1	
U0091	[CAPACITOR]					
U0091	C3302	C-FILM C	ECHU16V-104J	1	373041044R2	
U0091	C3303	C-FILM C	ECHU16V-104J	1	373041044R2	
U0091	C3304	C-CERA C	CK725F1A-105Z1	1	332181050R1	
U0091	C8861	C-FILM C	ECHU16V-104J	1	373041044R2	
U0091	C8863	C-CERA C	CK725F1A-105Z1	1	332181050R1	
U0091	C8864	C-CERA C	CK725B1H-102K1	1	332101025R1	
U0091	C8869	C-CERA C	CK725F1A-105Z1	1	332181050R1	
U0091	C8870	C-CERA C	CK725B1H-102K1	1	332101025R1	
U0091	C8871	C-CERA C	CK725F1A-105Z1	1	332181050R1	
U0091	C8872	C-CERA C	CK725B1H-102K1	1	332101025R1	
U0091	C8873	C-CERA C	CK725F1A-105Z1	1	332181050R1	
U0091	C8874	C-CERA C	CK725B1H-102K1	1	332101025R1	
U0091	C8875	C-CERA C	CK725F1A-105Z1	1	332181050R1	
U0091	C8876	C-CERA C	CK725B1H-102K1	1	332101025R1	
U0091	C8877	C-CERA C	CK725B0J-106K	1	332091065R2	

U0091	C8880	C-CERA C	CK725B0J-106K	1	332091065R2
U0091	[RESISTOR]				
U0091	R3331	C-CARBON R	RN72K1J-000JE	1	435030004R1
U0091	R8867	C-CARBON R	RN72K1J-473JE	1	435034734R1
U0091	R8868	C-CARBON R	RN72K1J-473JE	1	435034734R1
U0091	R8869	C-CARBON R	RN72K1J-000JE	1	435030004R1
U0091	R8870	C-CARBON R	RN72K1J-000JE	1	435030004R1
U0091	R8872	C-CARBON R	RN72K1J-103JE	1	435031034R1
U0091	R8873	C-CARBON R	RN72K1J-472JE	1	435034724R1
U0091	R8874	C-CARBON R	RN72K1J-103JE	1	435031034R1
U0091	R8875	C-CARBON R	RN72K1J-103JE	1	435031034R1
U0091	R8876	C-CARBON R	RN72K1J-103JE	1	435031034R1
U0091	R8880	C-CARBON R	RN72K1J-000JE	1	435030004R1
U0091	R8881	C-CARBON R	RN72K1J-000JE	1	435030004R1
U0091	[SW TRM]				
U0091	E8861	TRM	NTM-1P233(M1969)	1	25060302
U0091	P3101C	PLUG	NPLG-5P918	1	25055965R2
U0091	P3305	SOCKET	YKF45-0029N	1	25053242
U0091	P8641D	SOCKET	FX16-31S-0.5SV	1	25053354R2
U0091	P8861	SOCKET	YKF45-7037V	1	25053253R3

TX-NR5008**PV PACKING PROCEDURES PARTS LIST**

PV

PV

PV

PV

PV

PV

PV

PV

PV

PV

PV

PV

PV

PV

PV

PV

PV

REF. NO.	PART NAME	DESCRIPTION	Q'TY	PART NO. (SN)	REMARKS
[PACKING]					
A701	TAPE	FIXLON #817 W12	1	29110207	<B / S>
A703	CUSHION	EPE t2.5x40x20	2	28141827	<B / S>
A705	INST SHEET	txnr807 door	1	29355770	<B / S>
A711	SHEET	T0.515*1300*900	1	29096066	<B / S>
A713	SHEET	T0.5x600x500	1	29096097	<B / S>
A719	TAPE	(SEROHAN)NITTO NO.29	1	29110149	<B / S>
A731	CARTON	TXNR5008DC	1	29055153B	N <B MDC>
A731	CARTON	TXNR5008	1	29055154C	N <B MMP, MMR / S MMP>
A735	PAD	AS	1	29092479C	N <B / S>
A737	SHEET	(ACC)	1	29096104	<B / S>
A739	STAPLE	FUKAN-BARI(1000KO)	4	282321	<B / S>
A741	PP TAPE	W50 SBT-70	1	29110200	<B / S>
A751A	UPC LABEL	NR5008MDC	1	29391268	N <B MDC>

PV	A751A	EAN LABEL	NR5008(B)MMP	1	29391276	N <B MMP>
PV	A751A	EAN LABEL	NR5008(S)MMP	1	29391277	N <S MMP>
PV	A751A	EAN LABEL	NR5008(B)MMR	1	29391278	N <B MMR>
PV	A763	LABEL	(CHINA)	1	29390952	<B MMR>
PV	A765	LABEL	(CARTON)	1	29390944	<B MMR>
PV	[ACCESSORY]					
PV	A801	INS MANUAL	En(TX-NR3008/5008)	1	29400433	<B MDC, MMP, MMR / S MMP>
PV	A803	INS MANUAL	U2FrEs(TX-NR3008/5008)	1	29400434	<B MDC, MMP / S MMP>
PV	A805	INS MANUAL	U2ItDe(TX-NR3008/5008)	1	29400435	<B MMP / S MMP>
PV	A807	INS MANUAL	U2NISv(TX-NR3008/5008)	1	29400436	<B MMP / S MMP>
PV	A811	INS MANUAL	Cs(TX-NR3008/5008)	1	29400438	<B MMR>
PV	A831	INS MANUAL	En(QSS_TX-NR3008/5008)	1	29400449	<B MDC, MMP, MMR / S MMP>
PV	A833	INS MANUAL	Cs(QSS_TX-NR3008/5008)	1	29400450	<B MMR>
PV	A849	INS MANUAL	U3EnFrEs(SIRIUS_2010Mid/High)	1	29400337A	<B MDC>
PV	A851	INS MANUAL	U3EnFrEs(InternetRadio_ONK)	1	29400367	<B MDC>
PV	A871	INS MANUAL	U9(2010_Prepro)	1	29400269	<B MDC, MMP, MMR / S MMP>
PV	A873	INS MANUAL	U2JaEn(SW_Lice_708-5008)	1	29400366	<B MDC, MMP, MMR / S MMP>
PV	A875	INS MANUAL	U2EnDe(last_fm_708-5008)	1	29400365	<B MMP / S MMP>
PV	A891	INST SHEET	U11(2010_RIHD)	1	29355782	<B MDC, MMP, MMR / S MMP>
PV	A893	INST SHEET	U11(2010M/H_A.P.D.)	1	29355790	<B MDC, MMP, MMR / S MMP>
PV	A901	INST SHEET	WEEE	1	29355793	<B MMP / S MMP>
PV	A903	INST SHEET	CHINA ROHS	1	29355616A	<B MMR>
PV	A905	INST SHEET	EnCs(Del_Battery_China)	1	29355760	<B MMR>
PV	A915	LABEL	(SPCABLE)2009	1	29390881	<B / S>
PV	A921	HANDBILL	(UP-A1)US	1	29380155A	<B MDC>
PV	A921	HANDBILL	(UP-A1)EU	1	29380156A	<B MMP / S MMP>
PV	A931	HANDBILL	(SIRIUS)	1	29380149	<B MDC>
PV	A941	WRNTY CARD	(ONKYO)	1	29365135	<B MDC>
PV	A941	WRNTY CARD	(ONKYO-CH)	1	29365098B	<B MMR>
PV	A961	REMO CON	RC-773M	1	24140773	<B / S>
PV	A963	BATTERY	R6/AA(UM-3)	2	3010194	<B MDC, MMP / S MMP>
PV	A963 or	BATTERY	R6/AA(UM-3)	(2)	3010054	<B MDC, MMP / S MMP>
PV	A965	ANT COIL	NMA-3057	1	232140	<B / S>
PV	A967	FM ANT AS	Type W	1	292191	<B / S>
PV	A969	MIC	MIC-7000	1	245044	<B / S>
PV	A981	POLY BAG	w250xd350	1	29100250A	<B / S>
PV	A983	POLY BAG	w250xd350	1	29100250A	<B MDC>
PV	A983	POLY BAG	w250xd350	2	29100250A	<B MMP>
PV	A983	POLY BAG	w250xd350	1	29100250A	<B MMR>

PV	A983	POLY BAG	w250xd350	2	29100250A	<S MMP>
PV	A985	TAPE	(SEROHAN)NITTO NO.29	1	29110149	<B / S>
PV	P991	AC CORD	AS-CEE-3	1	253298VOL	! <B MMP / S MMP>
PV	P991	AC CORD	AS-UC-2	1	253301VOL	! <B MDC>
PV	P991	AC CORD	AS-CCC	1	253358VOL	! <B MMR>

ONKYO CORPORATION

Service Dept. Technical Support : 2-1, Nisshin-cho, Neyagawa-shi, OSAKA 572-8540, JAPAN
Tel: 072-831-8023 Fax: 072-831-8163

ONKYO U.S.A. CORPORATION

18 Park Way, Upper Saddle River, N.J. 07458, U.S.A.
Tel: 800-229-1687, 201-785-2600 Fax: 201-785-2650 <http://www.us.onkyo.com/>

ONKYO EUROPE ELECTRONICS GmbH

Liegnitzerstrasse 6, 82194 Groebenzell, GERMANY
Tel: +49-8142-4401-0 Fax: +49-8142-4401-555 <http://www.eu.onkyo.com/>

ONKYO EUROPE ELECTRONICS GmbH (UK BRANCH)

The Coach House 81A High Street, Marlow, Buckinghamshire, SL7 1AB, UK
Tel: +44-(0)1628-473-350 Fax: +44-(0)1628-401-700

ONKYO CHINA LIMITED

Unit 1&12, 9/F, Ever Gain Plaza Tower 1, 88, Container Port Road, Kwai Chung,
N.T., Hong Kong. Tel: 852-2429-3118 Fax: 852-2428-9039
<http://www.ch.onkyo.com/>

