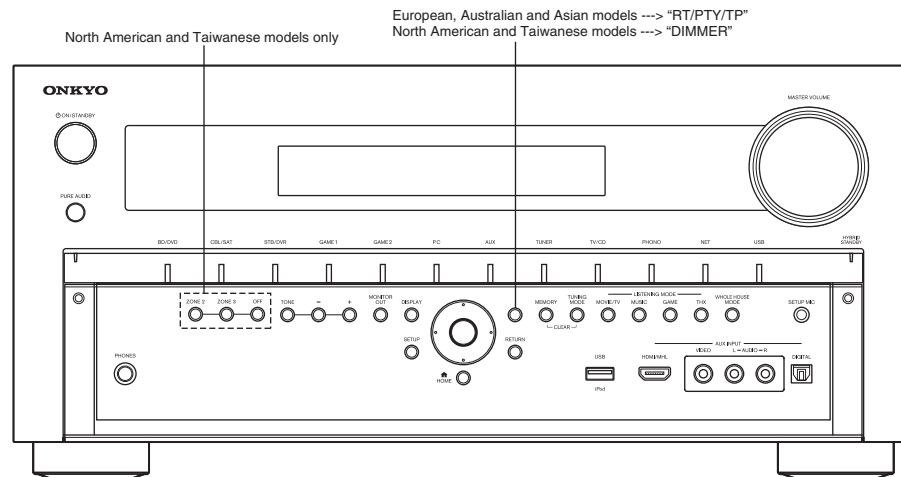


# ONKYO® SERVICE MANUAL

## AV RECEIVER MODEL TX-NR5010(B)/(S)




RC-840M

### Black and Silver models

B MDC	120V AC, 60Hz
B MMP, S MMP	220-240V AC, 50/60Hz

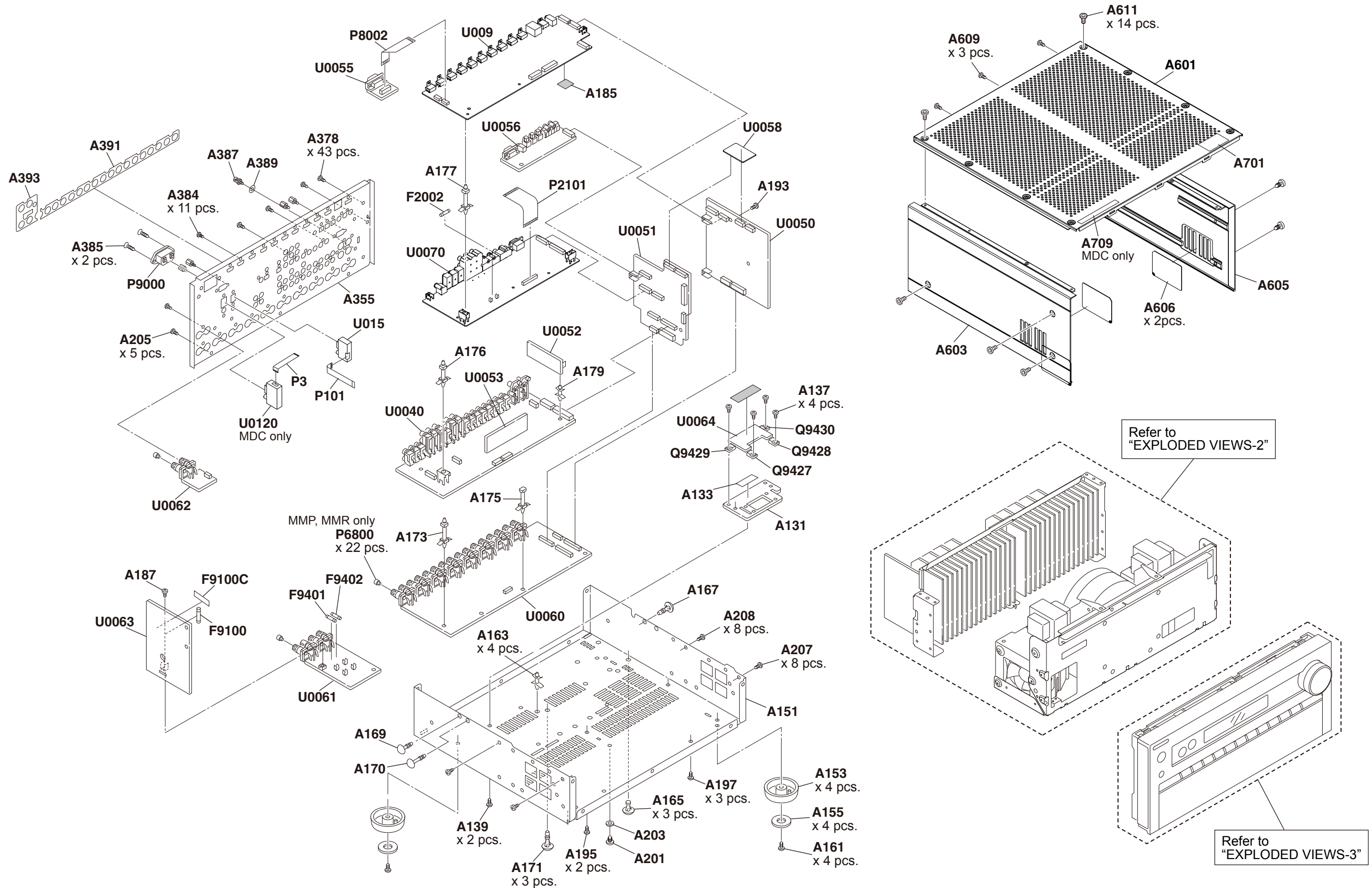
### SAFETY-RELATED COMPONENT WARNING!!

COMPONENTS IDENTIFIED BY MARK  ON THE SCHEMATIC DIAGRAM AND IN THE PARTS LIST ARE CRITICAL FOR RISK OF FIRE AND ELECTRIC SHOCK. REPLACE THESE COMPONENTS WITH ONKYO PARTS WHOSE PART NUMBERS APPEAR AS SHOWN IN THIS MANUAL.

MAKE LEAKAGE-CURRENT OR RESISTANCE MEASUREMENTS TO DETERMINE THAT EXPOSED PARTS ARE ACCEPTABLY INSULATED FROM THE SUPPLY CIRCUIT BEFORE RETURNING THE APPLIANCE TO THE CUSTOMER.

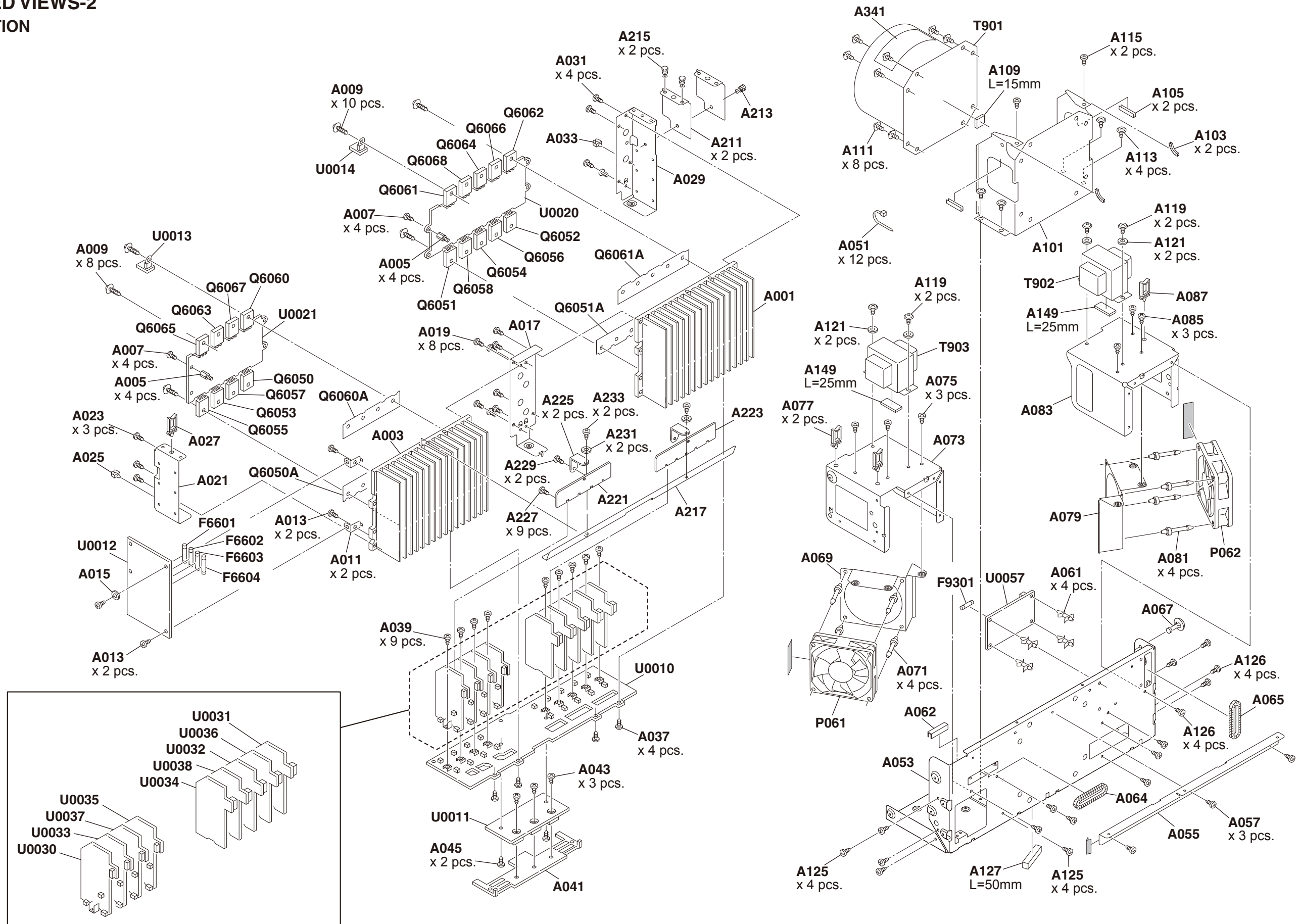
Onkyo Corporation  
Service Department

# EXPLODED VIEWS-1 OVERALL

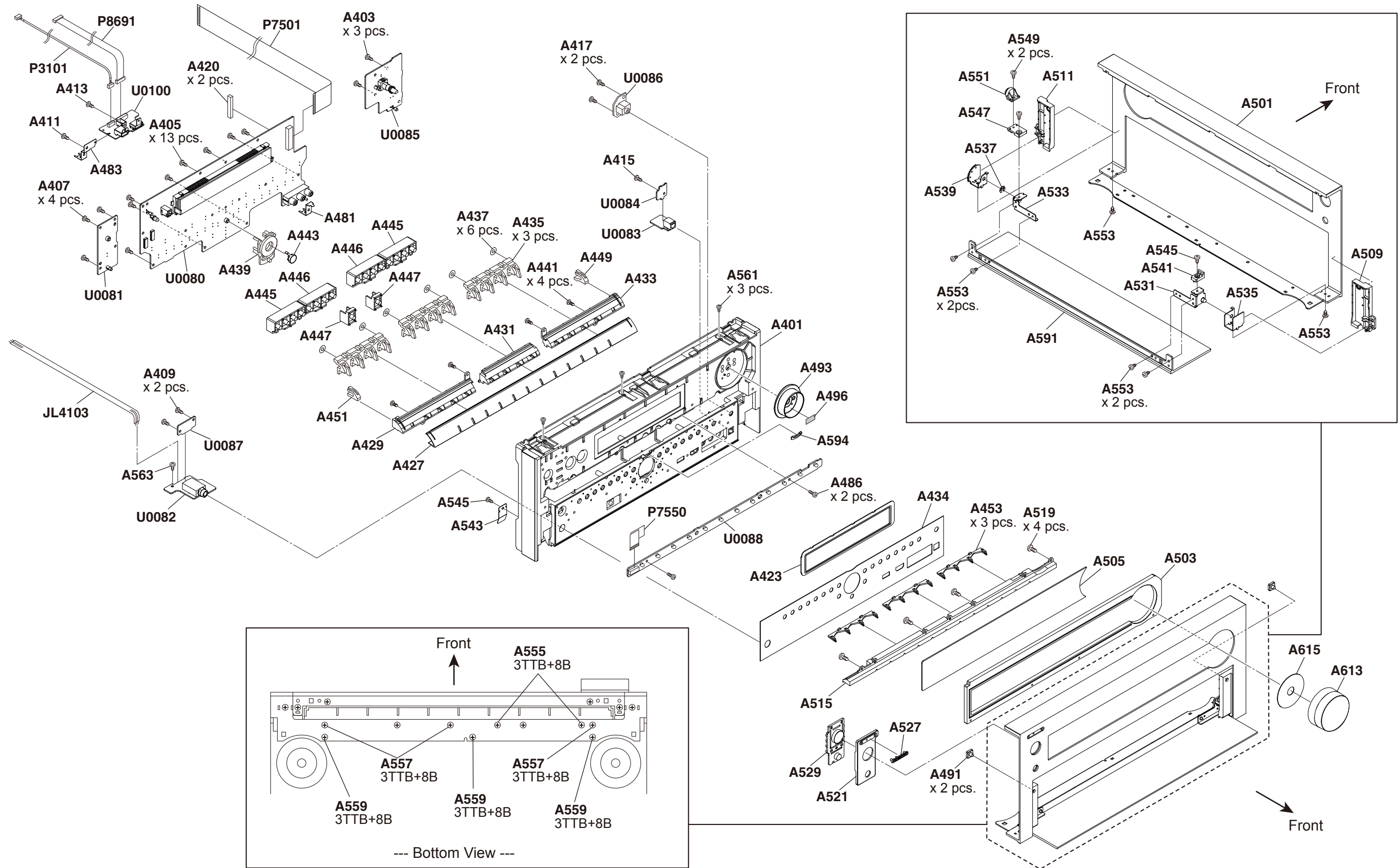


# EXPLODED VIEWS-2

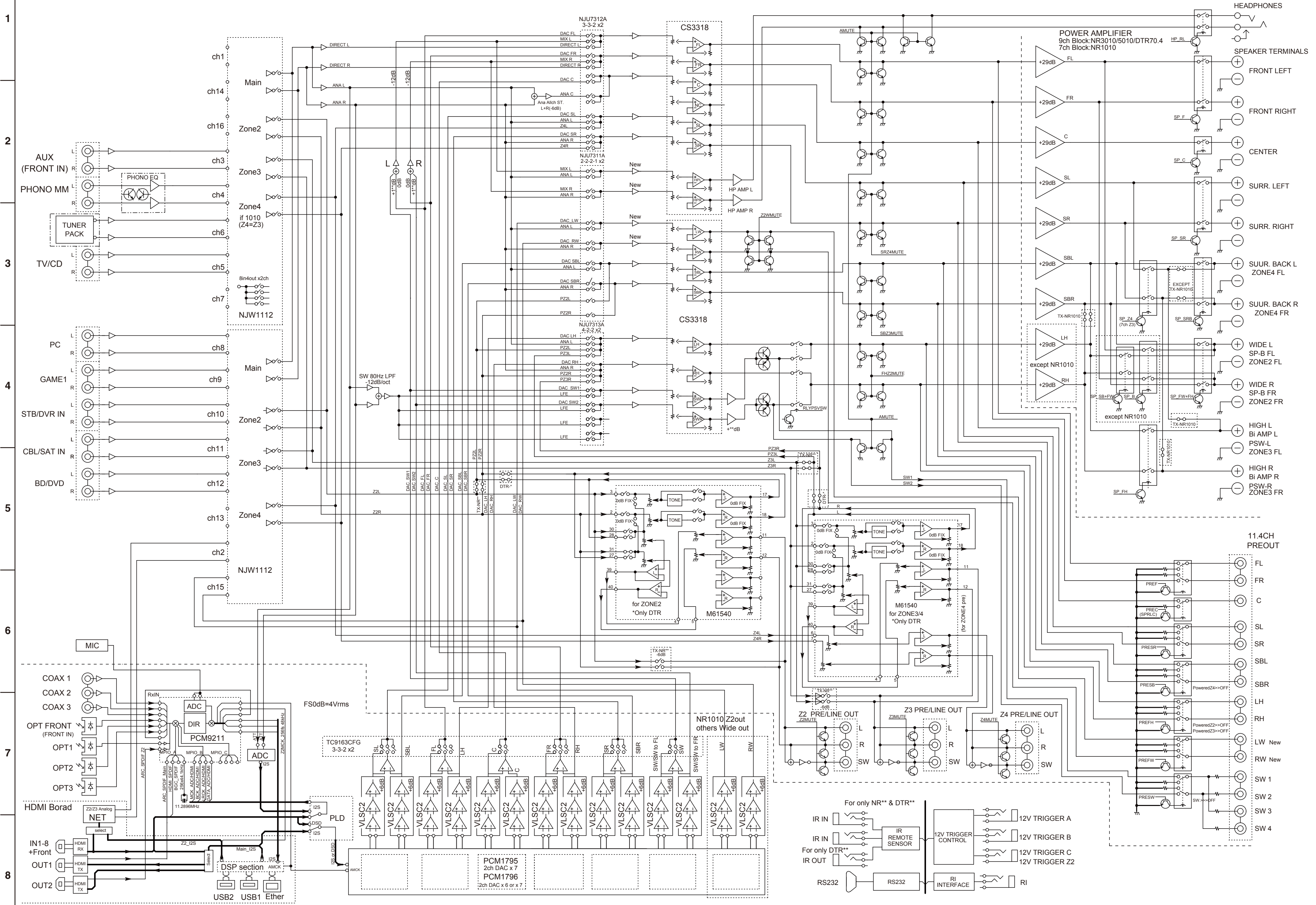
## AMP. SECTION



**EXPLODED VIEWS-3**  
**FRONT SECTION**

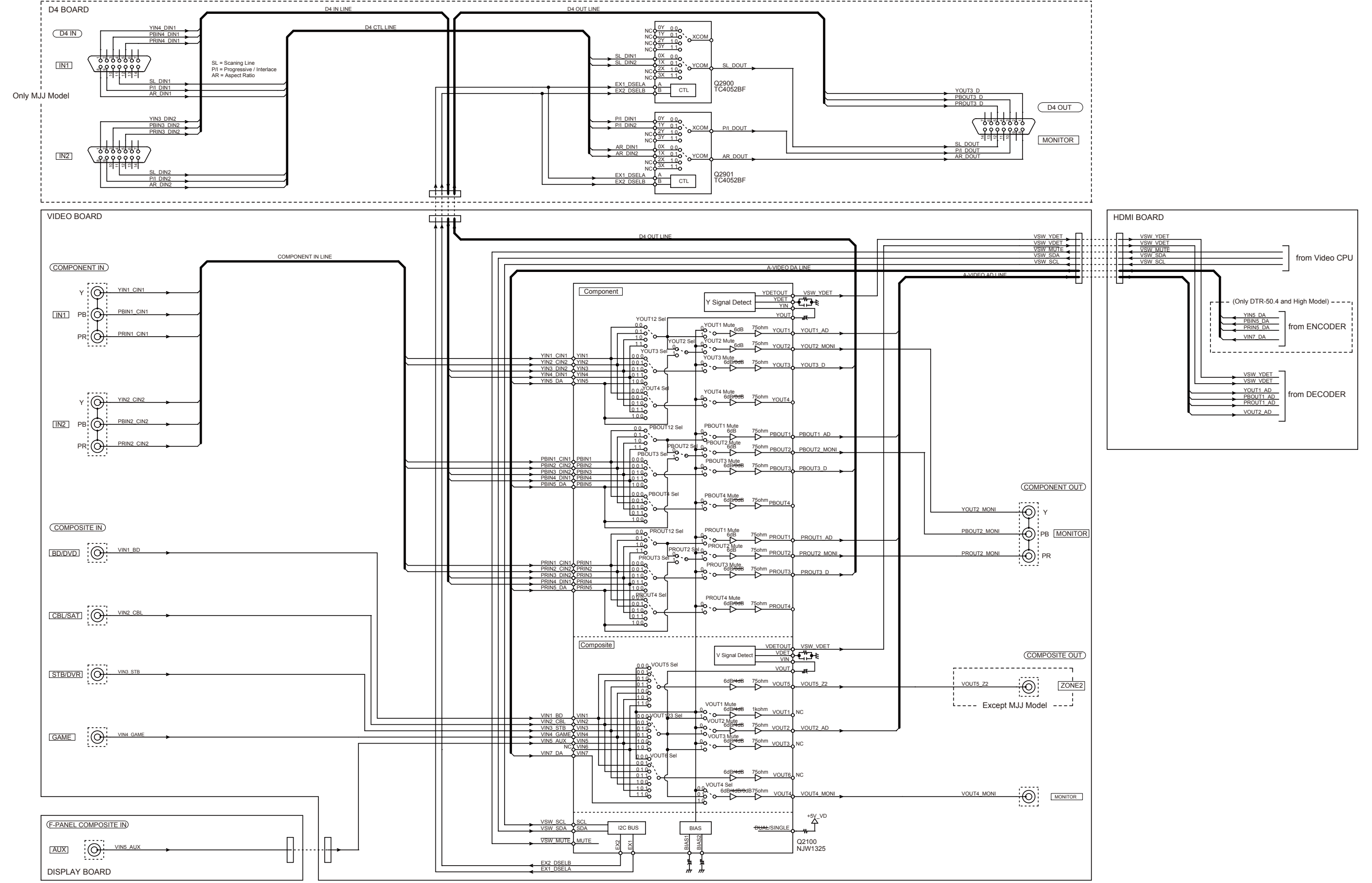


SCHEMATIC DIAGRAMS-1 (PART-1)  
AUDIO BLOCK DIAGRAM SECTION



**SCHEMATIC DIAGRAMS-2 (PART-2)**  
**VIDEO BLOCK DIAGRAM SECTION**

1  
2  
3  
4  
5



**SCHEMATIC DIAGRAMS-3 (PART-3)**  
**HDMI BLOCK DIAGRAM SECTION**

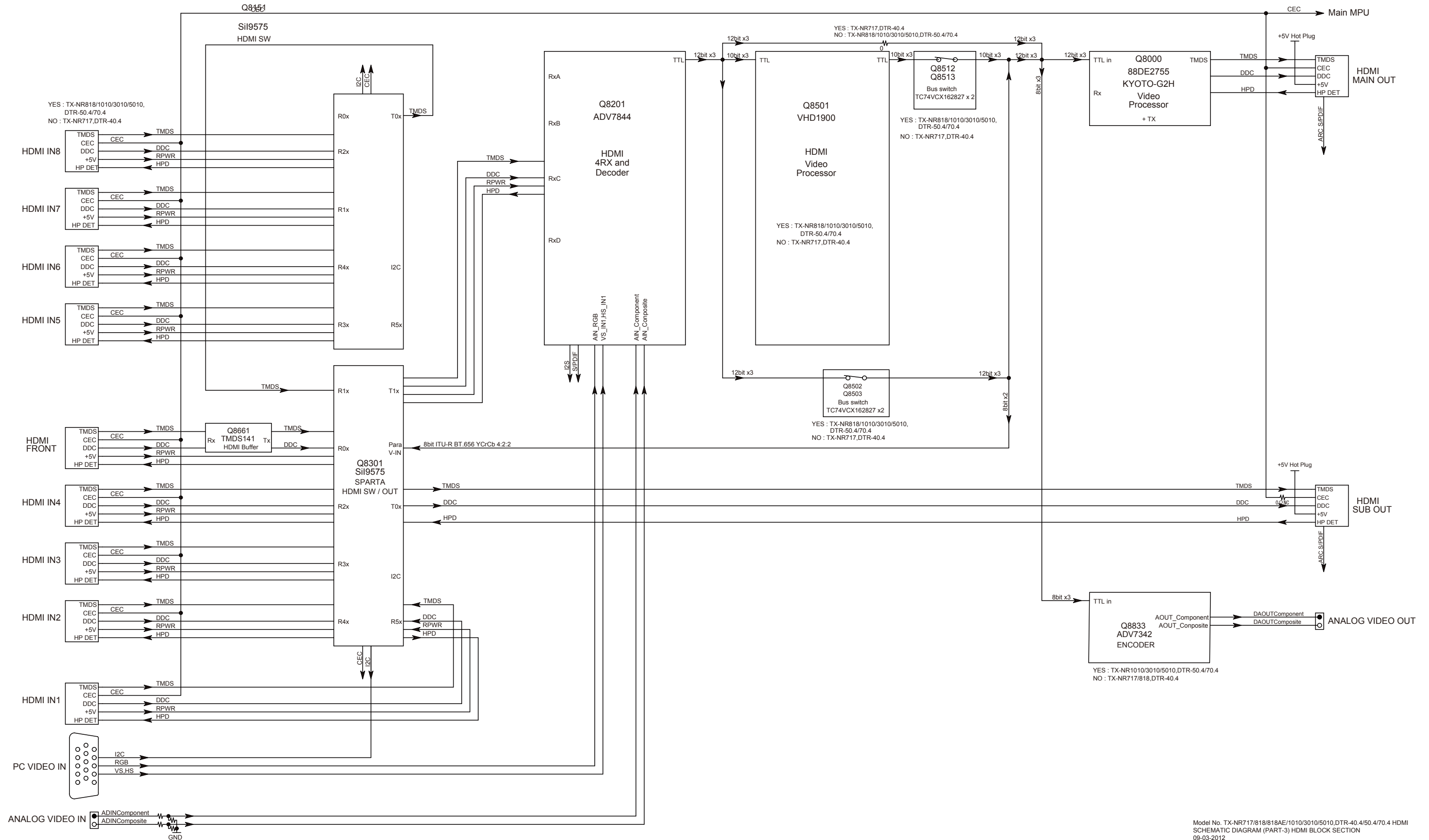
1

2

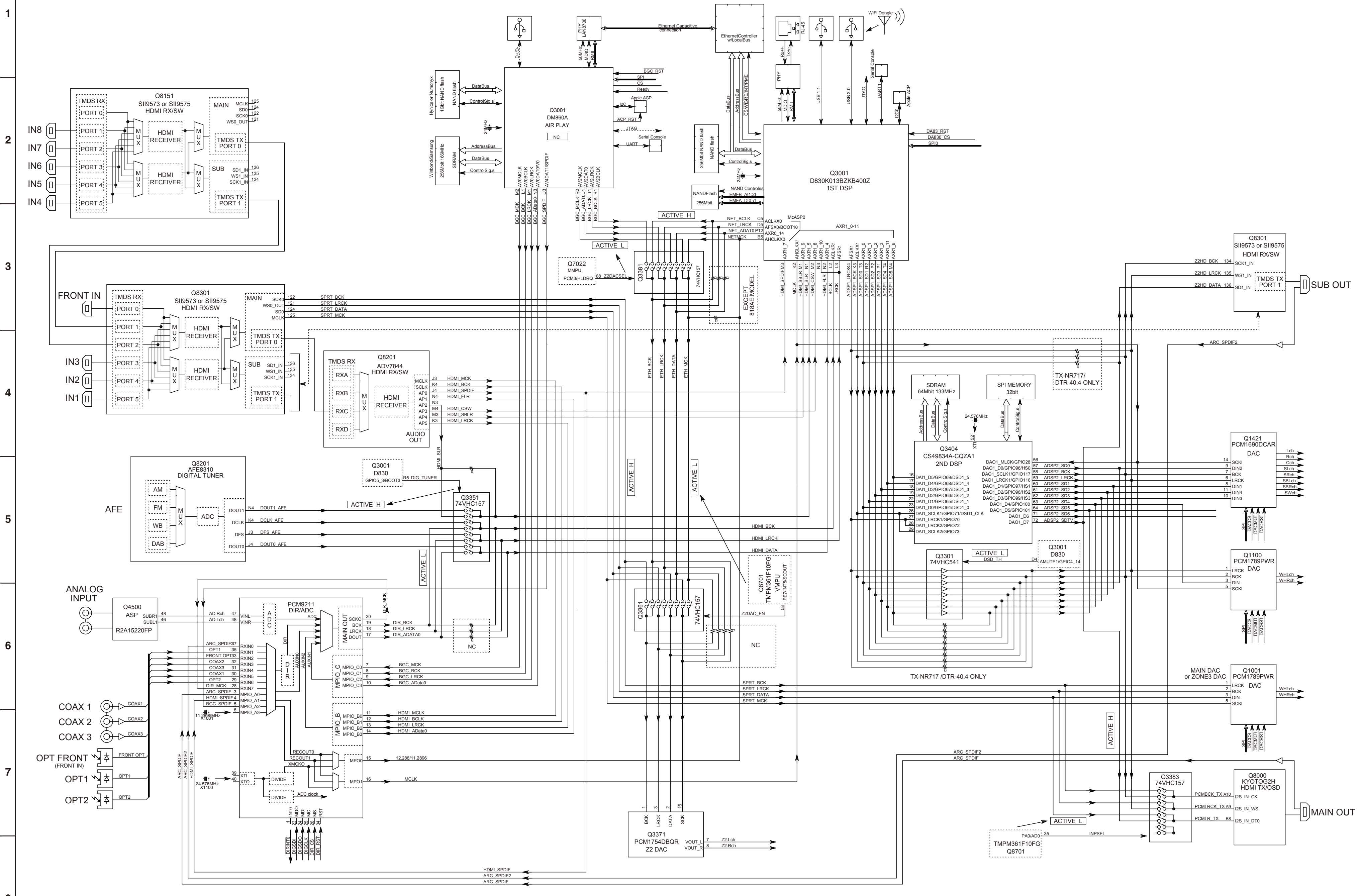
3

4

5



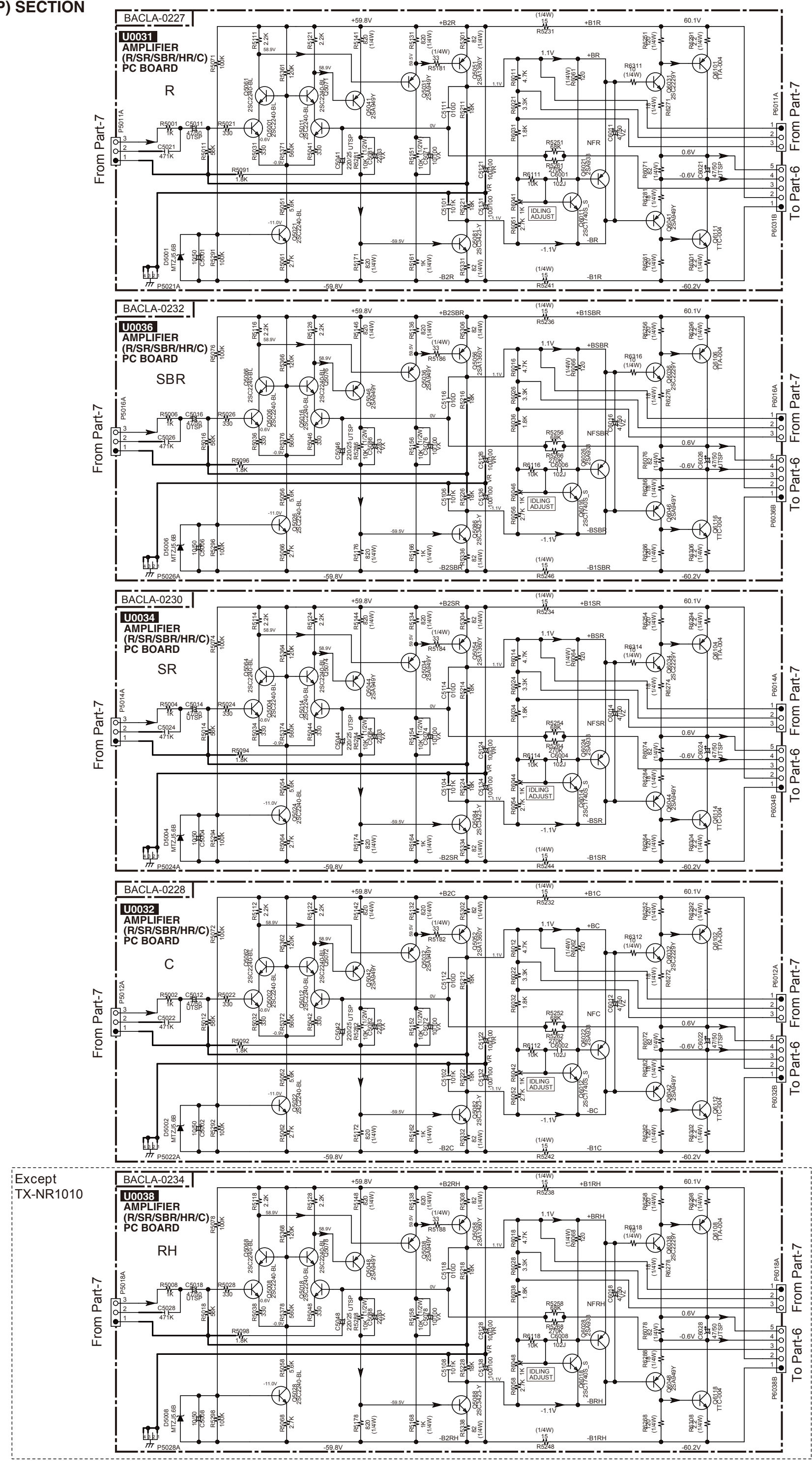
SCHEMATIC DIAGRAMS-4 (PART-4)  
DIGITAL AUDIO BLOCK DIAGRAM SECTION





**SCHEMATIC DIAGRAMS-5 (PART-5)**  
**AMP-1(VOLTAGE AMP) SECTION**

1  
2  
3  
4  
5  
6  
7  
8



**ADJUSTMENT OF IDLING CURRENT**

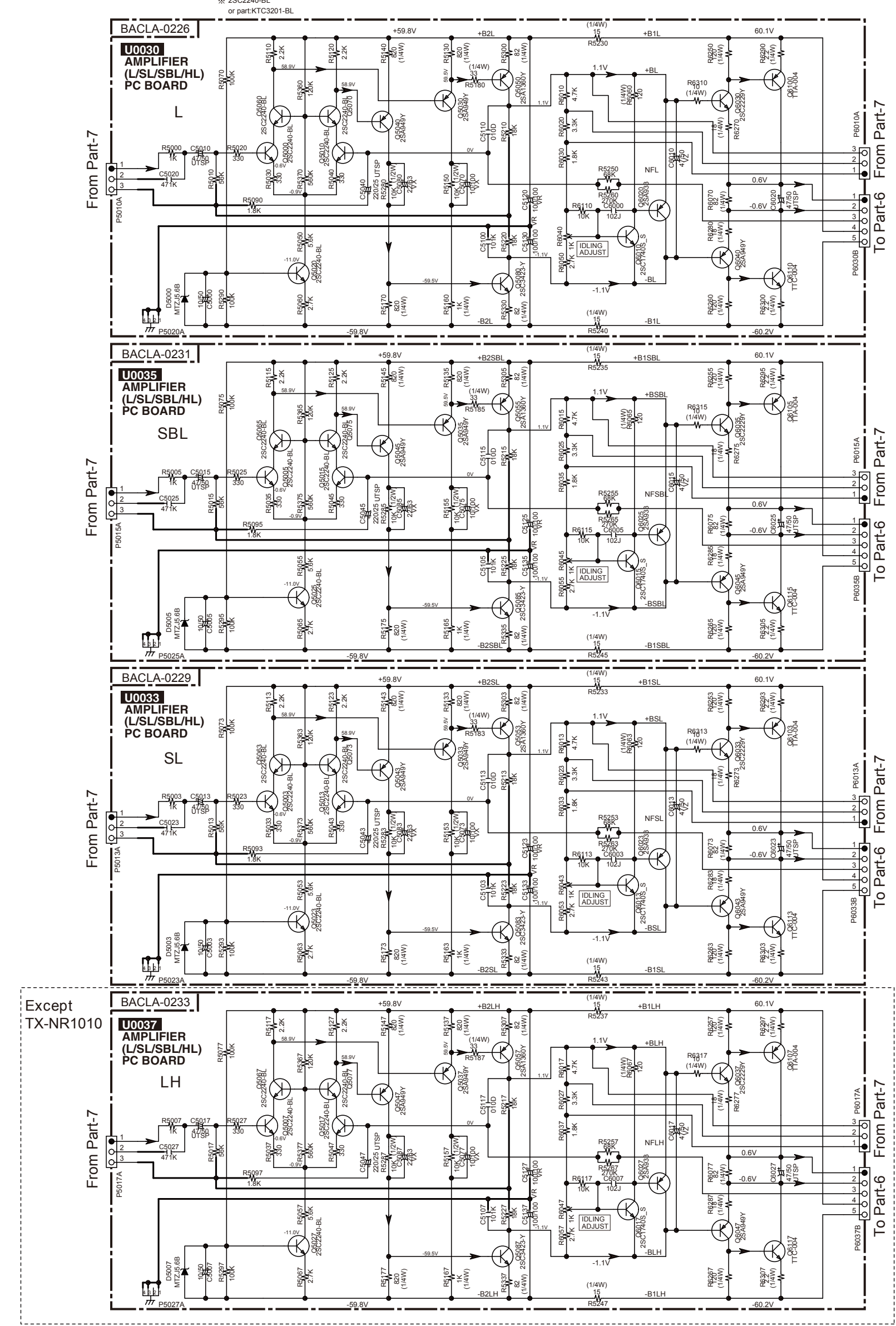
- [NOTES]  
1. Set R6040 ~ 6048 to minimum position before POWER ON.  
2. Equip series 1/4W 100-ohm resistors near the terminal respectively in the each poles of the jig used for P6070 ~ 6078 terminals.  
[PROCEDURE]  
1. Set the voltages at P6070 ~ 6078 to 3 mV by adjusting R6040 ~ 6048, under the condition of no input and no load, immediately after POWER ON (for TX-NR1010 except P6072, P6075)  
2. Re-adjust by following procedure after 4 ~ 6 minutes of heat running.

L/C/R/SL/SR/SBL/SBR/LH/RH	3 mV	未測の場合	3 mV
Below 3 mV	→	3 mV	
Between 3 ~ 4 mV	→	Leave it as it is.	
Over 4 mV	→	4 mV	

**アイドリング電流調整**

- [注意]  
1. R6040～6048はPOWER ONの前、左に回して最小の位置にしておく。  
2. P6070～6078端子に接続するシグ端子の両側には、端子近傍にそれぞれ100Ω1/4Wの抵抗をシリーズに入れること。  
[手順]  
1. 無負荷・無信号にてPOWER ON直後、P6070～6078の両端電圧をR6040～6048にて3 mVに設定する。(TX-NR1010はP6072、P6075を除く)  
2. 約4～6分間のヒートラン後、下記手順で再調整する。

L/C/R/SL/SR/SBL/SBR/LH/RH	3 mV	未測の場合	3 mV
3 mV以下	→	3 mV	
3～4 mVの間	→	そのまま	
4 mVより大きい場合	→	4 mV	



**SCHEMATIC DIAGRAMS-6 (PART-6)**  
**AMP-2(FINAL STAGE) SECTION**

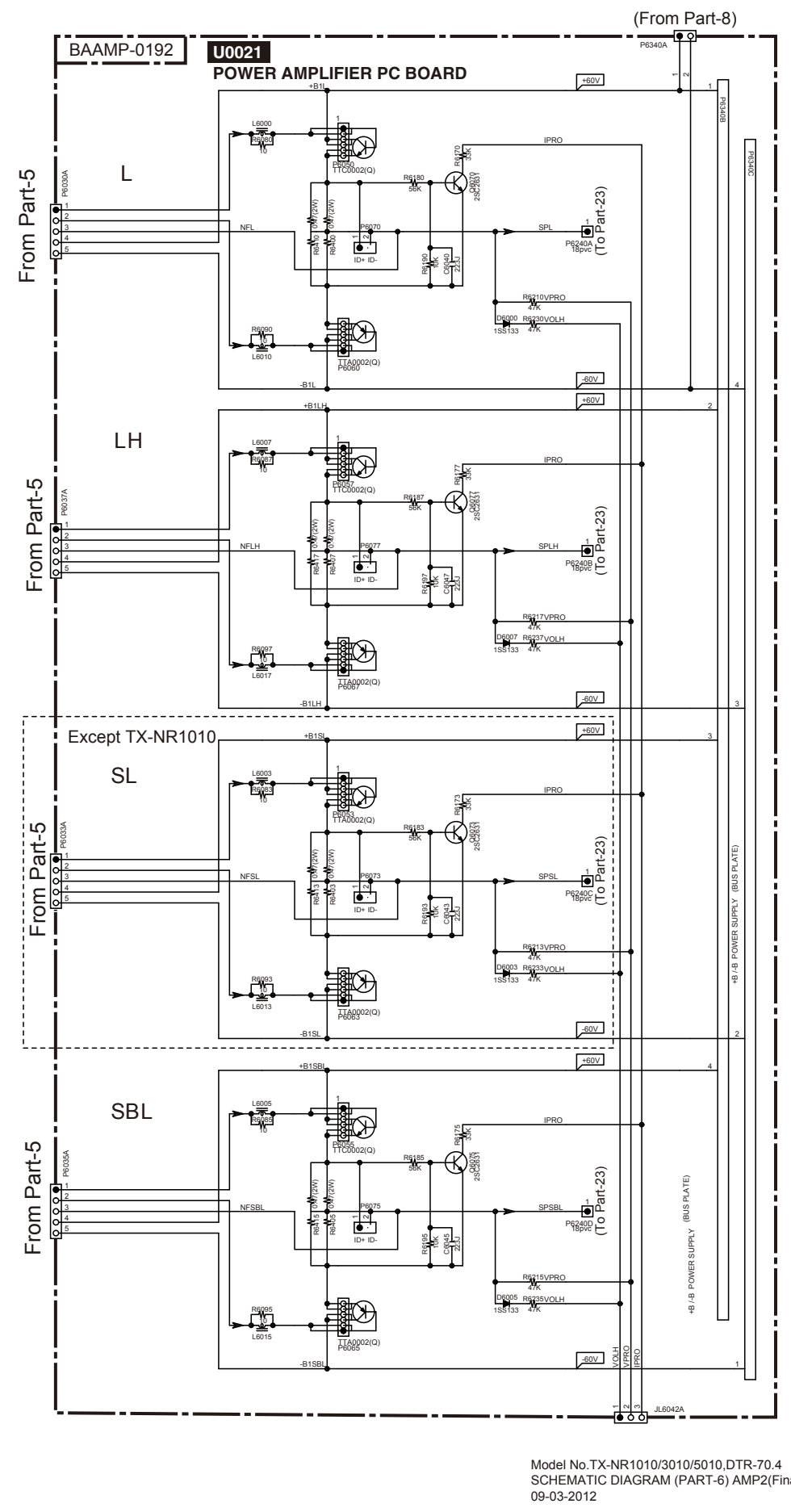
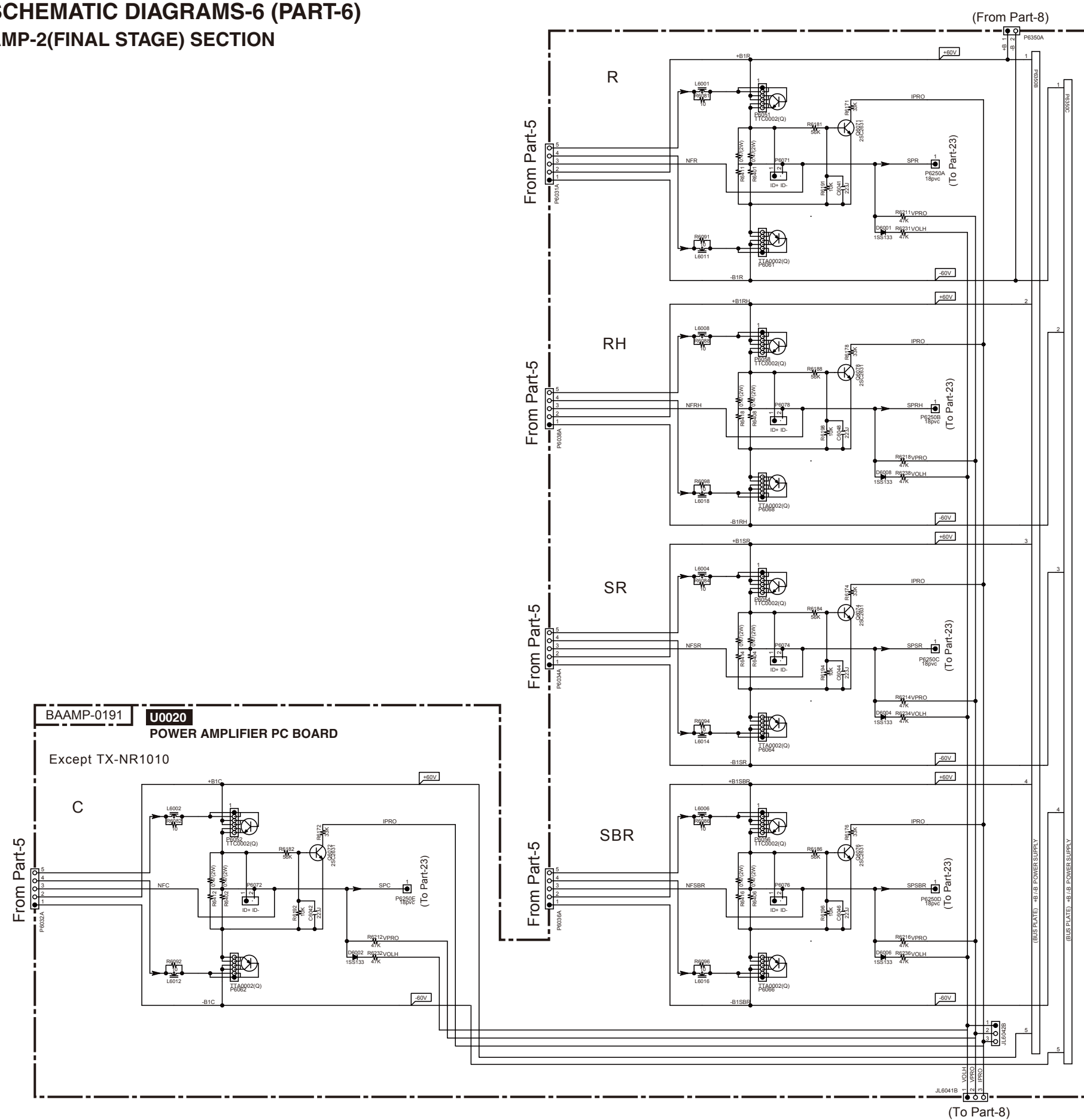
1

2

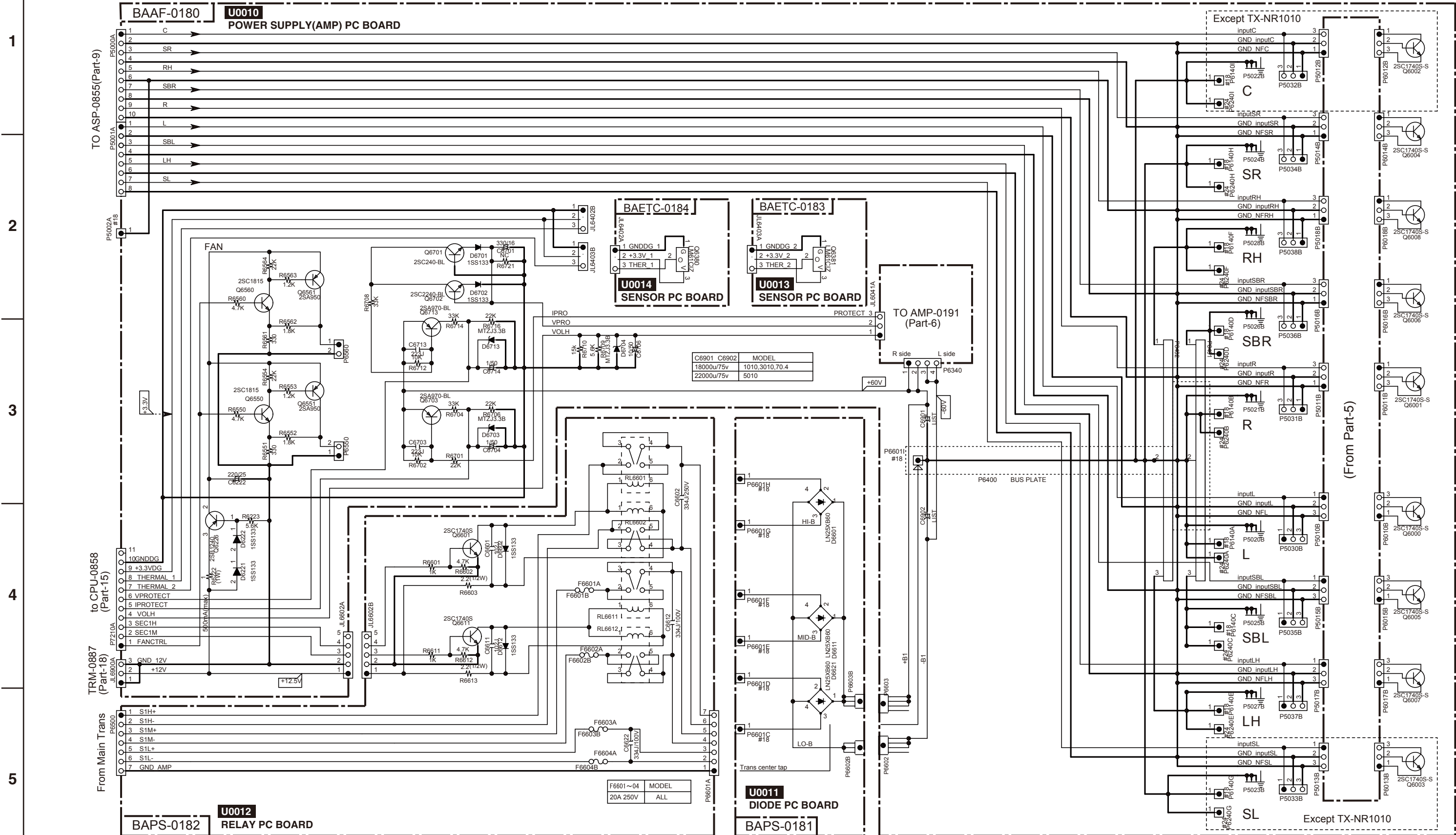
3

4

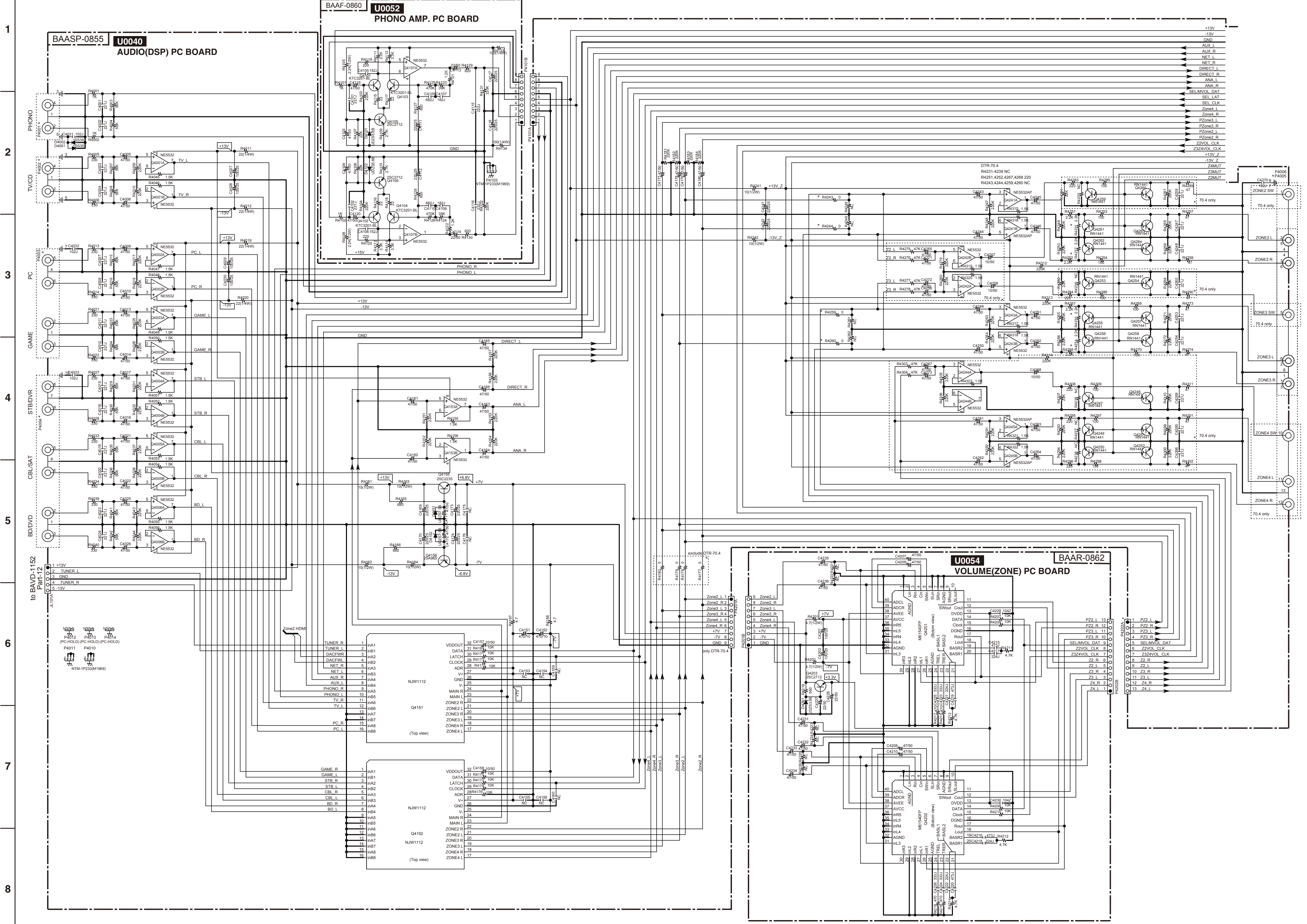
5



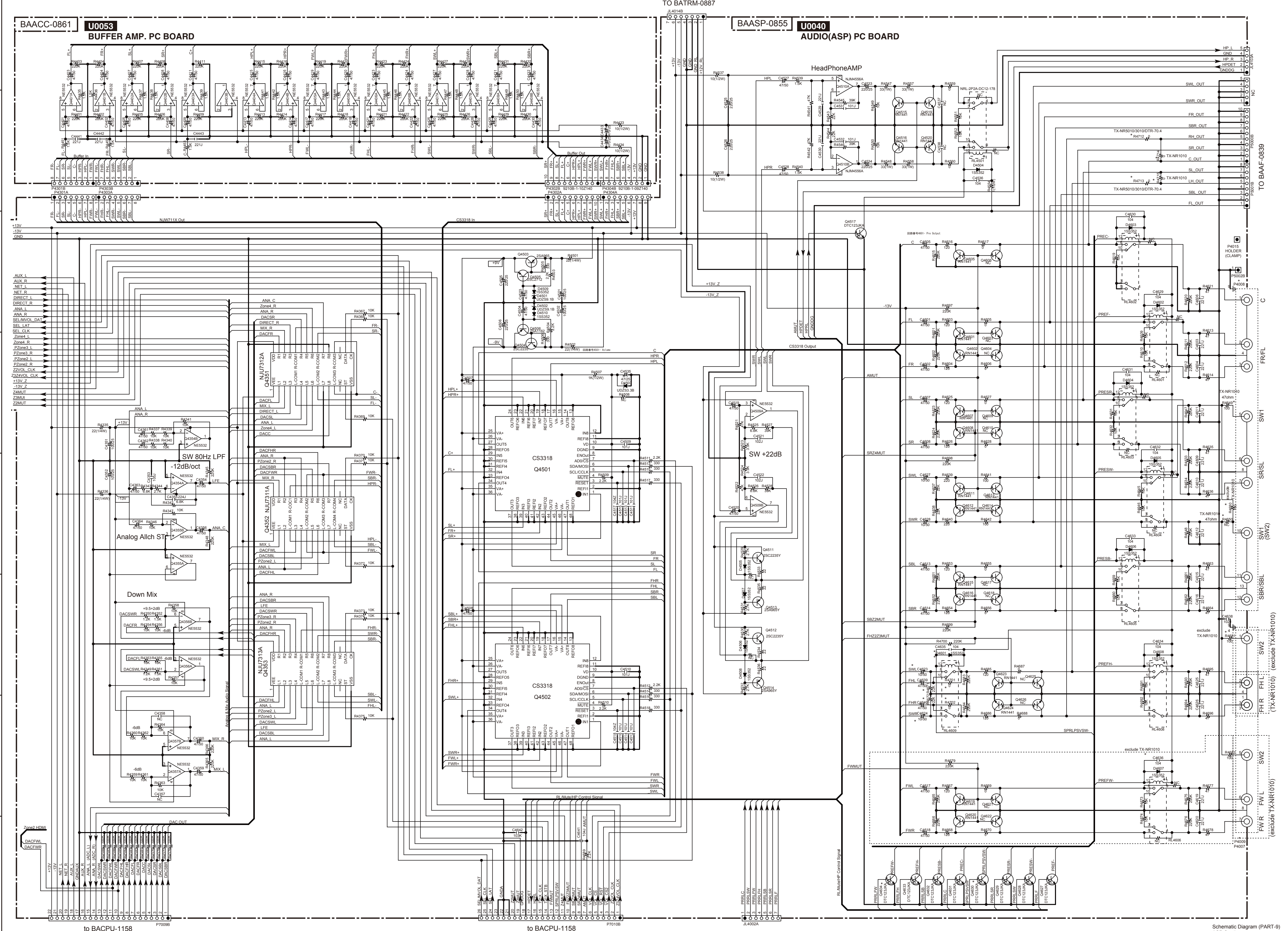
**SCHEMATIC DIAGRAMS-7 (PART-7)**  
**AMP-3(POWER SUPPLY, PROTECT) SECTION**



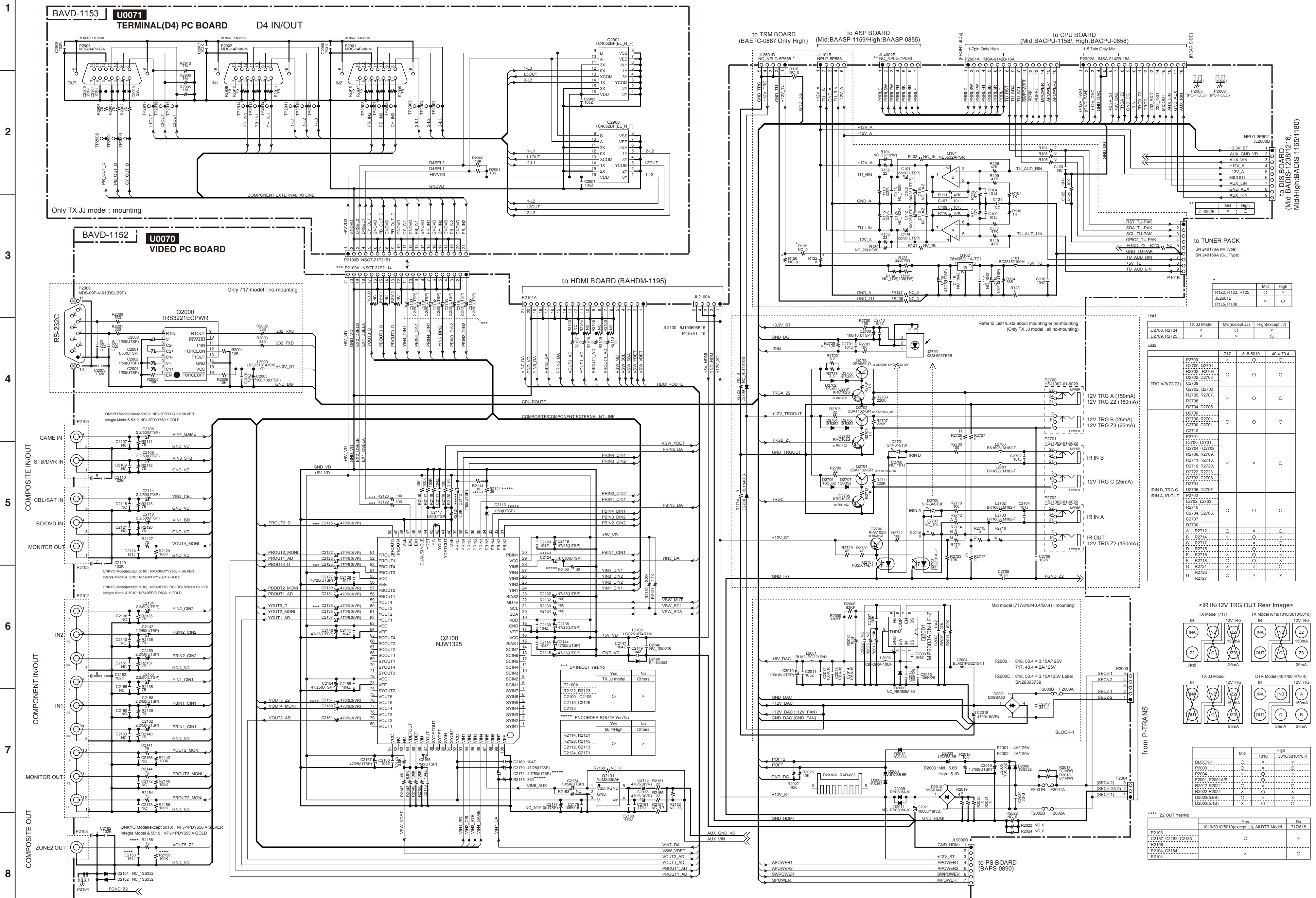
SCHEMATIC DIAGRAMS-8 (PART-8)  
ASP-1 SECTION



SCHEMATIC DIAGRAMS-9(PART-9)  
ASP-2 SECTION



SCHEMATIC DIAGRAMS-10 (PART-10)  
ANALOG VIDEO SECTION

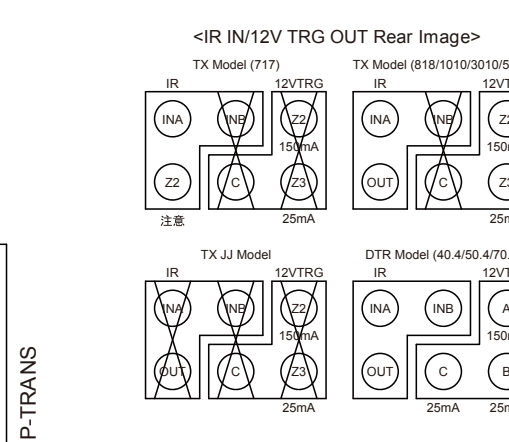


List1

D2708, R2724, D2709, R2725	TX JJ Model	Mid(except JJ)	High(except JJ)
	x	x	x
		x	x

List2

	717	818-5010	40.4-70.4
TRG A/B(Z2/Z3)			
IR IN B			
IR IN A			
IR OUT			



\*\*\* ZZ Out Yes/No

	Yes	No
P2103		
C2157, C2182, C2183		x
R2185		
P2104, C2184	x	
P2104		

Block-1

	Mid	High
P2003		
P2004		
P2001, P2001A/B		
P2001, P2001A/B		
R2001, R2001A		
R2002, R2002A		
D2003(B)		
D2003(C)		

Mid/High:BADIS-1165(1180)

from P-TRANS

to PS BOARD (BAPS-0890)

A

B

C

D

E

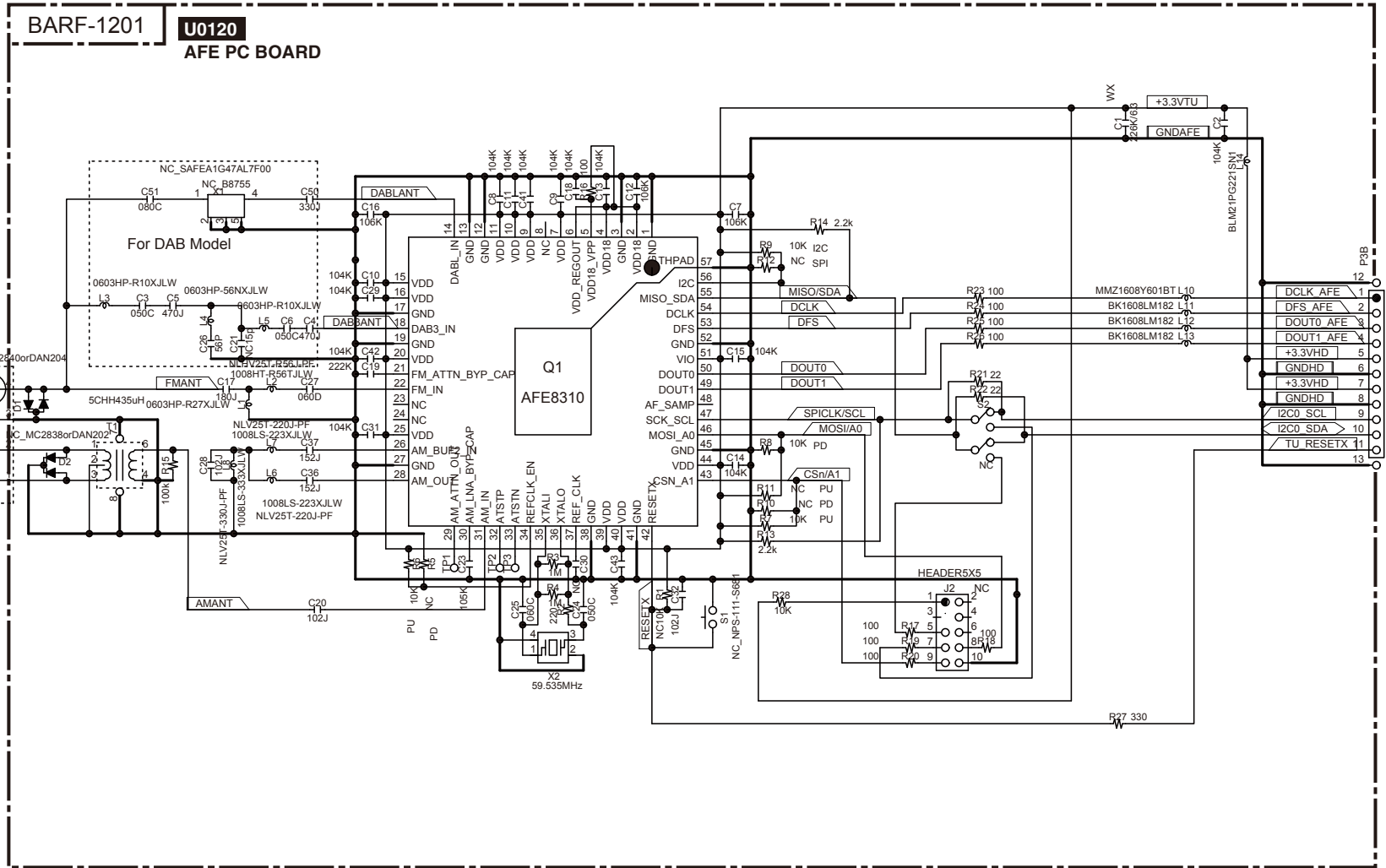
**SCHEMATIC DIAGRAMS-11 (PART-11)**  
**AFE TUNER FRONTEND SECTION**

1

2

3

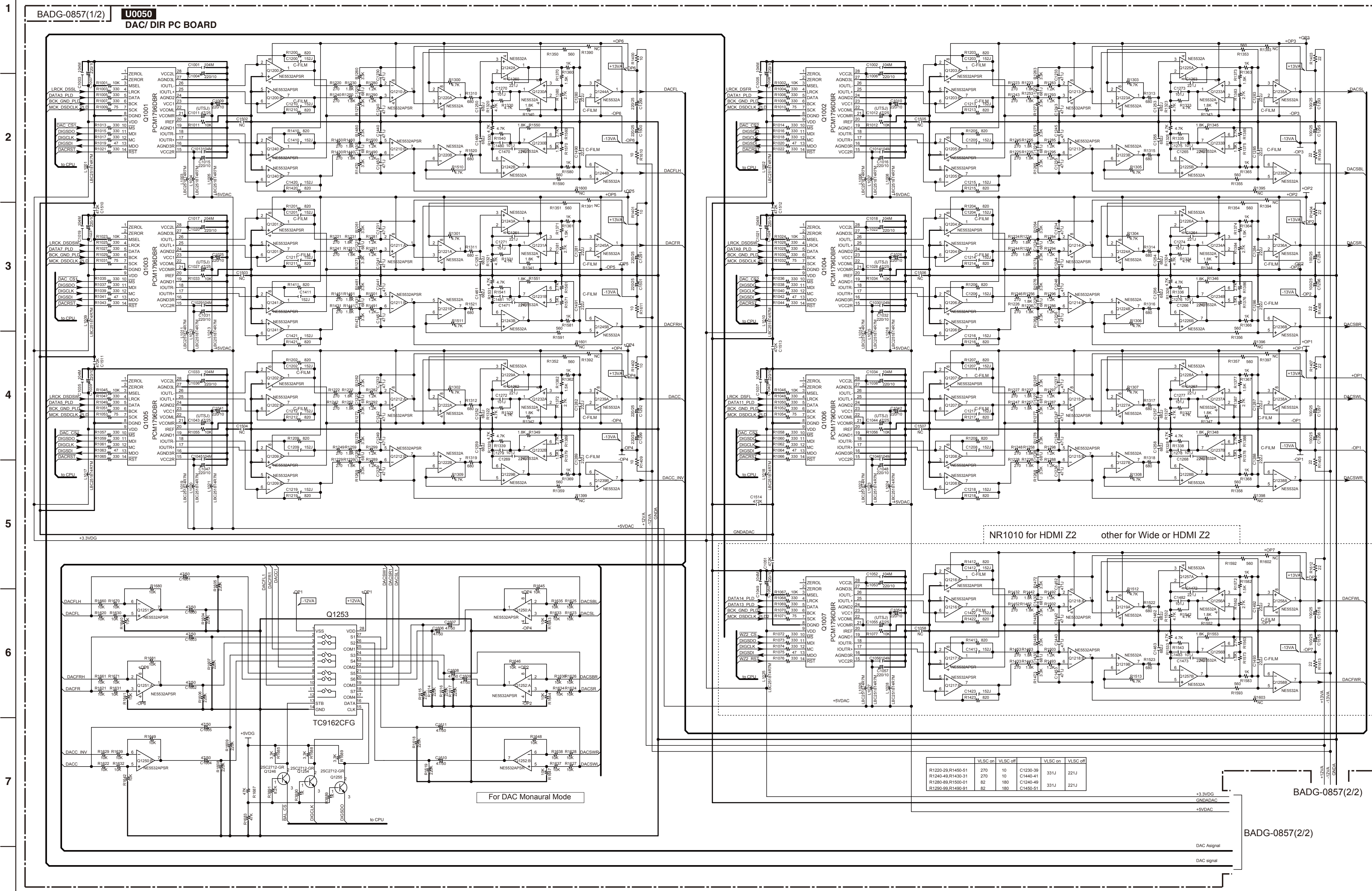
4



Model No. TX-NR1010/3010/5010/DTR-70.4 SCHEMATIC DIAGRAM (PART-11)  
 BARF-1201 AFE8310 TUNER FRONT END  
 2012/06/07

SCHEMATIC DIAGRAMS-12 (PART-12)

DAC SECTION



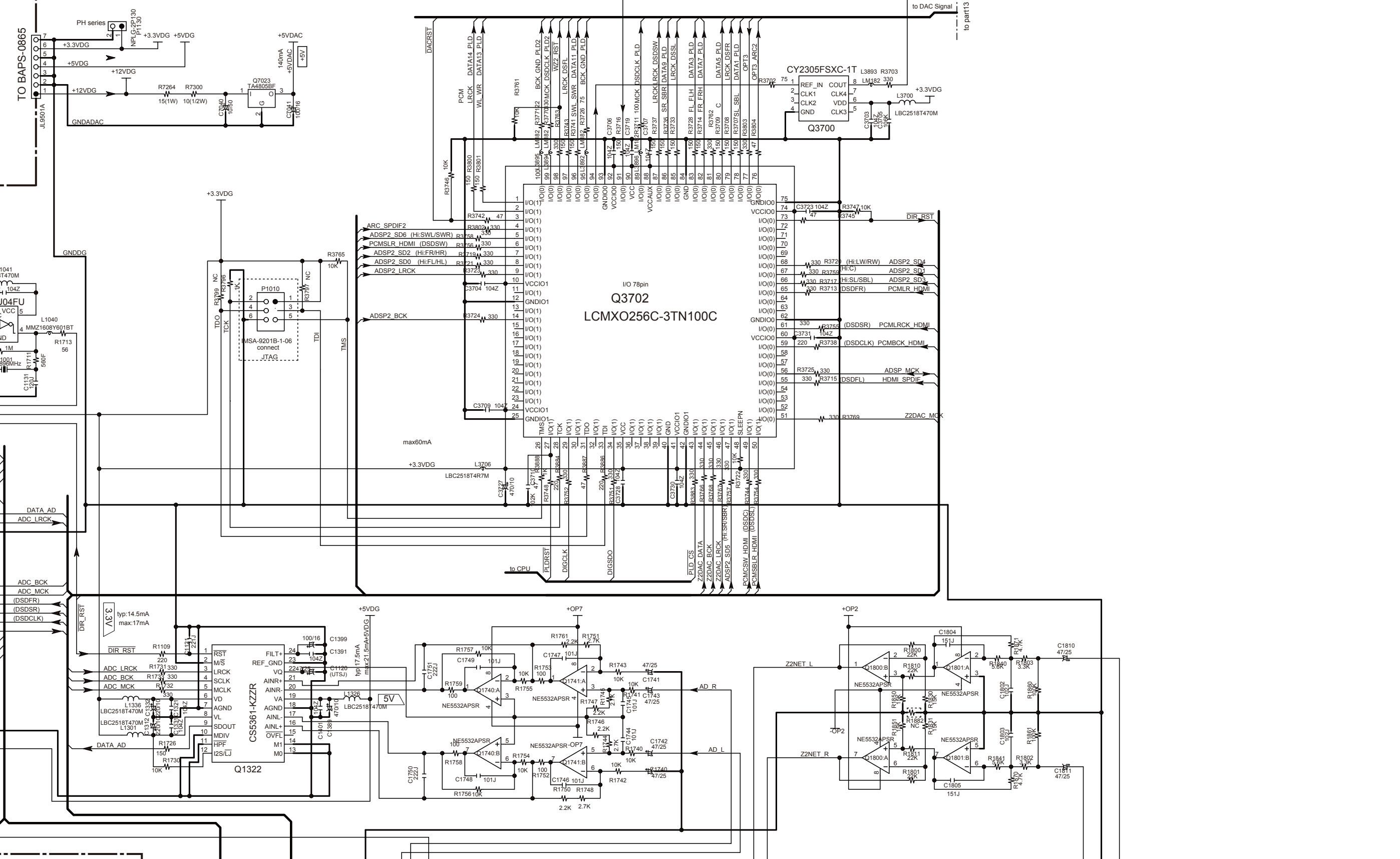
	VLSC on	VLSC off	VLSC on	VLSC off
R1220-29,R1450-51	270	10	C1230-39	331J
R1240-49,R1430-31	270	10	C1440-41	221J
R1280-89,R1500-01	82	180	C1240-49	
R1290-99,R1490-91	82	180	C1450-51	331J



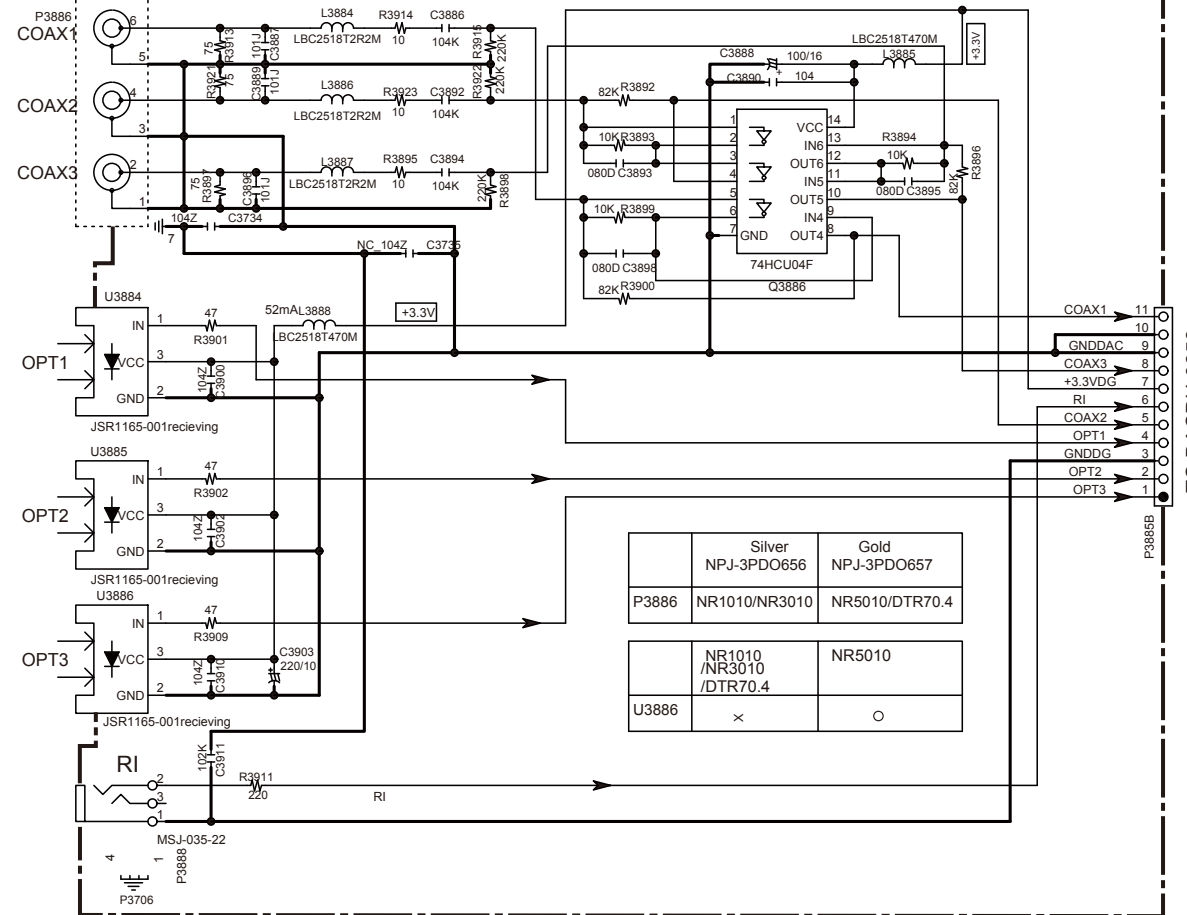
SCHEMATIC DIAGRAMS-13 (PART-13)  
DIGITAL SECTION

1  
2  
3  
4  
5  
6  
7  
8

BADG-0857 (2/2) U0050  
DAC/ DIR PC BOARD

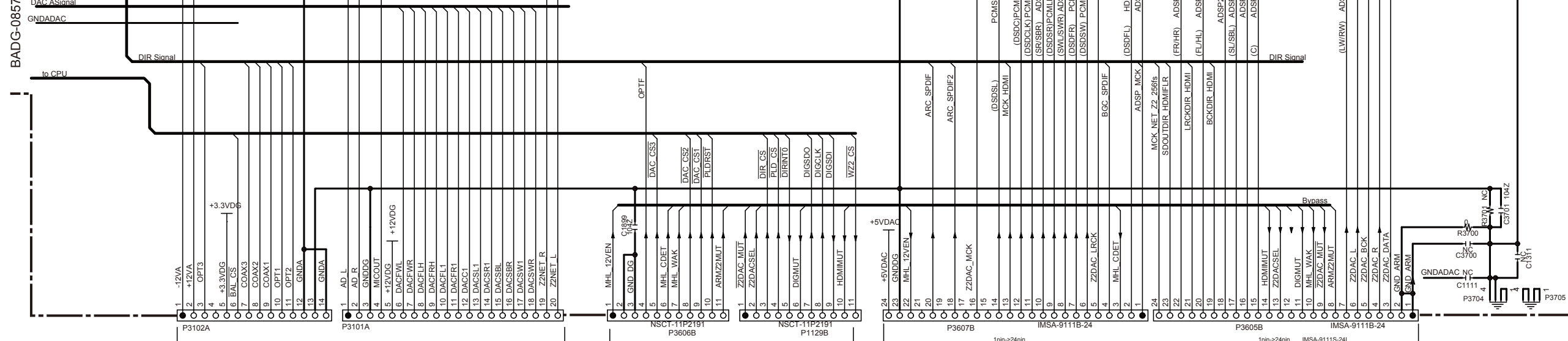


BAETC-0864 U0056  
TERMINAL(DIGITAL IN) PC BOARD



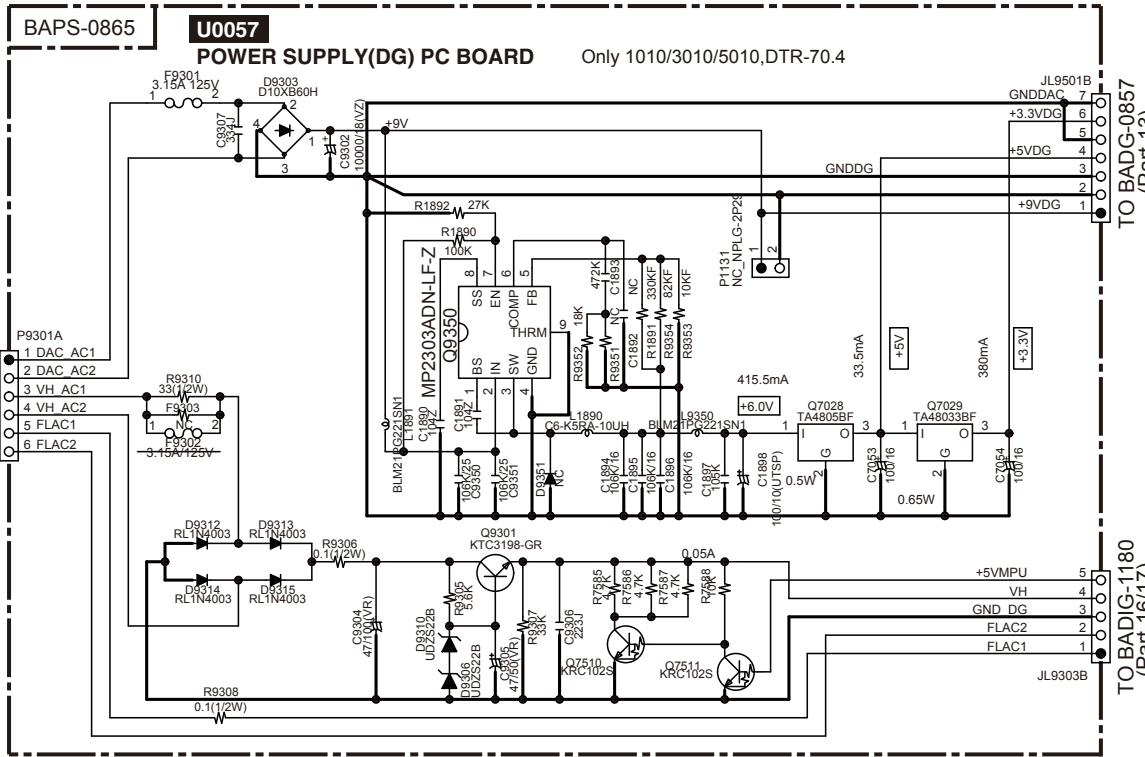
	Silver	Gold
P3886	NPJ-3PDO656	NPJ-3PDO657
	NR1010/NR3010	NR5010/DTR70.4
	NR1010/NR3010/DTR70.4	NR5010
U3886	x	O

BADG-0857 (1/2) U0050

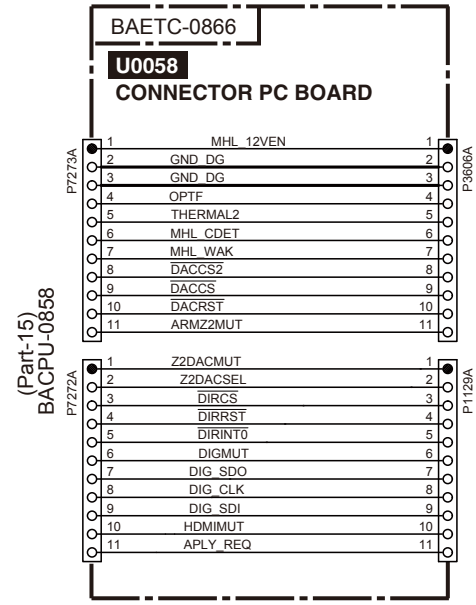


**SCHEMATIC DIAGRAMS-14 (PART-14)**  
**DIGITAL POWER SUPPLY SECTION**

1

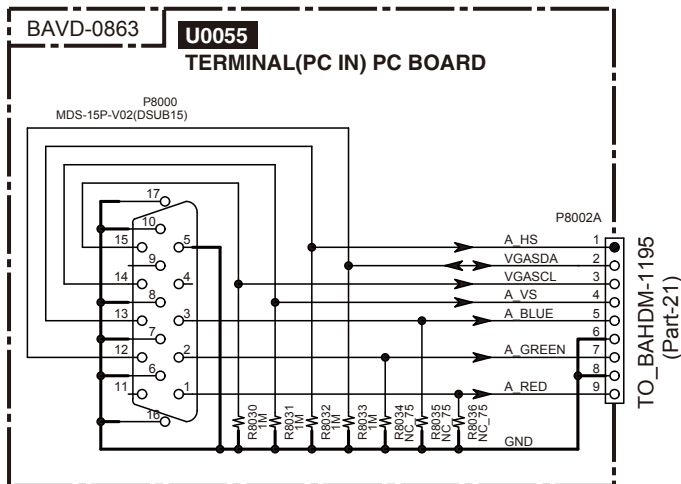


2



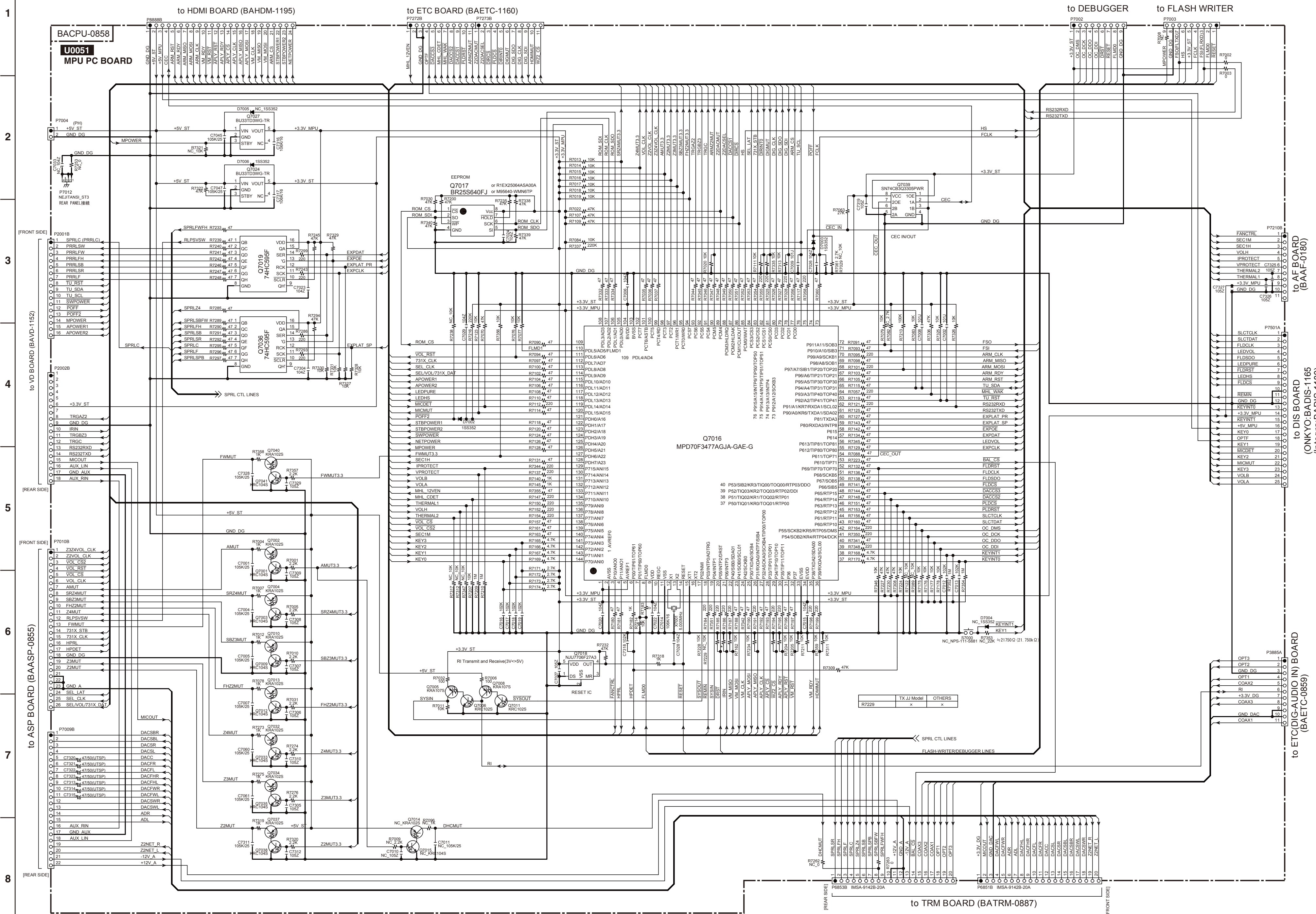
(Part-15)  
 BACPU-0858

3



4

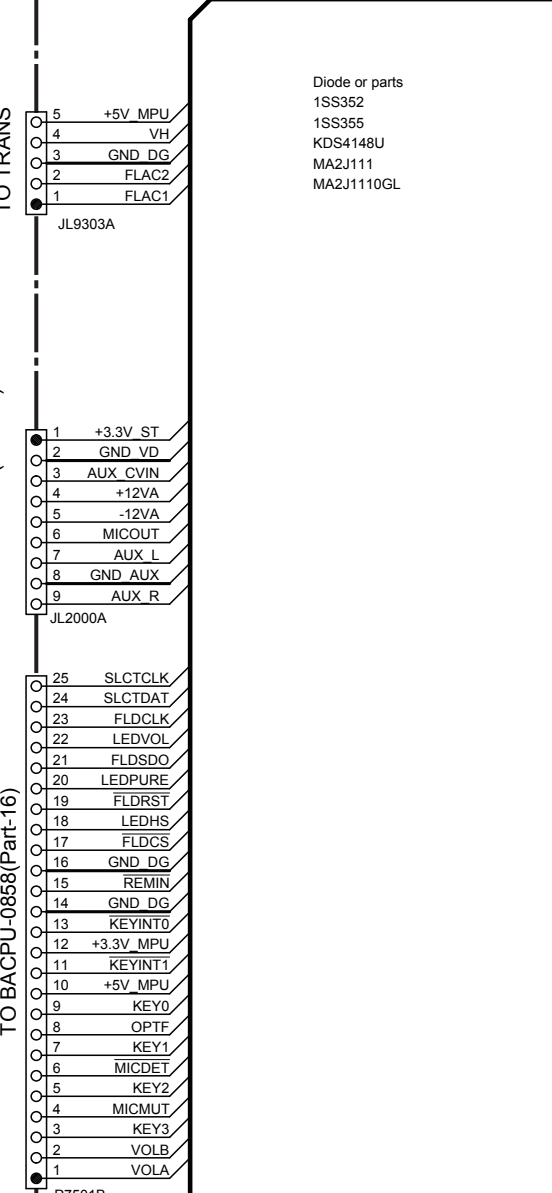
SCHEMATIC DIAGRAMS-15 (PART-15)  
CPU SECTION



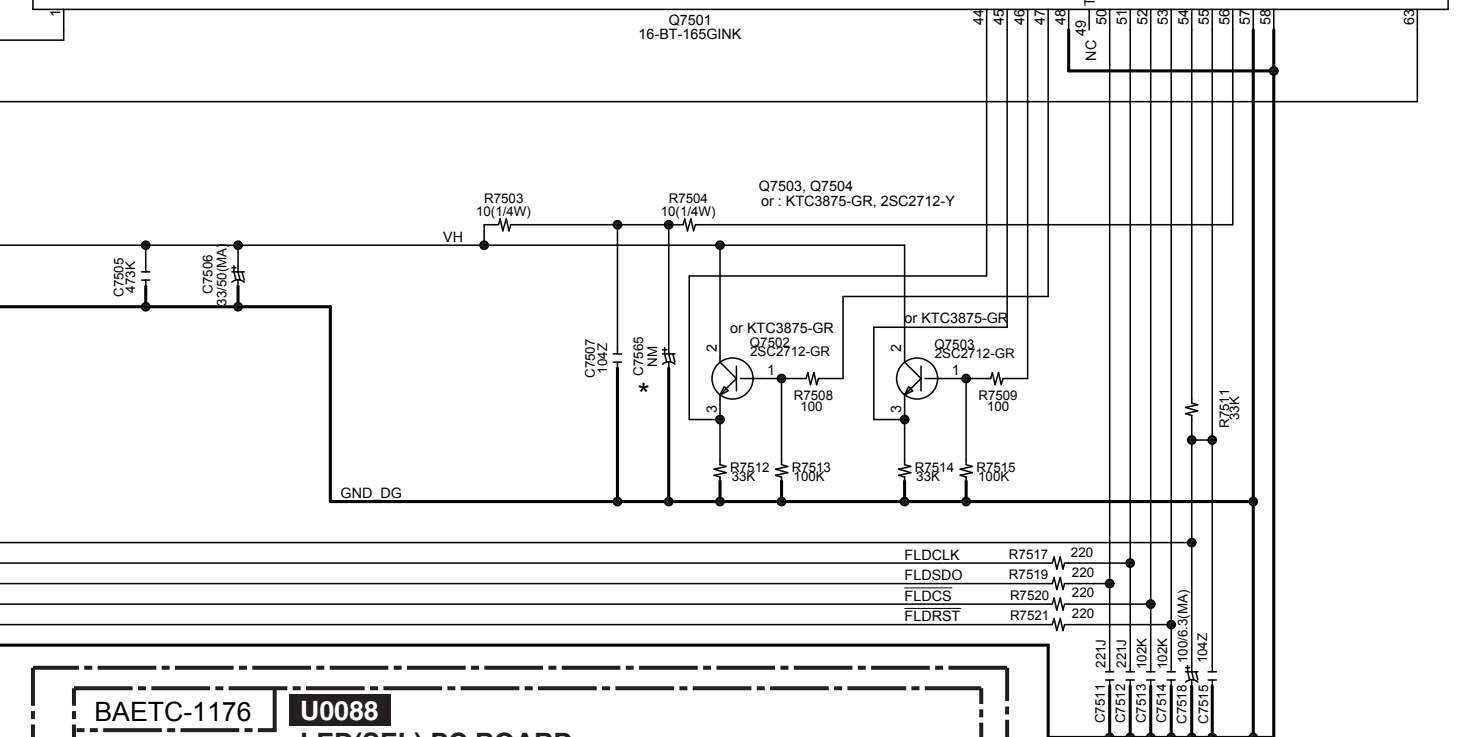
SCHEMATIC DIAGRAMS-16 (PART-16)  
DISPLAY SECTION

1  
2  
3  
4  
5  
6  
7  
8

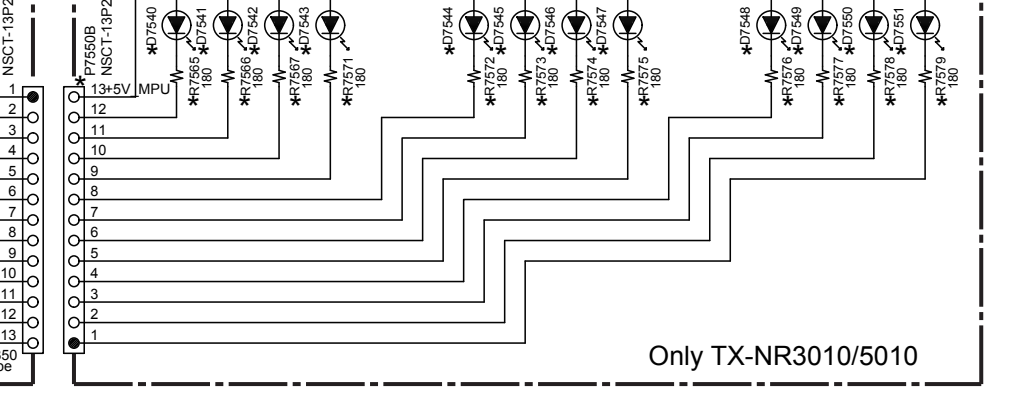
BADIS-1165  
U0080  
DISPLAY PC BOARD



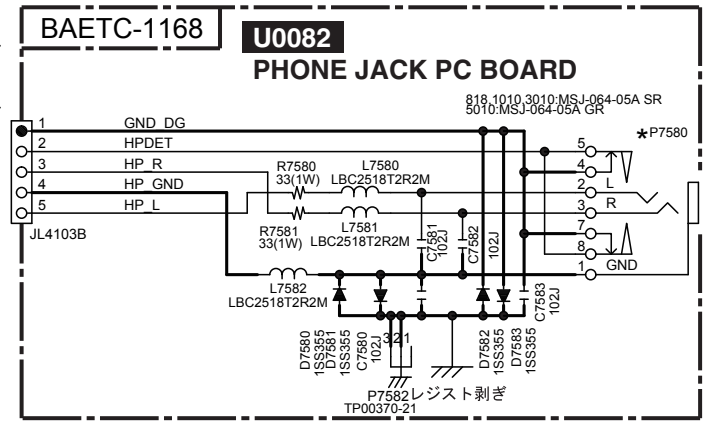
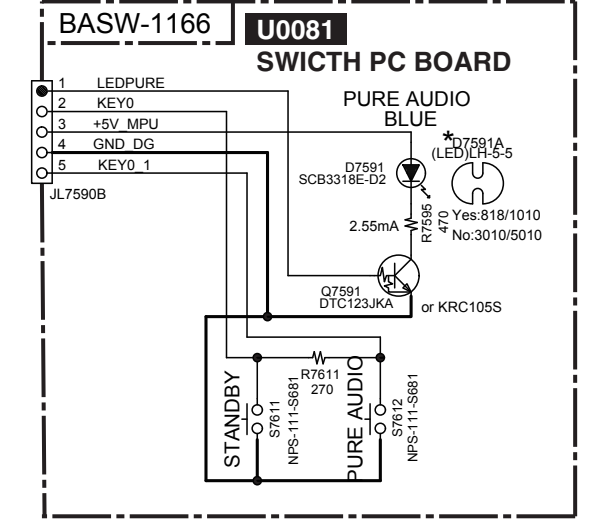
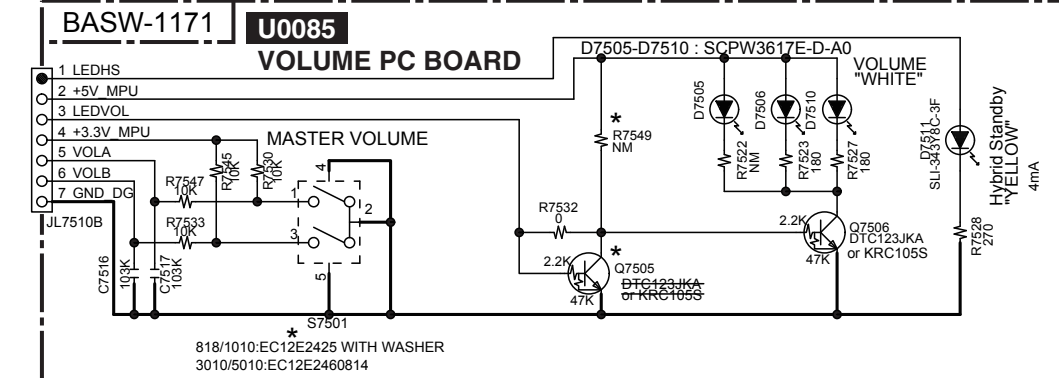
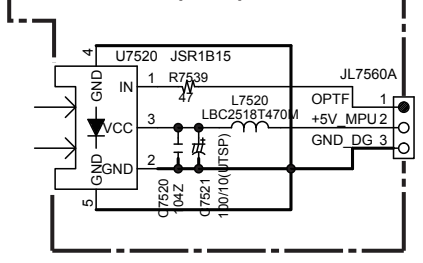
VACUUM FLUORESCENT DISPLAY



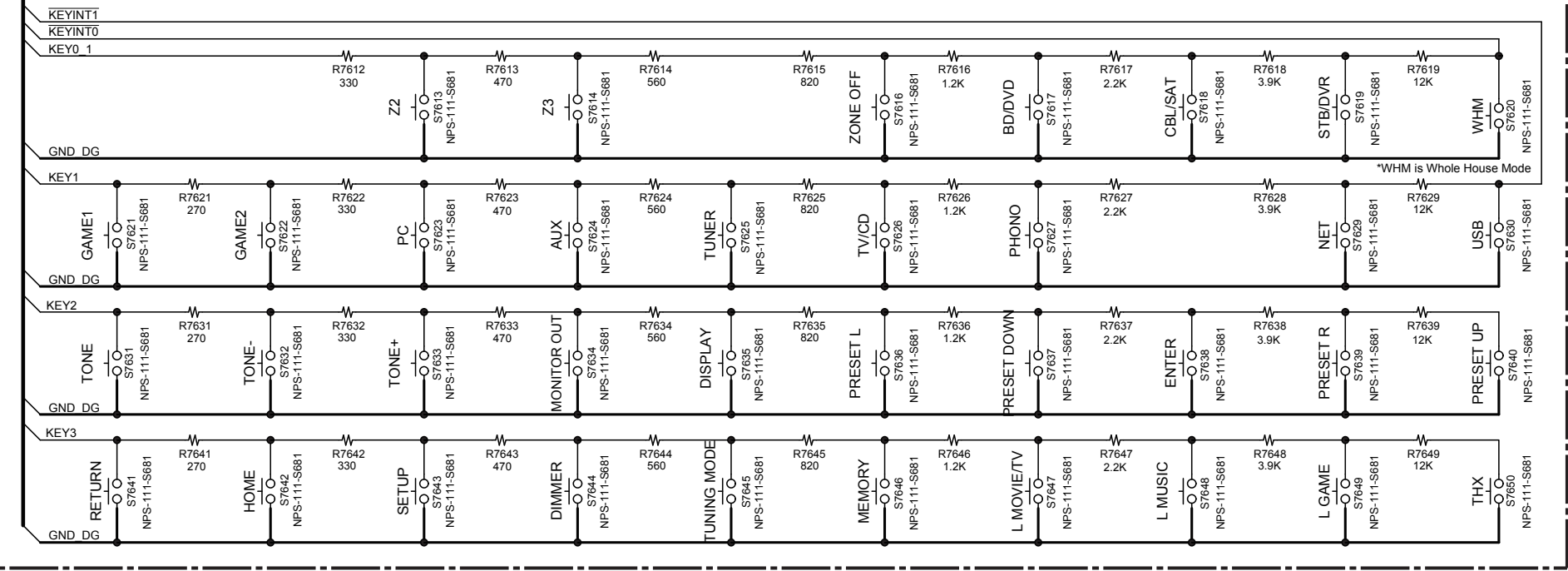
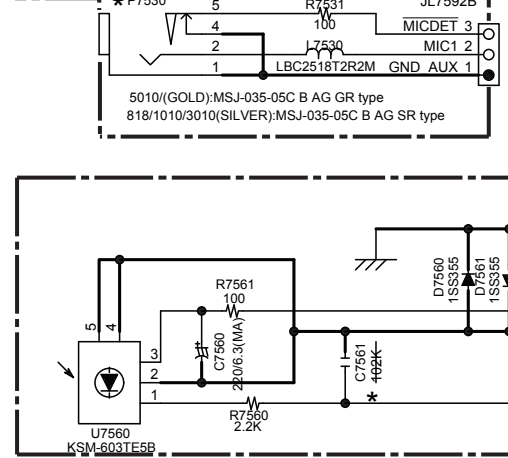
BAETC-1176 U0088  
LED(SEL) PC BOARD



BAETC-1169 U0083  
TERMINAL(OPT) PC BOARD

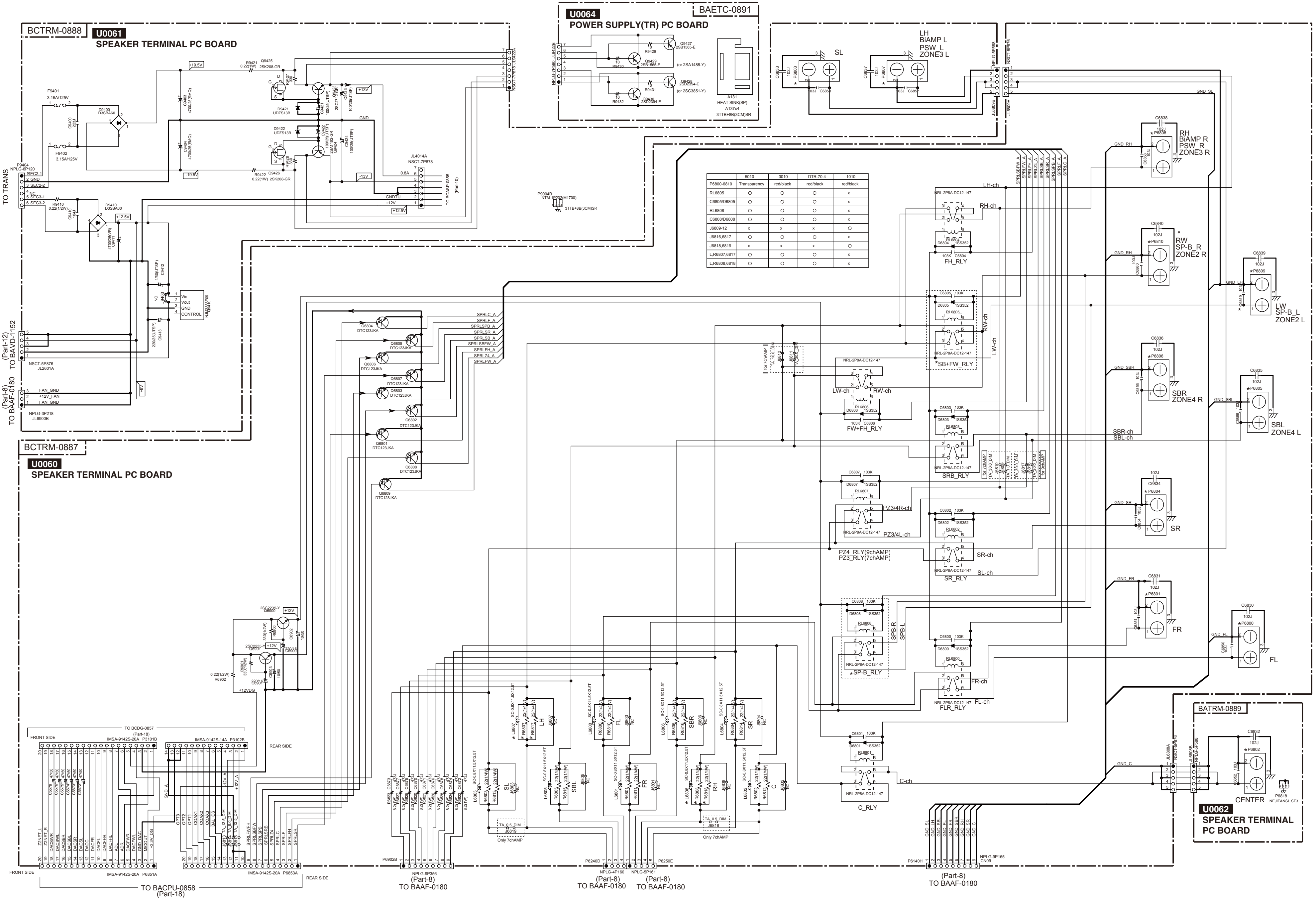


BAETC-1172 U0086  
MIC JACK(SETUP) PC BOARD



SCHEMATIC DIAGRAMS-18 (PART-18)  
SPEAKER TERMINAL SECTION

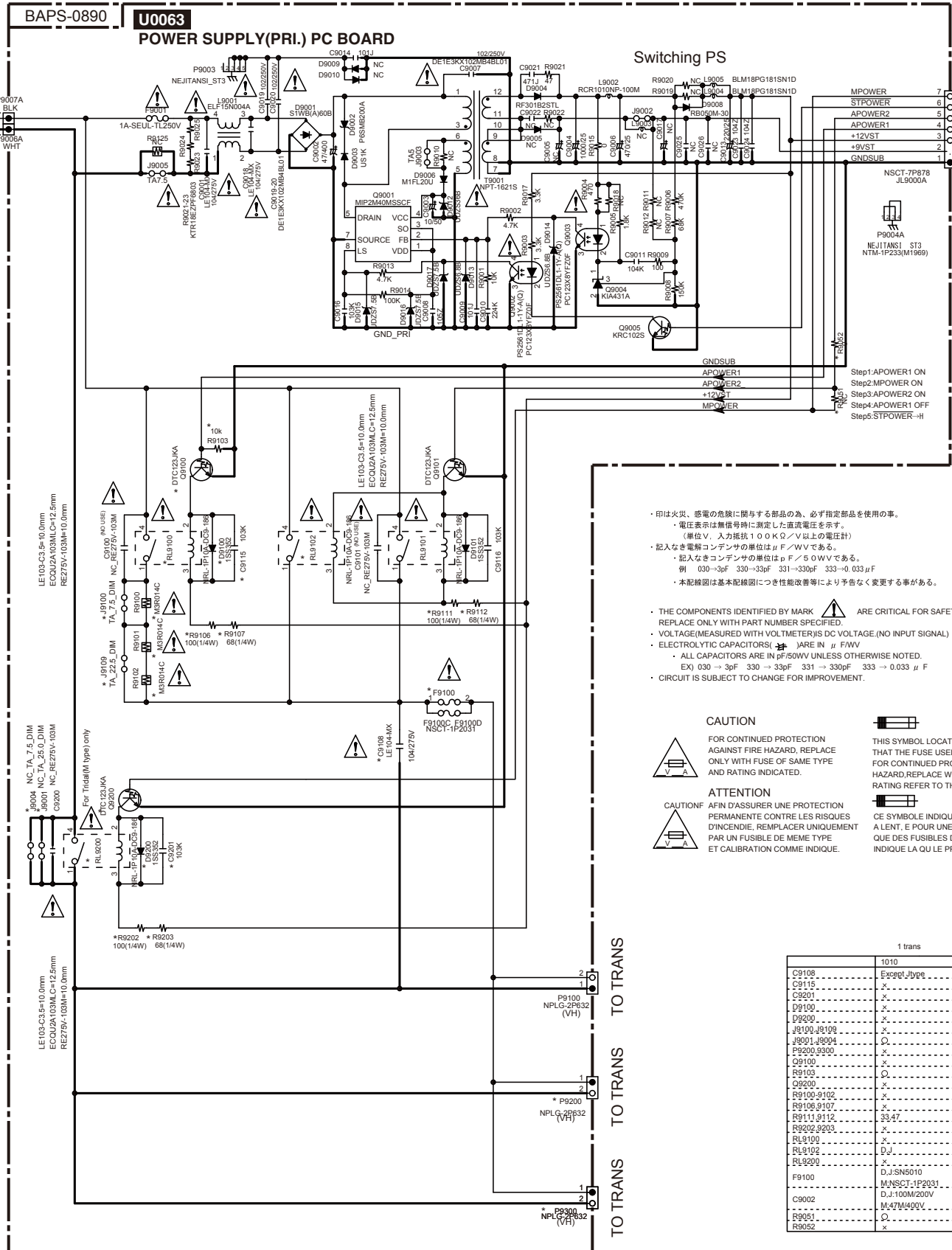
1  
2  
3  
4  
5  
6  
7  
8



	S010	3010	DTR-70.4	1010
P9000-6910	Transparency	red/black	red/black	red/black
RL6805				x
C6805/D6805				x
RL6808				x
C6808/D6808				x
J6809-12	x	x	x	
J6816,6817				x
J6818,6819	x	x	x	
L6807,6817				x
L6808,6818				x

SCHEMATIC DIAGRAMS-19 (PART-19)  
PRIMARY POWER SUPPLY SECTION

1  
2  
3  
4  
5



印は火災、感電の危険に際する部品の為、必ず指定部品を使用の事。  
電圧表示は無電圧時に測定した直流電圧を示す。  
(単位 V、入力抵抗 100kΩ、V 以上の電圧計)  
記入なき電解コンデンサの単位は  $\mu F$  / 50V である。  
記入なきコンデンサの単位は pF / 50V である。  
例 030 → 30pF 330 → 33pF 331 → 330pF 333 → 0.033  $\mu F$   
本配線図は基本配線図につき性能改善等により予告なく変更する事がある。

THE COMPONENTS IDENTIFIED BY MARK ARE CRITICAL FOR SAFETY.  
REPLACE ONLY WITH PART NUMBER SPECIFIED.  
VOLTAGE (MEASURED WITH VOLTMETER'S DC VOLTAGE (NO INPUT SIGNAL))  
ELECTROLYTIC CAPACITORS ARE IN  $\mu F$  UNLESS OTHERWISE NOTED.  
EX) 030 → 30pF 330 → 33pF 331 → 330pF 333 → 0.033  $\mu F$   
CIRCUIT IS SUBJECT TO CHANGE FOR IMPROVEMENT.

**CAUTION**  
FOR CONTINUED PROTECTION AGAINST FIRE HAZARD, REPLACE ONLY WITH FUSE OF SAME TYPE AND RATING INDICATED.

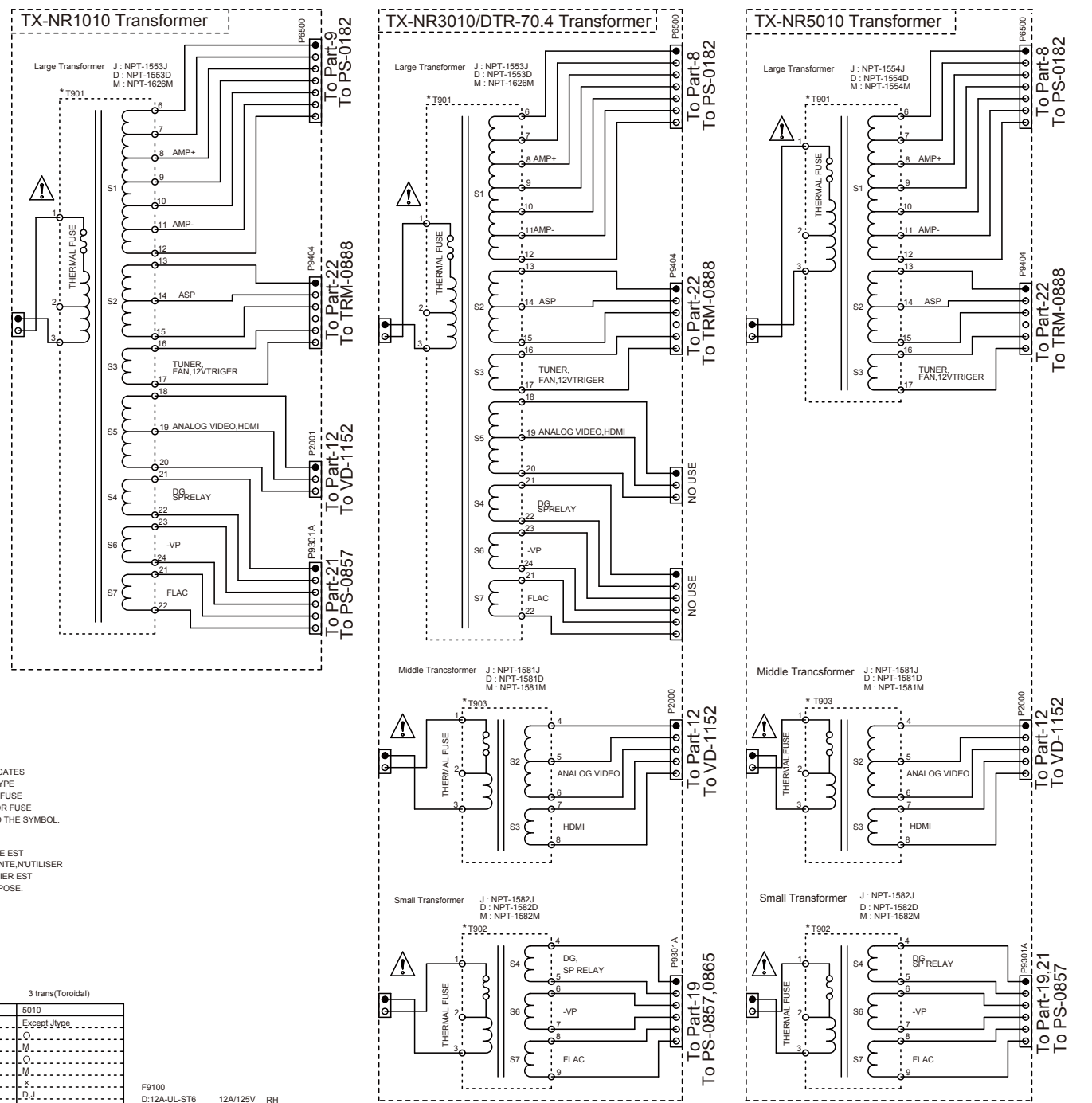
**ATTENTION**  
AFIN D'ASSURER UNE PROTECTION PERMANENTE CONTRE LES RISQUES D'INCENDIE, REMPLACER UNIQUEMENT PAR UN FUSIBLE DE MEME TYPE ET CALIBRATION COMME INDIQUE.

THIS SYMBOL LOCATED NEAR THE FUSE INDICATES THAT THE FUSE USED IS SLOW OPERATING TYPE FOR CONTINUED PROTECTION AGAINST FIRE HAZARD, REPLACE WITH SAME TYPE FUSE. FOR FUSE RATING REFER TO THE MAKING ADJACENT TO THE SYMBOL.

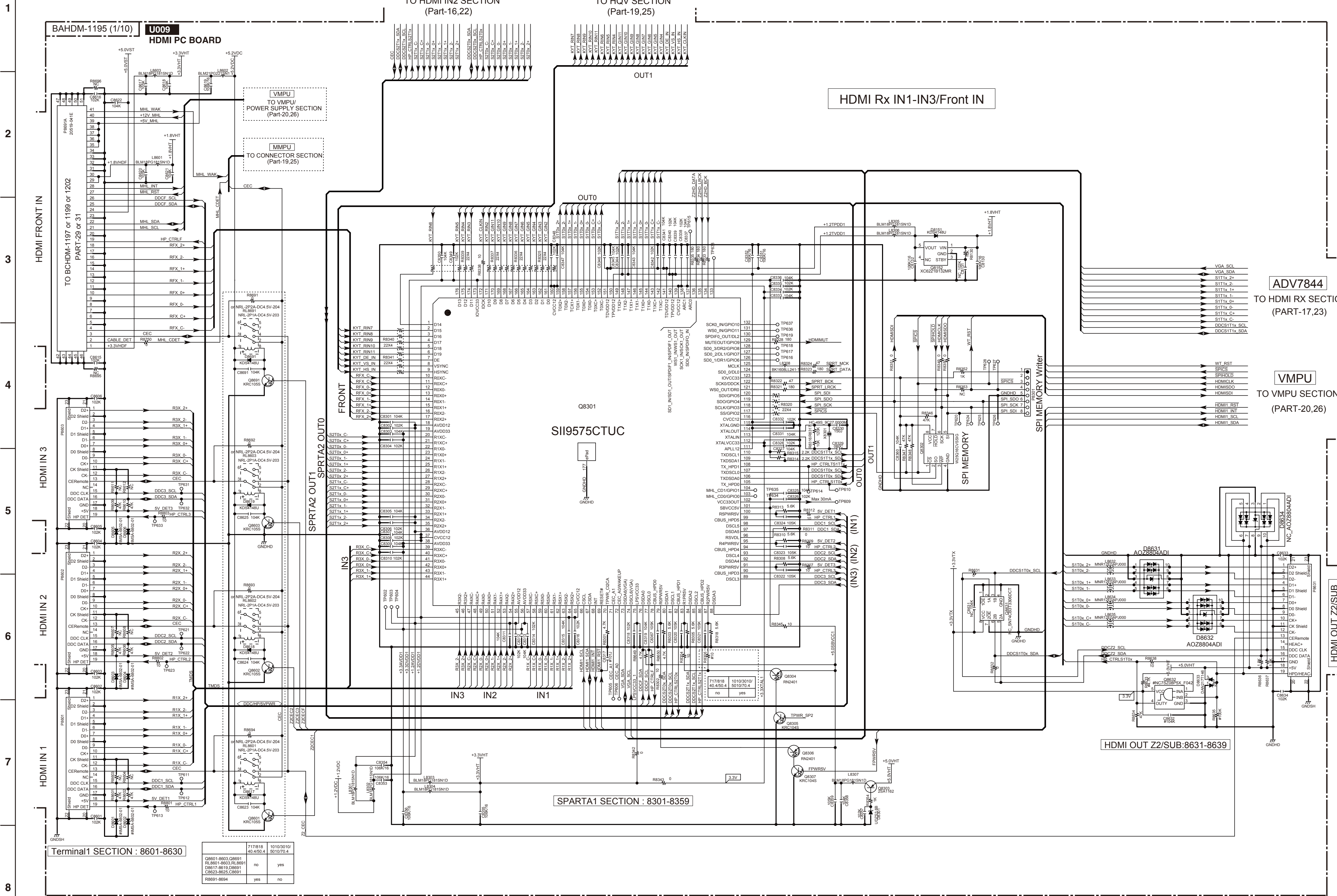
CE SYMBOLE INDIQUE QUE LE FUSIBLE UTILISE EST A LENT, ET POUR UNE PROTECTION PERMANENTE, UTILISER QUE DES FUSIBLES DE MEME TYPE. CE DERNIER EST INDIQUE LA QU LE PRESENT SYMBOLE EST APPOSE.

	1010	3010/70.4	5010
C9108	Except Jtype	Except Jtype	Except Jtype
C9115	x	x	O
C9201	x	x	O
D9100	x	x	O
D9200	x	x	M
D9201	x	x	x
D9202	x	x	O
D9203	x	x	O
D9204	x	x	O
D9205	x	x	O
D9206	x	x	O
D9207	x	x	O
D9208	x	x	O
D9209	x	x	O
D9210	x	x	O
D9211	x	x	O
D9212	x	x	O
D9213	x	x	O
D9214	x	x	O
D9215	x	x	O
D9216	x	x	O
D9217	x	x	O
D9218	x	x	O
D9219	x	x	O
D9220	x	x	O
D9221	x	x	O
D9222	x	x	O
D9223	x	x	O
D9224	x	x	O
D9225	x	x	O
D9226	x	x	O
D9227	x	x	O
D9228	x	x	O
D9229	x	x	O
D9230	x	x	O
D9231	x	x	O
D9232	x	x	O
D9233	x	x	O
D9234	x	x	O
D9235	x	x	O
D9236	x	x	O
D9237	x	x	O
D9238	x	x	O
D9239	x	x	O
D9240	x	x	O
D9241	x	x	O
D9242	x	x	O
D9243	x	x	O
D9244	x	x	O
D9245	x	x	O
D9246	x	x	O
D9247	x	x	O
D9248	x	x	O
D9249	x	x	O
D9250	x	x	O
D9251	x	x	O
D9252	x	x	O
D9253	x	x	O
D9254	x	x	O
D9255	x	x	O
D9256	x	x	O
D9257	x	x	O
D9258	x	x	O
D9259	x	x	O
D9260	x	x	O
D9261	x	x	O
D9262	x	x	O
D9263	x	x	O
D9264	x	x	O
D9265	x	x	O
D9266	x	x	O
D9267	x	x	O
D9268	x	x	O
D9269	x	x	O
D9270	x	x	O
D9271	x	x	O
D9272	x	x	O
D9273	x	x	O
D9274	x	x	O
D9275	x	x	O
D9276	x	x	O
D9277	x	x	O
D9278	x	x	O
D9279	x	x	O
D9280	x	x	O
D9281	x	x	O
D9282	x	x	O
D9283	x	x	O
D9284	x	x	O
D9285	x	x	O
D9286	x	x	O
D9287	x	x	O
D9288	x	x	O
D9289	x	x	O
D9290	x	x	O
D9291	x	x	O
D9292	x	x	O
D9293	x	x	O
D9294	x	x	O
D9295	x	x	O
D9296	x	x	O
D9297	x	x	O
D9298	x	x	O
D9299	x	x	O
D9300	x	x	O

F9100  
D:12A-UL-ST6 12A/125V RH  
M:6.3A-SE-TL250V 6.3A/250V HD  
J:15A-T-ST6N1 15A/125V RH



SCHEMATIC DIAGRAMS-20 (PART-20)  
HDMI-1(HDMI SUB OUT) SECTION



Terminal1 SECTION : 8601-8630

	717/818 40.450.4	1010/3010/ 5010/70.4
C8601-8603, C8691	no	yes
RL8601-8603, RL8691	no	yes
D8617-8619, D8691	no	yes
C8623-8625, C8691	no	yes
R8691-8694	yes	no

ADV7844  
TO HDMI RX SECTION  
(PART-17,23)

VMPU  
TO VMPU SECTION  
(PART-20,26)

HDMI OUT Z2/SUB

HDMI OUT Z2/SUB:8631-8639

# SCHEMATIC DIAGRAMS-21 (PART-21)

## HDMI IN 2 SECTION

MMPU TO CONNECTOR SECTION (Part-19,25)

BAHDM-1195 (2/10)

U009 HDMI PC BOARD

OUT0 OUT1

Q8151 SPARTA SII9575CTUC

SPARTA2 SECTION : 8141-8189

Terminal1 SECTION : 8601-8630,8641-45

HDMI SPARTA1 TO HDMI IN1 SECTION (PART-15,21)

VMPU TO VMPU SECTION (PART-20,26)

1

2

3

4

5

A

B

C

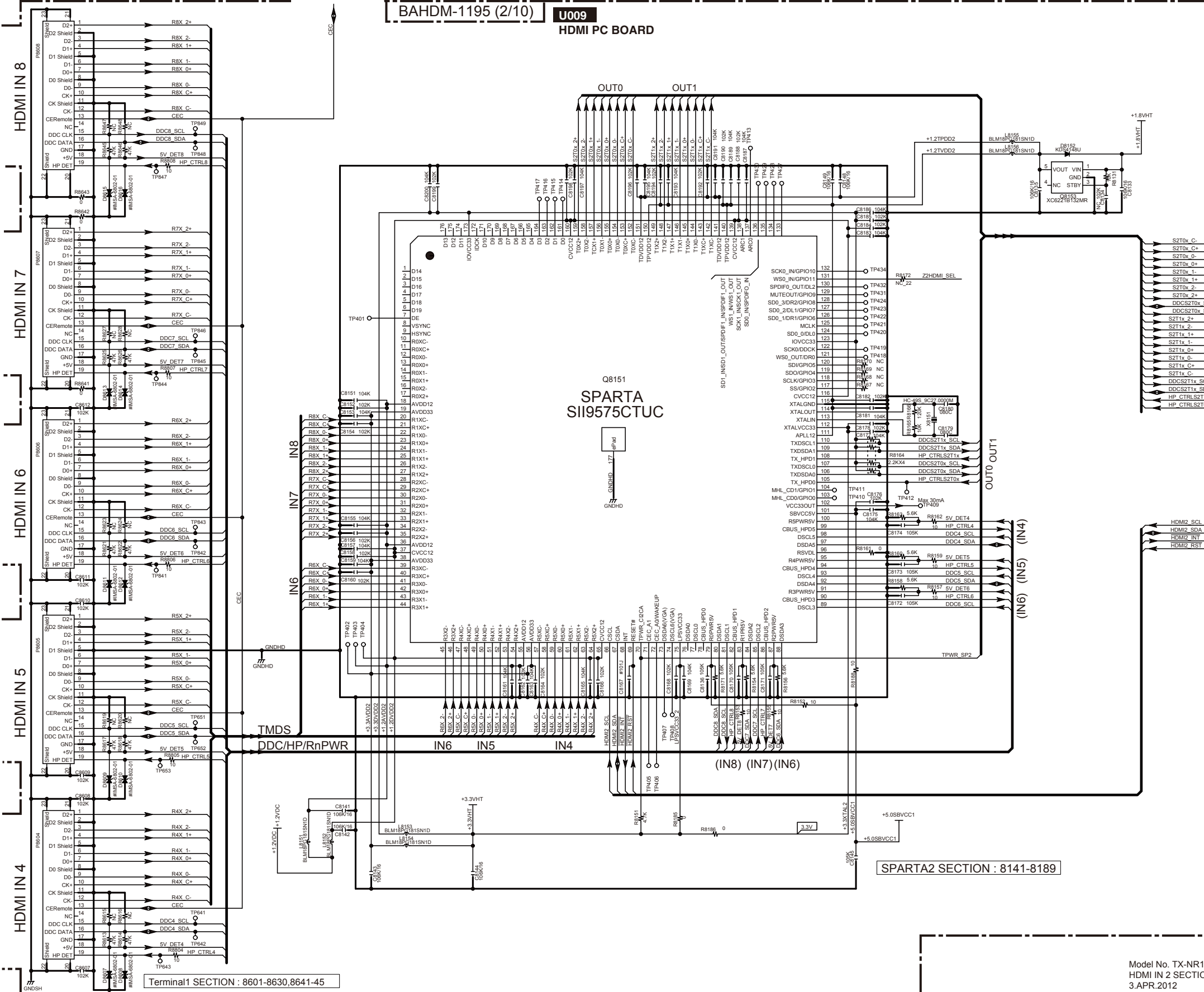
D

E

F

G

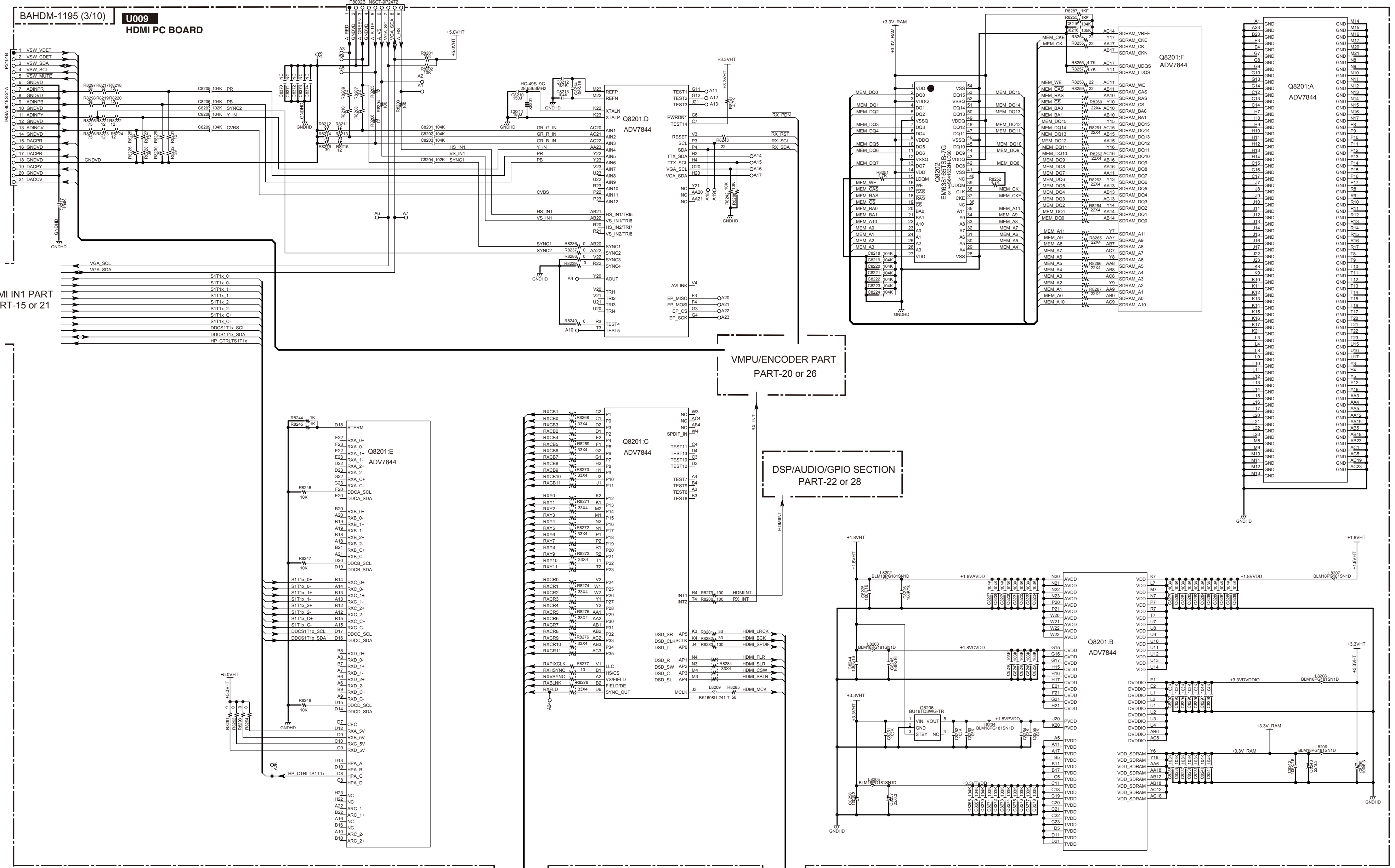
H



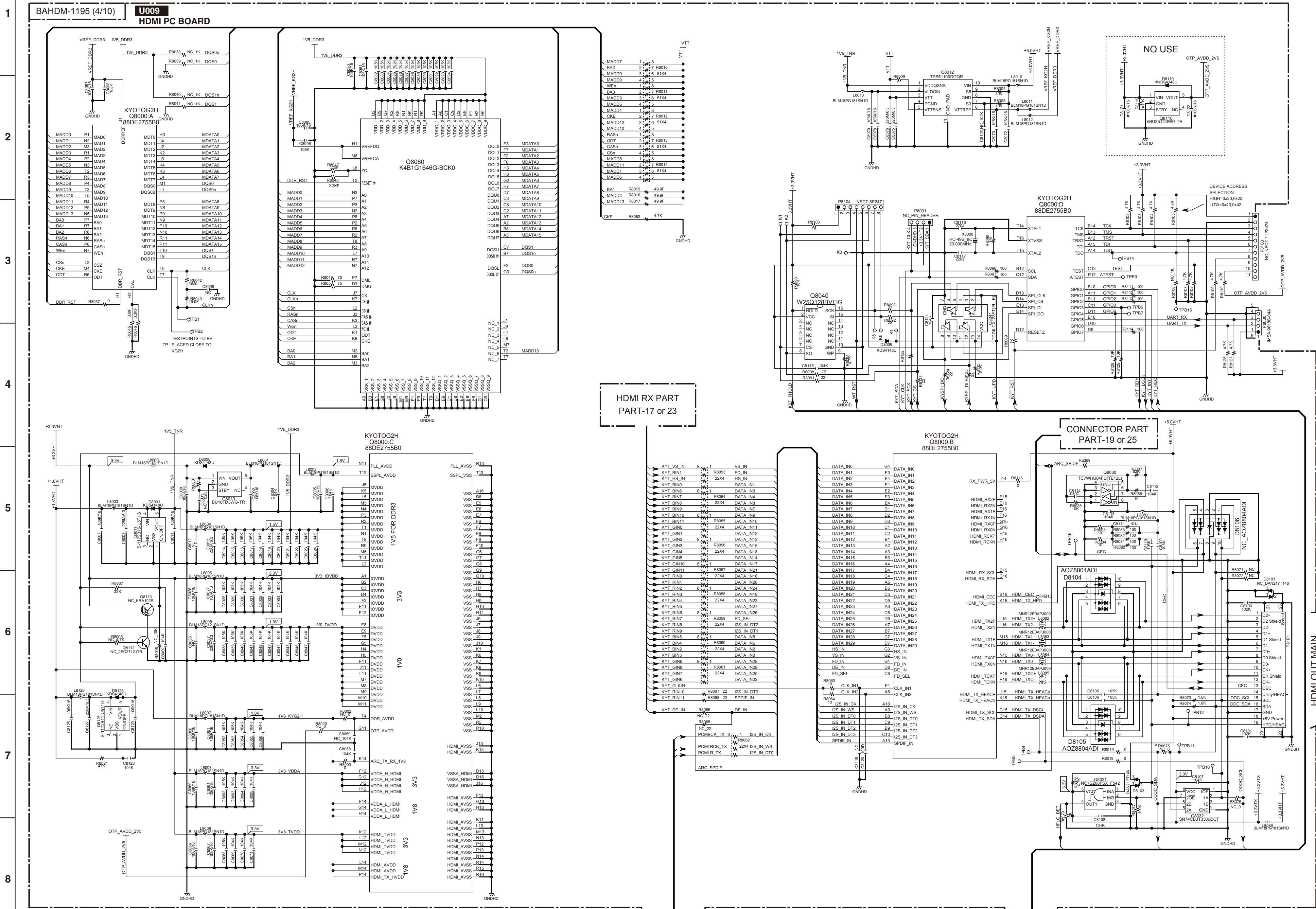


SCHEMATIC DIAGRAMS-22 (PART-22)  
HDMI RX/ DECODER SECTION

1  
2  
3  
4  
5  
6  
7  
8



SCHEMATIC DIAGRAMS-23 (PART-23)  
HDMI MAIN SECTION



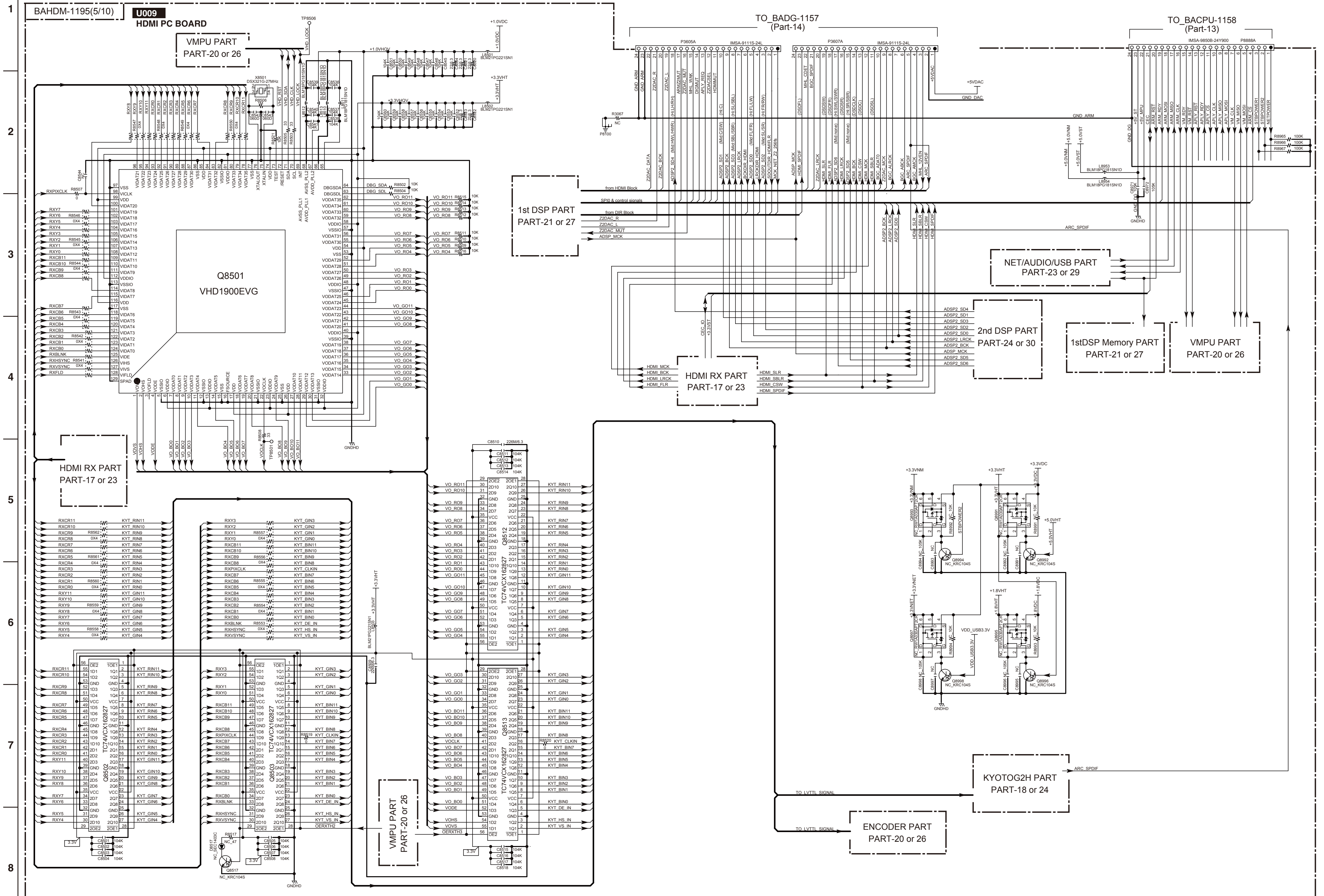
HDMI RX PART  
PART-17 or 23

CONNECTOR PART  
PART-19 or 25

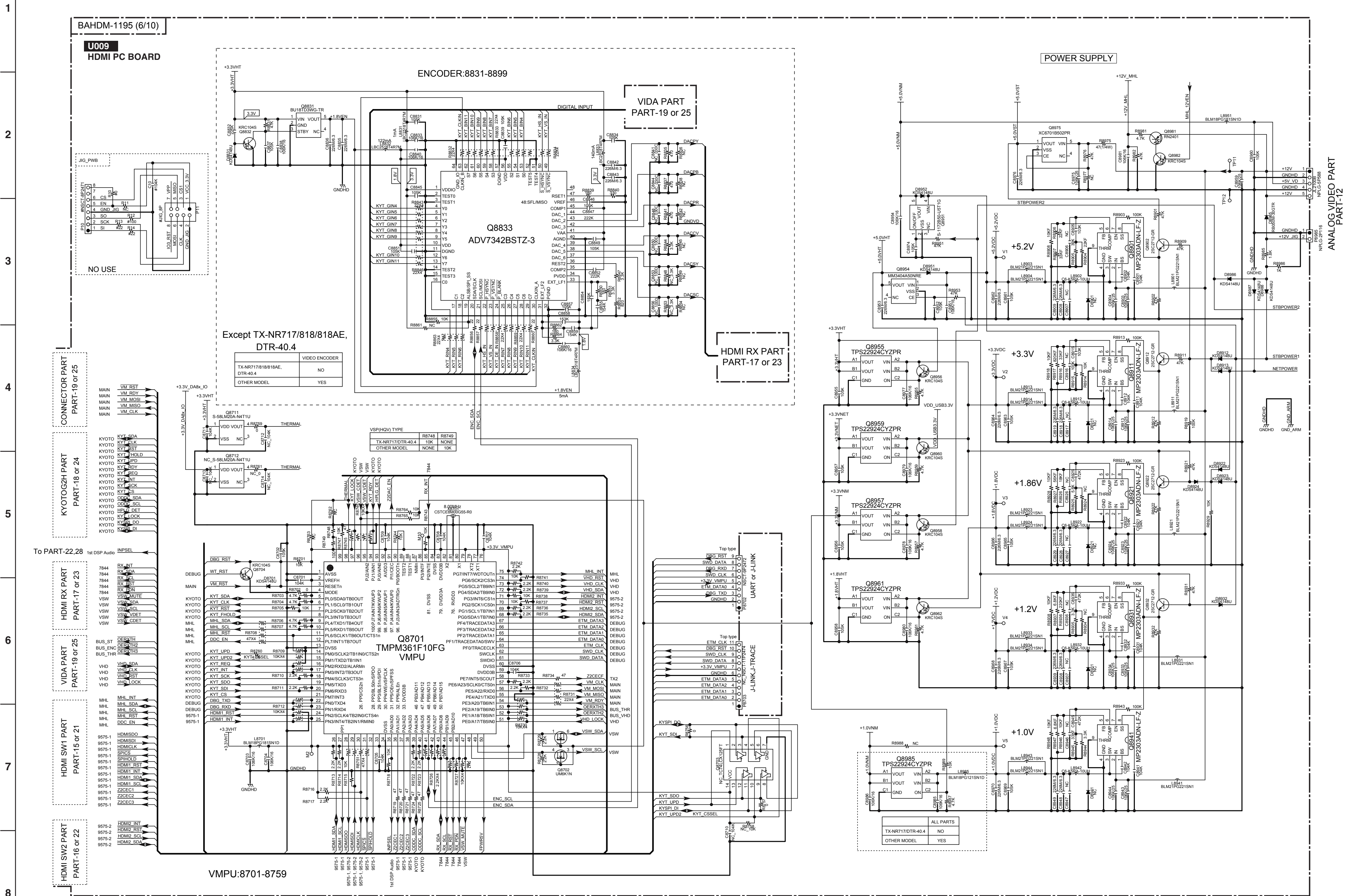
DSP/AUDIO/GPIO SECTION  
PART-22 or 28

VMPU PART  
PART-20 or 26

SCHEMATIC DIAGRAMS-24 (PART-24)  
HQV/ CONNECTOR SECTION



SCHEMATIC DIAGRAMS-25 (PART-25)  
HDMI MAIN SECTION



Except TX-NR717/818/818AE, DTR-40.4

TX-NR717/818/818AE, DTR-40.4	VIDEO ENCODER
OTHER MODEL	NO
OTHER MODEL	YES

TX-NR717/DTR-40.4	ALL PARTS
OTHER MODEL	YES

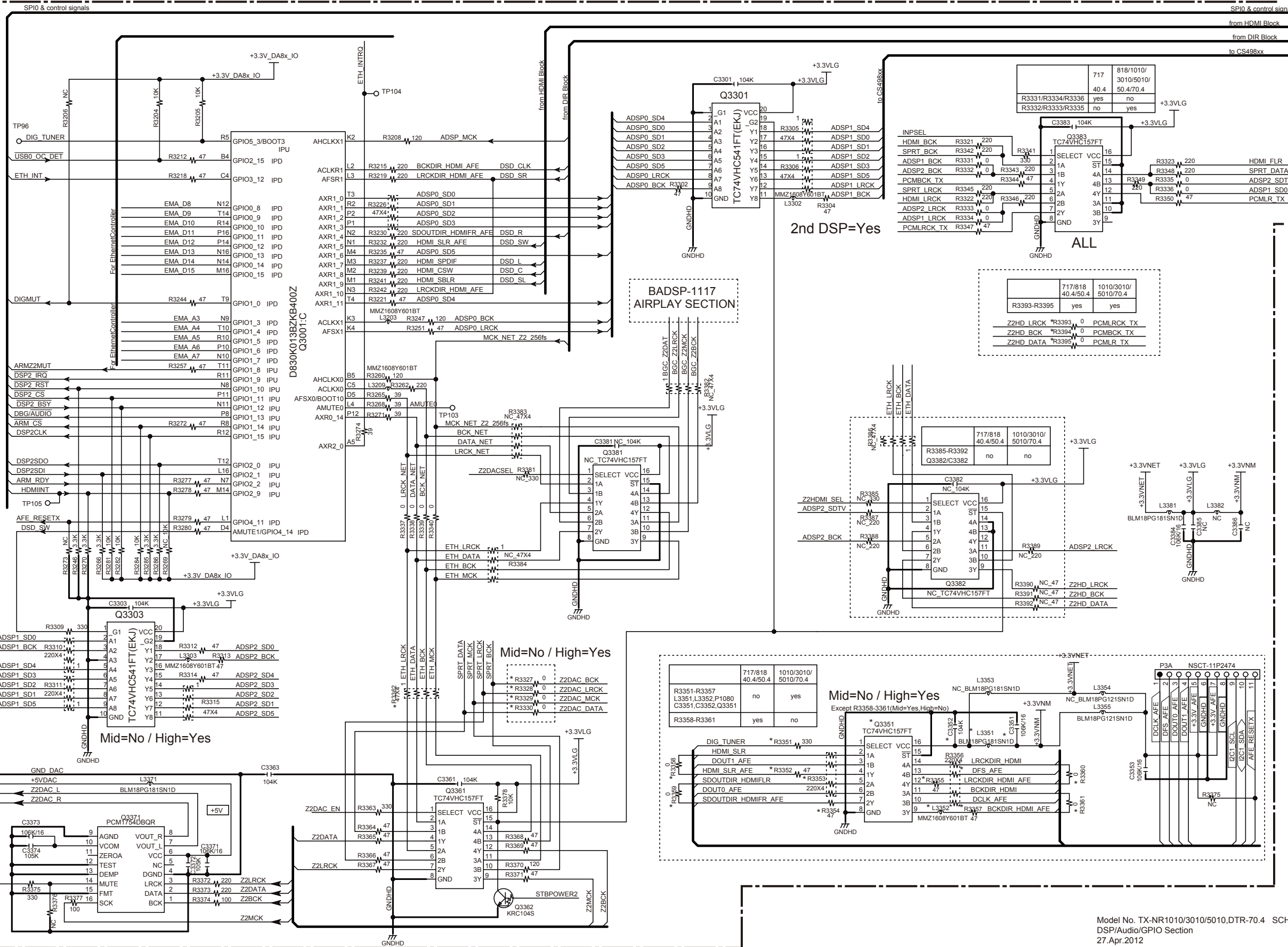


SCHEMATIC DIAGRAMS-27 (PART-27)

DSP/ AUDIO/ GPIO SECTION

BAHDM-1195(8/10)

U009  
HDMI PC BOARD



**SCHEMATIC DIAGRAMS-28 (PART-28)**  
**ETHERNET/ USB/ GPIO SECTION**

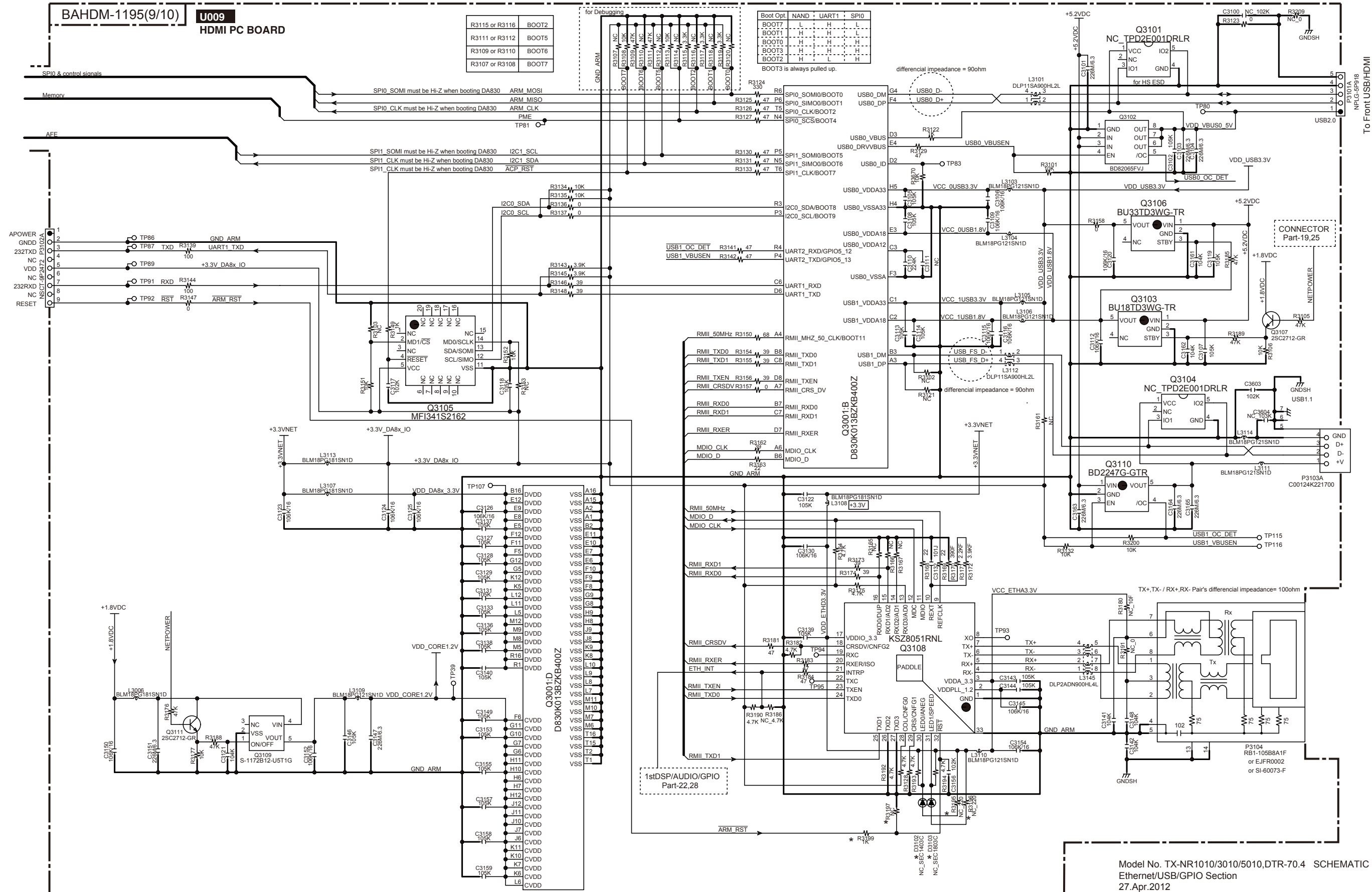
1

2

3

4

5



SCHEMATIC DIAGRAMS-29 (PART-29)

2nd DSP SECTION

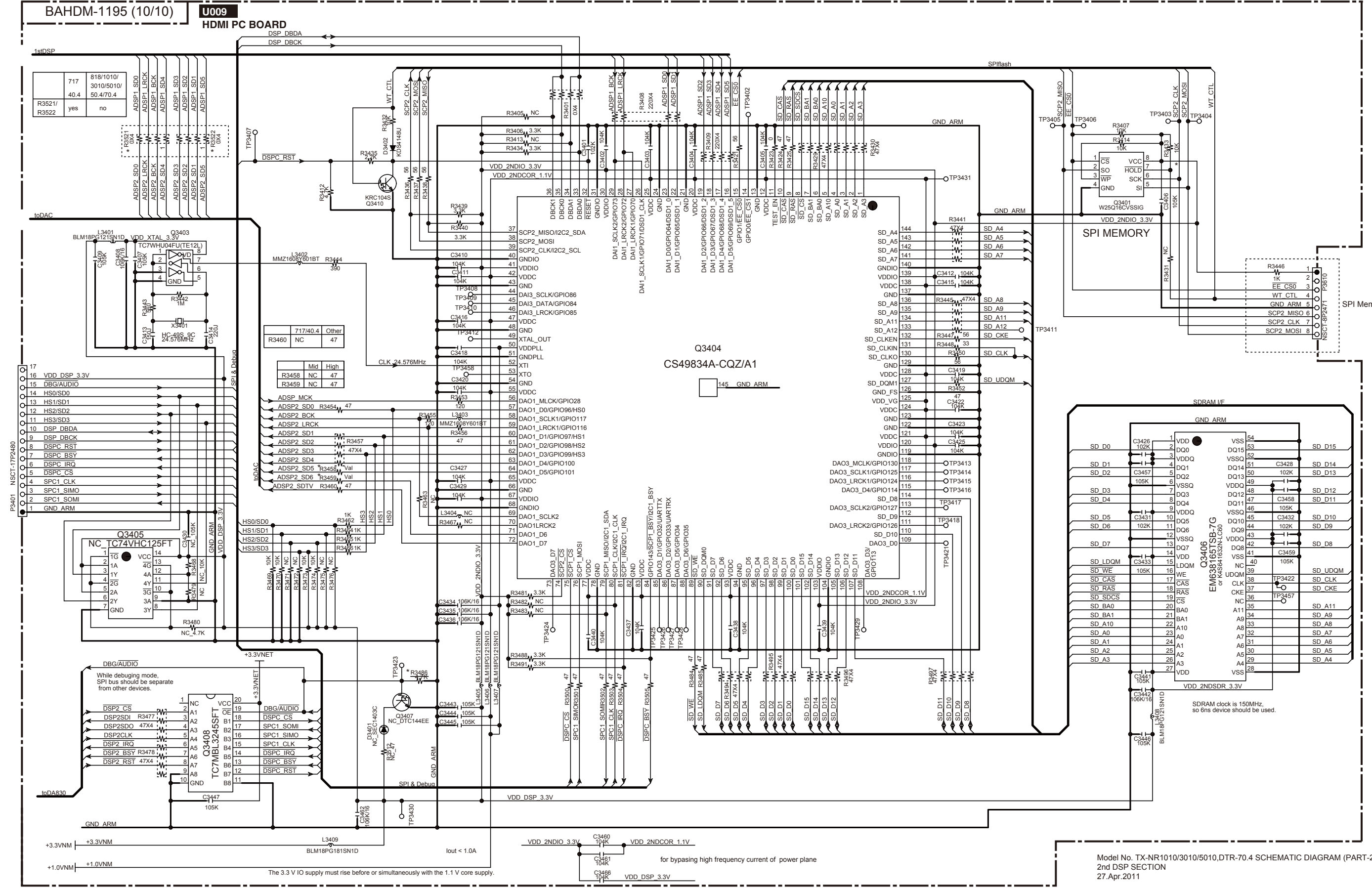
1

2

3

4

5





**SCHEMATIC DIAGRAMS-30 (PART-30)**  
**FRONT USB AND USB SECTION**

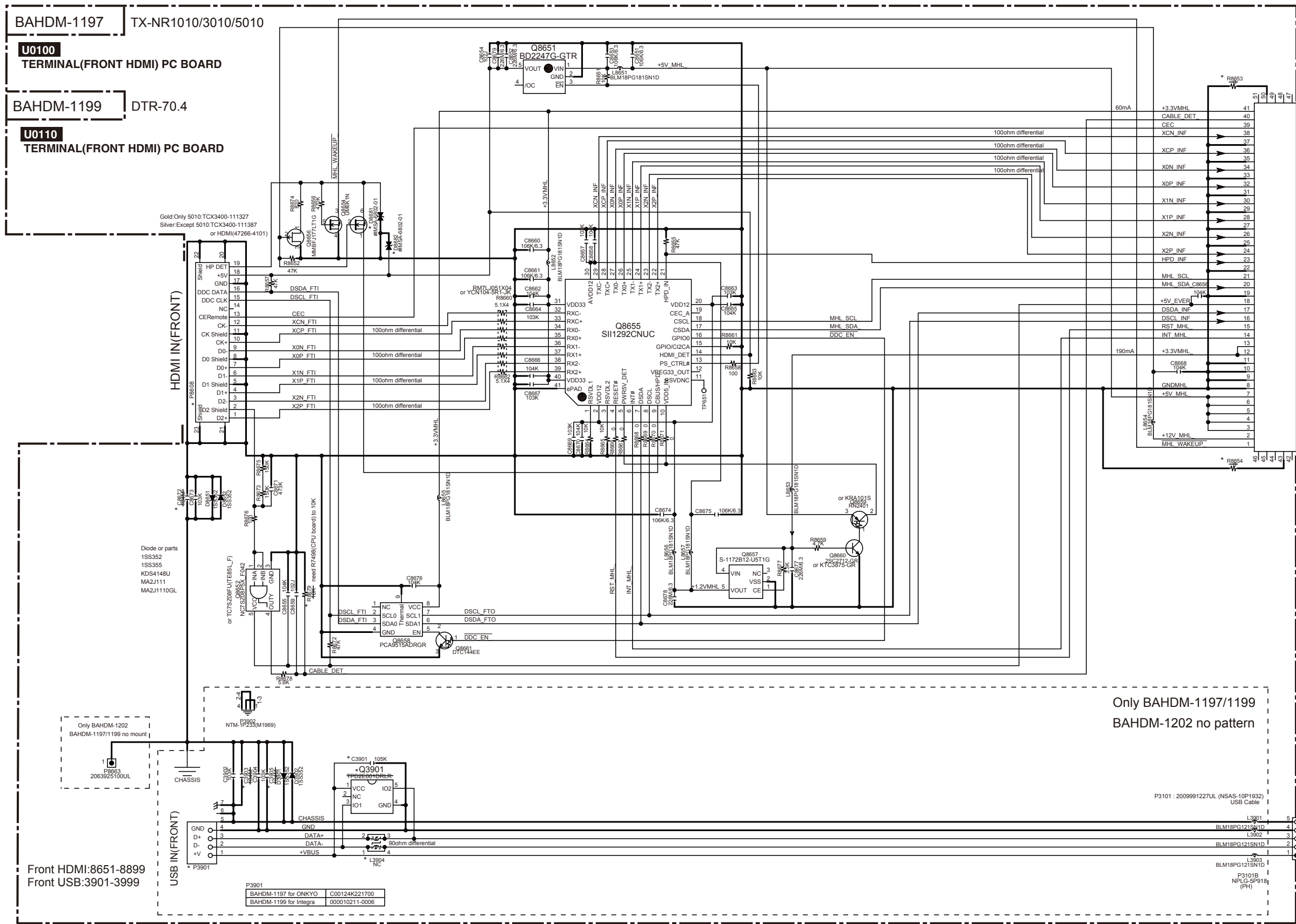
1

2

3

4

5



BAHDM-1197 TX-NR1010/3010/5010

**U0100**  
 TERMINAL(FRONT HDMI) PC BOARD

BAHDM-1199 DTR-70.4

**U0110**  
 TERMINAL(FRONT HDMI) PC BOARD

Gold:Only 5010:TCX3400-111327  
 Silver:Except 5010:TCX3400-111387  
 or HDMI(47266-4101)

HDMI IN(FRONT)

Diode or parts  
 1SS352  
 1SS355  
 KDS4148U  
 MA2J111  
 MA2J1110GL

Only BAHDM-1202  
 BAHDM-1197/1199 no mount

USB IN(FRONT)

Front HDMI:8651-8899  
 Front USB:3901-3999

P3901	BAHDM-1197 for ONKYO	C00124K221700
	BAHDM-1199 for Integra	000010211-0006

Only BAHDM-1197/1199  
 BAHDM-1202 no pattern

P3101 : 2009991227UL (NSAS-16P1632)  
 USB Cable

TO BAHDM-1195  
 PART-16

TO BAHDM-1195  
 PART-23

## TX-NR5010

## &lt;Note&gt;

Parts marked by "NSP" are generally unavailable because they are not in our Master Spare Parts List.

**NOTE : THE COMPONENTS IDENTIFIED BY THE MARK ! ARE CRITICAL FOR RISK OF FIRE AND ELECTRIC SHOCK. REPLACE ONLY WITH PART NUMBER SPECIFIED.**

## &lt;Notes&gt;

(B) : Black model

(S) : Silver model

&lt;MDC&gt; : 120V,Canadian model

&lt;MMP&gt; : 230V,CE(European) country model

## TX-NR5010

## EXPLODED VIEW PARTS LIST

REF. NO.	PART NAME	DESCRIPTION	Q'TY	PART NO. (SN)	REMARKS
<b>[SEMI CONDUCTOR]</b>					
Q6050	TR	TTC0002(Q)TO3PL	1	2204150	
Q6050A	ISO SHEET	ISO SHEET(NR5007_4CH)	1	223052	
Q6051	TR	TTC0002(Q)TO3PL	1	2204150	
Q6051A	ISO SHEET	ISO SHEET(NR5007_5CH)	1	223051	
Q6052	TR	TTC0002(Q)TO3PL	1	2204150	
Q6053	TR	TTC0002(Q)TO3PL	1	2204150	
Q6054	TR	TTC0002(Q)TO3PL	1	2204150	
Q6055	TR	TTC0002(Q)TO3PL	1	2204150	
Q6056	TR	TTC0002(Q)TO3PL	1	2204150	
Q6057	TR	TTC0002(Q)TO3PL	1	2204150	
Q6058	TR	TTC0002(Q)TO3PL	1	2204150	
Q6060	TR	TTA0002(Q)TO3PL	1	2204140	
Q6060A	ISO SHEET	ISO SHEET(NR5007_4CH)	1	223052	
Q6061	TR	TTA0002(Q)TO3PL	1	2204140	
Q6061A	ISO SHEET	ISO SHEET(NR5007_5CH)	1	223051	
Q6062	TR	TTA0002(Q)TO3PL	1	2204140	
Q6063	TR	TTA0002(Q)TO3PL	1	2204140	
Q6064	TR	TTA0002(Q)TO3PL	1	2204140	
Q6065	TR	TTA0002(Q)TO3PL	1	2204140	
Q6066	TR	TTA0002(Q)TO3PL	1	2204140	
Q6067	TR	TTA0002(Q)TO3PL	1	2204140	
Q6068	TR	TTA0002(Q)TO3PL	1	2204140	
Q9427	TR	2SB1565-E	1	2202715	
Q9427 or	TR	2SA1488-Y	( 1)	2203394	
Q9428	TR	2SD2394-E	1	2202705	
Q9428 or	TR	2SC3851-Y	( 1)	2203384	
Q9429	TR	2SB1565-E	1	2202715	
Q9429 or	TR	2SA1488-Y	( 1)	2203394	
Q9430	TR	2SD2394-E	1	2202705	
Q9430 or	TR	2SC3851-Y	( 1)	2203384	

[CHASSIS SCREW]					
A001	HEAT SINK	(5)	1	27160634A	
A003	HEAT SINK	(4)	1	27160635A	
A005	SPACER	(PC)	8	27270485	
A007	SCREW	3P+6FN(3BC)	8	82143006GR	
A009	SCREW	3SMS8W.SW+14B(CU)	18	801634	
A011	RETAINER	(HS-2)	2	27141530A	
A013	SCREW	3TTB+8B(3BC)	4	838430088GR	
A015	SPACER	T1*Φ8*Φ3.2PTFE	1	27270527	
A017	RETAINER	(HS-C)B	1	27142161B	
A019	SCREW	3TTB+8B(3BC)	8	838430088GR	
A021	RETAINER	(HS-L)B	1	27142162	
A023	SCREW	3TTB+8B(3BC)	3	838430088GR	
A025	HOLDER	(CLAMP) UA-0	1	27190432	
A027	HOLDER	WS-4NS	1	27191207	
A029	RETAINER	(HS-R)B	1	27142163	
A031	SCREW	3TTB+8B(3BC)	4	838430088GR	
A033	HOLDER	(CLAMP) UA-0	1	27190432	
A037	SCREW	3TTB+8B(3BC)	4	838430088GR	
A039	SCREW	3TTB+8B(3BC)	9	838430088GR	
A041	HEAT SINK(S)	240	1	27160608	
A043	SCREW	3TTB+8B(3CM)SR	3	801637	
A045	SCREW	3TTB+8B(3BC)	2	838430088GR	
A051	WIRE TIE	BSK-1	12	260208	
A053	CHASSIS	(SUB)	1	27100565B	N
A055	RETAINER	(FBR)	1	27142150A	
A056	TAPE	TAPE(CLOTH-8U)	1	29110082	
A057	SCREW	3TTB+8B(3BC)	3	838430088GR	
A059	BUSHING	CE-016 100MM	1	28170039	
A061	HOLDER	SPM-4	4	27191154	
A062	BUSHING	CE-016 L=25	1	28170097	
A064	BUSHING	L125	1	28170004	
A065	BUSHING	---	1	28170070	
A067	HOLDER	KGPS-14RF	1	27190802	
A069	BRACKET	(FAN-L)	1	27131022A	
A071	HOLDER	(FAN)	4	27191307	
A073	BRACKET	(SUB-L)B	1	27131068A	
A075	SCREW	3TTB+8B(3BC)	3	838430088GR	
A077	HOLDER	WS-4NS	2	27191207	
A079	BRACKET	(FAN-R)	1	27131023A	
A081	HOLDER	(FAN)	4	27191307	
A083	BRACKET	(SUB-R)B	1	27131069B	N
A085	SCREW	3TTB+8B(3BC)	3	838430088GR	
A087	HOLDER	WS-4NS	1	27191207	
A089	TAPE	TAPE(CLOTH-16U)	1	29110083	
A091	BUSHING	CE-012 L=20	1	28170110	
A101	BRACKET	(PT)B	1	27131070	

A103	BUSHING	L30	2	28170006	
A105	BUSHING	BUSHING	2	28170040	
A109	IB CUSHION	W15*3t TAPE	1	28141585	
A111	SCREW	4TTC+8C(3BC)	8	830440089GR	
A113	SCREW	4TTC+8C(3BC)	4	830440089GR	
A115	SCREW	3TTB+8B(3BC)	2	838430088GR	
A119	SCREW	4TTC+8C(3BC)	4	830440089GR	
A121	SPACER	---	4	27270489	
A123	IB CUSHION	W15*3t TAPE	1	28141585	
A125	SCREW	3TTB+8B(3BC)	7	838430088GR	
A126	SCREW	3TTB+8B(3BC)	7	838430088GR	
A127	CUSHION	t10*10*100	1	28141746	
A129	TAPE	TAPE(CLOTH-16U)	1	29110083	
A131	HEAT SINK	(SP)	1	27160643A	
A133	SPACER	t0.5*w30*d10	1	27270495	
A137	SCREW	3TTB+8B(3CM)SR	4	801637	
A139	SCREW	3TTB+8B(3BC)	2	838430088GR	
A141	TAPE	TAPE(CLOTH-16U)	1	29110083	
A145	WIRE TIE	BSK-1	1	260208	
A146	CUSHION	(BUTYL)	1	28141748	
A147	CUSHION	(BUTYL)	1	28141748	
A149	IB CUSHION	W15*3t TAPE	1	28141585	
A151	CHASSIS	---	1	27100576	N
A153	LEG	---	4	27175455	
A155	CUSHION	(LEG)	4	28141735	
A157	IB CUSHION	W15*3t TAPE	1	28141585	
A158	CUSHION	(BUTYL)	1	28141748	
A161	SCREW	3TTB+8B(3BC)	4	838430088GR	
A163	HOLDER	(SPD-6)	5	27191308	
A165	HOLDER	KGPS-10RF	4	27190813	
A167	HOLDER	KGLS-10RT	1	27190428A	
A169	HOLDER	KGLS-12RT	1	27190266	
A170	HOLDER	KGLS-22RT	1	27190772	
A171	HOLDER	KGLS-20RT V0	3	27191338	
A173	HOLDER	HOLDER KGLS-18S	1	27190470	
A175	HOLDER	KGPS-18S	1	27191339	
A176	HOLDER	KGLS-10S	3	27190896	
A177	HOLDER	KGLS-14S	1	27190164	
A178	HOLDER	KGPS-14S	1	27191372	
A179	HOLDER	SPM-4	2	27191154	
A185	CUSHION	(CR)	1	28141908	
A187	SCREW	3TTB+8B(3BC)	1	838430088GR	
A189	SCREW	3TTB+8B(3BC)	1	838430088GR	
A193	SCREW	3TTB+8B(3BC)	1	838430088GR	
A195	SCREW	3TTB+8B(3BC)	2	838430088GR	
A197	SCREW	3TTB+8B(3BC)	3	838430088GR	
A199	SCREW	3TTB+8B(3BC)	2	838430088GR	

A201	SCREW	4TTC+8C(3BC)	1	830440089GR	
A203	SPACER	---	1	27270489	
A205	SCREW	3TTB+8B(3BC)	5	838430088GR	
A207	SCREW	3TTB+8B(3BC)	8	838430088GR	
A208	SCREW	3TTB+8B(3BC)	8	838430088GR	
A211	ISO PLT	(HS-R)	2	28175336A	
A213	RIVET	P-RIVET NRP-345	1	880009	
A215	P RIVET	P-3055B-8L	2	880048	
A217	ISO PLT	(HS-U)	1	28175337A	
A221	RETAINER	(CLA-L)	1	27142196	
A223	RETAINER	(CLA-R)	1	27142197	
A225	RETAINER	(CLA-U)	2	27142198	
A227	SCREW	3TTB+8B(3BC)	9	838430088GR	
A229	SCREW	3TTB+8B(3BC)	2	838430088GR	
A231	SPACER	T1*Φ8*Φ3.2PTFE	2	27270527	
A233	SCREW	3TTW+8B(3BC)	2	831430088GR	
A235	BUSHING	BUSHING	2	28170040	
A237	BUSHING	CE-016 L=40	1	28170102	
A239	BUSHING	CE-016 L=70	1	28170103	
A341	LABEL	(PT)	1	29363408-1	
A343A	LABEL	(E-CON)	{ 1 }	29364978	
A345	WIRE TIE	BSK-1	9	260208	
A346	WIRE TIE	BINDER(CLAMPER)UL	1	260258	
A347	WIRE TIE	BSK-1	1	260208	
A349	TAPE	TAPE(CLOTH-16U)	1	29110083	
A350	TAPE	TAPE(CLOTH-8U)	1	29110082	
A351	CUSHION	(BUTYL)	1	28141748	
A352	CUSHION	(BUTYL)	1	28141748	
A355	REAR PANEL	5010DC	1	27124445A	N <B MDC>
A355	REAR PANEL	5010MP	1	27124446C	N <B MMP /S MMP>
A357	TAPE	TAPE(CLOTH-8U)	1	29110082	
A378	SCREW	3TTB+8B(3BC)	43	838430088GR	<B MDC>
A378	SCREW	3TTB+8B(3BC)	41	838430088GR	<B MMP /S MMP>
A384	SCREW	3P+6FN(3BC)	11	82143006GR	
A385	SCREW	3TTF+10B(3BC)	2	835430108GR	
A387	TRM	E TERMINAL	1	25060151	
A389	WASHER	W3*10F(3BC)	1	87643010GR	
A391	LABEL	(SP1)	1	29390790	
A393	LABEL	(SP2)	1	29390791	
A394	CUSHION	(BUTYL)	1	28141748	
A395	CUSHION	(BUTYL)	1	28141748	
P6800	P RIVET	JB-407A-C	22	880052	<B MMP /S MMP>
<b>[CABINET]</b>					
A401	F BRACKET	(B)	1	27111594E	<B>
A401	F BRACKET	(S)	1	27111595E	<S>
A402	TAPE	TAPE(CLOTH-16U)	1	29110083	
A403	SCREW	3TTB+8B(3BC)	3	838430088GR	

A405	SCREW	3TTB+8B(3BC)	13	838430088GR	
A407	SCREW	3TTB+8B(3BC)	4	838430088GR	
A409	SCREW	3TTB+8B(3BC)	2	838430088GR	
A411	SCREW	3TTB+8B(3BC)	1	838430088GR	
A413	SCREW	3TTB+8B(3BC)	1	838430088GR	
A415	SCREW	3TTB+8B(3BC)	1	838430088GR	
A417	SCREW	3TTB+8B(3BC)	2	838430088GR	
A418	WIRE TIE	BSK-1	2	260208	
A419	IB CUSHION	W15*3t TAPE	1	28141585	
A420	CUSHION	t5*30*5	2	28141562	
A421	CUSHION	(BUTYL)	1	28141748	
A422	TAPE	TAPE(CLOTH-16U)	1	29110083	
A423	B PLATE	(B)	1	28133443	<B MDC, MMP>
A423	B PLATE	---	1	28133444	<S MMP>
A427	GUIDE	(SEL-CAP) BLACK	1	27268285B	<B>
A427	GUIDE	(SEL-CAP) SILVR	1	27268286B	<S>
A429	GUIDE	(SEL-BASE) L	1	27268287	
A431	GUIDE	(SEL-BASE) M	1	27268288B	
A433	GUIDE	(SEL-BASE) R	1	27268289	
A434	PLATE	(DOOR)1010(B)DC	1	27262902A	<B MDC>
A434	PLATE	(DOOR)1010(B)MP	1	27262903A	<B MMP>
A434	PLATE	(DOOR)5010(S)MP	1	27262906A	N <S MMP>
A435	KNOB	(SEL)AS BLACK	3	28327069A	<B>
A435	KNOB	(SEL)AS SILVER	3	28327070A	<S>
A437	SPACER	SPACER 8X3X0.188	6	27270147	
A439	KNOB	(CUR)AS BLACK	1	28326994C	<B>
A439	KNOB	(CUR)AS SILVER	1	28326995C	<S>
A441	SCREW	2.6TTB+8B(3BC)	4	838426088GR	
A442	SCREW	2.6TTB+8B(3BC)	1	838426088GR	
A443	KNOB	(ENTER) BLK	1	28326990	<B>
A443	KNOB	(ENTER) SIV	1	28326991	<S>
A445	KNOB	(INP)BLK	2	28326971A	<B>
A445	KNOB	(INP)SIV	2	28326972A	<S>
A446	KNOB	(INP)BLK3_4	2	28327057A	<B>
A446	KNOB	(INP)SIV3_4	2	28327058A	<S>
A447	KNOB	(SETUP)BLK	2	28326973A	<B>
A447	KNOB	(SETUP)SIV	2	28326974A	<S>
A449	FACET	(HDMI)	1	28200061	
A451	FACET	(PURE)	1	28200060	
A453	FACET	(SEL)	3	28200062	
A481	RETAINER	(ETH)	1	27142236B	
A483	RETAINER	(HDM)	1	27142235A	
A485	RETAINER	(PLT-DR)	1	27142252	<S>
A486	SCREW	2.6TTB+8B(3BC)	2	838426088GR	
A491	BUSHING	(DOOR)B	2	28170104A	<B>
A491	BUSHING	(DOOR)S	2	28170105A	<S>
A493	FACET	(VOL)	1	28200059A	

A494	TAPE	TAPE(CLOTH-8U)	1	29110082	
A495	TAPE	TAPE(CLOTH-8U)	1	29110082	
A496	CUSHION	(COTTON)0.7x12x8	1	28141905	
A497	TAPE	TAPE(CLOTH-8U)	1	29110082	
A498	Cu TAPE	4*150	1	29110218	
A499	Cu TAPE	4*115	1	29110219	
A500	TAPE	(CU)	1	29110214	<S>
A503	DECO FRM	(CP)B	1	27215388	<B>
A503	DECO FRM	(CP)S	1	27215389	<S>
A501	F PANEL	TX-NR5010(B)MDC	1	27213603A	<B MDC>
A501	F PANEL	TX-NR5010(B)MMP	1	27213604A	<B MMP>
A501	F PANEL	TX-NR5010(S)MMP	1	27213605A	<S MMP>
A505	CLEAR PLT	809_1009	1	28192352	
A509	HOLDER	(DOOR-L)(B)	1	27191356	<B>
A509	HOLDER	(DOOR-L)(S)	1	27191358	<S>
A511	HOLDER	(DOOR-R)(B)	1	27191357	<B>
A511	HOLDER	(DOOR-R)(S)	1	27191359	<S>
A515	DECO FRM	(SEL)	1	28159050	
A519	SCREW	3TTB+6B(3BC)	4	838430068GR	
A521	GUIDE	(STBY)	1	27268281	
A527	BADGE	---	1	28135317	
A529	KNOB	(STBY)AS BLK	1	28327015A	<B>
A529	KNOB	(STBY)AS SIV	1	28327016A	<S>
A531	RETAINER	(L)AS	1	27142240	
A533	RETAINER	(R)AS	1	27142233	
A535	RETAINER	(HD-L)	1	27142234	
A537	E-WASHER	ES-3S	1	8930301S	
A539	RETAINER	(GEAR)	1	27142231	
A541	HOLDER	(LOCK)	1	27191355	
A543	RETAINER	(LOCK)	1	27142237	
A545	SCREW	3TTB+8B(3BC)	2	838430088GR	
A547	HOLDER	(DAMPER)	1	27191354	
A549	SCREW	3TTB+8B(3BC)	2	838430088GR	
A551	DAMPER	002P Type-L	1	27301965	
A553	SCREW	3P+6FN(3BC)	6	82143006GR	
A555	SCREW	3TTB+8B(3BC)	2	838430088GR	
A557	SCREW	3TTB+8B(3BC)	3	838430088GR	
A559	SCREW	3TTB+8B(3BC)	3	838430088GR	
A561	SCREW	3TTB+8B(3BC)	3	838430088GR	
A563	SCREW	3TTB+8B(3BC)	1	838430088GR	
A591	DOOR	TX-NR5010(B)	1	28148840	N <B MDC, MMP>
A591	DOOR	TX-NR5010(S)	1	28148841	N <S MMP>
A594	BUSHING	(DR-C)S	1	28170108	<S>
A594	BUSHING	(DR-C)B	1	28170107	<B>
A601	COVER	5009 BLACK	1	28210098	<B>
A601	COVER	5009 SILVER	1	28210099	<S>
A603	SIDE PANEL	(L) BLACK	1	28185506	<B>

A603	SIDE PANEL	(L) SILVER	1	28185507	<S>
A603 or	SIDE PANEL	(L) BLACK	(1)	28185498B	<B>
A603 or	SIDE PANEL	(L) SILVER	(1)	28185499B	<S>
A605	SIDE PANEL	(R) BLACK	1	28185509	<B>
A605	SIDE PANEL	(R) SILVER	1	28185510	<S>
A605 or	SIDE PANEL	(R) BLACK	(1)	28185496B	<B>
A605 or	SIDE PANEL	(R) SILVER	(1)	28185497B	<S>
A606	PLATE	(FAN)	2	27262901	N
A609	SCREW	3TTB+8B(3CM)SR	3	801637	<S>
A609	SCREW	3TTB+8B(3BC)	3	838430088GR	<B>
A611	SCREW	(COVER)	14	801645	<S>
A611	SCREW	(COVER)	14	801657	<B>
A612	SPACER	t1xΦ9xΦ4	2	27270519	
A613	KNOB	(VOL)AS 5009B	1	28327024A	<B>
A613	KNOB	(VOL)AS 5009S	1	28327025A	<S>
A615	PLATE	(VOL)	1	27262894	
A701	LABEL	(CAUTION)	1	29363797	<S>
A701	LABEL	(COVER)	1	29364123	<B>
A709	LABEL	HOOKUP-ONKYO	1	29363194	<B MDC>
A711	LABEL	(FLASH)(B)	1	29391423	<B MDC>
<b>[TRANS COIL]</b>					
T901	P TRANS	NPT-1554D	1	2301898	! <B MDC>
T901	P TRANS	NPT-1554M	1	2301899	! <B MMP /S MMP>
T902	P TRANS	NPT-1582D	1	2301955	! <B MDC>
T902	P TRANS	NPT-1582M	1	2301956	! <B MMP /S MMP>
T903	P TRANS	NPT-1581D	1	2301952	! <B MDC>
T903	P TRANS	NPT-1581M	1	2301953	! <B MMP /S MMP>
<b>[SW TRM]</b>					
F2002	FUSE	4A-UL/T-233	1	252325GR	!
F2002 or	FUSE	4A-T/UL-ST2	(1)	252257GR	!
F6601	FUSE	20A-UL-250V	1	252304GR	!
F6602	FUSE	20A-UL-250V	1	252304GR	!
F6603	FUSE	20A-UL-250V	1	252304GR	!
F6604	FUSE	20A-UL-250V	1	252304GR	!
F9100	FUSE	12A-TUL-250V	1	252301GR	! <B MDC>
F9100 or	FUSE	12A-UL/T-314	(1)	252196GR	! <B MDC>
F9100	FUSE	6.3A-SE-EAK	1	252079GR	! <B MMP /S MMP>
F9100 or	FUSE	6.3A-SE-TL250V	(1)	252279GR	! <B MMP /S MMP>
F9100C	LABEL	T6.3AL/250V	1	29361681	<B MMP /S MMP>
F9301	FUSE	3.15A-UL/T-233	1	252323GR	!
F9301 or	FUSE	3.15A-T/UL-ST2	(1)	252256GR	!
F9401	FUSE	3.15A-UL/T-233	1	252323GR	!
F9401 or	FUSE	3.15A-T/UL-ST2	(1)	252256GR	!
F9402	FUSE	3.15A-UL/T-233	1	252323GR	!
F9402 or	FUSE	3.15A-T/UL-ST2	(1)	252256GR	!
JL4103	JUMPER LEAD	JANPER LEAD	1	NSP	
P061	FAN	D09A-12PG13	1	24502328	



P062	FAN	D09A-12PG13	1	24502328	
P101	FFC	NCFC7-091012	1	2047091012	
P2101	FFC	NCFC5-211012	1	2045211012	
P3	FFC	NCFC4-11061	1	204411061	<B MDC>
P3101	SOCKET AS	NSAS-10P1932	1	2009991227UL	
P7501	FFC	NCFC5-255012	1	2045255012	
P7550	FFC	NCFC5-130512	1	2045130512	
P8002	FFC	NCFC5-090712	1	2045090712	
P8691	FFC	NCFC4-41011	1	204D41011	
P9000	AC INLET	R301X2PSn	1	25053358	!
<b>[TUNER UNIT]</b>					
<b>U001</b>	<b>U0010~U0014</b>	<b>BAAF-0180-2C *</b>	<b>1</b>	<b>1B234580-2C</b>	<b>N</b>
U0010	POWER SUPPLY PC BOARD ASS'Y	BAAF-0180-2C	1	1B2345180-2C	N
U0011	DIODE PC BOARD ASS'Y	BAPS-0181-2C	1	1B2345181-2C	N
U0012	RELAY PC BOARD ASS'Y	BAPS-0182-2C	1	1B2345182-2C	N
U0013	SENSOR PC BOARD ASS'Y	BAETC-0183-2C	1	1B2345183-2C	N
U0014	SENSOR PC BOARD ASS'Y	BAETC-0184-2C	1	1B2345184-2C	N
<b>U002</b>	<b>U0020, U0021</b>	<b>BAAMP-0191-2A *</b>	<b>1</b>	<b>1B234591-2A</b>	<b>N</b>
U0020	POWER AMPLIFIER PC BOARD ASS'Y	BAAMP-0191-2A	1	1B2345191-2A	N
U0021	POWER AMPLIFIER PC BOARD ASS'Y	BAAMP-0192-2A	1	1B2345192-2A	N
<b>U003</b>	<b>U0030~U0038</b>	<b>BACLA-0226-2A *</b>	<b>1</b>	<b>1B234526-2A</b>	<b>N</b>
U0030	AMPLIFIER (L/SL/SBL/HL) PC BOARD ASS'Y	BACLA-0226-2A	1	1B2345226-2A	N
U0031	AMPLIFIER (R/SR/SBR/HR/C) PC BOARD ASS'Y	BACLA-0227-2A	1	1B2345227-2A	N
U0032	AMPLIFIER (R/SR/SBR/HR/C) PC BOARD ASS'Y	BACLA-0228-2A	1	1B2345228-2A	N
U0033	AMPLIFIER (L/SL/SBL/HL) PC BOARD ASS'Y	BACLA-0229-2A	1	1B2345229-2A	N
U0034	AMPLIFIER (R/SR/SBR/HR/C) PC BOARD ASS'Y	BACLA-0230-2A	1	1B2345230-2A	N
U0035	AMPLIFIER (L/SL/SBL/HL) PC BOARD ASS'Y	BACLA-0231-2A	1	1B2345231-2A	N
U0036	AMPLIFIER (R/SR/SBR/HR/C) PC BOARD ASS'Y	BACLA-0232-2A	1	1B2345232-2A	N
U0037	AMPLIFIER (L/SL/SBL/HL) PC BOARD ASS'Y	BACLA-0233-2A	1	1B2345233-2A	N
U0038	AMPLIFIER (R/SR/SBR/HR/C) PC BOARD ASS'Y	BACLA-0234-2A	1	1B2345234-2A	N
<b>U004</b>	<b>U0040 x 2 pcs.</b>	<b>BAASP-0855-1E *</b>	<b>1</b>	<b>1B260555-1E</b>	<b>N</b>
U0040	AUDIO(ASP) PC BOARD ASS'Y	BAASP-0855-1E	1	1B2605855-1E	N
<b>U005</b>	<b>U0050~U0058</b>	<b>BADG-0857-1J *</b>	<b>1</b>	<b>1B260557-1J_NR5010MD</b>	<b>N &lt;MDC&gt;</b>
U0050	DAC/DIR PC BOARD ASS'Y	BADG-0857-1J	1	1B2605857-1J	N <MDC>
U0051	MPU PC BOARD ASS'Y	BACPU-0858-1J	1	1B2605858-1J_NR5010D	N <MDC>
U0052	PHONO AMP. PC BOARD ASS'Y	BAAF-0860-1J	1	1B2605860-1J	N <MDC>
U0053	BUFFER AMP. PC BOARD ASS'Y	BAACC-0861-1J	1	1B2605861-1J	N <MDC>
U0055	TERMINAL(PC IN) PC BOARD ASS'Y	BAVD-0863-1J	1	1B2605863-1J	N <MDC>
U0056	TERMINAL(DIGITAL IN) PC BOARD ASS'Y	BAETC-0864-1J	1	1B2605864-1J	N <MDC>
U0057	POWER SUPPLY(DG) PC BOARD ASS'Y	BAPS-0865-1J	1	1B2605865-1J	N <MDC>
U0058	CONNECTOR PC BOARD ASS'Y	BAETC-0866-1J	1	1B2605866-1J	N <MDC>
<b>U005</b>	<b>U0050~U0058</b>	<b>BADG-0857-1J *</b>	<b>1</b>	<b>1B260557-1J_NR5010MP</b>	<b>N &lt;MMP&gt;</b>
U0050	DAC/DIR PC BOARD ASS'Y	BADG-0857-1J	1	1B2605857-1J	N <MMP>
U0051	MPU PC BOARD ASS'Y	BACPU-0858-1J	1	1B2605858-1J_NR5010P	N <MMP>
U0052	PHONO AMP. PC BOARD ASS'Y	BAAF-0860-1J	1	1B2605860-1J	N <MMP>
U0053	BUFFER AMP. PC BOARD ASS'Y	BAACC-0861-1J	1	1B2605861-1J	N <MMP>
U0055	TERMINAL(PC IN) PC BOARD ASS'Y	BAVD-0863-1J	1	1B2605863-1J	N <MMP>

U0056	TERMINAL(DIGITAL IN) PC BOARD ASS'Y	BAETC-0864-1J	1	1B2605864-1J	N <MMP>
U0057	POWER SUPPLY(DG) PC BOARD ASS'Y	BAPS-0865-1J	1	1B2605865-1J	N <MMP>
U0058	CONNECTOR PC BOARD ASS'Y	BAETC-0866-1J	1	1B2605866-1J	N <MMP>
<b>U006</b>	<b>U0060~U0064</b>	<b>BATRM-0887-1F *</b>	<b>1</b>	<b>1B260587-1F</b>	<b>N &lt;MDC&gt;</b>
U0060	SPEAKER TERMINAL PC BOARD ASS'Y	BATRM-0887-1F	1	1B2605887-1F	N <MDC>
U0061	SPEAKER TERMINAL PC BOARD ASS'Y	BATRM-0888-1F	1	1B2605888-1F	N <MDC>
U0062	SPEAKER TERMINAL PC BOARD ASS'Y	BATRM-0889-1F	1	1B2605889-1F	N <MDC>
U0063	POWER SUPPLY(PRI.) PC BOARD ASS'Y	BAPS-0890-1F	1	1B2605890-1F	N <MDC>
U0064	POWER SUPPLY(TR) PC BOARD ASS'Y	BAETC-0891-1F	1	1B2605891-1F	N <MDC>
<b>U006</b>	<b>U0060~U0064</b>	<b>BATRM-0887-1G *</b>	<b>1</b>	<b>1B260587-1G</b>	<b>N &lt;MMP&gt;</b>
U0060	SPEAKER TERMINAL PC BOARD ASS'Y	BATRM-0887-1G	1	1B2605887-1G	N <MMP>
U0061	SPEAKER TERMINAL PC BOARD ASS'Y	BATRM-0888-1G	1	1B2605888-1G	N <MMP>
U0062	SPEAKER TERMINAL PC BOARD ASS'Y	BATRM-0889-1G	1	1B2605889-1G	N <MMP>
U0063	POWER SUPPLY(PRI.) PC BOARD ASS'Y	BAPS-0890-1G	1	1B2605890-1G	N <MMP>
U0064	POWER SUPPLY(TR) PC BOARD ASS'Y	BAETC-0891-1G	1	1B2605891-1G	N <MMP>
<b>U007</b>	<b>U0070 x 2pcs.</b>	<b>BAVD-1152-1J *</b>	<b>1</b>	<b>1B275552-1J</b>	<b>N</b>
U0070	VIDEO PC BOARD ASS'Y	BAVD-1152-1J	1	1B2755152-1J	N
<b>U008</b>	<b>U0080~U0088</b>	<b>BADIS-1165-1G *</b>	<b>1</b>	<b>1B275565-1G</b>	<b>N &lt;MDC&gt;</b>
U0080	DISPLAY PC BOARD ASS'Y	BADIS-1165-1G	1	1B2755165-1G	N <MDC>
U0081	SWITCH PC BOARD ASS'Y	BASW-1166-1G	1	1B2755166-1G	N <MDC>
U0082	PHONE JACK PC BOARD ASS'Y	BAETC-1168-1G	1	1B2755168-1G	N <MDC>
U0083	TERMINAL(OPT) PC BOARD ASS'Y	BAETC-1169-1G	1	1B2755169-1G	N <MDC>
U0084	FIX PC BOARD	BAETC-1170-1G	1	1B2755170-1G	N <MDC>
U0085	VOLUME PC BOARD ASS'Y	BASW-1171-1G	1	1B2755171-1G	N <MDC>
U0086	MIC JACK(SETUP) PC BOARD ASS'Y	BAETC-1172-1G	1	1B2755172-1G	N <MDC>
U0087	FIX PC BOARD	BAETC-1175-1G	1	1B2755175-1G	N <MDC>
U0088	LED(SEL) PC BOARD ASS'Y	BAETC-1176-1G	1	1B2755176-1G	N <MDC>
<b>U008</b>	<b>U0080~U0088</b>	<b>BADIS-1165-1H *</b>	<b>1</b>	<b>1B275565-1H</b>	<b>N &lt;MMP&gt;</b>
U0080	DISPLAY PC BOARD ASS'Y	BADIS-1165-1H	1	1B2755165-1H	N <MMP>
U0081	SWITCH PC BOARD ASS'Y	BASW-1166-1H	1	1B2755166-1H	N <MMP>
U0082	PHONE JACK PC BOARD ASS'Y	BAETC-1168-1H	1	1B2755168-1H	N <MMP>
U0083	TERMINAL(OPT) PC BOARD ASS'Y	BAETC-1169-1H	1	1B2755169-1H	N <MMP>
U0084	FIX PC BOARD	BAETC-1170-1H	1	1B2755170-1H	N <MMP>
U0085	VOLUME PC BOARD ASS'Y	BASW-1171-1H	1	1B2755171-1H	N <MMP>
U0086	MIC JACK(SETUP) PC BOARD ASS'Y	BAETC-1172-1H	1	1B2755172-1H	N <MMP>
U0087	FIX PC BOARD	BAETC-1175-1H	1	1B2755175-1H	N <MMP>
U0088	LED(SEL) PC BOARD ASS'Y	BAETC-1176-1H	1	1B2755176-1H	N <MMP>
<b>U009</b>	<b>HDMI PC BOARD ASS'Y</b>	<b>BAHDM-1195-1E *</b>	<b>1</b>	<b>1B275595-1E_NR5010MD</b>	<b>N &lt;MDC&gt;</b>
<b>U009</b>	<b>HDMI PC BOARD ASS'Y</b>	<b>BAHDM-1195-1H *</b>	<b>1</b>	<b>1B275595-1H_NR5010MP</b>	<b>N &lt;MMP&gt;</b>
<b>U010</b>	<b>U0100 x 10 pcs.</b>	<b>BAHDM-1197-1B *</b>	<b>1</b>	<b>1B275597-1B</b>	<b>N</b>
U0100	TERMINAL (FRONT HDMI) PC BOARD ASS'Y	BAHDM-1197-1B	1	1B2755197-1B	N
<b>U012</b>	<b>U0120 x 10 pcs.</b>	<b>BARF-1201-1A *</b>	<b>1</b>	<b>1B275501-1A</b>	<b>N &lt;MDC&gt;</b>
U0120	AFE PC BOARD ASS'Y	BARF-1201-1A	1	1B2755201-1A	N <MDC>
U015	TUNER UNIT	FAEH08-W01	1	240169A	<B MDC>
U015	TUNER UNIT	FAEH08-E01	1	240170A	<B MMP /S MMP>

TX-NR5010

## PACKING PROCEDURES PARTS LIST

REF. NO.	PART NAME	DESCRIPTION	Q'TY	PART NO. (SN)	REMARKS
<b>[PACKING]</b>					
A767	INST SHEET	(DOOR)	1	29355856	
A771	TAPE	FIXLON #817 W12	1	29110207	
A773	SHEET	(ACC)	1	29096104	
A775	SHEET	T1.015*1300*800	1	29096134	
A776	SHEET	t1.015*500*120	1	29096146	
A779	TAPE	(SEROHAN)NITTO NO.29	1	29110149	
A780	TAPE	FIXLON #817 W12	1	29110207	
A781	PAD	AS.	1	29092607D	
A782	SHEET	(PAD)	4	29096132	
A802	CARTON	TX-NR5010MDC	1	29055381	N <B MDC>
A802	CARTON	TX-NR5010	1	29055382	N <B MMP /S MMP>
A821A	UPC LABEL	TX-NR5010(B)MDC	1	29392060	N <B MDC>
A821A	EAN LABEL	TX-NR5010(B)MMP	1	29392061	N <B MMP>
A821A	EAN LABEL	TX-NR5010(S)MMP	1	29392062	N <S MMP>
A851	PP TAPE	W50 SBT-70	1	29110200	
A853	STAPLE	FUKAN-BARI(1000KO)	4	282321	
<b>[ACCESSARY]</b>					
A1053	INS MANUAL	QSG_De(TXNR3010/5010)	1	29401246	<B MMP /S MMP>
A1055	INS MANUAL	QSG_Ni(TXNR3010/5010)	1	29401247	<B MMP /S MMP>
A1057	INS MANUAL	QSG_Sv(TXNR3010/5010)	1	29401248	<B MMP /S MMP>
A1059	INS MANUAL	QSG_Fi(TXNR3010/5010)	1	29401249	<B MMP /S MMP>
A1073	INS MANUAL	QSG_En(TXNR3010/5010)	1	29401242	
A1075	INS MANUAL	QSG_Fr(TXNR3010/5010)	1	29401243	
A1077	INS MANUAL	QSG_Es(TXNR3010/5010)	1	29401244	
A1079	INS MANUAL	QSG_It(TXNR3010/5010)	1	29401245	<B MMP /S MMP>
A1093	INST SHEET	U11(2010_RIHD)	1	29355782A	
A1095	INS MANUAL	EnJa(GNU_License)	1	29401190	
A1097	INST SHEET	(Z2 ANTENNA)	1	29355880	<B MDC>
A1099	INST SHEET	U12(IR-SERVICE)ONK	1	29355881	
A1115	INST SHEET	WEEE	1	29355793A	<B MMP /S MMP>
A1138	INS MANUAL	SAFETY_U3	1	29400883	<B MDC>
A1140	INS MANUAL	SAFETY_U10	1	29400884	<B MMP /S MMP>
A1142	INS MANDSK	U7(2012_TX_AVR)	1	29500005D	
A1144	INST SHEET	U13(Ventilation)	1	29355845	
A1146	INST SHEET	(AM ANTENNA)	1	29355884	<B MDC>
A1148	POLY BAG	w250xd350	1	29100250A	<B MDC>
A1150	TAPE	(SEROHAN)NITTO NO.29	1	29110149	<B MDC>
A901	POLY BAG	w250xd350	1	29100250A	
A905	TAPE	(SEROHAN)NITTO NO.29	1	29110149	
A907	LABEL	(SPCABLE)2009	1	29390881	
A919	WRNTY CARD	(ONKYO)	1	29365135	<B MDC>
A990	REMO CON	RC-840M	1	24140840	

A991	BATTERY	R6/AA(UM-3)	2	3010194	
A991 or	BATTERY	R6/AA(UM-3)	(2)	3010054	
A992	MIC	MIC-7001	1	245045	
A993	ANT COIL	NMA-3057	1	232140	
A993 or	ANT COIL	AM LOOP-ANTENNA	(1)	232207	
A994	FM ANT AS	Type W	1	292191	
A995	ANT COIL	NMA-3057	1	232140	<B MDC>
A995 or	ANT COIL	AM LOOP-ANTENNA	(1)	232207	<B MDC>
A996	FM ANT AS	Type W	1	292191	<B MDC>
P991	AC CORD	AS-CEE-3	1	253298VOL	! <B MMP /S MMP>
P991	AC CORD	AS-UC-2	1	253301VOL	! <B MDC>

## TX-NR5010

## PC BOARD PARTS LIST

<b>U001</b>	U0010~U0014	BAAF-0180-2C *
<b>U0010</b>	POWER SUPPLY PC BOARD ASS'Y	BAAF-0180-2C
<b>U0011</b>	DIODE PC BOARD ASS'Y	BAPS-0181-2C
<b>U0012</b>	RELAY PC BOARD ASS'Y	BAPS-0182-2C
<b>U0013</b>	SENSOR PC BOARD ASS'Y	BAETC-0183-2C
<b>U0014</b>	SENSOR PC BOARD ASS'Y	BAETC-0184-2C

CIRCUIT NO.	PART NAME	DESCRIPTION	Q'TY	PART NO. (SN)	REMARKS
<b>[SEMI CONDUCTOR]</b>					
D6221	DIODE	1SS133	1	223163T	
D6221 or	DIODE	1SS270ATD	(1)	223314T	
D6222	DIODE	1SS133	1	223163T	
D6222 or	DIODE	1SS270ATD	(1)	223314T	
D6601	DIODE	LN25XB60	1	22380345	
D6602	DIODE	1SS133	1	223163T	
D6602 or	DIODE	1SS270ATD	(1)	223314T	
D6611	DIODE	LN25XB60	1	22380345	
D6612	DIODE	1SS133	1	223163T	
D6612 or	DIODE	1SS270ATD	(1)	223314T	
D6621	DIODE	LN25XB60	1	22380345	
D6701	DIODE	1SS133	1	223163T	
D6701 or	DIODE	1SS270ATD	(1)	223314T	
D6702	DIODE	1SS133	1	223163T	
D6702 or	DIODE	1SS270ATD	(1)	223314T	
D6703	ZENER D	MTZJ3.3B	1	224470332T	
D6703 or	ZENER D	HZS3C2	(1)	224860330T	N
D6704	ZENER D	MTZJ3.3B	1	224470332T	
D6704 or	ZENER D	HZS3C2	(1)	224860330T	N
D6713	ZENER D	MTZJ3.3B	1	224470332T	
D6713 or	ZENER D	HZS3C2	(1)	224860330T	N
Q6000	TR	2SC1740S-S	1	2213285T	

Q6000 or	TR	KTC3198-GR	(1)	2215985T	
Q6001	TR	2SC1740S-S	1	2213285T	
Q6001 or	TR	KTC3198-GR	(1)	2215985T	
Q6002	TR	2SC1740S-S	1	2213285T	<B MDC, MMP>
Q6002 or	TR	KTC3198-GR	(1)	2215985T	<B MDC, MMP>
Q6003	TR	2SC1740S-S	1	2213285T	
Q6003 or	TR	KTC3198-GR	(1)	2215985T	
Q6004	TR	2SC1740S-S	1	2213285T	
Q6004 or	TR	KTC3198-GR	(1)	2215985T	
Q6005	TR	2SC1740S-S	1	2213285T	<B MDC, MMP>
Q6005 or	TR	KTC3198-GR	(1)	2215985T	<B MDC, MMP>
Q6006	TR	2SC1740S-S	1	2213285T	
Q6006 or	TR	KTC3198-GR	(1)	2215985T	
Q6007	TR	2SC1740S-S	1	2213285T	
Q6007 or	TR	KTC3198-GR	(1)	2215985T	
Q6008	TR	2SC1740S-S	1	2213285T	
Q6008 or	TR	KTC3198-GR	(1)	2215985T	
Q6226	TR	2SB1240-R	1	2213794T	
Q6226 or	TR	KTA1281-O	(1)	2217833T	
Q6226 or	TR	KTA1281-Y	(1)	2217834T	
Q6380	IC	LM61CIZ	1	22242212	
Q6380A	RETAINER	(PTH)	1	27141884-1	
Q6381	IC	LM61CIZ	1	22242212	
Q6381A	RETAINER	(PTH)	1	27141884-1	
Q6550	TR	2SC1815-GR	1	2211255T	
Q6550 or	TR	KTC3198-GR	(1)	2215985T	
Q6551	TR	2SA950-O	1	2211503T	
Q6551 or	TR	2SA950-Y	(1)	2211504T	
Q6551 or	TR	KTA1271-Y	(1)	2217824T	
Q6560	TR	2SC1815-GR	1	2211255T	
Q6560 or	TR	KTC3198-GR	(1)	2215985T	
Q6561	TR	2SA950-O	1	2211503T	
Q6561 or	TR	2SA950-Y	(1)	2211504T	
Q6561 or	TR	KTA1271-Y	(1)	2217824T	
Q6601	TR	KTC3199-GR	1	2215864T	
Q6601 or	TR	2SC1740S-R	(1)	2213284T	
Q6601 or	TR	2SC1740S-S	(1)	2213285T	
Q6601 or	TR	KTC3198-GR	(1)	2215985T	
Q6611	TR	KTC3199-GR	1	2215864T	
Q6611 or	TR	2SC1740S-R	(1)	2213284T	
Q6611 or	TR	2SC1740S-S	(1)	2213285T	
Q6611 or	TR	KTC3198-GR	(1)	2215985T	
Q6701	TR	2N5551C	1	2217920T	
Q6702	TR	2N5551C	1	2217920T	
Q6703	TR	2SA970-BL(TPE2_F)	1	2211396T	
Q6703 or	TR	KTA1268-BL	(1)	2215886T	
Q6713	TR	2SA970-BL(TPE2_F)	1	2211396T	

Q6713 or	TR	KTA1268-BL	(1)	2215886T	
<b>[CAPACITOR]</b>					
C6222	UTSP C	CE04W25V-220M(UTSP)	1	397552217T	
C6601	MKT C	B32529C0102J289	1	376491024T	
C6602	PLA C	ECQE250V-334J	1	3700083S	
C6611	MKT C	B32529C0102J289	1	376491024T	
C6612	TF C	ECQ-V100V-334J	1	374733344T	
C6622	TF C	ECQ-V100V-334J	1	374733344T	
C6701	UTSP C	CE04W16V-330M(UTSP)	1	397543317T	
C6703	TF C	ECQ-V50V-223J	1	374722234T	
C6704	UTSP C	CE04W50V-1M(UTSP)	1	397580107T	
C6704 or	UTSP C	CE04W50V-1M(UTSP)	(1)	397580107AT	
C6706	UTSP C	CE04W50V-10M(UTSP)	1	397581007T	
C6706 or	UTSP C	CE04W50V-10M(UTSP)	(1)	397581007AT	
C6713	TF C	ECQ-V50V-223J	1	374722234T	
C6714	UTSP C	CE04W50V-1M(UTSP)	1	397580107T	
C6714 or	UTSP C	CE04W50V-1M(UTSP)	(1)	397580107AT	
C6901	ELECT C	CE04W75V-22000M	1	3504471	<B MDC, MMP>
C6901 or	ELECT C	CE69W75V-22000M	(1)	3504478	<B MDC, MMP>
C6902	ELECT C	CE04W75V-22000M	1	3504471	<B MDC, MMP>
C6902 or	ELECT C	CE69W75V-22000M	(1)	3504478	<B MDC, MMP>
<b>[RESISTOR]</b>					
R6222	METAL R	RNU1WCJ-1	1	453630104T	
R6223	CARBON R	R16J-5.6K	1	417345624T	
R6550	CARBON R	R16J-4.7K	1	417344724T	
R6551	CARBON R	R16J-330	1	417343314T	
R6552	CARBON R	R16J-1.8K	1	417341824T	
R6553	CARBON R	R16J-1.2K	1	417341224T	
R6554	CARBON R	R16J-22K	1	417342234T	
R6560	CARBON R	R16J-4.7K	1	417344724T	
R6561	CARBON R	R16J-330	1	417343314T	
R6562	CARBON R	R16J-1.8K	1	417341824T	
R6563	CARBON R	R16J-1.2K	1	417341224T	
R6564	CARBON R	R16J-22K	1	417342234T	
R6601	CARBON R	R16J-1K	1	417341024T	
R6602	CARBON R	R16J-4.7K	1	417344724T	
R6603	METAL R	RNU1/2WCJ-2.2	1	453530224T	
R6611	CARBON R	R16J-1K	1	417341024T	
R6612	CARBON R	R16J-4.7K	1	417344724T	
R6613	METAL R	RNU1/2WCJ-2.2	1	453530224T	
R6701	CARBON R	R16J-22K	1	417342234T	
R6702	CARBON R	R16J-10K	1	417341034T	
R6704	CARBON R	R16J-33K	1	417343334T	
R6706	CARBON R	R16J-22K	1	417342234T	
R6708	CARBON R	R16J-33K	1	417343334T	
R6709	CARBON R	R16J-5.6K	1	417345624T	
R6710	CARBON R	R16J-15K	1	417341534T	

R6712	CARBON R	R16J-10K	1	417341034T	
R6714	CARBON R	R16J-33K	1	417343334T	
R6716	CARBON R	R16J-22K	1	417342234T	
<b>[SW TRM]</b>					
F6601A	FUSE HOLDER	SN5051	1	250113	!
F6601B	FUSE HOLDER	SN5051	1	250113	!
F6602A	FUSE HOLDER	SN5051	1	250113	!
F6602B	FUSE HOLDER	SN5051	1	250113	!
F6603A	FUSE HOLDER	SN5051	1	250113	!
F6603B	FUSE HOLDER	SN5051	1	250113	!
F6604A	FUSE HOLDER	SN5051	1	250113	!
F6604B	FUSE HOLDER	SN5051	1	250113	!
JL6041A	WIRE HOL	NSCT-3P874	1	25051087	
JL6402A	WIRE TRAP	NPLG-3P586	1	25055624	
JL6402B	WIRE HOL	NSCT-3P874	1	25051087	
JL6403A	WIRE TRAP	NPLG-3P586	1	25055624	
JL6403B	WIRE HOL	NSCT-3P874	1	25051087	
JL6602A	WIRE HOL	NSCT-5P876	1	25051089	
JL6602B	WIRE TRAP	NPLG-5P588	1	25055626	
JL6900	SOCKET AS	NSAS-6P1991	1	2003B190618UL	
P5000A	SOCKET AS	NSAS-20P1811	1	2009991171UL	
P5001A	SOCKET AS	NSAS-16P1810	1	2009991170UL	
P5002A	CRIMP AS	CRIMP SR805_1	1	20799169UL	
P5010B	PLUG	NPLG-3P0958	1	25056008	
P5011B	PLUG	NPLG-3P0958	1	25056008	
P5012B	PLUG	NPLG-3P0958	1	25056008	<B MDC, MMP>
P5013B	PLUG	NPLG-3P0958	1	25056008	<B MDC, MMP>
P5014B	PLUG	NPLG-3P0958	1	25056008	
P5015B	PLUG	NPLG-3P0958	1	25056008	
P5016B	PLUG	NPLG-3P0958	1	25056008	
P5017B	PLUG	NPLG-3P0958	1	25056008	
P5018B	PLUG	NPLG-3P0958	1	25056008	
P5020B	TRM	NTM-1P232(M1700)	1	25060301	
P5021B	TRM	NTM-1P232(M1700)	1	25060301	
P5022B	TRM	NTM-1P232(M1700)	1	25060301	<B MDC, MMP>
P5023B	TRM	NTM-1P232(M1700)	1	25060301	<B MDC, MMP>
P5024B	TRM	NTM-1P232(M1700)	1	25060301	
P5025B	TRM	NTM-1P232(M1700)	1	25060301	
P5026B	TRM	NTM-1P232(M1700)	1	25060301	
P5027B	TRM	NTM-1P232(M1700)	1	25060301	
P5028B	TRM	NTM-1P232(M1700)	1	25060301	
P6010B	PLUG	NPLG-3P0958	1	25056008	
P6011B	PLUG	NPLG-3P0958	1	25056008	
P6012B	PLUG	NPLG-3P0958	1	25056008	<B MDC, MMP>
P6013B	PLUG	NPLG-3P0958	1	25056008	
P6014B	PLUG	NPLG-3P0958	1	25056008	
P6015B	PLUG	NPLG-3P0958	1	25056008	<B MDC, MMP>

P6016B	PLUG	NPLG-3P0958	1	25056008	
P6017B	PLUG	NPLG-3P0958	1	25056008	
P6018B	PLUG	NPLG-3P0958	1	25056008	
P6140	SOCKET AS	NSAS-9P1790	1	2009991156UL	
P6240	SOCKET AS	NSAS-9P1812	1	2009991172AUL	
P6340	SOCKET AS	NSAS-8P1660	1	2009991064AUL	
P6500	PLUG	NPLG-7P163	1	25055179	
P6550	PLUG	NPLG-2P83	1	25055099	
P6560	PLUG	NPLG-2P568	1	25055600	
P6601	SOCKET AS	NSAS7P-1815	1	2009991174UL	
P6601A	PLUG	NPLG-7P163	1	25055179	
P6602	RETAINER	(TRM-12)	1	27142148	
P6602B	RETAINER	MET37-0002	1	27142009T	
P6603	RETAINER	(TRM-12)	1	27142148	
P6603B	RETAINER	MET37-0002	1	27142009T	
P7210A	SOCKET AS	NSAS-22P1792	1	2009991158UL	
RL6601	RELAY	G2RL-1A-E-DC12V-423	1	25060496	
RL6602	RELAY	G2RL-1A-E-DC12V-423	1	25060496	
RL6611	RELAY	G2RL-1A-E-DC12V-423	1	25060496	
RL6612	RELAY	G2RL-1A-E-DC12V-423	1	25060496	
<b>[MECHA PARTS]</b>					
P6202	HOLDER	HOLDER(CLAMP)	1	27190540-1	
P6400	RETAINER	(BUS-3)	1	27142058A	
P6401	RETAINER	(BUS-S)	1	27142147	
P6402	RETAINER	(BUS-L)	1	27142146	

**U002**

U0020, U0021

BAAMP-0191-2A \*

**U0020**

POWER AMPLIFIER PC BOARD ASS'Y

BAAMP-0191-2A

**U0021**

POWER AMPLIFIER PC BOARD ASS'Y

BAAMP-0192-2A

CIRCUIT NO.	PART NAME	DESCRIPTION	Q'TY	PART NO. (SN)	REMARKS
<b>[SEMI CONDUCTOR]</b>					
D6000	DIODE	1SS270ATD	1	223314T	
D6001	DIODE	1SS270ATD	1	223314T	
D6002	DIODE	1SS270ATD	1	223314T	<B MDC, MMP>
D6003	DIODE	1SS270ATD	1	223314T	
D6004	DIODE	1SS270ATD	1	223314T	
D6005	DIODE	1SS270ATD	1	223314T	<B MDC, MMP>
D6006	DIODE	1SS270ATD	1	223314T	
D6007	DIODE	1SS270ATD	1	223314T	
D6008	DIODE	1SS270ATD	1	223314T	
Q6070	TR	2N5551C	1	2217920T	
Q6071	TR	2N5551C	1	2217920T	
Q6072	TR	2N5551C	1	2217920T	<B MDC, MMP>
Q6073	TR	2N5551C	1	2217920T	



Q6074	TR	2N5551C	1	2217920T	
Q6075	TR	2N5551C	1	2217920T	<B MDC, MMP>
Q6076	TR	2N5551C	1	2217920T	
Q6077	TR	2N5551C	1	2217920T	
Q6078	TR	2N5551C	1	2217920T	
<b>[TRANS COIL]</b>					
L6000	FR CORE	*	1	5597-45502	
L6001	FR CORE	*	1	5597-45502	
L6002	FR CORE	*	1	5597-45502	<B MDC, MMP>
L6003	FR CORE	*	1	5597-45502	
L6004	FR CORE	*	1	5597-45502	
L6005	FR CORE	*	1	5597-45502	<B MDC, MMP>
L6006	FR CORE	*	1	5597-45502	
L6007	FR CORE	*	1	5597-45502	
L6008	FR CORE	*	1	5597-45502	
L6010	FR CORE	*	1	5597-45502	
L6011	FR CORE	*	1	5597-45502	
L6012	FR CORE	*	1	5597-45502	<B MDC, MMP>
L6013	FR CORE	*	1	5597-45502	
L6014	FR CORE	*	1	5597-45502	
L6015	FR CORE	*	1	5597-45502	<B MDC, MMP>
L6016	FR CORE	*	1	5597-45502	
L6017	FR CORE	*	1	5597-45502	
L6018	FR CORE	*	1	5597-45502	
<b>[CAPACITOR]</b>					
C6040	TF C	ECQ-V50V-223J	1	374722234T	
C6041	TF C	ECQ-V50V-223J	1	374722234T	
C6042	TF C	ECQ-V50V-223J	1	374722234T	<B MDC, MMP>
C6043	TF C	ECQ-V50V-223J	1	374722234T	
C6044	TF C	ECQ-V50V-223J	1	374722234T	
C6045	TF C	ECQ-V50V-223J	1	374722234T	<B MDC, MMP>
C6046	TF C	ECQ-V50V-223J	1	374722234T	
C6047	TF C	ECQ-V50V-223J	1	374722234T	
C6048	TF C	ECQ-V50V-223J	1	374722234T	
<b>[RESISTOR]</b>					
R6080	METAL O R	RS1/2WBJ-10	1	443521004T	
R6081	METAL O R	RS1/2WBJ-10	1	443521004T	
R6082	METAL O R	RS1/2WBJ-10	1	443521004T	<B MDC, MMP>
R6083	METAL O R	RS1/2WBJ-10	1	443521004T	
R6084	METAL O R	RS1/2WBJ-10	1	443521004T	
R6085	METAL O R	RS1/2WBJ-10	1	443521004T	<B MDC, MMP>
R6086	METAL O R	RS1/2WBJ-10	1	443521004T	
R6087	METAL O R	RS1/2WBJ-10	1	443521004T	
R6088	METAL O R	RS1/2WBJ-10	1	443521004T	
R6090	METAL O R	RS1/2WBJ-10	1	443521004T	
R6091	METAL O R	RS1/2WBJ-10	1	443521004T	
R6092	METAL O R	RS1/2WBJ-10	1	443521004T	<B MDC, MMP>

R6093	METAL O R	RS1/2WBJ-10	1	443521004T	
R6094	METAL O R	RS1/2WBJ-10	1	443521004T	
R6095	METAL O R	RS1/2WBJ-10	1	443521004T	<B MDC, MMP>
R6096	METAL O R	RS1/2WBJ-10	1	443521004T	
R6097	METAL O R	RS1/2WBJ-10	1	443521004T	
R6098	METAL O R	RS1/2WBJ-10	1	443521004T	
R6170	CARBON R	R16J-33K	1	417343334T	
R6171	CARBON R	R16J-33K	1	417343334T	
R6172	CARBON R	R16J-33K	1	417343334T	<B MDC, MMP>
R6173	CARBON R	R16J-33K	1	417343334T	
R6174	CARBON R	R16J-33K	1	417343334T	
R6175	CARBON R	R16J-33K	1	417343334T	<B MDC, MMP>
R6176	CARBON R	R16J-33K	1	417343334T	
R6177	CARBON R	R16J-33K	1	417343334T	
R6178	CARBON R	R16J-33K	1	417343334T	
R6180	CARBON R	R16J-56K	1	417345634T	
R6181	CARBON R	R16J-56K	1	417345634T	
R6182	CARBON R	R16J-56K	1	417345634T	<B MDC, MMP>
R6183	CARBON R	R16J-56K	1	417345634T	
R6184	CARBON R	R16J-56K	1	417345634T	
R6185	CARBON R	R16J-56K	1	417345634T	<B MDC, MMP>
R6186	CARBON R	R16J-56K	1	417345634T	
R6187	CARBON R	R16J-56K	1	417345634T	
R6188	CARBON R	R16J-56K	1	417345634T	
R6190	CARBON R	R16J-10K	1	417341034T	
R6191	CARBON R	R16J-10K	1	417341034T	
R6192	CARBON R	R16J-10K	1	417341034T	<B MDC, MMP>
R6193	CARBON R	R16J-10K	1	417341034T	
R6194	CARBON R	R16J-10K	1	417341034T	
R6195	CARBON R	R16J-10K	1	417341034T	<B MDC, MMP>
R6196	CARBON R	R16J-10K	1	417341034T	
R6197	CARBON R	R16J-10K	1	417341034T	
R6198	CARBON R	R16J-10K	1	417341034T	
R6210	CARBON R	R16J-47K	1	417344734T	
R6211	CARBON R	R16J-47K	1	417344734T	
R6212	CARBON R	R16J-47K	1	417344734T	<B MDC, MMP>
R6213	CARBON R	R16J-47K	1	417344734T	
R6214	CARBON R	R16J-47K	1	417344734T	
R6215	CARBON R	R16J-47K	1	417344734T	<B MDC, MMP>
R6216	CARBON R	R16J-47K	1	417344734T	
R6217	CARBON R	R16J-47K	1	417344734T	
R6218	CARBON R	R16J-47K	1	417344734T	
R6230	CARBON R	R16J-47K	1	417344734T	
R6231	CARBON R	R16J-47K	1	417344734T	
R6232	CARBON R	R16J-47K	1	417344734T	<B MDC, MMP>
R6233	CARBON R	R16J-47K	1	417344734T	
R6234	CARBON R	R16J-47K	1	417344734T	

R6235	CARBON R	R16J-47K	1	417344734T	<B MDC, MMP>
R6236	CARBON R	R16J-47K	1	417344734T	
R6237	CARBON R	R16J-47K	1	417344734T	
R6238	CARBON R	R16J-47K	1	417344734T	
R6400	METAL PR	MPR2W+2WK 0R47	1	4000253	
R6401	METAL PR	MPR2W+2WK 0R47	1	4000253	
R6402	METAL PR	MPR2W+2WK 0R47	1	4000253	<B MDC, MMP>
R6403	METAL PR	MPR2W+2WK 0R47	1	4000253	
R6404	METAL PR	MPR2W+2WK 0R47	1	4000253	
R6405	METAL PR	MPR2W+2WK 0R47	1	4000253	<B MDC, MMP>
R6406	METAL PR	MPR2W+2WK 0R47	1	4000253	
R6407	METAL PR	MPR2W+2WK 0R47	1	4000253	
R6408	METAL PR	MPR2W+2WK 0R47	1	4000253	
R6410	METAL PR	MPR2W+2WK 0R47	1	4000253	
R6411	METAL PR	MPR2W+2WK 0R47	1	4000253	
R6412	METAL PR	MPR2W+2WK 0R47	1	4000253	<B MDC, MMP>
R6413	METAL PR	MPR2W+2WK 0R47	1	4000253	
R6414	METAL PR	MPR2W+2WK 0R47	1	4000253	
R6415	METAL PR	MPR2W+2WK 0R47	1	4000253	<B MDC, MMP>
R6416	METAL PR	MPR2W+2WK 0R47	1	4000253	
R6417	METAL PR	MPR2W+2WK 0R47	1	4000253	
R6418	METAL PR	MPR2W+2WK 0R47	1	4000253	
<b>[SW TRM]</b>					
JL6041B	WIRE TRAP	NPLG-3P586	1	25055624	
JL6042A	WIRE HOL	NSCT-3P874	1	25051087	
JL6042B	WIRE TRAP	NPLG-3P586	1	25055624	
P6030A	PLUG	IMSA-9115B-05	1	25056335	
P6031A	PLUG	IMSA-9115B-05	1	25056335	
P6032A	PLUG	IMSA-9115B-05	1	25056335	<B MDC, MMP>
P6033A	PLUG	IMSA-9115B-05	1	25056335	
P6034A	PLUG	IMSA-9115B-05	1	25056335	
P6035A	PLUG	IMSA-9115B-05	1	25056335	<B MDC, MMP>
P6036A	PLUG	IMSA-9115B-05	1	25056335	
P6037A	PLUG	IMSA-9115B-05	1	25056335	
P6038A	PLUG	IMSA-9115B-05	1	25056335	
P6050	PLUG	IMSA-9201B-1-06Z388-PT1	1	25056614	
P6051	PLUG	IMSA-9201B-1-06Z388-PT1	1	25056614	
P6052	PLUG	IMSA-9201B-1-06Z388-PT1	1	25056614	<B MDC, MMP>
P6053	PLUG	IMSA-9201B-1-06Z388-PT1	1	25056614	
P6054	PLUG	IMSA-9201B-1-06Z388-PT1	1	25056614	
P6055	PLUG	IMSA-9201B-1-06Z388-PT1	1	25056614	<B MDC, MMP>
P6056	PLUG	IMSA-9201B-1-06Z388-PT1	1	25056614	
P6057	PLUG	IMSA-9201B-1-06Z388-PT1	1	25056614	
P6058	PLUG	IMSA-9201B-1-06Z388-PT1	1	25056614	
P6060	PLUG	IMSA-9201B-1-06Z388-PT1	1	25056614	
P6061	PLUG	IMSA-9201B-1-06Z388-PT1	1	25056614	
P6062	PLUG	IMSA-9201B-1-06Z388-PT1	1	25056614	<B MDC, MMP>

P6063	PLUG	IMSA-9201B-1-06Z388-PT1	1	25056614	
P6064	PLUG	IMSA-9201B-1-06Z388-PT1	1	25056614	
P6065	PLUG	IMSA-9201B-1-06Z388-PT1	1	25056614	<B MDC, MMP>
P6066	PLUG	IMSA-9201B-1-06Z388-PT1	1	25056614	
P6067	PLUG	IMSA-9201B-1-06Z388-PT1	1	25056614	
P6068	PLUG	IMSA-9201B-1-06Z388-PT1	1	25056614	
P6070	PLUG	NPLG-2P645	1	25055689	
P6071	PLUG	NPLG-2P645	1	25055689	
P6072	PLUG	NPLG-2P645	1	25055689	<B MDC, MMP>
P6073	PLUG	NPLG-2P645	1	25055689	
P6074	PLUG	NPLG-2P645	1	25055689	
P6075	PLUG	NPLG-2P645	1	25055689	<B MDC, MMP>
P6076	PLUG	NPLG-2P645	1	25055689	
P6077	PLUG	NPLG-2P645	1	25055689	
P6078	PLUG	NPLG-2P645	1	25055689	
P6240	SOCKET AS	NSAS-4P1789	1	2009991155AUL	
P6250	SOCKET AS	NSAS-5P1791	1	2009991157AUL	
P6340A	PLUG	NPLG-2P149	1	25055165	
P6350A	PLUG	NPLG-2P149	1	25055165	
<b>[MECHA PARTS]</b>					
P6340B	RETAINER	(AMP-4)	1	27142144	<B MDC, MMP>
P6340C	RETAINER	(AMP-4)	1	27142144	<B MDC, MMP>
P6350B	RETAINER	(AMP-5)	1	27142145	<B MDC, MMP>
P6350C	RETAINER	(AMP-5)	1	27142145	<B MDC, MMP>

<b>U003</b>	<b>U0030~U0028</b>	<b>BACLA-0226-2A *</b>
<b>U0030</b>	AMPLIFIER (L/SL/SBL/HL) PC BOARD ASS'Y	BACLA-0226-2A
<b>U0031</b>	AMPLIFIER (R/SR/SBR/HR/C) PC BOARD ASS'Y	BACLA-0227-2A
<b>U0032</b>	AMPLIFIER (R/SR/SBR/HR/C) PC BOARD ASS'Y	BACLA-0228-2A
<b>U0033</b>	AMPLIFIER (L/SL/SBL/HL) PC BOARD ASS'Y	BACLA-0229-2A
<b>U0034</b>	AMPLIFIER (R/SR/SBR/HR/C) PC BOARD ASS'Y	BACLA-0230-2A
<b>U0035</b>	AMPLIFIER (L/SL/SBL/HL) PC BOARD ASS'Y	BACLA-0231-2A
<b>U0036</b>	AMPLIFIER (R/SR/SBR/HR/C) PC BOARD ASS'Y	BACLA-0232-2A
<b>U0037</b>	AMPLIFIER (L/SL/SBL/HL) PC BOARD ASS'Y	BACLA-0233-2A
<b>U0038</b>	AMPLIFIER (R/SR/SBR/HR/C) PC BOARD ASS'Y	BACLA-0234-2A

CIRCUIT NO.	PART NAME	DESCRIPTION	Q'TY	PART NO. (SN)	REMARKS
<b>[SEMI CONDUCTOR]</b>					
D5000	ZENER D	MTZJ5.6B	1	224470562T	
D5000 or	ZENER D	HZS6A3	(1)	224860560T	
D5001	ZENER D	MTZJ5.6B	1	224470562T	
D5001 or	ZENER D	HZS6A3	(1)	224860560T	
D5002	ZENER D	MTZJ5.6B	1	224470562T	
D5002 or	ZENER D	HZS6A3	(1)	224860560T	
D5003	ZENER D	MTZJ5.6B	1	224470562T	

D5003 or	ZENER D	HZS6A3	(1)	224860560T	
D5004	ZENER D	MTZJ5.6B	1	224470562T	
D5004 or	ZENER D	HZS6A3	(1)	224860560T	
D5005	ZENER D	MTZJ5.6B	1	224470562T	
D5005 or	ZENER D	HZS6A3	(1)	224860560T	
D5006	ZENER D	MTZJ5.6B	1	224470562T	
D5006 or	ZENER D	HZS6A3	(1)	224860560T	
D5007	ZENER D	MTZJ5.6B	1	224470562T	<B MDC, MMP>
D5007 or	ZENER D	HZS6A3	(1)	224860560T	<B MDC, MMP>
D5008	ZENER D	MTZJ5.6B	1	224470562T	<B MDC, MMP>
D5008 or	ZENER D	HZS6A3	(1)	224860560T	<B MDC, MMP>
Q5000	TR	2SC2240-BL(TPE2_F)	1	2211406T	
Q5000 or	TR	KTC3201-BL	(1)	2217946T	
Q5001	TR	2SC2240-BL(TPE2_F)	1	2211406T	
Q5001 or	TR	KTC3201-BL	(1)	2217946T	
Q5002	TR	2SC2240-BL(TPE2_F)	1	2211406T	
Q5002 or	TR	KTC3201-BL	(1)	2217946T	
Q5003	TR	2SC2240-BL(TPE2_F)	1	2211406T	
Q5003 or	TR	KTC3201-BL	(1)	2217946T	
Q5004	TR	2SC2240-BL(TPE2_F)	1	2211406T	
Q5004 or	TR	KTC3201-BL	(1)	2217946T	
Q5005	TR	2SC2240-BL(TPE2_F)	1	2211406T	
Q5005 or	TR	KTC3201-BL	(1)	2217946T	
Q5006	TR	2SC2240-BL(TPE2_F)	1	2211406T	
Q5006 or	TR	KTC3201-BL	(1)	2217946T	
Q5007	TR	2SC2240-BL(TPE2_F)	1	2211406T	<B MDC, MMP>
Q5007 or	TR	KTC3201-BL	(1)	2217946T	<B MDC, MMP>
Q5008	TR	2SC2240-BL(TPE2_F)	1	2211406T	<B MDC, MMP>
Q5008 or	TR	KTC3201-BL	(1)	2217946T	<B MDC, MMP>
Q5010	TR	2SC2240-BL(TPE2_F)	1	2211406T	
Q5010 or	TR	KTC3201-BL	(1)	2217946T	
Q5011	TR	2SC2240-BL(TPE2_F)	1	2211406T	
Q5011 or	TR	KTC3201-BL	(1)	2217946T	
Q5012	TR	2SC2240-BL(TPE2_F)	1	2211406T	
Q5012 or	TR	KTC3201-BL	(1)	2217946T	
Q5013	TR	2SC2240-BL(TPE2_F)	1	2211406T	
Q5013 or	TR	KTC3201-BL	(1)	2217946T	
Q5014	TR	2SC2240-BL(TPE2_F)	1	2211406T	
Q5014 or	TR	KTC3201-BL	(1)	2217946T	
Q5015	TR	2SC2240-BL(TPE2_F)	1	2211406T	
Q5015 or	TR	KTC3201-BL	(1)	2217946T	
Q5016	TR	2SC2240-BL(TPE2_F)	1	2211406T	
Q5016 or	TR	KTC3201-BL	(1)	2217946T	
Q5017	TR	2SC2240-BL(TPE2_F)	1	2211406T	<B MDC, MMP>
Q5017 or	TR	KTC3201-BL	(1)	2217946T	<B MDC, MMP>
Q5018	TR	2SC2240-BL(TPE2_F)	1	2211406T	<B MDC, MMP>
Q5018 or	TR	KTC3201-BL	(1)	2217946T	<B MDC, MMP>

Q5020	TR	2N5551C	1	2217920T	
Q5021	TR	2N5551C	1	2217920T	
Q5022	TR	2N5551C	1	2217920T	
Q5023	TR	2N5551C	1	2217920T	
Q5024	TR	2N5551C	1	2217920T	
Q5025	TR	2N5551C	1	2217920T	
Q5026	TR	2N5551C	1	2217920T	
Q5027	TR	2N5551C	1	2217920T	<B MDC, MMP>
Q5027 or	TR	KTC3201-BL	(1)	2217946T	<B MDC, MMP>
Q5028	TR	2N5551C	1	2217920T	<B MDC, MMP>
Q5028 or	TR	KTC3201-BL	(1)	2217946T	<B MDC, MMP>
Q5030	TR	2SA949-O(TPE6_F)	1	2211353T	
Q5030 or	TR	2SA949-Y(TPE6_F)	(1)	2211354T	
Q5031	TR	2SA949-O(TPE6_F)	1	2211353T	
Q5031 or	TR	2SA949-Y(TPE6_F)	(1)	2211354T	
Q5032	TR	2SA949-O(TPE6_F)	1	2211353T	
Q5032 or	TR	2SA949-Y(TPE6_F)	(1)	2211354T	
Q5033	TR	2SA949-O(TPE6_F)	1	2211353T	
Q5033 or	TR	2SA949-Y(TPE6_F)	(1)	2211354T	
Q5034	TR	2SA949-O(TPE6_F)	1	2211353T	
Q5034 or	TR	2SA949-Y(TPE6_F)	(1)	2211354T	
Q5035	TR	2SA949-O(TPE6_F)	1	2211353T	
Q5035 or	TR	2SA949-Y(TPE6_F)	(1)	2211354T	
Q5036	TR	2SA949-O(TPE6_F)	1	2211353T	
Q5036 or	TR	2SA949-Y(TPE6_F)	(1)	2211354T	
Q5037	TR	2SA949-O(TPE6_F)	1	2211353T	<B MDC, MMP>
Q5037 or	TR	2SA949-Y(TPE6_F)	(1)	2211354T	<B MDC, MMP>
Q5038	TR	2SA949-O(TPE6_F)	1	2211353T	<B MDC, MMP>
Q5038 or	TR	2SA949-Y(TPE6_F)	(1)	2211354T	<B MDC, MMP>
Q5040	TR	2SA949-O(TPE6_F)	1	2211353T	
Q5040 or	TR	2SA949-Y(TPE6_F)	(1)	2211354T	
Q5041	TR	2SA949-O(TPE6_F)	1	2211353T	
Q5041 or	TR	2SA949-Y(TPE6_F)	(1)	2211354T	
Q5042	TR	2SA949-O(TPE6_F)	1	2211353T	
Q5042 or	TR	2SA949-Y(TPE6_F)	(1)	2211354T	
Q5043	TR	2SA949-O(TPE6_F)	1	2211353T	
Q5043 or	TR	2SA949-Y(TPE6_F)	(1)	2211354T	
Q5044	TR	2SA949-O(TPE6_F)	1	2211353T	
Q5044 or	TR	2SA949-Y(TPE6_F)	(1)	2211354T	
Q5045	TR	2SA949-O(TPE6_F)	1	2211353T	
Q5045 or	TR	2SA949-Y(TPE6_F)	(1)	2211354T	
Q5046	TR	2SA949-O(TPE6_F)	1	2211353T	
Q5046 or	TR	2SA949-Y(TPE6_F)	(1)	2211354T	
Q5047	TR	2SA949-O(TPE6_F)	1	2211353T	<B MDC, MMP>
Q5047 or	TR	2SA949-Y(TPE6_F)	(1)	2211354T	<B MDC, MMP>
Q5048	TR	2SA949-O(TPE6_F)	1	2211353T	<B MDC, MMP>
Q5048 or	TR	2SA949-Y(TPE6_F)	(1)	2211354T	<B MDC, MMP>

Q5050	TR	2SA1360-Y	1	2202094	
Q5050 or	TR	2SA1360-O	(1)	2202093	
Q5051	TR	2SA1360-Y	1	2202094	
Q5051 or	TR	2SA1360-O	(1)	2202093	
Q5052	TR	2SA1360-Y	1	2202094	
Q5052 or	TR	2SA1360-O	(1)	2202093	
Q5053	TR	2SA1360-Y	1	2202094	
Q5053 or	TR	2SA1360-O	(1)	2202093	
Q5054	TR	2SA1360-Y	1	2202094	
Q5054 or	TR	2SA1360-O	(1)	2202093	
Q5055	TR	2SA1360-Y	1	2202094	
Q5055 or	TR	2SA1360-O	(1)	2202093	
Q5056	TR	2SA1360-Y	1	2202094	
Q5056 or	TR	2SA1360-O	(1)	2202093	
Q5057	TR	2SA1360-Y	1	2202094	<B MDC, MMP>
Q5057 or	TR	2SA1360-O	(1)	2202093	<B MDC, MMP>
Q5058	TR	2SA1360-Y	1	2202094	<B MDC, MMP>
Q5058 or	TR	2SA1360-O	(1)	2202093	<B MDC, MMP>
Q5060	TR	2SC2240-BL(TPE2_F)	1	2211406T	
Q5060 or	TR	KTC3201-BL	(1)	2217946T	
Q5061	TR	2SC2240-BL(TPE2_F)	1	2211406T	
Q5061 or	TR	KTC3201-BL	(1)	2217946T	
Q5062	TR	2SC2240-BL(TPE2_F)	1	2211406T	
Q5062 or	TR	KTC3201-BL	(1)	2217946T	
Q5063	TR	2SC2240-BL(TPE2_F)	1	2211406T	
Q5063 or	TR	KTC3201-BL	(1)	2217946T	
Q5064	TR	2SC2240-BL(TPE2_F)	1	2211406T	
Q5064 or	TR	KTC3201-BL	(1)	2217946T	
Q5065	TR	2SC2240-BL(TPE2_F)	1	2211406T	
Q5065 or	TR	KTC3201-BL	(1)	2217946T	
Q5066	TR	2SC2240-BL(TPE2_F)	1	2211406T	
Q5066 or	TR	KTC3201-BL	(1)	2217946T	
Q5067	TR	2SC2240-BL(TPE2_F)	1	2211406T	<B MDC, MMP>
Q5067 or	TR	KTC3201-BL	(1)	2217946T	<B MDC, MMP>
Q5068	TR	2SC2240-BL(TPE2_F)	1	2211406T	<B MDC, MMP>
Q5068 or	TR	KTC3201-BL	(1)	2217946T	<B MDC, MMP>
Q5070	TR	2SC2240-BL(TPE2_F)	1	2211406T	
Q5070 or	TR	KTC3201-BL	(1)	2217946T	
Q5071	TR	2SC2240-BL(TPE2_F)	1	2211406T	
Q5071 or	TR	KTC3201-BL	(1)	2217946T	
Q5072	TR	2SC2240-BL(TPE2_F)	1	2211406T	
Q5072 or	TR	KTC3201-BL	(1)	2217946T	
Q5073	TR	2SC2240-BL(TPE2_F)	1	2211406T	
Q5073 or	TR	KTC3201-BL	(1)	2217946T	
Q5074	TR	2SC2240-BL(TPE2_F)	1	2211406T	
Q5074 or	TR	KTC3201-BL	(1)	2217946T	
Q5075	TR	2SC2240-BL(TPE2_F)	1	2211406T	

Q5075 or	TR	KTC3201-BL	(1)	2217946T	
Q5076	TR	2SC2240-BL(TPE2_F)	1	2211406T	
Q5076 or	TR	KTC3201-BL	(1)	2217946T	
Q5077	TR	2SC2240-BL(TPE2_F)	1	2211406T	<B MDC, MMP>
Q5077 or	TR	KTC3201-BL	(1)	2217946T	<B MDC, MMP>
Q5078	TR	2SC2240-BL(TPE2_F)	1	2211406T	<B MDC, MMP>
Q5078 or	TR	KTC3201-BL	(1)	2217946T	<B MDC, MMP>
Q5080	TR	2SC3423-Y	1	2202104	
Q5080 or	TR	2SC3423-O	(1)	2202103	
Q5080A	HEAT SINK	(CLA)B	1	27160642A	
Q5080B	SCREW	3TTB+8B(3BC)	4	838430088GR	
Q5081	TR	2SC3423-Y	1	2202104	
Q5081 or	TR	2SC3423-O	(1)	2202103	
Q5081A	HEAT SINK	(CLA)B	1	27160642A	
Q5081B	SCREW	3TTB+8B(3BC)	4	838430088GR	
Q5082	TR	2SC3423-Y	1	2202104	
Q5082 or	TR	2SC3423-O	(1)	2202103	
Q5082A	HEAT SINK	(CLA)B	1	27160642A	
Q5082B	SCREW	3TTB+8B(3BC)	4	838430088GR	
Q5083	TR	2SC3423-Y	1	2202104	
Q5083 or	TR	2SC3423-O	(1)	2202103	
Q5083A	HEAT SINK	(CLA)B	1	27160642A	
Q5083B	SCREW	3TTB+8B(3BC)	4	838430088GR	
Q5084	TR	2SC3423-Y	1	2202104	
Q5084 or	TR	2SC3423-O	(1)	2202103	
Q5084A	HEAT SINK	(CLA)B	1	27160642A	
Q5084B	SCREW	3TTB+8B(3BC)	4	838430088GR	
Q5085	TR	2SC3423-Y	1	2202104	
Q5085 or	TR	2SC3423-O	(1)	2202103	
Q5085A	HEAT SINK	(CLA)B	1	27160642A	
Q5085B	SCREW	3TTB+8B(3BC)	4	838430088GR	
Q5086	TR	2SC3423-Y	1	2202104	
Q5086 or	TR	2SC3423-O	(1)	2202103	
Q5086A	HEAT SINK	(CLA)B	1	27160642A	
Q5086B	SCREW	3TTB+8B(3BC)	4	838430088GR	
Q5087	TR	2SC3423-Y	1	2202104	<B MDC, MMP>
Q5087 or	TR	2SC3423-O	(1)	2202103	<B MDC, MMP>
Q5087A	HEAT SINK	(CLA)B	1	27160642A	<B MDC, MMP>
Q5087B	SCREW	3TTB+8B(3BC)	4	838430088GR	<B MDC, MMP>
Q5088	TR	2SC3423-Y	1	2202104	<B MDC, MMP>
Q5088 or	TR	2SC3423-O	(1)	2202103	<B MDC, MMP>
Q5088B	SCREW	3TTB+8B(3BC)	4	838430088GR	<B MDC, MMP>
Q5888A	HEAT SINK	(CLA)B	1	27160642A	<B MDC, MMP>
Q6010	TR	2SC1740S-S	1	2213285T	
Q6010 or	TR	KTC3198-GR	(1)	2215985T	
Q6011	TR	2SC1740S-S	1	2213285T	
Q6011 or	TR	KTC3198-GR	(1)	2215985T	



Q6012	TR	2SC1740S-S	1	2213285T	
Q6012 or	TR	KTC3198-GR	(1)	2215985T	
Q6013	TR	2SC1740S-S	1	2213285T	
Q6013 or	TR	KTC3198-GR	(1)	2215985T	
Q6014	TR	2SC1740S-S	1	2213285T	
Q6014 or	TR	KTC3198-GR	(1)	2215985T	
Q6015	TR	2SC1740S-S	1	2213285T	
Q6015 or	TR	KTC3198-GR	(1)	2215985T	
Q6016	TR	2SC1740S-S	1	2213285T	
Q6016 or	TR	KTC3198-GR	(1)	2215985T	
Q6017	TR	2SC1740S-S	1	2213285T	<B MDC, MMP>
Q6017 or	TR	KTC3198-GR	(1)	2215985T	<B MDC, MMP>
Q6018	TR	2SC1740S-S	1	2213285T	<B MDC, MMP>
Q6018 or	TR	KTC3198-GR	(1)	2215985T	<B MDC, MMP>
Q6020	TR	2SA933S-R	1	2213354T	
Q6020 or	TR	2SA1048-GR	(1)	2212125T	
Q6020 or	TR	2SA933S-S	(1)	2213355T	
Q6020 or	TR	KTA1267-GR	(1)	2215995T	
Q6021	TR	2SA933S-R	1	2213354T	
Q6021 or	TR	2SA1048-GR	(1)	2212125T	
Q6021 or	TR	2SA933S-S	(1)	2213355T	
Q6021 or	TR	KTA1267-GR	(1)	2215995T	
Q6022	TR	2SA933S-R	1	2213354T	
Q6022 or	TR	2SA1048-GR	(1)	2212125T	
Q6022 or	TR	2SA933S-S	(1)	2213355T	
Q6022 or	TR	KTA1267-GR	(1)	2215995T	
Q6023	TR	2SA933S-R	1	2213354T	
Q6023 or	TR	2SA1048-GR	(1)	2212125T	
Q6023 or	TR	2SA933S-S	(1)	2213355T	
Q6023 or	TR	KTA1267-GR	(1)	2215995T	
Q6024	TR	2SA933S-R	1	2213354T	
Q6024 or	TR	2SA1048-GR	(1)	2212125T	
Q6024 or	TR	2SA933S-S	(1)	2213355T	
Q6024 or	TR	KTA1267-GR	(1)	2215995T	
Q6025	TR	2SA933S-R	1	2213354T	
Q6025 or	TR	2SA1048-GR	(1)	2212125T	
Q6025 or	TR	2SA933S-S	(1)	2213355T	
Q6025 or	TR	KTA1267-GR	(1)	2215995T	
Q6026	TR	2SA933S-R	1	2213354T	
Q6026 or	TR	2SA1048-GR	(1)	2212125T	
Q6026 or	TR	2SA933S-S	(1)	2213355T	
Q6026 or	TR	KTA1267-GR	(1)	2215995T	
Q6027	TR	2SA933S-R	1	2213354T	<B MDC, MMP>
Q6027 or	TR	2SA1048-GR	(1)	2212125T	<B MDC, MMP>
Q6027 or	TR	2SA933S-S	(1)	2213355T	<B MDC, MMP>
Q6027 or	TR	KTA1267-GR	(1)	2215995T	<B MDC, MMP>
Q6028	TR	2SA933S-R	1	2213354T	<B MDC, MMP>

Q6028 or	TR	2SA1048-GR	(1)	2212125T	<B MDC, MMP>
Q6028 or	TR	2SA933S-S	(1)	2213355T	<B MDC, MMP>
Q6028 or	TR	KTA1267-GR	(1)	2215995T	<B MDC, MMP>
Q6030	TR	2SC2229-O(TPE6_F)	1	2211633T	
Q6030 or	TR	2SC2229-Y(TPE6_F)	(1)	2211634T	
Q6031	TR	2SC2229-O(TPE6_F)	1	2211633T	
Q6031 or	TR	2SC2229-Y(TPE6_F)	(1)	2211634T	
Q6032	TR	2SC2229-O(TPE6_F)	1	2211633T	
Q6032 or	TR	2SC2229-Y(TPE6_F)	(1)	2211634T	
Q6033	TR	2SC2229-O(TPE6_F)	1	2211633T	
Q6033 or	TR	2SC2229-Y(TPE6_F)	(1)	2211634T	
Q6034	TR	2SC2229-O(TPE6_F)	1	2211633T	
Q6034 or	TR	2SC2229-Y(TPE6_F)	(1)	2211634T	
Q6035	TR	2SC2229-O(TPE6_F)	1	2211633T	
Q6035 or	TR	2SC2229-Y(TPE6_F)	(1)	2211634T	
Q6036	TR	2SC2229-O(TPE6_F)	1	2211633T	
Q6036 or	TR	2SC2229-Y(TPE6_F)	(1)	2211634T	
Q6037	TR	2SC2229-O(TPE6_F)	1	2211633T	<B MDC, MMP>
Q6037 or	TR	2SC2229-Y(TPE6_F)	(1)	2211634T	<B MDC, MMP>
Q6038	TR	2SC2229-O(TPE6_F)	1	2211633T	<B MDC, MMP>
Q6038 or	TR	2SC2229-Y(TPE6_F)	(1)	2211634T	<B MDC, MMP>
Q6040	TR	2SA949-O(TPE6_F)	1	2211353T	
Q6040 or	TR	2SA949-Y(TPE6_F)	(1)	2211354T	
Q6041	TR	2SA949-O(TPE6_F)	1	2211353T	
Q6041 or	TR	2SA949-Y(TPE6_F)	(1)	2211354T	
Q6042	TR	2SA949-O(TPE6_F)	1	2211353T	
Q6042 or	TR	2SA949-Y(TPE6_F)	(1)	2211354T	
Q6043	TR	2SA949-O(TPE6_F)	1	2211353T	
Q6043 or	TR	2SA949-Y(TPE6_F)	(1)	2211354T	
Q6044	TR	2SA949-O(TPE6_F)	1	2211353T	
Q6044 or	TR	2SA949-Y(TPE6_F)	(1)	2211354T	
Q6045	TR	2SA949-O(TPE6_F)	1	2211353T	
Q6045 or	TR	2SA949-Y(TPE6_F)	(1)	2211354T	
Q6046	TR	2SA949-O(TPE6_F)	1	2211353T	
Q6046 or	TR	2SA949-Y(TPE6_F)	(1)	2211354T	
Q6047	TR	2SA949-O(TPE6_F)	1	2211353T	<B MDC, MMP>
Q6047 or	TR	2SA949-Y(TPE6_F)	(1)	2211354T	<B MDC, MMP>
Q6048	TR	2SA949-O(TPE6_F)	1	2211353T	<B MDC, MMP>
Q6048 or	TR	2SA949-Y(TPE6_F)	(1)	2211354T	<B MDC, MMP>
Q6100	TR	TTA-004(Q)TO126	1	2217442	
Q6101	TR	TTA-004(Q)TO126	1	2217442	
Q6102	TR	TTA-004(Q)TO126	1	2217442	
Q6103	TR	TTA-004(Q)TO126	1	2217442	
Q6104	TR	TTA-004(Q)TO126	1	2217442	
Q6105	TR	TTA-004(Q)TO126	1	2217442	
Q6106	TR	TTA-004(Q)TO126	1	2217442	
Q6107	TR	TTA-004(Q)TO126	1	2217442	<B MDC, MMP>

Q6108	TR	TTA-004(Q)TO126	1	2217442	<B MDC, MMP>
Q6110	TR	TTC-004(Q)TO126	1	2217452	
Q6111	TR	TTC-004(Q)TO126	1	2217452	
Q6112	TR	TTC-004(Q)TO126	1	2217452	
Q6113	TR	TTC-004(Q)TO126	1	2217452	
Q6114	TR	TTC-004(Q)TO126	1	2217452	
Q6115	TR	TTC-004(Q)TO126	1	2217452	
Q6116	TR	TTC-004(Q)TO126	1	2217452	
Q6117	TR	TTC-004(Q)TO126	1	2217452	<B MDC, MMP>
Q6118	TR	TTC-004(Q)TO126	1	2217452	<B MDC, MMP>
<b>[CAPACITOR]</b>					
C5000	UTSP C	CE04W50V-10M(UTSP)	1	397581007T	
C5000 or	UTSP C	CE04W50V-10M(UTSP)	(1)	397581007AT	
C5001	UTSP C	CE04W50V-10M(UTSP)	1	397581007T	
C5001 or	UTSP C	CE04W50V-10M(UTSP)	(1)	397581007AT	
C5002	UTSP C	CE04W50V-10M(UTSP)	1	397581007T	
C5002 or	UTSP C	CE04W50V-10M(UTSP)	(1)	397581007AT	
C5003	UTSP C	CE04W50V-10M(UTSP)	1	397581007T	
C5003 or	UTSP C	CE04W50V-10M(UTSP)	(1)	397581007AT	
C5004	UTSP C	CE04W50V-10M(UTSP)	1	397581007T	
C5004 or	UTSP C	CE04W50V-10M(UTSP)	(1)	397581007AT	
C5005	UTSP C	CE04W50V-10M(UTSP)	1	397581007T	
C5005 or	UTSP C	CE04W50V-10M(UTSP)	(1)	397581007AT	
C5006	UTSP C	CE04W50V-10M(UTSP)	1	397581007T	
C5006 or	UTSP C	CE04W50V-10M(UTSP)	(1)	397581007AT	
C5007	UTSP C	CE04W50V-10M(UTSP)	1	397581007T	<B MDC, MMP>
C5007 or	UTSP C	CE04W50V-10M(UTSP)	(1)	397581007AT	<B MDC, MMP>
C5008	UTSP C	CE04W50V-10M(UTSP)	1	397581007T	<B MDC, MMP>
C5008 or	UTSP C	CE04W50V-10M(UTSP)	(1)	397581007AT	<B MDC, MMP>
C5010	UTSJ C	CE04W50V-47M(UTSJ)	1	398084707BT	
C5011	UTSJ C	CE04W50V-47M(UTSJ)	1	398084707BT	
C5012	UTSJ C	CE04W50V-47M(UTSJ)	1	398084707BT	
C5013	UTSJ C	CE04W50V-47M(UTSJ)	1	398084707BT	
C5014	UTSJ C	CE04W50V-47M(UTSJ)	1	398084707BT	
C5015	UTSJ C	CE04W50V-47M(UTSJ)	1	398084707BT	
C5016	UTSJ C	CE04W50V-47M(UTSJ)	1	398084707BT	
C5017	UTSJ C	CE04W50V-47M(UTSJ)	1	398084707BT	<B MDC, MMP>
C5018	UTSJ C	CE04W50V-47M(UTSJ)	1	398084707BT	<B MDC, MMP>
C5020	UPZ C	2AUPZTF471JE	1	376334714T	
C5021	UPZ C	2AUPZTF471JE	1	376334714T	
C5022	UPZ C	2AUPZTF471JE	1	376334714T	
C5023	UPZ C	2AUPZTF471JE	1	376334714T	
C5024	UPZ C	2AUPZTF471JE	1	376334714T	
C5025	UPZ C	2AUPZTF471JE	1	376334714T	
C5026	UPZ C	2AUPZTF471JE	1	376334714T	
C5027	UPZ C	2AUPZTF471JE	1	376334714T	<B MDC, MMP>
C5028	UPZ C	2AUPZTF471JE	1	376334714T	<B MDC, MMP>

C5040	UTSP C	CE04W25V-220M(UTSP)	1	397552217T	
C5041	UTSP C	CE04W25V-220M(UTSP)	1	397552217T	
C5042	UTSP C	CE04W25V-220M(UTSP)	1	397552217T	
C5043	UTSP C	CE04W25V-220M(UTSP)	1	397552217T	
C5044	UTSP C	CE04W25V-220M(UTSP)	1	397552217T	
C5045	UTSP C	CE04W25V-220M(UTSP)	1	397552217T	
C5046	UTSP C	CE04W25V-220M(UTSP)	1	397552217T	
C5047	UTSP C	CE04W25V-220M(UTSP)	1	397552217T	<B MDC, MMP>
C5048	UTSP C	CE04W25V-220M(UTSP)	1	397552217T	<B MDC, MMP>
C5070	VX C	CE04W100V-10M(VX_BLK)	1	397391007T	
C5071	VX C	CE04W100V-10M(VX_BLK)	1	397391007T	
C5072	VX C	CE04W100V-10M(VX_BLK)	1	397391007T	
C5073	VX C	CE04W100V-10M(VX_BLK)	1	397391007T	
C5074	VX C	CE04W100V-10M(VX_BLK)	1	397391007T	
C5075	VX C	CE04W100V-10M(VX_BLK)	1	397391007T	
C5076	VX C	CE04W100V-10M(VX_BLK)	1	397391007T	
C5077	VX C	CE04W100V-10M(VX_BLK)	1	397391007T	<B MDC, MMP>
C5078	VX C	CE04W100V-10M(VX_BLK)	1	397391007T	<B MDC, MMP>
C5080	VX C	CE04W63V-22M(VX_BLK)	1	397372207T	
C5081	VX C	CE04W63V-22M(VX_BLK)	1	397372207T	
C5082	VX C	CE04W63V-22M(VX_BLK)	1	397372207T	
C5083	VX C	CE04W63V-22M(VX_BLK)	1	397372207T	
C5084	VX C	CE04W63V-22M(VX_BLK)	1	397372207T	
C5085	VX C	CE04W63V-22M(VX_BLK)	1	397372207T	
C5086	VX C	CE04W63V-22M(VX_BLK)	1	397372207T	
C5087	VX C	CE04W63V-22M(VX_BLK)	1	397372207T	<B MDC, MMP>
C5088	VX C	CE04W63V-22M(VX_BLK)	1	397372207T	<B MDC, MMP>
C5100	UPZ C	2AUPZTF101JE	1	376331014T	
C5101	UPZ C	2AUPZTF101JE	1	376331014T	
C5102	UPZ C	2AUPZTF101JE	1	376331014T	
C5103	UPZ C	2AUPZTF101JE	1	376331014T	
C5104	UPZ C	2AUPZTF101JE	1	376331014T	
C5105	UPZ C	2AUPZTF101JE	1	376331014T	
C5106	UPZ C	2AUPZTF101JE	1	376331014T	
C5107	UPZ C	2AUPZTF101JE	1	376331014T	<B MDC, MMP>
C5108	UPZ C	2AUPZTF101JE	1	376331014T	<B MDC, MMP>
C5110	CERA C	CC45CH50V-010C	1	345340101T	
C5111	CERA C	CC45CH50V-010C	1	345340101T	
C5112	CERA C	CC45CH50V-010C	1	345340101T	
C5113	CERA C	CC45CH50V-010C	1	345340101T	
C5114	CERA C	CC45CH50V-010C	1	345340101T	
C5115	CERA C	CC45CH50V-010C	1	345340101T	
C5116	CERA C	CC45CH50V-010C	1	345340101T	
C5117	CERA C	CC45CH50V-010C	1	345340101T	<B MDC, MMP>
C5118	CERA C	CC45CH50V-010C	1	345340101T	<B MDC, MMP>
C5120	SPC C	CE04W100V-100M(RJ5)	1	396791017T	
C5121	SPC C	CE04W100V-100M(RJ5)	1	396791017T	

C5122	SPC C	CE04W100V-100M(RJ5)	1	396791017T	
C5123	SPC C	CE04W100V-100M(RJ5)	1	396791017T	
C5124	SPC C	CE04W100V-100M(RJ5)	1	396791017T	
C5125	SPC C	CE04W100V-100M(RJ5)	1	396791017T	
C5126	SPC C	CE04W100V-100M(RJ5)	1	396791017T	
C5127	SPC C	CE04W100V-100M(RJ5)	1	396791017T	<B MDC, MMP>
C5128	SPC C	CE04W100V-100M(RJ5)	1	396791017T	<B MDC, MMP>
C5130	SPC C	CE04W100V-100M(RJ5)	1	396791017T	
C5131	SPC C	CE04W100V-100M(RJ5)	1	396791017T	
C5132	SPC C	CE04W100V-100M(RJ5)	1	396791017T	
C5133	SPC C	CE04W100V-100M(RJ5)	1	396791017T	
C5134	SPC C	CE04W100V-100M(RJ5)	1	396791017T	
C5135	SPC C	CE04W100V-100M(RJ5)	1	396791017T	
C5136	SPC C	CE04W100V-100M(RJ5)	1	396791017T	
C5137	SPC C	CE04W100V-100M(RJ5)	1	396791017T	<B MDC, MMP>
C5138	SPC C	CE04W100V-100M(RJ5)	1	396791017T	<B MDC, MMP>
C6000	MKT C	B32529C0102J289	1	376491024T	
C6001	MKT C	B32529C0102J289	1	376491024T	
C6002	MKT C	B32529C0102J289	1	376491024T	
C6003	MKT C	B32529C0102J289	1	376491024T	
C6004	MKT C	B32529C0102J289	1	376491024T	
C6005	MKT C	B32529C0102J289	1	376491024T	
C6006	MKT C	B32529C0102J289	1	376491024T	
C6007	MKT C	B32529C0102J289	1	376491024T	<B MDC, MMP>
C6008	MKT C	B32529C0102J289	1	376491024T	<B MDC, MMP>
C6010	UTSP C	CE04W50V 47M(UTSP)	1	397584707T	
C6010 or	UTSP C	CE04W50V 47M(UTSP)	( 1)	397584707AT	
C6011	UTSP C	CE04W50V 47M(UTSP)	1	397584707T	
C6011 or	UTSP C	CE04W50V 47M(UTSP)	( 1)	397584707AT	
C6012	UTSP C	CE04W50V 47M(UTSP)	1	397584707T	
C6012 or	UTSP C	CE04W50V 47M(UTSP)	( 1)	397584707AT	
C6013	UTSP C	CE04W50V 47M(UTSP)	1	397584707T	
C6013 or	UTSP C	CE04W50V 47M(UTSP)	( 1)	397584707AT	
C6014	UTSP C	CE04W50V 47M(UTSP)	1	397584707T	
C6014 or	UTSP C	CE04W50V 47M(UTSP)	( 1)	397584707AT	
C6015	UTSP C	CE04W50V 47M(UTSP)	1	397584707T	
C6015 or	UTSP C	CE04W50V 47M(UTSP)	( 1)	397584707AT	
C6016	UTSP C	CE04W50V 47M(UTSP)	1	397584707T	
C6016 or	UTSP C	CE04W50V 47M(UTSP)	( 1)	397584707AT	
C6017	UTSP C	CE04W50V 47M(UTSP)	1	397584707T	<B MDC, MMP>
C6017 or	UTSP C	CE04W50V 47M(UTSP)	( 1)	397584707AT	<B MDC, MMP>
C6018	UTSP C	CE04W50V 47M(UTSP)	1	397584707T	<B MDC, MMP>
C6018 or	UTSP C	CE04W50V 47M(UTSP)	( 1)	397584707AT	<B MDC, MMP>
C6020	UTSP C	CE04W50V 47M(UTSP)	1	397584707T	
C6020 or	UTSP C	CE04W50V 47M(UTSP)	( 1)	397584707AT	
C6021	UTSP C	CE04W50V 47M(UTSP)	1	397584707T	
C6021 or	UTSP C	CE04W50V 47M(UTSP)	( 1)	397584707AT	

C6022	UTSP C	CE04W50V 47M(UTSP)	1	397584707T	
C6022 or	UTSP C	CE04W50V 47M(UTSP)	(1)	397584707AT	
C6023	UTSP C	CE04W50V 47M(UTSP)	1	397584707T	
C6023 or	UTSP C	CE04W50V 47M(UTSP)	(1)	397584707AT	
C6024	UTSP C	CE04W50V 47M(UTSP)	1	397584707T	
C6024 or	UTSP C	CE04W50V 47M(UTSP)	(1)	397584707AT	
C6025	UTSP C	CE04W50V 47M(UTSP)	1	397584707T	
C6025 or	UTSP C	CE04W50V 47M(UTSP)	(1)	397584707AT	
C6026	UTSP C	CE04W50V 47M(UTSP)	1	397584707T	
C6026 or	UTSP C	CE04W50V 47M(UTSP)	(1)	397584707AT	
C6027	UTSP C	CE04W50V 47M(UTSP)	1	397584707T	<B MDC, MMP>
C6027 or	UTSP C	CE04W50V 47M(UTSP)	(1)	397584707AT	<B MDC, MMP>
C6028	UTSP C	CE04W50V 47M(UTSP)	1	397584707T	<B MDC, MMP>
C6028 or	UTSP C	CE04W50V 47M(UTSP)	(1)	397584707AT	<B MDC, MMP>
<b>[RESISTOR]</b>					
R5000	CARBON R	R16J-1K	1	417341024T	
R5001	CARBON R	R16J-1K	1	417341024T	
R5002	CARBON R	R16J-1K	1	417341024T	
R5003	CARBON R	R16J-1K	1	417341024T	
R5004	CARBON R	R16J-1K	1	417341024T	
R5005	CARBON R	R16J-1K	1	417341024T	
R5006	CARBON R	R16J-1K	1	417341024T	
R5007	CARBON R	R16J-1K	1	417341024T	<B MDC, MMP>
R5008	CARBON R	R16J-1K	1	417341024T	<B MDC, MMP>
R5010	CARBON R	R16J-56K	1	417345634T	
R5011	CARBON R	R16J-56K	1	417345634T	
R5012	CARBON R	R16J-56K	1	417345634T	
R5013	CARBON R	R16J-56K	1	417345634T	
R5014	CARBON R	R16J-56K	1	417345634T	
R5015	CARBON R	R16J-56K	1	417345634T	
R5016	CARBON R	R16J-56K	1	417345634T	
R5017	CARBON R	R16J-56K	1	417345634T	<B MDC, MMP>
R5018	CARBON R	R16J-56K	1	417345634T	<B MDC, MMP>
R5020	CARBON R	R16J-330	1	417343314T	
R5021	CARBON R	R16J-330	1	417343314T	
R5022	CARBON R	R16J-330	1	417343314T	
R5023	CARBON R	R16J-330	1	417343314T	
R5024	CARBON R	R16J-330	1	417343314T	
R5025	CARBON R	R16J-330	1	417343314T	
R5026	CARBON R	R16J-330	1	417343314T	
R5027	CARBON R	R16J-330	1	417343314T	<B MDC, MMP>
R5028	CARBON R	R16J-330	1	417343314T	<B MDC, MMP>
R5030	CARBON R	R16J-330	1	417343314T	
R5031	CARBON R	R16J-330	1	417343314T	
R5032	CARBON R	R16J-330	1	417343314T	
R5033	CARBON R	R16J-330	1	417343314T	
R5034	CARBON R	R16J-330	1	417343314T	

R5035	CARBON R	R16J-330	1	417343314T	
R5036	CARBON R	R16J-330	1	417343314T	
R5037	CARBON R	R16J-330	1	417343314T	<B MDC, MMP>
R5038	CARBON R	R16J-330	1	417343314T	<B MDC, MMP>
R5040	CARBON R	R16J-330	1	417343314T	
R5041	CARBON R	R16J-330	1	417343314T	
R5042	CARBON R	R16J-330	1	417343314T	
R5043	CARBON R	R16J-330	1	417343314T	
R5044	CARBON R	R16J-330	1	417343314T	
R5045	CARBON R	R16J-330	1	417343314T	
R5046	CARBON R	R16J-330	1	417343314T	
R5047	CARBON R	R16J-330	1	417343314T	<B MDC, MMP>
R5048	CARBON R	R16J-330	1	417343314T	<B MDC, MMP>
R5050	CARBON R	R16J-5.6K	1	417345624T	
R5051	CARBON R	R16J-5.6K	1	417345624T	
R5052	CARBON R	R16J-5.6K	1	417345624T	
R5053	CARBON R	R16J-5.6K	1	417345624T	
R5054	CARBON R	R16J-5.6K	1	417345624T	
R5055	CARBON R	R16J-5.6K	1	417345624T	
R5056	CARBON R	R16J-5.6K	1	417345624T	
R5057	CARBON R	R16J-5.6K	1	417345624T	<B MDC, MMP>
R5058	CARBON R	R16J-5.6K	1	417345624T	<B MDC, MMP>
R5060	CARBON R	R16J-2.7K	1	417342724T	
R5061	CARBON R	R16J-2.7K	1	417342724T	
R5062	CARBON R	R16J-2.7K	1	417342724T	
R5063	CARBON R	R16J-2.7K	1	417342724T	
R5064	CARBON R	R16J-2.7K	1	417342724T	
R5065	CARBON R	R16J-2.7K	1	417342724T	
R5066	CARBON R	R16J-2.7K	1	417342724T	
R5067	CARBON R	R16J-2.7K	1	417342724T	<B MDC, MMP>
R5068	CARBON R	R16J-2.7K	1	417342724T	<B MDC, MMP>
R5070	CARBON R	R16J-100K	1	417341044T	
R5071	CARBON R	R16J-100K	1	417341044T	
R5072	CARBON R	R16J-100K	1	417341044T	
R5073	CARBON R	R16J-100K	1	417341044T	
R5074	CARBON R	R16J-100K	1	417341044T	
R5075	CARBON R	R16J-100K	1	417341044T	
R5076	CARBON R	R16J-100K	1	417341044T	
R5077	CARBON R	R16J-100K	1	417341044T	<B MDC, MMP>
R5078	CARBON R	R16J-100K	1	417341044T	<B MDC, MMP>
R5090	CARBON R	R16J-1.8K	1	417341824T	
R5091	CARBON R	R16J-1.8K	1	417341824T	
R5092	CARBON R	R16J-1.8K	1	417341824T	
R5093	CARBON R	R16J-1.8K	1	417341824T	
R5094	CARBON R	R16J-1.8K	1	417341824T	
R5095	CARBON R	R16J-1.8K	1	417341824T	
R5096	CARBON R	R16J-1.8K	1	417341824T	

R5097	CARBON R	R16J-1.8K	1	417341824T	<B MDC, MMP>
R5098	CARBON R	R16J-1.8K	1	417341824T	<B MDC, MMP>
R5110	CARBON R	R16J-2.2K	1	417342224T	
R5111	CARBON R	R16J-2.2K	1	417342224T	
R5112	CARBON R	R16J-2.2K	1	417342224T	
R5113	CARBON R	R16J-2.2K	1	417342224T	
R5114	CARBON R	R16J-2.2K	1	417342224T	
R5115	CARBON R	R16J-2.2K	1	417342224T	
R5116	CARBON R	R16J-2.2K	1	417342224T	
R5117	CARBON R	R16J-2.2K	1	417342224T	<B MDC, MMP>
R5118	CARBON R	R16J-2.2K	1	417342224T	<B MDC, MMP>
R5120	CARBON R	R16J-2.2K	1	417342224T	
R5121	CARBON R	R16J-2.2K	1	417342224T	
R5122	CARBON R	R16J-2.2K	1	417342224T	
R5123	CARBON R	R16J-2.2K	1	417342224T	
R5124	CARBON R	R16J-2.2K	1	417342224T	
R5125	CARBON R	R16J-2.2K	1	417342224T	
R5126	CARBON R	R16J-2.2K	1	417342224T	
R5127	CARBON R	R16J-2.2K	1	417342224T	<B MDC, MMP>
R5128	CARBON R	R16J-2.2K	1	417342224T	<B MDC, MMP>
R5130	NF CARBON R	R25J-820	1	415478214T	
R5131	NF CARBON R	R25J-820	1	415478214T	
R5132	NF CARBON R	R25J-820	1	415478214T	
R5133	NF CARBON R	R25J-820	1	415478214T	
R5134	NF CARBON R	R25J-820	1	415478214T	
R5135	NF CARBON R	R25J-820	1	415478214T	
R5136	NF CARBON R	R25J-820	1	415478214T	
R5137	NF CARBON R	R25J-820	1	415478214T	<B MDC, MMP>
R5138	NF CARBON R	R25J-820	1	415478214T	<B MDC, MMP>
R5140	NF CARBON R	R25J-820	1	415478214T	
R5141	NF CARBON R	R25J-820	1	415478214T	
R5142	NF CARBON R	R25J-820	1	415478214T	
R5143	NF CARBON R	R25J-820	1	415478214T	
R5144	NF CARBON R	R25J-820	1	415478214T	
R5145	NF CARBON R	R25J-820	1	415478214T	
R5146	NF CARBON R	R25J-820	1	415478214T	
R5147	NF CARBON R	R25J-820	1	415478214T	<B MDC, MMP>
R5148	NF CARBON R	R25J-820	1	415478214T	<B MDC, MMP>
R5150	METAL O R	RS1/2WBJ-10K	1	443521034T	
R5151	METAL O R	RS1/2WBJ-10K	1	443521034T	
R5152	METAL O R	RS1/2WBJ-10K	1	443521034T	
R5153	METAL O R	RS1/2WBJ-10K	1	443521034T	
R5154	METAL O R	RS1/2WBJ-10K	1	443521034T	
R5155	METAL O R	RS1/2WBJ-10K	1	443521034T	
R5156	METAL O R	RS1/2WBJ-10K	1	443521034T	
R5157	METAL O R	RS1/2WBJ-10K	1	443521034T	<B MDC, MMP>
R5158	METAL O R	RS1/2WBJ-10K	1	443521034T	<B MDC, MMP>



R5160	NF CARBON R	R25J-1.0K	1	415471024T	
R5161	NF CARBON R	R25J-1.0K	1	415471024T	
R5162	NF CARBON R	R25J-1.0K	1	415471024T	
R5163	NF CARBON R	R25J-1.0K	1	415471024T	
R5164	NF CARBON R	R25J-1.0K	1	415471024T	
R5165	NF CARBON R	R25J-1.0K	1	415471024T	
R5166	NF CARBON R	R25J-1.0K	1	415471024T	
R5167	NF CARBON R	R25J-1.0K	1	415471024T	<B MDC, MMP>
R5168	NF CARBON R	R25J-1.0K	1	415471024T	<B MDC, MMP>
R5170	NF CARBON R	R25J-820	1	415478214T	
R5171	NF CARBON R	R25J-820	1	415478214T	
R5172	NF CARBON R	R25J-820	1	415478214T	
R5173	NF CARBON R	R25J-820	1	415478214T	
R5174	NF CARBON R	R25J-820	1	415478214T	
R5175	NF CARBON R	R25J-820	1	415478214T	
R5176	NF CARBON R	R25J-820	1	415478214T	
R5177	NF CARBON R	R25J-820	1	415478214T	<B MDC, MMP>
R5178	NF CARBON R	R25J-820	1	415478214T	<B MDC, MMP>
R5180	NF CARBON R	R25J-33	1	415473304T	
R5181	NF CARBON R	R25J-33	1	415473304T	
R5182	NF CARBON R	R25J-33	1	415473304T	
R5183	NF CARBON R	R25J-33	1	415473304T	
R5184	NF CARBON R	R25J-33	1	415473304T	
R5185	NF CARBON R	R25J-33	1	415473304T	
R5186	NF CARBON R	R25J-33	1	415473304T	
R5187	NF CARBON R	R25J-33	1	415473304T	<B MDC, MMP>
R5188	NF CARBON R	R25J-33	1	415473304T	<B MDC, MMP>
R5210	CARBON R	R16J-18K	1	417341834T	
R5211	CARBON R	R16J-18K	1	417341834T	
R5212	CARBON R	R16J-18K	1	417341834T	
R5213	CARBON R	R16J-18K	1	417341834T	
R5214	CARBON R	R16J-18K	1	417341834T	
R5215	CARBON R	R16J-18K	1	417341834T	
R5216	CARBON R	R16J-18K	1	417341834T	
R5217	CARBON R	R16J-18K	1	417341834T	<B MDC, MMP>
R5218	CARBON R	R16J-18K	1	417341834T	<B MDC, MMP>
R5220	CARBON R	R16J-18K	1	417341834T	
R5221	CARBON R	R16J-18K	1	417341834T	
R5222	CARBON R	R16J-18K	1	417341834T	
R5223	CARBON R	R16J-18K	1	417341834T	
R5224	CARBON R	R16J-18K	1	417341834T	
R5225	CARBON R	R16J-18K	1	417341834T	
R5226	CARBON R	R16J-18K	1	417341834T	
R5227	CARBON R	R16J-18K	1	417341834T	<B MDC, MMP>
R5228	CARBON R	R16J-18K	1	417341834T	<B MDC, MMP>
R5230	NF CARBON R	R25J-15	1	415471504T	
R5231	NF CARBON R	R25J-15	1	415471504T	

R5232	NF CARBON R	R25J-15	1	415471504T	
R5233	NF CARBON R	R25J-15	1	415471504T	
R5234	NF CARBON R	R25J-15	1	415471504T	
R5235	NF CARBON R	R25J-15	1	415471504T	
R5236	NF CARBON R	R25J-15	1	415471504T	
R5237	NF CARBON R	R25J-15	1	415471504T	<B MDC, MMP>
R5238	NF CARBON R	R25J-15	1	415471504T	<B MDC, MMP>
R5240	NF CARBON R	R25J-15	1	415471504T	
R5241	NF CARBON R	R25J-15	1	415471504T	
R5242	NF CARBON R	R25J-15	1	415471504T	
R5243	NF CARBON R	R25J-15	1	415471504T	
R5244	NF CARBON R	R25J-15	1	415471504T	
R5245	NF CARBON R	R25J-15	1	415471504T	
R5246	NF CARBON R	R25J-15	1	415471504T	
R5247	NF CARBON R	R25J-15	1	415471504T	<B MDC, MMP>
R5248	NF CARBON R	R25J-15	1	415471504T	<B MDC, MMP>
R5250	CARBON R	R16J-68K	1	417346834T	
R5251	CARBON R	R16J-68K	1	417346834T	
R5252	CARBON R	R16J-68K	1	417346834T	
R5253	CARBON R	R16J-68K	1	417346834T	
R5254	CARBON R	R16J-68K	1	417346834T	
R5255	CARBON R	R16J-68K	1	417346834T	
R5256	CARBON R	R16J-68K	1	417346834T	
R5257	CARBON R	R16J-68K	1	417346834T	<B MDC, MMP>
R5258	CARBON R	R16J-68K	1	417346834T	<B MDC, MMP>
R5260	CARBON R	R16J-270K	1	417342744T	
R5261	CARBON R	R16J-270K	1	417342744T	
R5262	CARBON R	R16J-270K	1	417342744T	
R5263	CARBON R	R16J-270K	1	417342744T	
R5264	CARBON R	R16J-270K	1	417342744T	
R5265	CARBON R	R16J-270K	1	417342744T	
R5266	CARBON R	R16J-270K	1	417342744T	
R5267	CARBON R	R16J-270K	1	417342744T	<B MDC, MMP>
R5268	CARBON R	R16J-270K	1	417342744T	<B MDC, MMP>
R5280	METAL O R	RS1/2WBJ-10K	1	443521034T	
R5281	METAL O R	RS1/2WBJ-10K	1	443521034T	
R5282	METAL O R	RS1/2WBJ-10K	1	443521034T	
R5283	METAL O R	RS1/2WBJ-10K	1	443521034T	
R5284	METAL O R	RS1/2WBJ-10K	1	443521034T	
R5285	METAL O R	RS1/2WBJ-10K	1	443521034T	
R5286	METAL O R	RS1/2WBJ-10K	1	443521034T	
R5287	METAL O R	RS1/2WBJ-10K	1	443521034T	<B MDC, MMP>
R5288	METAL O R	RS1/2WBJ-10K	1	443521034T	<B MDC, MMP>
R5290	CARBON R	R16J-100K	1	417341044T	
R5291	CARBON R	R16J-100K	1	417341044T	
R5292	CARBON R	R16J-100K	1	417341044T	
R5293	CARBON R	R16J-100K	1	417341044T	

R5294	CARBON R	R16J-100K	1	417341044T	
R5295	CARBON R	R16J-100K	1	417341044T	
R5296	CARBON R	R16J-100K	1	417341044T	
R5297	CARBON R	R16J-100K	1	417341044T	<B MDC, MMP>
R5298	CARBON R	R16J-100K	1	417341044T	<B MDC, MMP>
R5300	NF CARBON R	R25J-82	1	415478204T	
R5301	NF CARBON R	R25J-82	1	415478204T	
R5302	NF CARBON R	R25J-82	1	415478204T	
R5303	NF CARBON R	R25J-82	1	415478204T	
R5304	NF CARBON R	R25J-82	1	415478204T	
R5305	NF CARBON R	R25J-82	1	415478204T	
R5306	NF CARBON R	R25J-82	1	415478204T	
R5307	NF CARBON R	R25J-82	1	415478204T	<B MDC, MMP>
R5308	NF CARBON R	R25J-82	1	415478204T	<B MDC, MMP>
R5330	NF CARBON R	R25J-82	1	415478204T	
R5331	NF CARBON R	R25J-82	1	415478204T	
R5332	NF CARBON R	R25J-82	1	415478204T	
R5333	NF CARBON R	R25J-82	1	415478204T	
R5334	NF CARBON R	R25J-82	1	415478204T	
R5335	NF CARBON R	R25J-82	1	415478204T	
R5336	NF CARBON R	R25J-82	1	415478204T	
R5337	NF CARBON R	R25J-82	1	415478204T	<B MDC, MMP>
R5338	NF CARBON R	R25J-82	1	415478204T	<B MDC, MMP>
R5360	CARBON R	R16J-120K	1	417341244T	
R5361	CARBON R	R16J-120K	1	417341244T	
R5362	CARBON R	R16J-120K	1	417341244T	
R5363	CARBON R	R16J-120K	1	417341244T	
R5364	CARBON R	R16J-120K	1	417341244T	
R5365	CARBON R	R16J-120K	1	417341244T	
R5366	CARBON R	R16J-120K	1	417341244T	
R5367	CARBON R	R16J-120K	1	417341244T	<B MDC, MMP>
R5368	CARBON R	R16J-120K	1	417341244T	<B MDC, MMP>
R5370	CARBON R	R16J-560K	1	417345644T	
R5371	CARBON R	R16J-560K	1	417345644T	
R5372	CARBON R	R16J-560K	1	417345644T	
R5373	CARBON R	R16J-560K	1	417345644T	
R5374	CARBON R	R16J-560K	1	417345644T	
R5375	CARBON R	R16J-560K	1	417345644T	
R5376	CARBON R	R16J-560K	1	417345644T	
R5377	CARBON R	R16J-560K	1	417345644T	<B MDC, MMP>
R5378	CARBON R	R16J-560K	1	417345644T	<B MDC, MMP>
R6010	CARBON R	R16J-4.7K	1	417344724T	
R6011	CARBON R	R16J-4.7K	1	417344724T	
R6012	CARBON R	R16J-4.7K	1	417344724T	
R6013	CARBON R	R16J-4.7K	1	417344724T	
R6014	CARBON R	R16J-4.7K	1	417344724T	
R6015	CARBON R	R16J-4.7K	1	417344724T	

R6016	CARBON R	R16J-4.7K	1	417344724T	
R6017	CARBON R	R16J-4.7K	1	417344724T	<B MDC, MMP>
R6018	CARBON R	R16J-4.7K	1	417344724T	<B MDC, MMP>
R6020	CARBON R	R16J-3.3K	1	417343324T	
R6021	CARBON R	R16J-3.3K	1	417343324T	
R6022	CARBON R	R16J-3.3K	1	417343324T	
R6023	CARBON R	R16J-3.3K	1	417343324T	
R6024	CARBON R	R16J-3.3K	1	417343324T	
R6025	CARBON R	R16J-3.3K	1	417343324T	
R6026	CARBON R	R16J-3.3K	1	417343324T	
R6027	CARBON R	R16J-3.3K	1	417343324T	<B MDC, MMP>
R6028	CARBON R	R16J-3.3K	1	417343324T	<B MDC, MMP>
R6030	CARBON R	R16J-1.8K	1	417341824T	
R6031	CARBON R	R16J-1.8K	1	417341824T	
R6032	CARBON R	R16J-1.8K	1	417341824T	
R6033	CARBON R	R16J-1.8K	1	417341824T	
R6034	CARBON R	R16J-1.8K	1	417341824T	
R6035	CARBON R	R16J-1.8K	1	417341824T	
R6036	CARBON R	R16J-1.8K	1	417341824T	
R6037	CARBON R	R16J-1.8K	1	417341824T	<B MDC, MMP>
R6038	CARBON R	R16J-1.8K	1	417341824T	<B MDC, MMP>
R6040	TRIM R	N06HR1KBB	1	5211401T	
R6041	TRIM R	N06HR1KBB	1	5211401T	
R6042	TRIM R	N06HR1KBB	1	5211401T	
R6043	TRIM R	N06HR1KBB	1	5211401T	
R6044	TRIM R	N06HR1KBB	1	5211401T	
R6045	TRIM R	N06HR1KBB	1	5211401T	
R6046	TRIM R	N06HR1KBB	1	5211401T	
R6047	TRIM R	N06HR1KBB	1	5211401T	<B MDC, MMP>
R6048	TRIM R	N06HR1KBB	1	5211401T	<B MDC, MMP>
R6050	CARBON R	R16J-2.7K	1	417342724T	
R6051	CARBON R	R16J-2.7K	1	417342724T	
R6052	CARBON R	R16J-2.7K	1	417342724T	
R6053	CARBON R	R16J-2.7K	1	417342724T	
R6054	CARBON R	R16J-2.7K	1	417342724T	
R6055	CARBON R	R16J-2.7K	1	417342724T	
R6056	CARBON R	R16J-2.7K	1	417342724T	
R6057	CARBON R	R16J-2.7K	1	417342724T	<B MDC, MMP>
R6058	CARBON R	R16J-2.7K	1	417342724T	<B MDC, MMP>
R6060	NF CARBON R	R25J-120	1	415471214T	
R6061	NF CARBON R	R25J-120	1	415471214T	
R6062	NF CARBON R	R25J-120	1	415471214T	
R6063	NF CARBON R	R25J-120	1	415471214T	
R6064	NF CARBON R	R25J-120	1	415471214T	
R6065	NF CARBON R	R25J-120	1	415471214T	
R6066	NF CARBON R	R25J-120	1	415471214T	
R6067	NF CARBON R	R25J-120	1	415471214T	<B MDC, MMP>

R6068	NF CARBON R	R25J-120	1	415471214T	<B MDC, MMP>
R6070	NF CARBON R	R25J-82	1	415478204T	
R6071	NF CARBON R	R25J-82	1	415478204T	
R6072	NF CARBON R	R25J-82	1	415478204T	
R6073	NF CARBON R	R25J-82	1	415478204T	
R6074	NF CARBON R	R25J-82	1	415478204T	
R6075	NF CARBON R	R25J-82	1	415478204T	
R6076	NF CARBON R	R25J-82	1	415478204T	
R6077	NF CARBON R	R25J-82	1	415478204T	<B MDC, MMP>
R6078	NF CARBON R	R25J-82	1	415478204T	<B MDC, MMP>
R6110	CARBON R	R16J-10K	1	417341034T	
R6111	CARBON R	R16J-10K	1	417341034T	
R6112	CARBON R	R16J-10K	1	417341034T	
R6113	CARBON R	R16J-10K	1	417341034T	
R6114	CARBON R	R16J-10K	1	417341034T	
R6115	CARBON R	R16J-10K	1	417341034T	
R6116	CARBON R	R16J-10K	1	417341034T	
R6117	CARBON R	R16J-10K	1	417341034T	<B MDC, MMP>
R6118	CARBON R	R16J-10K	1	417341034T	<B MDC, MMP>
R6250	NF CARBON R	R25J-120	1	415471214T	
R6251	NF CARBON R	R25J-120	1	415471214T	
R6252	NF CARBON R	R25J-120	1	415471214T	
R6253	NF CARBON R	R25J-120	1	415471214T	
R6254	NF CARBON R	R25J-120	1	415471214T	
R6255	NF CARBON R	R25J-120	1	415471214T	
R6256	NF CARBON R	R25J-120	1	415471214T	
R6257	NF CARBON R	R25J-120	1	415471214T	<B MDC, MMP>
R6258	NF CARBON R	R25J-120	1	415471214T	<B MDC, MMP>
R6260	NF CARBON R	R25J-120	1	415471214T	
R6261	NF CARBON R	R25J-120	1	415471214T	
R6262	NF CARBON R	R25J-120	1	415471214T	
R6263	NF CARBON R	R25J-120	1	415471214T	
R6264	NF CARBON R	R25J-120	1	415471214T	
R6265	NF CARBON R	R25J-120	1	415471214T	
R6266	NF CARBON R	R25J-120	1	415471214T	
R6267	NF CARBON R	R25J-120	1	415471214T	<B MDC, MMP>
R6268	NF CARBON R	R25J-120	1	415471214T	<B MDC, MMP>
R6270	NF CARBON R	R25J-18	1	415471804T	
R6271	NF CARBON R	R25J-18	1	415471804T	
R6272	NF CARBON R	R25J-18	1	415471804T	
R6273	NF CARBON R	R25J-18	1	415471804T	
R6274	NF CARBON R	R25J-18	1	415471804T	
R6275	NF CARBON R	R25J-18	1	415471804T	
R6276	NF CARBON R	R25J-18	1	415471804T	
R6277	NF CARBON R	R25J-18	1	415471804T	<B MDC, MMP>
R6278	NF CARBON R	R25J-18	1	415471804T	<B MDC, MMP>
R6280	NF CARBON R	R25J-18	1	415471804T	

R6281	NF CARBON R	R25J-18	1	415471804T	
R6282	NF CARBON R	R25J-18	1	415471804T	
R6283	NF CARBON R	R25J-18	1	415471804T	
R6284	NF CARBON R	R25J-18	1	415471804T	
R6285	NF CARBON R	R25J-18	1	415471804T	
R6286	NF CARBON R	R25J-18	1	415471804T	
R6287	NF CARBON R	R25J-18	1	415471804T	<B MDC, MMP>
R6288	NF CARBON R	R25J-18	1	415471804T	<B MDC, MMP>
R6290	NF CARBON R	R25J-2.2	1	415470224T	
R6291	NF CARBON R	R25J-2.2	1	415470224T	
R6292	NF CARBON R	R25J-2.2	1	415470224T	
R6293	NF CARBON R	R25J-2.2	1	415470224T	
R6294	NF CARBON R	R25J-2.2	1	415470224T	
R6295	NF CARBON R	R25J-2.2	1	415470224T	
R6296	NF CARBON R	R25J-2.2	1	415470224T	
R6297	NF CARBON R	R25J-2.2	1	415470224T	<B MDC, MMP>
R6298	NF CARBON R	R25J-2.2	1	415470224T	<B MDC, MMP>
R6300	NF CARBON R	R25J-2.2	1	415470224T	
R6301	NF CARBON R	R25J-2.2	1	415470224T	
R6302	NF CARBON R	R25J-2.2	1	415470224T	
R6303	NF CARBON R	R25J-2.2	1	415470224T	
R6304	NF CARBON R	R25J-2.2	1	415470224T	
R6305	NF CARBON R	R25J-2.2	1	415470224T	
R6306	NF CARBON R	R25J-2.2	1	415470224T	
R6307	NF CARBON R	R25J-2.2	1	415470224T	<B MDC, MMP>
R6308	NF CARBON R	R25J-2.2	1	415470224T	<B MDC, MMP>
R6310	NF CARBON R	R25J-10	1	415471004T	
R6311	NF CARBON R	R25J-10	1	415471004T	
R6312	NF CARBON R	R25J-10	1	415471004T	
R6313	NF CARBON R	R25J-10	1	415471004T	
R6314	NF CARBON R	R25J-10	1	415471004T	
R6315	NF CARBON R	R25J-10	1	415471004T	
R6316	NF CARBON R	R25J-10	1	415471004T	
R6317	NF CARBON R	R25J-10	1	415471004T	<B MDC, MMP>
R6318	NF CARBON R	R25J-10	1	415471004T	<B MDC, MMP>
<b>[SW TRM]</b>					
P5010A	SOCKET	NSCT-3P2183	1	25052286	
P5011A	SOCKET	NSCT-3P2183	1	25052286	
P5012A	SOCKET	NSCT-3P2183	1	25052286	
P5013A	SOCKET	NSCT-3P2183	1	25052286	
P5014A	SOCKET	NSCT-3P2183	1	25052286	
P5015A	SOCKET	NSCT-3P2183	1	25052286	
P5016A	SOCKET	NSCT-3P2183	1	25052286	
P5017A	SOCKET	NSCT-3P2183	1	25052286	<B MDC, MMP>
P5018A	SOCKET	NSCT-3P2183	1	25052286	<B MDC, MMP>
P5020A	TRM	NTM-1P233(M1969)	1	25060302	
P5021A	TRM	NTM-1P233(M1969)	1	25060302	

P5022A	TRM	NTM-1P233(M1969)	1	25060302	
P5023A	TRM	NTM-1P233(M1969)	1	25060302	
P5024A	TRM	NTM-1P233(M1969)	1	25060302	
P5025A	TRM	NTM-1P233(M1969)	1	25060302	
P5026A	TRM	NTM-1P233(M1969)	1	25060302	
P5027A	TRM	NTM-1P233(M1969)	1	25060302	<B MDC, MMP>
P5028A	TRM	NTM-1P233(M1969)	1	25060302	<B MDC, MMP>
P6010A	SOCKET	NSCT-3P2183	1	25052286	
P6011A	SOCKET	NSCT-3P2183	1	25052286	
P6012A	SOCKET	NSCT-3P2183	1	25052286	
P6013A	SOCKET	NSCT-3P2183	1	25052286	
P6014A	SOCKET	NSCT-3P2183	1	25052286	
P6015A	SOCKET	NSCT-3P2183	1	25052286	
P6016A	SOCKET	NSCT-3P2183	1	25052286	
P6017A	SOCKET	NSCT-3P2183	1	25052286	<B MDC, MMP>
P6018A	SOCKET	NSCT-3P2183	1	25052286	<B MDC, MMP>
P6030B	SOCKET	IMSA-9115S-05L	1	25052985	
P6031B	SOCKET	IMSA-9115S-05L	1	25052985	
P6032B	SOCKET	IMSA-9115S-05L	1	25052985	
P6033B	SOCKET	IMSA-9115S-05L	1	25052985	
P6034B	SOCKET	IMSA-9115S-05L	1	25052985	
P6035B	SOCKET	IMSA-9115S-05L	1	25052985	
P6036B	SOCKET	IMSA-9115S-05L	1	25052985	
P6037B	SOCKET	IMSA-9115S-05L	1	25052985	<B MDC, MMP>
P6038B	SOCKET	IMSA-9115S-05L	1	25052985	<B MDC, MMP>

**U004**

U0040 x 2 pcs.

**BAASP-0855-1E \*****U0040**

AUDIO(ASP) PC BOARD ASS'Y

BAASP-0855-1E

CIRCUIT NO.	PART NAME	DESCRIPTION	Q'TY	PART NO. (SN)	REMARKS
<b>[SEMI CONDUCTOR]</b>					
D4001	C-DIODE	1SS352	1	223234R2	
D4001 or	C-DIODE	1SS355	(1)	223269R2	
D4001 or	C-DIODE	MA2J111	(1)	223279R2	
D4001 or	C-DIODE	KDS4148U	(1)	223283R2	
D4002	C-DIODE	1SS352	1	223234R2	
D4002 or	C-DIODE	1SS355	(1)	223269R2	
D4002 or	C-DIODE	MA2J111	(1)	223279R2	
D4002 or	C-DIODE	KDS4148U	(1)	223283R2	
D4151	ZENER D	UDZS7.5B	1	224550750R2	
D4152	ZENER D	UDZS7.5B	1	224550750R2	
D4501	ZENER D	UDZS9.1B	1	224550910R2	
D4502	ZENER D	UDZS9.1B	1	224550910R2	
D4503	ZENER D	UDZS3.3B	1	224550330R2	
D4504	C-DIODE	1SS352	1	223234R2	

D4504 or	C-DIODE	1SS355	(1)	223269R2
D4504 or	C-DIODE	MA2J111	(1)	223279R2
D4504 or	C-DIODE	KDS4148U	(1)	223283R2
D4505	C-DIODE	1SS352	1	223234R2
D4505 or	C-DIODE	1SS355	(1)	223269R2
D4505 or	C-DIODE	MA2J111	(1)	223279R2
D4505 or	C-DIODE	KDS4148U	(1)	223283R2
D4506	C-DIODE	1SS352	1	223234R2
D4506 or	C-DIODE	1SS355	(1)	223269R2
D4506 or	C-DIODE	MA2J111	(1)	223279R2
D4506 or	C-DIODE	KDS4148U	(1)	223283R2
D4507	C-DIODE	1SS352	1	223234R2
D4507 or	C-DIODE	1SS355	(1)	223269R2
D4507 or	C-DIODE	MA2J111	(1)	223279R2
D4507 or	C-DIODE	KDS4148U	(1)	223283R2
D4508	C-DIODE	1SS352	1	223234R2
D4508 or	C-DIODE	1SS355	(1)	223269R2
D4508 or	C-DIODE	MA2J111	(1)	223279R2
D4508 or	C-DIODE	KDS4148U	(1)	223283R2
D4509	C-DIODE	1SS352	1	223234R2
D4509 or	C-DIODE	1SS355	(1)	223269R2
D4509 or	C-DIODE	MA2J111	(1)	223279R2
D4509 or	C-DIODE	KDS4148U	(1)	223283R2
D4510	C-DIODE	1SS352	1	223234R2
D4510 or	C-DIODE	1SS355	(1)	223269R2
D4510 or	C-DIODE	MA2J111	(1)	223279R2
D4510 or	C-DIODE	KDS4148U	(1)	223283R2
D4602	C-DIODE	1SS352	1	223234R2
D4602 or	C-DIODE	1SS355	(1)	223269R2
D4602 or	C-DIODE	MA2J111	(1)	223279R2
D4602 or	C-DIODE	KDS4148U	(1)	223283R2
D4603	C-DIODE	1SS352	1	223234R2
D4603 or	C-DIODE	1SS355	(1)	223269R2
D4603 or	C-DIODE	MA2J111	(1)	223279R2
D4603 or	C-DIODE	KDS4148U	(1)	223283R2
D4604	C-DIODE	1SS352	1	223234R2
D4604 or	C-DIODE	1SS355	(1)	223269R2
D4604 or	C-DIODE	MA2J111	(1)	223279R2
D4604 or	C-DIODE	KDS4148U	(1)	223283R2
D4605	C-DIODE	1SS352	1	223234R2
D4605 or	C-DIODE	1SS355	(1)	223269R2
D4605 or	C-DIODE	MA2J111	(1)	223279R2
D4605 or	C-DIODE	KDS4148U	(1)	223283R2
D4606	C-DIODE	1SS352	1	223234R2
D4606 or	C-DIODE	1SS355	(1)	223269R2
D4606 or	C-DIODE	MA2J111	(1)	223279R2
D4606 or	C-DIODE	KDS4148U	(1)	223283R2



D4607	C-DIODE	1SS352	1	223234R2	<B MDC, MMP>
D4607 or	C-DIODE	1SS355	(1)	223269R2	<B MDC, MMP>
D4607 or	C-DIODE	MA2J111	(1)	223279R2	<B MDC, MMP>
D4607 or	C-DIODE	KDS4148U	(1)	223283R2	<B MDC, MMP>
D4608	C-DIODE	1SS352	1	223234R2	
D4608 or	C-DIODE	1SS355	(1)	223269R2	
D4608 or	C-DIODE	MA2J111	(1)	223279R2	
D4608 or	C-DIODE	KDS4148U	(1)	223283R2	
Q4001	IC	NE5532APSR	1	22242283R2	
Q4002	IC	NE5532APSR	1	22242283R2	
Q4003	IC	NE5532APSR	1	22242283R2	
Q4004	IC	NE5532APSR	1	22242283R2	
Q4005	IC	NE5532APSR	1	22242283R2	
Q4006	IC	NE5532APSR	1	22242283R2	
Q4151	IC	NJW1112	1	22242597R2	
Q4152	IC	NJW1112	1	22242597R2	
Q4153	IC	NE5532APSR	1	22242283R2	
Q4155	TR	2SC2235-Y(TPE6_F)	1	2211654T	
Q4156	TR	2SA965-Y(TPE6_F)	1	2211644T	
Q4241	IC	NE5532APSR	1	22242283R2	
Q4243	IC	NE5532APSR	1	22242283R2	
Q4255	TR	RN1441	1	2215410R2	
Q4255 or	TR	RTAN430C-T112-1	(1)	2217780R2	
Q4256	TR	RN1441	1	2215410R2	
Q4256 or	TR	RTAN430C-T112-1	(1)	2217780R2	
Q4257	TR	RN1441	1	2215410R2	
Q4257 or	TR	RTAN430C-T112-1	(1)	2217780R2	
Q4258	TR	RN1441	1	2215410R2	
Q4258 or	TR	RTAN430C-T112-1	(1)	2217780R2	
Q4261	TR	RN1441	1	2215410R2	
Q4261 or	TR	RTAN430C-T112-1	(1)	2217780R2	
Q4262	TR	RN1441	1	2215410R2	
Q4262 or	TR	RTAN430C-T112-1	(1)	2217780R2	
Q4263	TR	RN1441	1	2215410R2	
Q4263 or	TR	RTAN430C-T112-1	(1)	2217780R2	
Q4264	TR	RN1441	1	2215410R2	
Q4264 or	TR	RTAN430C-T112-1	(1)	2217780R2	
Q4351	IC	NJU7312AM	1	22242210R2	
Q4352	IC	NJU7311AM	1	22242209R2	
Q4353	IC	NJU7313AM	1	22242211R2	
Q4354	IC	NE5532APSR	1	22242283R2	
Q4355	IC	NE5532APSR	1	22242283R2	
Q4356	IC	NE5532APSR	1	22242283R2	
Q4357	IC	NE5532APSR	1	22242283R2	
Q4501	IC	CS3318-CQZR	1	22242404R2	
Q4502	IC	CS3318-CQZR	1	22242404R2	
Q4503	TR	2SA965-Y(TPE6_F)	1	2211644T	

Q4504	TR	2SC2235-Y(TPE6_F)	1	2211654T	
Q4505	TR	2SC2712-GR	1	2213145R2	
Q4505 or	TR	KTC3875-GR	(1)	2216175R2	
Q4506	TR	2SA1162-GR	1	2214375R2	
Q4506 or	TR	KTA1504-GR	(1)	2216185R2	
Q4509	IC	NE5532APSR	1	22242283R2	
Q4510	IC	NJM4556AM	1	22241414R2	
Q4511	TR	2SC2235-Y(TPE6_F)	1	2211654T	
Q4512	TR	2SC2235-Y(TPE6_F)	1	2211654T	
Q4513	TR	2SA965-Y(TPE6_F)	1	2211644T	
Q4514	TR	2SA965-Y(TPE6_F)	1	2211644T	
Q4515	TR	RN1441	1	2215410R2	
Q4515 or	TR	RTAN430C-T112-1	(1)	2217780R2	
Q4516	TR	RN1441	1	2215410R2	
Q4516 or	TR	RTAN430C-T112-1	(1)	2217780R2	
Q4517	TR	DTC123JKA	1	2216690R2	
Q4517 or	TR	KRC105S	(1)	2217290R2	
Q4519	TR	RN1441	1	2215410R2	
Q4519 or	TR	RTAN430C-T112-1	(1)	2217780R2	
Q4520	TR	RN1441	1	2215410R2	
Q4520 or	TR	RTAN430C-T112-1	(1)	2217780R2	
Q4601	TR	RN1441	1	2215410R2	
Q4601 or	TR	RTAN430C-T112-1	(1)	2217780R2	
Q4602	TR	RN1441	1	2215410R2	
Q4602 or	TR	RTAN430C-T112-1	(1)	2217780R2	
Q4605	TR	RN1441	1	2215410R2	
Q4605 or	TR	RTAN430C-T112-1	(1)	2217780R2	
Q4607	TR	RN1441	1	2215410R2	
Q4607 or	TR	RTAN430C-T112-1	(1)	2217780R2	
Q4608	TR	RN1441	1	2215410R2	
Q4608 or	TR	RTAN430C-T112-1	(1)	2217780R2	
Q4611	TR	RN1441	1	2215410R2	
Q4611 or	TR	RTAN430C-T112-1	(1)	2217780R2	
Q4612	TR	RN1441	1	2215410R2	
Q4612 or	TR	RTAN430C-T112-1	(1)	2217780R2	
Q4613	TR	RN1441	1	2215410R2	
Q4613 or	TR	RTAN430C-T112-1	(1)	2217780R2	
Q4614	TR	RN1441	1	2215410R2	
Q4614 or	TR	RTAN430C-T112-1	(1)	2217780R2	
Q4615	TR	RN1441	1	2215410R2	
Q4615 or	TR	RTAN430C-T112-1	(1)	2217780R2	
Q4616	TR	RN1441	1	2215410R2	
Q4616 or	TR	RTAN430C-T112-1	(1)	2217780R2	
Q4619	TR	RN1441	1	2215410R2	<B MDC, MMP>
Q4619 or	TR	RTAN430C-T112-1	(1)	2217780R2	<B MDC, MMP>
Q4620	TR	RN1441	1	2215410R2	<B MDC, MMP>
Q4620 or	TR	RTAN430C-T112-1	(1)	2217780R2	<B MDC, MMP>

Q4623	TR	RN1441	1	2215410R2	
Q4623 or	TR	RTAN430C-T112-1	(1)	2217780R2	
Q4624	TR	RN1441	1	2215410R2	
Q4624 or	TR	RTAN430C-T112-1	(1)	2217780R2	
Q4627	TR	DTC123JKA	1	2216690R2	
Q4627 or	TR	KRC105S	(1)	2217290R2	
Q4628	TR	DTC123JKA	1	2216690R2	
Q4628 or	TR	KRC105S	(1)	2217290R2	
Q4629	TR	DTC123JKA	1	2216690R2	
Q4629 or	TR	KRC105S	(1)	2217290R2	
Q4631	TR	DTC123JKA	1	2216690R2	
Q4631 or	TR	KRC105S	(1)	2217290R2	
Q4632	TR	DTC123JKA	1	2216690R2	
Q4632 or	TR	KRC105S	(1)	2217290R2	
Q4633	TR	DTC123JKA	1	2216690R2	
Q4633 or	TR	KRC105S	(1)	2217290R2	
Q4634	TR	DTC123JKA	1	2216690R2	<B MDC, MMP>
Q4634 or	TR	KRC105S	(1)	2217290R2	<B MDC, MMP>
<b>[CAPACITOR]</b>					
C4001	UPZ C	2AUPZTF221JE	1	376332214T	
C4002	UPZ C	2AUPZTF221JE	1	376332214T	
C4003	UPZ C	2AUPZTF221JE	1	376332214T	
C4004	UPZ C	2AUPZTF221JE	1	376332214T	
C4005	UTSP C	CE04W50V 47M(UTSP)	1	397584707T	
C4005 or	UTSP C	CE04W50V 47M(UTSP)	(1)	397584707AT	
C4006	UTSP C	CE04W50V 47M(UTSP)	1	397584707T	
C4006 or	UTSP C	CE04W50V 47M(UTSP)	(1)	397584707AT	
C4007	UPZ C	2AUPZTF221JE	1	376332214T	
C4008	UPZ C	2AUPZTF221JE	1	376332214T	
C4009	UTSP C	CE04W50V 47M(UTSP)	1	397584707T	
C4009 or	UTSP C	CE04W50V 47M(UTSP)	(1)	397584707AT	
C4010	UTSP C	CE04W50V 47M(UTSP)	1	397584707T	
C4010 or	UTSP C	CE04W50V 47M(UTSP)	(1)	397584707AT	
C4011	UPZ C	2AUPZTF221JE	1	376332214T	
C4012	UPZ C	2AUPZTF221JE	1	376332214T	
C4013	UTSP C	CE04W50V 47M(UTSP)	1	397584707T	
C4013 or	UTSP C	CE04W50V 47M(UTSP)	(1)	397584707AT	
C4014	UTSP C	CE04W50V 47M(UTSP)	1	397584707T	
C4014 or	UTSP C	CE04W50V 47M(UTSP)	(1)	397584707AT	
C4015	UPZ C	2AUPZTF221JE	1	376332214T	
C4016	UPZ C	2AUPZTF221JE	1	376332214T	
C4017	UTSP C	CE04W50V 47M(UTSP)	1	397584707T	
C4017 or	UTSP C	CE04W50V 47M(UTSP)	(1)	397584707AT	
C4018	UTSP C	CE04W50V 47M(UTSP)	1	397584707T	
C4018 or	UTSP C	CE04W50V 47M(UTSP)	(1)	397584707AT	
C4019	UPZ C	2AUPZTF221JE	1	376332214T	
C4020	UPZ C	2AUPZTF221JE	1	376332214T	

C4021	UTSP C	CE04W50V 47M(UTSP)	1	397584707T
C4021 or	UTSP C	CE04W50V 47M(UTSP)	( 1)	397584707AT
C4022	UTSP C	CE04W50V 47M(UTSP)	1	397584707T
C4022 or	UTSP C	CE04W50V 47M(UTSP)	( 1)	397584707AT
C4023	UPZ C	2AUPZTF221JE	1	376332214T
C4024	UPZ C	2AUPZTF221JE	1	376332214T
C4025	UTSP C	CE04W50V 47M(UTSP)	1	397584707T
C4025 or	UTSP C	CE04W50V 47M(UTSP)	( 1)	397584707AT
C4026	UTSP C	CE04W50V 47M(UTSP)	1	397584707T
C4026 or	UTSP C	CE04W50V 47M(UTSP)	( 1)	397584707AT
C4027	UTSP C	CE04W25V-100M(UTSP)	1	397551017AT
C4028	UTSP C	CE04W25V-100M(UTSP)	1	397551017AT
C4029	UTSP C	CE04W25V-100M(UTSP)	1	397551017AT
C4030	UTSP C	CE04W25V-100M(UTSP)	1	397551017AT
C4031	MKT C	B32529C0102J289	1	376491024T
C4032	MKT C	B32529C0102J289	1	376491024T
C4033	MKT C	B32529C0102J289	1	376491024T
C4151	UTSP C	CE04W10V-470M(UTSP)	1	397534717T
C4152	UTSP C	CE04W10V-470M(UTSP)	1	397534717T
C4157	UTSP C	CE04W50V-10M(UTSP)	1	397581007T
C4157 or	UTSP C	CE04W50V-10M(UTSP)	( 1)	397581007AT
C4158	UTSP C	CE04W50V-10M(UTSP)	1	397581007T
C4158 or	UTSP C	CE04W50V-10M(UTSP)	( 1)	397581007AT
C4161	UTSP C	CE04W50V 47M(UTSP)	1	397584707T
C4161 or	UTSP C	CE04W50V 47M(UTSP)	( 1)	397584707AT
C4162	UTSP C	CE04W50V 47M(UTSP)	1	397584707T
C4162 or	UTSP C	CE04W50V 47M(UTSP)	( 1)	397584707AT
C4163	UTSP C	CE04W50V 47M(UTSP)	1	397584707T
C4163 or	UTSP C	CE04W50V 47M(UTSP)	( 1)	397584707AT
C4164	UTSP C	CE04W50V 47M(UTSP)	1	397584707T
C4164 or	UTSP C	CE04W50V 47M(UTSP)	( 1)	397584707AT
C4165	UTSP C	CE04W50V 47M(UTSP)	1	397584707T
C4165 or	UTSP C	CE04W50V 47M(UTSP)	( 1)	397584707AT
C4166	UTSP C	CE04W50V 47M(UTSP)	1	397584707T
C4166 or	UTSP C	CE04W50V 47M(UTSP)	( 1)	397584707AT
C4169	UTSP C	CE04W25V-220M(UTSP)	1	397552217T
C4170	UTSP C	CE04W25V-220M(UTSP)	1	397552217T
C4171	UTSP C	CE04W50V 47M(UTSP)	1	397584707T
C4171 or	UTSP C	CE04W50V 47M(UTSP)	( 1)	397584707AT
C4172	UTSP C	CE04W50V 47M(UTSP)	1	397584707T
C4172 or	UTSP C	CE04W50V 47M(UTSP)	( 1)	397584707AT
C4173	UTSP C	CE04W25V-220M(UTSP)	1	397552217T
C4174	UTSP C	CE04W25V-220M(UTSP)	1	397552217T
C4177	UTSP C	CE04W50V 47M(UTSP)	1	397584707T
C4177 or	UTSP C	CE04W50V 47M(UTSP)	( 1)	397584707AT
C4178	UTSP C	CE04W50V 47M(UTSP)	1	397584707T
C4178 or	UTSP C	CE04W50V 47M(UTSP)	( 1)	397584707AT

C4179	UTSP C	CE04W50V 47M(UTSP)	1	397584707T
C4179 or	UTSP C	CE04W50V 47M(UTSP)	(1)	397584707AT
C4180	UTSP C	CE04W50V 47M(UTSP)	1	397584707T
C4180 or	UTSP C	CE04W50V 47M(UTSP)	(1)	397584707AT
C4241	UTSP C	CE04W25V-220M(UTSP)	1	397552217T
C4242	UTSP C	CE04W25V-220M(UTSP)	1	397552217T
C4243	UTSP C	CE04W50V 47M(UTSP)	1	397584707T
C4243 or	UTSP C	CE04W50V 47M(UTSP)	(1)	397584707AT
C4244	UTSP C	CE04W50V 47M(UTSP)	1	397584707T
C4244 or	UTSP C	CE04W50V 47M(UTSP)	(1)	397584707AT
C4245	UTSP C	CE04W50V 47M(UTSP)	1	397584707T
C4245 or	UTSP C	CE04W50V 47M(UTSP)	(1)	397584707AT
C4246	UTSP C	CE04W50V 47M(UTSP)	1	397584707T
C4246 or	UTSP C	CE04W50V 47M(UTSP)	(1)	397584707AT
C4247	C-CERA C	CC725CH1H-221J1	1	342102214R1
C4248	C-CERA C	CC725CH1H-221J1	1	342102214R1
C4249	UTSP C	CE04W50V 47M(UTSP)	1	397584707T
C4249 or	UTSP C	CE04W50V 47M(UTSP)	(1)	397584707AT
C4250	UTSP C	CE04W50V 47M(UTSP)	1	397584707T
C4250 or	UTSP C	CE04W50V 47M(UTSP)	(1)	397584707AT
C4251	UTSP C	CE04W50V 47M(UTSP)	1	397584707T
C4251 or	UTSP C	CE04W50V 47M(UTSP)	(1)	397584707AT
C4252	UTSP C	CE04W50V 47M(UTSP)	1	397584707T
C4252 or	UTSP C	CE04W50V 47M(UTSP)	(1)	397584707AT
C4253	C-CERA C	CC725CH1H-221J1	1	342102214R1
C4254	C-CERA C	CC725CH1H-221J1	1	342102214R1
C4270	MKT C	B32529C0102J289	1	376491024T
C4351	UTSP C	CE04W25V-100M(UTSP)	1	397551017AT
C4352	UTSP C	CE04W25V-100M(UTSP)	1	397551017AT
C4353	TF C	ECQ-V50V-105J	1	374721054T
C4354	UTSP C	CE04W50V 47M(UTSP)	1	397584707T
C4354 or	UTSP C	CE04W50V 47M(UTSP)	(1)	397584707AT
C4355	TF C	ECQ-V50V-224J	1	374722244T
C4356	UTSP C	CE04W50V 47M(UTSP)	1	397584707T
C4356 or	UTSP C	CE04W50V 47M(UTSP)	(1)	397584707AT
C4359	UTSP C	CE04W50V 47M(UTSP)	1	397584707T
C4359 or	UTSP C	CE04W50V 47M(UTSP)	(1)	397584707AT
C4360	UTSP C	CE04W50V 47M(UTSP)	1	397584707T
C4360 or	UTSP C	CE04W50V 47M(UTSP)	(1)	397584707AT
C4361	UTSP C	CE04W50V 47M(UTSP)	1	397584707T
C4361 or	UTSP C	CE04W50V 47M(UTSP)	(1)	397584707AT
C4362	UTSP C	CE04W50V 47M(UTSP)	1	397584707T
C4362 or	UTSP C	CE04W50V 47M(UTSP)	(1)	397584707AT
C4363	UTSP C	CE04W50V 47M(UTSP)	1	397584707T
C4363 or	UTSP C	CE04W50V 47M(UTSP)	(1)	397584707AT
C4364	UTSP C	CE04W50V 47M(UTSP)	1	397584707T
C4364 or	UTSP C	CE04W50V 47M(UTSP)	(1)	397584707AT

C4501	UTSP C	CE04W25V-100M(UTSP)	1	397551017AT	
C4502	UTSP C	CE04W25V-100M(UTSP)	1	397551017AT	
C4503	UTSP C	CE04W50V 47M(UTSP)	1	397584707T	
C4503 or	UTSP C	CE04W50V 47M(UTSP)	( 1)	397584707AT	
C4504	UTSP C	CE04W50V 47M(UTSP)	1	397584707T	
C4504 or	UTSP C	CE04W50V 47M(UTSP)	( 1)	397584707AT	
C4505	UTSP C	CE04W25V-220M(UTSP)	1	397552217T	
C4506	UTSP C	CE04W25V-220M(UTSP)	1	397552217T	
C4507	UTSP C	CE04W50V 47M(UTSP)	1	397584707T	
C4507 or	UTSP C	CE04W50V 47M(UTSP)	( 1)	397584707AT	
C4508	UTSP C	CE04W50V 47M(UTSP)	1	397584707T	
C4508 or	UTSP C	CE04W50V 47M(UTSP)	( 1)	397584707AT	
C4509	C-CERA C	CC725CH1H-101J1	1	342101014R1	
C4510	C-CERA C	CC725CH1H-101J1	1	342101014R1	
C4511	C-CERA C	CC725CH1H-101J1	1	342101014R1	
C4512	C-CERA C	CC725CH1H-101J1	1	342101014R1	
C4513	C-CERA C	CC725CH1H-101J1	1	342101014R1	
C4514	C-CERA C	CC725CH1H-101J1	1	342101014R1	
C4515	C-CERA C	CC725CH1H-101J1	1	342101014R1	
C4516	C-CERA C	CC725CH1H-101J1	1	342101014R1	
C4517	C-CERA C	CK725F1E-104Z1	1	332161040R1	
C4518	C-CERA C	CK725F1E-104Z1	1	332161040R1	
C4519	UTSP C	CE04W50V 47M(UTSP)	1	397584707T	
C4519 or	UTSP C	CE04W50V 47M(UTSP)	( 1)	397584707AT	
C4520	UTSP C	CE04W50V 47M(UTSP)	1	397584707T	
C4520 or	UTSP C	CE04W50V 47M(UTSP)	( 1)	397584707AT	
C4521	C-CERA C	CC725CH1H-102J1	1	342101024R1	
C4522	C-CERA C	CC725CH1H-102J1	1	342101024R1	
C4525	UTSP C	CE04W25V-220M(UTSP)	1	397552217T	
C4526	UTSP C	CE04W25V-220M(UTSP)	1	397552217T	
C4527	UTSP C	CE04W50V 47M(UTSP)	1	397584707T	
C4527 or	UTSP C	CE04W50V 47M(UTSP)	( 1)	397584707AT	
C4528	UTSP C	CE04W50V 47M(UTSP)	1	397584707T	
C4528 or	UTSP C	CE04W50V 47M(UTSP)	( 1)	397584707AT	
C4529	C-CERA C	CC725CH1H-221J1	1	342102214R1	
C4530	C-CERA C	CC725CH1H-221J1	1	342102214R1	
C4531	C-CERA C	CC725CH1H-101J1	1	342101014R1	
C4532	C-CERA C	CC725CH1H-101J1	1	342101014R1	
C4533	UTSP C	CE04W25V-220M(UTSP)	1	397552217T	
C4534	UTSP C	CE04W25V-220M(UTSP)	1	397552217T	
C4535	UTSP C	CE04W25V-47M(UTSP)	1	397554707AT	
C4536	TF C	ECQ-V50V-104J	1	374721044T	
C4601	UTSJ C	CE04W50V-47M(UTSJ)	1	398084707BT	<B MDC, MMP>
C4602	UTSJ C	CE04W50V-47M(UTSJ)	1	398084707BT	<B MDC, MMP>
C4603	C-CERA C	CC725CH1H-221J1	1	342102214R1	
C4604	C-CERA C	CC725CH1H-221J1	1	342102214R1	
C4605	UTSJ C	CE04W50V-47M(UTSJ)	1	398084707BT	<B MDC, MMP>

C4606	C-CERA C	CC725CH1H-221J1	1	342102214R1	
C4607	UTSJ C	CE04W50V-47M(UTSJ)	1	398084707BT	<B MDC, MMP>
C4608	UTSJ C	CE04W50V-47M(UTSJ)	1	398084707BT	<B MDC, MMP>
C4609	C-CERA C	CC725CH1H-221J1	1	342102214R1	
C4610	C-CERA C	CC725CH1H-221J1	1	342102214R1	
C4611	C-CERA C	CC725CH1H-221J1	1	342102214R1	
C4612	C-CERA C	CC725CH1H-221J1	1	342102214R1	
C4613	UTSJ C	CE04W50V-47M(UTSJ)	1	398084707BT	<B MDC, MMP>
C4614	UTSJ C	CE04W50V-47M(UTSJ)	1	398084707BT	<B MDC, MMP>
C4615	C-CERA C	CC725CH1H-221J1	1	342102214R1	
C4616	C-CERA C	CC725CH1H-221J1	1	342102214R1	
C4617	UTSJ C	CE04W50V-47M(UTSJ)	1	398084707BT	<B MDC, MMP>
C4618	UTSJ C	CE04W50V-47M(UTSJ)	1	398084707BT	<B MDC, MMP>
C4619	C-CERA C	CC725CH1H-221J1	1	342102214R1	<B MDC, MMP>
C4620	C-CERA C	CC725CH1H-221J1	1	342102214R1	<B MDC, MMP>
C4625	C-CERA C	CC725CH1H-221J1	1	342102214R1	
C4626	C-CERA C	CC725CH1H-221J1	1	342102214R1	
C4627	UTSJ C	CE04W50V-10M(UTSJ)	1	398081007BT	<B MDC, MMP>
C4628	UTSJ C	CE04W50V-10M(UTSJ)	1	398081007BT	<B MDC, MMP>
C4629	TF C	ECQ-V50V-104J	1	374721044T	
C4630	TF C	ECQ-V50V-104J	1	374721044T	
C4631	TF C	ECQ-V50V-104J	1	374721044T	
C4632	TF C	ECQ-V50V-104J	1	374721044T	
C4633	TF C	ECQ-V50V-104J	1	374721044T	
C4634	TF C	ECQ-V50V-104J	1	374721044T	
C4636	TF C	ECQ-V50V-104J	1	374721044T	<B MDC, MMP>
C4638	MKT C	B32529C0102J289	1	376491024T	
C4639	UTSJ C	CE04W50V-47M(UTSJ)	1	398084707BT	<B MDC, MMP>
C4640	UTSJ C	CE04W50V-47M(UTSJ)	1	398084707BT	<B MDC, MMP>
C4641	TF C	ECQ-V50V-104J	1	374721044T	
C4642	C-CERA C	CK725B1H-103K1	1	332101035R1	
<b>[RESISTOR]</b>					
R4001	C-CARBON R	RN72K1J-102JE	1	435031024R1	
R4002	C-CARBON R	RN72K1J-102JE	1	435031024R1	
R4003	C-CARBON R	RN72K1J-563JE	1	435035634R1	
R4004	C-CARBON R	RN72K1J-563JE	1	435035634R1	
R4005	C-CARBON R	RN72K1J-331JE	1	435033314R1	
R4006	C-CARBON R	RN72K1J-331JE	1	435033314R1	
R4007	C-CARBON R	RN72K1J-563JE	1	435035634R1	
R4008	C-CARBON R	RN72K1J-563JE	1	435035634R1	
R4009	C-CARBON R	RN72K1J-224JE	1	435032244R1	
R4010	C-CARBON R	RN72K1J-224JE	1	435032244R1	
R4011	NF CARBON R	R25J-22	1	415472204T	
R4012	NF CARBON R	R25J-22	1	415472204T	
R4013	C-CARBON R	RN72K1J-331JE	1	435033314R1	
R4014	C-CARBON R	RN72K1J-331JE	1	435033314R1	
R4015	C-CARBON R	RN72K1J-563JE	1	435035634R1	

R4016	C-CARBON R	RN72K1J-563JE	1	435035634R1
R4017	C-CARBON R	RN72K1J-224JE	1	435032244R1
R4018	C-CARBON R	RN72K1J-224JE	1	435032244R1
R4019	NF CARBON R	R25J-22	1	415472204T
R4020	NF CARBON R	R25J-22	1	415472204T
R4021	C-CARBON R	RN72K1J-331JE	1	435033314R1
R4022	C-CARBON R	RN72K1J-331JE	1	435033314R1
R4023	C-CARBON R	RN72K1J-563JE	1	435035634R1
R4024	C-CARBON R	RN72K1J-563JE	1	435035634R1
R4025	C-CARBON R	RN72K1J-224JE	1	435032244R1
R4026	C-CARBON R	RN72K1J-224JE	1	435032244R1
R4027	C-CARBON R	RN72K1J-331JE	1	435033314R1
R4028	C-CARBON R	RN72K1J-331JE	1	435033314R1
R4029	C-CARBON R	RN72K1J-563JE	1	435035634R1
R4030	C-CARBON R	RN72K1J-563JE	1	435035634R1
R4031	C-CARBON R	RN72K1J-224JE	1	435032244R1
R4032	C-CARBON R	RN72K1J-224JE	1	435032244R1
R4033	C-CARBON R	RN72K1J-331JE	1	435033314R1
R4034	C-CARBON R	RN72K1J-331JE	1	435033314R1
R4035	C-CARBON R	RN72K1J-563JE	1	435035634R1
R4036	C-CARBON R	RN72K1J-563JE	1	435035634R1
R4037	C-CARBON R	RN72K1J-224JE	1	435032244R1
R4038	C-CARBON R	RN72K1J-224JE	1	435032244R1
R4039	C-CARBON R	RN72K1J-331JE	1	435033314R1
R4040	C-CARBON R	RN72K1J-331JE	1	435033314R1
R4041	C-CARBON R	RN72K1J-563JE	1	435035634R1
R4042	C-CARBON R	RN72K1J-563JE	1	435035634R1
R4043	C-CARBON R	RN72K1J-224JE	1	435032244R1
R4044	C-CARBON R	RN72K1J-224JE	1	435032244R1
R4045	C-CARBON R	RN72K1J-152JE	1	435031524R1
R4046	C-CARBON R	RN72K1J-152JE	1	435031524R1
R4047	C-CARBON R	RN72K1J-152JE	1	435031524R1
R4048	C-CARBON R	RN72K1J-152JE	1	435031524R1
R4049	C-CARBON R	RN72K1J-152JE	1	435031524R1
R4050	C-CARBON R	RN72K1J-152JE	1	435031524R1
R4051	C-CARBON R	RN72K1J-152JE	1	435031524R1
R4052	C-CARBON R	RN72K1J-152JE	1	435031524R1
R4053	C-CARBON R	RN72K1J-152JE	1	435031524R1
R4054	C-CARBON R	RN72K1J-152JE	1	435031524R1
R4055	C-CARBON R	RN72K1J-152JE	1	435031524R1
R4056	C-CARBON R	RN72K1J-152JE	1	435031524R1
R4151	C-CARBON R	RN72K1J-224JE	1	435032244R1
R4152	C-CARBON R	RN72K1J-224JE	1	435032244R1
R4153	C-CARBON R	RN72K1J-224JE	1	435032244R1
R4154	C-CARBON R	RN72K1J-224JE	1	435032244R1
R4155	C-CARBON R	RN72K1J-152JE	1	435031524R1
R4156	C-CARBON R	RN72K1J-152JE	1	435031524R1



R4157	C-CARBON R	RN72K1J-224JE	1	435032244R1	
R4158	C-CARBON R	RN72K1J-224JE	1	435032244R1	
R4161	METAL O R	RS1/2WBJ-15	1	443521504T	
R4162	METAL O R	RS1/2WBJ-15	1	443521504T	
R4163	METAL O R	RS1/2WBJ-10	1	443521004T	
R4164	METAL O R	RS1/2WBJ-10	1	443521004T	
R4165	C-CARBON R	RN72K1J-681JE	1	435036814R1	
R4166	C-CARBON R	RN72K1J-681JE	1	435036814R1	
R4167	C-CARBON R	RN72K1J-047JE	1	435030474R1	
R4168	C-CARBON R	RN72K1J-047JE	1	435030474R1	
R4169	C-CARBON R	RN72K1J-103JE	1	435031034R1	
R4170	C-CARBON R	RN72K1J-103JE	1	435031034R1	
R4171	C-CARBON R	RN72K1J-103JE	1	435031034R1	
R4172	C-CARBON R	RN72K1J-103JE	1	435031034R1	
R4173	C-CARBON R	RN72K1J-103JE	1	435031034R1	
R4174	C-CARBON R	RN72K1J-103JE	1	435031034R1	
R4175	C-CARBON R	RN72K1J-103JE	1	435031034R1	
R4176	C-CARBON R	RN72K1J-103JE	1	435031034R1	
R4177	C-CARBON R	RN72K1J-000JE	1	435030004R1	<B MDC, MMP>
R4178	C-CARBON R	RN72K1J-000JE	1	435030004R1	<B MDC, MMP>
R4179	C-CARBON R	RN72K1J-000JE	1	435030004R1	<B MDC, MMP>
R4180	C-CARBON R	RN72K1J-000JE	1	435030004R1	<B MDC, MMP>
R4181	C-CARBON R	RN72K1J-224JE	1	435032244R1	
R4182	C-CARBON R	RN72K1J-224JE	1	435032244R1	
R4183	C-CARBON R	RN72K1J-224JE	1	435032244R1	
R4184	C-CARBON R	RN72K1J-224JE	1	435032244R1	
R4231	C-CARBON R	RN72K1J-222JE	1	435032224R1	<B MDC, MMP>
R4232	C-CARBON R	RN72K1J-222JE	1	435032224R1	<B MDC, MMP>
R4233	C-CARBON R	RN72K1J-222JE	1	435032224R1	<B MDC, MMP>
R4234	C-CARBON R	RN72K1J-222JE	1	435032224R1	<B MDC, MMP>
R4241	METAL O R	RS1/2WBJ-10	1	443521004T	
R4242	METAL O R	RS1/2WBJ-10	1	443521004T	
R4243	C-CARBON R	RN72K1J-000JE	1	435030004R1	<B MDC, MMP>
R4244	C-CARBON R	RN72K1J-000JE	1	435030004R1	<B MDC, MMP>
R4247	C-CARBON R	RN72K1J-224JE	1	435032244R1	
R4248	C-CARBON R	RN72K1J-224JE	1	435032244R1	
R4249	C-CARBON R	RN72K1J-224JE	1	435032244R1	
R4250	C-CARBON R	RN72K1J-224JE	1	435032244R1	
R4251	C-CARBON R	RN72K1J-222JE	1	435032224R1	<B MDC, MMP>
R4252	C-CARBON R	RN72K1J-222JE	1	435032224R1	<B MDC, MMP>
R4253	C-CARBON R	RN72K1J-101JE	1	435031014R1	
R4254	C-CARBON R	RN72K1J-101JE	1	435031014R1	
R4255	C-CARBON R	RN72K1J-224JE	1	435032244R1	
R4256	C-CARBON R	RN72K1J-224JE	1	435032244R1	
R4257	C-CARBON R	RN72K1J-470JE	1	435034704R1	
R4258	C-CARBON R	RN72K1J-470JE	1	435034704R1	
R4259	C-CARBON R	RN72K1J-000JE	1	435030004R1	<B MDC, MMP>

R4260	C-CARBON R	RN72K1J-000JE	1	435030004R1	<B MDC, MMP>
R4263	C-CARBON R	RN72K1J-224JE	1	435032244R1	
R4264	C-CARBON R	RN72K1J-224JE	1	435032244R1	
R4265	C-CARBON R	RN72K1J-224JE	1	435032244R1	
R4266	C-CARBON R	RN72K1J-224JE	1	435032244R1	
R4267	C-CARBON R	RN72K1J-222JE	1	435032224R1	<B MDC, MMP>
R4268	C-CARBON R	RN72K1J-222JE	1	435032224R1	<B MDC, MMP>
R4269	C-CARBON R	RN72K1J-101JE	1	435031014R1	
R4270	C-CARBON R	RN72K1J-101JE	1	435031014R1	
R4271	C-CARBON R	RN72K1J-224JE	1	435032244R1	
R4272	C-CARBON R	RN72K1J-224JE	1	435032244R1	
R4273	C-CARBON R	RN72K1J-470JE	1	435034704R1	
R4274	C-CARBON R	RN72K1J-470JE	1	435034704R1	
R4312	C-CARBON R	RN72K1J-224JE	1	435032244R1	
R4313	C-CARBON R	RN72K1J-224JE	1	435032244R1	
R4315	C-CARBON R	RN72K1J-152JE	1	435031524R1	
R4316	C-CARBON R	RN72K1J-152JE	1	435031524R1	
R4317	C-CARBON R	RN72K1J-152JE	1	435031524R1	
R4318	C-CARBON R	RN72K1J-152JE	1	435031524R1	
R4335	NF CARBON R	R25J-22	1	415472204T	
R4336	NF CARBON R	R25J-22	1	415472204T	
R4337	C-CARBON R	RN72K1J-103JE	1	435031034R1	
R4338	C-CARBON R	RN72K1J-103JE	1	435031034R1	
R4339	C-CARBON R	RN72K1J-103JE	1	435031034R1	
R4340	C-CARBON R	RN72K1J-103JE	1	435031034R1	
R4341	C-CARBON R	RN72K1J-103JE	1	435031034R1	
R4342	C-CARBON R	RN72K1J-682JE	1	435036824R1	
R4343	C-CARBON R	RN72K1J-682JE	1	435036824R1	
R4344	C-CARBON R	RN72K1J-272JE	1	435032724R1	
R4345	C-CARBON R	RN72K1J-224JE	1	435032244R1	
R4346	C-CARBON R	RN72K1J-103JE	1	435031034R1	
R4347	C-CARBON R	RN72K1J-103JE	1	435031034R1	
R4348	C-CARBON R	RN72K1J-224JE	1	435032244R1	
R4349	C-CARBON R	RN72K1J-122JE	1	435031224R1	
R4350	C-CARBON R	RN72K1J-122JE	1	435031224R1	
R4351	C-CARBON R	RN72K1J-152JE	1	435031524R1	
R4352	C-CARBON R	RN72K1J-152JE	1	435031524R1	
R4353	C-CARBON R	RN72K1J-103JE	1	435031034R1	
R4354	C-CARBON R	RN72K1J-103JE	1	435031034R1	
R4355	C-CARBON R	RN72K1J-103JE	1	435031034R1	
R4356	C-CARBON R	RN72K1J-103JE	1	435031034R1	
R4357	C-CARBON R	RN72K1J-103JE	1	435031034R1	
R4358	C-CARBON R	RN72K1J-103JE	1	435031034R1	
R4359	C-CARBON R	RN72K1J-103JE	1	435031034R1	
R4360	C-CARBON R	RN72K1J-103JE	1	435031034R1	
R4361	C-CARBON R	RN72K1J-103JE	1	435031034R1	
R4362	C-CARBON R	RN72K1J-103JE	1	435031034R1	

R4363	C-CARBON R	RN72K1J-103JE	1	435031034R1
R4364	C-CARBON R	RN72K1J-103JE	1	435031034R1
R4365	C-CARBON R	RN72K1J-224JE	1	435032244R1
R4366	C-CARBON R	RN72K1J-224JE	1	435032244R1
R4367	C-CARBON R	RN72K1J-103JE	1	435031034R1
R4368	C-CARBON R	RN72K1J-103JE	1	435031034R1
R4369	C-CARBON R	RN72K1J-103JE	1	435031034R1
R4370	C-CARBON R	RN72K1J-103JE	1	435031034R1
R4371	C-CARBON R	RN72K1J-103JE	1	435031034R1
R4372	C-CARBON R	RN72K1J-103JE	1	435031034R1
R4373	C-CARBON R	RN72K1J-103JE	1	435031034R1
R4374	C-CARBON R	RN72K1J-103JE	1	435031034R1
R4375	C-CARBON R	RN72K1J-103JE	1	435031034R1
R4376	C-CARBON R	RN72K1J-104JE	1	435031044R1
R4377	C-CARBON R	RN72K1J-104JE	1	435031044R1
R4378	C-CARBON R	RN72K1J-104JE	1	435031044R1
R4379	C-CARBON R	RN72K1J-104JE	1	435031044R1
R4380	C-CARBON R	RN72K1J-104JE	1	435031044R1
R4381	C-CARBON R	RN72K1J-104JE	1	435031044R1
R4382	C-CARBON R	RN72K1J-104JE	1	435031044R1
R4383	C-CARBON R	RN72K1J-104JE	1	435031044R1
R4384	C-CARBON R	RN72K1J-104JE	1	435031044R1
R4385	C-CARBON R	RN72K1J-104JE	1	435031044R1
R4386	C-CARBON R	RN72K1J-104JE	1	435031044R1
R4387	C-CARBON R	RN72K1J-104JE	1	435031044R1
R4388	C-CARBON R	RN72K1J-104JE	1	435031044R1
R4501	NF CARBON R	R25J-22	1	415472204T
R4502	NF CARBON R	R25J-22	1	415472204T
R4503	C-CARBON R	RN72K1J-222JE	1	435032224R1
R4504	C-CARBON R	RN72K1J-222JE	1	435032224R1
R4505	C-CARBON R	RN72K1J-331JE	1	435033314R1
R4506	C-CARBON R	RN72K1J-331JE	1	435033314R1
R4507	METAL O R	RS1/2WBJ-1K	1	443521024T
R4509	C-CARBON R	RN72K1J-222JE	1	435032224R1
R4510	C-CARBON R	RN72K1J-222JE	1	435032224R1
R4511	C-CARBON R	RN72K1J-222JE	1	435032224R1
R4512	C-CARBON R	RN72K1J-222JE	1	435032224R1
R4513	C-CARBON R	RN72K1J-331JE	1	435033314R1
R4514	C-CARBON R	RN72K1J-331JE	1	435033314R1
R4515	C-CARBON R	RN72K1J-331JE	1	435033314R1
R4516	C-CARBON R	RN72K1J-331JE	1	435033314R1
R4517	C-CARBON R	RN72K1J-331JE	1	435033314R1
R4518	C-CARBON R	RN72K1J-331JE	1	435033314R1
R4521	C-CARBON R	RN72K1J-473JE	1	435034734R1
R4522	C-CARBON R	RN72K1J-473JE	1	435034734R1
R4523	C-CARBON R	RN72K1J-392JE	1	435033924R1
R4524	C-CARBON R	RN72K1J-392JE	1	435033924R1

R4525	C-CARBON R	RN72K1J-682JE	1	435036824R1
R4526	C-CARBON R	RN72K1J-682JE	1	435036824R1
R4527	C-CARBON R	RN72K1J-393JE	1	435033934R1
R4528	C-CARBON R	RN72K1J-393JE	1	435033934R1
R4529	C-CARBON R	RN72K1J-272JE	1	435032724R1
R4530	C-CARBON R	RN72K1J-272JE	1	435032724R1
R4531	C-CARBON R	RN72K1J-272JE	1	435032724R1
R4532	C-CARBON R	RN72K1J-272JE	1	435032724R1
R4533	C-CARBON R	RN72K2E-220JE	1	435222204R1
R4534	C-CARBON R	RN72K2E-220JE	1	435222204R1
R4535	C-CARBON R	RN72K2E-220JE	1	435222204R1
R4536	C-CARBON R	RN72K2E-220JE	1	435222204R1
R4537	METAL O R	RS1/2WBJ-10	1	443521004T
R4538	METAL O R	RS1/2WBJ-10	1	443521004T
R4539	C-CARBON R	RN72K1J-152JE	1	435031524R1
R4540	C-CARBON R	RN72K1J-152JE	1	435031524R1
R4541	C-CARBON R	RN72K1J-473JE	1	435034734R1
R4542	C-CARBON R	RN72K1J-473JE	1	435034734R1
R4543	C-CARBON R	RN72K1J-223JE	1	435032234R1
R4544	C-CARBON R	RN72K1J-223JE	1	435032234R1
R4545	C-CARBON R	RN72K1J-393JE	1	435033934R1
R4546	C-CARBON R	RN72K1J-393JE	1	435033934R1
R4547	METAL O R	RS1WBJ-33	1	443623304T
R4548	METAL O R	RS1WBJ-33	1	443623304T
R4549	C-CARBON R	RN72K1J-103JE	1	435031034R1
R4550	C-CARBON R	RN72K1J-103JE	1	435031034R1
R4551	C-CARBON R	RN72K1J-103JE	1	435031034R1
R4552	C-CARBON R	RN72K1J-103JE	1	435031034R1
R4554	METAL R	RNU1/2WCJ-1	1	453530104T
R4557	METAL O R	RS1WBJ-33	1	443623304T
R4558	METAL O R	RS1WBJ-33	1	443623304T
R4559	C-CARBON R	RN72K1J-000JE	1	435030004R1
R4560	C-CARBON R	RN72K1J-000JE	1	435030004R1
R4601	C-CARBON R	RN72K1J-224JE	1	435032244R1
R4602	C-CARBON R	RN72K1J-224JE	1	435032244R1
R4603	C-CARBON R	RN72K1J-121JE	1	435031214R1
R4604	C-CARBON R	RN72K1J-121JE	1	435031214R1
R4605	C-CARBON R	RN72K1J-000JE	1	435030004R1
R4606	C-CARBON R	RN72K1J-000JE	1	435030004R1
R4609	C-CARBON R	RN72K1J-103JE	1	435031034R1
R4610	C-CARBON R	RN72K1J-103JE	1	435031034R1
R4611	C-CARBON R	RN72K1J-224JE	1	435032244R1
R4612	C-CARBON R	RN72K1J-224JE	1	435032244R1
R4613	C-CARBON R	RN72K1J-470JE	1	435034704R1
R4614	C-CARBON R	RN72K1J-470JE	1	435034704R1
R4615	C-CARBON R	RN72K1J-224JE	1	435032244R1
R4616	C-CARBON R	RN72K1J-121JE	1	435031214R1

R4617	C-CARBON R	RN72K1J-000JE	1	435030004R1	
R4619	C-CARBON R	RN72K1J-103JE	1	435031034R1	
R4620	C-CARBON R	RN72K1J-224JE	1	435032244R1	
R4621	C-CARBON R	RN72K1J-470JE	1	435034704R1	
R4623	C-CARBON R	RN72K1J-224JE	1	435032244R1	
R4624	C-CARBON R	RN72K1J-224JE	1	435032244R1	
R4625	C-CARBON R	RN72K1J-121JE	1	435031214R1	
R4626	C-CARBON R	RN72K1J-121JE	1	435031214R1	
R4627	C-CARBON R	RN72K1J-000JE	1	435030004R1	
R4628	C-CARBON R	RN72K1J-000JE	1	435030004R1	
R4631	C-CARBON R	RN72K1J-103JE	1	435031034R1	
R4632	C-CARBON R	RN72K1J-103JE	1	435031034R1	
R4633	C-CARBON R	RN72K1J-224JE	1	435032244R1	
R4634	C-CARBON R	RN72K1J-224JE	1	435032244R1	
R4635	C-CARBON R	RN72K1J-470JE	1	435034704R1	
R4636	C-CARBON R	RN72K1J-470JE	1	435034704R1	
R4637	C-CARBON R	RN72K1J-223JE	1	435032234R1	
R4638	C-CARBON R	RN72K1J-223JE	1	435032234R1	
R4639	C-CARBON R	RN72K1J-221JE	1	435032214R1	
R4640	C-CARBON R	RN72K1J-221JE	1	435032214R1	
R4641	C-CARBON R	RN72K1J-101JE	1	435031014R1	
R4642	C-CARBON R	RN72K1J-101JE	1	435031014R1	
R4645	C-CARBON R	RN72K1J-103JE	1	435031034R1	
R4646	C-CARBON R	RN72K1J-103JE	1	435031034R1	
R4647	C-CARBON R	RN72K1J-224JE	1	435032244R1	
R4648	C-CARBON R	RN72K1J-224JE	1	435032244R1	
R4649	C-CARBON R	RN72K1J-101JE	1	435031014R1	<B MDC, MMP>
R4651	C-CARBON R	RN72K1J-224JE	1	435032244R1	
R4652	C-CARBON R	RN72K1J-224JE	1	435032244R1	
R4653	C-CARBON R	RN72K1J-121JE	1	435031214R1	
R4654	C-CARBON R	RN72K1J-121JE	1	435031214R1	
R4655	C-CARBON R	RN72K1J-000JE	1	435030004R1	
R4656	C-CARBON R	RN72K1J-000JE	1	435030004R1	
R4659	C-CARBON R	RN72K1J-103JE	1	435031034R1	
R4660	C-CARBON R	RN72K1J-103JE	1	435031034R1	
R4661	C-CARBON R	RN72K1J-224JE	1	435032244R1	
R4662	C-CARBON R	RN72K1J-224JE	1	435032244R1	
R4663	C-CARBON R	RN72K1J-470JE	1	435034704R1	
R4664	C-CARBON R	RN72K1J-470JE	1	435034704R1	
R4665	C-CARBON R	RN72K1J-224JE	1	435032244R1	<B MDC, MMP>
R4666	C-CARBON R	RN72K1J-224JE	1	435032244R1	<B MDC, MMP>
R4667	C-CARBON R	RN72K1J-121JE	1	435031214R1	<B MDC, MMP>
R4668	C-CARBON R	RN72K1J-121JE	1	435031214R1	<B MDC, MMP>
R4669	C-CARBON R	RN72K1J-000JE	1	435030004R1	<B MDC, MMP>
R4670	C-CARBON R	RN72K1J-000JE	1	435030004R1	<B MDC, MMP>
R4673	C-CARBON R	RN72K1J-103JE	1	435031034R1	<B MDC, MMP>
R4674	C-CARBON R	RN72K1J-103JE	1	435031034R1	<B MDC, MMP>

R4675	C-CARBON R	RN72K1J-224JE	1	435032244R1	<B MDC, MMP>
R4676	C-CARBON R	RN72K1J-224JE	1	435032244R1	<B MDC, MMP>
R4677	C-CARBON R	RN72K1J-470JE	1	435034704R1	<B MDC, MMP>
R4678	C-CARBON R	RN72K1J-470JE	1	435034704R1	<B MDC, MMP>
R4679	C-CARBON R	RN72K1J-224JE	1	435032244R1	<B MDC, MMP>
R4680	C-CARBON R	RN72K1J-101JE	1	435031014R1	<B MDC, MMP>
R4681	C-CARBON R	RN72K1J-101JE	1	435031014R1	<B MDC, MMP>
R4682	C-CARBON R	RN72K1J-101JE	1	435031014R1	<B MDC, MMP>
R4683	C-CARBON R	RN72K1J-224JE	1	435032244R1	
R4684	C-CARBON R	RN72K1J-224JE	1	435032244R1	
R4685	C-CARBON R	RN72K1J-121JE	1	435031214R1	
R4686	C-CARBON R	RN72K1J-121JE	1	435031214R1	
R4687	C-CARBON R	RN72K1J-000JE	1	435030004R1	
R4688	C-CARBON R	RN72K1J-000JE	1	435030004R1	
R4689	C-CARBON R	RN72K1J-222JE	1	435032224R1	
R4691	C-CARBON R	RN72K1J-103JE	1	435031034R1	
R4692	C-CARBON R	RN72K1J-103JE	1	435031034R1	
R4693	C-CARBON R	RN72K1J-224JE	1	435032244R1	
R4694	C-CARBON R	RN72K1J-224JE	1	435032244R1	
R4695	C-CARBON R	RN72K1J-470JE	1	435034704R1	
R4696	C-CARBON R	RN72K1J-470JE	1	435034704R1	
R4697	C-CARBON R	RN72K1J-224JE	1	435032244R1	
R4698	C-CARBON R	RN72K1J-224JE	1	435032244R1	
R4699	C-CARBON R	RN72K1J-224JE	1	435032244R1	
R4700	C-CARBON R	RN72K1J-224JE	1	435032244R1	
R4701	C-CARBON R	RN72K1J-000JE	1	435030004R1	<B MDC, MMP>
R4702	C-CARBON R	RN72K1J-000JE	1	435030004R1	<B MDC, MMP>
R4712	C-CARBON R	RN72K1J-000JE	1	435030004R1	<B MDC, MMP>
R4713	C-CARBON R	RN72K1J-000JE	1	435030004R1	<B MDC, MMP>
<b>[SW TRM]</b>					
JL101A	WIRE HOL	NSCT-5P876	1	25051089	
JL4002A	WIRE HOL	NSCT-7P878	1	25051091	
JL4014B	WIRE TRAP	NPLG-7P590	1	25055628	
JL4103A	WIRE TRAP	NPLG-5P588	1	25055626	
P4001	PIN JACK	NPJ-2PDWR706	1	25045940A	<B MDC, MMP>
P4002	PIN JACK	NPJ-2PDWR706	1	25045940A	<B MDC, MMP>
P4003	PIN JACK	NPJ-4PDRW592	1	25045812	<B MDC, MMP>
P4004	PIN JACK	NPJ-6PDRW665	1	25045894	<B MDC, MMP>
P4006	PIN JACK	NPJ-4PDRW592	1	25045812	<B MDC, MMP>
P4008	PIN JACK	NPJ-9PDGWRPLENT698	1	25045932	<B MDC, MMP>
P4009	PIN JACK	NPJ-6PDPWR654	1	25045881	<B MDC, MMP>
P4010	TRM	NTM-1P233(M1969)	1	25060302	
P4011	TRM-423(SCREW)	NEJITANSI ST3	1	25060495	
P4012	RETAINER	(PC-HOLD)	1	27142149	
P4013	RETAINER	(PC-HOLD)	1	27142149	
P4014	RETAINER	(PC-HOLD)	1	27142149	
P4015	HOLDER	HOLDER(CLAMP)	1	27190540-1	

P4101A	PLUG	NPLG-9P661	1	25055705	
P5000B	PLUG	NPLG-10P357	1	25055374	
P5001B	PLUG	NPLG-8P355	1	25055372	
P5002B	CRIMP AS	CRIMP SR805_2	1	20799170UL	
P7009B	PLUG	IMSA-9142B-22A	1	25056601	
P7010B	PLUG	IMSA-9142B-26A	1	25056603	
RL4501	RELAY	NRL-2P2A-DC12-178	1	25065664	
RL4601	RELAY	NRL-2P2A-DC12-178	1	25065664	
RL4602	RELAY	NRL-2P2A-DC12-178	1	25065664	
RL4603	RELAY	NRL-2P2A-DC12-178	1	25065664	
RL4604	RELAY	NRL-2P2A-DC12-178	1	25065664	
RL4605	RELAY	NRL-2P2A-DC12-178	1	25065664	
RL4606	RELAY	NRL-2P2A-DC12-178	1	25065664	<B MDC, MMP>
RL4608	RELAY	NRL-2P2A-DC12-178	1	25065664	

<b>U005</b>	<b>U0050~U0058</b>	<b>BADG-0857-1J *</b>
<b>U0050</b>	DAC/DIR PC BOARD ASS'Y	BADG-0857-1J
<b>U0051</b>	MPU PC BOARD ASS'Y	BACPU-0858-1J
<b>U0052</b>	PHONO AMP. PC BOARD ASS'Y	BAAF-0860-1J
<b>U0053</b>	BUFFER AMP. PC BOARD ASS'Y	BAACC-0861-1J
<b>U0055</b>	TERMINAL(PC IN) PC BOARD ASS'Y	BAVD-0863-1J
<b>U0056</b>	TERMINAL(DIGITAL IN) PC BOARD ASS'Y	BAETC-0864-1J
<b>U0057</b>	POWER SUPPLY(DG) PC BOARD ASS'Y	BAPS-0865-1J
<b>U0058</b>	CONNECTOR PC BOARD ASS'Y	BAETC-0866-1J

CIRCUIT NO.	PART NAME	DESCRIPTION	Q'TY	PART NO. (SN)	REMARKS
<b>[SEMI CONDUCTOR]</b>					
D4101	ZENER D	UDZS5.6B	1	224550560R2	
D4101 or	ZENER D	MAZ8056-M	(1)	224750562R2	
D4102	ZENER D	UDZS5.6B	1	224550560R2	
D4102 or	ZENER D	MAZ8056-M	(1)	224750562R2	
D7002	C-DIODE	1SS352	1	223234R2	
D7002 or	C-DIODE	1SS355	(1)	223269R2	
D7002 or	C-DIODE	MA2J111	(1)	223279R2	
D7002 or	C-DIODE	KDS4148U	(1)	223283R2	
D7003	C-DIODE	1SS352	1	223234R2	
D7003 or	C-DIODE	1SS355	(1)	223269R2	
D7003 or	C-DIODE	MA2J111	(1)	223279R2	
D7003 or	C-DIODE	KDS4148U	(1)	223283R2	
D7006	C-DIODE	1SS352	1	223234R2	
D7006 or	C-DIODE	1SS355	(1)	223269R2	
D7006 or	C-DIODE	MA2J111	(1)	223279R2	
D7006 or	C-DIODE	KDS4148U	(1)	223283R2	
D9303	DIODE	D10XB60H	1	22380337F	
D9306	ZENER D	UDZS22B	1	224552200R2	

D9310	ZENER D	UDZS22B	1	224552200R2	
D9312	DIODE	RL1N4003	1	22380260T	
D9313	DIODE	RL1N4003	1	22380260T	
D9314	DIODE	RL1N4003	1	22380260T	
D9315	DIODE	RL1N4003	1	22380260T	
Q1001	IC	PCM1795DBR	1	22242612R2	<B MDC, MMP>
Q1002	IC	PCM1795DBR	1	22242612R2	<B MDC, MMP>
Q1003	IC	PCM1795DBR	1	22242612R2	<B MDC, MMP>
Q1004	IC	PCM1795DBR	1	22242612R2	<B MDC, MMP>
Q1005	IC	PCM1795DBR	1	22242612R2	<B MDC, MMP>
Q1006	IC	PCM1795DBR	1	22242612R2	<B MDC, MMP>
Q1007	IC	PCM1795DBR	1	22242612R2	<B MDC, MMP>
Q1200	IC	NE5532APSR	1	22242283R2	
Q1201	IC	NE5532APSR	1	22242283R2	
Q1202	IC	NE5532APSR	1	22242283R2	
Q1203	IC	NE5532APSR	1	22242283R2	
Q1204	IC	NE5532APSR	1	22242283R2	
Q1205	IC	NE5532APSR	1	22242283R2	
Q1206	IC	NE5532APSR	1	22242283R2	
Q1207	IC	NE5532APSR	1	22242283R2	
Q1208	IC	NE5532APSR	1	22242283R2	
Q1209	IC	NE5532APSR	1	22242283R2	
Q1210	IC	NE5532APSR	1	22242283R2	
Q1211	IC	NE5532APSR	1	22242283R2	
Q1212	IC	NE5532APSR	1	22242283R2	
Q1213	IC	NE5532APSR	1	22242283R2	
Q1214	IC	NE5532APSR	1	22242283R2	
Q1215	IC	NE5532APSR	1	22242283R2	
Q1216	IC	NE5532APSR	1	22242283R2	<B MDC, MMP>
Q1217	IC	NE5532APSR	1	22242283R2	<B MDC, MMP>
Q1218	IC	NE5532APSR	1	22242283R2	<B MDC, MMP>
Q1219	IC	NE5532APSR	1	22242283R2	<B MDC, MMP>
Q1220	IC	NE5532APSR	1	22242283R2	<B MDC, MMP>
Q1221	IC	NE5532APSR	1	22242283R2	<B MDC, MMP>
Q1222	IC	NE5532APSR	1	22242283R2	<B MDC, MMP>
Q1223	IC	NE5532APSR	1	22242283R2	<B MDC, MMP>
Q1224	IC	NE5532APSR	1	22242283R2	<B MDC, MMP>
Q1225	IC	NE5532APSR	1	22242283R2	<B MDC, MMP>
Q1226	IC	NE5532APSR	1	22242283R2	<B MDC, MMP>
Q1227	IC	NE5532APSR	1	22242283R2	<B MDC, MMP>
Q1228	IC	NE5532APSR	1	22242283R2	<B MDC, MMP>
Q1229	IC	NE5532APSR	1	22242283R2	<B MDC, MMP>
Q1230	IC	NE5532APSR	1	22242283R2	<B MDC, MMP>
Q1231	IC	NE5532APSR	1	22242283R2	<B MDC, MMP>
Q1232	IC	NE5532APSR	1	22242283R2	<B MDC, MMP>
Q1233	IC	NE5532APSR	1	22242283R2	<B MDC, MMP>
Q1234	IC	NE5532APSR	1	22242283R2	<B MDC, MMP>



Q1235	IC	NE5532APSR	1	22242283R2	<B MDC, MMP>
Q1236	IC	NE5532APSR	1	22242283R2	<B MDC, MMP>
Q1237	IC	NE5532APSR	1	22242283R2	<B MDC, MMP>
Q1238	IC	NE5532APSR	1	22242283R2	<B MDC, MMP>
Q1239	IC	NE5532APSR	1	22242283R2	<B MDC, MMP>
Q1240	IC	NE5532APSR	1	22242283R2	
Q1241	IC	NE5532APSR	1	22242283R2	
Q1242	IC	NE5532APSR	1	22242283R2	<B MDC, MMP>
Q1243	IC	NE5532APSR	1	22242283R2	<B MDC, MMP>
Q1244	IC	NE5532APSR	1	22242283R2	<B MDC, MMP>
Q1245	IC	NE5532APSR	1	22242283R2	<B MDC, MMP>
Q1246	TR	2SC2712-GR	1	2213145R2	
Q1246 or	TR	KTC3875-GR	(1)	2216175R2	
Q1250	IC	NE5532APSR	1	22242283R2	
Q1251	IC	NE5532APSR	1	22242283R2	
Q1252	IC	NE5532APSR	1	22242283R2	
Q1253	IC	TC9162CFG(EL)	1	22242099R2	
Q1254	TR	2SC2712-GR	1	2213145R2	
Q1254 or	TR	KTC3875-GR	(1)	2216175R2	
Q1255	TR	2SC2712-GR	1	2213145R2	
Q1255 or	TR	KTC3875-GR	(1)	2216175R2	
Q1256	IC	NE5532APSR	1	22242283R2	<B MDC, MMP>
Q1257	IC	NE5532APSR	1	22242283R2	<B MDC, MMP>
Q1258	IC	NE5532APSR	1	22242283R2	<B MDC, MMP>
Q1311	IC	PCM9211PTR	1	22242703R2	
Q1312	IC	TC7SZU04FU	1	22242512R2TO	
Q1322	IC	CS5361-KZZR	1	22242646R2	
Q1740	IC	NE5532APSR	1	22242283R2	
Q1741	IC	NE5532APSR	1	22242283R2	
Q1800	IC	NE5532APSR	1	22242283R2	
Q1801	IC	NE5532APSR	1	22242283R2	
Q3700	IC	CY2305FSXC-1T	1	22242779R2	
Q3702	IC(SUB3)	LCMXO256C-3TN100C(0603)	1	222W0127R306033	N
Q3886	IC	74HCU04F	1	222740046R2	
Q3886 or	IC	TC74HCU04AF	(1)	222740046R2TO	
Q4101	TR	KTC3201-BL	1	2217946T	
Q4102	TR	KTC3201-BL	1	2217946T	
Q4103	TR	KTC3201-BL	1	2217946T	
Q4104	TR	KTC3201-BL	1	2217946T	
Q4105	TR	2SC2712-GR	1	2213145R2	
Q4105 or	TR	KTC3875-GR	(1)	2216175R2	
Q4106	TR	2SC2712-GR	1	2213145R2	
Q4106 or	TR	KTC3875-GR	(1)	2216175R2	
Q4107	IC	NE5532APSR	1	22242283R2	
Q4401	IC	NE5532APSR	1	22242283R2	
Q4402	IC	NE5532APSR	1	22242283R2	
Q4403	IC	NE5532APSR	1	22242283R2	

Q4404	IC	NE5532APSR	1	22242283R2	
Q4405	IC	NE5532APSR	1	22242283R2	<B MDC, MMP>
Q4406	IC	NE5532APSR	1	22242283R2	
Q4407	IC	NE5532APSR	1	22242283R2	
Q4408	IC	NE5532APSR	1	22242283R2	
Q7001	TR	KRC104S	1	2216210R2	
Q7001 or	TR	RN1404	(1)	2214490R2	
Q7002	TR	KRA102S	1	2216220R2	
Q7002 or	TR	RN2402	(1)	2214530R2	
Q7003	TR	KRC104S	1	2216210R2	
Q7003 or	TR	RN1404	(1)	2214490R2	
Q7004	TR	KRA102S	1	2216220R2	
Q7004 or	TR	RN2402	(1)	2214530R2	
Q7005	TR	KRA107S	1	2216350R2	
Q7005 or	TR	RN2407(TE85L_F)	(1)	2216360R2	
Q7006	TR	KRC102S	1	2216190R2	
Q7006 or	TR	RN1402	(1)	2214470R2	
Q7008	TR	KRA107S	1	2216350R2	
Q7008 or	TR	RN2407(TE85L_F)	(1)	2216360R2	
Q7009	TR	KRC104S	1	2216210R2	
Q7009 or	TR	RN1404	(1)	2214490R2	
Q7010	TR	KRA102S	1	2216220R2	
Q7010 or	TR	RN2402	(1)	2214530R2	
Q7011	TR	KRC102S	1	2216190R2	
Q7011 or	TR	RN1402	(1)	2214470R2	
Q7012	TR	KRC104S	1	2216210R2	
Q7012 or	TR	RN1404	(1)	2214490R2	
Q7013	TR	KRA102S	1	2216220R2	
Q7013 or	TR	RN2402	(1)	2214530R2	
Q7016	IC(MAIN)	MPD70F3477AGJA-GAE-G(0583)	1	222W0117R305830	
Q7017	IC	BR25S640FJ	1	22242761R2	
Q7017 or	IC	R1EX25064ASA00A	(1)	22242581R2	
Q7017 or	IC	M95640-WMN6TP	(1)	22242643R2	
Q7018	IC	NJU7706F27A3	1	22242614R2	
Q7019	IC	74HC595F	1	222745955R2	
Q7023	IC	TA4805BF(TE16L_NQ)	1	22278005DBR2TO	
Q7024	IC	BU33TD3WG-TR	1	22242715R2	
Q7027	IC	BU33TD3WG-TR	1	22242715R2	
Q7028	IC	TA4805BF(TE16L_NQ)	1	22278005DBR2TO	
Q7029	IC	TA48033BF(TE16L_NQ)	1	22278033DBR2TO	
Q7032	TR	KRA102S	1	2216220R2	
Q7032 or	TR	RN2402	(1)	2214530R2	
Q7033	TR	KRC104S	1	2216210R2	
Q7033 or	TR	RN1404	(1)	2214490R2	
Q7034	TR	KRA102S	1	2216220R2	
Q7034 or	TR	RN2402	(1)	2214530R2	
Q7035	TR	KRC104S	1	2216210R2	

Q7035 or	TR	RN1404	(1)	2214490R2	
Q7036	IC	74HC595F	1	222745955R2	
Q7037	TR	KRA102S	1	2216220R2	
Q7037 or	TR	RN2402	(1)	2214530R2	
Q7038	TR	KRC104S	1	2216210R2	
Q7038 or	TR	RN1404	(1)	2214490R2	
Q7039	IC	SN74CB3Q3305PWR	1	22242258R2	
Q7040	TR	KRA102S	1	2216220R2	
Q7040 or	TR	RN2402	(1)	2214530R2	
Q7041	TR	KRC104S	1	2216210R2	
Q7041 or	TR	RN1404	(1)	2214490R2	
Q7510	TR	KRC102S	1	2216190R2	
Q7511	TR	KRC102S	1	2216190R2	
Q9301	TR	KTC3198-GR	1	2215985T	
Q9350	IC	MP2303ADN-LF-Z	1	22242785R2	
<b>[TRANS COIL]</b>					
L1001	CHOKE COIL	LBC2518T4R7M	1	231364M047R2	
L1002	CHOKE COIL	LBC2518T4R7M	1	231364M047R2	
L1003	CHOKE COIL	LBC2518T4R7M	1	231364M047R2	
L1004	CHOKE COIL	LBC2518T4R7M	1	231364M047R2	
L1005	CHOKE COIL	LBC2518T4R7M	1	231364M047R2	
L1006	CHOKE COIL	LBC2518T4R7M	1	231364M047R2	
L1007	CHOKE COIL	LBC2518T4R7M	1	231364M047R2	
L1008	CHOKE COIL	LBC2518T4R7M	1	231364M047R2	
L1009	CHOKE COIL	LBC2518T4R7M	1	231364M047R2	
L1010	CHOKE COIL	LBC2518T4R7M	1	231364M047R2	
L1011	CHOKE COIL	LBC2518T4R7M	1	231364M047R2	
L1012	CHOKE COIL	LBC2518T4R7M	1	231364M047R2	
L1013	CHOKE COIL	LBC2518T4R7M	1	231364M047R2	
L1014	CHOKE COIL	LBC2518T4R7M	1	231364M047R2	
L1015	CHOKE COIL	LBC2518T4R7M	1	231364M047R2	
L1016	CHOKE COIL	LBC2518T4R7M	1	231364M047R2	
L1017	CHOKE COIL	LBC2518T4R7M	1	231364M047R2	
L1018	CHOKE COIL	LBC2518T4R7M	1	231364M047R2	
L1019	CHOKE COIL	LBC2518T4R7M	1	231364M047R2	
L1020	CHOKE COIL	LBC2518T4R7M	1	231364M047R2	
L1021	CHOKE COIL	LBC2518T4R7M	1	231364M047R2	
L1022	CHOKE COIL	LBC2518T4R7M	1	231364M047R2	
L1023	CHOKE COIL	LBC2518T4R7M	1	231364M047R2	
L1024	CHOKE COIL	LBC2518T4R7M	1	231364M047R2	
L1025	CHOKE COIL	LBC2518T4R7M	1	231364M047R2	<B MDC, MMP>
L1026	CHOKE COIL	LBC2518T4R7M	1	231364M047R2	<B MDC, MMP>
L1027	CHOKE COIL	LBC2518T4R7M	1	231364M047R2	<B MDC, MMP>
L1028	CHOKE COIL	LBC2518T4R7M	1	231364M047R2	<B MDC, MMP>
L1040	CORE	MMZ1608Y601BT	1	2350004R1	
L1041	CHOKE COIL	LBC2518T470M	1	231364M470R2	
L1100	CHOKE COIL	LBC2518T4R7M	1	231364M047R2	

L1101	CHOKE COIL	LBC2518T4R7M	1	231364M047R2
L1102	CHOKE COIL	LBC2518T4R7M	1	231364M047R2
L1110	EMIFIL	BK1608LM182-T	1	230958R1
L1111	C-CARBON R	RN72K1J-000JE	1	435030004R1
L1112	C-CARBON R	RN72K1J-000JE	1	435030004R1
L1301	CHOKE COIL	LBC2518T470M	1	231364M470R2
L1326	CHOKE COIL	LBC2518T470M	1	231364M470R2
L1336	CHOKE COIL	LBC2518T470M	1	231364M470R2
L1890	CHOKE COIL	C6-K5RA-10UH	1	231451P100R2
L1891	CHOKE COIL	BLM21PG221SN1	1	230949R2
L3700	CHOKE COIL	LBC2518T470M	1	231364M470R2
L3706	CHOKE COIL	LBC2518T4R7M	1	231364M047R2
L3884	CHOKE COIL	LBC2518T2R2M	1	231364M022R2
L3885	CHOKE COIL	LBC2518T470M	1	231364M470R2
L3886	CHOKE COIL	LBC2518T2R2M	1	231364M022R2
L3887	CHOKE COIL	LBC2518T2R2M	1	231364M022R2
L3888	CHOKE COIL	LBC2518T470M	1	231364M470R2
L3892	EMIFIL	BK1608LM182-T	1	230958R1
L3893	EMIFIL	BK1608LM182-T	1	230958R1
L3894	EMIFIL	BK1608LM182-T	1	230958R1
L3895	EMIFIL	BK1608LM182-T	1	230958R1
L3896	EMIFIL	BK1608LM182-T	1	230958R1
L9350	CHOKE COIL	BLM21PG221SN1	1	230949R2
X1001	CRYSTAL	HC-49SMD11.2896MHz	1	3010480R2
X1100	CRYSTAL	HC-49US24.576MHz	1	3010490T
X7001	CERA LOCK	CSTCR5M00G53-B0	1	3010356R2
<b>[CAPACITOR]</b>				
C1001	C-FILM C	50ST104MA13216	1	376721047R2
C1002	C-FILM C	50ST104MA13216	1	376721047R2
C1003	C-FILM C	50ST104MA13216	1	376721047R2
C1004	UTSP C	CE04W10V-220M(UTSP)	1	397532217AT
C1005	C-FILM C	50ST104MA13216	1	376721047R2
C1006	UTSP C	CE04W10V-220M(UTSP)	1	397532217AT
C1007	UTSP C	CE04W10V-220M(UTSP)	1	397532217AT
C1008	UTSP C	CE04W10V-220M(UTSP)	1	397532217AT
C1009	UTSP C	CE04W10V-220M(UTSP)	1	397532217AT
C1010	UTSP C	CE04W10V-220M(UTSP)	1	397532217AT
C1011	UTSJ C	CE04W25V-47M(UTSJ)	1	398054707BT
C1012	UTSJ C	CE04W25V-47M(UTSJ)	1	398054707BT
C1013	C-FILM C	50ST104MA13216	1	376721047R2
C1014	C-FILM C	50ST104MA13216	1	376721047R2
C1015	UTSP C	CE04W10V-220M(UTSP)	1	397532217AT
C1016	UTSP C	CE04W10V-220M(UTSP)	1	397532217AT
C1017	C-FILM C	50ST104MA13216	1	376721047R2
C1018	C-FILM C	50ST104MA13216	1	376721047R2
C1019	C-FILM C	50ST104MA13216	1	376721047R2
C1020	UTSP C	CE04W10V-220M(UTSP)	1	397532217AT

C1021	C-FILM C	50ST104MA13216	1	376721047R2	
C1022	UTSP C	CE04W10V-220M(UTSP)	1	397532217AT	
C1023	UTSP C	CE04W10V-220M(UTSP)	1	397532217AT	
C1024	UTSP C	CE04W10V-220M(UTSP)	1	397532217AT	
C1025	UTSP C	CE04W10V-220M(UTSP)	1	397532217AT	
C1026	UTSP C	CE04W10V-220M(UTSP)	1	397532217AT	
C1027	UTSJ C	CE04W25V-47M(UTSJ)	1	398054707BT	
C1028	UTSJ C	CE04W25V-47M(UTSJ)	1	398054707BT	
C1029	C-FILM C	50ST104MA13216	1	376721047R2	
C1030	C-FILM C	50ST104MA13216	1	376721047R2	
C1031	UTSP C	CE04W10V-220M(UTSP)	1	397532217AT	
C1032	UTSP C	CE04W10V-220M(UTSP)	1	397532217AT	
C1033	C-FILM C	50ST104MA13216	1	376721047R2	
C1034	C-FILM C	50ST104MA13216	1	376721047R2	
C1035	C-FILM C	50ST104MA13216	1	376721047R2	
C1036	UTSP C	CE04W10V-220M(UTSP)	1	397532217AT	
C1037	C-FILM C	50ST104MA13216	1	376721047R2	
C1038	UTSP C	CE04W10V-220M(UTSP)	1	397532217AT	
C1039	UTSP C	CE04W10V-220M(UTSP)	1	397532217AT	
C1040	UTSP C	CE04W10V-220M(UTSP)	1	397532217AT	
C1041	UTSP C	CE04W10V-220M(UTSP)	1	397532217AT	
C1042	UTSP C	CE04W10V-220M(UTSP)	1	397532217AT	
C1043	UTSJ C	CE04W25V-47M(UTSJ)	1	398054707BT	
C1044	UTSJ C	CE04W25V-47M(UTSJ)	1	398054707BT	
C1045	C-FILM C	50ST104MA13216	1	376721047R2	
C1046	C-FILM C	50ST104MA13216	1	376721047R2	
C1047	UTSP C	CE04W10V-220M(UTSP)	1	397532217AT	
C1048	UTSP C	CE04W10V-220M(UTSP)	1	397532217AT	
C1049	C-FILM C	50ST104MA13216	1	376721047R2	<B MDC, MMP>
C1050	UTSP C	CE04W10V-220M(UTSP)	1	397532217AT	<B MDC, MMP>
C1051	C-CERA C	CK725B1H-472K1	1	332104725R1	<B MDC, MMP>
C1052	C-FILM C	50ST104MA13216	1	376721047R2	<B MDC, MMP>
C1053	UTSP C	CE04W10V-220M(UTSP)	1	397532217AT	<B MDC, MMP>
C1054	UTSP C	CE04W10V-220M(UTSP)	1	397532217AT	<B MDC, MMP>
C1055	UTSJ C	CE04W25V-47M(UTSJ)	1	398054707BT	<B MDC, MMP>
C1056	C-FILM C	50ST104MA13216	1	376721047R2	<B MDC, MMP>
C1057	UTSP C	CE04W10V-220M(UTSP)	1	397532217AT	<B MDC, MMP>
C1100	C-CERA C	CK725F1E-104Z1	1	332161040R1	
C1101	C-CERA C	CC725CH1H-180J1	1	342101804R1	
C1102	C-CERA C	CC725CH1H-180J1	1	342101804R1	
C1103	UTSP C	CE04W10V-470M(UTSP)	1	397534717T	
C1104	C-CERA C	CK725B1H-473K1	1	332104735R1	
C1105	C-CERA C	CK725B1H-223K1	1	332102235R1	
C1106	UTSJ C	CE04W25V-47M(UTSJ)	1	398054707BT	
C1107	C-CERA C	CK725F1E-104Z1	1	332161040R1	
C1108	UTSP C	CE04W10V-470M(UTSP)	1	397534717T	
C1109	C-CERA C	CK725B1H-472K1	1	332104725R1	

C1110	UTSP C	CE04W10V-470M(UTSP)	1	397534717T	
C1113	C-CERA C	CK725F1E-104Z1	1	332161040R1	
C1116	C-CERA C	CC725CH1H-330J1	1	342103304R1	
C1117	C-CERA C	CC725CH1H-330J1	1	342103304R1	
C1119	C-CERA C	CK725B1H-102K1	1	332101025R1	
C1120	UTSJ C	CE04W25V-47M(UTSJ)	1	398054707BT	
C1121	C-CERA C	CC725CH1H-221J1	1	342102214R1	
C1122	C-CERA C	CK725F1E-104Z1	1	332161040R1	
C1125	C-CERA C	CC725CH1H-330J1	1	342103304R1	
C1130	C-CERA C	CC725CH1H-120J1	1	342101204R1	
C1131	C-CERA C	CC725CH1H-120J1	1	342101204R1	
C1132	C-CERA C	CK725F1E-104Z1	1	332161040R1	
C1200	C-FILM C	ECHU50V-152J	1	373021524R2	
C1201	C-FILM C	ECHU50V-152J	1	373021524R2	
C1202	C-FILM C	ECHU50V-152J	1	373021524R2	
C1203	C-FILM C	ECHU50V-152J	1	373021524R2	
C1204	C-FILM C	ECHU50V-152J	1	373021524R2	
C1205	MKT C	B32529C0152J289	1	376491524T	
C1206	MKT C	B32529C0152J289	1	376491524T	
C1207	C-FILM C	ECHU50V-152J	1	373021524R2	
C1208	MKT C	B32529C0152J289	1	376491524T	
C1209	MKT C	B32529C0152J289	1	376491524T	
C1210	C-FILM C	ECHU50V-152J	1	373021524R2	
C1211	C-FILM C	ECHU50V-152J	1	373021524R2	
C1212	C-FILM C	ECHU50V-152J	1	373021524R2	
C1213	C-FILM C	ECHU50V-152J	1	373021524R2	
C1214	C-FILM C	ECHU50V-152J	1	373021524R2	
C1215	MKT C	B32529C0152J289	1	376491524T	
C1216	MKT C	B32529C0152J289	1	376491524T	
C1217	C-FILM C	ECHU50V-152J	1	373021524R2	
C1218	MKT C	B32529C0152J289	1	376491524T	
C1219	MKT C	B32529C0152J289	1	376491524T	
C1220	UPZ C	2AUPZTF681JE	1	376336814T	
C1221	UPZ C	2AUPZTF681JE	1	376336814T	
C1222	UPZ C	2AUPZTF681JE	1	376336814T	
C1223	UPZ C	2AUPZTF681JE	1	376336814T	
C1224	UPZ C	2AUPZTF681JE	1	376336814T	
C1225	UPZ C	2AUPZTF681JE	1	376336814T	
C1226	UPZ C	2AUPZTF681JE	1	376336814T	
C1227	UPZ C	2AUPZTF681JE	1	376336814T	
C1228	UPZ C	2AUPZTF681JE	1	376336814T	
C1229	UPZ C	2AUPZTF681JE	1	376336814T	
C1230	UPZ C	2AUPZTF471JE	1	376334714T	<B MDC, MMP>
C1231	UPZ C	2AUPZTF471JE	1	376334714T	<B MDC, MMP>
C1232	UPZ C	2AUPZTF471JE	1	376334714T	<B MDC, MMP>
C1233	UPZ C	2AUPZTF471JE	1	376334714T	<B MDC, MMP>
C1234	UPZ C	2AUPZTF471JE	1	376334714T	<B MDC, MMP>

C1235	UPZ C	2AUPZTF471JE	1	376334714T	<B MDC, MMP>
C1236	UPZ C	2AUPZTF471JE	1	376334714T	<B MDC, MMP>
C1237	UPZ C	2AUPZTF471JE	1	376334714T	<B MDC, MMP>
C1238	UPZ C	2AUPZTF471JE	1	376334714T	<B MDC, MMP>
C1239	UPZ C	2AUPZTF471JE	1	376334714T	<B MDC, MMP>
C1240	UPZ C	2AUPZTF471JE	1	376334714T	<B MDC, MMP>
C1241	UPZ C	2AUPZTF471JE	1	376334714T	<B MDC, MMP>
C1242	UPZ C	2AUPZTF471JE	1	376334714T	<B MDC, MMP>
C1243	UPZ C	2AUPZTF471JE	1	376334714T	<B MDC, MMP>
C1244	UPZ C	2AUPZTF471JE	1	376334714T	<B MDC, MMP>
C1245	UPZ C	2AUPZTF471JE	1	376334714T	<B MDC, MMP>
C1246	UPZ C	2AUPZTF471JE	1	376334714T	<B MDC, MMP>
C1247	UPZ C	2AUPZTF471JE	1	376334714T	<B MDC, MMP>
C1248	UPZ C	2AUPZTF471JE	1	376334714T	<B MDC, MMP>
C1249	UPZ C	2AUPZTF471JE	1	376334714T	<B MDC, MMP>
C1250	C-FILM C	ECHU16V-682J	1	373046824R2	<B MDC, MMP>
C1251	C-FILM C	ECHU16V-682J	1	373046824R2	<B MDC, MMP>
C1252	C-FILM C	ECHU16V-682J	1	373046824R2	<B MDC, MMP>
C1253	C-FILM C	ECHU16V-682J	1	373046824R2	<B MDC, MMP>
C1254	C-FILM C	ECHU16V-682J	1	373046824R2	<B MDC, MMP>
C1255	C-FILM C	ECHU16V-682J	1	373046824R2	<B MDC, MMP>
C1256	C-FILM C	ECHU16V-682J	1	373046824R2	<B MDC, MMP>
C1257	C-FILM C	ECHU16V-682J	1	373046824R2	<B MDC, MMP>
C1258	C-FILM C	ECHU16V-682J	1	373046824R2	<B MDC, MMP>
C1259	C-FILM C	ECHU16V-682J	1	373046824R2	<B MDC, MMP>
C1260	UPZ C	2AUPZTF221JE	1	376332214T	<B MDC, MMP>
C1261	UPZ C	2AUPZTF221JE	1	376332214T	<B MDC, MMP>
C1262	UPZ C	2AUPZTF221JE	1	376332214T	<B MDC, MMP>
C1263	UPZ C	2AUPZTF221JE	1	376332214T	<B MDC, MMP>
C1264	UPZ C	2AUPZTF221JE	1	376332214T	<B MDC, MMP>
C1265	UPZ C	2AUPZTF221JE	1	376332214T	<B MDC, MMP>
C1266	UPZ C	2AUPZTF221JE	1	376332214T	<B MDC, MMP>
C1267	UPZ C	2AUPZTF221JE	1	376332214T	<B MDC, MMP>
C1268	UPZ C	2AUPZTF221JE	1	376332214T	<B MDC, MMP>
C1269	UPZ C	2AUPZTF221JE	1	376332214T	<B MDC, MMP>
C1270	UPZ C	2AUPZTF101JE	1	376331014T	<B MDC, MMP>
C1271	UPZ C	2AUPZTF101JE	1	376331014T	<B MDC, MMP>
C1272	UPZ C	2AUPZTF101JE	1	376331014T	<B MDC, MMP>
C1273	UPZ C	2AUPZTF101JE	1	376331014T	<B MDC, MMP>
C1274	UPZ C	2AUPZTF101JE	1	376331014T	<B MDC, MMP>
C1275	UPZ C	2AUPZTF101JE	1	376331014T	<B MDC, MMP>
C1276	UPZ C	2AUPZTF101JE	1	376331014T	<B MDC, MMP>
C1277	UPZ C	2AUPZTF101JE	1	376331014T	<B MDC, MMP>
C1278	UPZ C	2AUPZTF101JE	1	376331014T	<B MDC, MMP>
C1279	UPZ C	2AUPZTF101JE	1	376331014T	<B MDC, MMP>
C1280	C-FILM C	ECHU50V-222J	1	373022224R2	<B MDC, MMP>
C1281	C-FILM C	ECHU50V-222J	1	373022224R2	<B MDC, MMP>

C1282	C-FILM C	ECHU50V-222J	1	373022224R2	<B MDC, MMP>
C1283	C-FILM C	ECHU50V-222J	1	373022224R2	<B MDC, MMP>
C1284	C-FILM C	ECHU50V-222J	1	373022224R2	<B MDC, MMP>
C1285	C-FILM C	ECHU50V-222J	1	373022224R2	<B MDC, MMP>
C1286	C-FILM C	ECHU50V-222J	1	373022224R2	<B MDC, MMP>
C1287	C-FILM C	ECHU50V-222J	1	373022224R2	<B MDC, MMP>
C1288	C-FILM C	ECHU50V-222J	1	373022224R2	<B MDC, MMP>
C1289	C-FILM C	ECHU50V-222J	1	373022224R2	<B MDC, MMP>
C1290	UTSP C	CE04W25V-220M(UTSP)	1	397552217T	
C1291	UTSP C	CE04W25V-220M(UTSP)	1	397552217T	
C1292	UTSP C	CE04W25V-220M(UTSP)	1	397552217T	
C1293	UTSP C	CE04W25V-100M(UTSP)	1	397551017AT	
C1294	UTSP C	CE04W25V-100M(UTSP)	1	397551017AT	
C1295	UTSP C	CE04W25V-100M(UTSP)	1	397551017AT	
C1296	UTSP C	CE04W25V-100M(UTSP)	1	397551017AT	
C1297	UTSP C	CE04W25V-100M(UTSP)	1	397551017AT	
C1298	UTSP C	CE04W25V-100M(UTSP)	1	397551017AT	
C1299	UTSP C	CE04W25V-220M(UTSP)	1	397552217T	
C1312	UTSP C	CE04W10V-220M(UTSP)	1	397532217AT	
C1321	C-CERA C	CK725F1E-104Z1	1	332161040R1	
C1331	C-CERA C	CK725F1E-104Z1	1	332161040R1	
C1332	UTSP C	CE04W10V-220M(UTSP)	1	397532217AT	
C1389	UTSP C	CE04W10V-470M(UTSP)	1	397534717T	
C1391	C-CERA C	CK725F1E-104Z1	1	332161040R1	
C1399	VR C	CE04W16V-100M(VR)	1	394641017T	
C1401	C-CERA C	CK725F1E-104Z1	1	332161040R1	
C1410	MKT C	B32529C0152J289	1	376491524T	
C1411	MKT C	B32529C0152J289	1	376491524T	
C1412	C-FILM C	ECHU50V-152J	1	373021524R2	<B MDC, MMP>
C1413	MKT C	B32529C0152J289	1	376491524T	<B MDC, MMP>
C1420	MKT C	B32529C0152J289	1	376491524T	
C1421	MKT C	B32529C0152J289	1	376491524T	
C1422	C-FILM C	ECHU50V-152J	1	373021524R2	<B MDC, MMP>
C1423	MKT C	B32529C0152J289	1	376491524T	<B MDC, MMP>
C1430	UPZ C	2AUPZTF681JE	1	376336814T	
C1431	UPZ C	2AUPZTF681JE	1	376336814T	
C1432	UPZ C	2AUPZTF681JE	1	376336814T	<B MDC, MMP>
C1433	UPZ C	2AUPZTF681JE	1	376336814T	<B MDC, MMP>
C1440	UPZ C	2AUPZTF471JE	1	376334714T	<B MDC, MMP>
C1441	UPZ C	2AUPZTF471JE	1	376334714T	<B MDC, MMP>
C1442	UPZ C	2AUPZTF471JE	1	376334714T	<B MDC, MMP>
C1443	UPZ C	2AUPZTF471JE	1	376334714T	<B MDC, MMP>
C1450	UPZ C	2AUPZTF471JE	1	376334714T	<B MDC, MMP>
C1451	UPZ C	2AUPZTF471JE	1	376334714T	<B MDC, MMP>
C1452	UPZ C	2AUPZTF471JE	1	376334714T	<B MDC, MMP>
C1453	UPZ C	2AUPZTF471JE	1	376334714T	<B MDC, MMP>
C1460	C-FILM C	ECHU16V-682J	1	373046824R2	<B MDC, MMP>



C1461	C-FILM C	ECHU16V-682J	1	373046824R2	<B MDC, MMP>
C1462	C-FILM C	ECHU16V-682J	1	373046824R2	<B MDC, MMP>
C1463	C-FILM C	ECHU16V-682J	1	373046824R2	<B MDC, MMP>
C1470	UPZ C	2AUPZTF221JE	1	376332214T	<B MDC, MMP>
C1471	UPZ C	2AUPZTF221JE	1	376332214T	<B MDC, MMP>
C1472	UPZ C	2AUPZTF221JE	1	376332214T	<B MDC, MMP>
C1473	UPZ C	2AUPZTF221JE	1	376332214T	<B MDC, MMP>
C1480	UPZ C	2AUPZTF101JE	1	376331014T	<B MDC, MMP>
C1481	UPZ C	2AUPZTF101JE	1	376331014T	<B MDC, MMP>
C1482	UPZ C	2AUPZTF101JE	1	376331014T	<B MDC, MMP>
C1483	UPZ C	2AUPZTF101JE	1	376331014T	<B MDC, MMP>
C1490	C-FILM C	ECHU50V-222J	1	373022224R2	<B MDC, MMP>
C1491	C-FILM C	ECHU50V-222J	1	373022224R2	<B MDC, MMP>
C1492	C-FILM C	ECHU50V-222J	1	373022224R2	<B MDC, MMP>
C1493	C-FILM C	ECHU50V-222J	1	373022224R2	<B MDC, MMP>
C1500	UTSP C	CE04W25V-220M(UTSP)	1	397552217T	
C1501	UTSP C	CE04W25V-220M(UTSP)	1	397552217T	
C1510	C-CERA C	CK725B1H-472K1	1	332104725R1	
C1511	C-CERA C	CK725B1H-472K1	1	332104725R1	
C1512	C-CERA C	CK725B1H-472K1	1	332104725R1	
C1513	C-CERA C	CK725B1H-472K1	1	332104725R1	
C1514	C-CERA C	CK725B1H-472K1	1	332104725R1	
C1515	UTSP C	CE04W25V-100M(UTSP)	1	397551017AT	<B MDC, MMP>
C1516	UTSP C	CE04W25V-100M(UTSP)	1	397551017AT	<B MDC, MMP>
C1600	UTSP C	CE04W50V 47M(UTSP)	1	397584707T	
C1600 or	UTSP C	CE04W50V 47M(UTSP)	(1)	397584707AT	
C1601	UTSP C	CE04W50V 47M(UTSP)	1	397584707T	
C1601 or	UTSP C	CE04W50V 47M(UTSP)	(1)	397584707AT	
C1602	UTSP C	CE04W50V 47M(UTSP)	1	397584707T	
C1602 or	UTSP C	CE04W50V 47M(UTSP)	(1)	397584707AT	
C1603	UTSP C	CE04W50V 47M(UTSP)	1	397584707T	
C1603 or	UTSP C	CE04W50V 47M(UTSP)	(1)	397584707AT	
C1604	UTSP C	CE04W50V 47M(UTSP)	1	397584707T	
C1604 or	UTSP C	CE04W50V 47M(UTSP)	(1)	397584707AT	
C1605	UTSP C	CE04W50V 47M(UTSP)	1	397584707T	
C1605 or	UTSP C	CE04W50V 47M(UTSP)	(1)	397584707AT	
C1606	UTSP C	CE04W50V 47M(UTSP)	1	397584707T	
C1606 or	UTSP C	CE04W50V 47M(UTSP)	(1)	397584707AT	
C1607	UTSP C	CE04W50V 47M(UTSP)	1	397584707T	
C1607 or	UTSP C	CE04W50V 47M(UTSP)	(1)	397584707AT	
C1608	UTSP C	CE04W50V 47M(UTSP)	1	397584707T	
C1608 or	UTSP C	CE04W50V 47M(UTSP)	(1)	397584707AT	
C1609	UTSP C	CE04W50V 47M(UTSP)	1	397584707T	
C1609 or	UTSP C	CE04W50V 47M(UTSP)	(1)	397584707AT	
C1610	UTSP C	CE04W50V 47M(UTSP)	1	397584707T	
C1610 or	UTSP C	CE04W50V 47M(UTSP)	(1)	397584707AT	
C1611	UTSP C	CE04W50V 47M(UTSP)	1	397584707T	

C1611 or	UTSP C	CE04W50V-47M(UTSP)	(1)	397584707AT
C1740	UTSJ C	CE04W25V-47M(UTSJ)	1	398054707BT
C1741	UTSJ C	CE04W25V-47M(UTSJ)	1	398054707BT
C1742	UTSJ C	CE04W25V-47M(UTSJ)	1	398054707BT
C1743	UTSJ C	CE04W25V-47M(UTSJ)	1	398054707BT
C1744	C-FILM C	ECHU50V-101J	1	373021014R2
C1745	C-FILM C	ECHU50V-101J	1	373021014R2
C1746	C-FILM C	ECHU50V-101J	1	373021014R2
C1747	C-FILM C	ECHU50V-101J	1	373021014R2
C1748	C-FILM C	ECHU50V-101J	1	373021014R2
C1749	C-FILM C	ECHU50V-101J	1	373021014R2
C1750	C-FILM C	ECHU50V-222J	1	373022224R2
C1751	C-FILM C	ECHU50V-222J	1	373022224R2
C1802	C-FILM C	ECHU50V-102J	1	373021024R2
C1803	C-FILM C	ECHU50V-102J	1	373021024R2
C1804	UPZ C	2AUPZTF151JE	1	376331514T
C1805	UPZ C	2AUPZTF151JE	1	376331514T
C1810	UTSJ C	CE04W25V-47M(UTSJ)	1	398054707BT
C1811	UTSJ C	CE04W25V-47M(UTSJ)	1	398054707BT
C1890	C-CERA C	CK725F1E-104Z1	1	332161040R1
C1891	C-CERA C	CK725F1E-104Z1	1	332161040R1
C1893	C-CERA C	CK725B1H-472K1	1	332104725R1
C1894	C-CERA C	CK732B16V-106K	1	332071065R2
C1895	C-CERA C	CK732B16V-106K	1	332071065R2
C1896	C-CERA C	CK732B16V-106K	1	332071065R2
C1897	C-CERA C	CK725B25V-105K1	1	332111055R1
C1898	UTSP C	CE04W10V-100M(UTSP)	1	397531017AT
C1899	C-CERA C	CK725F1E-104Z1	1	332161040R1
C3701	C-CERA C	CK725F1E-104Z1	1	332161040R1
C3703	C-CERA C	CK725F1E-104Z1	1	332161040R1
C3704	C-CERA C	CK725F1E-104Z1	1	332161040R1
C3705	C-CERA C	CK732B16V-106K	1	332071065R2
C3706	C-CERA C	CK725F1E-104Z1	1	332161040R1
C3707	C-CERA C	CK725F1E-104Z1	1	332161040R1
C3709	C-CERA C	CK725F1E-104Z1	1	332161040R1
C3710	C-CERA C	CK725B1H-102K1	1	332101025R1
C3719	C-CERA C	CK725F1E-104Z1	1	332161040R1
C3723	C-CERA C	CK725F1E-104Z1	1	332161040R1
C3727	UTSP C	CE04W10V-470M(UTSP)	1	397534717T
C3728	C-CERA C	CK725F1E-104Z1	1	332161040R1
C3730	C-CERA C	CK725F1E-104Z1	1	332161040R1
C3731	C-CERA C	CK725F1E-104Z1	1	332161040R1
C3734	C-CERA C	CK725F1E-104Z1	1	332161040R1
C3886	C-CERA C	CK725B1C-104K1	1	332121045R1
C3887	C-CERA C	CC725CH1H-101J1	1	342101014R1
C3888	VR C	CE04W16V-100M(VR)	1	394641017T
C3889	C-CERA C	CC725CH1H-101J1	1	342101014R1

C3890	C-CERA C	CK725F1E-104Z1	1	332161040R1	
C3892	C-CERA C	CK725B1C-104K1	1	332121045R1	
C3893	C-CERA C	CC725CH1H-080D1	1	342100802R1	
C3894	C-CERA C	CK725B1C-104K1	1	332121045R1	
C3895	C-CERA C	CC725CH1H-080D1	1	342100802R1	
C3896	C-CERA C	CC725CH1H-101J1	1	342101014R1	
C3898	C-CERA C	CC725CH1H-080D1	1	342100802R1	
C3900	C-CERA C	CK725F1E-104Z1	1	332161040R1	
C3902	C-CERA C	CK725F1E-104Z1	1	332161040R1	
C3903	UTSP C	CE04W10V-220M(UTSP)	1	397532217AT	
C3910	C-CERA C	CK725F1E-104Z1	1	332161040R1	<B MDC, MMP>
C3911	C-CERA C	CK725B1H-102K1	1	332101025R1	
C4101	C-CERA C	CC725CH1H-221J1	1	342102214R1	
C4102	C-CERA C	CC725CH1H-221J1	1	342102214R1	
C4103	UTSP C	CE04W50V 47M(UTSP)	1	397584707T	
C4103 or	UTSP C	CE04W50V 47M(UTSP)	(1)	397584707AT	
C4104	UTSP C	CE04W50V 47M(UTSP)	1	397584707T	
C4104 or	UTSP C	CE04W50V 47M(UTSP)	(1)	397584707AT	
C4105	C-CERA C	CC725CH1H-152J1	1	342101524R1	
C4106	C-CERA C	CC725CH1H-152J1	1	342101524R1	
C4107	C-FILM C	ECHU50V-182J	1	373021824R2	
C4108	C-FILM C	ECHU50V-182J	1	373021824R2	
C4109	MKT C	B32529C0682J289	1	376496824T	
C4110	MKT C	B32529C0682J289	1	376496824T	
C4111	UTSP C	CE04W25V-220M(UTSP)	1	397552217T	
C4112	UTSP C	CE04W25V-220M(UTSP)	1	397552217T	
C4113	UTSP C	CE04W50V-22M(UTSP)	1	397582207T	
C4113 or	UTSP C	CE04W50V-22M(UTSP)	(1)	397582207AT	
C4114	UTSP C	CE04W50V-22M(UTSP)	1	397582207T	
C4114 or	UTSP C	CE04W50V-22M(UTSP)	(1)	397582207AT	
C4115	MKT C	B32529C0222J289	1	376492224T	
C4116	MKT C	B32529C0222J289	1	376492224T	
C4117	UTSP C	CE04W25V-220M(UTSP)	1	397552217T	
C4118	UTSP C	CE04W25V-220M(UTSP)	1	397552217T	
C4119	UTSP C	CE04W50V 47M(UTSP)	1	397584707T	
C4119 or	UTSP C	CE04W50V 47M(UTSP)	(1)	397584707AT	
C4120	UTSP C	CE04W50V 47M(UTSP)	1	397584707T	
C4120 or	UTSP C	CE04W50V 47M(UTSP)	(1)	397584707AT	
C4401	UTSP C	CE04W50V 47M(UTSP)	1	397584707T	
C4401 or	UTSP C	CE04W50V 47M(UTSP)	(1)	397584707AT	
C4402	UTSP C	CE04W50V 47M(UTSP)	1	397584707T	
C4402 or	UTSP C	CE04W50V 47M(UTSP)	(1)	397584707AT	
C4403	UTSP C	CE04W50V 47M(UTSP)	1	397584707T	
C4403 or	UTSP C	CE04W50V 47M(UTSP)	(1)	397584707AT	
C4404	UTSP C	CE04W50V 47M(UTSP)	1	397584707T	
C4404 or	UTSP C	CE04W50V 47M(UTSP)	(1)	397584707AT	
C4405	UTSP C	CE04W50V 47M(UTSP)	1	397584707T	

C4405 or	UTSP C	CE04W50V 47M(UTSP)	(1)	397584707AT	
C4406	UTSP C	CE04W50V 47M(UTSP)	1	397584707T	
C4406 or	UTSP C	CE04W50V 47M(UTSP)	(1)	397584707AT	
C4407	UTSP C	CE04W50V 47M(UTSP)	1	397584707T	
C4407 or	UTSP C	CE04W50V 47M(UTSP)	(1)	397584707AT	
C4408	UTSP C	CE04W50V 47M(UTSP)	1	397584707T	
C4408 or	UTSP C	CE04W50V 47M(UTSP)	(1)	397584707AT	
C4409	UTSP C	CE04W50V 47M(UTSP)	1	397584707T	
C4409 or	UTSP C	CE04W50V 47M(UTSP)	(1)	397584707AT	
C4411	UTSP C	CE04W50V 47M(UTSP)	1	397584707T	
C4411 or	UTSP C	CE04W50V 47M(UTSP)	(1)	397584707AT	
C4413	UTSP C	CE04W50V 47M(UTSP)	1	397584707T	
C4413 or	UTSP C	CE04W50V 47M(UTSP)	(1)	397584707AT	
C4414	UTSP C	CE04W50V 47M(UTSP)	1	397584707T	
C4414 or	UTSP C	CE04W50V 47M(UTSP)	(1)	397584707AT	
C4415	UTSP C	CE04W50V 47M(UTSP)	1	397584707T	
C4415 or	UTSP C	CE04W50V 47M(UTSP)	(1)	397584707AT	
C4416	UTSP C	CE04W50V 47M(UTSP)	1	397584707T	
C4416 or	UTSP C	CE04W50V 47M(UTSP)	(1)	397584707AT	
C4417	UTSP C	CE04W50V 47M(UTSP)	1	397584707T	<B MDC, MMP>
C4417 or	UTSP C	CE04W50V 47M(UTSP)	(1)	397584707AT	<B MDC, MMP>
C4418	UTSP C	CE04W50V 47M(UTSP)	1	397584707T	<B MDC, MMP>
C4418 or	UTSP C	CE04W50V 47M(UTSP)	(1)	397584707AT	<B MDC, MMP>
C4419	UTSP C	CE04W50V 47M(UTSP)	1	397584707T	<B MDC, MMP>
C4419 or	UTSP C	CE04W50V 47M(UTSP)	(1)	397584707AT	<B MDC, MMP>
C4420	UTSP C	CE04W50V 47M(UTSP)	1	397584707T	<B MDC, MMP>
C4420 or	UTSP C	CE04W50V 47M(UTSP)	(1)	397584707AT	<B MDC, MMP>
C4421	UTSP C	CE04W50V 47M(UTSP)	1	397584707T	
C4421 or	UTSP C	CE04W50V 47M(UTSP)	(1)	397584707AT	
C4422	UTSP C	CE04W50V 47M(UTSP)	1	397584707T	
C4422 or	UTSP C	CE04W50V 47M(UTSP)	(1)	397584707AT	
C4423	UTSP C	CE04W50V 47M(UTSP)	1	397584707T	
C4423 or	UTSP C	CE04W50V 47M(UTSP)	(1)	397584707AT	
C4424	UTSP C	CE04W50V 47M(UTSP)	1	397584707T	
C4424 or	UTSP C	CE04W50V 47M(UTSP)	(1)	397584707AT	
C4425	UTSP C	CE04W50V 47M(UTSP)	1	397584707T	
C4425 or	UTSP C	CE04W50V 47M(UTSP)	(1)	397584707AT	
C4426	UTSP C	CE04W50V 47M(UTSP)	1	397584707T	
C4426 or	UTSP C	CE04W50V 47M(UTSP)	(1)	397584707AT	
C4427	UTSP C	CE04W50V 47M(UTSP)	1	397584707T	
C4427 or	UTSP C	CE04W50V 47M(UTSP)	(1)	397584707AT	
C4428	UTSP C	CE04W50V 47M(UTSP)	1	397584707T	
C4428 or	UTSP C	CE04W50V 47M(UTSP)	(1)	397584707AT	
C4429	UTSP C	CE04W50V 47M(UTSP)	1	397584707T	
C4429 or	UTSP C	CE04W50V 47M(UTSP)	(1)	397584707AT	
C4430	UTSP C	CE04W50V 47M(UTSP)	1	397584707T	
C4430 or	UTSP C	CE04W50V 47M(UTSP)	(1)	397584707AT	

C4431	UTSP C	CE04W50V-47M(UTSP)	1	397584707T
C4431 or	UTSP C	CE04W50V-47M(UTSP)	(1)	397584707AT
C4432	UTSP C	CE04W50V-47M(UTSP)	1	397584707T
C4432 or	UTSP C	CE04W50V-47M(UTSP)	(1)	397584707AT
C4433	UTSP C	CE04W25V-470M(UTSP)	1	397554717T
C4434	UTSP C	CE04W25V-470M(UTSP)	1	397554717T
C4441	UPZ C	2AUPZTF221JE	1	376332214T
C4442	UPZ C	2AUPZTF221JE	1	376332214T
C4443	UPZ C	2AUPZTF221JE	1	376332214T
C7001	C-CERA C	CK725B25V-105K1	1	332111055R1
C7002	C-CERA C	CC725CH1H-101J1	1	342101014R1
C7004	C-CERA C	CK725B25V-105K1	1	332111055R1
C7005	C-CERA C	CK725B25V-105K1	1	332111055R1
C7006	C-CERA C	CK725F1E-104Z1	1	332161040R1
C7007	C-CERA C	CK725B25V-105K1	1	332111055R1
C7008	C-CERA C	CC725CH1H-101J1	1	342101014R1
C7009	C-CERA C	CC725CH1H-101J1	1	342101014R1
C7012	C-CERA C	CK725B1H-102K1	1	332101025R1
C7013	C-CERA C	CK725B1H-102K1	1	332101025R1
C7014	C-CERA C	CK732B16V-106K	1	332071065R2
C7015	C-CERA C	CK725F1E-104Z1	1	332161040R1
C7016	C-CERA C	CK725B1H-102K1	1	332101025R1
C7017	C-CERA C	CK725B1H-102K1	1	332101025R1
C7018	C-CERA C	CK725B1H-102K1	1	332101025R1
C7019	C-CERA C	CK725B1H-102K1	1	332101025R1
C7020	C-CERA C	CK725F1E-104Z1	1	332161040R1
C7022	C-CERA C	CK725F1E-104Z1	1	332161040R1
C7023	C-CERA C	CK725F1E-104Z1	1	332161040R1
C7024	C-CERA C	CK725F1E-104Z1	1	332161040R1
C7026	C-CERA C	CK725F1E-104Z1	1	332161040R1
C7027	C-CERA C	CK725F1A-105Z1	1	332181050R1
C7028	C-CERA C	CK725F1E-104Z1	1	332161040R1
C7029	C-CERA C	CK725F1E-104Z1	1	332161040R1
C7040	UTSP C	CE04W50V-10M(UTSP)	1	397581007T
C7040 or	UTSP C	CE04W50V-10M(UTSP)	(1)	397581007AT
C7041	VR C	CE04W16V-100M(VR)	1	394641017T
C7045	C-CERA C	CK725B25V-105K1	1	332111055R1
C7047	C-CERA C	CK725B25V-105K1	1	332111055R1
C7053	VR C	CE04W16V-100M(VR)	1	394641017T
C7054	VR C	CE04W16V-100M(VR)	1	394641017T
C7060	C-CERA C	CK725B25V-105K1	1	332111055R1
C7061	C-CERA C	CK725B25V-105K1	1	332111055R1
C7304	C-CERA C	CK725F1E-104Z1	1	332161040R1
C7305	C-CERA C	CK725F1A-105Z1	1	332181050R1
C7306	C-CERA C	CK725F1A-105Z1	1	332181050R1
C7307	C-CERA C	CK725F1A-105Z1	1	332181050R1
C7308	C-CERA C	CK725F1A-105Z1	1	332181050R1

C7309	C-CERA C	CK725F1A-105Z1	1	332181050R1
C7310	C-CERA C	CK725F1A-105Z1	1	332181050R1
C7311	C-CERA C	CK725B25V-105K1	1	332111055R1
C7312	C-CERA C	CK725F1A-105Z1	1	332181050R1
C7313	UTSP C	CE04W50V 47M(UTSP)	1	397584707T
C7313 or	UTSP C	CE04W50V 47M(UTSP)	( 1)	397584707AT
C7314	UTSP C	CE04W50V 47M(UTSP)	1	397584707T
C7314 or	UTSP C	CE04W50V 47M(UTSP)	( 1)	397584707AT
C7315	UTSP C	CE04W50V 47M(UTSP)	1	397584707T
C7315 or	UTSP C	CE04W50V 47M(UTSP)	( 1)	397584707AT
C7316	C-CERA C	CK732B16V-106K	1	332071065R2
C7317	C-CERA C	CK732B16V-106K	1	332071065R2
C7318	C-CERA C	CK725B1H-102K1	1	332101025R1
C7319	C-CERA C	CK725F1A-105Z1	1	332181050R1
C7320	UTSP C	CE04W50V 47M(UTSP)	1	397584707T
C7320 or	UTSP C	CE04W50V 47M(UTSP)	( 1)	397584707AT
C7321	UTSP C	CE04W50V 47M(UTSP)	1	397584707T
C7321 or	UTSP C	CE04W50V 47M(UTSP)	( 1)	397584707AT
C7322	UTSP C	CE04W50V 47M(UTSP)	1	397584707T
C7322 or	UTSP C	CE04W50V 47M(UTSP)	( 1)	397584707AT
C7323	UTSP C	CE04W50V 47M(UTSP)	1	397584707T
C7323 or	UTSP C	CE04W50V 47M(UTSP)	( 1)	397584707AT
C7325	C-CERA C	CK725F1A-105Z1	1	332181050R1
C7326	C-CERA C	CK725F1A-105Z1	1	332181050R1
C7327	C-CERA C	CK725F1A-105Z1	1	332181050R1
C7328	C-CERA C	CK725B25V-105K1	1	332111055R1
C7329	C-CERA C	CK725F1A-105Z1	1	332181050R1
C9302	ELECT C	CE04W18V-10000M(VZ)	1	3945H1037S
C9304	VR C	CE04W100V-47M(VR)	1	394694707T
C9305	VR C	CE04W50V-47M(VR)	1	394684707T
C9306	TF C	ECQ-V50V-223J	1	374722234T
C9307	TF C	ECQ-V50V-334J	1	374723344T
C9350	C-CERA C	CK725B1E-106K	1	332221065R2
C9351	C-CERA C	CK725B1E-106K	1	332221065R2
<b>[RESISTOR]</b>				
R1001	C-CARBON R	RN72K1J-103JE	1	435031034R1
R1002	C-CARBON R	RN72K1J-103JE	1	435031034R1
R1003	C-CARBON R	RN72K1J-331JE	1	435033314R1
R1004	C-CARBON R	RN72K1J-331JE	1	435033314R1
R1005	C-CARBON R	RN72K1J-331JE	1	435033314R1
R1006	C-CARBON R	RN72K1J-331JE	1	435033314R1
R1007	C-CARBON R	RN72K1J-331JE	1	435033314R1
R1008	C-CARBON R	RN72K1J-331JE	1	435033314R1
R1009	C-CARBON R	RN72K1J-750JE	1	435037504R1
R1010	C-CARBON R	RN72K1J-750JE	1	435037504R1
R1011	C-CARBON R	RN72K1J-103JE	1	435031034R1
R1012	C-CARBON R	RN72K1J-103JE	1	435031034R1

R1013	C-CARBON R	RN72K1J-331JE	1	435033314R1
R1014	C-CARBON R	RN72K1J-331JE	1	435033314R1
R1015	C-CARBON R	RN72K1J-331JE	1	435033314R1
R1016	C-CARBON R	RN72K1J-331JE	1	435033314R1
R1017	C-CARBON R	RN72K1J-331JE	1	435033314R1
R1018	C-CARBON R	RN72K1J-331JE	1	435033314R1
R1019	C-CARBON R	RN72K1J-470JE	1	435034704R1
R1020	C-CARBON R	RN72K1J-470JE	1	435034704R1
R1021	C-CARBON R	RN72K1J-331JE	1	435033314R1
R1022	C-CARBON R	RN72K1J-331JE	1	435033314R1
R1023	C-CARBON R	RN72K1J-103JE	1	435031034R1
R1024	C-CARBON R	RN72K1J-103JE	1	435031034R1
R1025	C-CARBON R	RN72K1J-331JE	1	435033314R1
R1026	C-CARBON R	RN72K1J-331JE	1	435033314R1
R1027	C-CARBON R	RN72K1J-331JE	1	435033314R1
R1028	C-CARBON R	RN72K1J-331JE	1	435033314R1
R1029	C-CARBON R	RN72K1J-331JE	1	435033314R1
R1030	C-CARBON R	RN72K1J-331JE	1	435033314R1
R1031	C-CARBON R	RN72K1J-750JE	1	435037504R1
R1032	C-CARBON R	RN72K1J-750JE	1	435037504R1
R1033	C-CARBON R	RN72K1J-103JE	1	435031034R1
R1034	C-CARBON R	RN72K1J-103JE	1	435031034R1
R1035	C-CARBON R	RN72K1J-331JE	1	435033314R1
R1036	C-CARBON R	RN72K1J-331JE	1	435033314R1
R1037	C-CARBON R	RN72K1J-331JE	1	435033314R1
R1038	C-CARBON R	RN72K1J-331JE	1	435033314R1
R1039	C-CARBON R	RN72K1J-331JE	1	435033314R1
R1040	C-CARBON R	RN72K1J-331JE	1	435033314R1
R1041	C-CARBON R	RN72K1J-470JE	1	435034704R1
R1042	C-CARBON R	RN72K1J-470JE	1	435034704R1
R1043	C-CARBON R	RN72K1J-331JE	1	435033314R1
R1044	C-CARBON R	RN72K1J-331JE	1	435033314R1
R1045	C-CARBON R	RN72K1J-103JE	1	435031034R1
R1046	C-CARBON R	RN72K1J-103JE	1	435031034R1
R1047	C-CARBON R	RN72K1J-331JE	1	435033314R1
R1048	C-CARBON R	RN72K1J-331JE	1	435033314R1
R1049	C-CARBON R	RN72K1J-331JE	1	435033314R1
R1050	C-CARBON R	RN72K1J-331JE	1	435033314R1
R1051	C-CARBON R	RN72K1J-331JE	1	435033314R1
R1052	C-CARBON R	RN72K1J-331JE	1	435033314R1
R1053	C-CARBON R	RN72K1J-750JE	1	435037504R1
R1054	C-CARBON R	RN72K1J-750JE	1	435037504R1
R1055	C-CARBON R	RN72K1J-103JE	1	435031034R1
R1056	C-CARBON R	RN72K1J-103JE	1	435031034R1
R1057	C-CARBON R	RN72K1J-331JE	1	435033314R1
R1058	C-CARBON R	RN72K1J-331JE	1	435033314R1
R1059	C-CARBON R	RN72K1J-331JE	1	435033314R1

R1060	C-CARBON R	RN72K1J-331JE	1	435033314R1
R1061	C-CARBON R	RN72K1J-331JE	1	435033314R1
R1062	C-CARBON R	RN72K1J-331JE	1	435033314R1
R1063	C-CARBON R	RN72K1J-470JE	1	435034704R1
R1064	C-CARBON R	RN72K1J-470JE	1	435034704R1
R1065	C-CARBON R	RN72K1J-331JE	1	435033314R1
R1066	C-CARBON R	RN72K1J-331JE	1	435033314R1
R1067	C-CARBON R	RN72K1J-103JE	1	435031034R1
R1068	C-CARBON R	RN72K1J-331JE	1	435033314R1
R1069	C-CARBON R	RN72K1J-331JE	1	435033314R1
R1070	C-CARBON R	RN72K1J-331JE	1	435033314R1
R1071	C-CARBON R	RN72K1J-750JE	1	435037504R1
R1072	C-CARBON R	RN72K1J-331JE	1	435033314R1
R1073	C-CARBON R	RN72K1J-331JE	1	435033314R1
R1074	C-CARBON R	RN72K1J-331JE	1	435033314R1
R1075	C-CARBON R	RN72K1J-470JE	1	435034704R1
R1076	C-CARBON R	RN72K1J-331JE	1	435033314R1
R1077	C-CARBON R	RN72K1J-103JE	1	435031034R1
R1100	C-CARBON R	RN72K1J-221JE	1	435032214R1
R1101	C-CARBON R	RN72K1J-681JE	1	435036814R1
R1106	C-CARBON R	RN72K1J-102JE	1	435031024R1
R1107	C-CARBON R	RN72K1J-331JE	1	435033314R1
R1109	C-CARBON R	RN72K1J-221JE	1	435032214R1
R1110	C-CARBON R	RN72K1J-331JE	1	435033314R1
R1111	C-CARBON R	RN72K1J-331JE	1	435033314R1
R1112	C-CARBON R	RN72K1J-470JE	1	435034704R1
R1113	C-CARBON R	RN72K1J-331JE	1	435033314R1
R1200	C-CARBON R	RN72K1J-821JE	1	435038214R1
R1201	C-CARBON R	RN72K1J-821JE	1	435038214R1
R1202	C-CARBON R	RN72K1J-821JE	1	435038214R1
R1203	C-CARBON R	RN72K1J-821JE	1	435038214R1
R1204	C-CARBON R	RN72K1J-821JE	1	435038214R1
R1205	C-CARBON R	RN72K1J-821JE	1	435038214R1
R1206	C-CARBON R	RN72K1J-821JE	1	435038214R1
R1207	C-CARBON R	RN72K1J-821JE	1	435038214R1
R1208	C-CARBON R	RN72K1J-821JE	1	435038214R1
R1209	C-CARBON R	RN72K1J-821JE	1	435038214R1
R1210	C-CARBON R	RN72K1J-821JE	1	435038214R1
R1211	C-CARBON R	RN72K1J-821JE	1	435038214R1
R1212	C-CARBON R	RN72K1J-821JE	1	435038214R1
R1213	C-CARBON R	RN72K1J-821JE	1	435038214R1
R1214	C-CARBON R	RN72K1J-821JE	1	435038214R1
R1215	C-CARBON R	RN72K1J-821JE	1	435038214R1
R1216	C-CARBON R	RN72K1J-821JE	1	435038214R1
R1217	C-CARBON R	RN72K1J-821JE	1	435038214R1
R1218	C-CARBON R	RN72K1J-821JE	1	435038214R1
R1219	C-CARBON R	RN72K1J-821JE	1	435038214R1









R1361	C-CARBON R	RN72K1J-102JE	1	435031024R1	<B MDC, MMP>
R1362	C-CARBON R	RN72K1J-102JE	1	435031024R1	<B MDC, MMP>
R1363	C-CARBON R	RN72K1J-102JE	1	435031024R1	<B MDC, MMP>
R1364	C-CARBON R	RN72K1J-102JE	1	435031024R1	<B MDC, MMP>
R1365	C-CARBON R	RN72K1J-102JE	1	435031024R1	<B MDC, MMP>
R1366	C-CARBON R	RN72K1J-102JE	1	435031024R1	<B MDC, MMP>
R1367	C-CARBON R	RN72K1J-102JE	1	435031024R1	<B MDC, MMP>
R1368	C-CARBON R	RN72K1J-102JE	1	435031024R1	<B MDC, MMP>
R1369	C-CARBON R	RN72K1J-102JE	1	435031024R1	<B MDC, MMP>
R1370	C-CARBON R	RN72K1J-152JE	1	435031524R1	<B MDC, MMP>
R1371	C-CARBON R	RN72K1J-152JE	1	435031524R1	<B MDC, MMP>
R1372	C-CARBON R	RN72K1J-272JE	1	435032724R1	<B MDC, MMP>
R1373	C-CARBON R	RN72K1J-152JE	1	435031524R1	<B MDC, MMP>
R1374	C-CARBON R	RN72K1J-152JE	1	435031524R1	<B MDC, MMP>
R1375	C-CARBON R	RN72K1J-152JE	1	435031524R1	<B MDC, MMP>
R1376	C-CARBON R	RN72K1J-152JE	1	435031524R1	<B MDC, MMP>
R1377	C-CARBON R	RN72K1J-152JE	1	435031524R1	<B MDC, MMP>
R1378	C-CARBON R	RN72K1J-152JE	1	435031524R1	<B MDC, MMP>
R1379	C-CARBON R	RN72K1J-152JE	1	435031524R1	<B MDC, MMP>
R1380	C-CARBON R	RN72K1J-272JE	1	435032724R1	<B MDC, MMP>
R1381	C-CARBON R	RN72K1J-272JE	1	435032724R1	<B MDC, MMP>
R1382	C-CARBON R	RN72K1J-152JE	1	435031524R1	<B MDC, MMP>
R1383	C-CARBON R	RN72K1J-272JE	1	435032724R1	<B MDC, MMP>
R1384	C-CARBON R	RN72K1J-272JE	1	435032724R1	<B MDC, MMP>
R1385	C-CARBON R	RN72K1J-272JE	1	435032724R1	<B MDC, MMP>
R1386	C-CARBON R	RN72K1J-272JE	1	435032724R1	<B MDC, MMP>
R1387	C-CARBON R	RN72K1J-272JE	1	435032724R1	<B MDC, MMP>
R1388	C-CARBON R	RN72K1J-272JE	1	435032724R1	<B MDC, MMP>
R1389	C-CARBON R	RN72K1J-272JE	1	435032724R1	<B MDC, MMP>
R1400	C-CARBON R	RN72K2E-100JE	1	435221004R1	
R1401	C-CARBON R	RN72K2E-100JE	1	435221004R1	
R1402	C-CARBON R	RN72K2E-100JE	1	435221004R1	
R1403	C-CARBON R	RN72K2E-220JE	1	43522204R1	
R1404	C-CARBON R	RN72K2E-220JE	1	43522204R1	
R1405	C-CARBON R	RN72K2E-220JE	1	43522204R1	
R1406	C-CARBON R	RN72K2E-220JE	1	43522204R1	
R1407	C-CARBON R	RN72K2E-220JE	1	43522204R1	
R1408	C-CARBON R	RN72K2E-220JE	1	43522204R1	
R1409	C-CARBON R	RN72K2E-100JE	1	435221004R1	
R1410	C-CARBON R	RN72K1J-821JE	1	435038214R1	
R1411	C-CARBON R	RN72K1J-821JE	1	435038214R1	
R1412	C-CARBON R	RN72K1J-821JE	1	435038214R1	<B MDC, MMP>
R1413	C-CARBON R	RN72K1J-821JE	1	435038214R1	<B MDC, MMP>
R1420	C-CARBON R	RN72K1J-821JE	1	435038214R1	
R1421	C-CARBON R	RN72K1J-821JE	1	435038214R1	
R1422	C-CARBON R	RN72K1J-821JE	1	435038214R1	<B MDC, MMP>
R1423	C-CARBON R	RN72K1J-821JE	1	435038214R1	<B MDC, MMP>

R1430	C-CARBON R	RN72K1J-271JE	1	435032714R1	<B MDC, MMP>
R1431	C-CARBON R	RN72K1J-271JE	1	435032714R1	<B MDC, MMP>
R1432	C-CARBON R	RN72K1J-271JE	1	435032714R1	<B MDC, MMP>
R1433	C-CARBON R	RN72K1J-271JE	1	435032714R1	<B MDC, MMP>
R1440	C-CARBON R	RN72K1J-182JE	1	435031824R1	
R1441	C-CARBON R	RN72K1J-182JE	1	435031824R1	
R1442	C-CARBON R	RN72K1J-182JE	1	435031824R1	<B MDC, MMP>
R1443	C-CARBON R	RN72K1J-182JE	1	435031824R1	<B MDC, MMP>
R1450	C-CARBON R	RN72K1J-271JE	1	435032714R1	<B MDC, MMP>
R1451	C-CARBON R	RN72K1J-271JE	1	435032714R1	<B MDC, MMP>
R1452	C-CARBON R	RN72K1J-271JE	1	435032714R1	<B MDC, MMP>
R1453	C-CARBON R	RN72K1J-271JE	1	435032714R1	<B MDC, MMP>
R1460	C-CARBON R	RN72K1J-182JE	1	435031824R1	
R1461	C-CARBON R	RN72K1J-182JE	1	435031824R1	
R1462	C-CARBON R	RN72K1J-182JE	1	435031824R1	<B MDC, MMP>
R1463	C-CARBON R	RN72K1J-182JE	1	435031824R1	<B MDC, MMP>
R1470	C-CARBON R	RN72K1J-332JE	1	435033324R1	
R1471	C-CARBON R	RN72K1J-332JE	1	435033324R1	
R1472	C-CARBON R	RN72K1J-332JE	1	435033324R1	<B MDC, MMP>
R1473	C-CARBON R	RN72K1J-332JE	1	435033324R1	<B MDC, MMP>
R1480	C-CARBON R	RN72K1J-332JE	1	435033324R1	
R1481	C-CARBON R	RN72K1J-332JE	1	435033324R1	
R1482	C-CARBON R	RN72K1J-332JE	1	435033324R1	<B MDC, MMP>
R1483	C-CARBON R	RN72K1J-332JE	1	435033324R1	<B MDC, MMP>
R1490	C-CARBON R	RN72K1J-122JE	1	435031224R1	<B MDC, MMP>
R1491	C-CARBON R	RN72K1J-122JE	1	435031224R1	<B MDC, MMP>
R1492	C-CARBON R	RN72K1J-122JE	1	435031224R1	<B MDC, MMP>
R1493	C-CARBON R	RN72K1J-122JE	1	435031224R1	<B MDC, MMP>
R1500	C-CARBON R	RN72K1J-122JE	1	435031224R1	<B MDC, MMP>
R1501	C-CARBON R	RN72K1J-122JE	1	435031224R1	<B MDC, MMP>
R1502	C-CARBON R	RN72K1J-122JE	1	435031224R1	<B MDC, MMP>
R1503	C-CARBON R	RN72K1J-122JE	1	435031224R1	<B MDC, MMP>
R1510	C-CARBON R	RN72K1J-472JE	1	435034724R1	
R1511	C-CARBON R	RN72K1J-472JE	1	435034724R1	
R1512	C-CARBON R	RN72K1J-472JE	1	435034724R1	<B MDC, MMP>
R1513	C-CARBON R	RN72K1J-472JE	1	435034724R1	<B MDC, MMP>
R1515	C-CARBON R	RN72K1J-331JE	1	435033314R1	
R1517	C-CARBON R	RN72K1J-331JE	1	435033314R1	
R1518	C-CARBON R	RN72K1J-331JE	1	435033314R1	
R1519	C-CARBON R	RN72K1J-331JE	1	435033314R1	
R1520	C-CARBON R	RN72K1J-681JE	1	435036814R1	
R1521	C-CARBON R	RN72K1J-681JE	1	435036814R1	
R1522	C-CARBON R	RN72K1J-681JE	1	435036814R1	<B MDC, MMP>
R1523	C-CARBON R	RN72K1J-681JE	1	435036814R1	<B MDC, MMP>
R1530	C-CARBON R	RN72K1J-472JE	1	435034724R1	
R1531	C-CARBON R	RN72K1J-472JE	1	435034724R1	
R1532	C-CARBON R	RN72K1J-472JE	1	435034724R1	<B MDC, MMP>

R1533	C-CARBON R	RN72K1J-472JE	1	435034724R1	<B MDC, MMP>
R1540	C-CARBON R	RN72K1J-472JE	1	435034724R1	
R1541	C-CARBON R	RN72K1J-472JE	1	435034724R1	
R1542	C-CARBON R	RN72K1J-472JE	1	435034724R1	<B MDC, MMP>
R1543	C-CARBON R	RN72K1J-472JE	1	435034724R1	<B MDC, MMP>
R1550	C-CARBON R	RN72K1J-182JE	1	435031824R1	
R1551	C-CARBON R	RN72K1J-182JE	1	435031824R1	
R1552	C-CARBON R	RN72K1J-182JE	1	435031824R1	<B MDC, MMP>
R1553	C-CARBON R	RN72K1J-182JE	1	435031824R1	<B MDC, MMP>
R1560	C-CARBON R	RN72K1J-272JE	1	435032724R1	
R1561	C-CARBON R	RN72K1J-272JE	1	435032724R1	
R1562	C-CARBON R	RN72K1J-272JE	1	435032724R1	<B MDC, MMP>
R1563	C-CARBON R	RN72K1J-272JE	1	435032724R1	<B MDC, MMP>
R1570	C-CARBON R	RN72K1J-152JE	1	435031524R1	
R1571	C-CARBON R	RN72K1J-152JE	1	435031524R1	
R1572	C-CARBON R	RN72K1J-152JE	1	435031524R1	<B MDC, MMP>
R1573	C-CARBON R	RN72K1J-152JE	1	435031524R1	<B MDC, MMP>
R1580	C-CARBON R	RN72K1J-102JE	1	435031024R1	
R1581	C-CARBON R	RN72K1J-102JE	1	435031024R1	
R1582	C-CARBON R	RN72K1J-102JE	1	435031024R1	<B MDC, MMP>
R1583	C-CARBON R	RN72K1J-102JE	1	435031024R1	<B MDC, MMP>
R1590	C-CARBON R	RN72K1J-561JE	1	435035614R1	
R1591	C-CARBON R	RN72K1J-561JE	1	435035614R1	
R1592	C-CARBON R	RN72K1J-561JE	1	435035614R1	<B MDC, MMP>
R1593	C-CARBON R	RN72K1J-561JE	1	435035614R1	<B MDC, MMP>
R1604	C-CARBON R	RN72K1J-224JE	1	435032244R1	
R1605	C-CARBON R	RN72K1J-224JE	1	435032244R1	
R1606	C-CARBON R	RN72K1J-224JE	1	435032244R1	
R1607	C-CARBON R	RN72K1J-224JE	1	435032244R1	
R1608	C-CARBON R	RN72K1J-224JE	1	435032244R1	
R1609	C-CARBON R	RN72K1J-224JE	1	435032244R1	
R1610	C-CARBON R	RN72K2E-100JE	1	435221004R1	
R1611	C-CARBON R	RN72K2E-100JE	1	435221004R1	
R1612	C-CARBON R	RN72K2E-220JE	1	435222204R1	<B MDC, MMP>
R1613	C-CARBON R	RN72K2E-220JE	1	435222204R1	<B MDC, MMP>
R1614	C-CARBON R	RN72K1J-224JE	1	435032244R1	
R1615	C-CARBON R	RN72K1J-224JE	1	435032244R1	
R1616	C-CARBON R	RN72K1J-224JE	1	435032244R1	
R1617	C-CARBON R	RN72K1J-224JE	1	435032244R1	
R1618	C-CARBON R	RN72K1J-224JE	1	435032244R1	
R1619	C-CARBON R	RN72K1J-224JE	1	435032244R1	
R1620	C-CARBON R	RN72K1J-103JE	1	435031034R1	
R1621	C-CARBON R	RN72K1J-103JE	1	435031034R1	
R1622	C-CARBON R	RN72K1J-103JE	1	435031034R1	
R1623	C-CARBON R	RN72K1J-103JE	1	435031034R1	
R1624	C-CARBON R	RN72K1J-103JE	1	435031034R1	
R1625	C-CARBON R	RN72K1J-103JE	1	435031034R1	

R1626	C-CARBON R	RN72K1J-103JE	1	435031034R1
R1627	C-CARBON R	RN72K1J-103JE	1	435031034R1
R1628	C-CARBON R	RN72K1J-103JE	1	435031034R1
R1629	C-CARBON R	RN72K1J-103JE	1	435031034R1
R1630	C-CARBON R	RN72K1J-103JE	1	435031034R1
R1631	C-CARBON R	RN72K1J-103JE	1	435031034R1
R1632	C-CARBON R	RN72K1J-103JE	1	435031034R1
R1633	C-CARBON R	RN72K1J-103JE	1	435031034R1
R1634	C-CARBON R	RN72K1J-103JE	1	435031034R1
R1635	C-CARBON R	RN72K1J-103JE	1	435031034R1
R1636	C-CARBON R	RN72K1J-103JE	1	435031034R1
R1637	C-CARBON R	RN72K1J-103JE	1	435031034R1
R1638	C-CARBON R	RN72K1J-103JE	1	435031034R1
R1639	C-CARBON R	RN72K1J-103JE	1	435031034R1
R1640	C-CARBON R	RN72K1J-103JE	1	435031034R1
R1641	C-CARBON R	RN72K1J-103JE	1	435031034R1
R1642	C-CARBON R	RN72K1J-103JE	1	435031034R1
R1643	C-CARBON R	RN72K1J-103JE	1	435031034R1
R1644	C-CARBON R	RN72K1J-103JE	1	435031034R1
R1645	C-CARBON R	RN72K1J-103JE	1	435031034R1
R1646	C-CARBON R	RN72K1J-103JE	1	435031034R1
R1647	C-CARBON R	RN72K1J-103JE	1	435031034R1
R1648	C-CARBON R	RN72K1J-103JE	1	435031034R1
R1649	C-CARBON R	RN72K1J-103JE	1	435031034R1
R1660	C-CARBON R	RN72K1J-103JE	1	435031034R1
R1661	C-CARBON R	RN72K1J-103JE	1	435031034R1
R1670	C-CARBON R	RN72K1J-103JE	1	435031034R1
R1671	C-CARBON R	RN72K1J-103JE	1	435031034R1
R1680	C-CARBON R	RN72K1J-103JE	1	435031034R1
R1681	C-CARBON R	RN72K1J-103JE	1	435031034R1
R1683	C-CARBON R	RN72K1J-473JE	1	435034734R1
R1685	C-CARBON R	RN72K1J-332JE	1	435033324R1
R1687	C-CARBON R	RN72K1J-473JE	1	435034734R1
R1688	C-CARBON R	RN72K1J-332JE	1	435033324R1
R1689	C-CARBON R	RN72K1J-332JE	1	435033324R1
R1700	C-CARBON R	RN72K1J-470JE	1	435034704R1
R1701	C-CARBON R	RN72K1J-331JE	1	435033314R1
R1702	C-CARBON R	RN72K1J-151JE	1	435031514R1
R1703	C-CARBON R	RN72K1J-331JE	1	435033314R1
R1704	C-CARBON R	RN72K1J-750JE	1	435037504R1
R1705	C-CARBON R	RN72K1J-151JE	1	435031514R1
R1706	C-CARBON R	RN72K1J-331JE	1	435033314R1
R1707	C-CARBON R	RN72K1J-151JE	1	435031514R1
R1708	C-CARBON R	RN72K1J-470JE	1	435034704R1
R1709	C-CARBON R	RN72K1J-330JE	1	435033304R1
R1710	C-CARBON R	RN72K1J-331JE	1	435033314R1
R1711	C-CARBON R	RN72K1J-561FE	1	435035612R1

R1712	C-CARBON R	RN72K1J-105JE	1	435031054R1
R1713	C-CARBON R	RN72K1J-560JE	1	435035604R1
R1714	C-CARBON R	RN72K1J-221JE	1	435032214R1
R1715	C-CARBON R	RN72K1J-331JE	1	435033314R1
R1716	C-CARBON R	RN72K1J-331JE	1	435033314R1
R1717	C-CARBON R	RN72K1J-750JE	1	435037504R1
R1718	C-CARBON R	RN72K1J-151JE	1	435031514R1
R1719	C-CARBON R	RN72K1J-151JE	1	435031514R1
R1720	C-CARBON R	RN72K1J-331JE	1	435033314R1
R1721	C-CARBON R	RN72K1J-470JE	1	435034704R1
R1722	C-CARBON R	RN72K1J-330JE	1	435033304R1
R1723	C-CARBON R	RN72K1J-331JE	1	435033314R1
R1726	C-CARBON R	RN72K1J-151JE	1	435031514R1
R1730	C-CARBON R	RN72K1J-103JE	1	435031034R1
R1731	C-CARBON R	RN72K1J-331JE	1	435033314R1
R1732	C-CARBON R	RN72K1J-331JE	1	435033314R1
R1733	C-CARBON R	RN72K1J-331JE	1	435033314R1
R1740	C-CARBON R	RN72K1J-103JE	1	435031034R1
R1741	C-CARBON R	RN72K1J-103JE	1	435031034R1
R1742	C-CARBON R	RN72K1J-103JE	1	435031034R1
R1743	C-CARBON R	RN72K1J-103JE	1	435031034R1
R1744	C-CARBON R	RN72K1J-272JE	1	435032724R1
R1745	C-CARBON R	RN72K1J-272JE	1	435032724R1
R1746	C-CARBON R	RN72K1J-222JE	1	435032224R1
R1747	C-CARBON R	RN72K1J-222JE	1	435032224R1
R1748	C-CARBON R	RN72K1J-272JE	1	435032724R1
R1750	C-CARBON R	RN72K1J-222JE	1	435032224R1
R1751	C-CARBON R	RN72K1J-272JE	1	435032724R1
R1752	C-CARBON R	RN72K1J-101JE	1	435031014R1
R1753	C-CARBON R	RN72K1J-101JE	1	435031014R1
R1754	C-CARBON R	RN72K1J-103JE	1	435031034R1
R1755	C-CARBON R	RN72K1J-103JE	1	435031034R1
R1756	C-CARBON R	RN72K1J-103JE	1	435031034R1
R1757	C-CARBON R	RN72K1J-103JE	1	435031034R1
R1758	C-CARBON R	RN72K1J-101JE	1	435031014R1
R1759	C-CARBON R	RN72K1J-101JE	1	435031014R1
R1761	C-CARBON R	RN72K1J-222JE	1	435032224R1
R1800	C-CARBON R	RN72K1J-223JE	1	435032234R1
R1801	C-CARBON R	RN72K1J-223JE	1	435032234R1
R1802	C-CARBON R	RN72K1J-332JE	1	435033324R1
R1803	C-CARBON R	RN72K1J-332JE	1	435033324R1
R1810	C-CARBON R	RN72K1J-223JE	1	435032234R1
R1811	C-CARBON R	RN72K1J-223JE	1	435032234R1
R1830	C-CARBON R	RN72K1J-153JE	1	435031534R1
R1831	C-CARBON R	RN72K1J-153JE	1	435031534R1
R1840	C-CARBON R	RN72K1J-562JE	1	435035624R1
R1841	C-CARBON R	RN72K1J-562JE	1	435035624R1



R1850	C-CARBON R	RN72K1J-153JE	1	435031534R1
R1851	C-CARBON R	RN72K1J-153JE	1	435031534R1
R1860	C-CARBON R	RN72K1J-104JE	1	435031044R1
R1861	C-CARBON R	RN72K1J-104JE	1	435031044R1
R1870	C-CARBON R	RN72K1J-472JE	1	435034724R1
R1871	C-CARBON R	RN72K1J-472JE	1	435034724R1
R1890	C-CARBON R	RN72K1J-104JE	1	435031044R1
R1891	C-CARBON R	RN72K1J-334FE	1	435033342R1
R1892	C-CARBON R	RN72K1J-273JE	1	435032734R1
R3700	C-CARBON R	RN72K1J-000JE	1	435030004R1
R3702	C-CARBON R	RN72K1J-750JE	1	435037504R1
R3703	C-CARBON R	RN72K1J-331JE	1	435033314R1
R3707	C-CARBON R	RN72K1J-151JE	1	435031514R1
R3708	C-CARBON R	RN72K1J-151JE	1	435031514R1
R3709	C-CARBON R	RN72K1J-151JE	1	435031514R1
R3711	C-CARBON R	RN72K1J-101JE	1	435031014R1
R3713	C-CARBON R	RN72K1J-331JE	1	435033314R1
R3714	C-CARBON R	RN72K1J-151JE	1	435031514R1
R3715	C-CARBON R	RN72K1J-331JE	1	435033314R1
R3716	C-CARBON R	RN72K1J-151JE	1	435031514R1
R3717	C-CARBON R	RN72K1J-331JE	1	435033314R1
R3719	C-CARBON R	RN72K1J-331JE	1	435033314R1
R3720	C-CARBON R	RN72K1J-331JE	1	435033314R1
R3721	C-CARBON R	RN72K1J-331JE	1	435033314R1
R3722	C-CARBON R	RN72K1J-103JE	1	435031034R1
R3723	C-CARBON R	RN72K1J-331JE	1	435033314R1
R3724	C-CARBON R	RN72K1J-331JE	1	435033314R1
R3725	C-CARBON R	RN72K1J-331JE	1	435033314R1
R3726	C-CARBON R	RN72K1J-750JE	1	435037504R1
R3728	C-CARBON R	RN72K1J-151JE	1	435031514R1
R3733	C-CARBON R	RN72K1J-151JE	1	435031514R1
R3735	C-CARBON R	RN72K1J-151JE	1	435031514R1
R3737	C-CARBON R	RN72K1J-151JE	1	435031514R1
R3738	C-CARBON R	RN72K1J-221JE	1	435032214R1
R3741	C-CARBON R	RN72K1J-151JE	1	435031514R1
R3742	C-CARBON R	RN72K1J-470JE	1	435034704R1
R3743	C-CARBON R	RN72K1J-151JE	1	435031514R1
R3744	C-CARBON R	RN72K1J-331JE	1	435033314R1
R3745	C-CARBON R	RN72K1J-470JE	1	435034704R1
R3746	C-CARBON R	RN72K1J-103JE	1	435031034R1
R3747	C-CARBON R	RN72K1J-103JE	1	435031034R1
R3748	C-CARBON R	RN72K1J-102JE	1	435031024R1
R3751	C-CARBON R	RN72K1J-331JE	1	435033314R1
R3752	C-CARBON R	RN72K1J-331JE	1	435033314R1
R3754	C-CARBON R	RN72K1J-331JE	1	435033314R1
R3755	C-CARBON R	RN72K1J-331JE	1	435033314R1
R3756	C-CARBON R	RN72K1J-331JE	1	435033314R1

R3757	C-CARBON R	RN72K1J-331JE	1	435033314R1	
R3758	C-CARBON R	RN72K1J-331JE	1	435033314R1	
R3759	C-CARBON R	RN72K1J-331JE	1	435033314R1	
R3761	C-CARBON R	RN72K1J-103JE	1	435031034R1	
R3762	C-CARBON R	RN72K1J-331JE	1	435033314R1	
R3763	C-CARBON R	RN72K1J-331JE	1	435033314R1	
R3765	C-CARBON R	RN72K1J-103JE	1	435031034R1	
R3766	C-CARBON R	RN72K1J-331JE	1	435033314R1	
R3767	C-CARBON R	RN72K1J-331JE	1	435033314R1	
R3768	C-CARBON R	RN72K1J-331JE	1	435033314R1	
R3769	C-CARBON R	RN72K1J-331JE	1	435033314R1	
R3770	C-CARBON R	RN72K1J-331JE	1	435033314R1	
R3771	C-CARBON R	RN72K1J-220JE	1	435032204R1	
R3796	C-CARBON R	RN72K1J-102JE	1	435031024R1	
R3800	C-CARBON R	RN72K1J-151JE	1	435031514R1	
R3801	C-CARBON R	RN72K1J-151JE	1	435031514R1	
R3802	C-CARBON R	RN72K1J-331JE	1	435033314R1	
R3803	C-CARBON R	RN72K1J-331JE	1	435033314R1	
R3804	C-CARBON R	RN72K1J-470JE	1	435034704R1	
R3883	C-CARBON R	RN72K1J-331JE	1	435033314R1	
R3884	C-CARBON R	RN72K1J-221JE	1	435032214R1	
R3886	C-CARBON R	RN72K1J-221JE	1	435032214R1	
R3887	C-CARBON R	RN72K1J-470JE	1	435034704R1	
R3888	C-CARBON R	RN72K1J-470JE	1	435034704R1	
R3889	C-CARBON R	RN72K1J-102JE	1	435031024R1	
R3890	C-CARBON R	RN72K1J-102JE	1	435031024R1	
R3891	C-CARBON R	RN72K1J-822JE	1	435038224R1	
R3892	C-CARBON R	RN72K1J-823JE	1	435038234R1	
R3893	C-CARBON R	RN72K1J-103JE	1	435031034R1	
R3894	C-CARBON R	RN72K1J-103JE	1	435031034R1	
R3895	C-CARBON R	RN72K1J-100JE	1	435031004R1	
R3896	C-CARBON R	RN72K1J-823JE	1	435038234R1	
R3897	C-CARBON R	RN72K1J-750JE	1	435037504R1	
R3898	C-CARBON R	RN72K1J-224JE	1	435032244R1	
R3899	C-CARBON R	RN72K1J-103JE	1	435031034R1	
R3900	C-CARBON R	RN72K1J-823JE	1	435038234R1	
R3901	C-CARBON R	RN72K1J-470JE	1	435034704R1	
R3902	C-CARBON R	RN72K1J-470JE	1	435034704R1	
R3909	C-CARBON R	RN72K1J-470JE	1	435034704R1	<B MDC, MMP>
R3911	C-CARBON R	RN72K1J-221JE	1	435032214R1	
R3913	C-CARBON R	RN72K1J-750JE	1	435037504R1	
R3914	C-CARBON R	RN72K1J-100JE	1	435031004R1	
R3915	C-CARBON R	RN72K1J-224JE	1	435032244R1	
R3921	C-CARBON R	RN72K1J-750JE	1	435037504R1	
R3922	C-CARBON R	RN72K1J-224JE	1	435032244R1	
R3923	C-CARBON R	RN72K1J-100JE	1	435031004R1	
R4101	C-CARBON R	RN72K1J-102JE	1	435031024R1	

R4102	C-CARBON R	RN72K1J-102JE	1	435031024R1
R4103	C-CARBON R	RN72K1J-224JE	1	435032244R1
R4104	C-CARBON R	RN72K1J-224JE	1	435032244R1
R4105	METAL O R	RS1/2WBJ-2.2K	1	443522224T
R4106	METAL O R	RS1/2WBJ-2.2K	1	443522224T
R4107	C-CARBON R	RN72K1J-223JE	1	435032234R1
R4108	C-CARBON R	RN72K1J-223JE	1	435032234R1
R4109	C-CARBON R	RN72K1J-272JE	1	435032724R1
R4110	C-CARBON R	RN72K1J-272JE	1	435032724R1
R4111	C-CARBON R	RN72K1J-332JE	1	435033324R1
R4112	C-CARBON R	RN72K1J-332JE	1	435033324R1
R4113	C-CARBON R	RN72K1J-332JE	1	435033324R1
R4114	C-CARBON R	RN72K1J-332JE	1	435033324R1
R4115	C-CARBON R	RN72K1J-220JE	1	435032204R1
R4116	C-CARBON R	RN72K1J-220JE	1	435032204R1
R4117	C-CARBON R	RN72K1J-220JE	1	435032204R1
R4118	C-CARBON R	RN72K1J-220JE	1	435032204R1
R4119	C-CARBON R	RN72K1J-221JE	1	435032214R1
R4120	C-CARBON R	RN72K1J-221JE	1	435032214R1
R4121	C-CARBON R	RN72K1J-122JE	1	435031224R1
R4122	C-CARBON R	RN72K1J-122JE	1	435031224R1
R4123	C-CARBON R	RN72K1J-393JE	1	435033934R1
R4124	C-CARBON R	RN72K1J-393JE	1	435033934R1
R4125	C-CARBON R	RN72K1J-474JE	1	435034744R1
R4126	C-CARBON R	RN72K1J-474JE	1	435034744R1
R4127	C-CARBON R	RN72K1J-821JE	1	435038214R1
R4128	C-CARBON R	RN72K1J-821JE	1	435038214R1
R4129	C-CARBON R	RN72K1J-821JE	1	435038214R1
R4130	C-CARBON R	RN72K1J-821JE	1	435038214R1
R4131	C-CARBON R	RN72K1J-224JE	1	435032244R1
R4132	C-CARBON R	RN72K1J-224JE	1	435032244R1
R4133	NF CARBON R	R25J-100	1	415471014T
R4134	NF CARBON R	R25J-100	1	415471014T
R4401	C-CARBON R	RN72K1J-224JE	1	435032244R1
R4402	C-CARBON R	RN72K1J-224JE	1	435032244R1
R4403	C-CARBON R	RN72K1J-224JE	1	435032244R1
R4404	C-CARBON R	RN72K1J-224JE	1	435032244R1
R4405	C-CARBON R	RN72K1J-224JE	1	435032244R1
R4406	C-CARBON R	RN72K1J-224JE	1	435032244R1
R4407	C-CARBON R	RN72K1J-224JE	1	435032244R1
R4408	C-CARBON R	RN72K1J-224JE	1	435032244R1
R4409	C-CARBON R	RN72K1J-224JE	1	435032244R1
R4411	C-CARBON R	RN72K1J-224JE	1	435032244R1
R4413	C-CARBON R	RN72K1J-224JE	1	435032244R1
R4414	C-CARBON R	RN72K1J-224JE	1	435032244R1
R4415	C-CARBON R	RN72K1J-224JE	1	435032244R1
R4416	C-CARBON R	RN72K1J-224JE	1	435032244R1

R4417	C-CARBON R	RN72K1J-224JE	1	435032244R1	<B MDC, MMP>
R4418	C-CARBON R	RN72K1J-224JE	1	435032244R1	<B MDC, MMP>
R4419	C-CARBON R	RN72K1J-224JE	1	435032244R1	<B MDC, MMP>
R4420	C-CARBON R	RN72K1J-224JE	1	435032244R1	<B MDC, MMP>
R4421	C-CARBON R	RN72K1J-224JE	1	435032244R1	
R4422	C-CARBON R	RN72K1J-224JE	1	435032244R1	
R4423	C-CARBON R	RN72K1J-224JE	1	435032244R1	
R4424	C-CARBON R	RN72K1J-224JE	1	435032244R1	
R4425	C-CARBON R	RN72K1J-224JE	1	435032244R1	
R4426	C-CARBON R	RN72K1J-224JE	1	435032244R1	
R4427	C-CARBON R	RN72K1J-224JE	1	435032244R1	
R4428	C-CARBON R	RN72K1J-224JE	1	435032244R1	
R4429	C-CARBON R	RN72K1J-224JE	1	435032244R1	
R4430	C-CARBON R	RN72K1J-224JE	1	435032244R1	
R4431	C-CARBON R	RN72K1J-224JE	1	435032244R1	
R4432	C-CARBON R	RN72K1J-224JE	1	435032244R1	
R4433	METAL O R	RS1/2WBJ-10	1	443521004T	
R4434	METAL O R	RS1/2WBJ-10	1	443521004T	
R4435	C-CARBON R	RN72K1J-152JE	1	435031524R1	
R4436	C-CARBON R	RN72K1J-152JE	1	435031524R1	
R4437	C-CARBON R	RN72K1J-152JE	1	435031524R1	
R4438	C-CARBON R	RN72K1J-152JE	1	435031524R1	
R4439	C-CARBON R	RN72K1J-152JE	1	435031524R1	
R4441	C-CARBON R	RN72K1J-152JE	1	435031524R1	
R4442	C-CARBON R	RN72K1J-152JE	1	435031524R1	
R4443	C-CARBON R	RN72K1J-152JE	1	435031524R1	<B MDC, MMP>
R4444	C-CARBON R	RN72K1J-152JE	1	435031524R1	<B MDC, MMP>
R4445	C-CARBON R	RN72K1J-152JE	1	435031524R1	
R4446	C-CARBON R	RN72K1J-152JE	1	435031524R1	
R4447	C-CARBON R	RN72K1J-152JE	1	435031524R1	
R4448	C-CARBON R	RN72K1J-152JE	1	435031524R1	
R4449	C-CARBON R	RN72K1J-152JE	1	435031524R1	
R4450	C-CARBON R	RN72K1J-152JE	1	435031524R1	
R4451	C-CARBON R	RN72K1J-152JE	1	435031524R1	
R4452	C-CARBON R	RN72K1J-152JE	1	435031524R1	
R4453	C-CARBON R	RN72K1J-152JE	1	435031524R1	
R7001	C-CARBON R	RN72K1J-222JE	1	435032224R1	
R7002	C-CARBON R	RN72K1J-000JE	1	435030004R1	
R7003	C-CARBON R	RN72K1J-000JE	1	435030004R1	
R7004	C-CARBON R	RN72K1J-102JE	1	435031024R1	
R7005	C-CARBON R	RN72K1J-222JE	1	435032224R1	
R7006	C-CARBON R	RN72K1J-101JE	1	435031014R1	
R7007	C-CARBON R	RN72K1J-102JE	1	435031024R1	
R7010	C-CARBON R	RN72K1J-222JE	1	435032224R1	
R7011	C-CARBON R	RN72K1J-103JE	1	435031034R1	
R7012	C-CARBON R	RN72K1J-102JE	1	435031024R1	
R7013	C-CARBON R	RN72K1J-103JE	1	435031034R1	

R7014	C-CARBON R	RN72K1J-103JE	1	435031034R1
R7015	C-CARBON R	RN72K1J-103JE	1	435031034R1
R7016	C-CARBON R	RN72K1J-103JE	1	435031034R1
R7017	C-CARBON R	RN72K1J-103JE	1	435031034R1
R7018	C-CARBON R	RN72K1J-103JE	1	435031034R1
R7019	C-CARBON R	RN72K1J-103JE	1	435031034R1
R7020	C-CARBON R	RN72K1J-103JE	1	435031034R1
R7022	C-CARBON R	RN72K1J-473JE	1	435034734R1
R7025	C-CARBON R	RN72K1J-221JE	1	435032214R1
R7026	C-CARBON R	RN72K1J-470JE	1	435034704R1
R7027	C-CARBON R	RN72K1J-470JE	1	435034704R1
R7028	C-CARBON R	RN72K1J-221JE	1	435032214R1
R7030	C-CARBON R	RN72K1J-473JE	1	435034734R1
R7031	C-CARBON R	RN72K1J-222JE	1	435032224R1
R7032	C-CARBON R	RN72K1J-101JE	1	435031014R1
R7035	C-CARBON R	RN72K1J-470JE	1	435034704R1
R7036	C-CARBON R	RN72K1J-470JE	1	435034704R1
R7037	C-CARBON R	RN72K1J-470JE	1	435034704R1
R7044	C-CARBON R	RN72K1J-470JE	1	435034704R1
R7045	C-CARBON R	RN72K1J-470JE	1	435034704R1
R7046	C-CARBON R	RN72K1J-470JE	1	435034704R1
R7047	C-CARBON R	RN72K1J-470JE	1	435034704R1
R7048	C-CARBON R	RN72K1J-470JE	1	435034704R1
R7049	C-CARBON R	RN72K1J-470JE	1	435034704R1
R7050	C-CARBON R	RN72K1J-470JE	1	435034704R1
R7051	C-CARBON R	RN72K1J-470JE	1	435034704R1
R7052	C-CARBON R	RN72K1J-470JE	1	435034704R1
R7053	C-CARBON R	RN72K1J-470JE	1	435034704R1
R7054	C-CARBON R	RN72K1J-470JE	1	435034704R1
R7055	C-CARBON R	RN72K1J-221JE	1	435032214R1
R7056	C-CARBON R	RN72K1J-470JE	1	435034704R1
R7057	C-CARBON R	RN72K1J-221JE	1	435032214R1
R7058	C-CARBON R	RN72K1J-221JE	1	435032214R1
R7060	C-CARBON R	RN72K1J-470JE	1	435034704R1
R7061	C-CARBON R	RN72K1J-272JE	1	435032724R1
R7063	C-CARBON R	RN72K1J-273JE	1	435032734R1
R7070	C-CARBON R	RN72K1J-473JE	1	435034734R1
R7076	C-CARBON R	RN72K1J-103JE	1	435031034R1
R7077	C-CARBON R	RN72K1J-103JE	1	435031034R1
R7078	C-CARBON R	RN72K1J-102JE	1	435031024R1
R7079	C-CARBON R	RN72K1J-103JE	1	435031034R1
R7083	C-CARBON R	RN72K1J-103JE	1	435031034R1
R7084	C-CARBON R	RN72K1J-103JE	1	435031034R1
R7088	C-CARBON R	RN72K1J-470JE	1	435034704R1
R7090	C-CARBON R	RN72K1J-470JE	1	435034704R1
R7091	C-CARBON R	RN72K1J-470JE	1	435034704R1
R7093	C-CARBON R	RN72K1J-470JE	1	435034704R1

R7094	C-CARBON R	RN72K1J-470JE	1	435034704R1
R7095	C-CARBON R	RN72K1J-221JE	1	435032214R1
R7097	C-CARBON R	RN72K1J-470JE	1	435034704R1
R7098	C-CARBON R	RN72K1J-470JE	1	435034704R1
R7100	C-CARBON R	RN72K1J-470JE	1	435034704R1
R7101	C-CARBON R	RN72K1J-221JE	1	435032214R1
R7102	C-CARBON R	RN72K1J-470JE	1	435034704R1
R7103	C-CARBON R	RN72K1J-470JE	1	435034704R1
R7104	C-CARBON R	RN72K1J-470JE	1	435034704R1
R7105	C-CARBON R	RN72K1J-470JE	1	435034704R1
R7106	C-CARBON R	RN72K1J-470JE	1	435034704R1
R7107	C-CARBON R	RN72K1J-473JE	1	435034734R1
R7108	C-CARBON R	RN72K1J-470JE	1	435034704R1
R7109	C-CARBON R	RN72K1J-473JE	1	435034734R1
R7110	C-CARBON R	RN72K1J-470JE	1	435034704R1
R7111	C-CARBON R	RN72K1J-103JE	1	435031034R1
R7112	C-CARBON R	RN72K1J-221JE	1	435032214R1
R7114	C-CARBON R	RN72K1J-470JE	1	435034704R1
R7115	C-CARBON R	RN72K1J-470JE	1	435034704R1
R7117	C-CARBON R	RN72K1J-470JE	1	435034704R1
R7118	C-CARBON R	RN72K1J-470JE	1	435034704R1
R7119	C-CARBON R	RN72K1J-470JE	1	435034704R1
R7120	C-CARBON R	RN72K1J-470JE	1	435034704R1
R7121	C-CARBON R	RN72K1J-221JE	1	435032214R1
R7123	C-CARBON R	RN72K1J-103JE	1	435031034R1
R7124	C-CARBON R	RN72K1J-470JE	1	435034704R1
R7125	C-CARBON R	RN72K1J-470JE	1	435034704R1
R7126	C-CARBON R	RN72K1J-470JE	1	435034704R1
R7127	C-CARBON R	RN72K1J-470JE	1	435034704R1
R7128	C-CARBON R	RN72K1J-470JE	1	435034704R1
R7129	C-CARBON R	RN72K1J-470JE	1	435034704R1
R7131	C-CARBON R	RN72K1J-470JE	1	435034704R1
R7132	C-CARBON R	RN72K1J-470JE	1	435034704R1
R7134	C-CARBON R	RN72K1J-470JE	1	435034704R1
R7136	C-CARBON R	RN72K1J-470JE	1	435034704R1
R7137	C-CARBON R	RN72K1J-221JE	1	435032214R1
R7138	C-CARBON R	RN72K1J-470JE	1	435034704R1
R7140	C-CARBON R	RN72K1J-102JE	1	435031024R1
R7141	C-CARBON R	RN72K1J-470JE	1	435034704R1
R7142	C-CARBON R	RN72K1J-470JE	1	435034704R1
R7143	C-CARBON R	RN72K1J-470JE	1	435034704R1
R7144	C-CARBON R	RN72K1J-470JE	1	435034704R1
R7145	C-CARBON R	RN72K1J-102JE	1	435031024R1
R7147	C-CARBON R	RN72K1J-221JE	1	435032214R1
R7148	C-CARBON R	RN72K1J-470JE	1	435034704R1
R7150	C-CARBON R	RN72K1J-221JE	1	435032214R1
R7151	C-CARBON R	RN72K1J-470JE	1	435034704R1

R7152	C-CARBON R	RN72K1J-221JE	1	435032214R1
R7153	C-CARBON R	RN72K1J-470JE	1	435034704R1
R7154	C-CARBON R	RN72K1J-221JE	1	435032214R1
R7156	C-CARBON R	RN72K1J-470JE	1	435034704R1
R7157	C-CARBON R	RN72K1J-470JE	1	435034704R1
R7160	C-CARBON R	RN72K1J-470JE	1	435034704R1
R7161	C-CARBON R	RN72K1J-470JE	1	435034704R1
R7162	C-CARBON R	RN72K1J-103JE	1	435031034R1
R7163	C-CARBON R	RN72K1J-470JE	1	435034704R1
R7164	C-CARBON R	RN72K1J-221JE	1	435032214R1
R7165	C-CARBON R	RN72K1J-472JE	1	435034724R1
R7166	C-CARBON R	RN72K1J-472JE	1	435034724R1
R7167	C-CARBON R	RN72K1J-472JE	1	435034724R1
R7168	C-CARBON R	RN72K1J-472JE	1	435034724R1
R7169	C-CARBON R	RN72K1J-472JE	1	435034724R1
R7170	C-CARBON R	RN72K1J-472JE	1	435034724R1
R7171	C-CARBON R	RN72K1J-272JE	1	435032724R1
R7172	C-CARBON R	RN72K1J-272JE	1	435032724R1
R7173	C-CARBON R	RN72K1J-272JE	1	435032724R1
R7174	C-CARBON R	RN72K1J-272JE	1	435032724R1
R7175	C-CARBON R	RN72K1J-103JE	1	435031034R1
R7176	C-CARBON R	RN72K1J-103JE	1	435031034R1
R7177	C-CARBON R	RN72K1J-103JE	1	435031034R1
R7178	C-CARBON R	RN72K1J-103JE	1	435031034R1
R7180	C-CARBON R	RN72K1J-470JE	1	435034704R1
R7181	C-CARBON R	RN72K1J-470JE	1	435034704R1
R7182	C-CARBON R	RN72K1J-102JE	1	435031024R1
R7183	C-CARBON R	RN72K1J-000JE	1	435030004R1
R7184	C-CARBON R	RN72K1J-221JE	1	435032214R1
R7185	C-CARBON R	RN72K1J-221JE	1	435032214R1
R7186	C-CARBON R	RN72K1J-221JE	1	435032214R1
R7187	C-CARBON R	RN72K1J-221JE	1	435032214R1
R7188	C-CARBON R	RN72K1J-470JE	1	435034704R1
R7190	C-CARBON R	RN72K1J-470JE	1	435034704R1
R7191	C-CARBON R	RN72K1J-221JE	1	435032214R1
R7192	C-CARBON R	RN72K1J-470JE	1	435034704R1
R7193	C-CARBON R	RN72K1J-470JE	1	435034704R1
R7194	C-CARBON R	RN72K1J-221JE	1	435032214R1
R7195	C-CARBON R	RN72K1J-221JE	1	435032214R1
R7196	C-CARBON R	RN72K1J-470JE	1	435034704R1
R7197	C-CARBON R	RN72K1J-470JE	1	435034704R1
R7198	C-CARBON R	RN72K1J-221JE	1	435032214R1
R7199	C-CARBON R	RN72K1J-221JE	1	435032214R1
R7200	C-CARBON R	RN72K1J-473JE	1	435034734R1
R7204	C-CARBON R	RN72K1J-103JE	1	435031034R1
R7205	C-CARBON R	RN72K1J-103JE	1	435031034R1
R7207	C-CARBON R	RN72K1J-103JE	1	435031034R1

R7209	C-CARBON R	RN72K1J-105JE	1	435031054R1
R7210	C-CARBON R	RN72K1J-105JE	1	435031054R1
R7211	C-CARBON R	RN72K1J-103JE	1	435031034R1
R7213	C-CARBON R	RN72K1J-104JE	1	435031044R1
R7214	C-CARBON R	RN72K1J-103JE	1	435031034R1
R7216	C-CARBON R	RN72K1J-224JE	1	435032244R1
R7223	C-CARBON R	RN72K1J-470JE	1	435034704R1
R7224	C-CARBON R	RN72K1J-103JE	1	435031034R1
R7227	C-CARBON R	RN72K1J-473JE	1	435034734R1
R7228	C-CARBON R	RN72K1J-103JE	1	435031034R1
R7230	C-CARBON R	RN72K1J-473JE	1	435034734R1
R7232	C-CARBON R	RN72K1J-473JE	1	435034734R1
R7233	C-CARBON R	RN72K1J-470JE	1	435034704R1
R7234	C-CARBON R	RN72K1J-103JE	1	435031034R1
R7235	C-CARBON R	RN72K1J-473JE	1	435034734R1
R7239	C-CARBON R	RN72K1J-470JE	1	435034704R1
R7240	C-CARBON R	RN72K1J-470JE	1	435034704R1
R7241	C-CARBON R	RN72K1J-470JE	1	435034704R1
R7242	C-CARBON R	RN72K1J-470JE	1	435034704R1
R7243	C-CARBON R	RN72K1J-221JE	1	435032214R1
R7245	C-CARBON R	RN72K1J-473JE	1	435034734R1
R7246	C-CARBON R	RN72K1J-470JE	1	435034704R1
R7247	C-CARBON R	RN72K1J-470JE	1	435034704R1
R7248	C-CARBON R	RN72K1J-470JE	1	435034704R1
R7263	C-CARBON R	RN72K1J-000JE	1	435030004R1
R7264	METAL O R	RS1WBJ-15	1	443621504T
R7273	C-CARBON R	RN72K1J-102JE	1	435031024R1
R7274	C-CARBON R	RN72K1J-222JE	1	435032224R1
R7275	C-CARBON R	RN72K1J-102JE	1	435031024R1
R7276	C-CARBON R	RN72K1J-222JE	1	435032224R1
R7285	C-CARBON R	RN72K1J-470JE	1	435034704R1
R7286	C-CARBON R	RN72K1J-221JE	1	435032214R1
R7289	C-CARBON R	RN72K1J-470JE	1	435034704R1
R7290	C-CARBON R	RN72K1J-470JE	1	435034704R1
R7291	C-CARBON R	RN72K1J-470JE	1	435034704R1
R7292	C-CARBON R	RN72K1J-470JE	1	435034704R1
R7293	C-CARBON R	RN72K1J-221JE	1	435032214R1
R7294	C-CARBON R	RN72K1J-473JE	1	435034734R1
R7295	C-CARBON R	RN72K1J-470JE	1	435034704R1
R7296	C-CARBON R	RN72K1J-470JE	1	435034704R1
R7297	C-CARBON R	RN72K1J-470JE	1	435034704R1
R7299	C-CARBON R	RN72K1J-221JE	1	435032214R1
R7300	METAL O R	RS1/2WBJ-10	1	443521004T
R7308	C-CARBON R	RN72K1J-473JE	1	435034734R1
R7309	C-CARBON R	RN72K1J-473JE	1	435034734R1
R7311	C-CARBON R	RN72K1J-103JE	1	435031034R1
R7313	C-CARBON R	RN72K1J-103JE	1	435031034R1



R7318	C-CARBON R	RN72K1J-102JE	1	435031024R1
R7319	C-CARBON R	RN72K1J-102JE	1	435031024R1
R7320	C-CARBON R	RN72K1J-222JE	1	435032224R1
R7322	C-CARBON R	RN72K1J-473JE	1	435034734R1
R7325	C-CARBON R	RN72K1J-103JE	1	435031034R1
R7326	C-CARBON R	RN72K1J-103JE	1	435031034R1
R7327	C-CARBON R	RN72K1J-103JE	1	435031034R1
R7328	C-CARBON R	RN72K1J-103JE	1	435031034R1
R7329	C-CARBON R	RN72K1J-473JE	1	435034734R1
R7330	C-CARBON R	RN72K1J-103JE	1	435031034R1
R7331	C-CARBON R	RN72K1J-103JE	1	435031034R1
R7332	C-CARBON R	RN72K1J-470JE	1	435034704R1
R7333	C-CARBON R	RN72K1J-470JE	1	435034704R1
R7334	C-CARBON R	RN72K1J-470JE	1	435034704R1
R7335	C-CARBON R	RN72K1J-103JE	1	435031034R1
R7336	C-CARBON R	RN72K1J-473JE	1	435034734R1
R7337	C-CARBON R	RN72K1J-224JE	1	435032244R1
R7338	C-CARBON R	RN72K1J-473JE	1	435034734R1
R7339	C-CARBON R	RN72K1J-473JE	1	435034734R1
R7340	C-CARBON R	RN72K1J-473JE	1	435034734R1
R7341	C-CARBON R	RN72K1J-470JE	1	435034704R1
R7342	C-CARBON R	RN72K1J-470JE	1	435034704R1
R7344	C-CARBON R	RN72K1J-221JE	1	435032214R1
R7345	C-CARBON R	RN72K1J-470JE	1	435034704R1
R7346	C-CARBON R	RN72K1J-103JE	1	435031034R1
R7348	C-CARBON R	RN72K1J-221JE	1	435032214R1
R7350	C-CARBON R	RN72K1J-221JE	1	435032214R1
R7351	C-CARBON R	RN72K1J-221JE	1	435032214R1
R7352	C-CARBON R	RN72K1J-105JE	1	435031054R1
R7354	C-CARBON R	RN72K1J-105JE	1	435031054R1
R7355	C-CARBON R	RN72K1J-470JE	1	435034704R1
R7356	C-CARBON R	RN72K1J-103JE	1	435031034R1
R7357	C-CARBON R	RN72K1J-222JE	1	435032224R1
R7358	C-CARBON R	RN72K1J-102JE	1	435031024R1
R7359	C-CARBON R	RN72K1J-103JE	1	435031034R1
R7585	METAL O R	RS1/2WBJ-4.7K	1	443524724T
R7586	METAL O R	RS1/2WBJ-4.7K	1	443524724T
R7587	METAL O R	RS1/2WBJ-4.7K	1	443524724T
R7588	C-CARBON R	RN72K1J-103JE	1	435031034R1
R8030	C-CARBON R	RN72K1J-105JE	1	435031054R1
R8031	C-CARBON R	RN72K1J-105JE	1	435031054R1
R8032	C-CARBON R	RN72K1J-105JE	1	435031054R1
R8033	C-CARBON R	RN72K1J-105JE	1	435031054R1
R9305	C-CARBON R	RN72K1J-562JE	1	435035624R1
R9306	METAL R	RNU1/2WCJ-0.1	1	453531094T
R9307	C-CARBON R	RN72K1J-333JE	1	435033334R1
R9308	METAL R	RNU1/2WCJ-0.1	1	453531094T

R9310	METAL O R	RS1/2WBJ-33	1	443523304T	
R9352	C-CARBON R	RN72K1J-183JE	1	435031834R1	
R9353	C-CARBON R	RN72K1J-103FE	1	435031032R1	
R9354	C-CARBON R	RN72K1J-823FE	1	435038232R1	
<b>[SW TRM]</b>					
F9301A	FUSE HOL	NSCT-1P2031	1	25052133T	!
F9301B	FUSE HOL	NSCT-1P2031	1	25052133T	!
JL9303B	WIRE TRAP	NPLG-5P588	1	25055626	
JL9501A	WIRE HOL	NSCT-7P878	1	25051091	
JL9501B	WIRE TRAP	NPLG-7P590	1	25055628	
P1010	PLUG	IMSA-9201B-1-06Z388-PT1	1	25056614	
P1129A	PLUG	NPLG-11P0966	1	25056016	
P1129B	SOCKET	NSCT-11P2191	1	25052294	
P1130	PLUG	NPLG-2P130	1	25055146	
P2001B	SOCKET	IMSA-9142S-16A	1	25053230	
P2002B	SOCKET	IMSA-9142S-18A	1	25053231	
P3101A	PLUG	IMSA-9142B-20A	1	25056600	
P3102A	PLUG	IMSA-9142B-14A	1	25056597	
P3605B	PLUG	IMSA-9111B-24	1	25056625	
P3606A	PLUG	NPLG-11P0966	1	25056016	
P3606B	SOCKET	NSCT-11P2191	1	25052294	
P3607B	PLUG	IMSA-9111B-24	1	25056625	
P3704	TRM-423(SCREW)	NEJITANSI ST3	1	25060495	
P3705	TRM-423(SCREW)	NEJITANSI ST3	1	25060495	
P3885A	PLUG	NPLG-11P0966	1	25056016	
P3885B	SOCKET	NSCT-11P2191	1	25052294	
P3886	PIN JACK	NPJ-3PDO657	1	25045885	<B MDC, MMP>
P3888	ST JACK	MSJ-035-22	1	25045887	
P3888 or	JACK	YKB21-5130	(1)	25045387	
P4101B	SOCKET	NSCT-9P1024	1	25051234	
P4103	TRM	NTM-1P233(M1969)	1	25060302	
P4301B	SOCKET	9210B-1-08Z140-PT1	1	25053243	
P4302B	SOCKET	9210B-1-10Z140-PT1	1	25053247	
P4303B	SOCKET	9210B-1-08Z140-PT1	1	25053243	
P4304B	SOCKET	9210B-1-09Z140-PT1	1	25053249	
P6851B	PLUG	IMSA-9142B-20A	1	25056600	
P6853B	PLUG	IMSA-9142B-20A	1	25056600	
P7003	SOCKET	IMSA-9618S-09A	1	25053334R2	
P7004	PLUG	NPLG-2P130	1	25055146	
P7009B	SOCKET	IMSA-9142S-22A	1	25053233	
P7010B	SOCKET	IMSA-9142S-26A	1	25053235	
P7012	TRM-423(SCREW)	NEJITANSI ST3	1	25060495	
P7210B	PLUG	NPLG-11P358	1	25055375	
P7272A	PLUG	NPLG-11P0966	1	25056016	
P7272B	SOCKET	NSCT-11P2191	1	25052294	
P7273A	PLUG	NPLG-11P0966	1	25056016	
P7273B	SOCKET	NSCT-11P2191	1	25052294	

P7501A	SOCKET	NSCT-25P2222	1	25052325	
P8000	SOCKET	MDS-15P-V02(DSUB15)	1	25053362	
P8002A	SOCKET	NSCT-9P2400	1	25052503	
P8888B	SOCKET(B to B)	IMSA-9850S-24Y900	1	25052815R2	
P9301A	PLUG	NPLG-6P120	1	25055136	
<b>[TUNER UNIT]</b>					
U3884	PHT CP	JSR1165-001recieving	1	24120143	
U3885	PHT CP	JSR1165-001recieving	1	24120143	
U3886	PHT CP	JSR1165-001recieving	1	24120143	<B MDC, MMP>

<b>U006</b>	<b>U0060~U0064</b>	<b>BATRM-0887-1F/ 1G *</b>
<b>U0060</b>	SPEAKER TERMINAL PC BOARD ASS'Y	BATRM-0887-1F/ 1G
<b>U0061</b>	SPEAKER TERMINAL PC BOARD ASS'Y	BATRM-0888-1F/ 1G
<b>U0062</b>	SPEAKER TERMINAL PC BOARD ASS'Y	BATRM-0889-1F/ 1G
<b>U0063</b>	POWER SUPPLY(PRI.) PC BOARD ASS'Y	BAPS-0890-1F/ 1G
<b>U0064</b>	POWER SUPPLY(TR) PC BOARD ASS'Y	BAETC-0891-1F/ 1G

CIRCUIT NO.	PART NAME	DESCRIPTION	Q'TY	PART NO. (SN)	REMARKS
<b>[SEMI CONDUCTOR]</b>					
D6800	C-DIODE	1SS352	1	223234R2	
D6800 or	C-DIODE	1SS355	(1)	223269R2	
D6800 or	C-DIODE	MA2J111	(1)	223279R2	
D6800 or	C-DIODE	KDS4148U	(1)	223283R2	
D6801	C-DIODE	1SS352	1	223234R2	
D6801 or	C-DIODE	1SS355	(1)	223269R2	
D6801 or	C-DIODE	MA2J111	(1)	223279R2	
D6801 or	C-DIODE	KDS4148U	(1)	223283R2	
D6802	C-DIODE	1SS352	1	223234R2	
D6802 or	C-DIODE	1SS355	(1)	223269R2	
D6802 or	C-DIODE	MA2J111	(1)	223279R2	
D6802 or	C-DIODE	KDS4148U	(1)	223283R2	
D6803	C-DIODE	1SS352	1	223234R2	
D6803 or	C-DIODE	1SS355	(1)	223269R2	
D6803 or	C-DIODE	MA2J111	(1)	223279R2	
D6803 or	C-DIODE	KDS4148U	(1)	223283R2	
D6804	C-DIODE	1SS352	1	223234R2	
D6804 or	C-DIODE	1SS355	(1)	223269R2	
D6804 or	C-DIODE	MA2J111	(1)	223279R2	
D6804 or	C-DIODE	KDS4148U	(1)	223283R2	
D6805	C-DIODE	1SS352	1	223234R2	<B MDC, B MMP>
D6805 or	C-DIODE	1SS355	(1)	223269R2	<B MDC, B MMP>
D6805 or	C-DIODE	MA2J111	(1)	223279R2	<B MDC, B MMP>
D6805 or	C-DIODE	KDS4148U	(1)	223283R2	<B MDC, B MMP>
D6806	C-DIODE	1SS352	1	223234R2	
D6806 or	C-DIODE	1SS355	(1)	223269R2	

D6806 or	C-DIODE	MA2J111	(1)	223279R2	
D6806 or	C-DIODE	KDS4148U	(1)	223283R2	
D6807	C-DIODE	1SS352	1	223234R2	
D6807 or	C-DIODE	1SS355	(1)	223269R2	
D6807 or	C-DIODE	MA2J111	(1)	223279R2	
D6807 or	C-DIODE	KDS4148U	(1)	223283R2	
D6808	C-DIODE	1SS352	1	223234R2	<B MDC, B MMP>
D6808 or	C-DIODE	1SS355	(1)	223269R2	<B MDC, B MMP>
D6808 or	C-DIODE	MA2J111	(1)	223279R2	<B MDC, B MMP>
D6808 or	C-DIODE	KDS4148U	(1)	223283R2	<B MDC, B MMP>
D9001	DIODE	S1WB(A)60B-7062	1	22380377R2	
D9002	SPCF D	P6SMB200A-M3/52T	1	225505R2	
D9003	DIODE	US1K-E3/61T	1	22380376R2	
D9004	DIODE	RF301B2STL	1	22380374R2	
D9006	DIODE	M1FL20U	1	223276R2	
D9008	DIODE	RB050M-30GTR	1	22380373R2	
D9012	ZENER D	UDZS36B	1	224553600R2	
D9013	ZENER D	UDZS6.8B	1	224550680R2	
D9014	ZENER D	UDZS6.8B	1	224550680R2	
D9015	ZENER D	UDZS7.5B	1	224550750R2	
D9016	ZENER D	UDZS7.5B	1	224550750R2	
D9017	ZENER D	UDZS7.5B	1	224550750R2	
D9100	C-DIODE	1SS352	1	223234R2	<B MDC, B MMP>
D9100 or	C-DIODE	1SS355	(1)	223269R2	<B MDC, B MMP>
D9100 or	C-DIODE	MA2J111	(1)	223279R2	<B MDC, B MMP>
D9100 or	C-DIODE	KDS4148U	(1)	223283R2	<B MDC, B MMP>
D9101	C-DIODE	1SS352	1	223234R2	
D9101 or	C-DIODE	1SS355	(1)	223269R2	
D9101 or	C-DIODE	MA2J111	(1)	223279R2	
D9101 or	C-DIODE	KDS4148U	(1)	223283R2	
D9200	C-DIODE	1SS352	1	223234R2	<B MMP>
D9200 or	C-DIODE	1SS355	(1)	223269R2	<B MMP>
D9200 or	C-DIODE	MA2J111	(1)	223279R2	<B MMP>
D9200 or	C-DIODE	KDS4148U	(1)	223283R2	<B MMP>
D9400	DIODE	D3SBA60	1	22380272F	
D9400 or	DIODE	D3SBA20	(1)	22380271F	
D9410	DIODE	D3SBA60	1	22380272F	
D9410 or	DIODE	D3SBA20	(1)	22380271F	
D9421	ZENER D	UDZS13B	1	224551300R2	
D9422	ZENER D	UDZS13B	1	224551300R2	
Q6801	TR	KRC105S	1	2217290R2	
Q6801 or	TR	DTC123JKA	(1)	2216690R2	
Q6802	TR	KRC105S	1	2217290R2	
Q6802 or	TR	DTC123JKA	(1)	2216690R2	
Q6803	TR	KRC105S	1	2217290R2	
Q6803 or	TR	DTC123JKA	(1)	2216690R2	
Q6804	TR	KRC105S	1	2217290R2	

Q6804 or	TR	DTC123JKA	(1)	2216690R2	
Q6805	TR	KRC105S	1	2217290R2	
Q6805 or	TR	DTC123JKA	(1)	2216690R2	
Q6806	TR	KRC105S	1	2217290R2	
Q6806 or	TR	DTC123JKA	(1)	2216690R2	
Q6807	TR	KRC105S	1	2217290R2	
Q6807 or	TR	DTC123JKA	(1)	2216690R2	
Q6808	TR	KRC105S	1	2217290R2	
Q6808 or	TR	DTC123JKA	(1)	2216690R2	
Q6809	TR	KRC105S	1	2217290R2	
Q6809 or	TR	DTC123JKA	(1)	2216690R2	
Q6900	TR	2SC2235-Y(TPE6_F)	1	2211654T	
Q6901	TR	2SC2235-Y(TPE6_F)	1	2211654T	
Q9001	IC	MIP2M40MSSCF	1	22242769	
Q9002	IC	PS2561DL1-1Y-A(Q)	1	22242794	!
Q9002 or	IC	PC123X8YFZ0F	(1)	22242771	!
Q9003	IC	PS2561DL1-1Y-A(Q)	1	22242794	!
Q9003 or	IC	PC123X8YFZ0F	(1)	22242771	!
Q9004	IC	KIA431A-AT/P	1	22242770T	
Q9005	TR	KRC102S	1	2216190R2	
Q9005 or	TR	RN1402	(1)	2214470R2	
Q9100	TR	KRC105S	1	2217290R2	<B MDC, B MMP>
Q9100 or	TR	DTC123JKA	(1)	2216690R2	<B MDC, B MMP>
Q9101	TR	KRC105S	1	2217290R2	
Q9101 or	TR	DTC123JKA	(1)	2216690R2	
Q9200	TR	KRC105S	1	2217290R2	<B MMP>
Q9200 or	TR	DTC123JKA	(1)	2216690R2	<B MMP>
Q9410	IC	NJM2388F09	1	22242383	
Q9423	TR	KTC3875-GR	1	2216175R2	
Q9423 or	TR	2SC2712-GR	(1)	2213145R2	
Q9424	TR	KTA1504-GR	1	2216185R2	
Q9424 or	TR	2SA1162-GR	(1)	2214375R2	
Q9425	TR	2SK208-GR	1	2217434R2	
Q9426	TR	2SK208-GR	1	2217434R2	
<b>[TRANS COIL]</b>					
L6800	S COIL	SC-0.8X11.5X12.5T-6.5L	1	231393S	
L6801	S COIL	SC-0.8X11.5X12.5T-6.5L	1	231393S	
L6802	S COIL	SC-0.8X11.5X12.5T-6.5L	1	231393S	
L6803	S COIL	SC-0.8X11.5X12.5T-6.5L	1	231393S	
L6804	S COIL	SC-0.8X11.5X12.5T-6.5L	1	231393S	
L6805	S COIL	SC-0.8X11.5X12.5T-6.5L	1	231393S	
L6806	S COIL	SC-0.8X11.5X12.5T-6.5L	1	231393S	
L6807	S COIL	SC-0.8X11.5X12.5T-6.5L	1	231393S	<B MDC, B MMP>
L6808	S COIL	SC-0.8X11.5X12.5T-6.5L	1	231393S	<B MDC, B MMP>
L9001	CHOKE COIL	ELF15N004A	1	231453	!
L9002	CHOKE COIL	RCR1010NP-100M	1	231449M100	
L9004	CORE	BLM18PG181SN1D	1	2350005R1	

L9005	CORE	BLM18PG181SN1D	1	2350005R1	
T9001	P TRANS	NPT-1621S	1	2302054A	!
<b>[CAPACITOR]</b>					
C5572	UTSP C	CE04W50V 47M(UTSP)	1	397584707T	
C5572 or	UTSP C	CE04W50V 47M(UTSP)	(1)	397584707AT	
C5573	UTSP C	CE04W50V 47M(UTSP)	1	397584707T	
C5573 or	UTSP C	CE04W50V 47M(UTSP)	(1)	397584707AT	
C5574	UTSP C	CE04W50V 47M(UTSP)	1	397584707T	
C5574 or	UTSP C	CE04W50V 47M(UTSP)	(1)	397584707AT	
C5575	UTSP C	CE04W50V 47M(UTSP)	1	397584707T	
C5575 or	UTSP C	CE04W50V 47M(UTSP)	(1)	397584707AT	
C5576	UTSP C	CE04W50V 47M(UTSP)	1	397584707T	
C5576 or	UTSP C	CE04W50V 47M(UTSP)	(1)	397584707AT	
C5579	UTSP C	CE04W50V 47M(UTSP)	1	397584707T	
C5579 or	UTSP C	CE04W50V 47M(UTSP)	(1)	397584707AT	
C6800	C-CERA C	CK725B1H-103K1	1	332101035R1	
C6801	C-CERA C	CK725B1H-103K1	1	332101035R1	
C6802	C-CERA C	CK725B1H-103K1	1	332101035R1	
C6803	C-CERA C	CK725B1H-103K1	1	332101035R1	
C6804	C-CERA C	CK725B1H-103K1	1	332101035R1	
C6805	C-CERA C	CK725B1H-103K1	1	332101035R1	<B MDC, B MMP>
C6806	C-CERA C	CK725B1H-103K1	1	332101035R1	
C6807	C-CERA C	CK725B1H-103K1	1	332101035R1	
C6808	C-CERA C	CK725B1H-103K1	1	332101035R1	<B MDC, B MMP>
C6830	MKT C	B32529C0102J289	1	376491024T	
C6831	MKT C	B32529C0102J289	1	376491024T	
C6832	MKT C	B32529C0102J289	1	376491024T	
C6833	MKT C	B32529C0102J289	1	376491024T	
C6834	MKT C	B32529C0102J289	1	376491024T	
C6835	MKT C	B32529C0102J289	1	376491024T	
C6836	MKT C	B32529C0102J289	1	376491024T	
C6837	MKT C	B32529C0102J289	1	376491024T	
C6838	MKT C	B32529C0102J289	1	376491024T	
C6839	MKT C	B32529C0102J289	1	376491024T	
C6840	MKT C	B32529C0102J289	1	376491024T	
C6850	TF C	ECQ-V50V-103J	1	374721034T	
C6851	TF C	ECQ-V50V-103J	1	374721034T	
C6852	TF C	ECQ-V50V-103J	1	374721034T	
C6853	TF C	ECQ-V50V-103J	1	374721034T	
C6854	TF C	ECQ-V50V-103J	1	374721034T	
C6855	TF C	ECQ-V50V-103J	1	374721034T	
C6856	TF C	ECQ-V50V-103J	1	374721034T	
C6857	TF C	ECQ-V50V-103J	1	374721034T	
C6858	TF C	ECQ-V50V-103J	1	374721034T	
C6859	TF C	ECQ-V50V-103J	1	374721034T	
C6860	TF C	ECQ-V50V-103J	1	374721034T	
C6870	TF C	ECQ-V50V-473J	1	374724734T	

C6871	TF C	ECQ-V50V-473J	1	374724734T	
C6872	TF C	ECQ-V50V-473J	1	374724734T	
C6873	TF C	ECQ-V50V-473J	1	374724734T	
C6874	TF C	ECQ-V50V-473J	1	374724734T	
C6875	TF C	ECQ-V50V-473J	1	374724734T	
C6876	TF C	ECQ-V50V-473J	1	374724734T	
C6877	TF C	ECQ-V50V-473J	1	374724734T	
C6878	TF C	ECQ-V50V-473J	1	374724734T	
C6900	VR C	CE04W16V-220M(VR)	1	394642217T	
C6901	VR C	CE04W16V-220M(VR)	1	394642217T	
C6902	UTSP C	CE04W50V-10M(UTSP)	1	397581007T	
C6902 or	UTSP C	CE04W50V-10M(UTSP)	( 1)	397581007AT	
C6903	UTSP C	CE04W50V-10M(UTSP)	1	397581007T	
C6903 or	UTSP C	CE04W50V-10M(UTSP)	( 1)	397581007AT	
C9001	IS C	LE104-MX-C3.5	1	3800049S	!
C9002	ELECT C	CE04W200V-100M(KXJ)	1	3500233S	<B MDC>
C9002	ELECT C	CE04W400V-47M(KXJ)	1	3500234S	<B MMP>
C9003	PW C	CE04W50V-10M(PW)	1	393781007T	
C9004	PW C	CE04W25V-1000M(PW)	1	393751027S	
C9006	PW C	CE04W25V-470M(PW)	1	393754717T	
C9007	IS C	DE1E3KX102MB4BL01	1	3300066S	!
C9008	C-CERA C	CK725F1A-105Z1	1	332181050R1	
C9009	C-CERA C	CC725CH1H-101J1	1	342101014R1	
C9010	C-CERA C	CK725B1A-224K1	1	332132245R1	
C9011	C-CERA C	CK725B1C-104K1	1	332121045R1	
C9013	UTSP C	CE04W25V-220M(UTSP)	1	397552217T	
C9014	C-CERA C	CC725CH1H-101J1	1	342101014R1	
C9016	C-CERA C	CK725B1H-103K1	1	332101035R1	
C9018	IS C	LE104-MX-C3.5	1	3800049S	!
C9019	IS C	DE1E3KX102MB4BL01	1	3300066S	!
C9020	IS C	DE1E3KX102MB4BL01	1	3300066S	!
C9021	C-CERA C	CK725R2J-471J3	1	332194714R1	
C9023	C-CERA C	CK725F1E-104Z1	1	332161040R1	
C9024	C-CERA C	CK725F1E-104Z1	1	332161040R1	
C9108	IS C	LE104-MX-C3.5	1	3800049S	<B MDC, B MMP>
C9115	C-CERA C	CK725B1H-103K1	1	332101035R1	<B MDC, B MMP>
C9116	C-CERA C	CK725B1H-103K1	1	332101035R1	
C9201	C-CERA C	CK725B1H-103K1	1	332101035R1	<B MMP>
C9400	TF C	ECQ-V50V-223J	1	374722234T	
C9403	ELECT C	CE04W25V-4700M(SMQ)	1	354754726	
C9404	ELECT C	CE04W25V-4700M(SMQ)	1	354754726	
C9410	TF C	ECQ-V50V-104J	1	374721044T	
C9411	VR C	CE04W25V-4700M(VR)	1	394654727S	<B MDC, B MMP>
C9412	UTSP C	CE04W50V-1M(UTSP)	1	397580107T	
C9412 or	UTSP C	CE04W50V-1M(UTSP)	( 1)	397580107AT	
C9413	UTSP C	CE04W25V-220M(UTSP)	1	397552217T	
C9421	UTSP C	CE04W25V-100M(UTSP)	1	397551017AT	

C9422	UTSP C	CE04W25V-100M(UTSP)	1	397551017AT	
C9423	UTSP C	CE04W25V-100M(UTSP)	1	397551017AT	
C9424	UTSP C	CE04W25V-100M(UTSP)	1	397551017AT	
<b>[RESISTOR]</b>					
R6800	C-CARBON R	RN72K2E-220JE	1	435222204R1	
R6801	C-CARBON R	RN72K2E-220JE	1	435222204R1	
R6802	C-CARBON R	RN72K2E-220JE	1	435222204R1	
R6803	C-CARBON R	RN72K2E-220JE	1	435222204R1	
R6804	C-CARBON R	RN72K2E-220JE	1	435222204R1	
R6805	C-CARBON R	RN72K2E-220JE	1	435222204R1	
R6806	C-CARBON R	RN72K2E-220JE	1	435222204R1	
R6807	C-CARBON R	RN72K2E-220JE	1	435222204R1	<B MDC, B MMP>
R6808	C-CARBON R	RN72K2E-220JE	1	435222204R1	<B MDC, B MMP>
R6810	C-CARBON R	RN72K2E-220JE	1	435222204R1	
R6811	C-CARBON R	RN72K2E-220JE	1	435222204R1	
R6812	C-CARBON R	RN72K2E-220JE	1	435222204R1	
R6813	C-CARBON R	RN72K2E-220JE	1	435222204R1	
R6814	C-CARBON R	RN72K2E-220JE	1	435222204R1	
R6815	C-CARBON R	RN72K2E-220JE	1	435222204R1	
R6816	C-CARBON R	RN72K2E-220JE	1	435222204R1	
R6817	C-CARBON R	RN72K2E-220JE	1	435222204R1	<B MDC, B MMP>
R6818	C-CARBON R	RN72K2E-220JE	1	435222204R1	<B MDC, B MMP>
R6820	METAL R	RNU1WCJ-8.2	1	453630824T	
R6821	METAL R	RNU1WCJ-8.2	1	453630824T	
R6822	METAL R	RNU1WCJ-8.2	1	453630824T	
R6823	METAL R	RNU1WCJ-8.2	1	453630824T	
R6824	METAL R	RNU1WCJ-8.2	1	453630824T	
R6825	METAL R	RNU1WCJ-8.2	1	453630824T	
R6826	METAL R	RNU1WCJ-8.2	1	453630824T	
R6827	METAL R	RNU1WCJ-8.2	1	453630824T	
R6828	METAL R	RNU1WCJ-8.2	1	453630824T	
R6900	METAL O R	RS1/2WBJ-330	1	443523314T	
R6901	METAL O R	RS1/2WBJ-330	1	443523314T	
R6902	METAL R	RNU1/2WCJ-0.22	1	453532294T	
R9001	C-CARBON R	RN72K1J-103JE	1	435031034R1	
R9002	C-CARBON R	RN72K1J-472JE	1	435034724R1	
R9003	C-CARBON R	RN72K1J-332JE	1	435033324R1	
R9004	C-CARBON R	RN72K1J-471JE	1	435034714R1	
R9005	C-CARBON R	RN72K1J-182JE	1	435031824R1	
R9006	C-CARBON R	RN72K1J-474JE	1	435034744R1	
R9007	C-CARBON R	RN72K1J-683JE	1	435036834R1	
R9008	C-CARBON R	RN72K1J-154JE	1	435031544R1	
R9009	C-CARBON R	RN72K1J-101JE	1	435031014R1	
R9013	C-CARBON R	RN72K1J-472JE	1	435034724R1	
R9014	C-CARBON R	RN72K1J-104JE	1	435031044R1	
R9015	C-CARBON R	RN72K1J-000JE	1	435030004R1	
R9017	C-CARBON R	RN72K1J-332JE	1	435033324R1	



R9021	METAL O R	RS1/2WBJ-47	1	443524704T	
R9023	C-CARBON R	KTR18EZPF6803	1	435236842R1	!
R9024	C-CARBON R	KTR18EZPF6803	1	435236842R1	!
R9025	C-CARBON R	KTR18EZPF6803	1	435236842R1	!
R9052	C-CARBON R	RN72K1J-000JE	1	435030004R1	<B MDC, B MMP>
R9100	THERMISTOR	M3R014C	1	4000148	<B MDC, B MMP>
R9101	THERMISTOR	M3R014C	1	4000148	<B MDC, B MMP>
R9102	THERMISTOR	M3R014C	1	4000148	<B MDC, B MMP>
R9106	C-CARBON R	RN72K2E-101JE	1	435221014R1	<B MMP>
R9106	C-CARBON R	RN72K2E-330JE	1	435223304R1	<B MDC>
R9107	C-CARBON R	RN72K2E-470JE	1	435224704R1	<B MDC>
R9107	C-CARBON R	RN72K2E-680JE	1	435226804R1	<B MMP>
R9111	C-CARBON R	RN72K2E-101JE	1	435221014R1	<B MMP>
R9111	C-CARBON R	RN72K2E-330JE	1	435223304R1	<B MDC>
R9112	C-CARBON R	RN72K2E-470JE	1	435224704R1	<B MDC>
R9112	C-CARBON R	RN72K2E-680JE	1	435226804R1	<B MMP>
R9202	C-CARBON R	RN72K2E-101JE	1	435221014R1	<B MMP>
R9203	C-CARBON R	RN72K2E-680JE	1	435226804R1	<B MMP>
R9410	METAL R	RNU1/2WCJ-0.22	1	453532294T	
R9421	METAL R	RNU1WCJ-0.22	1	453632294T	
R9422	METAL R	RNU1WCJ-0.22	1	453632294T	
R9427	C-CARBON R	RN72K1J-331JE	1	435033314R1	
R9428	C-CARBON R	RN72K1J-331JE	1	435033314R1	
R9429	C-CARBON R	RN72K1J-100JE	1	435031004R1	
R9430	C-CARBON R	RN72K1J-100JE	1	435031004R1	
R9431	C-CARBON R	RN72K1J-100JE	1	435031004R1	
R9432	C-CARBON R	RN72K1J-100JE	1	435031004R1	
<b>[SW TRM]</b>					
F9001	FUSE	1A-SEUL-TL250V	1	252397T	!
F9100A	FUSE HOLDER	SN5051	1	250113	! <B MDC>
F9100B	FUSE HOLDER	SN5051	1	250113	! <B MDC>
F9100C	FUSE HOL	NSCT-1P2031	1	25052133T	! <B MMP>
F9100D	FUSE HOL	NSCT-1P2031	1	25052133T	! <B MMP>
F9401A	FUSE HOL	NSCT-1P2031	1	25052133T	!
F9401B	FUSE HOL	NSCT-1P2031	1	25052133T	!
F9402A	FUSE HOL	NSCT-1P2031	1	25052133T	!
F9402B	FUSE HOL	NSCT-1P2031	1	25052133T	!
JL2601A	WIRE HOL	NSCT-5P876	1	25051089	
JL4014A	WIRE HOL	NSCT-7P878	1	25051091	
JL6808A	WIRE HOL	NSCT-5P876	1	25051089	
JL6808B	WIRE TRAP	NPLG-5P588	1	25055626	
JL6809A	WIRE HOL	NSCT-5P876	1	25051089	
JL6809B	WIRE TRAP	NPLG-5P588	1	25055626	
JL6900B	PLUG	NPLG-3P218	1	25055234	
JL9000A	WIRE HOL	NSCT-7P878	1	25051091	
JL9422A	WIRE HOL	NSCT-7P878	1	25051091	
JL9422B	WIRE TRAP	NPLG-7P590	1	25055628	

P3101B	SOCKET	IMSA-9142S-20A	1	25053232	
P3102B	SOCKET	IMSA-9142S-14A	1	25053229	
P6140H	PLUG	NPLG-9P165	1	25055181	
P6240D	PLUG	NPLG-4P160	1	25055176	
P6250E	PLUG	NPLG-5P161	1	25055177	
P6800	TRM	NTM-2PDMCR399	1	25060471	<B MDC, B MMP>
P6801	TRM	NTM-2PDMCR399	1	25060471	<B MDC, B MMP>
P6802	TRM	NTM-2PDMCR399	1	25060471	<B MDC, B MMP>
P6803	TRM	NTM-2PDMCR399	1	25060471	<B MDC, B MMP>
P6804	TRM	NTM-2PDMCR399	1	25060471	<B MDC, B MMP>
P6805	TRM	NTM-2PDMCR399	1	25060471	<B MDC, B MMP>
P6806	TRM	NTM-2PDMCR399	1	25060471	<B MDC, B MMP>
P6807	TRM	NTM-2PDMCR399	1	25060471	<B MDC, B MMP>
P6808	TRM	NTM-2PDMCR399	1	25060471	<B MDC, B MMP>
P6809	TRM	NTM-2PDMCR399	1	25060471	<B MDC, B MMP>
P6810	TRM	NTM-2PDMCR399	1	25060471	<B MDC, B MMP>
P6818	TRM-423(SCREW)	NEJITANSI ST3	1	25060495	
P6851A	SOCKET	IMSA-9142S-20A	1	25053232	
P6853A	SOCKET	IMSA-9142S-20A	1	25053232	
P6902B	PLUG	NPLG-9P356	1	25055373	
P9003	TRM-423(SCREW)	NEJITANSI ST3	1	25060495	
P9004A	TRM	NTM-1P233(M1969)	1	25060302	
P9004B	TRM	NTM-1P232(M1700)	1	25060301	
P9006	FASTON AS	FASTON_PAMC5500	1	1F999028UL	!
P9100	PLUG	NPLG-2P632	1	25055676	
P9200	PLUG	NPLG-2P632	1	25055676	<B MDC, B MMP>
P9300	PLUG	NPLG-2P632	1	25055676	<B MDC, B MMP>
P9404	PLUG	NPLG-6P120	1	25055136	
RL6800	RELAY	NRL-2P8A-DC12-147	1	25065597	
RL6801	RELAY	NRL-2P8A-DC12-147	1	25065597	
RL6802	RELAY	NRL-2P8A-DC12-147	1	25065597	
RL6803	RELAY	NRL-2P8A-DC12-147	1	25065597	
RL6804	RELAY	NRL-2P8A-DC12-147	1	25065597	
RL6805	RELAY	NRL-2P8A-DC12-147	1	25065597	<B MDC, B MMP>
RL6806	RELAY	NRL-2P8A-DC12-147	1	25065597	
RL6807	RELAY	NRL-2P8A-DC12-147	1	25065597	
RL6808	RELAY	NRL-2P8A-DC12-147	1	25065597	<B MDC, B MMP>
RL9100	RELAY	NRL-1P10A-DC9-186	1	25065683	<B MDC, B MMP>
RL9101	RELAY	NRL-1P10A-DC9-186	1	25065683	
RL9102	RELAY	NRL-1P10A-DC9-186	1	25065683	<B MDC>
RL9200	RELAY	NRL-1P10A-DC9-186	1	25065683	<B MMP>

U007 U0070 x 2pcs.

U0070 VIDEO PC BOARD ASS'Y

BAVD-1152-1J \*

BAVD-1152-1J

CIRCUIT NO.	PART NAME	DESCRIPTION	Q'TY	PART NO. (SN)	REMARKS
<b>[SEMI CONDUCTOR]</b>					
D2003	ZENER D	UDZS5.1B	1	224550510R2	<B MDC, MMP>
D2005	C-DIODE	1SS352	1	223234R2	
D2005 or	C-DIODE	1SS355	(1)	223269R2	
D2005 or	C-DIODE	MA2J111	(1)	223279R2	
D2005 or	C-DIODE	KDS4148U	(1)	223283R2	
D2006	C-DIODE	1SS352	1	223234R2	
D2006 or	C-DIODE	1SS355	(1)	223269R2	
D2006 or	C-DIODE	MA2J111	(1)	223279R2	
D2006 or	C-DIODE	KDS4148U	(1)	223283R2	
D2007	ZENER D	UDZS5.6B	1	224550560R2	
D2007 or	ZENER D	MAZ8056-M	(1)	224750562R2	
D2008	C-DIODE	1SS352	1	223234R2	
D2008 or	C-DIODE	1SS355	(1)	223269R2	
D2008 or	C-DIODE	MA2J111	(1)	223279R2	
D2008 or	C-DIODE	KDS4148U	(1)	223283R2	
D2009	DIODE	RB050M-30GTR	1	22380373R2	
D2010	DIODE	D5SBA60	1	22380070	
D2010A	HEAT SINK	RAD-083	1	27160271	
D2010B	SCREW	3P+6FN(3BC)	1	82143006GR	
D2012	C-DIODE	1SS352	1	223234R2	
D2012 or	C-DIODE	1SS355	(1)	223269R2	
D2012 or	C-DIODE	MA2J111	(1)	223279R2	
D2012 or	C-DIODE	KDS4148U	(1)	223283R2	
D2100	DIODE	RL1N4003	1	22380260T	
D2700	SPCF D	SIR-34ST3F	1	225456	<B MDC, MMP>
D2702	C-DIODE	1SS352	1	223234R2	<B MDC, MMP>
D2702 or	C-DIODE	1SS355	(1)	223269R2	<B MDC, MMP>
D2702 or	C-DIODE	MA2J111	(1)	223279R2	<B MDC, MMP>
D2702 or	C-DIODE	KDS4148U	(1)	223283R2	<B MDC, MMP>
D2703	C-DIODE	1SS352	1	223234R2	<B MDC, MMP>
D2703 or	C-DIODE	1SS355	(1)	223269R2	<B MDC, MMP>
D2703 or	C-DIODE	MA2J111	(1)	223279R2	<B MDC, MMP>
D2703 or	C-DIODE	KDS4148U	(1)	223283R2	<B MDC, MMP>
D2704	C-DIODE	1SS352	1	223234R2	<B MDC, MMP>
D2704 or	C-DIODE	1SS355	(1)	223269R2	<B MDC, MMP>
D2704 or	C-DIODE	MA2J111	(1)	223279R2	<B MDC, MMP>
D2704 or	C-DIODE	KDS4148U	(1)	223283R2	<B MDC, MMP>
D2705	C-DIODE	1SS352	1	223234R2	<B MDC, MMP>
D2705 or	C-DIODE	1SS355	(1)	223269R2	<B MDC, MMP>
D2705 or	C-DIODE	MA2J111	(1)	223279R2	<B MDC, MMP>
D2705 or	C-DIODE	KDS4148U	(1)	223283R2	<B MDC, MMP>
D2709	DIODE	RL1N4003	1	22380260T	<B MDC, MMP>
Q101	IC	NE5532APSR	1	22242283R2	
Q102	IC	78M05HF(NJM78M05DL1A-TE1)	1	222780055R2JR	
Q2000	IC	TRS3221ECPWR	1	22242805R2	<B MDC, MMP>

Q2100	IC	NJW1325	1	22242596R3	
Q2101	IC	NJM2505AF	1	22242490R2	
Q2700	TR	2SA965-Y(TPE6_F)	1	2211644T	<B MDC, MMP>
Q2700 or	TR	2SA965-O(TPE6_F)	(1)	2211643T	<B MDC, MMP>
Q2701	TR	KRC102S	1	2216190R2	<B MDC, MMP>
Q2701 or	TR	RN1402	(1)	2214470R2	<B MDC, MMP>
Q2702	TR	2SA1162-GR	1	2214375R2	<B MDC, MMP>
Q2702 or	TR	KTA1504-GR	(1)	2216185R2	<B MDC, MMP>
Q2703	TR	KRC102S	1	2216190R2	<B MDC, MMP>
Q2703 or	TR	RN1402	(1)	2214470R2	<B MDC, MMP>
<b>[TRANS COIL]</b>					
L101	CHOKE COIL	LBC2518T100M	1	231364M100R2	
L2000	CHOKE COIL	LBC2518T470M	1	231364M470R2	<B MDC, MMP>
L2100	CHOKE COIL	LBC2518T4R7M	1	231364M047R2	
L2702	EMIFIL	BK1608LM182-T	1	230958R1	<B MDC, MMP>
L2703	EMIFIL	BK1608LM182-T	1	230958R1	<B MDC, MMP>
<b>[CAPACITOR]</b>					
C101	UTSP C	CE04W50V-22M(UTSP)	1	397582207T	
C101 or	UTSP C	CE04W50V-22M(UTSP)	(1)	397582207AT	
C102	UTSP C	CE04W25V-100M(UTSP)	1	397551017AT	
C104	C-CERA C	CC725CH1H-101J1	1	342101014R1	
C107	C-CERA C	CC725CH1H-101J1	1	342101014R1	
C108	C-CERA C	CC725CH1H-101J1	1	342101014R1	
C109	C-CERA C	CC725CH1H-101J1	1	342101014R1	
C112	UTSP C	CE04W25V-100M(UTSP)	1	397551017AT	
C114	UTSP C	CE04W50V-22M(UTSP)	1	397582207T	
C114 or	UTSP C	CE04W50V-22M(UTSP)	(1)	397582207AT	
C116	UTSP C	CE04W10V-100M(UTSP)	1	397531017AT	
C118	C-CERA C	CK725F1E-104Z1	1	332161040R1	
C119	UTSP C	CE04W25V-47M(UTSP)	1	397554707AT	
C122	C-CERA C	CC725CH1H-101J1	1	342101014R1	
C2000	UTSP C	CE04W50V-1M(UTSP)	1	397580107T	<B MDC, MMP>
C2000 or	UTSP C	CE04W50V-1M(UTSP)	(1)	397580107AT	<B MDC, MMP>
C2001	UTSP C	CE04W50V-1M(UTSP)	1	397580107T	<B MDC, MMP>
C2001 or	UTSP C	CE04W50V-1M(UTSP)	(1)	397580107AT	<B MDC, MMP>
C2002	UTSP C	CE04W50V-1M(UTSP)	1	397580107T	<B MDC, MMP>
C2002 or	UTSP C	CE04W50V-1M(UTSP)	(1)	397580107AT	<B MDC, MMP>
C2003	C-CERA C	CK725B1H-102K1	1	332101025R1	<B MDC, MMP>
C2004	UTSP C	CE04W50V-1M(UTSP)	1	397580107T	<B MDC, MMP>
C2004 or	UTSP C	CE04W50V-1M(UTSP)	(1)	397580107AT	<B MDC, MMP>
C2005	UTSP C	CE04W10V-100M(UTSP)	1	397531017AT	<B MDC, MMP>
C2006	C-CERA C	CK725F1E-104Z1	1	332161040R1	<B MDC, MMP>
C2019	UTSP C	CE04W50V-4.7M(UTSP)	1	397580477AT	
C2020	TF C	ECQ-V50V-334J	1	374723344T	
C2021	ELECT C	CE04W18V-1000M(VZ)	1	3945H1037S	
C2106	UTSP C	CE04W50V-2.2M(UTSP)	1	397580227T	
C2106 or	UTSP C	CE04W50V-2.2M(UTSP)	(1)	397580227AT	

C2108	UTSP C	CE04W50V-2.2M(UTSP)	1	397580227T	
C2108 or	UTSP C	CE04W50V-2.2M(UTSP)	(1)	397580227AT	
C2110	C-CERA C	CK725B1H-102K1	1	332101025R1	
C2111	C-CERA C	CK725F1E-104Z1	1	332161040R1	
C2112	UTSP C	CE04W50V-1M(UTSP)	1	397580107T	<B MDC, MMP>
C2112 or	UTSP C	CE04W50V-1M(UTSP)	(1)	397580107AT	<B MDC, MMP>
C2113	UTSP C	CE04W50V-1M(UTSP)	1	397580107T	<B MDC, MMP>
C2113 or	UTSP C	CE04W50V-1M(UTSP)	(1)	397580107AT	<B MDC, MMP>
C2114	UTSP C	CE04W50V-2.2M(UTSP)	1	397580227T	
C2114 or	UTSP C	CE04W50V-2.2M(UTSP)	(1)	397580227AT	
C2117	UTSP C	CE04W50V-1M(UTSP)	1	397580107T	
C2117 or	UTSP C	CE04W50V-1M(UTSP)	(1)	397580107AT	
C2118	UTSP C	CE04W50V-2.2M(UTSP)	1	397580227T	
C2118 or	UTSP C	CE04W50V-2.2M(UTSP)	(1)	397580227AT	
C2119	UTSP C	CE04W25V-47M(UTSP)	1	397554707AT	
C2120	C-CERA C	CK725F1E-104Z1	1	332161040R1	
C2122	VR C	CE04W6.3V-470M(VR)	1	394624717T	
C2123	VR C	CE04W6.3V-470M(VR)	1	394624717T	
C2124	UTSP C	CE04W50V-4.7M(UTSP)	1	397580477AT	<B MDC, MMP>
C2126	C-CERA C	CC725CH1H-151J1	1	342101514R1	
C2127	UTSP C	CE04W25V-47M(UTSP)	1	397554707AT	
C2128	C-CERA C	CK725F1E-104Z1	1	332161040R1	
C2129	C-CERA C	CK725B1H-102K1	1	332101025R1	
C2130	VR C	CE04W6.3V-470M(VR)	1	394624717T	
C2131	VR C	CE04W6.3V-470M(VR)	1	394624717T	
C2132	UTSP C	CE04W25V-47M(UTSP)	1	397554707AT	
C2134	UTSP C	CE04W50V-2.2M(UTSP)	1	397580227T	
C2134 or	UTSP C	CE04W50V-2.2M(UTSP)	(1)	397580227AT	
C2135	VR C	CE04W6.3V-470M(VR)	1	394624717T	
C2137	VR C	CE04W6.3V-470M(VR)	1	394624717T	
C2138	UTSP C	CE04W25V-47M(UTSP)	1	397554707AT	
C2139	C-CERA C	CK725F1E-104Z1	1	332161040R1	
C2140	UTSP C	CE04W25V-47M(UTSP)	1	397554707AT	
C2141	C-CERA C	CK725F1E-104Z1	1	332161040R1	
C2142	UTSP C	CE04W50V-2.2M(UTSP)	1	397580227T	
C2142 or	UTSP C	CE04W50V-2.2M(UTSP)	(1)	397580227AT	
C2144	UTSP C	CE04W25V-47M(UTSP)	1	397554707AT	
C2145	C-CERA C	CK725F1E-104Z1	1	332161040R1	
C2147	C-CERA C	CK725F1E-104Z1	1	332161040R1	
C2148	UTSP C	CE04W25V-47M(UTSP)	1	397554707AT	
C2149	C-CERA C	CK725F1E-104Z1	1	332161040R1	
C2150	UTSP C	CE04W50V-2.2M(UTSP)	1	397580227T	
C2150 or	UTSP C	CE04W50V-2.2M(UTSP)	(1)	397580227AT	
C2152	C-CERA C	CK725B1H-102K1	1	332101025R1	
C2153	UTSP C	CE04W50V-2.2M(UTSP)	1	397580227T	
C2153 or	UTSP C	CE04W50V-2.2M(UTSP)	(1)	397580227AT	
C2154	UTSP C	CE04W25V-47M(UTSP)	1	397554707AT	

C2155	C-CERA C	CK725F1E-104Z1	1	332161040R1	
C2157	VR C	CE04W6.3V-470M(VR)	1	394624717T	<B MDC, MMP>
C2158	UTSP C	CE04W50V-2.2M(UTSP)	1	397580227T	
C2158 or	UTSP C	CE04W50V-2.2M(UTSP)	(1)	397580227AT	
C2159	VR C	CE04W6.3V-470M(VR)	1	394624717T	
C2161	VR C	CE04W6.3V-470M(VR)	1	394624717T	
C2162	UTSP C	CE04W50V-2.2M(UTSP)	1	397580227T	
C2162 or	UTSP C	CE04W50V-2.2M(UTSP)	(1)	397580227AT	
C2165	UTSP C	CE04W50V-1M(UTSP)	1	397580107T	
C2165 or	UTSP C	CE04W50V-1M(UTSP)	(1)	397580107AT	
C2167	UTSP C	CE04W25V-47M(UTSP)	1	397554707AT	
C2168	C-CERA C	CK725F1E-104Z1	1	332161040R1	
C2169	C-CERA C	CK725F1E-104Z1	1	332161040R1	
C2170	UTSP C	CE04W25V-47M(UTSP)	1	397554707AT	
C2171	UTSP C	CE04W50V-4.7M(UTSP)	1	397580477AT	<B MDC, MMP>
C2173	C-CERA C	CK725F1E-104Z1	1	332161040R1	
C2174	UTSP C	CE04W50V-10M(UTSP)	1	397581007T	
C2174 or	UTSP C	CE04W50V-10M(UTSP)	(1)	397581007AT	
C2175	VR C	CE04W6.3V-470M(VR)	1	394624717T	
C2176	VR C	CE04W6.3V-470M(VR)	1	394624717T	
C2179	C-CERA C	CK732B16V-106K	1	332071065R2	
C2180	C-CERA C	CC725CH1H-470J1	1	342104704R1	
C2181	C-CERA C	CC725CH1H-470J1	1	342104704R1	
C2182	C-CERA C	CK725B1H-102K1	1	332101025R1	
C2183	C-CERA C	CC725CH1H-151J1	1	342101514R1	<B MDC, MMP>
C2700	UTSP C	CE04W10V-100M(UTSP)	1	397531017AT	<B MDC, MMP>
C2701	C-CERA C	CC725CH1H-101J1	1	342101014R1	<B MDC, MMP>
C2704	C-CERA C	CC725CH1H-101J1	1	342101014R1	<B MDC, MMP>
C2705	C-CERA C	CK725B1H-102K1	1	332101025R1	<B MDC, MMP>
C2709	C-CERA C	CK725B1H-102K1	1	332101025R1	<B MDC, MMP>
C2710	C-CERA C	CK725F1E-104Z1	1	332161040R1	<B MDC, MMP>
<b>[RESISTOR]</b>					
R101	C-CARBON R	RN72K1J-000JE	1	435030004R1	
R103	C-CARBON R	RN72K1J-000JE	1	435030004R1	
R105	C-CARBON R	RN72K1J-000JE	1	435030004R1	
R106	C-CARBON R	RN72K1J-473JE	1	435034734R1	
R107	C-CARBON R	RN72K1J-102JE	1	435031024R1	
R108	C-CARBON R	RN72K1J-000JE	1	435030004R1	<B MDC, MMP>
R109	C-CARBON R	RN72K1J-473JE	1	435034734R1	
R110	C-CARBON R	RN72K1J-224JE	1	435032244R1	
R111	C-CARBON R	RN72K1J-473JE	1	435034734R1	
R112	C-CARBON R	RN72K1J-473JE	1	435034734R1	
R114	C-CARBON R	RN72K1J-473JE	1	435034734R1	
R115	C-CARBON R	RN72K1J-224JE	1	435032244R1	
R116	C-CARBON R	RN72K1J-473JE	1	435034734R1	
R117	C-CARBON R	RN72K1J-473JE	1	435034734R1	
R118	C-CARBON R	RN72K1J-102JE	1	435031024R1	

R119	C-CARBON R	RN72K1J-473JE	1	435034734R1	
R124	C-CARBON R	RN72K1J-333JE	1	435033334R1	
R128	C-CARBON R	RN72K1J-000JE	1	435030004R1	
R129	C-CARBON R	RN72K1J-103JE	1	435031034R1	
R132	C-CARBON R	RN72K1J-220JE	1	435032204R1	
R133	C-CARBON R	RN72K1J-220JE	1	435032204R1	
R135	C-CARBON R	RN72K1J-000JE	1	435030004R1	<B MDC, MMP>
R2000	C-CARBON R	RN72K1J-331JE	1	435033314R1	<B MDC, MMP>
R2001	C-CARBON R	RN72K1J-331JE	1	435033314R1	<B MDC, MMP>
R2002	C-CARBON R	RN72K1J-331JE	1	435033314R1	<B MDC, MMP>
R2003	C-CARBON R	RN72K1J-331JE	1	435033314R1	<B MDC, MMP>
R2004	C-CARBON R	RN72K1J-103JE	1	435031034R1	<B MDC, MMP>
R2005	C-CARBON R	RN72K1J-103JE	1	435031034R1	<B MDC, MMP>
R2006	C-CARBON R	RN72K1J-103JE	1	435031034R1	<B MDC, MMP>
R2016	C-CARBON R	RN72K1J-103JE	1	435031034R1	
R2017	C-CARBON R	RN72K2E-000JE	1	435220004R1	<B MDC, MMP>
R2018	C-CARBON R	RN72K2E-000JE	1	435220004R1	<B MDC, MMP>
R2019	C-CARBON R	RN72K1J-000JE	1	435030004R1	<B MDC, MMP>
R2020	C-CARBON R	RN72K1J-000JE	1	435030004R1	<B MDC, MMP>
R2021	C-CARBON R	RN72K1J-000JE	1	435030004R1	<B MDC, MMP>
R2026	C-CARBON R	RN72K1J-103JE	1	435031034R1	
R2027	C-CARBON R	RN72K1J-103JE	1	435031034R1	
R2107	C-CARBON R	RN72K1J-000JE	1	435030004R1	
R2108	C-CARBON R	RN72K1J-000JE	1	435030004R1	
R2109	C-CARBON R	RN72K1J-000JE	1	435030004R1	
R2110	C-CARBON R	RN72K1J-000JE	1	435030004R1	
R2111	C-CARBON R	RN72K1J-750JE	1	435037504R1	
R2112	C-CARBON R	RN72K1J-750JE	1	435037504R1	
R2114	C-CARBON R	RN72K1J-390JE	1	435033904R1	<B MDC, MMP>
R2116	C-CARBON R	RN72K1J-103JE	1	435031034R1	
R2117	C-CARBON R	RN72K1J-104JE	1	435031044R1	
R2118	C-CARBON R	RN72K1J-104JE	1	435031044R1	
R2119	C-CARBON R	RN72K1J-101JE	1	435031014R1	
R2120	C-CARBON R	RN72K1J-392JE	1	435033924R1	
R2121	C-CARBON R	RN72K1J-390JE	1	435033904R1	<B MDC, MMP>
R2124	C-CARBON R	RN72K1J-682JE	1	435036824R1	
R2125	C-CARBON R	RN72K1J-750JE	1	435037504R1	
R2126	C-CARBON R	RN72K1J-750JE	1	435037504R1	
R2127	C-CARBON R	RN72K1J-750JE	1	435037504R1	
R2128	C-CARBON R	RN72K1J-390JE	1	435033904R1	<B MDC, MMP>
R2129	C-CARBON R	RN72K1J-104JE	1	435031044R1	
R2130	C-CARBON R	RN72K1J-222JE	1	435032224R1	
R2131	C-CARBON R	RN72K1J-222JE	1	435032224R1	
R2132	C-CARBON R	RN72K1J-101JE	1	435031014R1	
R2133	C-CARBON R	RN72K1J-101JE	1	435031014R1	
R2134	C-CARBON R	RN72K1J-101JE	1	435031014R1	
R2135	C-CARBON R	RN72K1J-750JE	1	435037504R1	

R2136	C-CARBON R	RN72K1J-750JE	1	435037504R1	
R2137	C-CARBON R	RN72K1J-750JE	1	435037504R1	
R2138	C-CARBON R	RN72K1J-750JE	1	435037504R1	
R2139	C-CARBON R	RN72K1J-750JE	1	435037504R1	
R2140	C-CARBON R	RN72K1J-750JE	1	435037504R1	
R2141	C-CARBON R	RN72K1J-750JE	1	435037504R1	
R2142	C-CARBON R	RN72K1J-104JE	1	435031044R1	
R2143	C-CARBON R	RN72K1J-392JE	1	435033924R1	
R2144	C-CARBON R	RN72K1J-750JE	1	435037504R1	
R2145	C-CARBON R	RN72K1J-331JE	1	435033314R1	<B MDC, MMP>
R2146	C-CARBON R	RN72K1J-104JE	1	435031044R1	
R2147	C-CARBON R	RN72K1J-101JE	1	435031014R1	
R2148	C-CARBON R	RN72K1J-682JE	1	435036824R1	
R2149	C-CARBON R	RN72K1J-104JE	1	435031044R1	
R2150	C-CARBON R	RN72K1J-104JE	1	435031044R1	
R2151	C-CARBON R	RN72K1J-220JE	1	435032204R1	
R2154	C-CARBON R	RN72K1J-750JE	1	435037504R1	
R2155	C-CARBON R	RN72K1J-220JE	1	435032204R1	
R2156	C-CARBON R	RN72K1J-104JE	1	435031044R1	
R2158	C-CARBON R	RN72K1J-750JE	1	435037504R1	<B MDC, MMP>
R2159	C-CARBON R	RN72K1J-104JE	1	435031044R1	<B MDC, MMP>
R2700	C-CARBON R	RN72K1J-101JE	1	435031014R1	<B MDC, MMP>
R2701	C-CARBON R	RN72K1J-102JE	1	435031024R1	<B MDC, MMP>
R2702	C-CARBON R	RN72K1J-082JE	1	435030824R1	<B MDC, MMP>
R2703	C-CARBON R	RN72K1J-224JE	1	435032244R1	<B MDC, MMP>
R2704	C-CARBON R	RN72K1J-102JE	1	435031024R1	<B MDC, MMP>
R2705	C-CARBON R	RN72K1J-220JE	1	435032204R1	<B MDC, MMP>
R2707	C-CARBON R	RN72K1J-224JE	1	435032244R1	<B MDC, MMP>
R2708	C-CARBON R	RN72K1J-102JE	1	435031024R1	<B MDC, MMP>
R2710	C-CARBON R	RN72K1J-101JE	1	435031014R1	<B MDC, MMP>
R2714	C-CARBON R	RN72K1J-000JE	1	435030004R1	<B MDC, MMP>
R2715	C-CARBON R	RN72K1J-000JE	1	435030004R1	<B MDC, MMP>
R2716	C-CARBON R	RN72K1J-000JE	1	435030004R1	<B MDC, MMP>
R2718	C-CARBON R	RN72K1J-000JE	1	435030004R1	<B MDC, MMP>
R2725	C-CARBON R	RN72K1J-000JE	1	435030004R1	<B MDC, MMP>
R2728	C-CARBON R	RN72K1J-082JE	1	435030824R1	<B MDC, MMP>
<b>[SW TRM]</b>					
F2002A	FUSE HOL	NSCT-1P2031	1	25052133T	!
F2002B	FUSE HOL	NSCT-1P2031	1	25052133T	!
JL101B	WIRE TRAP	NPLG-5P588	1	25055626	
JL2000B	WIRE TRAP	NPLG-9P592	1	25055630	
JL2100A	WIRE HOL	NSCT-5P876	1	25051089	
JL2601B	WIRE TRAP	NPLG-5P588	1	25055626	<B MDC, MMP>
JL4002B	WIRE TRAP	NPLG-7P590	1	25055628	<B MDC, MMP>
JL9000B	WIRE TRAP	NPLG-7P590	1	25055628	
P101B	SOCKET	NSCT-9P2102	1	25052205	
P2000	SOCKET	MDS-09P-V-01(DSUB9P)	1	25053363	<B MDC, MMP>



P2001A	PLUG	IMSA-9142B-16A	1	25056598	
P2002A	PLUG	IMSA-9142B-18A	1	25056599	
P2003	PLUG	NPLG-5P119	1	25055135	<B MDC, MMP>
P2005	RETAINER	(PC-HOLD)	1	27142149	
P2006	RETAINER	(PC-HOLD)	1	27142149	
P2101A	SOCKET	NSCT-21P2412	1	25052515	
P2102	PIN JACK	NPJ-9PDGLR630	1	25045851	<B MDC, MMP>
P2103	PIN JACK	NPJ-1PDY655	1	25045882	<B MDC, MMP>
P2105	PIN JACK	NPJ-3PDYYY681	1	25045913	<B MDC, MMP>
P2106	PIN JACK	NPJ-2PDYY680	1	25045912	<B MDC, MMP>
P2700	ST JACK	HSJ1002-01-6020	1	25045647	<B MDC, MMP>
P2702	ST JACK	HSJ1002-01-6020	1	25045647	<B MDC, MMP>

**[TUNER UNIT]**

U2700	REMO SENS	KSM-603TE5B	1	24130019	<B MDC, MMP>
-------	-----------	-------------	---	----------	--------------

<b>U008</b>	<b>U0080~U0088</b>	<b>BADIS-1165-1G /1H *</b>
<b>U0080</b>	DISPLAY PC BOARD ASS'Y	BADIS-1165-1G/ 1H
<b>U0081</b>	SWITCH PC BOARD ASS'Y	BASW-1166-1G/ 1H
<b>U0082</b>	PHONE JACK PC BOARD ASS'Y	BAETC-1168-1G/ 1H
<b>U0083</b>	TERMINAL(OPT) PC BOARD ASS'Y	BAETC-1169-1G/ 1H
<b>U0084</b>	FIX PC BOARD	BAETC-1170-1G/ 1H
<b>U0085</b>	VOLUME PC BOARD ASS'Y	BASW-1171-1G/ 1H
<b>U0086</b>	MIC JACK(SETUP) PC BOARD ASS'Y	BAETC-1172-1G/ 1H
<b>U0087</b>	FIX PC BOARD	BAETC-1175-1G/ 1H
<b>U0088</b>	LED(SEL) PC BOARD ASS'Y	BAETC-1176-1G/ 1H

**CIRCUIT NO. PART NAME DESCRIPTION Q'TY PART NO. (SN) REMARKS****[SEMI CONDUCTOR]**

D7500	ZENER D	UDZS8.2B	1	224550820R2	
D7506	LED	SCPW3617E-D-A0	1	225500	
D7506A	HOLDER	(LED)LH-5-5	1	27191312	
D7510	LED	SCPW3617E-D-A0	1	225500	
D7510A	HOLDER	(LED)LH-5-5	1	27191312	
D7511	LED	SLI-343Y8C-3F	1	225491	
D7520	C-DIODE	1SS355	1	223269R2	
D7520 or	C-DIODE	1SS352	(1)	223234R2	
D7520 or	C-DIODE	MA2J111	(1)	223279R2	
D7520 or	C-DIODE	KDS4148U	(1)	223283R2	
D7520 or	C-DIODE	MA2J1110GL	(1)	223302R2	
D7521	C-DIODE	1SS355	1	223269R2	
D7521 or	C-DIODE	1SS352	(1)	223234R2	
D7521 or	C-DIODE	MA2J111	(1)	223279R2	
D7521 or	C-DIODE	KDS4148U	(1)	223283R2	
D7521 or	C-DIODE	MA2J1110GL	(1)	223302R2	
D7522	C-DIODE	1SS355	1	223269R2	

D7522 or	C-DIODE	1SS352	(1)	223234R2	
D7522 or	C-DIODE	MA2J111	(1)	223279R2	
D7522 or	C-DIODE	KDS4148U	(1)	223283R2	
D7522 or	C-DIODE	MA2J1110GL	(1)	223302R2	
D7523	C-DIODE	1SS355	1	223269R2	
D7523 or	C-DIODE	1SS352	(1)	223234R2	
D7523 or	C-DIODE	MA2J111	(1)	223279R2	
D7523 or	C-DIODE	KDS4148U	(1)	223283R2	
D7523 or	C-DIODE	MA2J1110GL	(1)	223302R2	
D7530	ZENER D	UDZS5.1B	1	224550510R2	
D7540	LED	SCPW3617E-D-A0	1	225500	<B MDC, B MMP>
D7541	LED	SCPW3617E-D-A0	1	225500	<B MDC, B MMP>
D7542	LED	SCPW3617E-D-A0	1	225500	<B MDC, B MMP>
D7543	LED	SCPW3617E-D-A0	1	225500	<B MDC, B MMP>
D7544	LED	SCPW3617E-D-A0	1	225500	<B MDC, B MMP>
D7545	LED	SCPW3617E-D-A0	1	225500	<B MDC, B MMP>
D7546	LED	SCPW3617E-D-A0	1	225500	<B MDC, B MMP>
D7547	LED	SCPW3617E-D-A0	1	225500	<B MDC, B MMP>
D7548	LED	SCPW3617E-D-A0	1	225500	<B MDC, B MMP>
D7549	LED	SCPW3617E-D-A0	1	225500	<B MDC, B MMP>
D7550	LED	SCPW3617E-D-A0	1	225500	<B MDC, B MMP>
D7551	LED	SCPW3617E-D-A0	1	225500	<B MDC, B MMP>
D7560	C-DIODE	1SS355	1	223269R2	
D7560 or	C-DIODE	1SS352	(1)	223234R2	
D7560 or	C-DIODE	MA2J111	(1)	223279R2	
D7560 or	C-DIODE	KDS4148U	(1)	223283R2	
D7560 or	C-DIODE	MA2J1110GL	(1)	223302R2	
D7561	C-DIODE	1SS355	1	223269R2	
D7561 or	C-DIODE	1SS352	(1)	223234R2	
D7561 or	C-DIODE	MA2J111	(1)	223279R2	
D7561 or	C-DIODE	KDS4148U	(1)	223283R2	
D7561 or	C-DIODE	MA2J1110GL	(1)	223302R2	
D7580	C-DIODE	1SS355	1	223269R2	
D7580 or	C-DIODE	1SS352	(1)	223234R2	
D7580 or	C-DIODE	MA2J111	(1)	223279R2	
D7580 or	C-DIODE	KDS4148U	(1)	223283R2	
D7580 or	C-DIODE	MA2J1110GL	(1)	223302R2	
D7581	C-DIODE	1SS355	1	223269R2	
D7581 or	C-DIODE	1SS352	(1)	223234R2	
D7581 or	C-DIODE	MA2J111	(1)	223279R2	
D7581 or	C-DIODE	KDS4148U	(1)	223283R2	
D7581 or	C-DIODE	MA2J1110GL	(1)	223302R2	
D7582	C-DIODE	1SS355	1	223269R2	
D7582 or	C-DIODE	1SS352	(1)	223234R2	
D7582 or	C-DIODE	MA2J111	(1)	223279R2	
D7582 or	C-DIODE	KDS4148U	(1)	223283R2	
D7582 or	C-DIODE	MA2J1110GL	(1)	223302R2	

D7583	C-DIODE	1SS355	1	223269R2	
D7583 or	C-DIODE	1SS352	(1)	223234R2	
D7583 or	C-DIODE	MA2J111	(1)	223279R2	
D7583 or	C-DIODE	KDS4148U	(1)	223283R2	
D7583 or	C-DIODE	MA2J1110GL	(1)	223302R2	
D7591	LED	SCB3318E-D2	1	225487	
Q7500	IC	BU2090F-E2	1	22242686R2	<B MDC, B MMP>
Q7501	FL TUBE	16-BT-165GINK	1	212276	
Q7501A	HOLDER	(FL)	1	27191370	
Q7501A or	HOLDER	(FL)	(1)	27191303	
Q7502	TR	2SC2712-GR	1	2213145R2	
Q7502 or	TR	KTC3875-GR	(1)	2216175R2	
Q7503	TR	2SC2712-GR	1	2213145R2	
Q7503 or	TR	KTC3875-GR	(1)	2216175R2	
Q7506	TR	DTC123JKA	1	2216690R2	
Q7506 or	TR	KRC105S	(1)	2217290R2	
Q7507	TR	DTC123JKA	1	2216690R2	<B MDC, B MMP>
Q7507 or	TR	KRC105S	(1)	2217290R2	<B MDC, B MMP>
Q7512	TR	RN2401(TE85L_F)	1	2214520R2	<B MDC, B MMP>
Q7512 or	TR	KRA101S	(1)	2217840R2	<B MDC, B MMP>
Q7530	IC	NJM4580M-D	1	22241448R2	
Q7532	TR	RN1441	1	2215410R2	
Q7532 or	TR	RTAN430C-T112-1	(1)	2217780R2	
Q7533	TR	RN2403	1	2214540R2	
Q7533 or	TR	KRA103S	(1)	2216230R2	
Q7534	IC	NJM4580M-D	1	22241448R2	
Q7591	TR	DTC123JKA	1	2216690R2	
Q7591 or	TR	KRC105S	(1)	2217290R2	
<b>[TRANS COIL]</b>					
L7520	CHOKE COIL	LBC2518T470M	1	231364M470R2	
L7521	EMIFIL	BK1608LM182-T	1	230958R1	
L7522	EMIFIL	BK1608LM182-T	1	230958R1	
L7530	CHOKE COIL	LBC2518T2R2M	1	231364M022R2	
L7540	C-CARBON R	RN72K1J-000JE	1	435030004R1	<B MDC, B MMP>
L7541	C-CARBON R	RN72K1J-000JE	1	435030004R1	<B MDC, B MMP>
L7542	C-CARBON R	RN72K1J-000JE	1	435030004R1	<B MDC, B MMP>
L7543	C-CARBON R	RN72K1J-000JE	1	435030004R1	<B MDC, B MMP>
L7544	C-CARBON R	RN72K1J-000JE	1	435030004R1	<B MDC, B MMP>
L7545	C-CARBON R	RN72K1J-000JE	1	435030004R1	<B MDC, B MMP>
L7546	C-CARBON R	RN72K1J-000JE	1	435030004R1	<B MDC, B MMP>
L7547	C-CARBON R	RN72K1J-000JE	1	435030004R1	<B MDC, B MMP>
L7548	C-CARBON R	RN72K1J-000JE	1	435030004R1	<B MDC, B MMP>
L7549	C-CARBON R	RN72K1J-000JE	1	435030004R1	<B MDC, B MMP>
L7550	C-CARBON R	RN72K1J-000JE	1	435030004R1	<B MDC, B MMP>
L7551	C-CARBON R	RN72K1J-000JE	1	435030004R1	<B MDC, B MMP>
L7580	CHOKE COIL	LBC2518T2R2M	1	231364M022R2	
L7581	CHOKE COIL	LBC2518T2R2M	1	231364M022R2	

L7582	CHOKE COIL	LBC2518T2R2M	1	231364M022R2	
<b>[CAPACITOR]</b>					
C7501	C-CERA C	CK725B1H-223K1	1	332102235R1	
C7502	C-CERA C	CK725F1E-104Z1	1	332161040R1	
C7503	C-CERA C	CK725F1E-104Z1	1	332161040R1	
C7504	C-CERA C	CK725B1H-473K1	1	332104735R1	
C7505	C-CERA C	CK725B1H-473K1	1	332104735R1	
C7506	ELECT C	CE04W50V-33M	1	355783309T	
C7507	C-CERA C	CK725F1H-104Z1	1	332151040R1	
C7511	C-CERA C	CC725CH1H-221J1	1	342102214R1	
C7512	C-CERA C	CC725CH1H-221J1	1	342102214R1	
C7513	C-CERA C	CK725B1H-102K1	1	332101025R1	
C7514	C-CERA C	CK725B1H-102K1	1	332101025R1	
C7515	C-CERA C	CK725F1E-104Z1	1	332161040R1	
C7516	C-CERA C	CK725B1H-103K1	1	332101035R1	
C7517	C-CERA C	CK725B1H-103K1	1	332101035R1	
C7518	ELECT C	CE04W6.3V-100M	1	355721019T	
C7520	C-CERA C	CK725F1E-104Z1	1	332161040R1	
C7521	UTSP C	CE04W10V-100M(UTSP)	1	397531017AT	
C7522	C-CERA C	CC725CH1H-221J1	1	342102214R1	
C7523	C-CERA C	CC725CH1H-221J1	1	342102214R1	
C7524	C-CERA C	CK725B1H-102K1	1	332101025R1	
C7525	C-CERA C	CC725CH1H-470J1	1	342104704R1	
C7533	ELECT C	CE04W35V-47M	1	355764709T	
C7534	ELECT C	CE04W16V-47M	1	355744709T	
C7535	ELECT C	CE04W35V-10M(S)	1	353761009T	
C7537	C-CERA C	CC725CH1H-330J1	1	342103304R1	
C7538	ELECT C	CE04W35V-10M(MA)	1	355761009T	
C7539	ELECT C	CE04W35V-10M(S)	1	353761009T	
C7540	ELECT C	CE04W35V-10M(S)	1	353761009T	
C7541	ELECT C	CE04W35V-10M(S)	1	353761009T	
C7542	ELECT C	CE04W35V-10M(S)	1	353761009T	
C7543	C-CERA C	CK725B1H-102K1	1	332101025R1	
C7544	C-CERA C	CC725CH1H-101J1	1	342101014R1	
C7545	ELECT C	CE04W16V-47M	1	355744709T	<B MDC, B MMP>
C7546	C-CERA C	CK725F1A-105Z1	1	332181050R1	<B MDC, B MMP>
C7547	C-CERA C	CK725F1E-104Z1	1	332161040R1	
C7548	C-CERA C	CC725CH1H-101J1	1	342101014R1	<B MDC, B MMP>
C7549	C-CERA C	CC725CH1H-101J1	1	342101014R1	<B MDC, B MMP>
C7550	C-CERA C	CK725F1E-104Z1	1	332161040R1	
C7560	ELECT C	CE04W6.3V-220M	1	355722219T	
C7562	C-CERA C	CK725B1H-102K1	1	332101025R1	
C7580	C-CERA C	CC725CH1H-102J1	1	342101024R1	
C7581	C-CERA C	CC725CH1H-102J1	1	342101024R1	
C7582	C-CERA C	CC725CH1H-102J1	1	342101024R1	
C7583	C-CERA C	CC725CH1H-102J1	1	342101024R1	
<b>[RESISTOR]</b>					

R7500	C-CARBON R	RN72K1J-221JE	1	435032214R1	
R7501	C-CARBON R	RN72K1J-221JE	1	435032214R1	
R7502	C-CARBON R	RN72K1J-000JE	1	435030004R1	
R7503	NF CARBON R	R25J-10	1	415471004T	
R7504	NF CARBON R	R25J-10	1	415471004T	
R7505	C-CARBON R	RN72K1J-000JE	1	435030004R1	
R7507	C-CARBON R	RN72K1J-000JE	1	435030004R1	<B MDC, B MMP>
R7508	C-CARBON R	RN72K1J-101JE	1	435031014R1	
R7509	C-CARBON R	RN72K1J-101JE	1	435031014R1	
R7511	C-CARBON R	RN72K1J-333JE	1	435033334R1	
R7512	C-CARBON R	RN72K1J-333JE	1	435033334R1	
R7513	C-CARBON R	RN72K1J-104JE	1	435031044R1	
R7514	C-CARBON R	RN72K1J-333JE	1	435033334R1	
R7515	C-CARBON R	RN72K1J-104JE	1	435031044R1	
R7517	C-CARBON R	RN72K1J-221JE	1	435032214R1	
R7519	C-CARBON R	RN72K1J-221JE	1	435032214R1	
R7520	C-CARBON R	RN72K1J-221JE	1	435032214R1	
R7521	C-CARBON R	RN72K1J-221JE	1	435032214R1	
R7523	C-CARBON R	RN72K1J-181JE	1	435031814R1	
R7527	C-CARBON R	RN72K1J-181JE	1	435031814R1	
R7528	C-CARBON R	RN72K1J-271JE	1	435032714R1	
R7529	C-CARBON R	RN72K1J-224JE	1	435032244R1	
R7530	C-CARBON R	RN72K1J-103JE	1	435031034R1	
R7531	C-CARBON R	RN72K1J-101JE	1	435031014R1	
R7532	C-CARBON R	RN72K1J-000JE	1	435030004R1	
R7533	C-CARBON R	RN72K1J-103JE	1	435031034R1	
R7534	C-CARBON R	RN72K1J-104JE	1	435031044R1	
R7535	C-CARBON R	RN72K1J-102JE	1	435031024R1	
R7536	C-CARBON R	RN72K1J-333JE	1	435033334R1	
R7537	C-CARBON R	RN72K1J-333JE	1	435033334R1	
R7538	C-CARBON R	RN72K1J-471JE	1	435034714R1	
R7539	C-CARBON R	RN72K1J-470JE	1	435034704R1	
R7540	C-CARBON R	RN72K1J-473JE	1	435034734R1	
R7541	C-CARBON R	RN72K1J-331JE	1	435033314R1	
R7542	C-CARBON R	RN72K1J-331JE	1	435033314R1	
R7543	C-CARBON R	RN72K1J-182JE	1	435031824R1	
R7544	C-CARBON R	RN72K1J-472JE	1	435034724R1	
R7545	C-CARBON R	RN72K1J-103JE	1	435031034R1	
R7546	C-CARBON R	RN72K1J-331JE	1	435033314R1	
R7547	C-CARBON R	RN72K1J-103JE	1	435031034R1	
R7548	C-CARBON R	RN72K1J-224JE	1	435032244R1	
R7550	C-CARBON R	RN72K1J-750JE	1	435037504R1	
R7551	C-CARBON R	RN72K1J-223JE	1	435032234R1	
R7552	C-CARBON R	RN72K1J-223JE	1	435032234R1	
R7556	C-CARBON R	RN72K1J-000JE	1	435030004R1	
R7560	C-CARBON R	RN72K1J-222JE	1	435032224R1	
R7561	C-CARBON R	RN72K1J-101JE	1	435031014R1	

R7565	C-CARBON R	RN72K1J-181JE	1	435031814R1	<B MDC, B MMP>
R7566	C-CARBON R	RN72K1J-181JE	1	435031814R1	<B MDC, B MMP>
R7567	C-CARBON R	RN72K1J-181JE	1	435031814R1	<B MDC, B MMP>
R7571	C-CARBON R	RN72K1J-181JE	1	435031814R1	<B MDC, B MMP>
R7572	C-CARBON R	RN72K1J-181JE	1	435031814R1	<B MDC, B MMP>
R7573	C-CARBON R	RN72K1J-181JE	1	435031814R1	<B MDC, B MMP>
R7574	C-CARBON R	RN72K1J-181JE	1	435031814R1	<B MDC, B MMP>
R7575	C-CARBON R	RN72K1J-181JE	1	435031814R1	<B MDC, B MMP>
R7576	C-CARBON R	RN72K1J-181JE	1	435031814R1	<B MDC, B MMP>
R7577	C-CARBON R	RN72K1J-181JE	1	435031814R1	<B MDC, B MMP>
R7578	C-CARBON R	RN72K1J-181JE	1	435031814R1	<B MDC, B MMP>
R7579	C-CARBON R	RN72K1J-181JE	1	435031814R1	<B MDC, B MMP>
R7580	METAL O R	RS1WBJ-33	1	443623304T	
R7581	METAL O R	RS1WBJ-33	1	443623304T	
R7583	C-CARBON R	RN72K1J-000JE	1	435030004R1	
R7595	C-CARBON R	RN72K1J-471JE	1	435034714R1	
R7596	C-CARBON R	RN72K1J-101JE	1	435031014R1	<B MDC, B MMP>
R7597	C-CARBON R	RN72K1J-101JE	1	435031014R1	<B MDC, B MMP>
R7611	C-CARBON R	RN72K1J-271JE	1	435032714R1	
R7612	C-CARBON R	RN72K1J-331JE	1	435033314R1	
R7613	C-CARBON R	RN72K1J-471JE	1	435034714R1	
R7614	C-CARBON R	RN72K1J-561JE	1	435035614R1	
R7615	C-CARBON R	RN72K1J-821JE	1	435038214R1	
R7616	C-CARBON R	RN72K1J-122JE	1	435031224R1	
R7617	C-CARBON R	RN72K1J-222JE	1	435032224R1	
R7618	C-CARBON R	RN72K1J-392JE	1	435033924R1	
R7619	C-CARBON R	RN72K1J-123JE	1	435031234R1	
R7621	C-CARBON R	RN72K1J-271JE	1	435032714R1	
R7622	C-CARBON R	RN72K1J-331JE	1	435033314R1	
R7623	C-CARBON R	RN72K1J-471JE	1	435034714R1	
R7624	C-CARBON R	RN72K1J-561JE	1	435035614R1	
R7625	C-CARBON R	RN72K1J-821JE	1	435038214R1	
R7626	C-CARBON R	RN72K1J-122JE	1	435031224R1	
R7627	C-CARBON R	RN72K1J-222JE	1	435032224R1	
R7628	C-CARBON R	RN72K1J-392JE	1	435033924R1	
R7629	C-CARBON R	RN72K1J-123JE	1	435031234R1	
R7631	C-CARBON R	RN72K1J-271JE	1	435032714R1	
R7632	C-CARBON R	RN72K1J-331JE	1	435033314R1	
R7633	C-CARBON R	RN72K1J-471JE	1	435034714R1	
R7634	C-CARBON R	RN72K1J-561JE	1	435035614R1	
R7635	C-CARBON R	RN72K1J-821JE	1	435038214R1	
R7636	C-CARBON R	RN72K1J-122JE	1	435031224R1	
R7637	C-CARBON R	RN72K1J-222JE	1	435032224R1	
R7638	C-CARBON R	RN72K1J-392JE	1	435033924R1	
R7639	C-CARBON R	RN72K1J-123JE	1	435031234R1	
R7641	C-CARBON R	RN72K1J-271JE	1	435032714R1	
R7642	C-CARBON R	RN72K1J-331JE	1	435033314R1	

R7643	C-CARBON R	RN72K1J-471JE	1	435034714R1	
R7644	C-CARBON R	RN72K1J-561JE	1	435035614R1	
R7645	C-CARBON R	RN72K1J-821JE	1	435038214R1	
R7646	C-CARBON R	RN72K1J-122JE	1	435031224R1	
R7647	C-CARBON R	RN72K1J-222JE	1	435032224R1	
R7648	C-CARBON R	RN72K1J-392JE	1	435033924R1	
R7649	C-CARBON R	RN72K1J-123JE	1	435031234R1	
<b>[SW TRM]</b>					
JL2000A	WIRE HOL	NSCT-9P880	1	25051093	
JL4103B	WIRE TRAP	NPLG-5P588	1	25055626	
JL7510A	WIRE HOL	NSCT-7P878	1	25051091	
JL7510B	WIRE TRAP	NPLG-7P590	1	25055628	
JL7560A	WIRE HOL	NSCT-3P874	1	25051087	
JL7560B	WIRE HOL	NSCT-3P874	1	25051087	
JL7590A	WIRE HOL	NSCT-5P876	1	25051089	
JL7590B	WIRE HOL	NSCT-5P876	1	25051089	
JL7592A	WIRE HOL	NSCT-3P874	1	25051087	
JL7592B	WIRE HOL	NSCT-3P874	1	25051087	
JL9303A	WIRE HOL	NSCT-5P876	1	25051089	
P7501B	SOCKET	NSCT-25P2259	1	25052362	
P7522	PIN JACK	NPJ-3PDB737	1	25045984	<B MDC, B MMP>
P7530	ST JACK	MSJ-035-05C B AG GR type	1	25045880	<B MDC, B MMP>
P7550A	SOCKET	NSCT-13P2247	1	25052350	<B MDC, B MMP>
P7550B	SOCKET	NSCT-13P2247	1	25052350	<B MDC, B MMP>
P7580	ST JACK	MSJ-064-05A GR	1	25045782	<B MDC, B MMP>
P7582	TRM (SCREW)	TP00370-21	1	25065668T	
P7582 or	RETAINER	MET37-0002	(1)	27142009T	
S7501	R ENCODE	EC12E2460814	1	25060506W	<B MDC, B MMP>
S7611	PUSH SW	NPS-111-S681	1	25035718T	
S7611 or	PUSH SW	NPS-111-S677	(1)	25035714T	
S7612	PUSH SW	NPS-111-S681	1	25035718T	
S7612 or	PUSH SW	NPS-111-S677	(1)	25035714T	
S7613	PUSH SW	NPS-111-S681	1	25035718T	
S7613 or	PUSH SW	NPS-111-S677	(1)	25035714T	
S7614	PUSH SW	NPS-111-S681	1	25035718T	
S7614 or	PUSH SW	NPS-111-S677	(1)	25035714T	
S7616	PUSH SW	NPS-111-S681	1	25035718T	
S7616 or	PUSH SW	NPS-111-S677	(1)	25035714T	
S7617	PUSH SW	NPS-111-S681	1	25035718T	
S7617 or	PUSH SW	NPS-111-S677	(1)	25035714T	
S7618	PUSH SW	NPS-111-S681	1	25035718T	
S7618 or	PUSH SW	NPS-111-S677	(1)	25035714T	
S7619	PUSH SW	NPS-111-S681	1	25035718T	
S7619 or	PUSH SW	NPS-111-S677	(1)	25035714T	
S7620	PUSH SW	NPS-111-S681	1	25035718T	
S7620 or	PUSH SW	NPS-111-S677	(1)	25035714T	
S7621	PUSH SW	NPS-111-S681	1	25035718T	

S7621 or	PUSH SW	NPS-111-S677	( 1)	25035714T
S7622	PUSH SW	NPS-111-S681	1	25035718T
S7622 or	PUSH SW	NPS-111-S677	( 1)	25035714T
S7623	PUSH SW	NPS-111-S681	1	25035718T
S7623 or	PUSH SW	NPS-111-S677	( 1)	25035714T
S7624	PUSH SW	NPS-111-S681	1	25035718T
S7624 or	PUSH SW	NPS-111-S677	( 1)	25035714T
S7625	PUSH SW	NPS-111-S681	1	25035718T
S7625 or	PUSH SW	NPS-111-S677	( 1)	25035714T
S7626	PUSH SW	NPS-111-S681	1	25035718T
S7626 or	PUSH SW	NPS-111-S677	( 1)	25035714T
S7627	PUSH SW	NPS-111-S681	1	25035718T
S7627 or	PUSH SW	NPS-111-S677	( 1)	25035714T
S7629	PUSH SW	NPS-111-S681	1	25035718T
S7629 or	PUSH SW	NPS-111-S677	( 1)	25035714T
S7630	PUSH SW	NPS-111-S681	1	25035718T
S7630 or	PUSH SW	NPS-111-S677	( 1)	25035714T
S7631	PUSH SW	NPS-111-S681	1	25035718T
S7631 or	PUSH SW	NPS-111-S677	( 1)	25035714T
S7632	PUSH SW	NPS-111-S681	1	25035718T
S7632 or	PUSH SW	NPS-111-S677	( 1)	25035714T
S7633	PUSH SW	NPS-111-S681	1	25035718T
S7633 or	PUSH SW	NPS-111-S677	( 1)	25035714T
S7634	PUSH SW	NPS-111-S681	1	25035718T
S7634 or	PUSH SW	NPS-111-S677	( 1)	25035714T
S7635	PUSH SW	NPS-111-S681	1	25035718T
S7635 or	PUSH SW	NPS-111-S677	( 1)	25035714T
S7636	PUSH SW	NPS-111-S681	1	25035718T
S7636 or	PUSH SW	NPS-111-S677	( 1)	25035714T
S7637	PUSH SW	NPS-111-S681	1	25035718T
S7637 or	PUSH SW	NPS-111-S677	( 1)	25035714T
S7638	PUSH SW	NPS-111-S681	1	25035718T
S7638 or	PUSH SW	NPS-111-S677	( 1)	25035714T
S7639	PUSH SW	NPS-111-S681	1	25035718T
S7639 or	PUSH SW	NPS-111-S677	( 1)	25035714T
S7640	PUSH SW	NPS-111-S681	1	25035718T
S7640 or	PUSH SW	NPS-111-S677	( 1)	25035714T
S7641	PUSH SW	NPS-111-S681	1	25035718T
S7641 or	PUSH SW	NPS-111-S677	( 1)	25035714T
S7642	PUSH SW	NPS-111-S681	1	25035718T
S7642 or	PUSH SW	NPS-111-S677	( 1)	25035714T
S7643	PUSH SW	NPS-111-S681	1	25035718T
S7643 or	PUSH SW	NPS-111-S677	( 1)	25035714T
S7644	PUSH SW	NPS-111-S681	1	25035718T
S7644 or	PUSH SW	NPS-111-S677	( 1)	25035714T
S7645	PUSH SW	NPS-111-S681	1	25035718T
S7645 or	PUSH SW	NPS-111-S677	( 1)	25035714T



S7646	PUSH SW	NPS-111-S681	1	25035718T
S7646 or	PUSH SW	NPS-111-S677	(1)	25035714T
S7647	PUSH SW	NPS-111-S681	1	25035718T
S7647 or	PUSH SW	NPS-111-S677	(1)	25035714T
S7648	PUSH SW	NPS-111-S681	1	25035718T
S7648 or	PUSH SW	NPS-111-S677	(1)	25035714T
S7649	PUSH SW	NPS-111-S681	1	25035718T
S7649 or	PUSH SW	NPS-111-S677	(1)	25035714T
S7650	PUSH SW	NPS-111-S681	1	25035718T
S7650 or	PUSH SW	NPS-111-S677	(1)	25035714T

**[TUNER UNIT]**

U7520	PHT CP	JSR1B15	1	24120166
U7560	REMO SENS	KSM-603TE5B	1	24130019

**U009 HDMI PC BOARD ASS'Y**

BAHDM-1195-1E /1H \*

CIRCUIT NO.	PART NAME	DESCRIPTION	Q'TY	PART NO. (SN)	REMARKS
<b>[SEMI CONDUCTOR]</b>					
D3402	C-DIODE	KDS4148U	1	223283R2	
D3402 or	C-DIODE	1SS352	(1)	223234R2	
D3402 or	C-DIODE	1SS355	(1)	223269R2	
D3402 or	C-DIODE	MA2J111	(1)	223279R2	
D8000	C-DIODE	KDS4148U	1	223283R2	
D8000 or	C-DIODE	1SS352	(1)	223234R2	
D8000 or	C-DIODE	1SS355	(1)	223269R2	
D8000 or	C-DIODE	MA2J111	(1)	223279R2	
D8001	C-DIODE	KDS4148U	1	223283R2	
D8001 or	C-DIODE	1SS352	(1)	223234R2	
D8001 or	C-DIODE	1SS355	(1)	223269R2	
D8001 or	C-DIODE	MA2J111	(1)	223279R2	
D8006	C-DIODE	KDS4148U	1	223283R2	
D8006 or	C-DIODE	1SS352	(1)	223234R2	
D8006 or	C-DIODE	1SS355	(1)	223269R2	
D8006 or	C-DIODE	MA2J111	(1)	223279R2	
D8103	DIODE	DAN217T146	1	223285R2	
D8103 or	DIODE	KDS123S	(1)	223312R2	
D8104	ESD D	AOZ8804ADI	1	225502R2	
D8105	ESD D	AOZ8804ADI	1	225502R2	
D8126	C-DIODE	KDS4148U	1	223283R2	
D8126 or	C-DIODE	1SS352	(1)	223234R2	
D8126 or	C-DIODE	1SS355	(1)	223269R2	
D8126 or	C-DIODE	MA2J111	(1)	223279R2	
D8151	C-DIODE	KDS4148U	1	223283R2	
D8151 or	C-DIODE	1SS352	(1)	223234R2	
D8151 or	C-DIODE	1SS355	(1)	223269R2	

D8151 or	C-DIODE	MA2J111	(1)	223279R2
D8152	C-DIODE	KDS4148U	1	223283R2
D8152 or	C-DIODE	1SS352	(1)	223234R2
D8152 or	C-DIODE	1SS355	(1)	223269R2
D8152 or	C-DIODE	MA2J111	(1)	223279R2
D8301	ZENER D	UDZS3.6B	1	224550360R2
D8617	C-DIODE	KDS4148U	1	223283R2
D8617 or	C-DIODE	1SS352	(1)	223234R2
D8617 or	C-DIODE	1SS355	(1)	223269R2
D8617 or	C-DIODE	MA2J111	(1)	223279R2
D8618	C-DIODE	KDS4148U	1	223283R2
D8618 or	C-DIODE	1SS352	(1)	223234R2
D8618 or	C-DIODE	1SS355	(1)	223269R2
D8618 or	C-DIODE	MA2J111	(1)	223279R2
D8619	C-DIODE	KDS4148U	1	223283R2
D8619 or	C-DIODE	1SS352	(1)	223234R2
D8619 or	C-DIODE	1SS355	(1)	223269R2
D8619 or	C-DIODE	MA2J111	(1)	223279R2
D8631	ESD D	AOZ8804ADI	1	225502R2
D8632	ESD D	AOZ8804ADI	1	225502R2
D8633	DIODE	DAN217T146	1	223285R2
D8633 or	DIODE	KDS123S	(1)	223312R2
D8691	C-DIODE	KDS4148U	1	223283R2
D8691 or	C-DIODE	1SS352	(1)	223234R2
D8691 or	C-DIODE	1SS355	(1)	223269R2
D8691 or	C-DIODE	MA2J111	(1)	223279R2
D8701	C-DIODE	KDS4148U	1	223283R2
D8701 or	C-DIODE	1SS352	(1)	223234R2
D8701 or	C-DIODE	1SS355	(1)	223269R2
D8701 or	C-DIODE	MA2J111	(1)	223279R2
D8831	C-DIODE	KDS4148U	1	223283R2
D8831 or	C-DIODE	1SS352	(1)	223234R2
D8831 or	C-DIODE	1SS355	(1)	223269R2
D8831 or	C-DIODE	MA2J111	(1)	223279R2
D8912	C-DIODE	KDS4148U	1	223283R2
D8912 or	C-DIODE	1SS352	(1)	223234R2
D8912 or	C-DIODE	1SS355	(1)	223269R2
D8912 or	C-DIODE	MA2J111	(1)	223279R2
D8913	C-DIODE	KDS4148U	1	223283R2
D8913 or	C-DIODE	1SS352	(1)	223234R2
D8913 or	C-DIODE	1SS355	(1)	223269R2
D8913 or	C-DIODE	MA2J111	(1)	223279R2
D8922	C-DIODE	KDS4148U	1	223283R2
D8922 or	C-DIODE	1SS352	(1)	223234R2
D8922 or	C-DIODE	1SS355	(1)	223269R2
D8922 or	C-DIODE	MA2J111	(1)	223279R2
D8923	C-DIODE	KDS4148U	1	223283R2

D8923 or	C-DIODE	1SS352	(1)	223234R2	
D8923 or	C-DIODE	1SS355	(1)	223269R2	
D8923 or	C-DIODE	MA2J111	(1)	223279R2	
D8924	C-DIODE	KDS4148U	1	223283R2	
D8924 or	C-DIODE	1SS352	(1)	223234R2	
D8924 or	C-DIODE	1SS355	(1)	223269R2	
D8924 or	C-DIODE	MA2J111	(1)	223279R2	
D8932	C-DIODE	KDS4148U	1	223283R2	
D8932 or	C-DIODE	1SS352	(1)	223234R2	
D8932 or	C-DIODE	1SS355	(1)	223269R2	
D8932 or	C-DIODE	MA2J111	(1)	223279R2	
D8951	C-DIODE	KDS4148U	1	223283R2	
D8951 or	C-DIODE	1SS352	(1)	223234R2	
D8951 or	C-DIODE	1SS355	(1)	223269R2	
D8951 or	C-DIODE	MA2J111	(1)	223279R2	
D8952	C-DIODE	KDS4148U	1	223283R2	
D8952 or	C-DIODE	1SS352	(1)	223234R2	
D8952 or	C-DIODE	1SS355	(1)	223269R2	
D8952 or	C-DIODE	MA2J111	(1)	223279R2	
D8985	DIODE	RB050M-30GTR	1	22380373R2	
D8986	C-DIODE	KDS4148U	1	223283R2	
D8986 or	C-DIODE	1SS352	(1)	223234R2	
D8986 or	C-DIODE	1SS355	(1)	223269R2	
D8986 or	C-DIODE	MA2J111	(1)	223279R2	
D8987	C-DIODE	KDS4148U	1	223283R2	
D8987 or	C-DIODE	1SS352	(1)	223234R2	
D8987 or	C-DIODE	1SS355	(1)	223269R2	
D8987 or	C-DIODE	MA2J111	(1)	223279R2	
D8988	C-DIODE	KDS4148U	1	223283R2	
D8988 or	C-DIODE	1SS352	(1)	223234R2	
D8988 or	C-DIODE	1SS355	(1)	223269R2	
D8988 or	C-DIODE	MA2J111	(1)	223279R2	
Q3001	IC	D830K013BZKB400Z	1	22242694R3	
Q3002	IC(DSP)	TC58DVM92A5TA10B3H(0585)	1	222W0125R305856	
Q3003	IC	A3V56S40FTP-G6	1	22242764R2	N
Q3003 or	IC	K4S561632J-UC75	(1)	22242524AR3	
Q3003 or	IC	IS42S16160C-7TL	(1)	22242592R3	
Q3003 or	IC	EM63A165TSB-6G	(1)	22242829R3	
Q3004	IC	A3V56S40FTP-G6	1	22242764R2	N
Q3004 or	IC	K4S561632J-UC75	(1)	22242524AR3	
Q3004 or	IC	IS42S16160C-7TL	(1)	22242592R3	
Q3004 or	IC	EM63A165TSB-6G	(1)	22242829R3	
Q3005	IC	TC7W32FU	1	22241162R2	
Q3006	IC	S-80127CNMC-JKM-T2	1	22241642R2	
Q3102	IC	BD82065FVJ	1	22242718R2	
Q3103	IC	BU18TD3WG-TR	1	22242716R2	
Q3105	IC	MFI341S2162	1	22242803R2	

Q3106	IC	BU33TD3WG-TR	1	22242715R2	
Q3107	TR	2SC2712-GR	1	2213145R2	
Q3107 or	TR	KTC3875-GR	( 1)	2216175R2	
Q3108	IC	KSZ8051RNL	1	22242723R2	
Q3108 or	IC	KSZ8051RNL(REVA2)	( 1)	22242723AR2	
Q3109	IC	S-1172B12-U5T1G	1	22242777R2	
Q3110	IC	BD2247G-GTR	1	22242795R2	
Q3111	TR	2SC2712-GR	1	2213145R2	
Q3111 or	TR	KTC3875-GR	( 1)	2216175R2	
Q3301	IC	TC74VHC541FT(EKJ)	1	22274541E1R2TO	
Q3303	IC	TC74VHC541FT(EKJ)	1	22274541E1R2TO	
Q3351	IC	TC74VHC157FT	1	22274157ER2TO	<MDC>
Q3361	IC	TC74VHC157FT	1	22274157ER2TO	
Q3362	TR	KRC104S	1	2216210R2	
Q3362 or	TR	RN1404	( 1)	2214490R2	
Q3371	IC	PCM1754DBQR	1	22242598R2	
Q3383	IC	TC74VHC157FT	1	22274157ER2TO	
Q3401	IC(DSP2)	W25Q16CVSSIG(0586)	1	222W0118R205867	
Q3403	IC	TC7WHU04FU(TE12L)	1	22242231R2	
Q3404	IC	CS49834A-CQZ/A1	1	22242744R3	
Q3406	IC	EM638165TSB-7G	1	22242775R2	
Q3406 or	IC	K4S641632N-LC60	( 1)	22242603R2	
Q3406 or	IC	EM638165TS-7G	( 1)	22242607R2	
Q3408	IC	TC7MBL3245SFT	1	22242539R2TO	
Q3410	TR	KRC104S	1	2216210R2	
Q3410 or	TR	RN1404	( 1)	2214490R2	
Q8000	IC	88DE2755B0-BIF2C000	1	22242752R3	
Q8010	IC	BU18TD3WG-TR	1	22242716R2	
Q8011	IC	S-1172B15-U5T1G	1	22242778R2	
Q8012	IC	TPS51100DGQR	1	22242711R2	
Q8030	IC	TC7WHU04FU(TE12L)	1	22242231R2	
Q8031	IC	NC7SZ08P5X_F042	1	22242482R2	
Q8031 or	IC	TC7SZ08FU(TE85L_F)	( 1)	22242071R2TO	
Q8032	IC	SN74CB3T3306DCT	1	22242454R2	
Q8040	IC(VSP)	W25Q128BVFIG(0587)	1	222W0116R20587A	
Q8041	IC	TC74LCX125FT(EL_K)	1	22274125BR2TO	
Q8080	IC	K4B1G1646G-BCK0	1	22242710R3	
Q8126	IC	S-1172B11-U5T1G	1	22242776R2	
Q8151	IC	SII9575CTUC	1	22242783R3	
Q8152	IC	XC6221B132MR	1	22242809R2	N
Q8153	IC	XC6221B132MR	1	22242809R2	N
Q8201	IC	ADV7844	1	22242696R3	
Q8202	IC	EM638165TSB-7G	1	22242775R2	
Q8202 or	IC	K4S641632N-LC60	( 1)	22242603R2	
Q8202 or	IC	EM638165TS-7G	( 1)	22242607R2	
Q8206	IC	BU18TD3WG-TR	1	22242716R2	
Q8301	IC	SII9575CTUC	1	22242783R3	

Q8302	IC(VSP2)	W25Q16CVSSIG(0591)	1	222W0118R20591B	
Q8303	TR	2SA1162-GR	1	2214375R2	
Q8303 or	TR	KTA1504-GR	(1)	2216185R2	
Q8304	TR	RN2401(TE85L_F)	1	2214520R2	
Q8304 or	TR	KRA101S	(1)	2217840R2	
Q8305	TR	KRC104S	1	2216210R2	
Q8305 or	TR	RN1404	(1)	2214490R2	
Q8306	TR	RN2401(TE85L_F)	1	2214520R2	
Q8306 or	TR	KRA101S	(1)	2217840R2	
Q8307	TR	KRC104S	1	2216210R2	
Q8307 or	TR	RN1404	(1)	2214490R2	
Q8501	IC	VHD1900EVG	1	22242708R3	
Q8502	IC	TC74VCX162827	1	22242395R2	
Q8503	IC	TC74VCX162827	1	22242395R2	
Q8512	IC	TC74VCX162827	1	22242395R2	
Q8513	IC	TC74VCX162827	1	22242395R2	
Q8601	TR	KRC105S	1	2217290R2	
Q8601 or	TR	DTC123JKA	(1)	2216690R2	
Q8602	TR	KRC105S	1	2217290R2	
Q8602 or	TR	DTC123JKA	(1)	2216690R2	
Q8603	TR	KRC105S	1	2217290R2	
Q8603 or	TR	DTC123JKA	(1)	2216690R2	
Q8691	TR	KRC105S	1	2217290R2	
Q8691 or	TR	DTC123JKA	(1)	2216690R2	
Q8701	IC(HDMI/VIDEO)	TMPM361F10FG(0584)	1	222W0115R305845	
Q8702	TR ARRAY	UM6K1N	1	226066R2	
Q8702 or	TR ARRAY	UPA672T	(1)	226067R2	
Q8702 or	TR ARRAY	RT3K66M-T111-1	(1)	226069R2	
Q8704	TR	KRC104S	1	2216210R2	
Q8704 or	TR	RN1404	(1)	2214490R2	
Q8711	IC	S-58LM20A-N4T1U	1	22242813R2	N
Q8831	IC	BU18TD3WG-TR	1	22242716R2	
Q8832	TR	KRC104S	1	2216210R2	
Q8832 or	TR	RN1404	(1)	2214490R2	
Q8833	IC	ADV7342BSTZ-3	1	22242608R3	
Q8901	IC	MP2303ADN-LF-Z	1	22242785R2	
Q8902	TR	2SC2712-GR	1	2213145R2	
Q8902 or	TR	KTC3875-GR	(1)	2216175R2	
Q8911	IC	MP2303ADN-LF-Z	1	22242785R2	
Q8912	TR	2SC2712-GR	1	2213145R2	
Q8912 or	TR	KTC3875-GR	(1)	2216175R2	
Q8921	IC	MP2303ADN-LF-Z	1	22242785R2	
Q8922	TR	2SC2712-GR	1	2213145R2	
Q8922 or	TR	KTC3875-GR	(1)	2216175R2	
Q8931	IC	MP2303ADN-LF-Z	1	22242785R2	
Q8932	TR	2SC2712-GR	1	2213145R2	
Q8932 or	TR	KTC3875-GR	(1)	2216175R2	

Q8941	IC	MP2303ADN-LF-Z	1	22242785R2	
Q8951	IC	S-1172B50-U5T1G	1	22242765R2	
Q8954	IC	MM3404A50NRE	1	22242701R2	
Q8955	IC	TPS22924CYZPR	1	22242807R2	
Q8956	TR	KRC104S	1	2216210R2	
Q8956 or	TR	RN1404	( 1)	2214490R2	
Q8957	IC	TPS22924CYZPR	1	22242807R2	
Q8958	TR	KRC104S	1	2216210R2	
Q8958 or	TR	RN1404	( 1)	2214490R2	
Q8959	IC	TPS22924CYZPR	1	22242807R2	
Q8960	TR	KRC104S	1	2216210R2	
Q8960 or	TR	RN1404	( 1)	2214490R2	
Q8961	IC	TPS22924CYZPR	1	22242807R2	
Q8962	TR	KRC104S	1	2216210R2	
Q8962 or	TR	RN1404	( 1)	2214490R2	
Q8975	IC	XC6701B502PR	1	22242808R2	N
Q8981	TR	RN2401(TE85L_F)	1	2214520R2	
Q8981 or	TR	KRA101S	( 1)	2217840R2	
Q8982	TR	KRC104S	1	2216210R2	
Q8982 or	TR	RN1404	( 1)	2214490R2	
Q8985	IC	TPS22924CYZPR	1	22242807R2	
<b>[TRANS COIL]</b>					
L3001	CORE	BLM18PG121SN1D	1	2350006R1	
L3002	CORE	BLM18PG121SN1D	1	2350006R1	
L3003	CORE	BLM18PG121SN1D	1	2350006R1	
L3004	CORE	BLM18PG121SN1D	1	2350006R1	
L3005	CORE	BLM18PG121SN1D	1	2350006R1	
L3006	CORE	BLM18PG181SN1D	1	2350005R1	
L3101	CORE	DLP11SA900HL2L	1	2350021R2	
L3103	CORE	BLM18PG121SN1D	1	2350006R1	
L3104	CORE	BLM18PG121SN1D	1	2350006R1	
L3105	CORE	BLM18PG121SN1D	1	2350006R1	
L3106	CORE	BLM18PG121SN1D	1	2350006R1	
L3107	CORE	BLM18PG181SN1D	1	2350005R1	
L3108	CORE	BLM18PG181SN1D	1	2350005R1	
L3109	CORE	BLM18PG121SN1D	1	2350006R1	
L3110	CORE	BLM18PG121SN1D	1	2350006R1	
L3111	CORE	BLM18PG121SN1D	1	2350006R1	
L3112	CORE	DLP11SA900HL2L	1	2350021R2	
L3113	CORE	BLM18PG181SN1D	1	2350005R1	
L3114	CORE	BLM18PG121SN1D	1	2350006R1	
L3145	CORE	DLP2ADN900HL4L	1	230990R2	
L3203	CORE	MMZ1608Y601BT	1	2350004R1	
L3209	CORE	MMZ1608Y601BT	1	2350004R1	
L3302	CORE	MMZ1608Y601BT	1	2350004R1	
L3303	CORE	MMZ1608Y601BT	1	2350004R1	
L3351	CORE	BLM18PG181SN1D	1	2350005R1	<MDC>

L3352	CORE	MMZ1608Y601BT	1	2350004R1	<MDC>
L3355	CORE	BLM18PG121SN1D	1	2350006R1	<MDC>
L3371	CORE	BLM18PG181SN1D	1	2350005R1	
L3381	CORE	BLM18PG181SN1D	1	2350005R1	
L3401	CORE	BLM18PG121SN1D	1	2350006R1	
L3402	CORE	MMZ1608Y601BT	1	2350004R1	
L3403	CORE	MMZ1608Y601BT	1	2350004R1	
L3405	CORE	BLM18PG121SN1D	1	2350006R1	
L3406	CORE	BLM18PG121SN1D	1	2350006R1	
L3407	CORE	BLM18PG121SN1D	1	2350006R1	
L3408	CORE	BLM18PG121SN1D	1	2350006R1	
L3409	CORE	BLM18PG181SN1D	1	2350005R1	
L8000	CORE	BLM18PG181SN1D	1	2350005R1	
L8001	CORE	BLM18PG181SN1D	1	2350005R1	
L8002	CORE	BLM18PG181SN1D	1	2350005R1	
L8003	CORE	BLM18PG181SN1D	1	2350005R1	
L8004	CORE	BLM18PG181SN1D	1	2350005R1	
L8005	CORE	BLM18PG181SN1D	1	2350005R1	
L8006	CORE	BLM18PG121SN1D	1	2350006R1	
L8007	CORE	BLM18PG181SN1D	1	2350005R1	
L8008	CORE	BLM18PG181SN1D	1	2350005R1	
L8009	CORE	BLM18PG181SN1D	1	2350005R1	
L8010	CORE	BLM18PG181SN1D	1	2350005R1	
L8011	CORE	BLM18PG181SN1D	1	2350005R1	
L8012	CORE	BLM18PG181SN1D	1	2350005R1	
L8013	CORE	BLM18PG181SN1D	1	2350005R1	
L8081	CORE	BLM18PG181SN1D	1	2350005R1	
L8082	C-R NET	MNR12E0APJ000	1	43464900002R2	
L8082 or	C-R NET	YCN162-000-ZL	(1)	43464B00002R1	
L8083	C-R NET	MNR12E0APJ000	1	43464900002R2	
L8083 or	C-R NET	YCN162-000-ZL	(1)	43464B00002R1	
L8084	C-R NET	MNR12E0APJ000	1	43464900002R2	
L8084 or	C-R NET	YCN162-000-ZL	(1)	43464B00002R1	
L8085	C-R NET	MNR12E0APJ000	1	43464900002R2	
L8085 or	C-R NET	YCN162-000-ZL	(1)	43464B00002R1	
L8086	CORE	BLM18PG181SN1D	1	2350005R1	
L8126	CORE	BLM18PG181SN1D	1	2350005R1	
L8151	CORE	BLM18PG181SN1D	1	2350005R1	
L8152	CORE	BLM18PG181SN1D	1	2350005R1	
L8153	CORE	BLM18PG181SN1D	1	2350005R1	
L8154	CORE	BLM18PG181SN1D	1	2350005R1	
L8155	CORE	BLM18PG181SN1D	1	2350005R1	
L8156	CORE	BLM18PG181SN1D	1	2350005R1	
L8202	CORE	BLM18PG181SN1D	1	2350005R1	
L8203	CORE	BLM18PG181SN1D	1	2350005R1	
L8204	CORE	BLM18PG181SN1D	1	2350005R1	
L8205	CORE	BLM18PG181SN1D	1	2350005R1	

L8206	CORE	BLM18PG181SN1D	1	2350005R1	
L8207	CORE	BLM18PG181SN1D	1	2350005R1	
L8208	CORE	BLM18PG181SN1D	1	2350005R1	
L8209	EMIFIL	BK1608LL241-T	1	230959R1	
L8301	CORE	BLM18PG181SN1D	1	2350005R1	
L8302	CORE	BLM18PG181SN1D	1	2350005R1	
L8303	CORE	BLM18PG181SN1D	1	2350005R1	
L8304	CORE	BLM18PG181SN1D	1	2350005R1	
L8305	CORE	BLM18PG181SN1D	1	2350005R1	
L8306	CORE	BLM18PG181SN1D	1	2350005R1	
L8307	CORE	BLM18PG181SN1D	1	2350005R1	
L8308	EMIFIL	BK1608LL241-T	1	230959R1	
L8501	CHOKE COIL	BLM21PG221SN1	1	230949R2	
L8502	CHOKE COIL	BLM21PG221SN1	1	230949R2	
L8503	CHOKE COIL	BLM21PG221SN1	1	230949R2	
L8510	CORE	BLM18PG181SN1D	1	2350005R1	
L8511	CORE	BLM18PG181SN1D	1	2350005R1	
L8512	CORE	BLM18PG181SN1D	1	2350005R1	
L8513	CORE	BLM18PG181SN1D	1	2350005R1	
L8601	CORE	BLM18PG181SN1D	1	2350005R1	
L8602	CHOKE COIL	BLM21PG221SN1	1	230949R2	
L8603	CORE	BLM18PG181SN1D	1	2350005R1	
L8632	C-R NET	MNR12E0APJ000	1	43464900002R2	
L8632 or	C-R NET	YCN162-000-ZL	(1)	43464B00002R1	
L8633	C-R NET	MNR12E0APJ000	1	43464900002R2	
L8633 or	C-R NET	YCN162-000-ZL	(1)	43464B00002R1	
L8634	C-R NET	MNR12E0APJ000	1	43464900002R2	
L8634 or	C-R NET	YCN162-000-ZL	(1)	43464B00002R1	
L8635	C-R NET	MNR12E0APJ000	1	43464900002R2	
L8635 or	C-R NET	YCN162-000-ZL	(1)	43464B00002R1	
L8701	CORE	BLM18PG181SN1D	1	2350005R1	
L8831	CHOKE COIL	LBC2518T4R7M	1	231364M047R2	
L8832	CHOKE COIL	LBC2518T4R7M	1	231364M047R2	
L8833	CHOKE COIL	LBC2518T4R7M	1	231364M047R2	
L8834	CHOKE COIL	LBC2518T4R7M	1	231364M047R2	
L8901	CHOKE COIL	BLM21PG221SN1	1	230949R2	
L8902	CHOKE COIL	C6-K5RA-10UH	1	231451P100R2	N
L8903	CHOKE COIL	BLM21PG221SN1	1	230949R2	
L8904	CHOKE COIL	BLM21PG221SN1	1	230949R2	
L8911	CHOKE COIL	BLM21PG221SN1	1	230949R2	
L8912	CHOKE COIL	C6-K5RA-10UH	1	231451P100R2	N
L8913	CHOKE COIL	BLM21PG221SN1	1	230949R2	
L8914	CHOKE COIL	BLM21PG221SN1	1	230949R2	
L8921	CHOKE COIL	BLM21PG221SN1	1	230949R2	
L8922	CHOKE COIL	C6-K5RA-10UH	1	231451P100R2	N
L8923	CHOKE COIL	BLM21PG221SN1	1	230949R2	
L8924	CHOKE COIL	BLM21PG221SN1	1	230949R2	



L8931	CHOKE COIL	BLM21PG221SN1	1	230949R2	
L8932	CHOKE COIL	C6-K5RA-10UH	1	231451P100R2	N
L8933	CHOKE COIL	BLM21PG221SN1	1	230949R2	
L8934	CHOKE COIL	BLM21PG221SN1	1	230949R2	
L8941	CHOKE COIL	BLM21PG221SN1	1	230949R2	
L8942	CHOKE COIL	C6-K5RA-10UH	1	231451P100R2	N
L8943	CHOKE COIL	BLM21PG221SN1	1	230949R2	
L8944	CHOKE COIL	BLM21PG221SN1	1	230949R2	
L8951	CORE	BLM18PG181SN1D	1	2350005R1	
L8953	CORE	BLM18PG181SN1D	1	2350005R1	
L8954	CORE	BLM18PG181SN1D	1	2350005R1	
L8985	CORE	BLM18PG121SN1D	1	2350006R1	
X3001	CRYSTAL	HC-49S 9C20.0000M	1	3010514R2	
X3401	CRYSTAL	HC-49S 9C24.5760M	1	3010516R2	
X8000	CRYSTAL	HC-49S 9C20.0000M	1	3010514R2	
X8151	CRYSTAL	HC-49S 9C27.0000M	1	3010518R2	
X8201	CRYSTAL	HC-49S 9C28.6363M	1	3010519R2	
X8301	CRYSTAL	HC-49S 9C27.0000M	1	3010518R2	
X8501	CRYSTAL	DSX321G-27MHz	1	3010487R2	
X8701	CERA LOCK	CSTCE8M00G55-R0	1	3010416R2	
<b>[CAPACITOR]</b>					
C3001	C-CERA C	CK725B1A-105K0	1	332001055R1	
C3002	C-CERA C	CK725B1A-105K0	1	332001055R1	
C3003	C-CERA C	CK732B16V-106K	1	332071065R2	
C3004	C-CERA C	CK732B16V-106K	1	332071065R2	
C3005	C-CERA C	CK725B1A-105K0	1	332001055R1	
C3006	C-CERA C	CK725B1H-102K0	1	332031025R1	
C3007	C-CERA C	CK725B1A-105K0	1	332001055R1	
C3008	C-CERA C	CK725B1H-102K0	1	332031025R1	
C3009	C-CERA C	CK725B1A-105K0	1	332001055R1	
C3010	C-CERA C	CK725B1A-105K0	1	332001055R1	
C3011	C-CERA C	CK725B1A-105K0	1	332001055R1	
C3012	C-CERA C	CK725B1H-102K0	1	332031025R1	
C3013	C-CERA C	CK725B1A-105K0	1	332001055R1	
C3014	C-CERA C	CK725B1H-102K0	1	332031025R1	
C3015	C-CERA C	CK725B1H-102K0	1	332031025R1	
C3016	C-CERA C	CK725B1A-105K0	1	332001055R1	
C3017	C-CERA C	CK725B1A-105K0	1	332001055R1	
C3018	C-CERA C	CK725B1A-105K0	1	332001055R1	
C3019	C-CERA C	CK725B1H-102K0	1	332031025R1	
C3020	C-CERA C	CK725B1A-105K0	1	332001055R1	
C3021	C-CERA C	CK725B1A-105K0	1	332001055R1	
C3022	C-CERA C	CK725B1A-105K0	1	332001055R1	
C3023	C-CERA C	CK732B16V-106K	1	332071065R2	
C3024	C-CERA C	CK725B1H-102K0	1	332031025R1	
C3025	C-CERA C	CK725B1A-105K0	1	332001055R1	
C3026	C-CERA C	CK725B1C-104K0	1	332011045R1	

C3027	C-CERA C	CK725B1H-102K0	1	332031025R1
C3028	C-CERA C	CK725B1A-105K0	1	332001055R1
C3029	C-CERA C	CK725B1H-102K0	1	332031025R1
C3030	C-CERA C	CK725B1A-105K0	1	332001055R1
C3031	C-CERA C	CK725B1A-105K0	1	332001055R1
C3032	C-CERA C	CK725B1H-102K0	1	332031025R1
C3033	C-CERA C	CK725B1A-105K0	1	332001055R1
C3034	C-CERA C	CC725CH1H-270J0	1	342032704R1
C3035	C-CERA C	CK725B1H-102K0	1	332031025R1
C3036	C-CERA C	CC725CH1H-270J0	1	342032704R1
C3037	C-CERA C	CK725B1A-105K0	1	332001055R1
C3038	C-CERA C	CK725B1A-105K0	1	332001055R1
C3039	C-CERA C	CK725B1E-103K0	1	332021035R1
C3040	C-CERA C	CK725B1A-105K0	1	332001055R1
C3041	C-CERA C	CK732B16V-106K	1	332071065R2
C3042	C-CERA C	CK725B1A-105K0	1	332001055R1
C3043	C-CERA C	CK725B1A-105K0	1	332001055R1
C3101	C-CERA C	CK725B0J-226M	1	332092267R2
C3102	C-CERA C	CK725B1A-105K0	1	332001055R1
C3103	C-CERA C	CK725B0J-226M	1	332092267R2
C3104	C-CERA C	CK725B0J-226M	1	332092267R2
C3105	C-CERA C	CK725B1A-105K0	1	332001055R1
C3106	C-CERA C	CK732B16V-106K	1	332071065R2
C3107	C-CERA C	CK725B1A-105K0	1	332001055R1
C3108	C-CERA C	CK725B1A-105K0	1	332001055R1
C3109	C-CERA C	CK732B16V-106K	1	332071065R2
C3110	C-CERA C	CK725B1A-224K0	1	332002245R1
C3112	C-CERA C	CK732B16V-106K	1	332071065R2
C3113	C-CERA C	CK725B1A-105K0	1	332001055R1
C3114	C-CERA C	CK725B1A-105K0	1	332001055R1
C3115	C-CERA C	CK732B16V-106K	1	332071065R2
C3116	C-CERA C	CK732B16V-106K	1	332071065R2
C3117	C-CERA C	CK725B1H-102K0	1	332031025R1
C3118	C-CERA C	CK725B1A-105K0	1	332001055R1
C3119	C-CERA C	CK725B1A-105K0	1	332001055R1
C3120	C-CERA C	CK732B16V-106K	1	332071065R2
C3121	C-CERA C	CK725B1C-104K0	1	332011045R1
C3122	C-CERA C	CK725B1A-105K0	1	332001055R1
C3123	C-CERA C	CK732B16V-106K	1	332071065R2
C3124	C-CERA C	CK732B16V-106K	1	332071065R2
C3125	C-CERA C	CK732B16V-106K	1	332071065R2
C3126	C-CERA C	CK732B16V-106K	1	332071065R2
C3127	C-CERA C	CK725B1A-105K0	1	332001055R1
C3128	C-CERA C	CK725B1A-105K0	1	332001055R1
C3129	C-CERA C	CK725B1A-105K0	1	332001055R1
C3130	C-CERA C	CK732B16V-106K	1	332071065R2
C3131	C-CERA C	CK725B1A-105K0	1	332001055R1

C3132	C-CERA C	CC725CH1H-101J0	1	342031014R1	
C3133	C-CERA C	CK725B1A-105K0	1	332001055R1	
C3136	C-CERA C	CK725B1A-105K0	1	332001055R1	
C3137	C-CERA C	CK725B1A-105K0	1	332001055R1	
C3138	C-CERA C	CK725B1A-105K0	1	332001055R1	
C3139	C-CERA C	CK725B1A-105K0	1	332001055R1	
C3140	C-CERA C	CK725B1A-105K0	1	332001055R1	
C3141	C-CERA C	CK725B1C-104K0	1	332011045R1	
C3142	C-CERA C	CK725B1C-104K0	1	332011045R1	
C3143	C-CERA C	CK725B1A-105K0	1	332001055R1	
C3144	C-CERA C	CK725B1A-105K0	1	332001055R1	
C3145	C-CERA C	CK732B16V-106K	1	332071065R2	
C3146	C-CERA C	CK725B1A-105K0	1	332001055R1	
C3147	C-CERA C	CK725B0J-226M	1	332092267R2	
C3148	C-CERA C	CK725B1C-104K0	1	332011045R1	
C3149	C-CERA C	CK725B1A-105K0	1	332001055R1	
C3150	C-CERA C	CK732B16V-106K	1	332071065R2	
C3151	C-CERA C	CK725B0J-226M	1	332092267R2	
C3152	C-CERA C	CK732B16V-106K	1	332071065R2	
C3153	C-CERA C	CK725B1A-105K0	1	332001055R1	
C3154	C-CERA C	CK732B16V-106K	1	332071065R2	
C3155	C-CERA C	CK725B1A-105K0	1	332001055R1	
C3156	C-CERA C	CK725B1H-102K0	1	332031025R1	
C3157	C-CERA C	CK725B1A-105K0	1	332001055R1	
C3158	C-CERA C	CK725B1A-105K0	1	332001055R1	
C3159	C-CERA C	CK725B1A-105K0	1	332001055R1	
C3161	C-CERA C	CK725B1C-104K0	1	332011045R1	
C3162	C-CERA C	CK725B1C-104K0	1	332011045R1	
C3163	C-CERA C	CK725B0J-226M	1	332092267R2	
C3164	C-CERA C	CK725B0J-226M	1	332092267R2	
C3165	C-CERA C	CK725B0J-226M	1	332092267R2	
C3301	C-CERA C	CK725B1C-104K0	1	332011045R1	
C3303	C-CERA C	CK725B1C-104K0	1	332011045R1	
C3351	C-CERA C	CK732B16V-106K	1	332071065R2	<MDC>
C3352	C-CERA C	CK725B1C-104K0	1	332011045R1	<MDC>
C3353	C-CERA C	CK732B16V-106K	1	332071065R2	<MDC>
C3361	C-CERA C	CK725B1C-104K0	1	332011045R1	
C3363	C-CERA C	CK725B1C-104K0	1	332011045R1	
C3371	C-CERA C	CK732B16V-106K	1	332071065R2	
C3372	C-CERA C	CK725B1A-105K0	1	332001055R1	
C3373	C-CERA C	CK732B16V-106K	1	332071065R2	
C3374	C-CERA C	CK725B1A-105K0	1	332001055R1	
C3383	C-CERA C	CK725B1C-104K0	1	332011045R1	
C3384	C-CERA C	CK732B16V-106K	1	332071065R2	
C3401	C-CERA C	CK725B1H-102K0	1	332031025R1	
C3402	C-CERA C	CK725B1C-104K0	1	332011045R1	
C3403	C-CERA C	CK725B1C-104K0	1	332011045R1	

C3404	C-CERA C	CK725B1C-104K0	1	332011045R1
C3405	C-CERA C	CK725B1C-104K0	1	332011045R1
C3406	C-CERA C	CK725B1A-105K0	1	332001055R1
C3407	C-CERA C	CK725B1A-105K0	1	332001055R1
C3408	C-CERA C	CK732B16V-106K	1	332071065R2
C3409	C-CERA C	CK725B1A-105K0	1	332001055R1
C3410	C-CERA C	CK725B1C-104K0	1	332011045R1
C3411	C-CERA C	CK725B1C-104K0	1	332011045R1
C3412	C-CERA C	CK725B1C-104K0	1	332011045R1
C3413	C-CERA C	CC725CH1H-150J0	1	342031504R1
C3414	C-CERA C	CC725CH1H-220J0	1	342032204R1
C3415	C-CERA C	CK725B1C-104K0	1	332011045R1
C3416	C-CERA C	CK725B1C-104K0	1	332011045R1
C3418	C-CERA C	CK725B1C-104K0	1	332011045R1
C3419	C-CERA C	CK725B1C-104K0	1	332011045R1
C3420	C-CERA C	CK725B1C-104K0	1	332011045R1
C3422	C-CERA C	CK725B1C-104K0	1	332011045R1
C3423	C-CERA C	CK725B1C-104K0	1	332011045R1
C3425	C-CERA C	CK725B1C-104K0	1	332011045R1
C3426	C-CERA C	CK725B1H-102K0	1	332031025R1
C3427	C-CERA C	CK725B1C-104K0	1	332011045R1
C3428	C-CERA C	CK725B1H-102K0	1	332031025R1
C3429	C-CERA C	CK725B1C-104K0	1	332011045R1
C3431	C-CERA C	CK725B1H-102K0	1	332031025R1
C3432	C-CERA C	CK725B1H-102K0	1	332031025R1
C3433	C-CERA C	CK725B1A-105K0	1	332001055R1
C3434	C-CERA C	CK732B16V-106K	1	332071065R2
C3435	C-CERA C	CK732B16V-106K	1	332071065R2
C3436	C-CERA C	CK732B16V-106K	1	332071065R2
C3437	C-CERA C	CK725B1C-104K0	1	332011045R1
C3438	C-CERA C	CK725B1C-104K0	1	332011045R1
C3439	C-CERA C	CK725B1C-104K0	1	332011045R1
C3440	C-CERA C	CK725B1C-104K0	1	332011045R1
C3441	C-CERA C	CK725B1A-105K0	1	332001055R1
C3442	C-CERA C	CK732B16V-106K	1	332071065R2
C3443	C-CERA C	CK725B1A-105K0	1	332001055R1
C3444	C-CERA C	CK725B1A-105K0	1	332001055R1
C3445	C-CERA C	CK725B1A-105K0	1	332001055R1
C3446	C-CERA C	CK725B1A-105K0	1	332001055R1
C3447	C-CERA C	CK725B1A-105K0	1	332001055R1
C3457	C-CERA C	CK725B1A-105K0	1	332001055R1
C3458	C-CERA C	CK725B1A-105K0	1	332001055R1
C3459	C-CERA C	CK725B1A-105K0	1	332001055R1
C3460	C-CERA C	CK725B1C-104K0	1	332011045R1
C3461	C-CERA C	CK725B1C-104K0	1	332011045R1
C3462	C-CERA C	CK732B16V-106K	1	332071065R2
C3466	C-CERA C	CK725B1C-104K0	1	332011045R1

C3603	C-CERA C	CK725B1H-102K0	1	332031025R1
C8000	C-CERA C	CK732B16V-106K	1	332071065R2
C8002	C-CERA C	CK732B16V-106K	1	332071065R2
C8004	C-CERA C	CK725B1C-104K0	1	332011045R1
C8005	C-CERA C	CK732B16V-106K	1	332071065R2
C8006	C-CERA C	CK725B1C-104K0	1	332011045R1
C8007	C-CERA C	CK732B16V-106K	1	332071065R2
C8008	C-CERA C	CK725B0J-226M	1	332092267R2
C8009	C-CERA C	CK725B1C-104K0	1	332011045R1
C8011	C-CERA C	CK732B16V-106K	1	332071065R2
C8013	C-CERA C	CK725B0J-226M	1	332092267R2
C8014	C-CERA C	CK725B1A-105K0	1	332001055R1
C8015	C-CERA C	CK725B1A-105K0	1	332001055R1
C8016	C-CERA C	CK725B1A-105K0	1	332001055R1
C8017	C-CERA C	CK725B1A-105K0	1	332001055R1
C8018	C-CERA C	CK725B1C-104K0	1	332011045R1
C8019	C-CERA C	CK725B1C-104K0	1	332011045R1
C8020	C-CERA C	CK725B1C-104K0	1	332011045R1
C8021	C-CERA C	CK725B1C-104K0	1	332011045R1
C8022	C-CERA C	CK725B1C-104K0	1	332011045R1
C8023	C-CERA C	CK725B1C-104K0	1	332011045R1
C8024	C-CERA C	CK725B1C-104K0	1	332011045R1
C8026	C-CERA C	CK732B16V-106K	1	332071065R2
C8027	C-CERA C	CK732B16V-106K	1	332071065R2
C8028	C-CERA C	CK725B1A-105K0	1	332001055R1
C8029	C-CERA C	CK725B1A-105K0	1	332001055R1
C8030	C-CERA C	CK725B1A-105K0	1	332001055R1
C8031	C-CERA C	CK725B1C-104K0	1	332011045R1
C8032	C-CERA C	CK725B1C-104K0	1	332011045R1
C8033	C-CERA C	CK725B1C-104K0	1	332011045R1
C8034	C-CERA C	CK725B1C-104K0	1	332011045R1
C8037	C-CERA C	CK725B0J-226M	1	332092267R2
C8038	C-CERA C	CK725B1A-105K0	1	332001055R1
C8039	C-CERA C	CK725B1A-105K0	1	332001055R1
C8040	C-CERA C	CK725B1A-105K0	1	332001055R1
C8041	C-CERA C	CK725B1A-105K0	1	332001055R1
C8042	C-CERA C	CK725B1C-104K0	1	332011045R1
C8043	C-CERA C	CK725B1C-104K0	1	332011045R1
C8044	C-CERA C	CK725B1C-104K0	1	332011045R1
C8045	C-CERA C	CK725B1C-104K0	1	332011045R1
C8046	C-CERA C	CK725B1C-104K0	1	332011045R1
C8047	C-CERA C	CK725B1C-104K0	1	332011045R1
C8050	C-CERA C	CK732B16V-106K	1	332071065R2
C8051	C-CERA C	CK732B16V-106K	1	332071065R2
C8052	C-CERA C	CK725B1A-105K0	1	332001055R1
C8053	C-CERA C	CK725B1A-105K0	1	332001055R1
C8054	C-CERA C	CK725B1C-104K0	1	332011045R1

C8055	C-CERA C	CK725B1C-104K0	1	332011045R1
C8056	C-CERA C	CK725B1C-104K0	1	332011045R1
C8058	C-CERA C	CK725B1C-104K0	1	332011045R1
C8060	C-CERA C	CK732B16V-106K	1	332071065R2
C8061	C-CERA C	CK732B16V-106K	1	332071065R2
C8062	C-CERA C	CK725B1A-105K0	1	332001055R1
C8063	C-CERA C	CK725B1C-104K0	1	332011045R1
C8064	C-CERA C	CK725B1C-104K0	1	332011045R1
C8065	C-CERA C	CK725B1C-104K0	1	332011045R1
C8066	C-CERA C	CK732B16V-106K	1	332071065R2
C8067	C-CERA C	CK732B16V-106K	1	332071065R2
C8068	C-CERA C	CK725B1A-105K0	1	332001055R1
C8069	C-CERA C	CK725B1C-104K0	1	332011045R1
C8070	C-CERA C	CK725B1C-104K0	1	332011045R1
C8071	C-CERA C	CK725B1C-104K0	1	332011045R1
C8072	C-CERA C	CK732B16V-106K	1	332071065R2
C8073	C-CERA C	CK732B16V-106K	1	332071065R2
C8075	C-CERA C	CK725B0J-226M	1	332092267R2
C8076	C-CERA C	CK725B0J-226M	1	332092267R2
C8078	C-CERA C	CK732B16V-106K	1	332071065R2
C8079	C-CERA C	CK732B16V-106K	1	332071065R2
C8080	C-CERA C	CK732B16V-106K	1	332071065R2
C8081	C-CERA C	CK732B16V-106K	1	332071065R2
C8082	C-CERA C	CK725B1A-105K0	1	332001055R1
C8083	C-CERA C	CK725B1A-105K0	1	332001055R1
C8084	C-CERA C	CK725B1A-105K0	1	332001055R1
C8085	C-CERA C	CK725B1A-105K0	1	332001055R1
C8086	C-CERA C	CK725B1A-105K0	1	332001055R1
C8087	C-CERA C	CK725B1A-105K0	1	332001055R1
C8088	C-CERA C	CK725B1A-105K0	1	332001055R1
C8089	C-CERA C	CK725B1A-105K0	1	332001055R1
C8090	C-CERA C	CK725B1A-105K0	1	332001055R1
C8091	C-CERA C	CK725B1A-105K0	1	332001055R1
C8092	C-CERA C	CK725B1A-105K0	1	332001055R1
C8093	C-CERA C	CK725B1A-105K0	1	332001055R1
C8094	C-CERA C	CK725B1A-105K0	1	332001055R1
C8095	C-CERA C	CK732B16V-106K	1	332071065R2
C8096	C-CERA C	CK725B1A-105K0	1	332001055R1
C8097	C-CERA C	CK732B16V-106K	1	332071065R2
C8098	C-CERA C	CK725B1A-105K0	1	332001055R1
C8100	C-CERA C	CK725B1H-102K0	1	332031025R1
C8101	C-CERA C	CK725B1H-102K0	1	332031025R1
C8105	C-CERA C	CK725B1A-105K0	1	332001055R1
C8106	C-CERA C	CK725B1A-105K0	1	332001055R1
C8107	C-CERA C	CK725B1C-104K0	1	332011045R1
C8108	C-CERA C	CK725B1C-104K0	1	332011045R1
C8109	C-CERA C	CK725B1A-105K0	1	332001055R1

C8110	C-CERA C	CK725B1A-105K0	1	332001055R1
C8111	C-CERA C	CC725CH1H-101J0	1	342031014R1
C8112	C-CERA C	CK725B1C-104K0	1	332011045R1
C8113	C-CERA C	CK725B1C-104K0	1	332011045R1
C8114	C-CERA C	CC725CH1H-080C0	1	342030801R1
C8115	C-CERA C	CK725B1C-104K0	1	332011045R1
C8116	C-CERA C	CC725CH1H-270J0	1	342032704R1
C8117	C-CERA C	CC725CH1H-220J0	1	342032204R1
C8120	C-CERA C	CC725CH1H-100D0	1	342031002R1
C8124	C-CERA C	CK725B1C-104K0	1	332011045R1
C8126	C-CERA C	CK732B16V-106K	1	332071065R2
C8127	C-CERA C	CK725B0J-226M	1	332092267R2
C8128	C-CERA C	CK725B1C-104K0	1	332011045R1
C8129	C-CERA C	CK732B16V-106K	1	332071065R2
C8130	C-CERA C	CK732B16V-106K	1	332071065R2
C8132	C-CERA C	CK732B16V-106K	1	332071065R2
C8133	C-CERA C	CK732B16V-106K	1	332071065R2
C8135	C-CERA C	CK732B16V-106K	1	332071065R2
C8136	C-CERA C	CK725B1A-105K0	1	332001055R1
C8141	C-CERA C	CK732B16V-106K	1	332071065R2
C8142	C-CERA C	CK732B16V-106K	1	332071065R2
C8143	C-CERA C	CK732B16V-106K	1	332071065R2
C8144	C-CERA C	CK732B16V-106K	1	332071065R2
C8145	C-CERA C	CK725B1A-105K0	1	332001055R1
C8148	C-CERA C	CK732B16V-106K	1	332071065R2
C8149	C-CERA C	CK732B16V-106K	1	332071065R2
C8151	C-CERA C	CK725B1C-104K0	1	332011045R1
C8152	C-CERA C	CK725B1H-102K0	1	332031025R1
C8153	C-CERA C	CK725B1C-104K0	1	332011045R1
C8154	C-CERA C	CK725B1H-102K0	1	332031025R1
C8155	C-CERA C	CK725B1C-104K0	1	332011045R1
C8156	C-CERA C	CK725B1H-102K0	1	332031025R1
C8157	C-CERA C	CK725B1C-104K0	1	332011045R1
C8158	C-CERA C	CK725B1H-102K0	1	332031025R1
C8159	C-CERA C	CK725B1C-104K0	1	332011045R1
C8160	C-CERA C	CK725B1H-102K0	1	332031025R1
C8161	C-CERA C	CK725B1C-104K0	1	332011045R1
C8162	C-CERA C	CK725B1H-102K0	1	332031025R1
C8163	C-CERA C	CK725B1C-104K0	1	332011045R1
C8164	C-CERA C	CK725B1H-102K0	1	332031025R1
C8165	C-CERA C	CK725B1C-104K0	1	332011045R1
C8166	C-CERA C	CK725B1H-102K0	1	332031025R1
C8168	C-CERA C	CK725B1H-102K0	1	332031025R1
C8169	C-CERA C	CK725B1C-104K0	1	332011045R1
C8170	C-CERA C	CK725B1A-105K0	1	332001055R1
C8171	C-CERA C	CK725B1A-105K0	1	332001055R1
C8172	C-CERA C	CK725B1A-105K0	1	332001055R1

C8173	C-CERA C	CK725B1A-105K0	1	332001055R1
C8174	C-CERA C	CK725B1A-105K0	1	332001055R1
C8175	C-CERA C	CK725B1C-104K0	1	332011045R1
C8176	C-CERA C	CK725B1H-102K0	1	332031025R1
C8177	C-CERA C	CK725B1C-104K0	1	332011045R1
C8178	C-CERA C	CK725B1H-102K0	1	332031025R1
C8179	C-CERA C	CC725CH1H-080C0	1	342030801R1
C8180	C-CERA C	CC725CH1H-080C0	1	342030801R1
C8181	C-CERA C	CK725B1C-104K0	1	332011045R1
C8182	C-CERA C	CK725B1H-102K0	1	332031025R1
C8183	C-CERA C	CK725B1C-104K0	1	332011045R1
C8184	C-CERA C	CK725B1H-102K0	1	332031025R1
C8185	C-CERA C	CK725B1H-102K0	1	332031025R1
C8186	C-CERA C	CK725B1C-104K0	1	332011045R1
C8187	C-CERA C	CK725B1C-104K0	1	332011045R1
C8188	C-CERA C	CK725B1H-102K0	1	332031025R1
C8189	C-CERA C	CK725B1C-104K0	1	332011045R1
C8190	C-CERA C	CK725B1H-102K0	1	332031025R1
C8191	C-CERA C	CK725B1C-104K0	1	332011045R1
C8192	C-CERA C	CK725B1H-102K0	1	332031025R1
C8193	C-CERA C	CK725B1C-104K0	1	332011045R1
C8194	C-CERA C	CK725B1H-102K0	1	332031025R1
C8195	C-CERA C	CK725B1C-104K0	1	332011045R1
C8196	C-CERA C	CK725B1H-102K0	1	332031025R1
C8197	C-CERA C	CK725B1C-104K0	1	332011045R1
C8198	C-CERA C	CK725B1H-102K0	1	332031025R1
C8199	C-CERA C	CK725B1H-102K0	1	332031025R1
C8200	C-CERA C	CK725B1C-104K0	1	332011045R1
C8201	C-CERA C	CK725B1C-104K0	1	332011045R1
C8202	C-CERA C	CK725B1C-104K0	1	332011045R1
C8203	C-CERA C	CK725B1C-104K0	1	332011045R1
C8204	C-CERA C	CK725B1H-102K0	1	332031025R1
C8205	C-CERA C	CK725B1C-104K0	1	332011045R1
C8206	C-CERA C	CK725B1C-104K0	1	332011045R1
C8207	C-CERA C	CK725B1H-102K0	1	332031025R1
C8208	C-CERA C	CK725B1C-104K0	1	332011045R1
C8209	C-CERA C	CK725B1C-104K0	1	332011045R1
C8210	C-CERA C	CC725CH1H-150J0	1	342031504R1
C8211	C-CERA C	CC725CH1H-180J0	1	342031804R1
C8212	C-CERA C	CK725B1C-104K0	1	332011045R1
C8213	C-CERA C	CK725B1C-104K0	1	332011045R1
C8214	C-CERA C	CK732B16V-106K	1	332071065R2
C8215	C-CERA C	CK725B1C-104K0	1	332011045R1
C8216	C-CERA C	CK725B1A-105K0	1	332001055R1
C8217	C-CERA C	CK725B1C-104K0	1	332011045R1
C8218	C-CERA C	CK725B1C-104K0	1	332011045R1
C8219	C-CERA C	CK725B1C-104K0	1	332011045R1



C8220	C-CERA C	CK725B1C-104K0	1	332011045R1
C8221	C-CERA C	CK725B1C-104K0	1	332011045R1
C8222	C-CERA C	CK725B1C-104K0	1	332011045R1
C8223	C-CERA C	CK725B1C-104K0	1	332011045R1
C8224	C-CERA C	CK725B1C-104K0	1	332011045R1
C8225	C-CERA C	CK732B16V-106K	1	332071065R2
C8226	C-CERA C	CK732B16V-106K	1	332071065R2
C8227	C-CERA C	CK725B1C-104K0	1	332011045R1
C8228	C-CERA C	CK725B1C-104K0	1	332011045R1
C8229	C-CERA C	CK725B1C-104K0	1	332011045R1
C8230	C-CERA C	CK725B1E-103K0	1	332021035R1
C8231	C-CERA C	CK725B1E-103K0	1	332021035R1
C8232	C-CERA C	CK725B1E-103K0	1	332021035R1
C8233	C-CERA C	CK725B1E-103K0	1	332021035R1
C8234	C-CERA C	CK725B1E-103K0	1	332021035R1
C8235	C-CERA C	CK725B1E-103K0	1	332021035R1
C8236	C-CERA C	CK725B1E-103K0	1	332021035R1
C8237	C-CERA C	CK725B1E-103K0	1	332021035R1
C8238	C-CERA C	CK725B1E-103K0	1	332021035R1
C8239	C-CERA C	CK725B1E-103K0	1	332021035R1
C8240	C-CERA C	CK725B1C-104K0	1	332011045R1
C8241	C-CERA C	CK725B1C-104K0	1	332011045R1
C8242	C-CERA C	CK732B16V-106K	1	332071065R2
C8243	CHIP TANTAL	TEESVA0J226M8R	1	398422207R2
C8243 or	CHIP TANTAL	F93-6.3V-22M	(1)	395522207R2
C8243 or	CHIP TANTAL	TCSCS0J226MAAR	(1)	396522207R2
C8244	C-CERA C	CK732B16V-106K	1	332071065R2
C8245	C-CERA C	CK732B16V-106K	1	332071065R2
C8246	C-CERA C	CK725B1E-103K0	1	332021035R1
C8247	C-CERA C	CK725B1E-103K0	1	332021035R1
C8248	C-CERA C	CK725B1E-103K0	1	332021035R1
C8249	C-CERA C	CK725B1E-103K0	1	332021035R1
C8250	C-CERA C	CK725B1E-103K0	1	332021035R1
C8251	C-CERA C	CK725B1A-105K0	1	332001055R1
C8252	C-CERA C	CK725B1A-105K0	1	332001055R1
C8253	C-CERA C	CK725B1A-105K0	1	332001055R1
C8254	C-CERA C	CK725B1E-103K0	1	332021035R1
C8255	C-CERA C	CK725B1C-104K0	1	332011045R1
C8256	CHIP TANTAL	TEESVB20J107M8R	1	398421017R2
C8256 or	CHIP TANTAL	F93-6.3V-100M	(1)	395521017R2
C8256 or	CHIP TANTAL	TCSCS0J107MBAR	(1)	396521017R2
C8257	CHIP TANTAL	TEESVA0J226M8R	1	398422207R2
C8257 or	CHIP TANTAL	F93-6.3V-22M	(1)	395522207R2
C8257 or	CHIP TANTAL	TCSCS0J226MAAR	(1)	396522207R2
C8268	C-CERA C	CK725B1C-104K0	1	332011045R1
C8269	C-CERA C	CK725B1C-104K0	1	332011045R1
C8270	C-CERA C	CK725B1C-104K0	1	332011045R1

C8271	C-CERA C	CK725B1E-103K0	1	332021035R1
C8272	C-CERA C	CK725B1E-103K0	1	332021035R1
C8273	C-CERA C	CK725B1E-103K0	1	332021035R1
C8274	C-CERA C	CK725B1E-103K0	1	332021035R1
C8275	C-CERA C	CK725B1E-103K0	1	332021035R1
C8276	C-CERA C	CK725B1E-103K0	1	332021035R1
C8277	C-CERA C	CK725B1E-103K0	1	332021035R1
C8278	C-CERA C	CK725B1E-103K0	1	332021035R1
C8279	C-CERA C	CK725B1E-103K0	1	332021035R1
C8280	C-CERA C	CK725B1E-103K0	1	332021035R1
C8281	C-CERA C	CK725B1E-103K0	1	332021035R1
C8282	C-CERA C	CK725B1E-103K0	1	332021035R1
C8283	C-CERA C	CK725B1E-103K0	1	332021035R1
C8284	C-CERA C	CK725B1E-103K0	1	332021035R1
C8285	C-CERA C	CK725B1E-103K0	1	332021035R1
C8286	C-CERA C	CK725B1E-103K0	1	332021035R1
C8287	C-CERA C	CK725B1C-104K0	1	332011045R1
C8288	C-CERA C	CK725B1C-104K0	1	332011045R1
C8289	C-CERA C	CK725B1C-104K0	1	332011045R1
C8292	C-CERA C	CK725B1E-103K0	1	332021035R1
C8293	C-CERA C	CK725B1E-103K0	1	332021035R1
C8294	C-CERA C	CK725B1E-103K0	1	332021035R1
C8295	C-CERA C	CK725B1E-103K0	1	332021035R1
C8296	C-CERA C	CK725B1E-103K0	1	332021035R1
C8297	C-CERA C	CK725B1C-104K0	1	332011045R1
C8298	C-CERA C	CK725B1C-104K0	1	332011045R1
C8299	CHIP TANTAL	TEESVB20J107M8R	1	398421017R2
C8299 or	CHIP TANTAL	F93-6.3V-100M	(1)	395521017R2
C8299 or	CHIP TANTAL	TCSCS0J107MBAR	(1)	396521017R2
C8301	C-CERA C	CK725B1C-104K0	1	332011045R1
C8302	C-CERA C	CK725B1H-102K0	1	332031025R1
C8303	C-CERA C	CK725B1C-104K0	1	332011045R1
C8304	C-CERA C	CK725B1H-102K0	1	332031025R1
C8305	C-CERA C	CK725B1C-104K0	1	332011045R1
C8306	C-CERA C	CK725B1H-102K0	1	332031025R1
C8307	C-CERA C	CK725B1C-104K0	1	332011045R1
C8308	C-CERA C	CK725B1H-102K0	1	332031025R1
C8309	C-CERA C	CK725B1C-104K0	1	332011045R1
C8310	C-CERA C	CK725B1H-102K0	1	332031025R1
C8311	C-CERA C	CK725B1C-104K0	1	332011045R1
C8312	C-CERA C	CK725B1H-102K0	1	332031025R1
C8313	C-CERA C	CK725B1C-104K0	1	332011045R1
C8314	C-CERA C	CK725B1H-102K0	1	332031025R1
C8315	C-CERA C	CK725B1C-104K0	1	332011045R1
C8316	C-CERA C	CK725B1H-102K0	1	332031025R1
C8318	C-CERA C	CK725B1H-102K0	1	332031025R1
C8319	C-CERA C	CK725B1C-104K0	1	332011045R1

C8320	C-CERA C	CK725B1A-105K0	1	332001055R1
C8321	C-CERA C	CK725B1A-105K0	1	332001055R1
C8322	C-CERA C	CK725B1A-105K0	1	332001055R1
C8323	C-CERA C	CK725B1A-105K0	1	332001055R1
C8324	C-CERA C	CK725B1A-105K0	1	332001055R1
C8325	C-CERA C	CK725B1C-104K0	1	332011045R1
C8326	C-CERA C	CK725B1H-102K0	1	332031025R1
C8327	C-CERA C	CK725B1C-104K0	1	332011045R1
C8328	C-CERA C	CK725B1H-102K0	1	332031025R1
C8329	C-CERA C	CC725CH1H-080C0	1	342030801R1
C8330	C-CERA C	CC725CH1H-150J0	1	342031504R1
C8331	C-CERA C	CK725B1C-104K0	1	332011045R1
C8332	C-CERA C	CK725B1H-102K0	1	332031025R1
C8333	C-CERA C	CK725B1C-104K0	1	332011045R1
C8334	C-CERA C	CK725B1H-102K0	1	332031025R1
C8335	C-CERA C	CK725B1H-102K0	1	332031025R1
C8336	C-CERA C	CK725B1C-104K0	1	332011045R1
C8337	C-CERA C	CK725B1C-104K0	1	332011045R1
C8338	C-CERA C	CK725B1H-102K0	1	332031025R1
C8339	C-CERA C	CK725B1C-104K0	1	332011045R1
C8340	C-CERA C	CK725B1H-102K0	1	332031025R1
C8341	C-CERA C	CK725B1C-104K0	1	332011045R1
C8342	C-CERA C	CK725B1H-102K0	1	332031025R1
C8343	C-CERA C	CK725B1C-104K0	1	332011045R1
C8344	C-CERA C	CK725B1H-102K0	1	332031025R1
C8345	C-CERA C	CK725B1C-104K0	1	332011045R1
C8346	C-CERA C	CK725B1H-102K0	1	332031025R1
C8347	C-CERA C	CK725B1C-104K0	1	332011045R1
C8348	C-CERA C	CK725B1H-102K0	1	332031025R1
C8349	C-CERA C	CK725B1H-102K0	1	332031025R1
C8350	C-CERA C	CK725B1C-104K0	1	332011045R1
C8351	C-CERA C	CK732B16V-106K	1	332071065R2
C8352	C-CERA C	CK732B16V-106K	1	332071065R2
C8353	C-CERA C	CK732B16V-106K	1	332071065R2
C8354	C-CERA C	CK732B16V-106K	1	332071065R2
C8355	C-CERA C	CK732B16V-106K	1	332071065R2
C8356	C-CERA C	CK732B16V-106K	1	332071065R2
C8357	C-CERA C	CK725B1H-102K0	1	332031025R1
C8358	C-CERA C	CK725B1C-104K0	1	332011045R1
C8359	C-CERA C	CK725B1A-105K0	1	332001055R1
C8360	C-CERA C	CK725B1C-104K0	1	332011045R1
C8367	C-CERA C	CK725B1A-105K0	1	332001055R1
C8501	C-CERA C	CK725B1C-104K0	1	332011045R1
C8502	C-CERA C	CK725B1C-104K0	1	332011045R1
C8503	C-CERA C	CK725B1C-104K0	1	332011045R1
C8504	C-CERA C	CK725B1C-104K0	1	332011045R1
C8505	C-CERA C	CK725B1C-104K0	1	332011045R1

C8506	C-CERA C	CK725B1C-104K0	1	332011045R1
C8507	C-CERA C	CK725B1C-104K0	1	332011045R1
C8508	C-CERA C	CK725B1C-104K0	1	332011045R1
C8509	C-CERA C	CK725B0J-226M	1	332092267R2
C8510	C-CERA C	CK725B0J-226M	1	332092267R2
C8511	C-CERA C	CK725B1C-104K0	1	332011045R1
C8512	C-CERA C	CK725B1C-104K0	1	332011045R1
C8513	C-CERA C	CK725B1C-104K0	1	332011045R1
C8514	C-CERA C	CK725B1C-104K0	1	332011045R1
C8515	C-CERA C	CK725B1C-104K0	1	332011045R1
C8516	C-CERA C	CK725B1C-104K0	1	332011045R1
C8517	C-CERA C	CK725B1C-104K0	1	332011045R1
C8518	C-CERA C	CK725B1C-104K0	1	332011045R1
C8520	CHIP TANTAL	TEESVA0J226M8R	1	398422207R2
C8520 or	CHIP TANTAL	F93-6.3V-22M	(1)	395522207R2
C8520 or	CHIP TANTAL	TCSCS0J226MAAR	(1)	396522207R2
C8521	CHIP TANTAL	TEESVA0J226M8R	1	398422207R2
C8521 or	CHIP TANTAL	F93-6.3V-22M	(1)	395522207R2
C8521 or	CHIP TANTAL	TCSCS0J226MAAR	(1)	396522207R2
C8522	CHIP TANTAL	TEESVA0J226M8R	1	398422207R2
C8522 or	CHIP TANTAL	F93-6.3V-22M	(1)	395522207R2
C8522 or	CHIP TANTAL	TCSCS0J226MAAR	(1)	396522207R2
C8523	CHIP TANTAL	TEESVA0J226M8R	1	398422207R2
C8523 or	CHIP TANTAL	F93-6.3V-22M	(1)	395522207R2
C8523 or	CHIP TANTAL	TCSCS0J226MAAR	(1)	396522207R2
C8536	C-CERA C	CK725B1C-104K0	1	332011045R1
C8537	C-CERA C	CK725B1C-104K0	1	332011045R1
C8538	C-CERA C	CK725B1C-104K0	1	332011045R1
C8539	C-CERA C	CK725B1C-104K0	1	332011045R1
C8540	C-CERA C	CK725B1C-104K0	1	332011045R1
C8541	C-CERA C	CK725B1C-104K0	1	332011045R1
C8542	C-CERA C	CC725CH1H-060D0	1	342030602R1
C8543	C-CERA C	CC725CH1H-060D0	1	342030602R1
C8545	C-CERA C	CK725B1C-104K0	1	332011045R1
C8546	C-CERA C	CK725B1C-104K0	1	332011045R1
C8547	C-CERA C	CK725B1C-104K0	1	332011045R1
C8548	C-CERA C	CK725B1C-104K0	1	332011045R1
C8549	C-CERA C	CK725B1C-104K0	1	332011045R1
C8550	C-CERA C	CK725B1C-104K0	1	332011045R1
C8551	C-CERA C	CK725B1C-104K0	1	332011045R1
C8552	C-CERA C	CK725B1C-104K0	1	332011045R1
C8553	C-CERA C	CK725B1C-104K0	1	332011045R1
C8554	C-CERA C	CK725B1C-104K0	1	332011045R1
C8555	C-CERA C	CK725B1C-104K0	1	332011045R1
C8556	C-CERA C	CK725B1C-104K0	1	332011045R1
C8557	C-CERA C	CK725B1C-104K0	1	332011045R1
C8558	C-CERA C	CK725B1C-104K0	1	332011045R1

C8559	C-CERA C	CK725B1C-104K0	1	332011045R1
C8560	C-CERA C	CK725B1C-104K0	1	332011045R1
C8584	CHIP TANTAL	TEESVA0J226M8R	1	398422207R2
C8584 or	CHIP TANTAL	F93-6.3V-22M	(1)	395522207R2
C8584 or	CHIP TANTAL	TCSCS0J226MAAR	(1)	396522207R2
C8601	C-CERA C	CK725B1H-102K0	1	332031025R1
C8602	C-CERA C	CK725B1H-102K0	1	332031025R1
C8603	C-CERA C	CK725B1H-102K0	1	332031025R1
C8604	C-CERA C	CK725B1H-102K0	1	332031025R1
C8605	C-CERA C	CK725B1H-102K0	1	332031025R1
C8606	C-CERA C	CK725B1H-102K0	1	332031025R1
C8607	C-CERA C	CK725B1H-102K0	1	332031025R1
C8608	C-CERA C	CK725B1H-102K0	1	332031025R1
C8609	C-CERA C	CK725B1H-102K0	1	332031025R1
C8610	C-CERA C	CK725B1H-102K0	1	332031025R1
C8611	C-CERA C	CK725B1H-102K0	1	332031025R1
C8612	C-CERA C	CK725B1H-102K0	1	332031025R1
C8615	C-CERA C	CK725B1H-102K0	1	332031025R1
C8616	C-CERA C	CK725B1H-102K0	1	332031025R1
C8617	C-CERA C	CK725B1A-105K0	1	332001055R1
C8618	C-CERA C	CK725B1C-104K0	1	332011045R1
C8619	C-CERA C	CK732B16V-106K	1	332071065R2
C8620	C-CERA C	CK725B1A-105K0	1	332001055R1
C8621	C-CERA C	CK725B1C-104K0	1	332011045R1
C8622	C-CERA C	CK725B1C-104K0	1	332011045R1
C8623	C-CERA C	CK725B1C-104K0	1	332011045R1
C8624	C-CERA C	CK725B1C-104K0	1	332011045R1
C8625	C-CERA C	CK725B1C-104K0	1	332011045R1
C8633	C-CERA C	CK725B1H-102K0	1	332031025R1
C8634	C-CERA C	CK725B1H-102K0	1	332031025R1
C8691	C-CERA C	CK725B1C-104K0	1	332011045R1
C8701	C-CERA C	CK725B1C-104K0	1	332011045R1
C8702	C-CERA C	CK725B1A-105K0	1	332001055R1
C8703	C-CERA C	CK732B16V-106K	1	332071065R2
C8704	C-CERA C	CK732B16V-106K	1	332071065R2
C8705	C-CERA C	CK725B1C-104K0	1	332011045R1
C8706	C-CERA C	CK725B1C-104K0	1	332011045R1
C8707	C-CERA C	CK725B1C-104K0	1	332011045R1
C8708	C-CERA C	CK725B1C-104K0	1	332011045R1
C8709	C-CERA C	CK725B1C-104K0	1	332011045R1
C8711	C-CERA C	CK725B1C-104K0	1	332011045R1
C8831	C-CERA C	CK725B1A-105K0	1	332001055R1
C8832	C-CERA C	CK725B0J-225K	1	332092255R1
C8833	C-CERA C	CK732B16V-106K	1	332071065R2
C8834	C-CERA C	CK725B1A-105K0	1	332001055R1
C8835	C-CERA C	CK725B0J-226M	1	332092267R2
C8836	C-CERA C	CK725B0J-226M	1	332092267R2

C8837	C-CERA C	CK725B1A-105K0	1	332001055R1
C8838	C-CERA C	CK732B16V-106K	1	332071065R2
C8839	C-CERA C	CK725B1A-105K0	1	332001055R1
C8840	C-CERA C	CK732B16V-106K	1	332071065R2
C8842	C-CERA C	CK725B0J-226M	1	332092267R2
C8843	C-CERA C	CK725B0J-226M	1	332092267R2
C8845	C-CERA C	CK725B1A-105K0	1	332001055R1
C8846	C-CERA C	CK725B1A-105K0	1	332001055R1
C8847	C-CERA C	CK725B1H-222K0	1	332032225R1
C8849	C-CERA C	CK725B1A-105K0	1	332001055R1
C8851	C-CERA C	CK725B1A-105K0	1	332001055R1
C8852	C-CERA C	CK725B1H-222K0	1	332032225R1
C8854	C-CERA C	CK725B1E-153K0	1	332021535R1
C8855	C-CERA C	CK725B1A-154K0	1	332001545R1
C8857	C-CERA C	CK725B1A-105K0	1	332001055R1
C8858	C-CERA C	CK725B1E-153K0	1	332021535R1
C8859	C-CERA C	CK725B1A-154K0	1	332001545R1
C8860	C-CERA C	CK732B16V-106K	1	332071065R2
C8901	C-CERA C	CK725B1C-104K0	1	332011045R1
C8902	C-CERA C	CK725B1C-104K0	1	332011045R1
C8903	C-CERA C	CK725B1E-106K	1	332221065R2
C8904	C-CERA C	CK725B1E-106K	1	332221065R2
C8905	C-CERA C	CK725B1E-103K0	1	332021035R1
C8908	C-CERA C	CK725B0J-226M	1	332092267R2
C8909	C-CERA C	CK725B0J-226M	1	332092267R2
C8911	C-CERA C	CK725B1C-104K0	1	332011045R1
C8912	C-CERA C	CK725B1C-104K0	1	332011045R1
C8913	C-CERA C	CK725B1E-106K	1	332221065R2
C8914	C-CERA C	CK725B1E-106K	1	332221065R2
C8915	C-CERA C	CK725B1E-103K0	1	332021035R1
C8918	C-CERA C	CK725B0J-226M	1	332092267R2
C8919	C-CERA C	CK725B0J-226M	1	332092267R2
C8921	C-CERA C	CK725B1C-104K0	1	332011045R1
C8922	C-CERA C	CK725B1C-104K0	1	332011045R1
C8923	C-CERA C	CK725B1E-106K	1	332221065R2
C8924	C-CERA C	CK725B1E-106K	1	332221065R2
C8925	C-CERA C	CK725B1H-472K0	1	332034725R1
C8928	C-CERA C	CK725B0J-226M	1	332092267R2
C8929	C-CERA C	CK725B0J-226M	1	332092267R2
C8931	C-CERA C	CK725B1C-104K0	1	332011045R1
C8932	C-CERA C	CK725B1C-104K0	1	332011045R1
C8933	C-CERA C	CK725B1E-106K	1	332221065R2
C8934	C-CERA C	CK725B1E-106K	1	332221065R2
C8935	C-CERA C	CK725B1H-472K0	1	332034725R1
C8938	C-CERA C	CK725B0J-226M	1	332092267R2
C8939	C-CERA C	CK725B0J-226M	1	332092267R2
C8941	C-CERA C	CK725B1C-104K0	1	332011045R1

C8942	C-CERA C	CK725B1C-104K0	1	332011045R1
C8943	C-CERA C	CK725B1E-106K	1	332221065R2
C8944	C-CERA C	CK725B1E-106K	1	332221065R2
C8945	C-CERA C	CK725B1H-472K0	1	332034725R1
C8948	C-CERA C	CK725B0J-226M	1	332092267R2
C8949	C-CERA C	CK725B0J-226M	1	332092267R2
C8951	C-CERA C	CK732B16V-106K	1	332071065R2
C8952	C-CERA C	CK725B1A-105K0	1	332001055R1
C8953	C-CERA C	CK725B0J-226M	1	332092267R2
C8954	C-CERA C	CK732B16V-106K	1	332071065R2
C8955	C-CERA C	CK725B1A-105K0	1	332001055R1
C8956	C-CERA C	CK725B1A-105K0	1	332001055R1
C8957	C-CERA C	CK725B1A-105K0	1	332001055R1
C8958	C-CERA C	CK725B1A-105K0	1	332001055R1
C8959	C-CERA C	CK725B1E-106K	1	332221065R2
C8960	C-CERA C	CK725B1A-105K0	1	332001055R1
C8961	C-CERA C	CK725B1A-105K0	1	332001055R1
C8962	C-CERA C	CK725B0J-226M	1	332092267R2
C8963	C-CERA C	CK725B1A-105K0	1	332001055R1
C8964	C-CERA C	CK725B0J-226M	1	332092267R2
C8965	C-CERA C	CK725B1A-105K0	1	332001055R1
C8966	C-CERA C	CK725B0J-226M	1	332092267R2
C8967	C-CERA C	CK725B1A-105K0	1	332001055R1
C8968	C-CERA C	CK725B0J-226M	1	332092267R2
C8969	C-CERA C	CK725B1A-105K0	1	332001055R1
C8970	C-CERA C	CK725B0J-226M	1	332092267R2
C8971	C-CERA C	CK725B1A-105K0	1	332001055R1
C8972	C-CERA C	CK725B1A-105K0	1	332001055R1
C8974	C-CERA C	CK725B1A-105K0	1	332001055R1
C8975	C-CERA C	CK725B1E-106K	1	332221065R2
C8976	C-CERA C	CK725B0J-226M	1	332092267R2
C8977	C-CERA C	CK732B16V-106K	1	332071065R2
C8978	C-CERA C	CK732B16V-106K	1	332071065R2
C8979	C-CERA C	CK732B16V-106K	1	332071065R2
C8980	C-CERA C	CK732B16V-106K	1	332071065R2
C8981	C-CERA C	CK732B16V-106K	1	332071065R2
C8985	C-CERA C	CK732B16V-106K	1	332071065R2
C8986	C-CERA C	CK732B16V-106K	1	332071065R2
<b>[RESISTOR]</b>				
R3009	C-CARBON R	RN72K1J-330JE	1	435033304R1
R3010	C-R NET	RM7LJ330X04	1	43484733004R2
R3010 or	C-R NET	YCN104-330-JK	(1)	43464C33004R1
R3011	C-R NET	RM7LJ330X04	1	43484733004R2
R3011 or	C-R NET	YCN104-330-JK	(1)	43464C33004R1
R3012	C-R NET	RM7LJ470X04	1	43484747004R2
R3012 or	C-R NET	YCN104-470-JK	(1)	43464C47004R1
R3013	C-R NET	RM7LJ330X04	1	43484733004R2

R3013 or	C-R NET	YCN104-330-JK	(1)	43464C33004R1
R3014	C-R NET	RM7LJ330X04	1	43484733004R2
R3014 or	C-R NET	YCN104-330-JK	(1)	43464C33004R1
R3015	C-R NET	RM7LJ330X04	1	43484733004R2
R3015 or	C-R NET	YCN104-330-JK	(1)	43464C33004R1
R3016	C-CARBON R	RN72K1J-470JE	1	435034704R1
R3017	C-R NET	RM7LJ330X04	1	43484733004R2
R3017 or	C-R NET	YCN104-330-JK	(1)	43464C33004R1
R3018	C-CARBON R	RN72K1J-470JE	1	435034704R1
R3019	C-R NET	RM7LJ330X04	1	43484733004R2
R3019 or	C-R NET	YCN104-330-JK	(1)	43464C33004R1
R3020	C-R NET	RM7LJ330X04	1	43484733004R2
R3020 or	C-R NET	YCN104-330-JK	(1)	43464C33004R1
R3021	C-CARBON R	RN72K1J-470JE	1	435034704R1
R3022	C-CARBON R	RN72K1J-470JE	1	435034704R1
R3023	C-R NET	RM7LJ470X04	1	43484747004R2
R3023 or	C-R NET	YCN104-470-JK	(1)	43464C47004R1
R3024	C-CARBON R	RN72K1J-470JE	1	435034704R1
R3025	C-CARBON R	RN72K1J-102JE	1	435031024R1
R3027	C-CARBON R	RN72K1J-470JE	1	435034704R1
R3028	C-CARBON R	RN72K1J-470JE	1	435034704R1
R3029	C-CARBON R	RN72K1J-102JE	1	435031024R1
R3032	C-CARBON R	RN72K1J-103JE	1	435031034R1
R3033	C-CARBON R	RN72K1J-470JE	1	435034704R1
R3034	C-CARBON R	RN72K1J-470JE	1	435034704R1
R3035	C-CARBON R	RN72K1J-470JE	1	435034704R1
R3036	C-CARBON R	RN72K1J-470JE	1	435034704R1
R3037	C-CARBON R	RN72K1J-470JE	1	435034704R1
R3038	C-CARBON R	RN72K1J-470JE	1	435034704R1
R3039	C-CARBON R	RN72K1J-470JE	1	435034704R1
R3040	C-CARBON R	RN72K1J-103JE	1	435031034R1
R3041	C-R NET	RM7LJ330X04	1	43484733004R2
R3041 or	C-R NET	YCN104-330-JK	(1)	43464C33004R1
R3042	C-R NET	RM7LJ330X04	1	43484733004R2
R3042 or	C-R NET	YCN104-330-JK	(1)	43464C33004R1
R3043	C-CARBON R	RN72K1J-000JE	1	435030004R1
R3044	C-R NET	RM7LJ330X04	1	43484733004R2
R3044 or	C-R NET	YCN104-330-JK	(1)	43464C33004R1
R3045	C-R NET	RM7LJ330X04	1	43484733004R2
R3045 or	C-R NET	YCN104-330-JK	(1)	43464C33004R1
R3047	C-CARBON R	RN72K1J-560JE	1	435035604R1
R3048	C-CARBON R	RN72K1J-101JE	1	435031014R1
R3049	C-CARBON R	RN72K1J-560JE	1	435035604R1
R3050	C-CARBON R	RN72K1J-560JE	1	435035604R1
R3051	C-CARBON R	RN72K1J-560JE	1	435035604R1
R3054	C-CARBON R	RN72K1J-103JE	1	435031034R1
R3056	C-CARBON R	RN72K1J-472JE	1	435034724R1



R3060	C-CARBON R	RN72K1J-680JE	1	435036804R1
R3061	C-CARBON R	RN72K1J-470JE	1	435034704R1
R3062	C-CARBON R	RN72K1J-680JE	1	435036804R1
R3063	C-CARBON R	RN72K1J-680JE	1	435036804R1
R3064	C-CARBON R	RN72K1J-680JE	1	435036804R1
R3065	C-CARBON R	RN72K1J-680JE	1	435036804R1
R3066	C-CARBON R	RN72K1J-102JE	1	435031024R1
R3101	C-CARBON R	RN72K1J-103JE	1	435031034R1
R3105	C-CARBON R	RN72K1J-473JE	1	435034734R1
R3106	C-CARBON R	RN72K1J-103JE	1	435031034R1
R3108	C-CARBON R	RN72K1J-103JE	1	435031034R1
R3109	C-CARBON R	RN72K1J-473JE	1	435034734R1
R3111	C-CARBON R	RN72K1J-473JE	1	435034734R1
R3113	C-CARBON R	RN72K1J-103JE	1	435031034R1
R3115	C-CARBON R	RN72K1J-332JE	1	435033324R1
R3117	C-CARBON R	RN72K1J-332JE	1	435033324R1
R3119	C-CARBON R	RN72K1J-332JE	1	435033324R1
R3122	C-CARBON R	RN72K1J-102JE	1	435031024R1
R3123	C-CARBON R	RN72K1J-000JE	1	435030004R1
R3124	C-CARBON R	RN72K1J-331JE	1	435033314R1
R3125	C-CARBON R	RN72K1J-470JE	1	435034704R1
R3126	C-CARBON R	RN72K1J-470JE	1	435034704R1
R3127	C-CARBON R	RN72K1J-470JE	1	435034704R1
R3128	C-CARBON R	RN72K1J-472JE	1	435034724R1
R3129	C-CARBON R	RN72K1J-470JE	1	435034704R1
R3130	C-CARBON R	RN72K1J-470JE	1	435034704R1
R3131	C-CARBON R	RN72K1J-470JE	1	435034704R1
R3132	C-CARBON R	RN72K1J-103JE	1	435031034R1
R3133	C-CARBON R	RN72K1J-470JE	1	435034704R1
R3134	C-CARBON R	RN72K1J-103JE	1	435031034R1
R3135	C-CARBON R	RN72K1J-103JE	1	435031034R1
R3136	C-CARBON R	RN72K1J-000JE	1	435030004R1
R3137	C-CARBON R	RN72K1J-000JE	1	435030004R1
R3139	C-CARBON R	RN72K1J-101JE	1	435031014R1
R3141	C-CARBON R	RN72K1J-470JE	1	435034704R1
R3142	C-CARBON R	RN72K1J-470JE	1	435034704R1
R3143	C-CARBON R	RN72K1J-392JE	1	435033924R1
R3144	C-CARBON R	RN72K1J-101JE	1	435031014R1
R3145	C-CARBON R	RN72K1J-392JE	1	435033924R1
R3146	C-CARBON R	RN72K1J-390JE	1	435033904R1
R3147	C-CARBON R	RN72K1J-000JE	1	435030004R1
R3148	C-CARBON R	RN72K1J-390JE	1	435033904R1
R3149	C-CARBON R	RN72K1J-102JE	1	435031024R1
R3150	C-CARBON R	RN72K1J-680JE	1	435036804R1
R3151	C-CARBON R	RN72K1J-103JE	1	435031034R1
R3152	C-CARBON R	RN72K1J-103JE	1	435031034R1
R3154	C-CARBON R	RN72K1J-390JE	1	435033904R1

R3155	C-CARBON R	RN72K1J-390JE	1	435033904R1
R3156	C-CARBON R	RN72K1J-390JE	1	435033904R1
R3157	C-CARBON R	RN72K1J-000JE	1	435030004R1
R3158	C-CARBON R	RN72K1J-000JE	1	435030004R1
R3162	C-CARBON R	RN72K1J-390JE	1	435033904R1
R3163	C-CARBON R	RN72K1J-220JE	1	435032204R1
R3164	C-CARBON R	RN72K1J-472JE	1	435034724R1
R3168	C-CARBON R	RN72K1J-220JE	1	435032204R1
R3169	C-CARBON R	RN72K1J-220JE	1	435032204R1
R3170	C-CARBON R	RN72K1J-391FE	1	435033912R1
R3171	C-CARBON R	RN72K1J-222FE	1	435032222R1
R3172	C-CARBON R	RN72K1J-392FE	1	435033922R1
R3173	C-CARBON R	RN72K1J-390JE	1	435033904R1
R3174	C-CARBON R	RN72K1J-390JE	1	435033904R1
R3175	C-CARBON R	RN72K1J-472JE	1	435034724R1
R3176	C-CARBON R	RN72K1J-473JE	1	435034734R1
R3177	C-CARBON R	RN72K1J-103JE	1	435031034R1
R3181	C-CARBON R	RN72K1J-470JE	1	435034704R1
R3182	C-CARBON R	RN72K1J-472JE	1	435034724R1
R3183	C-CARBON R	RN72K1J-470JE	1	435034704R1
R3184	C-CARBON R	RN72K1J-470JE	1	435034704R1
R3185	C-CARBON R	RN72K1J-473JE	1	435034734R1
R3188	C-CARBON R	RN72K1J-473JE	1	435034734R1
R3189	C-CARBON R	RN72K1J-473JE	1	435034734R1
R3190	C-CARBON R	RN72K1J-472JE	1	435034724R1
R3192	C-CARBON R	RN72K1J-472JE	1	435034724R1
R3193	C-CARBON R	RN72K1J-472JE	1	435034724R1
R3194	C-CARBON R	RN72K1J-472JE	1	435034724R1
R3199	C-CARBON R	RN72K1J-102JE	1	435031024R1
R3200	C-CARBON R	RN72K1J-103JE	1	435031034R1
R3204	C-CARBON R	RN72K1J-103JE	1	435031034R1
R3205	C-CARBON R	RN72K1J-103JE	1	435031034R1
R3208	C-CARBON R	RN72K1J-121JE	1	435031214R1
R3212	C-CARBON R	RN72K1J-470JE	1	435034704R1
R3215	C-CARBON R	RN72K1J-221JE	1	435032214R1
R3218	C-CARBON R	RN72K1J-470JE	1	435034704R1
R3219	C-CARBON R	RN72K1J-221JE	1	435032214R1
R3221	C-CARBON R	RN72K1J-470JE	1	435034704R1
R3226	C-R NET	RM7LJ470X04	1	43484747004R2
R3226 or	C-R NET	YCN104-470-JK	( 1)	43464C47004R1
R3230	C-CARBON R	RN72K1J-221JE	1	435032214R1
R3232	C-CARBON R	RN72K1J-221JE	1	435032214R1
R3235	C-CARBON R	RN72K1J-470JE	1	435034704R1
R3237	C-CARBON R	RN72K1J-221JE	1	435032214R1
R3239	C-CARBON R	RN72K1J-221JE	1	435032214R1
R3241	C-CARBON R	RN72K1J-221JE	1	435032214R1
R3242	C-CARBON R	RN72K1J-221JE	1	435032214R1

R3244	C-CARBON R	RN72K1J-470JE	1	435034704R1
R3246	C-CARBON R	RN72K1J-332JE	1	435033324R1
R3247	C-CARBON R	RN72K1J-121JE	1	435031214R1
R3251	C-CARBON R	RN72K1J-470JE	1	435034704R1
R3257	C-CARBON R	RN72K1J-470JE	1	435034704R1
R3260	C-CARBON R	RN72K1J-121JE	1	435031214R1
R3262	C-CARBON R	RN72K1J-221JE	1	435032214R1
R3265	C-CARBON R	RN72K1J-390JE	1	435033904R1
R3266	C-CARBON R	RN72K1J-332JE	1	435033324R1
R3268	C-CARBON R	RN72K1J-390JE	1	435033904R1
R3270	C-CARBON R	RN72K1J-332JE	1	435033324R1
R3271	C-CARBON R	RN72K1J-390JE	1	435033904R1
R3272	C-CARBON R	RN72K1J-470JE	1	435034704R1
R3274	C-CARBON R	RN72K1J-390JE	1	435033904R1
R3277	C-CARBON R	RN72K1J-470JE	1	435034704R1
R3278	C-CARBON R	RN72K1J-470JE	1	435034704R1
R3279	C-CARBON R	RN72K1J-470JE	1	435034704R1
R3280	C-CARBON R	RN72K1J-470JE	1	435034704R1
R3281	C-CARBON R	RN72K1J-103JE	1	435031034R1
R3282	C-CARBON R	RN72K1J-103JE	1	435031034R1
R3284	C-CARBON R	RN72K1J-103JE	1	435031034R1
R3285	C-CARBON R	RN72K1J-332JE	1	435033324R1
R3286	C-CARBON R	RN72K1J-332JE	1	435033324R1
R3298	C-CARBON R	RN72K1J-102JE	1	435031024R1
R3302	C-CARBON R	RN72K1J-470JE	1	435034704R1
R3304	C-CARBON R	RN72K1J-470JE	1	435034704R1
R3305	C-R NET	RM7LJ470X04	1	43484747004R2
R3305 or	C-R NET	YCN104-470-JK	(1)	43464C47004R1
R3306	C-R NET	RM7LJ470X04	1	43484747004R2
R3306 or	C-R NET	YCN104-470-JK	(1)	43464C47004R1
R3309	C-CARBON R	RN72K1J-331JE	1	435033314R1
R3310	C-R NET	RM7LJ221X04	1	43484722104R2
R3310 or	C-R NET	YCN104-221-JK	(1)	43464C22104R1
R3311	C-R NET	RM7LJ221X04	1	43484722104R2
R3311 or	C-R NET	YCN104-221-JK	(1)	43464C22104R1
R3312	C-CARBON R	RN72K1J-470JE	1	435034704R1
R3313	C-CARBON R	RN72K1J-470JE	1	435034704R1
R3314	C-CARBON R	RN72K1J-470JE	1	435034704R1
R3315	C-R NET	RM7LJ470X04	1	43484747004R2
R3315 or	C-R NET	YCN104-470-JK	(1)	43464C47004R1
R3321	C-CARBON R	RN72K1J-221JE	1	435032214R1
R3322	C-CARBON R	RN72K1J-221JE	1	435032214R1
R3323	C-CARBON R	RN72K1J-221JE	1	435032214R1
R3327	C-CARBON R	RN72K1J-000JE	1	435030004R1
R3328	C-CARBON R	RN72K1J-000JE	1	435030004R1
R3329	C-CARBON R	RN72K1J-000JE	1	435030004R1
R3330	C-CARBON R	RN72K1J-000JE	1	435030004R1

R3332	C-CARBON R	RN72K1J-000JE	1	435030004R1	
R3333	C-CARBON R	RN72K1J-000JE	1	435030004R1	
R3335	C-CARBON R	RN72K1J-000JE	1	435030004R1	
R3337	C-CARBON R	RN72K1J-000JE	1	435030004R1	
R3338	C-CARBON R	RN72K1J-000JE	1	435030004R1	
R3339	C-CARBON R	RN72K1J-000JE	1	435030004R1	
R3340	C-CARBON R	RN72K1J-000JE	1	435030004R1	
R3341	C-CARBON R	RN72K1J-331JE	1	435033314R1	
R3343	C-CARBON R	RN72K1J-221JE	1	435032214R1	
R3344	C-CARBON R	RN72K1J-470JE	1	435034704R1	
R3346	C-CARBON R	RN72K1J-221JE	1	435032214R1	
R3347	C-CARBON R	RN72K1J-470JE	1	435034704R1	
R3349	C-CARBON R	RN72K1J-221JE	1	435032214R1	
R3350	C-CARBON R	RN72K1J-470JE	1	435034704R1	
R3351	C-CARBON R	RN72K1J-331JE	1	435033314R1	<MDC>
R3352	C-CARBON R	RN72K1J-470JE	1	435034704R1	<MDC>
R3353	C-R NET	RM7LJ221X04	1	43484722104R2	<MDC>
R3353 or	C-R NET	YCN104-221-JK	(1)	43464C22104R1	<MDC>
R3354	C-CARBON R	RN72K1J-470JE	1	435034704R1	<MDC>
R3355	C-CARBON R	RN72K1J-470JE	1	435034704R1	<MDC>
R3356	C-R NET	RM7LJ221X04	1	43484722104R2	<MDC>
R3356 or	C-R NET	YCN104-221-JK	(1)	43464C22104R1	<MDC>
R3357	C-CARBON R	RN72K1J-470JE	1	435034704R1	<MDC>
R3358	C-CARBON R	RN72K1J-000JE	1	435030004R1	<MMP>
R3359	C-CARBON R	RN72K1J-000JE	1	435030004R1	<MMP>
R3360	C-CARBON R	RN72K1J-000JE	1	435030004R1	<MMP>
R3361	C-CARBON R	RN72K1J-000JE	1	435030004R1	<MMP>
R3362	C-R NET	RM7LJ470X04	1	43484747004R2	
R3362 or	C-R NET	YCN104-470-JK	(1)	43464C47004R1	
R3363	C-CARBON R	RN72K1J-331JE	1	435033314R1	
R3364	C-CARBON R	RN72K1J-470JE	1	435034704R1	
R3365	C-CARBON R	RN72K1J-470JE	1	435034704R1	
R3366	C-CARBON R	RN72K1J-470JE	1	435034704R1	
R3367	C-CARBON R	RN72K1J-470JE	1	435034704R1	
R3368	C-CARBON R	RN72K1J-470JE	1	435034704R1	
R3369	C-CARBON R	RN72K1J-470JE	1	435034704R1	
R3370	C-CARBON R	RN72K1J-121JE	1	435031214R1	
R3371	C-CARBON R	RN72K1J-470JE	1	435034704R1	
R3372	C-CARBON R	RN72K1J-221JE	1	435032214R1	
R3373	C-CARBON R	RN72K1J-221JE	1	435032214R1	
R3374	C-CARBON R	RN72K1J-101JE	1	435031014R1	
R3375	C-CARBON R	RN72K1J-331JE	1	435033314R1	
R3377	C-CARBON R	RN72K1J-101JE	1	435031014R1	
R3378	C-CARBON R	RN72K1J-103JE	1	435031034R1	
R3393	C-CARBON R	RN72K1J-000JE	1	435030004R1	
R3394	C-CARBON R	RN72K1J-000JE	1	435030004R1	
R3395	C-CARBON R	RN72K1J-000JE	1	435030004R1	

R3401	C-R NET	RM7LJ000X04	1	43484700004R2
R3401 or	C-R NET	YCN104-000-ZK	( 1)	43484C00004R1
R3406	C-CARBON R	RN72K1J-332JE	1	435033324R1
R3407	C-CARBON R	RN72K1J-103JE	1	435031034R1
R3408	C-R NET	RM7LJ221X04	1	43484722104R2
R3408 or	C-R NET	YCN104-221-JK	( 1)	43464C22104R1
R3409	C-R NET	RM7LJ221X04	1	43484722104R2
R3409 or	C-R NET	YCN104-221-JK	( 1)	43464C22104R1
R3412	C-CARBON R	RN72K1J-472JE	1	435034724R1
R3414	C-CARBON R	RN72K1J-103JE	1	435031034R1
R3421	C-CARBON R	RN72K1J-560JE	1	435035604R1
R3423	C-CARBON R	RN72K1J-000JE	1	435030004R1
R3424	C-CARBON R	RN72K1J-470JE	1	435034704R1
R3425	C-CARBON R	RN72K1J-470JE	1	435034704R1
R3429	C-R NET	RM7LJ470X04	1	43484747004R2
R3429 or	C-R NET	YCN104-470-JK	( 1)	43464C47004R1
R3430	C-R NET	RM7LJ470X04	1	43484747004R2
R3430 or	C-R NET	YCN104-470-JK	( 1)	43464C47004R1
R3432	C-CARBON R	RN72K1J-103JE	1	435031034R1
R3433	C-CARBON R	RN72K1J-103JE	1	435031034R1
R3434	C-CARBON R	RN72K1J-332JE	1	435033324R1
R3435	C-CARBON R	RN72K1J-222JE	1	435032224R1
R3436	C-CARBON R	RN72K1J-560JE	1	435035604R1
R3437	C-CARBON R	RN72K1J-560JE	1	435035604R1
R3438	C-CARBON R	RN72K1J-560JE	1	435035604R1
R3439	C-CARBON R	RN72K1J-332JE	1	435033324R1
R3440	C-CARBON R	RN72K1J-332JE	1	435033324R1
R3441	C-R NET	RM7LJ470X04	1	43484747004R2
R3441 or	C-R NET	YCN104-470-JK	( 1)	43464C47004R1
R3442	C-CARBON R	RN72K1J-105JE	1	435031054R1
R3443	C-CARBON R	RN72K1J-561JE	1	435035614R1
R3444	C-CARBON R	RN72K1J-391JE	1	435033914R1
R3445	C-R NET	RM7LJ470X04	1	43484747004R2
R3445 or	C-R NET	YCN104-470-JK	( 1)	43464C47004R1
R3446	C-CARBON R	RN72K1J-102JE	1	435031024R1
R3447	C-CARBON R	RN72K1J-560JE	1	435035604R1
R3448	C-CARBON R	RN72K1J-330JE	1	435033304R1
R3450	C-CARBON R	RN72K1J-560JE	1	435035604R1
R3452	C-CARBON R	RN72K1J-470JE	1	435034704R1
R3453	C-CARBON R	RN72K1J-121JE	1	435031214R1
R3454	C-CARBON R	RN72K1J-470JE	1	435034704R1
R3455	C-CARBON R	RN72K1J-121JE	1	435031214R1
R3456	C-CARBON R	RN72K1J-470JE	1	435034704R1
R3457	C-R NET	RM7LJ470X04	1	43484747004R2
R3457 or	C-R NET	YCN104-470-JK	( 1)	43464C47004R1
R3458	C-CARBON R	RN72K1J-470JE	1	435034704R1
R3459	C-CARBON R	RN72K1J-470JE	1	435034704R1

R3460	C-CARBON R	RN72K1J-470JE	1	435034704R1
R3462	C-CARBON R	RN72K1J-102JE	1	435031024R1
R3464	C-CARBON R	RN72K1J-102JE	1	435031024R1
R3465	C-CARBON R	RN72K1J-102JE	1	435031024R1
R3466	C-CARBON R	RN72K1J-102JE	1	435031024R1
R3469	C-CARBON R	RN72K1J-103JE	1	435031034R1
R3470	C-CARBON R	RN72K1J-103JE	1	435031034R1
R3473	C-CARBON R	RN72K1J-103JE	1	435031034R1
R3474	C-CARBON R	RN72K1J-103JE	1	435031034R1
R3477	C-R NET	RM7LJ470X04	1	43484747004R2
R3477 or	C-R NET	YCN104-470-JK	( 1)	43464C47004R1
R3478	C-R NET	RM7LJ470X04	1	43484747004R2
R3478 or	C-R NET	YCN104-470-JK	( 1)	43464C47004R1
R3481	C-CARBON R	RN72K1J-332JE	1	435033324R1
R3484	C-CARBON R	RN72K1J-470JE	1	435034704R1
R3485	C-CARBON R	RN72K1J-470JE	1	435034704R1
R3488	C-CARBON R	RN72K1J-332JE	1	435033324R1
R3491	C-CARBON R	RN72K1J-332JE	1	435033324R1
R3494	C-R NET	RM7LJ470X04	1	43484747004R2
R3494 or	C-R NET	YCN104-470-JK	( 1)	43464C47004R1
R3495	C-R NET	RM7LJ470X04	1	43484747004R2
R3495 or	C-R NET	YCN104-470-JK	( 1)	43464C47004R1
R3496	C-R NET	RM7LJ470X04	1	43484747004R2
R3496 or	C-R NET	YCN104-470-JK	( 1)	43464C47004R1
R3497	C-R NET	RM7LJ470X04	1	43484747004R2
R3497 or	C-R NET	YCN104-470-JK	( 1)	43464C47004R1
R3500	C-CARBON R	RN72K1J-470JE	1	435034704R1
R3501	C-CARBON R	RN72K1J-470JE	1	435034704R1
R3502	C-CARBON R	RN72K1J-470JE	1	435034704R1
R3503	C-CARBON R	RN72K1J-470JE	1	435034704R1
R3504	C-CARBON R	RN72K1J-470JE	1	435034704R1
R3505	C-CARBON R	RN72K1J-470JE	1	435034704R1
R3670	C-CARBON R	RN72K1J-103JE	1	435031034R1
R8000	C-CARBON R	RN72K1J-103JE	1	435031034R1
R8003	C-CARBON R	RN72K1J-000JE	1	435030004R1
R8004	C-CARBON R	RN72K1J-103JE	1	435031034R1
R8005	C-CARBON R	RN72K1J-103JE	1	435031034R1
R8007	C-CARBON R	RN72K1J-223JE	1	435032234R1
R8009	C-CARBON R	RN72K1J-000JE	1	435030004R1
R8010	C-R NET	RM7LJ510X04	1	43484751004R2
R8010 or	C-R NET	YCN104-510-JK	( 1)	43464C51004R1
R8011	C-R NET	RM7LJ510X04	1	43484751004R2
R8011 or	C-R NET	YCN104-510-JK	( 1)	43464C51004R1
R8012	C-R NET	RM7LJ510X04	1	43484751004R2
R8012 or	C-R NET	YCN104-510-JK	( 1)	43464C51004R1
R8013	C-R NET	RM7LJ510X04	1	43484751004R2
R8013 or	C-R NET	YCN104-510-JK	( 1)	43464C51004R1

R8014	C-R NET	RM7LJ510X04	1	43484751004R2
R8014 or	C-R NET	YCN104-510-JK	(1)	43464C51004R1
R8015	C-CARBON R	MCR03EZPF49R9(49.9_1%)	1	4100037R2
R8015 or	CARBON R	CR16-49R9-FL	(1)	4100046R1
R8016	C-CARBON R	MCR03EZPF49R9(49.9_1%)	1	4100037R2
R8016 or	CARBON R	CR16-49R9-FL	(1)	4100046R1
R8017	C-CARBON R	MCR03EZPF49R9(49.9_1%)	1	4100037R2
R8017 or	CARBON R	CR16-49R9-FL	(1)	4100046R1
R8018	C-CARBON R	RN72K1J-000JE	1	435030004R1
R8019	C-CARBON R	RN72K1J-000JE	1	435030004R1
R8021	C-CARBON R	RN72K1J-473JE	1	435034734R1
R8037	C-CARBON R	RN72K1J-000JE	1	435030004R1
R8042	C-CARBON R	MCR03EZPF49R9(49.9_1%)	1	4100037R2
R8042 or	CARBON R	CR16-49R9-FL	(1)	4100046R1
R8043	C-CARBON R	MCR03EZPF49R9(49.9_1%)	1	4100037R2
R8043 or	CARBON R	CR16-49R9-FL	(1)	4100046R1
R8045	C-CARBON R	RN72K1J-331FE	1	435033312R1
R8046	C-CARBON R	RN72K1J-332FE	1	435033322R1
R8047	C-CARBON R	RN72K1J-271FE	1	435032712R1
R8048	C-CARBON R	RN72K1J-222FE	1	435032222R1
R8049	C-CARBON R	RN72K1J-750JE	1	435037504R1
R8050	C-CARBON R	RN72K1J-750JE	1	435037504R1
R8052	C-CARBON R	RN72K1J-472JE	1	435034724R1
R8053	C-R NET	RM7LJ220X04	1	43484722004R2
R8053 or	C-R NET	YCN104-220-JK	(1)	43464C22004R1
R8054	C-R NET	RM7LJ220X04	1	43484722004R2
R8054 or	C-R NET	YCN104-220-JK	(1)	43464C22004R1
R8055	C-R NET	RM7LJ220X04	1	43484722004R2
R8055 or	C-R NET	YCN104-220-JK	(1)	43464C22004R1
R8056	C-R NET	RM7LJ220X04	1	43484722004R2
R8056 or	C-R NET	YCN104-220-JK	(1)	43464C22004R1
R8057	C-R NET	RM7LJ220X04	1	43484722004R2
R8057 or	C-R NET	YCN104-220-JK	(1)	43464C22004R1
R8058	C-R NET	RM7LJ220X04	1	43484722004R2
R8058 or	C-R NET	YCN104-220-JK	(1)	43464C22004R1
R8059	C-R NET	RM7LJ220X04	1	43484722004R2
R8059 or	C-R NET	YCN104-220-JK	(1)	43464C22004R1
R8060	C-R NET	RM7LJ220X04	1	43484722004R2
R8060 or	C-R NET	YCN104-220-JK	(1)	43464C22004R1
R8061	C-R NET	RM7LJ220X04	1	43484722004R2
R8061 or	C-R NET	YCN104-220-JK	(1)	43464C22004R1
R8062	C-R NET	RM7LJ220X04	1	43484722004R2
R8062 or	C-R NET	YCN104-220-JK	(1)	43464C22004R1
R8063	C-CARBON R	RN72K1J-100JE	1	435031004R1
R8064	C-CARBON R	RN72K1J-100JE	1	435031004R1
R8067	C-CARBON R	RN72K1J-220JE	1	435032204R1
R8068	C-CARBON R	RN72K1J-220JE	1	435032204R1

R8073	C-CARBON R	RN72K1J-182JE	1	435031824R1
R8074	C-CARBON R	RN72K1J-182JE	1	435031824R1
R8077	C-CARBON R	RN72K1J-104JE	1	435031044R1
R8078	C-CARBON R	RN72K1J-472JE	1	435034724R1
R8079	C-CARBON R	RN72K1J-473JE	1	435034734R1
R8080	C-CARBON R	RN72K1J-101JE	1	435031014R1
R8081	C-CARBON R	RN72K1J-101JE	1	435031014R1
R8082	C-CARBON R	RN72K1J-101JE	1	435031014R1
R8083	C-CARBON R	RN72K1J-101JE	1	435031014R1
R8084	C-CARBON R	RN72K1J-100JE	1	435031004R1
R8085	C-CARBON R	RN72K1J-100JE	1	435031004R1
R8086	C-CARBON R	RN72K1J-100JE	1	435031004R1
R8087	C-CARBON R	RN72K1J-823JE	1	435038234R1
R8088	C-CARBON R	RN72K1J-103JE	1	435031034R1
R8089	C-CARBON R	RN72K1J-330JE	1	435033304R1
R8090	C-CARBON R	RN72K1J-103JE	1	435031034R1
R8091	C-CARBON R	RN72K1J-220JE	1	435032204R1
R8092	C-CARBON R	RN72K1J-220JE	1	435032204R1
R8093	C-CARBON R	RN72K1J-220JE	1	435032204R1
R8094	C-CARBON R	RN72K1J-472JE	1	435034724R1
R8095	C-CARBON R	RN72K1J-105JE	1	435031054R1
R8096	C-CARBON R	RN72K1J-101JE	1	435031014R1
R8097	C-CARBON R	RN72K1J-101JE	1	435031014R1
R8098	C-CARBON R	RN72K1J-220JE	1	435032204R1
R8099	C-CARBON R	RN72K1J-102JE	1	435031024R1
R8100	C-CARBON R	RN72K1J-102JE	1	435031024R1
R8102	C-CARBON R	RN72K1J-472JE	1	435034724R1
R8103	C-CARBON R	RN72K1J-472JE	1	435034724R1
R8104	C-CARBON R	RN72K1J-472JE	1	435034724R1
R8105	C-CARBON R	RN72K1J-472JE	1	435034724R1
R8107	C-CARBON R	RN72K1J-472JE	1	435034724R1
R8108	C-CARBON R	RN72K1J-472JE	1	435034724R1
R8109	C-CARBON R	RN72K1J-472JE	1	435034724R1
R8110	C-CARBON R	RN72K1J-472JE	1	435034724R1
R8111	C-CARBON R	RN72K1J-101JE	1	435031014R1
R8112	C-CARBON R	RN72K1J-101JE	1	435031014R1
R8113	C-CARBON R	RN72K1J-101JE	1	435031014R1
R8114	C-CARBON R	RN72K1J-101JE	1	435031014R1
R8115	C-CARBON R	RN72K1J-104JE	1	435031044R1
R8116	C-CARBON R	RN72K1J-000JE	1	435030004R1
R8122	C-CARBON R	RN72K1J-220JE	1	435032204R1
R8123	C-CARBON R	RN72K1J-220JE	1	435032204R1
R8124	C-CARBON R	RN72K1J-220JE	1	435032204R1
R8125	C-CARBON R	RN72K1J-220JE	1	435032204R1
R8126	C-CARBON R	RN72K1J-472JE	1	435034724R1
R8127	C-CARBON R	RN72K1J-472JE	1	435034724R1
R8128	C-CARBON R	RN72K1J-103JE	1	435031034R1



R8129	C-CARBON R	RN72K1J-103JE	1	435031034R1
R8130	C-CARBON R	RN72K1J-103JE	1	435031034R1
R8131	C-CARBON R	RN72K1J-103JE	1	435031034R1
R8151	C-CARBON R	RN72K1J-472JE	1	435034724R1
R8152	C-CARBON R	RN72K1J-100JE	1	435031004R1
R8153	C-CARBON R	RN72K1J-100JE	1	435031004R1
R8154	C-CARBON R	RN72K1J-562JE	1	435035624R1
R8155	C-CARBON R	RN72K1J-100JE	1	435031004R1
R8156	C-CARBON R	RN72K1J-562JE	1	435035624R1
R8157	C-CARBON R	RN72K1J-100JE	1	435031004R1
R8158	C-CARBON R	RN72K1J-562JE	1	435035624R1
R8159	C-CARBON R	RN72K1J-100JE	1	435031004R1
R8160	C-CARBON R	RN72K1J-562JE	1	435035624R1
R8161	C-CARBON R	RN72K1J-000JE	1	435030004R1
R8162	C-CARBON R	RN72K1J-100JE	1	435031004R1
R8163	C-CARBON R	RN72K1J-562JE	1	435035624R1
R8164	C-R NET	RM7LJ222X04	1	43484722204R2
R8164 or	C-R NET	YCN104-222-JK	(1)	43464C22204R1
R8165	C-CARBON R	RN72K1J-103JE	1	435031034R1
R8166	C-CARBON R	RN72K1J-124JE	1	435031244R1
R8171	C-CARBON R	RN72K1J-562JE	1	435035624R1
R8185	C-CARBON R	RN72K1J-000JE	1	435030004R1
R8186	C-CARBON R	RN72K1J-000JE	1	435030004R1
R8188	C-CARBON R	RN72K1J-100JE	1	435031004R1
R8201	C-CARBON R	RN72K1J-103JE	1	435031034R1
R8202	C-CARBON R	RN72K1J-103JE	1	435031034R1
R8203	C-CARBON R	RN72K1J-101JE	1	435031014R1
R8204	C-CARBON R	RN72K1J-101JE	1	435031014R1
R8205	C-CARBON R	RN72K1J-120JE	1	435031204R1
R8206	C-CARBON R	RN72K1J-120JE	1	435031204R1
R8207	C-CARBON R	RN72K1J-120JE	1	435031204R1
R8208	C-CARBON R	RN72K1J-120JE	1	435031204R1
R8209	C-CARBON R	RN72K1J-120JE	1	435031204R1
R8210	C-CARBON R	RN72K1J-120JE	1	435031204R1
R8211	C-CARBON R	RN72K1J-120JE	1	435031204R1
R8212	C-CARBON R	RN72K1J-390JE	1	435033904R1
R8213	C-CARBON R	RN72K1J-120JE	1	435031204R1
R8214	C-CARBON R	RN72K1J-390JE	1	435033904R1
R8215	C-CARBON R	RN72K1J-120JE	1	435031204R1
R8216	C-CARBON R	RN72K1J-390JE	1	435033904R1
R8217	C-CARBON R	RN72K1J-120JE	1	435031204R1
R8218	C-CARBON R	RN72K1J-120JE	1	435031204R1
R8219	C-CARBON R	RN72K1J-120JE	1	435031204R1
R8220	C-CARBON R	RN72K1J-120JE	1	435031204R1
R8221	C-CARBON R	RN72K1J-120JE	1	435031204R1
R8222	C-CARBON R	RN72K1J-120JE	1	435031204R1
R8223	C-CARBON R	RN72K1J-120JE	1	435031204R1

R8224	C-CARBON R	RN72K1J-120JE	1	435031204R1
R8225	C-CARBON R	RN72K1J-120JE	1	435031204R1
R8226	C-CARBON R	RN72K1J-390JE	1	435033904R1
R8227	C-CARBON R	RN72K1J-120JE	1	435031204R1
R8228	C-CARBON R	RN72K1J-390JE	1	435033904R1
R8229	C-CARBON R	RN72K1J-120JE	1	435031204R1
R8230	C-CARBON R	RN72K1J-390JE	1	435033904R1
R8231	C-CARBON R	RN72K1J-120JE	1	435031204R1
R8232	C-CARBON R	RN72K1J-390JE	1	435033904R1
R8236	C-CARBON R	RN72K1J-000JE	1	435030004R1
R8237	C-CARBON R	RN72K1J-000JE	1	435030004R1
R8239	C-CARBON R	RN72K1J-000JE	1	435030004R1
R8240	C-CARBON R	RN72K1J-000JE	1	435030004R1
R8241	C-CARBON R	RN72K1J-472JE	1	435034724R1
R8242	C-CARBON R	RN72K1J-103JE	1	435031034R1
R8243	C-CARBON R	RN72K1J-220JE	1	435032204R1
R8244	C-CARBON R	RN72K1J-102JE	1	435031024R1
R8245	C-CARBON R	RN72K1J-102JE	1	435031024R1
R8246	C-CARBON R	RN72K1J-103JE	1	435031034R1
R8247	C-CARBON R	RN72K1J-103JE	1	435031034R1
R8248	C-CARBON R	RN72K1J-103JE	1	435031034R1
R8251	C-CARBON R	RN72K1J-472JE	1	435034724R1
R8252	C-CARBON R	RN72K1J-472JE	1	435034724R1
R8253	C-CARBON R	RN72K1J-102FE	1	435031022R1
R8254	C-CARBON R	RN72K1J-220JE	1	435032204R1
R8255	C-CARBON R	RN72K1J-220JE	1	435032204R1
R8256	C-CARBON R	RN72K1J-472JE	1	435034724R1
R8257	C-CARBON R	RN72K1J-472JE	1	435034724R1
R8258	C-CARBON R	RN72K1J-220JE	1	435032204R1
R8259	C-CARBON R	RN72K1J-220JE	1	435032204R1
R8260	C-R NET	RM7LJ220X04	1	43484722004R2
R8260 or	C-R NET	YCN104-220-JK	(1)	43464C22004R1
R8261	C-R NET	RM7LJ220X04	1	43484722004R2
R8261 or	C-R NET	YCN104-220-JK	(1)	43464C22004R1
R8262	C-R NET	RM7LJ220X04	1	43484722004R2
R8262 or	C-R NET	YCN104-220-JK	(1)	43464C22004R1
R8263	C-R NET	RM7LJ220X04	1	43484722004R2
R8263 or	C-R NET	YCN104-220-JK	(1)	43464C22004R1
R8264	C-R NET	RM7LJ220X04	1	43484722004R2
R8264 or	C-R NET	YCN104-220-JK	(1)	43464C22004R1
R8265	C-R NET	RM7LJ220X04	1	43484722004R2
R8265 or	C-R NET	YCN104-220-JK	(1)	43464C22004R1
R8266	C-R NET	RM7LJ220X04	1	43484722004R2
R8266 or	C-R NET	YCN104-220-JK	(1)	43464C22004R1
R8267	C-R NET	RM7LJ220X04	1	43484722004R2
R8267 or	C-R NET	YCN104-220-JK	(1)	43464C22004R1
R8268	C-R NET	RM7LJ330X04	1	43484733004R2

R8268 or	C-R NET	YCN104-330-JK	(1)	43464C33004R1
R8269	C-R NET	RM7LJ330X04	1	43484733004R2
R8269 or	C-R NET	YCN104-330-JK	(1)	43464C33004R1
R8270	C-R NET	RM7LJ330X04	1	43484733004R2
R8270 or	C-R NET	YCN104-330-JK	(1)	43464C33004R1
R8271	C-R NET	RM7LJ330X04	1	43484733004R2
R8271 or	C-R NET	YCN104-330-JK	(1)	43464C33004R1
R8272	C-R NET	RM7LJ330X04	1	43484733004R2
R8272 or	C-R NET	YCN104-330-JK	(1)	43464C33004R1
R8273	C-R NET	RM7LJ330X04	1	43484733004R2
R8273 or	C-R NET	YCN104-330-JK	(1)	43464C33004R1
R8274	C-R NET	RM7LJ330X04	1	43484733004R2
R8274 or	C-R NET	YCN104-330-JK	(1)	43464C33004R1
R8275	C-R NET	RM7LJ330X04	1	43484733004R2
R8275 or	C-R NET	YCN104-330-JK	(1)	43464C33004R1
R8276	C-R NET	RM7LJ330X04	1	43484733004R2
R8276 or	C-R NET	YCN104-330-JK	(1)	43464C33004R1
R8277	C-CARBON R	RN72K1J-100JE	1	435031004R1
R8278	C-R NET	RM7LJ330X04	1	43484733004R2
R8278 or	C-R NET	YCN104-330-JK	(1)	43464C33004R1
R8279	C-CARBON R	RN72K1J-101JE	1	435031014R1
R8280	C-CARBON R	RN72K1J-101JE	1	435031014R1
R8281	C-CARBON R	RN72K1J-330JE	1	435033304R1
R8282	C-CARBON R	RN72K1J-330JE	1	435033304R1
R8283	C-CARBON R	RN72K1J-101JE	1	435031014R1
R8284	C-R NET	RM7LJ330X04	1	43484733004R2
R8284 or	C-R NET	YCN104-330-JK	(1)	43464C33004R1
R8285	C-CARBON R	RN72K1J-560JE	1	435035604R1
R8286	C-CARBON R	RN72K1J-000JE	1	435030004R1
R8287	C-CARBON R	RN72K1J-102FE	1	435031022R1
R8288	C-CARBON R	RN72K1J-103JE	1	435031034R1
R8291	C-CARBON R	RN72K1J-000JE	1	435030004R1
R8292	C-CARBON R	RN72K1J-000JE	1	435030004R1
R8293	C-CARBON R	RN72K1J-000JE	1	435030004R1
R8294	C-CARBON R	RN72K1J-000JE	1	435030004R1
R8295	C-CARBON R	RN72K1J-750JE	1	435037504R1
R8296	C-CARBON R	RN72K1J-750JE	1	435037504R1
R8297	C-CARBON R	RN72K1J-750JE	1	435037504R1
R8298	C-CARBON R	RN72K1J-750JE	1	435037504R1
R8301	C-CARBON R	RN72K1J-472JE	1	435034724R1
R8302	C-CARBON R	RN72K1J-100JE	1	435031004R1
R8303	C-CARBON R	RN72K1J-562JE	1	435035624R1
R8304	C-CARBON R	RN72K1J-100JE	1	435031004R1
R8305	C-CARBON R	RN72K1J-562JE	1	435035624R1
R8306	C-CARBON R	RN72K1J-100JE	1	435031004R1
R8307	C-CARBON R	RN72K1J-100JE	1	435031004R1
R8308	C-CARBON R	RN72K1J-562JE	1	435035624R1

R8309	C-CARBON R	RN72K1J-100JE	1	435031004R1
R8310	C-CARBON R	RN72K1J-562JE	1	435035624R1
R8311	C-CARBON R	RN72K1J-000JE	1	435030004R1
R8312	C-CARBON R	RN72K1J-100JE	1	435031004R1
R8313	C-CARBON R	RN72K1J-562JE	1	435035624R1
R8314	C-CARBON R	RN72K1J-222JE	1	435032224R1
R8315	C-CARBON R	RN72K1J-222JE	1	435032224R1
R8316	C-CARBON R	RN72K1J-103JE	1	435031034R1
R8317	C-CARBON R	RN72K1J-124JE	1	435031244R1
R8318	C-CARBON R	RN72K1J-562JE	1	435035624R1
R8320	C-R NET	RM7LJ220X04	1	43484722004R2
R8320 or	C-R NET	YCN104-220-JK	( 1)	43464C22004R1
R8321	C-CARBON R	RN72K1J-181JE	1	435031814R1
R8322	C-CARBON R	RN72K1J-470JE	1	435034704R1
R8323	C-CARBON R	RN72K1J-181JE	1	435031814R1
R8324	C-CARBON R	RN72K1J-470JE	1	435034704R1
R8325	C-R NET	RM7LJ220X04	1	43484722004R2
R8325 or	C-R NET	YCN104-220-JK	( 1)	43464C22004R1
R8328	C-CARBON R	RN72K1J-181JE	1	435031814R1
R8333	C-CARBON R	RN72K1J-181JE	1	435031814R1
R8334	C-CARBON R	RN72K1J-181JE	1	435031814R1
R8335	C-CARBON R	RN72K1J-181JE	1	435031814R1
R8336	C-R NET	RM7LJ220X04	1	43484722004R2
R8336 or	C-R NET	YCN104-220-JK	( 1)	43464C22004R1
R8337	C-R NET	RM7LJ220X04	1	43484722004R2
R8337 or	C-R NET	YCN104-220-JK	( 1)	43464C22004R1
R8338	C-CARBON R	RN72K1J-100JE	1	435031004R1
R8339	C-R NET	RM7LJ220X04	1	43484722004R2
R8339 or	C-R NET	YCN104-220-JK	( 1)	43464C22004R1
R8340	C-R NET	RM7LJ220X04	1	43484722004R2
R8340 or	C-R NET	YCN104-220-JK	( 1)	43464C22004R1
R8341	C-R NET	RM7LJ220X04	1	43484722004R2
R8341 or	C-R NET	YCN104-220-JK	( 1)	43464C22004R1
R8342	C-CARBON R	RN72K1J-000JE	1	435030004R1
R8343	C-CARBON R	RN72K1J-000JE	1	435030004R1
R8345	C-CARBON R	RN72K1J-100JE	1	435031004R1
R8346	C-CARBON R	RN72K1J-473JE	1	435034734R1
R8347	C-CARBON R	RN72K1J-473JE	1	435034734R1
R8348	C-CARBON R	RN72K1J-473JE	1	435034734R1
R8349	C-CARBON R	RN72K1J-000JE	1	435030004R1
R8350	C-CARBON R	RN72K1J-000JE	1	435030004R1
R8351	C-CARBON R	RN72K1J-000JE	1	435030004R1
R8352	C-CARBON R	RN72K1J-102JE	1	435031024R1
R8354	C-CARBON R	RN72K1J-101JE	1	435031014R1
R8502	C-CARBON R	RN72K1J-103JE	1	435031034R1
R8503	C-CARBON R	RN72K1J-330JE	1	435033304R1
R8504	C-CARBON R	RN72K1J-103JE	1	435031034R1

R8505	C-CARBON R	RN72K1J-330JE	1	435033304R1
R8506	C-CARBON R	RN72K1J-105JE	1	435031054R1
R8507	C-CARBON R	RN72K1J-000JE	1	435030004R1
R8508	C-CARBON R	RN72K1J-330JE	1	435033304R1
R8509	C-CARBON R	RN72K1J-103JE	1	435031034R1
R8510	C-CARBON R	RN72K1J-103JE	1	435031034R1
R8511	C-CARBON R	RN72K1J-103JE	1	435031034R1
R8512	C-CARBON R	RN72K1J-103JE	1	435031034R1
R8513	C-CARBON R	RN72K1J-103JE	1	435031034R1
R8514	C-CARBON R	RN72K1J-103JE	1	435031034R1
R8515	C-CARBON R	RN72K1J-103JE	1	435031034R1
R8516	C-CARBON R	RN72K1J-103JE	1	435031034R1
R8519	C-CARBON R	RN72K1J-000JE	1	435030004R1
R8520	C-CARBON R	RN72K1J-000JE	1	435030004R1
R8521	C-CARBON R	RN72K1J-103JE	1	435031034R1
R8541	C-R NET	RM7LJ000X04	1	43484700004R2
R8541 or	C-R NET	YCN104-000-ZK	(1)	43484C00004R1
R8542	C-R NET	RM7LJ000X04	1	43484700004R2
R8542 or	C-R NET	YCN104-000-ZK	(1)	43484C00004R1
R8543	C-R NET	RM7LJ000X04	1	43484700004R2
R8543 or	C-R NET	YCN104-000-ZK	(1)	43484C00004R1
R8544	C-R NET	RM7LJ000X04	1	43484700004R2
R8544 or	C-R NET	YCN104-000-ZK	(1)	43484C00004R1
R8545	C-R NET	RM7LJ000X04	1	43484700004R2
R8545 or	C-R NET	YCN104-000-ZK	(1)	43484C00004R1
R8546	C-R NET	RM7LJ000X04	1	43484700004R2
R8546 or	C-R NET	YCN104-000-ZK	(1)	43484C00004R1
R8547	C-R NET	RM7LJ000X04	1	43484700004R2
R8547 or	C-R NET	YCN104-000-ZK	(1)	43484C00004R1
R8548	C-R NET	RM7LJ000X04	1	43484700004R2
R8548 or	C-R NET	YCN104-000-ZK	(1)	43484C00004R1
R8549	C-R NET	RM7LJ000X04	1	43484700004R2
R8549 or	C-R NET	YCN104-000-ZK	(1)	43484C00004R1
R8550	C-R NET	RM7LJ000X04	1	43484700004R2
R8550 or	C-R NET	YCN104-000-ZK	(1)	43484C00004R1
R8601	C-CARBON R	RN72K1J-473JE	1	435034734R1
R8602	C-CARBON R	RN72K1J-473JE	1	435034734R1
R8605	C-CARBON R	RN72K1J-473JE	1	435034734R1
R8606	C-CARBON R	RN72K1J-473JE	1	435034734R1
R8609	C-CARBON R	RN72K1J-473JE	1	435034734R1
R8610	C-CARBON R	RN72K1J-473JE	1	435034734R1
R8613	C-CARBON R	RN72K1J-473JE	1	435034734R1
R8614	C-CARBON R	RN72K1J-473JE	1	435034734R1
R8617	C-CARBON R	RN72K1J-473JE	1	435034734R1
R8618	C-CARBON R	RN72K1J-473JE	1	435034734R1
R8621	C-CARBON R	RN72K1J-473JE	1	435034734R1
R8622	C-CARBON R	RN72K1J-473JE	1	435034734R1

R8625	C-CARBON R	RN72K1J-473JE	1	435034734R1
R8626	C-CARBON R	RN72K1J-473JE	1	435034734R1
R8631	C-CARBON R	RN72K1J-000JE	1	435030004R1
R8632	C-CARBON R	RN72K1J-000JE	1	435030004R1
R8634	C-CARBON R	RN72K1J-473JE	1	435034734R1
R8636	C-CARBON R	RN72K1J-182JE	1	435031824R1
R8637	C-CARBON R	RN72K1J-182JE	1	435031824R1
R8638	C-CARBON R	RN72K1J-100JE	1	435031004R1
R8641	C-CARBON R	RN72K1J-000JE	1	435030004R1
R8642	C-CARBON R	RN72K1J-000JE	1	435030004R1
R8643	C-CARBON R	RN72K1J-000JE	1	435030004R1
R8645	C-CARBON R	RN72K1J-473JE	1	435034734R1
R8646	C-CARBON R	RN72K1J-473JE	1	435034734R1
R8649	C-CARBON R	RN72K1J-472JE	1	435034724R1
R8650	C-CARBON R	RN72K1J-472JE	1	435034724R1
R8701	C-CARBON R	RN72K1J-103JE	1	435031034R1
R8702	C-CARBON R	RN72K1J-000JE	1	435030004R1
R8703	C-CARBON R	RN72K1J-472JE	1	435034724R1
R8704	C-CARBON R	RN72K1J-472JE	1	435034724R1
R8705	C-CARBON R	RN72K1J-103JE	1	435031034R1
R8706	C-CARBON R	RN72K1J-472JE	1	435034724R1
R8707	C-CARBON R	RN72K1J-472JE	1	435034724R1
R8708	C-R NET	RM7LJ470X04	1	43484747004R2
R8708 or	C-R NET	YCN104-470-JK	( 1)	43464C47004R1
R8709	C-R NET	RM7LJ103X04	1	43484710304R2
R8709 or	C-R NET	YCN104-103-JK	( 1)	43464C10304R1
R8710	C-CARBON R	RN72K1J-222JE	1	435032224R1
R8711	C-CARBON R	RN72K1J-222JE	1	435032224R1
R8712	C-R NET	RM7LJ103X04	1	43484710304R2
R8712 or	C-R NET	YCN104-103-JK	( 1)	43464C10304R1
R8713	C-CARBON R	RN72K1J-222JE	1	435032224R1
R8714	C-CARBON R	RN72K1J-222JE	1	435032224R1
R8715	C-CARBON R	RN72K1J-103JE	1	435031034R1
R8716	C-CARBON R	RN72K1J-222JE	1	435032224R1
R8717	C-CARBON R	RN72K1J-222JE	1	435032224R1
R8718	C-CARBON R	RN72K1J-103JE	1	435031034R1
R8719	C-CARBON R	RN72K1J-470JE	1	435034704R1
R8720	C-CARBON R	RN72K1J-470JE	1	435034704R1
R8721	C-CARBON R	RN72K1J-470JE	1	435034704R1
R8722	C-CARBON R	RN72K1J-222JE	1	435032224R1
R8723	C-CARBON R	RN72K1J-222JE	1	435032224R1
R8724	C-CARBON R	RN72K1J-470JE	1	435034704R1
R8725	C-CARBON R	RN72K1J-470JE	1	435034704R1
R8726	C-R NET	RM7LJ222X04	1	43484722204R2
R8726 or	C-R NET	YCN104-222-JK	( 1)	43464C22204R1
R8727	C-R NET	RM7LJ103X04	1	43484710304R2
R8727 or	C-R NET	YCN104-103-JK	( 1)	43464C10304R1

R8728	C-CARBON R	RN72K1J-222JE	1	435032224R1
R8729	C-CARBON R	RN72K1J-222JE	1	435032224R1
R8730	C-R NET	RM7LJ103X04	1	43484710304R2
R8730 or	C-R NET	YCN104-103-JK	( 1)	43464C10304R1
R8731	C-R NET	RM7LJ220X04	1	43484722004R2
R8731 or	C-R NET	YCN104-220-JK	( 1)	43464C22004R1
R8732	C-CARBON R	RN72K1J-222JE	1	435032224R1
R8733	C-CARBON R	RN72K1J-222JE	1	435032224R1
R8734	C-CARBON R	RN72K1J-470JE	1	435034704R1
R8735	C-CARBON R	RN72K1J-222JE	1	435032224R1
R8736	C-CARBON R	RN72K1J-222JE	1	435032224R1
R8737	C-CARBON R	RN72K1J-103JE	1	435031034R1
R8738	C-CARBON R	RN72K1J-103JE	1	435031034R1
R8739	C-CARBON R	RN72K1J-222JE	1	435032224R1
R8740	C-CARBON R	RN72K1J-222JE	1	435032224R1
R8741	C-CARBON R	RN72K1J-103JE	1	435031034R1
R8742	C-CARBON R	RN72K1J-222JE	1	435032224R1
R8743	C-CARBON R	RN72K1J-103JE	1	435031034R1
R8744	C-CARBON R	RN72K1J-103JE	1	435031034R1
R8745	C-CARBON R	RN72K1J-470JE	1	435034704R1
R8746	C-R NET	RM7LJ103X04	1	43484710304R2
R8746 or	C-R NET	YCN104-103-JK	( 1)	43464C10304R1
R8747	C-CARBON R	RN72K1J-103JE	1	435031034R1
R8749	C-CARBON R	RN72K1J-103JE	1	435031034R1
R8750	C-CARBON R	RN72K1J-000JE	1	435030004R1
R8751	C-R NET	RM7LJ470X04	1	43484747004R2
R8751 or	C-R NET	YCN104-470-JK	( 1)	43464C47004R1
R8756	C-CARBON R	RN72K1J-000JE	1	435030004R1
R8757	C-CARBON R	RN72K1J-000JE	1	435030004R1
R8759	C-CARBON R	RN72K1J-000JE	1	435030004R1
R8760	C-CARBON R	RN72K1J-472JE	1	435034724R1
R8764	C-CARBON R	RN72K1J-103JE	1	435031034R1
R8765	C-CARBON R	RN72K1J-103JE	1	435031034R1
R8801	C-CARBON R	RN72K1J-100JE	1	435031004R1
R8802	C-CARBON R	RN72K1J-100JE	1	435031004R1
R8803	C-CARBON R	RN72K1J-100JE	1	435031004R1
R8804	C-CARBON R	RN72K1J-100JE	1	435031004R1
R8805	C-CARBON R	RN72K1J-100JE	1	435031004R1
R8806	C-CARBON R	RN72K1J-100JE	1	435031004R1
R8807	C-CARBON R	RN72K1J-100JE	1	435031004R1
R8808	C-CARBON R	RN72K1J-100JE	1	435031004R1
R8831	C-CARBON R	RN72K1J-473JE	1	435034734R1
R8832	C-R NET	RM7LJ220X04	1	43484722004R2
R8832 or	C-R NET	YCN104-220-JK	( 1)	43464C22004R1
R8833	C-R NET	RM7LJ220X04	1	43484722004R2
R8833 or	C-R NET	YCN104-220-JK	( 1)	43464C22004R1
R8834	C-R NET	RM7LJ220X04	1	43484722004R2

R8834 or	C-R NET	YCN104-220-JK	(1)	43464C22004R1
R8835	C-CARBON R	RN72K1J-471JE	1	435034714R1
R8837	C-CARBON R	RN72K1J-471JE	1	435034714R1
R8839	C-CARBON R	RN72K1J-181JE	1	435031814R1
R8840	C-CARBON R	RN72K1J-331JE	1	435033314R1
R8841	C-CARBON R	RN72K1J-471JE	1	435034714R1
R8843	C-R NET	RM7LJ220X04	1	43484722004R2
R8843 or	C-R NET	YCN104-220-JK	(1)	43464C22004R1
R8844	C-CARBON R	RN72K1J-332JE	1	435033324R1
R8846	C-R NET	RM7LJ220X04	1	43484722004R2
R8846 or	C-R NET	YCN104-220-JK	(1)	43464C22004R1
R8847	C-CARBON R	RN72K1J-332JE	1	435033324R1
R8850	C-CARBON R	RN72K1J-181JE	1	435031814R1
R8851	C-CARBON R	RN72K1J-332JE	1	435033324R1
R8852	C-CARBON R	RN72K1J-821JE	1	435038214R1
R8855	C-CARBON R	RN72K1J-103JE	1	435031034R1
R8856	C-CARBON R	RN72K1J-220JE	1	435032204R1
R8857	C-CARBON R	RN72K1J-220JE	1	435032204R1
R8858	C-R NET	RM7LJ220X04	1	43484722004R2
R8858 or	C-R NET	YCN104-220-JK	(1)	43464C22004R1
R8859	C-R NET	RM7LJ220X04	1	43484722004R2
R8859 or	C-R NET	YCN104-220-JK	(1)	43464C22004R1
R8860	C-CARBON R	RN72K1J-220JE	1	435032204R1
R8862	C-CARBON R	RN72K1J-181JE	1	435031814R1
R8863	C-R NET	RM7LJ220X04	1	43484722004R2
R8863 or	C-R NET	YCN104-220-JK	(1)	43464C22004R1
R8864	C-CARBON R	RN72K1J-332JE	1	435033324R1
R8901	C-CARBON R	RN72K1J-473JE	1	435034734R1
R8902	C-CARBON R	RN72K1J-473JE	1	435034734R1
R8903	C-CARBON R	RN72K1J-104JE	1	435031044R1
R8904	C-CARBON R	RN72K1J-223FE	1	435032232R1
R8905	C-CARBON R	RN72K1J-393JE	1	435033934R1
R8906	C-CARBON R	RN72K1J-223FE	1	435032232R1
R8907	C-CARBON R	RN72K1J-333FE	1	435033332R1
R8908	C-CARBON R	RN72K1J-103FE	1	435031032R1
R8909	C-CARBON R	RN72K1J-473JE	1	435034734R1
R8911	C-CARBON R	RN72K1J-473JE	1	435034734R1
R8912	C-CARBON R	RN72K1J-473JE	1	435034734R1
R8913	C-CARBON R	RN72K1J-104JE	1	435031044R1
R8914	C-CARBON R	RN72K1J-103JE	1	435031034R1
R8915	C-CARBON R	RN72K1J-104JE	1	435031044R1
R8916	C-CARBON R	RN72K1J-333FE	1	435033332R1
R8917	C-CARBON R	RN72K1J-824FE	1	435038242R1
R8918	C-CARBON R	RN72K1J-103FE	1	435031032R1
R8919	C-CARBON R	RN72K1J-104JE	1	435031044R1
R8921	C-CARBON R	RN72K1J-473JE	1	435034734R1
R8922	C-CARBON R	RN72K1J-473JE	1	435034734R1



R8923	C-CARBON R	RN72K1J-104JE	1	435031044R1
R8925	C-CARBON R	RN72K1J-562JE	1	435035624R1
R8926	C-CARBON R	RN72K1J-183FE	1	435031832R1
R8927	C-CARBON R	RN72K1J-563FE	1	435035632R1
R8928	C-CARBON R	RN72K1J-103FE	1	435031032R1
R8929	C-CARBON R	RN72K1J-103JE	1	435031034R1
R8931	C-CARBON R	RN72K1J-473JE	1	435034734R1
R8932	C-CARBON R	RN72K1J-473JE	1	435034734R1
R8933	C-CARBON R	RN72K1J-104JE	1	435031044R1
R8935	C-CARBON R	RN72K1J-332JE	1	435033324R1
R8936	C-CARBON R	RN72K1J-224FE	1	435032242R1
R8937	C-CARBON R	RN72K1J-682FE	1	435036822R1
R8938	C-CARBON R	RN72K1J-103FE	1	435031032R1
R8943	C-CARBON R	RN72K1J-104JE	1	435031044R1
R8944	C-CARBON R	RN72K1J-332JE	1	435033324R1
R8945	C-CARBON R	RN72K1J-333FE	1	435033332R1
R8946	C-CARBON R	RN72K1J-103FE	1	435031032R1
R8947	C-CARBON R	RN72K1J-682FE	1	435036822R1
R8948	C-CARBON R	RN72K1J-103FE	1	435031032R1
R8951	C-CARBON R	RN72K1J-473JE	1	435034734R1
R8953	C-CARBON R	RN72K1J-473JE	1	435034734R1
R8955	C-CARBON R	RN72K1J-472JE	1	435034724R1
R8957	C-CARBON R	RN72K1J-472JE	1	435034724R1
R8959	C-CARBON R	RN72K1J-472JE	1	435034724R1
R8961	C-CARBON R	RN72K1J-472JE	1	435034724R1
R8965	C-CARBON R	RN72K1J-104JE	1	435031044R1
R8966	C-CARBON R	RN72K1J-104JE	1	435031044R1
R8967	C-CARBON R	RN72K1J-104JE	1	435031044R1
R8975	C-CARBON R	RN72K2E-470JE	1	435224704R1
R8976	C-CARBON R	RN72K1J-473JE	1	435034734R1
R8981	C-CARBON R	RN72K1J-472JE	1	435034724R1
R8982	C-CARBON R	RN72K1J-473JE	1	435034734R1
R8985	C-CARBON R	RN72K1J-182JE	1	435031824R1
R8986	C-CARBON R	RN72K1J-102JE	1	435031024R1
R8987	C-CARBON R	RN72K1J-472JE	1	435034724R1
R8989	C-CARBON R	RN72K1J-103JE	1	435031034R1
<b>[SW TRM]</b>				
JL2100B	WIRE TRAP	NPLG-5P588	1	25055626
P2101B	SOCKET	IMSA-9618S-21A	1	25053346R2
P3101A	PLUG	NPLG-5P918	1	25055965R2
P3102A	SOCKET	NSCT-9P2472	1	25052575R2
P3103A	SOCKET	C00124K221700	1	25053410
P3104	SOCKET	RB1-105B8A1F	1	25053409
P3104 or	SOCKET	SI-60073-F	( 1)	25053307
P3104 or	SOCKET	EJFR0002	( 1)	25056668
P3605A	SOCKET	IMSA-9111S-24L	1	25053259
P3607A	SOCKET	IMSA-9111S-24L	1	25053259

P3610	SOCKET	NSCT-8P2471	1	25052574R2	
P3A	SOCKET	NSCT-11P2474	1	25052577R2	<MDC>
P8002B	SOCKET	NSCT-9P2472	1	25052575R2	
P8030	SOCKET	IMSA-9618S-04A	1	25053329R2	
P8100	TRM-423(SCREW)	NEJITANSI ST3	1	25060495	
P8101	SOCKET	TCX3400-111327	1	25053418R3	
P8104	SOCKET	NSCT-8P2471	1	25052574R2	
P8301	SOCKET	NSCT-8P2471	1	25052574R2	
P8601	SOCKET	TCX3400-111387	1	25053406R3	
P8601 or	SOCKET	HDMI(47266-4101)	(1)	25053389R3	
P8602	SOCKET	TCX3400-111387	1	25053406R3	
P8602 or	SOCKET	HDMI(47266-4101)	(1)	25053389R3	
P8603	SOCKET	TCX3400-111387	1	25053406R3	
P8603 or	SOCKET	HDMI(47266-4101)	(1)	25053389R3	
P8604	SOCKET	TCX3400-111387	1	25053406R3	
P8604 or	SOCKET	HDMI(47266-4101)	(1)	25053389R3	
P8605	SOCKET	TCX3400-111387	1	25053406R3	
P8605 or	SOCKET	HDMI(47266-4101)	(1)	25053389R3	
P8606	SOCKET	TCX3400-111387	1	25053406R3	
P8606 or	SOCKET	HDMI(47266-4101)	(1)	25053389R3	
P8607	SOCKET	TCX3400-111387	1	25053406R3	
P8607 or	SOCKET	HDMI(47266-4101)	(1)	25053389R3	
P8608	SOCKET	TCX3400-111327	1	25053418R3	
P8631	SOCKET	TCX3400-111387	1	25053406R3	
P8631 or	SOCKET	HDMI(47266-4101)	(1)	25053389R3	
P8691A	SOCKET	20519-041E	1	25053502R2	
P8702	SOCKET	NSCT-9P2472	1	25052575R2	
P8888A	PLUG(B to B)	IMSA-9850B-24Y900	1	25056207R2	
P8985	PLUG	NPLG-2P116	1	25055132	
RL8601	RELAY	NRL-2P1A-DC4.5V-203	1	25065721R2	
RL8601 or	RELAY	NRL-2P2A-DC4.5V-204	(1)	25065722R2	
RL8602	RELAY	NRL-2P1A-DC4.5V-203	1	25065721R2	
RL8602 or	RELAY	NRL-2P2A-DC4.5V-204	(1)	25065722R2	
RL8603	RELAY	NRL-2P1A-DC4.5V-203	1	25065721R2	
RL8603 or	RELAY	NRL-2P2A-DC4.5V-204	(1)	25065722R2	
RL8691	RELAY	NRL-2P1A-DC4.5V-203	1	25065721R2	
RL8691 or	RELAY	NRL-2P2A-DC4.5V-204	(1)	25065722R2	

**U010**

U0100 x 10 pcs.

**BAHDM-1197-1B \*****U0100**

TERMINAL (FRONT HDMI) PC BOARD ASS'Y

BAHDM-1197-1B

CIRCUIT NO.	PART NAME	DESCRIPTION	Q'TY	PART NO. (SN)	REMARKS
D3901	C-DIODE	1SS352	1	223234R2	
D3901 or	C-DIODE	1SS355	(1)	223269R2	

D3901 or	C-DIODE	MA2J111	(1)	223279R2
D3901 or	C-DIODE	KDS4148U	(1)	223283R2
D3901 or	C-DIODE	MA2J1110GL	(1)	223302R2
D3902	C-DIODE	1SS352	1	223234R2
D3902 or	C-DIODE	1SS355	(1)	223269R2
D3902 or	C-DIODE	MA2J111	(1)	223279R2
D3902 or	C-DIODE	KDS4148U	(1)	223283R2
D3902 or	C-DIODE	MA2J1110GL	(1)	223302R2
D8651	C-DIODE	1SS352	1	223234R2
D8651 or	C-DIODE	1SS355	(1)	223269R2
D8651 or	C-DIODE	MA2J111	(1)	223279R2
D8651 or	C-DIODE	KDS4148U	(1)	223283R2
D8651 or	C-DIODE	MA2J1110GL	(1)	223302R2
D8652	C-DIODE	1SS352	1	223234R2
D8652 or	C-DIODE	1SS355	(1)	223269R2
D8652 or	C-DIODE	MA2J111	(1)	223279R2
D8652 or	C-DIODE	KDS4148U	(1)	223283R2
D8652 or	C-DIODE	MA2J1110GL	(1)	223302R2
Q8651	IC	BD2247G-GTR	1	22242795R2
Q8652	IC	NC7SZ08P5X_F042	1	22242482R2
Q8652 or	IC	TC7SZ08FU(TE85L_F)	(1)	22242071R2TO
Q8654	TR ARRAY	UM6K1N	1	226066R2
Q8654 or	TR ARRAY	UPA672T	(1)	226067R2
Q8654 or	TR ARRAY	RT3K66M-T111-1	(1)	226069R2
Q8655	IC	SII1292CNUC	1	22242786R3
Q8656	IC	MMBFJ17LT1G	1	22242789R2
Q8657	IC	S-1172B12-U5T1G	1	22242777R2
Q8658	IC	PCA9515ADRGR	1	22242817R2
Q8659	TR	RN2401(TE85L_F)	1	2214520R2
Q8659 or	TR	KRA101S	(1)	2217840R2
Q8660	TR	2SC2712-GR	1	2213145R2
Q8660 or	TR	KTC3875-GR	(1)	2216175R2
Q8661	TR	DTC144EE	1	2216390R2
<b>[TRANS COIL]</b>				
L3901	CORE	BLM18PG121SN1D	1	2350006R1
L3902	CORE	BLM18PG121SN1D	1	2350006R1
L3903	CORE	BLM18PG121SN1D	1	2350006R1
L8651	CORE	BLM18PG181SN1D	1	2350005R1
L8652	CORE	BLM18PG181SN1D	1	2350005R1
L8653	CORE	BLM18PG181SN1D	1	2350005R1
L8654	CORE	BLM18PG181SN1D	1	2350005R1
L8655	CORE	BLM18PG181SN1D	1	2350005R1
L8656	CORE	BLM18PG181SN1D	1	2350005R1
L8657	CORE	BLM18PG181SN1D	1	2350005R1
<b>[CAPACITOR]</b>				
C3901	C-CERA C	CK725B1A-105K0	1	332001055R1
C3902	C-CERA C	CK725B1H-103K0	1	332031035R1

C3904	C-CERA C	CK725B1H-103K0	1	332031035R1
C8651	C-CERA C	CK725B0J-106K	1	332091065R2
C8652	C-CERA C	CK725B0J-226M	1	332092267R2
C8653	C-CERA C	CK725B0J-106K	1	332091065R2
C8654	C-CERA C	CC725CH1E-102J0	1	342021024R1
C8655	C-CERA C	CK725B1C-104K0	1	332011045R1
C8656	C-CERA C	CK725B1C-104K0	1	332011045R1
C8657	C-CERA C	CK725B1H-103K0	1	332031035R1
C8658	C-CERA C	CK725B1C-104K0	1	332011045R1
C8659	C-CERA C	CC725CH1E-102J0	1	342021024R1
C8660	C-CERA C	CK725B0J-106K	1	332091065R2
C8661	C-CERA C	CK725B0J-106K	1	332091065R2
C8662	C-CERA C	CK725B1C-104K0	1	332011045R1
C8663	C-CERA C	CK725B1H-103K0	1	332031035R1
C8664	C-CERA C	CK725B1H-103K0	1	332031035R1
C8665	C-CERA C	CK725B1C-104K0	1	332011045R1
C8666	C-CERA C	CK725B1C-104K0	1	332011045R1
C8667	C-CERA C	CK725B1H-103K0	1	332031035R1
C8668	C-CERA C	CK725B1C-104K0	1	332011045R1
C8669	C-CERA C	CK725B1H-103K0	1	332031035R1
C8670	C-CERA C	CK725B1C-104K0	1	332011045R1
C8671	C-CERA C	CK725B1E-473K0	1	332024735R1
C8673	C-CERA C	CK725B1H-103K0	1	332031035R1
C8674	C-CERA C	CK725B0J-106K	1	332091065R2
C8675	C-CERA C	CK725B0J-106K	1	332091065R2
C8676	C-CERA C	CK725B1C-104K0	1	332011045R1
C8677	C-CERA C	CK725B0J-226M	1	332092267R2
C8678	C-CERA C	CK725B0J-226M	1	332092267R2
C8679	C-CERA C	CK725B0J-226M	1	332092267R2
<b>[RESISTOR]</b>				
R8651	C-CARBON R	RN72K1J-103JE	1	435031034R1
R8652	C-CARBON R	RN72K1J-473JE	1	435034734R1
R8653	C-CARBON R	RN72K1J-000JE	1	435030004R1
R8654	C-CARBON R	RN72K1J-000JE	1	435030004R1
R8655	C-CARBON R	RN72K1J-473JE	1	435034734R1
R8656	C-CARBON R	RN72K1J-474JE	1	435034744R1
R8657	C-CARBON R	RN72K1J-473JE	1	435034734R1
R8658	C-CARBON R	RN72K1J-101JE	1	435031014R1
R8659	C-CARBON R	RN72K1J-472JE	1	435034724R1
R8660	C-R NET	RM7LJ051X04	1	43484705104R2
R8660 or	C-R NET	YCN104-5R1-JK	( 1)	43484C05104R1
R8661	C-CARBON R	RN72K1J-103JE	1	435031034R1
R8662	C-R NET	RM7LJ051X04	1	43484705104R2
R8662 or	C-R NET	YCN104-5R1-JK	( 1)	43484C05104R1
R8663	C-CARBON R	RN72K1J-103JE	1	435031034R1
R8664	C-CARBON R	RN72K1J-103JE	1	435031034R1
R8665	C-CARBON R	RN72K1J-103JE	1	435031034R1

R8666	C-CARBON R	RN72K1J-000JE	1	435030004R1	
R8667	C-CARBON R	RN72K1J-000JE	1	435030004R1	
R8668	C-CARBON R	RN72K1J-000JE	1	435030004R1	
R8669	C-CARBON R	RN72K1J-000JE	1	435030004R1	
R8670	C-CARBON R	RN72K1J-000JE	1	435030004R1	
R8671	C-CARBON R	RN72K1J-000JE	1	435030004R1	
R8672	C-CARBON R	RN72K1J-473JE	1	435034734R1	
R8673	C-CARBON R	RN72K1J-154JE	1	435031544R1	
R8674	C-CARBON R	RN72K1J-821JE	1	435038214R1	
R8675	C-CARBON R	RN72K1J-154JE	1	435031544R1	
R8676	C-CARBON R	RN72K1J-101JE	1	435031014R1	
R8677	C-CARBON R	RN72K1J-332JE	1	435033324R1	
R8678	C-CARBON R	RN72K1J-562JE	1	435035624R1	

**[SW TRM]**

P3101B	PLUG	NPLG-5P918	1	25055965R2	
P3901	SOCKET	C00124K221700	1	25053410	
P3902	TRM	NTM-1P233(M1969)	1	25060302	
P8608	SOCKET	TCX3400-111327	1	25053418R3	
P8691B	SOCKET	20519-041E	1	25053502R2	N

**U012**

U0120 x 10 pcs.

BARF-1201-1A \*

**U0120**

AFE PC BOARD ASS'Y

BARF-1201-1A

CIRCUIT NO.	PART NAME	DESCRIPTION	Q'TY	PART NO. (SN)	REMARKS
<b>[CHASSIS SCREW]</b>					
A397	SHLD CASE	(AFE)	1	27225196	
<b>[TRANS COIL]</b>					
L1	RF COIL	0603HP-R27XJLW	1	233542R1	
L10	CORE	MMZ1608Y601BT	1	2350004R1	
L11	EMIFIL	BK1608LM182-T	1	230958R1	
L12	EMIFIL	BK1608LM182-T	1	230958R1	
L13	EMIFIL	BK1608LM182-T	1	230958R1	
L14	CHOKE COIL	BLM21PG221SN1	1	230949R2	
L2	RF COIL	NLHV25T-R56J-PF	1	233548R2	N
L6	RF COIL	NLV25T-220J-PF	1	233549R2	N
L7	RF COIL	NLV25T-220J-PF	1	233549R2	N
L8	RF COIL	NLV25T-330J-PF	1	233550R2	N
T1	ANT COIL	5CHH435uH	1	232206R2	
T1 or	ANT COIL	K5-N435uH	( 1)	232208R2	N
X2	CRYSTAL	DSX321G59.535MHz	1	3010520R2	
<b>[CAPACITOR]</b>					
C1	C-CERA C	CK725B0J-226M	1	332092267R2	
C10	C-CERA C	CK725B1C-104K0	1	332011045R1	
C11	C-CERA C	CK725B1C-104K0	1	332011045R1	
C12	C-CERA C	GRM188B30J106ME47D	1	332141067R1	

C13	C-CERA C	CK725B1C-104K0	1	332011045R1
C14	C-CERA C	CK725B1C-104K0	1	332011045R1
C15	C-CERA C	CK725B1C-104K0	1	332011045R1
C16	C-CERA C	GRM188B30J106ME47D	1	332141067R1
C17	C-CERA C	CC725CH1H-180J0	1	342031804R1
C19	C-CERA C	CK725B1H-222K0	1	332032225R1
C2	C-CERA C	CK725B1C-104K0	1	332011045R1
C20	C-CERA C	CC725CH1E-102J0	1	342021024R1
C23	C-CERA C	CK725B1A-105K0	1	332001055R1
C24	C-CERA C	CC725CH1H-050C0	1	342030501R1
C25	C-CERA C	CC725CH1H-060D0	1	342030602R1
C27	C-CERA C	CC725CH1H-060D0	1	342030602R1
C28	C-CERA C	CC725CH1E-102J0	1	342021024R1
C29	C-CERA C	CK725B1C-104K0	1	332011045R1
C3	C-CERA C	CC725CH1H-050C0	1	342030501R1
C31	C-CERA C	CK725B1C-104K0	1	332011045R1
C32	C-CERA C	CC725CH1E-102J0	1	342021024R1
C36	C-CERA C	CC725CH1H-152J1	1	342101524R1
C37	C-CERA C	CC725CH1H-152J1	1	342101524R1
C41	C-CERA C	CK725B1C-104K0	1	332011045R1
C42	C-CERA C	CK725B1C-104K0	1	332011045R1
C43	C-CERA C	CK725B1C-104K0	1	332011045R1
C7	C-CERA C	GRM188B30J106ME47D	1	332141067R1
C8	C-CERA C	CK725B1C-104K0	1	332011045R1
C9	C-CERA C	CK725B1C-104K0	1	332011045R1
<b>[RESISTOR]</b>				
R13	C-CARBON R	RN72K1J-222JE	1	435032224R1
R14	C-CARBON R	RN72K1J-222JE	1	435032224R1
R15	C-CARBON R	RN72K1J-104JE	1	435031044R1
R16	C-CARBON R	RN72K1J-101JE	1	435031014R1
R2	C-CARBON R	RN72K1J-221JE	1	435032214R1
R21	C-CARBON R	RN72K1J-220JE	1	435032204R1
R22	C-CARBON R	RN72K1J-220JE	1	435032204R1
R23	C-CARBON R	RN72K1J-101JE	1	435031014R1
R24	C-CARBON R	RN72K1J-101JE	1	435031014R1
R25	C-CARBON R	RN72K1J-101JE	1	435031014R1
R26	C-CARBON R	RN72K1J-101JE	1	435031014R1
R27	C-CARBON R	RN72K1J-331JE	1	435033314R1
R28	C-CARBON R	RN72K1J-103JE	1	435031034R1
R3	C-CARBON R	RN72K1J-105JE	1	435031054R1
R4	C-CARBON R	RN72K1J-105JE	1	435031054R1
R6	C-CARBON R	RN72K1J-103JE	1	435031034R1
R7	C-CARBON R	RN72K1J-103JE	1	435031034R1
R8	C-CARBON R	RN72K1J-103JE	1	435031034R1
R9	C-CARBON R	RN72K1J-103JE	1	435031034R1
<b>[SW TRM]</b>				
P1	TRM	NTM-4PDML401	1	25060473

P3B	SOCKET	IMSA-9618S-11A	1	25053336R2
P3Bor	SOCKET	11FMN-SMT-A-TF	( 1)	25052828R2
<b>[TUNER UNIT]</b>				
Q1	IC	AFE8310DC3RVBR	1	22242784R2

# ONKYO

Onkyo Corporation  
Technical Support, Service Department  
2-1, Nisshin-cho, Neyagawa-shi, OSAKA 572-8540, JAPAN  
Tel: 072-831-8023 Fax: 072-831-8163

Onkyo U.S.A. Corporation  
18 Park Way, Upper Saddle River, N.J. 07458, U.S.A.  
Tel: 800-229-1687, 201-785-2600 Fax: 201-785-2650  
<http://www.us.onkyo.com/>

Onkyo Europe Electronics GmbH  
Liegnitzerstrasse 6, 82194 Groebenzell, GERMANY  
Tel: +49-8142-4401-0 Fax: +49-8142-4208-213  
<http://www.eu.onkyo.com/>

Onkyo Europe Electronics GmbH (UK Branch)  
The Coach House 81A High Street, Marlow, Buckinghamshire, SL7 1AB, UK  
Tel: +44-(0)1628-473-350 Fax: +44-(0)1628-401-700

Onkyo China Limited  
Unit 1033, 10/F, Star House, No 3, Salisbury Road, Tsim Sha Tsui Kowloon, Hong Kong.  
Tel: 852-2429-3118 Fax: 852-2428-9039  
<http://www.onkyochina.com/>

Onkyo China PRC  
1301, 555 Tower, No.555 West NanJin Road, Jin an, Shanghai,  
China 200041, Tel: 86-21-52131366 Fax: 86-21-52130396  
<http://www.cn.onkyo.com/>