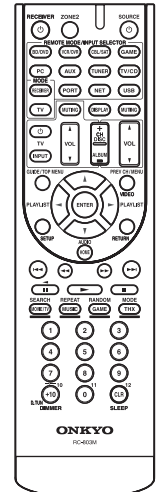
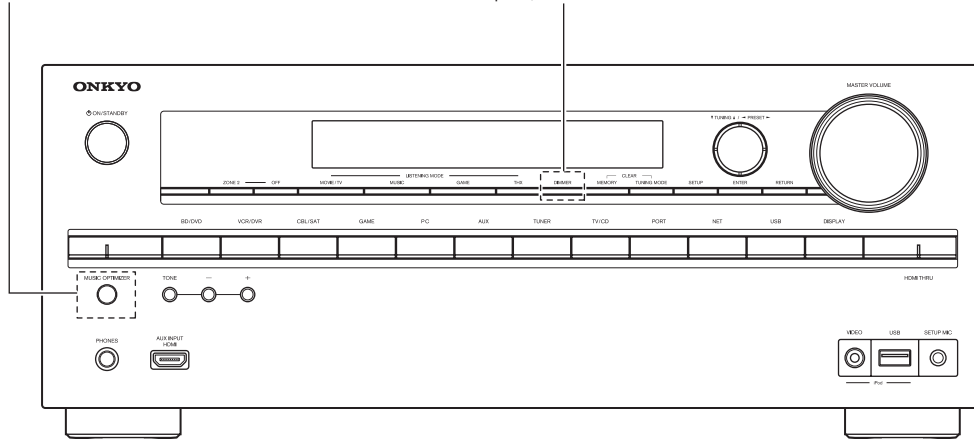


ONKYO® SERVICE MANUAL

AV RECEIVER MODEL TX-NR609(B)/(S)

North American and Taiwan models ---> "MUSIC OPTIMIZER"
European, Australian and Asian models ---> "PURE AUDIO"

North American and Taiwan models ---> "DIMMER"
European, Australian and Asian models ---> "RT/PTY/TP"



RC-803M


TX-R609 Black and Silver models

B MDD, B MDC, B MDF	120V AC, 60Hz
B MMR	230V AC, 50Hz
B MMP, B MMB, B MMA, B MMQ	220-240V AC, 50/60Hz
S MMP	220-240V AC, 50/60Hz

TX-NR609 for HT-S7409 and HT-S8409 Black model

B MDC	120V AC, 60Hz
-------	---------------

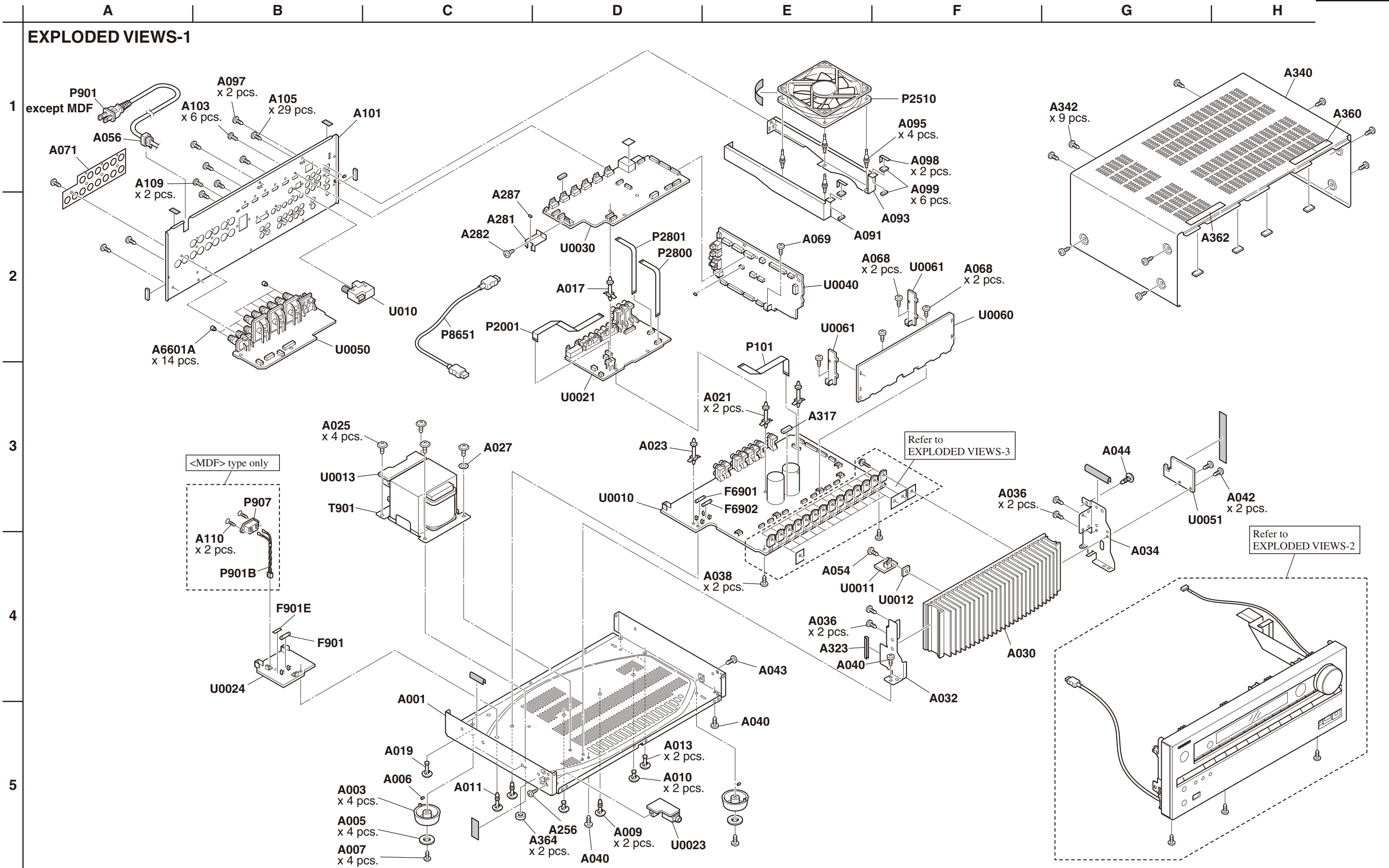
SAFETY-RELATED COMPONENT WARNING!!

COMPONENTS IDENTIFIED BY MARK  ON THE SCHEMATIC DIAGRAM AND IN THE PARTS LIST ARE CRITICAL FOR RISK OF FIRE AND ELECTRIC SHOCK. REPLACE THESE COMPONENTS WITH ONKYO PARTS WHOSE PART NUMBERS APPEAR AS SHOWN IN THIS MANUAL.

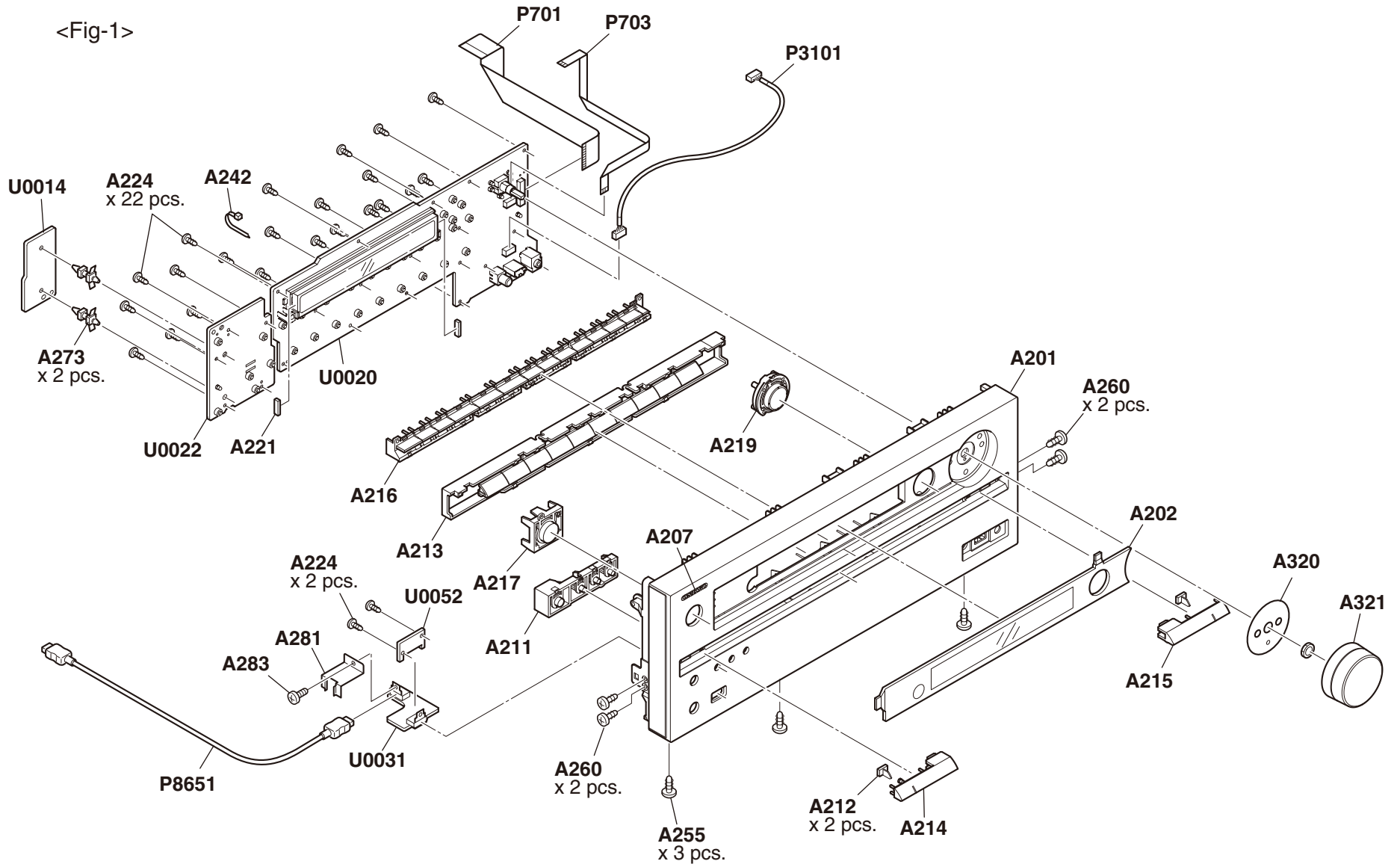
MAKE LEAKAGE-CURRENT OR RESISTANCE MEASUREMENTS TO DETERMINE THAT EXPOSED PARTS ARE ACCEPTABLY INSULATED FROM THE SUPPLY CIRCUIT BEFORE RETURNING THE APPLIANCE TO THE CUSTOMER.

ONKYO SOUND & VISION CORPORATION
Service Department

EXPLODED VIEWS-1

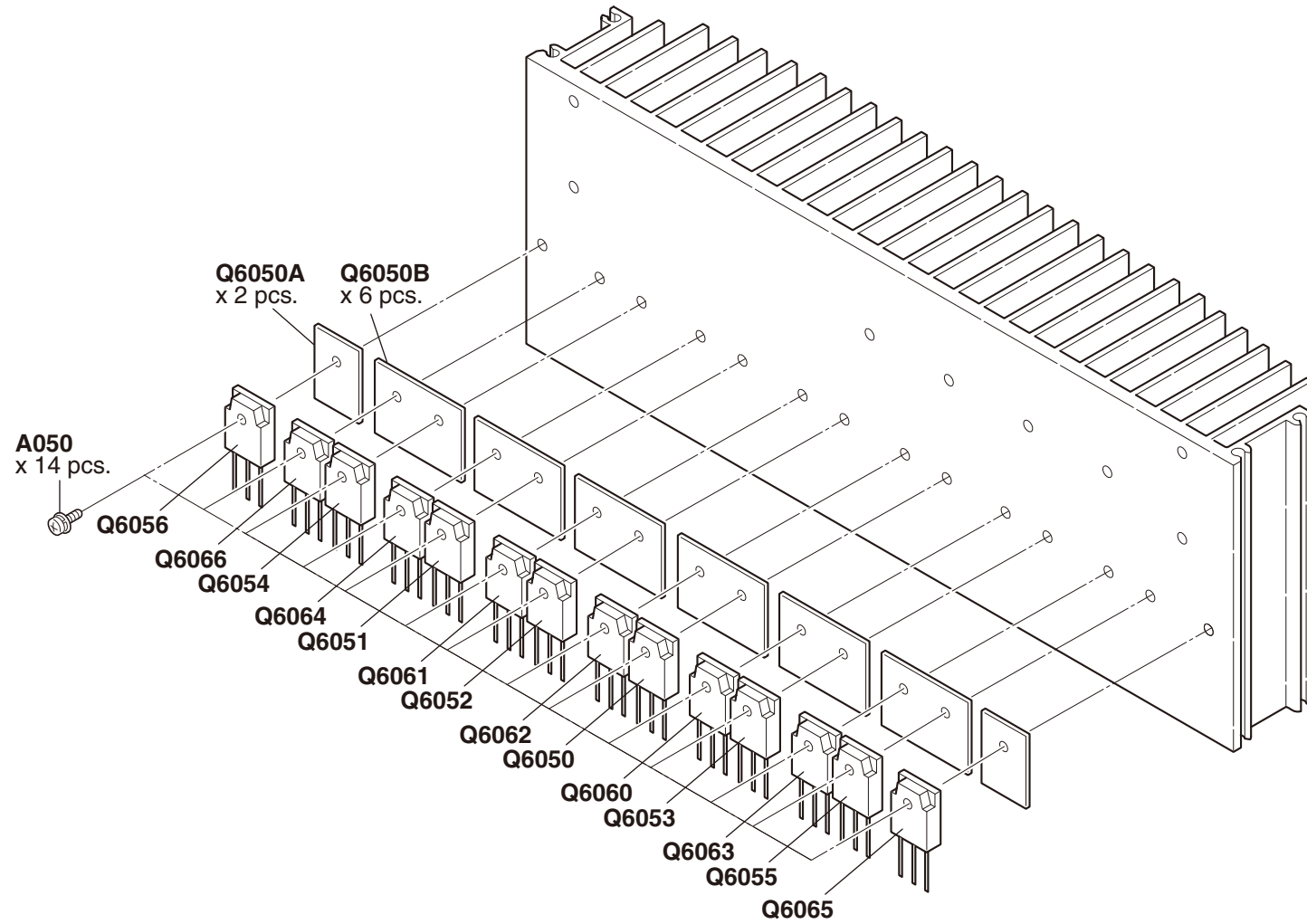


EXPLODED VIEWS-2



EXPLODED VIEWS-3

<Fig-2>

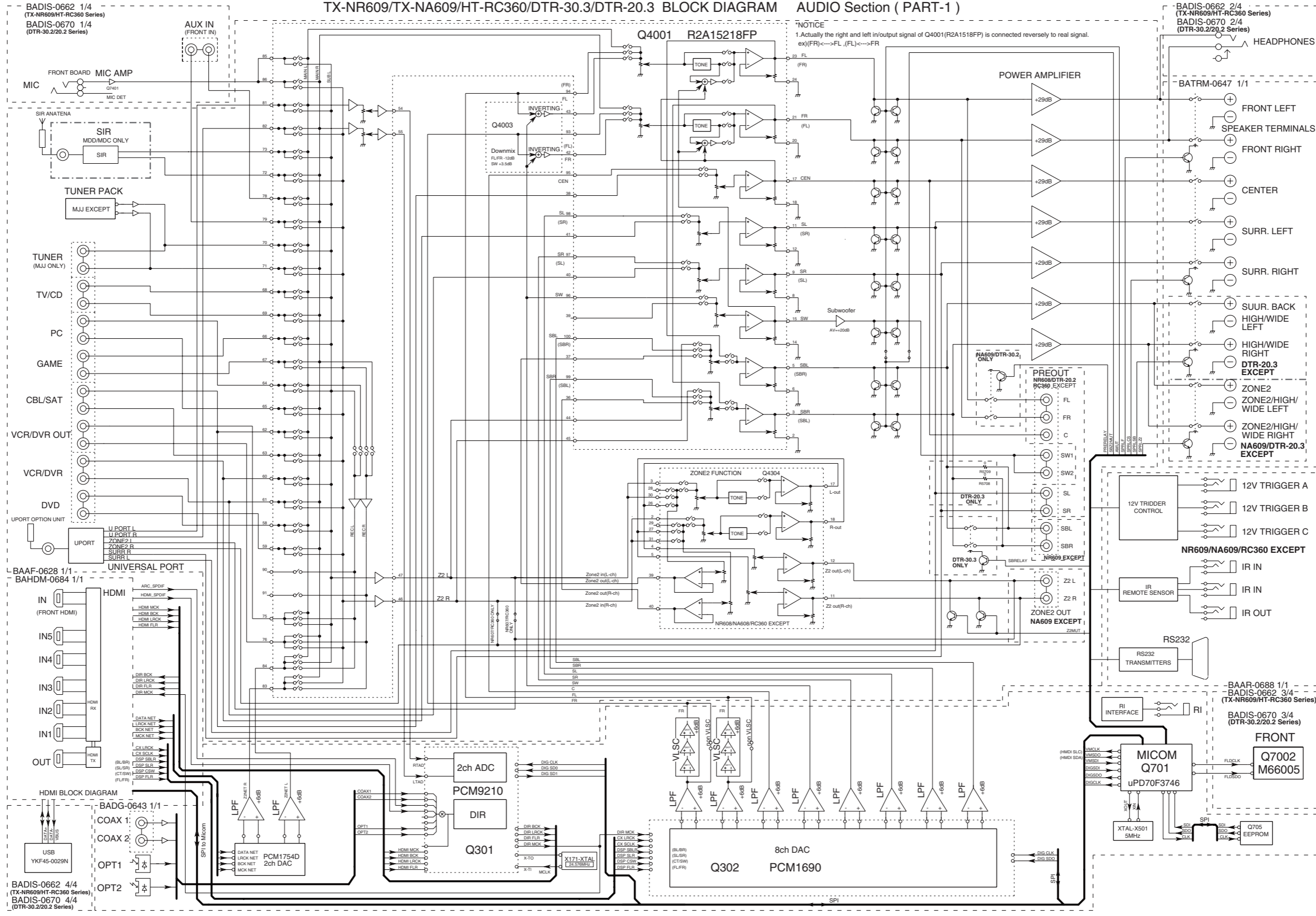


A B C D E F G H

SCHEMATIC DIAGRAM/ BLOCK DIAGRAM-1
BLOCK DIAGRA
AUDIO SECTION PART-1

TX-NR609/TX-NA609/HT-RC360/DTR-30.3/DTR-20.3 BLOCK DIAGRAM AUDIO Section (PART-1)

1
2
3
4
5



SCHEMATIC DIAGRAM/ BLOCK DIAGRAM-2

**BLOCK DIAGRAM
VIDEO SECTION
PART-2**

Model No. TX-SR309/509/609/TX-SA509/609/HT-R290/390/548/590/690/990/HT-RC330/360/DTR-20.3/30.3 SCHEMATIC DIAGRAM (PART-2) BLOCK DIAGRAM(VIDEO)

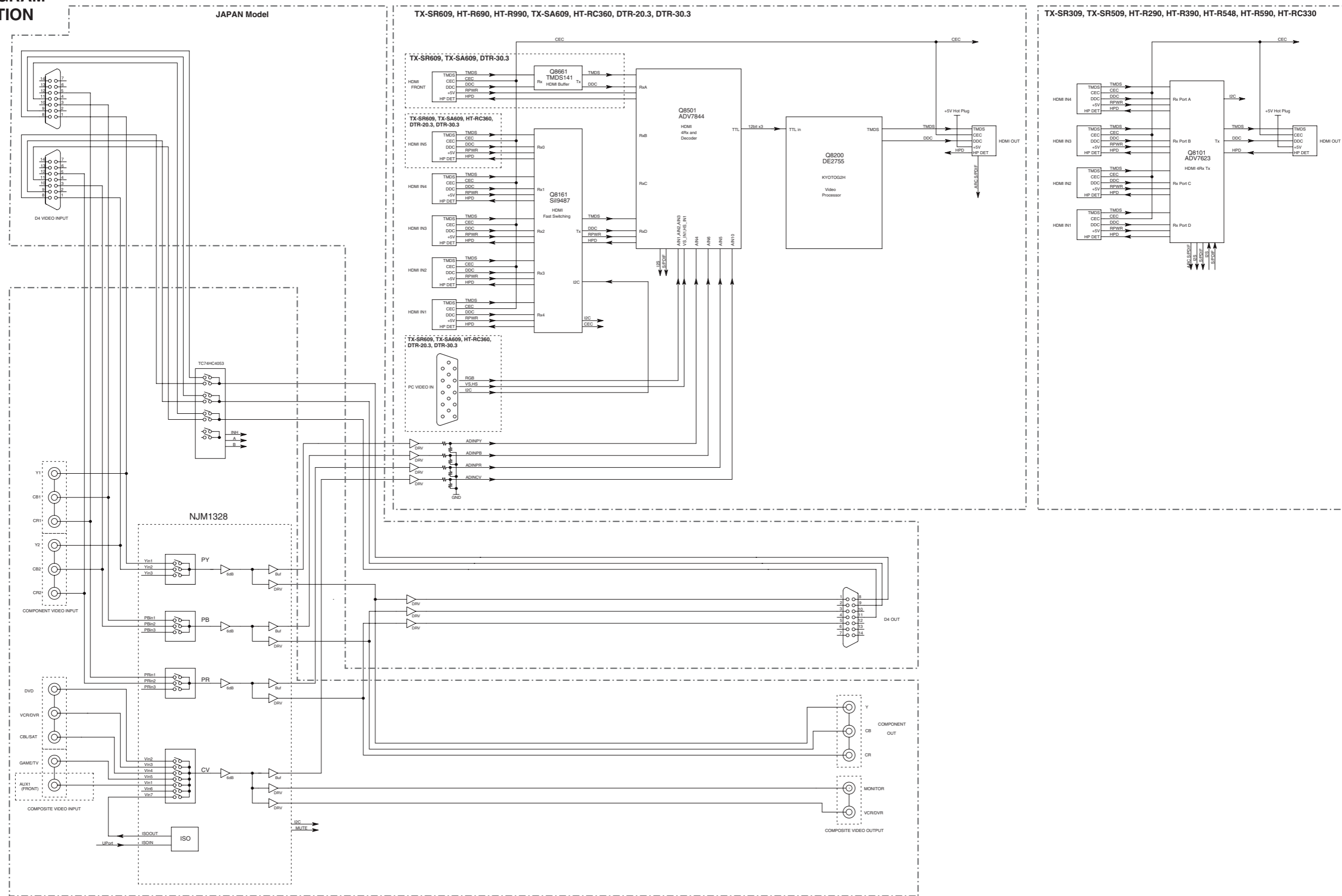
1

2

3

4

5



SCHEMATIC DIAGRAM/ BLOCK DIAGRAM-3
AUDIO INPUT SECTION PART-3

MODEL NO. TX-NR609/NA609/HT-RC360/DTR-20.3/DTR-30.3 SCHEMATIC DIAGRAM (PART-3) AUDIO INPUT

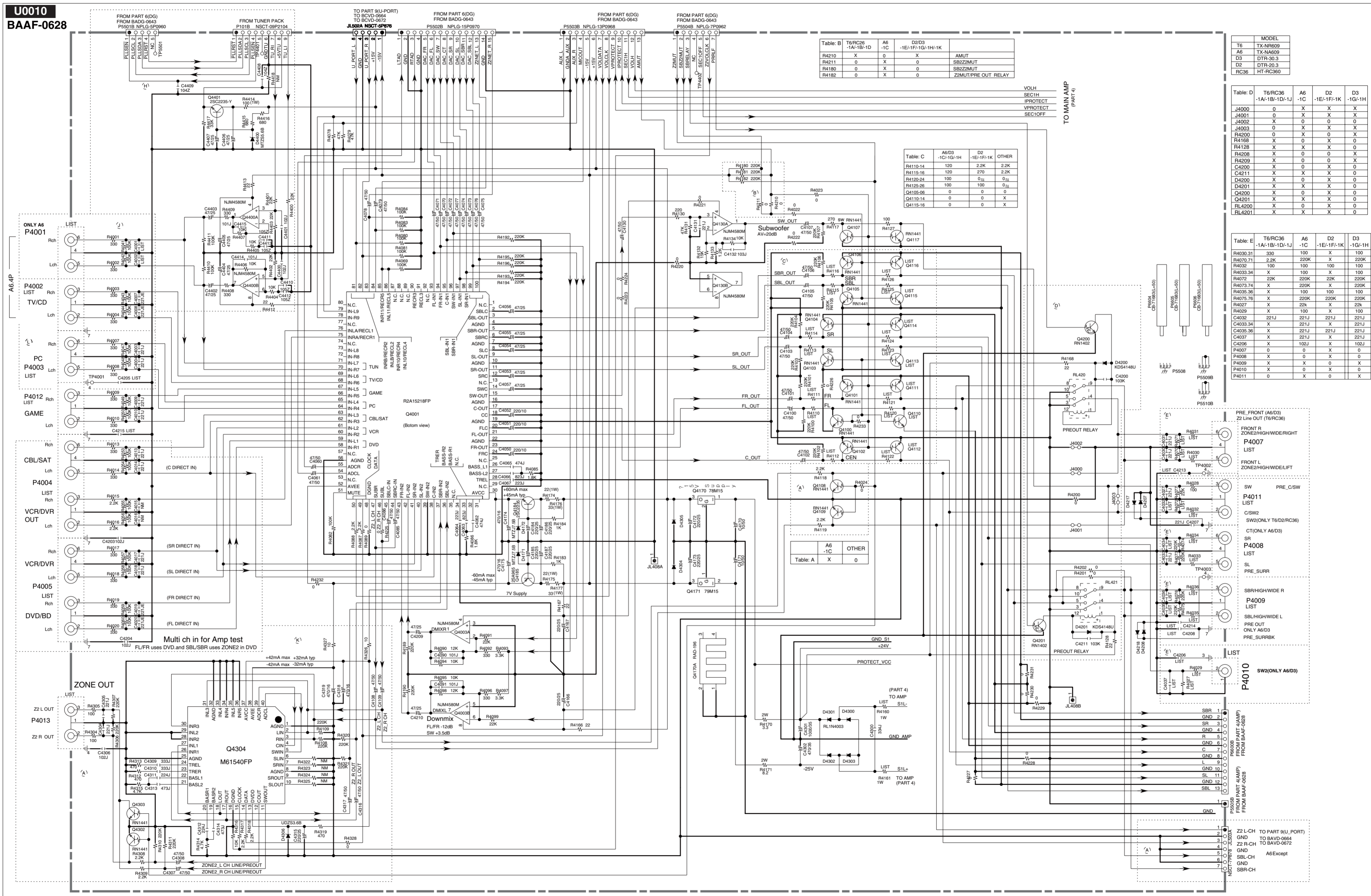


Table B

T6	T6/RC36	A6	D2	D3
R4210	X	0	X	AMUT
R4211	0	X	0	SB22MUT
R4180	0	X	0	SB22MUT
R4182	0	X	0	Z2MULT/PRE OUT RELAY

Table C

	A6/D3	-1C/-1G/-1H	-1E/-1F/-1K	OTHER
R4110-14	120	2.2K	2.2K	
R4115-16	120	270	2.2K	
R4120-24	100	0Ω	0Ω	
R4125-26	100	100	0Ω	
Q4105-08	0	0	0	
Q4110-14	0	0	0	X
Q4115-16	0	0	0	X

Table D

	T6/RC36	A6	D2	D3
J4000	0	X	X	X
J4001	0	X	X	X
J4002	X	0	0	0
J4003	0	X	X	X
R4200	0	X	0	X
R4168	X	0	X	0
R4128	X	X	X	0
R4208	X	0	0	X
R4209	X	0	0	X
C4200	X	0	X	0
C4211	X	X	X	0
D4200	X	0	X	0
D4201	X	X	X	0
Q4200	X	0	X	0
Q4201	X	X	X	0
RL4200	X	0	X	0
RL4201	X	X	X	0

Table E

	T6/RC36	A6	D2	D3
R4030-31	330	100	X	100
R4070-71	2.2K	220K	X	220K
R4032	100	100	100	100
R4033-34	X	100	X	100
R4072	22K	220K	22K	220K
R4073-74	X	220K	X	220K
R4035-36	X	100	100	100
R4075-76	X	220K	220K	220K
R4027	X	22K	X	22K
R4029	X	100	X	100
C4032	221J	221J	221J	221J
C4033-34	X	221J	X	221J
C4035-36	X	221J	221J	221J
C4037	X	221J	X	221J
C4206	X	102J	X	102J
P4007	0	0	X	0
P4008	X	0	X	0
P4009	X	X	0	X
P4010	X	0	X	0
P4011	0	X	0	X

Table A

	A6	OTHER
-1C	X	0

Table H

	T6	A6	RC36	D2	D3
-1A	0	X	0	0	0
-1B	0	X	0	0	0
-1C	0	X	0	0	0
-1D	0	X	0	0	0
-1J	0	0	0	0	0
-1K	0	0	0	0	0
-1G	0	0	0	0	0
-1I	0	0	0	0	0

Table M

	T6	A6	RC36	D2	D3
2.2	0.22	2.2	0.22	2.2	0.22

Table J

	A6	OTHER
R4001-02	0	X
R4041-42	0	X
C4001-02	221J	152J
P4001	0	X
P4002	X	0



1
2
3
4
5
6
7
8

SCHEMATIC DIAGRAM/ BLOCK DIAGRAM-4
AMP. SECTION PART-4

1 MODEL NO. TX-NR609/NA609/HT-RC360/DTR-20.3/DTR-30.3 SCHEMATIC DIAGRAM (PART-4) AMP SECTION

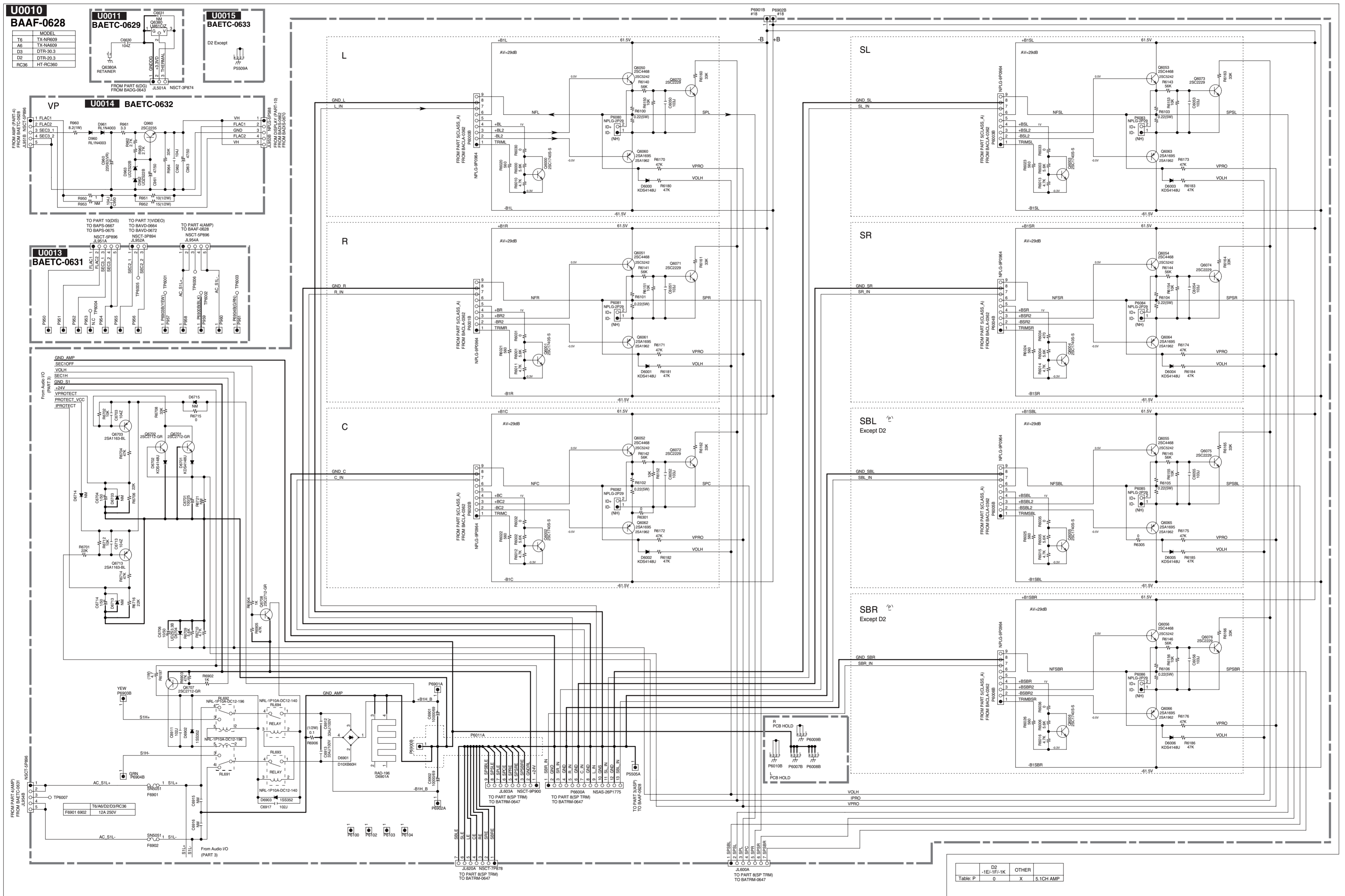


Table: P	D2	OTHER
	0	X

SCHEMATIC DIAGRAM/ BLOCK DIAGRAM-5
AMP. (Input stage) SECTION
PART-5

Model No. TX-SR609, TX-SA609, HT-RC360, DTR-20.3, DTR-30.3 SCHEMATIC DIAGRAM (Part-5) AMP(input stage) SECTION

U0060

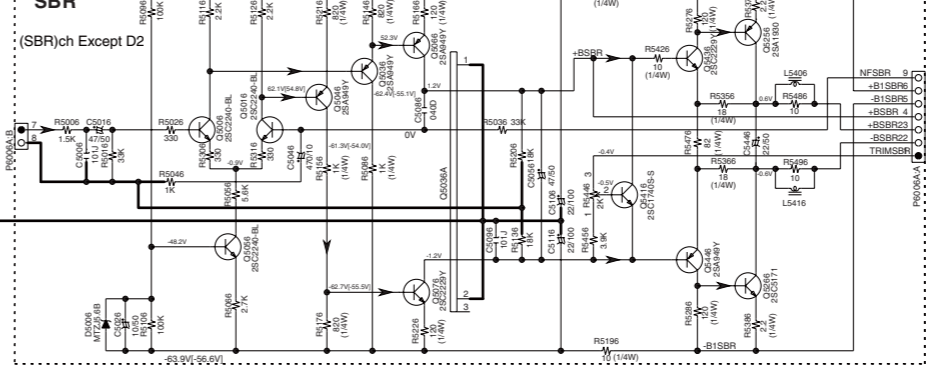
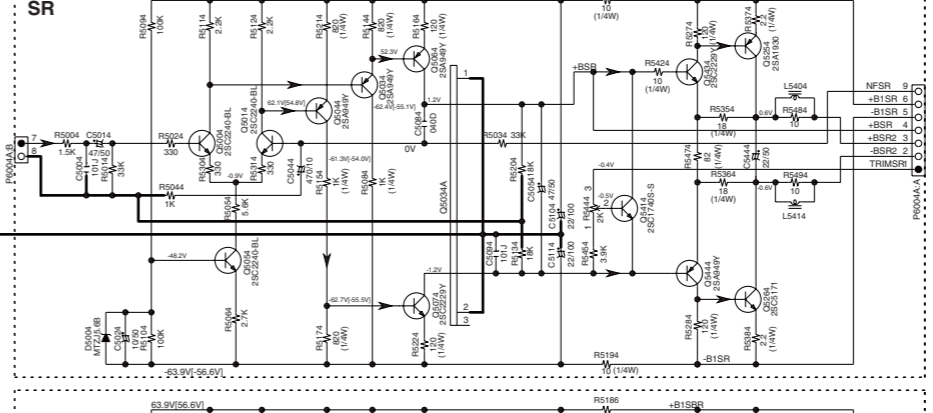
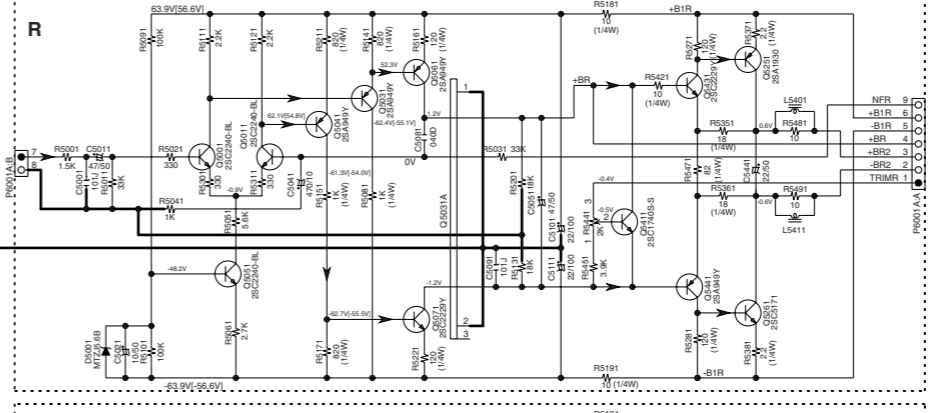
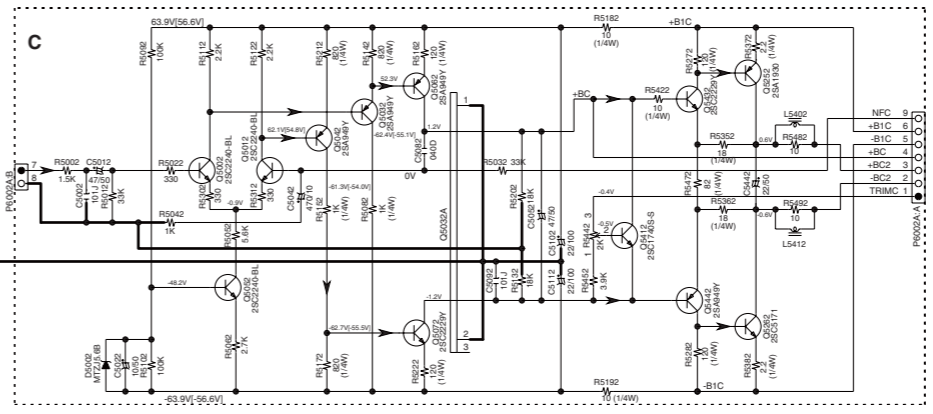
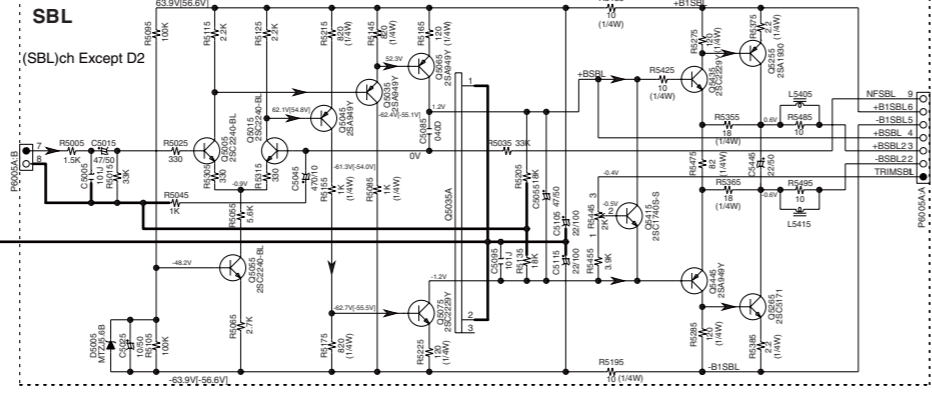
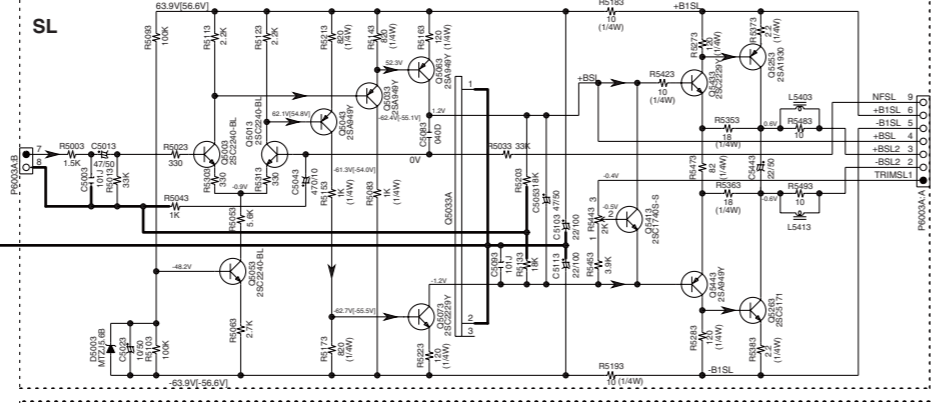
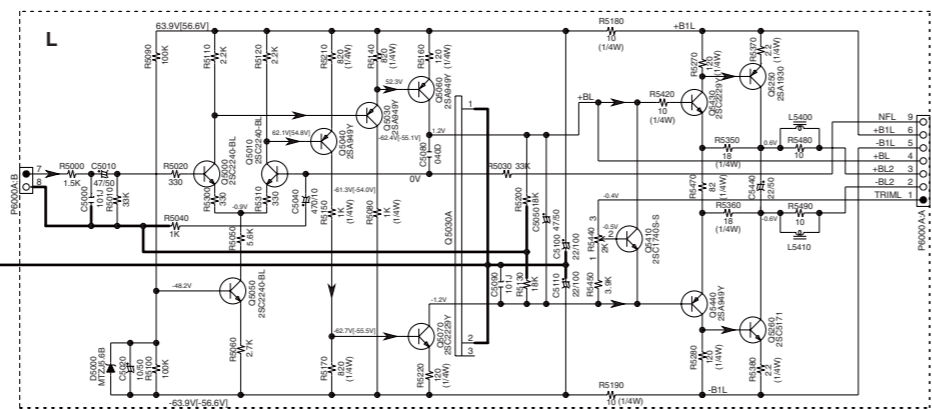
BACLA-0362

CODE	MODEL
T6	TX-SR609
A6	TX-SA609
H26	HT-RC360
D2	DTR-20.3
D3	DTR-30.3

IDLING CURRENT ADJUSTMENT

1. Wait for 4 - 6 minutes after power on. (Heat running)
2. Re-adjust the trimming resistors according to the following values.

Adjustment point	Measured value	Re-adjustment value
R6040 ~ R6046	In case below 6 mV	→ 6 mV
	In case 6 - 8 mV	→ 8 mV
	In case 8 - 12 mV	→ No re-adjustment
	In case over 12mV	→ 12 mV



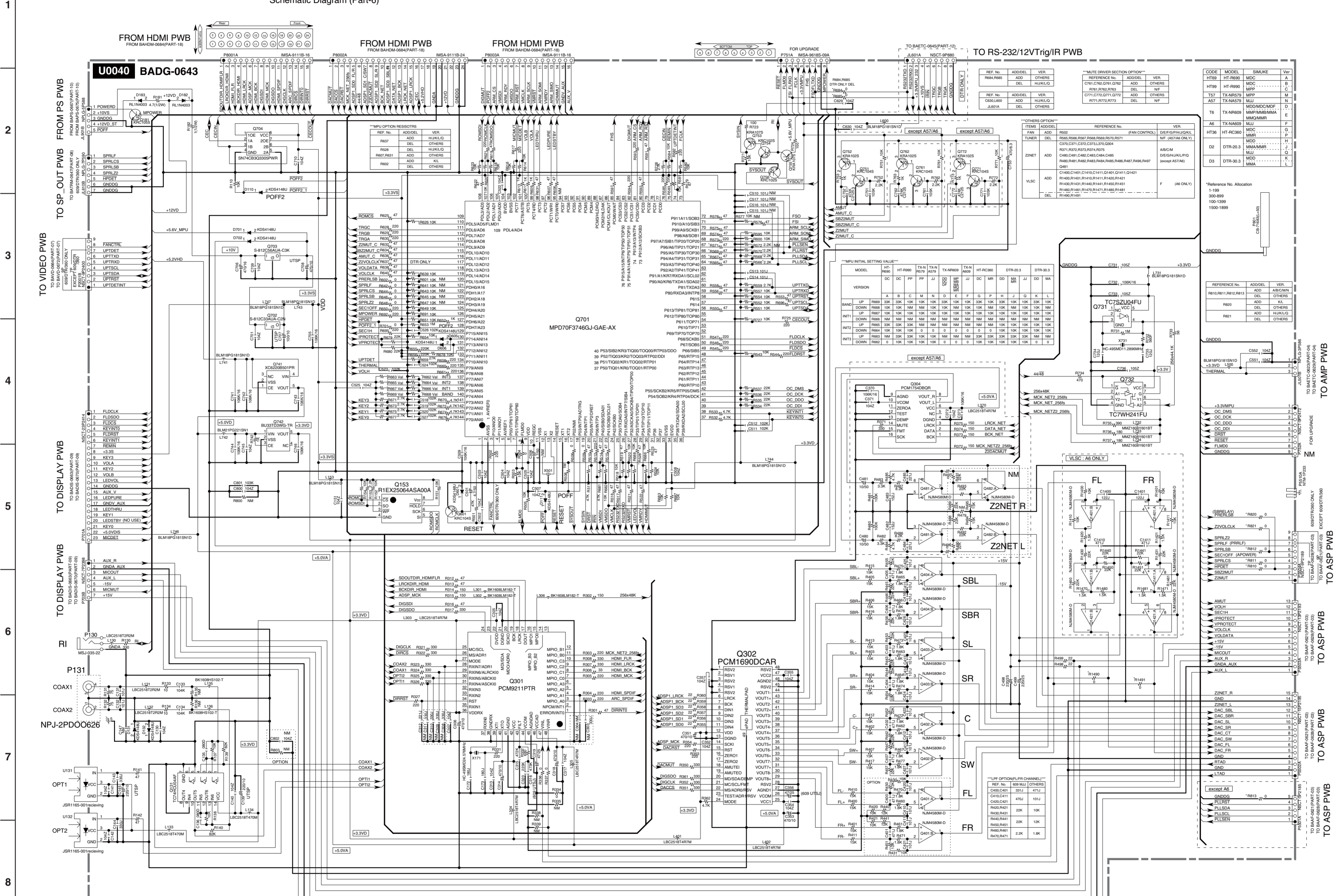
BACLA-0362

SCHEMATIC DIAGRAM/ BLOCK DIAGRAM-6

DIGITAL IN/ DAC/ MPU SECTION PART-6

TX-NR579/TX-NA579/TX-NR609/TX-NA609/DTR-20.3/DTR-30.3/HT-R690/HT-R990/HT-RC360 Schematic Diagram (Part-6)

DIGITAL IN/DAC/MPU SECTION



- TO PS_PWB FROM PS_PWB
TO SP_OUT_PWB FROM SP_OUT_PWB
TO VIDEO_PWB FROM VIDEO_PWB
TO DISPLAY_PWB FROM DISPLAY_PWB
TO DISPLAY_PWB FROM DISPLAY_PWB
TO DISPLAY_PWB FROM DISPLAY_PWB
TO DISPLAY_PWB FROM DISPLAY_PWB

- TO AMP_PWB FROM AMP_PWB
TO ASP_PWB FROM ASP_PWB
TO ASP_PWB FROM ASP_PWB
TO ASP_PWB FROM ASP_PWB
TO ASP_PWB FROM ASP_PWB
TO ASP_PWB FROM ASP_PWB

Table with columns REF. No., ADD/DEL, VER, and OTHERS. Lists component changes.

Table with columns REF. No., ADD/DEL, VER, and OTHERS. Lists component changes.

Table with columns REF. No., ADD/DEL, VER, and OTHERS. Lists component changes.

Table with columns REF. No., ADD/DEL, VER, and OTHERS. Lists component changes.

Table with columns REF. No., ADD/DEL, VER, and OTHERS. Lists component changes.

Table with columns REF. No., ADD/DEL, VER, and OTHERS. Lists component changes.

Table with columns REF. No., ADD/DEL, VER, and OTHERS. Lists component changes.

Table with columns REF. No., ADD/DEL, VER, and OTHERS. Lists component changes.

Table with columns REF. No., ADD/DEL, VER, and OTHERS. Lists component changes.

Table with columns REF. No., ADD/DEL, VER, and OTHERS. Lists component changes.

Table with columns REF. No., ADD/DEL, VER, and OTHERS. Lists component changes.

Table with columns REF. No., ADD/DEL, VER, and OTHERS. Lists component changes.

Table with columns REF. No., ADD/DEL, VER, and OTHERS. Lists component changes.

Table with columns REF. No., ADD/DEL, VER, and OTHERS. Lists component changes.

Table with columns REF. No., ADD/DEL, VER, and OTHERS. Lists component changes.

Table with columns REF. No., ADD/DEL, VER, and OTHERS. Lists component changes.

Table with columns REF. No., ADD/DEL, VER, and OTHERS. Lists component changes.

Table with columns CODE, MODEL, S/BUKE, and Ver. Lists model variants.

Table with columns REFERENCE No., ADD/DEL, VER, and OTHERS. Lists component changes.

Table with columns REFERENCE No., ADD/DEL, VER, and OTHERS. Lists component changes.

Table with columns REFERENCE No., ADD/DEL, VER, and OTHERS. Lists component changes.

Table with columns REFERENCE No., ADD/DEL, VER, and OTHERS. Lists component changes.

Table with columns REFERENCE No., ADD/DEL, VER, and OTHERS. Lists component changes.

SCHEMATIC DIAGRAM/ BLOCK DIAGRAM-7

**VIDEO SECTION
PART-7**

MODEL No. TX-NR509/ TX-NA509/ HT-R590/ HT-R690/ HT-R990/TX-NR609/ TX-NA609/ HT-RC360/ DTR-20.3/ DTR-30.3 SCHEMATIC DIAGRAM(Part-7) VIDEO SECTION

U0021 BAVD-0664
U0022 BAVD-0672

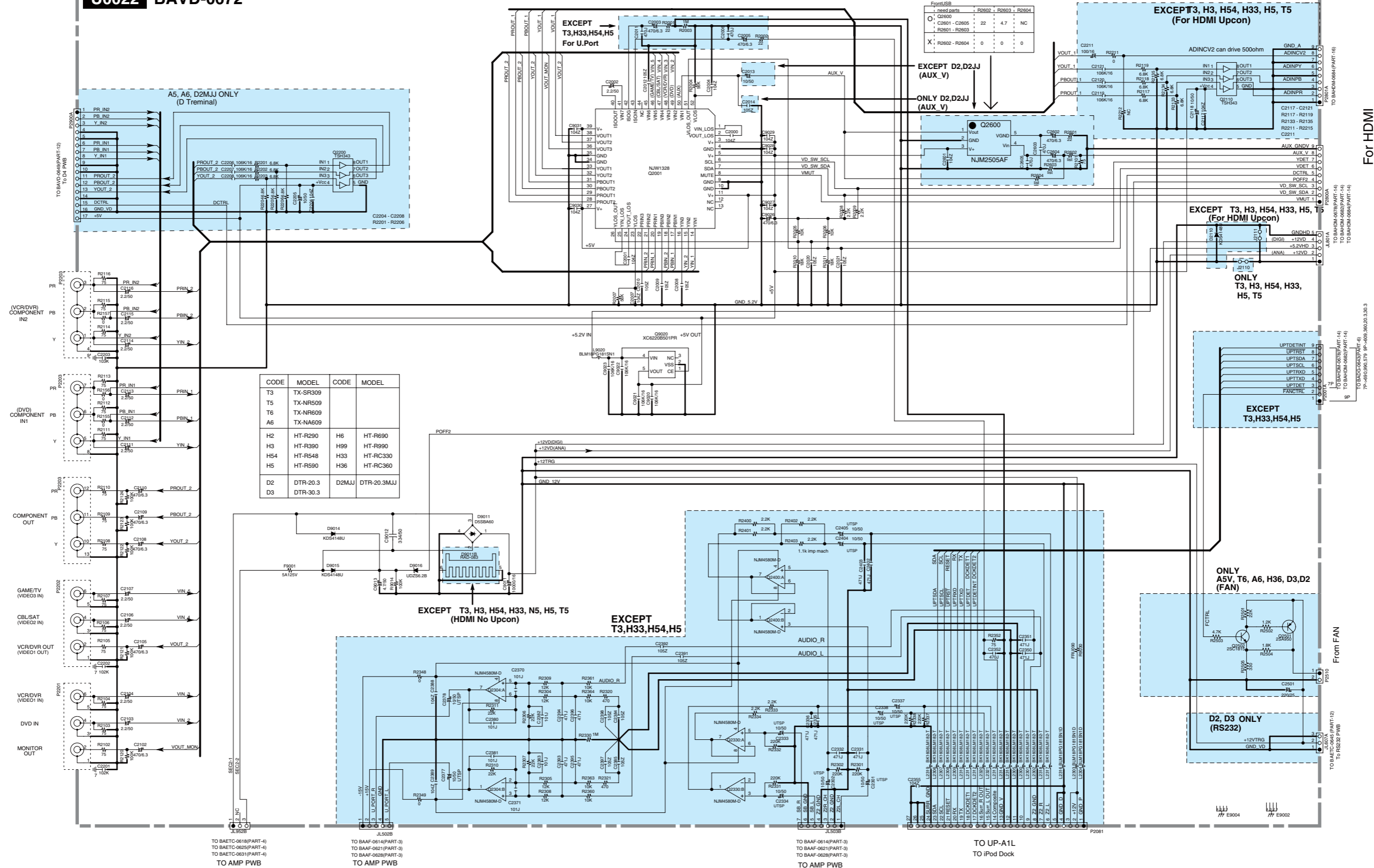
1

2

3

4

5



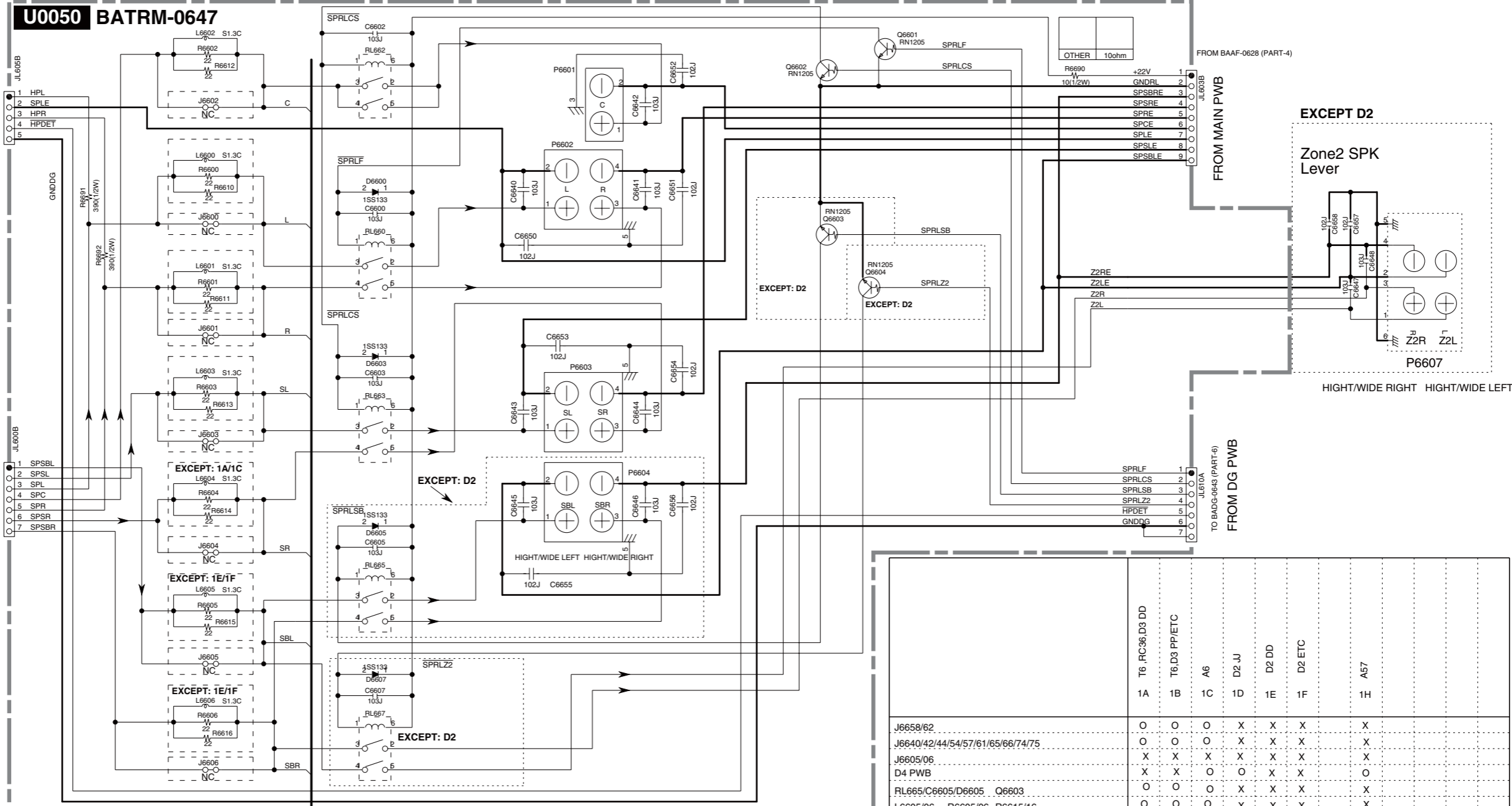
For HDMI

From FAN

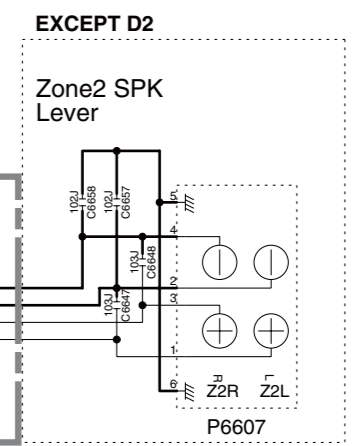
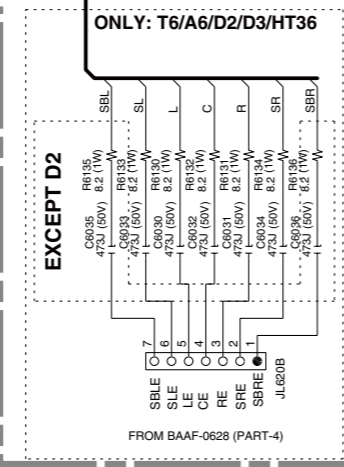
SCHEMATIC DIAGRAM/ BLOCK DIAGRAM-8
SPEAKER OUT SECTION
PART-8

MODEL No. TX-NR609/NA609/HT-RC360/DTR-20.3/30.3

SCHEMATIC DIAGRAM (PART-8) SP-OUT SECTION



CODE	MODEL	CODE	MODEL
T6	TX-NR609	RC36	HT-RC360
A6	TX-NA609	D2	DTR-20.3
A57	TX-NA579	D3	DTR-30.3



	T6 ,RC36,DS,DD	T6,DS,PP/ETC	A6	D2,JU	D2,DD	D2,ETC	A57
	1A	1B	1C	1D	1E	1F	1H
J6658/62	O	O	O	X	X	X	X
J6640/42/44/54/57/61/65/66/74/75	O	O	O	X	X	X	X
J6605/06	X	X	O	X	X	X	O
D4 PWB	X	X	O	O	X	X	O
RL665/C6605/D6605 Q6603	O	O	O	X	X	X	X
L6605/06 R6605/06 R6615/16	O	O	O	X	X	X	X
RL667/C6607/D6607 Q6604	O	O	O	X	X	X	X
P6604	O	O	O	X	X	X	X
P6607	O	O	X	X	X	X	X
C6647/48/57/58	X	O	X	X	X	X	X
C6640-44 C6650-54	X	O	X	X	X	O	X
C6645/46 C6655/56	X	O	X	X	X	X	X
C6030-34 R6130-34	O	O	O	O	O	O	X
JL620B	O	O	O	O	O	O	X
C6035/36 R6135/36	O	O	O	X	X	X	X
J6600-04	X	X	X	X	X	X	X
L6600-04 R6600-04 R6610-14	O	O	O	O	O	O	X
J6611/12/81/82	O	O	X	X	X	X	X

1
2
3
4
5

SCHEMATIC DIAGRAM/ BLOCK DIAGRAM-9

DISPLAY SECTION PART-9

Model No. TX-NR509/609/HT-R690/990/HT-RC360 Schematic Diagram (Part-9) Display Section

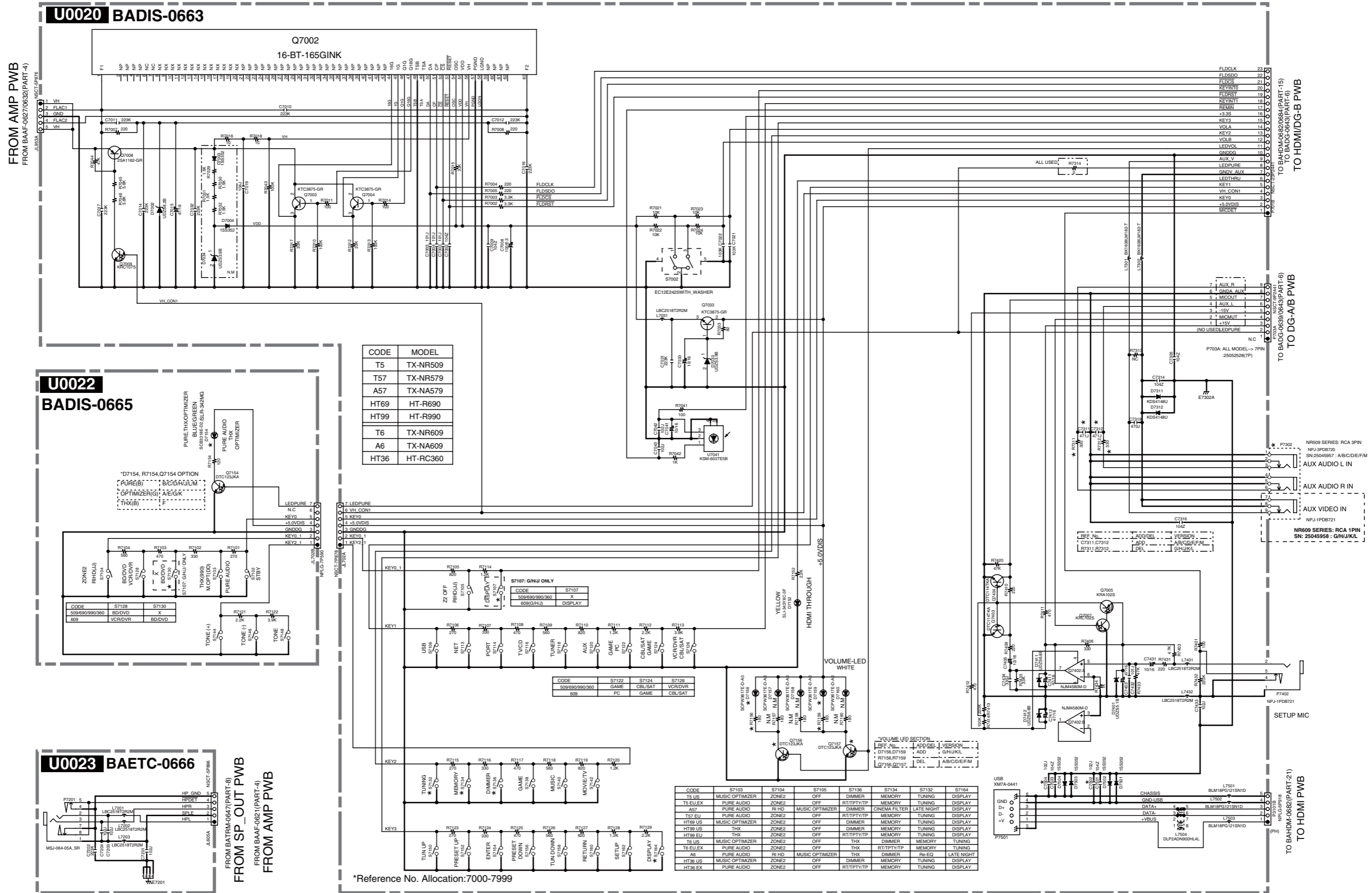
1

2

3

4


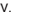
5



SCHEMATIC DIAGRAM/ BLOCK DIAGRAM-10
POWER SUPPLY SECTION PART-10

Model No. TX-NR509/609/HT-R690/990/HT-RC360
Schematic Diagram (Part-10) PS Section

- ・印は火災、感電の危険に関与する部品の為、必ず指定部品を使用の事。
- ・電圧表示は無信号時に測定した直流電圧を示す。
(単位V、入力抵抗100kΩ/V以上の電圧計)
- ・記入なき電解コンデンサの単位はμF/WVである。
- ・記入なきコンデンサの単位はpF/50WVである。
- 例 030→3pF 330→33pF 331→330pF 333→0.033μF
- ・本配線図は基本配線図につき性能改善等により予告なく変更する事がある。

- * THE COMPONENTS IDENTIFIED BY MARK  ARE CRITICAL FOR SAFETY. REPLACE ONLY WITH PART NUMBER SPECIFIED.
- * VOLTAGE (MEASURED WITH VOLTMETER) IS DC VOLTAGE. (NO INPUT SIGNAL)
- * ELECTROLYTIC CAPACITORS () ARE IN μF/WV.
- * ALL CAPACITORS ARE IN pF/50WV UNLESS OTHERWISE NOTED.
- EX) 030→3pF 330→33pF 331→330pF 333→0.033μF
- * CIRCUIT IS SUBJECT TO CHANGE FOR IMPROVEMENT.

CAUTION



FOR CONTINUED PROTECTION AGAINST FIRE HAZARD, REPLACE ONLY WITH FUSE OF SAME TYPE AND RATING INDICATED.

ATTENTION



CAUTION AFIN D'ASSURER UNE PROTECTION PERMANENTE CONTRE LES RISQUES D'INCENDIE, REMPLACER UNIQUEMENT PAR UN FUSIBLE DE MEME TYPE ET CALIBRATION COMME INDIQUE.



THIS SYMBOL LOCATED NEAR THE FUSE INDICATES THAT THE FUSE USED IS SLOW OPERATING TYPE FOR CONTINUED PROTECTION AGAINST FIRE HAZARD. REPLACE WITH SAME TYPE FUSE. FOR FUSE RATING REFER TO THE MAKING ADJACENT TO THE SYMBOL.

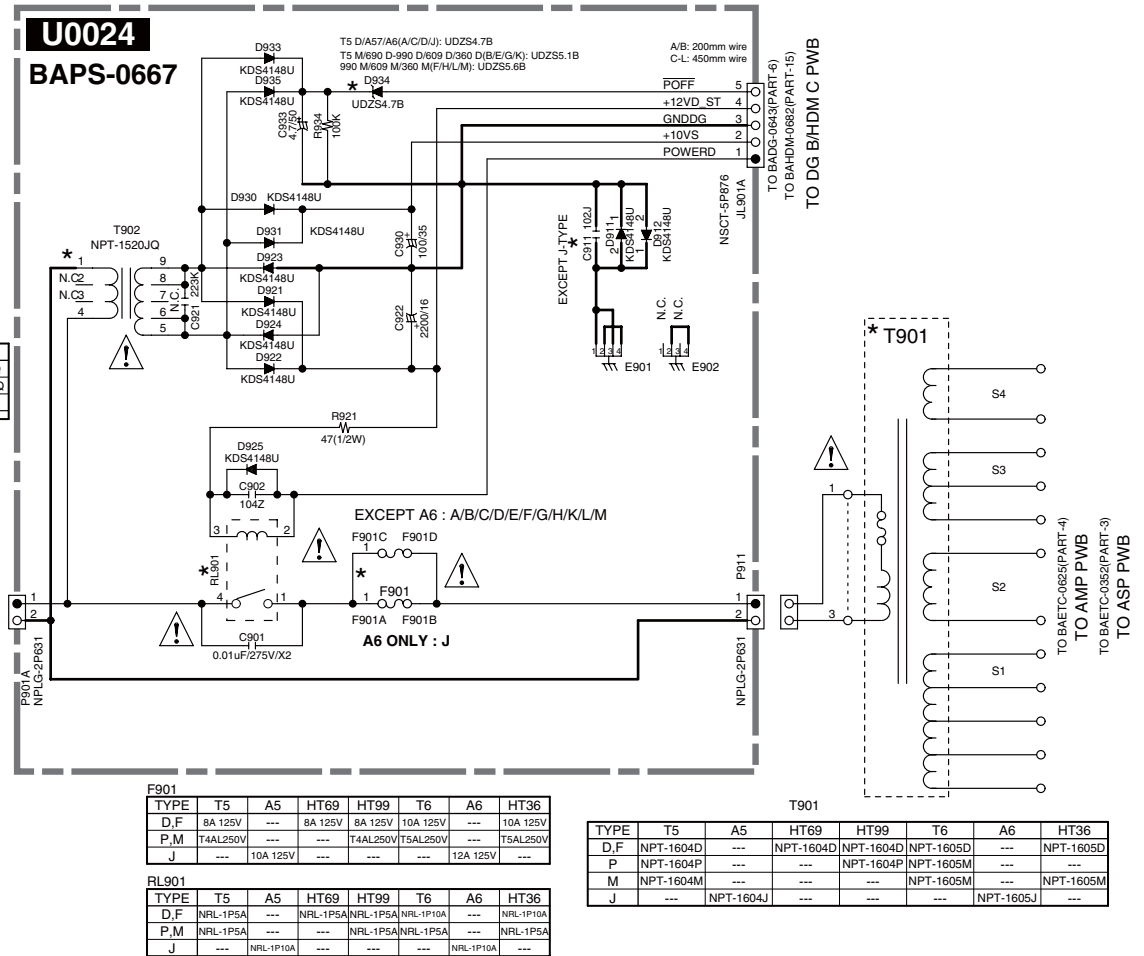


CE SYMBOLE INDIQUE QUE LE FUSIBLE UTILISE EST A LENT, E POUR UNE PROTECTION PERMANENTE. N'UTILISER QUE DES FUSIBLES DE MEME TYPE. CE DERNIER EST INDIQUE LA QU LE PRESENT SYMBOLE EST APPOSE.

		T902			
		T5	A5	HT69	HT99
D,F	NPT-1520JQ	---	---	NPT-1520JQ	NPT-1520JQ
P,M	NPT-1520GQ	---	---	---	NPT-1520GQ
J	---	---	NPT-1520JQ	---	---
		T6	A6	HT36	HT99
D,F	NPT-1520JQ	---	---	NPT-1520JQ	---
P,M	NPT-1520GQ	---	---	NPT-1520GQ	---
J	---	---	NPT-1520JQ	---	---

CODE	MODEL
T5	TX-NR509
	TX-NR579
A5	TX-NA579
HT69	HT-R690
HT99	HT-R990
T6	TX-NR609
A6	TX-NA609
HT36	HT-RC360

TYPE	AC
D,F	120V / 60HZ
P,M	230-240V / 50HZ
J	100V / 50/60HZ



		F901						
		T5	A5	HT69	HT99	T6	A6	HT36
D,F	8A 125V	---	---	8A 125V	8A 125V	10A 125V	---	10A 125V
P,M	T4AL250V	---	---	T4AL250V	T5AL250V	---	---	T5AL250V
J	---	10A 125V	---	---	---	12A 125V	---	---

		RL901						
		T5	A5	HT69	HT99	T6	A6	HT36
D,F	NRL-1P5A	---	---	NRL-1P5A	NRL-1P5A	NRL-1P10A	---	NRL-1P10A
P,M	NRL-1P5A	---	---	NRL-1P5A	NRL-1P5A	---	---	NRL-1P5A
J	---	---	NRL-1P10A	---	---	---	---	NRL-1P10A

		T901						
		T5	A5	HT69	HT99	T6	A6	HT36
D,F	NPT-1604D	---	NPT-1604D	NPT-1604D	NPT-1604D	NPT-1605D	---	NPT-1605D
P	NPT-1604P	---	---	NPT-1604P	NPT-1605M	---	---	---
M	NPT-1604M	---	---	---	NPT-1605M	---	---	NPT-1605M
J	---	NPT-1604J	---	---	---	NPT-1605J	---	---

1

2

3

4

SCHEMATIC DIAGRAM/ BLOCK DIAGRAM-13
FRONT HDMI SECTION
PART-13

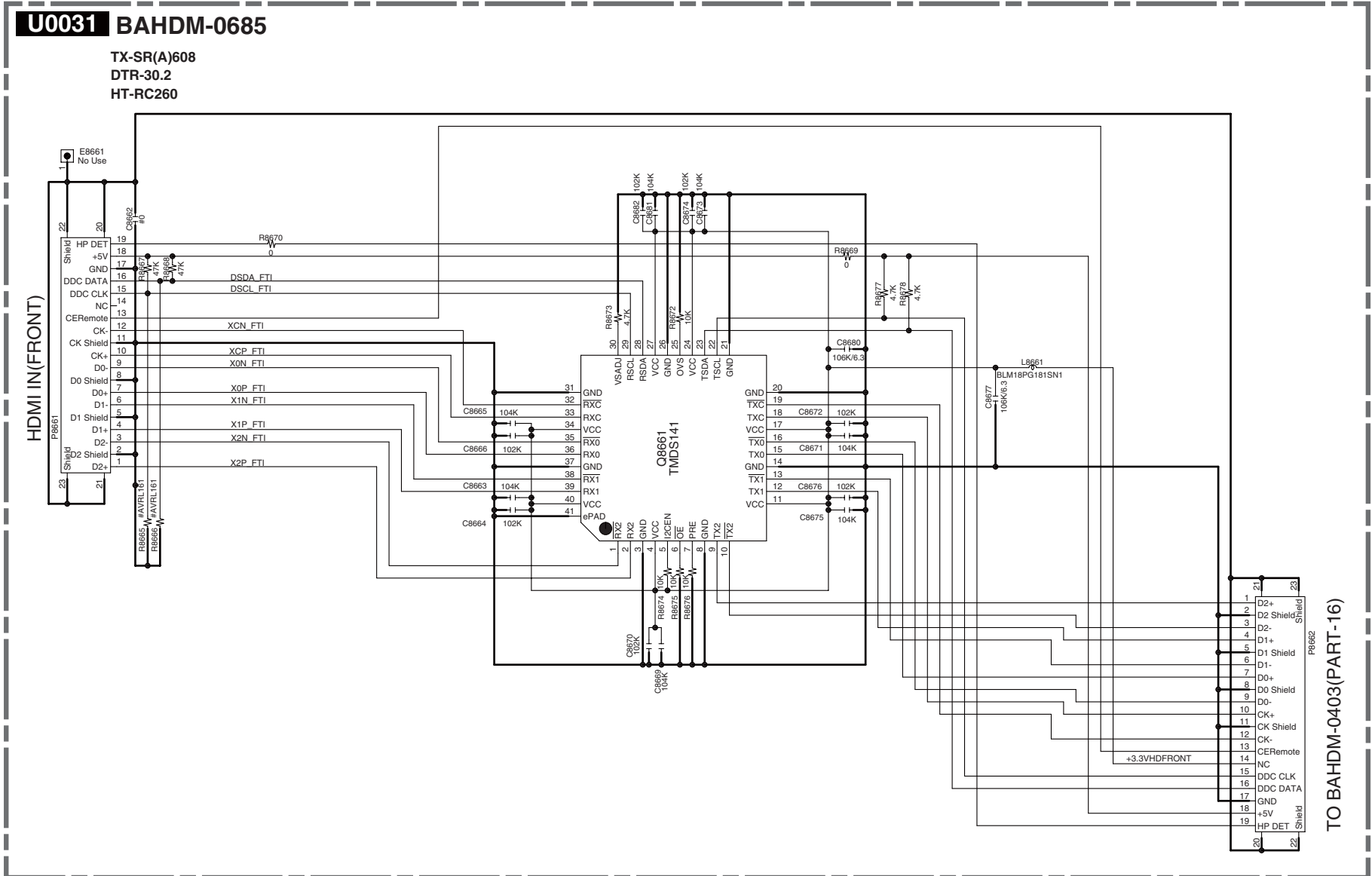
Model No. TX-NR(A)609,DTR-30.3,HT-RC360 SCHEMATIC DIAGRAM (PART-13) FRONT HDMI SECTION

1

2

3

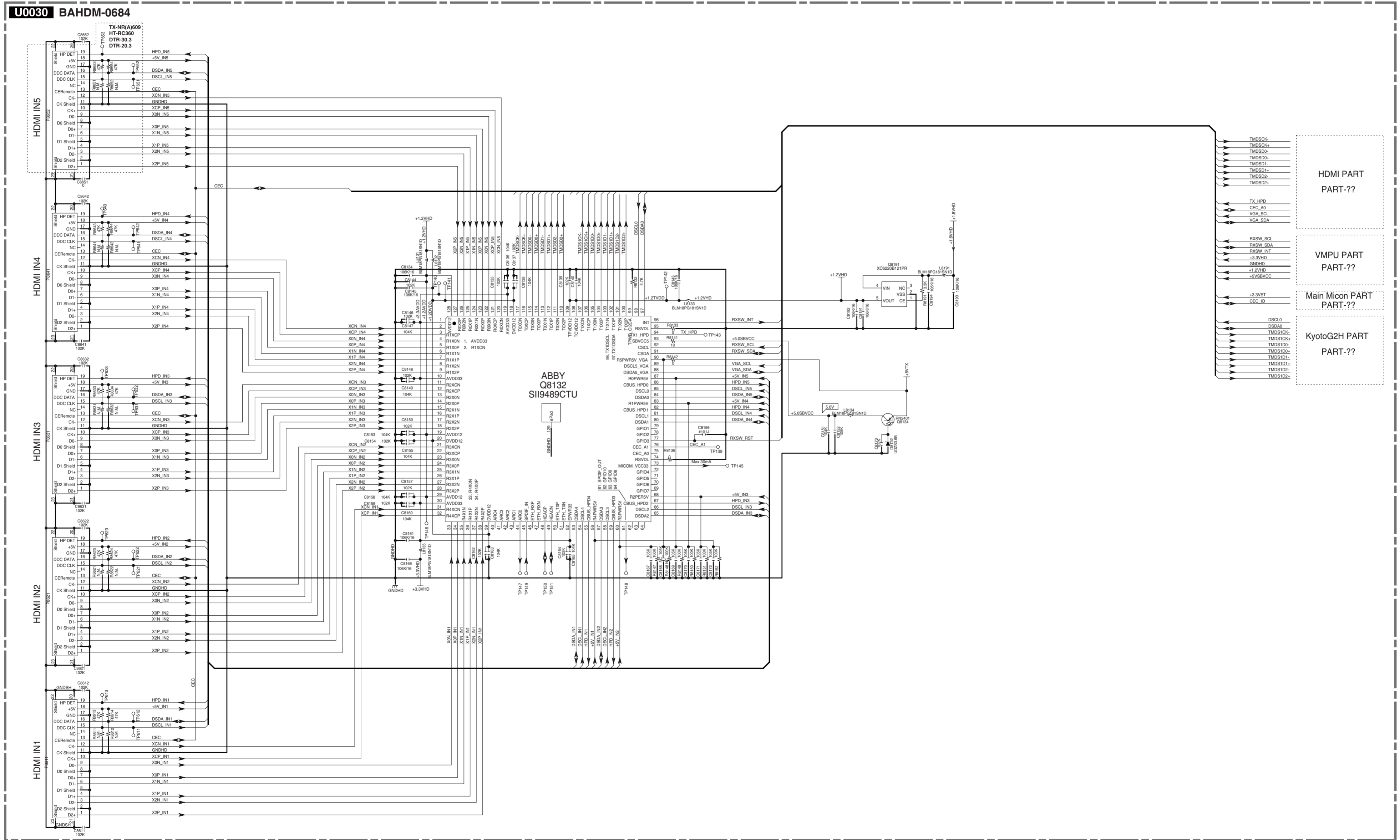
4



SCHEMATIC DIAGRAM/ BLOCK DIAGRAM-15

HDMI INPUT SWITCH SECTION
PART-15

Model No. TX-NR(A)579, TX-NR(A)609, HT-RC360, DTR-20.3, DTR-30.3
SCHEMATIC DIAGRAM (PART-15)
HDMI INPUT SWITCH SECTION



- HDMI PART
PART-??
- VMPU PART
PART-??
- Main Micon PART
PART-??
- KyotoG2H PART
PART-??

SCHEMATIC DIAGRAM/ BLOCK DIAGRAM-16

HDMI SECTION PART-16

Model No. TX-NR(A)579, TX-NR(A)609, HT-RC360, DTR-20.3, DTR-30.3
Schematic Diagram (Part-16) HDMI Section

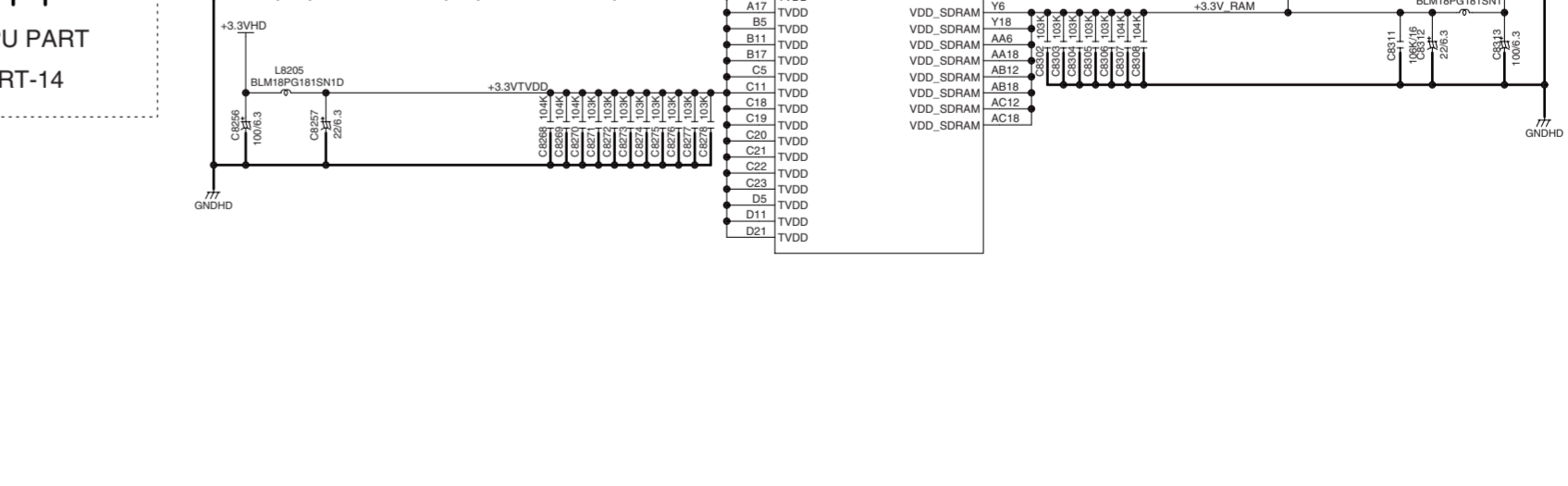
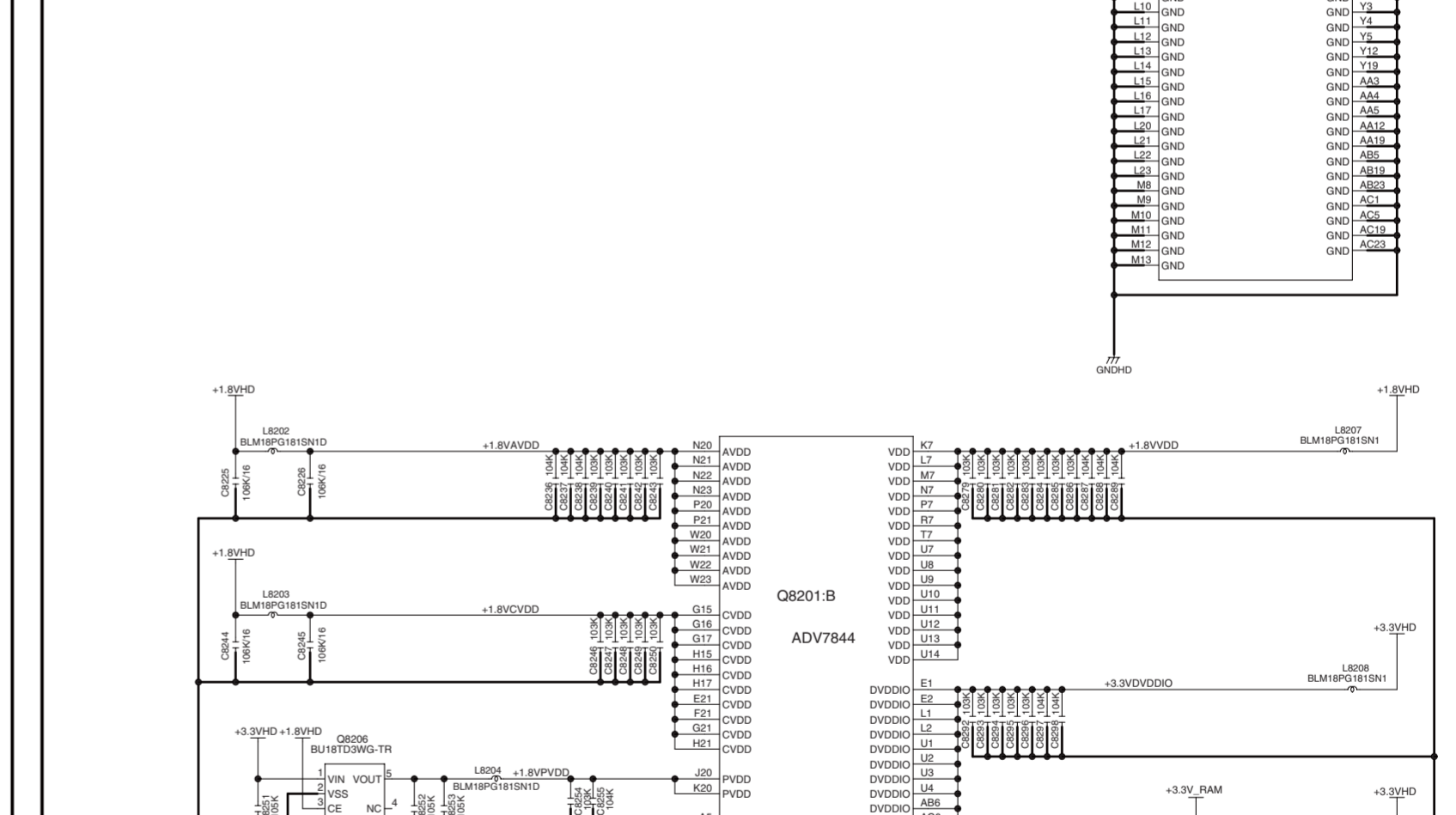
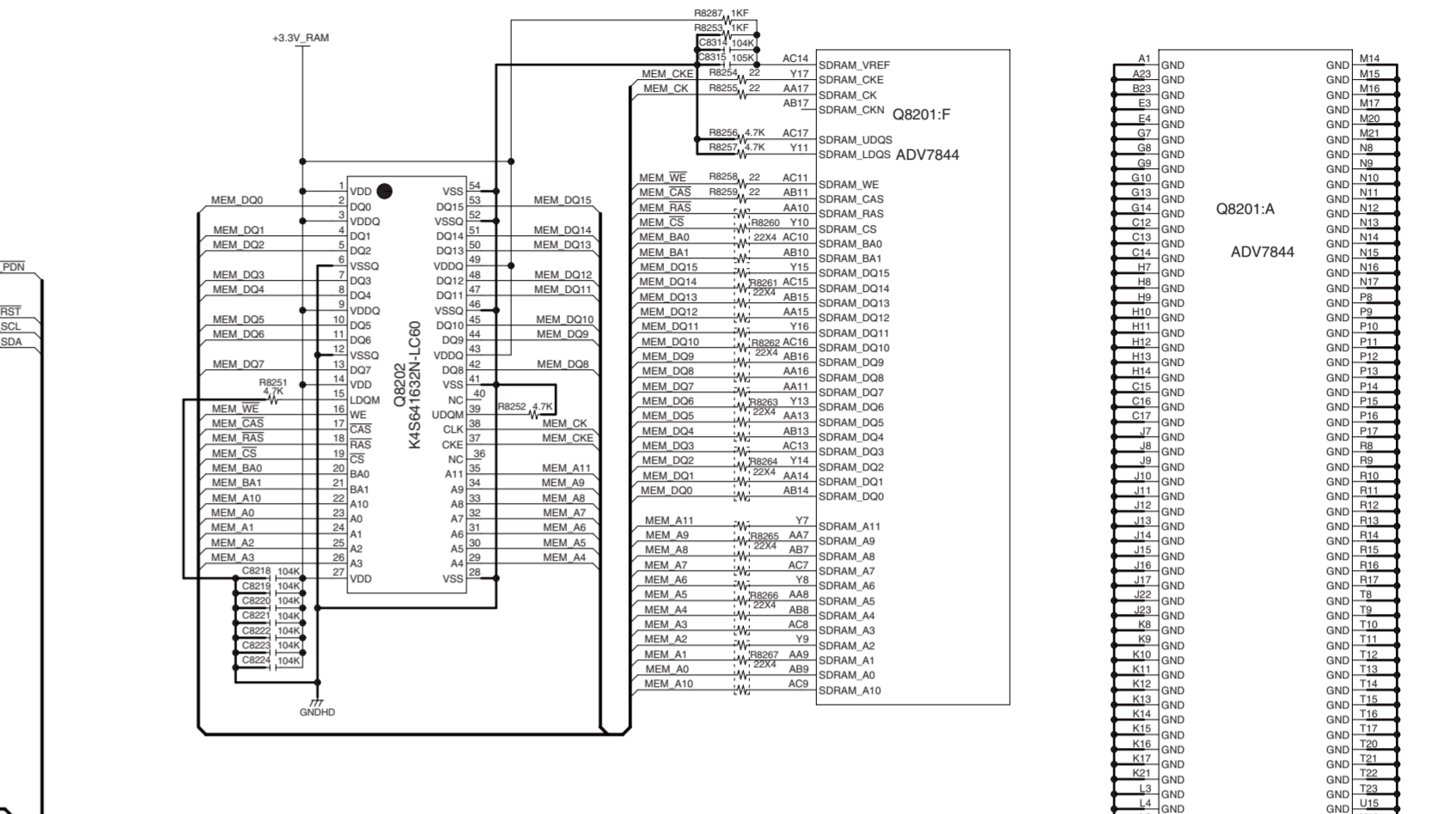
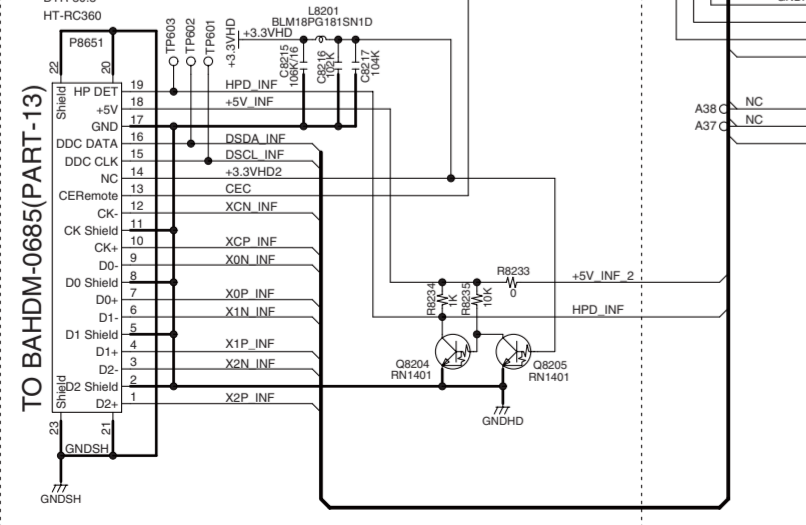
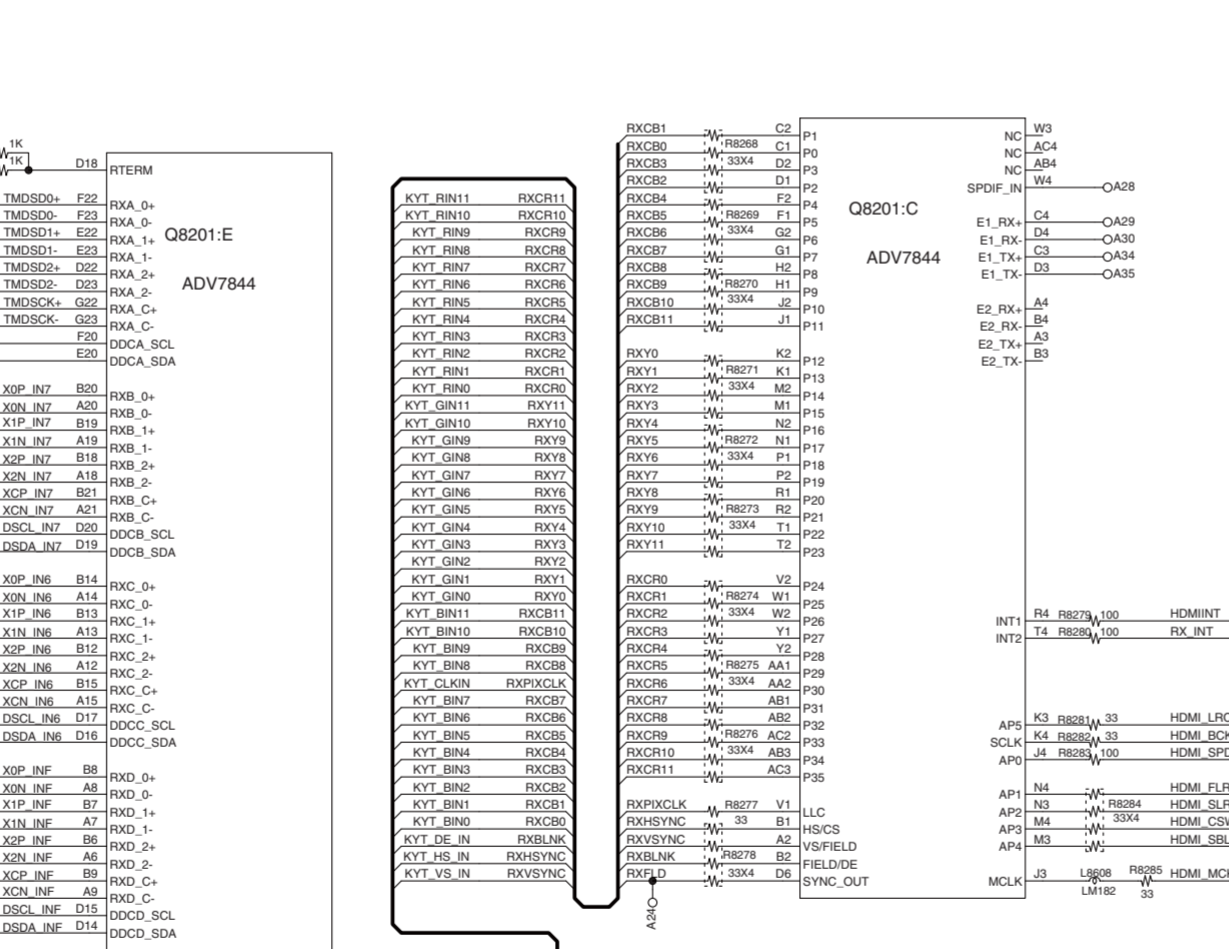
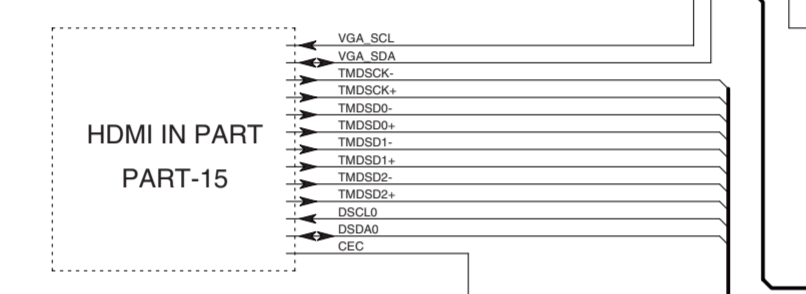
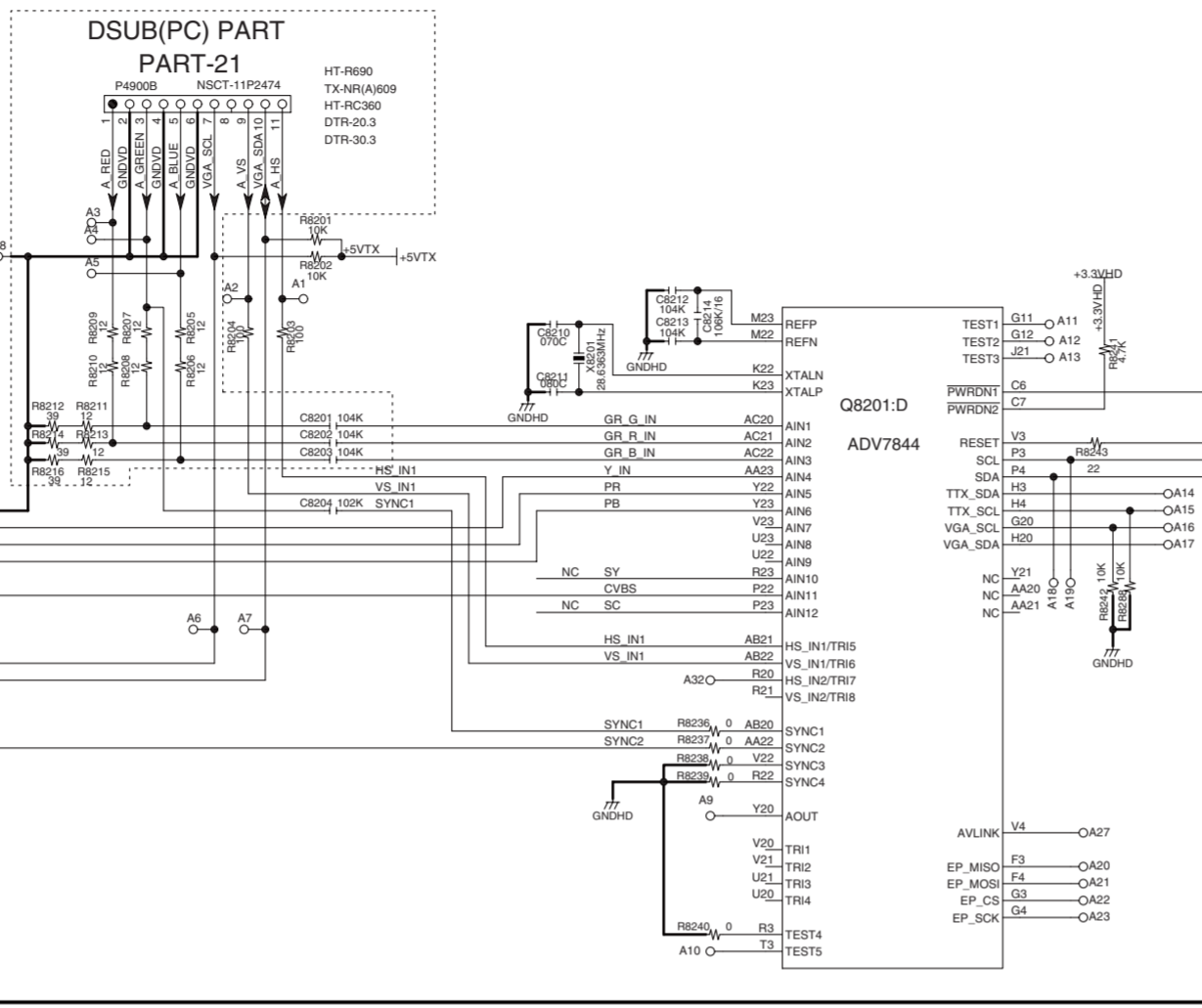
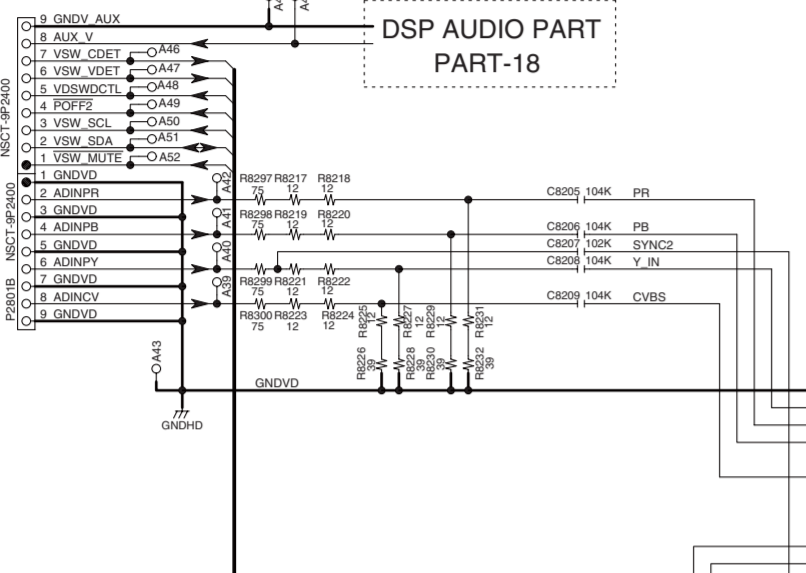
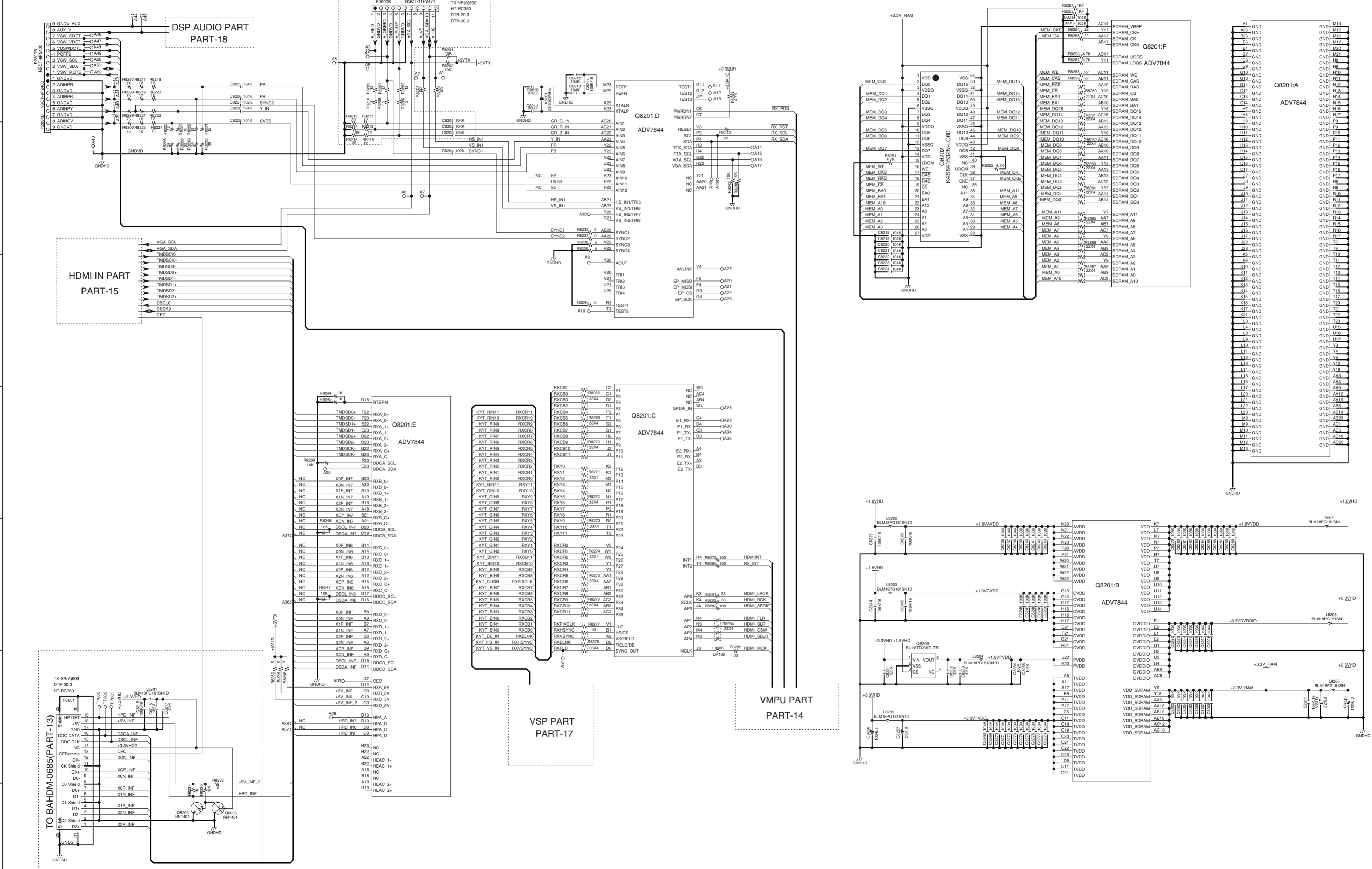
U0030

BAHDM-0684

DSUB(PC) PART

DSP AUDIO PART
PART-18

PART-21

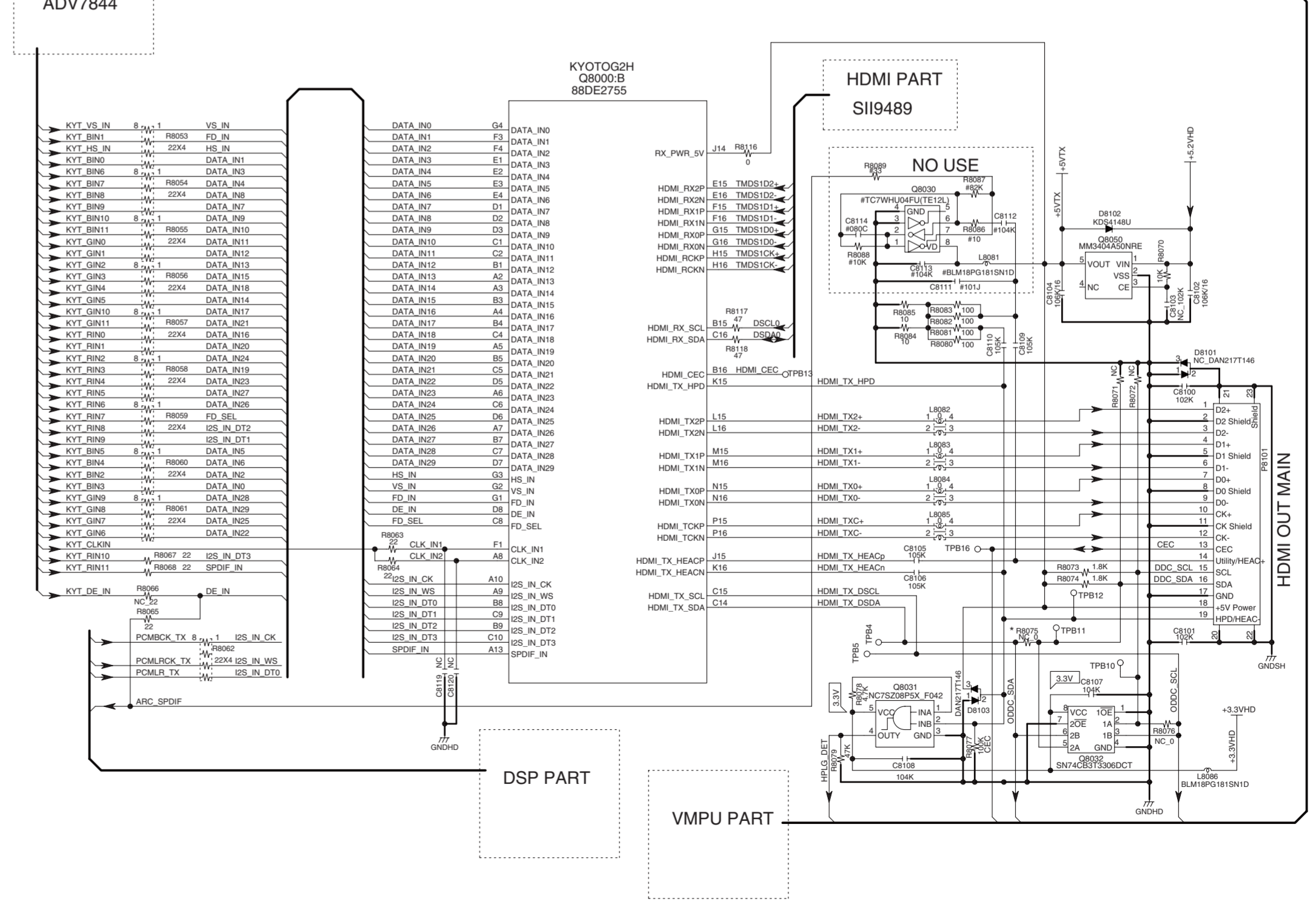
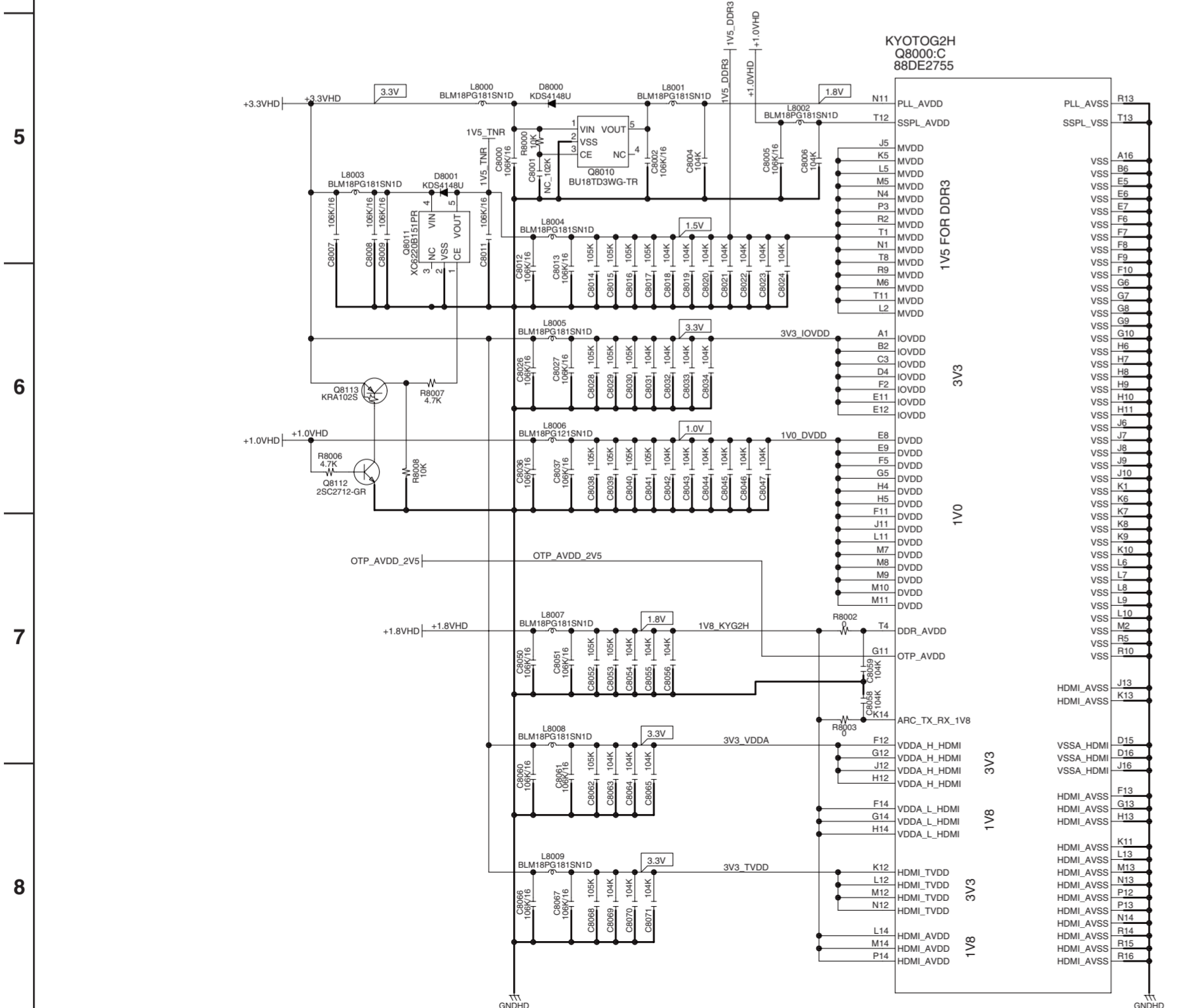
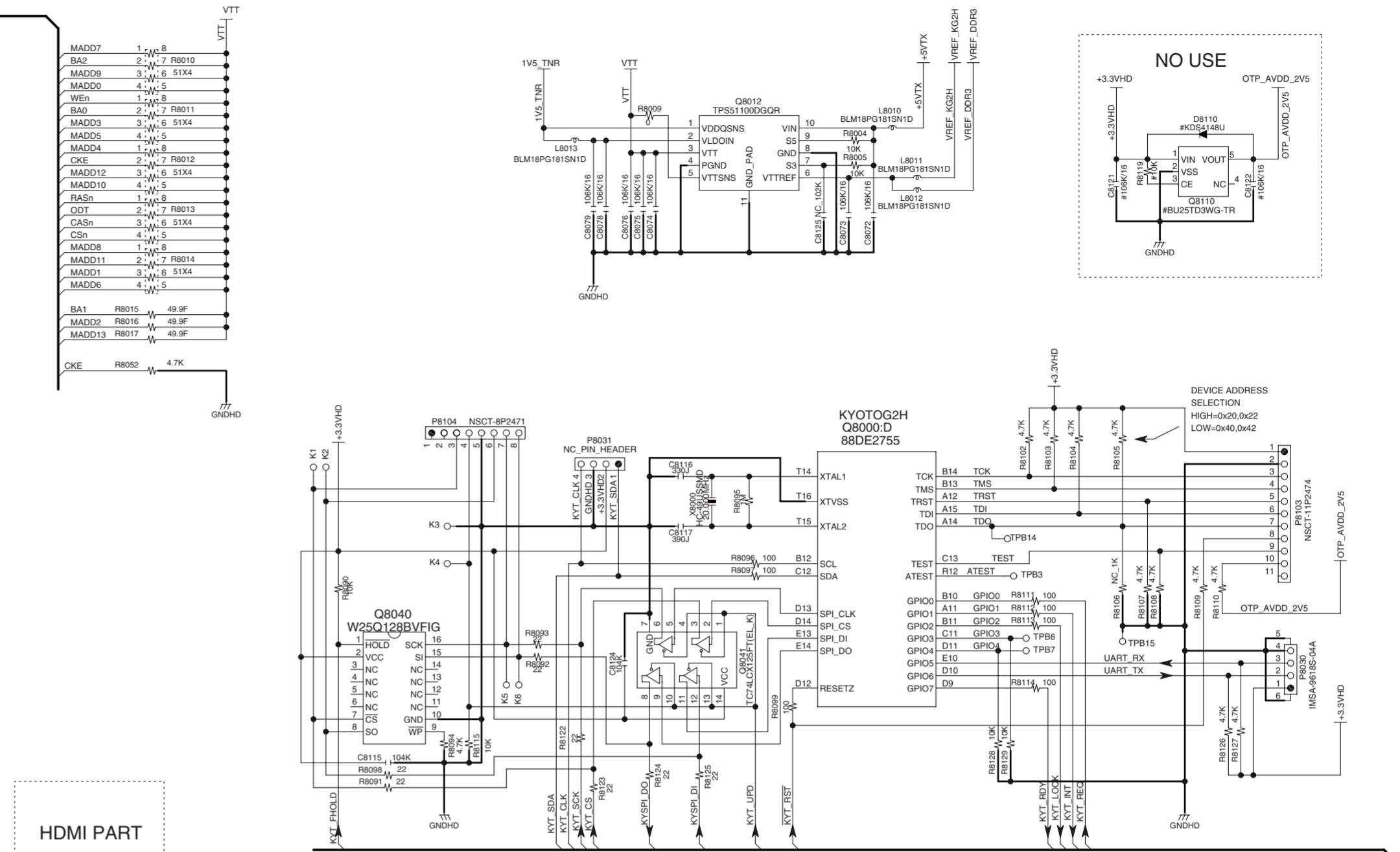
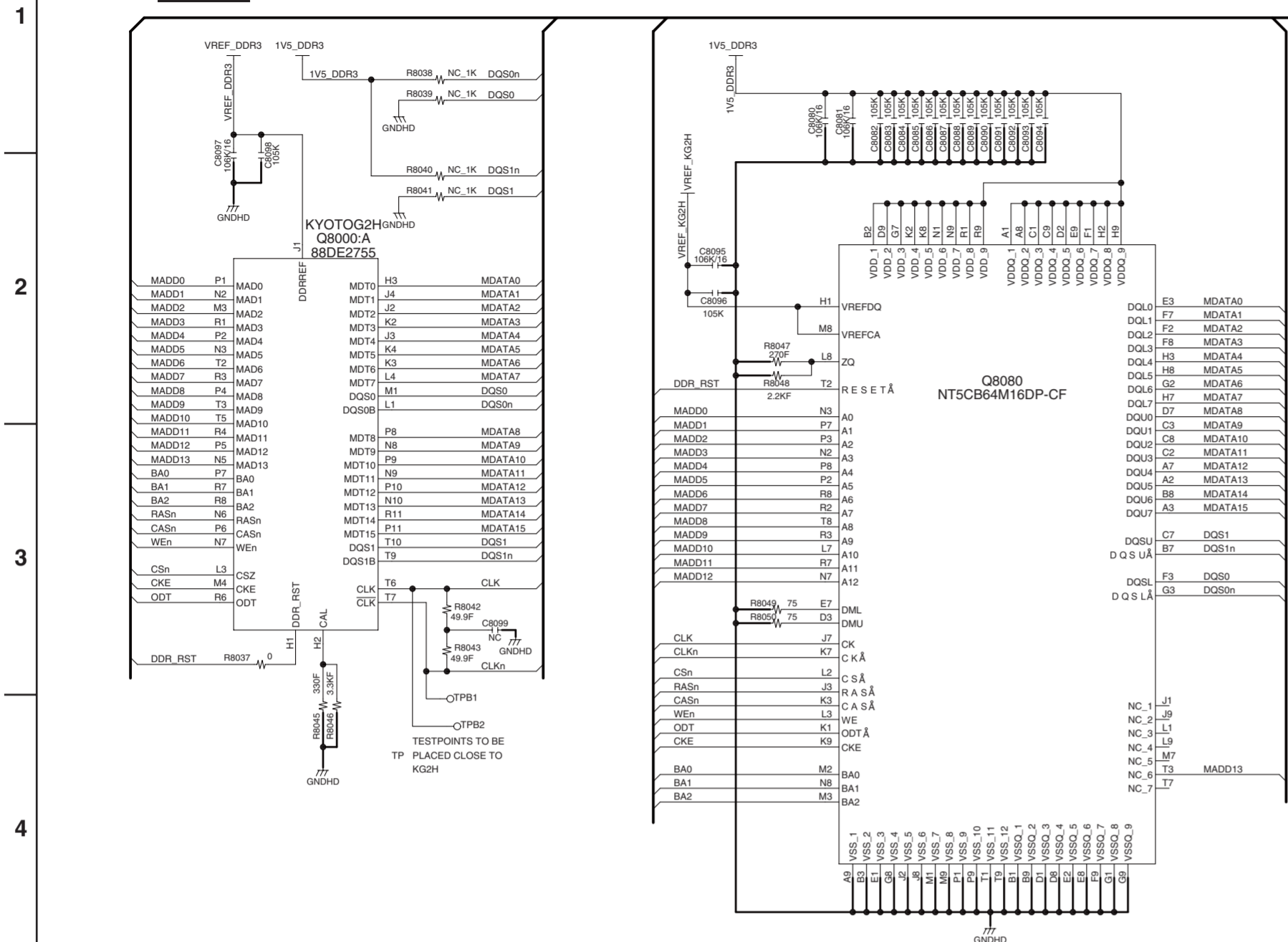


1
2
3
4
5
6
7
8

SCHEMATIC DIAGRAM/ BLOCK DIAGRAM-17
VIDEO PROCESSOR SECTION
PART-17

U0030 BAHDM-0684

Model No. TX-NR(A)579, TX-NR(A)609, HT-RC360, DTR-20.3, DTR-30.3 SCHEMATIC DIAGRAM (PART-17) VIDEO PROCESSOR SECTION



HDMI PART
ADV7844

HDMI PART
SII9489

DSP PART

VMPU PART

HDMI OUT MAIN

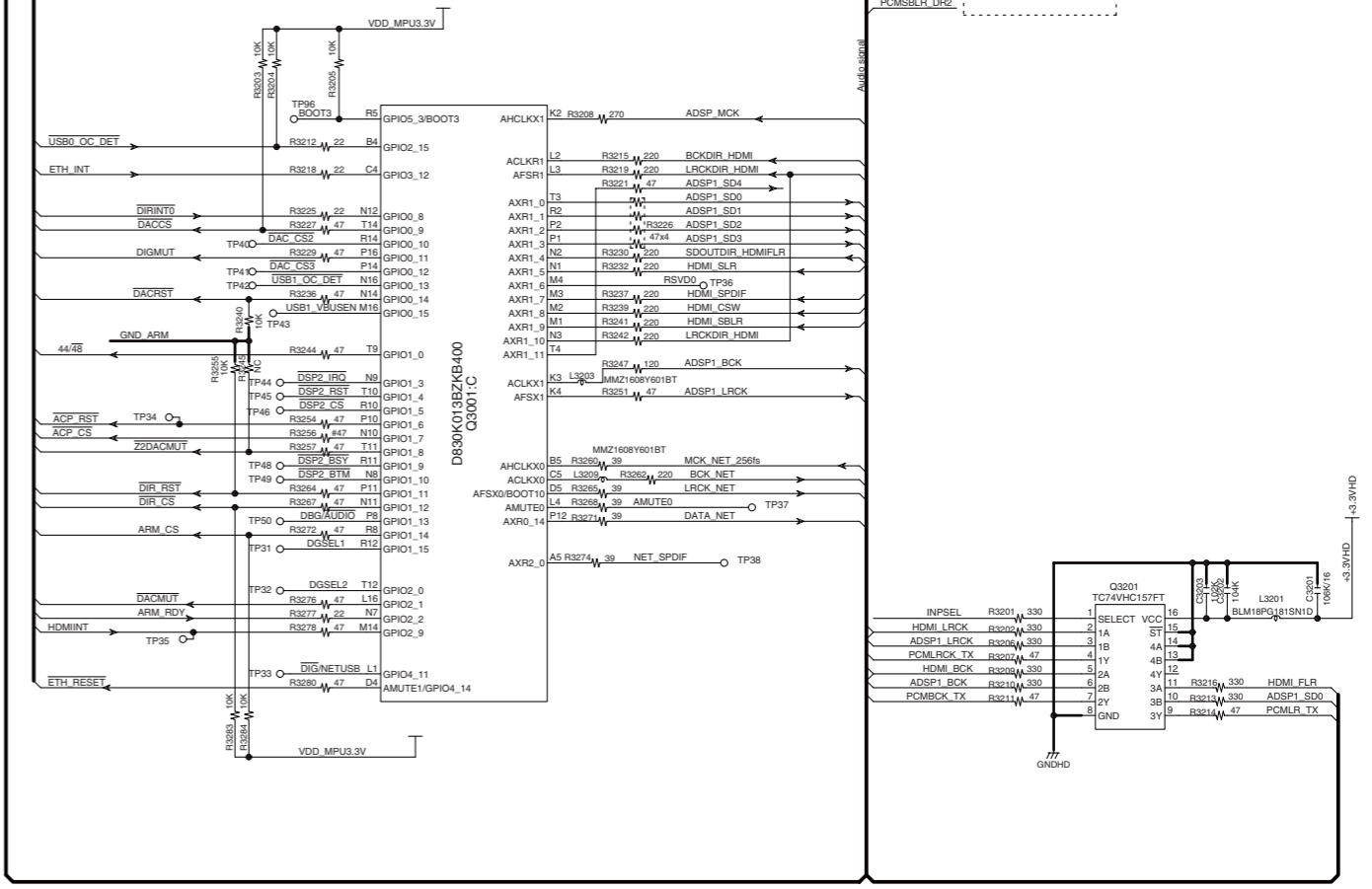
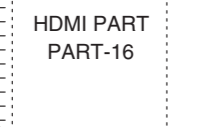
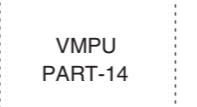
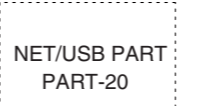
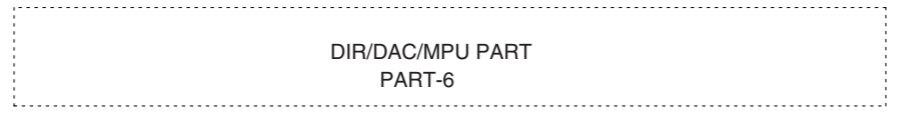
A B C D E F G H

SCHEMATIC DIAGRAM/ BLOCK DIAGRAM-18

DSP AUDIO SECTION PART-18

Model No. TX-NR(A)579, TX-NR(A)609, HT-RC360, DTR-20.3, DTR-30.3, HT-R690, HT-R990 SCHEMATIC DIAGRAM (Part-18) DSP AUDIO SECTION

U0040 BAHDM-0684



1

2

3

4

5

SCHEMATIC DIAGRAM/ BLOCK DIAGRAM-19

DSP MEMORY SECTION
PART-19

Model No. TX-NR(A)579, TX-NR(A)609, HT-RC360, DTR-20.3, DTR-30.3 SCHEMATIC DIAGRAM (PART-19) DSP Memory Section

U0030 BAHDM-0684

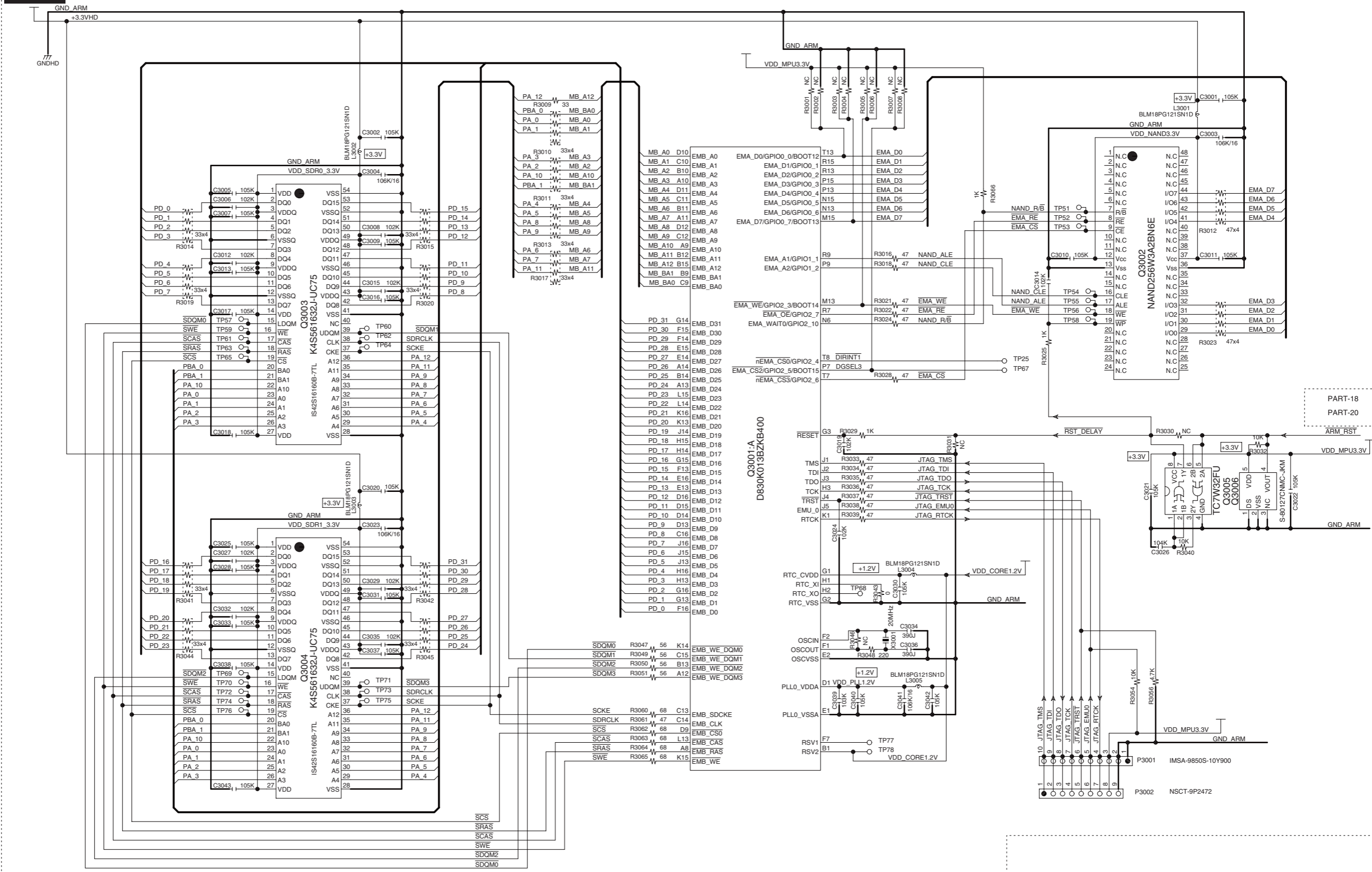
1

2

3

4

5



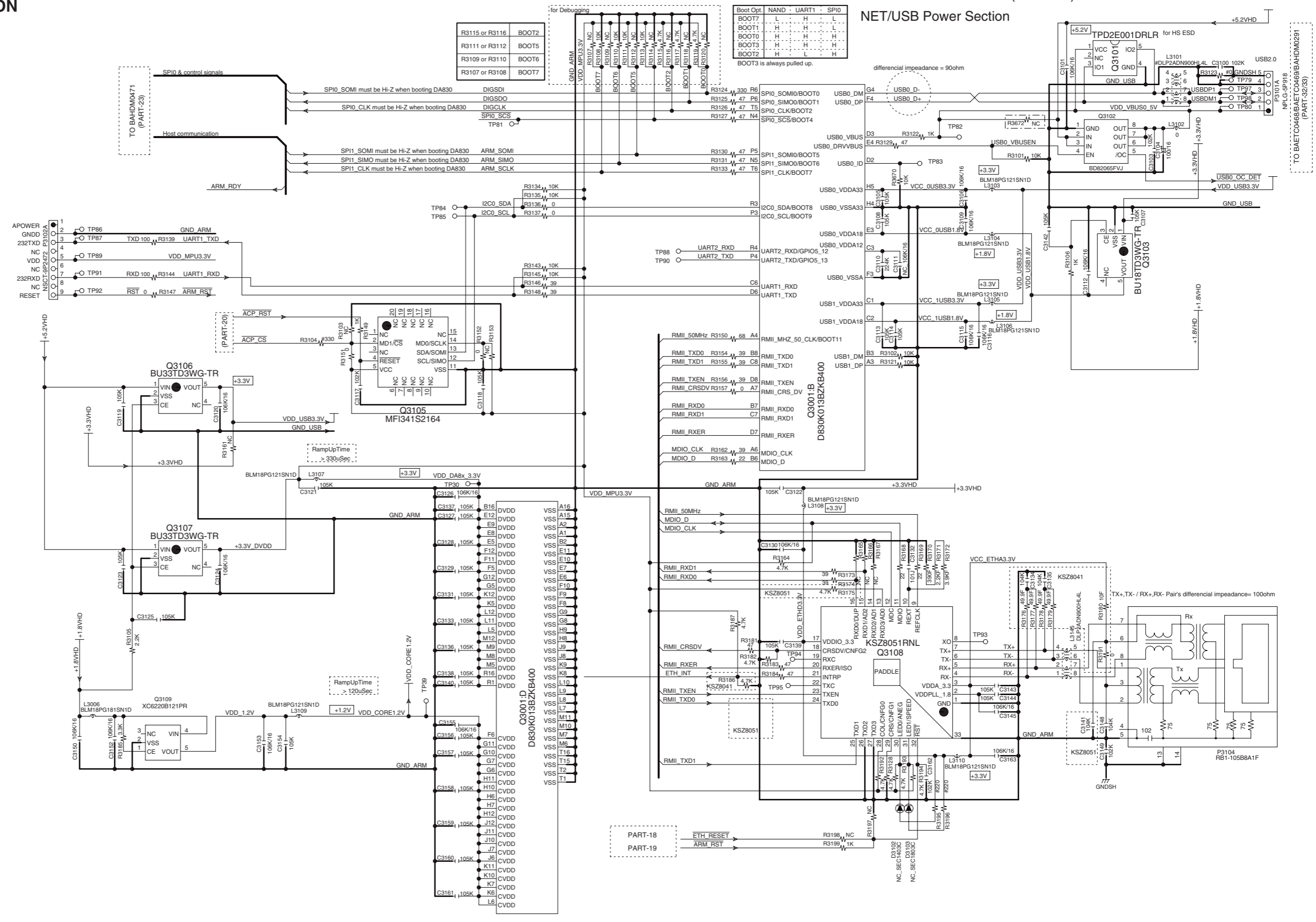
PART-18
PART-20

SCHEMATIC DIAGRAM/ BLOCK DIAGRAM-20
NET/ USB POWER SECTION
PART-20

Model No. TX-NR(A)579, TX-NR(A)609, HT-RC360, DTR-20.3, DTR-30.3

SCHEMATIC DIAGRAM (PART-20)
NET/USB Power Section

U0030 BAHDM-0684



for Debugging	
R3115 or R3116	BOOT2
R3111 or R3112	BOOT5
R3109 or R3110	BOOT6
R3107 or R3108	BOOT7

Boot Opt.		NAND		UART1		SPI0	
BOOT7	L	L	H	L	L	L	L
BOOT11	L	L	H	L	L	L	L
BOOT0	H	L	L	L	L	L	L
BOOT3	H	L	L	L	L	L	L
BOOT2	H	L	L	L	L	L	L

BOOT3 is always pulled up.

1
2
3
4
5

TO BAHDM0471 (PART-23)
TO BAETC0468/BAETC0469/BAHDM0291 (PART-32/33)

A

B

C

D

SCHEMATIC DIAGRAM/ BLOCK DIAGRAM-21

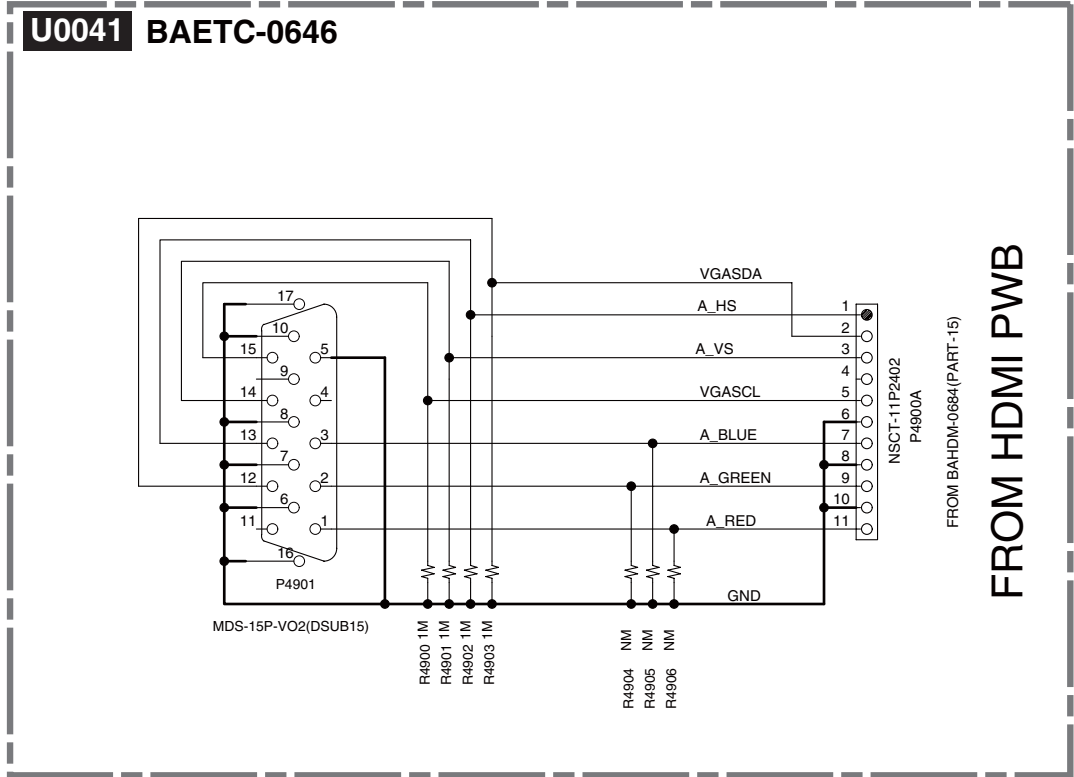
D-SUB (PC) SECTION

PART-21

1

Model No. TX-NR609/TX-NA609/DTR-20.3/DTR-30.3/HT-R690/HT-R990
Schematic Diagram (PART-21) DSUB(PC) Section

2



3

4

5

A

B

C

D

E

F

G

H

PRINTED CIRCUIT BOARD VIEWS-1

U001

BAAF-0628
(U0010 to U0015)

A-side view

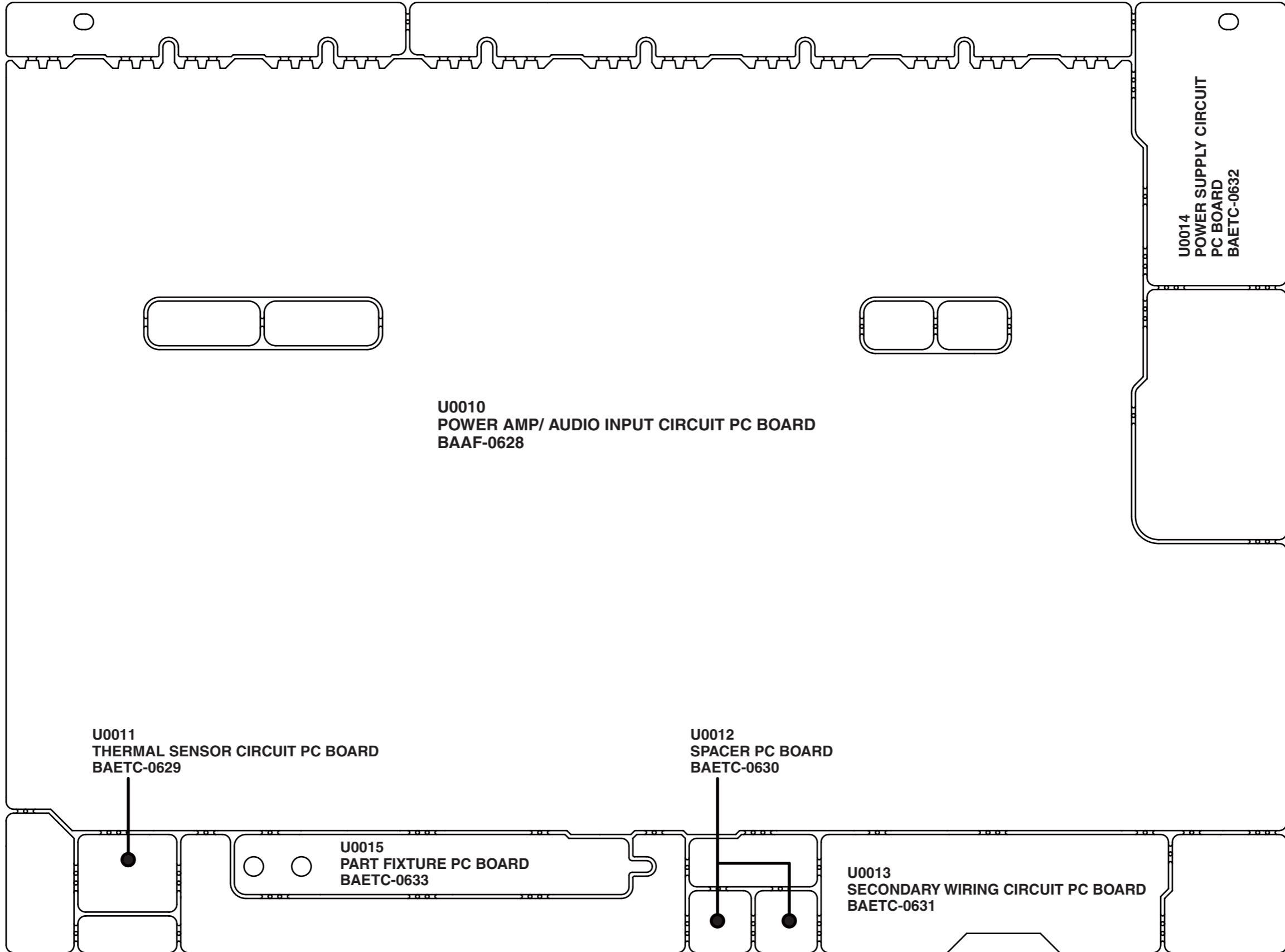
1

2

3

4

5



A B C D E F G H

PRINTED CIRCUIT BOARD VIEWS-1A

U001

BAAF-0628
(U0010 to U0015)

A-side view

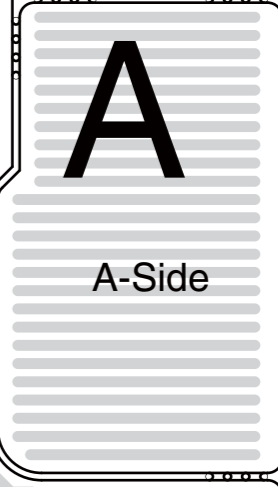
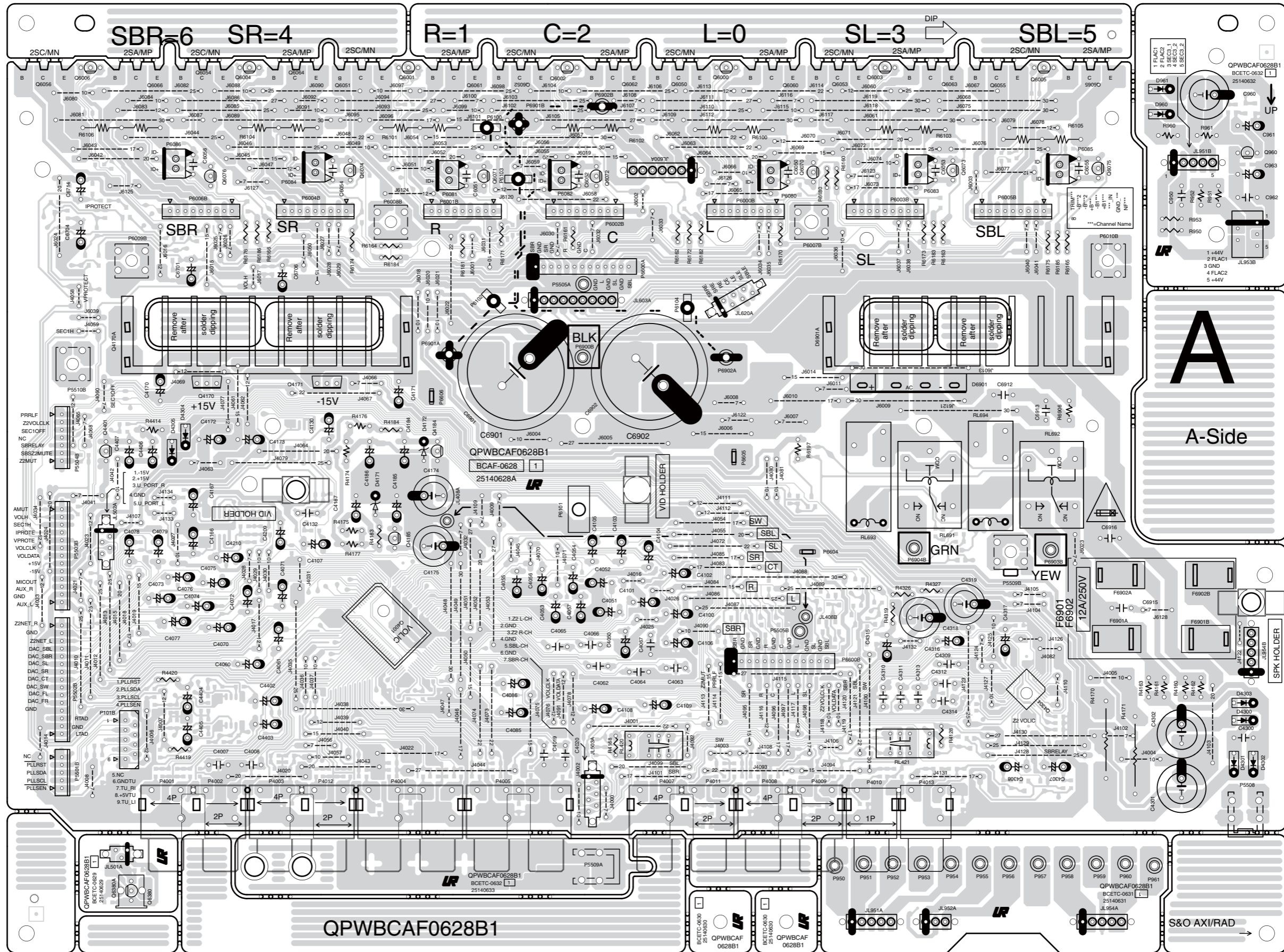
1

2

3

4

5



A

A-Side

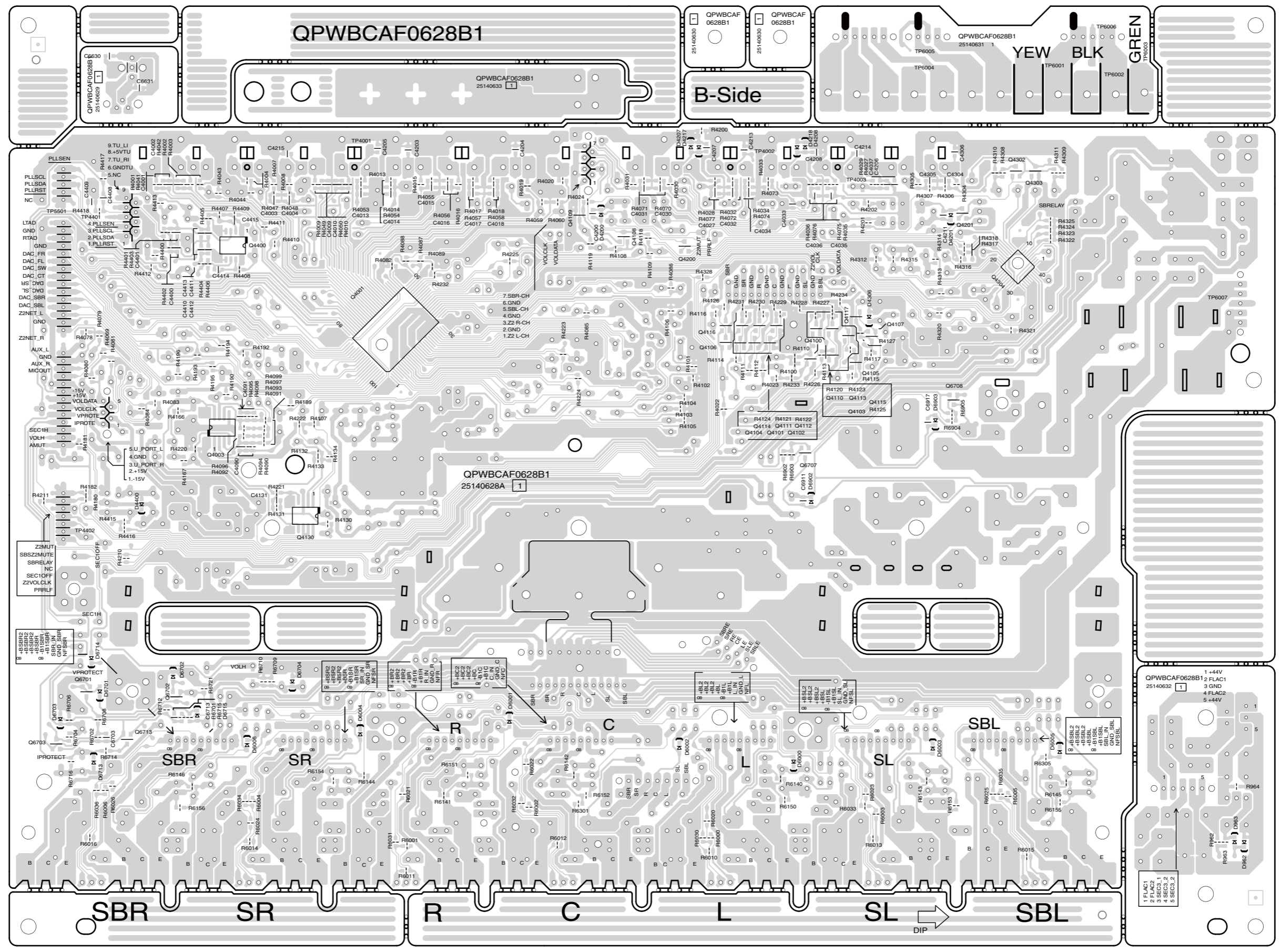
QPWBCAF0628B1

S&O AXI/RAD

A B C D E F G H

PRINTED CIRCUIT BOARD VIEWS-1B

U001
BAAF-0628
(U0010 to U0015)
B-side view



1

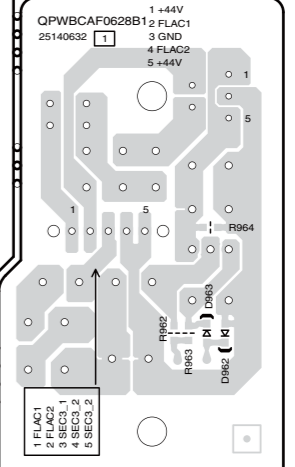
2

3

4

5

SBR SR R C L SL SBL



A

B

C

D

E

F

G

H

PRINTED CIRCUIT BOARD VIEWS-2

U002

BADIS-0663
(U0020 to U0024)

A-side view

1

2

3

4

5

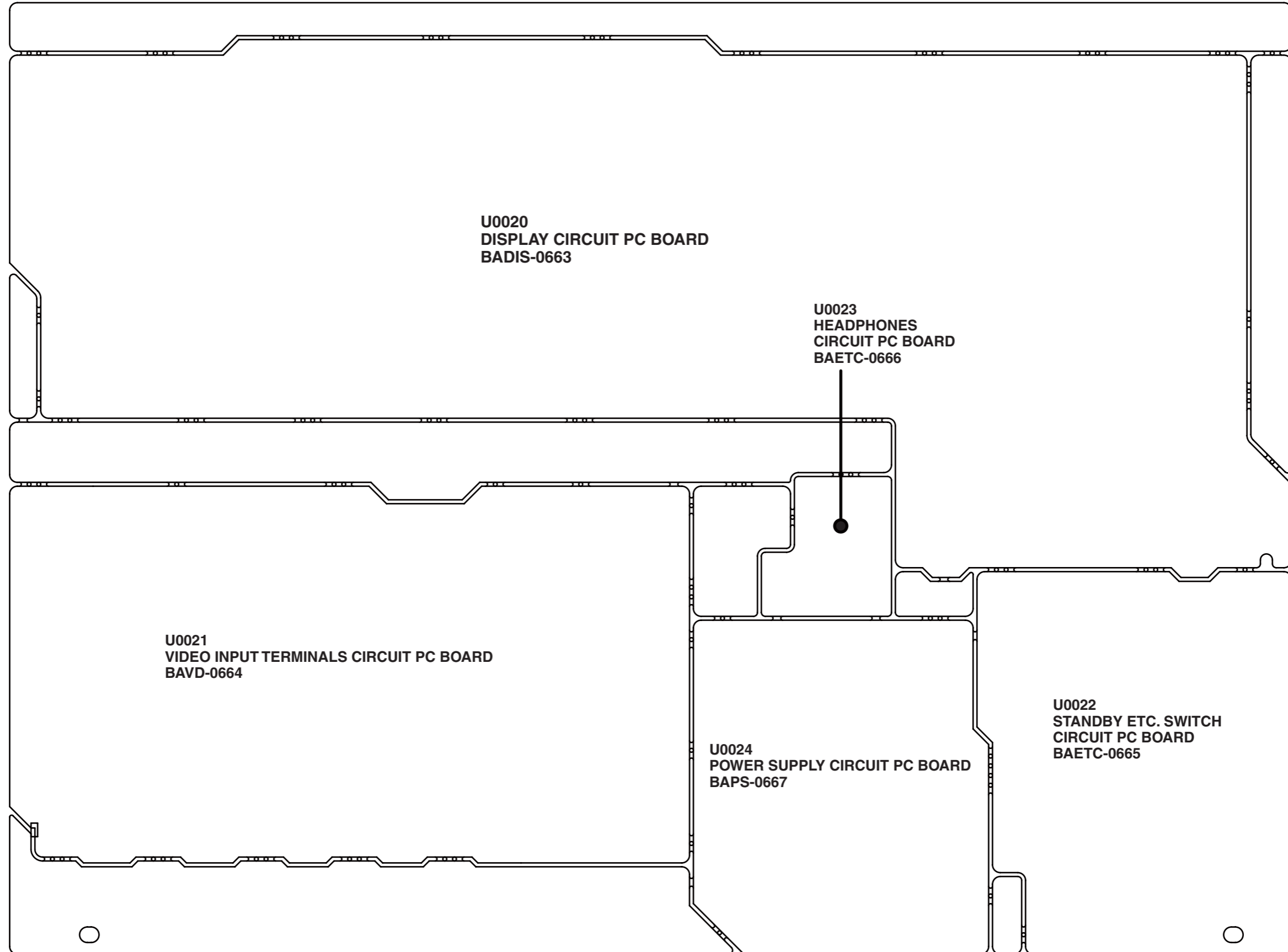
U0020
DISPLAY CIRCUIT PC BOARD
BADIS-0663

U0023
HEADPHONES
CIRCUIT PC BOARD
BAETC-0666

U0021
VIDEO INPUT TERMINALS CIRCUIT PC BOARD
BAVD-0664

U0024
POWER SUPPLY CIRCUIT PC BOARD
BAPS-0667

U0022
STANDBY ETC. SWITCH
CIRCUIT PC BOARD
BAETC-0665



A B C D E F G H

U002
BADIS-0663
(U0020 to U0024)
A-side view

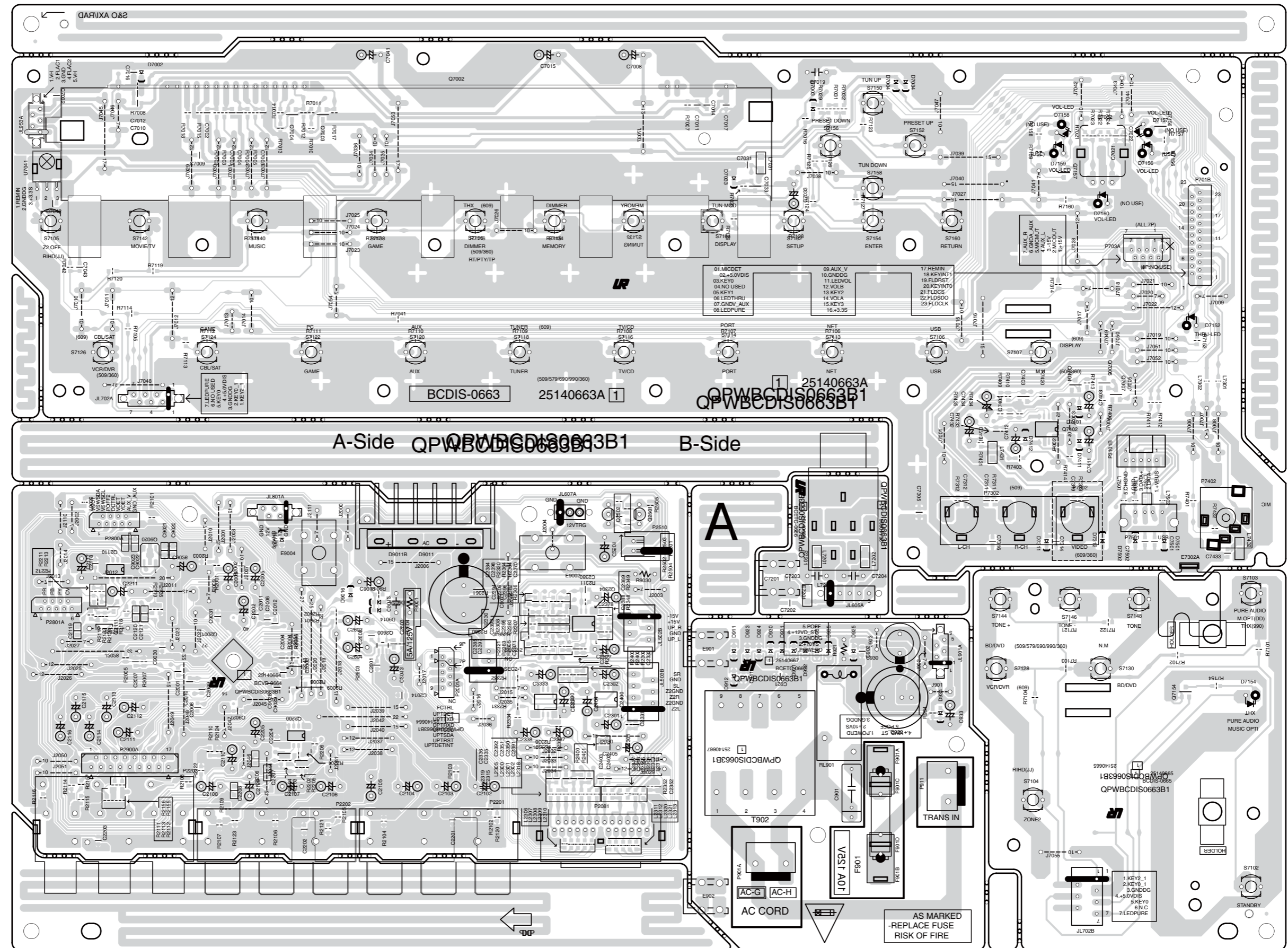
1

2

3

4

5



A-Side QPWBCDIS0663B1 B-Side

A

AS MARKED - REPLACE FUSE RISK OF FIRE

A

B

C

D

E

F

G

H

PRINTED CIRCUIT BOARD VIEWS-2B

U002

BADIS-0663
(U0020 to U0024)

B-side view

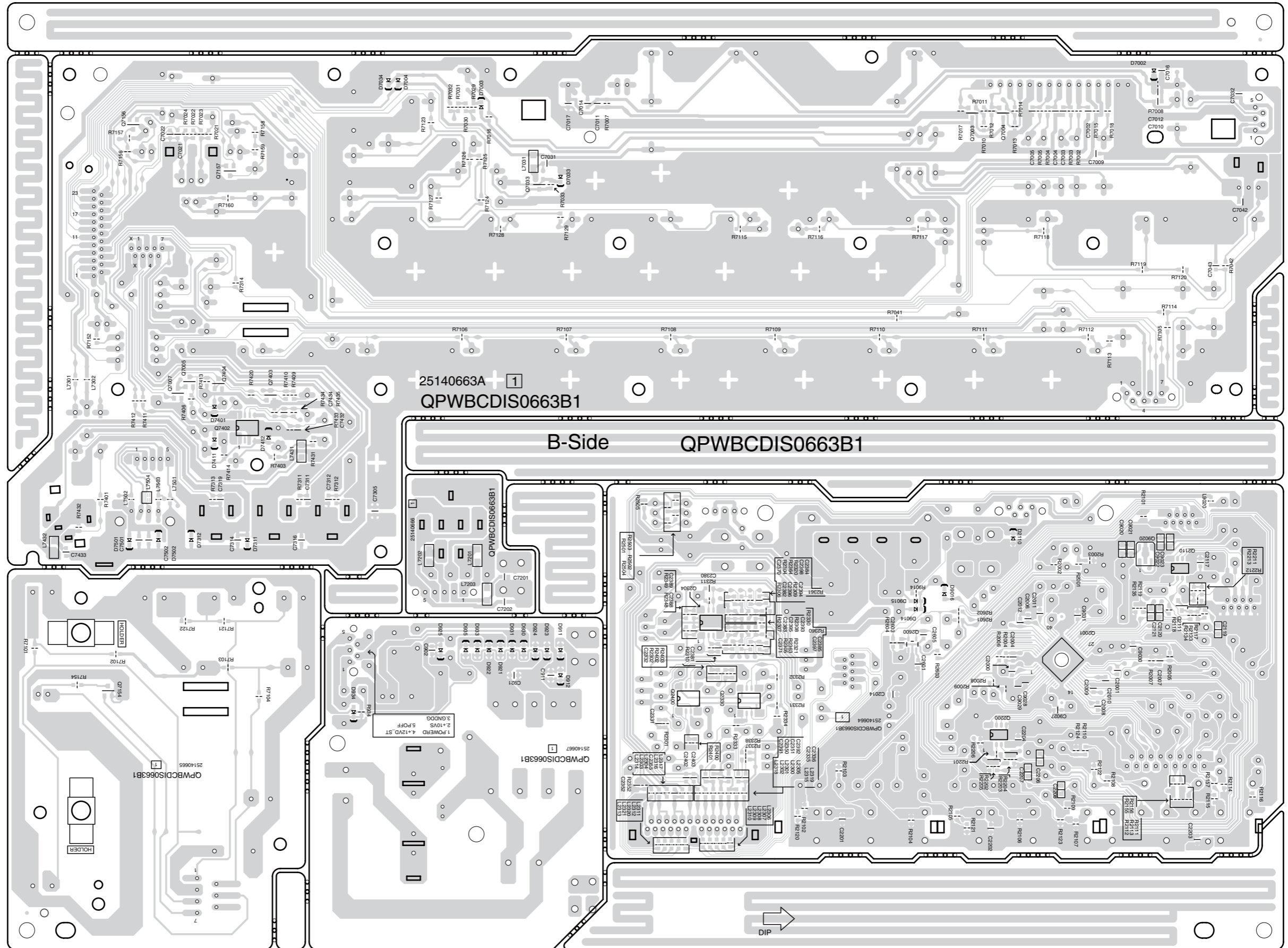
1

2

3

4

5



A

B

C

D

E

F

G

H

PRINTED CIRCUIT BOARD VIEWS-3

U003 HDMI CIRCUIT PC BOARD BAHDM-0684

A-side view

1

2

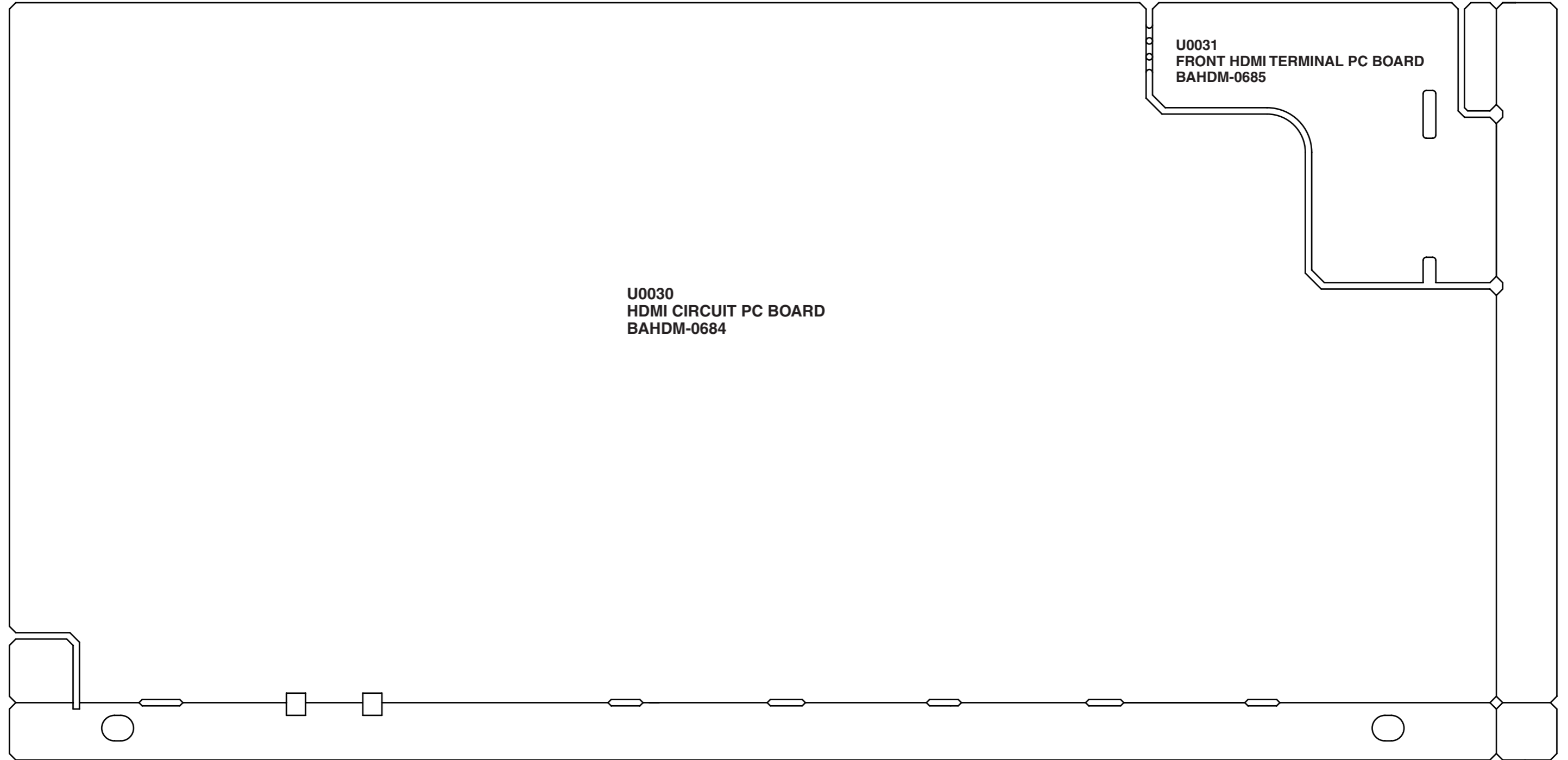
3

4

5

U0031
FRONT HDMI TERMINAL PC BOARD
BAHDM-0685

U0030
HDMI CIRCUIT PC BOARD
BAHDM-0684



A B C D E F G H

PRINTED CIRCUIT BOARD VIEWS-3A

U003 HDMI CIRCUIT PC BOARD BAHDM-0684



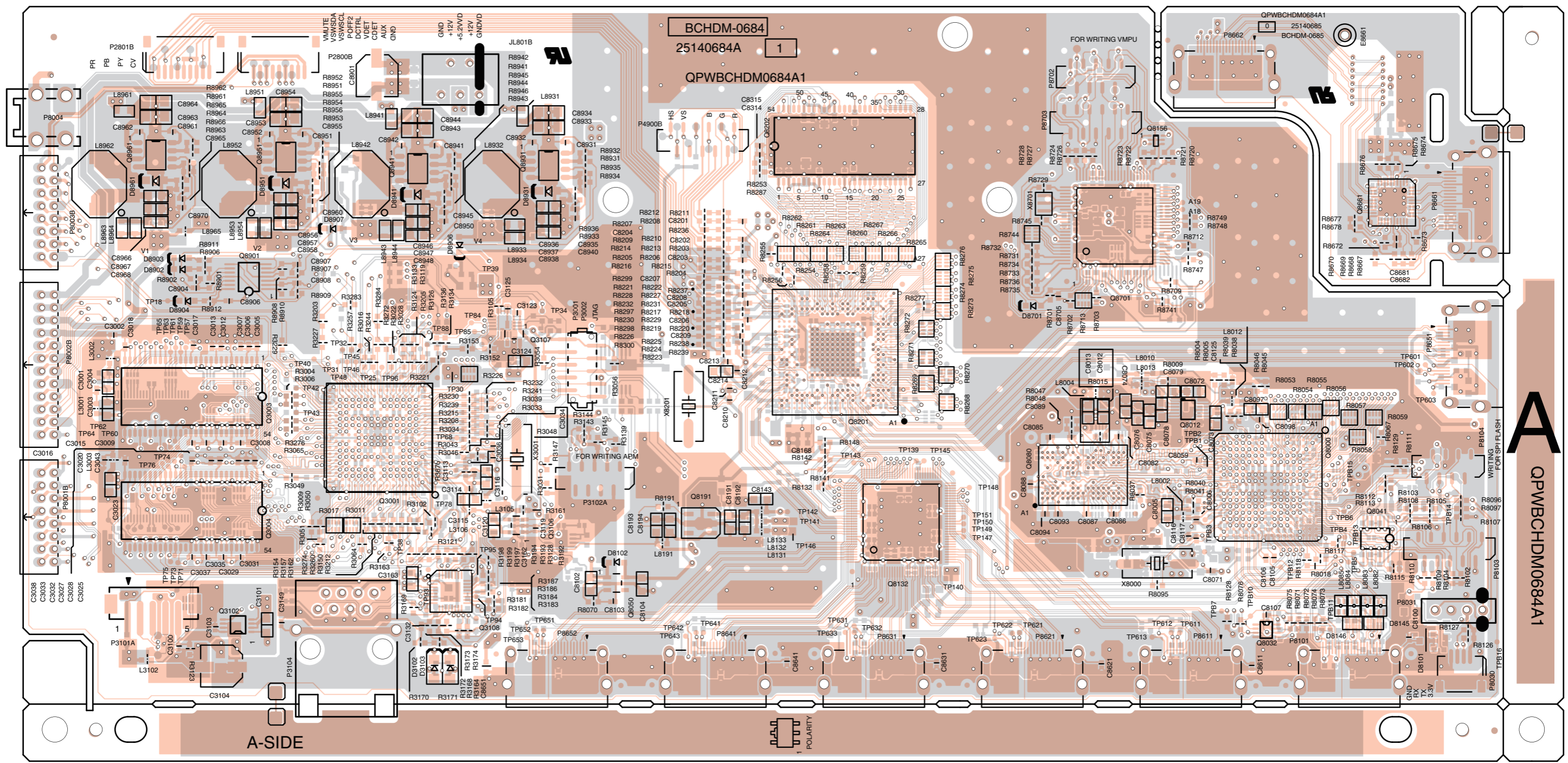
1

2

3

4

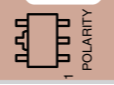
5



A

QPWCHDM0684A1

A-SIDE

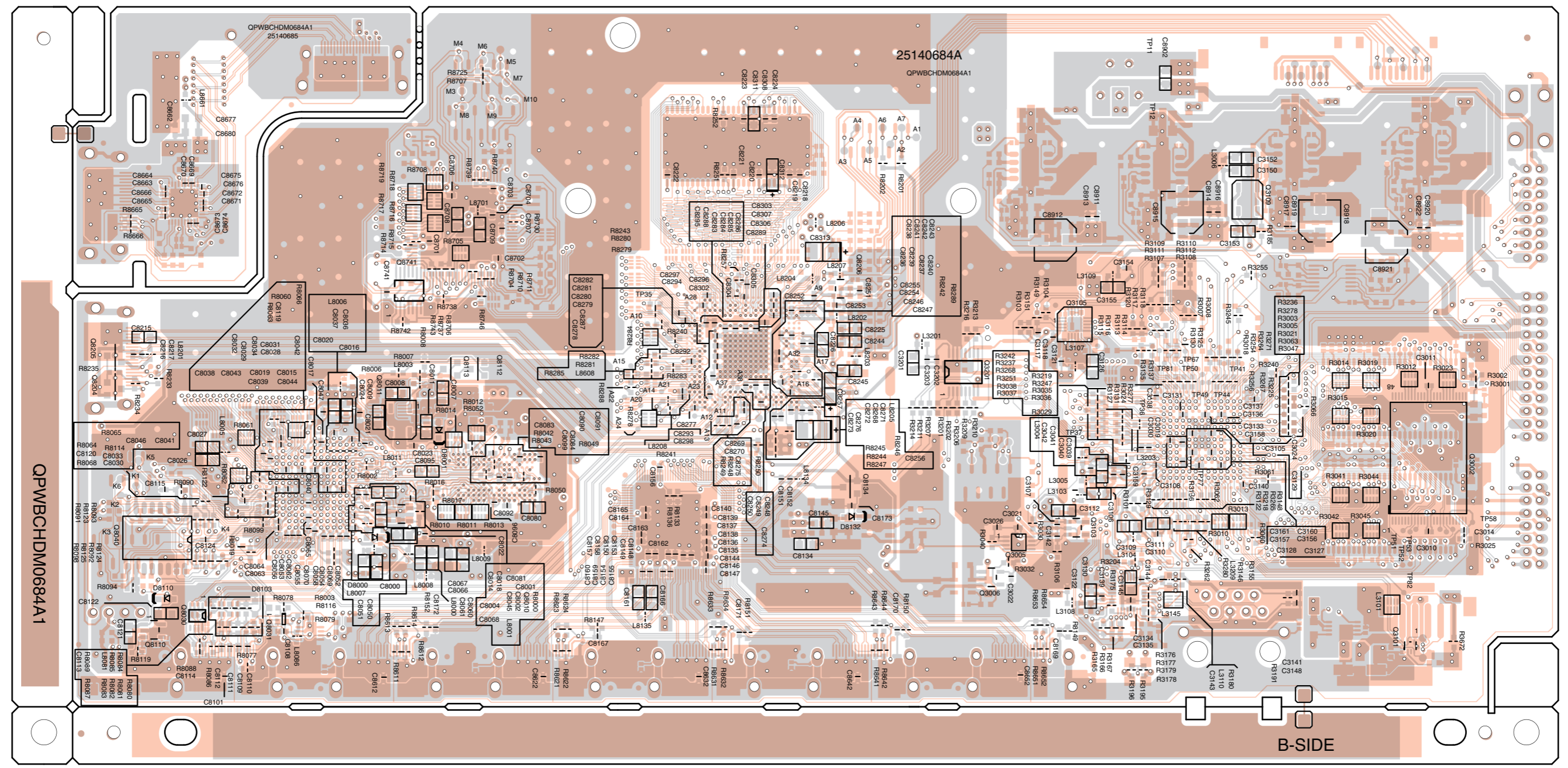


A B C D E F G H
PRINTED CIRCUIT BOARD VIEWS-3B

U003 HDMI CIRCUIT PC BOARD BAHDM-0684

B-side view
A-side pattern
B-side pattern

1
2
3
4
5



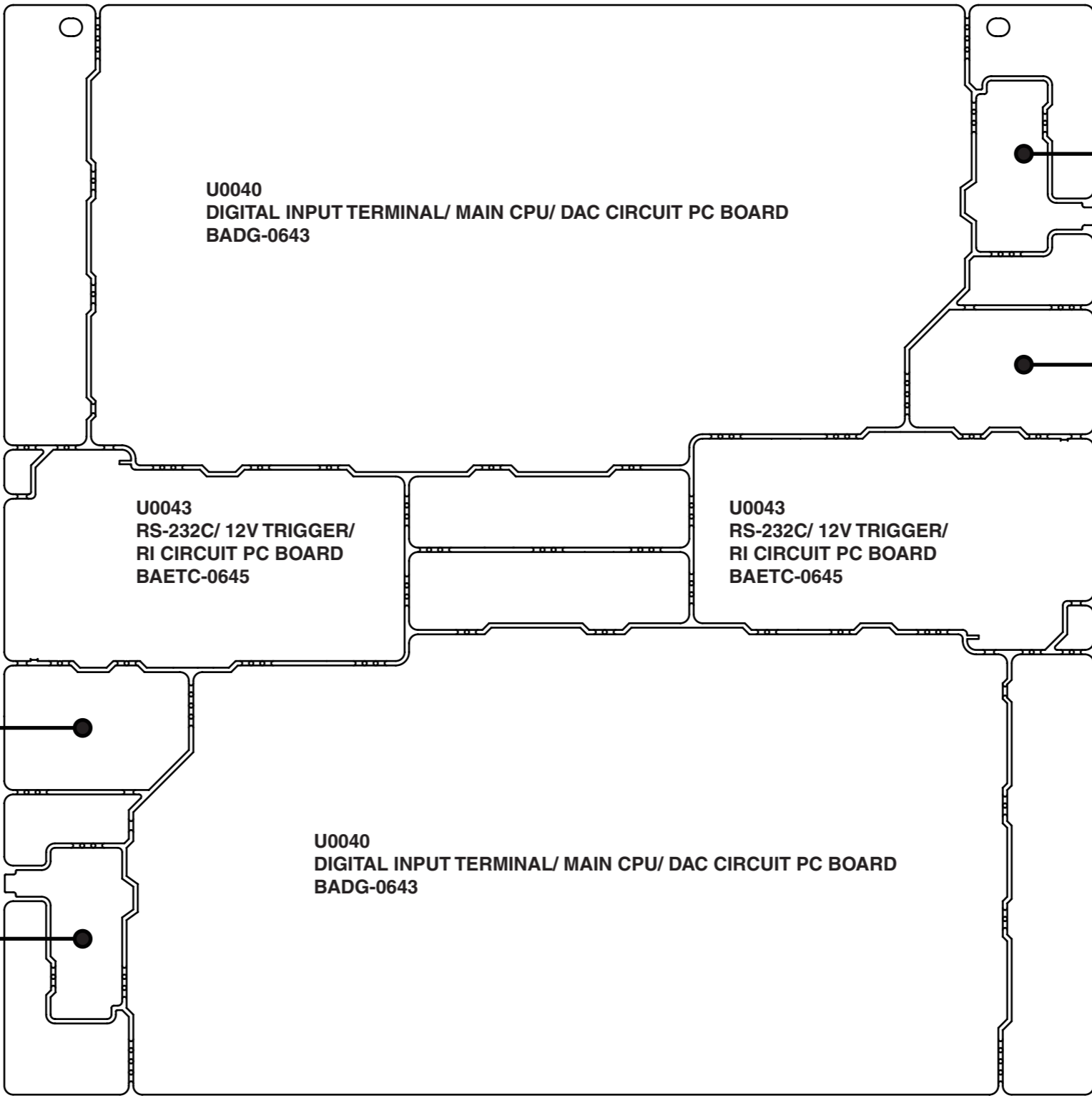
B-SIDE

A B C D E F G H

PRINTED CIRCUIT BOARD VIEWS-4

U004 BADG-0643
(U0040 to U0043)
A-side view

1
2
3
4
5



U0042
USB TERMINAL CIRCUIT PC BOARD
BAETC-0644

U0041
D-SUB INPUT TERMINAL CIRCUIT PC BOARD
BAETC-0646

U0040
DIGITAL INPUT TERMINAL/ MAIN CPU/ DAC CIRCUIT PC BOARD
BADG-0643

U0043
RS-232C/ 12V TRIGGER/
RI CIRCUIT PC BOARD
BAETC-0645

U0043
RS-232C/ 12V TRIGGER/
RI CIRCUIT PC BOARD
BAETC-0645

U0041
D-SUB INPUT TERMINAL CIRCUIT PC BOARD
BAETC-0646



U0040
DIGITAL INPUT TERMINAL/ MAIN CPU/ DAC CIRCUIT PC BOARD
BADG-0643

U0042
USB TERMINAL CIRCUIT PC BOARD
BAETC-0644

A B C D E F G H

PRINTED CIRCUIT BOARD VIEWS-4A

U004 BADG-0643
(U0040 to U0043)
A-side view

 A side pattern
 B side pattern

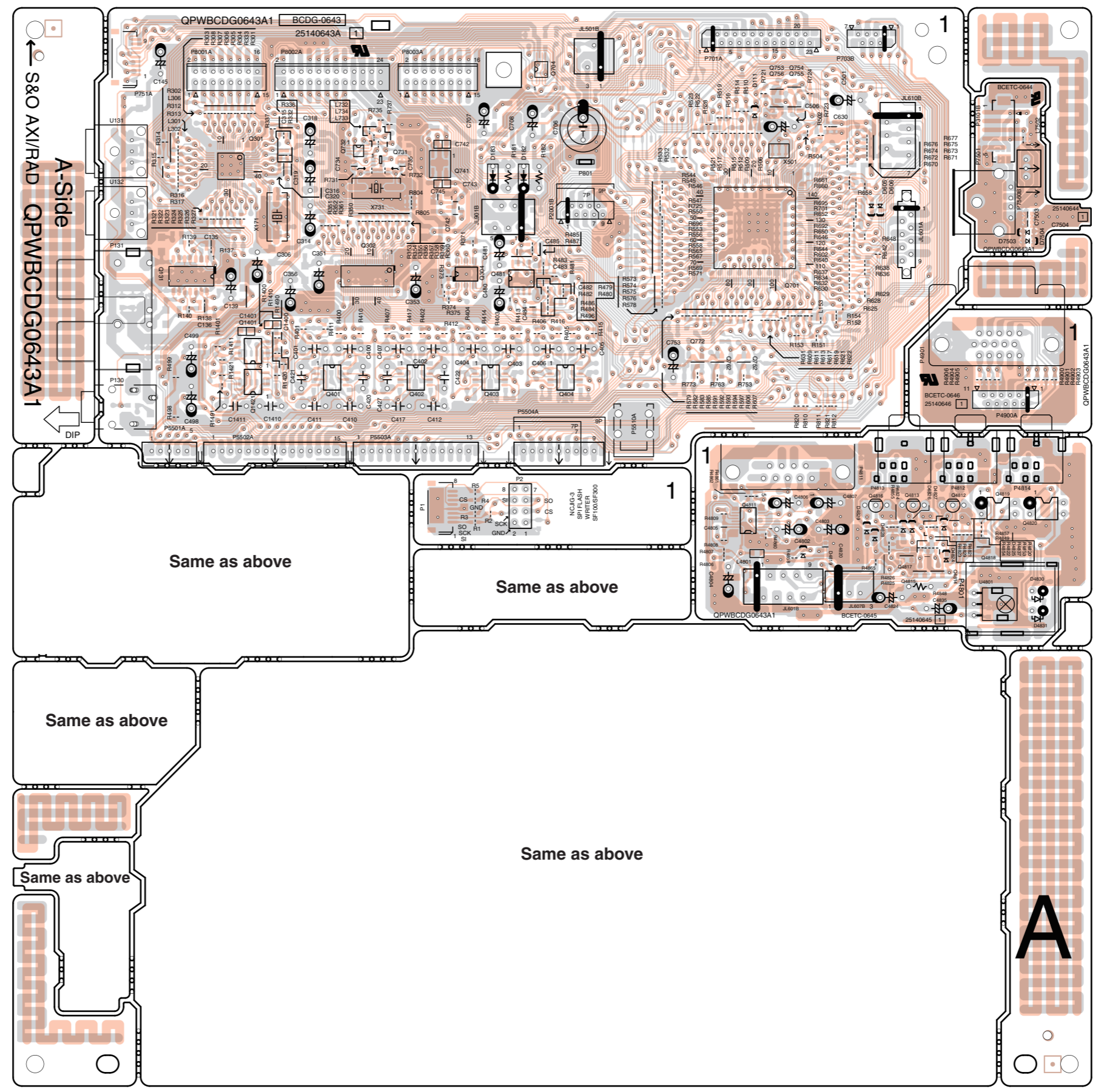
1

2

3

4

5



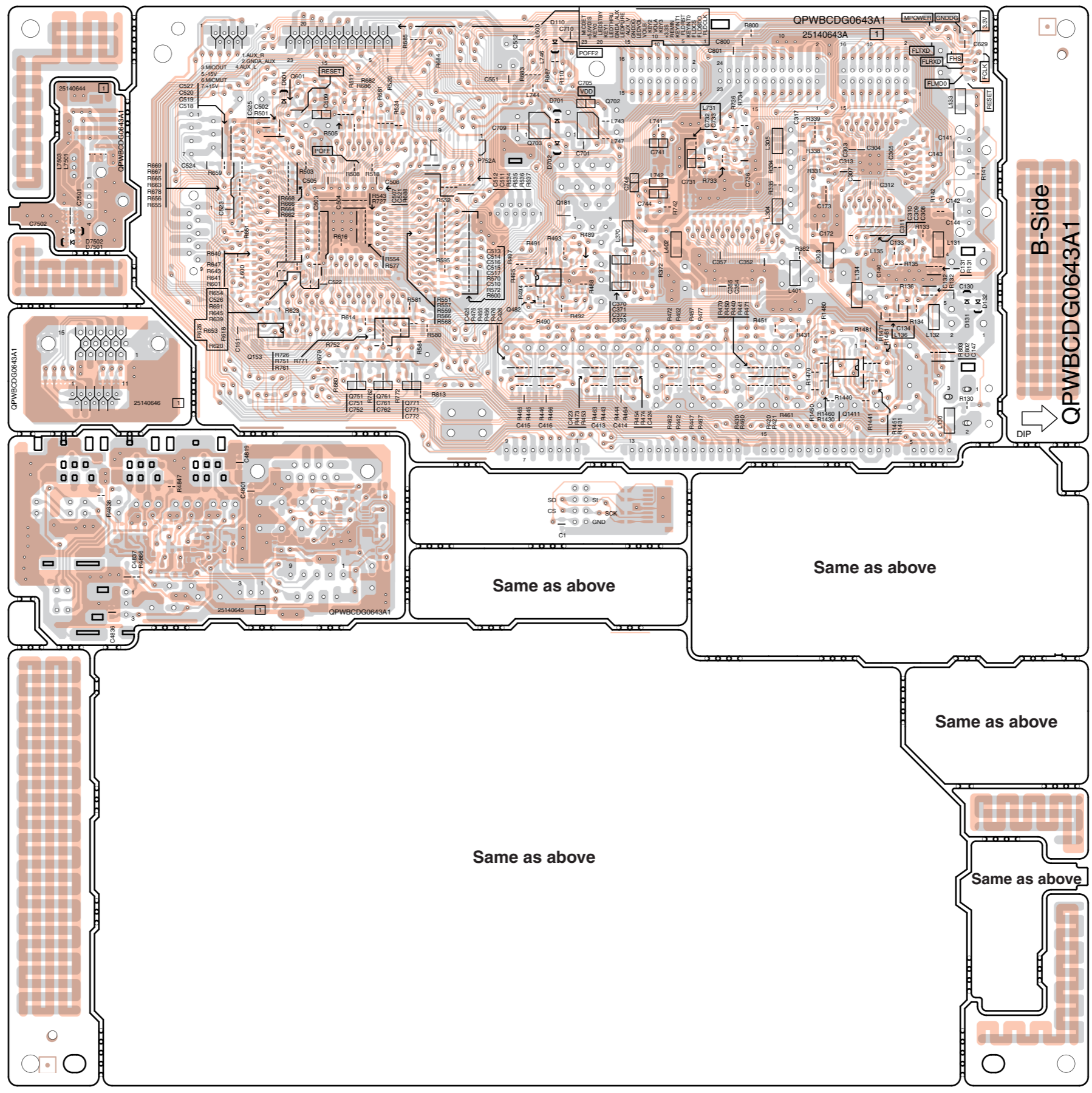
A B C D E F G H

PRINTED CIRCUIT BOARD VIEWS-4B

U004 BADG-0643
(U0040 to U0043)

B-side view
 A side pattern
 B side pattern

1
2
3
4
5



A

B

C

D

E

F

G

H

PRINTED CIRCUIT BOARD VIEWS-5

U005 BATRM-0647
(U0050 to U0053)

A-side view

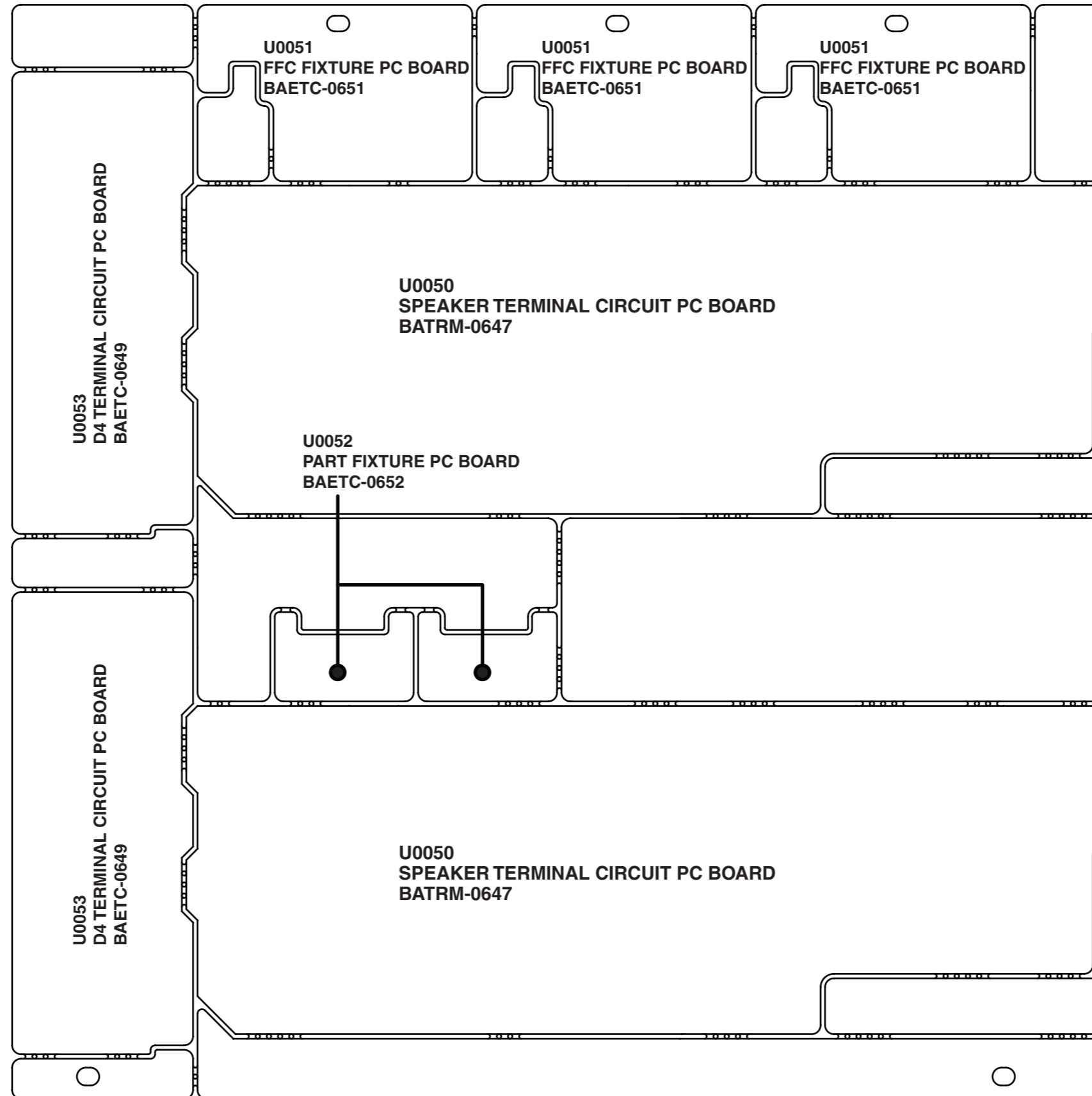
1

2

3

4

5



A B C D E F G H

PRINTED CIRCUIT BOARD VIEWS-5A

U005 BATRM-0647
(U0050 to U0053)
A-side view

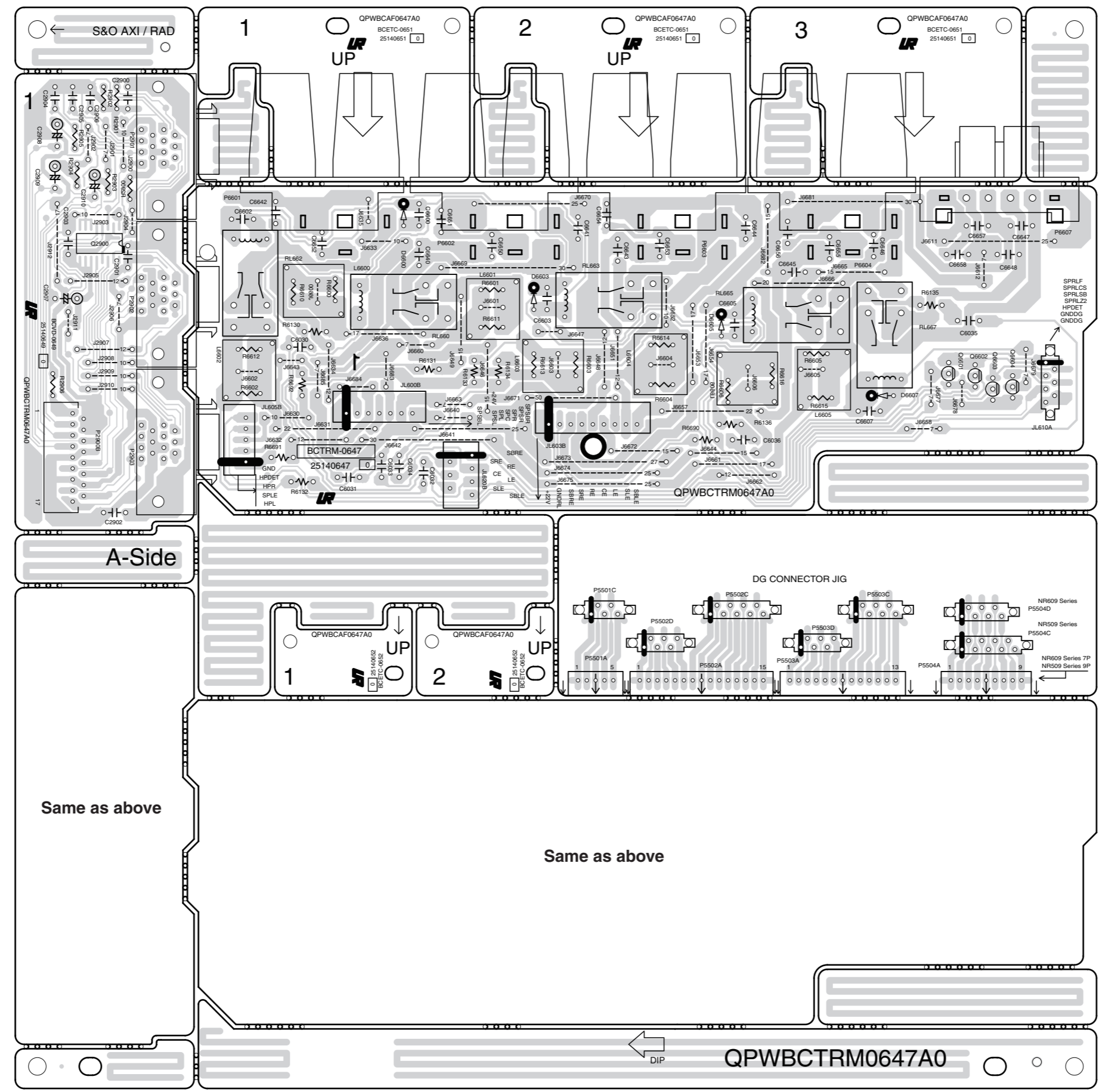
1

2

3

4

5



A B C D E F G H

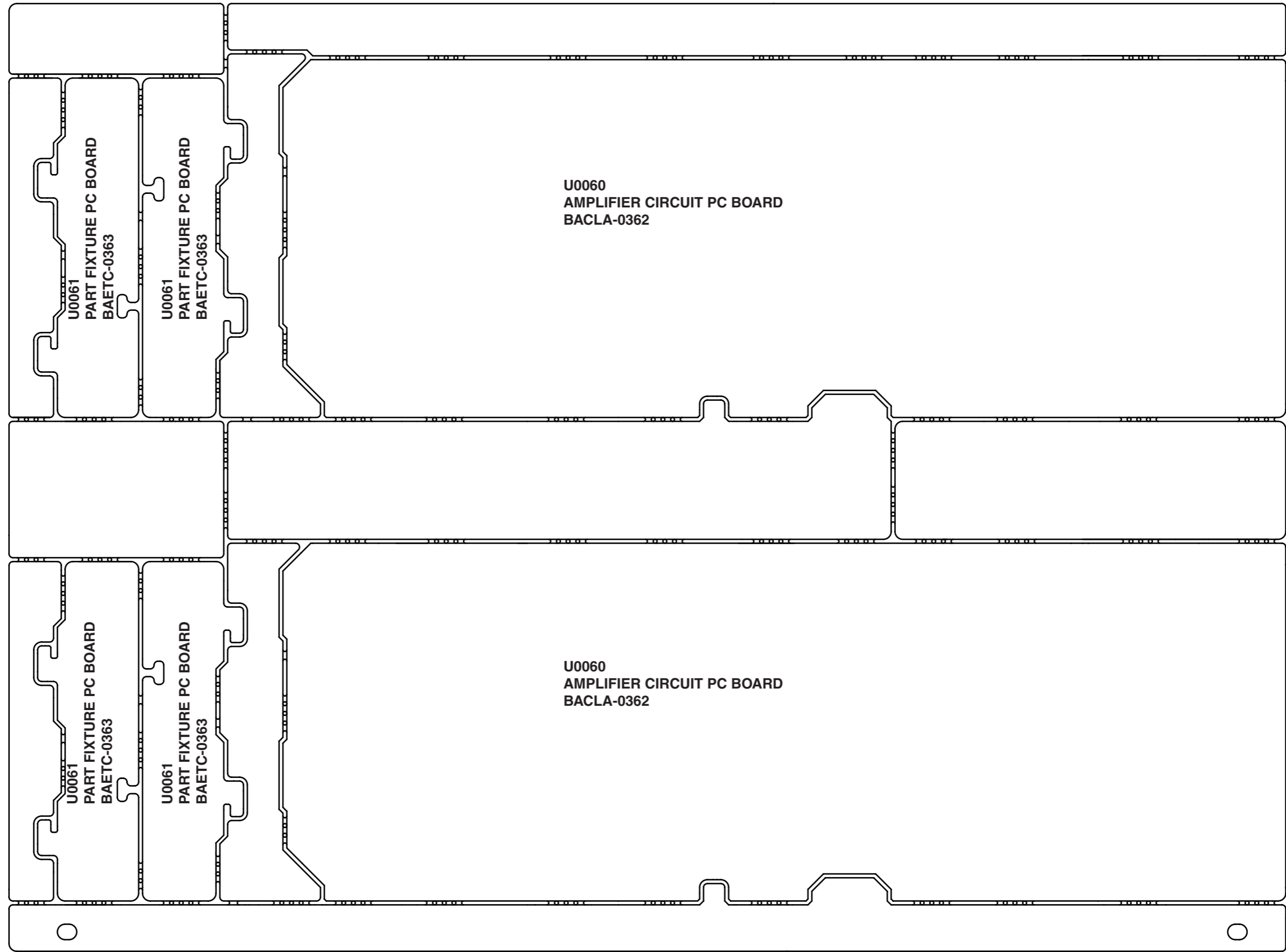
PRINTED CIRCUIT BOARD VIEWS-6

U006

BACLA-0362
(U0060 to U0061)

A-side view

1
2
3
4
5



U0061
PART FIXTURE PC BOARD
BAETC-0363

U0061
PART FIXTURE PC BOARD
BAETC-0363

U0060
AMPLIFIER CIRCUIT PC BOARD
BACLA-0362

U0061
PART FIXTURE PC BOARD
BAETC-0363

U0061
PART FIXTURE PC BOARD
BAETC-0363

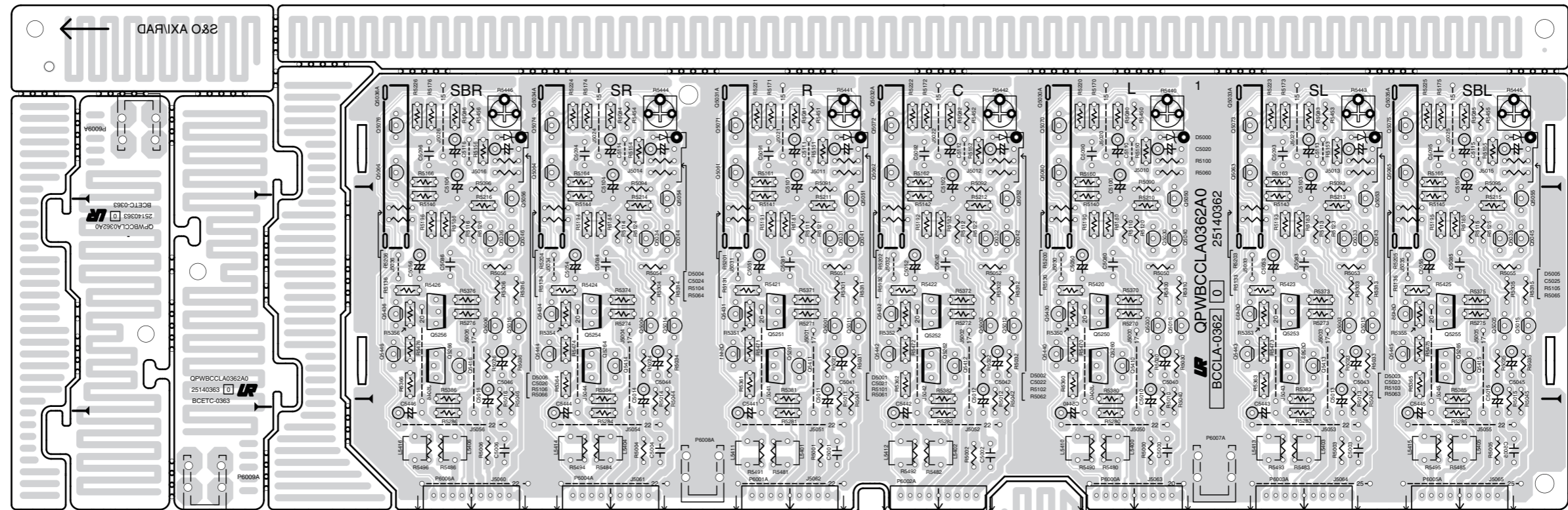
U0060
AMPLIFIER CIRCUIT PC BOARD
BACLA-0362

A B C D E F G H

PRINTED CIRCUIT BOARD VIEWS-6A

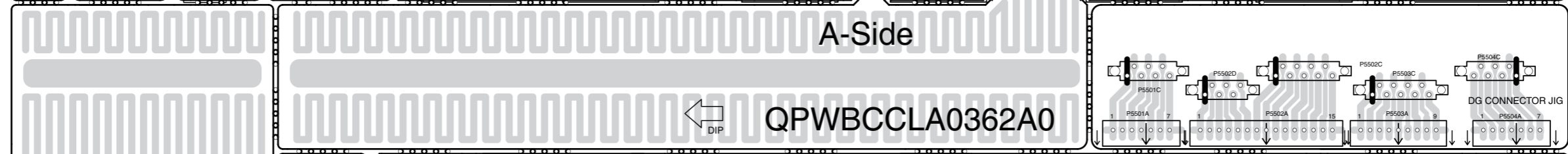
U006
BACLA-0362
(U0060 to U0061)
A-side view

1

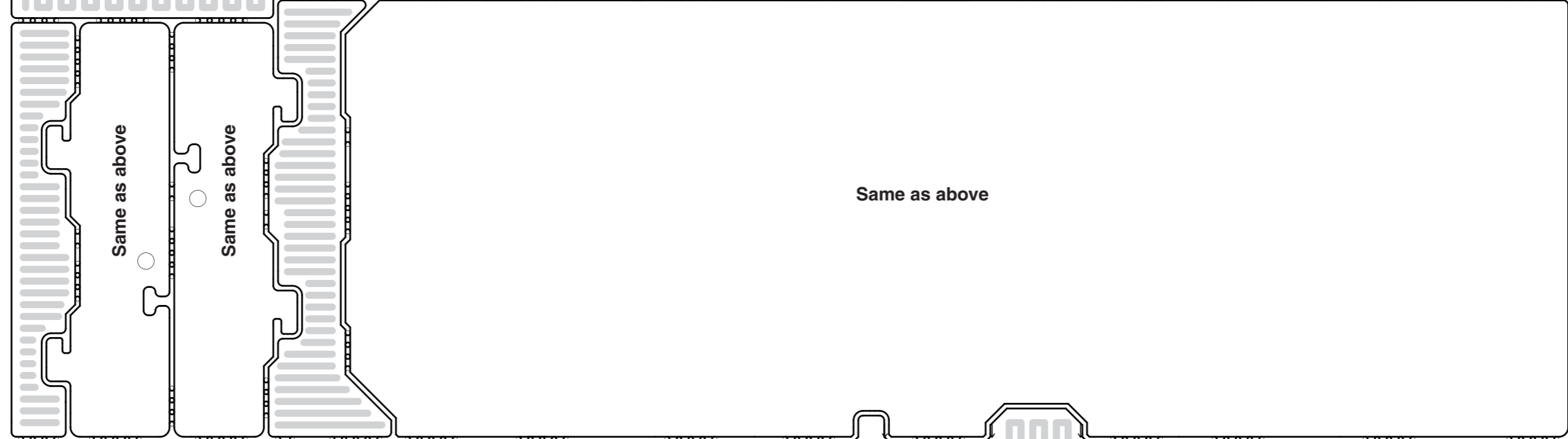


2

3



4



5



TX-NR609**<Note>**

Parts marked by "NSP" are generally unavailable because they are not in our Master Spare Parts List.

NOTE : THE COMPONENTS IDENTIFIED BY THE MARK ! ARE CRITICAL FOR RISK OF FIRE AND ELECTRIC SHOCK. REPLACE ONLY WITH PART NUMBER SPECIFIED.

<Notes>

(B) : Black model
 (S) : Silver model
 <MDC> : 120V,Canadian model
 <MDC_7409_8409> : 120V,Canadian model for HT-S7409/ HT-S8409
 <MDD> : 120V,USA model
 <MDF> : 120V,Taiwanese model
 <MMA> : 230V,Australian model
 <MMB> : 230V,UK model
 <MMP> : 230V,CE(European) country model
 <MMQ> : 220/230-240V,Hong kong model
 <MMR> : 220/230-240V,Chinese model

EXPLODED VIEW PARTS LIST

REF. NO.	PART NAME	DESCRIPTION	Q'TY	PART NO. (SN)	REMARKS
[SEMI CONDUCTOR]					
Q6050	TR	2SC4468-P	1	2202526	<MDC, MDD, MDF, MMA, MMQ, MMR>
Q6050 or	TR	2SC4468-O	(1)	2202523	<MDC, MDD, MDF, MMA, MMQ, MMR>
Q6050 or	TR	2SC4468-Y	(1)	2202524	<MDC, MDD, MDF, MMA, MMQ, MMR>
Q6050	TR	2SC5242-O	1	2202843	<MMB, MMP>
Q6050 or	TR	2SC5242-R	(1)	2202842	<MMB, MMP>
Q6050A	ISO SHEET	AC238	2	223024	
Q6050B	ISO SHEET	ISO SHEET	6	223050	
Q6051	TR	2SC4468-P	1	2202526	<MDC, MDD, MDF, MMA, MMQ, MMR>
Q6051 or	TR	2SC4468-O	(1)	2202523	<MDC, MDD, MDF, MMA, MMQ, MMR>
Q6051 or	TR	2SC4468-Y	(1)	2202524	<MDC, MDD, MDF, MMA, MMQ, MMR>
Q6051	TR	2SC5242-O	1	2202843	<MMB, MMP>
Q6051 or	TR	2SC5242-R	(1)	2202842	<MMB, MMP>
Q6052	TR	2SC4468-P	1	2202526	<MDC, MDD, MDF, MMA, MMQ, MMR>
Q6052 or	TR	2SC4468-O	(1)	2202523	<MDC, MDD, MDF, MMA, MMQ, MMR>
Q6052 or	TR	2SC4468-Y	(1)	2202524	<MDC, MDD, MDF, MMA, MMQ, MMR>
Q6052	TR	2SC5242-O	1	2202843	<MMB, MMP>
Q6052 or	TR	2SC5242-R	(1)	2202842	<MMB, MMP>
Q6053	TR	2SC4468-P	1	2202526	<MDC, MDD, MDF, MMA, MMQ, MMR>

Q6053 or	TR	2SC4468-O	(1)	2202523	<MDC, MDD, MDF, MMA, MMQ, MMR>
Q6053 or	TR	2SC4468-Y	(1)	2202524	<MDC, MDD, MDF, MMA, MMQ, MMR>
Q6053	TR	2SC5242-O	1	2202843	<MMB, MMP>
Q6053 or	TR	2SC5242-R	(1)	2202842	<MMB, MMP>
Q6054	TR	2SC4468-P	1	2202526	<MDC, MDD, MDF, MMA, MMQ, MMR>
Q6054 or	TR	2SC4468-O	(1)	2202523	<MDC, MDD, MDF, MMA, MMQ, MMR>
Q6054 or	TR	2SC4468-Y	(1)	2202524	<MDC, MDD, MDF, MMA, MMQ, MMR>
Q6054	TR	2SC5242-O	1	2202843	<MMB, MMP>
Q6054 or	TR	2SC5242-R	(1)	2202842	<MMB, MMP>
Q6055	TR	2SC4468-P	1	2202526	<MDC, MDD, MDF, MMA, MMQ, MMR>
Q6055 or	TR	2SC4468-O	(1)	2202523	<MDC, MDD, MDF, MMA, MMQ, MMR>
Q6055 or	TR	2SC4468-Y	(1)	2202524	<MDC, MDD, MDF, MMA, MMQ, MMR>
Q6055	TR	2SC5242-O	1	2202843	<MMB, MMP>
Q6055 or	TR	2SC5242-R	(1)	2202842	<MMB, MMP>
Q6056	TR	2SC4468-P	1	2202526	<MDC, MDD, MDF, MMA, MMQ, MMR>
Q6056 or	TR	2SC4468-O	(1)	2202523	<MDC, MDD, MDF, MMA, MMQ, MMR>
Q6056 or	TR	2SC4468-Y	(1)	2202524	<MDC, MDD, MDF, MMA, MMQ, MMR>
Q6056	TR	2SC5242-O	1	2202843	<MMB, MMP>
Q6056 or	TR	2SC5242-R	(1)	2202842	<MMB, MMP>
Q6060	TR	2SA1695-P	1	2202516	<MDC, MDD, MDF, MMA, MMQ, MMR>
Q6060 or	TR	2SA1695-O	(1)	2202513	<MDC, MDD, MDF, MMA, MMQ, MMR>
Q6060 or	TR	2SA1695-Y	(1)	2202514	<MDC, MDD, MDF, MMA, MMQ, MMR>
Q6060	TR	2SA1962-O	1	2202833	<MMB, MMP>
Q6060 or	TR	2SA1962-R	(1)	2202832	<MMB, MMP>
Q6061	TR	2SA1695-P	1	2202516	<MDC, MDD, MDF, MMA, MMQ, MMR>
Q6061 or	TR	2SA1695-O	(1)	2202513	<MDC, MDD, MDF, MMA, MMQ, MMR>
Q6061 or	TR	2SA1695-Y	(1)	2202514	<MDC, MDD, MDF, MMA, MMQ, MMR>
Q6061	TR	2SA1962-O	1	2202833	<MMB, MMP>
Q6061 or	TR	2SA1962-R	(1)	2202832	<MMB, MMP>
Q6062	TR	2SA1695-P	1	2202516	<MDC, MDD, MDF, MMA, MMQ, MMR>
Q6062 or	TR	2SA1695-O	(1)	2202513	<MDC, MDD, MDF, MMA, MMQ, MMR>
Q6062 or	TR	2SA1695-Y	(1)	2202514	<MDC, MDD, MDF, MMA, MMQ, MMR>
Q6062	TR	2SA1962-O	1	2202833	<MMB, MMP>
Q6062 or	TR	2SA1962-R	(1)	2202832	<MMB, MMP>
Q6063	TR	2SA1695-P	1	2202516	<MDC, MDD, MDF, MMA, MMQ, MMR>
Q6063 or	TR	2SA1695-O	(1)	2202513	<MDC, MDD, MDF, MMA, MMQ, MMR>
Q6063 or	TR	2SA1695-Y	(1)	2202514	<MDC, MDD, MDF, MMA, MMQ, MMR>
Q6063	TR	2SA1962-O	1	2202833	<MMB, MMP>
Q6063 or	TR	2SA1962-R	(1)	2202832	<MMB, MMP>

Q6064	TR	2SA1695-P	1	2202516	<MDC, MDD, MDF, MMA, MMQ, MMR>
Q6064 or	TR	2SA1695-O	(1)	2202513	<MDC, MDD, MDF, MMA, MMQ, MMR>
Q6064 or	TR	2SA1695-Y	(1)	2202514	<MDC, MDD, MDF, MMA, MMQ, MMR>
Q6064	TR	2SA1962-O	1	2202833	<MMB, MMP>
Q6064 or	TR	2SA1962-R	(1)	2202832	<MMB, MMP>
Q6065	TR	2SA1695-P	1	2202516	<MDC, MDD, MDF, MMA, MMQ, MMR>
Q6065 or	TR	2SA1695-O	(1)	2202513	<MDC, MDD, MDF, MMA, MMQ, MMR>
Q6065 or	TR	2SA1695-Y	(1)	2202514	<MDC, MDD, MDF, MMA, MMQ, MMR>
Q6065	TR	2SA1962-O	1	2202833	<MMB, MMP>
Q6065 or	TR	2SA1962-R	(1)	2202832	<MMB, MMP>
Q6066	TR	2SA1695-P	1	2202516	<MDC, MDD, MDF, MMA, MMQ, MMR>
Q6066 or	TR	2SA1695-O	(1)	2202513	<MDC, MDD, MDF, MMA, MMQ, MMR>
Q6066 or	TR	2SA1695-Y	(1)	2202514	<MDC, MDD, MDF, MMA, MMQ, MMR>
Q6066	TR	2SA1962-O	1	2202833	<MMB, MMP>
Q6066 or	TR	2SA1962-R	(1)	2202832	<MMB, MMP>
[CHASSIS SCREW]					
A001	CHASSIS	TX-SR507	1	27100533D	
A002	TAPE	TAPE(CLOTH-16U)	1	29110083	
A003	LEG	(B)	4	27175464	
A005	CUSHION	(ZUL)	4	28141877	
A006	CUSHION	(BUTYL)	1	28141748	
A007	SCREW	3TTB+8B(3BC)	4	838430088GR	
A009	HOLDER	KGLS-8RT	2	27190503A	
A010	HOLDER	KGPS-8RF	2	27191044	
A011	HOLDER	KGLS-10RT	1	27190428A	
A013	HOLDER	KGPS-14RF	2	27190802	
A016	HOLDER	MPS-08-0	1	27191361	
A017	HOLDER	KGLS-16S	1	27190607	
A019	HOLDER	KGPS-16RF	1	27190991	
A021	HOLDER	KGLS-22S	2	27190369	
A023	HOLDER	KGLS-22S	1	27190369	
A025	SCREW	4TTC+8C(3BC)SR	4	801658	
A027	SPACER	---	1	27270439	
A030	HEAT SINK	251	1	27160630B	
A032	RETAINER	(HL)	1	27142138A	
A034	RETAINER	(HR)	1	27142223A	
A036	SCREW	3TTB+8B(3BC)	4	838430088GR	
A038	SCREW	3TTB+8B(3BC)	2	838430088GR	
A040	SCREW	3TTB+8B(3BC)	3	838430088GR	

A042	SCREW	3TTB+8B(3BC)	2	838430088GR	
A043	SCREW	3TTB+8B(3CM)SR	1	801637	
A044	HOLDER	KGLS-8RT	1	27190503A	
A050	SCREW	3SMS8W.SW+14B(CU)	14	801634	
A054	SCREW	3TTB+8B(3BC)	1	838430088GR	
A056	BUSHING	S-RELIEF #2271	1	27300750	
A058	LABEL	(PT)	1	29363379-1	
A060	WIRE TIE	BSK-1	2	260208	
A068	SCREW	3TTB+8B(3BC)	4	838430088GR	
A069	SCREW	3TTB+8B(3BC)	2	838430088GR	
A071	LABEL	(SP)609	1	29391541	
A090	CUSHION	(BUTYL)	1	28141748	
A091	BRACKET	(FAN-L)	1	27131077	
A093	BRACKET	(FAN-R)	1	27131078	
A094	CUSHION	(FELT)	2	28141793	
A095	BUSHING	(FAN-L)	4	28170091A	
A096	TAPE	TAPE(CLOTH-16U)	1	29110083	
A097	SCREW	3TTB+8B(3BC)	2	838430088GR	
A098	Cu TAPE	(30x5)	2	29110210	
A099	CUSHION	(FELT)t2x13x5	4	28141858	
A100	CUSHION	(t0.35*100*10)	2	28141878	
A100 or	CUSHION	(t0.35*100*10)V	(2)	28141885	
A101	REAR PANEL	609DD	1	27124230A	N <MDC, MDD>
A101	REAR PANEL	609MP	1	27124231C	N <MMA, MMB, MMP, MMQ>
A101	REAR PANEL	609MR	1	27124232A	N <MMR>
A101	REAR PANEL	609DF	1	27124291A	N <MDF>
A102	CUSHION	---	2	28141799	
A103	SCREW	3P+6FN(3BC)	6	82143006GR	
A104	CUSHION	(BUTYL)	1	28141748	
A105	SCREW	3TTB+8B(3BC)	28	838430088GR	
A109	SCREW	3P+6FN(3BC)	2	82143006GR	
A110	SCREW	3TTF+10B(3BC)	2	835430108GR	<MDF>
A111	TAPE	TAPE(CLOTH-16U)	1	29110083	<MDF>
A112	TAPE	TAPE(CLOTH-8U)	1	29110082	
A113	TAPE	TAPE(CLOTH-8U)	1	29110082	
A115	CUSHION	(BUTYL)	1	28141748	
A120A	LABEL	(E-CON)	{ 1 }	29364978	
[CABINET]					
A201	F PANEL	TX-NR609(B)DD	1	27213440C	N <B MDC, MDD, MDF>

A201	F PANEL	TX-NR609(B)MP	1	27213441C	N <B MMA, MMB, MMP, MMQ, MMR>
A201	F PANEL	TX-NR609(S)MP	1	27213442C	N <S MMP>
A202	CLEAR PLT	TX-NR609 MDC	1	28192341B	N <B MDC, MDD, MDF>
A202	CLEAR PLT	TX-NR609 MMP	1	28192342B	N <B MMA, MMB, MMP, MMQ, MMR>
A202	CLEAR PLT	TX-NR609(S)MMP	1	28192346B	N <S MMP>
A207	BADGE	---	1	28135317	
A209	SPACER	(PC)t0.3x25x4	4	27270546	
A211	KNOB	(TONE)(B)	1	28326918	
A211	KNOB	(TONE)(S)	1	28326919	<S>
A212	FACET	---	2	28200054	
A213	KNOB	(INP)(B)	1	28326916A	
A213	KNOB	(INP)(S)	1	28326917A	<S>
A214	KNOB	(INP-L)(B)	1	28326922B	
A214	KNOB	(INP-L)(S)	1	28326923B	<S>
A215	KNOB	(INP-R)(B)	1	28326938B	
A215	KNOB	(INP-R)(S)	1	28326939B	<S>
A216	KNOB	(SEL)	1	28326906A	
A217	KNOB	(STBY)(B)	1	28326904	
A217	KNOB	(STBY)(S)	1	28326905	<S>
A219	KNOB	(CUR)	1	28326907B	
A221	IB CUSHION	W15*3t TAPE	1	28141585	
A224	SCREW	2.6TTB+8B(3BC)	2	838426088GR	
A225	SCREW	2.6TTB+8B(3BC)	22	838426088GR	
A242	WIRE TIE	BSK-1	2	260208	
A254	WIRE TIE	BSK-1	10	260208	
A255	SCREW	3TTB+8B(3BC)	3	838430088GR	
A256	SCREW	3TTB+8B(3BC)	1	838430088GR	
A260	SCREW	3TTB+8B(3BC)	4	838430088GR	
A261	TAPE	TAPE(CLOTH-16U)	1	29110083	
A262	TAPE	TAPE(CLOTH-16U)	1	29110083	
A265	TAPE	TAPE(CLOTH-8U)	1	29110082	
A267	CUSHION	---	1	28141681	
A268	CUSHION	---	2	28141681	
A269	TAPE	TAPE(CLOTH-8U)	1	29110082	
A270	CUSHION	(FELT)t1x20x10	2	28141859	
A271	TAPE	TAPE(CLOTH-16U)	1	29110083	
A273	HOLDER	KGLS-4S	2	27190009	
A281	RETAINER	(HDMI)	2	27142172	
A283	SCREW	3P+6FN(3BC)	2	82143006GR	

A285	TAPE	TAPE(CLOTH-16U)	2	29110083	
A287	CUSHION	(BUTYL)	1	28141748	
A317	IB CUSHION	W15*3t TAPE	1	28141585	
A320	FACET	(VOL)	1	28200059A	
A321	KNOB	(VOL)AS(B)	1	28326927B	N
A321	KNOB	(VOL)AS(S)	1	28326928B	N <S>
A340	COVER	(B) (Bent)	1	28210087A	
A340	COVER	(B) (Not Bent)	1	28210087AZ	
A340	COVER	(S) (Bent)	1	28210088A	<S>
A340	COVER	(S) (Not Bent)	1	28210088AZ	<S>
A342	SCREW	3TTB+8B(3CM)SR	9	801637	<S>
A342	SCREW	3TTB+8B(3BC)	9	838430088GR	
A344	TAPE	TAPE(CLOTH-8U)	1	29110082	
A360	LABEL	(COVER)	1	29390767	
A362	LABEL	HOOKUP-ONKYO	1	29363194	<MDC, MDD>
[TRANS COIL]					
T901	P TRANS	NPT-1605M	1	2302017	! <MMA, MMB, MMP, MMQ, MMR>
T901	P TRANS	NPT-1605D	1	2302016A	! <MDC, MDD, MDF>
[SW TRM]					
F6901	FUSE	12A-TUL-250V	1	252301GR	!
F6902	FUSE	12A-TUL-250V	1	252301GR	!
F901	FUSE	10A-UL/T-233	1	252330GR	! <MDC, MDD, MDF>
F901 or	FUSE	10A-T/UL-ST2	(1)	252333GR	! <MDC, MDD, MDF>
F901	FUSE	5A-SE-EAK FUSE	1	252078GR	! <MMA, MMB, MMP, MMQ, MMR>
F901 or	FUSE	5A-SE-TL250V	(1)	252278GR	! <MMA, MMB, MMP, MMQ, MMR>
F901E	LABEL	T5AL250V	1	29361938	<MMA, MMB, MMP, MMQ, MMR>
P101	FFC	NCFC7-091512	1	2047091512	
P2001	FFC	NCFC5-092012	1	2045092012	
P2510	FAN	4710KL-04W-B10-EA2	1	24502332	
P2800	FFC	NCFC5-091012	1	2045091012	
P2801	FFC	NCFC5-091012	1	2045091012	
P3101	SOCKET AS	NSAS-10P1924	1	2009991224UL	
P4900	FFC	NCFC5-111012	1	2045111012	
P6601A	P RIVET	JB-407A-C	14	880052	<MMA, MMB, MMP, MMQ, MMR>
P701	FFC	NCFC5-232012	1	2045232012	
P703	FFC	NCFC5-072012	1	2045072012	
P8651	CORD AS	HDMI 0.45M	1	2010490	
P8651 or	CORD AS	HDMI 0.45M	(1)	2010488	
P901	AC CORD	AS-CEE-2	1	253306VOL	! <MMP>

P901 or	AC CORD	AS-CEE-2	(1)	253374YUN	!	<MMP>
P901	AC CORD	AS-UC-2	1	253368AYUN	!	<MDC, MDD>
P901 or	AC CORD	AS-UC-2	(1)	253368BLTK	!	<MDC, MDD>
P901	AC CORD	AS-SAA	1	253388LTK	!	<MMA>
P901	AC CORD	AS-CNS	1	253431VOL	!	<MDF>
P901	AC CORD	AS-BS	1	253198LTK	!	<MMB, MMQ>
P901 or	AC CORD	AS-BS	(1)	253198VOL	!	<MMB>
P901	AC CORD	AS-CCC	1	253355VOL	!	<MMR>
P901B	FASTON AS	FASTON SOCKET	1	1F999026A	!	<MDF>
P907	AC INLET	R301X2PSn	1	25053358	!	<MDF>
[TUNER UNIT]						
U001	U0010~U0014	BAAF-0628-1A *	1	1B258528-1A	N	<MDC, MDD, MDF>
U0010	Power Amp / Audio Input Terminals PC board ass'y	BAAF-0628-1A	1	1B2585628-1A	N	<MDC, MDD, MDF>
U0011	Thermal Senser PC board ass'y	BAETC-0629-1A	1	1B2585629-1A	N	<MDC, MDD, MDF>
U0012	Spacer PC board ass'y	BAETC-0630-1A	1	1B2585630-1A	N	<MDC, MDD, MDF>
U0013	Secondary Wiring PC board ass'y	BAETC-0631-1A	1	1B2585631-1A	N	<MDC, MDD, MDF>
U0014	Power supply PC board ass'y	BAETC-0632-1A	1	1B2585632-1A	N	<MDC, MDD, MDF>
U001	U0010~U0014	BAAF-0628-1B *	1	1B258528-1B	N	<MMA, MMB, MMP, MMQ, MMR>
U0010	Power Amp / Audio Input Terminals PC board ass'y	BAAF-0628-1B	1	1B2585628-1B	N	<MMA, MMB, MMP, MMQ, MMR>
U0011	Thermal Senser PC board ass'y	BAETC-0629-1B	1	1B2585629-1B	N	<MMA, MMB, MMP, MMQ, MMR>
U0012	Spacer PC board ass'y	BAETC-0630-1B	1	1B2585630-1B	N	<MMA, MMB, MMP, MMQ, MMR>
U0013	Secondary Wiring PC board ass'y	BAETC-0631-1B	1	1B2585631-1B	N	<MMA, MMB, MMP, MMQ, MMR>
U0014	Power supply PC board ass'y	BAETC-0632-1B	1	1B2585632-1B	N	<MMA, MMB, MMP, MMQ, MMR>
U002	U0020~U0024	BADIS-0663-1G *	1	1B258563-1G	N	<MDC, MDD, MDF>
U0020	Display PC board ass'y	BADIS-0663-1G	1	1B2585663-1G	N	<MDC, MDD, MDF>
U0021	Video Input Terminals PC board ass'y	BAVD-0664-1G	1	1B2585664-1G	N	<MDC, MDD, MDF>
U0022	Standby etc. Switch PC board ass'y	BAETC-0665-1G	1	1B2585665-1G	N	<MDC, MDD, MDF>
U0023	Headphones PC board ass'y	BAETC-0666-1G	1	1B2585666-1G	N	<MDC, MDD, MDF>
U0024	Power supply PC board ass'y	BAETC-0667-1G	1	1B2585667-1G	N	<MDC, MDD, MDF>
U002	U0020~U0024	BADIS-0663-1H *	1	1B258563-1H	N	<MMA, MMB, MMP, MMQ, MMR>
U0020	Display PC board ass'y	BADIS-0663-1H	1	1B2585663-1H	N	<MMA, MMB, MMP, MMQ, MMR>
U0021	Video Input Terminals PC board ass'y	BAVD-0664-1H	1	1B2585664-1H	N	<MMA, MMB, MMP, MMQ, MMR>
U0022	Standby etc. Switch PC board ass'y	BAETC-0665-1H	1	1B2585665-1H	N	<MMA, MMB, MMP, MMQ, MMR>
U0023	Headphones PC board ass'y	BAETC-0666-1H	1	1B2585666-1H	N	<MMA, MMB, MMP, MMQ, MMR>
U0024	Power supply PC board ass'y	BAETC-0667-1H	1	1B2585667-1H	N	<MMA, MMB, MMP, MMQ, MMR>
U003	U0030~U0031	BAHDM-0684-1B *	1	1B258584-1B	N	N
U0030	HDMI PC board ass'y	BAHDM-0684-1B	1	1B2585684-1B	N	N
U0031	Front HDMI Terminal PC board ass'y	BAHDM-0685-1B	1	1B2585685-1B	N	N
U004	U0040~U0041 x 2 pcs.	BADG-0643-1D *	1	1B258543-1D	N	<MDC, MDD, MDF>

U0040	Digital Input / Main CPU/ DAC PC board ass'y	BADG-0643-1D	1	1B2585643-1D	N <MDC, MDD, MDF>
U0041	D-Sub Input terminal PC board ass'y	BAETC-0646-1D	1	1B2585646-1D	N <MDC, MDD, MDF>
U004	U0040~U0041	BADG-0643-1E *	1	1B258543-1E	N <MMA, MMB, MMP, MMQ, MMR>
U0040	Digital Input / Main CPU/ DAC PC board ass'y	BADG-0643-1E	1	1B2585643-1E	N <MMA, MMB, MMP, MMQ, MMR>
U0041	D-Sub Input terminal PC board ass'y	BAETC-0646-1E	1	1B2585646-1E	N <MMA, MMB, MMP, MMQ, MMR>
U005	U0050~U0052	BATRM-0647-1A *	1	1B258547-1A	N <MDC, MDD, MDF>
U0050	Laudspeaker Terminals PC board ass'y	BATRM-0647-1A	1	1B2585647-1A	N <MDC, MDD, MDF>
U0051	FFC Fixture PC board ass'y	BAETC-0651-1A	1	1B2585651-1A	N <MDC, MDD, MDF>
U0052	Part Fixture PC board ass'y	BAETC-0652-1A	1	1B2585652-1A	N <MDC, MDD, MDF>
U005	U0050~U0052	BATRM-0647-1B *	1	1B258547-1B	N <MMA, MMB, MMP, MMQ, MMR>
U0050	Laudspeaker Terminals PC board ass'y	BATRM-0647-1B	1	1B2585647-1B	N <MMA, MMB, MMP, MMQ, MMR>
U0051	FFC Fixture PC board ass'y	BAETC-0651-1B	1	1B2585651-1B	N <MMA, MMB, MMP, MMQ, MMR>
U0052	Part Fixture PC board ass'y	BAETC-0652-1B	1	1B2585652-1B	N <MMA, MMB, MMP, MMQ, MMR>
U006	U0060~U0061	BACLA-0362-2A *	1	1B258562-2A	N
U0060	Amplifier PC board ass'y	BACLA-0362-2A	1	1B2585362-2A	N
U0061	Part Fixture PC board ass'y	BAETC-0363-2A	1	1B2585363-2A	
U010	TUNER UNIT	KST-MW004MS1-S89S	1	240171	<MDC, MDD, MDF>
U010	TUNER UNIT	KST-MW104MS1-S89	1	240172	<MMA, MMB, MMP, MMQ, MMR>

TX-NR609

PACKING PROCEDURES PARTS LIST

REF. NO.	PART NAME	DESCRIPTION	Q'TY	PART NO. (SN)	REMARKS
[PACKING]					
A601	PAD	(AS)609	1	29092610	
A601	PAD	(AS)HTR690	1	29092594A	<MDC_7409_8409>
A605	POLY BAG	w850xd650	1	29100245	
A606	TAPE	(SEROHAN)NITTO NO.29	1	29110149	
A608	SHEET	---	1	29095906	
A610	SHEET	(PAD)	1	29096095	
A611	TAPE	(SEROHAN)NITTO NO.29	1	29110149	
A701	CARTON	TX-NR609DD	1	29055209	N <B MDC, MDD, MDF>
A701	CARTON	TX-NR609	1	29055210	N <B MMA, MMB, MMP, MMQ, MMR / S MMP>
A704A	UPC LABEL	609BMDD	1	29391498	N <B MDD>
A704A	UPC LABEL	609BMDC	1	29391499	N <B MDC>
A704A	EAN LABEL	609BMMB	1	29391502	N <B MMB>
A704A	EAN LABEL	609BMDF	1	29391503	N <B MDF>
A704A	EAN LABEL	609BMMR	1	29391504	N <B MMR>
A704A	EAN LABEL	609BMMA	1	29391505	N <B MMA>

A704A	LABEL	(DES)NR609CBMDC	1	29391806	N <B MDC_7409_8409>
A704A	EAN LABEL	609BMMP	1	29391500C	N <B MMP>
A704A	EAN LABEL	609SMMP	1	29391501C	N <S MMP>
A704A	EAN LABEL	609BMMQ	1	29391506A	N <B MMQ>
A707	LABEL	(CHINA)	1	29390952A	<MMR>
A755	LABEL	(CCC)	1	29364396	<MMR>
A760	PP TAPE	W50 SBT-70	1	29110200	
[ACCESSARY]					
A672	POLY BAG	w250xd350	1	29100250A	<MDC_7409_8409, MMA, MMB, MMP, MMQ / S MMP>
A673	POLY BAG	---	1	29100225A	<MDC_7409_8409>
A674	POLY BAG	D250xd300xW300(t0.04)	1	29100256A	
A676	TAPE	(SEROHAN)NITTO NO.29	1	29110149	
A677	TAPE	(SEROHAN)NITTO NO.29	1	29110149	<MDC_7409_8409>
A678	SHEET	(PAD)	1	29096131	<MDC_7409_8409>
A679	TAPE	(SEROHAN)NITTO NO.29	1	29110149	<MDC_7409_8409>
A681	PP TAPE	W50 SBT-70	1	29110200	<MDC_7409_8409>
A801	INS MANUAL	En(TX-NR609)	1	29400637A	N <MDC_7409_8409, MDD, MDF, MMA, MMB, MMQ>
A802	INS MANUAL	FrEs(TX-NR609)	1	29400639A	N <MDC_7409_8409>
A806	INS MANUAL	Cs(TX-NR609)	1	29400645A	N <MMR>
A807	INS MANUAL	Ct(TX-NR609)	1	29400644A	N <MDF, MMQ>
A809	INS MANUAL	Ar(TX-NR609)	1	29400643	N <MMQ>
A810	INS MANUAL	Ar(QC ImportantSheet)	1	29344373B	<MMQ>
A811	INS MANUAL	En-QSS(TX-NR609)	1	29400638	N <MDD, MDF, MMA, MMB, MMQ>
A812	INS MANUAL	Cs-QSS(TX-NR609)	1	29400646	N <MMR>
A815	INS MANUAL	JaEn(SW_License_509-5009)	1	29400575	
A825	INST SHEET	CtMDF(TXSR309)	1	29355814	<MDF>
A826	INST SHEET	U11(2010_RIHD)	1	29355782A	
A827	INS MANUAL	EnFrEs(InternetRadio_609~5009)	1	29400795	<MDC_7409_8409, MDC, MDD>
A828	INS MANUAL	U2EnDe(Last.fm_Nap_Spotify)	1	29400794A	<MMB, MMP / S MMP>
A830	INST SHEET	WEEE	1	29355793A	<MMB, MMP / S MMP>
A833	INST SHEET	CHINA ROHS	1	29355616B	<MMR>
A835	HANDBILL	(UP-A1)US	1	29380155A	<MDC_7409_8409, MDC, MDD>
A835	HANDBILL	(UP-A1)EU	1	29380156A	<MMB, MMP / S MMP>
A840	INS MANUAL	U9(2011_Prepro)	1	29400572A	
A855	REMO CON	RC-803M	1	24140803	N
A856	MIC	MIC-7000	1	245044	
A858	ANT COIL	NMA-3057	1	232140	
A859	FM ANT AS	Type W	1	292191	
A860	LABEL	(SPCABLE)2009	1	29390881	<MDC_7409_8409, MDD, MDF, MMA, MMB, MMP, MMQ, MMR>

A861	BATTERY	R6/AA(UM-3)	2	3010194	<MDC_7409_8409, MDC, MDD, MDF, MMA, MMB, MMP, MMQ>
A861 or	BATTERY	R6/AA(UM-3)	(2)	3010054	<MDC_7409_8409, MDC, MDD, MDF, MMA, MMB, MMP, MMQ>
A883	WRNTY CARD	(ONKYO-CH)	1	29365098C	<MMR>
A884	WRNTY CARD	MGQ	1	29365099B	<MMQ>
A885	WRNTY CARD	(ONKYO)	1	29365135	<MDC_7409_8409, MDC, MDD>
A888	LABEL	(APV)	1	29390190	<MMR>
A890	INS MANDSK	U7(TX-NR609)	1	29500003	<MDC, MMP>
A891	INS MANUAL	QSG_En(TX-NR509/609)	1	29400938	<MDC, MMP>
A892	INS MANUAL	QSG_Fr(TX-NR509/609)	1	29400939	<MDC, MMP>
A893	INS MANUAL	QSG_Es(TX-NR509/609)	1	29400940	<MDC, MMP>
A894	INS MANUAL	SAFETY_U3	1	29400883	<MDC>
A894	INS MANUAL	QSG_It(TX-NR509/609)	1	29400941	<MMP>
A895	INS MANUAL	QSG_De(TX-NR509/609)	1	29400942	<MMP>
A896	INS MANUAL	QSG_Nl(TX-NR509/609)	1	29400943	<MMP>
A897	INS MANUAL	QSG_Sv(TX-NR509/609)	1	29400944	<MMP>
A898	INS MANUAL	QSG_Fi(TX-NR509/609)	1	29400945	<MMP>
A899	INS MANUAL	SAFETY_U10	1	29400884	<MMP>

TX-NR609

PC BOARD PARTS LIST

U001	U0010~U0014	
U0010	Power Amp / Audio Input Terminals PC board ass'y	BAAF-0628-1
U0011	Thermal SenserPC board ass'y	BAETC-0629-1
U0012	SpacerPC board ass'y	BAETC-0630-1
U0013	Secondary WiringPC board ass'y	BAETC-0631-1
U0014	Power supplyPC board ass'y	BAETC-0632-1

CIRCUIT NO.	PART NAME	DESCRIPTION	Q'TY	PART NO. (SN)	REMARKS
[SEMI CONDUCTOR]					
D4171	ZENER D	MTZJ7.5B	1	224470752T	
D4172	ZENER D	MTZJ7.5B	1	224470752T	
D4207	C-DIODE	DA2J10100	1	223303R2	
D4207 or	C-DIODE	1SS352	(1)	223234R2	
D4207 or	C-DIODE	1SS355	(1)	223269R2	
D4207 or	C-DIODE	MA2J111	(1)	223279R2	
D4207 or	C-DIODE	KDS4148U	(1)	223283R2	
D4217	C-DIODE	DA2J10100	1	223303R2	
D4217 or	C-DIODE	1SS352	(1)	223234R2	

D4217 or	C-DIODE	ISS355	(1)	223269R2
D4217 or	C-DIODE	MA2J111	(1)	223279R2
D4217 or	C-DIODE	KDS4148U	(1)	223283R2
D4300	DIODE	RL1N4003	1	22380260T
D4301	DIODE	RL1N4003	1	22380260T
D4302	DIODE	RL1N4003	1	22380260T
D4303	DIODE	RL1N4003	1	22380260T
D4304	DIODE	RL1N4003	1	22380260T
D4305	DIODE	RL1N4003	1	22380260T
D4400	ZENER D	DZ2J056M0L	1	224760560R2
D4400 or	ZENER D	UDZS5.6B	(1)	224550560R2
D6000	C-DIODE	DA2J10100	1	223303R2
D6000 or	C-DIODE	ISS352	(1)	223234R2
D6000 or	C-DIODE	ISS355	(1)	223269R2
D6000 or	C-DIODE	MA2J111	(1)	223279R2
D6000 or	C-DIODE	KDS4148U	(1)	223283R2
D6001	C-DIODE	DA2J10100	1	223303R2
D6001 or	C-DIODE	ISS352	(1)	223234R2
D6001 or	C-DIODE	ISS355	(1)	223269R2
D6001 or	C-DIODE	MA2J111	(1)	223279R2
D6001 or	C-DIODE	KDS4148U	(1)	223283R2
D6002	C-DIODE	DA2J10100	1	223303R2
D6002 or	C-DIODE	ISS352	(1)	223234R2
D6002 or	C-DIODE	ISS355	(1)	223269R2
D6002 or	C-DIODE	MA2J111	(1)	223279R2
D6002 or	C-DIODE	KDS4148U	(1)	223283R2
D6003	C-DIODE	DA2J10100	1	223303R2
D6003 or	C-DIODE	ISS352	(1)	223234R2
D6003 or	C-DIODE	ISS355	(1)	223269R2
D6003 or	C-DIODE	MA2J111	(1)	223279R2
D6003 or	C-DIODE	KDS4148U	(1)	223283R2
D6004	C-DIODE	DA2J10100	1	223303R2
D6004 or	C-DIODE	ISS352	(1)	223234R2
D6004 or	C-DIODE	ISS355	(1)	223269R2
D6004 or	C-DIODE	MA2J111	(1)	223279R2
D6004 or	C-DIODE	KDS4148U	(1)	223283R2
D6005	C-DIODE	DA2J10100	1	223303R2
D6005 or	C-DIODE	ISS352	(1)	223234R2
D6005 or	C-DIODE	ISS355	(1)	223269R2

D6005 or	C-DIODE	MA2J111	(1)	223279R2
D6005 or	C-DIODE	KDS4148U	(1)	223283R2
D6006	C-DIODE	DA2J10100	1	223303R2
D6006 or	C-DIODE	ISS352	(1)	223234R2
D6006 or	C-DIODE	ISS355	(1)	223269R2
D6006 or	C-DIODE	MA2J111	(1)	223279R2
D6006 or	C-DIODE	KDS4148U	(1)	223283R2
D6701	C-DIODE	DA2J10100	1	223303R2
D6701 or	C-DIODE	ISS352	(1)	223234R2
D6701 or	C-DIODE	ISS355	(1)	223269R2
D6701 or	C-DIODE	MA2J111	(1)	223279R2
D6701 or	C-DIODE	KDS4148U	(1)	223283R2
D6702	C-DIODE	DA2J10100	1	223303R2
D6702 or	C-DIODE	ISS352	(1)	223234R2
D6702 or	C-DIODE	ISS355	(1)	223269R2
D6702 or	C-DIODE	MA2J111	(1)	223279R2
D6702 or	C-DIODE	KDS4148U	(1)	223283R2
D6704	ZENER D	DZ2J033M0L	1	224760330R2
D6704 or	ZENER D	UDZS3.3B	(1)	224550330R2
D6901	DIODE	D10XB60H	1	22380337
D6901A	HEAT SINK	RAD-196	1	27160545
D6901C	SCREW	3P+10FN(3BC)	1	82143010GR
D6902	C-DIODE	DA2J10100	1	223303R2
D6902 or	C-DIODE	ISS352	(1)	223234R2
D6902 or	C-DIODE	ISS355	(1)	223269R2
D6902 or	C-DIODE	MA2J111	(1)	223279R2
D6902 or	C-DIODE	KDS4148U	(1)	223283R2
D6903	C-DIODE	DA2J10100	1	223303R2
D6903 or	C-DIODE	ISS352	(1)	223234R2
D6903 or	C-DIODE	ISS355	(1)	223269R2
D6903 or	C-DIODE	MA2J111	(1)	223279R2
D6903 or	C-DIODE	KDS4148U	(1)	223283R2
D960	DIODE	RL1N4003	1	22380260T
D961	DIODE	RL1N4003	1	22380260T
D962	ZENER D	DZ2J220M0L	1	224762200R2
D962 or	ZENER D	UDZS22B	(1)	224552200R2
D963	ZENER D	DZ2J220M0L	1	224762200R2
D963 or	ZENER D	UDZS22B	(1)	224552200R2
Q4001	IC	R2A15218FP	1	22242605R3

Q4003	IC	NJM4580M-D	1	22241448R2
Q4100	TR	RN1441	1	2215410R2
Q4101	TR	RN1441	1	2215410R2
Q4102	TR	RN1441	1	2215410R2
Q4103	TR	RN1441	1	2215410R2
Q4104	TR	RN1441	1	2215410R2
Q4105	TR	RN1441	1	2215410R2
Q4106	TR	RN1441	1	2215410R2
Q4107	TR	RN1441	1	2215410R2
Q4108	TR	RN1441	1	2215410R2
Q4109	TR	RN1441	1	2215410R2
Q4117	TR	RN1441	1	2215410R2
Q4130	IC	NJM4580M-D	1	22241448R2
Q4170	IC	78M15HF(NJM78M15FA)	1	222780155JRC
Q4170 or	IC	UPC78M15AHF-AZ	(1)	222780155NEC
Q4170A	HEAT SINK	RAD-196	1	27160545
Q4170B	SCREW	3P+10FN(3BC)	1	82143010GR
Q4171	IC	79M15HF(NJM79M15FA)	1	222790155JRC
Q4171 or	IC	UPC79M15HF-AZ	(1)	222790155NEC
Q4171B	SCREW	3P+10FN(3BC)	1	82143010GR
Q4184	TR	2SC2235-Y(TPE6_F)	1	2211654T
Q4185	TR	2SA965-O(TPE6_F)	1	2211643T
Q4400	IC	NJM4580M-D	1	22241448R2
Q4401	TR	2SC2235-Y(TPE6_F)	1	2211654T
Q4401 or	TR	2SC2235-O(TPE6_F)	(1)	2211653T
Q6000	TR	2SC1740S-S	1	2213285T
Q6001	TR	2SC1740S-S	1	2213285T
Q6002	TR	2SC1740S-S	1	2213285T
Q6003	TR	2SC1740S-S	1	2213285T
Q6004	TR	2SC1740S-S	1	2213285T
Q6005	TR	2SC1740S-S	1	2213285T
Q6006	TR	2SC1740S-S	1	2213285T
Q6070	TR	2SC2229-Y(TPE6_F)	1	2211634T
Q6071	TR	2SC2229-Y(TPE6_F)	1	2211634T
Q6072	TR	2SC2229-Y(TPE6_F)	1	2211634T
Q6073	TR	2SC2229-Y(TPE6_F)	1	2211634T
Q6074	TR	2SC2229-Y(TPE6_F)	1	2211634T
Q6075	TR	2SC2229-Y(TPE6_F)	1	2211634T
Q6076	TR	2SC2229-Y(TPE6_F)	1	2211634T

Q6380	IC	LM61CIZ	1	22242212
Q6380A	RETAINER	(PTH)	1	27141884-1
Q6701	TR	2SC2712-GR	1	2213145R2
Q6701 or	TR	KTC3875-GR	(1)	2216175R2
Q6702	TR	2SC2712-GR	1	2213145R2
Q6702 or	TR	KTC3875-GR	(1)	2216175R2
Q6703	TR	2SA1163-BL(TE85L_F)	1	2216756R2
Q6707	TR	2SC2712-GR	1	2213145R2
Q6707 or	TR	KTC3875-GR	(1)	2216175R2
Q6708	TR	2SC2712-GR	1	2213145R2
Q6708 or	TR	KTC3875-GR	(1)	2216175R2
Q6713	TR	2SA1163-BL(TE85L_F)	1	2216756R2
Q960	TR	2SC2235-Y(TPE6_F)	1	2211654T
Q960 or	TR	2SC2235-O(TPE6_F)	(1)	2211653T
[CAPACITOR]				
C4001	C-CERA C	CC725CH1H-152J1	1	342101524R1
C4002	C-CERA C	CC725CH1H-152J1	1	342101524R1
C4003	C-CERA C	CC725CH1H-221J1	1	342102214R1
C4004	C-CERA C	CC725CH1H-221J1	1	342102214R1
C4007	UPZ C	2AUPZTF221JE	1	376332214T
C4008	UPZ C	2AUPZTF221JE	1	376332214T
C4009	C-CERA C	CC725CH1H-221J1	1	342102214R1
C4010	C-CERA C	CC725CH1H-221J1	1	342102214R1
C4013	C-CERA C	CC725CH1H-221J1	1	342102214R1
C4014	C-CERA C	CC725CH1H-221J1	1	342102214R1
C4017	C-CERA C	CC725CH1H-221J1	1	342102214R1
C4018	C-CERA C	CC725CH1H-221J1	1	342102214R1
C4019	UPZ C	2AUPZTF221JE	1	376332214T
C4020	UPZ C	2AUPZTF221JE	1	376332214T
C4027	C-CERA C	CC725CH1H-221J1	1	342102214R1
C4030	C-CERA C	CC725CH1H-221J1	1	342102214R1
C4031	C-CERA C	CC725CH1H-221J1	1	342102214R1
C4032	C-CERA C	CC725CH1H-221J1	1	342102214R1
C4050	UTSP C	CE04W10V-220M(UTSP)	1	397532217T
C4051	UTSP C	CE04W10V-220M(UTSP)	1	397532217T
C4052	UTSP C	CE04W10V-220M(UTSP)	1	397532217T
C4053	UTSP C	CE04W25V-47M(UTSP)	1	397554707T
C4054	UTSP C	CE04W25V-47M(UTSP)	1	397554707T
C4055	UTSP C	CE04W25V-47M(UTSP)	1	397554707T

C4056	UTSP C	CE04W25V-47M(UTSP)	1	397554707T
C4057	UTSP C	CE04W25V-47M(UTSP)	1	397554707T
C4060	UTSP C	CE04W50V 47M(UTSP)	1	397584707T
C4061	UTSP C	CE04W50V 47M(UTSP)	1	397584707T
C4062	TF C	ECQ-V50V-474J	1	374724744T
C4063	TF C	ECQ-V50V-823J	1	374728234T
C4064	TF C	ECQ-V50V-223J	1	374722234T
C4065	TF C	ECQ-V50V-474J	1	374724744T
C4066	TF C	ECQ-V50V-823J	1	374728234T
C4067	TF C	ECQ-V50V-223J	1	374722234T
C4070	UTSP C	CE04W50V 47M(UTSP)	1	397584707T
C4071	UTSP C	CE04W50V 47M(UTSP)	1	397584707T
C4072	UTSP C	CE04W50V 47M(UTSP)	1	397584707T
C4073	UTSP C	CE04W50V 47M(UTSP)	1	397584707T
C4074	UTSP C	CE04W50V 47M(UTSP)	1	397584707T
C4075	UTSP C	CE04W50V 47M(UTSP)	1	397584707T
C4076	UTSP C	CE04W50V 47M(UTSP)	1	397584707T
C4077	UTSP C	CE04W50V 47M(UTSP)	1	397584707T
C4078	UTSP C	CE04W50V 47M(UTSP)	1	397584707T
C4079	UTSP C	CE04W50V 47M(UTSP)	1	397584707T
C4085	UTSP C	CE04W50V 47M(UTSP)	1	397584707T
C4086	UTSP C	CE04W50V 47M(UTSP)	1	397584707T
C4090	C-CERA C	CC725CH1H-101J1	1	342101014R1
C4091	C-CERA C	CC725CH1H-101J1	1	342101014R1
C4100	UTSP C	CE04W50V 47M(UTSP)	1	397584707T
C4101	UTSP C	CE04W50V 47M(UTSP)	1	397584707T
C4102	UTSP C	CE04W50V 47M(UTSP)	1	397584707T
C4103	UTSP C	CE04W50V 47M(UTSP)	1	397584707T
C4104	UTSP C	CE04W50V 47M(UTSP)	1	397584707T
C4105	UTSP C	CE04W50V 47M(UTSP)	1	397584707T
C4106	UTSP C	CE04W50V 47M(UTSP)	1	397584707T
C4107	UTSP C	CE04W50V 47M(UTSP)	1	397584707T
C4108	UTSP C	CE04W50V 47M(UTSP)	1	397584707T
C4109	UTSP C	CE04W50V 47M(UTSP)	1	397584707T
C4130	UTSP C	CE04W50V 47M(UTSP)	1	397584707T
C4131	C-CERA C	CC725CH1H-221J1	1	342102214R1
C4132	TF C	ECQ-V50V-103J	1	374721034T
C4166	UTSP C	CE04W25V-220M(UTSP)	1	397552217T
C4167	UTSP C	CE04W25V-220M(UTSP)	1	397552217T

C4170	UTSP C	CE04W50V-10M(UTSP)	1	397581007T
C4171	UTSP C	CE04W50V-10M(UTSP)	1	397581007T
C4172	UTSP C	CE04W25V-220M(UTSP)	1	397552217T
C4173	UTSP C	CE04W25V-220M(UTSP)	1	397552217T
C4174	UTSP C	CE04W16V-470M(UTSP)	1	397544717T
C4175	UTSP C	CE04W16V-470M(UTSP)	1	397544717T
C4184	UTSP C	CE04W25V-220M(UTSP)	1	397552217T
C4185	UTSP C	CE04W25V-220M(UTSP)	1	397552217T
C4186	UTSP C	CE04W25V-220M(UTSP)	1	397552217T
C4187	UTSP C	CE04W25V-220M(UTSP)	1	397552217T
C4203	C-CERA C	CC725CH1H-102J1	1	342101024R1
C4204	C-CERA C	CC725CH1H-102J1	1	342101024R1
C4207	C-CERA C	CC725CH1H-221J1	1	342102214R1
C4209	UTSP C	CE04W25V-47M(UTSP)	1	397554707T
C4210	UTSP C	CE04W25V-47M(UTSP)	1	397554707T
C4215	C-CERA C	CC725CH1H-102J1	1	342101024R1
C4300	TF C	ECQ-V50V-334J	1	374723344T
C4301	VR C	CE04W35V-1000M(VR)	1	394661027S
C4302	VR C	CE04W35V-470M(VR)	1	394664717T
C4400	C-CERA C	CC725CH1H-681J1	1	342106814R1
C4401	C-CERA C	CC725CH1H-681J1	1	342106814R1
C4402	UTSP C	CE04W25V-47M(UTSP)	1	397554707T
C4403	UTSP C	CE04W25V-47M(UTSP)	1	397554707T
C4404	UTSP C	CE04W25V-47M(UTSP)	1	397554707T
C4405	UTSP C	CE04W25V-47M(UTSP)	1	397554707T
C4406	UTSP C	CE04W25V-47M(UTSP)	1	397554707T
C4407	UTSP C	CE04W25V-47M(UTSP)	1	397554707T
C4408	C-CERA C	CK725F1E-104Z1	1	332161040R1
C4409	C-CERA C	CK725F1E-104Z1	1	332161040R1
C4410	C-CERA C	CK725F1A-105Z1	1	332181050R1
C4411	C-CERA C	CK725F1A-105Z1	1	332181050R1
C4412	C-CERA C	CK725F1A-105Z1	1	332181050R1
C4413	C-CERA C	CK725F1A-105Z1	1	332181050R1
C4414	C-CERA C	CC725CH1H-101J1	1	342101014R1
C4415	C-CERA C	CC725CH1H-101J1	1	342101014R1
C6050	TF C	ECQ-V50V-103J	1	374721034T
C6051	TF C	ECQ-V50V-103J	1	374721034T
C6052	TF C	ECQ-V50V-103J	1	374721034T
C6053	TF C	ECQ-V50V-103J	1	374721034T

C6054	TF C	ECQ-V50V-103J	1	374721034T
C6055	TF C	ECQ-V50V-103J	1	374721034T
C6056	TF C	ECQ-V50V-103J	1	374721034T
C6630	C-CERA C	CK725F1E-104Z1	1	332161040R1
C6701	UTSP C	CE04W25V-100M(UTSP)	1	397551017T
C6703	C-CERA C	CK725F1H-104Z1	1	332151040R1
C6704	UTSP C	CE04W50V-1M(UTSP)	1	397580107T
C6706	UTSP C	CE04W50V-10M(UTSP)	1	397581007T
C6713	C-CERA C	CK725F1H-104Z1	1	332151040R1
C6714	UTSP C	CE04W50V-1M(UTSP)	1	397580107T
C6901	ELECT C	CE69W69V-10000MA	1	3504425
C6901A	IB CUSHION	W15*3t TAPE	1	28141585
C6902	ELECT C	CE69W69V-10000MA	1	3504425
C6911	C-CERA C	CC725CH1H-102J1	1	342101024R1
C6912	TF C	ECQ-V100V-334J	1	374733344T
C6913	TF C	ECQ-V100V-334J	1	374733344T
C6917	C-CERA C	CC725CH1H-102J1	1	342101024R1
C950	TF C	ECQ-V50V-104J	1	374721044T
C960	VR C	CE04W63V-220M(VR)	1	394672217T
C961	UTSP C	CE04W50V 47M(UTSP)	1	397584707T
C962	TF C	ECQ-V50V-104J	1	374721044T
C963	UTSP C	CE04W50V 47M(UTSP)	1	397584707T

[RESISTOR]

R4003	C-CARBON R	RN72K1J-331JE	1	435033314R1
R4004	C-CARBON R	RN72K1J-331JE	1	435033314R1
R4007	C-CARBON R	RN72K1J-331JE	1	435033314R1
R4008	C-CARBON R	RN72K1J-331JE	1	435033314R1
R4009	C-CARBON R	RN72K1J-331JE	1	435033314R1
R4010	C-CARBON R	RN72K1J-331JE	1	435033314R1
R4013	C-CARBON R	RN72K1J-331JE	1	435033314R1
R4014	C-CARBON R	RN72K1J-331JE	1	435033314R1
R4015	C-CARBON R	RN72K1J-222JE	1	435032224R1
R4016	C-CARBON R	RN72K1J-222JE	1	435032224R1
R4017	C-CARBON R	RN72K1J-331JE	1	435033314R1
R4018	C-CARBON R	RN72K1J-331JE	1	435033314R1
R4019	C-CARBON R	RN72K1J-331JE	1	435033314R1
R4020	C-CARBON R	RN72K1J-331JE	1	435033314R1
R4022	C-CARBON R	RN72K1J-000JE	1	435030004R1
R4023	C-CARBON R	RN72K1J-000JE	1	435030004R1

R4024	C-CARBON R	RN72K1J-000JE	1	435030004R1
R4028	C-CARBON R	RN72K1J-101JE	1	435031014R1
R4030	C-CARBON R	RN72K1J-331JE	1	435033314R1
R4031	C-CARBON R	RN72K1J-331JE	1	435033314R1
R4032	C-CARBON R	RN72K1J-101JE	1	435031014R1
R4043	C-CARBON R	RN72K1J-104JE	1	435031044R1
R4044	C-CARBON R	RN72K1J-104JE	1	435031044R1
R4047	C-CARBON R	RN72K1J-104JE	1	435031044R1
R4048	C-CARBON R	RN72K1J-104JE	1	435031044R1
R4049	C-CARBON R	RN72K1J-104JE	1	435031044R1
R4050	C-CARBON R	RN72K1J-104JE	1	435031044R1
R4053	C-CARBON R	RN72K1J-104JE	1	435031044R1
R4054	C-CARBON R	RN72K1J-104JE	1	435031044R1
R4055	C-CARBON R	RN72K1J-104JE	1	435031044R1
R4056	C-CARBON R	RN72K1J-104JE	1	435031044R1
R4057	C-CARBON R	RN72K1J-104JE	1	435031044R1
R4058	C-CARBON R	RN72K1J-104JE	1	435031044R1
R4059	C-CARBON R	RN72K1J-104JE	1	435031044R1
R4060	C-CARBON R	RN72K1J-104JE	1	435031044R1
R4069	C-CARBON R	RN72K1J-104JE	1	435031044R1
R4070	C-CARBON R	RN72K1J-222JE	1	435032224R1
R4071	C-CARBON R	RN72K1J-222JE	1	435032224R1
R4072	C-CARBON R	RN72K1J-223JE	1	435032234R1
R4077	C-CARBON R	RN72K1J-223JE	1	435032234R1
R4078	C-CARBON R	RN72K1J-473JE	1	435034734R1
R4079	C-CARBON R	RN72K1J-473JE	1	435034734R1
R4080	C-CARBON R	RN72K1J-104JE	1	435031044R1
R4081	C-CARBON R	RN72K1J-104JE	1	435031044R1
R4082	C-CARBON R	RN72K1J-104JE	1	435031044R1
R4083	C-CARBON R	RN72K1J-104JE	1	435031044R1
R4084	C-CARBON R	RN72K1J-104JE	1	435031044R1
R4085	C-CARBON R	RN72K1J-182JE	1	435031824R1
R4086	C-CARBON R	RN72K1J-182JE	1	435031824R1
R4087	C-CARBON R	RN72K1J-222JE	1	435032224R1
R4088	C-CARBON R	RN72K1J-222JE	1	435032224R1
R4089	C-CARBON R	RN72K1J-000JE	1	435030004R1
R4090	C-CARBON R	RN72K1J-123JE	1	435031234R1
R4091	C-CARBON R	RN72K1J-223JE	1	435032234R1
R4092	C-CARBON R	RN72K1J-331JE	1	435033314R1

R4093	C-CARBON R	RN72K1J-332JE	1	435033324R1
R4094	C-CARBON R	RN72K1J-103JE	1	435031034R1
R4095	C-CARBON R	RN72K1J-103JE	1	435031034R1
R4096	C-CARBON R	RN72K1J-331JE	1	435033314R1
R4097	C-CARBON R	RN72K1J-332JE	1	435033324R1
R4098	C-CARBON R	RN72K1J-123JE	1	435031234R1
R4099	C-CARBON R	RN72K1J-223JE	1	435032234R1
R4100	C-CARBON R	RN72K1J-224JE	1	435032244R1
R4101	C-CARBON R	RN72K1J-224JE	1	435032244R1
R4102	C-CARBON R	RN72K1J-224JE	1	435032244R1
R4103	C-CARBON R	RN72K1J-224JE	1	435032244R1
R4104	C-CARBON R	RN72K1J-224JE	1	435032244R1
R4105	C-CARBON R	RN72K1J-224JE	1	435032244R1
R4106	C-CARBON R	RN72K1J-224JE	1	435032244R1
R4107	C-CARBON R	RN72K1J-224JE	1	435032244R1
R4108	C-CARBON R	RN72K1J-224JE	1	435032244R1
R4109	C-CARBON R	RN72K1J-224JE	1	435032244R1
R4110	C-CARBON R	RN72K1J-222JE	1	435032224R1
R4111	C-CARBON R	RN72K1J-222JE	1	435032224R1
R4112	C-CARBON R	RN72K1J-222JE	1	435032224R1
R4113	C-CARBON R	RN72K1J-222JE	1	435032224R1
R4114	C-CARBON R	RN72K1J-222JE	1	435032224R1
R4115	C-CARBON R	RN72K1J-222JE	1	435032224R1
R4116	C-CARBON R	RN72K1J-222JE	1	435032224R1
R4117	C-CARBON R	RN72K1J-271JE	1	435032714R1
R4118	C-CARBON R	RN72K1J-222JE	1	435032224R1
R4119	C-CARBON R	RN72K1J-222JE	1	435032224R1
R4120	C-CARBON R	RN72K1J-000JE	1	435030004R1
R4121	C-CARBON R	RN72K1J-000JE	1	435030004R1
R4122	C-CARBON R	RN72K1J-000JE	1	435030004R1
R4123	C-CARBON R	RN72K1J-000JE	1	435030004R1
R4124	C-CARBON R	RN72K1J-000JE	1	435030004R1
R4125	C-CARBON R	RN72K1J-000JE	1	435030004R1
R4126	C-CARBON R	RN72K1J-000JE	1	435030004R1
R4127	C-CARBON R	RN72K1J-101JE	1	435031014R1
R4130	C-CARBON R	RN72K1J-221JE	1	435032214R1
R4131	C-CARBON R	RN72K1J-473JE	1	435034734R1
R4132	C-CARBON R	RN72K1J-153JE	1	435031534R1
R4133	C-CARBON R	RN72K1J-122JE	1	435031224R1

R4134	C-CARBON R	RN72K1J-103JE	1	435031034R1	
R4160	METAL R	RNU1WCJ-3.3	1	453630334T	<MDC, MDD, MDF>
R4160	METAL R	RNU1WCJ-0.47	1	453634794T	<MMA, MMB, MMP, MMQ, MMR>
R4161	METAL R	RNU1WCJ-3.3	1	453630334T	<MDC, MDD, MDF>
R4161	METAL R	RNU1WCJ-0.47	1	453634794T	<MMA, MMB, MMP, MMQ, MMR>
R4162	METAL R	RNU1WCJ-3.3	1	453630334T	<MDC, MDD, MDF>
R4162	METAL R	RNU1WCJ-0.47	1	453634794T	<MMA, MMB, MMP, MMQ, MMR>
R4163	METAL R	RNU1WCJ-3.3	1	453630334T	<MDC, MDD, MDF>
R4163	METAL R	RNU1WCJ-0.47	1	453634794T	<MMA, MMB, MMP, MMQ, MMR>
R4166	C-CARBON R	RN72K1J-220JE	1	435032204R1	
R4167	C-CARBON R	RN72K1J-220JE	1	435032204R1	
R4170	METAL O R	RS2WBJ-3.3	1	441720334F	
R4171	METAL O R	RS2WBJ-8.2	1	441720824F	
R4174	METAL O R	RS1WBJ-22	1	443622204T	
R4175	METAL O R	RS1WBJ-22	1	443622204T	
R4176	METAL O R	RS1WBJ-33	1	443623304T	
R4177	METAL O R	RS1WBJ-33	1	443623304T	
R4180	C-CARBON R	RN72K1J-224JE	1	435032244R1	
R4181	C-CARBON R	RN72K1J-224JE	1	435032244R1	
R4182	C-CARBON R	RN72K1J-224JE	1	435032244R1	
R4183	CARBON R	R16J-1K	1	417341024T	
R4184	CARBON R	R16J-1K	1	417341024T	
R4189	C-CARBON R	RN72K1J-224JE	1	435032244R1	
R4190	C-CARBON R	RN72K1J-224JE	1	435032244R1	
R4192	C-CARBON R	RN72K1J-224JE	1	435032244R1	
R4193	C-CARBON R	RN72K1J-224JE	1	435032244R1	
R4194	C-CARBON R	RN72K1J-224JE	1	435032244R1	
R4195	C-CARBON R	RN72K1J-224JE	1	435032244R1	
R4196	C-CARBON R	RN72K1J-224JE	1	435032244R1	
R4201	C-CARBON R	RN72K1J-000JE	1	435030004R1	
R4202	C-CARBON R	RN72K1J-000JE	1	435030004R1	
R4211	C-CARBON R	RN72K1J-000JE	1	435030004R1	
R4220	C-CARBON R	RN72K1J-000JE	1	435030004R1	
R4221	C-CARBON R	RN72K1J-000JE	1	435030004R1	
R4222	C-CARBON R	RN72K1J-000JE	1	435030004R1	
R4223	C-CARBON R	RN72K1J-000JE	1	435030004R1	
R4224	C-CARBON R	RN72K1J-000JE	1	435030004R1	
R4225	C-CARBON R	RN72K1J-000JE	1	435030004R1	
R4226	C-CARBON R	RN72K1J-000JE	1	435030004R1	

R4227	C-CARBON R	RN72K1J-000JE	1	435030004R1
R4228	C-CARBON R	RN72K1J-000JE	1	435030004R1
R4229	C-CARBON R	RN72K1J-000JE	1	435030004R1
R4230	C-CARBON R	RN72K1J-000JE	1	435030004R1
R4231	C-CARBON R	RN72K1J-000JE	1	435030004R1
R4232	C-CARBON R	RN72K1J-000JE	1	435030004R1
R4233	C-CARBON R	RN72K1J-000JE	1	435030004R1
R4234	C-CARBON R	RN72K1J-000JE	1	435030004R1
R4400	C-CARBON R	RN72K1J-223JE	1	435032234R1
R4401	C-CARBON R	RN72K1J-223JE	1	435032234R1
R4402	C-CARBON R	RN72K1J-333JE	1	435033334R1
R4403	C-CARBON R	RN72K1J-333JE	1	435033334R1
R4404	C-CARBON R	RN72K1J-223JE	1	435032234R1
R4405	C-CARBON R	RN72K1J-223JE	1	435032234R1
R4406	C-CARBON R	RN72K1J-273JE	1	435032734R1
R4407	C-CARBON R	RN72K1J-273JE	1	435032734R1
R4408	C-CARBON R	RN72K1J-331JE	1	435033314R1
R4409	C-CARBON R	RN72K1J-331JE	1	435033314R1
R4410	C-CARBON R	RN72K1J-104JE	1	435031044R1
R4411	C-CARBON R	RN72K1J-104JE	1	435031044R1
R4412	C-CARBON R	RN72K1J-220JE	1	435032204R1
R4413	C-CARBON R	RN72K1J-220JE	1	435032204R1
R4414	METAL O R	RS1WBJ-100	1	443621014T
R4415	C-CARBON R	RN72K1J-681JE	1	435036814R1
R4416	C-CARBON R	RN72K1J-681JE	1	435036814R1
R4417	C-CARBON R	RN72K1J-333JE	1	435033334R1
R6000	C-CARBON R	RN72K1J-562JE	1	435035624R1
R6001	C-CARBON R	RN72K1J-562JE	1	435035624R1
R6002	C-CARBON R	RN72K1J-562JE	1	435035624R1
R6003	C-CARBON R	RN72K1J-562JE	1	435035624R1
R6004	C-CARBON R	RN72K1J-562JE	1	435035624R1
R6005	C-CARBON R	RN72K1J-562JE	1	435035624R1
R6006	C-CARBON R	RN72K1J-562JE	1	435035624R1
R6010	C-CARBON R	RN72K1J-472JE	1	435034724R1
R6011	C-CARBON R	RN72K1J-472JE	1	435034724R1
R6012	C-CARBON R	RN72K1J-472JE	1	435034724R1
R6013	C-CARBON R	RN72K1J-472JE	1	435034724R1
R6014	C-CARBON R	RN72K1J-472JE	1	435034724R1
R6015	C-CARBON R	RN72K1J-472JE	1	435034724R1

R6016	C-CARBON R	RN72K1J-472JE	1	435034724R1
R6020	C-CARBON R	RN72K1J-561JE	1	435035614R1
R6021	C-CARBON R	RN72K1J-561JE	1	435035614R1
R6022	C-CARBON R	RN72K1J-561JE	1	435035614R1
R6023	C-CARBON R	RN72K1J-561JE	1	435035614R1
R6024	C-CARBON R	RN72K1J-561JE	1	435035614R1
R6025	C-CARBON R	RN72K1J-561JE	1	435035614R1
R6026	C-CARBON R	RN72K1J-561JE	1	435035614R1
R6030	C-CARBON R	RN72K1J-000JE	1	435030004R1
R6031	C-CARBON R	RN72K1J-000JE	1	435030004R1
R6032	C-CARBON R	RN72K1J-000JE	1	435030004R1
R6033	C-CARBON R	RN72K1J-000JE	1	435030004R1
R6034	C-CARBON R	RN72K1J-000JE	1	435030004R1
R6035	C-CARBON R	RN72K1J-000JE	1	435030004R1
R6036	C-CARBON R	RN72K1J-000JE	1	435030004R1
R6100	METAL PR	MPR5W+5W 0R22	1	4000233
R6100 or	METAL P R	RF-5EGPJR22	(1)	4000244
R6101	METAL PR	MPR5W+5W 0R22	1	4000233
R6101 or	METAL P R	RF-5EGPJR22	(1)	4000244
R6102	METAL PR	MPR5W+5W 0R22	1	4000233
R6102 or	METAL P R	RF-5EGPJR22	(1)	4000244
R6103	METAL PR	MPR5W+5W 0R22	1	4000233
R6103 or	METAL P R	RF-5EGPJR22	(1)	4000244
R6104	METAL PR	MPR5W+5W 0R22	1	4000233
R6104 or	METAL P R	RF-5EGPJR22	(1)	4000244
R6105	METAL PR	MPR5W+5W 0R22	1	4000233
R6105 or	METAL P R	RF-5EGPJR22	(1)	4000244
R6106	METAL PR	MPR5W+5W 0R22	1	4000233
R6106 or	METAL P R	RF-5EGPJR22	(1)	4000244
R6140	C-CARBON R	RN72K1J-563JE	1	435035634R1
R6141	C-CARBON R	RN72K1J-563JE	1	435035634R1
R6142	C-CARBON R	RN72K1J-563JE	1	435035634R1
R6143	C-CARBON R	RN72K1J-563JE	1	435035634R1
R6144	C-CARBON R	RN72K1J-563JE	1	435035634R1
R6145	C-CARBON R	RN72K1J-563JE	1	435035634R1
R6146	C-CARBON R	RN72K1J-563JE	1	435035634R1
R6150	C-CARBON R	RN72K1J-103JE	1	435031034R1
R6151	C-CARBON R	RN72K1J-103JE	1	435031034R1
R6152	C-CARBON R	RN72K1J-103JE	1	435031034R1

R6153	C-CARBON R	RN72K1J-103JE	1	435031034R1
R6154	C-CARBON R	RN72K1J-103JE	1	435031034R1
R6155	C-CARBON R	RN72K1J-103JE	1	435031034R1
R6156	C-CARBON R	RN72K1J-103JE	1	435031034R1
R6160	CARBON R	R16J-33K	1	417343334T
R6161	CARBON R	R16J-33K	1	417343334T
R6162	CARBON R	R16J-33K	1	417343334T
R6163	CARBON R	R16J-33K	1	417343334T
R6164	CARBON R	R16J-33K	1	417343334T
R6165	CARBON R	R16J-33K	1	417343334T
R6166	CARBON R	R16J-33K	1	417343334T
R6170	CARBON R	R16J-47K	1	417344734T
R6171	CARBON R	R16J-47K	1	417344734T
R6172	CARBON R	R16J-47K	1	417344734T
R6173	CARBON R	R16J-47K	1	417344734T
R6174	CARBON R	R16J-47K	1	417344734T
R6175	CARBON R	R16J-47K	1	417344734T
R6176	CARBON R	R16J-47K	1	417344734T
R6180	CARBON R	R16J-47K	1	417344734T
R6181	CARBON R	R16J-47K	1	417344734T
R6182	CARBON R	R16J-47K	1	417344734T
R6183	CARBON R	R16J-47K	1	417344734T
R6184	CARBON R	R16J-47K	1	417344734T
R6185	CARBON R	R16J-47K	1	417344734T
R6186	CARBON R	R16J-47K	1	417344734T
R6197	METAL R	RNU1WCJ-8.2	1	453630824T
R6301	C-CARBON R	RN72K1J-000JE	1	435030004R1
R6305	C-CARBON R	RN72K1J-000JE	1	435030004R1
R6701	C-CARBON R	RN72K1J-223JE	1	435032234R1
R6702	C-CARBON R	RN72K1J-103JE	1	435031034R1
R6704	C-CARBON R	RN72K1J-473JE	1	435034734R1
R6706	C-CARBON R	RN72K1J-223JE	1	435032234R1
R6708	C-CARBON R	RN72K1J-333JE	1	435033334R1
R6709	C-CARBON R	RN72K1J-562JE	1	435035624R1
R6710	C-CARBON R	RN72K1J-472JE	1	435034724R1
R6712	C-CARBON R	RN72K1J-103JE	1	435031034R1
R6714	C-CARBON R	RN72K1J-473JE	1	435034734R1
R6715	C-CARBON R	RN72K1J-000JE	1	435030004R1
R6716	C-CARBON R	RN72K1J-223JE	1	435032234R1

R6902	C-CARBON R	RN72K1J-102JE	1	435031024R1	
R6903	C-CARBON R	RN72K1J-473JE	1	435034734R1	
R6904	C-CARBON R	RN72K1J-102JE	1	435031024R1	
R6905	C-CARBON R	RN72K1J-473JE	1	435034734R1	
R6906	METAL R	RNU1/2WCJ-0.1	1	453531094T	
R950	CARBON R	R16J-1	1	417340104T	
R951	METAL O R	RS1/2WBJ-10	1	443521004T	
R952	METAL O R	RS1/2WBJ-15	1	443521504T	
R960	METAL R	RNU1WCJ-8.2	1	453630824T	
R961	CARBON R	R16J-3.3	1	417340334T	
R962	C-CARBON R	RN72K1J-272JE	1	435032724R1	
R963	C-CARBON R	RN72K1J-272JE	1	435032724R1	
R964	C-CARBON R	RN72K1J-333JE	1	435033334R1	
[SW TRM]					
F6901A	FUSE HOLDER	SN5051	1	250113	!
F6901B	FUSE HOLDER	SN5051	1	250113	!
F6902A	FUSE HOLDER	SN5051	1	250113	!
F6902B	FUSE HOLDER	SN5051	1	250113	!
JL501A	WIRE HOL	NSCT-3P874	1	25051087	
JL502A	WIRE HOL	NSCT-5P876	1	25051089	
JL503A	WIRE HOL	NSCT-7P878	1	25051091	
JL600A	WIRE HOL	NSCT-7P898	1	25051111	
JL603A	WIRE HOL	NSCT-9P900	1	25051113	
JL620A	WIRE HOL	NSCT-7P878	1	25051091	
JL951A	WIRE HOL	NSCT-5P896	1	25051109	
JL951B	WIRE HOL	NSCT-5P896	1	25051109	
JL952A	WIRE HOL	NSCT-3P894	1	25051107	
JL953B	WIRE TRAP	NPLG-5P588	1	25055626	
JL954A	WIRE HOL	NSCT-5P896	1	25051109	
JL954B	WIRE HOL	NSCT-5P896	1	25051109	
P101B	SOCKET	NSCT-9P2102	1	25052205	
P4002	PIN JACK	NPJ-2PDWR595	1	25045815	
P4003	PIN JACK	NPJ-4PDWWR624	1	25045845	
P4004	PIN JACK	NPJ-4PDWWR624	1	25045845	
P4005	PIN JACK	NPJ-4PDWWR624	1	25045845	
P4007	PIN JACK	NPJ-4PDWRP682	1	25045914	
P5501B	PLUG	NPLG-5P0960	1	25056010	
P5502B	PLUG	NPLG-15P0970	1	25056020	
P5503B	PLUG	NPLG-13P0968	1	25056018	

P5504B	PLUG	NPLG-7P0962	1	25056012
P5505	CRIMP AS	CRIMP AS	1	2069955200UL
P5508	TRM-423(SCREW)	NEJITANSI ST3	1	25060495
P5510B	TRM	NTM-1P232(M1700)	1	25060301
P6000B	PLUG	NPLG-9P0964	1	25056014
P6001B	PLUG	NPLG-9P0964	1	25056014
P6002B	PLUG	NPLG-9P0964	1	25056014
P6003B	PLUG	NPLG-9P0964	1	25056014
P6004B	PLUG	NPLG-9P0964	1	25056014
P6005B	PLUG	NPLG-9P0964	1	25056014
P6006B	PLUG	NPLG-9P0964	1	25056014
P6007B	TRM	NTM-1P232(M1700)	1	25060301
P6008B	TRM	NTM-1P232(M1700)	1	25060301
P6009B	TRM	NTM-1P232(M1700)	1	25060301
P6010B	TRM	NTM-1P232(M1700)	1	25060301
P6011A	RETAINER	(BUS-D)/TX-SR606	1	27142100
P6080	PLUG	NPLG-2P29	1	25055038
P6081	PLUG	NPLG-2P29	1	25055038
P6082	PLUG	NPLG-2P29	1	25055038
P6083	PLUG	NPLG-2P29	1	25055038
P6084	PLUG	NPLG-2P29	1	25055038
P6085	PLUG	NPLG-2P29	1	25055038
P6086	PLUG	NPLG-2P29	1	25055038
P6100	HOLDER	HOLDER(CLAMP)	1	27190540-1
P6101	HOLDER	(CRAMP) UA-0 V0	1	27190608-1
P6102	HOLDER	HOLDER(CLAMP)	1	27190540-1
P6103	HOLDER	HOLDER(CLAMP)	1	27190540-1
P6104	HOLDER	HOLDER(CLAMP)	1	27190540-1
P6600A	SOCKET AS	NSAS-26P1775	1	2009991135UL
P6605	WS CLAMP	CB-71683(L=50)	1	260261
P6606	WS CLAMP	CB-71683(L=50)	1	260261
P6900	CRIMP AS	UL1015#18SIN-SVH 300 BLK	1	20799177UL
P6901	CRIMP AS	CRIMP AS	1	2069925119UL
P6902	CRIMP AS	CRIMP AS	1	2069925188UL
P6903	CRIMP AS	UL1015#18SIN-SVH 200 YEL	1	20799172UL
P6904	CRIMP AS	UL1015#18SIN-SVH 200 GRN	1	20799173UL
RL691	RELAY	NRL-1P10A-DC12-196	1	25065707
RL691 or	RELAY	NRL-1P10A-DC12-197	(1)	25065708
RL691 or	RELAY	NRL-1P10A-DC12-198	(1)	25065709

RL692	RELAY	NRL-1P10A-DC12-196	1	25065707
RL692 or	RELAY	NRL-1P10A-DC12-197	(1)	25065708
RL692 or	RELAY	NRL-1P10A-DC12-198	(1)	25065709
RL693	RELAY	NRL-1P10A-DC12-140	1	25065584
RL693 or	RELAY	NRL-1P10A-DC12-143	(1)	25065588
RL694	RELAY	NRL-1P10A-DC12-140	1	25065584
RL694 or	RELAY	NRL-1P10A-DC12-143	(1)	25065588

U002 U0020~U0024

U0020	Display PC board ass'y	BADIS-0663-1
U0021	Video Input Terminals PC board ass'y	BAVD-0664-1
U0022	Standby etc. Switch PC board ass'y	BAETC-0665-1
U0023	Headphones PC board ass'y	BAETC-0666-1
U0024	Power supply PC board ass'y	BAPS-0667-1

CIRCUIT NO.	PART NAME	DESCRIPTION	Q'TY	PART NO. (SN)	REMARKS
[SEMI CONDUCTOR]					
D2110	C-DIODE	DA2J10100	1	223303R2	
D2110 or	C-DIODE	ISS352	(1)	223234R2	
D2110 or	C-DIODE	ISS355	(1)	223269R2	
D2110 or	C-DIODE	MA2J111	(1)	223279R2	
D2110 or	C-DIODE	KDS4148U	(1)	223283R2	
D2201	C-DIODE	DA2J10100	1	223303R2	
D2201 or	C-DIODE	ISS352	(1)	223234R2	
D2201 or	C-DIODE	ISS355	(1)	223269R2	
D2201 or	C-DIODE	MA2J111	(1)	223279R2	
D2201 or	C-DIODE	KDS4148U	(1)	223283R2	
D2202	C-DIODE	DA2J10100	1	223303R2	
D2202 or	C-DIODE	ISS352	(1)	223234R2	
D2202 or	C-DIODE	ISS355	(1)	223269R2	
D2202 or	C-DIODE	MA2J111	(1)	223279R2	
D2202 or	C-DIODE	KDS4148U	(1)	223283R2	
D7002	ZENER D	DZ2J082M0L	1	224760820R2	N
D7002 or	ZENER D	UDZS8.2B	(1)	224550820R2	
D7033	ZENER D	DZ2J039M0L	1	224760390R2	N
D7033 or	ZENER D	UDZS3.9B	(1)	224550390R2	
D7152	LED	SLI-343Y8C-3F	1	225491	
D7154	LED	SLR-342MG	1	225365	<MDC, MDD, MDF>
D7154	LED	SCB3318E-D2	1	225487	<MMA, MMB, MMP, MMQ, MMR>

D7156	LED	SCPW3617E-D-A0	1	225500	
D7156A	HOLDER	(LED)LH-5-5	1	27191312	
D7159	LED	SCPW3617E-D-A0	1	225500	
D7159A	HOLDER	(LED)LH-5-5	1	27191312	
D7311	C-DIODE	DA2J10100	1	223303R2	
D7311 or	C-DIODE	ISS352	(1)	223234R2	
D7311 or	C-DIODE	ISS355	(1)	223269R2	
D7311 or	C-DIODE	MA2J111	(1)	223279R2	
D7311 or	C-DIODE	KDS4148U	(1)	223283R2	
D7312	C-DIODE	DA2J10100	1	223303R2	
D7312 or	C-DIODE	ISS352	(1)	223234R2	
D7312 or	C-DIODE	ISS355	(1)	223269R2	
D7312 or	C-DIODE	MA2J111	(1)	223279R2	
D7312 or	C-DIODE	KDS4148U	(1)	223283R2	
D7401	ZENER D	DZ2J051M0L	1	224760510R2	N
D7401 or	ZENER D	UDZS5.1B	(1)	224550510R2	
D7411	ZENER D	DZ2J068M0L	1	224760680R2	N
D7411 or	ZENER D	UDZS6.8B	(1)	224550680R2	
D7412	ZENER D	DZ2J068M0L	1	224760680R2	N
D7412 or	ZENER D	UDZS6.8B	(1)	224550680R2	
D7501	C-DIODE	DA2J10100	1	223303R2	
D7501 or	C-DIODE	ISS352	(1)	223234R2	
D7501 or	C-DIODE	ISS355	(1)	223269R2	
D7501 or	C-DIODE	MA2J111	(1)	223279R2	
D7501 or	C-DIODE	KDS4148U	(1)	223283R2	
D7502	C-DIODE	DA2J10100	1	223303R2	
D7502 or	C-DIODE	ISS352	(1)	223234R2	
D7502 or	C-DIODE	ISS355	(1)	223269R2	
D7502 or	C-DIODE	MA2J111	(1)	223279R2	
D7502 or	C-DIODE	KDS4148U	(1)	223283R2	
D7503	C-DIODE	DA2J10100	1	223303R2	
D7503 or	C-DIODE	ISS352	(1)	223234R2	
D7503 or	C-DIODE	ISS355	(1)	223269R2	
D7503 or	C-DIODE	MA2J111	(1)	223279R2	
D7503 or	C-DIODE	KDS4148U	(1)	223283R2	
D7504	C-DIODE	DA2J10100	1	223303R2	
D7504 or	C-DIODE	ISS352	(1)	223234R2	
D7504 or	C-DIODE	ISS355	(1)	223269R2	
D7504 or	C-DIODE	MA2J111	(1)	223279R2	

D7504 or	C-DIODE	KDS4148U	(1)	223283R2	
D9011	DIODE	D5SBA60	1	22380070	
D9011A	SCREW	3P+10FN(3BC)	1	82143010GR	
D9011B	HEAT SINK	RAD-083	1	27160271	
D9014	C-DIODE	DA2J10100	1	223303R2	
D9014 or	C-DIODE	ISS352	(1)	223234R2	
D9014 or	C-DIODE	ISS355	(1)	223269R2	
D9014 or	C-DIODE	MA2J111	(1)	223279R2	
D9014 or	C-DIODE	KDS4148U	(1)	223283R2	
D9015	C-DIODE	DA2J10100	1	223303R2	
D9015 or	C-DIODE	ISS352	(1)	223234R2	
D9015 or	C-DIODE	ISS355	(1)	223269R2	
D9015 or	C-DIODE	MA2J111	(1)	223279R2	
D9015 or	C-DIODE	KDS4148U	(1)	223283R2	
D9016	ZENER D	DZ2J062M0L	1	224760620R2	N
D9016 or	ZENER D	UDZS6.2B	(1)	224550620R2	
D911	C-DIODE	DA2J10100	1	223303R2	
D911 or	C-DIODE	ISS352	(1)	223234R2	
D911 or	C-DIODE	ISS355	(1)	223269R2	
D911 or	C-DIODE	MA2J111	(1)	223279R2	
D911 or	C-DIODE	KDS4148U	(1)	223283R2	
D912	C-DIODE	DA2J10100	1	223303R2	
D912 or	C-DIODE	ISS352	(1)	223234R2	
D912 or	C-DIODE	ISS355	(1)	223269R2	
D912 or	C-DIODE	MA2J111	(1)	223279R2	
D912 or	C-DIODE	KDS4148U	(1)	223283R2	
D921	C-DIODE	DA2J10100	1	223303R2	
D921 or	C-DIODE	ISS352	(1)	223234R2	
D921 or	C-DIODE	ISS355	(1)	223269R2	
D921 or	C-DIODE	MA2J111	(1)	223279R2	
D921 or	C-DIODE	KDS4148U	(1)	223283R2	
D922	C-DIODE	DA2J10100	1	223303R2	
D922 or	C-DIODE	ISS352	(1)	223234R2	
D922 or	C-DIODE	ISS355	(1)	223269R2	
D922 or	C-DIODE	MA2J111	(1)	223279R2	
D922 or	C-DIODE	KDS4148U	(1)	223283R2	
D923	C-DIODE	DA2J10100	1	223303R2	
D923 or	C-DIODE	ISS352	(1)	223234R2	
D923 or	C-DIODE	ISS355	(1)	223269R2	

D923 or	C-DIODE	MA2J111	(1)	223279R2	
D923 or	C-DIODE	KDS4148U	(1)	223283R2	
D924	C-DIODE	DA2J10100	1	223303R2	
D924 or	C-DIODE	ISS352	(1)	223234R2	
D924 or	C-DIODE	ISS355	(1)	223269R2	
D924 or	C-DIODE	MA2J111	(1)	223279R2	
D924 or	C-DIODE	KDS4148U	(1)	223283R2	
D925	C-DIODE	DA2J10100	1	223303R2	
D925 or	C-DIODE	ISS352	(1)	223234R2	
D925 or	C-DIODE	ISS355	(1)	223269R2	
D925 or	C-DIODE	MA2J111	(1)	223279R2	
D925 or	C-DIODE	KDS4148U	(1)	223283R2	
D930	C-DIODE	DA2J10100	1	223303R2	
D930 or	C-DIODE	ISS352	(1)	223234R2	
D930 or	C-DIODE	ISS355	(1)	223269R2	
D930 or	C-DIODE	MA2J111	(1)	223279R2	
D930 or	C-DIODE	KDS4148U	(1)	223283R2	
D931	C-DIODE	DA2J10100	1	223303R2	
D931 or	C-DIODE	ISS352	(1)	223234R2	
D931 or	C-DIODE	ISS355	(1)	223269R2	
D931 or	C-DIODE	MA2J111	(1)	223279R2	
D931 or	C-DIODE	KDS4148U	(1)	223283R2	
D933	C-DIODE	DA2J10100	1	223303R2	
D933 or	C-DIODE	ISS352	(1)	223234R2	
D933 or	C-DIODE	ISS355	(1)	223269R2	
D933 or	C-DIODE	MA2J111	(1)	223279R2	
D933 or	C-DIODE	KDS4148U	(1)	223283R2	
D934	ZENER D	DZ2J051M0L	1	224760510R2	<MDC, MDD, MDF>
D934 or	ZENER D	UDZS5.1B	(1)	224550510R2	<MDC, MDD, MDF>
D934	ZENER D	DZ2J056M0L	1	224760560R2	<MMA, MMB, MMP, MMQ, MMR>
D934 or	ZENER D	UDZS5.6B	(1)	224550560R2	<MMA, MMB, MMP, MMQ, MMR>
D935	C-DIODE	DA2J10100	1	223303R2	
D935 or	C-DIODE	ISS352	(1)	223234R2	
D935 or	C-DIODE	ISS355	(1)	223269R2	
D935 or	C-DIODE	MA2J111	(1)	223279R2	
D935 or	C-DIODE	KDS4148U	(1)	223283R2	
Q2001	IC	NJW1328	1	22242691R3	
Q2110	IC	TSH343IDT	1	22242702R2	
Q2304	IC	NJM4580M-D	1	22241448R2	

Q2330	IC	NJM4580M-D	1	22241448R2	
Q2400	IC	NJM4580M-D	1	22241448R2	
Q2501	TR	2SA950-Y	1	2211504T	
Q2502	TR	2SC1815-GR	1	2211255T	
Q2600	IC	NJM2505AF	1	22242490R2	
Q2600 or	IC	BH7673G-TR	(1)	22242661R2	
Q7002	FL TUBE	16-BT-165GINK	1	212276	N
Q7002A	HOLDER	(FL)	1	27191303	
Q7003	TR	KTC3875-GR	1	2216175R2	
Q7004	TR	KTC3875-GR	1	2216175R2	
Q7005	TR	KRA102S	1	2216220R2	
Q7007	TR	KRC102S	1	2216190R2	
Q7008	TR	2SA1162-GR	1	2214375R2	
Q7009	TR	KRC107S	1	2216340R2	
Q7033	TR	KTC3875-GR	1	2216175R2	
Q7154	TR	DTC123JKA	1	2216690R2	
Q7156	TR	DTC123JKA	1	2216690R2	
Q7157	TR	DTC123JKA	1	2216690R2	
Q7402	IC	NJM4580M-D	1	22241448R2	
Q7403	TR	DTC114TKA	1	2216670R2	
Q7404	TR	DTC114TKA	1	2216670R2	
Q9020	IC	XC6220B501PR	1	22242692R2	
[TRANS COIL]					
L2300	EMIFIL	BK1608LM182-T	1	230958R1	
L2301	EMIFIL	BK1608LM182-T	1	230958R1	
L2302	EMIFIL	BK1608LM182-T	1	230958R1	
L2303	CORE	BLM18PG181SN1D	1	2350005R1	
L2304	CORE	BLM18PG181SN1D	1	2350005R1	
L2305	EMIFIL	BK1608LM182-T	1	230958R1	
L2306	EMIFIL	BK1608LM182-T	1	230958R1	
L2307	EMIFIL	BK1608LM182-T	1	230958R1	
L2308	EMIFIL	BK1608LM182-T	1	230958R1	
L2309	EMIFIL	BK1608LM182-T	1	230958R1	
L2310	EMIFIL	BK1608LM182-T	1	230958R1	
L2311	EMIFIL	BK1608LM182-T	1	230958R1	
L2312	EMIFIL	BK1608LM182-T	1	230958R1	
L2313	EMIFIL	BK1608LM182-T	1	230958R1	
L2314	EMIFIL	BK1608LM182-T	1	230958R1	
L2315	EMIFIL	BK1608LM182-T	1	230958R1	

L2316	CORE	BLM18PG181SN1D	1	2350005R1	
L2317	EMIFIL	BK1608LM182-T	1	230958R1	
L2318	EMIFIL	BK1608LM182-T	1	230958R1	
L2319	EMIFIL	BK1608LM182-T	1	230958R1	
L2320	EMIFIL	BK1608LM182-T	1	230958R1	
L2321	EMIFIL	BK1608LM182-T	1	230958R1	
L7031	CHOKE COIL	LBC2518T2R2M	1	231364M022R2	
L7201	CHOKE COIL	LBC2518T2R2M	1	231364M022R2	
L7202	CHOKE COIL	LBC2518T2R2M	1	231364M022R2	
L7203	CHOKE COIL	LBC2518T2R2M	1	231364M022R2	
L7301	EMIFIL	BK1608LM182-T	1	230958R1	
L7302	EMIFIL	BK1608LM182-T	1	230958R1	
L7431	CHOKE COIL	LBC2518T2R2M	1	231364M022R2	
L7432	CHOKE COIL	LBC2518T2R2M	1	231364M022R2	
L7501	CORE	BLM18PG121SN1D	1	2350006R1	
L7502	CORE	BLM18PG121SN1D	1	2350006R1	
L7503	CORE	BLM18PG121SN1D	1	2350006R1	
L9020	CORE	BLM18PG181SN1D	1	2350005R1	
T902	P TRANS	NPT-1520JQ	1	2301812A	! <MDC, MDD, MDF>
T902	P TRANS	NPT-1520GQ	1	2301813A	! <MMA, MMB, MMP, MMQ, MMR>
[CAPACITOR]					
C2000	C-CERA C	CK725F1E-104Z1	1	332161040R1	
C2001	C-CERA C	CK725F1E-104Z1	1	332161040R1	
C2002	VR C	CE04W50V-2.2M(VR)	1	394680227T	
C2002 or	JAMICON	CE04W50V-2.2M	(1)	398580227T	
C2003	VR C	CE04W6.3V-470M(VR)	1	394624717T	
C2003 or	JAMICON	CE04W6.3V-470M	(1)	398524717T	
C2004	C-CERA C	CK725F1E-104Z1	1	332161040R1	
C2005	VR C	CE04W6.3V-470M(VR)	1	394624717T	
C2005 or	JAMICON	CE04W6.3V-470M	(1)	398524717T	
C2006	C-CERA C	CC725CH1H-470J1	1	342104704R1	
C2007	C-CERA C	CK725F1E-104Z1	1	332161040R1	
C2008	C-CERA C	CK725F1A-105Z1	1	332181050R1	
C2009	C-CERA C	CK725F1A-105Z1	1	332181050R1	
C2010	C-CERA C	CK725F1A-105Z1	1	332181050R1	
C2011	C-CERA C	CC725CH1H-470J1	1	342104704R1	
C2012	C-CERA C	CK725F1A-105Z1	1	332181050R1	
C2013	VR C	CE04W50V-10M(VR)	1	394681007T	
C2013 or	JAMICON	CE04W50V-10M	(1)	398581007T	

C2020	C-CERA C	CK725F1A-105Z1	1	332181050R1
C2021	C-CERA C	CK725F1A-105Z1	1	332181050R1
C2102	VR C	CE04W6.3V-470M(VR)	1	394624717T
C2102 or	JAMICON	CE04W6.3V-470M	(1)	398524717T
C2103	VR C	CE04W50V-2.2M(VR)	1	394680227T
C2103 or	JAMICON	CE04W50V-2.2M	(1)	398580227T
C2104	VR C	CE04W50V-2.2M(VR)	1	394680227T
C2104 or	JAMICON	CE04W50V-2.2M	(1)	398580227T
C2105	VR C	CE04W6.3V-470M(VR)	1	394624717T
C2105 or	JAMICON	CE04W6.3V-470M	(1)	398524717T
C2106	VR C	CE04W50V-2.2M(VR)	1	394680227T
C2106 or	JAMICON	CE04W50V-2.2M	(1)	398580227T
C2107	VR C	CE04W50V-2.2M(VR)	1	394680227T
C2107 or	JAMICON	CE04W50V-2.2M	(1)	398580227T
C2108	VR C	CE04W6.3V-470M(VR)	1	394624717T
C2108 or	JAMICON	CE04W6.3V-470M	(1)	398524717T
C2109	VR C	CE04W6.3V-470M(VR)	1	394624717T
C2109 or	JAMICON	CE04W6.3V-470M	(1)	398524717T
C2110	VR C	CE04W6.3V-470M(VR)	1	394624717T
C2110 or	JAMICON	CE04W6.3V-470M	(1)	398524717T
C2111	VR C	CE04W50V-2.2M(VR)	1	394680227T
C2111 or	JAMICON	CE04W50V-2.2M	(1)	398580227T
C2112	VR C	CE04W50V-2.2M(VR)	1	394680227T
C2112 or	JAMICON	CE04W50V-2.2M	(1)	398580227T
C2113	VR C	CE04W50V-2.2M(VR)	1	394680227T
C2113 or	JAMICON	CE04W50V-2.2M	(1)	398580227T
C2114	VR C	CE04W50V-2.2M(VR)	1	394680227T
C2114 or	JAMICON	CE04W50V-2.2M	(1)	398580227T
C2115	VR C	CE04W50V-2.2M(VR)	1	394680227T
C2115 or	JAMICON	CE04W50V-2.2M	(1)	398580227T
C2116	VR C	CE04W50V-2.2M(VR)	1	394680227T
C2116 or	JAMICON	CE04W50V-2.2M	(1)	398580227T
C2117	C-CERA C	CK725F1E-104Z1	1	332161040R1
C2118	VR C	CE04W50V-10M(VR)	1	394681007T
C2118 or	JAMICON	CE04W50V-10M	(1)	398581007T
C2119	C-CERA C	CK732B16V-106K	1	332071065R2
C2120	C-CERA C	CK732B16V-106K	1	332071065R2
C2121	C-CERA C	CK732B16V-106K	1	332071065R2
C2201	C-CERA C	CK725B1H-102K1	1	332101025R1

C2202	C-CERA C	CK725B1H-102K1	1	332101025R1
C2203	C-CERA C	CK725B1H-103K1	1	332101035R1
C2209	C-CERA C	CK725B1H-102K1	1	332101025R1
C2211	VR C	CE04W16V-100M(VR)	1	394641017T
C2211 or	JAMICON	CE04W16V-100M	(1)	398541017T
C2301	UTSP C	CE04W50V-10M(UTSP)	1	397581007T
C2302	UTSP C	CE04W50V-10M(UTSP)	1	397581007T
C2331	C-CERA C	CC725CH1H-471J1	1	342104714R1
C2332	C-CERA C	CC725CH1H-471J1	1	342104714R1
C2333	UTSP C	CE04W50V-10M(UTSP)	1	397581007T
C2334	UTSP C	CE04W50V-10M(UTSP)	1	397581007T
C2335	C-CERA C	CC725CH1H-471J1	1	342104714R1
C2336	C-CERA C	CC725CH1H-471J1	1	342104714R1
C2337	UTSP C	CE04W50V-10M(UTSP)	1	397581007T
C2338	UTSP C	CE04W50V-10M(UTSP)	1	397581007T
C2350	C-CERA C	CC725CH1H-471J1	1	342104714R1
C2351	C-CERA C	CC725CH1H-471J1	1	342104714R1
C2352	C-CERA C	CC725CH1H-470J1	1	342104704R1
C2355	C-CERA C	CK725F1E-104Z1	1	332161040R1
C2370	C-CERA C	CC725CH1H-101J1	1	342101014R1
C2371	C-CERA C	CC725CH1H-101J1	1	342101014R1
C2377	UTSP C	CE04W50V-10M(UTSP)	1	397581007T
C2378	UTSP C	CE04W50V-10M(UTSP)	1	397581007T
C2380	C-CERA C	CC725CH1H-101J1	1	342101014R1
C2381	C-CERA C	CC725CH1H-101J1	1	342101014R1
C2382	C-CERA C	CC725CH1H-101J1	1	342101014R1
C2383	C-CERA C	CC725CH1H-101J1	1	342101014R1
C2384	C-CERA C	CK725F1A-105Z1	1	332181050R1
C2385	C-CERA C	CK725F1A-105Z1	1	332181050R1
C2388	C-CERA C	CK725F1E-104Z1	1	332161040R1
C2389	C-CERA C	CK725F1E-104Z1	1	332161040R1
C2391	C-CERA C	CK725F1A-105Z1	1	332181050R1
C2392	C-CERA C	CK725F1A-105Z1	1	332181050R1
C2393	C-CERA C	CC725CH1H-471J1	1	342104714R1
C2394	C-CERA C	CC725CH1H-471J1	1	342104714R1
C2395	C-CERA C	CC725CH1H-471J1	1	342104714R1
C2396	C-CERA C	CC725CH1H-471J1	1	342104714R1
C2397	C-CERA C	CK725F1A-105Z1	1	332181050R1
C2398	C-CERA C	CK725F1A-105Z1	1	332181050R1

C2402	C-CERA C	CC725CH1H-471J1	1	342104714R1
C2403	C-CERA C	CC725CH1H-471J1	1	342104714R1
C2404	UTSP C	CE04W50V-10M(UTSP)	1	397581007T
C2405	UTSP C	CE04W50V-10M(UTSP)	1	397581007T
C2501	VR C	CE04W25V-220M(VR)	1	394652217T
C2501 or	JAMICON	CE04W25V-220M	(1)	398552217T
C2601	C-CERA C	CK725F1E-104Z1	1	332161040R1
C2602	VR C	CE04W6.3V-470M(VR)	1	394624717T
C2602 or	JAMICON	CE04W6.3V-470M	(1)	398524717T
C2603	C-CERA C	CC725CH1H-470J1	1	342104704R1
C2604	VR C	CE04W6.3V-470M(VR)	1	394624717T
C2604 or	JAMICON	CE04W6.3V-470M	(1)	398524717T
C2605	C-CERA C	CC725CH1H-470J1	1	342104704R1
C7002	C-CERA C	CK725F1E-104Z1	1	332161040R1
C7003	C-CERA C	CC725CH1H-101J1	1	342101014R1
C7004	C-CERA C	CC725CH1H-101J1	1	342101014R1
C7005	C-CERA C	CC725CH1H-101J1	1	342101014R1
C7008	ELECT C	CE04W6.3V-100M(S)	1	353721019T
C7009	C-CERA C	CK725F1E-104Z1	1	332161040R1
C7010	C-CERA C	CK725B1H-223K1	1	332102235R1
C7011	C-CERA C	CK725B1H-223K1	1	332102235R1
C7012	C-CERA C	CK725B1H-223K1	1	332102235R1
C7014	C-CERA C	CK725B1H-223K1	1	332102235R1
C7015	ELECT C	CE04W16V-47M(S)	1	353744709T
C7016	C-CERA C	CK725B1H-223K1	1	332102235R1
C7017	C-CERA C	CK725B1H-223K1	1	332102235R1
C7019	TF C	ECQ-V50V-104J	1	374721044T
C7021	C-CERA C	CK725B1H-103K1	1	332101035R1
C7022	C-CERA C	CK725B1H-103K1	1	332101035R1
C7031	C-CERA C	CK725B1H-223K1	1	332102235R1
C7032	C-CERA C	CK725B1H-223K1	1	332102235R1
C7033	ELECT C	CE04W16V-10M(S)	1	353741009T
C7041	ELECT C	CE04W16V-10M(S)	1	353741009T
C7042	C-CERA C	CC725CH1H-102J1	1	342101024R1
C7043	C-CERA C	CC725CH1H-102J1	1	342101024R1
C7201	C-CERA C	CC725CH1H-102J1	1	342101024R1
C7202	C-CERA C	CK725B1H-223K1	1	332102235R1
C7203	MKT C	B32529C0102J289	1	376491024T
C7204	MKT C	B32529C0102J289	1	376491024T

C7305	C-CERA C	CK725F1E-104Z1	1	332161040R1	
C7314	C-CERA C	CK725F1E-104Z1	1	332161040R1	
C7316	C-CERA C	CK725F1E-104Z1	1	332161040R1	
C7319	C-CERA C	CC725CH1H-470J1	1	342104704R1	
C7403	ELECT C	CE04W16V-47M(S)	1	353744709T	
C7405	ELECT C	CE04W16V-10M(S)	1	353741009T	
C7411	ELECT C	CE04W16V-47M(S)	1	353744709T	
C7412	ELECT C	CE04W16V-47M(S)	1	353744709T	
C7431	ELECT C	CE04W16V-10M(S)	1	353741009T	
C7432	C-CERA C	CC725CH1H-101J1	1	342101014R1	
C7433	C-CERA C	CC725CH1H-102J1	1	342101024R1	
C7434	C-CERA C	CC725CH1H-330J1	1	342103304R1	
C7501	C-CERA C	CK725F1E-104Z1	1	332161040R1	
C7503	C-CERA C	CK725F1E-104Z1	1	332161040R1	
C901	IS C	LE103-C3.5	1	3800042S	!
C901 or	IS C	ECQU2A103MLC	(1)	3800039S	!
C9011	VR C	CE04W16V-10000M(VR)	1	394641037S	
C9012	TF C	ECQ-V50V-334J	1	374723344T	
C9013	VR C	CE04W50V-4.7M(VR)	1	394680477T	
C9013 or	JAMICON	CE04W50V-4.7M	(1)	398580477T	
C902	C-CERA C	CK725F1E-104Z1	1	332161040R1	
C9020	C-CERA C	CK732B16V-106K	1	332071065R2	
C9021	C-CERA C	CK732B16V-106K	1	332071065R2	
C9022	C-CERA C	CK732B16V-106K	1	332071065R2	
C9023	C-CERA C	CK732B16V-106K	1	332071065R2	
C9026	VR C	CE04W6.3V-470M(VR)	1	394624717T	
C9026 or	JAMICON	CE04W6.3V-470M	(1)	398524717T	
C9027	C-CERA C	CK725F1E-104Z1	1	332161040R1	
C9028	C-CERA C	CK725F1E-104Z1	1	332161040R1	
C9029	C-CERA C	CK725F1E-104Z1	1	332161040R1	
C9030	C-CERA C	CK725F1E-104Z1	1	332161040R1	
C9031	C-CERA C	CK725F1E-104Z1	1	332161040R1	
C911	C-CERA C	CC725CH1H-102J1	1	342101024R1	
C921	C-CERA C	CK725B1H-223K1	1	332102235R1	
C922	VR C	CE04W16V-2200M(VR)	1	394642227S	
C922 or	JAMICON	CE04W16V-2200M	(1)	398542227S	N
C930	VR C	CE04W16V-100M(VR)	1	394641017T	
C930 or	JAMICON	CE04W16V-100M	(1)	398541017T	
C933	UTSP C	CE04W50V-4.7M(UTSP)	1	397580477T	

[RESISTOR]

R2001	C-CARBON R	RN72K1J-220JE	1	435032204R1
R2002	C-CARBON R	RN72K1J-220JE	1	435032204R1
R2003	C-CARBON R	RN72K1J-105JE	1	435031054R1
R2004	C-CARBON R	RN72K1J-563JE	1	435035634R1
R2005	C-CARBON R	RN72K1J-103JE	1	435031034R1
R2006	C-CARBON R	RN72K1J-103JE	1	435031034R1
R2007	C-CARBON R	RN72K1J-563JE	1	435035634R1
R2008	C-CARBON R	RN72K1J-222JE	1	435032224R1
R2009	C-CARBON R	RN72K1J-222JE	1	435032224R1
R2010	C-CARBON R	RN72K1J-183JE	1	435031834R1
R2011	C-CARBON R	RN72K1J-183JE	1	435031834R1
R2101	C-CARBON R	RN72K1J-750JE	1	435037504R1
R2102	C-CARBON R	RN72K1J-750JE	1	435037504R1
R2103	C-CARBON R	RN72K1J-750JE	1	435037504R1
R2104	C-CARBON R	RN72K1J-750JE	1	435037504R1
R2105	C-CARBON R	RN72K1J-750JE	1	435037504R1
R2106	C-CARBON R	RN72K1J-750JE	1	435037504R1
R2107	C-CARBON R	RN72K1J-750JE	1	435037504R1
R2108	C-CARBON R	RN72K1J-750JE	1	435037504R1
R2109	C-CARBON R	RN72K1J-750JE	1	435037504R1
R2110	C-CARBON R	RN72K1J-750JE	1	435037504R1
R2111	C-CARBON R	RN72K1J-750JE	1	435037504R1
R2112	C-CARBON R	RN72K1J-750JE	1	435037504R1
R2113	C-CARBON R	RN72K1J-750JE	1	435037504R1
R2114	C-CARBON R	RN72K1J-750JE	1	435037504R1
R2115	C-CARBON R	RN72K1J-750JE	1	435037504R1
R2116	C-CARBON R	RN72K1J-750JE	1	435037504R1
R2117	C-CARBON R	RN72K1J-682JE	1	435036824R1
R2118	C-CARBON R	RN72K1J-682JE	1	435036824R1
R2119	C-CARBON R	RN72K1J-682JE	1	435036824R1
R2120	C-CARBON R	RN72K1J-104JE	1	435031044R1
R2121	C-CARBON R	RN72K1J-104JE	1	435031044R1
R2122	C-CARBON R	RN72K1J-104JE	1	435031044R1
R2123	C-CARBON R	RN72K1J-104JE	1	435031044R1
R2124	C-CARBON R	RN72K1J-104JE	1	435031044R1
R2133	C-CARBON R	RN72K1J-682JE	1	435036824R1
R2134	C-CARBON R	RN72K1J-682JE	1	435036824R1
R2135	C-CARBON R	RN72K1J-682JE	1	435036824R1

R2155	C-CARBON R	RN72K1J-000JE	1	435030004R1
R2156	C-CARBON R	RN72K1J-000JE	1	435030004R1
R2157	C-CARBON R	RN72K1J-000JE	1	435030004R1
R2211	C-CARBON R	RN72K1J-000JE	1	435030004R1
R2251	CARBON R	R16J-100K	1	417341044T
R2301	C-CARBON R	RN72K1J-224JE	1	435032244R1
R2302	C-CARBON R	RN72K1J-224JE	1	435032244R1
R2304	C-CARBON R	RN72K1J-123JE	1	435031234R1
R2305	C-CARBON R	RN72K1J-123JE	1	435031234R1
R2306	C-CARBON R	RN72K1J-223JE	1	435032234R1
R2307	C-CARBON R	RN72K1J-223JE	1	435032234R1
R2308	C-CARBON R	RN72K1J-123JE	1	435031234R1
R2309	C-CARBON R	RN72K1J-123JE	1	435031234R1
R2310	C-CARBON R	RN72K1J-223JE	1	435032234R1
R2311	C-CARBON R	RN72K1J-223JE	1	435032234R1
R2320	C-CARBON R	RN72K1J-471JE	1	435034714R1
R2321	C-CARBON R	RN72K1J-471JE	1	435034714R1
R2330	C-CARBON R	RN72K1J-105JE	1	435031054R1
R2331	C-CARBON R	RN72K1J-224JE	1	435032244R1
R2332	C-CARBON R	RN72K1J-224JE	1	435032244R1
R2333	C-CARBON R	RN72K1J-222JE	1	435032224R1
R2334	C-CARBON R	RN72K1J-222JE	1	435032224R1
R2337	C-CARBON R	RN72K1J-224JE	1	435032244R1
R2338	C-CARBON R	RN72K1J-224JE	1	435032244R1
R2348	C-CARBON R	RN72K1J-000JE	1	435030004R1
R2349	C-CARBON R	RN72K1J-000JE	1	435030004R1
R2352	C-CARBON R	RN72K1J-750JE	1	435037504R1
R2360	C-CARBON R	RN72K1J-103JE	1	435031034R1
R2361	C-CARBON R	RN72K1J-103JE	1	435031034R1
R2363	C-CARBON R	RN72K1J-103JE	1	435031034R1
R2364	C-CARBON R	RN72K1J-103JE	1	435031034R1
R2400	C-CARBON R	RN72K1J-222FE	1	435032222R1
R2401	C-CARBON R	RN72K1J-222FE	1	435032222R1
R2402	C-CARBON R	RN72K1J-222FE	1	435032222R1
R2403	C-CARBON R	RN72K1J-222FE	1	435032222R1
R2501	C-CARBON R	RN72K1J-223JE	1	435032234R1
R2502	C-CARBON R	RN72K1J-122JE	1	435031224R1
R2503	C-CARBON R	RN72K1J-472JE	1	435034724R1
R2504	C-CARBON R	RN72K1J-182JE	1	435031824R1

R2505	C-CARBON R	RN72K1J-331JE	1	435033314R1
R2601	C-CARBON R	RN72K1J-220JE	1	435032204R1
R2602	C-CARBON R	RN72K1J-220JE	1	435032204R1
R2603	C-CARBON R	RN72K1J-047JE	1	435030474R1
R7002	C-CARBON R	RN72K1J-332JE	1	435033324R1
R7003	C-CARBON R	RN72K1J-332JE	1	435033324R1
R7004	C-CARBON R	RN72K1J-221JE	1	435032214R1
R7005	C-CARBON R	RN72K1J-221JE	1	435032214R1
R7007	C-CARBON R	RN72K1J-221JE	1	435032214R1
R7008	C-CARBON R	RN72K1J-221JE	1	435032214R1
R7010	C-CARBON R	RN72K1J-104JE	1	435031044R1
R7011	C-CARBON R	RN72K1J-101JE	1	435031014R1
R7012	C-CARBON R	RN72K1J-333JE	1	435033334R1
R7013	C-CARBON R	RN72K1J-104JE	1	435031044R1
R7014	C-CARBON R	RN72K1J-101JE	1	435031014R1
R7015	C-CARBON R	RN72K1J-333JE	1	435033334R1
R7016	C-CARBON R	RN72K1J-100JE	1	435031004R1
R7017	C-CARBON R	RN72K1J-333JE	1	435033334R1
R7018	C-CARBON R	RN72K1J-100JE	1	435031004R1
R7021	C-CARBON R	RN72K1J-103JE	1	435031034R1
R7022	C-CARBON R	RN72K1J-103JE	1	435031034R1
R7023	C-CARBON R	RN72K1J-103JE	1	435031034R1
R7024	C-CARBON R	RN72K1J-103JE	1	435031034R1
R7033	C-CARBON R	RN72K1J-820JE	1	435038204R1
R7041	C-CARBON R	RN72K1J-101JE	1	435031014R1
R7042	C-CARBON R	RN72K1J-102JE	1	435031024R1
R7043	C-CARBON R	RN72K1J-104JE	1	435031044R1
R7044	C-CARBON R	RN72K1J-473JE	1	435034734R1
R7045	C-CARBON R	RN72K1J-562JE	1	435035624R1
R7046	C-CARBON R	RN72K1J-562JE	1	435035624R1
R7101	C-CARBON R	RN72K1J-271JE	1	435032714R1
R7102	C-CARBON R	RN72K1J-331JE	1	435033314R1
R7103	C-CARBON R	RN72K1J-471JE	1	435034714R1
R7104	C-CARBON R	RN72K1J-561JE	1	435035614R1
R7105	C-CARBON R	RN72K1J-821JE	1	435038214R1
R7106	C-CARBON R	RN72K1J-271JE	1	435032714R1
R7107	C-CARBON R	RN72K1J-331JE	1	435033314R1
R7108	C-CARBON R	RN72K1J-471JE	1	435034714R1
R7109	C-CARBON R	RN72K1J-561JE	1	435035614R1

R7110	C-CARBON R	RN72K1J-821JE	1	435038214R1	
R7111	C-CARBON R	RN72K1J-122JE	1	435031224R1	
R7112	C-CARBON R	RN72K1J-222JE	1	435032224R1	
R7113	C-CARBON R	RN72K1J-392JE	1	435033924R1	
R7114	C-CARBON R	RN72K1J-122JE	1	435031224R1	
R7115	C-CARBON R	RN72K1J-271JE	1	435032714R1	
R7116	C-CARBON R	RN72K1J-331JE	1	435033314R1	
R7117	C-CARBON R	RN72K1J-471JE	1	435034714R1	
R7118	C-CARBON R	RN72K1J-561JE	1	435035614R1	
R7119	C-CARBON R	RN72K1J-821JE	1	435038214R1	
R7120	C-CARBON R	RN72K1J-122JE	1	435031224R1	
R7121	C-CARBON R	RN72K1J-222JE	1	435032224R1	
R7122	C-CARBON R	RN72K1J-392JE	1	435033924R1	
R7123	C-CARBON R	RN72K1J-271JE	1	435032714R1	
R7124	C-CARBON R	RN72K1J-331JE	1	435033314R1	
R7125	C-CARBON R	RN72K1J-471JE	1	435034714R1	
R7126	C-CARBON R	RN72K1J-561JE	1	435035614R1	
R7127	C-CARBON R	RN72K1J-821JE	1	435038214R1	
R7128	C-CARBON R	RN72K1J-122JE	1	435031224R1	
R7129	C-CARBON R	RN72K1J-222JE	1	435032224R1	
R7152	C-CARBON R	RN72K1J-222JE	1	435032224R1	
R7154	C-CARBON R	RN72K1J-121JE	1	435031214R1	<MDC, MDD, MDF>
R7154	C-CARBON R	RN72K1J-272JE	1	435032724R1	<MMA, MMB, MMP, MMQ, MMR>
R7156	C-CARBON R	RN72K1J-181JE	1	435031814R1	
R7159	C-CARBON R	RN72K1J-181JE	1	435031814R1	
R7314	C-CARBON R	RN72K1J-000JE	1	435030004R1	
R7401	C-CARBON R	RN72K1J-101JE	1	435031014R1	
R7403	C-CARBON R	RN72K1J-472JE	1	435034724R1	
R7406	C-CARBON R	RN72K1J-331JE	1	435033314R1	
R7409	C-CARBON R	RN72K1J-221JE	1	435032214R1	
R7410	C-CARBON R	RN72K1J-221JE	1	435032214R1	
R7411	C-CARBON R	RN72K1J-471JE	1	435034714R1	
R7412	C-CARBON R	RN72K1J-471JE	1	435034714R1	
R7413	C-CARBON R	RN72K1J-224JE	1	435032244R1	
R7414	C-CARBON R	RN72K1J-104JE	1	435031044R1	
R7420	C-CARBON R	RN72K1J-473JE	1	435034734R1	
R7431	C-CARBON R	RN72K1J-221JE	1	435032214R1	
R7432	C-CARBON R	RN72K1J-224JE	1	435032244R1	
R7433	C-CARBON R	RN72K1J-473JE	1	435034734R1	

R7434	C-CARBON R	RN72K1J-102JE	1	435031024R1	
R7435	C-CARBON R	RN72K1J-333JE	1	435033334R1	
R9014	C-CARBON R	RN72K1J-104JE	1	435031044R1	
R9030	THERMISTOR	FUSB090F	1	4000252T	
R921	METAL O R	RS1/2WBJ-47	1	443524704T	
R922	C-CARBON R	RN72K1J-823JE	1	435038234R1	<MDC, MDD, MDF>
R934	C-CARBON R	RN72K1J-104JE	1	435031044R1	
[SW TRM]					
E7201	TRM-423(SCREW)	NEJITANSI ST3	1	25060495	
E7302A	RETAINER	(GND)	1	27142222A	
E9002	RETAINER	(JOINT)	1	27142069	
E901	TRM-423(SCREW)	NEJITANSI ST3	1	25060495	
E902	TRM-423(SCREW)	NEJITANSI ST3	1	25060495	
F9001	FUSE	5A-UL-125V	1	252385T	!
F901C	FUSE HOL	NSCT-1P2031	1	25052133T	!
F901D	FUSE HOL	NSCT-1P2031	1	25052133T	!
F901E	LABEL	T5AL250V	1	29361938	<MMA, MMB, MMP, MMQ, MMR>
JL502B	WIRE TRAP	NPLG-5P588	1	25055626	
JL503B	WIRE TRAP	NPLG-7P590	1	25055628	
JL605A	WIRE HOL	NSCT-5P896	1	25051109	
JL702A	WIRE HOL	NSCT-7P878	1	25051091	
JL702B	WIRE TRAP	NPLG-7P590	1	25055628	
JL801A	WIRE HOL	NSCT-5P876	1	25051089	
JL901A	WIRE HOL	NSCT-5P876	1	25051089	
JL952B	SOCKET	NSCT-3P95	1	25050267	
JL953A	WIRE HOL	NSCT-5P876	1	25051089	
P2001A	SOCKET	NSCT-9P2400	1	25052503	
P2081	SOCKET	NNA1-01-006	1	25053357	
P2201	PIN JACK	NPJ-3PDYYYY560	1	25045778	
P2202	PIN JACK	NPJ-3PDYYYY560	1	25045778	
P2203	PIN JACK	NPJ-9PDGLRGLRGLR563	1	25045781	
P2510	PLUG	NPLG-2P568	1	25055600	
P2800A	SOCKET	NSCT-9P2400	1	25052503	
P2801A	SOCKET	NSCT-9P2400	1	25052503	
P3101B	PLUG	NPLG-5P352	1	25055369	
P701B	SOCKET	NSCT-23P2441	1	25052544	
P703A	SOCKET	NSCT-7P2425	1	25052528	
P7201	ST JACK	MSJ-064-05A SR	1	25045783	
P7201 or	ST JACK	YKB21-5005	(1)	25045724	

P7302	PIN JACK	NPJ-1PDB736	1	25045979	
P7402	ST JACK	MSJ-035-05C B AG SR type	1	25045879	
P7501	SOCKET	000010211-00027	1	25053411	
P901A	PLUG	NPLG-2P631	1	25055675	!
P911	PLUG	NPLG-2P631	1	25055675	!
RL901	RELAY	NRL-1P5A-DC9-179	1	25065669	! <MMA, MMB, MMP, MMQ, MMR>
RL901	RELAY	NRL-1P10A-DC9-186	1	25065683	! <MDC, MDD, MDF>
RL901 or	RELAY	NRL-1P10A-DC9-188	(1)	25065693	!
S7002	R ENCODE	EC12E2425WITH WASHER	1	25065655W	
S7102	PUSH SW	NPS-111-S681	1	25035718T	
S7103	PUSH SW	NPS-111-S681	1	25035718T	
S7104	PUSH SW	NPS-111-S681	1	25035718T	
S7105	PUSH SW	NPS-111-S681	1	25035718T	
S7106	PUSH SW	NPS-111-S681	1	25035718T	
S7107	PUSH SW	NPS-111-S681	1	25035718T	
S7113	PUSH SW	NPS-111-S681	1	25035718T	
S7114	PUSH SW	NPS-111-S681	1	25035718T	
S7116	PUSH SW	NPS-111-S681	1	25035718T	
S7118	PUSH SW	NPS-111-S681	1	25035718T	
S7120	PUSH SW	NPS-111-S681	1	25035718T	
S7122	PUSH SW	NPS-111-S681	1	25035718T	
S7124	PUSH SW	NPS-111-S681	1	25035718T	
S7126	PUSH SW	NPS-111-S681	1	25035718T	
S7128	PUSH SW	NPS-111-S681	1	25035718T	
S7130	PUSH SW	NPS-111-S681	1	25035718T	
S7132	PUSH SW	NPS-111-S681	1	25035718T	
S7134	PUSH SW	NPS-111-S681	1	25035718T	
S7136	PUSH SW	NPS-111-S681	1	25035718T	
S7138	PUSH SW	NPS-111-S681	1	25035718T	
S7140	PUSH SW	NPS-111-S681	1	25035718T	
S7142	PUSH SW	NPS-111-S681	1	25035718T	
S7144	PUSH SW	NPS-111-S681	1	25035718T	
S7146	PUSH SW	NPS-111-S681	1	25035718T	
S7148	PUSH SW	NPS-111-S681	1	25035718T	
S7150	PUSH SW	NPS-111-S681	1	25035718T	
S7152	PUSH SW	NPS-111-S681	1	25035718T	
S7154	PUSH SW	NPS-111-S681	1	25035718T	
S7156	PUSH SW	NPS-111-S681	1	25035718T	
S7158	PUSH SW	NPS-111-S681	1	25035718T	

S7160	PUSH SW	NPS-111-S681	1	25035718T
S7162	PUSH SW	NPS-111-S681	1	25035718T
S7164	PUSH SW	NPS-111-S681	1	25035718T

[TUNER UNIT]

U7041	REMO SENS	KSM-603TE5B	1	24130019
-------	-----------	-------------	---	----------

U003 U0030-U0031**U0030 HDMI PC board ass'y****BAHDM-0684-1****U0031 Front HDMI Terminal PC board ass'y****BAHDM-0685-1**

CIRCUIT NO.	PART NAME	DESCRIPTION	Q'TY	PART NO. (SN)	REMARKS
-------------	-----------	-------------	------	---------------	---------

[SEMI CONDUCTOR]

D8000	C-DIODE	DA2J10100	1	223303R2	
D8000 or	C-DIODE	1SS352	(1)	223234R2	
D8000 or	C-DIODE	1SS355	(1)	223269R2	
D8000 or	C-DIODE	MA2J111	(1)	223279R2	
D8000 or	C-DIODE	KDS4148U	(1)	223283R2	
D8001	C-DIODE	DA2J10100	1	223303R2	
D8001 or	C-DIODE	1SS352	(1)	223234R2	
D8001 or	C-DIODE	1SS355	(1)	223269R2	
D8001 or	C-DIODE	MA2J111	(1)	223279R2	
D8001 or	C-DIODE	KDS4148U	(1)	223283R2	
D8102	C-DIODE	DA2J10100	1	223303R2	
D8102 or	C-DIODE	1SS352	(1)	223234R2	
D8102 or	C-DIODE	1SS355	(1)	223269R2	
D8102 or	C-DIODE	MA2J111	(1)	223279R2	
D8102 or	C-DIODE	KDS4148U	(1)	223283R2	
D8132	ZENER D	DZ2J036M0L	1	224760360R2	
D8132 or	ZENER D	UDZS3.6B	(1)	224550360R2	
D8145	ESD D	AOZ8804ADI	1	225502R2	
D8146	ESD D	AOZ8804ADI	1	225502R2	
D8701	C-DIODE	DA2J10100	1	223303R2	
D8701 or	C-DIODE	1SS352	(1)	223234R2	
D8701 or	C-DIODE	1SS355	(1)	223269R2	
D8701 or	C-DIODE	MA2J111	(1)	223279R2	
D8701 or	C-DIODE	KDS4148U	(1)	223283R2	
D8902	C-DIODE	DA2J10100	1	223303R2	
D8902 or	C-DIODE	1SS352	(1)	223234R2	
D8902 or	C-DIODE	1SS355	(1)	223269R2	

D8902 or	C-DIODE	MA2J111	(1)	223279R2
D8902 or	C-DIODE	KDS4148U	(1)	223283R2
D8903	C-DIODE	DA2J10100	1	223303R2
D8903 or	C-DIODE	ISS352	(1)	223234R2
D8903 or	C-DIODE	ISS355	(1)	223269R2
D8903 or	C-DIODE	MA2J111	(1)	223279R2
D8903 or	C-DIODE	KDS4148U	(1)	223283R2
D8904	C-DIODE	DA2J10100	1	223303R2
D8904 or	C-DIODE	ISS352	(1)	223234R2
D8904 or	C-DIODE	ISS355	(1)	223269R2
D8904 or	C-DIODE	MA2J111	(1)	223279R2
D8904 or	C-DIODE	KDS4148U	(1)	223283R2
D8906	C-DIODE	DA2J10100	1	223303R2
D8906 or	C-DIODE	ISS352	(1)	223234R2
D8906 or	C-DIODE	ISS355	(1)	223269R2
D8906 or	C-DIODE	MA2J111	(1)	223279R2
D8906 or	C-DIODE	KDS4148U	(1)	223283R2
D8907	C-DIODE	DA2J10100	1	223303R2
D8907 or	C-DIODE	ISS352	(1)	223234R2
D8907 or	C-DIODE	ISS355	(1)	223269R2
D8907 or	C-DIODE	MA2J111	(1)	223279R2
D8907 or	C-DIODE	KDS4148U	(1)	223283R2
D8931	DIODE	RB050M-30	1	22380367R2
D8941	DIODE	RB050M-30	1	22380367R2
D8951	DIODE	RB050M-30	1	22380367R2
D8961	DIODE	RB050M-30	1	22380367R2
Q3001	IC	D830K013BZKB400Z	1	22242694R3
Q3002	IC (DSP)	NAND256W3A2BN6E (0412)	1	222W0092R304126
Q3003	IC	IS42S16160C-7TL	1	22242592R3
Q3003 or	IC	EM63A165TSB-7G	(1)	22242751R3
Q3004	IC	IS42S16160C-7TL	1	22242592R3
Q3004 or	IC	EM63A165TSB-7G	(1)	22242751R3
Q3005	IC	TC7W32FU	1	22241162R2
Q3006	IC	S-80127CNMC-JKM-T2	1	22241642R2
Q3102	IC	BD82065FVJ	1	22242718R2
Q3103	IC	BU18TD3WG-TR	1	22242716R2
Q3105	IC	MFI341S2164	1	22242594R2
Q3106	IC	BU33TD3WG-TR	1	22242715R2
Q3107	IC	BU33TD3WG-TR	1	22242715R2

Q3108	IC	KSZ8051RNL	1	22242723R2	
Q3109	IC	XC6220B121PR	1	22242626R2	
Q3201	IC	TC74VHC157FT	1	22274157ER2TO	
Q8000	IC	88DE2755B0-BIF2C000	1	22242752R3	N
Q8010	IC	BU18TD3WG-TR	1	22242716R2	
Q8011	IC	XC6220B151PR	1	22242704R2	N
Q8012	IC	TPS51100DGQR	1	22242711R2	N
Q8030	IC	TC7WHU04FU(TE12L)	1	22242231R2	
Q8031	IC	NC7SZ08P5X_F042	1	22242482R2	
Q8032	IC	SN74CB3T3306DCT	1	22242454R2	
Q8040	IC (VSP)	W25Q128BVFIG (0414)	1	222W0116R20414A	N
Q8041	IC	TC74LCX125FT(EL_K)	1	22274125BR2TO	
Q8050	IC	MM3404A50NRE	1	22242701R2	
Q8080	IC	NT5CB64M16DP-CF	1	22242736R3	N
Q8112	TR	2SC2712-GR	1	2213145R2	
Q8113	TR	KRA102S	1	2216220R2	
Q8113 or	TR	RN2402	(1)	2214530R2	
Q8132	IC	SI99489CTU	1	22242705R3	N
Q8134	TR	RN2401(TE85L_F)	1	2214520R2	
Q8156	TR ARRAY	UM6K1N	1	226066R2	
Q8191	IC	XC6220B121PR	1	22242626R2	
Q8201	IC	ADV7844	1	22242696R3	
Q8202	IC	K4S641632N-LC60	1	22242603R2	
Q8202 or	IC	EM638165TS-7G	(1)	22242607R2	
Q8204	TR	KRC101S	1	2216330R2	
Q8204 or	TR	RN1401(TE85L_F)	(1)	2214460R2	
Q8205	TR	KRC101S	1	2216330R2	
Q8205 or	TR	RN1401(TE85L_F)	(1)	2214460R2	
Q8206	IC	BU18TD3WG-TR	1	22242716R2	
Q8661	IC	TMDS141RHARG4	1	22242586R2	
Q8701	IC (HDMI/VIDEO)	TMPM361F10FG (0413)	1	222W0115R304135	
Q8901	IC	TC74VHCT08AFT	1	22274008GR2TO	
Q8901 or	IC	TC74VHCT08AFT (EKJ)	(1)	22274008G1R2TO	
Q8931	IC	MP2363DN-LF-Z	1	22242627R2	
Q8941	IC	MP2363DN-LF-Z	1	22242627R2	
Q8951	IC	MP2363DN-LF-Z	1	22242627R2	
Q8961	IC	MP2363DN-LF-Z	1	22242627R2	
[TRANS COIL]					
L3001	CORE	BLM18PG121SN1D	1	2350006R1	

L3002	CORE	BLM18PG121SN1D	1	2350006R1
L3003	CORE	BLM18PG121SN1D	1	2350006R1
L3004	CORE	BLM18PG121SN1D	1	2350006R1
L3005	CORE	BLM18PG121SN1D	1	2350006R1
L3006	CORE	BLM18PG181SN1D	1	2350005R1
L3101	CORE	DLP2ADN900HL4L	1	230990R2
L3102	C-CARBON R	RN72K1J-000JE	1	435030004R1
L3103	CORE	BLM18PG121SN1D	1	2350006R1
L3104	CORE	BLM18PG121SN1D	1	2350006R1
L3105	CORE	BLM18PG121SN1D	1	2350006R1
L3106	CORE	BLM18PG121SN1D	1	2350006R1
L3107	CORE	BLM18PG121SN1D	1	2350006R1
L3108	CORE	BLM18PG121SN1D	1	2350006R1
L3109	CORE	BLM18PG121SN1D	1	2350006R1
L3110	CORE	BLM18PG121SN1D	1	2350006R1
L3145	CORE	DLP2ADN900HL4L	1	230990R2
L3201	CORE	BLM18PG181SN1D	1	2350005R1
L3203	CORE	MMZ1608Y601BT	1	2350004R1
L3209	CORE	MMZ1608Y601BT	1	2350004R1
L8000	CORE	BLM18PG181SN1D	1	2350005R1
L8001	CORE	BLM18PG181SN1D	1	2350005R1
L8002	CORE	BLM18PG181SN1D	1	2350005R1
L8003	CORE	BLM18PG181SN1D	1	2350005R1
L8004	CORE	BLM18PG181SN1D	1	2350005R1
L8005	CORE	BLM18PG181SN1D	1	2350005R1
L8006	CORE	BLM18PG121SN1D	1	2350006R1
L8007	CORE	BLM18PG181SN1D	1	2350005R1
L8008	CORE	BLM18PG181SN1D	1	2350005R1
L8009	CORE	BLM18PG181SN1D	1	2350005R1
L8010	CORE	BLM18PG181SN1D	1	2350005R1
L8011	CORE	BLM18PG181SN1D	1	2350005R1
L8012	CORE	BLM18PG181SN1D	1	2350005R1
L8013	CORE	BLM18PG181SN1D	1	2350005R1
L8081	CORE	BLM18PG181SN1D	1	2350005R1
L8082	C-R NET	MNR12E0APJ000	1	43464900002R2
L8083	C-R NET	MNR12E0APJ000	1	43464900002R2
L8084	C-R NET	MNR12E0APJ000	1	43464900002R2
L8085	C-R NET	MNR12E0APJ000	1	43464900002R2
L8086	CORE	BLM18PG181SN1D	1	2350005R1

L8131	CORE	BLM18PG181SN1D	1	2350005R1
L8132	CORE	BLM18PG181SN1D	1	2350005R1
L8133	CORE	BLM18PG181SN1D	1	2350005R1
L8134	CORE	BLM18PG181SN1D	1	2350005R1
L8135	CORE	BLM18PG181SN1D	1	2350005R1
L8191	CORE	BLM18PG181SN1D	1	2350005R1
L8201	CORE	BLM18PG181SN1D	1	2350005R1
L8202	CORE	BLM18PG181SN1D	1	2350005R1
L8203	CORE	BLM18PG181SN1D	1	2350005R1
L8204	CORE	BLM18PG181SN1D	1	2350005R1
L8205	CORE	BLM18PG181SN1D	1	2350005R1
L8206	CORE	BLM18PG181SN1D	1	2350005R1
L8207	CORE	BLM18PG181SN1D	1	2350005R1
L8208	CORE	BLM18PG181SN1D	1	2350005R1
L8608	EMIFIL	BK1608LM182-T	1	230958R1
L8661	CORE	BLM18PG181SN1D	1	2350005R1
L8701	CORE	BLM18PG181SN1D	1	2350005R1
L8931	CHOKE COIL	BLM21PG221SN1	1	230949R2
L8932	CHOKE COIL	CDRH8D43_100	1	231371P100R2
L8932 or	CHOKE COIL	0182-7E08Q-100M-RA	(1)	231396M100R2
L8932 or	CHOKE COIL	SWRH8D43C-100MT	(1)	231445M100R2
L8933	CHOKE COIL	BLM21PG221SN1	1	230949R2
L8934	CHOKE COIL	BLM21PG221SN1	1	230949R2
L8941	CHOKE COIL	BLM21PG221SN1	1	230949R2
L8942	CHOKE COIL	CDRH8D43_100	1	231371P100R2
L8942 or	CHOKE COIL	0182-7E08Q-100M-RA	(1)	231396M100R2
L8942 or	CHOKE COIL	SWRH8D43C-100MT	(1)	231445M100R2
L8943	CHOKE COIL	BLM21PG221SN1	1	230949R2
L8944	CHOKE COIL	BLM21PG221SN1	1	230949R2
L8951	CHOKE COIL	BLM21PG221SN1	1	230949R2
L8952	CHOKE COIL	CDRH8D43_100	1	231371P100R2
L8952 or	CHOKE COIL	0182-7E08Q-100M-RA	(1)	231396M100R2
L8952 or	CHOKE COIL	SWRH8D43C-100MT	(1)	231445M100R2
L8953	CHOKE COIL	BLM21PG221SN1	1	230949R2
L8954	CHOKE COIL	BLM21PG221SN1	1	230949R2
L8961	CHOKE COIL	BLM21PG221SN1	1	230949R2
L8962	CHOKE COIL	CDRH8D43_100	1	231371P100R2
L8962 or	CHOKE COIL	0182-7E08Q-100M-RA	(1)	231396M100R2
L8962 or	CHOKE COIL	SWRH8D43C-100MT	(1)	231445M100R2

L8963	CHOKE COIL	BLM21PG221SN1	1	230949R2	
L8964	CHOKE COIL	BLM21PG221SN1	1	230949R2	
L8965	CORE	BLM18PG181SN1D	1	2350005R1	
X3001	CRYSTAL	HC-49USSMD20.000MHz	1	3010504R2	N
X8000	CRYSTAL	HC-49USSMD20.000MHz	1	3010504R2	N
X8201	CRYSTAL	HC-49USSMD28.6363MHz	1	3010491R2	
X8701	CERA LOCK	CSTCE8M00G55-R0	1	3010416R2	
[CAPACITOR]					
C3001	C-CERA C	CK725B1A-105K0	1	332001055R1	
C3002	C-CERA C	CK725B1A-105K0	1	332001055R1	
C3003	C-CERA C	CK732B16V-106K	1	332071065R2	
C3004	C-CERA C	CK732B16V-106K	1	332071065R2	
C3005	C-CERA C	CK725B1A-105K0	1	332001055R1	
C3006	C-CERA C	CK725B1H-102K0	1	332031025R1	
C3007	C-CERA C	CK725B1A-105K0	1	332001055R1	
C3008	C-CERA C	CK725B1H-102K0	1	332031025R1	
C3009	C-CERA C	CK725B1A-105K0	1	332001055R1	
C3010	C-CERA C	CK725B1A-105K0	1	332001055R1	
C3011	C-CERA C	CK725B1A-105K0	1	332001055R1	
C3012	C-CERA C	CK725B1H-102K0	1	332031025R1	
C3013	C-CERA C	CK725B1A-105K0	1	332001055R1	
C3014	C-CERA C	CK725B1H-102K0	1	332031025R1	
C3015	C-CERA C	CK725B1H-102K0	1	332031025R1	
C3016	C-CERA C	CK725B1A-105K0	1	332001055R1	
C3017	C-CERA C	CK725B1A-105K0	1	332001055R1	
C3018	C-CERA C	CK725B1A-105K0	1	332001055R1	
C3019	C-CERA C	CK725B1H-102K0	1	332031025R1	
C3020	C-CERA C	CK725B1A-105K0	1	332001055R1	
C3021	C-CERA C	CK725B1A-105K0	1	332001055R1	
C3022	C-CERA C	CK725B1A-105K0	1	332001055R1	
C3023	C-CERA C	CK732B16V-106K	1	332071065R2	
C3024	C-CERA C	CK725B1H-102K0	1	332031025R1	
C3025	C-CERA C	CK725B1A-105K0	1	332001055R1	
C3026	C-CERA C	CK725B1C-104K0	1	332011045R1	
C3027	C-CERA C	CK725B1H-102K0	1	332031025R1	
C3028	C-CERA C	CK725B1A-105K0	1	332001055R1	
C3029	C-CERA C	CK725B1H-102K0	1	332031025R1	
C3030	C-CERA C	CK725B1A-105K0	1	332001055R1	
C3031	C-CERA C	CK725B1A-105K0	1	332001055R1	

C3032	C-CERA C	CK725B1H-102K0	1	332031025R1
C3033	C-CERA C	CK725B1A-105K0	1	332001055R1
C3034	C-CERA C	CC725CH1H-390J0	1	342033904R1
C3035	C-CERA C	CK725B1H-102K0	1	332031025R1
C3036	C-CERA C	CC725CH1H-390J0	1	342033904R1
C3037	C-CERA C	CK725B1A-105K0	1	332001055R1
C3038	C-CERA C	CK725B1A-105K0	1	332001055R1
C3039	C-CERA C	CK725B1H-103K0	1	332031035R1
C3040	C-CERA C	CK725B1A-105K0	1	332001055R1
C3041	C-CERA C	CK732B16V-106K	1	332071065R2
C3042	C-CERA C	CK725B1A-105K0	1	332001055R1
C3043	C-CERA C	CK725B1A-105K0	1	332001055R1
C3100	C-CERA C	CK725B1H-102K0	1	332031025R1
C3101	C-CERA C	CK732B16V-106K	1	332071065R2
C3103	C-CERA C	CK725B1H-102K0	1	332031025R1
C3104	CHIP ELECT C	CEWX16V-100M	1	398141017R2
C3105	C-CERA C	CK725B1A-105K0	1	332001055R1
C3106	C-CERA C	CK732B16V-106K	1	332071065R2
C3107	C-CERA C	CK725B1A-105K0	1	332001055R1
C3108	C-CERA C	CK725B1A-105K0	1	332001055R1
C3109	C-CERA C	CK732B16V-106K	1	332071065R2
C3110	C-CERA C	CK725B1A-224K0	1	332002245R1
C3112	C-CERA C	CK732B16V-106K	1	332071065R2
C3113	C-CERA C	CK725B1A-105K0	1	332001055R1
C3114	C-CERA C	CK725B1A-105K0	1	332001055R1
C3115	C-CERA C	CK732B16V-106K	1	332071065R2
C3116	C-CERA C	CK732B16V-106K	1	332071065R2
C3117	C-CERA C	CK725B1H-102K0	1	332031025R1
C3118	C-CERA C	CK725B1A-105K0	1	332001055R1
C3119	C-CERA C	CK725B1A-105K0	1	332001055R1
C3120	C-CERA C	CK732B16V-106K	1	332071065R2
C3121	C-CERA C	CK725B1A-105K0	1	332001055R1
C3122	C-CERA C	CK725B1A-105K0	1	332001055R1
C3123	C-CERA C	CK725B1A-105K0	1	332001055R1
C3124	C-CERA C	CK732B16V-106K	1	332071065R2
C3125	C-CERA C	CK725B1A-105K0	1	332001055R1
C3126	C-CERA C	CK732B16V-106K	1	332071065R2
C3127	C-CERA C	CK725B1A-105K0	1	332001055R1
C3128	C-CERA C	CK725B1A-105K0	1	332001055R1

C3129	C-CERA C	CK725B1A-105K0	1	332001055R1
C3130	C-CERA C	CK732B16V-106K	1	332071065R2
C3131	C-CERA C	CK725B1A-105K0	1	332001055R1
C3132	C-CERA C	CC725CH1H-101J0	1	342031014R1
C3133	C-CERA C	CK725B1A-105K0	1	332001055R1
C3136	C-CERA C	CK725B1A-105K0	1	332001055R1
C3137	C-CERA C	CK725B1A-105K0	1	332001055R1
C3138	C-CERA C	CK725B1A-105K0	1	332001055R1
C3139	C-CERA C	CK725B1A-105K0	1	332001055R1
C3140	C-CERA C	CK725B1A-105K0	1	332001055R1
C3141	C-CERA C	CK725B1C-104K0	1	332011045R1
C3142	C-CERA C	CK725B1A-105K0	1	332001055R1
C3143	C-CERA C	CK725B1A-105K0	1	332001055R1
C3144	C-CERA C	CK725B1A-105K0	1	332001055R1
C3145	C-CERA C	CK732B16V-106K	1	332071065R2
C3148	C-CERA C	CK725B1C-104K0	1	332011045R1
C3149	C-CERA C	CK725B1H-102K0	1	332031025R1
C3150	C-CERA C	CK732B16V-106K	1	332071065R2
C3152	C-CERA C	CK732B16V-106K	1	332071065R2
C3153	C-CERA C	CK732B16V-106K	1	332071065R2
C3154	C-CERA C	CK725B1A-105K0	1	332001055R1
C3155	C-CERA C	CK732B16V-106K	1	332071065R2
C3156	C-CERA C	CK725B1A-105K0	1	332001055R1
C3157	C-CERA C	CK725B1A-105K0	1	332001055R1
C3158	C-CERA C	CK725B1A-105K0	1	332001055R1
C3159	C-CERA C	CK725B1A-105K0	1	332001055R1
C3160	C-CERA C	CK725B1A-105K0	1	332001055R1
C3161	C-CERA C	CK725B1A-105K0	1	332001055R1
C3162	C-CERA C	CK725B1H-102K0	1	332031025R1
C3163	C-CERA C	CK732B16V-106K	1	332071065R2
C3201	C-CERA C	CK732B16V-106K	1	332071065R2
C3202	C-CERA C	CK725B1C-104K0	1	332011045R1
C3203	C-CERA C	CK725B1H-102K0	1	332031025R1
C8000	C-CERA C	CK732B16V-106K	1	332071065R2
C8002	C-CERA C	CK732B16V-106K	1	332071065R2
C8004	C-CERA C	CK725B1C-104K0	1	332011045R1
C8005	C-CERA C	CK732B16V-106K	1	332071065R2
C8006	C-CERA C	CK725B1C-104K0	1	332011045R1
C8007	C-CERA C	CK732B16V-106K	1	332071065R2

C8008	C-CERA C	CK732B16V-106K	1	332071065R2
C8009	C-CERA C	CK732B16V-106K	1	332071065R2
C8011	C-CERA C	CK732B16V-106K	1	332071065R2
C8012	C-CERA C	CK732B16V-106K	1	332071065R2
C8013	C-CERA C	CK732B16V-106K	1	332071065R2
C8014	C-CERA C	CK725B1A-105K0	1	332001055R1
C8015	C-CERA C	CK725B1A-105K0	1	332001055R1
C8016	C-CERA C	CK725B1A-105K0	1	332001055R1
C8017	C-CERA C	CK725B1A-105K0	1	332001055R1
C8018	C-CERA C	CK725B1C-104K0	1	332011045R1
C8019	C-CERA C	CK725B1C-104K0	1	332011045R1
C8020	C-CERA C	CK725B1C-104K0	1	332011045R1
C8021	C-CERA C	CK725B1C-104K0	1	332011045R1
C8022	C-CERA C	CK725B1C-104K0	1	332011045R1
C8023	C-CERA C	CK725B1C-104K0	1	332011045R1
C8024	C-CERA C	CK725B1C-104K0	1	332011045R1
C8026	C-CERA C	CK732B16V-106K	1	332071065R2
C8027	C-CERA C	CK732B16V-106K	1	332071065R2
C8028	C-CERA C	CK725B1A-105K0	1	332001055R1
C8029	C-CERA C	CK725B1A-105K0	1	332001055R1
C8030	C-CERA C	CK725B1A-105K0	1	332001055R1
C8031	C-CERA C	CK725B1C-104K0	1	332011045R1
C8032	C-CERA C	CK725B1C-104K0	1	332011045R1
C8033	C-CERA C	CK725B1C-104K0	1	332011045R1
C8034	C-CERA C	CK725B1C-104K0	1	332011045R1
C8036	C-CERA C	CK732B16V-106K	1	332071065R2
C8037	C-CERA C	CK732B16V-106K	1	332071065R2
C8038	C-CERA C	CK725B1A-105K0	1	332001055R1
C8039	C-CERA C	CK725B1A-105K0	1	332001055R1
C8040	C-CERA C	CK725B1A-105K0	1	332001055R1
C8041	C-CERA C	CK725B1A-105K0	1	332001055R1
C8042	C-CERA C	CK725B1C-104K0	1	332011045R1
C8043	C-CERA C	CK725B1C-104K0	1	332011045R1
C8044	C-CERA C	CK725B1C-104K0	1	332011045R1
C8045	C-CERA C	CK725B1C-104K0	1	332011045R1
C8046	C-CERA C	CK725B1C-104K0	1	332011045R1
C8047	C-CERA C	CK725B1C-104K0	1	332011045R1
C8050	C-CERA C	CK732B16V-106K	1	332071065R2
C8051	C-CERA C	CK732B16V-106K	1	332071065R2

C8052	C-CERA C	CK725B1A-105K0	1	332001055R1
C8053	C-CERA C	CK725B1A-105K0	1	332001055R1
C8054	C-CERA C	CK725B1C-104K0	1	332011045R1
C8055	C-CERA C	CK725B1C-104K0	1	332011045R1
C8056	C-CERA C	CK725B1C-104K0	1	332011045R1
C8058	C-CERA C	CK725B1C-104K0	1	332011045R1
C8059	C-CERA C	CK725B1C-104K0	1	332011045R1
C8060	C-CERA C	CK732B16V-106K	1	332071065R2
C8061	C-CERA C	CK732B16V-106K	1	332071065R2
C8062	C-CERA C	CK725B1A-105K0	1	332001055R1
C8063	C-CERA C	CK725B1C-104K0	1	332011045R1
C8064	C-CERA C	CK725B1C-104K0	1	332011045R1
C8065	C-CERA C	CK725B1C-104K0	1	332011045R1
C8066	C-CERA C	CK732B16V-106K	1	332071065R2
C8067	C-CERA C	CK732B16V-106K	1	332071065R2
C8068	C-CERA C	CK725B1A-105K0	1	332001055R1
C8069	C-CERA C	CK725B1C-104K0	1	332011045R1
C8070	C-CERA C	CK725B1C-104K0	1	332011045R1
C8071	C-CERA C	CK725B1C-104K0	1	332011045R1
C8072	C-CERA C	CK732B16V-106K	1	332071065R2
C8073	C-CERA C	CK732B16V-106K	1	332071065R2
C8074	C-CERA C	CK732B16V-106K	1	332071065R2
C8075	C-CERA C	CK732B16V-106K	1	332071065R2
C8076	C-CERA C	CK732B16V-106K	1	332071065R2
C8078	C-CERA C	CK732B16V-106K	1	332071065R2
C8079	C-CERA C	CK732B16V-106K	1	332071065R2
C8080	C-CERA C	CK732B16V-106K	1	332071065R2
C8081	C-CERA C	CK732B16V-106K	1	332071065R2
C8082	C-CERA C	CK725B1A-105K0	1	332001055R1
C8083	C-CERA C	CK725B1A-105K0	1	332001055R1
C8084	C-CERA C	CK725B1A-105K0	1	332001055R1
C8085	C-CERA C	CK725B1A-105K0	1	332001055R1
C8086	C-CERA C	CK725B1A-105K0	1	332001055R1
C8087	C-CERA C	CK725B1A-105K0	1	332001055R1
C8088	C-CERA C	CK725B1A-105K0	1	332001055R1
C8089	C-CERA C	CK725B1A-105K0	1	332001055R1
C8090	C-CERA C	CK725B1A-105K0	1	332001055R1
C8091	C-CERA C	CK725B1A-105K0	1	332001055R1
C8092	C-CERA C	CK725B1A-105K0	1	332001055R1

C8093	C-CERA C	CK725B1A-105K0	1	332001055R1
C8094	C-CERA C	CK725B1A-105K0	1	332001055R1
C8095	C-CERA C	CK732B16V-106K	1	332071065R2
C8096	C-CERA C	CK725B1A-105K0	1	332001055R1
C8097	C-CERA C	CK732B16V-106K	1	332071065R2
C8098	C-CERA C	CK725B1A-105K0	1	332001055R1
C8100	C-CERA C	CK725B1H-102K0	1	332031025R1
C8101	C-CERA C	CK725B1H-102K0	1	332031025R1
C8102	C-CERA C	CK732B16V-106K	1	332071065R2
C8104	C-CERA C	CK732B16V-106K	1	332071065R2
C8105	C-CERA C	CK725B1A-105K0	1	332001055R1
C8106	C-CERA C	CK725B1A-105K0	1	332001055R1
C8107	C-CERA C	CK725B1C-104K0	1	332011045R1
C8108	C-CERA C	CK725B1C-104K0	1	332011045R1
C8109	C-CERA C	CK725B1A-105K0	1	332001055R1
C8110	C-CERA C	CK725B1A-105K0	1	332001055R1
C8111	C-CERA C	CC725CH1H-101J0	1	342031014R1
C8112	C-CERA C	CK725B1C-104K0	1	332011045R1
C8113	C-CERA C	CK725B1C-104K0	1	332011045R1
C8114	C-CERA C	CC725CH1H-080C0	1	342030801R1
C8115	C-CERA C	CK725B1C-104K0	1	332011045R1
C8116	C-CERA C	CC725CH1H-330J0	1	342033304R1
C8117	C-CERA C	CC725CH1H-390J0	1	342033904R1
C8124	C-CERA C	CK725B1C-104K0	1	332011045R1
C8134	C-CERA C	CK732B16V-106K	1	332071065R2
C8135	C-CERA C	CK725B1H-102K0	1	332031025R1
C8136	C-CERA C	CK725B1C-104K0	1	332011045R1
C8137	C-CERA C	CK725B1H-102K0	1	332031025R1
C8138	C-CERA C	CK725B1C-104K0	1	332011045R1
C8139	C-CERA C	CK725B1H-102K0	1	332031025R1
C8140	C-CERA C	CK725B1C-104K0	1	332011045R1
C8143	C-CERA C	CK732B16V-106K	1	332071065R2
C8144	C-CERA C	CK725B1H-102K0	1	332031025R1
C8145	C-CERA C	CK732B16V-106K	1	332071065R2
C8146	C-CERA C	CK725B1H-102K0	1	332031025R1
C8147	C-CERA C	CK725B1C-104K0	1	332011045R1
C8148	C-CERA C	CK725B1H-102K0	1	332031025R1
C8149	C-CERA C	CK725B1C-104K0	1	332011045R1
C8150	C-CERA C	CK725B1H-102K0	1	332031025R1

C8151	C-CERA C	CK725B1C-104K0	1	332011045R1
C8152	C-CERA C	CK725B1A-105K0	1	332001055R1
C8153	C-CERA C	CK725B1C-104K0	1	332011045R1
C8154	C-CERA C	CK725B1H-102K0	1	332031025R1
C8155	C-CERA C	CK725B1C-104K0	1	332011045R1
C8157	C-CERA C	CK725B1H-102K0	1	332031025R1
C8158	C-CERA C	CK725B1C-104K0	1	332011045R1
C8159	C-CERA C	CK725B1H-102K0	1	332031025R1
C8160	C-CERA C	CK725B1C-104K0	1	332011045R1
C8161	C-CERA C	CK732B16V-106K	1	332071065R2
C8162	C-CERA C	CK725B1H-102K0	1	332031025R1
C8163	C-CERA C	CK725B1C-104K0	1	332011045R1
C8164	C-CERA C	CK725B1H-102K0	1	332031025R1
C8165	C-CERA C	CK725B1C-104K0	1	332011045R1
C8166	C-CERA C	CK732B16V-106K	1	332071065R2
C8167	C-CERA C	CK725B1A-105K0	1	332001055R1
C8169	C-CERA C	CK725B1A-105K0	1	332001055R1
C8170	C-CERA C	CK725B1A-105K0	1	332001055R1
C8171	C-CERA C	CK725B1A-105K0	1	332001055R1
C8172	C-CERA C	CK725B1A-105K0	1	332001055R1
C8173	C-CERA C	CK725B1H-102K0	1	332031025R1
C8191	C-CERA C	CK732B16V-106K	1	332071065R2
C8192	C-CERA C	CK732B16V-106K	1	332071065R2
C8193	C-CERA C	CK732B16V-106K	1	332071065R2
C8194	C-CERA C	CK732B16V-106K	1	332071065R2
C8201	C-CERA C	CK725B1C-104K0	1	332011045R1
C8202	C-CERA C	CK725B1C-104K0	1	332011045R1
C8203	C-CERA C	CK725B1C-104K0	1	332011045R1
C8204	C-CERA C	CK725B1H-102K0	1	332031025R1
C8205	C-CERA C	CK725B1C-104K0	1	332011045R1
C8206	C-CERA C	CK725B1C-104K0	1	332011045R1
C8207	C-CERA C	CK725B1H-102K0	1	332031025R1
C8208	C-CERA C	CK725B1C-104K0	1	332011045R1
C8209	C-CERA C	CK725B1C-104K0	1	332011045R1
C8210	CERA C	CC725CH1H-070C0	1	342030701R1
C8211	C-CERA C	CC725CH1H-080C0	1	342030801R1
C8212	C-CERA C	CK725B1C-104K0	1	332011045R1
C8213	C-CERA C	CK725B1C-104K0	1	332011045R1
C8214	C-CERA C	CK732B16V-106K	1	332071065R2

C8215	C-CERA C	CK732B16V-106K	1	332071065R2
C8216	C-CERA C	CK725B1H-102K0	1	332031025R1
C8217	C-CERA C	CK725B1C-104K0	1	332011045R1
C8218	C-CERA C	CK725B1C-104K0	1	332011045R1
C8219	C-CERA C	CK725B1C-104K0	1	332011045R1
C8220	C-CERA C	CK725B1C-104K0	1	332011045R1
C8221	C-CERA C	CK725B1C-104K0	1	332011045R1
C8222	C-CERA C	CK725B1C-104K0	1	332011045R1
C8223	C-CERA C	CK725B1C-104K0	1	332011045R1
C8224	C-CERA C	CK725B1C-104K0	1	332011045R1
C8225	C-CERA C	CK732B16V-106K	1	332071065R2
C8226	C-CERA C	CK732B16V-106K	1	332071065R2
C8236	C-CERA C	CK725B1C-104K0	1	332011045R1
C8237	C-CERA C	CK725B1C-104K0	1	332011045R1
C8238	C-CERA C	CK725B1C-104K0	1	332011045R1
C8239	C-CERA C	CK725B1H-103K0	1	332031035R1
C8240	C-CERA C	CK725B1H-103K0	1	332031035R1
C8241	C-CERA C	CK725B1H-103K0	1	332031035R1
C8242	C-CERA C	CK725B1H-103K0	1	332031035R1
C8243	C-CERA C	CK725B1H-103K0	1	332031035R1
C8244	C-CERA C	CK732B16V-106K	1	332071065R2
C8245	C-CERA C	CK732B16V-106K	1	332071065R2
C8246	C-CERA C	CK725B1H-103K0	1	332031035R1
C8247	C-CERA C	CK725B1H-103K0	1	332031035R1
C8248	C-CERA C	CK725B1H-103K0	1	332031035R1
C8249	C-CERA C	CK725B1H-103K0	1	332031035R1
C8250	C-CERA C	CK725B1H-103K0	1	332031035R1
C8251	C-CERA C	CK725B1A-105K0	1	332001055R1
C8252	C-CERA C	CK725B1A-105K0	1	332001055R1
C8253	C-CERA C	CK725B1A-105K0	1	332001055R1
C8254	C-CERA C	CK725B1H-103K0	1	332031035R1
C8255	C-CERA C	CK725B1C-104K0	1	332011045R1
C8256	CHIP TANTAL	TCSCS0J107MBAR	1	396521017R2
C8256 or	CHIP TANTAL	F93-6.3V-100M	(1)	395521017R2
C8256 or	CHIP TANTAL	TEESVB20J107M8R	(1)	398421017R2
C8257	CHIP TANTAL	TCSCS0J226MAAR	1	396522207R2
C8257 or	CHIP TANTAL	F93-6.3V-22M	(1)	395522207R2
C8257 or	CHIP TANTAL	TEESVA0J226M8R	(1)	398422207R2
C8268	C-CERA C	CK725B1C-104K0	1	332011045R1

C8269	C-CERA C	CK725B1C-104K0	1	332011045R1
C8270	C-CERA C	CK725B1C-104K0	1	332011045R1
C8271	C-CERA C	CK725B1H-103K0	1	332031035R1
C8272	C-CERA C	CK725B1H-103K0	1	332031035R1
C8273	C-CERA C	CK725B1H-103K0	1	332031035R1
C8274	C-CERA C	CK725B1H-103K0	1	332031035R1
C8275	C-CERA C	CK725B1H-103K0	1	332031035R1
C8276	C-CERA C	CK725B1H-103K0	1	332031035R1
C8277	C-CERA C	CK725B1H-103K0	1	332031035R1
C8278	C-CERA C	CK725B1H-103K0	1	332031035R1
C8279	C-CERA C	CK725B1H-103K0	1	332031035R1
C8280	C-CERA C	CK725B1H-103K0	1	332031035R1
C8281	C-CERA C	CK725B1H-103K0	1	332031035R1
C8282	C-CERA C	CK725B1H-103K0	1	332031035R1
C8283	C-CERA C	CK725B1H-103K0	1	332031035R1
C8284	C-CERA C	CK725B1H-103K0	1	332031035R1
C8285	C-CERA C	CK725B1H-103K0	1	332031035R1
C8286	C-CERA C	CK725B1H-103K0	1	332031035R1
C8287	C-CERA C	CK725B1C-104K0	1	332011045R1
C8288	C-CERA C	CK725B1C-104K0	1	332011045R1
C8289	C-CERA C	CK725B1C-104K0	1	332011045R1
C8292	C-CERA C	CK725B1H-103K0	1	332031035R1
C8293	C-CERA C	CK725B1H-103K0	1	332031035R1
C8294	C-CERA C	CK725B1H-103K0	1	332031035R1
C8295	C-CERA C	CK725B1H-103K0	1	332031035R1
C8296	C-CERA C	CK725B1H-103K0	1	332031035R1
C8297	C-CERA C	CK725B1C-104K0	1	332011045R1
C8298	C-CERA C	CK725B1C-104K0	1	332011045R1
C8302	C-CERA C	CK725B1H-103K0	1	332031035R1
C8303	C-CERA C	CK725B1H-103K0	1	332031035R1
C8304	C-CERA C	CK725B1H-103K0	1	332031035R1
C8305	C-CERA C	CK725B1H-103K0	1	332031035R1
C8306	C-CERA C	CK725B1H-103K0	1	332031035R1
C8307	C-CERA C	CK725B1C-104K0	1	332011045R1
C8308	C-CERA C	CK725B1C-104K0	1	332011045R1
C8311	C-CERA C	CK732B16V-106K	1	332071065R2
C8312	CHIP TANTAL	TCSCSJ226MAAR	1	396522207R2
C8312 or	CHIP TANTAL	F93-6.3V-22M	(1)	395522207R2
C8312 or	CHIP TANTAL	TEESVA0J226M8R	(1)	398422207R2

C8313	CHIP TANTAL	TCSCS0J107MBAR	1	396521017R2
C8313 or	CHIP TANTAL	F93-6.3V-100M	(1)	395521017R2
C8313 or	CHIP TANTAL	TEESVB20J107M8R	(1)	398421017R2
C8314	C-CERA C	CK725B1C-104K0	1	332011045R1
C8315	C-CERA C	CK725B1A-105K0	1	332001055R1
C8611	C-CERA C	CK725B1H-102K0	1	332031025R1
C8612	C-CERA C	CK725B1H-102K0	1	332031025R1
C8621	C-CERA C	CK725B1H-102K0	1	332031025R1
C8622	C-CERA C	CK725B1H-102K0	1	332031025R1
C8631	C-CERA C	CK725B1H-102K0	1	332031025R1
C8632	C-CERA C	CK725B1H-102K0	1	332031025R1
C8641	C-CERA C	CK725B1H-102K0	1	332031025R1
C8642	C-CERA C	CK725B1H-102K0	1	332031025R1
C8651	C-CARBON R	RN72K1J-000JE	1	435030004R1
C8652	C-CERA C	CK725B1H-102K0	1	332031025R1
C8663	C-CERA C	CK725B1C-104K0	1	332011045R1
C8664	C-CERA C	CK725B1H-102K0	1	332031025R1
C8665	C-CERA C	CK725B1C-104K0	1	332011045R1
C8666	C-CERA C	CK725B1H-102K0	1	332031025R1
C8669	C-CERA C	CK725B1C-104K0	1	332011045R1
C8670	C-CERA C	CK725B1H-102K0	1	332031025R1
C8671	C-CERA C	CK725B1C-104K0	1	332011045R1
C8672	C-CERA C	CK725B1H-102K0	1	332031025R1
C8673	C-CERA C	CK725B1C-104K0	1	332011045R1
C8674	C-CERA C	CK725B1H-102K0	1	332031025R1
C8675	C-CERA C	CK725B1C-104K0	1	332011045R1
C8676	C-CERA C	CK725B1H-102K0	1	332031025R1
C8677	C-CERA C	CK732B16V-106K	1	332071065R2
C8680	C-CERA C	CK732B16V-106K	1	332071065R2
C8681	C-CERA C	CK725B1C-104K0	1	332011045R1
C8682	C-CERA C	CK725B1H-102K0	1	332031025R1
C8701	C-CERA C	CK725B1C-104K0	1	332011045R1
C8702	C-CERA C	CK725B1C-104K0	1	332011045R1
C8703	C-CERA C	CK725B1C-104K0	1	332011045R1
C8704	C-CERA C	CK725B1C-104K0	1	332011045R1
C8705	C-CERA C	CK725B1A-105K0	1	332001055R1
C8706	C-CERA C	CK725B1C-104K0	1	332011045R1
C8707	C-CERA C	CK725B1C-104K0	1	332011045R1
C8708	C-CERA C	CK732B16V-106K	1	332071065R2

C8709	C-CERA C	CK732B16V-106K	1	332071065R2
C8901	CHIP ELECT C	CEWX16V-100M	1	398141017R2
C8902	C-CERA C	CK732B16V-106K	1	332071065R2
C8904	C-CERA C	CK725B1A-105K0	1	332001055R1
C8906	C-CERA C	CK725B1C-104K0	1	332011045R1
C8907	C-CERA C	CK725B1A-105K0	1	332001055R1
C8908	C-CERA C	CK725B1A-105K0	1	332001055R1
C8911	C-CERA C	CK725B1C-104K0	1	332011045R1
C8912	CHIP ELECT C	CEWX16V-100M	1	398141017R2
C8913	C-CERA C	CK725B1A-105K0	1	332001055R1
C8914	C-CERA C	CK725B1C-104K0	1	332011045R1
C8915	CHIP ELECT C	CEWX16V-100M	1	398141017R2
C8916	C-CERA C	CK725B1A-105K0	1	332001055R1
C8917	C-CERA C	CK725B1C-104K0	1	332011045R1
C8918	CHIP ELECT C	CEWX16V-100M	1	398141017R2
C8919	C-CERA C	CK725B1A-105K0	1	332001055R1
C8920	C-CERA C	CK725B1C-104K0	1	332011045R1
C8921	CHIP ELECT C	CEWX16V-100M	1	398141017R2
C8922	C-CERA C	CK725B1A-105K0	1	332001055R1
C8931	C-CERA C	CK725B1C-104K0	1	332011045R1
C8932	C-CERA C	CK725B1C-104K0	1	332011045R1
C8933	C-CERA C	CK725B1E-106K	1	332221065R2
C8934	C-CERA C	CK725B1E-106K	1	332221065R2
C8935	C-CERA C	CK725B1H-223K0	1	332032235R1
C8936	C-CERA C	CK732B16V-106K	1	332071065R2
C8937	C-CERA C	CK732B16V-106K	1	332071065R2
C8938	C-CERA C	CK732B16V-106K	1	332071065R2
C8940	C-CERA C	CC725CH1H-331J0	1	342033314R1
C8941	C-CERA C	CK725B1C-104K0	1	332011045R1
C8942	C-CERA C	CK725B1C-104K0	1	332011045R1
C8943	C-CERA C	CK725B1E-106K	1	332221065R2
C8944	C-CERA C	CK725B1E-106K	1	332221065R2
C8945	C-CERA C	CK725B1E-682K0	1	332026825R1
C8946	C-CERA C	CK732B16V-106K	1	332071065R2
C8947	C-CERA C	CK732B16V-106K	1	332071065R2
C8948	C-CERA C	CK732B16V-106K	1	332071065R2
C8951	C-CERA C	CK725B1C-104K0	1	332011045R1
C8952	C-CERA C	CK725B1C-104K0	1	332011045R1
C8953	C-CERA C	CK725B1E-106K	1	332221065R2

C8954	C-CERA C	CK725B1E-106K	1	332221065R2
C8955	C-CERA C	CK725B1H-103K0	1	332031035R1
C8956	C-CERA C	CK732B16V-106K	1	332071065R2
C8957	C-CERA C	CK732B16V-106K	1	332071065R2
C8958	C-CERA C	CK732B16V-106K	1	332071065R2
C8960	C-CERA C	CC725CH1H-151J0	1	342031514R1
C8961	C-CERA C	CK725B1C-104K0	1	332011045R1
C8962	C-CERA C	CK725B1C-104K0	1	332011045R1
C8963	C-CERA C	CK725B1E-106K	1	332221065R2
C8964	C-CERA C	CK725B1E-106K	1	332221065R2
C8965	C-CERA C	CK725B1H-103K0	1	332031035R1
C8966	C-CERA C	CK732B16V-106K	1	332071065R2
C8967	C-CERA C	CK732B16V-106K	1	332071065R2
C8968	C-CERA C	CK732B16V-106K	1	332071065R2
[RESISTOR]				
R3009	C-CARBON R	RN72K1J-330JE	1	435033304R1
R3010	C-R NET	RM7LJ330X04	1	43484733004R2
R3011	C-R NET	RM7LJ330X04	1	43484733004R2
R3012	C-R NET	RM7LJ470X04	1	43484747004R2
R3013	C-R NET	RM7LJ330X04	1	43484733004R2
R3014	C-R NET	RM7LJ330X04	1	43484733004R2
R3015	C-R NET	RM7LJ330X04	1	43484733004R2
R3016	C-CARBON R	RN72K1J-470JE	1	435034704R1
R3017	C-R NET	RM7LJ330X04	1	43484733004R2
R3018	C-CARBON R	RN72K1J-470JE	1	435034704R1
R3019	C-R NET	RM7LJ330X04	1	43484733004R2
R3020	C-R NET	RM7LJ330X04	1	43484733004R2
R3021	C-CARBON R	RN72K1J-470JE	1	435034704R1
R3022	C-CARBON R	RN72K1J-470JE	1	435034704R1
R3023	C-R NET	RM7LJ470X04	1	43484747004R2
R3024	C-CARBON R	RN72K1J-470JE	1	435034704R1
R3025	C-CARBON R	RN72K1J-102JE	1	435031024R1
R3028	C-CARBON R	RN72K1J-470JE	1	435034704R1
R3029	C-CARBON R	RN72K1J-102JE	1	435031024R1
R3032	C-CARBON R	RN72K1J-103JE	1	435031034R1
R3033	C-CARBON R	RN72K1J-470JE	1	435034704R1
R3034	C-CARBON R	RN72K1J-470JE	1	435034704R1
R3035	C-CARBON R	RN72K1J-470JE	1	435034704R1
R3036	C-CARBON R	RN72K1J-470JE	1	435034704R1

R3037	C-CARBON R	RN72K1J-470JE	1	435034704R1
R3038	C-CARBON R	RN72K1J-470JE	1	435034704R1
R3039	C-CARBON R	RN72K1J-470JE	1	435034704R1
R3040	C-CARBON R	RN72K1J-103JE	1	435031034R1
R3041	C-R NET	RM7LJ330X04	1	43484733004R2
R3042	C-R NET	RM7LJ330X04	1	43484733004R2
R3043	C-CARBON R	RN72K1J-000JE	1	435030004R1
R3044	C-R NET	RM7LJ330X04	1	43484733004R2
R3045	C-R NET	RM7LJ330X04	1	43484733004R2
R3047	C-CARBON R	RN72K1J-560JE	1	435035604R1
R3048	C-CARBON R	RN72K1J-221JE	1	435032214R1
R3049	C-CARBON R	RN72K1J-560JE	1	435035604R1
R3050	C-CARBON R	RN72K1J-560JE	1	435035604R1
R3051	C-CARBON R	RN72K1J-560JE	1	435035604R1
R3054	C-CARBON R	RN72K1J-103JE	1	435031034R1
R3056	C-CARBON R	RN72K1J-472JE	1	435034724R1
R3060	C-CARBON R	RN72K1J-680JE	1	435036804R1
R3061	C-CARBON R	RN72K1J-470JE	1	435034704R1
R3062	C-CARBON R	RN72K1J-680JE	1	435036804R1
R3063	C-CARBON R	RN72K1J-680JE	1	435036804R1
R3064	C-CARBON R	RN72K1J-680JE	1	435036804R1
R3065	C-CARBON R	RN72K1J-680JE	1	435036804R1
R3066	C-CARBON R	RN72K1J-102JE	1	435031024R1
R3101	C-CARBON R	RN72K1J-103JE	1	435031034R1
R3102	C-CARBON R	RN72K1J-103JE	1	435031034R1
R3105	C-CARBON R	RN72K1J-222JE	1	435032224R1
R3106	C-CARBON R	RN72K1J-102JE	1	435031024R1
R3108	C-CARBON R	RN72K1J-103JE	1	435031034R1
R3110	C-CARBON R	RN72K1J-103JE	1	435031034R1
R3111	C-CARBON R	RN72K1J-103JE	1	435031034R1
R3113	C-CARBON R	RN72K1J-103JE	1	435031034R1
R3115	C-CARBON R	RN72K1J-332JE	1	435033324R1
R3117	C-CARBON R	RN72K1J-332JE	1	435033324R1
R3119	C-CARBON R	RN72K1J-332JE	1	435033324R1
R3121	C-CARBON R	RN72K1J-103JE	1	435031034R1
R3122	C-CARBON R	RN72K1J-102JE	1	435031024R1
R3123	C-CERA C	CK725F1E-104Z1	1	332161040R1
R3124	C-CARBON R	RN72K1J-331JE	1	435033314R1
R3125	C-CARBON R	RN72K1J-470JE	1	435034704R1

R3126	C-CARBON R	RN72K1J-470JE	1	435034704R1
R3127	C-CARBON R	RN72K1J-470JE	1	435034704R1
R3128	C-CARBON R	RN72K1J-472JE	1	435034724R1
R3129	C-CARBON R	RN72K1J-470JE	1	435034704R1
R3130	C-CARBON R	RN72K1J-470JE	1	435034704R1
R3131	C-CARBON R	RN72K1J-470JE	1	435034704R1
R3133	C-CARBON R	RN72K1J-470JE	1	435034704R1
R3134	C-CARBON R	RN72K1J-103JE	1	435031034R1
R3135	C-CARBON R	RN72K1J-103JE	1	435031034R1
R3136	C-CARBON R	RN72K1J-000JE	1	435030004R1
R3137	C-CARBON R	RN72K1J-000JE	1	435030004R1
R3139	C-CARBON R	RN72K1J-101JE	1	435031014R1
R3143	C-CARBON R	RN72K1J-392JE	1	435033924R1
R3144	C-CARBON R	RN72K1J-101JE	1	435031014R1
R3145	C-CARBON R	RN72K1J-392JE	1	435033924R1
R3146	C-CARBON R	RN72K1J-390JE	1	435033904R1
R3147	C-CARBON R	RN72K1J-000JE	1	435030004R1
R3148	C-CARBON R	RN72K1J-390JE	1	435033904R1
R3149	C-CARBON R	RN72K1J-102JE	1	435031024R1
R3150	C-CARBON R	RN72K1J-680JE	1	435036804R1
R3151	C-CARBON R	RN72K1J-000JE	1	435030004R1
R3152	C-CARBON R	RN72K1J-000JE	1	435030004R1
R3154	C-CARBON R	RN72K1J-390JE	1	435033904R1
R3155	C-CARBON R	RN72K1J-390JE	1	435033904R1
R3156	C-CARBON R	RN72K1J-390JE	1	435033904R1
R3157	C-CARBON R	RN72K1J-000JE	1	435030004R1
R3162	C-CARBON R	RN72K1J-390JE	1	435033904R1
R3163	C-CARBON R	RN72K1J-220JE	1	435032204R1
R3164	C-CARBON R	RN72K1J-472JE	1	435034724R1
R3168	C-CARBON R	RN72K1J-220JE	1	435032204R1
R3169	C-CARBON R	RN72K1J-220JE	1	435032204R1
R3170	C-CARBON R	RN72K1J-391FE	1	435033912R1
R3171	C-CARBON R	RN72K1J-222FE	1	435032222R1
R3172	C-CARBON R	RN72K1J-392FE	1	435033922R1
R3173	C-CARBON R	RN72K1J-390JE	1	435033904R1
R3174	C-CARBON R	RN72K1J-390JE	1	435033904R1
R3175	C-CARBON R	RN72K1J-472JE	1	435034724R1
R3181	C-CARBON R	RN72K1J-470JE	1	435034704R1
R3182	C-CARBON R	RN72K1J-472JE	1	435034724R1

R3183	C-CARBON R	RN72K1J-470JE	1	435034704R1
R3184	C-CARBON R	RN72K1J-470JE	1	435034704R1
R3185	C-CARBON R	RN72K1J-332JE	1	435033324R1
R3187	C-CARBON R	RN72K1J-472JE	1	435034724R1
R3192	C-CARBON R	RN72K1J-472JE	1	435034724R1
R3193	C-CARBON R	RN72K1J-472JE	1	435034724R1
R3194	C-CARBON R	RN72K1J-472JE	1	435034724R1
R3199	C-CARBON R	RN72K1J-102JE	1	435031024R1
R3201	C-CARBON R	RN72K1J-331JE	1	435033314R1
R3202	C-CARBON R	RN72K1J-331JE	1	435033314R1
R3203	C-CARBON R	RN72K1J-103JE	1	435031034R1
R3204	C-CARBON R	RN72K1J-103JE	1	435031034R1
R3205	C-CARBON R	RN72K1J-103JE	1	435031034R1
R3206	C-CARBON R	RN72K1J-331JE	1	435033314R1
R3207	C-CARBON R	RN72K1J-470JE	1	435034704R1
R3208	C-CARBON R	RN72K1J-271JE	1	435032714R1
R3209	C-CARBON R	RN72K1J-331JE	1	435033314R1
R3210	C-CARBON R	RN72K1J-331JE	1	435033314R1
R3211	C-CARBON R	RN72K1J-470JE	1	435034704R1
R3212	C-CARBON R	RN72K1J-220JE	1	435032204R1
R3213	C-CARBON R	RN72K1J-331JE	1	435033314R1
R3214	C-CARBON R	RN72K1J-470JE	1	435034704R1
R3215	C-CARBON R	RN72K1J-221JE	1	435032214R1
R3216	C-CARBON R	RN72K1J-331JE	1	435033314R1
R3218	C-CARBON R	RN72K1J-220JE	1	435032204R1
R3219	C-CARBON R	RN72K1J-221JE	1	435032214R1
R3221	C-CARBON R	RN72K1J-470JE	1	435034704R1
R3225	C-CARBON R	RN72K1J-220JE	1	435032204R1
R3226	C-R NET	RM7LJ470X04	1	43484747004R2
R3227	C-CARBON R	RN72K1J-470JE	1	435034704R1
R3229	C-CARBON R	RN72K1J-470JE	1	435034704R1
R3230	C-CARBON R	RN72K1J-221JE	1	435032214R1
R3232	C-CARBON R	RN72K1J-221JE	1	435032214R1
R3236	C-CARBON R	RN72K1J-470JE	1	435034704R1
R3237	C-CARBON R	RN72K1J-221JE	1	435032214R1
R3239	C-CARBON R	RN72K1J-221JE	1	435032214R1
R3240	C-CARBON R	RN72K1J-103JE	1	435031034R1
R3241	C-CARBON R	RN72K1J-221JE	1	435032214R1
R3242	C-CARBON R	RN72K1J-221JE	1	435032214R1

R3244	C-CARBON R	RN72K1J-470JE	1	435034704R1	
R3247	C-CARBON R	RN72K1J-121JE	1	435031214R1	
R3251	C-CARBON R	RN72K1J-470JE	1	435034704R1	
R3254	C-CARBON R	RN72K1J-470JE	1	435034704R1	
R3255	C-CARBON R	RN72K1J-103JE	1	435031034R1	
R3257	C-CARBON R	RN72K1J-470JE	1	435034704R1	
R3260	C-CARBON R	RN72K1J-390JE	1	435033904R1	
R3262	C-CARBON R	RN72K1J-221JE	1	435032214R1	
R3264	C-CARBON R	RN72K1J-470JE	1	435034704R1	
R3265	C-CARBON R	RN72K1J-390JE	1	435033904R1	
R3267	C-CARBON R	RN72K1J-470JE	1	435034704R1	
R3268	C-CARBON R	RN72K1J-390JE	1	435033904R1	
R3271	C-CARBON R	RN72K1J-390JE	1	435033904R1	
R3272	C-CARBON R	RN72K1J-470JE	1	435034704R1	
R3274	C-CARBON R	RN72K1J-390JE	1	435033904R1	
R3276	C-CARBON R	RN72K1J-470JE	1	435034704R1	
R3277	C-CARBON R	RN72K1J-220JE	1	435032204R1	
R3278	C-CARBON R	RN72K1J-470JE	1	435034704R1	
R3280	C-CARBON R	RN72K1J-470JE	1	435034704R1	
R3283	C-CARBON R	RN72K1J-103JE	1	435031034R1	
R3284	C-CARBON R	RN72K1J-103JE	1	435031034R1	
R3670	C-CARBON R	RN72K1J-103JE	1	435031034R1	
R8000	C-CARBON R	RN72K1J-103JE	1	435031034R1	
R8003	C-CARBON R	RN72K1J-000JE	1	435030004R1	
R8004	C-CARBON R	RN72K1J-103JE	1	435031034R1	
R8005	C-CARBON R	RN72K1J-103JE	1	435031034R1	
R8006	C-CARBON R	RN72K1J-472JE	1	435034724R1	
R8007	C-CARBON R	RN72K1J-472JE	1	435034724R1	
R8008	C-CARBON R	RN72K1J-103JE	1	435031034R1	
R8009	C-CARBON R	RN72K1J-000JE	1	435030004R1	
R8010	C-R NET	RM7LJ510X04	1	43484751004R2	N
R8011	C-R NET	RM7LJ510X04	1	43484751004R2	N
R8012	C-R NET	RM7LJ510X04	1	43484751004R2	N
R8013	C-R NET	RM7LJ510X04	1	43484751004R2	N
R8014	C-R NET	RM7LJ510X04	1	43484751004R2	N
R8015	C-CARBON R	MCR03EZPF49R9(49.9_1%)	1	4100037R2	
R8016	C-CARBON R	MCR03EZPF49R9(49.9_1%)	1	4100037R2	
R8017	C-CARBON R	MCR03EZPF49R9(49.9_1%)	1	4100037R2	
R8018	C-CARBON R	RN72K1J-000JE	1	435030004R1	

R8019	C-CARBON R	RN72K1J-000JE	1	435030004R1
R8037	C-CARBON R	RN72K1J-000JE	1	435030004R1
R8042	C-CARBON R	MCR03EZPF49R9(49.9_1%)	1	4100037R2
R8043	C-CARBON R	MCR03EZPF49R9(49.9_1%)	1	4100037R2
R8045	C-CARBON R	RN72K1J-331FE	1	435033312R1
R8046	C-CARBON R	RN72K1J-332FE	1	435033322R1
R8047	C-CARBON R	RN72K1J-271FE	1	435032712R1
R8048	C-CARBON R	RN72K1J-222FE	1	435032222R1
R8049	C-CARBON R	RN72K1J-750JE	1	435037504R1
R8050	C-CARBON R	RN72K1J-750JE	1	435037504R1
R8052	C-CARBON R	RN72K1J-472JE	1	435034724R1
R8053	C-R NET	RM7LJ220X04	1	43484722004R2
R8054	C-R NET	RM7LJ220X04	1	43484722004R2
R8055	C-R NET	RM7LJ220X04	1	43484722004R2
R8056	C-R NET	RM7LJ220X04	1	43484722004R2
R8057	C-R NET	RM7LJ220X04	1	43484722004R2
R8058	C-R NET	RM7LJ220X04	1	43484722004R2
R8059	C-R NET	RM7LJ220X04	1	43484722004R2
R8060	C-R NET	RM7LJ220X04	1	43484722004R2
R8061	C-R NET	RM7LJ220X04	1	43484722004R2
R8062	C-R NET	RM7LJ220X04	1	43484722004R2
R8063	C-CARBON R	RN72K1J-220JE	1	435032204R1
R8064	C-CARBON R	RN72K1J-220JE	1	435032204R1
R8067	C-CARBON R	RN72K1J-220JE	1	435032204R1
R8068	C-CARBON R	RN72K1J-220JE	1	435032204R1
R8070	C-CARBON R	RN72K1J-103JE	1	435031034R1
R8073	C-CARBON R	RN72K1J-182JE	1	435031824R1
R8074	C-CARBON R	RN72K1J-182JE	1	435031824R1
R8077	C-CARBON R	RN72K1J-104JE	1	435031044R1
R8078	C-CARBON R	RN72K1J-472JE	1	435034724R1
R8079	C-CARBON R	RN72K1J-473JE	1	435034734R1
R8080	C-CARBON R	RN72K1J-101JE	1	435031014R1
R8081	C-CARBON R	RN72K1J-101JE	1	435031014R1
R8082	C-CARBON R	RN72K1J-101JE	1	435031014R1
R8083	C-CARBON R	RN72K1J-101JE	1	435031014R1
R8084	C-CARBON R	RN72K1J-100JE	1	435031004R1
R8085	C-CARBON R	RN72K1J-100JE	1	435031004R1
R8086	C-CARBON R	RN72K1J-100JE	1	435031004R1
R8087	C-CARBON R	RN72K1J-823JE	1	435038234R1

R8088	C-CARBON R	RN72K1J-103JE	1	435031034R1
R8089	C-CARBON R	RN72K1J-330JE	1	435033304R1
R8090	C-CARBON R	RN72K1J-103JE	1	435031034R1
R8091	C-CARBON R	RN72K1J-220JE	1	435032204R1
R8092	C-CARBON R	RN72K1J-220JE	1	435032204R1
R8093	C-CARBON R	RN72K1J-220JE	1	435032204R1
R8094	C-CARBON R	RN72K1J-472JE	1	435034724R1
R8095	C-CARBON R	RN72K1J-105JE	1	435031054R1
R8096	C-CARBON R	RN72K1J-101JE	1	435031014R1
R8097	C-CARBON R	RN72K1J-101JE	1	435031014R1
R8098	C-CARBON R	RN72K1J-220JE	1	435032204R1
R8099	C-CARBON R	RN72K1J-101JE	1	435031014R1
R8102	C-CARBON R	RN72K1J-472JE	1	435034724R1
R8103	C-CARBON R	RN72K1J-472JE	1	435034724R1
R8104	C-CARBON R	RN72K1J-472JE	1	435034724R1
R8105	C-CARBON R	RN72K1J-472JE	1	435034724R1
R8107	C-CARBON R	RN72K1J-472JE	1	435034724R1
R8108	C-CARBON R	RN72K1J-472JE	1	435034724R1
R8109	C-CARBON R	RN72K1J-472JE	1	435034724R1
R8110	C-CARBON R	RN72K1J-472JE	1	435034724R1
R8111	C-CARBON R	RN72K1J-101JE	1	435031014R1
R8112	C-CARBON R	RN72K1J-101JE	1	435031014R1
R8113	C-CARBON R	RN72K1J-101JE	1	435031014R1
R8114	C-CARBON R	RN72K1J-101JE	1	435031014R1
R8115	C-CARBON R	RN72K1J-103JE	1	435031034R1
R8116	C-CARBON R	RN72K1J-000JE	1	435030004R1
R8117	C-CARBON R	RN72K1J-470JE	1	435034704R1
R8118	C-CARBON R	RN72K1J-470JE	1	435034704R1
R8122	C-CARBON R	RN72K1J-220JE	1	435032204R1
R8123	C-CARBON R	RN72K1J-220JE	1	435032204R1
R8124	C-CARBON R	RN72K1J-220JE	1	435032204R1
R8125	C-CARBON R	RN72K1J-220JE	1	435032204R1
R8126	C-CARBON R	RN72K1J-472JE	1	435034724R1
R8127	C-CARBON R	RN72K1J-472JE	1	435034724R1
R8128	C-CARBON R	RN72K1J-103JE	1	435031034R1
R8129	C-CARBON R	RN72K1J-103JE	1	435031034R1
R8132	C-CARBON R	RN72K1J-472JE	1	435034724R1
R8133	C-CARBON R	RN72K1J-000JE	1	435030004R1
R8136	C-CARBON R	RN72K1J-000JE	1	435030004R1

R8141	C-CARBON R	RN72K1J-100JE	1	435031004R1
R8142	C-CARBON R	RN72K1J-000JE	1	435030004R1
R8147	C-CARBON R	RN72K1J-104JE	1	435031044R1
R8149	C-CARBON R	RN72K1J-104JE	1	435031044R1
R8150	C-CARBON R	RN72K1J-104JE	1	435031044R1
R8151	C-CARBON R	RN72K1J-104JE	1	435031044R1
R8152	C-CARBON R	RN72K1J-104JE	1	435031044R1
R8191	C-CARBON R	RN72K1J-332JE	1	435033324R1
R8201	C-CARBON R	RN72K1J-103JE	1	435031034R1
R8202	C-CARBON R	RN72K1J-103JE	1	435031034R1
R8203	C-CARBON R	RN72K1J-101JE	1	435031014R1
R8204	C-CARBON R	RN72K1J-101JE	1	435031014R1
R8205	C-CARBON R	RN72K1J-120JE	1	435031204R1
R8206	C-CARBON R	RN72K1J-120JE	1	435031204R1
R8207	C-CARBON R	RN72K1J-120JE	1	435031204R1
R8208	C-CARBON R	RN72K1J-120JE	1	435031204R1
R8209	C-CARBON R	RN72K1J-120JE	1	435031204R1
R8210	C-CARBON R	RN72K1J-120JE	1	435031204R1
R8211	C-CARBON R	RN72K1J-120JE	1	435031204R1
R8212	C-CARBON R	RN72K1J-390JE	1	435033904R1
R8213	C-CARBON R	RN72K1J-120JE	1	435031204R1
R8214	C-CARBON R	RN72K1J-390JE	1	435033904R1
R8215	C-CARBON R	RN72K1J-120JE	1	435031204R1
R8216	C-CARBON R	RN72K1J-390JE	1	435033904R1
R8217	C-CARBON R	RN72K1J-120JE	1	435031204R1
R8218	C-CARBON R	RN72K1J-120JE	1	435031204R1
R8219	C-CARBON R	RN72K1J-120JE	1	435031204R1
R8220	C-CARBON R	RN72K1J-120JE	1	435031204R1
R8221	C-CARBON R	RN72K1J-120JE	1	435031204R1
R8222	C-CARBON R	RN72K1J-120JE	1	435031204R1
R8223	C-CARBON R	RN72K1J-820JE	1	435038204R1
R8224	C-CARBON R	RN72K1J-120JE	1	435031204R1
R8225	C-CARBON R	RN72K1J-120JE	1	435031204R1
R8226	C-CARBON R	RN72K1J-391JE	1	435033914R1
R8227	C-CARBON R	RN72K1J-120JE	1	435031204R1
R8228	C-CARBON R	RN72K1J-390JE	1	435033904R1
R8229	C-CARBON R	RN72K1J-120JE	1	435031204R1
R8230	C-CARBON R	RN72K1J-390JE	1	435033904R1
R8231	C-CARBON R	RN72K1J-120JE	1	435031204R1

R8232	C-CARBON R	RN72K1J-390JE	1	435033904R1
R8233	C-CARBON R	RN72K1J-000JE	1	435030004R1
R8234	C-CARBON R	RN72K1J-102JE	1	435031024R1
R8235	C-CARBON R	RN72K1J-103JE	1	435031034R1
R8236	C-CARBON R	RN72K1J-000JE	1	435030004R1
R8237	C-CARBON R	RN72K1J-000JE	1	435030004R1
R8238	C-CARBON R	RN72K1J-000JE	1	435030004R1
R8239	C-CARBON R	RN72K1J-000JE	1	435030004R1
R8240	C-CARBON R	RN72K1J-000JE	1	435030004R1
R8241	C-CARBON R	RN72K1J-472JE	1	435034724R1
R8242	C-CARBON R	RN72K1J-103JE	1	435031034R1
R8243	C-CARBON R	RN72K1J-220JE	1	435032204R1
R8244	C-CARBON R	RN72K1J-102JE	1	435031024R1
R8245	C-CARBON R	RN72K1J-102JE	1	435031024R1
R8246	C-CARBON R	RN72K1J-103JE	1	435031034R1
R8247	C-CARBON R	RN72K1J-103JE	1	435031034R1
R8248	C-CARBON R	RN72K1J-000JE	1	435030004R1
R8249	C-CARBON R	RN72K1J-000JE	1	435030004R1
R8250	C-CARBON R	RN72K1J-000JE	1	435030004R1
R8251	C-CARBON R	RN72K1J-472JE	1	435034724R1
R8252	C-CARBON R	RN72K1J-472JE	1	435034724R1
R8253	C-CARBON R	RN72K1J-102FE	1	435031022R1
R8254	C-CARBON R	RN72K1J-220JE	1	435032204R1
R8255	C-CARBON R	RN72K1J-220JE	1	435032204R1
R8256	C-CARBON R	RN72K1J-472JE	1	435034724R1
R8257	C-CARBON R	RN72K1J-472JE	1	435034724R1
R8258	C-CARBON R	RN72K1J-220JE	1	435032204R1
R8259	C-CARBON R	RN72K1J-220JE	1	435032204R1
R8260	C-R NET	RM7LJ220X04	1	43484722004R2
R8261	C-R NET	RM7LJ220X04	1	43484722004R2
R8262	C-R NET	RM7LJ220X04	1	43484722004R2
R8263	C-R NET	RM7LJ220X04	1	43484722004R2
R8264	C-R NET	RM7LJ220X04	1	43484722004R2
R8265	C-R NET	RM7LJ220X04	1	43484722004R2
R8266	C-R NET	RM7LJ220X04	1	43484722004R2
R8267	C-R NET	RM7LJ220X04	1	43484722004R2
R8268	C-R NET	RM7LJ330X04	1	43484733004R2
R8269	C-R NET	RM7LJ330X04	1	43484733004R2
R8270	C-R NET	RM7LJ330X04	1	43484733004R2

R8271	C-R NET	RM7LJ330X04	1	43484733004R2
R8272	C-R NET	RM7LJ330X04	1	43484733004R2
R8273	C-R NET	RM7LJ330X04	1	43484733004R2
R8274	C-R NET	RM7LJ330X04	1	43484733004R2
R8275	C-R NET	RM7LJ330X04	1	43484733004R2
R8276	C-R NET	RM7LJ330X04	1	43484733004R2
R8277	C-CARBON R	RN72K1J-330JE	1	435033304R1
R8278	C-R NET	RM7LJ330X04	1	43484733004R2
R8279	C-CARBON R	RN72K1J-101JE	1	435031014R1
R8280	C-CARBON R	RN72K1J-101JE	1	435031014R1
R8281	C-CARBON R	RN72K1J-330JE	1	435033304R1
R8282	C-CARBON R	RN72K1J-330JE	1	435033304R1
R8283	C-CARBON R	RN72K1J-101JE	1	435031014R1
R8284	C-R NET	RM7LJ330X04	1	43484733004R2
R8285	C-CARBON R	RN72K1J-330JE	1	435033304R1
R8287	C-CARBON R	RN72K1J-102FE	1	435031022R1
R8288	C-CARBON R	RN72K1J-103FE	1	435031032R1
R8289	C-CARBON R	RN72K1J-103FE	1	435031032R1
R8297	C-CARBON R	RN72K1J-750JE	1	435037504R1
R8298	C-CARBON R	RN72K1J-750JE	1	435037504R1
R8299	C-CARBON R	RN72K1J-750JE	1	435037504R1
R8300	C-CARBON R	RN72K1J-681JE	1	435036814R1
R8613	C-CARBON R	RN72K1J-473JE	1	435034734R1
R8614	C-CARBON R	RN72K1J-473JE	1	435034734R1
R8623	C-CARBON R	RN72K1J-473JE	1	435034734R1
R8624	C-CARBON R	RN72K1J-473JE	1	435034734R1
R8633	C-CARBON R	RN72K1J-473JE	1	435034734R1
R8634	C-CARBON R	RN72K1J-473JE	1	435034734R1
R8643	C-CARBON R	RN72K1J-473JE	1	435034734R1
R8644	C-CARBON R	RN72K1J-473JE	1	435034734R1
R8653	C-CARBON R	RN72K1J-473JE	1	435034734R1
R8654	C-CARBON R	RN72K1J-473JE	1	435034734R1
R8667	C-CARBON R	RN72K1J-473JE	1	435034734R1
R8668	C-CARBON R	RN72K1J-473JE	1	435034734R1
R8669	C-CARBON R	RN72K1J-000JE	1	435030004R1
R8670	C-CARBON R	RN72K1J-000JE	1	435030004R1
R8672	C-CARBON R	RN72K1J-103JE	1	435031034R1
R8673	C-CARBON R	RN72K1J-472JE	1	435034724R1
R8674	C-CARBON R	RN72K1J-103JE	1	435031034R1

R8675	C-CARBON R	RN72K1J-103JE	1	435031034R1
R8676	C-CARBON R	RN72K1J-103JE	1	435031034R1
R8677	C-CARBON R	RN72K1J-472JE	1	435034724R1
R8678	C-CARBON R	RN72K1J-472JE	1	435034724R1
R8701	C-CARBON R	RN72K1J-103JE	1	435031034R1
R8702	C-CARBON R	RN72K1J-000JE	1	435030004R1
R8703	C-CARBON R	RN72K1J-220JE	1	435032204R1
R8704	C-CARBON R	RN72K1J-103JE	1	435031034R1
R8705	C-R NET	RM7LJ103X04	1	43484710304R2
R8706	C-CARBON R	RN72K1J-103JE	1	435031034R1
R8707	C-CARBON R	RN72K1J-103JE	1	435031034R1
R8708	C-R NET	RM7LJ103X04	1	43484710304R2
R8709	C-CARBON R	RN72K1J-220JE	1	435032204R1
R8710	C-CARBON R	RN72K1J-222JE	1	435032224R1
R8711	C-CARBON R	RN72K1J-222JE	1	435032224R1
R8712	C-CARBON R	RN72K1J-103JE	1	435031034R1
R8713	C-R NET	RM7LJ220X04	1	43484722004R2
R8714	C-CARBON R	RN72K1J-222JE	1	435032224R1
R8715	C-CARBON R	RN72K1J-222JE	1	435032224R1
R8716	C-R NET	RM7LJ222X04	1	43484722204R2
R8717	C-R NET	RM7LJ222X04	1	43484722204R2
R8718	C-R NET	RM7LJ103X04	1	43484710304R2
R8719	C-R NET	RM7LJ103X04	1	43484710304R2
R8720	C-CARBON R	RN72K1J-220JE	1	435032204R1
R8721	C-CARBON R	RN72K1J-103JE	1	435031034R1
R8722	C-CARBON R	RN72K1J-222JE	1	435032224R1
R8723	C-CARBON R	RN72K1J-222JE	1	435032224R1
R8725	C-CARBON R	RN72K1J-103JE	1	435031034R1
R8728	C-CARBON R	RN72K1J-103JE	1	435031034R1
R8729	C-CARBON R	RN72K1J-000JE	1	435030004R1
R8730	C-CARBON R	RN72K1J-103JE	1	435031034R1
R8732	C-CARBON R	RN72K1J-103JE	1	435031034R1
R8734	C-CARBON R	RN72K1J-103JE	1	435031034R1
R8736	C-CARBON R	RN72K1J-103JE	1	435031034R1
R8737	C-CARBON R	RN72K1J-222JE	1	435032224R1
R8738	C-CARBON R	RN72K1J-222JE	1	435032224R1
R8739	C-CARBON R	RN72K1J-472JE	1	435034724R1
R8740	C-CARBON R	RN72K1J-472JE	1	435034724R1
R8742	C-CARBON R	RN72K1J-000JE	1	435030004R1

R8743	C-CARBON R	RN72K1J-000JE	1	435030004R1
R8744	C-R NET	RM7LJ103X04	1	43484710304R2
R8745	C-CARBON R	RN72K1J-103JE	1	435031034R1
R8746	C-CARBON R	RN72K1J-103JE	1	435031034R1
R8747	C-CARBON R	RN72K1J-220JE	1	435032204R1
R8748	C-CARBON R	RN72K1J-470JE	1	435034704R1
R8749	C-CARBON R	RN72K1J-470JE	1	435034704R1
R8901	C-CARBON R	RN72K1J-103JE	1	435031034R1
R8902	C-CARBON R	RN72K1J-393JE	1	435033934R1
R8906	C-CARBON R	RN72K1J-272JE	1	435032724R1
R8907	C-CARBON R	RN72K1J-223JE	1	435032234R1
R8908	C-CARBON R	RN72K1J-103JE	1	435031034R1
R8909	C-CARBON R	RN72K1J-334JE	1	435033344R1
R8910	C-CARBON R	RN72K1J-103JE	1	435031034R1
R8911	C-CARBON R	RN72K1J-682JE	1	435036824R1
R8912	C-CARBON R	RN72K1J-104JE	1	435031044R1
R8931	C-CARBON R	RN72K1J-102JE	1	435031024R1
R8932	C-CARBON R	RN72K1J-104JE	1	435031044R1
R8933	C-CARBON R	RN72K1J-182JE	1	435031824R1
R8934	C-CARBON R	RN72K1J-272FE	1	435032722R1
R8935	C-CARBON R	RN72K1J-563FE	1	435035632R1
R8936	C-CARBON R	RN72K1J-103FE	1	435031032R1
R8941	C-CARBON R	RN72K1J-102JE	1	435031024R1
R8942	C-CARBON R	RN72K1J-104JE	1	435031044R1
R8943	C-CARBON R	RN72K1J-332JE	1	435033324R1
R8945	C-CARBON R	RN72K1J-103FE	1	435031032R1
R8946	C-CARBON R	RN72K1J-103FE	1	435031032R1
R8951	C-CARBON R	RN72K1J-102JE	1	435031024R1
R8952	C-CARBON R	RN72K1J-104JE	1	435031044R1
R8953	C-CARBON R	RN72K1J-562JE	1	435035624R1
R8954	C-CARBON R	RN72K1J-273FE	1	435032732R1
R8955	C-CARBON R	RN72K1J-824FE	1	435038242R1
R8956	C-CARBON R	RN72K1J-103FE	1	435031032R1
R8963	C-CARBON R	RN72K1J-822JE	1	435038224R1
R8964	C-CARBON R	RN72K1J-563FE	1	435035632R1
R8965	C-CARBON R	RN72K1J-274FE	1	435032742R1
R8966	C-CARBON R	RN72K1J-103FE	1	435031032R1
[SW TRM]				
JL801B	WIRE TRAP	NPLG-5P588	1	25055626

P2800B	SOCKET	IMSA-9618S-09A	1	25053334R2
P2800Bor	SOCKET	09FMN-SMT-A-TF	(1)	25052826R2
P2801B	SOCKET	IMSA-9618S-09A	1	25053334R2
P2801Bor	SOCKET	09FMN-SMT-A-TF	(1)	25052826R2
P3101A	PLUG	NPLG-5P918	1	25055965R2
P3102A	SOCKET	NSCT-9P2472	1	25052575R2
P3104	SOCKET	RB1-105B8A1F	1	25053409
P3104 or	SOCKET	SI-60073-F	(1)	25053307
P3104 or	SOCKET	EJFR0002	(1)	25056668
P4900B	SOCKET	NSCT-11P2474	1	25052577R2
P8001B	SOCKET	IMSA-9111S-16L	1	25053258
P8002B	SOCKET	IMSA-9111S-24L	1	25053259
P8003B	SOCKET	IMSA-9111S-16L	1	25053258
P8030	SOCKET	IMSA-9618S-04A	1	25053329R2
P8030 or	SOCKET	04FMN-SMT-A-TF	(1)	25052821R2
P8101	SOCKET	TCX3400-111387	1	25053406R3
P8101 or	SOCKET	YKF45-7037V	(1)	25053253R3
P8101 or	SOCKET	HDMI(47266-4101)	(1)	25053389R3
P8101 or	SOCKET	061-043-079	(1)	25053407R3
P8104	SOCKET	NSCT-8P2471	1	25052574R2
P8611	SOCKET	TCX3400-111387	1	25053406R3
P8611 or	SOCKET	YKF45-7037V	(1)	25053253R3
P8611 or	SOCKET	HDMI(47266-4101)	(1)	25053389R3
P8611 or	SOCKET	061-043-079	(1)	25053407R3
P8621	SOCKET	TCX3400-111387	1	25053406R3
P8621 or	SOCKET	YKF45-7037V	(1)	25053253R3
P8621 or	SOCKET	HDMI(47266-4101)	(1)	25053389R3
P8621 or	SOCKET	061-043-079	(1)	25053407R3
P8631	SOCKET	TCX3400-111387	1	25053406R3
P8631 or	SOCKET	YKF45-7037V	(1)	25053253R3
P8631 or	SOCKET	HDMI(47266-4101)	(1)	25053389R3
P8631 or	SOCKET	061-043-079	(1)	25053407R3
P8641	SOCKET	TCX3400-111387	1	25053406R3
P8641 or	SOCKET	YKF45-7037V	(1)	25053253R3
P8641 or	SOCKET	HDMI(47266-4101)	(1)	25053389R3
P8641 or	SOCKET	061-043-079	(1)	25053407R3
P8651	SOCKET	TCX3400-111387	1	25053406R3
P8651 or	SOCKET	YKF45-7037V	(1)	25053253R3
P8651 or	SOCKET	HDMI(47266-4101)	(1)	25053389R3

P8651 or	SOCKET	061-043-079	(1)	25053407R3
P8652	SOCKET	TCX3400-111387	1	25053406R3
P8652 or	SOCKET	YKF45-7037V	(1)	25053253R3
P8652 or	SOCKET	HDMI(47266-4101)	(1)	25053389R3
P8652 or	SOCKET	061-043-079	(1)	25053407R3
P8661	SOCKET	TCX3400-111387	1	25053406R3
P8661 or	SOCKET	YKF45-7037V	(1)	25053253R3
P8661 or	SOCKET	HDMI(47266-4101)	(1)	25053389R3
P8661 or	SOCKET	061-043-079	(1)	25053407R3
P8662	SOCKET	TCX3400-111387	1	25053406R3
P8662 or	SOCKET	YKF45-7037V	(1)	25053253R3
P8662 or	SOCKET	HDMI(47266-4101)	(1)	25053389R3
P8662 or	SOCKET	061-043-079	(1)	25053407R3
P8702	SOCKET	NSCT-9P2472	1	25052575R2

U004 U0040~U0041

U0040 Digital Input Terminals / Main CPU / DAC PC board ass'y

BADG-0643-1

U0041 D-Sub Input terminal PC board ass'y

BAETC-0646-1

CIRCUIT NO.	PART NAME	DESCRIPTION	Q'TY	PART NO. (SN)	REMARKS
[SEMI CONDUCTOR]					
D110	C-DIODE	DA2J10100	1	223303R2	
D110 or	C-DIODE	ISS352	(1)	223234R2	
D110 or	C-DIODE	ISS355	(1)	223269R2	
D110 or	C-DIODE	MA2J111	(1)	223279R2	
D110 or	C-DIODE	KDS4148U	(1)	223283R2	
D111	C-DIODE	DA2J10100	1	223303R2	
D111 or	C-DIODE	ISS352	(1)	223234R2	
D111 or	C-DIODE	ISS355	(1)	223269R2	
D111 or	C-DIODE	MA2J111	(1)	223279R2	
D111 or	C-DIODE	KDS4148U	(1)	223283R2	
D131	C-DIODE	DA2J10100	1	223303R2	
D131 or	C-DIODE	ISS352	(1)	223234R2	
D131 or	C-DIODE	ISS355	(1)	223269R2	
D131 or	C-DIODE	MA2J111	(1)	223279R2	
D131 or	C-DIODE	KDS4148U	(1)	223283R2	
D132	C-DIODE	DA2J10100	1	223303R2	
D132 or	C-DIODE	ISS352	(1)	223234R2	
D132 or	C-DIODE	ISS355	(1)	223269R2	

D132 or	C-DIODE	MA2J111	(1)	223279R2
D132 or	C-DIODE	KDS4148U	(1)	223283R2
D182	DIODE	RLIN4003	1	22380260T
D183	DIODE	RLIN4003	1	22380260T
D601	C-DIODE	DA2J10100	1	223303R2
D601 or	C-DIODE	ISS352	(1)	223234R2
D601 or	C-DIODE	ISS355	(1)	223269R2
D601 or	C-DIODE	MA2J111	(1)	223279R2
D601 or	C-DIODE	KDS4148U	(1)	223283R2
D605	C-DIODE	DA2J10100	1	223303R2
D605 or	C-DIODE	ISS352	(1)	223234R2
D605 or	C-DIODE	ISS355	(1)	223269R2
D605 or	C-DIODE	MA2J111	(1)	223279R2
D605 or	C-DIODE	KDS4148U	(1)	223283R2
D606	C-DIODE	DA2J10100	1	223303R2
D606 or	C-DIODE	ISS352	(1)	223234R2
D606 or	C-DIODE	ISS355	(1)	223269R2
D606 or	C-DIODE	MA2J111	(1)	223279R2
D606 or	C-DIODE	KDS4148U	(1)	223283R2
D701	C-DIODE	DA2J10100	1	223303R2
D701 or	C-DIODE	ISS352	(1)	223234R2
D701 or	C-DIODE	ISS355	(1)	223269R2
D701 or	C-DIODE	MA2J111	(1)	223279R2
D701 or	C-DIODE	KDS4148U	(1)	223283R2
D702	C-DIODE	DA2J10100	1	223303R2
D702 or	C-DIODE	ISS352	(1)	223234R2
D702 or	C-DIODE	ISS355	(1)	223269R2
D702 or	C-DIODE	MA2J111	(1)	223279R2
D702 or	C-DIODE	KDS4148U	(1)	223283R2
Q131	IC	TC74HCU04AF	1	222740046R2TO
Q131 or	IC	74HCU04F	(1)	222740046R2
Q153	IC	R1EX25064ASA00A	1	22242581R2
Q153 or	IC	M95640-WMN6TP	(1)	22242643R2
Q181	TR	KRC105S	1	2217290R2
Q181 or	TR	RN1405	(1)	2214500R2
Q301	IC	PCM9211PTR	1	22242703R2
Q302	IC	PCM1690DCAR	1	22242599R2
Q304	IC	PCM1754DBQR	1	22242598R2
Q401	IC	NJM4580M-D	1	22241448R2

Q402	IC	NJM4580M-D	1	22241448R2
Q403	IC	NJM4580M-D	1	22241448R2
Q404	IC	NJM4580M-D	1	22241448R2
Q481	IC	NJM4580M-D	1	22241448R2
Q601	TR	KRC104S	1	2216210R2
Q601 or	TR	RN1404	(1)	2214490R2
Q701	IC (MAIN)	MPD70F3746GJ-GAE-AX (0411)	1	222W0079R304110
Q702	IC	S-812C33AUA-C2N	1	22242222R2
Q703	IC	S-812C56AUA-C3K	1	22242207R2
Q704	IC	SN74CB3Q3305PWR	1	22242258R2
Q731	IC	TC7SZU04FU	1	22242512R2TO
Q732	IC	TC7WH241FU(TE12L_F)	1	22242076R2TO
Q741	IC	XC6220B501PR	1	22242692R2
Q742	IC	BU33TD3WG-TR	1	22242715R2
Q751	TR	KRC104S	1	2216210R2
Q751 or	TR	RN1404	(1)	2214490R2
Q752	TR	KRA102S	1	2216220R2
Q752 or	TR	RN2402	(1)	2214530R2
Q753	TR	KRA107S	1	2216350R2
Q753 or	TR	RN2407(TE85L_F)	(1)	2216360R2
Q754	TR	KRC102S	1	2216190R2
Q754 or	TR	RN1402	(1)	2214470R2
Q755	TR	KRA107S	1	2216350R2
Q755 or	TR	RN2407(TE85L_F)	(1)	2216360R2
Q756	TR	KRC102S	1	2216190R2
Q756 or	TR	RN1402	(1)	2214470R2
Q761	TR	KRC104S	1	2216210R2
Q761 or	TR	RN1404	(1)	2214490R2
Q762	TR	KRA102S	1	2216220R2
Q762 or	TR	RN2402	(1)	2214530R2
Q771	TR	KRC104S	1	2216210R2
Q771 or	TR	RN1404	(1)	2214490R2
Q772	TR	KRA102S	1	2216220R2
Q772 or	TR	RN2402	(1)	2214530R2
[TRANS COIL]				
L130	CHOKE COIL	LBC2518T2R2M	1	231364M022R2
L131	CHOKE COIL	LBC2518T2R2M	1	231364M022R2
L132	CHOKE COIL	LBC2518T2R2M	1	231364M022R2
L133	CHOKE COIL	LBC2518T470M	1	231364M470R2

L134	CHOKE COIL	LBC2518T470M	1	231364M470R2
L135	EMIFIL	BK1608HS102-T	1	230955R2
L136	EMIFIL	BK1608HS102-T	1	230955R2
L153	CORE	BLM18PG181SN1D	1	2350005R1
L301	EMIFIL	BK1608LM182-T	1	230958R1
L302	EMIFIL	BK1608LM182-T	1	230958R1
L303	CHOKE COIL	LBC2518T4R7M	1	231364M047R2
L304	CHOKE COIL	LBC2518T4R7M	1	231364M047R2
L305	CHOKE COIL	LBC2518T4R7M	1	231364M047R2
L306	EMIFIL	BK1608LM182-T	1	230958R1
L370	CHOKE COIL	LBC2518T4R7M	1	231364M047R2
L401	CHOKE COIL	LBC2518T4R7M	1	231364M047R2
L402	CHOKE COIL	LBC2518T4R7M	1	231364M047R2
L500	CORE	BLM18PG181SN1D	1	2350005R1
L731	CORE	BLM18PG181SN1D	1	2350005R1
L732	CORE	MMZ1608Y601BT	1	2350004R1
L733	EMIFIL	BK1608LL241-T	1	230959R1
L734	CORE	MMZ1608Y601BT	1	2350004R1
L741	CORE	BLM18PG181SN1D	1	2350005R1
L742	CHOKE COIL	BLM21PG221SN1	1	230949R2
L743	CORE	BLM18PG181SN1D	1	2350005R1
L744	CORE	BLM18PG181SN1D	1	2350005R1
L746	CORE	BLM18PG181SN1D	1	2350005R1
L747	CORE	BLM18PG181SN1D	1	2350005R1
X171	CRYSTAL	HC-49SMD24.576MHz+/-50ppm	1	3010494R2
X501	CERA LOCK	CSTCR5M00G53-B0	1	3010356R2
X731	CRYSTAL	HC-49SMD11.2896MHz	1	3010480R2
[CAPACITOR]				
C130	C-CERA C	CK725F1E-104Z1	1	332161040R1
C131	C-CERA C	CC725CH1H-101J1	1	342101014R1
C132	C-CERA C	CC725CH1H-101J1	1	342101014R1
C133	C-CERA C	CK725B1C-104K1	1	332121045R1
C134	C-CERA C	CK725B1C-104K1	1	332121045R1
C135	C-CERA C	CC725CH1H-080D1	1	342100802R1
C136	C-CERA C	CC725CH1H-080D1	1	342100802R1
C139	UTSP C	CE04W10V-220M(UTSP)	1	397532217T
C140	C-CERA C	CK725F1E-104Z1	1	332161040R1
C141	C-CERA C	CK725F1E-104Z1	1	332161040R1
C142	C-CERA C	CK725F1E-104Z1	1	332161040R1

C143	C-CERA C	CC725CH1H-330J1	1	342103304R1
C144	C-CERA C	CC725CH1H-330J1	1	342103304R1
C145	UTSP C	CE04W10V-220M(UTSP)	1	397532217T
C151	C-CERA C	CK725F1E-104Z1	1	332161040R1
C172	C-CERA C	CC725CH1H-180J1	1	342101804R1
C173	C-CERA C	CC725CH1H-180J1	1	342101804R1
C305	C-CERA C	CK725F1E-104Z1	1	332161040R1
C306	UTSP C	CE04W10V-470M(UTSP)	1	397534717T
C307	C-CERA C	CK725F1E-104Z1	1	332161040R1
C312	C-CERA C	CK725B1H-102K1	1	332101025R1
C313	C-CERA C	CK725F1E-104Z1	1	332161040R1
C314	UTSP C	CE04W10V-470M(UTSP)	1	397534717T
C315	C-CERA C	CK725B1H-472K1	1	332104725R1
C316	C-CERA C	CK725B1H-473K1	1	332104735R1
C317	C-CERA C	CK725F1E-104Z1	1	332161040R1
C318	UTSP C	CE04W10V-470M(UTSP)	1	397534717T
C319	UTSJ C	CE04W25V-47M(UTSJ)	1	398054707AT
C320	C-CERA C	CK725B1H-223K1	1	332102235R1
C351	UTSP C	CE04W10V-470M(UTSP)	1	397534717T
C352	C-CERA C	CK725F1E-104Z1	1	332161040R1
C353	UTSP C	CE04W10V-470M(UTSP)	1	397534717T
C354	C-CERA C	CK725F1E-104Z1	1	332161040R1
C355	C-CERA C	CK725F1E-104Z1	1	332161040R1
C356	UTSJ C	CE04W25V-47M(UTSJ)	1	398054707AT
C357	C-CERA C	CK725F1E-104Z1	1	332161040R1
C370	C-CERA C	CK732B16V-106K	1	332071065R2
C371	C-CERA C	CK725F1E-104Z1	1	332161040R1
C372	C-CERA C	CK725F1E-104Z1	1	332161040R1
C373	C-CERA C	CK732B16V-106K	1	332071065R2
C400	UPZ C	2AUPZTF471JE	1	376334714T
C401	UPZ C	2AUPZTF471JE	1	376334714T
C402	UPZ C	2AUPZTF471JE	1	376334714T
C403	UPZ C	2AUPZTF471JE	1	376334714T
C404	UPZ C	2AUPZTF471JE	1	376334714T
C405	UPZ C	2AUPZTF471JE	1	376334714T
C406	UPZ C	2AUPZTF471JE	1	376334714T
C407	UPZ C	2AUPZTF471JE	1	376334714T
C410	UPZ C	2AUPZTF101JE	1	376331014T
C411	UPZ C	2AUPZTF101JE	1	376331014T

C412	UPZ C	2AUPZTF101JE	1	376331014T
C413	C-CERA C	CC725CH1H-101J1	1	342101014R1
C414	C-CERA C	CC725CH1H-101J1	1	342101014R1
C415	C-CERA C	CC725CH1H-101J1	1	342101014R1
C416	C-CERA C	CC725CH1H-101J1	1	342101014R1
C417	UPZ C	2AUPZTF101JE	1	376331014T
C420	UPZ C	2AUPZTF101JE	1	376331014T
C421	UPZ C	2AUPZTF101JE	1	376331014T
C422	UPZ C	2AUPZTF101JE	1	376331014T
C423	C-CERA C	CC725CH1H-101J1	1	342101014R1
C424	C-CERA C	CC725CH1H-101J1	1	342101014R1
C425	C-CERA C	CC725CH1H-101J1	1	342101014R1
C426	C-CERA C	CC725CH1H-101J1	1	342101014R1
C427	UPZ C	2AUPZTF101JE	1	376331014T
C480	UTSP C	CE04W50V-10M(UTSP)	1	397581007T
C481	UTSP C	CE04W50V-10M(UTSP)	1	397581007T
C482	C-CERA C	CC725CH1H-152J1	1	342101524R1
C483	C-CERA C	CC725CH1H-152J1	1	342101524R1
C484	C-CERA C	CC725CH1H-221J1	1	342102214R1
C485	C-CERA C	CC725CH1H-221J1	1	342102214R1
C498	UTSP C	CE04W25V-220M(UTSP)	1	397552217T
C499	UTSP C	CE04W25V-220M(UTSP)	1	397552217T
C501	UTSP C	CE04W50V-4.7M(UTSP)	1	397580477T
C502	C-CERA C	CK725F1E-104Z1	1	332161040R1
C503	C-CERA C	CK725F1E-104Z1	1	332161040R1
C504	C-CERA C	CK725F1E-104Z1	1	332161040R1
C505	C-CERA C	CK725F1E-104Z1	1	332161040R1
C507	C-CERA C	CK725F1E-104Z1	1	332161040R1
C508	C-CERA C	CK725F1E-104Z1	1	332161040R1
C509	C-CERA C	CK732B16V-106K	1	332071065R2
C511	C-CERA C	CK725B1H-102K1	1	332101025R1
C512	C-CERA C	CK725B1H-102K1	1	332101025R1
C513	C-CERA C	CC725CH1H-101J1	1	342101014R1
C514	C-CERA C	CC725CH1H-101J1	1	342101014R1
C518	C-CERA C	CK725B1H-102K1	1	332101025R1
C519	C-CERA C	CK725B1H-102K1	1	332101025R1
C520	C-CERA C	CK725B1H-102K1	1	332101025R1
C521	C-CERA C	CC725CH1H-221J1	1	342102214R1
C522	C-CERA C	CK725F1E-104Z1	1	332161040R1

C523	C-CERA C	CK725B1H-102K1	1	332101025R1
C524	C-CERA C	CK725B1H-102K1	1	332101025R1
C525	C-CERA C	CK725F1E-104Z1	1	332161040R1
C526	C-CERA C	CK725B1H-102K1	1	332101025R1
C527	C-CERA C	CK725B1H-102K1	1	332101025R1
C551	C-CERA C	CK725F1E-104Z1	1	332161040R1
C552	C-CERA C	CK725F1E-104Z1	1	332161040R1
C629	C-CERA C	CK725F1E-104Z1	1	332161040R1
C701	C-CERA C	CK725F1E-104Z1	1	332161040R1
C705	C-CERA C	CK732B16V-106K	1	332071065R2
C706	UTSP C	CE04W16V-470M(UTSP)	1	397544717T
C707	UTSP C	CE04W10V-100M(UTSP)	1	397531017T
C708	UTSP C	CE04W10V-470M(UTSP)	1	397534717T
C709	C-CERA C	CK725F1E-104Z1	1	332161040R1
C710	C-CERA C	CK725F1E-104Z1	1	332161040R1
C731	C-CERA C	CK725F1A-105Z1	1	332181050R1
C732	C-CERA C	CK732B16V-106K	1	332071065R2
C733	C-CERA C	CK725F1A-105Z1	1	332181050R1
C734	C-CERA C	CC725CH1H-120J1	1	342101204R1
C735	C-CERA C	CC725CH1H-120J1	1	342101204R1
C736	C-CERA C	CK725F1A-105Z1	1	332181050R1
C741	C-CERA C	CK732B16V-106K	1	332071065R2
C742	C-CERA C	CK732B16V-106K	1	332071065R2
C743	C-CERA C	CK732B16V-106K	1	332071065R2
C744	C-CERA C	CK732B16V-106K	1	332071065R2
C745	C-CERA C	CK725F1E-104Z1	1	332161040R1
C746	C-CERA C	CK732B16V-106K	1	332071065R2
C751	C-CERA C	CK725B1A-105K1	1	332131055R1
C752	C-CERA C	CK732B1C-474K	1	337394745R1
C753	VR C	CE04W6.3V-470M(VR)	1	394624717T
C761	C-CERA C	CK725B1A-105K1	1	332131055R1
C762	C-CERA C	CK732B1C-474K	1	337394745R1
C771	C-CERA C	CK725B1A-105K1	1	332131055R1
C772	C-CERA C	CK732B1C-474K	1	337394745R1
C800	C-CERA C	CK725F1E-104Z1	1	332161040R1
C801	C-CERA C	CK725B1H-103K1	1	332101035R1
[RESISTOR]				
R110	C-CARBON R	RN72K1J-103JE	1	435031034R1
R130	C-CARBON R	RN72K1J-331JE	1	435033314R1

R131	C-CARBON R	RN72K1J-750JE	1	435037504R1
R132	C-CARBON R	RN72K1J-750JE	1	435037504R1
R133	C-CARBON R	RN72K1J-100JE	1	435031004R1
R134	C-CARBON R	RN72K1J-100JE	1	435031004R1
R137	C-CARBON R	RN72K1J-103JE	1	435031034R1
R138	C-CARBON R	RN72K1J-103JE	1	435031034R1
R139	C-CARBON R	RN72K1J-823JE	1	435038234R1
R140	C-CARBON R	RN72K1J-823JE	1	435038234R1
R141	C-CARBON R	RN72K1J-470JE	1	435034704R1
R142	C-CARBON R	RN72K1J-470JE	1	435034704R1
R1490	C-CARBON R	RN72K1J-000JE	1	435030004R1
R1491	C-CARBON R	RN72K1J-000JE	1	435030004R1
R151	C-CARBON R	RN72K1J-103JE	1	435031034R1
R152	C-CARBON R	RN72K1J-103JE	1	435031034R1
R153	C-CARBON R	RN72K1J-222JE	1	435032224R1
R154	C-CARBON R	RN72K1J-103JE	1	435031034R1
R181	METAL R	RNU1/2WCJ-4.7	1	453530474T
R182	METAL R	RNU1/2WCJ-1	1	453530104T
R301	C-CARBON R	RN72K1J-470JE	1	435034704R1
R302	C-CARBON R	RN72K1J-151JE	1	435031514R1
R303	C-CARBON R	RN72K1J-221JE	1	435032214R1
R304	C-CARBON R	RN72K1J-221JE	1	435032214R1
R305	C-CARBON R	RN72K1J-221JE	1	435032214R1
R306	C-CARBON R	RN72K1J-330JE	1	435033304R1
R307	C-CARBON R	RN72K1J-331JE	1	435033314R1
R308	C-CARBON R	RN72K1J-331JE	1	435033314R1
R312	C-CARBON R	RN72K1J-470JE	1	435034704R1
R313	C-CARBON R	RN72K1J-470JE	1	435034704R1
R314	C-CARBON R	RN72K1J-151JE	1	435031514R1
R315	C-CARBON R	RN72K1J-151JE	1	435031514R1
R316	C-CARBON R	RN72K1J-470JE	1	435034704R1
R317	C-CARBON R	RN72K1J-331JE	1	435033314R1
R321	C-CARBON R	RN72K1J-331JE	1	435033314R1
R322	C-CARBON R	RN72K1J-331JE	1	435033314R1
R323	C-CARBON R	RN72K1J-331JE	1	435033314R1
R324	C-CARBON R	RN72K1J-331JE	1	435033314R1
R325	C-CARBON R	RN72K1J-331JE	1	435033314R1
R326	C-CARBON R	RN72K1J-331JE	1	435033314R1
R327	C-CARBON R	RN72K1J-221JE	1	435032214R1

R331	C-CARBON R	RN72K1J-221JE	1	435032214R1
R332	C-CARBON R	RN72K1J-681JE	1	435036814R1
R333	C-CARBON R	RN72K1J-221JE	1	435032214R1
R334	C-CARBON R	RN72K1J-000JE	1	435030004R1
R336	C-CARBON R	RN72K1J-000JE	1	435030004R1
R337	C-CARBON R	RN72K1J-000JE	1	435030004R1
R350	C-CARBON R	RN72K1J-331JE	1	435033314R1
R351	C-CARBON R	RN72K1J-331JE	1	435033314R1
R352	C-CARBON R	RN72K1J-331JE	1	435033314R1
R353	C-CARBON R	RN72K1J-221JE	1	435032214R1
R354	C-CARBON R	RN72K1J-221JE	1	435032214R1
R355	C-CARBON R	RN72K1J-220JE	1	435032204R1
R356	C-CARBON R	RN72K1J-220JE	1	435032204R1
R357	C-CARBON R	RN72K1J-220JE	1	435032204R1
R358	C-CARBON R	RN72K1J-220JE	1	435032204R1
R359	C-CARBON R	RN72K1J-220JE	1	435032204R1
R360	C-CARBON R	RN72K1J-220JE	1	435032204R1
R361	C-CARBON R	RN72K1J-331JE	1	435033314R1
R362	C-CARBON R	RN72K1J-472JE	1	435034724R1
R371	C-CARBON R	RN72K1J-331JE	1	435033314R1
R372	C-CARBON R	RN72K1J-151JE	1	435031514R1
R373	C-CARBON R	RN72K1J-151JE	1	435031514R1
R374	C-CARBON R	RN72K1J-151JE	1	435031514R1
R375	C-CARBON R	RN72K1J-151JE	1	435031514R1
R400	C-CARBON R	RN72K1J-153JE	1	435031534R1
R401	C-CARBON R	RN72K1J-153JE	1	435031534R1
R402	C-CARBON R	RN72K1J-153JE	1	435031534R1
R403	C-CARBON R	RN72K1J-153JE	1	435031534R1
R404	C-CARBON R	RN72K1J-153JE	1	435031534R1
R405	C-CARBON R	RN72K1J-153JE	1	435031534R1
R406	C-CARBON R	RN72K1J-153JE	1	435031534R1
R407	C-CARBON R	RN72K1J-153JE	1	435031534R1
R410	C-CARBON R	RN72K1J-153JE	1	435031534R1
R411	C-CARBON R	RN72K1J-153JE	1	435031534R1
R412	C-CARBON R	RN72K1J-153JE	1	435031534R1
R413	C-CARBON R	RN72K1J-153JE	1	435031534R1
R414	C-CARBON R	RN72K1J-153JE	1	435031534R1
R415	C-CARBON R	RN72K1J-153JE	1	435031534R1
R416	C-CARBON R	RN72K1J-153JE	1	435031534R1

R417	C-CARBON R	RN72K1J-153JE	1	435031534R1
R420	C-CARBON R	RN72K1J-103JE	1	435031034R1
R421	C-CARBON R	RN72K1J-103JE	1	435031034R1
R430	C-CARBON R	RN72K1J-103JE	1	435031034R1
R431	C-CARBON R	RN72K1J-103JE	1	435031034R1
R440	C-CARBON R	RN72K1J-123JE	1	435031234R1
R441	C-CARBON R	RN72K1J-123JE	1	435031234R1
R442	C-CARBON R	RN72K1J-223JE	1	435032234R1
R443	C-CARBON R	RN72K1J-223JE	1	435032234R1
R444	C-CARBON R	RN72K1J-223JE	1	435032234R1
R445	C-CARBON R	RN72K1J-223JE	1	435032234R1
R446	C-CARBON R	RN72K1J-223JE	1	435032234R1
R447	C-CARBON R	RN72K1J-223JE	1	435032234R1
R450	C-CARBON R	RN72K1J-123JE	1	435031234R1
R451	C-CARBON R	RN72K1J-123JE	1	435031234R1
R452	C-CARBON R	RN72K1J-223JE	1	435032234R1
R453	C-CARBON R	RN72K1J-223JE	1	435032234R1
R454	C-CARBON R	RN72K1J-223JE	1	435032234R1
R455	C-CARBON R	RN72K1J-223JE	1	435032234R1
R456	C-CARBON R	RN72K1J-223JE	1	435032234R1
R457	C-CARBON R	RN72K1J-223JE	1	435032234R1
R460	C-CARBON R	RN72K1J-182JE	1	435031824R1
R461	C-CARBON R	RN72K1J-182JE	1	435031824R1
R462	C-CARBON R	RN72K1J-182JE	1	435031824R1
R463	C-CARBON R	RN72K1J-182JE	1	435031824R1
R464	C-CARBON R	RN72K1J-182JE	1	435031824R1
R465	C-CARBON R	RN72K1J-182JE	1	435031824R1
R466	C-CARBON R	RN72K1J-182JE	1	435031824R1
R467	C-CARBON R	RN72K1J-182JE	1	435031824R1
R470	C-CARBON R	RN72K1J-182JE	1	435031824R1
R471	C-CARBON R	RN72K1J-182JE	1	435031824R1
R472	C-CARBON R	RN72K1J-182JE	1	435031824R1
R473	C-CARBON R	RN72K1J-182JE	1	435031824R1
R474	C-CARBON R	RN72K1J-182JE	1	435031824R1
R475	C-CARBON R	RN72K1J-182JE	1	435031824R1
R476	C-CARBON R	RN72K1J-182JE	1	435031824R1
R477	C-CARBON R	RN72K1J-182JE	1	435031824R1
R480	C-CARBON R	RN72K1J-104JE	1	435031044R1
R481	C-CARBON R	RN72K1J-104JE	1	435031044R1

R482	C-CARBON R	RN72K1J-332JE	1	435033324R1
R483	C-CARBON R	RN72K1J-332JE	1	435033324R1
R484	C-CARBON R	RN72K1J-472JE	1	435034724R1
R485	C-CARBON R	RN72K1J-472JE	1	435034724R1
R486	C-CARBON R	RN72K1J-822JE	1	435038224R1
R487	C-CARBON R	RN72K1J-822JE	1	435038224R1
R4900	C-CARBON R	RN72K1J-105JE	1	435031054R1
R4901	C-CARBON R	RN72K1J-105JE	1	435031054R1
R4902	C-CARBON R	RN72K1J-105JE	1	435031054R1
R4903	C-CARBON R	RN72K1J-105JE	1	435031054R1
R496	C-CARBON R	RN72K1J-000JE	1	435030004R1
R497	C-CARBON R	RN72K1J-000JE	1	435030004R1
R498	C-CARBON R	RN72K1J-220JE	1	435032204R1
R499	C-CARBON R	RN72K1J-220JE	1	435032204R1
R501	C-CARBON R	RN72K1J-473JE	1	435034734R1
R502	C-CARBON R	RN72K1J-221JE	1	435032214R1
R503	C-CARBON R	RN72K1J-103JE	1	435031034R1
R504	C-CARBON R	RN72K1J-000JE	1	435030004R1
R505	C-CARBON R	RN72K1J-103JE	1	435031034R1
R506	C-CARBON R	RN72K1J-000JE	1	435030004R1
R508	C-CARBON R	RN72K1J-105JE	1	435031054R1
R509	C-CARBON R	RN72K1J-000JE	1	435030004R1
R510	C-CARBON R	RN72K1J-470JE	1	435034704R1
R511	C-CARBON R	RN72K1J-473JE	1	435034734R1
R512	C-CARBON R	RN72K1J-221JE	1	435032214R1
R514	C-CARBON R	RN72K1J-470JE	1	435034704R1
R515	C-CARBON R	RN72K1J-470JE	1	435034704R1
R516	C-CARBON R	RN72K1J-470JE	1	435034704R1
R517	C-CARBON R	RN72K1J-470JE	1	435034704R1
R518	C-CARBON R	RN72K1J-103JE	1	435031034R1
R519	C-CARBON R	RN72K1J-470JE	1	435034704R1
R520	C-CARBON R	RN72K1J-103JE	1	435031034R1
R521	C-CARBON R	RN72K1J-470JE	1	435034704R1
R522	C-CARBON R	RN72K1J-470JE	1	435034704R1
R523	C-CARBON R	RN72K1J-470JE	1	435034704R1
R524	C-CARBON R	RN72K1J-103JE	1	435031034R1
R528	C-CARBON R	RN72K1J-470JE	1	435034704R1
R532	C-CARBON R	RN72K1J-472JE	1	435034724R1
R533	C-CARBON R	RN72K1J-472JE	1	435034724R1

R534	C-CARBON R	RN72K1J-223JE	1	435032234R1
R535	C-CARBON R	RN72K1J-223JE	1	435032234R1
R536	C-CARBON R	RN72K1J-223JE	1	435032234R1
R537	C-CARBON R	RN72K1J-223JE	1	435032234R1
R543	C-CARBON R	RN72K1J-103JE	1	435031034R1
R544	C-CARBON R	RN72K1J-221JE	1	435032214R1
R545	C-CARBON R	RN72K1J-221JE	1	435032214R1
R546	C-CARBON R	RN72K1J-221JE	1	435032214R1
R547	C-CARBON R	RN72K1J-221JE	1	435032214R1
R550	C-CARBON R	RN72K1J-470JE	1	435034704R1
R551	C-CARBON R	RN72K1J-103JE	1	435031034R1
R552	C-CARBON R	RN72K1J-103JE	1	435031034R1
R553	C-CARBON R	RN72K1J-470JE	1	435034704R1
R554	C-CARBON R	RN72K1J-103JE	1	435031034R1
R556	C-CARBON R	RN72K1J-470JE	1	435034704R1
R557	C-CARBON R	RN72K1J-103JE	1	435031034R1
R558	C-CARBON R	RN72K1J-470JE	1	435034704R1
R559	C-CARBON R	RN72K1J-272JE	1	435032724R1
R565	C-CARBON R	RN72K1J-470JE	1	435034704R1
R566	C-CARBON R	RN72K1J-103JE	1	435031034R1
R567	C-CARBON R	RN72K1J-470JE	1	435034704R1
R568	C-CARBON R	RN72K1J-103JE	1	435031034R1
R569	C-CARBON R	RN72K1J-470JE	1	435034704R1
R570	C-CARBON R	RN72K1J-103JE	1	435031034R1
R571	C-CARBON R	RN72K1J-470JE	1	435034704R1
R573	C-CARBON R	RN72K1J-221JE	1	435032214R1
R574	C-CARBON R	RN72K1J-470JE	1	435034704R1
R575	C-CARBON R	RN72K1J-470JE	1	435034704R1
R576	C-CARBON R	RN72K1J-470JE	1	435034704R1
R578	C-CARBON R	RN72K1J-470JE	1	435034704R1
R579	C-CARBON R	RN72K1J-470JE	1	435034704R1
R580	C-CARBON R	RN72K1J-103JE	1	435031034R1
R581	C-CARBON R	RN72K1J-103JE	1	435031034R1
R582	C-CARBON R	RN72K1J-221JE	1	435032214R1
R583	C-CARBON R	RN72K1J-221JE	1	435032214R1
R584	C-CARBON R	RN72K1J-103JE	1	435031034R1
R585	C-CARBON R	RN72K1J-221JE	1	435032214R1
R591	C-CARBON R	RN72K1J-470JE	1	435034704R1
R592	C-CARBON R	RN72K1J-470JE	1	435034704R1

R593	C-CARBON R	RN72K1J-221JE	1	435032214R1
R594	C-CARBON R	RN72K1J-221JE	1	435032214R1
R595	C-CARBON R	RN72K1J-103JE	1	435031034R1
R597	C-CARBON R	RN72K1J-470JE	1	435034704R1
R600	C-CARBON R	RN72K1J-103JE	1	435031034R1
R606	C-CARBON R	RN72K1J-470JE	1	435034704R1
R607	C-CARBON R	RN72K1J-470JE	1	435034704R1
R609	C-CARBON R	RN72K1J-102JE	1	435031024R1
R611	C-CARBON R	RN72K1J-102JE	1	435031024R1
R613	C-CARBON R	RN72K1J-102JE	1	435031024R1
R614	C-CARBON R	RN72K1J-103JE	1	435031034R1
R616	C-CARBON R	RN72K1J-103JE	1	435031034R1
R617	C-CARBON R	RN72K1J-221JE	1	435032214R1
R618	C-CARBON R	RN72K1J-103JE	1	435031034R1
R619	C-CARBON R	RN72K1J-470JE	1	435034704R1
R620	C-CARBON R	RN72K1J-103JE	1	435031034R1
R621	C-CARBON R	RN72K1J-221JE	1	435032214R1
R622	C-CARBON R	RN72K1J-470JE	1	435034704R1
R623	C-CARBON R	RN72K1J-103JE	1	435031034R1
R625	C-CARBON R	RN72K1J-470JE	1	435034704R1
R626	C-CARBON R	RN72K1J-103JE	1	435031034R1
R628	C-CARBON R	RN72K1J-221JE	1	435032214R1
R629	C-CARBON R	RN72K1J-221JE	1	435032214R1
R630	C-CARBON R	RN72K1J-221JE	1	435032214R1
R631	C-CARBON R	RN72K1J-470JE	1	435034704R1
R632	C-CARBON R	RN72K1J-470JE	1	435034704R1
R634	C-CARBON R	RN72K1J-470JE	1	435034704R1
R636	C-CARBON R	RN72K1J-470JE	1	435034704R1
R638	C-CARBON R	RN72K1J-470JE	1	435034704R1
R639	C-CARBON R	RN72K1J-103JE	1	435031034R1
R640	C-CARBON R	RN72K1J-470JE	1	435034704R1
R642	C-CARBON R	RN72K1J-000JE	1	435030004R1
R644	C-CARBON R	RN72K1J-000JE	1	435030004R1
R646	C-CARBON R	RN72K1J-000JE	1	435030004R1
R648	C-CARBON R	RN72K1J-000JE	1	435030004R1
R649	C-CARBON R	RN72K1J-103JE	1	435031034R1
R650	C-CARBON R	RN72K1J-221JE	1	435032214R1
R651	C-CARBON R	RN72K1J-103JE	1	435031034R1
R652	C-CARBON R	RN72K1J-102JE	1	435031024R1

R653	C-CARBON R	RN72K1J-105JE	1	435031054R1	
R654	C-CARBON R	RN72K1J-103JE	1	435031034R1	
R655	C-CARBON R	RN72K1J-224JE	1	435032244R1	
R656	C-CARBON R	RN72K1J-224JE	1	435032244R1	
R658	C-CARBON R	RN72K1J-221JE	1	435032214R1	
R659	C-CARBON R	RN72K1J-273JE	1	435032734R1	
R660	C-CARBON R	RN72K1J-221JE	1	435032214R1	
R661	C-CARBON R	RN72K1J-221JE	1	435032214R1	
R662	C-CARBON R	RN72K1J-000JE	1	435030004R1	
R664	C-CARBON R	RN72K1J-000JE	1	435030004R1	
R667	C-CARBON R	RN72K1J-103JE	1	435031034R1	
R668	C-CARBON R	RN72K1J-103JE	1	435031034R1	<MDC, MDD, MDF>
R669	C-CARBON R	RN72K1J-103JE	1	435031034R1	<MMA, MMB, MMP, MMQ, MMR>
R669	C-CARBON R	RN72K1J-333JE	1	435033334R1	<MDC, MDD, MDF>
R670	C-CARBON R	RN72K1J-472JE	1	435034724R1	
R671	C-CARBON R	RN72K1J-272JE	1	435032724R1	
R672	C-CARBON R	RN72K1J-472JE	1	435034724R1	
R673	C-CARBON R	RN72K1J-272JE	1	435032724R1	
R674	C-CARBON R	RN72K1J-472JE	1	435034724R1	
R675	C-CARBON R	RN72K1J-272JE	1	435032724R1	
R676	C-CARBON R	RN72K1J-472JE	1	435034724R1	
R677	C-CARBON R	RN72K1J-272JE	1	435032724R1	
R678	C-CARBON R	RN72K1J-103JE	1	435031034R1	
R679	C-CARBON R	RN72K1J-223JE	1	435032234R1	
R680	C-CARBON R	RN72K1J-223JE	1	435032234R1	
R681	C-CARBON R	RN72K1J-473JE	1	435034734R1	
R682	C-CARBON R	RN72K1J-103JE	1	435031034R1	
R683	C-CARBON R	RN72K1J-103JE	1	435031034R1	
R684	C-CARBON R	RN72K1J-000JE	1	435030004R1	
R685	C-CARBON R	RN72K1J-000JE	1	435030004R1	
R686	C-CARBON R	RN72K1J-103JE	1	435031034R1	
R687	C-CARBON R	RN72K1J-103JE	1	435031034R1	
R688	C-CARBON R	RN72K1J-103JE	1	435031034R1	
R691	C-CARBON R	RN72K1J-103JE	1	435031034R1	
R692	C-CARBON R	RN72K1J-221JE	1	435032214R1	
R695	C-CARBON R	RN72K1J-221JE	1	435032214R1	
R696	C-CARBON R	RN72K1J-470JE	1	435034704R1	
R701	C-CARBON R	RN72K1J-000JE	1	435030004R1	
R721	C-CARBON R	RN72K1J-103JE	1	435031034R1	

R723	C-CARBON R	RN72K1J-101JE	1	435031014R1	
R724	C-CARBON R	RN72K1J-101JE	1	435031014R1	
R725	C-CARBON R	RN72K1J-221JE	1	435032214R1	
R726	C-CARBON R	RN72K1J-273JE	1	435032734R1	
R727	C-CARBON R	RN72K1J-103JE	1	435031034R1	
R731	C-CARBON R	RN72K1J-105JE	1	435031054R1	
R732	C-CARBON R	RN72K1J-561FE	1	435035612R1	
R733	C-CARBON R	RN72K1J-560JE	1	435035604R1	
R734	C-CARBON R	RN72K1J-471JE	1	435034714R1	
R735	C-CARBON R	RN72K1J-391JE	1	435033914R1	
R736	C-CARBON R	RN72K1J-181JE	1	435031814R1	
R737	C-CARBON R	RN72K1J-181JE	1	435031814R1	
R742	C-CARBON R	RN72K1J-102JE	1	435031024R1	
R751	C-CARBON R	RN72K1J-103JE	1	435031034R1	
R752	C-CARBON R	RN72K1J-222JE	1	435032224R1	
R753	C-CARBON R	RN72K1J-102JE	1	435031024R1	
R761	C-CARBON R	RN72K1J-103JE	1	435031034R1	
R762	C-CARBON R	RN72K1J-222JE	1	435032224R1	
R763	C-CARBON R	RN72K1J-102JE	1	435031024R1	
R771	C-CARBON R	RN72K1J-103JE	1	435031034R1	
R772	C-CARBON R	RN72K1J-222JE	1	435032224R1	
R773	C-CARBON R	RN72K1J-102JE	1	435031024R1	
[SW TRM]					
JL501B	WIRE TRAP	NPLG-3P586	1	25055624	
JL610B	WIRE TRAP	NPLG-7P590	1	25055628	
JL901B	WIRE TRAP	NPLG-5P588	1	25055626	
P130	ST JACK	MSJ-035-22	1	25045887	
P130 or	JACK	YKB21-5130	(1)	25045387	
P131	PIN JACK	NPJ-2PDO0626	1	25045847	
P131 or	PIN JACK	NPJ-2PDO445	(1)	25045640	
P2001B	SOCKET	NSCT-9P2400	1	25052503	
P4900A	SOCKET	NSCT-11P2402	1	25052505	
P4901	SOCKET	MDS-15P-V02(DSUB15)	1	25053362	
P5501A	SOCKET	NSCT-5P2185	1	25052288	
P5502A	SOCKET	NSCT-15P2195	1	25052298	
P5503A	SOCKET	NSCT-13P2193	1	25052296	
P5504A	SOCKET	NSCT-7P2187	1	25052290	
P5510A	TRM	NTM-1P233(M1969)	1	25060302	
P701A	SOCKET	NSCT-23P2414	1	25052517	N

P703B	SOCKET	NSCT-7P2398	1	25052501
P751A	SOCKET	IMSA-9618S-09A	1	25053334R2
P8001A	PLUG	IMSA-9111B-16	1	25056620
P8002A	PLUG	IMSA-9111B-24	1	25056625
P8003A	PLUG	IMSA-9111B-16	1	25056620
P801	WS CLAMP	CB-71683(L=50)	1	260261

[TUNER UNIT]

U131	PHT CP	JSR1165-001recieving	1	24120143
U132	PHT CP	JSR1165-001recieving	1	24120143

U005 U0050~U0052**U0050** Loudspeaker Terminals PC board ass'y**BATRM-0647-1****U0051** FFC Fixture PC board ass'y**BAETC-0651-1****U0052** Part Fixture PC board ass'y**BAETC-0652-1**

CIRCUIT NO.	PART NAME	DESCRIPTION	Q'TY	PART NO. (SN)	REMARKS
-------------	-----------	-------------	------	---------------	---------

[SEMI CONDUCTOR]

D6600	DIODE	ISS133	1	223163T
D6603	DIODE	ISS133	1	223163T
D6605	DIODE	ISS133	1	223163T
D6607	DIODE	ISS133	1	223163T
Q6601	TR	KRC105M	1	2215830T
Q6601 or	TR	RN1205	(1)	2214660T
Q6602	TR	KRC105M	1	2215830T
Q6602 or	TR	RN1205	(1)	2214660T
Q6603	TR	KRC105M	1	2215830T
Q6603 or	TR	RN1205	(1)	2214660T
Q6604	TR	KRC105M	1	2215830T
Q6604 or	TR	RN1205	(1)	2214660T

[TRANS COIL]

L6600	S COIL	SC-0.8X11.5X12.5T-6.5L	1	231393S
L6601	S COIL	SC-0.8X11.5X12.5T-6.5L	1	231393S
L6602	S COIL	SC-0.8X11.5X12.5T-6.5L	1	231393S
L6603	S COIL	SC-0.8X11.5X12.5T-6.5L	1	231393S
L6604	S COIL	SC-0.8X11.5X12.5T-6.5L	1	231393S
L6605	S COIL	SC-0.8X11.5X12.5T-6.5L	1	231393S
L6606	S COIL	SC-0.8X11.5X12.5T-6.5L	1	231393S

[CAPACITOR]

C6030	TF C	ECQ-V50V-473J	1	374724734T
-------	------	---------------	---	------------

C6031	TF C	ECQ-V50V-473J	1	374724734T	
C6032	TF C	ECQ-V50V-473J	1	374724734T	
C6033	TF C	ECQ-V50V-473J	1	374724734T	
C6034	TF C	ECQ-V50V-473J	1	374724734T	
C6035	TF C	ECQ-V50V-473J	1	374724734T	
C6036	TF C	ECQ-V50V-473J	1	374724734T	
C6600	TF C	ECQ-V50V-103J	1	374721034T	
C6602	TF C	ECQ-V50V-103J	1	374721034T	
C6603	TF C	ECQ-V50V-103J	1	374721034T	
C6605	TF C	ECQ-V50V-103J	1	374721034T	
C6607	TF C	ECQ-V50V-103J	1	374721034T	
C6640	TF C	ECQ-V50V-103J	1	374721034T	<MMA, MMB, MMP, MMQ, MMR>
C6641	TF C	ECQ-V50V-103J	1	374721034T	<MMA, MMB, MMP, MMQ, MMR>
C6642	TF C	ECQ-V50V-103J	1	374721034T	<MMA, MMB, MMP, MMQ, MMR>
C6643	TF C	ECQ-V50V-103J	1	374721034T	<MMA, MMB, MMP, MMQ, MMR>
C6644	TF C	ECQ-V50V-103J	1	374721034T	<MMA, MMB, MMP, MMQ, MMR>
C6645	TF C	ECQ-V50V-103J	1	374721034T	<MMA, MMB, MMP, MMQ, MMR>
C6646	TF C	ECQ-V50V-103J	1	374721034T	<MMA, MMB, MMP, MMQ, MMR>
C6647	TF C	ECQ-V50V-103J	1	374721034T	<MMA, MMB, MMP, MMQ, MMR>
C6648	TF C	ECQ-V50V-103J	1	374721034T	<MMA, MMB, MMP, MMQ, MMR>
C6650	MKT C	B32529C0102J289	1	376491024T	<MMA, MMB, MMP, MMQ, MMR>
C6651	MKT C	B32529C0102J289	1	376491024T	<MMA, MMB, MMP, MMQ, MMR>
C6652	MKT C	B32529C0102J289	1	376491024T	<MMA, MMB, MMP, MMQ, MMR>
C6653	MKT C	B32529C0102J289	1	376491024T	<MMA, MMB, MMP, MMQ, MMR>
C6654	MKT C	B32529C0102J289	1	376491024T	<MMA, MMB, MMP, MMQ, MMR>
C6655	MKT C	B32529C0102J289	1	376491024T	<MMA, MMB, MMP, MMQ, MMR>
C6656	MKT C	B32529C0102J289	1	376491024T	<MMA, MMB, MMP, MMQ, MMR>
C6657	MKT C	B32529C0102J289	1	376491024T	<MMA, MMB, MMP, MMQ, MMR>
C6658	MKT C	B32529C0102J289	1	376491024T	<MMA, MMB, MMP, MMQ, MMR>
[RESISTOR]					
R6130	METAL R	RNU1WCJ-8.2	1	453630824T	
R6131	METAL R	RNU1WCJ-8.2	1	453630824T	
R6132	METAL R	RNU1WCJ-8.2	1	453630824T	
R6133	METAL R	RNU1WCJ-8.2	1	453630824T	
R6134	METAL R	RNU1WCJ-8.2	1	453630824T	
R6135	METAL R	RNU1WCJ-8.2	1	453630824T	
R6136	METAL R	RNU1WCJ-8.2	1	453630824T	
R6600	CARBON R	R16J-22	1	417342204T	
R6601	CARBON R	R16J-22	1	417342204T	

R6602	CARBON R	R16J-22	1	417342204T
R6603	CARBON R	R16J-22	1	417342204T
R6604	CARBON R	R16J-22	1	417342204T
R6605	CARBON R	R16J-22	1	417342204T
R6606	CARBON R	R16J-22	1	417342204T
R6610	CARBON R	R16J-22	1	417342204T
R6611	CARBON R	R16J-22	1	417342204T
R6612	CARBON R	R16J-22	1	417342204T
R6613	CARBON R	R16J-22	1	417342204T
R6614	CARBON R	R16J-22	1	417342204T
R6615	CARBON R	R16J-22	1	417342204T
R6616	CARBON R	R16J-22	1	417342204T
R6690	METAL O R	RS1/2WBJ-10	1	443521004T
R6691	METAL O R	RS1/2WBJ-390	1	443523914T
R6692	METAL O R	RS1/2WBJ-390	1	443523914T
[SW TRM]				
JL600B	SOCKET	NSCT-7P99	1	25050271
JL603B	SOCKET	NSCT-9P101	1	25050273
JL605B	SOCKET	NSCT-5P97	1	25050269
JL610A	WIRE HOL	NSCT-7P878	1	25051091
JL620B	WIRE TRAP	NPLG-7P590	1	25055628
P6601	TRM	NTM-2PDMCR400	1	25060472
P6602	TRM	NTM-4PDMNRR420	1	25060492
P6603	TRM	NTM-4PDMNRR420	1	25060492
P6604	TRM	NTM-4PDMNRR420	1	25060492
P6607	TRM	NTM-4PDML422	1	25060494
RL660	RELAY	NRL-2P5A-DC24-129	1	25065563A
RL660 or	RELAY	NRL-2P5A-DC24-193	(1)	25065703
RL662	RELAY	NRL-2P5A-DC24-129	1	25065563A
RL662 or	RELAY	NRL-2P5A-DC24-193	(1)	25065703
RL663	RELAY	NRL-2P5A-DC24-129	1	25065563A
RL663 or	RELAY	NRL-2P5A-DC24-193	(1)	25065703
RL665	RELAY	NRL-2P5A-DC24-129	1	25065563A
RL665 or	RELAY	NRL-2P5A-DC24-193	(1)	25065703
RL667	RELAY	NRL-2P5A-DC24-129	1	25065563A
RL667 or	RELAY	NRL-2P5A-DC24-193	(1)	25065703

U006	U0060-U0061
-------------	--------------------

U0060	Amplifier PC board ass'y
--------------	---------------------------------

BACLA-0362-2

U0061

Part Fixture PC board ass'y

BAETC-0363-2

CIRCUIT NO.	PART NAME	DESCRIPTION	Q'TY	PART NO. (SN)	REMARKS
[SEMI CONDUCTOR]					
D5000	ZENER D	MTZJ5.6B	1	224470562T	
D5001	ZENER D	MTZJ5.6B	1	224470562T	
D5002	ZENER D	MTZJ5.6B	1	224470562T	
D5003	ZENER D	MTZJ5.6B	1	224470562T	
D5004	ZENER D	MTZJ5.6B	1	224470562T	
D5005	ZENER D	MTZJ5.6B	1	224470562T	
D5006	ZENER D	MTZJ5.6B	1	224470562T	
Q5000	TR	2SC2240-BL(TPE2_F)	1	2211406T	
Q5001	TR	2SC2240-BL(TPE2_F)	1	2211406T	
Q5002	TR	2SC2240-BL(TPE2_F)	1	2211406T	
Q5003	TR	2SC2240-BL(TPE2_F)	1	2211406T	
Q5004	TR	2SC2240-BL(TPE2_F)	1	2211406T	
Q5005	TR	2SC2240-BL(TPE2_F)	1	2211406T	
Q5006	TR	2SC2240-BL(TPE2_F)	1	2211406T	
Q5010	TR	2SC2240-BL(TPE2_F)	1	2211406T	
Q5011	TR	2SC2240-BL(TPE2_F)	1	2211406T	
Q5012	TR	2SC2240-BL(TPE2_F)	1	2211406T	
Q5013	TR	2SC2240-BL(TPE2_F)	1	2211406T	
Q5014	TR	2SC2240-BL(TPE2_F)	1	2211406T	
Q5015	TR	2SC2240-BL(TPE2_F)	1	2211406T	
Q5016	TR	2SC2240-BL(TPE2_F)	1	2211406T	
Q5030	TR	2SA949-Y(TPE6_F)	1	2211354T	
Q5030A	RETAINER	(CLA2)	1	27142140A	
Q5031	TR	2SA949-Y(TPE6_F)	1	2211354T	
Q5031A	RETAINER	(CLA2)	1	27142140A	
Q5032	TR	2SA949-Y(TPE6_F)	1	2211354T	
Q5032A	RETAINER	(CLA2)	1	27142140A	
Q5033	TR	2SA949-Y(TPE6_F)	1	2211354T	
Q5033A	RETAINER	(CLA2)	1	27142140A	
Q5034	TR	2SA949-Y(TPE6_F)	1	2211354T	
Q5034A	RETAINER	(CLA2)	1	27142140A	
Q5035	TR	2SA949-Y(TPE6_F)	1	2211354T	
Q5035A	RETAINER	(CLA2)	1	27142140A	
Q5036	TR	2SA949-Y(TPE6_F)	1	2211354T	
Q5036A	RETAINER	(CLA2)	1	27142140A	

Q5040	TR	2SA949-Y(TPE6_F)	1	2211354T
Q5041	TR	2SA949-Y(TPE6_F)	1	2211354T
Q5042	TR	2SA949-Y(TPE6_F)	1	2211354T
Q5043	TR	2SA949-Y(TPE6_F)	1	2211354T
Q5044	TR	2SA949-Y(TPE6_F)	1	2211354T
Q5045	TR	2SA949-Y(TPE6_F)	1	2211354T
Q5046	TR	2SA949-Y(TPE6_F)	1	2211354T
Q5050	TR	2SC2240-BL(TPE2_F)	1	2211406T
Q5051	TR	2SC2240-BL(TPE2_F)	1	2211406T
Q5052	TR	2SC2240-BL(TPE2_F)	1	2211406T
Q5053	TR	2SC2240-BL(TPE2_F)	1	2211406T
Q5054	TR	2SC2240-BL(TPE2_F)	1	2211406T
Q5055	TR	2SC2240-BL(TPE2_F)	1	2211406T
Q5056	TR	2SC2240-BL(TPE2_F)	1	2211406T
Q5060	TR	2SA949-Y(TPE6_F)	1	2211354T
Q5061	TR	2SA949-Y(TPE6_F)	1	2211354T
Q5062	TR	2SA949-Y(TPE6_F)	1	2211354T
Q5063	TR	2SA949-Y(TPE6_F)	1	2211354T
Q5064	TR	2SA949-Y(TPE6_F)	1	2211354T
Q5065	TR	2SA949-Y(TPE6_F)	1	2211354T
Q5066	TR	2SA949-Y(TPE6_F)	1	2211354T
Q5070	TR	2SC2229-Y(TPE6_F)	1	2211634T
Q5071	TR	2SC2229-Y(TPE6_F)	1	2211634T
Q5072	TR	2SC2229-Y(TPE6_F)	1	2211634T
Q5073	TR	2SC2229-Y(TPE6_F)	1	2211634T
Q5074	TR	2SC2229-Y(TPE6_F)	1	2211634T
Q5075	TR	2SC2229-Y(TPE6_F)	1	2211634T
Q5076	TR	2SC2229-Y(TPE6_F)	1	2211634T
Q5250	TR	2SA1930(ONK_Q)	1	2203000
Q5251	TR	2SA1930(ONK_Q)	1	2203000
Q5252	TR	2SA1930(ONK_Q)	1	2203000
Q5253	TR	2SA1930(ONK_Q)	1	2203000
Q5254	TR	2SA1930(ONK_Q)	1	2203000
Q5255	TR	2SA1930(ONK_Q)	1	2203000
Q5256	TR	2SA1930(ONK_Q)	1	2203000
Q5260	TR	2SC5171(ONK_Q)	1	2203010
Q5261	TR	2SC5171(ONK_Q)	1	2203010
Q5262	TR	2SC5171(ONK_Q)	1	2203010
Q5263	TR	2SC5171(ONK_Q)	1	2203010

Q5264	TR	2SC5171(ONK_Q)	1	2203010
Q5265	TR	2SC5171(ONK_Q)	1	2203010
Q5266	TR	2SC5171(ONK_Q)	1	2203010
Q5410	TR	2SC1740S-S	1	2213285T
Q5411	TR	2SC1740S-S	1	2213285T
Q5412	TR	2SC1740S-S	1	2213285T
Q5413	TR	2SC1740S-S	1	2213285T
Q5414	TR	2SC1740S-S	1	2213285T
Q5415	TR	2SC1740S-S	1	2213285T
Q5416	TR	2SC1740S-S	1	2213285T
Q5430	TR	2SC2229-Y(TPE6_F)	1	2211634T
Q5430 or	TR	2SC2229-O(TPE6_F)	(1)	2211633T
Q5431	TR	2SC2229-Y(TPE6_F)	1	2211634T
Q5431 or	TR	2SC2229-O(TPE6_F)	(1)	2211633T
Q5432	TR	2SC2229-Y(TPE6_F)	1	2211634T
Q5432 or	TR	2SC2229-O(TPE6_F)	(1)	2211633T
Q5433	TR	2SC2229-Y(TPE6_F)	1	2211634T
Q5433 or	TR	2SC2229-O(TPE6_F)	(1)	2211633T
Q5434	TR	2SC2229-Y(TPE6_F)	1	2211634T
Q5434 or	TR	2SC2229-O(TPE6_F)	(1)	2211633T
Q5435	TR	2SC2229-Y(TPE6_F)	1	2211634T
Q5435 or	TR	2SC2229-O(TPE6_F)	(1)	2211633T
Q5436	TR	2SC2229-Y(TPE6_F)	1	2211634T
Q5436 or	TR	2SC2229-O(TPE6_F)	(1)	2211633T
Q5440	TR	2SA949-Y(TPE6_F)	1	2211354T
Q5440 or	TR	2SA949-O(TPE6_F)	(1)	2211353T
Q5441	TR	2SA949-Y(TPE6_F)	1	2211354T
Q5441 or	TR	2SA949-O(TPE6_F)	(1)	2211353T
Q5442	TR	2SA949-Y(TPE6_F)	1	2211354T
Q5442 or	TR	2SA949-O(TPE6_F)	(1)	2211353T
Q5443	TR	2SA949-Y(TPE6_F)	1	2211354T
Q5443 or	TR	2SA949-O(TPE6_F)	(1)	2211353T
Q5444	TR	2SA949-Y(TPE6_F)	1	2211354T
Q5444 or	TR	2SA949-O(TPE6_F)	(1)	2211353T
Q5445	TR	2SA949-Y(TPE6_F)	1	2211354T
Q5445 or	TR	2SA949-O(TPE6_F)	(1)	2211353T
Q5446	TR	2SA949-Y(TPE6_F)	1	2211354T
Q5446 or	TR	2SA949-O(TPE6_F)	(1)	2211353T

[TRANS COIL]

L5400	FR CORE	*	1	5597-45502
L5401	FR CORE	*	1	5597-45502
L5402	FR CORE	*	1	5597-45502
L5403	FR CORE	*	1	5597-45502
L5404	FR CORE	*	1	5597-45502
L5405	FR CORE	*	1	5597-45502
L5406	FR CORE	*	1	5597-45502
L5410	FR CORE	*	1	5597-45502
L5411	FR CORE	*	1	5597-45502
L5412	FR CORE	*	1	5597-45502
L5413	FR CORE	*	1	5597-45502
L5414	FR CORE	*	1	5597-45502
L5415	FR CORE	*	1	5597-45502
L5416	FR CORE	*	1	5597-45502

[CAPACITOR]

C5000	UPZ C	2AUPZTF101JE	1	376331014T
C5001	UPZ C	2AUPZTF101JE	1	376331014T
C5002	UPZ C	2AUPZTF101JE	1	376331014T
C5003	UPZ C	2AUPZTF101JE	1	376331014T
C5004	UPZ C	2AUPZTF101JE	1	376331014T
C5005	UPZ C	2AUPZTF101JE	1	376331014T
C5006	UPZ C	2AUPZTF101JE	1	376331014T
C5010	UTSP C	CE04W50V-47M(UTSP)	1	397584707T
C5011	UTSP C	CE04W50V-47M(UTSP)	1	397584707T
C5012	UTSP C	CE04W50V-47M(UTSP)	1	397584707T
C5013	UTSP C	CE04W50V-47M(UTSP)	1	397584707T
C5014	UTSP C	CE04W50V-47M(UTSP)	1	397584707T
C5015	UTSP C	CE04W50V-47M(UTSP)	1	397584707T
C5016	UTSP C	CE04W50V-47M(UTSP)	1	397584707T
C5020	UTSP C	CE04W50V-10M(UTSP)	1	397581007T
C5021	UTSP C	CE04W50V-10M(UTSP)	1	397581007T
C5022	UTSP C	CE04W50V-10M(UTSP)	1	397581007T
C5023	UTSP C	CE04W50V-10M(UTSP)	1	397581007T
C5024	UTSP C	CE04W50V-10M(UTSP)	1	397581007T
C5025	UTSP C	CE04W50V-10M(UTSP)	1	397581007T
C5026	UTSP C	CE04W50V-10M(UTSP)	1	397581007T
C5040	UTSP C	CE04W10V-470M(UTSP)	1	397534717T
C5041	UTSP C	CE04W10V-470M(UTSP)	1	397534717T
C5042	UTSP C	CE04W10V-470M(UTSP)	1	397534717T

C5043	UTSP C	CE04W10V-470M(UTSP)	1	397534717T
C5044	UTSP C	CE04W10V-470M(UTSP)	1	397534717T
C5045	UTSP C	CE04W10V-470M(UTSP)	1	397534717T
C5046	UTSP C	CE04W10V-470M(UTSP)	1	397534717T
C5050	UTSP C	CE04W50V 47M(UTSP)	1	397584707T
C5051	UTSP C	CE04W50V 47M(UTSP)	1	397584707T
C5052	UTSP C	CE04W50V 47M(UTSP)	1	397584707T
C5053	UTSP C	CE04W50V 47M(UTSP)	1	397584707T
C5054	UTSP C	CE04W50V 47M(UTSP)	1	397584707T
C5055	UTSP C	CE04W50V 47M(UTSP)	1	397584707T
C5056	UTSP C	CE04W50V 47M(UTSP)	1	397584707T
C5080	CERA C	CC45SL50V-040C	1	345020401T
C5081	CERA C	CC45SL50V-040C	1	345020401T
C5082	CERA C	CC45SL50V-040C	1	345020401T
C5083	CERA C	CC45SL50V-040C	1	345020401T
C5084	CERA C	CC45SL50V-040C	1	345020401T
C5085	CERA C	CC45SL50V-040C	1	345020401T
C5086	CERA C	CC45SL50V-040C	1	345020401T
C5090	UPZ C	2AUPZTF101JE	1	376331014T
C5091	UPZ C	2AUPZTF101JE	1	376331014T
C5092	UPZ C	2AUPZTF101JE	1	376331014T
C5093	UPZ C	2AUPZTF101JE	1	376331014T
C5094	UPZ C	2AUPZTF101JE	1	376331014T
C5095	UPZ C	2AUPZTF101JE	1	376331014T
C5096	UPZ C	2AUPZTF101JE	1	376331014T
C5100	VR C	CE04W100V-22M(VR)	1	394692207T
C5101	VR C	CE04W100V-22M(VR)	1	394692207T
C5102	VR C	CE04W100V-22M(VR)	1	394692207T
C5103	VR C	CE04W100V-22M(VR)	1	394692207T
C5104	VR C	CE04W100V-22M(VR)	1	394692207T
C5105	VR C	CE04W100V-22M(VR)	1	394692207T
C5106	VR C	CE04W100V-22M(VR)	1	394692207T
C5110	VR C	CE04W100V-22M(VR)	1	394692207T
C5111	VR C	CE04W100V-22M(VR)	1	394692207T
C5112	VR C	CE04W100V-22M(VR)	1	394692207T
C5113	VR C	CE04W100V-22M(VR)	1	394692207T
C5114	VR C	CE04W100V-22M(VR)	1	394692207T
C5115	VR C	CE04W100V-22M(VR)	1	394692207T
C5116	VR C	CE04W100V-22M(VR)	1	394692207T

C5440	UTSP C	CE04W50V-22M(UTSP)	1	397582207T
C5441	UTSP C	CE04W50V-22M(UTSP)	1	397582207T
C5442	UTSP C	CE04W50V-22M(UTSP)	1	397582207T
C5443	UTSP C	CE04W50V-22M(UTSP)	1	397582207T
C5444	UTSP C	CE04W50V-22M(UTSP)	1	397582207T
C5445	UTSP C	CE04W50V-22M(UTSP)	1	397582207T
C5446	UTSP C	CE04W50V-22M(UTSP)	1	397582207T

[RESISTOR]

R5000	CARBON R	R16J-1.5K	1	417341524T
R5001	CARBON R	R16J-1.5K	1	417341524T
R5002	CARBON R	R16J-1.5K	1	417341524T
R5003	CARBON R	R16J-1.5K	1	417341524T
R5004	CARBON R	R16J-1.5K	1	417341524T
R5005	CARBON R	R16J-1.5K	1	417341524T
R5006	CARBON R	R16J-1.5K	1	417341524T
R5010	CARBON R	R16J-33K	1	417343334T
R5011	CARBON R	R16J-33K	1	417343334T
R5012	CARBON R	R16J-33K	1	417343334T
R5013	CARBON R	R16J-33K	1	417343334T
R5014	CARBON R	R16J-33K	1	417343334T
R5015	CARBON R	R16J-33K	1	417343334T
R5016	CARBON R	R16J-33K	1	417343334T
R5020	CARBON R	R16J-330	1	417343314T
R5021	CARBON R	R16J-330	1	417343314T
R5022	CARBON R	R16J-330	1	417343314T
R5023	CARBON R	R16J-330	1	417343314T
R5024	CARBON R	R16J-330	1	417343314T
R5025	CARBON R	R16J-330	1	417343314T
R5026	CARBON R	R16J-330	1	417343314T
R5030	CARBON R	R16J-33K	1	417343334T
R5031	CARBON R	R16J-33K	1	417343334T
R5032	CARBON R	R16J-33K	1	417343334T
R5033	CARBON R	R16J-33K	1	417343334T
R5034	CARBON R	R16J-33K	1	417343334T
R5035	CARBON R	R16J-33K	1	417343334T
R5036	CARBON R	R16J-33K	1	417343334T
R5040	CARBON R	R16J-1K	1	417341024T
R5041	CARBON R	R16J-1K	1	417341024T
R5042	CARBON R	R16J-1K	1	417341024T

R5043	CARBON R	R16J-1K	1	417341024T
R5044	CARBON R	R16J-1K	1	417341024T
R5045	CARBON R	R16J-1K	1	417341024T
R5046	CARBON R	R16J-1K	1	417341024T
R5050	CARBON R	R16J-5.6K	1	417345624T
R5051	CARBON R	R16J-5.6K	1	417345624T
R5052	CARBON R	R16J-5.6K	1	417345624T
R5053	CARBON R	R16J-5.6K	1	417345624T
R5054	CARBON R	R16J-5.6K	1	417345624T
R5055	CARBON R	R16J-5.6K	1	417345624T
R5056	CARBON R	R16J-5.6K	1	417345624T
R5060	CARBON R	R16J-2.7K	1	417342724T
R5061	CARBON R	R16J-2.7K	1	417342724T
R5062	CARBON R	R16J-2.7K	1	417342724T
R5063	CARBON R	R16J-2.7K	1	417342724T
R5064	CARBON R	R16J-2.7K	1	417342724T
R5065	CARBON R	R16J-2.7K	1	417342724T
R5066	CARBON R	R16J-2.7K	1	417342724T
R5080	NF CARBON R	R25J-1.0K	1	415471024T
R5081	NF CARBON R	R25J-1.0K	1	415471024T
R5082	NF CARBON R	R25J-1.0K	1	415471024T
R5083	NF CARBON R	R25J-1.0K	1	415471024T
R5084	NF CARBON R	R25J-1.0K	1	415471024T
R5085	NF CARBON R	R25J-1.0K	1	415471024T
R5086	NF CARBON R	R25J-1.0K	1	415471024T
R5090	CARBON R	R16J-100K	1	417341044T
R5091	CARBON R	R16J-100K	1	417341044T
R5092	CARBON R	R16J-100K	1	417341044T
R5093	CARBON R	R16J-100K	1	417341044T
R5094	CARBON R	R16J-100K	1	417341044T
R5095	CARBON R	R16J-100K	1	417341044T
R5096	CARBON R	R16J-100K	1	417341044T
R5100	CARBON R	R16J-100K	1	417341044T
R5101	CARBON R	R16J-100K	1	417341044T
R5102	CARBON R	R16J-100K	1	417341044T
R5103	CARBON R	R16J-100K	1	417341044T
R5104	CARBON R	R16J-100K	1	417341044T
R5105	CARBON R	R16J-100K	1	417341044T
R5106	CARBON R	R16J-100K	1	417341044T

R5110	CARBON R	R16J-2.2K	1	417342224T
R5111	CARBON R	R16J-2.2K	1	417342224T
R5112	CARBON R	R16J-2.2K	1	417342224T
R5113	CARBON R	R16J-2.2K	1	417342224T
R5114	CARBON R	R16J-2.2K	1	417342224T
R5115	CARBON R	R16J-2.2K	1	417342224T
R5116	CARBON R	R16J-2.2K	1	417342224T
R5120	CARBON R	R16J-2.2K	1	417342224T
R5121	CARBON R	R16J-2.2K	1	417342224T
R5122	CARBON R	R16J-2.2K	1	417342224T
R5123	CARBON R	R16J-2.2K	1	417342224T
R5124	CARBON R	R16J-2.2K	1	417342224T
R5125	CARBON R	R16J-2.2K	1	417342224T
R5126	CARBON R	R16J-2.2K	1	417342224T
R5130	CARBON R	R16J-18K	1	417341834T
R5131	CARBON R	R16J-18K	1	417341834T
R5132	CARBON R	R16J-18K	1	417341834T
R5133	CARBON R	R16J-18K	1	417341834T
R5134	CARBON R	R16J-18K	1	417341834T
R5135	CARBON R	R16J-18K	1	417341834T
R5136	CARBON R	R16J-18K	1	417341834T
R5140	NF CARBON R	R25J-820	1	415478214T
R5141	NF CARBON R	R25J-820	1	415478214T
R5142	NF CARBON R	R25J-820	1	415478214T
R5143	NF CARBON R	R25J-820	1	415478214T
R5144	NF CARBON R	R25J-820	1	415478214T
R5145	NF CARBON R	R25J-820	1	415478214T
R5146	NF CARBON R	R25J-820	1	415478214T
R5150	NF CARBON R	R25J-1.0K	1	415471024T
R5151	NF CARBON R	R25J-1.0K	1	415471024T
R5152	NF CARBON R	R25J-1.0K	1	415471024T
R5153	NF CARBON R	R25J-1.0K	1	415471024T
R5154	NF CARBON R	R25J-1.0K	1	415471024T
R5155	NF CARBON R	R25J-1.0K	1	415471024T
R5156	NF CARBON R	R25J-1.0K	1	415471024T
R5160	NF CARBON R	R25J-120	1	415471214T
R5161	NF CARBON R	R25J-120	1	415471214T
R5162	NF CARBON R	R25J-120	1	415471214T
R5163	NF CARBON R	R25J-120	1	415471214T

R5164	NF CARBON R	R25J-120	1	415471214T
R5165	NF CARBON R	R25J-120	1	415471214T
R5166	NF CARBON R	R25J-120	1	415471214T
R5170	NF CARBON R	R25J-820	1	415478214T
R5171	NF CARBON R	R25J-820	1	415478214T
R5172	NF CARBON R	R25J-820	1	415478214T
R5173	NF CARBON R	R25J-820	1	415478214T
R5174	NF CARBON R	R25J-820	1	415478214T
R5175	NF CARBON R	R25J-820	1	415478214T
R5176	NF CARBON R	R25J-820	1	415478214T
R5180	NF CARBON R	R25J-10	1	415471004T
R5181	NF CARBON R	R25J-10	1	415471004T
R5182	NF CARBON R	R25J-10	1	415471004T
R5183	NF CARBON R	R25J-10	1	415471004T
R5184	NF CARBON R	R25J-10	1	415471004T
R5185	NF CARBON R	R25J-10	1	415471004T
R5186	NF CARBON R	R25J-10	1	415471004T
R5190	NF CARBON R	R25J-10	1	415471004T
R5191	NF CARBON R	R25J-10	1	415471004T
R5192	NF CARBON R	R25J-10	1	415471004T
R5193	NF CARBON R	R25J-10	1	415471004T
R5194	NF CARBON R	R25J-10	1	415471004T
R5195	NF CARBON R	R25J-10	1	415471004T
R5196	NF CARBON R	R25J-10	1	415471004T
R5200	CARBON R	R16J-18K	1	417341834T
R5201	CARBON R	R16J-18K	1	417341834T
R5202	CARBON R	R16J-18K	1	417341834T
R5203	CARBON R	R16J-18K	1	417341834T
R5204	CARBON R	R16J-18K	1	417341834T
R5205	CARBON R	R16J-18K	1	417341834T
R5206	CARBON R	R16J-18K	1	417341834T
R5210	NF CARBON R	R25J-820	1	415478214T
R5211	NF CARBON R	R25J-820	1	415478214T
R5212	NF CARBON R	R25J-820	1	415478214T
R5213	NF CARBON R	R25J-820	1	415478214T
R5214	NF CARBON R	R25J-820	1	415478214T
R5215	NF CARBON R	R25J-820	1	415478214T
R5216	NF CARBON R	R25J-820	1	415478214T
R5220	NF CARBON R	R25J-120	1	415471214T

R5221	NF CARBON R	R25J-120	1	415471214T
R5222	NF CARBON R	R25J-120	1	415471214T
R5223	NF CARBON R	R25J-120	1	415471214T
R5224	NF CARBON R	R25J-120	1	415471214T
R5225	NF CARBON R	R25J-120	1	415471214T
R5226	NF CARBON R	R25J-120	1	415471214T
R5270	NF CARBON R	R25J-120	1	415471214T
R5271	NF CARBON R	R25J-120	1	415471214T
R5272	NF CARBON R	R25J-120	1	415471214T
R5273	NF CARBON R	R25J-120	1	415471214T
R5274	NF CARBON R	R25J-120	1	415471214T
R5275	NF CARBON R	R25J-120	1	415471214T
R5276	NF CARBON R	R25J-120	1	415471214T
R5280	NF CARBON R	R25J-120	1	415471214T
R5281	NF CARBON R	R25J-120	1	415471214T
R5282	NF CARBON R	R25J-120	1	415471214T
R5283	NF CARBON R	R25J-120	1	415471214T
R5284	NF CARBON R	R25J-120	1	415471214T
R5285	NF CARBON R	R25J-120	1	415471214T
R5286	NF CARBON R	R25J-120	1	415471214T
R5300	CARBON R	R16J-330	1	417343314T
R5301	CARBON R	R16J-330	1	417343314T
R5302	CARBON R	R16J-330	1	417343314T
R5303	CARBON R	R16J-330	1	417343314T
R5304	CARBON R	R16J-330	1	417343314T
R5305	CARBON R	R16J-330	1	417343314T
R5306	CARBON R	R16J-330	1	417343314T
R5310	CARBON R	R16J-330	1	417343314T
R5311	CARBON R	R16J-330	1	417343314T
R5312	CARBON R	R16J-330	1	417343314T
R5313	CARBON R	R16J-330	1	417343314T
R5314	CARBON R	R16J-330	1	417343314T
R5315	CARBON R	R16J-330	1	417343314T
R5316	CARBON R	R16J-330	1	417343314T
R5350	NF CARBON R	R25J-18	1	415471804T
R5351	NF CARBON R	R25J-18	1	415471804T
R5352	NF CARBON R	R25J-18	1	415471804T
R5353	NF CARBON R	R25J-18	1	415471804T
R5354	NF CARBON R	R25J-18	1	415471804T

R5355	NF CARBON R	R25J-18	1	415471804T
R5356	NF CARBON R	R25J-18	1	415471804T
R5360	NF CARBON R	R25J-18	1	415471804T
R5361	NF CARBON R	R25J-18	1	415471804T
R5362	NF CARBON R	R25J-18	1	415471804T
R5363	NF CARBON R	R25J-18	1	415471804T
R5364	NF CARBON R	R25J-18	1	415471804T
R5365	NF CARBON R	R25J-18	1	415471804T
R5366	NF CARBON R	R25J-18	1	415471804T
R5370	NF CARBON R	R25J-2.2	1	415470224T
R5371	NF CARBON R	R25J-2.2	1	415470224T
R5372	NF CARBON R	R25J-2.2	1	415470224T
R5373	NF CARBON R	R25J-2.2	1	415470224T
R5374	NF CARBON R	R25J-2.2	1	415470224T
R5375	NF CARBON R	R25J-2.2	1	415470224T
R5376	NF CARBON R	R25J-2.2	1	415470224T
R5380	NF CARBON R	R25J-2.2	1	415470224T
R5381	NF CARBON R	R25J-2.2	1	415470224T
R5382	NF CARBON R	R25J-2.2	1	415470224T
R5383	NF CARBON R	R25J-2.2	1	415470224T
R5384	NF CARBON R	R25J-2.2	1	415470224T
R5385	NF CARBON R	R25J-2.2	1	415470224T
R5386	NF CARBON R	R25J-2.2	1	415470224T
R5420	NF CARBON R	R25J-10	1	415471004T
R5421	NF CARBON R	R25J-10	1	415471004T
R5422	NF CARBON R	R25J-10	1	415471004T
R5423	NF CARBON R	R25J-10	1	415471004T
R5424	NF CARBON R	R25J-10	1	415471004T
R5425	NF CARBON R	R25J-10	1	415471004T
R5426	NF CARBON R	R25J-10	1	415471004T
R5440	TRIM R	N06HR2KBB	1	5211402T
R5441	TRIM R	N06HR2KBB	1	5211402T
R5442	TRIM R	N06HR2KBB	1	5211402T
R5443	TRIM R	N06HR2KBB	1	5211402T
R5444	TRIM R	N06HR2KBB	1	5211402T
R5445	TRIM R	N06HR2KBB	1	5211402T
R5446	TRIM R	N06HR2KBB	1	5211402T
R5450	CARBON R	R16J-3.3K	1	417343324T
R5451	CARBON R	R16J-3.3K	1	417343324T

R5452	CARBON R	R16J-3.3K	1	417343324T
R5453	CARBON R	R16J-3.3K	1	417343324T
R5454	CARBON R	R16J-3.3K	1	417343324T
R5455	CARBON R	R16J-3.3K	1	417343324T
R5456	CARBON R	R16J-3.3K	1	417343324T
R5470	NF CARBON R	R25J-82	1	415478204T
R5471	NF CARBON R	R25J-82	1	415478204T
R5472	NF CARBON R	R25J-82	1	415478204T
R5473	NF CARBON R	R25J-82	1	415478204T
R5474	NF CARBON R	R25J-82	1	415478204T
R5475	NF CARBON R	R25J-82	1	415478204T
R5476	NF CARBON R	R25J-82	1	415478204T
R5480	CARBON R	R16J-10	1	417341004T
R5481	CARBON R	R16J-10	1	417341004T
R5482	CARBON R	R16J-10	1	417341004T
R5483	CARBON R	R16J-10	1	417341004T
R5484	CARBON R	R16J-10	1	417341004T
R5485	CARBON R	R16J-10	1	417341004T
R5486	CARBON R	R16J-10	1	417341004T
R5490	CARBON R	R16J-10	1	417341004T
R5491	CARBON R	R16J-10	1	417341004T
R5492	CARBON R	R16J-10	1	417341004T
R5493	CARBON R	R16J-10	1	417341004T
R5494	CARBON R	R16J-10	1	417341004T
R5495	CARBON R	R16J-10	1	417341004T
R5496	CARBON R	R16J-10	1	417341004T
[SW TRM]				
P6000A	SOCKET	NSCT-9P2189	1	25052292
P6001A	SOCKET	NSCT-9P2189	1	25052292
P6002A	SOCKET	NSCT-9P2189	1	25052292
P6003A	SOCKET	NSCT-9P2189	1	25052292
P6004A	SOCKET	NSCT-9P2189	1	25052292
P6005A	SOCKET	NSCT-9P2189	1	25052292
P6006A	SOCKET	NSCT-9P2189	1	25052292
P6007A	TRM	NTM-1P233(M1969)	1	25060302
P6008A	TRM	NTM-1P233(M1969)	1	25060302
P6009A	TRM	NTM-1P233(M1969)	1	25060302
P6010A	TRM	NTM-1P233(M1969)	1	25060302

ONKYO

ONKYO SOUND & VISION CORPORATION

Technical Support, Service Dept.: 2-1, Nisshin-cho, Neyagawa-shi, OSAKA 572-8540, JAPAN
Tel: 072-831-8023 Fax: 072-831-8163

ONKYO U.S.A. CORPORATION

18 Park Way, Upper Saddle River, N.J. 07458, U.S.A.
Tel: 800-229-1687, 201-785-2600 Fax: 201-785-2650
<http://www.us.onkyo.com/>

ONKYO EUROPE ELECTRONICS GmbH

Liegnitzerstrasse 6, 82194 Grobenzell, GERMANY
Tel: +49-8142-4401-0 Fax: +49-8142-4401-555
<http://www.eu.onkyo.com/>

ONKYO EUROPE ELECTRONICS GmbH (UK BRANCH)

The Coach House 81A High Street, Marlow, Buckinghamshire, SL7 1AB, UK
Tel: +44-(0)1628-473-350 Fax: +44-(0)1628-401-700

ONKYO CHINA LIMITED

Unit 1033, 10/F, Star House, No 3, Salisbury Road, Tsim Sha Tsui Kowloon, Hong Kong.
Tel: 852-2429-3118 Fax: 852-2428-9039
<http://www.ch.onkyo.com/>