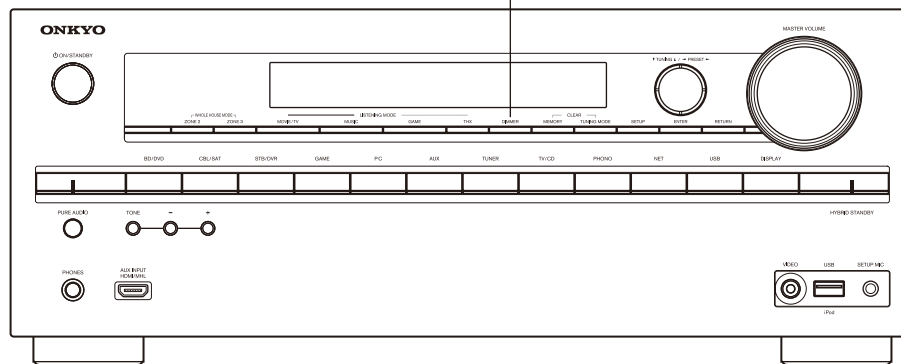


ONKYO® SERVICE MANUAL

AV RECEIVER MODEL TX-NR717(B)/(S)

European, Australian and Asian models ---> "RT/PTY/TP"
North American and Taiwanese models ---> "DIMMER"




RC-836M

Black and Silver models

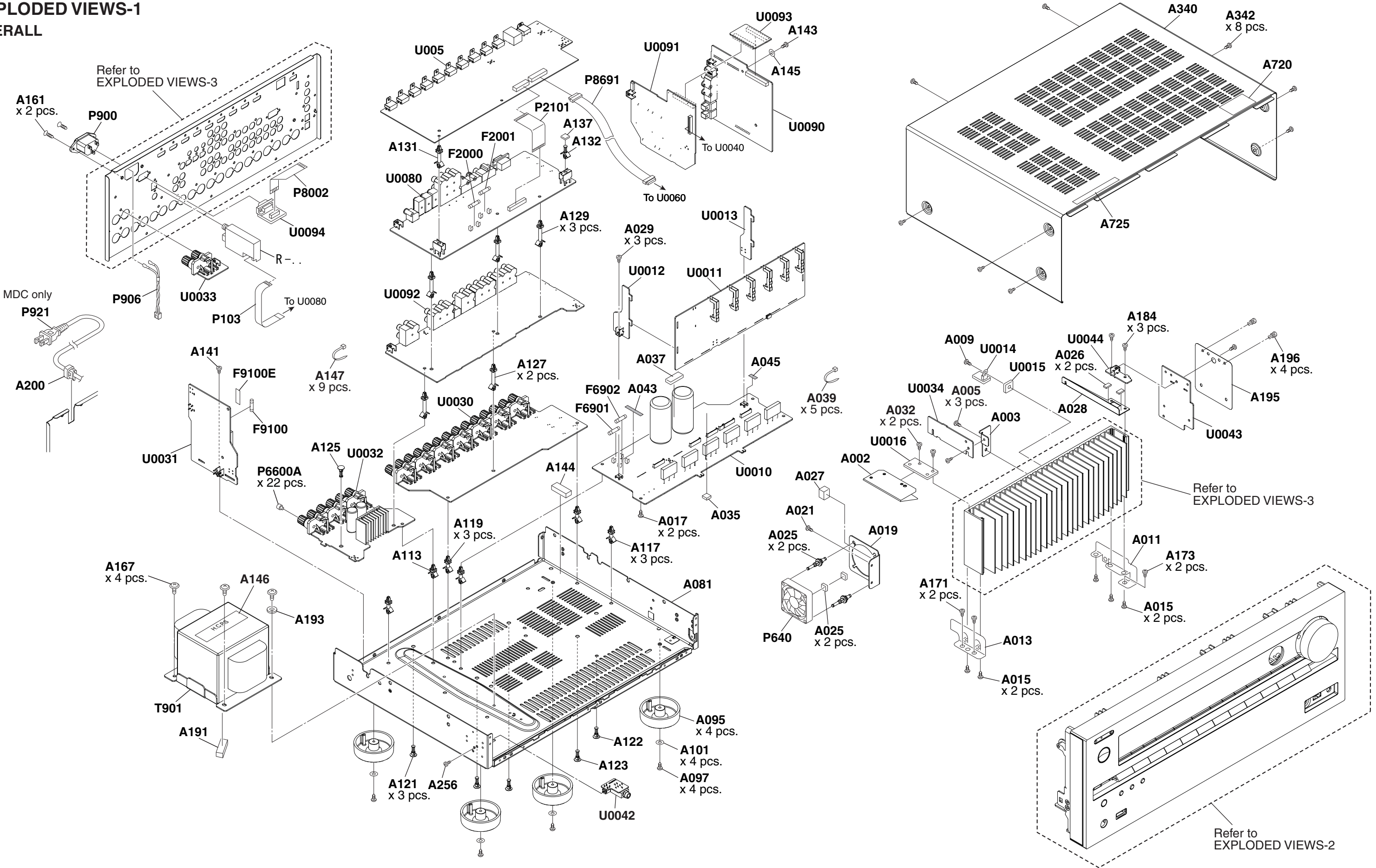
B MDC, B MDF	120V AC, 60Hz
B MMQ, B MMR	220-240V AC, 50/60Hz
B MMP, B MMA, S MMP	220-240V AC, 50Hz

SAFETY-RELATED COMPONENT WARNING!!

COMPONENTS IDENTIFIED BY MARK  ON THE SCHEMATIC DIAGRAM AND IN THE PARTS LIST ARE CRITICAL FOR RISK OF FIRE AND ELECTRIC SHOCK. REPLACE THESE COMPONENTS WITH ONKYO PARTS WHOSE PART NUMBERS APPEAR AS SHOWN IN THIS MANUAL.

MAKE LEAKAGE-CURRENT OR RESISTANCE MEASUREMENTS TO DETERMINE THAT EXPOSED PARTS ARE ACCEPTABLY INSULATED FROM THE SUPPLY CIRCUIT BEFORE RETURNING THE APPLIANCE TO THE CUSTOMER.

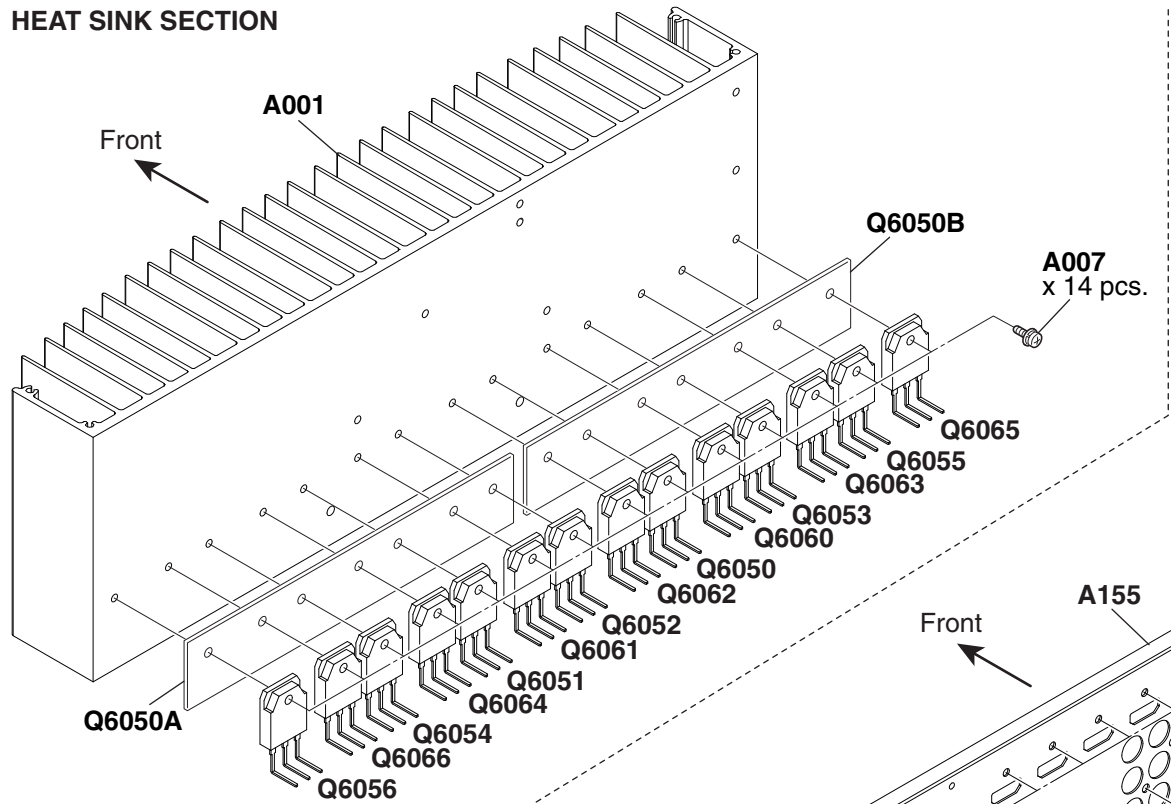
EXPLODED VIEWS-1
OVERALL



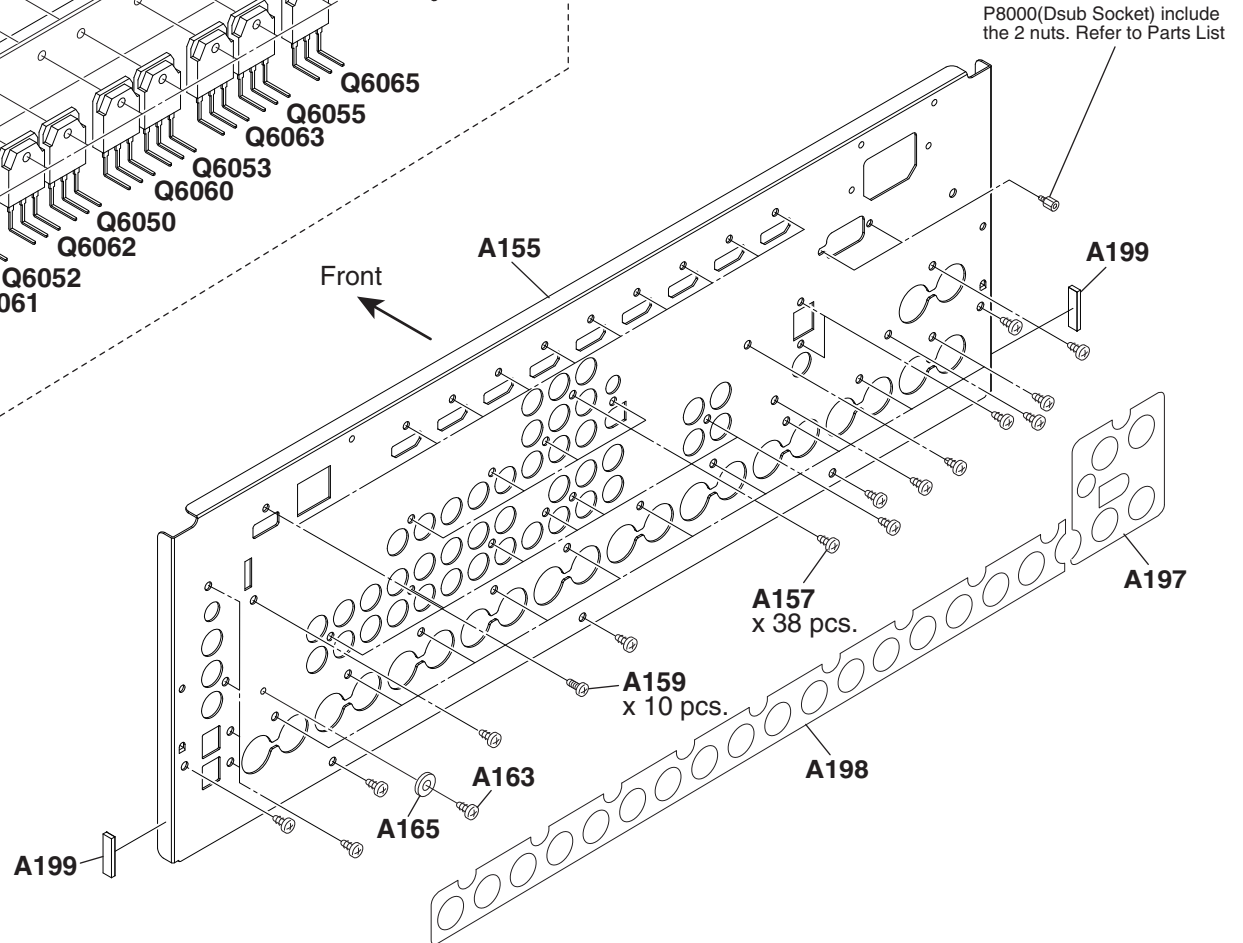
EXPLODED VIEWS-3

HEAT SINK/ REAR PANEL SECTION

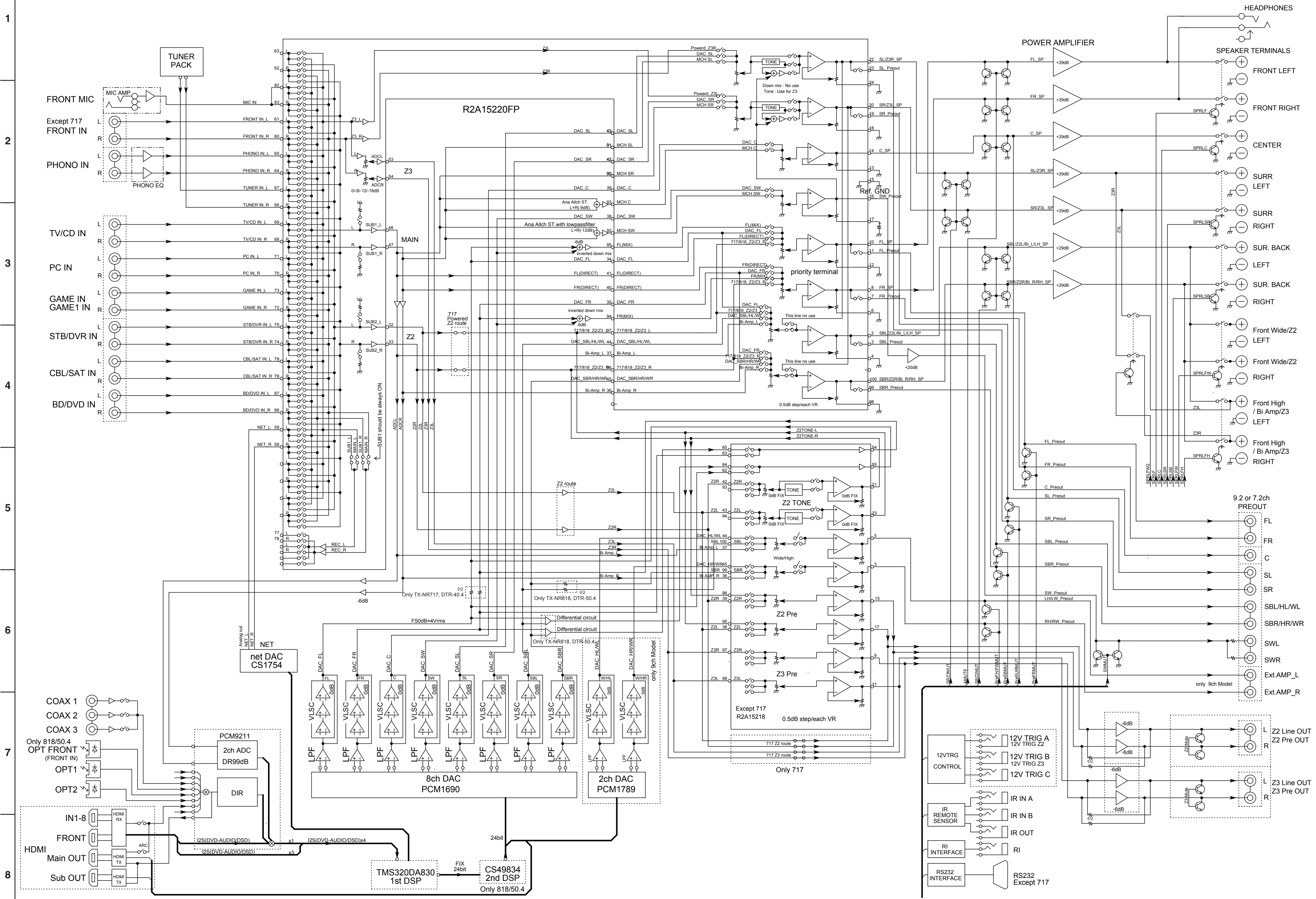
HEAT SINK SECTION



REAR PANEL SECTION

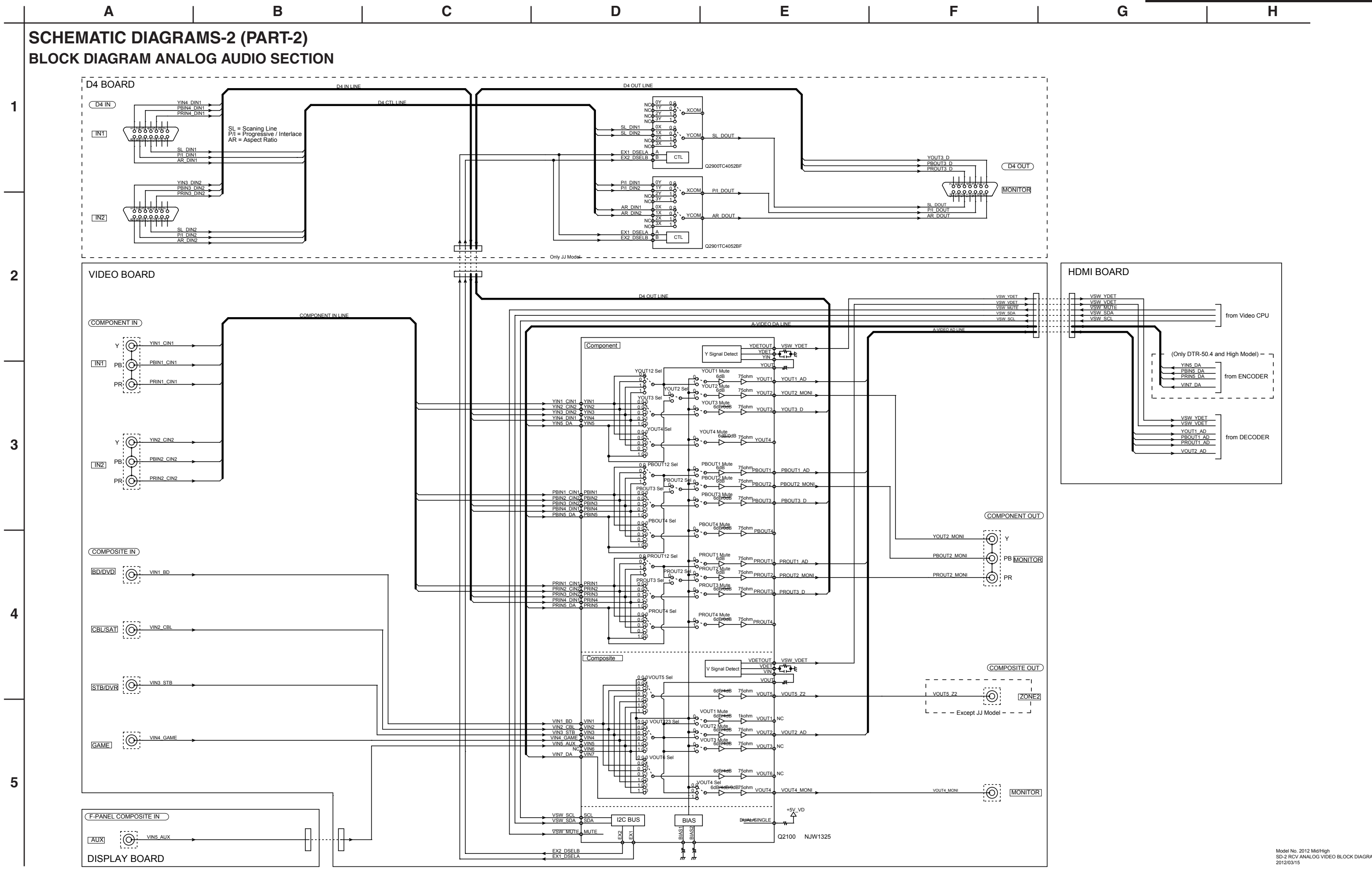


SCHEMATIC DIAGRAMS-1 (PART-1)
BLOCK DIAGRAM (AUDIO) SECTION



Model No. TX-NR717/818/818AE DTR-40.4/50.4
SCHEMATIC DIAGRAM (PART-1) AUDIO BLOCK SECTION
2012/03/16

SCHEMATIC DIAGRAMS-2 (PART-2)
BLOCK DIAGRAM ANALOG AUDIO SECTION



1

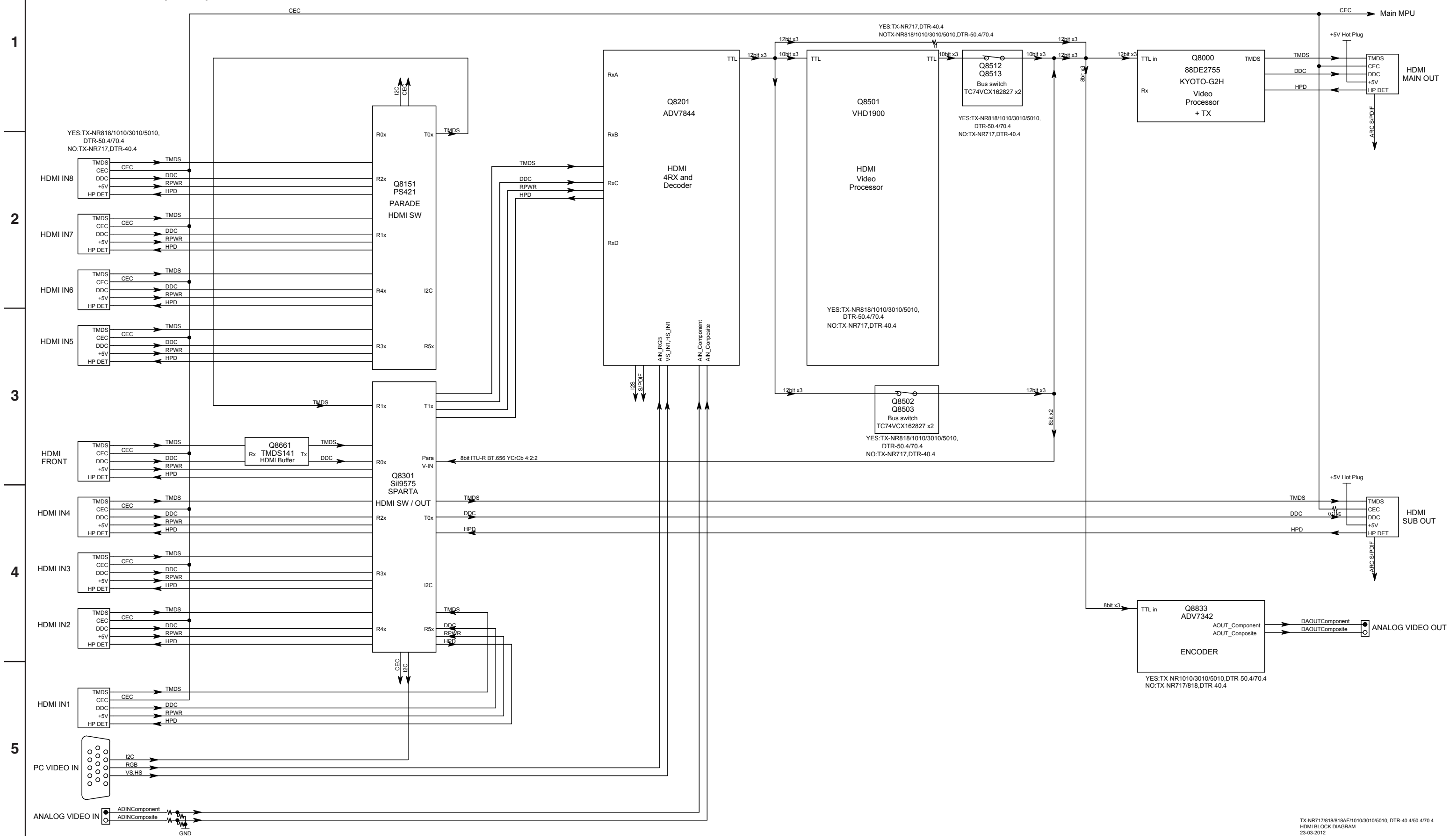
2

3

4

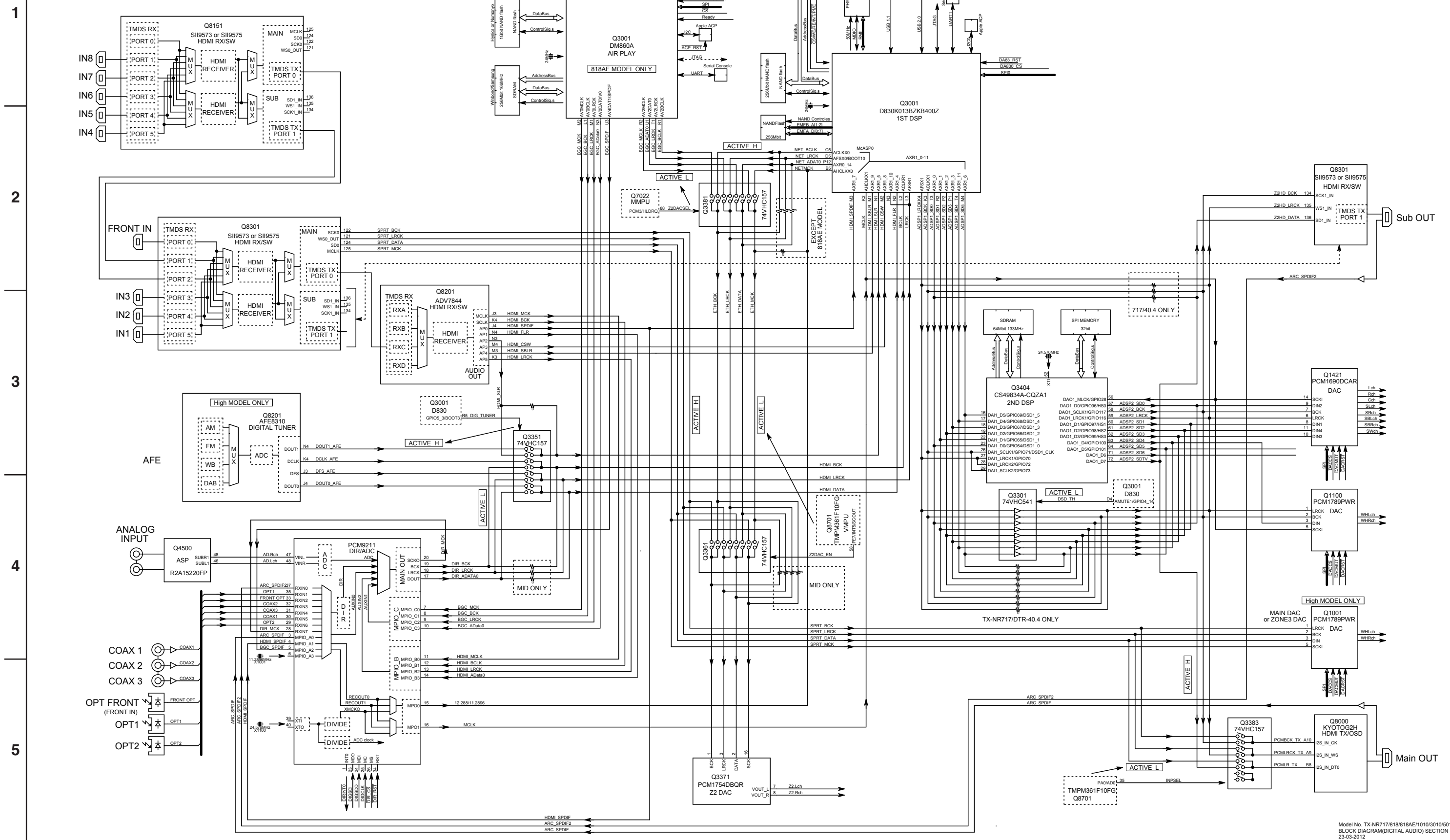
5

SCHEMATIC DIAGRAMS-3 (PART-3)
BLOCK DIAGRAM (HDMI) SECTION



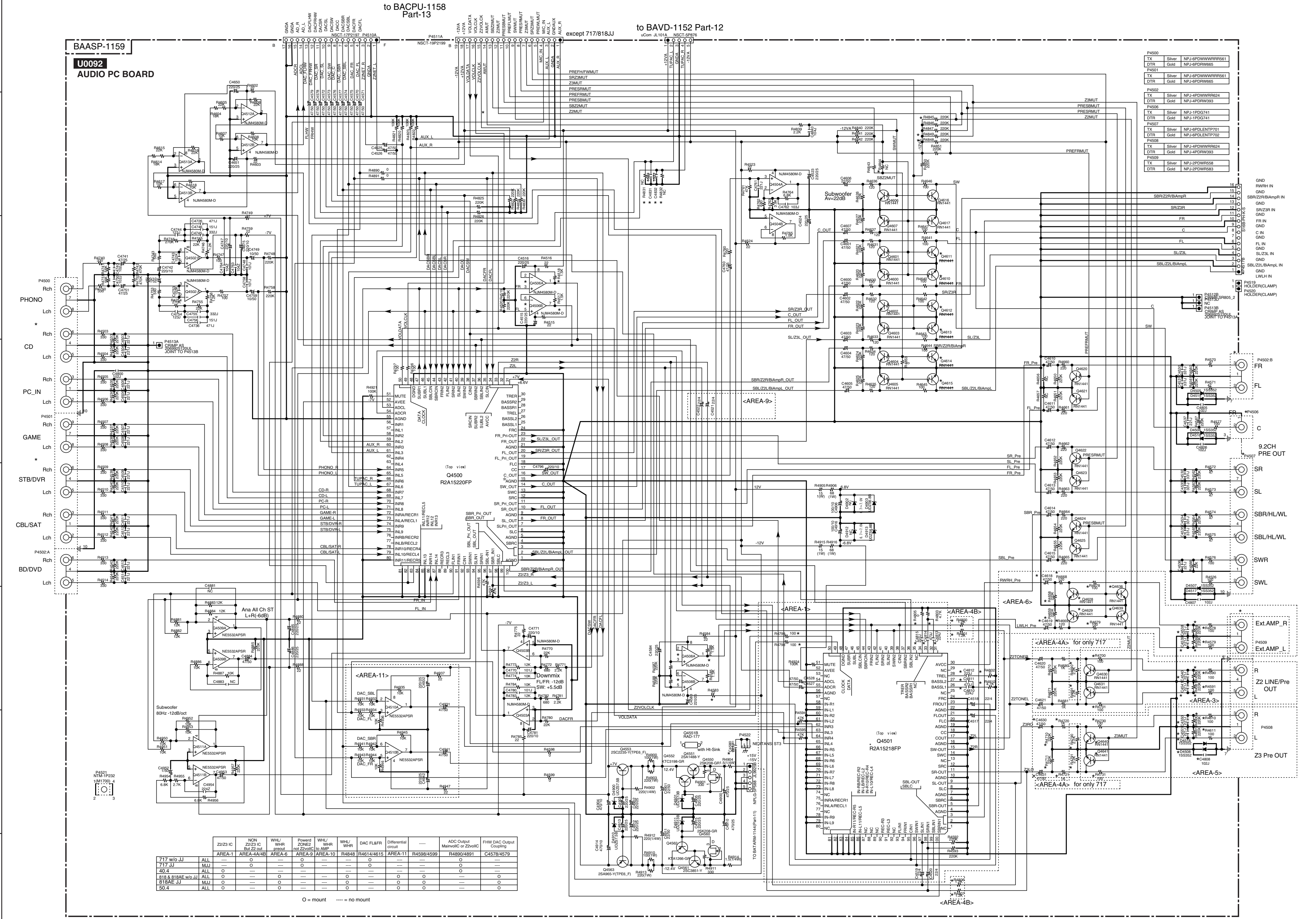
SCHEMATIC DIAGRAMS-4 (PART-4)

BLOCK DIAGRAM(DIGITAL AUDIO) SECTION



SCHEMATIC DIAGRAMS-5 (PART-5)
AUDIO INPUT SECTION

1
2
3
4
5
6
7
8



	Z2/23 IC	NON Z2/23 IC	WHL Z2/23 IC	Power ZONES	WHL Z2/23 IC	WHL Z2/23 IC	DAC FLA/R	Differential circuit	ADC Output	FHW DAC Output	
	AREA-1	AREA-4A/4B	AREA-6	AREA-9	AREA-10	AREA-11	R4848	R4614/4615	R4598/4599	R4890/4891	C4578/4579
717 w/o JJ	ALL	---	---	---	---	---	---	---	---	---	---
717 JJ	M/J	---	---	---	---	---	---	---	---	---	---
40.4	---	---	---	---	---	---	---	---	---	---	---
818 & 818AE w/o JJ	ALL	---	---	---	---	---	---	---	---	---	---
818AE JJ	M/J	---	---	---	---	---	---	---	---	---	---
50.4	ALL	---	---	---	---	---	---	---	---	---	---

○ = mount --- = no mount

P4500	TX	Silver	NPJ-6PDWRRR561
P4501 <td>DTR</td> <td>Gold</td> <td>NPJ-6PDRW665</td>	DTR	Gold	NPJ-6PDRW665
P4502 <td>TX <td>Silver</td> <td>NPJ-6PDWRRR561</td> </td>	TX <td>Silver</td> <td>NPJ-6PDWRRR561</td>	Silver	NPJ-6PDWRRR561
P4503 <td>DTR</td> <td>Gold</td> <td>NPJ-6PDRW665</td>	DTR	Gold	NPJ-6PDRW665
P4504 <td>TX <td>Silver</td> <td>NPJ-4PDWRRR824</td> </td>	TX <td>Silver</td> <td>NPJ-4PDWRRR824</td>	Silver	NPJ-4PDWRRR824
P4505 <td>DTR</td> <td>Gold</td> <td>NPJ-4PDRW393</td>	DTR	Gold	NPJ-4PDRW393
P4506 <td>TX <td>Silver</td> <td>NPJ-1PDG741</td> </td>	TX <td>Silver</td> <td>NPJ-1PDG741</td>	Silver	NPJ-1PDG741
P4507 <td>DTR</td> <td>Gold</td> <td>NPJ-1PDG741</td>	DTR	Gold	NPJ-1PDG741
P4508 <td>TX <td>Silver</td> <td>NPJ-6PDLNT7701</td> </td>	TX <td>Silver</td> <td>NPJ-6PDLNT7701</td>	Silver	NPJ-6PDLNT7701
P4509 <td>DTR</td> <td>Gold</td> <td>NPJ-6PDLNT7702</td>	DTR	Gold	NPJ-6PDLNT7702
P4510 <td>TX <td>Silver</td> <td>NPJ-4PDWRRR824</td> </td>	TX <td>Silver</td> <td>NPJ-4PDWRRR824</td>	Silver	NPJ-4PDWRRR824
P4511 <td>DTR</td> <td>Gold</td> <td>NPJ-4PDRW393</td>	DTR	Gold	NPJ-4PDRW393
P4512 <td>TX <td>Silver</td> <td>NPJ-2PDWRS58</td> </td>	TX <td>Silver</td> <td>NPJ-2PDWRS58</td>	Silver	NPJ-2PDWRS58
P4513 <td>DTR</td> <td>Gold</td> <td>NPJ-2PDRW583</td>	DTR	Gold	NPJ-2PDRW583

- GND RWRH IN
- GND SBRZ2R/BAmpR IN
- GND SRZ2R IN
- GND FR IN
- GND C IN
- GND SLZ2L IN
- GND SBLZ2L/BAmpL IN
- GND LWH IN
- P4519 HOLDER(CLAMP)
- P4519B HOLDER(CLAMP)
- P4519B CRIMP AS JOINT TO P4513A
- P4502:B
- P4507
- 9.2CH PRE OUT
- SR
- SL
- SBR/HL/WL
- SBL/HL/WL
- SWR
- SWL
- Ext.AMP R
- P4509
- Ext.AMP L
- Z2 LINE/Pre OUT
- R
- L
- P4508
- Z3 Pre OUT

SCHEMATIC DIAGRAMS-6 (PART-6)
AMP(VOLTAGE AMP) SECTION

ADJUSTMENT OF IDLING CURRENT

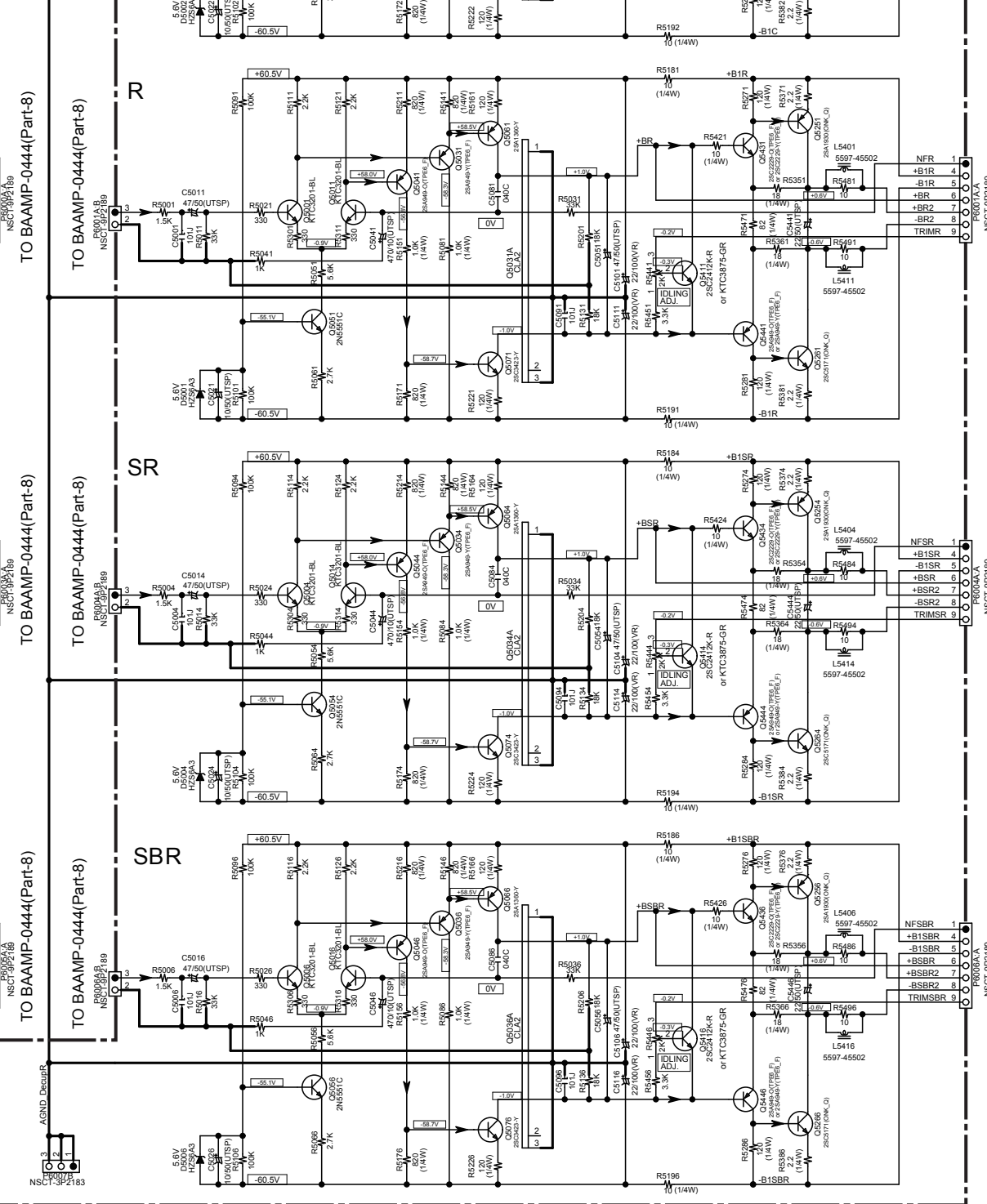
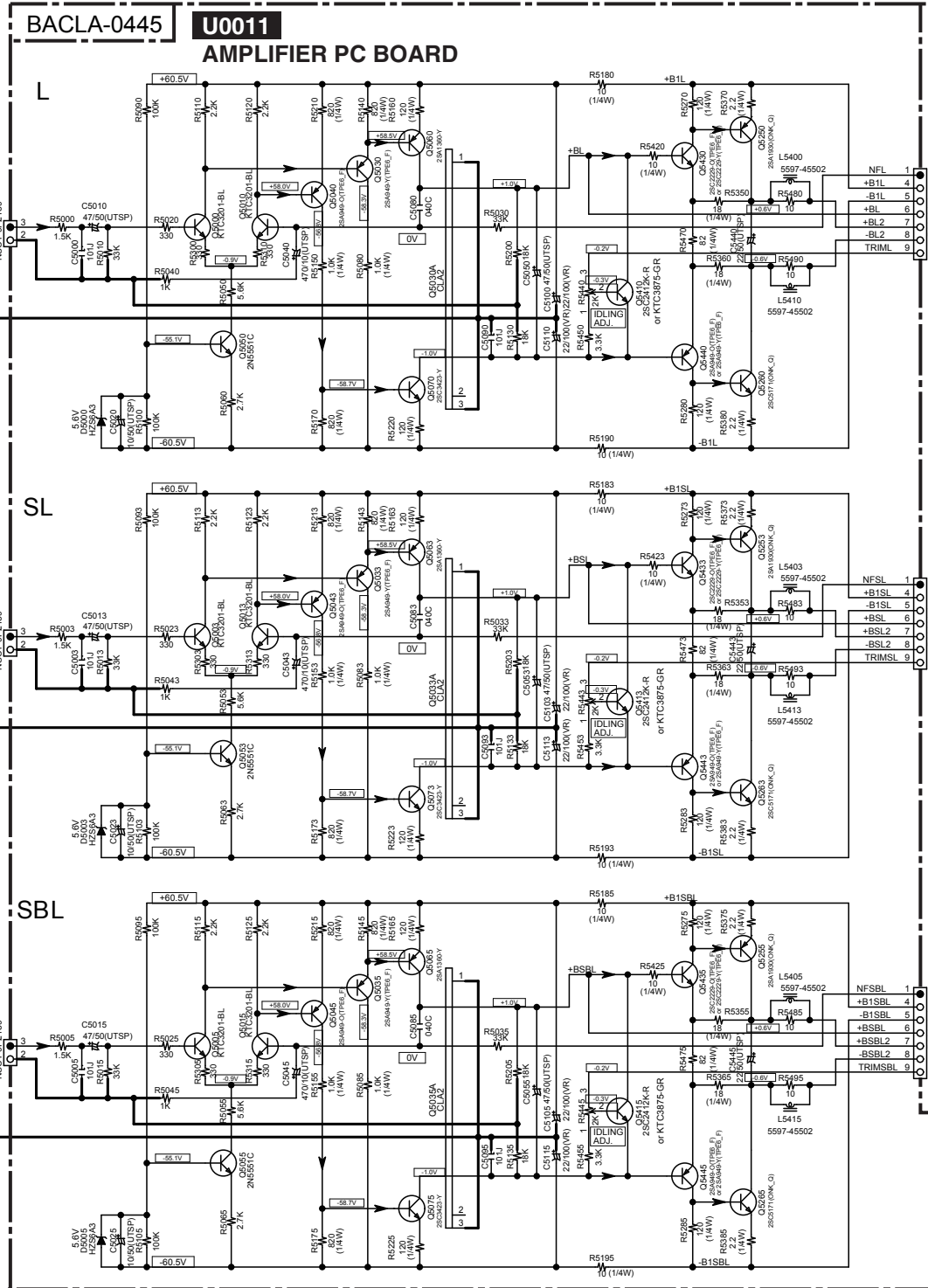
[NOTES]

1. Set R5440 ~ 5446 to minimum position before POWER ON.
2. Equip series 1/4W 100-ohm resistors near the terminal respectively in the each poles of the jig used for P6900-6096 terminals.

[PROCEDURES]

1. Set the voltages at P6900 ~ 6096 to 1.5mV by adjusting R5440 ~ 5446, under the condition of no input and no load, immediately after POWER ON.
2. Re-adjust by following procedure after 4 ~ 6 minutes of heat running.

	L/ C/ R	SL/ SR/ SBL/ SBR
Below 4 mV	→ 4 mV	Below 4 mV → 4 mV
Between 4 ~ 6 mV	→ Leave it as it is.	Between 4 ~ 6 mV → Leave it as it is.
Over 6 mV	→ 6 mV	Over 6 mV → 6 mV



1

2

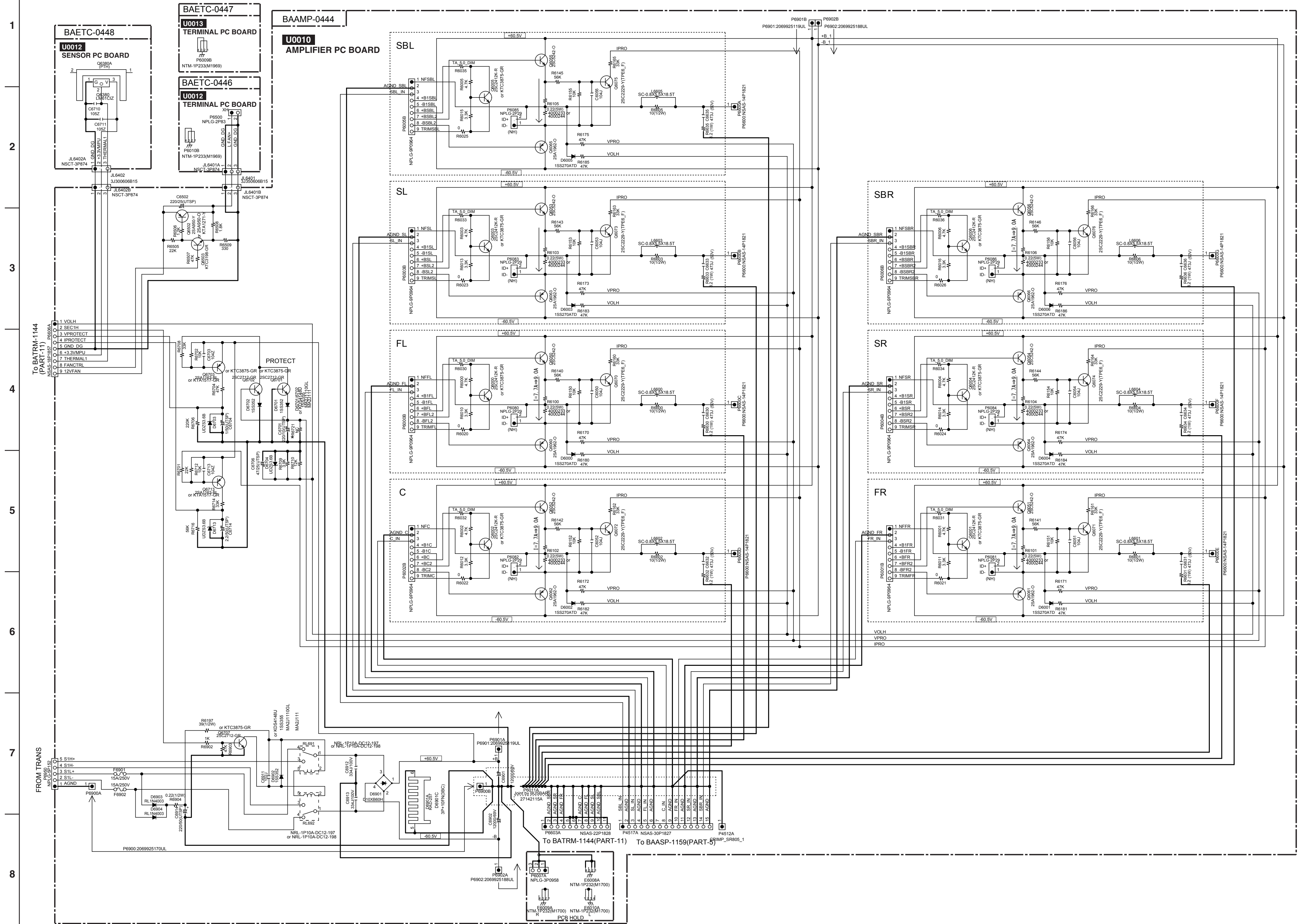
3

4

5

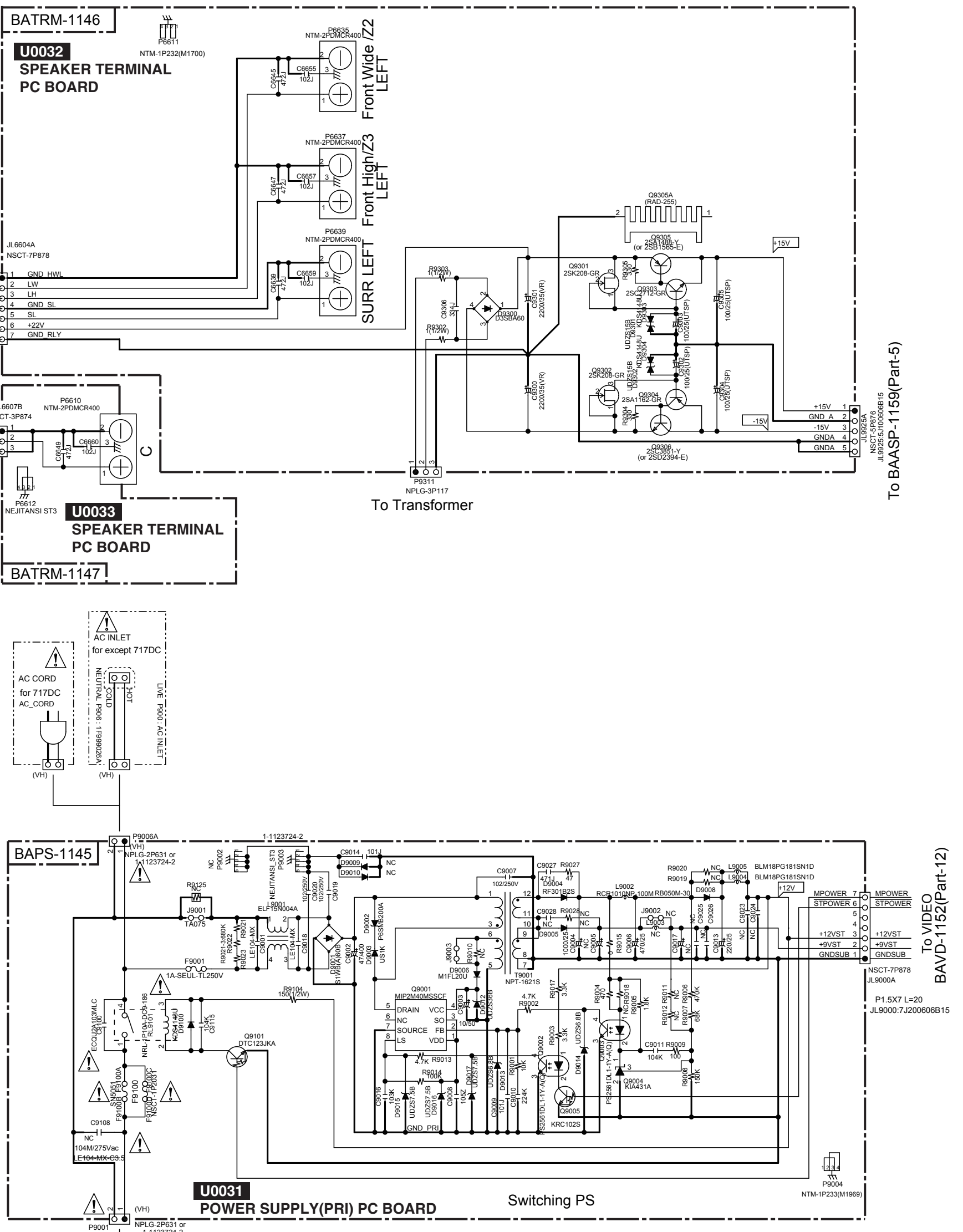
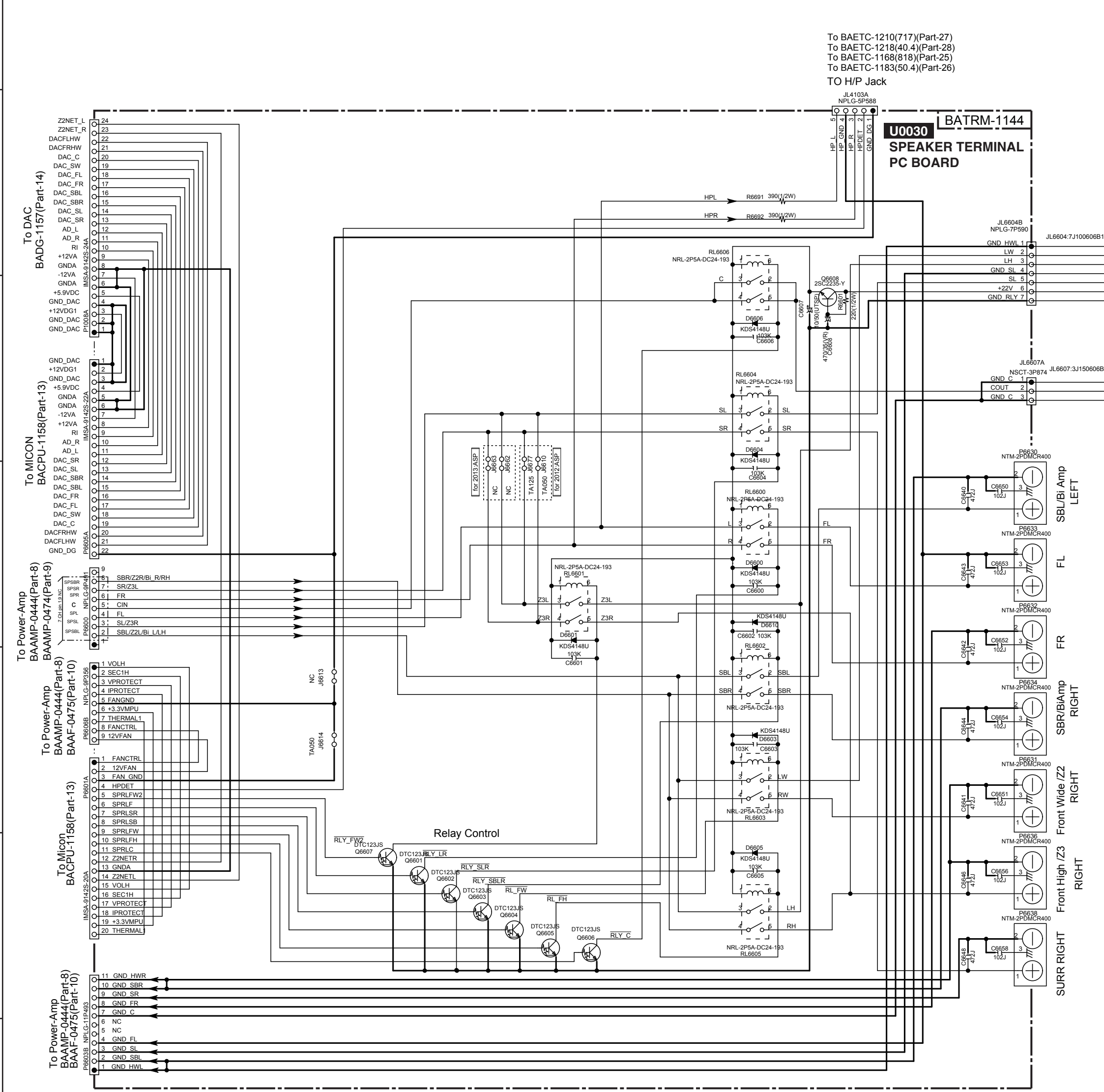
NTM-1P233(M1969)

SCHEMATIC DIAGRAMS-8 (PART-8)
POWER AMP(FINAL STAGE) SECTION



SCHEMATIC DIAGRAMS-11 (PART-11)
SPEAKER TERMINAL AND POWER SUPPLY SECTION

1
2
3
4
5
6
7
8



印は火災、感電の危険に關する部品の為、必ず指定部品を使用の事。
電圧表示は単位毎時に測定した最高電圧を示す。
（単位V、入力抵抗100kΩ/V以上の電圧計）
記入なき電解コンデンサの単位はμF/VVである。
記入なきコンデンサの単位はpF/50Vである。
例 030-30F 330-330F 331-3300F 333-0.033μF
*本記線図は基本配線図につき性能改善等により予告なく変更する事がある。

THIS SYMBOL LOCATED NEAR THE FUSE INDICATES THAT THE FUSE USED IS SLOW OPERATING TYPE FOR CONTINUED PROTECTION AGAINST FIRE HAZARD. REPLACE WITH SAME TYPE FUSE. FOR FUSE RATING REFER TO THE MAKING ADJACENT TO THE SYMBOL.

CE SYMBOLE INDIQUE QUE LE FUSIBLE UTILISE EST A LENT, E POUR UNE PROTECTION PERMANENTE. UTILISER QUE DES FUSIBLES DE MEME TYPE. CE DERNIER EST INDIQUE LA QU LE PRESENT SYMBOLE EST APOISE.

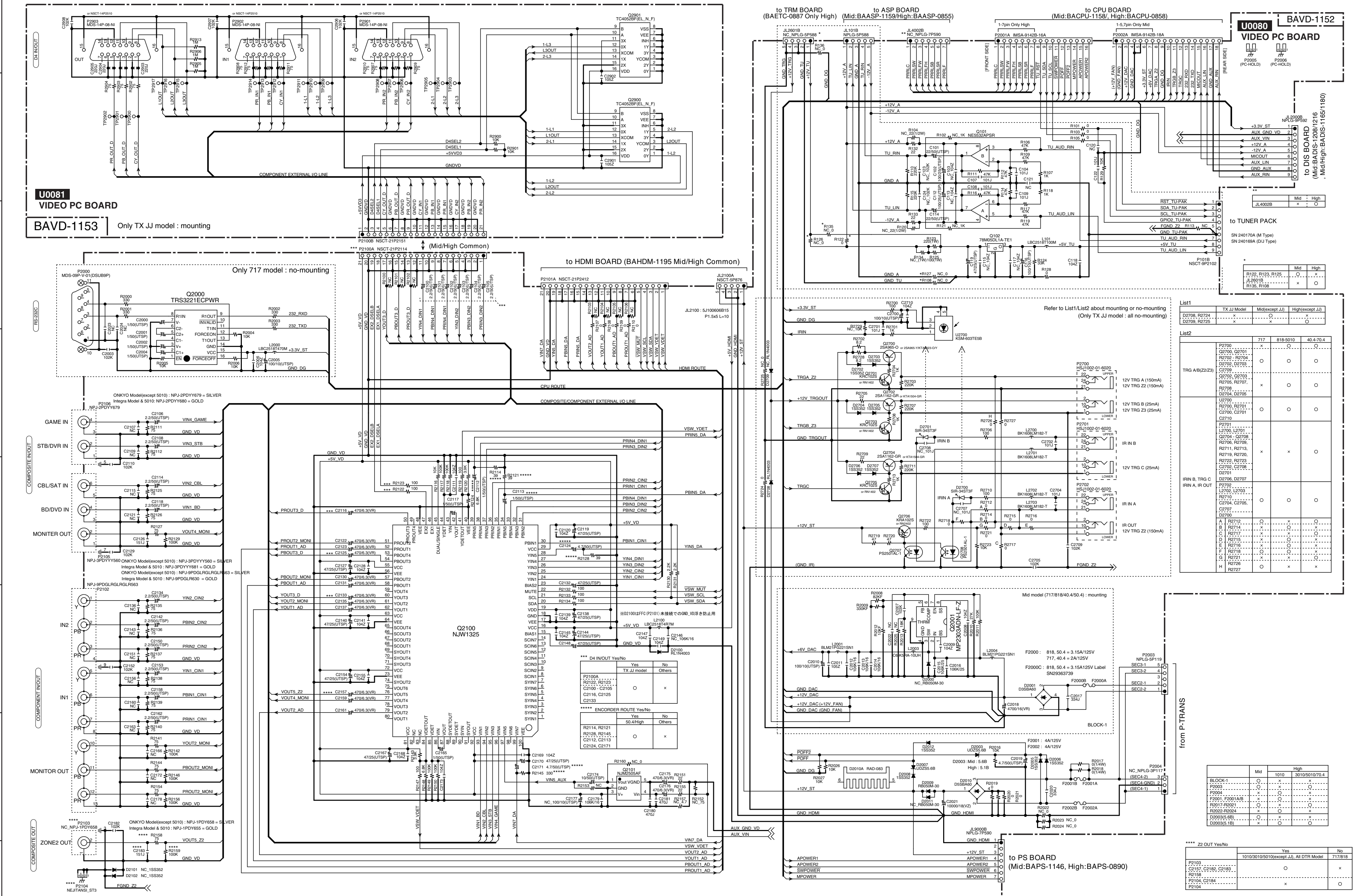
CAUTION
FOR CONTINUED PROTECTION AGAINST FIRE HAZARD, REPLACE ONLY WITH FUSE OF SAME TYPE AND RATING INDICATED.

ATTENTION
AFIN D'ASSURER UNE PROTECTION PERMANENTE CONTRE LES RISQUES D'INCENDIE, REMPLACER UNIQUEMENT PAR UN FUSIBLE DE MEME TYPE ET CALIBRATION COMME INDIQUE.

CODE	MODEL	T7	T8
T7	TX-NR717, DTR-40.4	10A 125V	12A 125V
J	NPT-1594J	10A 125V	15A 125V
M	TX-NR818, DTR-50.4	T5AL 250V	T6.3AL 250V

T901	T7	T8
D	NPT-1594D	NPT-1593D
J	NPT-1594J	NPT-1593J
M	NPT-1594M	NPT-1593M

SCHEMATIC DIAGRAMS-12 (PART-12)
ANALOG VIDEO SECTION

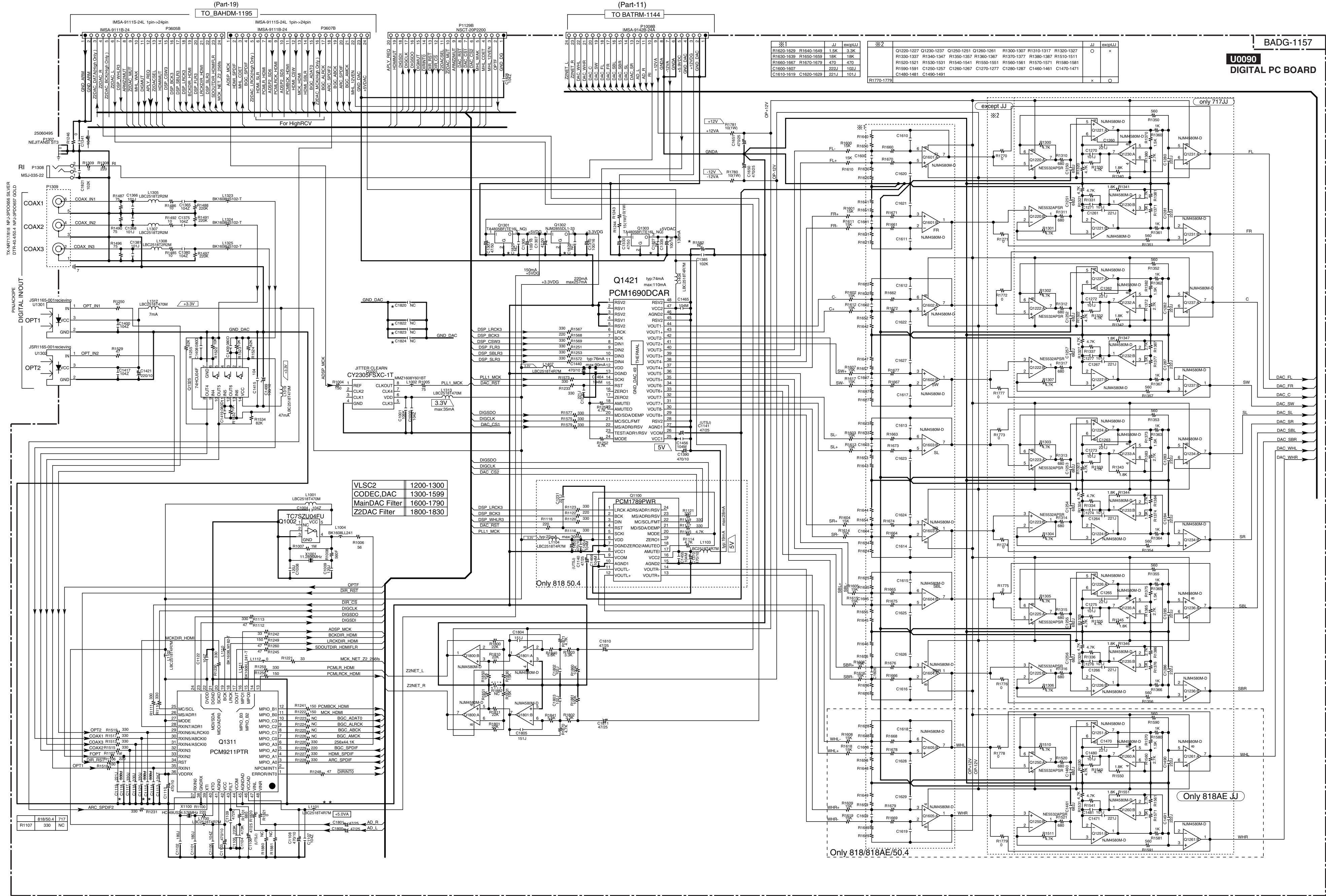


Model No. TX-NR717/818/50.4/50.4
SCHEMATIC DIAGRAM PART-12 ANALOG VIDEO SECTION
Model No. TX-NR1050/5050/DTR-40.4
SCHEMATIC DIAGRAM (PART-11) ANALOG VIDEO SECTION
15-9-2012

SCHEMATIC DIAGRAMS-14 (PART-14)
DAC/ DIR/ ADC/ VLSC SECTION

1
2
3
4
5
6
7
8

BADG-1157
U0090
DIGITAL PC BOARD



Only 818/818AE/50.4

Only 818AE JJ

SCHEMATIC DIAGRAMS-15 (PART-15)
HDMI IN1/ HDMI SUB SECTION

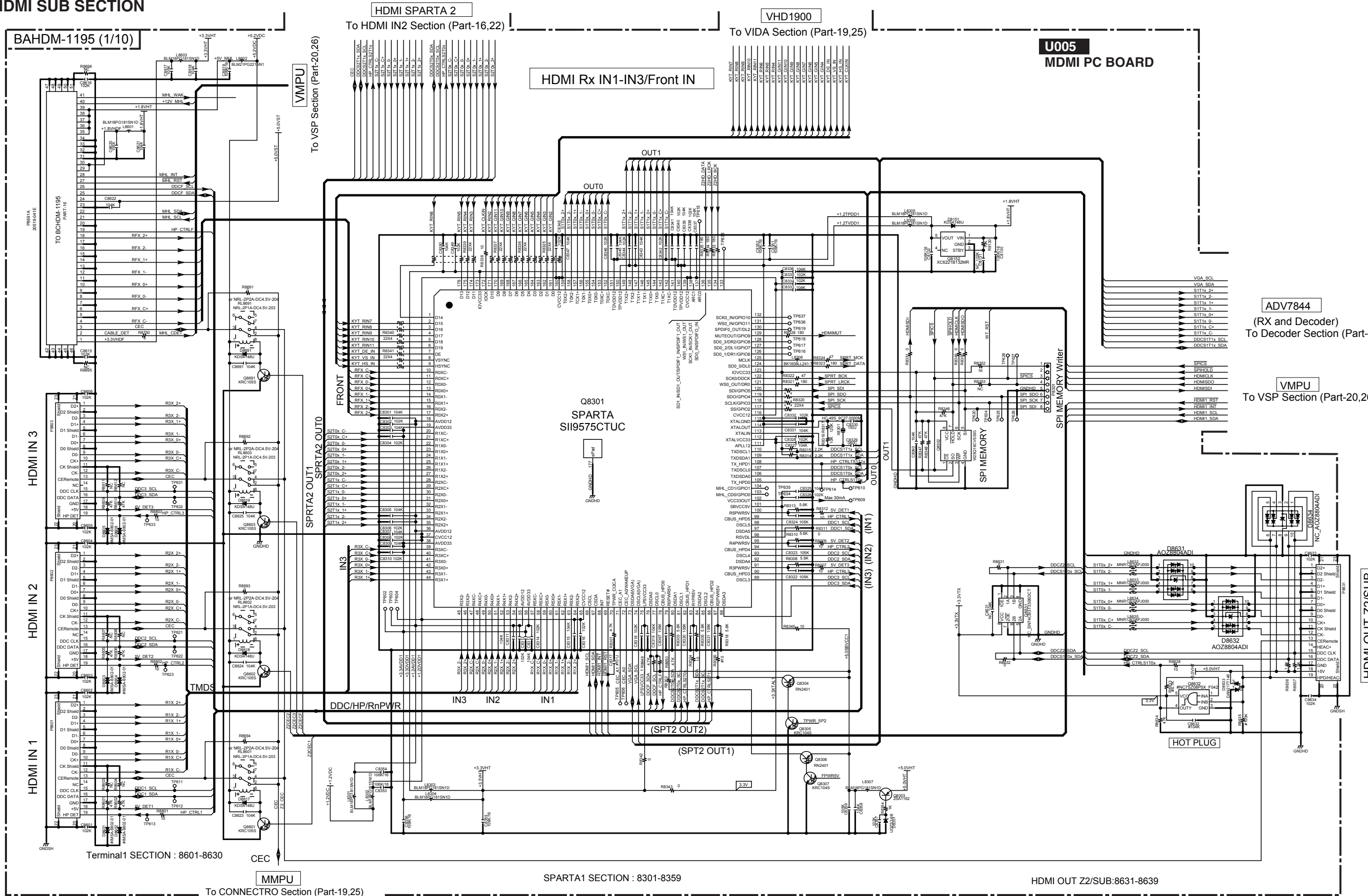
1

2

3

4

5



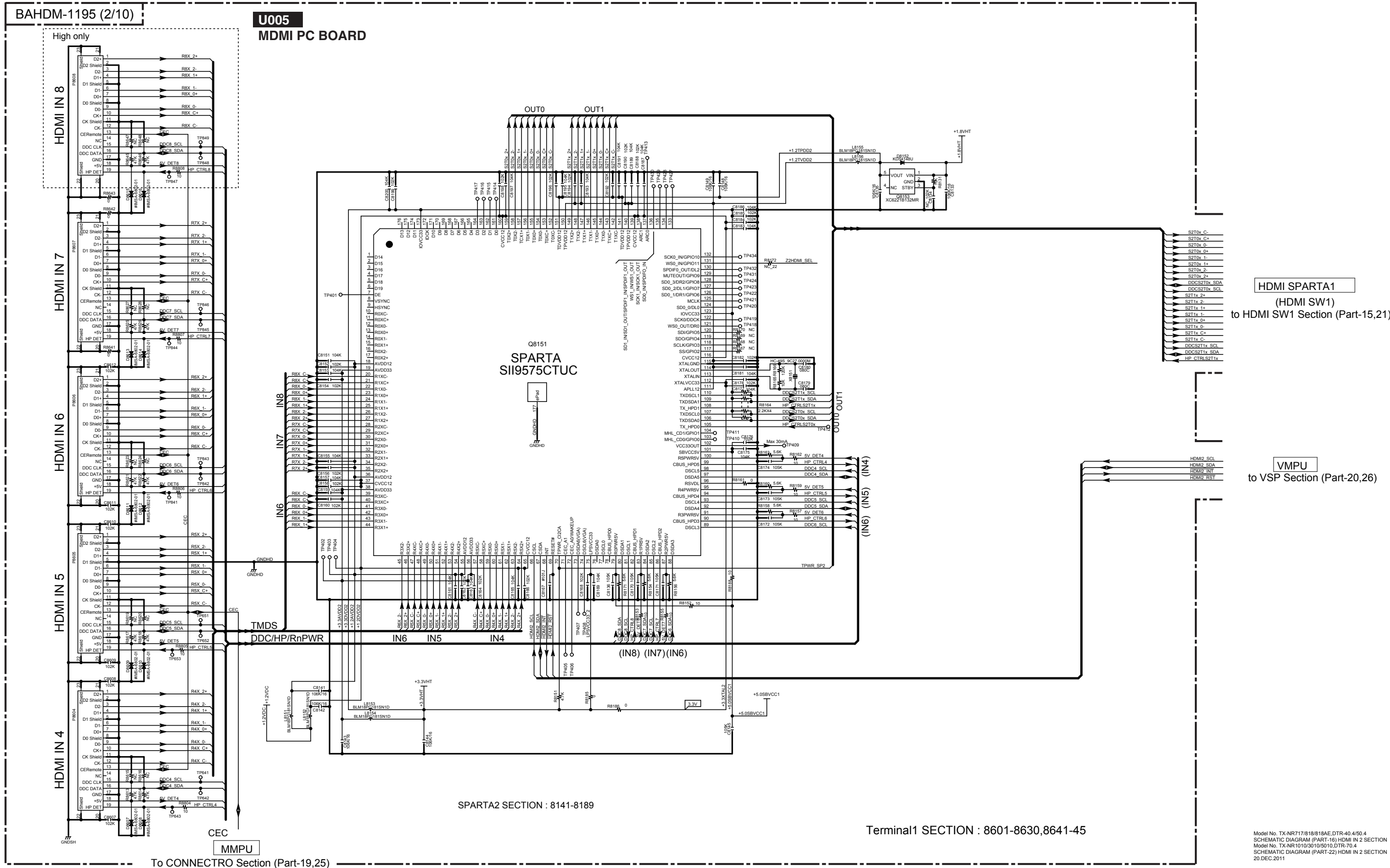
Terminal1 SECTION : 8601-8630

SPARTA1 SECTION : 8301-8359

HDMI OUT Z2/SUB:8631-8639

SCHEMATIC DIAGRAMS-16 (PART-16)
POWER AMP(FINAL STAGE) SECTION

1
2
3
4
5



SPARTA2 SECTION : 8141-8189

Terminal1 SECTION : 8601-8630,8641-45

To CONNECTRO Section (Part-19,25)

HDMI SPARTA1
(HDMI SW1)
to HDMI SW1 Section (Part-15,21)

VMPU
to VSP Section (Part-20,26)

Model No. TX-NR717/818/818AE.DTR-40.4/50.4
SCHEMATIC DIAGRAM (PART-16) HDMI IN 2 SECTION
Model No. TX-NR1010/3010/5010.DTR-70.4
SCHEMATIC DIAGRAM (PART-22) HDMI IN 2 SECTION
20 DEC 2011

SCHEMATIC DIAGRAMS-17 (PART-17)
HDMI RX/ DECODER SECTION

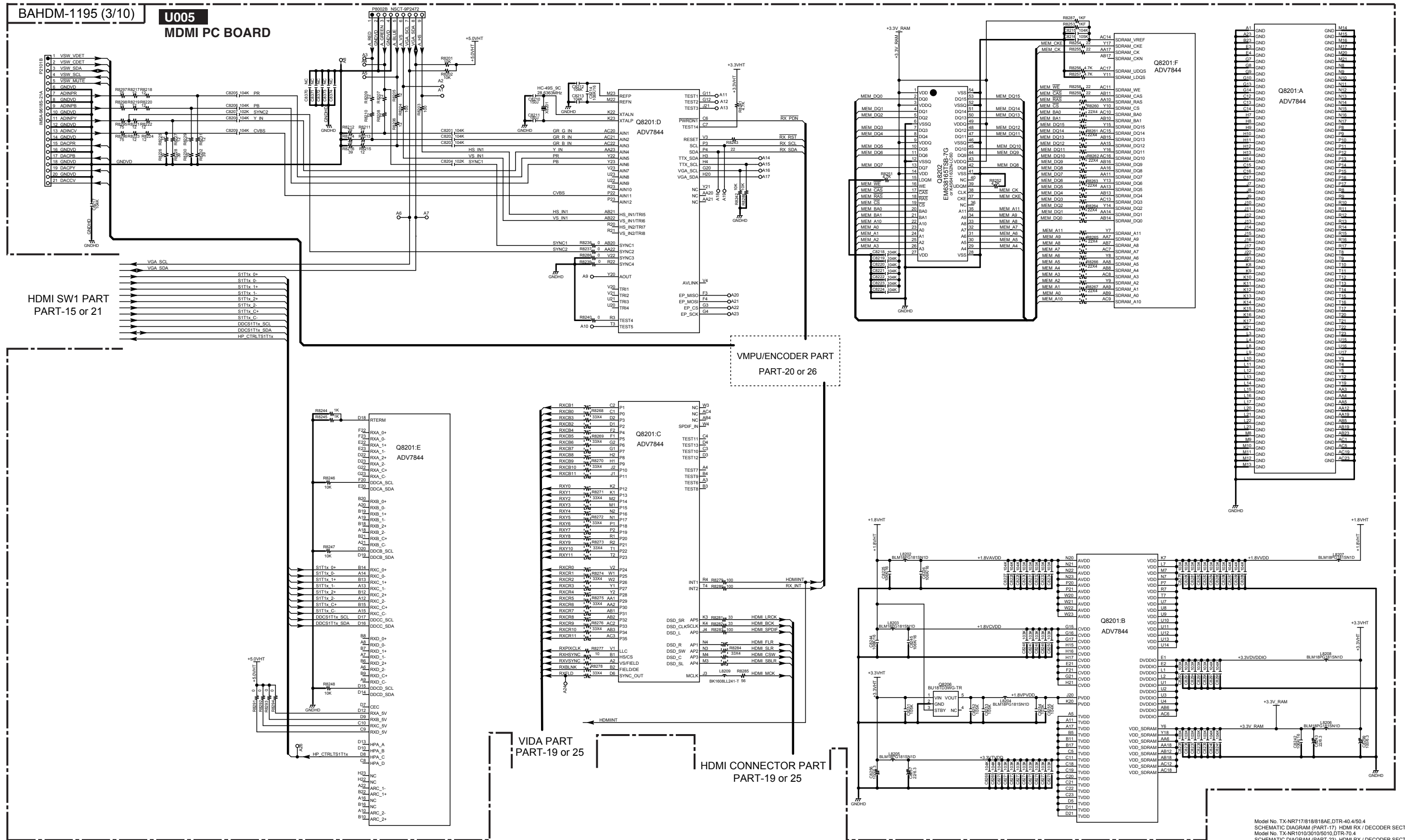
1

2

3

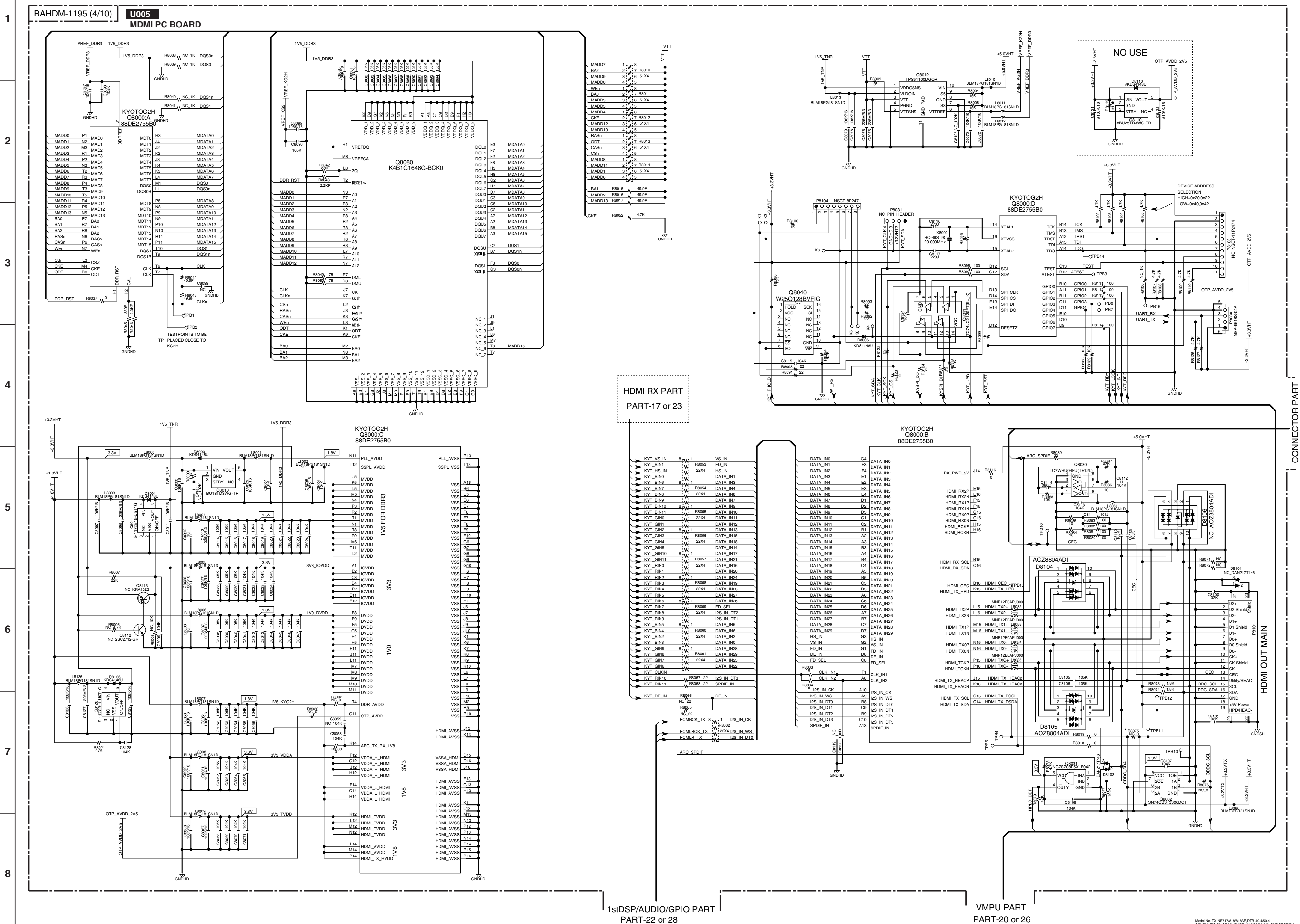
4

5



Model No. TX-NR717/818/818AE.DTR-40.4/50.4
SCHEMATIC DIAGRAM (PART-17) HDMI RX / DECODER SECTION
Model No. TX-NR1010/30/05510.DTR-70.4
SCHEMATIC DIAGRAM (PART-23) HDMI RX / DECODER SECTION
20 DEC.2011

SCHEMATIC DIAGRAMS-18 (PART-18)
HDMI MAIN SECTION



HDMI RX PART
PART-17 or 23

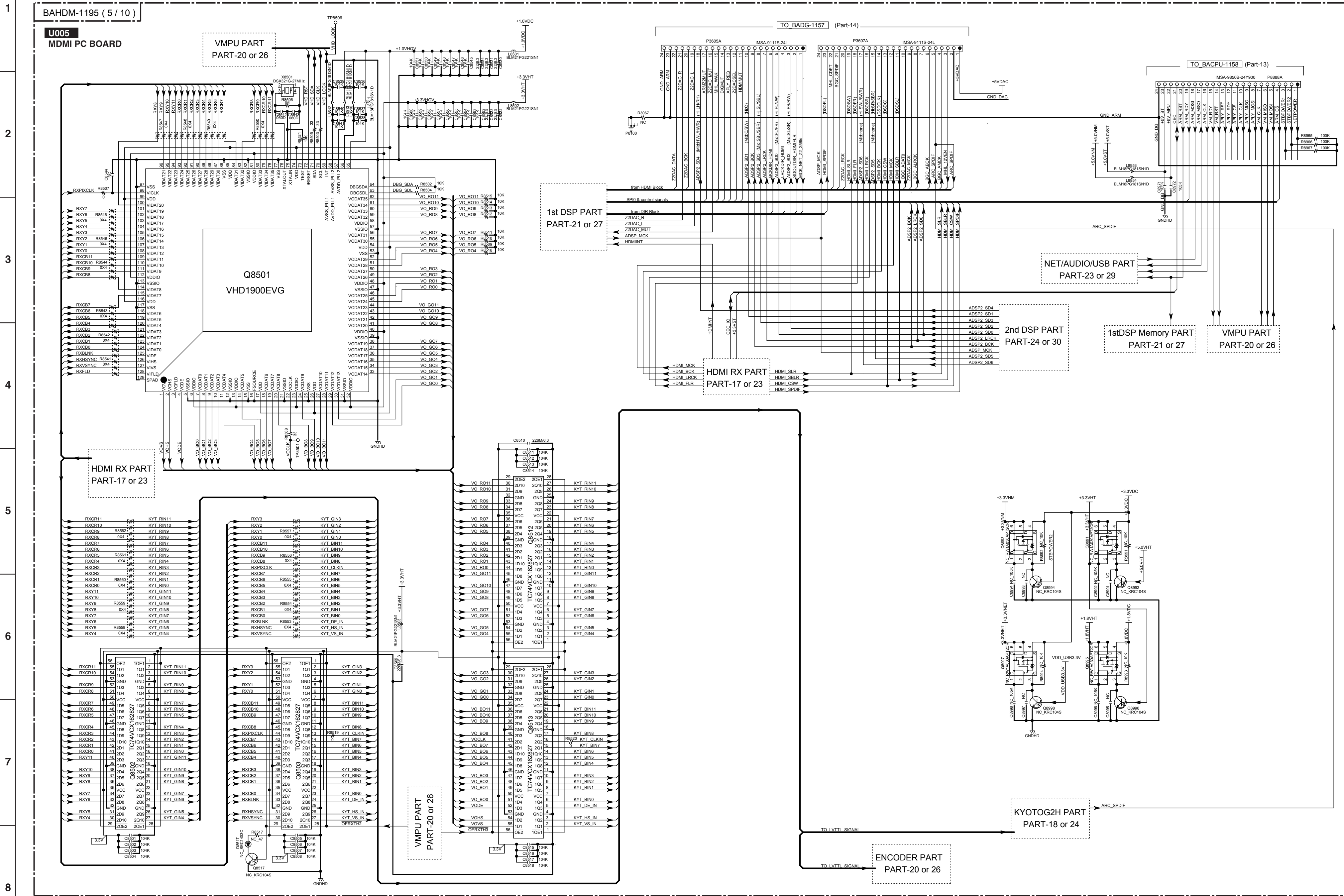
1stDSP/AUDIO/GPIO PART
PART-22 or 28

VMPU PART
PART-20 or 26

CONNECTOR PART
PART-19 or 25

SCHEMATIC DIAGRAMS-19 (PART-19)
HQV/ CONNECTOR SECTION

U0000 xxxxxx PC BOARD
U0000 xxxxxx PC BOARD



BAHDM-1195 (5 / 10)

U005
MDMI PC BOARD

VMPU PART
PART-20 or 26

1st DSP PART
PART-21 or 27

HDMI RX PART
PART-17 or 23

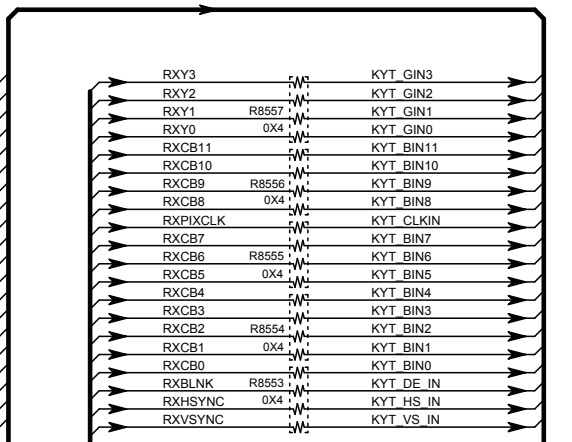
NET/AUDIO/USB PART
PART-23 or 29

2nd DSP PART
PART-24 or 30

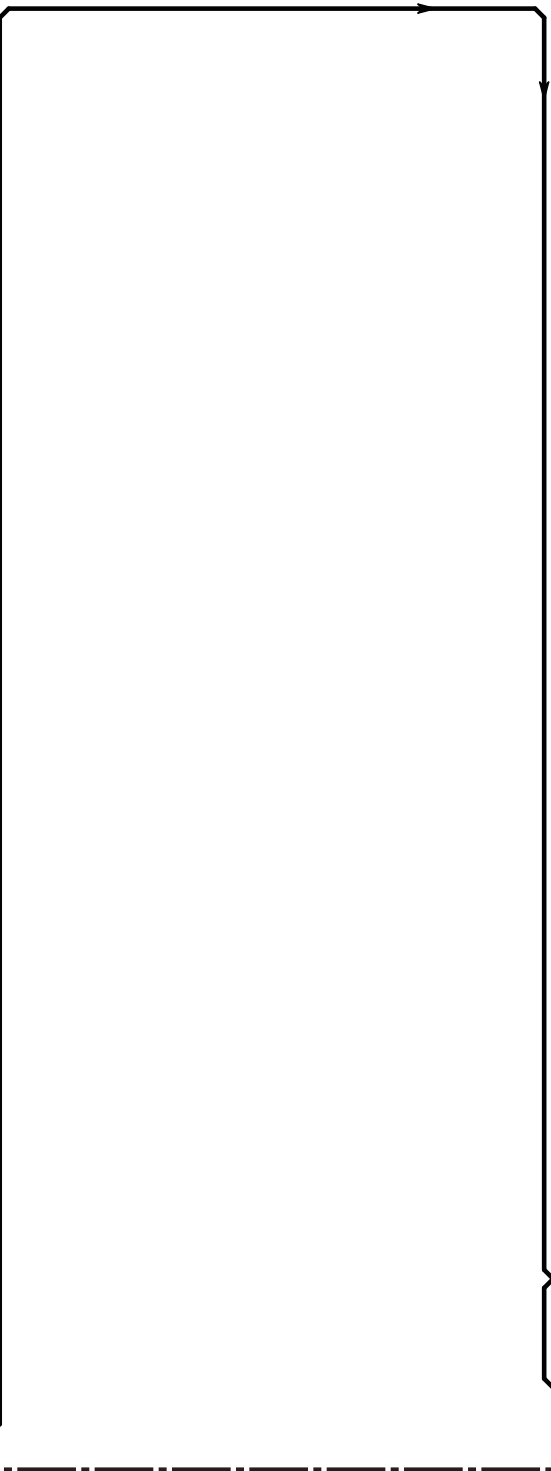
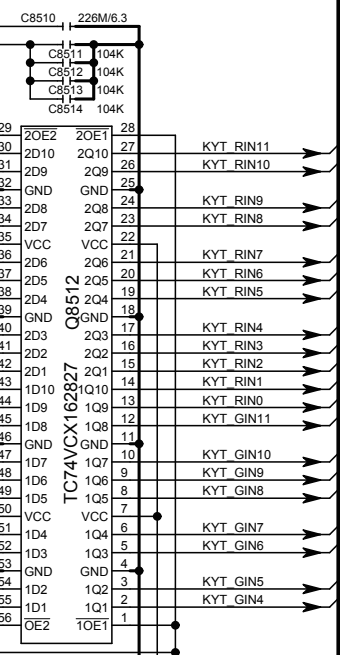
1st DSP Memory PART
PART-21 or 27

VMPU PART
PART-20 or 26

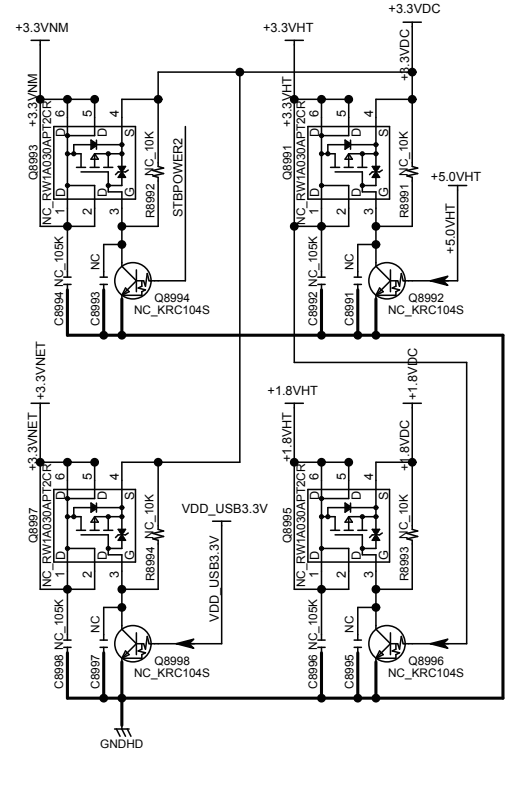
HDMI RX PART
PART-17 or 23



VMPU PART
PART-20 or 26

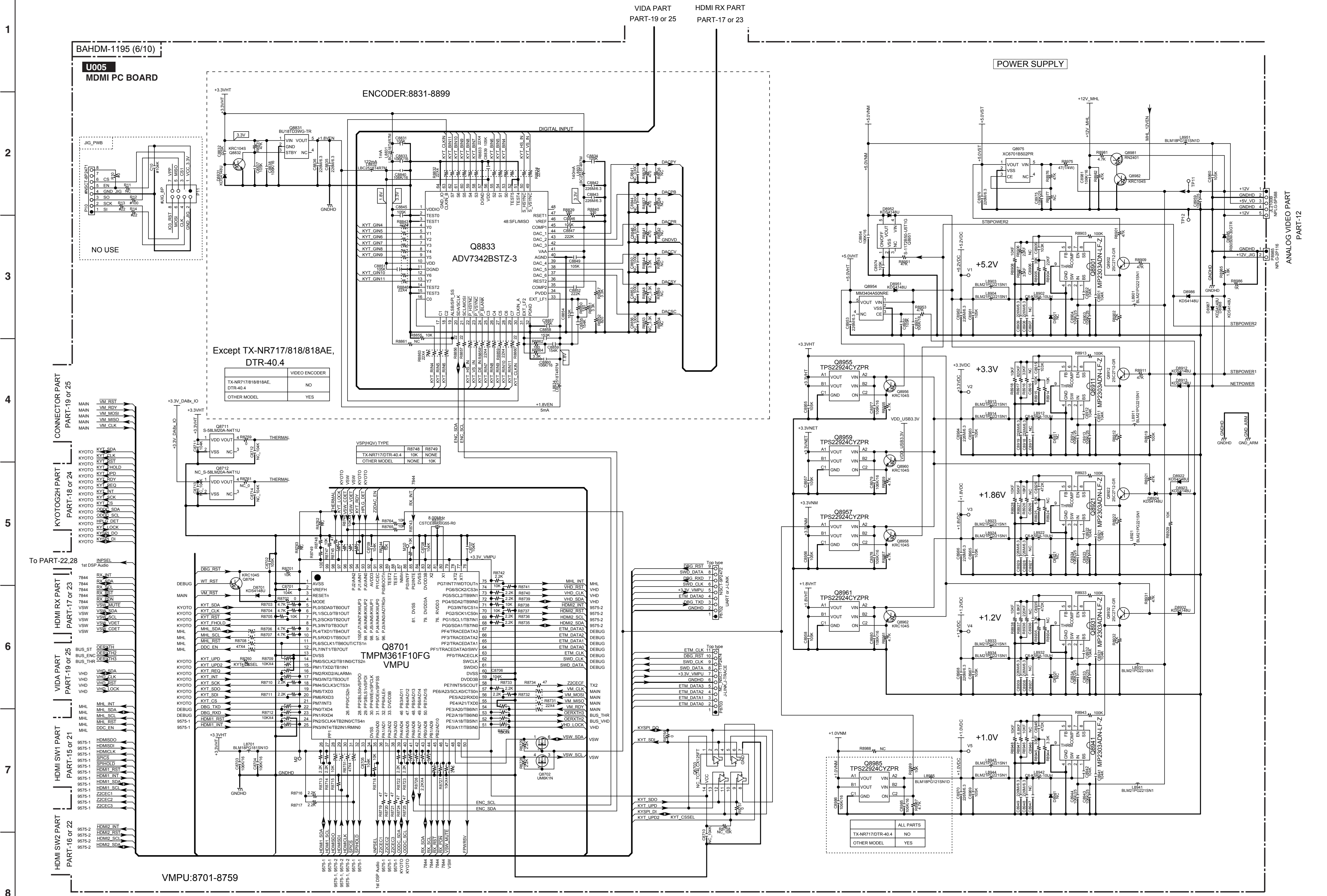


ENCODER PART
PART-20 or 26



KYOTOG2H PART
PART-18 or 24

SCHEMATIC DIAGRAMS-20(PART-20)
VMPU/ ENCODER/ POWER SUPPLY SECTION



Except TX-NR717/818/818AE, DTR-40.4

TX-NR717/818/818AE, DTR-40.4	VIDEO ENCODER	NO
OTHER MODEL	VIDEO ENCODER	YES

TX-NR717/DTR-40.4	ALL PARTS	NO
OTHER MODEL	ALL PARTS	YES

SCHEMATIC DIAGRAMS-21(PART-21)

1st DSP MEMORY SECTION

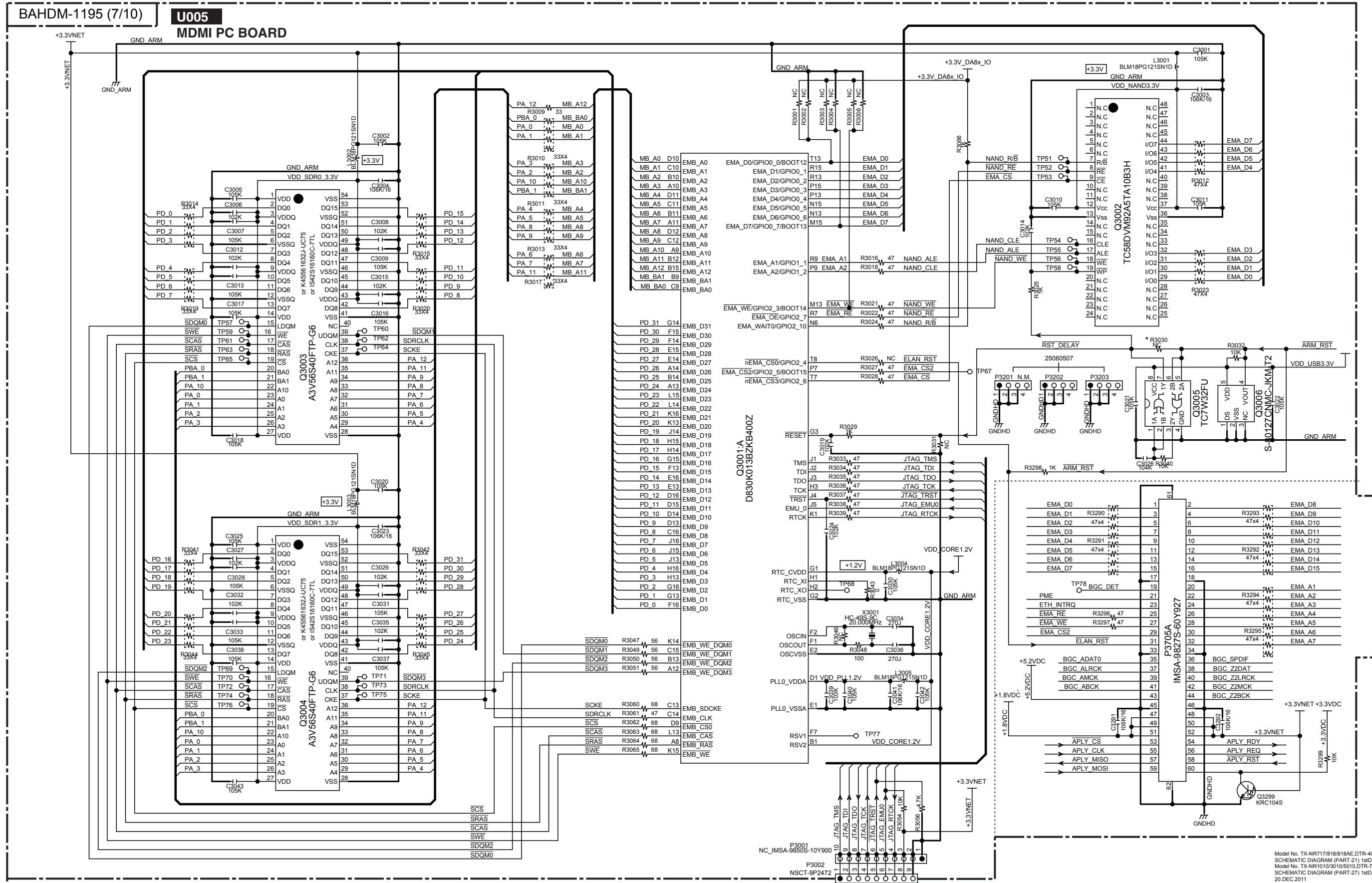
1

2

3

4

5



Model No. TX-NR17/18/1818/AE/DTR-40.4/50.4
 SCHEMATIC DIAGRAM (PART-21) 1stDSP Memory Section
 Model No. TX-NR10/10/30/10/50/10/DTR-70.4
 SCHEMATIC DIAGRAM (PART-21) 1stDSP Memory Section
 20 DEC 2011

SCHEMATIC DIAGRAMS-22 (PART-22)

DSP/ AUDIO/ GPIO SECTION

1

2

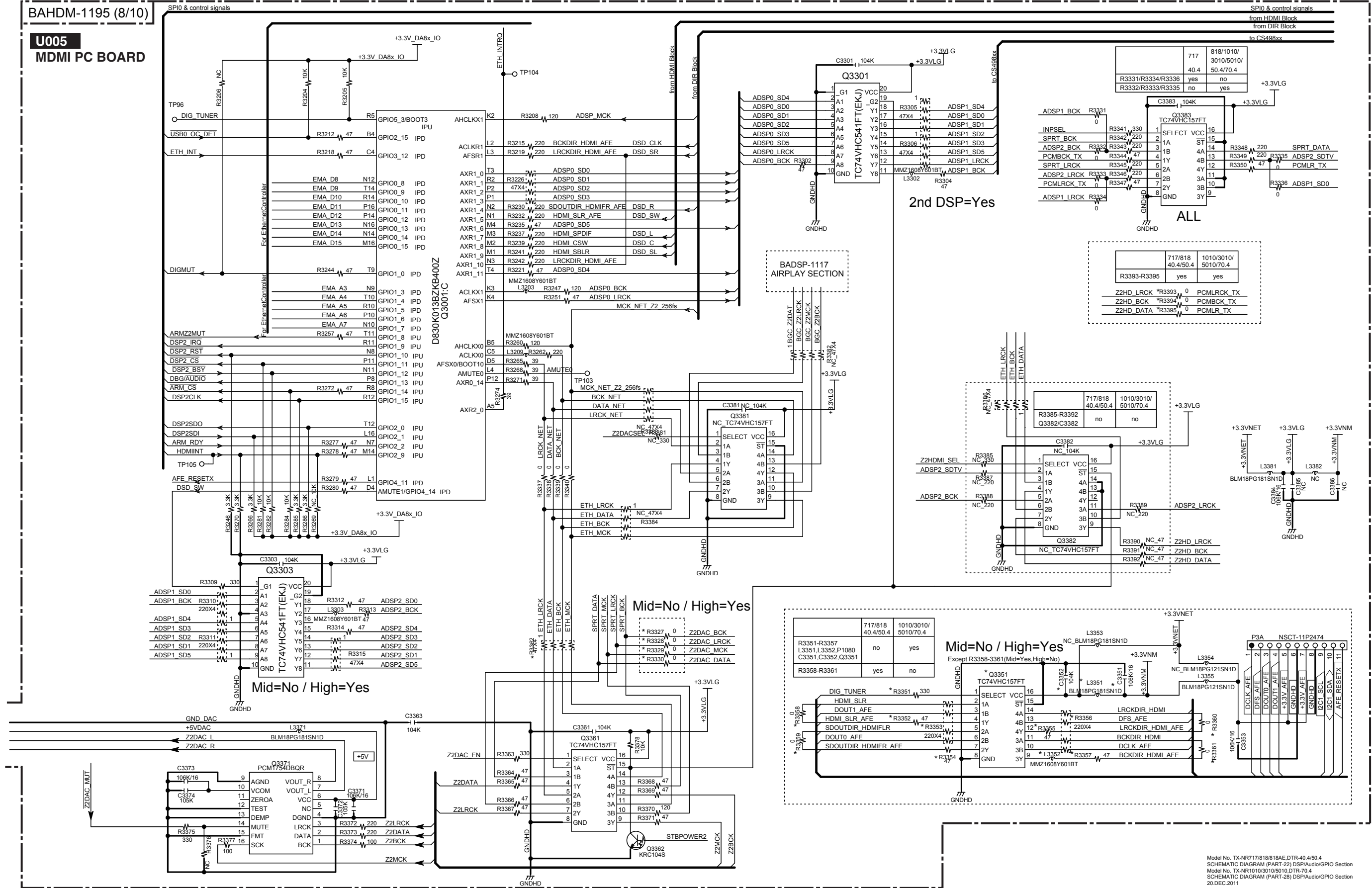
3

4

5

BAHDM-1195 (8/10)

U005
MDMI PC BOARD



Connector & TX2
Part-19,25

R3331/R3334/R3336	717	818/1010/ 3010/5010/	
	40.4	50.4/70.4	no
R3332/R3333/R3335			yes

R3393-R3395	717/818 40.4/50.4	1010/3010/ 5010/70.4	
Z2HD_LRCK *R3393			PCMLRCK_TX
Z2HD_BCK *R3394			PCMBCK_TX
Z2HD_DATA *R3395			PCMLR_TX

R3385-R3392	717/818 40.4/50.4	1010/3010/ 5010/70.4	
Q3382/C3382			no

R3351-R3357	717/818 40.4/50.4	1010/3010/ 5010/70.4	
L3351,L3352,P1080			no
C3351,C3352,Q3351			yes
R3358-R3361			yes

Model No. TX-NR717/818/818AE.DTR-40.4/50.4
SCHEMATIC DIAGRAM (PART-22) DSP/Audio/GPIO Section
Model No. TX-NR1010/3010/5010.DTR-70.4
SCHEMATIC DIAGRAM (PART-28) DSP/Audio/GPIO Section
20.DEC.2011

A B C D E

SCHEMATIC DIAGRAMS-23(PART-23)

ETHERNET/ USB/ GPIO SECTION

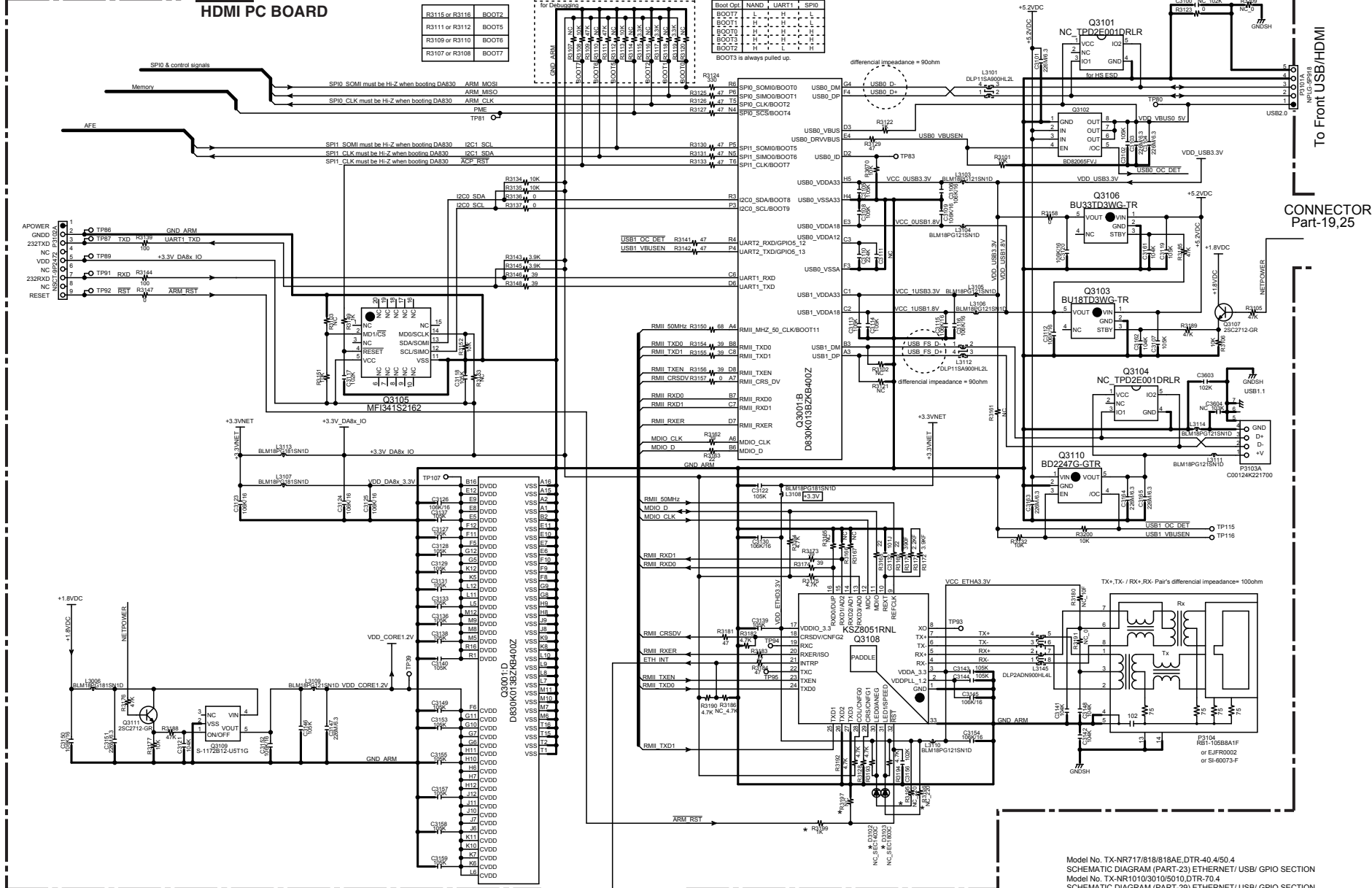
BAHDM-1195 (9/10)

U005
HDMI PC BOARD

R3115 or R3116	BOOT2
R3111 or R3112	BOOT5
R3109 or R3110	BOOT6
R3107 or R3108	BOOT7

Boot Out	NAND	UART1	SPI0
BOOT7	L	L	L
BOOT6	H	L	L
BOOT5	H	L	L
BOOT4	H	L	L
BOOT3	H	L	L
BOOT2	H	L	L
BOOT1	H	L	L
BOOT0	H	L	L

BOOT3 is always pulled up.



To Front USB/HDMI

CONNECTOR Part-19,25

1stDSP/AUDIO/GPIO Part-22,28

Model No. TX-NR717/818/818AE-DTR-40.4/50.4
 SCHEMATIC DIAGRAM (PART-23) ETHERNET/ USB/ GPIO SECTION
 Model No. TX-NR1010/3010/5010-DTR-70.4
 SCHEMATIC DIAGRAM (PART-29) ETHERNET/ USB/ GPIO SECTION
 20.DEC.2011

SCHEMATIC DIAGRAMS-27 (PART-27)

DISPLAY SECTION

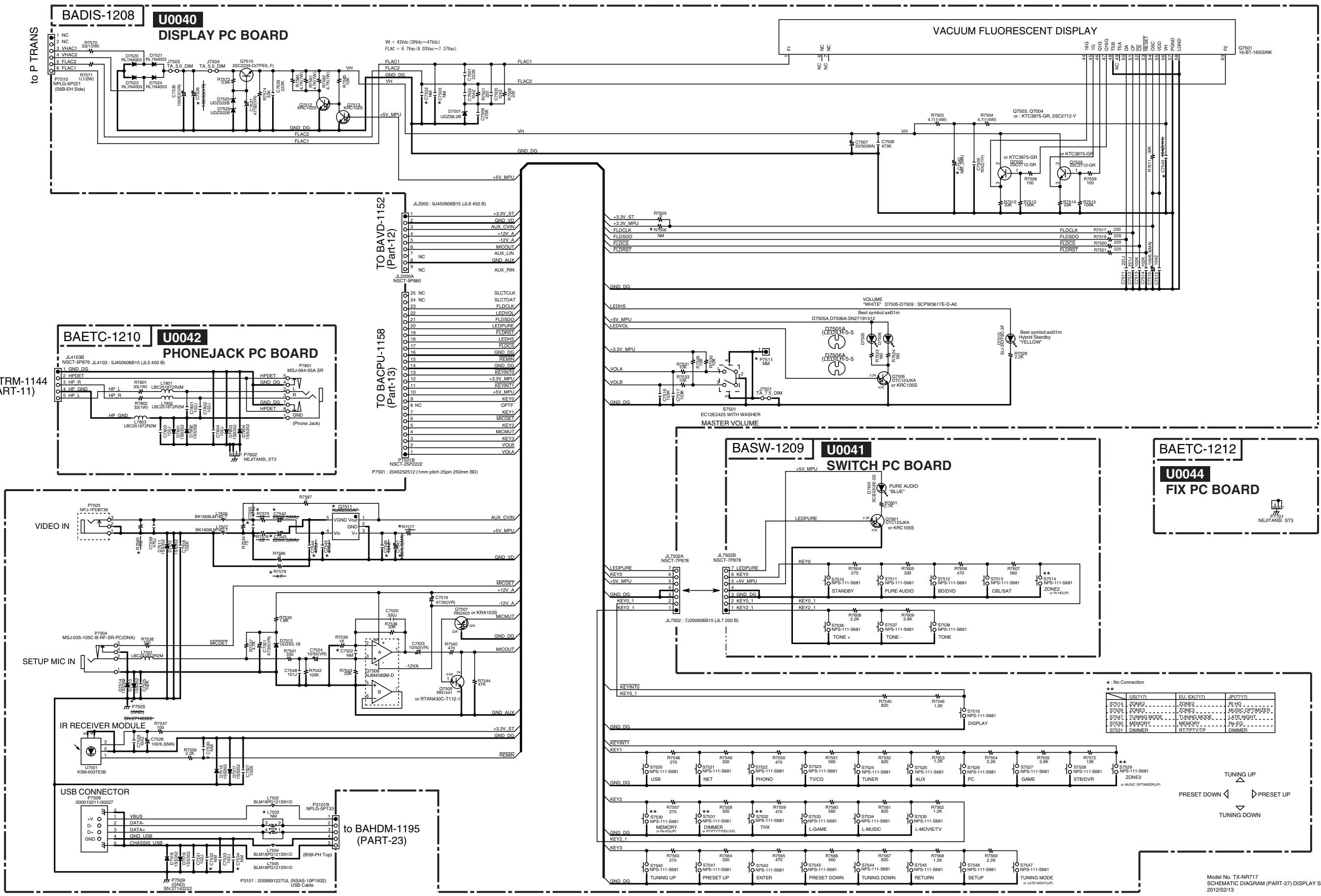
1

2

3

4

5



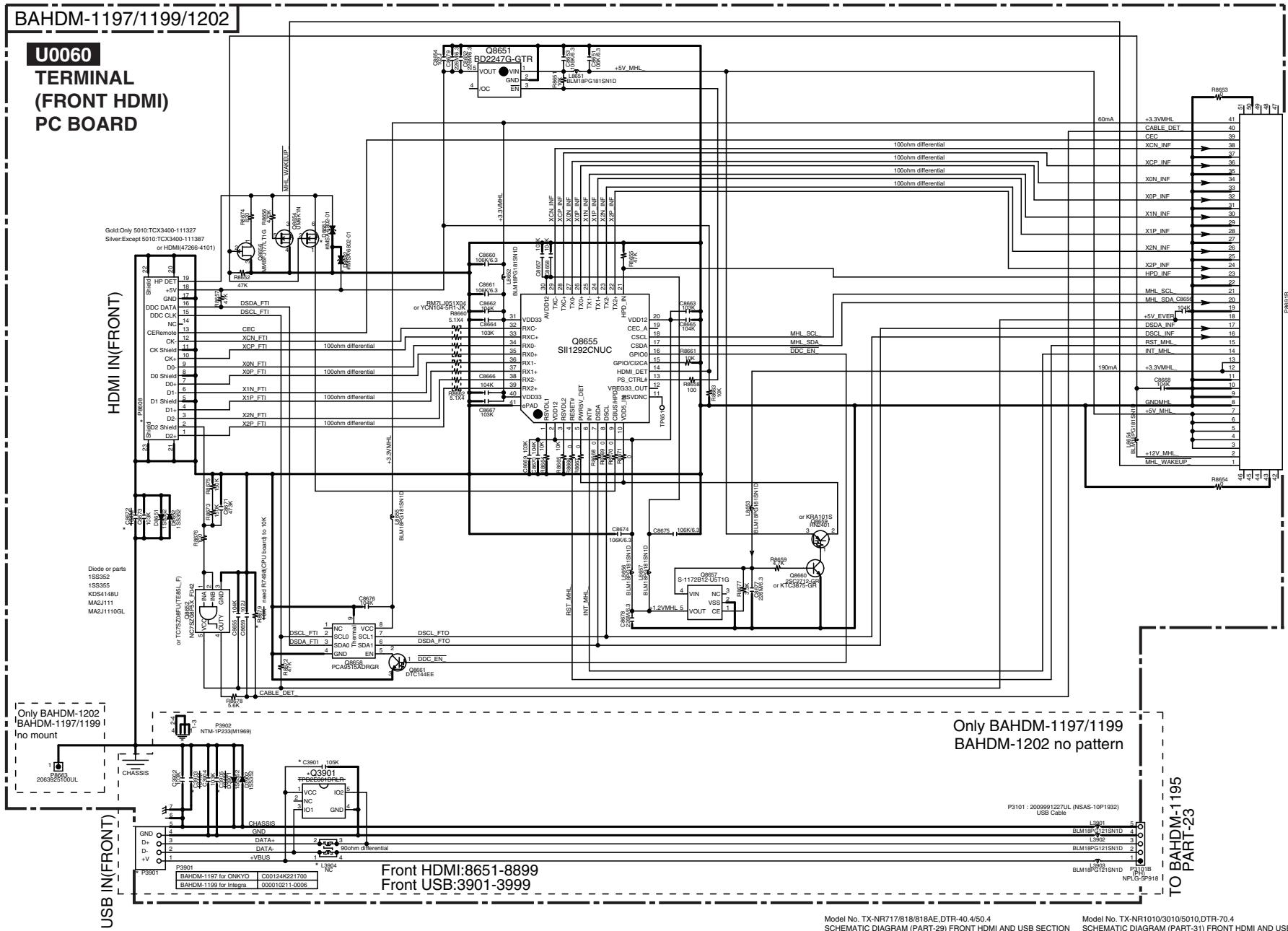
*: No Connection
 **: NPS-111-S681

	US(717)	EU EX(717)	JPT(717)
S7514	ZONE2	ZONE2	FL HQ
S7523	ZONE3	ZONE3	MUSIC OPTIMIZER
S7547	TUNING MODE	TUNING MODE	LATE NIGHT
S7592	MEMORY	MEMORY	PRESET
S7531	DIMMER	RT/PTV/TP	DIMMER

A B C D E

SCHEMATIC DIAGRAMS-29 (PART-29)
FRONT HDMI AND USB SECTION

1
2
3
4



U0060
TERMINAL
(FRONT HDMI)
PC BOARD

Gold Only 5010.TCX3400-111327
 Silver: Except 5010.TCX3400-111387
 or HDMI(47266-4101)

Diode or parts
 1SS352
 1SS355
 KDS4148U
 MA2J1111
 MA2J1110GL

Only BAHDM-1202
 BAHDM-1197/1199
 no mount

USB IN (FRONT)

HDMI IN (FRONT)

CHASSIS

P3901
 BAHDM-1197 for ONKYO C00124K221700
 BAHDM-1199 for Integra 000010211-0006

Front HDMI: 8651-8899
 Front USB: 3901-3999

Only BAHDM-1197/1199
 BAHDM-1202 no pattern

P3101 : 2009991227UL (NSAS-10P1832)
 USB Cable

L3901
 L3902
 L3903
 L3904
 L3905
 L3906
 L3907
 L3908
 L3909
 L3910
 L3911
 L3912
 L3913
 L3914
 L3915
 L3916
 L3917
 L3918
 L3919
 L3920

TO BAHDM-1195
 PART-16

TO BAHDM-1195
 PART-23

TX-NR717**<Note>**

Parts marked by "NSP" are generally unavailable because they are not in our Master Spare Parts List.

NOTE : THE COMPONENTS IDENTIFIED BY THE MARK ! ARE CRITICAL FOR RISK OF FIRE AND ELECTRIC SHOCK. REPLACE ONLY WITH PART NUMBER SPECIFIED.

<Notes>

(B) : Black model

(S) : Silver model

<MDC> : 120V,Canadian model

<MMP> : 230V,CE(European) country model

<MMA> : 230V,Australian model

<MMQ> : 220/230-240V,Hong kong model

<MMR> : 220/230-240V,Chinese model

<MDF> : 120V,Taiwanese model

TX-NR717**EXPLODED VIEW PARTS LIST**

REF. NO.	PART NAME	DESCRIPTION	Q'TY	PART NO. (SN)	REMARKS
[SEMI CONDUCTOR]					
Q6050	TR	2SC5242-O	1	2202843	<B / S>
Q6050 or	TR	2SC3856-O	(1)	2201653	<B / S>
Q6050 or	TR	2SC3856-Y	(1)	2201654	<B / S>
Q6050 or	TR	2SC3856-P	(1)	2201655	<B / S>
Q6050 or	TR	2SC5242-R	(1)	2202842	<B / S>
Q6050A	ISO SHEET	(NR708_3.5CH)	1	223056	<B / S>
Q6050B	ISO SHEET	(NR708_3.5CH)	1	223056	<B / S>
Q6051	TR	2SC5242-O	1	2202843	<B / S>
Q6051 or	TR	2SC3856-O	(1)	2201653	<B / S>
Q6051 or	TR	2SC3856-Y	(1)	2201654	<B / S>
Q6051 or	TR	2SC3856-P	(1)	2201655	<B / S>
Q6051 or	TR	2SC5242-R	(1)	2202842	<B / S>
Q6052	TR	2SC5242-O	1	2202843	<B / S>
Q6052 or	TR	2SC3856-O	(1)	2201653	<B / S>
Q6052 or	TR	2SC3856-Y	(1)	2201654	<B / S>

Q6052 or	TR	2SC3856-P	(1)	2201655	<B / S>
Q6052 or	TR	2SC5242-R	(1)	2202842	<B / S>
Q6053	TR	2SC5242-O	1	2202843	<B / S>
Q6053 or	TR	2SC3856-O	(1)	2201653	<B / S>
Q6053 or	TR	2SC3856-Y	(1)	2201654	<B / S>
Q6053 or	TR	2SC3856-P	(1)	2201655	<B / S>
Q6053 or	TR	2SC5242-R	(1)	2202842	<B / S>
Q6054	TR	2SC5242-O	1	2202843	<B / S>
Q6054 or	TR	2SC3856-O	(1)	2201653	<B / S>
Q6054 or	TR	2SC3856-Y	(1)	2201654	<B / S>
Q6054 or	TR	2SC3856-P	(1)	2201655	<B / S>
Q6054 or	TR	2SC5242-R	(1)	2202842	<B / S>
Q6055	TR	2SC5242-O	1	2202843	<B / S>
Q6055 or	TR	2SC3856-O	(1)	2201653	<B / S>
Q6055 or	TR	2SC3856-Y	(1)	2201654	<B / S>
Q6055 or	TR	2SC3856-P	(1)	2201655	<B / S>
Q6055 or	TR	2SC5242-R	(1)	2202842	<B / S>
Q6056	TR	2SC5242-O	1	2202843	<B / S>
Q6056 or	TR	2SC3856-O	(1)	2201653	<B / S>
Q6056 or	TR	2SC3856-Y	(1)	2201654	<B / S>
Q6056 or	TR	2SC3856-P	(1)	2201655	<B / S>
Q6056 or	TR	2SC5242-R	(1)	2202842	<B / S>
Q6060	TR	2SA1962-O	1	2202833	<B / S>
Q6060 or	TR	2SA1492-O	(1)	2201663	<B / S>
Q6060 or	TR	2SA1492-Y	(1)	2201664	<B / S>
Q6060 or	TR	2SA1492-P	(1)	2201665	<B / S>
Q6060 or	TR	2SA1962-R	(1)	2202832	<B / S>
Q6061	TR	2SA1962-O	1	2202833	<B / S>
Q6061 or	TR	2SA1492-O	(1)	2201663	<B / S>
Q6061 or	TR	2SA1492-Y	(1)	2201664	<B / S>
Q6061 or	TR	2SA1492-P	(1)	2201665	<B / S>
Q6061 or	TR	2SA1962-R	(1)	2202832	<B / S>
Q6062	TR	2SA1962-O	1	2202833	<B / S>
Q6062 or	TR	2SA1492-O	(1)	2201663	<B / S>

Q6062 or	TR	2SA1492-Y	(1)	2201664	<B / S>
Q6062 or	TR	2SA1492-P	(1)	2201665	<B / S>
Q6062 or	TR	2SA1962-R	(1)	2202832	<B / S>
Q6063	TR	2SA1962-O	1	2202833	<B / S>
Q6063 or	TR	2SA1492-O	(1)	2201663	<B / S>
Q6063 or	TR	2SA1492-Y	(1)	2201664	<B / S>
Q6063 or	TR	2SA1492-P	(1)	2201665	<B / S>
Q6063 or	TR	2SA1962-R	(1)	2202832	<B / S>
Q6064	TR	2SA1962-O	1	2202833	<B / S>
Q6064 or	TR	2SA1492-O	(1)	2201663	<B / S>
Q6064 or	TR	2SA1492-Y	(1)	2201664	<B / S>
Q6064 or	TR	2SA1492-P	(1)	2201665	<B / S>
Q6064 or	TR	2SA1962-R	(1)	2202832	<B / S>
Q6065	TR	2SA1962-O	1	2202833	<B / S>
Q6065 or	TR	2SA1492-O	(1)	2201663	<B / S>
Q6065 or	TR	2SA1492-Y	(1)	2201664	<B / S>
Q6065 or	TR	2SA1492-P	(1)	2201665	<B / S>
Q6065 or	TR	2SA1962-R	(1)	2202832	<B / S>
Q6066	TR	2SA1962-O	1	2202833	<B / S>
Q6066 or	TR	2SA1492-O	(1)	2201663	<B / S>
Q6066 or	TR	2SA1492-Y	(1)	2201664	<B / S>
Q6066 or	TR	2SA1492-P	(1)	2201665	<B / S>
Q6066 or	TR	2SA1962-R	(1)	2202832	<B / S>
[CHASSIS SCREW]					
A001	HEAT SINK	---	1	27160648A	<B / S>
A002	ISO PLT	(FFC)	1	28175349	<B / S>
A003	RETAINER	(SUP)	1	27142301	<B / S>
A005	SCREW	3TTB+8B(3BC)	3	838430088GR	<B / S>
A007	SCREW	3SMS8W.SW+14B(CU)	14	801634	<B / S>
A009	SCREW	3TTB+8B(3BC)	1	838430088GR	<B / S>
A011	RETAINER	(HT-R7)	1	27142114A	<B / S>
A013	RETAINER	(HT-L)	1	27142182	<B / S>
A015	SCREW	3TTB+8B(3BC)	4	838430088GR	<B / S>
A017	SCREW	3TTB+8B(3BC)	2	838430088GR	<B / S>

A019	BRACKET	(FAN-S)	1	27131047	<B / S>
A021	SCREW	3TTB+8B(3BC)	2	838430088GR	<B / S>
A023	BUSHING	(FAN-S)	2	28170090	<B / S>
A025	CUSHION	---	2	28141783	<B / S>
A026	CUSHION	(COTTON)t0.7x12x8	3	28141906	<B / S>
A026 or	CUSHION	(COTTON)t0.7x12x8	(3)	28141905	<B / S>
A027	CUSHION	T10*10*10EPT	1	28141813	<B / S>
A028	RETAINER	(PWB)	1	27142277	<B / S>
A029	SCREW	3TTB+8B(3BC)	3	838430088GR	<B / S>
A031	SCREW	3TTB+8B(3BC)	3	838430088GR	<B / S>
A032	SCREW	3TTB+8B(3BC)	2	838430088GR	<B / S>
A035	CUSHION	---	1	28141783	<B / S>
A037	IB CUSHION	W15*3t TAPE	1	28141585	<B / S>
A039	WIRE TIE	BSK-1	5	260208	<B / S>
A041	CUSHION	(CR)	2	28141907	<B / S>
A043	SPACER	(PC)t0.5x35x4	1	27270557	<B / S>
A045	SPACER	(PC)t0.5x10x4	1	27270558	<B / S>
A081	CHASSIS	TX-NR708	1	27100549B	<B / S>
A095	BOTTOM LEG	---	4	27175452	<B / S>
A097	SCREW	3TTB+8B(3BC)	4	838430088GR	<B / S>
A101	CUSHION	(LEG)	4	28141735	<B / S>
A102	IB CUSHION	W15*3t TAPE	1	28141585	<B / S>
A103	CUSHION	(BUTYL)	1	28141748	<B / S>
A113	HOLDER	KGLS-4S	1	27190009	<B / S>
A117	HOLDER	HOLDER KGLS-8S	3	27190480	<B / S>
A119	HOLDER	HOLDER KGLS-8S	3	27190480	<B / S>
A121	HOLDER	KGPS-14RF	3	27190802	<B / S>
A122	HOLDER	KGPS-12RF	2	27190965	<B / S>
A123	HOLDER	KGPS-14RF	1	27190802	<B / S>
A124	HOLDER	KGPS-6RF	2	27191112	<B / S>
A125	HOLDER	KGPS-14RF	1	27190802	<B / S>
A127	HOLDER	HOLDER KGLS-18S	2	27190470	<B / S>
A129	HOLDER	HOLDER KGLS-18S	3	27190470	<B / S>
A131	HOLDER	HOLDER KGLS-8S	1	27190480	<B / S>

A132	HOLDER	KGPS-8S	1	27190938	<B / S>
A133	HOLDER	KGLS-10RT	1	27190428A	<B / S>
A134	HOLDER	KGLS-12RT	1	27190266	<B / S>
A135	LABEL	SHEET(S)	1	29364983	<B / S>
A136A	LABEL	(E-CON)	{ 1 }	29364978	<B / S>
A137	CUSHION	(CR)	1	28141908	<B / S>
A140	CUSHION	(BUTYL)	1	28141748	<B / S>
A141	SCREW	3TTB+8B(3BC)	1	838430088GR	<B / S>
A143	SCREW	3TTB+8B(3BC)	2	838430088GR	<B / S>
A144	CUSHION	T15*30*10	1	28141802	<B / S>
A145	SPACER	t0.5xφ8xφ3.2	1	27270438	<B / S>
A146	LABEL	(PT)	1	29363379-1	<B / S>
A147	WIRE TIE	BSK-1	9	260208	<B / S>
A155	REAR PANEL	717DC	1	27124407A	N <B MDC>
A155	REAR PANEL	717DF	1	27124408A	N <B MDF>
A155	REAR PANEL	717MP	1	27124409A	N <B MMA, MMP, MMQ / S MMP>
A155	REAR PANEL	717MR	1	27124410A	N <B MMR>
A157	SCREW	3TTB+8B(3BC)	38	838430088GR	
A159	SCREW	3P+6FN(3BC)	10	82143006GR	
A161	SCREW	3TTF+10B(3BC)	2	835430108GR	<B MDF, MMA, MMP, MMQ, MMR / S MMP>
A163	SCREW	3TTB+8B(3CM)SR	1	801637	
A165	WASHER	W3*10F(3BC)	1	87643010GR	
A167	SCREW	4TTC+8C(3BC)SR	4	801658	<B / S>
A171	SCREW	3TTB+8B(3CM)SR	2	801637	<B / S>
A173	SCREW	3TTB+8B(3BC)	2	838430088GR	<B / S>
A175	TAPE	TAPE(CLOTH-8U)	1	29110082	<B / S>
A191	CUSHION	T10*30*10EPT	1	28141822	<B / S>
A193	SPACER	---	1	27270439	<B / S>
A195	ISO PLT	(HS-R)	1	28175340	<B / S>
A196	RIVET	P-RIVET NRP-345	4	880009	<B / S>
A197	LABEL	(SP1)	1	29390790	<B / S>
A198	LABEL	(SP2)	1	29390791	<B / S>
A199	CUSHION	---	2	28141799	<B / S>
A200	BUSHING	S-RELIEF #2271	1	27300750	! <B MDC>

A205	CUSHION	(COTTON)t0.7x12x8	1	28141906	<B / S>
A205 or	CUSHION	(COTTON)t0.7x12x8	(1)	28141905	<B / S>
[CABINET]					
A200	SPACER	t0.5*w13*d5	2	27270514	<B / S>
A201	F PANEL	TXNR717(B)DC	1	27213572	N <B MDC, MDF>
A201	F PANEL	TXNR717(B)MP	1	27213573	N <B MMA, MMP, MMQ, MMR>
A201	F PANEL	TXNR717(S)MP	1	27213574	N <S MMP>
A202	CLEAR PLT	TXNR717(B)MP	1	28192388	N <B MMA, MMP, MMQ, MMR>
A202	CLEAR PLT	TXNR717(S)MP	1	28192389	N <S MMP>
A202	CLEAR PLT	TXNR717(B)DC	1	28192391	N <B MDC, MDF>
A207	BADGE	---	1	28135317	<B / S>
A211	KNOB	(TONE)(B)	1	28326918	
A211	KNOB	(TONE)(S)	1	28326919	<S>
A212	FACET	---	2	28200054	<B / S>
A213	KNOB	(INP)(B)	1	28326916A	
A213	KNOB	(INP)(S)	1	28326917A	<S>
A214	KNOB	(INP-L)(B)	1	28326922B	
A214	KNOB	(INP-L)(S)	1	28326923B	<S>
A215	KNOB	(INP-R)(B)	1	28326938B	
A215	KNOB	(INP-R)(S)	1	28326939B	<S>
A216	KNOB	(SEL)	1	28326906A	<B / S>
A217	KNOB	(STBY)(B)	1	28326904	
A217	KNOB	(STBY)(S)	1	28326905	<S>
A219	KNOB	(CUR)	1	28326996	<B / S>
A221	IB CUSHION	W15*3t TAPE	1	28141585	<B / S>
A224	WIRE TIE	BSK-1	1	260208	<B / S>
A226	SCREW	2.6TTB+8B(3BC)	2	838426088GR	<B / S>
A227	SCREW	2.6TTB+8B(3BC)	17	838426088GR	<B / S>
A228	SCREW	2.6TTB+8B(3BC)	5	838426088GR	<B / S>
A229	SCREW	2.6TTB+8B(3BC)	2	838426088GR	<B / S>
A240	CLAMP	WS-2NS	2	27300833	<B / S>
A255	SCREW	3TTW+8B(3BC)	3	831430088GR	<B / S>
A256	SCREW	3TTB+8B(3BC)	1	838430088GR	<B / S>
A260	SCREW	3TTB+8B(3BC)	4	838430088GR	<B / S>

A262	SCREW	3TTB+8B(3BC)	1	838430088GR	<B / S>
A270	CUSHION	(BUTYL)	1	28141748	<B / S>
A320	FACET	(VOL)	1	28200059A	<B / S>
A321	KNOB	(VOL)AS(B)	1	28326931B	
A321	KNOB	(VOL)AS(S)	1	28326932B	<S>
A340	COVER	(B) (Bent)	1	28210093	
A340	COVER	(S) (Bent)	1	28210094	<S>
A340	COVER	(B) (Not Bent)	1	28210093Z	
A342	SCREW	3TTB+8B(3CM)SR	8	801637	<S>
A342	SCREW	3TTB+8B(3BC)	8	838430088GR	
A344	CUSHION	35*7*0.7COTTON	8	28141875	<B / S>
A562	BUSHING	CE-012 L=20	1	28170110	<B / S>
A720	LABEL	(CAUTION)	1	29363797	<S>
A720	LABEL	(COVER)	1	29364123	
A725	LABEL	HOOKUP-ONKYO	1	29363194	<B MDC>
A736	LABEL	(CCC)	1	29364396	<B MMR>
[TRANS COIL]					
T901	P TRANS	NPT-1594D	1	2301990	! <B MDC, MDF>
T901	P TRANS	NPT-1594M	1	2301991	! <B MMA, MMP, MMQ, MMR / S MMP>
[SW TRM]					
F2000	FUSE	2A-UL/T-233	1	252320GR	! <B / S>
F2000 or	FUSE	2A-T/UL-ST2	(1)	252253GR	! <B / S>
F2002	FUSE	4A-UL/T-233	1	252325GR	! <B / S>
F2002 or	FUSE	4A-T/UL-ST2	(1)	252257GR	! <B / S>
F6901	FUSE	15A-TUL-250V	1	252303GR	! <B / S>
F6901 or	FUSE	15A-UL/T-314	(1)	252197GR	! <B / S>
F6902	FUSE	15A-TUL-250V	1	252303GR	! <B / S>
F6902 or	FUSE	15A-UL/T-314	(1)	252197GR	! <B / S>
F9100	FUSE	5A-SE-EAK FUSE	1	252078GR	! <B MMA, MMP, MMQ, MMR / S MMP>
F9100	FUSE	10A-UL-ST6 N1	1	252382GR	! <B MDC, MDF>
F9100 or	FUSE	5A-SE-TL250V	(1)	252278GR	! <B MMA, MMP, MMQ, MMR / S MMP>
F9100E	LABEL	T5AL250V	1	29361938	<B MMA, MMP, MMQ, MMR / S MMP>
P103	FFC	NCFC7-091012	1	2047091012	<B / S>
P2101	FFC	NCFC5-211012	1	2045211012	<B / S>

P3101	SOCKET AS	NSAS-10P1932	1	2009991227UL	<B / S>
P640	FAN	D05X-12TL	1	24502317	<B / S>
P6600A	P RIVET	JB-407A-C	22	880052	<B MDF, MMA, MMP, MMQ, MMR / S MMP>
P7501	FFC	NCFC5-252512	1	2045252512	<B / S>
P8002	FFC	NCFC5-090712	1	2045090712	<B / S>
P8691	FFC	NCFC4-41011	1	204D41011	N <B / S>
P900	AC INLET	R301X2PSn	1	25053358	! <B MDF, MMA, MMP, MMQ, MMR / S MMP>
P906	FASTON AS	FASTON SOCKET	1	1F999027	! <B MDF, MMA, MMP, MMQ, MMR / S MMP>
[TUNER UNIT]					
U001	U0010~U0016	BAAMP-0444-2C *	1	1B248544-2C	N
U0010	AMPLIFIER PC BOARD ASS'Y	BAAMP-0444-2C	1	1B2485444-2C	N
U0011	AMPLIFIER PC BOARD ASS'Y	BACLA-0445-2C	1	1B2485445-2C	N
U0012	FIX PC BOARD ASS'Y	BAETC-0446-2C	1	1B2485446-2C	N
U0013	FIX PC BOARD ASS'Y	BAETC-0447-2C	1	1B2485447-2C	N
U0014	SENSOR PC BOARD ASS'Y	BAETC-0448-2C	1	1B2485448-2C	N
U0015	FIX PC BOARD	BAETC-0449-2C	1	1B2485449-2C	N
U0016	FIX PC BOARD	BAETC-0455-2C	1	1B2485455-2C	N
U003	U0030~U0033	BATRM-1144-1A *	1	1B275544-1A	N <MDC, MDF>
U0030	SPEAKER TERMINAL PC BOARD ASS'Y	BATRM-1144-1A	1	1B2755144-1A	N <MDC, MDF>
U0031	POWER SUPPLY(PRI) PC BOARD ASS'Y	BAPS-1145-1A	1	1B2755145-1A	N <MDC, MDF>
U0032	SPEAKER TERMINAL	BATRM-1146-1A	1	1B2755146-1A	N <MDC, MDF>
U0033	SPEAKER TERMINAL	BATRM-1147-1A	1	1B2755147-1A	N <MDC, MDF>
U0034	FIX PC BOARD	BAETC-1148-1A	1	1B2755148-1A	N <MDC, MDF>
U003	U0030~U0033	BATRM-1144-1B *	1	1B275544-1B	N <MMA, MMP, MMQ, MMR>
U0030	SPEAKER TERMINAL PC BOARD ASS'Y	BATRM-1144-1B	1	1B2755144-1B	N <MMA, MMP, MMQ, MMR>
U0031	POWER SUPPLY(PRI) PC BOARD ASS'Y	BAPS-1145-1B	1	1B2755145-1B	N <MMA, MMP, MMQ, MMR>
U0032	SPEAKER TERMINAL	BATRM-1146-1B	1	1B2755146-1B	N <MMA, MMP, MMQ, MMR>
U0033	SPEAKER TERMINAL	BATRM-1147-1B	1	1B2755147-1B	N <MMA, MMP, MMQ, MMR>
U0034	FIX PC BOARD	BAETC-1148-1B	1	1B2755148-1B	N <MMA, MMP, MMQ, MMR>
U004	U0040~U0045	BADIS-1208-1A *	1	1B275508-1A	N
U0040	DISPLAY PC BOARD ASS'Y	BADIS-1208-1A	1	1B2755208-1A	N
U0041	SWITCH PC BOARD ASS'Y	BASW-1209-1A	1	1B2755209-1A	N
U0042	PHONE JACK PC BOARD ASS'Y	BAETC-1210-1A	1	1B2755210-1A	N
U0043	FIX PC BOARD	BAETC-1211-1A	1	1B2755211-1A	N

U0044	FIX PC BOARD	BAETC-1212-1A	1	1B2755212-1A	N
U0045	FIX PC BOARD	BAETC-1213-1A	1	1B2755213-1A	N
U005	HDMI(NAIN) PC BOARD AAS'Y	BAHDM-1195-1A *	1	1B275595-1A	N
U006	U0060 x 10 pcs.	BAHDM-1202-1A *	1	1B275502-1A	N
U0060	TERMINAL (FRONT HDMI)	BAHDM-1202-1A	1	1B2755202-1A	N
U0080	VIDEO PC BOARD ASS'Y	BAVD-1152-1A*	1	1B2755152-1A	N
U009	U0090~U0094	BADG-1157-1A *	1	1B275557-1A	N
U0090	DIGITAL PC BOARD ASS'Y	BADG-1157-1A	1	1B2755157-1A	N
U0091	MPU PC BOARD ASS'Y	BACPU-1158-1A	1	1B2755158-1A	N
U0092	AUDIO PC BOARD ASS'Y	BAASP-1159-1A	1	1B2755159-1A	N
U0093	CONNECTOR PC BOARD ASS'Y	BAETC-1160-1A	1	1B2755160-1A	N
U0094	TERMINAL PC BOARD ASS'Y	BAETC-1162-1A	1	1B2755162-1A	N
U011	TUNER UNIT	FAEH08-W01	1	240169A	<B MDC, MDF>
U011	TUNER UNIT	FAEH08-E01	1	240170A	<B MMA, MMP, MMQ, MMR / S MMP>

TX-NR717

PACKING PROCEDURES PARTS LIST

REF. NO.	PART NAME	DESCRIPTION	Q'TY	PART NO. (SN)	REMARKS
[PACKING]					
A751	PAD	AS 709	1	29092602A	<B / S>
A755	SHEET	(PAD)	1	29096065A	<B / S>
A781	SHEET	1300*650	1	29096147	<B / S>
A789	TAPE	(SEROHAN)NITTO NO.29	1	29110149	<B / S>
A791	POLY BAG	w250xd350	1	29100250A	<B MDC>
A793	TAPE	(SEROHAN)NITTO NO.29	1	29110149	<B MDC>
A793	PP TAPE	W50 SBT-70	1	29110200	<B / S>
A801	CARTON	TXNR717DC	1	29055350	N <B MDC, MDF>
A801	CARTON	TXNR717	1	29055351	N <B MMA, MMP, MMQ, MMR / S MMP>
A805A	UPC LABEL	TXNR717DC	1	29391982	N <B MDC>
A805A	EAN LABEL	TXNR717DF	1	29391985	N <B MDF>
A805A	EAN LABEL	TXNR717MA	1	29391986	N <B MMA>
A805A	EAN LABEL	TXNR717MR	1	29391988	N <B MMR>

A805A	EAN LABEL	TXNR717MP	1	29391983A	N <B MMP>
A805A	EAN LABEL	TXNR717(S)MP	1	29391984A	N <S MMP>
A805A	EAN LABEL	TXNR717MQ	1	29391987A	N <B MMQ>
A831	LABEL	(CHINA)	1	29390952A	<B MMR>
A835	LABEL	(APV)	1	29390190	<B MMR>
[ACCESSARY]					
A1001	INS MANUAL	U9(2012_Prepro)	1	29401094	<B MDF, MMQ, MMR>
A1003	INS MANUAL	EnJa(GNU_License)	1	29401190	<B / S>
A1011	INS MANUAL	Ar(QC ImportantSheet)	1	29344373B	<B MMQ>
A1013	INS MANUAL	SAFETY_U3	1	29400883	<B MDC, MMA>
A1015	INS MANUAL	SAFETY_U10	1	29400884	<B MMP / S MMP>
A1017	INST SHEET	WEEE	1	29355793A	<B MMP / S MMP>
A1019	INST SHEET	CHINA ROHS	1	29355616B	<B MMR>
A1021	INST SHEET	Ct_MDF(2012Entry)	1	29355849	<B MDF>
A1023	INST SHEET	U11(2010_RIHD)	1	29355782A	<B / S>
A1030	INS MANDSK	U7(2012_TX_AVR)	1	29500005C	N <B MDC, MMA, MMP / S MMP>
A1040	INS MANUAL	En(TXNR717)	1	29401127	N <B MDF, MMQ>
A1042	INS MANUAL	Ct(TXNR717)	1	29401129	N <B MDF, MMQ>
A1044	INS MANUAL	Cs(TXNR717)	1	29401128	N <B MMR>
A1050	INS MANUAL	QSG_En(TXNR717)	1	29401138	N <B MDC, MDF, MMA, MMP, MMQ / S MMP>
A1052	INS MANUAL	QSG_Fr(TXNR717)	1	29401139	N <B MDC, MMP / S MMP>
A1054	INS MANUAL	QSG_Es(TXNR717)	1	29401140	N <B MDC, MMP / S MMP>
A1056	INS MANUAL	QSG_It(TXNR717)	1	29401141	N <B MMP / S MMP>
A1058	INS MANUAL	QSG_De(TXNR717)	1	29401142	N <B MMP / S MMP>
A1060	INS MANUAL	QSG_Ni(TXNR717)	1	29401143	N <B MMP / S MMP>
A1062	INS MANUAL	QSG_Sv(TXNR717)	1	29401144	N <B MMP / S MMP>
A1064	INS MANUAL	QSG_Ar(TXNR717)	1	29401145	N <B MMQ>
A1066	INS MANUAL	QSG_Fi(TXNR717)	1	29401146	N <B MMP / S MMP>
A1068	INS MANUAL	QSG_Cs(TXNR717)	1	29401147	N <B MMR>
A901	POLY BAG	D250xd300xW300(t0.04)	1	29100256A	<B / S>
A905	TAPE	(SEROHAN)NITTO NO.29	1	29110149	<B / S>
A907	LABEL	(SPCABLE)2009	1	29390881	<B / S>
A920	WRNTY CARD	(ONKYO)	1	29365135	<B MDC>
A920	WRNTY CARD	(ONKYO-CH)	1	29365098C	<B MMR>

A920	WRNTY CARD	MGQ	1	29365099B	<B MMQ>
A990	REMO CON	RC-836M	1	24140836	<B / S>
A991	BATTERY	R6/AA(UM-3)	2	3010194	<B MDC, MDF, MMA, MMP, MMQ / S MMP>
A991 or	BATTERY	R6/AA(UM-3)	(2)	3010054	<B MDC, MDF, MMA, MMP, MMQ / S MMP>
A992	MIC	MIC-7001	1	245045	<B / S>
A993	ANT COIL	NMA-3057	1	232140	<B / S>
A993 or	ANT COIL	AM LOOP-ANTENNA	(1)	232207	<B / S>
A994	FM ANT AS	Type W	1	292191	<B / S>
P921	AC CORD	AS-CEE-3	1	253298VOL	! <B MMP / S MMP>
P921	AC CORD	AS-CCC	1	253358VOL	! <B MMR>
P921	AC CORD	AS-UC-2	1	253368AYUN	! <B MDC>
P921	AC CORD	AS-SAA	1	253391VOL	! <B MMA>
P921	AC CORD	AS-BS	1	253425YUN	! <B MMQ>
P921	AC CORD	AS-CNS	1	253431VOL	! <B MDF>
P921 or	AC CORD	AS-UC-2	(1)	253368BLTK	! <B MDC>

TX-NR717

PC BOARD PARTS LIST

U001	U0010~U0016	BAAMP-0444-2C *
U0010	AMPLIFIER PC BOARD ASS'Y	BAAMP-0444-2C
U0011	AMPLIFIER PC BOARD ASS'Y	BACLA-0445-2C
U0012	TERMINAL PC BOARD ASS'Y	BAETC-0446-2C
U0013	TERMINAL PC BOARD ASS'Y	BAETC-0447-2C
U0014	SENSOR PC BOARD ASS'Y	BAETC-0448-2C
U0015	FIX PC BOARD	BAETC-0449-2C
U0016	FIX PC BOARD	BAETC-0455-2C

CIRCUIT NC	PART NAME	DESCRIPTION	Q'TY	PART NO. (SN)	REMARKS
[SEMI CONDUCTOR]					
D5000	ZENER D	HZS6A3	1	224860560T	
D5001	ZENER D	HZS6A3	1	224860560T	
D5002	ZENER D	HZS6A3	1	224860560T	

D5003	ZENER D	HZS6A3	1	224860560T
D5004	ZENER D	HZS6A3	1	224860560T
D5005	ZENER D	HZS6A3	1	224860560T
D5006	ZENER D	HZS6A3	1	224860560T
D6000	DIODE	1SS270ATD	1	223314T
D6001	DIODE	1SS270ATD	1	223314T
D6002	DIODE	1SS270ATD	1	223314T
D6003	DIODE	1SS270ATD	1	223314T
D6004	DIODE	1SS270ATD	1	223314T
D6005	DIODE	1SS270ATD	1	223314T
D6006	DIODE	1SS270ATD	1	223314T
D6701	C-DIODE	1SS352	1	223234R2
D6701 or	C-DIODE	1SS355	(1)	223269R2
D6701 or	C-DIODE	MA2J111	(1)	223279R2
D6701 or	C-DIODE	KDS4148U	(1)	223283R2
D6701 or	C-DIODE	MA2J1110GL	(1)	223302R2
D6702	C-DIODE	1SS352	1	223234R2
D6702 or	C-DIODE	1SS355	(1)	223269R2
D6702 or	C-DIODE	MA2J111	(1)	223279R2
D6702 or	C-DIODE	KDS4148U	(1)	223283R2
D6702 or	C-DIODE	MA2J1110GL	(1)	223302R2
D6703	ZENER D	UDZS3.6B	1	224550360R2
D6704	ZENER D	UDZS3.6B	1	224550360R2
D6713	ZENER D	UDZS3.6B	1	224550360R2
D6901	DIODE	D10XB60H	1	22380337
D6901A	HEAT SINK	RAD-257	1	27160651
D6901C	SCREW	3P+10FN(3BC)	1	82143010GR
D6902	C-DIODE	1SS352	1	223234R2
D6902 or	C-DIODE	1SS355	(1)	223269R2
D6902 or	C-DIODE	MA2J111	(1)	223279R2
D6902 or	C-DIODE	KDS4148U	(1)	223283R2
D6902 or	C-DIODE	MA2J1110GL	(1)	223302R2
D6903	DIODE	RLIN4003	1	22380260T
D6904	DIODE	RLIN4003	1	22380260T

Q5000	TR	KTC3201-BL	1	2217946T
Q5001	TR	KTC3201-BL	1	2217946T
Q5002	TR	KTC3201-BL	1	2217946T
Q5003	TR	KTC3201-BL	1	2217946T
Q5004	TR	KTC3201-BL	1	2217946T
Q5005	TR	KTC3201-BL	1	2217946T
Q5006	TR	KTC3201-BL	1	2217946T
Q5010	TR	KTC3201-BL	1	2217946T
Q5011	TR	KTC3201-BL	1	2217946T
Q5012	TR	KTC3201-BL	1	2217946T
Q5013	TR	KTC3201-BL	1	2217946T
Q5014	TR	KTC3201-BL	1	2217946T
Q5015	TR	KTC3201-BL	1	2217946T
Q5016	TR	KTC3201-BL	1	2217946T
Q5030	TR	2SA949-Y(TPE6_F)	1	2211354T
Q5030 or	TR	2SA949-O(TPE6_F)	(1)	2211353T
Q5030A	RETAINER	(TR)	1	27142254
Q5030B	SCREW	3P+6FN(3BC)	2	82143006GR
Q5031	TR	2SA949-Y(TPE6_F)	1	2211354T
Q5031 or	TR	2SA949-O(TPE6_F)	(1)	2211353T
Q5031A	RETAINER	(TR)	1	27142254
Q5031B	SCREW	3P+6FN(3BC)	2	82143006GR
Q5032	TR	2SA949-Y(TPE6_F)	1	2211354T
Q5032 or	TR	2SA949-O(TPE6_F)	(1)	2211353T
Q5032A	RETAINER	(TR)	1	27142254
Q5032B	SCREW	3P+6FN(3BC)	2	82143006GR
Q5033	TR	2SA949-Y(TPE6_F)	1	2211354T
Q5033 or	TR	2SA949-O(TPE6_F)	(1)	2211353T
Q5033A	RETAINER	(TR)	1	27142254
Q5033B	SCREW	3P+6FN(3BC)	2	82143006GR
Q5034	TR	2SA949-Y(TPE6_F)	1	2211354T
Q5034 or	TR	2SA949-O(TPE6_F)	(1)	2211353T
Q5034A	RETAINER	(TR)	1	27142254
Q5034B	SCREW	3P+6FN(3BC)	2	82143006GR

Q5035	TR	2SA949-Y(TPE6_F)	1	2211354T
Q5035 or	TR	2SA949-O(TPE6_F)	(1)	2211353T
Q5035A	RETAINER	(TR)	1	27142254
Q5035B	SCREW	3P+6FN(3BC)	2	82143006GR
Q5036	TR	2SA949-Y(TPE6_F)	1	2211354T
Q5036 or	TR	2SA949-O(TPE6_F)	(1)	2211353T
Q5036A	RETAINER	(TR)	1	27142254
Q5036B	SCREW	3P+6FN(3BC)	2	82143006GR
Q5040	TR	2SA949-Y(TPE6_F)	1	2211354T
Q5040 or	TR	2SA949-O(TPE6_F)	(1)	2211353T
Q5041	TR	2SA949-Y(TPE6_F)	1	2211354T
Q5041 or	TR	2SA949-O(TPE6_F)	(1)	2211353T
Q5042	TR	2SA949-Y(TPE6_F)	1	2211354T
Q5042 or	TR	2SA949-O(TPE6_F)	(1)	2211353T
Q5043	TR	2SA949-Y(TPE6_F)	1	2211354T
Q5043 or	TR	2SA949-O(TPE6_F)	(1)	2211353T
Q5044	TR	2SA949-Y(TPE6_F)	1	2211354T
Q5044 or	TR	2SA949-O(TPE6_F)	(1)	2211353T
Q5045	TR	2SA949-Y(TPE6_F)	1	2211354T
Q5045 or	TR	2SA949-O(TPE6_F)	(1)	2211353T
Q5046	TR	2SA949-Y(TPE6_F)	1	2211354T
Q5046 or	TR	2SA949-O(TPE6_F)	(1)	2211353T
Q5050	TR	2N5551C	1	2217920T
Q5051	TR	2N5551C	1	2217920T
Q5052	TR	2N5551C	1	2217920T
Q5053	TR	2N5551C	1	2217920T
Q5054	TR	2N5551C	1	2217920T
Q5055	TR	2N5551C	1	2217920T
Q5056	TR	2N5551C	1	2217920T
Q5060	TR	2SA1360-Y	1	2202094
Q5061	TR	2SA1360-Y	1	2202094
Q5062	TR	2SA1360-Y	1	2202094
Q5063	TR	2SA1360-Y	1	2202094
Q5064	TR	2SA1360-Y	1	2202094

Q5065	TR	2SA1360-Y	1	2202094
Q5066	TR	2SA1360-Y	1	2202094
Q5070	TR	2SC3423-Y	1	2202104
Q5071	TR	2SC3423-Y	1	2202104
Q5072	TR	2SC3423-Y	1	2202104
Q5073	TR	2SC3423-Y	1	2202104
Q5074	TR	2SC3423-Y	1	2202104
Q5075	TR	2SC3423-Y	1	2202104
Q5076	TR	2SC3423-Y	1	2202104
Q5250	TR	2SA1930(ONK_Q)	1	2203000
Q5251	TR	2SA1930(ONK_Q)	1	2203000
Q5252	TR	2SA1930(ONK_Q)	1	2203000
Q5253	TR	2SA1930(ONK_Q)	1	2203000
Q5254	TR	2SA1930(ONK_Q)	1	2203000
Q5255	TR	2SA1930(ONK_Q)	1	2203000
Q5256	TR	2SA1930(ONK_Q)	1	2203000
Q5260	TR	2SC5171(ONK_Q)	1	2203010
Q5261	TR	2SC5171(ONK_Q)	1	2203010
Q5262	TR	2SC5171(ONK_Q)	1	2203010
Q5263	TR	2SC5171(ONK_Q)	1	2203010
Q5264	TR	2SC5171(ONK_Q)	1	2203010
Q5265	TR	2SC5171(ONK_Q)	1	2203010
Q5266	TR	2SC5171(ONK_Q)	1	2203010
Q5410	TR	2SC2412K-R	1	2214653R2
Q5410 or	TR	KTC3875-GR	(1)	2216175R2
Q5411	TR	2SC2412K-R	1	2214653R2
Q5411 or	TR	KTC3875-GR	(1)	2216175R2
Q5412	TR	2SC2412K-R	1	2214653R2
Q5412 or	TR	KTC3875-GR	(1)	2216175R2
Q5413	TR	2SC2412K-R	1	2214653R2
Q5413 or	TR	KTC3875-GR	(1)	2216175R2
Q5414	TR	2SC2412K-R	1	2214653R2
Q5414 or	TR	KTC3875-GR	(1)	2216175R2
Q5415	TR	2SC2412K-R	1	2214653R2

Q5415 or	TR	KTC3875-GR	(1)	2216175R2
Q5416	TR	2SC2412K-R	1	2214653R2
Q5416 or	TR	KTC3875-GR	(1)	2216175R2
Q5430	TR	2SC2229-Y(TPE6_F)	1	2211634T
Q5430 or	TR	2SC2229-O(TPE6_F)	(1)	2211633T
Q5431	TR	2SC2229-Y(TPE6_F)	1	2211634T
Q5431 or	TR	2SC2229-O(TPE6_F)	(1)	2211633T
Q5432	TR	2SC2229-Y(TPE6_F)	1	2211634T
Q5432 or	TR	2SC2229-O(TPE6_F)	(1)	2211633T
Q5433	TR	2SC2229-Y(TPE6_F)	1	2211634T
Q5433 or	TR	2SC2229-O(TPE6_F)	(1)	2211633T
Q5434	TR	2SC2229-Y(TPE6_F)	1	2211634T
Q5434 or	TR	2SC2229-O(TPE6_F)	(1)	2211633T
Q5435	TR	2SC2229-Y(TPE6_F)	1	2211634T
Q5435 or	TR	2SC2229-O(TPE6_F)	(1)	2211633T
Q5436	TR	2SC2229-Y(TPE6_F)	1	2211634T
Q5436 or	TR	2SC2229-O(TPE6_F)	(1)	2211633T
Q5440	TR	2SA949-O(TPE6_F)	1	2211353T
Q5440 or	TR	2SA949-Y(TPE6_F)	(1)	2211354T
Q5441	TR	2SA949-O(TPE6_F)	1	2211353T
Q5441 or	TR	2SA949-Y(TPE6_F)	(1)	2211354T
Q5442	TR	2SA949-O(TPE6_F)	1	2211353T
Q5442 or	TR	2SA949-Y(TPE6_F)	(1)	2211354T
Q5443	TR	2SA949-O(TPE6_F)	1	2211353T
Q5443 or	TR	2SA949-Y(TPE6_F)	(1)	2211354T
Q5444	TR	2SA949-O(TPE6_F)	1	2211353T
Q5444 or	TR	2SA949-Y(TPE6_F)	(1)	2211354T
Q5445	TR	2SA949-O(TPE6_F)	1	2211353T
Q5445 or	TR	2SA949-Y(TPE6_F)	(1)	2211354T
Q5446	TR	2SA949-O(TPE6_F)	1	2211353T
Q5446 or	TR	2SA949-Y(TPE6_F)	(1)	2211354T
Q6000	TR	2SC2412K-R	1	2214653R2
Q6000 or	TR	KTC3875-GR	(1)	2216175R2
Q6001	TR	2SC2412K-R	1	2214653R2

Q6001 or	TR	KTC3875-GR	(1)	2216175R2
Q6002	TR	2SC2412K-R	1	2214653R2
Q6002 or	TR	KTC3875-GR	(1)	2216175R2
Q6003	TR	2SC2412K-R	1	2214653R2
Q6003 or	TR	KTC3875-GR	(1)	2216175R2
Q6004	TR	2SC2412K-R	1	2214653R2
Q6004 or	TR	KTC3875-GR	(1)	2216175R2
Q6005	TR	2SC2412K-R	1	2214653R2
Q6005 or	TR	KTC3875-GR	(1)	2216175R2
Q6006	TR	2SC2412K-R	1	2214653R2
Q6006 or	TR	KTC3875-GR	(1)	2216175R2
Q6070	TR	2SC2229-Y(TPE6_F)	1	2211634T
Q6070 or	TR	2SC2229-O(TPE6_F)	(1)	2211633T
Q6071	TR	2SC2229-Y(TPE6_F)	1	2211634T
Q6071 or	TR	2SC2229-O(TPE6_F)	(1)	2211633T
Q6072	TR	2SC2229-Y(TPE6_F)	1	2211634T
Q6072 or	TR	2SC2229-O(TPE6_F)	(1)	2211633T
Q6073	TR	2SC2229-Y(TPE6_F)	1	2211634T
Q6073 or	TR	2SC2229-O(TPE6_F)	(1)	2211633T
Q6074	TR	2SC2229-Y(TPE6_F)	1	2211634T
Q6074 or	TR	2SC2229-O(TPE6_F)	(1)	2211633T
Q6075	TR	2SC2229-Y(TPE6_F)	1	2211634T
Q6075 or	TR	2SC2229-O(TPE6_F)	(1)	2211633T
Q6076	TR	2SC2229-Y(TPE6_F)	1	2211634T
Q6076 or	TR	2SC2229-O(TPE6_F)	(1)	2211633T
Q6380	IC	LM61CIZ	1	22242212
Q6380A	RETAINER	(PTH)	1	27141884-1
Q6502	TR	2SA950-Y	1	2211504T
Q6502 or	TR	KTA1271-Y	(1)	2217824T
Q6503	TR	KTC3198-GR	1	2215985T
Q6701	TR	2SC2712-GR	1	2213145R2
Q6701 or	TR	KTC3875-GR	(1)	2216175R2
Q6702	TR	2SC2712-GR	1	2213145R2
Q6702 or	TR	KTC3875-GR	(1)	2216175R2

Q6703	TR	2SA1163-BL(TE85L_F)	1	2216756R2
Q6703 or	TR	KTA1517-GR	(1)	2216305R2
Q6707	TR	2SC2712-GR	1	2213145R2
Q6707 or	TR	KTC3875-GR	(1)	2216175R2
Q6713	TR	2SA1163-BL(TE85L_F)	1	2216756R2
Q6713 or	TR	KTA1517-GR	(1)	2216305R2
[TRANS COIL]				
L5400	FR CORE	*	1	5597-45502
L5401	FR CORE	*	1	5597-45502
L5402	FR CORE	*	1	5597-45502
L5403	FR CORE	*	1	5597-45502
L5404	FR CORE	*	1	5597-45502
L5405	FR CORE	*	1	5597-45502
L5406	FR CORE	*	1	5597-45502
L5410	FR CORE	*	1	5597-45502
L5411	FR CORE	*	1	5597-45502
L5412	FR CORE	*	1	5597-45502
L5413	FR CORE	*	1	5597-45502
L5414	FR CORE	*	1	5597-45502
L5415	FR CORE	*	1	5597-45502
L5416	FR CORE	*	1	5597-45502
L6600	S-COIL	SC-0.8X5.5X18.5T	1	231431S
L6601	S-COIL	SC-0.8X5.5X18.5T	1	231431S
L6602	S-COIL	SC-0.8X5.5X18.5T	1	231431S
L6603	S-COIL	SC-0.8X5.5X18.5T	1	231431S
L6604	S-COIL	SC-0.8X5.5X18.5T	1	231431S
L6605	S-COIL	SC-0.8X5.5X18.5T	1	231431S
L6606	S-COIL	SC-0.8X5.5X18.5T	1	231431S
[CAPACITOR]				
C5000	UPZ C	2AUPZTF101JE	1	376331014T
C5001	UPZ C	2AUPZTF101JE	1	376331014T
C5002	UPZ C	2AUPZTF101JE	1	376331014T
C5003	UPZ C	2AUPZTF101JE	1	376331014T
C5004	UPZ C	2AUPZTF101JE	1	376331014T

C5005	UPZ C	2AUPZTF101JE	1	376331014T
C5006	UPZ C	2AUPZTF101JE	1	376331014T
C5010	UTSP C	CE04W50V 47M(UTSP)	1	397584707T
C5011	UTSP C	CE04W50V 47M(UTSP)	1	397584707T
C5012	UTSP C	CE04W50V 47M(UTSP)	1	397584707T
C5013	UTSP C	CE04W50V 47M(UTSP)	1	397584707T
C5014	UTSP C	CE04W50V 47M(UTSP)	1	397584707T
C5015	UTSP C	CE04W50V 47M(UTSP)	1	397584707T
C5016	UTSP C	CE04W50V 47M(UTSP)	1	397584707T
C5020	UTSP C	CE04W50V-10M(UTSP)	1	397581007T
C5021	UTSP C	CE04W50V-10M(UTSP)	1	397581007T
C5022	UTSP C	CE04W50V-10M(UTSP)	1	397581007T
C5023	UTSP C	CE04W50V-10M(UTSP)	1	397581007T
C5024	UTSP C	CE04W50V-10M(UTSP)	1	397581007T
C5025	UTSP C	CE04W50V-10M(UTSP)	1	397581007T
C5026	UTSP C	CE04W50V-10M(UTSP)	1	397581007T
C5040	UTSP C	CE04W10V-470M(UTSP)	1	397534717T
C5041	UTSP C	CE04W10V-470M(UTSP)	1	397534717T
C5042	UTSP C	CE04W10V-470M(UTSP)	1	397534717T
C5043	UTSP C	CE04W10V-470M(UTSP)	1	397534717T
C5044	UTSP C	CE04W10V-470M(UTSP)	1	397534717T
C5045	UTSP C	CE04W10V-470M(UTSP)	1	397534717T
C5046	UTSP C	CE04W10V-470M(UTSP)	1	397534717T
C5050	UTSP C	CE04W50V 47M(UTSP)	1	397584707T
C5051	UTSP C	CE04W50V 47M(UTSP)	1	397584707T
C5052	UTSP C	CE04W50V 47M(UTSP)	1	397584707T
C5053	UTSP C	CE04W50V 47M(UTSP)	1	397584707T
C5054	UTSP C	CE04W50V 47M(UTSP)	1	397584707T
C5055	UTSP C	CE04W50V 47M(UTSP)	1	397584707T
C5056	UTSP C	CE04W50V 47M(UTSP)	1	397584707T
C5080	CERA C	CC45SL50V-040C	1	345020401T
C5081	CERA C	CC45SL50V-040C	1	345020401T
C5082	CERA C	CC45SL50V-040C	1	345020401T
C5083	CERA C	CC45SL50V-040C	1	345020401T

C5084	CERA C	CC45SL50V-040C	1	345020401T
C5085	CERA C	CC45SL50V-040C	1	345020401T
C5086	CERA C	CC45SL50V-040C	1	345020401T
C5090	UPZ C	2AUPZTF101JE	1	376331014T
C5091	UPZ C	2AUPZTF101JE	1	376331014T
C5092	UPZ C	2AUPZTF101JE	1	376331014T
C5093	UPZ C	2AUPZTF101JE	1	376331014T
C5094	UPZ C	2AUPZTF101JE	1	376331014T
C5095	UPZ C	2AUPZTF101JE	1	376331014T
C5096	UPZ C	2AUPZTF101JE	1	376331014T
C5100	VR C	CE04W100V-22M(VR)	1	394692207T
C5101	VR C	CE04W100V-22M(VR)	1	394692207T
C5102	VR C	CE04W100V-22M(VR)	1	394692207T
C5103	VR C	CE04W100V-22M(VR)	1	394692207T
C5104	VR C	CE04W100V-22M(VR)	1	394692207T
C5105	VR C	CE04W100V-22M(VR)	1	394692207T
C5106	VR C	CE04W100V-22M(VR)	1	394692207T
C5110	VR C	CE04W100V-22M(VR)	1	394692207T
C5111	VR C	CE04W100V-22M(VR)	1	394692207T
C5112	VR C	CE04W100V-22M(VR)	1	394692207T
C5113	VR C	CE04W100V-22M(VR)	1	394692207T
C5114	VR C	CE04W100V-22M(VR)	1	394692207T
C5115	VR C	CE04W100V-22M(VR)	1	394692207T
C5116	VR C	CE04W100V-22M(VR)	1	394692207T
C5440	UTSP C	CE04W50V-22M(UTSP)	1	397582207T
C5441	UTSP C	CE04W50V-22M(UTSP)	1	397582207T
C5442	UTSP C	CE04W50V-22M(UTSP)	1	397582207T
C5443	UTSP C	CE04W50V-22M(UTSP)	1	397582207T
C5444	UTSP C	CE04W50V-22M(UTSP)	1	397582207T
C5445	UTSP C	CE04W50V-22M(UTSP)	1	397582207T
C5446	UTSP C	CE04W50V-22M(UTSP)	1	397582207T
C6050	TF C	ECQ-V50V-104J	1	374721044T
C6051	TF C	ECQ-V50V-104J	1	374721044T
C6052	TF C	ECQ-V50V-104J	1	374721044T

C6053	TF C	ECQ-V50V-104J	1	374721044T
C6054	TF C	ECQ-V50V-104J	1	374721044T
C6055	TF C	ECQ-V50V-104J	1	374721044T
C6056	TF C	ECQ-V50V-104J	1	374721044T
C6502	UTSP C	CE04W25V-220M(UTSP)	1	397552217T
C6630	TF C	ECQ-V50V-473J	1	374724734T
C6631	TF C	ECQ-V50V-473J	1	374724734T
C6632	TF C	ECQ-V50V-473J	1	374724734T
C6633	TF C	ECQ-V50V-473J	1	374724734T
C6634	TF C	ECQ-V50V-473J	1	374724734T
C6635	TF C	ECQ-V50V-473J	1	374724734T
C6636	TF C	ECQ-V50V-473J	1	374724734T
C6701	UTSP C	CE04W10V-220M(UTSP)	1	397532217T
C6703	C-CERA C	CK725F1E-104Z1	1	332161040R1
C6704	UTSP C	CE04W50V-1M(UTSP)	1	397580107T
C6706	UTSP C	CE04W25V-47M(UTSP)	1	397554707T
C6710	C-CERA C	CK725F1A-105Z1	1	332181050R1
C6713	C-CERA C	CK725F1E-104Z1	1	332161040R1
C6714	UTSP C	CE04W50V-2.2M(UTSP)	1	397580227T
C6901	ELECT C	CE69W69V-12000M	1	3504472
C6902	ELECT C	CE69W69V-12000M	1	3504472
C6911	C-CERA C	CC725CH1H-102J1	1	342101024R1
C6912	TF C	ECQ-V100V-334J	1	374733344T
C6913	TF C	ECQ-V100V-334J	1	374733344T
C6914	UTSP C	CE04W50V-220M(UTSP)	1	397582217T
[RESISTOR]				
R5000	CARBON R	R16J-1.5K	1	417341524T
R5001	CARBON R	R16J-1.5K	1	417341524T
R5002	CARBON R	R16J-1.5K	1	417341524T
R5003	CARBON R	R16J-1.5K	1	417341524T
R5004	CARBON R	R16J-1.5K	1	417341524T
R5005	CARBON R	R16J-1.5K	1	417341524T
R5006	CARBON R	R16J-1.5K	1	417341524T
R5010	CARBON R	R16J-33K	1	417343334T

R5011	CARBON R	R16J-33K	1	417343334T
R5012	CARBON R	R16J-33K	1	417343334T
R5013	CARBON R	R16J-33K	1	417343334T
R5014	CARBON R	R16J-33K	1	417343334T
R5015	CARBON R	R16J-33K	1	417343334T
R5016	CARBON R	R16J-33K	1	417343334T
R5020	CARBON R	R16J-330	1	417343314T
R5021	CARBON R	R16J-330	1	417343314T
R5022	CARBON R	R16J-330	1	417343314T
R5023	CARBON R	R16J-330	1	417343314T
R5024	CARBON R	R16J-330	1	417343314T
R5025	CARBON R	R16J-330	1	417343314T
R5026	CARBON R	R16J-330	1	417343314T
R5030	CARBON R	R16J-33K	1	417343334T
R5031	CARBON R	R16J-33K	1	417343334T
R5032	CARBON R	R16J-33K	1	417343334T
R5033	CARBON R	R16J-33K	1	417343334T
R5034	CARBON R	R16J-33K	1	417343334T
R5035	CARBON R	R16J-33K	1	417343334T
R5036	CARBON R	R16J-33K	1	417343334T
R5040	CARBON R	R16J-1K	1	417341024T
R5041	CARBON R	R16J-1K	1	417341024T
R5042	CARBON R	R16J-1K	1	417341024T
R5043	CARBON R	R16J-1K	1	417341024T
R5044	CARBON R	R16J-1K	1	417341024T
R5045	CARBON R	R16J-1K	1	417341024T
R5046	CARBON R	R16J-1K	1	417341024T
R5050	CARBON R	R16J-5.6K	1	417345624T
R5051	CARBON R	R16J-5.6K	1	417345624T
R5052	CARBON R	R16J-5.6K	1	417345624T
R5053	CARBON R	R16J-5.6K	1	417345624T
R5054	CARBON R	R16J-5.6K	1	417345624T
R5055	CARBON R	R16J-5.6K	1	417345624T
R5056	CARBON R	R16J-5.6K	1	417345624T

R5060	CARBON R	R16J-2.7K	1	417342724T
R5061	CARBON R	R16J-2.7K	1	417342724T
R5062	CARBON R	R16J-2.7K	1	417342724T
R5063	CARBON R	R16J-2.7K	1	417342724T
R5064	CARBON R	R16J-2.7K	1	417342724T
R5065	CARBON R	R16J-2.7K	1	417342724T
R5066	CARBON R	R16J-2.7K	1	417342724T
R5080	NF CARBON R	R25J-1.0K	1	415471024T
R5081	NF CARBON R	R25J-1.0K	1	415471024T
R5082	NF CARBON R	R25J-1.0K	1	415471024T
R5083	NF CARBON R	R25J-1.0K	1	415471024T
R5084	NF CARBON R	R25J-1.0K	1	415471024T
R5085	NF CARBON R	R25J-1.0K	1	415471024T
R5086	NF CARBON R	R25J-1.0K	1	415471024T
R5090	CARBON R	R16J-100K	1	417341044T
R5091	CARBON R	R16J-100K	1	417341044T
R5092	CARBON R	R16J-100K	1	417341044T
R5093	CARBON R	R16J-100K	1	417341044T
R5094	CARBON R	R16J-100K	1	417341044T
R5095	CARBON R	R16J-100K	1	417341044T
R5096	CARBON R	R16J-100K	1	417341044T
R5100	CARBON R	R16J-100K	1	417341044T
R5101	CARBON R	R16J-100K	1	417341044T
R5102	CARBON R	R16J-100K	1	417341044T
R5103	CARBON R	R16J-100K	1	417341044T
R5104	CARBON R	R16J-100K	1	417341044T
R5105	CARBON R	R16J-100K	1	417341044T
R5106	CARBON R	R16J-100K	1	417341044T
R5110	CARBON R	R16J-2.2K	1	417342224T
R5111	CARBON R	R16J-2.2K	1	417342224T
R5112	CARBON R	R16J-2.2K	1	417342224T
R5113	CARBON R	R16J-2.2K	1	417342224T
R5114	CARBON R	R16J-2.2K	1	417342224T
R5115	CARBON R	R16J-2.2K	1	417342224T

R5116	CARBON R	R16J-2.2K	1	417342224T
R5120	CARBON R	R16J-2.2K	1	417342224T
R5121	CARBON R	R16J-2.2K	1	417342224T
R5122	CARBON R	R16J-2.2K	1	417342224T
R5123	CARBON R	R16J-2.2K	1	417342224T
R5124	CARBON R	R16J-2.2K	1	417342224T
R5125	CARBON R	R16J-2.2K	1	417342224T
R5126	CARBON R	R16J-2.2K	1	417342224T
R5130	CARBON R	R16J-18K	1	417341834T
R5131	CARBON R	R16J-18K	1	417341834T
R5132	CARBON R	R16J-18K	1	417341834T
R5133	CARBON R	R16J-18K	1	417341834T
R5134	CARBON R	R16J-18K	1	417341834T
R5135	CARBON R	R16J-18K	1	417341834T
R5136	CARBON R	R16J-18K	1	417341834T
R5140	NF CARBON R	R25J-820	1	415478214T
R5141	NF CARBON R	R25J-820	1	415478214T
R5142	NF CARBON R	R25J-820	1	415478214T
R5143	NF CARBON R	R25J-820	1	415478214T
R5144	NF CARBON R	R25J-820	1	415478214T
R5145	NF CARBON R	R25J-820	1	415478214T
R5146	NF CARBON R	R25J-820	1	415478214T
R5150	NF CARBON R	R25J-1.0K	1	415471024T
R5151	NF CARBON R	R25J-1.0K	1	415471024T
R5152	NF CARBON R	R25J-1.0K	1	415471024T
R5153	NF CARBON R	R25J-1.0K	1	415471024T
R5154	NF CARBON R	R25J-1.0K	1	415471024T
R5155	NF CARBON R	R25J-1.0K	1	415471024T
R5156	NF CARBON R	R25J-1.0K	1	415471024T
R5160	NF CARBON R	R25J-120	1	415471214T
R5161	NF CARBON R	R25J-120	1	415471214T
R5162	NF CARBON R	R25J-120	1	415471214T
R5163	NF CARBON R	R25J-120	1	415471214T
R5164	NF CARBON R	R25J-120	1	415471214T

R5165	NF CARBON R	R25J-120	1	415471214T
R5166	NF CARBON R	R25J-120	1	415471214T
R5170	NF CARBON R	R25J-820	1	415478214T
R5171	NF CARBON R	R25J-820	1	415478214T
R5172	NF CARBON R	R25J-820	1	415478214T
R5173	NF CARBON R	R25J-820	1	415478214T
R5174	NF CARBON R	R25J-820	1	415478214T
R5175	NF CARBON R	R25J-820	1	415478214T
R5176	NF CARBON R	R25J-820	1	415478214T
R5180	NF CARBON R	R25J-10	1	415471004T
R5181	NF CARBON R	R25J-10	1	415471004T
R5182	NF CARBON R	R25J-10	1	415471004T
R5183	NF CARBON R	R25J-10	1	415471004T
R5184	NF CARBON R	R25J-10	1	415471004T
R5185	NF CARBON R	R25J-10	1	415471004T
R5186	NF CARBON R	R25J-10	1	415471004T
R5190	NF CARBON R	R25J-10	1	415471004T
R5191	NF CARBON R	R25J-10	1	415471004T
R5192	NF CARBON R	R25J-10	1	415471004T
R5193	NF CARBON R	R25J-10	1	415471004T
R5194	NF CARBON R	R25J-10	1	415471004T
R5195	NF CARBON R	R25J-10	1	415471004T
R5196	NF CARBON R	R25J-10	1	415471004T
R5200	CARBON R	R16J-18K	1	417341834T
R5201	CARBON R	R16J-18K	1	417341834T
R5202	CARBON R	R16J-18K	1	417341834T
R5203	CARBON R	R16J-18K	1	417341834T
R5204	CARBON R	R16J-18K	1	417341834T
R5205	CARBON R	R16J-18K	1	417341834T
R5206	CARBON R	R16J-18K	1	417341834T
R5210	NF CARBON R	R25J-820	1	415478214T
R5211	NF CARBON R	R25J-820	1	415478214T
R5212	NF CARBON R	R25J-820	1	415478214T
R5213	NF CARBON R	R25J-820	1	415478214T

R5214	NF CARBON R	R25J-820	1	415478214T
R5215	NF CARBON R	R25J-820	1	415478214T
R5216	NF CARBON R	R25J-820	1	415478214T
R5220	NF CARBON R	R25J-120	1	415471214T
R5221	NF CARBON R	R25J-120	1	415471214T
R5222	NF CARBON R	R25J-120	1	415471214T
R5223	NF CARBON R	R25J-120	1	415471214T
R5224	NF CARBON R	R25J-120	1	415471214T
R5225	NF CARBON R	R25J-120	1	415471214T
R5226	NF CARBON R	R25J-120	1	415471214T
R5270	NF CARBON R	R25J-120	1	415471214T
R5271	NF CARBON R	R25J-120	1	415471214T
R5272	NF CARBON R	R25J-120	1	415471214T
R5273	NF CARBON R	R25J-120	1	415471214T
R5274	NF CARBON R	R25J-120	1	415471214T
R5275	NF CARBON R	R25J-120	1	415471214T
R5276	NF CARBON R	R25J-120	1	415471214T
R5280	NF CARBON R	R25J-120	1	415471214T
R5281	NF CARBON R	R25J-120	1	415471214T
R5282	NF CARBON R	R25J-120	1	415471214T
R5283	NF CARBON R	R25J-120	1	415471214T
R5284	NF CARBON R	R25J-120	1	415471214T
R5285	NF CARBON R	R25J-120	1	415471214T
R5286	NF CARBON R	R25J-120	1	415471214T
R5300	CARBON R	R16J-330	1	417343314T
R5301	CARBON R	R16J-330	1	417343314T
R5302	CARBON R	R16J-330	1	417343314T
R5303	CARBON R	R16J-330	1	417343314T
R5304	CARBON R	R16J-330	1	417343314T
R5305	CARBON R	R16J-330	1	417343314T
R5306	CARBON R	R16J-330	1	417343314T
R5310	CARBON R	R16J-330	1	417343314T
R5311	CARBON R	R16J-330	1	417343314T
R5312	CARBON R	R16J-330	1	417343314T

R5313	CARBON R	R16J-330	1	417343314T
R5314	CARBON R	R16J-330	1	417343314T
R5315	CARBON R	R16J-330	1	417343314T
R5316	CARBON R	R16J-330	1	417343314T
R5350	NF CARBON R	R25J-18	1	415471804T
R5351	NF CARBON R	R25J-18	1	415471804T
R5352	NF CARBON R	R25J-18	1	415471804T
R5353	NF CARBON R	R25J-18	1	415471804T
R5354	NF CARBON R	R25J-18	1	415471804T
R5355	NF CARBON R	R25J-18	1	415471804T
R5356	NF CARBON R	R25J-18	1	415471804T
R5360	NF CARBON R	R25J-18	1	415471804T
R5361	NF CARBON R	R25J-18	1	415471804T
R5362	NF CARBON R	R25J-18	1	415471804T
R5363	NF CARBON R	R25J-18	1	415471804T
R5364	NF CARBON R	R25J-18	1	415471804T
R5365	NF CARBON R	R25J-18	1	415471804T
R5366	NF CARBON R	R25J-18	1	415471804T
R5370	NF CARBON R	R25J-2.2	1	415470224T
R5371	NF CARBON R	R25J-2.2	1	415470224T
R5372	NF CARBON R	R25J-2.2	1	415470224T
R5373	NF CARBON R	R25J-2.2	1	415470224T
R5374	NF CARBON R	R25J-2.2	1	415470224T
R5375	NF CARBON R	R25J-2.2	1	415470224T
R5376	NF CARBON R	R25J-2.2	1	415470224T
R5380	NF CARBON R	R25J-2.2	1	415470224T
R5381	NF CARBON R	R25J-2.2	1	415470224T
R5382	NF CARBON R	R25J-2.2	1	415470224T
R5383	NF CARBON R	R25J-2.2	1	415470224T
R5384	NF CARBON R	R25J-2.2	1	415470224T
R5385	NF CARBON R	R25J-2.2	1	415470224T
R5386	NF CARBON R	R25J-2.2	1	415470224T
R5420	NF CARBON R	R25J-10	1	415471004T
R5421	NF CARBON R	R25J-10	1	415471004T

R5422	NF CARBON R	R25J-10	1	415471004T
R5423	NF CARBON R	R25J-10	1	415471004T
R5424	NF CARBON R	R25J-10	1	415471004T
R5425	NF CARBON R	R25J-10	1	415471004T
R5426	NF CARBON R	R25J-10	1	415471004T
R5440	TRIM R	N06HR2KBB	1	5211402T
R5441	TRIM R	N06HR2KBB	1	5211402T
R5442	TRIM R	N06HR2KBB	1	5211402T
R5443	TRIM R	N06HR2KBB	1	5211402T
R5444	TRIM R	N06HR2KBB	1	5211402T
R5445	TRIM R	N06HR2KBB	1	5211402T
R5446	TRIM R	N06HR2KBB	1	5211402T
R5450	CARBON R	R16J-3.3K	1	417343324T
R5451	CARBON R	R16J-3.3K	1	417343324T
R5452	CARBON R	R16J-3.3K	1	417343324T
R5453	CARBON R	R16J-3.3K	1	417343324T
R5454	CARBON R	R16J-3.3K	1	417343324T
R5455	CARBON R	R16J-3.3K	1	417343324T
R5456	CARBON R	R16J-3.3K	1	417343324T
R5470	NF CARBON R	R25J-82	1	415478204T
R5471	NF CARBON R	R25J-82	1	415478204T
R5472	NF CARBON R	R25J-82	1	415478204T
R5473	NF CARBON R	R25J-82	1	415478204T
R5474	NF CARBON R	R25J-82	1	415478204T
R5475	NF CARBON R	R25J-82	1	415478204T
R5476	NF CARBON R	R25J-82	1	415478204T
R5480	CARBON R	R16J-10	1	417341004T
R5481	CARBON R	R16J-10	1	417341004T
R5482	CARBON R	R16J-10	1	417341004T
R5483	CARBON R	R16J-10	1	417341004T
R5484	CARBON R	R16J-10	1	417341004T
R5485	CARBON R	R16J-10	1	417341004T
R5486	CARBON R	R16J-10	1	417341004T
R5490	CARBON R	R16J-10	1	417341004T

R5491	CARBON R	R16J-10	1	417341004T
R5492	CARBON R	R16J-10	1	417341004T
R5493	CARBON R	R16J-10	1	417341004T
R5494	CARBON R	R16J-10	1	417341004T
R5495	CARBON R	R16J-10	1	417341004T
R5496	CARBON R	R16J-10	1	417341004T
R6000	C-CARBON R	RN72K1J-472JE	1	435034724R1
R6001	C-CARBON R	RN72K1J-472JE	1	435034724R1
R6002	C-CARBON R	RN72K1J-472JE	1	435034724R1
R6003	C-CARBON R	RN72K1J-472JE	1	435034724R1
R6004	C-CARBON R	RN72K1J-472JE	1	435034724R1
R6005	C-CARBON R	RN72K1J-472JE	1	435034724R1
R6006	C-CARBON R	RN72K1J-472JE	1	435034724R1
R6010	C-CARBON R	RN72K1J-332JE	1	435033324R1
R6011	C-CARBON R	RN72K1J-332JE	1	435033324R1
R6012	C-CARBON R	RN72K1J-332JE	1	435033324R1
R6013	C-CARBON R	RN72K1J-332JE	1	435033324R1
R6014	C-CARBON R	RN72K1J-332JE	1	435033324R1
R6015	C-CARBON R	RN72K1J-332JE	1	435033324R1
R6016	C-CARBON R	RN72K1J-332JE	1	435033324R1
R6020	C-CARBON R	RN72K1J-000JE	1	435030004R1
R6021	C-CARBON R	RN72K1J-000JE	1	435030004R1
R6022	C-CARBON R	RN72K1J-000JE	1	435030004R1
R6023	C-CARBON R	RN72K1J-000JE	1	435030004R1
R6024	C-CARBON R	RN72K1J-000JE	1	435030004R1
R6025	C-CARBON R	RN72K1J-000JE	1	435030004R1
R6026	C-CARBON R	RN72K1J-000JE	1	435030004R1
R6100	METAL PR	MPR5W+5W 0R22	1	4000233
R6100 or	METAL P R	RF-5EGPJR22	(1)	4000244
R6101	METAL PR	MPR5W+5W 0R22	1	4000233
R6101 or	METAL P R	RF-5EGPJR22	(1)	4000244
R6102	METAL PR	MPR5W+5W 0R22	1	4000233
R6102 or	METAL P R	RF-5EGPJR22	(1)	4000244
R6103	METAL PR	MPR5W+5W 0R22	1	4000233

R6103 or	METAL P R	RF-5EGPJR22	(1)	4000244
R6104	METAL PR	MPR5W+5W 0R22	1	4000233
R6104 or	METAL P R	RF-5EGPJR22	(1)	4000244
R6105	METAL PR	MPR5W+5W 0R22	1	4000233
R6105 or	METAL P R	RF-5EGPJR22	(1)	4000244
R6106	METAL PR	MPR5W+5W 0R22	1	4000233
R6106 or	METAL P R	RF-5EGPJR22	(1)	4000244
R6140	CARBON R	R16J-56K	1	417345634T
R6141	CARBON R	R16J-56K	1	417345634T
R6142	CARBON R	R16J-56K	1	417345634T
R6143	CARBON R	R16J-56K	1	417345634T
R6144	CARBON R	R16J-56K	1	417345634T
R6145	CARBON R	R16J-56K	1	417345634T
R6146	CARBON R	R16J-56K	1	417345634T
R6150	CARBON R	R16J-10K	1	417341034T
R6151	CARBON R	R16J-10K	1	417341034T
R6152	CARBON R	R16J-10K	1	417341034T
R6153	CARBON R	R16J-10K	1	417341034T
R6154	CARBON R	R16J-10K	1	417341034T
R6155	CARBON R	R16J-10K	1	417341034T
R6156	CARBON R	R16J-10K	1	417341034T
R6160	C-CARBON R	RN72K1J-333JE	1	435033334R1
R6161	C-CARBON R	RN72K1J-333JE	1	435033334R1
R6162	C-CARBON R	RN72K1J-333JE	1	435033334R1
R6163	C-CARBON R	RN72K1J-333JE	1	435033334R1
R6164	C-CARBON R	RN72K1J-333JE	1	435033334R1
R6165	C-CARBON R	RN72K1J-333JE	1	435033334R1
R6166	C-CARBON R	RN72K1J-333JE	1	435033334R1
R6170	CARBON R	R16J-47K	1	417344734T
R6171	CARBON R	R16J-47K	1	417344734T
R6172	CARBON R	R16J-47K	1	417344734T
R6173	CARBON R	R16J-47K	1	417344734T
R6174	CARBON R	R16J-47K	1	417344734T
R6175	CARBON R	R16J-47K	1	417344734T

R6176	CARBON R	R16J-47K	1	417344734T
R6180	CARBON R	R16J-47K	1	417344734T
R6181	CARBON R	R16J-47K	1	417344734T
R6182	CARBON R	R16J-47K	1	417344734T
R6183	CARBON R	R16J-47K	1	417344734T
R6184	CARBON R	R16J-47K	1	417344734T
R6185	CARBON R	R16J-47K	1	417344734T
R6186	CARBON R	R16J-47K	1	417344734T
R6197	METAL O R	RS1/2WBJ-39	1	443523904T
R6505	C-CARBON R	RN72K1J-223JE	1	435032234R1
R6506	C-CARBON R	RN72K1J-122JE	1	435031224R1
R6507	C-CARBON R	RN72K1J-473JE	1	435034734R1
R6508	C-CARBON R	RN72K1J-182JE	1	435031824R1
R6509	C-CARBON R	RN72K1J-331JE	1	435033314R1
R6600	METAL O R	RS1/2WBJ-10	1	443521004T
R6601	METAL O R	RS1/2WBJ-10	1	443521004T
R6602	METAL O R	RS1/2WBJ-10	1	443521004T
R6603	METAL O R	RS1/2WBJ-10	1	443521004T
R6604	METAL O R	RS1/2WBJ-10	1	443521004T
R6605	METAL O R	RS1/2WBJ-10	1	443521004T
R6606	METAL O R	RS1/2WBJ-10	1	443521004T
R6630	METAL R	RNU1WCJ-8.2	1	453630824T
R6631	METAL R	RNU1WCJ-8.2	1	453630824T
R6632	METAL R	RNU1WCJ-8.2	1	453630824T
R6633	METAL R	RNU1WCJ-8.2	1	453630824T
R6634	METAL R	RNU1WCJ-8.2	1	453630824T
R6635	METAL R	RNU1WCJ-8.2	1	453630824T
R6636	METAL R	RNU1WCJ-8.2	1	453630824T
R6701	C-CARBON R	RN72K1J-223JE	1	435032234R1
R6702	C-CARBON R	RN72K1J-103JE	1	435031034R1
R6704	C-CARBON R	RN72K1J-473JE	1	435034734R1
R6706	C-CARBON R	RN72K1J-224JE	1	435032244R1
R6708	C-CARBON R	RN72K1J-333JE	1	435033334R1
R6709	C-CARBON R	RN72K1J-392JE	1	435033924R1

R6710	C-CARBON R	RN72K1J-123JE	1	435031234R1	
R6712	C-CARBON R	RN72K1J-103JE	1	435031034R1	
R6714	C-CARBON R	RN72K1J-333JE	1	435033334R1	
R6716	C-CARBON R	RN72K1J-563JE	1	435035634R1	
R6902	C-CARBON R	RN72K1J-102JE	1	435031024R1	
R6903	C-CARBON R	RN72K1J-473JE	1	435034734R1	
R6904	METAL R	RNU1/2WCJ-0.22	1	453532294T	
[SW TRM]					
E6008A	TRM	NTM-1P232(M1700)	1	25060301	
E6008B	TRM	NTM-1P233(M1969)	1	25060302	
E6009A	TRM	NTM-1P232(M1700)	1	25060301	
E6010A	TRM	NTM-1P232(M1700)	1	25060301	
F6901A	FUSE HOLDER	SN5051	1	250113	!
F6901B	FUSE HOLDER	SN5051	1	250113	!
F6902A	FUSE HOLDER	SN5051	1	250113	!
F6902B	FUSE HOLDER	SN5051	1	250113	!
JL6401A	WIRE HOL	NSCT-3P874	1	25051087	
JL6401B	WIRE HOL	NSCT-3P874	1	25051087	
JL6402A	WIRE HOL	NSCT-3P874	1	25051087	
JL6402B	WIRE HOL	NSCT-3P874	1	25051087	
P4512A	CRIMP AS	CRIMP SR805_1	1	20799169UL	
P4517A	SOCKET AS	NSAS-30P1827	1	2009991179UL	
P6000	SOCKET	NSCT-9P2189	1	25052292	
P6000B	PLUG	NPLG-9P0964	1	25056014	
P6001	SOCKET	NSCT-9P2189	1	25052292	
P6001B	PLUG	NPLG-9P0964	1	25056014	
P6002	SOCKET	NSCT-9P2189	1	25052292	
P6002B	PLUG	NPLG-9P0964	1	25056014	
P6003	SOCKET	NSCT-9P2189	1	25052292	
P6003B	PLUG	NPLG-9P0964	1	25056014	
P6004	SOCKET	NSCT-9P2189	1	25052292	
P6004B	PLUG	NPLG-9P0964	1	25056014	
P6005	SOCKET	NSCT-9P2189	1	25052292	
P6005B	PLUG	NPLG-9P0964	1	25056014	

P6006	SOCKET	NSCT-9P2189	1	25052292
P6006B	PLUG	NPLG-9P0964	1	25056014
P6007A	PLUG	NPLG-3P0958	1	25056008
P6007B	SOCKET	NSCT-3P2183	1	25052286
P6009B	TRM	NTM-1P233(M1969)	1	25060302
P6010B	TRM	NTM-1P233(M1969)	1	25060302
P6011A	RETAINER	(BUS-D)	1	27142115A
P6080	PLUG	NPLG-2P29	1	25055038
P6081	PLUG	NPLG-2P29	1	25055038
P6082	PLUG	NPLG-2P29	1	25055038
P6083	PLUG	NPLG-2P29	1	25055038
P6084	PLUG	NPLG-2P29	1	25055038
P6085	PLUG	NPLG-2P29	1	25055038
P6086	PLUG	NPLG-2P29	1	25055038
P6500	PLUG	NPLG-2P83	1	25055099
P6600	SOCKET AS	NSAS-14P1821	1	2009991176UL
P6603A	SOCKET AS	NSAS-22P1828	1	2009991180UL
P6606A	SOCKET AS	NSAS-18P1857	1	20099911815UL
P6900	CRIMP AS	CRIMP AS	1	2069925170UL
P6901	CRIMP AS	CRIMP AS	1	2069925119UL
P6902	CRIMP AS	CRIMP AS	1	2069925188UL
P6950	PLUG	NPLG-5P152	1	25055168
RL691	RELAY	NRL-1P10A-DC12-197	1	25065708
RL691 or	RELAY	NRL-1P10A-DC12-196	(1)	25065707
RL691 or	RELAY	NRL-1P10A-DC12-198	(1)	25065709
RL692	RELAY	NRL-1P10A-DC12-197	1	25065708
RL692 or	RELAY	NRL-1P10A-DC12-196	(1)	25065707
RL692 or	RELAY	NRL-1P10A-DC12-198	(1)	25065709

U003 U0030~U0033**BATRM-1144-1A/ 1B *****U0030** SPEAKER TERMINAL PC BOARD ASS'Y

BATRM-1144-1A/ 1B

U0031 POWER SUPPLY(PRI) PC BOARD ASS'Y

BAPS-1145-1A/ 1B

U0032	SPEAKER TERMINAL	BATRM-1146-1A/ 1B
U0033	SPEAKER TERMINAL	BATRM-1147-1A/ 1B

CIRCUIT NO	PART NAME	DESCRIPTION	Q'TY	PART NO. (SN)	REMARKS
[SEMI CONDUCTOR]					
D6600	C-DIODE	KDS4148U	1	223283R2	
D6600 or	C-DIODE	1SS352	(1)	223234R2	
D6600 or	C-DIODE	1SS355	(1)	223269R2	
D6600 or	C-DIODE	MA2J111	(1)	223279R2	
D6601	C-DIODE	KDS4148U	1	223283R2	
D6601 or	C-DIODE	1SS352	(1)	223234R2	
D6601 or	C-DIODE	1SS355	(1)	223269R2	
D6601 or	C-DIODE	MA2J111	(1)	223279R2	
D6603	C-DIODE	KDS4148U	1	223283R2	
D6603 or	C-DIODE	1SS352	(1)	223234R2	
D6603 or	C-DIODE	1SS355	(1)	223269R2	
D6603 or	C-DIODE	MA2J111	(1)	223279R2	
D6604	C-DIODE	KDS4148U	1	223283R2	
D6604 or	C-DIODE	1SS352	(1)	223234R2	
D6604 or	C-DIODE	1SS355	(1)	223269R2	
D6604 or	C-DIODE	MA2J111	(1)	223279R2	
D6605	C-DIODE	KDS4148U	1	223283R2	
D6605 or	C-DIODE	1SS352	(1)	223234R2	
D6605 or	C-DIODE	1SS355	(1)	223269R2	
D6605 or	C-DIODE	MA2J111	(1)	223279R2	
D6606	C-DIODE	KDS4148U	1	223283R2	
D6606 or	C-DIODE	1SS352	(1)	223234R2	
D6606 or	C-DIODE	1SS355	(1)	223269R2	
D6606 or	C-DIODE	MA2J111	(1)	223279R2	
D6610	C-DIODE	KDS4148U	1	223283R2	
D6610 or	C-DIODE	1SS352	(1)	223234R2	
D6610 or	C-DIODE	1SS355	(1)	223269R2	
D6610 or	C-DIODE	MA2J111	(1)	223279R2	
D9001	DIODE	S1WB(A)60B-7062	1	22380377R2	

D9002	SPCF D	P6SMB200A-M3/52T	1	225505R2
D9003	DIODE	US1K-E3/61T	1	22380376R2
D9004	DIODE	RF301B2STL	1	22380374R2
D9006	DIODE	M1FL20U	1	223276R2
D9008	DIODE	RB050M-30GTR	1	22380373R2
D9012	ZENER D	UDZS36B	1	224553600R2
D9013	ZENER D	UDZS6.8B	1	224550680R2
D9014	ZENER D	UDZS6.8B	1	224550680R2
D9015	ZENER D	UDZS7.5B	1	224550750R2
D9016	ZENER D	UDZS7.5B	1	224550750R2
D9017	ZENER D	UDZS7.5B	1	224550750R2
D9100	C-DIODE	KDS4148U	1	223283R2
D9100 or	C-DIODE	1SS352	(1)	223234R2
D9100 or	C-DIODE	1SS355	(1)	223269R2
D9100 or	C-DIODE	MA2J111	(1)	223279R2
D9300	DIODE	D3SBA60	1	22380272F
D9300 or	DIODE	RBV402	(1)	22380022F
D9300 or	DIODE	D3SBA20	(1)	22380271F
D9301	ZENER D	UDZS15B	1	224551500R2
D9302	ZENER D	UDZS15B	1	224551500R2
D9303	C-DIODE	KDS4148U	1	223283R2
D9303 or	C-DIODE	1SS352	(1)	223234R2
D9303 or	C-DIODE	1SS355	(1)	223269R2
D9303 or	C-DIODE	MA2J111	(1)	223279R2
D9304	C-DIODE	KDS4148U	1	223283R2
D9304 or	C-DIODE	1SS352	(1)	223234R2
D9304 or	C-DIODE	1SS355	(1)	223269R2
D9304 or	C-DIODE	MA2J111	(1)	223279R2
Q6601	TR	DTC123JS	1	2213640T
Q6601 or	TR	KRC105M	(1)	2215830T
Q6601 or	TR	KRC105	(1)	2217730T
Q6602	TR	DTC123JS	1	2213640T
Q6602 or	TR	KRC105M	(1)	2215830T
Q6602 or	TR	KRC105	(1)	2217730T

Q6603	TR	DTC123JS	1	2213640T	
Q6603 or	TR	KRC105M	(1)	2215830T	
Q6603 or	TR	KRC105	(1)	2217730T	
Q6604	TR	DTC123JS	1	2213640T	
Q6604 or	TR	KRC105M	(1)	2215830T	
Q6604 or	TR	KRC105	(1)	2217730T	
Q6605	TR	DTC123JS	1	2213640T	
Q6605 or	TR	KRC105M	(1)	2215830T	
Q6605 or	TR	KRC105	(1)	2217730T	
Q6606	TR	DTC123JS	1	2213640T	
Q6606 or	TR	KRC105M	(1)	2215830T	
Q6606 or	TR	KRC105	(1)	2217730T	
Q6607	TR	DTC123JS	1	2213640T	
Q6607 or	TR	KRC105M	(1)	2215830T	
Q6607 or	TR	KRC105	(1)	2217730T	
Q6608	TR	2SC2235-Y(TPE6_F)	1	2211654T	
Q9001	IC	MIP2M40MSSCF	1	22242769	
Q9002	IC	PS256IDL1-1Y-A(Q)	1	22242794	!
Q9002 or	IC	PC123X8YFZ0F	(1)	22242771	!
Q9003	IC	PS256IDL1-1Y-A(Q)	1	22242794	!
Q9003 or	IC	PC123X8YFZ0F	(1)	22242771	!
Q9004	IC	KIA431A-AT/P	1	22242770T	
Q9005	TR	KRC102S	1	2216190R2	
Q9005 or	TR	RN1402	(1)	2214470R2	
Q9101	TR	DTC123JKA	1	2216690R2	
Q9101 or	TR	KRC105S	(1)	2217290R2	
Q9301	TR	2SK208-GR	1	2217434R2	
Q9302	TR	2SK208-GR	1	2217434R2	
Q9303	TR	2SC2712-GR	1	2213145R2	
Q9303 or	TR	KTC3875-GR	(1)	2216175R2	
Q9304	TR	2SA1162-GR	1	2214375R2	
Q9304 or	TR	KTA1504-GR	(1)	2216185R2	
Q9305	TR	2SA1488-Y	1	2203394	
Q9305 or	TR	2SB1565-E	(1)	2202715	

Q9305A	HEAT SINK	(RAD-255)	1	27160647	
Q9305B	SCREW	3P+10FN(3BC)	2	82143010GR	
Q9306	TR	2SC3851-Y	1	2203384	
Q9306 or	TR	2SD2394-E	(1)	2202705	
[TRANS COIL]					
L9001	CHOK COIL	ELF15N004A	1	231453	!
L9002	CHOK COIL	RCR1010NP-100M	1	231449M100	
L9004	CORE	BLM18PG181SN1D	1	2350005R1	
L9005	CORE	BLM18PG181SN1D	1	2350005R1	
T9001	P TRANS	NPT-1621S	1	2302054A	!
[CAPACITOR]					
C6600	C-CERA C	CK725B1H-103K1	1	332101035R1	
C6601	C-CERA C	CK725B1H-103K1	1	332101035R1	
C6602	C-CERA C	CK725B1H-103K1	1	332101035R1	
C6603	C-CERA C	CK725B1H-103K1	1	332101035R1	
C6604	C-CERA C	CK725B1H-103K1	1	332101035R1	
C6605	C-CERA C	CK725B1H-103K1	1	332101035R1	
C6606	C-CERA C	CK725B1H-103K1	1	332101035R1	
C6607	UTSP C	CE04W50V-10M(UTSP)	1	397581007T	
C6608	VR C	CE04W35V-470M(VR)	1	394664717T	
C6639	MKT C	B32529C0472J289	1	376494724T	
C6640	MKT C	B32529C0472J289	1	376494724T	
C6641	MKT C	B32529C0472J289	1	376494724T	
C6642	MKT C	B32529C0472J289	1	376494724T	
C6643	MKT C	B32529C0472J289	1	376494724T	
C6644	MKT C	B32529C0472J289	1	376494724T	
C6645	MKT C	B32529C0472J289	1	376494724T	
C6646	MKT C	B32529C0472J289	1	376494724T	
C6647	MKT C	B32529C0472J289	1	376494724T	
C6648	MKT C	B32529C0472J289	1	376494724T	
C6649	MKT C	B32529C0472J289	1	376494724T	
C6650	MKT C	B32529C0102J289	1	376491024T	
C6651	MKT C	B32529C0102J289	1	376491024T	
C6652	MKT C	B32529C0102J289	1	376491024T	

C6653	MKT C	B32529C0102J289	1	376491024T	
C6654	MKT C	B32529C0102J289	1	376491024T	
C6655	MKT C	B32529C0102J289	1	376491024T	
C6656	MKT C	B32529C0102J289	1	376491024T	
C6657	MKT C	B32529C0102J289	1	376491024T	
C6658	MKT C	B32529C0102J289	1	376491024T	
C6659	MKT C	B32529C0102J289	1	376491024T	
C6660	MKT C	B32529C0102J289	1	376491024T	
C9001	IS C	LE104-MX-C3.5	1	3800049S	
C9002	ELECT C	CE04W200V-100M(KXJ)	1	3500233S	<B MDC, MDF>
C9002	ELECT C	CE04W400V-47M(KXJ)	1	3500234S	<B MMA, MMP, MMQ, MMR / S MMP>
C9003	PW C	CE04W50V-10M(PW)	1	393781007T	
C9004	PW C	CE04W25V-1000M(PW)	1	393751027S	
C9006	PW C	CE04W25V-470M(PW)	1	393754717T	
C9007	IS C	DE1E3KX102MB4BL01	1	3300066S	
C9007 or	PLA C	DE1E3KX102ME4BA01	(1)	3800043S	
C9008	C-CERA C	CK725F1A-105Z1	1	332181050R1	
C9009	C-CERA C	CC725CH1H-101J1	1	342101014R1	
C9010	C-CERA C	CK725B1A-224K1	1	332132245R1	
C9011	C-CERA C	CK725B1C-104K1	1	332121045R1	
C9013	UTSP C	CE04W25V-220M(UTSP)	1	397552217T	
C9014	C-CERA C	CC725CH1H-101J1	1	342101014R1	
C9016	C-CERA C	CK725B1H-103K1	1	332101035R1	
C9018	IS C	LE104-MX-C3.5	1	3800049S	
C9019	IS C	DE1E3KX102MB4BL01	1	3300066S	
C9019 or	PLA C	DE1E3KX102ME4BA01	(1)	3800043S	
C9020	IS C	DE1E3KX102MB4BL01	1	3300066S	
C9020 or	PLA C	DE1E3KX102ME4BA01	(1)	3800043S	
C9027	C-CERA C	CK725R2J-471J3	1	332194714R1	
C9100	IS C	ECQU2A103MLC	1	3800039S	
C9100 or	IS C	RE275V-103M	(1)	3500196S	
C9100 or	IS C	LE103-C3.5	(1)	3800042S	
C9115	C-CERA C	CK725B1C-104K1	1	332121045R1	
C9300	VR C	CE04W35V-2200M(VR)	1	394662227S	

C9301	VR C	CE04W35V-2200M(VR)	1	394662227S	
C9302	UTSP C	CE04W25V-100M(UTSP)	1	397551017T	
C9303	UTSP C	CE04W25V-100M(UTSP)	1	397551017T	
C9304	UTSP C	CE04W25V-100M(UTSP)	1	397551017T	
C9305	UTSP C	CE04W25V-100M(UTSP)	1	397551017T	
C9306	TF C	ECQ-V50V-334J	1	374723344T	
[RESISTOR]					
R6601	METAL O R	RS1/2WBJ-220	1	443522214T	
R6691	METAL O R	RS1/2WBJ-390	1	443523914T	
R6692	METAL O R	RS1/2WBJ-390	1	443523914T	
R9001	C-CARBON R	RN72K1J-103JE	1	435031034R1	
R9002	C-CARBON R	RN72K1J-472JE	1	435034724R1	
R9003	C-CARBON R	RN72K1J-332JE	1	435033324R1	
R9004	C-CARBON R	RN72K1J-471JE	1	435034714R1	
R9005	C-CARBON R	RN72K1J-182JE	1	435031824R1	
R9006	C-CARBON R	RN72K1J-474JE	1	435034744R1	
R9007	C-CARBON R	RN72K1J-683JE	1	435036834R1	
R9008	C-CARBON R	RN72K1J-154JE	1	435031544R1	
R9009	C-CARBON R	RN72K1J-101JE	1	435031014R1	
R9013	C-CARBON R	RN72K1J-472JE	1	435034724R1	
R9014	C-CARBON R	RN72K1J-104JE	1	435031044R1	
R9015	C-CARBON R	RN72K1J-000JE	1	435030004R1	
R9017	C-CARBON R	RN72K1J-332JE	1	435033324R1	
R9021	C-CARBON R	KTR18EZPF6803	1	435236842R1	
R9022	C-CARBON R	KTR18EZPF6803	1	435236842R1	
R9023	C-CARBON R	KTR18EZPF6803	1	435236842R1	
R9027	METAL O R	RS1/2WBJ-47	1	443524704T	
R9104	METAL O R	RS1/2WBJ-150	1	443521514T	
R9302	METAL R	RNU1/2WCJ-1	1	453530104T	
R9303	METAL R	RNU1/2WCJ-1	1	453530104T	
R9304	C-CARBON R	RN72K1J-331JE	1	435033314R1	
R9305	C-CARBON R	RN72K1J-331JE	1	435033314R1	
[SW TRM]					
F9001	FUSE	1A-SEUL-TL250V	1	252397T	!

F9100A	FUSE HOLDER	SN5051	1	250113	!	<B MDC, MDF>
F9100B	FUSE HOLDER	SN5051	1	250113	!	<B MDC, MDF>
F9100C	FUSE HOL	NSCT-1P2031	1	25052133T	!	<B MMA, MMP, MMQ, MMR / S MMP>
F9100D	FUSE HOL	NSCT-1P2031	1	25052133T	!	<B MMA, MMP, MMQ, MMR / S MMP>
JL4103A	WIRE TRAP	NPLG-5P588	1	25055626		
JL6604A	WIRE HOL	NSCT-7P878	1	25051091		
JL6604B	WIRE TRAP	NPLG-7P590	1	25055628		
JL6607A	WIRE HOL	NSCT-3P874	1	25051087		
JL6607B	WIRE HOL	NSCT-3P874	1	25051087		
JL9000A	WIRE HOL	NSCT-7P878	1	25051091		
JL9925A	WIRE HOL	NSCT-5P876	1	25051089		
P1008A	SOCKET	IMSA-9142S-24A	1	25053234		
P6600	PLUG	NPLG-9P491	1	25055516		
P6601A	SOCKET	IMSA-9142S-20A	1	25053232		
P6603B	PLUG	NPLG-11P493	1	25055518		
P6605A	SOCKET	IMSA-9142S-22A	1	25053233		
P6606B	PLUG	NPLG-9P356	1	25055373		
P6610	TRM	NTM-2PDMCR400	1	25060472		
P6611	TRM	NTM-1P232(M1700)	1	25060301		
P6612	TRM-423(SCREW)	NEJITANSI ST3	1	25060495		
P6630	TRM	NTM-2PDMCR400	1	25060472		
P6631	TRM	NTM-2PDMCR400	1	25060472		
P6632	TRM	NTM-2PDMCR400	1	25060472		
P6633	TRM	NTM-2PDMCR400	1	25060472		
P6634	TRM	NTM-2PDMCR400	1	25060472		
P6635	TRM	NTM-2PDMCR400	1	25060472		
P6636	TRM	NTM-2PDMCR400	1	25060472		
P6637	TRM	NTM-2PDMCR400	1	25060472		
P6638	TRM	NTM-2PDMCR400	1	25060472		
P6639	TRM	NTM-2PDMCR400	1	25060472		
P9001	PLUG	NPLG-2P631	1	25055675	!	
P9001 or	PLUG	1-1123724-2	(1)	25056402	!	
P9003	TRM-423(SCREW)	NEJITANSI ST3	1	25060495		
P9004	TRM	NTM-1P233(M1969)	1	25060302		

P9006A	PLUG	NPLG-2P631	1	25055675	!
P9006Aor	PLUG	1-1123724-2	(1)	25056402	!
P9311	PLUG	NPLG-3P117	1	25055133	
RL6600	RELAY	NRL-2P5A-DC24-193	1	25065703	
RL6600 or	RELAY	NRL-2P8A-DC24-144	(1)	25065590	
RL6600 or	RELAY	NRL-2P8A-DC24-201	(1)	25065718	
RL6600 or	RELAY	NRL-2P5A-DC24-129	(1)	25065563A	
RL6601	RELAY	NRL-2P5A-DC24-193	1	25065703	
RL6601 or	RELAY	NRL-2P8A-DC24-144	(1)	25065590	
RL6601 or	RELAY	NRL-2P8A-DC24-201	(1)	25065718	
RL6601 or	RELAY	NRL-2P5A-DC24-129	(1)	25065563A	
RL6602	RELAY	NRL-2P5A-DC24-193	1	25065703	
RL6602 or	RELAY	NRL-2P8A-DC24-144	(1)	25065590	
RL6602 or	RELAY	NRL-2P8A-DC24-201	(1)	25065718	
RL6602 or	RELAY	NRL-2P5A-DC24-129	(1)	25065563A	
RL6603	RELAY	NRL-2P5A-DC24-193	1	25065703	
RL6603 or	RELAY	NRL-2P8A-DC24-144	(1)	25065590	
RL6603 or	RELAY	NRL-2P8A-DC24-201	(1)	25065718	
RL6603 or	RELAY	NRL-2P5A-DC24-129	(1)	25065563A	
RL6604	RELAY	NRL-2P5A-DC24-193	1	25065703	
RL6604 or	RELAY	NRL-2P8A-DC24-144	(1)	25065590	
RL6604 or	RELAY	NRL-2P8A-DC24-201	(1)	25065718	
RL6604 or	RELAY	NRL-2P5A-DC24-129	(1)	25065563A	
RL6605	RELAY	NRL-2P5A-DC24-193	1	25065703	
RL6605 or	RELAY	NRL-2P8A-DC24-144	(1)	25065590	
RL6605 or	RELAY	NRL-2P8A-DC24-201	(1)	25065718	
RL6605 or	RELAY	NRL-2P5A-DC24-129	(1)	25065563A	
RL6606	RELAY	NRL-2P5A-DC24-193	1	25065703	
RL6606 or	RELAY	NRL-2P8A-DC24-144	(1)	25065590	
RL6606 or	RELAY	NRL-2P8A-DC24-201	(1)	25065718	
RL6606 or	RELAY	NRL-2P5A-DC24-129	(1)	25065563A	
RL9101	RELAY	NRL-1P10A-DC9-186	1	25065683	!

U004	U0040~U0045	BADIS-1208-1A *
U0040	DISPLAY PC BOARD ASS'Y	BADIS-1208-1A
U0041	SWITCH PC BOARD ASS'Y	BASW-1209-1A
U0042	PHONE JACK PC BOARD ASS'Y	BAETC-1210-1A
U0043	FIX PC BOARD	BAETC-1211-1A
U0044	FIX PC BOARD	BAETC-1212-1A
U0045	FIX PC BOARD	BAETC-1213-1A

CIRCUIT NO	PART NAME	DESCRIPTION	Q'TY	PART NO. (SN)	REMARKS
[SEMI CONDUCTOR]					
D7501	ZENER D	UDZS8.2B	1	224550820R2	
D7505	LED	SCPW3617E-D-A0	1	225500	
D7505A	HOLDER	(LED)LH-5-5	1	27191312	
D7506	LED	SCPW3617E-D-A0	1	225500	
D7506A	HOLDER	(LED)LH-5-5	1	27191312	
D7510	LED	SLI-343Y8C-3F	1	225491	
D7511	C-DIODE	1SS352	1	223234R2	
D7511 or	C-DIODE	1SS355	(1)	223269R2	
D7511 or	C-DIODE	MA2J111	(1)	223279R2	
D7511 or	C-DIODE	KDS4148U	(1)	223283R2	
D7511 or	C-DIODE	MA2J1110GL	(1)	223302R2	
D7512	C-DIODE	1SS352	1	223234R2	
D7512 or	C-DIODE	1SS355	(1)	223269R2	
D7512 or	C-DIODE	MA2J111	(1)	223279R2	
D7512 or	C-DIODE	KDS4148U	(1)	223283R2	
D7512 or	C-DIODE	MA2J1110GL	(1)	223302R2	
D7513	ZENER D	UDZS5.1B	1	224550510R2	
D7514	C-DIODE	1SS352	1	223234R2	
D7514 or	C-DIODE	1SS355	(1)	223269R2	
D7514 or	C-DIODE	MA2J111	(1)	223279R2	
D7514 or	C-DIODE	KDS4148U	(1)	223283R2	
D7514 or	C-DIODE	MA2J1110GL	(1)	223302R2	
D7515	C-DIODE	1SS352	1	223234R2	

D7515 or	C-DIODE	ISS355	(1)	223269R2
D7515 or	C-DIODE	MA2J111	(1)	223279R2
D7515 or	C-DIODE	KDS4148U	(1)	223283R2
D7515 or	C-DIODE	MA2J1110GL	(1)	223302R2
D7516	C-DIODE	ISS352	1	223234R2
D7516 or	C-DIODE	ISS355	(1)	223269R2
D7516 or	C-DIODE	MA2J111	(1)	223279R2
D7516 or	C-DIODE	KDS4148U	(1)	223283R2
D7516 or	C-DIODE	MA2J1110GL	(1)	223302R2
D7517	C-DIODE	ISS352	1	223234R2
D7517 or	C-DIODE	ISS355	(1)	223269R2
D7517 or	C-DIODE	MA2J111	(1)	223279R2
D7517 or	C-DIODE	KDS4148U	(1)	223283R2
D7517 or	C-DIODE	MA2J1110GL	(1)	223302R2
D7518	C-DIODE	ISS352	1	223234R2
D7518 or	C-DIODE	ISS355	(1)	223269R2
D7518 or	C-DIODE	MA2J111	(1)	223279R2
D7518 or	C-DIODE	KDS4148U	(1)	223283R2
D7518 or	C-DIODE	MA2J1110GL	(1)	223302R2
D7519	C-DIODE	ISS352	1	223234R2
D7519 or	C-DIODE	ISS355	(1)	223269R2
D7519 or	C-DIODE	MA2J111	(1)	223279R2
D7519 or	C-DIODE	KDS4148U	(1)	223283R2
D7519 or	C-DIODE	MA2J1110GL	(1)	223302R2
D7520	DIODE	RL1N4003	1	22380260T
D7521	DIODE	RL1N4003	1	22380260T
D7523	DIODE	RL1N4003	1	22380260T
D7524	DIODE	RL1N4003	1	22380260T
D7525	ZENER D	UDZS22B	1	224552200R2
D7526	ZENER D	UDZS22B	1	224552200R2
D7601	LED	SCB3318E-D2	1	225487
D7801	C-DIODE	ISS352	1	223234R2
D7801 or	C-DIODE	ISS355	(1)	223269R2
D7801 or	C-DIODE	MA2J111	(1)	223279R2

D7801 or	C-DIODE	KDS4148U	(1)	223283R2
D7801 or	C-DIODE	MA2J1110GL	(1)	223302R2
D7802	C-DIODE	1SS352	1	223234R2
D7802 or	C-DIODE	1SS355	(1)	223269R2
D7802 or	C-DIODE	MA2J111	(1)	223279R2
D7802 or	C-DIODE	KDS4148U	(1)	223283R2
D7802 or	C-DIODE	MA2J1110GL	(1)	223302R2
D7803	C-DIODE	1SS352	1	223234R2
D7803 or	C-DIODE	1SS355	(1)	223269R2
D7803 or	C-DIODE	MA2J111	(1)	223279R2
D7803 or	C-DIODE	KDS4148U	(1)	223283R2
D7803 or	C-DIODE	MA2J1110GL	(1)	223302R2
D7804	C-DIODE	1SS352	1	223234R2
D7804 or	C-DIODE	1SS355	(1)	223269R2
D7804 or	C-DIODE	MA2J111	(1)	223279R2
D7804 or	C-DIODE	KDS4148U	(1)	223283R2
D7804 or	C-DIODE	MA2J1110GL	(1)	223302R2
Q7501	FL TUBE	16-BT-165GINK	1	212276
Q7501A	HOLDER	(FL)	1	27191370
Q7501Aor	HOLDER	(FL)	(1)	27191303
Q7502	TR	2SC2712-GR	1	2213145R2
Q7502 or	TR	KTC3875-GR	(1)	2216175R2
Q7503	TR	2SC2712-GR	1	2213145R2
Q7503 or	TR	KTC3875-GR	(1)	2216175R2
Q7506	TR	DTC123JKA	1	2216690R2
Q7506 or	TR	KRC105S	(1)	2217290R2
Q7507	TR	RN2403	1	2214540R2
Q7507 or	TR	KRA103S	(1)	2216230R2
Q7508	IC	NJM4580M-D	1	22241448R2
Q7509	TR	RN1441	1	2215410R2
Q7509 or	TR	RTAN430C-T112-1	(1)	2217780R2
Q7510	TR	2SC2235-O(TPE6_F)	1	2211653T
Q7510 or	TR	2SC2235-Y(TPE6_F)	(1)	2211654T
Q7512	TR	KRC102S	1	2216190R2

Q7513	TR	KRC102S	1	2216190R2
Q7601	TR	DTC123JKA	1	2216690R2
Q7601 or	TR	KRC105S	(1)	2217290R2
[TRANS COIL]				
L7501	CHOKE COIL	LBC2518T2R2M	1	231364M022R2
L7502	CORE	BLM18PG121SN1D	1	2350006R1
L7504	CORE	BLM18PG121SN1D	1	2350006R1
L7505	CORE	BLM18PG121SN1D	1	2350006R1
L7506	EMIFIL	BK1608LM182-T	1	230958R1
L7507	EMIFIL	BK1608LM182-T	1	230958R1
L7801	CHOKE COIL	LBC2518T2R2M	1	231364M022R2
L7802	CHOKE COIL	LBC2518T2R2M	1	231364M022R2
L7803	CHOKE COIL	LBC2518T2R2M	1	231364M022R2
[CAPACITOR]				
C7501	C-CERA C	CK725B1H-223K1	1	332102235R1
C7504	C-CERA C	CK725F1E-104Z1	1	332161040R1
C7505	C-CERA C	CK725F1E-104Z1	1	332161040R1
C7506	C-CERA C	CK725B1H-473K1	1	332104735R1
C7507	ELECT C	CE04W50V-33M	1	355783309T
C7508	C-CERA C	CK725B1H-473K1	1	332104735R1
C7509	C-CERA C	CK725F1H-104Z1	1	332151040R1
C7510	ELECT C	CE04W6.3V-100M	1	355721019T
C7511	C-CERA C	CC725CH1H-221J1	1	342102214R1
C7512	C-CERA C	CC725CH1H-221J1	1	342102214R1
C7513	C-CERA C	CK725B1H-102K1	1	332101025R1
C7514	C-CERA C	CK725B1H-102K1	1	332101025R1
C7515	C-CERA C	CK725F1E-104Z1	1	332161040R1
C7516	C-CERA C	CK725B1H-103K1	1	332101035R1
C7517	C-CERA C	CK725B1H-103K1	1	332101035R1
C7518	C-CERA C	CK725B1H-102K1	1	332101025R1
C7519	VR C	CE04W35V-47M(VR)	1	394664707T
C7520	C-CERA C	CC725CH1H-330J1	1	342103304R1
C7521	VR C	CE04W35V-47M(VR)	1	394664707T
C7523	VR C	CE04W50V-10M(VR)	1	394681007T

C7524	VR C	CE04W50V-10M(VR)	1	394681007T
C7525	C-CERA C	CK725B1H-102K1	1	332101025R1
C7527	C-CERA C	CK725B1H-102K1	1	332101025R1
C7528	ELECT C	CE04W6.3V-100M	1	355721019T
C7529	C-CERA C	CK725F1E-104Z1	1	332161040R1
C7531	C-CERA C	CC725CH1H-102J1	1	342101024R1
C7533	C-CERA C	CC725CH1H-102J1	1	342101024R1
C7535	VR C	CE04W63V-100M(VR)	1	394671017T
C7537	VR C	CE04W50V-47M(VR)	1	394684707T
C7538	C-CERA C	CK725B1H-223K1	1	332102235R1
C7539	C-CERA C	CC725CH1H-470J1	1	342104704R1
C7548	C-CERA C	CC725CH1H-101J1	1	342101014R1
C7801	MKT C	B32529C0102J289	1	376491024T
C7802	MKT C	B32529C0102J289	1	376491024T
C7803	MKT C	B32529C0102J289	1	376491024T
C7804	MKT C	B32529C0102J289	1	376491024T
[RESISTOR]				
R7501	C-CARBON R	RN72K1J-221JE	1	435032214R1
R7502	C-CARBON R	RN72K1J-221JE	1	435032214R1
R7503	NF CARBON R	R25J-4.7	1	415470474T
R7504	NF CARBON R	R25J-4.7	1	415470474T
R7505	C-CARBON R	RN72K1J-000JE	1	435030004R1
R7508	C-CARBON R	RN72K1J-101JE	1	435031014R1
R7509	C-CARBON R	RN72K1J-101JE	1	435031014R1
R7511	C-CARBON R	RN72K1J-333JE	1	435033334R1
R7512	C-CARBON R	RN72K1J-333JE	1	435033334R1
R7513	C-CARBON R	RN72K1J-104JE	1	435031044R1
R7514	C-CARBON R	RN72K1J-333JE	1	435033334R1
R7515	C-CARBON R	RN72K1J-104JE	1	435031044R1
R7517	C-CARBON R	RN72K1J-221JE	1	435032214R1
R7519	C-CARBON R	RN72K1J-221JE	1	435032214R1
R7520	C-CARBON R	RN72K1J-221JE	1	435032214R1
R7521	C-CARBON R	RN72K1J-221JE	1	435032214R1
R7523	C-CARBON R	RN72K1J-181JE	1	435031814R1

R7524	C-CARBON R	RN72K1J-181JE	1	435031814R1
R7528	C-CARBON R	RN72K1J-222JE	1	435032224R1
R7529	C-CARBON R	RN72K1J-103JE	1	435031034R1
R7530	C-CARBON R	RN72K1J-103JE	1	435031034R1
R7531	C-CARBON R	RN72K1J-103JE	1	435031034R1
R7533	C-CARBON R	RN72K1J-103JE	1	435031034R1
R7534	C-CARBON R	RN72K1J-750JE	1	435037504R1
R7535	C-CARBON R	RN72K1J-182JE	1	435031824R1
R7536	C-CARBON R	RN72K1J-333JE	1	435033334R1
R7537	C-CARBON R	RN72K1J-472JE	1	435034724R1
R7538	C-CARBON R	RN72K1J-101JE	1	435031014R1
R7539	C-CARBON R	RN72K1J-102JE	1	435031024R1
R7540	C-CARBON R	RN72K1J-471JE	1	435034714R1
R7541	C-CARBON R	RN72K1J-331JE	1	435033314R1
R7542	C-CARBON R	RN72K1J-104JE	1	435031044R1
R7543	C-CARBON R	RN72K1J-333JE	1	435033334R1
R7544	C-CARBON R	RN72K1J-473JE	1	435034734R1
R7545	C-CARBON R	RN72K1J-821JE	1	435038214R1
R7546	C-CARBON R	RN72K1J-122JE	1	435031224R1
R7547	C-CARBON R	RN72K1J-101JE	1	435031014R1
R7548	C-CARBON R	RN72K1J-271JE	1	435032714R1
R7549	C-CARBON R	RN72K1J-331JE	1	435033314R1
R7550	C-CARBON R	RN72K1J-471JE	1	435034714R1
R7551	C-CARBON R	RN72K1J-561JE	1	435035614R1
R7552	C-CARBON R	RN72K1J-821JE	1	435038214R1
R7553	C-CARBON R	RN72K1J-122JE	1	435031224R1
R7554	C-CARBON R	RN72K1J-222JE	1	435032224R1
R7555	C-CARBON R	RN72K1J-392JE	1	435033924R1
R7556	C-CARBON R	RN72K1J-222JE	1	435032224R1
R7557	C-CARBON R	RN72K1J-271JE	1	435032714R1
R7558	C-CARBON R	RN72K1J-331JE	1	435033314R1
R7559	C-CARBON R	RN72K1J-471JE	1	435034714R1
R7560	C-CARBON R	RN72K1J-561JE	1	435035614R1
R7561	C-CARBON R	RN72K1J-821JE	1	435038214R1

R7562	C-CARBON R	RN72K1J-122JE	1	435031224R1
R7563	C-CARBON R	RN72K1J-271JE	1	435032714R1
R7564	C-CARBON R	RN72K1J-331JE	1	435033314R1
R7565	C-CARBON R	RN72K1J-471JE	1	435034714R1
R7566	C-CARBON R	RN72K1J-561JE	1	435035614R1
R7567	C-CARBON R	RN72K1J-821JE	1	435038214R1
R7568	C-CARBON R	RN72K1J-122JE	1	435031224R1
R7569	C-CARBON R	RN72K1J-222JE	1	435032224R1
R7570	METAL O R	RS1/2WBJ-33	1	443523304T
R7571	METAL R	RNU1/2WCJ-1	1	453530104T
R7572	C-CARBON R	RN72K1J-123JE	1	435031234R1
R7573	C-CARBON R	RN72K1J-562JE	1	435035624R1
R7574	C-CARBON R	RN72K1J-333JE	1	435033334R1
R7580	METAL O R	RS1WBJ-4.7K	1	443624724T
R7581	METAL O R	RS1WBJ-4.7K	1	443624724T
R7582	METAL O R	RS1WBJ-4.7K	1	443624724T
R7583	C-CARBON R	RN72K1J-103JE	1	435031034R1
R7586	C-CARBON R	RN72K1J-000JE	1	435030004R1
R7587	C-CARBON R	RN72K1J-000JE	1	435030004R1
R7601	C-CARBON R	RN72K1J-272JE	1	435032724R1
R7604	C-CARBON R	RN72K1J-271JE	1	435032714R1
R7605	C-CARBON R	RN72K1J-331JE	1	435033314R1
R7606	C-CARBON R	RN72K1J-471JE	1	435034714R1
R7607	C-CARBON R	RN72K1J-561JE	1	435035614R1
R7608	C-CARBON R	RN72K1J-222JE	1	435032224R1
R7609	C-CARBON R	RN72K1J-392JE	1	435033924R1
R7801	METAL O R	RS1WBJ-33	1	443623304T
R7802	METAL O R	RS1WBJ-33	1	443623304T
[SW TRM]				
JL2000A	WIRE HOL	NSCT-9P880	1	25051093
JL4103B	WIRE HOL	NSCT-5P876	1	25051089
JL7502A	WIRE HOL	NSCT-7P878	1	25051091
JL7502B	WIRE HOL	NSCT-7P878	1	25051091
P3101B	PLUG	NPLG-5P133	1	25055149

P7501B	SOCKET	NSCT-25P2222	1	25052325
P7503	PIN JACK	NPJ-1PDB736	1	25045979
P7504	ST JACK	MSJ-035-105C-B-RF-SR-PC(ONA)	1	25045990
P7506	SOCKET	000010211-00027	1	25053411
P7509	RETAINER	(GND)	1	27142222A
P7510	PLUG	NPLG-6P221	1	25055237
P7701	TRM-423(SCREW)	NEJITANSI ST3	1	25060495
P7801	ST JACK	MSJ-064-05A SR	1	25045783
P7802	TRM-423(SCREW)	NEJITANSI ST3	1	25060495
S7501	R ENCODE	EC12E2425WITH WASHER	1	25065655W
S7510	PUSH SW	NPS-111-S681	1	25035718T
S7510 or	PUSH SW	NPS-111-S677	(1)	25035714T
S7511	PUSH SW	NPS-111-S681	1	25035718T
S7511 or	PUSH SW	NPS-111-S677	(1)	25035714T
S7512	PUSH SW	NPS-111-S681	1	25035718T
S7512 or	PUSH SW	NPS-111-S677	(1)	25035714T
S7513	PUSH SW	NPS-111-S681	1	25035718T
S7513 or	PUSH SW	NPS-111-S677	(1)	25035714T
S7514	PUSH SW	NPS-111-S681	1	25035718T
S7514 or	PUSH SW	NPS-111-S677	(1)	25035714T
S7516	PUSH SW	NPS-111-S681	1	25035718T
S7516 or	PUSH SW	NPS-111-S677	(1)	25035714T
S7520	PUSH SW	NPS-111-S681	1	25035718T
S7520 or	PUSH SW	NPS-111-S677	(1)	25035714T
S7521	PUSH SW	NPS-111-S681	1	25035718T
S7521 or	PUSH SW	NPS-111-S677	(1)	25035714T
S7522	PUSH SW	NPS-111-S681	1	25035718T
S7522 or	PUSH SW	NPS-111-S677	(1)	25035714T
S7523	PUSH SW	NPS-111-S681	1	25035718T
S7523 or	PUSH SW	NPS-111-S677	(1)	25035714T
S7524	PUSH SW	NPS-111-S681	1	25035718T
S7524 or	PUSH SW	NPS-111-S677	(1)	25035714T
S7525	PUSH SW	NPS-111-S681	1	25035718T
S7525 or	PUSH SW	NPS-111-S677	(1)	25035714T

\$7526	PUSH SW	NPS-111-S681	1	25035718T
\$7526 or	PUSH SW	NPS-111-S677	(1)	25035714T
\$7527	PUSH SW	NPS-111-S681	1	25035718T
\$7527 or	PUSH SW	NPS-111-S677	(1)	25035714T
\$7528	PUSH SW	NPS-111-S681	1	25035718T
\$7528 or	PUSH SW	NPS-111-S677	(1)	25035714T
\$7529	PUSH SW	NPS-111-S681	1	25035718T
\$7529 or	PUSH SW	NPS-111-S677	(1)	25035714T
\$7530	PUSH SW	NPS-111-S681	1	25035718T
\$7530 or	PUSH SW	NPS-111-S677	(1)	25035714T
\$7531	PUSH SW	NPS-111-S681	1	25035718T
\$7531 or	PUSH SW	NPS-111-S677	(1)	25035714T
\$7532	PUSH SW	NPS-111-S681	1	25035718T
\$7532 or	PUSH SW	NPS-111-S677	(1)	25035714T
\$7533	PUSH SW	NPS-111-S681	1	25035718T
\$7533 or	PUSH SW	NPS-111-S677	(1)	25035714T
\$7534	PUSH SW	NPS-111-S681	1	25035718T
\$7534 or	PUSH SW	NPS-111-S677	(1)	25035714T
\$7535	PUSH SW	NPS-111-S681	1	25035718T
\$7535 or	PUSH SW	NPS-111-S677	(1)	25035714T
\$7536	PUSH SW	NPS-111-S681	1	25035718T
\$7536 or	PUSH SW	NPS-111-S677	(1)	25035714T
\$7537	PUSH SW	NPS-111-S681	1	25035718T
\$7537 or	PUSH SW	NPS-111-S677	(1)	25035714T
\$7538	PUSH SW	NPS-111-S681	1	25035718T
\$7538 or	PUSH SW	NPS-111-S677	(1)	25035714T
\$7540	PUSH SW	NPS-111-S681	1	25035718T
\$7540 or	PUSH SW	NPS-111-S677	(1)	25035714T
\$7541	PUSH SW	NPS-111-S681	1	25035718T
\$7541 or	PUSH SW	NPS-111-S677	(1)	25035714T
\$7542	PUSH SW	NPS-111-S681	1	25035718T
\$7542 or	PUSH SW	NPS-111-S677	(1)	25035714T
\$7543	PUSH SW	NPS-111-S681	1	25035718T
\$7543 or	PUSH SW	NPS-111-S677	(1)	25035714T

S7544	PUSH SW	NPS-111-S681	1	25035718T		
S7544 or	PUSH SW	NPS-111-S677	(1)	25035714T		
S7545	PUSH SW	NPS-111-S681	1	25035718T		
S7545 or	PUSH SW	NPS-111-S677	(1)	25035714T		
S7546	PUSH SW	NPS-111-S681	1	25035718T		
S7546 or	PUSH SW	NPS-111-S677	(1)	25035714T		
S7547	PUSH SW	NPS-111-S681	1	25035718T		
S7547 or	PUSH SW	NPS-111-S677	(1)	25035714T		
[TUNER UNIT]						
U7501	REMO SENS	KSM-603TE5B	1	24130019		
U005 HDMI(NAIN) PC BOARD ASS'Y BAHDM-1195-1A *						
CIRCUIT	NC	PART NAME	DESCRIPTION	Q'TY	PART NO. (SN)	REMARKS
[SEMI CONDUCTOR]						
D8000	C-DIODE	KDS4148U	1	223283R2		
D8000 or	C-DIODE	1SS352	(1)	223234R2		
D8000 or	C-DIODE	1SS355	(1)	223269R2		
D8000 or	C-DIODE	MA2J111	(1)	223279R2		
D8001	C-DIODE	KDS4148U	1	223283R2		
D8001 or	C-DIODE	1SS352	(1)	223234R2		
D8001 or	C-DIODE	1SS355	(1)	223269R2		
D8001 or	C-DIODE	MA2J111	(1)	223279R2		
D8006	C-DIODE	KDS4148U	1	223283R2		
D8006 or	C-DIODE	1SS352	(1)	223234R2		
D8006 or	C-DIODE	1SS355	(1)	223269R2		
D8006 or	C-DIODE	MA2J111	(1)	223279R2		
D8103	DIODE	DAN217T146	1	223285R2		
D8103 or	DIODE	KDS123S	(1)	223312R2		
D8104	ESD D	AOZ8804ADI	1	225502R2		
D8105	ESD D	AOZ8804ADI	1	225502R2		
D8126	C-DIODE	KDS4148U	1	223283R2		

D8126 or	C-DIODE	1SS352	(1)	223234R2
D8126 or	C-DIODE	1SS355	(1)	223269R2
D8126 or	C-DIODE	MA2J111	(1)	223279R2
D8151	C-DIODE	KDS4148U	1	223283R2
D8151 or	C-DIODE	1SS352	(1)	223234R2
D8151 or	C-DIODE	1SS355	(1)	223269R2
D8151 or	C-DIODE	MA2J111	(1)	223279R2
D8152	C-DIODE	KDS4148U	1	223283R2
D8152 or	C-DIODE	1SS352	(1)	223234R2
D8152 or	C-DIODE	1SS355	(1)	223269R2
D8152 or	C-DIODE	MA2J111	(1)	223279R2
D8301	ZENER D	UDZS3.6B	1	224550360R2
D8631	ESD D	AOZ8804ADI	1	225502R2
D8632	ESD D	AOZ8804ADI	1	225502R2
D8633	DIODE	DAN217T146	1	223285R2
D8633 or	DIODE	KDS123S	(1)	223312R2
D8701	C-DIODE	KDS4148U	1	223283R2
D8701 or	C-DIODE	1SS352	(1)	223234R2
D8701 or	C-DIODE	1SS355	(1)	223269R2
D8701 or	C-DIODE	MA2J111	(1)	223279R2
D8912	C-DIODE	KDS4148U	1	223283R2
D8912 or	C-DIODE	1SS352	(1)	223234R2
D8912 or	C-DIODE	1SS355	(1)	223269R2
D8912 or	C-DIODE	MA2J111	(1)	223279R2
D8913	C-DIODE	KDS4148U	1	223283R2
D8913 or	C-DIODE	1SS352	(1)	223234R2
D8913 or	C-DIODE	1SS355	(1)	223269R2
D8913 or	C-DIODE	MA2J111	(1)	223279R2
D8922	C-DIODE	KDS4148U	1	223283R2
D8922 or	C-DIODE	1SS352	(1)	223234R2
D8922 or	C-DIODE	1SS355	(1)	223269R2
D8922 or	C-DIODE	MA2J111	(1)	223279R2
D8923	C-DIODE	KDS4148U	1	223283R2
D8923 or	C-DIODE	1SS352	(1)	223234R2

D8923 or	C-DIODE	1SS355	(1)	223269R2	
D8923 or	C-DIODE	MA2J111	(1)	223279R2	
D8924	C-DIODE	KDS4148U	1	223283R2	
D8924 or	C-DIODE	1SS352	(1)	223234R2	
D8924 or	C-DIODE	1SS355	(1)	223269R2	
D8924 or	C-DIODE	MA2J111	(1)	223279R2	
D8932	C-DIODE	KDS4148U	1	223283R2	
D8932 or	C-DIODE	1SS352	(1)	223234R2	
D8932 or	C-DIODE	1SS355	(1)	223269R2	
D8932 or	C-DIODE	MA2J111	(1)	223279R2	
D8951	C-DIODE	KDS4148U	1	223283R2	
D8951 or	C-DIODE	1SS352	(1)	223234R2	
D8951 or	C-DIODE	1SS355	(1)	223269R2	
D8951 or	C-DIODE	MA2J111	(1)	223279R2	
D8952	C-DIODE	KDS4148U	1	223283R2	
D8952 or	C-DIODE	1SS352	(1)	223234R2	
D8952 or	C-DIODE	1SS355	(1)	223269R2	
D8952 or	C-DIODE	MA2J111	(1)	223279R2	
D8985	DIODE	RB050M-30GTR	1	22380373R2	
D8986	C-DIODE	KDS4148U	1	223283R2	
D8986 or	C-DIODE	1SS352	(1)	223234R2	
D8986 or	C-DIODE	1SS355	(1)	223269R2	
D8986 or	C-DIODE	MA2J111	(1)	223279R2	
D8987	C-DIODE	KDS4148U	1	223283R2	
D8987 or	C-DIODE	1SS352	(1)	223234R2	
D8987 or	C-DIODE	1SS355	(1)	223269R2	
D8987 or	C-DIODE	MA2J111	(1)	223279R2	
D8988	C-DIODE	KDS4148U	1	223283R2	
D8988 or	C-DIODE	1SS352	(1)	223234R2	
D8988 or	C-DIODE	1SS355	(1)	223269R2	
D8988 or	C-DIODE	MA2J111	(1)	223279R2	
Q3001	IC	D830K013BZKB400Z	1	22242694R3	
Q3002	IC(DSP)	TC58DVM92A5TA10B3H(0570)	1	222W0125R305706	
Q3003	IC	A3V56S40FTP-G6	1	22242764R2	N

Q3003 or	IC	K4S561632J-UC75	(1)	22242524AR3	
Q3003 or	IC	IS42S16160C-7TL	(1)	22242592R3	
Q3004	IC	A3V56S40FTP-G6	1	22242764R2	N
Q3004 or	IC	K4S561632J-UC75	(1)	22242524AR3	
Q3004 or	IC	IS42S16160C-7TL	(1)	22242592R3	
Q3005	IC	TC7W32FU	1	22241162R2	
Q3006	IC	S-80127CNMC-JKM-T2	1	22241642R2	
Q3102	IC	BD82065FVJ	1	22242718R2	
Q3103	IC	BU18TD3WG-TR	1	22242716R2	
Q3105	IC	MF1341S2162	1	22242803R2	
Q3106	IC	BU33TD3WG-TR	1	22242715R2	
Q3107	TR	2SC2712-GR	1	2213145R2	
Q3107 or	TR	KTC3875-GR	(1)	2216175R2	
Q3108	IC	KSZ8051RNL	1	22242723R2	
Q3108 or	IC	KSZ8051RNL(REVA2)	(1)	22242723AR2	
Q3109	IC	S-1172B12-U5T1G	1	22242777R2	
Q3110	IC	BD2247G-GTR	1	22242795R2	
Q3111	TR	2SC2712-GR	1	2213145R2	
Q3111 or	TR	KTC3875-GR	(1)	2216175R2	
Q3301	IC	TC74VHC541FT(EKJ)	1	22274541E1R2TO	
Q3361	IC	TC74VHC157FT	1	22274157ER2TO	
Q3362	TR	KRC104S	1	2216210R2	
Q3362 or	TR	RN1404	(1)	2214490R2	
Q3371	IC	PCM1754DBQR	1	22242598R2	
Q3383	IC	TC74VHC157FT	1	22274157ER2TO	
Q8000	IC	88DE2755B0-BIF2C000	1	22242752R3	
Q8010	IC	BU18TD3WG-TR	1	22242716R2	
Q8011	IC	S-1172B15-U5T1G	1	22242778R2	
Q8012	IC	TPS51100DGQR	1	22242711R2	
Q8030	IC	TC7WHU04FU(TE12L)	1	22242231R2	
Q8031	IC	NC7SZ08P5X_F042	1	22242482R2	
Q8031 or	IC	TC7SZ08FU(TE85L_F)	(1)	22242071R2TO	
Q8032	IC	SN74CB3T3306DCT	1	22242454R2	
Q8040	IC(VSP)	W25Q128BVF1G(0573)	1	222W0116R20573A	

Q8041	IC	TC74LCX125FT(EL_K)	1	22274125BR2TO	
Q8080	IC	K4B1G1646G-BCK0	1	22242710R3	
Q8126	IC	S-1172B11-U5T1G	1	22242776R2	
Q8151	IC	SI9573CTUC	1	22242762R3	
Q8152	IC	XC6221B132MR	1	22242809R2	N
Q8153	IC	XC6221B132MR	1	22242809R2	N
Q8201	IC	ADV7844	1	22242696R3	
Q8202	IC	EM638165TSB-7G	1	22242775R2	
Q8202 or	IC	K4S641632N-LC60	(1)	22242603R2	
Q8202 or	IC	EM638165TS-7G	(1)	22242607R2	
Q8206	IC	BU18TD3WG-TR	1	22242716R2	
Q8301	IC	SI9573CTUC	1	22242762R3	
Q8302	IC(VSP2)	W25Q16CVSSIG(0577)	1	222W0118R20577B	
Q8303	TR	2SA1162-GR	1	2214375R2	
Q8303 or	TR	KTA1504-GR	(1)	2216185R2	
Q8304	TR	RN2401(TE85L_F)	1	2214520R2	
Q8304 or	TR	KRA101S	(1)	2217840R2	
Q8305	TR	KRC104S	1	2216210R2	
Q8305 or	TR	RN1404	(1)	2214490R2	
Q8306	TR	RN2401(TE85L_F)	1	2214520R2	
Q8306 or	TR	KRA101S	(1)	2217840R2	
Q8307	TR	KRC104S	1	2216210R2	
Q8307 or	TR	RN1404	(1)	2214490R2	
Q8701	IC(HDMI/VIDEO)	TMPM361F10FG(0569)	1	222W0115R30569S	
Q8702	TR ARRAY	UM6K1N	1	226066R2	
Q8702 or	TR ARRAY	UPA672T	(1)	226067R2	
Q8702 or	TR ARRAY	RT3K66M-T111-1	(1)	226069R2	
Q8704	TR	KRC104S	1	2216210R2	
Q8704 or	TR	RN1404	(1)	2214490R2	
Q8711	IC	S-58LM20A-N4T1U	1	22242813R2	N
Q8901	IC	MP2303ADN-LF-Z	1	22242785R2	
Q8902	TR	2SC2712-GR	1	2213145R2	
Q8902 or	TR	KTC3875-GR	(1)	2216175R2	
Q8911	IC	MP2303ADN-LF-Z	1	22242785R2	

Q8912	TR	2SC2712-GR	1	2213145R2	
Q8912 or	TR	KTC3875-GR	(1)	2216175R2	
Q8921	IC	MP2303ADN-LF-Z	1	22242785R2	
Q8922	TR	2SC2712-GR	1	2213145R2	
Q8922 or	TR	KTC3875-GR	(1)	2216175R2	
Q8931	IC	MP2303ADN-LF-Z	1	22242785R2	
Q8932	TR	2SC2712-GR	1	2213145R2	
Q8932 or	TR	KTC3875-GR	(1)	2216175R2	
Q8941	IC	MP2303ADN-LF-Z	1	22242785R2	
Q8951	IC	S-1172B50-U5TIG	1	22242765R2	
Q8954	IC	MM3404A50NRE	1	22242701R2	
Q8955	IC	TPS22924CZPR	1	22242807R2	
Q8956	TR	KRC104S	1	2216210R2	
Q8956 or	TR	RN1404	(1)	2214490R2	
Q8957	IC	TPS22924CZPR	1	22242807R2	
Q8958	TR	KRC104S	1	2216210R2	
Q8958 or	TR	RN1404	(1)	2214490R2	
Q8959	IC	TPS22924CZPR	1	22242807R2	
Q8960	TR	KRC104S	1	2216210R2	
Q8960 or	TR	RN1404	(1)	2214490R2	
Q8961	IC	TPS22924CZPR	1	22242807R2	
Q8962	TR	KRC104S	1	2216210R2	
Q8962 or	TR	RN1404	(1)	2214490R2	
Q8975	IC	XC6701B502PR	1	22242808R2	N
Q8981	TR	RN2401(TE85L_F)	1	2214520R2	
Q8981 or	TR	KRA101S	(1)	2217840R2	
Q8982	TR	KRC104S	1	2216210R2	
Q8982 or	TR	RN1404	(1)	2214490R2	
[TRANS COIL]					
L3001	CORE	BLM18PG121SN1D	1	2350006R1	
L3002	CORE	BLM18PG121SN1D	1	2350006R1	
L3003	CORE	BLM18PG121SN1D	1	2350006R1	
L3004	CORE	BLM18PG121SN1D	1	2350006R1	
L3005	CORE	BLM18PG121SN1D	1	2350006R1	

L3006	CORE	BLM18PG181SN1D	1	2350005R1
L3101	CORE	DLP11SA900HL2L	1	2350021R2
L3103	CORE	BLM18PG121SN1D	1	2350006R1
L3104	CORE	BLM18PG121SN1D	1	2350006R1
L3105	CORE	BLM18PG121SN1D	1	2350006R1
L3106	CORE	BLM18PG121SN1D	1	2350006R1
L3107	CORE	BLM18PG181SN1D	1	2350005R1
L3108	CORE	BLM18PG181SN1D	1	2350005R1
L3109	CORE	BLM18PG121SN1D	1	2350006R1
L3110	CORE	BLM18PG121SN1D	1	2350006R1
L3111	CORE	BLM18PG121SN1D	1	2350006R1
L3112	CORE	DLP11SA900HL2L	1	2350021R2
L3113	CORE	BLM18PG181SN1D	1	2350005R1
L3114	CORE	BLM18PG121SN1D	1	2350006R1
L3145	CORE	DLP2ADN900HL4L	1	230990R2
L3203	CORE	MMZ1608Y601BT	1	2350004R1
L3209	CORE	MMZ1608Y601BT	1	2350004R1
L3302	CORE	MMZ1608Y601BT	1	2350004R1
L3371	CORE	BLM18PG181SN1D	1	2350005R1
L3381	CORE	BLM18PG181SN1D	1	2350005R1
L8000	CORE	BLM18PG181SN1D	1	2350005R1
L8001	CORE	BLM18PG181SN1D	1	2350005R1
L8002	CORE	BLM18PG181SN1D	1	2350005R1
L8003	CORE	BLM18PG181SN1D	1	2350005R1
L8004	CORE	BLM18PG181SN1D	1	2350005R1
L8005	CORE	BLM18PG181SN1D	1	2350005R1
L8006	CORE	BLM18PG121SN1D	1	2350006R1
L8007	CORE	BLM18PG181SN1D	1	2350005R1
L8008	CORE	BLM18PG181SN1D	1	2350005R1
L8009	CORE	BLM18PG181SN1D	1	2350005R1
L8010	CORE	BLM18PG181SN1D	1	2350005R1
L8011	CORE	BLM18PG181SN1D	1	2350005R1
L8012	CORE	BLM18PG181SN1D	1	2350005R1
L8013	CORE	BLM18PG181SN1D	1	2350005R1

L8081	CORE	BLM18PG181SN1D	1	2350005R1
L8082	C-R NET	MNR12E0APJ000	1	43464900002R2
L8082 or	C-R NET	YCN162-000-ZL	(1)	43464B00002R1
L8083	C-R NET	MNR12E0APJ000	1	43464900002R2
L8083 or	C-R NET	YCN162-000-ZL	(1)	43464B00002R1
L8084	C-R NET	MNR12E0APJ000	1	43464900002R2
L8084 or	C-R NET	YCN162-000-ZL	(1)	43464B00002R1
L8085	C-R NET	MNR12E0APJ000	1	43464900002R2
L8085 or	C-R NET	YCN162-000-ZL	(1)	43464B00002R1
L8086	CORE	BLM18PG181SN1D	1	2350005R1
L8126	CORE	BLM18PG181SN1D	1	2350005R1
L8151	CORE	BLM18PG181SN1D	1	2350005R1
L8152	CORE	BLM18PG181SN1D	1	2350005R1
L8153	CORE	BLM18PG181SN1D	1	2350005R1
L8154	CORE	BLM18PG181SN1D	1	2350005R1
L8155	CORE	BLM18PG181SN1D	1	2350005R1
L8156	CORE	BLM18PG181SN1D	1	2350005R1
L8202	CORE	BLM18PG181SN1D	1	2350005R1
L8203	CORE	BLM18PG181SN1D	1	2350005R1
L8204	CORE	BLM18PG181SN1D	1	2350005R1
L8205	CORE	BLM18PG181SN1D	1	2350005R1
L8206	CORE	BLM18PG181SN1D	1	2350005R1
L8207	CORE	BLM18PG181SN1D	1	2350005R1
L8208	CORE	BLM18PG181SN1D	1	2350005R1
L8209	EMIFIL	BK1608LL241-T	1	230959R1
L8301	CORE	BLM18PG181SN1D	1	2350005R1
L8302	CORE	BLM18PG181SN1D	1	2350005R1
L8303	CORE	BLM18PG181SN1D	1	2350005R1
L8304	CORE	BLM18PG181SN1D	1	2350005R1
L8305	CORE	BLM18PG181SN1D	1	2350005R1
L8306	CORE	BLM18PG181SN1D	1	2350005R1
L8307	CORE	BLM18PG181SN1D	1	2350005R1
L8308	EMIFIL	BK1608LL241-T	1	230959R1
L8601	CORE	BLM18PG181SN1D	1	2350005R1

L8602	CHOKE COIL	BLM21PG221SN1	1	230949R2	
L8603	CORE	BLM18PG181SN1D	1	2350005R1	
L8632	C-R NET	MNR12E0APJ000	1	43464900002R2	
L8632 or	C-R NET	YCN162-000-ZL	(1)	43464B00002R1	
L8633	C-R NET	MNR12E0APJ000	1	43464900002R2	
L8633 or	C-R NET	YCN162-000-ZL	(1)	43464B00002R1	
L8634	C-R NET	MNR12E0APJ000	1	43464900002R2	
L8634 or	C-R NET	YCN162-000-ZL	(1)	43464B00002R1	
L8635	C-R NET	MNR12E0APJ000	1	43464900002R2	
L8635 or	C-R NET	YCN162-000-ZL	(1)	43464B00002R1	
L8701	CORE	BLM18PG181SN1D	1	2350005R1	
L8901	CHOKE COIL	BLM21PG221SN1	1	230949R2	
L8902	CHOKE COIL	C6-K5RA-10UH	1	231451P100R2	N
L8903	CHOKE COIL	BLM21PG221SN1	1	230949R2	
L8904	CHOKE COIL	BLM21PG221SN1	1	230949R2	
L8911	CHOKE COIL	BLM21PG221SN1	1	230949R2	
L8912	CHOKE COIL	C6-K5RA-10UH	1	231451P100R2	N
L8913	CHOKE COIL	BLM21PG221SN1	1	230949R2	
L8914	CHOKE COIL	BLM21PG221SN1	1	230949R2	
L8921	CHOKE COIL	BLM21PG221SN1	1	230949R2	
L8922	CHOKE COIL	C6-K5RA-10UH	1	231451P100R2	N
L8923	CHOKE COIL	BLM21PG221SN1	1	230949R2	
L8924	CHOKE COIL	BLM21PG221SN1	1	230949R2	
L8931	CHOKE COIL	BLM21PG221SN1	1	230949R2	
L8932	CHOKE COIL	C6-K5RA-10UH	1	231451P100R2	N
L8933	CHOKE COIL	BLM21PG221SN1	1	230949R2	
L8934	CHOKE COIL	BLM21PG221SN1	1	230949R2	
L8941	CHOKE COIL	BLM21PG221SN1	1	230949R2	
L8942	CHOKE COIL	C6-K5RA-10UH	1	231451P100R2	N
L8943	CHOKE COIL	BLM21PG221SN1	1	230949R2	
L8944	CHOKE COIL	BLM21PG221SN1	1	230949R2	
L8951	CORE	BLM18PG181SN1D	1	2350005R1	
L8953	CORE	BLM18PG181SN1D	1	2350005R1	
L8954	CORE	BLM18PG181SN1D	1	2350005R1	

X3001	CRYSTAL	HC-49S 9C20.0000M	1	3010514R2
X8000	CRYSTAL	HC-49S 9C20.0000M	1	3010514R2
X8151	CRYSTAL	HC-49S 9C27.0000M	1	3010518R2
X8201	CRYSTAL	HC-49S 9C28.6363M	1	3010519R2
X8301	CRYSTAL	HC-49S 9C27.0000M	1	3010518R2
X8701	CERA LOCK	CSTCE8M00G55-R0	1	3010416R2
[CAPACITOR]				
C3001	C-CERA C	CK725B1A-105K0	1	332001055R1
C3002	C-CERA C	CK725B1A-105K0	1	332001055R1
C3003	C-CERA C	CK732B16V-106K	1	332071065R2
C3004	C-CERA C	CK732B16V-106K	1	332071065R2
C3005	C-CERA C	CK725B1A-105K0	1	332001055R1
C3006	C-CERA C	CK725B1H-102K0	1	332031025R1
C3007	C-CERA C	CK725B1A-105K0	1	332001055R1
C3008	C-CERA C	CK725B1H-102K0	1	332031025R1
C3009	C-CERA C	CK725B1A-105K0	1	332001055R1
C3010	C-CERA C	CK725B1A-105K0	1	332001055R1
C3011	C-CERA C	CK725B1A-105K0	1	332001055R1
C3012	C-CERA C	CK725B1H-102K0	1	332031025R1
C3013	C-CERA C	CK725B1A-105K0	1	332001055R1
C3014	C-CERA C	CK725B1H-102K0	1	332031025R1
C3015	C-CERA C	CK725B1H-102K0	1	332031025R1
C3016	C-CERA C	CK725B1A-105K0	1	332001055R1
C3017	C-CERA C	CK725B1A-105K0	1	332001055R1
C3018	C-CERA C	CK725B1A-105K0	1	332001055R1
C3019	C-CERA C	CK725B1H-102K0	1	332031025R1
C3020	C-CERA C	CK725B1A-105K0	1	332001055R1
C3021	C-CERA C	CK725B1A-105K0	1	332001055R1
C3022	C-CERA C	CK725B1A-105K0	1	332001055R1
C3023	C-CERA C	CK732B16V-106K	1	332071065R2
C3024	C-CERA C	CK725B1H-102K0	1	332031025R1
C3025	C-CERA C	CK725B1A-105K0	1	332001055R1
C3026	C-CERA C	CK725B1C-104K0	1	332011045R1
C3027	C-CERA C	CK725B1H-102K0	1	332031025R1

C3028	C-CERA C	CK725B1A-105K0	1	332001055R1
C3029	C-CERA C	CK725B1H-102K0	1	332031025R1
C3030	C-CERA C	CK725B1A-105K0	1	332001055R1
C3031	C-CERA C	CK725B1A-105K0	1	332001055R1
C3032	C-CERA C	CK725B1H-102K0	1	332031025R1
C3033	C-CERA C	CK725B1A-105K0	1	332001055R1
C3034	C-CERA C	CC725CH1H-270J0	1	342032704R1
C3035	C-CERA C	CK725B1H-102K0	1	332031025R1
C3036	C-CERA C	CC725CH1H-270J0	1	342032704R1
C3037	C-CERA C	CK725B1A-105K0	1	332001055R1
C3038	C-CERA C	CK725B1A-105K0	1	332001055R1
C3039	C-CERA C	CK725B1E-103K0	1	332021035R1
C3040	C-CERA C	CK725B1A-105K0	1	332001055R1
C3041	C-CERA C	CK732B16V-106K	1	332071065R2
C3042	C-CERA C	CK725B1A-105K0	1	332001055R1
C3043	C-CERA C	CK725B1A-105K0	1	332001055R1
C3101	C-CERA C	CK725B0J-226M	1	332092267R2
C3102	C-CERA C	CK725B1A-105K0	1	332001055R1
C3103	C-CERA C	CK725B0J-226M	1	332092267R2
C3104	C-CERA C	CK725B0J-226M	1	332092267R2
C3105	C-CERA C	CK725B1A-105K0	1	332001055R1
C3106	C-CERA C	CK732B16V-106K	1	332071065R2
C3107	C-CERA C	CK725B1A-105K0	1	332001055R1
C3108	C-CERA C	CK725B1A-105K0	1	332001055R1
C3109	C-CERA C	CK732B16V-106K	1	332071065R2
C3110	C-CERA C	CK725B1A-224K0	1	332002245R1
C3112	C-CERA C	CK732B16V-106K	1	332071065R2
C3113	C-CERA C	CK725B1A-105K0	1	332001055R1
C3114	C-CERA C	CK725B1A-105K0	1	332001055R1
C3115	C-CERA C	CK732B16V-106K	1	332071065R2
C3116	C-CERA C	CK732B16V-106K	1	332071065R2
C3117	C-CERA C	CK725B1H-102K0	1	332031025R1
C3118	C-CERA C	CK725B1A-105K0	1	332001055R1
C3119	C-CERA C	CK725B1A-105K0	1	332001055R1

C3120	C-CERA C	CK732B16V-106K	1	332071065R2
C3121	C-CERA C	CK725B1C-104K0	1	332011045R1
C3122	C-CERA C	CK725B1A-105K0	1	332001055R1
C3123	C-CERA C	CK732B16V-106K	1	332071065R2
C3124	C-CERA C	CK732B16V-106K	1	332071065R2
C3125	C-CERA C	CK732B16V-106K	1	332071065R2
C3126	C-CERA C	CK732B16V-106K	1	332071065R2
C3127	C-CERA C	CK725B1A-105K0	1	332001055R1
C3128	C-CERA C	CK725B1A-105K0	1	332001055R1
C3129	C-CERA C	CK725B1A-105K0	1	332001055R1
C3130	C-CERA C	CK732B16V-106K	1	332071065R2
C3131	C-CERA C	CK725B1A-105K0	1	332001055R1
C3132	C-CERA C	CC725CH1H-101J0	1	342031014R1
C3133	C-CERA C	CK725B1A-105K0	1	332001055R1
C3136	C-CERA C	CK725B1A-105K0	1	332001055R1
C3137	C-CERA C	CK725B1A-105K0	1	332001055R1
C3138	C-CERA C	CK725B1A-105K0	1	332001055R1
C3139	C-CERA C	CK725B1A-105K0	1	332001055R1
C3140	C-CERA C	CK725B1A-105K0	1	332001055R1
C3141	C-CERA C	CK725B1C-104K0	1	332011045R1
C3142	C-CERA C	CK725B1C-104K0	1	332011045R1
C3143	C-CERA C	CK725B1A-105K0	1	332001055R1
C3144	C-CERA C	CK725B1A-105K0	1	332001055R1
C3145	C-CERA C	CK732B16V-106K	1	332071065R2
C3146	C-CERA C	CK725B1A-105K0	1	332001055R1
C3147	C-CERA C	CK725B0J-226M	1	332092267R2
C3148	C-CERA C	CK725B1C-104K0	1	332011045R1
C3149	C-CERA C	CK725B1A-105K0	1	332001055R1
C3150	C-CERA C	CK732B16V-106K	1	332071065R2
C3151	C-CERA C	CK725B0J-226M	1	332092267R2
C3152	C-CERA C	CK732B16V-106K	1	332071065R2
C3153	C-CERA C	CK725B1A-105K0	1	332001055R1
C3154	C-CERA C	CK732B16V-106K	1	332071065R2
C3155	C-CERA C	CK725B1A-105K0	1	332001055R1

C3156	C-CERA C	CK725B1H-102K0	1	332031025R1
C3157	C-CERA C	CK725B1A-105K0	1	332001055R1
C3158	C-CERA C	CK725B1A-105K0	1	332001055R1
C3159	C-CERA C	CK725B1A-105K0	1	332001055R1
C3161	C-CERA C	CK725B1C-104K0	1	332011045R1
C3162	C-CERA C	CK725B1C-104K0	1	332011045R1
C3163	C-CERA C	CK725B0J-226M	1	332092267R2
C3164	C-CERA C	CK725B0J-226M	1	332092267R2
C3165	C-CERA C	CK725B0J-226M	1	332092267R2
C3301	C-CERA C	CK725B1C-104K0	1	332011045R1
C3361	C-CERA C	CK725B1C-104K0	1	332011045R1
C3363	C-CERA C	CK725B1C-104K0	1	332011045R1
C3371	C-CERA C	CK732B16V-106K	1	332071065R2
C3372	C-CERA C	CK725B1A-105K0	1	332001055R1
C3373	C-CERA C	CK732B16V-106K	1	332071065R2
C3374	C-CERA C	CK725B1A-105K0	1	332001055R1
C3383	C-CERA C	CK725B1C-104K0	1	332011045R1
C3384	C-CERA C	CK732B16V-106K	1	332071065R2
C3603	C-CERA C	CK725B1H-102K0	1	332031025R1
C8000	C-CERA C	CK732B16V-106K	1	332071065R2
C8002	C-CERA C	CK732B16V-106K	1	332071065R2
C8004	C-CERA C	CK725B1C-104K0	1	332011045R1
C8005	C-CERA C	CK732B16V-106K	1	332071065R2
C8006	C-CERA C	CK725B1C-104K0	1	332011045R1
C8007	C-CERA C	CK732B16V-106K	1	332071065R2
C8008	C-CERA C	CK725B0J-226M	1	332092267R2
C8009	C-CERA C	CK725B1C-104K0	1	332011045R1
C8011	C-CERA C	CK732B16V-106K	1	332071065R2
C8013	C-CERA C	CK725B0J-226M	1	332092267R2
C8014	C-CERA C	CK725B1A-105K0	1	332001055R1
C8015	C-CERA C	CK725B1A-105K0	1	332001055R1
C8016	C-CERA C	CK725B1A-105K0	1	332001055R1
C8017	C-CERA C	CK725B1A-105K0	1	332001055R1
C8018	C-CERA C	CK725B1C-104K0	1	332011045R1

C8019	C-CERA C	CK725B1C-104K0	1	332011045R1
C8020	C-CERA C	CK725B1C-104K0	1	332011045R1
C8021	C-CERA C	CK725B1C-104K0	1	332011045R1
C8022	C-CERA C	CK725B1C-104K0	1	332011045R1
C8023	C-CERA C	CK725B1C-104K0	1	332011045R1
C8024	C-CERA C	CK725B1C-104K0	1	332011045R1
C8026	C-CERA C	CK732B16V-106K	1	332071065R2
C8027	C-CERA C	CK732B16V-106K	1	332071065R2
C8028	C-CERA C	CK725B1A-105K0	1	332001055R1
C8029	C-CERA C	CK725B1A-105K0	1	332001055R1
C8030	C-CERA C	CK725B1A-105K0	1	332001055R1
C8031	C-CERA C	CK725B1C-104K0	1	332011045R1
C8032	C-CERA C	CK725B1C-104K0	1	332011045R1
C8033	C-CERA C	CK725B1C-104K0	1	332011045R1
C8034	C-CERA C	CK725B1C-104K0	1	332011045R1
C8037	C-CERA C	CK725B0J-226M	1	332092267R2
C8038	C-CERA C	CK725B1A-105K0	1	332001055R1
C8039	C-CERA C	CK725B1A-105K0	1	332001055R1
C8040	C-CERA C	CK725B1A-105K0	1	332001055R1
C8041	C-CERA C	CK725B1A-105K0	1	332001055R1
C8042	C-CERA C	CK725B1C-104K0	1	332011045R1
C8043	C-CERA C	CK725B1C-104K0	1	332011045R1
C8044	C-CERA C	CK725B1C-104K0	1	332011045R1
C8045	C-CERA C	CK725B1C-104K0	1	332011045R1
C8046	C-CERA C	CK725B1C-104K0	1	332011045R1
C8047	C-CERA C	CK725B1C-104K0	1	332011045R1
C8050	C-CERA C	CK732B16V-106K	1	332071065R2
C8051	C-CERA C	CK732B16V-106K	1	332071065R2
C8052	C-CERA C	CK725B1A-105K0	1	332001055R1
C8053	C-CERA C	CK725B1A-105K0	1	332001055R1
C8054	C-CERA C	CK725B1C-104K0	1	332011045R1
C8055	C-CERA C	CK725B1C-104K0	1	332011045R1
C8056	C-CERA C	CK725B1C-104K0	1	332011045R1
C8058	C-CERA C	CK725B1C-104K0	1	332011045R1

C8060	C-CERA C	CK732B16V-106K	1	332071065R2
C8061	C-CERA C	CK732B16V-106K	1	332071065R2
C8062	C-CERA C	CK725B1A-105K0	1	332001055R1
C8063	C-CERA C	CK725B1C-104K0	1	332011045R1
C8064	C-CERA C	CK725B1C-104K0	1	332011045R1
C8065	C-CERA C	CK725B1C-104K0	1	332011045R1
C8066	C-CERA C	CK732B16V-106K	1	332071065R2
C8067	C-CERA C	CK732B16V-106K	1	332071065R2
C8068	C-CERA C	CK725B1A-105K0	1	332001055R1
C8069	C-CERA C	CK725B1C-104K0	1	332011045R1
C8070	C-CERA C	CK725B1C-104K0	1	332011045R1
C8071	C-CERA C	CK725B1C-104K0	1	332011045R1
C8072	C-CERA C	CK732B16V-106K	1	332071065R2
C8073	C-CERA C	CK732B16V-106K	1	332071065R2
C8075	C-CERA C	CK725B0J-226M	1	332092267R2
C8076	C-CERA C	CK725B0J-226M	1	332092267R2
C8078	C-CERA C	CK732B16V-106K	1	332071065R2
C8079	C-CERA C	CK732B16V-106K	1	332071065R2
C8080	C-CERA C	CK732B16V-106K	1	332071065R2
C8081	C-CERA C	CK732B16V-106K	1	332071065R2
C8082	C-CERA C	CK725B1A-105K0	1	332001055R1
C8083	C-CERA C	CK725B1A-105K0	1	332001055R1
C8084	C-CERA C	CK725B1A-105K0	1	332001055R1
C8085	C-CERA C	CK725B1A-105K0	1	332001055R1
C8086	C-CERA C	CK725B1A-105K0	1	332001055R1
C8087	C-CERA C	CK725B1A-105K0	1	332001055R1
C8088	C-CERA C	CK725B1A-105K0	1	332001055R1
C8089	C-CERA C	CK725B1A-105K0	1	332001055R1
C8090	C-CERA C	CK725B1A-105K0	1	332001055R1
C8091	C-CERA C	CK725B1A-105K0	1	332001055R1
C8092	C-CERA C	CK725B1A-105K0	1	332001055R1
C8093	C-CERA C	CK725B1A-105K0	1	332001055R1
C8094	C-CERA C	CK725B1A-105K0	1	332001055R1
C8095	C-CERA C	CK732B16V-106K	1	332071065R2

C8096	C-CERA C	CK725B1A-105K0	1	332001055R1
C8097	C-CERA C	CK732B16V-106K	1	332071065R2
C8098	C-CERA C	CK725B1A-105K0	1	332001055R1
C8100	C-CERA C	CK725B1H-102K0	1	332031025R1
C8101	C-CERA C	CK725B1H-102K0	1	332031025R1
C8105	C-CERA C	CK725B1A-105K0	1	332001055R1
C8106	C-CERA C	CK725B1A-105K0	1	332001055R1
C8107	C-CERA C	CK725B1C-104K0	1	332011045R1
C8108	C-CERA C	CK725B1C-104K0	1	332011045R1
C8109	C-CERA C	CK725B1A-105K0	1	332001055R1
C8110	C-CERA C	CK725B1A-105K0	1	332001055R1
C8111	C-CERA C	CC725CH1H-101J0	1	342031014R1
C8112	C-CERA C	CK725B1C-104K0	1	332011045R1
C8113	C-CERA C	CK725B1C-104K0	1	332011045R1
C8114	C-CERA C	CC725CH1H-080C0	1	342030801R1
C8115	C-CERA C	CK725B1C-104K0	1	332011045R1
C8116	C-CERA C	CC725CH1H-270J0	1	342032704R1
C8117	C-CERA C	CC725CH1H-220J0	1	342032204R1
C8120	C-CERA C	CC725CH1H-100D0	1	342031002R1
C8124	C-CERA C	CK725B1C-104K0	1	332011045R1
C8126	C-CERA C	CK732B16V-106K	1	332071065R2
C8127	C-CERA C	CK725B0J-226M	1	332092267R2
C8128	C-CERA C	CK725B1C-104K0	1	332011045R1
C8129	C-CERA C	CK732B16V-106K	1	332071065R2
C8130	C-CERA C	CK732B16V-106K	1	332071065R2
C8132	C-CERA C	CK732B16V-106K	1	332071065R2
C8133	C-CERA C	CK732B16V-106K	1	332071065R2
C8135	C-CERA C	CK732B16V-106K	1	332071065R2
C8136	C-CERA C	CK725B1A-105K0	1	332001055R1
C8141	C-CERA C	CK732B16V-106K	1	332071065R2
C8142	C-CERA C	CK732B16V-106K	1	332071065R2
C8143	C-CERA C	CK732B16V-106K	1	332071065R2
C8144	C-CERA C	CK732B16V-106K	1	332071065R2
C8145	C-CERA C	CK725B1A-105K0	1	332001055R1

C8148	C-CERA C	CK732B16V-106K	1	332071065R2
C8149	C-CERA C	CK732B16V-106K	1	332071065R2
C8151	C-CERA C	CK725B1C-104K0	1	332011045R1
C8152	C-CERA C	CK725B1H-102K0	1	332031025R1
C8153	C-CERA C	CK725B1C-104K0	1	332011045R1
C8154	C-CERA C	CK725B1H-102K0	1	332031025R1
C8155	C-CERA C	CK725B1C-104K0	1	332011045R1
C8156	C-CERA C	CK725B1H-102K0	1	332031025R1
C8157	C-CERA C	CK725B1C-104K0	1	332011045R1
C8158	C-CERA C	CK725B1H-102K0	1	332031025R1
C8159	C-CERA C	CK725B1C-104K0	1	332011045R1
C8160	C-CERA C	CK725B1H-102K0	1	332031025R1
C8161	C-CERA C	CK725B1C-104K0	1	332011045R1
C8162	C-CERA C	CK725B1H-102K0	1	332031025R1
C8163	C-CERA C	CK725B1C-104K0	1	332011045R1
C8164	C-CERA C	CK725B1H-102K0	1	332031025R1
C8165	C-CERA C	CK725B1C-104K0	1	332011045R1
C8166	C-CERA C	CK725B1H-102K0	1	332031025R1
C8168	C-CERA C	CK725B1H-102K0	1	332031025R1
C8169	C-CERA C	CK725B1C-104K0	1	332011045R1
C8170	C-CERA C	CK725B1A-105K0	1	332001055R1
C8171	C-CERA C	CK725B1A-105K0	1	332001055R1
C8172	C-CERA C	CK725B1A-105K0	1	332001055R1
C8173	C-CERA C	CK725B1A-105K0	1	332001055R1
C8174	C-CERA C	CK725B1A-105K0	1	332001055R1
C8175	C-CERA C	CK725B1C-104K0	1	332011045R1
C8176	C-CERA C	CK725B1H-102K0	1	332031025R1
C8177	C-CERA C	CK725B1C-104K0	1	332011045R1
C8178	C-CERA C	CK725B1H-102K0	1	332031025R1
C8179	C-CERA C	CC725CH1H-080C0	1	342030801R1
C8180	C-CERA C	CC725CH1H-080C0	1	342030801R1
C8181	C-CERA C	CK725B1C-104K0	1	332011045R1
C8182	C-CERA C	CK725B1H-102K0	1	332031025R1
C8183	C-CERA C	CK725B1C-104K0	1	332011045R1

C8184	C-CERA C	CK725B1H-102K0	1	332031025R1
C8185	C-CERA C	CK725B1H-102K0	1	332031025R1
C8186	C-CERA C	CK725B1C-104K0	1	332011045R1
C8187	C-CERA C	CK725B1C-104K0	1	332011045R1
C8188	C-CERA C	CK725B1H-102K0	1	332031025R1
C8189	C-CERA C	CK725B1C-104K0	1	332011045R1
C8190	C-CERA C	CK725B1H-102K0	1	332031025R1
C8191	C-CERA C	CK725B1C-104K0	1	332011045R1
C8192	C-CERA C	CK725B1H-102K0	1	332031025R1
C8193	C-CERA C	CK725B1C-104K0	1	332011045R1
C8194	C-CERA C	CK725B1H-102K0	1	332031025R1
C8195	C-CERA C	CK725B1C-104K0	1	332011045R1
C8196	C-CERA C	CK725B1H-102K0	1	332031025R1
C8197	C-CERA C	CK725B1C-104K0	1	332011045R1
C8198	C-CERA C	CK725B1H-102K0	1	332031025R1
C8199	C-CERA C	CK725B1H-102K0	1	332031025R1
C8200	C-CERA C	CK725B1C-104K0	1	332011045R1
C8201	C-CERA C	CK725B1C-104K0	1	332011045R1
C8202	C-CERA C	CK725B1C-104K0	1	332011045R1
C8203	C-CERA C	CK725B1C-104K0	1	332011045R1
C8204	C-CERA C	CK725B1H-102K0	1	332031025R1
C8205	C-CERA C	CK725B1C-104K0	1	332011045R1
C8206	C-CERA C	CK725B1C-104K0	1	332011045R1
C8207	C-CERA C	CK725B1H-102K0	1	332031025R1
C8208	C-CERA C	CK725B1C-104K0	1	332011045R1
C8209	C-CERA C	CK725B1C-104K0	1	332011045R1
C8210	C-CERA C	CC725CH1H-150J0	1	342031504R1
C8211	C-CERA C	CC725CH1H-180J0	1	342031804R1
C8212	C-CERA C	CK725B1C-104K0	1	332011045R1
C8213	C-CERA C	CK725B1C-104K0	1	332011045R1
C8214	C-CERA C	CK732B16V-106K	1	332071065R2
C8215	C-CERA C	CK725B1C-104K0	1	332011045R1
C8216	C-CERA C	CK725B1A-105K0	1	332001055R1
C8217	C-CERA C	CK725B1C-104K0	1	332011045R1

C8218	C-CERA C	CK725B1C-104K0	1	332011045R1
C8219	C-CERA C	CK725B1C-104K0	1	332011045R1
C8220	C-CERA C	CK725B1C-104K0	1	332011045R1
C8221	C-CERA C	CK725B1C-104K0	1	332011045R1
C8222	C-CERA C	CK725B1C-104K0	1	332011045R1
C8223	C-CERA C	CK725B1C-104K0	1	332011045R1
C8224	C-CERA C	CK725B1C-104K0	1	332011045R1
C8225	C-CERA C	CK732B16V-106K	1	332071065R2
C8226	C-CERA C	CK732B16V-106K	1	332071065R2
C8227	C-CERA C	CK725B1C-104K0	1	332011045R1
C8228	C-CERA C	CK725B1C-104K0	1	332011045R1
C8229	C-CERA C	CK725B1C-104K0	1	332011045R1
C8230	C-CERA C	CK725B1E-103K0	1	332021035R1
C8231	C-CERA C	CK725B1E-103K0	1	332021035R1
C8232	C-CERA C	CK725B1E-103K0	1	332021035R1
C8233	C-CERA C	CK725B1E-103K0	1	332021035R1
C8234	C-CERA C	CK725B1E-103K0	1	332021035R1
C8235	C-CERA C	CK725B1E-103K0	1	332021035R1
C8236	C-CERA C	CK725B1E-103K0	1	332021035R1
C8237	C-CERA C	CK725B1E-103K0	1	332021035R1
C8238	C-CERA C	CK725B1E-103K0	1	332021035R1
C8239	C-CERA C	CK725B1E-103K0	1	332021035R1
C8240	C-CERA C	CK725B1C-104K0	1	332011045R1
C8241	C-CERA C	CK725B1C-104K0	1	332011045R1
C8242	C-CERA C	CK732B16V-106K	1	332071065R2
C8243	CHIP TANTAL	TEESVA0J226M8R	1	398422207R2
C8243 or	CHIP TANTAL	F93-6.3V-22M	(1)	395522207R2
C8243 or	CHIP TANTAL	TCSCS0J226MAAR	(1)	396522207R2
C8244	C-CERA C	CK732B16V-106K	1	332071065R2
C8245	C-CERA C	CK732B16V-106K	1	332071065R2
C8246	C-CERA C	CK725B1E-103K0	1	332021035R1
C8247	C-CERA C	CK725B1E-103K0	1	332021035R1
C8248	C-CERA C	CK725B1E-103K0	1	332021035R1
C8249	C-CERA C	CK725B1E-103K0	1	332021035R1

C8250	C-CERA C	CK725B1E-103K0	1	332021035R1
C8251	C-CERA C	CK725B1A-105K0	1	332001055R1
C8252	C-CERA C	CK725B1A-105K0	1	332001055R1
C8253	C-CERA C	CK725B1A-105K0	1	332001055R1
C8254	C-CERA C	CK725B1E-103K0	1	332021035R1
C8255	C-CERA C	CK725B1C-104K0	1	332011045R1
C8256	CHIP TANTAL	TEESVB20J107M8R	1	398421017R2
C8256 or	CHIP TANTAL	F93-6.3V-100M	(1)	395521017R2
C8256 or	CHIP TANTAL	TCSCS0J107MBAR	(1)	396521017R2
C8257	CHIP TANTAL	TEESVA0J226M8R	1	398422207R2
C8257 or	CHIP TANTAL	F93-6.3V-22M	(1)	395522207R2
C8257 or	CHIP TANTAL	TCSCS0J226MAAR	(1)	396522207R2
C8268	C-CERA C	CK725B1C-104K0	1	332011045R1
C8269	C-CERA C	CK725B1C-104K0	1	332011045R1
C8270	C-CERA C	CK725B1C-104K0	1	332011045R1
C8271	C-CERA C	CK725B1E-103K0	1	332021035R1
C8272	C-CERA C	CK725B1E-103K0	1	332021035R1
C8273	C-CERA C	CK725B1E-103K0	1	332021035R1
C8274	C-CERA C	CK725B1E-103K0	1	332021035R1
C8275	C-CERA C	CK725B1E-103K0	1	332021035R1
C8276	C-CERA C	CK725B1E-103K0	1	332021035R1
C8277	C-CERA C	CK725B1E-103K0	1	332021035R1
C8278	C-CERA C	CK725B1E-103K0	1	332021035R1
C8279	C-CERA C	CK725B1E-103K0	1	332021035R1
C8280	C-CERA C	CK725B1E-103K0	1	332021035R1
C8281	C-CERA C	CK725B1E-103K0	1	332021035R1
C8282	C-CERA C	CK725B1E-103K0	1	332021035R1
C8283	C-CERA C	CK725B1E-103K0	1	332021035R1
C8284	C-CERA C	CK725B1E-103K0	1	332021035R1
C8285	C-CERA C	CK725B1E-103K0	1	332021035R1
C8286	C-CERA C	CK725B1E-103K0	1	332021035R1
C8287	C-CERA C	CK725B1C-104K0	1	332011045R1
C8288	C-CERA C	CK725B1C-104K0	1	332011045R1
C8289	C-CERA C	CK725B1C-104K0	1	332011045R1

C8292	C-CERA C	CK725B1E-103K0	1	332021035R1
C8293	C-CERA C	CK725B1E-103K0	1	332021035R1
C8294	C-CERA C	CK725B1E-103K0	1	332021035R1
C8295	C-CERA C	CK725B1E-103K0	1	332021035R1
C8296	C-CERA C	CK725B1E-103K0	1	332021035R1
C8297	C-CERA C	CK725B1C-104K0	1	332011045R1
C8298	C-CERA C	CK725B1C-104K0	1	332011045R1
C8299	CHIP TANTAL	TEESVB20J107M8R	1	398421017R2
C8299 or	CHIP TANTAL	F93-6.3V-100M	(1)	395521017R2
C8299 or	CHIP TANTAL	TCSCS0J107MBAR	(1)	396521017R2
C8301	C-CERA C	CK725B1C-104K0	1	332011045R1
C8302	C-CERA C	CK725B1H-102K0	1	332031025R1
C8303	C-CERA C	CK725B1C-104K0	1	332011045R1
C8304	C-CERA C	CK725B1H-102K0	1	332031025R1
C8305	C-CERA C	CK725B1C-104K0	1	332011045R1
C8306	C-CERA C	CK725B1H-102K0	1	332031025R1
C8307	C-CERA C	CK725B1C-104K0	1	332011045R1
C8308	C-CERA C	CK725B1H-102K0	1	332031025R1
C8309	C-CERA C	CK725B1C-104K0	1	332011045R1
C8310	C-CERA C	CK725B1H-102K0	1	332031025R1
C8311	C-CERA C	CK725B1C-104K0	1	332011045R1
C8312	C-CERA C	CK725B1H-102K0	1	332031025R1
C8313	C-CERA C	CK725B1C-104K0	1	332011045R1
C8314	C-CERA C	CK725B1H-102K0	1	332031025R1
C8315	C-CERA C	CK725B1C-104K0	1	332011045R1
C8316	C-CERA C	CK725B1H-102K0	1	332031025R1
C8318	C-CERA C	CK725B1H-102K0	1	332031025R1
C8319	C-CERA C	CK725B1C-104K0	1	332011045R1
C8320	C-CERA C	CK725B1A-105K0	1	332001055R1
C8321	C-CERA C	CK725B1A-105K0	1	332001055R1
C8322	C-CERA C	CK725B1A-105K0	1	332001055R1
C8323	C-CERA C	CK725B1A-105K0	1	332001055R1
C8324	C-CERA C	CK725B1A-105K0	1	332001055R1
C8325	C-CERA C	CK725B1C-104K0	1	332011045R1

C8326	C-CERA C	CK725B1H-102K0	1	332031025R1
C8327	C-CERA C	CK725B1C-104K0	1	332011045R1
C8328	C-CERA C	CK725B1H-102K0	1	332031025R1
C8329	C-CERA C	CC725CH1H-080C0	1	342030801R1
C8330	C-CERA C	CC725CH1H-150J0	1	342031504R1
C8331	C-CERA C	CK725B1C-104K0	1	332011045R1
C8332	C-CERA C	CK725B1H-102K0	1	332031025R1
C8333	C-CERA C	CK725B1C-104K0	1	332011045R1
C8334	C-CERA C	CK725B1H-102K0	1	332031025R1
C8335	C-CERA C	CK725B1H-102K0	1	332031025R1
C8336	C-CERA C	CK725B1C-104K0	1	332011045R1
C8337	C-CERA C	CK725B1C-104K0	1	332011045R1
C8338	C-CERA C	CK725B1H-102K0	1	332031025R1
C8339	C-CERA C	CK725B1C-104K0	1	332011045R1
C8340	C-CERA C	CK725B1H-102K0	1	332031025R1
C8341	C-CERA C	CK725B1C-104K0	1	332011045R1
C8342	C-CERA C	CK725B1H-102K0	1	332031025R1
C8343	C-CERA C	CK725B1C-104K0	1	332011045R1
C8344	C-CERA C	CK725B1H-102K0	1	332031025R1
C8345	C-CERA C	CK725B1C-104K0	1	332011045R1
C8346	C-CERA C	CK725B1H-102K0	1	332031025R1
C8347	C-CERA C	CK725B1C-104K0	1	332011045R1
C8348	C-CERA C	CK725B1H-102K0	1	332031025R1
C8349	C-CERA C	CK725B1H-102K0	1	332031025R1
C8350	C-CERA C	CK725B1C-104K0	1	332011045R1
C8351	C-CERA C	CK732B16V-106K	1	332071065R2
C8352	C-CERA C	CK732B16V-106K	1	332071065R2
C8353	C-CERA C	CK732B16V-106K	1	332071065R2
C8354	C-CERA C	CK732B16V-106K	1	332071065R2
C8355	C-CERA C	CK732B16V-106K	1	332071065R2
C8356	C-CERA C	CK732B16V-106K	1	332071065R2
C8357	C-CERA C	CK725B1H-102K0	1	332031025R1
C8358	C-CERA C	CK725B1C-104K0	1	332011045R1
C8359	C-CERA C	CK725B1A-105K0	1	332001055R1

C8360	C-CERA C	CK725B1C-104K0	1	332011045R1
C8367	C-CERA C	CK725B1A-105K0	1	332001055R1
C8601	C-CERA C	CK725B1H-102K0	1	332031025R1
C8602	C-CERA C	CK725B1H-102K0	1	332031025R1
C8603	C-CERA C	CK725B1H-102K0	1	332031025R1
C8604	C-CERA C	CK725B1H-102K0	1	332031025R1
C8605	C-CERA C	CK725B1H-102K0	1	332031025R1
C8606	C-CERA C	CK725B1H-102K0	1	332031025R1
C8607	C-CERA C	CK725B1H-102K0	1	332031025R1
C8608	C-CERA C	CK725B1H-102K0	1	332031025R1
C8609	C-CERA C	CK725B1H-102K0	1	332031025R1
C8610	C-CERA C	CK725B1H-102K0	1	332031025R1
C8611	C-CERA C	CK725B1H-102K0	1	332031025R1
C8612	C-CERA C	CK725B1H-102K0	1	332031025R1
C8617	C-CERA C	CK725B1A-105K0	1	332001055R1
C8618	C-CERA C	CK725B1C-104K0	1	332011045R1
C8619	C-CERA C	CK732B16V-106K	1	332071065R2
C8620	C-CERA C	CK725B1A-105K0	1	332001055R1
C8621	C-CERA C	CK725B1C-104K0	1	332011045R1
C8622	C-CERA C	CK725B1C-104K0	1	332011045R1
C8633	C-CERA C	CK725B1H-102K0	1	332031025R1
C8634	C-CERA C	CK725B1H-102K0	1	332031025R1
C8701	C-CERA C	CK725B1C-104K0	1	332011045R1
C8702	C-CERA C	CK725B1A-105K0	1	332001055R1
C8703	C-CERA C	CK732B16V-106K	1	332071065R2
C8704	C-CERA C	CK732B16V-106K	1	332071065R2
C8705	C-CERA C	CK725B1C-104K0	1	332011045R1
C8706	C-CERA C	CK725B1C-104K0	1	332011045R1
C8707	C-CERA C	CK725B1C-104K0	1	332011045R1
C8708	C-CERA C	CK725B1C-104K0	1	332011045R1
C8709	C-CERA C	CK725B1C-104K0	1	332011045R1
C8711	C-CERA C	CK725B1C-104K0	1	332011045R1
C8901	C-CERA C	CK725B1C-104K0	1	332011045R1
C8902	C-CERA C	CK725B1C-104K0	1	332011045R1

C8903	C-CERA C	CK725B1E-106K	1	332221065R2
C8904	C-CERA C	CK725B1E-106K	1	332221065R2
C8905	C-CERA C	CK725B1E-103K0	1	332021035R1
C8908	C-CERA C	CK725B0J-226M	1	332092267R2
C8909	C-CERA C	CK725B0J-226M	1	332092267R2
C8911	C-CERA C	CK725B1C-104K0	1	332011045R1
C8912	C-CERA C	CK725B1C-104K0	1	332011045R1
C8913	C-CERA C	CK725B1E-106K	1	332221065R2
C8914	C-CERA C	CK725B1E-106K	1	332221065R2
C8915	C-CERA C	CK725B1E-103K0	1	332021035R1
C8918	C-CERA C	CK725B0J-226M	1	332092267R2
C8919	C-CERA C	CK725B0J-226M	1	332092267R2
C8921	C-CERA C	CK725B1C-104K0	1	332011045R1
C8922	C-CERA C	CK725B1C-104K0	1	332011045R1
C8923	C-CERA C	CK725B1E-106K	1	332221065R2
C8924	C-CERA C	CK725B1E-106K	1	332221065R2
C8925	C-CERA C	CK725B1H-472K0	1	332034725R1
C8928	C-CERA C	CK725B0J-226M	1	332092267R2
C8929	C-CERA C	CK725B0J-226M	1	332092267R2
C8931	C-CERA C	CK725B1C-104K0	1	332011045R1
C8932	C-CERA C	CK725B1C-104K0	1	332011045R1
C8933	C-CERA C	CK725B1E-106K	1	332221065R2
C8934	C-CERA C	CK725B1E-106K	1	332221065R2
C8935	C-CERA C	CK725B1H-472K0	1	332034725R1
C8938	C-CERA C	CK725B0J-226M	1	332092267R2
C8939	C-CERA C	CK725B0J-226M	1	332092267R2
C8941	C-CERA C	CK725B1C-104K0	1	332011045R1
C8942	C-CERA C	CK725B1C-104K0	1	332011045R1
C8943	C-CERA C	CK725B1E-106K	1	332221065R2
C8944	C-CERA C	CK725B1E-106K	1	332221065R2
C8945	C-CERA C	CK725B1H-472K0	1	332034725R1
C8948	C-CERA C	CK725B0J-226M	1	332092267R2
C8949	C-CERA C	CK725B0J-226M	1	332092267R2
C8951	C-CERA C	CK732B16V-106K	1	332071065R2

C8952	C-CERA C	CK725B1A-105K0	1	332001055R1
C8953	C-CERA C	CK725B0J-226M	1	332092267R2
C8954	C-CERA C	CK732B16V-106K	1	332071065R2
C8955	C-CERA C	CK725B1A-105K0	1	332001055R1
C8956	C-CERA C	CK725B1A-105K0	1	332001055R1
C8957	C-CERA C	CK725B1A-105K0	1	332001055R1
C8958	C-CERA C	CK725B1A-105K0	1	332001055R1
C8959	C-CERA C	CK725B1E-106K	1	332221065R2
C8960	C-CERA C	CK725B1A-105K0	1	332001055R1
C8961	C-CERA C	CK725B1A-105K0	1	332001055R1
C8962	C-CERA C	CK725B0J-226M	1	332092267R2
C8963	C-CERA C	CK725B1A-105K0	1	332001055R1
C8964	C-CERA C	CK725B0J-226M	1	332092267R2
C8965	C-CERA C	CK725B1A-105K0	1	332001055R1
C8966	C-CERA C	CK725B0J-226M	1	332092267R2
C8967	C-CERA C	CK725B1A-105K0	1	332001055R1
C8968	C-CERA C	CK725B0J-226M	1	332092267R2
C8969	C-CERA C	CK725B1A-105K0	1	332001055R1
C8970	C-CERA C	CK725B0J-226M	1	332092267R2
C8971	C-CERA C	CK725B1A-105K0	1	332001055R1
C8972	C-CERA C	CK725B1A-105K0	1	332001055R1
C8974	C-CERA C	CK725B1A-105K0	1	332001055R1
C8975	C-CERA C	CK725B1E-106K	1	332221065R2
C8976	C-CERA C	CK725B0J-226M	1	332092267R2
C8977	C-CERA C	CK732B16V-106K	1	332071065R2
C8978	C-CERA C	CK732B16V-106K	1	332071065R2
C8979	C-CERA C	CK732B16V-106K	1	332071065R2
C8980	C-CERA C	CK732B16V-106K	1	332071065R2
C8981	C-CERA C	CK732B16V-106K	1	332071065R2
[RESISTOR]				
R3009	C-CARBON R	RN72K1J-330JE	1	435033304R1
R3010	C-R NET	RM7LJ330X04	1	43484733004R2
R3010 or	C-R NET	YCN104-330-JK	(1)	43464C33004R1
R3011	C-R NET	RM7LJ330X04	1	43484733004R2

R3011 or	C-R NET	YCN104-330-JK	(1)	43464C33004R1
R3012	C-R NET	RM7LJ470X04	1	43484747004R2
R3012 or	C-R NET	YCN104-470-JK	(1)	43464C47004R1
R3013	C-R NET	RM7LJ330X04	1	43484733004R2
R3013 or	C-R NET	YCN104-330-JK	(1)	43464C33004R1
R3014	C-R NET	RM7LJ330X04	1	43484733004R2
R3014 or	C-R NET	YCN104-330-JK	(1)	43464C33004R1
R3015	C-R NET	RM7LJ330X04	1	43484733004R2
R3015 or	C-R NET	YCN104-330-JK	(1)	43464C33004R1
R3016	C-CARBON R	RN72K1J-470JE	1	435034704R1
R3017	C-R NET	RM7LJ330X04	1	43484733004R2
R3017 or	C-R NET	YCN104-330-JK	(1)	43464C33004R1
R3018	C-CARBON R	RN72K1J-470JE	1	435034704R1
R3019	C-R NET	RM7LJ330X04	1	43484733004R2
R3019 or	C-R NET	YCN104-330-JK	(1)	43464C33004R1
R3020	C-R NET	RM7LJ330X04	1	43484733004R2
R3020 or	C-R NET	YCN104-330-JK	(1)	43464C33004R1
R3021	C-CARBON R	RN72K1J-470JE	1	435034704R1
R3022	C-CARBON R	RN72K1J-470JE	1	435034704R1
R3023	C-R NET	RM7LJ470X04	1	43484747004R2
R3023 or	C-R NET	YCN104-470-JK	(1)	43464C47004R1
R3024	C-CARBON R	RN72K1J-470JE	1	435034704R1
R3025	C-CARBON R	RN72K1J-102JE	1	435031024R1
R3027	C-CARBON R	RN72K1J-470JE	1	435034704R1
R3028	C-CARBON R	RN72K1J-470JE	1	435034704R1
R3029	C-CARBON R	RN72K1J-102JE	1	435031024R1
R3032	C-CARBON R	RN72K1J-103JE	1	435031034R1
R3033	C-CARBON R	RN72K1J-470JE	1	435034704R1
R3034	C-CARBON R	RN72K1J-470JE	1	435034704R1
R3035	C-CARBON R	RN72K1J-470JE	1	435034704R1
R3036	C-CARBON R	RN72K1J-470JE	1	435034704R1
R3037	C-CARBON R	RN72K1J-470JE	1	435034704R1
R3038	C-CARBON R	RN72K1J-470JE	1	435034704R1
R3039	C-CARBON R	RN72K1J-470JE	1	435034704R1

R3040	C-CARBON R	RN72K1J-103JE	1	435031034R1
R3041	C-R NET	RM7LJ330X04	1	43484733004R2
R3041 or	C-R NET	YCN104-330-JK	(1)	43464C33004R1
R3042	C-R NET	RM7LJ330X04	1	43484733004R2
R3042 or	C-R NET	YCN104-330-JK	(1)	43464C33004R1
R3043	C-CARBON R	RN72K1J-000JE	1	435030004R1
R3044	C-R NET	RM7LJ330X04	1	43484733004R2
R3044 or	C-R NET	YCN104-330-JK	(1)	43464C33004R1
R3045	C-R NET	RM7LJ330X04	1	43484733004R2
R3045 or	C-R NET	YCN104-330-JK	(1)	43464C33004R1
R3047	C-CARBON R	RN72K1J-560JE	1	435035604R1
R3048	C-CARBON R	RN72K1J-101JE	1	435031014R1
R3049	C-CARBON R	RN72K1J-560JE	1	435035604R1
R3050	C-CARBON R	RN72K1J-560JE	1	435035604R1
R3051	C-CARBON R	RN72K1J-560JE	1	435035604R1
R3054	C-CARBON R	RN72K1J-103JE	1	435031034R1
R3056	C-CARBON R	RN72K1J-472JE	1	435034724R1
R3060	C-CARBON R	RN72K1J-680JE	1	435036804R1
R3061	C-CARBON R	RN72K1J-470JE	1	435034704R1
R3062	C-CARBON R	RN72K1J-680JE	1	435036804R1
R3063	C-CARBON R	RN72K1J-680JE	1	435036804R1
R3064	C-CARBON R	RN72K1J-680JE	1	435036804R1
R3065	C-CARBON R	RN72K1J-680JE	1	435036804R1
R3066	C-CARBON R	RN72K1J-102JE	1	435031024R1
R3101	C-CARBON R	RN72K1J-103JE	1	435031034R1
R3105	C-CARBON R	RN72K1J-473JE	1	435034734R1
R3106	C-CARBON R	RN72K1J-103JE	1	435031034R1
R3108	C-CARBON R	RN72K1J-103JE	1	435031034R1
R3109	C-CARBON R	RN72K1J-473JE	1	435034734R1
R3111	C-CARBON R	RN72K1J-473JE	1	435034734R1
R3113	C-CARBON R	RN72K1J-103JE	1	435031034R1
R3115	C-CARBON R	RN72K1J-332JE	1	435033324R1
R3117	C-CARBON R	RN72K1J-332JE	1	435033324R1
R3119	C-CARBON R	RN72K1J-332JE	1	435033324R1

R3122	C-CARBON R	RN72K1J-102JE	1	435031024R1
R3123	C-CARBON R	RN72K1J-000JE	1	435030004R1
R3124	C-CARBON R	RN72K1J-331JE	1	435033314R1
R3125	C-CARBON R	RN72K1J-470JE	1	435034704R1
R3126	C-CARBON R	RN72K1J-470JE	1	435034704R1
R3127	C-CARBON R	RN72K1J-470JE	1	435034704R1
R3128	C-CARBON R	RN72K1J-472JE	1	435034724R1
R3129	C-CARBON R	RN72K1J-470JE	1	435034704R1
R3130	C-CARBON R	RN72K1J-470JE	1	435034704R1
R3131	C-CARBON R	RN72K1J-470JE	1	435034704R1
R3132	C-CARBON R	RN72K1J-103JE	1	435031034R1
R3133	C-CARBON R	RN72K1J-470JE	1	435034704R1
R3134	C-CARBON R	RN72K1J-103JE	1	435031034R1
R3135	C-CARBON R	RN72K1J-103JE	1	435031034R1
R3136	C-CARBON R	RN72K1J-000JE	1	435030004R1
R3137	C-CARBON R	RN72K1J-000JE	1	435030004R1
R3139	C-CARBON R	RN72K1J-101JE	1	435031014R1
R3141	C-CARBON R	RN72K1J-470JE	1	435034704R1
R3142	C-CARBON R	RN72K1J-470JE	1	435034704R1
R3143	C-CARBON R	RN72K1J-392JE	1	435033924R1
R3144	C-CARBON R	RN72K1J-101JE	1	435031014R1
R3145	C-CARBON R	RN72K1J-392JE	1	435033924R1
R3146	C-CARBON R	RN72K1J-390JE	1	435033904R1
R3147	C-CARBON R	RN72K1J-000JE	1	435030004R1
R3148	C-CARBON R	RN72K1J-390JE	1	435033904R1
R3149	C-CARBON R	RN72K1J-102JE	1	435031024R1
R3150	C-CARBON R	RN72K1J-680JE	1	435036804R1
R3151	C-CARBON R	RN72K1J-103JE	1	435031034R1
R3152	C-CARBON R	RN72K1J-103JE	1	435031034R1
R3154	C-CARBON R	RN72K1J-390JE	1	435033904R1
R3155	C-CARBON R	RN72K1J-390JE	1	435033904R1
R3156	C-CARBON R	RN72K1J-390JE	1	435033904R1
R3157	C-CARBON R	RN72K1J-000JE	1	435030004R1
R3158	C-CARBON R	RN72K1J-000JE	1	435030004R1

R3162	C-CARBON R	RN72K1J-390JE	1	435033904R1
R3163	C-CARBON R	RN72K1J-220JE	1	435032204R1
R3164	C-CARBON R	RN72K1J-472JE	1	435034724R1
R3168	C-CARBON R	RN72K1J-220JE	1	435032204R1
R3169	C-CARBON R	RN72K1J-220JE	1	435032204R1
R3170	C-CARBON R	RN72K1J-391FE	1	435033912R1
R3171	C-CARBON R	RN72K1J-222FE	1	435032222R1
R3172	C-CARBON R	RN72K1J-392FE	1	435033922R1
R3173	C-CARBON R	RN72K1J-390JE	1	435033904R1
R3174	C-CARBON R	RN72K1J-390JE	1	435033904R1
R3175	C-CARBON R	RN72K1J-472JE	1	435034724R1
R3176	C-CARBON R	RN72K1J-473JE	1	435034734R1
R3177	C-CARBON R	RN72K1J-103JE	1	435031034R1
R3181	C-CARBON R	RN72K1J-470JE	1	435034704R1
R3182	C-CARBON R	RN72K1J-472JE	1	435034724R1
R3183	C-CARBON R	RN72K1J-470JE	1	435034704R1
R3184	C-CARBON R	RN72K1J-470JE	1	435034704R1
R3185	C-CARBON R	RN72K1J-473JE	1	435034734R1
R3188	C-CARBON R	RN72K1J-473JE	1	435034734R1
R3189	C-CARBON R	RN72K1J-473JE	1	435034734R1
R3190	C-CARBON R	RN72K1J-472JE	1	435034724R1
R3192	C-CARBON R	RN72K1J-472JE	1	435034724R1
R3193	C-CARBON R	RN72K1J-472JE	1	435034724R1
R3194	C-CARBON R	RN72K1J-472JE	1	435034724R1
R3199	C-CARBON R	RN72K1J-102JE	1	435031024R1
R3200	C-CARBON R	RN72K1J-103JE	1	435031034R1
R3204	C-CARBON R	RN72K1J-103JE	1	435031034R1
R3205	C-CARBON R	RN72K1J-103JE	1	435031034R1
R3208	C-CARBON R	RN72K1J-121JE	1	435031214R1
R3212	C-CARBON R	RN72K1J-470JE	1	435034704R1
R3215	C-CARBON R	RN72K1J-221JE	1	435032214R1
R3218	C-CARBON R	RN72K1J-470JE	1	435034704R1
R3219	C-CARBON R	RN72K1J-221JE	1	435032214R1
R3221	C-CARBON R	RN72K1J-470JE	1	435034704R1

R3226	C-R NET	RM7LJ470X04	1	43484747004R2
R3226 or	C-R NET	YCN104-470-JK	(1)	43464C47004R1
R3230	C-CARBON R	RN72K1J-221JE	1	435032214R1
R3232	C-CARBON R	RN72K1J-221JE	1	435032214R1
R3235	C-CARBON R	RN72K1J-470JE	1	435034704R1
R3237	C-CARBON R	RN72K1J-221JE	1	435032214R1
R3239	C-CARBON R	RN72K1J-221JE	1	435032214R1
R3241	C-CARBON R	RN72K1J-221JE	1	435032214R1
R3242	C-CARBON R	RN72K1J-221JE	1	435032214R1
R3244	C-CARBON R	RN72K1J-470JE	1	435034704R1
R3246	C-CARBON R	RN72K1J-332JE	1	435033324R1
R3247	C-CARBON R	RN72K1J-121JE	1	435031214R1
R3251	C-CARBON R	RN72K1J-470JE	1	435034704R1
R3257	C-CARBON R	RN72K1J-470JE	1	435034704R1
R3260	C-CARBON R	RN72K1J-121JE	1	435031214R1
R3262	C-CARBON R	RN72K1J-221JE	1	435032214R1
R3265	C-CARBON R	RN72K1J-390JE	1	435033904R1
R3266	C-CARBON R	RN72K1J-332JE	1	435033324R1
R3268	C-CARBON R	RN72K1J-390JE	1	435033904R1
R3270	C-CARBON R	RN72K1J-332JE	1	435033324R1
R3271	C-CARBON R	RN72K1J-390JE	1	435033904R1
R3272	C-CARBON R	RN72K1J-470JE	1	435034704R1
R3274	C-CARBON R	RN72K1J-390JE	1	435033904R1
R3277	C-CARBON R	RN72K1J-470JE	1	435034704R1
R3278	C-CARBON R	RN72K1J-470JE	1	435034704R1
R3279	C-CARBON R	RN72K1J-470JE	1	435034704R1
R3280	C-CARBON R	RN72K1J-470JE	1	435034704R1
R3281	C-CARBON R	RN72K1J-103JE	1	435031034R1
R3282	C-CARBON R	RN72K1J-103JE	1	435031034R1
R3284	C-CARBON R	RN72K1J-103JE	1	435031034R1
R3285	C-CARBON R	RN72K1J-332JE	1	435033324R1
R3286	C-CARBON R	RN72K1J-332JE	1	435033324R1
R3298	C-CARBON R	RN72K1J-102JE	1	435031024R1
R3302	C-CARBON R	RN72K1J-470JE	1	435034704R1

R3304	C-CARBON R	RN72K1J-470JE	1	435034704R1
R3305	C-R NET	RM7LJ470X04	1	43484747004R2
R3305 or	C-R NET	YCN104-470-JK	(1)	43464C47004R1
R3306	C-R NET	RM7LJ470X04	1	43484747004R2
R3306 or	C-R NET	YCN104-470-JK	(1)	43464C47004R1
R3331	C-CARBON R	RN72K1J-000JE	1	435030004R1
R3334	C-CARBON R	RN72K1J-000JE	1	435030004R1
R3336	C-CARBON R	RN72K1J-000JE	1	435030004R1
R3337	C-CARBON R	RN72K1J-000JE	1	435030004R1
R3338	C-CARBON R	RN72K1J-000JE	1	435030004R1
R3339	C-CARBON R	RN72K1J-000JE	1	435030004R1
R3340	C-CARBON R	RN72K1J-000JE	1	435030004R1
R3341	C-CARBON R	RN72K1J-331JE	1	435033314R1
R3342	C-CARBON R	RN72K1J-221JE	1	435032214R1
R3343	C-CARBON R	RN72K1J-221JE	1	435032214R1
R3344	C-CARBON R	RN72K1J-470JE	1	435034704R1
R3345	C-CARBON R	RN72K1J-221JE	1	435032214R1
R3346	C-CARBON R	RN72K1J-221JE	1	435032214R1
R3347	C-CARBON R	RN72K1J-470JE	1	435034704R1
R3348	C-CARBON R	RN72K1J-221JE	1	435032214R1
R3349	C-CARBON R	RN72K1J-221JE	1	435032214R1
R3350	C-CARBON R	RN72K1J-470JE	1	435034704R1
R3358	C-CARBON R	RN72K1J-000JE	1	435030004R1
R3359	C-CARBON R	RN72K1J-000JE	1	435030004R1
R3360	C-CARBON R	RN72K1J-000JE	1	435030004R1
R3361	C-CARBON R	RN72K1J-000JE	1	435030004R1
R3362	C-R NET	RM7LJ470X04	1	43484747004R2
R3362 or	C-R NET	YCN104-470-JK	(1)	43464C47004R1
R3363	C-CARBON R	RN72K1J-331JE	1	435033314R1
R3364	C-CARBON R	RN72K1J-470JE	1	435034704R1
R3365	C-CARBON R	RN72K1J-470JE	1	435034704R1
R3366	C-CARBON R	RN72K1J-470JE	1	435034704R1
R3367	C-CARBON R	RN72K1J-470JE	1	435034704R1
R3368	C-CARBON R	RN72K1J-470JE	1	435034704R1

R3369	C-CARBON R	RN72K1J-470JE	1	435034704R1
R3370	C-CARBON R	RN72K1J-121JE	1	435031214R1
R3371	C-CARBON R	RN72K1J-470JE	1	435034704R1
R3372	C-CARBON R	RN72K1J-221JE	1	435032214R1
R3373	C-CARBON R	RN72K1J-221JE	1	435032214R1
R3374	C-CARBON R	RN72K1J-101JE	1	435031014R1
R3375	C-CARBON R	RN72K1J-331JE	1	435033314R1
R3377	C-CARBON R	RN72K1J-101JE	1	435031014R1
R3378	C-CARBON R	RN72K1J-103JE	1	435031034R1
R3393	C-CARBON R	RN72K1J-000JE	1	435030004R1
R3394	C-CARBON R	RN72K1J-000JE	1	435030004R1
R3395	C-CARBON R	RN72K1J-000JE	1	435030004R1
R3521	C-R NET	RM7LJ000X04	1	43484700004R2
R3521 or	C-R NET	YCN104-000-ZK	(1)	43484C00004R1
R3522	C-R NET	RM7LJ000X04	1	43484700004R2
R3522 or	C-R NET	YCN104-000-ZK	(1)	43484C00004R1
R3670	C-CARBON R	RN72K1J-103JE	1	435031034R1
R8000	C-CARBON R	RN72K1J-103JE	1	435031034R1
R8003	C-CARBON R	RN72K1J-000JE	1	435030004R1
R8004	C-CARBON R	RN72K1J-103JE	1	435031034R1
R8005	C-CARBON R	RN72K1J-103JE	1	435031034R1
R8007	C-CARBON R	RN72K1J-223JE	1	435032234R1
R8009	C-CARBON R	RN72K1J-000JE	1	435030004R1
R8010	C-R NET	RM7LJ510X04	1	43484751004R2
R8010 or	C-R NET	YCN104-510-JK	(1)	43464C51004R1
R8011	C-R NET	RM7LJ510X04	1	43484751004R2
R8011 or	C-R NET	YCN104-510-JK	(1)	43464C51004R1
R8012	C-R NET	RM7LJ510X04	1	43484751004R2
R8012 or	C-R NET	YCN104-510-JK	(1)	43464C51004R1
R8013	C-R NET	RM7LJ510X04	1	43484751004R2
R8013 or	C-R NET	YCN104-510-JK	(1)	43464C51004R1
R8014	C-R NET	RM7LJ510X04	1	43484751004R2
R8014 or	C-R NET	YCN104-510-JK	(1)	43464C51004R1
R8015	C-CARBON R	MCR03EZPF49R9(49.9_1%)	1	4100037R2

R8015 or	CARBON R	CR16-49R9-FL	(1)	4100046R1
R8016	C-CARBON R	MCR03EZPF49R9(49.9_1%)	1	4100037R2
R8016 or	CARBON R	CR16-49R9-FL	(1)	4100046R1
R8017	C-CARBON R	MCR03EZPF49R9(49.9_1%)	1	4100037R2
R8017 or	CARBON R	CR16-49R9-FL	(1)	4100046R1
R8018	C-CARBON R	RN72K1J-000JE	1	435030004R1
R8019	C-CARBON R	RN72K1J-000JE	1	435030004R1
R8021	C-CARBON R	RN72K1J-473JE	1	435034734R1
R8037	C-CARBON R	RN72K1J-000JE	1	435030004R1
R8042	C-CARBON R	MCR03EZPF49R9(49.9_1%)	1	4100037R2
R8042 or	CARBON R	CR16-49R9-FL	(1)	4100046R1
R8043	C-CARBON R	MCR03EZPF49R9(49.9_1%)	1	4100037R2
R8043 or	CARBON R	CR16-49R9-FL	(1)	4100046R1
R8045	C-CARBON R	RN72K1J-331FE	1	435033312R1
R8046	C-CARBON R	RN72K1J-332FE	1	435033322R1
R8047	C-CARBON R	RN72K1J-271FE	1	435032712R1
R8048	C-CARBON R	RN72K1J-222FE	1	435032222R1
R8049	C-CARBON R	RN72K1J-750JE	1	435037504R1
R8050	C-CARBON R	RN72K1J-750JE	1	435037504R1
R8052	C-CARBON R	RN72K1J-472JE	1	435034724R1
R8053	C-R NET	RM7LJ220X04	1	43484722004R2
R8053 or	C-R NET	YCN104-220-JK	(1)	43464C22004R1
R8054	C-R NET	RM7LJ220X04	1	43484722004R2
R8054 or	C-R NET	YCN104-220-JK	(1)	43464C22004R1
R8055	C-R NET	RM7LJ220X04	1	43484722004R2
R8055 or	C-R NET	YCN104-220-JK	(1)	43464C22004R1
R8056	C-R NET	RM7LJ220X04	1	43484722004R2
R8056 or	C-R NET	YCN104-220-JK	(1)	43464C22004R1
R8057	C-R NET	RM7LJ220X04	1	43484722004R2
R8057 or	C-R NET	YCN104-220-JK	(1)	43464C22004R1
R8058	C-R NET	RM7LJ220X04	1	43484722004R2
R8058 or	C-R NET	YCN104-220-JK	(1)	43464C22004R1
R8059	C-R NET	RM7LJ220X04	1	43484722004R2
R8059 or	C-R NET	YCN104-220-JK	(1)	43464C22004R1

R8060	C-R NET	RM7LJ220X04	1	43484722004R2
R8060 or	C-R NET	YCN104-220-JK	(1)	43464C22004R1
R8061	C-R NET	RM7LJ220X04	1	43484722004R2
R8061 or	C-R NET	YCN104-220-JK	(1)	43464C22004R1
R8062	C-R NET	RM7LJ220X04	1	43484722004R2
R8062 or	C-R NET	YCN104-220-JK	(1)	43464C22004R1
R8063	C-CARBON R	RN72K1J-100JE	1	435031004R1
R8064	C-CARBON R	RN72K1J-100JE	1	435031004R1
R8067	C-CARBON R	RN72K1J-220JE	1	435032204R1
R8068	C-CARBON R	RN72K1J-220JE	1	435032204R1
R8073	C-CARBON R	RN72K1J-182JE	1	435031824R1
R8074	C-CARBON R	RN72K1J-182JE	1	435031824R1
R8077	C-CARBON R	RN72K1J-104JE	1	435031044R1
R8078	C-CARBON R	RN72K1J-472JE	1	435034724R1
R8079	C-CARBON R	RN72K1J-473JE	1	435034734R1
R8080	C-CARBON R	RN72K1J-101JE	1	435031014R1
R8081	C-CARBON R	RN72K1J-101JE	1	435031014R1
R8082	C-CARBON R	RN72K1J-101JE	1	435031014R1
R8083	C-CARBON R	RN72K1J-101JE	1	435031014R1
R8084	C-CARBON R	RN72K1J-100JE	1	435031004R1
R8085	C-CARBON R	RN72K1J-100JE	1	435031004R1
R8086	C-CARBON R	RN72K1J-100JE	1	435031004R1
R8087	C-CARBON R	RN72K1J-823JE	1	435038234R1
R8088	C-CARBON R	RN72K1J-103JE	1	435031034R1
R8089	C-CARBON R	RN72K1J-330JE	1	435033304R1
R8090	C-CARBON R	RN72K1J-103JE	1	435031034R1
R8091	C-CARBON R	RN72K1J-220JE	1	435032204R1
R8092	C-CARBON R	RN72K1J-220JE	1	435032204R1
R8093	C-CARBON R	RN72K1J-220JE	1	435032204R1
R8094	C-CARBON R	RN72K1J-472JE	1	435034724R1
R8095	C-CARBON R	RN72K1J-105JE	1	435031054R1
R8096	C-CARBON R	RN72K1J-101JE	1	435031014R1
R8097	C-CARBON R	RN72K1J-101JE	1	435031014R1
R8098	C-CARBON R	RN72K1J-220JE	1	435032204R1

R8099	C-CARBON R	RN72K1J-102JE	1	435031024R1
R8100	C-CARBON R	RN72K1J-102JE	1	435031024R1
R8102	C-CARBON R	RN72K1J-472JE	1	435034724R1
R8103	C-CARBON R	RN72K1J-472JE	1	435034724R1
R8104	C-CARBON R	RN72K1J-472JE	1	435034724R1
R8105	C-CARBON R	RN72K1J-472JE	1	435034724R1
R8107	C-CARBON R	RN72K1J-472JE	1	435034724R1
R8108	C-CARBON R	RN72K1J-472JE	1	435034724R1
R8109	C-CARBON R	RN72K1J-472JE	1	435034724R1
R8110	C-CARBON R	RN72K1J-472JE	1	435034724R1
R8111	C-CARBON R	RN72K1J-101JE	1	435031014R1
R8112	C-CARBON R	RN72K1J-101JE	1	435031014R1
R8113	C-CARBON R	RN72K1J-101JE	1	435031014R1
R8114	C-CARBON R	RN72K1J-101JE	1	435031014R1
R8115	C-CARBON R	RN72K1J-104JE	1	435031044R1
R8116	C-CARBON R	RN72K1J-000JE	1	435030004R1
R8122	C-CARBON R	RN72K1J-220JE	1	435032204R1
R8123	C-CARBON R	RN72K1J-220JE	1	435032204R1
R8124	C-CARBON R	RN72K1J-220JE	1	435032204R1
R8125	C-CARBON R	RN72K1J-220JE	1	435032204R1
R8126	C-CARBON R	RN72K1J-472JE	1	435034724R1
R8127	C-CARBON R	RN72K1J-472JE	1	435034724R1
R8128	C-CARBON R	RN72K1J-103JE	1	435031034R1
R8129	C-CARBON R	RN72K1J-103JE	1	435031034R1
R8130	C-CARBON R	RN72K1J-103JE	1	435031034R1
R8131	C-CARBON R	RN72K1J-103JE	1	435031034R1
R8151	C-CARBON R	RN72K1J-472JE	1	435034724R1
R8152	C-CARBON R	RN72K1J-100JE	1	435031004R1
R8153	C-CARBON R	RN72K1J-100JE	1	435031004R1
R8154	C-CARBON R	RN72K1J-562JE	1	435035624R1
R8155	C-CARBON R	RN72K1J-100JE	1	435031004R1
R8156	C-CARBON R	RN72K1J-562JE	1	435035624R1
R8157	C-CARBON R	RN72K1J-100JE	1	435031004R1
R8158	C-CARBON R	RN72K1J-562JE	1	435035624R1

R8159	C-CARBON R	RN72K1J-100JE	1	435031004R1
R8160	C-CARBON R	RN72K1J-562JE	1	435035624R1
R8161	C-CARBON R	RN72K1J-000JE	1	435030004R1
R8162	C-CARBON R	RN72K1J-100JE	1	435031004R1
R8163	C-CARBON R	RN72K1J-562JE	1	435035624R1
R8164	C-R NET	RM7LJ222X04	1	43484722204R2
R8164 or	C-R NET	YCN104-222-JK	(1)	43464C22204R1
R8165	C-CARBON R	RN72K1J-103JE	1	435031034R1
R8166	C-CARBON R	RN72K1J-124JE	1	435031244R1
R8171	C-CARBON R	RN72K1J-562JE	1	435035624R1
R8185	C-CARBON R	RN72K1J-000JE	1	435030004R1
R8186	C-CARBON R	RN72K1J-000JE	1	435030004R1
R8188	C-CARBON R	RN72K1J-100JE	1	435031004R1
R8201	C-CARBON R	RN72K1J-103JE	1	435031034R1
R8202	C-CARBON R	RN72K1J-103JE	1	435031034R1
R8203	C-CARBON R	RN72K1J-101JE	1	435031014R1
R8204	C-CARBON R	RN72K1J-101JE	1	435031014R1
R8205	C-CARBON R	RN72K1J-120JE	1	435031204R1
R8206	C-CARBON R	RN72K1J-120JE	1	435031204R1
R8207	C-CARBON R	RN72K1J-120JE	1	435031204R1
R8208	C-CARBON R	RN72K1J-120JE	1	435031204R1
R8209	C-CARBON R	RN72K1J-120JE	1	435031204R1
R8210	C-CARBON R	RN72K1J-120JE	1	435031204R1
R8211	C-CARBON R	RN72K1J-120JE	1	435031204R1
R8212	C-CARBON R	RN72K1J-390JE	1	435033904R1
R8213	C-CARBON R	RN72K1J-120JE	1	435031204R1
R8214	C-CARBON R	RN72K1J-390JE	1	435033904R1
R8215	C-CARBON R	RN72K1J-120JE	1	435031204R1
R8216	C-CARBON R	RN72K1J-390JE	1	435033904R1
R8217	C-CARBON R	RN72K1J-120JE	1	435031204R1
R8218	C-CARBON R	RN72K1J-120JE	1	435031204R1
R8219	C-CARBON R	RN72K1J-120JE	1	435031204R1
R8220	C-CARBON R	RN72K1J-120JE	1	435031204R1
R8221	C-CARBON R	RN72K1J-120JE	1	435031204R1

R8222	C-CARBON R	RN72K1J-120JE	1	435031204R1
R8223	C-CARBON R	RN72K1J-120JE	1	435031204R1
R8224	C-CARBON R	RN72K1J-120JE	1	435031204R1
R8225	C-CARBON R	RN72K1J-120JE	1	435031204R1
R8226	C-CARBON R	RN72K1J-390JE	1	435033904R1
R8227	C-CARBON R	RN72K1J-120JE	1	435031204R1
R8228	C-CARBON R	RN72K1J-390JE	1	435033904R1
R8229	C-CARBON R	RN72K1J-120JE	1	435031204R1
R8230	C-CARBON R	RN72K1J-390JE	1	435033904R1
R8231	C-CARBON R	RN72K1J-120JE	1	435031204R1
R8232	C-CARBON R	RN72K1J-390JE	1	435033904R1
R8236	C-CARBON R	RN72K1J-000JE	1	435030004R1
R8237	C-CARBON R	RN72K1J-000JE	1	435030004R1
R8239	C-CARBON R	RN72K1J-000JE	1	435030004R1
R8240	C-CARBON R	RN72K1J-000JE	1	435030004R1
R8241	C-CARBON R	RN72K1J-472JE	1	435034724R1
R8242	C-CARBON R	RN72K1J-103JE	1	435031034R1
R8243	C-CARBON R	RN72K1J-220JE	1	435032204R1
R8244	C-CARBON R	RN72K1J-102JE	1	435031024R1
R8245	C-CARBON R	RN72K1J-102JE	1	435031024R1
R8246	C-CARBON R	RN72K1J-103JE	1	435031034R1
R8247	C-CARBON R	RN72K1J-103JE	1	435031034R1
R8248	C-CARBON R	RN72K1J-103JE	1	435031034R1
R8251	C-CARBON R	RN72K1J-472JE	1	435034724R1
R8252	C-CARBON R	RN72K1J-472JE	1	435034724R1
R8253	C-CARBON R	RN72K1J-102FE	1	435031022R1
R8254	C-CARBON R	RN72K1J-220JE	1	435032204R1
R8255	C-CARBON R	RN72K1J-220JE	1	435032204R1
R8256	C-CARBON R	RN72K1J-472JE	1	435034724R1
R8257	C-CARBON R	RN72K1J-472JE	1	435034724R1
R8258	C-CARBON R	RN72K1J-220JE	1	435032204R1
R8259	C-CARBON R	RN72K1J-220JE	1	435032204R1
R8260	C-R NET	RM7LJ220X04	1	43484722004R2
R8260 or	C-R NET	YCN104-220-JK	(1)	43464C22004R1

R8261	C-R NET	RM7LJ220X04	1	43484722004R2
R8261 or	C-R NET	YCN104-220-JK	(1)	43464C22004R1
R8262	C-R NET	RM7LJ220X04	1	43484722004R2
R8262 or	C-R NET	YCN104-220-JK	(1)	43464C22004R1
R8263	C-R NET	RM7LJ220X04	1	43484722004R2
R8263 or	C-R NET	YCN104-220-JK	(1)	43464C22004R1
R8264	C-R NET	RM7LJ220X04	1	43484722004R2
R8264 or	C-R NET	YCN104-220-JK	(1)	43464C22004R1
R8265	C-R NET	RM7LJ220X04	1	43484722004R2
R8265 or	C-R NET	YCN104-220-JK	(1)	43464C22004R1
R8266	C-R NET	RM7LJ220X04	1	43484722004R2
R8266 or	C-R NET	YCN104-220-JK	(1)	43464C22004R1
R8267	C-R NET	RM7LJ220X04	1	43484722004R2
R8267 or	C-R NET	YCN104-220-JK	(1)	43464C22004R1
R8268	C-R NET	RM7LJ330X04	1	43484733004R2
R8268 or	C-R NET	YCN104-330-JK	(1)	43464C33004R1
R8269	C-R NET	RM7LJ330X04	1	43484733004R2
R8269 or	C-R NET	YCN104-330-JK	(1)	43464C33004R1
R8270	C-R NET	RM7LJ330X04	1	43484733004R2
R8270 or	C-R NET	YCN104-330-JK	(1)	43464C33004R1
R8271	C-R NET	RM7LJ330X04	1	43484733004R2
R8271 or	C-R NET	YCN104-330-JK	(1)	43464C33004R1
R8272	C-R NET	RM7LJ330X04	1	43484733004R2
R8272 or	C-R NET	YCN104-330-JK	(1)	43464C33004R1
R8273	C-R NET	RM7LJ330X04	1	43484733004R2
R8273 or	C-R NET	YCN104-330-JK	(1)	43464C33004R1
R8274	C-R NET	RM7LJ330X04	1	43484733004R2
R8274 or	C-R NET	YCN104-330-JK	(1)	43464C33004R1
R8275	C-R NET	RM7LJ330X04	1	43484733004R2
R8275 or	C-R NET	YCN104-330-JK	(1)	43464C33004R1
R8276	C-R NET	RM7LJ330X04	1	43484733004R2
R8276 or	C-R NET	YCN104-330-JK	(1)	43464C33004R1
R8277	C-CARBON R	RN72K1J-100JE	1	435031004R1
R8278	C-R NET	RM7LJ330X04	1	43484733004R2

R8278 or	C-R NET	YCN104-330-JK	(1)	43464C33004R1
R8279	C-CARBON R	RN72K1J-101JE	1	435031014R1
R8280	C-CARBON R	RN72K1J-101JE	1	435031014R1
R8281	C-CARBON R	RN72K1J-330JE	1	435033304R1
R8282	C-CARBON R	RN72K1J-330JE	1	435033304R1
R8283	C-CARBON R	RN72K1J-101JE	1	435031014R1
R8284	C-R NET	RM7LJ330X04	1	43484733004R2
R8284 or	C-R NET	YCN104-330-JK	(1)	43464C33004R1
R8285	C-CARBON R	RN72K1J-560JE	1	435035604R1
R8286	C-CARBON R	RN72K1J-000JE	1	435030004R1
R8287	C-CARBON R	RN72K1J-102FE	1	435031022R1
R8288	C-CARBON R	RN72K1J-103JE	1	435031034R1
R8291	C-CARBON R	RN72K1J-000JE	1	435030004R1
R8292	C-CARBON R	RN72K1J-000JE	1	435030004R1
R8293	C-CARBON R	RN72K1J-000JE	1	435030004R1
R8294	C-CARBON R	RN72K1J-000JE	1	435030004R1
R8295	C-CARBON R	RN72K1J-750JE	1	435037504R1
R8296	C-CARBON R	RN72K1J-750JE	1	435037504R1
R8297	C-CARBON R	RN72K1J-750JE	1	435037504R1
R8298	C-CARBON R	RN72K1J-750JE	1	435037504R1
R8301	C-CARBON R	RN72K1J-472JE	1	435034724R1
R8302	C-CARBON R	RN72K1J-100JE	1	435031004R1
R8303	C-CARBON R	RN72K1J-562JE	1	435035624R1
R8304	C-CARBON R	RN72K1J-100JE	1	435031004R1
R8305	C-CARBON R	RN72K1J-562JE	1	435035624R1
R8307	C-CARBON R	RN72K1J-100JE	1	435031004R1
R8308	C-CARBON R	RN72K1J-562JE	1	435035624R1
R8309	C-CARBON R	RN72K1J-100JE	1	435031004R1
R8310	C-CARBON R	RN72K1J-562JE	1	435035624R1
R8311	C-CARBON R	RN72K1J-000JE	1	435030004R1
R8312	C-CARBON R	RN72K1J-100JE	1	435031004R1
R8313	C-CARBON R	RN72K1J-562JE	1	435035624R1
R8314	C-CARBON R	RN72K1J-222JE	1	435032224R1
R8315	C-CARBON R	RN72K1J-222JE	1	435032224R1

R8316	C-CARBON R	RN72K1J-103JE	1	435031034R1
R8317	C-CARBON R	RN72K1J-124JE	1	435031244R1
R8318	C-CARBON R	RN72K1J-562JE	1	435035624R1
R8320	C-R NET	RM7LJ220X04	1	43484722004R2
R8320 or	C-R NET	YCN104-220-JK	(1)	43464C22004R1
R8321	C-CARBON R	RN72K1J-181JE	1	435031814R1
R8322	C-CARBON R	RN72K1J-470JE	1	435034704R1
R8323	C-CARBON R	RN72K1J-181JE	1	435031814R1
R8324	C-CARBON R	RN72K1J-470JE	1	435034704R1
R8325	C-R NET	RM7LJ220X04	1	43484722004R2
R8325 or	C-R NET	YCN104-220-JK	(1)	43464C22004R1
R8328	C-CARBON R	RN72K1J-181JE	1	435031814R1
R8333	C-CARBON R	RN72K1J-181JE	1	435031814R1
R8334	C-CARBON R	RN72K1J-181JE	1	435031814R1
R8335	C-CARBON R	RN72K1J-181JE	1	435031814R1
R8336	C-R NET	RM7LJ220X04	1	43484722004R2
R8336 or	C-R NET	YCN104-220-JK	(1)	43464C22004R1
R8337	C-R NET	RM7LJ220X04	1	43484722004R2
R8337 or	C-R NET	YCN104-220-JK	(1)	43464C22004R1
R8338	C-CARBON R	RN72K1J-100JE	1	435031004R1
R8339	C-R NET	RM7LJ220X04	1	43484722004R2
R8339 or	C-R NET	YCN104-220-JK	(1)	43464C22004R1
R8340	C-R NET	RM7LJ220X04	1	43484722004R2
R8340 or	C-R NET	YCN104-220-JK	(1)	43464C22004R1
R8341	C-R NET	RM7LJ220X04	1	43484722004R2
R8341 or	C-R NET	YCN104-220-JK	(1)	43464C22004R1
R8342	C-CARBON R	RN72K1J-000JE	1	435030004R1
R8343	C-CARBON R	RN72K1J-000JE	1	435030004R1
R8345	C-CARBON R	RN72K1J-100JE	1	435031004R1
R8346	C-CARBON R	RN72K1J-473JE	1	435034734R1
R8347	C-CARBON R	RN72K1J-473JE	1	435034734R1
R8348	C-CARBON R	RN72K1J-473JE	1	435034734R1
R8349	C-CARBON R	RN72K1J-000JE	1	435030004R1
R8350	C-CARBON R	RN72K1J-000JE	1	435030004R1

R8351	C-CARBON R	RN72K1J-000JE	1	435030004R1
R8352	C-CARBON R	RN72K1J-102JE	1	435031024R1
R8354	C-CARBON R	RN72K1J-102JE	1	435031024R1
R8553	C-R NET	RM7LJ000X04	1	43484700004R2
R8553 or	C-R NET	YCN104-000-ZK	(1)	43484C00004R1
R8554	C-R NET	RM7LJ000X04	1	43484700004R2
R8554 or	C-R NET	YCN104-000-ZK	(1)	43484C00004R1
R8555	C-R NET	RM7LJ000X04	1	43484700004R2
R8555 or	C-R NET	YCN104-000-ZK	(1)	43484C00004R1
R8556	C-R NET	RM7LJ000X04	1	43484700004R2
R8556 or	C-R NET	YCN104-000-ZK	(1)	43484C00004R1
R8557	C-R NET	RM7LJ000X04	1	43484700004R2
R8557 or	C-R NET	YCN104-000-ZK	(1)	43484C00004R1
R8558	C-R NET	RM7LJ000X04	1	43484700004R2
R8558 or	C-R NET	YCN104-000-ZK	(1)	43484C00004R1
R8559	C-R NET	RM7LJ000X04	1	43484700004R2
R8559 or	C-R NET	YCN104-000-ZK	(1)	43484C00004R1
R8560	C-R NET	RM7LJ000X04	1	43484700004R2
R8560 or	C-R NET	YCN104-000-ZK	(1)	43484C00004R1
R8561	C-R NET	RM7LJ000X04	1	43484700004R2
R8561 or	C-R NET	YCN104-000-ZK	(1)	43484C00004R1
R8562	C-R NET	RM7LJ000X04	1	43484700004R2
R8562 or	C-R NET	YCN104-000-ZK	(1)	43484C00004R1
R8601	C-CARBON R	RN72K1J-473JE	1	435034734R1
R8602	C-CARBON R	RN72K1J-473JE	1	435034734R1
R8605	C-CARBON R	RN72K1J-473JE	1	435034734R1
R8606	C-CARBON R	RN72K1J-473JE	1	435034734R1
R8609	C-CARBON R	RN72K1J-473JE	1	435034734R1
R8610	C-CARBON R	RN72K1J-473JE	1	435034734R1
R8613	C-CARBON R	RN72K1J-473JE	1	435034734R1
R8614	C-CARBON R	RN72K1J-473JE	1	435034734R1
R8617	C-CARBON R	RN72K1J-473JE	1	435034734R1
R8618	C-CARBON R	RN72K1J-473JE	1	435034734R1
R8621	C-CARBON R	RN72K1J-473JE	1	435034734R1

R8622	C-CARBON R	RN72K1J-473JE	1	435034734R1
R8625	C-CARBON R	RN72K1J-473JE	1	435034734R1
R8626	C-CARBON R	RN72K1J-473JE	1	435034734R1
R8631	C-CARBON R	RN72K1J-000JE	1	435030004R1
R8632	C-CARBON R	RN72K1J-000JE	1	435030004R1
R8634	C-CARBON R	RN72K1J-473JE	1	435034734R1
R8636	C-CARBON R	RN72K1J-182JE	1	435031824R1
R8637	C-CARBON R	RN72K1J-182JE	1	435031824R1
R8638	C-CARBON R	RN72K1J-100JE	1	435031004R1
R8641	C-CARBON R	RN72K1J-000JE	1	435030004R1
R8642	C-CARBON R	RN72K1J-000JE	1	435030004R1
R8643	C-CARBON R	RN72K1J-000JE	1	435030004R1
R8649	C-CARBON R	RN72K1J-472JE	1	435034724R1
R8650	C-CARBON R	RN72K1J-472JE	1	435034724R1
R8691	C-CARBON R	RN72K1J-000JE	1	435030004R1
R8692	C-CARBON R	RN72K1J-000JE	1	435030004R1
R8693	C-CARBON R	RN72K1J-000JE	1	435030004R1
R8694	C-CARBON R	RN72K1J-000JE	1	435030004R1
R8701	C-CARBON R	RN72K1J-103JE	1	435031034R1
R8702	C-CARBON R	RN72K1J-000JE	1	435030004R1
R8703	C-CARBON R	RN72K1J-472JE	1	435034724R1
R8704	C-CARBON R	RN72K1J-472JE	1	435034724R1
R8705	C-CARBON R	RN72K1J-103JE	1	435031034R1
R8706	C-CARBON R	RN72K1J-472JE	1	435034724R1
R8707	C-CARBON R	RN72K1J-472JE	1	435034724R1
R8708	C-R NET	RM7LJ470X04	1	43484747004R2
R8708 or	C-R NET	YCN104-470-JK	(1)	43464C47004R1
R8709	C-R NET	RM7LJ103X04	1	43484710304R2
R8709 or	C-R NET	YCN104-103-JK	(1)	43464C10304R1
R8710	C-CARBON R	RN72K1J-222JE	1	435032224R1
R8711	C-CARBON R	RN72K1J-222JE	1	435032224R1
R8712	C-R NET	RM7LJ103X04	1	43484710304R2
R8712 or	C-R NET	YCN104-103-JK	(1)	43464C10304R1
R8713	C-CARBON R	RN72K1J-222JE	1	435032224R1

R8714	C-CARBON R	RN72K1J-222JE	1	435032224R1
R8715	C-CARBON R	RN72K1J-103JE	1	435031034R1
R8716	C-CARBON R	RN72K1J-222JE	1	435032224R1
R8717	C-CARBON R	RN72K1J-222JE	1	435032224R1
R8718	C-CARBON R	RN72K1J-103JE	1	435031034R1
R8722	C-CARBON R	RN72K1J-222JE	1	435032224R1
R8723	C-CARBON R	RN72K1J-222JE	1	435032224R1
R8724	C-CARBON R	RN72K1J-470JE	1	435034704R1
R8725	C-CARBON R	RN72K1J-470JE	1	435034704R1
R8726	C-R NET	RM7LJ222X04	1	43484722204R2
R8726 or	C-R NET	YCN104-222-JK	(1)	43464C22204R1
R8727	C-R NET	RM7LJ103X04	1	43484710304R2
R8727 or	C-R NET	YCN104-103-JK	(1)	43464C10304R1
R8728	C-CARBON R	RN72K1J-222JE	1	435032224R1
R8729	C-CARBON R	RN72K1J-222JE	1	435032224R1
R8730	C-R NET	RM7LJ103X04	1	43484710304R2
R8730 or	C-R NET	YCN104-103-JK	(1)	43464C10304R1
R8731	C-R NET	RM7LJ220X04	1	43484722004R2
R8731 or	C-R NET	YCN104-220-JK	(1)	43464C22004R1
R8732	C-CARBON R	RN72K1J-222JE	1	435032224R1
R8733	C-CARBON R	RN72K1J-222JE	1	435032224R1
R8735	C-CARBON R	RN72K1J-222JE	1	435032224R1
R8736	C-CARBON R	RN72K1J-222JE	1	435032224R1
R8737	C-CARBON R	RN72K1J-103JE	1	435031034R1
R8738	C-CARBON R	RN72K1J-103JE	1	435031034R1
R8739	C-CARBON R	RN72K1J-222JE	1	435032224R1
R8740	C-CARBON R	RN72K1J-222JE	1	435032224R1
R8741	C-CARBON R	RN72K1J-103JE	1	435031034R1
R8742	C-CARBON R	RN72K1J-222JE	1	435032224R1
R8743	C-CARBON R	RN72K1J-103JE	1	435031034R1
R8744	C-CARBON R	RN72K1J-103JE	1	435031034R1
R8745	C-CARBON R	RN72K1J-470JE	1	435034704R1
R8746	C-R NET	RM7LJ103X04	1	43484710304R2
R8746 or	C-R NET	YCN104-103-JK	(1)	43464C10304R1

R8747	C-CARBON R	RN72K1J-103JE	1	435031034R1
R8748	C-CARBON R	RN72K1J-103JE	1	435031034R1
R8750	C-CARBON R	RN72K1J-000JE	1	435030004R1
R8751	C-R NET	RM7LJ470X04	1	43484747004R2
R8751 or	C-R NET	YCN104-470-JK	(1)	43464C47004R1
R8756	C-CARBON R	RN72K1J-000JE	1	435030004R1
R8757	C-CARBON R	RN72K1J-000JE	1	435030004R1
R8759	C-CARBON R	RN72K1J-000JE	1	435030004R1
R8760	C-CARBON R	RN72K1J-472JE	1	435034724R1
R8764	C-CARBON R	RN72K1J-103JE	1	435031034R1
R8765	C-CARBON R	RN72K1J-103JE	1	435031034R1
R8801	C-CARBON R	RN72K1J-100JE	1	435031004R1
R8802	C-CARBON R	RN72K1J-100JE	1	435031004R1
R8803	C-CARBON R	RN72K1J-100JE	1	435031004R1
R8804	C-CARBON R	RN72K1J-100JE	1	435031004R1
R8805	C-CARBON R	RN72K1J-100JE	1	435031004R1
R8806	C-CARBON R	RN72K1J-100JE	1	435031004R1
R8807	C-CARBON R	RN72K1J-100JE	1	435031004R1
R8901	C-CARBON R	RN72K1J-473JE	1	435034734R1
R8902	C-CARBON R	RN72K1J-473JE	1	435034734R1
R8903	C-CARBON R	RN72K1J-104JE	1	435031044R1
R8904	C-CARBON R	RN72K1J-223FE	1	435032232R1
R8905	C-CARBON R	RN72K1J-393JE	1	435033934R1
R8906	C-CARBON R	RN72K1J-223FE	1	435032232R1
R8907	C-CARBON R	RN72K1J-333FE	1	435033332R1
R8908	C-CARBON R	RN72K1J-103FE	1	435031032R1
R8909	C-CARBON R	RN72K1J-473JE	1	435034734R1
R8911	C-CARBON R	RN72K1J-473JE	1	435034734R1
R8912	C-CARBON R	RN72K1J-473JE	1	435034734R1
R8913	C-CARBON R	RN72K1J-104JE	1	435031044R1
R8914	C-CARBON R	RN72K1J-103JE	1	435031034R1
R8915	C-CARBON R	RN72K1J-104JE	1	435031044R1
R8916	C-CARBON R	RN72K1J-333FE	1	435033332R1
R8917	C-CARBON R	RN72K1J-824FE	1	435038242R1

R8918	C-CARBON R	RN72K1J-103FE	1	435031032R1
R8919	C-CARBON R	RN72K1J-104JE	1	435031044R1
R8921	C-CARBON R	RN72K1J-473JE	1	435034734R1
R8922	C-CARBON R	RN72K1J-473JE	1	435034734R1
R8923	C-CARBON R	RN72K1J-104JE	1	435031044R1
R8925	C-CARBON R	RN72K1J-562JE	1	435035624R1
R8926	C-CARBON R	RN72K1J-183FE	1	435031832R1
R8927	C-CARBON R	RN72K1J-563FE	1	435035632R1
R8928	C-CARBON R	RN72K1J-103FE	1	435031032R1
R8929	C-CARBON R	RN72K1J-103JE	1	435031034R1
R8931	C-CARBON R	RN72K1J-473JE	1	435034734R1
R8932	C-CARBON R	RN72K1J-473JE	1	435034734R1
R8933	C-CARBON R	RN72K1J-104JE	1	435031044R1
R8935	C-CARBON R	RN72K1J-332JE	1	435033324R1
R8936	C-CARBON R	RN72K1J-224FE	1	435032242R1
R8937	C-CARBON R	RN72K1J-682FE	1	435036822R1
R8938	C-CARBON R	RN72K1J-103FE	1	435031032R1
R8943	C-CARBON R	RN72K1J-104JE	1	435031044R1
R8944	C-CARBON R	RN72K1J-332JE	1	435033324R1
R8945	C-CARBON R	RN72K1J-333FE	1	435033332R1
R8946	C-CARBON R	RN72K1J-103FE	1	435031032R1
R8947	C-CARBON R	RN72K1J-682FE	1	435036822R1
R8948	C-CARBON R	RN72K1J-103FE	1	435031032R1
R8951	C-CARBON R	RN72K1J-473JE	1	435034734R1
R8953	C-CARBON R	RN72K1J-473JE	1	435034734R1
R8955	C-CARBON R	RN72K1J-472JE	1	435034724R1
R8957	C-CARBON R	RN72K1J-472JE	1	435034724R1
R8959	C-CARBON R	RN72K1J-472JE	1	435034724R1
R8961	C-CARBON R	RN72K1J-472JE	1	435034724R1
R8965	C-CARBON R	RN72K1J-104JE	1	435031044R1
R8966	C-CARBON R	RN72K1J-104JE	1	435031044R1
R8967	C-CARBON R	RN72K1J-104JE	1	435031044R1
R8975	C-CARBON R	RN72K2E-470JE	1	435224704R1
R8976	C-CARBON R	RN72K1J-473JE	1	435034734R1

R8981	C-CARBON R	RN72K1J-472JE	1	435034724R1
R8982	C-CARBON R	RN72K1J-473JE	1	435034734R1
R8985	C-CARBON R	RN72K1J-182JE	1	435031824R1
R8986	C-CARBON R	RN72K1J-102JE	1	435031024R1
[SW TRM]				
JL2100B	WIRE TRAP	NPLG-5P588	1	25055626
P2101B	SOCKET	IMSA-9618S-21A	1	25053346R2
P3101A	PLUG	NPLG-5P918	1	25055965R2
P3102A	SOCKET	NSCT-9P2472	1	25052575R2
P3103A	SOCKET	C00124K221700	1	25053410
P3104	SOCKET	RB1-105B8A1F	1	25053409
P3104 or	SOCKET	SI-60073-F	(1)	25053307
P3104 or	SOCKET	EJFR0002	(1)	25056668
P3605A	SOCKET	IMSA-9111S-24L	1	25053259
P3607A	SOCKET	IMSA-9111S-24L	1	25053259
P8002B	SOCKET	NSCT-9P2472	1	25052575R2
P8030	SOCKET	IMSA-9618S-04A	1	25053329R2
P8100	TRM-423(SCREW)	NEJITANSI ST3	1	25060495
P8101	SOCKET	TCX3400-111387	1	25053406R3
P8101 or	SOCKET	HDMI(47266-4101)	(1)	25053389R3
P8104	SOCKET	NSCT-8P2471	1	25052574R2
P8301	SOCKET	NSCT-8P2471	1	25052574R2
P8601	SOCKET	TCX3400-111387	1	25053406R3
P8601 or	SOCKET	HDMI(47266-4101)	(1)	25053389R3
P8602	SOCKET	TCX3400-111387	1	25053406R3
P8602 or	SOCKET	HDMI(47266-4101)	(1)	25053389R3
P8603	SOCKET	TCX3400-111387	1	25053406R3
P8603 or	SOCKET	HDMI(47266-4101)	(1)	25053389R3
P8604	SOCKET	TCX3400-111387	1	25053406R3
P8604 or	SOCKET	HDMI(47266-4101)	(1)	25053389R3
P8605	SOCKET	TCX3400-111387	1	25053406R3
P8605 or	SOCKET	HDMI(47266-4101)	(1)	25053389R3
P8606	SOCKET	TCX3400-111387	1	25053406R3
P8606 or	SOCKET	HDMI(47266-4101)	(1)	25053389R3

P8607	SOCKET	TCX3400-111387	1	25053406R3
P8607 or	SOCKET	HDMI(47266-4101)	(1)	25053389R3
P8631	SOCKET	TCX3400-111387	1	25053406R3
P8631 or	SOCKET	HDMI(47266-4101)	(1)	25053389R3
P8691A	SOCKET	20519-041E	1	25053502R2
P8702	SOCKET	NSCT-9P2472	1	25052575R2
P8888A	PLUG(B to B)	IMSA-9850B-24Y900	1	25056207R2
P8985	PLUG	NPLG-2P116	1	25055132

U006	U0060 x 10 pcs.	BAHDM-1202-1A *
U0060	TERMINAL (FRONT HDMI)	BAHDM-1202-1A

CIRCUIT NC	PART NAME	DESCRIPTION	Q'TY	PART NO. (SN)	REMARKS
[SEMI CONDUCTOR]					
D8651	C-DIODE	ISS352	1	223234R2	
D8651 or	C-DIODE	ISS355	(1)	223269R2	
D8651 or	C-DIODE	MA2J111	(1)	223279R2	
D8651 or	C-DIODE	KDS4148U	(1)	223283R2	
D8651 or	C-DIODE	MA2J1110GL	(1)	223302R2	
D8652	C-DIODE	ISS352	1	223234R2	
D8652 or	C-DIODE	ISS355	(1)	223269R2	
D8652 or	C-DIODE	MA2J111	(1)	223279R2	
D8652 or	C-DIODE	KDS4148U	(1)	223283R2	
D8652 or	C-DIODE	MA2J1110GL	(1)	223302R2	
Q8651	IC	BD2247G-GTR	1	22242795R2	
Q8652	IC	NC7SZ08P5X_F042	1	22242482R2	
Q8652 or	IC	TC7SZ08FU(TE85L_F)	(1)	22242071R2TO	
Q8654	TR ARRAY	UM6K1N	1	226066R2	
Q8654 or	TR ARRAY	UPA672T	(1)	226067R2	
Q8654 or	TR ARRAY	RT3K66M-T111-1	(1)	226069R2	
Q8655	IC	SH1292CNUC	1	22242786R3	
Q8656	IC	MMBFJ177LT1G	1	22242789R2	

Q8657	IC	S-1172B12-U5T1G	1	22242777R2	
Q8658	IC	PCA9515ADRGR	1	22242817R2	N
Q8659	TR	RN2401(TE85L_F)	1	2214520R2	
Q8659 or	TR	KRA101S	(1)	2217840R2	
Q8660	TR	2SC2712-GR	1	2213145R2	
Q8660 or	TR	KTC3875-GR	(1)	2216175R2	
Q8661	TR	DTC144EE	1	2216390R2	
[TRANS COIL]					
L8651	CORE	BLM18PG181SN1D	1	2350005R1	
L8652	CORE	BLM18PG181SN1D	1	2350005R1	
L8653	CORE	BLM18PG181SN1D	1	2350005R1	
L8654	CORE	BLM18PG181SN1D	1	2350005R1	
L8655	CORE	BLM18PG181SN1D	1	2350005R1	
L8656	CORE	BLM18PG181SN1D	1	2350005R1	
L8657	CORE	BLM18PG181SN1D	1	2350005R1	
[CAPACITOR]					
C8651	C-CERA C	CK725B0J-106K	1	332091065R2	
C8652	C-CERA C	CK725B0J-226M	1	332092267R2	
C8653	C-CERA C	CK725B0J-106K	1	332091065R2	
C8654	C-CERA C	CC725CH1E-102J0	1	342021024R1	
C8655	C-CERA C	CK725B1C-104K0	1	332011045R1	
C8656	C-CERA C	CK725B1C-104K0	1	332011045R1	
C8657	C-CERA C	CK725B1H-103K0	1	332031035R1	
C8658	C-CERA C	CK725B1C-104K0	1	332011045R1	
C8659	C-CERA C	CC725CH1E-102J0	1	342021024R1	
C8660	C-CERA C	CK725B0J-106K	1	332091065R2	
C8661	C-CERA C	CK725B0J-106K	1	332091065R2	
C8662	C-CERA C	CK725B1C-104K0	1	332011045R1	
C8663	C-CERA C	CK725B1H-103K0	1	332031035R1	
C8664	C-CERA C	CK725B1H-103K0	1	332031035R1	
C8665	C-CERA C	CK725B1C-104K0	1	332011045R1	
C8666	C-CERA C	CK725B1C-104K0	1	332011045R1	
C8667	C-CERA C	CK725B1H-103K0	1	332031035R1	
C8668	C-CERA C	CK725B1C-104K0	1	332011045R1	

C8669	C-CERA C	CK725B1H-103K0	1	332031035R1
C8670	C-CERA C	CK725B1C-104K0	1	332011045R1
C8671	C-CERA C	CK725B1E-473K0	1	332024735R1
C8673	C-CERA C	CK725B1H-103K0	1	332031035R1
C8674	C-CERA C	CK725B0J-106K	1	332091065R2
C8675	C-CERA C	CK725B0J-106K	1	332091065R2
C8676	C-CERA C	CK725B1C-104K0	1	332011045R1
C8677	C-CERA C	CK725B0J-226M	1	332092267R2
C8678	C-CERA C	CK725B0J-226M	1	332092267R2
C8679	C-CERA C	CK725B0J-226M	1	332092267R2
[RESISTOR]				
R8651	C-CARBON R	RN72K1J-103JE	1	435031034R1
R8652	C-CARBON R	RN72K1J-473JE	1	435034734R1
R8655	C-CARBON R	RN72K1J-473JE	1	435034734R1
R8656	C-CARBON R	RN72K1J-474JE	1	435034744R1
R8657	C-CARBON R	RN72K1J-473JE	1	435034734R1
R8658	C-CARBON R	RN72K1J-101JE	1	435031014R1
R8659	C-CARBON R	RN72K1J-472JE	1	435034724R1
R8660	C-R NET	RM7LJ051X04	1	43484705104R2
R8660 or	C-R NET	YCN104-5R1-JK	(1)	43484C05104R1
R8661	C-CARBON R	RN72K1J-103JE	1	435031034R1
R8662	C-R NET	RM7LJ051X04	1	43484705104R2
R8662 or	C-R NET	YCN104-5R1-JK	(1)	43484C05104R1
R8663	C-CARBON R	RN72K1J-103JE	1	435031034R1
R8664	C-CARBON R	RN72K1J-103JE	1	435031034R1
R8665	C-CARBON R	RN72K1J-103JE	1	435031034R1
R8666	C-CARBON R	RN72K1J-000JE	1	435030004R1
R8667	C-CARBON R	RN72K1J-000JE	1	435030004R1
R8668	C-CARBON R	RN72K1J-000JE	1	435030004R1
R8669	C-CARBON R	RN72K1J-000JE	1	435030004R1
R8670	C-CARBON R	RN72K1J-000JE	1	435030004R1
R8671	C-CARBON R	RN72K1J-000JE	1	435030004R1
R8672	C-CARBON R	RN72K1J-473JE	1	435034734R1
R8673	C-CARBON R	RN72K1J-154JE	1	435031544R1

R8674	C-CARBON R	RN72K1J-821JE	1	435038214R1
R8675	C-CARBON R	RN72K1J-154JE	1	435031544R1
R8676	C-CARBON R	RN72K1J-101JE	1	435031014R1
R8677	C-CARBON R	RN72K1J-332JE	1	435033324R1
R8678	C-CARBON R	RN72K1J-562JE	1	435035624R1
[SW TRM]				
P8608	SOCKET	TCX3400-111387	1	25053406R3
P8608 or	SOCKET	HDMI(47266-4101)	(1)	25053389R3
P8663	CRIMP AS	CRIMP AS DX730	1	2063925100UL
P8691B	SOCKET	20519-041E	1	25053502R2

U0080 VIDEO PC BOARD ASS'Y

BAVD-1152-1A*

CIRCUIT NC	PART NAME	DESCRIPTION	Q'TY	PART NO. (SN)	REMARKS
[SEMI CONDUCTOR]					
D2001	DIODE	D3SBA60	1	22380272F	
D2003	ZENER D	UDZS5.6B	1	224550560R2	
D2003 or	ZENER D	MAZ8056-M	(1)	224750562R2	
D2005	C-DIODE	1SS352	1	223234R2	
D2005 or	C-DIODE	1SS355	(1)	223269R2	
D2005 or	C-DIODE	MA2J111	(1)	223279R2	
D2005 or	C-DIODE	KDS4148U	(1)	223283R2	
D2006	C-DIODE	1SS352	1	223234R2	
D2006 or	C-DIODE	1SS355	(1)	223269R2	
D2006 or	C-DIODE	MA2J111	(1)	223279R2	
D2006 or	C-DIODE	KDS4148U	(1)	223283R2	
D2007	ZENER D	UDZS5.6B	1	224550560R2	
D2007 or	ZENER D	MAZ8056-M	(1)	224750562R2	
D2008	C-DIODE	1SS352	1	223234R2	
D2008 or	C-DIODE	1SS355	(1)	223269R2	
D2008 or	C-DIODE	MA2J111	(1)	223279R2	
D2008 or	C-DIODE	KDS4148U	(1)	223283R2	

D2009	DIODE	RB050M-30GTR	1	22380373R2
D2010	DIODE	D5SBA60	1	22380070
D2010A	HEAT SINK	RAD-083	1	27160271
D2010B	SCREW	3P+6FN(3BC)	1	82143006GR
D2012	C-DIODE	1SS352	1	223234R2
D2012 or	C-DIODE	1SS355	(1)	223269R2
D2012 or	C-DIODE	MA2J111	(1)	223279R2
D2012 or	C-DIODE	KDS4148U	(1)	223283R2
D2100	DIODE	RL1N4003	1	22380260T
D2700	SPCF D	SIR-34ST3F	1	225456
D2701	SPCF D	SIR-34ST3F	1	225456
D2702	C-DIODE	1SS352	1	223234R2
D2702 or	C-DIODE	1SS355	(1)	223269R2
D2702 or	C-DIODE	MA2J111	(1)	223279R2
D2702 or	C-DIODE	KDS4148U	(1)	223283R2
D2703	C-DIODE	1SS352	1	223234R2
D2703 or	C-DIODE	1SS355	(1)	223269R2
D2703 or	C-DIODE	MA2J111	(1)	223279R2
D2703 or	C-DIODE	KDS4148U	(1)	223283R2
D2704	C-DIODE	1SS352	1	223234R2
D2704 or	C-DIODE	1SS355	(1)	223269R2
D2704 or	C-DIODE	MA2J111	(1)	223279R2
D2704 or	C-DIODE	KDS4148U	(1)	223283R2
D2705	C-DIODE	1SS352	1	223234R2
D2705 or	C-DIODE	1SS355	(1)	223269R2
D2705 or	C-DIODE	MA2J111	(1)	223279R2
D2705 or	C-DIODE	KDS4148U	(1)	223283R2
D2706	C-DIODE	1SS352	1	223234R2
D2706 or	C-DIODE	1SS355	(1)	223269R2
D2706 or	C-DIODE	MA2J111	(1)	223279R2
D2706 or	C-DIODE	KDS4148U	(1)	223283R2
D2707	C-DIODE	1SS352	1	223234R2
D2707 or	C-DIODE	1SS355	(1)	223269R2
D2707 or	C-DIODE	MA2J111	(1)	223279R2

D2707 or	C-DIODE	KDS4148U	(1)	223283R2	
D2708	DIODE	RL1N4003	1	22380260T	
Q101	IC	NE5532APSR	1	22242283R2	
Q102	IC	78M05HF(NJM78M05DL1A-TE1)	1	222780055R2JR	
Q2000	IC	TRS3221ECPWR	1	22242805R2	
Q2001	IC	MP2303ADN-LF-Z	1	22242785R2	
Q2100	IC	NJW1325	1	22242596R3	
Q2101	IC	NJM2505AF	1	22242490R2	
Q2700	TR	2SA965-Y(TPE6_F)	1	2211644T	
Q2700 or	TR	2SA965-O(TPE6_F)	(1)	2211643T	
Q2701	TR	KRC102S	1	2216190R2	
Q2701 or	TR	RN1402	(1)	2214470R2	
Q2702	TR	2SA1162-GR	1	2214375R2	
Q2702 or	TR	KTA1504-GR	(1)	2216185R2	
Q2703	TR	KRC102S	1	2216190R2	
Q2703 or	TR	RN1402	(1)	2214470R2	
Q2704	TR	2SA1162-GR	1	2214375R2	
Q2704 or	TR	KTA1504-GR	(1)	2216185R2	
Q2705	TR	KRC102S	1	2216190R2	
Q2705 or	TR	RN1402	(1)	2214470R2	
Q2706	TR	KRA102S	1	2216220R2	
Q2706 or	TR	RN2402	(1)	2214530R2	
Q2707	PHT CP	PS2501AL-1	1	24120141R2	
Q2708	PHT CP	PS2501AL-1	1	24120141R2	
Q2900	IC	TC4052BF(EL_N_F)	1	222840521R2TO	
Q2901	IC	TC4052BF(EL_N_F)	1	222840521R2TO	
[TRANS COIL]					
L101	CHOKE COIL	LBC2518T100M	1	231364M100R2	
L2000	CHOKE COIL	LBC2518T470M	1	231364M470R2	
L2001	CHOKE COIL	BLM21PG221SN1	1	230949R2	
L2003	CHOKE COIL	C6-K5RA-10UH	1	231451P100R2	N
L2004	CHOKE COIL	BLM21PG221SN1	1	230949R2	
L2100	CHOKE COIL	LBC2518T4R7M	1	231364M047R2	
L2700	EMIFIL	BK1608LM182-T	1	230958R1	

L2701	EMIFIL	BK1608LM182-T	1	230958R1
L2702	EMIFIL	BK1608LM182-T	1	230958R1
L2703	EMIFIL	BK1608LM182-T	1	230958R1
[CAPACITOR]				
C101	UTSP C	CE04W50V-22M(UTSP)	1	397582207T
C102	UTSP C	CE04W25V-100M(UTSP)	1	397551017T
C104	C-CERA C	CC725CH1H-101J1	1	342101014R1
C107	C-CERA C	CC725CH1H-101J1	1	342101014R1
C108	C-CERA C	CC725CH1H-101J1	1	342101014R1
C109	C-CERA C	CC725CH1H-101J1	1	342101014R1
C112	UTSP C	CE04W25V-100M(UTSP)	1	397551017T
C114	UTSP C	CE04W50V-22M(UTSP)	1	397582207T
C116	UTSP C	CE04W10V-100M(UTSP)	1	397531017T
C118	C-CERA C	CK725F1E-104Z1	1	332161040R1
C119	UTSP C	CE04W25V-47M(UTSP)	1	397554707T
C122	C-CERA C	CC725CH1H-101J1	1	342101014R1
C2000	UTSP C	CE04W50V-1M(UTSP)	1	397580107T
C2001	UTSP C	CE04W50V-1M(UTSP)	1	397580107T
C2002	UTSP C	CE04W50V-1M(UTSP)	1	397580107T
C2003	C-CERA C	CK725B1H-102K1	1	332101025R1
C2004	UTSP C	CE04W50V-1M(UTSP)	1	397580107T
C2005	UTSP C	CE04W10V-100M(UTSP)	1	397531017T
C2006	C-CERA C	CK725F1E-104Z1	1	332161040R1
C2007	C-CERA C	CK725B1H-103K1	1	332101035R1
C2008	C-CERA C	CK725F1E-104Z1	1	332161040R1
C2009	C-CERA C	CK725F1E-104Z1	1	332161040R1
C2010	UTSP C	CE04W10V-100M(UTSP)	1	397531017T
C2011	C-CERA C	CK725F1A-105Z1	1	332181050R1
C2012	C-CERA C	CK732B16V-106K	1	332071065R2
C2013	C-CERA C	CK732B16V-106K	1	332071065R2
C2014	C-CERA C	CK732B16V-106K	1	332071065R2
C2015	C-CERA C	CK725B1E-106K	1	332221065R2
C2016	C-CERA C	CK725B1E-106K	1	332221065R2
C2017	TF C	ECQ-V50V-334J	1	374723344T

C2018	VR C	CE04W16V-4700M(VR)	1	394644727S
C2019	UTSP C	CE04W50V-4.7M(UTSP)	1	397580477T
C2020	TF C	ECQ-V50V-334J	1	374723344T
C2021	ELECT C	CE04W18V-10000M(VZ)	1	3945H1037S
C2100	UTSP C	CE04W50V-2.2M(UTSP)	1	397580227T
C2101	UTSP C	CE04W50V-2.2M(UTSP)	1	397580227T
C2102	UTSP C	CE04W50V-2.2M(UTSP)	1	397580227T
C2103	UTSP C	CE04W50V-2.2M(UTSP)	1	397580227T
C2104	UTSP C	CE04W50V-2.2M(UTSP)	1	397580227T
C2105	UTSP C	CE04W50V-2.2M(UTSP)	1	397580227T
C2106	UTSP C	CE04W50V-2.2M(UTSP)	1	397580227T
C2108	UTSP C	CE04W50V-2.2M(UTSP)	1	397580227T
C2110	C-CERA C	CK725B1H-102K1	1	332101025R1
C2111	C-CERA C	CK725F1E-104Z1	1	332161040R1
C2114	UTSP C	CE04W50V-2.2M(UTSP)	1	397580227T
C2116	VR C	CE04W6.3V-470M(VR)	1	394624717T
C2117	UTSP C	CE04W50V-1M(UTSP)	1	397580107T
C2118	UTSP C	CE04W50V-2.2M(UTSP)	1	397580227T
C2119	UTSP C	CE04W25V-47M(UTSP)	1	397554707T
C2120	C-CERA C	CK725F1E-104Z1	1	332161040R1
C2122	VR C	CE04W6.3V-470M(VR)	1	394624717T
C2123	VR C	CE04W6.3V-470M(VR)	1	394624717T
C2125	VR C	CE04W6.3V-470M(VR)	1	394624717T
C2126	C-CERA C	CC725CH1H-151J1	1	342101514R1
C2127	UTSP C	CE04W25V-47M(UTSP)	1	397554707T
C2128	C-CERA C	CK725F1E-104Z1	1	332161040R1
C2129	C-CERA C	CK725B1H-102K1	1	332101025R1
C2130	VR C	CE04W6.3V-470M(VR)	1	394624717T
C2131	VR C	CE04W6.3V-470M(VR)	1	394624717T
C2132	UTSP C	CE04W25V-47M(UTSP)	1	397554707T
C2133	VR C	CE04W6.3V-470M(VR)	1	394624717T
C2134	UTSP C	CE04W50V-2.2M(UTSP)	1	397580227T
C2135	VR C	CE04W6.3V-470M(VR)	1	394624717T
C2137	VR C	CE04W6.3V-470M(VR)	1	394624717T

C2138	UTSP C	CE04W25V-47M(UTSP)	1	397554707T
C2139	C-CERA C	CK725F1E-104Z1	1	332161040R1
C2140	UTSP C	CE04W25V-47M(UTSP)	1	397554707T
C2141	C-CERA C	CK725F1E-104Z1	1	332161040R1
C2142	UTSP C	CE04W50V-2.2M(UTSP)	1	397580227T
C2144	UTSP C	CE04W25V-47M(UTSP)	1	397554707T
C2145	C-CERA C	CK725F1E-104Z1	1	332161040R1
C2147	C-CERA C	CK725F1E-104Z1	1	332161040R1
C2148	UTSP C	CE04W25V-47M(UTSP)	1	397554707T
C2149	C-CERA C	CK725F1E-104Z1	1	332161040R1
C2150	UTSP C	CE04W50V-2.2M(UTSP)	1	397580227T
C2152	C-CERA C	CK725B1H-102K1	1	332101025R1
C2153	UTSP C	CE04W50V-2.2M(UTSP)	1	397580227T
C2154	UTSP C	CE04W25V-47M(UTSP)	1	397554707T
C2155	C-CERA C	CK725F1E-104Z1	1	332161040R1
C2157	VR C	CE04W6.3V-470M(VR)	1	394624717T
C2158	UTSP C	CE04W50V-2.2M(UTSP)	1	397580227T
C2159	VR C	CE04W6.3V-470M(VR)	1	394624717T
C2161	VR C	CE04W6.3V-470M(VR)	1	394624717T
C2162	UTSP C	CE04W50V-2.2M(UTSP)	1	397580227T
C2165	UTSP C	CE04W50V-1M(UTSP)	1	397580107T
C2167	UTSP C	CE04W25V-47M(UTSP)	1	397554707T
C2168	C-CERA C	CK725F1E-104Z1	1	332161040R1
C2169	C-CERA C	CK725F1E-104Z1	1	332161040R1
C2170	UTSP C	CE04W25V-47M(UTSP)	1	397554707T
C2173	C-CERA C	CK725F1E-104Z1	1	332161040R1
C2174	UTSP C	CE04W50V-10M(UTSP)	1	397581007T
C2175	VR C	CE04W6.3V-470M(VR)	1	394624717T
C2176	VR C	CE04W6.3V-470M(VR)	1	394624717T
C2179	C-CERA C	CK732B16V-106K	1	332071065R2
C2180	C-CERA C	CC725CH1H-470J1	1	342104704R1
C2181	C-CERA C	CC725CH1H-470J1	1	342104704R1
C2182	C-CERA C	CK725B1H-102K1	1	332101025R1
C2183	C-CERA C	CC725CH1H-151J1	1	342101514R1

C2700	UTSP C	CE04W10V-100M(UTSP)	1	397531017T
C2701	C-CERA C	CC725CH1H-101J1	1	342101014R1
C2702	C-CERA C	CC725CH1H-101J1	1	342101014R1
C2704	C-CERA C	CC725CH1H-101J1	1	342101014R1
C2705	C-CERA C	CK725B1H-102K1	1	332101025R1
C2709	C-CERA C	CK725B1H-102K1	1	332101025R1
C2710	C-CERA C	CK725F1E-104Z1	1	332161040R1
C2901	C-CERA C	CK725F1A-105Z1	1	332181050R1
C2902	C-CERA C	CK725F1A-105Z1	1	332181050R1
C2903	C-CERA C	CC725CH1H-220J1	1	342102204R1
C2904	C-CERA C	CC725CH1H-220J1	1	342102204R1
C2905	C-CERA C	CC725CH1H-220J1	1	342102204R1
C2906	C-CERA C	CK725B1H-102K1	1	332101025R1
C2907	C-CERA C	CK725B1H-102K1	1	332101025R1
C2908	C-CERA C	CK725B1H-102K1	1	332101025R1
[RESISTOR]				
R101	C-CARBON R	RN72K1J-000JE	1	435030004R1
R103	C-CARBON R	RN72K1J-000JE	1	435030004R1
R105	C-CARBON R	RN72K1J-000JE	1	435030004R1
R106	C-CARBON R	RN72K1J-473JE	1	435034734R1
R107	C-CARBON R	RN72K1J-102JE	1	435031024R1
R109	C-CARBON R	RN72K1J-473JE	1	435034734R1
R110	C-CARBON R	RN72K1J-224JE	1	435032244R1
R111	C-CARBON R	RN72K1J-473JE	1	435034734R1
R112	C-CARBON R	RN72K1J-473JE	1	435034734R1
R114	C-CARBON R	RN72K1J-473JE	1	435034734R1
R115	C-CARBON R	RN72K1J-224JE	1	435032244R1
R116	C-CARBON R	RN72K1J-473JE	1	435034734R1
R117	C-CARBON R	RN72K1J-473JE	1	435034734R1
R118	C-CARBON R	RN72K1J-102JE	1	435031024R1
R119	C-CARBON R	RN72K1J-473JE	1	435034734R1
R122	C-CARBON R	RN72K1J-000JE	1	435030004R1
R123	METAL O R	RS1WBJ-220	1	443622214T
R124	C-CARBON R	RN72K1J-333JE	1	435033334R1

R125	METAL O R	RS1WBJ-100	1	443621014T
R128	C-CARBON R	RN72K1J-000JE	1	435030004R1
R129	C-CARBON R	RN72K1J-103JE	1	435031034R1
R132	C-CARBON R	RN72K1J-220JE	1	435032204R1
R133	C-CARBON R	RN72K1J-220JE	1	435032204R1
R2000	C-CARBON R	RN72K1J-331JE	1	435033314R1
R2001	C-CARBON R	RN72K1J-331JE	1	435033314R1
R2002	C-CARBON R	RN72K1J-331JE	1	435033314R1
R2003	C-CARBON R	RN72K1J-331JE	1	435033314R1
R2004	C-CARBON R	RN72K1J-103JE	1	435031034R1
R2005	C-CARBON R	RN72K1J-103JE	1	435031034R1
R2006	C-CARBON R	RN72K1J-103JE	1	435031034R1
R2008	C-CARBON R	RN72K1J-823FE	1	435038232R1
R2009	C-CARBON R	RN72K1J-334FE	1	435033342R1
R2010	C-CARBON R	RN72K1J-273JE	1	435032734R1
R2011	C-CARBON R	RN72K1J-104JE	1	435031044R1
R2012	C-CARBON R	RN72K1J-103FE	1	435031032R1
R2013	C-CARBON R	RN72K1J-183JE	1	435031834R1
R2016	C-CARBON R	RN72K1J-103JE	1	435031034R1
R2017	C-CARBON R	RN72K2E-000JE	1	435220004R1
R2018	C-CARBON R	RN72K2E-000JE	1	435220004R1
R2019	C-CARBON R	RN72K1J-000JE	1	435030004R1
R2020	C-CARBON R	RN72K1J-000JE	1	435030004R1
R2021	C-CARBON R	RN72K1J-000JE	1	435030004R1
R2026	C-CARBON R	RN72K1J-103JE	1	435031034R1
R2027	C-CARBON R	RN72K1J-103JE	1	435031034R1
R2107	C-CARBON R	RN72K1J-000JE	1	435030004R1
R2108	C-CARBON R	RN72K1J-000JE	1	435030004R1
R2109	C-CARBON R	RN72K1J-000JE	1	435030004R1
R2110	C-CARBON R	RN72K1J-000JE	1	435030004R1
R2111	C-CARBON R	RN72K1J-750JE	1	435037504R1
R2112	C-CARBON R	RN72K1J-750JE	1	435037504R1
R2116	C-CARBON R	RN72K1J-103JE	1	435031034R1
R2117	C-CARBON R	RN72K1J-104JE	1	435031044R1

R2118	C-CARBON R	RN72K1J-104JE	1	435031044R1
R2119	C-CARBON R	RN72K1J-101JE	1	435031014R1
R2120	C-CARBON R	RN72K1J-392JE	1	435033924R1
R2122	C-CARBON R	RN72K1J-101JE	1	435031014R1
R2123	C-CARBON R	RN72K1J-101JE	1	435031014R1
R2124	C-CARBON R	RN72K1J-682JE	1	435036824R1
R2125	C-CARBON R	RN72K1J-750JE	1	435037504R1
R2126	C-CARBON R	RN72K1J-750JE	1	435037504R1
R2127	C-CARBON R	RN72K1J-750JE	1	435037504R1
R2129	C-CARBON R	RN72K1J-104JE	1	435031044R1
R2130	C-CARBON R	RN72K1J-222JE	1	435032224R1
R2131	C-CARBON R	RN72K1J-222JE	1	435032224R1
R2132	C-CARBON R	RN72K1J-101JE	1	435031014R1
R2133	C-CARBON R	RN72K1J-101JE	1	435031014R1
R2134	C-CARBON R	RN72K1J-101JE	1	435031014R1
R2135	C-CARBON R	RN72K1J-750JE	1	435037504R1
R2136	C-CARBON R	RN72K1J-750JE	1	435037504R1
R2137	C-CARBON R	RN72K1J-750JE	1	435037504R1
R2138	C-CARBON R	RN72K1J-750JE	1	435037504R1
R2139	C-CARBON R	RN72K1J-750JE	1	435037504R1
R2140	C-CARBON R	RN72K1J-750JE	1	435037504R1
R2141	C-CARBON R	RN72K1J-750JE	1	435037504R1
R2142	C-CARBON R	RN72K1J-104JE	1	435031044R1
R2143	C-CARBON R	RN72K1J-392JE	1	435033924R1
R2144	C-CARBON R	RN72K1J-750JE	1	435037504R1
R2146	C-CARBON R	RN72K1J-104JE	1	435031044R1
R2147	C-CARBON R	RN72K1J-101JE	1	435031014R1
R2148	C-CARBON R	RN72K1J-682JE	1	435036824R1
R2149	C-CARBON R	RN72K1J-104JE	1	435031044R1
R2150	C-CARBON R	RN72K1J-104JE	1	435031044R1
R2151	C-CARBON R	RN72K1J-220JE	1	435032204R1
R2154	C-CARBON R	RN72K1J-750JE	1	435037504R1
R2155	C-CARBON R	RN72K1J-220JE	1	435032204R1
R2156	C-CARBON R	RN72K1J-104JE	1	435031044R1

R2158	C-CARBON R	RN72K1J-750JE	1	435037504R1
R2159	C-CARBON R	RN72K1J-104JE	1	435031044R1
R2700	C-CARBON R	RN72K1J-101JE	1	435031014R1
R2701	C-CARBON R	RN72K1J-102JE	1	435031024R1
R2702	C-CARBON R	RN72K1J-082JE	1	435030824R1
R2703	C-CARBON R	RN72K1J-224JE	1	435032244R1
R2704	C-CARBON R	RN72K1J-102JE	1	435031024R1
R2705	C-CARBON R	RN72K1J-220JE	1	435032204R1
R2706	C-CARBON R	RN72K1J-101JE	1	435031014R1
R2707	C-CARBON R	RN72K1J-224JE	1	435032244R1
R2708	C-CARBON R	RN72K1J-102JE	1	435031024R1
R2709	C-CARBON R	RN72K1J-220JE	1	435032204R1
R2710	C-CARBON R	RN72K1J-101JE	1	435031014R1
R2711	C-CARBON R	RN72K1J-224JE	1	435032244R1
R2712	C-CARBON R	RN72K1J-000JE	1	435030004R1
R2713	C-CARBON R	RN72K1J-102JE	1	435031024R1
R2717	C-CARBON R	RN72K1J-000JE	1	435030004R1
R2718	C-CARBON R	RN72K1J-000JE	1	435030004R1
R2719	C-CARBON R	RN72K1J-470JE	1	435034704R1
R2720	C-CARBON R	RN72K1J-470JE	1	435034704R1
R2721	C-CARBON R	RN72K1J-000JE	1	435030004R1
R2722	C-CARBON R	RN72K1J-101JE	1	435031014R1
R2723	C-CARBON R	RN72K1J-103JE	1	435031034R1
R2724	C-CARBON R	RN72K1J-000JE	1	435030004R1
R2726	C-CARBON R	RN72K1J-000JE	1	435030004R1
R2727	C-CARBON R	RN72K1J-000JE	1	435030004R1
R2728	C-CARBON R	RN72K1J-082JE	1	435030824R1
R2729	C-CARBON R	RN72K1J-103JE	1	435031034R1
R2900	C-CARBON R	RN72K1J-103JE	1	435031034R1
R2901	C-CARBON R	RN72K1J-103JE	1	435031034R1
R2902	C-CARBON R	RN72K1J-750JE	1	435037504R1
R2903	C-CARBON R	RN72K1J-750JE	1	435037504R1
R2904	C-CARBON R	RN72K1J-750JE	1	435037504R1
R2905	C-CARBON R	RN72K1J-105JE	1	435031054R1

R2906	C-CARBON R	RN72K1J-105JE	1	435031054R1	
R2907	C-CARBON R	RN72K1J-750JE	1	435037504R1	
R2908	C-CARBON R	RN72K1J-750JE	1	435037504R1	
R2909	C-CARBON R	RN72K1J-750JE	1	435037504R1	
R2910	C-CARBON R	RN72K1J-750JE	1	435037504R1	
R2911	C-CARBON R	RN72K1J-750JE	1	435037504R1	
R2912	C-CARBON R	RN72K1J-750JE	1	435037504R1	
R2913	C-CARBON R	RN72K1J-105JE	1	435031054R1	
[SW TRM]					
F2000A	FUSE HOL	NSCT-1P2031	1	25052133T	!
F2000B	FUSE HOL	NSCT-1P2031	1	25052133T	!
F2002A	FUSE HOL	NSCT-1P2031	1	25052133T	!
F2002B	FUSE HOL	NSCT-1P2031	1	25052133T	!
JL101B	WIRE TRAP	NPLG-5P588	1	25055626	
JL2000B	WIRE TRAP	NPLG-9P592	1	25055630	
JL2100A	WIRE HOL	NSCT-5P876	1	25051089	
JL9000B	WIRE TRAP	NPLG-7P590	1	25055628	
P101B	SOCKET	NSCT-9P2102	1	25052205	
P2000	SOCKET	MDS-09P-V-01(DSUB9P)	1	25053363	
P2001A	PLUG	IMSA-9142B-16A	1	25056598	
P2002A	PLUG	IMSA-9142B-18A	1	25056599	
P2003	PLUG	NPLG-5P119	1	25055135	
P2005	RETAINER	(PC-HOLD)	1	27142149	
P2006	RETAINER	(PC-HOLD)	1	27142149	
P2100A	SOCKET	NSCT-21P2114	1	25052217	
P2100B	SOCKET	NSCT-21P2151	1	25052254	
P2101A	SOCKET	NSCT-21P2412	1	25052515	
P2102	PIN JACK	NPJ-9PDGLRGLRGLR563	1	25045781	
P2102	PIN JACK	NPJ-9PDGLR630	1	25045851	
P2103	PIN JACK	NPJ-1PDY655	1	25045882	
P2104	TRM-423(SCREW)	NEJITANSI ST3	1	25060495	
P2105	PIN JACK	NPJ-3PDYYY560	1	25045778	
P2105	PIN JACK	NPJ-3PDYYY681	1	25045913	
P2106	PIN JACK	NPJ-2PDYY679	1	25045911	

P2106	PIN JACK	NPJ-2PDYY680	1	25045912
P2700	ST JACK	HSJ1002-01-6020	1	25045647
P2701	ST JACK	HSJ1002-01-6020	1	25045647
P2702	ST JACK	HSJ1002-01-6020	1	25045647
P2901	SOCKET	MDS-14P-08-NI-DM-RF-PBT(ONA)	1	25053499
P2901 or	SOCKET	NSCT-14P2510	(1)	25052613
P2902	SOCKET	MDS-14P-08-NI-DM-RF-PBT(ONA)	1	25053499
P2902 or	SOCKET	NSCT-14P2510	(1)	25052613
P2903	SOCKET	MDS-14P-08-NI-DM-RF-PBT(ONA)	1	25053499
P2903 or	SOCKET	NSCT-14P2510	(1)	25052613

[TUNER UNIT]

U2700	REMO SENS	KSM-603TE5B	1	24130019
-------	-----------	-------------	---	----------

U009	U0090~U0094	BADG-1157-1A *
U0090	DIGITAL PC BOARD ASS'Y	BADG-1157-1A
U0091	MPU PC BOARD ASS'Y	BACPU-1158-1A
U0092	AUDIO PC BOARD ASS'Y	BAASP-1159-1A
U0093	CONNECTOR PC BOARD ASS'Y	BAETC-1160-1A
U0094	TERMINAL PC BOARD ASS'Y	BAETC-1162-1A

CIRCUIT NO	PART NAME	DESCRIPTION	Q'TY	PART NO. (SN)	REMARKS
[SEMI CONDUCTOR]					
D161	C-DIODE	ISS352	1	223234R2	
D161 or	C-DIODE	ISS355	(1)	223269R2	
D161 or	C-DIODE	MA2J111	(1)	223279R2	
D161 or	C-DIODE	KDS4148U	(1)	223283R2	
D162	C-DIODE	ISS352	1	223234R2	
D162 or	C-DIODE	ISS355	(1)	223269R2	
D162 or	C-DIODE	MA2J111	(1)	223279R2	
D162 or	C-DIODE	KDS4148U	(1)	223283R2	
D4505	C-DIODE	ISS352	1	223234R2	
D4505 or	C-DIODE	ISS355	(1)	223269R2	

D4505 or	C-DIODE	MA2J111	(1)	223279R2
D4505 or	C-DIODE	KDS4148U	(1)	223283R2
D4506	C-DIODE	ISS352	1	223234R2
D4506 or	C-DIODE	ISS355	(1)	223269R2
D4506 or	C-DIODE	MA2J111	(1)	223279R2
D4506 or	C-DIODE	KDS4148U	(1)	223283R2
D4507	C-DIODE	ISS352	1	223234R2
D4507 or	C-DIODE	ISS355	(1)	223269R2
D4507 or	C-DIODE	MA2J111	(1)	223279R2
D4507 or	C-DIODE	KDS4148U	(1)	223283R2
D4508	C-DIODE	ISS352	1	223234R2
D4508 or	C-DIODE	ISS355	(1)	223269R2
D4508 or	C-DIODE	MA2J111	(1)	223279R2
D4508 or	C-DIODE	KDS4148U	(1)	223283R2
D4515	C-DIODE	ISS352	1	223234R2
D4515 or	C-DIODE	ISS355	(1)	223269R2
D4515 or	C-DIODE	MA2J111	(1)	223279R2
D4515 or	C-DIODE	KDS4148U	(1)	223283R2
D4516	C-DIODE	ISS352	1	223234R2
D4516 or	C-DIODE	ISS355	(1)	223269R2
D4516 or	C-DIODE	MA2J111	(1)	223279R2
D4516 or	C-DIODE	KDS4148U	(1)	223283R2
D4517	C-DIODE	ISS352	1	223234R2
D4517 or	C-DIODE	ISS355	(1)	223269R2
D4517 or	C-DIODE	MA2J111	(1)	223279R2
D4517 or	C-DIODE	KDS4148U	(1)	223283R2
D4518	C-DIODE	ISS352	1	223234R2
D4518 or	C-DIODE	ISS355	(1)	223269R2
D4518 or	C-DIODE	MA2J111	(1)	223279R2
D4518 or	C-DIODE	KDS4148U	(1)	223283R2
D4900	ZENER D	UDZS7.5B	1	224550750R2
D4901	ZENER D	UDZS13B	1	224551300R2
D4903	ZENER D	UDZS6.8B	1	224550680R2
D4910	ZENER D	UDZS7.5B	1	224550750R2

D4911	ZENER D	UDZS13B	1	224551300R2
D4913	ZENER D	UDZS6.8B	1	224550680R2
D7002	C-DIODE	ISS352	1	223234R2
D7002 or	C-DIODE	ISS355	(1)	223269R2
D7002 or	C-DIODE	MA2J111	(1)	223279R2
D7002 or	C-DIODE	KDS4148U	(1)	223283R2
D7003	C-DIODE	ISS352	1	223234R2
D7003 or	C-DIODE	ISS355	(1)	223269R2
D7003 or	C-DIODE	MA2J111	(1)	223279R2
D7003 or	C-DIODE	KDS4148U	(1)	223283R2
D7011	C-DIODE	ISS352	1	223234R2
D7011 or	C-DIODE	ISS355	(1)	223269R2
D7011 or	C-DIODE	MA2J111	(1)	223279R2
D7011 or	C-DIODE	KDS4148U	(1)	223283R2
Q1001	IC	CY2305FSXC-1T	1	22242779R2
Q1002	IC	TC7SZU04FU	1	22242512R2TO
Q1220	IC	NE5532APSR	1	22242283R2
Q1221	IC	NJM4580M-D	1	22241448R2
Q1222	IC	NE5532APSR	1	22242283R2
Q1223	IC	NE5532APSR	1	22242283R2
Q1224	IC	NJM4580M-D	1	22241448R2
Q1225	IC	NE5532APSR	1	22242283R2
Q1226	IC	NJM4580M-D	1	22241448R2
Q1227	IC	NJM4580M-D	1	22241448R2
Q1230	IC	NJM4580M-D	1	22241448R2
Q1231	IC	NJM4580M-D	1	22241448R2
Q1232	IC	NJM4580M-D	1	22241448R2
Q1233	IC	NJM4580M-D	1	22241448R2
Q1234	IC	NJM4580M-D	1	22241448R2
Q1235	IC	NJM4580M-D	1	22241448R2
Q1236	IC	NJM4580M-D	1	22241448R2
Q1237	IC	NJM4580M-D	1	22241448R2
Q1301	IC	TA4805BF(TE16L_NQ)	1	22278005DBR2TO
Q1302	IC	NJM2855DL1-33	1	22278033QR2JR

Q1303	IC	TA4805BF(TE16L_NQ)	1	22278005DBR2TO
Q1311	IC	PCM9211PTR	1	22242703R2
Q1325	IC	74HCU04F	1	222740046R2
Q1421	IC	PCM1690DCAR	1	22242599R2
Q1601	IC	NJM4580M-D	1	22241448R2
Q1602	IC	NJM4580M-D	1	22241448R2
Q1603	IC	NJM4580M-D	1	22241448R2
Q1604	IC	NJM4580M-D	1	22241448R2
Q1800	IC	NJM4580M-D	1	22241448R2
Q1801	IC	NJM4580M-D	1	22241448R2
Q4500	IC	R2A15220FP	1	22242600R3
Q4501	IC	R2A15218FP	1	22242605R3
Q4502	IC	NJM4580M-D	1	22241448R2
Q4503	IC	NJM4580M-D	1	22241448R2
Q4504	IC	NJM4580M-D	1	22241448R2
Q4506	IC	NJM4580M-D	1	22241448R2
Q4508	IC	NJM4580M-D	1	22241448R2
Q4509	IC	NE5532APSR	1	22242283R2
Q4511	IC	NE5532APSR	1	22242283R2
Q4512	IC	NJM4580M-D	1	22241448R2
Q4513	IC	NJM4580M-D	1	22241448R2
Q4550	TR	2SK208-GR	1	2217434R2
Q4551	TR	2SA1488-Y	1	2203394
Q4551A	SCREW	3P+10FN(3BC)	1	82143010GR
Q4551B	HEAT SINK	RAD-177	1	27160517
Q4552	TR	KTC3198-GR	1	2215985T
Q4553	TR	2SC2235-Y(TPE6_F)	1	2211654T
Q4560	TR	2SK208-GR	1	2217434R2
Q4561	TR	2SC3851-Y	1	2203384
Q4561A	SCREW	3P+10FN(3BC)	1	82143010GR
Q4562	TR	KTA1266-GR	1	2215975T
Q4563	TR	2SA965-Y(TPE6_F)	1	2211644T
Q4600	TR	RN1441	1	2215410R2
Q4600 or	TR	RTAN430C-T112-1	(1)	2217780R2

Q4601	TR	RN1441	1	2215410R2
Q4601 or	TR	RTAN430C-T112-1	(1)	2217780R2
Q4602	TR	RN1441	1	2215410R2
Q4602 or	TR	RTAN430C-T112-1	(1)	2217780R2
Q4603	TR	RN1441	1	2215410R2
Q4603 or	TR	RTAN430C-T112-1	(1)	2217780R2
Q4604	TR	RN1441	1	2215410R2
Q4604 or	TR	RTAN430C-T112-1	(1)	2217780R2
Q4605	TR	RN1441	1	2215410R2
Q4605 or	TR	RTAN430C-T112-1	(1)	2217780R2
Q4606	TR	RN1441	1	2215410R2
Q4606 or	TR	RTAN430C-T112-1	(1)	2217780R2
Q4607	TR	RN1441	1	2215410R2
Q4607 or	TR	RTAN430C-T112-1	(1)	2217780R2
Q4616	TR	RN1441	1	2215410R2
Q4616 or	TR	RTAN430C-T112-1	(1)	2217780R2
Q4617	TR	RN1441	1	2215410R2
Q4617 or	TR	RTAN430C-T112-1	(1)	2217780R2
Q4620	TR	RN1441	1	2215410R2
Q4620 or	TR	RTAN430C-T112-1	(1)	2217780R2
Q4621	TR	RN1441	1	2215410R2
Q4621 or	TR	RTAN430C-T112-1	(1)	2217780R2
Q4622	TR	RN1441	1	2215410R2
Q4622 or	TR	RTAN430C-T112-1	(1)	2217780R2
Q4623	TR	RN1441	1	2215410R2
Q4623 or	TR	RTAN430C-T112-1	(1)	2217780R2
Q4624	TR	RN1441	1	2215410R2
Q4624 or	TR	RTAN430C-T112-1	(1)	2217780R2
Q4625	TR	RN1441	1	2215410R2
Q4625 or	TR	RTAN430C-T112-1	(1)	2217780R2
Q4630	TR	RN1441	1	2215410R2
Q4630 or	TR	RTAN430C-T112-1	(1)	2217780R2
Q4631	TR	RN1441	1	2215410R2
Q4631 or	TR	RTAN430C-T112-1	(1)	2217780R2

Q4640	TR	RN1441	1	2215410R2
Q4640 or	TR	RTAN430C-T112-1	(1)	2217780R2
Q4641	TR	RN1441	1	2215410R2
Q4641 or	TR	RTAN430C-T112-1	(1)	2217780R2
Q7001	IC	BU33TD3WG-TR	1	22242715R2
Q7002	TR	KRC104S	1	2216210R2
Q7002 or	TR	RN1404	(1)	2214490R2
Q7003	TR	KRA102S	1	2216220R2
Q7003 or	TR	RN2402	(1)	2214530R2
Q7004	IC	SN74CB3Q3305PWR	1	22242258R2
Q7007	TR	KRC104S	1	2216210R2
Q7007 or	TR	RN1404	(1)	2214490R2
Q7008	TR	KRA102S	1	2216220R2
Q7008 or	TR	RN2402	(1)	2214530R2
Q7010	TR	KRA107S	1	2216350R2
Q7010 or	TR	RN2407(TE85L_F)	(1)	2216360R2
Q7011	TR	KRC102S	1	2216190R2
Q7011 or	TR	RN1402	(1)	2214470R2
Q7012	TR	KRA107S	1	2216350R2
Q7012 or	TR	RN2407(TE85L_F)	(1)	2216360R2
Q7013	IC	BU33TD3WG-TR	1	22242715R2
Q7014	TR	KRC102S	1	2216190R2
Q7014 or	TR	RN1402	(1)	2214470R2
Q7015	TR	KRC104S	1	2216210R2
Q7015 or	TR	RN1404	(1)	2214490R2
Q7016	TR	KRA102S	1	2216220R2
Q7016 or	TR	RN2402	(1)	2214530R2
Q7017	TR	KRC104S	1	2216210R2
Q7017 or	TR	RN1404	(1)	2214490R2
Q7018	TR	KRA102S	1	2216220R2
Q7018 or	TR	RN2402	(1)	2214530R2
Q7019	TR	KRC104S	1	2216210R2
Q7019 or	TR	RN1404	(1)	2214490R2
Q7020	TR	KRA102S	1	2216220R2

Q7020 or	TR	RN2402	(1)	2214530R2
Q7021	TR	KRC104S	1	2216210R2
Q7021 or	TR	RN1404	(1)	2214490R2
Q7022	IC(MAIN)	MPD70F3477AGJA-GAE-G(0568)	1	222W0117R305680
Q7024	TR	KRA102S	1	2216220R2
Q7024 or	TR	RN2402	(1)	2214530R2
Q7025	TR	KRC104S	1	2216210R2
Q7025 or	TR	RN1404	(1)	2214490R2
Q7026	TR	KRA102S	1	2216220R2
Q7026 or	TR	RN2402	(1)	2214530R2
Q7028	TR	KRC104S	1	2216210R2
Q7028 or	TR	RN1404	(1)	2214490R2
Q7029	TR	KRA102S	1	2216220R2
Q7029 or	TR	RN2402	(1)	2214530R2
Q7030	TR	KRC104S	1	2216210R2
Q7030 or	TR	RN1404	(1)	2214490R2
Q7031	TR	KRA102S	1	2216220R2
Q7031 or	TR	RN2402	(1)	2214530R2
Q7032	TR	KRC104S	1	2216210R2
Q7032 or	TR	RN1404	(1)	2214490R2
Q7033	TR	KRA102S	1	2216220R2
Q7033 or	TR	RN2402	(1)	2214530R2
Q7034	IC	M95640-WMN6TP	1	22242643R2
Q7034 or	IC	R1EX25064ASA00A	(1)	22242581R2
Q7034 or	IC	BR25S640FJ	(1)	22242761R2
Q7035	IC	NJU7706F27A3	1	22242614R2
[TRANS COIL]				
L1001	CHOKE COIL	LBC2518T470M	1	231364M470R2
L1002	CORE	MMZ1608Y601BT	1	2350004R1
L1004	EMIFIL	BK1608LL241-T	1	230959R1
L1100	CHOKE COIL	LBC2518T4R7M	1	231364M047R2
L1101	CHOKE COIL	LBC2518T4R7M	1	231364M047R2
L1102	CHOKE COIL	LBC2518T4R7M	1	231364M047R2
L1110	EMIFIL	BK1608LM182-T	1	230958R1

L1111	EMIFIL	BK1608LL241-T	1	230959R1
L1112	C-CARBON R	RN72K1J-000JE	1	435030004R1
L1305	CHOKE COIL	LBC2518T2R2M	1	231364M022R2
L1307	CHOKE COIL	LBC2518T2R2M	1	231364M022R2
L1308	CHOKE COIL	LBC2518T2R2M	1	231364M022R2
L1312	CHOKE COIL	LBC2518T470M	1	231364M470R2
L1313	CHOKE COIL	LBC2518T470M	1	231364M470R2
L1319	CHOKE COIL	LBC2518T470M	1	231364M470R2
L1323	EMIFIL	BK1608HS102-T	1	230955R2
L1324	EMIFIL	BK1608HS102-T	1	230955R2
L1325	EMIFIL	BK1608HS102-T	1	230955R2
L1404	CHOKE COIL	LBC2518T4R7M	1	231364M047R2
L1407	CHOKE COIL	LBC2518T4R7M	1	231364M047R2
L160	CORE	BLM18PG121SN1D	1	2350006R1
L161	CORE	BLM18PG121SN1D	1	2350006R1
L162	CORE	BLM18PG121SN1D	1	2350006R1
X1100	CRYSTAL	HC-49US24.576MHz	1	3010490T
X7001	CERA LOCK	CSTCR5M00G53-B0	1	3010356R2
[CAPACITOR]				
C1001	C-CERA C	CK725B0J-106K	1	332091065R2
C1002	C-CERA C	CK725F1E-104Z1	1	332161040R1
C1004	C-CERA C	CK725F1E-104Z1	1	332161040R1
C1008	C-CERA C	CC725CH1H-120J1	1	342101204R1
C1009	C-CERA C	CC725CH1H-120J1	1	342101204R1
C1100	C-CERA C	CK725F1E-104Z1	1	332161040R1
C1101	C-CERA C	CC725CH1H-180J1	1	342101804R1
C1102	C-CERA C	CC725CH1H-180J1	1	342101804R1
C1103	UTSP C	CE04W10V-470M(UTSP)	1	397534717T
C1104	C-CERA C	CK725B1H-473K1	1	332104735R1
C1105	C-CERA C	CK725B1H-223K1	1	332102235R1
C1106	UTSJ C	CE04W25V-47M(UTSJ)	1	398054707AT
C1107	C-CERA C	CK725F1E-104Z1	1	332161040R1
C1108	UTSP C	CE04W10V-470M(UTSP)	1	397534717T
C1109	C-CERA C	CK725B1H-472K1	1	332104725R1

C1110	UTSP C	CE04W10V-470M(UTSP)	1	397534717T
C1113	C-CERA C	CK725F1E-104Z1	1	332161040R1
C1116	C-CERA C	CC725CH1H-330J1	1	342103304R1
C1117	C-CERA C	CC725CH1H-330J1	1	342103304R1
C1119	C-CERA C	CC725CH1H-221J1	1	342102214R1
C1122	C-CERA C	CK725F1E-104Z1	1	332161040R1
C1125	C-CERA C	CC725CH1H-330J1	1	342103304R1
C1141	UTSJ C	CE04W25V-47M(UTSJ)	1	398054707AT
C1230	C-CERA C	CC725CH1H-221J1	1	342102214R1
C1250	C-FILM C	ECHU16V-682J	1	373046824R2
C1251	C-FILM C	ECHU16V-682J	1	373046824R2
C1252	C-FILM C	ECHU16V-682J	1	373046824R2
C1253	C-FILM C	ECHU16V-682J	1	373046824R2
C1254	C-FILM C	ECHU16V-682J	1	373046824R2
C1255	C-FILM C	ECHU16V-682J	1	373046824R2
C1256	C-FILM C	ECHU16V-682J	1	373046824R2
C1257	C-FILM C	ECHU16V-682J	1	373046824R2
C1260	C-FILM C	ECHU50V-221J	1	373022214R2
C1261	C-FILM C	ECHU50V-221J	1	373022214R2
C1262	C-FILM C	ECHU50V-221J	1	373022214R2
C1263	C-FILM C	ECHU50V-221J	1	373022214R2
C1264	C-FILM C	ECHU50V-221J	1	373022214R2
C1265	C-FILM C	ECHU50V-221J	1	373022214R2
C1266	C-FILM C	ECHU50V-221J	1	373022214R2
C1267	C-FILM C	ECHU50V-221J	1	373022214R2
C1270	C-FILM C	ECHU50V-101J	1	373021014R2
C1271	C-FILM C	ECHU50V-101J	1	373021014R2
C1272	C-FILM C	ECHU50V-101J	1	373021014R2
C1273	C-FILM C	ECHU50V-101J	1	373021014R2
C1274	C-FILM C	ECHU50V-101J	1	373021014R2
C1275	C-FILM C	ECHU50V-101J	1	373021014R2
C1276	C-FILM C	ECHU50V-101J	1	373021014R2
C1277	C-FILM C	ECHU50V-101J	1	373021014R2
C1280	C-FILM C	ECHU50V-222J	1	373022224R2

C1281	C-FILM C	ECHU50V-222J	1	373022224R2
C1282	C-FILM C	ECHU50V-222J	1	373022224R2
C1283	C-FILM C	ECHU50V-222J	1	373022224R2
C1284	C-FILM C	ECHU50V-222J	1	373022224R2
C1285	C-FILM C	ECHU50V-222J	1	373022224R2
C1286	C-FILM C	ECHU50V-222J	1	373022224R2
C1287	C-FILM C	ECHU50V-222J	1	373022224R2
C1303	UTSP C	CE04W50V 47M(UTSP)	1	397584707T
C1305	VR C	CE04W16V-100M(VR)	1	394641017T
C1307	UTSP C	CE04W50V 47M(UTSP)	1	397584707T
C1310	VR C	CE04W16V-100M(VR)	1	394641017T
C1333	UTSP C	CE04W50V 47M(UTSP)	1	397584707T
C1335	VR C	CE04W16V-100M(VR)	1	394641017T
C1365	C-CERA C	CK725F1E-104Z1	1	332161040R1
C1366	C-CERA C	CC725CH1H-101J1	1	342101014R1
C1368	C-CERA C	CC725CH1H-101J1	1	342101014R1
C1375	C-CERA C	CK725F1E-104Z1	1	332161040R1
C1380	C-CERA C	CK725F1E-104Z1	1	332161040R1
C1381	C-CERA C	CC725CH1H-101J1	1	342101014R1
C1385	C-CERA C	CK725B1H-102K1	1	332101025R1
C1390	UTSP C	CE04W10V-470M(UTSP)	1	397534717T
C1400	C-CERA C	CK725F1E-104Z1	1	332161040R1
C1408	C-CERA C	CC725CH1H-080D1	1	342100802R1
C1409	C-CERA C	CC725CH1H-080D1	1	342100802R1
C1415	C-CERA C	CK725F1E-104Z1	1	332161040R1
C1417	C-CERA C	CK725F1E-104Z1	1	332161040R1
C1419	C-CERA C	CC725CH1H-080D1	1	342100802R1
C1421	UTSP C	CE04W10V-220M(UTSP)	1	397532217T
C1440	UTSP C	CE04W10V-470M(UTSP)	1	397534717T
C1456	C-FILM C	50ST104MA13216	1	376721047R2
C1464	C-FILM C	50ST104MA13216	1	376721047R2
C1465	C-FILM C	50ST104MA13216	1	376721047R2
C1499	UTSP C	CE04W10V-100M(UTSP)	1	397531017T
C1600	MKT C	B32529C0102J289	1	376491024T

C1600	MKT C	B32529C0222J289	1	376492224T
C1601	MKT C	B32529C0102J289	1	376491024T
C1601	MKT C	B32529C0222J289	1	376492224T
C1602	MKT C	B32529C0102J289	1	376491024T
C1602	MKT C	B32529C0222J289	1	376492224T
C1603	MKT C	B32529C0102J289	1	376491024T
C1603	MKT C	B32529C0222J289	1	376492224T
C1604	MKT C	B32529C0102J289	1	376491024T
C1604	MKT C	B32529C0222J289	1	376492224T
C1605	MKT C	B32529C0102J289	1	376491024T
C1605	MKT C	B32529C0222J289	1	376492224T
C1606	MKT C	B32529C0102J289	1	376491024T
C1606	MKT C	B32529C0222J289	1	376492224T
C1607	MKT C	B32529C0102J289	1	376491024T
C1607	MKT C	B32529C0222J289	1	376492224T
C161	C-FILM C	50ST104MA13216	1	376721047R2
C1610	UPZ C	2AUPZTF101JE	1	376331014T
C1610	UPZ C	2AUPZTF221JE	1	376332214T
C1611	UPZ C	2AUPZTF101JE	1	376331014T
C1611	UPZ C	2AUPZTF221JE	1	376332214T
C1612	UPZ C	2AUPZTF101JE	1	376331014T
C1612	UPZ C	2AUPZTF221JE	1	376332214T
C1613	UPZ C	2AUPZTF101JE	1	376331014T
C1613	UPZ C	2AUPZTF221JE	1	376332214T
C1614	UPZ C	2AUPZTF101JE	1	376331014T
C1614	UPZ C	2AUPZTF221JE	1	376332214T
C1615	UPZ C	2AUPZTF101JE	1	376331014T
C1615	UPZ C	2AUPZTF221JE	1	376332214T
C1616	UPZ C	2AUPZTF101JE	1	376331014T
C1616	UPZ C	2AUPZTF221JE	1	376332214T
C1617	UPZ C	2AUPZTF101JE	1	376331014T
C1617	UPZ C	2AUPZTF221JE	1	376332214T
C1620	UPZ C	2AUPZTF101JE	1	376331014T
C1620	UPZ C	2AUPZTF221JE	1	376332214T

C1621	UPZ C	2AUPZTF101JE	1	376331014T
C1621	UPZ C	2AUPZTF221JE	1	376332214T
C1622	UPZ C	2AUPZTF101JE	1	376331014T
C1622	UPZ C	2AUPZTF221JE	1	376332214T
C1623	UPZ C	2AUPZTF101JE	1	376331014T
C1623	UPZ C	2AUPZTF221JE	1	376332214T
C1624	UPZ C	2AUPZTF101JE	1	376331014T
C1624	UPZ C	2AUPZTF221JE	1	376332214T
C1625	UPZ C	2AUPZTF101JE	1	376331014T
C1625	UPZ C	2AUPZTF221JE	1	376332214T
C1626	UPZ C	2AUPZTF101JE	1	376331014T
C1626	UPZ C	2AUPZTF221JE	1	376332214T
C1627	UPZ C	2AUPZTF101JE	1	376331014T
C1627	UPZ C	2AUPZTF221JE	1	376332214T
C1650	UTSP C	CE04W25V-470M(UTSP)	1	397554717T
C1651	UTSP C	CE04W25V-470M(UTSP)	1	397554717T
C1800	UTSP C	CE04W25V-47M(UTSP)	1	397554707T
C1801	UTSP C	CE04W25V-47M(UTSP)	1	397554707T
C1802	UMXR C	1HUMXR1F102JE	1	376521024T
C1802 or	MKT C	B32529C0102J289	(1)	376491024T
C1803	UMXR C	1HUMXR1F102JE	1	376521024T
C1803 or	MKT C	B32529C0102J289	(1)	376491024T
C1804	UPZ C	2AUPZTF151JE	1	376331514T
C1805	UPZ C	2AUPZTF151JE	1	376331514T
C1810	UTSP C	CE04W25V-47M(UTSP)	1	397554707T
C1811	UTSP C	CE04W25V-47M(UTSP)	1	397554707T
C1821	C-CERA C	CK725B1H-102K1	1	332101025R1
C1828	C-CERA C	CK725F1E-104Z1	1	332161040R1
C4503	UPZ C	2AUPZTF221JE	1	376332214T
C4504	UPZ C	2AUPZTF221JE	1	376332214T
C4505	C-CERA C	CC725CH1H-221J1	1	342102214R1
C4506	C-CERA C	CC725CH1H-221J1	1	342102214R1
C4507	C-CERA C	CC725CH1H-221J1	1	342102214R1
C4508	C-CERA C	CC725CH1H-221J1	1	342102214R1

C4509	C-CERA C	CC725CH1H-221J1	1	342102214R1
C4510	C-CERA C	CC725CH1H-221J1	1	342102214R1
C4511	C-CERA C	CC725CH1H-221J1	1	342102214R1
C4512	C-CERA C	CC725CH1H-221J1	1	342102214R1
C4513	C-CERA C	CC725CH1H-221J1	1	342102214R1
C4514	C-CERA C	CC725CH1H-221J1	1	342102214R1
C4515	UTSP C	CE04W25V-220M(UTSP)	1	397552217T
C4516	UTSP C	CE04W25V-220M(UTSP)	1	397552217T
C4517	CHIP ELECT C	CEWX4V-22M	1	3981G2207R2
C4518	CHIP ELECT C	CEWX4V-22M	1	3981G2207R2
C4519	CHIP ELECT C	CEWX4V-22M	1	3981G2207R2
C4520	CHIP ELECT C	CEWX4V-22M	1	3981G2207R2
C4521	CHIP ELECT C	CEWX4V-22M	1	3981G2207R2
C4522	CHIP ELECT C	CEWX4V-22M	1	3981G2207R2
C4523	UTSP C	CE04W25V-220M(UTSP)	1	397552217T
C4524	UTSP C	CE04W25V-220M(UTSP)	1	397552217T
C4525	UTSP C	CE04W50V 47M(UTSP)	1	397584707T
C4526	UTSP C	CE04W50V 47M(UTSP)	1	397584707T
C4527	UTSP C	CE04W50V 47M(UTSP)	1	397584707T
C4528	UTSP C	CE04W50V 47M(UTSP)	1	397584707T
C4530	C-CERA C	CC725CH1H-331J1	1	342103314R1
C4531	C-CERA C	CC725CH1H-331J1	1	342103314R1
C4532	C-CERA C	CC725CH1H-331J1	1	342103314R1
C4533	C-CERA C	CC725CH1H-331J1	1	342103314R1
C4534	C-CERA C	CC725CH1H-331J1	1	342103314R1
C4535	C-CERA C	CC725CH1H-331J1	1	342103314R1
C4536	C-CERA C	CC725CH1H-221J1	1	342102214R1
C4537	C-CERA C	CC725CH1H-221J1	1	342102214R1
C4540	C-CERA C	CC725CH1H-221J1	1	342102214R1
C4541	C-CERA C	CC725CH1H-221J1	1	342102214R1
C4550	C-CERA C	CC725CH1H-221J1	1	342102214R1
C4551	C-CERA C	CC725CH1H-221J1	1	342102214R1
C4570	UTSP C	CE04W50V 47M(UTSP)	1	397584707T
C4571	UTSP C	CE04W50V 47M(UTSP)	1	397584707T

C4572	UTSP C	CE04W50V 47M(UTSP)	1	397584707T
C4573	UTSP C	CE04W50V 47M(UTSP)	1	397584707T
C4574	UTSP C	CE04W50V 47M(UTSP)	1	397584707T
C4575	UTSP C	CE04W50V 47M(UTSP)	1	397584707T
C4576	UTSP C	CE04W50V 47M(UTSP)	1	397584707T
C4577	UTSP C	CE04W50V 47M(UTSP)	1	397584707T
C4578	UTSP C	CE04W50V 47M(UTSP)	1	397584707T
C4579	UTSP C	CE04W50V 47M(UTSP)	1	397584707T
C4583	UTSP C	CE04W25V-220M(UTSP)	1	397552217T
C4584	UTSP C	CE04W25V-220M(UTSP)	1	397552217T
C4600	UTSP C	CE04W50V 47M(UTSP)	1	397584707T
C4601	UTSP C	CE04W50V 47M(UTSP)	1	397584707T
C4602	UTSP C	CE04W50V 47M(UTSP)	1	397584707T
C4603	UTSP C	CE04W50V 47M(UTSP)	1	397584707T
C4604	UTSP C	CE04W50V 47M(UTSP)	1	397584707T
C4605	UTSP C	CE04W50V 47M(UTSP)	1	397584707T
C4606	UTSP C	CE04W50V-22M(UTSP)	1	397582207T
C4607	UTSP C	CE04W50V 47M(UTSP)	1	397584707T
C4610	UTSP C	CE04W50V 47M(UTSP)	1	397584707T
C4611	UTSP C	CE04W50V 47M(UTSP)	1	397584707T
C4612	UTSP C	CE04W50V 47M(UTSP)	1	397584707T
C4613	UTSP C	CE04W50V 47M(UTSP)	1	397584707T
C4614	UTSP C	CE04W50V 47M(UTSP)	1	397584707T
C4615	UTSP C	CE04W50V 47M(UTSP)	1	397584707T
C4618	UTSP C	CE04W50V 47M(UTSP)	1	397584707T
C4619	UTSP C	CE04W50V 47M(UTSP)	1	397584707T
C4620	UTSP C	CE04W50V 47M(UTSP)	1	397584707T
C4621	UTSP C	CE04W50V 47M(UTSP)	1	397584707T
C4630	UTSP C	CE04W50V 47M(UTSP)	1	397584707T
C4631	UTSP C	CE04W50V 47M(UTSP)	1	397584707T
C4650	UTSP C	CE04W25V-220M(UTSP)	1	397552217T
C4651	UTSP C	CE04W25V-220M(UTSP)	1	397552217T
C4675	UTSP C	CE04W10V-220M(UTSP)	1	397532217T
C4726	C-CERA C	CC725CH1H-471J1	1	342104714R1

C4736	C-CERA C	CC725CH1H-471J1	1	342104714R1
C4740	C-CERA C	CC725CH1H-102J1	1	342101024R1
C4741	UTSP C	CE04W25V-47M(UTSP)	1	397554707T
C4742	UTSP C	CE04W10V-220M(UTSP)	1	397532217T
C4743	C-CERA C	CK725B1H-152K1	1	332101525R1
C4744	TF C	ECQ-V50V-123J	1	374721234T
C4745	MKT C	B32529C0332J289	1	376493324T
C4746	C-CERA C	CC725CH1H-151J1	1	342101514R1
C4747	UTSP C	CE04W10V-220M(UTSP)	1	397532217T
C4748	C-CERA C	CC725CH1H-101J1	1	342101014R1
C4749	UTSP C	CE04W50V-10M(UTSP)	1	397581007T
C4750	C-CERA C	CC725CH1H-102J1	1	342101024R1
C4751	UTSP C	CE04W25V-47M(UTSP)	1	397554707T
C4752	UTSP C	CE04W10V-220M(UTSP)	1	397532217T
C4753	C-CERA C	CK725B1H-152K1	1	332101525R1
C4754	TF C	ECQ-V50V-123J	1	374721234T
C4755	MKT C	B32529C0332J289	1	376493324T
C4756	C-CERA C	CC725CH1H-151J1	1	342101514R1
C4758	C-CERA C	CC725CH1H-101J1	1	342101014R1
C4759	UTSP C	CE04W50V-10M(UTSP)	1	397581007T
C4760	UTSP C	CE04W25V-47M(UTSP)	1	397554707T
C4761	C-CERA C	CC725CH1H-221J1	1	342102214R1
C4762	TF C	ECQ-V50V-103J	1	374721034T
C4763	C-CERA C	CK725F1E-104Z1	1	332161040R1
C4764	C-CERA C	CK725F1E-104Z1	1	332161040R1
C4770	C-CERA C	CC725CH1H-101J1	1	342101014R1
C4771	UTSP C	CE04W10V-220M(UTSP)	1	397532217T
C4780	C-CERA C	CC725CH1H-101J1	1	342101014R1
C4781	UTSP C	CE04W10V-220M(UTSP)	1	397532217T
C4796	UTSP C	CE04W10V-220M(UTSP)	1	397532217T
C4800	C-CERA C	CC725CH1H-102J1	1	342101024R1
C4805	C-CERA C	CC725CH1H-102J1	1	342101024R1
C4806	C-CERA C	CC725CH1H-102J1	1	342101024R1
C4807	C-CERA C	CC725CH1H-102J1	1	342101024R1

C4808	C-CERA C	CC725CH1H-102J1	1	342101024R1
C4810	TF C	ECQ-V50V-224J	1	374722244T
C4811	TF C	ECQ-V50V-473J	1	374724734T
C4812	TF C	ECQ-V50V-223J	1	374722234T
C4813	TF C	ECQ-V50V-224J	1	374722244T
C4814	TF C	ECQ-V50V-473J	1	374724734T
C4815	TF C	ECQ-V50V-223J	1	374722234T
C4840	TF C	ECQ-V50V-104J	1	374721044T
C4884	UTSP C	CE04W50V-47M(UTSP)	1	397584707T
C4885	UTSP C	CE04W25V-220M(UTSP)	1	397552217T
C4886	UTSP C	CE04W25V-220M(UTSP)	1	397552217T
C4900	UTSP C	CE04W25V-470M(UTSP)	1	397554717T
C4901	UTSP C	CE04W50V-22M(UTSP)	1	397582207T
C4902	UTSP C	CE04W25V-220M(UTSP)	1	397552217T
C4903	UTSP C	CE04W25V-220M(UTSP)	1	397552217T
C4904	UTSP C	CE04W10V-470M(UTSP)	1	397534717T
C4905	UTSP C	CE04W25V-220M(UTSP)	1	397552217T
C4906	UTSP C	CE04W10V-100M(UTSP)	1	397531017T
C4910	UTSP C	CE04W25V-470M(UTSP)	1	397554717T
C4911	UTSP C	CE04W50V-22M(UTSP)	1	397582207T
C4912	UTSP C	CE04W25V-220M(UTSP)	1	397552217T
C4913	UTSP C	CE04W25V-220M(UTSP)	1	397552217T
C4914	UTSP C	CE04W10V-470M(UTSP)	1	397534717T
C4915	UTSP C	CE04W25V-220M(UTSP)	1	397552217T
C4916	UTSP C	CE04W10V-100M(UTSP)	1	397531017T
C4952	UTSP C	CE04W50V-1M(UTSP)	1	397580107T
C4953	UTSP C	CE04W50V-47M(UTSP)	1	397584707T
C4954	C-CERA C	CK725F1C-224Z1	1	332172240R1
C7000	C-CERA C	CK732B16V-106K	1	332071065R2
C7001	C-CERA C	CK725B25V-105K1	1	332111055R1
C7003	C-CERA C	CK732B16V-106K	1	332071065R2
C7004	C-CERA C	CK725F1A-105Z1	1	332181050R1
C7005	C-CERA C	CK725B25V-105K1	1	332111055R1
C7006	C-CERA C	CK725F1E-104Z1	1	332161040R1

C7007	C-CERA C	CK725F1E-104Z1	1	332161040R1
C7008	C-CERA C	CK732B16V-106K	1	332071065R2
C7009	C-CERA C	CK725F1E-104Z1	1	332161040R1
C7011	C-CERA C	CK732B16V-106K	1	332071065R2
C7012	C-CERA C	CK725B25V-105K1	1	332111055R1
C7014	C-CERA C	CK725B25V-105K1	1	332111055R1
C7015	C-CERA C	CK725B25V-105K1	1	332111055R1
C7016	C-CERA C	CK725B25V-105K1	1	332111055R1
C7017	C-CERA C	CK725B25V-105K1	1	332111055R1
C7020	C-CERA C	CK725B25V-105K1	1	332111055R1
C7021	C-CERA C	CK725B1H-102K1	1	332101025R1
C7022	C-CERA C	CK725B1H-102K1	1	332101025R1
C7023	C-CERA C	CK725B25V-105K1	1	332111055R1
C7025	C-CERA C	CK725B1H-102K1	1	332101025R1
C7026	C-CERA C	CK725B1H-102K1	1	332101025R1
C7027	C-CERA C	CK725B1H-102K1	1	332101025R1
C7028	C-CERA C	CK725B1H-102K1	1	332101025R1
C7029	C-CERA C	CK725F1E-104Z1	1	332161040R1
C7030	C-CERA C	CK725F1E-104Z1	1	332161040R1
C7032	C-CERA C	CK732B16V-106K	1	332071065R2
C7033	C-CERA C	CK725F1E-104Z1	1	332161040R1
C7034	C-CERA C	CK725B25V-105K1	1	332111055R1
C7035	C-CERA C	CK725F1E-104Z1	1	332161040R1
C7036	C-CERA C	CK725F1A-105Z1	1	332181050R1
X1001	CRYSTAL	HC-49SMD11.2896MHz	1	3010480R2
[RESISTOR]				
R1004	C-CARBON R	RN72K1J-151JE	1	435031514R1
R1005	C-CARBON R	RN72K1J-750JE	1	435037504R1
R1006	C-CARBON R	RN72K1J-560JE	1	435035604R1
R1007	C-CARBON R	RN72K1J-105JE	1	435031054R1
R1008	C-CARBON R	RN72K1J-561FE	1	435035612R1
R1100	C-CARBON R	RN72K1J-221JE	1	435032214R1
R1101	C-CARBON R	RN72K1J-681JE	1	435036814R1
R1106	C-CARBON R	RN72K1J-221JE	1	435032214R1

R1110	C-CARBON R	RN72K1J-331JE	1	435033314R1
R1111	C-CARBON R	RN72K1J-331JE	1	435033314R1
R1112	C-CARBON R	RN72K1J-470JE	1	435034704R1
R1113	C-CARBON R	RN72K1J-331JE	1	435033314R1
R1220	C-CARBON R	RN72K1J-331JE	1	435033314R1
R1221	C-CARBON R	RN72K1J-330JE	1	435033304R1
R1222	C-CARBON R	RN72K1J-151JE	1	435031514R1
R1227	C-CARBON R	RN72K1J-331JE	1	435033314R1
R1228	C-CARBON R	RN72K1J-331JE	1	435033314R1
R1229	C-CARBON R	RN72K1J-221JE	1	435032214R1
R1230	C-CARBON R	RN72K1J-331JE	1	435033314R1
R1231	C-CARBON R	RN72K1J-331JE	1	435033314R1
R1233	C-CARBON R	RN72K1J-331JE	1	435033314R1
R1241	C-CARBON R	RN72K1J-151JE	1	435031514R1
R1242	C-CARBON R	RN72K1J-330JE	1	435033304R1
R1243	METAL O R	RS1WBJ-10	1	443621004T
R1244	METAL O R	RS1WBJ-15	1	443621504T
R1245	C-CARBON R	RN72K1J-470JE	1	435034704R1
R1246	C-CARBON R	RN72K1J-000JE	1	435030004R1
R1248	C-CARBON R	RN72K1J-470JE	1	435034704R1
R1249	C-CARBON R	RN72K1J-151JE	1	435031514R1
R1250	C-CARBON R	RN72K1J-470JE	1	435034704R1
R1251	C-CARBON R	RN72K1J-331JE	1	435033314R1
R1252	C-CARBON R	RN72K1J-472JE	1	435034724R1
R1253	C-CARBON R	RN72K1J-331JE	1	435033314R1
R1254	C-CARBON R	RN72K1J-472JE	1	435034724R1
R1255	C-CARBON R	RN72K1J-823JE	1	435038234R1
R1256	C-CARBON R	RN72K1J-151JE	1	435031514R1
R1259	C-CARBON R	RN72K1J-331JE	1	435033314R1
R1260	C-CARBON R	RN72K1J-470JE	1	435034704R1
R1300	C-CARBON R	RN72K1J-472JE	1	435034724R1
R1301	C-CARBON R	RN72K1J-472JE	1	435034724R1
R1302	C-CARBON R	RN72K1J-472JE	1	435034724R1
R1303	C-CARBON R	RN72K1J-472JE	1	435034724R1

R1304	C-CARBON R	RN72K1J-472JE	1	435034724R1
R1305	C-CARBON R	RN72K1J-472JE	1	435034724R1
R1306	C-CARBON R	RN72K1J-472JE	1	435034724R1
R1307	C-CARBON R	RN72K1J-472JE	1	435034724R1
R1308	C-CARBON R	RN72K1J-221JE	1	435032214R1
R1309	C-CARBON R	RN72K1J-000JE	1	435030004R1
R1310	C-CARBON R	RN72K1J-681JE	1	435036814R1
R1311	C-CARBON R	RN72K1J-681JE	1	435036814R1
R1312	C-CARBON R	RN72K1J-681JE	1	435036814R1
R1313	C-CARBON R	RN72K1J-681JE	1	435036814R1
R1314	C-CARBON R	RN72K1J-681JE	1	435036814R1
R1315	C-CARBON R	RN72K1J-681JE	1	435036814R1
R1316	C-CARBON R	RN72K1J-681JE	1	435036814R1
R1317	C-CARBON R	RN72K1J-681JE	1	435036814R1
R1320	C-CARBON R	RN72K1J-472JE	1	435034724R1
R1321	C-CARBON R	RN72K1J-472JE	1	435034724R1
R1322	C-CARBON R	RN72K1J-472JE	1	435034724R1
R1323	C-CARBON R	RN72K1J-472JE	1	435034724R1
R1324	C-CARBON R	RN72K1J-472JE	1	435034724R1
R1325	C-CARBON R	RN72K1J-472JE	1	435034724R1
R1326	C-CARBON R	RN72K1J-472JE	1	435034724R1
R1327	C-CARBON R	RN72K1J-472JE	1	435034724R1
R1330	C-CARBON R	RN72K1J-472JE	1	435034724R1
R1331	C-CARBON R	RN72K1J-472JE	1	435034724R1
R1332	C-CARBON R	RN72K1J-472JE	1	435034724R1
R1333	C-CARBON R	RN72K1J-472JE	1	435034724R1
R1334	C-CARBON R	RN72K1J-472JE	1	435034724R1
R1335	C-CARBON R	RN72K1J-472JE	1	435034724R1
R1336	C-CARBON R	RN72K1J-472JE	1	435034724R1
R1337	C-CARBON R	RN72K1J-472JE	1	435034724R1
R1340	C-CARBON R	RN72K1J-182JE	1	435031824R1
R1341	C-CARBON R	RN72K1J-182JE	1	435031824R1
R1342	C-CARBON R	RN72K1J-182JE	1	435031824R1
R1343	C-CARBON R	RN72K1J-182JE	1	435031824R1

R1344	C-CARBON R	RN72K1J-182JE	1	435031824R1
R1345	C-CARBON R	RN72K1J-182JE	1	435031824R1
R1346	C-CARBON R	RN72K1J-182JE	1	435031824R1
R1347	C-CARBON R	RN72K1J-182JE	1	435031824R1
R1350	C-CARBON R	RN72K1J-561JE	1	435035614R1
R1351	C-CARBON R	RN72K1J-561JE	1	435035614R1
R1352	C-CARBON R	RN72K1J-561JE	1	435035614R1
R1353	C-CARBON R	RN72K1J-561JE	1	435035614R1
R1354	C-CARBON R	RN72K1J-561JE	1	435035614R1
R1355	C-CARBON R	RN72K1J-561JE	1	435035614R1
R1356	C-CARBON R	RN72K1J-561JE	1	435035614R1
R1357	C-CARBON R	RN72K1J-561JE	1	435035614R1
R1360	C-CARBON R	RN72K1J-102JE	1	435031024R1
R1361	C-CARBON R	RN72K1J-102JE	1	435031024R1
R1362	C-CARBON R	RN72K1J-102JE	1	435031024R1
R1363	C-CARBON R	RN72K1J-102JE	1	435031024R1
R1364	C-CARBON R	RN72K1J-102JE	1	435031024R1
R1365	C-CARBON R	RN72K1J-102JE	1	435031024R1
R1366	C-CARBON R	RN72K1J-102JE	1	435031024R1
R1367	C-CARBON R	RN72K1J-102JE	1	435031024R1
R1370	C-CARBON R	RN72K1J-152JE	1	435031524R1
R1371	C-CARBON R	RN72K1J-152JE	1	435031524R1
R1372	C-CARBON R	RN72K1J-272JE	1	435032724R1
R1373	C-CARBON R	RN72K1J-152JE	1	435031524R1
R1374	C-CARBON R	RN72K1J-152JE	1	435031524R1
R1375	C-CARBON R	RN72K1J-152JE	1	435031524R1
R1376	C-CARBON R	RN72K1J-152JE	1	435031524R1
R1377	C-CARBON R	RN72K1J-152JE	1	435031524R1
R1380	C-CARBON R	RN72K1J-272JE	1	435032724R1
R1381	C-CARBON R	RN72K1J-272JE	1	435032724R1
R1382	C-CARBON R	RN72K1J-152JE	1	435031524R1
R1383	C-CARBON R	RN72K1J-272JE	1	435032724R1
R1384	C-CARBON R	RN72K1J-272JE	1	435032724R1
R1385	C-CARBON R	RN72K1J-272JE	1	435032724R1

R1386	C-CARBON R	RN72K1J-272JE	1	435032724R1
R1387	C-CARBON R	RN72K1J-272JE	1	435032724R1
R1485	C-CARBON R	RN72K1J-100JE	1	435031004R1
R1486	C-CARBON R	RN72K1J-100JE	1	435031004R1
R1487	C-CARBON R	RN72K1J-750JE	1	435037504R1
R1488	C-CARBON R	RN72K1J-224JE	1	435032244R1
R1490	C-CARBON R	RN72K1J-750JE	1	435037504R1
R1491	C-CARBON R	RN72K1J-224JE	1	435032244R1
R1492	C-CARBON R	RN72K1J-100JE	1	435031004R1
R1496	C-CARBON R	RN72K1J-750JE	1	435037504R1
R1497	C-CARBON R	RN72K1J-224JE	1	435032244R1
R1513	C-CARBON R	RN72K1J-331JE	1	435033314R1
R1515	C-CARBON R	RN72K1J-331JE	1	435033314R1
R1517	C-CARBON R	RN72K1J-331JE	1	435033314R1
R1518	C-CARBON R	RN72K1J-331JE	1	435033314R1
R1519	C-CARBON R	RN72K1J-331JE	1	435033314R1
R1522	C-CARBON R	RN72K1J-103JE	1	435031034R1
R1523	C-CARBON R	RN72K1J-103JE	1	435031034R1
R1524	C-CARBON R	RN72K1J-823JE	1	435038234R1
R1529	C-CARBON R	RN72K1J-470JE	1	435034704R1
R1532	C-CARBON R	RN72K1J-103JE	1	435031034R1
R1534	C-CARBON R	RN72K1J-823JE	1	435038234R1
R1567	C-CARBON R	RN72K1J-331JE	1	435033314R1
R1568	C-CARBON R	RN72K1J-221JE	1	435032214R1
R1569	C-CARBON R	RN72K1J-331JE	1	435033314R1
R1572	C-CARBON R	RN72K1J-331JE	1	435033314R1
R1573	C-CARBON R	RN72K1J-331JE	1	435033314R1
R1575	C-CARBON R	RN72K1J-331JE	1	435033314R1
R1577	C-CARBON R	RN72K1J-331JE	1	435033314R1
R1579	C-CARBON R	RN72K1J-331JE	1	435033314R1
R1600	C-CARBON R	RN72K1J-153JE	1	435031534R1
R1601	C-CARBON R	RN72K1J-153JE	1	435031534R1
R1602	C-CARBON R	RN72K1J-153JE	1	435031534R1
R1603	C-CARBON R	RN72K1J-153JE	1	435031534R1

R1604	C-CARBON R	RN72K1J-153JE	1	435031534R1
R1605	C-CARBON R	RN72K1J-153JE	1	435031534R1
R1606	C-CARBON R	RN72K1J-153JE	1	435031534R1
R1607	C-CARBON R	RN72K1J-153JE	1	435031534R1
R1610	C-CARBON R	RN72K1J-153JE	1	435031534R1
R1611	C-CARBON R	RN72K1J-153JE	1	435031534R1
R1612	C-CARBON R	RN72K1J-153JE	1	435031534R1
R1613	C-CARBON R	RN72K1J-153JE	1	435031534R1
R1614	C-CARBON R	RN72K1J-153JE	1	435031534R1
R1615	C-CARBON R	RN72K1J-153JE	1	435031534R1
R1616	C-CARBON R	RN72K1J-153JE	1	435031534R1
R1617	C-CARBON R	RN72K1J-153JE	1	435031534R1
R1620	C-CARBON R	RN72K1J-152JE	1	435031524R1
R1620	C-CARBON R	RN72K1J-332JE	1	435033324R1
R1621	C-CARBON R	RN72K1J-152JE	1	435031524R1
R1621	C-CARBON R	RN72K1J-332JE	1	435033324R1
R1622	C-CARBON R	RN72K1J-152JE	1	435031524R1
R1622	C-CARBON R	RN72K1J-332JE	1	435033324R1
R1623	C-CARBON R	RN72K1J-152JE	1	435031524R1
R1623	C-CARBON R	RN72K1J-332JE	1	435033324R1
R1624	C-CARBON R	RN72K1J-152JE	1	435031524R1
R1624	C-CARBON R	RN72K1J-332JE	1	435033324R1
R1625	C-CARBON R	RN72K1J-152JE	1	435031524R1
R1625	C-CARBON R	RN72K1J-332JE	1	435033324R1
R1626	C-CARBON R	RN72K1J-152JE	1	435031524R1
R1626	C-CARBON R	RN72K1J-332JE	1	435033324R1
R1627	C-CARBON R	RN72K1J-152JE	1	435031524R1
R1627	C-CARBON R	RN72K1J-332JE	1	435033324R1
R1630	C-CARBON R	RN72K1J-183JE	1	435031834R1
R1631	C-CARBON R	RN72K1J-183JE	1	435031834R1
R1632	C-CARBON R	RN72K1J-183JE	1	435031834R1
R1633	C-CARBON R	RN72K1J-183JE	1	435031834R1
R1634	C-CARBON R	RN72K1J-183JE	1	435031834R1
R1635	C-CARBON R	RN72K1J-183JE	1	435031834R1

R1636	C-CARBON R	RN72K1J-183JE	1	435031834R1
R1637	C-CARBON R	RN72K1J-183JE	1	435031834R1
R1640	C-CARBON R	RN72K1J-152JE	1	435031524R1
R1640	C-CARBON R	RN72K1J-332JE	1	435033324R1
R1641	C-CARBON R	RN72K1J-152JE	1	435031524R1
R1641	C-CARBON R	RN72K1J-332JE	1	435033324R1
R1642	C-CARBON R	RN72K1J-152JE	1	435031524R1
R1642	C-CARBON R	RN72K1J-332JE	1	435033324R1
R1643	C-CARBON R	RN72K1J-152JE	1	435031524R1
R1643	C-CARBON R	RN72K1J-332JE	1	435033324R1
R1644	C-CARBON R	RN72K1J-152JE	1	435031524R1
R1644	C-CARBON R	RN72K1J-332JE	1	435033324R1
R1645	C-CARBON R	RN72K1J-152JE	1	435031524R1
R1645	C-CARBON R	RN72K1J-332JE	1	435033324R1
R1646	C-CARBON R	RN72K1J-152JE	1	435031524R1
R1646	C-CARBON R	RN72K1J-332JE	1	435033324R1
R1647	C-CARBON R	RN72K1J-152JE	1	435031524R1
R1647	C-CARBON R	RN72K1J-332JE	1	435033324R1
R1650	C-CARBON R	RN72K1J-183JE	1	435031834R1
R1651	C-CARBON R	RN72K1J-183JE	1	435031834R1
R1652	C-CARBON R	RN72K1J-183JE	1	435031834R1
R1653	C-CARBON R	RN72K1J-183JE	1	435031834R1
R1654	C-CARBON R	RN72K1J-183JE	1	435031834R1
R1655	C-CARBON R	RN72K1J-183JE	1	435031834R1
R1656	C-CARBON R	RN72K1J-183JE	1	435031834R1
R1657	C-CARBON R	RN72K1J-183JE	1	435031834R1
R1660	C-CARBON R	RN72K1J-471JE	1	435034714R1
R1661	C-CARBON R	RN72K1J-471JE	1	435034714R1
R1662	C-CARBON R	RN72K1J-471JE	1	435034714R1
R1663	C-CARBON R	RN72K1J-471JE	1	435034714R1
R1664	C-CARBON R	RN72K1J-471JE	1	435034714R1
R1665	C-CARBON R	RN72K1J-471JE	1	435034714R1
R1666	C-CARBON R	RN72K1J-471JE	1	435034714R1
R1667	C-CARBON R	RN72K1J-471JE	1	435034714R1

R1670	C-CARBON R	RN72K1J-471JE	1	435034714R1
R1671	C-CARBON R	RN72K1J-471JE	1	435034714R1
R1672	C-CARBON R	RN72K1J-471JE	1	435034714R1
R1673	C-CARBON R	RN72K1J-471JE	1	435034714R1
R1674	C-CARBON R	RN72K1J-471JE	1	435034714R1
R1675	C-CARBON R	RN72K1J-471JE	1	435034714R1
R1676	C-CARBON R	RN72K1J-471JE	1	435034714R1
R1677	C-CARBON R	RN72K1J-471JE	1	435034714R1
R1770	C-CARBON R	RN72K1J-000JE	1	435030004R1
R1771	C-CARBON R	RN72K1J-000JE	1	435030004R1
R1772	C-CARBON R	RN72K1J-000JE	1	435030004R1
R1773	C-CARBON R	RN72K1J-000JE	1	435030004R1
R1774	C-CARBON R	RN72K1J-000JE	1	435030004R1
R1775	C-CARBON R	RN72K1J-000JE	1	435030004R1
R1776	C-CARBON R	RN72K1J-000JE	1	435030004R1
R1777	C-CARBON R	RN72K1J-000JE	1	435030004R1
R1780	METAL O R	RS1WBJ-10	1	443621004T
R1781	METAL O R	RS1WBJ-10	1	443621004T
R1800	C-CARBON R	RN72K1J-223JE	1	435032234R1
R1801	C-CARBON R	RN72K1J-223JE	1	435032234R1
R1802	C-CARBON R	RN72K1J-332JE	1	435033324R1
R1803	C-CARBON R	RN72K1J-332JE	1	435033324R1
R1810	C-CARBON R	RN72K1J-223JE	1	435032234R1
R1811	C-CARBON R	RN72K1J-223JE	1	435032234R1
R1820	C-CARBON R	RN72K1J-000JE	1	435030004R1
R1821	C-CARBON R	RN72K1J-000JE	1	435030004R1
R1830	C-CARBON R	RN72K1J-153JE	1	435031534R1
R1831	C-CARBON R	RN72K1J-153JE	1	435031534R1
R1840	C-CARBON R	RN72K1J-562JE	1	435035624R1
R1841	C-CARBON R	RN72K1J-562JE	1	435035624R1
R1850	C-CARBON R	RN72K1J-153JE	1	435031534R1
R1851	C-CARBON R	RN72K1J-153JE	1	435031534R1
R1860	C-CARBON R	RN72K1J-104JE	1	435031044R1
R1861	C-CARBON R	RN72K1J-104JE	1	435031044R1

R1870	C-CARBON R	RN72K1J-472JE	1	435034724R1
R1871	C-CARBON R	RN72K1J-472JE	1	435034724R1
R4503	C-CARBON R	RN72K1J-331JE	1	435033314R1
R4504	C-CARBON R	RN72K1J-331JE	1	435033314R1
R4505	C-CARBON R	RN72K1J-331JE	1	435033314R1
R4506	C-CARBON R	RN72K1J-331JE	1	435033314R1
R4507	C-CARBON R	RN72K1J-331JE	1	435033314R1
R4508	C-CARBON R	RN72K1J-331JE	1	435033314R1
R4509	C-CARBON R	RN72K1J-331JE	1	435033314R1
R4510	C-CARBON R	RN72K1J-331JE	1	435033314R1
R4511	C-CARBON R	RN72K1J-331JE	1	435033314R1
R4512	C-CARBON R	RN72K1J-331JE	1	435033314R1
R4513	C-CARBON R	RN72K1J-331JE	1	435033314R1
R4514	C-CARBON R	RN72K1J-331JE	1	435033314R1
R4515	C-CARBON R	RN72K1J-220JE	1	435032204R1
R4516	C-CARBON R	RN72K1J-220JE	1	435032204R1
R4517	C-CARBON R	RN72K1J-152JE	1	435031524R1
R4518	C-CARBON R	RN72K1J-152JE	1	435031524R1
R4519	C-CARBON R	RN72K1J-224JE	1	435032244R1
R4520	C-CARBON R	RN72K1J-224JE	1	435032244R1
R4523	C-CARBON R	RN72K1J-220JE	1	435032204R1
R4524	C-CARBON R	RN72K1J-220JE	1	435032204R1
R4526	C-CARBON R	RN72K1J-101JE	1	435031014R1
R4533	C-CARBON R	RN72K1J-224JE	1	435032244R1
R4534	C-CARBON R	RN72K1J-224JE	1	435032244R1
R4535	C-CARBON R	RN72K1J-224JE	1	435032244R1
R4536	C-CARBON R	RN72K1J-224JE	1	435032244R1
R4537	C-CARBON R	RN72K1J-224JE	1	435032244R1
R4538	C-CARBON R	RN72K1J-224JE	1	435032244R1
R4539	C-CARBON R	RN72K1J-224JE	1	435032244R1
R4540	C-CARBON R	RN72K1J-224JE	1	435032244R1
R4541	C-CARBON R	RN72K1J-224JE	1	435032244R1
R4542	C-CARBON R	RN72K1J-224JE	1	435032244R1
R4543	C-CARBON R	RN72K1J-224JE	1	435032244R1

R4544	C-CARBON R	RN72K1J-224JE	1	435032244R1
R4560	C-CARBON R	RN72K1J-224JE	1	435032244R1
R4561	C-CARBON R	RN72K1J-224JE	1	435032244R1
R4562	C-CARBON R	RN72K1J-224JE	1	435032244R1
R4563	C-CARBON R	RN72K1J-224JE	1	435032244R1
R4564	C-CARBON R	RN72K1J-224JE	1	435032244R1
R4565	C-CARBON R	RN72K1J-224JE	1	435032244R1
R4566	C-CARBON R	RN72K1J-223JE	1	435032234R1
R4567	C-CARBON R	RN72K1J-224JE	1	435032244R1
R4570	C-CARBON R	RN72K1J-470JE	1	435034704R1
R4571	C-CARBON R	RN72K1J-470JE	1	435034704R1
R4572	C-CARBON R	RN72K1J-470JE	1	435034704R1
R4573	C-CARBON R	RN72K1J-470JE	1	435034704R1
R4574	C-CARBON R	RN72K1J-470JE	1	435034704R1
R4575	C-CARBON R	RN72K1J-470JE	1	435034704R1
R4576	C-CARBON R	RN72K1J-101JE	1	435031014R1
R4577	C-CARBON R	RN72K1J-101JE	1	435031014R1
R4580	C-CARBON R	RN72K1J-224JE	1	435032244R1
R4581	C-CARBON R	RN72K1J-224JE	1	435032244R1
R4583	C-CARBON R	RN72K1J-220JE	1	435032204R1
R4584	C-CARBON R	RN72K1J-220JE	1	435032204R1
R4585	C-CARBON R	RN72K1J-152JE	1	435031524R1
R4586	C-CARBON R	RN72K1J-152JE	1	435031524R1
R4587	C-CARBON R	RN72K1J-224JE	1	435032244R1
R4588	C-CARBON R	RN72K1J-224JE	1	435032244R1
R4590	C-CARBON R	RN72K1J-101JE	1	435031014R1
R4591	C-CARBON R	RN72K1J-101JE	1	435031014R1
R4592	C-CARBON R	RN72K1J-224JE	1	435032244R1
R4593	C-CARBON R	RN72K1J-224JE	1	435032244R1
R4594	C-CARBON R	RN72K1J-473JE	1	435034734R1
R4595	C-CARBON R	RN72K1J-473JE	1	435034734R1
R4596	C-CARBON R	RN72K1J-473JE	1	435034734R1
R4597	C-CARBON R	RN72K1J-473JE	1	435034734R1
R4600	C-CARBON R	RN72K1J-224JE	1	435032244R1

R4601	C-CARBON R	RN72K1J-224JE	1	435032244R1
R4602	C-CARBON R	RN72K1J-220JE	1	435032204R1
R4603	C-CARBON R	RN72K1J-220JE	1	435032204R1
R4604	C-CARBON R	RN72K1J-183JE	1	435031834R1
R4605	C-CARBON R	RN72K1J-223JE	1	435032234R1
R4606	C-CARBON R	RN72K1J-223JE	1	435032234R1
R4607	C-CARBON R	RN72K1J-103JE	1	435031034R1
R4608	C-CARBON R	RN72K1J-103JE	1	435031034R1
R4610	C-CARBON R	RN72K1J-101JE	1	435031014R1
R4611	C-CARBON R	RN72K1J-101JE	1	435031014R1
R4614	C-CARBON R	RN72K1J-183JE	1	435031834R1
R4615	C-CARBON R	RN72K1J-223JE	1	435032234R1
R4616	C-CARBON R	RN72K1J-223JE	1	435032234R1
R4617	C-CARBON R	RN72K1J-103JE	1	435031034R1
R4618	C-CARBON R	RN72K1J-103JE	1	435031034R1
R4620	C-CARBON R	RN72K1J-224JE	1	435032244R1
R4621	C-CARBON R	RN72K1J-224JE	1	435032244R1
R4622	C-CARBON R	RN72K1J-224JE	1	435032244R1
R4623	C-CARBON R	RN72K1J-224JE	1	435032244R1
R4624	C-CARBON R	RN72K1J-224JE	1	435032244R1
R4625	C-CARBON R	RN72K1J-224JE	1	435032244R1
R4626	C-CARBON R	RN72K1J-223JE	1	435032234R1
R4627	C-CARBON R	RN72K1J-224JE	1	435032244R1
R4630	C-CARBON R	RN72K1J-121JE	1	435031214R1
R4631	C-CARBON R	RN72K1J-121JE	1	435031214R1
R4632	C-CARBON R	RN72K1J-121JE	1	435031214R1
R4633	C-CARBON R	RN72K1J-121JE	1	435031214R1
R4634	C-CARBON R	RN72K1J-121JE	1	435031214R1
R4635	C-CARBON R	RN72K1J-121JE	1	435031214R1
R4636	C-CARBON R	RN72K1J-121JE	1	435031214R1
R4637	C-CARBON R	RN72K1J-121JE	1	435031214R1
R4640	C-CARBON R	RN72K1J-101JE	1	435031014R1
R4641	C-CARBON R	RN72K1J-101JE	1	435031014R1
R4642	C-CARBON R	RN72K1J-101JE	1	435031014R1

R4643	C-CARBON R	RN72K1J-101JE	1	435031014R1
R4644	C-CARBON R	RN72K1J-101JE	1	435031014R1
R4645	C-CARBON R	RN72K1J-101JE	1	435031014R1
R4646	C-CARBON R	RN72K1J-101JE	1	435031014R1
R4647	C-CARBON R	RN72K1J-101JE	1	435031014R1
R4650	C-CARBON R	RN72K1J-224JE	1	435032244R1
R4651	C-CARBON R	RN72K1J-224JE	1	435032244R1
R4652	C-CARBON R	RN72K1J-224JE	1	435032244R1
R4653	C-CARBON R	RN72K1J-224JE	1	435032244R1
R4654	C-CARBON R	RN72K1J-224JE	1	435032244R1
R4655	C-CARBON R	RN72K1J-224JE	1	435032244R1
R4660	C-CARBON R	RN72K1J-221JE	1	435032214R1
R4661	C-CARBON R	RN72K1J-221JE	1	435032214R1
R4662	C-CARBON R	RN72K1J-221JE	1	435032214R1
R4663	C-CARBON R	RN72K1J-221JE	1	435032214R1
R4664	C-CARBON R	RN72K1J-221JE	1	435032214R1
R4665	C-CARBON R	RN72K1J-221JE	1	435032214R1
R4670	C-CARBON R	RN72K1J-224JE	1	435032244R1
R4671	C-CARBON R	RN72K1J-224JE	1	435032244R1
R4680	C-CARBON R	RN72K1J-102JE	1	435031024R1
R4681	C-CARBON R	RN72K1J-102JE	1	435031024R1
R4690	C-CARBON R	RN72K1J-222JE	1	435032224R1
R4691	C-CARBON R	RN72K1J-222JE	1	435032224R1
R4700	C-CARBON R	RN72K1J-101JE	1	435031014R1
R4701	C-CARBON R	RN72K1J-101JE	1	435031014R1
R4710	C-CARBON R	RN72K1J-224JE	1	435032244R1
R4711	C-CARBON R	RN72K1J-224JE	1	435032244R1
R4720	C-CARBON R	RN72K1J-102JE	1	435031024R1
R4721	C-CARBON R	RN72K1J-102JE	1	435031024R1
R4730	C-CARBON R	RN72K1J-101JE	1	435031014R1
R4731	C-CARBON R	RN72K1J-101JE	1	435031014R1
R4740	C-CARBON R	RN72K1J-331JE	1	435033314R1
R4741	C-CARBON R	RN72K1J-563JE	1	435035634R1
R4742	C-CARBON R	RN72K1J-474JE	1	435034744R1

R4743	C-CARBON R	RN72K1J-561JE	1	435035614R1
R4744	C-CARBON R	RN72K1J-274JE	1	435032744R1
R4745	C-CARBON R	RN72K1J-223JE	1	435032234R1
R4746	C-CARBON R	RN72K1J-122JE	1	435031224R1
R4747	C-CARBON R	RN72K1J-101JE	1	435031014R1
R4748	C-CARBON R	RN72K1J-224JE	1	435032244R1
R4749	C-CARBON R	RN72K1J-220JE	1	435032204R1
R4750	C-CARBON R	RN72K1J-331JE	1	435033314R1
R4751	C-CARBON R	RN72K1J-563JE	1	435035634R1
R4752	C-CARBON R	RN72K1J-474JE	1	435034744R1
R4753	C-CARBON R	RN72K1J-561JE	1	435035614R1
R4754	C-CARBON R	RN72K1J-274JE	1	435032744R1
R4755	C-CARBON R	RN72K1J-223JE	1	435032234R1
R4756	C-CARBON R	RN72K1J-122JE	1	435031224R1
R4757	C-CARBON R	RN72K1J-101JE	1	435031014R1
R4758	C-CARBON R	RN72K1J-224JE	1	435032244R1
R4759	C-CARBON R	RN72K1J-220JE	1	435032204R1
R4760	C-CARBON R	RN72K1J-221JE	1	435032214R1
R4761	C-CARBON R	RN72K1J-473JE	1	435034734R1
R4762	C-CARBON R	RN72K1J-681JE	1	435036814R1
R4763	C-CARBON R	RN72K1J-392JE	1	435033924R1
R4764	C-CARBON R	RN72K1J-682JE	1	435036824R1
R4765	C-CARBON R	RN72K1J-152JE	1	435031524R1
R4770	C-CARBON R	RN72K1J-223JE	1	435032234R1
R4771	C-CARBON R	RN72K1J-222JE	1	435032224R1
R4772	C-CARBON R	RN72K1J-681JE	1	435036814R1
R4773	C-CARBON R	RN72K1J-123JE	1	435031234R1
R4774	C-CARBON R	RN72K1J-103JE	1	435031034R1
R4775	C-CARBON R	RN72K1J-220JE	1	435032204R1
R4780	C-CARBON R	RN72K1J-223JE	1	435032234R1
R4781	C-CARBON R	RN72K1J-222JE	1	435032224R1
R4782	C-CARBON R	RN72K1J-681JE	1	435036814R1
R4783	C-CARBON R	RN72K1J-123JE	1	435031234R1
R4784	C-CARBON R	RN72K1J-103JE	1	435031034R1

R4785	C-CARBON R	RN72K1J-220JE	1	435032204R1
R4790	C-CARBON R	RN72K1J-222JE	1	435032224R1
R4791	C-CARBON R	RN72K1J-222JE	1	435032224R1
R4796	C-CARBON R	RN72K1J-101JE	1	435031014R1
R4797	C-CARBON R	RN72K1J-101JE	1	435031014R1
R4798	C-CARBON R	RN72K1J-101JE	1	435031014R1
R4799	C-CARBON R	RN72K1J-101JE	1	435031014R1
R4800	C-CARBON R	RN72K1J-122JE	1	435031224R1
R4801	C-CARBON R	RN72K1J-122JE	1	435031224R1
R4802	C-CARBON R	RN72K1J-000JE	1	435030004R1
R4803	C-CARBON R	RN72K1J-472JE	1	435034724R1
R4805	C-CARBON R	RN72K1J-000JE	1	435030004R1
R4806	C-CARBON R	RN72K1J-122JE	1	435031224R1
R4807	C-CARBON R	RN72K1J-122JE	1	435031224R1
R4810	C-CARBON R	RN72K1J-472JE	1	435034724R1
R4820	C-CARBON R	RN72K1J-104JE	1	435031044R1
R4821	C-CARBON R	RN72K1J-104JE	1	435031044R1
R4822	C-CARBON R	RN72K1J-104JE	1	435031044R1
R4823	C-CARBON R	RN72K1J-104JE	1	435031044R1
R4825	C-CARBON R	RN72K1J-224JE	1	435032244R1
R4826	C-CARBON R	RN72K1J-224JE	1	435032244R1
R4827	C-CARBON R	RN72K1J-224JE	1	435032244R1
R4829	C-CARBON R	RN72K1J-224JE	1	435032244R1
R4830	C-CARBON R	RN72K1J-224JE	1	435032244R1
R4839	C-CARBON R	RN72K1J-222JE	1	435032224R1
R4840	C-CARBON R	RN72K1J-224JE	1	435032244R1
R4841	C-CARBON R	RN72K1J-224JE	1	435032244R1
R4842	C-CARBON R	RN72K1J-224JE	1	435032244R1
R4843	C-CARBON R	RN72K1J-000JE	1	435030004R1
R4845	C-CARBON R	RN72K1J-224JE	1	435032244R1
R4846	C-CARBON R	RN72K1J-224JE	1	435032244R1
R4847	C-CARBON R	RN72K1J-224JE	1	435032244R1
R4848	C-CARBON R	RN72K1J-224JE	1	435032244R1
R4849	C-CARBON R	RN72K1J-224JE	1	435032244R1

R4850	C-CARBON R	RN72K1J-224JE	1	435032244R1
R4851	C-CARBON R	RN72K1J-224JE	1	435032244R1
R4853	C-CARBON R	RN72K1J-000JE	1	435030004R1
R4880	C-CARBON R	RN72K1J-220JE	1	435032204R1
R4881	C-CARBON R	RN72K1J-123JE	1	435031234R1
R4882	C-CARBON R	RN72K1J-123JE	1	435031234R1
R4883	C-CARBON R	RN72K1J-123JE	1	435031234R1
R4884	C-CARBON R	RN72K1J-123JE	1	435031234R1
R4885	C-CARBON R	RN72K1J-224JE	1	435032244R1
R4886	C-CARBON R	RN72K1J-103JE	1	435031034R1
R4887	C-CARBON R	RN72K1J-103JE	1	435031034R1
R4888	C-CARBON R	RN72K1J-220JE	1	435032204R1
R4890	C-CARBON R	RN72K1J-000JE	1	435030004R1
R4891	C-CARBON R	RN72K1J-000JE	1	435030004R1
R4900	METAL O R	RS1WBJ-100	1	443621014T
R4901	METAL O R	RS1/2WBJ-330	1	443523314T
R4902	C-CARBON R	RN72K2E-221JE	1	435222214R1
R4903	METAL O R	RS1WBJ-220	1	443622214T
R4904	NF CARBON R	R25J-1.5	1	415470154T
R4905	METAL O R	RS1WBJ-15	1	443621504T
R4906	METAL O R	RS1WBJ-68	1	443626804T
R4910	METAL O R	RS1WBJ-100	1	443621014T
R4911	METAL O R	RS1/2WBJ-330	1	443523314T
R4912	C-CARBON R	RN72K2E-221JE	1	435222214R1
R4913	METAL O R	RS1WBJ-220	1	443622214T
R4914	NF CARBON R	R25J-1.5	1	415470154T
R4915	METAL O R	RS1WBJ-15	1	443621504T
R4916	METAL O R	RS1WBJ-68	1	443626804T
R4921	C-CARBON R	RN72K1J-104JE	1	435031044R1
R4924	C-CARBON R	RN72K1J-104JE	1	435031044R1
R4950	C-CARBON R	RN72K1J-103JE	1	435031034R1
R4951	C-CARBON R	RN72K1J-103JE	1	435031034R1
R4952	C-CARBON R	RN72K1J-103JE	1	435031034R1
R4953	C-CARBON R	RN72K1J-103JE	1	435031034R1

R4954	C-CARBON R	RN72K1J-682JE	1	435036824R1
R4955	C-CARBON R	RN72K1J-272JE	1	435032724R1
R4956	C-CARBON R	RN72K1J-682JE	1	435036824R1
R4957	C-CARBON R	RN72K1J-224JE	1	435032244R1
R7002	C-CARBON R	RN72K1J-473JE	1	435034734R1
R7004	C-CARBON R	RN72K1J-102JE	1	435031024R1
R7005	C-CARBON R	RN72K1J-473JE	1	435034734R1
R7006	C-CARBON R	RN72K1J-470JE	1	435034704R1
R7007	C-CARBON R	RN72K1J-473JE	1	435034734R1
R7008	C-CARBON R	RN72K1J-473JE	1	435034734R1
R7009	C-CARBON R	RN72K1J-473JE	1	435034734R1
R7010	C-CARBON R	RN72K1J-473JE	1	435034734R1
R7011	C-CARBON R	RN72K1J-473JE	1	435034734R1
R7012	C-CARBON R	RN72K1J-473JE	1	435034734R1
R7013	C-CARBON R	RN72K1J-470JE	1	435034704R1
R7014	C-CARBON R	RN72K1J-273JE	1	435032734R1
R7015	C-CARBON R	RN72K1J-473JE	1	435034734R1
R7016	C-CARBON R	RN72K1J-102JE	1	435031024R1
R7017	C-CARBON R	RN72K1J-101JE	1	435031014R1
R7018	C-CARBON R	RN72K1J-473JE	1	435034734R1
R7019	C-CARBON R	RN72K1J-224JE	1	435032244R1
R7020	C-CARBON R	RN72K1J-103JE	1	435031034R1
R7022	C-CARBON R	RN72K1J-103JE	1	435031034R1
R7024	C-CARBON R	RN72K1J-101JE	1	435031014R1
R7025	C-CARBON R	RN72K1J-103JE	1	435031034R1
R7027	C-CARBON R	RN72K1J-470JE	1	435034704R1
R7028	C-CARBON R	RN72K1J-470JE	1	435034704R1
R7029	C-CARBON R	RN72K1J-470JE	1	435034704R1
R7030	C-CARBON R	RN72K1J-470JE	1	435034704R1
R7031	C-CARBON R	RN72K1J-470JE	1	435034704R1
R7032	C-CARBON R	RN72K1J-470JE	1	435034704R1
R7033	C-CARBON R	RN72K1J-470JE	1	435034704R1
R7034	C-CARBON R	RN72K1J-470JE	1	435034704R1
R7035	C-CARBON R	RN72K1J-470JE	1	435034704R1

R7036	C-CARBON R	RN72K1J-470JE	1	435034704R1
R7037	C-CARBON R	RN72K1J-470JE	1	435034704R1
R7038	C-CARBON R	RN72K1J-470JE	1	435034704R1
R7039	C-CARBON R	RN72K1J-470JE	1	435034704R1
R7040	C-CARBON R	RN72K1J-470JE	1	435034704R1
R7041	C-CARBON R	RN72K1J-470JE	1	435034704R1
R7042	C-CARBON R	RN72K1J-470JE	1	435034704R1
R7043	C-CARBON R	RN72K1J-470JE	1	435034704R1
R7044	C-CARBON R	RN72K1J-470JE	1	435034704R1
R7045	C-CARBON R	RN72K1J-470JE	1	435034704R1
R7046	C-CARBON R	RN72K1J-221JE	1	435032214R1
R7047	C-CARBON R	RN72K1J-221JE	1	435032214R1
R7048	C-CARBON R	RN72K1J-221JE	1	435032214R1
R7049	C-CARBON R	RN72K1J-470JE	1	435034704R1
R7050	C-CARBON R	RN72K1J-470JE	1	435034704R1
R7051	C-CARBON R	RN72K1J-221JE	1	435032214R1
R7052	C-CARBON R	RN72K1J-221JE	1	435032214R1
R7053	C-CARBON R	RN72K1J-473JE	1	435034734R1
R7054	C-CARBON R	RN72K1J-473JE	1	435034734R1
R7055	C-CARBON R	RN72K1J-473JE	1	435034734R1
R7056	C-CARBON R	RN72K1J-473JE	1	435034734R1
R7057	C-CARBON R	RN72K1J-473JE	1	435034734R1
R7058	C-CARBON R	RN72K1J-473JE	1	435034734R1
R7059	C-CARBON R	RN72K1J-473JE	1	435034734R1
R7060	C-CARBON R	RN72K1J-000JE	1	435030004R1
R7061	C-CARBON R	RN72K1J-473JE	1	435034734R1
R7062	C-CARBON R	RN72K1J-473JE	1	435034734R1
R7063	C-CARBON R	RN72K1J-105JE	1	435031054R1
R7064	C-CARBON R	RN72K1J-105JE	1	435031054R1
R7065	C-CARBON R	RN72K1J-272JE	1	435032724R1
R7066	C-CARBON R	RN72K1J-102JE	1	435031024R1
R7068	C-CARBON R	RN72K1J-473JE	1	435034734R1
R7069	C-CARBON R	RN72K1J-473JE	1	435034734R1
R7070	C-CARBON R	RN72K1J-473JE	1	435034734R1

R7071	C-CARBON R	RN72K1J-473JE	1	435034734R1
R7072	C-CARBON R	RN72K1J-473JE	1	435034734R1
R7073	C-CARBON R	RN72K1J-103JE	1	435031034R1
R7074	C-CARBON R	RN72K1J-103JE	1	435031034R1
R7075	C-CARBON R	RN72K1J-103JE	1	435031034R1
R7076	C-CARBON R	RN72K1J-224JE	1	435032244R1
R7077	C-CARBON R	RN72K1J-473JE	1	435034734R1
R7080	C-CARBON R	RN72K1J-103JE	1	435031034R1
R7081	C-CARBON R	RN72K1J-221JE	1	435032214R1
R7082	C-CARBON R	RN72K1J-470JE	1	435034704R1
R7083	C-CARBON R	RN72K1J-221JE	1	435032214R1
R7084	C-CARBON R	RN72K1J-470JE	1	435034704R1
R7085	C-CARBON R	RN72K1J-221JE	1	435032214R1
R7087	C-CARBON R	RN72K1J-221JE	1	435032214R1
R7088	C-CARBON R	RN72K1J-470JE	1	435034704R1
R7089	C-CARBON R	RN72K1J-221JE	1	435032214R1
R7090	C-CARBON R	RN72K1J-470JE	1	435034704R1
R7091	C-CARBON R	RN72K1J-102JE	1	435031024R1
R7093	C-CARBON R	RN72K1J-221JE	1	435032214R1
R7094	C-CARBON R	RN72K1J-470JE	1	435034704R1
R7095	C-CARBON R	RN72K1J-221JE	1	435032214R1
R7096	C-CARBON R	RN72K1J-470JE	1	435034704R1
R7097	C-CARBON R	RN72K1J-221JE	1	435032214R1
R7098	C-CARBON R	RN72K1J-470JE	1	435034704R1
R7099	C-CARBON R	RN72K1J-221JE	1	435032214R1
R7100	C-CARBON R	RN72K1J-470JE	1	435034704R1
R7101	C-CARBON R	RN72K1J-470JE	1	435034704R1
R7102	C-CARBON R	RN72K1J-470JE	1	435034704R1
R7103	C-CARBON R	RN72K1J-103JE	1	435031034R1
R7104	C-CARBON R	RN72K1J-470JE	1	435034704R1
R7105	C-CARBON R	RN72K1J-470JE	1	435034704R1
R7106	C-CARBON R	RN72K1J-470JE	1	435034704R1
R7107	C-CARBON R	RN72K1J-221JE	1	435032214R1
R7108	C-CARBON R	RN72K1J-470JE	1	435034704R1

R7109	C-CARBON R	RN72K1J-470JE	1	435034704R1
R7110	C-CARBON R	RN72K1J-102JE	1	435031024R1
R7111	C-CARBON R	RN72K1J-470JE	1	435034704R1
R7112	C-CARBON R	RN72K1J-470JE	1	435034704R1
R7114	C-CARBON R	RN72K1J-470JE	1	435034704R1
R7115	C-CARBON R	RN72K1J-470JE	1	435034704R1
R7117	C-CARBON R	RN72K1J-470JE	1	435034704R1
R7118	C-CARBON R	RN72K1J-470JE	1	435034704R1
R7119	C-CARBON R	RN72K1J-470JE	1	435034704R1
R7120	C-CARBON R	RN72K1J-221JE	1	435032214R1
R7121	C-CARBON R	RN72K1J-103JE	1	435031034R1
R7122	C-CARBON R	RN72K1J-102JE	1	435031024R1
R7123	C-CARBON R	RN72K1J-221JE	1	435032214R1
R7124	C-CARBON R	RN72K1J-221JE	1	435032214R1
R7125	C-CARBON R	RN72K1J-221JE	1	435032214R1
R7126	C-CARBON R	RN72K1J-221JE	1	435032214R1
R7128	C-CARBON R	RN72K1J-102JE	1	435031024R1
R7129	C-CARBON R	RN72K1J-221JE	1	435032214R1
R7130	C-CARBON R	RN72K1J-102JE	1	435031024R1
R7131	C-CARBON R	RN72K1J-470JE	1	435034704R1
R7137	C-CARBON R	RN72K1J-221JE	1	435032214R1
R7139	C-CARBON R	RN72K1J-221JE	1	435032214R1
R7140	C-CARBON R	RN72K1J-221JE	1	435032214R1
R7141	C-CARBON R	RN72K1J-102JE	1	435031024R1
R7145	C-CARBON R	RN72K1J-470JE	1	435034704R1
R7146	C-CARBON R	RN72K1J-470JE	1	435034704R1
R7147	C-CARBON R	RN72K1J-472JE	1	435034724R1
R7148	C-CARBON R	RN72K1J-470JE	1	435034704R1
R7149	C-CARBON R	RN72K1J-472JE	1	435034724R1
R7150	C-CARBON R	RN72K1J-470JE	1	435034704R1
R7151	C-CARBON R	RN72K1J-472JE	1	435034724R1
R7152	C-CARBON R	RN72K1J-472JE	1	435034724R1
R7153	C-CARBON R	RN72K1J-102JE	1	435031024R1
R7154	C-CARBON R	RN72K1J-472JE	1	435034724R1

R7155	C-CARBON R	RN72K1J-472JE	1	435034724R1
R7156	C-CARBON R	RN72K1J-272JE	1	435032724R1
R7157	C-CARBON R	RN72K1J-272JE	1	435032724R1
R7160	C-CARBON R	RN72K1J-473JE	1	435034734R1
R7161	C-CARBON R	RN72K1J-473JE	1	435034734R1
R7168	C-CARBON R	RN72K1J-272JE	1	435032724R1
R7169	C-CARBON R	RN72K1J-473JE	1	435034734R1
R7170	C-CARBON R	RN72K1J-473JE	1	435034734R1
R7172	C-CARBON R	RN72K1J-103JE	1	435031034R1
R7173	C-CARBON R	RN72K1J-103JE	1	435031034R1
R7174	C-CARBON R	RN72K1J-103JE	1	435031034R1
R7175	C-CARBON R	RN72K1J-103JE	1	435031034R1
R7176	C-CARBON R	RN72K1J-105JE	1	435031054R1
R7178	C-CARBON R	RN72K1J-272JE	1	435032724R1
R7183	C-CARBON R	RN72K1J-221JE	1	435032214R1
R7184	C-CARBON R	RN72K1J-470JE	1	435034704R1
R7185	C-CARBON R	RN72K1J-470JE	1	435034704R1
R7186	C-CARBON R	RN72K1J-470JE	1	435034704R1
R7187	C-CARBON R	RN72K1J-470JE	1	435034704R1
R7188	C-CARBON R	RN72K1J-470JE	1	435034704R1
R7189	C-CARBON R	RN72K1J-470JE	1	435034704R1
R7190	C-CARBON R	RN72K1J-470JE	1	435034704R1
R7191	C-CARBON R	RN72K1J-470JE	1	435034704R1
R7192	C-CARBON R	RN72K1J-470JE	1	435034704R1
R7193	C-CARBON R	RN72K1J-470JE	1	435034704R1
R7194	C-CARBON R	RN72K1J-470JE	1	435034704R1
R7195	C-CARBON R	RN72K1J-470JE	1	435034704R1
R7196	C-CARBON R	RN72K1J-470JE	1	435034704R1
R7197	C-CARBON R	RN72K1J-470JE	1	435034704R1
R7199	C-CARBON R	RN72K1J-102JE	1	435031024R1
R7201	C-CARBON R	RN72K1J-473JE	1	435034734R1
R7202	C-CARBON R	RN72K1J-473JE	1	435034734R1
R7203	C-CARBON R	RN72K1J-470JE	1	435034704R1
R7204	C-CARBON R	RN72K1J-103JE	1	435031034R1

R7205	C-CARBON R	RN72K1J-473JE	1	435034734R1
R7206	C-CARBON R	RN72K1J-473JE	1	435034734R1
R7207	C-CARBON R	RN72K1J-102JE	1	435031024R1
R7208	C-CARBON R	RN72K1J-103JE	1	435031034R1
R7210	C-CARBON R	RN72K1J-103JE	1	435031034R1
R7211	C-CARBON R	RN72K1J-103JE	1	435031034R1
R7212	C-CARBON R	RN72K1J-103JE	1	435031034R1
R7213	C-CARBON R	RN72K1J-103JE	1	435031034R1
R7214	C-CARBON R	RN72K1J-473JE	1	435034734R1
R7215	C-CARBON R	RN72K1J-103JE	1	435031034R1
R7216	C-CARBON R	RN72K1J-473JE	1	435034734R1
R7217	C-CARBON R	RN72K1J-470JE	1	435034704R1
R7218	C-CARBON R	RN72K1J-470JE	1	435034704R1
R7239	C-CARBON R	RN72K1J-000JE	1	435030004R1
R7355	C-CARBON R	RN72K1J-473JE	1	435034734R1
R7356	C-CARBON R	RN72K1J-473JE	1	435034734R1
R7357	C-CARBON R	RN72K1J-473JE	1	435034734R1
R7358	C-CARBON R	RN72K1J-473JE	1	435034734R1
R7359	C-CARBON R	RN72K1J-473JE	1	435034734R1
R7360	C-CARBON R	RN72K1J-473JE	1	435034734R1
R7371	C-CARBON R	RN72K1J-105JE	1	435031054R1
R7498	C-CARBON R	RN72K1J-103JE	1	435031034R1
R7499	C-CARBON R	RN72K1J-103JE	1	435031034R1
R8030	C-CARBON R	RN72K1J-105JE	1	435031054R1
R8031	C-CARBON R	RN72K1J-105JE	1	435031054R1
R8032	C-CARBON R	RN72K1J-105JE	1	435031054R1
R8033	C-CARBON R	RN72K1J-105JE	1	435031054R1
[SW TRM]				
JL101A	WIRE HOL	NSCT-5P876	1	25051089
JL9925B	WIRE TRAP	NPLG-5P588	1	25055626
P1008B	PLUG	IMSA-9142B-24A	1	25056602
P1129A	PLUG	NPLG-20P0975	1	25056025
P1129B	SOCKET	NSCT-20P2200	1	25052303
P1307	TRM-423(SCREW)	NEJITANSI ST3	1	25060495

P1308	ST JACK	MSJ-035-22	1	25045887	
P1309	PIN JACK	NPJ-3PDO656	1	25045884	
P1309	PIN JACK	NPJ-3PDO657	1	25045885	
P161	SOCKET	000010211-00006	1	25053422	
P161 or	SOCKET	YKF45-0029N	(1)	25053242	
P2102B	SOCKET	IMSA-9142S-18A	1	25053231	
P2103B	SOCKET	IMSA-9142S-16A	1	25053230	
P3101C	PLUG	NPLG-5P918	1	25055965R2	
P3605B	PLUG	IMSA-9111B-24	1	25056625	
P3607B	PLUG	IMSA-9111B-24	1	25056625	
P4500	PIN JACK	NPJ-6PDWWWRRR561	1	25045779	
P4500	PIN JACK	NPJ-6PDRW665	1	25045894	
P4501	PIN JACK	NPJ-6PDWWWRRR561	1	25045779	
P4501	PIN JACK	NPJ-6PDRW665	1	25045894	
P4502	PIN JACK	NPJ-4PDRW393	1	25045582	
P4502	PIN JACK	NPJ-4PDWRRR624	1	25045845	
P4506	PIN JACK	NPJ-1PDG741	1	25045991	N
P4506	PIN JACK	NPJ-1PDG742	1	25045992	
P4506 or	PIN JACK	NPJ-1PDG546	(1)	25045762	
P4506 or	PIN JACK	NPJ-1PDG713	(1)	25045950	
P4507	PIN JACK	NPJ-6PDLENT701	1	25045935	
P4507	PIN JACK	NPJ-6PDLENT702	1	25045936	
P4508	PIN JACK	NPJ-4PDRW393	1	25045582	
P4508	PIN JACK	NPJ-4PDWRRR624	1	25045845	
P4510A	SOCKET	NSCT-17P2197	1	25052300	
P4510B	PLUG	NPLG-17P0972	1	25056022	
P4511A	SOCKET	NSCT-19P2199	1	25052302	
P4511B	PLUG	NPLG-19P0974	1	25056024	
P4512B	CRIMP AS	CRIMP SR805_2	1	20799170UL	
P4513	CRIMP AS	CRIMP AS	1	2069925120UL	
P4517B	PLUG	S16B-PH-K-S	1	25056667	
P4519	HOLDER	HOLDER(CLAMP)	1	27190540-1	
P4520	HOLDER	HOLDER(CLAMP)	1	27190540-1	
P4521	TRM	NTM-1P232(M1700)	1	25060301	

P4522	TRM-423(SCREW)	NEJITANSI ST3	1	25060495
P6601B	PLUG	IMSA-9142B-20A	1	25056600
P6605B	PLUG	IMSA-9142B-22A	1	25056601
P7000	PLUG	NPLG-2P130	1	25055146
P7007A	SOCKET	IMSA-9618S-09A	1	25053334R2
P7009	TRM-423(SCREW)	NEJITANSI ST3	1	25060495
P7010	RETAINER	(PTH)	1	27141884-1
P7272A	PLUG	NPLG-20P0975	1	25056025
P7272B	SOCKET	NSCT-20P2200	1	25052303
P7501A	SOCKET	NSCT-25P2222	1	25052325
P7560C	SOCKET	NSCT-3P2183	1	25052286
P8000	SOCKET	MDS-15P-V02(DSUB15)	1	25053362
P8002A	SOCKET	NSCT-9P2400	1	25052503
P8888B	SOCKET(B to B)	IMSA-9850S-24Y900	1	25052815R2
[TUNER UNIT]				
U1301	PHT CP	JSR1165-001recieving	1	24120143
U1302	PHT CP	JSR1165-001recieving	1	24120143

ONKYO

ONKYO SOUND & VISION CORPORATION

Technical Support, Service Department
2-1, Nisshin-cho, Neyagawa-shi, OSAKA 572-8540, JAPAN
Tel: 072-831-8023 Fax: 072-831-8163

ONKYO U.S.A. CORPORATION

18 Park Way, Upper Saddle River, N.J. 07458, U.S.A.
Tel: 800-229-1687, 201-785-2600 Fax: 201-785-2650
<http://www.us.onkyo.com/>

ONKYO EUROPE ELECTRONICS GmbH

Liegnitzerstrasse 6, 82194 Groebenzell, GERMANY
Tel: +49-8142-4401-0 Fax: +49-8142-4208-213
<http://www.eu.onkyo.com/>

ONKYO EUROPE ELECTRONICS GmbH (UK BRANCH)

The Coach House 81A High Street, Marlow, Buckinghamshire, SL7 1AB, UK
Tel: +44-(0)1628-473-350 Fax: +44-(0)1628-401-700

ONKYO CHINA LIMITED

Unit 1033, 10/F, Star House, No 3, Salisbury Road, Tsim Sha Tsui Kowloon, Hong Kong.
Tel: 852-2429-3118 Fax: 852-2428-9039
<http://www.onkyochina.com/>

ONKYO CHINA PRC

1301, 555 Tower, No.555 West NanJin Road, Jin an, Shanghai,
China 200041, Tel: 86-21-52131366 Fax: 86-21-52130396
<http://www.cn.onkyo.com/>